

**Model: 356 50****Model life 1950>>1959**

## ORDER-INFO

THIS PARTS CATALOGUE CONTAINS ALL ORDER INFORMATION OF  
TYPES 356 FROM MODEL YEAR 1950 - 1955  
356-A FROM MODEL YEAR 1956 - 1959

IT IS AVAILABLE IN TWO EDITIONS IN THE FOLLOWING LANGUAGES:

## EDITION

USA, CANADA - \*

## EDITION

ALL OTHER COUNTRIES - GERMAN

\* - ENGLISH

- FRENCH

- ITALIAN

- SPANISH

UPDATING IS BEING PERFORMED BY CHANGING OF UPDATE.

THE EDITION CAN BE RECOGNIZED BY THE CURRENT NO.  
IN THE BOTTOM LINE OF SUBJECT UPDATE.

THE PREVIOUS UPDATE SHOULD NO LONGER BE USED.

ALL ILLUSTRATIONS ARE SUBJECT TO CHANGE WITHOUT OBLIGATION.

WE RESERVE THE RIGHT TO SUPPLY A SUBSEQUENTLY  
PRODUCED COMPONENT, ON WHICH ADDITIONAL WORK  
IS NECESSARY, INSTEAD OF THE COMPONENT LISTED IN  
THE CATALOGUE

Model: 356 50

Model life 1950&gt;&gt;1959

## SUMMARY TYPES

| VEHICLE TYPE        | MY | VEHICLE IDENT.NR.          | ENGINE TYPE  |
|---------------------|----|----------------------------|--------------|
| * 356 COUPE/CABRIO  | 50 | 05001>05410                | 369/1100     |
| * 356 COUPE/CABRIO  | 51 | 05132>05162<br>05411>05600 | 369/1100     |
| * 356 COUPE/CABRIO  | 51 | 10001>10170<br>10350>10432 | 506/1300     |
| * 356 COUPE/CABRIO  | 51 | 10531>11125                | 527/1500     |
| * 356 CABRIO        | 52 | 10433>10469                | 367/1100     |
| * 356 COUPE         | 52 | 11128>12084                | 506/1300     |
| * 356 CABRIO        | 52 | 12301>12387                | 527/1500     |
| * 356 COUPE         | 53 | 50001>50098                | 546/1500     |
| * 356 CABRIO        | 53 | 15001>15116                | 528/1500 S   |
| * 356 COUPE         | 53 | 50099>51645                | 369/1100     |
| * 356 CABRIO        | 53 | 60001>60394                | 369/1100     |
| * 356 COUPE         | 53 | 50099>51645                | 506/1300     |
| * 356 CABRIO        | 53 | 60001>60394                | 506/1300     |
| * 356 COUPE         | 53 | 50099>51645                | 546/1500     |
| * 356 CABRIO        | 53 | 60001>60394                | 546/1500     |
| * 356 COUPE         | 53 | 50099>51645                | 528/1500 S   |
| * 356 CABRIO        | 53 | 60001>60394                | 528/1500 S   |
| * 356 COUPE         | 54 | 50099>51645                | 589/1300 S   |
| * 356 CABRIO        | 54 | 60001>60394                | 589/1300 S   |
| * 356 COUPE         | 54 | 51648>53008                | 369/1100     |
| * 356 CABRIO        | 54 | 60395>60722                | 369/1100     |
| * 356 SPEEDSTER 540 | 54 | 80001>80200                | 369/1100     |
| * 356 COUPE         | 54 | 51648>53008                | 506/1300     |
| * 356 CABRIO        | 54 | 60395>60722                | 506/1300     |
| * 356 SPEEDSTER 540 | 54 | 80001>80200                | 506/1300     |
| * 356 COUPE         | 54 | 51648>53008                | 589/1300 S   |
| * 356 CABRIO        | 54 | 60395>60722                | 589/1300 S   |
| * 356 SPEEDSTER 540 | 54 | 80001>80200                | 589/1300 S   |
| * 356 COUPE         | 54 | 51648>53008                | 506/1/1300 A |
| * 356 CABRIO        | 54 | 60395>60722                | 506/1/1300 A |
| * 356 SPEEDSTER 540 | 54 | 80001>80200                | 506/1/1300 A |
| * 356 COUPE         | 54 | 51648>53008                | 546/1500     |
| * 356 CABRIO        | 54 | 60395>60722                | 546/1500     |
| * 356 SPEEDSTER 540 | 54 | 80001>80200                | 546/1500     |
| * 356 COUPE         | 54 | 51648>53008                | 528/1500 S   |
| * 356 CABRIO        | 54 | 60395>60722                | 528/1500 S   |
| * 356 SPEEDSTER 540 | 54 | 80001>80200                | 528/1500 S   |

\* PLEASE NOTE THE LAST PAGE OF  
VEHICLE IDENT.-NOS.-SUMMARY

Model: 356 50 Model life 1950>>1959

SUMMARY TYPES

| VEHICLE TYPE                 | MY | VEHICLE IDENT.NR. | ENGINE TYPE  |
|------------------------------|----|-------------------|--------------|
| * 356 COUPE                  | 55 | 51648>53008       | 506/2/1300   |
| * 356 CABRIO                 | 55 | 60395>60722       | 506/2/1300   |
| * 356 SPEDDSTER 540.1(T.1)   | 55 | 80001>80200       | 506/2/1300   |
| * 356 COUPE                  | 55 | 51648>53008       | 589/2/1300 S |
| * 356 CABRIO                 | 55 | 60395>60722       | 589/2/1300 S |
| * 356 SPEEDSTER 540.1(T.1)   | 55 | 80001>80200       | 589/2/1300 S |
| * 356 COUPE                  | 55 | 51648>53008       | 546/2/1500   |
| * 356 CABRIO                 | 55 | 60395>60722       | 546/2/1500   |
| * 356 SPEEDSTER 540.1(T.1)   | 55 | 80001>80200       | 546/2/1500   |
| * 356 COUPE                  | 55 | 51648>53008       | 528/2/1500 S |
| * 356 CABRIO                 | 55 | 60395>60722       | 528/2/1500 S |
| * 356 SPEEDSTER 540.1(T.1)   | 55 | 80001>80200       | 528/2/1500 S |
| * 356 COUPE                  | 55 | 53009>55000       | 506/2/1300   |
| * 356 CABRIO                 | 55 | 60723>61000       | 506/2/1300   |
| * 356 SPEEDSTER 540.1(T.1)   | 55 | 80201>81900       | 506/2/1300   |
| * 356 COUPE                  | 55 | 53009>55000       | 589/2/1300 S |
| * 356 CABRIO                 | 55 | 60723>61000       | 589/2/1300 S |
| * 356 SPEEDSTER 540.1(T.1)   | 55 | 80201>81900       | 589/2/1300 S |
| * 356 COUPE                  | 55 | 53009>55000       | 546/2/1500   |
| * 356 CABRIO                 | 55 | 60723>61000       | 546/2/1500   |
| * 356 SPEEDSTER 540.1(T.1)   | 55 | 80201>81900       | 546/2/1500   |
| * 356 COUPE                  | 55 | 53009>55000       | 528/2/1500 S |
| * 356 CABRIO                 | 55 | 60723>61000       | 528/2/1500 S |
| * 356 SPEEDSTER 540.1(T.1)   | 55 | 80201>81900       | 528/2/1500 S |
| * 356 A COUPE                | 56 | 55001>55390       | 506/2/1300   |
| * 356 A CABRIO               | 56 | 61001>61069       | 506/2/1300   |
| * 356 A SPEEDSTER 540.1(T.1) | 56 | 81901>82000       | 506/2/1300   |
| * 356 A COUPE                | 56 | 55001>55390       | 589/2/1300 S |
| * 356 A CABRIO               | 56 | 61001>61069       | 589/2/1300 S |
| * 356 A SPEEDSTER 540.1(T.1) | 56 | 81901>82000       | 589/2/1300 S |
| * 356 A COUPE                | 56 | 55001>55390       | 616/1/1600   |
| * 356 A CABRIO               | 56 | 61001>61069       | 616/1/1600   |
| * 356 A SPEEDSTER 540.1(T.1) | 56 | 81901>82000       | 616/1/1600   |
| * 356 A COUPE                | 56 | 55001>55390       | 616/2/1600 S |
| * 356 A CABRIO               | 56 | 61001>61069       | 616/2/1600 S |
| * 356 A SPEEDSTER 540.1(T.1) | 56 | 81901>82000       | 616/2/1600 S |
| * 356 A COUPE                | 56 | 55391>58311       | 506/2/1300   |
| * 356 A CABRIO               | 56 | 61070>61499       | 506/2/1300   |
| * 356 A SPEEDSTER 540.1(T.1) | 56 | 82001>82850       | 506/2/1300   |
| * 356 A COUPE                | 56 | 55391>58311       | 589/2/1300 S |
| * 356 A CABRIO               | 56 | 61070>61499       | 589/2/1300 S |
| * 356 A SPEEDSTER 540.1(T.1) | 56 | 82001>82850       | 589/2/1300 S |
| * 356 A COUPE                | 56 | 55391>58311       | 616/1/1600   |
| * 356 A CABRIO               | 56 | 61070>61499       | 616/1/1600   |
| * 356 A SPEEDSTER 540.1(T.1) | 56 | 82001>82850       | 616/1/1600   |
| * 356 A COUPE                | 56 | 55391>58311       | 616/2/1600 S |
| * 356 A CABRIO               | 56 | 61070>61499       | 616/2/1600 S |
| * 356 A SPEEDSTER 540.1(T.1) | 56 | 82001>82850       | 616/2/1600 S |

\* PLEASE NOTE THE LAST PAGE OF VEHICLE IDENT.-NOS.SUMMARY

Model: 356 50

Model life 1950&gt;&gt;1959

## SUMMARY TYPES

| VEHICLE TYPE                 | MY | VEHICLE IDENT.NR. | ENGINE TYPE  |
|------------------------------|----|-------------------|--------------|
| * 356 A COUPE                | 57 | 058312>059090     | 506/2/1300   |
| * 356 A CABRIO               | 57 | 061500>061700     | 506/2/1300   |
| * 356 A SPEDDSTER 540.1(T.2) | 57 | 082851>083691     | 506/2/1300   |
| * 356 A COUPE                | 57 | 058312>059090     | 589/2/1300 S |
| * 356 A CABRIO               | 57 | 061500>061700     | 589/2/1300 S |
| * 356 A SPEEDSTER 540.1(T.2) | 57 | 082851>083691     | 589/2/1300 S |
| * 356 A COUPE                | 57 | 100001>101892     | 616/1/1600   |
| * 356 A CABRIO               | 57 | 061701>061892     | 616/1/1600   |
| * 356 A SPEEDSTER 540.1(T.2) | 57 | 083692>083791     | 616/1/1600   |
| * 356 A COUPE                | 57 | 100001>101892     | 616/2/1600 S |
| * 356 A CABRIO               | 57 | 061701>061892     | 616/2/1600 S |
| * 356 A SPEEDSTER 540.1(T.2) | 57 | 083692>083791     | 616/2/1600 S |
| 356 A COUPE                  | 58 | 102505>106174     | 616/1/1600   |
| 356 A CABRIO                 | 58 | 150150>151531     | 616/1/1600   |
| 356 A SPEEDSTER              | 58 | 084367>084922     | 616/1/1600   |
| 356 A COUPE                  | 58 | 102505>106174     | 616/2/1600 S |
| 356 A CABRIO                 | 58 | 150150>151531     | 616/2/1600 S |
| 356 A CONVERTIBLE D          | 58 | 085501>085886     | 616/2/1600 S |
| 356 A COUPE                  | 59 | 106175>108917     | 616/1/1600   |
| 356 A CABRIO                 | 59 | 151532>152475     | 616/1/1600   |
| 356 A CONVERTIBLE D          | 59 | 085887>086830     | 616/1/1600   |
| 356 A COUPE                  | 59 | 106175>108917     | 616/2/1600 S |
| 356 A CABRIO                 | 59 | 151532>152475     | 616/2/1600 S |
| 356 A CONVERTIBLE D          | 59 | 085887>086830     | 616/2/1600 S |

\* PLEASE NOTE THE LAST PAGE OF  
VEHICLE IDENT.-NOS.SUMMARY

Model: 356 50 Model life 1950>>1959

## SUMMARY TYPES

| VEHICLE TYPE               | MY | VEHICLE IDENT.NR. | ENGINE TYPE |
|----------------------------|----|-------------------|-------------|
| 356 COUPE                  | 50 | 005001>005600     |             |
| 356 CABRIO                 | 50 | 005015            |             |
| 356 CABRIO                 | 50 | 005115            |             |
| 356 CABRIO                 | 50 | 005131>005138     |             |
| 356 CABRIO (GLAESER-HEUER) | 50 | 005001            |             |
| 356 CABRIO (GLAESER-HEUER) | 50 | 005017            |             |
| 356 CABRIO (GLAESER-HEUER) | 50 | 005027>005028     |             |
| 356 CABRIO (GLAESER-HEUER) | 50 | 005105>005130     |             |
| 356 CABRIO (GLAESER-HEUER) | 50 | 005139>005162     |             |
| 356 COUPE                  | 51 | 010531>011360     |             |
| 356 CABRIO                 | 51 | 010001>010270     |             |
| 356 CABRIO (GLAESER-HEUER) | 51 | 010351>010469     |             |
| 356 COUPE                  | 52 | 011361>011778     |             |
| 356 CABRIO                 | 52 | 010271>010350     |             |
| 356 CABRIO                 | 52 | 015001>015072     |             |
| 356 CABRIO (GLAESER-HEUER) | 52 | 012301>012385     |             |
| 356 COUPE                  | 53 | 011779>012084     |             |
| 356 COUPE                  | 53 | 050001>052029     |             |
| 356 CABRIO                 | 53 | 015073>015115     |             |
| 356 CABRIO                 | 53 | 060001>060549     |             |
| 356 COUPE                  | 54 | 052030>054223     |             |
| 356 CABRIO                 | 54 | 060550>060923     |             |
| 356 COUPE                  | 55 | 052030>054223     |             |
| 356 A COUPE                | 55 | 055001>059099     |             |
| 356 A CABRIO               | 55 | 060550>060923     |             |
| 356 A SPEEDSTER 540        | 55 | 080001>081234     |             |
| 356 A COUPE                | 56 | 055001>059099     |             |
| 356 A CABRIO               | 56 | 061001>061618     |             |
| 356 A SPEEDSTER 540        | 56 | 080001>081234     |             |
| 356 A COUPE (T1)           | 57 | 100001>101692     |             |
| 356 A COUPE (T2)           | 57 | 101693>           |             |
| 356 A CABRIO               | 57 | 061701>061892     |             |
| 356 A SPEEDSTER 540.1(T1)  | 57 | 082001>083791     |             |

| Model: | 356 50 | Model life | 1950>>1959 |
|--------|--------|------------|------------|
|--------|--------|------------|------------|

|                           |    |               |
|---------------------------|----|---------------|
| 356 A SPEEDSTER 540.1(T2) | 57 | 083792>084999 |
|---------------------------|----|---------------|

|               |    |         |
|---------------|----|---------|
| 356 A HARDTOP | 57 | 150001> |
|---------------|----|---------|

Model: 356 50

Model life 1950&gt;&gt;1959

## SUMMARY ENGINES

| VEHICLE TYPE |                        | MOTOR<br>TYPE | MY | ENGINE NO.                 | TECNICAL DATA    |
|--------------|------------------------|---------------|----|----------------------------|------------------|
| 356          | COUPE/CABRIO           | 369           | 50 | 00101>00411                | 4ZYL/1,1L /29 KW |
| 356          | COUPE/CABRIO           | 369           | 51 | 00412>00999<br>10001>10137 | 4ZYL/1,1L /29 KW |
| 356          | COUPE/CABRIO           | 506           | 51 | 01001>01099<br>20001>20821 | 4ZYL/1,3L /32 KW |
| 356          | COUPE/CABRIO           | 527           | 52 | 30001>30737                | 4ZYL/1,5L /44 KW |
| 356          | CABRIO                 | 369           | 52 | 10138>10151                | 4ZYL/1,1L /29 KW |
| 356          | COUPE                  | 508           | 52 | 20822>21297                | 4ZYL/1,3L /32 KW |
| 356          | CABRIO                 | 527           | 52 | 30738>30750                | 4ZYL/1,5L /44 KW |
| 356          | COUPE                  | 546           | 53 | 30751>31025                | 4ZYL/1,5L /40 KW |
| 356          | CABRIO                 | 528           | 53 | 40001>40117                | 4ZYL/1,5L /51 KW |
| 356          | COUPE/CABRIO           | 369           | 53 | 10152>10161                | 4ZYL/1,1L /29 KW |
| 356          | COUPE/CABRIO           | 506           | 53 | 21298>21636                | 4ZYL/1,3L /32 KW |
| 356          | COUPE/CABRIO           | 546           | 53 | 31026>32569                | 4ZYL/1,5L /40 KW |
| 356          | COUPE/CABRIO           | 528           | 53 | 40118>40685                | 4ZYL/1,5L /40 KW |
| 356          | COUPE/CABRIOLET        | 589           | 54 | 50001>50017                | 4ZYL/1,3L /44 KW |
| 356          | COUPE/CABRIO/SPEEDSTER | 369           | 54 | 10162>10199                | 4ZYL/1,1L /29 KW |
| 356          | COUPE/CABRIO/SPEEDSTER | 506           | 54 | 21637>21780                | 4ZYL/1,3L /32 KW |
| 356          | COUPE/CABRIO/SPEEDSTER | 589           | 54 | 50018>50019                | 4ZYL/1,3L /44 KW |
| 356          | COUPE/CABRIO/SPEEDSTER | 506/1         | 54 | 21781>21999                | 4ZYL/1,3L /32 KW |
| 356          | COUPE/CABRIO/SPEEDSTER | 546           | 54 | 32570>33899                | 4ZYL/1,5L /40 KW |
| 356          | COUPE/CABRIO/SPEEDSTER | 528           | 54 | 40686>40999                | 4ZYL/1,5L /51 KW |
| 356          | COUPE/CABRIO/SPEEDSTER | 506/2         | 55 | 22001>22021                | 4ZYL/1,3L /32 KW |
| 356          | COUPE/CABRIO/SPEEDSTER | 589/2         | 55 | 50101>50127                | 4ZYL/1,3L /44 KW |
| 356          | COUPE/CABRIO/SPEEDSTER | 546/2         | 55 | 33901>34119                | 4ZYL/1,5L /40 KW |
| 356          | COUPE/CABRIO/SPEEDSTER | 528/2         | 55 | 41001>41048                | 4ZYL/1,5L /51 KW |
| 356          | COUPE/CABRIO/SPEEDSTER | 506/2         | 55 | 22022>22245                | 4ZYL/1,3L /32 KW |
| 356          | COUPE/CABRIO/SPEEDSTER | 589/2         | 55 | 50101>50127                | 4ZYL/1,3L /44 KW |
| 356          | COUPE/CABRIO/SPEEDSTER | 546/2         | 55 | 34120>35790                | 4ZYL/1,5L /40 KW |
| 356          | COUPE/CABRIO/SPEEDSTER | 528/2         | 55 | 41049>41999                | 4ZYL/1,5L /51 KW |
| 356 A        | CARRERA GS             | 547/1         | 56 | P90501>P90959              | 4ZYL/1,6L /73/KW |
| 356 A        | CARRERA GT             | 547/1         | 56 | P90501>P90959              | 4ZYL/1,6L /80/KW |
| 356 A        | COUPE/CABRIO/SPEEDSTER | 506/2         | 56 | 22246>22273                | 4ZYL/1,3L /32 KW |
| 356 A        | COUPE/CABRIO/SPEEDSTER | 589/2         | 56 | 50128>50135                | 4ZYL/1,3L /44 KW |
| 356 A        | COUPE/CABRIO/SPEEDSTER | 616/1         | 56 | 60001>60608                | 4ZYL/1,6L /44 KW |
| 356 A        | COUPE/CABRIO/SPEEDSTER | 616/2         | 56 | 80001>80110                | 4ZYL/1,6L /55 KW |
| 356 A        | COUPE/CABRIO/SPEEDSTER | 506/2         | 56 | 22274>22471                | 4ZYL/1,3L /32 KW |
| 356 A        | COUPE/CABRIO/SPEEDSTER | 589/2         | 56 | 50136>50155                | 4ZYL/1,3L /44 KW |
| 356 A        | COUPE/CABRIO/SPEEDSTER | 616/1         | 56 | 60609>63926                | 4ZYL/1,6L /44 KW |
| 356 A        | COUPE/CABRIO/SPEEDSTER | 616/2         | 56 | 80111>80756                | 4ZYL/1,6L /55 KW |
| 356 A        | CARRERA GS             | 547/1         | 57 | P90501/P90959              | 4ZYL/1,6L /73 KW |
| 356 A        | CARRERA GT             | 547/1         | 57 | P90501/P90959              | 4ZYL/1,6L /80 KW |
| 356 A        | COUPE/CABRIO/SPEEDSTER | 506/2         | 57 | 22472>22999                | 4ZYL/1,3L /32 KW |
| 356 A        | COUPE/CABRIO/SPEEDSTER | 589/2         | 57 | 50156>50999                | 4ZYL/1,3L /44 KW |
| 356 A        | COUPE/CABRIO/SPEEDSTER | 616/1         | 57 | 63927>66999                | 4ZYL/1,6L /44 KW |
| 356 A        | COUPE/CABRIO/SPEEDSTER | 616/2         | 57 | 80757>81199                | 4ZYL/1,6L /55 KW |

Model: 356 50

Model life 1950&gt;&gt;1959

## SUMMARY ENGINES

| VEHICLE TYPE                 | TYPE  | MY | ENGINE NO.    | TECNICAL DATA    |
|------------------------------|-------|----|---------------|------------------|
| 356 A CARRERA GS             | 547/1 | 58 | P90501>P90959 | 4ZYL/1,6L /73 KW |
| 356 A CARRERA GT             | 547/1 | 58 | P90501>P90959 | 4ZYL/1,6L /80 KW |
| 356 A COUPE/CABRIO/SPEEDSTER | 616/1 | 58 | 67001>68216   | 4ZYL/1,6L /44 KW |
| 356 A COUPE/CABRIO/SPEEDSTER | 616/2 | 58 | 81201>81521   | 4ZYL/1,6L /55 KW |
| 356 A COUPE/CABRIO/SPEEDSTER | 616/1 | 58 | 68217>72468   | 4ZYL/1,6L /44 KW |
| 356 A COUPE/CABRIO/SPEEDSTER | 616/2 | 58 | 81522>83145   | 4ZYL/1,6L /55 KW |
| 356 A CARRERA GS             | 547/1 | 59 | P90501>P90959 | 4ZYL/1,6L /73 KW |
| 356 A CARRERA GT             | 547/1 | 59 | P90501>P90959 | 4ZYL/1,6L /80 KW |
| 356 A CARRERA GT             | 692/0 | 59 | P91001>P91037 | 4ZYL/1,6L /80 KW |
| 356 A CARRERA GT             | 692/1 | 59 | P92001>P92014 | 4ZYL/1,6L /80 KW |
| 356 A CARRERA GS             | 692/2 | 59 | P93001>P93062 | 4ZYL/1,6L /77 KW |
| 356 A COUPE/CABRIO/SPEEDSTER | 616/1 | 59 | 72469>79999   | 4ZYL/1,6L /44 KW |
| 356 A COUPE/CABRIO/SPEEDSTER | 616/2 | 59 | 83146>84770   | 4ZYL/1,6L /55 KW |



**Model: 356 50****Model life 1950>>1959**

## SUMM. TRANSMISS.

| VEHICLE TYPE                                   | TRANSM. |    | TRANSMISSION NO. | TECNICAL DATA |
|--|---------|----|------------------|---------------|
|  | TYPE    | MY |                  |               |
| 356  |         | 50 |                  | 4-SPEED       |
| 356 COUPE/CABRIO<br>SPEEDSTER                  | 519     | 52 | >10999           | 4-SPEED       |
| 356 A COUPE/CABRIO<br>SPEEDSTER                | 519     | 52 | >10999           | 4-SPEED       |
| 356 A COUPE/CABRIO<br>SPEEDSTER<br>CONVERTIBLE | 644     | 57 | 11001>24999      | 4-SPEED       |
| 356 A COUPE/CABRIO<br>SPEEDSTER<br>CONVERTIBLE | 716     | 59 | 25001>31999      | 4-SPEED       |

Model: 356 50

Model life 1950>>1959

LEGENDS/NOTICES

LEGENDS AND NOTICES

=====

IN COLUMN -S- STATUS

-----

- N NEW ADDITION
- P PART ALREADY IN PROGRAMME, BUT NEW AT THIS APPLICATION
- E THIS PART NO. IS NO LONGER AVAILABLE FROM PORSCHE
- W DELETED AT THIS APPLICATION, BUT CONTINUED, TO BE CARRIED
- A STOCK TO BE USED UP
- U DELETED WITHOUT REPLACEMENT
- \* PART ALSO OR ONLY AVAILABLE IN REPAIR KIT
- > ALSO AVAILABLE IN EXCHANGE

IN COLUMN - ILL. -

-----

- 1 IDENTIFICATION NO. IN ILLUSTRATION
- (1) PART ONLY SIMILAR AS ILLUSTRATED
- PART IS NOT ILLUSTRATED

FIG.-NUMBERS FOR WHICH THERE IS SHOWN NO TEXT ARE NOT VALID FOR THIS EDITION OF CATALOGUE

IN COLUMN -PART NUMBER/CODE-

-----

000 000 000 00 PART NUMBER EQUALS ORDERING NO., IF A CODE IS SHOWN, IT WILL HAVE TO BE PART OF ORDERING NUMBER

01C COLOUR CODE

IN COLUMN -TEXT

-----

INSTALLATION WITH ENGINE OR CHASSIS NUMBER-RANGE

EXAMPLE:

**Model: 356 50****Model life 1950>>1959**

M 640 0391 &gt;&gt; FROM ENGINE NO.

F &gt;&gt; 914043 0391 UP TO CHASSIS NO.

Model: 356 50

Model life 1950>>1959

LEGENDS/NOTICES

IN COLUMN - A -  
-----

IDENTIFICATION LETTER FOR PERIOD OF INSTALLATION  
THAT IS REPEATED SEVERAL TIMES IN THE CATALOG GROUP.

EXPLANATION PLEASE FIND IN TEXT COLUMN OF THE CATALOG GROUP

IN COLUMN - QU - = NO. OF PIECES  
-----

- 1 NUMBER PER APPLICATION
- X NUMBER AS NEEDED
- \* AVAILABLE ONLY IN RUNNING LENGTHS 1 = 1 METRE

IN COLUMN - MODEL/SYMBOL -  
-----

- M650 OPTIONAL EQUIPMENT - SEE M-NO. LIST
- 94 LIMITATION OF MODEL YEAR FOR INSTANCE: VALID UP TO  
END OF MODEL YEAR 1994
- /LL LHD
- /RL RHD
- +
- /V FRONT I  
I
- /H REAR I  
I----> APPLIES TO
- /L LEFT I DIRECTION OF TRAVEL  
I
- /R RIGHT I  
-----+
- WW THE PART CAN BE USED INSTEAD OF THE  
PRECEDING ONE.

Model: 356 50

Model life 1950&gt;&gt;1959

COUNTRY-EQIPM.

## EQUIPMENT BY COUNTRY REGULATIONS

=====

|       |                             |
|-------|-----------------------------|
| (A)   | AUSTRIA                     |
| (AUS) | AUSTRALIA                   |
| (B)   | BELGIUM                     |
| (CDN) | CANADA                      |
| (CH)  | SWITZERLAND                 |
| (D)   | FEDERAL REPUBLIC OF GERMANY |
| (DK)  | DENMARK                     |
| (E)   | SPAIN                       |
| (F)   | FRANCE                      |
| (GB)  | GREAT BRITAIN               |
| (GR)  | GREECE                      |
| (HK)  | HONGKONG                    |
| (I)   | ITALY                       |
| (J)   | JAPAN                       |
| (L)   | LUXEMBURG                   |
| (N)   | NORWAY                      |
| (NL)  | NETHERLANDS                 |
| (NZ)  | NEW ZEALAND                 |
| (P)   | PORTUGAL                    |
| (RC)  | TAIWAN                      |
| (S)   | SWEDEN                      |
| (SA)  | SAUDI ARABIA                |
| (SF)  | FINLAND                     |
| (USA) | UNITED STATES OF AMERICA    |
| (ZA)  | SOUTH AFRICA                |

Model: 356 50

Model life 1950>>1959



Model: 356 50

Model life 1950>>1959

| Pos | Part Number    | Description  | Remark | Qty | Model             |
|-----|----------------|--|--------|-----|-------------------|
| -   | PCG 143 110 00 | Tool<br>And<br>Accessories<br>Grease gun                               |        | 1   | 356 / 356A<br>356 |
| -   | 356 72 106     | Tool<br>Jack   |        | 1   |                   |
| -   | 356 72 108     | Operating rod  |        | 1   |                   |
| -   | 356 72 103     | Tool bag   |        | 1   |                   |
| -   | 356 72 101 1   | Spark plug wrench  |        | 1   |                   |
| -   | 012 281 A      | Ring wrench<br>36 MM   |        | 1   |                   |
| -   |                | Tyre pressure gauge<br>L 709 024                                       |        | 1   |                   |
| -   | 999 571 045 02 | Rim wrench<br>Crank  |        | 1   |                   |
| -   | 999 192 006 50 | Narrow v-belt  |        | 1   |                   |
| -   | 356 72 010     | Tool bag<br>with contents<br>Complete                                  |        | 1   |                   |
| -   | 644 721 001 02 | Tool<br>And<br>Accessories<br>Tool bag<br>with contents<br>Comprising: |        | 1   | 356 A             |
| -   | 644 721 010 01 | Tool bag   |        | 1   |                   |
| -   | 644 721 201 03 | Spark plug wrench  |        | 1   |                   |
| -   | 644 721 221 01 | Rim wrench<br>19   |        | 1   |                   |
| -   | 999 195 011 02 | Double-end spanner<br>8 X 9  |        | 1   |                   |
| -   | 999 195 012 02 | Double-end spanner<br>10 X 11  |        | 1   |                   |
| -   | 999 195 013 02 | Double-end spanner<br>12 X 14  |        | 1   |                   |
| -   | 999 195 015 02 | Double-end spanner<br>17 X 19  |        | 1   |                   |
| -   | 999 571 002 02 | Ring wrench<br>36  |        | 1   |                   |
| -   | 999 191 002 02 | Screwdriver  |        | 1   |                   |
| -   | 900 137 001 02 | Phillips screwdriver<br>B 2  |        | 1   |                   |
| -   | 999 107 002 02 | Universal pliers<br>170 MM<br>Long                                     |        | 1   |                   |
| -   | 999 192 006 50 | Narrow v-belt  |        | 1   |                   |
| -   | 644 722 201 01 | Tyre pressure gauge<br>- MESKO -<br>with<br>Bag                        |        | 1   |                   |
| -   | N 020 112 1    | Ball seat nut<br>Ball seat nut<br>A 14                                 |        | 1   |                   |
| -   | 644 721 013 00 | Bag<br>with<br>5<br>Lock<br>Tool<br>And<br>Accessories                 |        | 1   | CARRERA           |
| -   | 644 721 001 12 | Tool bag<br>with contents<br>Comprising:                               |        | 1   |                   |

Model: 356 50

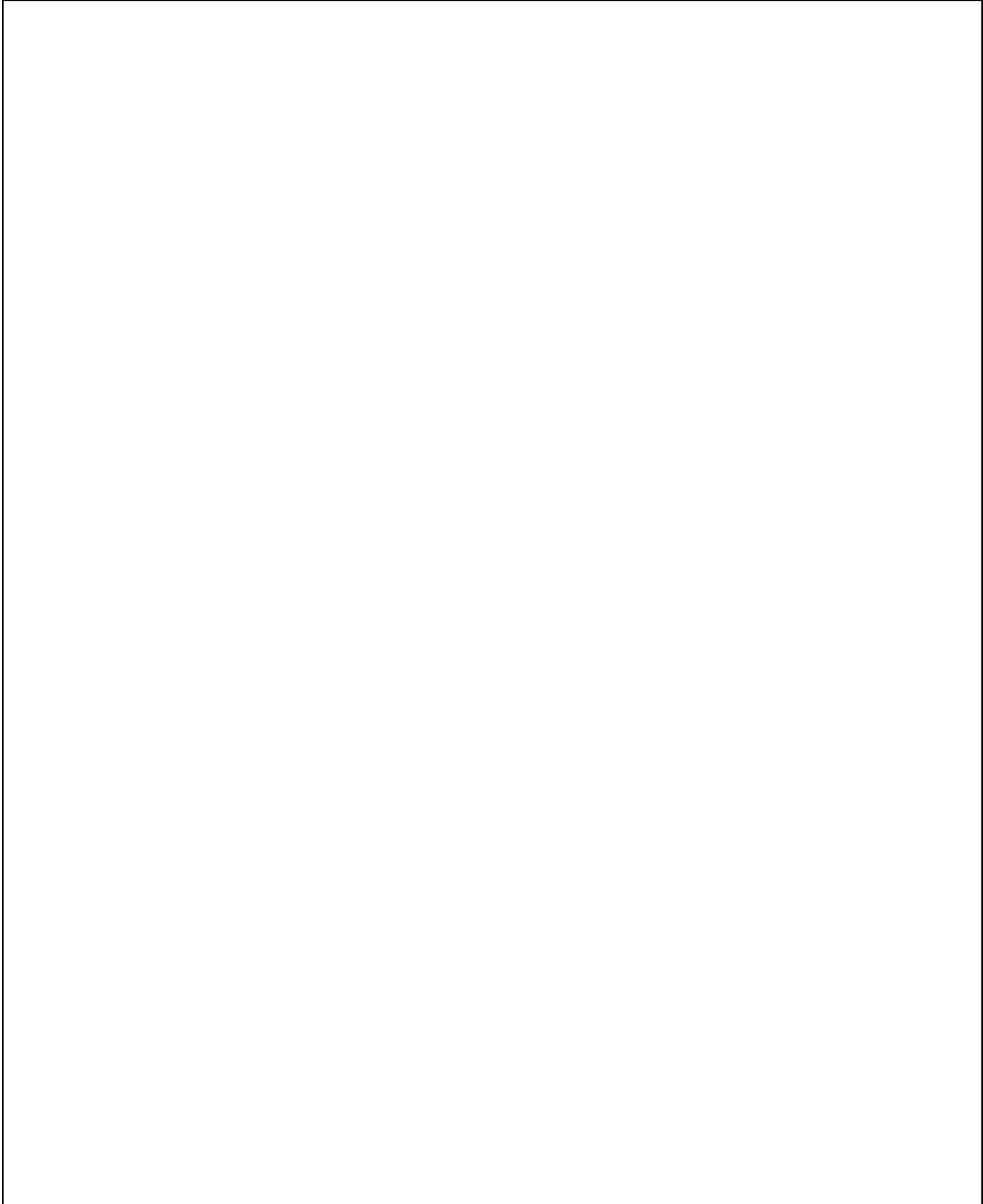
Model life 1950&gt;&gt;1959

| Pos | Part Number    | Description                                     | Remark | Qty | Model |
|-----|----------------|---|--------|-----|-------|
| -   | 644 721 010 01 | Tool bag  |        | 1   |       |
| -   | 644 721 221 01 | Rim wrench<br>19                                |        | 1   |       |
| -   | 999 195 011 02 | Double-end spanner<br>8 X 9                     |        | 1   |       |
| -   | 999 195 012 02 | Double-end spanner<br>10 X 11                   |        | 1   |       |
| -   | 999 195 013 02 | Double-end spanner<br>12 X 14                   |        | 1   |       |
| -   | 999 195 015 02 | Double-end spanner<br>17 X 19                   |        | 1   |       |
| -   | 999 191 002 02 | Screwdriver                                     |        | 1   |       |
| -   | 900 137 001 02 | Phillips screwdriver<br>B 2                     |        | 1   |       |
| -   | 999 107 002 02 | Universal pliers                                |        | 1   |       |
| -   | 999 192 006 50 | Narrow v-belt                                   |        | 1   |       |
| -   | 644 722 201 01 | Tyre pressure gauge<br>- MESKO -<br>with<br>Bag |        | 1   |       |
| -   | N 020 112 1    | Ball seat nut<br>Ball seat nut<br>A 14          |        | 1   |       |
| -   | 999 571 001 02 | Ring wrench<br>36                               |        | 1   |       |
| -   | 900 066 002 02 | Allen key<br>6                                  |        | 1   |       |
| -   | 547 721 702 01 | Retaining bracket<br>V-belt                     |        | 1   |       |
| -   | 644 721 261 01 | Socket wrench<br>12                             |        | 1   |       |
| -   | 644 721 262 01 | Socket wrench                                   |        | 1   |       |
| -   | 999 571 025 02 | Spark plug wrench<br>Complete<br>Comprising:    |        | 1   |       |
| -   | 999 571 026 02 | Socket wrench<br>3/8"                           |        | 1   |       |
| -   | 999 571 027 02 | Extension<br>4"                                 |        | 1   |       |
| -   | 999 571 028 02 | Ball joint<br>Articulated piece                 |        | 2   |       |
| -   | 999 571 029 02 | Double socket wrench                            |        | 1   |       |
| -   | 644 721 013 00 | Bag<br>with<br>5<br>Lock                        |        | 1   |       |
| -   | 644 722 010 00 | Jack  |        | 1   |       |
| -   | 644 721 263 00 | Socket wrench<br>17                             |        | 1   |       |



Model: 356 50

Model life 1950>>1959



Model: 356 50 Model life 1950>>1959

| Pos | Part Number    | Description                               | Remark | Qty | Model              |
|-----|----------------|---|--------|-----|--------------------|
| -   | 644 631 090 00 | Accessories<br>Box with bulbs<br>6 VOLT   |        | 1   |                    |
| -   | 000 043 203 09 | Charger<br>6 VOLT                         |        | 1   |                    |
| -   | 000 043 202 43 | Charger<br>12 VOLT                        |        | 1   |                    |
| -   | 980 611 980 00 | Charger<br>12 VOLT                        |        | 1   |                    |
| -   | 644 801 010 02 | Bracket<br>with<br>Belt                   |        | 1   |                    |
| -   | 644 801 951 01 | Belt<br>for<br>Luggage rack               |        | 4   |                    |
| -   | 644 802 951 00 | Leather strap<br>for<br>Suitcase<br>Mount |        | X   |                    |
| -   | PCG 043 202 04 | Cover<br>with<br>Porsche crest            |        | 1   | 356, 356A<br>Coupe |

Model: 356 50

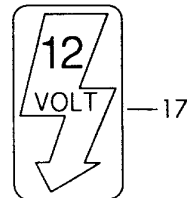
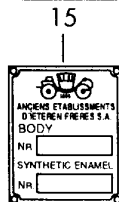
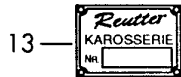
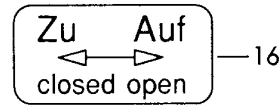
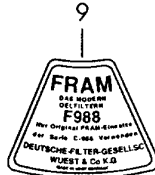
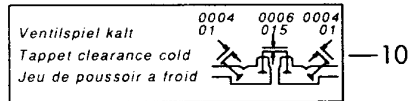
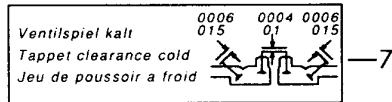
Model life 1950>>1959



3



5

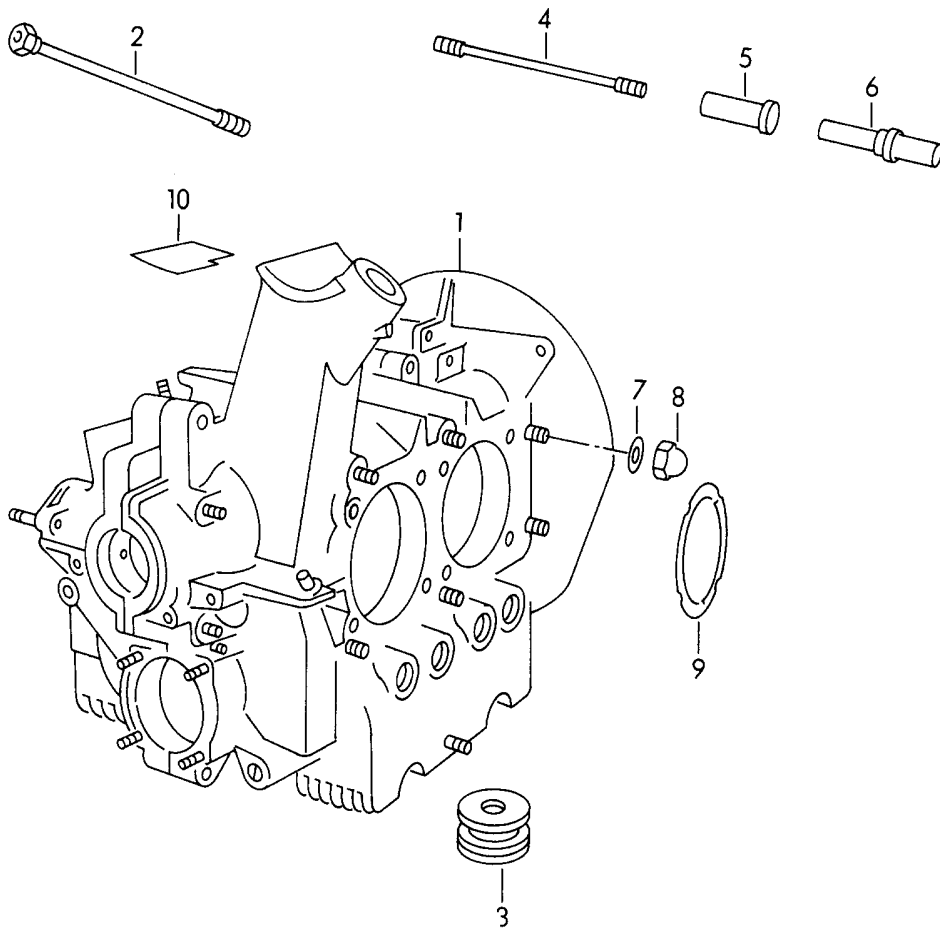


Model: 356 50 Model life 1950>>1959

| Pos | Part Number    | Description  | Remark | Qty | Model |
|-----|----------------|--|--------|-----|-------|
| 1   | PSP 723 111 00 | Badge<br>Sticker<br>Set of fastening parts   |        | X   |       |
| 1   | PCG 723 002 00 | Badge  |        | X   |       |
| 1   | PSP 723 002 00 | Badge  |        | X   |       |
| 2   | PCG 723 003 00 | Badge  |        | X   |       |
| 2   | PSP 723 003 00 | Badge<br>Export  |        | X   |       |
| 3   | PCG 723 004 00 | Badge  |        | X   |       |
| 3   | PSP 723 004 00 | Badge  |        | X   |       |
| 3   | PSP 723 006 00 | Badge  |        | X   |       |
| 4   | PCG 723 001 00 | Badge  |        | X   |       |
| 4   | PSP 723 001 00 | Badge  |        | X   |       |
| 5   | PCG 723 011 00 | Badge  |        | X   |       |
| 6   | PCG 723 008 00 | Badge  |        | X   |       |
| 7   | 546 72 203     | Sticker<br>Valve clearance   |        | X   |       |
| 8   | PCG 701 003 00 | Sticker  |        | X   |       |
| 9   | PCG 701 009 00 | Sticker  |        | X   |       |
| 10  | PCG 701 015 00 | Decal label  |        | X   |       |
| 11  | PCG 701 008 00 | Sticker  |        | X   |       |
| 12  | PCG 701 103 00 | Badge  |        | X   |       |
| 12  | PSP 701 103 00 | Badge  |        | X   |       |
| 13  | PCG 701 102 00 | Badge  |        | X   |       |
| 13  | PSP 701 102 00 | Badge  |        | X   |       |
| 14  | PCG 701 104 00 | Badge  |        | X   |       |
| 15  | PCG 701 106 00 | Badge  |        | X   |       |
| 16  | PCG 701 587 00 | Sticker  |        | X   |       |
| 17  | PCG 701 833 00 | Sticker  |        | X   |       |
| -   | PCG 701 004 00 | Sticker  |        | X   |       |
| -   | PCG 701 005 00 | Oil filter<br>Intake<br>Colour<br>Silver<br>Sticker<br>Oil filter<br>Intake<br>Colour<br>Red |        | X   |       |

Model: 356 50

Model life 1950>>1959

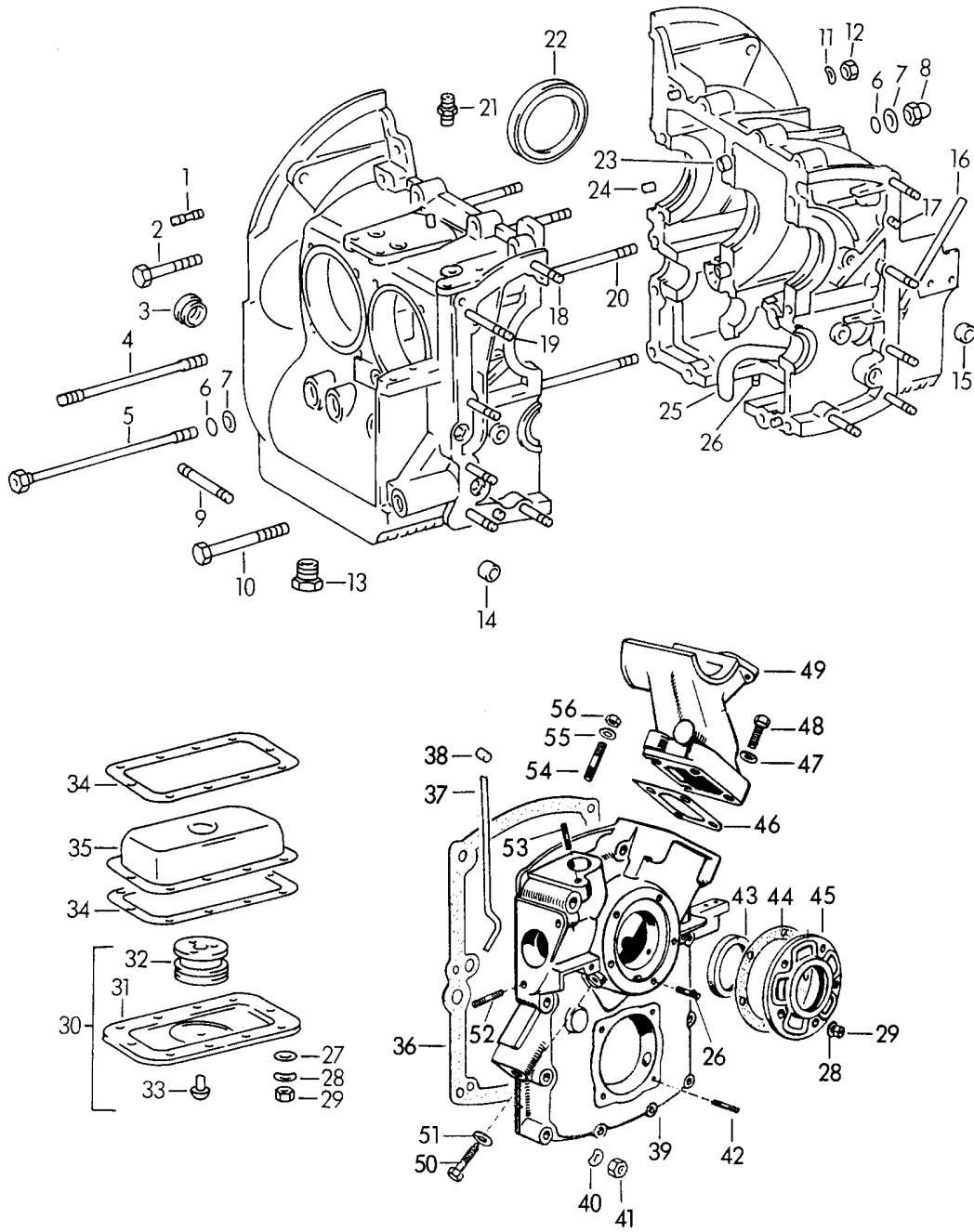


Model: 356 50 Model life 1950>>1959

| Pos | Part Number  | Description   | Remark | Qty | Model  |
|-----|--------------|---|--------|-----|--|
| 1   | 506 01 101   | Crankcase<br>M >> 10 199<br>M >> 21 780<br>M >> 50 099<br>M >> 21 999<br>M >> 33 899<br>M >> 40 999 |        | 1   | 1100<br>1300<br>1300 S<br>1300 A<br>1500<br>1500 S<br>1300 |
| -   | 111 101 025  | Crankcase<br>VW 101 021<br>for<br>Cylinder<br>80 MM   |        | 1   | 1100   |
| -   | 546 01 127   | Crankcase   |        | 1   | 1500   |
| -   | 528 01 101   | Crankcase   |        | 1   | 1500 S   |
| 2   | 528 01 107   | Hexagon-head bolt<br>Tensioning device  |        | 2   | 1300<br>1500 /S  |
| 3   | 369 01 101   | Magnet  |        | 1   |  |
| 4   | 369 01 110   | Stud  |        | 16  |  |
| 5   | 369 04 211   | Cylinder head nut   |        | 4   |  |
| 6   | 369 04 210   | Cylinder head nut   |        | 4   |  |
| 7   | 369 01 111   | Washer<br>Copper  |        | 6   |  |
| 8   | 369 01 112 1 | Cap nut   |        | 6   |  |
| (9) | 369 04 07 5  | Gasket<br>Cylinder<br>\$ 73,5 MM<br>ABIL  |        | 4   | 1100   |
| 9   | 500 04 103   | Gasket<br><br>Cylinder<br>\$ 80 MM  |        | 4   | 1300<br>1500 /S  |
| 10  | 369 01 105   | Copper<br>Gasket  |        | 1   |  |

Model: 356 50

Model life 1950>>1959



Model: 356 50 Model life 1950>>1959

| Pos | Part Number    | Description  | Remark | Qty | Model  |
|-----|----------------|--|--------|-----|--|
| -   | 539 01 001 10  | Crankcase<br>M 22 001 >><br>M 50 101 >><br>M 33 901 >><br>M 41 001 >><br>M 60 001 >><br>M 80 001 >><br>Crankcase<br>with<br>Housing cover<br>with<br>Bearing<br>4<br>And<br>with studs<br>M 22 001 >> 22 489<br>M 50 101 >> 50 162<br>M 33 901 >> 35 794<br>M 41 001 >> 41 425<br>M 60 001 >> 67 000<br>M 80 001 >> 81 200 |        | 1   | 1300<br>1300 S<br>1500<br>1500 S<br>1600<br>1600 S |
| -   | 616 01 001 10  | Crankcase<br>with<br>Housing cover<br>with<br>Bearing<br>4<br>And<br>with studs<br>M 67 001 >> 68 897<br>M 81 201 >> 81 707  |        | 1   | 1300<br>1300 S<br>1500<br>1500 S<br>1600<br>1600 S |
| -   | 616 01 001 20  | Crankcase<br>with<br>Housing cover<br>with<br>Bearing<br>4<br>And<br>with studs<br>M 68 898 >> 73 326<br>M 81 708 >> 83 424  |        | 1   | 1600<br>1600 S                                     |
| -   | 616 01 001 21  | Crankcase<br>with<br>Housing cover<br>with<br>Bearing<br>4<br>And<br>with studs<br>M 73 237 >><br>M 83 425 >>  |        | 1   | 1600<br>1600 S                                     |
| 1   | 999 062 008 02 | Stud<br>BM 8 X 25<br>for<br>Cover  |        | 2   | 1600<br>1600 S                                     |
| 2   | 900 074 042 02 | Camshaft<br>Hexagon-head bolt<br>M 8 X 60  |        | 7   |  |
| 3   | 539 01 132     | Cover<br>for<br>Camshaft   |        | 1   |  |
| 4   | 539 01 118     | Stud   |        | 16  |  |
| 5   | 528 01 107     | Hexagon-head bolt  |        | 1   |  |



Model: 356 50 Model life 1950>>1959

| Pos  | Part Number    | Description   | Remark | Qty | Model |
|------|----------------|---|--------|-----|-------|
| -    |                | Tensioning device<br>for<br>Crankcase<br>539. 01.001.10<br>Hexagon-head bolt      |        | 1   |       |
| 6    | 999 701 006 40 | Tensioning device<br>for<br>Crankcase<br>616. ...                                 |        | 7   |       |
| 7    | 369 01 111     | O-ring  |        | 7   |       |
| 8    | 999 070 004 02 | Washer<br>\$ 10<br>Copper   |        | 6   |       |
| 8    | 999 070 004 03 | Cap nut   |        | 6   |       |
| 9    | 539 01 114     | Cap nut   |        | 2   |       |
| 10   | N 010 388 3    | Stud<br>for<br>Mount<br>Transmission  |        | 1   |       |
| 11   | 900 028 010 01 | Hexagon-head bolt<br>M 8 X 90   |        | 10  |       |
| 12   | 900 076 013 0C | Spring washer<br>B8   |        | 10  |       |
| 12   | 900 076 025 02 | Hexagon nut<br>M 8  |        | 10  |       |
| 12   | 900 076 064 02 | Hexagon nut<br>M 8  |        | 10  |       |
| 13   | 539 01 133     | Hexagon nut<br>M 8  |        | 1   |       |
| (14) | 911 101 123 00 | Drain plug  |        | 2   |       |
| 14   | 616 101 123 00 | Sealing ring<br>Oil duct<br>Crankcase<br>539. 01.001.10                           |        | 2   |       |
| 15   | 539 01 122     | Sealing ring<br>Oil duct<br>Crankcase<br>616. ...                                 |        | 1   |       |
| (16) | 539 07 729     | Gasket<br>for<br>Oil duct<br>Guide tube<br>178 MM                                 |        | 1   |       |
| (16) | 539 07 076     | Crankcase<br>539. 01.001.10<br>Guide tube<br>Oil level dipstick<br>225 MM         |        | 1   |       |
| -    | 999 701 006 40 | Crankcase<br>539.01.001.10<br>O-ring<br>Guide tube<br>Crankcase<br>539. 01.001.10 |        | 1   |       |
| 16   | 539 07 748     | Guide tube<br>Oil level dipstick<br>225 MM<br>Crankcase<br>616. ...               |        | 1   |       |
| 17   | 999 012 006 00 | Straight pin  |        | 2   |       |
| 18   | 000 95 105     | Stud  |        | 10  |       |
| 19   | 000 95 106     | Stud  |        | 1   |       |
| 20   | 539 01 119     | Stud  |        | 4   |       |

Model: 356 50 Model life 1950>>1959

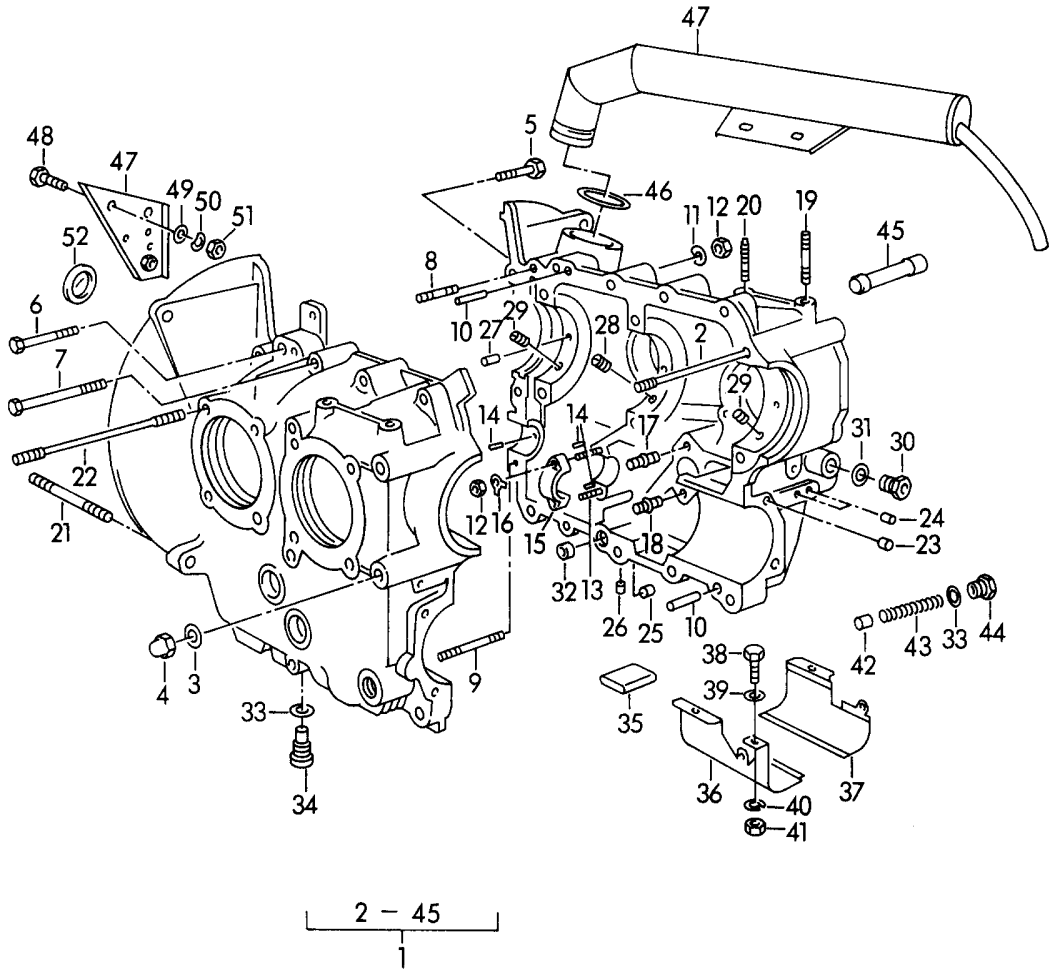
| Pos  | Part Number    | Description   | Remark | Qty | Model |
|------|----------------|---|--------|-----|-------|
| 21   | 900 105 001 02 | for<br>Crankcase<br>539. 01.001.10<br>Screw socket<br>LL 6 M        |        | 1   |       |
| (21) | PCG 105 001 02 | Screw socket<br>LL 6 M  |        | 1   |       |
| 22   | 999 113 029 50 | Radial sealing ring<br>DG 60 X 80 X 10/1                            |        | 1   |       |
| 23   | 901 101 195 00 | Dowel sleeve  |        | 2   |       |
| 24   | 539 01 110     | Pin   |        | 4   |       |
| 25   | 616 01 121     | Oil tube  |        | 1   |       |
| 25   | 616 101 377 00 | Oil tube  |        | 1   |       |
| 26   | 539 01 112     | Stud  |        | 11  |       |
| 26   | 999 061 054 01 | Stud  |        | 11  |       |
| 26   | 999 062 002 02 | Stud  |        | 11  |       |
| 27   | N 011 524 7    | Washer<br>6,4   |        | 10  |       |
| 27   | N 011 524 27   | Washer<br>6,4   |        | 10  |       |
| 28   | 900 028 008 01 | Lock ring<br>B 6  |        | 10  |       |
| -    | N 011 524 7    | Washer<br>6,4   |        | 10  |       |
| -    | N 011 524 27   | Washer<br>6,4   |        | 10  |       |
| 29   | 900 076 010 02 | Nut<br>M 6  |        | 10  |       |
| 29   | 900 076 010 0B | Nut<br>M 6  |        | 10  |       |
| 30   | 616 101 039 00 | Lid   |        | 1   |       |
| 31   | 539 01 150     | Lid   |        | 1   |       |
| 32   | 616 101 333 00 | Filter element  |        | 1   |       |
| 33   | 900 055 013 20 | Buttonhead rivet<br>5 X 12  |        | 1   |       |
| 34   | 539 01 152     | Gasket  |        | 2   |       |
| 35   | 616 101 380 00 | Oil strainer  |        | 1   |       |
| (36) | 539 01 124     | Gasket<br>Crankcase<br>539. 01.001.10                               |        | 1   |       |
| 36   | 616 01 124 1   | Gasket<br>Crankcase<br>616. ...                                     |        | 1   |       |
| 37   | 616 01 114     | Oil tube<br>Crankcase<br>616. 01.147.2                              |        | 1   |       |
| 38   | 616 01 115     | Stopper<br>Crankcase<br>616. 01.147.2                               |        | 2   |       |
| 39   |                | Lid<br>Not available<br>When required order also:<br>539. 01.001.10 |        | 1   |       |
| (39) | 616 01 147 2   | Lid   |        | 1   |       |
| 40   | 900 028 010 01 | Spring washer<br>B 8  |        | 11  |       |
| 41   | 502 08 310     | Hexagon nut<br>M 8  |        | 11  |       |
| 42   | 539 01 112     | Stud  |        | 4   |       |
| 42   | 999 061 054 01 | Stud  |        | 4   |       |
| 42   | 999 062 002 02 | Stud  |        | 4   |       |
| 43   | 999 113 012 50 | Shaft sealing ring<br>DG 48 X 65 X 10/1                             |        | 1   |       |

Model: 356 50 Model life 1950>>1959

| Pos  | Part Number    | Description  | Remark | Qty | Model |
|------|----------------|--|--------|-----|-------|
| 44   | 539 01 106     | Gasket<br>Crankcase<br>539. 01.001.10              |        | 1   |       |
| 45   | 539 01 154     | Cover<br>Crankcase<br>539. 01.001.10               |        | 1   |       |
| 46   | 539 01 125     | Gasket   |        | 1   |       |
| 47   | 900 028 010 01 | Spring washer<br>B 8                               |        | 4   |       |
| 48   | 900 074 037 02 | Hexagon-head bolt<br>M 8 X 35                      |        | 4   |       |
| 49   | 539 01 145     | Bracket  |        | 1   |       |
| 50   | 539 01 115     | Screw<br>for<br>Bearing<br>4                       |        | 1   |       |
| 51   | 900 028 010 01 | Spring washer<br>B 8                               |        | 1   |       |
| (52) | 616 01 116     | Stud<br>Fuel pump<br>Crankcase<br>616. ...         |        | 2   |       |
| 52   | 900 061 044 01 | Stud<br>Fuel pump<br>Crankcase<br>539. 01.001.10   |        | 2   |       |
| 53   | 539 01 116     | Stud<br>Distributor<br>Crankcase<br>539. 01.001.10 |        | 1   |       |
| (53) | 616 01 117     | Stud<br>Distributor<br>Crankcase<br>616. ...       |        | 1   |       |
| 54   | 999 061 017 02 | Stud<br>BM 8 X 30                                  |        | 2   |       |
| 55   | 900 028 010 01 | Spring washer<br>B 8                               |        | 2   |       |
| 56   | 900 076 013 0C | Hexagon nut<br>M 8                                 |        | 2   |       |
| 56   | 900 076 025 02 | Hexagon nut<br>M 8                                 |        | 2   |       |
| 56   | 900 076 064 02 | Hexagon nut<br>M 8                                 |        | 2   |       |

Model: 356 50

Model life 1950>>1959



Model: 356 50

Model life 1950&gt;&gt;1959

| Pos  | Part Number    | Description                                     | Remark | Qty | Model                 |
|------|----------------|---|--------|-----|-----------------------|
| 1    | 587 101 999 00 | Crankcase<br>M 90 501 >> 91 000                 |        | 1   | CARRERA<br>1500 GS/GT |
| 2    | 547 01 129     | Crankcase<br>Complete                           |        | 6   |                       |
| 3    | 900 123 066 30 | Stud  |        | 6   |                       |
|      |                | Sealing ring<br>A 10 X 16 X 1                   |        | 6   |                       |
|      |                | Copper  |        |     |                       |
| 4    | 999 070 004 02 | Cap nut   |        | 6   |                       |
| 4    | 999 070 004 03 | Cap nut   |        | 6   |                       |
| 5    | 900 074 038 02 | Hexagon-head bolt<br>M 8 X 60                   |        | 2   |                       |
| 6    | 900 074 042 02 | Hexagon-head bolt<br>M 8 X 60                   |        | 6   |                       |
| 7    | N 010 388 3    | Hexagon-head bolt<br>M 8 X 90                   |        | 2   |                       |
| 8    | 900 074 037 02 | Hexagon-head bolt<br>M 8 X 35                   |        | 2   |                       |
| 9    |                | Stud<br>M 8 X 65                                |        | 1   |                       |
| 10   | 547 01 140     | Straight pin                                    |        | 2   |                       |
| 11   | N 012 241 1    | Spring washer<br>B 8                            |        | 13  |                       |
| 12   | 502 08 310     | Hexagon nut                                     |        | 15  |                       |
| 13   | 900 061 026 01 | Stud<br>M 8 X 22                                |        | 2   |                       |
| 14   | 900 012 033 00 | Straight pin<br>3 H 8 X 10                      |        | 3   |                       |
| 15   | 547 01 104 1   | Housing   |        | 1   |                       |
| -    | 900 012 032 00 | Straight pin<br>3 H 8 X 8                       |        | 1   |                       |
| 16   | 999 039 001 00 | Tab washer                                      |        | 2   |                       |
| 17   | 900 061 023 01 | Stud<br>M 8 X 15                                |        | 2   |                       |
| 18   | 900 061 024 00 | Stud<br>M 8 X 18                                |        | 2   |                       |
| 19   | 900 061 031 00 | Stud<br>M 8 X 40                                |        | 2   |                       |
| 20   | 547 01 133     | Stud  |        | 2   |                       |
| 21   | 547 01 137     | Stud  |        | 2   |                       |
| 22   | 547 01 128     | Stud  |        | 16  |                       |
| 23   | 547 01 118     | Threaded bush                                   |        | 4   |                       |
| 24   | 539 01 108     | Stopper   |        | 2   |                       |
| 25   | 539 01 111     | Stopper   |        | 4   |                       |
| 26   | 547 01 116     | Stopper   |        | 1   |                       |
| 27   | 547 01 130     | Straight pin                                    |        | 3   |                       |
| 28   | 547 01 131     | Nozzle<br>I                                     |        | 1   |                       |
| 29   | 547 01 132     | Nozzle<br>II                                    |        | 2   |                       |
| 30   | 547 01 136     | Nipple  |        | 1   |                       |
| (30) | 900 065 002 02 | Oil pressure switch<br>Screw plug<br>M 14 X 1,5 |        | 1   |                       |
| 31   | N 013 849 2    | Sealing ring<br>A 14 X 18                       |        | 1   |                       |
|      |                | Copper  |        |     |                       |
| 32   | 911 101 123 00 | Sealing ring                                    |        | 1   |                       |
| 33   | 900 123 009 30 | Sealing ring<br>Aluminium                       |        | 3   |                       |
|      |                | A 18 X 24 X 1,5                                 |        |     |                       |
| 34   | 547 07 112     | Drain plug                                      |        | 1   |                       |
| 35   | 547 07 130     | Oil strainer                                    |        | 1   |                       |

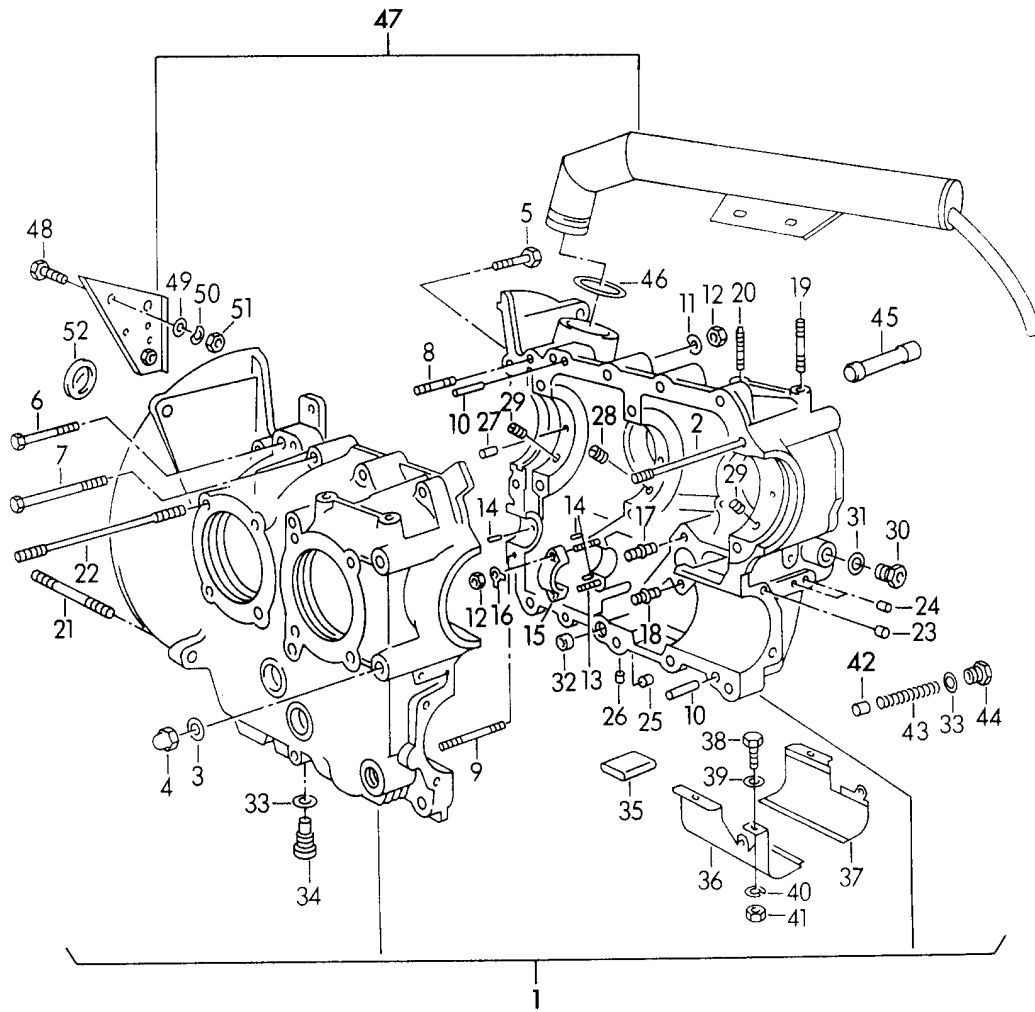
Model: 356 50

Model life 1950&gt;&gt;1959

| Pos | Part Number    | Description                   | Remark | Qty | Model |
|-----|----------------|-------------------------------|--------|-----|-------|
| 36  | 547 07 143     | Strainer                      | /L     | 1   |       |
| 37  | 547 07 142     | Strainer                      | /R     | 1   |       |
| 38  | N 012 215 3    | Hexagon-head bolt<br>M 6 X 15 |        | 3   |       |
| 39  | 999 025 108 02 | Washer<br>6,4 X 14 X 1,5      |        | 3   |       |
| 40  | 900 027 013 00 | Spring washer<br>B 6          |        | 3   |       |
| 41  | 900 076 010 02 | Nut<br>M 6                    |        | 3   |       |
| 41  | 900 076 010 0B | Nut<br>M 6                    |        | 3   |       |
| 42  | 616 107 511 00 | Piston<br>Relief valve        |        | 2   |       |
| 42  | PCG 107 511 00 | Piston<br>Relief valve        |        | 2   |       |
| 43  | 547 07 113     | Spring<br>Relief valve        |        | 2   |       |
| 44  | 999 064 009 02 | Screw plug<br>Relief valve    |        | 2   |       |
| 45  | 547 01 108     | Bush                          |        | 1   |       |
| 46  | 547 01 138     | O-ring                        |        | 1   |       |
| 47  | 547 01 135     | Bleeder                       |        | 1   |       |
| 48  | 900 075 011 01 | Hexagon-head bolt<br>M 6 X 15 |        | 1   |       |
| 49  | N 011 524 7    | Washer<br>6,4                 |        | 4   |       |
| 49  | N 011 524 27   | Washer<br>6,4                 |        | 4   |       |
| 50  | 900 027 013 00 | Spring washer<br>B 6          |        | 2   |       |
| 51  | 900 076 010 02 | Nut<br>M 6                    |        | 2   |       |
| 51  | 900 076 010 0B | Nut<br>M 6                    |        | 2   |       |
| 52  | 547 01 107     | Cap                           |        | 1   |       |

Model: 356 50

Model life 1950>>1959



Model: 356 50 Model life 1950>>1959

| Pos | Part Number    | Description  | Remark | Qty | Model                          |
|-----|----------------|--|--------|-----|--------------------------------|
|     |                | Crankcase  |        |     | CARRERA<br>1600 GS/GT<br>692/0 |
| -   | 587 101 999 00 | Crankcase<br>Picture<br>NR.1<br>with<br>NR.14+16,21+22,25-29 |        | 1   |                                |
| -   |                | Crankcase<br>Picture<br>NR.1<br>with<br>NR.14+16,21+22,25-27 |        | 1   | 692/1/2/3                      |
| (1) |                | Crankcase<br>Complete<br>Picture<br>NR.1-45                  |        | 1   | 692/0                          |
| (1) |                | Crankcase<br>Complete<br>Picture<br>NR.1-45                  |        | 1   | 692/1/2/3                      |
| 2   | 539 01 119     | Stud   |        | 6   |                                |
| 3   | 900 123 066 30 | Sealing ring<br>A 10 X 16<br>Copper                          |        | 6   |                                |
| 4   | 999 070 004 02 | Cap nut  |        | 6   |                                |
| 4   | 999 070 004 03 | Cap nut  |        | 6   |                                |
| 5   | 900 074 038 02 | Hexagon-head bolt<br>M 8 X 40                                |        | 2   |                                |
| 6   | 900 074 042 02 | Hexagon-head bolt<br>M 8 X 60                                |        | 6   |                                |
| 7   | N 010 388 3    | Hexagon-head bolt<br>M 8 X 90                                |        | 1   |                                |
| 8   | 900 061 030 00 | Stud<br>M 8 X 35   |        | 2   |                                |
| -   | 900 061 041 01 | Stud<br>M 8 X 50<br>for<br>Housing cover                     |        | 1   |                                |
| 9   | 900 061 035 00 | Stud<br>M 8 X 65   |        | 1   |                                |
| 10  | 547 01 140     | Straight pin   |        | 2   |                                |
| 11  | 900 028 010 00 | Spring washer<br>B 8   |        | 12  |                                |
| 12  | 502 08 310     | Hexagon nut  |        | 12  |                                |
| 13  | 900 061 026 02 | Stud<br>M 8 X 22   |        | 2   |                                |
| 14  | 900 012 033 00 | Straight pin<br>3 H 8 X 10                                   |        | 3   |                                |
| 15  | 547 01 104 1   | Housing  |        | 1   |                                |
| -   | 900 012 032 00 | Straight pin<br>3 H 8 X 8                                    |        | 1   |                                |
| 16  | 999 039 001 00 | Tab washer   |        | 2   |                                |
| 17  | 900 061 023 00 | Stud<br>M 8 X 15   |        | 2   |                                |
| 18  | 900 061 024 00 | Stud<br>M 8 X 18   |        | 2   |                                |
| 19  | 900 061 031 00 | Stud<br>M 8 X 40   |        | 2   |                                |
| -   | 900 061 032 00 | Stud<br>M 8 X 45   |        | 1   | 692/1/2/3                      |
| 20  | 547 01 133     | Stud   |        | 2   |                                |
| 21  | 547 01 137     | Stud   |        | 2   |                                |
| 22  | 547 01 128     | Stud   |        | 16  |                                |



Model: 356 50 Model life 1950>>1959

| Pos | Part Number    | Description  | Remark | Qty | Model     |
|-----|----------------|--|--------|-----|-----------|
| 23  | 547 01 118     | Threaded bush  |        | 4   |           |
| -   | 900 061 027 00 | Stud<br>M 8 X 25<br>for<br>Housing<br>Distributor<br>Driving mechanism |        | 4   |           |
| -   | 900 012 034 00 | Straight pin<br>6 H 8 X 10<br>for<br>Oil pump                          |        | 1   |           |
| 24  | 539 01 108     | Stopper  |        | X   |           |
| -   | 539 01 107     | Plug   |        | 1   |           |
| 25  | 539 01 111     | Stopper  |        | 4   |           |
| 26  | 547 01 116     | Stopper  |        | 1   | 692/0     |
| -   | 692 101 405 01 | Stopper  |        | 1   | 692/1/2/3 |
| 27  | 547 01 130     | Straight pin   |        | X   |           |
| 28  | 547 01 131     | Nozzle<br>I  |        | 1   |           |
| 29  | 547 01 132     | Nozzle<br>II   |        | 2   |           |
| 30  | 900 065 002 02 | Screw plug<br>M 14 X 1,5   |        | 1   |           |
| 31  | N 013 849 2    | Sealing ring<br>A 14 X 18<br>Copper                                    |        | 1   |           |
| 32  | 911 101 123 00 | Sealing ring   |        | 1   |           |
| 33  | 900 123 009 30 | Sealing ring<br>A 18 X 24 X 1,5<br>Aluminium                           |        | 3   |           |
| 34  | 547 07 112     | Drain plug   |        | 1   |           |
| 35  | 692 101 180 00 | Oil strainer   |        | 1   |           |
| -   | 539 01 129     | Lid<br>for<br>Crankcase  |        | 1   |           |
| -   | 539 01 130     | Gasket<br>for<br>Oil drain lid<br>And<br>Oil strainer                  |        | 2   |           |
| -   | 900 061 160 0  | Stud<br>M 6 X 12<br>for<br>Oil drain lid                               |        | 4   |           |
| 36  | 547 07 143     | Strainer   | /L     | 1   |           |
| 37  | 547 07 142     | Strainer   | /R     | 1   |           |
| 38  | N 012 512 3    | Hexagon-head bolt<br>M 6 X 15  |        | 3   |           |
| 39  | 999 025 108 02 | Washer<br>6,4  |        | 3   |           |
| 40  | 900 027 013 00 | Spring washer<br>B 6   |        | 3   |           |
| 41  | 900 076 010 02 | Nut<br>M 6   |        | 3   |           |
| 41  | 900 076 010 0B | Nut<br>M 6   |        | 3   |           |
| 42  | 547 07 115     | Piston<br>Relief valve   |        | 2   |           |
| 43  | 547 07 113     | Spring<br>Relief valve   |        | 2   | 692/0     |
| -   | 999 521 016 00 | \$ 11 X 65<br>Compression spring<br>Relief valve                       |        | 1   | 692/1/2/3 |

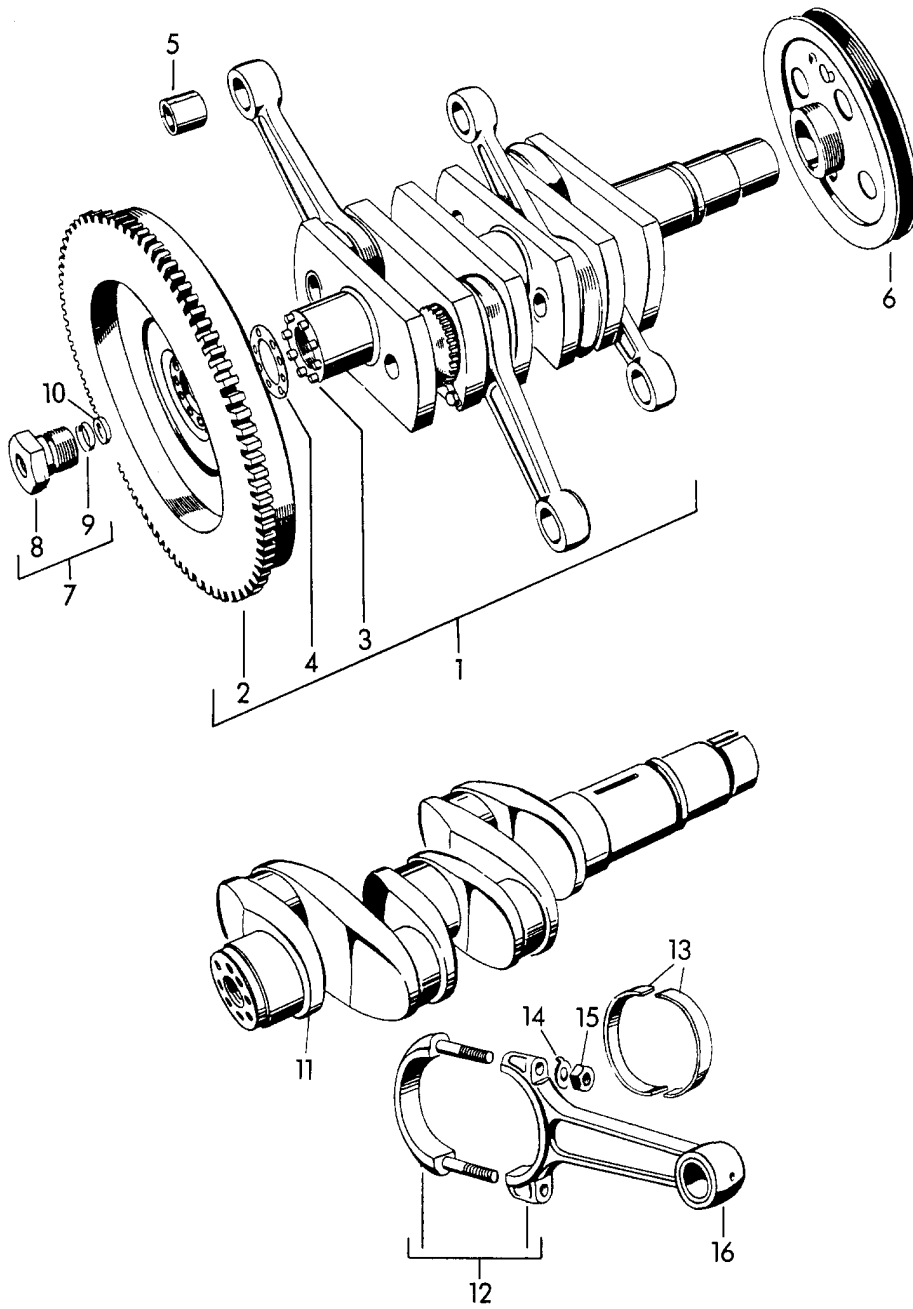
Model: 356 50

Model life 1950&gt;&gt;1959

| Pos | Part Number    | Description                                  | Remark | Qty | Model     |
|-----|----------------|--|--------|-----|-----------|
| -   | 999 521 012 00 | \$ 12,2 X 66<br>Compression spring           |        | 1   | 692/1/2/3 |
| 44  | 547 07 114     | Relief valve<br>\$ 12,5 X 61,5<br>Screw plug |        | 2   |           |
| 45  | 692 101 124 00 | Relief valve<br>Bush                         |        | 1   |           |
| 46  | 547 01 138     | O-ring                                       |        | 1   |           |
| 47  | 547 01 135     | Bleeder                                      |        | 1   | 692/0     |
| -   | 692 107 071 00 | Bleeder                                      |        | 1   | 692/1/2   |
| -   | 692 101 121 00 | Filler tube                                  |        | 1   | 692/1/2/3 |
| -   | 692 107 079 01 | Bleeder                                      |        | 1   | 692/0/1/2 |
| -   | 547 01 142     | Pot<br>Retaining bracket<br>for<br>Bleeder   |        | 1   | 692/0/1/2 |
| -   | 547 101 161 00 | Cap<br>for<br>Bleeder                        |        | 1   | 692/2/3   |
| -   | 900 081 010 00 | Bore<br>Stud<br>BM 6 X 55<br>for<br>Cap      |        | 1   | 692/2/3   |
| -   | 900 085 002 02 | Cap nut<br>M 6<br>for<br>Cap                 |        | 1   | 692/2/3   |
| -   | 900 123 028 30 | Sealing ring<br>A 6 X 10<br>for<br>Cap nut   |        | 1   | 692/2/3   |
| -   | 547 107 077 00 | Breather pipe                                |        | 1   | 692/2/3   |
| -   | 900 028 002 00 | Lock ring<br>A 5<br>for<br>Breather pipe     |        | 3   | 692/2/3   |
| -   |                | Hexagon nut<br>M 5<br>for<br>Breather pipe   |        | 3   | 692/2/3   |
| 48  | 900 075 010 02 | Hexagon nut<br>M 6 X 12                      |        | 1   |           |
| 48  | N 010 212 14   | Hexagon-head bolt<br>M 6 X 12                |        | 1   |           |
| 48  | 999 072 005 09 | Hexagon nut<br>M 6 X 12                      |        | 1   |           |
| 48  | 999 072 005 01 | Hexagon nut<br>M 6 X 12                      |        | 1   |           |
| 49  | N 011 524 7    | Washer<br>6,4                                |        | 4   |           |
| 49  | N 011 524 27   | Washer<br>6,4                                |        | 4   |           |
| 50  | 900 028 008 00 | Spring washer<br>B 6                         |        | 2   |           |
| 51  | 900 076 010 02 | Nut<br>M 6                                   |        | 2   |           |
| 51  | 900 076 010 0B | Nut<br>M 6                                   |        | 2   |           |
| 52  | 547 01 107     | Cap  |        | 1   |           |
| -   | 900 040 001 02 | Cover plate<br>for<br>Bleeding               |        | 1   |           |

Model: 356 50

Model life 1950>>1959



Model: 356 50 Model life 1950>>1959

| Pos  | Part Number        | Description  | Remark | Qty | Model  |
|------|--------------------|--|--------|-----|--|
|      |                    | Crankshaft<br>M >> 10 199<br>M >> 21 780<br>M >> 50 099<br>M >> 21 999<br>M >> 33 899<br>M >> 40 999 |        |     | 1100<br>1300<br>1300 S<br>1300 A<br>1500<br>1500 S |
| (1)  | 369 02 013         | Crankshaft<br>with<br>Flywheel<br>Ready for installation   |        | 1   | 369/506  |
| 1    | 369 02 012         | Crankshaft<br>with<br>Flywheel   |        | 1   | 369/506  |
| (1)  | 502 02 018         | Crankshaft<br>with<br>Flywheel<br>Ready for installation   |        | 1   | 527/528  |
| (1)  | 502 02 015         | Crankshaft<br>with<br>Flywheel   |        | 1   | 527/528  |
| 2    | 502 102 116 00     | Flywheel   |        | 1   |  |
| 2    | 502 102 116 01     | Flywheel   |        | 1   |  |
| 3    | 900 109 004 00     | Roller<br>6 X 12   |        | 8   |  |
| 4    | 502 02 301         | Gasket   |        | 1   |  |
| 5    | 502 03 113         | Connecting rod bush  |        | 4   |  |
| -    | 369 02 107         | Thrust washer<br>for<br>Crankshaft   |        | X   |  |
| -    | 901 102 115 00     | Drive wheel<br>Distributor   |        | 1   |  |
| -    | 901 102 115 01     | Drive wheel<br>Distributor<br>BRONZE   |        | 1   |  |
| -    | 901 102 148 00     | Circlip<br>for<br>Crankshaft   |        | 1   |  |
| 6    | 356 02 102         | Pulley<br>\$ 161 MM  |        | 1   | 369  |
| (6)  | 356 02 102 1       | Pulley<br>\$170,5 MM   | 528    | 1   | 506/546/527  |
| 7    | 616 102 025 01     | Banjo bolt<br>with<br>Bush   |        | 1   |  |
| 8    |                    | Banjo bolt   |        | 1   | 546  |
| (9)  |                    | Banjo bolt   |        | 1   |  |
| 10   | 901 102 191 00     | Sealing ring   |        | 1   |  |
| (11) | 502 02 019         | Crankshaft<br>with<br>Flywheel   |        | 1   | 546  |
| (11) | 502 02 017         | Crankshaft<br>Ready for installation   |        | 1   | 546  |
| 12   | 616 103 012 02     | Connecting rod   |        | 4   | 546  |
| 12   | 616 103 012 03     | Connecting rod   |        | 4   | 546.   |
| 12   | 616 103 012 03 014 | Connecting rod<br>Weight group:<br>14 = 496-505 GR   |        | 4   | 546.   |
| 12   | 616 103 012 03     | Connecting rod   |        | 4   | 546.   |
|      | 616 103 012 03 017 | Connecting rod<br>Weight group:<br>17 = 505-514 GR   |        | 4   | 546.   |
| 12   | 616 103 012 03     | Connecting rod   |        | 4   | 546.   |
|      | 616 103 012 03 020 | Connecting rod<br>Weight group:  |        | 4   | 546.   |

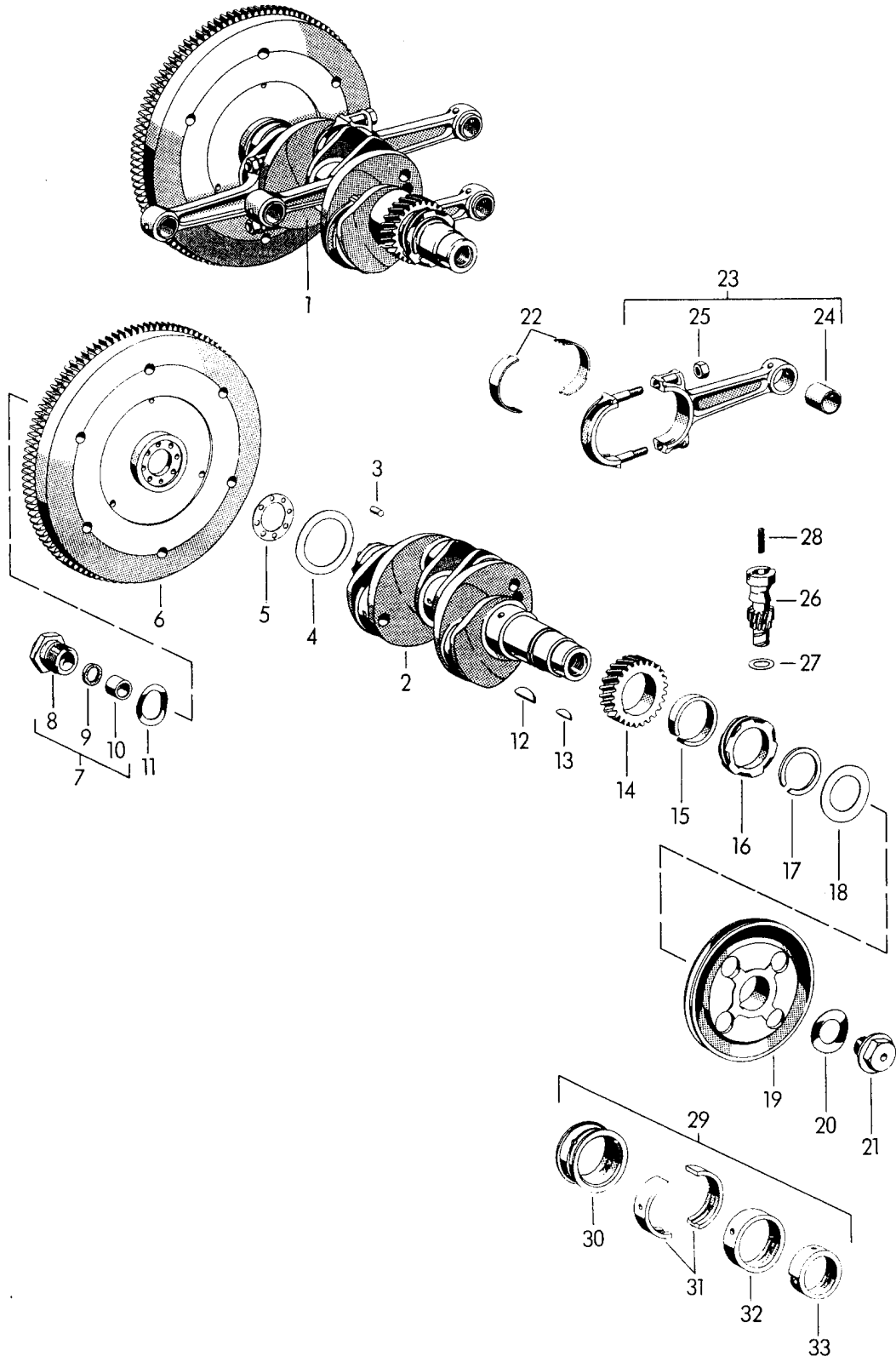
Model: 356 50

Model life 1950&gt;&gt;1959

| Pos | Part Number | Description                      | Remark | Qty | Model |
|-----|-------------|----------------------------------|--------|-----|-------|
| 13  | 502 03 107  | 20 = 514-523 GR<br>Bearing shell |        | 8   | 546   |
| 14  | 502 03 115  | Tab washer                       |        | 8   | 546   |
| 15  | 502 03 114  | Connecting rod nut               |        | 8   | 546   |
| 16  | 502 03 104  | Connecting rod bush              |        | 4   | 546   |

Model: 356 50

Model life 1950>>1959



Model: 356 50 Model life 1950>>1959

| Pos  | Part Number    | Description   | Remark | Qty | Model  |
|------|----------------|---|--------|-----|--------|
|      |                | Crankshaft  |        |     | 1300   |
|      |                | M 22 001 >>   |        |     | 1300 S |
|      |                | M 50 101 >>   |        |     | 1500   |
|      |                | M 33 901 >>   |        |     | 1500 S |
|      |                | M 41 001 >>   |        |     | 1600   |
|      |                | M 60 001 >>   |        |     | 1600 S |
|      |                | M 80 001 >>   |        |     |        |
| 1    | 616 100 142 00 | Crankshaft<br>with<br>Flywheel<br>And<br>Connecting rod<br>Ready for installation |        | 1   |        |
| 2    | 616 102 013 03 | Crankshaft  |        | 1   |        |
| 3    | 900 109 004 00 | Roller<br>6 X 12  |        | 8   |        |
| -    | 999 113 029 50 | Radial sealing ring   |        | 1   |        |
| 4    | 369 02 107 1   | Crankshaft<br>Thrust washer<br>0,80 MM  |        | 1   |        |
| (4)  | 369 02 107 2   | Thrust washer<br>0,85 MM  |        | 1   |        |
| (4)  | 369 02 107 3   | Thrust washer<br>0,90 MM  |        | 1   |        |
| (4)  | 369 02 107 4   | Thrust washer<br>0,95 MM  |        | 1   |        |
| (4)  | 369 02 107 5   | Thrust washer<br>1,00 MM  |        | 1   |        |
| (4)  | 369 02 107 6   | Thrust washer<br>1,05 MM  |        | 1   |        |
| -    | 999 113 029 50 | Radial sealing ring<br>for<br>Crankshaft  |        | 1   |        |
| 5    | 502 02 301     | Gasket  |        | 1   |        |
| 6    | 502 102 116 00 | Flywheel  |        | 1   |        |
| 6    | 502 102 116 01 | Flywheel  |        | 1   |        |
| 7    | 616 102 025 00 | Banjo bolt<br>Complete  |        | 1   |        |
| 8    | 616 102 025 01 | Banjo bolt  |        | 1   |        |
| 9    | 901 102 191 00 | Sealing ring  |        | 1   |        |
| 10   | 616 102 025 01 | Banjo bolt  |        | 1   |        |
| 11   | 539 02 103     | Lock washer   |        | 1   |        |
| 12   | 901 102 147 00 | Woodruff key<br>for<br>Timing gear  |        | 1   |        |
| 13   | N 012 709 1    | Spring<br>for<br>Pulley   |        | 1   |        |
| 14   | 539 02 105     | Timing gear   |        | 1   |        |
| 15   | 539 102 106 00 | Intermediate ring   |        | 1   |        |
| 16   | 546 102 110 00 | Drive pinion  |        | 1   |        |
| 16   | 546 102 110 01 | Drive pinion  |        | 1   |        |
| 17   | 901 102 148 00 | Circlip   |        | 1   |        |
| 18   | 616 102 163 01 | Sealing washer  |        | X   |        |
| 19   | 539 02 113     | Pulley  |        | 1   |        |
| 20   | 539 02 111     | Spring washer   |        | 1   |        |
| 21   | 539 02 112     | Fastening screw   |        | 1   |        |
| 22   | 616 103 142 02 | Bearing shell   |        | 8   |        |
| (22) | 616 103 142 52 | Bearing shell<br>Undersize<br>Inner<br>0,25 MM                                    |        | X   |        |
| (22) | 616 103 142 62 | Bearing shell   |        | X   |        |

Model: 356 50 Model life 1950>>1959

| Pos  | Part Number        | Description   | Remark | Qty | Model |
|------|--------------------|---|--------|-----|-------|
| (22) | 616 103 142 72     | Undersize<br>Inner<br>0,50 MM<br>Bearing shell  |        | X   |       |
| 23   | 616 103 012 02     | Undersize<br>Inner<br>0,75 MM<br>Connecting rod<br>Complete<br>without<br>Bearing shell |        | 4   |       |
| 23   | 616 103 012 03     | Connecting rod  |        | 4   |       |
| 23   | 616 103 012 03 014 | Connecting rod<br>Weight group:<br>14 = 496-505 GR                                      |        | 4   | 546.  |
| 23   | 616 103 012 03 017 | Connecting rod<br>Weight group:<br>17 = 505-514 GR                                      |        | 4   | 546.  |
| 23   | 616 103 012 03 020 | Connecting rod<br>Weight group:<br>20 = 514-523 GR                                      |        | 4   | 546.  |
| 24   | 616 103 131 00     | Connecting rod bush   |        | 4   |       |
| 25   | 502 03 114         | Connecting rod nut  |        | 8   |       |
| 26   | 539 09 101         | Drive shaft   |        | 1   |       |
| 27   | 539 09 102         | Thrust washer   |        | 1   |       |
| 28   | 539 09 103         | Spring  |        | 1   |       |
| 29   | 546 101 901 00     | Bearing set<br>Comprising:  |        | 1   |       |
| 30   | 546 101 101 00     | Bearing sleeve<br>I   |        | 1   |       |
| 31   | 539 101 174 00     | Bearing shell<br>II   |        | 2   |       |
| 32   | 546 101 103 00     | Bearing sleeve<br>III   |        | 1   |       |
| 33   | 539 101 146 00     | Bearing sleeve<br>IV  |        | 1   |       |
| (29) | 546 101 901 50     | Set of crankshaft bearings<br>Undersize<br>Inner<br>0,25 MM<br>Comprising:              |        | 1   |       |
| (30) | 546 101 101 50     | Bearing sleeve<br>I<br>Undersize<br>0,25 MM   |        | 1   |       |
| (31) | 546 101 174 50     | Bearing shell<br>II<br>Undersize<br>0,25 MM   |        | 2   |       |
| (32) | 546 101 103 50     | Bearing sleeve<br>III<br>Undersize<br>0,25 MM   |        | 1   |       |
| (33) | 539 101 146 50     | Bearing sleeve<br>IV<br>Undersize<br>0,25 MM  |        | 1   |       |
| (29) | 546 101 901 60     | Set of crankshaft bearings<br>Oversize<br>Outer<br>0,25 MM<br>Comprising:               |        | 1   |       |
| (30) | 546 101 101 60     | Bearing sleeve  |        | 1   |       |

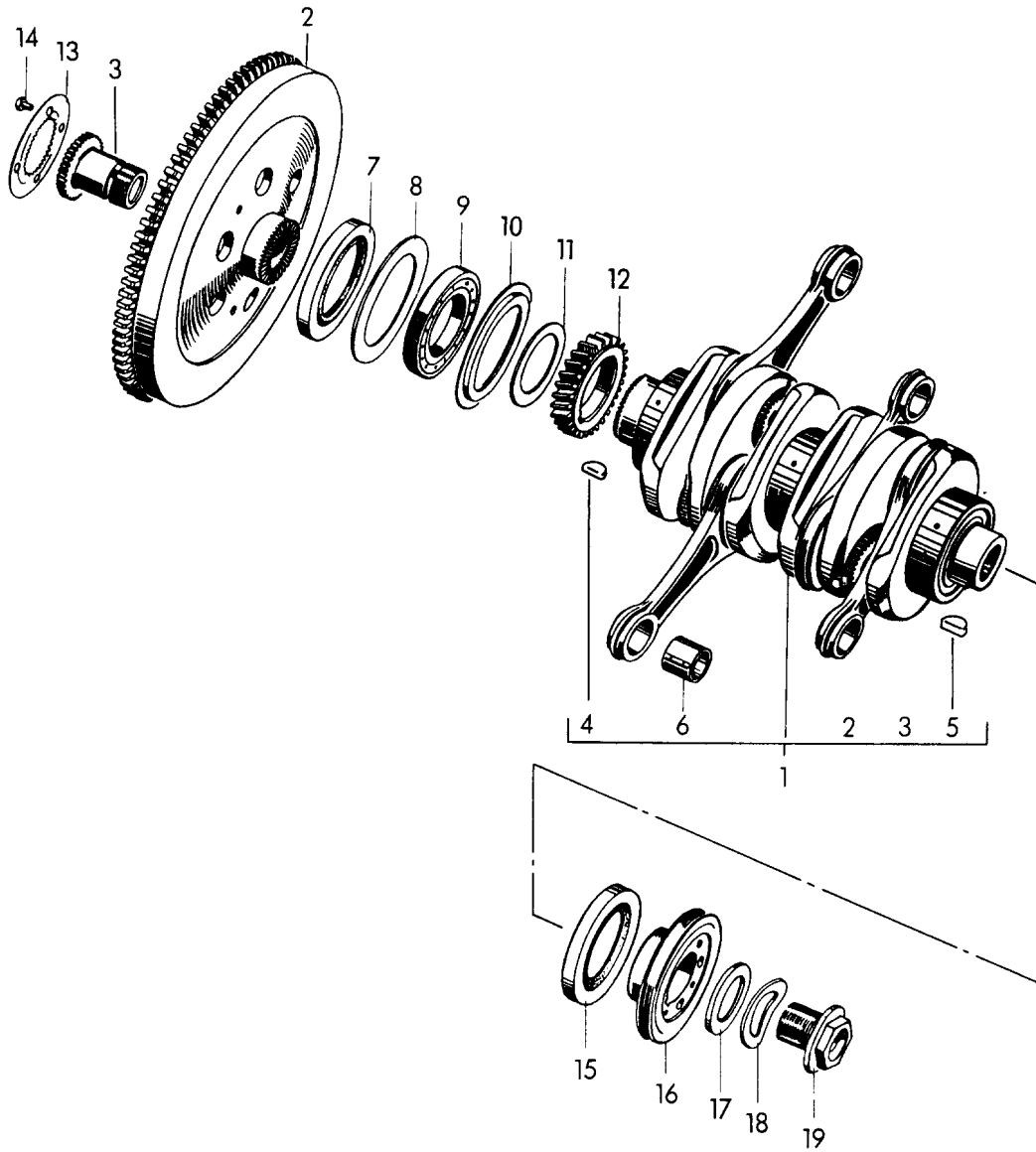


Model: 356 50 Model life 1950>>1959

| Pos  | Part Number    | Description  | Remark | Qty | Model |
|------|----------------|--|--------|-----|-------|
| (31) | 546 101 174 60 | I<br>Oversize<br>0,25 MM<br>Bearing shell  |        | 2   |       |
| (32) | 546 101 103 60 | II<br>Oversize<br>0,25 MM<br>Bearing sleeve  |        | 1   |       |
| (33) | 539 101 146 00 | III<br>Oversize<br>0,25 MM<br>Bearing sleeve   |        | 1   |       |
| (29) | 546 101 901 70 | IV<br>Set of crankshaft bearings   |        | 1   |       |
| (30) | 546 101 101 70 | Oversize<br>Outer<br>0,25 MM<br>Undersize<br>Inner<br>0,25 MM<br>Comprising:<br>Bearing sleeve |        | 1   |       |
| (31) | 539 101 174 70 | I<br>Bearing shell   |        | 2   |       |
| (32) | 546 101 103 70 | II<br>Bearing sleeve   |        | 1   |       |
| (33) | 539 101 146 50 | III<br>Bearing sleeve  |        | 1   |       |
| (29) | 546 101 901 75 | Undersize<br>Inner<br>0,25 MM<br>Outer<br>Standard dimension<br>Bearing set                    |        | 1   |       |
| (30) | 546 101 101 75 | Oversize<br>0,25 MM<br>Undersize<br>Inner<br>0,50 MM<br>Comprising:<br>Bearing sleeve          |        | 1   |       |
| (31) | 539 101 174 75 | I<br>Bearing shell   |        | 2   |       |
| (32) | 546 101 103 75 | II<br>Bearing sleeve   |        | 1   |       |
| (33) | 539 101 146 55 | III<br>Bearing sleeve  |        | 1   |       |
|      |                | IV<br>Undersize<br>Inner<br>0,50 MM<br>Outer<br>Standard dimension                             |        |     |       |

Model: 356 50

Model life 1950>>1959



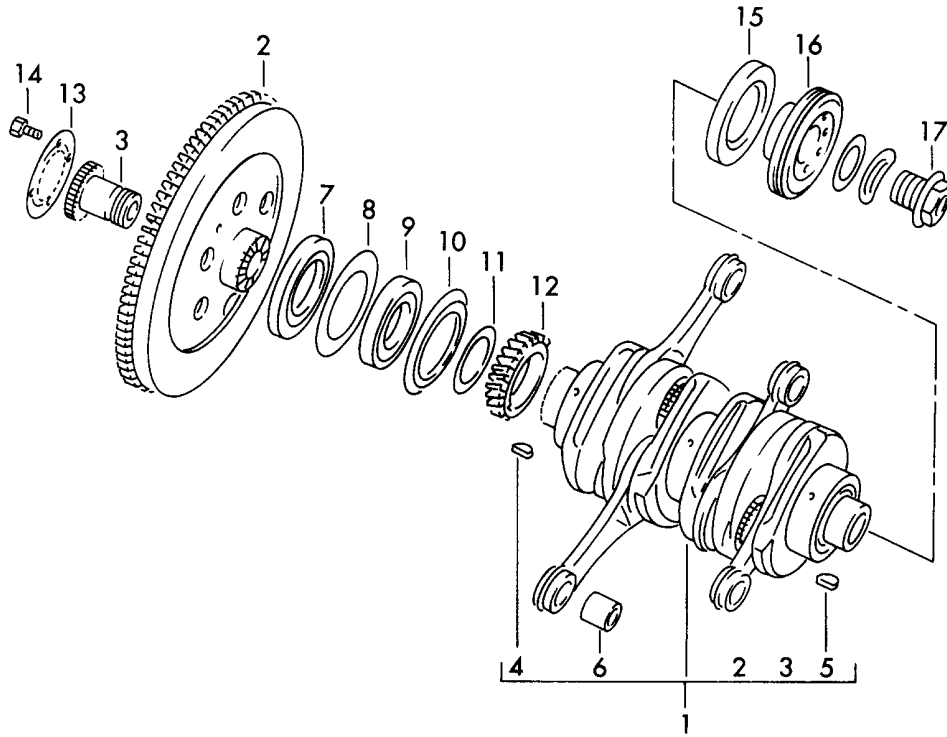
Model: 356 50

Model life 1950&gt;&gt;1959

| Pos | Part Number    | Description                      | Remark | Qty | Model                 |
|-----|----------------|----------------------------------|--------|-----|-----------------------|
| 1   | 547 02 013     | Crankshaft<br>M 90 501 >> 91 000 |        | 1   | CARRERA<br>1500 GS/GT |
| 2   | 547 02 306     | Crankshaft<br>with<br>Flywheel   |        | 1   |                       |
| 3   | 547 02 031     | Flywheel                         |        | 1   |                       |
| -   | 547 02 303     | Banjo bolt                       |        | 1   |                       |
| -   | 616 102 025 01 | Complete                         |        | 1   |                       |
| -   | 901 102 191 00 | Banjo bolt                       |        | 1   |                       |
| -   | 900 040 004 00 | Banjo bolt                       |        | 1   |                       |
| 4   | 900 117 015 00 | Sealing ring                     |        | 1   |                       |
| 5   | 900 117 017 00 | Cover plate<br>22                |        | 1   |                       |
| 6   | 547 03 102     | Feather key<br>A 8 X 5 X 14      |        | 4   |                       |
| 7   | 547 02 123 1   | Feather key<br>A 8 X 5 X 18      |        | 1   |                       |
| 8   | 547 02 102     | Connecting rod bush              |        | X   |                       |
| -   | 547 02 102 1   | Radial sealing ring<br>-S-       |        | X   |                       |
| -   | 547 02 102 2   | Spacer<br>2,00 MM                |        | X   |                       |
| -   | 547 02 102 3   | Spacer<br>2,05 MM                |        | X   |                       |
| -   | 547 02 102 4   | Spacer<br>2,10 MM                |        | X   |                       |
| -   | 547 02 102 5   | Spacer<br>2,15 MM                |        | X   |                       |
| -   | 547 02 102 6   | Spacer<br>2,20 MM                |        | X   |                       |
| 9   | 900 052 010 00 | Spacer<br>2,25 MM                |        | X   |                       |
| 10  | 547 02 103     | Spacer<br>2,30 MM                |        | X   |                       |
| 11  | 547 02 124     | Ball bearing                     |        | 1   |                       |
| 12  |                | Intermediate ring                |        | 1   |                       |
|     |                | Intermediate ring                |        | 1   |                       |
|     |                | Timing gear                      |        | *   |                       |
|     |                | See group<br>1/03/25             |        |     |                       |
| 13  | 547 02 307     | Lock washer                      |        | 1   |                       |
| 14  | 000 95 124     | Hexagon-head bolt                |        | 2   |                       |
| 15  | PCG 102 123 00 | Radial sealing ring              |        | 1   |                       |
| 15  | PCG 102 123 01 | Radial sealing ring              |        | 1   |                       |
| 16  | 547 02 105     | V-belt pulley                    |        | 1   |                       |
| 17  | 547 02 106     | Washer                           |        | 1   |                       |
| 18  | 547 02 107     | Spring washer                    |        | 1   |                       |
| 19  | 547 02 108     | Fastening screw                  |        | 1   |                       |

Model: 356 50

Model life 1950>>1959



Model: 356 50 Model life 1950&gt;&gt;1959

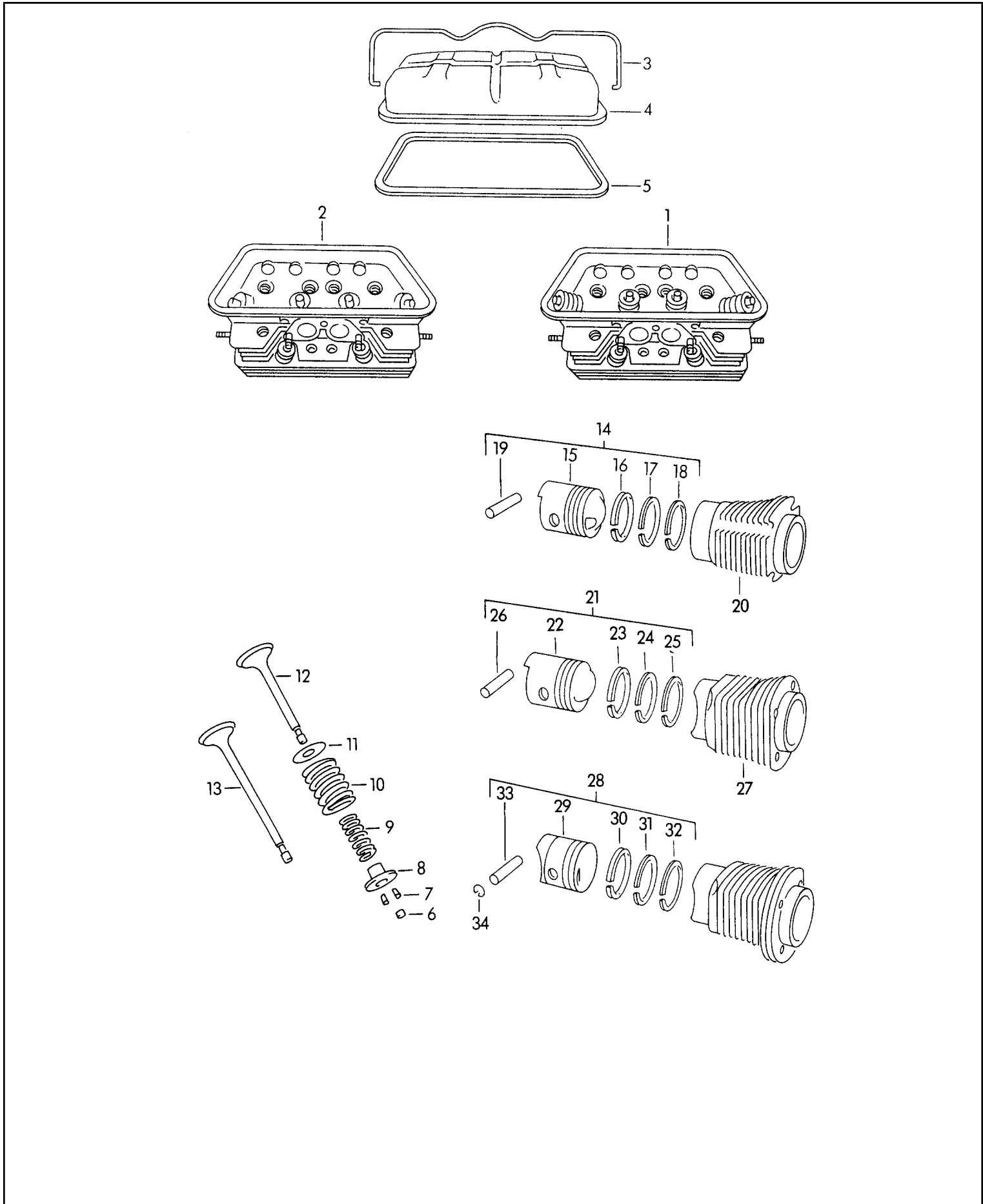
| Pos | Part Number    | Description   | Remark | Qty | Model                          |
|-----|----------------|---|--------|-----|--------------------------------|
|     |                | Crankshaft  |        |     | CARRERA<br>1600 GS/GT<br>692/0 |
| 1   | 547 02 013     | Crankshaft<br>with<br>Connecting rod<br>And<br>Flywheel |        | 1   |                                |
| -   | 692 102 006 00 | Crankshaft<br>with<br>Connecting rod<br>And<br>Flywheel |        | 1   | 692/1/2/3                      |
| -   | 692 102 005 00 | Crankshaft<br>with<br>Flywheel<br>And<br>Stopper        |        | 1   | 692/1/2/3                      |
| -   | 692 102 011 00 | Crankshaft<br>without<br>Flywheel<br>with<br>Stopper    |        | 1   | 692/1/2/3                      |
| 2   | 547 02 306     | Flywheel  |        | 1   | 692/0                          |
| -   | 692 102 201 01 | Flywheel  |        | 1   | 692/1/2/3                      |
| -   | 692 103 011 01 | Connecting rod<br>Complete                              |        | 4   | 692/1/2/3                      |
| -   | 587 103 105 00 | Connecting rod bolt                                     |        | 8   | 692/1/2/3                      |
| -   | 692 103 105 00 | Bearing shell   |        | 8   | 692/1/2/3                      |
| -   | 999 041 402 00 | Tensioner   |        | 3   | 692/1/2/3                      |
| -   | 692 102 215 03 | Spacer sleeve   |        | 2   | 692/1/2/3                      |
| 3   | 547 02 031     | Banjo bolt<br>Complete                                  |        | 1   | 692/0                          |
| -   | 692 102 025 00 | Banjo bolt<br>Complete                                  |        | 1   | 692/1/2/3                      |
| -   | 547 02 303     | Banjo bolt<br>Complete                                  |        | 1   | 692/0                          |
| -   | 616 102 025 01 | Banjo bolt  |        | 1   | 692/0                          |
| -   | 692 101 136 00 | Bearing sleeve<br>I                                     |        | 1   | 692/1/2/3                      |
| -   | 692 101 135 00 | Bearing shell<br>II                                     |        | 2   | 692/1/2/3                      |
| -   | 692 101 133 00 | Bearing sleeve<br>III                                   |        | 1   | 692/1/2/3                      |
| -   | 900 118 005 00 | Woodruff key<br>4 X 5                                   |        | 1   | 692/1/2/3                      |
| -   | 901 102 191 00 | Sealing ring<br>for<br>Banjo bolt                       |        | 1   | 692/0                          |
| -   | 900 040 004 00 | Cover plate<br>22                                       |        | 1   | 692/0                          |
| 4   | 900 117 015 00 | Feather key<br>A 8 X 5 X 14                             |        | 1   | 692/0                          |
| 5   | 900 117 017 00 | Feather key<br>A 8 X 5 X 18                             |        | 1   |                                |
| 6   | 547 03 102     | Connecting rod bush                                     |        | 4   | 692/0                          |
| -   | 692 103 104 00 | Connecting rod bush                                     |        | 4   | 692/1/2/3                      |
| 7   | PCG 102 123 00 | Radial sealing ring<br>"S"                              |        | 1   | 692/0                          |
| 7   | PCG 102 123 01 | Radial sealing ring<br>"S"                              |        | 1   | 692/0                          |
| -   | 999 113 057 52 | Radial sealing ring<br>"S"                              |        | 1   | 692/1/2/3                      |
| 8   | 547 02 102     | Spacer  |        | X   | 692/0                          |

Model: 356 50 Model life 1950>>1959

| Pos | Part Number    | Description  | Remark | Qty | Model     |
|-----|----------------|--|--------|-----|-----------|
| -   | 547 02 102 1   | 2,00 MM<br>Spacer                                      |        | X   | 692/0     |
| -   | 547 02 102 2   | 2,05 MM<br>Spacer                                      |        | X   | 692/0     |
| -   | 547 02 102 3   | 2,10 MM<br>Spacer                                      |        | X   | 692/0     |
| -   | 547 02 102 4   | 2,15 MM<br>Spacer                                      |        | X   | 692/0     |
| -   | 547 02 102 5   | 2,20 MM<br>Spacer                                      |        | X   | 692/0     |
| -   | 547 02 102 6   | 2,25 MM<br>Spacer                                      |        | X   | 692/0     |
| 9   | 900 052 010 00 | 2,30 MM<br>Ball bearing                                |        | 1   | 692/0     |
| 10  | 547 02 103     | Intermediate ring                                      |        | 1   | 692/0     |
| 11  | 547 02 124     | Spring washer  |        | 1   | 692/0     |
| 12  |                | Timing gear<br>See group<br>1/03/27                    |        | 1   |           |
| 13  | 547 02 307     | Lock washer  |        | 1   | 692/0     |
| -   | 692 102 181 00 | Lock washer  |        | 1   | 692/1/2/3 |
| 14  | 000 95 124     | Hexagon-head bolt                                      |        | 2   |           |
| 15  | PCG 102 123 00 | Radial sealing ring<br>"K"                             |        | 1   |           |
| 15  | PCG 102 123 01 | Radial sealing ring<br>"K"                             |        | 1   |           |
| 16  | 547 02 105     | V-belt pulley  |        | 1   |           |
| 17  | 692 102 171 00 | Fastening screw  |        | 1   | 692/0     |
| -   | 692 107 171 00 | Fastening screw<br>for<br>V-belt pulley                |        | 1   | 692/1/2/3 |
| -   | 900 027 013 00 | Spring washer<br>B 6                                   |        | 2   |           |
| -   | 900 067 006 00 | Pan-head screw<br>Hexagon socket head bolt<br>M 6 X 10 |        | 2   |           |

Model: 356 50

Model life 1950>>1959



Model: 356 50 Model life 1950>>1959

| Pos | Part Number  | Description   | Remark | Qty | Model  |
|-----|--------------|---|--------|-----|--|
|     |              | Cylinder head<br>Cylinder with piston<br>M >> 10 199<br>M >> 21 780<br>M >> 50 099<br>M >> 21 999<br>M >> 33 899<br>M >> 40 999 |        |     | 1100<br>1300<br>1300 S<br>1300 A<br>1500<br>1500 S |
| 1   | 369 04 203 1 | Cylinder head<br>with valves<br>Ready for installation<br>73,5 MM<br>Mount<br>3<br>Pin  |        | 2   | 369  |
| -   | 369 04 203   | Cylinder head<br>with valves<br>Ready for installation<br>73,5 MM<br>Mount<br>4<br>Pin  |        | 2   | 369  |
| -   | 502 04 021   | Cylinder head<br>with valves<br>Ready for installation<br>80 MM   |        | 2   | 506/546/527<br>528                                 |
| -   | 528 04 021   | Cylinder head<br>with valves<br>Ready for installation  |        | 2   | 528  |
| -   | 546 04 022   | Cylinder head<br>with valves<br>Ready for installation<br>with<br>Intake<br>Exhaust<br>10 MM                                    |        | 2   | 506/546  |
| -   | 539 04 022   | Cylinder head<br>with valves<br>Ready for installation<br>with<br>Intake<br>Exhaust<br>10 MM                                    |        | 2   | 527/528  |
| 2   | 369 04 202 2 | Cylinder head<br>without valves<br>73,5 MM<br>Mount<br>3<br>Pin   |        | 2   | 369  |
| -   | 369 04 202 1 | Cylinder head<br>without valves<br>73,5MM<br>Mount<br>4<br>Pin  |        | 2   | 369  |
| -   | 502 04 022   | Cylinder head<br>without valves<br>80 MM  |        | 2   | 506/546/527<br>528                                 |
| -   | 528 04 022   | Cylinder head<br>80 MM  |        | 2   | 528  |
| -   | 546 04 021   | Cylinder head<br>Intake<br>Exhaust  |        | 2   | 506/546  |



Model: 356 50 Model life 1950>>1959

| Pos | Part Number    | Description  | Remark | Qty | Model   |
|-----|----------------|--|--------|-----|---------|
| -   | 539 04 021     | 10 MM<br>Cylinder head<br>Intake<br>Exhaust        |        | 2   | 527/528 |
| 3   | 369 04 240     | 10 MM<br>Clamp                                     |        | 2   |         |
| 4   | 597 104 305 00 | Cylinder head cover                                |        | 2   |         |
| 5   | 616 104 951 00 | Gasket   |        | 2   |         |
| 6   | 369 05 232     | Cap<br>8 MM  |        | X   |         |
| -   | 369 05 277     | Valve cap<br>10 MM                                 |        | X   |         |
| -   | 528 05 206     | Cap  |        | X   | 528     |
| 7   | 369 05 204 1   | Collet<br>Divided                                  |        | 16  |         |
| 8   | 369 05 203 1   | Concave washer                                     |        | 8   |         |
| -   | 528 05 208     | Concave washer<br>with<br>Reinforcement            |        | 8   |         |
| 9   | 369 05 229 1   | 1.40 I<br>Valve spring<br>Inner                    |        | 8   |         |
| -   | 528 05 203     | Valve spring<br>Inner<br>with<br>Reinforcement     |        | 8   |         |
| 10  | 369 05 228 1   | 0.75 I<br>Valve spring<br>Outer                    |        | 8   |         |
| -   | 528 05 202     | Valve spring<br>Outer<br>with<br>Reinforcement     |        | 8   |         |
| 11  | 369 04 218     | 1.25 I<br>Shim                                     |        | 16  |         |
| -   | 539 04 211     | Guide washer                                       |        | X   |         |
| 12  | 369 05 201 6   | Valve spring<br>Intake valve<br>\$ 8 MM X 117,5 MM |        | 4   |         |
| -   | 369 05 201 4   | Intake valve<br>\$ 8 MM X 119,5                    |        | 4   |         |
| -   | 546 05 203     | Intake valve<br>\$ 10 MM X 130,6MM                 |        | 4   |         |
| 13  | 369 05 202 4   | Exhaust valve<br>\$ 8 MM X 128,6 MM                |        | 4   |         |
| -   | 369 05 202 2   | Exhaust valve<br>\$ 8 MM X 130,6 MM                |        | 4   |         |
| -   | 616 105 405 50 | Exhaust valve<br>\$ 10 MM X 130,6 MM               |        | 4   |         |
| -   | 528 05 207     | Exhaust valve                                      |        | 4   | 528     |
| -   | 546 72 201     | Sticker<br>Valve clearance<br>Aluminium            |        | X   |         |
| -   | 539 72 201     | 15 : 20<br>Sticker<br>Valve clearance<br>Steel     |        | X   |         |
| -   | 546 72 203     | 10 : 10<br>Sticker<br>Valve clearance              |        | X   |         |
| -   | 369 04 225     | 0,10 + 0,15<br>Valve guide<br>Exhaust              |        | 4   |         |

Model: 356 50 Model life 1950>>1959

| Pos | Part Number  | Description   | Remark | Qty | Model |
|-----|--------------|---|--------|-----|-------|
| -   | 369 04 224   | 8 X 11<br>1st oversize<br>Old version<br>Valve guide<br>Intake                          |        | 4   |       |
| -   | 369 04 248   | 8 X 11<br>1st oversize<br>Valve guide<br>Exhaust  |        | 4   |       |
| -   | 528 04 203   | 8 X 14<br>1st oversize<br>for<br>502. 04.022<br>369. 04.202.2<br>Valve guide<br>Exhaust |        | 4   |       |
| 14  | 369 03 205   | And<br>Intake<br>10 X 14<br>1st oversize<br>for<br>528. 04.022<br>Piston<br>Complete    |        | 4   |       |
| 15  | 369 03 204   | \$ 73,5 MM<br>Piston  |        | 4   |       |
| 16  |              | \$ 73,5 MM<br>Oil scraper ring  |        | 4   |       |
| 17  |              | A 73,5 X 5AC<br>Piston rings  |        | 4   |       |
| 18  |              | A 73,5 X 3AC<br>Piston rings  |        | 4   |       |
| 19  | 369 03 215   | Upper<br>B 73,5 X 3AC<br>Piston pin   |        | 4   |       |
| 20  | 369 04 217   | 20 X 63<br>Cylinder   |        | 4   |       |
| 21  | 506 03 010   | \$ 73,5<br>Piston<br>Complete   |        | 4   |       |
| 22  | 506 03 102 3 | \$ 80<br>Piston   |        | 4   |       |
| 23  | 506 03 107   | \$ 80<br>Piston ring  |        | 4   |       |
| 24  | 506 03 106   | A 80 X 5AC<br>Piston ring   |        | 4   |       |
| 25  | 506 03 105   | B 80 X 3AC<br>Piston ring   |        | 4   |       |
| 26  | 506 03 108   | Upper<br>B 80 X 3AC<br>Piston pin   |        | 4   |       |
| 27  | 527 04 102   | 20 X 63<br>Cylinder<br>\$ 80 MM   |        | 4   |       |
| 28  | 502 03 011   | Aluminium<br>Piston<br>Complete   |        | 4   |       |
| 29  | 502 03 101   | \$ 80 MM<br>Piston  |        | 4   |       |
| 30  |              | \$ 80 MM<br>Oil scraper ring  |        | 4   |       |
| 31  |              | A 80 X 5AC<br>Piston rings  |        | 4   |       |

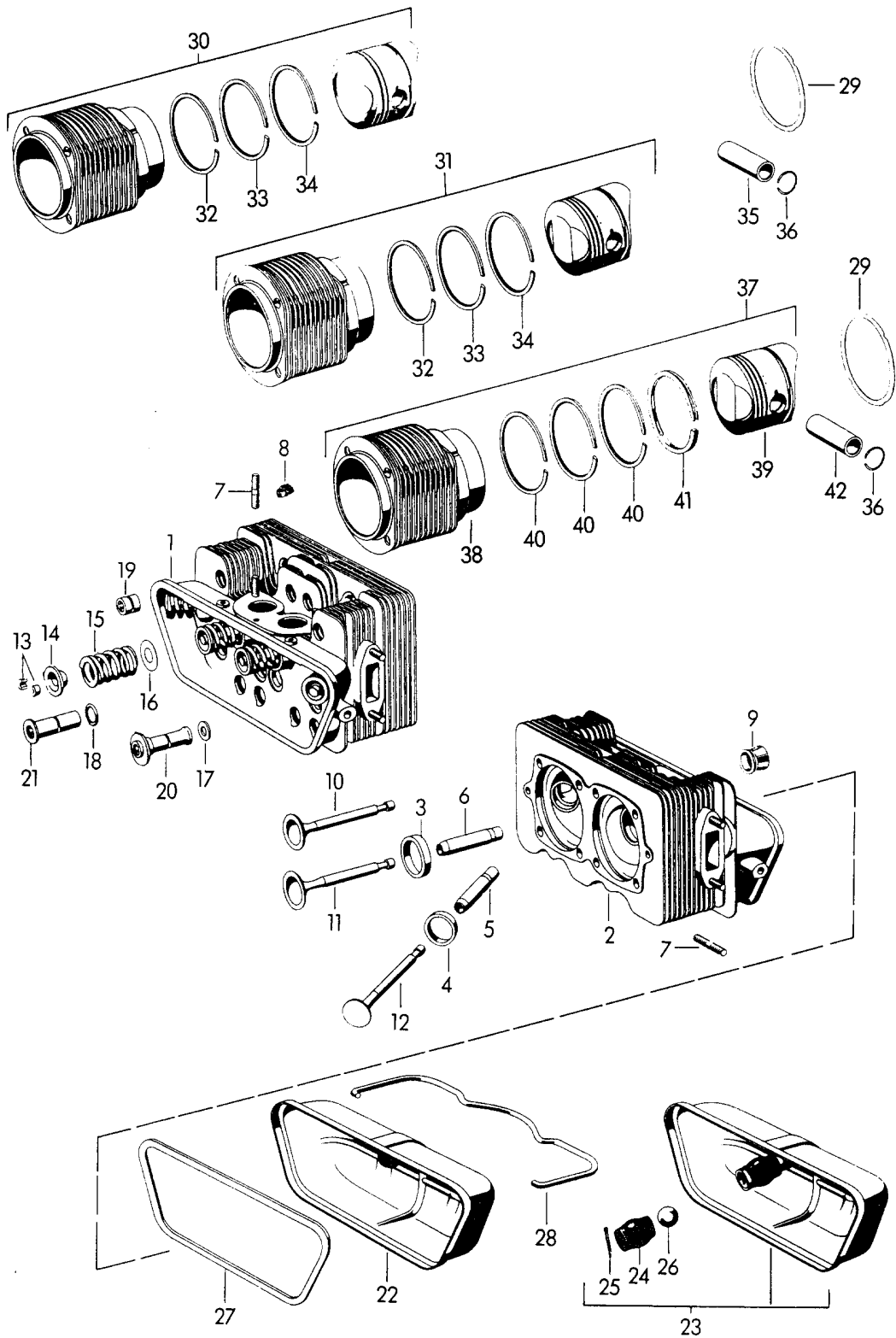
Model: 356 50

Model life 1950&gt;&gt;1959

| Pos | Part Number | Description                         | Remark | Qty | Model |
|-----|-------------|-------------------------------------|--------|-----|-------|
| 32  |             | B 80 X 3AC<br>Piston rings<br>Upper |        | 4   |       |
| 33  | 616 03 208  | B 80 X 3AC<br>Piston pin<br>22 X 69 |        | 4   |       |
| 34  |             | Circlip<br>22                       |        | 8   |       |

Model: 356 50

Model life 1950>>1959



Model: 356 50 Model life 1950>>1959

| Pos   | Part Number    | Description   | Remark | Qty | Model   |
|-------|----------------|---|--------|-----|---|
|       |                | Cylinder head<br>Cylinder with piston<br>M 22 001 >><br>M 50 101 >><br>M 33 901 >><br>M 41 001 >><br>M 60 001 >><br>M 80 001 >> |        |     | 1300<br>1300 S<br>1500<br>1500 S<br>1600<br>1600 S<br>1600 /S |
| 1     | 616 104 002 00 | Cylinder head<br>with valves<br>Ready for installation  |        | 2   | 1600 /S   |
| (1)   | 616 104 002 X  | Cylinder head<br>Exchange<br>with valves<br>Ready for installation  |        | 2   | 1600 /S   |
| 2     | 616 104 032 00 | Cylinder head<br>without valves   |        | 2   |   |
| 3     | 369 104 206 52 | Valve seat ring<br>Intake<br>Oversize   |        | X   |   |
| 4     | 616 104 315 52 | Valve seat ring   |        | X   |   |
| 4     |                | Valve seat ring<br>Exhaust<br>2nd oversize  |        | X   |   |
| 5+6   | 616 104 322 60 | Valve guide<br>1st oversize<br>Intake<br>And<br>Exhaust   |        | X   |   |
| (5+6) |                | Valve guide<br>2nd oversize<br>Intake<br>And<br>Exhaust   |        | X   |   |
| 7     | 900 068 005 00 | Stud<br>BM 8 X 18<br>for<br>Exhaust manifold  |        | 8   |   |
| (7)   | 000 95 129     | Stud<br>for<br>Intake manifold  |        | 4   |   |
| 8     | 616 04 209     | Insert<br>M 14 X 1,25 X 8,75<br>for<br>Spark plug   |        | 4   |   |
| 9     | 616 105 491 02 | Gasket  |        | 4   |   |
| 10+11 | 546 05 203     | Intake valve  |        | 4   |   |
| 12    | 616 105 405 50 | Exhaust valve   |        | 4   |   |
| 13    | 369 05 204 1   | Collet<br>Divided   |        | 16  |   |
| 14    | 369 05 203 1   | Concave washer  |        | 8   |   |
| 15    | 616 05 207     | Valve spring  |        | 8   |   |
| 16    | 369 04 218     | Shim  |        | 24  |   |
| 17    | 999 031 062 02 | Washer  |        | 16  |   |
| 18    | 539 04 203     | Sealing ring  |        | 8   |   |
| (19)  | 539 04 202     | Cylinder head nut<br>See classic technical information<br>3/94  |        | 8   |   |
| (20)  | 539 04 205     | Cylinder head nut<br>See classic technical information<br>3/94  |        | 4   |   |
| (21)  | 369 04 211     | Cylinder head nut<br>See classic technical information  |        | 4   |   |

Model: 356 50 Model life 1950>>1959

| Pos  | Part Number    | Description   | Remark | Qty    | Model   |
|------|----------------|---|--------|--------|---------|
|      |                | 3/94  |        |        |         |
| 22   | 597 104 305 00 | Cylinder head cover   |        | 2      |         |
| 23   | 616 104 043 01 | Cylinder head cover   |        | 2      |         |
| 24   | 616 104 454 01 | Strainer  |        | 2      |         |
| 25   | 900 021 005 00 | Cotter pin  |        | 2      |         |
| 26   | 900 108 002 00 | Ball  |        | 2      |         |
| 27   | 616 104 951 00 | Gasket<br>Cork  |        | 2      |         |
| 28   | 369 04 240     | Clamp   |        | 2      |         |
| 29   | 539 04 209     | Cylinder base gasket<br>Copper  |        | 4      |         |
| 30   | 616 03 221     | Cylinder with piston<br>Complete<br>Aluminium<br>\$ 74,5 MM                                       |        | 4      | 1300    |
| 31   | 616 03 222     | Cylinder with piston<br>Complete<br>Aluminium<br>\$ 74,5 MM                                       |        | 4      | 1300 S  |
| 32   | 506 03 204     | Piston ring<br>Upper<br>\$ 74,5 MM  |        | 4      | 1300 /S |
| 33   | 506 03 203     | Oil scraper ring<br>\$ 74,5 MM  |        | 4      | 1300 /S |
| 34   | 506 03 202     | Piston ring<br>\$ 74,5 MM   |        | 4      | 1300 /S |
| 35   | 506 03 201     | Piston pin  |        | 4      | 1300 /S |
| 36   | 900 178 001 00 | Circlip<br>C 22   |        | 8      |         |
| 37   | 616 103 903 00 | Cylinder with piston<br>Complete  |        | 4      | 1600    |
| (37) | 616 103 906 01 | Cylinder with piston<br>Complete<br>When required order also:<br>539. 04.209                      |        | 4<br>X | 1600 S  |
| (37) | 616 103 906 90 | Cylinder with piston<br>Complete<br>When required order also:<br>539. 04.209                      |        | 4<br>X | 1600 S  |
| 38   | 616 104 104 00 | Cylinder<br>\$ 82,5 MM  |        | 4      | 1600 /S |
| 39   | 616 103 032 00 | Piston<br>Complete<br>\$ 82,5 MM  |        | 4      | 1600    |
| (39) | 616 103 032 50 | Piston<br>Complete<br>\$ 83 MM  |        | 4      | 1600    |
| (39) | 616 103 906 01 | Repair material<br>Cylinder with piston<br>\$ 82,5 MM<br>When required order also:<br>539. 04.209 |        | 4<br>X | 1600 S  |
| (39) | 616 103 906 90 | Cylinder with piston<br>\$ 82,5 MM<br>When required order also:<br>539. 04.209                    |        | 4<br>X | 1600 S  |
| (39) | 616 103 035 51 | Piston<br>\$ 83 MM  |        | 4      | 1600 S  |
| (39) | 616 103 035 61 | Piston<br>\$ 83,5 MM  |        | 4      | 1600 S  |
| 40   | 616 103 311 01 | Piston ring<br>Groove 1<br>Groove 2   |        | 12     | 1600    |

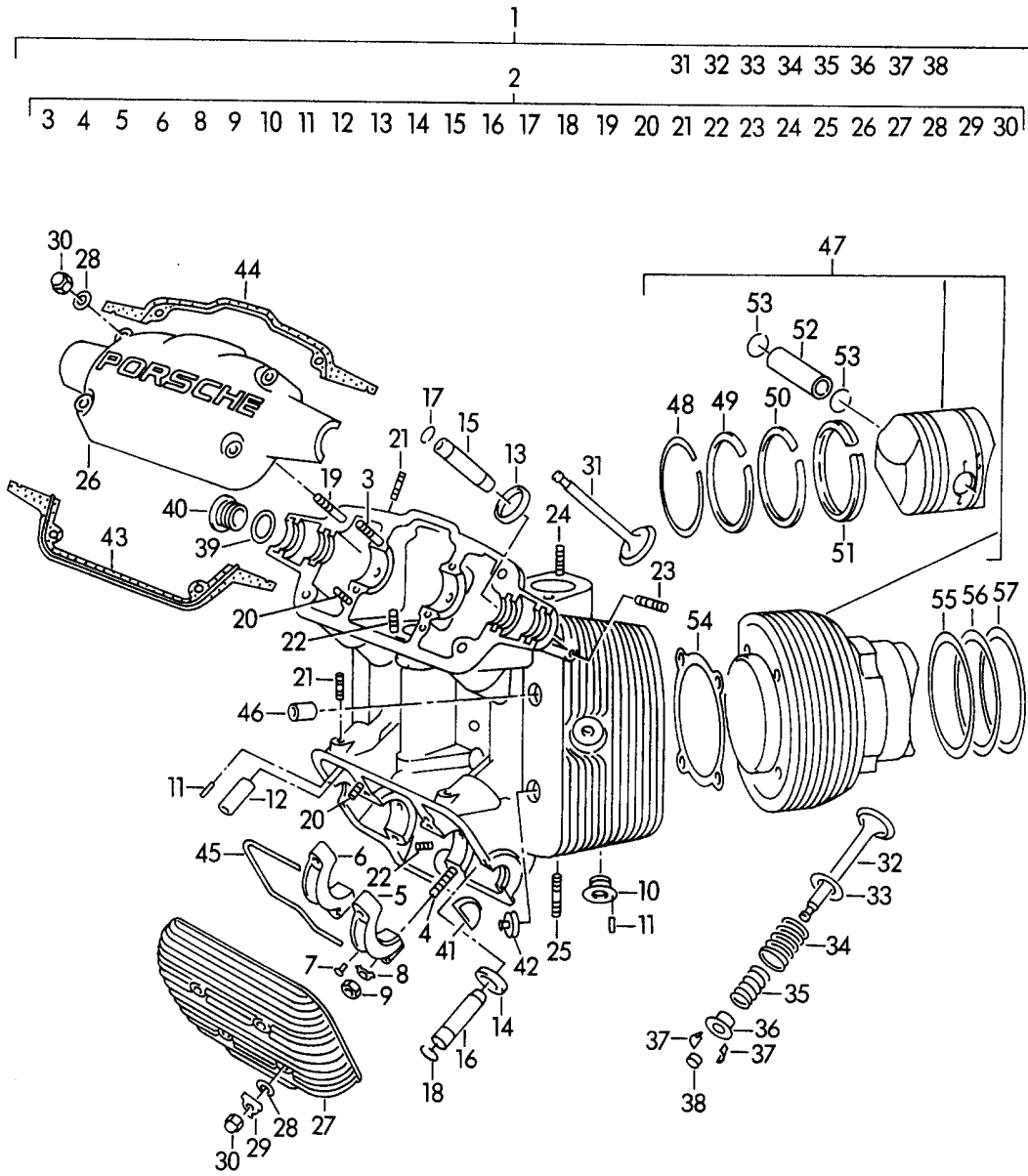
Model: 356 50

Model life 1950&gt;&gt;1959

| Pos  | Part Number    | Description   | Remark | Qty | Model   |
|------|----------------|---|--------|-----|---------|
| (40) | 616 103 311 51 | Groove 3<br>\$ 82,5 MM<br>Piston ring<br>Groove 1<br>Groove 2<br>Groove 3<br>\$ 83 MM |        | 12  | 1600 /S |
| (40) | 616 103 311 61 | Piston ring<br>Groove 1<br>Groove 2<br>Groove 3<br>\$ 83,5 MM                         |        | 12  | 1600 S  |
| 41   | 616 103 314 00 | Oil scraper ring<br>\$ 82,5 MM  |        | 4   | 1600    |
| (41) | 616 103 314 50 | Oil scraper ring<br>\$ 83 MM  |        | 4   | 1600 /S |
| (41) | 616 103 314 60 | Oil scraper ring<br>\$ 83,5 MM  |        | 4   | 1600 S  |
| 42   | 616 103 321 00 | Piston pin<br>Identification<br>Black   |        | X   | 1600 /S |
| (42) | 616 103 321 01 | Piston pin<br>Identification<br>White   |        | X   | 1600 /S |
| (42) | 616 103 321 50 | Piston pin<br>Oversize<br>Identification<br>Blue                                      |        | X   | 1600 /S |

Model: 356 50

Model life 1950>>1959





Model: 356 50

Model life 1950&gt;&gt;1959

| Pos | Part Number    | Description   | Remark | Qty | Model                 |
|-----|----------------|---|--------|-----|-----------------------|
|     |                | Cylinder head<br>Cylinder with piston<br>M 90 501 >> 91 000 |        |     | CARRERA<br>1500 GS/GT |
| 1   | 547 104 904 00 | Cylinder head<br>with valves                                |        | 2   |                       |
| 2   | 547 04 023     | Cylinder head<br>without<br>Valves                          |        | 2   |                       |
| 3   | 900 061 028 00 | Stud<br>Housing   |        | 8   |                       |
| 4   | 547 04 211     | M 8 X 28<br>Stud<br>Housing<br>And<br>Valve cover           |        | 8   |                       |
| 5   | 547 04 204 1   | Housing<br>Camshaft   |        | 4   |                       |
| 6   | 547 04 205 1   | Housing<br>Camshaft   |        | 4   |                       |
| 7   | 547 04 236     | Lock<br>Housing   |        | 8   |                       |
| 8   | 999 039 001 00 | Tab washer<br>Housing                                       |        | 16  |                       |
| 9   | 502 08 310     | Hexagon nut   |        | 16  |                       |
| 10  | 547 04 231     | Threaded bush<br>Spark plug                                 |        | 8   |                       |
| 11  | 900 012 032 00 | Straight pin<br>3H 8 X 8                                    |        | 16  |                       |
| 12  | 547 05 320     | Threaded bush   |        | 8   |                       |
| -   | 547 05 202     | Threaded bush<br>Old version                                |        | 8   |                       |
| 13  | 547 05 206 10  | Valve seat ring<br>Intake<br>Oversize                       |        | 4   |                       |
| 14  | 587 104 315 52 | Valve seat ring<br>Exhaust<br>Oversize                      |        | 4   |                       |
| 15  | 547 05 211 10  | Valve guide<br>Intake<br>Oversize                           |        | 4   |                       |
| 16  | 547 05 212 10  | Valve guide<br>Exhaust<br>Oversize                          |        | 4   |                       |
| 17  | 900 152 003 00 | Circlip<br>12<br>Valve guide<br>Intake                      |        | 4   |                       |
| 18  | 900 152 005 00 | Circlip<br>16<br>Valve guide<br>Exhaust                     |        | 4   |                       |
| 19  | 900 061 030 00 | Stud<br>M 8 X 35  |        | 8   |                       |
| 20  | 900 061 016 00 | Stud<br>M 6 X 12  |        | 8   |                       |
| 21  | 900 081 003 00 | Stud<br>M 6 X 12  |        | 8   |                       |
| 22  | 900 061 023 00 | Stud<br>M 8 X 15  |        | 12  |                       |
| 23  | 900 061 022 00 | Stud<br>M 8 X 12  |        | 4   |                       |
| 24  | 900 061 025 00 | Stud<br>M 8 X 20  |        | 8   |                       |

Model: 356 50 Model life 1950>>1959

| Pos  | Part Number    | Description  | Remark | Qty | Model |
|------|----------------|--|--------|-----|-------|
| 24   | 900 061 029 00 | Old version<br>Stud<br>M 8 X 30 S  |        | 8   |       |
| 25   | 900 061 025 00 | Stud<br>M 8 X 20   |        | 8   |       |
| 26   | 547 04 225 1   | Valve cover<br>Intake  |        | 2   |       |
| 27   | 547 04 226     | Valve cover<br>Exhaust   |        | 2   |       |
| 28   | 900 123 002 20 | Sealing ring<br>A 8 X 14<br>Copper   |        | 32  |       |
| 29   | 547 04 235     | Tab washer   |        | 8   |       |
| 30   | 900 070 003 00 | Cap nut<br>M 8   |        | 16  |       |
| 31   | 547 05 209     | Valve<br>118,5 MM  |        | 4   |       |
| (31) | 547 05 209 1   | M >> 90 801<br>Intake valve<br>119,9 MM  |        | 4   |       |
| 32   | 547 05 210     | M 90 802 >><br>Exhaust valve<br>117,4 MM   |        | 4   |       |
| (32) | 547 05 210 1   | M >> 90 675<br>Exhaust valve<br>118,9 MM   |        | 4   |       |
| 33   | 547 05 217     | M 90 676 >><br>Washer  |        | 24  |       |
| 34   | 547 05 216     | Valve spring<br>Outer  |        | 8   |       |
| 35   | 547 05 215     | Valve spring<br>Inner  |        | 8   |       |
| 36   | 547 05 214     | Concave washer   |        | 8   |       |
| 37   | 547 05 213     | Valve collet   |        | 16  |       |
| 38   | 547 05 313     | Cap<br>2,0 MM<br>Mounting length<br>3 MM   |        | X   |       |
| (38) | 547 05 314     | Valid for<br>Intake valve<br>547. 05.209<br>Exhaust valve<br>507. 05.210<br>Cap<br>2,5 MM<br>Mounting length<br>3 MM |        | X   |       |
| (38) | 547 05 315     | Valid for<br>Intake valve<br>547. 05.209<br>Exhaust valve<br>507. 05.210<br>Cap<br>3,0 MM<br>Mounting length<br>3 MM |        | X   |       |
| (38) | 547 05 316     | Valid for<br>Intake valve<br>547. 05.209<br>Exhaust valve<br>507. 05.210<br>Cap<br>3,5 MM                            |        | X   |       |

Model: 356 50 Model life 1950>>1959

| Pos  | Part Number  | Description  | Remark | Qty | Model |
|------|--------------|--|--------|-----|-------|
| (38) | 547 05 317   | Mounting length<br>3 MM<br>Valid for<br>Intake valve<br>547. 05.209<br>Exhaust valve<br>507. 05.210<br>Cap<br>1,5 MM     |        | X   |       |
| (38) | 547 05 313 1 | Mounting length<br>3 MM<br>Valid for<br>Intake valve<br>547. 05.209<br>Exhaust valve<br>507. 05.210<br>Cap<br>2,0 MM     |        | X   |       |
| (38) | 547 05 314 1 | Mounting length<br>4 MM<br>Valid for<br>Intake valve<br>547. 05.209.1<br>Exhaust valve<br>547. 05.210.1<br>Cap<br>2,5 MM |        | X   |       |
| (38) | 547 05 315 1 | Mounting length<br>4 MM<br>Valid for<br>Intake valve<br>547. 05.209.1<br>Exhaust valve<br>547. 05.210.1<br>Cap<br>3,0 MM |        | X   |       |
| (38) | 547 05 316 1 | Mounting length<br>4 MM<br>Valid for<br>Intake valve<br>547. 05.209.1<br>Exhaust valve<br>547. 05.210.1<br>Cap<br>3,5 MM |        | X   |       |
| (38) | 547 05 317 1 | Mounting length<br>4 MM<br>Valid for<br>Intake valve<br>547. 05.209.1<br>Exhaust valve<br>547. 05.210.1<br>Cap<br>1,5 MM |        | X   |       |
| 39   | 547 05 246   | Sealing ring   |        | 1   |       |
| 40   | 547 05 302   | Screw plug   |        | 1   |       |

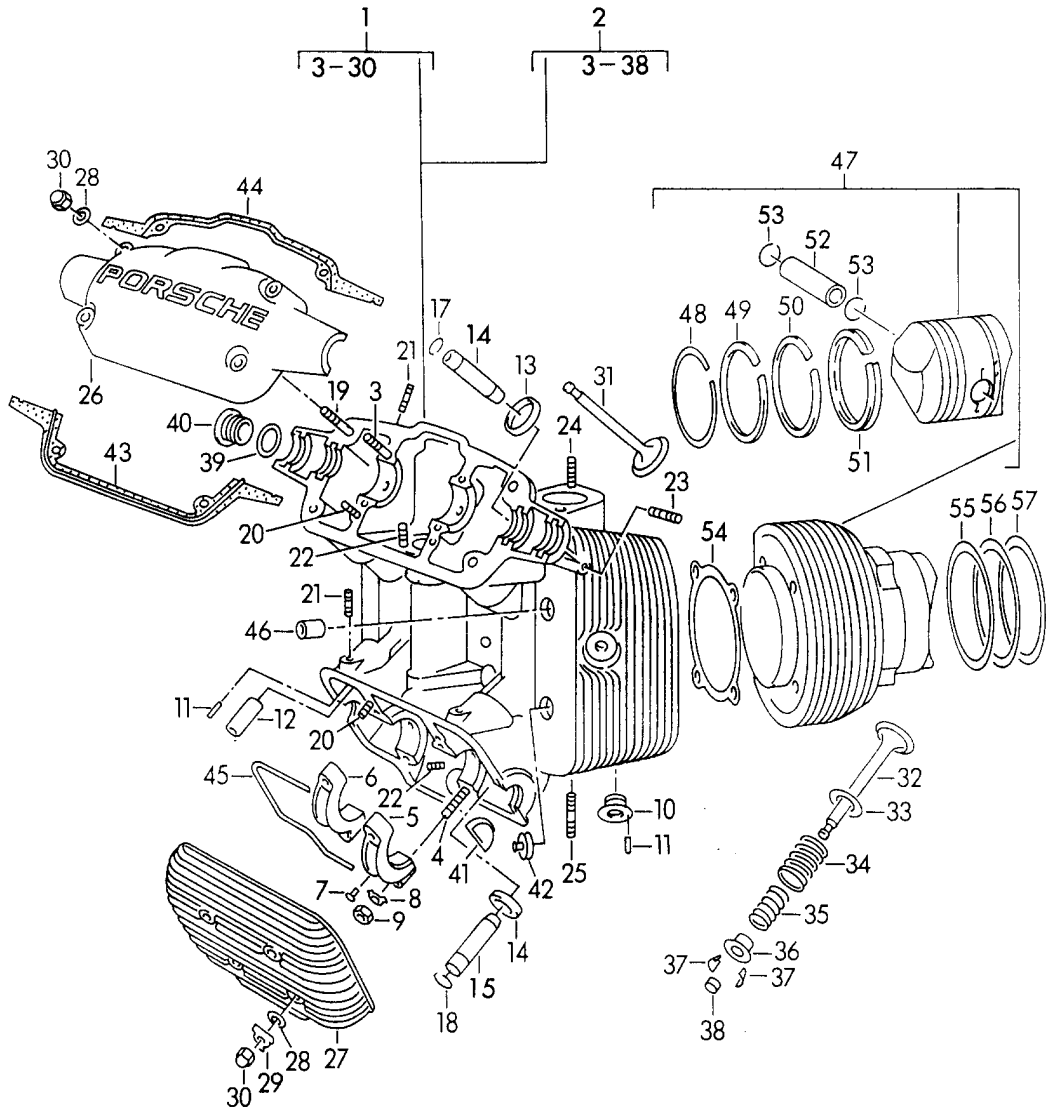
Model: 356 50

Model life 1950&gt;&gt;1959

| Pos | Part Number    | Description  | Remark | Qty | Model |
|-----|----------------|--|--------|-----|-------|
| 41  | 547 04 228     | Gasket   |        | 4   |       |
| 42  | 547 04 223     | Stopper<br>Rubber                                  |        | 16  |       |
| 43  | 547 04 233     | Gasket<br>I  |        | 2   |       |
| 44  | 547 04 234     | Gasket<br>II                                       |        | 2   |       |
| 45  | 692 104 913 00 | Gasket<br>Oval                                     |        | 2   |       |
| 46  | 539 04 202     | Cylinder head nut                                  |        | 16  |       |
| -   | 547 01 141     | Washer   |        | 16  |       |
| 47  | 547 103 902 00 | Cylinder with piston<br>Complete<br>\$ 85 MM       |        | 4   |       |
| 48  | 547 03 207     | Piston ring<br>I                                   |        | 4   |       |
| 49  | 547 03 208     | Piston ring<br>II                                  |        | 4   |       |
| 50  | 547 03 209     | Oil scraper ring<br>III                            |        | 4   |       |
| 51  | 547 03 210     | Piston ring<br>IV                                  |        | 4   |       |
| 52  | 547 03 203     | Piston pin   |        | 4   |       |
| 53  | 547 03 211     | Circlip  |        | 8   |       |
| 54  | 547 04 222     | Cylinder head gasket                               |        | 4   |       |
| 55  | 547 04 230     | Cylinder head gasket<br>0,2 MM<br>for<br>Crankcase |        | X   |       |
| 56  | 547 04 230 1   | Cylinder head gasket<br>0,5 MM<br>for<br>Crankcase |        | X   |       |
| 57  | 547 04 230 2   | Cylinder head gasket<br>1,0 MM<br>for<br>Crankcase |        | X   |       |

Model: 356 50

Model life 1950>>1959



Model: 356 50

Model life 1950&gt;&gt;1959

| Pos | Part Number    | Description   | Remark | Qty | Model                 |
|-----|----------------|---|--------|-----|-----------------------|
| -   | 692 104 007 00 | Cylinder head<br>Cylinder with piston<br>Cylinder head<br>without<br>Valves<br>with<br>Picture<br>NR.3-6,9+10,11-20,22-30 |        | 2   | CARRERA<br>1600 GS/GT |
| 1   | 692 104 006 00 | Cylinder head<br>without<br>Valves<br>with<br>Picture<br>NR.3-30  |        | 2   |                       |
| 2   | 692 104 008 00 | Cylinder head<br>with<br>Valves<br>with<br>Picture<br>NR.3-38   |        | 2   |                       |
| 3   | 900 061 028 00 | Stud<br>M 8 X 20  |        | 8   |                       |
| 4   | 547 04 211     | Housing<br>Stud<br>Housing<br>And<br>Valve cover  |        | 8   |                       |
| 5   | 547 04 204 1   | Housing<br>Camshaft   |        | 4   |                       |
| 6   | 547 04 205 1   | Housing<br>Camshaft   |        | 4   |                       |
| 7   | 547 04 236     | Lock<br>Housing   |        | 8   |                       |
| 8   | 999 039 001 00 | Tab washer<br>Housing   |        | 16  |                       |
| 9   | 502 08 310     | Hexagon nut   |        | 16  |                       |
| 10  | 547 04 231     | Threaded bush<br>Spark plug   |        | 8   |                       |
| 11  | 900 012 032 00 | Straight pin<br>3H 8 X 8  |        | 16  |                       |
| 12  | 547 05 320     | Threaded bush   |        | 8   |                       |
| 13  | 547 05 206 10  | Valve seat ring<br>Intake<br>Oversize   |        | 4   |                       |
| 14  | 587 104 315 52 | Valve seat ring<br>Exhaust<br>Oversize  |        | 4   |                       |
| 15  | 547 05 211 10  | Valve guide<br>Intake<br>Oversize   |        | 4   |                       |
| 16  | 547 05 212 10  | Valve guide<br>Exhaust<br>Oversize  |        | 4   |                       |
| 17  | 900 152 003 00 | Circlip<br>12<br>Valve guide<br>Intake  |        | 4   |                       |
| 18  | 900 152 005 00 | Circlip<br>16<br>Valve guide<br>Exhaust   |        | 4   |                       |
| 19  | 900 061 030 00 | Stud<br>M 8 X 35  |        | 8   |                       |

Model: 356 50 Model life 1950>>1959

| Pos | Part Number    | Description                                    | Remark | Qty | Model   |
|-----|----------------|--|--------|-----|---------|
| 20  | 900 061 016 00 | Stud<br>M 6 X 12                               |        | 8   |         |
| 21  | 900 081 003 00 | Stud<br>M 6 X 12                               |        | 8   |         |
| 22  | 900 061 023 00 | Stud<br>M 8 X 15                               |        | 12  |         |
| 23  | 900 061 022 00 | Stud<br>M 8 X 12                               |        | 4   |         |
| 24  | 900 061 029 00 | Stud<br>M 8 X 30                               |        | 8   |         |
| 25  | 900 061 025 00 | New design<br>Stud<br>M 8 X 20                 |        | 8   |         |
| 26  | 547 04 225 1   | Valve cover<br>Intake                          |        | 2   |         |
| 27  | 547 04 226     | Valve cover<br>Exhaust                         |        | 2   |         |
| 28  | 900 123 002 20 | Sealing ring<br>A 8 X 14<br>Copper             |        | 32  |         |
| 29  | 547 04 235     | Tab washer                                     |        | 8   |         |
| 30  | 900 070 003 00 | Cap nut<br>M 8                                 |        | 16  |         |
| 31  | 547 05 209 1   | Intake valve<br>119,9 MM                       |        | 4   |         |
| 32  | 547 05 210 1   | Exhaust valve<br>118,9 MM                      |        | 4   |         |
| 33  | 547 05 217     | Washer   |        | 24  |         |
| 34  | 547 05 216     | Valve spring<br>Outer                          |        | 8   |         |
| 35  | 547 05 215     | Valve spring<br>Inner                          |        | 8   |         |
| 36  | 547 05 214     | Concave washer                                 |        | 8   |         |
| 37  | 547 05 213     | Valve collet                                   |        | 16  |         |
| 38  | 547 05 313 1   | Cap<br>2,0 MM                                  |        | X   |         |
| 38  | 547 05 317 1   | Alternative parts:<br>Cap<br>1,5 MM            |        | X   |         |
| 39  | 547 09 205     | Sealing ring                                   |        | 1   |         |
| 40  | 547 05 302     | Screw plug                                     |        | 1   |         |
| 41  | 547 04 228     | Gasket   |        | 4   |         |
| 42  | 547 04 223     | Stopper<br>Rubber                              |        | 16  |         |
| 43  | 547 04 233     | Gasket<br>I                                    |        | 2   |         |
| 44  | 547 04 234     | Gasket<br>II                                   |        | 2   |         |
| 45  | 692 104 913 00 | Gasket<br>Oval                                 |        | 2   |         |
| 46  | 539 04 202     | Cylinder head nut                              |        | 16  |         |
| -   | 547 01 141     | Washer   |        | 16  |         |
| 47  | 692 103 031 00 | Cylinder with piston<br>Complete<br>\$ 85 MM   |        | 4   | 692/0/1 |
| -   | 692 103 034 01 | Cylinder with piston<br>Complete<br>\$ 87,5 MM |        | 4   |         |
| 48  | 547 03 207 1   | Piston ring<br>\$ 85 MM                        |        | 4   |         |
| -   | 692 103 312 01 | Piston ring<br>\$ 87,5 MM                      |        | 4   | 692/2/3 |
| 49  | 547 03 208 1   | Piston ring                                    |        | 4   | 692/0/1 |

Model: 356 50

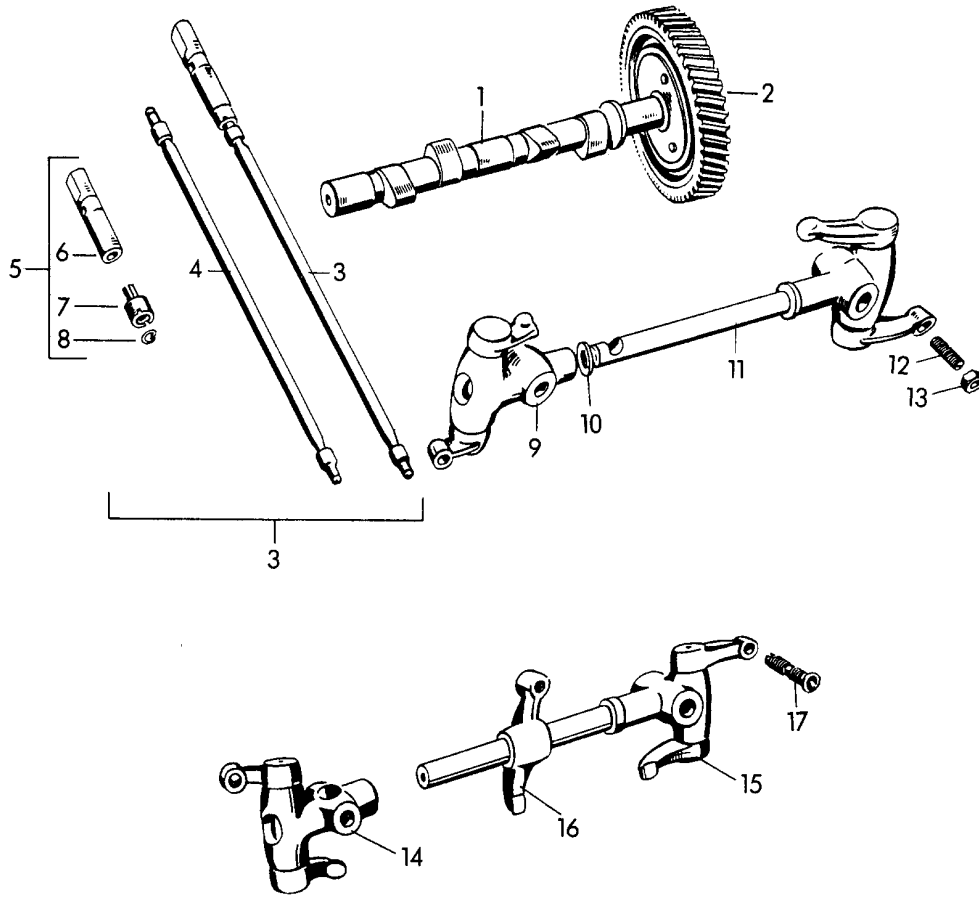
Model life 1950>>1959

| Pos | Part Number    | Description   | Remark | Qty | Model   |
|-----|----------------|---|--------|-----|---------|
| -   | 692 103 315 00 | \$ 85 MM<br>Piston ring<br>Ring                                 |        | 8   | 692/2/3 |
| 50  | 547 03 209 1   | \$ 87,5 MM<br>Oil scraper ring                                  |        | 4   | 692/0/1 |
| -   | 692 103 313 01 | \$ 85 MM<br>Oil scraper ring<br>Ring                            |        | 4   | 692/2/3 |
| 51  | 547 03 210     | \$ 87,5 MM<br>Piston ring                                       |        | 4   | 692/0/1 |
| -   | 692 103 314 01 | \$ 85 MM<br>Piston ring<br>Ring                                 |        | 4   | 692/2/3 |
| 52  | 547 103 321 00 | \$ 87,5 MM<br>Piston pin  |        | 4   |         |
| 53  | 547 03 211     | Circlip   |        | 8   |         |
| 54  | PCG 104 191 00 | Cylinder head gasket  |        | 4   |         |
| 55  | 692 104 192 00 | Cylinder base gasket<br>Copper<br>for<br>Crankcase<br>0,2 MM    |        | X   |         |
| 56  | 692 104 192 01 | Cylinder base gasket<br>Aluminium<br>for<br>Crankcase<br>0,5 MM |        | X   |         |
| 57  | 692 104 192 02 | Cylinder base gasket<br>Aluminium<br>for<br>Crankcase<br>1,0 MM |        | X   |         |



Model: 356 50

Model life 1950>>1959



Model: 356 50 Model life 1950>>1959

| Pos | Part Number    | Description  | Remark | Qty | Model  |
|-----|----------------|--|--------|-----|--|
|     |                | Camshaft<br>M >> 10 199<br>M >> 21 780<br>M >> 50 099<br>M >> 21 999<br>M >> 33 899<br>M >> 40 999 |        |     | 1100<br>1300<br>1300 S<br>1300 A<br>1500<br>1500 S |
| -   | 546 05 010 1   | Camshaft<br>- VW -   |        | 1   |  |
| 1   | 369 05 040     | Camshaft<br>Complete<br>with   |        | 1   |  |
| 2   | 616 105 103 01 | Gear wheel<br>Gear wheel<br>Aluminium  |        | 1   |  |
| 2   | 616 105 103 02 | Camshaft timing gear<br>Aluminium  |        | 1   |  |
| 3   | 369 05 036     | Valve pushrod<br>Complete<br>M >> 21 179<br>M >> 30 529  |        | X   | 1300<br>1500                                       |
| 4   | 539 05 020     | Gear shift rod   |        | 8   |  |
| 5   | 369 05 222     | Cam follower   |        | 8   |  |
| 6   | 546 05 211     | Cam follower   |        | 8   |  |
| 7   | 369 05 208 4   | Ball socket  |        | 8   |  |
| 8   | 546 05 210     | Circlip  |        | 8   |  |
| -   | 539 05 206     | Steering outer tube<br>Valve pushrod<br>M 21 180 >><br>M 30 530 >>                                 |        | 8   | 1300<br>1500                                       |
| -   | 616 105 231 01 | Protective tube<br>Valve pushrod<br>Stainless steel<br>M 21 180 >><br>M 30 530 >>                  |        | 8   | 1300<br>1500                                       |
| 9   | 369 05 225 2   | Rocker arm<br>Mounting<br>M >> 21 179<br>M >> 30 529   |        | 2   | 1300<br>1500                                       |
| 10  | 369 05 220     | Washer   |        | 4   |  |
| 11  | 369 05 223 2   | Rocker shaft<br>M >> 21 179<br>M >> 30 529   |        | 2   | 1300<br>1500                                       |
| 12  | 369 05 231     | Adjusting screw<br>M >> 21 179<br>M >> 30 529  |        | 8   | 1300<br>1500                                       |
| 13  |                | Hexagon nut<br>M 8 X 1   |        | 8   |  |
| 14  | 369 05 037     | Rocker arm<br>Mounting<br>M 21 180 >><br>M 30 530 >>   |        | 2   | 1300<br>1500                                       |
| 15  | 369 05 038     | Rocker shaft<br>M 21 180 >><br>M 30 530 >>   |        | 2   | 1300<br>1500                                       |
| 16  | 369 05 271     | Rocker arm<br>M 21 180 >><br>M 30 530 >>   |        | 4   | 1300<br>1500                                       |
| 17  | 369 05 243     | Adjusting screw<br>M 21 180 >><br>M 30 530 >>  |        | 8   | 1300<br>1500                                       |
| -   | 539 05 205     | Spring<br>for  |        | 2   |  |

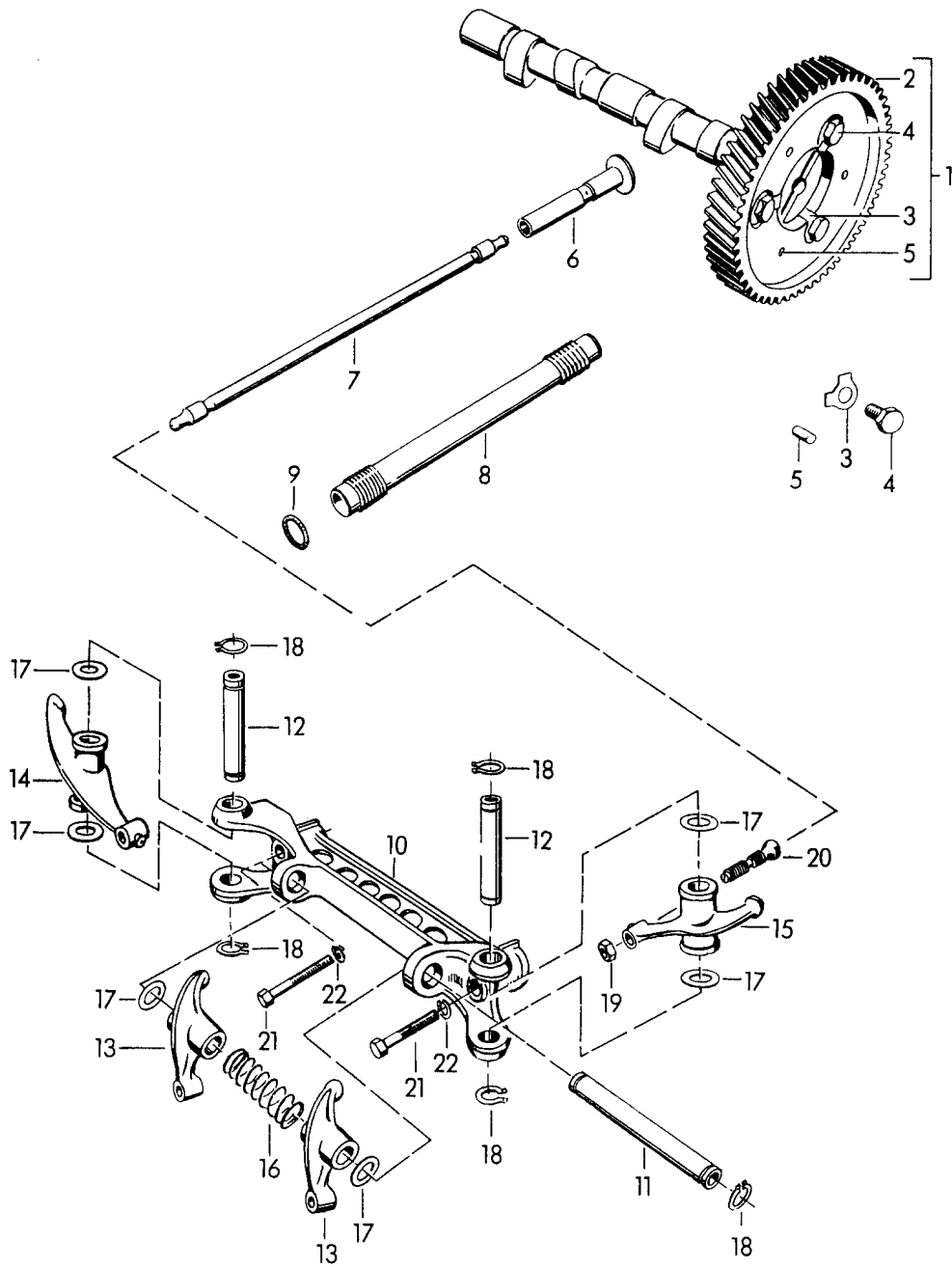
Model: 356 50

Model life 1950>>1959

| Pos | Part Number | Description                              | Remark | Qty | Model        |
|-----|-------------|--|--------|-----|--------------|
|     |             | Rocker arm<br>M 21 180 >><br>M 30 530 >> |        |     | 1300<br>1500 |

Model: 356 50

Model life 1950>>1959



Model: 356 50 Model life 1950>>1959

| Pos | Part Number    | Description  | Remark | Qty | Model  |
|-----|----------------|--|--------|-----|--|
|     |                | Camshaft<br>M 22 001 >><br>M 50 101 >><br>M 33 901 >><br>M 41 001 >><br>M 60 001 >><br>M 80 001 >> |        |     | 1300<br>1300 S<br>1500<br>1500 S<br>1600<br>1600 S |
| 1   |                | Camshaft<br>Alternative parts:   |        | X   | 1300/1600  |
| -   | 616 105 011 00 | Camshaft<br>Complete<br>with<br>Gear wheel<br>Size 0   |        | 1   | 1300/1600  |
| -   | 616 105 011 10 | Camshaft<br>Complete<br>with<br>Gear wheel<br>-1   |        | 1   | 1300/1600  |
| -   | 616 105 011 20 | Camshaft<br>Complete<br>with<br>Gear wheel<br>-2   |        | 1   | 1300/1600  |
| -   | 616 105 011 30 | Camshaft<br>Complete<br>with<br>Gear wheel<br>+1   |        | 1   | 1300/1600  |
| -   | 616 105 011 40 | Camshaft<br>Complete<br>with<br>Gear wheel<br>+2   |        | 1   | 1300/1600  |
| -   | 616 105 101 00 | Camshaft<br>without<br>Gear wheel  |        | 1   | 1300/1600  |
| (1) |                | Camshaft   |        | X   | 1300 S<br>1600 S                                   |
| -   | 616 105 012 00 | Alternative parts:<br>Camshaft<br>Complete<br>with<br>Gear wheel<br>0                              |        | 1   | 1300 S<br>1600 S                                   |
| -   | 616 105 012 10 | Camshaft<br>Complete<br>with<br>Gear wheel<br>-1   |        | 1   | 1300 S<br>1600 S                                   |
| -   | 616 105 012 20 | Camshaft<br>Complete<br>with<br>Gear wheel<br>-2   |        | 1   | 1300 S<br>1600 S                                   |
| -   | 616 105 012 30 | Camshaft<br>Complete<br>with<br>Gear wheel<br>+1   |        | 1   | 1300 S<br>1600 6                                   |
| -   | 616 105 012 40 | Camshaft<br>Complete<br>with   |        | 1   | 1300 S<br>1600 S                                   |

Model: 356 50 Model life 1950>>1959

| Pos  | Part Number    | Description   | Remark | Qty | Model            |
|------|----------------|---|--------|-----|------------------|
| 2    |                | Gear wheel<br>+2  |        | X   |                  |
| -    | 616 105 103 01 | Alternative parts:<br>Gear wheel<br>Aluminium                 |        | 1   |                  |
| -    | 616 105 103 02 | Camshaft timing gear<br>0<br>Aluminium                        |        | 1   |                  |
| -    | 616 105 103 11 | Gear wheel  |        | 1   |                  |
| -    | 616 105 103 12 | Camshaft timing gear<br>-1<br>Aluminium                       |        | 1   |                  |
| -    | 616 105 103 21 | Gear wheel  |        | 1   |                  |
| -    | 616 105 103 22 | Camshaft timing gear<br>-2<br>Aluminium                       |        | 1   |                  |
| -    | 616 105 103 31 | Gear wheel  |        | 1   |                  |
| -    | 616 105 103 32 | Camshaft timing gear<br>+1<br>Aluminium                       |        | 1   |                  |
| -    | 616 105 103 41 | Gear wheel  |        | 1   |                  |
| -    | 616 105 103 42 | Camshaft timing gear  |        | 1   |                  |
| -    | 616 105 103 41 | Gear wheel<br>+2<br>Aluminium                                 |        | 1   |                  |
| -    | 616 105 103 42 | Camshaft timing gear<br>+2<br>Aluminium                       |        | 1   |                  |
| 3    | 999 039 001 00 | Tab washer  |        | 3   |                  |
| 4    | 900 075 024 00 | Hexagon-head bolt<br>M 8 X 13                                 |        | 3   |                  |
| 4    | 900 075 453 00 | Hexagon-head bolt<br>M 8 X 16                                 |        | 3   |                  |
| 5    | N 013 199 1    | Straight pin<br>6 X 12  |        | 3   |                  |
| 6    | 616 105 201 00 | Cam follower  |        | 8   | 1300/1600        |
| (6)  | 539 05 210     | Cam follower  |        | 8   | 1300 S<br>1600 S |
| 7    | 616 105 028 02 | Cam follower<br>for cylinder                                  |        | 8   | 1600/1600 S      |
| (7)  | 616 105 026 00 | Grey cast iron<br>Gear shift rod<br>for cylinder<br>Aluminium |        | 8   |                  |
| 8    | 616 105 231 01 | Protective tube<br>Stainless steel                            |        | 8   |                  |
| 9    | 539 05 207     | Gasket  |        | 8   |                  |
| 10   | 539 05 223     | Bridge adapter  |        | 2   |                  |
| 11   | 539 05 225     | Rocker shaft<br>Long  |        | 2   |                  |
| 12   | 539 05 226     | Rocker shaft<br>Short   |        | 4   |                  |
| 13   | 369 05 271     | Rocker arm  |        | 4   |                  |
| 14   | 539 05 218     | Rocker arm<br>Long  |        | 2   |                  |
| 15   | 539 05 219     | Rocker arm<br>Short   |        | 2   |                  |
| 16   | 539 05 205     | Spring  |        | 2   |                  |
| 17   | 539 05 235     | Thrust washer<br>0,50 MM                                      |        | X   |                  |
| (17) | 539 05 236     | Thrust washer<br>0,40 MM                                      |        | X   |                  |

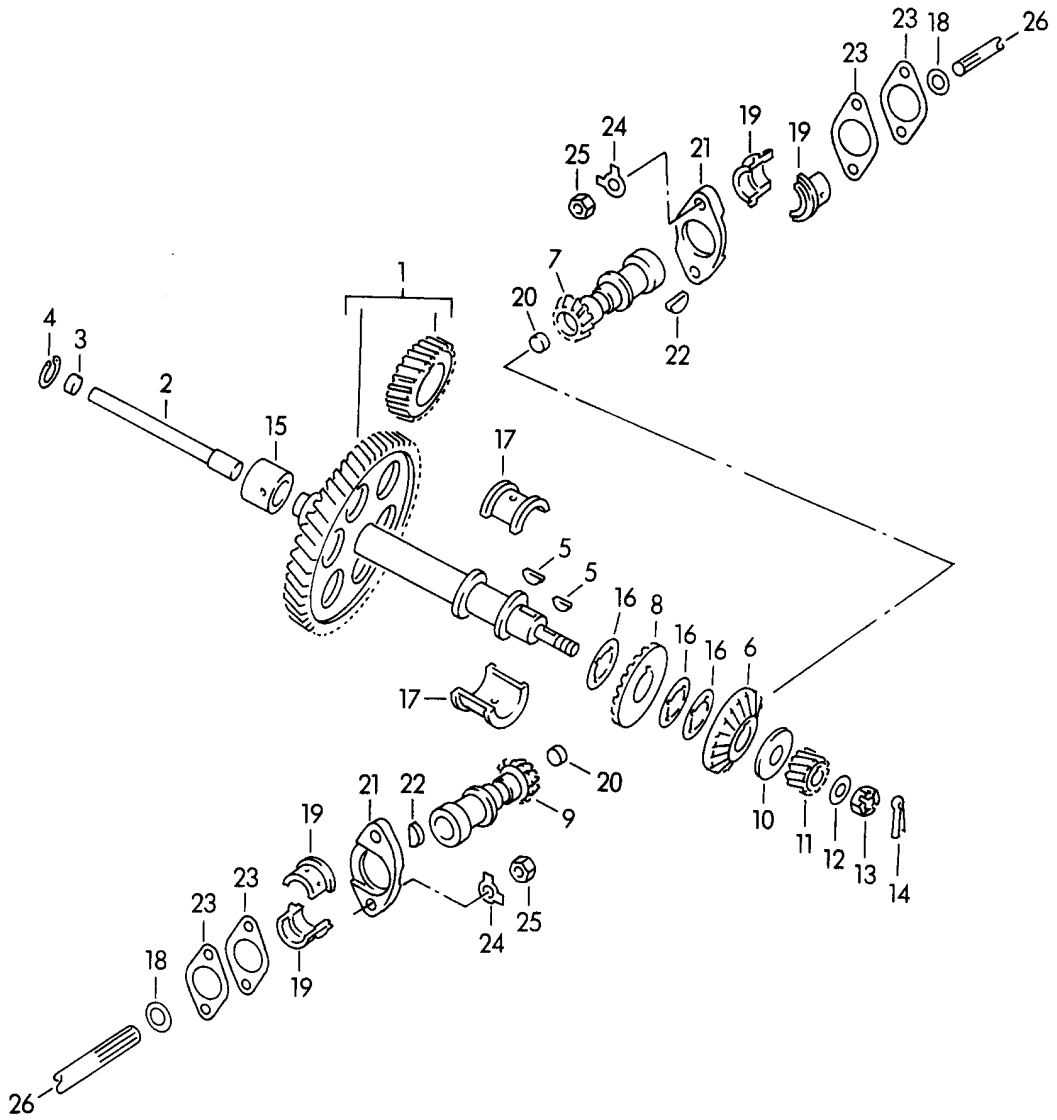
Model: 356 50

Model life 1950&gt;&gt;1959

| Pos  | Part Number    | Description                    | Remark | Qty | Model |
|------|----------------|--------------------------------|--------|-----|-------|
| (17) | 539 05 237     | Thrust washer<br>0,60 MM       |        | X   |       |
| 18   | N 012 416 1    | Circlip<br>16 X 1              |        | 12  |       |
| 19   | 900 078 011 00 | Hexagon nut<br>M 8 X 1         |        | 8   |       |
| 20   | 369 05 243     | Adjusting screw                |        | 8   |       |
| 21   | 900 074 061 00 | Hexagon-head bolt<br>M 10 X 48 |        | 4   |       |
| 22   | 900 028 005 01 | Lock ring                      |        | 4   |       |

Model: 356 50

Model life 1950>>1959





Model: 356 50

Model life 1950&gt;&gt;1959

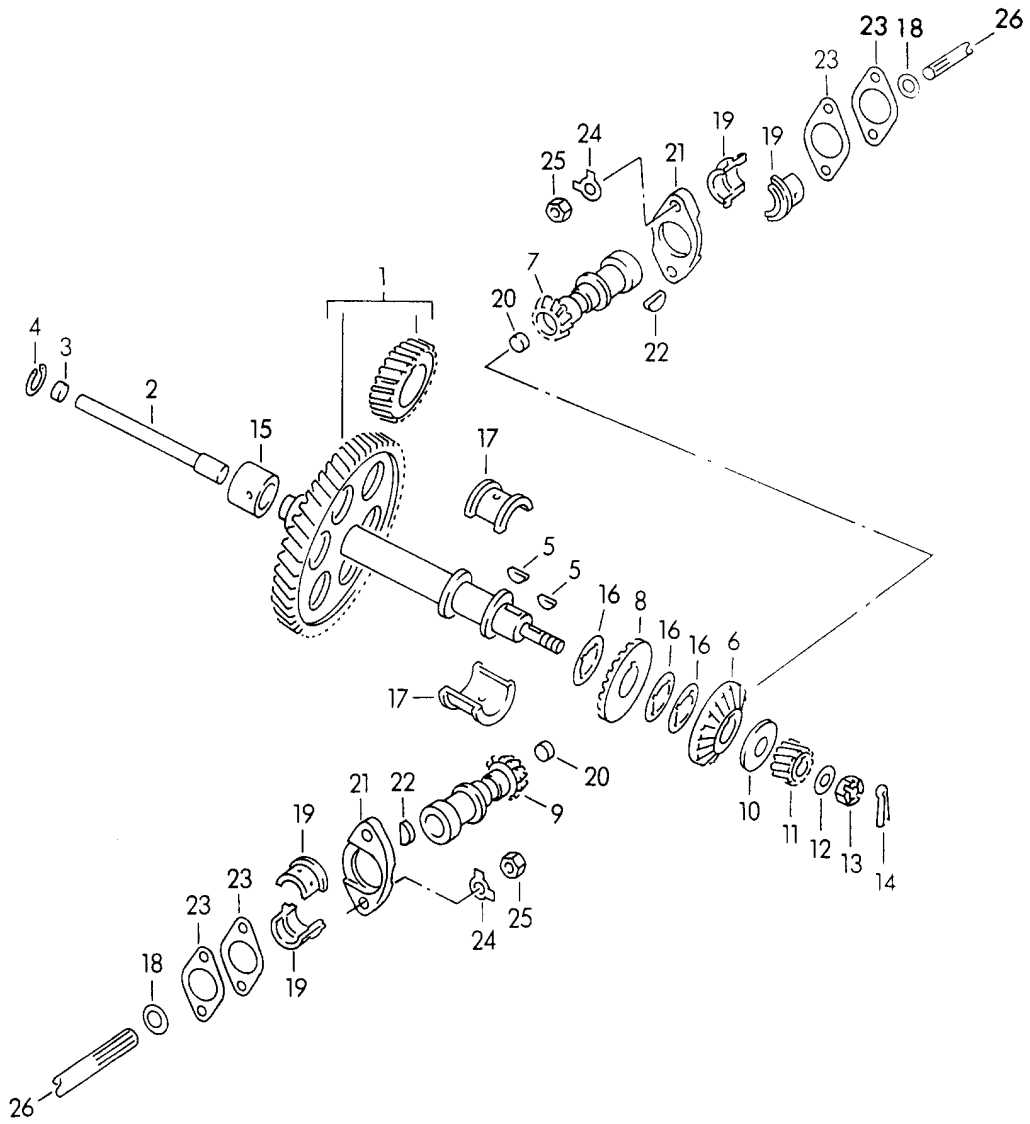
| Pos | Part Number    | Description  | Remark | Qty | Model                 |
|-----|----------------|--|--------|-----|-----------------------|
| 1   | 547 05 903     | Driving mechanism<br>for<br>Valve control<br>M 90 501 >> 91 000<br>Intermediate shaft<br>with<br>Timing gear |        | 1   | CARRERA<br>1500 GS/GT |
| 2   | 547 05 247     | Filler rod   |        | 1   |                       |
| 3   | 547 05 248     | Plug   |        | 1   |                       |
| 4   | 900 042 003 01 | Circlip<br>20 X 1  |        | 1   |                       |
| 5   | N 012 713 1    | Woodruff key<br>5 X 6,5<br>Repair kit<br>Valve control<br>Complete<br>See illustrations<br>1/98/00R          |        | 2   |                       |
| -   | 547 05 022     | Gear set<br>Comprising:<br>Picture<br>6 , 7  |        | 1   |                       |
| -   | 547 05 025     | Gear set<br>Comprising:<br>Picture<br>8 , 9  |        | 1   |                       |
| 6   | 547 05 234 2A  | Bevel pinion<br>A<br>Spiral<br>Right<br>Only together with<br>Picture<br>7                                   |        | 1   |                       |
| 7   | 547 05 223 1A  | Pinion<br>A<br>Spiral<br>Left<br>Only together with<br>Picture<br>6  |        | 1   |                       |
| 8   | 547 05 234 1D  | Bevel pinion<br>D<br>Spiral<br>Left<br>Only together with<br>Picture<br>9                                    |        | 1   |                       |
| 9   | 547 05 223 2D  | Pinion<br>D<br>Spiral<br>Right<br>Only together with<br>Picture<br>8   |        | 1   |                       |
| 10  | 547 05 268     | Thrust washer  |        | 1   |                       |
| 11  | 547 07 101     | Gear wheel<br>Oil pump   |        | 1   |                       |
| 12  | 547 05 269     | Washer   |        | 1   |                       |
| 13  | 547 05 286     | Castle nut   |        | 1   |                       |
| 14  | N 012 532 1    | Cotter pin<br>3 X 25   |        | 1   |                       |
| 15  | 547 05 288 0   | Bearing sleeve   |        | 1   |                       |
| 16  | 547 05 297     | Shim   |        | X   |                       |

Model: 356 50 Model life 1950>>1959

| Pos  | Part Number    | Description                     | Remark | Qty | Model |
|------|----------------|---------------------------------|--------|-----|-------|
| (16) | 547 05 298     | 0,05 MM<br>Shim                 |        | X   |       |
| (16) | 547 05 299     | 0,08 MM<br>Shim                 |        | X   |       |
| (16) | PCG 05 299     | 0,10 MM<br>Shim                 |        | X   |       |
| (16) | 547 05 300     | 0,10 MM<br>Shim                 |        | X   |       |
| 17   | 547 05 912     | 0,35 MM<br>Bearing shell<br>Set |        | 1   |       |
| 18   | 547 05 246     | Sealing ring                    |        | 2   |       |
| 19   | 547 05 913     | Bearing shell<br>Set            |        | 2   |       |
| 20   | 547 05 301     | Stopper                         |        | 2   |       |
| 21   | 547 05 236     | Connecting flange               |        | 2   |       |
| 22   | N 012 706 1    | Woodruff key<br>3 X 6,5         |        | 2   |       |
| 23   | 547 05 270     | Shim<br>0,05 MM                 |        | X   |       |
| (23) | 547 05 271     | Shim<br>0,08 MM                 |        | X   |       |
| (23) | PCG 05 271     | Shim<br>0,08 MM                 |        | X   |       |
| (23) | 547 05 272     | Shim<br>0,10 MM                 |        | X   |       |
| (23) | PCG 05 272     | Shim<br>0,10 MM                 |        | X   |       |
| (23) | 547 05 273     | Shim<br>0,35 MM                 |        | X   |       |
| (23) | PCG 05 273     | Shim<br>0,35 MM                 |        | X   |       |
| 24   | 999 039 001 00 | Tab washer                      |        | 4   |       |
| 25   | 502 08 310     | Hexagon nut                     |        | 4   |       |
| 26   |                | See group<br>1/03/30            |        | *   |       |

Model: 356 50

Model life 1950>>1959



Model: 356 50

Model life 1950&gt;&gt;1959

| Pos | Part Number    | Description                                 | Remark | Qty | Model                 |
|-----|----------------|---|--------|-----|-----------------------|
|     |                | Driving mechanism<br>for                    |        |     | CARRERA<br>1600 GS/GT |
| 1   | 547 05 285 1   | Valve control<br>Intermediate shaft<br>with |        | 1   | 692/1                 |
| -   | 547 05 222 1   | Timing gear                                 |        | 1   | 692/1                 |
| -   | 547 05 285 1   | Intermediate shaft<br>with                  |        | 1   | 692/1/2/3             |
|     |                | Timing gear                                 |        |     |                       |
| -   | 692 102 111 00 | 692.102.111.00<br>Timing gear               |        | 1   | 692/1/2/3             |
| -   | PCG 102 111 00 | Timing gear                                 |        | 1   | 692/1/2/3             |
| -   | 900 012 039 00 | Straight pin<br>for                         |        | 1   | 692/1/2/3             |
|     |                | Timing gear                                 |        |     |                       |
| 2   | 547 05 247     | 5 M 6 X 8<br>Filler rod                     |        | 1   |                       |
|     |                | Wood  |        |     |                       |
| 3   | 547 05 248     | Plug  |        | 1   |                       |
| 4   | 900 042 003 01 | Circlip                                     |        | 1   |                       |
|     |                | 20 X 1                                      |        |     |                       |
| 5   | N 012 713 1    | Woodruff key                                |        | 2   |                       |
|     |                | 5 X 6,5                                     |        |     |                       |
| 6   | 547 05 022     | Gear set                                    |        | 1   |                       |
|     |                | Comprising:                                 |        |     |                       |
|     |                | Picture                                     |        |     |                       |
|     |                | 6+7   |        |     |                       |
| 8   | 547 05 025     | Gear set                                    |        | 1   |                       |
|     |                | Comprising:                                 |        |     |                       |
|     |                | Picture                                     |        |     |                       |
|     |                | 8+9   |        |     |                       |
| 10  | 547 05 268     | Thrust washer                               |        | 1   |                       |
| 11  | 692 107 153 00 | Gear wheel                                  |        | 1   |                       |
|     |                | Oil pump                                    |        |     |                       |
| 12  | 547 05 269     | Washer                                      |        | 1   |                       |
| 13  | 547 05 286     | Castle nut                                  |        | 1   |                       |
| 14  | N 012 532 1    | Cotter pin                                  |        | 1   |                       |
|     |                | 3 X 25                                      |        |     |                       |
| 15  | 547 05 288 0   | Bearing sleeve                              |        | 1   |                       |
| 16  | 547 05 297     | Shim  |        | X   |                       |
|     |                | 0,05 MM                                     |        |     |                       |
| -   | 547 05 298     | Shim  |        | X   |                       |
|     |                | 0,08 MM                                     |        |     |                       |
| -   | 547 05 299     | Shim  |        | X   |                       |
|     |                | 0,10 MM                                     |        |     |                       |
| -   | PCG 05 299     | Shim  |        | X   |                       |
|     |                | 0,10 MM                                     |        |     |                       |
| -   | 547 05 300     | Shim  |        | X   |                       |
|     |                | 0,35 MM                                     |        |     |                       |
| 17  | 547 05 289     | Bearing shell                               |        | 1   |                       |
|     |                | Set   |        |     |                       |
| 17  | 547 05 290     | Bearing shell                               |        | 1   |                       |
|     |                | Set   |        |     |                       |
| 18  | 547 05 246     | Sealing ring                                |        | 2   |                       |
| 19  | 547 05 232     | Bearing shell                               |        | 2   |                       |
|     |                | Set   |        |     |                       |
| 19  | 547 05 233     | Bearing shell                               |        | 2   |                       |
|     |                | Set   |        |     |                       |
| 20  | 547 05 301     | Stopper                                     |        | 2   |                       |
| 21  | 547 05 236     | Connecting flange                           |        | 2   |                       |
| 22  | N 012 706 1    | Woodruff key                                |        | 2   |                       |
|     |                | 3 X 6,5                                     |        |     |                       |

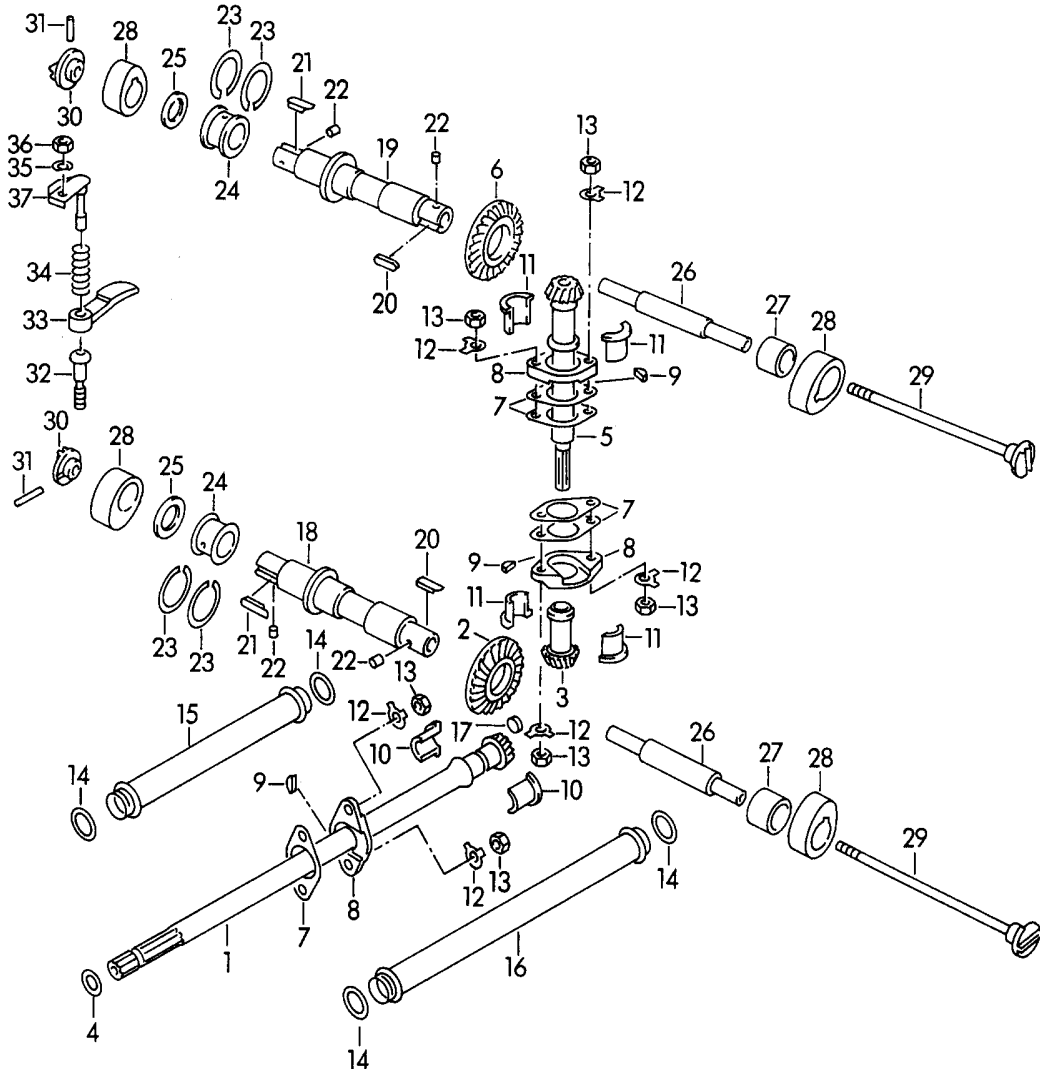
Model: 356 50

Model life 1950&gt;&gt;1959

| Pos | Part Number    | Description          | Remark | Qty | Model |
|-----|----------------|----------------------|--------|-----|-------|
| 23  | 547 05 270     | Shim<br>0,05 MM      |        | X   |       |
| -   | 547 05 271     | Shim<br>0,08 MM      |        | X   |       |
| -   | PCG 05 271     | Shim<br>0,08 MM      |        | X   |       |
| -   | 547 05 272     | Shim<br>0,10 MM      |        | X   |       |
| -   | PCG 05 272     | Shim<br>0,10 MM      |        | X   |       |
| -   | 547 05 273     | Shim<br>0,35 MM      |        | X   |       |
| -   | PCG 05 273     | Shim<br>0,35 MM      |        | X   |       |
| 24  | 999 039 001 00 | Tab washer           |        | 4   |       |
| 25  | 502 08 310     | Hexagon nut          |        | 4   |       |
| 26  |                | See group<br>1/03/32 |        | *   |       |

Model: 356 50

Model life 1950>>1959



Model: 356 50 Model life 1950>>1959

| Pos | Part Number   | Description   | Remark | Qty | Model                 |
|-----|---------------|---|--------|-----|-----------------------|
| -   | 547 05 023    | Valve control<br>M 90 501 >> 91 000<br>Repair kit<br>Valve control<br>Complete<br>See illustrations<br>1/98/00R<br>Set<br>B<br>Comprising:<br>Pos<br>1 , 2 , 3<br>Cylinder 1<br>And<br>Cylinder 2 |        | 1   | CARRERA<br>1500 GS/GT |
| -   | 547 05 026    | Set<br>E<br>Comprising:<br>Pos<br>(1), (2), (3)<br>Cylinder 3<br>And<br>Cylinder 4  |        | 1   |                       |
| -   | 547 05 024    | Gear set<br>C<br>Comprising:<br>Pos<br>5 , 6<br>Cylinder 1<br>And<br>Cylinder 2   |        | 1   |                       |
| -   | 547 05 027    | Gear set<br>F<br>Comprising:<br>Pos<br>(5) , (6)<br>Cylinder 3<br>And<br>Cylinder 4   |        | 1   |                       |
| 1   | 547 05 224 1B | Vertical shaft<br>Long<br>B<br>Spiral<br>Left<br>Cylinder 1<br>And<br>Cylinder 2<br>Only together with<br>Pos<br>2 , 3  |        | 1   |                       |
| (1) | 547 05 224 2E | Vertical shaft<br>Long<br>E<br>Spiral<br>Right<br>Cylinder 3<br>And<br>Cylinder 4<br>Only together with<br>Pos<br>(2) , (3)   |        | 1   |                       |
| 2   | 547 05 235 2B | Bevel pinion<br>B   |        | 1   |                       |

Model: 356 50 Model life 1950>>1959

| Pos | Part Number   | Description  | Remark | Qty | Model |
|-----|---------------|--|--------|-----|-------|
| (2) | 547 05 235 1E | Spiral<br>Right<br>Cylinder 1<br>And<br>Cylinder 2<br>Only together with<br>Pos<br>1 , 3<br>Bevel pinion<br>E        |        | 1   |       |
| 3   | 547 05 226 1B | Spiral<br>Left<br>Cylinder 3<br>And<br>Cylinder 4<br>Only together with<br>Pos<br>(1) , (3)<br>Pinion<br>B           |        | 1   |       |
| (3) | 547 05 226 2E | Spiral<br>Left<br>Cylinder 1<br>And<br>Cylinder 2<br>Only together with<br>Pos<br>1 , 2<br>Pinion<br>E               |        | 1   |       |
| 4   | 547 05 246    | Spiral<br>Right<br>Cylinder 3<br>And<br>Cylinder 4<br>Only together with<br>Pos<br>(1) , (2)<br>Sealing ring         |        | 2   |       |
| 5   | 547 05 225 2C | Vertical shaft<br>Short<br>C   |        | 1   |       |
| (5) | 547 05 225 1F | Spiral<br>Right<br>Cylinder 1<br>And<br>Cylinder 2<br>Only together with<br>Pos<br>6<br>Vertical shaft<br>Short<br>F |        | 1   |       |
| 6   | 547 05 235 1C | Spiral<br>Left<br>Cylinder 3<br>And<br>Cylinder 4<br>Only together with<br>Pos<br>(6)<br>Bevel pinion<br>C           |        | 1   |       |



Model: 356 50

Model life 1950&gt;&gt;1959

| Pos  | Part Number    | Description   | Remark | Qty | Model |
|------|----------------|---|--------|-----|-------|
| (6)  | 547 05 235 2F  | Spiral<br>Left<br>Cylinder 1<br>And<br>Cylinder 2<br>Only together with<br>Pos<br>5<br>Bevel pinion<br>F  |        | 1   |       |
| 7    | 547 05 270     | Spiral<br>Right<br>Cylinder 3<br>And<br>Cylinder 4<br>Only together with<br>Pos<br>(5)<br>Shim<br>0,05 MM |        | X   |       |
| (7)  | 547 05 271     | Shim<br>0,08 MM   |        | X   |       |
| (7)  | PCG 05 271     | Shim<br>0,08 MM   |        | X   |       |
| (7)  | 547 05 272     | Shim<br>0,10 MM   |        | X   |       |
| (7)  | PCG 05 272     | Shim<br>0,10 MM   |        | X   |       |
| (7)  | 547 05 273     | Shim<br>0,35 MM   |        | X   |       |
| (7)  | PCG 05 273     | Shim<br>0,35 MM   |        | X   |       |
| 8    | 547 05 236     | Connecting flange   |        | 6   |       |
| 9    | N 012 706 1    | Woodruff key  |        | 6   |       |
| 10   | 547 05 913     | Bearing shell<br>Set  |        | 4   |       |
| 11   |                | Bearing shell<br>Set  |        | 8   |       |
| 12   | 999 039 001 00 | Tab washer  |        | 12  |       |
| 13   | 502 08 310     | Hexagon nut   |        | 12  |       |
| 14   | 547 05 244     | Sealing ring  |        | 8   |       |
| 15   | 547 05 309     | Steering outer tube<br>Short  |        | 2   |       |
| 16   | 547 05 310     | Steering outer tube<br>Long   |        | 2   |       |
| 17   | 547 05 301     | Stopper   |        | 2   |       |
| 18   | 547 05 277     | Camshaft<br>Exhaust   |        | 2   |       |
| 19   | 547 05 276     | Camshaft<br>Intake  |        | 2   |       |
| 20   | 900 117 006 00 | Feather key<br>A 6 X 4 X 20<br>for<br>Camshaft<br>Intake<br>Exhaust<br>Cylinder 1<br>And<br>Cylinder 2    |        | 2   |       |
| (20) | 900 117 005 00 | Feather key<br>A 6 X 4 X 16<br>for<br>Camshaft  |        | 2   |       |

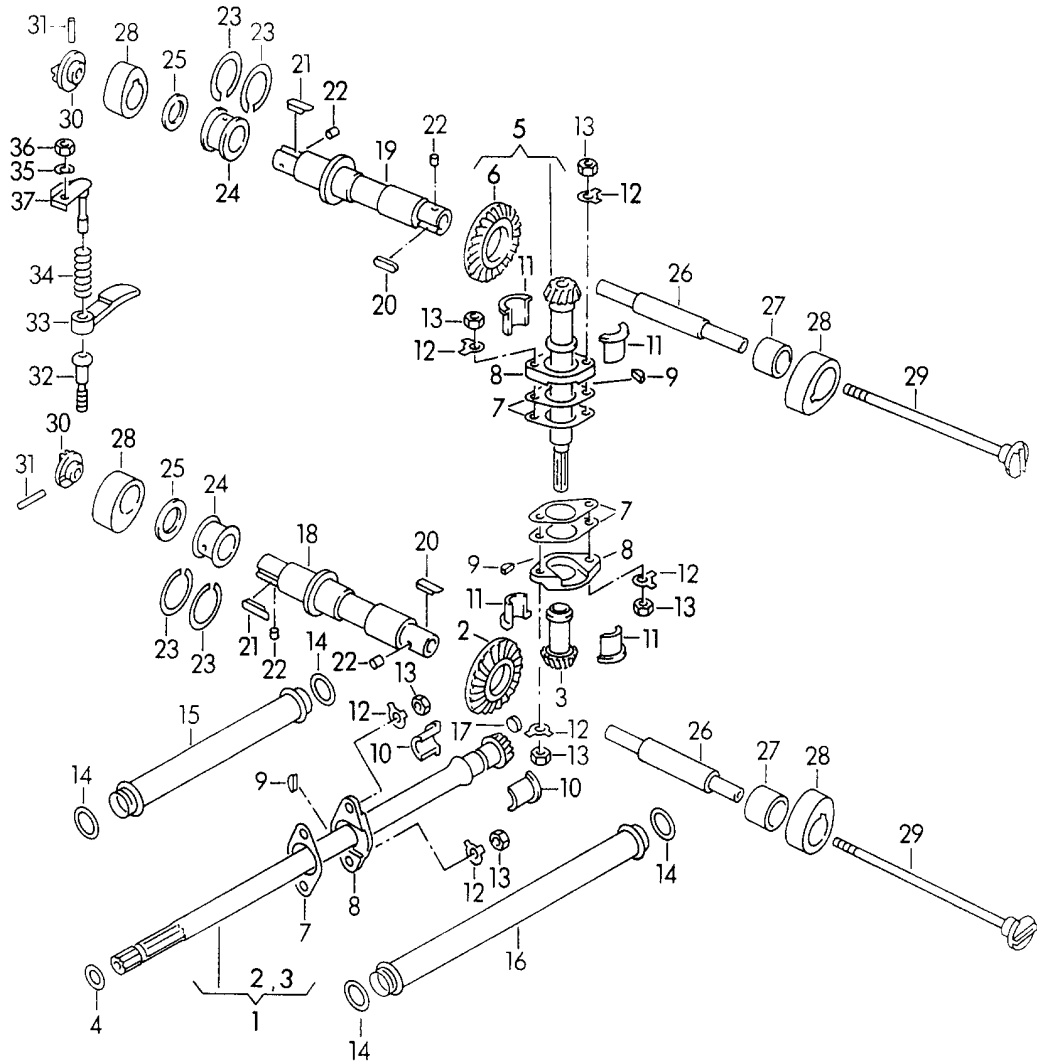
Model: 356 50

Model life 1950&gt;&gt;1959

| Pos  | Part Number    | Description   | Remark | Qty | Model |
|------|----------------|---|--------|-----|-------|
| 21   | 547 05 283     | Intake<br>Exhaust<br>Cylinder 3<br>And<br>Cylinder 4<br>Feather key<br>Short<br>for<br>Camshaft |        | 2   |       |
| (21) | 547 05 282     | Intake<br>Exhaust<br>Cylinder 1<br>And<br>Cylinder 2<br>Feather key<br>Long<br>Camshaft         |        | 2   |       |
| 22   | 547 05 284     | Plug  |        | 8   |       |
| 23   | 547 05 293     | Shim<br>0,05 MM   |        | X   |       |
| 23   | PCG 05 293     | Shim<br>0,05 MM   |        | X   |       |
| (23) | 547 05 294     | Shim<br>0,08 MM   |        | X   |       |
| (23) | PCG 05 294     | Shim<br>0,08 MM   |        | X   |       |
| (23) | 547 05 295     | Shim<br>0,10 MM   |        | X   |       |
| (23) | PCG 05 295     | Shim<br>0,10 MM   |        | X   |       |
| (23) | 547 05 296     | Shim<br>0,35 MM   |        | X   |       |
| (23) | PCG 05 296     | Shim<br>0,35 MM   |        | X   |       |
| 24   | 547 05 230     | Bearing sleeve  |        | 4   |       |
| 25   | 547 05 262     | Spacer  |        | 4   |       |
| 26   | 547 05 278     | Filler rod  |        | 4   |       |
| 27   | 547 05 306     | Bearing sleeve  |        | 4   |       |
| 28   | 547 05 266     | Control cams  |        | 8   |       |
| 29   | 547 05 281     | Driver<br>with<br>Stud  |        | 4   |       |
| 30   | 547 05 279     | Driver  |        | 4   |       |
| 31   | 900 095 003 00 | Roll pin<br>2,5 X 16  |        | 8   |       |
| (32) | 547 05 203     | Adjusting screw<br>Old version  |        | 8   |       |
| 32   | 547 05 319     | Adjusting screw   |        | 8   |       |
| 33   | 547 05 219 1   | Valve lever   |        | 8   |       |
| 34   | 547 05 263     | Spring<br>Spring  |        | 8   |       |
| 35   | 900 028 008 01 | Lock ring<br>B 6  |        | 8   |       |
| 36   | 900 076 010 02 | Nut<br>M 6  |        | 8   |       |
| 36   | 900 076 010 0B | Nut<br>M 6  |        | 8   |       |
| 37   | 547 05 312     | Bracket   |        | 8   |       |

Model: 356 50

Model life 1950>>1959



Model: 356 50 Model life 1950>>1959

| Pos | Part Number | Description  | Remark | Qty | Model                 |
|-----|-------------|--|--------|-----|-----------------------|
| 1   | 547 05 023  | Valve control<br>Set<br>Long<br>Set<br>B<br>Comprising:<br>Picture<br>1-3<br>Cylinder 1<br>And<br>Cylinder 2 |        | 1   | CARRERA<br>1600 GS/GT |
| (1) | 547 05 026  | Set<br>Long<br>Set<br>E<br>Comprising:<br>Picture<br>1-3<br>Cylinder 3<br>And<br>Cylinder 4                  |        | 1   |                       |
| 4   | 547 05 246  | Sealing ring   |        | 2   |                       |
| 5   | 547 05 024  | Gear set<br>Short<br>Set<br>C<br>Comprising:<br>Picture<br>5+6<br>Cylinder 1<br>And<br>Cylinder 2            |        | 1   |                       |
| (5) | 547 05 027  | Gear set<br>Short<br>Set<br>F<br>Comprising:<br>Picture<br>5+6<br>Cylinder 3<br>And<br>Cylinder 4            |        | 1   |                       |
| 7   | 547 05 270  | Shim<br>0,05 MM  |        | X   |                       |
| -   | 547 05 271  | Shim<br>0,08 MM  |        | X   |                       |
| -   | PCG 05 271  | Shim<br>0,08 MM  |        | X   |                       |
| -   | 547 05 272  | Shim<br>0,10 MM  |        | X   |                       |
| -   | PCG 05 272  | Shim<br>0,10 MM  |        | X   |                       |
| -   | 547 05 273  | Shim<br>0,35 MM  |        | X   |                       |
| -   | PCG 05 273  | Shim<br>0,35 MM  |        | X   |                       |
| 8   | 547 05 236  | Connecting flange  |        | 6   |                       |
| 9   | N 012 706 1 | Woodruff key<br>3 X 6,5  |        | 6   |                       |
| 10  | 547 05 232  | Bearing shell<br>Set   |        | 2   |                       |
| 10  | 547 05 233  | Bearing shell  |        | 2   |                       |

Model: 356 50 Model life 1950>>1959

| Pos  | Part Number    | Description  | Remark | Qty | Model |
|------|----------------|--|--------|-----|-------|
| 11   | 547 05 913     | Set<br>Bearing shell   |        | 4   |       |
| 12   | 999 039 001 00 | Set<br>Tab washer  |        | 12  |       |
| 13   | 502 08 310     | Hexagon nut  |        | 12  |       |
| 14   | 547 05 244     | Sealing ring   |        | 8   |       |
| 15   | 547 05 309     | Steering outer tube<br>Short   |        | 2   |       |
| 16   | 547 05 310     | Steering outer tube<br>Long  |        | 2   |       |
| 17   | 547 05 301     | Stopper  |        | 2   |       |
| 18   | 547 05 277     | Camshaft<br>Exhaust  |        | 2   |       |
| 19   | 547 05 276     | Camshaft<br>Intake   |        | 2   |       |
| 20   | 900 117 006 00 | Feather key<br>A 6 X 4 X 20<br>for<br>Camshaft<br>Intake<br>Exhaust<br>Cylinder 1<br>And<br>Cylinder 2 |        | 2   |       |
| (20) | 547 05 282     | Feather key<br>Long<br>for<br>Camshaft<br>Intake<br>Exhaust<br>Cylinder 3<br>And<br>Cylinder 4         |        | 2   |       |
| 21   | 547 05 283     | Feather key<br>Short<br>for<br>Camshaft<br>Intake<br>Exhaust<br>Cylinder 1<br>And<br>Cylinder 2        |        | 2   |       |
| (21) | 900 117 005 00 | Feather key<br>Long<br>Camshaft<br>Intake<br>Exhaust<br>Cylinder 3<br>And<br>Cylinder 4                |        | 2   |       |
| 22   | 547 05 284     | Plug   |        | 8   |       |
| 23   | 547 05 293     | Shim<br>0,05 MM  |        | X   |       |
| 23   | PCG 05 293     | Shim<br>0,05 MM  |        | X   |       |
| -    | 547 05 294     | Shim<br>0,08 MM  |        | X   |       |
| -    | PCG 05 294     | Shim<br>0,08 MM  |        | X   |       |
| -    | 547 05 295     | Shim<br>0,10 MM  |        | X   |       |
| -    | PCG 05 295     | Shim<br>0,10 MM  |        | X   |       |

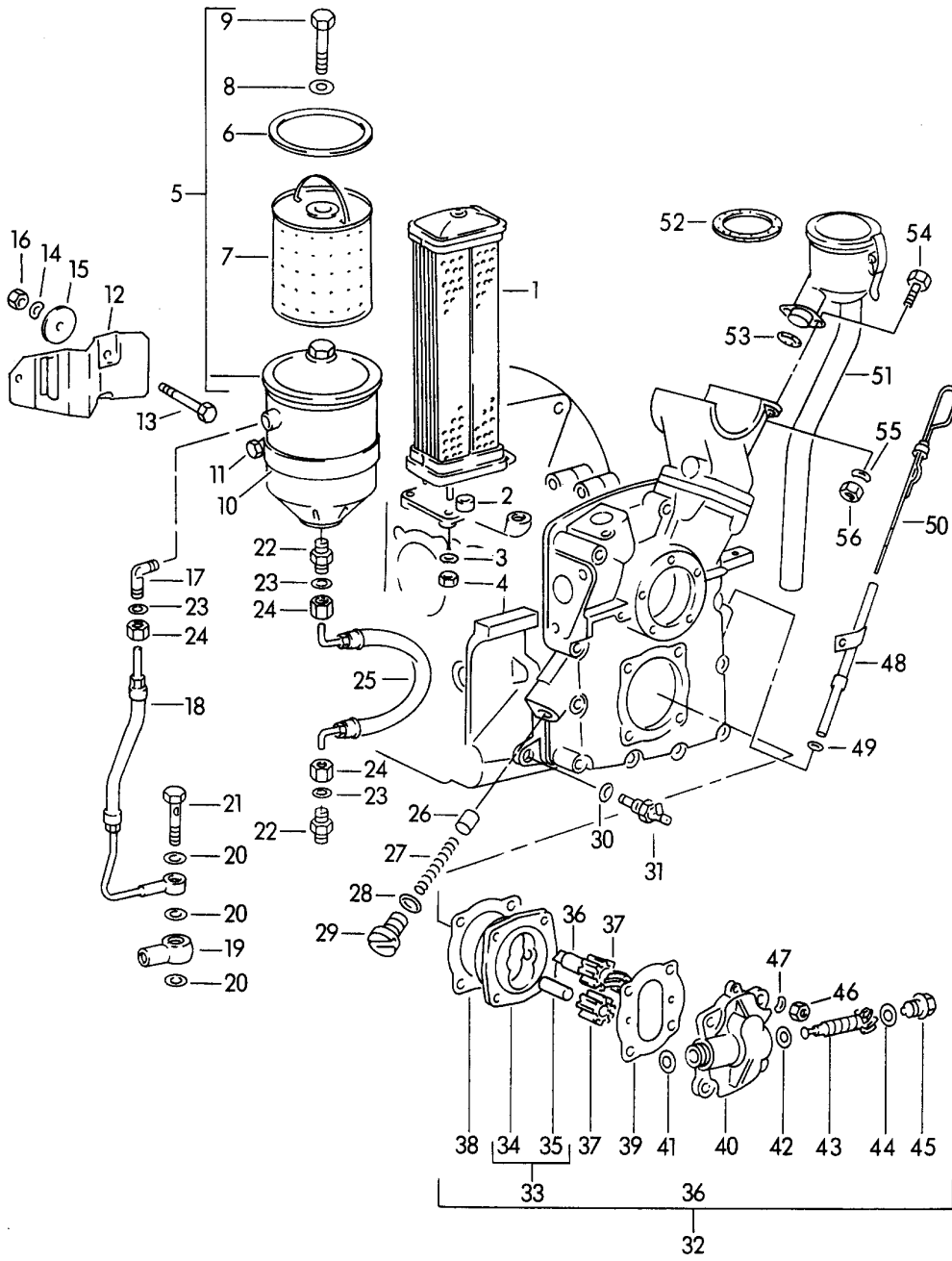
Model: 356 50

Model life 1950>>1959

| Pos | Part Number    | Description            | Remark | Qty | Model |
|-----|----------------|------------------------|--------|-----|-------|
| -   | 547 05 296     | Shim<br>0,35 MM        |        | X   |       |
| -   | PCG 05 296     | Shim<br>0,35 MM        |        | X   |       |
| 24  | 547 05 230     | Bearing sleeve         |        | 4   |       |
| 25  | 547 05 262     | Spacer                 |        | 4   |       |
| 26  | 547 05 278     | Filler rod             |        | 4   |       |
| 27  | 547 05 306     | Bearing sleeve         |        | 4   |       |
| 28  | 547 05 266     | Control cams           |        | 8   |       |
| 29  | 547 05 281     | Driver<br>with<br>Stud |        | 4   |       |
| 30  | 547 05 279     | Driver                 |        | 4   |       |
| 31  | 900 095 003 00 | Roll pin<br>2,5 X 16   |        | 8   |       |
| 32  | 547 05 319     | Adjusting screw        |        | 8   |       |
| 33  | 547 05 219     | Valve lever            |        | 8   |       |
| 34  | 547 05 263     | Spring<br>Spring       |        | 8   |       |
| 35  | 900 028 008 00 | Spring washer<br>B 6   |        | 8   |       |
| 36  | 900 076 010 02 | Nut<br>M 6             |        | 8   |       |
| 36  | 900 076 010 0B | Nut<br>M 6             |        | 8   |       |
| 37  | 547 05 312     | Bracket                |        | 8   |       |
| -   |                | Bracket                |        | 8   |       |

Model: 356 50

Model life 1950>>1959



Model: 356 50 Model life 1950>>1959

| Pos  | Part Number    | Description   | Remark | Qty | Model                     |
|------|----------------|---|--------|-----|---------------------------|
|      |                | Engine lubrication<br>M >> 67 000<br>M >> 81 200    |        |     | 1300 /S<br>1600<br>1600 S |
| 1    | 616 107 041 01 | Oil cooler  |        | 1   |                           |
| 1    | 616 107 912 00 | Modification kit                                    |        | 1   |                           |
| 1    | PCG 107 912 50 | Engine oil cooler                                   |        | 1   |                           |
| 2    | 911 101 123 00 | Sealing ring  |        | 2   |                           |
| 3    | 900 028 004 01 | Spring washer<br>A 8                                |        | 2   |                           |
| 4    | 502 08 310     | Hexagon nut   |        | 2   |                           |
| 5    | 546 07 800     | Oil filter<br>Complete                              |        | 1   |                           |
| -    | PCG 701 004 00 | Sticker<br>Oil filter<br>Intake<br>Colour<br>Silver |        | X   |                           |
| -    | PCG 701 005 00 | Sticker<br>Oil filter<br>Intake<br>Colour<br>Red    |        | X   |                           |
| 6    | 546 07 829     | Gasket  |        | 1   |                           |
| 7    | 546 07 827     | Insert  |        | 1   |                           |
| 8    | 900 123 006 25 | Sealing ring<br>A 12X18 CU<br>- FRAM -              |        | 1   |                           |
| 8    | 900 123 019 20 | Sealing ring<br>A 16X22 CU<br>- HENGST -            |        | 1   |                           |
| 9    |                | Hexagon-head bolt                                   |        | 1   |                           |
| 10   | 546 09 301     | Restraining strap                                   |        | 1   |                           |
| 11   | 900 074 134 02 | Hexagon-head bolt<br>M 8 X 45                       |        | 1   |                           |
| 12   | 546 07 820     | Support<br>Oil filter                               |        | 1   |                           |
| 13   | 900 074 083 02 | Hexagon-head bolt<br>M 6 X 28                       |        | 2   |                           |
| 14   | N 012 226 5    | Spring washer<br>B 6                                |        | 1   |                           |
| 15   | 999 151 003 01 | Washer  |        | 2   |                           |
| 16   | 900 076 010 02 | Nut<br>M 6  |        | 2   |                           |
| 16   | 900 076 010 0B | Nut<br>M 6  |        | 2   |                           |
| 17   | 900 106 001 02 | Screw socket<br>LL 6                                |        | 1   |                           |
| 18   | 539 07 818     | Breather hose                                       |        | 1   |                           |
| 19   | 539 07 823     | Distributing piece                                  |        | 1   |                           |
| 20   | N 013 808 3    | Sealing ring<br>A 10 X 16                           |        | 3   |                           |
| 21   | 539 07 824     | Banjo bolt  |        | 1   |                           |
| 22   | 900 105 001 02 | Screw socket<br>LL 6 M                              |        | 2   |                           |
| (22) | PCG 105 001 02 | Screw socket<br>LL 6 M                              |        | 1   |                           |
| 23   | 900 102 001 02 | Cutting ring<br>LL 6                                |        | X   |                           |
| 24   | 900 104 001 02 | Union nut<br>ALL 8                                  |        | X   |                           |
| 25   | 539 07 826     | Hose line   |        | 1   |                           |
| 25   | PCG 07 826     | Hose line   |        | 1   |                           |
| 26   | 539 07 201     | Piston  |        | 1   |                           |



Model: 356 50 Model life 1950>>1959

| Pos  | Part Number    | Description  | Remark | Qty | Model    |
|------|----------------|--|--------|-----|----------|
| 27   | 539 07 202     | for<br>Relief valve<br>Spring                            |        | 1   |          |
| 28   | 900 123 024 70 | for<br>Relief valve<br>Sealing ring<br>C 16 X 20         |        | 1   |          |
| 29   | 999 064 010 02 | Screw plug   |        | 1   |          |
| 30   | 900 123 008 30 | Sealing ring<br>A 14 X 20 X 1,5                          |        | 1   |          |
| 31   | 616 107 805 01 | Remote temperature sensor<br>Oil temperature<br>Electric |        | 1   |          |
| 31   | 616 107 805 02 | Remote temperature sensor<br>Oil temperature<br>Electric |        | 1   |          |
| 32   | 539 07 012     | Oil pump   |        | 1   |          |
| 33   | 539 07 120     | Housing<br>with<br>Roller                                |        | 1   |          |
| 34   | 539 07 110     | Housing  |        | 1   |          |
| 35   | 539 07 116     | Roller   |        | 1   |          |
| 36   | 539 07 014     | Drive shaft  |        | 1   |          |
| 37   | 539 07 115     | Oil pump gear  |        | 1   |          |
| 38   | 539 07 108     | Gasket   |        | 1   |          |
| 39   | 539 07 109     | Gasket<br>Lid  |        | 1   |          |
| 40   | 539 07 111     | Lid  |        | 1   |          |
| 40   | PCG 07 111     | Lid  |        | 1   |          |
| 41   | 539 07 117     | Sealing ring   |        | 1   |          |
| 42   | 369 05 718     | Thrust washer<br>0,8 MM                                  |        | X   |          |
| (42) | 369 05 719     | Thrust washer<br>0,6 MM                                  |        | X   |          |
| (42) | 369 05 720     | Thrust washer<br>0,5 MM                                  |        | X   |          |
| (42) | 369 05 72A     | Thrust washer<br>0,5 MM                                  |        | X   |          |
| 43   | 369 05 702     | Pinion   |        | 1   |          |
| 44   | 900 123 010 20 | Sealing ring<br>A 20 X 24 CU                             |        | 1   |          |
| 45   | 369 05 703     | Pressure screw   |        | 1   |          |
| 46   | 900 075 057 02 | Hexagon-head bolt<br>M 6                                 |        | 4   |          |
| 46   | 900 075 057 03 | Hexagon-head bolt<br>M 6                                 |        | 4   |          |
| 47   | 900 028 008 01 | Lock ring<br>B 6   |        | 4   |          |
| 48   | 539 07 076     | Guide tube<br>Oil level dipstick<br>225 MM               |        | 1   |          |
| (48) | 539 07 729     | Guide tube<br>Oil level dipstick<br>175 MM               |        | 1   |          |
| 49   | 999 701 006 40 | O-ring   |        | 1   |          |
| 50   | 616 07 070     | Oil level dipstick<br>315 MM                             |        | 1   |          |
| (50) | 539 07 071     | Oil level dipstick<br>225 MM                             |        | 1   | - 1300/S |
| 51   | 539 07 075     | Bleeder<br>Complete                                      |        | 1   |          |
| -    | 502 07 070     | Bleeder<br>Connection piece                              |        | 1   | 528      |

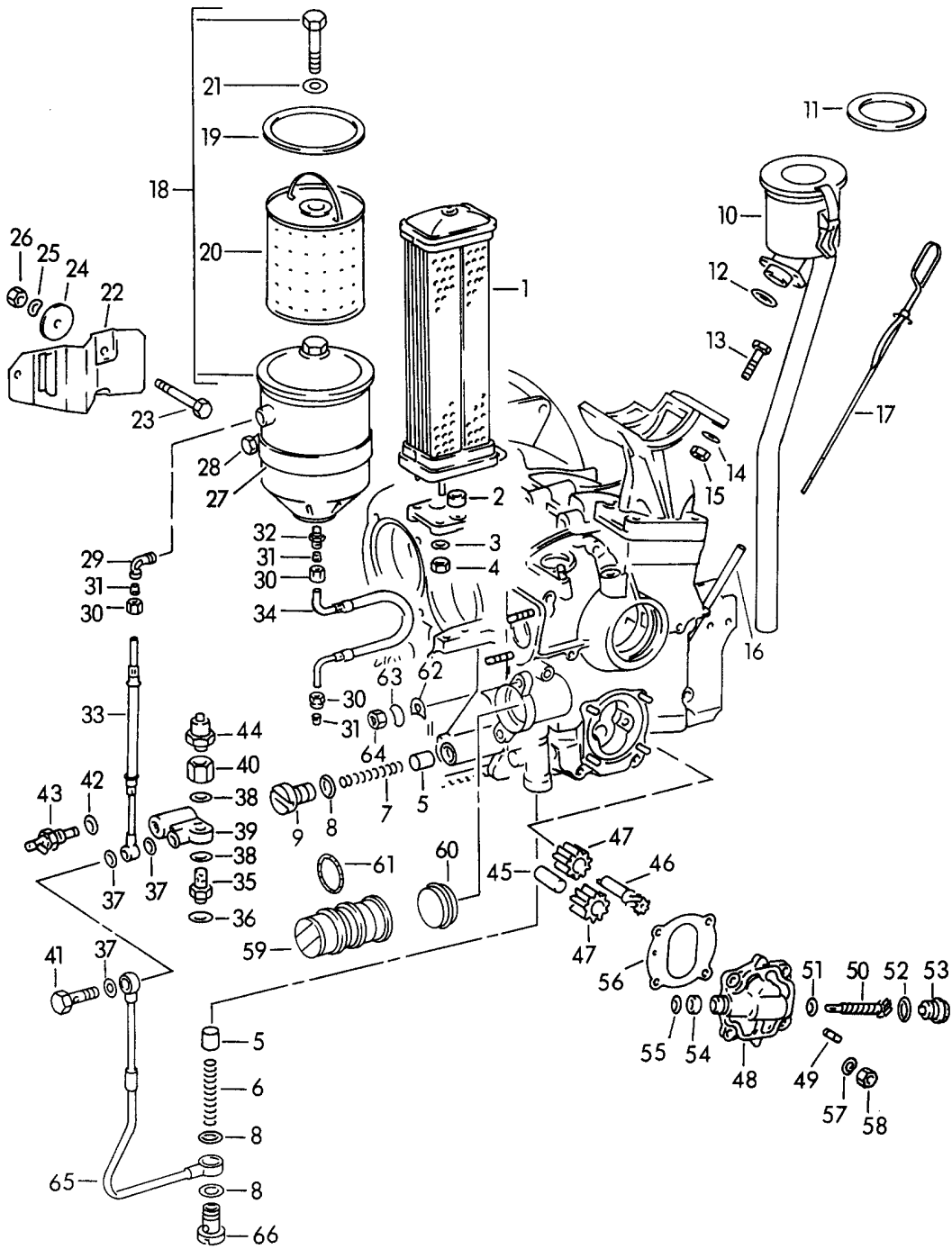
Model: 356 50

Model life 1950&gt;&gt;1959

| Pos | Part Number    | Description  | Remark | Qty | Model |
|-----|----------------|--|--------|-----|-------|
| -   | 369 07 702     | Tab<br>for<br>Spring                               |        | 1   | 528   |
| -   | 369 07 703     | Sealing ring<br>for<br>Bleeder<br>Connection piece |        | 1   | 528   |
| 52  | 539 07 726     | Sealing ring                                       |        | 1   |       |
| 53  | 000 97 301     | Sealing ring                                       |        | 1   |       |
| 54  | 900 075 017 02 | Hexagon-head bolt<br>M 6 X 25                      |        | 2   |       |
| 54  | 900 075 017 03 | Hexagon-head bolt<br>M 6 X 25                      |        | 2   |       |
| 55  | N 011 524 7    | Washer<br>6,4                                      |        | 2   |       |
| 55  | N 011 524 27   | Washer<br>6,4                                      |        | 2   |       |
| 56  | 900 076 010 02 | Nut<br>M 6   |        | 2   |       |
| 56  | 900 076 010 0B | Nut<br>M 6   |        | 2   |       |
| -   | 369 01 111     | Washer   |        | 2   |       |

Model: 356 50

Model life 1950>>1959



Model: 356 50

Model life 1950&gt;&gt;1959

| Pos | Part Number    | Description        | Remark | Qty | Model  |
|-----|----------------|--------------------|--------|-----|--------|
|     |                | Engine lubrication |        |     |        |
|     |                | M 67 001 >>        |        |     | 1600   |
|     |                | M 81 201 >>        |        |     | 1600 S |
| 1   | 616 107 041 01 | Oil cooler         |        | 1   |        |
| 1   | 616 107 912 00 | Modification kit   |        | 1   |        |
| 1   | PCG 107 912 50 | Engine oil cooler  |        | 1   |        |
| 2   | 616 01 123     | Sealing ring       |        | 2   |        |
| 2   | 616 101 123 00 | Sealing ring       |        | 2   |        |
| 3   | 900 028 008 01 | Lock ring          |        | 3   |        |
|     |                | B6                 |        |     |        |
| -   | N 011 524 7    | Washer             |        | 1   |        |
|     |                | 6,4                |        |     |        |
| -   | N 011 524 27   | Washer             |        | 1   |        |
|     |                | 6,4                |        |     |        |
| 4   | 900 076 010 02 | Nut                |        | 3   |        |
|     |                | M 6                |        |     |        |
| 4   | 900 076 010 0B | Nut                |        | 3   |        |
|     |                | M 6                |        |     |        |
| 5   | 616 107 511 00 | Piston             |        | 2   |        |
|     |                | for                |        |     |        |
|     |                | Relief valve       |        |     |        |
| 5   | PCG 107 511 00 | Piston             |        | 2   |        |
|     |                | for                |        |     |        |
|     |                | Relief valve       |        |     |        |
| 6   | 999 521 016 00 | Compression spring |        | 1   |        |
|     |                | for                |        |     |        |
|     |                | Relief valve       |        |     |        |
| 7   |                | Compression spring |        | 1   |        |
|     |                | for                |        |     |        |
|     |                | Relief valve       |        |     |        |
| 8   | 900 123 025 70 | Sealing ring       |        | 3   |        |
|     |                | C 18 X 24          |        |     |        |
| (8) |                | Sealing ring       |        | 2   |        |
|     |                | C 18 X 24          |        |     |        |
|     |                | M 67 001 >> 68 897 |        |     | 1600   |
|     |                | M 81 201 >> 81 707 |        |     | 1600 S |
| 9   | 999 064 010 02 | Screw plug         |        | 1   |        |
| (9) |                | Screw plug         |        | 2   |        |
|     |                | M 68 898 >>        |        |     | 1600   |
|     |                | M 81 708 >>        |        |     | 1600 S |
| 10  | 539 07 075     | Bleeder            |        | 1   |        |
|     |                | Complete           |        |     |        |
| 11  | 539 07 726     | Sealing ring       |        | 1   |        |
| 12  | 000 97 301     | Sealing ring       |        | 1   |        |
| 13  | 900 074 013 01 | Hexagon-head bolt  |        | 2   |        |
|     |                | M 6 X 22           |        |     |        |
| 14  | 900 028 008 01 | Lock ring          |        | 2   |        |
|     |                | B 6                |        |     |        |
| 15  | 900 076 010 02 | Nut                |        | 2   |        |
|     |                | M 6                |        |     |        |
| 15  | 900 076 010 0B | Nut                |        | 2   |        |
|     |                | M 6                |        |     |        |
| 16  | 539 07 748     | Guide tube         |        | 1   |        |
| 17  | 616 07 070     | Oil level dipstick |        | 1   |        |
| 18  | 546 07 800     | Oil filter         |        | 1   |        |
|     |                | Complete           |        |     |        |
| -   | PCG 701 004 00 | Sticker            |        | X   |        |
|     |                | Oil filter         |        |     |        |
|     |                | Intake             |        |     |        |
|     |                | Colour             |        |     |        |
|     |                | Silver             |        |     |        |
| -   | PCG 701 005 00 | Sticker            |        | X   |        |
|     |                | Oil filter         |        |     |        |

Model: 356 50 Model life 1950>>1959

| Pos  | Part Number    | Description  | Remark | Qty | Model          |
|------|----------------|--|--------|-----|----------------|
|      |                | Intake<br>Colour<br>Red  |        |     |                |
| 19   | 546 07 829     | Gasket   |        | 1   |                |
| 20   | 546 07 827     | Insert   |        | 1   |                |
| 21   | 900 123 006 25 | Sealing ring<br>A 12 X 18 CU<br>- FRAM -                                 |        | 1   |                |
| 21   | 900 123 019 20 | Sealing ring<br>A 16 X 22 CU<br>- HENGST -                               |        | 1   |                |
| 22   | 546 07 820     | Support<br>for<br>Oil filter   |        | 1   |                |
| 23   | 900 074 083 02 | Hexagon-head bolt<br>M 6 X 78  |        | 2   |                |
| 24   | 999 151 003 01 | Washer   |        | 2   |                |
| 25   | 900 028 008 01 | Lock ring<br>B 6   |        | 2   |                |
| 26   | 900 076 010 02 | Nut<br>M 6   |        | 2   |                |
| 26   | 900 076 010 0B | Nut<br>M 6   |        | 2   |                |
| 27   | 546 09 301     | Restraining strap  |        | 1   |                |
| 28   | 900 074 134 02 | Hexagon-head bolt<br>M 8 X 45  |        | 1   |                |
| 29   | 900 106 001 02 | Screw socket<br>LL 6 M   |        | 1   |                |
| 30   | 900 104 001 02 | Union nut<br>ALL 6   |        | 3   |                |
| 31   | 900 102 001 02 | Cutting ring<br>LL 6   |        | 3   |                |
| 32   | 900 105 001 02 | Screw socket<br>LL 6 M   |        | 1   |                |
| (32) | PCG 105 001 02 | Screw socket<br>LL 6 M   |        | 1   |                |
| 33   | 616 07 818     | Hose line  |        | 1   |                |
| 34   | 539 07 826     | Hose line  |        | 1   |                |
| 34   | PCG 07 826     | Hose line  |        | 1   |                |
| 35   | 999 135 001 02 | Screw socket   |        | 1   |                |
| 36   | 900 123 006 25 | Sealing ring<br>A 12 X 18 CU   |        | 1   |                |
| 37   | N 013 808 3    | Sealing ring<br>A 10 X 16 CU<br>M 67 001 >> 68 897<br>M 81 201 >> 81 707 |        | 2   | 1600<br>1600 S |
| (37) |                | Sealing ring<br>A 10 X 16 CU<br>M 68 898 >><br>M 81 708 >>               |        | 4   | 1600<br>1600 S |
| 38   | 369 01 111     | Washer<br>M 68 898 >><br>M 81 708 >>                                     |        | 2   | 1600<br>1600 S |
| 39   | 616 07 081     | Distributing piece   |        | 1   |                |
| 40   | 616 07 807     | Intermediate piece   |        | 1   |                |
| 41   | 616 07 808     | Banjo bolt<br>M 67 001 >> 68 897<br>M 81 201 >> 81 707                   |        | 1   | 1600<br>1600 S |
| (41) | 616 07 812     | Banjo bolt<br>M 68 898 >><br>M 81 708 >>                                 |        | 1   | 1600<br>1600 S |
| 42   | N 013 849 2    | Sealing ring<br>A 14 X 20 CU   |        | 1   |                |

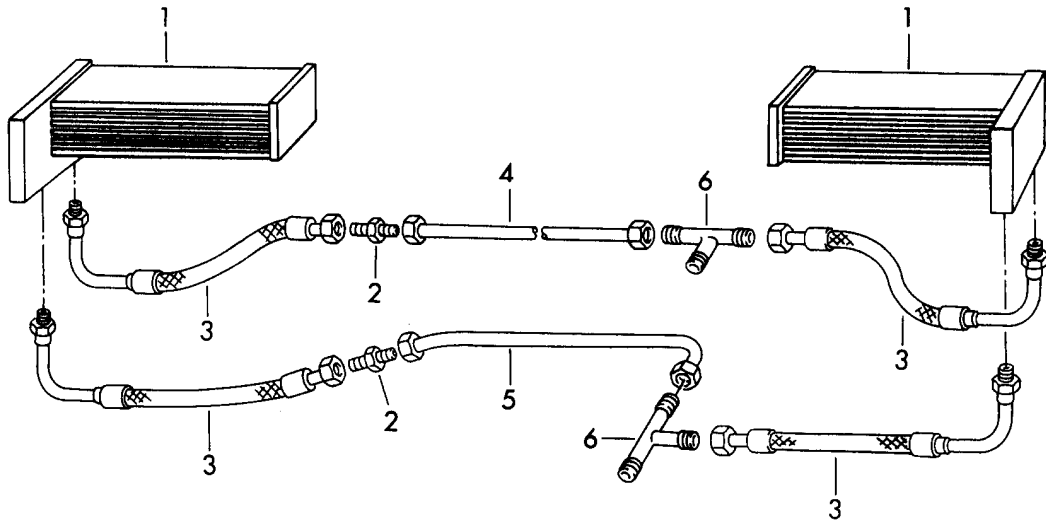
Model: 356 50

Model life 1950&gt;&gt;1959

| Pos  | Part Number    | Description  | Remark | Qty | Model |
|------|----------------|--|--------|-----|-------|
| 43   | 616 107 805 01 | Remote temperature sensor<br>Oil temperature<br>Electric |        | 1   |       |
| 43   | 616 107 805 02 | Remote temperature sensor<br>Oil temperature<br>Electric |        | 1   |       |
| 44   | 901 613 571 01 | Oil pressure switch                                      |        | 1   |       |
| 45   | 539 07 116     | Roller   |        | 1   |       |
| 46   | 539 07 014     | Drive shaft  |        | 1   |       |
| 47   | 539 07 115     | Oil pump gear  |        | 2   |       |
| 48   | 539 07 111     | Lid  |        | 1   |       |
| 48   | PCG 07 111     | Lid  |        | 1   |       |
| 49   | N 013 207 1    | Straight pin<br>3 M 6 X 8                                |        | 2   |       |
| 50   | 369 05 702     | Pinion   |        | 1   |       |
| 51   | 369 05 718     | Thrust washer<br>0,8 MM                                  |        | X   |       |
| (51) | 369 05 719     | Thrust washer<br>0,6 MM                                  |        | X   |       |
| (51) | 369 05 720     | Thrust washer<br>0,5 MM                                  |        | X   |       |
| (51) | 369 05 72A     | Thrust washer<br>0,5 MM                                  |        | X   |       |
| 52   | 900 123 010 20 | Sealing ring<br>A 20 X 24 CU                             |        | 1   |       |
| 53   | 369 05 703     | Pressure screw   |        | 1   |       |
| 54   | 539 07 117     | Sealing ring   |        | 1   |       |
| 55   | 369 05 707     | Washer   |        | 1   |       |
| 56   | 539 07 109     | Gasket   |        | 1   |       |
| 57   | 900 028 008 01 | Lock ring<br>B 6   |        | 4   |       |
| 58   | 900 076 010 02 | Nut<br>M 6   |        | 4   |       |
| 58   | 900 076 010 0B | Nut<br>M 6   |        | 4   |       |
| 59   |                | Deleted  |        |     |       |
| 60   | 616 01 141     | Lid  |        | 1   |       |
| 61   | 000 97 326     | Sealing ring<br>for<br>Lid                               |        | 1   |       |
| 62   | 616 07 715     | Retaining bracket  |        | 2   |       |
| 63   | 900 028 010 01 | Spring washer<br>B 8                                     |        | 2   |       |
| 64   | 502 08 310     | Hexagon nut  |        | 2   |       |
| 65   | 616 07 076     | Breather hose  |        | 1   |       |
| 66   | 616 07 204     | Screw plug   |        | 1   |       |

Model: 356 50

Model life 1950>>1959



Model: 356 50 Model life 1950&gt;&gt;1959

| Pos | Part Number    | Description                        | Remark | Qty | Model                              |
|-----|----------------|------------------------------------|--------|-----|------------------------------------|
|     |                | Engine lubrication<br>Oil cooler   |        |     | CARRERA<br>1600 GS/GT<br>692/1/2/3 |
| 1   | 616 07 017     | Oil cooler                         |        | 1   |                                    |
| -   | 692 107 401 01 | Plate<br>for<br>Oil cooler         |        | 2   |                                    |
| -   | 900 136 002 02 | Union<br>A 13<br>for<br>Plate      |        | 4   |                                    |
| -   | 900 030 001 10 | Tab washer                         |        | 4   |                                    |
| -   | 616 101 123 00 | Sealing ring                       |        | 4   |                                    |
| -   | 900 076 010 02 | Nut<br>M 6                         |        | 4   |                                    |
| -   | 900 076 010 0B | Nut<br>M 6                         |        | 4   |                                    |
| -   | 900 027 013 00 | Spring washer<br>B 6               |        | 4   |                                    |
| -   | 692 107 043 00 | Bearing<br>for<br>Oil cooler       | /L     | 1   |                                    |
| -   | 692 107 044 00 | Bearing<br>for<br>Oil cooler       | /R     | 1   |                                    |
| -   | 692 107 491 00 | Rubber ply<br>for<br>Oil cooler    |        | 2   |                                    |
| -   | N 010 215 13   | Hexagon-head bolt<br>M 6 X 18      |        | 4   |                                    |
| -   | N 011 524 7    | Washer<br>6,4                      |        | 4   |                                    |
| -   | N 011 524 27   | Washer<br>6,4                      |        | 4   |                                    |
| -   | 900 027 013 00 | Spring washer<br>B 6               |        | 4   |                                    |
| -   | 900 076 010 02 | Nut<br>M 6                         |        | 4   |                                    |
| -   | 900 076 010 0B | Nut<br>M 6                         |        | 4   |                                    |
| -   | 692 107 411 00 | Air guide<br>Upper<br>Front        | /L     | 1   |                                    |
| -   | 692 107 412 00 | Air baffle plate<br>Upper<br>Front | /R     | 1   |                                    |
| -   | 692 107 413 00 | Air baffle plate<br>Upper<br>Rear  | /L     | 1   |                                    |
| -   | 692 107 414 00 | Air baffle plate<br>Upper<br>Rear  | /R     | 1   |                                    |
| -   | 900 076 010 02 | Nut<br>M 6                         |        | 2   |                                    |
| -   | 900 076 010 0B | Nut<br>M 6                         |        | 2   |                                    |
| -   | 900 027 013 00 | Spring washer<br>B 6               |        | 2   |                                    |
| -   | 900 075 010 02 | Hexagon nut<br>M 6 X 12            |        | 6   |                                    |
| -   | N 010 212 14   | Hexagon-head bolt<br>M 6 X 12      |        | 6   |                                    |
| -   | 999 072 005 09 | Hexagon nut                        |        | 6   |                                    |



Model: 356 50

Model life 1950>>1959

| Pos | Part Number    | Description  | Remark | Qty | Model |
|-----|----------------|--|--------|-----|-------|
| -   | 999 072 005 01 | M 6 X 12<br>Hexagon nut  |        | 6   |       |
| -   | 900 025 013 00 | M 6 X 12<br>Lock ring  |        | 6   |       |
| -   | N 011 524 7    | B 6<br>Washer  |        | 6   |       |
| -   | N 011 524 27   | 6,4<br>Washer  |        | 6   |       |
| -   | 692 107 415 00 | 6,4<br>Air baffle plate<br>Lower   | /L     | 1   |       |
| -   | 692 107 416 00 | Air baffle plate<br>Lower  | /R     | 1   |       |
| -   | N 010 210 13   | Hexagon-head bolt<br>M 6 X 10  |        | 4   |       |
| -   | 900 027 013 00 | Spring washer<br>B 6   |        | 4   |       |
| -   | 000 97 502     | Rubber sleeve  |        | 2   |       |
| -   | 692 107 461 00 | Bracket<br>155 MM<br>for<br>Oil cooler<br>with<br>Long<br>And<br>Round<br>Hole |        | 2   |       |
| -   | N 010 215 13   | Hexagon-head bolt<br>M 6 X 15  |        | 2   |       |
| -   | 900 075 014 02 | Hexagon-head bolt<br>M 6 X 18  |        | 2   |       |
| -   | 900 075 014 03 | Hexagon-head bolt<br>M 6 X 18  |        | 2   |       |
| -   | 900 027 013 00 | Spring washer<br>B 6   |        | 4   |       |
| -   | N 011 524 7    | Washer<br>6,4  |        | 4   |       |
| -   | N 011 524 27   | Washer<br>6,4  |        | 4   |       |
| -   | 692 107 463 00 | Guide sleeve<br>\$ 15 X 20 MM  |        | 4   |       |
| -   | 900 074 019 02 | Hexagon-head bolt<br>M 6 X 45  |        | 4   |       |
| -   | 900 076 010 02 | Nut<br>M 6   |        | 4   |       |
| -   | 900 076 010 0B | Nut<br>M 6   |        | 4   |       |
| -   | N 011 524 7    | Washer<br>6,4  |        | 8   |       |
| -   | N 011 524 27   | Washer<br>6,4  |        | 8   |       |
| -   | 900 027 013 00 | Spring washer<br>B 6   |        | 4   |       |
| -   | N 010 347 5    | Hexagon-head bolt<br>M 6 X 35  |        | 2   |       |
| -   | N 011 524 7    | Washer<br>6,4  |        | 2   |       |
| -   | N 011 524 27   | Washer<br>6,4  |        | 2   |       |
| -   | 900 027 013 00 | Spring washer<br>B 6   |        | 2   |       |
| -   | 692 107 465 00 | Cover plate<br>for   |        | 2   |       |

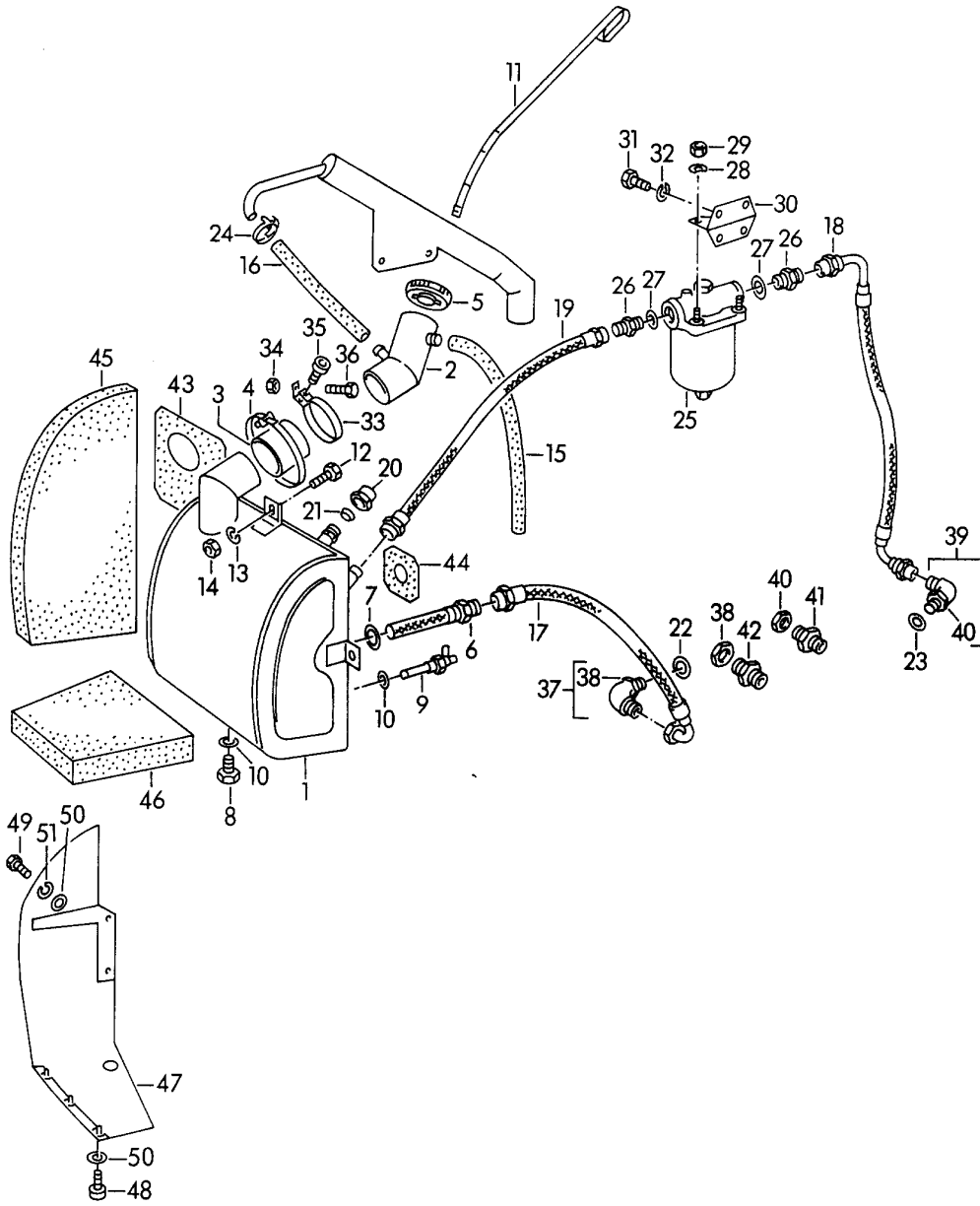
Model: 356 50

Model life 1950&gt;&gt;1959

| Pos | Part Number    | Description         | Remark | Qty | Model |
|-----|----------------|---------------------|--------|-----|-------|
|     |                | Oil cooler          |        |     |       |
| -   | 900 076 010 02 | Nut                 |        | 4   |       |
| -   | 900 076 010 0B | Nut                 |        | 4   |       |
| 2   | 900 099 001 02 | Threaded joint      |        | 2   |       |
|     |                | EL 15               |        |     |       |
| 3   | 692 107 325 00 | Oil hose            |        | 4   |       |
| 4   | 692 107 381 00 | Pipeline            |        | 1   |       |
|     |                | I                   |        |     |       |
| 5   | 692 107 382 00 | Pipeline            |        | 1   |       |
|     |                | II                  |        |     |       |
| -   | 692 107 357 00 | Retaining bar       |        | 3   |       |
| -   | 900 074 037 02 | Hexagon-head bolt   |        | 3   |       |
|     |                | M 8 X 35            |        |     |       |
| -   | 900 027 015 00 | Lock ring           |        | 3   |       |
|     |                | B 8                 |        |     |       |
| -   | 900 076 013 02 | Hexagon nut         |        | 3   |       |
|     |                | M 8                 |        |     |       |
| -   | 900 076 025 02 | Hexagon nut         |        | 3   |       |
|     |                | M 8                 |        |     |       |
| -   | 900 076 064 02 | Hexagon nut         |        | 3   |       |
|     |                | M 8                 |        |     |       |
| -   | 900 025 007 02 | Washer              |        | 2   |       |
|     |                | 8,4                 |        |     |       |
| -   | 900 025 007 03 | Washer              |        | 2   |       |
|     |                | 8,4                 |        |     |       |
| -   | 999 181 004 50 | Hose piece          |        | 6   |       |
|     |                | 14 X 18 X 30 MM     |        |     |       |
| -   | 999 702 038 50 | Rubber sleeve       |        | 2   |       |
|     |                | 14 X 23 X 7         |        |     |       |
| 6   | 900 099 003 02 | T-connecting socket |        | 2   |       |
|     |                | QL 15               |        |     |       |

Model: 356 50

Model life 1950>>1959



Model: 356 50 Model life 1950>>1959

| Pos | Part Number    | Description  | Remark | Qty | Model                        |
|-----|----------------|--|--------|-----|------------------------------|
| 1   | 547 07 052     | Oil tank<br>M 90 501 >> 91 000   |        | 1   | CARRERA<br>1500 GS/GT        |
| (1) | 547 07 052 2   | Oil tank<br>F 55 008 >> 55 617<br>F 61 009 >> 61 131<br>F 80 817 >> 82 030   |        | 1   | COUPE<br>CABRIO<br>SPEEDSTER |
| 2   | 547 07 054     | Oil tank<br>F 55 618 >><br>F 61 132 >><br>F 82 031 >>  |        | 1   | COUPE<br>CABRIO<br>SPEEDSTER |
| (2) | 547 07 054 1   | Filler neck<br>for<br>Oil tank<br>547.07.052<br>Oil tank<br>F 55 008 >> 55 617<br>F 61 009 >> 61 131<br>F 80 817 >> 82 030 |        | 1   | COUPE<br>CABRIO<br>SPEEDSTER |
| 3   | 540 07 535     | Filler neck<br>for<br>Oil tank<br>547.07.052.2<br>F 55 618 >><br>F 61 132 >><br>F 82 031 >>                                |        | 1   | COUPE<br>CABRIO<br>SPEEDSTER |
| (3) | 547 107 921 01 | Hose piece<br>for<br>Oil tank<br>547.07.052<br>F 55 008 >> 55 617<br>F 61 009 >> 61 131<br>F 80 817 >> 82 030              |        | 1   | COUPE<br>CABRIO<br>SPEEDSTER |
| 4   | 999 512 121 02 | Hose piece<br>for<br>Oil tank<br>547.07.052.2<br>F 55 618 >><br>F 61 132 >><br>F 82 031 >>                                 |        | *   | COUPE<br>CABRIO<br>SPEEDSTER |
| 5   | PCG 207 271 00 | Hose clamp   |        | 1   |                              |
| 6   | 547 07 055     | Fuel tank cap  |        | 1   |                              |
| 7   | 900 123 016 30 | Strainer   |        | 1   |                              |
| 8   | 900 124 003 00 | Sealing ring<br>A 30 X 38  |        | 1   |                              |
| 9   | 616 107 805 01 | Screw plug<br>CM 14 X 1,5  |        | 1   |                              |
| 9   | 616 107 805 02 | Remote temperature sensor  |        | 1   |                              |
| 10  | 900 123 007 30 | Remote temperature sensor  |        | 1   |                              |
| 11  | 547 07 535 1   | Sealing ring<br>A 14 X 18  |        | 2   |                              |
| 12  | 900 075 027 00 | Oil level dipstick   |        | 1   |                              |
| 13  | 900 027 015 00 | Hexagon-head bolt<br>M 8 X 20  |        | 3   |                              |
| 14  | 900 076 013 00 | Lock ring<br>B 8   |        | 3   |                              |
| 15  | 550 07 416     | Hexagon nut<br>M 8   |        | 1   |                              |
| 16  | 550 07 417     | Breather hose<br>I   |        | 1   |                              |
| 17  | 356 07 401     | Breather hose<br>II  |        | 1   |                              |
|     |                | Breather hose<br>M >> 90 680   |        | 1   |                              |

Model: 356 50 Model life 1950>>1959

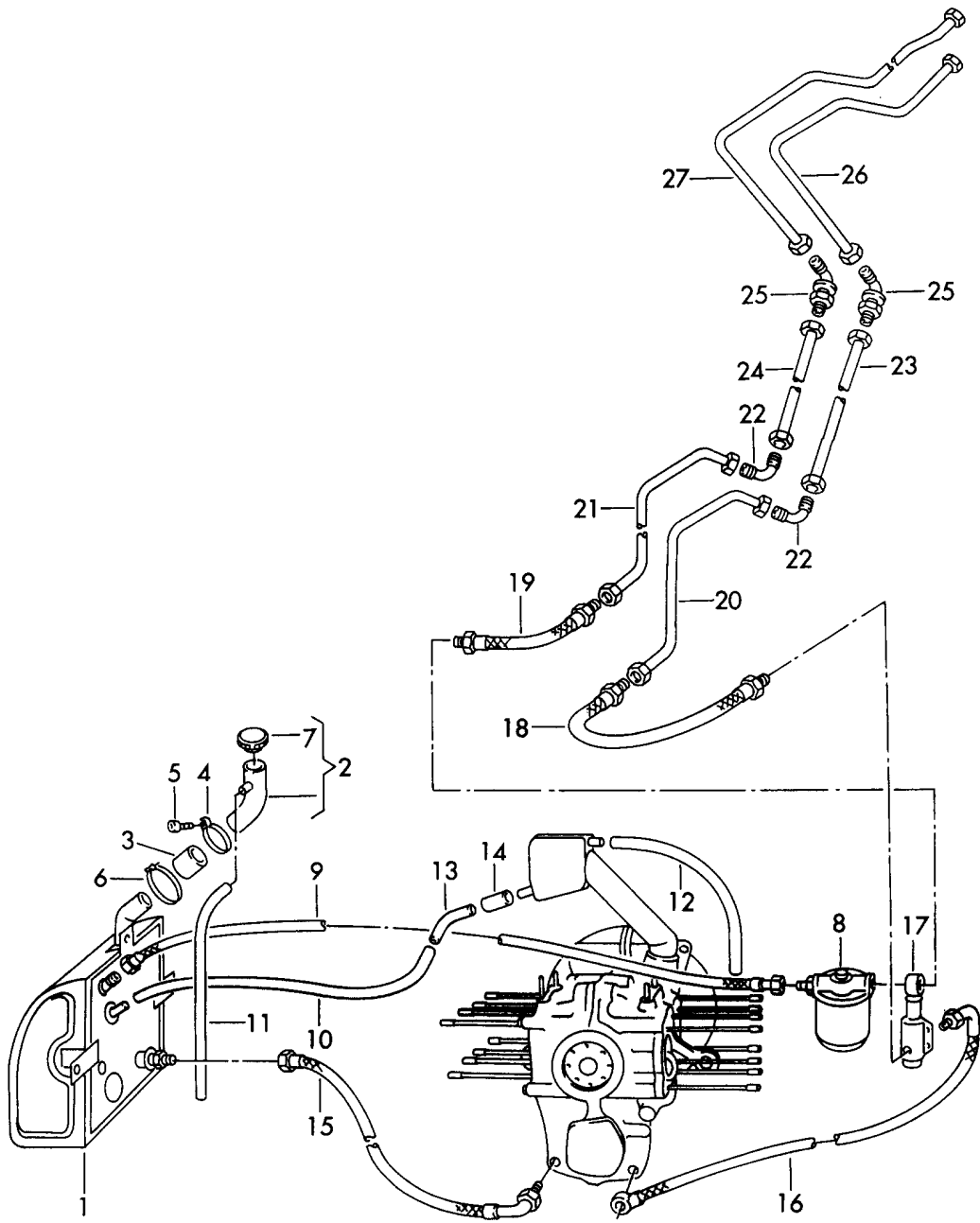
| Pos  | Part Number    | Description   | Remark | Qty | Model                        |
|------|----------------|---|--------|-----|------------------------------|
| (17) | 547 07 401     | Oil hose<br>M 90 681 >>   |        | 1   |                              |
| 18   | 356 07 404     | Oil hose<br>M >> 90 680   |        | 1   |                              |
| (18) | 547 07 404     | Oil hose<br>M 90 681 >><br>F >> 100 319<br>F >> 61 734<br>F >> 83 284 |        | 1   | COUPE<br>CABRIO<br>SPEEDSTER |
| (18) | 547 07 404 1   | Oil hose<br>F 100 320 >><br>F 61 735 >><br>F 83 285 >>                |        | 1   | COUPE<br>CABRIO<br>SPEEDSTER |
| 19   | 356 07 403     | Oil hose<br>F >> 100 319<br>F >> 61 734<br>F >> 83 284                |        | 1   | COUPE<br>CABRIO<br>SPEEDSTER |
| (19) | 356 07 403 1   | Oil hose<br>F 100 320 >><br>F 61 735 >><br>F 83 285 >>                |        | 1   | COUPE<br>CABRIO<br>SPEEDSTER |
| 20   | 900 125 003 02 | Cap nut<br>M 22 X 1,5   |        | 1   |                              |
| 21   | 900 128 001 00 | Lid<br>13   |        | 1   |                              |
| 22   | 900 123 011 30 | Sealing ring<br>A 22 X 29   |        | 1   |                              |
| 23   | 900 123 009 30 | Sealing ring<br>A 18 X 24   |        | 1   |                              |
| 24   | 999 512 109 02 | Hose clamp  |        | 3   |                              |
| 25   | PCG 107 494 00 | Oil filter<br>Complete  |        | 1   |                              |
| -    | 550 07 494 10  | Gasket<br>Gasket<br>Oil filter  |        | 1   |                              |
| 26   | 900 129 001 02 | Double socket<br>13   |        | 2   |                              |
| 27   | 900 123 011 30 | Sealing ring<br>A 22 X 29   |        | 2   |                              |
| 28   | 900 027 015 00 | Lock ring<br>B 8  |        | 2   |                              |
| 29   | 900 076 013 00 | Hexagon nut<br>M 8  |        | 2   |                              |
| 30   | 547 07 043 2   | Support   |        | 1   |                              |
| 31   | 900 074 014 00 | Hexagon-head bolt<br>M 6 X 25   |        | 4   |                              |
| 32   | 900 027 013 00 | Spring washer<br>B 6  |        | 4   |                              |
| 33   | 547 07 507     | Clip<br>for<br>Filler neck<br>547.07.052                              |        | 1   |                              |
| (33) | 547 07 507 1   | Clip<br>for<br>Filler neck<br>547.07.052.2                            |        | 1   |                              |
| 34   | 900 076 010 02 | Nut<br>M 6  |        | 1   |                              |
| 34   | 900 076 010 0B | Nut<br>M 6  |        | 1   |                              |
| 35   | 900 014 021 00 | Pan-head screw<br>M 6 X 15  |        | 1   |                              |
| 36   | 900 075 011 00 | Hexagon-head bolt   |        | 1   |                              |

Model: 356 50 Model life 1950>>1959

| Pos   | Part Number    | Description  | Remark | Qty | Model                        |
|-------|----------------|--|--------|-----|------------------------------|
| 37    | 547 07 411     | M 6 X 15<br>Angled pipe<br>Complete  |        | 1   |                              |
| 38    | 547 07 419     | Hexagon nut<br>M 22 X 1,5  |        | 1   |                              |
| 39    | 547 07 415     | Angled pipe<br>Complete  |        | 1   |                              |
| 40    | 547 07 418     | Hexagon nut<br>M 18 X 1,5  |        | 1   |                              |
| 41    | 900 136 001 02 | Union<br>A 13  |        | 1   |                              |
| 42    | 900 136 003 02 | Union<br>A 16  |        | 1   |                              |
| 43    | 547 07 544     | Insulating piece<br>F 55 008 >> 55 617<br>F 61 009 >> 61 131<br>F 80 817 >> 82 030 |        | 1   | COUPE<br>CABRIO<br>SPEEDSTER |
| (43)  | 547 07 544 1   | Cover foil<br>F 55 618 >><br>F 61 132 >><br>F 82 031 >>                            |        | 1   | COUPE<br>CABRIO<br>SPEEDSTER |
| 44    | 547 07 545     | Insulating piece   |        | 2   |                              |
| 45+46 |                | Not available  |        | *   |                              |
| 47    | 644 504 080 00 | Protective plate   |        | 1   |                              |
| 48    | 900 014 020 00 | Pan-head screw<br>M 6 X 12   |        | 3   |                              |
| 49    | 900 075 011 00 | Hexagon-head bolt<br>M 6 X 15  |        | 2   |                              |
| 50    | N 011 524 7    | Washer<br>6,4  |        | 5   |                              |
| 50    | N 011 524 27   | Washer<br>6,4  |        | 5   |                              |
| 51    | 900 027 013 00 | Spring washer<br>B 6   |        | 2   |                              |

Model: 356 50

Model life 1950>>1959



Model: 356 50

Model life 1950&gt;&gt;1959

| Pos | Part Number    | Description   | Remark | Qty | Model                              |
|-----|----------------|---|--------|-----|------------------------------------|
|     |                | Oil tank<br>Oil filter  |        |     | CARRERA<br>1600 GS/GT<br>692/1/2/3 |
| 1   | 692 107 063 00 | Oil tank<br>Complete  |        | 1   |                                    |
| -   | 644 504 080 00 | Protective plate<br>for<br>Oil tank                           |        | 1   |                                    |
| 2   | 692 107 620 00 | Connection piece<br>Complete                                  |        | 1   |                                    |
| 3   | 547 107 921 01 | Hose piece  |        | 1   |                                    |
| 4   | 547 07 507 1   | Clip  |        | 1   |                                    |
| 5   | 900 014 021 00 | Pan-head screw<br>M 6 X 15                                    |        | 1   |                                    |
| 6   | 999 512 107 02 | Hose clamp  |        | X   |                                    |
| 7   | 999 211 001 00 | Connection piece  |        | 1   |                                    |
| -   | 547 07 544 1   | Cover foil<br>for<br>Filler neck                              |        | 1   |                                    |
| -   | 692 107 941 00 | Covering plate<br>for<br>Pressure line                        |        | 1   |                                    |
| -   | 901 240 030 0  | Screw plug  |        | 1   |                                    |
| -   | 900 123 007 30 | Sealing ring<br>A 14 X 18                                     |        | 1   |                                    |
| -   | 547 07 055     | Strainer  |        | 1   |                                    |
| -   | 900 123 016 30 | Sealing ring<br>A 30 X 38<br>for<br>Strainer                  |        | 1   |                                    |
| -   | 616 107 805 01 | Remote temperature sensor                                     |        | 1   | 692/1                              |
| -   | 616 107 805 02 | Remote temperature sensor                                     |        | 1   | 692/1                              |
| -   | 616 107 806 00 | Remote temperature sensor                                     |        | 1   | 692/2/3                            |
| -   | 547 07 535 1   | Oil level dipstick  |        | 1   |                                    |
| 8   | PCG 107 494 00 | Oil filter  |        | 1   |                                    |
| -   | 900 129 001 00 | Double socket   |        | 1   |                                    |
| -   | 900 123 011 30 | Sealing ring<br>A 22 X 29                                     |        | 3   |                                    |
| -   | 692 107 291 00 | Screw socket  |        | 1   |                                    |
| -   | 999 215 001 02 | Ring fitting  |        | 1   |                                    |
| -   | 547 107 250 00 | Support<br>for<br>Oil filter                                  |        | 1   |                                    |
| -   | 900 074 014 00 | Hexagon-head bolt<br>M 6 X 25                                 |        | 4   |                                    |
| -   | 900 027 013 00 | Spring washer   |        | 4   |                                    |
| -   | 547 09 235     | Spacer sleeve<br>\$ 12 X 2                                    |        | 4   |                                    |
| 9   | 547 07 403 1   | Oil hose  |        | 1   |                                    |
| 10  | 900 181 006 50 | Oil hose<br>20 X 350  |        | 1   |                                    |
| 11  | 900 181 008 50 | Hose<br>20 X 720  |        | 1   |                                    |
| 12  | 900 181 009 50 | Hose<br>20 X 750  |        | 1   |                                    |
| -   | 692 107 739 00 | Connecting hose<br>for<br>Housing<br>And<br>Bleeder container |        | 1   |                                    |
| 13  | 692 107 737 00 | Tube  |        | 1   |                                    |
| 14  | 900 181 001 50 | Hose<br>20 X 95   |        | 1   |                                    |



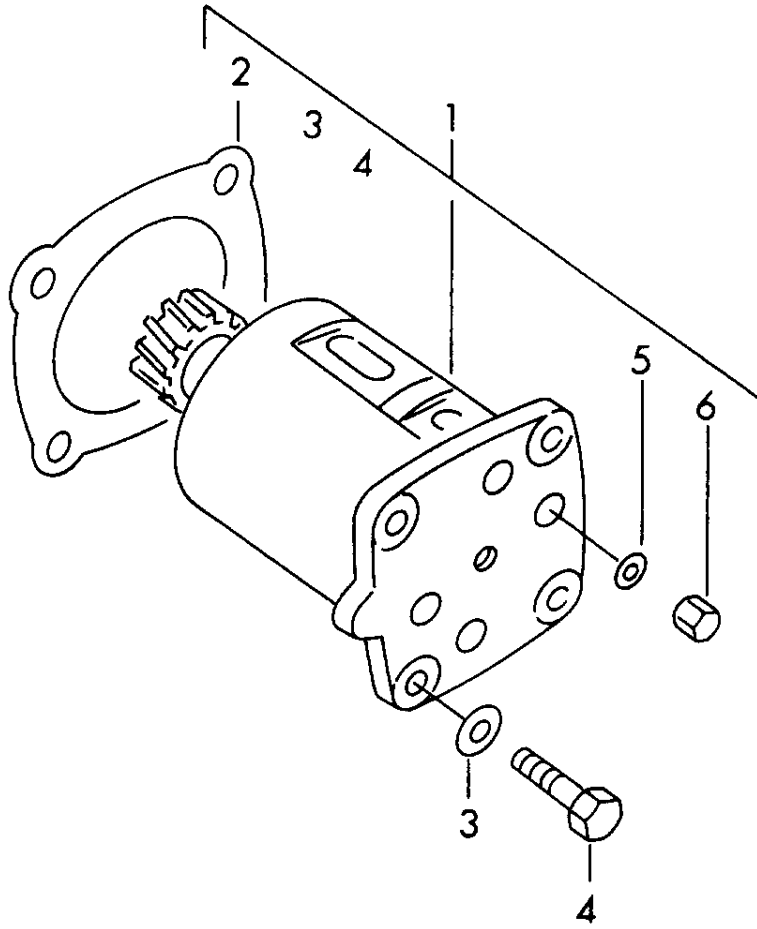
Model: 356 50

Model life 1950&gt;&gt;1959

| Pos | Part Number    | Description                               | Remark | Qty | Model |
|-----|----------------|---|--------|-----|-------|
| -   | 999 512 109 02 | Hose clamp                                |        | X   |       |
| 15  | 692 107 301 00 | Oil hose                                  |        | 1   |       |
| -   | 900 130 001 02 | Connection piece<br>A 16/13               |        | 1   |       |
| -   | 900 123 011 30 | Sealing ring                              |        | 1   |       |
| 16  | 692 107 321 01 | Oil hose                                  |        | 1   |       |
| -   | 692 107 341 00 | Union<br>Engine<br>Housing                |        | 1   |       |
| -   | 900 123 009 30 | Sealing ring<br>A 18 X 24                 |        | 1   |       |
| -   | 900 139 003 00 | Banjo bolt<br>A 16                        |        | 1   |       |
| -   | 900 123 011 30 | Sealing ring<br>A 22 X 29                 |        | 2   |       |
| 17  | 692 107 741 00 | Oil thermostat                            |        | 1   |       |
| -   | 900 136 003 00 | Union                                     |        | 2   |       |
| -   | 900 123 009 30 | Sealing ring<br>A 18 X 24                 |        | 3   |       |
| 18  | 692 107 327 00 | Oil hose                                  |        | 1   |       |
| 19  | 692 107 326 00 | Oil hose                                  |        | 1   |       |
| 20  | 692 107 031 00 | Pipeline<br>VII                           |        | 1   |       |
| -   | 999 181 005 50 | Hose piece                                |        | 2   |       |
| 21  | 692 107 032 00 | Pipeline                                  |        | 1   |       |
| 22  | 900 099 002 02 | Threaded joint<br>Threaded joint<br>KL 15 |        | 2   |       |
| -   | 692 107 365 00 | Seat                                      |        | 4   |       |
| 23  | 692 107 385 00 | Pipeline<br>V                             |        | 1   |       |
| 24  | 692 107 386 00 | Pipeline                                  |        | 1   |       |
| 25  | 900 099 004 02 | Catch<br>Threaded joint<br>UL 15          |        | 2   |       |
| 26  | 692 107 383 00 | Pipeline                                  |        | 1   |       |
| 27  | 692 107 384 00 | Pipeline                                  |        | 1   |       |
| -   | 692 107 363 00 | Dual clamp                                |        | 4   |       |
| -   | 900 075 025 00 | Hexagon-head bolt<br>M 8 X 15             |        | 4   |       |
| -   | 900 027 015 00 | Lock ring<br>B 8                          |        | 4   |       |
| -   | 900 076 013 02 | Hexagon nut<br>M 8                        |        | 4   |       |
| -   | 900 076 025 02 | Hexagon nut<br>M 8                        |        | 4   |       |
| -   | 900 076 064 02 | Hexagon nut<br>M 8                        |        | 4   |       |

Model: 356 50

Model life 1950>>1959



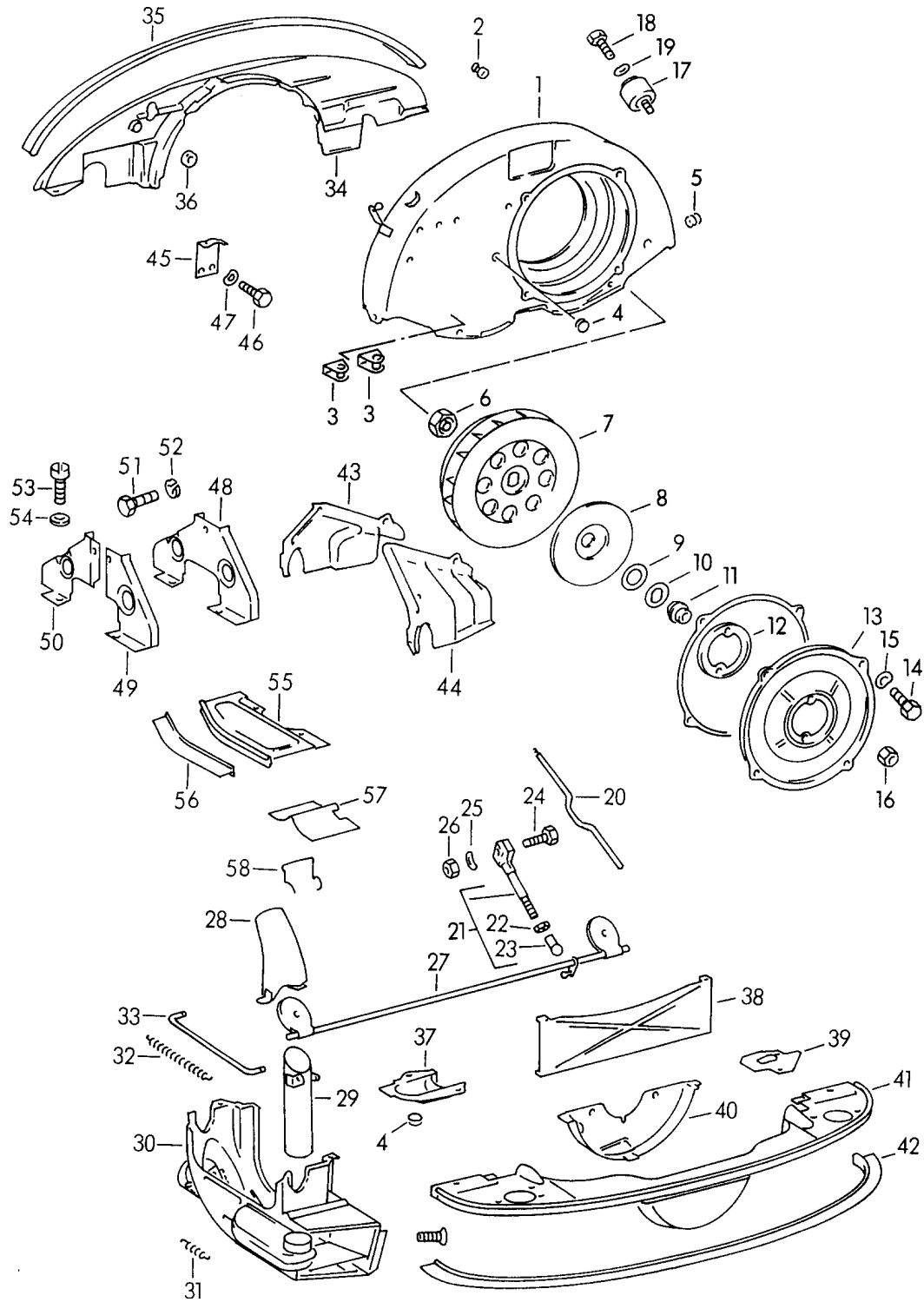
Model: 356 50

Model life 1950>>1959

| Pos | Part Number    | Description                   | Remark | Qty | Model               |
|-----|----------------|-------------------------------|--------|-----|---------------------|
|     |                | Oil pump                      |        |     | CARRERA             |
| 1   | 547 07 011     | Oil pump<br>Complete          |        | 1   | 1600 GS/GT<br>692/0 |
| -   | 692 107 010 01 | Oil pump<br>Complete          |        | 1   | 692/1/2/3           |
| 2   | 547 107 111 00 | Gasket                        |        | 1   |                     |
| 3   | 900 028 008 00 | Spring washer<br>B 6          |        | 4   |                     |
| 4   | 900 074 011 00 | Hexagon-head bolt<br>M 6 X 18 |        | 4   |                     |
| 5   | 900 123 001 20 | Sealing ring<br>A 6 X 12      |        | 4   |                     |
| 6   | 900 070 002 00 | Cap nut<br>M 6                |        | 4   | 692/0               |
| (6) | 900 085 002 02 | Cap nut<br>M 6                |        | 4   | 692/1/2/3           |

Model: 356 50

Model life 1950>>1959



Model: 356 50

Model life 1950&gt;&gt;1959

| Pos | Part Number    | Description  | Remark | Qty | Model               |
|-----|----------------|--|--------|-----|---------------------|
| (1) | 369 06 149     | Air cooling<br>Air guide housing<br>M >> 21 179<br>M >> 30 529                             |        | 1   | 356<br>1300<br>1500 |
| (1) | 546 06 010     | Air guide housing  |        | 1   | 356 A<br>1300 /S    |
| 1   | 616 106 013 12 | Air guide housing<br>Black   |        | 1   | 1600                |
| (1) |                | Air guide housing<br>Silver  |        | 1   | 1600 S              |
| 2   | 539 06 116     | Stopper  |        | 3   |                     |
| -   | 999 703 013 50 | Stopper  |        | 1   |                     |
| 3   | 369 08 105     | Compensating line<br>Bearing bracket<br>Air guide housing                                  |        | 3   |                     |
| 4   | 539 06 528     | Grommet  |        | 3   |                     |
| 5   | 644 025 611 00 | Rubber sleeve  |        | 3   |                     |
| 6   | 616 106 181 00 | Hexagon nut<br>Impeller  |        | 1   |                     |
| 7   | 616 106 011 00 | Impeller   |        | 1   |                     |
| 8   | 546 06 204     | Cover disc   |        | 1   |                     |
| 9   | 546 06 202     | Shim   |        | X   |                     |
| 10  | 546 06 203     | Drive plate  |        | 2   |                     |
| 11  | 539 06 201     | Hub  |        | 1   |                     |
| 12  | 539 06 102     | Connecting flange  |        | 1   |                     |
| 13  | 616 106 105 01 | Lid  |        | 1   |                     |
| 14  | N 010 210 13   | Hexagon-head bolt<br>M 6 X 10  |        | 6   |                     |
| 15  | 900 028 008 01 | Lock ring<br>B 6   |        | 4   |                     |
| 16  | 900 076 010 02 | Nut<br>M 6   |        | 2   |                     |
| 16  | 900 076 010 0B | Nut<br>M 6   |        | 2   |                     |
| 17  | 546 06 590     | Thermostat   |        | 1   |                     |
| 18  | 900 075 078 02 | Hexagon-head bolt<br>M 8 X 15  |        | 1   |                     |
| 18  | 900 075 078 03 | Hexagon-head bolt<br>M 8 X 15  |        | 1   |                     |
| 19  | 900 028 010 01 | Spring washer<br>B 8   |        | 1   |                     |
| 20  | 546 06 591     | Rod<br>Upper   |        | 1   |                     |
| 21  | 546 06 069     | Rod<br>Lower<br>with<br>Ball socket<br>Clamping piece<br>And<br>Hexagon nut<br>Hexagon nut |        | 1   |                     |
| 22  | 900 076 006 02 | M 5  |        | 1   |                     |
| 23  | 900 169 002 02 | Ball socket<br>A 8   |        | 1   |                     |
| 24  | 900 074 011 02 | Hexagon-head bolt<br>M 6 X 18  |        | 1   |                     |
| 25  | 900 028 008 01 | Lock ring<br>B 6   |        | 1   |                     |
| 26  | 900 076 010 02 | Nut<br>M 6   |        | 1   |                     |
| 26  | 900 076 010 0B | Nut<br>M 6   |        | 1   |                     |
| 27  | 546 06 065     | Shaft  |        | 1   |                     |

Model: 356 50 Model life 1950>>1959

| Pos   | Part Number    | Description   | Remark | Qty | Model                        |
|-------|----------------|---|--------|-----|------------------------------|
| 28    | 546 06 062     | Connection piece  |        | 2   |                              |
| 29    | 546 06 063     | Guide tube  | /L     | 1   |                              |
| (29)  | 546 06 064     | Guide tube  | /R     | 1   |                              |
| (30)  | 369 06 107     | Air guide   | /L     | 1   | 356                          |
| 30    | 616 106 041 00 | Air guide   | /L     | 1   | 356 A                        |
| (30)  | 369 06 111     | Air guide   | /R     | 1   | 356                          |
| (30)  | 616 106 042 00 | Air guide   | /R     | 1   | 356A                         |
| 31    | 539 06 541     | Spring  |        | 2   |                              |
| 32    | 539 06 644     | Tension spring  |        | 2   |                              |
| (33)  | 369 06 130     | Connecting rod  | /L     | 1   | 356                          |
| (33)  | 369 06 131     | Connecting rod  | /R     | 1   | 356                          |
| 33    | 539 06 572     | Connecting rod  |        | 2   | 356 A                        |
| 34    | 369 06 119     | Cover plate<br>Engine   |        | 1   |                              |
| 35    | 369 06 139     | Rubber moulding<br>830 MM   |        | 1   |                              |
| 36    | 539 06 605     | Grommet   |        | 1   |                              |
| 37    | 616 106 831 00 | Cover plate<br>Fuel pump  |        | 1   |                              |
| 38    | 539 06 526     | Cover plate<br>Engine   |        | 1   |                              |
| 39    | 539 06 645     | Cover plate   |        | 1   |                              |
| 40    | 539 06 524     | Cover plate   |        | 1   |                              |
| (41)  | 369 06 122     | Cover plate<br>Engine   |        | 1   | 356                          |
| 41    | PCG 106 562 00 | Cover plate<br>Engine<br>It is necessary to rework                    |        | 1   | 356 A                        |
| 42    | 369 06 139     | Rubber moulding   |        | 1   |                              |
| 43    | 539 06 637     | Engine cover<br>Upper   | /V /L  | 1   |                              |
| (43)  | 539 06 638     | Engine cover<br>Upper   | /V /R  | 1   |                              |
| 44    | 539 06 639     | Cover plate<br>Upper  | /H /L  | 1   |                              |
| (44)  | 539 06 640     | Engine cover<br>Upper   | /H /R  | 1   |                              |
| 45    | 539 06 646     | Support<br>for<br>Cover plate   |        | 1   |                              |
| 46    | N 010 210 13   | Hexagon-head bolt<br>M 6 X 10   |        | 2   |                              |
| 47    | 900 028 008 01 | Lock ring<br>B 6  |        | 2   |                              |
| (48)  | 369 06 115     | Cover plate<br>Lateral  |        | 2   | 356:1100<br>1300<br>1500/527 |
| 48    | 539 06 547     | Cover plate<br>Lateral<br>for<br>Cast elbow<br>528. 08.031/032        |        | 2   | 1600 /S                      |
| (48)  | 502 06 117     | Cover plate<br>Lateral<br>for<br>Sheet metal elbow<br>528. 08.033/034 |        | 2   | 528/1600 S                   |
| 49+50 |                | Deleted   |        | *   |                              |
| 51    | N 010 210 13   | Hexagon-head bolt<br>M 6 X 10   |        | 6   |                              |
| 52    | 900 028 008 01 | Lock ring<br>B 6  |        | 6   |                              |
| 53    | 900 014 120 02 | Pan-head screw  |        | 22  |                              |

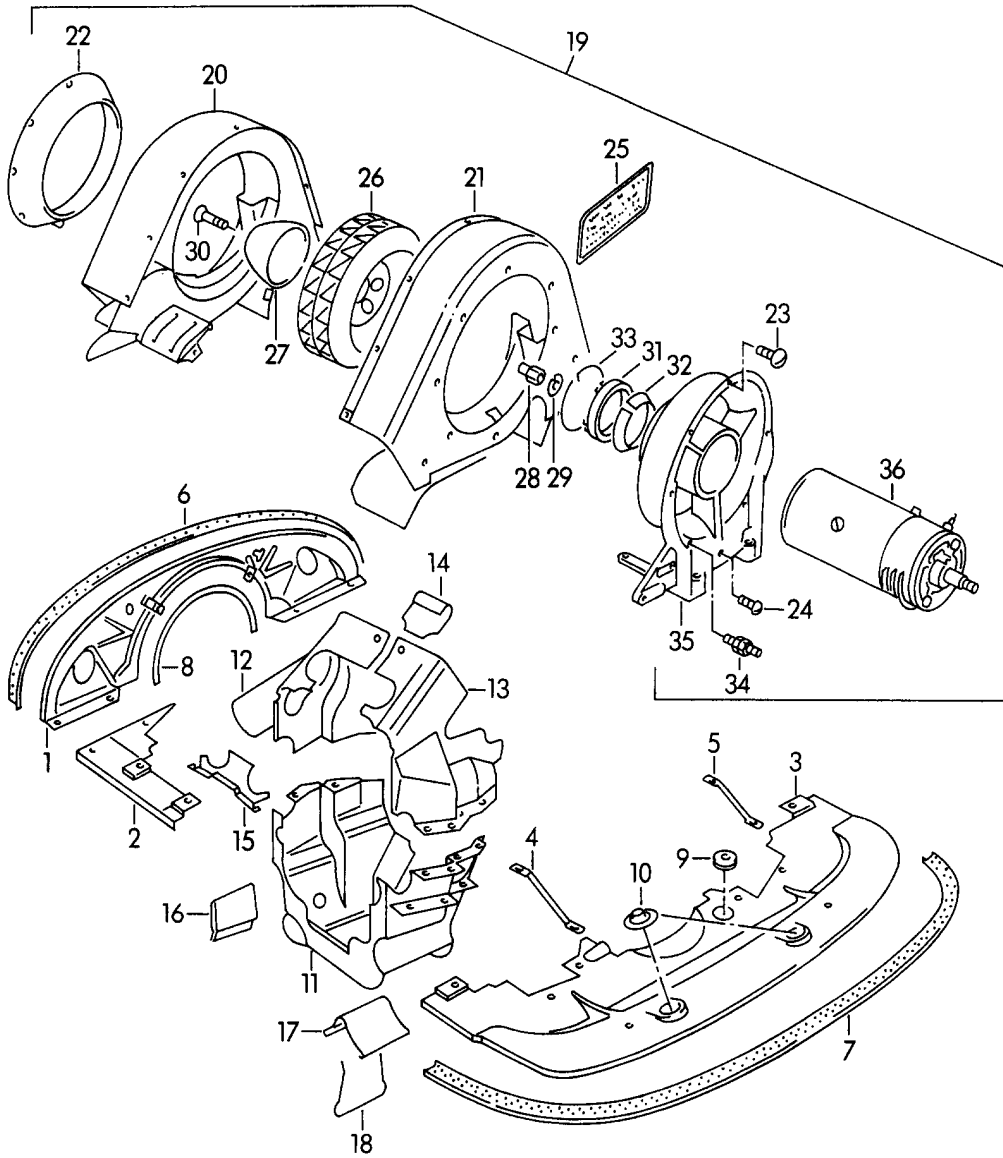
Model: 356 50

Model life 1950>>1959

| Pos  | Part Number    | Description                   | Remark | Qty | Model |
|------|----------------|-------------------------------|--------|-----|-------|
| 54   | N 011 524 7    | M 6 X 12<br>Washer            |        | 18  |       |
| 54   | N 011 524 27   | A 6,4<br>Washer               |        | 18  |       |
| -    | 999 025 108 02 | A 6,4<br>Washer               |        | 4   |       |
| 55   | 369 06 140     | 6,4 X 14 X 1,6<br>Cover plate | /L     | 1   |       |
| (55) | 369 06 141     | Lateral<br>Cover plate        | /R     | 1   |       |
| 56   | 369 06 139     | Lateral<br>Rubber moulding    |        | 2   |       |
| 56   |                | Rubber moulding               |        | 1   |       |
| 57   | 506 06 105     | Baffle plate                  | /L     | 1   |       |
| (57) | 506 06 106     | Baffle plate                  | /R     | 1   |       |
| 58   | 506 06 108     | Clamp                         |        | 2   |       |

Model: 356 50

Model life 1950>>1959





Model: 356 50 Model life 1950>>1959

| Pos  | Part Number    | Description   | Remark | Qty | Model                 |
|------|----------------|---|--------|-----|-----------------------|
|      |                | Air cooling   |        |     | CARRERA<br>1500 GS/GT |
| 1    | 547 06 301     | Cover plate   | /V     | 1   |                       |
| 2    | 547 06 311     | Engine cover  | /L     | 1   |                       |
| (2)  | 547 06 312     | Engine cover  | /R     | 1   |                       |
| 3    | 547 06 310     | Cover plate   | /H     | 1   |                       |
| 4    | 547 06 321     | Strut   | /L     | 1   |                       |
| 5    | 547 06 322     | Strut   | /R     | 1   |                       |
| -    | 900 075 011 00 | Hexagon-head bolt<br>M 6 X 15                         |        | 6   |                       |
| -    | 900 075 010 00 | Hexagon-head bolt<br>M 6 X 12                         |        | 2   |                       |
| -    | 900 027 013 00 | Spring washer<br>B 6                                  |        | 8   |                       |
| -    | 900 076 010 02 | Nut<br>M 6  |        | 2   |                       |
| -    | 900 076 010 0B | Nut<br>M 6  |        | 2   |                       |
| 6    | 547 06 306     | Gasket<br>Upper                                       |        | 1   |                       |
| 7    | 547 06 308     | Sealing rubber<br>1925 MM<br>Long                     |        | 1   |                       |
| 8    | 547 06 325 0   | Rubber seal   |        | 1   |                       |
| 9    | 999 702 040 50 | Rubber sleeve   |        | 1   |                       |
| 10   | 539 09 201     | Rubber cap  |        | 2   |                       |
| 10   | 111 905 449    | Protection cap  |        | 2   |                       |
| 11   | 547 06 533     | Lower part<br>Air guide                               | /L     | 1   |                       |
| (11) | 547 06 534     | Lower part<br>Air guide                               | /R     | 1   |                       |
| 12   | 547 06 051     | Cover plate<br>with<br>Connecting piece               | /L     | 1   |                       |
| (12) | 547 06 052     | Cover plate<br>with<br>Connecting piece               | /R     | 1   |                       |
| 13   | 547 06 053     | Cover plate   | /H /L  | 1   |                       |
| (13) | 547 06 556     | Cover plate   | /H /R  | 1   |                       |
| 14   | 547 06 557     | Filler plate  | /L     | 1   |                       |
| (14) | 547 06 558     | Filler plate  | /R     | 1   |                       |
| 15   | 547 06 504     | Cover plate   |        | 2   |                       |
| 16   | 547 06 516     | Cover plate<br>Baffle plate<br>Upper                  |        | 2   |                       |
| 17   | 547 06 517     | Baffle plate<br>Lower                                 |        | 2   |                       |
| 18   | 547 06 518     | Spring clip   |        | 2   |                       |
| -    | 900 028 003 00 | Spring washer<br>B 6                                  |        | 18  |                       |
| -    | 900 015 013 00 | Oval-head sheetmetal screw<br>M 6 X 10                |        | 18  |                       |
| -    | 900 075 011 00 | Hexagon-head bolt<br>M 6 X 15                         |        | 20  |                       |
| -    | 900 028 003 00 | Spring washer<br>B 6                                  |        | 20  |                       |
| 19   | 547 06 017 10  | Air guide housing<br>with<br>Dc generator<br>Complete |        | 1   |                       |
| 20   | 547 06 015     | Air guide   | /L     | 1   |                       |
| 21   | 547 06 016     | Air guide   | /R     | 1   |                       |
| 22   | 547 06 012     | Outer ring  |        | 1   |                       |

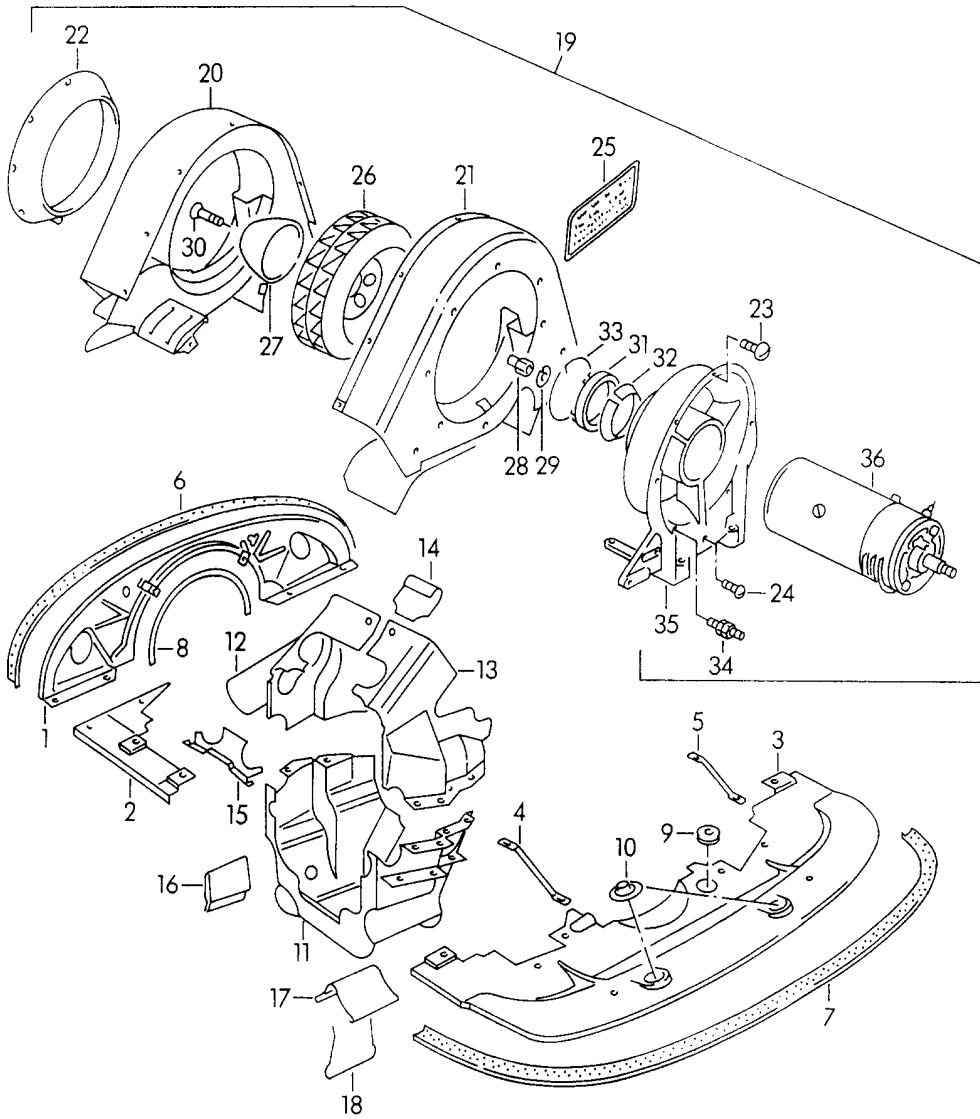
Model: 356 50

Model life 1950&gt;&gt;1959

| Pos | Part Number    | Description                                      | Remark | Qty | Model |
|-----|----------------|--|--------|-----|-------|
| 23  | 900 016 012 00 | Ring<br>Complete<br>Half-round screw<br>M 6 X 15 |        | 7   |       |
| 24  | 900 016 013 02 | Half-round screw<br>M 6 X 28                     |        | 1   |       |
| -   | 900 015 013 02 | Oval-head screw<br>M 6 X 10                      |        | 27  |       |
| -   | 900 028 003 00 | Spring washer<br>B 6                             |        | 35  |       |
| 25  | 547 006 501 00 | Decal label<br>Engine specifications             |        | 1   |       |
| 26  | 547 06 021     | Impeller   |        | 1   |       |
| 27  | 547 06 209     | Cover  |        | 1   |       |
| 28  | 547 06 210     | Hexagon nut                                      |        | 1   |       |
| 29  | 900 030 001 00 | Tab washer<br>13                                 |        | 1   |       |
| 30  | 900 019 011 02 | Oval-head screw<br>M 6 X 30                      |        | 1   |       |
| 31  | 547 01 110     | Retainer   |        | 1   |       |
| 32  | 547 01 111     | Cone ring  |        | 1   |       |
| 33  | 547 01 120     | Circlip  |        | 1   |       |
| -   | 900 028 010 00 | Spring washer<br>B 8                             |        | 4   |       |
| -   | 502 08 310     | Hexagon nut                                      |        | 4   |       |
| 34  | 547 08 103     | Retaining pivot                                  |        | 1   |       |
| 35  | 547 01 109     | Bracket  |        | 1   |       |
| 36  |                | See group<br>9/01/05                             |        | *   |       |

Model: 356 50

Model life 1950>>1959



Model: 356 50 Model life 1950>>1959

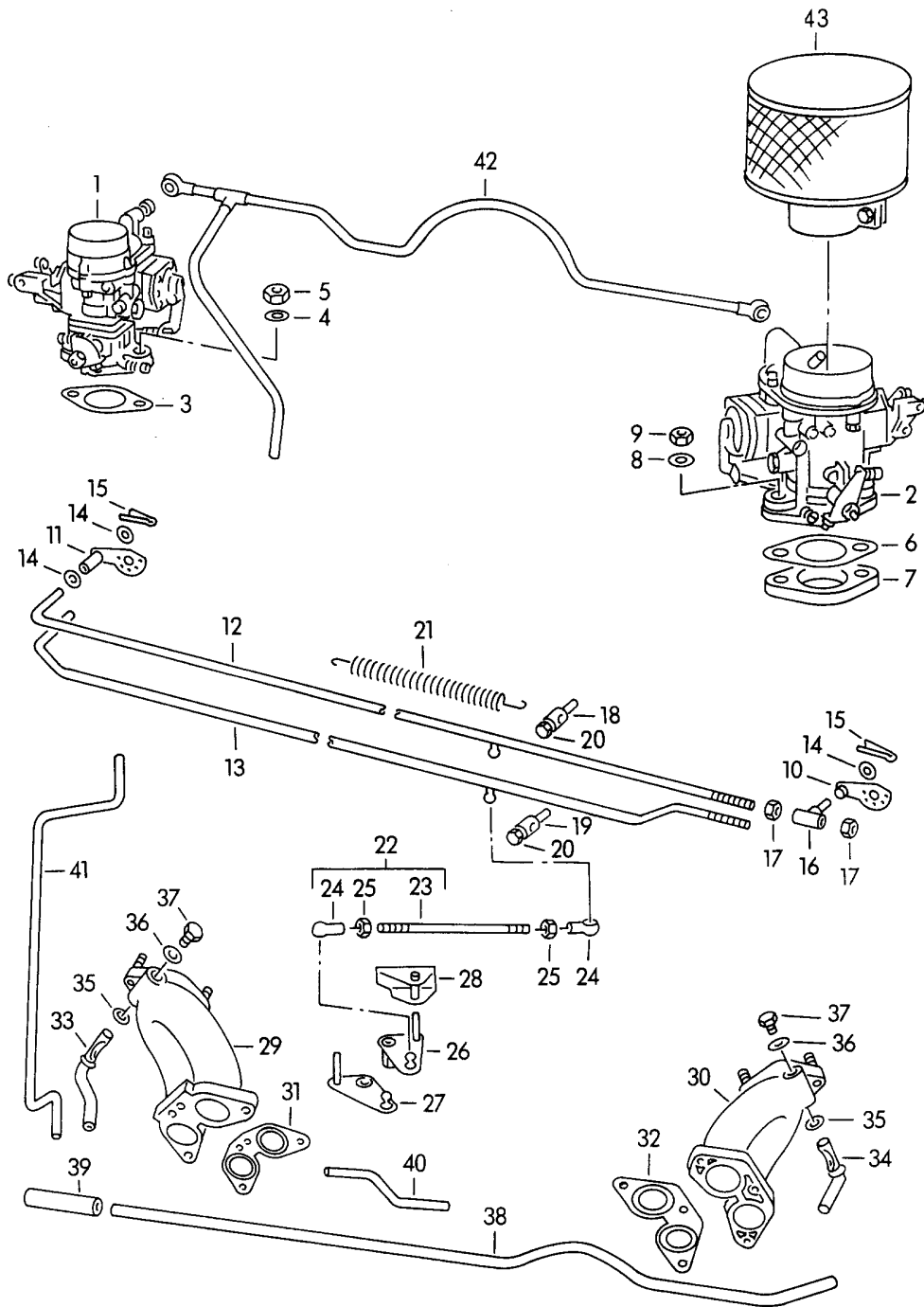
| Pos  | Part Number    | Description               | Remark | Qty | Model                 |
|------|----------------|---------------------------|--------|-----|-----------------------|
|      |                | Air cooling               |        |     | CARRERA<br>1600 GS/GT |
| (1)  | 692 106 081 01 | Engine cover              | /V     | 1   |                       |
| 2    | 547 06 311     | Engine cover              | /L     | 1   | 692/0/1/2             |
| (2)  | 692 106 091 00 | Cover plate               | /L     | 1   | 692/3                 |
| -    | 692 106 082 00 | Cover plate               | /R     | 1   | 692/0/1/2             |
| -    | 692 106 082 01 | Cover plate               | /R     | 1   | 692/3                 |
| (3)  | 692 106 851 01 | Cover plate               | /H     | 1   | 692/0/1               |
| (3)  | 692 106 851 02 | Cover plate               | /H     | 1   | 692/2/3               |
| (4)  | 692 111 053 00 | Strut                     | /L     | 1   | 692/0/1               |
| (4)  | 692 111 055 00 | Strut                     | /L     | 1   | 692/2/3               |
| (5)  | 692 111 054 00 | Strut                     | /R     | 1   | 692/0/1               |
| 6    | 547 06 306     | Gasket<br>Upper           |        | 1   |                       |
| 7    | 547 06 308     | Sealing rubber<br>1925 MM |        | 1   |                       |
| 8    | 547 06 100 1   | Sealing rubber            |        | 1   |                       |
| 9    | 999 702 033 50 | Rubber sleeve             |        | 1   |                       |
| 10   | 539 09 201     | Rubber cap                |        | X   |                       |
| 10   | 111 905 449    | Protection cap            |        | X   |                       |
| (11) | 692 106 033 00 | Lower part                | /L     | 1   | 692/0/1               |
|      |                | Air guide                 |        |     |                       |
| (11) | 692 106 041 01 | Lower part                | /R     | 1   | 692/2/3               |
|      |                | Air guide                 |        |     |                       |
| -    | 692 106 034 00 | Lower part                | /R     | 1   | 692/0/1               |
|      |                | Air guide                 |        |     |                       |
| -    | 692 106 042 01 | Lower part                | /R     | 1   | 692/2/3               |
|      |                | Air guide                 |        |     |                       |
| -    | 692 106 043 01 | Lid<br>for                | /L     | 1   | 692/2/3               |
|      |                | Lower part                |        |     |                       |
| -    | 692 106 044 01 | Lid<br>for                | /R     | 1   | 692/2/3               |
|      |                | Lower part                |        |     |                       |
| -    | 692 106 437 00 | Support                   |        | 4   | 692/2/3               |
|      |                | Cover for housing         |        |     |                       |
| -    | 999 502 001 00 | Tension spring            |        | 4   | 692/2/3               |
| -    | 692 106 031 01 | Air guide                 |        | 1   |                       |
|      |                | Upper left                |        |     |                       |
|      |                | Complete                  |        |     |                       |
| -    | 692 106 032 01 | Comprising:<br>Air guide  |        | 1   |                       |
|      |                | Upper right               |        |     |                       |
|      |                | Complete                  |        |     |                       |
|      |                | Comprising:               |        |     |                       |
| (12) | 692 106 037 00 | Air guide                 | /L     | 1   |                       |
| (12) | 692 106 036 01 | Air guide                 | /R     | 1   |                       |
| (13) | 692 106 035 01 | Air guide                 | /L     | 1   |                       |
| (13) | 692 106 038 00 | Air guide                 | /R     | 1   |                       |
| (14) | 692 106 345 00 | Cover plate               | /L     | 1   |                       |
| (14) | 692 106 346 00 | Cover plate               |        | 1   |                       |
| (15) | 547 06 504     | Cover plate               |        | 2   |                       |
|      |                | Intake manifold           |        |     |                       |
| 16   | 547 06 516     | Baffle plate<br>Upper     |        | 2   | 692/0/1               |
| (16) | 692 106 438 00 | Baffle plate<br>Upper     |        | 2   | 692/2/3               |
| 17   | 547 06 517     | Baffle plate<br>Lower     |        | 2   | 692/0/1               |
| (17) | 692 106 439 00 | Baffle plate<br>Lower     |        | 2   | 692/2/3               |
| 18   | 547 06 518     | Spring clip               |        | 2   |                       |
| -    | 900 028 003 00 | Spring washer             |        | 18  |                       |

Model: 356 50 Model life 1950>>1959

| Pos  | Part Number    | Description  | Remark | Qty | Model     |
|------|----------------|--|--------|-----|-----------|
| -    | 900 015 013 00 | B 6<br>Oval-head sheetmetal screw<br>M 6 X 10                  |        | 18  |           |
| -    | 900 015 013 02 | Oval-head screw<br>M 6 X 10                                    |        | X   |           |
| -    | 900 028 008 00 | Spring washer<br>B 6   |        | X   |           |
| 19   | 692 106 005 00 | Fan housing<br>with<br>Dc generator<br>Complete<br>Comprising: |        | 1   | 692/0/1   |
| -    | 692 106 006 00 | Fan housing<br>with<br>Dc generator<br>Complete<br>Comprising: |        | 1   | 692/2     |
| (20) | 692 106 015 10 | Fan housing  | /L     | 1   | 692/0/1   |
| (20) | 692 106 015 00 | Fan housing  | /R     | 1   | 692/2     |
| (21) | 692 106 016 10 | Fan housing  | /R     | 1   | 692/0/1   |
| (21) | 692 106 016 00 | Fan housing  | /R     | 1   | 692/2     |
| 22   | 547 06 012     | Outer ring<br>Ring<br>Complete                                 |        | 1   | 692/0/1/2 |
| 23   | 900 016 012 00 | Half-round screw<br>M 6 X 15                                   |        | 7   | 692/0/1/2 |
| 24   | 900 016 013 02 | Half-round screw<br>M 6 X 28                                   |        | 1   | 692/0/1/2 |
| -    | 900 015 013 02 | Oval-head screw<br>M 6 X 10                                    |        | 19  | 692/0/1/2 |
| -    | 900 028 003 00 | Spring washer<br>B 6   |        | 35  | 692/0/1/2 |
| 25   | 547 006 501 00 | Decal label<br>Engine specifications                           |        | 1   | 692/0/1/2 |
| 26   | 547 06 021     | Impeller   |        | 1   | 692/0/1/2 |
| 27   | 547 06 209     | Cover  |        | 1   | 692/0/1/2 |
| 28   | 547 06 210     | Hexagon nut  |        | 1   | 692/0/1/2 |
| 29   | 900 030 001 00 | Tab washer<br>13   |        | 1   | 692/0/1/2 |
| 30   | 900 019 011 02 | Oval-head screw<br>M 6 X 30                                    |        | 1   | 692/0/1/2 |
| 31   | 547 01 110     | Retainer   |        | 1   | 692/0/1/2 |
| 32   | 547 01 111     | Cone ring  |        | 1   | 692/0/1/2 |
| 33   | 547 01 120     | Circlip  |        | 1   | 692/0/1/2 |
| -    | 900 028 010 00 | Spring washer<br>B 8   |        | 4   | 692/0/1/2 |
| -    | 502 08 310     | Hexagon nut  |        | 4   | 692/0/1/2 |
| 34   | 547 08 103     | Retaining pivot  |        | 1   | 692/0/1/2 |
| 35   | 547 01 109     | Bracket  |        | 1   | 692/0/1/2 |
| 36   |                | See group<br>9/01/05   |        | *   |           |

Model: 356 50

Model life 1950>>1959



Model: 356 50

Model life 1950&gt;&gt;1959

| Pos | Part Number    | Description  | Remark | Qty | Model   |
|-----|----------------|--|--------|-----|---------|
| -   | 539 08 403     | Carburettor<br>SOLEX 32PBJ<br>SOLEX 40PJCB<br>And<br>Fuel supply line<br>Fuel pump<br>Fuel pump<br>for<br>Crankcase<br>Two-piece |        | 1   | 356     |
| (1) | 506 08 101     | Carburettor<br>32 PBJ  |        | 2   | 1300    |
| 1   | 546 08 101     | Carburettor<br>32 PBJ  |        | 2   | 1500    |
| 2   | 527 08 102     | Carburettor<br>40 PJCB   |        | 2   | 1500 /S |
| 3   | 369 08 280     | Gasket<br>for<br>32 PBJ  |        | 2   |         |
| 4   | N 011 530 1    | Washer<br>B 8  |        | 4   |         |
| 5   | 502 08 310     | Hexagon nut<br>M8  |        | 4   |         |
| 6   | 502 08 305     | Gasket<br>for<br>40 PJCB   |        | 2   |         |
| 7   | 502 08 307     | Intermediate piece<br>for<br>40 PJCB   |        | 2   |         |
| 8   | 900 028 005 01 | Lock ring<br>A 10  |        | 4   |         |
| 9   | 547 01 121     | Hexagon nut<br>M10   |        | 4   |         |
| 10  | 369 08 013     | Lever  | /R     | 1   |         |
| 11  | 369 08 103     | Lever  | /L     | 1   |         |
| 12  | 369 08 102     | Connecting rod<br>for<br>32 PBJ  |        | 1   |         |
| 13  | 528 08 011     | Connecting rod<br>for<br>40 PJCB   |        | 1   |         |
| -   | 369 08 128     | Eccentric bolt   |        | 1   | 528     |
| 14  | N 011 524 7    | Washer<br>6,4  |        | X   |         |
| 14  | N 011 524 27   | Washer<br>6,4  |        | X   |         |
| 15  | 900 021 002 00 | Cotter pin<br>1,5 X 10   |        | X   |         |
| 16  | 369 08 014     | Adjusting ring   |        | 1   |         |
| 17  | 900 076 010 02 | Nut<br>M 6   |        | 2   |         |
| 17  | 900 076 010 0B | Nut<br>M 6   |        | 2   |         |
| 18  | 369 08 108     | Clamping piece<br>for<br>32 PBJ  |        | 1   |         |
| 19  | 369 08 127     | Clamping piece<br>for<br>40 PJCB   |        | 1   |         |
| 20  | N 010 205 6    | Hexagon-head bolt<br>M 5 X 10  |        | 1   |         |
| 20  | 900 075 105 02 | Screw<br>M 5 X 10  |        | 1   |         |

Model: 356 50 Model life 1950>>1959

| Pos  | Part Number    | Description                                | Remark | Qty | Model        |
|------|----------------|--|--------|-----|--------------|
| 21   | 369 08 110     | Tension spring                             |        | 1   |              |
| 22   | 369 08 132     | Push rod                                   |        | 1   |              |
|      |                | Complete for 32 PBJ                        |        |     |              |
| (22) | 369 08 118     | Push rod                                   |        | 1   |              |
|      |                | Complete for 40 PJCB                       |        |     |              |
| 23   | 369 08 131     | Push rod                                   |        | 1   |              |
|      |                | for 32 PJC                                 |        |     |              |
| (23) | 369 08 111     | Push rod                                   |        | 1   |              |
|      |                | for 40 PJCB                                |        |     |              |
| 24   | N 015 521 3    | Ball socket                                |        | 2   |              |
| 25   | 900 076 006 02 | Hexagon nut M 5                            |        | 2   |              |
| 26   | 527 08 101     | Angular joint                              |        | 1   | 1100/1300/15 |
| 27   | 369 08 107     | Angular joint                              |        | 1   | 1500 /S      |
| 28   | 369 08 105     | Bearing bracket                            |        | 3   |              |
|      |                | Air guide housing for Actuator Carburettor |        |     |              |
| (29) | 369 08 290     | Intake manifold                            | /R     | 1   | 1100         |
| (29) | 369 08 291     | Intake manifold                            | /L     | 1   | 1100         |
| 29   | 369 08 292     | Intake manifold                            |        | 2   | 1100         |
| (30) | 369 08 290 1   | Intake manifold                            | /R     | 1   |              |
| (30) | 369 08 291 1   | Intake manifold                            | /L     | 1   |              |
| 30   | 369 08 292 1   | Intake manifold                            |        | 2   |              |
| -    | 502 08 033     | Intake manifold                            | /L     | 1   | 528          |
| -    | 502 08 034     | Intake manifold                            | /R     | 1   | 528          |
| -    | 502 08 110     | Gasket                                     |        | 2   | 528          |
| -    | 502 08 111     | Gasket                                     |        | 2   | 528          |
| 31   | 369 08 264     | Gasket                                     |        | 2   | 1100         |
| 32   | 369 08 264 1   | Gasket                                     |        | 2   |              |
| 33   | 369 08 267     | Connecting pipe                            | /L     | 1   |              |
| 34   | 369 08 266 1   | Connecting pipe                            | /R     | 1   |              |
| 35   |                | Sealing ring 14 X 18 CU                    |        | 2   |              |
| 36   | 369 08 300     | Washer Copper                              |        | 2   |              |
| 37   | 369 08 272     | Hexagon-head bolt                          |        | 2   |              |
| 38   | 502 08 311     | Compensating line                          |        | 1   |              |
| (38) | 528 08 311     | Compensating line                          |        | 1   | 1500 S       |
| 39   | 369 08 263     | Rubber sleeve                              |        | 2   |              |
| (39) | 502 08 304     | Rubber sleeve                              |        | 2   | 1500 S       |
| 40   | 369 08 302     | Fuel line Filter Pump                      |        | 1   |              |
| 41   | 369 08 301     | Fuel line Filter                           |        | 1   |              |
| 42   | 369 08 281     | Fuel line Pump Carburettor                 |        | 1   |              |
| -    | 527 08 021     | Fuel line Pump Carburettor                 |        | 1   | 1500         |
| -    | 528 08 210     | Fuel line Pump Carburettor                 |        | 1   | 1500 S       |
| -    | 999 180 030 50 | Fuel hose                                  |        | *   |              |



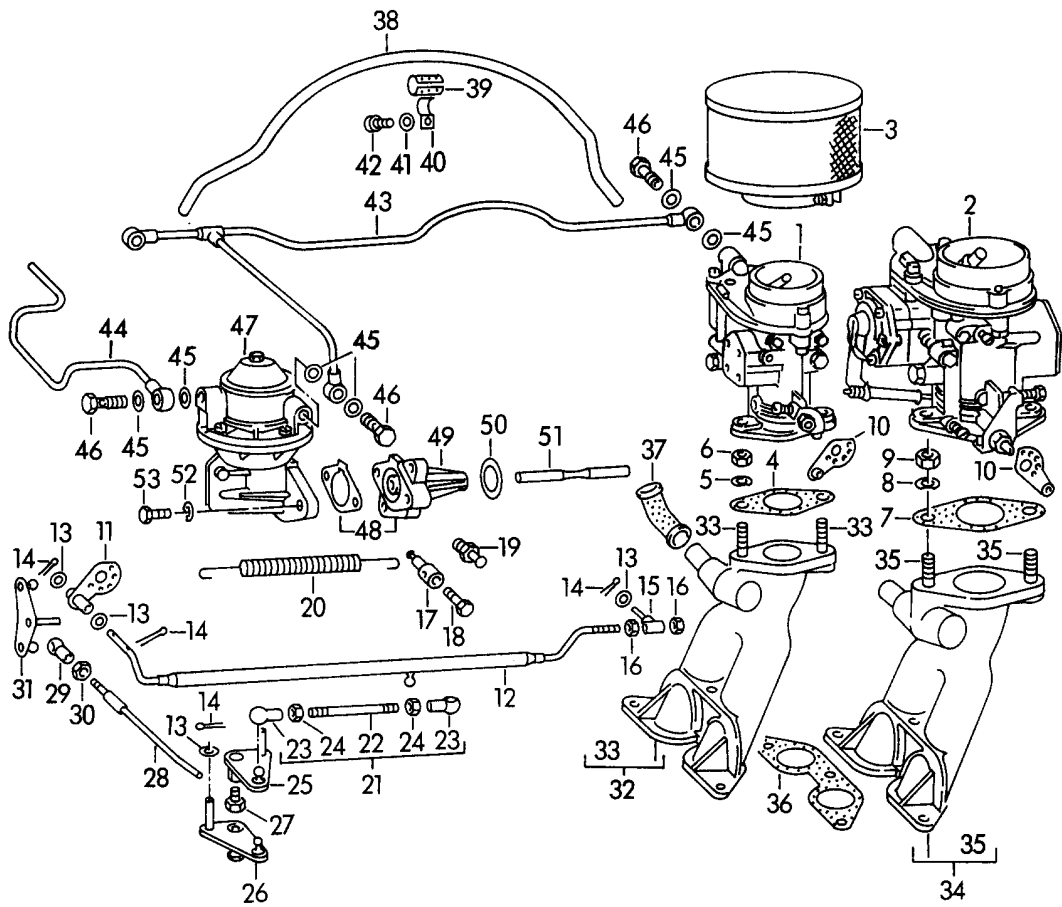
Model: 356 50

Model life 1950>>1959

| Pos  | Part Number    | Description                    | Remark | Qty | Model     |
|------|----------------|--------------------------------|--------|-----|-----------|
| -    | 999 180 030 5A | 7 X 250 MM<br>Fuel hose        |        | *   |           |
| -    | 999 180 030 50 | 7 X 250 MM<br>Fuel hose        |        | *   |           |
| -    | 999 180 030 5A | 7 X 150 MM<br>Fuel hose        |        | *   |           |
| (43) |                | 7 X 150 MM<br>Air cleaner      |        | 2   | 1100/1300 |
| (43) | 527 08 105     | 08 25<br>Air cleaner           |        | 2   | 1500      |
| 43   | 527 08 801     | Flange<br>32 MM<br>Air cleaner |        | 2   | 1500 /S   |
|      |                | Flange<br>40 MM                |        |     |           |

Model: 356 50

Model life 1950>>1959



Model: 356 50 Model life 1950>>1959

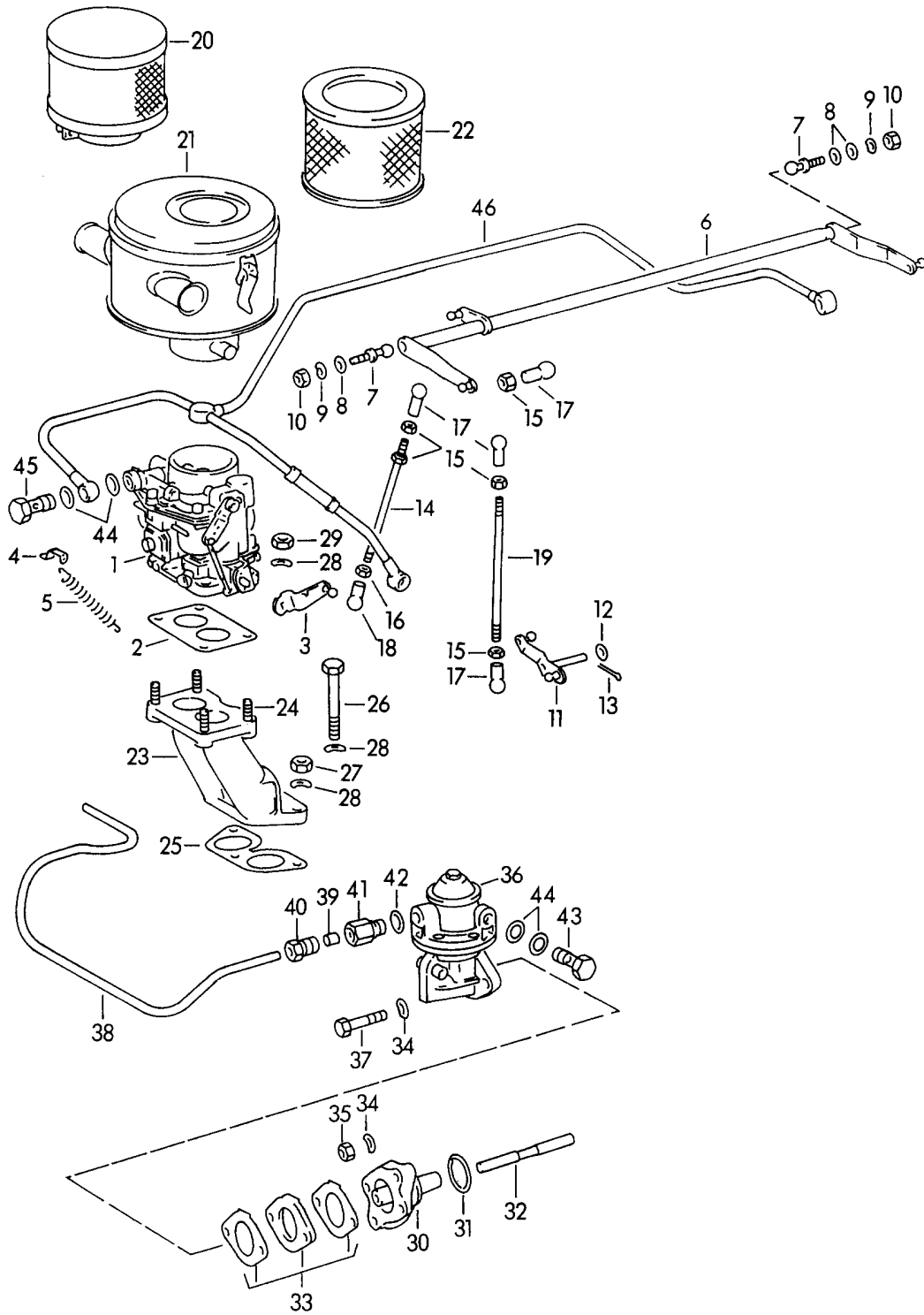
| Pos  | Part Number    | Description   | Remark | Qty | Model        |
|------|----------------|---|--------|-----|--------------|
|      |                | Carburettor<br>SOLEX 32PBJ<br>SOLEX 40PJCB<br>And<br>Fuel supply line |        |     | 356 A        |
| 1    | 506 08 101     | Carburettor<br>32 PBJ   |        | 2   | 1300         |
| (1)  | 589 08 102     | Carburettor<br>32 PBJC  |        | 2   | 1300 S       |
| (1)  | 616 08 101     | Carburettor<br>32 PBJC<br>M >> 67 000                                 |        | 2   | 1600         |
| 2    | 616 08 103     | Carburettor<br>40 PJCB<br>M >> 81 200                                 |        | 2   | 1600 S       |
| 3    | 616 08 108     | Air cleaner   |        | 2   | 1300 /S/1600 |
| -    | 527 08 801     | Air cleaner   |        | 2   | 1600 S       |
| 4    | 369 08 280     | Gasket  |        | 2   | 1300 /S/1600 |
| 5    | N 011 530 1    | Washer<br>B 8   |        | 4   | 1300 /S/1600 |
| 6    | 502 08 310     | Hexagon nut   |        | 4   | 1300 /S/1600 |
| 7    | 502 08 305     | Gasket  |        | 2   | 1600 S       |
| 8    | 900 028 005 01 | Lock ring<br>A 10   |        | 4   | 1600 S       |
| 9    | 547 01 121     | Hexagon nut   |        | 4   | 1600 S       |
| 10   | 369 08 013     | Lever   | /R     | 1   |              |
| 11   | 369 08 103     | Lever   | /L     | 1   |              |
| 12   | 528 08 011     | Connecting rod  |        | 1   |              |
| 13   | N 011 524 7    | Washer<br>6,4   |        | 5   |              |
| 13   | N 011 524 27   | Washer<br>6,4   |        | 5   |              |
| 14   | 900 021 002 00 | Cotter pin<br>1,5 X 10  |        | 5   |              |
| 15   | 369 08 014     | Adjusting ring  |        | 1   |              |
| 16   | 900 076 010 02 | Nut<br>M 6  |        | 2   |              |
| 16   | 900 076 010 0B | Nut<br>M 6  |        | 2   |              |
| 17   | 369 08 127     | Clamping piece  |        | 1   |              |
| 18   | N 010 205 6    | Hexagon-head bolt<br>M 5 X 10   |        | 1   |              |
| 18   | 900 075 105 02 | Screw<br>M 5 X 10   |        | 1   |              |
| 19   | 369 08 128     | Eccentric bolt  |        | 1   | 1300 /S/1600 |
| 20   | 369 08 110     | Tension spring  |        | 1   |              |
| 21   | 369 08 132     | Push rod  |        | 1   | 1300 /S/1600 |
| (21) | 369 08 118     | Push rod  |        | 1   | 1600 S       |
| 22   | 369 08 131     | Push rod  |        | 1   | 1300 /S/1600 |
| (22) | 369 08 111     | Push rod  |        | 1   | 1600 S       |
| 23   | N 015 521 3    | Ball socket<br>A 8  |        | 2   |              |
| 24   | 900 076 006 02 | Hexagon nut<br>M 5  |        | 2   |              |
| 25   | 527 08 101     | Angular joint   |        | 1   | 1300 /S/1600 |
| 26   | 369 08 107     | Angular joint   |        | 1   | 1600 S       |
| 27   | 900 075 004 00 | Hexagon-head bolt<br>M 5 X 12   |        | 1   |              |
| 28   | 369 08 134     | Push rod  |        | 1   |              |
| 29   | N 015 521 3    | Ball socket<br>A 8  |        | 1   |              |
| 30   | 900 076 006 02 | Hexagon nut<br>M 5  |        | 1   |              |

Model: 356 50 Model life 1950>>1959

| Pos  | Part Number    | Description                                       | Remark | Qty | Model        |
|------|----------------|---|--------|-----|--------------|
| 31   | 369 08 017     | Reverse lever                                     |        | 1   |              |
| 32   | 589 08 032     | Intake manifold                                   | /R     | 1   |              |
| (32) | 589 08 031     | Intake manifold                                   | /L     | 1   | 1300 /S/1600 |
| 33   | 900 061 026 02 | Stud<br>BM 8 X 22                                 |        | 2   | 1300 /S/1600 |
| 34   | 528 08 032     | Intake manifold                                   | /R     | 1   | 1600 S       |
| (34) | 528 08 031     | Intake manifold                                   | /L     | 1   | 1600 S       |
| 35   | 900 061 047 01 | Stud<br>M 10 X 25                                 |        | 2   | 1600 S       |
| 36   | 502 08 110     | Gasket  |        | 2   |              |
| 36   | 502 08 111     | Gasket  |        | 2   |              |
| 37   | 539 08 320     | Rubber sleeve                                     |        | 2   |              |
| 38   | 589 08 309     | Connecting tube                                   |        | 1   |              |
| 39   |                | Deleted   |        |     |              |
| 40   | 900 171 001 00 | Clamp<br>1 X 18                                   |        | 2   |              |
| 41   | N 011 524 7    | Washer<br>6,4                                     |        | 2   |              |
| 41   | N 011 524 27   | Washer<br>6,4                                     |        | 2   |              |
| 42   | 900 014 120 02 | Pan-head screw<br>M 6 X 12                        |        | 2   |              |
| 43   | 616 08 021     | Fuel line   |        | 1   |              |
| 44   | 616 08 022     | Fuel line   |        | 1   |              |
| 45   | 616 108 423 00 | Sealing ring                                      |        | 8   |              |
| 46   | 616 108 432 00 | Banjo bolt  |        | 4   |              |
| 47   | 616 08 401     | Fuel pump   |        | 1   |              |
| -    | 616 08 401 X   | Fuel pump<br>Single parts<br>See group<br>1/07/35 |        | 1   |              |
| -    | 616 108 426 00 | Diaphragm<br>Fuel pump<br>Complete                |        | 1   |              |
| 48   | 616 108 440 00 | Flange<br>with<br>Gasket                          |        | 1   |              |
| 49   | 616 08 042 1   | Intermediate flange                               |        | 1   |              |
| (50) | 539 08 402     | Gasket  |        | 1   |              |
| 50   | 999 701 043 50 | O-ring  |        | 1   |              |
| 51   | 539 08 408     | Cam follower                                      |        | 1   |              |
| 52   | 900 028 011 01 | Spring washer<br>B 8                              |        | 2   |              |
| 53   | 900 074 032 02 | Hexagon-head bolt<br>M 8 X 25                     |        | 2   |              |

Model: 356 50

Model life 1950>>1959



Model: 356 50 Model life 1950&gt;&gt;1959

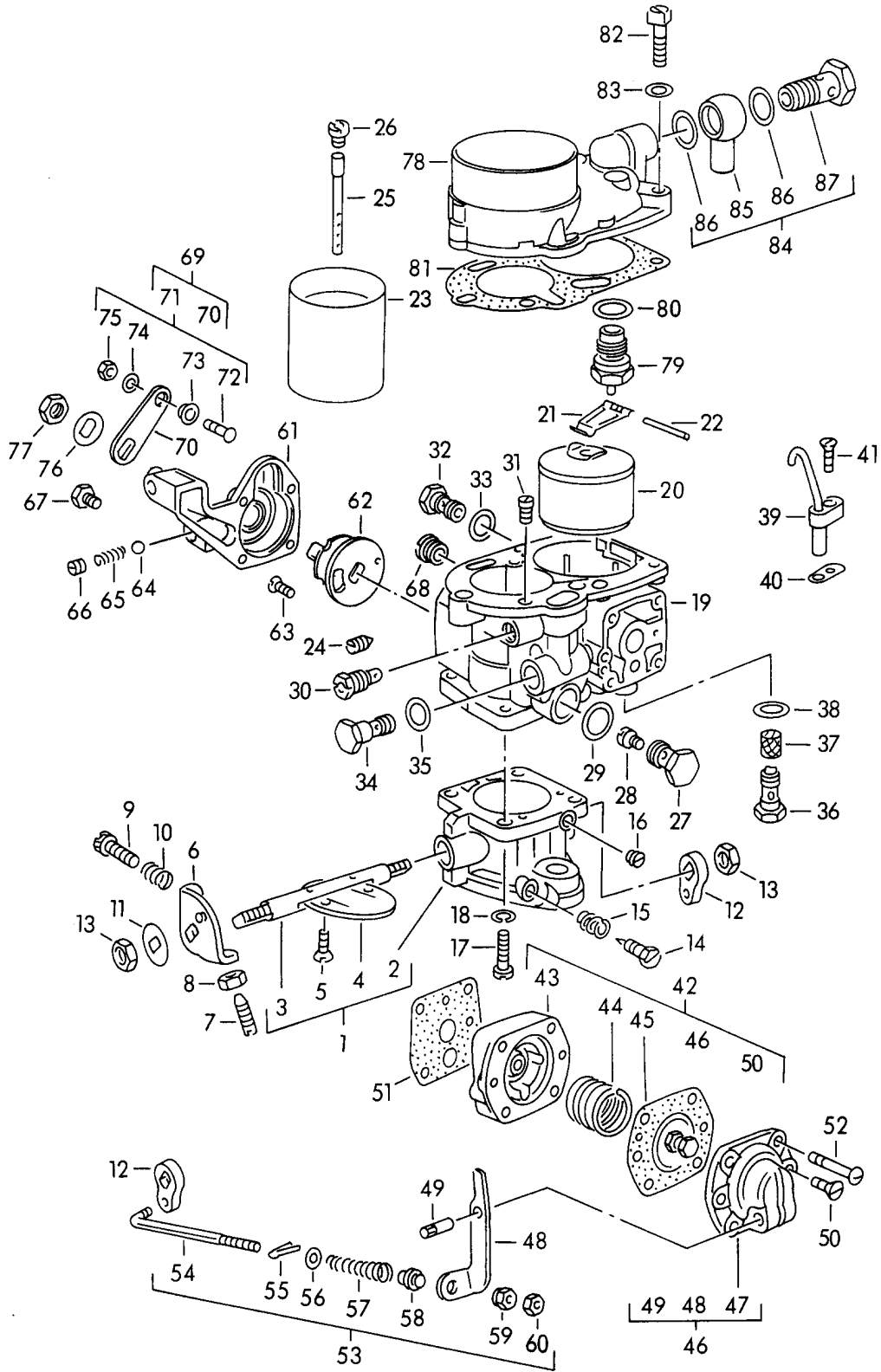
| Pos | Part Number    | Description   | Remark | Qty | Model                   |
|-----|----------------|---|--------|-----|-------------------------|
|     |                | Carburettor<br>PALLAS-ZENIT 32NDIX<br>And<br>Fuel supply line<br>M 67 001 >><br>M 81 201 >> |        |     | 356 A<br>1600<br>1600 S |
| -   | 616 108 902 01 | Gasket set<br>for<br>Carburettor  |        | 2   |                         |
| 1   | 616 08 141     | Carburettor<br>32 NDIX (PO 3 L)   | /L     | 1   | 1600                    |
| (1) | 616 08 141 1   | Carburettor<br>32 NDIX (PO 3 R)   | /R     | 1   | 1600                    |
| (1) | 616 08 142     | Carburettor<br>32 NDIX (PO 2 L)   | /L     | 1   | 1600 S                  |
| (1) | 616 08 142 1   | Carburettor<br>32 NDIX (PO 2 R)   | /R     | 1   | 1600 S                  |
| 2   | 597 108 310 01 | Gasket  |        | 2   |                         |
| 2   | 597 108 310 02 | Gasket  |        | 2   |                         |
| 3   | 616 08 013     | Lever   | /L     | 1   |                         |
| (3) | 616 08 034     | Lever   | /R     | 1   |                         |
| 4   | 616 08 139     | Bracket   |        | 2   |                         |
| 5   | 616 08 119     | Tension spring  |        | 2   |                         |
| 6   | 616 08 011     | Reverse lever   |        | 1   |                         |
| 7   | 999 167 001 00 | Ball pin<br>A 10  |        | 2   |                         |
| 8   | N 011 524 7    | Washer<br>6,4   |        | 3   |                         |
| 8   | N 011 524 27   | Washer<br>6,4   |        | 3   |                         |
| 9   | 900 028 008 01 | Lock ring<br>B 6  |        | 2   |                         |
| 10  | 900 076 010 02 | Nut<br>M 6  |        | 2   |                         |
| 10  | 900 076 010 0B | Nut<br>M 6  |        | 2   |                         |
| 11  | 616 08 017     | Reverse lever   |        | 1   |                         |
| 12  | N 011 524 7    | Washer<br>6,4   |        | 1   |                         |
| 12  | N 011 524 27   | Washer<br>6,4   |        | 1   |                         |
| 13  | 900 021 002 00 | Cotter pin<br>1,5 X 10  |        | 1   |                         |
| 14  | 616 08 012     | Push rod  |        | 2   |                         |
| 15  | N 011 005 14   | Hexagon nut<br>M 5  |        | 6   |                         |
| 15  | 900 076 091 01 | Hexagon nut<br>M 5  |        | 6   |                         |
| 16  | 900 076 029 02 | Hexagon nut<br>M 5  |        | 2   |                         |
| 17  | N 015 521 3    | Left thread<br>Ball socket<br>A 8   |        | 4   |                         |
| 18  | 900 169 010 02 | Ball socket<br>A 8<br>Left thread   |        | 2   |                         |
| 19  | 616 08 131     | Push rod  |        | 1   |                         |
| 20  | 527 08 801     | Air cleaner   |        | 2   | 1600                    |
| 21  | 616 08 814 1   | Air cleaner   |        | 2   | 1600 S                  |
| -   | 999 701 093 50 | O-ring  |        | 1   | 1600 S                  |
| 22  | 616 08 811 1   | Insert  |        | 2   | 1600 S                  |
| -   | 616 108 911 00 | Rubber seal<br>for  |        | 2   | 1600 S                  |

Model: 356 50 Model life 1950>>1959

| Pos  | Part Number    | Description         | Remark | Qty | Model  |
|------|----------------|---------------------|--------|-----|--------|
| 23   | 616 08 035     | Filter element      |        | 2   |        |
| 24   | 999 062 006 02 | Intake manifold     |        | 8   |        |
|      |                | Stud                |        |     |        |
|      |                | BM 8 X 20           |        |     |        |
| 25   | 502 08 110     | Gasket              |        | 2   |        |
| 25   | 502 08 111     | Gasket              |        | 2   |        |
| 26   | 900 074 044 0C | Hexagon-head bolt   |        | 2   |        |
|      |                | M 8 X 70            |        |     |        |
| 27   | 900 076 013 0C | Hexagon nut         |        | 4   |        |
|      |                | M 8                 |        |     |        |
| 27   | 900 076 025 02 | Hexagon nut         |        | 4   |        |
|      |                | M 8                 |        |     |        |
| 27   | 900 076 064 02 | Hexagon nut         |        | 4   |        |
|      |                | M 8                 |        |     |        |
| 28   | 900 028 010 01 | Spring washer       |        | 14  |        |
|      |                | B 8                 |        |     |        |
| 29   | 502 08 310     | Hexagon nut         |        | 8   |        |
| 30   | 616 08 042 1   | Intermediate flange |        | 1   |        |
| (31) | 539 08 402     | Gasket              |        | 1   |        |
|      |                | M >> 73 236         |        |     | 1600   |
|      |                | M >> 83 423         |        |     | 1600 S |
| 31   | 999 701 043 50 | O-ring              |        | 1   |        |
|      |                | M 73 237 >>         |        |     | 1600   |
|      |                | M 83 424 >>         |        |     | 1600 S |
| 32   | 539 08 408     | Cam follower        |        | 1   |        |
| 33   | 616 108 440 00 | Flange              |        | 1   |        |
|      |                | with                |        |     |        |
|      |                | Gasket              |        |     |        |
| 34   | 900 028 010 01 | Spring washer       |        | 4   |        |
|      |                | B 8                 |        |     |        |
| 35   | 502 08 310     | Hexagon nut         |        | 2   |        |
| 36   | 616 08 401     | Fuel pump           |        | 1   |        |
| 37   | 900 074 081 01 | Hexagon-head bolt   |        | 2   |        |
|      |                | M 8 X 30            |        |     |        |
| 38   | 616 08 022 1   | Fuel line           |        | 1   |        |
| 39   | 539 08 201     | Nipple              |        | 1   |        |
| 40   | 900 193 001 02 | Cap screw           |        | 1   |        |
|      |                | AL 8                |        |     |        |
| 41   | 546 08 202     | Union               |        | 1   |        |
| 42   | N 013 818 4    | Sealing ring        |        | 1   |        |
|      |                | A 12 X 16           |        |     |        |
| 43   | 616 108 432 00 | Banjo bolt          |        | 2   |        |
| 44   | 616 108 423 00 | Sealing ring        |        | 6   |        |
| 45   | 616 100 867 00 | Banjo bolt          |        | 1   |        |
| 46   | 616 108 059 00 | Fuel line           |        | 1   |        |

Model: 356 50

Model life 1950>>1959





Model: 356 50

Model life 1950&gt;&gt;1959

| Pos | Part Number    | Description  | Remark | Qty | Model |
|-----|----------------|--|--------|-----|-------|
|     |                | Single parts<br>for<br>Carburettor<br>SOLEX 32 PBI |        |     |       |
| 1   | 616 100 981 00 | Throttle body                                      |        | 1   |       |
| 2   | 616 100 983 00 | Throttle body                                      |        | 1   |       |
| 3   | 616 100 912 00 | Shaft  |        | 1   |       |
| 4   | 616 100 909 00 | Flap   |        | 1   |       |
| 5   | 616 100 985 00 | Countersunk-head screw                             |        | 2   |       |
| 6   | 616 100 986 00 | Support  |        | 1   |       |
| 7   | 616 100 988 00 | Adjusting screw                                    |        | 1   |       |
| 8   | 616 100 989 00 | Hexagon nut  |        | 1   |       |
| 9   | 616 100 990 00 | Adjusting screw                                    |        | 1   |       |
|     |                | Idle speed   |        |     |       |
| 10  | 616 100 991 00 | Compression spring                                 |        | 1   |       |
| 11  | 911 100 945 00 | Lock washer  |        | 1   |       |
| 12  | 616 100 987 00 | Lever  |        | 1   |       |
| 13  | 616 100 913 00 | Hexagon nut  |        | 2   |       |
| 14  | 616 100 749 00 | Adjusting screw                                    |        | 1   |       |
| 15  | 616 100 991 00 | Compression spring                                 |        | 1   |       |
| 16  | 616 100 994 00 | Screw plug   |        | 1   |       |
| 17  | 616 100 992 00 | Pan-head screw                                     |        | 4   |       |
| 18  | 616 100 993 00 | Lock ring  |        | 4   |       |
| 19  | 616 100 995 00 | Tab washer   |        | 1   |       |
|     |                | M 22 006 >>  |        |     | 1300  |
| 20  | 616 100 997 00 | Float  |        | 1   |       |
|     |                | 12,5 GR  |        |     |       |
| 21  | 616 100 998 00 | Joint  |        | 1   |       |
| 22  | 616 100 911 00 | Axle   |        | 1   |       |
| 23  | 616 100 898 03 | Funnel   |        | 1   |       |
|     |                | (K) 23   |        |     |       |
| 24  | 616 100 999 00 | Screw  |        | 1   |       |
|     |                | Funnel   |        |     |       |
| 25  | 616 100 704 00 | Pipe   |        | 1   |       |
|     |                | 33   |        |     |       |
| 26  | 692 100 965 00 | Nozzle   |        | 1   |       |
|     |                | (A) 220  |        |     |       |
| 27  | 616 100 914 00 | Jet carrier  |        | 1   |       |
|     |                | Bracket  |        |     |       |
| 28  | 616 100 899 02 | Nozzle   |        | 1   |       |
|     |                | (GG) 0125  |        |     |       |
| 29  | 616 100 915 00 | Sealing ring                                       |        | 1   |       |
| 30  | 616 100 901 00 | Nozzle   |        | 1   |       |
|     |                | (G) 50   |        |     |       |
| 31  | 616 100 902 03 | Nozzle   |        | 1   |       |
|     |                | (U) 1,5  |        |     |       |
| 32  | 616 100 904 00 | Nozzle   |        | 1   |       |
|     |                | (GS) 160   |        |     |       |
| 33  | 616 100 937 00 | Sealing ring                                       |        | 1   |       |
| 34  | 616 100 708 00 | Nozzle   |        | 1   |       |
|     |                | (GP) 60  |        |     |       |
| 35  | 616 100 937 00 | Sealing ring                                       |        | 1   |       |
| 36  | 616 100 943 00 | Valve  |        | 1   |       |
| 37  | 616 100 944 00 | Strainer   |        | 1   |       |
| 38  | 616 100 937 00 | Sealing ring                                       |        | 1   |       |
| 39  | 616 100 709 00 | Pipe   |        | 1   |       |
|     |                | Complete   |        |     |       |
| 40  | 616 100 948 00 | Gasket   |        | 1   |       |
| 41  | 616 100 710 00 | Countersunk-head screw                             |        | 1   |       |
| 42  | 616 100 711 00 | Pump   |        | 1   |       |
|     |                | Complete   |        |     |       |
| 43  | 616 100 712 00 | Lower part   |        | 1   |       |
| 44  | 616 100 952 00 | Spring   |        | 1   |       |

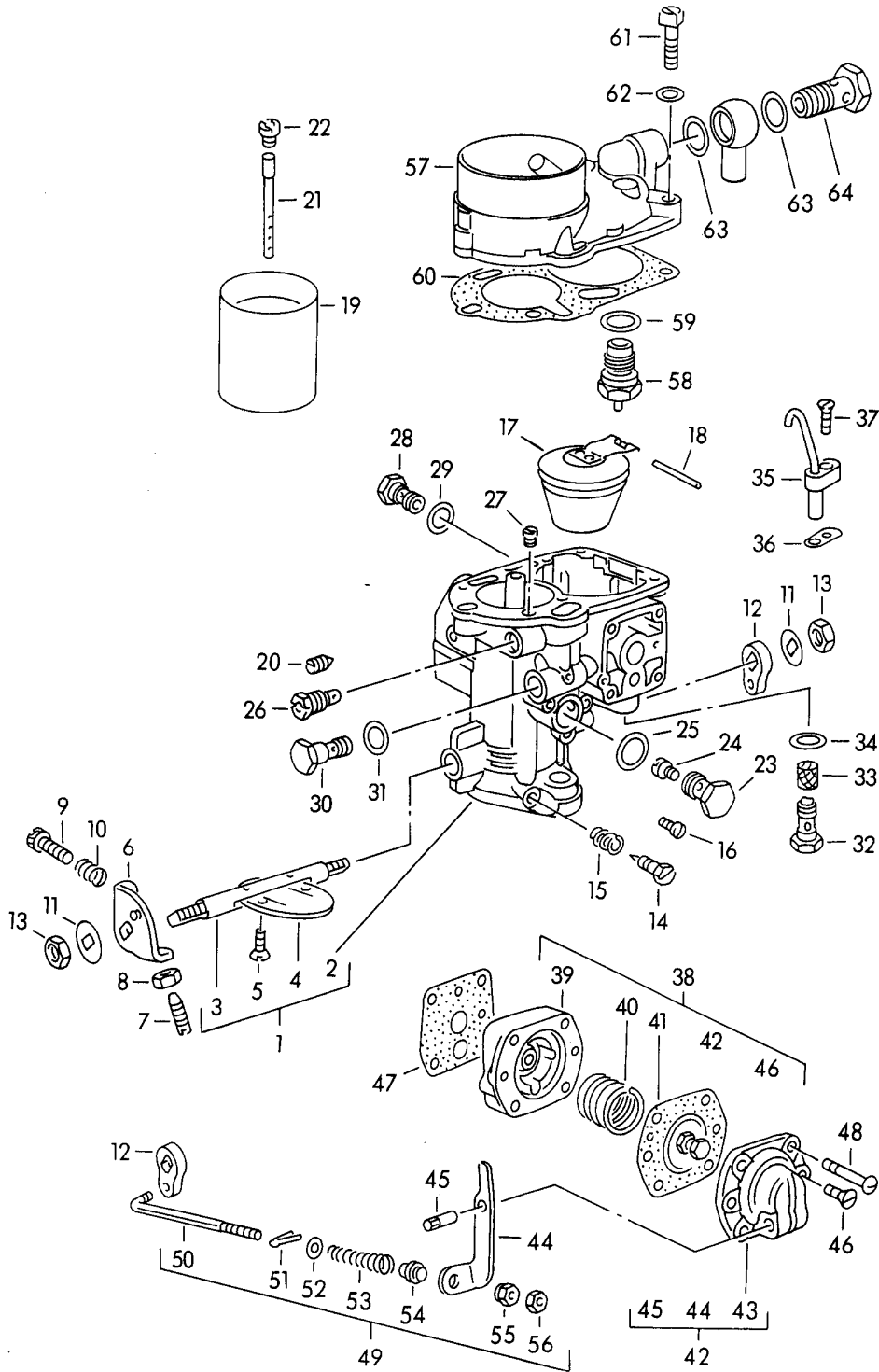
Model: 356 50

Model life 1950>>1959

| Pos | Part Number    | Description                  | Remark | Qty | Model |
|-----|----------------|------------------------------|--------|-----|-------|
| 45  | 616 100 713 00 | Diaphragm                    |        | 1   |       |
| 46  | 616 100 714 00 | Lid<br>Complete              |        | 1   |       |
| 47  | 616 100 954 01 | Lid                          |        | 1   |       |
| 48  | 616 100 715 00 | Lever                        |        | 1   |       |
| 49  | 616 100 956 00 | Axle                         |        | 1   |       |
| 50  | 616 100 716 00 | Countersunk-head screw       |        | 2   |       |
| 51  | 616 100 957 00 | Gasket                       |        | 1   |       |
| 52  | 616 100 717 00 | Countersunk-head screw       |        | 4   |       |
| 53  | 616 100 718 00 | Connecting rod<br>Complete   |        | 1   |       |
| 54  | 616 100 719 00 | Connecting rod               |        | 1   |       |
| 55  | 616 100 963 00 | Cotter pin                   |        | 1   |       |
| 56  | 616 100 962 00 | Washer                       |        | 1   |       |
| 57  | 616 100 720 00 | Spring                       |        | 1   |       |
| 58  | 616 100 722 00 | Bush                         |        | 1   |       |
| 59  | 616 100 721 00 | Nut                          |        | 1   |       |
| 60  | 616 100 723 00 | Hexagon nut                  |        | 1   |       |
| 61  | 616 100 724 00 | Housing                      |        | 1   |       |
| 62  | 616 100 729 00 | Rotary slide                 |        | 1   |       |
| 63  | 616 100 716 00 | Countersunk-head screw       |        | 4   |       |
| 64  | 616 100 725 00 | Ball                         |        | 1   |       |
| 65  | 616 100 726 00 | Compression spring           |        | 1   |       |
| 66  | 616 100 994 00 | Screw plug                   |        | 1   |       |
| 67  | 616 100 728 00 | Clamping screw               |        | 1   |       |
| 68  | 616 100 903 00 | Air vent<br>(GA) 3,5         |        | 1   |       |
| 69  | 616 100 730 00 | Lever<br>Complete            |        | 1   |       |
| 70  | 616 100 731 00 | Lever                        |        | 1   |       |
| 71  | 616 100 732 00 | Clamping screw<br>Complete   |        | 1   |       |
| 72  | 616 100 734 00 | Clamping screw               |        | 1   |       |
| 73  | 616 100 733 00 | Bush                         |        | 1   |       |
| 74  | 616 100 962 00 | Washer                       |        | 1   |       |
| 75  | 616 100 723 00 | Hexagon nut                  |        | 1   |       |
| 76  | 616 100 815 00 | Washer                       |        | 1   |       |
| 77  | 616 100 913 00 | Hexagon nut                  |        | 1   |       |
| 78  | 616 100 735 00 | Lid<br>Carburettor           |        | 1   |       |
| 79  | 616 100 736 00 | Disc valve<br>1,5 MM         |        | 1   |       |
| 80  | 616 108 423 00 | Sealing ring                 |        | 1   |       |
| 81  | 616 100 910 00 | Gasket                       |        | 1   |       |
| 82  | 616 100 934 00 | Adjusting screw              |        | 3   |       |
| 83  | 616 100 973 00 | Connecting rod               |        | 3   |       |
| 84  | 616 100 737 00 | Connecting piece<br>Complete |        | 1   |       |
| 85  | 616 100 738 00 | Connecting piece             |        | 1   |       |
| 86  | 616 108 423 00 | Sealing ring                 |        | 2   |       |
| 87  | 616 108 432 00 | Banjo bolt                   |        | 1   |       |

Model: 356 50

Model life 1950>>1959



Model: 356 50 Model life 1950>>1959

| Pos  | Part Number    | Description   | Remark | Qty | Model          |
|------|----------------|---|--------|-----|----------------|
| -    | 616 08 901     | Single parts<br>for<br>Carburettor<br>SOLEX 32 PBIC<br>Gasket set |        | 1   | 1300 S         |
| 1    | 616 100 702 01 | Carburettor<br>Housing  |        | 1   | 1600<br>1300 S |
| (1)  | 616 100 702 00 | Carburettor<br>Housing  |        | 1   | 1600           |
| 2    | 616 100 703 01 | Carburettor<br>Housing  |        | 1   | 1300 S         |
| (2)  | 616 100 703 00 | Carburettor<br>Housing  |        | 1   | 1600           |
| 3    | 616 100 912 00 | Shaft   |        | 1   |                |
| 4    | 616 100 909 00 | Flap  |        | 1   |                |
| 5    | 616 100 985 00 | Countersunk-head screw  |        | 2   |                |
| 6    | 616 100 986 00 | Support   |        | 1   |                |
| 7    | 616 100 988 00 | Adjusting screw   |        | 1   |                |
| 8    | 616 100 989 00 | Hexagon nut   |        | 1   |                |
| 9    | 616 100 990 00 | Adjusting screw   |        | 1   |                |
| 10   | 616 100 991 00 | Idle speed<br>Compression spring                                  |        | 1   |                |
| 11   | 911 100 945 00 | Lock washer   |        | 2   |                |
| 12   | 616 100 987 00 | Lever   |        | 1   |                |
| 13   | 616 100 913 00 | Hexagon nut   |        | 2   |                |
| 14   | 616 100 755 00 | Adjusting screw   |        | 1   |                |
| 15   | 616 100 814 00 | Compression spring  |        | 1   |                |
| 16   | 616 100 994 00 | Screw plug  |        | 1   |                |
| 17   | 616 100 906 00 | Float<br>5,7 GR   |        | 1   |                |
| 18   | 616 100 911 00 | Axle  |        | 1   |                |
| 19   | 616 100 898 01 | Funnel<br>(K) 24  |        | 1   | 1300 S         |
| (19) | 616 100 898 00 | Funnel<br>(K) 26  |        | 1   | 1600           |
| 20   | 616 100 999 00 | Screw<br>Funnel   |        | 1   |                |
| 21   | 616 100 704 00 | Pipe<br>33  |        | 1   |                |
| 22   | 616 100 900 00 | Nozzle<br>(A) 200   |        | 1   |                |
| 23   | 616 100 914 00 | Jet carrier   |        | 1   |                |
| 24   | 616 100 899 03 | Nozzle<br>(GG) 0105   |        | 1   |                |
| (24) | 616 100 899 04 | Nozzle<br>(GG) 0112,5   |        | 1   |                |
| 25   | 616 100 915 00 | Sealing ring  |        | 1   |                |
| 26   | 616 100 901 00 | Nozzle<br>(G) 50  |        | 1   |                |
| 27   | 616 100 902 03 | Nozzle<br>(U) 1,5   |        | 1   |                |
| (28) | 616 100 701 00 | Screw plug  |        | 1   |                |
| 29   | 901 108 976 00 | Sealing ring  |        | 1   |                |
| 30   | 616 100 708 00 | Nozzle<br>(GP) 60   |        | 1   |                |
| 31   | 616 100 937 00 | Sealing ring  |        | 1   |                |
| 32   | 616 100 943 00 | Valve   |        | 1   |                |
| 33   | 616 100 944 00 | Strainer  |        | 1   |                |
| 34   | 616 100 937 00 | Sealing ring  |        | 1   |                |
| 35   | 616 100 709 00 | Pipe<br>Complete<br>0,8 CAL.                                      |        | 1   |                |

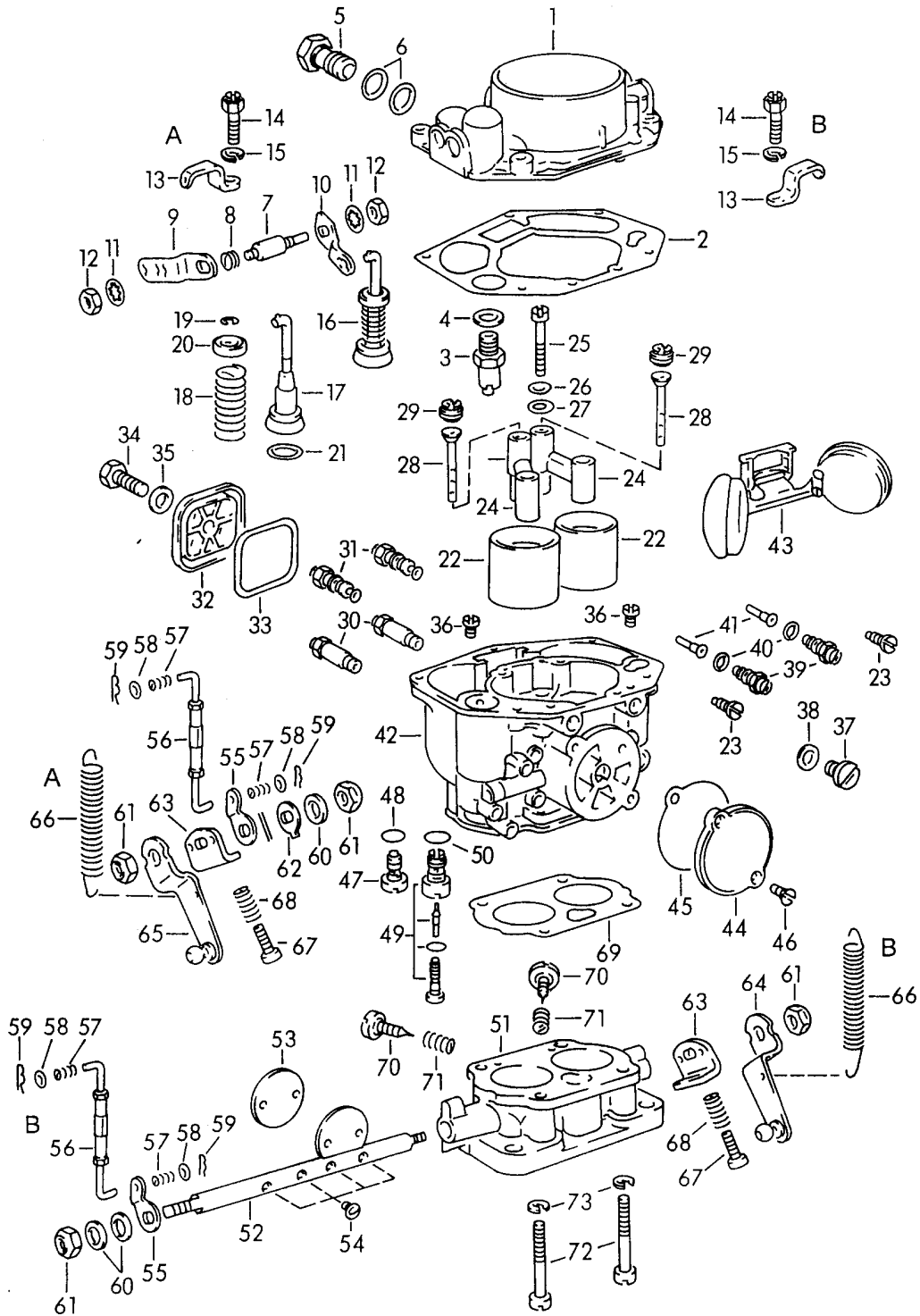
Model: 356 50

Model life 1950&gt;&gt;1959

| Pos | Part Number    | Description                | Remark | Qty | Model |
|-----|----------------|----------------------------|--------|-----|-------|
| 36  | 616 100 948 00 | Gasket                     |        | 1   |       |
| 37  | 616 100 710 00 | Countersunk-head screw     |        | 1   |       |
| 38  | 616 100 711 00 | Pump<br>Complete<br>72     |        | 1   |       |
| 39  | 616 100 712 00 | Lower part                 |        | 1   |       |
| 40  | 616 100 952 00 | Spring                     |        | 1   |       |
| 41  | 616 100 713 00 | Diaphragm                  |        | 1   |       |
| 42  | 616 100 727 00 | Lid<br>Complete            |        | 1   |       |
| 43  | 616 100 954 01 | Lid                        |        | 1   |       |
| 44  | 616 100 745 00 | Lever                      |        | 1   |       |
| 45  | 616 100 956 00 | Axle                       |        | 1   |       |
| 46  | 616 100 716 00 | Countersunk-head screw     |        | 2   |       |
| 47  | 616 100 957 00 | Gasket                     |        | 1   |       |
| 48  | 616 100 717 00 | Countersunk-head screw     |        | 4   |       |
| 49  | 616 100 718 00 | Connecting rod<br>Complete |        | 1   |       |
| 50  | 616 100 719 00 | Connecting rod             |        | 1   |       |
| 51  | 616 100 963 00 | Cotter pin                 |        | 1   |       |
| 52  | 616 100 962 00 | Washer                     |        | 1   |       |
| 53  | 616 100 720 00 | Spring                     |        | 1   |       |
| 54  | 616 100 722 00 | Bush                       |        | 1   |       |
| 55  | 616 100 721 00 | Nut                        |        | 1   |       |
| 56  | 616 100 723 00 | Hexagon nut                |        | 1   |       |
| -   | 616 100 982 00 | Cover plate                |        | 1   |       |
| -   | 616 100 996 00 | Gasket<br>Cover plate      |        | 1   |       |
| -   | 616 100 985 00 | Countersunk-head screw     |        | 4   |       |
| 57  | 616 100 746 00 | Lid<br>Carburettor         |        | 1   |       |
| 58  | 616 100 736 00 | Disc valve<br>1,5 MM       |        | 1   |       |
| 59  | 616 108 423 00 | Sealing ring               |        | 1   |       |
| 60  | 616 100 910 00 | Gasket                     |        | 1   |       |
| 61  | 616 100 934 00 | Adjusting screw            |        | 3   |       |
| 62  | 616 100 973 00 | Connecting rod             |        | 3   |       |
| 63  | 616 108 423 00 | Sealing ring               |        | 2   |       |
| 64  | 616 108 432 00 | Banjo bolt                 |        | 1   |       |

Model: 356 50

Model life 1950>>1959



Model: 356 50 Model life 1950>>1959

| Pos  | Part Number    | Description   | Remark | Qty | Model  |
|------|----------------|---|--------|-----|--------|
|      |                | Single parts<br>for<br>Carburettor<br>PALLAS - ZENITH 32 NDIX |        |     |        |
| 1    | 616 100 863 00 | Lid   |        | 1   |        |
| 2    | 616 100 864 00 | Gasket  |        | 1   |        |
| 2    | 616 100 864 01 | Gasket  |        | 1   |        |
| -    | 900 093 002 30 | Grooved nail<br>2,6 X 5                                       |        | 2   |        |
| 3    | 616 100 974 00 | Valve<br>125  |        | 1   |        |
| 3    | 616 100 974 01 | Valve<br>125  |        | 1   |        |
| 4    | 616 100 866 00 | Sealing ring  |        | 1   |        |
| 5    | 616 100 867 00 | Banjo bolt  |        | 1   |        |
| 6    | 616 108 423 00 | Sealing ring<br>A 12 X 16                                     |        | 2   |        |
| 7    | 616 100 869 00 | Shaft   |        | 1   |        |
| 8    | 616 100 870 00 | Spring  |        | 1   |        |
| 9    | 616 100 871 00 | Lever<br>Outer  |        | 1   |        |
| 10   | 616 100 872 00 | Lever<br>Inner  |        | 1   |        |
| 11   | 616 100 873 00 | Shake-proof washer<br>J 6,4                                   |        | 2   |        |
| 12   | 616 100 874 00 | Hexagon nut<br>BM 6   |        | 2   |        |
| 13   | 616 08 139     | Bracket   |        | 1   |        |
| 14   | 616 100 877 00 | Fastening screw   |        | 5   |        |
| 15   | 616 100 878 00 | Lock ring<br>B 5  |        | 5   |        |
| 16   | 616 100 850 00 | Piston<br>Complete  |        | 1   |        |
| 17   |                | Piston  |        | 1   |        |
| 18   |                | Piston  |        | 1   |        |
| 19   |                | Piston  |        | 1   |        |
| 20   |                | Piston  |        | 1   |        |
| 21   |                | Piston  |        | 1   |        |
| 22   | 616 100 824 00 | Funnel<br>24  |        | 2   | 1600   |
| (22) | 616 100 825 00 | Funnel<br>28  |        | 2   | 1600 S |
| 23   | 616 100 826 00 | Screw   |        | 2   |        |
| 24   | 616 100 827 00 | Jet carrier<br>Bracket<br>with<br>Booster                     |        | 2   |        |
| 25   | 616 100 828 00 | Screw   |        | 1   |        |
| 26   | 616 100 830 00 | Lock ring<br>A 5  |        | 1   |        |
| 27   | 900 025 003 02 | Washer  |        | 1   |        |
| 28   | 616 100 831 00 | Pipe<br>1 S   |        | 2   |        |
| 29   | 616 100 832 00 | Nozzle<br>230   |        | 2   | 1600   |
| (29) | 616 100 833 00 | Nozzle<br>220   |        | 2   | 1600 S |
| 30   | 616 100 834 00 | Nozzle<br>115   |        | 2   | 1600   |
| (30) | 616 100 835 00 | Nozzle<br>130   |        | 2   | 1600 S |
| 31   | 616 100 836 00 | Nozzle<br>50  |        | 2   |        |

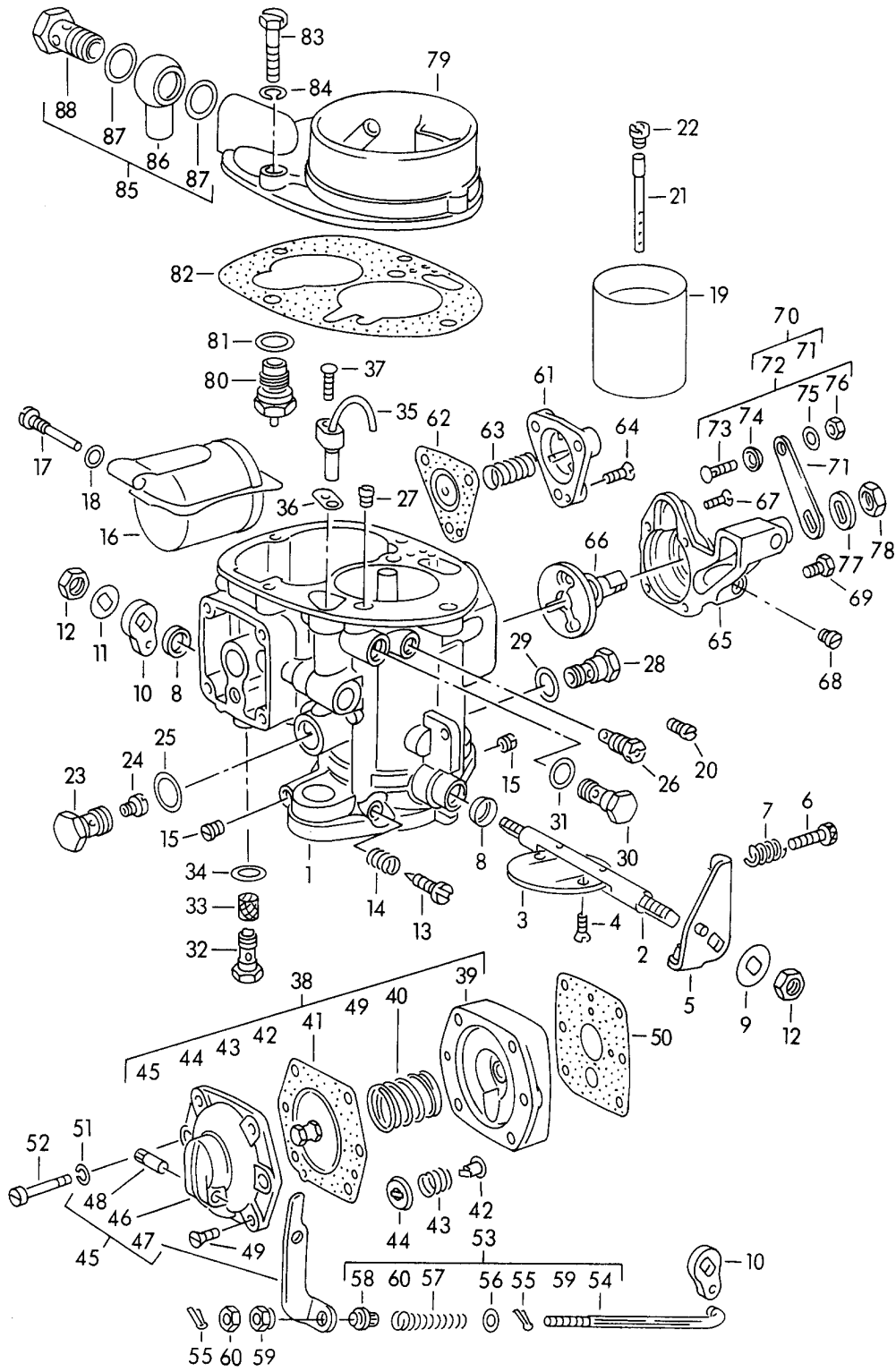
Model: 356 50 Model life 1950>>1959

| Pos  | Part Number    | Description  | Remark | Qty | Model  |
|------|----------------|--|--------|-----|--------|
| 32   | 616 100 837 00 | Lid  |        | 1   |        |
| 33   | 616 100 838 00 | Sealing ring   |        | 1   |        |
| 34   | 616 100 839 00 | Hexagon-head bolt  |        | 1   |        |
| 35   | 616 100 840 00 | Sealing ring   |        | 1   |        |
| 36   | 616 100 841 00 | Nozzle<br>120  |        | 2   | 1600   |
| (36) | 616 100 842 00 | Nozzle<br>140  |        | 2   | 1600 S |
| 37   | 616 100 843 00 | Screw plug   |        | 1   |        |
| 38   | 616 100 844 01 | Sealing ring   |        | 1   |        |
| 39   | 616 100 845 00 | Nozzle<br>50   |        | 2   | 1600   |
| (39) | 616 100 846 00 | Nozzle<br>40   |        | 2   | 1600 S |
| 40   | 616 100 847 00 | Sealing ring   |        | 2   |        |
| 41   | 616 100 848 00 | Pipe<br>NR. 8<br>Short   |        | 2   |        |
| 42   | 616 100 822 00 | Housing  |        | 1   |        |
| 43   | 616 100 823 00 | Float<br>with<br>Articulated support                             |        | 1   |        |
| 43   | 616 100 823 01 | Float<br>without<br>Articulated support                          |        | 1   |        |
| 44   | 616 100 860 00 | Lid  |        | 1   |        |
| 45   | 616 100 862 00 | Gasket   |        | 2   |        |
| -    | 900 114 007 00 | Shake-proof washer<br>V 5,3                                      |        | 2   |        |
| 46   | 616 100 861 00 | Oval-head screw  |        | 1   |        |
| 47   | 616 100 856 00 | Valve  |        | 1   |        |
| 48   | 616 100 857 01 | Sealing ring   |        | 1   |        |
| 49   | 616 100 858 00 | Valve<br>Complete  |        | 1   |        |
| 50   | 616 100 859 01 | Sealing ring   |        | 1   |        |
| 51   | 616 100 801 00 | Throttle body<br>without<br>Throttle shaft<br>And<br>Accessories |        | 1   |        |
| 52   | PCG 100 802 00 | Shaft  |        | 1   |        |
| 53   | 616 100 803 00 | Flap   |        | 2   |        |
| 54   | 616 100 804 00 | Oval-head screw  |        | 4   |        |
| 55   | 616 100 808 00 | Lever  |        | 1   |        |
| 56   | 616 100 809 00 | Connecting rod   |        | 1   |        |
| 57   | 616 100 810 00 | Spring   |        | 2   |        |
| 58   | 616 100 811 00 | Washer   |        | 2   |        |
| 59   | 616 100 812 00 | Retaining spring   |        | 2   |        |
| 60   | 616 100 816 00 | Washer   |        | 2   |        |
| 61   | 616 100 817 00 | Hexagon nut  |        | 2   |        |
| 62   | 616 100 815 00 | Washer   |        | 1   |        |
| 63   | 616 100 805 00 | Support  |        | 1   |        |
| 64   | 616 08 034     | Lever  | /R     | 1   |        |
| 65   | 616 08 013     | Lever  | /L     | 1   |        |
| 66   | 616 08 119     | Tension spring   |        | 1   |        |
| 67   | 616 100 813 00 | Adjusting screw  |        | 1   |        |
| 68   | 616 100 814 00 | Compression spring   |        | 1   |        |
| 69   | 616 100 821 00 | Gasket   |        | 1   |        |
| 70   | 616 100 818 00 | Adjusting screw  |        | 2   |        |
| 71   | 616 100 814 00 | Compression spring   |        | 2   |        |
| 72   | 616 100 819 00 | Pan-head screw   |        | 4   |        |
| 73   | 616 100 820 00 | Lock ring  |        | 4   |        |



Model: 356 50

Model life 1950>>1959



Model: 356 50

Model life 1950&gt;&gt;1959

| Pos | Part Number    | Description  | Remark | Qty | Model             |
|-----|----------------|--|--------|-----|-------------------|
|     |                | Single parts<br>for<br>Carburettor<br>SOLEX 40 PBIC<br>M >> 81 200 |        |     | 527/528<br>1600 S |
| -   | 616 08 902     | Gasket set   |        | 1   |                   |
| 1   | 616 100 740 00 | Carburettor<br>Housing   |        | 1   |                   |
| 2   | 616 100 741 00 | Throttle shaft   |        | 1   |                   |
| 3   | 616 100 742 00 | Throttle body  |        | 1   |                   |
| 4   | 616 100 743 00 | Countersunk-head screw   |        | 2   |                   |
| 5   | 616 100 744 00 | Support  |        | 1   |                   |
| 6   | 616 100 990 00 | Adjusting screw<br>Idle speed                                      |        | 1   |                   |
| 7   | 616 100 991 00 | Compression spring   |        | 1   |                   |
| 8   | 616 100 748 00 | Sealing ring   |        | 2   |                   |
| 9   | 911 100 945 00 | Lock washer  |        | 1   |                   |
| 10  | 616 100 987 00 | Lever  |        | 1   |                   |
| 11  | 616 100 815 00 | Washer   |        | 1   |                   |
| 12  | 616 100 913 00 | Hexagon nut  |        | 2   |                   |
| 13  | 616 100 749 00 | Adjusting screw  |        | 1   |                   |
| 14  | 616 100 991 00 | Compression spring   |        | 1   |                   |
| 15  | 616 100 994 00 | Screw plug   |        | 2   |                   |
| 16  | 528 08 116     | Float<br>21 GR   |        | 1   |                   |
| 17  | 616 100 750 00 | Fastening screw  |        | 1   |                   |
| 18  | 616 100 751 00 | Sealing ring   |        | 1   |                   |
| 19  | 616 100 752 00 | Funnel<br>(K) 29   |        | 1   |                   |
| 20  | 616 100 754 00 | Screw<br>Funnel  |        | 1   |                   |
| 21  | 616 100 756 00 | Pipe<br>28   |        | 1   |                   |
| 22  | 616 100 900 00 | Nozzle<br>(A) 200  |        | 1   |                   |
| 23  | 616 100 757 00 | Jet carrier  |        | 1   |                   |
| 24  | 616 100 899 00 | Nozzle<br>(GG) 130   |        | 1   |                   |
| 25  | 616 100 915 00 | Sealing ring   |        | 1   |                   |
| 26  | 616 100 901 01 | Nozzle<br>(G) 45   |        | 1   |                   |
| 27  | 616 100 902 04 | Nozzle<br>(U) 2,0  |        | 1   |                   |
| 28  | 616 100 904 00 | Nozzle<br>(GS) 160   |        | 1   |                   |
| 29  | 616 100 937 00 | Sealing ring   |        | 1   |                   |
| 30  | 616 100 708 01 | Nozzle<br>(GP) 70  |        | 1   |                   |
| 31  | 616 100 937 00 | Sealing ring   |        | 1   |                   |
| 32  | 616 100 943 00 | Valve  |        | 1   |                   |
| 33  | 616 100 944 00 | Strainer   |        | 1   |                   |
| 34  | 616 100 937 00 | Sealing ring   |        | 1   |                   |
| 35  | 616 100 760 00 | Pipe<br>Complete   |        | 1   |                   |
| 36  | 616 100 948 00 | Gasket   |        | 1   |                   |
| 37  | 616 100 710 00 | Countersunk-head screw   |        | 1   |                   |
| 38  | 616 100 762 00 | Pump<br>Complete<br>83   |        | 1   |                   |
| 39  | 616 100 763 00 | Lower part   |        | 1   |                   |
| 40  | 616 100 952 00 | Spring   |        | 1   |                   |
| 41  | 616 100 761 00 | Diaphragm  |        | 1   |                   |

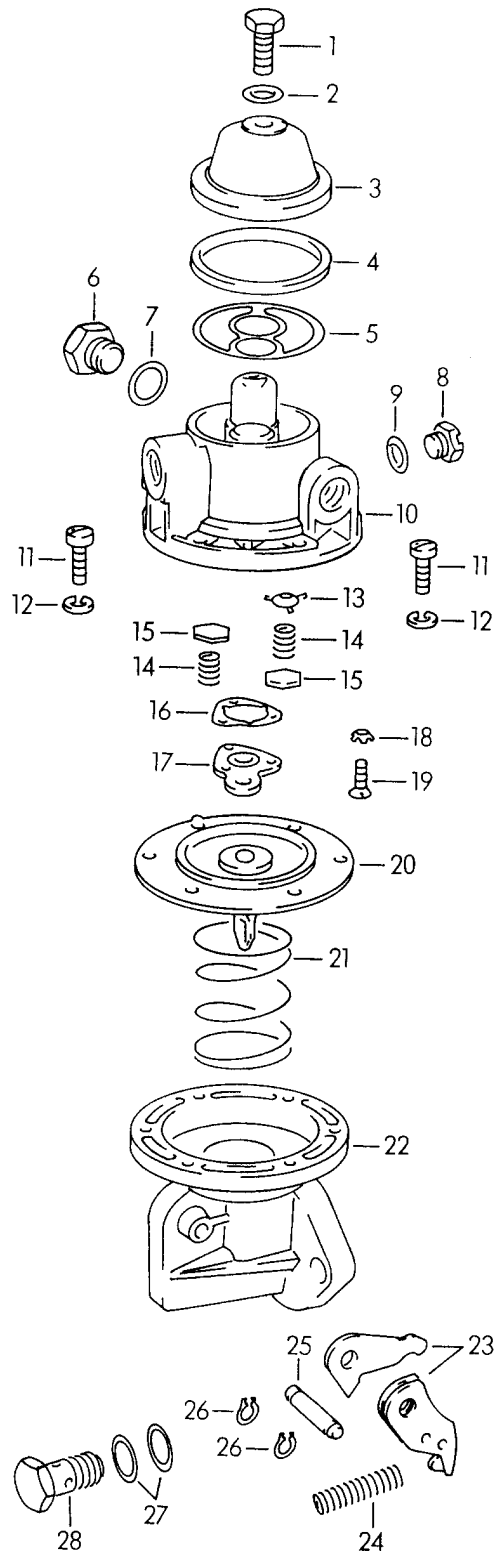
Model: 356 50

Model life 1950&gt;&gt;1959

| Pos | Part Number    | Description            | Remark | Qty | Model |
|-----|----------------|------------------------|--------|-----|-------|
| 42  | 616 100 764 00 | Valve                  |        | 1   |       |
| 43  | 616 100 765 00 | Spring                 |        | 1   |       |
| 44  | 616 100 766 00 | Seat                   |        | 1   |       |
| 45  | 616 100 767 00 | Lid                    |        | 1   |       |
|     |                | Complete               |        |     |       |
| 46  | 616 100 768 00 | Lid                    |        | 1   |       |
| 47  | 616 100 769 00 | Lever                  |        | 1   |       |
| 48  | 616 100 956 00 | Axle                   |        | 1   |       |
| 49  | 616 100 716 00 | Countersunk-head screw |        | 2   |       |
| 50  | 616 100 771 00 | Gasket                 |        | 1   |       |
| 51  | 616 100 773 00 | Lock ring              |        | 4   |       |
| 52  | 616 100 772 00 | Pan-head screw         |        | 4   |       |
| 53  | 616 100 774 00 | Connecting rod         |        | 1   |       |
|     |                | Complete               |        |     |       |
| 54  | 616 100 775 00 | Connecting rod         |        | 1   |       |
| 55  | 616 100 966 00 | Cotter pin             |        | 1   |       |
| 56  | 616 100 962 00 | Washer                 |        | 1   |       |
| 57  | 616 100 720 00 | Spring                 |        | 1   |       |
| 58  | 616 100 722 00 | Bush                   |        | 1   |       |
| 59  | 616 100 721 00 | Nut                    |        | 1   |       |
| 60  | 616 100 723 00 | Hexagon nut            |        | 1   |       |
| 61  | 616 100 780 00 | Valve cover            |        | 1   |       |
| 62  | 616 100 782 00 | Diaphragm              |        | 1   |       |
| 63  | 616 100 783 00 | Valve spring           |        | 1   |       |
| 64  | 616 100 710 00 | Countersunk-head screw |        | 3   |       |
| 65  | 616 100 784 00 | Housing                |        | 1   |       |
| 66  | 616 100 787 00 | Rotary slide           |        | 1   |       |
| 67  | 616 100 716 00 | Countersunk-head screw |        | 1   |       |
| 68  | 616 100 994 00 | Screw plug             |        | 1   |       |
| 69  | 616 100 728 00 | Clamping screw         |        | 1   |       |
| 70  | 616 100 788 00 | Lever                  |        | 1   |       |
| 71  | 616 100 789 00 | Lever                  |        | 1   |       |
| 72  | 616 100 732 00 | Clamping screw         |        | 1   |       |
|     |                | Complete               |        |     |       |
| 73  | 616 100 734 00 | Clamping screw         |        | 1   |       |
| 74  | 616 100 733 00 | Bush                   |        | 1   |       |
| 75  | 616 100 962 00 | Washer                 |        | 1   |       |
| 76  | 616 100 723 00 | Hexagon nut            |        | 1   |       |
| 77  | 616 100 815 00 | Washer                 |        | 1   |       |
| 78  | 616 100 913 00 | Hexagon nut            |        | 1   |       |
| 79  | 616 100 794 00 | Lid                    |        | 1   |       |
|     |                | Carburettor            |        |     |       |
| 80  | 616 100 905 00 | Valve                  |        | 1   |       |
|     |                | 2 MM                   |        |     |       |
| 80  | 616 100 905 01 | Valve                  |        | 1   |       |
|     |                | 2 MM                   |        |     |       |
| 81  | 616 108 423 00 | Sealing ring           |        | 1   |       |
| 82  | 616 100 795 00 | Gasket                 |        | 1   |       |
| 83  | 616 100 796 00 | Screw                  |        | 3   |       |
| 84  | 616 100 973 00 | Connecting rod         |        | 3   |       |
| 85  | 616 100 737 00 | Connecting piece       |        | 1   |       |
| 86  | 616 100 738 00 | Connecting piece       |        | 1   |       |
| 87  | 616 108 423 00 | Sealing ring           |        | 2   |       |
| 88  | 616 108 432 00 | Banjo bolt             |        | 1   |       |

Model: 356 50

Model life 1950>>1959



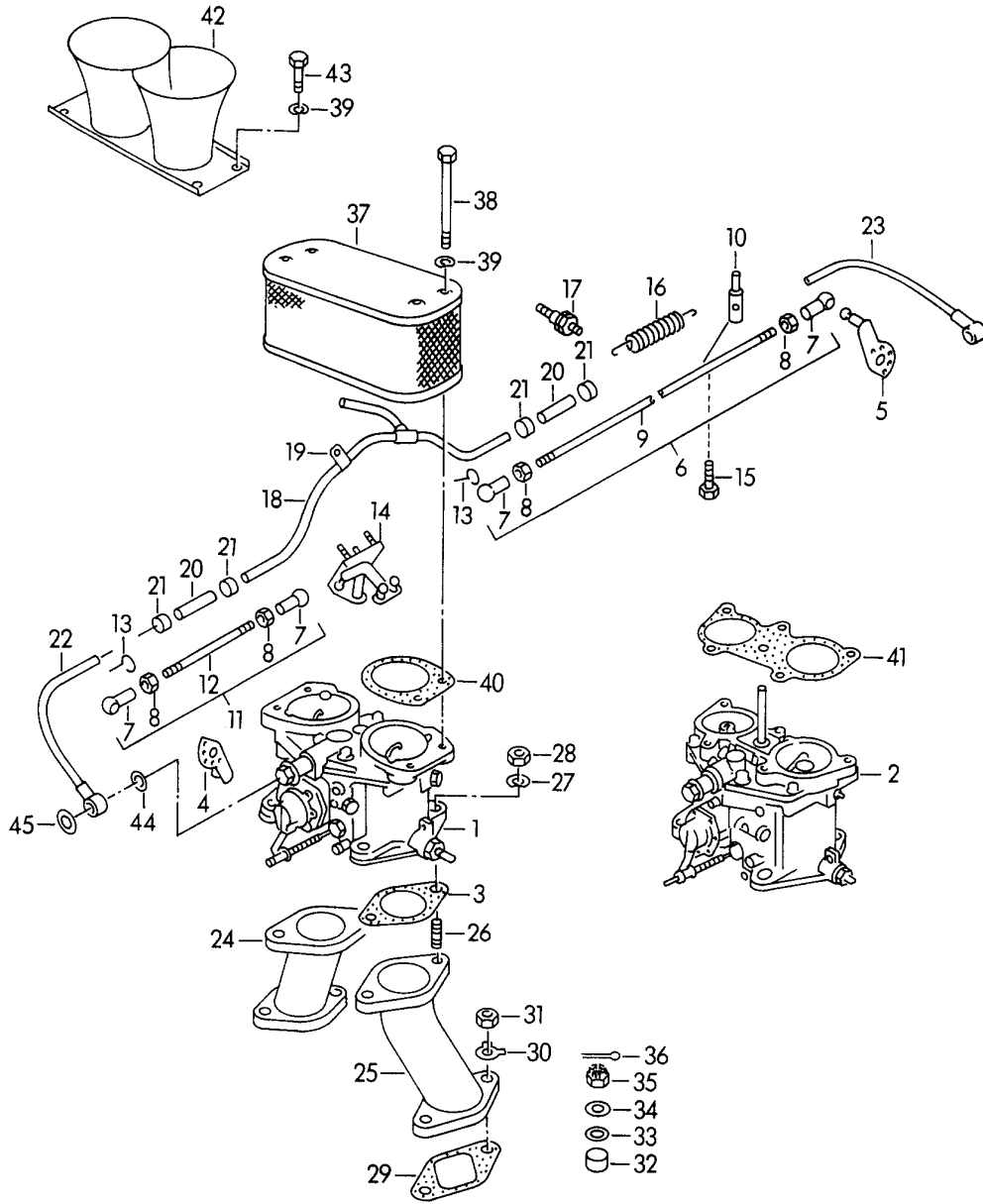
Model: 356 50

Model life 1950&gt;&gt;1959

| Pos | Part Number    | Description                 | Remark | Qty | Model |
|-----|----------------|-----------------------------|--------|-----|-------|
|     |                | Single parts<br>for         |        |     |       |
|     |                | Fuel pump<br>616. 08.401    |        |     |       |
| -   | 616 108 903 00 | Repair kit                  |        | 1   |       |
| 1   | 616 108 420 00 | Hexagon-head bolt           |        | 1   |       |
| 2   | 616 108 421 00 | Sealing ring                |        | 1   |       |
| 3   | 616 108 419 00 | Cap                         |        | 1   |       |
| 4   | 616 108 418 00 | Sealing ring                |        | 1   |       |
| 5   | 616 108 417 00 | Fuel strainer               |        | 1   |       |
| 6   | 616 108 422 00 | Lid                         |        | 1   |       |
| 7   | 616 108 423 00 | Sealing ring                |        | 1   |       |
| 8   | 616 108 424 00 | Lid                         |        | 1   |       |
|     |                | M 8 X 1                     |        |     |       |
| 9   | 616 108 425 00 | Sealing ring                |        | 1   |       |
| 10  | 616 108 411 00 | Housing                     |        | 1   |       |
|     |                | Upper part                  |        |     |       |
| 11  | 900 015 012 00 | Oval-head screw<br>M 5 X 15 |        | 6   |       |
| 12  | 900 027 003 00 | Lock ring<br>A 5            |        | 6   |       |
| 13  | 616 108 414 00 | Spring hanger               |        | 1   |       |
| 14  | 616 108 413 00 | Valve spring                |        | 2   |       |
| 15  | 616 108 412 00 | Plate                       |        | 2   |       |
| 16  | 616 108 415 00 | Gasket                      |        | 1   |       |
| 17  | 616 108 416 00 | Valve plate                 |        | 1   |       |
| 18  | N 012 140 1    | Shake-proof washer          |        | 1   |       |
| 19  | 900 013 001 00 | Countersunk-head screw      |        | 1   |       |
| 20  | 616 108 426 00 | Diaphragm                   |        | 1   |       |
| 21  | 616 108 427 00 | Spring<br>2,8 KG            |        | 1   |       |
| 22  | 616 108 428 00 | Lower part                  |        | 1   |       |
| 23  | 616 108 429 00 | Lever                       |        | 1   |       |
| 24  | 616 108 431 00 | Compression spring          |        | 1   |       |
| 25  | 616 108 430 00 | Axle                        |        | 1   |       |
| 26  | 999 041 001 01 | Snap ring                   |        | 2   |       |
| 27  | 616 108 423 00 | Sealing ring                |        | 2   |       |
| 28  | 616 108 432 00 | Banjo bolt                  |        | 1   |       |

Model: 356 50

Model life 1950>>1959



Model: 356 50

Model life 1950>>1959

| Pos | Part Number    | Description  | Remark | Qty | Model                        |
|-----|----------------|--|--------|-----|------------------------------|
|     |                | Carburettor<br>SOLEX 40 P II<br>SOLEX 40 P II-4<br>And<br>Fuel supply line<br>M 90 501 >> 91 000 |        |     | CARRERA<br>1500 GS/GT        |
| -   | PCG 108 902 00 | Gasket set<br>for  |        | 2   |                              |
| 1   | 547 08 304     | Carburettor  |        | 2   |                              |
| 2   | 547 08 304 1   | Carburettor<br>SOLEX 40 P II   |        | 2   |                              |
| 3   | 502 08 305     | Gasket   |        | 4   |                              |
| 4   | 547 08 014     | Lever<br>Left  |        | 1   |                              |
| 5   | 547 08 119     | Lever<br>Right   |        | 1   |                              |
| 6   | 547 08 121     | Pull rod<br>Complete   |        | 1   |                              |
| 7   | 900 169 007 00 | Ball socket<br>B 8   |        | 4   |                              |
| 8   | 900 076 005 00 | Hexagon nut<br>M 5   |        | 4   |                              |
| 9   | 547 08 124     | Push rod   |        | 1   |                              |
| 10  | 547 08 132     | Clamping piece   |        | 1   |                              |
| 11  | 547 08 123     | Push rod<br>Complete   |        | 1   |                              |
| 12  | 547 08 122     | Pull rod   |        | 1   |                              |
| 13  | 900 169 009 00 | Securing clip<br>S 8   |        | 4   |                              |
| 14  | 547 08 125     | Bearing bracket<br>Reverse lever<br>Complete   |        | 1   |                              |
| -   | 900 027 013 00 | Spring washer<br>B 6   |        | 3   |                              |
| -   | 900 076 010 02 | Nut<br>M 6   |        | 3   |                              |
| -   | 900 076 010 0B | Nut<br>M 6   |        | 3   |                              |
| 15  | 900 075 010 00 | Hexagon-head bolt<br>M 6 X 12  |        | 1   |                              |
| 16  | 547 08 117     | Tension spring   |        | 1   |                              |
| 17  | 547 08 103     | Retaining pivot<br>Air guide housing   |        | 1   |                              |
| 18  | 547 08 230     | Fuel line  |        | 1   | COUPE                        |
| -   | 547 08 238     | Fuel line  |        | 1   | CABRIO<br>SPEEDSTER<br>540.1 |
| 19  | 356 49 648     | Clip   |        | 2   |                              |
| 20  | 547 08 239     | Fuel line  |        | 2   |                              |
| 21  | 901 108 219 00 | Cap<br>Cap   |        | 4   |                              |
| 22  | 547 08 255     | Line<br>Left   |        | 1   |                              |
| 23  | 547 08 256     | Line<br>Right  |        | 1   |                              |
| 24  | 547 08 318     | Intake manifold<br>Left  |        | 2   |                              |
| 25  | 547 08 319     | Intake manifold<br>Right   |        | 2   |                              |
| 26  | 547 08 320     | Stud   |        | 8   |                              |
| 27  | 900 028 005 00 | Spring washer  |        | 8   |                              |

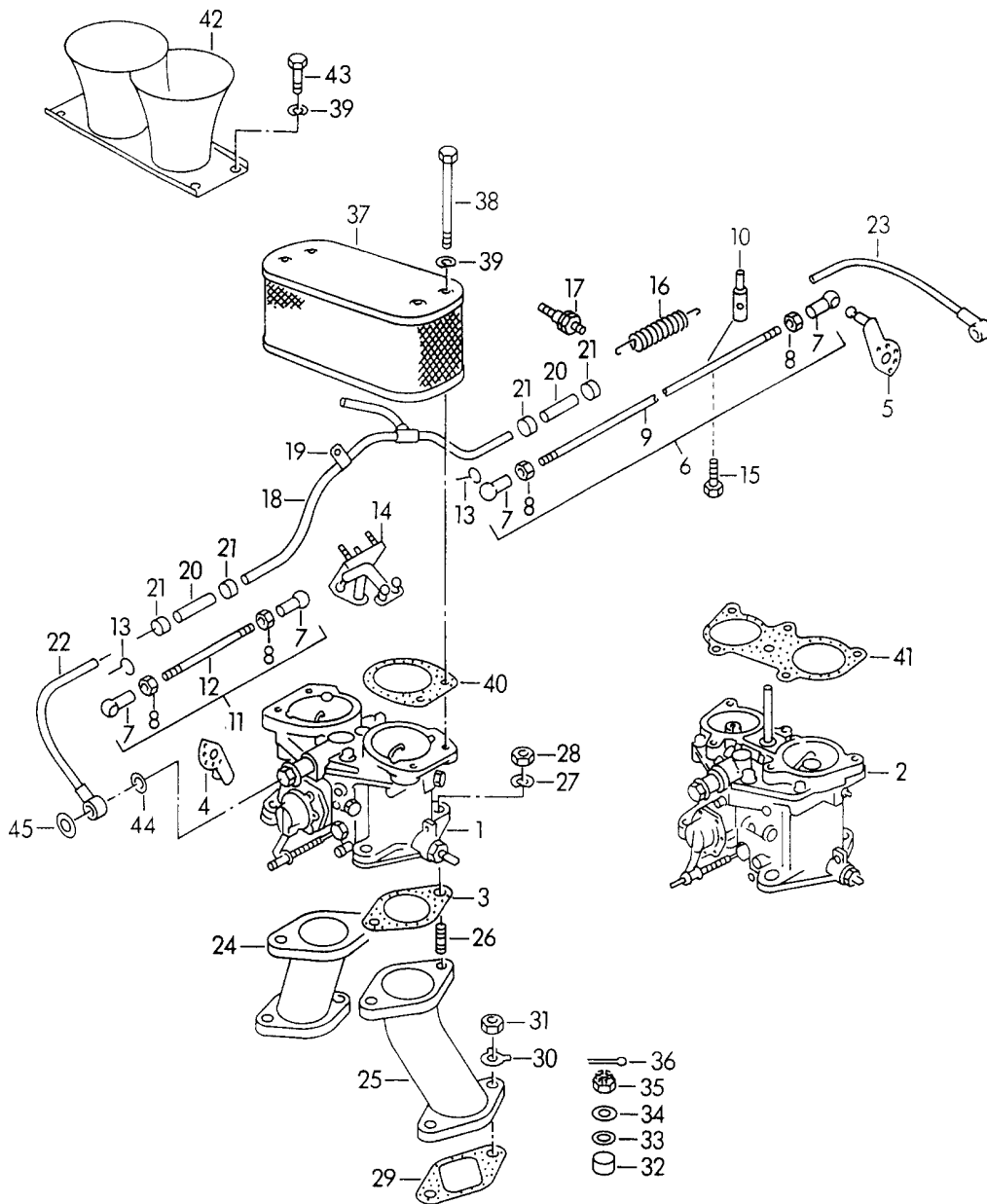
Model: 356 50 Model life 1950>>1959

| Pos | Part Number    | Description  | Remark | Qty | Model |
|-----|----------------|--|--------|-----|-------|
| 28  | 900 076 015 00 | A 10<br>Hexagon nut<br>M 10                          |        | 8   |       |
| 29  | 547 08 313     | Gasket   |        | 4   |       |
| 30  | 999 039 001 00 | Tab washer   |        | 8   |       |
| 31  | 502 08 310     | Hexagon nut  |        | 8   |       |
| 32  | 547 08 323     | Guide sleeve   |        | 8   |       |
| 33  | 547 08 324     | Sealing ring   |        | 24  |       |
| 34  | 547 08 325     | Washer   |        | 8   |       |
| 35  | 000 95 507     | Castle nut   |        | 8   |       |
| 36  | 900 021 009 00 | Cotter pin<br>2 X 18                                 |        | 8   |       |
| 37  | 547 08 317     | Air cleaner<br>for<br>Carburettor<br>547.08.304      |        | 2   |       |
| -   | 616 108 203 01 | Air cleaner<br>for<br>Carburettor<br>547.08.304.1    |        | 2   |       |
| 38  | 900 074 026 00 | Hexagon-head bolt<br>M 6 X 95                        |        | X   |       |
| 39  | 900 028 008 00 | Spring washer<br>B 6                                 |        | X   |       |
| 40  | 547 08 316     | Gasket<br>for<br>Carburettor<br>547.08.304           |        | 4   |       |
| 41  | 616 108 291 00 | Gasket<br>for<br>Carburettor<br>547.08.304.1         |        | 2   |       |
| 42  | 547 08 315     | Intake trumpet<br>for<br>Carburettor<br>547.08.304   |        | 2   |       |
| -   | 547 08 315 1   | Intake trumpet<br>for<br>Carburettor<br>547.08.304.1 |        | 2   |       |
| 43  | 900 075 010 00 | Hexagon-head bolt<br>M 6 X 12                        |        | X   |       |
| 44  | 616 108 423 00 | Sealing ring   |        | 2   |       |
| 45  | 692 100 981 00 | Sealing ring   |        | 2   |       |



Model: 356 50

Model life 1950>>1959



Model: 356 50

Model life 1950&gt;&gt;1959

| Pos | Part Number    | Description   | Remark | Qty    | Model                 |
|-----|----------------|---|--------|--------|-----------------------|
|     |                | Carburettor<br>SOLEX 40 P II-4/WEBER<br>And<br>Fuel supply line |        |        | CARRERA<br>1600 GS/GT |
| (1) | 692 108 103 00 | Carburettor<br>SOLEX 40 P II-4                                  |        | 2      | 692/1                 |
| -   | 692 108 101 00 | Carburettor<br>SOLEX 40 P II-4                                  |        | 2      | 692/2                 |
| -   | 692 108 102 00 | Carburettor<br>WEBER  |        | 2      | 692/3                 |
| 3   | 502 08 305     | Gasket<br>Carburettor<br>SOLEX                                  |        | 4<br>2 | 692/1/2               |
| (3) | 692 108 901 00 | Gasket<br>Carburettor<br>WEBER                                  |        | 2      | 692/3                 |
| (4) | 692 108 015 00 | Lever<br>Left<br>Carburettor<br>SOLEX                           |        | 1      | 692/1/2               |
| (4) | 692 108 017 00 | Lever<br>Left<br>Carburettor<br>WEBER                           |        | 1      | 692/3                 |
| (5) | 692 108 016 00 | Lever<br>Right<br>Carburettor<br>SOLEX                          |        | 1      | 692/1/2               |
| (5) | 692 108 018 00 | Lever<br>Right<br>Carburettor<br>WEBER                          |        | 1      | 692/3                 |
| -   | 692 108 014 00 | Lever<br>for<br>Fuel pump<br>Carburettor<br>WEBER               |        | 1      | 692/3                 |
| -   | 692 108 751 01 | Supporting bow<br>Carburettor<br>SOLEX                          |        | 1      | 692/1/2               |
| -   | 692 108 755 00 | Supporting bow<br>Carburettor<br>WEBER                          |        | 1      | 692/3                 |
| -   | 692 108 752 01 | Supporting bow<br>Carburettor<br>SOLEX                          |        | 1      | 692/1/2               |
| -   | 692 108 756 00 | Supporting bow<br>Carburettor<br>WEBER                          |        | 1      | 692/3                 |
| -   | 692 108 061 01 | Reverse lever   |        | 1      | 692/1/2               |
| -   | 692 108 061 02 | Reverse lever   |        | 1      | 692/3                 |
| 7   | 900 169 007 00 | Ball socket   |        | 4      |                       |
| 8   | 900 076 005 00 | Hexagon nut<br>M 5  |        | 6      |                       |
| 12  | 692 108 640 00 | Push rod  |        | 2      |                       |
| 13  | 900 169 009 00 | Securing clip   |        | 4      |                       |
| -   | 999 521 008 00 | Compression spring  |        | 1      |                       |
| -   | 999 167 012 02 | Ball pin  |        | 4      |                       |
| -   | 900 079 012 02 | Castle nut<br>M 6   |        | 1      |                       |
| -   | 900 021 003 00 | Cotter pin<br>1,5 X 15  |        | 2      |                       |
| -   | 999 522 002 02 | Tension spring  |        | 2      |                       |

Model: 356 50 Model life 1950>>1959

| Pos  | Part Number    | Description      | Remark | Qty | Model   |
|------|----------------|------------------|--------|-----|---------|
| 18   | 547 08 230     | Fuel line        |        | 1   | 692/1/2 |
| -    | 547 08 238     | Fuel line        |        | 1   | 692/1/2 |
|      |                | Of               |        |     |         |
|      |                | Filter           |        |     |         |
|      |                | for              |        |     |         |
|      |                | Carburettor      |        |     |         |
| -    | 547 08 230 1   | Fuel line        |        | 1   | 692/2   |
|      |                | Of               |        |     |         |
|      |                | Filter           |        |     |         |
|      |                | for              |        |     |         |
|      |                | Carburettor      |        |     |         |
|      |                | Version          |        |     |         |
|      |                | with             |        |     |         |
|      |                | - EBERSPAECHER - |        |     |         |
|      |                | Heating          |        |     |         |
| -    | 616 08 025 1   | Fuel hose        |        | 1   | 692/2   |
|      |                | Filter           |        |     |         |
|      |                | Heater           |        |     |         |
| 19   | 356 49 648     | Clip             |        | 2   |         |
| 20   | 547 08 239     | Fuel line        |        | 2   |         |
| 21   | 901 108 219 00 | Cap              |        | 4   |         |
|      |                | Cap              |        |     |         |
| 22   | 547 08 255     | Line             |        | 1   | 692/1/2 |
|      |                | Left             |        |     |         |
|      |                | Carburettor      |        |     |         |
|      |                | SOLEX            |        |     |         |
| -    | 692 108 057 00 | Line             |        | 1   | 692/3   |
|      |                | Left             |        |     |         |
|      |                | Carburettor      |        |     |         |
|      |                | WEBER            |        |     |         |
| 23   | 547 08 256     | Line             |        | 1   | 692/1/2 |
|      |                | Right            |        |     |         |
|      |                | Carburettor      |        |     |         |
|      |                | SOLEX            |        |     |         |
| -    | 692 108 058 00 | Line             |        | 1   | 692/3   |
|      |                | Right            |        |     |         |
|      |                | Carburettor      |        |     |         |
|      |                | WEBER            |        |     |         |
| 24   | 547 08 318     | Intake manifold  |        | 2   | 692/1/2 |
|      |                | Left             |        |     |         |
|      |                | Carburettor      |        |     |         |
|      |                | SOLEX            |        |     |         |
| 25   | 547 08 319     | Intake manifold  |        | 2   | 692/1/2 |
|      |                | Right            |        |     |         |
|      |                | Carburettor      |        |     |         |
|      |                | SOLEX            |        |     |         |
| -    | 692 108 301 00 | Intake manifold  |        | 2   | 692/3   |
|      |                | Carburettor      |        |     |         |
|      |                | WEBER            |        |     |         |
| 26   | 547 08 320     | Stud             |        | 8   | 692/1/2 |
| (26) | 900 061 022 02 | Stud             |        | 8   | 692/3   |
|      |                | 8 X 12           |        |     |         |
| 27   | N 012 230 1    | Spring washer    |        | 8   | 692/1/2 |
|      |                | A 10             |        |     |         |
| (27) | 900 028 004 01 | Spring washer    |        | 8   | 692/3   |
|      |                | A 10             |        |     |         |
| 28   | 547 01 121     | Hexagon nut      |        | 8   | 692/1/2 |
|      |                | M 10             |        |     |         |
| (28) | 502 08 310     | Hexagon nut      |        | 8   | 692/3   |
|      |                | M 10             |        |     |         |
| 29   | 547 08 313     | Gasket           |        | 4   |         |
| 32   | 547 08 323     | Guide sleeve     |        | 8   |         |
| 33   | 547 08 324     | Sealing ring     |        | 24  |         |

Model: 356 50 Model life 1950&gt;&gt;1959

| Pos  | Part Number    | Description  | Remark | Qty | Model   |
|------|----------------|--|--------|-----|---------|
| 34   | 547 08 325     | Washer   |        | 8   |         |
| 35   | 000 95 507     | Castle nut   |        | 8   |         |
| 36   | 900 021 009 00 | Cotter pin<br>2 X 18                                   |        | 8   |         |
| 37   | 616 108 203 01 | Air cleaner<br>for<br>Carburettor<br>SOLEX             |        | 2   | 692/1/2 |
| -    | 692 108 201 00 | Air cleaner<br>for<br>Carburettor<br>WEBER             |        | 2   | 692/3   |
| 38   | 900 074 026 00 | Hexagon-head bolt<br>M 6 X 95                          |        | 10  | 692/1/2 |
| -    | 900 074 007 00 | Hexagon-head bolt<br>M 5 X 100<br>Carburettor<br>WEBER |        | 8   | 692/3   |
| -    | 900 080 060 02 | Stud<br>M 5 X 15                                       |        | 8   | 692/3   |
| -    | 900 027 013 01 | Lock ring<br>B 5                                       |        | 8   | 692/3   |
| -    | 900 076 006 02 | Hexagon nut<br>M 5                                     |        | 8   | 692/3   |
| 39   | 900 028 008 00 | Spring washer<br>B 6                                   |        | 8   | 692/1/2 |
| (39) | 900 028 007 00 | Spring washer<br>B 5                                   |        | 8   | 692/3   |
| 41   | 616 108 291 00 | Gasket<br>for<br>Intake trumpet                        |        | 2   | 692/1/2 |
| 42   | 547 08 315 1   | Intake trumpet   |        | 2   | 692/1/2 |
| 43   | 900 075 010 00 | Hexagon-head bolt<br>M 6 X 12                          |        | 8   | 692/1/2 |
| (43) |                | Hexagon-head bolt<br>M 5 X 22                          |        | 8   | 692/3   |
| 44   | 616 108 423 00 | Sealing ring   |        | 2   | 692/1/2 |
| 45   | 692 100 981 00 | Sealing ring   |        | 2   | 692/1/2 |
|      |                | Single parts<br>for<br>Carburettor<br>SOLEX            |        |     | 692/2   |
| -    |                | Venturi<br>34  |        | 2   | 692/2   |
| -    |                | Main vent<br>GG 0110                                   |        | 2   | 692/2   |
| -    |                | Air correction jet<br>A 220                            |        | 2   | 692/2   |
| -    |                | Idle jet<br>G 55                                       |        | 2   | 692/2   |
| -    | 692 100 963 00 | Nozzle<br>1,6  |        | 2   | 692/2   |
| -    | 616 100 936 00 | Nozzle<br>GP 50  |        | 2   | 692/2   |
| -    | 616 100 907 02 | Pipe<br>25   |        | 2   | 692/2   |
| -    | 616 100 907 03 | Pipe<br>25   |        | 2   | 692/2   |
| -    | 616 100 905 00 | Valve<br>2   |        | 2   | 692/2   |
| -    | 616 100 905 01 | Valve<br>2   |        | 2   | 692/2   |
| -    |                | Float  |        | 2   | 692/3   |

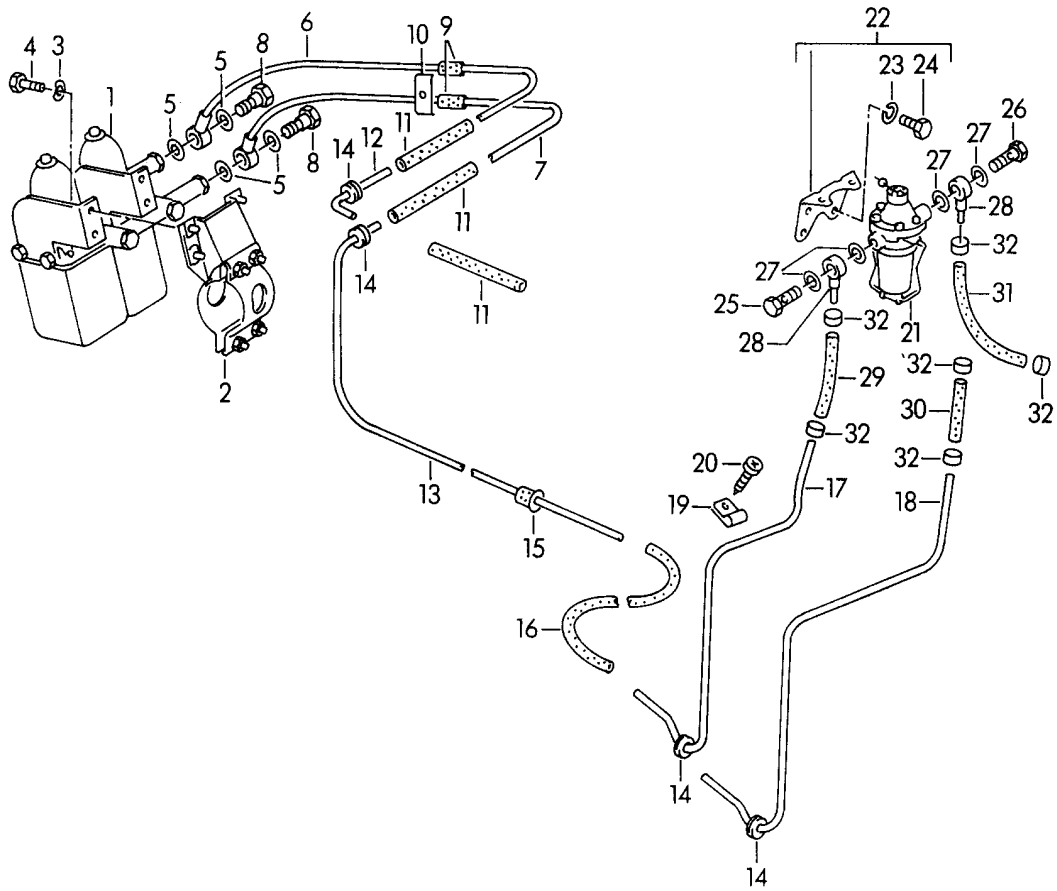
Model: 356 50

Model life 1950&gt;&gt;1959

| Pos | Part Number    | Description   | Remark | Qty | Model   |
|-----|----------------|---|--------|-----|---------|
| -   | 616 100 949 00 | Plastic material<br>10 GR<br>Injection pump<br>72                                       |        | 2   | 692/2   |
| -   |                | Ball valve<br>with<br>Glass<br>Ball<br>Single parts<br>for<br>Carburettor<br>Preheating |        | 2   | 692/2   |
| -   | 692 106 083 00 | Connection piece  | /L     | 1   | 692/2/3 |
| -   | 692 106 084 00 | Connection piece  | /R     | 1   | 692/2/3 |
| -   | 692 106 873 01 | Flap<br>for<br>Connection piece   |        | 2   | 692/2/3 |
| -   | 900 021 020 00 | Cotter pin<br>3 X 45  |        | 2   | 692/2/3 |
| -   | 692 106 875 00 | Spring clip   |        | 2   | 692/2/3 |
| -   | 900 025 004 00 | Washer  |        | 4   | 692/2/3 |
| -   | 900 014 019 02 | Pan-head screw  |        | 4   | 692/2/3 |
| -   | 692 106 870 00 | Connecting piece  |        | 2   | 692/3   |
| -   | 999 512 013 02 | Clamp   |        | 2   | 692/3   |
| -   | 692 106 089 00 | Air guide<br>for<br>Carburettor<br>Preheating   |        | 2   | 692/2   |
| -   | 692 106 921 00 | Hose<br>for<br>Carburettor<br>Preheating  |        | 2   | 692/2   |
| -   | 692 106 921 01 | Hose<br>for<br>Carburettor<br>Preheating  |        | 2   | 692/3   |
| -   | 999 512 120 02 | Hose clamp  |        | 2   | 692/2   |
| -   |                | Hose clamp  |        | 2   | 692/3   |

Model: 356 50

Model life 1950>>1959



Model: 356 50 Model life 1950>>1959

| Pos | Part Number    | Description   | Remark | Qty | Model                 |
|-----|----------------|---|--------|-----|-----------------------|
|     |                | Fuel pump<br>-AUTOPULSE 500-<br>Electric<br>with<br>Lines |        |     | CARRERA<br>1500 GS/GT |
| 1   | 547 08 405     | Fuel pump<br>-AUTOPULSE 500-<br>Electric                  |        | 1   |                       |
| 2   | 547 08 041     | Bracket<br>Complete                                       |        | 1   |                       |
| 3   | 900 027 013 00 | Spring washer<br>B 6                                      |        | 4   |                       |
| 4   | 900 075 017 02 | Hexagon-head bolt<br>M 6 X 25                             |        | 4   |                       |
| 4   | 900 075 017 03 | Hexagon-head bolt<br>M 6 X 25                             |        | 4   |                       |
| 5   | 900 123 007 30 | Sealing ring<br>A 14 X 18 X 1,5                           |        | 4   |                       |
| 6   | 547 08 240 1   | Intake pipe   |        | 1   |                       |
| 7   | 547 08 245 1   | Pressure line   |        | 1   |                       |
| 8   | 547 08 234     | Banjo bolt  |        | 2   |                       |
| 9   | 356 49 664     | Boot  |        | 2   |                       |
| 10  | 900 172 001 00 | Clamp<br>12   |        | 1   |                       |
| -   | 900 074 005 00 | Hexagon-head bolt<br>M 5 X 22                             |        | 1   |                       |
| -   | 900 028 007 00 | Spring washer<br>B 5                                      |        | 1   |                       |
| -   | 900 076 004 02 | Hexagon nut<br>M 5  |        | 1   |                       |
| 11  | 999 180 030 50 | Fuel hose   |        | *   |                       |
| 11  | 999 180 030 5A | Fuel hose   |        | *   |                       |
| 12  | 547 08 243 1   | Fuel line   |        | 1   |                       |
| 13  | 546 08 201     | Line<br>1960 MM<br>Long                                   |        | 1   |                       |
| 14  | 539 06 605     | Grommet   |        | 3   |                       |
| 15  | 914 356 201 00 | Rubber sleeve   |        | 1   |                       |
| 16  | 999 180 030 50 | Fuel hose   |        | *   |                       |
| 16  | 999 180 030 5A | Fuel hose   |        | *   |                       |
| 17  | 547 08 248     | Fuel line   |        | 1   | COUPE                 |
| 18  | 547 08 249     | Fuel line   |        | 1   | CABRIO<br>SPEEDSTER   |
| 19  | 356 49 648     | Clip  |        | 2   |                       |
| 20  | 900 138 006 00 | Pan-head tapping screw<br>B 3,9 X 13                      |        | 2   |                       |
| 21  | 547 08 201     | Filter  |        | 1   |                       |
| -   | 547 08 261     | Filter<br>Glass   |        | 1   |                       |
| -   | 547 08 262     | Gasket  |        | 1   |                       |
| -   | 547 08 263     | Diaphragm   |        | 1   |                       |
| 22  | 550 51 219     | Support<br>Complete                                       |        | 1   |                       |
| 23  | 900 027 013 00 | Spring washer<br>B 6                                      |        | 4   |                       |
| 24  | 900 075 011 00 | Hexagon-head bolt<br>M 6 X 15                             |        | 4   |                       |
| 25  | 547 08 211     | Banjo bolt<br>Intake                                      |        | 1   |                       |
| 26  | 547 08 212     | Banjo bolt<br>Exhaust                                     |        | 1   |                       |
| 27  | 900 123 026 30 | Sealing ring<br>D 12 X 16                                 |        | 4   |                       |

Model: 356 50

Model life 1950>>1959

| Pos | Part Number    | Description      | Remark | Qty | Model               |
|-----|----------------|------------------|--------|-----|---------------------|
| 28  | 547 08 250     | Connecting piece |        | 2   |                     |
| 29  | 999 180 030 50 | Fuel hose        |        | *   | COUPE               |
| 29  | 999 180 030 5A | Fuel hose        |        | *   | COUPE               |
| 30  | 547 08 203     | Fuel hose        |        | 1   | CABRIO<br>SPEEDSTER |
| 31  | 999 180 030 50 | Fuel hose        |        | *   |                     |
| 31  | 999 180 030 5A | Fuel hose        |        | *   |                     |
| 32  | 901 108 219 00 | Cap              |        | 6   |                     |



Model: 356 50

Model life 1950>>1959



Model: 356 50

Model life 1950&gt;&gt;1959

| Pos | Part Number    | Description  | Remark | Qty | Model                 |
|-----|----------------|--|--------|-----|-----------------------|
|     |                | Single parts<br>for<br>Carburettor<br>SOLEX 40 PII<br>SOLEX 40 PII-4<br>M 90 501 >> 91 000 |        |     | CARRERA<br>1500 GS/GT |
| -   | 616 108 423 00 | Sealing ring   |        | 2   |                       |
| -   | 616 100 815 00 | Banjo bolt<br>Washer   |        | 2   |                       |
| -   | 692 100 979 00 | Throttle shaft<br>Banjo bolt   |        | 2   |                       |
| -   | 616 08 719     | Fuel line<br>Fuel strainer   |        | 2   |                       |
| -   | 692 100 981 00 | Banjo bolt<br>Sealing ring   |        | 2   |                       |
| -   | 616 100 913 00 | Banjo bolt<br>Hexagon nut  |        | 4   |                       |
| -   | 616 100 915 00 | Shaft<br>Sealing ring  |        | 4   |                       |
| -   | 616 100 937 00 | Jet carrier<br>Sealing ring  |        | 6   |                       |
| -   | 547 100 915 00 | Pump jet<br>Ball valve<br>Adjusting screw  |        | 4   |                       |
| -   | 616 100 944 00 | Idle jet<br>Strainer   |        | 2   |                       |
| -   | 911 100 945 00 | Ball valve<br>Lock washer  |        | 4   |                       |
| -   | 616 100 909 01 | for<br>Hexagon nut<br>Throttle shaft<br>Flap   |        | 4   |                       |
| -   | 616 100 917 00 | 8 GRAD<br>Oval-head screw  |        | 8   |                       |
| -   | 616 100 914 01 | for<br>Mount<br>Throttle valve<br>Jet carrier  |        | 4   |                       |
| -   | 616 100 923 00 | Adjusting screw  |        | 2   |                       |
| -   | 616 100 947 00 | Adjusting shim<br>Oval-head screw  |        | 4   | 40 PII                |
| -   | 616 100 911 01 | Injection line<br>547.100.924.00<br>Axle   |        | 2   |                       |
| -   | 616 100 814 00 | Float<br>Compression spring  |        | 2   |                       |
| -   | 616 100 991 00 | Idle speed<br>Adjusting screw<br>Compression spring  |        | 4   | 40 PII                |
| -   | 616 100 912 01 | Adjusting screw<br>Compression spring  |        | 4   | 40 PII-4              |
| -   | 616 100 912 01 | Adjusting screw<br>Clutch control shaft  |        | 2   |                       |
| -   | 901 108 976 00 | Sealing ring   |        | 2   | 40 PII-4              |
| -   | 616 100 948 00 | Screw plug<br>Gasket   |        | 4   | 40 PII-4              |
| -   | 547 100 946 00 | Injection line<br>Fastening screw  |        | X   |                       |
| -   | 616 100 958 00 | Square screw<br>Mixture control unit<br>Lid<br>Oval-head screw                             |        | 8   |                       |
|     |                | Diaphragm pump   |        |     |                       |

Model: 356 50

Model life 1950&gt;&gt;1959

| Pos | Part Number    | Description   | Remark | Qty | Model    |
|-----|----------------|---|--------|-----|----------|
| -   | 616 100 905 00 | NR. 82<br>Valve<br>2,0 MM                               |        | 2   |          |
| -   | 616 100 905 01 | Valve<br>2,0 MM   |        | 2   |          |
| -   | 547 100 928 00 | Ball valve<br>Complete                                  |        | 2   |          |
| -   | 547 100 939 01 | Sealing ring<br>Carburettor needle valve<br>2,0 MM      |        | 2   | 40 PII   |
| -   | 616 108 423 00 | Sealing ring<br>Carburettor needle valve<br>2,0 MM      |        | 2   | 40 PII-4 |
| -   | 547 100 940 00 | Sealing ring<br>Diaphragm pump                          |        | 2   | 40 PII   |
| -   | 616 100 957 00 | NR. 82<br>Gasket<br>Diaphragm pump                      |        | 2   | 40 PII-4 |
| -   | 547 100 921 00 | NR. 72<br>Sealing ring<br>Screw                         |        | 4   | 40 PII   |
| -   | 547 100 943 00 | Screw   |        | 4   | 40 PII   |
| -   | 547 100 919 00 | Exhaust pipe<br>Diaphragm pump<br>Complete              |        | 2   | 40 PII   |
| -   | 616 100 949 00 | NR. 82<br>Diaphragm pump<br>Complete                    |        | 2   | 40 PII-4 |
| -   | 547 100 924 00 | NR. 72<br>Injection line                                |        | 4   | 40 PII   |
| -   | 547 100 927 00 | Injection line  |        | 2   | 40 PII-4 |
| -   | 547 100 929 00 | Injection line  |        | 2   | 40 PII-4 |
| -   | 547 100 925 00 | Connecting rod  |        | 2   | 40 PII   |
| -   | 547 100 930 00 | Injection pump<br>Connecting rod<br>Injection pump      |        | 2   | 40 PII-4 |
| -   | 547 100 920 00 | Support<br>Carburettor<br>Left                          |        | 1   | 40 PII   |
| -   | 616 100 920 00 | Support<br>Carburettor<br>Right                         |        | 1   | 40 PII-4 |
| -   | 547 100 920 01 | Support<br>Carburettor<br>Right                         |        | 1   | 40 PII   |
| -   | 616 100 919 00 | Support<br>Carburettor<br>Left                          |        | 1   | 40 PII-4 |
| -   | 547 100 935 00 | Fastening screw<br>Pan-head screw<br>Carburettor<br>Lid |        | 8   | 40 PII   |
| -   | 547 100 936 00 | Lock ring   |        | 14  | 40 PII   |
| -   | 547 100 926 00 | Carburettor<br>Lid                                      |        | 2   | 40 PII   |
| -   | 547 100 931 00 | Carburettor<br>Lid                                      |        | 2   | 40 PII-4 |
| -   | 547 100 942 00 | Screw<br>Venturi  |        | 4   | 40 PII   |
| -   | 616 100 931 00 | Stud<br>Venturi   |        | 4   | 40 PII-4 |
| -   | 547 100 945 00 | Gasket<br>Carburettor                                   |        | 2   | 40 PII   |

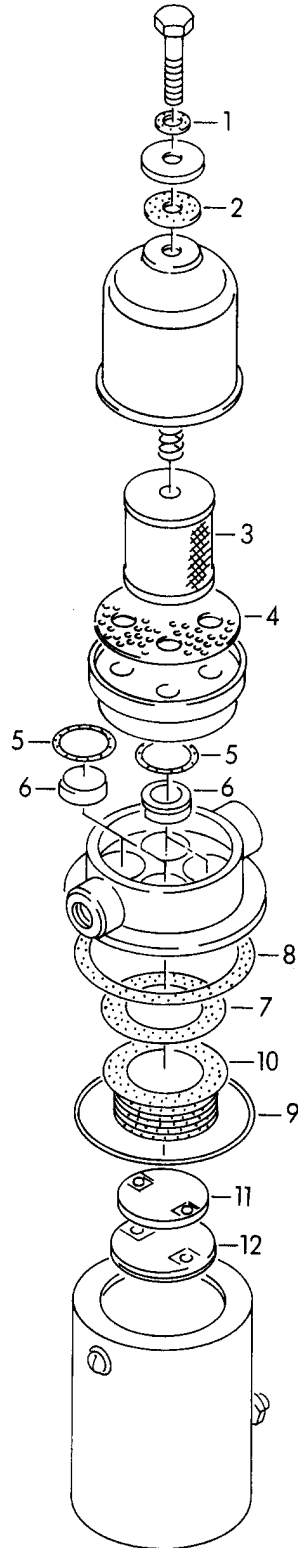
Model: 356 50

Model life 1950&gt;&gt;1959

| Pos | Part Number    | Description  | Remark | Qty | Model    |
|-----|----------------|--|--------|-----|----------|
| -   | 547 100 933 00 | Lid<br>Gasket<br>Carburettor                         |        | 2   | 40 PII-4 |
| -   | 547 100 918 00 | Lid<br>Float<br>10,0 GR.                             |        | 2   | 40 PII   |
| -   | 616 100 997 00 | Float<br>12,5 GR.                                    |        | 2   | 40 PII-4 |
| -   | 547 100 941 00 | Air guide<br>\$ 34 MM                                |        | 4   | 40 PII   |
| -   | 547 100 938 00 | Air guide<br>\$ 30 MM                                |        | 4   | 40 PII-4 |
| -   | 547 100 938 01 | Air guide<br>\$ 34 MM                                |        | 4   | 40 PII-4 |
| -   | 547 100 937 02 | Nozzle<br>0120                                       |        | 4   | 40 PII   |
| -   | 547 100 937 00 | Nozzle<br>0102,5<br>with<br>Venturi<br>\$ 30 MM      |        | 4   | 40 PII-4 |
| -   | 547 100 937 01 | Nozzle<br>0110<br>with<br>Venturi<br>\$ 34 MM        |        | 4   | 40 PII-4 |
| -   | 616 100 901 00 | Nozzle<br>50   |        | 4   |          |
| -   | 616 100 902 04 | Nozzle<br>2,0  |        | 4   | 40 PII   |
| -   | 616 100 902 03 | Nozzle<br>1,5  |        | 4   | 40 PII-4 |
| -   | 547 100 916 00 | Nozzle<br>260  |        | 4   | 40 PII   |
| -   | 547 100 923 01 | Nozzle<br>200<br>with<br>Venturi<br>\$ 30 MM         |        | 4   | 40 PII-4 |
| -   | 547 100 923 00 | Nozzle<br>180<br>with<br>Venturi<br>\$ 34 MM         |        | 4   | 40 PII-4 |
| -   | 616 100 708 00 | Nozzle<br>60   |        | 4   | 40 PII   |
| -   | 616 100 936 00 | Nozzle<br>50   |        | 4   | 40 PII-4 |
| -   | 547 100 917 00 | Pipe   |        | 4   | 40 PII   |
| -   | 616 100 704 00 | Pipe<br>NR. 33<br>with<br>Venturi<br>\$ 30 MM        |        | 4   | 40 PII-4 |
| -   | 616 100 704 01 | Mixing tube<br>NR. 21<br>with<br>Venturi<br>\$ 34 MM |        | 4   | 40 PII-4 |

Model: 356 50

Model life 1950>>1959



Model: 356 50

Model life 1950>>1959

| Pos | Part Number    | Description   | Remark | Qty | Model                 |
|-----|----------------|---|--------|-----|-----------------------|
|     |                | Single parts<br>for<br>Fuel pump<br>AUTOPULSE 500<br>Electric |        |     | CARRERA<br>1500 GS/GT |
| 1   | 547 108 901 00 | Gasket  |        | 2   |                       |
| 2   | 547 108 901 01 | Gasket  |        | 2   |                       |
| 3   | 547 108 901 02 | Strainer  |        | 2   |                       |
| 4   | 547 108 901 03 | Gasket<br>Filter  |        | 2   |                       |
| 5   | 547 108 901 04 | Gasket<br>Valve   |        | 4   |                       |
| 6   | 547 108 901 05 | Valve<br>Intake<br>Exhaust                                    |        | 4   |                       |
| 7   | 547 108 901 06 | Gasket<br>Bellows   |        | 2   |                       |
| 8   | 547 108 901 07 | Gasket  |        | 2   |                       |
| 9   | 547 108 901 08 | Ring<br>Bellows   |        | 2   |                       |
| 10  | 547 108 901 09 | Bellows   |        | 2   |                       |
| 11  | 547 108 901 11 | Contacts<br>Upper   |        | 2   |                       |
| 12  |                | Contacts<br>Lower   |        | 2   |                       |
| -   | 547 108 901 12 | Gasket set<br>Complete  |        | 2   |                       |

Model: 356 50

Model life 1950>>1959



Model: 356 50 Model life 1950>>1959

| Pos | Part Number    | Description         | Remark | Qty | Model   |
|-----|----------------|---------------------|--------|-----|---------|
| >>  |                | Gasket set          |        |     | 369     |
|     |                | Gasket set          |        |     |         |
|     |                | Porsche             |        |     |         |
|     |                | Comprising:         |        |     |         |
| -   | 369 01 105     | Gasket              |        | 1   |         |
|     |                | Crankcase           |        |     |         |
| -   | 369 01 111     | Washer              |        | 6   |         |
|     |                | Copper              |        |     |         |
| -   | 502 02 301     | Gasket              |        | 1   |         |
|     |                | Flywheel            |        |     |         |
| -   |                | Gasket              |        | 4   |         |
|     |                | 04 07 5             |        |     |         |
| -   | 616 104 951 00 | Cylinder            |        | 2   |         |
|     |                | Gasket              |        |     |         |
| -   | 369 08 264 1   | Cylinder head cover |        | 2   |         |
|     |                | Gasket              |        |     |         |
| -   | 369 08 280     | Intake manifold     |        | 2   |         |
|     |                | Gasket              |        |     |         |
| -   | 616 111 291 00 | Carburettor         |        | 4   |         |
|     |                | Gasket              |        |     |         |
| >>  |                | Exhaust silencer    |        |     | 506/546 |
|     |                | Gasket set          |        |     |         |
|     |                | Porsche             |        |     |         |
|     |                | Comprising:         |        |     |         |
| -   | 369 01 105     | Gasket              |        | 1   |         |
|     |                | Crankcase           |        |     |         |
| -   | 369 01 111     | Washer              |        | 6   |         |
|     |                | Copper              |        |     |         |
| -   | 502 02 301     | Gasket              |        | 1   |         |
|     |                | Flywheel            |        |     |         |
| -   | 500 04 103     | Gasket              |        | 4   |         |
|     |                | Cylinder            |        |     |         |
| -   | 616 104 951 00 | Gasket              |        | 2   |         |
|     |                | Cylinder head cover |        |     |         |
| -   | 369 08 264 1   | Gasket              |        | 2   |         |
|     |                | Intake manifold     |        |     |         |
| -   | 369 08 280     | Gasket              |        | 2   |         |
|     |                | Carburettor         |        |     |         |
| -   | 616 111 291 00 | Gasket              |        | 4   |         |
|     |                | Exhaust silencer    |        |     |         |
| >>  |                | Gasket set          |        |     | 527     |
|     |                | Porsche             |        |     |         |
|     |                | Comprising:         |        |     |         |
| -   | 369 01 105     | Gasket              |        | 1   |         |
|     |                | Crankcase           |        |     |         |
| -   | 369 01 111     | Washer              |        | 6   |         |
|     |                | Copper              |        |     |         |
| -   | 502 02 301     | Gasket              |        | 1   |         |
|     |                | Flywheel            |        |     |         |
| -   | 500 04 103     | Gasket              |        | 4   |         |
|     |                | Cylinder            |        |     |         |
| -   | 616 104 951 00 | Gasket              |        | 2   |         |
|     |                | Cylinder head cover |        |     |         |
| -   | 369 08 264 1   | Gasket              |        | 2   |         |
|     |                | Intake manifold     |        |     |         |
| -   | 369 08 280     | Gasket              |        | 2   |         |
|     |                | Carburettor         |        |     |         |
| -   | 502 08 305     | Gasket              |        | 2   |         |
|     |                | Carburettor         |        |     |         |
| -   | 616 111 291 00 | 40 PICB             |        | 4   |         |
|     |                | Gasket              |        |     |         |
|     |                | Exhaust silencer    |        |     |         |
| >>  |                | Gasket set          |        |     | 528     |



Model: 356 50 Model life 1950>>1959

| Pos | Part Number    | Description                           | Remark | Qty | Model   |
|-----|----------------|---------------------------------------|--------|-----|---------|
| -   | 369 01 105     | Porsche<br>Comprising:<br>Gasket      |        | 1   |         |
| -   | 369 01 111     | Crankcase<br>Washer                   |        | 6   |         |
| -   | 502 02 301     | Copper<br>Gasket                      |        | 1   |         |
| -   | 500 04 103     | Flywheel<br>Gasket                    |        | 4   |         |
| -   | 616 104 951 00 | Cylinder<br>Gasket                    |        | 2   |         |
| -   | 502 08 110     | Cylinder head cover<br>Gasket         |        | 2   |         |
| -   | 502 08 111     | Intake manifold<br>Gasket             |        | 2   |         |
| -   | 502 08 305     | Intake manifold<br>Gasket             |        | 2   |         |
| -   | 616 111 291 00 | Carburettor<br>Gasket                 |        | 4   |         |
| >>  |                | Exhaust silencer<br>Gasket set        |        |     | 369     |
| -   |                | Engine<br>Comprising:<br>Sealing ring |        | 8   |         |
| -   | 616 104 951 00 | Cylinder head nut<br>Gasket           |        | 2   |         |
| -   |                | Cylinder head cover<br>Sealing ring   |        | 16  |         |
| -   |                | Cam follower<br>Protective tube       |        | 3   |         |
| -   | 369 08 264 1   | Joint flange<br>Fuel pump             |        | 2   |         |
| -   | 369 08 280     | Gasket<br>Intake manifold             |        | 2   |         |
| -   |                | Gasket<br>Mixture control unit        |        | 4   |         |
| -   | 616 111 291 00 | Cylinder<br>Gasket                    |        | 4   |         |
| >>  |                | Exhaust silencer<br>Gasket set        |        |     | 506/546 |
| -   |                | Engine<br>Comprising:<br>Sealing ring |        | 8   |         |
| -   | 500 04 103     | Cylinder head nut<br>Gasket           |        | 4   |         |
| -   | 616 104 951 00 | Cylinder<br>Gasket                    |        | 2   |         |
| -   |                | Cylinder head cover<br>Sealing ring   |        | 16  |         |
| -   |                | Cam follower<br>Protective tube       |        | 3   |         |
| -   | 369 08 264 1   | Joint flange<br>Fuel pump             |        | 2   |         |
| -   | 369 08 280     | Gasket<br>Intake manifold             |        | 2   |         |
| -   | 616 111 291 00 | Carburettor<br>Gasket                 |        | 4   |         |
| >>  |                | Exhaust silencer<br>Gasket set        |        |     | 527     |
|     |                | Engine<br>Comprising:                 |        |     |         |

Model: 356 50 Model life 1950>>1959

| Pos | Part Number    | Description          | Remark | Qty | Model   |
|-----|----------------|----------------------|--------|-----|---------|
| -   |                | Sealing ring         |        | 8   |         |
| -   | 616 104 951 00 | Cylinder head nut    |        |     |         |
| -   |                | Gasket               |        | 2   |         |
| -   | 500 04 103     | Cylinder head cover  |        |     |         |
| -   |                | Gasket               |        | 4   |         |
| -   |                | Cylinder             |        |     |         |
| -   |                | Sealing ring         |        | 16  |         |
| -   |                | Cam follower         |        |     |         |
| -   |                | Protective tube      |        |     |         |
| -   |                | Joint flange         |        | 3   |         |
| -   |                | Fuel pump            |        |     |         |
| -   | 369 08 264 1   | Gasket               |        | 2   |         |
| -   |                | Intake manifold      |        |     |         |
| -   | 502 08 305     | Gasket               |        | 2   |         |
| -   |                | Carburettor          |        |     |         |
| -   | 616 111 291 00 | Gasket               |        | 4   |         |
| -   |                | Exhaust silencer     |        |     |         |
| >>  |                | Gasket set           |        |     | 528     |
| >>  |                | Engine               |        |     |         |
| >>  |                | Comprising:          |        |     |         |
| -   |                | Sealing ring         |        | 8   |         |
| -   | 500 04 103     | Cylinder head nut    |        |     |         |
| -   |                | Gasket               |        | 4   |         |
| -   |                | Cylinder             |        |     |         |
| -   | 616 104 951 00 | Gasket               |        | 2   |         |
| -   |                | Cylinder head cover  |        |     |         |
| -   |                | Sealing ring         |        | 16  |         |
| -   |                | Cam follower         |        |     |         |
| -   |                | Protective tube      |        |     |         |
| -   | 502 08 110     | Gasket               |        | 2   |         |
| -   |                | Intake manifold      |        |     |         |
| -   | 502 08 111     | Gasket               |        | 2   |         |
| -   |                | Intake manifold      |        |     |         |
| -   |                | Joint flange         |        | 3   |         |
| -   |                | Fuel pump            |        |     |         |
| -   | 502 08 305     | Gasket               |        | 2   |         |
| -   |                | Carburettor          |        |     |         |
| -   | 616 111 291 00 | Gasket               |        | 4   |         |
| -   |                | Exhaust silencer     |        |     |         |
| >>  | 616 100 195 00 | Gasket set           |        | 1   | 1300 /S |
| >>  |                | Engine               |        |     | 1600    |
| >>  |                | Comprising:          |        |     |         |
| >>  |                | M >> 67 000          |        |     | 1600    |
| -   | 616 104 951 00 | Gasket               |        | 2   |         |
| -   |                | Cylinder head cover  |        |     |         |
| -   | 539 04 203     | Sealing ring         |        | 8   |         |
| -   |                | Cylinder head nut    |        |     |         |
| -   | 539 04 209     | Cylinder base gasket |        | 4   |         |
| -   |                | Cylinder             |        |     |         |
| -   | 539 05 207     | Gasket               |        | 16  |         |
| -   |                | Cam follower         |        |     |         |
| -   |                | Protective tube      |        |     |         |
| -   | 369 08 280     | Gasket               |        | 2   |         |
| -   |                | Carburettor          |        |     |         |
| -   | 502 08 110     | Gasket               |        | 2   |         |
| -   |                | Intake manifold      |        |     |         |
| -   | 502 08 111     | Gasket               |        | 2   |         |
| -   |                | Intake manifold      |        |     |         |
| -   | 539 08 402     | Gasket               |        | 1   |         |
| -   |                | Intermediate flange  |        |     |         |
| -   |                | Fuel pump            |        |     |         |
| -   | 539 08 405     | Gasket               |        | 2   |         |

Model: 356 50 Model life 1950>>1959

| Pos | Part Number    | Description  | Remark | Qty | Model                     |
|-----|----------------|--|--------|-----|---------------------------|
| -   | 616 111 291 00 | Fuel pump<br>Gasket  |        | 4   |                           |
| >>  | 616 100 195 00 | Exhaust silencer<br>Gasket set<br>Engine<br>Comprising:<br>M >> 81 200 |        | 1   | 1600 S                    |
| -   | 616 104 951 00 | Gasket<br>Cylinder head cover  |        | 2   |                           |
| -   | 539 04 203     | Sealing ring   |        | 8   |                           |
| -   | 539 04 209     | Cylinder head nut<br>Cylinder base gasket                              |        | 4   |                           |
| -   | 539 05 207     | Cylinder<br>Gasket   |        | 16  |                           |
|     |                | Cam follower<br>Protective tube  |        |     |                           |
| -   | 502 08 110     | Gasket   |        | 2   |                           |
|     |                | Intake manifold  |        |     |                           |
| -   | 502 08 111     | Gasket   |        | 2   |                           |
|     |                | Intake manifold  |        |     |                           |
| -   | 502 08 305     | Gasket   |        | 2   |                           |
|     |                | Carburettor  |        |     |                           |
| -   | 539 08 402     | Gasket   |        | 1   |                           |
|     |                | Intermediate flange<br>Fuel pump                                       |        |     |                           |
| -   | 539 08 405     | Gasket   |        | 2   |                           |
|     |                | Fuel pump  |        |     |                           |
| -   | 616 111 291 00 | Gasket   |        | 4   |                           |
|     |                | Exhaust silencer   |        |     |                           |
| >>  | 616 00 804     | Gasket set<br>Engine<br>Comprising:<br>M 67 001 >><br>M 81 201 >>      |        | 1   | 1600 /S<br>1600<br>1600 S |
| -   | 616 104 951 00 | Gasket<br>Cylinder head cover  |        | 2   |                           |
| -   | 539 04 203     | Sealing ring   |        | 8   |                           |
| -   | 539 04 209     | Cylinder head nut<br>Cylinder base gasket                              |        | 4   |                           |
| -   | 539 05 207     | Cylinder<br>Gasket   |        | 16  |                           |
|     |                | Cam follower<br>Protective tube  |        |     |                           |
| -   | 502 08 110     | Gasket   |        | 2   |                           |
|     |                | Intake manifold  |        |     |                           |
| -   | 502 08 111     | Gasket   |        | 2   |                           |
|     |                | Intake manifold  |        |     |                           |
| -   | 616 108 440 00 | Flange<br>with<br>Gaskets  |        | 1   |                           |
|     |                | Fuel pump  |        |     |                           |
| -   | 597 108 310 01 | Gasket   |        | 2   |                           |
|     |                | Carburettor  |        |     |                           |
| -   | 597 108 310 02 | Gasket   |        | 2   |                           |
|     |                | Carburettor  |        |     |                           |
| -   | 616 111 291 00 | Gasket   |        | 4   |                           |
|     |                | Exhaust silencer   |        |     |                           |
| -   | 900 123 066 30 | Sealing ring<br>Aluminium  |        | 2   |                           |
| -   | 900 123 006 25 | Sealing ring   |        | 1   |                           |
|     |                | Screw socket   |        |     |                           |
| -   | 900 123 008 30 | Sealing ring<br>Remote temperature sensor                              |        | 1   |                           |

Model: 356 50 Model life 1950>>1959

| Pos | Part Number    | Description  | Remark | Qty | Model  |
|-----|----------------|--|--------|-----|--|
| -   | 369 01 111     | Washer<br>Distributing piece   |        | 2   |  |
| -   | 999 701 043 50 | O-ring   |        | 1   |  |
| >>  |                | Gasket set<br>Crankcase<br>Comprising:   |        |     | 369/506/546<br>527/528                             |
| -   | 369 01 105     | Gasket<br>Crankcase  |        | 1   |  |
| -   | 369 01 111     | Washer<br>Copper   |        | 6   |  |
| -   |                | Sealing ring<br>Crankshaft   |        | 1   |  |
| -   |                | Gasket<br>Oil drain lid  |        | 2   |  |
| -   | 502 02 301     | Gasket<br>Flywheel   |        | 1   |  |
| -   |                | Sealing ring<br>Oil cooler   |        | 2   |  |
| -   |                | Gasket<br>Lid  |        | 1   |  |
| -   |                | Oil pump<br>Gasket   |        | 1   |  |
| -   |                | Oil pump<br>Gasket set   |        | 1   |  |
| >>  | 539 00 801     | Gasket set<br>for<br>Crankcase<br>539.01.001.10<br>Comprising:   |        | 1   | 1300 /S<br>1500 /S<br>1600 /S                      |
|     |                | M 22 001 >> 22 489<br>M 50 101 >> 50 162<br>M 33 901 >> 35 794<br>M 41 001 >> 41 425<br>M 60 001 >> 67 000<br>M 80 001 >> 81 200 |        |     | 1300<br>1300 S<br>1500<br>1500 S<br>1600<br>1600 S |
| -   | 369 01 111     | Washer<br>Copper   |        | 8   |  |
| -   | 502 02 301     | Gasket<br>Flywheel   |        | 1   |  |
| -   | 539 01 106     | Gasket<br>Cover<br>Crankcase   |        | 1   |  |
| -   | 539 01 122     | Gasket<br>Rubber   |        | 1   |  |
| -   | 911 101 123 00 | Sealing ring<br>Rubber   |        | 1   |  |
| -   | 539 01 124     | Gasket<br>Lid  |        | 1   |  |
| -   | 539 01 125     | Gasket<br>Bracket  |        | 1   |  |
| -   | 999 113 029 50 | Dc generator<br>Radial sealing ring<br>Crankshaft  |        | 1   |  |
| -   | 539 01 152     | Gasket<br>Oil drain lid  |        | 2   |  |
| -   | 539 07 108     | Gasket<br>Oil pump   |        | 1   |  |
| -   | 539 07 109     | Gasket<br>Lid<br>Oil pump  |        | 1   |  |
| -   | 999 113 012 50 | Shaft sealing ring<br>DB 48 X 65 X 10/1  |        | 1   |  |
| -   | 999 701 006 40 | O-ring<br>Guide tube   |        | 1   |  |

Model: 356 50 Model life 1950>>1959

| Pos | Part Number    | Description  | Remark | Qty | Model     |
|-----|----------------|--|--------|-----|-----------|
| >>  | 616 00 801     | Gasket set<br>for<br>Crankcase<br>616.01.001.10<br>Comprising:<br>M 67 000 >> 68 897<br>M 81 201 >> 81 707 |        | 1   | 1600 /S   |
| -   | 369 01 111     | Washer   |        | 8   |           |
| -   | 502 02 301     | Copper   |        | 1   |           |
| -   | 539 01 122     | Gasket   |        | 1   |           |
| -   | 539 01 122     | Rubber   |        | 1   |           |
| -   | 616 101 123 00 | Oil duct   |        | 4   |           |
| -   | 616 101 123 00 | Sealing ring   |        | 4   |           |
| -   | 616 101 123 00 | Rubber   |        | 4   |           |
| -   | 616 101 123 00 | Oil duct   |        | 4   |           |
| -   | 616 101 123 00 | Oil cooler   |        | 4   |           |
| -   | 616 01 124 1   | Gasket   |        | 1   |           |
| -   | 616 01 124 1   | Crankcase  |        | 1   |           |
| -   | 616 01 124 1   | Lid  |        | 1   |           |
| -   | 539 01 125     | Gasket   |        | 1   |           |
| -   | 539 01 125     | Bracket  |        | 1   |           |
| -   | 999 113 029 50 | Dc generator   |        | 1   |           |
| -   | 999 113 029 50 | Radial sealing ring  |        | 1   |           |
| -   | 999 113 029 50 | Crankshaft   |        | 1   |           |
| -   | 539 01 152     | Gasket   |        | 2   |           |
| -   | 539 01 152     | Oil drain lid  |        | 2   |           |
| -   | 539 07 109     | Gasket   |        | 1   |           |
| -   | 539 07 109     | Lid  |        | 1   |           |
| -   | 539 07 109     | Oil pump   |        | 1   |           |
| -   | 999 113 012 50 | Shaft sealing ring   |        | 1   |           |
| -   | 999 113 012 50 | DB 48 X 65 X 10/1  |        | 1   |           |
| -   | 000 97 326     | Sealing ring   |        | 1   | SPEEDSTER |
| -   | 000 97 326     | Lid  |        | 1   |           |
| -   | 000 97 327     | Round rubber cord  |        | 1   |           |
| -   | 000 97 327     | Oil thermostat   |        | 1   |           |
| -   | 539 07 726     | Sealing ring   |        | 1   |           |
| -   | 539 07 726     | Large  |        | 1   |           |
| -   | 539 07 726     | Bleeder  |        | 1   |           |
| -   | 000 97 301     | Sealing ring   |        | 1   |           |
| -   | 000 97 301     | Small  |        | 1   |           |
| -   | 000 97 301     | Bleeder  |        | 1   |           |
| -   | 900 123 025 70 | Sealing ring   |        | 2   |           |
| -   | 900 123 025 70 | C 18 X 24  |        | 2   |           |
| -   | 900 123 025 70 | Relief valve   |        | 2   |           |
| >>  | 616 00 802     | Gasket set<br>for<br>Crankcase<br>616.01.001.20<br>Comprising:<br>M 68 898 >> 73 236<br>M 81 708 >> 83 424 |        | 1   | 1600 /S   |
| -   | 369 01 111     | Washer   |        | 8   |           |
| -   | 369 01 111     | Copper   |        | 8   |           |
| -   | 502 02 301     | Gasket   |        | 1   |           |
| -   | 502 02 301     | Flywheel   |        | 1   |           |
| -   | 539 01 122     | Gasket   |        | 2   |           |
| -   | 539 01 122     | Rubber   |        | 2   |           |
| -   | 539 01 122     | Oil duct   |        | 2   |           |
| -   | 616 101 123 00 | Sealing ring   |        | 4   |           |
| -   | 616 101 123 00 | Rubber   |        | 4   |           |
| -   | 616 101 123 00 | Oil duct   |        | 4   |           |

Model: 356 50 Model life 1950>>1959

| Pos | Part Number    | Description  | Remark | Qty | Model                         |
|-----|----------------|--|--------|-----|-------------------------------|
| -   | 616 01 124 1   | Oil cooler<br>Gasket<br>Crankcase<br>Lid   |        | 1   |                               |
| -   | 539 01 125     | Gasket<br>Bracket<br>Generator   |        | 1   |                               |
| -   | 999 113 029 50 | Radial sealing ring<br>Crankshaft  |        | 1   |                               |
| -   | 539 01 152     | Gasket<br>Oil drain lid  |        | 2   |                               |
| -   | 539 07 109     | Gasket<br>Lid<br>Oil pump  |        | 1   |                               |
| -   | 999 113 012 50 | Shaft sealing ring<br>DB 48 X 65 X 10/1  |        | 1   |                               |
| -   | 000 97 326     | Sealing ring<br>Lid  |        | 1   | SPEEDSTER                     |
| -   | 000 97 327     | Round rubber cord<br>Oil thermostat  |        | 1   |                               |
| -   | 539 07 726     | Sealing ring<br>Large<br>Bleeder   |        | 1   |                               |
| -   | 000 97 301     | Sealing ring<br>Small<br>Bleeder   |        | 1   |                               |
| -   | 900 123 025 70 | Sealing ring<br>C 18 X 24<br>Relief valve  |        | 2   |                               |
| >>  | 616 00 802 2   | Gasket set<br>for<br>Crankcase<br>616.01.001.21<br>Comprising:<br>M 73 237 >><br>M 83 425 >> |        | 1   | 1600 /S<br><br>1600<br>1600 S |
| -   | 369 01 111     | Washer<br>Copper   |        | 8   |                               |
| -   | 502 02 301     | Gasket<br>Flywheel   |        | 1   |                               |
| -   | 539 01 122     | Gasket<br>Rubber   |        | 2   |                               |
| -   | 616 101 123 00 | Oil duct<br>Sealing ring<br>Rubber<br>Oil duct<br>Oil cooler                                 |        | 4   |                               |
| -   | 616 01 124 1   | Gasket<br>Crankcase<br>Lid   |        | 1   |                               |
| -   | 539 01 125     | Gasket<br>Bracket<br>Generator   |        | 1   |                               |
| -   | 999 113 029 50 | Radial sealing ring<br>Crankshaft  |        | 1   |                               |
| -   | 539 01 152     | Gasket<br>Oil drain lid  |        | 2   |                               |
| -   | 539 07 109     | Gasket<br>Lid<br>Oil pump  |        | 1   |                               |
| -   | 999 113 012 50 | Shaft sealing ring<br>DB 48 X 65 X 10/1  |        | 1   |                               |
| -   | 539 07 726     | Sealing ring   |        | 1   |                               |

Model: 356 50

Model life 1950&gt;&gt;1959

| Pos | Part Number    | Description                               | Remark | Qty | Model |
|-----|----------------|---|--------|-----|-------|
| -   | 000 97 301     | Large<br>Bleeder<br>Sealing ring<br>Small |        | 1   |       |
| -   | 900 123 025 70 | Bleeder<br>Sealing ring<br>C 18 X 24      |        | 2   |       |
| -   | 616 01 115     | Relief valve<br>Stopper<br>Rubber         |        | 2   |       |

Model: 356 50

Model life 1950>>1959





Model: 356 50

Model life 1950>>1959

| Pos | Part Number    | Description   | Remark | Qty | Model                 |
|-----|----------------|---|--------|-----|-----------------------|
|     |                | Gasket set  |        |     | CARRERA<br>1500 GS/GT |
| >>  | 547 00 902     | Gasket set<br>Engine<br>Comprising:<br>M 90 501 >> 91 000 |        | 1   |                       |
| -   | 547 01 138     | O-ring  |        | 2   |                       |
| -   | 901 102 191 00 | Sealing ring  |        | 1   |                       |
| -   | 547 02 123 1   | Radial sealing ring<br>"S"                                |        | 1   |                       |
| -   | PCG 102 123 00 | Radial sealing ring<br>"K"                                |        | 1   |                       |
| -   | PCG 102 123 01 | Radial sealing ring<br>"K"                                |        | 1   |                       |
| -   | 547 04 222     | Cylinder head gasket                                      |        | 4   |                       |
| -   | 547 04 223     | Stopper<br>Rubber   |        | 16  |                       |
| -   | 547 04 228     | Gasket  |        | 4   |                       |
| -   | 692 104 913 00 | Gasket  |        | 2   |                       |
| -   | 547 04 230     | Cylinder head gasket<br>0,2 MM<br>for<br>Crankcase        |        | 8   |                       |
| -   | 547 04 230 1   | Cylinder head gasket<br>0,5 MM<br>for<br>Crankcase        |        | 4   |                       |
| -   | 547 04 230 2   | Cylinder head gasket<br>1,0 MM<br>for<br>Crankcase        |        | 4   |                       |
| -   | 547 04 233     | Gasket<br>I   |        | 2   |                       |
| -   | 547 04 234     | Gasket<br>II  |        | 2   |                       |
| -   | 547 04 235     | Tab washer  |        | 8   |                       |
| -   | 547 05 244     | Sealing ring  |        | 8   |                       |
| -   | 547 05 246     | Sealing ring  |        | 2   |                       |
| -   |                | Sealing ring  |        | 1   |                       |
| -   | 547 107 111 00 | Gasket<br>Oil pump  |        | 1   |                       |
| -   | 502 08 305     | Gasket<br>Carburettor                                     |        | 4   |                       |
| -   | 547 08 313     | Gasket  |        | 4   |                       |
| -   | 547 08 316     | Gasket<br>Carburettor<br>40 PII<br>And<br>Air cleaner     |        | 4   |                       |
| -   | 616 108 291 00 | Gasket<br>Carburettor<br>40 PII-4<br>And<br>Air cleaner   |        | 2   |                       |
| -   | 547 08 324     | Sealing ring<br>Intake manifold<br>Mount                  |        | 24  |                       |
| -   | 547 09 205     | Sealing ring  |        | 7   |                       |
| -   | PCG 111 210 00 | Gasket<br>Exhaust silencer                                |        | 6   |                       |
| -   | 900 123 001 20 | Sealing ring<br>Copper                                    |        | 4   |                       |
| -   | 900 123 002 20 | Sealing ring  |        | 24  |                       |

Model: 356 50 Model life 1950&gt;&gt;1959

| Pos | Part Number    | Description   | Remark | Qty | Model |
|-----|----------------|---|--------|-----|-------|
| -   | N 013 806 2    | Copper<br>Sealing ring  |        | 1   |       |
| -   | N 013 808 3    | Copper<br>Sealing ring  |        | 6   |       |
| -   | 900 123 009 30 | Copper<br>Sealing ring  |        | 3   |       |
| -   | 900 123 010 30 | Aluminium<br>Sealing ring   |        | 2   |       |
| >>  | 547 00 901     | Aluminium<br>Gasket set<br>Crankcase                                    |        | 1   |       |
| -   | 911 101 123 00 | Comprising:<br>Sealing ring   |        | 1   |       |
| -   | 547 01 138     | O-ring  |        | 2   |       |
| -   | 901 102 191 00 | Sealing ring  |        | 1   |       |
| -   | 547 02 123 1   | Radial sealing ring<br>"S"  |        | 1   |       |
| -   | PCG 102 123 00 | Radial sealing ring<br>"K"  |        | 1   |       |
| -   | PCG 102 123 01 | Radial sealing ring<br>"K"  |        | 1   |       |
| -   | N 013 808 3    | Sealing ring<br>A 10 X 16 X 1<br>Copper                                 |        | 6   |       |
| -   | N 013 849 2    | Sealing ring<br>A 14 X 18<br>Copper                                     |        | 1   |       |
| -   | 900 123 010 30 | Sealing ring<br>A 18 X 24 X 1,5<br>Aluminium                            |        | 3   |       |
| -   | 547 05 001     | Repair kit<br>for<br>Valve control<br>Set of wheels, compl.<br>Complete |        | 1   |       |

Model: 356 50

Model life 1950>>1959



Model: 356 50 Model life 1950>>1959

| Pos | Part Number    | Description  | Remark | Qty | Model                 |
|-----|----------------|--|--------|-----|-----------------------|
|     |                | Gasket set   |        |     | CARRERA<br>1600 GS/GT |
| -   | 692 100 111 00 | Gasket set<br>Crankcase<br>And<br>Engine<br>Comprising:              |        | 1   |                       |
| -   | N 013 849 2    | Sealing ring<br>A 14 X 18  |        | 1   |                       |
| -   | 911 101 123 00 | Sealing ring<br>A 14 X 18  |        | 2   |                       |
| -   | 539 01 122     | Gasket<br>A 14 X 18  |        | 1   |                       |
| -   | 900 123 009 30 | Sealing ring<br>A 18 X 24  |        | 7   |                       |
| -   | 539 01 130     | Gasket   |        | 2   |                       |
| -   | N 013 808 3    | Sealing ring<br>A 10 X 16  |        | 6   |                       |
| -   | 547 011 138    | Sealing ring<br>A 10 X 16  |        | 2   |                       |
| -   | 999 113 021 50 | Radial shaft seal  |        | 1   |                       |
| -   | PCG 102 123 00 | Radial sealing ring  |        | 1   |                       |
| -   | PCG 102 123 01 | Radial sealing ring  |        | 1   |                       |
| -   | 692 104 192 00 | Cylinder base gasket   |        | 4   |                       |
| -   | 692 104 192 01 | Cylinder base gasket   |        | 4   |                       |
| -   | 692 104 192 02 | Cylinder base gasket   |        | 4   |                       |
| -   | 547 04 233     | Gasket<br>I  |        | 2   |                       |
| -   | 547 04 234     | Gasket<br>II   |        | 2   |                       |
| -   | 547 04 228     | Gasket<br>Segment  |        | 4   |                       |
| -   | 692 104 913 00 | Gasket   |        | 2   |                       |
| -   | PCG 104 191 00 | Cylinder head gasket   |        | 4   |                       |
| -   | 547 05 246     | Sealing ring   |        | 2   |                       |
| -   | 547 05 244     | Sealing ring   |        | 8   |                       |
| -   | 547 09 205     | Sealing ring   |        | 5   |                       |
| -   | 547 107 111 00 | Gasket   |        | 1   |                       |
| -   | 900 123 001 20 | Sealing ring<br>A 6 X 12<br>Copper                                   |        | 4   |                       |
| -   | 692 101 951 00 | Sealing cord<br>Rubber   |        | 1   |                       |
| -   | 900 123 007 30 | Sealing ring<br>A 14 X 18  |        | 5   |                       |
| -   | 900 123 016 30 | Sealing ring<br>A 30 X 38  |        | 5   |                       |
| -   | 900 123 011 30 | Sealing ring<br>A 22 X 29  |        | 3   |                       |
| -   | 616 101 123 00 | Sealing ring<br>A 22 X 29  |        | 4   |                       |
| -   | 502 08 305     | Gasket   |        | 4   | 692/0/1/2             |
| -   | 616 108 291 00 | Gasket   |        | 2   |                       |
| -   | 900 123 026 30 | Sealing ring<br>D 12 X 16  |        | 4   |                       |
| -   | PCG 111 210 00 | Gasket<br>Exhaust silencer   |        | 4   |                       |
| -   | 900 112 002 40 | Radial shaft seal<br>A 20 X 32                                       |        | 1   |                       |
| -   | 900 112 003 40 | LINKSDREHEND<br>Radial shaft seal<br>A 20 X 32<br>Clockwise rotation |        | 1   |                       |

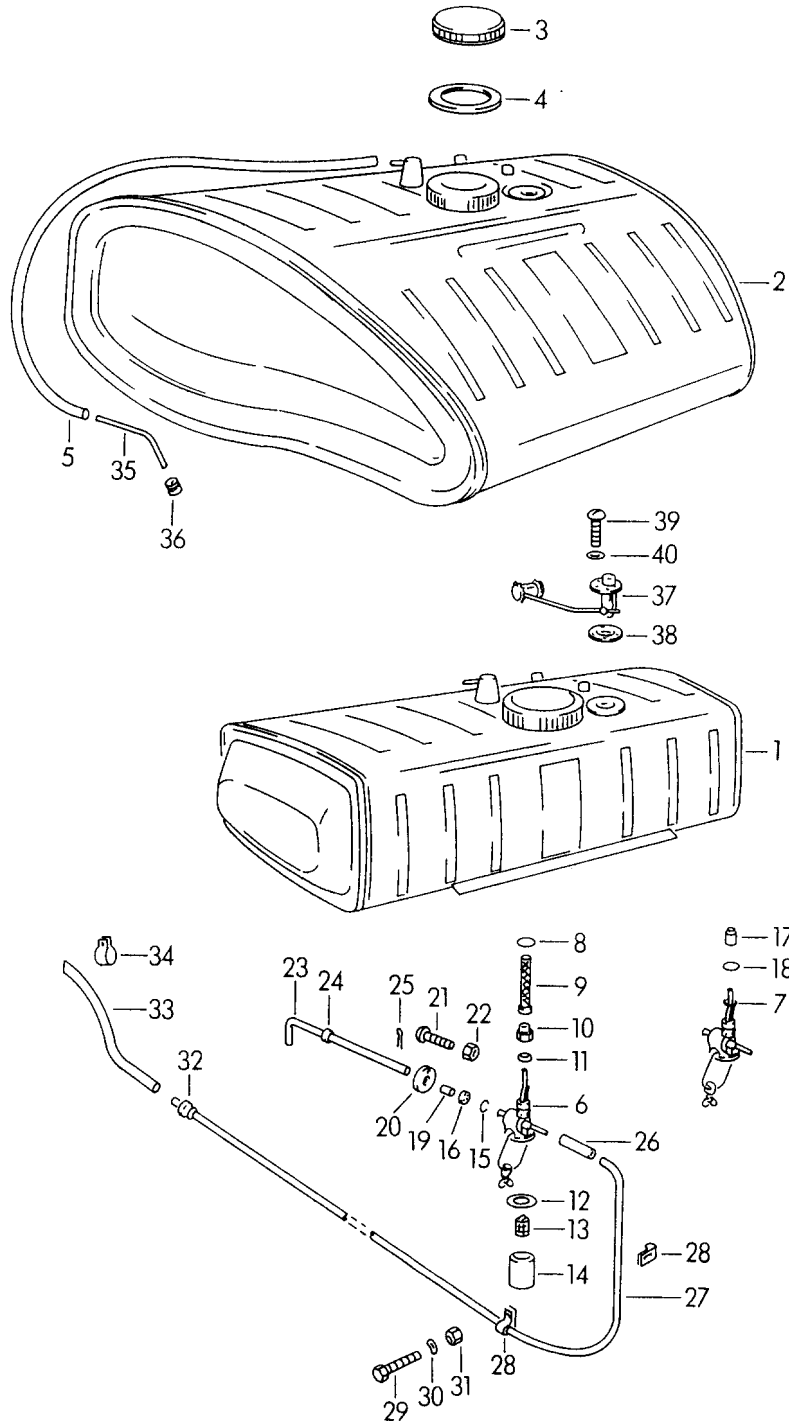
Model: 356 50

Model life 1950>>1959

| Pos | Part Number    | Description                        | Remark | Qty | Model     |
|-----|----------------|------------------------------------|--------|-----|-----------|
| -   | 900 123 010 30 | Sealing ring<br>A 20 X 24          |        | 2   |           |
| -   | 369 05 704 1   | Sealing ring<br>A 20 X 24          |        | 1   |           |
| -   | 901 102 191 00 | Sealing ring<br>A 20 X 24          |        | 1   | 692/0/1/2 |
| -   | 547 08 324     | Sealing ring<br>A 20 X 24          |        | 24  |           |
| -   | 547 08 313     | Gasket                             |        | 4   |           |
| -   | 547 04 223     | Stopper                            |        | 16  |           |
| -   | 900 123 002 20 | Sealing ring<br>A 8 X 14           |        | 24  |           |
| -   | 547 04 235     | Tab washer                         |        | 8   |           |
| -   | 692 108 901 00 | Gasket<br>Carburettor<br>- WEBER - |        | 2   | 692/3     |

Model: 356 50

Model life 1950>>1959



Model: 356 50 Model life 1950>>1959

| Pos  | Part Number    | Description   | Remark | Qty | Model           |
|------|----------------|---|--------|-----|-----------------|
| (1)  | 356 56 012     | Fuel tank   |        | 1   |                 |
| 1    | 644 201 010 00 | Fuel tank<br>50 L   | /RL    | 1   |                 |
| (1)  | 356 56 013     | Fuel tank<br>F >> 53 526<br>F >> 60 815                     | /LL    | 1   | COUPE<br>CABRIO |
| (1)  | 356 56 013 1   | Fuel tank<br>F 53 527 >><br>F 60 816 >>                     | /LL    | 1   | COUPE<br>CABRIO |
| 2    | 644 201 010 50 | Fuel tank<br>80 L   |        | 1   | 356 A/540.1     |
| (2)  | 644 56 015     | Fuel tank<br>72 L   |        | 1   | 356             |
| 3    | 644 201 270 00 | Lid   |        | 1   | 356 A/540.1     |
| (3)  | 356 56 003     | Lid   |        | 1   | 356             |
| 4    | 644 201 279 00 | Sealing ring  |        | 1   | 356 A/540.1     |
| (4)  |                | Sealing ring  |        | 1   | 356             |
| 5    | 644 201 611 00 | Breather hose   |        | 1   | 356 A/540.1     |
| (5)  | 356 56 106     | Breather hose<br>950 MM                                     |        | 1   | 356             |
| 6    | 644 201 021 00 | Fuel cock<br>Fuel reserve<br>50 L                           |        | 1   | 356 A/540.1     |
| (6)  | 356 56 022     | Switch<br>F >> 53 526<br>F >> 60 815                        |        | 1   | COUPE<br>CABRIO |
| (6)  | 644 201 021 07 | Switch<br>F 53 527 >><br>F 60 816 >>                        |        | 1   | COUPE<br>CABRIO |
| 7    |                | Switch<br>Fuel reserve<br>80 L                              |        | 1   | 356 A/540.1     |
| 8    | 644 201 291 00 | Sealing ring  |        | 1   | 356 A/540.1     |
| (8)  |                | Sealing ring<br>A 12 X 16<br>F >> 53 526<br>F >> 60 815     |        | 1   | COUPE<br>CABRIO |
| (8)  | 644 201 291 00 | Sealing ring<br>18 X 13 X 1,5<br>F 53 527 >><br>F 60 816 >> |        | 1   | COUPE<br>CABRIO |
| 9    | 644 201 225 00 | Fuel strainer<br>Insert                                     |        | 1   | 356 A/540.1     |
| (9)  | 356 56 203     | Strainer<br>Insert<br>F >> 53 526<br>F >> 60 815            |        | 1   | COUPE<br>CABRIO |
| (9)  | 644 201 225 00 | Fuel strainer<br>Insert<br>F 53 527 >><br>F 60 816 >>       |        | 1   | COUPE<br>CABRIO |
| 10   | 644 201 221 00 | Union nut<br>Fuel cock                                      |        | 1   | 356 A/540.1     |
| (10) | 356 56 207     | Nut<br>F >> 53 526<br>F >> 60 815                           |        | 1   | COUPE<br>CABRIO |
| (10) | 550 56 206     | Nut<br>F 53 527 >><br>F 60 816 >>                           |        | 1   | COUPE<br>CABRIO |
| 11   | 644 201 292 00 | Sealing washer  |        | 1   | 356 A/540.1     |
| (11) | 356 56 108     | Sealing washer<br>F >> 53 526                               |        | 1   | COUPE           |

Model: 356 50 Model life 1950>>1959

| Pos  | Part Number    | Description                                | Remark | Qty | Model                          |
|------|----------------|--|--------|-----|--------------------------------|
| (11) | 644 201 292 00 | F >> 60 815<br>Sealing washer              |        | 1   | CABRIO                         |
| 12   | 644 201 203 00 | F 53 527 >><br>F 60 816 >><br>Sealing ring |        | 1   | COUPE<br>CABRIO<br>356 A/540.1 |
| (12) | 356 56 208     | Sealing ring                               |        | 1   |                                |
| (12) | 644 201 203 00 | F >> 53 526<br>F >> 60 815<br>Sealing ring |        | 1   | COUPE<br>CABRIO                |
| 13   | 644 201 204 00 | F 53 527 >><br>F 60 816 >><br>Filter       |        | 1   | COUPE<br>CABRIO<br>356 A/540.1 |
| (13) | 356 56 209 00  | Filter                                     |        | 1   |                                |
| (13) | 644 201 204 00 | F >> 53 526<br>F >> 60 815<br>Filter       |        | 1   | COUPE<br>CABRIO                |
| 14   | 644 201 205 00 | F 53 527 >><br>F 60 816 >><br>Filter       |        | 1   | COUPE<br>CABRIO<br>356 A/540.1 |
| (14) | 356 56 210 00  | Container                                  |        | 1   |                                |
| (14) | 550 56 214     | F >> 53 526<br>F >> 60 815<br>Container    |        | 1   | COUPE<br>CABRIO                |
| 15   | 644 201 206 00 | F 53 527 >><br>F 60 816 >><br>Circlip      |        | 1   | COUPE<br>CABRIO<br>356 A/540.1 |
| (15) | 356 56 205     | Circlip                                    |        | 1   |                                |
| (15) | 550 56 218     | F >> 53 526<br>F >> 60 815<br>Circlip      |        | 1   | COUPE<br>CABRIO                |
| (16) | 644 201 207 00 | F 53 527 >><br>F 60 816 >><br>Gasket       |        | 1   | COUPE<br>CABRIO<br>356 A/540.1 |
| 16   | 644 201 293 00 | \$ 22 MM<br>Gasket                         |        | 1   | 356 A/540.1                    |
| (16) | 356 56 206     | \$ 26 MM<br>Gasket                         |        | 1   |                                |
| (16) | 550 56 219     | F >> 53 526<br>F >> 60 815<br>Gasket       |        | 1   | COUPE<br>CABRIO                |
| 17   | 644 201 231 50 | F 53 527 >><br>F 60 816 >><br>Sealing ring |        | 1   | COUPE<br>CABRIO<br>356 A/540.1 |
| 18   |                | Pipe                                       |        | X   |                                |
| 19   | 644 201 243 00 | Deleted                                    |        | 1   | 356 A/540.1                    |
| (19) | 356 56 107     | Hose piece<br>Operating rod                |        | 1   | 356                            |
| 20   | 644 201 261 00 | Hose piece                                 |        | 1   | 356 A/540.1                    |
| (20) | 356 56 102     | Operating rod                              |        | 1   | 356                            |
| 21   | 900 016 002 00 | Sticker                                    |        | 1   |                                |
| 22   | 900 076 002 02 | Half-round screw<br>M 4 X 10               |        | 1   |                                |
| 23   | 644 201 241 00 | Hexagon nut<br>M 4                         |        | 1   | 356 A/540.1                    |
| (23) | 356 56 101     | Operating rod<br>for<br>Switch             |        | 1   | 356                            |
| 24   | 644 025 611 00 | Operating rod<br>for<br>Switch             |        | 1   | 356 A/540.1                    |
| (24) | 356 56 105     | Rubber sleeve<br>Grommet                   |        | 1   | 356                            |



Model: 356 50 Model life 1950>>1959

| Pos  | Part Number    | Description  | Remark | Qty | Model       |
|------|----------------|--|--------|-----|-------------|
| 25   | N 012 522 1    | Cotter pin<br>3 X 22   |        | 2   |             |
| 26   | 999 180 030 50 | Fuel hose  |        | *   | 356 A/540.1 |
| 26   | 999 180 030 5A | Fuel hose  |        | *   | 356 A/540.1 |
| 27   | 616 108 531 00 | Fuel line<br>1860 MM   |        | 1   | 356 A/540.1 |
| 28   | 356 49 648     | Clip   |        | 1   | 356 A/540.1 |
| (28) | 900 172 001 00 | Clamp  |        | 1   | 356 A/540.1 |
| 29   | 900 074 005 02 | Hexagon-head bolt<br>M 5 X 22                                  |        | 2   | 356 A/540.1 |
| 30   | N 012 225 2    | Spring washer<br>B 5   |        | 2   | 356 A/540.1 |
| 31   | 900 076 004 02 | Hexagon nut<br>M 5   |        | 1   | 356 A/540.1 |
| -    | 356 49 664     | Boot   |        | 1   | 356 A/540.1 |
| 32   | 914 356 201 00 | Rubber sleeve  |        | 1   | 356 A/540.1 |
| 33   | 999 180 030 50 | Fuel hose  |        | *   | 356 A/540.1 |
| 33   | 999 180 030 5A | Fuel hose  |        | *   | 356 A/540.1 |
| 34   | 999 706 009 80 | Suspension strap   |        | 1   | 356 A/540.1 |
| 34   | 911 424 341 01 | Suspension strap   |        | 1   | 356 A/540.1 |
| 34   | 911 424 341 03 | Suspension strap   |        | 1   | 356 A/540.1 |
| 35   | 644 201 621 00 | Tail pipe<br>Bleeding  |        | 1   | 356 A/540.1 |
| 36   | 999 702 020 50 | Rubber sleeve<br>8 X 12 X 9                                    |        | 1   | 356 A/540.1 |
| (37) | 356 70 141     | Sender<br>for<br>-BECK-<br>Fuel-level indicator                | /RL    | 1   | 356         |
| (37) | 356 56 135     | Sender<br>for<br>-VDO-<br>KE 303<br>F 53 527 >><br>F 60 816 >> |        | 1   | 356         |
| 37   | 644 201 801 00 | Sender<br>Fuel-level indicator                                 |        | 1   | 356 A/540.1 |
| (38) | 914 201 891 00 | Gasket<br>-VDO-<br>F 53 527 >><br>F 60 816 >>                  |        | 1   | 356         |
| (38) | 38             | Gasket   |        | 1   | 356 A       |
| 38   |                | Gasket   |        | 1   | 356 A/540.1 |
| 39   | 900 015 012 02 | Oval-head screw<br>M 5 X 15                                    |        | 5   | 356 A/540.1 |
| 40   | 900 025 003 30 | Washer<br>5,3<br>Aluminium                                     |        | 5   | 356 A/540.1 |
| -    | 356 08 294     | Hose<br>\$ 7 MM<br>250 MM<br>Long<br>for<br>Fuel line          |        | 1   | 356         |
| -    | 356 08 295     | Hose<br>\$ 7 MM<br>150 MM<br>Long<br>for<br>Fuel line          |        | 1   | 356         |
| -    | 356 49 670     | Fuel line<br>Fuel line<br>\$ 8 MM(CU)                          |        | 1   | 356         |

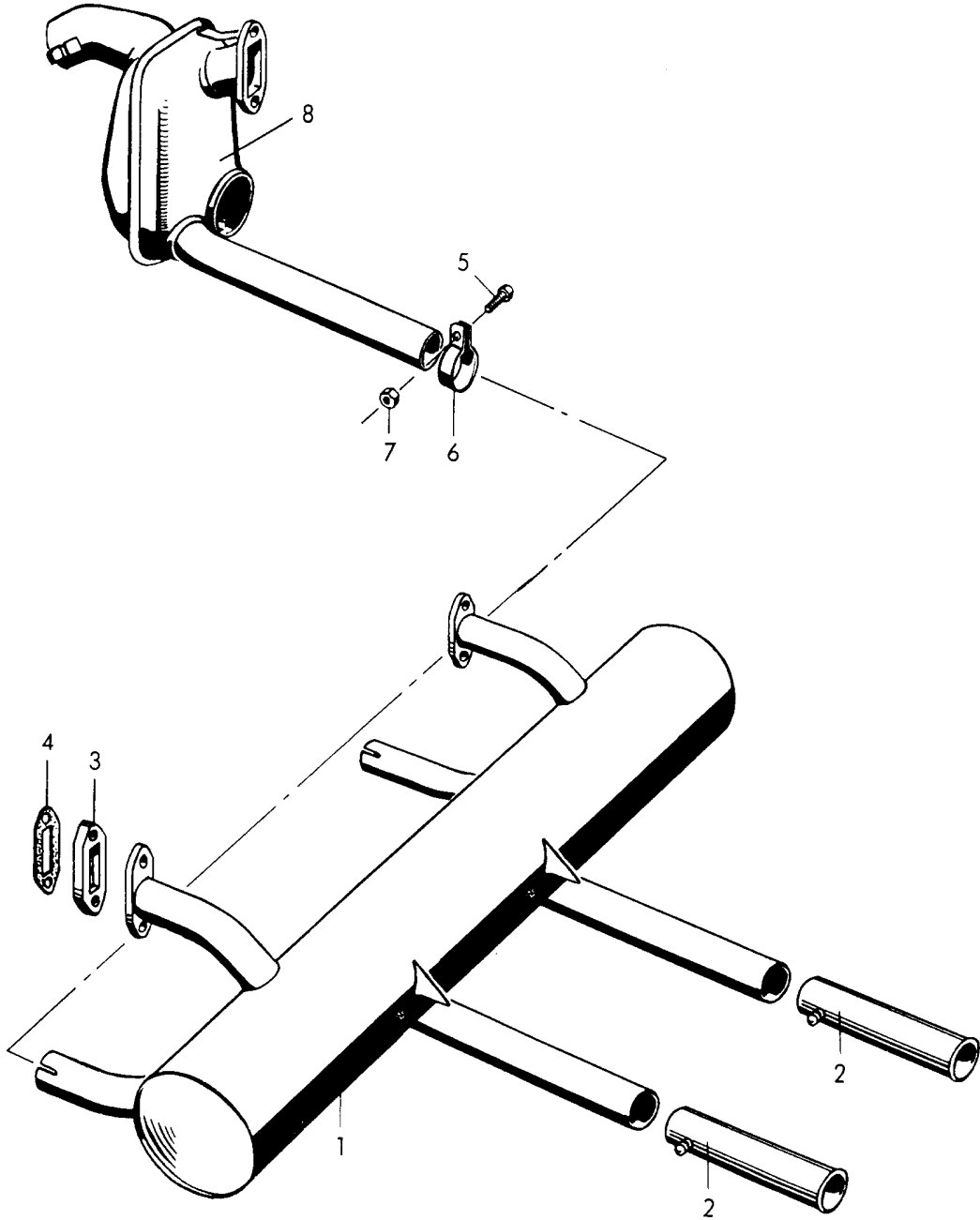
Model: 356 50

Model life 1950>>1959

| Pos | Part Number | Description | Remark | Qty | Model |
|-----|-------------|-------------|--------|-----|-------|
|     |             | 2400 MM     |        |     |       |

Model: 356 50

Model life 1950>>1959



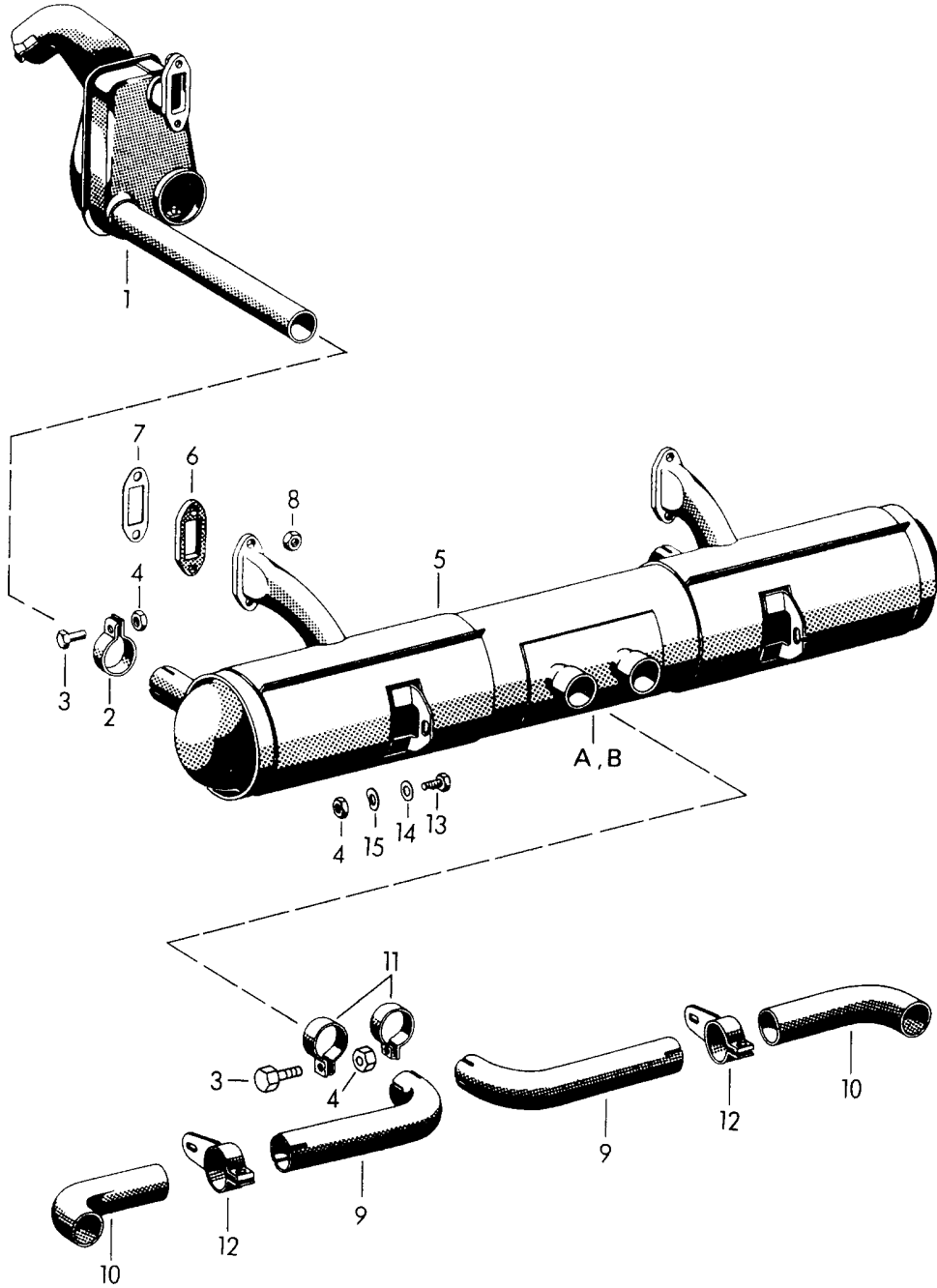
Model: 356 50

Model life 1950>>1959

| Pos | Part Number    | Description   | Remark | Qty | Model                        |
|-----|----------------|---|--------|-----|------------------------------|
|     |                | Exhaust system<br>F >> 101 692<br>F >> 150 000<br>F >> 83 791 |        |     | COUPE<br>CABRIO<br>SPEEDSTER |
| -   | 546 54 106     | Exhaust silencer<br>EINROHR                                   |        | 1   |                              |
| 1   | 616 54 103     | Exhaust silencer<br>ZWEIROHR                                  |        | 1   |                              |
| 2   | 546 54 101     | Ornamental exhaust pipe                                       |        | X   |                              |
| 3   | 369 54 103     | Connecting flange   |        | 4   |                              |
| 4   | 616 111 291 00 | Gasket  |        | 4   |                              |
| 5   | 999 093 010 02 | Hexagon-head bolt<br>M 8 X 20                                 |        | 2   |                              |
| 6   | 369 54 109     | Clip  |        | 2   |                              |
| 7   | 502 08 310     | Hexagon nut<br>M 8  |        | 2   |                              |
| 8   | PCG 211 901 00 | Heat control box<br>with<br>Exhaust pipe                      | /L     | 1   |                              |
| (8) | PCG 211 900 00 | Heat control box<br>with<br>Exhaust pipe                      | /R     | 1   |                              |

Model: 356 50

Model life 1950>>1959



Model: 356 50

Model life 1950&gt;&gt;1959

| Pos  | Part Number    | Description  | Remark | Qty | Model                                   |
|------|----------------|--|--------|-----|---|
|      |                | Exhaust system<br>F 101 693 >><br>F 150 001 >><br>F 83 792 >>      |        |     | 1600 /S<br>COUPE<br>CABRIO<br>SPEEDSTER |
| 1    | PCG 211 901 00 | Heat control box<br>with<br>Exhaust pipe                           | /L     | 1   |   |
| (1)  | PCG 211 900 00 | Heat control box<br>with<br>Exhaust pipe                           | /R     | 1   |   |
| 2    | 369 54 109     | Clip   |        | 2   |   |
| 3    | 900 074 031 02 | Hexagon-head bolt<br>M 8 X 20                                      |        | 6   |   |
| 4    | 502 08 310     | Hexagon nut<br>M 8   |        | 8   |   |
| (5)  | 616 111 010 00 | Rear muffler<br>Exhaust manifold<br>280 MM                         |        | 1   |   |
| 5    | 616 111 010 05 | Rear muffler<br>Exhaust manifold<br>80 MM                          |        | 1   |   |
| 6    | 369 54 103     | Connecting flange  |        | 4   |   |
| 7    | 616 111 291 00 | Gasket   |        | 4   |   |
| 8    | 502 08 310     | Hexagon nut<br>M 8 X 20  |        | 8   |   |
| (9)  | 616 111 221 01 | Exhaust manifold   |        | 2   |   |
| 9    | 616 111 221 03 | Exhaust manifold   |        | 2   |   |
| (10) | 616 111 223 01 | Tail pipe<br>Exhaust manifold<br>280 MM                            |        | 2   |   |
| 10   | 616 111 223 02 | Tail pipe<br>Exhaust manifold<br>80 MM                             |        | 2   |   |
| (11) | 616 111 255 01 | Pipe clamp<br>Exhaust manifold<br>280 MM                           |        | 2   |   |
| 11   |                | Pipe clamp<br>Exhaust manifold<br>80 MM                            |        | 2   |   |
| 12   | 616 111 025 00 | Pipe clamp<br>with<br>Retaining strip<br>Exhaust manifold<br>80 MM |        | 2   |   |
| (12) | 369 54 109     | Clip<br>Exhaust manifold<br>280 MM                                 |        | 2   |   |
| 13   | 900 075 078 02 | Hexagon-head bolt<br>M 8 X 15<br>Exhaust manifold<br>80 MM         |        | 2   |   |
| 13   | 900 075 078 03 | Hexagon-head bolt<br>M 8 X 15<br>Exhaust manifold<br>80 MM         |        | 2   |   |
| 14   | 900 025 007 02 | Washer<br>8,4<br>Exhaust manifold<br>80 MM                         |        | 2   |   |
| 14   | 900 025 007 03 | Washer<br>8,4<br>Exhaust manifold<br>80 MM                         |        | 2   |   |

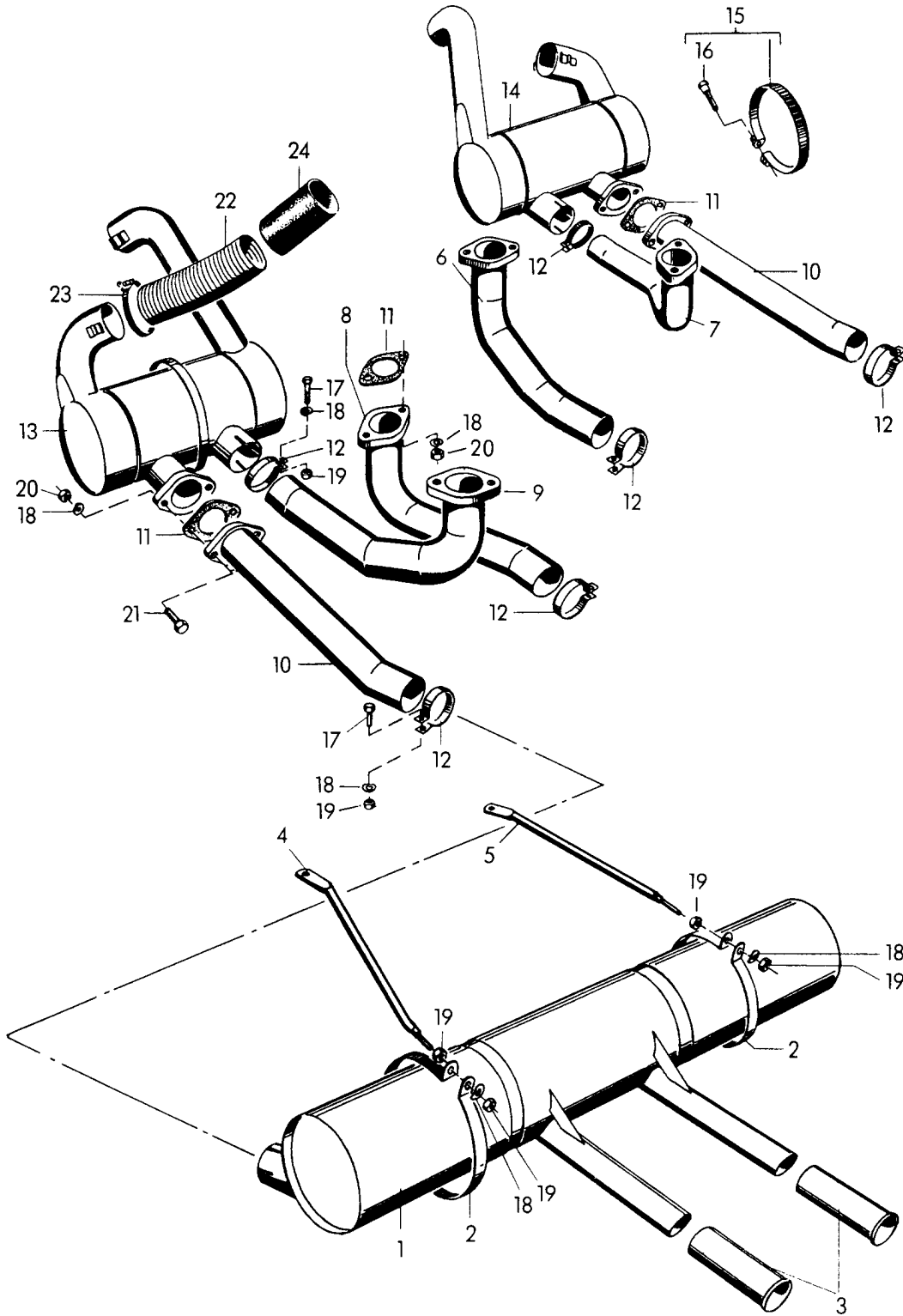
Model: 356 50

Model life 1950&gt;&gt;1959

| Pos | Part Number    | Description                                       | Remark | Qty | Model |
|-----|----------------|---|--------|-----|-------|
| 15  | 900 028 010 00 | Spring washer<br>B 8<br>Exhaust manifold<br>80 MM |        | 2   |       |

Model: 356 50

Model life 1950>>1959



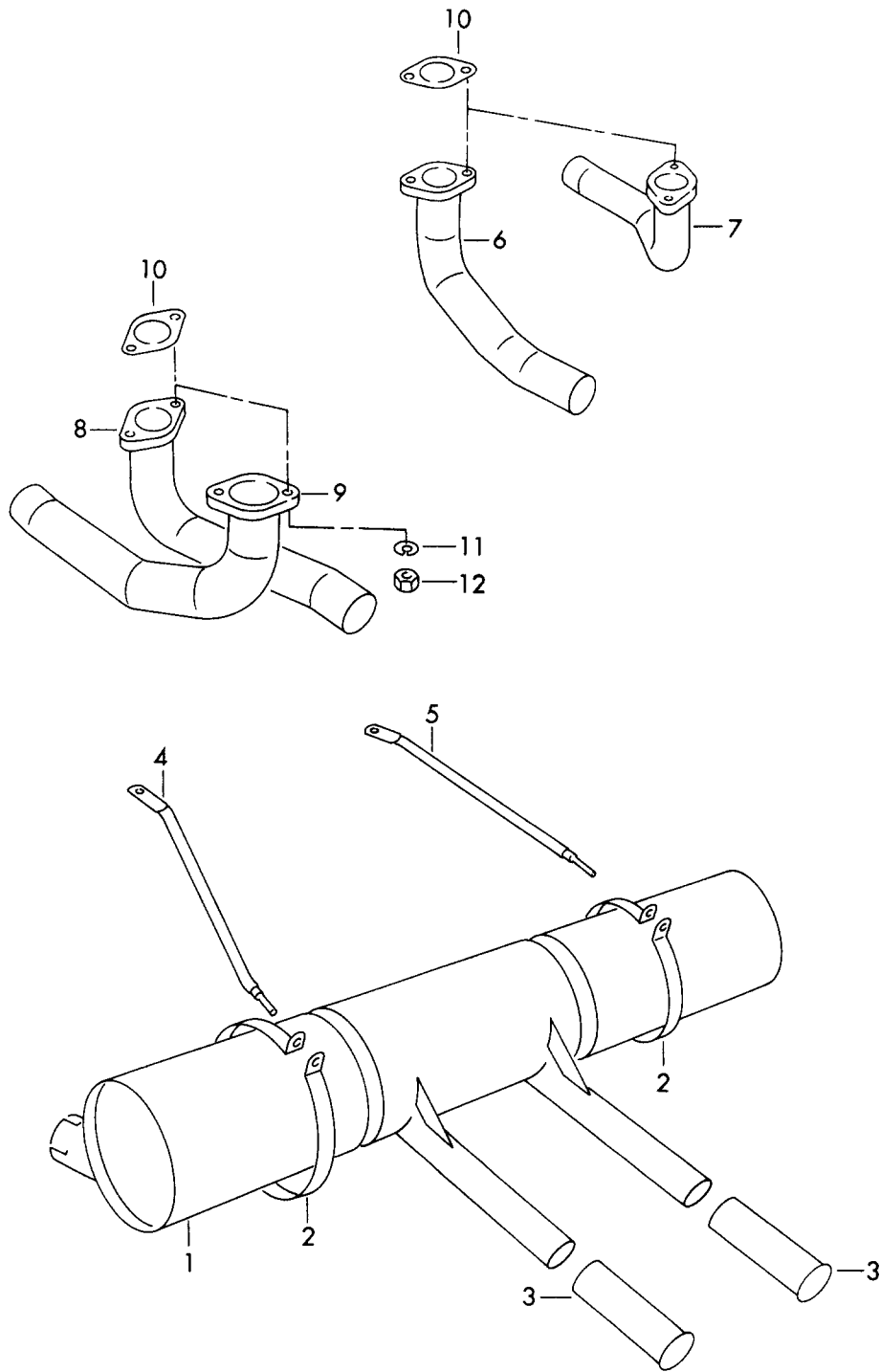


Model: 356 50 Model life 1950>>1959

| Pos  | Part Number    | Description                           | Remark | Qty | Model                 |
|------|----------------|---------------------------------------|--------|-----|-----------------------|
|      |                | Exhaust system<br>M 90 501 >> 91 000  |        |     | CARRERA<br>1500 GS/GT |
| 1    | 547 54 018     | Exhaust silencer                      |        | 1   |                       |
| (1)  | 547 54 018 1   | Exhaust silencer                      |        | 1   |                       |
| 2    | 547 54 240     | Restraining strap                     |        | 2   |                       |
| 3    | 547 54 110     | Ornamental exhaust pipe               |        | 2   |                       |
| 4    | 547 54 031     | Strut                                 | /L     | 1   |                       |
| 5    | 547 54 032     | Strut                                 | /R     | 1   |                       |
| 6    | 547 54 270     | Exhaust pipe<br>Cylinder 1            |        | 1   |                       |
| 7    | 547 54 273     | Exhaust pipe<br>Cylinder 2            |        | 1   |                       |
| (7)  | 547 54 273 1   | Exhaust pipe<br>Cylinder 2            |        | 1   |                       |
| 8    | 547 54 275     | Exhaust pipe<br>Cylinder 3            |        | 1   |                       |
| 9    | 547 54 277     | Exhaust pipe<br>Cylinder 4            |        | 1   |                       |
| (9)  | 547 54 277 1   | Exhaust pipe<br>Cylinder 4            |        | 1   |                       |
| 10   | 547 54 279     | Exhaust pipe<br>for<br>Heat exchanger |        | 2   |                       |
| 11   | PCG 111 210 00 | Gasket                                |        | 6   |                       |
| 12   | 369 54 112     | Clip                                  |        | 6   |                       |
| 13   | 547 54 019     | Heat exchanger                        | /L     | 1   |                       |
| 14   | 547 54 020     | Heat exchanger                        | /R     | 1   |                       |
| 15   | 547 54 305     | Restraining strap                     |        | 2   |                       |
| 16   | 900 075 033 00 | Hexagon-head bolt<br>M 8 X 40         |        | 2   |                       |
| 17   | 900 075 027 00 | Hexagon-head bolt<br>M 8 X 20         |        | 6   |                       |
| 18   | 900 027 015 00 | Lock ring<br>B 8                      |        | 22  |                       |
| 19   | 900 076 013 00 | Hexagon nut<br>M 8                    |        | 10  |                       |
| 20   | 547 54 221     | Hexagon nut<br>M 8                    |        | 12  |                       |
| 21   | 900 074 014 00 | Hexagon-head bolt<br>M 8 X 25         |        | 4   |                       |
| 22   | 644 211 923 10 | Heater hose<br>for<br>Heat exchanger  | /L     | 1   |                       |
| (22) | 644 211 924 10 | Heater hose<br>for<br>Heat exchanger  | /R     | 1   |                       |
| 23   | 999 512 104 02 | Hose clamp                            |        | 8   |                       |
| 24   | 547 107 921 01 | Hose piece                            |        | 2   |                       |

Model: 356 50

Model life 1950>>1959



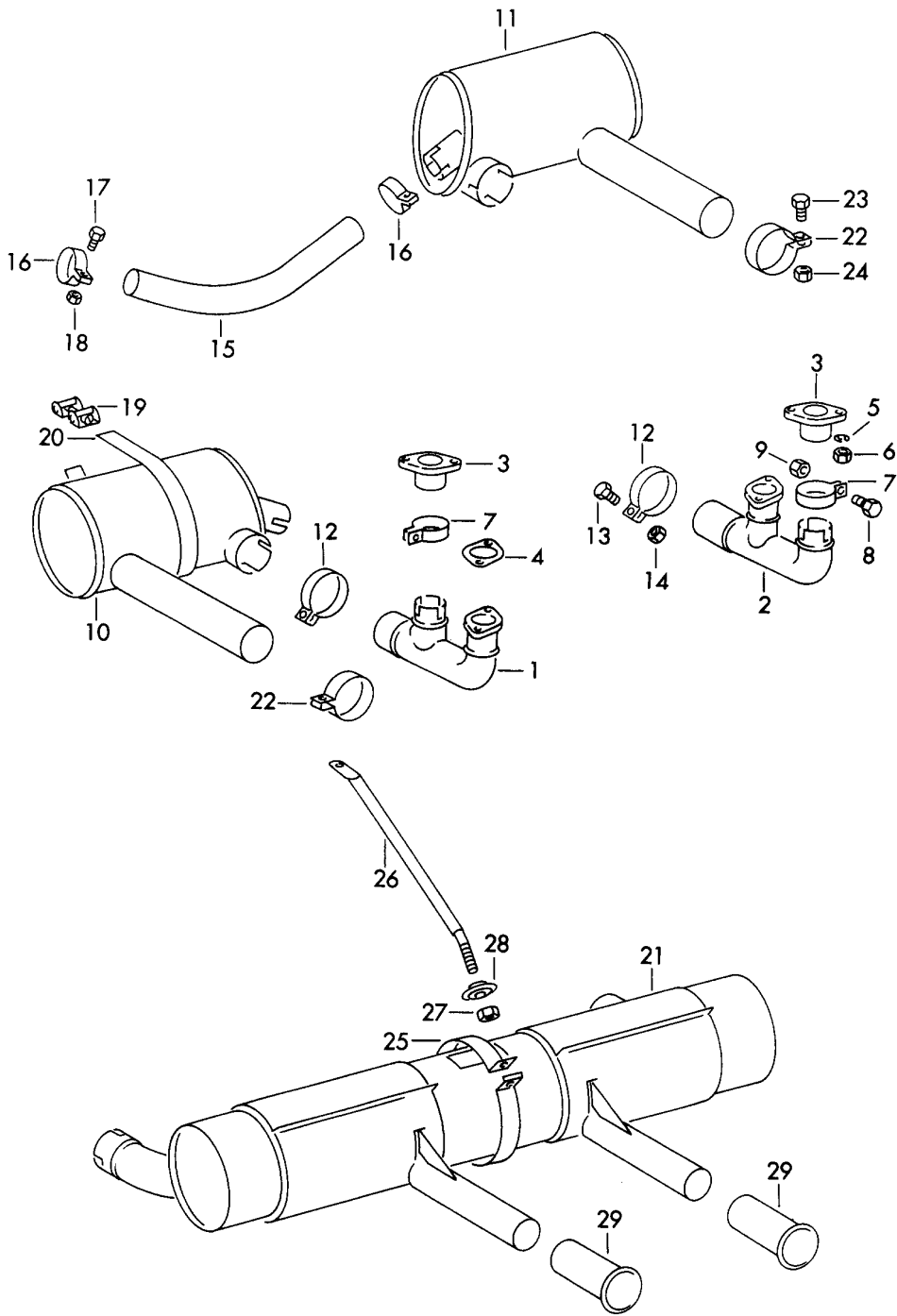
Model: 356 50

Model life 1950>>1959

| Pos | Part Number    | Description                            | Remark | Qty | Model                            |
|-----|----------------|--|--------|-----|----------------------------------|
|     |                | Exhaust silencer<br>And<br>Accessories |        |     | CARRERA<br>1600 GS/GT<br>692/0/1 |
| 1   | 547 54 018 1   | Exhaust silencer                       |        | 1   |                                  |
| 2   | 547 54 240     | Restraining strap                      |        | 2   |                                  |
| -   | 539 09 201     | Rubber cap                             |        | 2   |                                  |
| -   | 111 905 449    | Protection cap                         |        | 2   |                                  |
| 3   | 547 54 110     | Ornamental exhaust pipe<br>Tail pipe   |        | 2   |                                  |
| (4) | 692 111 053 00 | Strut                                  | /L     | 1   |                                  |
| (5) | 692 111 054 00 | Strut                                  | /R     | 1   |                                  |
| -   | 999 084 002 02 | Hexagon nut<br>M 10                    |        | 4   |                                  |
| 6   | 547 54 270     | Exhaust pipe<br>Cylinder 1             |        | 1   |                                  |
| (7) | 547 54 273 1   | Exhaust pipe<br>Cylinder 2             |        | 1   |                                  |
| 8   | 547 54 275     | Exhaust pipe<br>Cylinder 3             |        | 1   |                                  |
| (9) | 547 54 277 1   | Exhaust pipe<br>Cylinder 4             |        | 1   |                                  |
| 10  | PCG 111 210 00 | Gasket                                 |        | 4   |                                  |
| 11  | 900 027 015 00 | Lock ring<br>B 8                       |        | 8   |                                  |
| 12  | 547 54 221     | Hexagon nut<br>M 8                     |        | 8   |                                  |

Model: 356 50

Model life 1950>>1959

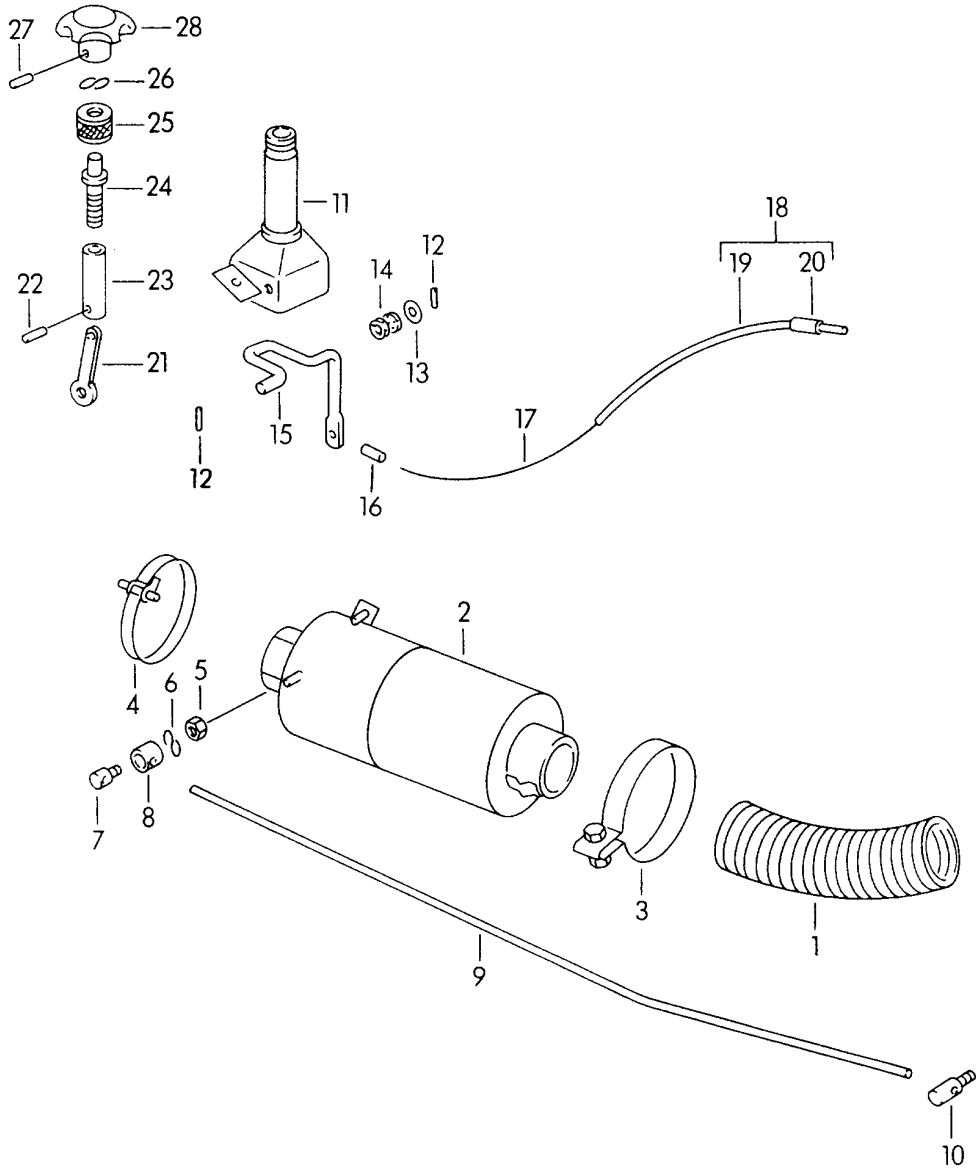


Model: 356 50 Model life 1950>>1959

| Pos | Part Number    | Description                          | Remark | Qty    | Model                            |
|-----|----------------|--------------------------------------|--------|--------|----------------------------------|
|     |                | Exhaust system                       |        |        | CARRERA<br>1600 GS/GT<br>692/2/3 |
| 1   | 692 111 027 00 | Elbow<br>Double<br>Flange            |        | 1      |                                  |
| 2   | 692 111 028 00 | Elbow<br>Double<br>Flange            |        | 1      |                                  |
| 3   | 692 111 023 00 | Flange socket                        |        | 2      |                                  |
| 4   | PCG 111 210 00 | Gasket                               |        | 4      |                                  |
| 5   | 900 027 015 00 | Lock ring<br>B 8                     |        | 8      |                                  |
| 6   | 547 54 221     | Hexagon nut                          |        | 8      |                                  |
| 7   | 616 111 255 01 | Pipe clamp                           |        | 2      |                                  |
| 8   | 900 075 029 00 | Hexagon-head bolt<br>M 8 X 25        |        | 2<br>2 |                                  |
| 9   | 547 54 221     | Hexagon nut                          |        | 2      |                                  |
| 10  | 692 111 015 00 | Front muffler                        | /L     | 1      |                                  |
| 11  | 692 111 016 00 | Front muffler                        | /R     | 1      |                                  |
| 12  | 999 511 033 01 | Clip                                 |        | 2      |                                  |
| 13  | 900 075 029 00 | Hexagon-head bolt<br>M 8 X 25        |        | 2      |                                  |
| 14  | 547 54 221     | Hexagon nut                          |        | 2      |                                  |
| 15  | 692 111 121 00 | Pipe                                 |        | 1      |                                  |
| 16  | 999 512 015 02 | Clip                                 |        | 2      |                                  |
| 17  | 900 075 027 00 | Hexagon-head bolt<br>M 8 X 20        |        | 2      |                                  |
| 18  | 547 54 221     | Hexagon nut                          |        | 2      |                                  |
| 19  | 999 512 004 02 | Turnbuckle                           |        | 2      |                                  |
| 20  | 999 512 005 02 | Restraining strap<br>25 X 700        |        | 2<br>2 |                                  |
| 21  | 692 111 013 00 | Exhaust silencer                     |        | 1      |                                  |
| 22  | 900 165 002 00 | Pipe clamp                           |        | 2      |                                  |
| 23  | 900 075 029 00 | Hexagon-head bolt<br>M 8 X 25        |        | 2      |                                  |
| 24  | 547 54 221     | Hexagon nut                          |        | 2      |                                  |
| 25  | 999 511 031 02 | Restraining strap                    |        | 1      |                                  |
| 26  | 692 111 055 00 | Strut                                |        | 1      |                                  |
| 27  | 999 084 002 02 | Hexagon nut                          |        | 2      |                                  |
| 28  | 539 09 201     | Rubber cap                           |        | 1      |                                  |
| 28  | 111 905 449    | Protection cap                       |        | 1      |                                  |
| 29  | 547 54 110     | Ornamental exhaust pipe<br>Tail pipe |        | 2      |                                  |

Model: 356 50

Model life 1950>>1959



Model: 356 50 Model life 1950>>1959

| Pos | Part Number    | Description  | Remark | Qty | Model                    |
|-----|----------------|--|--------|-----|--------------------------|
| (1) | 356 55 120     | Heating air supply<br>Breather hose<br>Not for<br>-CARRERA-<br>F >> 55 000<br>F >> 61 000          |        | 2   | 356                      |
| 1   | 644 211 921 05 | Breather hose<br>for<br>Heat exchanger<br>Not for<br>-CARRERA-                                     |        | 2   | COUPE<br>CABRIO<br>356 A |
| (1) | 644 211 921 10 | Hose<br>for<br>Heat exchanger  |        | 2   | 1500 GS<br>1600 GS       |
| (2) | 356 55 015     | Exhaust silencer<br>with<br>Heat control box<br>Not for<br>-CARRERA-<br>F >> 55 000<br>F >> 61 000 | /L     | 1   | 356                      |
| 2   | 644 211 021 00 | Heat control box<br>Not for<br>-CARRERA-   | /L     | 1   | COUPE<br>CABRIO<br>356 A |
| 2   | 644 211 021 11 | Heat control box<br>Not for<br>-CARRERA-   | /L     | 1   | 356 A                    |
| (2) | 644 211 021 10 | Muffler<br>with<br>Heat control box  | /L     | 1   | 1500 GS<br>1600 GS       |
| (2) | 356 55 016     | Exhaust silencer<br>with<br>Heat control box<br>Not for<br>-CARRERA-<br>F >> 55 000<br>F >> 61 000 | /R     | 1   | 356                      |
| (2) | 644 211 022 00 | Heat control box<br>Not for<br>-CARRERA-   | /R     | 1   | COUPE<br>CABRIO<br>356 A |
| (2) | 644 211 022 11 | Heat control box<br>Not for<br>-CARRERA-   | /R     | 1   | 356 A                    |
| (2) | 644 211 022 10 | Muffler<br>with<br>Heat control box  | /R     | 1   | 1500 GS<br>1600 GS       |
| -   | 369 05 708     | Clip   |        | 2   | 1500 GS<br>1600 GS       |
| -   | 900 075 002 00 | Hexagon-head bolt<br>M 5 X 10  |        | 2   | 1500 GS<br>1600 GS       |
| -   | N 012 005 3    | Lock ring<br>B 5   |        | 2   | 1500 GS<br>1600 GS       |
| -   | 900 076 004 02 | Hexagon nut<br>M 5   |        | 2   | 1500 GS<br>1600 GS       |
| 3   | 644 211 251 00 | Pipe clamp   |        | 2   |                          |
| (3) | PCG 211 251 00 | Pipe clamp<br>Use also:  |        | 2   |                          |
| -   | PCG 074 014 01 | Hexagon-head bolt<br>M8  |        | 2   |                          |
| -   | PCG 022 148 12 | Lock nut<br>M8   |        | 2   |                          |
| -   | PCG 012 007 2  | Lock ring<br>A8  |        | 2   |                          |

Model: 356 50 Model life 1950>>1959

| Pos  | Part Number    | Description  | Remark | Qty | Model                                     |
|------|----------------|--|--------|-----|---|
| 4    | 999 512 104 02 | Hose clamp<br>9 X 425 SN 902   |        | 4   |   |
| 5    | 900 076 010 02 | Nut<br>M 6   |        | 6   |   |
| 5    | 900 076 010 0B | Nut<br>M 6   |        | 6   |   |
| 6    | 900 028 008 01 | Lock ring  |        | 6   |   |
| (7)  |                | Screw<br>55 65<br>Not for<br>-CARRERA-<br>F >> 55 000<br>F >> 61 000         |        | 3   | 356<br><br>COUPE<br>CABRIO                |
| 7    | 644 211 755 00 | Screw<br>Not for<br>-CARRERA-  |        | 3   | 356 A                                     |
| (8)  |                | Bush<br>Not for<br>-CARRERA-<br>F >> 55 000<br>F >> 61 000                   |        | 6   | 356<br><br>COUPE<br>CABRIO                |
| 8    | 644 211 751 00 | Bush<br>Not for<br>-CARRERA-   |        | 6   | 356 A                                     |
| (9)  | 356 55 121     | Operating rod<br>Not for<br>-CARRERA-<br>F >> 55 000<br>F >> 61 000          | /L     | 1   | 356<br><br>COUPE<br>CABRIO                |
| -    | PCG 356 211 00 | Clamping bush<br>Clamping bush<br>Heating flaps<br>Comprising:<br>POS. 5 - 8 |        | 1   |   |
| 9    | 644 211 701 00 | Operating rod<br>Not for<br>-CARRERA-  | /L     | 1   | 356 A                                     |
| (9)  | 356 55 122     | Operating rod<br>Not for<br>-CARRERA-<br>F >> 55 000<br>F >> 61 000          | /R     | 1   | 356<br><br>COUPE<br>CABRIO                |
| (9)  | 644 211 702 00 | Operating rod<br>Not for<br>-CARRERA-  | /R     | 1   | 356 A                                     |
| (10) | 644 211 755 01 | Screw<br>Not for<br>-CARRERA-<br>F >> 55 000<br>F >> 61 000                  |        | 3   | 356<br><br>COUPE<br>CABRIO                |
| 10   |                | Screw  |        | 3   | 356 A                                     |
| 11   | 356 24 043     | Housing<br>F 52 907 >><br>F 60 708 >>  |        | 1   | 1500 GS<br>1600 GS<br><br>COUPE<br>CABRIO |
| -    | 900 075 010 2  | Hexagon-head bolt<br>M 6 X 12<br>F 52 907 >><br>F 60 708 >>                  |        | 2   | COUPE<br>CABRIO                           |
| -    | N 012 007 2    | Lock ring<br>A 6<br>F 52 907 >>  |        | 2   | COUPE                                     |



Model: 356 50 Model life 1950>>1959

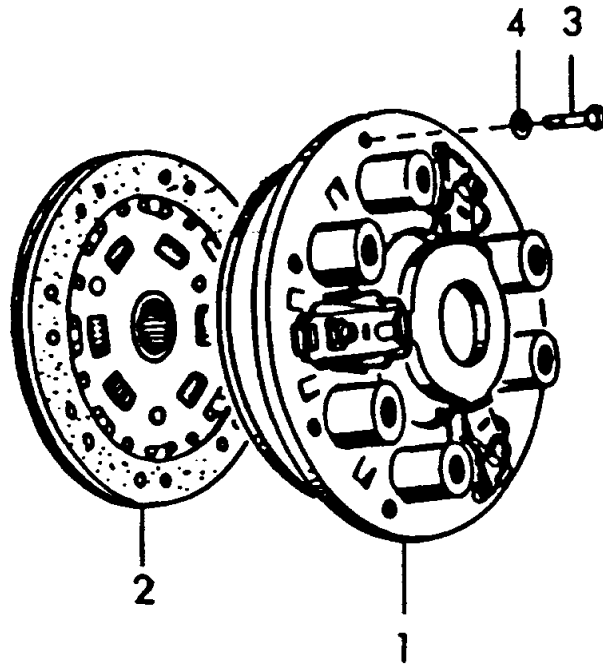
| Pos  | Part Number    | Description  | Remark | Qty | Model   |
|------|----------------|--|--------|-----|---|
| -    | 900 027 004 03 | F 60 708 >><br>Lock ring<br>A 6<br>F 52 907 >><br>F 60 708 >>  |        | 2   | CABRIO<br><br>COUPE<br>CABRIO   |
| 12   | 900 095 001 00 | Roll pin<br>2 X 14   |        | 2   |   |
| 13   | 900 031 001 02 | Washer   |        | 1   |   |
| 13   | 900 031 105 01 | Washer   |        | 1   |   |
| (14) | 356 61 308     | Rubber boot<br>F >> 55 000<br>F >> 61 000  |        | 1   | 356<br>COUPE<br>CABRIO  |
| 14   | 644 741 241 00 | Sleeve   |        | 1   | 356 A<br>1500 GS<br>1600 GS   |
| 15   | 356 24 414     | Lever  |        | 1   |   |
| 16   | 356 24 418     | Guide sleeve   |        | 2   |   |
| 17   | 695 424 071 00 | Traction<br>Not for<br>-CARRERA-<br>F 52 907 >> 101 692<br>F 60 708 >> 150 000<br>F 82 001 >> 83 791 |        | 2   | COUPE<br>CABRIO<br>SPEEDSTER  |
| (17) |                | Traction<br>Not for<br>-CARRERA-<br>F 101 693 >><br>F 150 001 >><br>F 83 792 >>                      |        | 2   | COUPE<br>CABRIO<br>SPEEDSTER  |
| -    | 356 24 061     | Traction<br>Not for<br>-CARRERA-<br>F >> 52 906<br>F >> 60 707                                       | /V     | 1   | 356   |
| -    | 356 24 062     | Traction<br>Not for<br>-CARRERA-<br>F >> 52 906<br>F >> 60 707                                       | /H     | 2   | COUPE<br>CABRIO<br>356  |
| -    | 356 24 406     | Protective tube<br>Not for<br>-CARRERA-<br>F >> 52 906<br>F >> 60 707                                |        | 2   | COUPE<br>CABRIO<br>356  |
| -    | 356 24 403     | Clamping piece<br>Not for<br>-CARRERA-<br>F >> 52 906<br>F >> 60 707                                 |        | 1   | COUPE<br>CABRIO<br>356  |
| (17) | 695 424 071 00 | Traction<br><br>F 55 001 >> 101 692<br>F 61 001 >> 150 000<br>F 82 001 >> 83 791                     |        | 2   | COUPE<br>CABRIO<br>1500 GS<br>1600 GS<br>COUPE<br>CABRIO<br>SPEEDSTER |
| (17) |                | Traction<br><br>F 101 693 >><br>F 150 001 >><br>F 83 792 >>  |        | 2   | 1500 GS<br>1600 GS<br>COUPE<br>CABRIO<br>SPEEDSTER                    |
| -    | PCG 356 211 00 | Clamping bush<br>Clamping bush<br>Heating flaps<br>Comprising:                                       |        | 1   |   |

Model: 356 50 Model life 1950>>1959

| Pos  | Part Number    | Description   | Remark | Qty | Model                  |
|------|----------------|---|--------|-----|------------------------|
| 18   | 356 24 407     | POS. 5 - 8<br>Guide<br>Complete<br>Not for<br>-CARRERA-     |        | 2   |                        |
| 19   | 356 24 409     | Insulating hose<br>Not for<br>-CARRERA-                     |        | 2   |                        |
| (19) | 644 24 407     | Protective tube<br>with<br>Spiral                           |        | 2   | 1500 GS<br>1600 GS     |
| 20   | 356 24 408     | Gasket<br>Not for<br>Carrera                                |        | 2   |                        |
| (20) | 644 24 408     | Gasket  |        | 2   | 1500 GS<br>1600 GS     |
| 21   | 356 24 413     | Lever   |        | 1   |                        |
| 22   | 900 012 006 00 | Straight pin<br>M 6 X 15                                    |        | 1   |                        |
| (23) |                | Sleeve<br>24 74<br>F >> 55 000<br>F >> 61 000               |        | 1   | 356<br>COUPE<br>CABRIO |
| 23   | 644 424 731 00 | Guide sleeve  |        | 1   | 356 A                  |
| (24) |                | Shaft<br>24 59 1<br>F >> 55 000<br>F >> 61 000              |        | 1   | 356<br>COUPE<br>CABRIO |
| 24   | 644 424 741 00 | Shaft   |        | 1   | 356 A                  |
| (25) |                | Cap<br>24 73<br>F >> 55 000<br>F >> 61 000                  |        | 1   | 356<br>COUPE<br>CABRIO |
| 25   | 644 424 751 00 | Cap   |        | 1   | 356 A                  |
| 26   | 356 42 209     | Spring washer   |        | 1   |                        |
| 27   | 900 197 010 00 | Tensioning sleeve   |        | 1   |                        |
| (28) |                | Rotary knob<br>24 48 3<br>F >> 55 000<br>F >> 61 000        |        | 1   | 356<br>COUPE<br>CABRIO |
| 28   | 695 424 791 00 | Rotary knob   |        | 1   | 356 A                  |
| 28   | 644 424 791 00 | Rotary knob   |        | 1   | 356 A                  |
| -    | 900 075 010 02 | Hexagon nut<br>M 6 X 12<br>F >> 55 000<br>F >> 61 000       |        | 2   | 356<br>COUPE<br>CABRIO |
| -    | N 010 212 14   | Hexagon-head bolt<br>M 6 X 12<br>F >> 55 000<br>F >> 61 000 |        | 2   | 356<br>COUPE<br>CABRIO |
| -    | 999 072 005 09 | Hexagon nut<br>M 6 X 12<br>F >> 55 000<br>F >> 61 000       |        | 2   | 356<br>COUPE<br>CABRIO |
| -    | 999 072 005 01 | Hexagon nut<br>M 6 X 12<br>F >> 55 000<br>F >> 61 000       |        | 2   | 356<br>COUPE<br>CABRIO |

Model: 356 50

Model life 1950>>1959



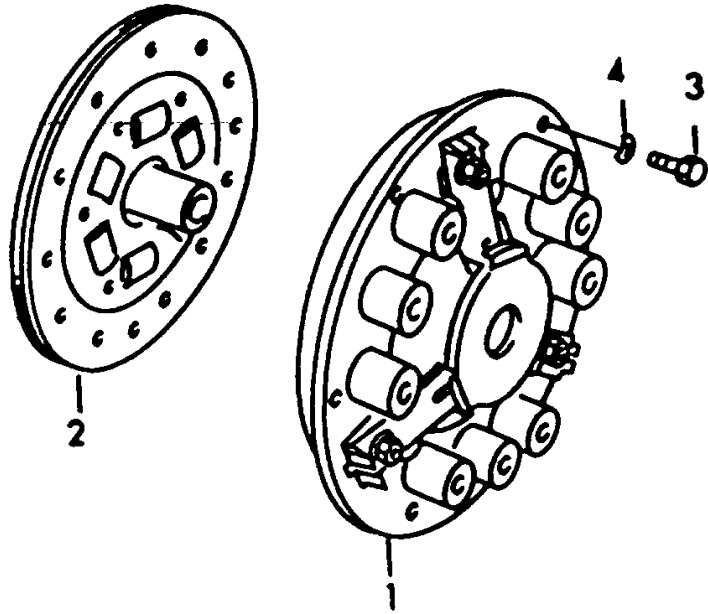
Model: 356 50

Model life 1950&gt;&gt;1959

| Pos | Part Number    | Description                   | Remark | Qty | Model |
|-----|----------------|-------------------------------|--------|-----|-------|
| 1   | 502 16 014     | Clutch<br>Pressure plate      |        | 1   |       |
| 1   | PCG 16 014     | Pressure plate                |        | 1   |       |
| 2   | 616 116 013 00 | Drive plate                   |        | 1   |       |
| 3   | 999 093 010 02 | Hexagon-head bolt<br>M 8 X 20 |        | 6   |       |
| 4   | N 012 241 8    | Spring washer<br>B 8          |        | 6   |       |

Model: 356 50

Model life 1950>>1959



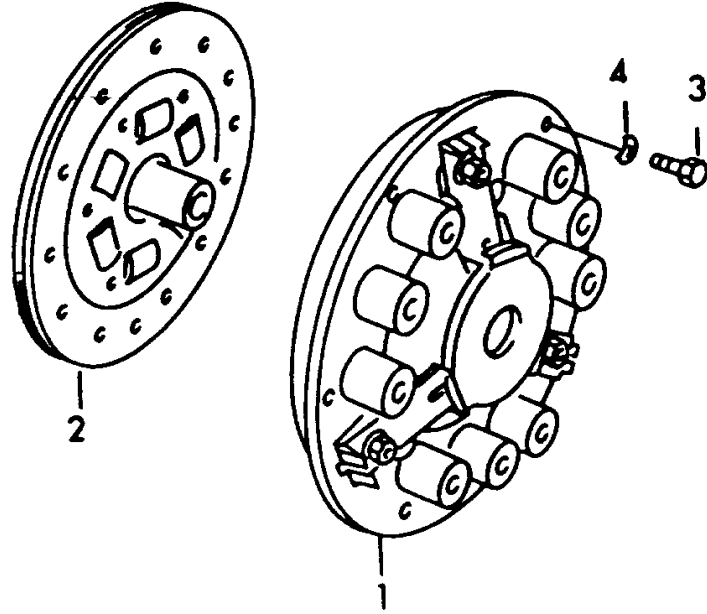
Model: 356 50

Model life 1950&gt;&gt;1959

| Pos | Part Number    | Description   | Remark | Qty | Model                 |
|-----|----------------|---|--------|-----|-----------------------|
|     |                | Clutch  |        |     | CARRERA<br>1500 GS/GT |
| 1   | PCG 116 010 00 | Pressure plate<br>See classic technical information<br>5/94 |        | 1   |                       |
| 2   | PCG 116 012 00 | Clutch plate<br>See classic technical information<br>5/94   |        | 1   |                       |
| 3   | 999 093 010 02 | Hexagon-head bolt<br>M 8 X 20                               |        | 6   |                       |
| 4   | N 012 241 8    | Spring washer<br>B 8  |        | 6   |                       |

Model: 356 50

Model life 1950>>1959



Model: 356 50

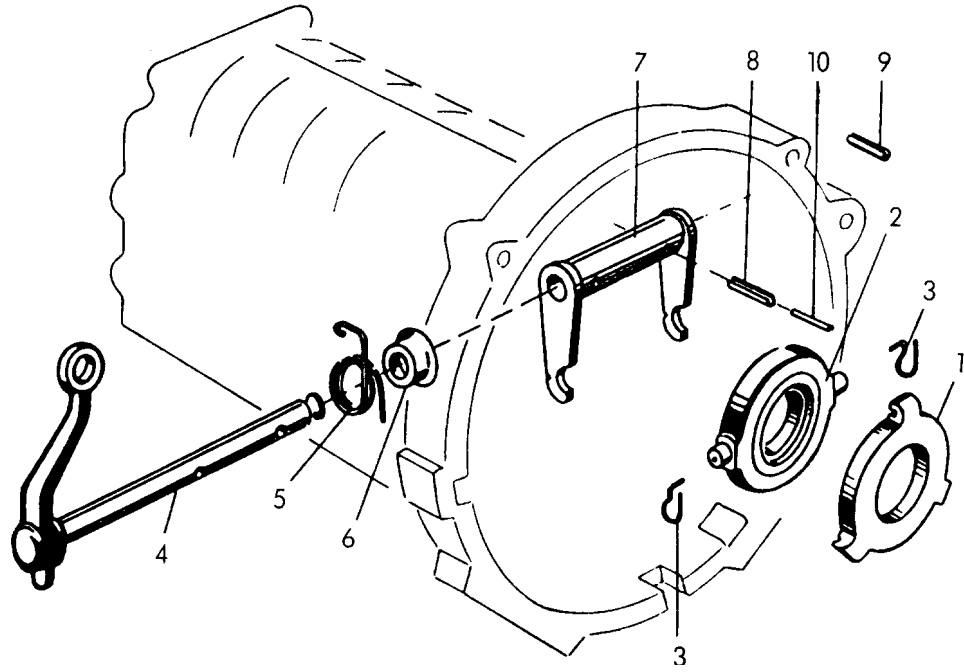
Model life 1950&gt;&gt;1959

| Pos | Part Number    | Description   | Remark | Qty | Model                          |
|-----|----------------|---|--------|-----|--------------------------------|
|     |                | Clutch  |        |     | CARRERA<br>1600 GS/GT<br>692/0 |
| 1   | PCG 116 010 00 | Pressure plate<br>See classic technical information<br>5/94                     |        | 1   |                                |
| 2   | PCG 116 012 00 | Clutch plate<br>Complete<br>\$ 200<br>See classic technical information<br>5/94 |        | 1   |                                |
| 3   | 999 093 010 02 | Hexagon-head bolt<br>M 8 X 20   |        | 6   |                                |
| 4   | N 012 241 8    | Spring washer<br>B 8  |        | 6   |                                |



Model: 356 50

Model life 1950>>1959

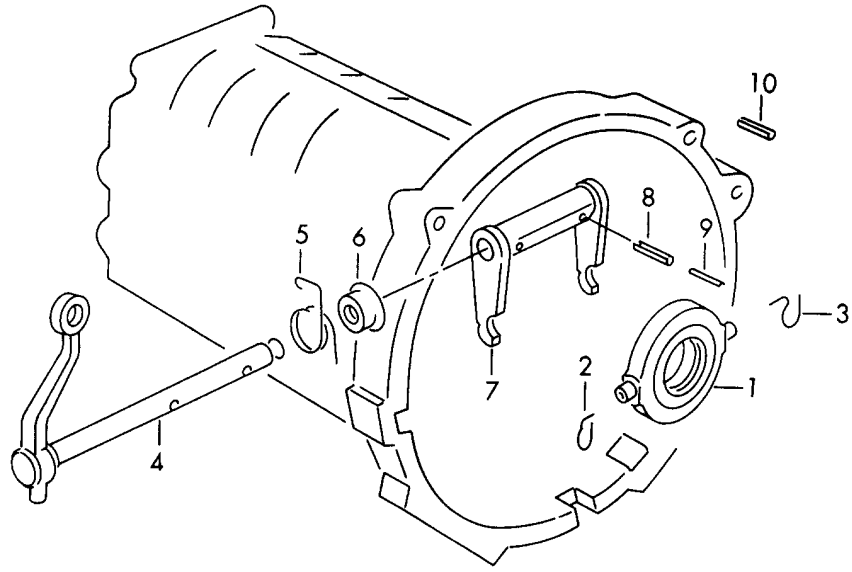


Model: 356 50 Model life 1950>>1959

| Pos | Part Number    | Description   | Remark | Qty | Model                                       |
|-----|----------------|---|--------|-----|---|
|     |                | Clutch release<br>for<br>Tunnel<br>Transmission<br>G 11 001 >> 25 000<br><br>M 90 501 >> 91 000 |        |     | 1300 /S<br>1600 /S<br>CARRERA<br>1500 GS/GT |
| 1   | 546 16 202     | Plate   |        | 1   | 1300 /S<br>1600 /S                          |
| (1) | 547 116 901 00 | Plate   |        | 1   | CARRERA                                     |
| 2   | 356 21 010     | Clutch release bearing  |        | 1   | 1300 /S<br>1600 /S                          |
| 2   | 716 116 801 00 | Bearing   |        | 1   | 1300 /S<br>1600 /S                          |
| (2) | 644 16 305     | Clutch release bearing  |        | 1   | CARRERA<br>1500 GS                          |
| 3   | 716 116 831 00 | Retainer spring   |        | 2   |   |
| 4   | 616 16 031     | Clutch lever shaft  |        | 1   | 1300 /S<br>1600 /S                          |
| (4) | 644 16 031     | Clutch lever shaft  |        | 1   | CARRERA<br>1500 GS                          |
| 5   | 644 16 304     | Tension spring  |        | 1   |   |
| 6   | 356 16 303     | Guide bush  |        | 1   |   |
| 7   | 644 16 032     | Release fork  |        | 1   |   |
| 8   | N 013 288 1    | Tensioning sleeve<br>6 X 24   |        | 2   |   |
| 9   | 900 095 021 00 | Roll pin<br>6 X 28  |        | 1   |   |
| 10  | 900 095 010 00 | Roll pin<br>3,5 X 24  |        | 2   |   |

Model: 356 50

Model life 1950>>1959



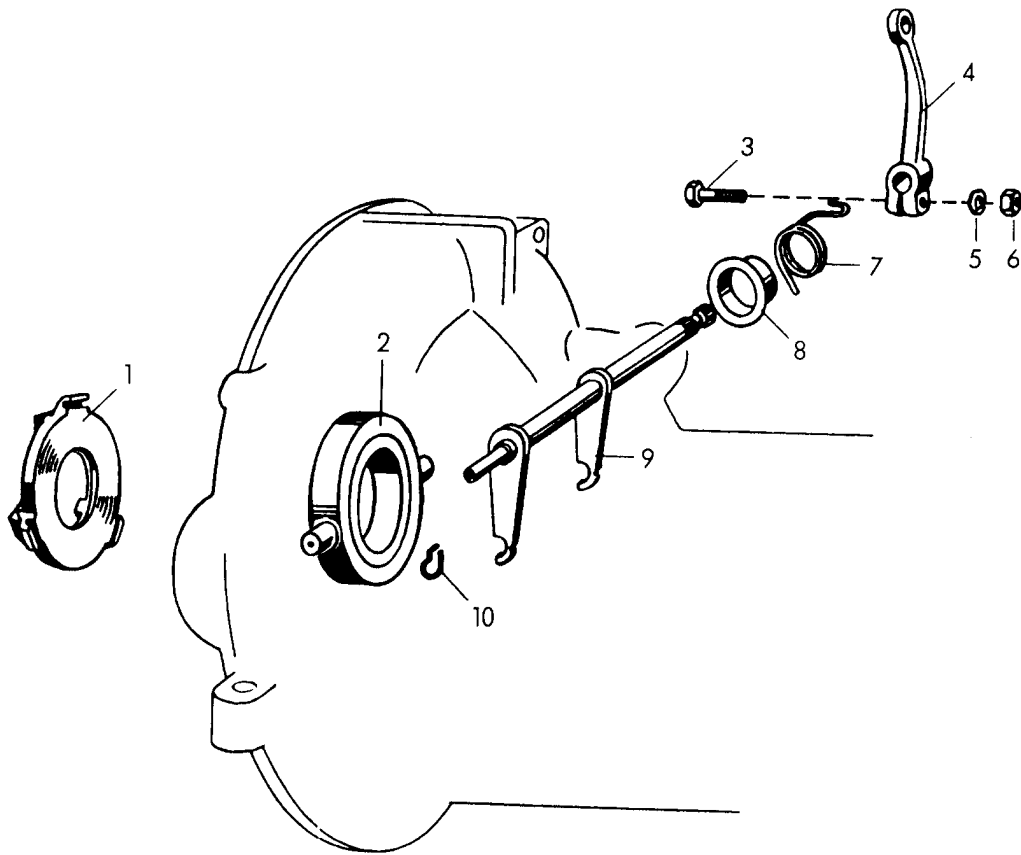
Model: 356 50

Model life 1950&gt;&gt;1959

| Pos | Part Number    | Description                                | Remark | Qty | Model                            |
|-----|----------------|--|--------|-----|----------------------------------|
|     |                | Clutch release<br>G >> 25 000              |        |     | CARRERA<br>1600 GS/GT<br>692/0/1 |
| 1   | 644 16 305     | Clutch release bearing                     |        | 1   |                                  |
| -   | 716 116 801 00 | - fichtel + sachs -<br>Bearing             |        | 1   |                                  |
| -   | 644 16 305     | - HAEUSSERMANN -<br>Clutch release bearing |        | 1   |                                  |
| 2   | 356 21 103     | - HAEUSSERMANN -<br>Spring                 |        | 1   |                                  |
| 3   | 356 21 102     | Spring                                     |        | 1   |                                  |
| 4   | 644 16 031     | Clutch lever shaft                         |        | 1   |                                  |
| 5   | 644 16 304     | Tension spring                             |        | 1   |                                  |
| 6   | 356 16 303     | Guide bush                                 |        | 1   |                                  |
| 7   | 644 16 032     | Release fork                               |        | 1   |                                  |
| 8   | N 013 288 1    | Tensioning sleeve<br>6 X 24                |        | 2   |                                  |
| 9   | 900 095 010 00 | Roll pin<br>3,5 X 24                       |        | 2   |                                  |
| 10  | 900 095 021 00 | Roll pin<br>6 X 28                         |        | 1   |                                  |

Model: 356 50

Model life 1950>>1959

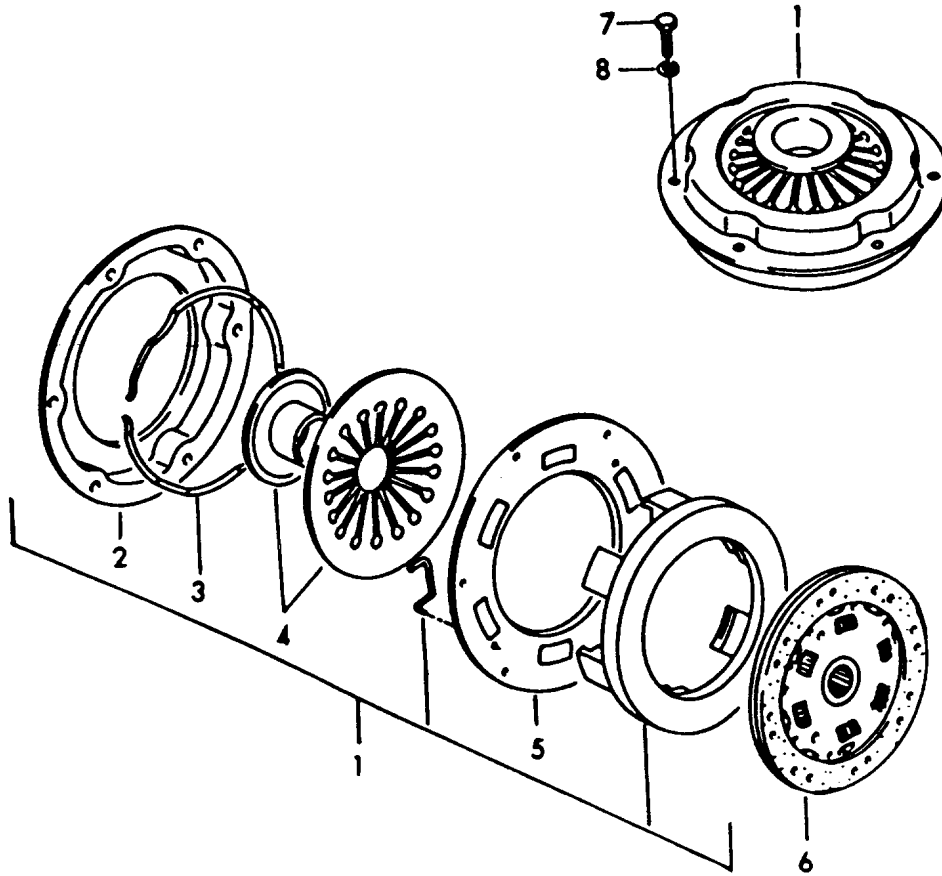


Model: 356 50 Model life 1950>>1959

| Pos  | Part Number    | Description   | Remark | Qty | Model                       |
|------|----------------|---|--------|-----|-----------------------------|
| 1    | 546 16 202     | Clutch release<br>for<br>Transmission case<br>Divided |        | 1   | 356 /A                      |
| (1)  | 547 116 901 00 | Plate   |        | 1   | CARRERA<br>1500 GS          |
| 2    | 356 21 010     | Clutch release bearing                                |        | 1   | 356 /A                      |
| 2    | 716 116 801 00 | Bearing   |        | 1   | 356 /A                      |
| (2)  | 644 16 305     | Clutch release bearing                                |        | 1   | CARRERA<br>1500 GS          |
| 3    | 900 074 037 02 | Hexagon-head bolt<br>M 8 X 20                         |        | 1   | 356 /A                      |
| (3)  | 900 074 037 00 | Hexagon-head bolt<br>M 8 X 35                         |        | 1   | CARRERA<br>1500 GS          |
| (4)  | 356 16 304     | Lever   |        | 1   | 356                         |
| 4    | 644 16 303     | Lever   |        | 1   | 356 A<br>CARRERA<br>1500 GS |
| 5    | 900 028 011 01 | Spring washer<br>B 8                                  |        | 1   | 356 /A                      |
| (5)  | 900 028 010 00 | Spring washer<br>B 8                                  |        | 1   | CARRERA<br>1500 GS          |
| 6    | 900 076 013 01 | Hexagon nut<br>M 8                                    |        | 1   | 356 /A                      |
| (6)  | 900 076 013 00 | Hexagon nut<br>M 8                                    |        | 1   | CARRERA<br>1500 GS          |
| (7)  | 356 16 302     | Return spring   |        | 1   | 356                         |
| 7    | 644 16 304     | Tension spring  |        | 1   | 356 A<br>CARRERA<br>1500 GS |
| (8)  |                | Guide bush<br>21 35                                   |        | 1   | 356                         |
| 8    | 356 16 303     | Guide bush  |        | 1   | 356 A<br>CARRERA<br>1500 GS |
| (9)  | 356 16 305     | Clutch lever shaft                                    |        | 1   | 356                         |
| 9    | 644 16 033     | Clutch lever shaft                                    |        | 1   | 356 A<br>CARRERA<br>1500 GS |
| (10) | 356 21 102     | Spring  | /L     | 1   | 356                         |
| (10) | 356 21 103     | Spring  | /R     | 1   | 356                         |
| 10   | 716 116 831 00 | Retainer spring                                       |        | 2   | 356 A<br>CARRERA<br>1500 GS |

Model: 356 50

Model life 1950>>1959



Model: 356 50

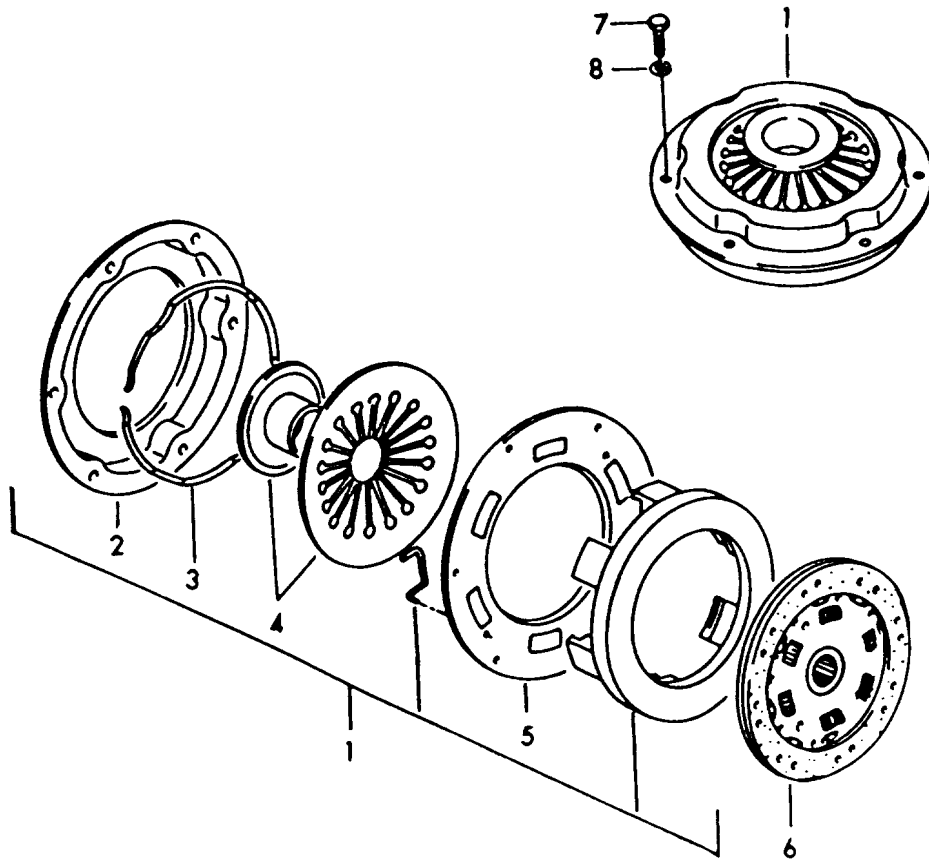
Model life 1950>>1959

| Pos | Part Number    | Description   | Remark | Qty | Model  |
|-----|----------------|---|--------|-----|--|
| 1   | 616 116 010 01 | Clutch<br>G 25 001 >><br>Pressure plate<br>Contact pressure<br>560 KG |        | 1   | 716/0/1/2/3<br>716/4/5<br>716/0:1600<br>1600 S |
| 1   | 616 116 011 01 | Pressure plate<br>Contact pressure<br>700 KG                          |        | 1   |  |
| 1   | 692 116 011 01 | Pressure plate<br>Contact pressure<br>700 KG                          |        | 1   | CARRERA 692                                    |
| 2   | 616 116 125 01 | Lid   |        | 1   |  |
| 3   | 616 116 181 00 | Circlip   |        | 1   |  |
| 4   | 616 116 131 02 | Cup spring<br>with<br>Pressure piece<br>700 KG                        |        | 1   |  |
| 5   | 616 116 115 01 | Counterplate  |        | 1   |  |
| 6   | 616 116 013 00 | Drive plate<br>\$ 180 MM  |        | 1   | 1600 /S  |
| 6   | 692 115 015 00 | Clutch plate<br>\$ 180 MM   |        | 1   | CARRERA 692                                    |
| 7   | 999 093 010 02 | Hexagon-head bolt<br>M 8 X 20   |        | 6   |  |
| 8   | N 011 241 8    | Spring washer<br>B 8  |        | 6   |  |



Model: 356 50

Model life 1950>>1959



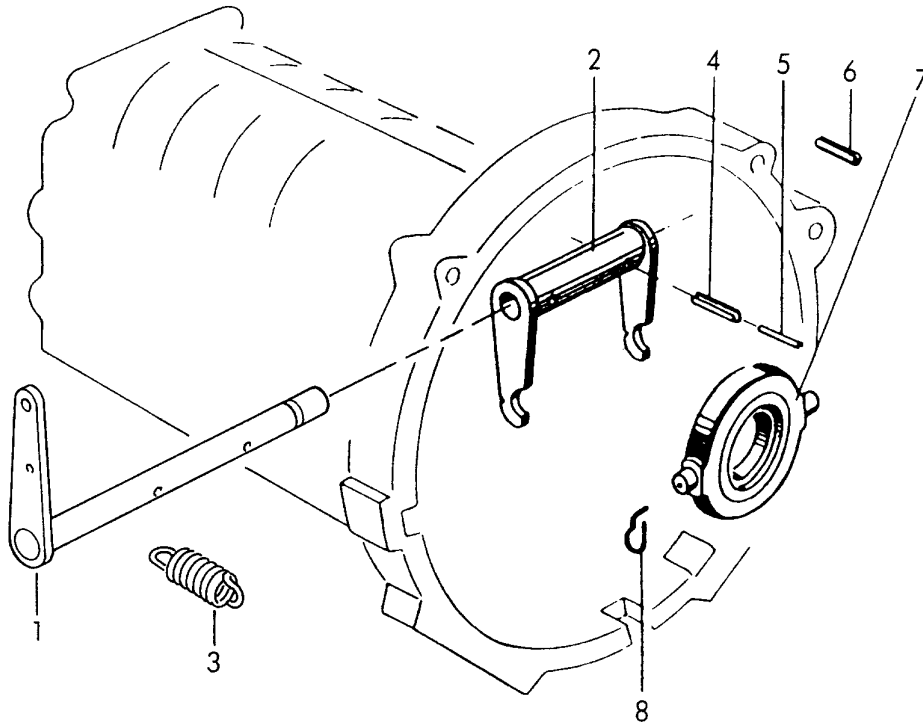
Model: 356 50

Model life 1950&gt;&gt;1959

| Pos | Part Number    | Description  | Remark | Qty | Model                              |
|-----|----------------|--|--------|-----|------------------------------------|
|     |                | Clutch   |        |     | CARRERA<br>1600 GS/GT<br>692/1/2/3 |
| 1   | 616 116 011 00 | Pressure plate<br>- HAEUSSERMANN -<br>\$ 180 MM                    |        | 1   |                                    |
| 2   | 616 116 125 01 | Lid  |        | 1   |                                    |
| 3   | 616 116 181 00 | Circlip  |        | 1   |                                    |
| 4   | 616 116 131 02 | Cup spring<br>with<br>Pressure piece<br>Contact pressure<br>700 KG |        | 1   |                                    |
| 5   | 616 116 115 01 | Counterplate   |        | 1   |                                    |
| 6   | 692 116 015 00 | Drive plate<br>\$ 180 MM   |        | 1   |                                    |
| 7   | 999 093 010 02 | Hexagon-head bolt<br>M 8 X 20                                      |        | 6   |                                    |
| 8   | N 012 241 8    | Spring washer<br>B 8   |        | 6   |                                    |

Model: 356 50

Model life 1950>>1959



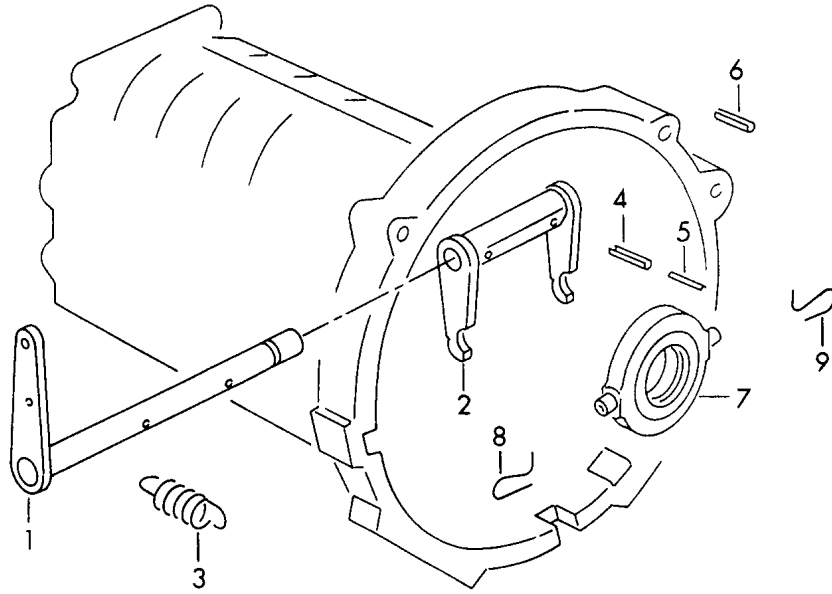
Model: 356 50

Model life 1950&gt;&gt;1959

| Pos | Part Number    | Description                                   | Remark | Qty | Model                  |
|-----|----------------|---|--------|-----|------------------------|
|     |                | Clutch release<br>G 25 001 >>                 |        |     | 716/0/1/2/3<br>716/4/5 |
| 1   | 716 116 071 00 | Clutch lever shaft                            |        | 1   |                        |
| 2   | 644 16 032     | Release fork                                  |        | 1   |                        |
| 3   | 999 522 005 01 | Tension spring                                |        | 1   |                        |
| 4   | N 013 288 1    | Tensioning sleeve<br>6 X 24                   |        | 2   |                        |
| 5   | 900 095 010 00 | Roll pin<br>3,5 X 24                          |        | 2   |                        |
| 6   | 900 095 022 00 | Roll pin                                      |        | 1   |                        |
| 7   | 644 16 305     | Clutch release bearing<br>- fichtel + sachs - |        | 1   |                        |
| (7) | 716 116 801 00 | Bearing<br>- HAEUSSERMANN -                   |        | 1   |                        |
| (7) | 644 16 305     | Clutch release bearing<br>- HAEUSSERMANN -    |        | 1   |                        |
| 8   | 716 116 831 00 | Retainer spring                               |        | 2   |                        |

Model: 356 50

Model life 1950>>1959



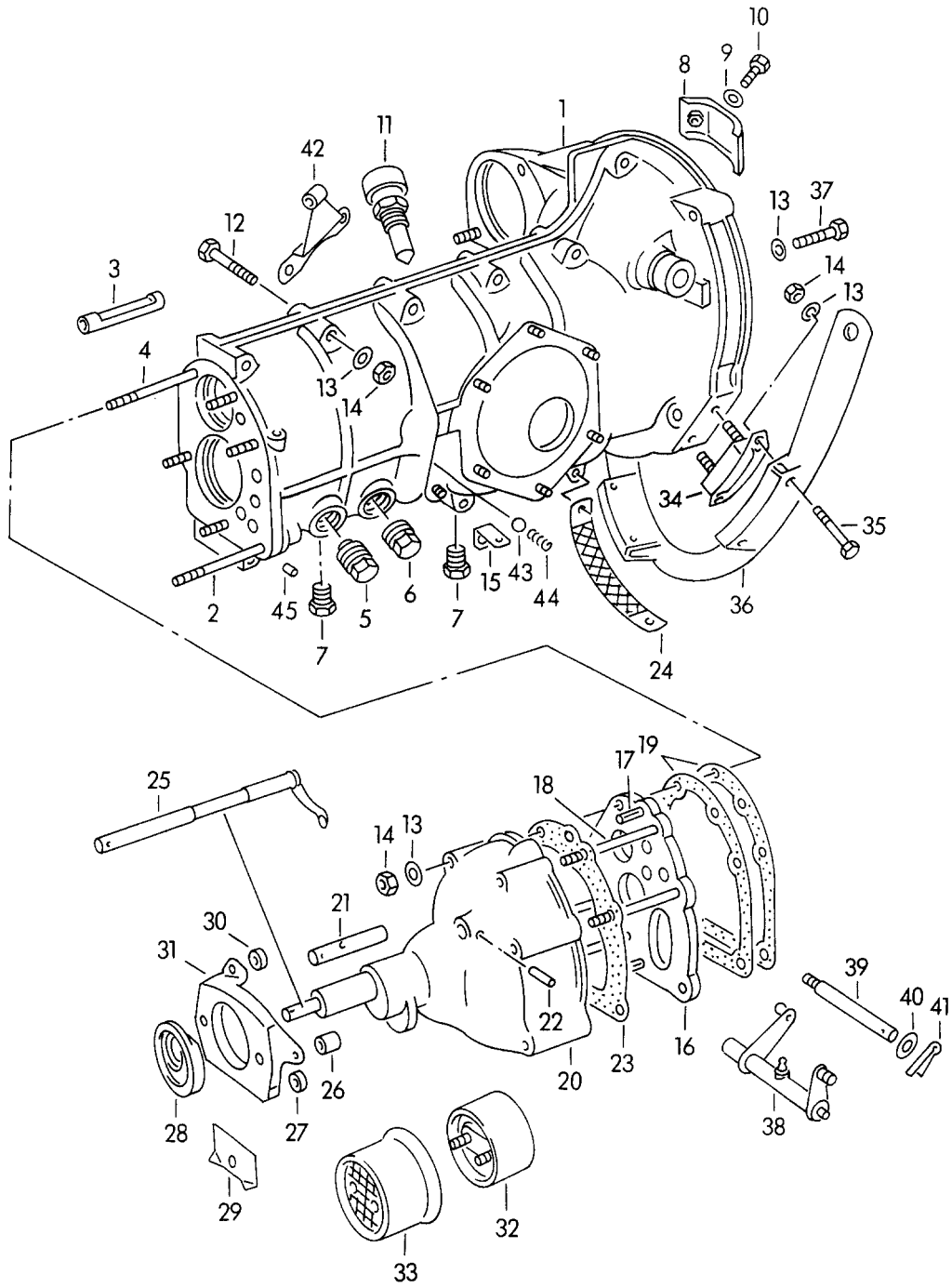
Model: 356 50

Model life 1950&gt;&gt;1959

| Pos | Part Number    | Description                                   | Remark | Qty | Model                            |
|-----|----------------|---|--------|-----|----------------------------------|
|     |                | Clutch release<br>G 25 001 >>                 |        |     | CARRERA<br>1600 GS/GT<br>692/2/3 |
| 1   | 716 116 071 00 | Clutch lever shaft                            |        | 1   |                                  |
| 2   | 644 16 032     | Release fork                                  |        | 1   |                                  |
| 3   | 999 522 005 01 | Tension spring                                |        | 1   |                                  |
| 4   | N 013 288 1    | Tensioning sleeve<br>6 X 24                   |        | 2   |                                  |
| 5   | 900 095 010 00 | Roll pin                                      |        | 2   |                                  |
| 6   | 900 095 022 00 | Roll pin<br>6 X 32                            |        | 1   |                                  |
| 7   | 644 16 305     | Clutch release bearing<br>- fichtel + sachs - |        | 1   |                                  |
| -   | 716 116 801 00 | Bearing<br>- HAEUSSERMANN -                   |        | 1   |                                  |
| -   | 644 16 305     | Clutch release bearing<br>- HAEUSSERMANN -    |        | 1   |                                  |
| 8   | 356 21 102     | Spring  | /L     | 1   |                                  |
| 9   | 356 21 103     | Spring  | /R     | 1   |                                  |

Model: 356 50

Model life 1950>>1959



Model: 356 50 Model life 1950>>1959

| Pos  | Part Number    | Description  | Remark | Qty | Model |
|------|----------------|--|--------|-----|-------|
|      |                | Transmission case<br>with<br>Transmission suspension |        |     | 356   |
| 1    | 519 20 013     | Transmission case<br>Complete                        |        | 1   |       |
| 2    | 900 061 045 01 | Stud<br>BM 8 X 85                                    |        | 1   |       |
| 3    | 519 20 117     | Oil collection container                             |        | 1   |       |
| 4    |                | Stud<br>BM 8 X 75                                    |        | 1   |       |
| 5    | 519 20 115     | Screw plug<br>without<br>Magnet<br>White<br>Anodised | -65    | 2   |       |
| 6    | 519 20 116     | Screw plug<br>with magnet<br>White<br>Anodised       | -65    | 1   |       |
| 7    | 539 01 133     | Drain plug   |        | 2   |       |
| 8    | 519 20 133     | Baffle plate<br>Complete                             |        | 1   |       |
| 9    | 519 20 135     | Lock washer  |        | 1   |       |
| 10   | 900 075 029 02 | Hexagon-head bolt<br>M 8 X 25                        |        | 1   |       |
| 11   | 519 20 012     | Bleeder<br>Complete                                  |        | 1   |       |
| 12   | N 010 375 E    | Hexagon-head bolt<br>M 8 X 75                        |        | 5   |       |
| 13   | 900 028 010 01 | Spring washer<br>B 8                                 |        | 8   |       |
| 14   | 900 076 013 0C | Hexagon nut<br>M 8                                   |        | 8   |       |
| 14   | 900 076 025 02 | Hexagon nut<br>M 8                                   |        | 8   |       |
| 14   | 900 076 064 02 | Hexagon nut<br>M 8                                   |        | 8   |       |
| 15   | 356 42 144     | Retaining bracket                                    |        | 1   |       |
| 16   | 519 20 105     | Intermediate plate                                   |        | 1   |       |
| -    |                | Stud<br>BM 8 X 12                                    |        | 4   |       |
| -    | 900 081 011 01 | Stud<br>BM 8 X 55                                    |        | 2   |       |
| -    | 900 076 013 0C | Hexagon nut<br>M 8                                   |        | 4   |       |
| -    | 900 076 025 02 | Hexagon nut<br>M 8                                   |        | 4   |       |
| -    | 900 076 064 02 | Hexagon nut<br>M 8                                   |        | 4   |       |
| -    | 900 028 010 01 | Spring washer<br>B 8                                 |        | 4   |       |
| 17   | 900 012 015 00 | Straight pin<br>8 M 6 X 20                           |        | 2   |       |
| 18   |                | Stud<br>BM 8 X 82                                    |        | 2   |       |
| 19   | 519 20 128     | Shim<br>0,10 MM                                      |        | X   |       |
| (19) | 519 20 129     | Shim<br>0,15 MM                                      |        | X   |       |
| (19) | 519 20 130     | Shim<br>0,20 MM                                      |        | X   |       |
| -    | 644 20 116     | Gasket<br>for  |        | 1   |       |

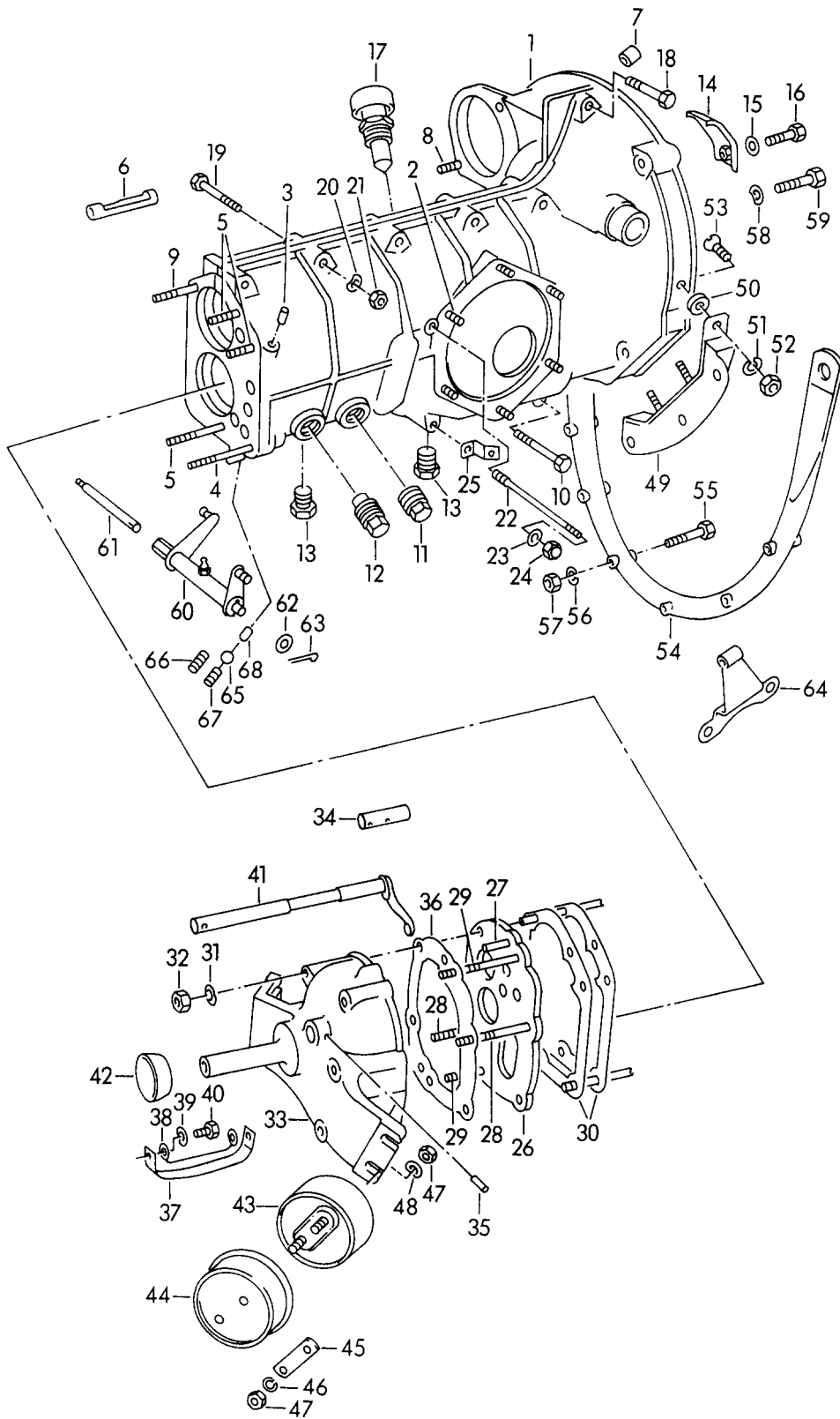


Model: 356 50 Model life 1950>>1959

| Pos  | Part Number    | Description   | Remark | Qty | Model |
|------|----------------|---|--------|-----|-------|
|      |                | Transmission cover<br>Lateral   |        |     |       |
| 20   | 519 20 059     | Transmission cover  | /V     | 1   |       |
| 21   | 519 20 326     | Clutch control shaft<br>for<br>Reverse idler gear                       |        | 1   |       |
| 22   |                | Roll pin<br>5 X 30  |        | 1   |       |
| 23   | 519 20 104     | Gasket  |        | 1   |       |
| 24   |                | Ground strap<br>L 149 055   |        | 1   |       |
| 25   | 519 20 247     | Shift lever   |        | 1   |       |
| 26   | 519 20 520     | Spacer  |        | 1   |       |
| 27   | 519 20 519     | Spacer  |        | 1   |       |
| 28   | 356 21 118     | Rubber  |        | 1   |       |
| 29   | 519 20 532     | Reinforcement plate   |        | 1   |       |
| 30   | 519 20 518     | Spacer  |        | 2   |       |
| 31   | 519 20 522     | Mounting  |        | 1   |       |
| 32   | 519 20 016     | Bearing   |        | 2   |       |
| 33   | 644 20 505     | Pot   |        | 2   |       |
| 34   | 356 20 515     | Bearing   | /H     | 2   |       |
| 35   |                | Hexagon-head bolt<br>M 8 X 32   |        | 4   |       |
| 36   | 356 20 501     | Transmission carrier  |        | 1   |       |
| 37   | 900 082 006 02 | Hexagon-head bolt<br>M 12 X 1,5 X 30                                    |        | 2   |       |
| 38   | 356 23 094     | Reverse lever<br>Complete   |        | 1   |       |
| (38) | 356 23 088     | Reverse lever<br>without<br>Bolt  |        | 1   |       |
| 39   | 356 23 158     | Bolt<br>106 MM  |        | 1   |       |
| -    | 900 163 001 02 | Nipple<br>A 6   |        | 1   |       |
| 40   | 900 025 008 02 | Washer<br>10,5  |        | 1   |       |
| 40   | N 011 527 4    | Washer<br>10,5  |        | 1   |       |
| 40   | 900 025 008 09 | Washer<br>10,5  |        | 1   |       |
| 40   | 900 025 008 04 | Washer<br>10,5  |        | 1   |       |
| 41   | N 012 530 1    | Cotter pin<br>3 X 15  |        | 1   |       |
| 42   | 644 23 327     | Bracket<br>for<br>Clutch cable  |        | 1   |       |
| 43   | 519 20 329     | Ball  |        | 3   |       |
| -    | 519 20 330     | Gear lock detent<br>Spring  |        | 1   |       |
| 44   | 519 20 265     | Gear lock detent<br>Reverse gear<br>Spring                              |        | 2   |       |
| 45   |                | Gear lock detent<br>Reverse gear<br>Detent<br>22 32<br>Gear lock detent |        | 2   |       |

Model: 356 50

Model life 1950>>1959



Model: 356 50 Model life 1950>>1959

| Pos | Part Number    | Description   | Remark | Qty | Model                                    |
|-----|----------------|---|--------|-----|--|
| 1   | 519 20 018     | Transmission case with<br>Transmission suspension               |        | 1   | 356 A/540.1<br>CARRERA<br>1500 GS/GT     |
| (1) | 519 20 018 1   | Transmission case Complete                                      |        | 1   | 1300 /S<br>1600 /S<br>CARRERA<br>1500 GS |
| -   | 111 141 711    | Bearing sleeve  |        | 2   |  |
| -   | 111 101 111    | Clutch control shaft<br>Straight pin<br>for                     |        | 2   |  |
| 2   | N 014 455 1    | Transmission case Stud  |        | 12  |  |
| 3   | 111 301 115    | BM 8 A X 31<br>Straight pin<br>for                              |        | 1   |  |
| 4   | 900 061 045 01 | Gear lock detent Stud   |        | 1   |  |
| 5   | 900 061 004 00 | BM 8 X 85 Stud  |        | 4   |  |
| 6   | 519 20 117     | BM 8 X 12<br>Oil collection container                           |        | 1   |  |
| 7   | 644 09 401     | Bearing sleeve  |        | 1   |  |
| 8   | N 144 591      | Starter Stud  |        | 1   |  |
| 9   | 900 061 046 01 | BM 10 A X 45 Stud   |        | 1   |  |
| 10  | 900 074 048 00 | BM N8 X 65<br>Hexagon-head bolt                                 |        | 6   |  |
| -   | 900 076 013 0C | M 8 X 95<br>Hexagon nut   |        | 6   |  |
| -   | 900 076 025 02 | M 8<br>Hexagon nut  |        | 6   |  |
| -   | 900 076 064 02 | M 8<br>Hexagon nut  |        | 6   |  |
| -   | 900 028 010 01 | M 8<br>Spring washer  |        | 6   |  |
| 11  | 519 20 115     | B 8<br>Screw plug<br>without pad<br>Magnet<br>White<br>Anodised |        | 2   |  |
| 12  | 519 20 116     | Screw plug<br>with magnet<br>White<br>Anodised                  |        | 1   |  |
| 13  | 539 01 133     | Drain plug  |        | 2   |  |
| 14  | 519 20 133     | Baffle plate Complete   |        | 1   |  |
| 15  | 519 20 135     | Lock washer   |        | 1   |  |
| 16  | 900 075 029 02 | Hexagon-head bolt   |        | 1   |  |
| 17  | 519 20 012     | M 8 X 25<br>Bleeder<br>Complete                                 |        | 1   |  |
| 18  | 900 074 040 02 | Hexagon-head bolt   |        | 2   |  |
| 19  | N 010 375 E    | M 8 X 50<br>Hexagon-head bolt                                   |        | 5   |  |
| 20  | 900 028 010 01 | M 8 X 75<br>Spring washer                                       |        | 14  |  |
| 21  | 900 076 013 0C | B 8<br>Hexagon nut  |        | 14  |  |
|     |                | M 8   |        |     |  |

Model: 356 50

Model life 1950&gt;&gt;1959

| Pos  | Part Number    | Description                                       | Remark | Qty | Model |
|------|----------------|---|--------|-----|-------|
| 21   | 900 076 025 02 | Hexagon nut<br>M 8                                |        | 14  |       |
| 21   | 900 076 064 02 | Hexagon nut<br>M 8                                |        | 14  |       |
| 22   | 000 95 118     | Stud  |        | 1   |       |
| -    | N 144 191      | Stud  |        | 1   |       |
| -    | 900 076 013 0C | AM 8 A X 112<br>Hexagon nut<br>M 8                |        | 1   |       |
| -    | 900 076 025 02 | Hexagon nut<br>M 8                                |        | 1   |       |
| -    | 900 076 064 02 | Hexagon nut<br>M 8                                |        | 1   |       |
| -    | 900 028 010 01 | Spring washer<br>B 8                              |        | 1   |       |
| 23   | 900 123 001 20 | Sealing ring<br>A 6 X 12 (CU)                     |        | 1   |       |
| 24   | 900 085 001 00 | Cap nut<br>M 6                                    |        | 1   |       |
| 25   | 356 42 144 1   | Retaining bracket                                 |        | 2   |       |
| 26   | 519 20 105     | Intermediate plate                                |        | 1   |       |
| 27   | 900 012 015 00 | Stud<br>8 M 6 X 20                                |        | 2   |       |
| 28   | 900 081 012 01 | Stud  |        | 2   |       |
| 29   | 900 081 011 01 | Stud<br>BM 8 X 55                                 |        | 2   |       |
| 30   | 519 20 128     | Shim<br>0,10 MM                                   |        | X   |       |
| (30) | 519 20 129     | Shim<br>0,15 MM                                   |        | X   |       |
| (30) | 519 20 130     | Shim<br>0,20 MM                                   |        | X   |       |
| 31   | 900 028 004 01 | Spring washer<br>B 8                              |        | 6   |       |
| 32   | 900 076 013 0C | Hexagon nut<br>M 8                                |        | 6   |       |
| 32   | 900 076 025 02 | Hexagon nut<br>M 8                                |        | 6   |       |
| 32   | 900 076 064 02 | Hexagon nut<br>M 8                                |        | 6   |       |
| 33   | 519 20 049     | Transmission cover<br>with<br>Shaft               |        | 1   |       |
| (33) | 519 20 136     | Transmission cover<br>without<br>Shaft            |        | 1   |       |
| 34   | 519 20 326     | Clutch control shaft<br>for<br>Reverse idler gear |        | 1   |       |
| 35   | 900 095 018 00 | Roll pin<br>5 X 28                                |        | 1   |       |
| 36   | 519 20 104     | Gasket  |        | 1   |       |
| 37   | 999 611 918 20 | Ground strap                                      |        | 1   |       |
| 38   | 900 025 007 02 | Washer<br>8,4                                     |        | 2   |       |
| 38   | 900 025 007 03 | Washer<br>8,4                                     |        | 2   |       |
| 39   | 900 028 010 01 | Spring washer<br>B 8                              |        | 1   |       |
| 40   | 999 093 010 02 | Hexagon-head bolt<br>M 8 X 20                     |        | 1   |       |
| 41   | 519 20 342     | Gearshift lever                                   |        | 1   |       |
| 42   | 519 20 555     | Gasket  |        | 1   |       |

Model: 356 50

Model life 1950&gt;&gt;1959

| Pos  | Part Number    | Description                          | Remark | Qty | Model |
|------|----------------|--------------------------------------|--------|-----|-------|
| 43   | 519 20 016     | Bearing                              |        | 2   |       |
| 44   | 644 20 505     | Pot                                  |        | 2   |       |
| 45   | 519 20 539     | Stop plate                           |        | 6   |       |
| 45   | PCG 20 539     | Reinforcement plate                  |        | 6   |       |
| 46   | 900 027 016 02 | Lock ring<br>B 10                    |        | 4   |       |
| 46   | 900 027 016 03 | Lock ring<br>B 10                    |        | 4   |       |
| 47   | N 011 010 6    | Hexagon nut<br>M 10                  |        | 8   |       |
| 47   | N 101 552 10   | Hexagon nut<br>M 10                  |        | 8   |       |
| 48   | N 012 230 1    | Spring washer<br>B 10                |        | 4   |       |
| 49   | 519 20 095     | Rubber mounting                      |        | 1   |       |
| (49) | 519 20 096     | Rubber mounting                      |        | 1   |       |
| 50   | 519 20 518     | Spacer                               |        | 2   |       |
| 51   | 900 027 015 02 | Lock ring<br>B 8                     |        | 2   |       |
| 51   | 900 027 015 03 | Lock ring<br>B 8                     |        | 2   |       |
| 52   | 900 076 013 01 | Hexagon nut<br>M 8                   |        | 6   |       |
| -    | 900 028 010 01 | Spring washer<br>B 8                 |        | 4   |       |
| 53   | 900 017 005 02 | Countersunk-head screw<br>AM 8 X 25  |        | 2   |       |
| 54   | 519 20 545     | Transmission carrier                 |        | 1   |       |
| 55   | 900 074 041 00 | Hexagon-head bolt<br>M 10 X 55       |        | 6   |       |
| 56   | 900 027 016 02 | Lock ring<br>B 10                    |        | 6   |       |
| 56   | 900 027 016 03 | Lock ring<br>B 10                    |        | 6   |       |
| 57   | N 011 010 6    | Hexagon nut<br>M 10                  |        | 6   |       |
| 57   | N 101 552 10   | Hexagon nut<br>M 10                  |        | 6   |       |
| 58   | 900 028 014 01 | Lock ring<br>B 12                    |        | 2   |       |
| 59   | 900 082 006 02 | Hexagon-head bolt<br>M 12 X 1,5 X 30 |        | 2   |       |
| 60   | 356 23 094     | Reverse lever<br>Complete            |        | 1   |       |
| (60) | 356 23 088     | Reverse lever<br>without<br>Bolt     |        | 1   |       |
| 61   | 356 23 158     | Bolt                                 |        | 1   |       |
| -    | 900 163 001 02 | Nipple<br>A 6                        |        | 1   |       |
| 62   | 900 025 008 02 | Washer<br>10,5                       |        | 1   |       |
| 62   | N 011 527 4    | Washer<br>10,5                       |        | 1   |       |
| 62   | 900 025 008 09 | Washer<br>10,5                       |        | 1   |       |
| 62   | 900 025 008 04 | Washer<br>10,5                       |        | 1   |       |
| 63   | N 012 530 1    | Cotter pin<br>3 X 15                 |        | 1   |       |
| 64   | 644 23 327     | Bracket<br>for<br>Clutch cable       |        | 1   |       |

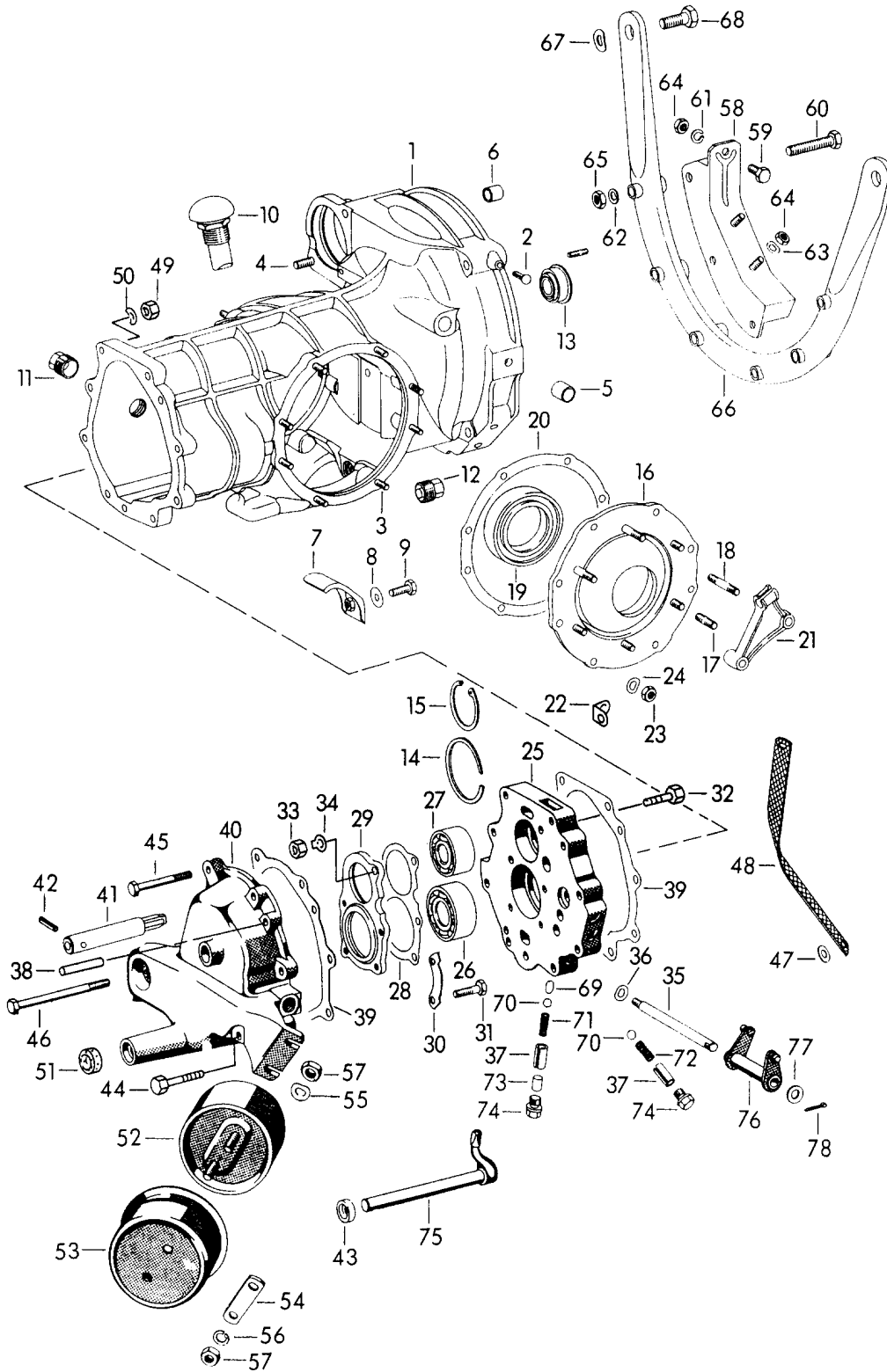
Model: 356 50

Model life 1950>>1959

| Pos | Part Number | Description                                | Remark | Qty | Model |
|-----|-------------|--|--------|-----|-------|
| 65  | 519 20 329  | Ball<br>Gear lock detent                   |        | 3   |       |
| 66  | 519 20 330  | Spring<br>Gear lock detent                 |        | 1   |       |
| 67  | 519 20 265  | Reverse gear<br>Spring<br>Gear lock detent |        | 2   |       |
| 68  | 519 20 331  | Reverse gear<br>Detent<br>Gear lock detent |        | 2   |       |

Model: 356 50

Model life 1950>>1959



Model: 356 50 Model life 1950>>1959

| Pos  | Part Number    | Description  | Remark | Qty | Model                  |
|------|----------------|--|--------|-----|------------------------|
|      |                | Transmission case<br>with<br>Transmission suspension<br>for<br>Tunnel transmission |        |     | 716/0/1/2/3<br>716/4/5 |
| (1)  | 741 300 901 10 | Transmission case<br>Complete<br>G 11 001 >> 25 000                                |        | 1   |                        |
| 1    | 716 301 010 00 | Transmission case<br>Complete<br>G 25 001 >>                                       |        | 1   |                        |
| 2    | 900 093 004 02 | Grooved nail<br>6 X 18<br>G 25 001 >>  |        | 1   |                        |
| 3    | 000 95 138     | Stud   |        | 16  |                        |
| (4)  | 900 061 014 02 | Stud<br>BM 10 X 22<br>G 11 001 >> 25 000   |        | 1   |                        |
| 4    | 900 061 007 00 | Stud<br>BM 10 X 22<br>G 25 001 >>  |        | 1   |                        |
| 5    | 644 20 117     | Bearing sleeve   |        | 2   |                        |
| 6    | 644 09 401     | Bearing sleeve   |        | 1   |                        |
| 7    | 519 20 133     | Starter<br>Shaft   |        |     |                        |
| 8    | 519 20 135     | Baffle plate<br>Lock washer<br>Copper  |        | 1   |                        |
| (9)  | 900 075 028 00 | Hexagon-head bolt<br>M 8 X 22<br>G 11 001 >> 25 000                                |        | 1   |                        |
| 9    | 900 075 028 02 | Hexagon-head bolt<br>M 8 X 22<br>G 25 001 >>                                       |        | 1   |                        |
| 10   | 519 20 012     | Bleeder  |        | 1   |                        |
| 11   | 519 20 115     | Screw plug<br>without<br>Magnet<br>White<br>Anodised                               |        | 1   |                        |
| 12   | 519 20 116     | Screw plug<br>with magnet<br>White<br>Anodised                                     |        | 1   |                        |
| 13   | 999 113 048 50 | Sealing frame<br>Drive shaft<br>G 25 001 >>  |        | 1   |                        |
| 13   | 113 311 113 A  | Shaft sealing ring<br>Drive shaft<br>G 25 001 >>                                   |        | 1   |                        |
| 13   | 113 311 113 B  | Sealing ring<br>Drive shaft<br>G 25 001 >>   |        | 1   |                        |
| 14   | 644 20 105     | Circlip  |        | 1   |                        |
| 15   | N 012 290 2    | Circlip<br>52 X 2  |        | 2   |                        |
| 16   | 644 20 011 1   | Housing cover  | /L     | 1   |                        |
| (16) | 644 20 011     | Transmission cover   | /R     | 1   |                        |
| 17   | 000 95 135     | Stud   |        | 10  |                        |
| (18) | 900 061 010 00 | Stud<br>BM 8 X 35<br>G 11 001 >> 25 000  |        | 2   |                        |
| 18   | 900 061 030 00 | Stud   |        | 2   |                        |



Model: 356 50 Model life 1950>>1959

| Pos  | Part Number    | Description   | Remark | Qty | Model       |
|------|----------------|---|--------|-----|-------------|
| 19   | 900 053 004 00 | BM 8 X 35<br>G 25 001 >><br>Angular-contact bearing<br>7210 |        | 1   |             |
| -    | 900 052 005 00 | G 25 001 >><br>Deep-groove ball bearing<br>6210             |        | 1   |             |
| 20   | 644 20 116     | G 25 001 >><br>Gasket                                       |        | 2   |             |
| 21   | 644 23 327     | Bracket   |        | 1   |             |
| 22   | 356 42 144 1   | Clutch cable<br>Retaining bracket                           |        | 2   |             |
| 23   | 900 076 013 0C | Brake hose<br>Hexagon nut                                   |        | 16  |             |
| 23   | 900 076 025 02 | M 8<br>Hexagon nut  |        | 16  |             |
| 23   | 900 076 064 02 | M 8<br>Hexagon nut  |        | 16  |             |
| (24) | 900 028 010 01 | M 8<br>Spring washer  |        | 16  |             |
| 24   | N 012 241 8    | B 8<br>G 11 001 >> 25 000<br>Spring washer                  |        | 16  |             |
| 25   | 644 20 119     | B 8<br>G 25 001 >><br>Intermediate plate                    |        | 1   |             |
| 26   | 900 053 003 00 | Angular-contact bearing<br>3305                             |        | 1   |             |
| 26   | 900 053 003 01 | G 25 001 >><br>Angular-contact bearing<br>3305              |        | 1   |             |
| 27   | 900 053 002 00 | G 25 001 >><br>Angular-contact bearing<br>3304              |        | 1   |             |
| 27   | 900 053 002 01 | G 25 001 >><br>Angular-contact bearing<br>3304              |        | 1   |             |
| 28   | 644 20 122     | G 25 001 >><br>Shim   |        | X   |             |
| 29   | 644 20 118     | Tensioning plate  |        | 1   |             |
| 30   | 741 301 291 00 | Tab washer  | /L     | 1   |             |
| (30) | 741 301 292 00 | Tab washer  | /R     | 1   |             |
| 31   | 900 074 034 00 | Hexagon-head bolt<br>M 8 X 30<br>G 11 001 >> 25 000         |        | 4   |             |
| 31   |                | Hexagon-head bolt<br>M 8 X 30<br>G 25 001 >>                |        | 4   | 716/0/1/2/3 |
| (31) | 999 074 003 01 | Hexagon-head bolt<br>G 25 001 >>                            |        | 4   | 716/4/5     |
| (32) | 900 074 035 00 | Hexagon-head bolt<br>M 8 X 32<br>G 11 001 >> 25 000         |        | 1   |             |
| 32   | 900 074 035 02 | Hexagon-head bolt<br>M 8 X 32<br>G 25 001 >>                |        | 1   |             |
| 33   | 900 076 013 0C | Hexagon nut<br>M 8  |        | 1   |             |
| 33   | 900 076 025 02 | Hexagon nut<br>M 8  |        | 1   |             |
| 33   | 900 076 064 02 | Hexagon nut<br>M 8  |        | 1   |             |
| 34   | 999 039 001 00 | Tab washer  |        | 1   |             |

Model: 356 50 Model life 1950>>1959

| Pos  | Part Number    | Description   | Remark | Qty | Model     |
|------|----------------|---|--------|-----|-----------|
| 35   | 644 23 146     | Bolt<br>for   |        | 3   |           |
| 36   | 900 028 010 01 | Reverse lever<br>Spring washer                      |        | 1   |           |
| -    | 999 151 022 02 | B 8<br>Washer<br>20 X 8,4 X 2<br>G 11 001 >> 25 000 |        | 1   |           |
| 37   | 644 20 108     | Bush<br>Gear lock detent                            |        | 3   |           |
| 38   | 900 012 020 00 | Pin<br>8 M 6 X 45                                   |        | 1   |           |
| 39   | 644 20 109     | Shim<br>0,10 MM                                     |        | X   |           |
| (39) | 644 20 110     | Shim<br>0,15 MM                                     |        | X   |           |
| (39) | 644 20 111     | Shim<br>0,20 MM                                     |        | X   |           |
| 40   | 644 20 114     | Transmission cover                                  | /V     | 1   |           |
| 41   | 644 20 022     | Eccentric bolt<br>Reverse idler gear                |        | 1   |           |
| 42   | 900 095 018 00 | Roll pin<br>5 X 28                                  |        | 1   |           |
| 43   | 900 112 001 50 | Radial sealing ring<br>A 15 X 24<br>G 22 996 >>     |        | 1   |           |
| 44   | 900 074 051 00 | Hexagon-head bolt<br>M 8 X 125                      |        | 3   |           |
| 45   | 900 074 044 0C | Hexagon-head bolt<br>M 8 X 70                       |        | 4   |           |
| 46   | N 010 375 E    | Hexagon-head bolt<br>M 8 X 75                       |        | 1   |           |
| 47   | 999 151 022 02 | Washer<br>20 X 8,4 X 2                              |        | 1   |           |
| 48   | 999 611 918 20 | Ground strap  |        | 1   |           |
| 49   | 900 076 013 0C | Hexagon nut<br>M 8                                  |        | 8   |           |
| 49   | 900 076 025 02 | Hexagon nut<br>M 8                                  |        | 8   |           |
| 49   | 900 076 064 02 | Hexagon nut<br>M 8                                  |        | 8   |           |
| 50   | 900 028 010 01 | Spring washer<br>B 8                                |        | 8   |           |
| 51   | 519 20 555     | Gasket  |        | 1   |           |
| 52   | 519 20 016     | Bearing<br>49 SHORE<br>G 11 001 >> 25 000           |        | 2   |           |
| 52   |                | Bearing<br>49 SHORE<br>G 25 001 >>                  |        | 2   | 716/0/2/3 |
| (52) |                | Bearing<br>80 SHORE<br>G 11 001 >> 25 000           |        | 2   | CARRERA   |
| (52) |                | Bearing<br>80 SHORE<br>G 25 001 >>                  |        | 2   | 716/1/4/5 |
| 53   | 644 20 505     | Pot   |        | 2   |           |
| 54   | 519 20 539     | Stop plate  |        | 4   |           |
| 54   | PCG 20 539     | Reinforcement plate                                 |        | 4   |           |
| 55   | N 012 230 1    | Spring washer<br>B 10                               |        | 4   |           |
| 56   | 900 027 016 02 | Lock ring<br>B 10                                   |        | 4   |           |

Model: 356 50 Model life 1950&gt;&gt;1959

| Pos  | Part Number    | Description  | Remark | Qty | Model |
|------|----------------|--|--------|-----|-------|
| 56   | 900 027 016 03 | Lock ring<br>B 10                                      |        | 4   |       |
| 57   | N 011 010 6    | Hexagon nut<br>M 10                                    |        | 8   |       |
| 57   | N 101 552 10   | Hexagon nut<br>M 10                                    |        | 8   |       |
| 58   | 519 20 095     | Rubber mounting  | /L     | 1   |       |
| (58) | 519 20 096     | Rubber mounting  | /R     | 1   |       |
| 59   | 999 093 010 02 | Hexagon-head bolt<br>M 8 X 20                          |        | 2   |       |
| 60   | 900 074 063 02 | Hexagon-head bolt<br>M 10 X 55<br>G 11 001 >> 25 000   |        | 6   |       |
| 60   | 900 074 380 01 | Hexagon-head bolt<br>M 10 X 55<br>G 11 001 >> 25 000   |        | 6   |       |
| 60   | 900 075 046 02 | Hexagon-head bolt<br>M 10 X 55<br>G 25 001 >>          |        | 6   |       |
| 61   | 900 027 015 02 | Lock ring<br>B 8                                       |        | 2   |       |
| 61   | 900 027 015 03 | Lock ring<br>B 8                                       |        | 2   |       |
| 62   | 900 027 016 02 | Lock ring<br>B 10                                      |        | 6   |       |
| 62   | 900 027 016 03 | Lock ring<br>B 10                                      |        | 6   |       |
| 63   | 900 028 010 01 | Spring washer<br>B 8                                   |        | 4   |       |
| 64   | 900 076 013 0C | Hexagon nut<br>M 8                                     |        | 6   |       |
| 64   | 900 076 025 02 | Hexagon nut<br>M 8                                     |        | 6   |       |
| 64   | 900 076 064 02 | Hexagon nut<br>M 8                                     |        | 6   |       |
| 65   | N 011 010 6    | Hexagon nut<br>M 10                                    |        | 6   |       |
| 65   | N 101 552 10   | Hexagon nut<br>M 10                                    |        | 6   |       |
| 66   | 519 20 545     | Transmission carrier                                   |        | 1   |       |
| 67   | 900 028 014 01 | Lock ring<br>B 12                                      |        | 2   |       |
| 68   | 900 082 006 02 | Hexagon-head bolt<br>M 12 X 1,5 X 30                   |        | 2   |       |
| 69   | 519 20 331     | Detent<br>Gear lock detent                             |        | 2   |       |
| (70) | 519 20 329     | Ball<br>9 MM<br>Gear lock detent<br>G 11 001 >> 25 000 |        | 3   |       |
| 70   | N 025 667 2    | Ball<br>9 MM<br>Gear lock detent<br>G 25 001 >>        |        | 3   |       |
| 71   | 519 20 265     | Spring<br>Gear lock detent                             |        | 2   |       |
| 72   | 519 20 330     | Spring<br>Gear lock detent                             |        | 1   |       |
| 73   | 900 012 038 00 | Reverse gear<br>Straight pin<br>10 H 11 X 14           |        | 1   |       |
| 74   | 999 065 001 02 | Screw plug   |        | 3   |       |
| 75   | 519 20 342     | Gearshift lever  |        | 1   |       |

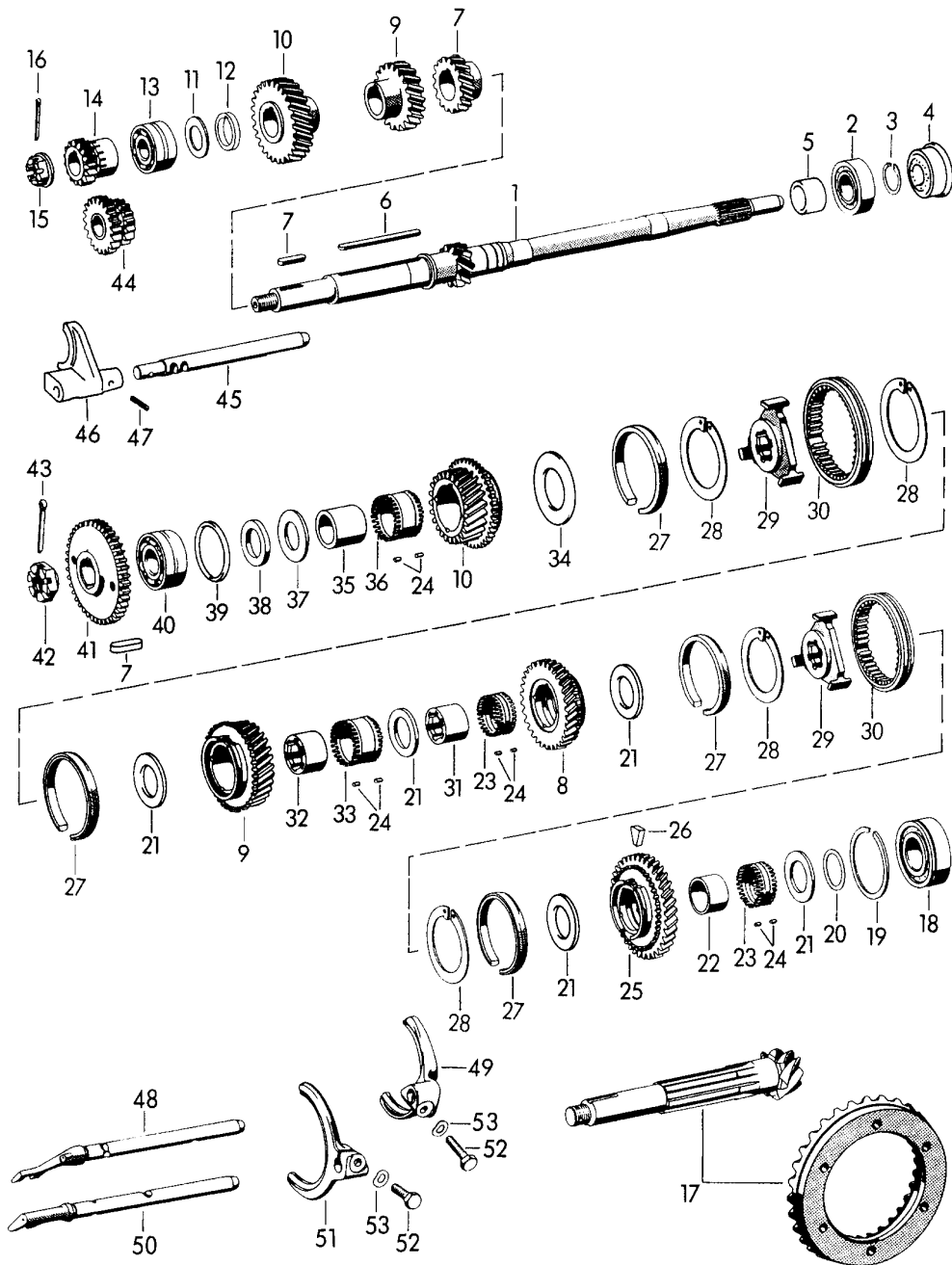
Model: 356 50

Model life 1950&gt;&gt;1959

| Pos | Part Number    | Description                     | Remark | Qty | Model |
|-----|----------------|---------------------------------|--------|-----|-------|
| 76  | 644 23 014     | Reverse lever                   |        | 1   |       |
| -   | 900 163 001 02 | Nipple<br>A 6                   |        | 1   |       |
| 77  | 900 025 008 02 | Reverse lever<br>Washer<br>10,5 |        | 1   |       |
| 77  | N 011 527 4    | Washer<br>10,5                  |        | 1   |       |
| 77  | 900 025 008 09 | Washer<br>10,5                  |        | 1   |       |
| 77  | 900 025 008 04 | Washer<br>10,5                  |        | 1   |       |
| 78  | N 012 530 1    | Cotter pin<br>3 X 15            |        | 1   |       |

Model: 356 50

Model life 1950>>1959



Model: 356 50 Model life 1950>>1959

| Pos  | Part Number    | Description  | Remark | Qty | Model   |
|------|----------------|--|--------|-----|---|
| 1    | 519 20 249     | Gears and shafts<br>for<br>Transmission<br>Drive shaft<br>Z = 11                       |        | 1   |   |
| (2)  | 900 052 003 00 | Ball bearing   |        | 1   | 356 A/540.1<br>1300 /S<br>1600 /S   |
| 2    | 644 20 207     | G >> 11 000<br>Ball bearing  |        | 1   |   |
| (2)  | 669 303 102 00 | G 11 001 >> 25 000<br>Deep-groove ball bearing   |        | 1   | 356 A/540.1   |
| -    | 519 20 139     | Transmission case<br>Pin<br>4 X 10,4   |        | 1   | 356 A/540.1<br>CARRERA  |
| 3    | 900 041 013 01 | Circlip  |        | 1   |   |
| (4)  |                | Sealing ring<br>22 21 1  |        | 1   | 356   |
| 4    | 999 113 048 50 | Sealing frame  |        | 1   | 356 A/540.1   |
| 4    | 113 311 113 A  | Shaft sealing ring   |        | 1   | 356 A/540.1   |
| 4    | 113 311 113 B  | Sealing ring   |        | 1   | 356 A/540.1   |
| 5    | 519 20 210     | Spacer ring  |        | 1   | 356   |
| 6    | 900 117 009 00 | Feather key<br>A 6 X 4 X 80  |        | 1   |   |
| 7    | 900 117 019 00 | Feather key<br>A 6 X 4 X 12  |        | 3   |   |
| 8    | 519 20 954     | Gear wheel pair<br>2nd gear<br>Z = 17:30   |        | 1   |   |
| 9    | 519 20 956     | Gear wheel pair<br>3rd gear<br>Z = 22:27<br>for<br>Ring gear and pinion shaft<br>7:31  |        | 1   | 356/356 A<br>1300 S<br>540.1<br>1300 /S<br>1600 /S<br>356 A/540.1<br>CARRERA<br>1500 GS |
| (9)  | 519 20 952     | Gear wheel pair<br>3rd gear<br>Z = 23:26<br>for<br>Ring gear and pinion shaft<br>7:31  |        | 1   | 356/356 A<br>1300<br>1600 /S  |
| 10   | 519 20 960     | Gear wheel pair<br>4th speed<br>Z = 25:24<br>for<br>Ring gear and pinion shaft<br>7:31 |        | 1   | 356 A/540.1<br>CARRERA<br>1500 GS   |
| (10) | 519 20 953     | Gear wheel pair<br>4th speed<br>Z = 27:22<br>for<br>Ring gear and pinion shaft<br>7:31 |        | 1   | 356/356 A<br>1300 /1600<br>1600 S   |
| (10) | 519 20 957     | Gear wheel pair<br>4th speed<br>Z = 26:23<br>for<br>Ring gear and pinion shaft<br>7:31 |        | 1   | 356 A:1300 S<br>540.1<br>1300 /S<br>1600 /S   |

Model: 356 50 Model life 1950>>1959

| Pos  | Part Number    | Description  | Remark | Qty | Model              |
|------|----------------|--|--------|-----|--------------------|
| 11   | 644 20 202     | G 16 146 >><br>Washer  |        | 1   |                    |
| 12   | 519 20 252     | G 11 001 >> 25 000<br>Outer ring<br>for<br>Angular-contact bearing     |        | 1   |                    |
| (13) | 519 20 250     | G >> 11 000<br>Ball bearing<br>with<br>Groove 1                        |        | 1   |                    |
| (13) | 900 053 002 02 | G >> 11 000<br>Ball bearing<br>with<br>Groove 1                        |        | 1   |                    |
| 13   | 900 053 002 00 | G >> 11 000<br>Angular-contact bearing                                 |        | 1   |                    |
| 13   | 900 053 002 01 | G 11 001 >> 25 000<br>Angular-contact bearing                          |        | 1   |                    |
| (14) | 519 20 281     | G 11 001 >> 25 000<br>Reverse gear wheel<br>1                          |        | 1   |                    |
| 14   | 644 20 203     | G >> 11 000<br>Gear wheel<br>1   |        | 1   |                    |
| 15   | 519 20 285     | G 11 001 >> 25 000<br>Castle nut                                       |        | 1   |                    |
| 16   | N 012 533 1    | Cotter pin<br>3 X 28   |        | 1   |                    |
| (17) | 519 20 266     | Ring gear and pinion shaft<br>Order also:<br>Crown wheel<br>519 32 202 |        | 1   | 356                |
| 17   | 741 302 906 01 | Ring gear and pinion shaft<br>7:31                                     |        | 1   | 356 A/540.1        |
| (17) | 550 302 921 00 | Ring gear and pinion shaft<br>6:31<br>Tunnel transmission              |        | 1   |                    |
| (18) | 900 110 002 00 | G 11 001 >> 25 000<br>Cylindrical-roller bearing                       |        | 1   |                    |
| (18) | 519 20 207     | G >> 11 000<br>Cylindrical-roller bearing                              |        | 1   | CARRERA<br>1500 GS |
| -    | 519 20 139     | G >> 11 000<br>Pin<br>4 X 10,4   |        | 1   | CARRERA<br>1500 GS |
| 18   | 915 302 399 05 | G >> 11 000<br>Cylindrical-roller bearing                              |        | 1   |                    |
| 18   | 915 302 399 06 | G 11 001 >> 25 000<br>Cylindrical-roller bearing                       |        | 1   |                    |
| 19   | 900 111 001 00 | G 11 001 >> 25 000<br>Circlip<br>SP 62 A                               |        | 1   |                    |
| 20   | 519 20 334     | G 11 001 >> 25 000<br>Adjusting shim<br>0,05 MM                        |        | X   | 356                |
| (20) | 519 20 335     | Adjusting shim<br>0,10<br>25,1 X 35 X 0,1                              |        | X   | 356                |
| (20) | 519 20 213     | Adjusting shim<br>0,10<br>30,6 X 37 X 0,1                              |        | X   | 356                |
| (20) | 519 20 214     | Adjusting shim<br>0,15   |        | X   | 356                |

Model: 356 50 Model life 1950>>1959

| Pos  | Part Number    | Description   | Remark | Qty | Model       |
|------|----------------|---|--------|-----|-------------|
| (20) | 519 20 215     | Adjusting shim<br>0,20                                    |        | X   | 356         |
| (20) | 741 302 297 00 | Adjusting shim<br>0,25 MM                                 |        | X   | 356 A/540.1 |
| (20) | 741 302 297 01 | Adjusting shim<br>0,30MM                                  |        | X   | 356 A/540.1 |
| (20) | 741 302 297 02 | Adjusting shim<br>0,40 MM                                 |        | X   | 356 A/540.1 |
| 21   | 519 20 216     | Thrust washer<br>1st / 2nd gear                           |        | 2   |             |
| 22   | 519 20 217     | Bush<br>1st gear  |        | 1   |             |
| 23   | 519 20 218     | Needle cage<br>1st / 2nd gear                             |        | 2   |             |
| (24) | 716 302 930 00 | Roller<br>3 X 5<br>Undersize<br>Oversize<br>-4,-2,0,+2,+4 |        | X   |             |
| 25   | 519 20 050     | Gear wheel<br>1st gear<br>Wheel<br>2                      |        | 1   |             |
| 26   | 519 20 288     | Stone<br>for<br>Clutch hub                                |        | 4   |             |
| 27   | 519 20 313     | Synchroniser ring   |        | 4   |             |
| 28   | 519 20 296     | Circlip   |        | 4   |             |
| 29   | 519 20 327     | Guide sleeve  |        | 2   |             |
| -    | 519 20 325     | Guide sleeve  |        | 2   | 356         |
| 30   | 519 20 328     | Shift sleeve  |        | 2   |             |
| 30   | 519 20 339     | Shift sleeve  |        | 2   |             |
| 30   | 519 20 343     | Shift sleeve  |        | 2   |             |
| 31   | 519 20 297     | Bush<br>Needle cage<br>2nd gear                           |        | 1   |             |
| 32   | 519 20 298     | Bush<br>Needle cage<br>3rd gear                           |        | 1   |             |
| 33   | 519 20 318     | Needle cage<br>Wheel<br>2<br>3rd gear                     |        | 1   |             |
| 34   | 519 20 232     | Spring washer   |        | 1   |             |
| 35   | 519 20 236     | Bush<br>Needle cage<br>4th speed                          |        | 1   |             |
| 36   | 519 20 319     | Needle cage<br>Wheel<br>2<br>4th speed                    |        | 1   |             |
| 37   | 519 20 237     | Thrust washer   |        | 1   |             |
| 38   | 644 20 206     | Washer  |        | 1   | 356 A/540.1 |
| 39   | 519 20 333     | Outer ring<br>Not for<br>Tunnel transmission              |        | 1   |             |
| (40) | 519 20 211     | Ball bearing<br>Two-row<br>G >> 11 000                    |        | 1   |             |
| 40   | 900 053 003 00 | Angular-contact bearing<br>3305<br>G 11 001 >> 25 000     |        | 1   |             |
| 40   | 900 053 003 01 | Angular-contact bearing                                   |        | 1   |             |



Model: 356 50 Model life 1950>>1959

| Pos  | Part Number    | Description   | Remark | Qty | Model     |
|------|----------------|---|--------|-----|-----------|
| (41) | 519 20 282     | 3305<br>G 11 001 >> 25 000<br>Reverse gear wheel<br>2   |        | 1   |           |
| 41   | 644 20 204     | G >> 11 000<br>Gear wheel<br>2  |        | 1   |           |
| 42   | 519 20 332     | G 11 001 >> 25 000<br>Castle nut  |        | 1   |           |
| 43   | N 012 538 1    | Cotter pin<br>4 X 40  |        | 1   |           |
| 44   | 519 20 048     | Gear wheel<br>3   |        | 1   |           |
| (45) | 519 20 280     | Gear shift rod<br>Reverse gear<br>G >> 11 000   |        | 1   |           |
| 45   | 644 20 301     | Gear shift rod<br>Reverse gear<br>G 11 001 >> 25 000  |        | 1   |           |
| 46   | 519 20 279     | Shift fork<br>Reverse gear  |        | 1   |           |
| 47   | 900 095 013 00 | Roll pin<br>4 X 20  |        | 1   |           |
| (48) | 519 20 241     | Gear shift rod<br>1st / 2nd gear<br>G >> 11 000   |        | 1   |           |
| 48   | 644 20 302     | Gear shift rod<br>1st / 2nd gear<br>G 11 001 >> 25 000  |        | 1   |           |
| 49   | 519 20 245     | Shift fork<br>1st / 2nd gear  |        | 1   |           |
| (50) | 519 20 242     | Gear shift rod<br>3rd/4th gear<br>G >> 11 000   |        | 1   |           |
| 50   | 644 20 303     | Gear shift rod<br>3rd/4th gear<br>G 11 001 >> 25 000  |        | 1   |           |
| 51   | 519 20 246     | Shift fork<br>3rd/4th gear  |        | 1   |           |
| (52) | 519 20 248     | Hexagon-head bolt<br>G >> 11 000  |        | 2   |           |
| 52   | 900 075 030 00 | Hexagon-head bolt<br>M 8 X 28<br>G 11 001 >> 25 000   |        | 2   |           |
| (53) | 900 028 010 01 | Spring washer<br>B 8<br>G >> 11 000   |        | 2   |           |
| 53   | 900 028 011 01 | Spring washer<br>B 8<br>G 11 001 >> 25 000  |        | 2   |           |
| -    | 519 20 617     | Gear set<br>for<br>Special transmission ratio<br>Clutch control shaft<br>Z = 13<br>G 11 001 >> 25 000 |        | 1   | 356/356 A |
| -    | 519 20 962     | Gear set<br>2<br>1st gear<br>G 11 001 >> 25 000   |        | 1   |           |
| -    | 519 20 088     | Wheel<br>2<br>1st gear  |        | 1   |           |

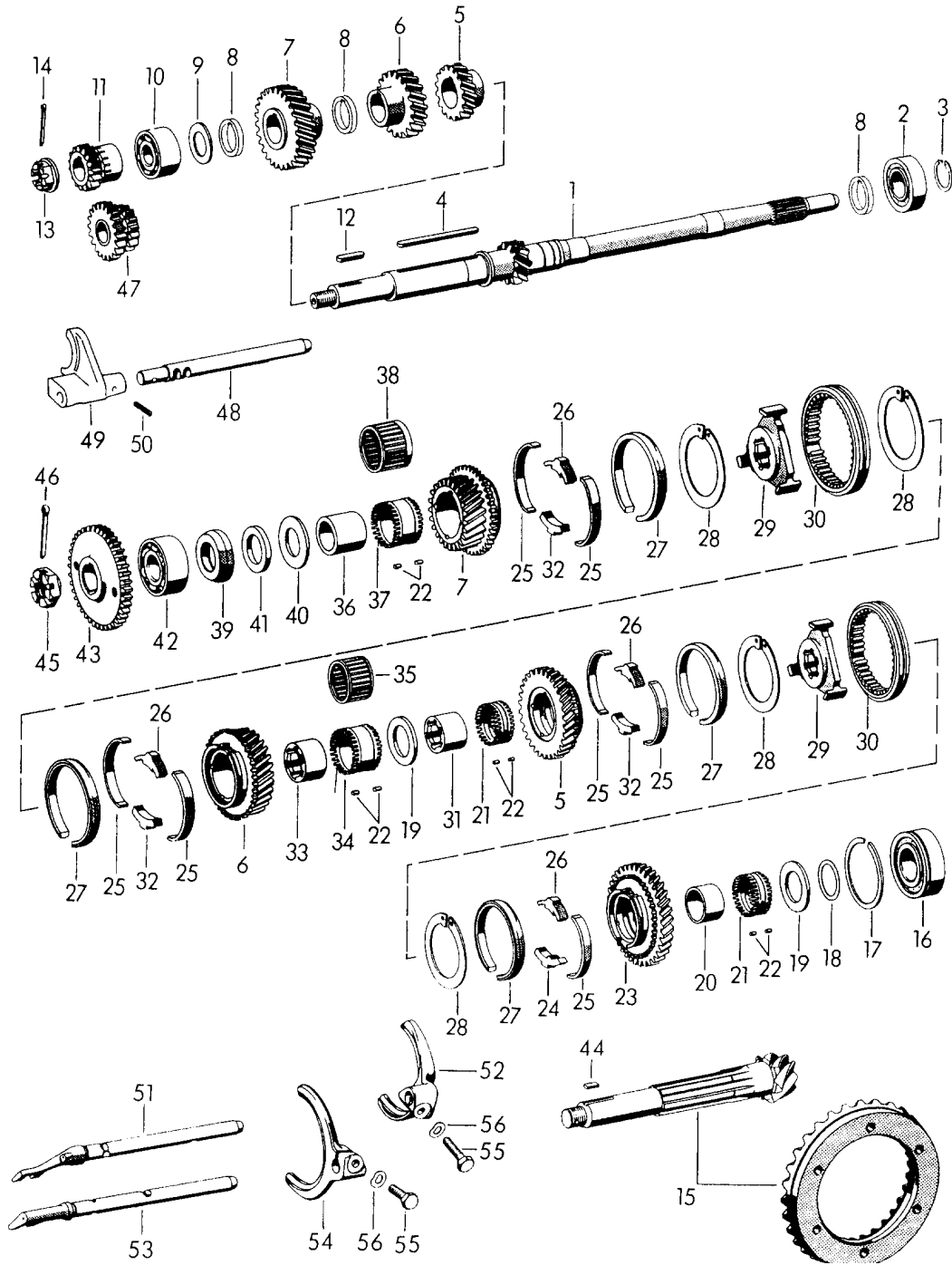
Model: 356 50

Model life 1950>>1959

| Pos | Part Number    | Description  | Remark | Qty | Model |
|-----|----------------|--|--------|-----|-------|
| -   | 519 20 958     | G 11 001 >> 25 000<br>Gear wheel pair<br>Z = 16:31                             |        | 1   |       |
| -   | 519 20 955     | G 11 001 >> 25 000<br>Gear wheel pair<br>Z = 18:29                             |        | 1   |       |
| -   | 519 20 959     | G 11 001 >> 25 000<br>Gear wheel pair<br>Z = 24:25                             |        | 1   |       |
| -   | 550 302 921 00 | G 11 001 >> 25 000<br>Ring gear and pinion shaft<br>6:31<br>G 11 001 >> 25 000 |        | 1   |       |

Model: 356 50

Model life 1950>>1959



Model: 356 50

Model life 1950&gt;&gt;1959

| Pos  | Part Number    | Description                               | Remark | Qty | Model                  |
|------|----------------|---|--------|-----|------------------------|
|      |                | Gears and shafts<br>for<br>Transmission   |        |     | 716/0/1/2/3<br>716/4/5 |
| 1    | 519 20 249     | Drive shaft<br>Z = 11                     |        | 1   |                        |
| 2    | 644 20 207     | Ball bearing                              |        | 1   |                        |
| 3    | 999 041 003 01 | Circlip                                   |        | 1   |                        |
| 4    | 900 117 009 00 | Feather key<br>A 6 X 4 X 80               |        | 1   |                        |
| 5    | 716 302 902 01 | Gear set<br>2nd gear<br>Z = 16:31 (2A)    |        | 1   | 716/3/4/5              |
| (5)  | 716 302 902 11 | Gear set<br>2nd gear<br>Z = 17:30 (2B)    |        | 1   | 716/0/1/2              |
| 6    | 716 302 903 01 | Gear wheel pair<br>3rd gear<br>Z = 22:27  |        | 1   | 716/1/2                |
| (6)  | 716 302 903 11 | Gear set<br>3rd gear<br>Z = 23:26 (3B)    |        | 1   | 716/0                  |
| (6)  | 716 302 903 41 | Gear wheel pair<br>3rd gear<br>Z = 20:27  |        | 1   | 716/3/4/5              |
| 7    | 741 302 904 00 | Gear set<br>4th speed<br>Z = 25:24        |        | 1   | 716/1/3                |
| (7)  | 716 302 904 21 | Gear set<br>4th speed<br>Z = 27:22 (4C)   |        | 1   | 716/0                  |
| (7)  | 716 302 904 11 | Gear wheel pair<br>4th speed<br>Z = 26:23 |        | 1   | 716/2                  |
| (7)  | 716 302 903 21 | Gear wheel pair<br>4th speed<br>Z = 24:25 |        | 1   | 716/4                  |
| (7)  | 716 302 903 11 | Gear set<br>4th speed<br>Z = 23:26        |        | 1   | 716/5                  |
| 8    | 716 302 265 00 | Spacer ring                               |        | 2   | 716/3/4/5              |
| 9    | 644 20 202     | Washer                                    |        | 1   |                        |
| 10   | 900 053 002 00 | Angular-contact bearing<br>3304           |        | 1   |                        |
| 10   | 900 053 002 01 | Angular-contact bearing<br>3304           |        | 1   |                        |
| 11   | 644 20 203     | Gear wheel<br>1                           |        | 1   |                        |
| 12   | 900 117 018 00 | Feather key<br>B 6 X 4 X 12               |        | 1   |                        |
| 13   | 519 20 285     | Castle nut                                |        | 1   |                        |
| 14   | N 012 533 1    | Cotter pin<br>3 X 28                      |        | 1   |                        |
| 15   | 741 302 906 01 | Ring gear and pinion shaft<br>7:31        |        | 1   |                        |
| 16   | 915 302 399 05 | Cylindrical-roller bearing                |        | 1   |                        |
| 16   | 915 302 399 06 | Cylindrical-roller bearing                |        | 1   |                        |
| 17   | 900 111 001 00 | Circlip<br>SP 62 A                        |        | 1   |                        |
| 18   | 741 302 297 00 | Adjusting shim<br>0,25 MM                 |        | X   |                        |
| (18) | 741 302 297 01 | Adjusting shim<br>0,30 MM                 |        | X   |                        |
| (18) | 741 302 297 02 | Adjusting shim                            |        | X   |                        |

Model: 356 50 Model life 1950>>1959

| Pos  | Part Number    | Description   | Remark | Qty | Model       |
|------|----------------|---|--------|-----|-------------|
| 19   | 519 20 216     | 0,40 MM<br>Thrust washer  |        | 2   |             |
| 20   | 519 20 217     | 1st / 2nd gear<br>Bush  |        | 1   |             |
| 21   | 519 20 218     | 1st gear<br>Needle cage   |        | 2   |             |
| (22) | 716 302 930 00 | 1st / 2nd gear<br>Roller<br>3 X 5<br>Undersize<br>Oversize<br>-4,-2,0,+2,+4 |        | X   |             |
| 23   | 716 302 021 11 | Gear wheel<br>1st gear<br>Z = 34  |        | 1   |             |
| 24   | 716 302 320 01 | Stone<br>1st gear   |        | 1   |             |
| 25   | 741 302 316 00 | Brake band<br>1. - 4.<br>Speed  |        | 7   |             |
| 26   | 741 302 317 00 | Stop<br>1. - 4.<br>Speed  |        | 4   |             |
| 27   | 716 302 301 06 | Synchroniser ring<br>1. - 4.<br>Speed                                       |        | 4   |             |
| 28   | 741 302 311 00 | Circlip<br>1. - 4.<br>Speed   |        | 4   |             |
| 29   | 716 302 401 01 | Guide sleeve  |        | 2   |             |
| 30   | 716 302 411 01 | Shift sleeve  |        | 2   |             |
| 30   | 716 302 411 03 | Shift sleeve  |        | 2   |             |
| 31   | 519 20 297     | Bush<br>Needle cage<br>2nd gear   |        | 1   |             |
| 32   | 716 302 315 02 | Stone<br>2. - 4.<br>Speed   |        | 3   |             |
| 33   | 519 20 298     | Bush<br>Needle cage   |        | 1   |             |
| 34   | 519 20 318     | 3rd gear<br>Needle cage<br>Wheel<br>2<br>3rd gear                           |        | 1   |             |
| 35   |                | Deleted   |        | X   |             |
| 36   | 519 20 236     | Bush<br>Needle cage<br>4th speed  |        | 1   |             |
| (37) | 519 20 319     | Needle cage<br>Wheel<br>2<br>4th speed                                      |        | 1   | 716/0/1/2/3 |
| 37   | 519 20 318     | Needle cage<br>Wheel<br>2<br>4th speed                                      |        | 1   | 716/4/5     |
| 38   |                | Deleted   |        | X   |             |
| 39   | 644 20 691     | Thrust ring   |        | 1   | 716/4/5     |
| 40   | 519 20 237     | Thrust washer   |        | 1   |             |
| 41   | 644 20 206     | Washer  |        | 1   |             |
| 42   | 900 053 003 00 | Angular-contact bearing<br>3305   |        | 1   |             |

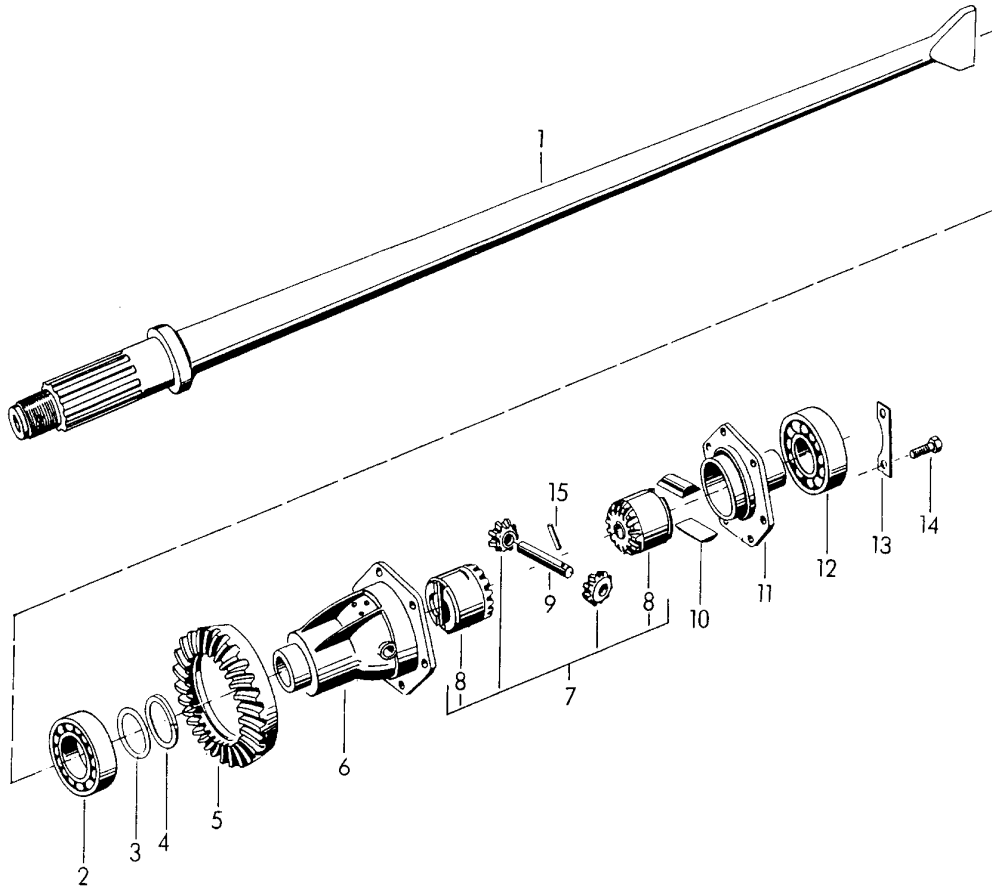
Model: 356 50

Model life 1950&gt;&gt;1959

| Pos  | Part Number    | Description                      | Remark | Qty | Model |
|------|----------------|----------------------------------|--------|-----|-------|
| 42   | 900 053 003 01 | Angular-contact bearing<br>3305  |        | 1   |       |
| 43   | 644 20 204     | Gear wheel<br>2                  |        | 1   |       |
| 44   | 900 117 018 00 | Feather key<br>B 6 X 4 X 12      |        | 2   |       |
| 45   | 519 20 332     | Castle nut                       |        | 1   |       |
| 46   | N 012 538 1    | Cotter pin<br>4 X 40             |        | 1   |       |
| 47   | 519 20 048     | Gear wheel<br>3                  |        | 1   |       |
| 48   | 644 20 301     | Gear shift rod<br>Reverse gear   |        | 1   |       |
| (49) | 519 20 279     | Shift fork<br>Reverse gear       |        | 1   |       |
| 50   | 900 095 013 00 | Roll pin<br>4 X 20               |        | 1   |       |
| (51) | 644 20 302     | Gear shift rod<br>1st / 2nd gear |        | 1   |       |
| 52   | 519 20 245     | Shift fork<br>1st / 2nd gear     |        | 1   |       |
| (53) | 644 20 303     | Gear shift rod<br>3rd/4th gear   |        | 1   |       |
| 54   | 519 20 246     | Shift fork<br>3rd/4th gear       |        | 1   |       |
| 55   | 900 074 033 00 | Hexagon-head bolt<br>M 8 X 28    |        | 2   |       |
| 56   | 900 028 010 01 | Spring washer<br>B 8             |        | 2   |       |

Model: 356 50

Model life 1950>>1959



Model: 356 50 Model life 1950>>1959

| Pos  | Part Number    | Description   | Remark | Qty | Model       |
|------|----------------|---|--------|-----|-------------|
| (1)  |                | Differential<br>Rear wheel shaft<br>32 04 2                         |        | 2   | 356         |
| 1    | 644 332 221 02 | Drive shaft   |        | 2   | 356 A/540.1 |
| 2    | 900 052 005 00 | Deep-groove ball bearing<br>6210                                    |        | 1   |             |
| 3    | 519 32 103     | Spacer  |        | X   |             |
| 3    | PCG 32 103     | Spacer  |        | X   |             |
| 4    | 519 32 206     | Spacer ring<br>2,9 MM   |        | X   |             |
| (4)  | 519 32 207     | Spacer ring<br>3,0 MM   |        | X   |             |
| (4)  | 519 32 208     | Spacer ring<br>3,1 MM   |        | X   |             |
| (4)  | 519 32 209     | Spacer ring<br>3,2 MM   |        | X   |             |
| (4)  | 519 32 210     | Spacer ring<br>3,3 MM   |        | X   |             |
| (4)  | 519 32 211     | Spacer ring<br>3,4 MM   |        | X   |             |
| (4)  | 519 32 212     | Spacer ring<br>3,5 MM   |        | X   |             |
| (4)  | 519 32 213     | Spacer ring<br>3,6 MM   |        | X   |             |
| (4)  | 519 32 214     | Spacer ring<br>3,7 MM   |        | X   |             |
| (4)  | 519 32 215     | Spacer ring<br>3,8 MM   |        | X   |             |
| (4)  | 519 32 216     | Spacer ring<br>3,9 MM   |        | X   |             |
| (4)  | 519 32 217     | Spacer ring<br>4,0 MM   |        | X   |             |
| (4)  | 519 32 218     | Spacer ring<br>4,1 MM   |        | X   |             |
| (4)  | 519 32 219     | Spacer ring<br>4,2 MM   |        | X   |             |
| (4)  | 519 32 220     | Spacer ring<br>4,3 MM   |        | X   |             |
| (4)  | 519 32 221     | Spacer ring<br>4,4 MM   |        | X   |             |
| (4)  | 519 32 222     | Spacer ring<br>4,5 MM   |        | X   |             |
| 5    |                | Ring gear and pinion shaft<br>See group<br>3/03/00<br>Picture<br>17 |        | 1   |             |
| 6    | 519 32 101     | Housing   |        | 1   |             |
| -    |                | 1 set<br>Rear wheel shaft<br>And<br>Differential pinions<br>SP 54   |        | 1   | 356         |
| 7    | 644 332 043 00 | Differential pinions<br>1 set                                       |        | 1   | 356 A/540.1 |
| 8    | 644 332 401 00 | Shaft bevel gear  |        | 2   | 356 A/540.1 |
| 9    | 519 32 102     | Differential bolt   |        | 1   |             |
| (10) |                | Slide<br>32 05 2  |        | 4   | 356         |
| 10   | 690 321 232 00 | Slide   |        | 4   | 356 A/540.1 |
| (10) |                | Slide<br>Oversize   |        | X   | 356 A/540.1 |
| (11) |                | Housing cover   |        | 1   | 356         |



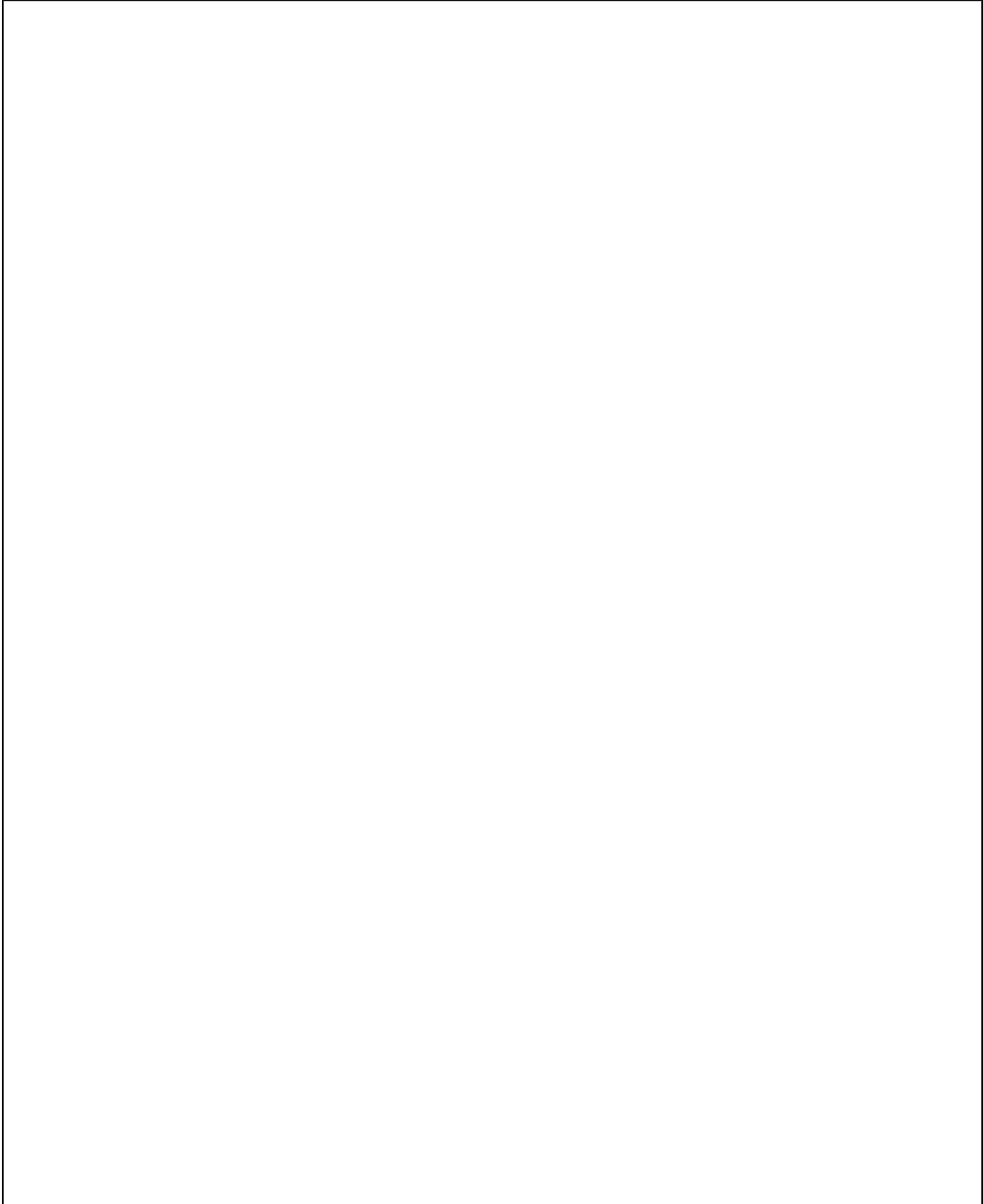
Model: 356 50

Model life 1950>>1959

| Pos  | Part Number    | Description             | Remark | Qty | Model       |
|------|----------------|-------------------------|--------|-----|-------------|
|      |                | 32 09 1                 |        |     |             |
| 11   | 644 332 215 00 | Housing cover           |        | 1   | 356 A/540.1 |
| (11) | 741 332 215 00 | Housing cover           |        | 1   | 356 A/540.1 |
| (11) | 741 332 111 00 | Housing cover           |        | 1   |             |
|      |                | Bohrungen 12 x          |        |     |             |
|      |                | Use also:               |        |     |             |
|      |                | 741.332.261.00          |        | 1   |             |
| 12   | 900 053 004 00 | Angular-contact bearing |        | 1   |             |
|      |                | 7210                    |        |     |             |
| (13) | 519 32 105     | Tab washer              |        | 3   | 356         |
| 13   | 741 332 281 00 | Tab washer              |        | 3   | 356 A/540.1 |
| (14) | 519 32 205     | Hexagon-head bolt       |        | 6   | 356         |
| 14   | 741 332 271 05 | Hexagon-head bolt       |        | 6   | 356 A/540.1 |
| 14   | 741 332 271 07 | Hexagon-head bolt       |        | 6   | 356 A/540.1 |
| 15   | 519 32 104     | Pin                     |        | 1   |             |

Model: 356 50

Model life 1950>>1959



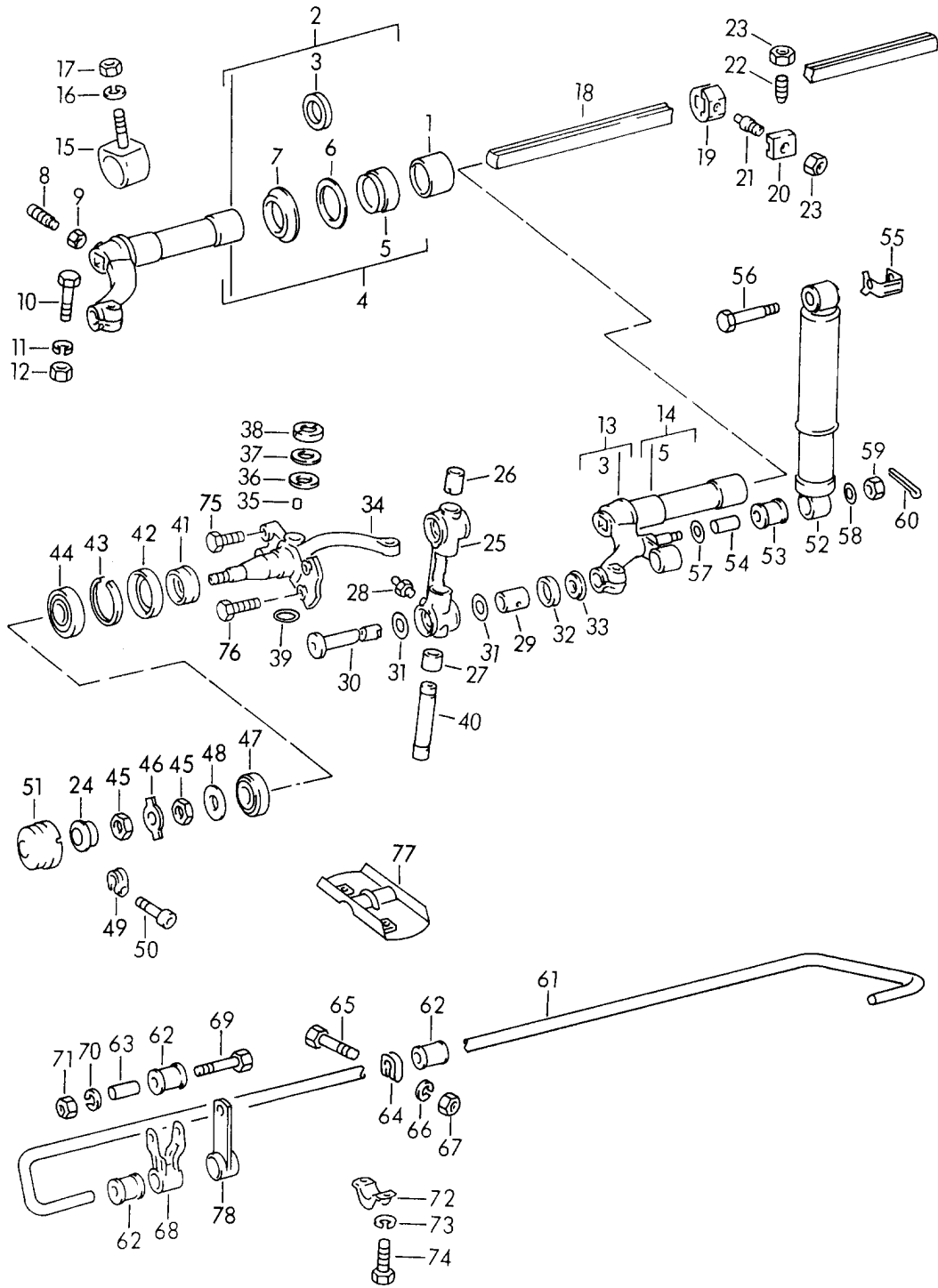
Model: 356 50

Model life 1950>>1959

| Pos | Part Number    | Description   | Remark | Qty | Model      |
|-----|----------------|---|--------|-----|------------|
|     |                | Gear set<br>for<br>Special transmission ratio<br>Clutch control shaft<br>Z = 13 |        | 1   | 356 /356 A |
| -   | 519 20 617     |   |        |     |            |
| -   | 519 20 962     | Gear set<br>2<br>1st gear   |        | 1   |            |
| -   | 519 20 088     | Wheel<br>2<br>1st gear  |        | 1   |            |
| >>  | 519 20 958     | Gear wheel pair<br>Z = 16:31  |        | 1   |            |
| >>  | 519 20 955     | Gear wheel pair<br>Z = 18:29  |        | 1   |            |
| >>  | 519 20 959     | Gear wheel pair<br>Z = 24:25  |        | 1   |            |
| >>  | 550 302 921 00 | Ring gear and pinion shaft<br>6:31  |        | 1   |            |

Model: 356 50

Model life 1950>>1959



Model: 356 50 Model life 1950>>1959

| Pos  | Part Number    | Description  | Remark | Qty | Model                                 |
|------|----------------|--|--------|-----|---------------------------------------|
| -    | PCG 043 110 00 | Front axle<br>Lubricants<br>Grease<br>Bearing<br>200 GR. |        | 1   | 356 / 356A                            |
| -    | PCG 143 110 00 | Grease gun   |        | 1   |                                       |
| 1    | 356 41 118     | Bearing sleeve   |        | 4   | 356                                   |
| 1    | 644 41 103     | Bearing sleeve   |        | 4   | 356 A                                 |
| 2    |                | Lever<br>41.20.2<br>Upper                                |        | 2   | 356                                   |
| 3    |                | Sealing ring<br>87.41.80                                 |        | 4   | 356                                   |
| 4    | 695 341 994 00 | Lever<br>Upper   |        | 2   | 356 A                                 |
| 5    | 644 41 014     | Needle-roller bearing                                    |        | 4   | 356 A                                 |
| 6    | 644 41 404     | Cover disc   |        | 4   | 356 A                                 |
| 7    | 644 41 403     | Sealing ring   |        | 4   | 356 A                                 |
| 8    |                | Fastening screw<br>41.44                                 |        | 4   | 356                                   |
| 8    | 999 069 001 01 | Fastening screw  |        | 4   | 356 A                                 |
| 9    |                | Lock nut<br>41.43  |        | 4   | 356                                   |
| 9    | 644 41 111     | Lock nut   |        | 4   | 356 A                                 |
| 10   | 900 074 060 01 | Hexagon-head bolt<br>M 10 X 40                           |        | 4   |                                       |
| 11   | 900 027 016 02 | Lock ring<br>B 10  |        | 4   |                                       |
| 11   | 900 027 016 03 | Lock ring<br>B 10  |        | 4   |                                       |
| 12   | N 011 010 6    | Hexagon nut<br>M 10                                      |        | 4   |                                       |
| 12   | N 101 552 10   | Hexagon nut<br>M 10                                      |        | 4   |                                       |
| 13   | 356 041 610    | Lever<br>Lower   |        | 2   | 356                                   |
| 14   | 644 341 023 01 | Lever<br>Lower   |        | 2   | 356 A                                 |
| (15) | 356 041 208    | Rubber stop  |        | 2   | 356                                   |
| 15   | 695 341 031 01 | Rubber stop  |        | 2   | 356 A                                 |
| 16   | 900 027 015 02 | Lock ring<br>B 8   |        | 2   | 356 A                                 |
| 16   | 900 027 015 03 | Lock ring<br>B 8   |        | 2   | 356 A                                 |
| 17   | 900 076 013 02 | Hexagon nut<br>M 8                                       |        | 2   | 356 A                                 |
| 17   | 900 076 025 02 | Hexagon nut<br>M 8                                       |        | 2   | 356 A                                 |
| 17   | 900 076 064 02 | Hexagon nut<br>M 8                                       |        | 2   | 356 A                                 |
| 18   | 356 41 207     | Torsion bar  |        | 2   | 356                                   |
| (18) | 356 41 042     | Torsion bar  |        | 2   | 356<br>SPEEDSTER                      |
| 18   | 644 41 020     | Torsion bar  |        | 2   | 356 A                                 |
| 19   | 644 41 202     | Driver<br>F >> 56 276<br>F >> 61 186<br>F >> 82 241      |        | 2   | 356 A<br>COUPE<br>CABRIO<br>SPEEDSTER |
| 19   | 644 41 202 1   | Driver<br>F 56 277 >><br>F 61 187 >><br>F 82 242 >>      |        | 2   | 356 A<br>COUPE<br>CABRIO<br>SPEEDSTER |
| 20   | 644 41 204     | Stop   |        | 2   | 356 A                                 |

Model: 356 50 Model life 1950>>1959

| Pos  | Part Number    | Description                                    | Remark | Qty | Model                                 |
|------|----------------|--|--------|-----|---------------------------------------|
| 21   | 644 41 203     | Fastening screw                                |        | 2   | 356 A                                 |
| 22   | 644 41 205     | Threaded pin                                   |        | 2   | 356 A                                 |
| 23   | 644 41 111     | Lock nut                                       |        | 2   | 356 A                                 |
| 24   | 356 41 453     | Cap<br>for<br>Steering knuckle<br>with<br>Hole | /L     | 1   |                                       |
| (24) | 356 41 454     | Cap<br>for<br>Steering knuckle                 | /R     | 1   |                                       |
| 25   | 356 41 429     | Supporting bow<br>with<br>Bush                 | /L     | 1   | 356                                   |
| 25   | 644 41 043     | Supporting bow<br>with<br>Bush                 | /L     | 1   | 356 A                                 |
| (25) | 356 41 430     | Supporting bow<br>with<br>Bush                 | /R     | 1   | 356                                   |
| (25) | 695 341 044 00 | Supporting bow<br>with<br>Bush                 | /R     | 1   | 356 A                                 |
| 26   | 356 41 418     | Bush<br>Upper                                  |        | 2   |                                       |
| 27   | 356 41 415     | Bush<br>Lower                                  |        | 2   |                                       |
| 28   |                | Nipple<br>Alternative parts:                   |        | X   |                                       |
| -    | 999 163 001 01 | Nipple   |        | 4   |                                       |
| -    | 999 163 003 02 | Nipple   |        | 4   |                                       |
| 29   | 644 41 407     | Bush   |        | 4   |                                       |
| 29   | 695 341 993 00 | Bush   |        | 4   |                                       |
| 30   | 356 41 445     | Collar bolt                                    |        | 4   |                                       |
| -    | 695 341 993 00 | Bush<br>for<br>Collar bolt<br>Comprising:      |        | 2   |                                       |
|      |                | Bush   |        | 2   |                                       |
|      |                | Sealing washer                                 |        | 2   |                                       |
|      |                | Sealing ring                                   |        | 2   |                                       |
|      |                | Spacer   |        | 18  |                                       |
|      |                | Collar bolt                                    |        | 2   |                                       |
| 31   | 356 41 446     | Spacer   |        | 36  |                                       |
| 32   | 644 41 409     | Sealing ring                                   |        | 4   | 356 A                                 |
| 33   | 644 41 408     | Sealing washer                                 |        | 4   | 356 A                                 |
| 34   | 356 41 419     | Steering knuckle                               | /L     | 1   | 356                                   |
| 34   | 644 41 401     | Steering knuckle                               | /L     | 1   | 356 A                                 |
| 34   | 644 341 651 00 | Steering knuckle                               | /L     | 1   | 356 A                                 |
|      |                | F >> 103 785                                   |        |     | 1500 CARRERA<br>GS (GT)<br>COUPE      |
|      |                | F >> 103 880                                   |        |     | 1500 CARRERA<br>GS (DE LUXE)<br>COUPE |
|      |                | F >> 150 572                                   |        |     | 1500 CARRERA<br>GS (DL LUXE)<br>COUPE |
|      |                | F >> 104 852                                   |        |     | HARDTOP                               |
|      |                | F >> 150 981                                   |        |     | 1600 COUPE                            |
|      |                | F >> 85 569                                    |        |     | 1600 CABRIO<br>HARDTOP<br>1600        |

Model: 356 50 Model life 1950>>1959

| Pos  | Part Number    | Description                      | Remark | Qty | Model                                     |
|------|----------------|----------------------------------|--------|-----|---|
| (34) | 356 41 420     | Steering knuckle                 | /R     | 1   | CONVERTIBLE<br>356                        |
| (34) | 641 41 402     | Steering knuckle                 | /R     | 1   | 356 A                                     |
| (34) | 644 341 652 00 | Steering knuckle<br>F >> 103 785 | /R     | 1   | 356 A<br>1500 CARRERA<br>GS (GT)<br>COUPE |
|      |                | F >> 103 880                     |        |     | 1500 CARRERA<br>GS (DE LUXE)<br>COUPE     |
|      |                | F >> 150 572                     |        |     | 1500 CARRERA<br>GS (DL LUXE)<br>COUPE     |
|      |                | F >> 104 852                     |        |     | HARDTOP<br>1600 COUPE                     |
|      |                | F >> 150 981                     |        |     | 1600 CABRIO<br>HARDTOP                    |
|      |                | F >> 85 569                      |        |     | 1600<br>CONVERTIBLE                       |
| 35   | 900 095 006 00 | Roll pin<br>3 X 6                |        | 2   |   |
| 36   | 356 41 461     | Thrust washer<br>3,30 - 3,35 MM  |        | X   |   |
| (36) | 356 41 462     | Thrust washer<br>3,40 - 3,45 MM  |        | X   |   |
| (36) | 356 41 463     | Thrust washer<br>3,50 - 3,55 MM  |        | X   |   |
| (36) | 356 41 464     | Thrust washer<br>3,60 - 3,65 MM  |        | X   |   |
| (36) | 356 41 465     | Thrust washer<br>3,70 - 3,75 MM  |        | X   |   |
| (36) | 356 41 465 1   | Thrust washer<br>3,85 - 3,90 MM  |        | X   |   |
| (36) | 356 41 466     | Thrust washer<br>3,90 - 3,95 MM  |        | X   |   |
| (36) | 356 41 467     | Thrust washer<br>4,10 - 4,15 MM  |        | X   |   |
| (36) | 356 41 468     | Thrust washer<br>4,30 - 4,35 MM  |        | X   |   |
| 37   | 356 41 443     | Thrust washer                    |        | 2   |   |
| 38   | 356 41 444     | Cap                              |        | 2   |   |
| 39   | 000 97 309     | Sealing ring                     |        | 2   | 356 A                                     |
| 40   | 695 341 675 10 | Bearing pin                      |        | 2   |   |
| 41   | 356 41 447     | Spacer ring                      |        | 2   |   |
| 41   | 356 41 457     | Spacer ring                      |        | 2   |   |
| 41   | 644 341 661 00 | Spacer ring<br>F >> 103 785      |        | 2   | 1500 CARRERA<br>GS (GT)<br>COUPE          |
|      |                | F >> 103 880                     |        |     | 1500 CARRERA<br>GS (DE LUXE)<br>COUPE     |
|      |                | F >> 150 572                     |        |     | 1500 CARRERA<br>GS (DL LUXE)<br>COUPE     |
|      |                | F >> 104 852                     |        |     | HARDTOP<br>1600 COUPE                     |
|      |                | F >> 150 981                     |        |     | 1600 CABRIO<br>HARDTOP                    |
|      |                | F >> 85 569                      |        |     | 1600<br>CONVERTIBLE                       |
| 42   | 356 41 448     | Sealing ring                     |        | 2   | 356                                       |
| 42   |                | Sealing ring                     |        | 2   | 356 A                                     |

Model: 356 50 Model life 1950>>1959

| Pos  | Part Number    | Description   | Remark | Qty | Model   |
|------|----------------|---|--------|-----|---|
| 43   | 644 341 663 00 | Intermediate ring<br>F >> 103 785<br><br>F >> 103 880<br><br>F >> 150 572<br><br>F >> 104 852<br>F >> 150 981<br><br>F >> 85 569                      |        | 2   | 356 A<br>1500 CARRERA<br>GS (GT)<br>COUPE<br>1500 CARRERA<br>GS (DE LUXE)<br>COUPE<br>1500 CARRERA<br>GS (DL LUXE)<br>COUPE<br>HARDTOP<br>1600 COUPE<br>1600 CABRIO<br>HARDTOP<br>1600<br>CONVERTIBLE     |
| 44   | 900 053 006 00 | Ball bearing<br>Inner<br>17305  |        | 2   |   |
| 44   | 900 059 001 00 | Ball bearing<br>Inner<br>30206<br>F >> 103 785<br><br>F >> 103 880<br><br>F >> 150 572<br><br>F >> 104 852<br>F >> 150 981<br><br>F >> 85 569         |        | 2   | 356 A<br><br>1500 CARRERA<br>GS (GT)<br>COUPE<br>1500 CARRERA<br>GS (DE LUXE)<br>COUPE<br>1500 CARRERA<br>GS (DL LUXE)<br>COUPE<br>HARDTOP<br>1600 COUPE<br>1600 CABRIO<br>HARDTOP<br>1600<br>CONVERTIBLE |
| 45   | 356 41 451     | Nut   | /L     | 2   |   |
| (45) | 356 41 450     | Nut   | /R     | 2   |   |
| 46   | 356 41 452     | Lock washer   |        | 2   |   |
| 47   | 900 053 005 00 | Ball bearing<br>Outer<br>17304  |        | 2   |   |
| 47   | 900 059 002 00 | Taper roller bearing<br>Outer<br>30304<br>F >> 103 785<br><br>F >> 103 880<br><br>F >> 150 572<br><br>F >> 104 852<br>F >> 150 981<br><br>F >> 85 569 |        | 2   | 356 A<br><br>1500 CARRERA<br>GS (GT)<br>COUPE<br>1500 CARRERA<br>GS (DE LUXE)<br>COUPE<br>1500 CARRERA<br>GS (DL LUXE)<br>COUPE<br>HARDTOP<br>1600 COUPE<br>1600 CABRIO<br>HARDTOP<br>1600<br>CONVERTIBLE |
| 48   | 356 41 449     | Thrust washer   |        | 2   |   |
| 48   | 644 341 667 00 | Thrust washer   |        | 2   | 356 A   |



Model: 356 50 Model life 1950>>1959

| Pos | Part Number    | Description    | Remark | Qty | Model                                 |
|-----|----------------|----------------|--------|-----|---------------------------------------|
|     |                | F >> 103 785   |        |     | 1500 CARRERA<br>GS (GT)<br>COUPE      |
|     |                | F >> 103 880   |        |     | 1500 CARRERA<br>GS (DE LUXE)<br>COUPE |
|     |                | F >> 150 572   |        |     | 1500 CARRERA<br>GS (DL LUXE)<br>COUPE |
|     |                | F >> 104 852   |        |     | HARDTOP<br>1600 COUPE                 |
|     |                | F >> 150 981   |        |     | 1600 CABRIO<br>HARDTOP                |
|     |                | F >> 85 569    |        |     | 1600<br>CONVERTIBLE                   |
| 49  | 914 341 671 00 | Clamping nut   |        | 2   | 356 A                                 |
|     |                | F >> 103 785   |        |     | 1500 CARRERA<br>GS (GT)<br>COUPE      |
|     |                | F >> 103 880   |        |     | 1500 CARRERA<br>GS (DE LUXE)<br>COUPE |
|     |                | F >> 150 572   |        |     | 1500 CARRERA<br>GS (DL LUXE)<br>COUPE |
|     |                | F >> 104 852   |        |     | HARDTOP<br>1600 COUPE                 |
|     |                | F >> 150 981   |        |     | 1600 CABRIO<br>HARDTOP                |
|     |                | F >> 85 569    |        |     | 1600<br>CONVERTIBLE                   |
| 50  | 999 119 001 01 | Pan-head screw |        | 2   | 356 A                                 |
|     |                | F >> 103 785   |        |     | 1500 CARRERA<br>GS (GT)<br>COUPE      |
|     |                | F >> 103 880   |        |     | 1500 CARRERA<br>GS (DE LUXE)<br>COUPE |
|     |                | F >> 150 572   |        |     | 1500 CARRERA<br>GS (DL LUXE)<br>COUPE |
|     |                | F >> 104 852   |        |     | HARDTOP<br>1600 COUPE                 |
|     |                | F >> 150 981   |        |     | 1600 CABRIO<br>HARDTOP                |
|     |                | F >> 85 569    |        |     | 1600<br>CONVERTIBLE                   |
| 50  | 999 119 001 0B | Pan-head screw |        | 2   | 356 A                                 |
|     |                | F >> 103 785   |        |     | 1500 CARRERA<br>GS (GT)<br>COUPE      |
|     |                | F >> 103 880   |        |     | 1500 CARRERA<br>GS (DE LUXE)<br>COUPE |
|     |                | F >> 150 572   |        |     | 1500 CARRERA<br>GS (DL LUXE)<br>COUPE |
|     |                | F >> 104 852   |        |     | HARDTOP<br>1600 COUPE                 |
|     |                | F >> 150 981   |        |     | 1600 CABRIO<br>HARDTOP                |
|     |                | F >> 85 569    |        |     | 1600<br>CONVERTIBLE                   |

Model: 356 50 Model life 1950>>1959

| Pos  | Part Number    | Description                          | Remark | Qty | Model                      |
|------|----------------|--------------------------------------|--------|-----|----------------------------|
| 51   | 356 41 427     | Rubber cap<br>for<br>Front wheel hub |        | 2   |                            |
| 52   | PCG 343 501 00 | Vibration damper                     | -55    | 2   | 356                        |
| 52   | 644 343 501 13 | Shock absorber<br>- koni -<br>Blue   | 56-    | 2   | 356 A                      |
| (52) | 644 343 501 10 | Shock absorber<br>- koni -           |        | 2   | 356 A<br>CARRERA<br>1600 S |
| 53   | 550 41 608 01  | Rubber mounting                      |        | 2   | 356                        |
| 53   | 901 333 795 00 | Rubber mounting                      |        | 4   | 356 A                      |
| 54   | 356 41 612     | Bush                                 |        | 2   | 356                        |
| 54   | 644 41 522     | Bush                                 |        | 4   | 356 A                      |
| 55   |                | Tab washer<br>41.96.02               |        | 2   | 356                        |
| 55   | 644 343 581 00 | Tab washer                           |        | 2   | 356 A                      |
| 56   |                | Screw<br>41.65.02                    |        | 2   | 356                        |
| 56   | 644 41 511     | Screw                                |        | 2   | 356 A                      |
| 57   | 000 95 709     | Washer                               |        | 2   | 356 A                      |
| 58   | 900 025 008 02 | Washer                               |        | 2   |                            |
| 58   | N 011 527 4    | Washer                               |        | 2   |                            |
| 58   | 900 025 008 09 | Washer                               |        | 2   |                            |
| 58   | 900 025 008 04 | Washer                               |        | 2   |                            |
| 59   | 900 079 003 02 | Castle nut<br>M 10                   |        | 2   |                            |
| 60   | N 012 522 1    | Cotter pin<br>2 X 22                 |        | 2   |                            |
| 61   | 356 41 604     | Stabiliser                           |        | 1   | 356                        |
| 61   | 644 41 603     | Stabiliser<br>\$ 15 MM               |        | 1   | 356 A                      |
| 61   | 644 41 603 1   | Stabiliser<br>\$ 16 MM               |        | 1   | 356 A<br>CARRERA GT        |
| 62   | 550 41 608 01  | Rubber mounting                      |        | 4   | 356                        |
| 62   | 644 41 602     | Rubber mounting<br>Stabiliser        |        | 4   | 356 A                      |
| 62   | PCG 41 602     | Rubber mounting<br>Stabiliser        |        | 4   | 356 A                      |
| 63   | 911 333 522 00 | Articulated bush                     |        | 2   | 356 A                      |
| 64   | 550 41 610     | Clip                                 |        | 2   | 356                        |
| 64   | 644 41 606     | Clip                                 |        | 2   | 356 A                      |
| 65   | N 010 347 5    | Hexagon-head bolt<br>M 6 X 35        |        | 2   |                            |
| 66   | 900 027 014 01 | Lock ring<br>B 6                     |        | 2   |                            |
| 66   | 900 027 014 02 | Lock ring<br>B 6                     |        | 2   |                            |
| 66   | N 012 006 4    | Lock ring<br>B 6                     |        | 2   |                            |
| 67   | 900 076 010 2  | Hexagon nut<br>M 6                   |        | 2   |                            |
| 68   | 644 41 061     | Fork                                 |        | 2   | 356 A                      |
| 69   | 900 074 063 02 | Hexagon-head bolt<br>M 10 X 55       |        | 2   | 356 A                      |
| 69   | 900 074 380 01 | Hexagon-head bolt<br>M 10 X 55       |        | 2   | 356 A                      |
| 70   | 900 027 016 02 | Lock ring<br>B 10                    |        | 2   | 356 A                      |
| 70   | 900 027 016 03 | Lock ring<br>B 10                    |        | 2   | 356 A                      |
| 71   | N 011 010 6    | Hexagon nut<br>M 10                  |        | 2   | 356 A                      |

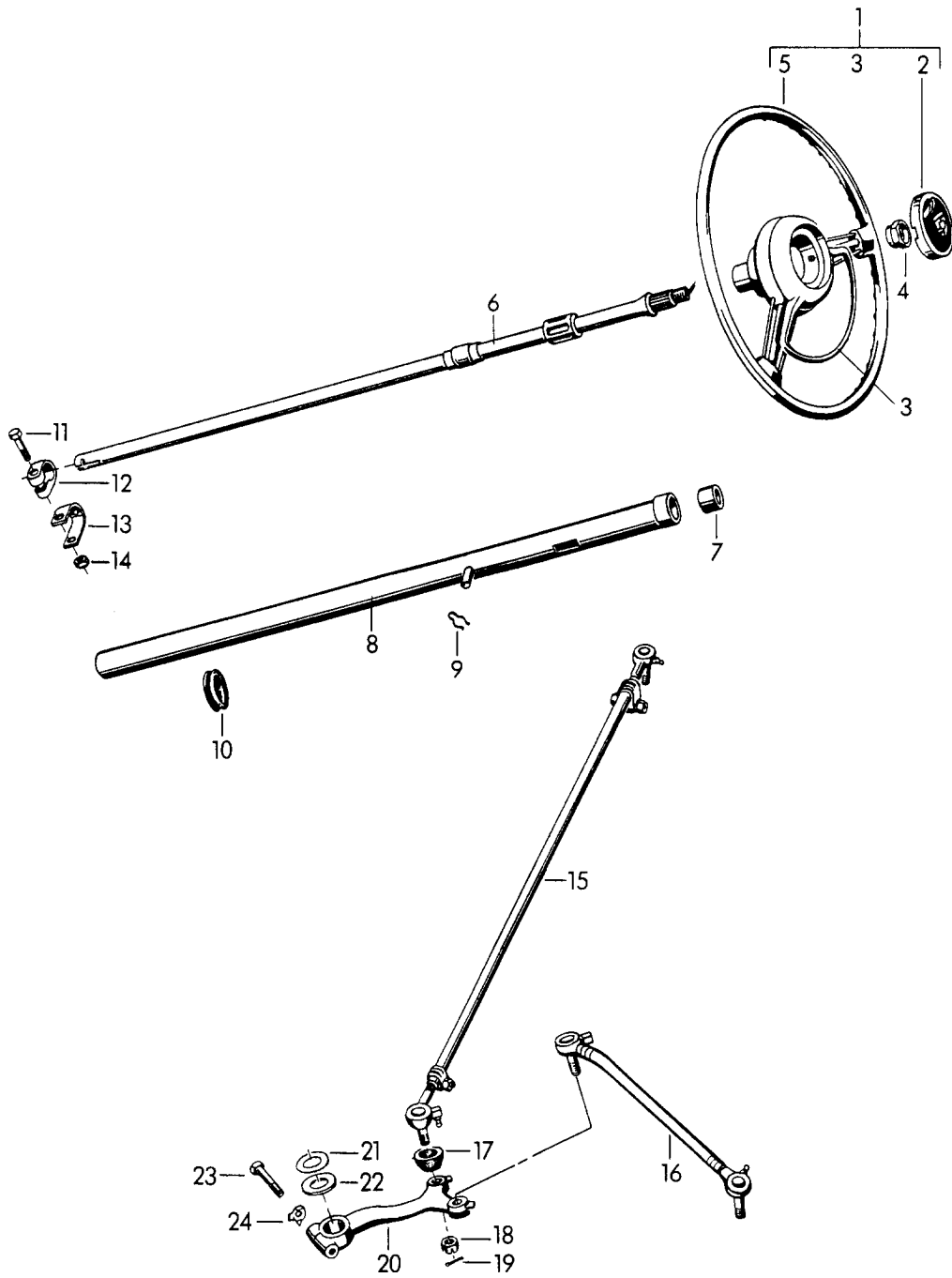
Model: 356 50

Model life 1950&gt;&gt;1959

| Pos | Part Number    | Description                    | Remark | Qty | Model |
|-----|----------------|--------------------------------|--------|-----|-------|
| 71  | N 101 552 10   | Hexagon nut<br>M 10            |        | 2   | 356 A |
| 72  | 356 49 944     | Cup                            |        | 2   | 356   |
| 72  | 644 41 605     | Bearing clamp                  |        | 2   | 356 A |
| 73  | 900 027 015 02 | Lock ring<br>B 8               |        | 4   |       |
| 73  | 900 027 015 03 | Lock ring<br>B 8               |        | 4   |       |
| 74  | 999 093 010 02 | Hexagon-head bolt<br>M 8 X 20  |        | 4   |       |
| 75  | 900 075 035 02 | Hexagon-head bolt<br>M 10 X 15 |        | 4   | 356 A |
| 76  | 900 075 037 01 | Hexagon-head bolt<br>M 10 X 17 |        | 2   | 356 A |
| 77  | 356 49 943     | Bearing                        |        | 2   | 356   |
| 78  | 356 41 605     | Fastening clip                 |        | 2   | 356   |

Model: 356 50

Model life 1950>>1959



Model: 356 50 Model life 1950>>1959

| Pos | Part Number    | Description          | Remark | Qty | Model |
|-----|----------------|----------------------|--------|-----|-------|
|     |                | Steering wheel       |        |     | 356   |
|     |                | Steering shaft       |        |     |       |
|     |                | Tie rod              |        |     |       |
|     |                | And                  |        |     |       |
|     |                | Steering arm         |        |     |       |
| 1   | 356 47 019 1   | Steering wheel       |        | 1   |       |
|     |                | \$ 400 MM            |        |     |       |
|     |                | Complete             |        |     |       |
| 1   | 356 47 019 2   | Steering wheel       |        | 1   |       |
|     |                | \$ 425 MM            |        |     |       |
|     |                | Complete             |        |     |       |
| 2   | 356 47 107     | Horn button          |        | 1   |       |
| 3   | 356 47 208     | Ring piece           |        | 1   |       |
| 4   | 356 47 201     | Hexagon nut          |        | 1   |       |
| 5   | 356 47 215 1   | Steering wheel       |        | 1   |       |
|     |                | \$ 400 MM            |        |     |       |
| 5   | 356 47 215 2   | Steering wheel       |        | 1   |       |
|     |                | \$ 425 MM            |        |     |       |
| 6   |                | Steering shaft       |        | 1   |       |
|     |                | 47.68.5              |        |     |       |
| 7   |                | Bush                 |        | 1   |       |
|     |                | 47.33                |        |     |       |
| 8   | 356 47 004     | Steering column tube |        | 1   |       |
| 9   |                | Retaining spring     |        | 1   |       |
|     |                | 05.22                |        |     |       |
| -   | 644 61 245     | Guide rail           |        | 1   |       |
| 10  |                | Bearing              |        | 1   |       |
|     |                | L-719.653            |        |     |       |
| 11  | 900 074 038 02 | Hexagon-head bolt    |        | 1   |       |
|     |                | M 8 X 40             |        |     |       |
| 12  | 644 347 651 00 | Pipe clamp           |        | 1   |       |
| 13  | 644 347 681 00 | Tab washer           |        | 1   |       |
| 14  | 900 076 013 02 | Hexagon nut          |        | 1   |       |
|     |                | M 8                  |        |     |       |
| 14  | 900 076 025 02 | Hexagon nut          |        | 1   |       |
|     |                | M 8                  |        |     |       |
| 14  | 900 076 064 02 | Hexagon nut          |        | 1   |       |
|     |                | M 8                  |        |     |       |
| 15  | 356 47 306     | Track rod            |        | 1   |       |
|     |                | Right                |        |     |       |
| 16  | 356 47 305     | Track rod            |        | 1   |       |
|     |                | Left                 |        |     |       |
| 17  | 356 47 314     | Dust boot            |        | 4   |       |
| 18  | N 011 210 1    | Castle nut           |        | 4   |       |
|     |                | M 10 X 1             |        |     |       |
| 19  | 900 021 013 00 | Cotter pin           |        | 4   |       |
|     |                | 2 X 22               |        |     |       |
| 20  | 356 47 301     | Steering arm         |        | 1   |       |
| 21  | 356 47 307     | Washer               |        | 1   |       |
|     |                | \$ 28 MM             |        |     |       |
|     |                | 0,88 MM              |        |     |       |
| 22  | 356 47 308     | Washer               |        | 2   |       |
|     |                | \$ 28 MM             |        |     |       |
|     |                | 2,0 MM               |        |     |       |
| 23  | 356 47 303     | Hexagon-head bolt    |        | 1   |       |
| 24  |                | Tab washer           |        | 1   |       |
|     |                | 47.21                |        |     |       |
|     |                | Modification parts   |        |     |       |
|     |                | Headlight flasher    |        |     |       |
| -   | 356 47 202     | Steering outer tube  |        | 1   |       |
| -   | 356 47 205     | Steering column tube |        | 1   |       |
| -   |                | Retaining spring     |        | 1   |       |
|     |                | 05.22                |        |     |       |

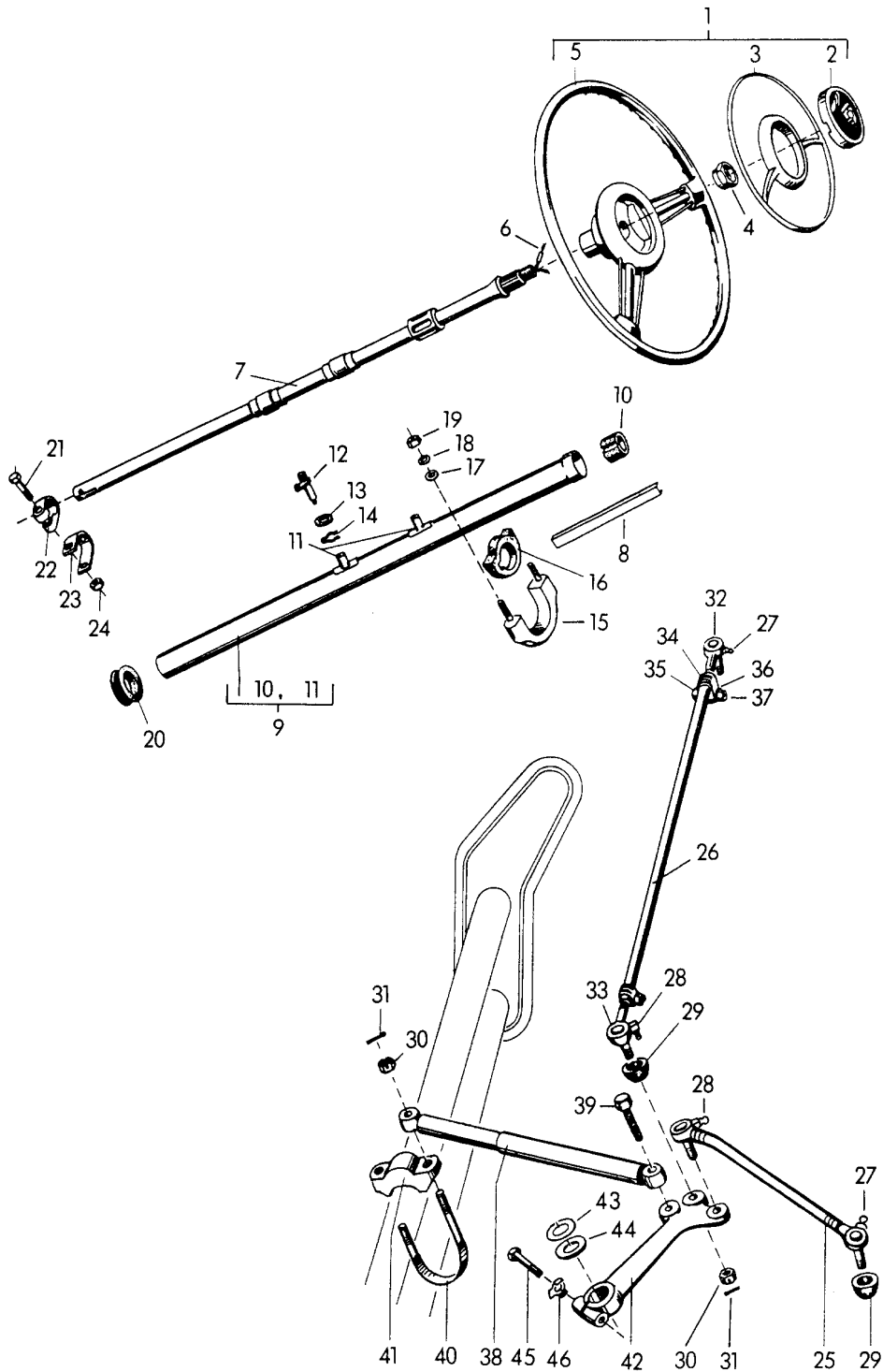
Model: 356 50

Model life 1950>>1959

| Pos | Part Number    | Description   | Remark | Qty | Model |
|-----|----------------|---|--------|-----|-------|
| -   |                | Wiper contact<br>47.67  |        | 1   |       |
| -   | PCG 615 101 00 | Relay<br>Fanfare<br>Installation set<br>Damper<br>for<br>Steering |        | 1   |       |
| -   | 356 47 031     | Clip  |        | 1   |       |
| -   | 356 47 312     | Clip  |        | 1   |       |
| -   | 356 47 313     | Damper<br>for<br>Steering   |        | 1   |       |
| -   | 356 47 309     | Mount   |        | 1   |       |
| -   | 356 47 310     | Tie rod   |        | 1   |       |

Model: 356 50

Model life 1950>>1959



Model: 356 50 Model life 1950>>1959

| Pos  | Part Number    | Description   | Remark | Qty | Model  |
|------|----------------|---|--------|-----|--|
|      |                | Steering wheel<br>Steering shaft<br>Tie rod<br>And<br>Steering arm                            |        |     | 356 A  |
| 1    | 356 47 018     | Steering wheel<br>\$ 400 MM<br>Complete<br>F >> 101 692<br>F >> 61 892<br>F >> 83 791         |        | 1   | COUPE<br>CABRIO<br>SPEEDSTER                   |
| 1    | 644 347 081 20 | Steering wheel<br>\$ 400 MM<br>Complete   |        | 1   |  |
| 1    | 644 347 081 00 | Please state the colour<br>Steering wheel<br>\$ 425 MM<br>Complete<br>Please state the colour |        | 1   |  |
| 2    | 644 347 821 01 | Key   |        | 1   |  |
| 3    | 644 347 811 01 | Ring  |        | 1   |  |
| 4    | 356 47 201     | Hexagon nut   |        | 1   |  |
| 5    | 644 347 082 20 | Steering wheel<br>\$ 400 MM   |        | 1   |  |
| 5    | 644 347 082 00 | Steering wheel<br>\$ 425 MM   |        | 1   |  |
| -    | 644 613 325 00 | Cancelling ring   |        | 1   |  |
| 6    | 356 47 209     | Cable terminal  |        | 1   |  |
| 7    | 356 47 202     | Steering shaft<br>F >> 101 692<br>F >> 61 892<br>F >> 83 791                                  |        | 1   | COUPE<br>CABRIO<br>SPEEDSTER                   |
| 7    | 356 47 202 1   | Steering column   |        | 1   |  |
| (7)  | 644 47 202     | Steering shaft<br>- 35 MM<br>F >> 101 692<br>F >> 61 892<br>F >> 83 791                       |        | 1   | CARRERA GT<br><br>COUPE<br>CABRIO<br>SPEEDSTER |
| (7)  | 644 347 061 11 | Steering shaft<br>- 25 MM<br>F >> 101 692<br>F >> 61 892<br>F >> 83 791                       |        | 1   | CARRERA GT<br><br>COUPE<br>CABRIO<br>SPEEDSTER |
| (7)  | 644 347 061 12 | Steering shaft<br>- 25 MM   |        | 1   | CARRERA GT                                     |
| 8    | 644 61 245     | Protective grommet  |        | 1   |  |
| 9    | 644 347 071 00 | Steering outer tube   |        | 1   |  |
| 10   | 644 347 711 00 | Bush  |        | 1   |  |
| 11   | 644 347 705 00 | Flat connector  |        | 2   |  |
| 12   | 644 347 731 00 | Carbon brush  |        | 2   |  |
| 12   | PCG 347 731 00 | Wiper contact<br>Set<br>for<br>High volume horn<br>MIT POS 14<br>OHNE POS 13                  |        | 2   |  |
| 13   | 644 47 217     | Gasket  |        | 2   |  |
| 14   | 999 152 011 00 | Retaining spring  |        | 2   |  |
| 15   | 644 47 026 2   | Supporting bow  |        | 1   | COUPE/CABRIO                                   |
| (15) | 644 47 026     | Supporting bow  |        | 1   | SPEEDSTER                                      |
| 16   | 644 47 213 1   | Rubber mounting   |        | 1   | COUPE/CABRIO                                   |
| (16) | 644 47 213     | Rubber mounting   |        | 1   | SPEEDSTER                                      |
| 17   | 900 151 007 00 | Washer  |        | 2   |  |



Model: 356 50 Model life 1950>>1959

| Pos  | Part Number    | Description  | Remark | Qty | Model                        |
|------|----------------|--|--------|-----|------------------------------|
| 18   | 900 028 009 01 | B 7,4<br>Spring washer   |        | 2   |                              |
| 19   | 900 076 010 02 | B 6<br>Nut   |        | 2   |                              |
| 19   | 900 076 010 0B | M 6<br>Nut   |        | 2   |                              |
| 20   | 644 347 931 00 | M 6<br>Bearing   |        | 1   |                              |
| 21   | 900 074 038 02 | Hexagon-head bolt<br>M 8 X 40  |        | 1   |                              |
| 22   | 644 347 651 00 | Pipe clamp   |        | 1   |                              |
| 23   | 644 347 681 00 | Tab washer   |        | 1   |                              |
| 24   | 900 076 013 02 | Hexagon nut<br>M 8   |        | 1   |                              |
| 24   | 900 076 025 02 | Hexagon nut<br>M 8   |        | 1   |                              |
| 24   | 900 076 064 02 | Hexagon nut<br>M 8   |        | 1   |                              |
| 25   | 644 347 311 01 | Track rod<br>Left<br>Complete<br>F >> 101 692<br>F >> 61 892<br>F >> 83 791  | /LL    | 1   | COUPE<br>CABRIO<br>SPEEDSTER |
| 25   |                | Track rod<br>Left<br>Complete  | /LL    | 1   |                              |
| (25) | 644 47 033     | Tie rod<br>Left<br>Complete<br>F >> 101 692<br>F >> 61 892<br>F >> 83 791    | /RL    | 1   | COUPE<br>CABRIO<br>SPEEDSTER |
| (25) | 644 347 313 04 | Tie rod<br>Left<br>Complete  | /RL    | 1   |                              |
| 26   | 644 47 032     | Tie rod<br>Right<br>Complete<br>F >> 101 692<br>F >> 61 892<br>F >> 83 791   | /LL    | 1   | COUPE<br>CABRIO<br>SPEEDSTER |
| 26   | 644 347 312 01 | Track rod<br>Right<br>Complete   | /LL    | 1   |                              |
| (26) | 644 47 034     | Track rod<br>Right<br>Complete<br>F >> 101 692<br>F >> 61 892<br>F >> 83 791 | /RL    | 1   | COUPE<br>CABRIO<br>SPEEDSTER |
| (26) | 644 347 311 01 | Track rod<br>Right<br>Complete   | /RL    | 1   |                              |
| 27   | 900 163 001 02 | Nipple<br>A 6  |        | 2   |                              |
| 28   | 900 163 004 02 | Nipple<br>C 6  |        | 2   |                              |
| 29   | 356 47 314     | Dust boot  |        | 4   |                              |
| 30   | N 011 210 1    | Castle nut<br>M 10 X 1   |        | 7   |                              |
| 31   | 900 021 013 00 | Cotter pin<br>2 X 22   |        | 7   |                              |

Model: 356 50 Model life 1950>>1959

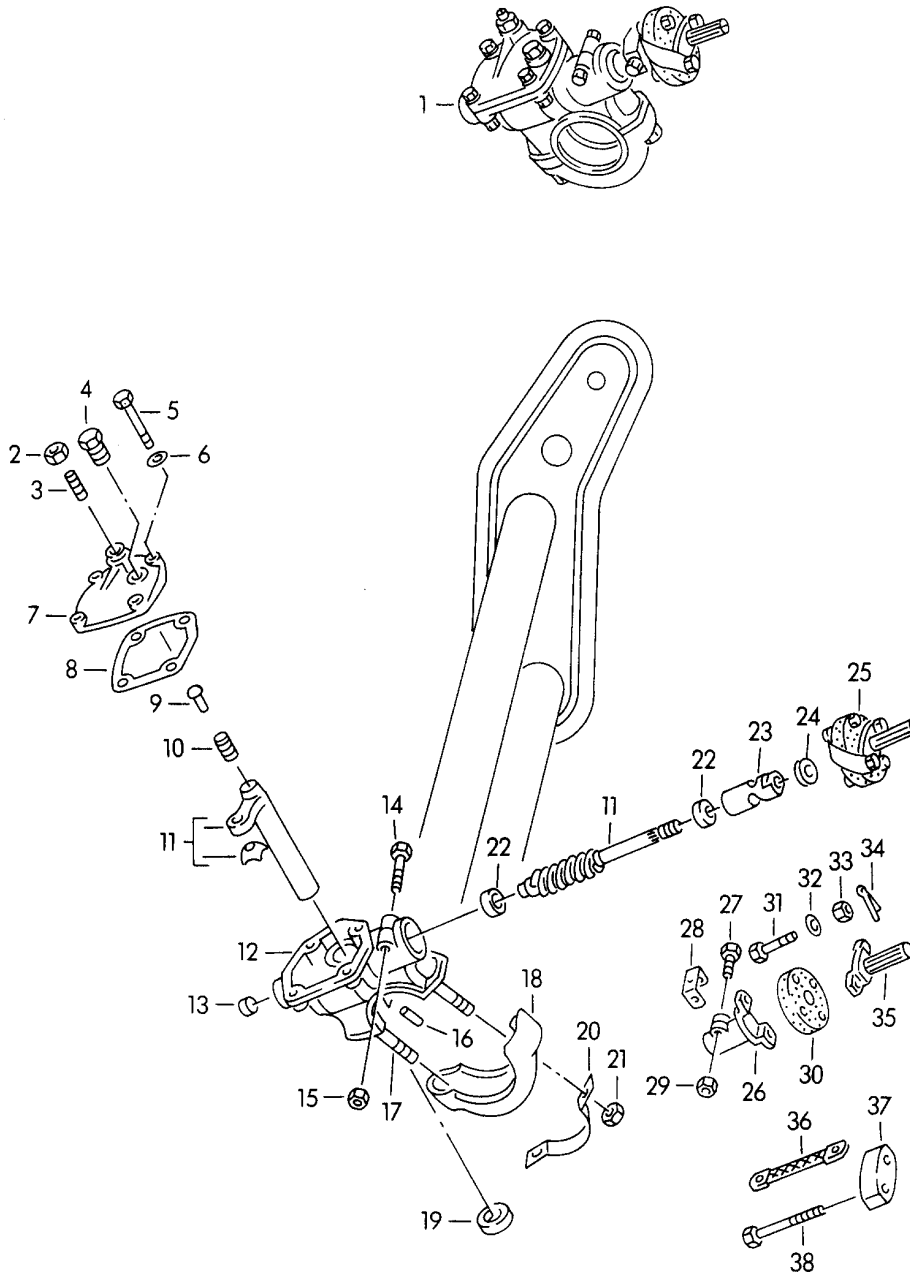
| Pos  | Part Number    | Description  | Remark | Qty | Model                        |
|------|----------------|--|--------|-----|------------------------------|
| 32   | 644 347 325 02 | Ball joint<br>Left thread<br>Tie rod<br>Left<br>Outer<br>F 101 693 >><br>F 61 893 >><br>F 83 792 >>  | /LL    | 1   | COUPE<br>CABRIO<br>SPEEDSTER |
| (32) | 644 347 324 02 | Ball joint<br>Tie rod<br>Left<br>Outer<br>F 101 693 >><br>F 61 893 >><br>F 83 792 >>                 | /RL    | 1   | COUPE<br>CABRIO<br>SPEEDSTER |
| (33) | 644 347 311 01 | Track rod<br>Right thread<br>Tie rod<br>Left<br>Inner<br>F 101 693 >><br>F 61 893 >><br>F 83 792 >>  | /LL    | 1   | COUPE<br>CABRIO<br>SPEEDSTER |
| (33) | 644 347 323 02 | Ball joint<br>Tie rod<br>Left<br>Inner<br>F 101 693 >><br>F 61 893 >><br>F 83 792 >>                 | /RL    | 1   | COUPE<br>CABRIO<br>SPEEDSTER |
| 33   | 644 347 312 01 | Track rod<br>Right thread<br>Tie rod<br>Right<br>Inner<br>F 101 693 >><br>F 61 893 >><br>F 83 792 >> | /LL    | 1   | COUPE<br>CABRIO<br>SPEEDSTER |
| (33) | 644 347 311 01 | Track rod<br>Tie rod<br>Right<br>Inner<br>F 101 693 >><br>F 61 893 >><br>F 83 792 >>                 | /RL    | 1   | COUPE<br>CABRIO<br>SPEEDSTER |
| 34   | 644 47 313     | Clip<br>Tie rod<br>Right<br>Complete<br>MIT POS. 35,36,37  |        | 2   |                              |
| 35   | 900 082 001 01 | Hexagon-head bolt<br>M 8 X 1 X 30  |        | 2   |                              |
| 36   | 900 027 014 01 | Lock ring<br>B 6   |        | 2   |                              |
| 36   | 900 027 014 02 | Lock ring<br>B 6   |        | 2   |                              |
| 36   | N 012 006 4    | Lock ring<br>B 6   |        | 2   |                              |
| 37   | 900 076 014 01 | Hexagon nut<br>M 8 X 1   |        | 2   |                              |
| 38   | PCG 347 501 00 | Vibration damper   |        | 1   |                              |
| 39   | 900 082 010 02 | Hexagon-head bolt<br>M 10 X 1 X 52   |        | 1   |                              |

Model: 356 50 Model life 1950>>1959

| Pos  | Part Number    | Description  | Remark | Qty | Model                        |
|------|----------------|--|--------|-----|------------------------------|
| 39   | 900 082 010 0B | Hexagon-head bolt<br>M 10 X 1 X 52   |        | 1   |                              |
| 40   | 644 47 303     | Clamp  |        | 1   |                              |
| 41   | 644 47 302     | Tensioning plate   |        | 1   |                              |
| 42   | 644 47 301     | Steering arm<br>F >> 101 692<br>F >> 61 892<br>F >> 83 791                         | /LL    | 1   | COUPE<br>CABRIO<br>SPEEDSTER |
| (42) | 644 347 301 02 | Steering arm   | /LL    | 1   |                              |
| (42) | 644 47 304     | Steering arm<br>F >> 101 692<br>F >> 61 892<br>F >> 83 791                         | /RL    | 1   | COUPE<br>CABRIO<br>SPEEDSTER |
| (42) | 644 347 302 02 | Steering arm   | /RL    | 1   |                              |
| 43   | 356 47 307     | Washer<br>0.88 MM<br>F >> 101 692<br>F >> 61 892<br>F >> 83 791                    |        | X   | COUPE<br>CABRIO<br>SPEEDSTER |
| 44   | 356 47 308     | Washer<br>2.00 MM<br>F >> 101 692<br>F >> 61 892<br>F >> 83 791                    |        | X   | COUPE<br>CABRIO<br>SPEEDSTER |
| 45   | 900 082 004 00 | Hexagon-head bolt<br>M 12 X 1,5 X 50<br>F >> 101 692<br>F >> 61 892<br>F >> 83 791 |        | 1   | COUPE<br>CABRIO<br>SPEEDSTER |
| 46   | 644 47 305     | Tab washer<br>F >> 101 692<br>F >> 61 892<br>F >> 83 791                           |        | 1   | COUPE<br>CABRIO<br>SPEEDSTER |

Model: 356 50

Model life 1950>>1959



Model: 356 50 Model life 1950>>1959

| Pos | Part Number    | Description        | Remark | Qty | Model     |
|-----|----------------|--------------------|--------|-----|-----------|
|     |                | Steering gear      |        |     | 356/356 A |
|     |                | And                |        |     |           |
|     |                | Steering coupling  |        |     | COUPE     |
|     |                | F >> 101 692       |        |     | CABRIO    |
|     |                | F >> 61 892        |        |     | SPEEDSTER |
|     |                | F >> 83 791        |        |     |           |
| 1   | 356 47 003     | Steering gear      |        | 1   | 356       |
| 1   | 644 47 010     | Steering gear      |        | 1   | 356 A     |
| 2   | 900 078 004 00 | Hexagon nut        |        | 1   |           |
|     |                | M 12 X 1,5         |        |     |           |
| 3   |                | Adjusting screw    |        | 1   | 356       |
|     |                | 47.19              |        |     |           |
| 3   | 111 415 143    | Adjusting screw    |        | 1   | 356 A     |
| 4   | 111 101 193    | Screw plug         |        | 1   |           |
| 5   | 900 074 032 02 | Hexagon-head bolt  |        | 4   |           |
|     |                | M 8 X 25           |        |     |           |
| 6   | 900 028 010 01 | Spring washer      |        | 4   |           |
|     |                | B 8                |        |     |           |
| 7   | 10 47 17 2     | Housing cover      |        | 1   | 356       |
| 7   | 111 415 131    | Housing cover      |        | 1   | 356 A     |
| 8   |                | Gasket             |        | 1   | 356       |
|     |                | 47.73              |        |     |           |
| 8   | 111 415 135    | Gasket             |        | 1   | 356 A     |
| 9   |                | Bolt               |        | 1   | 356       |
|     |                | 47.16              |        |     |           |
| 9   | 111 415 275    | Bolt               |        | 1   | 356 A     |
| 10  |                | Compression spring |        | 1   | 356       |
|     |                | 47.15.1            |        |     |           |
| 10  | 111 415 271 A  | Compression spring |        | 1   | 356 A     |
| 11  |                | Steering parts     |        | 1   | 356       |
|     |                | Set                |        |     |           |
|     |                | 47.99.2            |        |     |           |
| 11  | 111 415 201 A  | Steering parts     |        | 1   | 356 A     |
|     |                | Set                |        |     |           |
| 12  |                | Housing            |        | 1   | 356       |
|     |                | 47.64.1            |        |     |           |
| 12  | 111 415 105    | Housing            |        | 1   | 356 A     |
| 13  |                | Cap                |        | 1   | 356       |
|     |                | 47.02              |        |     |           |
| 13  | 111 415 115    | Cap                |        | 1   | 356 A     |
| 14  | 900 074 062 00 | Hexagon-head bolt  |        | 1   |           |
|     |                | M 10 X 50          |        |     |           |
| 15  | N 011 010 6    | Hexagon nut        |        | 1   |           |
|     |                | M 10               |        |     |           |
| 15  | N 101 552 10   | Hexagon nut        |        | 1   |           |
|     |                | M 10               |        |     |           |
| 16  | 539 01 110     | Pin                |        | 1   | 356 A     |
| 17  |                | Stud               |        | 2   | 356 A     |
|     |                | BM 10 B X 58       |        |     |           |
| 18  |                | Housing            |        | 1   | 356       |
|     |                | 47.03.1            |        |     |           |
| 18  | 111 415 155    | Housing            |        | 1   | 356 A     |
| 19  | 900 113 002 51 | Sealing ring       |        | 1   |           |
| 20  | 356 47 109     | Tab washer         |        | 1   |           |
| 21  | 900 076 015 01 | Hexagon nut        |        | 2   |           |
|     |                | M 10               |        |     |           |
| 22  |                | Mounting           |        | 2   | 356       |
|     |                | 47.05.1            |        |     |           |
| 22  | 111 415 227    | Mounting           |        | 2   | 356 A     |
| 23  |                | Sleeve             |        | 1   | 356       |
|     |                | 47.07              |        |     |           |
| 23  | 111 415 251    | Sleeve             |        | 1   | 356 A     |
| 24  |                | Sealing ring       |        | 1   | 356       |

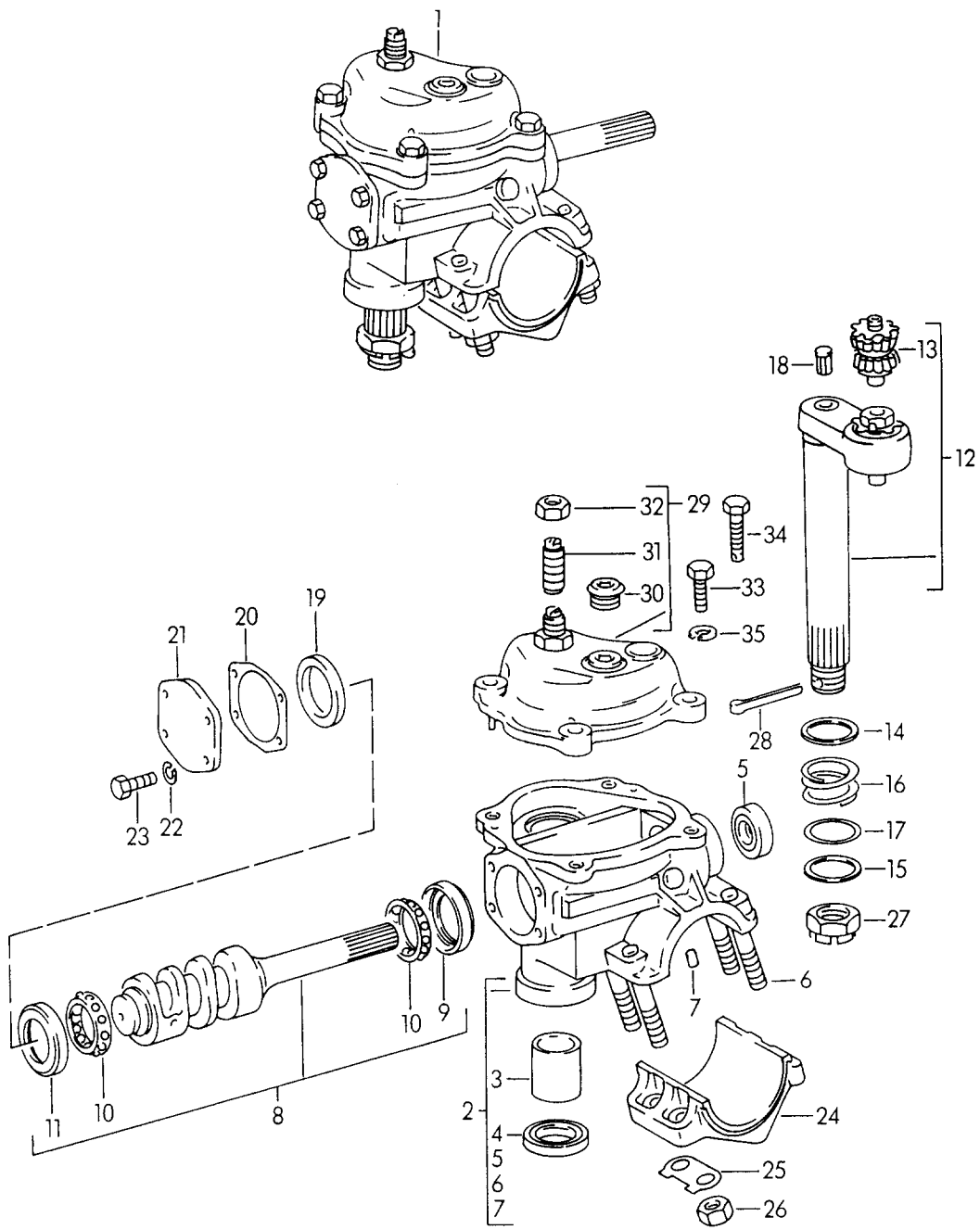
Model: 356 50

Model life 1950>>1959

| Pos | Part Number    | Description                   | Remark | Qty | Model |
|-----|----------------|-------------------------------|--------|-----|-------|
| 24  | 000 97 902     | 47.08<br>Sealing ring         |        | 1   | 356 A |
| 25  |                | Steering coupling             |        | 1   | 356   |
| 25  | 644 347 020 00 | 47.44<br>Steering coupling    |        | 1   | 356 A |
| 26  | 644 347 203 00 | Joint flange                  |        | 1   | 356 A |
| 27  | 999 074 004 01 | Hexagon-head bolt             |        | 1   | 356 A |
| 28  | 644 347 281 00 | Tab washer                    |        | 1   | 356 A |
| 29  | 900 076 013 01 | Hexagon nut<br>M 8            |        | 1   | 356 A |
| 30  | 644 347 201 00 | Steering coupling             |        | 1   | 356 A |
| 30  | 644 347 201 02 | Steering coupling             |        | 1   | 356 A |
| 31  | 900 074 081 01 | Hexagon-head bolt<br>M 8 X 30 |        | 4   | 356 A |
| 32  | 900 028 011 01 | Spring washer<br>B 8          |        | 2   | 356 A |
| 33  | 900 077 003 01 | Castle nut<br>M 8             |        | 4   | 356 A |
| 34  | 900 021 009 00 | Cotter pin<br>2 X 18          |        | 4   | 356 A |
| 35  | 644 347 204 00 | Joint flange                  |        | 1   | 356 A |
| 36  | 644 47 104     | Ground strap                  |        | 1   | 356 A |
| 37  | 356 47 103     | Intermediate layer            |        | 1   | 356 A |
| 38  | 356 47 105     | Hexagon-head bolt             |        | 1   | 356 A |

Model: 356 50

Model life 1950>>1959



Model: 356 50

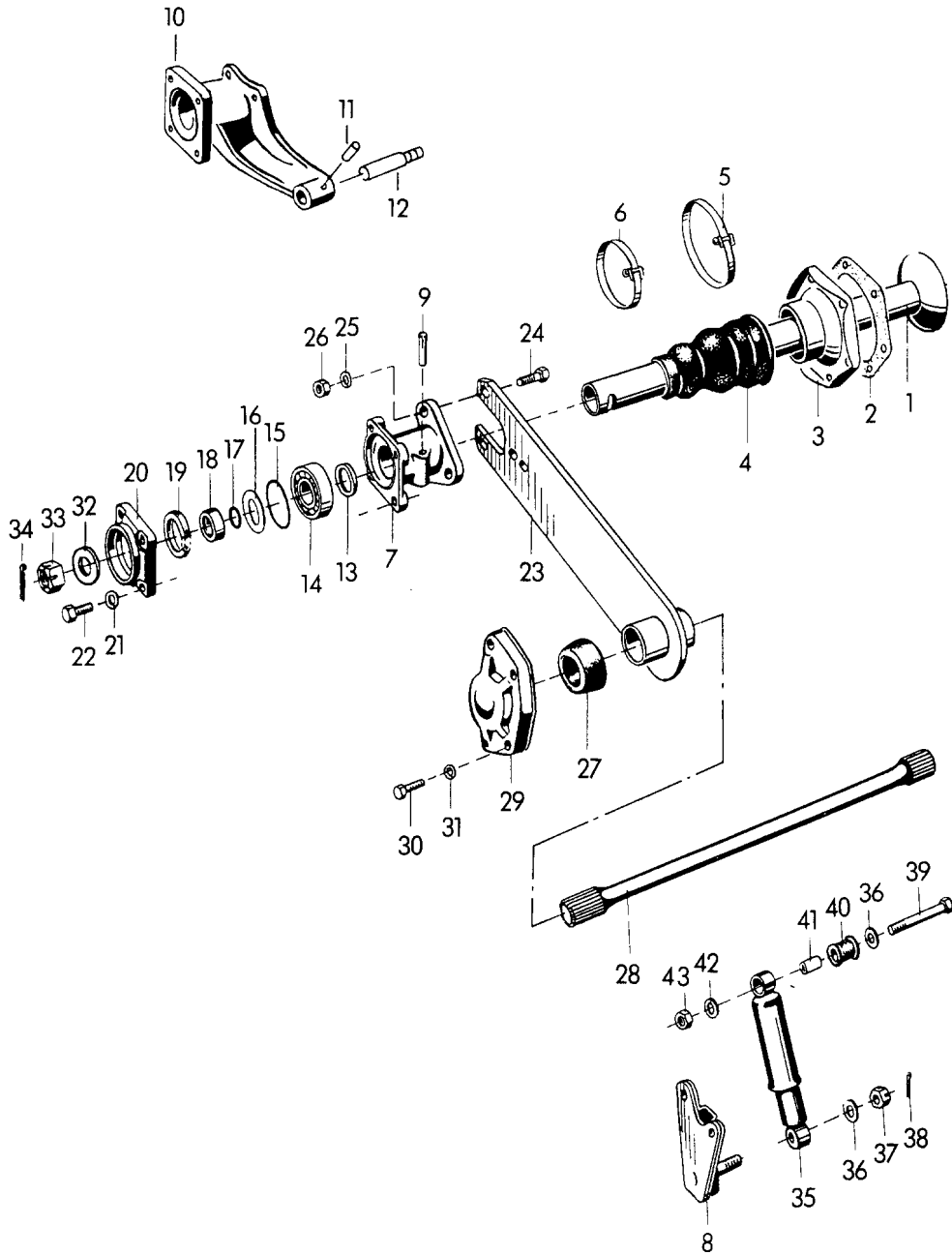
Model life 1950&gt;&gt;1959

| Pos  | Part Number    | Description   | Remark | Qty | Model                                 |
|------|----------------|---|--------|-----|---------------------------------------|
|      |                | Steering gear<br>F 101 693 >><br>F 61 893 >><br>F 83 792 >> |        |     | 356 A<br>COUPE<br>CABRIO<br>SPEEDSTER |
| 1    | 644 347 010 01 | Steering gear<br>without<br>Steering coupling               |        | 1   |                                       |
| 2    | 644 347 011 01 | Housing   |        | 1   |                                       |
| 3    | 644 347 105 01 | Bearing sleeve  |        | 1   |                                       |
| 4    | 900 113 004 50 | Sealing ring<br>A 25 X 36 X 7                               |        | 1   |                                       |
| 5    | 900 113 003 50 | Sealing ring<br>BASL 16 X 28 X 7                            |        | 1   |                                       |
| 6    | 900 081 009 00 | Stud<br>M 10 X 42   |        | 4   |                                       |
| 7    | 644 347 106 01 | Straight pin  |        | 1   |                                       |
| 8    | 644 347 013 01 | Shaft   |        | 1   |                                       |
| 9    | 644 347 122 01 | Ring  |        | 1   |                                       |
| 10   | 644 347 125 01 | Bearing   |        | 2   |                                       |
| 11   | 644 347 123 01 | Ring  |        | 1   |                                       |
| 12   | 644 347 015 01 | Bellcrank   |        | 1   |                                       |
| 13   | 644 347 133 01 | Bearing   |        | 1   |                                       |
| 14   | 644 347 151 01 | Thrust washer   |        | 1   |                                       |
| 15   | 644 347 152 01 | Thrust washer   |        | X   |                                       |
| 16   | 644 347 153 01 | Compression spring  |        | 1   |                                       |
| 17   | 644 347 154 01 | Thrust washer   |        | X   |                                       |
| (17) | 644 347 154 02 | Thrust washer   |        | X   |                                       |
| 18   | 644 347 155 01 | Bolt  |        | 1   |                                       |
| 19   | 644 347 162 01 | Intermediate ring   |        | 1   |                                       |
| 20   | 644 347 163 01 | Shim<br>0,10 MM   |        | X   |                                       |
| (20) | 644 347 163 02 | Shim<br>0,12 MM   |        | X   |                                       |
| (20) | 644 347 163 03 | Shim<br>0,15 MM   |        | X   |                                       |
| (20) | 644 347 163 04 | Shim<br>0,30 MM   |        | X   |                                       |
| 21   | 644 347 161 01 | Flange  |        | 1   |                                       |
| 22   | N 012 007 2    | Lock ring<br>A 6  |        | 4   |                                       |
| 22   | 900 027 004 03 | Lock ring<br>A 6  |        | 4   |                                       |
| 23   | 900 075 013 00 | Hexagon-head bolt<br>M 6 X 18                               |        | 4   |                                       |
| 24   | 644 347 141 01 | Clamp   |        | 1   |                                       |
| 25   | 644 347 149 01 | Tab washer  |        | 2   |                                       |
| 26   | 900 076 015 01 | Hexagon nut<br>M 10   |        | 4   |                                       |
| 27   | 900 079 010 00 | Castle nut<br>M 20 X 1,5                                    |        | 1   |                                       |
| 28   | N 012 538 1    | Cotter pin<br>4 X 40  |        | 1   |                                       |
| 29   | 644 347 012 01 | Housing cover   |        | 1   |                                       |
| 30   | 644 347 112 01 | Screw plug  |        | 1   |                                       |
| 31   | 644 347 113 01 | Adjusting screw   |        | 1   |                                       |
| 32   | 644 347 115 01 | Hexagon nut   |        | 1   |                                       |
| 33   | 900 155 009 01 | Hexagon-head bolt<br>M 8 X 22                               |        | 3   |                                       |
| 34   | 900 155 001 01 | Hexagon-head bolt<br>M 8 X 28                               |        | 1   |                                       |
| 35   | 900 027 005 01 | Lock ring<br>A 8  |        | 4   |                                       |



Model: 356 50

Model life 1950>>1959



Model: 356 50

Model life 1950>>1959

| Pos  | Part Number    | Description  | Remark | Qty | Model |
|------|----------------|--|--------|-----|-------|
| 1    |                | Rear axle<br>Rear-axle cross-tube<br>KD 34 01                          |        | 2   | 356   |
| 2    |                | Gasket<br>KD 34 65<br>0,10 - 0,15 MM                                   |        | X   |       |
| -    |                | Gasket<br>34 65<br>0,25 - 0,30 MM                                      |        | X   |       |
| 3    | 644 331 221 00 | Housing  |        | 2   |       |
| -    | PCG 598 001 00 | Set of fastening parts<br>with<br>Hose clamp<br>Screw<br>Nut<br>Washer |        | X   |       |
| (4)  | 644 34 191 1   | Boot<br>GESCHLITZT   |        | 2   |       |
| -    | PCG 598 001 00 | Set of fastening parts<br>with<br>Hose clamp<br>Screw<br>Nut<br>Washer |        | X   |       |
| -    | 900 146 025 02 | Half-round screw<br>M 4 X 18   |        | 12  |       |
| -    | 900 151 028 02 | Washer<br>4,3  |        | 24  |       |
| -    | 900 151 028 01 | Washer<br>4,3  |        | 24  |       |
| -    | N 011 004 6    | Hexagon nut<br>M 4   |        | 12  |       |
| -    | N 011 004 G    | Nut<br>M 4   |        | 12  |       |
| 5    | 999 512 350 02 | Hose clamp   |        | 2   |       |
| 6    | 999 512 499 00 | Hose clamp   |        | 2   |       |
| 7    |                | Bearing flange<br>KD 34 06<br>Rear axle<br>Transmission<br>5745 H 3    |        | 2   |       |
| 8    |                | Mounting plate<br>34 79<br>Rear axle<br>Transmission<br>5745 H 3       | /H /L  | 1   |       |
| (8)  |                | Mounting plate<br>34 80<br>Rear axle<br>Transmission<br>5745 H 3       | /H /R  | 1   |       |
| -    |                | Hexagon-head bolt<br>M 12 X 1,5 X 35                                   |        | 4   |       |
| 9    |                | Dowel pin<br>10 X 40 DIN E 1472  |        | 2   |       |
| 10   |                | Bearing flange<br>KD 34 91<br>Rear axle<br>Transmission<br>5746 H 3    | /L     | 1   |       |
| (10) |                | Bearing flange<br>KD 34 92<br>Rear axle                                | /R     | 1   |       |

Model: 356 50 Model life 1950&gt;&gt;1959

| Pos | Part Number    | Description  | Remark | Qty | Model |
|-----|----------------|--|--------|-----|-------|
| 11  |                | Transmission<br>5746 H 3<br>Dowel pin<br>8 X 28<br>Rear axle<br>Transmission<br>5746 H 3 |        | 1   |       |
| 12  | 644 34 103     | Bolt<br>Rear axle<br>Transmission<br>5746 H 3  |        | 1   |       |
| 13  |                | Spacer<br>34 08<br>Inner   |        | 2   |       |
| 14  |                | Deep-groove ball bearing<br>6306 DIN 625   |        | 2   |       |
| 15  |                | Sealing ring<br>34 34  |        | 2   |       |
| 16  | 356 34 402     | Washer   |        | 2   |       |
| 17  |                | Gasket<br>34 43  |        | 2   |       |
| 18  | 356 34 401     | Intermediate ring<br>Outer   |        | 2   |       |
| 19  |                | Sealing ring<br>34 10<br>Outer   |        | 2   |       |
| 20  |                | Housing<br>34 09 2   |        | 2   |       |
| 21  |                | Spring washer<br>B 10  |        | 8   |       |
| 22  |                | Fastening screw<br>34 37 1   |        | 8   |       |
| 23  | 356 34 151     | Strut  |        | 2   |       |
| -   |                | Hexagon-head bolt<br>M 12 X 1,5 X 22   |        | 2   |       |
| -   | 356 34 153     | Washer   |        | 2   |       |
| -   |                | Spring washer<br>B 12  |        | 8   |       |
| -   |                | Hexagon nut<br>M 12 X 1,5  |        | 8   |       |
| 24  |                | Hexagon-head bolt<br>M 12 X 1,5 X 30   |        | 2   |       |
| 25  |                | Lock ring<br>B 12  |        | 8   |       |
| 26  |                | Hexagon nut<br>M 12 X 1,5  |        | 6   |       |
| 27  |                | Rubber mounting<br>34 17   |        | 4   |       |
| 28  |                | Torsion bar<br>34 18 1   |        | 2   |       |
| 29  |                | Lid<br>34 19 1   |        | 2   |       |
| 30  |                | Hexagon-head bolt<br>M 10 X 30   |        | 8   |       |
| 31  |                | Spring washer<br>B 10  |        | 8   |       |
| 32  | 356 34 140     | Washer   |        | 2   |       |
| 33  |                | Castle nut<br>34 42  |        | 2   |       |
| 34  | 900 021 025 02 | Cotter pin<br>5 X 45   |        | 2   |       |
| 35  | PCG 333 501 00 | Vibration damper   |        | 2   |       |
| 36  | 356 34 507     | Washer   |        | 4   |       |

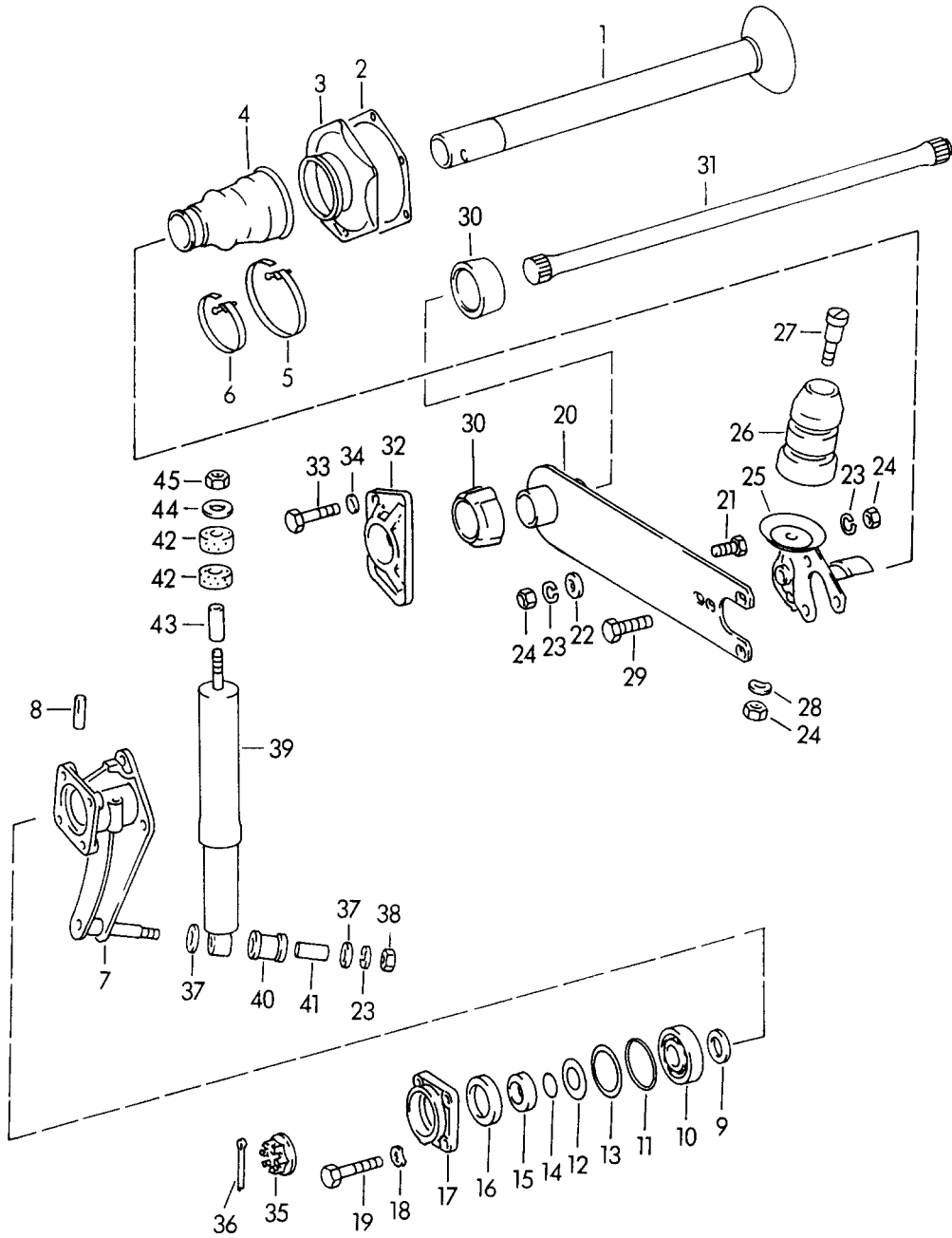
Model: 356 50

Model life 1950&gt;&gt;1959

| Pos   | Part Number    | Description                                      | Remark | Qty | Model |
|-------|----------------|--|--------|-----|-------|
| 37    |                | Castle nut<br>M 12 X 1,5                         |        | 2   |       |
| 38    |                | Cotter pin<br>3 X 25 DIN 94                      |        | 2   |       |
| 39    |                | Hexagon-head bolt<br>34 90                       |        | 2   |       |
| -     | 911 333 521 00 | Rubber mounting<br>for<br>Shock absorber<br>Rear |        | 2   |       |
| 40+41 |                | Not available                                    |        |     |       |
| 42    |                | Lock ring<br>B 12                                |        | 2   |       |
| 43    |                | Hexagon nut<br>M 12 X 1,5                        |        | 2   |       |

Model: 356 50

Model life 1950>>1959



Model: 356 50

Model life 1950&gt;&gt;1959

| Pos | Part Number    | Description              | Remark | Qty | Model       |
|-----|----------------|--------------------------|--------|-----|-------------|
|     |                | Rear axle                |        |     | 356 A/540.1 |
| 1   | 644 331 201 00 | Rear-axle cross-tube     |        | 2   |             |
| 2   | 356 34 143     | Gasket                   |        | X   |             |
|     |                | 0,30 MM                  |        |     |             |
| (2) | 644 331 931 01 | Gasket                   |        | X   |             |
|     |                | 0,20 MM                  |        |     |             |
| (2) | 644 331 931 00 | Gasket                   |        | X   |             |
|     |                | 0,10 MM                  |        |     |             |
| 2   | 111 501 139    | Gasket                   |        | 2   |             |
|     |                | for                      |        |     |             |
|     |                | Housing                  |        |     |             |
|     |                | 111.501.141.B            |        |     |             |
| 3   | 644 331 221 00 | Housing                  |        | 2   |             |
| 3   | 111 501 141 B  | Housing                  |        | 2   |             |
|     |                | Use also:                |        |     |             |
|     |                | 111.501.139              |        |     |             |
| -   | 900 016 003 01 | Half-round screw         |        | 12  |             |
|     |                | AM 4 X 18                |        |     |             |
| -   | 900 025 002 02 | Washer                   |        | 24  |             |
|     |                | 4,3                      |        |     |             |
| -   | 900 025 002 03 | Washer                   |        | 24  |             |
|     |                | 4,3                      |        |     |             |
| -   | 900 076 003 01 | Hexagon nut              |        | 12  |             |
|     |                | M 4                      |        |     |             |
| 4   | 644 34 191     | Boot                     |        | 2   |             |
|     |                | Not                      |        |     |             |
|     |                | geschlitzt               |        |     |             |
| -   | PCG 598 002 00 | Set of fastening parts   |        | X   |             |
|     |                | with                     |        |     |             |
|     |                | Hose clamp               |        |     |             |
|     |                | for                      |        |     |             |
|     |                | Boot                     |        |     |             |
|     |                | Not                      |        |     |             |
|     |                | GESCHLITZT               |        |     |             |
| (4) | 644 34 191 1   | Boot                     |        | 2   |             |
|     |                | GESCHLITZT               |        |     |             |
| -   | PCG 598 001 00 | Set of fastening parts   |        | X   |             |
|     |                | with                     |        |     |             |
|     |                | Hose clamp               |        |     |             |
|     |                | Screw                    |        |     |             |
|     |                | Nut                      |        |     |             |
|     |                | Washer                   |        |     |             |
| (5) | 999 512 350 02 | Hose clamp               |        | 2   |             |
| (6) | 999 512 499 00 | Hose clamp               |        | 2   |             |
| 7   | 644 34 011     | Bearing flange           | /L     | 1   |             |
| (7) | 644 34 012     | Bearing flange           | /R     | 1   |             |
| 8   | N 012 801 1    | Pin                      |        | 2   |             |
|     |                | 10 X 40                  |        |     |             |
| 9   | 644 331 231 00 | Spacer                   |        | 2   |             |
| 10  | 900 052 006 00 | Deep-groove ball bearing |        | 2   |             |
| 11  | 356 34 144     | Gasket                   |        | 2   |             |
| 12  | 356 34 402     | Washer                   |        | 2   |             |
| 13  | 356 34 410     | Adjusting shim           |        | X   |             |
| 14  | 356 34 142     | Gasket                   |        | 2   |             |
| 15  | 356 34 401     | Intermediate ring        |        | 2   |             |
| 16  | 113 501 315 H  | Radial shaft seal        |        | 2   |             |
| 17  | 644 331 251 00 | Housing                  |        | 2   |             |
| 17  | 644 331 251 01 | Housing                  |        | 2   |             |
| 18  | N 012 230 1    | Spring washer            |        | 8   |             |
|     |                | B 10                     |        |     |             |
| 19  | 999 074 006 01 | Fastening screw          |        | 8   |             |
| 19  | 999 074 006 0A | Fastening screw          |        | 8   |             |
| 20  | 644 34 104     | Rear axle strut          |        | 2   |             |

Model: 356 50 Model life 1950>>1959

| Pos  | Part Number    | Description                          | Remark | Qty | Model                        |
|------|----------------|--------------------------------------|--------|-----|------------------------------|
| 20   | 644 34 105     | Rear axle strut                      |        | 2   |                              |
| 21   | 900 082 005 01 | Hexagon-head bolt<br>M 12 X 1,5 X 22 |        | 2   |                              |
| 22   | 356 34 153     | Washer                               |        | 2   |                              |
| 23   | 900 028 014 01 | Lock ring<br>B 12                    |        | 8   |                              |
| 24   | 900 076 016 02 | Hexagon-head bolt<br>M 12 X 1,5      |        | 8   |                              |
| 25   | 644 34 023     | Engine carrier                       | /L     | 1   |                              |
| (25) | 644 34 024     | Engine carrier                       | /R     | 1   |                              |
| 26   | 644 34 206     | Rubber stop                          |        | 2   |                              |
| 27   | 644 34 205     | Shouldered bolt                      |        | 2   |                              |
| 28   | 900 028 014 01 | Lock ring<br>B 12                    |        | 4   |                              |
| 29   | 900 082 006 01 | Hexagon-head bolt<br>M 12 X 1,5 X 30 |        | 6   |                              |
| 30   | 644 333 131 00 | Rubber                               |        | 4   |                              |
| 31   | 644 333 101 01 | Torsion bar                          |        | 2   |                              |
| 32   | 644 333 151 00 | Lid                                  |        | 2   |                              |
| 32   | 644 333 151 01 | Lid<br>open                          |        | 2   |                              |
| (32) | 695 333 151 01 | Lid<br>Closed                        |        | 2   |                              |
| 33   | 900 074 058 02 | Hexagon-head bolt<br>M 10 X 35       |        | 8   |                              |
| (33) | 900 075 460 01 | Hexagon-head bolt<br>M 10 X 35       |        | 8   |                              |
| 34   | 900 025 008 02 | Washer<br>10,5                       |        | 8   |                              |
| 34   | N 011 527 4    | Washer<br>10,5                       |        | 8   |                              |
| 34   | 900 025 008 09 | Washer<br>10,5                       |        | 8   |                              |
| 34   | 900 025 008 04 | Washer<br>10,5                       |        | 8   |                              |
| 35   | 644 332 271 00 | Castle nut                           |        | 2   |                              |
| 35   | 644 332 271 0A | Castle nut                           |        | 2   |                              |
| 36   | 900 021 025 00 | Cotter pin<br>5 X 45                 |        | 2   |                              |
| 37   | 900 025 009 01 | Washer<br>13                         |        | 4   |                              |
| 38   | 900 076 016 02 | Hexagon-head bolt<br>M 12 X 1,5      |        | 2   |                              |
| 39   | 644 333 501 13 | Vibration damper<br>- koni -<br>Blue |        | 2   |                              |
| (39) | 644 333 501 10 | Shock absorber<br>- koni -<br>Red    |        | 2   | 1600 S<br>CARRERA<br>1500 GS |
| (39) | 644 333 501 13 | Vibration damper<br>- koni -<br>Blue |        | 2   | 1600 S<br>CARRERA<br>1500 GS |
| 40   | 901 333 795 00 | Rubber mounting<br>for               |        | 2   |                              |
| 41   | 644 41 522     | Bush<br>for<br>644. 34.501.2         |        | 2   |                              |
| (41) | 644 343 562 10 | Bush<br>for<br>644.333.501.10        |        | 2   |                              |
| 42   | 911 333 521 00 | Rubber mounting                      |        | 4   |                              |
| 43   | 911 333 522 00 | Articulated bush                     |        | 2   |                              |
| 44   | 911 333 523 00 | Washer                               |        | 2   |                              |

Model: 356 50

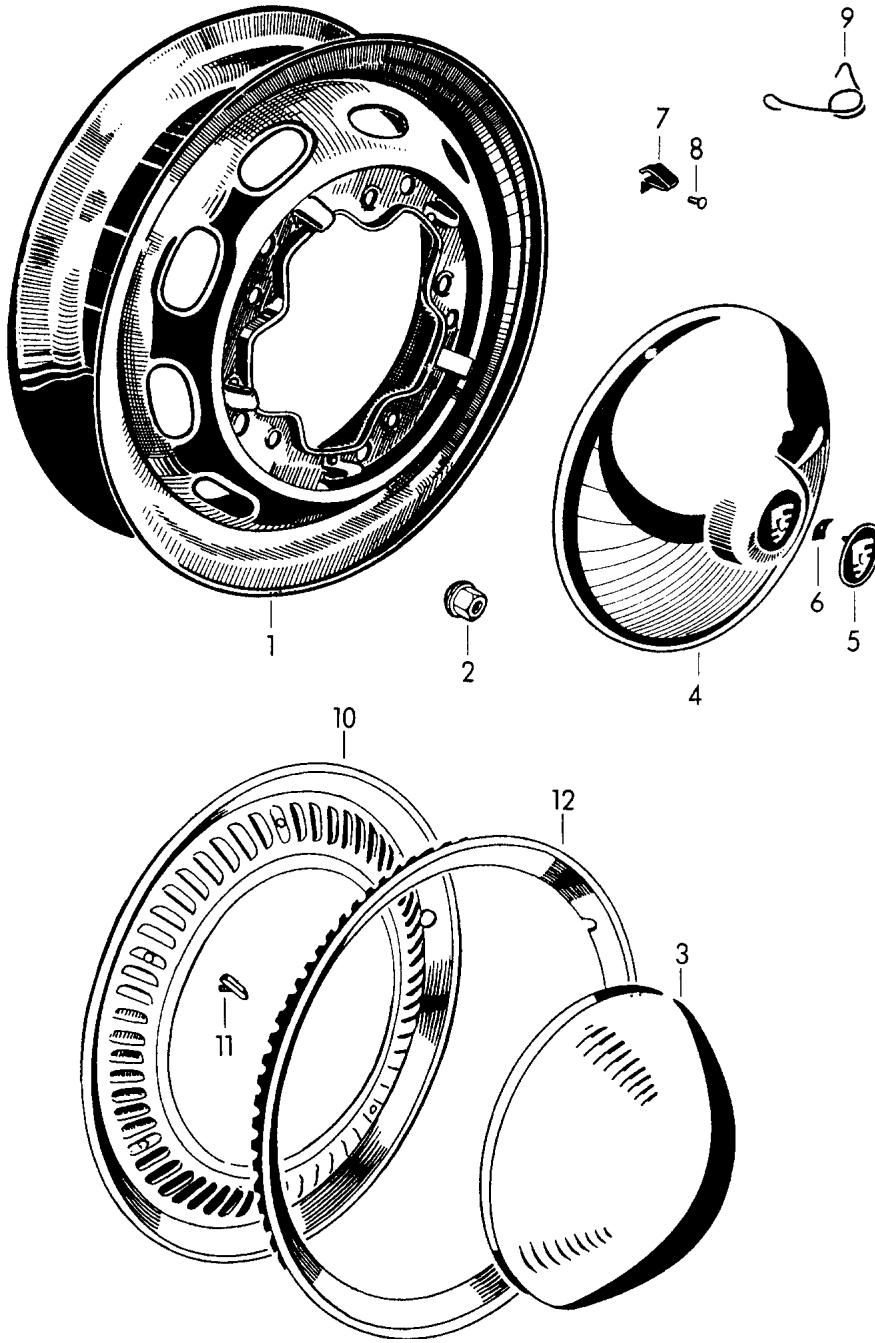
Model life 1950>>1959

| Pos | Part Number    | Description | Remark | Qty | Model |
|-----|----------------|-------------|--------|-----|-------|
| 45  | 900 084 013 02 | Lock nut    |        | 2   |       |



Model: 356 50

Model life 1950>>1959

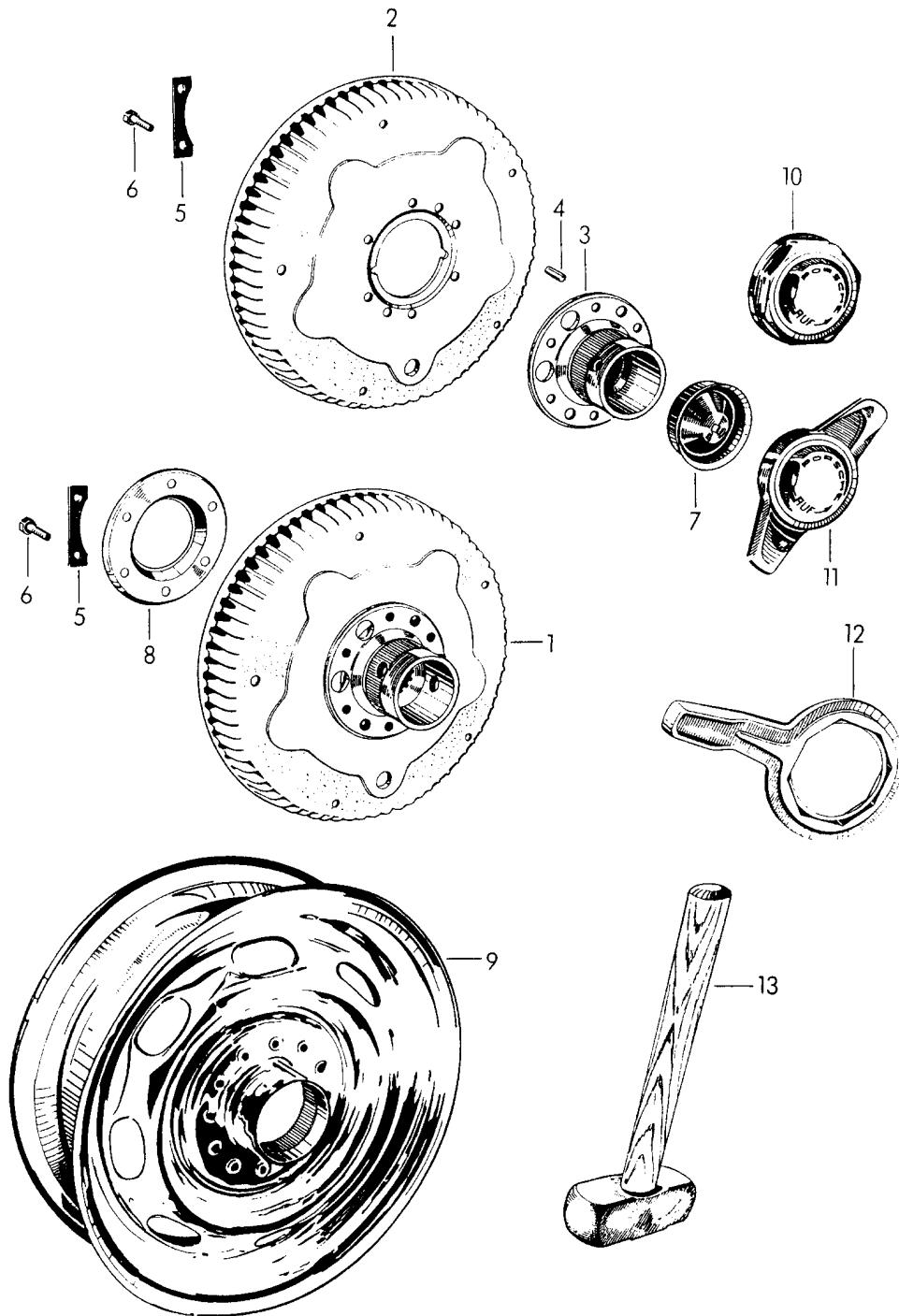


Model: 356 50 Model life 1950>>1959

| Pos | Part Number    | Description  | Remark | Qty | Model                                      |
|-----|----------------|--|--------|-----|--|
| -   | 999 985 056 X0 | Wheels<br>Tyre<br>-PNEUMANT-<br>165 R15 86V  |        | 5   |  |
| -   | 911 361 056 X0 | Hose   |        | 5   |  |
| (1) | 356 68 021     | Slot rim<br>3,25 X D-16<br>Prime coated<br>Chrome  |        | 5   | 356<br><br>356:M                           |
| 1   | 644 68 101     | Slot rim<br>4 1/2 J X 15<br>Prime coated   |        | 5   | 356 A/540.1                                |
| (1) | 644 68 101 10  | Slot rim<br>4 1/2 J X 15<br>Chrome   |        | 5   | 356 A/540.1                                |
| (1) | 644 68 101 11  | Slot rim<br>4 1/2 J X 15<br>Silver metallic<br>Lacquered                                       |        | 5   | 356 A/540.1                                |
| (1) | 644 68 110 1   | Slot rim<br>4 1/2 J X 15<br>Light alloy  |        | 5   | CARRERA<br>1600 GT                         |
| 2   | N 020 112 1    | Ball seat nut<br>A 14 X 1,5  |        | 20  |  |
| 3   | PCG 361 002 00 | Hub cap  |        | 4   |  |
| 4   | 644 361 031 11 | Hub cap  |        | 4   | 1600 S<br>CARRERA<br>DE LUXE<br>CARRERA GT |
| (4) | 550 68 105     | Hub cap<br>Aluminium   |        | 4   |  |
| 5   | 644 559 801 00 | Badge<br>Crest<br>Coloured<br>Embossed   |        | 4   |  |
| 5   | PCG 559 801 00 | Badge<br>Crest<br>Coloured<br>Embossed   |        | 4   |  |
| 6   | 999 507 212 01 | Speed nut  |        | 12  |  |
| 7   | 356 68 119     | Clamping spring  |        | 25  |  |
| (7) | PCG 68 119     | Set of fastening parts<br>Hub cap<br>Comprising:<br>5 X<br>Clamping spring<br>Buttonhead rivet |        | 5   |  |
| 8   | N 013 407 1    | Buttonhead rivet<br>4,5 X 7 CU   |        | 25  |  |
| (8) | PCG 68 119     | Set of fastening parts<br>Hub cap<br>Comprising:<br>5 X<br>Clamping spring<br>Buttonhead rivet |        | 5   |  |
| 9   | 901 361 121 00 | Retainer spring<br>Rubber valve  |        | 5   |  |
| 10  | 356 68 108     | Ring   |        | X   | 356:M                                      |
| 11  | 356 68 118     | Fastening screw  |        | 20  | 356  |
| 12  | 356 68 117     | Ring<br>Chrome   |        | 4   | 356:M                                      |

Model: 356 50

Model life 1950>>1959



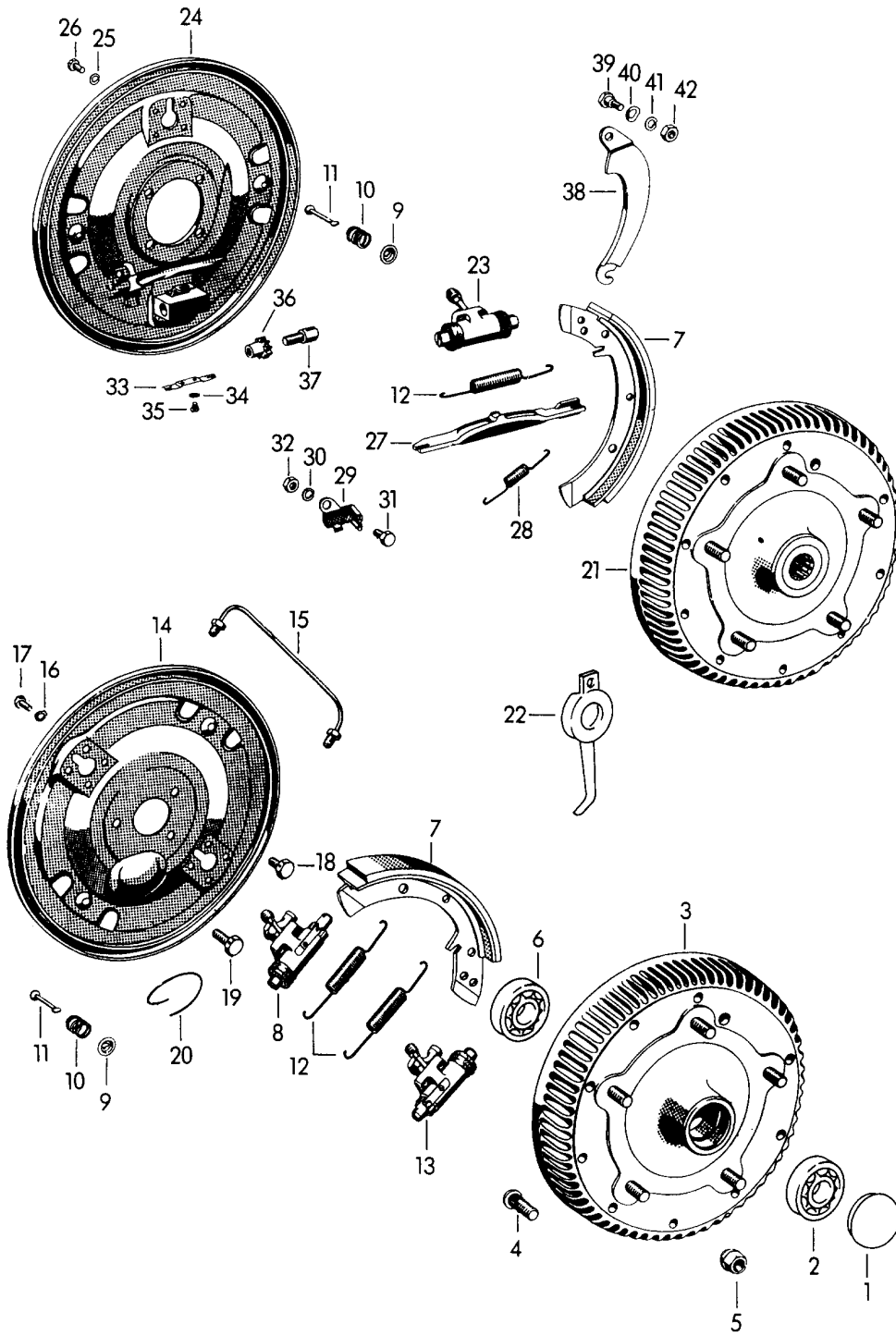
Model: 356 50

Model life 1950>>1959

| Pos  | Part Number    | Description                              | Remark | Qty | Model       |
|------|----------------|--|--------|-----|-------------|
|      |                | Perforated disc wheel<br>Central locking |        |     | 356 A/540.1 |
| 1    | 356 41 433     | Brake drum<br>Complete                   | /V /L  | 1   |             |
| (1)  | 356 41 434     | Brake drum<br>Complete                   | /V /R  | 1   |             |
| (1)  | 356 34 403     | Brake drum<br>Complete                   | /H /L  | 1   |             |
| (1)  | 356 34 404     | Brake drum<br>Complete                   | /H /R  | 1   |             |
| 2    | 356 41 435     | Brake drum                               |        | 4   |             |
| 3    | 356 41 437     | Hub                                      | /V /L  | 1   |             |
| (3)  | 356 41 438     | Hub                                      | /V /R  | 1   |             |
| (3)  | 356 34 405     | Hub                                      | /H /L  | 1   |             |
| (3)  | 356 34 406     | Hub                                      | /H /R  | 1   |             |
| 4    | 900 012 025 00 | Straight pin<br>10 M 6 X 16              |        | 8   |             |
| 5    | 356 34 408     | Tab washer                               |        | 12  |             |
| 6    | 356 34 409     | Hexagon-head bolt                        |        | 24  |             |
| 7    | 356 41 439     | Lid                                      | /V /L  | 1   |             |
| (7)  | 356 41 440     | Lid                                      | /V /R  | 1   |             |
| 8    | 356 34 407     | Cup                                      |        | 2   |             |
| 9    | 644 68 010     | Slot rim<br>4 1/2 J X 15<br>Chrome       |        | 5   |             |
| 10   | 644 361 015 00 | Wheel nut<br>Right thread                | /L     | 2   |             |
| (10) | 644 361 016 00 | Wheel nut<br>Left thread                 | /R     | 2   |             |
| 11   | 356 68 121     | Wheel nut<br>Right thread                | /L     | 2   |             |
| (11) | 356 68 122     | Wheel nut<br>Left thread                 | /R     | 2   |             |
| 12   | 644 721 730 00 | Double socket wrench                     |        | 1   |             |

Model: 356 50

Model life 1950>>1959



Model: 356 50

Model life 1950>>1959

| Pos | Part Number    | Description   | Remark | Qty | Model       |
|-----|----------------|---|--------|-----|-------------|
| 1   | 356 41 453     | Brake<br>Cap<br>for<br>Steering knuckle<br>with<br>Hole   | /L     | 1   |             |
| (1) | 356 41 454     | Cap<br>for<br>Steering knuckle                            | /R     | 1   |             |
| 2   | 900 053 005 00 | Ball bearing<br>Outer                                     |        | 2   |             |
| 3   | 356 41 022     | Brake drum  | /V     | 2   |             |
| 3   | 356 41 023     | Brake drum  | /V     | 2   |             |
| (3) | 644 42 045     | Brake drum<br>Brake<br>60 MM                              | /V     | 2   |             |
| 4   | 356 34 132     | Wheel bolt  | /V /H  | 40  |             |
| (4) | 356 331 902 00 | Wheel bolt<br>Oversize                                    |        | X   |             |
| 5   | N 020 112 1    | Ball seat nut<br>A 14 X 1,5                               |        | 20  |             |
| 6   | 900 053 006 00 | Ball bearing<br>Inner                                     |        | 2   |             |
| (7) | 356 42 015     | Brake shoe  | /V /H  | 8   | 356         |
| 7   | 695 351 033 01 | Brake shoe<br>with pad<br>40 MM                           | /V /H  | 8   | 356 A/540.1 |
| 7   | 695 351 033 02 | Brake shoe<br>with pad<br>40 MM                           | /V /H  | 8   | 356 A/540.1 |
| 7   | PCG 351 033 03 | Brake shoe<br>Repair kit<br>with pad<br>40 MM             | /V /H  | 2   | 356 A/540.1 |
| 7   | 695 351 033 52 | Brake shoe<br>Oversize<br>with pad<br>40 MM               | /V /H  | 8   |             |
| 7   | PCG 351 033 53 | Brake shoe<br>Repair kit<br>Oversize<br>with pad<br>40 MM | /V /H  | 2   |             |
| 7   | 695 351 033 CX | Brake shoe<br>Exchange<br>with pad<br>40 MM               | /V /H  | X   | 356 A/540.1 |
| 7   | 695 351 033 BX | Brake shoe<br>Oversize<br>Exchange<br>with pad<br>40 MM   | /V /H  | X   | 356 A/540.1 |
| (7) | 695 351 035 00 | Brake shoe<br>with pad<br>60 MM<br>Complete               | /V /L  | 2   |             |
| (7) | 695 351 036 00 | Brake shoe<br>with pad<br>60 MM<br>Complete               | /V /R  | 2   |             |
| -   | PCG 351 033 01 | Set of fastening parts<br>Brake shoe<br>Comprising:       | /V /H  | 1   |             |

Model: 356 50 Model life 1950>>1959

| Pos  | Part Number    | Description  | Remark | Qty | Model       |
|------|----------------|--|--------|-----|-------------|
| -    | 356 42 114     | Adjusting screw  |        | 8   |             |
| -    | 356 42 168     | Tension spring   |        | 6   |             |
| -    | 356 42 169     | Roll pin   |        | 8   |             |
| -    | 356 42 172     | Tension spring   |        | 4   |             |
| -    | 644 42 208     | Compression spring   |        | 8   |             |
| -    | 911 352 098 01 | Adjusting screw  |        | 8   |             |
| -    | 251 609 289    | Concave washer   |        | 8   |             |
| -    | 550 42 205     | Bolt<br>for<br>Brake shoe                                      |        | 8   |             |
| -    | PCG 351 033 01 | Brake<br>60 MM<br>Set of fastening parts                       | /V /H  | 1   |             |
| -    |                | Brake shoe<br>Comprising:                                      |        |     |             |
| -    | 356 42 114     | Adjusting screw  |        | 8   |             |
| -    | 356 42 168     | Tension spring   |        | 6   |             |
| -    | 356 42 169     | Roll pin   |        | 8   |             |
| -    | 356 42 172     | Tension spring   |        | 4   |             |
| -    | 644 42 208     | Compression spring   |        | 8   |             |
| -    | 911 352 098 01 | Adjusting screw  |        | 8   |             |
| -    | 251 609 289    | Concave washer   |        | 8   |             |
| (8)  | 356 42 301     | Wheel brake cylinder   |        | 1   | 356         |
| (8)  | 356 42 125     | Wheel brake cylinder<br>Upper                                  | /L     | 1   | 356         |
| (8)  | 356 42 126     | Wheel brake cylinder<br>Upper                                  | /R     | 1   | 356         |
| 8    | 695 351 511 00 | Wheel brake cylinder<br>\$ 19,05 MM<br>Upper                   | /L     | 1   | 356 A/540.1 |
| (8)  | 695 351 511 10 | Wheel brake cylinder<br>\$ 19,05 MM<br>Upper                   | /V /L  | 1   |             |
| (8)  | 695 351 512 00 | Brake<br>60 MM<br>Wheel brake cylinder<br>\$ 19,05 MM<br>Upper | /R     | 1   | 356 A/540.1 |
| (8)  | 695 351 512 10 | Wheel brake cylinder<br>\$ 19,05 MM<br>Upper                   | /V /R  | 1   |             |
| 9    | 251 609 289    | Brake<br>60 MM<br>Concave washer                               |        | 8   |             |
| (10) | 644 42 208     | Compression spring   |        | 8   | 356         |
| 10   |                | Compression spring   |        | 8   | 356 A/540.1 |
| 11   | 356 42 169     | Roll pin   |        | 8   |             |
| 12   | 356 42 168     | Tension spring   |        | 6   |             |
| (13) | 356 42 302     | Wheel brake cylinder   |        | 1   | 356         |
| 13   | 695 351 513 00 | Wheel brake cylinder<br>\$ 19,05 MM<br>Lower                   | /V /L  | 1   | 356 A/540.1 |
| (13) | 695 351 513 10 | Wheel brake cylinder<br>\$ 19,05 MM<br>Lower                   | /V /L  | 1   |             |
| (13) | 695 351 514 00 | Brake<br>60 MM<br>Wheel brake cylinder<br>\$ 19,05 MM<br>Lower | /V /R  | 1   |             |
| (13) | 695 351 514 10 | Wheel brake cylinder<br>\$ 19,05 MM<br>Lower                   | /V /R  | 1   |             |

Model: 356 50 Model life 1950>>1959

| Pos  | Part Number    | Description   | Remark | Qty | Model       |
|------|----------------|---|--------|-----|-------------|
| -    | 644 42 127     | Brake<br>60 MM<br>Intermediate plate<br>for<br>Wheel brake cylinder |        | 1   |             |
| (14) | 356 42 216     | Brake mounting plate  | /V /R  | 1   | 356         |
| 14   | 356 42 228     | Brake mounting plate  | /V /R  | 1   | 356 A/540.1 |
| (14) | 356 42 215     | Brake mounting plate  | /V /L  | 1   | 356         |
| (14) | 356 42 227     | Brake mounting plate  | /V /L  | 1   | 356 A/540.1 |
| (14) | 644 42 227     | Brake mounting plate<br>Non vented                                  | /V /L  | 1   |             |
| (14) | 644 42 228     | Brake<br>60 MM<br>Brake mounting plate<br>Non vented                | /V /R  | 1   |             |
| (14) | 644 351 011 10 | Brake<br>60 MM<br>Brake mounting plate<br>Vented                    | /V /L  | 1   |             |
| (14) | 644 351 012 10 | Brake<br>60 MM<br>Brake mounting plate<br>Vented                    | /V /L  | 1   |             |
| 15   | 356 42 184     | Connecting tube   |        | 2   |             |
| 16   | 900 027 013 01 | Lock ring<br>B 6  |        | 16  |             |
| (17) |                | Hexagon-head bolt<br>M 6 X 15                                       |        | 16  | 356         |
| 17   | 900 075 010 02 | Hexagon nut<br>M 6 X 12   |        | 16  | 356 A/540.1 |
| 17   | N 010 212 14   | Hexagon-head bolt<br>M 6 X 12                                       |        | 16  | 356 A/540.1 |
| 17   | 999 072 005 09 | Hexagon nut<br>M 6 X 12   |        | 16  | 356 A/540.1 |
| 17   | 999 072 005 01 | Hexagon nut<br>M 6 X 12   |        | 16  | 356 A/540.1 |
| 18   | 900 075 035 02 | Hexagon-head bolt<br>M 10 X 15 SK                                   |        | 4   |             |
| 19   | 900 075 037 01 | Hexagon-head bolt<br>M 10 X 17 SK                                   |        | 2   |             |
| 20   |                | Locking wire  |        | 1   |             |
| 21   | 356 34 030     | Brake drum  | /H     | 2   | 356         |
| (21) | 644 331 061 00 | Brake drum  | /H     | 2   | 356 A/540.1 |
| (21) | 644 331 061 10 | Brake drum  | /H     | 2   |             |
| (21) | 644 331 061 12 | Brake<br>40 MM<br>Brake drum  | /H     | 2   |             |
| (21) | 644 331 063 00 | Brake<br>40 MM<br>Brake drum<br>Replacement<br>64433106112          |        | 2   |             |
| (21) | 644 331 061 12 | Brake drum  |        | 2   |             |
| -    | 356 331 903 00 | Wheel bolt<br>Long<br>Standard dimension                            |        | 10  |             |
| -    |                | Brake<br>40 MM<br>Wheel bolt  |        | 10  |             |



Model: 356 50 Model life 1950>>1959

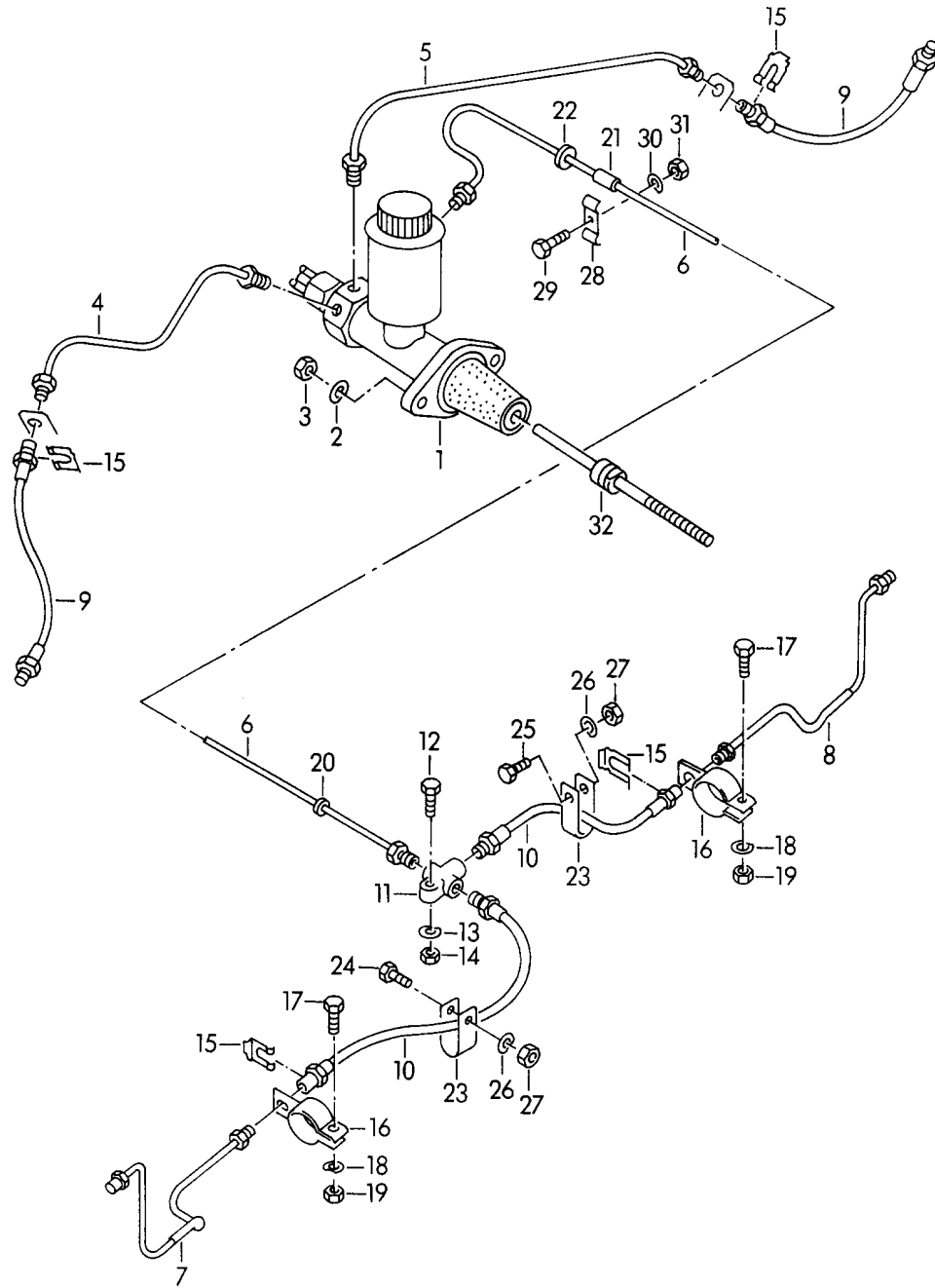
| Pos  | Part Number    | Description  | Remark | Qty | Model |
|------|----------------|--|--------|-----|-------|
| -    | 550 42 121     | Long<br>Oversize<br>Brake<br>40 MM<br>Spacer<br>Brake<br>40 MM |        | 10  |       |
| 22   | 356 34 031     | Cup  |        | 2   |       |
| -    | 900 075 078 02 | Hexagon-head bolt<br>M 8 X 15                                  |        | 2   |       |
| -    | 900 075 078 03 | Hexagon-head bolt<br>M 8 X 15                                  |        | 2   |       |
| (23) | 644 42 310     | Wheel brake cylinder<br>\$ 20,64 MM<br>G >> 18 604             |        | 2   |       |
| 23   | 644 352 513 01 | Wheel brake cylinder<br>G 18 605 >>                            |        | 2   |       |
| 24   | 356 42 220     | Brake mounting plate   | /H /R  | 1   |       |
| (24) | 356 42 219     | Brake mounting plate   | /H /L  | 1   |       |
| (24) | 644 352 011 10 | Brake mounting plate<br>Brake<br>40 MM                         | /H /L  | 1   |       |
| (24) | 644 352 012 10 | Brake mounting plate<br>Brake<br>40 MM                         | /H /R  | 1   |       |
| -    | 695 351 033 01 | Brake shoe<br>with pad<br>Brake<br>40 MM                       |        | 4   |       |
| -    | 695 351 033 02 | Brake shoe<br>with pad<br>Brake<br>40 MM                       |        | 4   |       |
| -    | PCG 351 033 03 | Brake shoe<br>Repair kit<br>with pad<br>Brake<br>40 MM         |        | 1   |       |
| 25   | 900 027 013 01 | Lock ring<br>B 6   |        | 8   |       |
| 26   | 900 075 010 02 | Hexagon nut<br>M 6 X 12  |        | 8   |       |
| 26   | N 010 212 14   | Hexagon-head bolt<br>M 6 X 12                                  |        | 8   |       |
| 26   | 999 072 005 09 | Hexagon nut<br>M 6 X 12  |        | 8   |       |
| 26   | 999 072 005 01 | Hexagon nut<br>M 6 X 12  |        | 8   |       |
| 27   | 356 42 197     | Push rod   | /L     | 1   |       |
| (27) | 356 42 198     | Push rod   | /R     | 1   |       |
| 28   | 356 42 172     | Tension spring   |        | 4   |       |
| 29   | 356 42 181     | Support  | /H /L  | 1   |       |
| (29) | 356 42 182     | Support  | /H /R  | 1   |       |
| 30   | 900 027 015 02 | Lock ring<br>B 8   |        | 2   |       |
| 30   | 900 027 015 03 | Lock ring<br>B 8   |        | 2   |       |
| 31   | 900 075 078 02 | Hexagon-head bolt<br>M 8 X 15                                  |        | 2   |       |
| 31   | 900 075 078 03 | Hexagon-head bolt<br>M 8 X 15                                  |        | 2   |       |
| 32   | 900 076 013 02 | Hexagon nut<br>M 8   |        | 2   |       |

Model: 356 50 Model life 1950>>1959

| Pos  | Part Number    | Description                                     | Remark | Qty | Model |
|------|----------------|---|--------|-----|-------|
| 32   | 900 076 025 02 | Hexagon nut<br>M 8                              |        | 2   |       |
| 32   | 900 076 064 02 | Hexagon nut<br>M 8                              |        | 2   |       |
| 33   | 356 42 174     | Leaf spring                                     |        | 2   |       |
| 34   | 900 027 010 01 | Lock ring<br>B 3                                |        | 4   |       |
| 35   | 900 016 001 01 | Half-round screw<br>AM 3 X 4                    |        | 4   |       |
| 36   | 356 42 173     | Adjusting nut                                   |        | 8   |       |
| 37   | 356 42 114     | Adjusting screw                                 |        | 8   |       |
| 38   | 356 42 147     | Lever   | /H /L  | 1   |       |
| (38) | 356 42 148     | Lever   | /H /R  | 1   |       |
| 39   | 356 42 207     | Bearing pin                                     |        | 2   |       |
| 40   | 356 42 209     | Spring washer<br>\$ 10,5/18 MM                  |        | 2   |       |
| 41   | 900 027 015 02 | Lock ring<br>B 8                                |        | 2   |       |
| 41   | 900 027 015 03 | Lock ring<br>B 8                                |        | 2   |       |
| 42   | 900 076 013 02 | Hexagon nut<br>M 8                              |        | 2   |       |
| 42   | 900 076 025 02 | Hexagon nut<br>M 8                              |        | 2   |       |
| 42   | 900 076 064 02 | Hexagon nut<br>M 8                              |        | 2   |       |
| -    | 550 42 336     | Union<br>Brake<br>60 MM                         |        | 4   |       |
| -    | N 013 808 3    | Sealing ring<br>A 10 X 16<br>Brake<br>60 MM     |        | 4   |       |
| -    | 900 074 013 00 | Hexagon-head bolt<br>M 6 X 22<br>Brake<br>60 MM |        | 16  |       |
| -    | N 012 007 2    | Lock ring<br>A 6<br>Brake<br>60 MM              |        | 16  |       |
| -    | 900 027 004 03 | Lock ring<br>A 6<br>Brake<br>60 MM              |        | 16  |       |

Model: 356 50

Model life 1950>>1959



Model: 356 50 Model life 1950>>1959

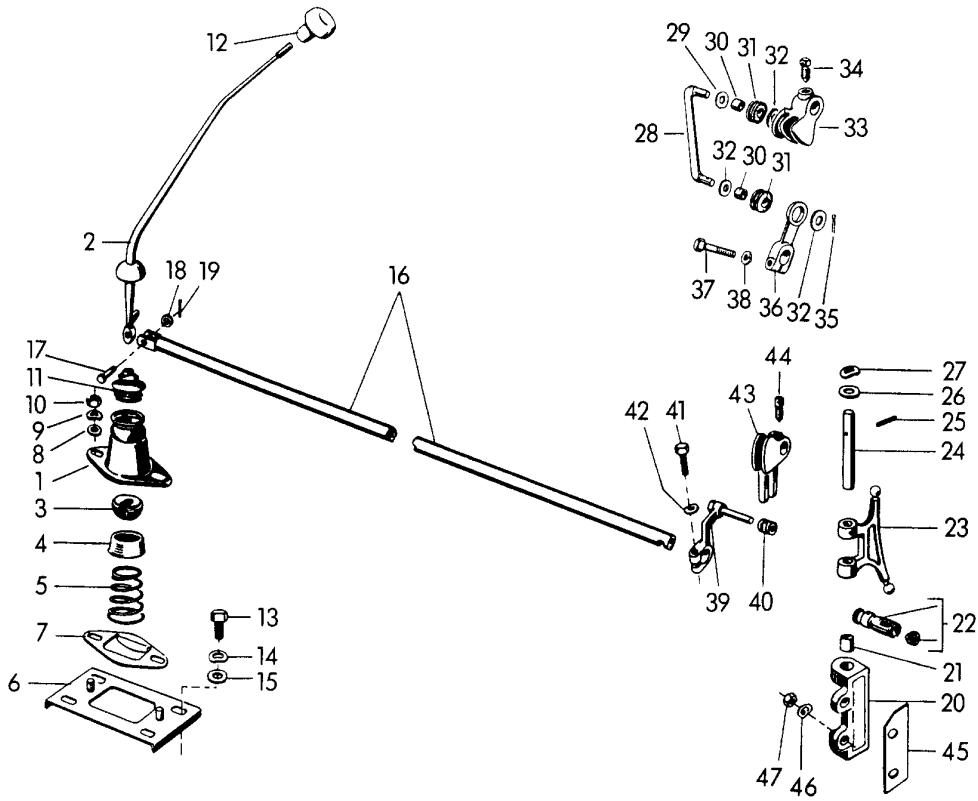
| Pos | Part Number    | Description   | Remark  | Qty | Model       |
|-----|----------------|---|---------|-----|-------------|
| 1   | 356 42 020     | Brake master cylinder   |         | 1   |             |
| -   | 695 355 920 00 | And<br>Brake lines<br>Brake master cylinder<br>Protection cap<br>for<br>Brake master cylinder |         | 1   | 356 A/540.1 |
| -   | 356 42 233     | Lid<br>for<br>Expansion tank  |         | 1   | 356 A/540.1 |
| -   | 695 355 917 00 | Circlip<br>for<br>Brake master cylinder   |         | 1   | 356 A/540.1 |
| -   | 901 613 401 00 | Brake light switch  |         | 1   | 356 A/540.1 |
| 2   | 900 027 015 02 | Lock ring<br>B 8  |         | 2   |             |
| 2   | 900 027 015 03 | Lock ring<br>B 8  |         | 2   |             |
| 3   | 900 076 013 01 | Hexagon nut<br>M 8  |         | 2   |             |
| (4) | 356 42 021     | Brake line  | /LL/V/L | 1   | 356         |
| (4) | PCG 42 021     | Brake line  | /LL/V/L | 1   | 356         |
| 4   | 644 42 313     | Brake line  | /LL/V/L | 1   | 356 A/540.1 |
| (4) | 356 42 080     | Brake line  | /RL/V/L | 1   | 356         |
| (4) | 644 42 317     | Brake line  | /RL/V/L | 1   | 356 A/540.1 |
| (4) | PCG 42 317     | Brake line  | /RL/V/L | 1   | 356 A/540.1 |
| (5) | 356 42 022     | Brake line  | /LL/V/R | 1   | 356         |
| (5) | PCG 42 022     | Brake line  | /LL/V/R | 1   | 356         |
| 5   | 644 42 314     | Brake line  | /LL/V/R | 1   | 356 A/540.1 |
| (5) | 644 42 318     | Brake line  | /RL/V/R | 1   | 356 A/540.1 |
| 6   | 695 352 602 01 | Brake line<br>Centre  | /LL     | 1   |             |
| (6) | 356 42 079     | Brake line<br>Centre  | /RL     | 1   |             |
| (7) | 356 42 025     | Brake line  | /H /L   | 1   | 356         |
| (7) | PCG 42 025     | Brake line  | /H /L   | 1   | 356         |
| 7   | 644 42 305     | Brake line  | /H /L   | 1   | 356 A/540.1 |
| 7   | PCG 42 305     | Brake line  | /H /L   | 1   | 356 A/540.1 |
| (8) | 356 42 024     | Brake line  | /H /R   | 1   | 356         |
| (8) | PCG 42 024     | Brake line  | /H /R   | 1   | 356         |
| 8   | 644 42 306     | Brake line  | /H /R   | 1   | 356 A/540.1 |
| 8   | PCG 42 306     | Brake line  | /H /R   | 1   | 356 A/540.1 |
| (9) | 356 42 027     | Brake hose  | /V      | 2   | 356         |
| (9) | PCG 42 027     | Brake hose  | /V      | 2   | 356         |
| 9   | 644 42 311     | Brake hose  | /V      | 2   | 356 A/540.1 |
| 10  | 356 42 028     | Brake hose  | /H      | 2   |             |
| 11  | 914 355 667 00 | Distributor   |         | 1   |             |
| 12  | 900 074 014 01 | Hexagon-head bolt<br>M 6 X 25   |         | 1   | 356 A/540.1 |
| 12  | 900 074 088 02 | Hexagon-head bolt<br>M 6 X 25   |         | 1   | 356 A/540.1 |
| 13  | 900 028 008 01 | Lock ring<br>B 6  |         | 1   | 356 A/540.1 |
| 14  | 900 076 010 02 | Nut<br>M 6  |         | 1   | 356 A/540.1 |
| 14  | 900 076 010 0B | Nut<br>M 6  |         | 1   | 356 A/540.1 |
| 15  | 914 355 665 00 | Brake hose bracket  | /V /H   | 4   |             |
| 15  | 914 355 665 01 | Brake hose bracket  | /V /H   | 4   |             |
| 16  | 644 351 651 00 | Clip  |         | 2   | 356 A/540.1 |
| 16  | 644 351 651 01 | Clip  |         | 2   | 356 A/540.1 |
| 17  | 900 074 085 02 | Hexagon-head bolt<br>M 8 X 22   |         | 2   | 356 A/540.1 |

Model: 356 50 Model life 1950>>1959

| Pos  | Part Number    | Description                                    | Remark | Qty | Model                  |
|------|----------------|--|--------|-----|------------------------|
| 18   | 900 027 015 02 | Lock ring<br>B 8                               |        | 2   | 356 A/540.1            |
| 18   | 900 027 015 03 | Lock ring<br>B 8                               |        | 2   | 356 A/540.1            |
| 19   | 900 076 013 02 | Hexagon nut<br>M 8                             |        | 2   | 356 A/540.1            |
| 19   | 900 076 025 02 | Hexagon nut<br>M 8                             |        | 2   | 356 A/540.1            |
| 19   | 900 076 064 02 | Hexagon nut<br>M 8                             |        | 2   | 356 A/540.1            |
| (20) |                | Rubber sleeve<br>29 42 109                     |        | 4   | 356                    |
| 20   | 644 025 621 00 | Grommet  |        | 1   | 356 A/540.1            |
| -    | 914 355 652 00 | Clamp  |        | 1   | 356 A/540.1            |
| 21   | 356 49 665     | Boot   |        | 1   | 356 A/540.1            |
| 22   | 000 97 502     | Rubber sleeve                                  |        | 1   | 356 A/540.1            |
| (23) | 356 42 019 1   | Suspension strap<br>F 53 658 >><br>F 60 837 >> | /V     | 2   | 356<br>COUPE<br>CABRIO |
| (23) | 999 706 009 80 | Suspension strap<br>Short                      | /H     | 3   | 356                    |
| (23) | 911 424 341 01 | Suspension strap<br>Short                      | /H     | 3   | 356                    |
| (23) | 911 424 341 03 | Suspension strap<br>Short                      | /H     | 3   | 356                    |
| 23   | 999 706 009 80 | Suspension strap                               |        | 2   | 356 A/540.1            |
| 23   | 911 424 341 01 | Suspension strap                               |        | 2   | 356 A/540.1            |
| 23   | 911 424 341 03 | Suspension strap                               |        | 2   | 356 A/540.1            |
| 24   | 900 075 016 02 | Hexagon-head bolt<br>M 6 X 22                  |        | 1   | 356 A/540.1            |
| 24   | 900 075 016 03 | Hexagon-head bolt<br>M 6 X 22                  |        | 1   | 356 A/540.1            |
| 25   | N 010 215 13   | Hexagon-head bolt<br>M 6 X 15                  |        | 1   | 356 A/540.1            |
| 26   | 900 028 008 01 | Lock ring<br>B 8                               |        | 2   | 356 A/540.1            |
| 27   | 900 076 010 02 | Nut<br>M 8                                     |        | 2   | 356 A/540.1            |
| 27   | 900 076 010 0B | Nut<br>M 8                                     |        | 2   | 356 A/540.1            |
| 28   | 900 172 001 00 | Clamp  |        | 1   | 356 A/540.1            |
| 29   | 900 074 005 02 | Hexagon-head bolt<br>M 5 X 22                  |        | 1   | 356 A/540.1            |
| 30   | N 012 225 2    | Spring washer<br>B 5                           |        | 1   | 356 A/540.1            |
| 31   | 900 076 006 02 | Hexagon nut<br>M 5                             |        | 1   | 356 A/540.1            |
| 32   | 356 42 029     | Piston rod                                     |        | 1   | 356 A/540.1            |

Model: 356 50

Model life 1950>>1959



Model: 356 50 Model life 1950>>1959

| Pos  | Part Number    | Description          | Remark | Qty | Model       |
|------|----------------|----------------------|--------|-----|-------------|
| 1    | 356 24 019     | Transmission control |        | 1   |             |
| -    | 356 24 030     | Gearshift bracket    |        | 1   |             |
|      |                | Gearshift lever      |        | 1   |             |
|      |                | Complete             |        |     |             |
| 2    | 356 24 115     | Gearshift lever      |        | 1   |             |
|      |                | F >> 101 692         |        |     |             |
|      |                | F >> 150 000         |        |     |             |
|      |                | F >> 83 791          |        |     |             |
| (2)  | 644 24 115 3   | Gearshift lever      |        | 1   |             |
|      |                | F 101 693 >>         |        |     |             |
|      |                | F 150 001 >>         |        |     |             |
|      |                | F 83 792 >>          |        |     |             |
| 3    | 356 24 125     | Ball socket          |        | 1   |             |
| 4    | 356 24 126     | Spring guide         |        | 1   |             |
| 5    | 356 24 127     | Compression spring   |        | 1   |             |
| 6    | 356 24 012     | Bearing plate        |        | 1   |             |
|      |                | F >> 101 692         |        |     |             |
|      |                | F >> 150 000         |        |     |             |
|      |                | F >> 83 791          |        |     |             |
| (6)  | 644 24 012     | Bearing plate        |        | 1   |             |
|      |                | F 101 693 >>         |        |     |             |
|      |                | F 150 001 >>         |        |     |             |
|      |                | F 83 792 >>          |        |     |             |
| 7    | 356 24 174     | Stop plate           |        | 1   |             |
| 8    | 900 025 007 02 | Washer               |        | 2   |             |
|      |                | 8,4                  |        |     |             |
| 8    | 900 025 007 03 | Washer               |        | 2   |             |
|      |                | 8,4                  |        |     |             |
| 9    | 900 028 010 01 | Spring washer        |        | 2   |             |
|      |                | B 8                  |        |     |             |
| 10   | 900 076 013 02 | Hexagon nut          |        | 2   |             |
| 10   | 900 076 025 02 | Hexagon nut          |        | 2   |             |
| 10   | 900 076 064 02 | Hexagon nut          |        | 2   |             |
| (11) |                | Sealing sleeve       |        | 1   | 356         |
|      |                | 24 11                |        |     |             |
| 11   | 644 24 306     | Sleeve               |        | 1   | 356 A/540.1 |
| 11   | 999 659 018 40 | Cap                  |        | 1   | 356 A/540.1 |
| (12) | 356 53 701     | Gearshift knob       |        | 1   | 356         |
|      |                | Grey                 |        |     |             |
|      |                | Or                   |        |     |             |
|      |                | Beige                |        |     |             |
| 12   | 644 24 305     | Gearshift knob       |        | 1   | 356 A/540.1 |
|      | 644 24 305 600 | Grey                 |        |     |             |
|      | 644 24 305 500 | Beige                |        |     |             |
|      | 644 24 305 300 | White                |        |     |             |
|      |                | Ivory                |        |     |             |
| 13   | N 010 237 6    | Hexagon-head bolt    |        | 4   |             |
|      |                | M 8 X 12             |        |     |             |
| 13   | N 010 237 14   | Hexagon-head bolt    |        | 4   |             |
|      |                | M 8 X 12             |        |     |             |
| 14   | 900 028 010 01 | Spring washer        |        | 4   |             |
|      |                | B 8                  |        |     |             |
| 15   | 900 025 007 02 | Washer               |        | 4   |             |
|      |                | 8,4                  |        |     |             |
| 15   | 900 025 007 03 | Washer               |        | 4   |             |
|      |                | 8,4                  |        |     |             |
| 16   | 356 24 015     | Gear shift rod       |        | 1   |             |
|      |                | F >> 101 692         |        |     |             |
|      |                | F >> 150 000         |        |     |             |
|      |                | F >> 83 791          |        |     |             |
| (16) | 644 24 015     | Gear shift rod       |        | 1   |             |
|      |                | F 101 693 >>         |        |     |             |
|      |                | F 150 001 >>         |        |     |             |

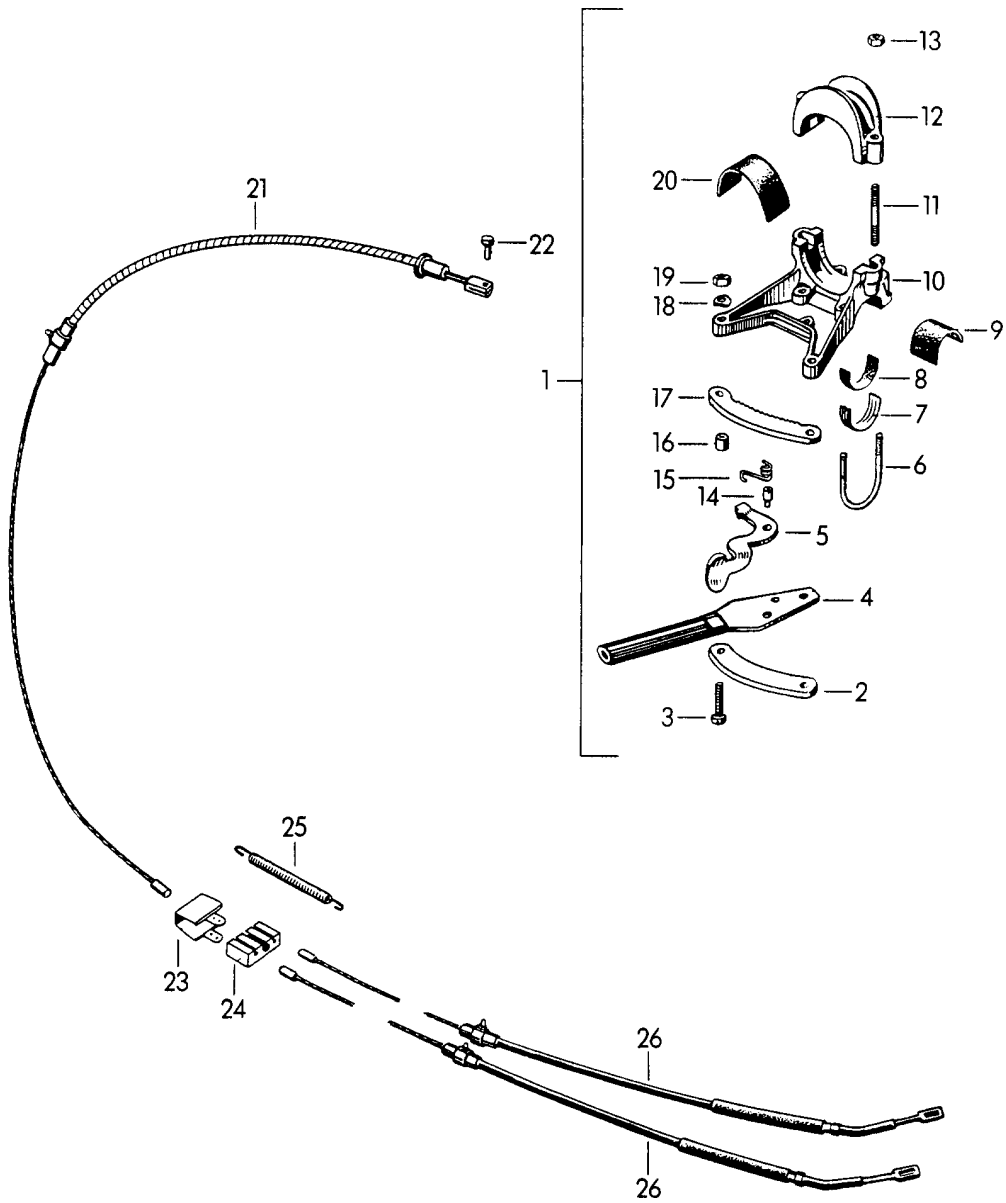
Model: 356 50 Model life 1950>>1959

| Pos  | Part Number    | Description                    | Remark | Qty | Model       |
|------|----------------|--------------------------------|--------|-----|-------------|
| 17   | 356 24 117     | F 83 792 >><br>Eccentric bolt  |        | 1   |             |
| 18   | 900 025 007 02 | Washer<br>8,4                  |        | 1   |             |
| 18   | 900 025 007 03 | Washer<br>8,4                  |        | 1   |             |
| 19   | N 012 512 1    | Cotter pin<br>2 X 12           |        | 1   |             |
| 20   | 356 24 372     | Supporting bow                 |        | 1   |             |
| 21   | 356 24 373     | Bush                           |        | 2   |             |
| 22   | 356 24 035     | Ball socket<br>with<br>Stopper |        | 1   |             |
| -    |                | Cotter pin<br>2 X 25           |        | 1   | 356         |
| 23   | 356 24 374     | Gearshift lever                |        | 1   |             |
| 24   | 356 24 375     | Clutch control shaft           |        | 1   |             |
| 25   | 900 095 012 00 | Roll pin                       |        | 1   |             |
| 26   | 900 025 008 02 | Washer<br>10,5                 |        | 1   |             |
| 26   | N 011 527 4    | Washer<br>10,5                 |        | 1   |             |
| 26   | 900 025 008 09 | Washer<br>10,5                 |        | 1   |             |
| 26   | 900 025 008 04 | Washer<br>10,5                 |        | 1   |             |
| 27   | N 012 230 1    | Spring washer<br>B 10          |        | 1   |             |
| 28   | 356 24 112     | Preselector lever              |        | 1   | 356         |
| 29   | 356 24 122     | Washer                         |        | 1   | 356         |
| 30   | 356 24 124     | Bush                           |        | 2   | 356         |
| 31   | 356 24 123     | Lever                          |        | 2   | 356         |
| 32   | 356 24 121     | Washer                         |        | 3   | 356         |
| 33   | 356 24 378     | Fork                           |        | 1   | 356         |
| 34   | 111 711 189    | Square screw                   |        | 1   | 356         |
| 35   |                | Cotter pin<br>2 X 12           |        | 1   | 356         |
| 36   | 356 24 120     | Lever                          |        | 1   | 356         |
| 37   |                | Hexagon-head bolt<br>M 8 X 35  |        | 1   | 356         |
| 38   |                | Lock ring<br>A 8               |        | 1   | 356         |
| 39   | 644 24 030     | Preselector lever              |        | 1   | 356 A/540.1 |
| 40   | 644 24 304     | Bush                           |        | 1   | 356 A/540.1 |
| 41   | 900 074 034 02 | Hexagon-head bolt<br>M 8 X 30  |        | 1   | 356 A/540.1 |
| 42   | 900 027 015 02 | Lock ring<br>B 8               |        | 1   | 356 A/540.1 |
| 42   | 900 027 015 03 | Lock ring<br>B 8               |        | 1   | 356 A/540.1 |
| 43   | 644 24 303     | Fork                           |        | 1   | 356 A/540.1 |
| 44   | 111 711 189    | Square screw                   |        | 1   | 356 A/540.1 |
| 45   | 356 24 366     | Spacer plate<br>2,00 MM        |        | 1   | 356 A/540.1 |
| (45) | 356 24 366 1   | Spacer plate<br>0,40 MM        |        | 1   | 356 A/540.1 |
| (45) | 356 24 366 2   | Spacer plate<br>0,75 MM        |        | 1   | 356 A/540.1 |
| 46   | 900 028 010 01 | Spring washer<br>B 8           |        | 2   | 356 A/540.1 |
| 47   | 900 076 013 02 | Hexagon nut                    |        | 2   | 356 A/540.1 |
| 47   | 900 076 025 02 | Hexagon nut                    |        | 2   | 356 A/540.1 |
| 47   | 900 076 064 02 | Hexagon nut                    |        | 2   | 356 A/540.1 |



Model: 356 50

Model life 1950>>1959



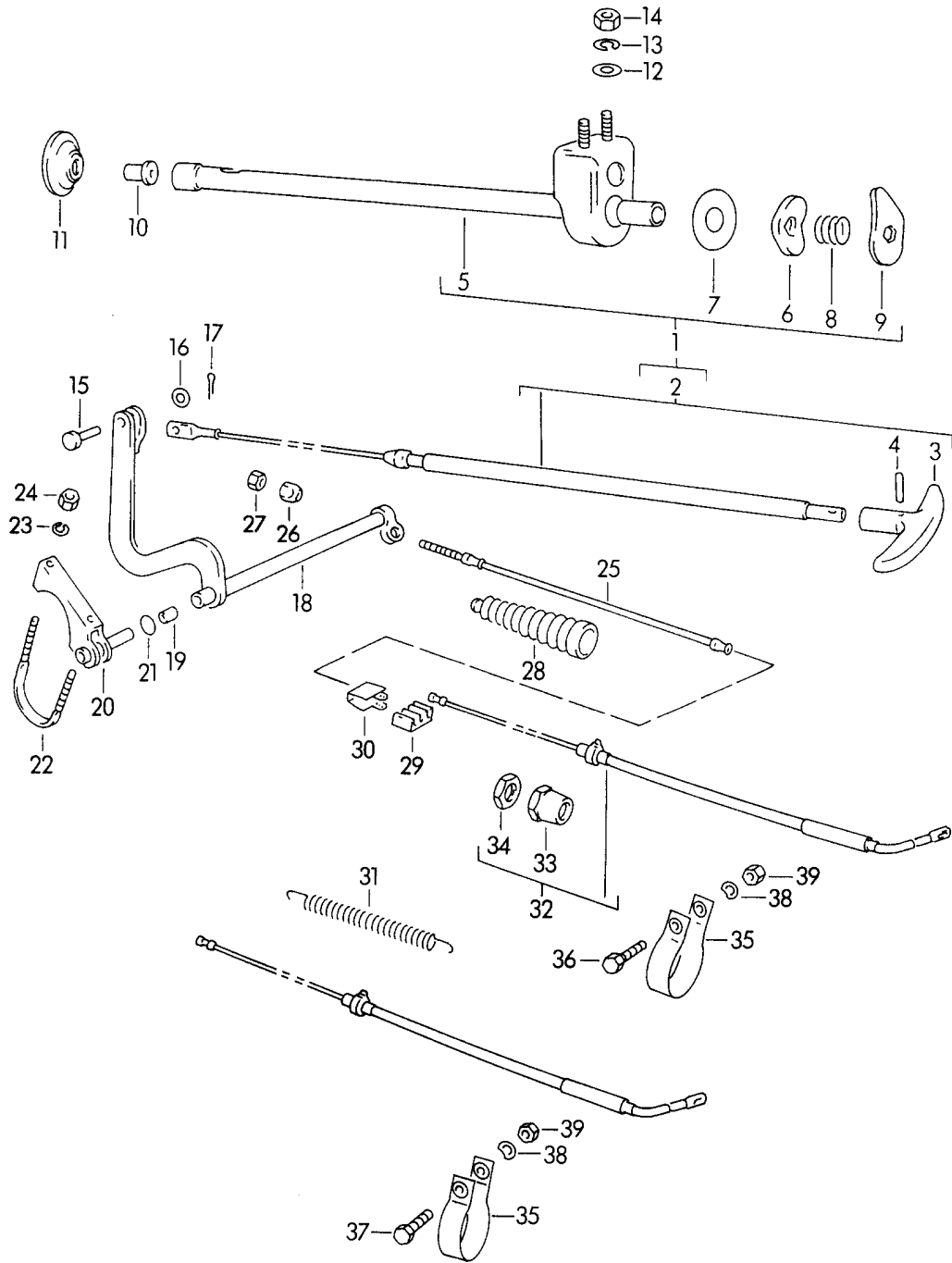
Model: 356 50

Model life 1950&gt;&gt;1959

| Pos | Part Number  | Description                                  | Remark | Qty | Model |
|-----|--------------|--|--------|-----|-------|
| 1   | 356 24 021   | Handbrake<br>Parking-brake lever<br>Complete |        | 1   | 356   |
| 2   | 356 24 217   | Guide plate                                  |        | 1   |       |
| 3   |              | Pan-head screw<br>M 6 X 30                   |        | 2   |       |
| 4   | 356 24 054 1 | Lever  |        | 1   |       |
| 5   | 356 24 262   | Pawl   |        | 1   |       |
| 6   | 356 24 267   | Clamp  |        | 1   |       |
| 7   | 356 24 268   | Clip   |        | 1   |       |
| 8   | 356 24 265   | Rubber strip                                 |        | 1   |       |
| 9   | 356 24 264   | Rubber strip                                 |        | 1   |       |
| 10  | 356 24 259   | Bearing bracket                              |        | 1   |       |
| 11  |              | Stud<br>M 8 X 50                             |        | 2   |       |
| 12  | 356 24 260   | Clamp  |        | 1   |       |
| 13  |              | Hexagon nut<br>M 8                           |        | 2   |       |
| -   |              | Spring washer<br>B 8                         |        | 2   |       |
| 14  | 356 24 212   | Bolt   |        | 1   |       |
| 15  | 356 24 215   | Spring                                       |        | 1   |       |
| 16  | 356 24 266   | Spacer ring                                  |        | 3   |       |
| 17  | 356 21 216   | Locking segment                              |        | 1   |       |
| 18  |              | Spring washer<br>B 6                         |        | 5   |       |
| 19  |              | Hexagon nut<br>M 6                           |        | 5   |       |
| 20  | 356 24 263   | Rubber strip                                 |        | 2   |       |
| -   |              | Pan-head screw<br>M 6 X 25                   |        | 1   |       |
| 21  | 356 23 026   | Parking-brake cable                          |        | 1   |       |
| 22  |              | Bolt<br>6 H 11 X 14 X 11,7                   |        | 1   |       |
| -   |              | Cotter pin<br>1,5 X 10                       |        | 1   |       |
| 23  | 356 24 309   | Clip   |        | 1   |       |
| 24  | 356 24 308   | Connecting piece                             |        | 1   |       |
| 25  |              | Return spring<br>23 35                       |        | 1   |       |
| 26  | 356 24 020   | Parking-brake cable                          |        | 2   |       |

Model: 356 50

Model life 1950>>1959



Model: 356 50

Model life 1950&gt;&gt;1959

| Pos  | Part Number    | Description                                  | Remark | Qty | Model       |
|------|----------------|--|--------|-----|-------------|
| 1    | 644 24 023     | Handbrake<br>Parking-brake cable<br>Complete | /LL    | 1   | 356 A/540.1 |
| (1)  | 644 24 024     | Parking-brake cable<br>Complete              | /RL    | 1   |             |
| 2    | 644 24 025     | Parking-brake cable                          | /LL    | 1   |             |
| (2)  | 644 24 026     | Parking-brake cable                          | /RL    | 1   |             |
| 3    | 644 24 215     | Handle                                       |        | 1   |             |
| 4    | 900 095 001 00 | Roll pin<br>2 X 14                           |        | 1   |             |
| 5    | 644 24 027     | Guide tube                                   |        | 1   |             |
| 6    | 644 24 228     | Locking piece                                |        | 1   |             |
| 7    | 644 24 233     | Washer                                       |        | 1   |             |
| 8    | 644 24 229     | Compression spring                           |        | 1   |             |
| 9    | 644 24 231     | Locking segment                              |        | 1   |             |
| 10   | 644 24 241     | Thrust ring                                  |        | 1   |             |
| 11   | 644 24 216     | Rubber ring                                  |        | 1   |             |
| 12   | 900 151 006 09 | Washer<br>B 6,4                              |        | 2   |             |
| 13   | 900 028 009 01 | Spring washer<br>B 6                         |        | 2   |             |
| 14   | 900 076 010 02 | Nut<br>M 6                                   |        | 2   |             |
| 14   | 900 076 010 0B | Nut<br>M 6                                   |        | 2   |             |
| 15   | 900 088 001 00 | Bolt<br>5 H 11 X 18 X 15                     |        | 1   |             |
| 16   | 900 025 003 02 | Washer<br>5,3                                |        | 1   |             |
| 17   | 900 021 001 00 | Cotter pin<br>1,5 X 8                        |        | 1   |             |
| 18   | 695 424 057 00 | Lever  | /LL    | 1   |             |
| (18) | 695 424 058 00 | Lever  | /RL    | 1   |             |
| 19   | 644 24 207     | Bush   |        | 2   |             |
| 20   | 644 24 021     | Bearing bracket                              | /LL    | 1   |             |
| (20) | 644 24 021 1   | Bearing bracket                              | /RL    | 1   |             |
| 21   | 000 97 310     | Sealing ring                                 |        | 2   |             |
| 22   | 644 24 206     | Clip   |        | 1   |             |
| 23   | 900 027 014 01 | Lock ring<br>B 6                             |        | 2   |             |
| 23   | 900 027 014 02 | Lock ring<br>B 6                             |        | 2   |             |
| 23   | N 012 006 4    | Lock ring<br>B 6                             |        | 2   |             |
| 24   | 900 076 010 02 | Nut<br>M 6                                   |        | 2   |             |
| 24   | 900 076 010 0B | Nut<br>M 6                                   |        | 2   |             |
| 25   | 644 24 208     | Parking-brake cable                          |        | 1   |             |
| 26   | 356 23 213     | Adjusting nut                                |        | 1   |             |
| 27   | 900 076 010 02 | Nut<br>M 6                                   |        | 1   |             |
| 27   | 900 076 010 0B | Nut<br>M 6                                   |        | 1   |             |
| 28   | 356 23 204     | Sealing bellows                              |        | 1   |             |
| 29   | 356 24 308     | Connecting piece                             |        | 1   |             |
| 30   | 356 24 309     | Clip   |        | 1   |             |
| 31   | 644 424 531 00 | Return spring                                |        | 1   |             |
| 32   | 644 24 238     | Parking-brake cable                          |        | 2   |             |
| 33   | 644 424 575 01 | Sleeve<br>10 MM                              |        | 2   |             |
| (33) |                | Sleeve<br>18 MM                              |        | X   |             |

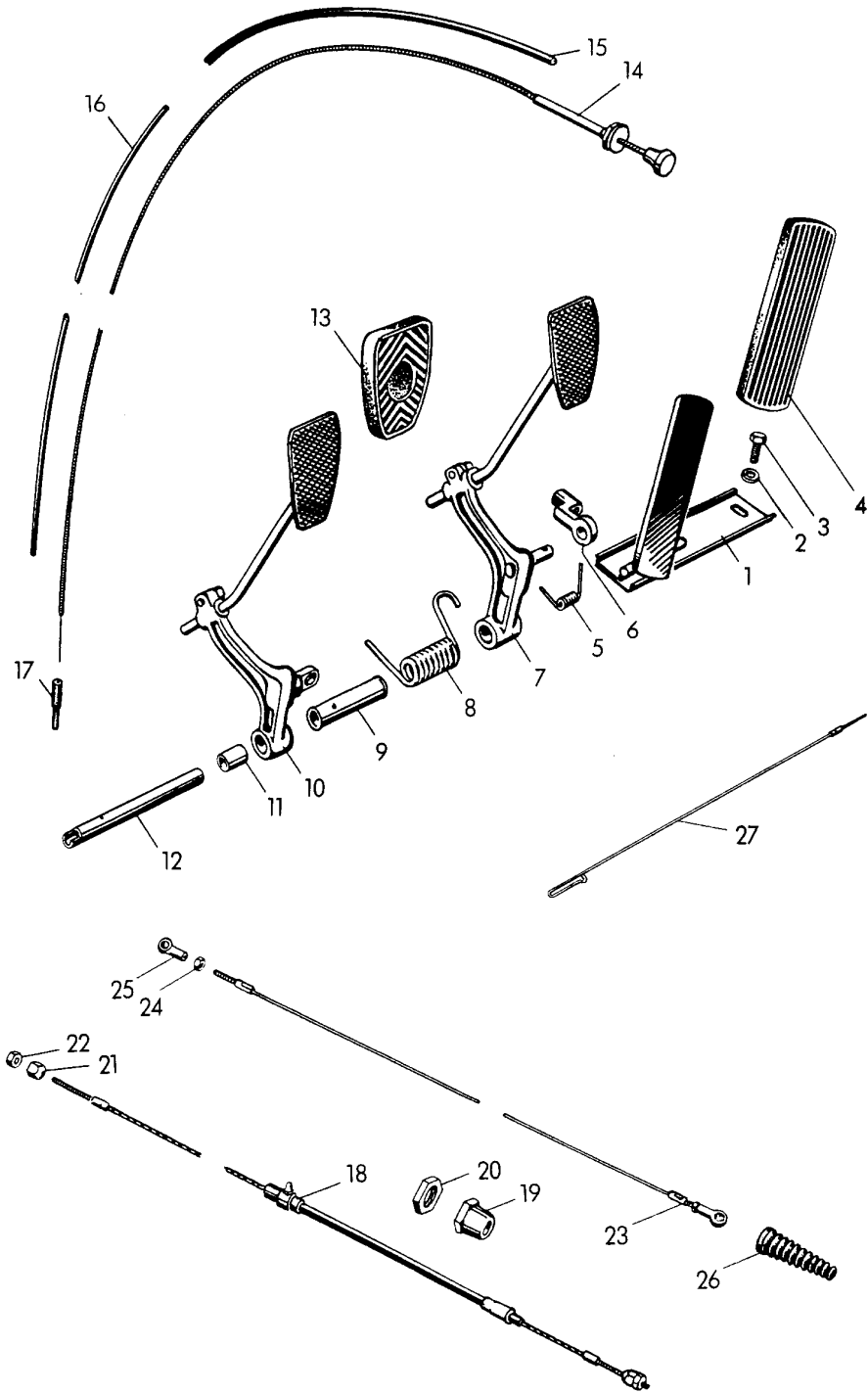
Model: 356 50

Model life 1950>>1959

| Pos | Part Number    | Description                   | Remark | Qty | Model |
|-----|----------------|-------------------------------|--------|-----|-------|
| 34  | 644 424 571 00 | Lock nut                      |        | 2   |       |
| 35  | 999 706 005 80 | Suspension strap              |        | 2   |       |
| 35  | 911 424 341 02 | Suspension strap              |        | 2   | 914-6 |
| 35  | 911 424 341 04 | Suspension strap              |        | 2   | 914-6 |
| 36  | 900 075 011 02 | Pan-head screw<br>M 6 X 15    |        | 2   |       |
| 37  | 900 075 016 02 | Hexagon-head bolt<br>M 6 X 22 |        | 2   |       |
| 37  | 900 075 016 03 | Hexagon-head bolt<br>M 6 X 22 |        | 2   |       |
| 38  | 900 028 008 01 | Lock ring<br>B 6              |        | 2   |       |
| 39  | 900 076 010 02 | Nut<br>M 6                    |        | 2   |       |
| 39  | 900 076 010 0B | Nut<br>M 6                    |        | 2   |       |

Model: 356 50

Model life 1950>>1959

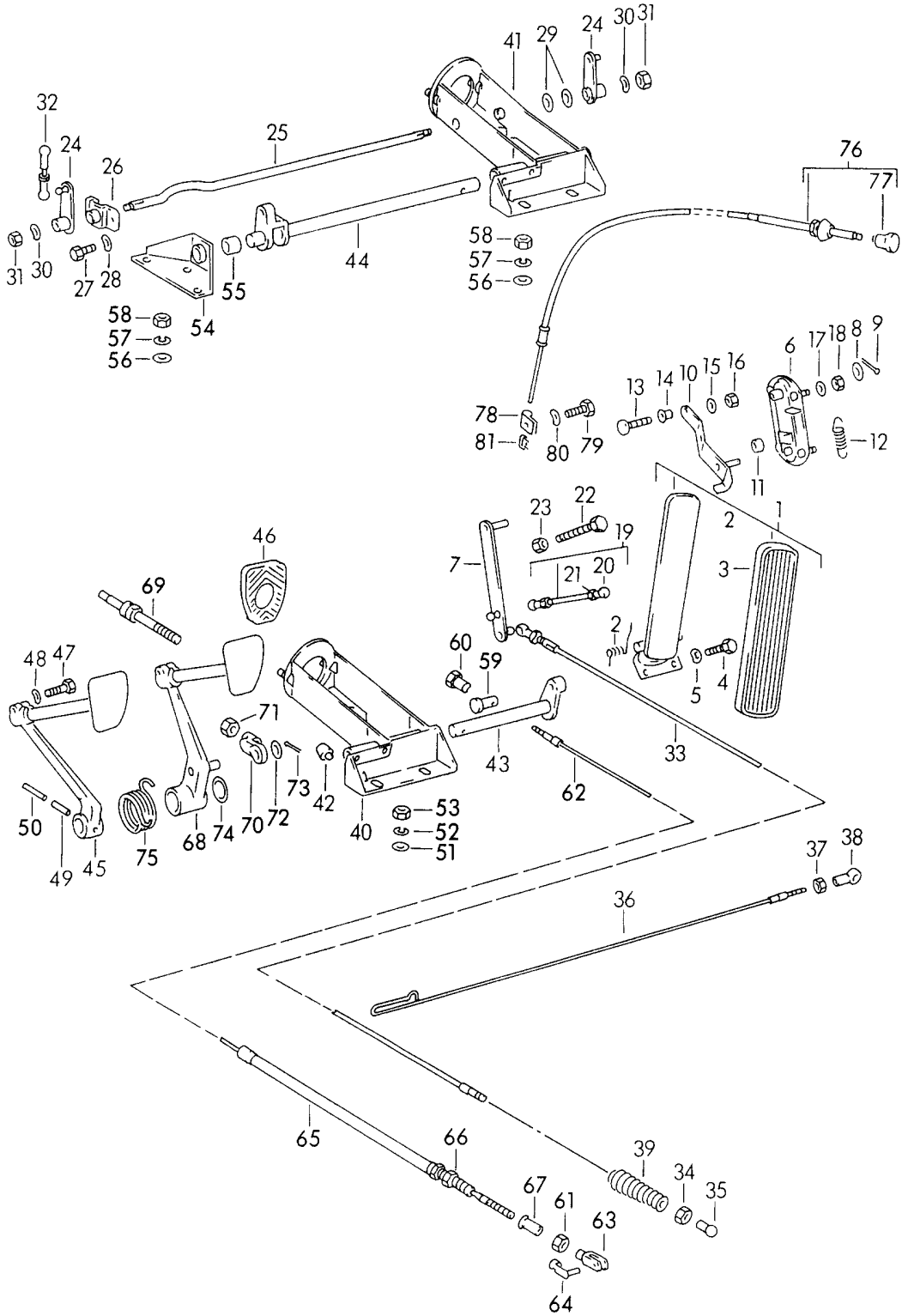


Model: 356 50 Model life 1950>>1959

| Pos  | Part Number    | Description                   | Remark | Qty | Model |
|------|----------------|-------------------------------|--------|-----|-------|
|      |                | Pedals                        |        |     | 356   |
| (1)  | 356 23 095     | Accelerator pedal             | /RL    | 1   |       |
| 1    | 356 23 053     | Accelerator pedal             | /LL    | 1   |       |
| 2    |                | Washer<br>6,4                 |        | 2   |       |
| 3    |                | Hexagon-head bolt<br>M 6 X 20 |        | 2   |       |
| 4    | 356 23 326     | Rubber pad                    |        | 1   |       |
| 5    | 356 23 311     | Spring                        |        | 1   |       |
| 6    | 356 23 317     | Intermediate piece            | /LL    | 1   |       |
| 7    | 356 23 030     | Brake pedal                   |        | 1   |       |
| 8    | 356 23 322     | Spring                        |        | 1   |       |
| 9    | 356 23 321     | Spacer tube                   |        | 1   |       |
| (10) | 356 23 211     | Clutch pedal                  | /RL    | 1   |       |
| 10   | 356 23 025     | Clutch pedal                  | /LL    | 1   |       |
| 11   | 356 23 131     | Bush                          |        | 2   |       |
| 12   | 356 23 320     | Axle                          |        | 1   |       |
| 13   | 914 423 210 00 | Rubber pad                    |        | 2   |       |
| 14   | 356 24 066 1   | Traction                      |        | 1   |       |
| 15   | 356 24 702     | Protective tube               |        | 1   |       |
| 16   | 356 24 701     | Protective tube               |        | 1   |       |
| 17   | 356 24 402 2   | Gasket                        |        | 1   |       |
| 18   | 356 23 058     | Clutch cable                  |        | 1   |       |
| 19   |                | Adjusting nut<br>42 42        |        | 4   |       |
| 20   |                | Nut<br>42 49                  |        | 4   |       |
| 21   | 356 23 213     | Adjusting nut                 |        | 2   |       |
| 22   |                | Hexagon nut<br>M 6            |        | 2   |       |
| 23   | 356 23 019     | Pull rod                      |        | 1   |       |
| 24   | N 011 005 14   | Hexagon nut<br>M 5            |        | 2   |       |
| 24   | 900 076 091 01 | Hexagon nut<br>M 5            |        | 2   |       |
| 25   |                | Ball socket<br>A 8 DIN 71805  |        | 2   |       |
| 26   | 356 23 204     | Sealing bellows               |        | 1   |       |
| 27   | 356 23 020     | Pull rod                      |        | 1   |       |

Model: 356 50

Model life 1950>>1959





Model: 356 50 Model life 1950>>1959

| Pos  | Part Number    | Description                   | Remark | Qty | Model       |
|------|----------------|-------------------------------|--------|-----|-------------|
|      |                | Pedals                        |        |     | 356 A/540.1 |
| 1    | 644 23 011     | Accelerator pedal             |        | 1   |             |
|      |                | Use                           |        |     |             |
| (1)  | PCG 423 011 00 | Accelerator pedal             |        | 1   |             |
| (1)  | 356 23 326     | Rubber pad                    |        | 1   |             |
| 2    | 644 23 131     | Spring                        |        | 1   |             |
| 3    | 356 23 326     | Rubber pad                    |        | 1   |             |
| 4    | N 010 215 13   | Hexagon-head bolt<br>M 6 X 15 |        | 2   |             |
| 5    | N 012 005 3    | Lock ring<br>B 6              |        | 2   |             |
| 6    | 644 23 128     | Bearing plate                 |        | 1   |             |
| 7    | 644 23 010     | Lever                         |        | 1   |             |
| 8    | 900 025 007 02 | Washer<br>8,4                 |        | 2   |             |
| 8    | 900 025 007 03 | Washer<br>8,4                 |        | 2   |             |
| 9    | 900 021 007 01 | Cotter pin<br>2 X 12          |        | 2   |             |
| 10   | 644 24 052     | Lever                         |        | 1   |             |
| 11   | 644 23 147     | Rubber                        |        | 1   |             |
| 12   | 644 24 508     | Tension spring                |        | 1   |             |
| 13   | 644 24 509     | Clamping screw                |        | 1   |             |
| 14   | 644 24 510     | Guide sleeve                  |        | 1   |             |
| 15   | 900 025 002 02 | Washer<br>4,3                 |        | 1   |             |
| 15   | 900 025 002 03 | Washer<br>4,3                 |        | 1   |             |
| 16   | 900 076 002 02 | Hexagon nut<br>M 4            |        | 1   |             |
| 17   | 900 027 014 01 | Lock ring<br>B 6              |        | 4   |             |
| 17   | 900 027 014 02 | Lock ring<br>B 6              |        | 4   |             |
| 17   | N 012 006 4    | Lock ring<br>B 6              |        | 4   |             |
| 18   | 900 076 010 02 | Nut<br>M 6                    |        | 4   |             |
| 18   | 900 076 010 0B | Nut<br>M 6                    |        | 4   |             |
| 19   | 644 23 016     | Push rod                      | /LL    | 1   |             |
| (19) | 644 23 134     | Push rod                      | /RL    | 1   |             |
| 20   | N 015 521 3    | Ball socket<br>A 8            |        | 2   |             |
| 21   | N 011 005 14   | Hexagon nut<br>M 5            |        | 2   |             |
| 21   | 900 076 091 01 | Hexagon nut<br>M 5            |        | 2   |             |
| 22   | 900 075 020 02 | Hexagon-head bolt<br>M 6 X 45 |        | 1   |             |
| 23   | 900 076 010 02 | Nut<br>M 6                    |        | 1   |             |
| 23   | 900 076 010 0B | Nut<br>M 6                    |        | 1   |             |
| 24   | 356 23 070     | Lever                         | /RL    | 2   |             |
| 25   | 644 23 137     | Clutch control shaft          | /RL    | 1   |             |
| 26   | 644 23 139     | Supporting bow                | /RL    | 1   |             |
| 27   | 900 075 010 02 | Hexagon nut<br>M 6 X 12       | /RL    | 2   |             |
| 27   | N 010 212 14   | Hexagon-head bolt<br>M 6 X 12 | /RL    | 2   |             |
| 27   | 999 072 005 09 | Hexagon nut<br>M 6 X 12       | /RL    | 2   |             |

Model: 356 50 Model life 1950&gt;&gt;1959

| Pos  | Part Number    | Description                     | Remark | Qty | Model   |
|------|----------------|---------------------------------|--------|-----|---------|
| 27   | 999 072 005 01 | Hexagon nut<br>M 6 X 12         | /RL    | 2   |         |
| 28   | 900 028 008 01 | Lock ring<br>B 6                | /RL    | 2   |         |
| 29   | 911 423 225 00 | Washer                          | /RL    | 3   |         |
| 30   | 900 028 008 01 | Lock ring<br>B 6                | /RL    | 2   |         |
| 31   | 900 076 010 02 | Nut<br>M 6                      | /RL    | 2   |         |
| 31   | 900 076 010 0B | Nut<br>M 6                      | /RL    | 2   |         |
| 32   | 644 23 142     | Pull rod                        | /RL    | 2   |         |
| 33   | 356 23 019     | Pull rod                        | /V     | 1   |         |
| 34   | 900 076 004 02 | Hexagon nut<br>M 5              |        | 2   |         |
| 35   | N 015 521 3    | Ball socket<br>A 8              |        | 2   |         |
| 36   | 356 23 020     | Pull rod                        | /H     | 1   |         |
| 37   | 900 076 004 02 | Hexagon nut<br>M 5              |        | 1   |         |
| 38   | N 015 521 3    | Ball socket<br>A 8              |        | 1   |         |
| 39   | 356 23 204     | Sealing bellows                 |        | 1   |         |
| 40   | 644 23 033     | Bearing bracket                 | /LL    | 1   |         |
| -    | 644 423 556 00 | Bearing sleeve                  | /LL    | 2   |         |
|      |                |                                 | /RL    | 1   |         |
| 41   | 644 23 035     | Bearing bracket                 | /RL    | 1   |         |
| 42   | 644 23 310     | Rubber                          |        | 2   |         |
| 43   | 644 23 022     | Clutch pedal shaft              | /LL    | 1   |         |
| 44   | 644 23 221     | Clutch pedal shaft              | /RL    | 1   |         |
| (45) | 644 23 025     | Clutch pedal                    |        | 1   | CARRERA |
| 45   | 644 23 026     | Clutch pedal                    |        | 1   |         |
| 46   | 914 423 210 00 | Rubber pad                      |        | 2   |         |
| 47   | 900 074 032 02 | Hexagon-head bolt<br>M 8 X 25   |        | 2   |         |
| 48   | 900 028 010 01 | Spring washer<br>B 8            |        | 2   |         |
| 49   | 999 095 022 00 | Spiral clamping pin<br>S 6 X 32 |        | 1   |         |
| 50   | 900 095 011 00 | Roll pin                        |        | 1   |         |
| 51   | 900 025 007 02 | Washer<br>8,4                   |        | 3   |         |
| 51   | 900 025 007 03 | Washer<br>8,4                   |        | 3   |         |
| 52   | 900 027 015 02 | Lock ring<br>B 8                |        | 3   |         |
| 52   | 900 027 015 03 | Lock ring<br>B 8                |        | 3   |         |
| 53   | 900 076 013 02 | Hexagon nut<br>M 8              |        | 3   |         |
| 53   | 900 076 025 02 | Hexagon nut<br>M 8              |        | 3   |         |
| 53   | 900 076 064 02 | Hexagon nut<br>M 8              |        | 3   |         |
| 54   | 644 23 225     | Bearing bracket                 | /RL    | 1   |         |
| 55   | 644 423 556 00 | Bearing sleeve                  | /RL    | 1   |         |
| 56   | 900 025 007 02 | Washer<br>8,4                   | /RL    | 3   |         |
| 56   | 900 025 007 03 | Washer<br>8,4                   | /RL    | 3   |         |
| 57   | 900 027 015 02 | Lock ring<br>B 8                | /RL    | 3   |         |
| 57   | 900 027 015 03 | Lock ring                       | /RL    | 3   |         |

Model: 356 50 Model life 1950>>1959

| Pos  | Part Number        | Description                             | Remark | Qty | Model |
|------|--------------------|---|--------|-----|-------|
| 58   | 900 076 013 02     | B 8<br>Hexagon nut                      | /RL    | 3   |       |
| 58   | 900 076 025 02     | M 8<br>Hexagon nut                      | /RL    | 3   |       |
| 58   | 900 076 064 02     | M 8<br>Hexagon nut                      | /RL    | 3   |       |
| 59   | 644 23 219         | Bolt                                    |        | 1   |       |
| 60   | 644 23 220         | Adjusting nut                           |        | 1   |       |
| 61   | 900 076 010 02     | Nut                                     |        | 2   |       |
| 61   | 900 076 010 0B     | M 6<br>G 25 001 >><br>Nut               |        | 2   |       |
| -    | 356 23 213         | M 6<br>G 25 001 >><br>Adjusting nut     |        | 1   |       |
| 62   | 644 23 208 1       | G 25 001 >><br>Clutch cable             |        | 1   |       |
| (62) | 644 423 401 00     | G >> 25 000<br>Clutch cable             |        | 1   |       |
| 63   | 900 166 002 02     | G 25 001 >><br>Clevis                   |        | 1   |       |
| 63   | 900 166 002 01     | G 6 X 24<br>Clevis                      |        | 1   |       |
| 64   | 999 166 001 02     | G 25 001 >><br>Bolt                     |        | 1   |       |
| 65   | 644 23 209         | G 25 001 >><br>Guide                    |        | 1   |       |
| 66   | 900 084 005 02     | Clutch cable                            |        | 1   |       |
| 67   | 695 423 922 00     | Nut                                     |        | 1   |       |
| 68   | 644 23 030         | Sleeve                                  |        | 1   |       |
| -    | 644 23 303         | Brake pedal                             |        | 2   |       |
| -    | 900 074 032 02     | Bearing sleeve                          |        | 1   |       |
| -    | 900 028 010 01     | Hexagon-head bolt<br>for<br>Brake pedal |        | 1   |       |
| 69   | 356 42 029         | Spring washer<br>for<br>Brake pedal     |        | 1   |       |
| 70   | 356 23 317         | Piston rod                              |        | 1   |       |
| 71   | 900 034 005 02     | Intermediate piece                      |        | 1   |       |
| 72   | N 011 564 2        | Hexagon nut                             |        | 1   |       |
| 72   | N 011 564 4        | B M 10<br>Washer                        |        | 1   |       |
| 73   | 900 021 015 00     | 13<br>Washer                            |        | 1   |       |
| 74   | 000 95 710         | 13<br>Cotter pin                        |        | 1   |       |
| 75   | 644 23 305         | 3 X 20<br>Thrust washer                 |        | 1   |       |
| 76   | 644 24 053         | Return spring                           |        | 1   |       |
| 77   | 644 552 820 04     | Accelerator cable                       |        | 1   |       |
|      |                    | Knob                                    |        | 1   |       |
|      |                    | Manual throttle                         |        |     |       |
|      | 644 552 820 04 700 | Black                                   |        |     |       |
|      | 644 552 820 04 600 | Grey                                    |        |     |       |
|      | 644 552 820 04 500 | Beige                                   |        |     |       |
|      | 644 552 820 04 300 | White                                   |        |     |       |
| 78   | 356 49 648         | Ivory<br>Clip                           |        | 1   |       |
|      |                    | "S" 8 MM                                |        |     |       |

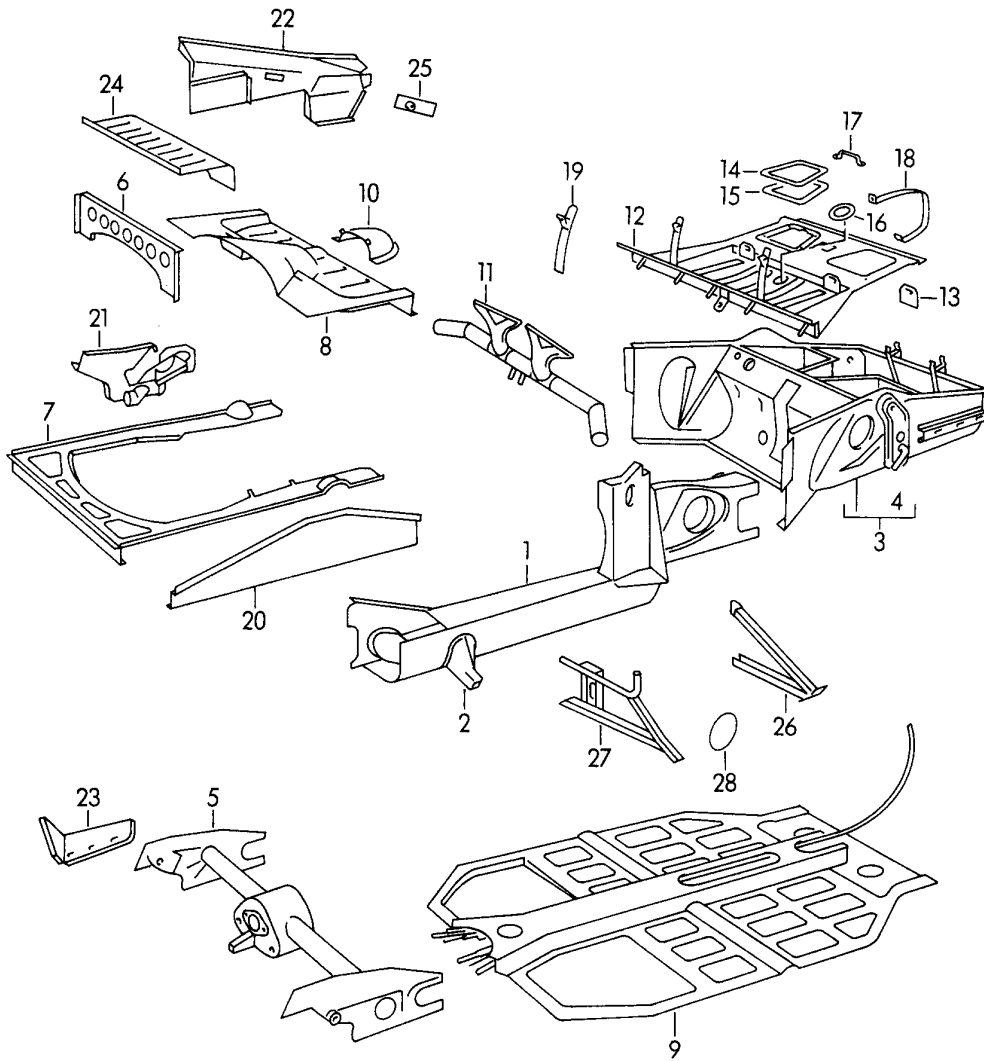
Model: 356 50

Model life 1950&gt;&gt;1959

| Pos | Part Number    | Description                   | Remark | Qty | Model |
|-----|----------------|-------------------------------|--------|-----|-------|
| 79  | N 010 205 6    | Hexagon-head bolt<br>M 5 X 10 |        | 1   |       |
| 79  | 900 075 105 02 | Screw<br>M 5 X 10             |        | 1   |       |
| 80  | N 012 005 3    | Lock ring<br>B 5              |        | 1   |       |
| 81  | 644 24 511     | Clamping piece                |        | 1   |       |

Model: 356 50

Model life 1950>>1959



Model: 356 50 Model life 1950>>1959

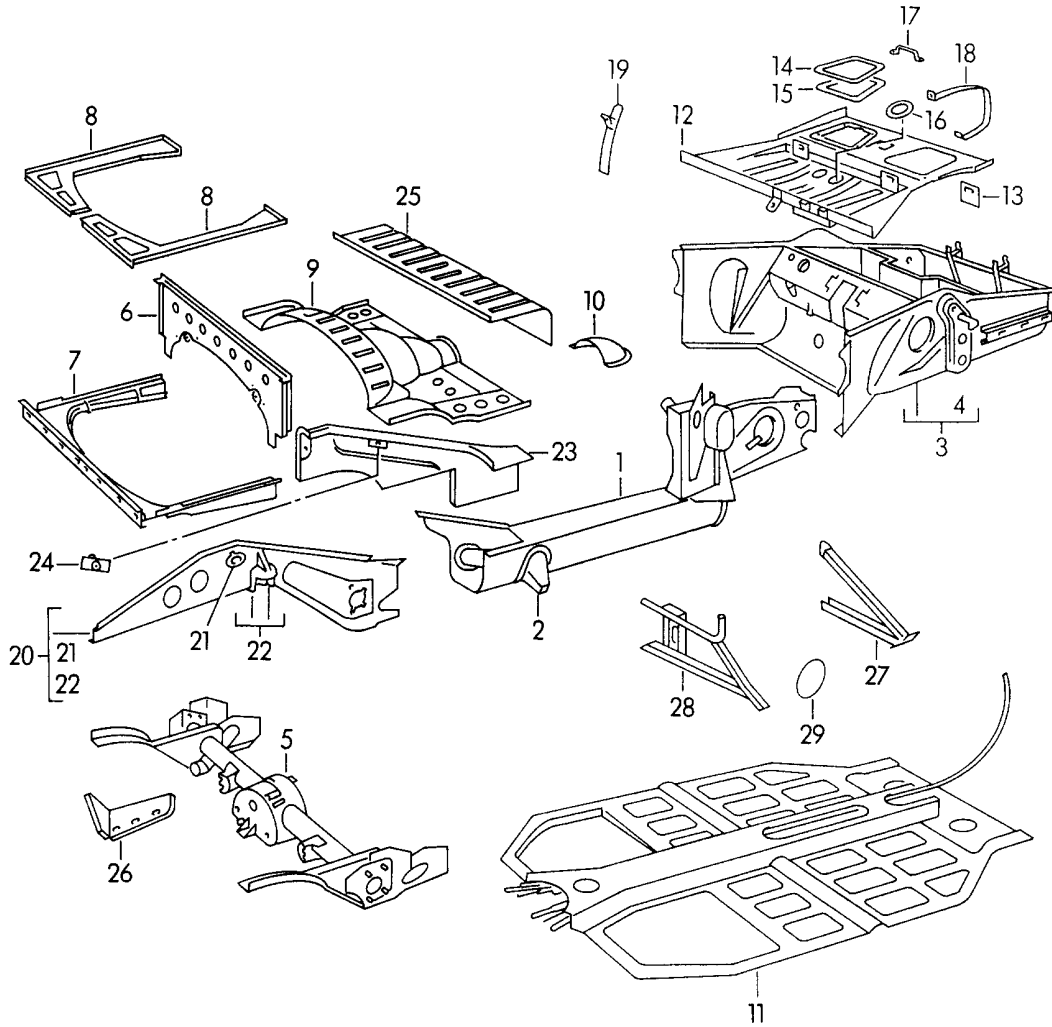
| Pos  | Part Number  | Description   | Remark | Qty | Model           |
|------|--------------|---|--------|-----|-----------------|
| (1)  | 356 49 011   | Frame<br>Side member  | /L     | 1   | 356             |
| 1    | 356 49 012   | Side member   | /R     | 1   |                 |
| 2    | 356 49 019   | Jacking point   |        | 2   |                 |
| 3    | 356 49 022   | Frame front part  |        | 1   |                 |
| 4    | 356 49 041   | Cross member<br>Front   |        | 1   |                 |
| 5    | 356 49 031   | Complete<br>Rear axle cross member  |        | 1   |                 |
| 6    | 356 49 051   | Rear axle cross member<br>Rear  |        | 1   |                 |
| 7    | 356 49 055   | Cross member<br>Rear  |        | 1   |                 |
| 8    | 356 49 069   | Cover<br>Transmission   |        | 1   |                 |
| 9    | 356 49 070   | Floor   |        | 1   |                 |
| -    | 356 49 611   | Floor<br>Rear   |        | 1   |                 |
| -    | 356 49 612   | Floor<br>Front  |        | 1   |                 |
| 10   | 356 49 921   | Lid<br>Shift rods   |        | 1   |                 |
| 11   | 356 49 071 A | Cross tube<br>with<br>Heating nozzles<br>F 10 797 >><br>F 10 114 >>                       |        | 1   | COUPE<br>CABRIO |
| (11) | 356 49 071   | Rear-axle cross-tube<br>with<br>Heating nozzles<br>F 5 001 >> 10 796<br>F 5 015 >> 10 113 |        | 1   | COUPE<br>CABRIO |
| 12   | 356 49 655 A | Cover plate<br>Frame front part<br>F 11 779 >><br>F 15 075 >>                             |        | 1   | COUPE<br>CABRIO |
| (12) | 356 49 655   | Cover plate<br>Frame front part<br>F 5 001 >> 11 778<br>F 5 015 >> 15 074                 |        | 1   | COUPE<br>CABRIO |
| 13   | 356 49 667   | Support<br>Restraining strap  |        | 2   |                 |
| 14   | 356 49 905   | Lid   |        | 1   |                 |
| 15   | 356 49 907   | Rubber seal   |        | 1   |                 |
| 16   | 356 49 913   | Rubber seal   |        | 1   |                 |
| 17   | 356 49 939   | Support<br>30 MM  |        | 1   |                 |
| 18   | 356 49 093   | Restraining strap<br>Long   | /V     | 2   |                 |
| 19   | 356 49 094   | Fuel tank<br>Restraining strap<br>Short   | /H     | 2   |                 |
| 20   | 356 49 110   | Fuel tank<br>Side member<br>Rear  | /R     | 1   |                 |
| (20) | 356 49 109   | Side member<br>Rear   | /L     | 1   |                 |
| 21   | 356 49 121   | Heating tube<br>Complete  | /L     | 1   |                 |

Model: 356 50 Model life 1950>>1959

| Pos  | Part Number        | Description  | Remark | Qty | Model           |
|------|--------------------|--|--------|-----|-----------------|
| (21) | 356 49 122         | Heating tube<br>Complete   | /R     | 1   |                 |
| 22   | 356 49 601         | Cover plate<br>Side member   | /L     | 1   |                 |
| (22) | 356 49 602         | Cover plate<br>Side member   | /R     | 1   |                 |
| 23   | 356 49 747         | Mounting plate<br>Support for bumper<br>F 11 779 >><br>F 15 073 >>         | /H /L  | 1   | COUPE<br>CABRIO |
| (23) | 356 49 748         | Mounting plate<br>Support for bumper<br>F 11 779 >><br>F 15 073 >>         | /H /R  | 1   | COUPE<br>CABRIO |
| (23) | 356 49 731         | Stop plate<br>Support for bumper<br>F 5 001 >> 11 778<br>F 5 015 >> 15 072 | /H /L  | 1   | COUPE<br>CABRIO |
| (23) | 356 49 732         | Stop plate<br>Support for bumper<br>F 5 001 >> 11 778<br>F 5 015 >> 15 072 | /H /R  | 1   | COUPE<br>CABRIO |
| 24   | 356 49 743         | Boot floor plate   |        | 1   |                 |
| 25   | 356 49 674         | Bearing plate<br>Backrest  |        | 2   |                 |
| 26   | 356 58 033         | Engine carrier<br>Wing<br>F 11 779 >><br>F 15 051 >>                       | /H /L  | 1   | COUPE<br>CABRIO |
| (26) | 356 58 034         | Engine carrier<br>Wing<br>F 11 779 >><br>F 15 051 >>                       | /H /R  | 1   | COUPE<br>CABRIO |
| 27   | 356 58 043         | Engine carrier<br>Wing<br>F 52 030 >><br>F 60 550 >>                       | /V /L  | 1   | COUPE<br>CABRIO |
| (27) | 356 58 044         | Engine carrier<br>Wing<br>F 52 030 >><br>F 60 550 >>                       | /V /R  | 1   | COUPE<br>CABRIO |
| (27) | 356 58 031         | Engine carrier<br>Wing<br>F 11 779 >> 52 029<br>F 15 051 >> 60 549         | /V /L  | 1   | COUPE<br>CABRIO |
| (27) | 356 58 032         | Engine carrier<br>Wing<br>F 11 779 >> 52 029<br>F 15 051 >> 60 549         | /V /R  | 1   | COUPE<br>CABRIO |
| -    | 356 58 017         | Engine carrier<br>Wing<br>F 5 001 >> 11 778<br>F 5 015 >> 15 050           | /H /L  | 1   | COUPE<br>CABRIO |
| -    | 356 58 018         | Engine carrier<br>Wing<br>F 5 001 >> 11 778<br>F 5 015 >> 15 050           | /H /R  | 1   | COUPE<br>CABRIO |
| 28   | 644 504 079 00     | Spring cover<br>Entrance lining  |        | 2   |                 |
| (28) | 644 504 079 00 GRV | Spring cover<br>Entrance lining  |        | 2   |                 |

Model: 356 50

Model life 1950>>1959





Model: 356 50 Model life 1950>>1959

| Pos | Part Number    | Description   | Remark | Qty | Model                                   |
|-----|----------------|---|--------|-----|---|
|     |                | Frame   |        |     | 356 A                                   |
| (1) | 644 501 003 00 | Side member   | /L     | 1   |   |
| 1   | 644 501 004 00 | Side member   | /R     | 1   |   |
| 2   | 644 501 150 00 | Jacking point   |        | 2   |   |
| 3   | 644 501 005 03 | Body front section  | /LL    | 1   |   |
| (3) | 644 501 005 04 | Body front section  | /RL    | 1   |   |
| (3) | 644 501 006 03 | Body front section without<br>Cross panel   | /LL    | 1   |   |
| (3) | 644 501 006 04 | Body front section without<br>Cross panel   | /RL    | 1   |   |
| 4   | 644 501 030 03 | Cross member<br>Front   | /LL    | 1   |   |
| (4) | 644 501 030 04 | Cross member<br>Front   | /RL    | 1   |   |
| -   | 644 506 051 00 | Towing lug<br>F 101 693 >><br>F 150 001 >><br><br>F 83 792 >>                             |        | 1   | COUPE<br>CABRIO<br>HARDTOP<br>SPEEDSTER |
| 5   | 644 501 085 00 | Rear-axle cross-tube  |        | 1   |   |
| 6   | 644 501 075 00 | Cross panel<br>Rear   |        | 1   |   |
| (6) | 644 501 075 10 | Cross panel<br>Rear<br>Only together with<br>Heating<br>B 3                               |        | 1   | CARRERA<br>COUPE<br>HARDTOP<br>DE LUXE  |
| 7   | 644 501 082 00 | Engine compartment cover<br>Weldable piece  |        | 1   |   |
| (7) | 644 501 082 05 | Engine compartment cover<br>Only together with<br>Heating<br>B 2                          |        | 1   |   |
| (7) | 644 501 082 10 | Engine compartment cover for<br>-CARRERA GT-<br>without<br>Optional heating               |        | 1   |   |
| (7) | 644 501 082 11 | Engine compartment cover for<br>-CARRERA DE LUXE-<br>Only together with<br>Heating<br>B 3 |        | 1   |   |
| 8   | 644 501 083 01 | Engine compartment cover  | /L     | 1   |   |
| (8) | 644 501 083 05 | Engine compartment cover<br>Only together with<br>Heating<br>B 2                          | /L     | 1   |   |
| (8) | 644 501 084 01 | Engine compartment cover  | /R     | 1   |   |
| (8) | 644 501 083 05 | Engine compartment cover<br>Only together with<br>Heating<br>B 2                          | /R     | 1   |   |
| 9   | 644 501 073 00 | Cover<br>Transmission   |        | 1   |   |
| (9) | 644 501 073 10 | Cover<br>Transmission for<br>-CARRERA DE LUXE-<br>Only together with                      |        | 1   |   |

Model: 356 50 Model life 1950>>1959

| Pos  | Part Number    | Description  | Remark | Qty | Model |
|------|----------------|--|--------|-----|-------|
| 10   | 644 504 730 01 | Heating<br>B 3<br>Lid  |        | 1   |       |
| (10) | 644 504 075 01 | Shift rods<br>Lid  |        | 1   |       |
| -    | 644 551 425 00 | Shift rods<br>with<br>Carpet<br>Please state the colour<br>Carpet<br>Please state the colour |        | 1   |       |
| 11   | 644 501 050 03 | Floor  | /LL    | 1   |       |
| (11) | 644 501 050 04 | Floor  | /RL    | 1   |       |
| -    | 644 501 051 03 | Floor<br>without<br>Tunnel   | /LL    | 1   |       |
| -    | 644 501 051 04 | Floor<br>without<br>Tunnel   | /RL    | 1   |       |
| -    | PCG 501 051 06 | Floorpan<br>Two-piece  |        | 1   |       |
| 12   | 644 501 035 05 | Tank compartment floor   | /LL    | 1   |       |
| (12) | 644 501 035 50 | Tank compartment floor<br>Only together with<br>Fuel tank<br>80 L                            | /LL    | 1   |       |
| (12) | 644 501 035 06 | Tank compartment floor   | /RL    | 1   |       |
| (12) | 644 501 036 50 | Tank compartment floor<br>Only together with<br>Fuel tank<br>80 L                            | /RL    | 1   |       |
| 13   | 644 201 351 00 | Support<br>Restraining strap   |        | 2   |       |
| 14   | 644 504 501 01 | Lid  | /LL    | 1   |       |
| (14) | 644 504 501 02 | Lid  | /RL    | 1   |       |
| (14) | 644 504 051 50 | Lid<br>Only together with<br>Fuel tank<br>80 L   | /LL    | 1   |       |
| (14) | 644 504 052 50 | Lid<br>Only together with<br>Fuel tank<br>80 L   | /RL    | 1   |       |
| -    | 644 504 503 50 | Lid<br>Oil filler screw<br>Only together with<br>Fuel tank<br>80 L                           |        | 1   |       |
| 15   | 644 504 921 00 | Rubber seal  |        | 1   |       |
| 16   | 644 504 922 00 | Rubber seal  |        | 1   |       |
| 17   | 644 025 171 00 | Support<br>30 MM   |        | 1   |       |
| -    | 644 504 971 00 | Leather strap<br>Spare wheel   |        | 1   |       |
| 18   | 644 201 031 00 | Restraining strap<br>Fuel tank<br>570 MM   |        | 1   |       |
| (18) | 644 201 031 50 | Restraining strap<br>Fuel tank<br>735 MM   |        | 1   |       |
| 19   | 644 201 032 00 | Restraining strap<br>Fuel tank<br>225 MM   |        | 2   |       |

Model: 356 50 Model life 1950>>1959

| Pos  | Part Number        | Description   | Remark | Qty | Model                                   |
|------|--------------------|---|--------|-----|---|
| 20   | 644 501 015 00     | Side member<br>Rear   |        | 1   |   |
| 21   | 644 501 155 00     | Bearing<br>Shock absorber   |        | 2   |   |
| 22   | 644 501 171 05     | Stop<br>Rubber stop   |        | 2   |   |
| (23) | 644 501 013 00     | Lining<br>Side member<br>with<br>Bearing plate<br>Backrest        | /L     | 1   |   |
| 23   | 644 501 014 00     | Lining<br>Side member<br>with<br>Bearing plate<br>Backrest        | /R     | 1   |   |
| (23) | 644 501 013 40     | Lining<br>Side member<br>with installation parts<br>Roll-over bar | /L     | 1   | SPEEDSTER<br>CARRERA GT                 |
| 23   | 644 501 014 40     | Lining<br>Side member<br>with installation parts<br>Roll-over bar | /R     | 1   | SPEEDSTER<br>CARRERA GT                 |
| 24   | 644 501 160 00     | Bearing plate<br>Backrest   |        | 2   |   |
| 25   | 644 501 701 00     | Boot floor plate<br>F >> 101 692<br>F >> 150 000                  |        | 1   | COUPE<br>CABRIO<br>HARDTOP<br>SPEEDSTER |
| (25) | 644 501 071 00     | Boot floor plate  |        | 1   |   |
| (25) | 644 501 071 10     | Boot floor plate<br>Valid from:<br>20.9.57                        |        | 1   | COUPE<br>HARDTOP<br>CARRERA<br>DE LUXE  |
| (26) | 644 501 975 00     | Mounting plate<br>Support for bumper                              | /H /L  | 1   |   |
| 26   | 644 501 976 00     | Mounting plate<br>Support for bumper                              | /H /R  | 1   |   |
| 27   | 644 501 097 00     | Bracket<br>Wing<br>Rear<br>Left<br>Not for<br>-CARRERA-           | /H     | 1   |   |
| 28   | 644 501 095 00     | Engine carrier<br>Wing  | /V /L  | 1   |   |
| (28) | 644 501 096 00     | Bracket<br>Wing   | /V /R  | 1   |   |
| 29   | 644 504 079 00     | Spring cover<br>Entrance lining                                   |        | 2   |   |
| 29   | 644 504 079 00 GRV | Spring cover<br>Entrance lining                                   |        | 2   |   |
| -    | 644 504 071 00     | Lid<br>Only together with<br>Heating<br>B 3                       |        | 1   | CARRERA<br>DELUXE                       |
| -    | 644 501 730 01     | Heel plate<br>Seat belt   |        | 1   |   |
| -    | 644 501 570 00     | Support<br>Seat rail<br>F 101 693 >>                              | /V     | 2   | COUPE                                   |

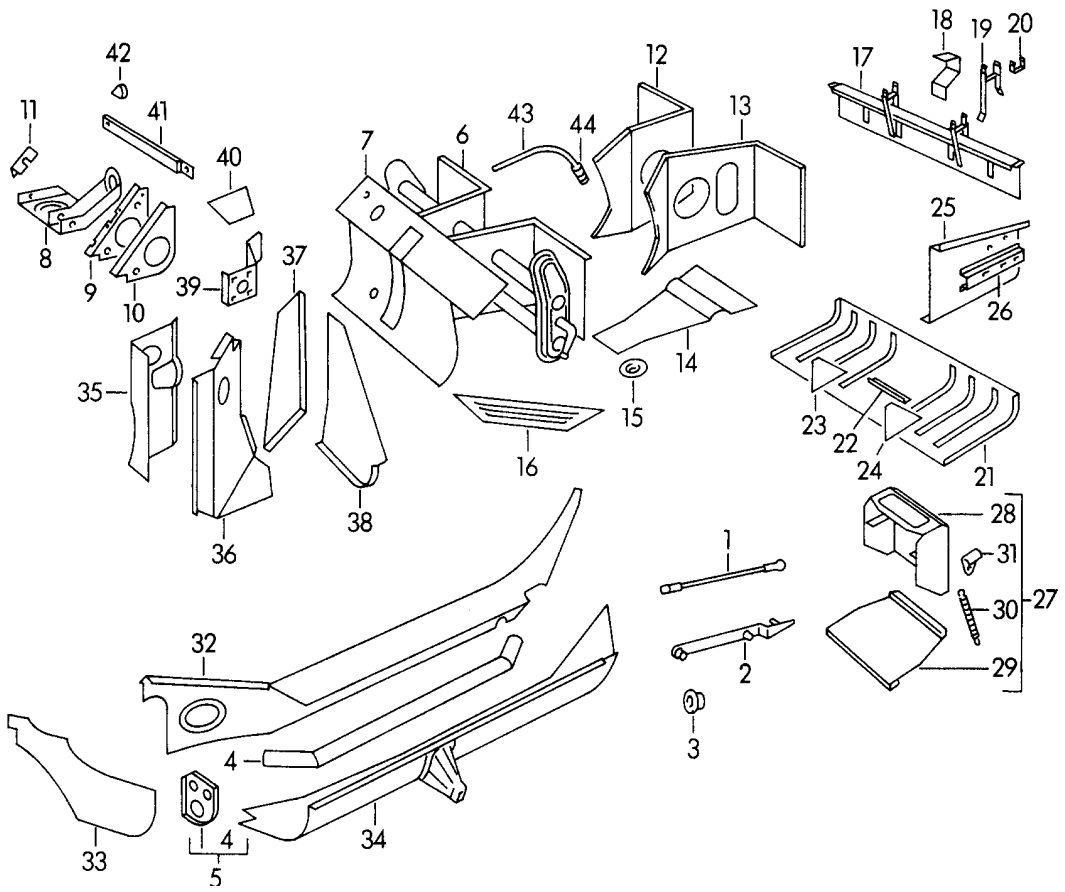
Model: 356 50

Model life 1950&gt;&gt;1959

| Pos | Part Number    | Description   | Remark | Qty | Model                          |
|-----|----------------|---|--------|-----|--------------------------------|
| -   | 644 501 540 01 | F 150 001 >><br>F 83 792 >><br>Support<br>Seat rail | /H     | 2   | CABRIO<br>HARDTOP<br>SPEEDSTER |

Model: 356 50

Model life 1950>>1959



Model: 356 50

Model life 1950&gt;&gt;1959

| Pos  | Part Number | Description                                      | Remark | Qty | Model |
|------|-------------|--|--------|-----|-------|
|      |             | Frame  |        |     | 356   |
| 1    | 356 23 086  | Single parts<br>Push rod<br>with<br>Ball socket  |        | 1   |       |
| 2    | 356 23 087  | Hexagon nut<br>Reverse lever                     |        | 1   |       |
| 3    | 356 23 323  | Complete<br>Bush                                 |        | 1   |       |
| (4)  | 356 49 015  | Bearing plate<br>Pedals<br>Right<br>Heating tube | /L     | 1   |       |
| 4    | 356 49 016  | Side member<br>Heating tube                      | /R     | 1   |       |
| (5)  | 356 49 131  | Side member<br>Reinforcement                     | /L     | 3   |       |
| 5    | 356 49 132  | Side member<br>Reinforcement                     | /R     | 3   |       |
| 6    | 356 49 021  | Cross member<br>Front                            |        | 1   |       |
| 7    | 356 49 215  | Cross panel                                      |        | 1   |       |
| 8    | 356 49 065  | Bearing plate<br>with<br>Bracket                 |        | 1   |       |
| 9    | 356 49 651  | Base<br>Pedal floor board                        | /L     | 1   |       |
| 10   | 356 49 652  | Base<br>Pedal floor board                        | /R     | 1   |       |
| 11   | 356 49 715  | Engine bracket<br>for<br>Dipped-beam control     |        | 1   |       |
| 12   | 356 49 201  | Partition panel                                  | /L     | 1   |       |
| 13   | 356 49 202  | Partition panel                                  | /R     | 1   |       |
| 14   | 356 49 209  | Floorpan   |        | 1   |       |
| 15   | 356 49 404  | Cover plate<br>Cross member                      |        | 2   |       |
| 16   | 356 49 717  | Front<br>Floor section<br>Frame                  |        | 2   |       |
| 17   | 356 49 401  | Lower<br>End plate<br>Cross member               |        | 1   |       |
| 18   | 356 49 425  | Front<br>Engine carrier<br>Spare wheel           |        | 2   |       |
| 19   | 356 49 423  | Bracket<br>Jacking point                         |        | 2   |       |
| 20   | 356 49 424  | Spring plate<br>Jacking point                    |        | 2   |       |
| 21   | 356 49 403  | Floorpan<br>Cross member                         |        | 1   |       |
| 22   | 356 49 420  | Front<br>Bracket<br>Battery                      |        | 1   |       |
| 23   | 356 49 421  | Engine carrier<br>Battery                        | /L     | 1   |       |
| 24   | 356 49 422  | Engine carrier<br>Battery                        | /R     | 1   |       |
| (25) | 356 49 431  | Side section                                     | /L     | 1   |       |

Model: 356 50 Model life 1950>>1959

| Pos  | Part Number    | Description   | Remark | Qty | Model |
|------|----------------|---|--------|-----|-------|
| 25   | 356 49 432     | Cross member<br>Front<br>Side section                   | /R     | 1   |       |
| 26   | 356 49 435     | Cross member<br>Front<br>Bumper reinforcement<br>Bumper |        | 1   |       |
| 27   | 356 49 092     | Lid<br>Complete   |        | 1   |       |
| 28   | 356 49 092 1   | Battery cover   |        | 1   |       |
| 29   | 356 49 092 2   | Plate   |        | 1   |       |
| 30   | 356 49 092 3   | Tension spring  |        | 2   |       |
| 31   | 356 49 092 4   | Support   |        | 2   |       |
| (32) | 356 49 107     | Side member<br>Centre part                              | /L     | 1   |       |
| 32   | 356 49 108     | Side member<br>Centre part                              | /R     | 1   |       |
| (33) | 356 49 175     | Cover plate<br>Frame                                    | /H /L  | 1   |       |
| 33   | 356 49 176     | Cover plate<br>Frame                                    | /H /R  | 1   |       |
| (34) | 356 49 141     | Box wall<br>Side member<br>without<br>Jacking point     | /L     | 1   |       |
| (34) | 356 49 141 1   | Box wall<br>Side member<br>with<br>Jacking point        | /L     | 1   |       |
| (34) | 356 49 142     | Box wall<br>Side member<br>without<br>Jacking point     | /R     | 1   |       |
| 34   | 356 49 142 1   | Box wall<br>Side member<br>with<br>Jacking point        | /R     | 1   |       |
| (35) | 644 501 021 05 | Box wall  | /L     | 1   |       |
| 35   | 644 501 022 05 | Box wall  | /R     | 1   |       |
| (36) | 356 49 163     | Box wall<br>Door pillar                                 | /L     | 1   |       |
| 36   | 356 49 164     | Connecting piece<br>Door pillar                         | /R     | 1   |       |
| (37) | 644 501 211 00 | Reinforcement plate<br>Door pillar                      | /L     | 1   |       |
| 37   | 644 501 212 00 | Reinforcement plate<br>Door pillar                      | /R     | 1   |       |
| (38) | 356 49 171     | Cover plate<br>Door channel                             | /L     | 1   |       |
| 38   | 356 49 172     | Cover plate<br>Door channel                             | /R     | 1   |       |
| 39   | 356 49 711     | Bumper reinforcement<br>Door                            |        | 4   |       |
| (40) | 356 49 713     | Stop plate<br>Door pillar<br>Front                      | /L     | 1   |       |
| 40   | 356 49 714     | Stop plate<br>Door pillar<br>Front                      | /R     | 1   |       |
| 41   | 356 49 927     | Stop bar<br>Pedals                                      |        | 1   |       |
| 43   | 356 49 723     | \$ 13 MM<br>Pipe  |        | 1   |       |

Model: 356 50

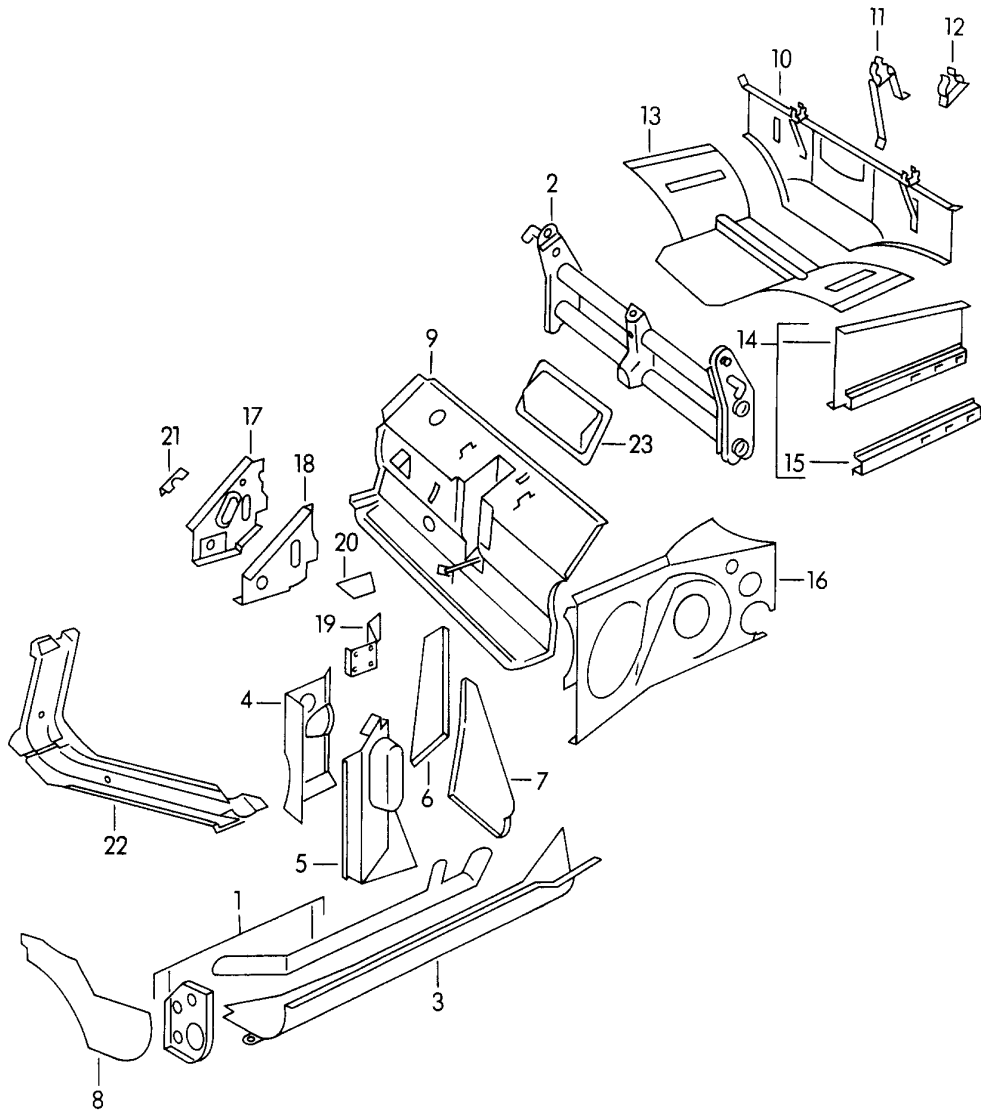
Model life 1950&gt;&gt;1959

| Pos | Part Number | Description                              | Remark | Qty | Model |
|-----|-------------|--|--------|-----|-------|
| 44  | 356 49 220  | Front<br>Complete<br>Nipple<br>Handbrake |        | 1   |       |



Model: 356 50

Model life 1950>>1959



Model: 356 50 Model life 1950&gt;&gt;1959

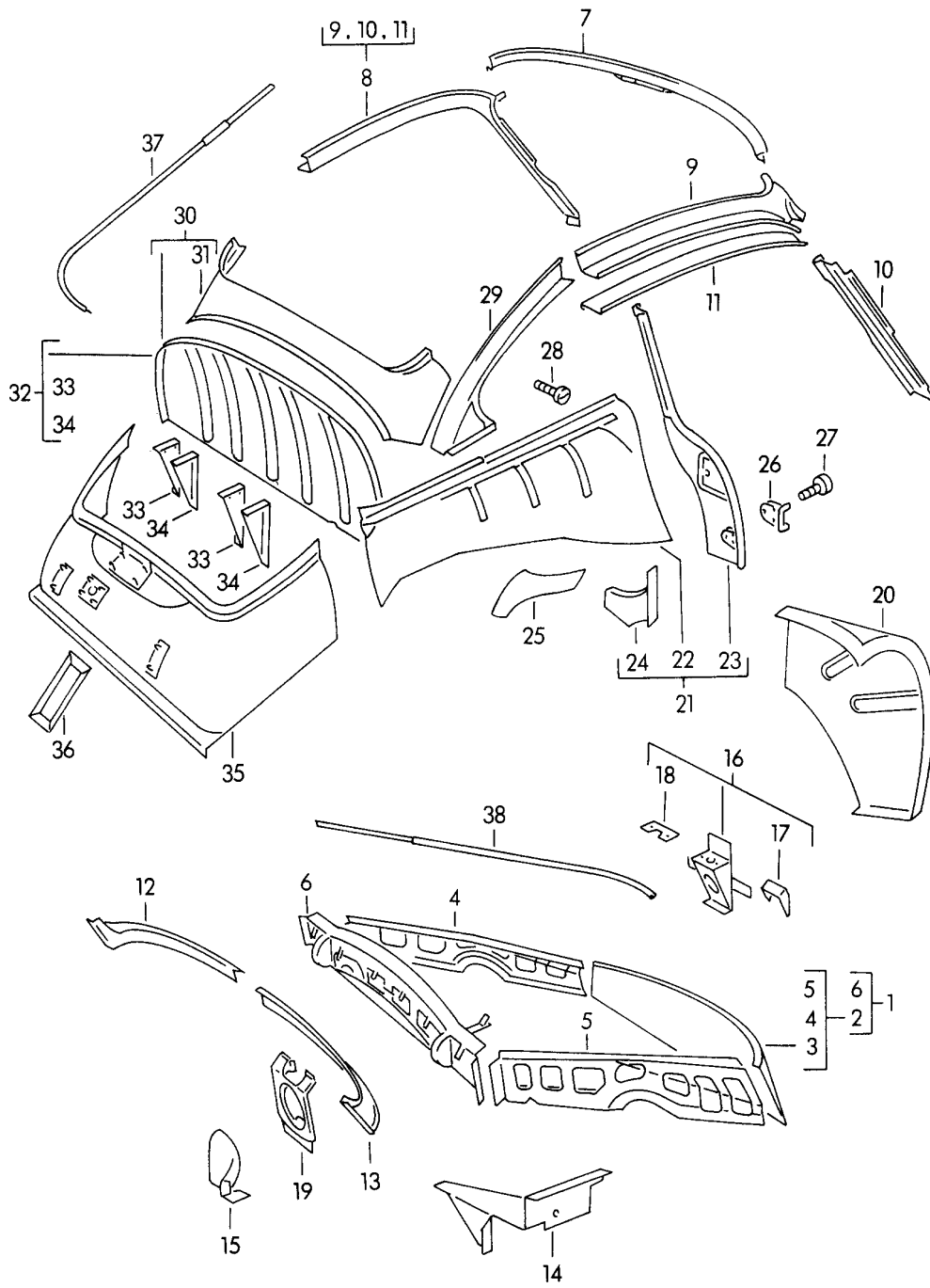
| Pos  | Part Number        | Description                                   | Remark | Qty | Model |
|------|--------------------|---|--------|-----|-------|
|      |                    | Frame   |        |     | 356 A |
| (1)  | 644 501 027 00     | Single parts<br>Heating tube                  | /L     | 1   |       |
| 1    | 644 501 028 00     | Side member<br>Heating tube                   | /R     | 1   |       |
| 2    | 644 341 010 01     | Side member<br>Cross member                   | /LL    | 1   |       |
| (2)  | 644 341 010 02     | Front<br>Complete<br>Cross member             | /RL    | 1   |       |
| (3)  | 644 501 017 00     | Front<br>Complete<br>Side member              | /L     | 1   |       |
| 3    | 644 501 018 00     | Outer<br>with<br>Jacking point<br>Side member | /R     | 1   |       |
| (4)  | 644 501 021 05     | Outer<br>with<br>Jacking point<br>Box wall    | /V /L  | 1   |       |
| 4    | 644 501 022 05     | Box wall                                      | /V /R  | 1   |       |
| (5)  | 644 501 023 05     | Box wall<br>with<br>Loudspeaker               | /V /L  | 1   |       |
| 5    | 644 501 024 00     | Box wall<br>with<br>Loudspeaker               | /V /R  | 1   |       |
| (6)  | 644 501 211 00     | Reinforcement plate                           | /L     | 1   |       |
| (6)  |                    | Reinforcement plate                           | /L     | 1   |       |
| 6    | 644 501 212 00     | Box wall<br>Reinforcement plate               | /R     | 1   |       |
| 6    |                    | Reinforcement plate                           | /R     | 1   |       |
| (7)  | 644 501 221 00     | Box wall<br>End plate                         | /L     | 1   |       |
| 7    | 644 501 222 00     | Door channel<br>End plate                     | /R     | 1   |       |
| 7    |                    | Door channel<br>End plate                     | /R     | 1   |       |
| (8)  | 644 501 222 00 GRV | Prime coated                                  |        | 1   |       |
| (8)  | 644 501 141 00     | End plate                                     | /H /L  | 1   |       |
| (8)  | 644 501 141 00 GRV | Frame<br>End plate                            | /H /L  | 1   |       |
| 8    | 644 501 142 00     | Prime coated<br>End plate                     | /H /R  | 1   |       |
| 8    |                    | Frame<br>End plate                            | /H /R  | 1   |       |
| 9    | 644 501 142 00 GRV | Prime coated                                  |        | 1   |       |
| (9)  | 644 501 041 03     | Cross panel                                   | /LL    | 1   |       |
| 10   | 644 501 041 04     | Cross panel                                   | /RL    | 1   |       |
| 10   | 644 501 031 01     | End plate                                     |        | 1   |       |
| 11   | 644 501 093 00     | Cross member<br>Front<br>Bracket              |        | 2   |       |
| 12   | 644 501 913 00     | Jacking point<br>Spring tension plate         |        | 2   |       |
| -    | 644 501 915 00     | Jacking point<br>Rubber base                  |        | 2   |       |
| 13   | 644 501 037 00     | Jack<br>Floorpan                              |        | 1   |       |
| (14) | 644 501 033 00     | Cross member<br>Front<br>Side section         | /L     | 1   |       |

Model: 356 50 Model life 1950>>1959

| Pos  | Part Number        | Description   | Remark | Qty | Model |
|------|--------------------|---|--------|-----|-------|
| 14   | 644 501 034 00     | Cross member<br>Front<br>Side section                       | /R     | 1   |       |
| (15) | 644 501 327 00     | Cross member<br>Front<br>Bracket                            | /L     | 1   |       |
| 15   | 644 501 328 00     | Bumper<br>Bracket   | /R     | 1   |       |
| (16) | 644 501 043 05     | Bumper<br>Mounting plate<br>Front part<br>with<br>Tab       | /L     | 1   |       |
| -    | 644 501 417 00     | Reinforcement   | /L     | 1   |       |
| -    | 644 501 417 00 GRV | Reinforcement   | /L     | 1   |       |
| 16   | 644 501 044 05     | Prime coated<br>Mounting plate<br>Front part<br>with<br>Tab | /R     | 1   |       |
| -    | 644 501 418 00     | Reinforcement   | /R     | 1   |       |
| -    | 644 501 418 00 GRV | Reinforcement   | /R     | 1   |       |
| 17   | 644 501 047 05     | Prime coated<br>Base  | /L     | 1   |       |
| 18   | 644 501 048 05     | Pedal floor board<br>Base                                   | /R     | 1   |       |
| 19   | 644 501 231 00     | Pedal floor board<br>Hinge pillar                           | /L     | 2   |       |
| (19) | 644 501 232 00     | Door<br>Hinge pillar  | /R     | 2   |       |
| (20) | 644 501 237 00     | Door<br>End plate<br>Door pillar                            | /L     | 1   |       |
| 20   | 644 501 238 00     | Front<br>End plate<br>Door pillar                           | /R     | 1   |       |
| 21   | 644 501 920 00     | Front<br>Engine bracket<br>for<br>Dipped-beam control       |        | 1   |       |
| 22   | 644 501 441 06     | Cross member  |        | 1   |       |
| 22   | 644 501 441 06 GRV | Cross member<br>Prime coated                                |        | 1   |       |
| 23   | 644 504 521 10     | Lid<br>Fuel pump  |        | 2   |       |

Model: 356 50

Model life 1950>>1959



Model: 356 50 Model life 1950>>1959

| Pos | Part Number    | Description   | Remark | Qty | Model                 |
|-----|----------------|---|--------|-----|-----------------------|
| (1) | 356 51 021     | Body<br>Interior panelling<br>Rear bulkhead<br>FRONT luggage compartment<br>Complete                        |        | 1   | 356                   |
| (1) | 644 502 010 00 | Rear bulkhead<br>FRONT luggage compartment<br>Complete  |        | 1   | 356 A                 |
| (2) | 356 51 021 1   | Rear bulkhead<br>FRONT luggage compartment  | /L /R  | 1   | 356                   |
| (2) | 644 502 011 00 | Rear bulkhead<br>FRONT luggage compartment  | /L /R  | 1   | 356 A                 |
| (3) | 356 51 201     | Rear bulkhead<br>FRONT luggage compartment  | /V     | 1   | 356                   |
| 3   | 644 502 101 05 | Rear bulkhead<br>FRONT luggage compartment  | /V     | 1   | 356 A                 |
| (4) | 356 51 203     | Rear bulkhead<br>FRONT luggage compartment  | /L     | 1   | 356                   |
| 4   | 644 502 103 00 | Rear bulkhead<br>FRONT luggage compartment  | /L     | 1   | 356 A                 |
| (5) | 356 51 204     | Rear bulkhead<br>FRONT luggage compartment  | /R     | 1   | 356                   |
| 5   | 644 502 104 00 | Rear bulkhead<br>FRONT luggage compartment  | /R     | 1   | 356 A                 |
| (6) | 356 51 205     | Interior panelling<br>FRONT luggage compartment   | /H     | 1   | 356                   |
| 6   | 644 502 015 20 | Rear bulkhead<br>FRONT luggage compartment  | /H     | 1   | 356 A                 |
| -   | 356 51 023     | Windscreen frame part<br>Roof frame<br>Complete<br>Comprising:<br>Picture<br>7, 9 - 13<br>F 5 001 >> 11 360 |        | 1   | 356                   |
| -   | 356 51 023 A   | Windscreen frame part<br>Roof frame<br>Complete<br>Comprising:<br>Picture<br>7, 9 - 13<br>F 11 361 >>       |        | 1   | COUPE<br>356          |
| (7) | 356 51 254     | Windscreen frame part<br>Upper  |        | 1   | COUPE<br>356:COUPE    |
| 7   | 644 502 220 00 | Windscreen frame part<br>Upper  |        | 1   | 356 A<br>COUPE/CABRIO |
| (8) | 356 51 217 A   | Cowl panel support<br>with<br>Roof frame<br>F 5 001 >> 11 360   | /L     | 1   | 356                   |
| (8) |                | Cowl panel support<br>with<br>Roof frame<br>F 11 361 >>   | /L     | 1   | COUPE<br>356          |
| 8   | 644 502 027 00 | Windscreen frame<br>with<br>Roof frame  | /L     | 1   | COUPE<br>356 A:COUPE  |
| (8) | 356 51 218 A   | Cowl panel support<br>with<br>Roof frame<br>F 5 001 >> 11 360   | /R     | 1   | 356                   |
| (8) | 356 51 218     | Windscreen frame part<br>with   | /R     | 1   | COUPE<br>356          |

Model: 356 50 Model life 1950>>1959

| Pos  | Part Number    | Description   | Remark | Qty | Model                    |
|------|----------------|---|--------|-----|--------------------------|
| (8)  | 644 502 028 00 | Roof frame<br>F 11 361 >><br>Windscreen frame       | /R     | 1   | COUPE<br>356 A:COUPE     |
| (9)  | 356 51 217 2   | with<br>Roof frame<br>Lining                        | /L     | 1   | 356:COUPE                |
| (9)  | 644 502 251 00 | Roof frame<br>Lining                                | /L     | 1   | 356 A:COUPE              |
| (9)  | 356 51 218 2   | Roof frame<br>Lining                                | /R     | 1   | 356:COUPE                |
| 9    | 644 502 252 00 | Roof frame<br>Lining                                | /R     | 1   | 356 A:COUPE              |
| (10) | 356 51 217 A1  | Roof frame<br>Cowl panel support                    | /L     | 1   | 356:COUPE                |
| (10) | 356 51 217 1   | Roof frame<br>F 11 361 >><br>Cowl panel support     | /L     | 1   | COUPE<br>356:COUPE       |
| (10) | 644 502 025 06 | Roof frame<br>F 5 001 >> 11 360<br>Windscreen frame | /L     | 1   | COUPE<br>356 A:COUPE     |
| (10) | 356 51 218 A1  | Roof frame<br>Cowl panel support                    | /R     | 1   | 356:COUPE                |
| (10) | 356 51 218 1   | Roof frame<br>F 11 361 >><br>Cowl panel support     | /R     | 1   | COUPE<br>356:COUPE       |
| 10   | 644 502 026 06 | Roof frame<br>F 5 001 >> 11 360<br>Windscreen frame | /R     | 1   | COUPE<br>356 A:COUPE     |
| (11) | 356 51 217 3   | Roof frame  | /V /L  | 1   | 356:COUPE                |
| (11) | 644 502 241 00 | Roof frame  | /V /L  | 1   | 356 A:COUPE              |
| (11) | 356 51 218 3   | Roof frame  | /V /R  | 1   | 356:COUPE                |
| 11   | 644 502 242 00 | Roof frame  | /V /R  | 1   | 356 A:COUPE              |
| 12   | 356 51 282     | Cross piece for windscreen                          | /L     | 1   | 356                      |
| 13   | 356 51 283     | Cross piece for windscreen                          | /R     | 1   | 356                      |
| (14) | 356 51 221     | Gusset plate  | /L     | 1   | 356                      |
| (14) | 644 502 245 00 | Gusset plate  | /L     | 1   | 356 A                    |
| (14) | 356 51 222     | Gusset plate  | /R     | 1   | 356                      |
| 14   | 644 502 246 00 | Gusset plate  | /R     | 1   | 356 A                    |
| (15) | 356 51 223     | Connecting piece<br>Dashboard                       | /L     | 1   | 356                      |
| 15   | 356 51 224     | Connecting piece<br>Dashboard                       | /R     | 1   | 356                      |
| (16) | 356 51 216     | Lock carrier<br>Complete                            |        | 1   | 356                      |
| 16   | 644 502 150 00 | Lock carrier<br>Complete                            |        | 1   | 356 A                    |
| (17) | 356 51 216 1   | Bracket<br>Lid lock                                 | /V     | 1   | 356                      |
| 17   | 644 502 156 00 | Securing clip<br>Lid lock                           | /V     | 1   | 356 A                    |
| (18) | 356 51 284     | Threaded plate                                      | /V     | 1   | 356                      |
| 18   |                | Not available<br>Only together with<br>Picture      |        |     | 356 A                    |
| -    | 356 51 215     | 16<br>Bracket                                       |        | 1   | 356                      |
| 19   | 644 502 170 00 | Windscreen wiper motor<br>Support                   |        | 1   | 356 A                    |
| (19) | 644 502 170 40 | Windscreen wiper motor<br>Support                   |        | 1   | COUPE/CABRIO<br>356 A    |
| -    | 644 502 170 41 | Windscreen wiper motor<br>Support                   |        | 1   | SPEEDSTER<br>CONVERTIBLE |

Model: 356 50 Model life 1950>>1959

| Pos  | Part Number    | Description   | Remark | Qty | Model                                     |
|------|----------------|---|--------|-----|---|
|      |                | Windscreen wiper system   |        |     | "D"                                       |
|      |                | Radio   |        |     |   |
| (20) | 356 51 209     | F 85 501 >> 86 830<br>End plate   | /L     | 1   | 356                                       |
| (20) | 644 502 017 00 | Door pillar<br>End plate  | /L     | 1   | 356 A                                     |
| (20) | 356 51 210     | Door pillar<br>F 101 693 >><br>F 150 001 >><br>F 83 792 >><br>End plate | /R     | 1   | COUPE<br>CABRIO<br>SPEEDSTER<br>356       |
| 20   | 644 502 018 00 | Door pillar<br>End plate  | /R     | 1   | 356 A                                     |
| -    | 644 501 931 00 | Door pillar<br>F 101 693 >><br>F 150 001 >><br>F 83 792 >><br>Bracket   |        | 2   | COUPE<br>CABRIO<br>SPEEDSTER<br>356 A     |
|      |                | Door support<br>F 101 693 >><br>F 150 001 >><br>F 83 792 >>             |        |     |   |
| (21) | 356 51 255 1   | Wheel housing panel<br>Complete   | /L     | 1   | COUPE<br>CABRIO<br>SPEEDSTER<br>356:COUPE |
| (21) | 644 502 061 00 | Wheel housing panel<br>Complete   | /L     | 1   | 356 A:COUPE                               |
| (21) | 644 502 061 01 | F 55 001 >> 101 692<br>Wheel housing panel<br>Complete                  | /L     | 1   | 356 A:COUPE                               |
| 21   | 356 51 256 1   | F 101 693 >><br>Wheel housing panel<br>Complete                         | /R     | 1   | 356:COUPE                                 |
| 21   | 644 502 062 00 | Wheel housing panel<br>Complete   | /R     | 1   | 356 A:COUPE                               |
| 21   | 644 502 062 01 | F 55 001 >> 101 692<br>Wheel housing panel<br>Complete                  | /R     | 1   | 356 A:COUPE                               |
| (22) | 356 51 255     | F 101 693 >><br>Wheel housing panel                                     | /L     | 1   | 356:COUPE                                 |
| (22) | 644 502 063 01 | Wheel housing panel   | /L     | 1   | 356 A:COUPE                               |
| (22) | 356 51 256     | Wheel housing panel   | /R     | 1   | 356:COUPE                                 |
| 22   | 644 502 064 01 | Wheel housing panel   | /R     | 1   | 356 A:COUPE                               |
| (23) | 356 51 227 A   | Lock pillar<br>F 11 361 >>  | /L     | 1   | 356:COUPE<br>COUPE                        |
| (23) | 356 51 227     | Lock pillar<br>F 5 001 >> 11 360  | /L     | 1   | 356:COUPE<br>COUPE                        |
| (23) | 644 502 041 00 | Lock pillar<br>F 55 001 >> 101 692                                      | /L     | 1   | 356 A:COUPE                               |
| (23) | 644 502 041 01 | Lock pillar<br>F 101 693 >>   | /L     | 1   | 356 A:COUPE                               |
| (23) | 356 51 228 A   | Lock pillar<br>F 11 361 >>  | /R     | 1   | 356:COUPE<br>COUPE                        |
| (23) | 356 51 228     | Lock pillar<br>F 5 001 >> 11 360  | /R     | 1   | 356:COUPE<br>COUPE                        |
| 23   | 644 502 042 00 | Lock pillar<br>F 55 001 >> 101 692                                      | /R     | 1   | 356 A:COUPE                               |
| 23   | 644 502 042 01 | Lock pillar<br>F 101 693 >>   | /R     | 1   | 356 A:COUPE                               |
| (24) | 356 51 229     | Bracket   | /L     | 1   | 356                                       |
| (24) | 644 502 405 00 | Lock pillar<br>Bracket<br>Lock pillar                                   | /L     | 1   | 356 A<br>COUPE<br>SPEEDSTER               |

Model: 356 50 Model life 1950>>1959

| Pos  | Part Number    | Description                                       | Remark | Qty | Model                       |
|------|----------------|---|--------|-----|-----------------------------|
| 24   | 356 51 230     | Bracket<br>Lock pillar                            | /R     | 1   | 356                         |
| 24   | 644 502 406 00 | Bracket<br>Lock pillar                            | /R     | 1   | 356 A<br>COUPE<br>SPEEDSTER |
| (25) | 356 51 231     | Bracket<br>Lock pillar<br>Upper part              | /L     | 1   | 356                         |
| 25   | 356 51 232     | Bracket<br>Lock pillar<br>Upper part              | /R     | 1   | 356                         |
| (25) | 644 502 407 00 | Angular plate<br>Lock pillar<br>Upper part        | /L /R  | 2   | 356 A<br>COUPE<br>SPEEDSTER |
| 26   | 356 51 258     | Closing element                                   |        | 2   | 356                         |
| 26   | 644 531 755 00 | Cup   |        | 2   | 356 A                       |
| 27   | 356 51 258 1   | Rais. counters. h. tap. s.<br>3 X 10              |        | 6   | 356                         |
| 27   | 900 145 002 02 | Rais. counters. h. tap. s.<br>2,9 X 9,5<br>Chrome |        | 6   | 356 A                       |
| 28   | 644 025 121 00 | Screw<br>Back seat backrest<br>Chrome             |        | 2   | 356                         |
| 28   |                | Screw<br>Back seat backrest<br>Chrome             |        | 2   | 356 A                       |
| (29) | 356 51 251     | Lining<br>Roof frame                              | /H /L  | 1   | 356:COUPE                   |
| (29) | 356 51 252     | Lining<br>Roof frame                              | /H /R  | 1   | 356:COUPE                   |
| (29) | 644 502 029 00 | Lining<br>Roof frame                              | /H /L  | 1   | 356 A:COUPE                 |
| 29   | 644 502 030 00 | Lining<br>Roof frame                              | /H /R  | 1   | 356 A:COUPE                 |
| 30   | 644 502 081 00 | Cross panel<br>Engine compartment<br>Complete     |        | 1   | 356 A:COUPE                 |
| (31) | 356 51 253 A   | Roof<br>Connecting piece<br>F 51 746 >>           |        | 1   | 356:COUPE                   |
| (31) | 356 51 253     | Lining<br>Connecting piece<br>F 5 001 >> 51 745   |        | 1   | 356:COUPE                   |
| 31   | 644 502 811 00 | Connecting piece<br>Roof                          |        | 1   | 356 A:COUPE                 |
| 32   | 356 51 257     | Rear bulkhead<br>Engine compartment               |        | 1   | 356:COUPE                   |
| 33   | 356 51 261     | Engine bracket                                    | /L     | 2   | 356                         |
| 33   | 644 502 851 00 | Bracket<br>Hinge pillar                           | /L     | 2   | 356 A                       |
| 34   | 356 51 262     | Engine bracket                                    | /R     | 2   | 356                         |
| 34   | 644 502 852 00 | Engine bracket                                    | /R     | 2   | 356 A                       |
| 35   | 356 51 265     | Rear wall<br>Engine compartment                   |        | 1   | 356:COUPE                   |
| (35) | 644 502 083 00 | Rear wall<br>Engine compartment                   |        | 1   | 356 A:COUPE                 |
| 36   | 356 51 339     | Reinforcement plate<br>Rear end<br>Centre part    |        | 2   | 356                         |
| 36   | 644 503 821 01 | Support panel<br>Rear end                         |        | 2   | 356 A                       |
| 37   | 356 51 266     | Guide tube  |        | 1   | 356                         |



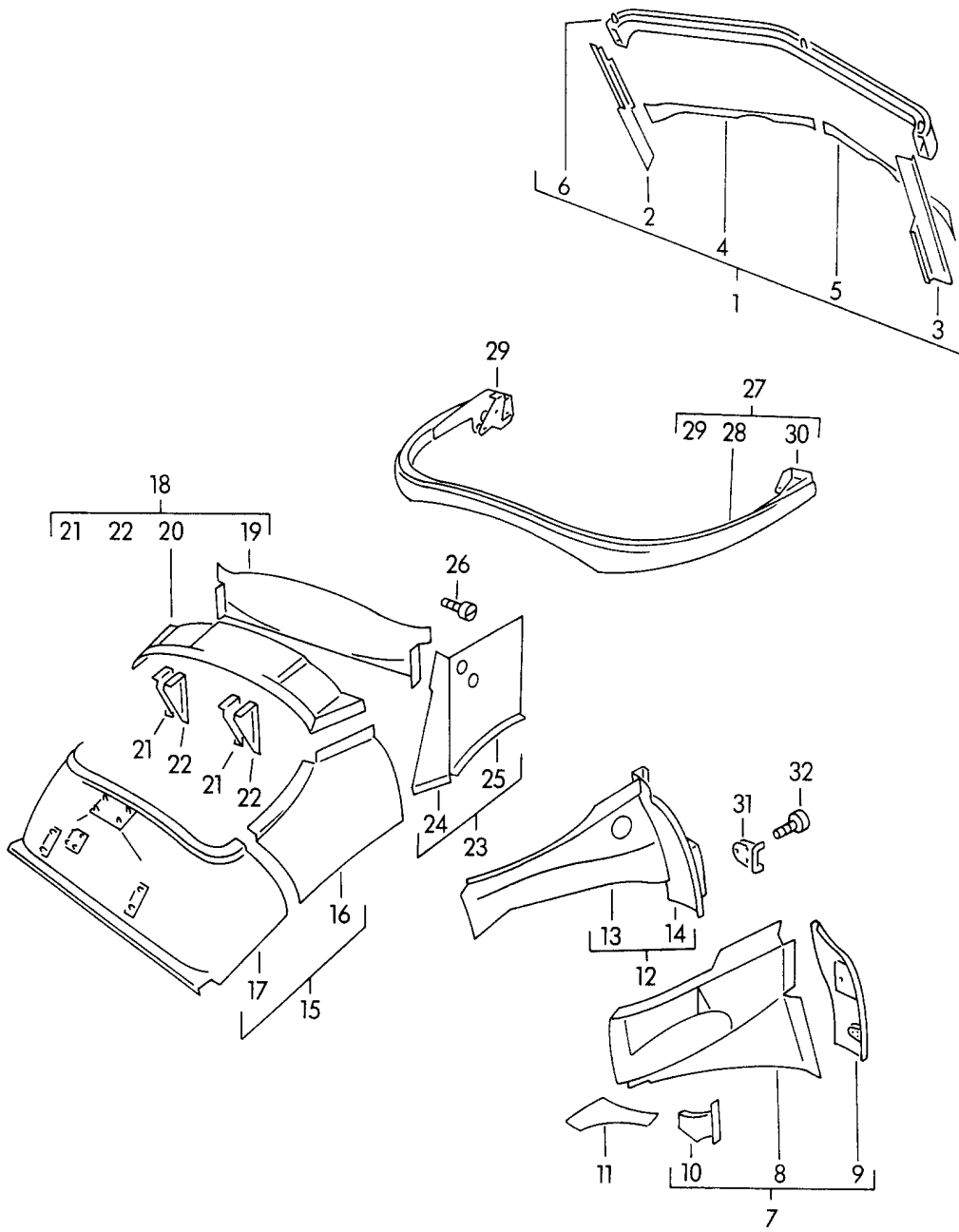
Model: 356 50

Model life 1950>>1959

| Pos | Part Number    | Description  | Remark | Qty | Model        |
|-----|----------------|--|--------|-----|--------------|
| 37  | 644 502 881 00 | Lid-release cable<br>Rear<br>Guide tube                      |        | 1   | 356 A        |
| 38  | 356 51 277     | Lid-release cable<br>Rear<br>Guide tube                      |        | 1   | 356          |
| 38  | 644 502 181 00 | Lid-release cable<br>Front<br>Guide tube                     |        | 1   | 356 A        |
| -   | 644 025 653 00 | Lid-release cable<br>Front<br>Rubber sleeve<br>Guide tube    |        | 1   | 356 A:COUPE  |
| -   | 999 706 009 80 | Lid-release cable<br>Front<br>Suspension strap<br>Guide tube |        | 1   | 356 A:CABRIO |
| -   | 911 424 341 01 | Lid-release cable<br>Front<br>Suspension strap<br>Guide tube |        | 1   | 356 A:CABRIO |
| -   | 911 424 341 03 | Lid-release cable<br>Front<br>Suspension strap<br>Guide tube |        | 1   | 356 A:CABRIO |

Model: 356 50

Model life 1950>>1959



Model: 356 50 Model life 1950>>1959

| Pos  | Part Number    | Description   | Remark | Qty | Model                      |
|------|----------------|---|--------|-----|----------------------------|
| (1)  | 356 51 024 A   | Body<br>Interior panelling<br>Windscreen frame<br>Complete<br>F 10 271 >> |        | 1   | CABRIO<br>356              |
| (1)  | 356 51 024     | Windscreen frame<br>Complete<br>F 5 015 >> 10 270                         |        | 1   | 356                        |
| 1    | 644 502 023 20 | Windscreen frame part<br>Complete   |        | 1   | 356 A                      |
| 2    | 356 51 217 A   | Windscreen frame part<br>F 10 271 >>                                      | /L     | 1   | 356                        |
| (2)  | 356 51 217     | Windscreen frame part<br>F 5 015 >> 10 270                                | /L     | 1   | 356                        |
| 3    | 356 51 218 A   | Windscreen frame part<br>F 10 271 >>                                      | /R     | 1   | 356                        |
| (3)  | 356 51 218     | Windscreen frame part<br>F 5 015 >> 10 270                                | /R     | 1   | 356                        |
| 4    | 356 51 282     | Cross piece for windscreen<br>Lower                                       | /L     | 1   | 356                        |
| 5    | 356 51 283     | Cross piece for windscreen<br>Lower                                       | /R     | 1   | 356                        |
| 6    | 356 51 601     | Cross piece for windscreen<br>Upper                                       |        | 1   | 356                        |
| 7    | 356 51 618 1   | Wheel housing panel<br>Complete   | /R     | 1   | 356                        |
| (7)  | 356 51 617 1   | Wheel housing panel<br>Complete   | /L     | 1   | 356                        |
| 8    | 356 51 618     | Wheel housing panel   | /R     | 1   | 356                        |
| (8)  | 356 51 617     | Wheel housing panel   | /L     | 1   | 356                        |
| 9    | 356 51 228 A   | Lock pillar<br>F 10 271 >>  | /R     | 1   | 356                        |
| (9)  | 356 51 228     | Lock pillar<br>F 5 015 >> 10 270  | /R     | 1   | 356                        |
| (9)  | 356 51 227 A   | Lock pillar<br>F 10 271 >>  | /L     | 1   | 356                        |
| (9)  | 356 51 227     | Lock pillar<br>F 5 015 >> 10 270  | /L     | 1   | 356                        |
| 10   | 356 51 230     | Bracket<br>Lower part   | /R     | 1   | 356                        |
| (10) | 356 51 229     | Bracket<br>Lower part   | /L     | 1   | 356                        |
| 11   | 356 51 232     | Bracket<br>Upper part   | /R     | 1   | 356                        |
| (11) | 356 51 231     | Bracket<br>Upper part   | /L     | 1   | 356                        |
| 12   | 644 502 062 20 | Wheel housing panel<br>Complete   | /R     | 1   | 356 A                      |
| (12) | 644 502 061 20 | Wheel housing panel<br>Complete<br>F 61 001 >> 150 000                    | /L     | 1   | CABRIO<br>356 A            |
| 12   | 644 502 062 21 | Wheel housing panel<br>Complete<br>F 61 001 >> 150 000                    | /R     | 1   | CABRIO<br>356 A            |
| (12) | 644 502 061 21 | Wheel housing panel<br>Complete<br>F 150 001 >>                           | /L     | 1   | CABRIO<br>HARDTOP<br>356 A |
| -    | 644 502 070 20 | Bracket<br>with<br>Reinforcement plate                                    | /R     | 1   | CABRIO<br>HARDTOP<br>356 A |

Model: 356 50 Model life 1950>>1959

| Pos  | Part Number    | Description  | Remark | Qty | Model                      |
|------|----------------|--|--------|-----|----------------------------|
| -    | 644 502 069 20 | Mount<br>Convertible top<br>F 150 001 >><br>Bracket<br>with<br>Reinforcement plate<br>Mount<br>Convertible top<br>F 150 001 >> | /L     | 1   | CABRIO<br>HARDTOP<br>356 A |
| 13   | 644 502 602 20 | Wheel housing panel<br>F 61 001 >> 150 000   | /R     | 1   | CABRIO<br>HARDTOP<br>356 A |
| (13) | 644 502 601 20 | Wheel housing panel<br>F 61 001 >> 150 000   | /L     | 1   | CABRIO<br>356 A            |
| 13   | 644 502 064 21 | Wheel housing panel<br>F 150 001 >>  | /R     | 1   | CABRIO<br>356 A            |
| (13) | 644 502 063 21 | Wheel housing panel<br>F 150 001 >>  | /L     | 1   | CABRIO<br>HARDTOP<br>356 A |
| 14   | 644 502 042 20 | Lock pillar<br>F 61 001 >> 150 000   | /R     | 1   | CABRIO<br>HARDTOP<br>356 A |
| (14) | 644 502 041 20 | Lock pillar<br>F 61 001 >> 150 000   | /L     | 1   | CABRIO<br>356 A            |
| 14   | 644 502 042 21 | Lock pillar<br>F 150 001 >>  | /R     | 1   | CABRIO<br>356 A            |
| (14) | 644 502 041 21 | Lock pillar<br>F 150 001 >>  | /L     | 1   | CABRIO<br>HARDTOP<br>356 A |
| (15) | 356 51 265 1   | Rear wall<br>Rear<br>Complete  |        | 1   | CABRIO<br>HARDTOP<br>356   |
| 16   | 356 51 627     | Wheel housing panel<br>Centre part   | /R     | 1   | 356                        |
| (16) | 356 51 626     | Wheel housing panel<br>Centre part   | /L     | 1   | 356                        |
| 16   | 644 502 604 20 | Wheel housing panel<br>Centre part   | /R     | 1   | 356 A                      |
| (16) | 644 502 603 20 | Wheel housing panel<br>Centre part   | /L     | 1   | 356 A                      |
| (17) | 356 51 265     | Rear wall<br>Engine compartment  |        | 1   | 356                        |
| 17   | 644 502 083 20 | Rear wall<br>Engine compartment  |        | 1   | 356 A                      |
| 18   | 356 51 638 1   | Cross panel<br>Engine compartment<br>Complete  |        | 1   | 356                        |
| 18   | 644 502 081 21 | Cross panel<br>Engine compartment<br>Complete  |        | 1   | 356 A                      |
| 19   | 356 51 638     | Cross panel<br>Engine compartment  |        | 1   | 356                        |
| 20   | 356 51 628     | Lining<br>Interior panelling<br>Upper  |        | 1   | 356                        |
| 20   | 644 502 811 20 | Lining<br>Interior panelling<br>Upper  |        | 1   | 356 A                      |
| 20   | 644 502 811 21 | F 61 001 >> 150 000<br>Inner panel<br>Rear end   |        | 1   | CABRIO<br>356 A            |

Model: 356 50 Model life 1950>>1959

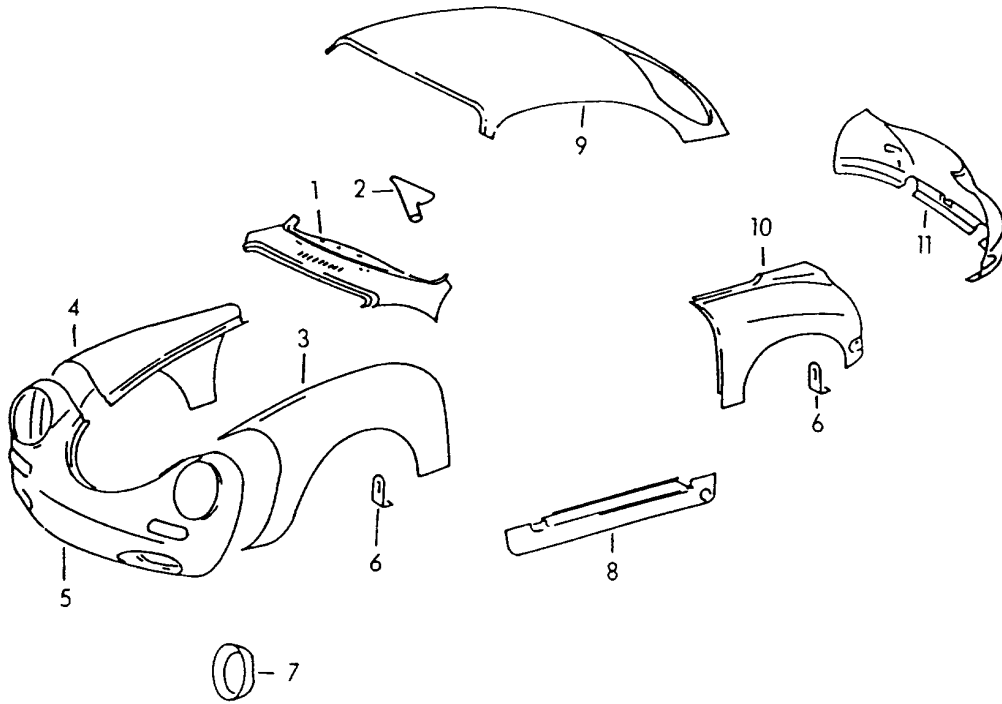
| Pos  | Part Number    | Description   | Remark | Qty | Model                      |
|------|----------------|---|--------|-----|----------------------------|
|      |                | Upper<br>F 150 001 >>   |        |     | CABRIO<br>HARDTOP<br>356   |
| 21   | 356 51 261     | Engine bracket  | /L     | 2   | 356                        |
| 21   | 644 502 851 21 | Hinge<br>Bracket  | /L     | 2   | 356 A                      |
| 22   | 356 51 262     | Hinge<br>Engine bracket   | /R     | 2   | 356                        |
| 22   | 644 502 851 21 | Hinge<br>Bracket  | /L /R  | 2   | 356 A                      |
| 23   | 356 51 657     | Hinge<br>Inner panel  | /R     | 1   | 356                        |
| (23) | 356 51 656     | Convertible top<br>Inner panel  | /L     | 1   | 356                        |
| 23   | 644 502 842 20 | Convertible top<br>Partition panel  | /R     | 1   | 356 A                      |
| (23) | 644 502 841 20 | Convertible top<br>F 61 001 >> 150 000<br>Partition panel                     | /L     | 1   | CABRIO<br>356 A            |
| 24   | 644 555 088 20 | Convertible top<br>F 61 001 >> 150 000<br>Lining                              | /R     | 1   | CABRIO<br>356 A            |
| (24) | 644 555 087 20 | Wheel housing<br>F 150 001 >><br>Lining                                       | /L     | 1   | CABRIO<br>HARDTOP<br>356 A |
| 24   | 644 555 088 60 | Wheel housing<br>Lining   | /R     | 1   | CABRIO<br>HARDTOP<br>356 A |
| (24) | 644 555 087 60 | Wheel housing<br>Lining   | /L     | 1   | CABRIO<br>HARDTOP<br>356 A |
| 25   | 644 502 842 21 | Wheel housing<br>Cover plate  | /R     | 1   | CABRIO<br>HARDTOP<br>356 A |
| (25) | 644 502 841 21 | F 150 001 >><br>Cover plate   | /L     | 1   | CABRIO<br>HARDTOP<br>356 A |
| 26   | 644 025 121 00 | F 150 001 >><br>Screw<br>Chrome   |        | 1   | CABRIO<br>HARDTOP<br>356   |
| 27   | 356 51 629     | Backrest<br>Back seat<br>Roof strut   |        | 1   | 356                        |
| -    | 644 561 057 00 | with<br>Convertible top support<br>Clip                                       |        | 1   | 356 A                      |
| (28) | 356 51 629 1   | Pipe<br>F 150 001 >><br>Roof strut  |        | 1   | CABRIO<br>HARDTOP<br>356   |
| 28   | 356 502 992 00 | without<br>Convertible top support<br>Roof strut                              |        | 1   | 356 A                      |
| -    | 644 561 059 00 | without<br>Convertible top support<br>F 61 001 >> 150 000<br>Protective plate | /L     | 1   | CABRIO<br>356 A            |
|      |                | Stop<br>Convertible top covering<br>Lateral<br>F 150 001 >>                   |        |     | CABRIO<br>HARDTOP          |

Model: 356 50 Model life 1950&gt;&gt;1959

| Pos | Part Number    | Description   | Remark | Qty | Model                          |
|-----|----------------|---|--------|-----|--------------------------------|
| -   | 644 561 060 00 | Protective plate<br>Stop<br>Convertible top covering<br>Lateral<br>F 150 001 >>                     | /R     | 1   | 356 A<br><br>CABRIO<br>HARDTOP |
| 29  | 356 51 802     | Convertible top support   | /L     | 1   | 356                            |
| 29  | 644 561 075 00 | Convertible top support<br>F 61 001 >> 150 000  | /L     | 1   | 356 A<br>CABRIO                |
| 29  | 644 561 071 01 | Convertible top support<br>F 150 001 >>   | /L     | 1   | 356 A<br>CABRIO<br>HARDTOP     |
| 30  | 356 51 803     | Convertible top support   | /R     | 1   | 356                            |
| 30  | 644 561 076 00 | Convertible top support<br>F 61 001 >> 150 000  | /R     | 1   | 356 A<br>CABRIO                |
| 30  | 644 561 072 01 | Convertible top support<br>F 150 001 >>   | /R     | 1   | 356 A<br>CABRIO<br>HARDTOP     |
| 31  | 356 51 258     | Closing element<br>Buffer   |        | 2   | 356                            |
| 32  | 356 51 258 1   | Rais. counters. h. tap. s.<br>Countersunk-head screw<br>3 X 10<br>Mounting parts<br>Convertible top |        | 6   | 356<br><br>356 A               |
| -   | 644 561 710 00 | Plate<br>with<br>2<br>Bolt<br>F 150 001 >>  |        | 2   | <br><br><br>CABRIO<br>HARDTOP  |
| -   | 644 025 121 01 | Screw<br>F 150 001 >>   |        | 2   | <br>CABRIO<br>HARDTOP          |
| -   | 644 025 122 01 | Screw<br>F 150 001 >>   |        | 2   | <br>CABRIO<br>HARDTOP          |
| -   | 900 158 004 00 | Hexagon nut<br>M 10 X 1<br>F 150 001 >>   |        | 4   | <br><br>CABRIO<br>HARDTOP      |
| -   | 644 561 752 00 | Support<br>for<br>Clip<br>Rear<br>F 150 001 >>  |        | 2   | <br><br><br>CABRIO<br>HARDTOP  |
| -   | 644 563 081 20 | Turnbuckle<br>Complete<br>F 150 001 >>  |        | 2   | <br><br>CABRIO<br>HARDTOP      |
| -   | 900 151 003 02 | Washer<br>A 6,4   |        | 2   |                                |
| -   | 900 151 006 03 | Washer<br>A 6,4   |        | 2   |                                |

Model: 356 50

Model life 1950>>1959



Model: 356 50 Model life 1950>>1959

| Pos | Part Number        | Description   | Remark | Qty | Model                                     |
|-----|--------------------|---|--------|-----|---|
| 1   | 356 51 317         | Exterior panelling<br>Scuttle<br>without<br>Heating nozzle                                    |        | 1   | 356                                       |
| (1) | 644 503 017 00     | Scuttle<br>without<br>Heating nozzle  |        | 1   | 356 A:COUPE<br>CABRIO                     |
| (1) | 644 503 005 41     | Scuttle<br>with<br>Heating nozzle<br>Delivered<br>Included<br>Angular plate<br>644.503.125.41 |        | 1   | 356 A<br>CONVERTIBLE                      |
| 2   | 644 572 045 06     | Heating nozzle  | /L     | 1   | 356 A<br>COUPE/CABRIO                     |
| (2) | 644 572 046 06     | Heating nozzle  | /R     | 1   | 356 A<br>COUPE/CABRIO                     |
| 3   | 356 51 311         | Front wing  | /L     | 1   | 356                                       |
| (3) | 644 503 301 00     | Front wing  | /L     | 1   | 356 A                                     |
| 4   | 356 51 312         | Front wing  | /R     | 1   | 356                                       |
| (4) | 644 503 302 00     | Front wing  | /R     | 1   | 356 A                                     |
| 5   | 356 51 345         | Lining<br>F 52 030 >><br>F 60 550 >>  |        | 1   | 356<br>COUPE<br>CABRIO                    |
| (5) | 356 51 310 B       | Lining<br>F 11 779 >> 52 029<br>F 15 051 >> 60 550  |        | 1   | 356<br>COUPE<br>CABRIO                    |
| (5) | 356 51 310 A       | Lining<br>F 11 361 >> 11 778<br>F 10 271 >> 15 050  |        | 1   | 356<br>COUPE<br>CABRIO                    |
| (5) | 356 51 310         | Lining  |        | 1   | 356                                       |
| (5) | 644 503 011 00     | Lining  |        | 1   | 356 A                                     |
| (5) | 644 503 011 00 GRV | Prime coated  |        | 1   | 356 A                                     |
| (5) | 644 503 011 01     | Lining  |        | 1   | 356 A                                     |
| (5) | 644 503 011 01 GRV | Prime coated  |        | 1   | 356 A                                     |
| (5) | 644 503 011 01     | Lining  |        | 1   | 356 A                                     |
| (5) | 644 503 011 01 GRV | Prime coated  |        | 1   | 356 A<br>CARRERA GT<br>COUPE<br>SPEEDSTER |
| (5) | 644 503 011 10     | Lining  |        | 1   | 356 A<br>CARRERA GT<br>COUPE<br>SPEEDSTER |
| 6   | 356 51 335         | Fastening angle   |        | 4   | 356                                       |
| (6) | 644 503 621 00     | Bracket   |        | 4   | 356 A                                     |
| 7   | 644 631 151 00     | Headlamp casing   |        | 2   | 356 A                                     |
|     | 644 631 151 00 GRV | Prime coated  |        | 2   | 356 A                                     |
| 7   | PCG 631 151 00     | Headlamp casing   |        | 2   | 356 A                                     |
|     | PCG 631 151 00 GRV | Prime coated  |        | 2   | 356 A                                     |
| 8   | 356 51 323         | Lining  | /L     | 1   | 356                                       |
| (8) | 644 503 041 00     | Entrance lining   | /L     | 1   | 356 A                                     |
|     | 644 503 041 00 GRV | Prime coated  |        | 1   | 356 A<br>CARRERA GT<br>COUPE<br>SPEEDSTER |
| (8) | 644 503 041 10     | Entrance lining   |        | 1   | 356 A<br>CARRERA GT<br>COUPE<br>SPEEDSTER |
| (8) | 356 51 324         | Lining  | /R     | 1   | 356                                       |
| (8) | 644 503 042 00     | Entrance lining   | /R     | 1   | 356 A                                     |
|     | 644 503 042 00 GRV | Prime coated  |        | 1   | 356 A<br>CARRERA GT<br>COUPE<br>SPEEDSTER |
| (8) | 644 503 042 10     | Entrance lining   |        | 1   | 356 A<br>CARRERA GT<br>COUPE<br>SPEEDSTER |
| 9   | 356 51 319         | Roof  |        | 1   | 356:COUPE                                 |



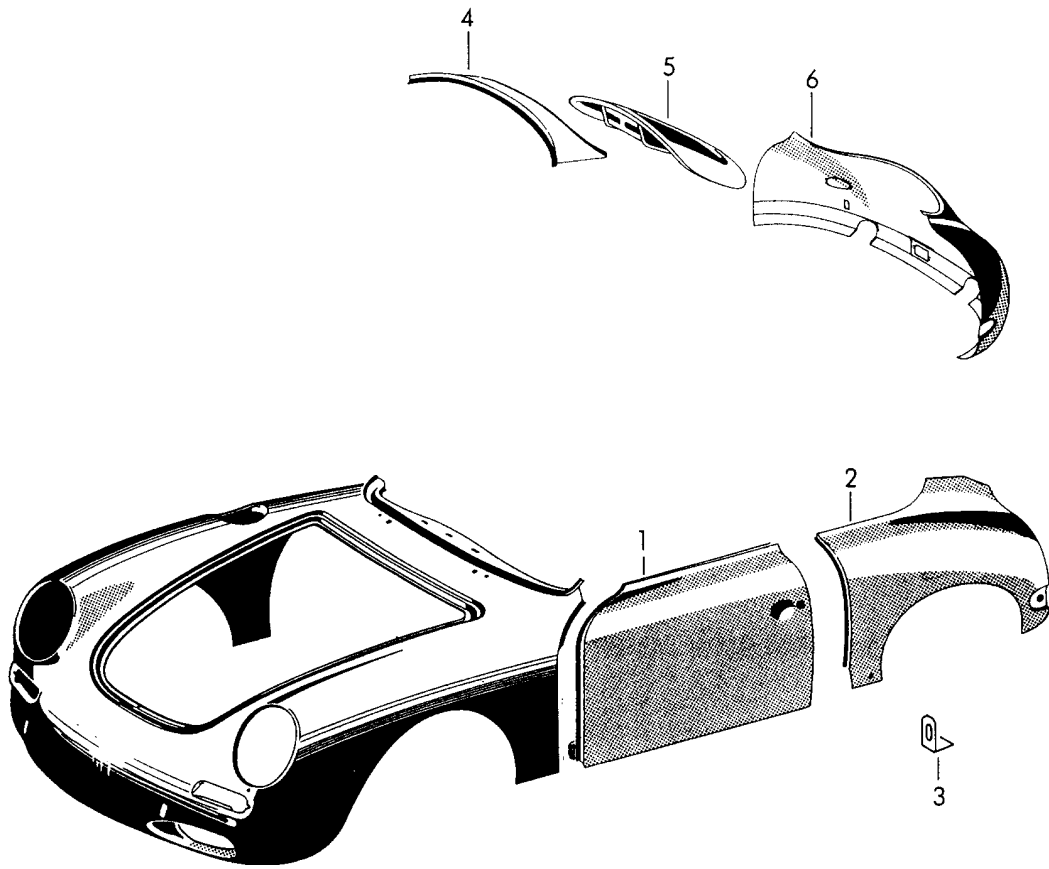
Model: 356 50

Model life 1950>>1959

| Pos  | Part Number    | Description  | Remark | Qty | Model  |
|------|----------------|--|--------|-----|--|
| (9)  | 644 503 051 00 | Outer roof panel   |        | 1   | 356 A:COUPE                                      |
| 10   | 356 51 313 A   | Wing<br>F 50 405 >>  | /H /L  | 1   | 356:COUPE<br>COUPE                               |
| (10) | 356 51 313     | Wing   | /H /L  | 1   | 356:COUPE  |
| (10) | 644 503 061 00 | Wing   | /H /L  | 1   | 356 A  |
| (10) | 644 503 061 41 | Wing   | /H /L  | 1   | 356 A<br>CONVERTIBLE                             |
| (10) | 356 51 314 A   | Wing<br>F 50 405 >>  | /H /R  | 1   | 356:COUPE<br>COUPE                               |
| (10) | 356 51 314     | Wing   | /H /R  | 1   | 356:COUPE  |
| (10) | 644 503 062 00 | Wing   | /H /R  | 1   | 356 A  |
| (10) | 644 503 062 41 | Wing   | /H /R  | 1   | 356 A<br>CONVERTIBLE                             |
| 11   | 356 51 315 B   | Rear end<br>Centre part<br>F 11 779 >><br>F 15 051 >>  |        | 1   | 356<br>COUPE<br>CABRIO                           |
| (11) | 356 51 315 A   | Rear end<br>Centre part<br>F 11 361 >> 11 778<br>F 10 271 >> 15 050  |        | 1   | 356<br>COUPE<br>CABRIO                           |
| (11) | 356 51 315     | Rear end<br>Centre part  |        | 1   | 356  |
| (11) | 644 503 081 00 | Rear end<br>Centre part<br>F 55 001 >> 101 692   |        | 1   | 356 A<br>COUPE                                   |
| (11) | 644 503 081 10 | Rear end<br>Centre part  |        | 1   | 356 A<br>CARRERA GT<br>COUPE                     |
| (11) | 644 503 081 12 | Rear end<br>Centre part  |        | 1   | 356 A<br>CARRERA GT<br>COUPE                     |
| (11) | 644 503 081 24 | Rear end<br>Centre part  |        | 1   | 356 A<br>CARRERA GT<br>CABRIO<br>HARDTOP         |
| (11) | 644 503 081 50 | Rear end<br>Centre part  |        | 1   | 356 A<br>CARRERA GT<br>SPEEDSTER                 |
| (11) | 644 503 081 01 | Rear end<br>Centre part<br>F 150 001 >>  |        | 1   | 356 A<br>COUPE                                   |
| (11) | 644 503 081 21 | Rear end<br>Centre part<br>F 150 001 >>  |        | 1   | 356 A<br>CABRIO<br>SPEEDSTER                     |
| (11) | 644 503 081 41 | Rear end<br>Centre part<br>Valid from:<br>F 5 001 >> 11 360<br>F 5 015 >> 10 270<br>Valid from:<br>F 5 001 >> 50 404 |        | 1   | 356 A<br>CONVERTIBLE<br>COUPE<br>CABRIO<br>COUPE |

Model: 356 50

Model life 1950>>1959

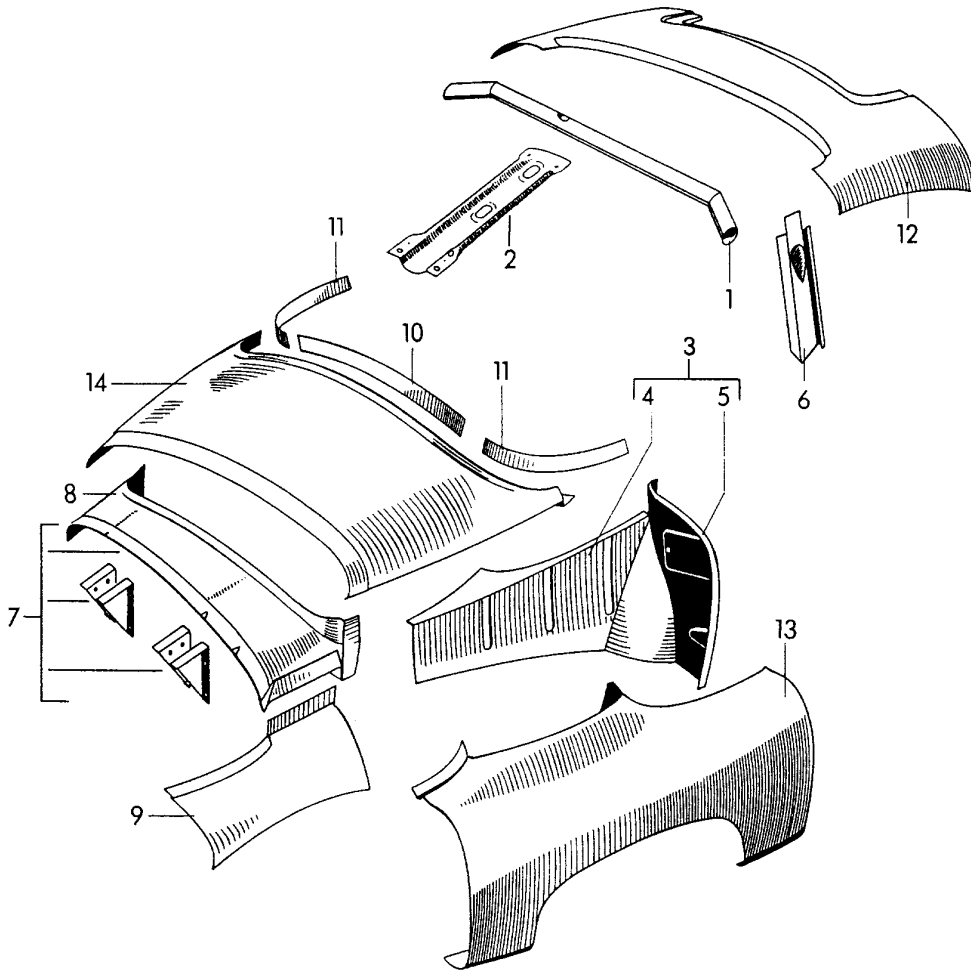


Model: 356 50 Model life 1950>>1959

| Pos | Part Number    | Description  | Remark | Qty | Model  |
|-----|----------------|--|--------|-----|--------|
| 1   |                | Exterior panelling<br>Wing<br>Rear<br>See group<br>8/04/00 |        | *   | CABRIO |
| 2   | 356 51 313     | Wing<br>Rear<br>F 5 015 >> 60 085                          | /L     | 1   | 356    |
| (2) | 356 51 313 A   | Wing<br>Rear<br>F 60 086 >>                                | /L     | 1   | 356    |
| (2) | 644 503 601 20 | Wing<br>Rear<br>F 61 001 >> 150 000                        | /L     | 1   | 356 A  |
| (2) | 644 503 601 21 | Wing<br>Rear<br>F 150 001 >>                               | /L     | 1   | 356 A  |
| (2) | 356 51 314     | Wing<br>Rear<br>F 5 015 >> 60 085                          | /R     | 1   | 356    |
| (2) | 356 51 314 A   | Wing<br>Rear<br>F 60 086 >>                                | /R     | 1   | 356    |
| (2) | 644 503 602 20 | Wing<br>Rear<br>F 61 001 >> 150 000                        | /R     | 1   | 356 A  |
| (2) | 644 503 602 21 | Wing<br>Rear<br>F 150 001 >>                               | /R     | 1   | 356 A  |
| 3   | 356 51 335     | Fastening angle  |        | 4   | 356    |
| 4   | 356 51 703     | Centre part<br>Upper                                       |        | 1   | 356    |
| (4) | 644 503 811 20 | Centre part<br>Upper<br>F 61 001 >> 150 000                |        | 1   | 356 A  |
| (4) | 644 503 811 21 | Centre part<br>Upper<br>F 150 001 >>                       |        | 1   | 356 A  |
| 5   |                | See group<br>8/03/00                                       |        | *   |        |
| 6   |                | See group<br>8/02/00                                       |        | *   |        |

Model: 356 50

Model life 1950>>1959



Model: 356 50 Model life 1950>>1959

| Pos | Part Number    | Description              | Remark | Qty | Model                |
|-----|----------------|--------------------------|--------|-----|----------------------|
|     |                | Exterior panelling       |        |     | SPEEDSTER            |
|     |                | Wing                     |        |     |                      |
|     |                | Rear                     |        |     |                      |
| 1   | 540 49 070     | Cross tube               |        | 1   | 356                  |
|     |                | Dashboard                |        |     |                      |
| 2   | 644 502 921 40 | Reinforcement plate      |        | 1   | 356 A                |
|     |                | Dashboard                |        |     |                      |
| 3   | 540 51 021 1   | Wheel housing panel with | /L     | 1   | 356                  |
|     |                | Lock pillar              |        |     |                      |
| (3) | 644 502 061 40 | Wheel housing panel with | /L     | 1   | 356 A                |
|     |                | Lock pillar              |        |     |                      |
|     |                | F 82 001 >> 83 791       |        |     |                      |
| (3) | 644 502 061 41 | Wheel housing panel with | /L     | 1   | 356 A                |
|     |                | Lock pillar              |        |     |                      |
|     |                | F 83 792 >>              |        |     |                      |
| (3) | 644 502 061 42 | Wheel housing panel with | /L     | 1   | 356 A<br>CONVERTIBLE |
|     |                | Lock pillar              |        |     |                      |
| (3) | 540 51 022 1   | Wheel housing panel with | /R     | 1   | 356                  |
|     |                | Lock pillar              |        |     |                      |
| (3) | 644 502 062 40 | Wheel housing panel with | /R     | 1   | 356 A                |
|     |                | Lock pillar              |        |     |                      |
|     |                | F 82 001 >> 83 791       |        |     |                      |
| (3) | 644 502 062 41 | Wheel housing panel with | /R     | 1   | 356 A                |
|     |                | Lock pillar              |        |     |                      |
|     |                | F 83 792 >>              |        |     |                      |
| (3) | 644 502 062 42 | Wheel housing panel with | /R     | 1   | 356 A<br>CONVERTIBLE |
|     |                | Lock pillar              |        |     |                      |
| 4   | 540 51 021     | Wheel housing panel      | /L     | 1   | 356                  |
| (4) | 644 502 601 40 | Wheel housing panel      | /L     | 1   | 356 A                |
|     |                | F 82 001 >> 83 791       |        |     |                      |
| (4) | 644 502 601 41 | Wheel housing panel      | /L     | 1   | 356 A                |
|     |                | F 83 792 >>              |        |     |                      |
| (4) | 644 502 601 42 | Wheel housing panel      | /L     | 1   | 356 A<br>CONVERTIBLE |
|     |                |                          |        |     |                      |
| (4) | 540 51 022     | Wheel housing panel      | /R     | 1   | 356                  |
| (4) | 644 502 602 40 | Wheel housing panel      | /R     | 1   | 356 A                |
|     |                | F 82 001 >> 83 791       |        |     |                      |
| (4) | 644 502 602 41 | Wheel housing panel      | /R     | 1   | 356 A                |
|     |                | F 83 792 >>              |        |     |                      |
| (4) | 644 502 602 42 | Wheel housing panel      | /R     | 1   | 356 A<br>CONVERTIBLE |
|     |                |                          |        |     |                      |
| 5   | 540 51 205     | Lock pillar              | /L     | 1   | 356                  |
| (5) | 644 502 041 20 | Lock pillar              | /L     | 1   | 356 A                |
|     |                | F 82 001 >> 83 791       |        |     |                      |
| (5) | 644 502 041 21 | Lock pillar              | /L     | 1   | 356 A                |
|     |                | F 83 792 >>              |        |     |                      |
| (5) | 644 502 041 42 | Lock pillar              | /L     | 1   | 356 A<br>CONVERTIBLE |
|     |                |                          |        |     |                      |
| (5) | 540 51 206     | Lock pillar              | /R     | 1   | 356                  |
| (5) | 644 502 042 20 | Lock pillar              | /R     | 1   | 356 A                |
|     |                | F 82 001 >> 83 791       |        |     |                      |
| (5) | 644 502 042 21 | Lock pillar              | /R     | 1   | 356 A                |
|     |                | F 83 792 >>              |        |     |                      |
| (5) | 644 502 042 42 | Lock pillar              | /R     | 1   | 356 A<br>CONVERTIBLE |

Model: 356 50

Model life 1950&gt;&gt;1959

| Pos  | Part Number    | Description  | Remark | Qty | Model                |
|------|----------------|--|--------|-----|----------------------|
| 6    | 540 51 201     | Windscreen frame part<br>with<br>Filler plate                    | /L     | 1   | 356                  |
| (6)  | 644 502 025 40 | Windscreen frame part<br>with<br>Filler plate                    | /L     | 1   | 356 A                |
| (6)  | 644 502 025 41 | Windscreen frame part<br>with<br>Filler plate                    | /L     | 1   | 356 A<br>CONVERTIBLE |
| (6)  | 540 51 202     | Windscreen frame part<br>with<br>Filler plate                    | /R     | 1   | 356                  |
| (6)  | 644 502 026 40 | Windscreen frame part<br>with<br>Filler plate                    | /R     | 1   | 356 A                |
| (6)  | 644 502 026 41 | Windscreen frame part<br>with<br>Filler plate                    | /R     | 1   | 356 A<br>CONVERTIBLE |
| 7    | 540 51 210     | Cross panel<br>with<br>Hinge reinforcement<br>And<br>Inner panel |        | 1   | 356                  |
| (7)  | 644 502 081 40 | Cross panel<br>with<br>Hinge reinforcement<br>And<br>Inner panel |        | 1   | 356 A                |
| -    | 644 502 851 21 | Bracket  |        | 2   | 356 A                |
| 8    | 540 51 213     | Lining<br>Upper  |        | 1   | 356                  |
| (8)  | 644 502 811 40 | Inner panel<br>Upper   |        | 1   | 356 A                |
| 9    | 540 51 211     | Wheel housing panel<br>Rear                                      | /L     | 1   | 356                  |
| (9)  | 644 502 603 20 | Wheel housing panel<br>Rear                                      | /L     | 1   | 356 A                |
| (9)  | 540 51 212     | Wheel housing panel<br>Rear                                      | /R     | 1   | 356                  |
| (9)  | 644 502 604 20 | Wheel housing panel<br>Rear                                      | /R     | 1   | 356 A                |
| 10   | 540 51 214     | Inner panel<br>Centre  |        | 1   | 356                  |
| (10) | 644 551 551 40 | Inner panel<br>Centre  |        | 1   | 356 A                |
| 11   | 540 51 215     | Inner panel  | /L /R  | 2   | 356                  |
| (11) | 644 551 553 40 | Inner panel  | /L /R  | 2   | 356 A                |
| 12   | 540 51 301     | Scuttle  |        | 1   | 356                  |
| (12) | 644 503 017 40 | Scuttle  |        | 1   | 356 A                |
| -    | 644 572 045 40 | Heating nozzle   | /L     | 1   | 356 A                |
| -    | 644 572 046 40 | Heating nozzle   | /R     | 1   | 356 A                |
| 13   | 540 51 305     | Wing<br>Rear   | /L     | 1   | 356                  |
| (13) | 644 503 061 40 | Wing<br>Rear   | /L     | 1   | 356 A                |
| (13) | 540 51 306     | Wing<br>Rear   | /R     | 1   | 356                  |
| (13) | 644 503 062 40 | Wing<br>Rear   | /R     | 1   | 356 A                |
| 14   | 540 51 309     | Centre part<br>Upper   |        | 1   | 356                  |
| (14) | 644 503 085 50 | Centre part<br>Upper   |        | 1   | 356 A                |

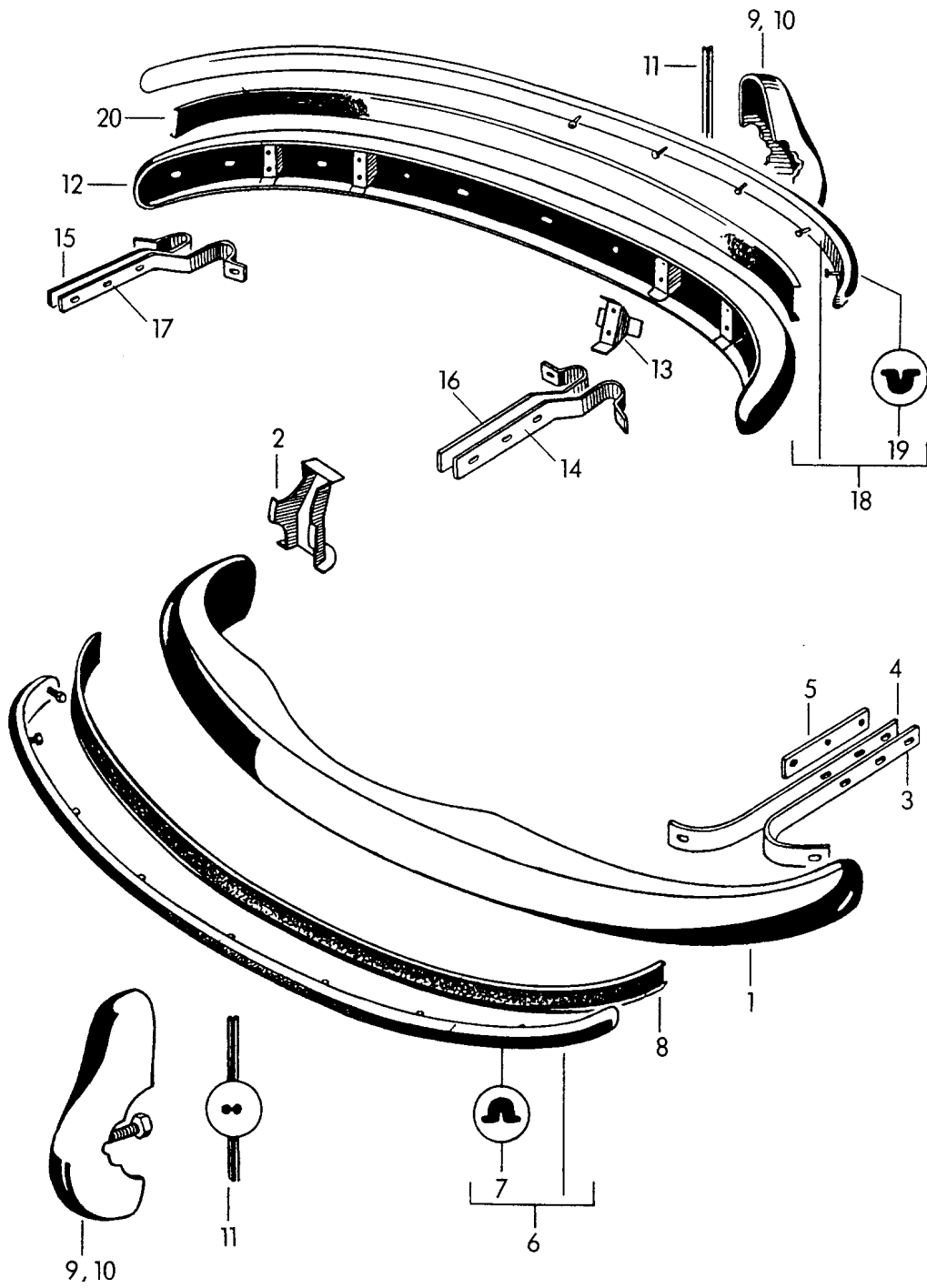
Model: 356 50

Model life 1950&gt;&gt;1959

| Pos  | Part Number    | Description          | Remark | Qty | Model                |
|------|----------------|----------------------|--------|-----|----------------------|
| (14) | 644 503 085 41 | Centre part<br>Upper |        | 1   | 356 A<br>CONVERTIBLE |

Model: 356 50

Model life 1950>>1959





Model: 356 50 Model life 1950>>1959

| Pos | Part Number        | Description   | Remark   | Qty | Model                  |
|-----|--------------------|---|----------|-----|------------------------|
| 1   | 356 58 027         | Bumper<br>Bumper<br>F 11 779 >><br>F 15 051 >>  | /V       | 1   | 356<br>COUPE<br>CABRIO |
| (1) | 356 58 029         | Bumper<br>F 11 301 >> 11 778<br>F 10 251 >> 15 050  | /V       | 1   | 356<br>COUPE<br>CABRIO |
| (1) | 356 58 010         | Bumper<br>F 5 001 >> 11 300<br>F 5 015 >> 10 250  | /V       | 1   | 356<br>COUPE<br>CABRIO |
| -   | 356 58 112         | Rubber seal<br>Bumper<br>And<br>Body<br>2000 MM<br>F 11 301 >> 11 778<br>F 10 251 >> 15 050         | /V       | 1   | 356                    |
| -   | 356 58 116         | Rubber buffer<br>\$ 10 MM<br>F 5 001 >> 11 300<br>F 5 015 >> 10 250                                 |          | 16  | 356<br>COUPE<br>CABRIO |
| (1) | 644 505 011 00     | Bumper  | /V       | 1   | 356 A                  |
|     | 644 505 011 00 GRV | Prime coated  |          |     |                        |
| (1) | 644 505 011 02     | Bumper<br>Chrome  | /V       | 1   | 356 A                  |
| 2   | 356 58 150         | Retaining bracket<br>F 11 779 >><br>F 15 051 >>   | /V       | 4   | 356<br>COUPE<br>CABRIO |
| (2) | 644 505 017 00     | Retaining bracket   | /V       | 4   | 356 A                  |
| 3   | 356 58 167         | Spring clip<br>Outer<br>F 11 779 >><br>F 15 051 >>  | /V       | 2   | 356<br>COUPE<br>CABRIO |
| -   | 356 58 107         | Spring clip<br>Outer  | /V       | 2   | 356                    |
| (3) | 644 505 131 00     | Spring clip<br>Outer  | /V /L /R | 2   | 356 A                  |
| (3) | 644 505 131 10     | Spring clip<br>Outer  | /V /L /R | 2   | 356 A<br>CARRERA GT    |
| 4   | 356 58 166         | Spring clip<br>Inner<br>F 11 779 >><br>F 15 051 >>  | /V       | 2   | 356<br>COUPE<br>CABRIO |
| (4) | 644 505 133 00     | Spring clip<br>Inner  | /V /L /R | 2   | 356 A                  |
| (4) | 644 505 133 10     | Spring clip<br>Inner  | /V /L /R | 2   | 356 A<br>CARRERA GT    |
| 5   | 356 58 168         | Threaded plate  |          | 4   | 356                    |
| (5) | 644 505 135 00     | Threaded plate  |          | 4   | 356 A                  |
| 6   | 356 58 328         | Moulding<br>with<br>Rubber ply<br>And<br>T-headed screw<br>F 11 779 >><br>F 15 051 >>               | /V       | 1   | 356                    |
| -   | 356 58 037         | Moulding<br>with<br>Rubber ply<br>And<br>T-headed screw<br>F 11 301 >> 11 778<br>F 10 251 >> 15 050 | /V       | 1   | 356<br>COUPE<br>CABRIO |

Model: 356 50 Model life 1950>>1959

| Pos | Part Number    | Description   | Remark | Qty | Model                  |
|-----|----------------|---|--------|-----|------------------------|
| -   | 356 58 306     | Moulding<br>with<br>15<br>T-headed screw  | /V /H  | 2   | 356                    |
| -   | 356 58 306 1   | T-headed screw  |        | 30  | 356                    |
| -   | 356 58 305     | Moulding<br>with<br>15<br>T-headed screw  | /V /H  | 2   | 356                    |
| -   | 356 58 305 1   | T-headed screw  |        | 30  | 356                    |
| -   | 356 58 301     | Moulding<br>for<br>Body<br>with<br>15<br>T-headed screw                                     | /V /H  | 2   | 356                    |
| -   | 356 58 302     | T-headed screw<br>3 X 12  |        | 30  | 356                    |
| 6   | 644 505 041 00 | Moulding<br>with<br>Rubber ply<br>And<br>T-headed screw<br>Not for<br>-CARRERA GT-          | /V     | 1   | 356 A                  |
| -   | 644 505 041 10 | Moulding<br>with<br>9<br>T-headed screw   | /V     | 1   | 356 A<br>CARRERA GT    |
| -   | 644 505 451 10 | T-headed screw<br>M 4 X 20<br>Plate<br>18 X 28 MM   |        | 9   | 356 A                  |
| 7   | 356 58 324     | Rubber ply<br>2000 MM<br>F 11 779 >><br>F 15 051 >>   | /V     | 1   | 356<br>COUPE<br>CABRIO |
| (7) | 356 58 322     | Rubber ply<br>2200 MM<br>F 11 301 >> 11 778<br>F 10 251 >> 15 050                           | /V     | 1   | 356<br>COUPE<br>CABRIO |
| (7) | 644 505 411 00 | Rubber ply  | /V     | 1   | 356 A                  |
| 8   | 356 58 326     | Rubber base<br>2000 MM<br>F 11 779 >><br>F 15 051 >>  | /V     | 1   | 356<br>COUPE<br>CABRIO |
| (8) | 356 58 319     | Rubber base<br>2200 MM<br>F 11 301 >> 11 778<br>F 10 251 >> 15 050                          | /V     | 1   | 356<br>COUPE<br>CABRIO |
| (8) | 644 505 049 00 | Rubber base<br>1 set<br>Not for<br>-CARRERA GT-   | /V /H  | 1   | 356 A                  |
| 9   | 356 58 171     | Bumper horn<br>Aluminium<br>Polished<br>Left front, right rear<br>F 52 03 >><br>F 60 550 >> |        | 2   | 356<br>COUPE<br>CABRIO |
| (9) | 644 505 031 00 | Bumper horn<br>Left front, right rear   |        | 2   | 356 A                  |
| (9) | 644 505 031 01 | Bumper horn   | 57-    | 1   | 356 A                  |

Model: 356 50 Model life 1950>>1959

| Pos  | Part Number    | Description   | Remark | Qty | Model                                 |
|------|----------------|---|--------|-----|---------------------------------------|
| (9)  | 644 505 031 02 | in pairs<br>Replace<br>with<br>644.505.031.02<br>Left<br>Front<br>Bumper horn   | 59-    | 1   | 356 A                                 |
| (9)  | 644 505 032 01 | Left<br>Front<br>Not for<br>(USA)<br>Bumper horn  | 57-    | 1   | 356 A                                 |
| (9)  | 644 505 032 02 | in pairs<br>Replace<br>with<br>644.505.032.02<br>Right<br>Front<br>Bumper horn  | 59-    | 1   | 356 A                                 |
| 10   | 356 58 172     | Right<br>Front<br>Not for<br>(USA)<br>Bumper horn<br>Aluminium<br>Polished<br>Right front, left rear  |        | 2   | 356                                   |
| -    | 356 58 145     | F 52 03 >><br>F 60 550 >><br>Bumper horn<br>Chrome  |        | 2   | COUPE<br>CABRIO<br>356                |
| -    | 356 58 146     | Left front, right rear<br>Bumper horn<br>Chrome   |        | 2   | 356                                   |
| -    |                | Right front, left rear<br>Bumper horn<br>Chrome   | -51    | 2   | 356                                   |
| -    |                | Left front, right rear<br>Bumper horn<br>Chrome   | -51    | 2   | 356                                   |
| (10) | 644 505 032 00 | Right front, left rear<br>Bumper horn   |        | 1   | 356 A                                 |
| (10) | 644 505 035 00 | Right front, left rear<br>Bumper horn   |        | 1   | 356 A                                 |
| -    | 644 505 033 00 | with<br>Insert<br>Left<br>Rear<br>Comprising:<br>644.505.033.00<br>644.505.305.00<br>F 101 693 >><br>F 150 001 >><br>F 83 792 >><br>Bumper horn |        | 1   | COUPE<br>CABRIO<br>SPEEDSTER<br>356 A |
| -    | 644 505 305 00 | Insert<br>for<br>Bumper horn  |        | 1   | 356 A                                 |
| -    | 644 505 036 00 | Bumper horn<br>with<br>Insert<br>Right<br>Rear  |        | 1   | 356 A                                 |

Model: 356 50 Model life 1950>>1959

| Pos  | Part Number                          | Description  | Remark | Qty | Model   |
|------|--------------------------------------|--|--------|-----|---|
|      |                                      | Comprising:<br>644.505.034.00<br>644.505.305.00<br>F 101 693 >><br>F 150 001 >><br>F 83 792 >> |        |     | COUPE<br>CABRIO<br>SPEEDSTER                    |
| -    | 644 505 034 00                       | Bumper horn  |        | 1   | 356 A   |
| -    | 644 505 305 00                       | Insert<br>for<br>Bumper horn   |        | 1   | 356 A   |
| -    | 644 505 335 00                       | Nut<br>for<br>Bumper horn  | /H     | 2   | 356 A   |
| 11   | 356 58 175                           | Piping<br>F 52 03 >><br>F 60 550 >>  |        | 4   | 356<br>COUPE<br>CABRIO                          |
| -    | 356 58 139                           | Intermediate layer   |        | 4   | 356   |
| (11) | 644 025 928 00                       | Piping   |        | 8   | 356 A   |
| (11) | PCG 025 928 00                       | Piping   |        | 8   | 356 A   |
| 12   | 356 58 028                           | Bumper<br>F 11 779 >><br>F 15 051 >>   | /H     | 1   | 356<br>COUPE<br>CABRIO                          |
| -    | 356 58 030                           | Bumper<br>F 11 301 >> 11 778<br>F 10 251 >> 15 050   | /H     | 1   | 356<br>COUPE<br>CABRIO                          |
| -    | 356 58 011                           | Bumper<br>F 5 001 >> 11 300<br>F 5 015 >> 10 250   | /H     | 1   | 356<br>COUPE<br>CABRIO                          |
| -    | 356 58 115                           | Rubber seal<br>Bumper<br>And<br>Body<br>2060 MM<br>F 11 301 >> 11 778<br>F 10 251 >> 15 050    | /H     | 1   | 356   |
| (12) | 644 505 021 00<br>644 505 021 00 GRV | Bumper<br>Prime coated<br>without<br>Cut-outs<br>for<br>Muffler                                | /H     | 1   | COUPE<br>CABRIO<br>356 A<br>356 A<br>CARRERA GT |
| (12) | 644 505 021 00<br>644 505 021 00 GRV | Bumper<br>Prime coated<br>without<br>Cut-outs<br>for<br>Muffler                                | /H     | 1   | 356 A<br>356 A<br>CARRERA GT                    |
| (12) | 644 505 021 02                       | Bumper<br>Chrome<br>without<br>Cut-outs<br>for<br>Muffler                                      | /H     | 1   | 356 A<br>356 A<br>CARRERA GT                    |
| (12) | 644 505 021 01                       | Bumper<br>Prime coated<br>with<br>Cut-outs<br>for<br>Muffler                                   | /H     | 1   | 356 A:1600<br>1600 S                            |
| (12) | 644 505 021 00                       | Bumper<br>Prime coated<br>with   | /H     | 1   | 356 A:1600<br>1600 S                            |

Model: 356 50 Model life 1950>>1959

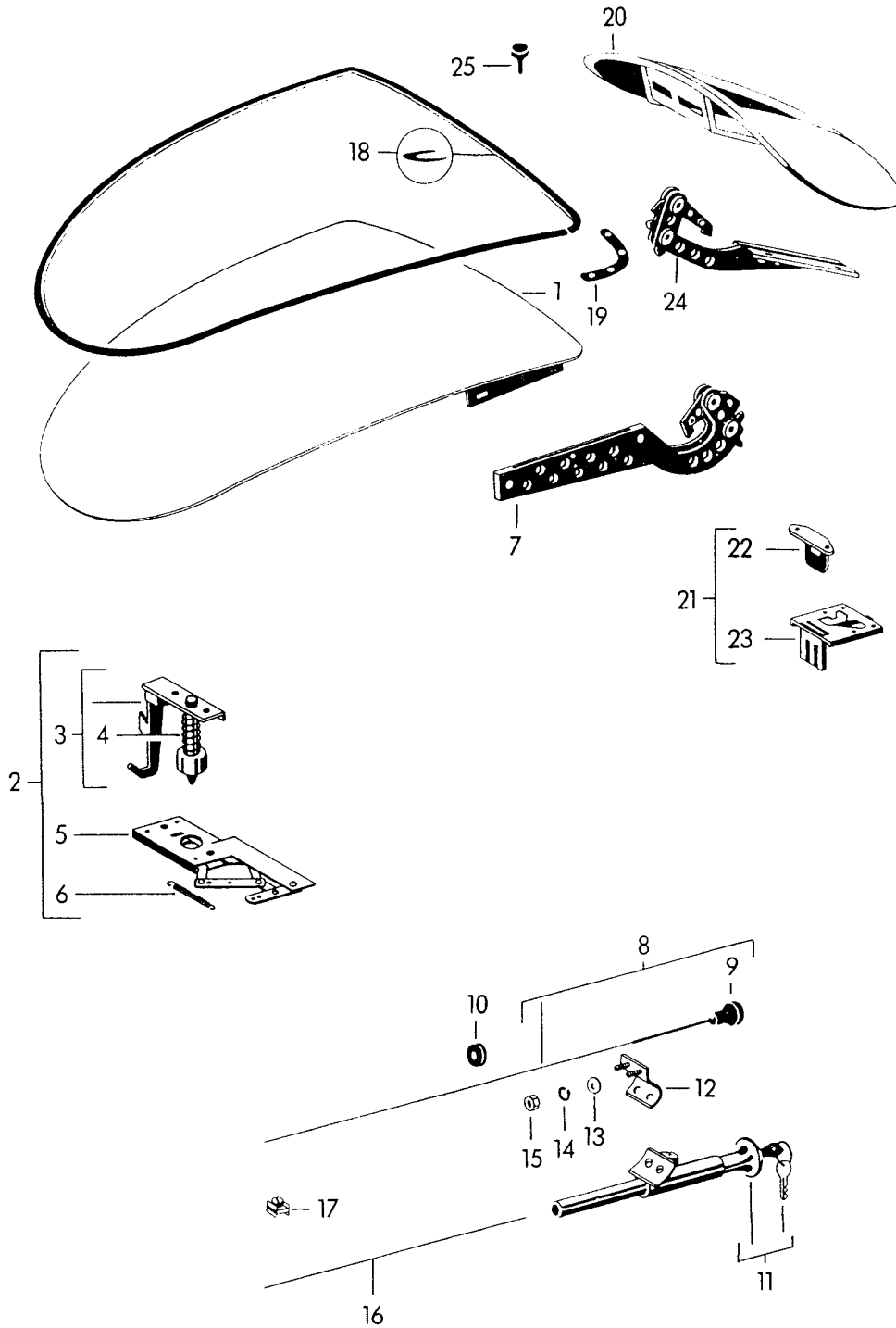
| Pos  | Part Number        | Description   | Remark | Qty | Model                  |
|------|--------------------|---|--------|-----|------------------------|
| (12) | 644 505 021 00 GRV | Cut-outs<br>for<br>Muffler<br>Bumper<br>GRV<br>with<br>Cut-outs<br>for<br>Muffler | /H     | 1   | 356 A:1600<br>1600 S   |
| 13   | 356 58 157         | Retaining bracket<br>F 11 779 >><br>F 15 051 >>                                   | /H     | 4   | 356<br>COUPE<br>CABRIO |
| -    | 356 58 155         | Retaining bracket<br>Large  | /H     | 4   | 356                    |
| -    | 356 58 156         | Retaining bracket<br>Small  | /H     | 4   | 356                    |
| (13) | 644 505 027 00     | Retaining bracket<br>with<br>Speed nut  | /H     | 4   | 356 A                  |
| 14   | 356 58 151         | Spring clip<br>Outer<br>F 11 779 >><br>F 15 051 >>                                | /H /L  | 1   | 356<br>COUPE<br>CABRIO |
| (14) | 644 505 231 00     | Spring clip<br>Outer<br>Not for<br>-CARRERA GT-                                   | /H /L  | 1   | 356 A                  |
| (14) | 644 505 231 10     | Spring clip<br>Outer  | /H /L  | 1   | 356 A<br>CARRERA GT    |
| 15   | 356 58 153         | Spring clip<br>Outer<br>F 11 779 >><br>F 15 051 >>                                | /H /R  | 1   | 356<br>COUPE<br>CABRIO |
| (15) | 644 505 232 00     | Spring clip<br>Outer<br>Not for<br>-CARRERA GT-                                   | /H /R  | 1   | 356 A                  |
| (15) | 644 505 232 10     | Spring clip<br>Outer  | /H /R  | 1   | 356 A<br>CARRERA GT    |
| 16   | 356 58 152         | Spring clip<br>Inner<br>F 11 779 >><br>F 15 051 >>                                | /H /L  | 1   | 356<br>COUPE<br>CABRIO |
| (16) | 644 505 233 00     | Spring clip<br>Inner<br>Not for<br>-CARRERA GT-                                   | /H /L  | 1   | 356 A                  |
| (16) | 644 505 233 10     | Spring clip<br>Inner  | /H /L  | 1   | 356 A<br>CARRERA GT    |
| 17   | 356 58 154         | Spring clip<br>Inner<br>F 11 779 >><br>F 15 051 >>                                | /H /R  | 1   | 356<br>COUPE<br>CABRIO |
| -    | 356 58 113         | Spring clip   | /H /L  | 1   | 356                    |
| -    | 356 58 114         | Spring clip   | /H /R  | 1   | 356                    |
| (17) | 644 505 234 00     | Spring clip<br>Inner<br>Not for<br>-CARRERA GT-                                   | /H /R  | 1   | 356 A                  |
| (17) | 644 505 234 10     | Spring clip<br>Inner  | /H /R  | 1   | 356 A<br>CARRERA GT    |
| 18   | 356 58 329         | Moulding<br>with  | /H     | 1   | 356                    |

Model: 356 50 Model life 1950>>1959

| Pos  | Part Number    | Description  | Remark | Qty | Model                    |
|------|----------------|--|--------|-----|--------------------------|
| -    | 356 58 038     | Rubber ply<br>And<br>T-headed screw<br>F 11 779 >><br>F 15 051 >><br>Moulding<br>with<br>Rubber ply<br>And<br>T-headed screw<br>F 11 301 >> 11 778<br>F 10 251 >> 15 050 | /H     | 1   | COUPE<br>CABRIO<br>356   |
| (18) | 644 505 043 00 | Moulding<br>with<br>Rubber ply<br>And<br>T-headed screw<br>Not for<br>-CARRERA GT-   | /H     | 1   | COUPE<br>CABRIO<br>356 A |
| (18) | 644 505 043 10 | Moulding<br>with<br>9<br>T-headed screw<br>T-headed screw<br>M 4 X 20<br>Plate<br>18 X 28 MM   | /H     | 1   | 356 A<br>CARRERA GT      |
| -    | 644 505 451 10 | T-headed screw<br>T-headed screw<br>M 4 X 20<br>Plate<br>18 X 28 MM  |        | 9   | 356 A                    |
| 19   | 356 58 325     | Rubber ply<br>1800 MM<br>F 11 779 >><br>F 15 051 >>  | /H     | 1   | 356                      |
| -    | 356 58 323     | Rubber ply<br>2300 MM<br>F 11 301 >> 11 778<br>F 10 251 >> 15 050  | /H     | 1   | COUPE<br>CABRIO<br>356   |
| -    | 644 505 413 00 | Rubber ply   | /H     | 1   | COUPE<br>CABRIO<br>356 A |
| 20   | 356 58 327     | Rubber base<br>1800 MM<br>F 11 779 >><br>F 15 051 >>   | /H     | 1   | 356                      |
| -    | 356 58 320     | Rubber base<br>2300 MM<br>F 11 301 >> 11 778<br>F 10 251 >> 15 050   | /H     | 1   | COUPE<br>CABRIO<br>356   |
| (20) | 644 505 049 00 | Rubber base<br>1 set<br>Not for<br>-CARRERA GT-  |        | 1   | COUPE<br>CABRIO<br>356 A |

Model: 356 50

Model life 1950>>1959



Model: 356 50 Model life 1950>>1959

| Pos | Part Number        | Description   | Remark | Qty | Model                                     |
|-----|--------------------|---|--------|-----|---|
| 1   | 356 52 050         | Lid<br>Front<br>And<br>Rear<br>with installation parts<br>It is necessary to rework | /V     | 1   | 356                                       |
| (1) | 644 511 010 00     | Lid<br>without<br>Lock<br>And<br>Hinge  | /V     | 1   | 356 A                                     |
| 2   | 356 52 073         | Push-button lock<br>Complete  |        | 1   | 356                                       |
| (2) | 644 511 051 00     | Lock<br>Complete  |        | 1   | 356 A                                     |
| 3   | 356 52 073 1       | Push-button lock<br>Upper part<br>Bolt<br>Hook<br>Spring                            |        | 1   | 356                                       |
| (3) | 644 511 053 00     | Lock<br>Upper part<br>Bolt<br>Hook<br>Spring  |        | 1   | 356 A                                     |
| 4   | 356 52 073 3       | Spring  |        | 1   | 356                                       |
| 5   | 356 52 073 2       | Push-button lock<br>Lower part  |        | 1   | 356                                       |
| (5) | 644 511 054 00     | Lock<br>Lower part<br>without<br>Spring   |        | 1   | 356 A                                     |
| 6   | 644 511 512 00     | Tension spring<br>\$ 8 X 1 X 30 MM  |        | 1   | 356 A                                     |
| 7   | 644 511 031 00     | Hinge   |        | 2   | 356                                       |
| (7) |                    | Hinge<br>Not for<br>-CARRERA GT-  |        | 2   | 356 A                                     |
| (7) |                    | Hinge   |        | 2   | 356 A<br>CARRERA GT<br>COUPE<br>SPEEDSTER |
| 8   | 356 24 064         | Lid-release cable<br>with<br>Knob<br>Ivory<br>Grey<br>Beige                         |        | 1   | 356                                       |
| (8) | 644 424 091 00     | Wire pull<br>with<br>Knob<br>Grey<br>Beige  |        | 1   | 356 A                                     |
| 9   | 644 552 811 00     | Knob<br>Lid-release cable   |        | 1   | 356 A                                     |
|     | 644 552 811 00 700 | Black   |        |     |   |
|     | 644 552 811 00 600 | Grey  |        |     |   |
|     | 644 552 811 00 500 | Beige   |        |     |   |



Model: 356 50 Model life 1950>>1959

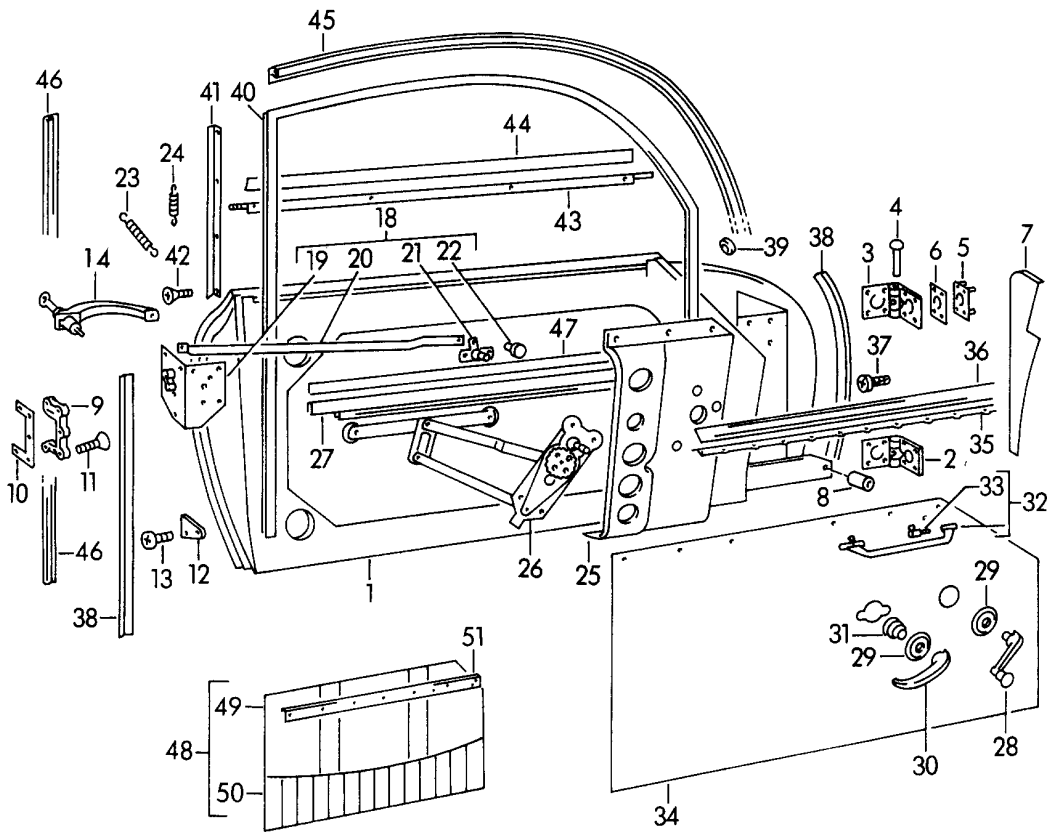
| Pos  | Part Number        | Description   | Remark | Qty | Model                                      |
|------|--------------------|---|--------|-----|--|
|      | 644 552 811 00 300 | White<br>Ivory  |        |     |  |
| 10   | 999 706 009 80     | Suspension strap  |        | 1   | 356 A:CABRIO                               |
| 10   | 911 424 341 01     | Suspension strap  |        | 1   | 356 A:CABRIO                               |
| 10   | 911 424 341 03     | Suspension strap  |        | 1   | 356 A:CABRIO                               |
| 11   | 644 511 070 21     | Lock  |        | 1   | 356 A:CABRIO                               |
| 12   | 644 511 073 21     | Support   |        | 1   | 356 A:CABRIO                               |
| 13   | 900 151 027 02     | Washer<br>A 5,3   |        | 2   | 356 A:CABRIO                               |
| 13   | 900 151 027 03     | Washer<br>A 5,3   |        | 2   | 356 A:CABRIO                               |
| 14   | 900 028 002 00     | Lock ring<br>A 5  |        | 2   | 356 A:CABRIO                               |
| 15   | 900 076 006 02     | Hexagon nut<br>M 5  |        | 2   | 356 A:CABRIO                               |
| 16   | 644 424 901 01     | Wire pull<br>1700 MM  |        | 1   | 356 A                                      |
| 17   | 644 424 951 00     | Cable terminal  |        | 2   |  |
| -    | 111 129 921        | Bearing pin   |        | 1   |  |
| -    | N 010 205 6        | Screw<br>for<br>Nipple  |        | 1   |  |
| -    | 900 075 105 02     | Screw<br>for<br>Nipple  |        | 1   |  |
| 18   | 644 511 901 06     | Gasket<br>Rubber<br>3750 MM                                       |        | 1   | 356  |
| (18) |                    | Gasket<br>Rubber<br>3750 MM                                       |        | 1   | 356 A                                      |
| 19   | 356 52 506         | Reinforcement<br>Tread  |        | 2   | 356  |
| (19) | 644 511 911 00     | Corner panel<br>Tread   |        | 2   | 356 A                                      |
| 20   | 356 52 060         | Lid<br>without<br>Lock<br>And<br>Hinge                            |        | 1   | 356  |
| (20) | 644 512 001 00     | Lid<br>without<br>Lock<br>And<br>Hinge                            |        | 1   | 356 A:COUPE                                |
| (20) | 644 512 001 01     | Lid<br>without<br>Lock<br>And<br>Hinge                            |        | 1   | 356 A<br>CARRERA<br>COUPE                  |
| (20) | 644 512 001 26     | Lid<br>without<br>Lock<br>And<br>Hinge<br>Not for<br>-CARRERA GT- |        | 1   | 356 A:CABRIO<br>SPEEDSTER                  |
| (20) |                    | Lid<br>without<br>Lock<br>And<br>Hinge                            |        | 1   | 356 A<br>CARRERA GT<br>CABRIO<br>SPEEDSTER |
| 21   | 356 52 075         | Push-button lock  |        | 1   | 356  |

Model: 356 50 Model life 1950>>1959

| Pos  | Part Number    | Description                                | Remark | Qty | Model                                     |
|------|----------------|--|--------|-----|---|
| (21) | 644 512 051 01 | Complete<br>Lock                           |        | 1   | 356 A                                     |
| 22   | 356 52 075 1   | Complete<br>Push-button lock<br>Upper part |        | 1   | 356                                       |
| (22) | 644 512 511 01 | Lock<br>Upper part                         |        | 1   | 356 A                                     |
| 23   | 356 52 075 2   | Push-button lock<br>Lower part             |        | 1   | 356                                       |
| (23) | 644 512 052 01 | Lock<br>Lower part                         |        | 1   | 356 A                                     |
| 24   | 644 512 031 00 | Hinge                                      | /L     | 1   | 356                                       |
| (24) |                | Hinge<br>Not for<br>-CARRERA GT-           | /L     | 1   | 356 A                                     |
| (24) |                | Hinge                                      | /L     | 1   | 356 A<br>CARRERA GT<br>COUPE<br>SPEEDSTER |
| (24) | 644 512 032 00 | Hinge                                      | /R     | 1   | 356                                       |
| (24) |                | Hinge<br>Not for<br>-CARRERA GT-           | /R     | 1   | 356 A                                     |
| (24) |                | Hinge                                      | /R     | 1   | 356 A<br>CARRERA GT<br>COUPE<br>SPEEDSTER |
| 25   | 356 52 812     | Rubber buffer<br>\$ 8 MM                   |        | 4   | 356                                       |
| (25) | 999 703 086 40 | Stopper<br>\$ 8 MM                         |        | 4   | 356 A                                     |
| -    | 644 511 081 10 | Retaining strap<br>Lid<br>Front            |        | 1   | 356 A<br>CARRERA GT<br>COUPE<br>SPEEDSTER |

Model: 356 50

Model life 1950>>1959



Model: 356 50

Model life 1950&gt;&gt;1959

| Pos | Part Number    | Description  | Remark | Qty | Model                          |
|-----|----------------|--|--------|-----|--------------------------------|
| (1) | 356 52 001 A   | Door<br>with<br>Accessories<br>Door in white<br>with<br>Lock<br>And<br>Power windows<br>F 11 361 >><br>F 10 271 >> | /L     | 1   | 356                            |
| (1) | 356 52 001     | Bare door shell<br>with<br>Lock<br>And<br>Power windows<br>F 5 001 >> 11 360<br>F 5 015 >> 10 270                  | /L     | 1   | COUPE<br>CABRIO<br>356         |
| (1) | 356 52 001 1A  | Door<br>Complete<br>without<br>Paint<br>without<br>Cover<br>F 11 361 >><br>F 10 271 >>                             | /L     | 1   | COUPE<br>CABRIO<br>356         |
| (1) | 356 52 001 1   | Door<br>Complete<br>without<br>Paint<br>without<br>Cover<br>F 5 001 >> 11 360<br>F 5 015 >> 10 270                 | /L     | 1   | COUPE<br>CABRIO<br>356         |
| (1) | 644 531 003 00 | Door<br>with<br>Lock<br>And<br>Power windows<br>F 11 361 >> 101 692  | /L     | 1   | COUPE<br>CABRIO<br>356 A:COUPE |
| (1) | 644 531 003 01 | Door in white<br>with<br>Lock<br>And<br>Power windows<br>F 101 693 >>  | /L     | 1   | 356 A:COUPE                    |
| (1) | 644 531 003 10 | Door in white<br>Aluminium<br>with<br>Lock<br>And<br>Power windows<br>F 101 693 >>                                 | /L     | 1   | 356 A<br>CARRERA GT<br>COUPE   |
| (1) | 644 531 003 20 | Bare door shell<br>with<br>Lock<br>F 10 271 >> 61 892  | /L     | 1   | 356 A<br>CABRIO                |
| (1) | 644 531 003 21 | Door in white<br>with<br>Lock<br>F 150 001 >>  | /L     | 1   | 356 A<br>CABRIO<br>HARDTOP     |
| (1) | 644 531 003 26 | Door in white<br>with<br>Lock  | /L     | 1   | 356 A<br>CABRIO<br>HARDTOP     |

Model: 356 50 Model life 1950>>1959

| Pos | Part Number    | Description  | Remark | Qty | Model                          |
|-----|----------------|--|--------|-----|--------------------------------|
| (1) | 644 531 003 42 | F 150 001 >><br>Door in white<br>with<br>Lock  | /L     | 1   | CONVERTIBLE                    |
| 1   | 356 52 002 A   | Door in white<br>with<br>Lock<br>And<br>Power windows  | /R     | 1   | 356                            |
| 1   | 356 52 002     | F 11 361 >><br>F 10 271 >><br>Door in white<br>with<br>Lock<br>And<br>Power windows                | /R     | 1   | COUPE<br>CABRIO<br>356         |
| 1   | 356 52 002 1A  | F 5 001 >> 11 360<br>F 5 015 >> 10 270<br>Door<br>Complete<br>without<br>Paint<br>without<br>Cover | /R     | 1   | COUPE<br>CABRIO<br>356         |
| 1   | 356 52 002 1   | F 11 361 >><br>F 10 271 >><br>Door<br>Complete<br>without<br>Paint<br>without<br>Cover             | /R     | 1   | COUPE<br>CABRIO<br>356         |
| 1   | 644 531 004 00 | F 5 001 >> 11 360<br>F 5 015 >> 10 270<br>Door in white<br>with<br>Lock<br>And<br>Power windows    | /R     | 1   | COUPE<br>CABRIO<br>356 A:COUPE |
| 1   | 644 531 004 01 | F 11 361 >> 101 692<br>Door in white<br>with<br>Lock<br>And<br>Power windows                       | /R     | 1   | 356 A:COUPE                    |
| 1   | 644 531 004 10 | F 101 693 >><br>Door in white<br>with<br>Lock<br>And<br>Power windows<br>Aluminium                 | /R     | 1   | 356 A<br>CARRERA GT<br>COUPE   |
| 1   | 644 531 004 20 | F 101 693 >><br>Door in white<br>with<br>Lock  | /R     | 1   | 356 A:CABRIO                   |
| 1   | 644 531 004 21 | F 10 271 >> 61 892<br>Door in white<br>with<br>Lock<br>And<br>Power windows<br>F 150 001 >>        | /R     | 1   | 356 A<br>CABRIO<br>HARDTOP     |

Model: 356 50 Model life 1950>>1959

| Pos | Part Number    | Description   | Remark | Qty | Model                      |
|-----|----------------|---|--------|-----|----------------------------|
| 1   | 644 531 004 26 | Door in white<br>with<br>Lock<br>And<br>Power windows<br>F 150 001 >> | /R     | 1   | 356 A<br>CABRIO<br>HARDTOP |
| 1   | 644 531 004 42 | Door in white<br>with<br>Lock   | /R     | 1   | CONVERTIBLE                |
| -   | 644 531 035 00 | Door arrester<br>Rubber<br>Not for                                    |        | 2   |                            |
| -   | 644 504 761 01 | -CARRERA GT-<br>Spring cover<br>Door<br>Inner                         |        | 2   |                            |
| 2   | 356 52 024     | Hinge<br>Lower<br>with<br>Bolt  |        | 2   | 356                        |
| 2   | 644 531 031 02 | Hinge<br>Lower<br>with<br>Bolt  |        | 2   | 356 A                      |
| 3   | 356 52 023     | Hinge<br>Upper<br>with<br>Bolt  |        | 2   | 356                        |
| 3   | 644 531 032 02 | Hinge<br>Upper<br>with<br>Bolt  |        | 2   | 356 A                      |
| 4   | 356 52 024 1   | Eccentric bolt  |        | 4   | 356                        |
| 4   | 644 531 305 00 | Hinge bolt  |        | 4   | 356 A                      |
| 5   | 644 531 310 00 | Threaded plate<br>Hinge   |        | 4   | 356                        |
| 5   |                | Threaded plate<br>Hinge   |        | 4   | 356 A                      |
| 6   | 356 52 201     | Desk pad<br>Hinge   |        | X   | 356                        |
| 6   | 644 531 321 00 | Desk pad<br>Hinge   |        | X   | 356 A                      |
| 7   | 356 52 255     | Cover plate<br>Aluminium  | /L     | 1   | 356                        |
| (7) | 356 52 256     | Cover plate<br>Aluminium  | /R     | 1   | 356                        |
| 7   | 644 531 331 00 | Cover plate<br>Aluminium  | /L     | 1   | 356 A                      |
| (7) | 644 531 332 00 | Cover plate<br>Aluminium  | /R     | 1   | 356 A                      |
| 8   | 356 52 203     | Rubber stop   |        | 2   | 356                        |
| 8   | 644 531 741 00 | Rubber stop   |        | 2   | 356 A                      |
| 9   | 356 52 206 A   | Door lock striker<br>F 53 299 >><br>F 60 781 >>                       | /L /R  | 2   | 356<br>COUPE<br>CABRIO     |
| (9) | 356 52 206     | Door lock striker<br>F 5 001 >> 53 298<br>F 5 015 >> 60 780           | /L /R  | 2   | 356<br>COUPE<br>CABRIO     |
| (9) | 644 531 701 00 | Door lock striker<br>5<br>Hole  | /L /R  | 2   | 356 A                      |
| (9) | 644 531 701 01 | Door lock striker<br>3  | /L     | 1   | 356 A                      |

Model: 356 50 Model life 1950>>1959

| Pos  | Part Number    | Description  | Remark | Qty | Model                  |
|------|----------------|--|--------|-----|------------------------|
| (9)  | 644 531 702 01 | Hole<br>Door lock striker<br>3                             | /R     | 1   | 356 A                  |
| 10   | 356 52 210     | Hole<br>Threaded plate                                     |        | 2   | 356                    |
| 10   | 644 531 711 00 | Threaded plate<br>Door lock striker<br>5                   |        | 2   | 356 A                  |
| 10   | 644 531 710 01 | Hole<br>Threaded plate<br>Door lock striker<br>3           |        | 2   | 356 A                  |
| -    | 644 531 723 00 | Hole<br>Shim<br>Threaded plate<br>1 MM                     |        | X   | 356 A                  |
| -    | 644 531 723 01 | Shim<br>Threaded plate<br>2 MM                             |        | X   | 356 A                  |
| 11   | 900 147 001 02 | Countersunk-head screw<br>8 X 30                           |        | 10  | 356                    |
| 11   | 900 269 028 03 | Countersunk-head screw<br>8 X 30                           |        | 10  | 356                    |
| 11   | 900 147 001 02 | Countersunk-head screw<br>8 X 30                           |        | 6   | 356 A                  |
| 11   | 900 269 028 03 | Countersunk-head screw<br>8 X 30                           |        | 6   | 356 A                  |
| 12   | 356 52 209     | Rubber buffer  |        | 2   | 356                    |
| 12   | 644 531 751 00 | Rubber buffer  |        | 2   | 356 A                  |
| -    | 644 531 755 00 | Cup<br>Aluminium<br>for<br>Rubber buffer                   |        | 2   | 356 A                  |
| 13   | 356 52 209 1   | Oval-head screw<br>3,9 X 20<br>Chrome                      |        | 6   | 356                    |
| 13   | 900 145 022 02 | Rais. counters. h. tap. s.<br>3,9 X 19<br>Chrome           |        | 6   | 356 A                  |
| 14   |                | See illustrations<br>8/04/01                               |        | 2   | 356                    |
| 18   | 356 52 021 A   | Lock<br>Complete<br>F 53 299 >><br>F 60 781 >>             | /L     | 1   | 356<br>COUPE<br>CABRIO |
| (18) | 356 52 021     | Lock<br>Complete<br>F 5 001 >> 53 298<br>F 5 015 >> 60 780 | /L     | 1   | 356<br>COUPE<br>CABRIO |
| (18) | 356 52 022 A   | Lock<br>Complete<br>F 53 299 >><br>F 60 781 >>             | /R     | 1   | 356<br>COUPE<br>CABRIO |
| (18) | 356 52 022     | Lock<br>Complete<br>F 5 001 >> 53 298<br>F 5 015 >> 60 780 | /R     | 1   | 356<br>COUPE<br>CABRIO |
| 18   | 644 531 051 00 | Lock<br>Complete   | /L     | 1   | 356 A                  |
| (18) | 644 531 051 01 | Lock<br>Complete<br>with<br>Wire pull                      | /L     | 1   | 356 A                  |

Model: 356 50 Model life 1950>>1959

| Pos  | Part Number    | Description   | Remark | Qty | Model                  |
|------|----------------|---|--------|-----|------------------------|
| (18) | 644 531 052 00 | Lock<br>Complete  | /R     | 1   | 356 A                  |
| (18) | 644 531 052 01 | Lock<br>Complete<br>with<br>Wire pull                                     | /R     | 1   | 356 A                  |
| (19) | 356 52 021 1A  | Lock<br>F 53 299 >><br>F 60 781 >>  | /L     | 1   | 356<br>COUPE<br>CABRIO |
| (19) | 356 52 021 1   | Lock<br>F 5 001 >> 53 298<br>F 5 015 >> 60 780                            | /L     | 1   | 356<br>COUPE<br>CABRIO |
| (19) | 356 52 022 1A  | Lock<br>F 53 299 >><br>F 60 781 >>  | /R     | 1   | 356<br>COUPE<br>CABRIO |
| (19) | 356 52 022 1   | Lock<br>F 5 001 >> 53 298<br>F 5 015 >> 60 780                            | /R     | 1   | 356<br>COUPE<br>CABRIO |
| 19   | 644 531 053 00 | Lock  | /L     | 1   | 356 A                  |
| 19   | 644 531 053 01 | Lock  | /L     | 1   | 356 A                  |
| (19) | 644 531 054 00 | Lock  | /R     | 1   | 356 A                  |
| (19) | 644 531 054 01 | Lock  | /R     | 1   | 356 A                  |
| 20   | 356 52 211     | Pull rod  | /L /R  | 2   | 356                    |
| 20   | 644 531 561 00 | Pull rod  | /L /R  | 2   | 356 A                  |
| -    | 644 531 561 01 | Wire pull   |        | 2   | 356 A                  |
| 21   | 356 52 207     | Tool  | /L     | 1   | 356                    |
| (21) | 356 52 208     | Tool  | /R     | 1   | 356                    |
| 21   | 644 531 055 00 | Inner door release  | /L     | 1   | 356 A                  |
| (21) | 644 531 055 01 | Push-button lock  | /L     | 1   | 356 A                  |
| (21) | 644 531 056 00 | Inner door release  | /R     | 1   | 356 A                  |
| (21) | 644 531 056 01 | Push-button lock  | /R     | 1   | 356 A                  |
| 22   | 356 52 211 1   | Rivet<br>with<br>Washer   |        | 4   | 356                    |
| 22   | 356 613 925 00 | Rivet<br>with<br>Washer   |        | 4   | 356 A                  |
| 23   | 644 511 511 00 | Tension spring<br>Lock  |        | 1   | 356                    |
| 23   |                | Tension spring<br>Lock  |        | 2   | 356 A                  |
| 23   | 644 531 547 01 | Tension spring<br>Lock  |        | 2   | 356 A                  |
| 24   | 644 531 542 00 | Tension spring<br>Lock<br>Small   |        | 2   | 356                    |
| 24   |                | Tension spring<br>Small<br>Valid up to:<br>20.9.57                        |        | 2   | 356 A                  |
| 25   | 356 52 221 A   | Mounting plate<br>Power windows<br>F 11 361 >><br>F 10 271 >>             | /L     | 1   | 356<br>COUPE<br>CABRIO |
| (25) | 356 52 221     | Mounting plate<br>Power windows<br>F 5 001 >> 11 360<br>F 5 015 >> 10 270 | /L     | 1   | 356<br>COUPE<br>CABRIO |
| (25) | 356 52 222     | Bracket<br>Power windows<br>F 5 001 >> 11 360<br>F 5 015 >> 10 270        | /R     | 1   | 356<br>COUPE<br>CABRIO |
| (25) | 356 52 222 A   | Mounting plate  | /R     | 1   | 356                    |



Model: 356 50 Model life 1950&gt;&gt;1959

| Pos  | Part Number    | Description   | Remark | Qty | Model                                    |
|------|----------------|---|--------|-----|--|
| 25   | 644 531 571 00 | Power windows<br>F 11 361 >><br>F 10 271 >><br>Mounting plate                     | /L     | 1   | COUPE<br>CABRIO<br>356 A<br>COUPE/CABRIO |
| (25) | 644 531 572 00 | Power windows<br>1952 - 1957<br>Mounting plate                                    | /R     | 1   | 356 A<br>COUPE/CABRIO                    |
| 26   | 356 52 025     | Power windows<br>F 11 361 >><br>F 10 271 >>                                       | /L     | 1   | 356<br>COUPE<br>CABRIO                   |
| (26) | 356 52 018     | Power windows<br>F 5 001 >> 11 360<br>F 5 015 >> 10 270                           | /L     | 1   | 356<br>COUPE<br>CABRIO                   |
| (26) | 356 52 026     | Power windows<br>F 11 361 >><br>F 10 271 >>                                       | /R     | 1   | 356<br>COUPE<br>CABRIO                   |
| (26) | 356 52 019     | Power windows<br>F 5 001 >> 11 360<br>F 5 015 >> 10 270                           | /R     | 1   | 356<br>COUPE<br>CABRIO                   |
| 26   | 644 542 041 00 | Power windows   | /L     | 1   | 356 A<br>COUPE/CABRIO                    |
| 26   | 644 542 041 01 | Power windows   | /L     | 1   | 356 A:COUPE                              |
| 26   | 644 542 041 21 | Power windows   | /L     | 1   | 356 A:CABRIO                             |
| (26) | 644 542 042 00 | Power windows   | /R     | 1   | 356 A<br>COUPE/CABRIO                    |
| (26) | 644 542 042 01 | Power windows   | /R     | 1   | 356 A:COUPE                              |
| (26) | 644 542 042 21 | Power windows   | /R     | 1   | 356 A:CABRIO                             |
| 27   | 356 52 029     | Window guide rail   | /L /R  | 2   | 356                                      |
| 27   | 644 542 045 00 | Window lifter rail  | /L /R  | 2   | 356 A<br>COUPE/CABRIO                    |
| 27   | 644 542 045 01 | Window lifter rail  | /L     | 1   | 356 A:COUPE                              |
| (27) | 644 542 046 01 | Window lifter rail  | /R     | 1   | 356 A:COUPE                              |
| 27   | 644 542 461 10 | Window lifter rail  | /L /R  | 1   | 356 A<br>CARRERA GT<br>COUPE             |
| 27   | 644 542 045 21 | Window lifter rail  | /L     | 1   | 356 A<br>CABRIO<br>HARDTOP               |
| (27) | 644 542 046 21 | Window lifter rail  | /R     | 1   | 356 A<br>CABRIO<br>HARDTOP               |
| (27) | 644 542 045 41 | Window lifter rail  | /L     | 1   | CONVERTIBLE                              |
| (27) | 644 542 046 41 | Window lifter rail  | /R     | 1   | CONVERTIBLE                              |
| -    | 644 531 761 00 | Rubber<br>Door window glass   |        | 2   | 356 A:COUPE                              |
| 28   | 356 52 027     | Window crank<br>with<br>Knob<br>Please state the colour<br>Ivory<br>Grey<br>Beige | /L /R  | 2   | 356                                      |
| 28   | 644 542 470 00 | Window crank<br>with<br>Knob<br>Please state the colour<br>Grey<br>Beige          | /L /R  | 2   | 356 A<br>COUPE/CABRIO                    |
| 28   | 644 542 470 01 | Window crank  | /L /R  | 2   | 356 A                                    |
| 28   | PCG 542 470 01 | Window crank  | /L /R  | 2   | 356 A                                    |

Model: 356 50 Model life 1950>>1959

| Pos  | Part Number        | Description   | Remark | Qty | Model                          |
|------|--------------------|---|--------|-----|--------------------------------|
|      |                    | with<br>Knob<br>Black<br>Please state the colour                      |        |     | COUPE/CABRIO                   |
| 29   | 356 53 711         | Rosette   |        | X   | 356                            |
| 29   | 644 552 891 00     | Rosette<br>Grey<br>Beige  |        | X   | 356 A                          |
| 29   | 644 552 891 01     | Rosette   |        | X   | 356 A                          |
|      | 644 552 891 01 700 | Black   |        |     |                                |
|      | 644 552 891 01 600 | Grey  |        |     |                                |
|      | 644 552 891 01 500 | Beige   |        |     |                                |
|      | 644 552 891 01 300 | White<br>Ivory  |        |     |                                |
| 30   | 356 52 200         | Door handle<br>Interior handle  |        | 2   | 356                            |
| 30   | 644 531 611 02     | Door handle<br>Interior handle  |        | 2   | 356 A                          |
| -    | 644 531 691 00     | Rubber bush<br>Door handle  |        | 2   |                                |
| 31   | 818 609            | Conical spring  |        | 2   | 356                            |
| 31   | 644 542 473 00     | Conical spring  |        | 2   | 356 A                          |
| -    | 644 531 615 00     | Desk pad<br>Foam part<br>Instead of<br>Conical spring                 |        | 2   | 356 A                          |
| 32   | 356 52 223         | Handle<br>Complete  |        | 2   | 356                            |
| 32   | 644 531 621 00     | Handle<br>Complete  |        | 2   | 356 A<br>COUPE/CABRIO          |
| 33   | 356 52 223 1       | Support<br>for<br>Handle  |        | 4   | 356                            |
| 33   | 644 531 625 00     | Support<br>for<br>Handle  |        | 4   | 356 A<br>COUPE/CABRIO          |
| 34   | 356 52 265         | Door panel<br>Fibre board<br>F 50 183 >><br>F 60 075 >>               |        | 1   | 356                            |
| (34) | 356 52 245         | Door panel<br>Fibre board<br>F 5 001 >> 50 182<br>F 5 015 >> 60 074   |        | 1   | COUPE<br>CABRIO<br>356         |
| (34) | 356 52 267         | Door panel<br>Fibre board<br>F 50 183 >><br>F 60 075 >>               |        | 1   | COUPE<br>CABRIO<br>356         |
| (34) | 356 52 246         | Door panel<br>Aluminium<br>F 5 001 >> 50 182<br>F 5 015 >> 60 074     |        | 1   | COUPE<br>CABRIO<br>356         |
| (34) | 644 555 003 42     | Door panel<br>with<br>Lining<br>And<br>Bag<br>Please state the colour | /L     | 1   | COUPE<br>CABRIO<br>CONVERTIBLE |
| (34) | 644 555 004 42     | Door panel<br>with<br>Lining<br>And<br>Bag                            | /R     | 1   | CONVERTIBLE                    |

Model: 356 50 Model life 1950>>1959

| Pos  | Part Number    | Description   | Remark | Qty | Model                      |
|------|----------------|---|--------|-----|----------------------------|
| -    | 644 555 451 41 | Please state the colour<br>Lock<br>with<br>Key<br>for<br>Bag  |        | 1   | CONVERTIBLE                |
| -    | 644 555 452 41 | Key<br>for<br>Lock<br>Bag   |        | 1   | CONVERTIBLE                |
| 34   | 644 555 033 01 | Door panel  | /L     | 1   | 356 A                      |
| (34) | 644 555 034 01 | Fibre board<br>Door panel   | /R     | 1   | 356 A                      |
| 35   | 356 52 801 1   | Fibre board<br>Rubber base<br>Sealing for door slot<br>Inner<br>680 MM<br>Ornamental strip<br>Metal |        | 2   | 356                        |
| (35) | 356 52 801     | Rubber base<br>Sealing for door slot<br>Inner<br>Ornamental strip                                   |        | 2   | 356                        |
| 35   | 644 531 933 00 | Rubber base<br>Sealing for door slot<br>Inner<br>680 MM<br>Ornamental strip<br>Metal                |        | 2   | 356 A<br>COUPE/CABRIO      |
| -    | PCG 531 935 00 | Seal<br>BUERSTENPROFIL<br>450 MM  |        | 4   | 356 A:COUPE                |
| -    |                | Seal<br>BUERSTENPROFIL<br>450 MM  |        | 4   | 356 A:CABRIO               |
| -    |                | Seal  |        | 4   | CONVERTIBLE                |
| -    | 999 591 301 02 | Fixing clip<br>Sealing for door slot  |        | X   | 356 A<br>COUPE/CABRIO      |
| -    | 999 591 301 0C | Fixing clip<br>Sealing for door slot  |        | X   | 356 A<br>COUPE/CABRIO      |
| 36   | 356 53 243     | Ornamental strip<br>Metal<br>Prime coated<br>F 11 361 >><br>F 10 271 >>                             | /L     | 1   | 356<br><br>COUPE<br>CABRIO |
| (36) | 356 52 237     | Ornamental strip<br>Polished<br>F 5 001 >> 11 360<br>F 5 015 >> 10 270                              | /L     | 1   | 356<br><br>COUPE<br>CABRIO |
| (36) | 356 53 244     | Ornamental strip<br>Metal<br>Prime coated<br>F 11 361 >><br>F 10 271 >>                             | /R     | 1   | 356<br><br>COUPE<br>CABRIO |
| (36) | 356 52 238     | Ornamental strip<br>Polished<br>F 5 001 >> 11 360<br>F 5 015 >> 10 270                              | /R     | 1   | 356<br><br>COUPE<br>CABRIO |
| 36   | 644 531 433 20 | Ornamental strip<br>Metal<br>Prime coated   | /L     | 1   | 356 A<br>COUPE/CABRIO      |
| (36) | 644 531 434 20 | Ornamental strip  | /R     | 1   | 356 A                      |

Model: 356 50 Model life 1950>>1959

| Pos  | Part Number    | Description  | Remark | Qty | Model        |
|------|----------------|--|--------|-----|--------------|
|      |                | Metal  |        |     | COUPE/CABRIO |
|      |                | Prime coated   |        |     |              |
| 37   | 900 145 006 02 | Rais. counters. h. tap. s.<br>Countersunk-head screw<br>3,5 X 19 |        | 4   | 356          |
|      |                | Ornamental strip   |        |     |              |
|      |                | Metal  |        |     |              |
| 37   |                | Rais. counters. h. tap. s.<br>3,5 X 19                           |        | 4   | 356 A        |
| 38   | 644 531 901 00 | Door seal<br>Inner<br>1200 MM                                    |        | 2   | 356          |
| 38   |                | Door seal<br>Inner<br>1100 MM                                    |        | 1   | 356 A        |
| -    | 644 531 903 00 | Door seal<br>Inner   |        | 2   | 356 A        |
| -    | 644 542 929 41 | Gasket<br>Door window glass<br>Cowl panel support<br>Front       |        | 2   | CONVERTIBLE  |
| 39   | 000 531 901 00 | Stopper<br>Rubber  |        | 6   | 356 A        |
| 40   | 356 52 031     | Door glass frame<br>Chrome                                       | /L     | 1   | 356:COUPE    |
| (40) | 356 52 032     | Door glass frame<br>Chrome                                       | /R     | 1   | 356:COUPE    |
| 40   | 644 531 043 01 | Door glass frame<br>Chrome                                       | /L     | 1   | 356 A:COUPE  |
| (40) | 644 531 044 01 | Door glass frame<br>Chrome                                       | /R     | 1   | 356 A:COUPE  |
| -    | 644 531 041 41 | Window guide rail<br>Door window glass<br>Front                  | /L     | 1   | CONVERTIBLE  |
| -    | 644 531 042 41 | Window guide rail<br>Door window glass<br>Front                  | /R     | 1   | CONVERTIBLE  |
| -    | 644 531 043 41 | Door glass frame<br>Door window glass<br>Rear                    | /L     | 1   | CONVERTIBLE  |
| -    | 644 531 044 41 | Guide rail<br>Door window glass<br>Rear                          | /R     | 1   | CONVERTIBLE  |
| -    | 644 531 450 41 | Fastening screw<br>Guide rail                                    |        | 4   | CONVERTIBLE  |
| 41   | 356 52 257     | Rain channel   | /L     | 1   | 356:COUPE    |
| (41) | 356 52 258     | Rain channel   | /R     | 1   | 356:COUPE    |
| 41   | 644 531 411 00 | Rain channel   | /L     | 1   | 356 A:COUPE  |
| (41) | 644 531 412 00 | Rain channel   | /R     | 1   | 356 A:COUPE  |
| 42   | 900 019 001 02 | Oval-head screw<br>Countersunk-head screw<br>3 X 4               |        | 8   | 356          |
| 42   | 900 019 001 12 | Oval-head screw<br>Countersunk-head screw<br>3 X 5<br>Chrome     |        | 8   | 356 A        |
| 43   | 356 52 803     | Rail<br>Chrome<br>Outer  |        | 2   | 356:COUPE    |
|      |                | F 11 361 >>  |        |     | COUPE        |
|      |                | F 10 271 >>  |        |     | CABRIO       |
| 43   | 644 531 431 00 | Rail<br>Chrome   |        | 2   | 356 A        |

Model: 356 50 Model life 1950>>1959

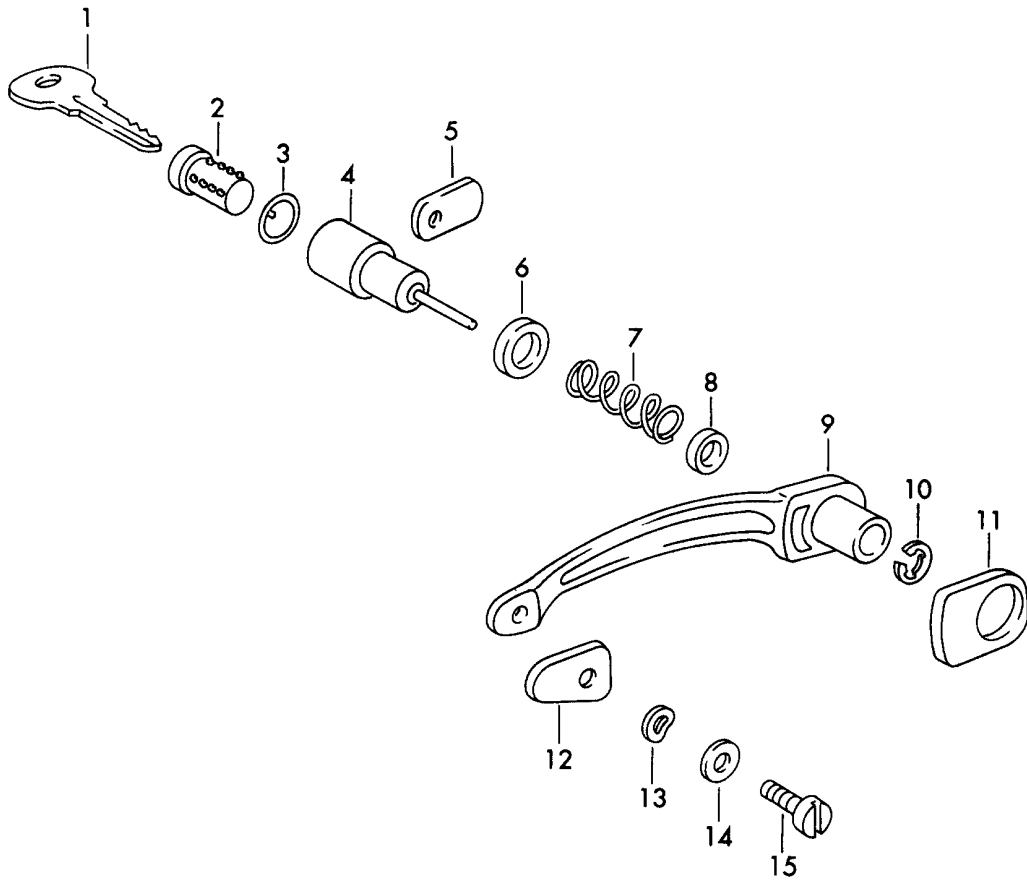
| Pos  | Part Number    | Description  | Remark | Qty | Model                        |
|------|----------------|--|--------|-----|------------------------------|
| 43   | 644 531 431 41 | Outer<br>Rail<br>Chrome  | /L     | 1   | CONVERTIBLE                  |
| 43   | 644 531 432 41 | Outer<br>Rail<br>Chrome  | /R     | 1   | CONVERTIBLE                  |
| -    | 644 025 928 00 | Outer<br>Piping<br>Rail  |        | 1   |                              |
| -    | PCG 025 928 00 | Piping   |        | 1   | 356 A                        |
| -    | 644 531 931 41 | Profile strip<br>Rail  |        | 2   |                              |
| 44   | 356 52 806     | Sealing for door slot<br>Outer                                     |        | 2   | 356                          |
| 44   | 644 531 931 00 | Tread<br>Outer   |        | 2   | 356 A                        |
| 45   | 356 52 807     | Door seal<br>Upper<br>1460 MM                                      |        | 2   | 356:COUPE                    |
| 45   | 644 531 911 01 | Door seal<br>Upper<br>1460 MM                                      |        | 2   | 356 A                        |
| 46   | 356 52 808     | Door seal<br>870 MM  |        | 2   | 356:COUPE                    |
| 46   | 644 531 913 01 | Door seal<br>870 MM  |        | 2   | 356 A                        |
| 47   | 356 57 204     | Tread<br>Window lifter rail  |        | 2   | 356                          |
| 47   | 644 542 491 41 | Tread<br>Window lifter rail  |        | *   | 356 A                        |
| 47   |                | Tread<br>Window lifter rail  |        | *   | 356 A                        |
| -    | 644 542 491 10 | Tread<br>Window lifter rail  |        | 1   | 356 A<br>CARRERA GT<br>COUPE |
| -    | 644 542 491 41 | Tread<br>Window lifter rail  |        | *   | CONVERTIBLE                  |
| 48   | 356 52 035 3   | Door panel<br>Cover<br>Leather<br>with<br>Bag                      | /L     | 1   | 356                          |
| (48) | 356 52 035 1   | Door panel<br>Cover<br>Leatherette<br>Ribbed velvet<br>with<br>Bag | /L     | 1   | 356                          |
| (48) | 644 555 031 01 | Door panel<br>Cover<br>Leatherette<br>Ribbed velvet<br>with<br>Bag | /L     | 1   | 356 A                        |
| (48) | 644 555 031 11 | Door panel<br>Cover<br>Leather<br>with<br>Bag                      | /L     | 1   | 356 A                        |
| (48) | 356 52 036 3   | Door panel<br>Cover<br>Leather<br>with                             | /R     | 1   | 356                          |

Model: 356 50 Model life 1950>>1959

| Pos  | Part Number    | Description  | Remark | Qty | Model   |
|------|----------------|--|--------|-----|---|
| (48) | 356 52 036 1   | Bag<br>Door panel<br>Cover<br>Leatherette<br>Ribbed velvet<br>with   | /R     | 1   | 356   |
| (48) | 644 555 032 01 | Bag<br>Door panel<br>Cover<br>Leatherette<br>Ribbed velvet<br>with   | /R     | 1   | 356 A   |
| (48) | 644 555 032 11 | Bag<br>Door panel<br>Cover<br>Leather<br>with  | /R     | 1   | 356 A   |
| 49   | 356 52 035 2   | Bag<br>Door panel<br>Cover<br>Leather<br>without   | /L     | 1   | 356   |
| (49) | 356 52 035     | Bag<br>Door panel<br>Cover<br>Leatherette<br>Ribbed velvet<br>without  | /L     | 1   | 356   |
| (49) | 356 52 036 2   | Bag<br>Door panel<br>Cover<br>Leather<br>without   | /R     | 1   | 356   |
| (49) | 356 52 036     | Bag<br>Door panel<br>Cover<br>Leatherette<br>Ribbed velvet<br>without  | /R     | 1   | 356   |
| (50) | 356 53 203     | Bag<br>Leatherette   | /L     | 1   | 356   |
| 50   | 356 53 203 1   | Bag<br>Leather   | /L     | 1   | 356   |
| (50) | 356 53 204     | Bag<br>Leatherette   | /R     | 1   | 356   |
| (50) | 356 53 204 1   | Bag<br>Leather   | /R     | 1   | 356   |
| 51   | 356 52 266     | Tread<br>Door panel  | /L     | 1   | 356   |
| (51) | 356 52 268     | Tread<br>Door panel  | /R     | 1   | 356   |
| (51) | 644 531 811 01 | Tread<br>Door panel  | /L     | 1   | 356   |
| (51) | 644 531 812 01 | Tread<br>Door panel  | /R     | 1   | 356   |
|      |                | F 55 001 >> 101 692<br>F 61 001 >> 150 000<br>F 82 001 >> 083 791<br>F 101 693 >><br>F 150 001 >><br>F 83 792 >> |        |     | COUPE<br>CABRIO<br>SPEEDSTER<br>COUPE<br>CABRIO<br>HARDTOP<br>SPEEDSTER |

Model: 356 50

Model life 1950>>1959



Model: 356 50

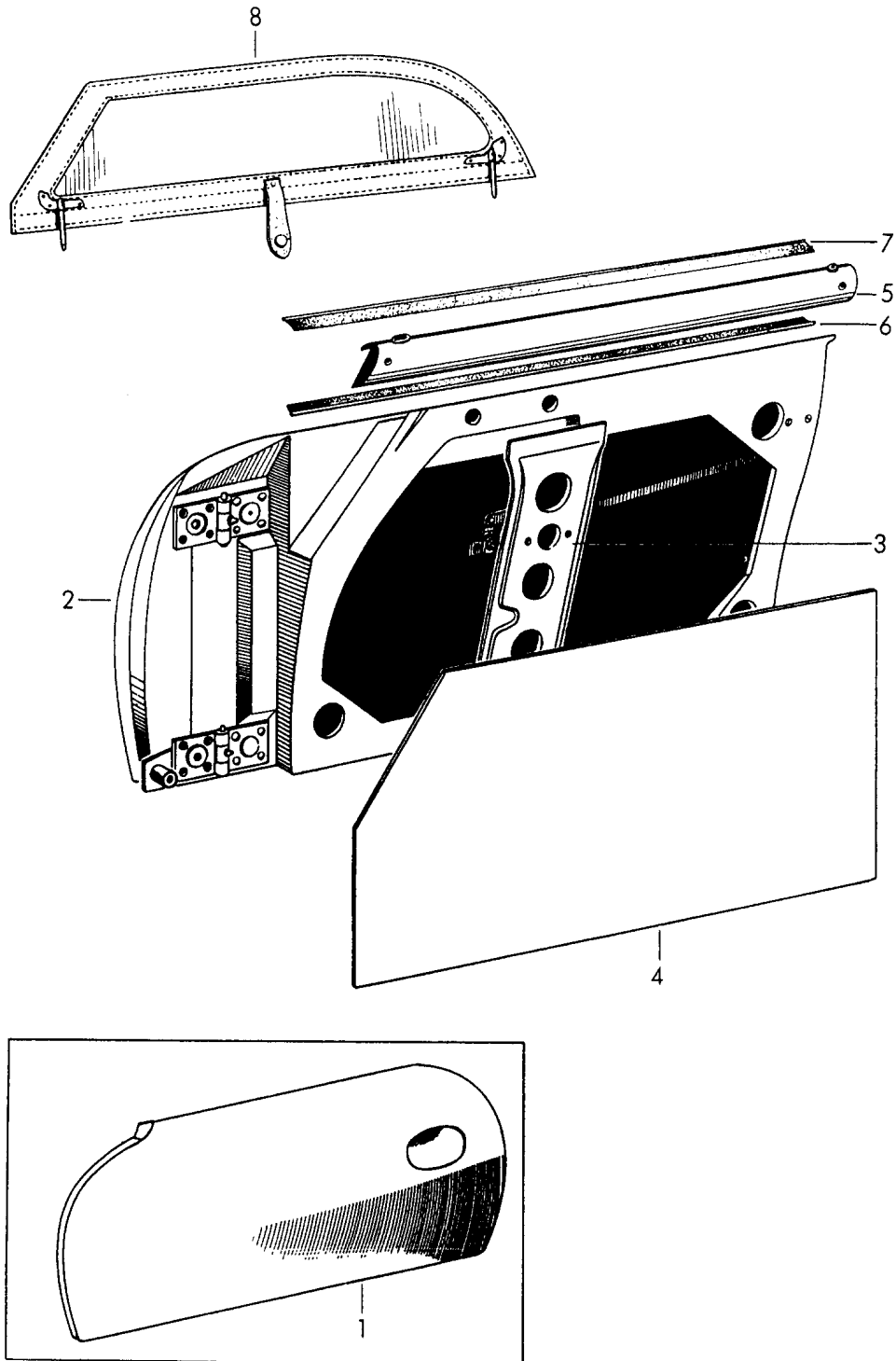
Model life 1950>>1959

| Pos | Part Number    | Description                             | Remark | Qty | Model |
|-----|----------------|---|--------|-----|-------|
|     |                | Outer door handle                       |        |     |       |
|     |                | And                                     |        |     |       |
|     |                | Single parts                            |        |     |       |
| 5   | 911 531 983 00 | Filler plate                            |        | 2   | 356 A |
| 5   | 644 531 608 01 | Filler plate                            |        | 2   | 356 A |
| 9   | PCG 531 061 00 | Door handle<br>without<br>Lock cylinder |        | 2   | 356 A |
|     |                | And                                     |        |     |       |
|     |                | Single parts                            |        |     |       |
| 14  | 900 151 027 03 | Washer<br>A 5,3                         |        | 2   |       |



Model: 356 50

Model life 1950>>1959



Model: 356 50 Model life 1950>>1959

| Pos | Part Number    | Description  | Remark | Qty | Model     |
|-----|----------------|--|--------|-----|-----------|
|     |                | Door<br>with<br>Accessories  |        |     | SPEEDSTER |
| (1) | 540 52 011     | Door in white<br>with<br>Lock  | /L     | 1   | 540       |
| (1) | 644 531 003 40 | Door in white<br>with<br>Lock  | /L     | 1   | 540.1     |
| 1   | 644 531 003 41 | Not for<br>-CARRERA GT-<br>F 80 001 >> 83 791<br>Door in white<br>with<br>Lock             | /L     | 1   | 540.1     |
| (2) | 540 52 012     | Not for<br>-CARRERA GT-<br>F 83 792 >><br>Door in white<br>with<br>Lock                    | /R     | 1   | 540       |
| 2   | 644 531 004 40 | Door in white<br>with<br>Lock  | /R     | 1   | 540.1     |
| (2) | 644 531 004 41 | Not for<br>-CARRERA GT-<br>F 80 001 >> 83 791<br>Door<br>with<br>Lock                      | /R     | 1   | 540.1     |
| (3) | 540 52 111     | Not for<br>-CARRERA GT-<br>F 83 792 >><br>Mounting plate                                   | /L     | 1   | 540       |
| (3) | 644 531 571 40 | Remote control   | /L     | 1   | 540.1     |
| (3) | 540 52 112     | Mounting plate   | /R     | 1   | 540       |
| 3   | 644 531 572 40 | Remote control   | /R     | 1   | 540.1     |
| (4) | 540 53 021     | Mounting plate   | /R     | 1   | 540.1     |
| (4) | 540 53 021     | Remote control<br>F 83 792 >><br>Door panel<br>Complete<br>Cover                           | /L     | 1   | 540       |
| (4) | 540 53 201     | Leatherette<br>Please state the colour<br>Door panel                                       | /L     | 1   | 540       |
| (4) | 644 555 033 01 | Fibre board<br>without<br>Cover  | /L     | 1   | 540.1     |
| (4) | 644 555 031 01 | Door panel   | /L     | 1   | 540.1     |
| (4) | 540 53 022     | Leatherette<br>Ribbed velvet<br>Please state the colour<br>Door panel<br>Complete<br>Cover | /R     | 1   | 540       |

Model: 356 50

Model life 1950>>1959

| Pos | Part Number    | Description   | Remark | Qty | Model |
|-----|----------------|---|--------|-----|-------|
| (4) | 540 53 202     | Leatherette<br>Please state the colour<br>Door panel<br>Fibre board<br>without<br>Cover | /R     | 1   | 540   |
| (4) | 644 555 034 01 | Door panel<br>Fibre board<br>without<br>Cover   | /R     | 1   | 540.1 |
| 4   | 644 555 032 01 | Door panel<br>Cover   | /R     | 1   | 540.1 |
| (5) | 540 53 023     | Leatherette<br>Cover strip<br>without<br>Cover  | /L     | 1   | 540   |
| (5) | 540 53 023 1   | Cover strip<br>Cover  | /L     | 1   | 540   |
| (5) | 644 555 037 40 | Leatherette<br>Cover strip<br>without<br>Cover  | /L     | 1   | 540.1 |
| (5) | 644 555 035 40 | Cover strip<br>Cover<br>Leatherette   | /L     | 1   | 540.1 |
| (5) | 540 53 024     | Please state the colour<br>Cover strip<br>without<br>Cover                              | /R     | 1   | 540   |
| (5) | 540 53 024 1   | Cover strip<br>Cover<br>Leatherette   | /R     | 1   | 540   |
| 5   | 644 555 038 40 | Please state the colour<br>Cover strip<br>without<br>Cover                              | /R     | 1   | 540.1 |
| (5) | 644 555 036 40 | Cover strip<br>Cover<br>Leatherette   | /R     | 1   | 540.1 |
| (6) | 540 53 209     | Please state the colour<br>Piping<br>750 MM   |        | 2   | 540   |
| 6   | 644 555 371 40 | Piping<br>750 MM  |        | 2   | 540.1 |
| (7) | 540 53 209 1   | Piping<br>Outer<br>750 MM   |        | 2   | 540   |
| 7   | 644 555 373 40 | Piping<br>Outer<br>750 MM   |        | 2   | 540.1 |
| (8) | 540 57 021     | Washer<br>Complete  | /L     | 1   | 540   |
| (8) | 644 542 071 40 | Please state the colour<br>Washer<br>Complete   | /L     | 1   | 540.1 |
| (8) | 540 57 022     | Please state the colour<br>Washer<br>Complete   | /R     | 1   | 540   |
| 8   | 644 542 072 40 | Please state the colour<br>Washer<br>Complete   | /R     | 1   | 540.1 |
| -   |                | Please state the colour<br>Knob   |        | 2   | 540.1 |

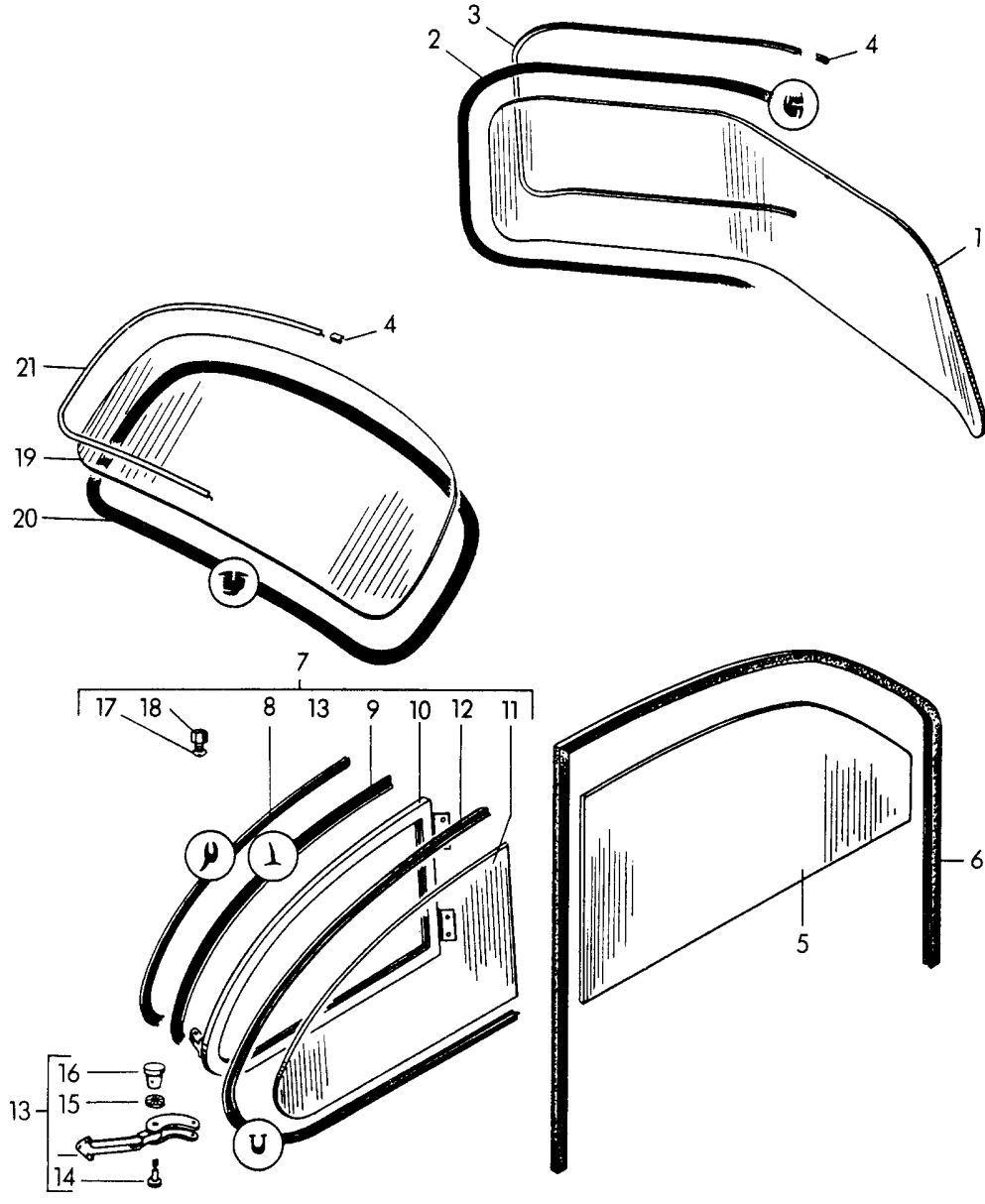
Model: 356 50

Model life 1950&gt;&gt;1959

| Pos | Part Number | Description  | Remark | Qty | Model |
|-----|-------------|--|--------|-----|-------|
|     |             | GHEM 30 104<br>with<br>Lower part<br>Push-in window<br>Mount |        |     |       |

Model: 356 50

Model life 1950>>1959



Model: 356 50 Model life 1950>>1959

| Pos | Part Number    | Description  | Remark | Qty | Model                            |
|-----|----------------|--|--------|-----|----------------------------------|
| (1) | 356 57 108     | window glazing<br>Windscreen<br>F 11 361 >><br>F 10 271 >>   |        | 1   | COUPE<br>CABRIO                  |
| (1) | 356 57 101     | Windscreen<br>Left<br>F 5 001 >> 11 360<br>F 5 015 >> 10 270   | /L     | 1   | COUPE<br>CABRIO                  |
| (1) | 356 57 102     | Windscreen<br>Right<br>F 5 001 >> 11 360<br>F 5 015 >> 10 270  | /R     | 1   | COUPE<br>CABRIO                  |
| 1   | 644 541 101 00 | Windscreen   |        | 1   | 356 A:COUPE<br>CABRIO<br>HARDTOP |
| (1) | 644 541 101 10 | Windscreen<br>Upper<br>Green   |        | 1   | 356 A:COUPE<br>CABRIO<br>HARDTOP |
| (1) | 644 541 101 50 | Windscreen<br>Heatable   |        | 1   | 356 A:COUPE<br>CABRIO<br>HARDTOP |
| (1) | 644 541 101 45 | Windscreen   |        | 1   | CONVERTIBLE                      |
| -   | 356 57 112     | Tread<br>Rubber<br>1-TEILIGE<br>Windscreen<br>3200 MM<br>F 11 361 >><br>F 10 271 >>                      |        | 1   | COUPE<br>CABRIO                  |
| -   | 356 57 103     | Tread<br>Rubber<br>2-TEILIGE<br>Windscreen<br>Outer<br>3200 MM<br>F 5 001 >> 11 360<br>F 5 015 >> 10 270 |        | 1   | COUPE<br>CABRIO                  |
| -   | 356 57 104     | Tread<br>Rubber<br>2-TEILIGE<br>Windscreen<br>Centre<br>F 5 001 >> 11 360<br>F 5 015 >> 10 270           |        | 1   | COUPE<br>CABRIO                  |
| 2   | 644 541 901 00 | Tread<br>Rubber  |        | 1   | 356 A:COUPE<br>CABRIO<br>HARDTOP |
| -   | 644 541 901 41 | Tread<br>Rubber  |        | 1   | CONVERTIBLE                      |
| -   | 644 541 902 41 | Upper<br>Tread<br>Rubber<br>Lower  |        | 1   | CONVERTIBLE                      |
| (3) | 356 57 113     | Trim frame<br>F 11 361 >><br>F 10 271 >>   | /L     | 1   | COUPE<br>CABRIO                  |
| (3) | 356 57 114     | Trim frame<br>F 11 361 >><br>F 10 271 >>   | /R     | 1   | COUPE<br>CABRIO                  |
| 3   | 644 541 911 00 | Trim frame-half  | /L     | 1   | 356 A:COUPE<br>CABRIO<br>HARDTOP |
| (3) | 644 541 912 00 | Trim frame-half  | /R     | 1   | 356 A:COUPE                      |

Model: 356 50 Model life 1950>>1959

| Pos | Part Number    | Description   | Remark | Qty | Model                            |
|-----|----------------|---|--------|-----|----------------------------------|
| -   | 644 541 201 41 | Windscreen frame<br>Chrome<br>Upper                           |        | 1   | CABRIO<br>HARDTOP<br>CONVERTIBLE |
| (4) | 644 541 921 00 | Covering plate  |        | 4   | 356:COUPE                        |
|     |                |   |        | 2   | 356:CABRIO<br>HARDTOP            |
| 4   |                | Covering plate  |        | 4   | 356 A:COUPE                      |
|     |                |   |        | 2   | CABRIO<br>HARDTOP                |
| -   | 644 541 023 41 | Windscreen frame<br>with<br>Bearing pin<br>Left               |        | 1   | CONVERTIBLE                      |
| -   | 644 541 024 41 | Windscreen frame<br>with<br>Bearing pin<br>Right              |        | 1   | CONVERTIBLE                      |
| -   | 644 541 255 41 | Bearing pin<br>Cowl panel support                             |        | 1   | CONVERTIBLE                      |
| -   | 644 541 261 41 | Rubber plate<br>Cowl panel support<br>Lower<br>Left           |        | 1   | CONVERTIBLE                      |
| -   | 644 541 262 41 | Rubber plate<br>Cowl panel support<br>Lower<br>Right          |        | 1   | CONVERTIBLE                      |
| -   | 644 541 911 41 | Trim frame<br>Windscreen<br>Lateral<br>Lower<br>Left          |        | 1   | CONVERTIBLE                      |
| -   | 644 541 912 41 | Trim frame<br>Windscreen<br>Lateral<br>Lower<br>Right         |        | 1   | CONVERTIBLE                      |
| -   | 644 541 913 41 | Trim frame<br>Centre  |        | 1   | CONVERTIBLE                      |
| -   | 644 541 915 41 | Tab<br>Moulding   |        | 1   | CONVERTIBLE                      |
| (5) | 356 57 201 A   | Door window glass<br>F 05 455 >>                              | /L     | 1   | 356:COUPE                        |
| (5) | 356 57 201     | Door window glass<br>F 50 01 >> 54 54                         | /L     | 1   | 356:COUPE                        |
| (5) | 356 57 202 A   | Door window glass<br>F 05 455 >>                              | /R     | 1   | 356:COUPE                        |
| (5) | 356 57 202     | Door window glass<br>F 50 01 >> 54 54                         | /R     | 1   | 356:COUPE                        |
| (5) | 644 542 101 01 | Door window glass   |        | 2   | 356 A:COUPE                      |
| (6) | 356 57 203     | Rubber<br>Rubber<br>2050 MM                                   |        | 2   | 356                              |
| 6   | 644 542 901 26 | Window guide<br>Rubber<br>2000 MM                             |        | 2   | 356 A:COUPE                      |
| (7) | 356 57 324     | Side window glass<br>Complete<br>with<br>Hinge<br>F 10 531 >> | /L     | 1   | COUPE                            |

Model: 356 50 Model life 1950>>1959

| Pos  | Part Number    | Description   | Remark | Qty | Model                |
|------|----------------|---|--------|-----|----------------------|
| (7)  | 356 57 325     | Side window glass<br>Complete<br>with<br>Hinge<br>F 10 531 >>       | /R     | 1   |                      |
| (7)  | 644 543 001 00 | Side window<br>Complete<br>with<br>Hinge                            | /L     | 1   | COUPE<br>356 A:COUPE |
| 7    | 644 543 002 00 | Side window<br>Complete<br>with<br>Hinge                            | /R     | 1   | 356 A:COUPE          |
| (8)  | 356 57 321     | Rubber<br>Rubber<br>F 10 531 >>                                     |        | 2   | COUPE                |
| (8)  | 644 543 903 00 | Tread<br>Rubber   |        | 1   | 356 A:COUPE          |
| 8    | 644 543 904 00 | Tread<br>Rubber   |        | 1   | 356 A:COUPE          |
| (9)  | 644 543 905 00 | Rubber seal<br>Rubber<br>F 10 531 >>                                |        | 2   | COUPE                |
| 9    | 644 545 905 00 | Tread<br>Rubber   |        | 2   | 356 A:COUPE          |
| (10) | 356 57 031     | Window retaining bracket<br>F 10 531 >>                             | /L     | 1   | COUPE                |
| (10) | 356 57 032     | Window retaining bracket<br>F 10 531 >>                             | /R     | 1   | COUPE                |
| (10) | 644 543 023 00 | Window retaining bracket  | /L     | 1   | 356 A:COUPE          |
| 10   | 644 543 024 00 | Window retaining bracket  | /R     | 1   | 356 A:COUPE          |
| (11) | 644 543 101 00 | Side window<br>F 10 531 >>  | /L /H  | 1   | COUPE                |
| (11) |                | Side window<br>F 10 531 >>  | /R /H  | 1   | COUPE                |
| (11) | 356 57 301     | Side window   | /L /H  | 1   | 356:COUPE            |
| (11) | 356 57 302     | Side window   | /R /H  | 1   | 356:COUPE            |
| 11   | 644 543 101 00 | Side window   | /H     | 2   | 356 A:COUPE          |
| (11) | 644 543 101 60 | Side window   | /L /H  | 2   | HARDTOP              |
| (11) | 644 543 102 60 | Side window   | /R /H  | 2   | HARDTOP              |
| (12) | 644 543 901 00 | Tread<br>Rubber<br>F 10 531 >>                                      | /L     | 2   | COUPE                |
| (12) | 356 57 303     | Tread<br>Rubber   |        | 1   |                      |
| (12) | 356 57 304     | Tread<br>Rubber   |        | 1   |                      |
| 12   | 644 543 901 00 | Tread<br>Rubber   |        | 2   | 356 A:COUPE          |
| (12) | 644 543 901 60 | Tread<br>Rubber<br>1250 MM  |        | 2   | HARDTOP              |
| (13) | 356 57 035     | Hinge<br>Complete<br>Knob<br>Please state the colour<br>F 10 531 >> | /L     | 1   | COUPE                |
| (13) | 356 57 036     | Hinge<br>Complete<br>Knob<br>Please state the colour<br>F 10 531 >> | /R     | 1   | COUPE                |
| (13) | 644 543 041 00 | Hinge   | /L     | 1   | COUPE<br>356 A:COUPE |

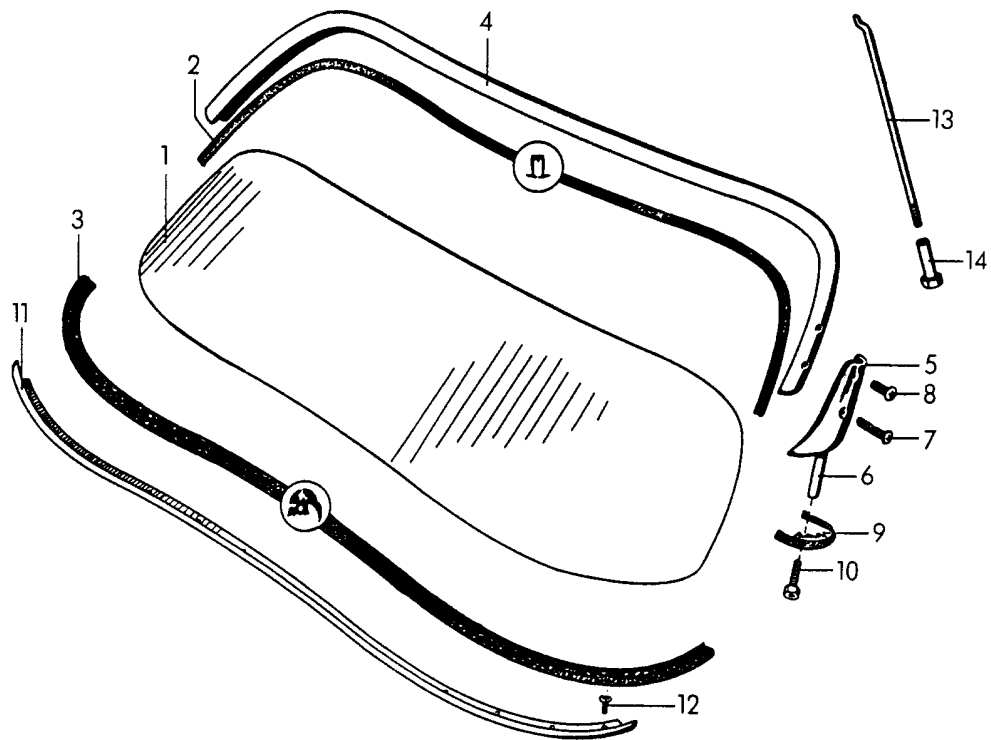
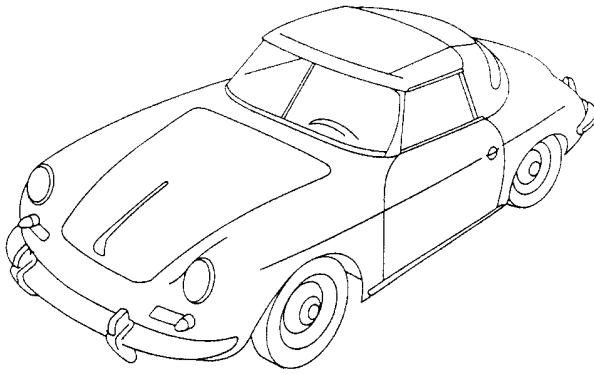


Model: 356 50 Model life 1950>>1959

| Pos  | Part Number        | Description  | Remark | Qty | Model       |
|------|--------------------|--|--------|-----|-------------|
| (13) | 644 543 042 00     | Complete<br>Please state the colour<br>Hinge           | /R     | 1   | 356 A:COUPE |
| (14) | 644 543 416 00     | Complete<br>Please state the colour<br>Threaded bolt   |        | 2   | COUPE       |
| 14   |                    | F 10 531 >>  |        | 2   | 356 A:COUPE |
| (15) | 356 57 036 2       | Threaded bolt<br>Shake-proof washer                    |        | 2   | COUPE       |
| 15   | 644 025 145 00     | F 10 531 >>  |        | 2   | 356 A:COUPE |
| (16) | 356 57 708         | Shake-proof washer<br>Knob                             |        | 2   | COUPE       |
| 16   | 644 552 820 03     | F 10 531 >>  |        | 2   | 356 A:COUPE |
|      |                    | Knob   |        |     |             |
|      |                    | Ventilator window                                      |        |     |             |
|      | 644 552 820 03 700 | Black  |        |     |             |
|      | 644 552 820 03 600 | Grey   |        |     |             |
|      | 644 552 820 03 500 | Beige  |        |     |             |
|      | 644 552 820 03 300 | White  |        |     |             |
| (17) | 900 019 002 02     | Ivory<br>Oval-head screw                               |        | 8   | 356:COUPE   |
| 17   |                    | AM 4 X 8   |        | 8   | 356 A:COUPE |
| (18) | 356 57 036 3       | Oval-head screw<br>AM 4 X 8                            |        | 8   | 356:COUPE   |
| 18   | 900 070 001 02     | Chrome<br>Cap nut                                      |        | 8   | 356 A:COUPE |
| (19) | 356 57 312 C       | M 4  |        | 1   | 356:COUPE   |
| (19) | 356 57 312 B       | Cap nut<br>M 4   |        | 1   | 356:COUPE   |
| (19) | 356 57 312 A       | Rear window<br>F 11 776 >>                             |        | 1   | 356:COUPE   |
| (19) | 644 545 101 00     | Rear window<br>F 11 361 >> 11 775                      |        | 1   | 356:COUPE   |
| (19) | 644 545 101 60     | Rear window<br>F 5 455 >> 11 360                       |        | 1   | 356:COUPE   |
| -    | 644 545 101 41     | Rear window<br>F 50 01 >> 54 54                        |        | 1   | 356 A:COUPE |
|      |                    | Rear window<br>Tempered plate glass                    |        | 1   | HARDTOP     |
|      |                    | Rear window  |        | 1   | CONVERTIBLE |
|      |                    | Rear window<br>for<br>-CABRIO-<br>See group<br>8/11/10 |        | 1   |             |
| (20) | 356 57 313         | Tread<br>Rubber  |        | 1   | 356:COUPE   |
| (20) | 644 545 901 00     | F 5 001 >> 11 360                                      |        | 1   | 356:COUPE   |
| (20) |                    | Tread<br>Rubber  |        | 1   | 356 A:COUPE |
| 20   | 644 545 901 60     | Tread<br>Rubber  |        | 1   | HARDTOP     |
| (21) | 356 57 315         | Trim frame   | /L     | 1   |             |
| (21) | 644 545 912 00     | Trim frame-half  | /R     | 1   |             |
| (21) | 644 545 911 00     | Trim frame   | /L     | 1   | 356 A:COUPE |
| (21) | 644 545 911 60     | Trim frame-half  | /L     | 1   | HARDTOP     |
| (21) | 644 545 912 00     | Trim frame-half  | /R     | 1   | 356 A:COUPE |
| (21) | 644 545 912 60     | Trim frame-half  | /R     | 1   | HARDTOP     |
|      |                    | F 50 01 >> 56 00                                       |        |     |             |
|      |                    | F 11 361 >>  |        |     | 356:COUPE   |

Model: 356 50

Model life 1950>>1959

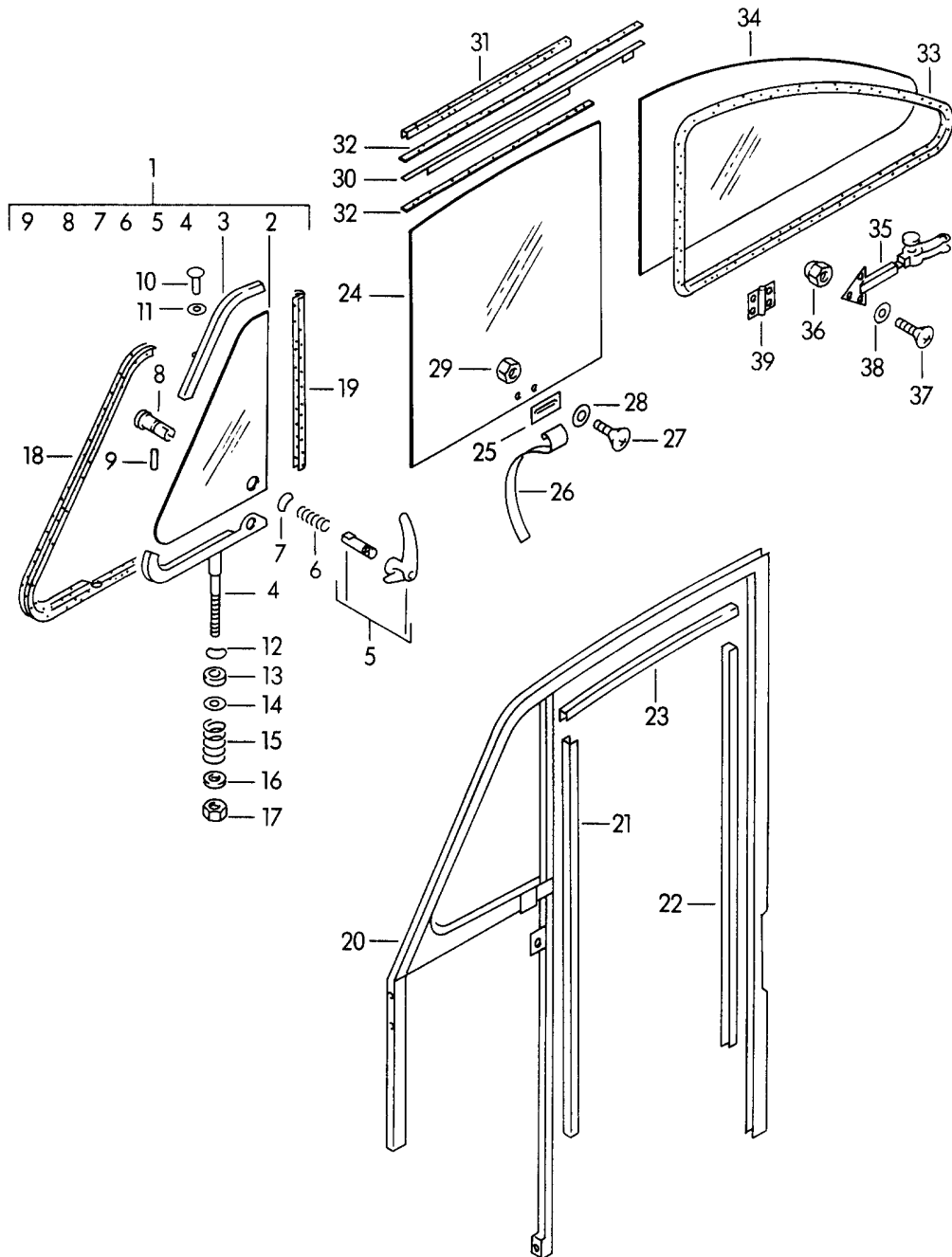


Model: 356 50 Model life 1950>>1959

| Pos  | Part Number    | Description                | Remark | Qty | Model     |
|------|----------------|----------------------------|--------|-----|-----------|
| 1    | 644 541 101 40 | Windscreen                 |        | 1   | SPEEDSTER |
| (1)  |                | Windscreen                 |        | 1   | 540       |
| (1)  | 644 541 101 51 | Windscreen                 |        | 1   | 540.1     |
|      |                | Heatable                   |        |     | 540.1     |
| 2    | 540 57 115     | Tread                      |        | 1   | 540       |
|      |                | Rubber                     |        |     |           |
|      |                | Upper                      |        |     |           |
| (2)  | 644 541 901 40 | Tread                      |        | 1   |           |
|      |                | Rubber                     |        |     |           |
|      |                | Upper                      |        |     |           |
|      |                | 1600 MM                    |        |     |           |
| 3    | 540 57 116     | Tread                      |        | 1   | 540       |
|      |                | Rubber                     |        |     |           |
|      |                | Lower                      |        |     |           |
| 3    |                | Not available              |        |     | 540.1     |
| 4    | 540 57 112     | Windscreen frame           |        | 1   | 540       |
|      |                | Upper                      |        |     |           |
|      |                | Chrome                     |        |     |           |
| (4)  | 644 541 201 40 | Windscreen frame           |        | 1   | 540.1     |
|      |                | Upper                      |        |     |           |
|      |                | Chrome                     |        |     |           |
| 5    | 540 57 103     | Bracket                    | /L     | 1   | 540       |
|      |                | with                       |        |     |           |
|      |                | Bearing pin                |        |     |           |
| (5)  | 644 541 251 40 | Bracket                    | /L     | 1   | 540.1     |
|      |                | with                       |        |     |           |
|      |                | Bearing pin                |        |     |           |
| (5)  | 540 57 104     | Cowl panel support         | /R     | 1   | 540       |
|      |                | with                       |        |     |           |
|      |                | Bearing pin                |        |     |           |
| (5)  | 644 541 252 40 | Bracket                    | /R     | 1   | 540.1     |
|      |                | with                       |        |     |           |
|      |                | Bearing pin                |        |     |           |
| 6    | 540 57 113     | Eccentric bolt             |        | 2   | 540       |
| (6)  | 644 541 255 40 | Eccentric bolt             |        | 2   | 540.1     |
| 7    | 540 57 104 2   | Countersunk-head screw     |        | 2   | 540       |
|      |                | 5 X 20                     |        |     |           |
| (7)  | 900 148 013 12 | Rais. counters. h. tap. s. |        | 2   | 540.1     |
|      |                | AM 5 X 20                  |        |     |           |
| 8    | 540 57 104 1   | Countersunk-head screw     |        | 2   | 540       |
|      |                | 5 X 10                     |        |     |           |
| (8)  | 900 148 009 02 | Counters. head tapp. screw |        | 2   | 540.1     |
|      |                | AM 5 X 10                  |        |     |           |
| (8)  | 900 148 009 0B | Counters. head tapp. screw |        | 2   | 540.1     |
|      |                | AM 5 X 10                  |        |     |           |
| 9    | 540 57 121     | Rubber plate               | /L     | 1   | 540       |
| (9)  | 540 57 122     | Rubber plate               | /R     | 1   | 540       |
| 9    |                | Not available              |        |     | 540.1     |
| 10   | 540 57 110     | Hexagon socket head bolt   |        | 2   | 540       |
| (10) | 644 541 265 40 | Hexagon socket head bolt   |        | 2   | 540.1     |
| 11   | 540 57 114     | Moulding section           |        | 1   | 540       |
| (11) | 644 541 205 40 | Moulding section           |        | 1   | 540.1     |
| 12   | 900 139 001 02 | Counters. head tapp. screw |        | 16  | 540       |
|      |                | 2,9 X 9,5                  |        |     |           |
| (12) | 900 139 001 00 | Counters. head tapp. screw |        | 16  | 540.1     |
|      |                | 2,9 X 9,5                  |        |     |           |
| 13   | 540 57 118     | Clamp                      |        | 1   | 540       |
| (13) | 644 541 231 40 | Clamp                      |        | 1   | 540.1     |
| 14   | 540 47 119     | Nut                        |        | 1   | 540       |
| (14) | 644 541 235 40 | Nut                        |        | 1   | 540.1     |

Model: 356 50

Model life 1950>>1959



Model: 356 50 Model life 1950>>1959

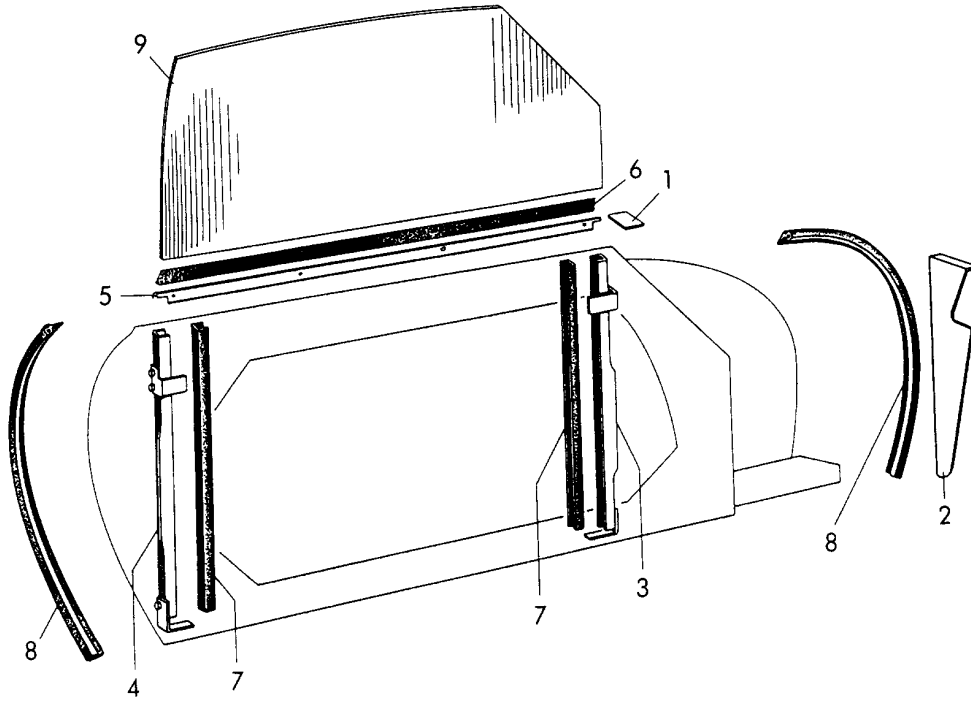
| Pos  | Part Number    | Description   | Remark   | Qty | Model                            |
|------|----------------|---|----------|-----|----------------------------------|
|      |                | Side window<br>Door window glass                      |          |     | CARRERA<br>COUPE<br>GRAN TURISMO |
| 1    | 644 542 051 03 | Side window<br>Complete<br>with<br>Latch              | /L       | 1   |                                  |
| (1)  | 644 542 052 03 | Side window<br>Complete<br>with<br>Latch              | /R       | 1   |                                  |
| 2    | 644 542 105 10 | Side window glass<br>Plexiglas                        | /L /R    | 2   |                                  |
| 3    | 644 542 056 03 | Frame<br>Upper<br>Side window glass                   |          | 1   |                                  |
| 4-5  |                | Not available   |          |     |                                  |
| 6    | 644 542 555 00 | Compression spring                                    |          | 2   |                                  |
| 7    | 911 542 556 48 | Spring washer   |          | X   |                                  |
| 8    |                | Not available   |          |     |                                  |
| 9    | 900 090 001 00 | Dowel pin   |          | 2   |                                  |
| 9    | 900 090 001 07 | Dowel pin   |          | 2   |                                  |
| 10   | 644 542 527 00 | Tubular rivet   |          | 2   |                                  |
| 11   | 900 025 002 40 | Washer<br>4,3   |          | 2   |                                  |
| 12   | N 012 241 8    | Spring washer<br>B 8                                  |          | 2   |                                  |
| 13   | 644 542 563 00 | Thrust washer   |          | 2   |                                  |
| 14   | 644 542 564 00 | Washer  |          | 2   |                                  |
| 15   | 644 542 565 00 | Compression spring                                    |          | 2   |                                  |
| 16   | 644 542 567 00 | Guide washer  |          | 2   |                                  |
| 17   | 900 076 010 02 | Nut<br>M 6  |          | 4   |                                  |
| 17   | 900 076 010 0B | Nut<br>M 6  |          | 4   |                                  |
| 18   | 644 542 931 03 | Tread<br>Rubber                                       | /V /L    | 1   |                                  |
| (18) | 644 542 932 03 | Tread<br>Rubber                                       | /V /R    | 1   |                                  |
| 19   | 644 542 933 02 | Tread<br>Rubber                                       | /H /L /R | 2   |                                  |
| 20   | 644 542 061 01 | Door glass frame                                      | /L       | 1   |                                  |
| (20) | 644 542 062 01 | Door glass frame                                      | /R       | 1   |                                  |
| 21   | 644 542 901 26 | Window guide<br>730 MM                                | /V       | 2   |                                  |
| 22   | 644 542 902 00 | Window guide<br>720 MM                                | /H       | 2   |                                  |
| 23   |                | Window guide<br>It is necessary to rework             |          | 2   |                                  |
| 24   | 644 542 101 10 | Door window glass<br>Plexiglas                        | /L /R    | 2   |                                  |
| 25   | 644 542 461 10 | Window lifter rail                                    |          | 2   |                                  |
| 26   | 644 542 431 10 | Leather strap   |          | 2   |                                  |
| 27   | 900 018 009 02 | Oval-head screw<br>Countersunk-head screw<br>M 3 X 15 |          | 6   |                                  |
| 28   |                | Not available   |          |     |                                  |
| 29   | 900 076 001 00 | Hexagon nut<br>M 3                                    |          | 6   |                                  |
| 30   | 644 531 431 02 | Rail<br>Outer   | /L       | 1   |                                  |
| (30) | 644 531 432 02 | Rail<br>Outer   | /R       | 1   |                                  |

Model: 356 50 Model life 1950>>1959

| Pos  | Part Number        | Description   | Remark | Qty | Model |
|------|--------------------|---|--------|-----|-------|
| 31   | 644 531 931 41     | Profile strip<br>Rubber<br>Rail   |        | 2   |       |
| 32   | 644 025 928 00     | Piping  |        | 2   |       |
| 32   | PCG 025 928 00     | Piping  |        | 2   |       |
| 33   | 644 543 903 00     | Tread<br>Rubber   | /L     | 1   |       |
| (33) | 644 543 904 00     | Tread<br>Rubber   | /R     | 1   |       |
| 34   | 644 543 101 10     | Side window<br>Plexiglas  | /L /R  | 2   |       |
| 35   | 644 543 041 00     | Hinge<br>Complete<br>with<br>Knob<br>Grey<br>Beige  | /L     | 1   |       |
| (35) | 644 543 042 00     | Hinge<br>Complete<br>with<br>Knob<br>Grey<br>Beige<br>Single parts<br>Hinge<br>See group<br>8/05/00 | /R     | 1   |       |
| -    | 644 552 820 03     | Knob<br>Ventilator window   |        | 2   |       |
|      | 644 552 820 03 700 | Black   |        |     |       |
|      | 644 552 820 03 600 | Grey  |        |     |       |
|      | 644 552 820 03 500 | Beige   |        |     |       |
|      | 644 552 820 03 300 | White<br>Ivory  |        |     |       |
| 36   | 900 070 001 02     | Cap nut<br>M 4<br>Chrome  |        | 4   |       |
| 37   | 900 148 005 02     | Oval-head screw<br>Countersunk-head screw<br>AM 4 X12<br>Chrome                                     |        | 4   |       |
| 38   | 999 591 010 12     | Washer  |        | 4   |       |
| -    | 900 145 003 02     | Rais. counters. h. tap. s.<br>AM 4 X 8<br>Chrome  |        | 6   |       |
| 39   |                    | Hinge<br>Not available<br>Mounting parts<br>Hinge   |        |     |       |
| -    | 900 019 002 02     | Oval-head screw<br>Countersunk-head screw<br>AM 4 X 8<br>Chrome                                     |        | 8   |       |
| -    | 900 070 001 02     | Cap nut<br>M 4<br>Chrome  |        | 16  |       |
| -    | 900 148 004 02     | Rais. counters. h. tap. s.<br>AM 4 X 10<br>Chrome   |        | 8   |       |
| -    | 999 591 010 12     | Washer  |        | 8   |       |

Model: 356 50

Model life 1950>>1959



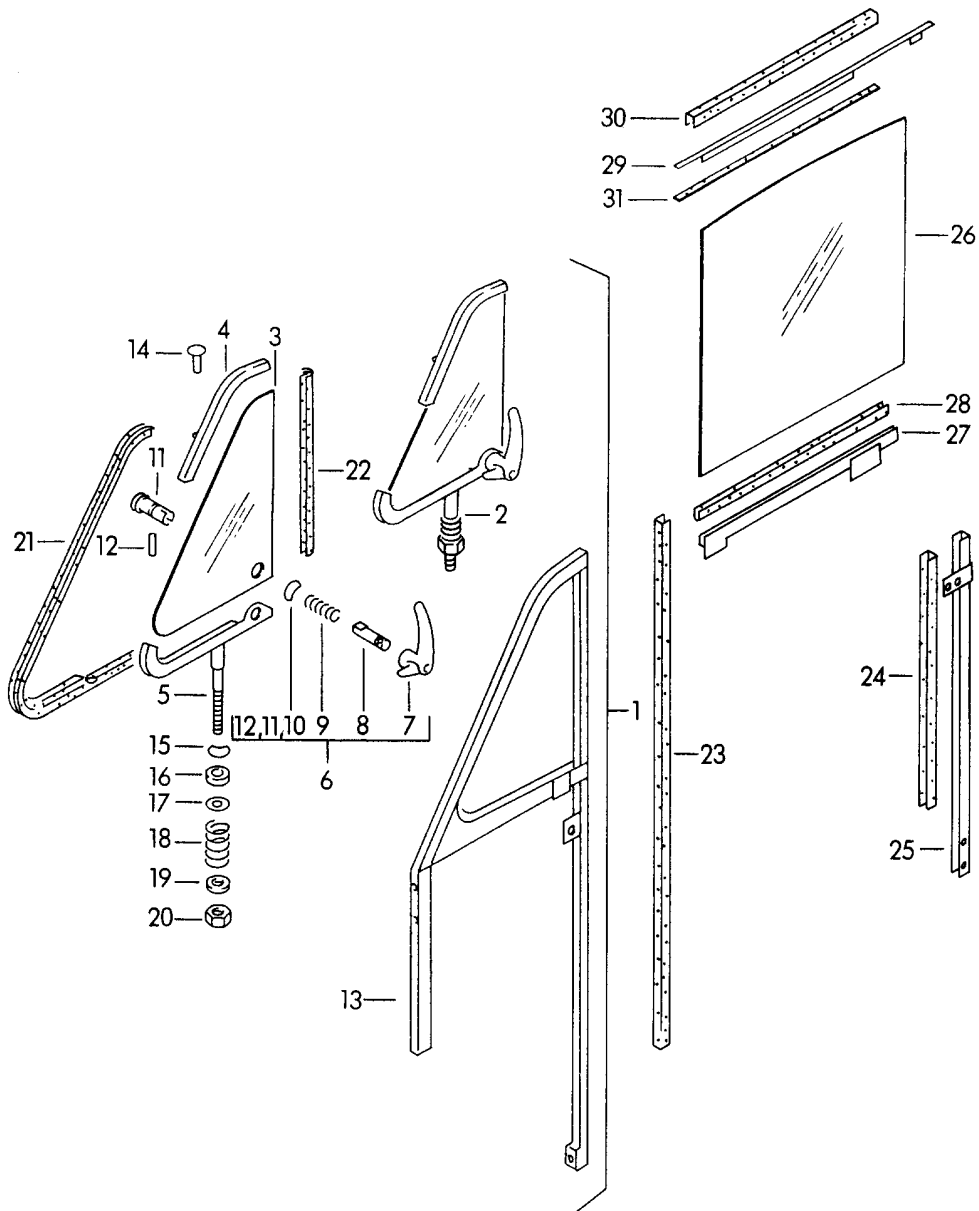
Model: 356 50 Model life 1950>>1959

| Pos | Part Number    | Description  | Remark | Qty | Model         |
|-----|----------------|--|--------|-----|---------------|
| 1   | 356 52 239     | Door window glass<br>Cover plate                   |        | 4   | CABRIO<br>356 |
| 1   |                | Not available                                      |        |     | 356 A         |
| 2   | 356 52 255     | Cover plate  | /L     | 1   | 356           |
| (2) | 644 531 331 00 | Cover plate<br>F 61 001 >> 150 000                 | /L     | 1   | 356 A         |
| (2) | 356 52 256     | Cover plate  | /R     | 1   | 356           |
| (2) | 644 531 332 00 | Cover plate<br>F 61 001 >> 150 000                 | /R     | 1   | 356 A         |
| 3   | 356 52 351     | Window guide rail                                  | /V /L  | 1   | 356           |
| (3) | 644 531 041 20 | Window guide<br>F 61 001 >> 150 000                | /V /L  | 1   | 356 A         |
| (3) | 356 52 352     | Window guide rail                                  | /V /R  | 1   | 356           |
| (3) | 644 531 042 20 | Window guide<br>F 61 001 >> 150 000                | /V /R  | 1   | 356 A         |
| 4   | 356 52 353     | Window guide rail                                  | /H /L  | 1   | 356           |
| (4) | 644 531 045 21 | Window guide<br>F 61 001 >> 150 000                | /H /L  | 1   | 356 A         |
| (4) | 356 52 354     | Window guide rail                                  | /H /R  | 1   | 356           |
| (4) | 644 531 046 21 | Window guide<br>F 61 001 >> 150 000                | /H /R  | 1   | 356 A         |
| 5   | 356 52 804     | Rail<br>Outer<br>Chrome                            |        | 2   | 356           |
| (5) | 644 531 431 20 | Rail<br>Outer<br>Chrome<br>F 61 001 >> 150 000     |        | 2   | 356 A         |
| 6   | 356 52 806     | Sealing for door slot<br>Rubber<br>Outer           |        | 2   | 356           |
| (6) | 644 531 931 00 | Tread<br>Rubber<br>Outer<br>F 61 001 >> 150 000    |        | 2   | 356 A         |
| 7   | 356 52 823     | Rubber seal<br>1200 MM                             |        | 2   | 356           |
| (7) | 644 542 901 26 | Window guide<br>1200 MM<br>F 61 001 >> 150 000     |        | 2   | 356 A         |
| 8   | 644 531 911 22 | Gasket<br>Rubber<br>1200 MM                        |        | 2   | 356           |
| (8) |                | Gasket<br>Rubber<br>1200 MM<br>F 61 001 >> 150 000 |        | 4   | 356 A         |
| 9   | 356 57 210 A   | Door window glass<br>F 10 001 >>                   | /L     | 1   | 356           |
| (9) | 356 57 210     | Door window glass<br>F 50 15 >> 51 62              | /L     | 1   | 356           |
| (9) | 356 57 211 A   | Door window glass<br>F 10 001 >>                   | /R     | 1   | 356           |
| (9) | 356 57 211     | Door window glass<br>F 50 15 >> 51 62              | /R     | 1   | 356           |
| (9) | 644 542 101 20 | Door window glass<br>F 61 001 >> 150 000           | /L /R  | 2   | 356 A         |



Model: 356 50

Model life 1950>>1959

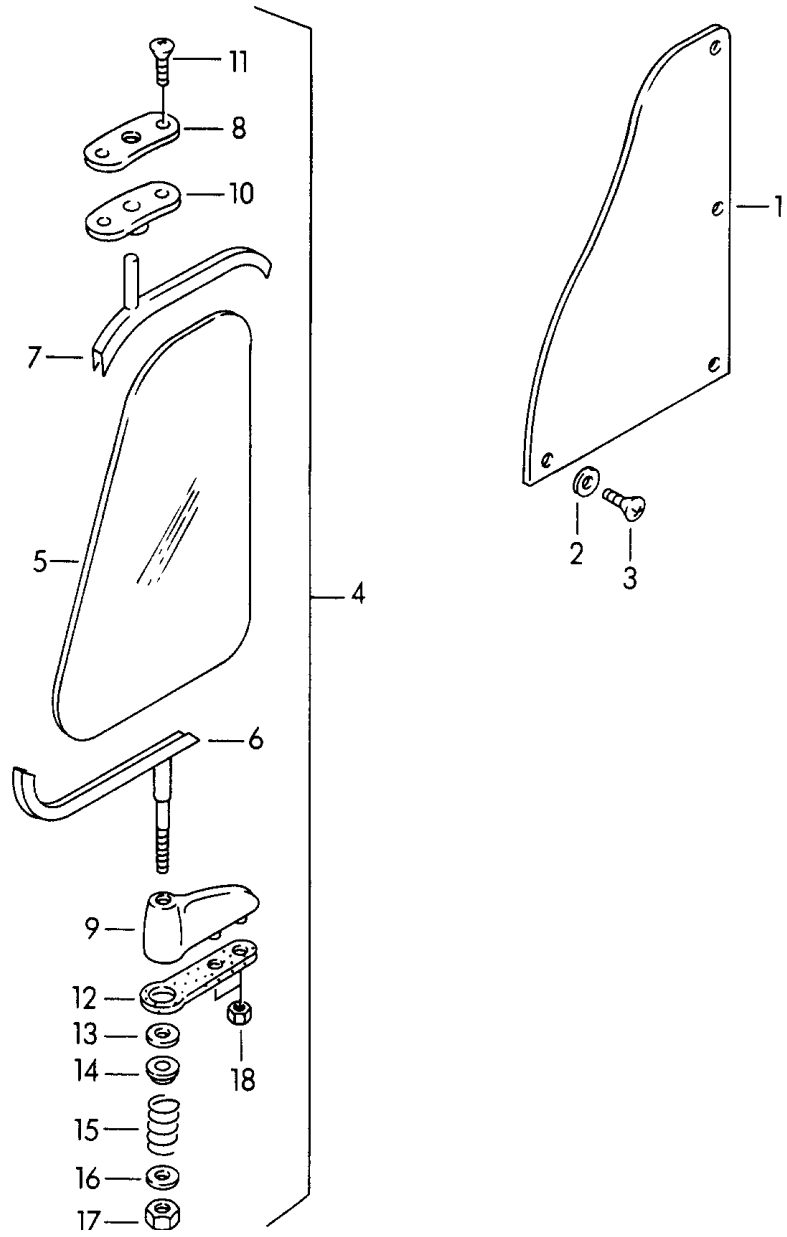


Model: 356 50 Model life 1950>>1959

| Pos  | Part Number    | Description                               | Remark   | Qty | Model             |
|------|----------------|---|----------|-----|-------------------|
|      |                | Door window glass<br>F 150 001 >>         |          |     | CABRIO<br>HARDTOP |
| 1    | 644 542 005 20 | Door glass frame<br>Complete              | /L       | 1   |                   |
| (1)  | 644 542 006 20 | Door glass frame<br>Complete              | /R       | 1   |                   |
| 2    | 644 542 051 30 | Side window<br>Complete<br>with<br>Latch  | /L       | 1   |                   |
| (2)  | 644 542 052 30 | Side window<br>Complete<br>with<br>Latch  | /R       | 1   |                   |
| 3    | 644 542 105 30 | Side window glass                         | /L /R    | 2   |                   |
| 4+5  |                | Not available                             |          |     |                   |
| 6    | 644 542 551 20 | Latch                                     | /L       | 1   |                   |
| (6)  | 644 542 552 20 | Latch                                     | /R       | 1   |                   |
| 7+8  |                | Not available                             |          |     |                   |
| 9    | 644 542 555 00 | Compression spring                        |          | 2   |                   |
| 10   | 911 542 556 48 | Spring washer                             |          | 2   |                   |
| 11   |                | Not available                             |          |     |                   |
| 12   | 900 090 001 00 | Dowel pin                                 |          | 2   |                   |
| 12   | 900 090 001 07 | Dowel pin                                 |          | 2   |                   |
| 13   | 644 542 061 20 | Door glass frame                          | /L       | 1   |                   |
| (13) | 644 542 062 20 | Door glass frame                          | /R       | 1   |                   |
| 14   | 644 542 527 00 | Tubular rivet                             |          | 2   |                   |
| 15   | 900 028 010 01 | Spring washer<br>B 8                      |          | 2   |                   |
| 16   | 644 542 563 00 | Thrust washer                             |          | 2   |                   |
| 17   | 644 542 564 00 | Washer                                    |          | 2   |                   |
| 18   | 644 542 565 00 | Compression spring                        |          | 2   |                   |
| 19   | 644 542 567 00 | Guide washer                              |          | 2   |                   |
| 20   | 900 076 010 02 | Nut<br>M 6                                |          | 4   |                   |
| 20   | 900 076 010 0B | Nut<br>M 6                                |          | 4   |                   |
| 21   | 644 542 931 26 | Tread<br>Rubber                           | /V /L    | 1   |                   |
| (21) | 644 542 932 26 | Tread<br>Rubber                           | /V /R    | 1   |                   |
| 22   | 644 542 933 26 | Tread<br>Rubber                           | /H /L /R | 2   |                   |
| 23   | 644 542 901 26 | Window guide<br>730 MM                    | /V       | 2   |                   |
| 24   | 644 542 902 00 | Window guide<br>It is necessary to rework | /H       | 2   |                   |
| 25   | 644 531 045 21 | Window guide                              | /H /L    | 1   |                   |
| (25) | 644 531 046 21 | Window guide                              | /H /R    | 1   |                   |
| 26   | 644 542 101 21 | Door window glass                         | /L /R    | 2   |                   |
| 27   | 644 542 045 21 | Window lifter rail                        | /L       | 1   |                   |
| (27) | 644 542 046 21 | Window lifter rail                        | /R       | 1   |                   |
| 28   | 644 542 491 41 | Tread<br>Rubber                           |          | *   |                   |
| 29   | 644 531 431 21 | Rail<br>Outer                             | /L       | 1   |                   |
| (29) | 644 531 432 21 | Rail<br>Outer                             | /R       | 1   |                   |
| 30   | 644 531 931 00 | Tread<br>Rubber<br>Rail                   |          | 2   |                   |
| 31   | 644 025 928 00 | Piping                                    |          | 2   |                   |
| 31   | PCG 025 928 00 | Piping                                    |          | 8   |                   |

Model: 356 50

Model life 1950>>1959

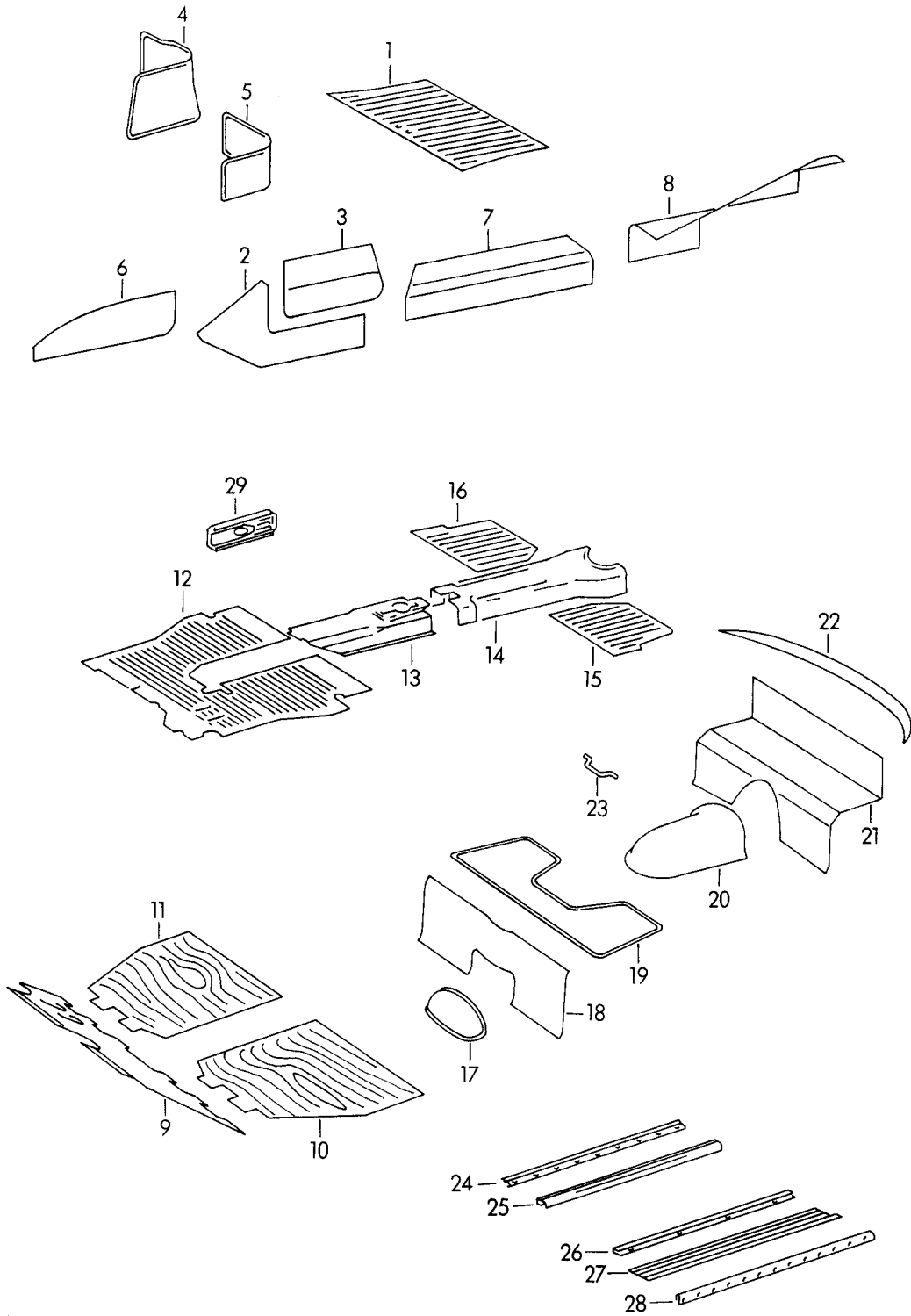


Model: 356 50 Model life 1950>>1959

| Pos   | Part Number    | Description  | Remark | Qty | Model |
|-------|----------------|--|--------|-----|-------|
| 1     | 644 542 131 00 | Washer<br>Special model  |        | 2   |       |
| 2     |                | Washer<br>Bleeding   |        |     |       |
| 3     | 900 019 002 02 | Not available  |        | 8   |       |
| 4     |                | Oval-head screw<br>Countersunk-head screw<br>M 4 X 8<br>Chrome |        |     |       |
| 5     | 644 542 105 00 | Not available  |        | 2   |       |
| 6     | 644 542 053 00 | Side window  | /L /R  | 2   |       |
| 7     | 644 542 055 00 | Support frame<br>Lower   | /L /R  | 2   |       |
| 8     | 644 542 541 00 | Support frame<br>Upper   | /L     | 1   |       |
| (8)   | 644 542 542 00 | Bearing<br>Upper   | /R     | 1   |       |
| 9     | 644 542 543 00 | Bearing<br>Lower   | /L     | 1   |       |
| (9)   | 644 542 544 00 | Bearing<br>Lower   | /R     | 1   |       |
| 10    | 644 542 593 00 | Stop plate<br>White  | /L /R  | 1   |       |
| 11    |                | Not available  |        |     |       |
| 12    | 644 542 591 00 | Rubber base  | /L     | 1   |       |
| (12)  | 644 542 592 00 | Rubber base  | /R     | 1   |       |
| 13    | 644 542 563 00 | Thrust washer  |        | 2   |       |
| 14    | 644 542 567 00 | Guide washer   |        | 2   |       |
| 15    | 644 542 565 00 | Compression spring   |        | 2   |       |
| 16    | 644 542 564 00 | Washer   |        | 2   |       |
| 17+18 |                | Not available  |        |     |       |

Model: 356 50

Model life 1950>>1959



Model: 356 50 Model life 1950>>1959

| Pos | Part Number    | Description                              | Remark | Qty | Model     |
|-----|----------------|--|--------|-----|-----------|
| (1) | 356 53 800     | Linings<br>Footwell                      |        | 1   | 356       |
| 1   | 644 551 103 00 | Rubber base<br>FRONT luggage compartment |        | 1   | 356 A     |
| (2) | 356 53 610     | Rubber base<br>Front part                | /L     | 1   | 356       |
| (2) | 644 551 403 00 | Carpet<br>Front part                     | /L     | 1   | 356 A     |
| (2) | 644 551 401 41 | Carpet<br>Front part                     | /L     | 1   | CABRIO    |
| (2) | 356 53 611     | Carpet<br>Front part                     | /R     | 1   | 356       |
| 2   | 644 551 404 00 | Carpet<br>Front part                     | /R     | 1   | 356 A     |
| (2) | 644 551 402 41 | Carpet<br>Front part                     | /R     | 1   | CABRIO    |
| (3) | 356 53 608     | Carpet<br>Front part                     | /L     | 1   | 356       |
| (3) | 644 551 041 00 | Bag<br>Carpet<br>Front part              | /L     | 1   | 356 A     |
| (3) | 644 551 041 40 | Bag<br>Carpet<br>Front part              | /L     | 1   | SPEEDSTER |
| (3) | 356 53 609     | Carpet<br>Front part                     | /R     | 1   | 356       |
| 3   | 644 551 042 00 | Bag<br>Carpet<br>Front part              | /R     | 1   | 356 A     |
| (3) | 644 551 042 40 | Bag<br>Carpet<br>Front part              | /R     | 1   | SPEEDSTER |
| (4) | 644 551 405 41 | Carpet<br>Front part                     | /L     | 1   | CABRIO    |
| 4   | 644 551 406 41 | Bag<br>Carpet<br>Front part              | /R     | 1   | CABRIO    |
| (5) | 644 551 407 41 | Bag<br>Carpet                            | /L     | 1   | CABRIO    |
| 5   | 644 551 408 41 | Bag<br>Carpet                            | /R     | 1   | CABRIO    |
| (6) | 356 53 614     | Carpet<br>FRONT luggage compartment      | /L     | 1   | 356       |
| 6   | 356 53 615     | Carpet<br>FRONT luggage compartment      | /R     | 1   | 356       |
| -   | 356 53 616     | Carpet<br>FRONT luggage compartment      |        | 1   | 356:M     |
| -   | 356 53 611     | Carpet                                   |        | 1   | 356:M     |
| -   | 356 53 617     | Seat<br>Carpet                           |        | 1   | 356:M     |

Model: 356 50 Model life 1950>>1959

| Pos | Part Number    | Description                                       | Remark           | Qty | Model              |
|-----|----------------|---|------------------|-----|--------------------|
| (7) | 356 53 605     | Velour<br>Seat<br>Carpet<br>Side member<br>Centre | /L               | 1   | 356                |
| (7) | 644 551 415 00 | Carpet<br>Side member<br>Centre                   | /L<br>57-<br>57- | 1   | 356 A              |
| (7) | 644 551 415 41 | Carpet<br>Side member<br>Centre                   | /L<br>57-<br>57- | 1   | CABRIO             |
| (7) | 356 53 606     | Carpet<br>Side member<br>Centre                   | /R               | 1   | 356                |
| 7   | 644 551 416 00 | Carpet<br>Side member<br>Centre                   | /R               | 1   | 356 A              |
| (7) | 644 551 416 41 | Carpet<br>Side member<br>Centre                   | /R               | 1   | CABRIO             |
| (8) | 356 53 603     | Carpet<br>Side member<br>Rear                     | /L               | 1   | 356                |
| (8) | 644 551 417 00 | Carpet<br>Side member<br>Rear                     | /L               | 1   | 356 A:COUPE        |
| (8) | 644 551 417 20 | Carpet<br>Side member<br>Rear                     | /L               | 1   | 356 A:CABRIO       |
| (8) | 644 551 417 40 | Carpet<br>Side member<br>Rear                     | /L               | 1   | 356 A<br>SPEEDSTER |
| (8) | 644 551 417 41 | Carpet<br>Side member<br>Rear                     | /L               | 1   | 356 A<br>CABRIO    |
| (8) | 356 53 604     | Carpet<br>Side member<br>Rear                     | /R               | 1   | 356                |
| 8   | 644 551 418 00 | Carpet<br>Side member<br>Rear                     | /R               | 1   | 356 A:COUPE        |
| (8) | 644 551 418 20 | Carpet<br>Side member<br>Rear                     | /R               | 1   | 356 A:CABRIO       |
| (8) | 644 551 418 40 | Carpet<br>Side member<br>Rear                     | /R               | 1   | 356 A<br>SPEEDSTER |
| (8) | 644 551 418 41 | Carpet<br>Side member<br>Rear                     | /R               | 1   | 356 A<br>CABRIO    |
| 9   | 356 53 105     | Pedal floor board                                 |                  | 1   | 356                |
| (9) | 644 551 605 00 | Pedal floor board<br>Complete                     | /LL              | 1   | 356 A              |
| (9) | 644 551 606 00 | Pedal floor board<br>Complete                     | /RL              | 1   | 356 A              |
| -   | 644 551 601 00 | Pedal floor board                                 | /LL /L<br>57-    | 1   | 356 A              |
| -   | 644 551 603 00 | Pedal floor board                                 | /RL /L<br>57-    | 1   | 356 A              |
| -   | 644 551 602 00 | Pedal floor board                                 | /LL /R<br>57-    | 1   | 356 A              |
| -   | 644 551 604 00 | Pedal floor board                                 | /RL /R<br>57-    | 1   | 356 A              |

Model: 356 50 Model life 1950>>1959

| Pos  | Part Number    | Description   | Remark | Qty | Model                                |
|------|----------------|---|--------|-----|--------------------------------------|
| 10   | 356 53 107     | Floorboard  | /L     | 1   | 356                                  |
| 11   | 356 53 108     | Floorboard  | /R     | 1   | 356                                  |
| -    | 644 551 631 00 | Spring  |        | 2   | 356 A                                |
| -    | 644 551 640 00 | Stop  |        | 1   | 356 A                                |
| (12) | 356 53 803     | Rubber base   | /V     | 1   | 356                                  |
| 12   | 644 551 101 00 | Rubber base   | /LL /V | 1   | 356 A                                |
| (13) | 356 53 805     | Rubber base<br>Tunnel<br>F 5 001 >> 11 778<br>F 5 015 >> 15 072                             |        | 1   | 356<br>356:COUPE<br>356:CABRIO       |
| (13) | 356 53 805 A   | Rubber base<br>Tunnel<br>F 11 779 >> 52 906<br>F 15 072 >> 30 707                           |        | 1   | 356<br>356:COUPE<br>356:CABRIO       |
| (13) | 356 53 805 B   | Rubber base<br>Tunnel<br>F 52 907 >><br>F 60 708 >>   |        | 1   | 356<br>356:COUPE<br>356:CABRIO       |
| 13   | 644 551 111 00 | Rubber base<br>Tunnel   |        | 1   | 356 A                                |
| (13) | 644 551 111 01 | Rubber base<br>Tunnel<br>F 101 693 >><br>F 150 001 >><br>F 83 792 >>                        |        | 1   | 356 A<br>356 A:COUPE<br>356 A:CABRIO |
| -    | 356 53 115     | Cover plate<br>Tunnel<br>with<br>Rubber base<br>F 5 001 >> 11 778<br>F 5 015 >> 15 072      |        | 1   | 356<br>356:COUPE<br>356:CABRIO       |
| -    | 356 53 115 A   | Cover plate<br>Tunnel<br>with<br>Rubber base<br>F 11 779 >> 52 906<br>F 15 072 >> 30 707    |        | 1   | 356<br>356:COUPE<br>356:CABRIO       |
| -    | 356 53 115 B   | Cover plate<br>Tunnel<br>with<br>Rubber base<br>F 52 907 >><br>F 60 708 >>                  |        | 1   | 356<br>356:COUPE<br>356:CABRIO       |
| -    | 644 551 160 01 | Cover plate<br>Tunnel<br>with<br>Rubber base<br>F 101 693 >><br>F 150 001 >><br>F 83 792 >> |        | 1   | 356 A<br>356 A:COUPE<br>356 A:CABRIO |
| (14) | 356 53 607     | Carpet<br>Tunnel  |        | 1   | 356<br>SPEEDSTER                     |
| 14   | 644 551 411 00 | Carpet<br>Tunnel  |        | 1   | 356 A                                |
| (14) | 644 551 411 01 | Carpet<br>Tunnel<br>F 101 693 >><br>F 150 001 >><br>F 83 792 >>                             |        | 1   | 356 A<br>356 A:COUPE<br>356 A:CABRIO |
| (14) | 644 551 411 41 | Carpet  |        | 1   | 356 A<br>SPEEDSTER<br>CABRIO         |



Model: 356 50 Model life 1950>>1959

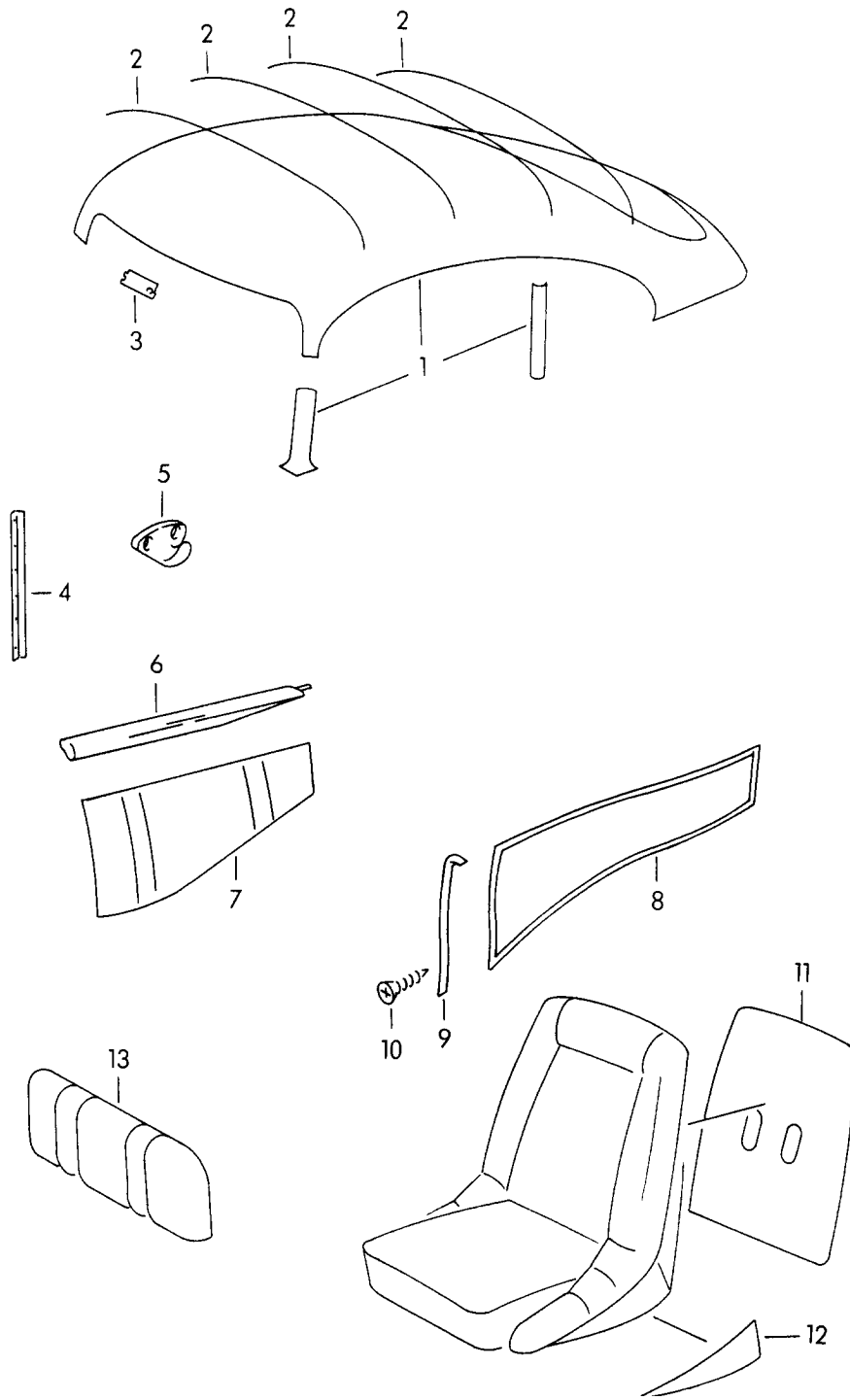
| Pos  | Part Number    | Description  | Remark | Qty | Model                                    |
|------|----------------|--|--------|-----|--|
| (15) | 356 53 807     | Tunnel<br>Rubber base                                | /L     | 1   | 356                                      |
| 15   | 644 551 121 00 | Back seat<br>Rubber base                             | /L     | 1   | 356 A                                    |
| (16) | 356 53 808     | Back seat<br>Rubber base                             | /R     | 1   | 356                                      |
| 16   | 644 551 122 00 | Back seat<br>Rubber base                             | /R     | 1   | 356 A                                    |
| 17   | 356 53 612     | Carpet<br>Lid  |        | 1   | 356                                      |
| (17) |                | Shift rods<br>See group<br>8/01/10                   |        |     | 356 A                                    |
| (17) | 644 551 425 41 | Carpet<br>Lid  |        | 1   | CABRIO                                   |
| (18) | 356 53 602     | Shift rods<br>Carpet                                 |        | 1   | 356                                      |
| 18   | 644 551 423 00 | Heel plate<br>Carpet                                 |        | 1   | 356 A                                    |
| (18) | 644 551 423 41 | Heel plate<br>Carpet                                 |        | 1   | CABRIO                                   |
| 19   | 644 551 435 41 | Heel plate<br>Carpet                                 |        | 1   | CABRIO                                   |
| 20   | 644 551 437 41 | Carpet<br>Back seat<br>Upper                         |        | 1   | CABRIO                                   |
| (21) | 356 53 601     | Centre<br>Carpet                                     |        | 1   | 356                                      |
| 21   | 644 551 431 00 | Back seat<br>Carpet                                  |        | 1   | 356 A: COUPE                             |
| (21) | 644 551 431 01 | Rear covering<br>F 55 001 >> 101 692<br>Carpet       |        | 1   | 356 A: COUPE                             |
| (21) | 644 551 431 20 | Rear covering<br>F 101 693 >><br>Carpet              |        | 1   | 356 A: CABRIO                            |
| (21) | 644 551 431 21 | Rear covering<br>F 61 001 >> 150 000<br>Carpet       |        | 1   | 356 A: CABRIO<br>HARDTOP                 |
| (21) | 540 53 601     | Rear covering<br>Carpet                              |        | 1   | 356<br>SPEEDSTER                         |
| (21) | 644 551 431 40 | Carpet<br>Rear covering                              |        | 1   | 356 A<br>SPEEDSTER                       |
| (21) | 644 551 433 41 | Carpet<br>Rear covering                              |        | 1   | CABRIO<br>SPEEDSTER                      |
| (22) | 356 53 613     | Carpet<br>Backrest                                   |        | 1   | 356                                      |
| 22   | 644 551 441 00 | Carpet<br>Backrest                                   |        | 1   |  |
| (22) | 644 551 441 01 | F 55 001 >> 101 692<br>F 61 001 >> 150 000<br>Carpet |        | 1   | 356 A: COUPE<br>356 A: CABRIO            |
| (22) | 540 53 601 1   | Carpet<br>Backrest                                   |        | 1   | 356 A: COUPE<br>356 A: CABRIO<br>HARDTOP |
| (22) | 644 551 433 40 | F 101 693 >><br>F 150 001 >><br>Carpet               |        | 1   | 356<br>SPEEDSTER                         |
| (22) | 644 551 433 40 | Carpet   |        | 1   | 356 A                                    |

Model: 356 50 Model life 1950>>1959

| Pos  | Part Number        | Description                    | Remark | Qty | Model               |
|------|--------------------|--------------------------------|--------|-----|---------------------|
| (22) | 644 551 431 41     | Backrest<br>Carpet<br>Backrest |        | 1   | SPEEDSTER<br>CABRIO |
| (23) | 477 885 761        | Retaining bar                  |        | 1   | 356                 |
| 23   | 644 025 172 00     | Fastening clamp                |        | 1   | 356 A               |
| (24) | 356 53 815         | Scuff plate                    | /L /R  | 2   | 356                 |
| 24   | 644 551 117 00     | Scuff plate                    | /L     | 1   | 356 A               |
| (24) |                    | Scuff plate                    | /R     | 1   | 356 A               |
| (25) | 644 551 915 00     | Rubber seal                    |        | 2   | 356                 |
| 25   |                    | Rubber seal                    |        | 2   | 356 A               |
| (26) | 356 52 810         | Door sill rail                 |        | 2   | 356                 |
| 26   | 644 551 917 00     | Door sill rail                 |        | 2   | 356 A               |
| 26   | 644 551 917 00 GRV | Door sill rail                 |        | 2   | 356 A               |
| (27) | 356 53 809         | Rubber base<br>Entrance lining | /L     | 1   | 356                 |
| 27   | 644 551 115 00     | Rubber base<br>Entrance lining | /L     | 1   | 356 A               |
| (27) | 356 53 810         | Rubber base<br>Entrance lining | /R     | 1   | 356                 |
| (27) | 644 551 116 00     | Rubber base<br>Entrance lining | /R     | 1   | 356 A               |
| (28) | 356 53 811         | Rail                           | /L /R  | 2   | 356                 |
| 28   | 644 551 119 00     | Rail                           | /L     | 1   | 356 A               |
| (28) | 644 551 120 00     | Rail                           | /R     | 1   | 356 A               |
| (29) | 356 58 041         | Slide<br>Heating               |        | 2   | 356                 |
| 29   | 644 572 075 00     | Slide<br>Heating               |        | 2   | 356 A               |
| 29   | PCG 572 075 00     | Slide<br>Heating               |        | 2   | 356 A               |
| -    | 000 551 571 00     | Carpet<br>Running meter        |        | X   |                     |
|      | 000 551 571 00 000 | Red                            |        |     |                     |
|      | 000 551 571 00 200 | Green                          |        |     |                     |
|      | 000 551 571 00 300 | Blue                           |        |     |                     |
|      | 000 551 571 00 400 | Brown                          |        |     |                     |
|      | 000 551 571 00 500 | Beige                          |        |     |                     |
|      | 000 551 571 00 600 | Grey                           |        |     |                     |
|      | 000 551 571 00 700 | Anthracite                     |        |     |                     |
|      |                    | F 55 001 >> 101 692            |        |     | 356 A:COUPE         |
|      |                    | F 61 001 >> 150 000            |        |     | 356 A:CABRIO        |
|      |                    | F 82 001 >> 83 791             |        |     | 356 A<br>SPEEDSTER  |

Model: 356 50

Model life 1950>>1959



Model: 356 50 Model life 1950>>1959

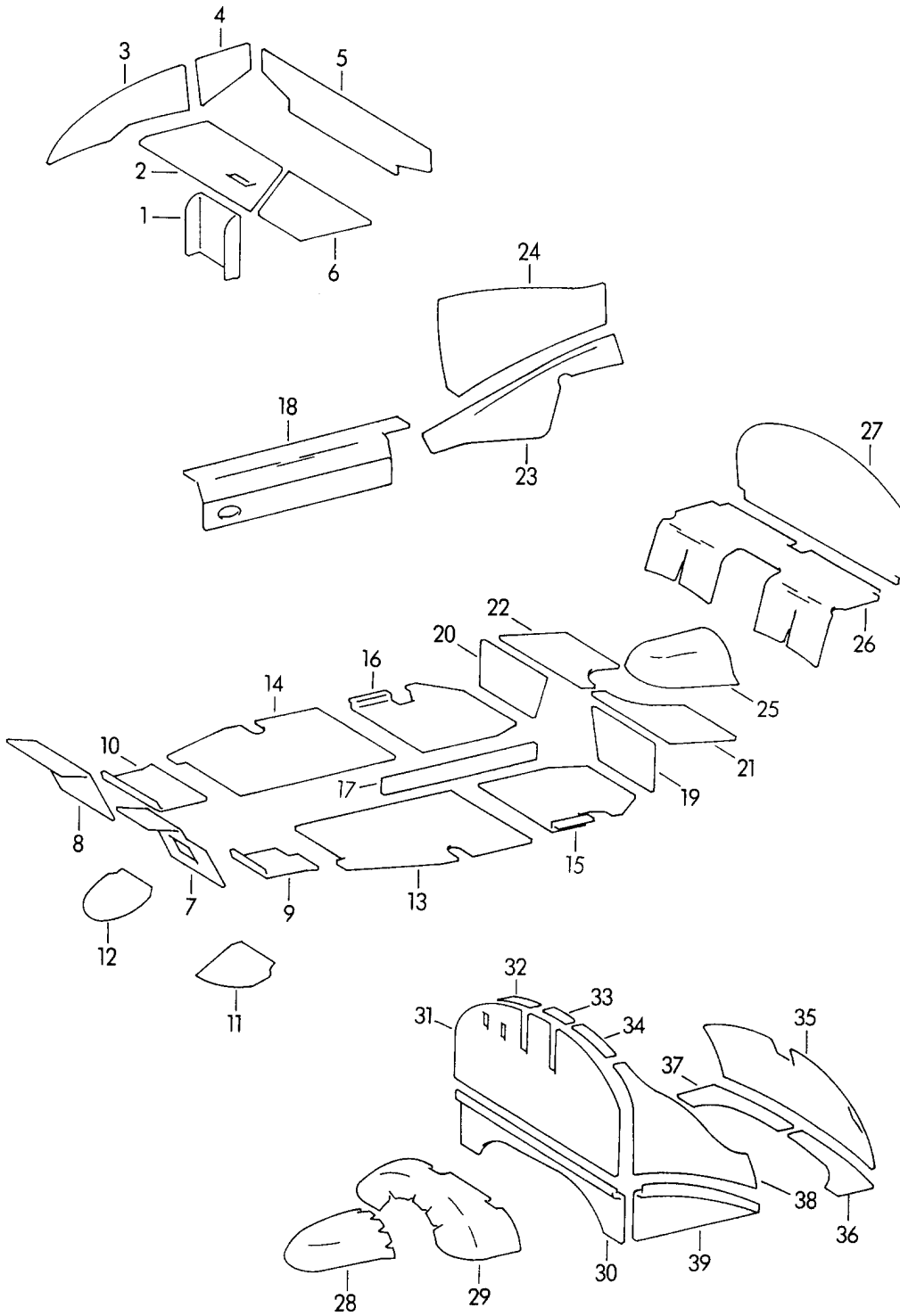
| Pos | Part Number    | Description             | Remark   | Qty | Model        |
|-----|----------------|-------------------------|----------|-----|--------------|
|     |                | Linings                 |          |     |              |
|     |                | Interior equipment      |          |     |              |
| (1) | 356 53 040     | Roofliner               |          | 1   | 356:COUPE    |
| (1) |                | Roofliner               |          | 1   | 356:CABRIO   |
| 1   | 644 555 501 00 | Roofliner               |          | 1   | 356 A:COUPE  |
| (1) | 644 555 501 40 | Cover                   |          | 1   | 356 A:COUPE  |
|     |                | with                    |          |     |              |
|     |                | Sunroof                 |          |     |              |
| (1) | 644 555 501 20 | Cover                   |          | 1   | 356 A:CABRIO |
|     |                | F 61 001 >> 150 000     |          |     |              |
| (1) | 644 555 501 21 | Rooflining              |          | 1   | 356 A:CABRIO |
|     |                | F 150 001 >>            |          |     |              |
| (1) | 644 555 501 60 | Cover                   |          | 1   | 356 A        |
|     |                | F 150 001 >>            |          |     | HARDTOP      |
| (2) | 356 53 405     | Transverse strut        |          | 3   | 356          |
| 2   | 644 555 511 00 | Transverse strut        |          | 4   | 356 A:COUPE  |
| 3   | 999 591 321 01 | Fastening clamp         |          | 16  | 356 A:COUPE  |
|     |                |                         |          |     | CABRIO       |
| (4) | 356 53 816     | Rail                    | /V /L /R | 2   | 356          |
| (4) | 644 551 181 00 | Rail                    | /V /L    | 1   |              |
|     |                | F >> 59 099             |          |     | 356 A:COUPE  |
|     |                | F >> 61 700             |          |     | 356 A:CABRIO |
|     |                | F >> 83 114             |          |     | 356 A        |
| 4   | 644 551 182 00 | Rail                    | /V /R    | 1   | SPEEDSTER    |
|     |                | F >> 59 099             |          |     | 356 A:COUPE  |
|     |                | F >> 61 700             |          |     | 356 A:CABRIO |
|     |                | F >> 33 114             |          |     | 356 A        |
|     |                |                         |          |     | SPEEDSTER    |
| (5) | 356 58 337     | Hook                    |          | 2   | 356          |
| 5   | 644 552 871 00 | Coat hook               |          | 2   | 356 A        |
| 5   | PCG 552 871 00 | Coat hook               |          | 2   | 356 A        |
| (6) | 356 53 505     | Ornamental strip        | /L       | 1   | 356          |
|     |                | Rear bulkhead           |          |     |              |
|     |                | F 5 001 >> 11 360       |          |     |              |
| (6) | 356 53 503     | Ornamental strip        | /L       | 1   | 356          |
|     |                | Rear bulkhead           |          |     |              |
|     |                | F 11 361 >>             |          |     |              |
| (6) | 644 555 731 00 | Ornamental strip        | /L       | 1   | 356 A        |
|     |                | Rear bulkhead           |          |     |              |
| (6) | 356 53 506     | Ornamental strip        | /R       | 1   | 356          |
|     |                | Rear bulkhead           |          |     |              |
|     |                | F 5 001 >> 11 360       |          |     |              |
| (6) | 356 53 504     | Ornamental strip        | /R       | 1   | 356          |
|     |                | Rear bulkhead           |          |     |              |
|     |                | F 11 361 >>             |          |     |              |
| 6   | 644 555 732 00 | Ornamental strip        | /R       | 1   | 356 A        |
|     |                | Rear bulkhead           |          |     |              |
| (7) | 356 53 52      | Rear bulkhead           | /L       | 1   | 356          |
| (7) | 644 555 073 00 | Rear bulkhead           | /L       | 1   | 356 A:COUPE  |
| (7) | 644 555 073 21 | Rear bulkhead           | /L       | 1   | 356 A:CABRIO |
|     |                | F 61 001 >> 150 000     |          |     |              |
| (7) | 644 555 007 20 | Lining                  | /L       | 1   | 356 A:CABRIO |
|     |                | F 150 001 >>            |          |     |              |
| (7) | 356 53 053     | Rear bulkhead           | /R       | 1   | 356          |
| 7   | 644 555 074 00 | Rear bulkhead           | /R       | 1   | 356 A:COUPE  |
| (7) | 644 555 074 21 | Rear bulkhead           | /R       | 1   | 356 A:CABRIO |
|     |                | F 61 001 >> 150 000     |          |     |              |
| (7) | 644 555 008 20 | Lining                  | /R       | 1   | 356 A:CABRIO |
|     |                | F 150 001 >>            |          |     |              |
| (8) | 540 53 603     | Lining                  | /L       | 1   | 356          |
|     |                | Wheel housing           |          |     | SPEEDSTER    |
|     |                | Please state the colour |          |     |              |
| (8) | 644 551 427 40 | Lining                  | /L       | 1   | 356 A        |

Model: 356 50 Model life 1950&gt;&gt;1959

| Pos  | Part Number    | Description  | Remark | Qty | Model                                |
|------|----------------|--|--------|-----|--------------------------------------|
| (8)  | 644 555 007 60 | Wheel housing<br>Please state the colour<br>Lining                 | /L     | 1   | SPEEDSTER<br>356 A:CABRIO<br>HARDTOP |
| (8)  | 644 551 427 41 | Wheel housing<br>Please state the colour<br>F 150 001 >><br>Carpet | /L     | 1   | CONVERTIBLE                          |
| (8)  | 540 53 604     | Wheel housing<br>Please state the colour<br>Lining                 | /R     | 1   | 356<br>SPEEDSTER                     |
| (8)  | 644 551 428 40 | Wheel housing<br>Please state the colour<br>Lining                 | /R     | 1   | 356 A<br>SPEEDSTER                   |
| (8)  | 644 555 008 60 | Wheel housing<br>Please state the colour<br>Lining                 | /R     | 1   | 356 A:CABRIO<br>HARDTOP              |
| (8)  | 644 551 428 41 | Wheel housing<br>Please state the colour<br>F 150 001 >><br>Carpet | /R     | 1   | CONVERTIBLE                          |
| (9)  | 356 53 817     | Wheel housing<br>Please state the colour<br>Rail                   | /H     | 2   | 356                                  |
| (9)  | 540 53 801     | Rail   | /H /L  | 1   | 356<br>SPEEDSTER                     |
| (9)  | 644 551 181 40 | Rail   | /H /L  | 1   | 356 A<br>SPEEDSTER                   |
| (9)  | 540 53 802     | Rail   | /H /R  | 1   | 356<br>SPEEDSTER                     |
| (9)  | 644 551 182 40 | Rail   | /H /R  | 1   | 356 A<br>SPEEDSTER                   |
| (10) | 540 53 802 1   | Counters. head tapp. screw<br>2,9 X 9,5                            |        | 2   | 356<br>SPEEDSTER                     |
| 10   | 900 139 001 00 | Counters. head tapp. screw<br>2,9 X 9,5                            |        | 2   | 356 A<br>SPEEDSTER                   |
| (11) | 540 59 715     | Seat cover<br>Please state the colour                              | /H     | 2   | 356<br>SPEEDSTER                     |
| 11   | 644 521 531 40 | Seat cover<br>Please state the colour                              | /H     | 2   | 356 A<br>SPEEDSTER                   |
| (12) | 540 59 723     | Seat cover<br>Lower<br>Please state the colour                     | /L     | 2   | 356<br>SPEEDSTER                     |
| 12   | 644 521 533 40 | Seat cover<br>Lower<br>Please state the colour                     | /L     | 2   | 356 A<br>SPEEDSTER                   |
| (12) | 540 59 724     | Seat cover<br>Lower<br>Please state the colour                     | /R     | 2   | 356<br>SPEEDSTE                      |
| (12) | 644 521 534 40 | Seat cover<br>Lower<br>Please state the colour                     | /R     | 2   | 356 A<br>SPEEDSTER                   |
| (13) | 356 53 051     | Back wall lining<br>Please state the colour                        |        | 1   | 356:COUPE                            |
| -    | 356 53 051 1   | Film for stickers<br>for<br>Back wall lining                       |        | 1   | 356:COUPE                            |
| 13   | 644 555 075 00 | Lining   |        | 1   | 356 A                                |

Model: 356 50

Model life 1950>>1959



Model: 356 50 Model life 1950>>1959

| Pos  | Part Number    | Description               | Remark | Qty | Model |
|------|----------------|---------------------------|--------|-----|-------|
|      |                | Body                      |        |     | 356 A |
|      |                | Insulation                |        |     |       |
| -    | 644 556 990 00 | Damping mat               |        | X   |       |
| 1    | 644 556 111 01 | Insulation                | /V     | 1   |       |
|      |                | Cross panel               |        |     |       |
| 2    | 644 556 101 01 | Insulation                | /V     | 1   |       |
|      |                | Boot floor plate          |        |     |       |
| (3)  | 644 556 103 01 | Insulation                | /V /L  | 1   |       |
|      |                | FRONT luggage compartment |        |     |       |
| 3    | 644 556 104 01 | Insulation                | /V /R  | 1   |       |
|      |                | FRONT luggage compartment |        |     |       |
| (4)  | 644 556 105 01 | Insulation                | /H /L  | 1   |       |
|      |                | FRONT luggage compartment |        |     |       |
| 4    | 644 556 106 01 | Insulation                | /H /R  | 1   |       |
|      |                | FRONT luggage compartment |        |     |       |
| 5    | 644 556 115 01 | Insulation                | /H     | 1   |       |
|      |                | FRONT luggage compartment |        |     |       |
| 6    | 644 556 151 01 | Insulation                |        | 1   |       |
|      |                | Lid                       |        |     |       |
| 7    | 644 556 201 01 | Insulation                | /L     | 1   |       |
|      |                | Pedal floor board         |        |     |       |
| 8    | 644 556 202 01 | Insulation                | /R     | 1   |       |
|      |                | Pedal floor board         |        |     |       |
| 9    | 644 556 505 01 | Insulation                | /L     | 1   |       |
|      |                | Footwell                  |        |     |       |
| 10   | 644 556 506 01 | Insulation                | /R     | 1   |       |
|      |                | Footwell                  |        |     |       |
| 11   | 644 556 212 01 | Insulation                | /V /L  | 1   |       |
|      |                | Underbody                 |        |     |       |
| 12   | 644 556 211 01 | Insulation                | /V /R  | 1   |       |
|      |                | Underbody                 |        |     |       |
| 13   | 644 556 501 01 | Insulation                | /L     | 1   |       |
|      |                | Footwell                  |        |     |       |
|      |                | Centre                    |        |     |       |
| 14   | 644 556 502 01 | Insulation                | /R     | 1   |       |
|      |                | Footwell                  |        |     |       |
|      |                | Centre                    |        |     |       |
| 14   | PCG 556 902 00 | Damping mat               |        | 1   |       |
|      |                | 1000X500X2,6              |        |     |       |
|      |                | It is necessary to rework |        |     |       |
| 15   | 644 556 503 01 | Insulation                | /H /L  | 1   |       |
|      |                | Footwell                  |        |     |       |
| 15   | PCG 556 902 00 | Damping mat               |        | 1   |       |
|      |                | 1000X500X2,6              |        |     |       |
|      |                | It is necessary to rework |        |     |       |
| 16   | 644 556 504 01 | Insulation                | /H /R  | 1   |       |
|      |                | Footwell                  |        |     |       |
| 16   | PCG 556 902 00 | Damping mat               |        | 1   |       |
|      |                | 1000X500X2,6              |        |     |       |
|      |                | It is necessary to rework |        |     |       |
| 17   | 644 556 511 01 | Insulation                |        | 2   |       |
|      |                | Tunnel                    |        |     |       |
| 17   | PCG 556 902 00 | Damping mat               |        | 2   |       |
|      |                | 1000X500X2,6              |        |     |       |
|      |                | It is necessary to rework |        |     |       |
| (18) | 644 556 303 01 | Insulation                | /L     | 1   |       |
|      |                | Side member               |        |     |       |
|      |                | Inner                     |        |     |       |
| (18) | PCG 556 902 00 | Damping mat               |        | 1   |       |
|      |                | 1000X500X2,6              |        |     |       |
|      |                | It is necessary to rework |        |     |       |
| 18   | 644 556 304 01 | Insulation                | /R     | 1   |       |
|      |                | Side member               |        |     |       |

Model: 356 50 Model life 1950&gt;&gt;1959

| Pos  | Part Number    | Description   | Remark | Qty | Model |
|------|----------------|---|--------|-----|-------|
| 18   | PCG 556 902 00 | Inner<br>Damping mat<br>1000X500X2,6<br>It is necessary to rework |        | 1   |       |
| 19   | 644 556 305 01 | Insulation<br>Heel plate  | /L     | 2   |       |
| 19   | PCG 556 902 00 | Damping mat<br>1000X500X2,6<br>It is necessary to rework          |        | 1   |       |
| 20   | 644 556 306 01 | Insulation<br>Heel plate  | /R     | 2   |       |
| 20   | PCG 556 902 00 | Damping mat<br>1000X500X2,6<br>It is necessary to rework          |        | 1   |       |
| 21   | 644 556 307 01 | Insulation<br>Back seat<br>Upper                                  | /L     | 2   |       |
| 21   | PCG 556 902 00 | Damping mat<br>1000X500X2,6<br>It is necessary to rework          |        | 1   |       |
| 22   | 644 556 308 01 | Insulation<br>Back seat<br>Upper                                  | /R     | 2   |       |
| 22   | PCG 556 902 00 | Damping mat<br>1000X500X2,6<br>It is necessary to rework          |        | 1   |       |
| (23) | 644 556 315 01 | Insulation<br>Side member   | /H /L  | 1   |       |
| (23) | PCG 556 902 00 | Damping mat<br>1000X500X2,6<br>It is necessary to rework          |        | 1   |       |
| 23   | 644 556 316 01 | Insulation<br>Side member   | /H /R  | 1   |       |
| 23   | PCG 556 902 00 | Damping mat<br>1000X500X2,6<br>It is necessary to rework          |        | 1   |       |
| (24) | 644 556 601 01 | Insulation<br>Wheel housing panel                                 | /H /L  | 1   |       |
| (24) | PCG 556 902 00 | Damping mat<br>1000X500X2,6<br>It is necessary to rework          |        | 1   |       |
| 24   | 644 556 602 01 | Insulation<br>Wheel housing panel                                 | /H /R  | 1   |       |
| 24   | PCG 556 902 00 | Damping mat<br>1000X500X2,6<br>It is necessary to rework          |        | 1   |       |
| 25   | 644 556 309 01 | Insulation<br>Floorpan<br>Back seat<br>Upper<br>Centre            |        | 2   |       |
| 26   | 644 556 311 01 | Insulation<br>Boot floor plate                                    |        | 1   |       |
| 27   | 644 556 603 01 | Insulation<br>Rear bulkhead                                       |        | 1   |       |
| 28   | 644 556 322 01 | Insulation<br>Underbody<br>Back seat<br>Centre                    |        | 1   |       |
| 29   | 644 556 321 01 | Insulation<br>Underbody<br>Boot floor plate                       |        | 1   |       |
| 30   | 644 556 802 01 | Insulation  | /V     | 1   |       |

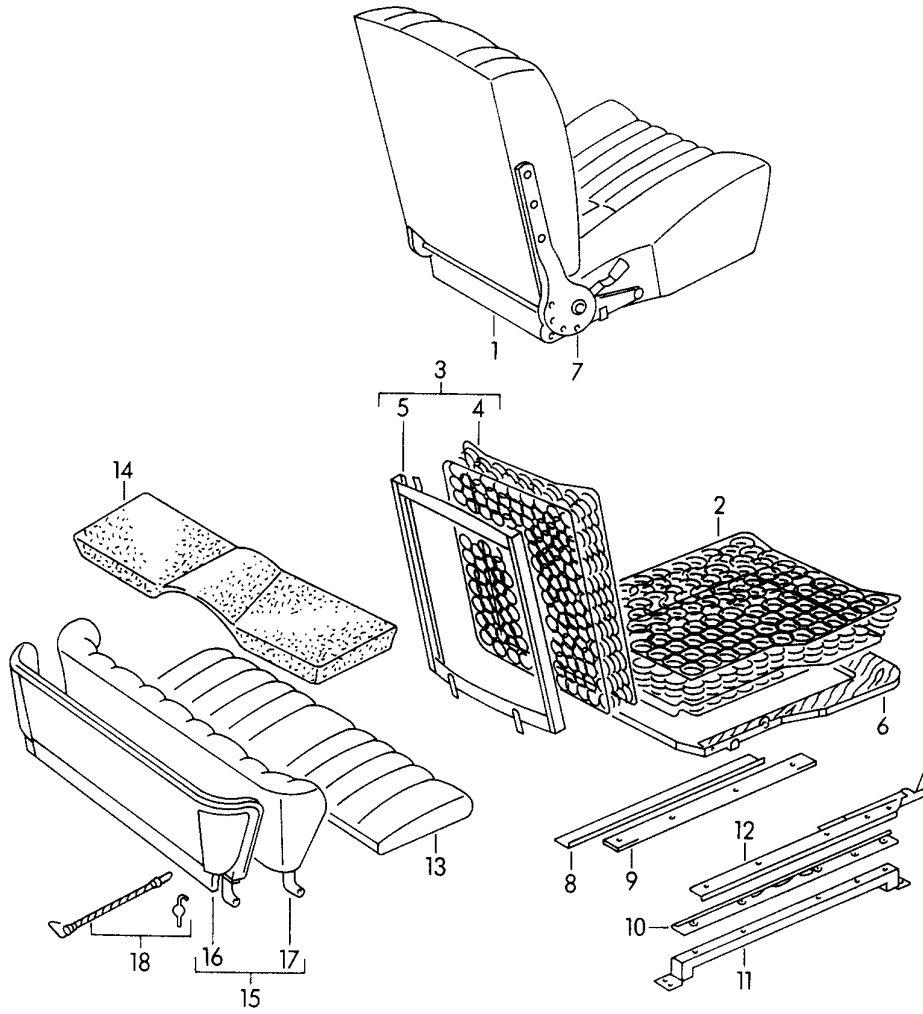


Model: 356 50 Model life 1950>>1959

| Pos  | Part Number    | Description  | Remark | Qty | Model               |
|------|----------------|--|--------|-----|---------------------|
| 31   | 644 556 801 01 | Engine compartment<br>Lower<br>Damping mat           | /V     | 1   | COUPE               |
| (31) | 644 556 801 21 | Engine compartment<br>Upper<br>Insulation            | /V     | 1   | CABRIO<br>SPEEDSTER |
| 32   | 644 556 805 01 | Engine compartment<br>Upper<br>Insulation            | /V     | 1   | COUPE               |
| (32) | 644 556 805 21 | Engine compartment<br>Upper right<br>Insulation      | /V     | 1   | CABRIO<br>SPEEDSTER |
| 33   | 644 556 804 01 | Engine compartment<br>Upper<br>Centre<br>Insulation  | /V     | 1   | COUPE               |
| (33) | 644 556 804 21 | Engine compartment<br>Upper<br>Centre<br>Insulation  | /V     | 1   | CABRIO<br>SPEEDSTER |
| 34   | 644 556 803 01 | Engine compartment<br>Upper left<br>Insulation       | /V     | 1   | COUPE               |
| (34) | 644 556 803 21 | Engine compartment<br>Upper left<br>Insulation       | /V     | 1   | CABRIO<br>SPEEDSTER |
| 35   | 644 556 811 01 | Engine compartment<br>Insulation                     | /H     | 1   |                     |
| 36   | 644 556 817 01 | Engine compartment cover<br>Insulation               | /L     | 1   |                     |
| 37   | 644 556 818 01 | Engine compartment cover<br>Insulation               | /R     | 1   |                     |
| 38   | 644 556 813 01 | Engine compartment<br>Lateral upper<br>Insulation    | /L     | 1   | COUPE               |
| (38) | 644 556 813 21 | Engine compartment<br>Lateral upper<br>Insulation    | /L     | 1   | CABRIO<br>SPEEDSTER |
| (38) | 644 556 814 01 | Engine compartment<br>Lateral upper<br>Insulation    | /R     | 1   | COUPE               |
| (38) | 644 556 814 21 | Engine compartment<br>Lateral upper<br>Insulation    | /R     | 1   | CABRIO<br>SPEEDSTER |
| 39   | 644 556 815 01 | Engine compartment<br>Lateral<br>Insulation          | /L     | 1   |                     |
| (39) | 644 556 816 01 | Engine compartment<br>Lateral<br>Lower<br>Insulation | /R     | 1   |                     |

Model: 356 50

Model life 1950>>1959



Model: 356 50 Model life 1950>>1959

| Pos | Part Number    | Description   | Remark | Qty | Model                  |
|-----|----------------|---|--------|-----|------------------------|
| (1) | 356 590 002 A  | Front seat<br>And<br>Back seat<br>Front seat<br>Complete<br>Reclining seat fitting<br>Cover<br>Leatherette<br>Cloth<br>F 52 030 >><br>F 60 550 >> | /L     | 1   | 356                    |
| (1) | 356 59 002     | Front seat<br>Complete<br>Cover<br>Leatherette<br>Cloth<br>F 5 001 >> 52 029<br>F 5 015 >> 60 549   | /L     | 1   | COUPE<br>CABRIO<br>356 |
| (1) | 356 59 005 A   | Front seat<br>Complete<br>Reclining seat fitting<br>Cover<br>Leather<br>F 52 030 >><br>F 60 550 >>  | /L     | 1   | COUPE<br>CABRIO<br>356 |
| (1) | 356 59 005     | Comfort seat<br>Complete<br>Cover<br>Leather<br>F 5 001 >> 52 029<br>F 5 015 >> 60 549  | /L     | 1   | COUPE<br>CABRIO<br>356 |
| (1) | 356 59 008 A   | Front seat<br>Complete<br>White<br>Reclining seat fitting<br>without<br>Cover   | /L     | 1   | COUPE<br>CABRIO<br>356 |
| (1) | 356 59 008     | Comfort seat<br>Complete<br>White<br>without<br>Cover   | /L     | 1   | 356                    |
| (1) | 644 521 001 01 | Front seat<br>Complete<br>Reclining seat fitting<br>Cover<br>Leatherette<br>Cloth   | /L     | 1   | 356 A                  |
| (1) | 644 521 001 11 | Comfort seat<br>Complete<br>Reclining seat fitting<br>Cover<br>Leather  | /L     | 1   | 356 A                  |
| (1) | 644 521 001 42 | Front seat<br>Complete<br>Cover<br>Leatherette<br>Cloth   |        | 1   |                        |
| 1   | 356 59 003 A   | Front seat<br>Complete<br>Reclining seat fitting<br>Cover<br>Leatherette  | /R     | 1   | 356                    |

Model: 356 50 Model life 1950>>1959

| Pos | Part Number    | Description   | Remark | Qty | Model                  |
|-----|----------------|---|--------|-----|------------------------|
| (1) | 356 59 003     | Cloth<br>F 52 030 >><br>F 60 550 >><br>Front seat<br>Complete<br>Cover<br>Leatherette<br>Cloth                          | /R     | 1   | COUPE<br>CABRIO<br>356 |
| (1) | 356 59 007 A   | F 5 001 >> 52 029<br>F 5 015 >> 60 549<br>Front seat<br>Complete<br>Reclining seat fitting<br>Cover<br>Leather          | /R     | 1   | COUPE<br>CABRIO<br>356 |
| (1) | 356 59 007     | F 52 030 >><br>F 60 550 >><br>Front seat<br>Complete<br>Cover<br>Leather  | /R     | 1   | COUPE<br>CABRIO<br>356 |
| (1) | 356 59 009 A   | F 5 001 >> 52 029<br>F 5 015 >> 60 549<br>Front seat<br>Complete<br>White<br>Reclining seat fitting<br>without<br>Cover | /R     | 1   | COUPE<br>CABRIO<br>356 |
| (1) | 356 59 009     | Comfort seat<br>Complete<br>White<br>without<br>Cover   | /R     | 1   | 356                    |
| 1   | 644 521 002 01 | Front seat<br>Complete<br>Reclining seat fitting<br>Cover<br>Leatherette<br>Cloth                                       | /R     | 1   | 356 A                  |
| 1   | 644 521 002 11 | Comfort seat<br>Complete<br>Reclining seat fitting<br>Cover<br>Leather  | /R     | 1   | 356 A                  |
| (1) | 644 521 002 42 | Front seat<br>Complete<br>Cover<br>Leatherette<br>Cloth   |        | 1   |                        |
| -   | 356 59 010     | Comfort seat<br>Lower part<br>White<br>without<br>Cover   | /L     | 1   | 356                    |
| -   | 356 59 011     | Comfort seat<br>Lower part<br>White<br>without<br>Cover   | /R     | 1   | 356                    |
| -   | 356 59 012     | Seat<br>Backrest<br>White   | /L     | 1   | 356                    |

Model: 356 50 Model life 1950>>1959

| Pos | Part Number    | Description   | Remark | Qty | Model                                     |
|-----|----------------|---|--------|-----|---|
| -   | 356 59 013     | without<br>Cover<br>Seat<br>Backrest<br>White   | /R     | 1   | 356                                       |
| (2) | 356 59 014     | without<br>Cover<br>Seat  | /L     | 1   | 356                                       |
| (2) | 644 521 041 00 | Seat cushion<br>F 55 001 >> 101 692<br>F 61 001 >> 150 000<br>F 82 001 >> 83 791      | /L     | 1   | 356 A<br>COUPE<br>CABRIO<br>SPEEDSTER     |
| (2) | 644 521 041 01 | Seat cushion<br>F 101 693 >><br>F 150 001 >><br>F 83 792 >>                           | /L /R  | 2   | 356 A<br>COUPE<br>CABRIO<br>SPEEDSTER     |
| 2   | 356 59 015     | Seat cushion  | /R     | 1   | 356                                       |
| 2   | 644 521 042 00 | Seat cushion<br>F 55 001 >> 101 692<br>F 61 001 >> 150 000<br>F 82 001 >> 83 791      | /R     | 1   | 356 A<br>COUPE<br>CABRIO<br>SPEEDSTER     |
| -   | 644 521 501 42 | Filler piece<br>Valid from:<br>20.9.57<br>F 101 693 >><br>F 150 001 >><br>F 83 792 >> | /L /R  | 2   | 356 A<br><br>COUPE<br>CABRIO<br>SPEEDSTER |
| 3   | 644 521 045 01 | Support frame<br>with<br>suspension<br>F 101 693 >><br>F 150 001 >><br>F 83 792 >>    | /L /R  | 2   | 356 A<br><br>COUPE<br>CABRIO<br>SPEEDSTER |
| -   | 644 521 505 42 | Filler piece<br>Valid from:<br>20.9.57<br>F 101 693 >><br>F 150 001 >><br>F 83 792 >> | /L /R  | 2   | 356 A<br><br>COUPE<br>CABRIO<br>SPEEDSTER |
| (4) | 644 521 045 00 | Spring<br>F 55 001 >> 101 692<br>F 61 001 >> 150 000<br>F 82 001 >> 83 791            | /L     | 1   | 356 A<br>COUPE<br>CABRIO<br>SPEEDSTER     |
| 4   | 356 59 016     | Spring  | /L /R  | 2   | 356                                       |
| 4   | 644 521 046 00 | Spring<br>F 55 001 >> 101 692<br>F 61 001 >> 150 000<br>F 82 001 >> 83 791            | /R     | 1   | 356 A<br>COUPE<br>CABRIO<br>SPEEDSTER     |
| (5) | 356 59 018     | Backrest frame<br>Metal   | /L     | 1   | 356                                       |
| 5   | 356 59 018 1   | Support frame<br>Metal  | /R     | 1   | 356                                       |
| (6) | 356 59 017     | Seat frame<br>without<br>Seat rail  | /L     | 1   | 356                                       |
| 6   | 356 59 017 1   | Frame<br>without<br>Seat rail   | /R     | 1   | 356                                       |
| -   | 644 521 011 01 | Frame<br>Metal<br>without<br>Seat rail  | /L /R  | 2   | 356 A                                     |
| -   | 644 521 071 42 | Reclining seat fitting  | /L /R  | 1   | 356 A                                     |

Model: 356 50 Model life 1950>>1959

| Pos | Part Number    | Description  | Remark | Qty | Model                  |
|-----|----------------|--|--------|-----|------------------------|
|     |                | with<br>Mounting parts<br>1 set<br>Mounting parts<br>Reclining seat fitting  |        |     |                        |
| -   | 900 119 003 02 | Pan-head screw<br>M 8 X 1 X 25   |        | 4   | 356 A                  |
| -   | 900 078 001 01 | Hexagon nut<br>M 8 X 1   |        | 4   | 356 A                  |
| -   | 900 018 006 02 | Oval-head screw<br>Countersunk-head screw<br>AM 6 X 20<br>Chrome             |        | 12  | 356 A                  |
| -   | 900 018 005 02 | Oval-head screw<br>Countersunk-head screw<br>AM 6 X 15                       |        | 4   | 356 A                  |
| -   | 900 114 008 00 | Shake-proof washer<br>V 6,4  |        | 4   | 356 A                  |
| -   | 644 521 741 00 | Washer   |        | 4   | 356 A                  |
| -   | 644 521 783 00 | Spacer   |        | 4   | 356 A                  |
| -   | 644 521 791 00 | Desk pad   |        | 12  | 356 A                  |
| (7) | 356 59 027     | Transmission<br>Chrome<br>F 52 030 >><br>F 60 550 >>                         | /L     | 1   | 356<br>COUPE<br>CABRIO |
| 7   | 356 59 028     | Transmission<br>Chrome<br>F 52 030 >><br>F 60 550 >>                         | /R     | 1   | 356<br>COUPE<br>CABRIO |
| -   | 356 59 159     | Hinge<br>for<br>Backrest<br>Chrome<br>F 5 001 >> 52 029<br>F 5 015 >> 60 549 | /L     | 2   | 356<br>COUPE<br>CABRIO |
| -   | 356 59 160     | Hinge<br>for<br>Backrest<br>Chrome<br>F 5 001 >> 52 029<br>F 5 015 >> 60 549 | /R     | 2   | 356<br>COUPE<br>CABRIO |
| 8   | 356 59 113 U   | Seat rail<br>430 MM<br>Seat<br>Right   | /L     | 1   | 356                    |
| 8   | 644 521 035 00 | Seat rail<br>Seat<br>Right   | /L     | 1   | 356 A                  |
| 9   | 644 521 313 00 | Seat rail<br>394 MM<br>Seat<br>Right   | /L     | 1   | 356                    |
| 9   | 644 521 313 01 | Seat rail<br>Seat<br>Right   | /L     | 1   | 356                    |
| -   | 356 59 115 U   | Seat rail<br>430 MM<br>with<br>Locking segment<br>Seat<br>Left               | /L     | 1   | 356                    |
| -   | 356 59 115 0   | Seat rail<br>394 MM  | /L     | 1   | 356                    |

Model: 356 50 Model life 1950>>1959

| Pos  | Part Number    | Description   | Remark | Qty | Model |
|------|----------------|---|--------|-----|-------|
| -    | 356 59 114 U   | with<br>Locking segment<br>Seat<br>Left<br>Seat rail<br>430 MM                    | /R     | 1   | 356   |
| -    | 356 59 114 0   | Seat<br>Left<br>Lower<br>Seat rail<br>394 MM                                      | /R     | 1   | 356   |
| -    | 644 521 036 00 | Seat<br>Left<br>Upper<br>Seat rail  | /R     | 1   | 356 A |
| -    | 644 521 314 01 | without<br>Locking segment<br>Seat<br>Left<br>Seat rail                           | /R     | 1   | 356 A |
| (10) | 644 521 031 00 | Seat<br>Left<br>Seat rail   | /L     | 1   | 356 A |
| 10   | 356 59 116 U   | with<br>Locking segment<br>Seat rail  | /R     | 1   | 356   |
| 10   | 644 521 032 00 | with<br>Locking segment<br>Seat rail  | /R     | 1   | 356 A |
| (11) | 356 59 117     | with<br>Locking segment<br>Bracket  | /L     | 1   | 356   |
| (11) | 644 521 017 00 | Seat rail support   | /L     | 1   | 356 A |
| 11   | 356 59 118     | Bracket   | /R     | 1   | 356   |
| 11   | 644 521 018 00 | Seat rail support   | /R     | 1   | 356 A |
| -    | 356 59 147     | Bracket   | /L     | 1   | 356   |
| -    | 356 59 148     | Frame<br>Bracket  | /R     | 1   | 356   |
| (12) | 644 521 033 01 | Frame<br>Seat rail<br>Seat<br>Left  | /L     | 1   | 356 A |
| 12   | 356 59 116 0   | Seat rail<br>394 MM<br>Seat<br>Left   | /R     | 1   | 356   |
| 12   | 644 521 034 01 | Seat rail<br>Seat<br>Right  | /R     | 1   | 356 A |
| 13   | 356 59 300     | Back seat cushion<br>Complete<br>Cover<br>Leatherette<br>Ribbed velvet            |        | 1   | 356   |
| (13) | 356 59 300 1   | Back seat cushion<br>Complete<br>Cover<br>Leather<br>Leatherette<br>Ribbed velvet |        | 1   | 356   |
| 13   | 644 522 003 00 | Back seat cushion<br>Complete<br>Cover<br>Leatherette<br>Ribbed velvet            |        | 1   | 356 A |

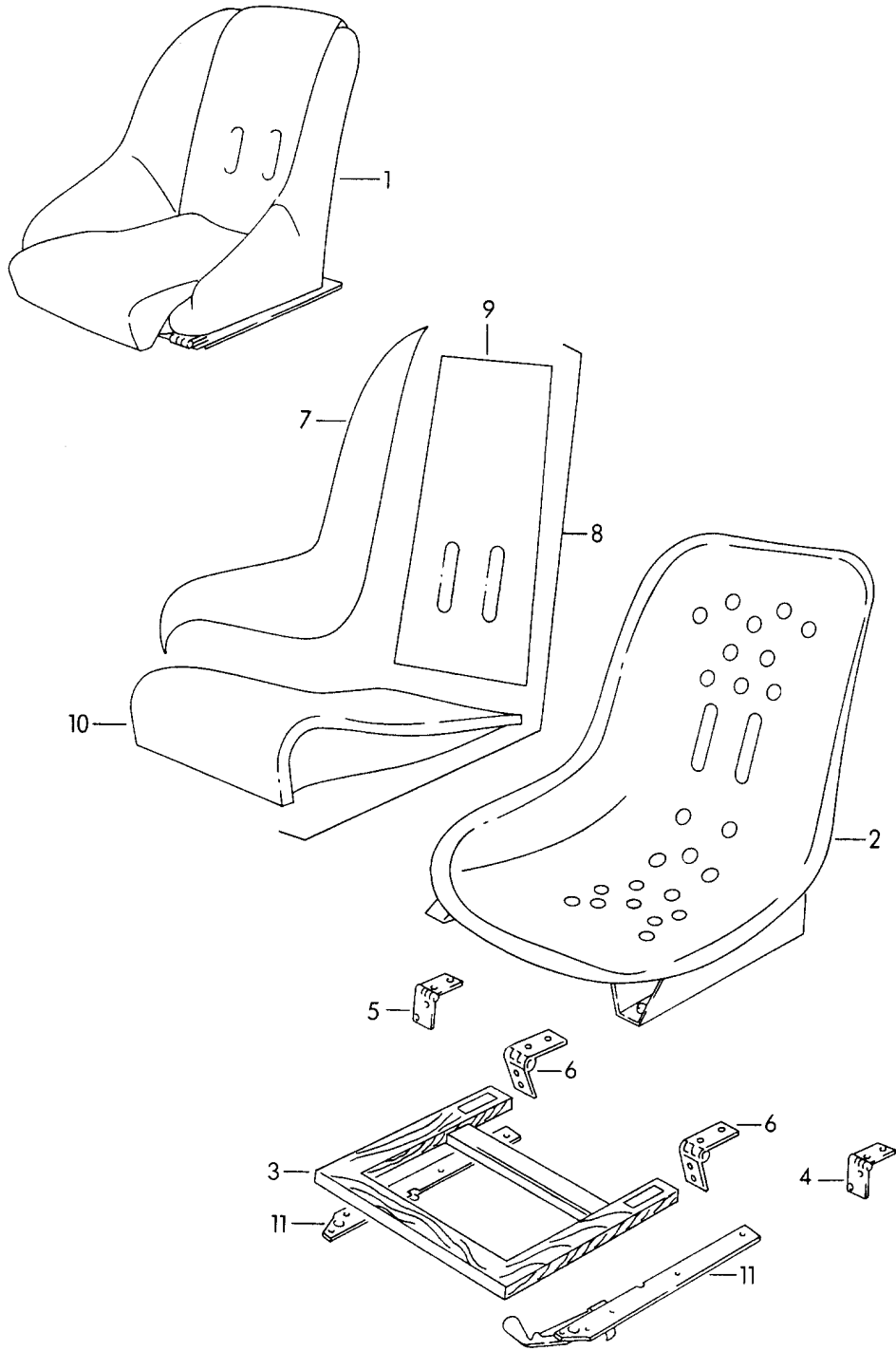
Model: 356 50 Model life 1950>>1959

| Pos  | Part Number    | Description  | Remark | Qty | Model   |
|------|----------------|--|--------|-----|---|
| (13) | 644 522 003 10 | Back seat cushion<br>Complete<br>Cover<br>Leather  |        | 1   | 356 A   |
| 14   | 356 59 301     | Cushion  |        | 1   | 356   |
| 14   | 644 522 501 00 | Cushion  |        | 1   | 356 A   |
| (14) | 644 552 501 10 | Cushion  |        | 1   | 356 A<br>CARRERA GT   |
| 15   | 644 522 005 01 | Backrest frame<br>Complete<br>Cover<br>Leatherette<br>Cloth  |        | 1   | 356 A   |
| 15   | 644 522 005 11 | Backrest frame<br>Complete<br>Cover<br>Leather   |        | 1   | 356 A   |
| 16   | 644 522 021 01 | Backrest frame   |        | 1   | 356 A   |
| 16   | 356 59 036 2   | Backrest frame   |        | 1   | 356   |
| 17   | 356 59 036     | Backrest frame<br>Complete<br>Cover<br>Leatherette<br>Cloth  |        | 1   | 356   |
| (17) | 356 59 036 1   | Backrest frame<br>Complete<br>Cover<br>Leather   |        | 1   | 356   |
| 18   | 356 59 322     | Restraining strap<br>with<br>Hook<br>F 52 907 >><br>F 60 708 >>  |        | 1   | COUPE<br>CABRIO   |
| 18   | 644 522 751 00 | Restraining strap<br>without<br>Hook   |        | 1   | 356 A   |
| -    | 644 025 135 00 | Hook<br>Backrest   |        | 1   | 356 A   |
| -    | 644 025 136 00 | Hook<br>Rear wall  |        | 1   | 356 A   |
| -    | 900 138 005 02 | Pan-head tapping screw<br>B 3,5 X 16<br>Chrome   |        | 1   | 356 A   |
| -    | 356 59 302     | Plate<br>Aluminium<br>for<br>Backrest frame  |        | 2   | 356   |
| -    | 356 59 319     | Rubber cap<br>for<br>Backrest<br>F 55 001 >> 108 917<br>F 61 001 >> 61 892<br>F 150 001 >> 152 475<br><br>F 82 001 >> 84 954<br>F 85 501 >> 86 830 |        | 2   | 356<br>COUPE<br>CABRIO<br>CABRIO<br>HARDTOP<br>SPEEDSTER<br>CONVERTIBLE |



Model: 356 50

Model life 1950>>1959



Model: 356 50 Model life 1950>>1959

| Pos  | Part Number    | Description  | Remark | Qty | Model               |
|------|----------------|--|--------|-----|---------------------|
| 1    | 540 59 017     | Front seat<br>Bucket seat<br>Complete                    | /L     | 1   | SPEEDSTER<br>540    |
| (1)  | 540 59 017 1   | Leatherette<br>Front seat<br>Complete                    | /L     | 1   | 540                 |
| (1)  | 644 521 001 41 | Leather<br>Comfort seat<br>Complete                      | /L     | 1   | 540.1               |
| (1)  | 644 521 001 51 | Leatherette<br>Comfort seat<br>Complete                  | /L     | 1   | 540.1               |
| (1)  | 644 521 001 52 | Leather<br>Bucket seat<br>Complete                       | /L     | 1   | 540.1<br>CARRERA GT |
| (1)  | 540 59 018     | Leatherette/<br>Ribbed velvet<br>Bucket seat<br>Complete | /R     | 1   | 540                 |
| (1)  | 540 59 018 1   | Leatherette<br>Comfort seat<br>Complete                  | /R     | 1   | 540                 |
| (1)  | 644 521 002 41 | Leather<br>Comfort seat<br>Complete                      | /R     | 1   | 540.1               |
| (1)  | 644 521 002 51 | Leatherette<br>Comfort seat<br>Complete                  | /R     | 1   | 540.1               |
| (1)  | 644 521 002 52 | Leather<br>Bucket seat<br>Complete                       | /R     | 1   | 540.1<br>CARRERA GT |
| 2    | 540 59 102     | Leatherette/<br>Ribbed velvet<br>Bucket seat<br>Cup      | /L     | 1   | 540                 |
| (2)  | 540 59 103     | Bucket seat<br>Cup                                       | /R     | 1   | 540                 |
| (2)  | 644 521 061 40 | Bucket seat<br>Cup<br>Not for<br>-CARRERA GT-            | /L /R  | 2   | 540.1               |
| 3    | 540 59 121     | Support frame  | /L     | 1   | 540                 |
| (3)  | 540 59 122     | Support frame  | /R     | 1   | 540                 |
| 3    |                | Not available  |        |     | 540.1               |
| (4)  | 540 59 123     | Hinge<br>Outer   | /L     | 1   | 540                 |
| 4    | 644 521 351 40 | Hinge  | /L     | 1   | 540.1               |
| (5)  | 540 59 124     | Hinge<br>Outer   | /R     | 1   | 540                 |
| 5    | 644 521 352 40 | Hinge<br>Right   | /R     | 1   | 540.1               |
| 6    | 540 59 125     | Hinge<br>Inner   | /L /R  | 2   | 540                 |
| (7)  | 540 59 705     | Side section   | /L     | 2   | 540                 |
| (7)  | 644 521 503 40 | Filler piece   | /L     | 2   | 540.1               |
| (7)  | 540 59 706     | Side section   | /R     | 2   | 540                 |
| 7    | 644 521 504 40 | Filler piece   | /R     | 2   | 540.1               |
| 8    | 644 521 051 57 | Padding<br>with<br>Seat cushion                          | /L /R  | 2   | 540.1               |
| 9    | 540 59 704     | Back seat cushion  |        | 2   | 540                 |
| 10   | 540 59 707     | Back seat cushion  | /L     | 1   | 540                 |
| (10) | 540 59 708     | Back seat cushion  | /R     | 1   | 540                 |

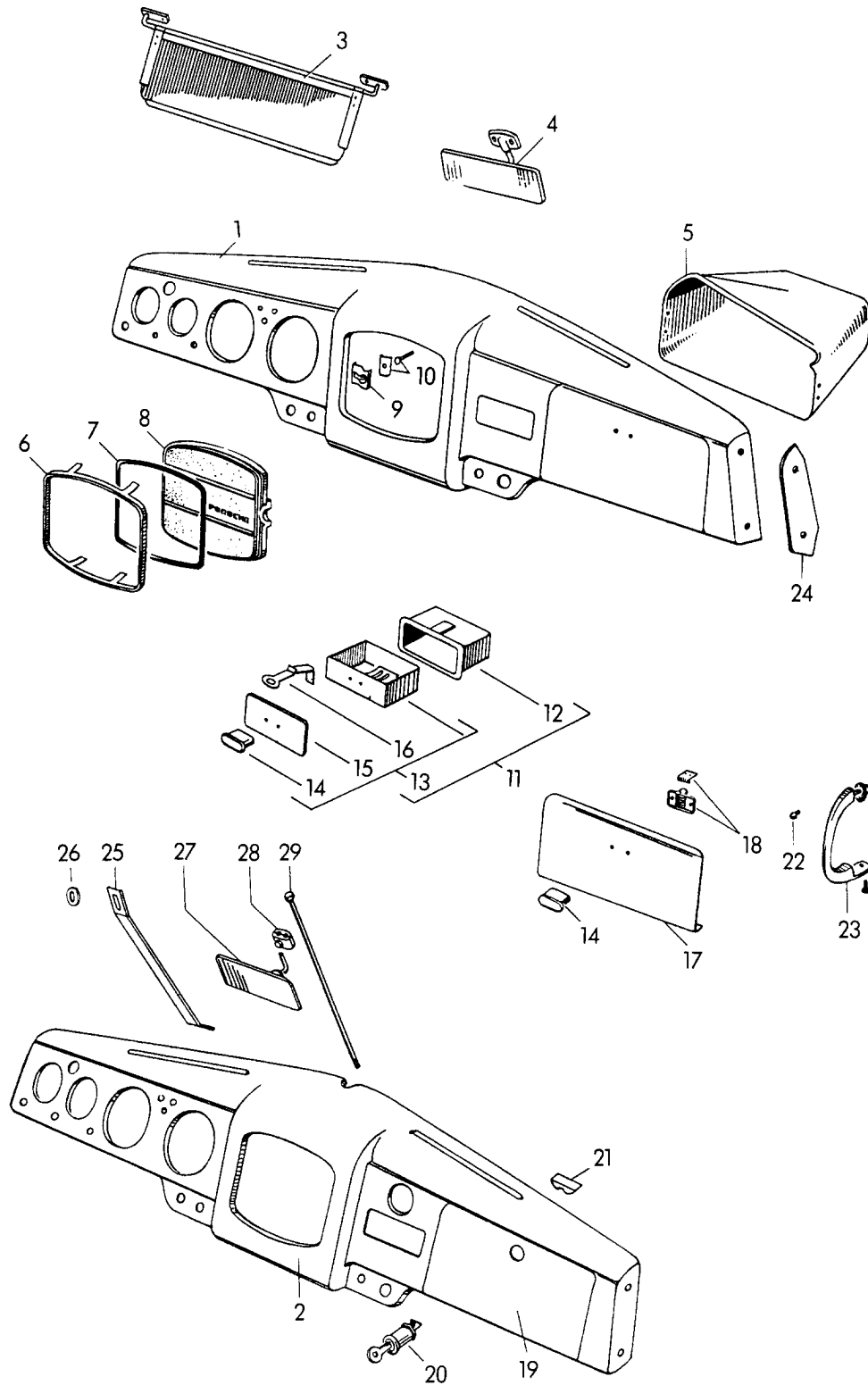
Model: 356 50

Model life 1950>>1959

| Pos | Part Number | Description                       | Remark | Qty | Model |
|-----|-------------|-----------------------------------|--------|-----|-------|
| 11  |             | Seat rail<br>See group<br>8/08/00 |        |     |       |

Model: 356 50

Model life 1950>>1959



Model: 356 50 Model life 1950>>1959

| Pos  | Part Number | Description  | Remark | Qty | Model        |
|------|-------------|--|--------|-----|--------------|
| -    | 356 70 010  | Dashboard<br>Dashboard<br>Prime coated<br>with<br>Glove compartment<br>without<br>Lock<br>F 5 001 >> 11 778  |        | 1   | 356<br>COUPE |
| -    | 356 70 015  | Dashboard<br>Dashboard<br>Prime coated<br>with<br>Glove compartment<br>without<br>Lock<br>F 11 779 >> 52 029 |        | 1   | COUPE        |
| 1    | 356 70 135  | Dashboard<br>Dashboard<br>Prime coated<br>with<br>Glove compartment<br>without<br>Lock<br>F 52 030 >>        |        | 1   | COUPE        |
| -    | 356 70 010  | Dashboard<br>Dashboard<br>Prime coated<br>with<br>Glove compartment<br>without<br>Lock<br>F 5 015 >> 15 072  |        | 1   | CABRIO       |
| -    | 356 70 015  | Dashboard<br>Dashboard<br>Prime coated<br>with<br>Glove compartment<br>without<br>Lock<br>F 15 073 >> 60 549 |        | 1   | CABRIO       |
| 2    | 356 70 135  | Dashboard<br>Dashboard<br>Prime coated<br>with<br>Glove compartment<br>without<br>Lock<br>F 60 550 >>        |        | 1   | CABRIO       |
| 3    | 356 70 031  | Sun visor  |        | 2   |              |
| 4    | 356 70 035  | Interior mirror  |        | 1   | COUPE        |
| 5    | 356 70 123  | Glove compartment  |        | 1   |              |
| 6    | 356 70 421  | Trim frame   |        | 1   |              |
| 7    |             | Rubber seal<br>928.301   |        | 1   |              |
| 8    |             | Cover<br>Radio<br>Leatherette  |        | 1   |              |
| (8)  |             | Cover<br>Radio<br>Leather  |        | 1   |              |
| 9    |             | Fixing clip<br>928.311   |        | 2   |              |
| 10   |             | Screw<br>with<br>Clip<br>928.305   |        | 2   |              |
| (11) | 356 70 020  | Ashtray<br>Complete  |        | 1   |              |

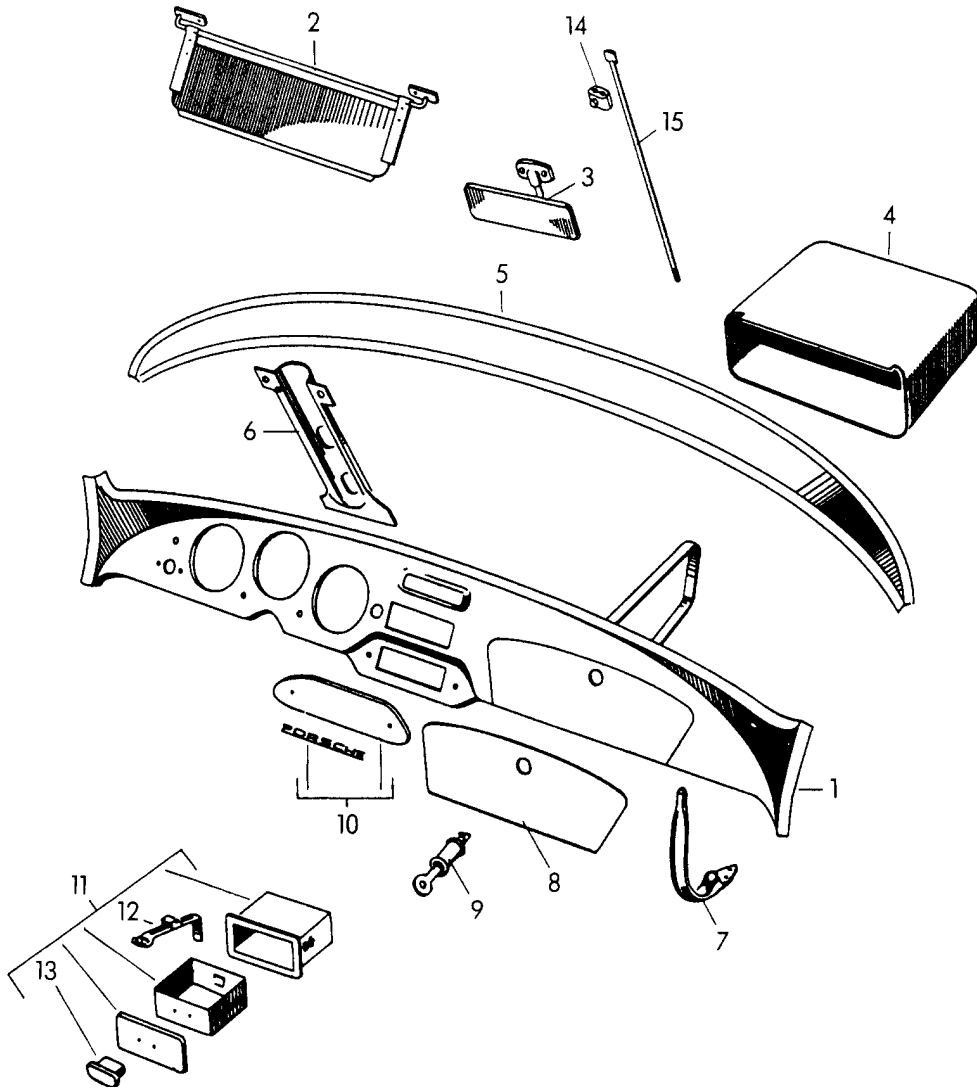
Model: 356 50

Model life 1950&gt;&gt;1959

| Pos  | Part Number    | Description  | Remark | Qty    | Model           |
|------|----------------|--|--------|--------|-----------------|
| 11   | 356 70 020 A   | Ashtray<br>Complete<br>Please state the colour<br>F 52 030 >><br>F 60 550 >> |        | 1      | COUPE<br>CABRIO |
| 12   | 356 70 020 1   | Housing  |        | 1      |                 |
| 13   | 356 70 020 2   | Slide-valve gearbox<br>Complete  |        | 1      |                 |
| 14   | 356 53 709     | Ashtray handle<br>Please state the colour                                    |        | 2<br>1 | COUPE<br>CABRIO |
| 15   | 356 70 020 3   | Cover<br>Please state the colour   |        | 1      |                 |
| 16   | 356 70 020 4   | Spring   |        | 1      |                 |
| 17   | 356 70 104     | Glove compartment cover  |        | 1      | COUPE           |
| 18   | 356 70 128     | Lock   |        | 1      | COUPE           |
| 19   | 356 70 104     | Glove compartment cover  |        | 1      | CABRIO          |
| 20   | 644 552 550 05 | Glove compartment lock   |        | 1      | CABRIO          |
| 21   | 356 70 016 1   | Closing element  |        | 1      | CABRIO          |
| 22   | 644 025 631 00 | Rubber buffer<br>for<br>Glove compartment cover                              |        | 2      |                 |
| 23   | 356 70 439     | Grab handle<br>Complete<br>F 52 030 >><br>F 60 550 >>                        |        | 1      | COUPE<br>CABRIO |
| 24   | 356 70 126     | Intermediate layer   |        | 2      |                 |
| 25   | 356 70 111     | Bracket<br>Dashboard   |        | 2      |                 |
| 26   | 356 70 124     | Washer   |        | 4      |                 |
| (27) | 356 70 033     | Interior mirror<br>F 5 015 >> 60 404   |        | 1      | CABRIO          |
| 27   | 356 70 037     | Interior mirror<br>F 60 405 >>   |        | 1      | CABRIO          |
| (28) | 356 70 303     | Clamping piece<br>F 10 270 >> 60 404   |        | 1      | CABRIO          |
| 28   | 356 70 038     | Clip<br>F 60 405 >>  |        | 1      | CABRIO          |
| 29   | 356 57 108 5   | Strut  |        | 1      |                 |

Model: 356 50

Model life 1950>>1959



Model: 356 50 Model life 1950>>1959

| Pos  | Part Number    | Description   | Remark | Qty | Model  |
|------|----------------|---|--------|-----|--|
|      |                | Dashboard   |        |     | 356 A:COUPE<br>CABRIO<br>CONVERTIBLE<br>COUPE/CABRIO |
| 1    | 644 502 021 07 | Dashboard<br>with<br>Glove compartment cover                    | /LL    | 1   |  |
| (1)  | 644 502 021 41 | Dashboard<br>Prime coated                                       | /LL    | 1   | CONVERTIBLE  |
| (1)  | 644 502 022 07 | Dashboard<br>with<br>Glove compartment cover                    | /RL    | 1   | COUPE/CABRIO   |
| (1)  | 644 502 022 41 | Dashboard<br>Prime coated                                       | /RL    | 1   | CONVERTIBLE  |
| 2    | 644 731 301 00 | Sun visor   |        | 2   |  |
| 3    | 644 731 101 01 | Interior mirror   |        | 1   |  |
| 4    | 644 552 501 01 | Glove compartment   |        | 1   |  |
| -    | 644 552 531 00 | Restraining strap<br>for<br>Glove compartment                   |        | 1   |  |
| 5    | 644 552 033 00 | Profile strip<br>without<br>Cover                               |        | 1   |  |
| (5)  | 644 552 031 00 | Profile strip<br>with<br>Cover                                  |        | 1   |  |
| -    | 644 552 321 00 | Please state the colour<br>Profile<br>for                       |        | 1   |  |
| -    | 644 552 351 00 | Profile strip<br>Covering<br>for                                |        | 1   |  |
| 6    | 644 502 091 00 | Profile strip<br>Please state the colour<br>Reinforcement plate |        | 1   |  |
| 7    | 644 552 865 00 | Grab handle   |        | 1   |  |
| -    | 799 502 281 00 | Strut<br>for  |        | 1   |  |
| 8    | 644 552 511 00 | Dashboard<br>Glove compartment cover                            |        | 1   |  |
| -    | 644 025 631 00 | Rubber buffer<br>for  |        | 1   |  |
| -    | 644 552 037 00 | Glove compartment cover<br>Padding<br>for                       |        | 1   |  |
| 9    | 644 552 550 05 | Glove compartment cover<br>Glove compartment lock<br>with keys  |        | 1   |  |
| 10   | 644 552 431 00 | Cover   |        | 1   |  |
| -    | 644 025 601 00 | Rubber washer   |        | 2   |  |
| -    | 644 025 661 00 | Washer  |        | 4   |  |
| -    | 999 507 212 01 | Speed nut   |        | 2   |  |
| -    | 900 055 004 00 | Buttonhead rivet  |        | 2   |  |
| 11   | 644 552 061 00 | Ashtray<br>F 55 001 >> 101 692<br>F 61 001 >> 150 000           |        | 1   | COUPE<br>CABRIO                                      |
| (11) | 644 552 061 01 | Ashtray<br>F 101 693 >><br>F 150 001 >>                         |        | 1   | COUPE<br>CABRIO                                      |
| 12   | 644 552 604 00 | Spring  |        | 1   |  |
| 13   | 644 552 851 00 | Handle  |        | 1   |  |
| 14   | 644 731 150 21 | Clamp   |        | 1   | CABRIO   |
| 15   | 644 541 231 20 | Clamp   |        | 1   | CABRIO   |
| -    | 644 541 025 41 | Clamp   |        | 1   | CONVERTIBLE  |



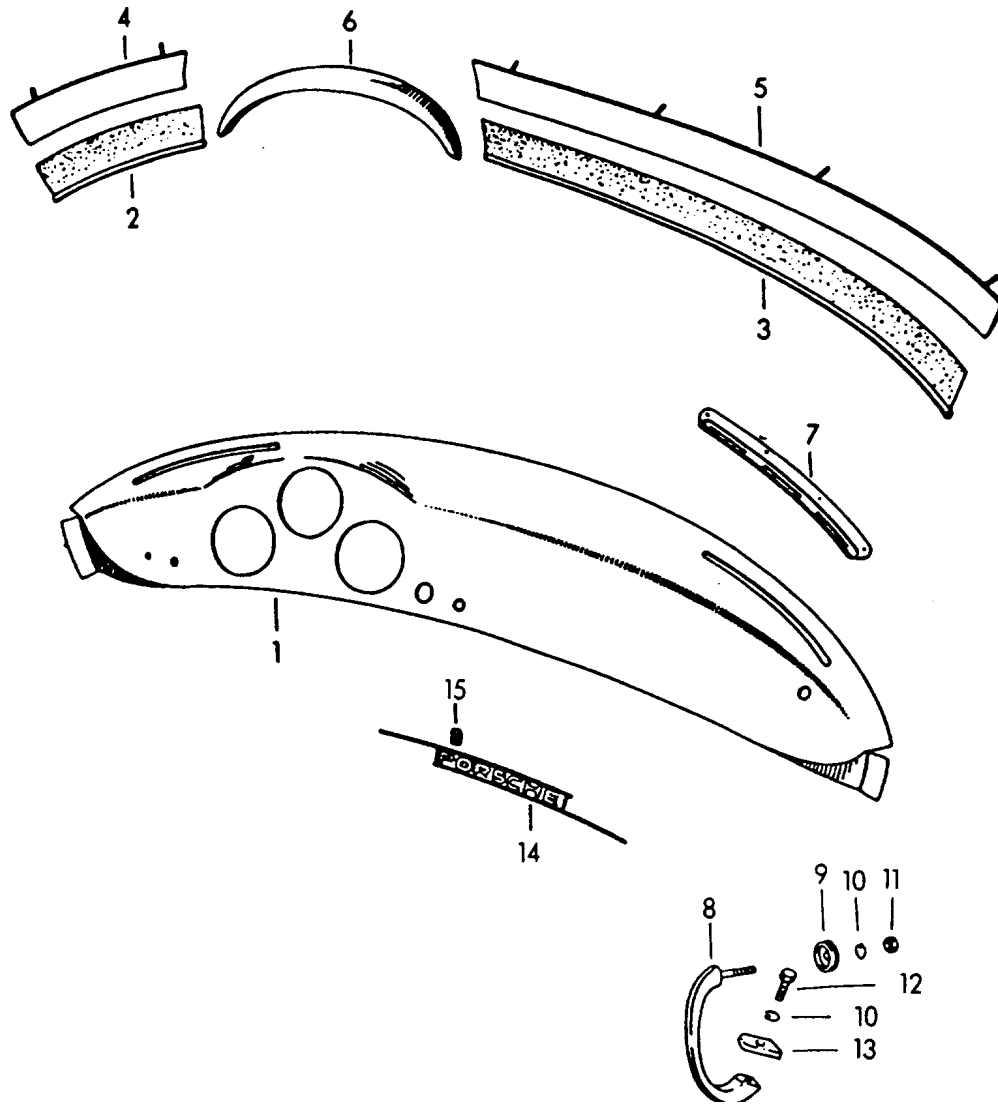
Model: 356 50

Model life 1950>>1959

| Pos | Part Number    | Description   | Remark | Qty | Model       |
|-----|----------------|---|--------|-----|-------------|
| -   | 644 541 025 45 | with<br>Nut<br>F >> 86 530<br>Clamp                                 |        | 1   | CONVERTIBLE |
| -   | 644 78 801     | with<br>Nut<br>F 86 531 >><br>Door mirror<br>-PONTO-STABIL-<br>Wing |        | 1   |             |
| -   | PCG 731 100 00 | Door mirror<br>-PONTO-STABIL-<br>Wing                               |        | 1   |             |
| -   | 644 731 111 00 | Door mirror<br>Door   |        | 1   | COUPE       |
| -   | 644 731 111 20 | Door mirror<br>Door   |        | 1   | CABRIO      |
| -   | 644 731 129 00 | Rubber base<br>for<br>Door mirror<br>Door                           |        | 1   | COUPE       |
| -   | 644 731 129 20 | Desk pad<br>for<br>Door mirror<br>Door                              |        | 1   | CABRIO      |
| -   | 900 151 003 02 | Washer<br>A 6,4   |        | 2   |             |
| -   | 900 151 006 03 | Washer<br>A 6,4   |        | 2   |             |
| -   | 900 084 003 02 | Lock nut<br>M 6   |        | 2   |             |

Model: 356 50

Model life 1950>>1959



Model: 356 50 Model life 1950>>1959

| Pos | Part Number    | Description   | Remark | Qty | Model     |
|-----|----------------|---|--------|-----|-----------|
| (1) | 540 70 010     | Dashboard   |        | 1   | SPEEDSTER |
| -   | 540 70 402     | Dashboard<br>Outer lining<br>Leatherette<br>for                                     |        | 1   | 356       |
| -   | 540 70 402 1   | Dashboard<br>Outer lining<br>Leatherette<br>for                                     |        | 1   | 356       |
| 1   | 644 502 021 40 | Dashboard<br>Windscreen   |        | 1   | 356 A     |
| -   | 644 552 351 40 | Dashboard<br>Prime coated<br>Outer lining<br>Leatherette<br>for                     |        | 1   | 356 A     |
| -   | 644 552 352 40 | Dashboard<br>Left<br>Please state the colour<br>Outer lining<br>Leatherette<br>for  |        | 1   | 356 A     |
| -   | 644 552 355 40 | Dashboard<br>Right<br>Please state the colour<br>Outer lining<br>Leatherette<br>for |        | 1   | 356 A     |
| 2   | 540 70 417     | Dashboard<br>Windscreen<br>Please state the colour<br>Piping<br>Rubber<br>Left      |        | 1   | 356       |
| 2   | 644 552 371 40 | 250 MM<br>Piping<br>Rubber<br>Left  |        | 1   | 356 A     |
| 3   | 540 70 418     | 250 MM<br>Piping<br>Rubber<br>Right   |        | 1   | 356       |
| 3   | 644 552 372 40 | 750 MM<br>Piping<br>Rubber<br>Right   |        | 1   | 356 A     |
| 4   | 540 70 405     | 750 MM<br>Cover strip<br>without<br>Cover<br>Left                                   |        | 1   | 356       |
| -   | 540 70 405 1   | Water drain strip<br>Left<br>Please state the colour                                |        | 1   | 356       |
| 4   | 644 552 301 40 | Cover strip<br>without<br>Cover<br>Left   |        | 1   | 356 A     |
| -   | 644 552 031 40 | Cover strip<br>Left<br>Please state the colour                                      |        | 1   | 356 A     |
| 5   | 540 70 406     | Cover strip<br>without  |        | 1   | 356       |

Model: 356 50 Model life 1950>>1959

| Pos | Part Number    | Description   | Remark | Qty | Model |
|-----|----------------|---|--------|-----|-------|
| -   | 540 70 406 1   | Cover<br>Right<br>Cover strip<br>Right<br>Please state the colour |        | 1   | 356   |
| 5   | 644 552 302 40 | Cover strip<br>without<br>Cover<br>Right                          |        | 1   | 356 A |
| -   | 644 552 032 40 | Cover strip<br>Right<br>Please state the colour                   |        | 1   | 356 A |
| 6   | 540 70 403 1   | Dashboard trim<br>without<br>Cover                                |        | 1   | 356   |
| -   | 540 70 403     | Dashboard trim<br>with<br>Cover                                   |        | 1   | 356   |
| 6   | 644 552 311 40 | Dashboard trim<br>without<br>Cover                                |        | 1   | 356 A |
| -   | 644 552 035 40 | Dashboard trim<br>with<br>Cover                                   |        | 1   | 356 A |
| 7   | 644 552 411 40 | Cover<br>for<br>Heating nozzle                                    |        | 2   | 356A  |
| 8   | 540 70 040     | Grip handle<br>Complete   |        | 1   | 356   |
| 8   | PCG 552 865 40 | Grab handle   |        | 1   | 356 A |
| 10  | 900 027 014 01 | Lock ring<br>B 6  |        | 2   |       |
| 10  | 900 027 014 02 | Lock ring<br>B 6  |        | 2   |       |
| 10  | N 012 006 4    | Lock ring<br>B 6  |        | 2   |       |
| 11  | 900 077 002 02 | Hexagon nut<br>M 6  |        | 1   |       |
| 12  | N 010 210 13   | Hexagon-head bolt<br>M 6 X 10                                     |        | 1   |       |
| 14  | 644 559 305 40 | Logo  |        | 1   | 356   |
| 14  |                | Logo  |        | 1   | 356 A |
| 15  | 999 507 212 01 | Speed nut   |        | 8   | 356 A |
| -   | 644 731 101 01 | Interior mirror<br>Inner  |        | 1   | 356 A |
| -   | 644 731 150 21 | Clamp   |        | 1   | 356 A |
| -   | 540 57 118     | Clamp   |        | 1   | 356   |
| -   | 540 47 119     | Nut<br>for<br>Bar   |        | 1   | 356   |
| -   | 644 78 801     | Door mirror<br>-PONTO-STABIL-<br>Wing                             |        | 1   | 356 A |
| -   | 718 731 121 60 | Mirror housing<br>-SPYDER-<br>Wing                                | /L     | 1   |       |
| -   | 644 731 111 00 | Door mirror<br>Door   |        | 1   | 356 A |
| -   | 644 731 129 00 | Rubber base<br>for<br>Door mirror<br>Door                         |        | 1   | 356 A |
| -   | 900 151 003 02 | Washer  |        | 2   | 356 A |

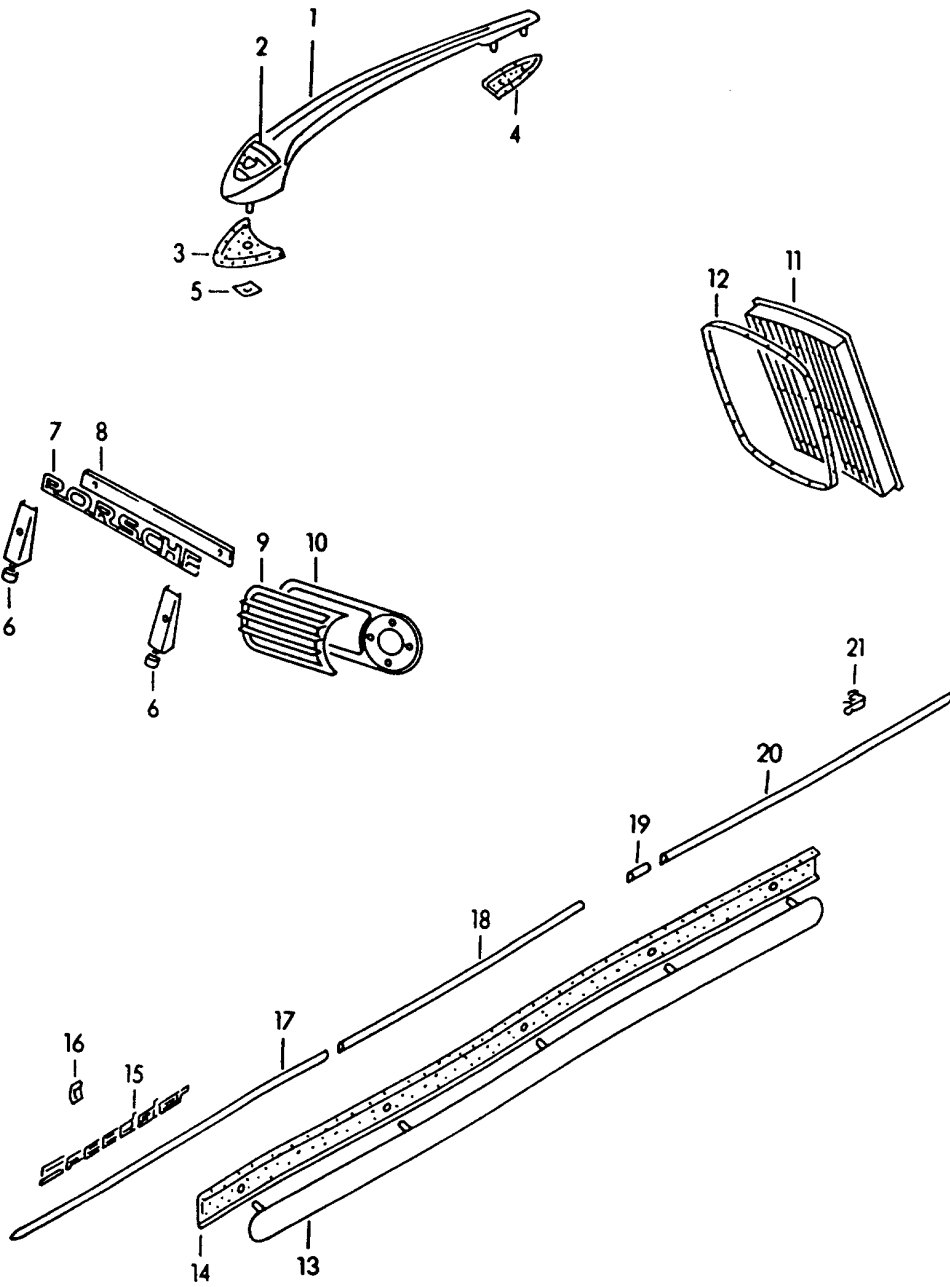
Model: 356 50

Model life 1950&gt;&gt;1959

| Pos | Part Number    | Description              | Remark | Qty | Model |
|-----|----------------|--------------------------|--------|-----|-------|
| -   | 900 151 006 03 | A 6,4<br>Washer          |        | 2   | 356 A |
| -   | 900 084 003 02 | A 6,4<br>Lock nut<br>M 6 |        | 2   | 356 A |

Model: 356 50

Model life 1950>>1959



Model: 356 50 Model life 1950>>1959

| Pos | Part Number    | Description  | Remark | Qty | Model                               |
|-----|----------------|--|--------|-----|-------------------------------------|
| 1   | 644 559 021 00 | Decorative fittings<br>Handle<br>F 52 845 >><br>F 60 694 >>    |        | 1   | 356<br>COUPE<br>CABRIO              |
| (1) | 356 58 039     | Ashtray handle<br>F 5 001 >> 52 844<br>F 5 015 >> 60 693       |        | 1   | 356<br>COUPE<br>CABRIO              |
| 1   | 644 559 021 00 | Handle   |        | 1   | 356 A                               |
| 2   | 644 559 210 00 | Crest<br>Gold-plated   |        | 1   | 356                                 |
| 2   | 644 559 210 01 | Crest<br>Gold-plated   |        | 1   | 356                                 |
| 2   | 644 559 210 02 | Crest<br>Gold-plated   |        | 1   | 356                                 |
| 2   | 644 559 210 00 | Crest  |        | 1   | 356 A                               |
| 2   | 644 559 210 01 | Crest  |        | 1   | 356 A                               |
| 2   | 644 559 210 02 | Crest  |        | 1   | 356 A                               |
| 3   | 356 58 315     | Rubber base<br>Front<br>F 5 001 >> 52 844<br>F 5 015 >> 60 693 |        | 1   | 356<br>SPEEDSTER<br>COUPE<br>CABRIO |
| 3   |                | Rubber base<br>Front   |        | 1   | 356 A                               |
| (3) | 356 58 316     | Rubber base<br>Complete<br>Long                                |        | 1   | 356<br>SPEEDSTER                    |
| 4   | 540 58 316     | Rubber base<br>Rear  |        | 1   | 356<br>SPEEDSTER                    |
| 4   |                | Rubber base<br>Rear  |        | 1   | 356 A                               |
| (4) | 356 58 316     | Rubber base<br>Complete<br>Long                                |        | 1   | 356<br>SPEEDSTER                    |
| 5   | 999 507 212 01 | Speed nut  |        | 1   | 356 A                               |
| 6   | 356 58 140     | Support<br>Number plate<br>Set                                 |        | 1   | 356                                 |
| 6   | 644 723 521 00 | Bracket<br>Number plate  |        | 2   | 356 A                               |
| 7   | 356 58 311     | Logo<br>F 51 586 >><br>F 60 369 >>                             |        | 2   | 356                                 |
| (7) | 356 58 036     | Logo<br>F 5 001 >> 51 585<br>F 5 015 >> 60 368                 |        | 2   | 356                                 |
| 7   | 644 559 301 01 | Logo<br>Chrome   |        | 2   | 356 A                               |
| 7   | 644 559 301 00 | Logo<br>Gold-plated  |        | 2   | 356 A                               |
| 8   | 356 58 332     | Spring plate<br>F 51 586 >><br>F 60 369 >>                     |        | 2   | 356<br>COUPE<br>CABRIO              |
| 8   | 644 559 331 00 | Spring plate   |        | 2   | 356 A                               |
| 9   | 356 58 334     | Grille<br>F 52 030 >><br>F 60 550 >>                           |        | 2   | 356<br>COUPE<br>CABRIO              |
| 9   | 644 559 045 00 | Protective grille  |        | 2   | 356 A                               |
| 10  | 644 559 495 01 | Desk pad<br>F 52 030 >><br>F 60 550 >>                         |        | 2   | COUPE<br>CABRIO                     |
| 10  |                | Desk pad   |        | 2   | 356 A                               |
| 11  | 356 58 310     | Ventilation grille   |        | 1   | 356:COUPE                           |
| 11  | 356 58 312     | Ventilation grille   |        | 1   | 356:CABRIO                          |

Model: 356 50 Model life 1950>>1959

| Pos | Part Number    | Description                                      | Remark | Qty | Model               |
|-----|----------------|--|--------|-----|---------------------|
| 11  | 644 559 041 00 | Ventilation grille                               |        | 1   | 356 A:COUPE         |
| 11  | 644 559 041 26 | Ventilation grille                               |        | 1   | 356 A:CABRIO        |
| -   | 644 559 411 10 | Grille   |        | 2   | CARRERA             |
| 12  | 356 58 317     | Tread  |        | 1   | 356                 |
| 12  | 644 025 913 00 | Tread  |        | 1   | 356 A               |
| 13  | 644 559 011 00 | Moulding   |        | 2   | 356 A               |
| 13  | PCG 559 011 07 | Moulding   |        | 2   | 356<br>SPEEDSTER    |
| 14  | 644 559 131 00 | Desk pad   |        | 2   | 356 A               |
| 14  | 540 58 328     | Rubber base                                      |        | 2   | 356<br>SPEEDSTER    |
| 15  | 540 58 350     | Logo   |        | 2   | 356<br>SPEEDSTER    |
| 15  | 644 559 321 40 | Logo   |        | 2   | 356 A<br>SPEEDSTER  |
| 16  | 999 591 211 01 | Tapping nut                                      |        | 10  | 356<br>SPEEDSTER    |
| 16  | 999 507 212 01 | Speed nut  |        | 10  | 356 A<br>SPEEDSTER  |
| 17  | 540 58 331     | Moulding<br>Left                                 |        | 1   | 356<br>SPEEDSTER    |
| 17  | 644 559 121 40 | Moulding<br>Left                                 |        | 1   | 356 A<br>SPEEDSTER  |
| -   | 540 58 332     | Moulding<br>Right                                |        | 1   | 356<br>SPEEDSTER    |
| -   | 644 559 122 40 | Moulding<br>Right                                |        | 1   | 356 A<br>SPEEDSTER  |
| 18  | 644 559 123 40 | Moulding<br>Left                                 |        | 1   | 356<br>SPEEDSTER    |
| 18  |                | Moulding<br>Left                                 |        | 1   | 356 A<br>SPEEDSTER  |
| -   | 644 559 124 40 | Moulding<br>Right                                |        | 1   | 356<br>SPEEDSTER    |
| -   |                | Moulding<br>Right                                |        | 1   | 356 A<br>SPEEDSTER  |
| 19  | 644 559 125 40 | Moulding<br>Left                                 |        | 1   | 356<br>SPEEDSTER    |
| 19  |                | Moulding<br>Left                                 |        | 1   | 356 A<br>SPEEDSTER  |
| -   |                | Moulding<br>Right                                |        | 1   | 356<br>SPEEDSTER    |
| -   | 644 559 126 40 | Moulding<br>Right                                |        | 1   | 356 A<br>SPEEDSTER  |
| 20  | 540 58 337     | Moulding<br>Left                                 |        | 1   | 356<br>SPEEDSTER    |
| 20  | 644 559 127 40 | Moulding<br>Left                                 |        | 1   | 356 A<br>SPEEDSTER  |
| -   | 540 58 338     | Moulding<br>Right                                |        | 1   | 356<br>SPEEDSTER    |
| -   | 644 559 128 40 | Moulding<br>Right                                |        | 1   | 356 A<br>SPEEDSTER  |
| 21  | 999 591 302 02 | Moulding clip                                    |        | 42  | 356<br>SPEEDSTER    |
| 21  |                | Moulding clip                                    |        | 42  | 356 A<br>SPEEDSTER  |
| -   | 644 559 301 00 | Logo<br>Gold-plated                              |        | 1   | 356                 |
| -   | 644 559 305 40 | Logo<br>Gold-plated                              |        | 1   | 356<br>SPEEDSTER    |
| -   | 356 70 428     | Dashboard<br>PORSCHE logo<br>Silver<br>Dashboard |        | 1   | 356<br>COUPE/CABRIO |

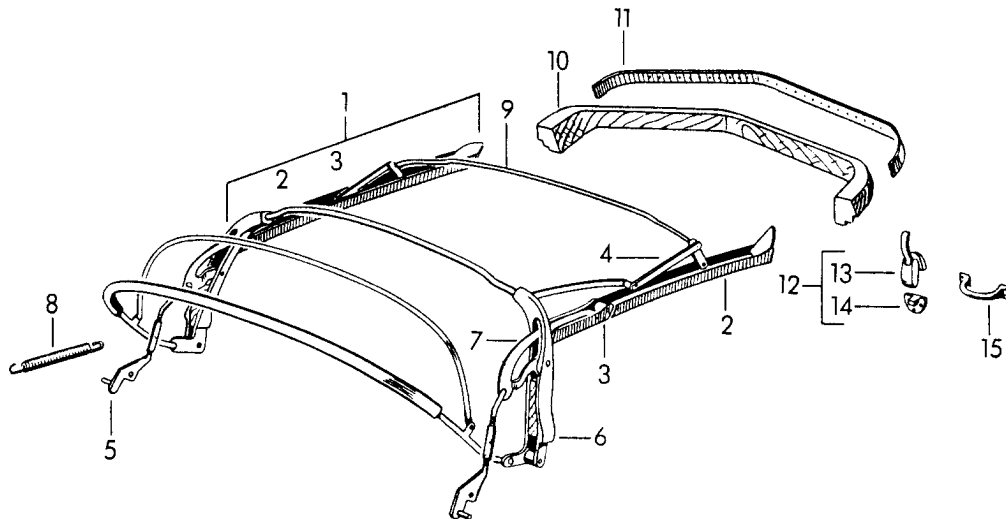


Model: 356 50 Model life 1950>>1959

| Pos | Part Number    | Description                               | Remark | Qty | Model               |
|-----|----------------|---|--------|-----|---------------------|
| -   | 356 70 428 1   | Logo<br>Gold-plated<br>Dashboard          |        | 1   | 356<br>COUPE/CABRIO |
| -   | 356 58 330     | Logo<br>"1300"<br>Chrome                  |        | 1   | 356                 |
| -   | 356 58 318     | Logo<br>"1500"<br>Chrome                  |        | 1   | 356                 |
| -   | 356 58 330 1   | Logo<br>"1300 SUPER"<br>Chrome            |        | 1   | 356                 |
| -   | 356 58 318 1   | Logo<br>"1500 SUPER"<br>Chrome            |        | 1   | 356                 |
| -   | 540 58 309     | Logo<br>"1300"<br>Gold-plated             |        | 1   | 356                 |
| -   | 540 58 301     | Logo<br>"1500"<br>Gold-plated             |        | 1   | 356                 |
| -   | 540 58 310     | Logo<br>-1300 SUPER-<br>Gold-plated       |        | 1   | 356                 |
| -   | 540 58 302     | Logo<br>-1500 SUPER-<br>Gold-plated       |        | 1   | 356                 |
| -   | 550 58 350     | Logo<br>-SPYDER-<br>Gold-plated           |        | 1   | 356                 |
| -   | 644 559 313 00 | Logo<br>-1300-<br>Chrome                  |        | 1   | 356                 |
| -   | 644 559 313 01 | Logo<br>-1300 SUPER-<br>Chrome            |        | 1   | 356                 |
| -   | 644 559 311 00 | Logo<br>-1600-<br>Gold-plated             |        | 1   | 356                 |
| -   | 644 559 311 01 | Logo<br>-1600 SUPER-<br>Gold-plated       |        | 1   | 356                 |
| -   | 644 559 325 00 | Logo<br>-CARRERA-<br>Gold-plated<br>Large |        | 1   | 356 A               |
| -   | 644 559 326 00 | Logo<br>-CARRERA-<br>Gold-plated<br>Small |        | 1   | 356 A               |
| -   | 644 999 999 99 | Logo<br>-RENN-SEMME-<br>Gold-plated       |        | 1   | 356 A               |
| -   | 999 591 211 01 | Tapping nut                               |        | 4   |                     |

Model: 356 50

Model life 1950>>1959



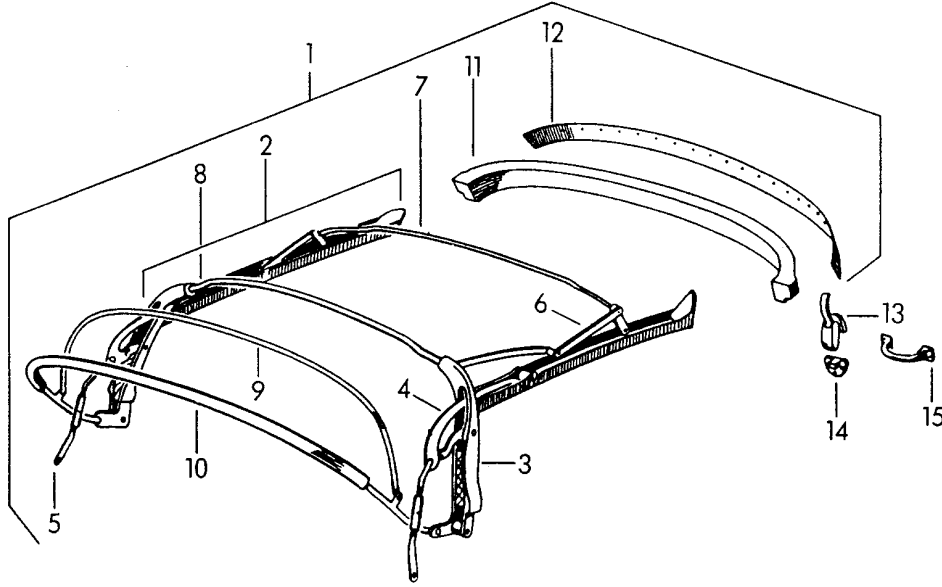
Model: 356 50

Model life 1950>>1959

| Pos | Part Number  | Description           | Remark | Qty | Model      |
|-----|--------------|-----------------------|--------|-----|------------|
|     |              | Convertible top frame |        |     | 356:CABRIO |
| 1   | 356 51 083   | Roof frame            | /L     | 1   |            |
| (1) | 356 51 084   | Roof frame            | /R     | 1   |            |
| (2) | 356 51 836   | Roof frame            | /V /L  | 1   |            |
| 2   | 356 51 837   | Roof frame            | /V /R  | 1   |            |
| (3) | 356 51 838   | Roof frame            | /H /L  | 1   |            |
| 3   | 356 51 839   | Roof frame            | /H /R  | 1   |            |
| (4) | 356 51 085   | Lever                 | /L     | 1   |            |
| 4   | 356 51 086   | Steering arm          | /R     | 1   |            |
| 5   | 356 51 089   | Steering arm          | /L     | 1   |            |
| (5) | 356 51 090   | Control lever         |        |     |            |
|     |              | Steering arm          | /R     | 1   |            |
|     |              | Control lever         |        |     |            |
| (6) | 356 51 816   | Roof strut            | /L     | 1   |            |
| 6   | 356 51 817   | Roof strut            | /R     | 1   |            |
| (7) | 356 51 826   | Steering arm          | /L     | 1   |            |
| 7   | 356 51 827   | Steering arm          | /R     | 1   |            |
| (8) | 356 51 851   | Tension spring        | /L     | 1   |            |
| 8   | 356 51 852   | Tension spring        | /R     | 1   |            |
| 9   | 356 51 878   | Convertible top frame |        | 1   |            |
|     |              | Complete              |        |     |            |
| -   | 356 51 879   | Convertible top frame | /L     | 1   |            |
|     |              | Side section          |        |     |            |
| -   | 356 51 880   | Convertible top frame | /R     | 1   |            |
|     |              | Side section          |        |     |            |
| 10  | 356 51 870   | Roof strut            | /V     | 1   |            |
| 11  | 356 51 871   | Rail                  | /V     | 1   |            |
| 12  | 356 51 875   | Catch                 |        | 3   |            |
|     |              | Complete              |        |     |            |
| 13  | 356 51 875 1 | Roof catch            |        | 1   |            |
|     |              | Upper part            |        |     |            |
| 14  | 356 51 875 2 | Roof catch            |        | 3   |            |
|     |              | Lower part            |        |     |            |
| 15  | 356 51 877   | Handle                |        | 2   |            |

Model: 356 50

Model life 1950>>1959



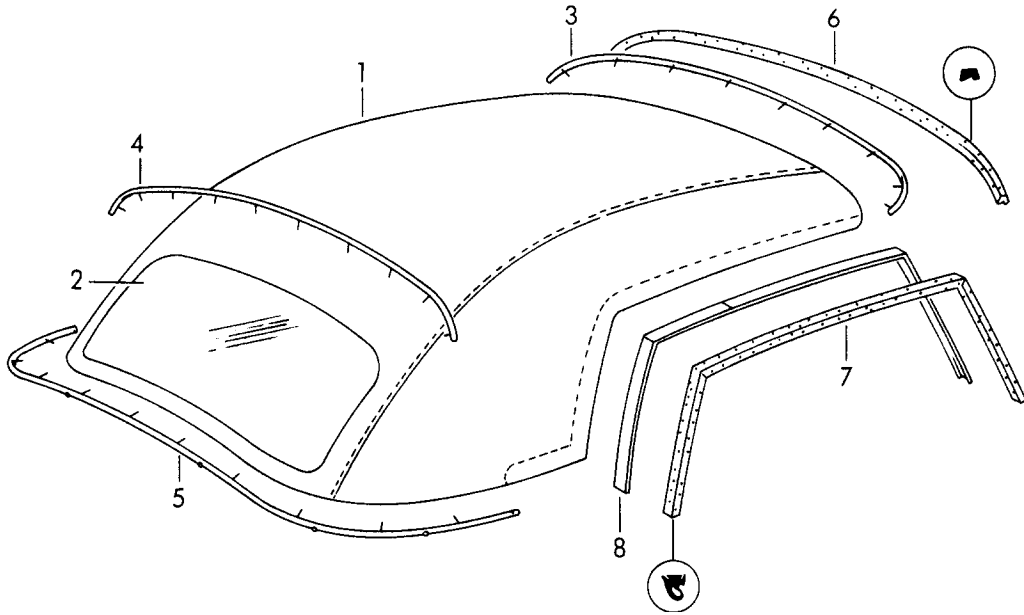
Model: 356 50

Model life 1950>>1959

| Pos  | Part Number    | Description  | Remark | Qty | Model             |
|------|----------------|--|--------|-----|-------------------|
| 1    | 644 561 005 02 | Convertible top frame<br>Convertible top frame<br>Complete |        | 1   | 356 A:CABRIO      |
| 2    | 644 561 031 00 | Roof frame   | /L     | 1   |                   |
| (2)  | 644 561 032 00 | Roof frame   | /R     | 1   |                   |
| (3)  | 644 561 053 00 | Bracket  | /L     | 1   |                   |
| 3    | 644 561 054 00 | Bracket  | /R     | 1   |                   |
| (4)  | 644 561 311 01 | Steering arm   | /L     | 1   |                   |
| 4    | 644 561 312 01 | Steering arm   | /R     | 1   |                   |
| 5    | 644 561 037 02 | Steering arm<br>Control lever                              | /L     | 1   |                   |
| (5)  | 644 561 038 02 | Steering arm<br>Control lever                              | /R     | 1   |                   |
| (6)  | 644 561 411 01 | Steering arm   | /L     | 1   |                   |
| 6    | 644 561 412 01 | Steering arm   | /R     | 1   |                   |
| 7    | 644 561 511 00 | Roof strut   | /V     | 1   |                   |
| 8    | 644 561 521 00 | Roof strut   |        | 1   |                   |
| 9    | 644 561 531 01 | Roof strut   | /H     | 1   |                   |
| 10   | 644 561 535 02 | Roof strut<br>F 61 001 >> 150 000                          | /H     | 1   |                   |
| 10   | 644 561 055 02 | Roof strut<br>F 150 001 >>                                 | /H     | 1   |                   |
| 11   | 644 561 501 00 | Roof strut   | /V     | 1   |                   |
| 12   | 644 561 505 00 | Rail   | /L     | 1   |                   |
| (12) | 644 561 506 00 | Rail   | /R     | 1   |                   |
| 13   | 644 561 891 00 | Catch<br>Upper part  |        | 1   | CABRIO            |
| (13) | 644 561 891 01 | Catch<br>Upper part  |        | 3   | HARDTOP           |
| 14   | 644 561 892 00 | Catch<br>Lower part  |        | 3   | CABRIO<br>HARDTOP |
| 15   | 644 561 991 00 | Handle   |        | 2   | CABRIO            |

Model: 356 50

Model life 1950>>1959



Model: 356 50 Model life 1950>>1959

| Pos | Part Number    | Description  | Remark | Qty | Model         |
|-----|----------------|--|--------|-----|---------------|
| 1   | 356 51 800 2   | Convertible top covering<br>Outer lining<br>with<br>Rear window            |        | 1   | CABRIO<br>356 |
| -   | 356 51 800 1   | Convertible top<br>without<br>Moulding<br>without<br>Convertible top frame |        | 1   | 356           |
| -   | 356 51 800     | Convertible top covering<br>without<br>Rear window<br>Small                |        | 1   | 356           |
| 1   | 644 561 081 00 | Outer lining<br>with<br>Rear window<br>F 61 001 >> 150 000                 |        | 1   | 356 A         |
| 1   | 644 561 082 01 | Convertible top covering<br>with<br>Rear window<br>F 150 001 >>            |        | 1   | 356 A         |
| (2) | 356 57 351     | Rear window<br>F 5 015 >> 60 389   |        | 1   | 356           |
| 2   | 356 57 355     | Rear window<br>F 60 390 >>   |        | 1   | 356           |
| -   | 356 51 861     | Frame<br>Rear window<br>F 5 015 >> 60 389                                  |        | 1   | 356           |
| -   | 356 51 862     | Frame<br>Rear window<br>F 5 015 >> 60 389                                  |        | 1   | 356           |
| -   | 356 57 353     | Sealing rubber<br>Rear window<br>F 5 015 >> 60 389                         |        | 1   | 356           |
| 2   | 644 545 101 20 | Rear window<br>F 61 001 >> 150 000   |        | 1   | 356 A         |
| 2   | 644 545 101 21 | Rear window<br>F 150 001 >>  |        | 1   | 356 A         |
| 3   | 356 51 872 14  | Moulding<br>1350 MM  |        | 1   | 356           |
| 3   | 644 561 871 00 | Moulding<br>F 61 001 >> 150 000  |        | 1   | 356           |
| 3   |                | Deleted<br>F 150 001 >>  |        | *   | 356 A         |
| 4   | 356 51 872 15  | Moulding<br>Centre<br>1000 MM  |        | 1   | 356           |
| (4) | PCG 561 881 00 | Moulding<br>Centre<br>Valid from:<br>03/1959                               |        | 1   | 356 A         |
| -   | 644 561 877 00 | Moulding   |        | 2   | 356 A         |
| -   | 644 561 877 01 | Moulding   |        | 2   | 356 A         |
| -   |                | Moulding<br>Inner<br>Lateral   |        | 2   | 356 A         |
| 5   | 356 51 872 16  | Moulding<br>Rear<br>with<br>Lower part<br>-TENAX-                          |        | 1   | 356           |
| 5   | 644 561 875 00 | Moulding<br>Rear   |        | 1   | 356 A         |

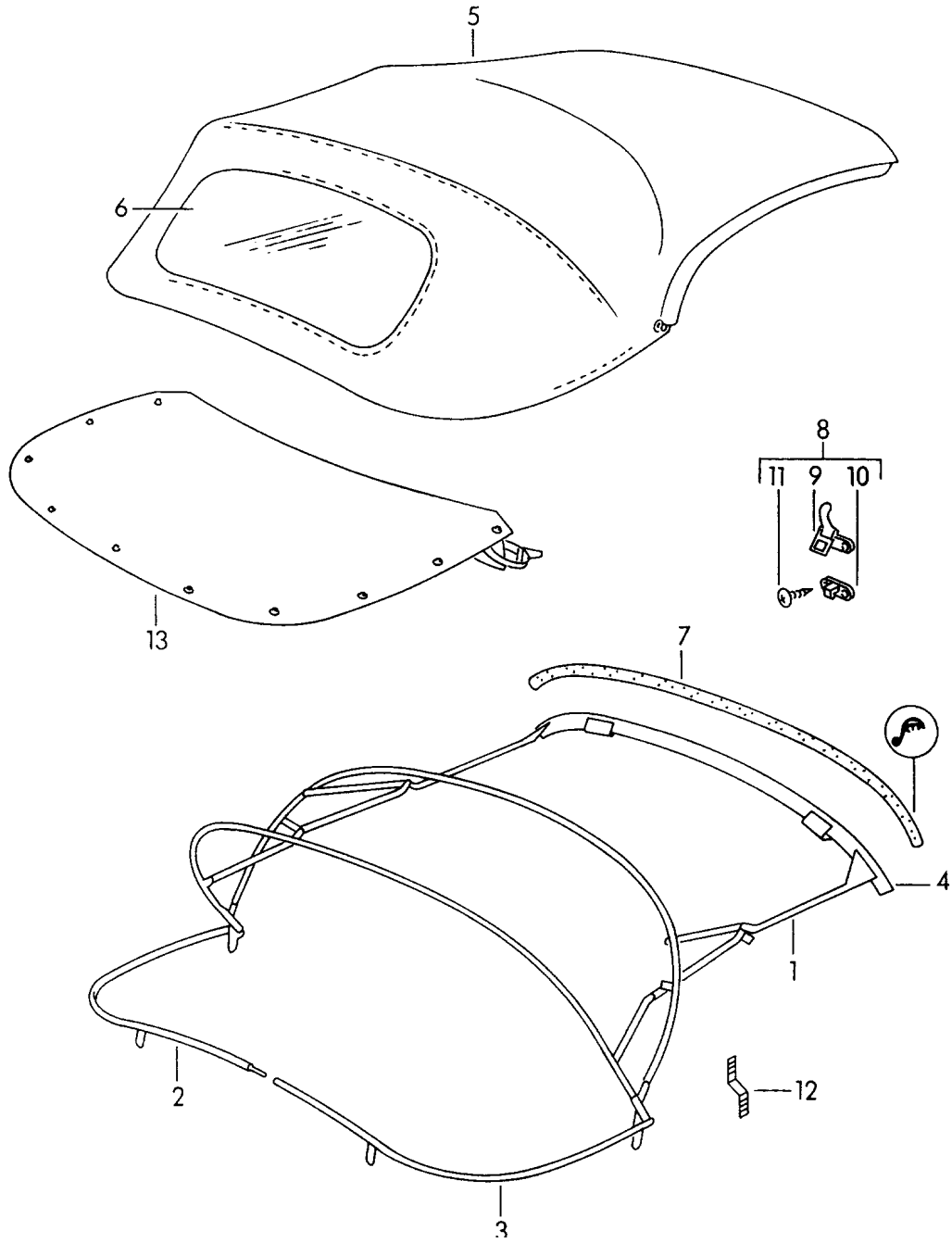
Model: 356 50 Model life 1950>>1959

| Pos | Part Number    | Description  | Remark | Qty | Model |
|-----|----------------|--|--------|-----|-------|
| 6   | 644 561 931 20 | with<br>Lower part<br>-TENAX-<br>F 61 001 >> 150 000<br>Sealing rubber<br>1350MM |        | 1   | 356   |
| 6   |                | Sealing rubber<br>1350 MM  |        | 1   | 356 A |
| 7   | 644 542 921 20 | Sealing rubber<br>1150 MM  |        | 2   | 356   |
| 7   |                | Sealing rubber<br>1150 MM  |        | 2   | 356 A |
| (7) | 644 542 095 20 | F 61 001 >> 150 000<br>Sealing rubber<br>3-part                                  | /L     | 1   | 356 A |
| (7) |                | F 150 001 >><br>Sealing rubber<br>3-part   | /R     | 1   | 356 A |
| 8   | 356 52 821     | F 150 001 >><br>Retaining strip<br>1150 MM                                       |        | 2   | 356   |
| 8   | 644 542 950 20 | Retaining strip<br>1150 MM<br>Profile rail<br>3-part<br>STATT                    |        | 2   | 356 A |
| -   | 644 542 951 41 | Retaining strip<br>Profile rail  | /V /L  | 1   | 356 A |
| -   | 644 542 952 41 | Profile rail   | /V /R  | 1   | 356 A |
| -   | 644 542 956 41 | Profile rail<br>Centre   | /L /R  | 2   | 356 A |
| -   | 644 542 957 41 | Profile rail   | /H /L  | 1   | 356 A |
| -   | 644 542 958 41 | Profile rail   | /H /R  | 1   | 356 A |



Model: 356 50

Model life 1950>>1959



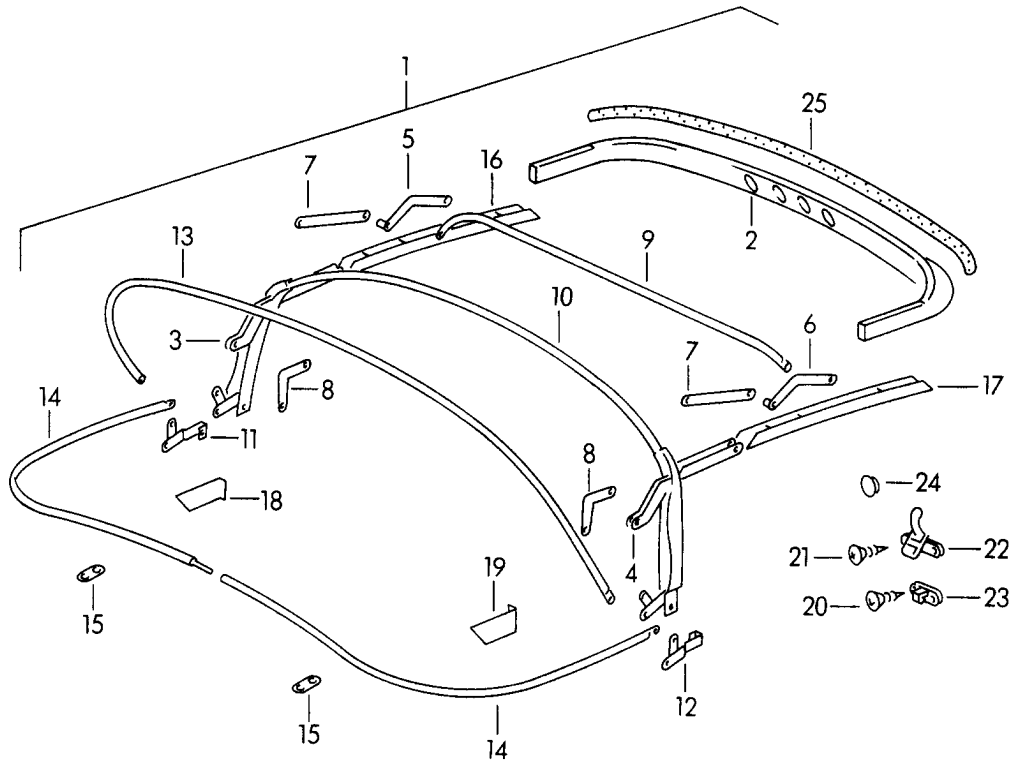
Model: 356 50

Model life 1950&gt;&gt;1959

| Pos | Part Number    | Description  | Remark | Qty | Model            |
|-----|----------------|--|--------|-----|------------------|
|     |                | Convertible top<br>Convertible top covering<br>Convertible top frame<br>Complete |        | 1   | SPEEDSTER<br>356 |
| 1   | 540 51 080     | Convertible top<br>Convertible top covering<br>Convertible top frame<br>Complete |        | 1   | 356              |
| 2   | 540 51 083     | Roof strut   | /H /L  | 1   | 356              |
| 3   | 540 51 084     | Roof strut   | /H /R  | 1   | 356              |
| 4   | 540 51 085     | Roof strut   | /V     | 1   | 356              |
| 5   | 540 51 089     | Convertible top covering<br>with<br>Rear window<br>Please state the colour       |        | 1   | 356              |
| 5   | 540 561 082 00 | Outer lining<br>with<br>Rear window<br>Please state the colour                   |        | 1   | 356 A            |
| 6   | 540 51 845     | Rear window  |        | 1   | 356              |
| 6   | 540 545 101 01 | Rear window  |        | 1   | 356 A            |
| 7   | 540 51 831     | Sealing rubber   | /V     | 1   | 356              |
| 7   | 540 561 931 00 | Sealing rubber   | /V     | 1   | 356 A            |
| 8   | 540 51 844     | Catch<br>Complete  |        | 2   | 356              |
| 8   | 540 561 890 00 | Catch<br>Complete  |        | 2   | 356 A            |
| 9   | 540 51 844 1   | Catch<br>Upper part  |        | 2   | 356              |
| 9   | 540 561 891 00 | Catch<br>Upper part  |        | 2   | 356 A            |
| 10  | 540 51 844 2   | Catch<br>Lower part  |        | 2   | 356              |
| 10  | 540 561 892 00 | Catch<br>Lower part  |        | 2   | 356 A            |
| 11  | 900 018 017 02 | Countersunk-head screw<br>Chrome<br>M 5 X 8                                      |        | 8   | 356              |
| 12  | 540 51 209     | Bracket  |        | 2   | 356              |
| 13  | 540 51 850     | Cover  |        | 1   | 356              |

Model: 356 50

Model life 1950>>1959



Model: 356 50 Model life 1950>>1959

| Pos | Part Number    | Description   | Remark | Qty | Model       |
|-----|----------------|---|--------|-----|-------------|
|     |                | Convertible top frame<br>Tonneau cover                                      |        |     | CONVERTIBLE |
| 1   | 644 561 005 41 | Convertible top frame<br>without  |        | 1   |             |
| 2   | 644 561 010 41 | Convertible top covering<br>Roof frame<br>Leatherette                       |        | 1   |             |
| 3   | 644 561 019 41 | Roof frame  | /L     | 1   |             |
| 4   | 644 561 020 41 | Roof frame  | /R     | 1   |             |
| 5   | 644 561 345 41 | Control arm   | /L     | 1   |             |
| 6   | 644 561 346 41 | Control arm   | /R     | 1   |             |
| 7   | 644 561 245 41 | Control arm   | /L /R  | 2   |             |
| 8   | 644 561 445 41 | Control arm   | /L /R  | 2   |             |
| 9   | 644 561 008 41 | Roof strut  | /V     | 1   |             |
| 10  | 644 561 007 41 | Roof strut<br>Centre  |        | 1   |             |
| 11  | 644 561 071 41 | Convertible top support   | /L     | 1   |             |
| 12  | 644 561 072 41 | Convertible top support   | /R     | 1   |             |
| 13  | 644 561 041 41 | Roof strut  | /H     | 1   |             |
| 14  | 644 561 045 41 | Clip  | /H     | 1   |             |
| 15  | 644 561 451 41 | Fastening clip  |        | 2   |             |
| 16  | 644 561 865 41 | Rain channel<br>Aluminium   | /V /L  | 1   |             |
| 17  | 644 561 866 41 | Rain channel<br>Aluminium   | /V /R  | 1   |             |
| 18  | 644 561 075 41 | Cover plate   | /L     | 1   |             |
| 19  | 644 561 076 41 | Cover plate   | /L     | 1   |             |
| 20  | 999 148 005 04 | Countersunk-head screw<br>AM 5 X 12<br>Chrome                               |        | 4   |             |
| 20  | 999 148 005 0E | Countersunk-head screw<br>AM 5 X 12   |        | 4   |             |
| 21  | 900 148 008 02 | Oval-head screw<br>Countersunk-head screw<br>AM 5 X 8<br>Chrome             |        | 4   |             |
| 22  | 540 561 891 00 | Catch<br>Upper part   |        | 2   |             |
| 23  | 540 561 892 00 | Catch<br>Lower part   |        | 2   |             |
| 24  | 644 561 897 41 | Retaining pivot   |        | 2   |             |
| 25  | 644 561 091 41 | Sealing rubber  |        | 1   |             |
| -   | 644 561 001 41 | Complete<br>Convertible top<br>Complete                                     |        | 1   |             |
| -   | 644 561 080 41 | Convertible top frame<br>with<br>Convertible top covering                   |        | 1   |             |
| -   | 644 561 803 41 | Rear window<br>Side section   | /L     | 1   |             |
| -   | 644 561 804 41 | Side section  | /R     | 1   |             |
| -   | 644 561 087 41 | Convertible top covering<br>with<br>Rear window                             |        | 1   |             |
| -   | 644 561 821 41 | Beading<br>Complete   |        | 1   |             |
| -   | 644 725 051 41 | Tonneau cover<br>F 85 501 >> 86 830<br>Tonneau cover<br>Leatherette<br>with |        | 1   | CONVERTIBLE |

Model: 356 50

Model life 1950&gt;&gt;1959

| Pos | Part Number    | Description   | Remark | Qty | Model |
|-----|----------------|---|--------|-----|-------|
| -   | 644 725 051 42 | Zip<br>Tonneau cover<br>with  |        | 1   |       |
| -   | 644 725 055 41 | Zip<br>Bag<br>for<br>Tonneau cover  |        | 1   |       |
| -   | 644 725 060 41 | Boot<br>Convertible top   |        | 1   |       |
| -   | 644 731 301 41 | Sun visor   |        | 1   |       |
| -   | 900 148 003 02 | Rais. counters. h. tap. s.<br>Countersunk-head screw<br>AM 4 X 8<br>Chrome<br>Sun visor |        | 2   |       |

Model: 356 50

Model life 1950>>1959



Model: 356 50

Model life 1950&gt;&gt;1959

| Pos | Part Number    | Description   | Remark | Qty | Model |
|-----|----------------|---|--------|-----|-------|
| -   | 644 563 001 00 | Hardtop<br>Hardtop<br>with<br>Washer<br>And<br>Lining |        | 1   | 356 A |
| -   | 644 563 005 00 | Hardtop<br>Bodyshell<br>Prime coated                  |        | 1   |       |
| -   | 644 555 501 60 | Cover   |        | 1   |       |
| -   | 644 543 101 60 | Side window   | /H /L  | 1   |       |
| -   | 644 543 102 60 | Side window   | /H /R  | 1   |       |
| -   | 644 543 901 60 | Tread<br>Rubber                                       | /H     | 2   |       |
| -   | 644 563 091 00 | Ornamental strip<br>with<br>Cover                     | /L     | 1   |       |
| -   | 644 563 092 00 | Ornamental strip<br>with<br>Cover                     | /R     | 1   |       |
| -   | 644 563 093 00 | Ornamental strip<br>without<br>Cover                  | /L     | 1   |       |
| -   | 644 563 094 00 | Ornamental strip<br>without<br>Cover                  | /R     | 1   |       |
| -   | 644 563 095 00 | Ornamental strip<br>Centre piece<br>with<br>Cover     |        | 1   |       |
| -   | 644 563 981 00 | Ornamental strip<br>Centre piece<br>without<br>Cover  |        | 1   |       |
| -   | 644 545 101 60 | Rear window   |        | 1   |       |
| -   | 644 545 901 60 | Tread<br>Rear window                                  |        | 1   |       |
| -   | 644 545 911 60 | Trim frame-half                                       | /L     | 1   |       |
| -   | 644 545 912 60 | Trim frame-half                                       | /R     | 1   |       |
| -   | 644 541 921 00 | Covering plate  |        | 2   |       |
| -   | 644 563 905 00 | Rubber moulding<br>Rear wall<br>Clip                  |        | 1   |       |
| -   | 644 563 907 00 | Rubber profile<br>Roof frame<br>Upper<br>48 X 28 MM   | /L     | 1   |       |
| -   | 644 563 908 00 | Rubber profile<br>Roof frame<br>Upper<br>48 X 28 MM   | /R     | 1   |       |
| -   | 644 563 915 00 | Moulding section<br>for<br>Attachment                 | /L     | 1   |       |
| -   | 644 563 916 00 | Moulding section<br>for<br>Attachment                 | /R     | 1   |       |
| -   | 644 563 921 00 | Covering plate  |        | 1   |       |
| -   | 644 561 931 20 | Sealing rubber<br>for<br>Roof strut<br>1350 MM        | /V     | 1   |       |
| -   | 644 563 081 01 | Turnbuckle  |        | 2   |       |

Model: 356 50

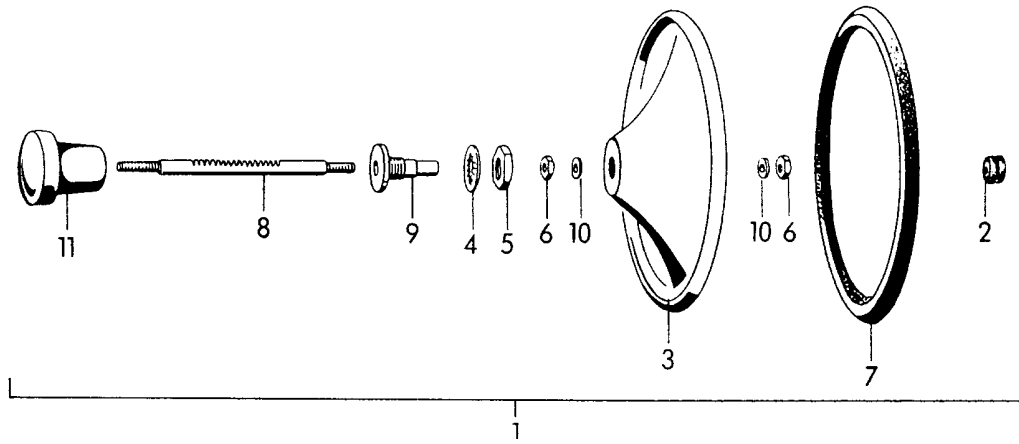
Model life 1950&gt;&gt;1959

| Pos | Part Number    | Description                            | Remark | Qty | Model |
|-----|----------------|--|--------|-----|-------|
| -   | 900 151 003 02 | Washer<br>Large                        |        | 2   |       |
| -   | 900 151 006 03 | Washer<br>Large                        |        | 2   |       |
| -   | 644 563 815 00 | Fastening angle                        |        | 2   |       |
| -   | 644 563 821 00 | Cap                                    |        | 2   |       |
| -   | 900 019 009 00 | Rais. counters. h. tap. s.<br>M 6 X 12 |        | 4   |       |
| -   | 644 563 710 00 | Mounting plate<br>with<br>Bolt         |        | 2   |       |



Model: 356 50

Model life 1950>>1959

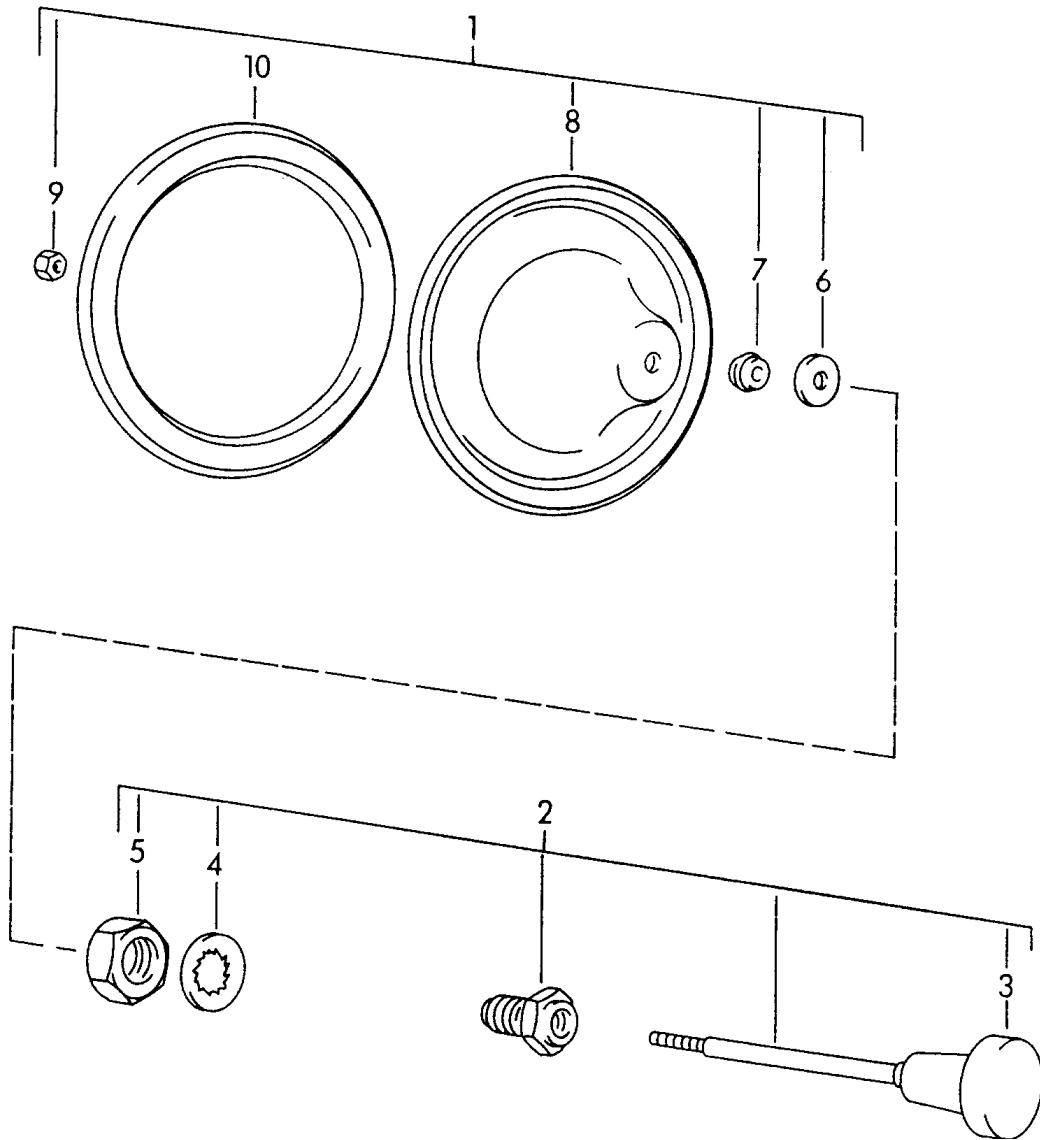


Model: 356 50 Model life 1950>>1959

| Pos | Part Number  | Description                             | Remark | Qty | Model              |
|-----|--------------|---|--------|-----|--------------------|
| 1   | 356 55 031   | Valve<br>Valve Complete with Knob Beige |        | 1   | 356 : COUPE CABRIO |
| (1) | 356 55 021   | Valve Complete with Knob Grey           |        | 2   |                    |
| -   | 356 55 216 1 | Knob Ivory with Axle Ivory              |        | 2   |                    |
|     |              | F 5 001 >> 52 029                       |        |     | COUPE              |
|     |              | F 5 015 >> 60 549                       |        |     | CABRIO             |
| -   | 356 55 216 2 | Threaded joint                          |        | 2   |                    |
|     |              | F 5 001 >> 52 029                       |        |     | COUPE              |
|     |              | F 5 015 >> 60 549                       |        |     | CABRIO             |
| -   | 356 55 216 3 | Nipple                                  |        | 2   |                    |
|     |              | F 5 001 >> 52 029                       |        |     | COUPE              |
|     |              | F 5 015 >> 60 549                       |        |     | CABRIO             |
| 2   | 356 55 200   | Rubber sleeve \$ 4 MM                   |        | 2   |                    |
| 3   | 356 55 214   | Seat                                    |        | 2   |                    |
| 4   | 356 55 216 4 | Shake-proof washer                      |        | 2   |                    |
| 5   | 356 55 216 5 | Hexagon nut                             |        | 2   |                    |
| -   | 356 55 216 6 | Nut                                     |        | 2   |                    |
|     |              | F 5 001 >> 52 029                       |        |     | COUPE              |
|     |              | F 5 015 >> 60 549                       |        |     | CABRIO             |
| 6   | 356 55 216 7 | Nut M 3                                 |        | 4   |                    |
| 7   | 356 55 217   | Rubber ring                             |        | 2   |                    |
| 8   | 356 55 310   | Axle                                    |        | 2   |                    |
|     |              | F 52 030 >>                             |        |     | COUPE              |
|     |              | F 60 550 >>                             |        |     | CABRIO             |
| 9   | 356 55 311   | Threaded joint                          |        | 2   |                    |
|     |              | F 52 030 >>                             |        |     | COUPE              |
|     |              | F 60 550 >>                             |        |     | CABRIO             |
| -   | 356 55 312   | Nut M 3                                 |        | 4   |                    |
| 10  | 356 55 313   | Washer                                  |        | 4   |                    |
| 11  | 356 53 707   | Knob<br>Please state the colour         |        | 1   |                    |

Model: 356 50

Model life 1950>>1959

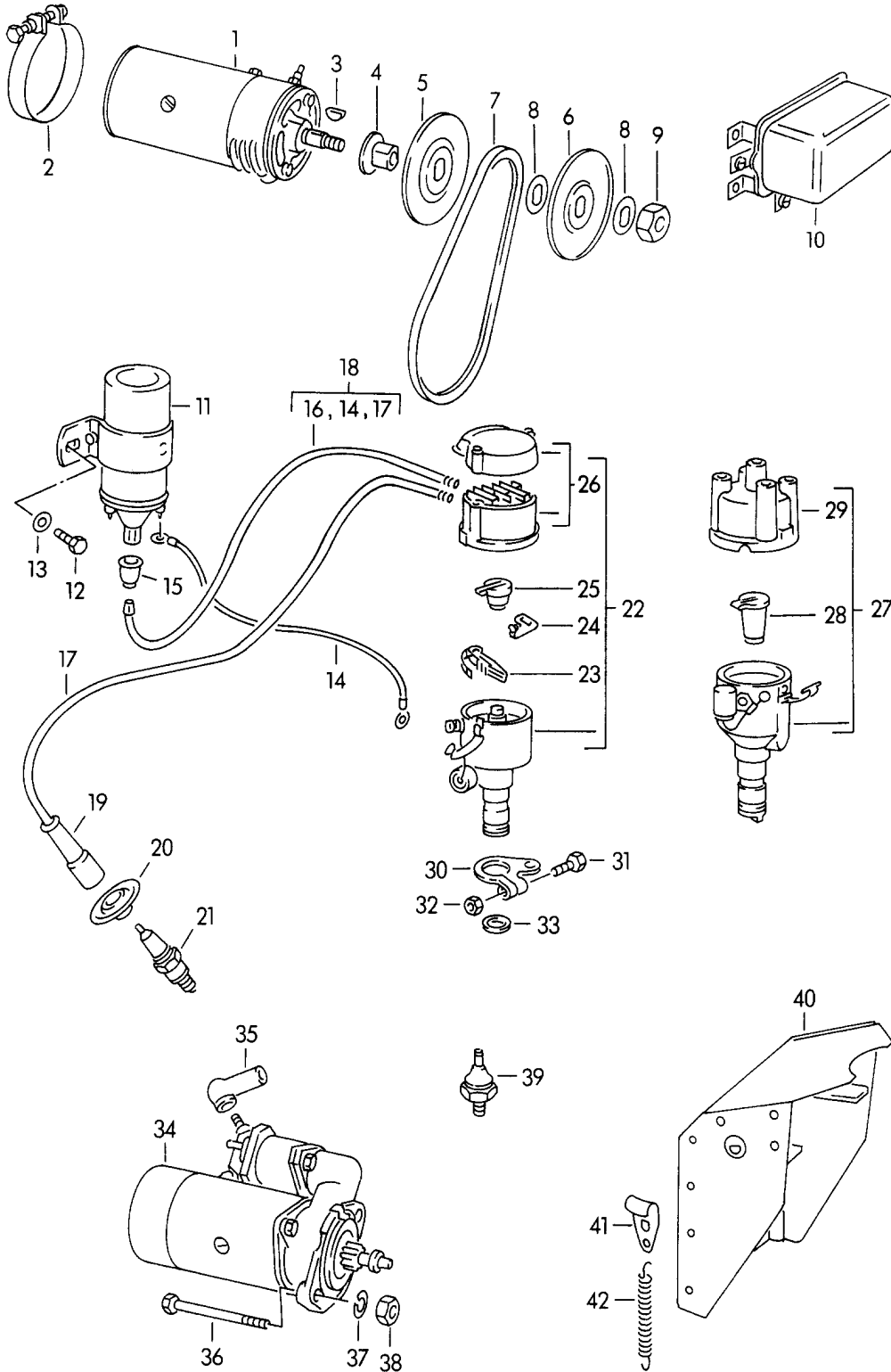


Model: 356 50 Model life 1950>>1959

| Pos | Part Number        | Description                                   | Remark | Qty | Model                 |
|-----|--------------------|---|--------|-----|-----------------------|
|     |                    | Valve   |        |     | 356 A:COUPE<br>CABRIO |
| 1   | 644 571 011 01     | Valve   |        | 2   |                       |
| 2   | 644 571 015 00     | Knob<br>with<br>Axle<br>And<br>Clamping piece |        | 2   |                       |
| 3   | 644 552 810 01     | Knob<br>Fresh-air flap                        |        | 2   |                       |
|     | 644 552 810 01 700 | Black   |        |     |                       |
|     | 644 552 810 01 600 | Grey  |        |     |                       |
|     | 644 552 810 01 500 | Beige   |        |     |                       |
|     | 644 552 810 01 300 | White<br>Ivory                                |        |     |                       |
| 4   | N 012 112 2        | Serrated lock washer<br>J 12,5                |        | 2   |                       |
| 5   | 900 078 004 00     | Hexagon nut<br>M 12 X 1,5                     |        | 2   |                       |
| 6   | 900 151 028 02     | Washer<br>A 4,3                               |        | 4   |                       |
| 6   | 900 151 028 01     | Washer<br>A 4,3                               |        | 4   |                       |
| 7   | 999 702 012 50     | Rubber sleeve<br>4 X 8 X 8                    |        | 2   |                       |
| 8   | 644 571 111 00     | Seat  |        | 2   |                       |
| 9   | N 011 004 6        | Hexagon nut<br>M 4                            |        | 4   |                       |
| 9   | N 011 004 G        | Nut<br>M 4                                    |        | 4   |                       |
| 10  | 644 571 191 00     | Rubber ring                                   |        | 2   |                       |

Model: 356 50

Model life 1950>>1959



Model: 356 50 Model life 1950>>1959

| Pos  | Part Number    | Description            | Remark | Qty | Model      |
|------|----------------|------------------------|--------|-----|------------|
|      |                | Electrical equipment   |        |     | 356 /356 A |
|      |                | Engine                 |        |     |            |
| 1    | 546 09 501     | Generator              |        | 1   | 356        |
|      |                | LJ/GE 160/6/2500 L 2   |        |     |            |
| 1    | 616 603 101 00 | Generator              |        | 1   | 356 A      |
|      |                | LJ/LE 160/6/2500 L 2   |        |     |            |
| (1)  | 616 603 101 01 | Generator              |        | 1   | 356 A      |
|      |                | LJ/GEG 200/6/2600 L 29 |        |     |            |
| -    | 616 109 381 00 | Cap<br>for             |        | 1   | 356 A      |
|      |                | Dc generator           |        |     |            |
| 2    | 546 09 301     | Restraining strap      |        | 1   |            |
| 3    | N 012 705 1    | Woodruff key           |        | 1   |            |
|      |                | 3 X 5                  |        |     |            |
| 4    | 547 09 304     | Hub                    |        | 1   |            |
| 5    | 539 09 315     | Pulley                 |        | 1   |            |
|      |                | I                      |        |     |            |
| 6    | 539 09 316     | Pulley                 |        | 1   |            |
|      |                | II                     |        |     |            |
| 7    | 999 192 006 50 | Narrow v-belt          |        | 1   |            |
|      |                | 9,5 X 825              |        |     |            |
| 8    | 539 09 314     | Washer                 |        | 10  |            |
| 9    | 547 09 303     | Hexagon nut            |        | 1   |            |
| 10   | 356 61 901 1   | Regulator switch       |        | 1   | 356        |
|      |                | RS/UA 160/6/15         |        | 1   |            |
| 10   | 616 603 201 00 | Regulator switch       |        | 1   | 356 A      |
|      |                | RS/UA 160/6/24<br>for  |        |     |            |
|      |                | Dc generator           |        |     |            |
|      |                | 616.603.101.00         |        |     |            |
| (10) | 616 603 201 01 | Regulator switch       |        | 1   | 356 A      |
|      |                | RS/UA 200/6/23<br>for  |        |     |            |
|      |                | Dc generator           |        |     |            |
|      |                | 616.603.101.01         |        |     |            |
| -    | 900 014 005 02 | Pan-head screw         |        | 3   |            |
|      |                | M 5 X 15               |        |     |            |
| -    | N 012 005 3    | Lock ring              |        | 3   |            |
|      |                | B 5                    |        |     |            |
| -    | 900 025 003 02 | Washer                 |        | 3   |            |
|      |                | A 5,3                  |        |     |            |
| 11   | 616 602 108 00 | Ignition coil          |        | 1   |            |
|      |                | TK 6 A/3               |        |     |            |
| 12   | N 010 215 13   | Hexagon-head bolt      |        | 1   |            |
|      |                | M 6 X 15               |        |     |            |
| 13   | 900 151 003 02 | Washer                 |        | 1   |            |
|      |                | A 6                    |        | 1   |            |
| 13   | 900 151 006 03 | Washer                 |        | 1   |            |
|      |                | A 6                    |        | 1   |            |
| 14   | 356 09 612     | Line                   |        | 1   |            |
| 15   | 539 09 312     | Cap                    |        | 1   | 356        |
| 15   | 999 659 001 40 | Water protection cap   |        | 6   | 356 A      |
| 16   | 356 09 602     | Ignition lead          |        | 1   | 356        |
|      |                | Ignition coil          |        |     |            |
|      |                | Distributor            |        |     |            |
| 16   | 539 09 206     | Ignition lead          |        | 1   | 356 A      |
|      |                | Ignition coil          |        |     |            |
|      |                | Distributor            |        |     |            |
|      |                | M >> 67 000            |        |     | 1600       |
|      |                | M >> 81 200            |        |     | 1600 S     |
| 16   | 616 109 952 05 | Ignition lead          |        | 1   | 356 A      |
|      |                | Ignition coil          |        |     |            |
|      |                | Distributor            |        |     |            |

Model: 356 50 Model life 1950>>1959

| Pos | Part Number    | Description   | Remark | Qty | Model                                |
|-----|----------------|---|--------|-----|--------------------------------------|
| 17  | 356 09 605     | M 67 001 >><br>M 81 201 >><br>Ignition lead<br>Distributor<br>Cylinder<br>I   |        | 1   | 1600<br>1600 S<br>356                |
| -   | 356 09 607     | Ignition lead<br>Distributor<br>Cylinder<br>II                                |        | 1   | 356                                  |
| -   | 356 09 609     | Ignition lead<br>Distributor<br>Cylinder<br>III                               |        | 1   | 356                                  |
| -   | 356 09 611     | Ignition lead<br>Distributor<br>Cylinder<br>IV                                |        | 1   | 356                                  |
| 17  | 539 09 208     | Ignition lead<br>Distributor<br>Cylinder<br>I<br>M >> 67 000<br>M >> 81 200   |        | 1   | 356 A<br><br>1600<br>1600 S<br>356 A |
| -   | 539 09 209     | Ignition lead<br>Distributor<br>Cylinder<br>II<br>M >> 67 000<br>M >> 81 200  |        | 1   | 1600<br>1600 S<br>356 A              |
| -   | 539 09 210     | Ignition lead<br>Distributor<br>Cylinder<br>III<br>M >> 67 000<br>M >> 81 200 |        | 1   | 1600<br>1600 S<br>356 A              |
| -   | 539 09 211     | Ignition lead<br>Distributor<br>Cylinder<br>IV<br>M >> 67 000<br>M >> 81 200  |        | 1   | 1600<br>1600 S<br>356 A              |
| 17  | 616 109 952 01 | Ignition lead<br>Distributor<br>Cylinder<br>I<br>M 67 001 >><br>M 81 201 >>   |        | 1   | 1600<br>1600 S<br>356 A              |
| -   | 616 109 952 02 | Ignition lead<br>Distributor<br>Cylinder<br>II<br>M 67 001 >><br>M 81 201 >>  |        | 1   | 1600<br>1600 S<br>356 A              |
| -   |                | Ignition lead<br>Distributor<br>Cylinder<br>III<br>M 67 001 >><br>M 81 201 >> |        | 1   | 1600<br>1600 S<br>356 A              |
| -   |                | Ignition lead<br>Distributor<br>Cylinder                                      |        | 1   | 1600<br>1600 S<br>356 A              |

Model: 356 50 Model life 1950>>1959

| Pos | Part Number    | Description  | Remark | Qty | Model                   |
|-----|----------------|--|--------|-----|-------------------------|
| 18  | 616 109 952 00 | IV<br>M 67 001 >><br>M 81 201 >><br>Set of ignition cables                 |        | 1   | 1600<br>1600 S<br>356 A |
| -   | 547 29 224     | M 67 001 >><br>M 81 201 >><br>O-ring                                       |        | 4   | 1600<br>1600 S          |
| -   | 999 652 203 40 | Cable clamp<br>M 67 001 >><br>M 81 201 >><br>Cable holder                  |        | 4   | 1600<br>1600 S          |
| 19  | 692 609 302 00 | Rubber<br>M 67 001 >><br>M 81 201 >><br>Spark plug connector               |        | 4   | 1600<br>1600 S          |
| 19  | PCG 609 302 00 | Spark plug connector   |        | 4   |                         |
| 20  | 539 09 201     | Rubber cap   |        | 4   |                         |
| 20  | 111 905 449    | Protection cap   |        | 4   |                         |
| -   | 547 09 222     | Spark plug<br>Use also:<br>547 09222<br>for<br>Spark plug                  |        | X   |                         |
| -   | 547 09 222     | Nut<br>for<br>Spark plug   |        | X   |                         |
| 21  | 999 170 023 90 | Spark plug   |        | 4   |                         |
| 22  | 369 02 210     | BERU 14-5AU<br>Distributor   |        | 1   |                         |
| 22  | 369 09 210     | VE 4 BRS 383<br>Distributor  |        | 1   |                         |
| 23  | 616 602 226 01 | VE BRS 383<br>Contact breaker point  |        | 1   |                         |
| 23  | 616 602 226 03 | ZUH 9/6Z<br>Contact breaker point  |        | 1   |                         |
| 24  | 616 602 226 01 | ZUH 9/6Z<br>Contact breaker point  |        | 1   |                         |
| 24  | 616 602 226 03 | ZKT 48/5 Z<br>Contact breaker point  |        | 1   |                         |
| 25  |                | ZKT 48/5 Z<br>Rotor  |        | 1   | 356                     |
| 25  | 369 602 902 00 | ZVT 53 ZIZ<br>Rotor  |        | 1   | 356 A                   |
| 26  | 369 602 901 00 | ZVT 53 Z6Z<br>Distributor cap  |        | 1   |                         |
| -   | 616 602 907 00 | ZVS 73/1 Z<br>Condenser  |        | 1   | 356 A                   |
| -   | 616 602 905 00 | ZKO 29/62 Z<br>Wiper contact   |        | 1   | 356 A                   |
| 27  | 616 602 201 FX | with<br>Spring<br>WSK 400/9 Z<br>Distributor                               |        | 1   | 356 A                   |
| 27  | 616 602 201 00 | with<br>Contact breaker point<br>M >> 67 000<br>M >> 81 200<br>Distributor |        | 1   | 1600<br>1600 S<br>356 A |
|     |                | VJ 4 BR 9<br>with<br>Contact breaker point<br>M >> 67 000<br>M >> 81 200   |        |     | 1600<br>1600 S          |



Model: 356 50 Model life 1950&gt;&gt;1959

| Pos | Part Number    | Description   | Remark | Qty | Model                   |
|-----|----------------|---|--------|-----|-------------------------|
| -   | 616 602 201 01 | Distributor<br>VJ 4 BR 18(MK)<br>M 67 001 >><br>M 81 201 >>                     |        | 1   | 356 A<br>1600<br>1600 S |
| -   | 616 602 201 02 | Distributor<br>VJR 4 BR 18(MK)<br>M 67 001 >><br>M 81 201 >>                    |        | 1   | 356 A<br>1600<br>1600 S |
| 28  | 616 602 221 01 | Rotor<br>ZVT 53 Z 9 Z<br>M >> 67 000<br>M >> 81 200                             |        | 1   | 356 A<br>1600<br>1600 S |
| 28  | 616 602 221 05 | Rotor<br>ZVVT 5 Z 4 Z<br>M 67 001 >><br>M 81 201 >>                             |        | 1   | 356 A<br>1600<br>1600 S |
| 29  | 616 602 215 00 | Distributor cap<br>ZVS 75 76 Z  |        | 1   |                         |
| 29  | 616 602 215 03 | Distributor cap<br>ZVS 75 76 Z  |        | 1   |                         |
| -   | 616 602 906 00 | Condenser<br>ZKO 29/13 Z<br>M >> 67 000<br>M >> 81 200                          |        | 1   | 356 A<br>1600<br>1600 S |
| -   | 616 602 227 00 | Condenser<br>LMKO 1 Z 20 Z<br>M 67 001 >><br>M 81 201 >>                        |        | 1   | 356 A<br>1600<br>1600 S |
| -   | 616 602 229 00 | Bush<br>WAM 9 Z 1 Z<br>M 67 001 >><br>M 81 201 >>                               |        | 1   | 356 A<br>1600<br>1600 S |
| -   | 616 602 230 00 | Coil spring<br>Centrifugal governor<br>WSF 89/8 X<br>M 67 001 >><br>M 81 201 >> |        | 1   | 1600<br>1600 S          |
| -   | 930 602 905 00 | Wiper contact<br>with<br>Spring<br>NSK 2/1 Z                                    |        | 1   | 356 A                   |
| 30  | 539 09 313     | Retaining ring  |        | 1   |                         |
| 31  | 900 075 017 02 | Hexagon-head bolt<br>M 6 X 25   |        | 1   |                         |
| 31  | 900 075 017 03 | Hexagon-head bolt<br>M 6 X 25   |        | 1   |                         |
| 32  | 900 076 010 02 | Nut<br>M 6  |        | 1   |                         |
| 32  | 900 076 010 0B | Nut<br>M 6  |        | 1   |                         |
| 33  | 999 701 101 50 | Gasket<br>WNR 428/1 X   |        | 1   | 356                     |
| 33  |                | Gasket  |        | 1   | 356 A                   |
| 34  | 546 09 401     | Starter<br>EED 0,4/6 L18  |        | 1   | 356                     |
| 34  | 616 604 101 00 | Starter<br>AL/EEF 0,5/6 L 3   |        | 1   | 356 A                   |
| 35  | 999 659 006 50 | Protection cap  |        | 1   | 356                     |
| 35  |                | Protection cap  |        | 1   | 356 A                   |
| 36  | N 010 500 3    | Hexagon-head bolt<br>M 10 X 110   |        | 1   | 356 A                   |
| 37  | N 012 230 1    | Spring washer<br>B 10   |        | 1   | 356 A                   |

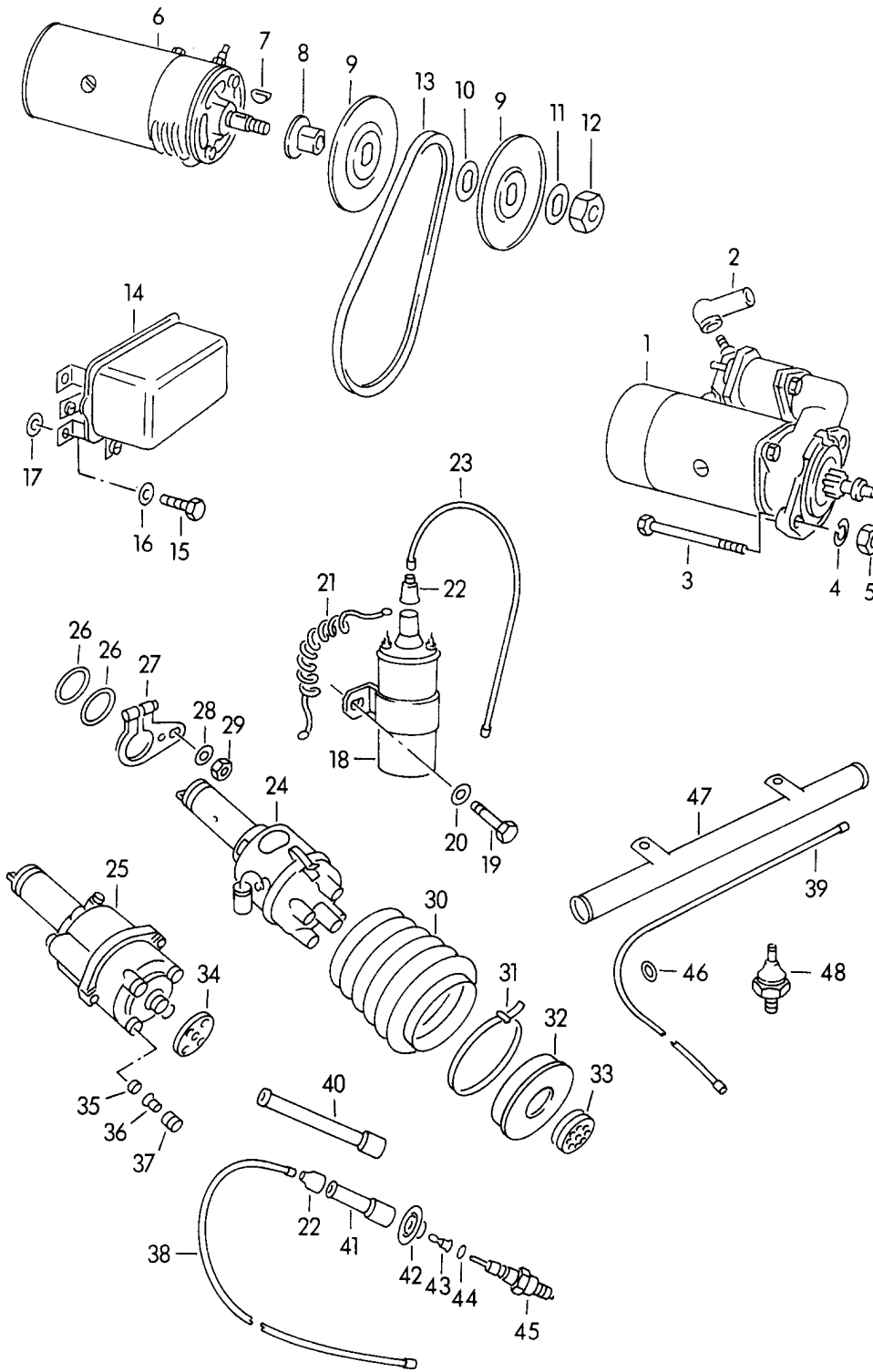
Model: 356 50

Model life 1950&gt;&gt;1959

| Pos | Part Number    | Description  | Remark | Qty | Model            |
|-----|----------------|--|--------|-----|------------------|
| 38  | N 011 010 6    | Hexagon nut<br>M 10                                |        | 1   | 356 A            |
| 38  | N 101 552 10   | Hexagon nut<br>M 10                                |        | 1   | 356 A            |
| 39  | 901 613 571 01 | Oil pressure switch                                |        | 1   | 356              |
| 39  |                | Oil pressure switch                                |        | 1   | 356 A            |
| 40  | 644 61 011 1   | Battery cover                                      |        | 1   |                  |
| 40  | PCG 611 015 01 | Battery cover                                      |        | 1   |                  |
| -   | 644 611 110 01 | Desk pad<br>SPERRHOLZ<br>It is necessary to rework |        | 1   |                  |
| -   | 540 61 011     | Battery cover<br>Complete                          |        | 1   | 356<br>SPEEDSTER |
| -   | 540 61 011 1   | Battery cover                                      |        | 1   | 356<br>SPEEDSTER |
| -   | 540 61 040     | Windscreen wiper system                            |        | 1   | 356<br>SPEEDSTER |
| 41  |                | Support<br>L.147.103                               |        | 2   |                  |
| 41  | 644 611 151 00 | Retaining clip                                     |        | 2   |                  |
| 42  |                | Tension spring<br>ZN 16010                         |        | 2   |                  |
| 42  | 644 611 153 00 | Tension spring                                     |        | 2   |                  |

Model: 356 50

Model life 1950>>1959



Model: 356 50

Model life 1950&gt;&gt;1959

| Pos | Part Number    | Description           | Remark | Qty | Model      |
|-----|----------------|-----------------------|--------|-----|------------|
|     |                | Electrical equipment  |        |     | CARRERA    |
|     |                | Engine                |        |     | 1500 GS/GT |
|     |                | M 90 501 >> 91 000    |        |     |            |
| 1   | 616 604 101 00 | Starter               |        | 1   |            |
|     |                | EED 0,5/6 L 18        |        |     |            |
| -   | 616 602 904 00 | Carbon brush          |        | 1   |            |
|     |                | WSK 29 L 1 Z          |        |     |            |
| -   | 616 602 903 00 | Spring                |        | 1   |            |
|     |                | for                   |        |     |            |
|     |                | Wiper contact         |        |     |            |
|     |                | WBF 554/2 X           |        |     |            |
| 2   | 999 659 006 50 | Protection cap        |        | 1   |            |
| 3   | 900 074 071 00 | Hexagon-head bolt     |        | 2   |            |
|     |                | M 10 X 115            |        |     |            |
| 4   | N 012 230 1    | Spring washer         |        | 2   |            |
|     |                | B 10                  |        |     |            |
| 5   | N 011 010 6    | Hexagon nut           |        | 2   |            |
|     |                | M 10                  |        |     |            |
| 5   | N 101 552 10   | Hexagon nut           |        | 2   |            |
|     |                | M 10                  |        |     |            |
| 6   | 547 603 101 00 | Generator             |        | 1   |            |
|     |                | LJ/GE 160/6/2500 L 10 |        |     |            |
| -   | 616 602 901 00 | Carbon brush          |        | 2   |            |
|     |                | DSK 2/38 Z            |        |     |            |
| 7   | N 012 705 1    | Woodruff key          |        | 1   |            |
|     |                | 3 X 5                 |        |     |            |
| 8   | 547 09 304     | Hub                   |        | 1   |            |
| 9   | 547 09 301     | Pulley half           |        | 2   |            |
| 10  | 547 09 302     | Shim                  |        | 4   |            |
| 11  | 539 09 314     | Washer                |        | 4   |            |
| 12  | 547 09 303     | Hexagon nut           |        | 1   |            |
| 13  | 999 192 006 50 | Narrow v-belt         |        | 1   |            |
| 14  | 616 603 201 00 | Regulator switch      |        | 1   |            |
| 15  | 900 014 017 02 | Pan-head screw        |        | 3   |            |
|     |                | M 5 X 15              |        |     |            |
| 16  | N 012 005 3    | Lock ring             |        | 3   |            |
|     |                | B 5                   |        |     |            |
| 17  | 900 025 003 02 | Washer                |        | 3   |            |
|     |                | 5,3                   |        |     |            |
| 18  | 547 602 101 00 | Ignition coil         |        | 2   |            |
|     |                | TK 6 A 5              |        |     |            |
| 19  | 999 093 010 02 | Hexagon-head bolt     |        | 4   |            |
|     |                | M 8 X 20              |        |     |            |
| 20  | 900 151 003 02 | Washer                |        | 4   |            |
|     |                | B 8                   |        |     |            |
| 20  | 900 151 006 03 | Washer                |        | 4   |            |
|     |                | B 8                   |        |     |            |
| 21  | 547 09 026     | Battery-starter cable |        | 2   |            |
| 22  | 999 659 001 40 | Water protection cap  |        | 10  |            |
| 23  | 547 09 025 1   | Ignition lead         |        | 2   |            |
|     |                | Ignition coil         |        |     |            |
|     |                | Distributor           |        |     |            |
| 24  | 547 09 226     | Distributor           |        | 2   |            |
|     |                | VES 4 L 2 MK          |        |     |            |
| 25  | 547 09 226 1   | Distributor           |        | 2   |            |
|     |                | VJS 4 L 2 MK          |        |     |            |
| -   | 616 602 908 00 | Contact breaker point |        | 2   |            |
|     |                | ZV 2/305              |        |     |            |
|     |                | for                   |        |     |            |
|     |                | VES 4 L 2 MK          |        |     |            |
| -   | 692 602 232 00 | Support for contact   |        | 2   |            |
|     |                | ZVKT 5 Z 1 Z          |        |     |            |
|     |                | for                   |        |     |            |

Model: 356 50 Model life 1950&gt;&gt;1959

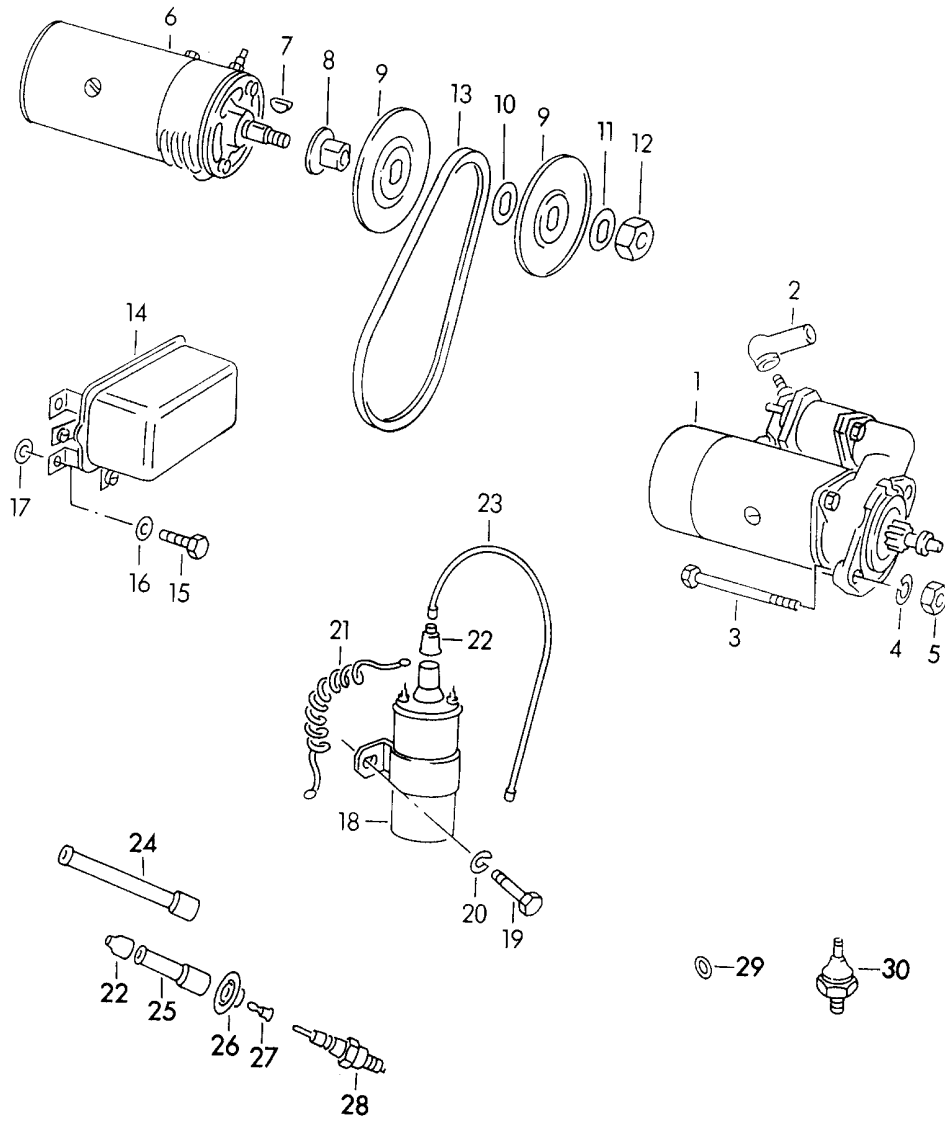
| Pos | Part Number    | Description   | Remark | Qty | Model |
|-----|----------------|---|--------|-----|-------|
| -   | 692 602 233 00 | VJS 4 L 2 MK<br>Contact breaker point<br>for<br>Contact breaker point<br>ZVUH 4 Z 3 Z |        | 2   |       |
| -   | 616 602 902 00 | Rotor<br>ZV 2/4307 Z<br>for<br>VES 4 L 2 MK   |        | 2   |       |
| -   | 692 602 222 01 | Rotor<br>ZV 2/5825<br>for<br>VJS 4 L 2 MK   |        | 2   |       |
| -   | 547 602 221 00 | Distributor cap<br>ZVS 74 Z 3 Z<br>for<br>VES 4 L 2 MK                                |        | 2   |       |
| -   | 692 602 223 00 | Distributor cap<br>ZV 2/4413<br>for<br>VJS 4 L 2 MK                                   |        | 2   |       |
| -   | 930 602 905 00 | Wiper contact<br>NSK 2/1 Z  |        | 2   |       |
| -   | 616 602 909 00 | Condenser<br>ZV 2/5823<br>for<br>VES 4 L 2 MK   |        | 2   |       |
| -   | 692 602 230 00 | Condenser<br>ZV 2/3512<br>for<br>VJS 4 L 2 MK   |        | 2   |       |
| 26  | 547 09 205     | Sealing ring  |        | 7   |       |
| 27  | 547 09 217     | Clamping bow  |        | 3   |       |
| 28  | 900 151 003 02 | Washer<br>B 8   |        | 3   |       |
| 28  | 900 151 006 03 | Washer<br>B 8   |        | 3   |       |
| 29  | 502 08 310     | Hexagon nut<br>M 8  |        | 3   |       |
| 30  | 547 09 208     | Rubber boot<br>for<br>VES 4 L 2 MK  |        | 2   |       |
| 31  | 999 512 121 02 | Hose clamp<br>for<br>VES 4 L 2 MK   |        | 2   |       |
| 32  | 547 09 207     | Cover<br>for<br>VES 4 L 2 MK  |        | 2   |       |
| 33  | 547 09 209     | Rubber bush   |        | 2   |       |
| 34  | 547 09 237     | Rubber bush   |        | 2   |       |
| 35  | 692 602 226 00 | Rubber seal<br>WNR 22/1 X   |        | 10  |       |
| 36  | 692 602 225 00 | Guide sleeve<br>WMH 20/3X823 B 2  |        | 10  |       |
| 37  | 692 602 224 00 | Union nut<br>WMU 101/1 X  |        | 10  |       |
| 38  | 547 09 021 1   | Ignition lead<br>Ignition coil<br>Cylinder<br>I                                       |        | 1   |       |
| 39  | 547 09 022 1   | Ignition lead<br>Ignition coil<br>Cylinder  |        | 1   |       |

Model: 356 50 Model life 1950>>1959

| Pos | Part Number    | Description                                       | Remark | Qty | Model |
|-----|----------------|---|--------|-----|-------|
| -   | 547 09 023 1   | II<br>Ignition lead<br>Ignition coil<br>Cylinder  |        | 1   |       |
| -   | 547 09 024 1   | III<br>Ignition lead<br>Ignition coil<br>Cylinder |        | 1   |       |
| -   | 547 09 028 1   | IV<br>Ignition lead<br>Ignition coil<br>Cylinder  |        | 1   |       |
| -   | 547 09 029 1   | I<br>Ignition lead<br>Ignition coil<br>Cylinder   |        | 1   |       |
| -   | 547 09 030 1   | II<br>Ignition lead<br>Ignition coil<br>Cylinder  |        | 1   |       |
| -   | 547 09 031 1   | III<br>Ignition lead<br>Ignition coil<br>Cylinder |        | 1   |       |
| 40  | 692 609 301 00 | IV<br>Spark plug connector<br>Long                |        | 4   |       |
| 41  | 692 609 302 00 | Spark plug connector<br>Short                     |        | 4   |       |
| 41  | PCG 609 302 00 | Spark plug connector<br>Short                     |        | 4   |       |
| 42  | 539 09 201     | Rubber cap  |        | 8   |       |
| 42  | 111 905 449    | Protection cap                                    |        | 8   |       |
| 43  | 547 09 222     | Nut<br>for<br>Spark plug                          |        | 8   |       |
| 44  | 900 027 011 01 | Lock ring<br>B 4                                  |        | 8   |       |
| 45  | 547 09 219 1   | Spark plug<br>W 240 T 21                          |        | 8   |       |
| 46  | 547 09 224     | Gasket  |        | 12  |       |
| 47  | 547 09 201     | Protective tube                                   |        | 1   |       |
| 48  | 901 613 571 01 | Oil pressure switch                               |        | 1   |       |

Model: 356 50

Model life 1950>>1959



Model: 356 50 Model life 1950&gt;&gt;1959

| Pos  | Part Number    | Description                           | Remark | Qty | Model      |
|------|----------------|---------------------------------------|--------|-----|------------|
|      |                | Electrical equipment                  |        |     | CARRERA    |
|      |                | Engine                                |        |     | 1600 GS/GT |
| 1    | 616 604 101 00 | Starter                               |        | 1   |            |
| -    | 616 602 904 00 | EED 0,5/6 L 18<br>Carbon brush        |        | 1   |            |
| -    | 616 602 903 00 | WSK 29 L 1 Z<br>Spring                |        | 1   |            |
|      |                | for<br>Wiper contact                  |        |     |            |
| 2    | 999 659 006 50 | WBF 554/2 X<br>Protection cap         |        | 1   |            |
| 3    | 900 074 071 00 | Hexagon-head bolt                     |        | 2   |            |
| 4    | 900 028 013 01 | M 10 X 115<br>Spring washer           |        | 2   |            |
| 5    | 900 076 015 01 | B 10<br>Hexagon nut                   |        | 2   |            |
| 6    | 547 603 101 00 | M 10<br>Generator                     |        | 1   |            |
| -    | 616 602 901 00 | LJ/GE 160/6-2500 L 10<br>Carbon brush |        | 2   |            |
| -    |                | DSK 2/38 Z<br>Spring                  |        | 2   |            |
|      |                | BOSCH<br>for<br>Wiper contact         |        |     |            |
| -    |                | Armature                              |        | 1   |            |
|      |                | BOSCH<br>without                      |        |     |            |
| -    |                | Ball bearing                          |        | 1   |            |
| -    |                | Heating spiral                        |        | 1   |            |
| -    |                | Field coil                            |        | 1   |            |
|      |                | 1                                     |        |     |            |
|      |                | Heating spiral                        |        | 1   |            |
|      |                | Field coil                            |        | 1   |            |
|      |                | 2                                     |        |     |            |
| 7    | N 012 705 1    | Woodruff key                          |        | 1   |            |
| 8    | 547 09 304     | 3 X 5<br>Hub                          |        | 1   |            |
| 9    | 547 09 301     | Pulley half                           |        | 2   |            |
| 10   | 547 09 302     | Shim                                  |        | 4   |            |
| 11   | 539 09 314     | Washer                                |        | 4   |            |
| 12   | 547 09 303     | Hexagon nut                           |        | 1   |            |
| 13   | 999 192 006 50 | Narrow v-belt                         |        | 1   |            |
| 14   | 616 603 201 00 | Regulator switch                      |        | 1   |            |
| 15   | 900 014 005 02 | Pan-head screw                        |        | 3   |            |
|      |                | M 5 X 15                              |        |     |            |
| 16   | N 012 005 3    | Lock ring                             |        | 3   |            |
|      |                | B 5                                   |        |     |            |
| 17   | 900 025 003 02 | Washer                                |        | 3   |            |
|      |                | 5,3                                   |        |     |            |
| 18   | 547 602 101 00 | Ignition coil                         |        | 2   |            |
|      |                | TK 6 A 5                              |        |     |            |
| 19   | 999 093 010 02 | Hexagon-head bolt                     |        | 4   |            |
|      |                | M 8 X 20                              |        |     |            |
| 20   | 900 027 015 00 | Lock ring                             |        | 4   |            |
|      |                | B 8                                   |        |     |            |
| (21) | 692 609 521 00 | Line                                  |        | 1   |            |
|      |                | Set                                   |        |     |            |
|      |                | Comprising:                           |        |     |            |
| -    | 692 609 531 00 | Ignition lead                         |        | 1   |            |
|      |                | I                                     |        |     |            |
|      |                | 1100 MM                               |        |     |            |
| -    | 692 609 531 01 | Line                                  |        | 1   |            |

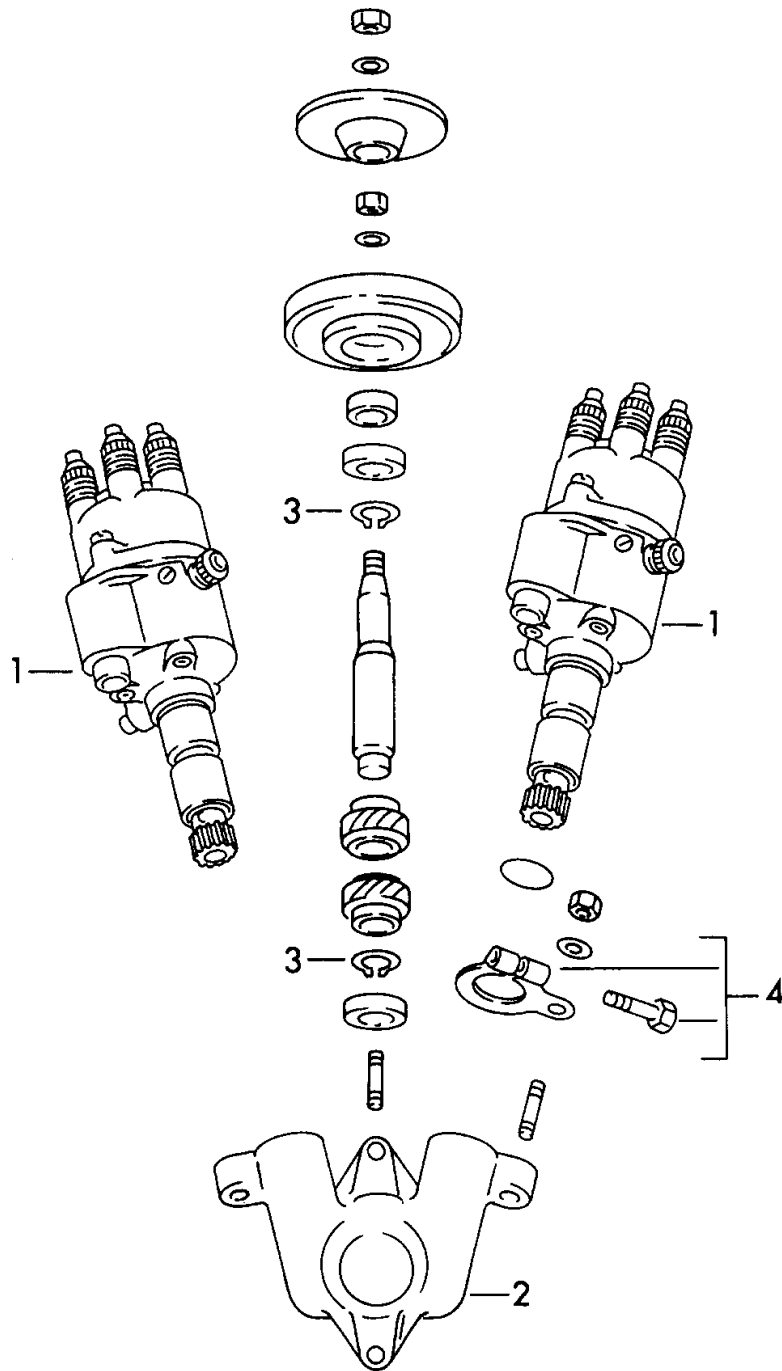


Model: 356 50 Model life 1950>>1959

| Pos  | Part Number    | Description   | Remark | Qty | Model |
|------|----------------|---|--------|-----|-------|
| 22   | 539 09 312     | A<br>1020 MM<br>Cap   |        | 10  |       |
| (23) | 692 609 501 00 | Ignition lead<br>Set  |        | 2   |       |
| -    | 692 609 511 00 | Ignition coil<br>Comprising:<br>Ignition lead<br>A 1<br>930 MM          |        | 1   |       |
| -    | 692 609 511 01 | Ignition lead<br>I 1<br>870 MM  |        | 1   |       |
| -    | 692 609 511 02 | Ignition lead<br>A 2<br>610 MM  |        | 1   |       |
| -    | 692 609 511 03 | Ignition lead<br>I 2<br>1175 MM   |        | 1   |       |
| -    | 692 609 511 04 | Ignition lead<br>A 3<br>1450 MM   |        | 1   |       |
| -    | 692 609 511 05 | Ignition lead<br>I 3<br>685 MM  |        | 1   |       |
| -    | 692 609 511 06 | Ignition lead<br>A 4<br>1100 MM   |        | 1   |       |
| -    | 692 609 511 07 | Ignition lead<br>I 4<br>945 MM  |        | 1   |       |
| -    | 692 609 511 08 | Ignition lead<br>High voltage<br>Ignition coil<br>Distributor           |        | 1   |       |
| -    | 692 609 511 09 | Ignition lead<br>High voltage<br>920 MM<br>Ignition coil<br>Distributor |        | 1   |       |
| 24   | 692 609 301 00 | Spark plug connector<br>Long  |        | 4   |       |
| 25   | 692 609 302 00 | Spark plug connector<br>Short   |        | 4   |       |
| 25   | PCG 609 302 00 | Spark plug connector<br>Short   |        | 4   |       |
| 26   | 539 09 201     | Rubber cap  |        | 8   |       |
| 26   | 111 905 449    | Protection cap  |        | 8   |       |
| 27   | 547 09 222     | Nut<br>for  |        | 8   |       |
| (28) | 547 09 219 2   | Spark plug<br>Spark plug<br>N3 1200                                     |        | 8   |       |
| 29   | 547 09 224     | Gasket  |        | 12  |       |
| -    | 999 651 117 01 | Cable holder  |        | 4   |       |
| -    | 999 702 029 50 | Rubber sleeve   |        | 4   |       |
| 30   | 901 613 571 01 | Oil pressure switch   |        | 1   |       |

Model: 356 50

Model life 1950>>1959



Model: 356 50

Model life 1950&gt;&gt;1959

| Pos | Part Number    | Description  | Remark | Qty | Model                 |
|-----|----------------|--|--------|-----|-----------------------|
| (1) | 692 602 201 00 | Distributor<br>Driving mechanism                       |        | 2   | CARRERA<br>1600 GS/GT |
| -   | 692 602 221 00 | Distributor<br>VJSR 4 R 3                              |        | 2   |                       |
| (2) | 692 109 131 00 | Distributor<br>Pinion                                  |        | 1   |                       |
| -   | 900 061 022 01 | Stud<br>M 8 X 12                                       |        | 2   |                       |
| -   | 999 062 017 02 | Stud<br>M 6 X 18                                       |        | 3   |                       |
| -   | 692 109 141 01 | Drive shaft  |        | 1   |                       |
| -   | 900 052 008 00 | Ball bearing<br>20 X 42 X 8 MM                         |        | 2   |                       |
| (3) | 900 042 002 01 | Circlip  |        | 1   |                       |
| -   | 692 602 471 00 | Shim<br>0,05 MM  |        | X   |                       |
| -   | 692 602 471 01 | Shim<br>0,08 MM  |        | X   |                       |
| -   | 692 602 471 02 | Shim<br>0,10 MM  |        | X   |                       |
| 4   | 547 09 257     | Clamping ring<br>with<br>Clamping screw                |        | 2   |                       |
| -   | 900 027 015 02 | Lock ring<br>B 8                                       |        | 2   |                       |
| -   | 900 027 015 03 | Lock ring<br>B 8                                       |        | 2   |                       |
| -   | 900 076 025 02 | Hexagon nut<br>M 8                                     |        | 2   |                       |
| -   | 900 076 064 02 | Hexagon nut<br>M 8                                     |        | 2   |                       |
| -   | 999 031 001 01 | Washer   |        | 1   |                       |
| -   | 900 112 002 40 | Radial shaft seal<br>Left                              |        | 1   |                       |
| -   | 900 112 003 40 | Radial shaft seal<br>Right                             |        | 1   |                       |
| -   | 692 109 133 00 | Lid  |        | 1   |                       |
| -   | 692 109 135 00 | Distributor<br>Nozzle<br>Together with<br>Screw socket |        | 1   |                       |
| -   | N 012 226 5    | Spring washer<br>A 6                                   |        | 3   |                       |
| -   | 900 076 010 02 | Nut<br>M 6   |        | 3   |                       |
| -   | 900 076 010 0B | Nut<br>M 6   |        | 3   |                       |
| -   | 692 109 151 00 | Compression spring                                     |        | 1   |                       |
| -   | 692 109 143 00 | Clutch hub   |        | 1   |                       |
| -   | 900 027 013 00 | Spring washer<br>B 6                                   |        | 2   |                       |
| -   | 900 119 002 00 | Pan-head screw<br>M 6 X 10                             |        | 2   |                       |
| -   | 539 01 122     | Gasket   |        | 1   |                       |
| -   | 911 101 123 00 | Sealing ring   |        | 1   |                       |
| -   | 900 028 004 00 | Spring washer<br>A 8                                   |        | 4   |                       |
| -   | 900 076 013 02 | Hexagon nut<br>M 8                                     |        | 4   |                       |
| -   | 900 076 025 02 | Hexagon nut<br>M 8                                     |        | 4   |                       |
| -   | 900 076 064 02 | Hexagon nut  |        | 4   |                       |

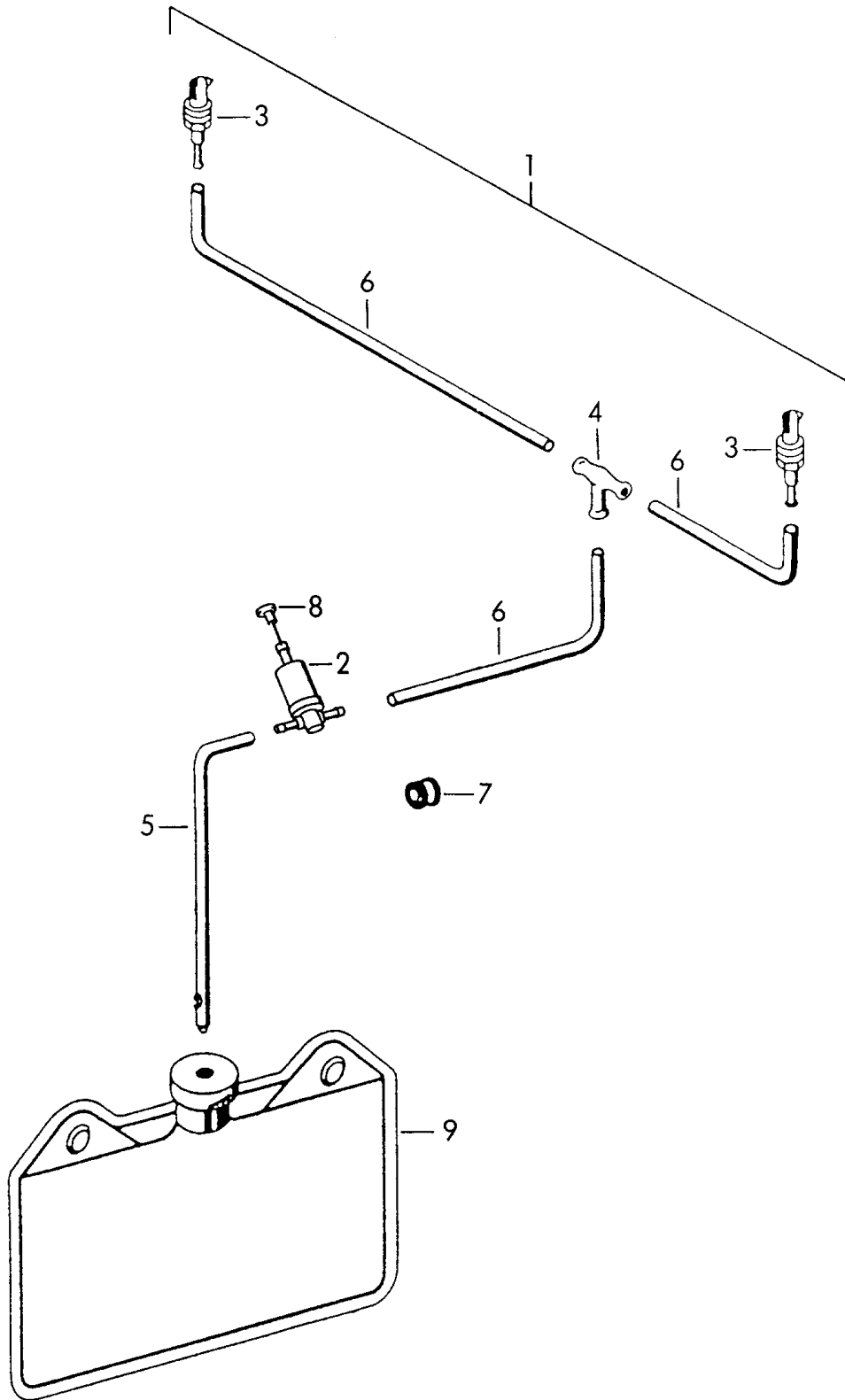
Model: 356 50

Model life 1950>>1959

| Pos | Part Number | Description | Remark | Qty | Model |
|-----|-------------|-------------|--------|-----|-------|
|     |             | M 8         |        |     |       |

Model: 356 50

Model life 1950>>1959



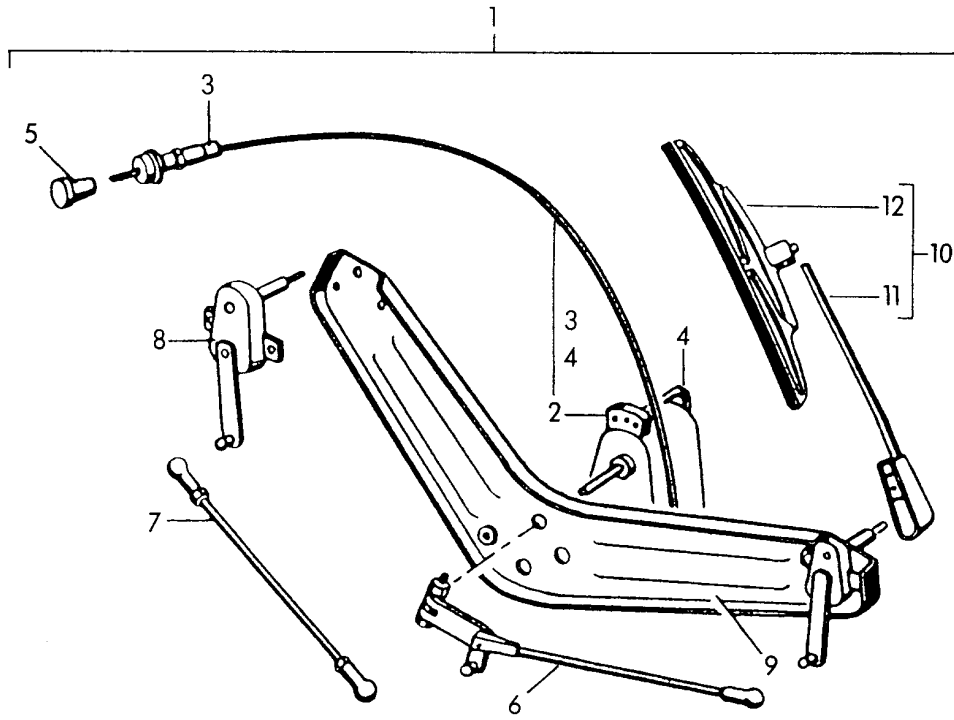
Model: 356 50

Model life 1950>>1959

| Pos | Part Number    | Description  | Remark | Qty | Model               |
|-----|----------------|--|--------|-----|---------------------|
|     |                | Windscreen washer system   |        |     | 356:COUPE<br>CABRIO |
| 1   | 356 70 051 A   | Windscreen washer system<br>Complete<br>with<br>Water reservoir<br>Bag<br>F 52 908 >><br>F 60 707 >> |        | 1   |                     |
| -   | 356 70 051     | Set<br>Complete<br>with<br>Water reservoir<br>Glass<br>F 52 030 >> 52 907<br>F 60 550 >> 60 706      |        | 1   |                     |
| 2   | 356 70 051 1   | Pump<br>Complete   |        | 1   |                     |
| 3   | 644 628 741 02 | Spray nozzle<br>Complete   |        | 2   |                     |
| 4   | 644 628 745 00 | T-piece  |        | 1   |                     |
| 5   | 356 70 051 4   | Suction hose   |        | 1   |                     |
| 6   | PCG 628 901 10 | Hose<br>3000 MM  |        | 3   |                     |
| 7   | 356 70 051 6   | Rubber sleeve  |        | 1   |                     |
| 8   | 356 70 051 11  | Handle   |        | 1   |                     |
| 9   | 356 70 513     | Container<br>Bag<br>F 52 908 >><br>F 60 707 >>   |        | 1   |                     |
| -   | 356 70 051 12  | Support<br>Water reservoir<br>Complete<br>F 52 030 >> 52 907<br>F 60 550 >> 60 706                   |        | 1   |                     |
| -   | 356 70 051 13  | Water reservoir<br>F 52 030 >> 52 907<br>F 60 550 >> 60 706  |        | 1   |                     |
| -   | 356 70 051 14  | Lid<br>Water reservoir<br>F 52 030 >> 52 907<br>F 60 550 >> 60 706                                   |        | 1   |                     |
| -   | 356 70 051 15  | Sealing ring<br>Lid<br>F 52 030 >> 52 907<br>F 60 550 >> 60 706                                      |        | 1   |                     |
| -   | 356 70 051 16  | Intake manifold<br>Water reservoir<br>F 52 030 >> 52 907<br>F 60 550 >> 60 706                       |        | 1   |                     |

Model: 356 50

Model life 1950>>1959



Model: 356 50 Model life 1950>>1959

| Pos  | Part Number        | Description  | Remark | Qty | Model               |
|------|--------------------|--|--------|-----|---------------------|
|      |                    | Windscreen wiper system  |        |     | 356:COUPE<br>CABRIO |
|      |                    | Windscreen wiper system<br>SWF 14<br>F 52 030 >><br>F 60 550 >>  |        |     | COUPE<br>CABRIO     |
| 1    | 356 61 056         | Windscreen wiper system<br>SWF 54<br>Complete  |        | 1   |                     |
| 2    | 356 61 440         | Wiper motor<br>Complete<br>with  |        | 1   |                     |
| -    | 356 61 441         | Bowden cable<br>Cap  |        | 1   |                     |
| 3    | 356 61 445         | Wiper motor<br>Bowden cable<br>Complete  |        | 1   |                     |
| 4    | 356 61 442         | Clamp<br>Cap   |        | 1   |                     |
| 5    | 644 552 831 00     | Knob<br>Ignition<br>Wiper switch<br>Small  |        | 1   |                     |
|      | 644 552 831 00 700 | Black  |        |     |                     |
|      | 644 552 831 00 600 | Grey   |        |     |                     |
|      | 644 552 831 00 500 | Beige  |        |     |                     |
|      | 644 552 831 00 300 | White<br>Ivory   |        |     |                     |
| 6    | 356 61 468         | Crank  |        | 1   |                     |
| 7    | 356 61 471         | Connecting rod   |        | 1   |                     |
| 8    | 356 61 473         | Transmission   |        | 2   |                     |
| 9    | 356 61 480         | Support frame  |        | 1   |                     |
| 10   | 356 61 482         | Wiper arm<br>with<br>Wiper blade   |        | 2   |                     |
| 11   | 356 61 483         | Wiper arm  |        | 2   |                     |
| 12   | 356 61 484         | Windscreen wiper blade   |        | 2   |                     |
| (12) | 644 628 311 00     | Wiper blade<br>silber<br>Länge 230 mm<br>Windscreen wiper system<br>SWF 53<br>F 11 779 >> 52 029<br>F 15 073 >> 60 549 |        | 2   | COUPE<br>CABRIO     |
| -    | 356 61 055         | Windscreen wiper system<br>SWF 53<br>Complete  |        | 1   |                     |
| -    | 356 61 403         | Wiper motor  |        | 1   |                     |
| -    | 356 61 404         | Cap  |        | 1   |                     |
| -    | 356 61 405         | Wiper motor<br>Clamp<br>Cap  |        | 1   |                     |
| -    | 356 61 415         | Wiper arm<br>with<br>Wiper blade   | /L     | 1   |                     |
| -    | 356 61 416         | Wiper arm<br>with<br>Wiper blade   | /R     | 1   |                     |
| -    | 356 61 417         | Wiper arm<br>with<br>Wiper blade   | /L     | 1   |                     |
| -    | 356 61 418         | Wiper arm<br>with  | /R     | 1   |                     |



Model: 356 50 Model life 1950>>1959

| Pos | Part Number | Description   | Remark | Qty | Model           |
|-----|-------------|---|--------|-----|-----------------|
| -   | 356 61 424  | Wiper blade<br>Transmission<br>Complete   |        | 2   |                 |
| -   | 356 61 429  | Windscreen wiper system   |        | 1   |                 |
| -   | 356 61 430  | Connecting rod  |        | 1   |                 |
| -   | 356 61 433  | Crank<br>with<br>Connecting rod<br>Windscreen wiper system<br>BOSCH 50/52<br>F 5 001 >> 11 778<br>F 5 015 >> 15 072 |        | 1   | COUPE<br>CABRIO |
| -   | 356 61 040  | Windscreen wiper system<br>-BOSCH-<br>Complete  |        | 1   |                 |
| -   | 356 61 041  | Wiper motor<br>with<br>2<br>Nut   |        | 1   |                 |
| -   | 356 61 048  | Crank<br>Wiper motor<br>with<br>Clamping screw  |        | 1   |                 |
| -   | 356 61 049  | Crank<br>with<br>Axle<br>2-ARMIG  |        | 1   |                 |
| -   | 356 61 050  | Crank<br>with<br>Axle<br>1-ARMIG  |        | 1   |                 |
| -   | 356 61 051  | Connecting rod  |        | 1   |                 |
| -   | 356 61 052  | Connecting rod<br>Long  |        | 1   |                 |
| -   | 356 61 053  | Wiper arm<br>with<br>Wiper blade  | /L     | 1   |                 |
| -   | 356 61 054  | Wiper arm<br>with<br>Wiper blade  | /R     | 1   |                 |



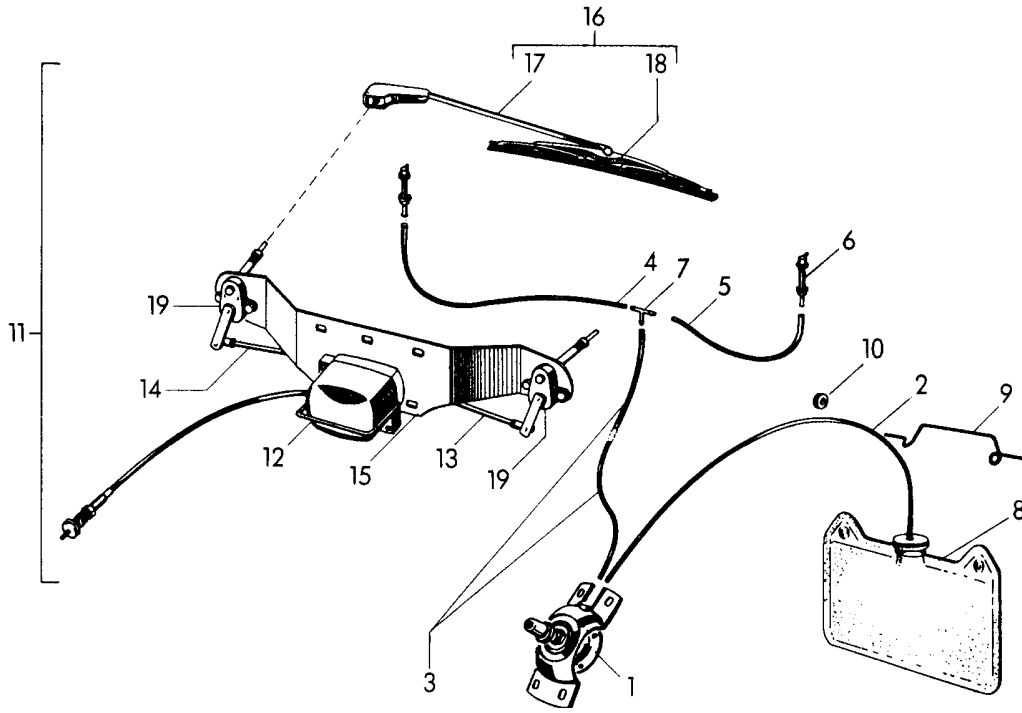
Model: 356 50

Model life 1950>>1959

| Pos | Part Number    | Description                                   | Remark | Qty | Model            |
|-----|----------------|---|--------|-----|------------------|
|     |                | Windscreen wiper system                       |        |     | 356<br>SPEEDSTER |
| 1   | 540 61 040     | Windscreen wiper system<br>-SWF-<br>Complete  |        | 1   |                  |
| -   | 540 61 407     | Mounting plate                                |        | 1   |                  |
| 2   | 540 61 416     | Windscreen wiper system<br>Assembly frame     |        | 1   |                  |
| 3   | 644 628 021 00 | Crank   |        | 1   |                  |
| 4   | 540 61 414     | Connecting rod                                |        | 1   |                  |
| 5   | 644 628 025 00 | Transmission                                  |        | 2   |                  |
| 6   | 540 61 417     | Wiper arm<br>with<br>Wiper blade              |        | 2   |                  |
| 7   | 540 61 418     | Wiper arm<br>without<br>Wiper blade<br>225 MM |        | 2   |                  |
| 8   | 540 61 419     | Wiper blade<br>260 MM                         |        | 2   |                  |

Model: 356 50

Model life 1950>>1959



Model: 356 50 Model life 1950>>1959

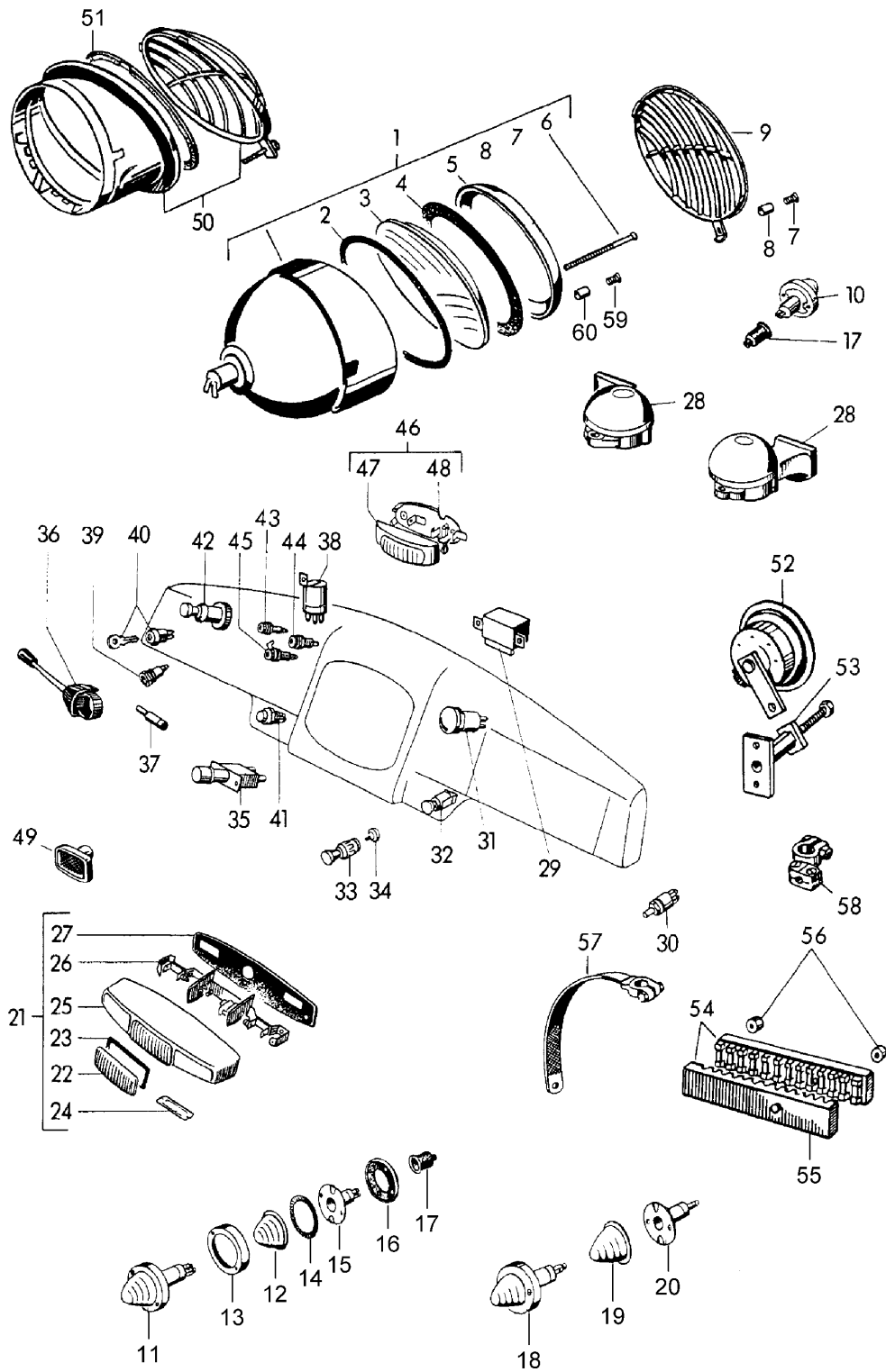
| Pos  | Part Number    | Description   | Remark | Qty | Model                        |
|------|----------------|---|--------|-----|------------------------------|
| -    | 644 628 070 11 | Windscreen washer system<br>Windscreen wiper system<br>Installation set<br>Windscreen washer system<br>Complete |        | 1   | 356 A/540.1                  |
| 1    | 644 628 073 01 | Pump<br>Complete  |        | 1   |                              |
| (1)  | 644 628 073 02 | Pump<br>Complete  |        | 1   |                              |
| 2    | 644 628 731 00 | Suction hose<br>630 MM  |        | 1   |                              |
| 3    | PCG 628 901 10 | Hose<br>3000 MM<br>for<br>Pos. 3/4/5  |        | 1   |                              |
| 6    | 644 628 741 41 | Spray nozzle  |        | 2   |                              |
| 7    | 644 628 745 00 | T-piece   |        | 1   |                              |
| 8    | 644 628 720 00 | Water reservoir   |        | 1   |                              |
| 9    | 644 628 761 00 | Retaining bow   |        | 1   |                              |
| 10   | 999 702 020 50 | Rubber sleeve<br>\$ 8 MM  |        | 1   |                              |
| 11   | 644 628 017 15 | Windscreen wiper system<br>Complete   |        | 1   |                              |
| 12   | 644 61 440     | Wiper motor<br>with<br>Bowden cable<br>F 55 001 >> 100 000<br>F 61 001 >> 61 700<br>F 82 001 >> 83 200          |        | 1   | COUPE<br>CABRIO<br>SPEEDSTER |
| (12) | 644 628 015 00 | Wiper motor<br>-SWF-<br>F 100 001 >><br>F 61 701 >><br>F 83 201 >>  |        | 1   | COUPE<br>CABRIO<br>SPEEDSTER |
| (12) | 644 628 015 10 | Wiper motor<br>-BOSCH-<br>F 100 001 >><br>F 61 701 >><br>F 83 201 >>  |        | 1   | COUPE<br>CABRIO<br>SPEEDSTER |
| -    | 644 613 501 00 | Switch<br>Wiper motor<br>644.628.015.00<br>-SWF-  |        | 1   |                              |
| 13   | 644 628 021 00 | Crank<br>-SWF-  |        | 1   |                              |
| (13) | 644 628 021 10 | Joint rod<br>-BOSCH-  |        | 1   |                              |
| 14   | 644 628 023 00 | Connecting rod<br>-SWF-   |        | 1   |                              |
| (14) | 644 628 023 10 | Joint rod<br>-BOSCH-  |        | 1   |                              |
| -    | 644 628 021 00 | Crank<br>-SWF-  |        | 1   |                              |
| -    | 644 628 024 10 | Crank<br>-BOSCH-  |        | 1   |                              |
| 15   | 644 628 251 00 | Assembly frame<br>-SWF-<br>-BOSCH-  |        | 1   |                              |
| 16   |                | Complete<br>Not available   |        |     |                              |
| 17   | 644 628 301 10 | Wiper arm<br>-SWF-  | /L     | 1   | COUPE/CABRIO                 |
| 17   | 644 628 301 14 | Wiper arm   | /L     | 1   | COUPE/CABRIO                 |

Model: 356 50 Model life 1950>>1959

| Pos  | Part Number    | Description  | Remark | Qty | Model        |
|------|----------------|--|--------|-----|--------------|
| (17) | 644 628 301 10 | -SWF-<br>Wiper arm   | /L /R  | 2   | COUPE/CABRIO |
| (17) | 644 628 301 14 | -BOSCH-<br>Wiper arm   | /L /R  | 2   | COUPE/CABRIO |
| (17) | 644 628 301 40 | -BOSCH-<br>Wiper arm   | /L     | 1   | SPEEDSTER    |
| (17) | 644 628 303 05 | Wiper arm  | /L /RL | 1   | COUPE/CABRIO |
| (17) | 644 628 303 40 | -SWF-<br>Wiper arm   | /L /RL | 1   | SPEEDSTER    |
| (17) | 644 628 301 10 | Wiper arm  | /R     | 1   | COUPE/CABRIO |
| (17) | 644 628 301 14 | -SWF-<br>Wiper arm   | /R     | 1   | COUPE/CABRIO |
| (17) | 644 628 302 40 | -SWF-<br>Wiper arm   | /R     | 1   | SPEEDSTER    |
| (17) | 644 628 304 05 | Wiper arm  | /R     | 1   | COUPE/CABRIO |
| (17) | 644 628 304 40 | -SWF-<br>Wiper arm   | /R /RL | 1   | SPEEDSTER    |
| 18   | 644 628 311 10 | Wiper blade<br>Set   |        | 1   |              |
| 19   | 644 628 025 00 | -BOSCH-<br>Transmission  |        | 2   |              |
| (19) | 644 628 025 10 | -SWF-<br>Transmission  |        | 2   |              |
| -    | PCG 628 292 00 | -BOSCH-<br>Mounting parts<br>Windscreen wiper system<br>Rubber |        | 2   |              |
| -    |                | Transmission<br>Outer  |        | 2   |              |
| -    |                | Rubber   |        | 2   |              |
| -    | 644 628 296 00 | Transmission<br>Inner  |        | 2   |              |
| -    | 644 628 295 00 | Hexagon nut  |        | 2   |              |
| -    | 644 628 295 00 | Transmission<br>Flange washer                                  |        | 2   |              |
| -    | 644 628 297 00 | Transmission<br>Rubber seal                                    |        | 2   |              |
| -    | 644 628 298    | Small<br>for<br>Cap<br>Cap<br>Transmission                     |        | 2   |              |

Model: 356 50

Model life 1950>>1959



Model: 356 50 Model life 1950>>1959

| Pos | Part Number    | Description   | Remark | Qty | Model           |
|-----|----------------|---|--------|-----|-----------------|
|     |                | Headlamp<br>Lights<br>And<br>Switch   |        |     | 356             |
| 1   | 644 631 101 00 | Headlamp<br>Complete<br>- bosch -   |        | 2   |                 |
| -   | 356 62 014     | High-beam headlight<br>Complete<br>- HELLA -                                    |        | 2   |                 |
| -   | 644 631 101 31 | Headlamp<br>without<br>Insert<br>Sealed-beam<br>- HELLA -                       |        | 2   |                 |
| 2   | 356 62 106     | Rubber seal<br>Headlamp<br>Wing   |        | 2   |                 |
| 3   | 644 631 111 00 | Lens<br>- bosch -   |        | 2   |                 |
| -   | 356 62 102     | Lens<br>- HELLA -   |        | 2   |                 |
| -   | 644 631 111 31 | Lens<br>Sealed-beam<br>- HELLA -  |        | 2   |                 |
| 4   | 356 62 112     | Rubber seal<br>- bosch -  |        | 2   |                 |
| -   | 356 62 105     | Gasket<br>- HELLA -   |        | 2   |                 |
| 5   | 644 631 112 00 | Headlamp ring<br>- bosch -  |        | 2   |                 |
| -   | 356 62 103     | Headlamp ring<br>- HELLA -  |        | 2   |                 |
| 6   | 644 631 113 00 | Adjusting screw<br>M 3<br>- bosch -   |        | 4   |                 |
| -   | 356 62 104     | Adjusting screw<br>- HELLA -  |        | 4   |                 |
| 7   | 356 62 115     | Screw   |        | 2   |                 |
| 8   | 356 62 116     | Intermediate piece  |        | 2   |                 |
| 9   | 356 62 114     | Protective grille   |        | 2   |                 |
| 10  | 356 62 216     | Sealed-beam<br>Direction indicator light<br>White<br>F 11 779 >><br>F 15 073 >> |        | 2   | COUPE<br>CABRIO |
| -   | 356 62 021     | Direction indicator light<br>White<br>F 5 001 >> 11 778<br>F 5 015 >> 15 072    |        | 2   | COUPE<br>CABRIO |
| 11  | 356 62 217     | Direction indicator light<br>Red<br>F 11 779 >><br>F 15 073 >>                  |        | 2   | COUPE<br>CABRIO |
| -   | 356 62 022     | Direction indicator light<br>Red<br>F 5 001 >> 11 778<br>F 5 015 >> 15 072      |        | 2   | COUPE<br>CABRIO |
| -   | 356 62 040     | Rear light<br>Red<br>F 5 001 >> 11 778<br>F 5 015 >> 15 072                     |        | 2   | COUPE<br>CABRIO |
| -   | 356 62 219     | Glass   |        | 2   | COUPE<br>CABRIO |



Model: 356 50 Model life 1950>>1959

| Pos | Part Number  | Description   | Remark | Qty | Model           |
|-----|--------------|---|--------|-----|-----------------|
| -   | 356 62 211 1 | White<br>F 11 779 >><br>F 15 073 >><br>Glass<br>White<br>F 5 001 >> 11 778<br>F 5 015 >> 15 072 |        | 2   | COUPE<br>CABRIO |
| 12  | 356 62 220   | Glass<br>Red<br>F 11 779 >><br>F 15 073 >>  |        | 2   | COUPE<br>CABRIO |
| -   | 356 62 212   | Glass<br>Red<br>F 5 001 >> 11 778<br>F 5 015 >> 15 072  |        | 2   | COUPE<br>CABRIO |
| -   | 356 62 410   | Lens<br>Red<br>Rear light<br>F 5 001 >> 11 778<br>F 5 015 >> 15 072                             |        | 2   | COUPE<br>CABRIO |
| 13  | 356 62 221   | Ring<br>F 11 779 >><br>F 15 073 >>  |        | 6   | COUPE<br>CABRIO |
| -   | 356 62 213   | Ring<br>F 5 001 >> 11 778<br>F 5 015 >> 15 072  |        | 4   | COUPE<br>CABRIO |
| -   | 356 62 412   | Ring<br>Rear light<br>F 5 001 >> 11 778<br>F 5 015 >> 15 072                                    |        | 2   | COUPE<br>CABRIO |
| 14  | 356 62 222   | Rubber seal<br>F 11 779 >><br>F 15 073 >>   |        | 6   | COUPE<br>CABRIO |
| -   | 356 62 211   | Rubber seal<br>F 5 001 >> 11 778<br>F 5 015 >> 15 072   |        | 4   | COUPE<br>CABRIO |
| -   | 356 62 411   | Rubber seal<br>F 5 001 >> 11 778<br>F 5 015 >> 15 072   |        | 2   | COUPE<br>CABRIO |
| 15  | 356 62 225   | Bulb socket<br>F 11 779 >><br>F 15 073 >>   |        | 4   | COUPE<br>CABRIO |
| -   | 356 62 211 3 | Bulb socket<br>F 5 001 >> 11 778<br>F 5 015 >> 15 072   |        | 4   | COUPE<br>CABRIO |
| -   | 356 62 413   | Bulb socket<br>Rear light<br>F 5 001 >> 11 778<br>F 5 015 >> 15 072                             |        | 2   | COUPE<br>CABRIO |
| 16  | 356 62 223   | Rubber base<br>F 11 779 >><br>F 15 073 >>   |        | 6   | COUPE<br>CABRIO |
| -   | 356 62 214   | Desk pad<br>F 5 001 >> 11 778<br>F 5 015 >> 15 072  |        | 4   | COUPE<br>CABRIO |
| -   | 356 62 414   | Rubber base<br>F 5 001 >> 11 778<br>F 5 015 >> 15 072   |        | 2   | COUPE<br>CABRIO |
| 17  | 356 62 224   | Cap<br>F 11 779 >><br>F 15 073 >>   |        | 4   | COUPE<br>CABRIO |
| -   | 356 62 211 5 | Cap<br>F 5 001 >> 11 778  |        | 4   | COUPE           |

Model: 356 50 Model life 1950&gt;&gt;1959

| Pos | Part Number    | Description  | Remark | Qty | Model           |
|-----|----------------|--|--------|-----|-----------------|
| 18  | 356 62 514 A   | F 5 015 >> 15 072<br>Brake light<br>Complete<br>Orange<br>20 WATT          |        | 2   | CABRIO          |
| -   | 356 62 514     | F 53 210 >><br>F 60 765 >><br>Brake light<br>Complete<br>Orange<br>15 WATT |        | 2   | COUPE<br>CABRIO |
| 19  | 356 62 515     | F 11 779 >> 53 209<br>F 15 073 >> 60 764<br>Lens<br>Orange                 |        | 2   | COUPE<br>CABRIO |
| 20  | 356 62 516 A   | F 11 779 >><br>F 15 073 >><br>Bulb socket<br>20 WATT                       |        | 2   | COUPE<br>CABRIO |
| -   | 356 62 516     | Bulb socket<br>15 WATT   |        | 2   |                 |
| 21  | 356 62 801     | Back-up light<br>License plate light<br>Complete                           |        | 1   |                 |
| 21  | PCG 631 005 00 | F 11 779 >><br>F 15 073 >><br>Back-up light<br>Complete                    |        | 1   | COUPE<br>CABRIO |
| -   | 356 62 050     | Brake light<br>License plate light<br>Complete                             |        | 1   |                 |
| 22  | 356 62 802     | F 5 001 >> 11 778<br>F 5 015 >> 15 072<br>Lens<br>White                    |        | 1   | COUPE<br>CABRIO |
| -   | 356 62 512     | F 11 779 >><br>F 15 073 >><br>Glass<br>Red                                 |        | 1   | COUPE<br>CABRIO |
| 23  | 356 62 803     | F 5 001 >> 11 778<br>F 5 015 >> 15 072<br>Gasket                           |        | 1   | COUPE<br>CABRIO |
| 24  | 356 62 513     | Glass<br>Clear   |        | 1   |                 |
| 25  | 356 62 804     | Housing<br>F 11 779 >><br>F 15 073 >>                                      |        | 1   | COUPE<br>CABRIO |
| -   | 356 62 051     | Housing<br>F 5 001 >> 11 778<br>F 5 015 >> 15 072                          |        | 1   | COUPE<br>CABRIO |
| 26  | 356 62 806     | Bulb socket<br>F 11 779 >><br>F 15 073 >>                                  |        | 1   | COUPE<br>CABRIO |
| 27  | 356 62 805     | Desk pad<br>F 11 779 >><br>F 15 073 >>                                     |        | 1   | COUPE<br>CABRIO |
| -   | 356 62 511     | Rubber base<br>F 5 001 >> 11 778<br>F 5 015 >> 15 072                      |        | 1   | COUPE<br>CABRIO |
| 28  | 356 62 303     | Fanfare<br>I   |        | 1   |                 |
| 28  | 356 62 304     | Fanfare<br>II  |        | 1   |                 |

Model: 356 50 Model life 1950>>1959

| Pos | Part Number        | Description  | Remark | Qty | Model  |
|-----|--------------------|--|--------|-----|--------|
| -   | 356 62 030         | Horn<br>Normal   |        | 1   |        |
| -   | 356 62 033         | High volume horn   |        | 1   |        |
| 29  | PCG 615 101 00     | Relay  |        | 1   |        |
| 30  | 356 61 065         | Door contact switch  |        | 1   | COUPE  |
| 31  | 356 61 600         | Bulb<br>Please state the colour                                      |        | 1   | CABRIO |
| -   | 356 53 707         | Knob<br>Please state the colour                                      |        | 1   |        |
| 32  | 356 70 021 A       | Cigarette lighter<br>Complete<br>Please state the colour             |        | 1   |        |
|     |                    | F 52 030 >>  |        |     | COUPE  |
|     |                    | F 60 550 >>  |        |     | CABRIO |
| -   | 356 70 021         | Cigarette lighter<br>Complete<br>Please state the colour             |        | 1   |        |
|     |                    | F 5 001 >> 52 029  |        |     | COUPE  |
|     |                    | F 5 015 >> 60 549  |        |     | CABRIO |
| 33  | 356 70 022 A       | Cigarette lighter<br>Please state the colour                         |        | 1   |        |
|     |                    | F 52 030 >>  |        |     | COUPE  |
|     |                    | F 60 550 >>  |        |     | CABRIO |
| -   | 356 70 022         | Cigarette lighter<br>Please state the colour                         |        | 1   |        |
|     |                    | F 5 001 >> 52 029  |        |     | COUPE  |
|     |                    | F 5 015 >> 60 549  |        |     | CABRIO |
| -   | 644 552 821 01     | Knob<br>Light switch<br>Wiper switch                                 |        | 1   |        |
|     | 644 552 821 01 700 | Black  |        |     |        |
|     | 644 552 821 01 600 | Grey   |        |     |        |
|     | 644 552 821 01 500 | Beige  |        |     |        |
|     | 644 552 821 01 300 | White<br>Ivory   |        |     |        |
| 34  | 356 70 205 A       | Glower<br>F 52 030 >><br>F 60 550 >>                                 |        | 1   |        |
|     |                    |  |        |     | COUPE  |
|     |                    |  |        |     | CABRIO |
| -   | 644 652 115 00     | Glower<br>F 5 001 >> 52 029<br>F 5 015 >> 60 549                     |        | 1   |        |
| 35  | 356 62 016         | Light switch   |        | 1   |        |
| 36  | 356 62 027         | Direction indicator switch<br>Please state the colour                |        | 1   |        |
|     |                    | F 11 779 >>  |        |     | COUPE  |
|     |                    | F 15 073 >>  |        |     | CABRIO |
| -   | 356 62 025         | Direction indicator switch<br>F 5 001 >> 11 778<br>F 5 015 >> 15 072 |        | 1   |        |
|     |                    |  |        |     | COUPE  |
|     |                    |  |        |     | CABRIO |
| 37  |                    | Connecting lug<br>951.575  |        | 1   |        |
| 38  | 356 62 024         | Flasher relay<br>2 X 20 WATT   |        | 1   |        |
| -   | 356 62 023         | Flasher relay<br>2 X 15 WATT   |        | 1   |        |
| 39  | 644 616 131 01     | Plug socket  |        | 1   |        |
| 40  | 356 61 071         | Ignition starter lock<br>Complete                                    |        | 1   |        |
| 41  | 356 61 072         | Push button<br>Starter   |        | 1   |        |
| 42  | 356 62 017 A       | Light switch<br>F 52 030 >><br>F 60 550 >>                           |        | 1   |        |
|     |                    |  |        |     | COUPE  |
|     |                    |  |        |     | CABRIO |

Model: 356 50 Model life 1950>>1959

| Pos | Part Number        | Description  | Remark | Qty | Model           |
|-----|--------------------|--|--------|-----|-----------------|
| -   | 644 552 821 01     | Knob<br>Light switch<br>Wiper switch   |        | 1   |                 |
|     | 644 552 821 01 700 | Black  |        |     |                 |
|     | 644 552 821 01 600 | Grey   |        |     |                 |
|     | 644 552 821 01 500 | Beige  |        |     |                 |
|     | 644 552 821 01 300 | White<br>Ivory   |        |     |                 |
| -   | 356 62 017         | Light switch<br>F 10 531 >> 52 029<br>F 10 001 >> 60 549   |        | 1   | COUPE<br>CABRIO |
| -   | 356 61 045         | Switch<br>F 5 001 >> 52 029<br>F 5 015 >> 60 549   |        | 1   | COUPE<br>CABRIO |
| -   | 644 552 831 00     | Knob<br>Ignition<br>Wiper switch<br>Small  |        | 1   |                 |
|     | 644 552 831 00 700 | Black  |        |     |                 |
|     | 644 552 831 00 600 | Grey   |        |     |                 |
|     | 644 552 831 00 500 | Beige  |        |     |                 |
|     | 644 552 831 00 300 | White<br>Ivory   |        |     |                 |
| -   | 356 62 015         | Light switch<br>F 50 01 >> 56 00<br>F 50 15 >> 51 38   |        | 1   | COUPE<br>CABRIO |
| 43  | 356 61 076         | Indicator light<br>Red<br>Dc generator<br>\$ 6MM<br>F 11 361 >><br>F 10 271 >>                             |        | 1   | COUPE<br>CABRIO |
| -   | 356 61 074         | License plate light<br>Red<br>Dc generator<br>\$ 3MM<br>F 5 001 >> 11 360<br>F 5 015 >> 10 270             |        | 1   | COUPE<br>CABRIO |
| 44  | 356 61 075         | Indicator light<br>Green<br>Oil pressure indicator<br>\$ 6MM<br>F 11 361 >><br>F 10 271 >>                 |        | 1   | COUPE<br>CABRIO |
| -   | 356 61 073         | License plate light<br>Green<br>Oil pressure indicator<br>\$ 3MM<br>F 5 001 >> 11 360<br>F 5 015 >> 10 270 |        | 1   | COUPE<br>CABRIO |
| 45  | 356 62 029         | Indicator light<br>Blue<br>High beam<br>\$ 6MM<br>F 11 361 >><br>F 10 271 >>                               |        | 1   | COUPE<br>CABRIO |
| -   | 356 62 018         | Indicator light<br>Blue<br>High beam<br>\$ 3MM<br>F 5 001 >> 11 360<br>F 5 015 >> 10 270                   |        | 1   | COUPE<br>CABRIO |
| 46  | 356 61 062         | Interior light   |        | 1   |                 |

Model: 356 50 Model life 1950>>1959

| Pos | Part Number    | Description  | Remark | Qty | Model           |
|-----|----------------|--|--------|-----|-----------------|
| 47  | 356 61 062 1   | F 51 958 >><br>Interior light                              |        | 1   | COUPE           |
| 48  | 356 61 062 2   | Interior light<br>F 51 958 >><br>Lower part                |        | 1   | COUPE           |
| -   | 356 61 060     | Interior light<br>F 5 001 >> 51 957                        |        | 1   | COUPE           |
| -   | 356 61 105     | Glass<br>Interior light<br>F 5 001 >> 51 957               |        | 1   | COUPE           |
| -   | 356 61 061     | Interior light<br>F 5 015 >> 10 270                        |        | 1   | CABRIO          |
| -   | 356 61 106     | Glass<br>Interior light<br>F 5 015 >> 10 270               |        | 1   | CABRIO          |
| 49  | 644 731 501 00 | Reflector<br>F 11 779 >><br>F 15 073 >>                    |        | 2   | COUPE<br>CABRIO |
| 50  | 540 62 011     | Protective grille<br>without<br>Insert<br>Sealed-beam      |        | 2   | SPEEDSTER       |
| 51  | 540 62 105     | Sealing ring   |        | 2   | SPEEDSTER       |
| 52  | 540 62 301     | High volume horn<br>Low-pitched                            |        | 1   | SPEEDSTER       |
| -   | 540 62 302     | High volume horn<br>Low-pitched                            |        | 1   | SPEEDSTER       |
| 53  | 540 62 313     | Support<br>Left  |        | 1   | SPEEDSTER       |
| -   | 540 62 314     | Support<br>Right   |        | 1   | SPEEDSTER       |
| 54  | 356 61 015 A   | Fuse box<br>F 53 276 >><br>F 60 788 >>                     |        | 1   | COUPE<br>CABRIO |
| -   | 356 61 015     | Fuse box<br>F 5 001 >> 53 275<br>F 5 015 >> 60 787         |        | 1   | COUPE<br>CABRIO |
| -   | 540 61 015     | Fuse box   |        | 1   | SPEEDSTER       |
| 55  | 356 61 015 A1  | Lid<br>F 53 276 >><br>F 60 788 >>                          |        | 1   | COUPE<br>CABRIO |
| -   | 356 61 015 1   | Lid<br>F 5 001 >> 53 275<br>F 5 015 >> 60 787              |        | 1   | COUPE<br>CABRIO |
| 56  | 356 61 132     | Rubber stop  |        | 2   |                 |
| 57  |                | Ground strap<br>L 149.053                                  |        | 1   |                 |
| 58  |                | Terminal clamp<br>DIN 2331 A 10                            |        | 1   |                 |
| -   | 356 61 023     | Wiring harness<br>F 52 030 >><br>F 60 550 >>               |        | 1   | COUPE<br>CABRIO |
| -   | 356 61 022     | Wiring harness<br>F 11 779 >> 52 029<br>F 15 073 >> 60 549 |        | 1   | COUPE<br>CABRIO |
| -   | 356 61 021     | Wiring harness<br>F 11 361 >> 11 778<br>F 10 271 >> 15 072 |        | 1   | COUPE<br>CABRIO |
| -   | 356 61 020     | Wiring harness<br>F 5 001 >> 11 778<br>F 5 015 >> 15 072   |        | 1   | COUPE<br>CABRIO |

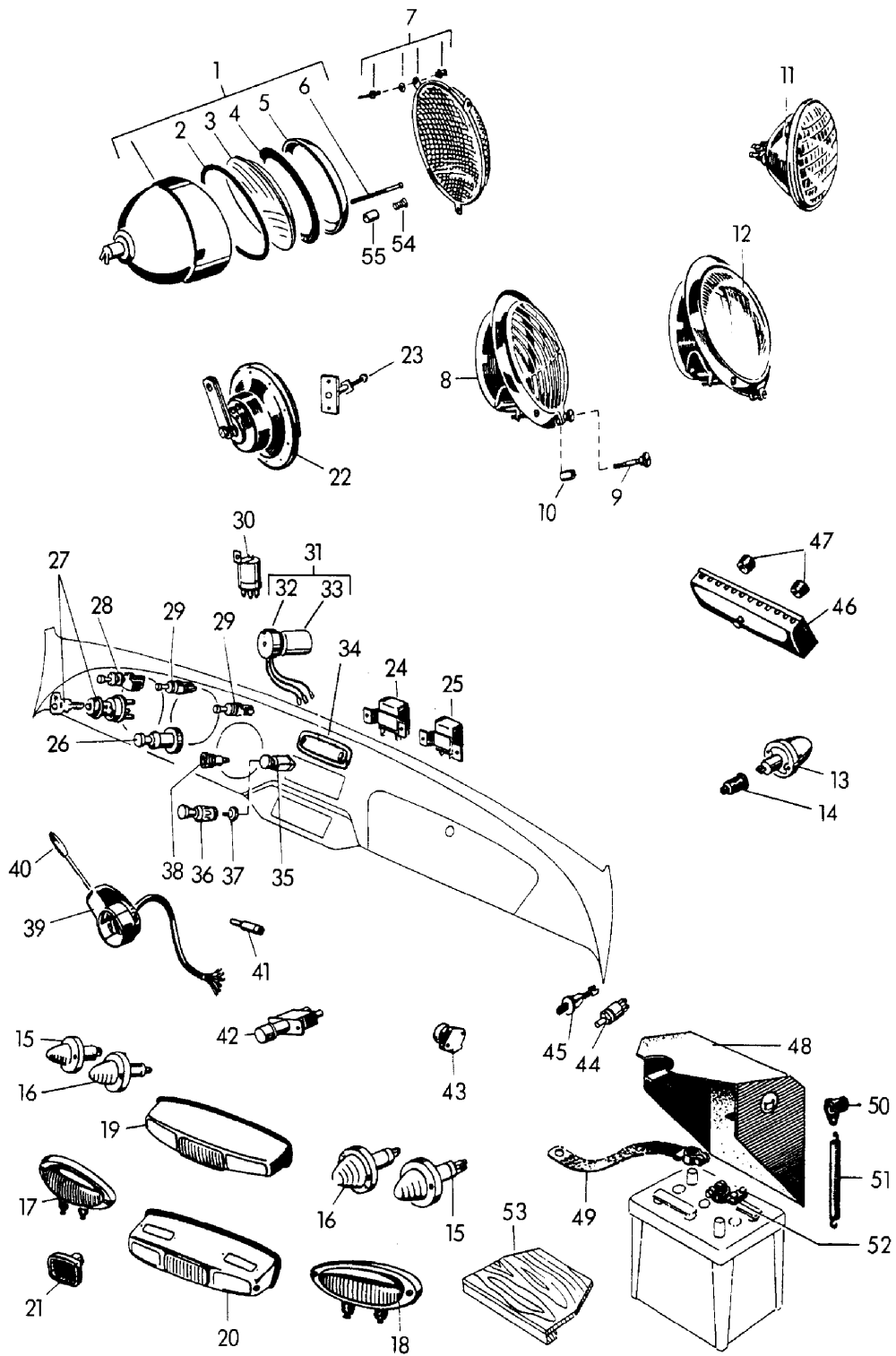
Model: 356 50

Model life 1950&gt;&gt;1959

| Pos  | Part Number | Description   | Remark | Qty | Model     |
|------|-------------|---|--------|-----|-----------|
| -    | 540 61 029  | Wiring harness  |        | 1   | SPEEDSTER |
| -    | 356 61 117  | Battery-starter cable   |        | 1   |           |
|      |             | Battery<br>35 MM2   |        |     |           |
| 59   | PCG 62 115  | Fastening screw   |        | 2   |           |
| 60   | PCG 62 116  | Headlamp ring   |        | 2   |           |
| (60) | PCG 62 117  | Intermediate piece<br>Aluminium<br>Intermediate piece<br>Plastic material |        | 2   |           |

Model: 356 50

Model life 1950>>1959



Model: 356 50 Model life 1950>>1959

| Pos | Part Number    | Description  | Remark | Qty | Model |
|-----|----------------|--|--------|-----|-------|
|     |                | Headlamp<br>Lights<br>And<br>Switch                      |        |     | 356 A |
| -   | 900 611 001 90 | Battery<br>6V 77AH                                       |        | 1   |       |
| -   | 900 611 001 91 | Battery<br>6V 77AH                                       |        | 1   |       |
| 1   | 644 631 101 00 | Headlamp<br>Complete                                     |        | 2   |       |
| -   | 644 631 101 01 | - bosch -<br>High-beam headlight<br>Complete             |        | 2   |       |
| -   | 644 631 101 07 | - HELLA -<br>Headlamp<br>Complete<br>Asymmetrical        |        | 2   |       |
| 2   | 644 631 115 01 | - HELLA -<br>Gasket<br>Headlamp<br>Wing                  |        | 2   |       |
| 3   | 644 631 111 00 | Lens<br>for<br>644.631.101.00                            |        | 2   |       |
| -   | 644 631 111 01 | Lens<br>for<br>644.631.101.01                            |        | 2   |       |
| -   | 901 631 111 00 | Lens<br>White<br>HELLA<br>for<br>644.631.101.02          |        | 2   |       |
| -   | 644 631 111 02 | Lens<br>Yellow<br>BOSCH<br>for<br>644.631.101.02         |        | 2   |       |
| 4   | 911 631 967 00 | Gasket<br>- bosch -                                      |        | 2   |       |
| -   |                | Gasket<br>- HELLA -                                      |        | 2   |       |
| 5   | 644 631 112 00 | Headlamp ring<br>for<br>644.631.101.00                   |        | 2   |       |
| -   | 644 631 112 01 | Headlamp ring<br>for<br>644.631.101.01                   |        | 2   |       |
| -   | 644 631 101 07 | Headlamp<br>for<br>644.631.101.02                        |        | 2   |       |
| 6   | 644 631 113 00 | Adjusting screw<br>M3<br>for<br>644.631.101.00           |        | 4   |       |
| -   | 644 631 113 01 | Adjusting screw<br>M 3<br>for<br>644.631.101.01          |        | 4   |       |
| -   | 644 631 113 02 | Adjusting screw<br>M 3<br>Short<br>for<br>644.631.101.02 |        | 2   |       |



Model: 356 50 Model life 1950>>1959

| Pos | Part Number    | Description   | Remark | Qty | Model                        |
|-----|----------------|---|--------|-----|------------------------------|
| -   | 644 631 113 03 | Adjusting screw<br>M 3<br>Long<br>for<br>644.631.101.02   |        | 2   |                              |
| 7   | 644 631 130 00 | Protective grille<br>with<br>Mount  |        | 2   |                              |
| 8   | 540 62 011     | Protective grille<br>without<br>Sealed-beam<br>F >> 100 000<br>F >> 61 700<br>F >> 83 200                               |        | 2   | COUPE<br>CABRIO<br>SPEEDSTER |
| -   | 356 62 114     | Protective grille<br>for<br>Protective grille<br>Sealed-beam<br>- HELLA -<br>F >> 100 000<br>F >> 61 700<br>F >> 83 200 |        | 2   | COUPE<br>CABRIO<br>SPEEDSTER |
| 9   |                | Screw<br>F >> 100 000<br>F >> 61 700<br>F >> 83 200   |        | 2   | COUPE<br>CABRIO<br>SPEEDSTER |
| 10  |                | Intermediate piece<br>F >> 100 000<br>F >> 61 700<br>F >> 83 200  |        | 2   | COUPE<br>CABRIO<br>SPEEDSTER |
| 11  | 644 631 105 30 | Headlamp unit<br>Sealed-beam<br>Original  |        | 2   |                              |
| -   | 644 631 105 31 | Headlamp<br>Insert<br>Sealed-beam<br>Symmetrical<br>Replacement   |        | 2   |                              |
| -   | 644 631 106 31 | Headlamp unit<br>Sealed-beam<br>Asymmetrical<br>Replacement   |        | 2   |                              |
| 12  | 644 631 101 31 | Headlamp<br>without<br>Insert<br>Sealed-beam<br>- HELLA -   |        | 2   |                              |
| -   | 644 631 111 31 | Lens<br>Sealed-beam<br>- HELLA -  |        | 2   |                              |
| -   | 644 631 112 01 | Headlamp ring<br>Sealed-beam<br>- HELLA -   |        | 2   |                              |
| -   | 644 631 107 03 | Connector<br>without<br>Cable   |        | 2   |                              |
| 13  |                | Direction indicator light<br>White<br>Front<br>2-pole<br>F >> 100 000<br>F >> 61 700<br>F >> 83 200                     |        | 2   | COUPE<br>CABRIO<br>SPEEDSTER |

Model: 356 50 Model life 1950>>1959

| Pos | Part Number    | Description   | Remark | Qty | Model                                   |
|-----|----------------|---|--------|-----|---|
| -   |                | Direction indicator light<br>White<br>Front<br>Single pole<br>F 100 001 >><br>F 61 701 >><br>F 83 201 >>  |        | 2   | COUPE<br>CABRIO<br>SPEEDSTER            |
| -   |                | Direction indicator light<br>Clear<br>Front<br>Safety contact<br>F 100 001 >> 104 089<br>F 61 701 >> 61 892<br>F 150 001 >> 150 639<br>F 83 201 >> 84 922 |        | 2   | COUPE<br>CABRIO<br>HARDTOP<br>SPEEDSTER |
| -   | 644 631 401 01 | Direction indicator light<br>Clear<br>Front<br>F 104 090 >><br>F 150 640 >><br>F 85 503 >>  |        | 2   | COUPE<br>CABRIO<br>SPEEDSTER            |
| -   | 644 631 401 02 | Direction indicator light<br>Yellow<br>Front<br>F 104 090 >><br>F 150 640 >><br>F 85 503 >>   |        | 2   | COUPE<br>CABRIO<br>SPEEDSTER            |
| -   | PCG 631 100 00 | Screw<br>Set<br>Lights<br>Comprising:<br>8 SCHRAUBEN  |        | 1   |   |
| -   | 644 631 411 00 | Lens<br>Direction indicator light<br>Clear<br>F 100 001 >> 104 089<br>F 61 701 >> 61 892<br>F 150 001 >> 150 639<br>F 83 201 >> 84 922                    |        | 2   | COUPE<br>CABRIO<br>HARDTOP<br>SPEEDSTER |
| -   | 644 631 411 01 | Lens<br>Direction indicator light<br>Clear<br>F 104 090 >><br>F 150 640 >><br>F 85 503 >>   |        | 2   | COUPE<br>CABRIO<br>SPEEDSTER            |
| -   | 644 631 411 06 | Lens<br>Direction indicator light<br>Yellow<br>F 104 090 >><br>F 150 640 >><br>F 85 503 >>  |        | 2   | COUPE<br>CABRIO<br>SPEEDSTER            |
| -   | 644 631 413 01 | Rubber seal<br>Direction indicator light<br>F 104 090 >><br>F 150 640 >><br>F 85 503 >>   |        | 2   | COUPE<br>CABRIO<br>SPEEDSTER            |
| -   |                | Rubber cap<br>F 104 090 >><br>F 150 640 >><br>F 85 503 >>   |        | 6   | COUPE<br>CABRIO<br>SPEEDSTER            |
| 14  | 644 631 419 00 | Rubber cap<br>Direction indicator light<br>with   |        | 2   |   |

Model: 356 50 Model life 1950>>1959

| Pos  | Part Number    | Description   | Remark   | Qty | Model                        |
|------|----------------|---|----------|-----|------------------------------|
| 14   | PCG 631 419 00 | Safety contact<br>Rubber cap  |          | 2   |                              |
| 15   | PCG 631 008 00 | Direction indicator light<br>with<br>Safety contact   |          | 2   |                              |
| (15) |                | Direction indicator light<br>Brake light<br>Red<br>F >> 100 000<br>F >> 61 700<br>F >> 83 200<br>Orange               |          |     | COUPE<br>CABRIO<br>SPEEDSTER |
| -    | PCG 631 100 00 | Not available<br>Screw<br>Set<br>Lights<br>Comprising:<br>8 SSCHRAUBEN  |          | 1   |                              |
| -    | 365 62 223     | Rubber base<br>F >> 100 000<br>F >> 61 700<br>F >> 83 200   |          | 2   | COUPE<br>CABRIO<br>SPEEDSTER |
| 16   |                | Rear light<br>Red<br>F >> 100 000<br>F >> 61 700<br>F >> 83 200   |          | 2   | COUPE<br>CABRIO<br>SPEEDSTER |
| 17   | 644 631 403 00 | Rear light<br>Direction indicator light<br>Brake light<br>Red<br>F 100 001 >><br>F 61 701 >><br>F 83 201 >>           | /L (USA) | 1   | COUPE<br>CABRIO<br>SPEEDSTER |
| -    | 644 631 403 10 | Rear light<br>Direction indicator light<br>Brake light<br>Red<br>Orange<br>F 100 001 >><br>F 61 701 >><br>F 83 201 >> | /L       | 1   | COUPE<br>CABRIO<br>SPEEDSTER |
| -    | 644 631 421 00 | Lens<br>Red<br>for<br>644.631.403.00  | /L (USA) | 1   |                              |
| -    | 644 631 421 10 | Lens<br>Red<br>Orange<br>for<br>644.631.403.10  | /L       | 1   |                              |
| 18   | 644 631 404 00 | Rear light<br>Direction indicator light<br>Brake light<br>Red<br>F 100 001 >><br>F 61 701 >><br>F 83 201 >>           | /R (USA) | 1   | COUPE<br>CABRIO<br>SPEEDSTER |
| -    | 644 631 404 10 | Rear light<br>Direction indicator light<br>Brake light<br>Red<br>Orange   | /R       | 1   |                              |

Model: 356 50 Model life 1950>>1959

| Pos | Part Number    | Description  | Remark   | Qty | Model                        |
|-----|----------------|--|----------|-----|------------------------------|
| -   | 644 631 422 00 | F 100 001 >><br>F 61 701 >><br>F 83 201 >><br>Lens<br>Red<br>for<br>644.631.404.00 | /R (USA) | 1   | COUPE<br>CABRIO<br>SPEEDSTER |
| -   | 644 631 422 10 | Lens<br>Red<br>Orange<br>for<br>644.631.404.10                                     | /R       | 1   |                              |
| -   | 644 631 491 01 | Rubber base  |          | 2   |                              |
| -   | 644 631 423 01 | Trim frame   |          | 2   |                              |
| -   | 644 631 419 00 | Rubber cap   |          | 4   |                              |
| -   | PCG 631 419 00 | Rubber cap   |          | 4   |                              |
| 19  | PCG 631 005 00 | Back-up light<br>License plate light<br>F >> 100 000<br>F >> 61 700<br>F >> 83 200 |          | 1   | COUPE<br>CABRIO<br>SPEEDSTER |
| 20  | 644 631 601 00 | Back-up light<br>License plate light<br>F 100 001 >><br>F 61 701 >><br>F 83 201 >> |          | 1   | COUPE<br>CABRIO<br>SPEEDSTER |
| 20  | PCG 631 006 00 | License plate light<br>Complete<br>F 100 001 >><br>F 61 701 >><br>F 83 201 >>      |          | 1   | COUPE<br>CABRIO<br>SPEEDSTER |
| -   | 644 631 612 00 | Lens<br>Back-up light  |          | 1   |                              |
| 21  | 644 731 501 00 | Reflector<br>20 CM2  |          | 1   |                              |
| -   | 644 731 505 00 | Reflector<br>40 CM2  | (S)      | 1   |                              |
| 22  | 644 635 101 06 | High volume horn<br>Low-pitched  |          | 1   |                              |
| -   | 644 635 111 06 | High volume horn<br>High-pitched   |          | 1   |                              |
| 23  | 644 635 151 00 | Support<br>Left  |          | 1   |                              |
| -   | 644 635 152 00 | Support<br>Right   |          | 1   |                              |
| 24  | PCG 615 101 00 | Relay<br>Black<br>Horn<br>F >> 100 000<br>F >> 61 700<br>F >> 83 200               |          | 1   | COUPE<br>CABRIO<br>SPEEDSTER |
| -   | 356 615 101 00 | Relay<br>Black<br>Horn<br>F 100 001 >><br>F 61 701 >><br>F 83 201 >>               |          | 1   | COUPE<br>CABRIO<br>SPEEDSTER |
| 25  | PCG 615 101 00 | Relay<br>Headlight flasher<br>F >> 100 000<br>F >> 61 700<br>F >> 83 200           |          | 1   | COUPE<br>CABRIO<br>SPEEDSTER |
| -   |                | Relay  |          | 1   |                              |

Model: 356 50

Model life 1950&gt;&gt;1959

| Pos | Part Number    | Description  | Remark | Qty | Model                        |
|-----|----------------|--|--------|-----|------------------------------|
|     |                | Green<br>Headlight flasher<br>F 100 001 >><br>F 61 701 >><br>F 83 201 >>             |        |     | COUPE<br>CABRIO<br>SPEEDSTER |
| 26  | 644 613 211 01 | Light switch<br>Please state the colour  |        | 1   |                              |
| 27  | 644 613 101 00 | Ignition starter switch<br>SH/ZAS 1/5<br>- bosch -<br>with keys                      |        | 1   |                              |
| -   | 644 613 101 06 | Ignition starter switch<br>8275<br>- KOSTAL -<br>with keys                           |        | 1   |                              |
| -   | 644 613 901 00 | Blank key<br>- bosch -   |        | 1   |                              |
| -   | 644 613 901 09 | Blank key<br>- KOSTAL -  |        | 1   |                              |
| 28  | 644 613 501 00 | Switch<br>Windscreen wiper system<br>F 100 001 >><br>F 61 701 >><br>F 83 201 >>      |        | 1   | COUPE<br>CABRIO<br>SPEEDSTER |
| 29  | 356 61 045     | Switch<br>Ignition coil<br>Fuel pump<br>F >> 100 000<br>F >> 61 700<br>F >> 83 200   |        | 3   | CARRERA                      |
| -   | 644 613 501 01 | Switch<br>Ignition coil<br>Fuel pump<br>F 100 001 >><br>F 61 701 >><br>F 83 201 >>   |        | 3   | COUPE<br>CABRIO<br>SPEEDSTER |
| 30  |                | Flasher relay<br>2 X 20 W<br>- HELLA -<br>F >> 100 000<br>F >> 61 700<br>F >> 83 200 |        | 1   | COUPE<br>CABRIO<br>SPEEDSTER |
| 31  | 644 613 331 00 | Flasher relay<br>Complete<br>F 100 001 >><br>F 61 701 >><br>F 83 201 >>              |        | 1   | COUPE<br>CABRIO<br>SPEEDSTER |
| 32  | 644 613 341 00 | Plug socket<br>F 100 001 >><br>F 61 701 >><br>F 83 201 >>                            |        | 1   | COUPE<br>CABRIO<br>SPEEDSTER |
| 33  | 644 613 342 00 | Flasher relay<br>F 100 001 >><br>F 61 701 >><br>F 83 201 >>                          |        | 1   | COUPE<br>CABRIO<br>SPEEDSTER |
| 34  | 644 632 101 03 | Interior light   |        | 1   | COUPE/CABRIO                 |
| 35  | 644 652 101 01 | Cigarette lighter<br>Complete  |        | 1   | COUPE/CABRIO                 |
| 36  | 644 652 101 00 | Please state the colour<br>Cigarette lighter<br>Please state the colour              |        | 1   | COUPE/CABRIO                 |
| 37  | 644 652 115 00 | Glower   |        | 1   | COUPE/CABRIO                 |
| 38  | 644 616 131 01 | Plug socket  |        | 1   |                              |

Model: 356 50 Model life 1950>>1959

| Pos | Part Number        | Description   | Remark | Qty | Model  |
|-----|--------------------|---|--------|-----|--|
| 39  | 644 613 301 00     | Direction indicator switch<br>Complete                                |        | 1   |  |
|     | 644 613 301 00 500 | Beige   |        |     |  |
|     | 644 613 301 00 600 | Grey  |        |     |  |
| -   | 644 613 325 00     | Cancelling ring<br>Direction indicator switch                         |        | 1   |  |
| 40  | 644 552 853 00     | Handle knob<br>Direction indicator switch                             |        | 1   |  |
|     | 644 552 853 00 600 | Grey  |        |     |  |
|     | 644 552 853 00 500 | Beige   |        |     |  |
|     | 644 552 853 00 300 | White<br>Ivory  |        |     |  |
| 41  | 644 347 731 00     | Carbon brush  |        | 2   |  |
| -   | PCG 347 731 00     | Wiper contact<br>Set<br>for<br>High volume horn                       |        | 2   |  |
| 42  | 644 613 531 01     | Light switch  |        | 1   |  |
| 43  | 356 62 083 3       | Switch<br>Back-up light<br>F >> 100 000<br>F >> 61 700<br>F >> 83 200 |        | 1   | COUPE<br>CABRIO<br>SPEEDSTER                 |
| -   | 644 613 541 00     | Switch<br>Back-up light<br>F 100 001 >><br>F 61 701 >><br>F 83 201 >> |        | 1   | COUPE<br>CABRIO<br>SPEEDSTER                 |
| 44  | 356 61 065         | Door contact switch<br>F >> 100 000<br>F >> 61 700<br>F >> 83 200     |        | 1   | COUPE/CABRIO<br>COUPE<br>CABRIO<br>SPEEDSTER |
| 45  | 644 615 601 00     | Door contact switch<br>F 100 001 >><br>F 61 701 >><br>F 83 201 >>     |        | 1   | COUPE/CABRIO<br>COUPE<br>CABRIO<br>SPEEDSTER |
| 46  | 644 612 801 00     | Fuse box  |        | 1   |  |
| -   | 644 612 811 00     | Lid<br>Fuse box   |        | 1   |  |
| 47  | 644 612 691 00     | Rubber buffer   |        | 2   |  |
| 48  | 644 611 015 01     | Lid<br>Battery  |        | 1   |  |
| 48  | PCG 611 015 01     | Battery cover<br>Battery<br>It is necessary to rework                 |        | 1   |  |
| -   | 644 611 015 02     | Battery cover<br>Battery<br>- bosch -                                 |        | 1   |  |
| -   | 644 611 015 10     | Battery cover<br>Battery<br>12 VOLT                                   |        | 1   | CARRERA                                      |
| 49  | 644 612 301 01     | Ground strap  |        | 1   |  |
| 49  | 644 612 301 02     | Ground strap  |        | 1   |  |
| 50  | 644 611 151 00     | Retaining clip  |        | 2   |  |
| 51  | 644 611 153 00     | Tension spring  |        | 2   |  |
| 52  | 901 611 311 00     | Terminal  |        | 1   |  |
| 53  | 644 611 110 00     | Desk pad  |        | 1   |  |
| 53  | 644 611 110 01     | Desk pad<br>SPERRHOLZ<br>It is necessary to rework                    |        | 1   |  |
| -   | 644 611 111 01     | Desk pad  |        | 2   |  |
| -   | 644 612 001 05     | Wiring harness  |        | 1   |  |
| 54  | PCG 62 115         | Fastening screw   |        | 2   |  |

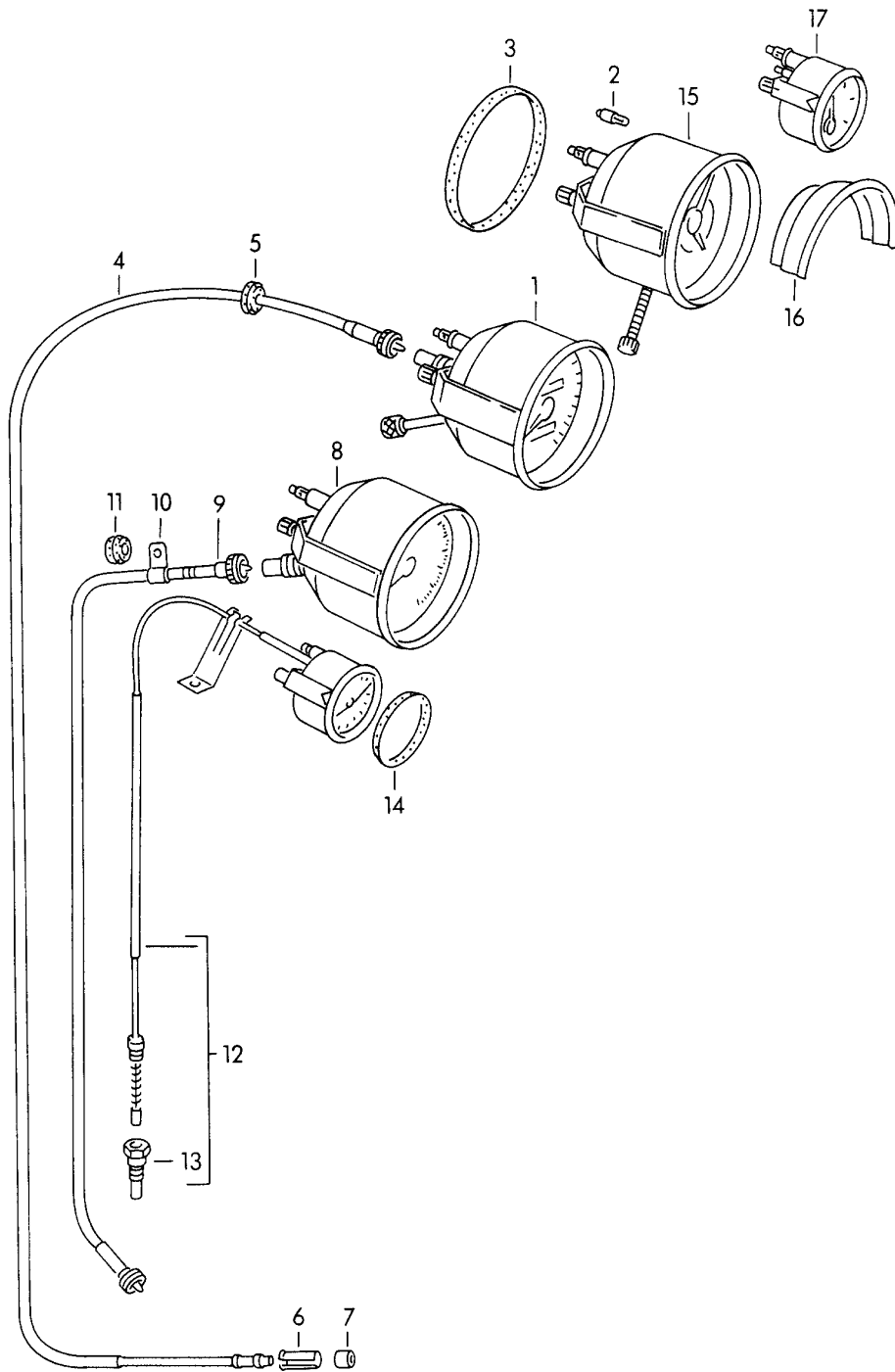
Model: 356 50

Model life 1950&gt;&gt;1959

| Pos  | Part Number | Description                                      | Remark | Qty | Model |
|------|-------------|--|--------|-----|-------|
| 55   | PCG 62 116  | Headlamp ring<br>Intermediate piece<br>Aluminium |        | 2   |       |
| (55) | PCG 62 117  | Intermediate piece<br>Plastic material           |        | 2   |       |

Model: 356 50

Model life 1950>>1959





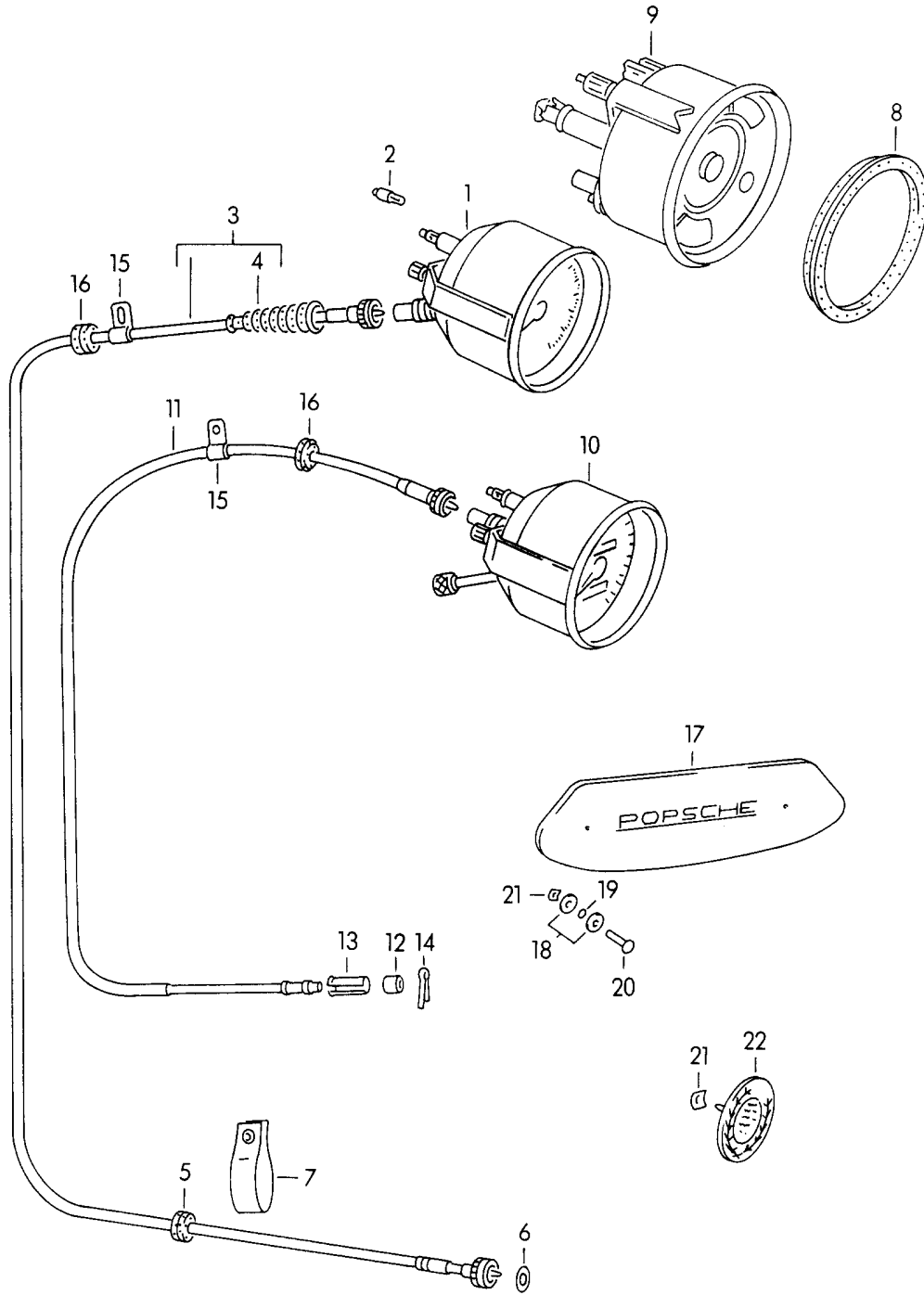
Model: 356 50

Model life 1950&gt;&gt;1959

| Pos | Part Number    | Description  | Remark | Qty | Model |
|-----|----------------|--|--------|-----|-------|
| 1   | 356 61 036 T   | Instruments<br>Speedometer<br>with<br>Trip meter<br>200 KM |        | 1   | 356   |
| -   | 356 61 037 T   | Speedometer<br>with<br>Trip meter<br>120 MEILEN            |        | 1   |       |
| 2   |                | Bulb<br>6 V /0,6 W   |        | X   |       |
| 3   | 999 704 126 50 | Rubber ring<br>95 MM \$<br>Speedometer<br>Tachometer       |        | 2   |       |
| 4   | 644 741 111 00 | Drive shaft<br>Speedometer                                 |        | 1   |       |
| -   | 356 61 311     | Drive shaft<br>Speedometer                                 |        | 1   |       |
| 5   | 999 702 020 50 | Rubber sleeve  |        | 2   |       |
| 6   | 644 741 241 00 | Sleeve   |        | 1   |       |
| 7   | 356 61 308     | Rubber boot  |        | 1   |       |
| 8   | 356 70 017 T   | Tachometer<br>UPM 0 - 6 000                                |        | 1   |       |
| -   | 356 70 018 T   | Tachometer<br>UPM 0 - 6 000                                |        | 1   |       |
| 9   | 644 741 311 01 | Drive shaft<br>Tachometer                                  |        | 1   |       |
| 9   | 616 741 311 01 | Drive shaft<br>Tachometer<br>3500 mm                       |        | 1   |       |
| 10  | 369 05 708     | Clip   |        | 2   |       |
| 11  | 369 05 709     | Rubber sleeve  |        | 2   |       |
| 12  | 539 07 714     | Temperature sensor   |        | 1   |       |
| 13  | 616 07 708     | Screw socket   |        | 1   |       |
| -   |                | Sealing ring<br>A 14 X 20                                  |        | 1   |       |
| 14  | 356 70 143     | Outer ring<br>\$ 50 MM                                     |        | 2   |       |
| 15  | 356 61 034     | Clock  |        | 1   |       |
| -   | 356 23 204     | Sealing bellows<br>Connecting piece<br>Clock               |        | 1   |       |
| 16  | 356 70 424     | Cover<br>Tachometer<br>Speedometer                         |        | 2   |       |
| -   | 356 70 426     | Cover<br>Remote temperature sensor<br>Fuel-level indicator |        | 2   |       |
| 17  | 356 56 142     | Tank gauge<br>Electric                                     |        | 1   |       |
| -   | 356 70 019     | Fuel-level indicator<br>Mechanical<br>Complete             |        | 1   |       |

Model: 356 50

Model life 1950>>1959



Model: 356 50 Model life 1950>>1959

| Pos  | Part Number    | Description                              | Remark | Qty | Model              |
|------|----------------|--|--------|-----|--------------------|
| 1    | 644 741 301 03 | Instruments<br>Tachometer<br>600 - 6 000 |        | 1   | 356 A<br>1300/1600 |
| (1)  | 644 741 301 04 | Tachometer<br>600 - 6 000                |        | 1   | 1300 S<br>1600 S   |
| (1)  | 644 741 301 02 | Tachometer<br>800 - 8 000                |        | 1   | CARRERA GS         |
| (1)  | 644 741 302 00 | Tachometer<br>800 - 8 000<br>692/12 V    |        | 1   | CARRERA GS         |
| 2    | 900 631 001 90 | Bulb<br>6 V / 0,6 W                      |        | 3   |                    |
| (2)  | 900 631 002 90 | Bulb<br>6 V / 1,2 W                      |        | 1   |                    |
| (2)  | 900 631 102 90 | Light<br>12 V / 2,0 W                    |        | 1   |                    |
| 3    | 644 741 311 01 | Drive shaft<br>Tachometer<br>4000 MM     |        | 1   | 1300 /S<br>1600 /S |
| (3)  | 616 741 311 01 | Drive shaft<br>Tachometer<br>3500 mm     |        | 1   |                    |
| (3)  | 644 741 311 02 | Drive shaft<br>Tachometer<br>3640 MM     |        | 1   | CARRERA            |
| 4    | 356 23 204     | Sealing bellows                          |        | 2   |                    |
| 5    | 644 025 622 00 | Grommet                                  |        | 1   |                    |
| -    | 644 025 682 00 | Clamp<br>Rubber sleeve                   |        | 1   |                    |
| 6    | 369 05 707     | Washer                                   |        | 1   |                    |
| 7    | 999 706 009 80 | Suspension strap                         |        | 1   |                    |
| 7    | 911 424 341 01 | Suspension strap                         |        | 1   |                    |
| 7    | 911 424 341 03 | Suspension strap                         |        | 1   |                    |
| 8    | 644 741 191 00 | Outer ring                               |        | 3   |                    |
| 9    | 644 741 501 01 | Instrument cluster<br>6 V                |        | 1   | 1300 /S<br>1600 /S |
| (9)  | 644 741 502 01 | Instrument cluster<br>12 V               |        | 1   | CARRERA            |
| 10   | 644 741 101 03 | Speedometer<br>0 - 200 KMH               |        | 1   | 1300 /S<br>1600 /S |
| -    | 644 741 101 13 | Speedometer<br>0 - 120 MPH               |        | 1   | 1300 /S<br>1600 /S |
| -    | 644 741 102 06 | Speedometer<br>0 - 250 KMH<br>6 V / 12 V |        | 1   | CARRERA            |
| -    | 644 741 102 16 | Speedometer<br>0 - 160 MPH<br>6 V / 12 V |        | 1   | CARRERA            |
| 11   | 644 741 111 00 | Drive shaft<br>Speedometer<br>1320 MM    | /LL    | 1   |                    |
| (11) | 644 741 112 00 | Drive shaft<br>Speedometer<br>1920 MM    | /RL    | 1   |                    |
| 12   | 644 741 241 00 | Sleeve                                   |        | 1   |                    |
| 13   |                | Sleeve                                   |        | 1   |                    |
| 14   | 900 021 006 00 | Roll pin<br>2 X 10                       |        | 1   |                    |
| 15   | 369 05 708     | Clip                                     |        | 2   |                    |
| 16   | 999 702 020 50 | Rubber sleeve                            |        | 1   |                    |
| 17   | 644 552 431 00 | Cover<br>Radio<br>PORSCHE logo           |        | 1   | 1300 /S<br>1600 /S |

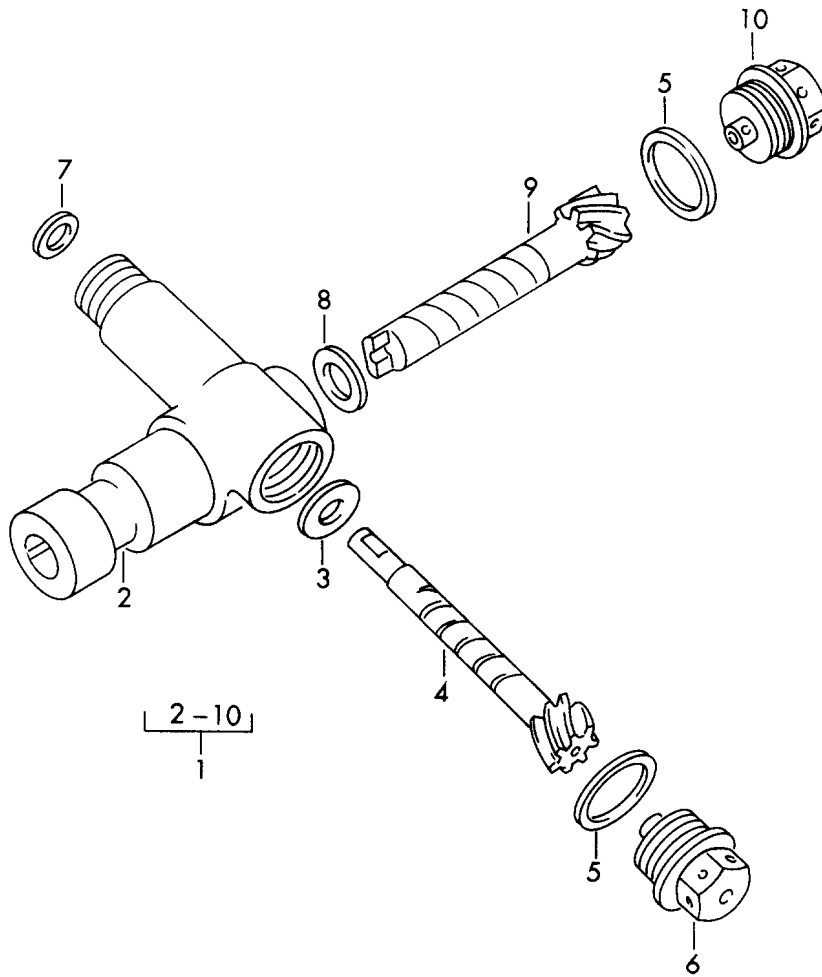
Model: 356 50

Model life 1950&gt;&gt;1959

| Pos | Part Number    | Description  | Remark | Qty | Model              |
|-----|----------------|--|--------|-----|--------------------|
| 18  | 644 025 661 00 | Washer   |        | 4   | 1300 /S            |
| 19  | 644 025 601 00 | Rubber washer  |        | 2   | 1300 /S<br>1600 /S |
| 20  | 900 055 004 00 | Buttonhead rivet<br>3 X 15                               |        | 2   | 1300 /S<br>1600 /S |
| 21  | 999 507 212 01 | Speed nut  |        | 3   | 1300 /S<br>1600 /S |
| 22  | 644 559 831 00 | Badge<br>"1950-1955 DEUTSCHE<br>Sports car championships |        | 1   |                    |

Model: 356 50

Model life 1950>>1959



Model: 356 50

Model life 1950>>1959

| Pos | Part Number    | Description  | Remark | Qty | Model                 |
|-----|----------------|--|--------|-----|-----------------------|
| 1   | 547 18 002     | Driving mechanism<br>Tachometer<br>Driving mechanism<br>Tachometer<br>Complete |        | 1   | CARRERA<br>1600 GS/GT |
| 2   | 547 18 101     | Housing  |        | 1   |                       |
| 3   | 547 18 103     | Thrust washer<br>0,8 MM  |        | X   |                       |
| -   | 547 18 104     | Thrust washer<br>0,6 MM  |        | X   |                       |
| -   | 547 18 105     | Thrust washer<br>0,5 MM  |        | X   |                       |
| 4   | 547 18 108     | Drive shaft  |        | 1   |                       |
| 5   | 900 123 010 30 | Sealing ring<br>Aluminium<br>A 20 X 24   |        | 2   |                       |
| 6   | 547 18 106     | Pressure screw   |        | 1   |                       |
| 7   | 369 05 704 1   | Sealing ring<br>Felt   |        | 1   |                       |
| 8   | 369 05 718     | Thrust washer<br>0,8 MM  |        | X   |                       |
| -   | 369 05 719     | Thrust washer<br>0,6 MM  |        | X   |                       |
| -   | 369 05 720     | Thrust washer<br>0,5 MM  |        | X   |                       |
| -   | 369 05 72A     | Thrust washer<br>0,5 MM  |        | X   |                       |
| 9   | 547 18 107     | Shaft  |        | 1   |                       |
| 10  | 369 05 703     | Pressure screw   |        | 1   |                       |