

**Model: 982-17**

**Model life 2017>>**

Model Overview Sales Type

Sales term	Description	Mounting time	Remark
982320	Boxster	05/16	
982321	Boxster	05/16	
982330	Boxster S	05/16	
982331	Boxster S	05/16	
982340	Boxster GTS	05/17	
982341	Boxster GTS	05/17	

Model: 982-17

Model life 2017>>

Model Overview EC

EC	Sales term	LTR	KW	Hp	Cyl	Mounting time	Remark
DDN		2,50	257	349	4	05/16-05/17	
DDNC		2,50	257	349	4	05/16-05/17	
DDP		2,00	184	250	4	05/16-05/17	
DDPA		2,00	184	250	4	05/16	
DDPB		2,00	220	299	4	05/16	
DJU		2,50	269	365	4	05/17	
DJUA		2,50	269	365	4	05/17	
DJUB		2,50	269	365	4	05/17	
DNYA		2,00	221	300	4	05/18	B4
DNZA		2,50	257	350	4	05/18	B4
DNZB		2,50	268	365	4	05/18	B4
DNZC		2,50	268	365	4	05/18	B4
DPGB		2,00	221	300	4	05/18	B4

**Model: 982-17**

**Model life 2017>>**

Model Overview TC

TC	Sales term	Type	Mounting time	Remark
CG210		7C	05/16	
CG240		7C	05/16	
G8200		6S	05/16	
G8220		6S	05/16	

Model: 982-17

Model life 2017&gt;&gt;

## VIN-Numbers Overview

Model year	Date	VIN		Remark
2017	01.06.2016	98-HS210061	>98-HS220000	Boxster
2017	01.06.2016	A8-HS220061	>A8-HS230000	Boxster (USA, CDN)
2017	01.06.2016	98-HS230061	>98-HS240000	Boxster S
2017	01.06.2016	A8-HS240061	>A8-HS250000	Boxster S (USA, CDN)
2017	01.06.2016	98-HS220061	>98-HS230000	Boxster (KOR, CN, MEX, BR)
2017	01.06.2016	98-HS240061	>98-HS250000	Boxster S (KOR, CN, MEX, BR)
2018	01.06.2017	98-JS200061	>98-JS210000	Boxster
2018	01.06.2017	A8-JS210061	>A8-JS220000	Boxster (USA, CDN)
2018	01.06.2017	98-JS210061	>98-JS220000	Boxster (KOR, CN, MEX, BR)
2018	01.06.2017	98-JS220061	>98-JS228000	Boxster S/Boxster GTS
2018	01.06.2017	98-JS228061	>98-JS235000	Boxsterr S/GTS (KOR, CN, MEX, BR)
2018	01.06.2017	A8-JS228061	>A8-JS235000	Boxster S/GTS (USA, CDN)



**Model: 982-17****Model life 2017>>**

## Engine Numbers

Engine number	Model year	Vehicle type	Engine type
DDN 501>060000	2017	BOXSTER "S" C33	DDN
DDN 501>060000	2017	BOXSTER "S"	DDNC
DDP 501>060000	2017	BOXSTER CN C33	DDP
DDP 501>060000	2017	BOXSTER CN	DDPA
DDP 501>060000	2017	BOXSTER	DDPB
DDP 501>060000	2018	BOXSTER CN	DDPA
DDP 501>060000	2018	BOXSTER	DDPB
DJU 501>060000	2018	BOXSTER S/GTS C33	DJU
DJU 501>060000	2018	BOXSTER S/GTS MT	DJUA
DJU 501>060000	2018	BOXSTER S/GTS PDK	DJUB

**Model: 982-17****Model life 2017>>**

## Transmission Numbers

Transmission Number	Model year	Vehicle type	Gearbox type
CG210 1 002001>999999	2017	BOXSTER PDK	CG210
CG240 1 002001>999999	2017	BOXSTER S PDK	CG240
G8200 1 002001>999999	2017	BOXSTER	G8200
G8220 1 002001>999999	2017	BOXSTER S	G8220
CG210 1 002001>999999	2018	BOXSTER PDK	CG210
CG240 1 002001>999999	2018	BOXSTER S/GTS PDK	CG240
G8200 1 002001>999999	2018	BOXSTER	G8200
G8220 1 002001>999999	2018	BOXSTER S	G8220

Model: 982-17

Model life 2017&gt;&gt;

NR	Description
008	Basic 981/991
009	"s" 981/991
011	Special model GTS (981/991)
022	Black-coloured instrument dials, instrument cluster
023	Silver -coloured instrument dials, instrument cluster
025	Black-coloured instrument dials, stopwatch
026	Instrument cluster dials, Chalk
027	Instrument cluster dials, Carmine Red
029	Standard chassis
030	Sports suspension
031	Sports chassis with PASM and PDCC
034	Version for Italy
068	PAP right-hand drive version
070	Pedestrian protection
072	Version for Mexico
074	PAP left-hand drive version
075	Chinese version
084	Fuel tank, 54-litre
085	Fuel tank, 64-litre
089	Exterior package, Black
098	Left-hand drive version
099	Right-hand drive version
113	Version for Canada
121	Sports-look pedals
122	Footrest, sports look
140	Dynamic engine mounts (PADM)
153	Middle radiator
160	EU4 emissions concept without EOBD
165	Emission standard EU5
176	Sports exhaust system
193	japan version
196	Battery, 80 Ah
197	Stronger battery
200	95 Ah battery
209	Licence plate holder version 1
210	Licence plate holder version 2
211	Licence plate holder version 3
215	Version for Saudi Arabia
218	Licence plate holder version 4
219	Differential
220	Locking differential 40 %
250	PDK transmission (dual clutch)
254	Manually retractable exterior mirrors
255	Manually retractable exterior mirrors with memory
256	Manually retractable exterior mirrors,

Model: 982-17

Model life 2017&gt;&gt;

NR	Description
	with automatic dimming
257	Manually retractable exterior mirrors, with automatic dimming and memory
258	Electrically retractable exterior mirrors
259	Electrically retractable ext. mirrors with memory
260	Electrically retractable exterior mirrors with automatic dimming
261	Electrically retractable exterior mirrors with automatic dimming and memory
263	Left exterior mirror glass, flat
264	Left exterior mirror glass, convex
265	Left exterior mirror glass, aspherical
275	Manual anti-dazzle interior mirror
276	Automatic anti-dazzle interior mirror
284	Right exterior mirror glass, convex
285	Right exterior mirror glass, aspherical
288	Headlamp washer
313	Sports seat, left, manual, 2-way
314	Sports seat, right, manual, 2-way
316	Sports seat, right, partially electrical, 4-way
317	Sports seat Plus, left, manual, 2-way
318	Sports seat Plus, right, manual, 2-way
319	Sports seat Plus, left, partially electrical, 4-way
320	Sports seat Plus, right, partially electrical, 4-way
321	Sports seat, left, electrical, 14-way
322	Sports seat, right, electrical, 14-way
323	Sports seat Plus, left, electrical, 18-way
324	Sports seat Plus, right, electrical, 18-way
340	Wheel rims painted in basic colour
342	Seat heating, left/right seat
345	Heated steering wheel
352	Electronic damper control for PASM and PDCC
373	Bucket seat, 918 Spyder, left
374	Bucket seat, 918 Spyder, right
388	Sports bucket seat, left
389	Sports bucket seat, right
395	BOXSTER IIII 18" wheel
396	18" Cayman (III) wheel

Model: 982-17

Model life 2017&gt;&gt;

NR	Description
397	19-inch Boxster S wheel
398	19" Cayman S wheel
426	Without rear window wiper
427	20-inch Carrera Classic wheel (II)
433	20" Carrera S wheel (4)
439	20" 911 Turbo 4 wheel
444	Anti-theft lock, wheel bolts "THATCHAM"
446	Concave wheel centers with full-colour Porsche Crest
447	Emergency wheel
450	Ceramic brake (PCCB)
454	Automatic speed control
456	Automatic distance control (ACC)
457	Lane change assist
465	Rear fog light, left
466	Rear fog light, right
470	Rear-axle steering
475	"PASM" electronic damper control
477	PASM w/o lowering
479	Version for Australia
480	6-speed manual transmission
482	Tire Pressure Monitoring TPM, 433 MHz
483	315-MHz TPM, Tire Pressure Monitoring
484	Version for USA
487	7-speed manual transmission
489	Multi-function operation + steering wheel heating
492	Headlights for left-hand traffic
493	Balance weights, Black
498	Deletion of model designation on rear end
509	Fire extinguishers
521	Tilt sensor
523	Immobiliser, 434 MHz
524	Immobilizer, central locking, 433 MHz
525	Immobilizer, central locking, 315 MHz
533	Radio convertible-top operation omitted
534	Theft security system, 433 MHz
536	Alarm siren
537	Seat position control for comfort seat, left
538	Seat position control for comfort seat, right
541	Active seat ventilation (incl. heated seats)
544	Anti-theft protection without infrared monitoring, 433 MHz
546	Roll-over bar in exterior colour
547	Roll-over bar in Aluminium Look
551	Wind deflector, manual

Model: 982-17

Model life 2017&gt;&gt;

NR	Description
553	Version for USA, Canada
555	Black seat belts
557	Seat belts in contrasting colours
560	Advanced airbag
567	Windscreen tinted, upper part darker coloured
568	Windscreen without shade band
572	Manual air-conditioning system
573	Air conditioner
581	Centre console, front
583	Smoker package
590	Targa bar painted Silver
601	Xenon lighting system
602	LED headlights with dynamic cornering light Plus (PDLs Plus)
603	Bi-Xenon and dynamic cornering light
607	Garage door opener "Homelink", 315 MHz
608	Garage door opener "Homelink" 433 MHz
625	"KESSY" Porsche Entry and Drive
630	Interior light package
631	Traffic sign recognition
632	PDLs+ dynamic high beam
635	Rear ParkAssist
636	Park distance control in front and rear
638	ParkAssist, front, rear and reversing camera
642	Start/Stop function
647	Steering column, mechanically reach/height-adjustable, without ELV
648	Steering column, electrically reach/height-adjustable, without ELV
655	Mechanically adjustable steering column with ELV
656	Electrically adjustable steering column with ELV
657	Power steering
658	Servotronic
664	Orvr
665	PCM 3 Basic module incl. radio
680	BOSE sound package
682	Top Premium sound system
696	CD radio, Porsche CDR 31
789	Colour to sample
800	Bi-Xenon dynamic AHBA (Black)
811	without door panel trim
812	Door panel trim, galvanised
852	PDLs+ High beam assist

Model: 982-17

Model life 2017&gt;&gt;

NR	Description
855	Sports steering wheel in leather, basic
858	Sports steering wheel GT, leather
870	Universal multimedia interface
899	Isofix child-seat restraint on front passenger side
920	Additional cold protection measures
946	Seat covers, front, leather/leather/leatherette
948	Front seat covers in fabric/leather/leather
950	Alcantara seat covers, front
951	Seat covers front, Alcantara/leather/leather
975	Alcantara interior
980	Leather package
981	Leather equipment, without seat covers
983	Seat covers, front, leather
990	Seat covers, front, cloth/cloth/leatherette
991	Steering wheel airbag module in leather
998	Leather, natural
ER1	Regional code "ECE" for radio
ER2	Regional code "RdW" for radio
ER3	Region code "USA" for radio
ER4	Region code "Mexico/NAR2" for radio
ER5	Region code Japan for radio
ER6	Regional code "China" for radio
ER7	Regional code "Korea" for radio
ER8	Regional code "Taiwan" for radio
ER9	Regional code "Rest of Asia" for radio
GB1	Compensator, EU/ROW
GB2	Compensator, NAR
GB3	Compensator, China
IY0	Model year period from week 01 to week 22
IY1	Model year period from week 22 to week 45
IY2	Model year period from week 45 to week 22
I8L	Premium radio (2nd gen.)
KK1	Refrigerant R134a
KK3	Refrigerant R1234yf
NZ3	ERA/GLONASS (emergency call)
QH0	not with voice control
QH1	Voice control
QR0	Without compass
QR4	Sport Chrono package
QR5	Sport Chrono Package Plus
QU1	TV reception + digital radio reception (DAB) MIB
QU8	SAT radio reception, USA
QV0	Without TV and digital radio reception
QV1	With TV reception
QV3	HD radio reception (high-definition)

Model: 982-17

Model life 2017&gt;&gt;

NR	Description
QV8	HD radio reception and SAT radio XM (SDARS)
UI2	2 X USB/IPOD interface
UI4	AUX-IN and USB/IPOD electric interface
UX6	TPM valve, Silver
UX7	TPM valve, Black
XAN	Sport Design package, painted Black
XAT	SportDesign package
XDA	Wheel spokes painted Black
XDG	Rims painted in high-gloss Black
XDH	Wheel centre painted in Platinum
XDK	Silky gloss rims, Black Matt
XDL	Rims painted Jet Black Metallic
XDM	Decorative dashboard trim, painted
XD9	Wheel painted in body colour
XEW	Bi-Xenon with dynamic cornering light (Black)
XFB	Instrument dials painted Bordeaux Red
XFG	Instrument dials in Guards Red
XFJ	Instrument dials in Carrara White
XFL	Instrument dials painted in Luxor Beige
XFR	Instrument dial painted Racing Yellow
XGB	Decorative dashboard trim, carbon
XGK	Stopwatch dials, Luxor Beige
XGL	Stopwatch dials, Racing Yellow
XGM	Stopwatch dials, White
XGN	Stopwatch dials, Guards Red
XGP	Stopwatch dials, Bordeaux Red
XHB	Centre console trim in leather
XHC	Shift lever in mahogany
XHD	PDK selector lever in mahogany
XHE	Dashboard trim panel in mahogany
XHG	Centre console trim in mahogany
XHH	Shift lever, carbon
XHJ	PDK selector lever, carbon
XHM	Centre console trim, carbon
XHN	Seat belts in Racing Yellow
XHP	Seat belts in Luxor Beige
XHU	Seat belts in Bordeaux Red
XHV	Multi-function sports steering wheel, Mahogany
XHW	Multi-function sports steering wheel, Carbon
XHX	Seat belts in Chalk
XHY	Seat belts in Miami Blue
XLF	Sports exhaust system
XLL	GT sports steering wheel, Alcantara
XLM	Shift lever, Alcantra
XLN	PDK selector lever, Alcantra
XLS	Sports tailpipe 98X



Model: 982-17

Model life 2017&gt;&gt;

NR	Description
XLU	Sun visors, Alcantara
XLW	Sports tailpipe cover, Black
XLX	Sports exhaust system, black tailpipe
XMP	Leather sun visor, 2 illuminated vanity mirrors *
XNS	Leather steering column trim, 4-part
XPT	Centre console storage bin lid with crest
XRD	20" Carrera Sport wheel
XSC	Porsche Crest embossed in headrest
XSH	Silver seat belts
XSX	Seat belts in Guards Red
XTG	Inner door sills in leather
XUB	Cover on headlight cleaning system, painted
XUV	Centre console storage bin lid with logo
XVP	Trim strip including cupholder cover in leather
XWA	Door panel trim in leather
XWB	Door panel trim in mahogany
XWC	Door panel trim in carbon
XWD	Door panel trim in brushed aluminium
XWE	Door panel trim, painted
XWK	Sports seat Plus, leather backrest
XXB	Door entry guards, stainless steel, illuminated
XXD	Door entry guards, carbon, illuminated
XXP	Tail lights, darkened
XXR	Tail lights, darkened
XXV	Aluminium pedals
XXZ	Footrest
XYA	PDK selector lever, aluminium, Exclusive design
XYB	Fuel tank cap in Aluminium Look
XYC	Shift lever, aluminium
XYD	Dashboard trim panel, aluminium
XYE	Centre console cover, brushed aluminium
XYG	Centre console trim, painted
XYH	PDK selector lever, aluminium
X69	Door entry guards in Carbon with logo
X70	Door entry guards in stainless steel with logo
X73	Sports chassis -20 mm, without PASM
1T3	First aid kit, warning triangle
2HB	Interior sound measures (shaker)
7CP	Emission standard EU6 AG/H/I
7CQ	Emission standard EU6 AJ/K/L
7CR	Emissions concept C6B with RDE
7G9	VTS preparation and Porsche Car Connect (pcc)
7I0	VTS security package (incl. PCC) and keypad

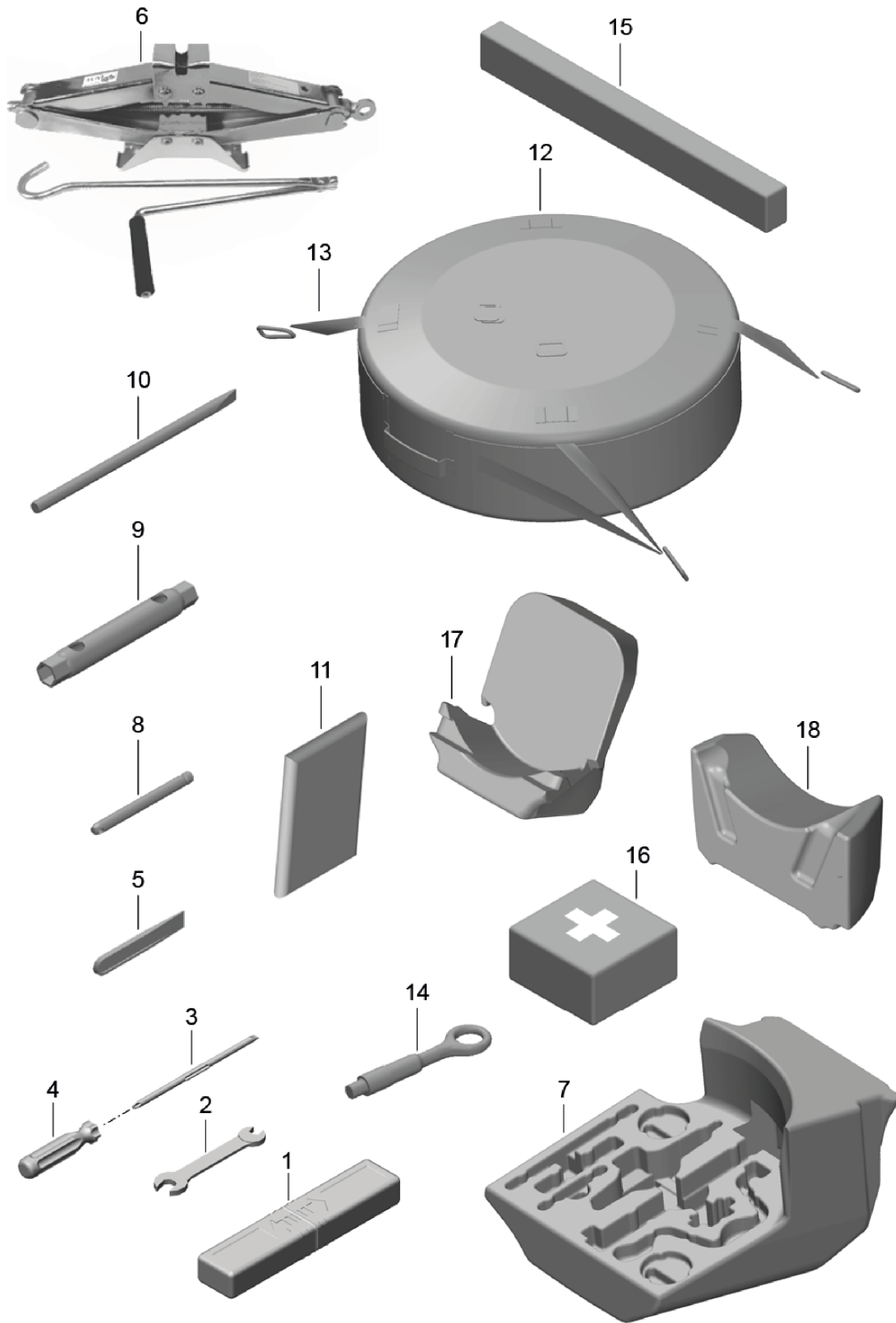
Model: 982-17

Model life 2017&gt;&gt;

NR	Description
7I2	VTS security package (with PCC)
7MU	Emission standard LEV 3/Tier 3 125
7MV	Emission standard EU6 ZD/E/F
7UG	Navigation device, High
9NY	electronic log book
9VJ	Burmester High-End sound system
9VK	Sound package 1/sound package
9VL	Bose Premium sound system
9WC	Without Rear Seat Entertainment and without MirrorLink
9WT	MIRRORLINK (CARPLAY/NLB)
9ZC	Telephone module with connection box
9ZE	Mobile-phone preparation with connection box
9ZK	Telephone module
9ZX	Mobile phone preparation

Model: 982-17

Model life 2017>>



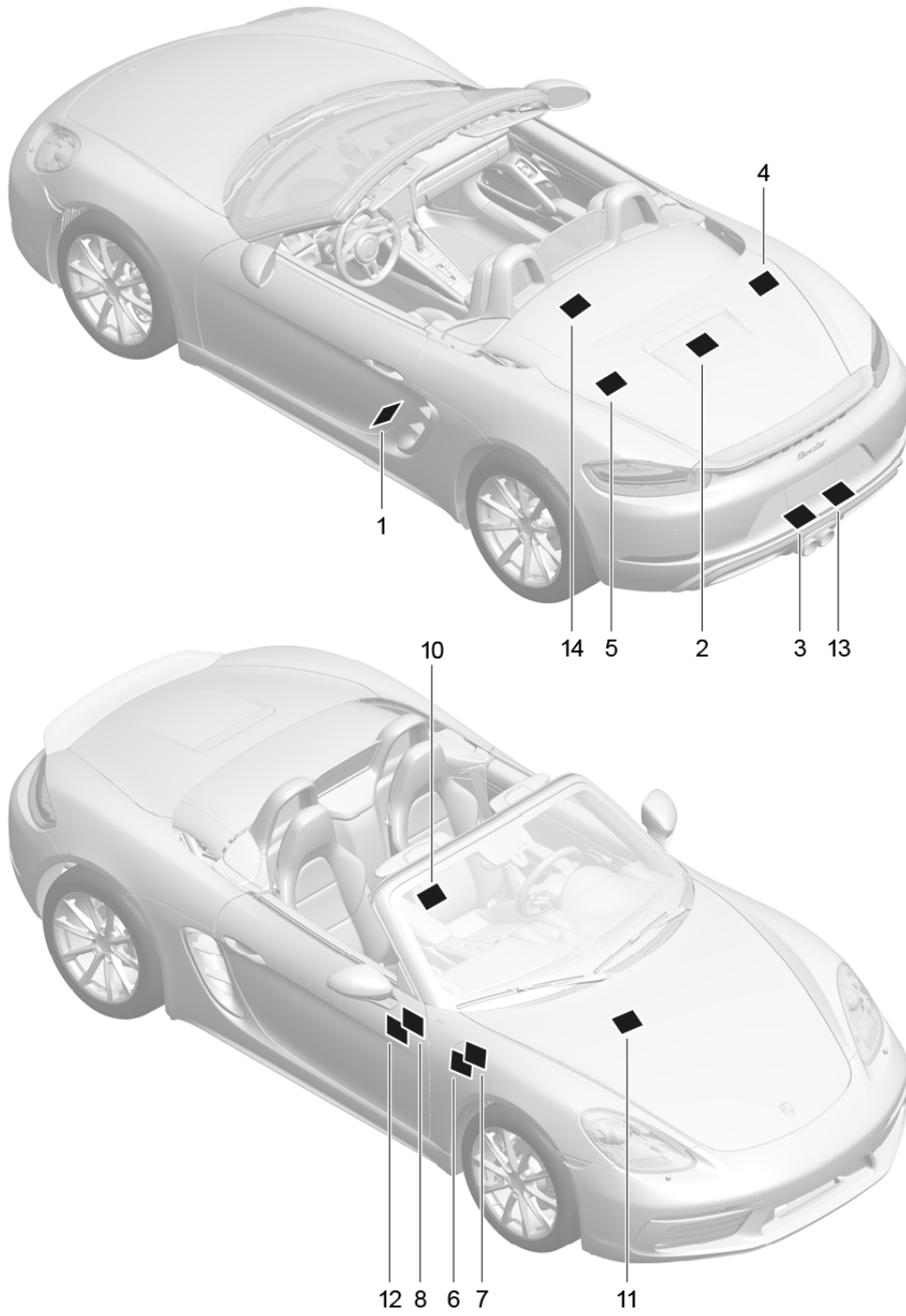
Model: 982-17

Model life 2017>>

Pos	Part Number	Description	Remark	Qty	Model
1	9P1 012 106 A	Tool jack Toolbox with contents comprising:		1	
2	971 012 383	Double open-ended spanner 10 X 13		1	
3	971 012 256	screwdriver Insert		1	
4	111 012 287	handle for screwdriver		1	
5	991 613 299 00	Assembly tool Release Selector lever lock - PDK -		1	
6	996 721 211 00	Scissors type jack		1	PR:447
7	991 722 101 00	Foam part		1	PR:447
8	9A7 007 733 00	Threaded stud for Assembly Wheels		1	PR:447
9	971 012 219	Rim wrench		1	PR:447
10	9A7 007 844 00	operating rod for Rim wrench		1	PR:447
11	996 361 521 00	Protective sleeve		1	PR:447
12	991 722 061 00	Cover Spare wheel		1	PR:447
(12)	982 857 927	Cover Spare wheel		1	PR:447 "IND"
13	997 722 073 00	tensioning strap Spare wheel		1	PR:447
14	970 721 551 01	Tow hitch No longer use the part here		1	
(14)	970 721 551 02	Tow hitch		1	
15	8K0 860 251	warning triangle		1	
-		Bracket warning triangle see illustration:	807-000		
16	000 722 041 01	first aid kit		1	
17	981 722 103 00	Support Spare wheel		1	PR:447 "IND"
18	981 722 103 01	Support Spare wheel		1	PR:447 "IND"

Model: 982-17

Model life 2017>>



Model: 982-17 Model life 2017>>

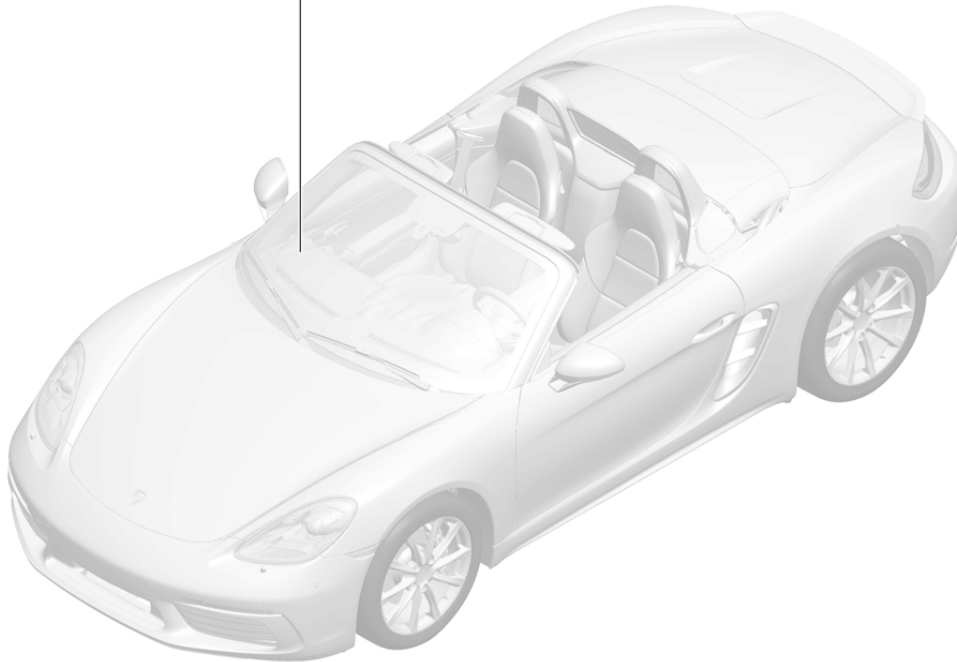
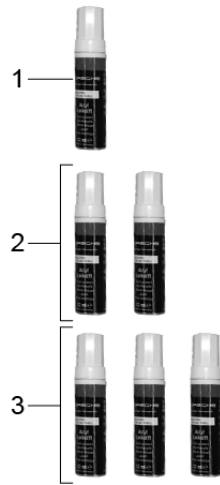
Pos	Part Number	Description	Remark	Qty	Model
-		Signs/notices		1	
1	982 010 000	Signs/notices Tyre pressure Data plate for tyre pressure		1	PR:395,396
1	982 010 000 A	Data plate for tyre pressure		1	PR:397,398
1	982 010 000 B	Data plate for tyre pressure		1	PR:XRD
1	982 010 000 B	Data plate for tyre pressure		1	PR:427,433, 439
2	958 701 289 01	Sticker Spare wheel		1	PR:447
-		Signs/notices			
(3)	7PP 010 001	Engine specifications Sticker Engine specifications		1	PR:068
4	7PP 010 786 T	Emission control Sticker engine oil		1	
5	9P1 010 867 M	- MOBIL 1 - Sticker Reservoir		1	PR:193
-		Signs/notices			
6	991 006 117 00	Type of fuel Sticker 98 ROZ		1	PR:-075
(6)	991 006 117 04	Sticker 98 ROZ		1	PR:075
(6)	991 006 117 02	Sticker 96 ROZ		1	PR:479 "AUS"
(6)	991 006 117 03	Sticker 93 RON/MON/2		1	PR:193 "J.."
(6)	955 701 676 15	sticker for fuel filler neck		1	PR:193 "J.."
7	955 701 676 10	Sticker Fuel filler flap		1	PR:193 "J.."
8	955 701 435 10	Warning sign Airbag		1	PR:075
(8)	955 701 435 20	Warning sign Airbag		1	PR:215
(8)	955 701 435 30	Warning sign Airbag		1	PR:479
11	955 701 673 00	Sticker Battery		1	PR:193 "J.."
12	970 701 523 00	Sticker Recycling		1	PR:193 "J.."
13	955 701 675 15	Sticker Import Japan		1	PR:193 "J.."
14	982 010 011	Sticker Air conditioning Refrigerant		1	PR:KK1 "USA", -"CDN"
(14)	982 010 011 A	Sticker Air conditioning Refrigerant		1	"J.."
(14)	982 010 011 B	Sticker Air conditioning Refrigerant		1	"CN."
(14)	982 010 011 D	Sticker Air conditioning Refrigerant		1	PR:KK3 "USA", "CDN"

Model: 982-17

Model life 2017>>

PROD.NUMMER PROD.NUMBER	888 0815
FIN VIN	WP1ZZZ12345678912
TYP TYPE	9PAAG1
MOTORKB./GETR.KB ENG.CODE/TRANS.CODE	M5502/C7050
VERTRIEBSFARBCODE SALESNO.	G1
AUSSTATTUNGSCODE INTERIOR CODE	AT
FARBCODE COLORCODE	6B8

7P5\_010\_732.T



Model: 982-17

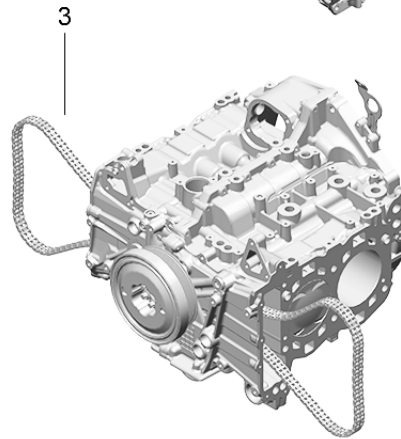
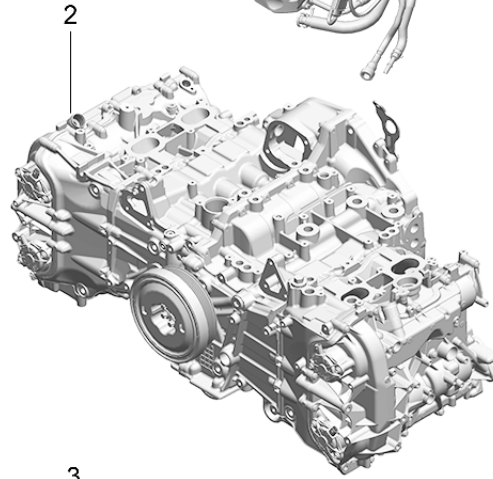
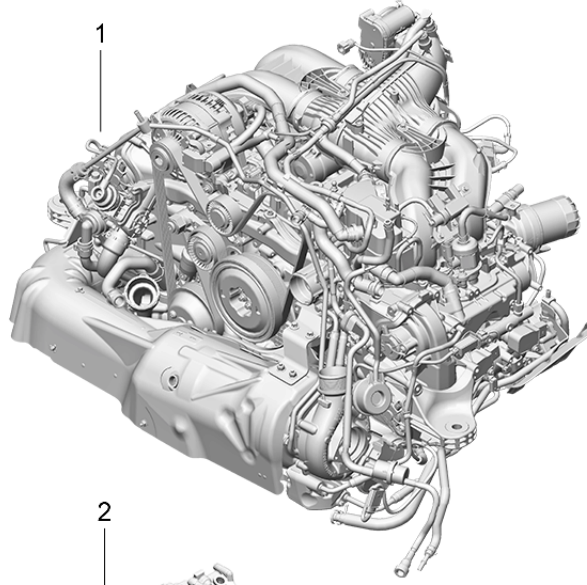
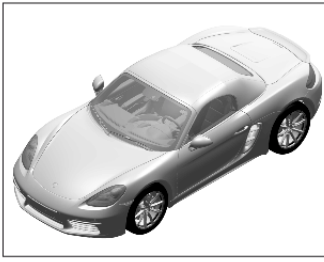
Model life 2017>>

Pos	Part Number	Description	Remark	Qty	Model
-		paint touch-up applicator Paints Paint identification label see Vehicle wallet Vehicle data carrier			
1	911 095 932 21	paint touch-up applicator		X	
	911 095 932 21 041	Black			A 1
	911 095 932 21 80K	guards red (Porsche)			G 1
	911 095 932 21 1S1	Racing Yellow			P 3
	911 095 932 21 C9A	white			0 Q
	911 095 932 21 M2A	Lava Orange			H 2
	911 095 932 21 M3C	Carmine red			0 L
	911 095 932 21 M5C	miami blue			J 5
2	911 095 933 21	Paint pen set Set comprising: base paint clear paint		X	
	911 095 933 21 M7Z	GT Silver Metallic			U 2
	911 095 933 21 M7S	Achat Grey Metallic			N 0
	911 095 933 21 M7U	Rhodium Silver Metallic			S 2
	911 095 933 21 C9X	Jet Black Metallic			2 T
	911 095 933 21 M5G	Graphite Blue Metallic			A 7
	911 095 933 21 M5F	Midnight Blue Metallic			N 5
3	911 095 933 31	Paint pen set Set comprising: Primer filler base paint clear paint		X	
	911 095 933 31 S9R	Carrara White metallic			2 Y



Model: 982-17

Model life 2017>>



Model: 982-17

Model life 2017>>

Pos	Part Number	Description	Remark	Qty	Model
		Replacement engine without: Clutch plate - PDK - Gearbox without: flywheel Manual gearbox with: Compressor Air conditioning			DDPA,DDP, DDN,DJUA, DJU,DJUB
1	9A2 100 920 00	Replacement engine	MA2.20	1	DDPB,DDP, DDPA
1	9A2 100 920 X	Replacement engine	MA2.20	1	DDPB,DDP, DDPA
(1)	9A2 100 925 00	Replacement engine	MA2.22	1	DDNC,DDN+ PR:-011
(1)	9A2 100 925 X	Replacement engine	MA2.22	1	DDNC,DDN+ PR:-011
(1)	9A2 100 925 10	Replacement engine	MA2.22	1	GTS DJUA,DJU, DJUB+
(1)	9A2 100 925 KX	Replacement engine	MA2.22	1	PR:011 GTS DJUA,DJU, DJUB+
2	9A2 100 920 60	Base engine comprising: Crankcase housing Cylinder head Valve cover Connecting rod Crankshaft piston oil pump timing chain Parts kit without: Gaskets	MA2.20	1	DDPA,DDP, DDPB
		also use:	999 073 589 01	12	
			5Q0 253 115 B	2	
			9A2 107 225 00	1	
			999 707 685 40	1	
2	9A2 100 920 RX	Base engine comprising: Crankcase housing Cylinder head Valve cover Connecting rod Crankshaft piston oil pump timing chain Parts kit without: Gaskets	MA2.20	1	DDPA,DDP, DDPB
		also use:	999 073 589 01	12	
			5Q0 253 115 B	2	
			9A2 107 225 00	1	
			999 707 685 40	1	
-	982 251 263	Seal Exhaust manifolds	MA2.20	2	DDPA,DDP, DDPB

Model: 982-17

Model life 2017>>

Pos	Part Number	Description	Remark	Qty	Model
-	9A2 110 218 00	Base engine 9A210092060/RX Parts kit for seals also use:	946 110 228 60 999 701 187 41 9A2 110 516 00 946 110 628 60 946 110 528 60 946 110 428 60 9A2 110 328 00 999 707 643 40 9A1 106 226 03 9A1 106 559 00 MA2.20	4 4 4 4 4 4 4 1 1 1 6	DDPA, DDP, DDPB
2	9A2 100 925 60	Base engine comprising: Crankcase housing Cylinder head Valve cover Connecting rod Crankshaft piston oil pump timing chain Parts kit without: Gaskets also use:	999 707 530 40 9A2 102 312 00 9A2 102 322 00 999 707 498 40 999 707 604 40 999 707 689 40 999 707 477 41 999 707 589 40 MA2.22	1 1 1 1 1 2 2 2 1	DDNC, DDN
2	9A2 100 925 RX	Base engine comprising: Crankcase housing Cylinder head Valve cover Connecting rod Crankshaft piston oil pump timing chain Parts kit without: Gaskets also use:	999 073 589 01 5Q0 253 115 B 9A2 107 225 00 999 707 685 40 MA2.22	12 2 1 1 1	DDNC, DDN
-	982 251 263	Seal Exhaust manifolds	999 707 685 40 MA2.22	1 2	DDNC, DDN

Model: 982-17

Model life 2017>>

Pos	Part Number	Description	Remark	Qty	Model
-	9A2 110 218 00	Base engine 9A210092560/RX Parts kit for seals also use:	946 110 228 60 999 701 187 41 9A2 110 516 00 946 110 628 60 946 110 528 60 946 110 428 60 9A2 110 328 00 999 707 643 40 9A1 106 226 03 9A1 106 559 00 MA2.22	4 4 4 4 4 4 4 1 1 1 6	DDNC,DDN
3	9A2 100 920 50	Seal intake air distributor Base engine 9A210092560/RX Parts kit for seals Accessories also use:	999 707 530 40 9A2 102 312 00 9A2 102 322 00 999 707 498 40 999 707 604 40 999 707 689 40 999 707 477 41 999 707 589 40 MA2.20	1 1 1 1 1 2 2 2 1	DDPA,DDP, DDPB
3	9A2 100 920 TX	Short block comprising: Crankcase housing Connecting rod Crankshaft piston oil pump timing chain Parts kit without: Gaskets also use:	999 073 589 01 5Q0 253 115 B 999 170 154 90 9A2 107 225 00 999 707 685 40 9A2 107 475 00 9A2 107 473 00 9A2 107 471 00 MA2.20	12 2 4 1 1 1 1 1 1	DDPA,DDP, DDPB

Model: 982-17

Model life 2017>>

Pos	Part Number	Description	Remark	Qty	Model
-	9A2 104 139 01	Cylinder head gasket Short block 9A210092050/TX Parts kit for seals	9A2 107 473 00 9A2 107 471 00 MA2.20	1 1 1	DDPA,DDP, DDPB
		also use:	9A2 104 140 01 946 110 228 60 999 701 187 41 9A2 110 516 00 946 110 628 60 946 110 528 60 9A2 110 328 00 946 110 428 60 999 707 643 40 982 251 263 9A1 105 731 03 9A1 105 732 03 9A1 106 226 03 9A1 106 559 00 000 043 207 31	1 4 4 4 4 4 4 4 1 2 1 1 1 1	
-	9A2 110 218 00	Seal intake air distributor Short block 9A210092050/TX Parts kit for seals Accessories	MA2.20	X 4	DDPA,DDP, DDPB
		also use:	999 707 530 40 9A2 102 312 00 9A2 102 322 00 999 707 498 40 999 707 689 40 999 707 477 41 999 707 604 40 999 707 577 40	1 1 1 1 2 2 1 2	
-	9A2 106 332 00	Seal thermostat housing Short block 9A210092050/TX Parts kit for seals Accessories	MA2.20	1	DDPA,DDP, DDPB
		also use:	999 707 589 40 9A2 106 325 30 999 707 657 40 999 707 517 40	2 1 2 2	
3	9A2 100 925 50	Short block comprising: Crankcase housing Connecting rod Crankshaft piston oil pump timing chain Parts kit Gaskets	MA2.22	1	DDNC,DDN
		without:			
		also use:	999 073 589 01 5Q0 253 115 B 9A7 905 606 00 9A2 107 225 00 999 707 685 40 9A2 107 475 00 9A2 107 473 00	12 2 4 1 1 1 1	

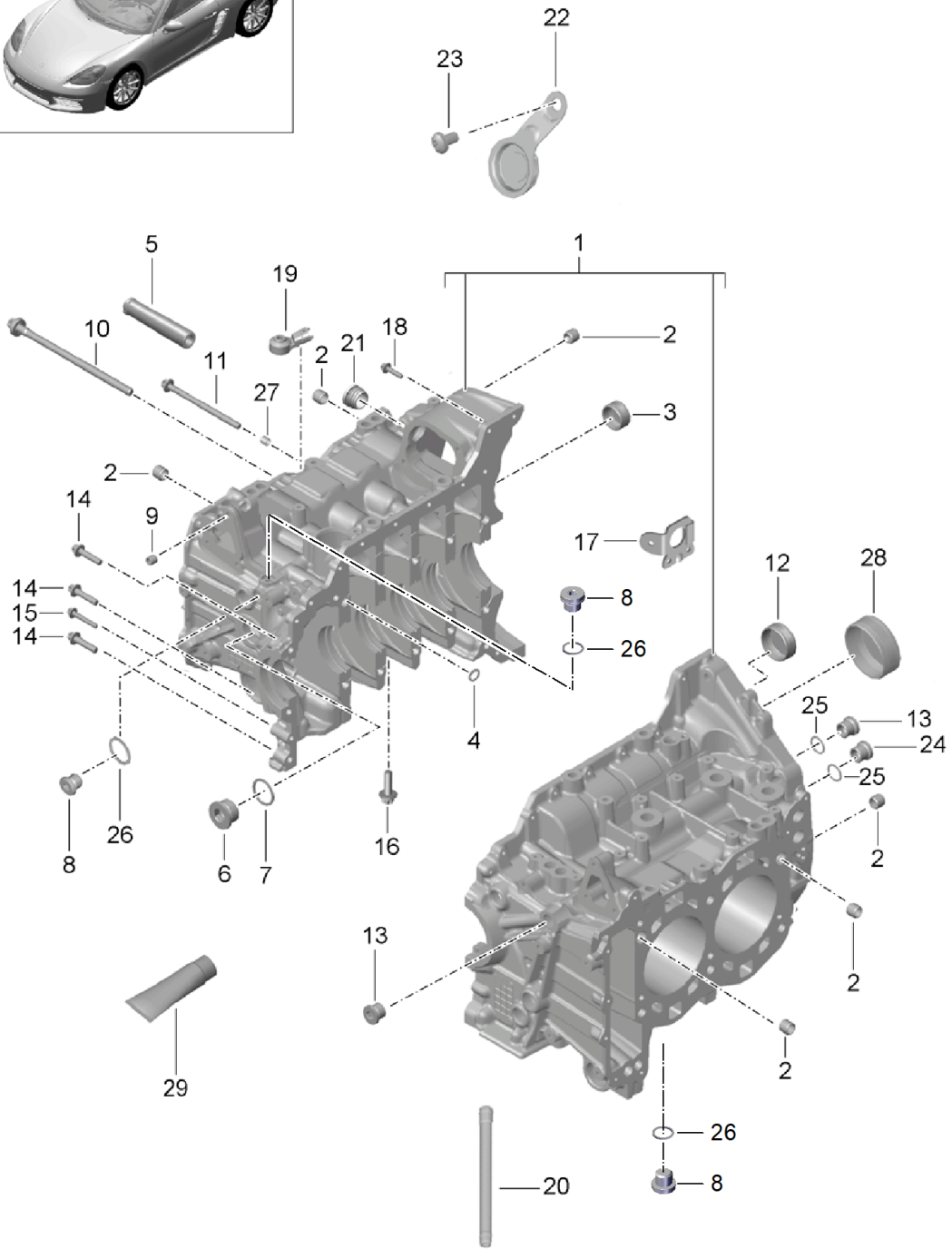
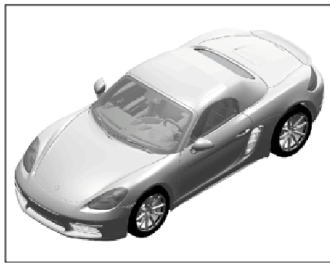
Model: 982-17

Model life 2017>>

Pos	Part Number	Description	Remark	Qty	Model		
3	9A2 100 925 TX	Short block comprising: Crankcase housing Connecting rod Crankshaft piston oil pump timing chain Parts kit  without: Gaskets	9A2 107 471 00	1	DDNC ,DDN		
			MA2.22	1			
			also use:	999 073 589 01		12	
				5Q0 253 115 B		2	
				9A7 905 606 00		4	
				9A2 107 225 00		1	
				999 707 685 40		1	
				9A2 107 475 00		1	
				9A2 107 473 00		1	
				9A2 107 471 00		1	
-	9A2 104 141 01	Cylinder head gasket Short block 9A210092550/TX Parts kit for seals  also use:	MA2.22	1	DDNC ,DDN		
				9A2 104 142 01		1	
				946 110 228 60		4	
				999 701 187 41		4	
				9A2 110 516 00		4	
				946 110 628 60		4	
				946 110 528 60		4	
				9A2 110 328 00		4	
				946 110 428 60		4	
				999 707 643 40		1	
				982 251 263		2	
				9A1 105 731 03		1	
				9A1 105 732 03		1	
				9A1 106 226 03		1	
				9A1 106 559 00		1	
-	9A2 110 218 00	Seal intake air distributor Short block 9A210092550/TX Parts kit for seals Accessories  also use:	MA2.22	X	DDNC ,DDN		
				000 043 207 31		4	
				also use:		999 707 530 40	1
				9A2 102 312 00		1	
				9A2 102 322 00		1	
				999 707 498 40		1	
				999 707 689 40		2	
				999 707 477 41		2	
				999 707 604 40		1	
				999 707 577 40		2	
				MA2.22		1	
			-	9A2 106 332 00		Seal thermostat housing Short block 9A210092550/TX Parts kit for seals Accessories  also use:	MA2.22
	also use:	999 707 589 40			2		
		9A2 106 325 30			1		
		999 707 657 40			2		
		999 707 517 40			2		

Model: 982-17

Model life 2017>>



Model: 982-17

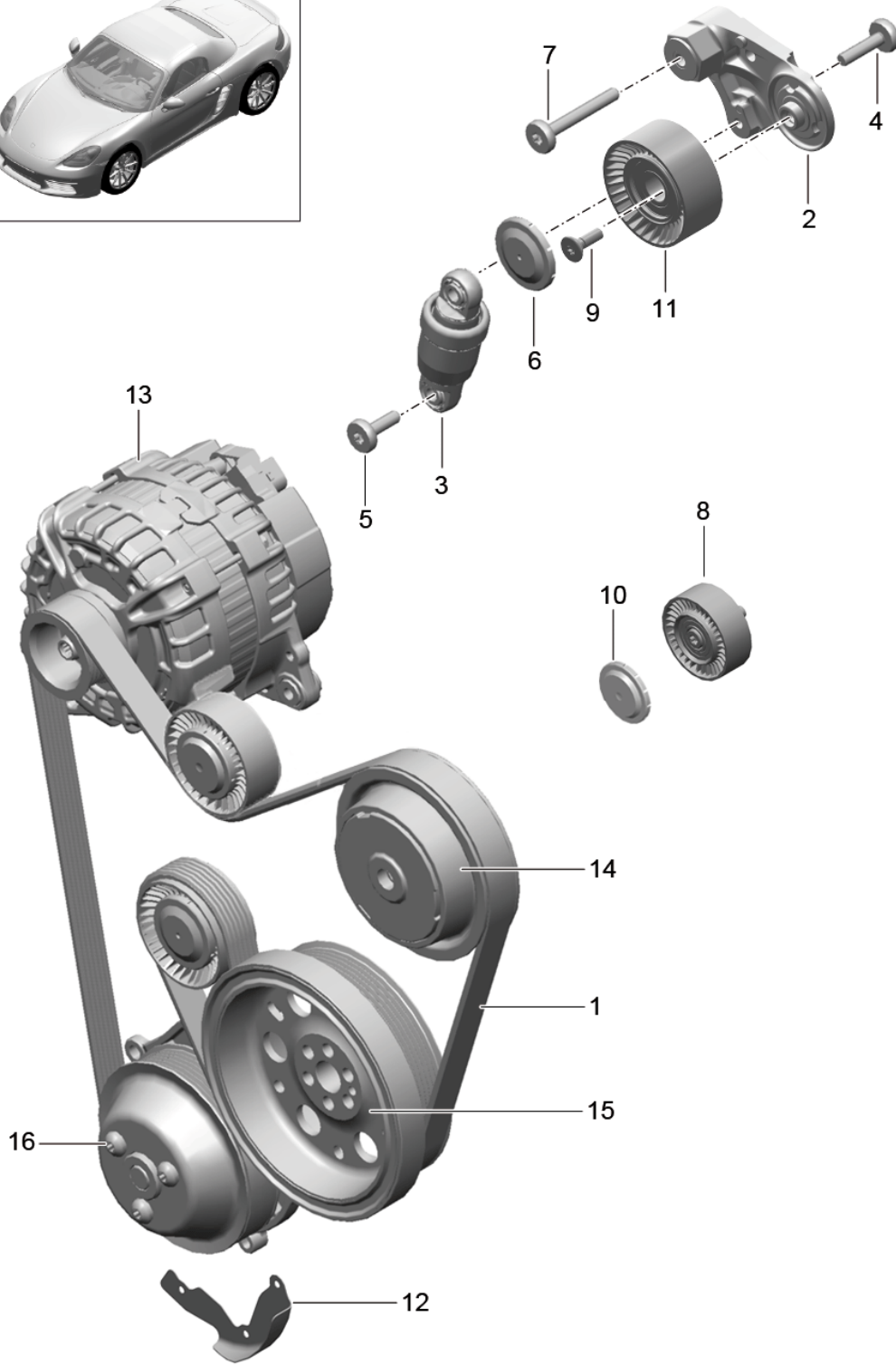
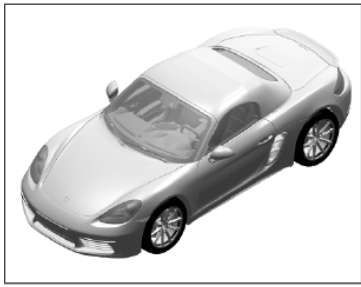
Model life 2017>>

Pos	Part Number	Description	Remark	Qty	Model
1	9A2 101 920 01	Crankcase housing Crankcase housing D=91		1	DDPB,DDP, DDPA DDNC,DDN, DJUA,DJU, DJUB
(1)	9A2 101 925 01	Crankcase housing D=102		1	
2	014 301 153 B	dowel sleeve		6	
3	9A1 101 215 01	End cap		1	
4	999 707 568 40	O-ring 12,0 X 3,0		1	
5	9A1 101 511 01	reducing piece		8	
6	900 219 031 30	sealing plug M30 X 1,5		1	
7	900 123 172 20	seal ring A30 X 36		1	
8	999 063 036 01	sealing plug M10 X 1,0 X 11,0		3	
9	999 095 063 01	dowel sleeve M6 X 10		1	
10	9A1 101 250 01	Outer hexagon round screw M10 X 1,5 X 195		10	
10	WHT 008 240	Bolt with washer Washer M10 X 1,5 X 195		10	
11	900 385 281 01	Torx screw M8 X 120		1	
12	9A1 101 216 01	End cap		1	
13	999 063 039 01	sealing plug M20 X 1,5 X 18		3	
14	900 385 042 01	Torx screw 8 X 35		5	
15	900 385 045 01	Torx screw M6 X 40		1	
16	900 385 019 01	Torx screw BM 6 X 20		5	
17	9A2 101 213 02	Transportation shackle D >> - 01.11.2017		1	
17		Transportation shackle D - 02.11.2017>>		1	
18	900 385 072 01	Torx screw M6 X 25		11	
19	997 606 121 00	Knock sensor		2	
20	9A2 101 327 00	oil pipe		2	
21	999 703 081 40	Bungs Crankcase housing 22,0 X 28,0	return	1	
22	9A2 101 217 02	End cap piston pin		1	
23	999 073 236 0A	fillister hd. bolt M 6 X 10		1	
24	999 063 039 01	sealing plug M 20 X 1,5 X 18		3	
25	900 123 159 20	seal ring D 20 X 24		3	
26	900 123 160 20	seal ring D 10 X 13,5		3	
27	996 101 225 50	dowel sleeve		2	
28	9A1 101 216 01	End cap		1	
29	000 043 305 76	sealant 80 ML		X	



Model: 982-17

Model life 2017>>



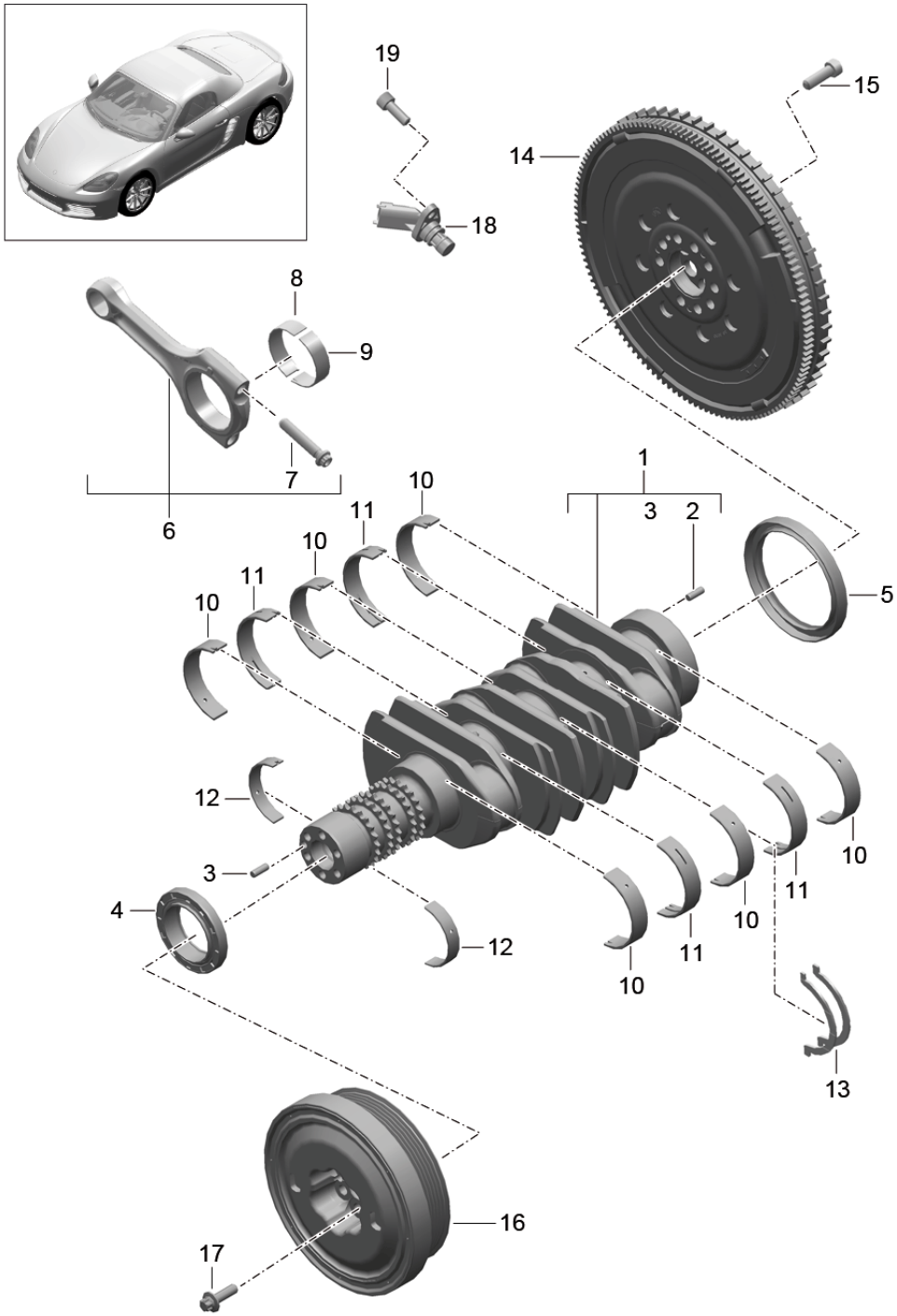
Model: 982-17

Model life 2017>>

Pos	Part Number	Description	Remark	Qty	Model
1	9A2 102 224 00	Belt tensioner v-belt		1	DDPB,DDP, DDPA
(1)	9A2 102 225 00	v-belt		1	DDNC,DDN, DJUA,DJU, DJUB
2	9A2 102 211 00	lever Tensioning roller		1	
		also use:	9A1 102 212 00 999 073 579 01 948 102 839 00		
3	948 102 261 00	tensioner Hydraulic		1	DDNC,DDN, DJUA,DJU, DJUB
(3)	9A2 102 261 00	tensioner Hydraulic		1	DDPB,DDP, DDPA
4	999 073 246 02	Hexagon socket head bolt M 8 X 33		1	
5	999 073 412 01	Torx screw M 8 X 26		1	
6	948 102 839 00	Protective cap		1	
7	999 073 411 01	Hexagon socket flat head bolt M 8 X 60		1	
8	0PB 145 257	idler pulley D=70		1	
9	999 073 579 01	round hd. screw M 10 X 30		1	
10	03G 145 291	Protective cap		1	
11	9A1 102 212 00	Tensioning roller		1	
12	9A2 102 255 00	Heat insulation v-belt		1	
13		Alternator			
		see illustration:	902-005		
14		pulley Compressor			
		see illustration:	813-040		
15		pulley Crankshaft			
		see illustration:	102-000		
16		pulley Coolant pump			
		see illustration:	105-000		

Model: 982-17

Model life 2017>>



Model: 982-17

Model life 2017>>

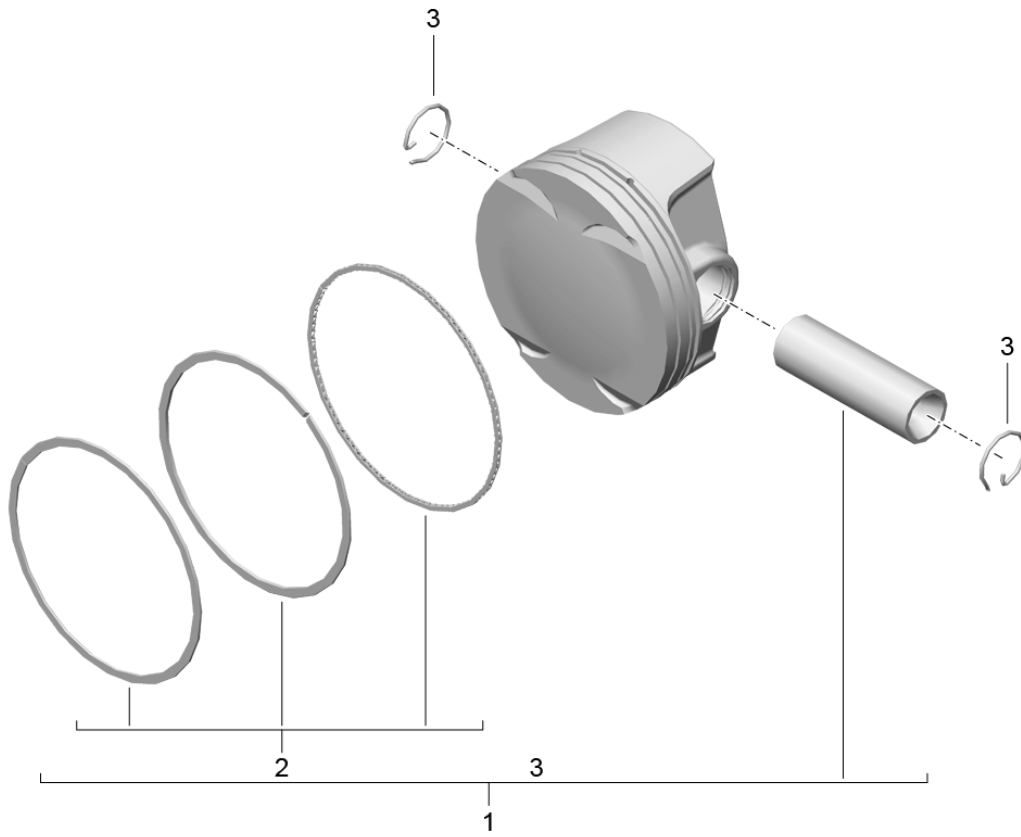
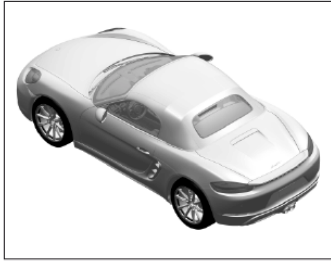
Pos	Part Number	Description	Remark	Qty	Model
1	9A2 102 076 00	Crankshaft Crankshaft HUB 76,4		1	DDPB,DDP, DDPA
(1)	9A2 102 078 00	Crankshaft HUB 76,4		1	DDNC,DDN, DJUA,DJU, DJUB
2	900 095 031 00	Spring pin 6,0 X 16,0		1	
3	900 302 016 00	Cylinder pin 6,0 X 16,0		1	
4	9A1 101 222 02	Shaft oil seal 52,5 X 9		1	
5	997 101 212 01	Shaft oil seal 85 X 105 X 11		1	
6	9A2 103 004 00	Connecting rod Set comprising:		1	DDPB,DDP, DDPA
(6)	9A1 103 004 70	Connecting rods Connecting rod Set comprising:		4	
7	9A1 103 115 02	Connecting rods bolt - connecting rod M 10 X 1,25 X 51		8	
8	9A1 103 053 03	connecting rod bearing shell Identification: >> >> red		8	DDPB,DDP, DDPA
8	9A1 103 053 03	connecting rod bearing shell Identification: >> >> red		4	DDNC,DDN, DJUA,DJU, DJUB
(8)	9A1 103 053 04	connecting rod bearing shell Identification: >> >> yellow		8	DDPB,DDP, DDPA
(8)	9A1 103 053 04	connecting rod bearing shell Identification: >> >> yellow		4	DDNC,DDN, DJUA,DJU, DJUB
(8)	9A1 103 053 05	connecting rod bearing shell Identification: >> >> blue		8	DDPB,DDP, DDPA
(8)	9A1 103 053 05	connecting rod bearing shell Identification: >> >> blue		4	DDNC,DDN, DJUA,DJU, DJUB
9	9A1 103 073 06	connecting rod bearing shell Identification: >> >> red		4	DDNC,DDN, DJUA,DJU, DJUB
(9)	9A1 103 073 07	connecting rod bearing shell Identification: >> >> yellow		4	DDNC,DDN, DJUA,DJU, DJUB
(9)	9A1 103 073 08	connecting rod bearing shell Identification: >> >> blue		4	DDNC,DDN, DJUA,DJU, DJUB
10	0PB 105 591 A	crankshaft bearing Identification: >> >> red		6	
(10)	0PB 105 591 B	crankshaft bearing Identification: >> >> yellow		6	
(10)	0PB 105 591 C	crankshaft bearing Identification: >> >> blue		6	
11	0PB 105 561 A	crankshaft bearing with: Partial-groove		4	

Model: 982-17 Model life 2017>>

Pos	Part Number	Description	Remark	Qty	Model
(11)	0PB 105 561 B	Identification: >> >> red crankshaft bearing with:		4	
(11)	0PB 105 561 C	Partial-groove Identification: >> >> yellow crankshaft bearing with:		4	
12	0PB 105 589 A	Partial-groove Identification: >> >> blue crankshaft bearing Identification: >> >>		2	
(12)	0PB 105 589 B	red crankshaft bearing Identification: >> >>		2	
(12)	0PB 105 589 C	yellow crankshaft bearing Identification: >> >>		2	
13	996 101 132 00	blue thrust washer D = 63		2	
13	0PB 105 638	No longer use the part here thrust washer D=69		2	
14	982 105 262 A	Dual-mass flywheel		1	DDNC, DDN, DJUA, DJU+ PR: 480
(14)	982 105 262 B	Dual-mass flywheel		1	DDPB, DDP, DDPA+ PR: 480
(14)	982 105 264 A	Dual-mass flywheel		1	DDNC, DDN, DJUB, DJU+ PR: 250
(14)	982 105 264	Dual-mass flywheel		1	DDPB, DDP, DDPA+ PR: 250
15	N 906 651 01	Socket head bolt with inner multipoint head		10	
16	9A2 102 170 00	vibration damper		1	DDPB, DDP, DDPA
(16)	9A2 102 160 00	pulley		1	DDNC, DDN, DJUA, DJU, DJUB
17	900 385 127 02	Hexagon head bolt BM 8 X 1 X 25		6	
18	991 606 112 02	speed sensor		1	
19	N 105 464 03	Hexagon socket head bolt M 6 X 16		1	

Model: 982-17

Model life 2017>>



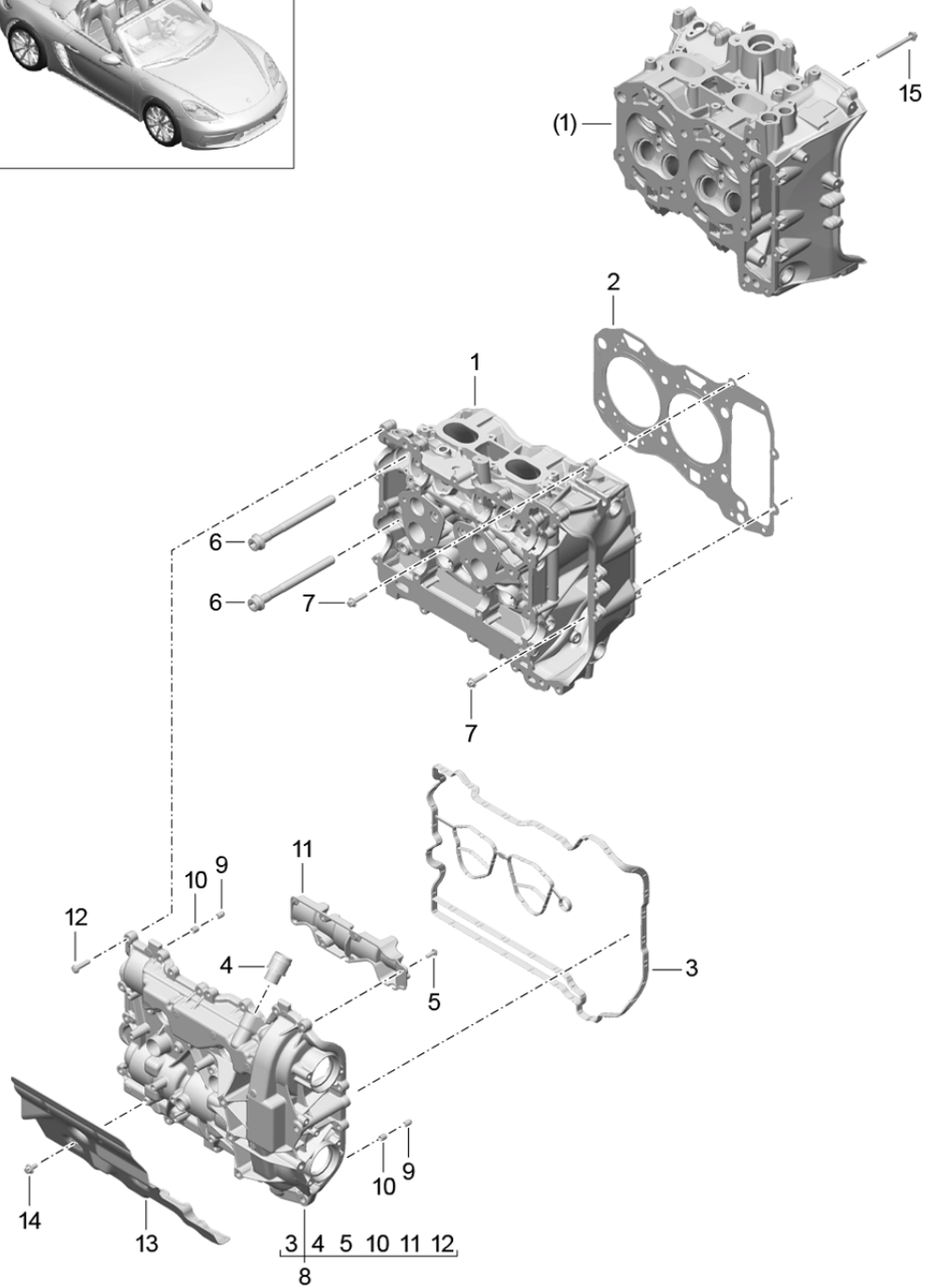
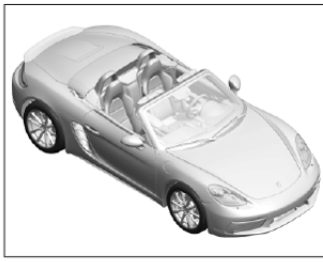
Model: 982-17

Model life 2017>>

Pos	Part Number	Description	Remark	Qty	Model
1	9A2 103 929 00	piston piston Tolerance range X Identification: >> >> -		4	DDPB,DDP, DDPA
(1)	9A2 103 929 50	piston Tolerance range X Identification: >> >> +		4	DDPB,DDP, DDPA
(1)	9A2 103 925 00	piston Tolerance range X Identification: >> >> -		4	DDNC,DDN, DJUA,DJU, DJUB
(1)	9A2 103 925 50	piston Tolerance range X Identification: >> >> +		4	DDNC,DDN, DJUA,DJU, DJUB
2	9A2 103 075 00	1 set: piston rings		4	DDPB,DDP, DDPA
(2)	9A2 103 080 00	1 set: piston rings		4	DDNC,DDN, DJUA,DJU, DJUB
3	9A1 103 141 01	Securing ring D=22		8	DDPB,DDP, DDPA
3	9A1 103 241 01	Securing ring D=23		8	DDNC,DDN, DJUA,DJU, DJUB

Model: 982-17

Model life 2017>>





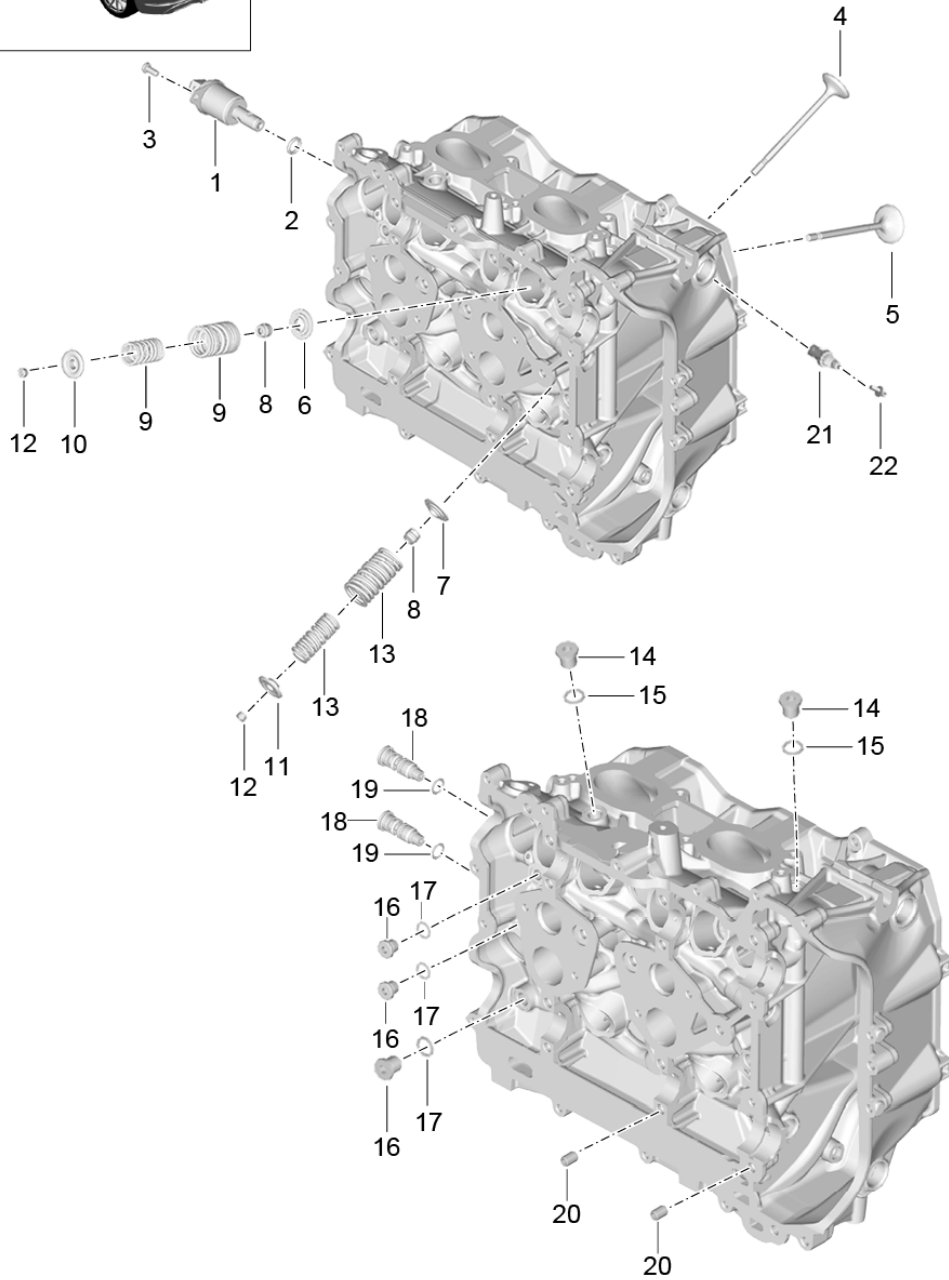
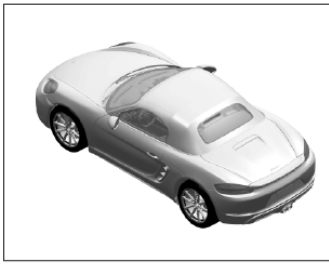
Model: 982-17

Model life 2017>>

Pos	Part Number	Description	Remark	Qty	Model
		Cylinder head with: Valves Cylinder head gasket Cylinder head cover			
1	9A2 104 911 00	Cylinder head	Cylinder 1, 2	1	DDPB,DDP,
1	9A2 104 913 00	Cylinder head	Cylinder 1, 2	1	DDNC,DDN,
(1)	9A2 104 912 00	Cylinder head	cylinders 3,4	1	DDPB,DDP,
(1)	9A2 104 914 00	Cylinder head	cylinders 3,4	1	DDNC,DDN,
2	9A2 104 139 01	Cylinder head gasket	Cylinder 1, 2	1	DDPB,DDP, DDPA
2	9A2 104 141 01	Cylinder head gasket	Cylinder 1, 2	1	DDNC,DDN, DJUA,DJU, DJUB
(2)	9A2 104 140 01	Cylinder head gasket	cylinders 3,4	1	DDPB,DDP, DDPA
(2)	9A2 104 142 01	Cylinder head gasket	cylinders 3,4	1	DDNC,DDN, DJUA,DJU, DJUB
3	9A2 105 570 00	Seal Cylinder head cover	Cylinder 1, 2	1	
(3)	9A2 105 580 00	Seal Cylinder head cover	cylinders 3,4	1	
4		connection piece Bleeding Crankcase housing Not available Valve cover Use		2	
5	N 909 530 04	Oval hexagon socket head bolt M 5 X 14		6	
6	9A1 104 191 02	Torx screw M 12 X 1,5 X 140		12	
7	900 385 072 01	Torx screw M 6 X 25		11	
8	9A2 105 311 01	Cylinder head cover with:	Cylinder 1, 2	1	
(8)	9A2 105 321 01	Seal Cylinder head cover with:	cylinders 3,4	1	
9	999 012 001 01	Seal Cylinder pin 8 H 7 X 11		4	
10	999 012 001 01	Cylinder pin 8 H 7 X 9		4	
11	9A2 105 597 00	oil separator Cyl. 1 - 2		1	
(11)	9A2 105 598 00	oil separator Cyl. 3 - 4		1	
12	9A1 107 313 01	Torx screw M 6 X 25		35	
13	9A2 104 325 00	Guard plate		1	
14	900 385 041 01	Torx screw M 6 X 12		3	
15	900 385 175 01	Outer hexagon round screw BM 6 X 65 Cyl. 3 - 4		1	

Model: 982-17

Model life 2017>>



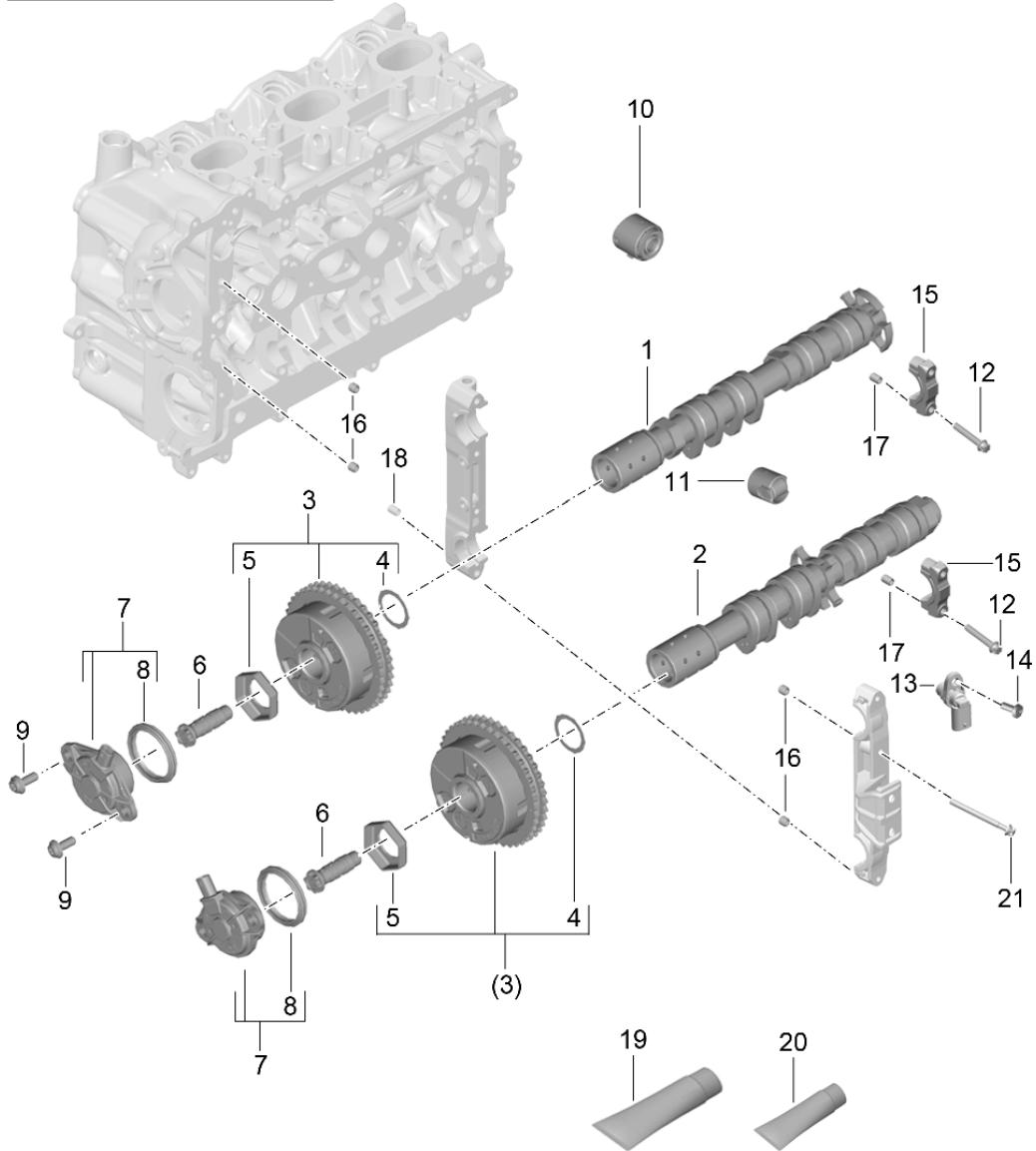
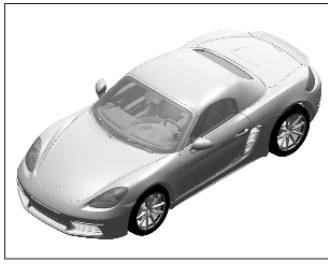
Model: 982-17

Model life 2017&gt;&gt;

Pos	Part Number	Description	Remark	Qty	Model
1	9A1 105 308 04	Cylinder head Accessories Valves throttle control element		4	
2	900 331 057 40	VVS O-ring		4	
3	999 073 650 01	VVS 11,2 X 2,65 Torx screw		8	
4	9A2 105 701 00	M 5 X 12 Inlet valve		8	DDPB,DDP, DDPA
(4)	9A2 105 702 00	Inlet valve		8	DDNC,DDN, DJUA,DJU, DJUB
5	9A2 105 721 01	exhaust valve		8	DDPB,DDP, DDPA
(5)	9A2 105 722 01	exhaust valve		8	DDNC,DDN, DJUA,DJU, DJUB
6	948 105 153 51	spring disc	lower Inlet	8	
7	9A2 105 831 00	spring disc	lower Outlet	8	
8	996 105 115 52	Valve stem seal		16	
9	9A2 105 250 00	1 set of valve springs	Inlet upper	8	
10	9A1 105 352 00	spring disc	Inlet upper	8	
11	9A2 105 821 00	spring disc	Outlet	8	
12	996 105 123 52	cotter, split		32	
13	9A2 105 260 00	1 set of valve springs	Outlet	8	DDPB,DDP, DDPA
(13)	9A2 105 261 00	1 set of valve springs	Outlet	8	DDNC,DDN, DJUA,DJU, DJUB
14	999 063 037 01	sealing plug M 12 X 1,0 X 15		8	
15	900 123 161 20	seal ring 12 X 16		8	
16	999 063 036 01	sealing plug M 10 X 1,0		10	
17	900 123 160 20	seal ring D 10 X 13,5		10	
18	9A1 104 250 01	choke		4	
19	999 707 577 40	O-ring 10,0 X 2,50		4	
20	996 104 117 50	dowel sleeve		12	
21	958 606 623 20	Temperature sensor Coolant		1	
22	900 385 041 01	Torx screw BM 6 X 12		1	

Model: 982-17

Model life 2017>>



Model: 982-17

Model life 2017&gt;&gt;

Pos	Part Number	Description	Remark	Qty	Model
1	9A2 105 501 01	Camshaft Hydraulic tappet camshaft adjuster unit Camshaft	Inlet Cylinder 1, 2	1	DDPB,DDP, DDPA
1	9A2 105 503 01	Camshaft	Inlet Cylinder 1, 2	1	DDNC,DDN, DJUA,DJU, DJUB
(1)	9A2 105 511 01	Camshaft	Inlet cylinders 3,4	1	DDPB,DDP, DDPA
(1)	9A2 105 513 01	Camshaft	Inlet cylinders 3,4	1	DDNC,DDN, DJUA,DJU, DJUB
2	9A2 105 522 02	Camshaft	Outlet Cylinder 1, 2	1	DDPB,DDP, DDPA
2	9A2 105 523 02	Camshaft	Outlet Cylinder 1, 2	1	DDNC,DDN, DJUA,DJU, DJUB
(2)	9A2 105 532 02	Camshaft	Outlet cylinders 3,4	1	DDPB,DDP, DDPA
(2)	9A2 105 533 02	Camshaft	Outlet cylinders 3,4	1	DDNC,DDN, DJUA,DJU, DJUB
3	946 105 051 76	camshaft adjuster unit	Inlet	2	
(3)	946 105 052 76	camshaft adjuster unit	Outlet	2	
4	946 105 155 75	Friction washer camshaft adjuster unit		4	
5	946 105 154 75	Sleeve camshaft adjuster unit		4	
6	946 105 054 76	Screw		4	
7	946 105 053 79	throttle control element Camshaft		4	
8	999 701 506 41	seal ring 42,0 X 51,8 X 4,9		4	
9	N 911 261 01	Hexagon socket flat head bolt M 6 X 14		8	
10	9A1 105 070 04	Hydraulic tappet		16	DDPA,DDP, DDPB
10	9A1 105 070 04	Hydraulic tappet	Inlet	8	DDNC,DDN, DJUA,DJU, DJUB
(10)	9A7 109 673 00	Hydraulic tappet	Outlet	8	DDNC,DDN
(10)	9A7 109 673 01	Hydraulic tappet	Outlet	8	DJUA,DJU, DJUB
11	06L 109 311	Tappets		2	
12	999 073 701 01	Outer hexagon round screw M 6 X 38 X 25 Bearing cover	Cylinder 1, 2	12	
12	999 073 701 01	Outer hexagon round screw M 6 X 38 X 25 Bearing cover Short	cylinders 3,4	8	
13	946 606 106 00	Hall sensor		4	

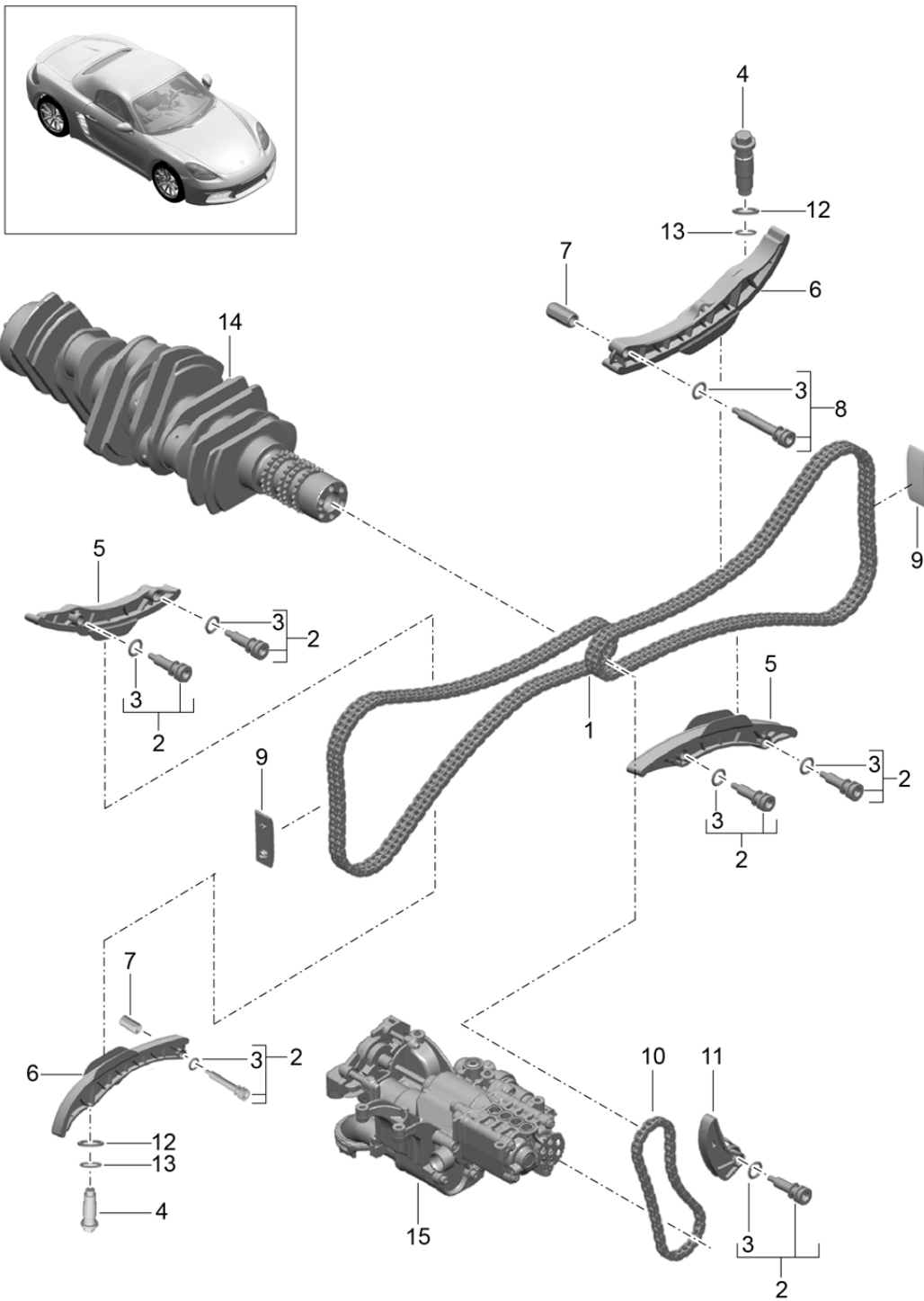
Model: 982-17

Model life 2017&gt;&gt;

Pos	Part Number	Description	Remark	Qty	Model
14	999 073 601 01	flat round head bolt M6 X 14		4	
15		Bearing cover Matching with: Cylinder head		8	
16	996 104 117 50	dowel sleeve		12	
17	999 095 078 01	dowel sleeve 7,5H 7 X 11		12	
18	999 095 079 00	dowel sleeve 12 M 6 X 25		1	
19	000 043 305 73	Extreme-pressure grease 1 tube 80 GR. for Camshaft		1	
20	000 043 204 68	Grease KLÜBER SYNTHESO GLEP 1		1	
21	900 385 027 01	Torx screw BM6 X 70 Bearing housing Long	cylinders 3,4	4	

Model: 982-17

Model life 2017>>



Model: 982-17

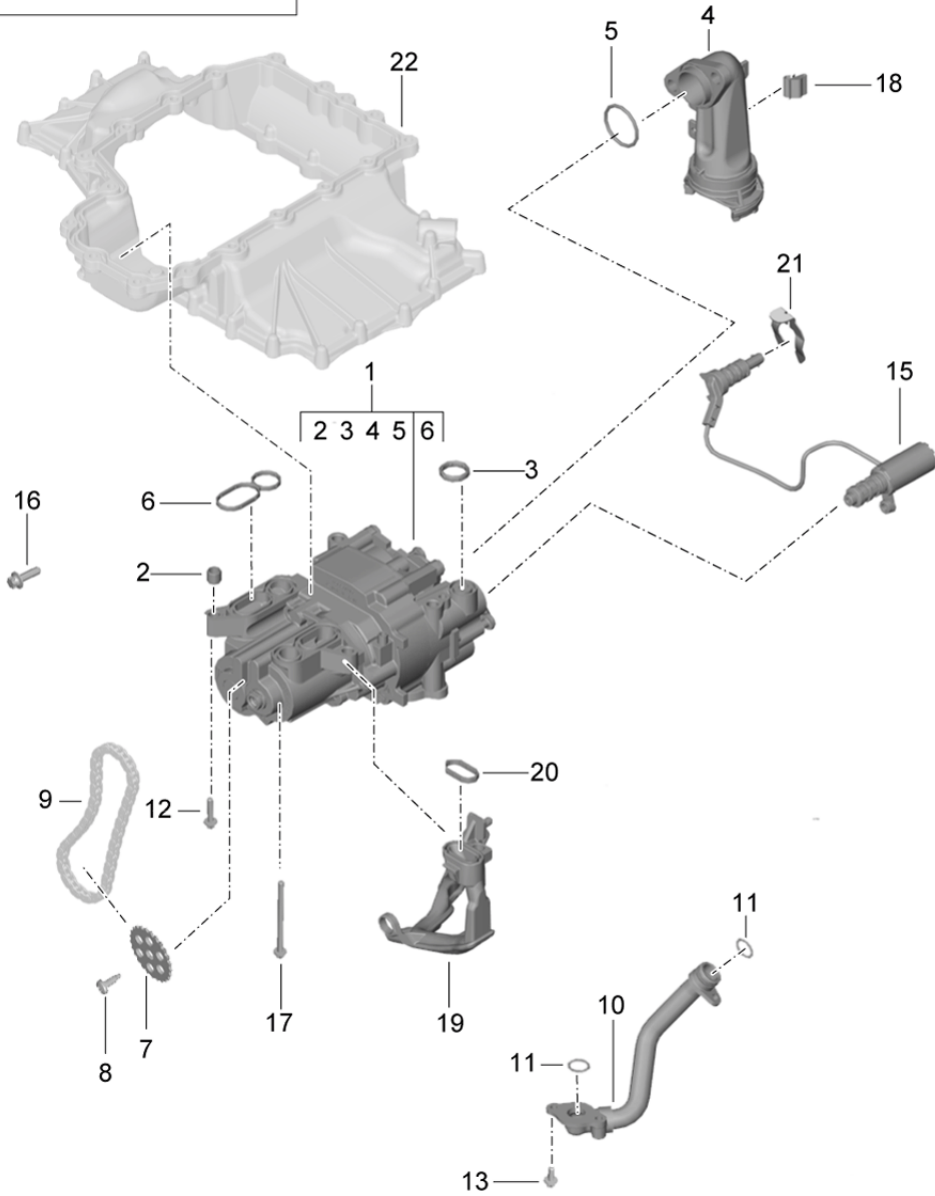
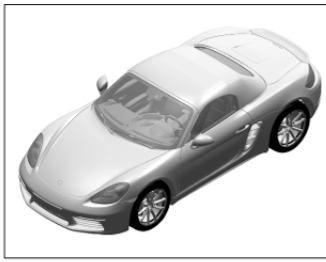
Model life 2017>>

Pos	Part Number	Description	Remark	Qty	Model
1	9A2 105 148 01	Valve control timing chain Camshaft Crankshaft		2	
2	9A1 105 062 01	Socket head bolt Tensioner blade		6	
3	999 707 346 40	O-ring 15,0 X 3,0		2	
4	9A2 105 157 01	chain tensioner		2	
5	9A2 105 123 01	slide rail		2	
6	9A2 105 125 01	Tensioner blade		2	
7	9A1 105 165 02	spacer sleeve		1	
8	9A1 105 063 01	Screw		1	
9	9A1 105 101 03	slide rail		2	
10	9A1 105 233 02	timing chain oil pump Crankshaft		1	
11	9A1 105 235 02	Tensioner blade		1	
12	900 123 011 21	seal ring A 22 X 27		2	
13	999 701 066 40	O-ring chain tensioner		2	
14		Crankshaft			
15		oil pump see illustration:	102-000	1	
		see illustration:	104-000		



Model: 982-17

Model life 2017>>



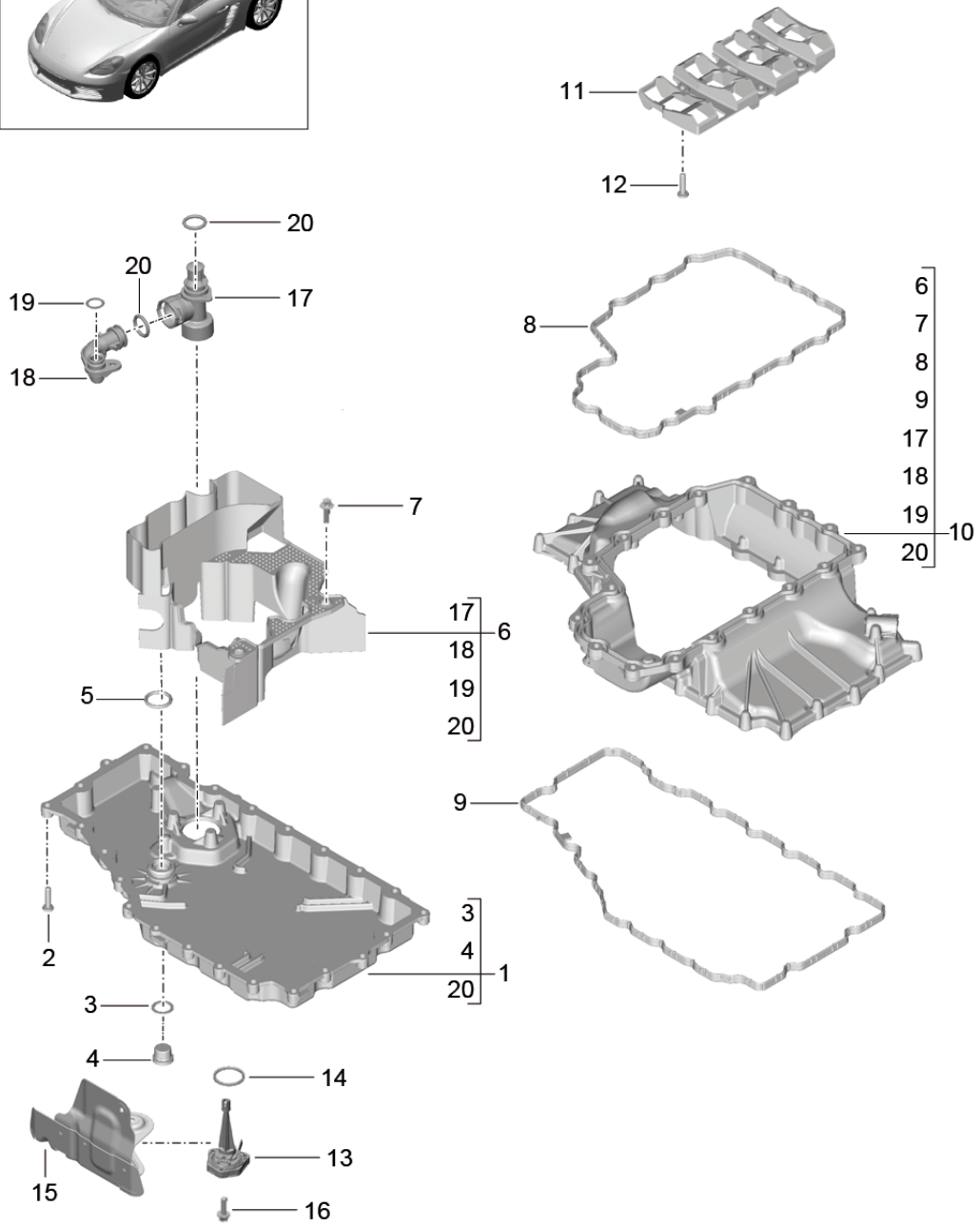
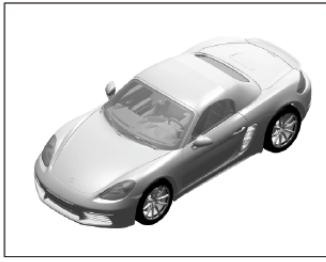
Model: 982-17

Model life 2017>>

Pos	Part Number	Description	Remark	Qty	Model
		Engine lubrication			
1	9A7 115 103 00	oil pump		1	
2	999 095 075 01	oil pump dowel sleeve 8H7 X 7,0		3	
3	0PB 115 131	Seal for oil pump		1	
4	9A7 115 169 00	Suction tube		1	
5	999 707 667 40	O-ring 30,00 X 2,50		1	
6	0PB 115 189	Seal for oil pump		2	
7	9A1 105 225 02	Chain sprocket		1	
8	999 073 380 01	oil pump Torx screw M 8 X 22		1	
9		Chain oil pump			
10	9A7 115 701 00	see illustration: oil pipe oil pump Crankcase housing	103-015	1	
11	999 707 575 40	O-ring 20,00 X 3,00		1	
12	900 385 048 01	Torx screw M6 X 30		3	
13	900 385 009 01	Torx screw M6 X 25		3	
14	999 707 575 40	O-ring 20,00 X 3,00		1	
15	0PB 115 393 B	No longer use the part here control valve oil pump		1	
16	900 385 019 01	Torx screw M6 X 20		2	
17	900 385 108 02	Torx screw BM 6 X 80		2	
18	N 909 189 01	Cable holder		1	
19	9A7 115 228 00	Oil return line		1	
20	9A7 115 359 00	Seal Oil pipe		1	
21	946 107 413 60	securing clip Solenoid valve oil pump		1	
21	9A7 115 047 00	securing clip Solenoid valve oil pump		1	
22		oil pump oil sump Upper part			
23	9A2 107 315 00	see illustration: suction line	104-002	1	

Model: 982-17

Model life 2017>>



Model: 982-17

Model life 2017>>

Pos	Part Number	Description	Remark	Qty	Model
1	9A2 107 307 01	Engine lubrication oil sump oil sump-lower part		1	
1	9A2 107 037 01	No longer use the part here oil sump-lower part M >> DDN 000 787 M DDN 001 348>> M >> DDP 000 740 M DDP 001 352>>		1	
1	9A2 107 037 01	oil sump-lower part also use: 9A2 107 304 04 9A2 107 337 00 see Technical information TI 75/16 M DDN 000 788>> M >> DDN 001 347 M DDP 000 741>> M >> DDP 001 351		1	
1	9A2 107 037 01	oil sump-lower part		1	GTS DJUA, DJU, DJUB
2	9A1 107 313 01	Torx screw M 6 X 25		45	
3	900 123 106 30	seal ring A 18 X 24		1	
4	900 219 020 31	sealing plug M 18 X 1,5		1	
5	999 707 513 40	O-ring 23,60 X 3,55		1	
6	9A2 107 026 00	filler plate		1	
7	900 385 009 01	Torx screw M6 X 16		10	
8	9A2 107 318 00	gasket for oil sump Upper part		1	
9	9A2 107 337 00	gasket for oil sump Lower part M >> DDN 000 787 M DDN 001 348>> M >> DDP 000 740 M DDP 001 352>>		1	
9	9A2 107 337 00	gasket for oil sump		1	GTS DJUA, DJU, DJUB
9	9A2 107 337 00	Lower part gasket for oil sump Lower part modify in workshop see Technical information TI 75/16 M DDN 000 788>> M >> DDN 001 347 M DDP 000 741>> M >> DDP 001 351		1	
10	9A2 107 304 01	oil sump-upper part No longer use the part here		1	
10	9A2 107 034 04	oil sump-upper part M >> DDN 000 787 M DDN 001 348>> M >> DDP 000 740 M DDP 001 352>>		1	
10	9A2 107 034 04	oil sump-upper part		1	GTS DJUA, DJU,

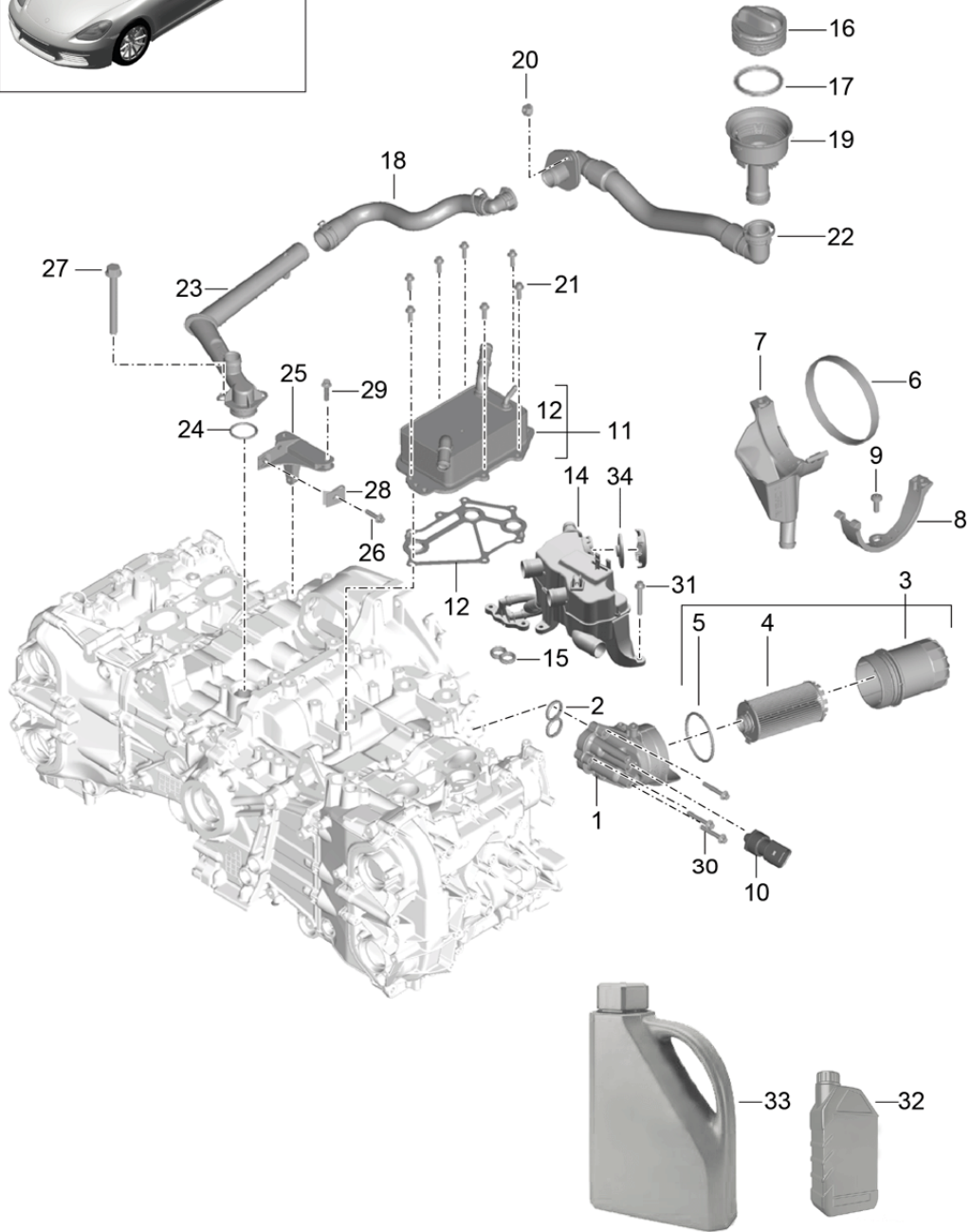
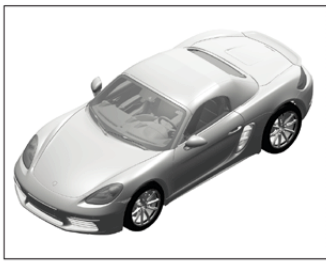
Model: 982-17

Model life 2017>>

Pos	Part Number	Description	Remark	Qty	Model
10	9A2 107 034 04	oil sump-upper part also use: see Technical information TI 75/16 M DDN 000 788>> M >> DDN 001 347 M DDP 000 741>> M >> DDP 001 351	9A2 107 037 01 9A2 107 337 00	1	DJUB
11	9A2 101 307 01	oil separator No longer use the part here		1	
11	9A2 101 307 00	oil separator		1	
12	900 385 019 01	Torx screw M6 X 20		6	
13	9A7 907 660 00	oil level sender		1	
14	038 103 196 B	seal ring		1	
15	9A2 107 170 02	Heat insulation oil level sender		1	
16	900 385 041 01	Torx screw BM 6 X 12		4	
17	9A2 107 262 00	oil pipe		1	
18	9A2 107 263 00	oil pipe		1	
19	999 707 637 40	O-ring 15,00 X 3,00		1	
20	948 107 439 10	O-ring oil separator		2	

Model: 982-17

Model life 2017>>



Model: 982-17

Model life 2017>>

Pos	Part Number	Description	Remark	Qty	Model
1	9A2 107 146 01	Engine lubrication oil filter Oil inlet heat exchanger Oil-conducting housing (complete)		1	
2	9A2 107 475 00	Seal Oil-conducting housing		1	
3	9A2 107 024 00	oil filter (complete)		1	
4	9A2 107 225 00	Oil filter insert Insert		1	
5	999 707 685 40	also use: O-ring oil filter 73,00 X 4,00	999 707 685 40	1 1	
6	9A2 107 345 00	Rubber sleeve		1	
7	9A2 107 346 00	collector container		1	
8	9A2 107 344 00	Retainer bracket		1	
9	999 073 103 01	flat round head bolt M 6 X 16		1	
10	06E 906 054 C	Pressure sensor		1	
11	9A2 107 451 00	heat exchanger No longer use the part here		1	
11	9A2 107 051 00	heat exchanger with:		1	
12	9A2 107 471 00	Seal Seal heat exchanger		1	
14	9A2 107 042 00	oil separator		1	
15	9A2 107 473 00	Seal oil separator		1	
16	981 107 035 06	End cap engine oil No longer use the part here		1	
16	981 107 035 08	End cap engine oil		1	
17	999 701 205 40	O-ring End cap 26,50 X 4,00		1	
18	982 115 308 A	Filler tube engine oil		1	
19	981 107 160 05	Filler tube engine oil		1	
20	999 084 638 01	Hexagon nut M 6		2	
21	900 385 019 01	Torx screw BM 6 X 45		7	
22	982 115 653 A	Filler tube engine oil		1	
23	9A2 107 016 00	Filler tube engine oil		1	
24	999 707 530 40	O-ring Filler tube 34,52 X 3,53		1	
25	982 145 685	Bracket Filler tube		1	
26	900 385 072 01	Torx screw BM 6 X 25		1	
27	900 378 111 01	Hexagon bolt M 6 X 60		1	
28	999 507 246 01	panel nut M 6		1	

Model: 982-17

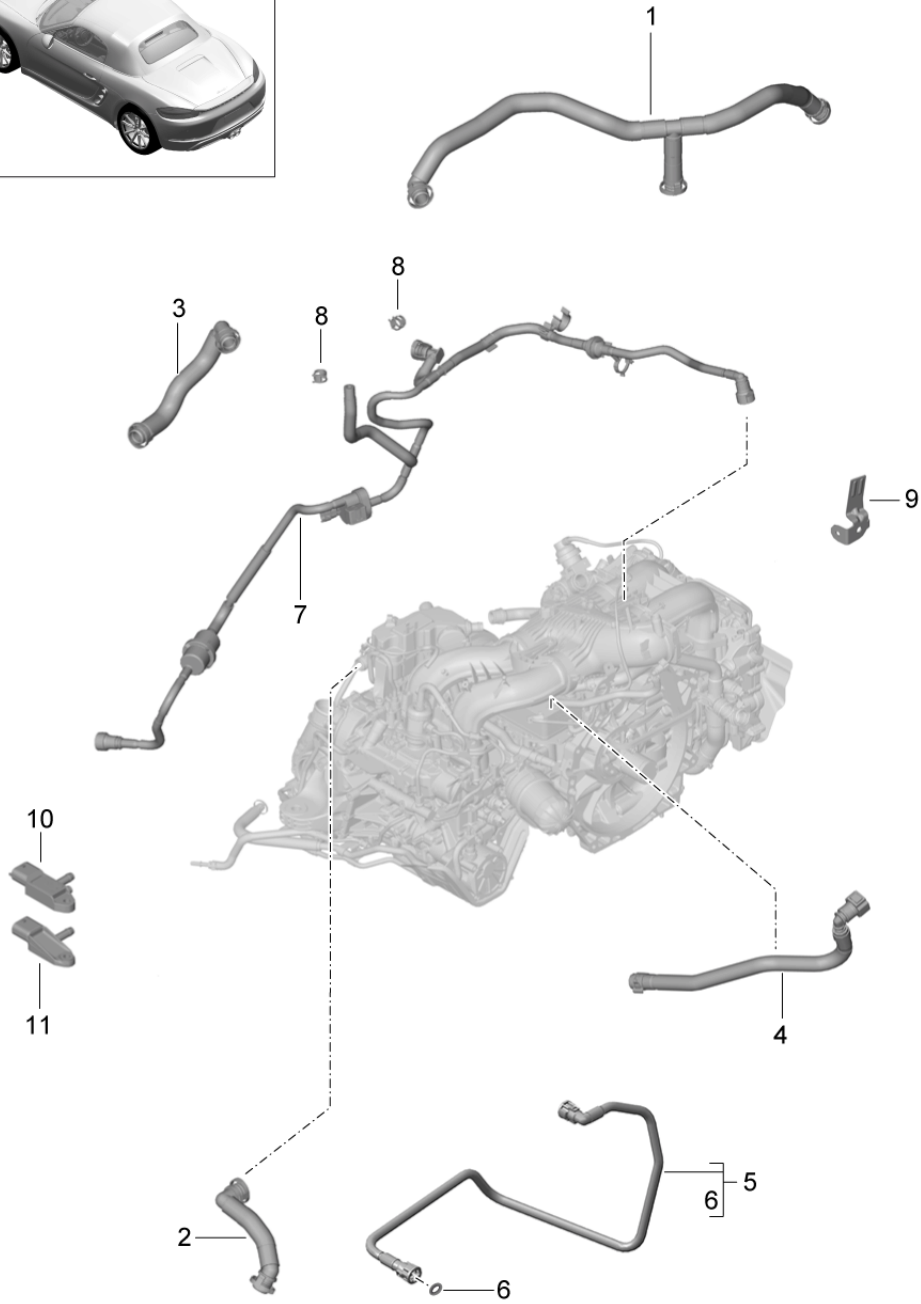
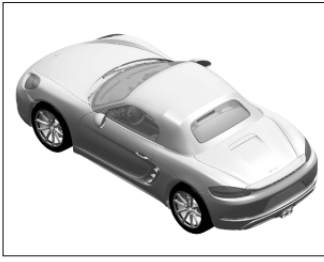
Model life 2017>>

Pos	Part Number	Description	Remark	Qty	Model
29	999 919 283 01	Oval-head screw 6,0 X 18,0		1	
30	900 385 125 01	Torx screw BM 6 X 45		3	
31	999 073 344 01	flat round head bolt M 6 X 20		5	
32	000 043 305 21	engine oil EXXON MOBIL 1 0W-40 D >> - 13.05.2018	1.0 Ltr.	X	
(32)	000 043 210 93	engine oil EXXON MOBIL 1 0W-40 ESP X 3 D - 14.05.2018>>	1.0 Ltr.	X	
(32)	000 043 210 93	engine oil EXXON MOBIL 1 0W-40 ESP X 3 For vehicles with a petrol particulate filter	1.0 Ltr.	X	PR:7CP
33	000 043 305 22	engine oil EXXON MOBIL 1 0W-40 D >> - 13.05.2018	20ltr.	X	
34	9A2 107 904 00	Diaphragm oil separator		1	



Model: 982-17

Model life 2017>>



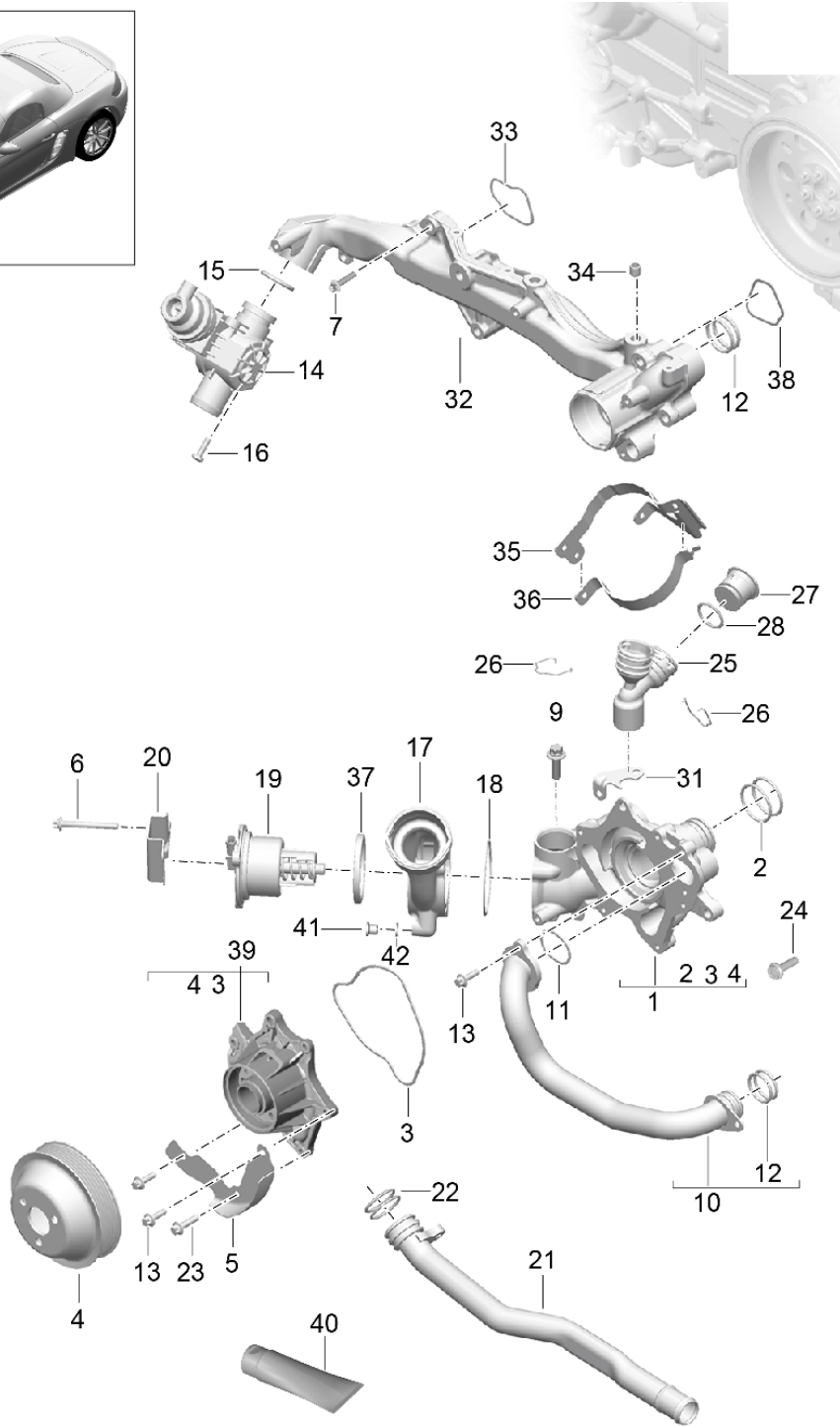
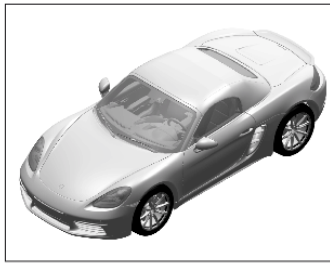
Model: 982-17

Model life 2017>>

Pos	Part Number	Description	Remark	Qty	Model
1	9A2 107 515 02	Crankcase housing Bleeding Tank ventilation Vacuum pump Breather line		1	
2	9A2 107 521 00	Cyl. 1 - 2 Breather line		1	
3	9A2 107 520 01	Cyl. 3 - 4 Breather line		1	
4	9A2 107 530 00	Full load Breather line		1	
5	9A2 107 540 01	Breather line		1	PR:-011
5	0PC 101 210	Crankcase housing Breather line		1	GTS
6	999 707 577 40	Crankcase housing O-ring 10 X 2,5		2	PR:011 PR:-011
7	9A2 110 093 02	Breather line Tank ventilation		1	
8	N 910 203 01	Spring band clamp 14,5 X 12		2	
9	9A2 110 591 01	Bracket Tank ventilation		1	
11	9A2 110 595 00	Bungs Tank ventilation		1	
11	0PB 906 094	99970744000 also use: Bungs Tank ventilation 99970744000 also use:		1	

Model: 982-17

Model life 2017>>



Model: 982-17

Model life 2017&gt;&gt;

Pos	Part Number	Description	Remark	Qty	Model
1	9A2 106 040 03	Coolant cooling system Coolant pump thermostat housing Assembly carrier Coolant pump (complete)		1	
		with:			
2	999 707 604 40	pulley Bearing housing		2	
3	9A1 106 217 00	O-ring 34,0 X 3,0		1	
3	0PC 121 091	Seal Coolant pump No longer use the part here		1	
4	9A1 106 248 00	Seal Coolant pump		1	
5	9A2 102 255 00	pulley		1	
6	900 385 111 01	Heat insulation Coolant pump		3	
7	900 385 042 01	Torx screw BM 6 X 50		1	
8	900 385 072 01	Torx screw M8 X 35		7	
9	900 385 019 01	Torx screw BM 6 X 25		3	
10	9A2 106 025 30	Torx screw M6 X 20		1	
11	9A2 106 325 30	Connecting pipe Cyl. 3 - 4		1	
12	999 707 498 40	Seal		4	
13	900 385 041 01	O-ring 27 X 3		10	
14	9A1 106 555 04	Torx screw BM 6 X 12		1	
15	999 707 654 40	Valve		2	
16	999 073 344 01	O-ring 29,00 X 4,00		2	
17	9A2 106 022 01	flat round head bolt M 6 X 20		1	
18	9A2 106 332 00	Water guide housing (complete)		1	
		with:			
19	9A1 106 226 03	thermostat		1	
20	9A1 106 450 00	Seal		1	
21	9A1 106 627 33	thermostat		1	
22	999 707 657 40	thermostat		1	
23	999 073 601 01	Guard plate		2	
24	N 106 650 02	Water pipe		1	
25	9A2 106 530 02	O-ring		2	
26	997 106 802 04	O-ring 31 X 3		1	
27	9A1 106 546 00	flat round head bolt M 6 X 14		3	
27	0PB 121 099	Flat head multi-point socket bolt M8X30		1	
28	999 707 590 40	choke		2	
29	900 385 009 01	Spring clip D=41		2	
		Bungs		2	
		Bungs		2	
		O-ring 21,35 X 3,0		2	
		Torx screw		1	

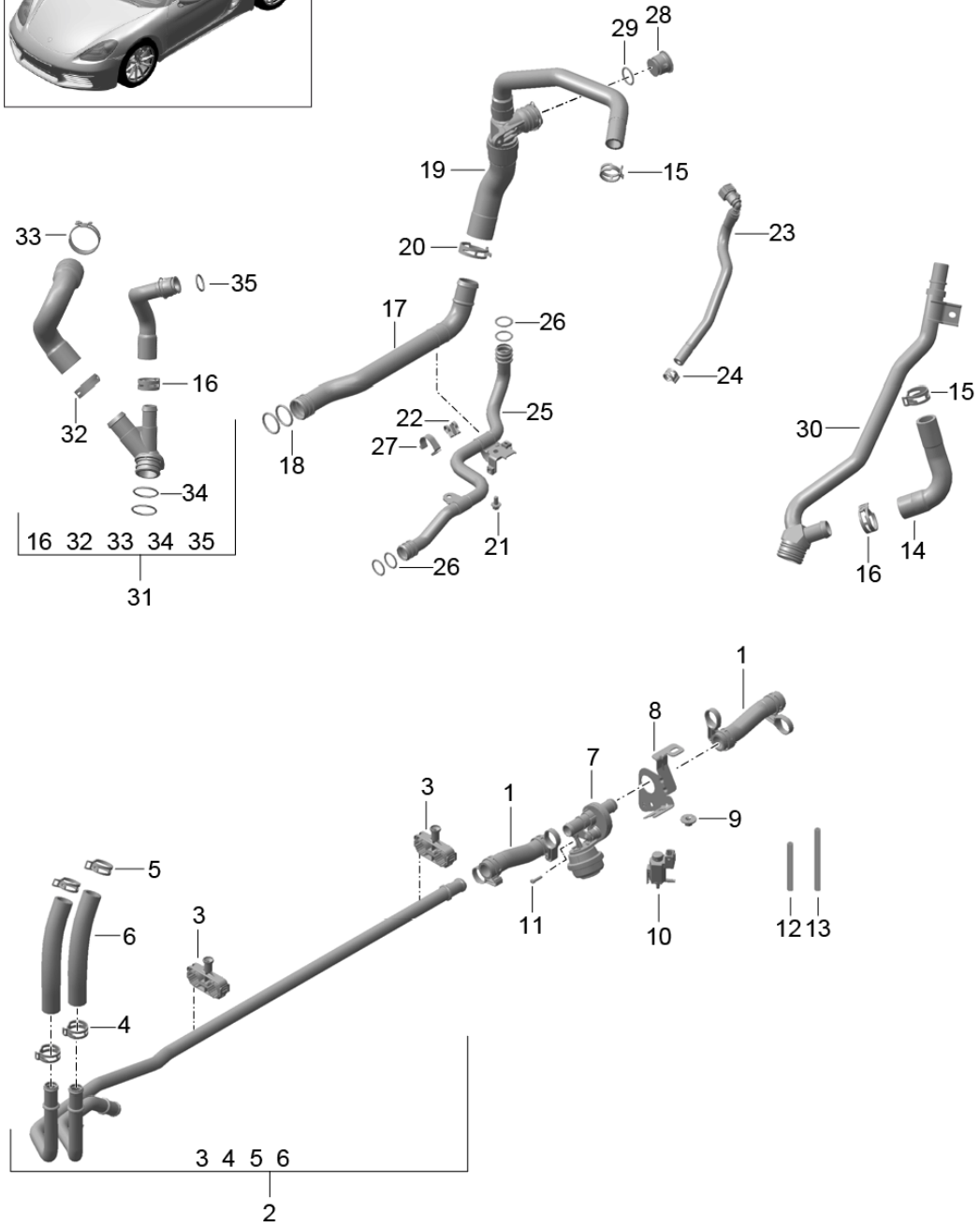
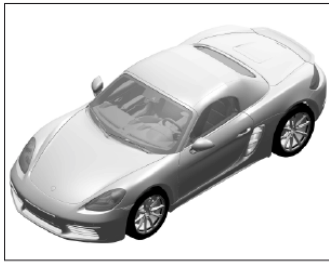
Model: 982-17

Model life 2017>>

Pos	Part Number	Description	Remark	Qty	Model
30	999 707 517 40	BM 6 X 16 O-ring 22,00 X 3,00		2	
31	9A2 106 633 02	Bracket Filler tube		1	
32	9A2 102 014 00	Assembly carrier		1	
33	9A2 102 312 00	Seal Assembly carrier Cyl. 1 - 2		1	
34	999 095 063 03	dowel sleeve M 6 X 10		3	
35	982 965 553	Hose clamp		1	
36	982 965 558	Coolant pump Bracket Coolant pump		1	
37	9A1 106 559 00	Seal thermostat		1	
38	9A2 102 322 00	Seal Assembly carrier Cyl. 3 - 4		1	
39	9A2 106 050 01	Coolant pump	with:	1	
40	000 043 303 93	pulley sealant Fixing DOBOSEAL 08-07 20 ML		X	
41	900 219 002 03	sealing plug M14X1,5		1	
42	900 123 104 30	seal ring 14X18		1	

Model: 982-17

Model life 2017>>



Model: 982-17

Model life 2017&gt;&gt;

Pos	Part Number	Description	Remark	Qty	Model
1	982 265 055 C	Water cooling Water pipe Control Connection Water hose heater		2	
2	982 265 189	Return line Heater pipeline Supply (complete)		1	
3	991 572 823 00	Bracket		2	
4	999 512 657 09	Water pipe Hose clamp		1	
5	999 512 603 09	B 6 X 12 Hose clamp		1	
6	991 572 585 01	A 26 X 12 Heating hose		2	
7	991 307 573 00	Disc valve		1	
8	982 121 233 B	Bracket		1	
9	999 049 032 40	Hexagon plastic collar nut T6 22 X 10,5		1	
10	7PP 906 270	Change-over valve		1	
11	999 073 415 01	flat round head bolt M 4 X 16		1	
-	999 239 031 42	Hose 3,5 X 2,0		*	
12		Hose L = 100 MM		1	
13		Hose L = 160 MM		1	
14	9A2 106 516 30	Water hose Return line		1	
15	999 512 656 09	Hose clamp B 25 X 12		2	
16	999 512 658 09	Hose clamp B 27 X 12		2	
17	9A2 106 620 30	Water pipe Supply		1	
18	999 707 689 40	O-ring 27,00 X 3,00		4	
19	9A2 106 510 31	Water hose Supply		1	
20	999 512 664 09	Hose clamp B 36 X 12		1	
21	900 385 041 01	Torx screw M 6 X 12		1	
22	999 507 720 01	Hose bracket 22,0 - 25,0		1	
23	9A2 106 550 30	Breather line		1	
24	999 512 650 09	Hose clamp B 14 X 12		1	
25	9A2 106 625 30	Water pipe Return line		1	
26	999 707 477 41	O-ring 19,00 X 3,00		4	
27	9A7 971 741 00	cable terminal		1	
28	9A1 106 546 00	Bungs		1	
28	0PB 121 099	Bungs		1	
29	999 707 590 40	O-ring 21,35 X 3,00		1	
30	9A2 106 610 31	Water line Gearbox Return line		1	

Model: 982-17

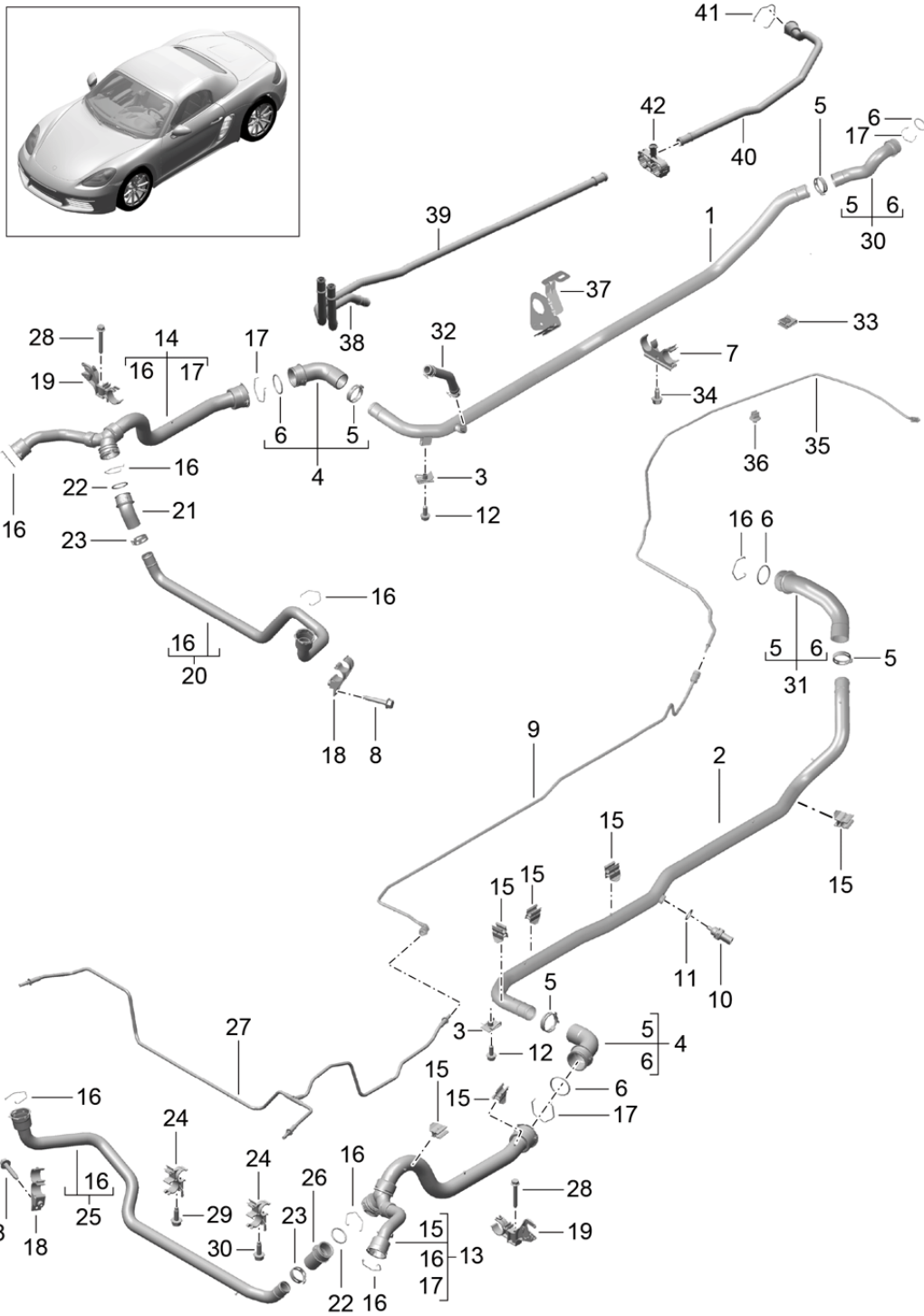
Model life 2017&gt;&gt;

Pos	Part Number	Description	Remark	Qty	Model
31	9A2 106 514 30	Water hose Wastegate line		1	
32	999 512 664 09	Hose clamp B 36 X 12		1	
33	999 512 665 09	Hose clamp B 40 X 12		1	
34	999 707 589 40	O-ring 31,00 X 3,00		2	
35	996 106 801 01	O-ring		1	



Model: 982-17

Model life 2017>>



Model: 982-17

Model life 2017>>

Pos	Part Number	Description	Remark	Qty	Model
1	982 121 524	Water cooling 1 Coolant pipe Breather line Coolant pipe Supply		1	
2	982 121 524 B	Coolant pipe Return line		1	
3	999 507 246 01	panel nut M 6		2	
4	991 106 551 01	Water hose		2	
5	999 512 667 09	Hose clamp B 44 X 12		4	
6	996 106 801 03	O-ring		4	
7	991 106 540 01	Bracket		1	
8	900 378 141 01	Hexagon bolt M 6 X 35		2	
9	982 121 455	Breather line		1	
10	948 606 420 00	Temperature sensor		1	
		with:			
11	900 123 111 20	seal ring		1	
12	N 105 464 03	seal ring Hexagon socket head bolt M 6 X 16		1	
13	991 106 751 03	Distributor tube		1	
14	991 106 752 03	Distributor tube		1	
15	991 106 512 02	Bracket		5	
16	997 106 802 01	Spring		6	
17	997 106 802 03	Spring		2	
18	991 106 525 02	Bracket		2	
19	991 106 413 03	Bracket		2	
20	991 106 711 02	Cross tube		1	
21	991 106 724 00	Water hose		1	
22	996 106 801 02	O-ring		2	
23	999 512 664 09	Hose clamp B 36 X 12		2	
24	991 106 527 02	Bracket		2	
25	991 106 720 02	Cross tube		1	
26	991 106 723 00	Water hose		1	
27	991 106 767 03	Breather line		1	
28	900 378 270 01	Hexagon bolt M 6 X 45		2	
29	900 378 173 01	Hexagon bolt M 6 X 20		2	
30	982 121 101 A	Water hose Supply		1	
31	982 121 101 C	Water hose Return line		1	
32	981 106 212 02	Water hose heater Supply		1	
33	999 507 795 09	panel nut ST 4,8		1	
34	900 378 155 01	Hexagon bolt M 6 X 16		2	
35	982 121 533 D	Breather line Reservoir		1	
36	999 507 947 40	Bracket Breather line		4	
37	982 121 233 B	Bracket		1	
38	982 265 381	Water pipe Supply		1	
39	982 265 381 A	Water pipe		1	

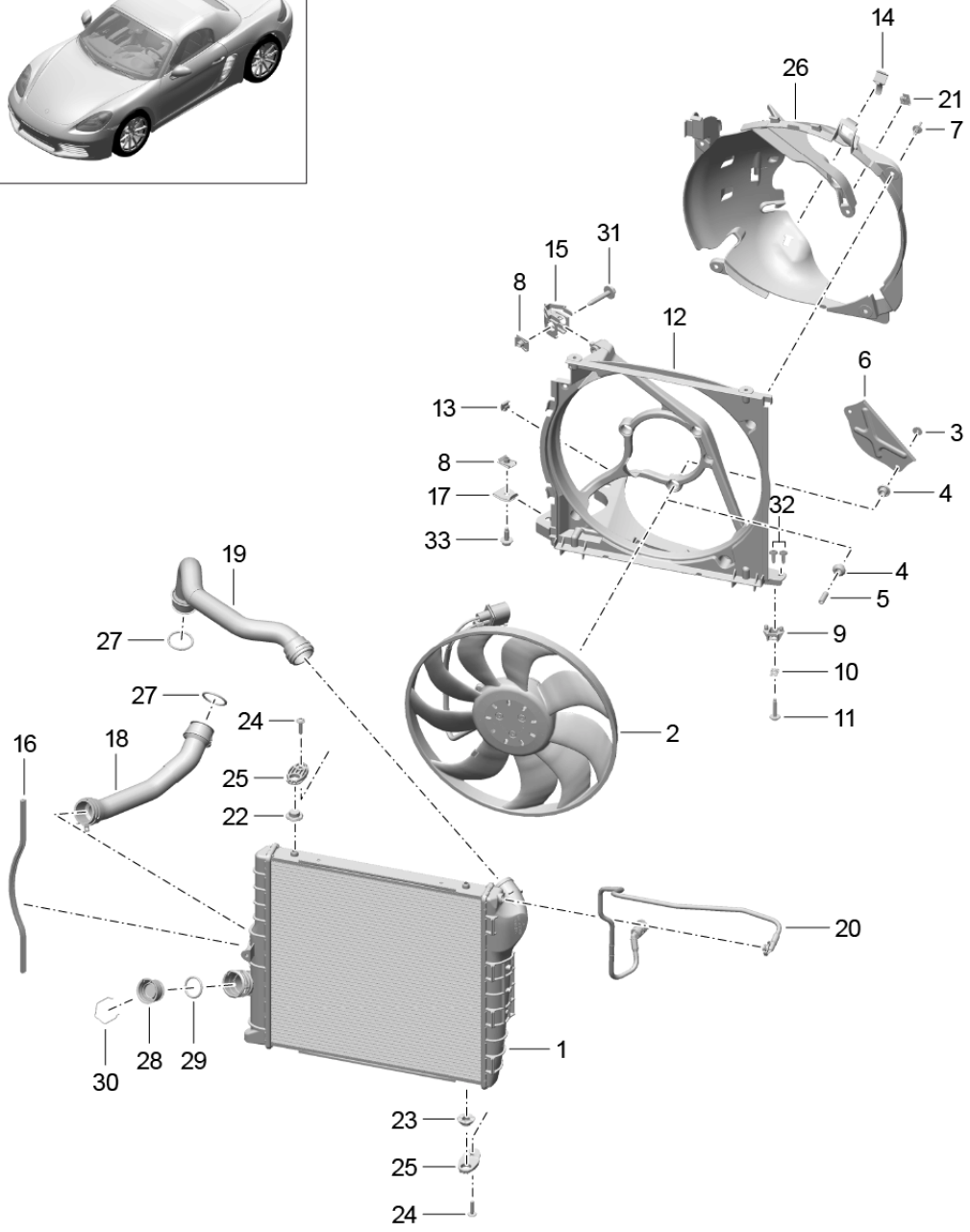
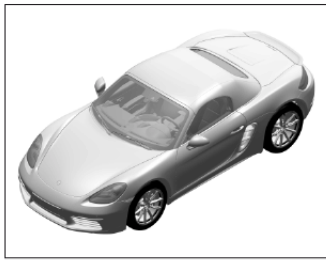
Model: 982-17

Model life 2017&gt;&gt;

Pos	Part Number	Description	Remark	Qty	Model
40	982 265 381 C	Return line Water pipe		1	
41	997 106 802 04	Return line Spring clip		1	
42	991 572 823 00	Bracket		1	

Model: 982-17

Model life 2017>>



Model: 982-17

Model life 2017>>

Pos	Part Number	Description	Remark	Qty	Model
		Water cooling 2			
		Radiator			
		Fan			
		Front end			
1	9P1 121 251	Cooler for coolant	left	1	
(1)	9P1 121 252	Cooler for coolant	right	1	
2	9P1 959 455 BY	Fan		2	PR:009,011
(2)	9P1 959 456 Y	Fan		2	PR:008
3	999 076 066 09	Hexagon nut M6		6	
4	991 624 173 00	Rubber bush		12	
		Fan			
5	991 624 175 03	spacer sleeve		6	
		Fan			
6	9P1 959 541	Cap		2	
		Fan			
7	999 591 525 40	Spreader rivet 7,0 X 14,2		10	
8	999 591 869 03	panel nut		6	
9	991 106 755 02	Bracket		2	
		No longer use the part here			
9	991 106 755 03	Bracket		2	
		also use:	999 919 306 01		
10	999 591 499 03	panel nut 4,8		2	
11	N 106 998 01	hexagon head bolt (combi) M 6 X 25		2	
12	9P1 121 383	Console	left	1	
		Radiator			
(12)	9P1 121 384	Console	right	1	
		Radiator			
13	9P1 121 299	Cap		2	PR:009,011
		Console			
14	9P1 121 724	Bracket		2	PR:009,011
15	991 106 255 02	Cap		2	
		Assembly aux. material			
16	9P1 121 228	Seal		6	
17	991 106 355 03	Clip		4	
18	9P1 121 623	Coolant hose	left return	1	
		Short			
(18)	9P1 121 624	Coolant hose	right return	1	
		Short			
19	9P1 121 611	Coolant hose	left feed	1	
		Long			
(19)	9P1 121 612	Coolant hose	right feed	1	
		Long			
20	9P1 121 465	Breather line	left	1	
		Radiator			
(20)	9P1 121 466	Breather line	right	1	
		Radiator			
21	999 507 759 01	panel nut ST 4,8		2	
22	991 106 331 01	Rubber bush	upper	4	
23	991 106 332 00	Rubber bush	lower	4	
24	999 919 258 01	Screw 6,0 X 25,0		8	
25	9P1 121 241	Bracket		8	
26	9P1 121 333	Air guide	left	1	
(26)	9P1 121 334	Air guide	right	1	

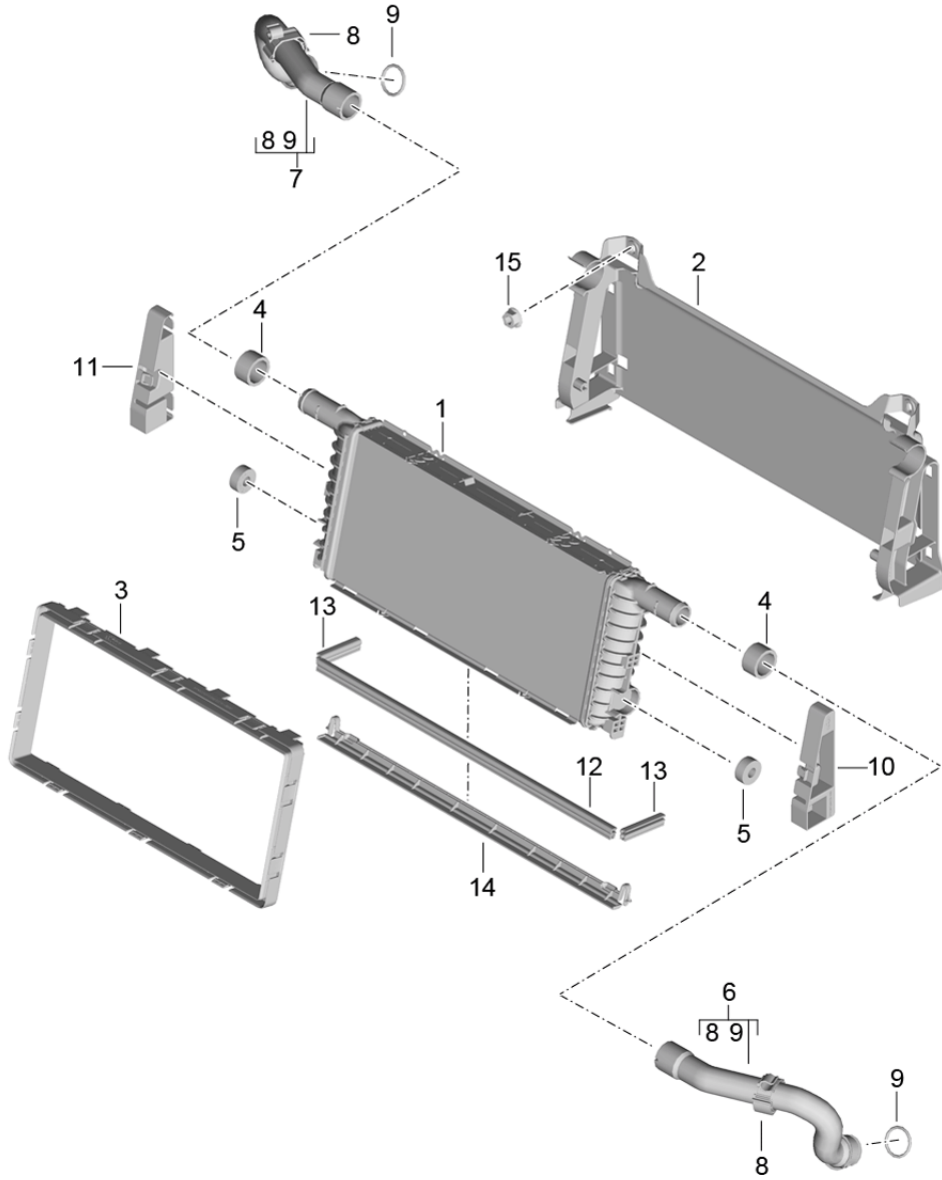
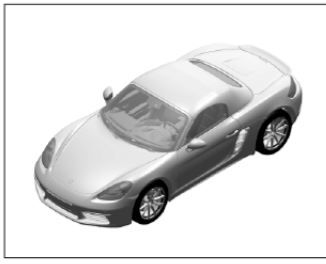
Model: 982-17

Model life 2017>>

Pos	Part Number	Description	Remark	Qty	Model
27	996 106 801 02	O-ring		4	
28	991 106 546 01	Bungs		2	
29	996 106 801 05	O-ring		2	
30	997 106 802 00	Spring		2	
31	N 105 728 02	bolt,hex.hd.with shoul.(combi) AM 8 X 50		2	
32	999 919 306 01	Screw Use		4	
		with:			
33	N 019 530 7	991.106.755.03 Hex collared bolt M8 X 25		4	

Model: 982-17

Model life 2017>>



Model: 982-17

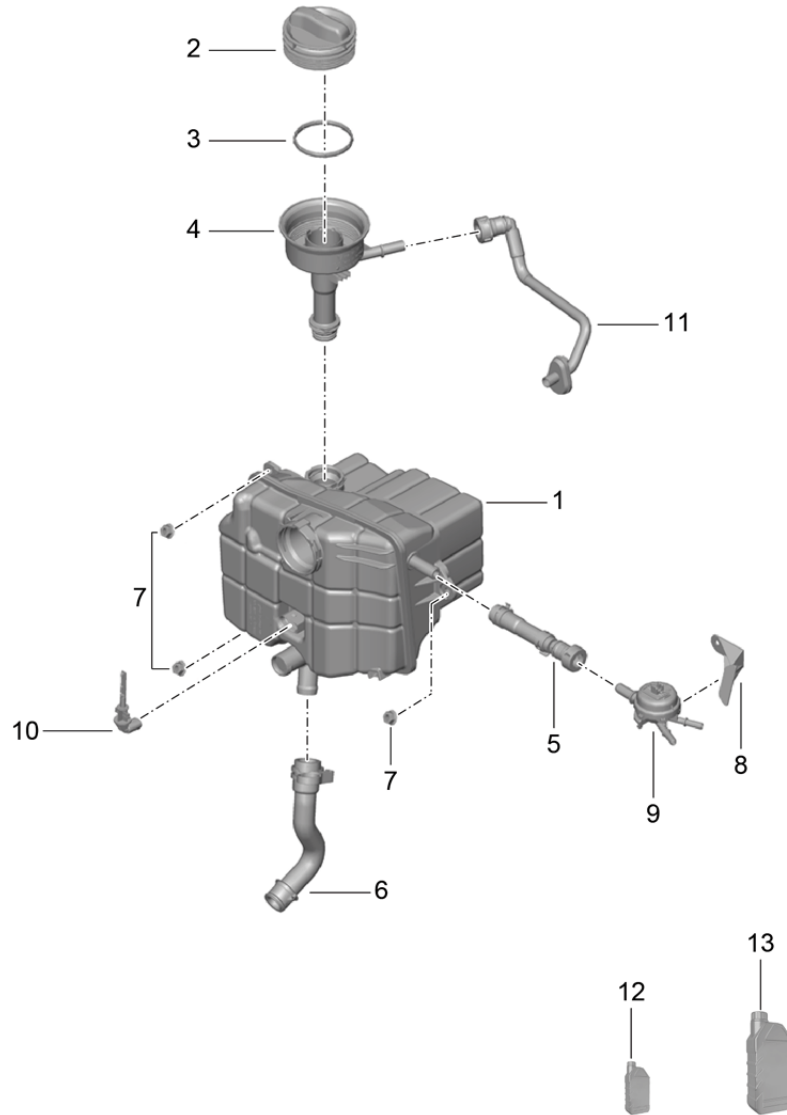
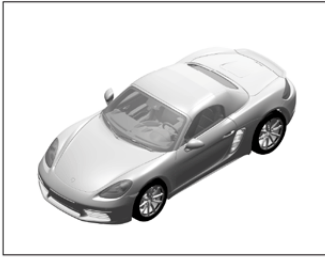
Model life 2017>>

Pos	Part Number	Description	Remark	Qty	Model
1	9P1 121 253	Radiator Radiator	center center	1	PR:153
		with:			
2	9P1 121 291	Air guide Sealing frame Air guide Retaining frame		1	
3	991 106 337 01	Sealing frame		1	
4	991 106 537 01	Rubber bush	upper	2	
5	991 106 538 02	Rubber bush	lower	2	
6	9P1 121 629 A	Water hose	left	1	
7	9P1 121 630 A	Water hose	right	1	
8	9P1 121 125	Retainer for coolant hose		2	
9	996 106 801 05	O-ring		4	
10	9P1 121 483	Cover	left	1	
11	9P1 121 484	Cover	right	1	
12	9P1 121 687	Seal		1	
13	9P1 121 687 A	Seal		2	
14	9P1 121 245	strip		1	
15	999 084 638 01	Hexagon nut M 6		1	



Model: 982-17

Model life 2017>>



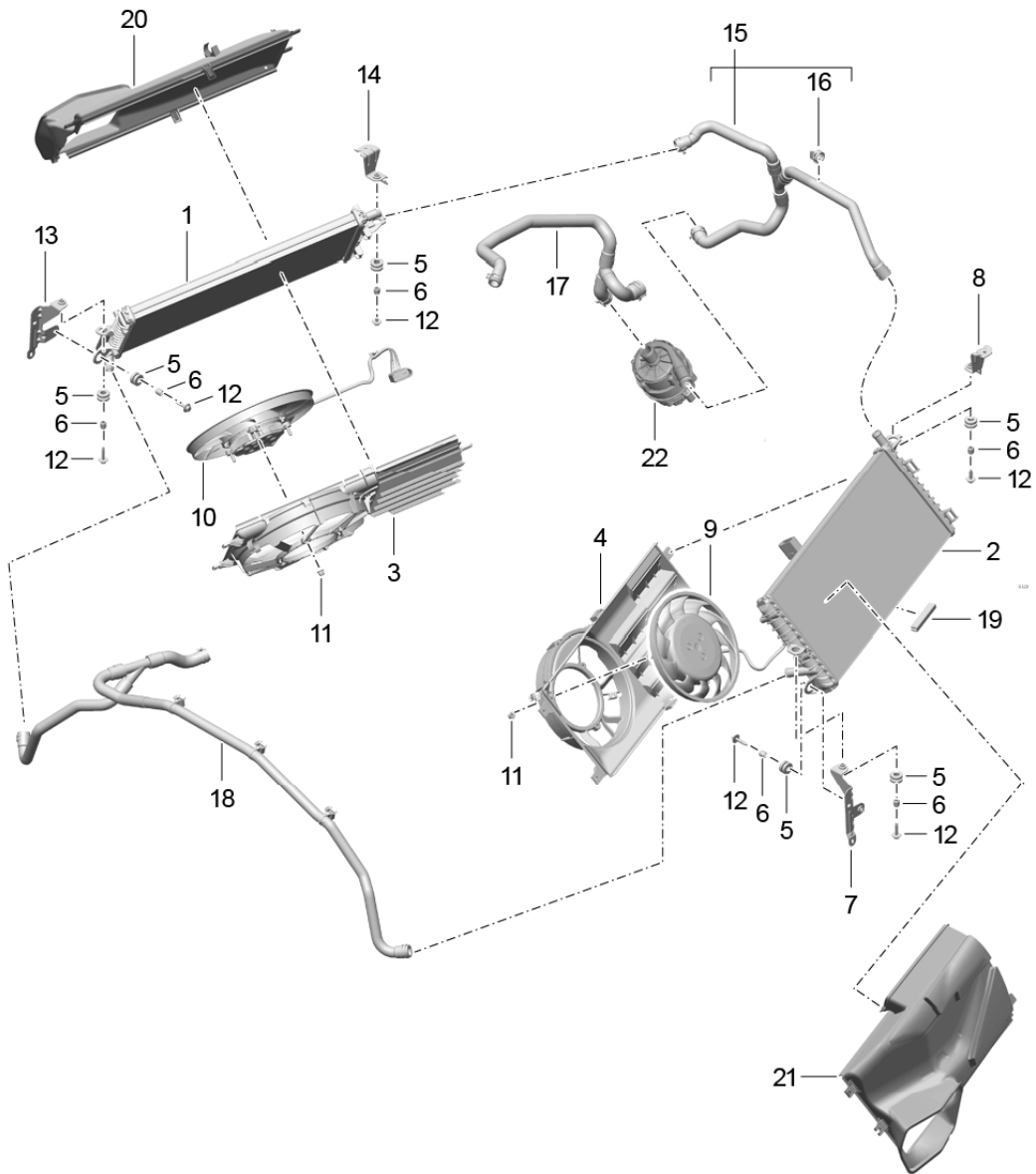
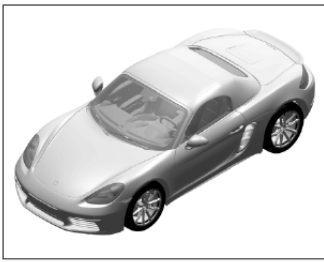
Model: 982-17

Model life 2017>>

Pos	Part Number	Description	Remark	Qty	Model
1	982 121 407 B	Coolant cooling system Coolant expansion tank Coolant expansion tank No longer use the part here		1	
1	982 121 407 C	Coolant expansion tank		1	
2	982 121 155 B	End cap		1	
3	982 121 687	Seal End cap		1	
4	982 121 133 B	fuel filler neck		1	
5	982 121 637 A	Filling hose		1	
6	982 121 625 B	Water hose		1	
7	999 084 638 01	Hexagon nut	M6	3	
8	982 121 412 A	Retainer for reservoir		1	
9	298 121 671	Valve		1	
10		Sensor Coolant Not available To Use 982.121.407.B		1	
11	982 121 533 F	Breather line fuel filler neck		1	
12	000 043 301 47	Coolant additive discontinued part	1.0 Ltr.	X	
(12)	000 043 305 15	Coolant additive	1.0 Ltr.	X	
13	000 043 301 48	Coolant additive discontinued part	20ltr.	X	
(13)	000 043 305 16	Coolant additive	20ltr.	X	
(13)	000 043 305 64	Cleaning solution	20ltr.	X	

Model: 982-17

Model life 2017>>



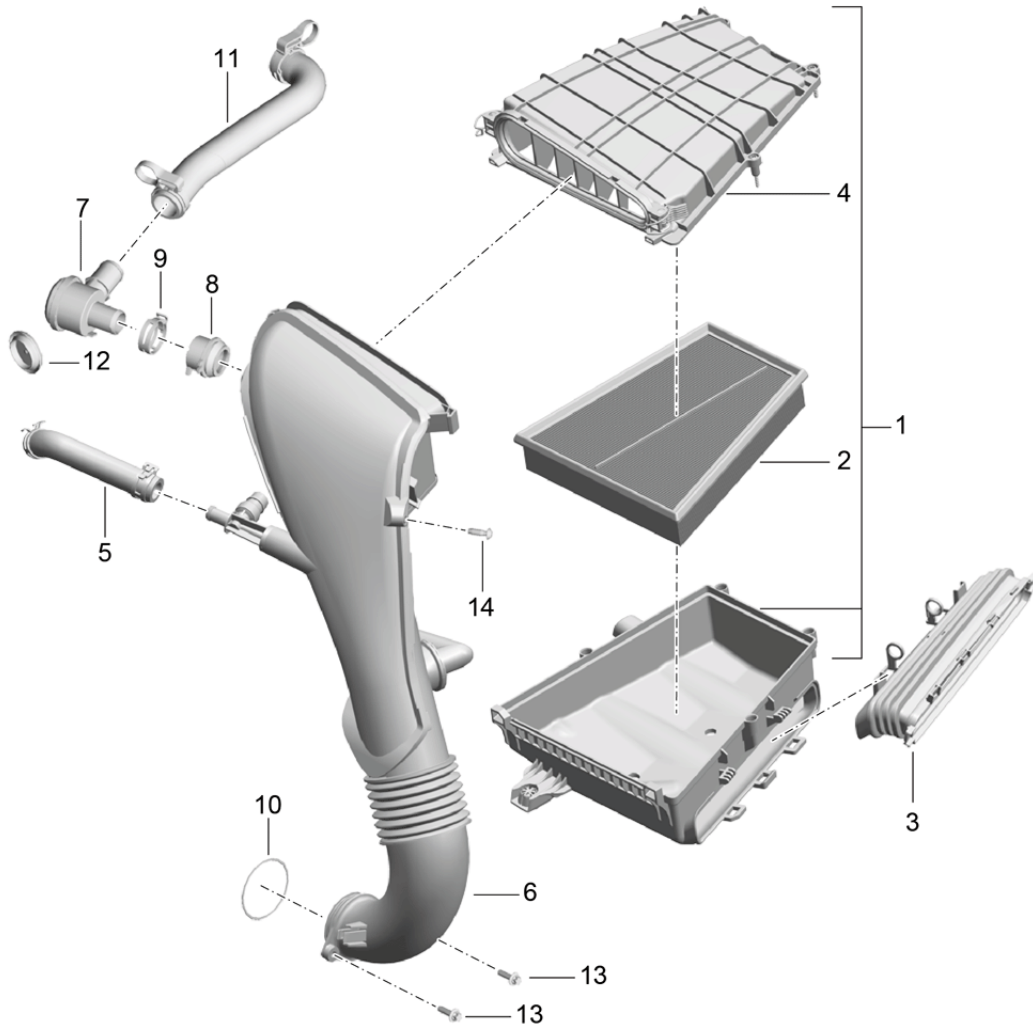
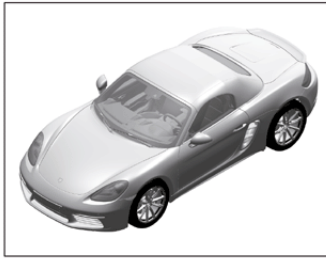
Model: 982-17

Model life 2017&gt;&gt;

Pos	Part Number	Description	Remark	Qty	Model
		Coolant cooling system			
		Radiator fan			
		Rear end			
1	982 121 254	Radiator	left	1	
2	982 121 254 A	Radiator	right	1	
3	982 121 197 A	Console	left	1	
		for coolant regulator			
4	982 121 725	Console	right	1	
		for coolant regulator			
5	999 702 246 40	Grommet		6	
6	900 095 099 09	spring pin		6	
		12,0 X 17,0 X 3			
7	982 121 383 B	Bracket	left	1	
		for coolant regulator			
8	982 121 384 B	Bracket	right	1	
		for coolant regulator			
9	982 959 455 Y	Radiator fan	left	1	
10	982 959 456 Y	Radiator fan	right	1	
11	999 084 638 01	Hexagon nut		6	
		M 6			
12	N 909 995 02	Hex collared bolt		4	
		M 6 X 25			
13	982 121 383 C	Bracket	left	1	
		for coolant regulator			
14	982 121 384 C	Bracket	right	1	
		for coolant regulator			
15	982 121 036 B	Water hose		1	
		D >> - 19.11.2017			
15	982 121 036 C	Coolant hose		1	
		D - 20.11.2017>>			
16	999 651 350 40	Clip		1	
17	982 121 030	Water hose		1	
18	982 121 049	Water hose		1	
19	982 121 843	Edge protection		1	
20	982 121 707	Air guide	left	1	
		for coolant regulator			
21	982 121 710	Air guide	right	1	
		for coolant regulator			
22	9A7 965 567 00	Coolant pump		1	
		Coolant cooling system			

Model: 982-17

Model life 2017>>

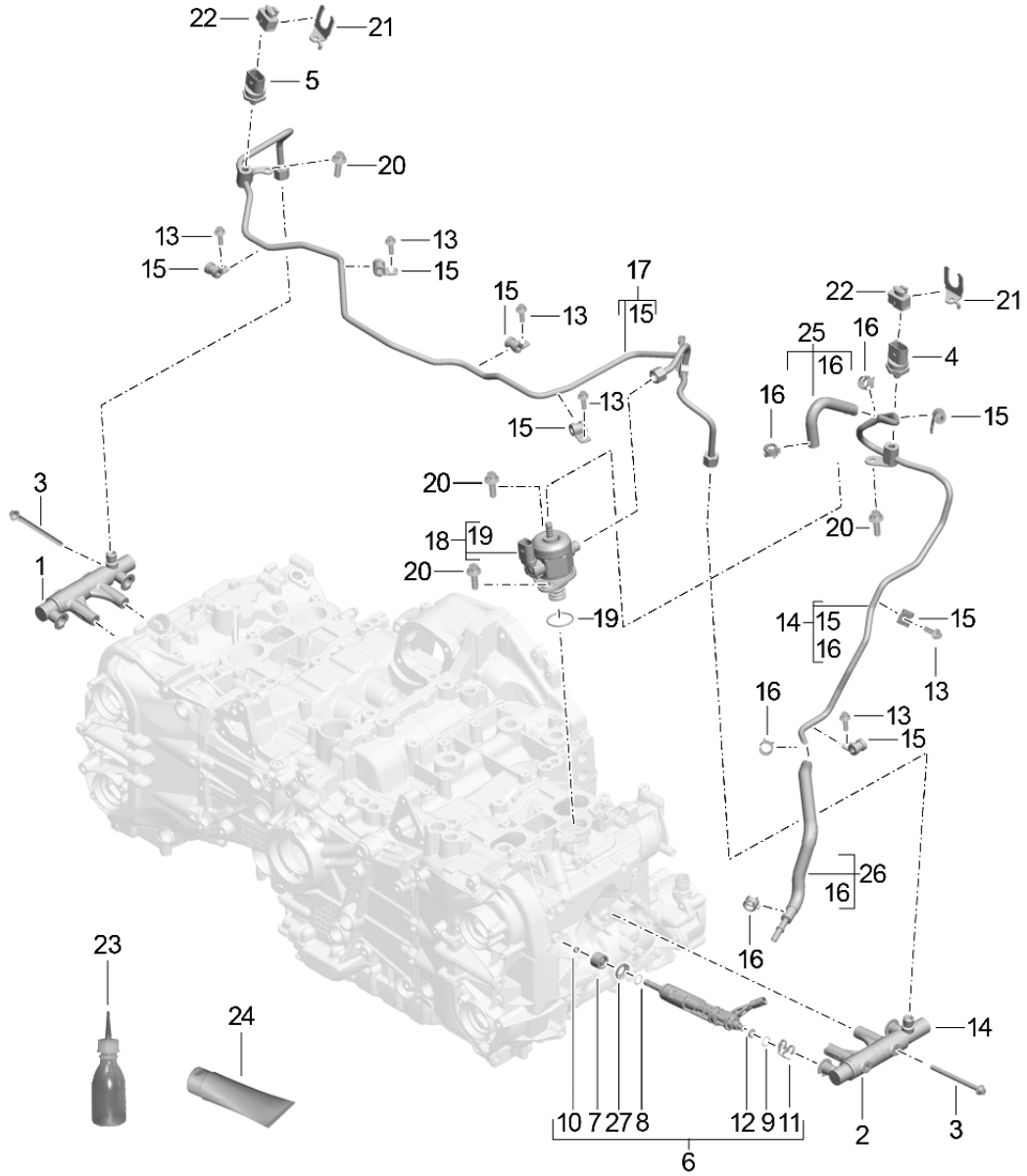
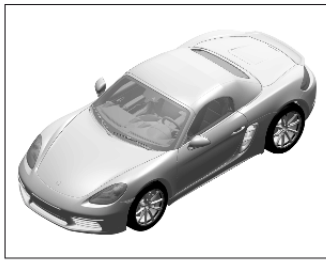


Model: 982-17 Model life 2017>>

Pos	Part Number	Description	Remark	Qty	Model
1	982 129 601 D	Air filter Air filter with: Air filter element D >> - 04.02.2018		1	PR:-920
1	982 129 601 F	Air filter with: Air filter element D - 05.02.2018>>		1	PR:-920
(1)	982 129 601 C	Air filter with: Air filter element D >> - 04.02.2018		1	PR:920
(1)	982 129 601 E	Air filter with: Air filter element D - 05.02.2018>>		1	PR:920
2	982 129 620 B	Air filter element		1	PR:-920
(2)	982 129 620 A	Air filter element		1	PR:920
3	982 129 527 A	Air guide		1	
4	982 129 613 A	housing Air filter Upper part D >> - 04.02.2018		1	PR:-920
4	982 129 613 C	housing Air filter Upper part D - 05.02.2018>>		1	PR:-920
(4)	982 129 613 B	housing Air filter Upper part D >> - 04.02.2018		1	PR:920
(4)	982 129 613 D	housing Air filter Upper part D - 05.02.2018>>		1	PR:920
5	982 129 492	Hose		1	
6	982 129 531 A	Intake housing		1	
7	9A1 110 337 70	cut-off valve		1	
8	9A1 110 662 70	Rubber sleeve		1	
9	999 512 662 09	Hose clamp B 32 X 12		1	
10	999 707 607 40	O-ring 59,00 X 2,50		1	
11	982 129 453	Hose		1	
12	999 703 562 40	Sealing cap Diaphragm Line		1	
13	900 385 019 01	Torx screw BM 6 X 20		2	
14	N 104 734 02	round hd. screw		1	

Model: 982-17

Model life 2017>>



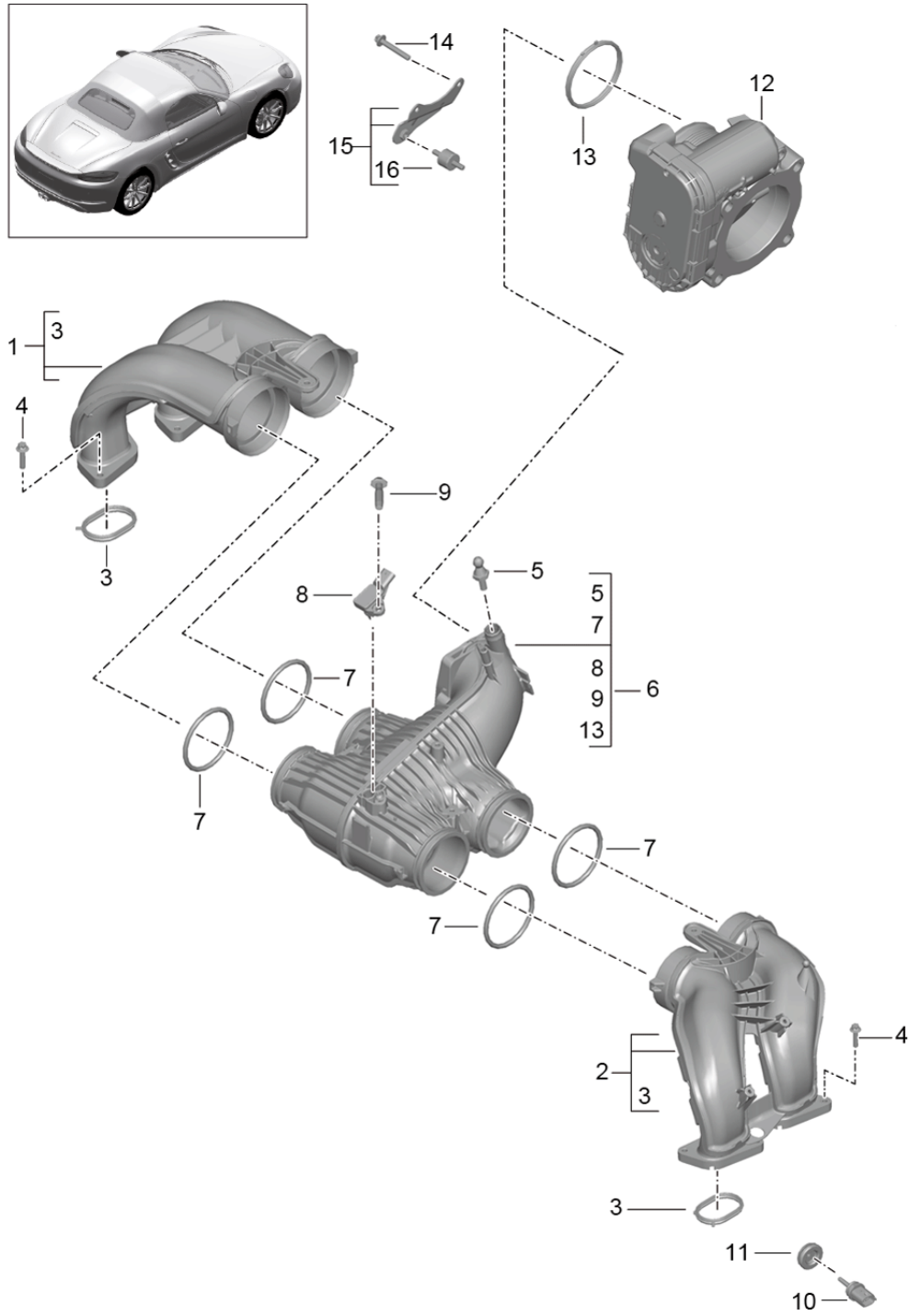
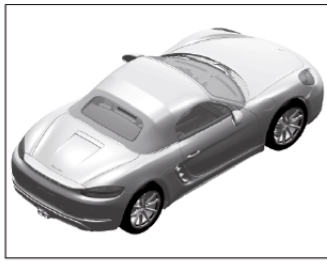
Model: 982-17 Model life 2017>>

Pos	Part Number	Description	Remark	Qty	Model
1	9A2 110 401 00	Fuel collection pipe high pressure pump	Cylinder 1, 2 cylinders 3,4	1	DDPB,DDP, DDPA DDNC,DDN, DJUA,DJU, DJUB
2	9A2 110 402 00	Fuel collection pipe		1	
3	9A7 008 053 01	12-point head bolt M 6 X 85 X 82 No longer use the part here		4	
3	900 385 172 01	Torx screw M 6 X 85	4		
4	06H 906 051 J	Pressure sensor	1		
5	9P1 906 051	Low-pressure switch	1		
6	9A2 110 316 02	Pressure sensor	1		
		high-pressure injector	4		
(6)	9A2 110 318 02	high-pressure injector	4		
7	9A2 110 516 00	Seal	4		
8	946 110 628 60	Securing ring	4		
9	9A2 110 328 00	Spacer ring	4		
10	946 110 428 60	seal ring	4		
11	946 110 228 60	Bracket	4		
12	999 701 187 41	high-pressure injector O-ring 5,94 X 3,53	4		
13	999 073 601 01	flat round head bolt M 6 X 14	6		
14	9A2 110 470 00	Fuel line Discontinued part	1		
14	9A2 110 470 01	Fuel line	1		
15	999 511 801 01	Hose clamp D 8 X 15	7		
16	N 910 203 01	Spring band clamp 14,5 X 12	4		
17	9A2 110 450 02	Fuel line	1		
18	9A2 110 315 00	high pressure pump	2		
(18)	9A2 110 315 AX	high pressure pump	2		
19	999 701 048 40	O-ring 31,00 X 2,00	2		
20	900 385 019 01	Torx screw BM 6 X 20	6		
21	982 127 585	Hose bracket Fuel line 10,0 / 16,0	1		
22	999 653 067 40	Connector Pressure sensor	1		
23	000 043 305 90	Lubricants 50 ML	1		
24	000 043 209 35	special lubricant MICROGLEIT DF 977	1		
25	9A2 110 567 00	Fuel hose	1		
26	9A2 110 568 00	Fuel hose	1		
27	946 110 528 60	Spacer ring	6		



Model: 982-17

Model life 2017>>



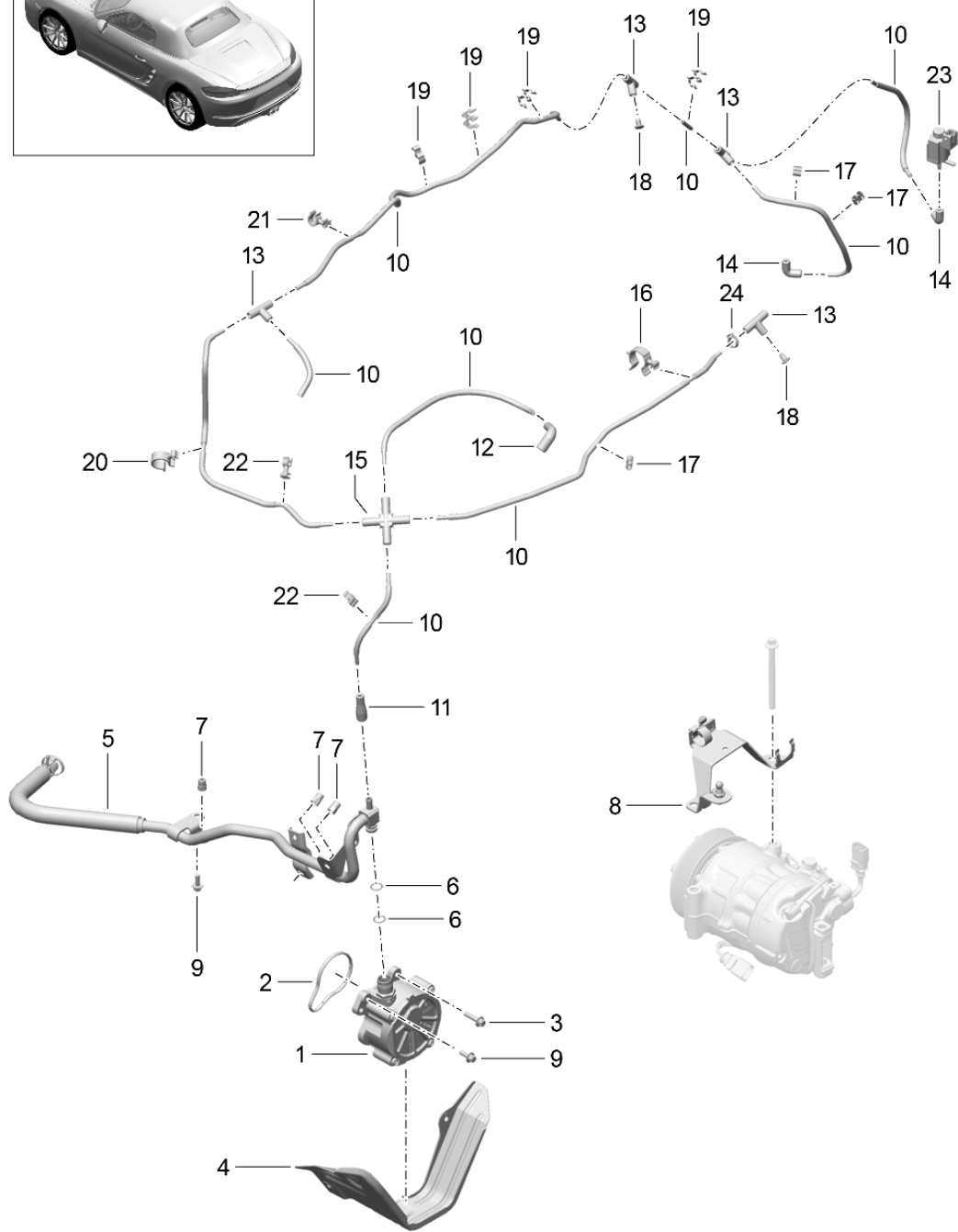
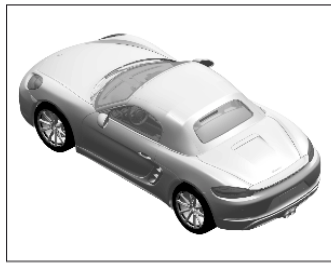
Model: 982-17

Model life 2017&gt;&gt;

Pos	Part Number	Description	Remark	Qty	Model
1	9A2 110 031 00	intake air distributor throttle valve adapter		1	PR:-011
(1)	0PC 129 711 C	intake air distributor Cyl. 1 - 2		1	GTS PR:011
2	9A2 110 032 00	intake air distributor Cyl. 3 - 4		1	PR:-011
(2)	0PC 129 712 A	intake air distributor Cyl. 3 - 4		1	GTS PR:011
3	9A2 110 218 00	Seal		4	
4	900 385 072 01	Torx screw BM 6 X 20		10	
5	9A7 002 783 00	Ball stud A 10 X 12 X M6		1	
6	9A2 110 064 02	Distributor tube		1	DDPB,DDP, DDPA
(6)	9A2 110 074 02	Distributor tube		1	DDNC,DDN, DJUA,DJU, DJUB
7	999 707 683 40	O-ring 66,04 X 5,33		4	
8	06E 906 051 AA	Pressure sensor		1	
(8)	9A7 906 051 10	No longer use the part here Pressure sensor		1	
9	N 104 734 02	round hd. screw TP 6 X 20		1	
10	997 606 213 00	Temperature sensor Engine compartment		1	
11	993 110 530 01	Grommet		1	
12	9A7 133 062 00	Temperature sensor throttle valve adapter		1	DDPB,DDP, DDPA
(12)	9A2 605 115 02	throttle valve adapter		1	DDNC,DDN, DJUA,DJU, DJUB
13	9A2 110 319 00	Seal throttle valve adapter		1	DDPB,DDP, DDPA
(13)	9A2 110 320 00	Seal throttle valve adapter		1	DDNC,DDN, DJUA,DJU, DJUB
14	900 385 045 01	Torx screw BM 6 X 40		4	
15	9A2 110 240 01	Bracket throttle valve adapter		1	DDPB,DDP, DDPA
(15)	9A2 110 241 01	Bracket throttle valve adapter		1	DDNC,DDN, DJUA,DJU, DJUB
16	999 703 239 01	sound absorber piece 20 X 15		1	

Model: 982-17

Model life 2017>>



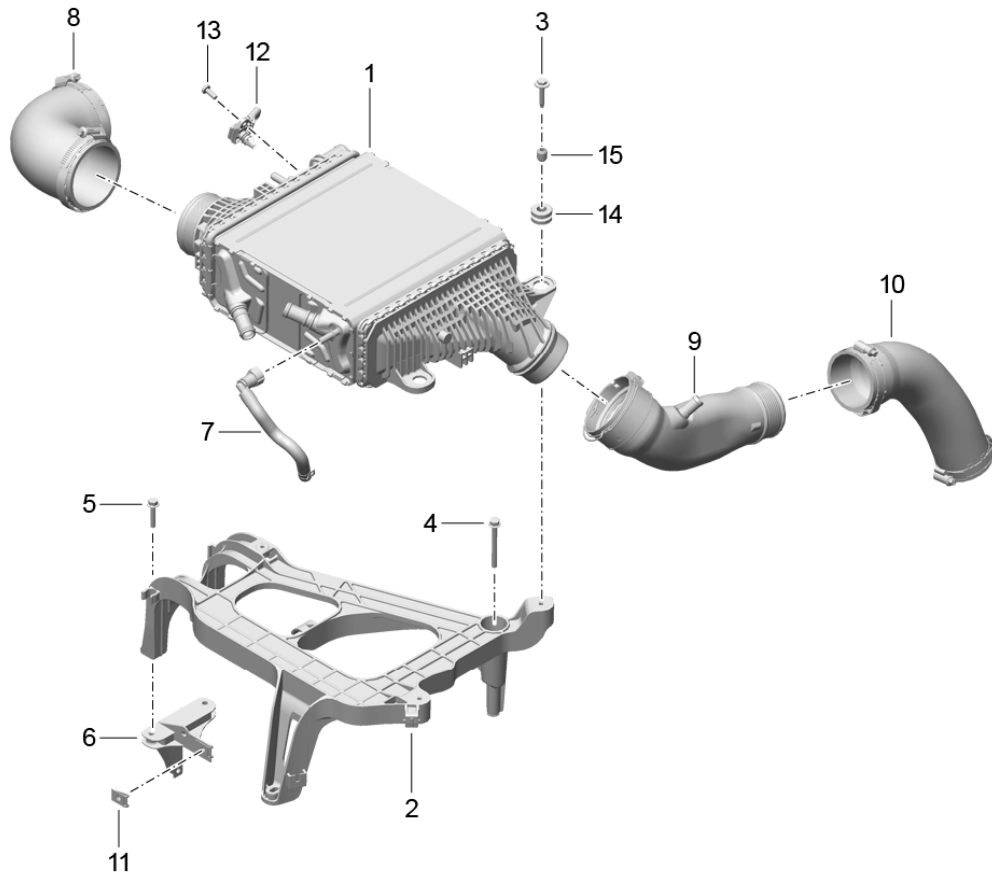
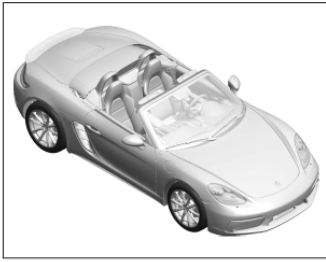
Model: 982-17

Model life 2017>>

Pos	Part Number	Description	Remark	Qty	Model
		vacuum system			
		Engine			
1	9A7 145 100 00	Vacuum pump		1	
2	9A2 110 710 00	Vacuum pump		1	
		Seal			
3	900 385 072 01	Vacuum pump		3	
		Torx screw			
		BM 6 X 25			
4	9A2 110 370 01	Heat insulation		1	
		Vacuum pump			
5	9A2 110 055 03	Vacuum line		1	
		also use:	N 102 035 01	1	
6	999 701 789 40	O-ring		2	
		12 X 2			
7	N 902 631 04	rivettted cap nut		3	
		M 6			
8	982 129 263	Bracket		1	
		Vacuum line			
9	900 385 009 01	Torx screw		4	
		BM 6 X 16			
10	9A2 110 081 03	Vacuum line		1	
		(complete)			
10	9A2 110 081 04	Vacuum line		1	
		(complete)			
11	9A2 110 650 00	reducing piece		1	
12	9A1 110 667 00	Molded hose		1	
13	06E 133 794	t-piece		4	
14	9A1 110 666 00	Connecting piece		2	
15	9A2 110 651 00	Junction		1	
		Fourfold			
16	999 507 206 40	Bracket		1	
		4,3 - 23,0			
17	955 358 547 00	Bracket		3	
18	999 507 690 40	Sealing cap		2	
		6,0 X 12			
19	999 507 488 40	Cable holder		4	
		5,0 / 10,0			
20	N 102 810 02	Bracket		1	
		4,3 / 23,0			
21	999 507 821 40	Line holder		1	
		4,3 / 11,0			
22	999 507 163 40	Bracket		3	
		4,3 / 7,2			
23	7PP 906 270	Change-over valve		1	
24	N 102 035 01	Clamp		1	

Model: 982-17

Model life 2017>>



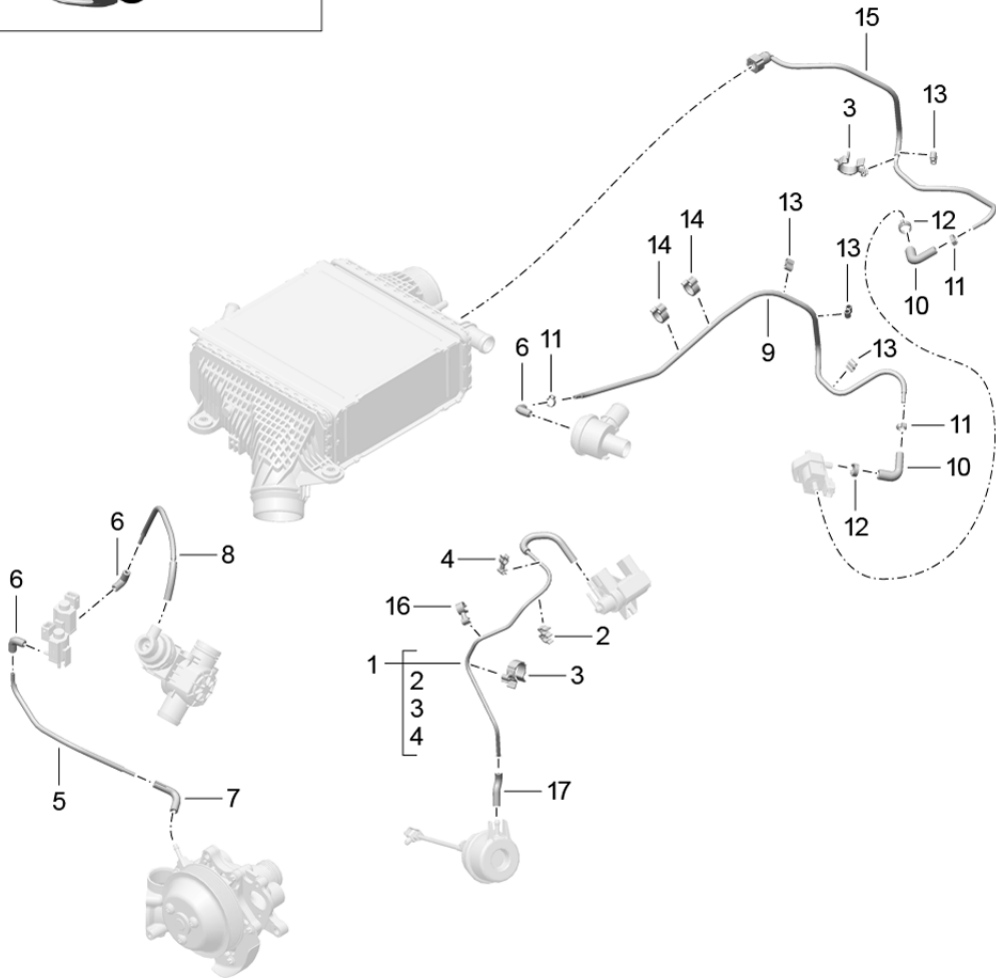
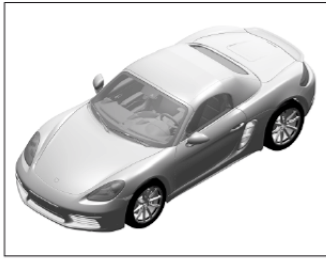
Model: 982-17

Model life 2017>>

Pos	Part Number	Description	Remark	Qty	Model
1	982 145 621 A	Charge air cooler Turbocharging		1	
2	982 145 645 B	Charge air cooler Bracket for charge air cooler		1	
3	N 106 998 01	hexagon head bolt (combi) M 6 X 35		3	
4	900 378 111 01	Hexagon bolt M 6 X 60		1	
5	N 107 956 01	Hex collared bolt M 6 X 30		3	
6	982 145 685	Bracket		1	
7	982 121 565	Vent hose		1	
		with:			
8	982 129 498 E	Non-return valve Pressure hose		1	PR:008
(8)	982 129 498 F	Pressure hose		1	PR:009,011
9	982 129 499	pressure pipe		1	
10	982 129 498 D	Pressure hose		1	
11	999 507 246 01	panel nut M 6		1	
12	06E 906 051 AA	Pressure sensor No longer use the part here		1	
12	9A7 906 051 10	Pressure sensor		1	
13	N 104 734 02	round hd. screw		1	
14	999 702 246 40	Pressure sensor Grommet 12,0 X 17,0 X 3,0		3	
15	900 095 099 09	spring pin 12,0 X 14,30		3	

Model: 982-17

Model life 2017>>



Model: 982-17

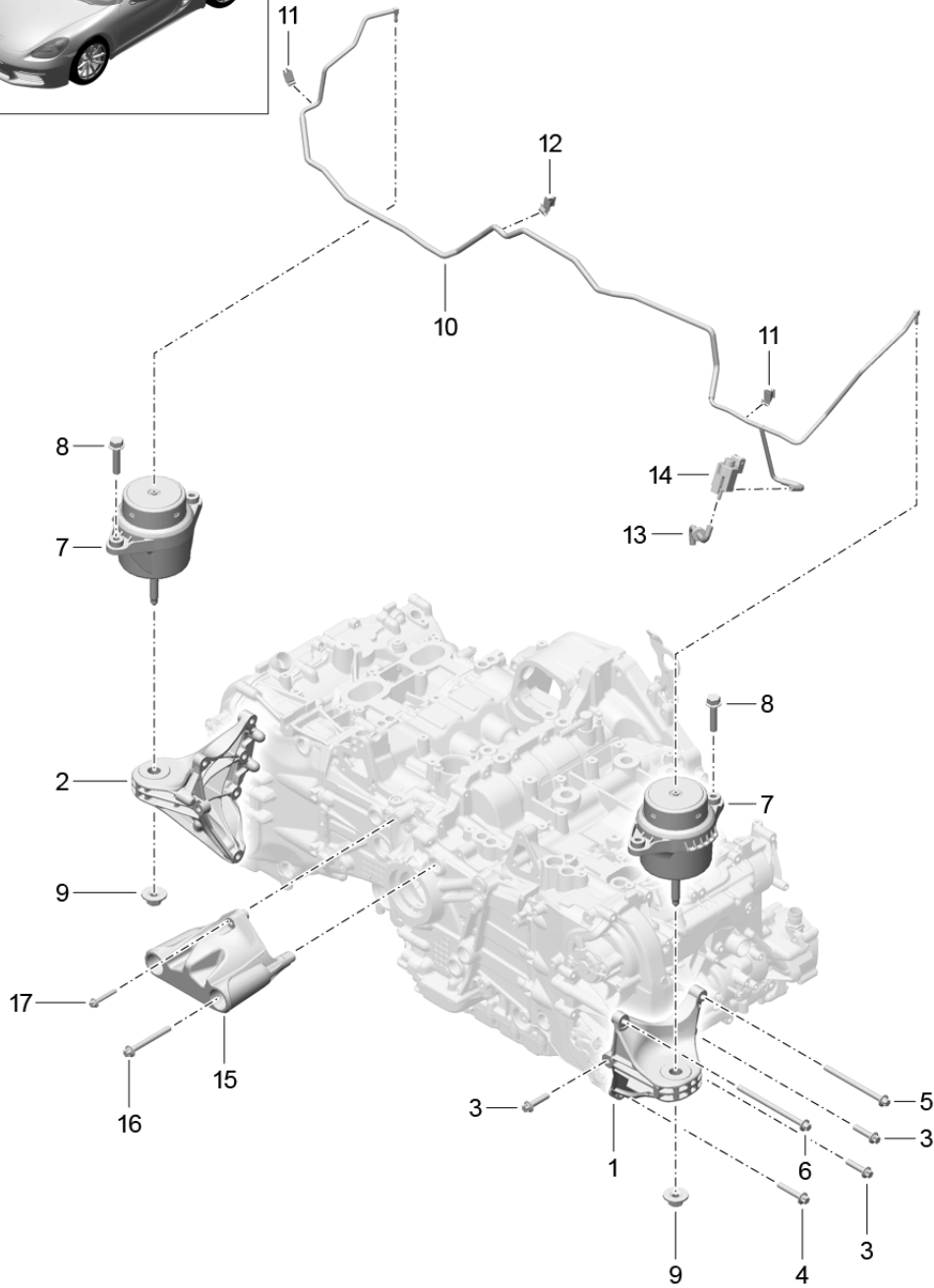
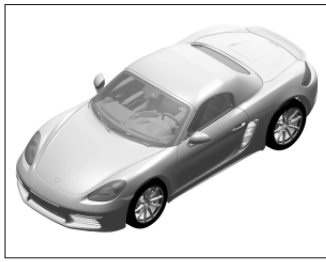
Model life 2017>>

Pos	Part Number	Description	Remark	Qty	Model
1	9A2 110 083 01	Control line Boost pressure Coolant pump Bypass valve Control line Boost pressure No longer use the part here		1	DDPB,DDP, DDPA
1	9A2 110 083 02	Control line Boost pressure Use		1	DDPB,DDP, DDPA,DNYA
		with:			
(1)	9A2 110 097 01	9A2.110.652.00 Control line Boost pressure No longer use the part here		1	DDNC,DDN
(1)	9A2 110 097 02	Control line Boost pressure Use		1	DDNC,DDN, DJUA,DJU, DJUB
		with:			
2	999 507 488 40	9A2.110.652.00 Cable holder 5,0 / 10,0		2	
3	999 507 206 40	Bracket 4,3 / 23,0		3	
4	999 507 163 40	Bracket 4,3 / 7,2		2	
5	9A2 110 085 01	Control line Coolant pump		1	
6	9A1 110 666 00	Connecting piece		3	
7	997 110 666 72	Elbow fitting		1	
8	9A2 110 087 01	Control line Bypass valve		1	
9	9A2 110 089 01	Control line Recirculating air valve		1	
10	9A1 110 667 00	Molded hose		2	
11	N 102 035 01	Clamp 9,6 - 11,3		3	
12	999 512 498 00	Hose clamp 13,1 - 15,3		2	
13	955 358 547 00	Bracket 6,0 / 6,0		4	
14	999 507 277 40	Cable holder 6,5 / 18,0		2	
15	9A2 110 091 02	Pressure line Recirculating air valve		1	
(15)	0PC 129 581	Pressure line Recirculating air valve		1	
16	999 507 821 40	Line holder 5,2 / 13,0		1	
17	9A2 110 652 00	reducing piece Control line Use		1	
		with:			
		9A2.110.083.02 9A2.110.097.02			



Model: 982-17

Model life 2017>>



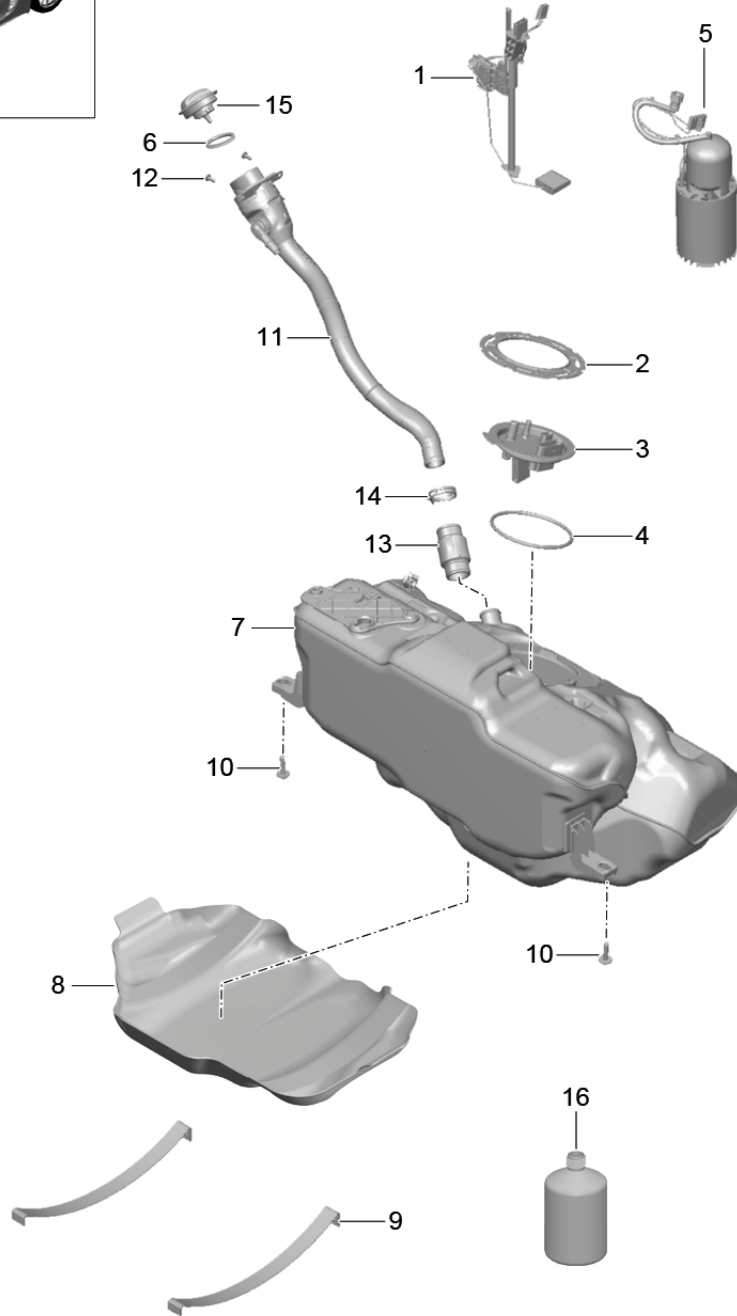
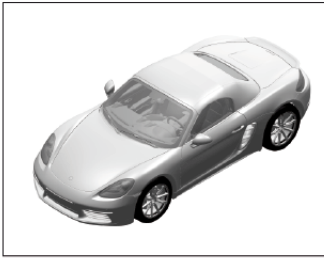
Model: 982-17

Model life 2017&gt;&gt;

Pos	Part Number	Description	Remark	Qty	Model
1	9A2 105 595 00	Engine suspension Console		1	
2	9A2 105 596 00	Engine suspension Cyl. 1 - 2 Console		1	
3	900 385 042 01	Engine suspension Cyl. 3 - 4 Torx screw BM 8 X 35		6	
4	900 385 018 02	Outer hexagon round screw BM 8 X 45		2	
5	900 385 173 01	Outer hexagon round screw BM 8 X 110		2	
6	900 385 174 01	Outer hexagon round screw BM 8 X 125		2	
7	982 199 131 B	hydro-mounting Engine		2	
8	N 106 999 01	Hexagon bolt M 10 X 45		4	
9	N 908 484 05	Hexagon nut M 12 X 1,5		2	
10	982 399 467 A	Vacuum line engine mounting		1	
11	999 651 365 01	Cable fastener 6,0		2	
12	999 651 366 01	Cable fastener 8,0		1	
13	982 399 475	Vacuum line		1	
14	7PP 906 270	Change-over valve		1	
15	9A2 101 477 00	Engine support		1	
16	900 385 121 01	Outer hexagon round screw BM 8 X 75		2	
17	900 385 045 01	Torx screw BM 6 X 40		2	

Model: 982-17

Model life 2017>>



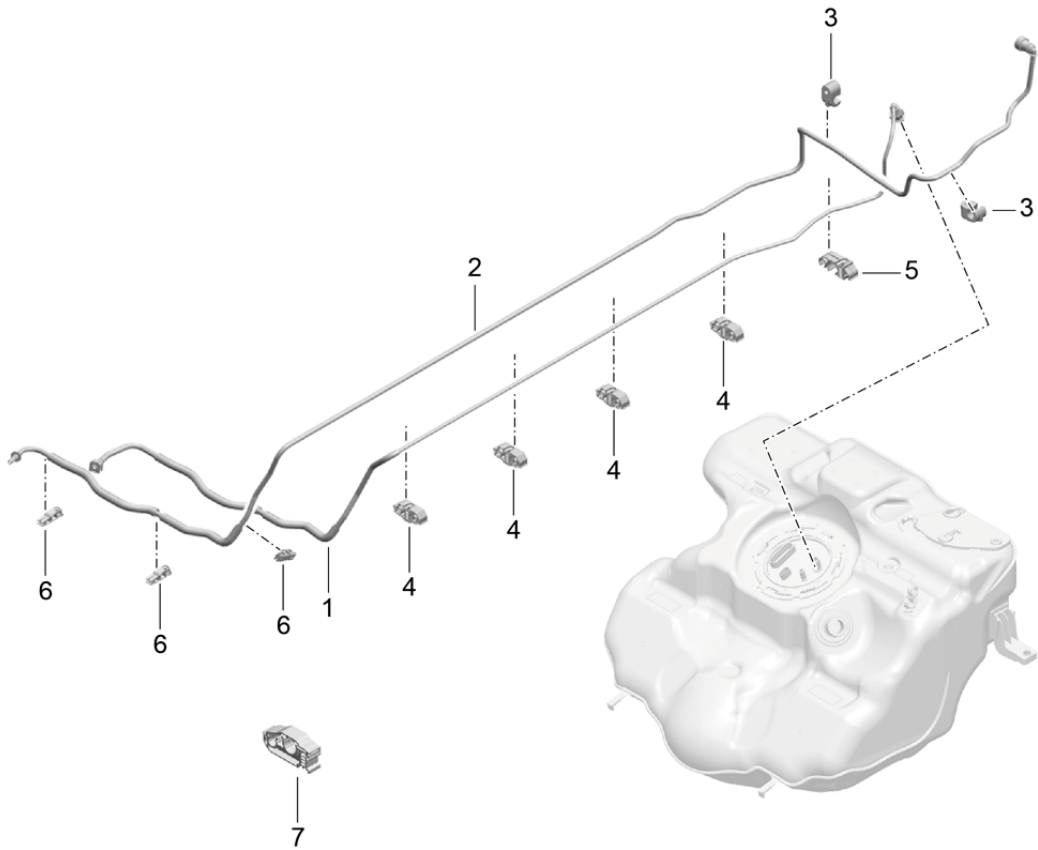
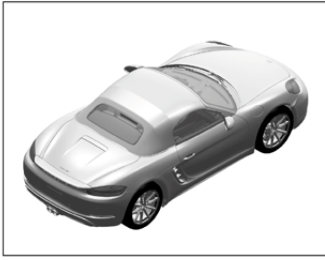
Model: 982-17

Model life 2017>>

Pos	Part Number	Description	Remark	Qty	Model
1	991 620 831 00	Fuel tank Fuel pump Tank gauge		1	
2	991 201 623 00	Fuel tank Union nut		1	
3	9P1 201 194	flange		1	
4	991 201 733 01	seal ring		1	
5	9P1 919 087	Fuel pump		1	
		with:			
5	9P1 919 087 B	Filter Discontinued part Fuel pump		1	
		with:			
6	1K0 201 557 A	Filter		1	
7	991 201 021 04	seal ring	lhd	1	PR:098,085
(7)	991 201 022 04	Fuel tank	rhd	1	PR:099,085
(7)	982 201 021	Fuel tank	lhd	1	PR:098,084
(7)	982 201 022	Fuel tank	rhd	1	PR:084,099
8	9P1 201 975	Underside protection		1	PR:098
(8)	9P1 201 975 A	Underside protection		1	PR:099
9		tensioning strap		1	
		To			
		Use			
		Support frame			
		991.504.233.02			
10	N 911 591 01	hexagon head bolt (combi)		2	
		M 8 X 40			
11	991 201 044 06	fuel filler neck		1	PR:-664
12	N 910 967 02	Oval hexagon socket head bolt		2	
		M 6 X 16			
13	991 201 812 00	Hose		1	
13	9P1 201 543	Hose		1	
14	999 512 748 01	Clip		2	
15	991 201 241 01	Fuel tank cap		1	PR:-XYB
		with:			
(15)	000 044 001 90	Holding strap Fuel tank cap aluminium		1	PR:XYB
		with:			
16	000 043 209 02	Holding strap Multi-purpose additive for Otto engine fuels 100 ML		X	

Model: 982-17

Model life 2017>>



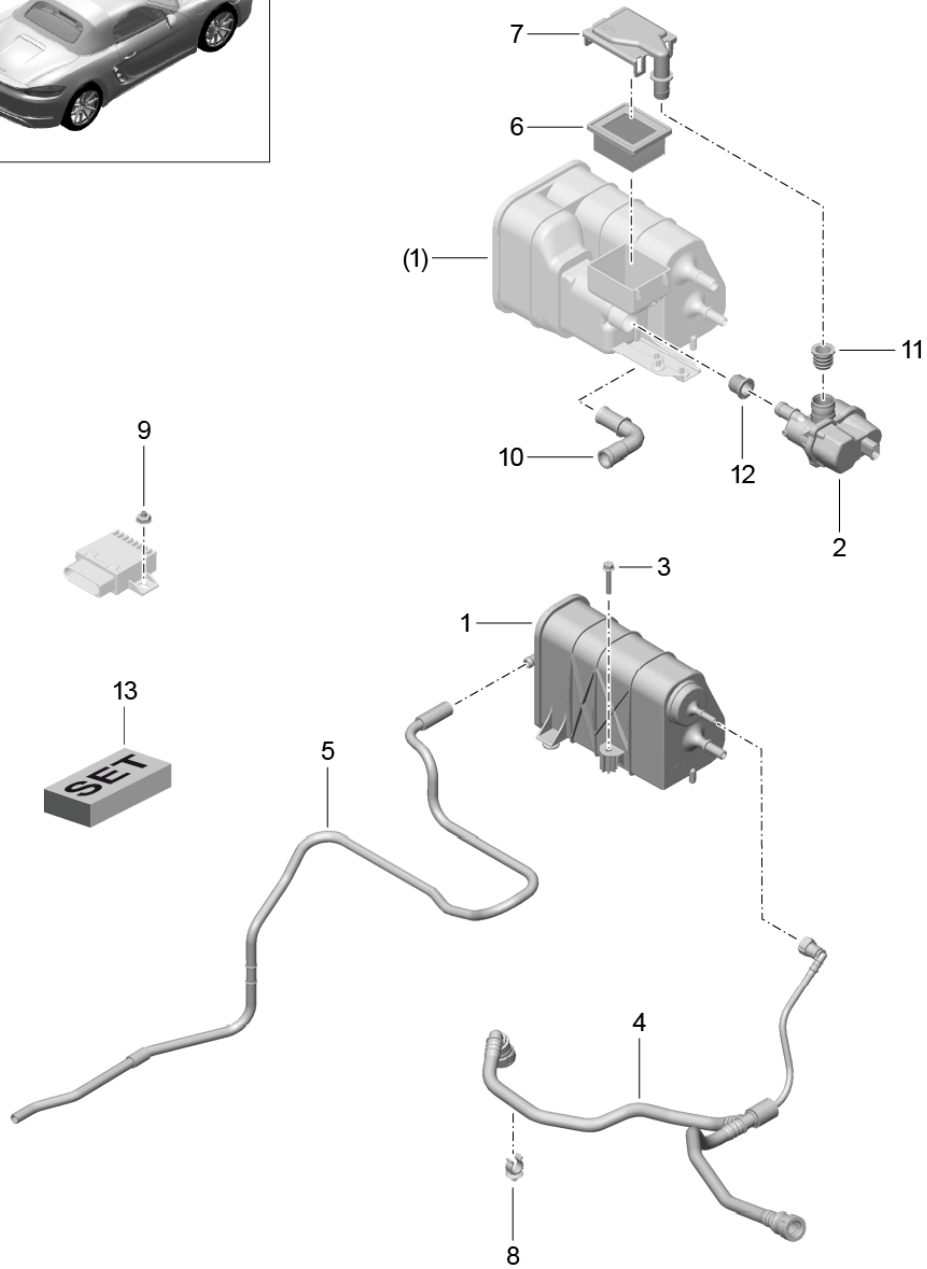
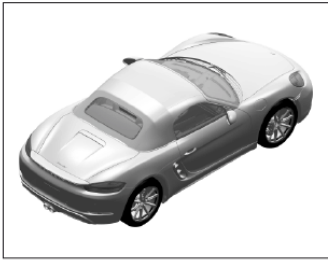
Model: 982-17

Model life 2017&gt;&gt;

Pos	Part Number	Description	Remark	Qty	Model
1	9P2 201 203	Fuel system Fuel line	front front	1	
2	9P2 201 850	Pressure line Purge-air line	front	1	
3	999 651 416 40	Cable holder 12,0		2	
4	999 507 269 40	Cable holder 8,0 / 12,0		4	
5	999 507 273 40	Cable holder 8,0 / 16,0 / 10,0		1	
6	999 507 917 40	Cable holder 5,0/10,0/12		3	
7	982 127 585	Hose bracket Fuel line		1	

Model: 982-17

Model life 2017>>



Model: 982-17

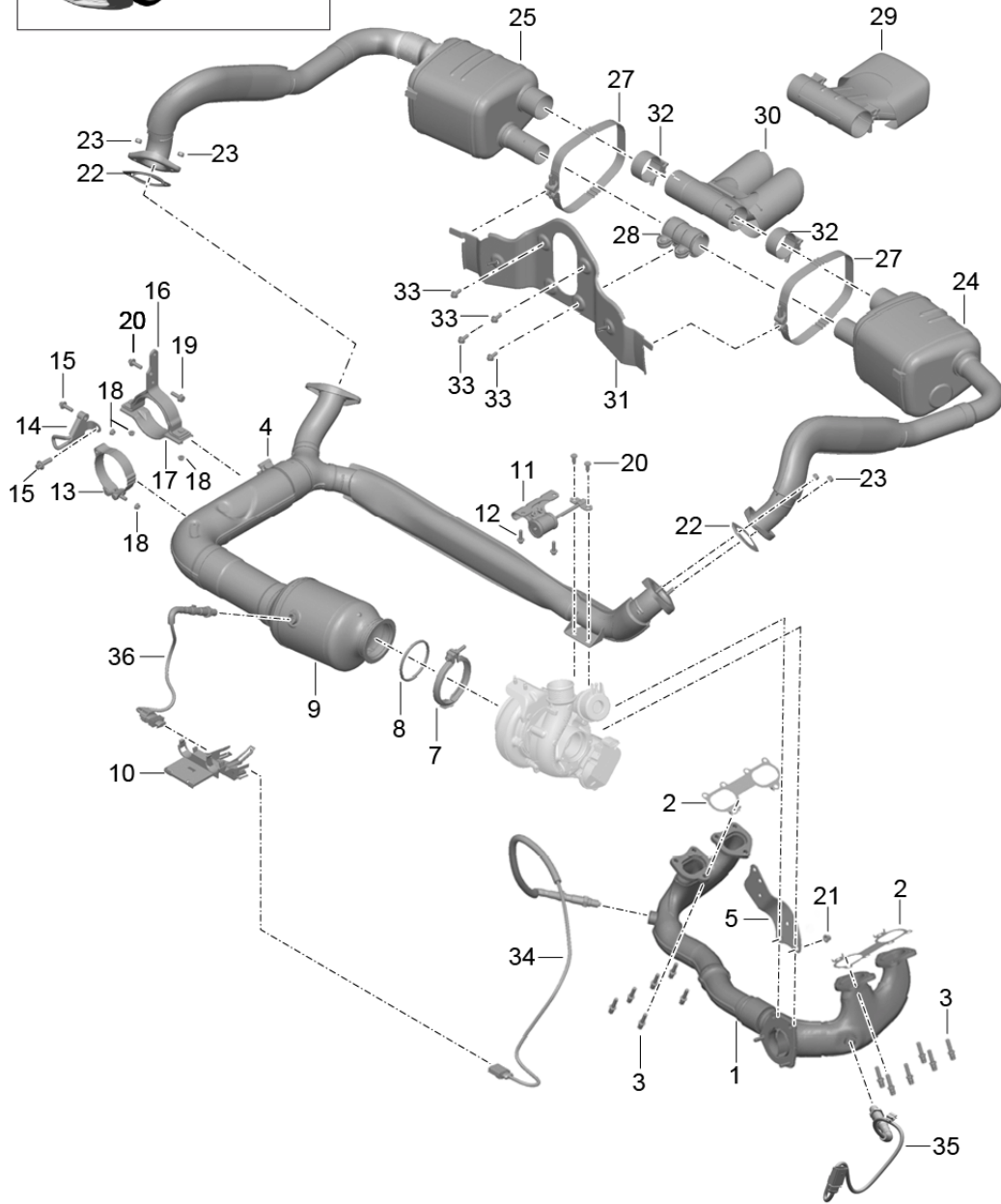
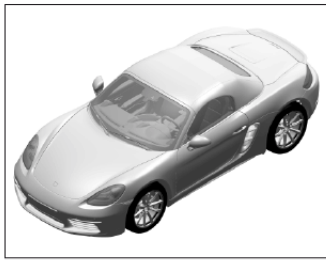
Model life 2017>>

Pos	Part Number	Description	Remark	Qty	Model
1	991 201 221 02	Activated charcoal container		1	PR:-664
3	900 378 115 01	Activated charcoal container		1	
		Hexagon bolt			
		M 6 X 35			
4	991 201 251 00	Breather line		1	PR:098,-664
		Fuel tank			
(4)	991 201 251 04	Breather line		1	PR:099
		Fuel tank			
5	991 201 361 03	Purge-air line		1	PR:098,-664
		Activated charcoal container			
(5)	991 201 361 05	Purge-air line		1	PR:099
		Activated charcoal container			
8	999 507 280 40	Cable holder		1	PR:099
		16,0			



Model: 982-17

Model life 2017>>



Model: 982-17 Model life 2017>>

Pos	Part Number	Description	Remark	Qty	Model
		exhaust system			
		Silencer			
		Catalytic converter			
1	982 251 203 C	Exhaust manifolds		1	
2	982 251 235 A	Seal		2	
		Exhaust manifolds			
3	999 073 589 01	Outer hexagon round screw		12	
		Exhaust manifolds			
		M8X27			
4	982 253 143	Clamp		1	
		Cross tube			
5	982 251 305 C	Bracket		1	
		Catalytic converter			
7	982 251 616	Clamp		1	
		Exhaust gas turbocharger			
8	5Q0 253 115 B	Seal		1	
9	982 254 400 H	Catalytic converter		1	DDNC, DDN,
					DJUA, DJU,
9	982 254 400 HX	Catalytic converter		1	DDNC, DDN,
					DJUA, DJU,
(9)	982 254 400 G	Catalytic converter		1	DDPB, DDP,
(9)	982 254 400 GX	Catalytic converter		1	DDPB, DDP,
10	982 971 845 A	Holder for lambda probe		1	
11	982 251 344 A	Retainer for exhaust system		1	
12	900 385 001 01	Torx screw		2	
		M8X20			
		No longer use the part here			
12	900 378 131 00	Hexagon bolt		2	
		M8X28			
13	982 251 571 C	Clip		1	
14	982 251 347 C	Bracket		1	
		use only in conjunction with:	900.385.042.01		
(14)	982 251 347 D	Bracket		1	
		use only in conjunction with:	900.385.001.02		
15	900 385 042 01	Torx screw		4	
		M8X35			
		use only in conjunction with:	982.251.347.C		
(15)	900 385 001 02	Torx screw		4	
		M8X20			
		use only in conjunction with:	900.385.001.02		
16	982 251 348 C	Retaining frame		1	
17	982 251 348 D	Retainer, upper part		1	
18	999 084 457 01	Hexagon nut		4	
		M 8			
		No longer use the part here			
18	999 084 642 02	Hexagon nut		4	
		M 8			
19	900 378 022 01	Hexagon bolt		1	
		M 8 X 25			
20	900 385 098 01	Torx screw		5	
		M 8 X 25			
21	999 084 642 02	Hexagon nut		7	
		M8			
22	982 251 263	Seal		2	
23	900 910 003 03	Hexagon nut		4	
24	982 251 051 D	Silencer	left	1	PR: -XLF, -XLX
25	982 251 052 E	Silencer	right	1	PR: -XLF, -XLX
27	982 251 571 E	Clip		2	
28	981 111 280 00	clamp		1	
29	982 251 187 K	Tailpipe		1	PR:008, -XLF,
		silver			-XLS, -XLW,
					-XLX
30	982 251 187 H	Tailpipe		1	PR:009, -XLF,

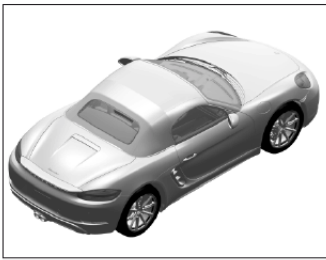
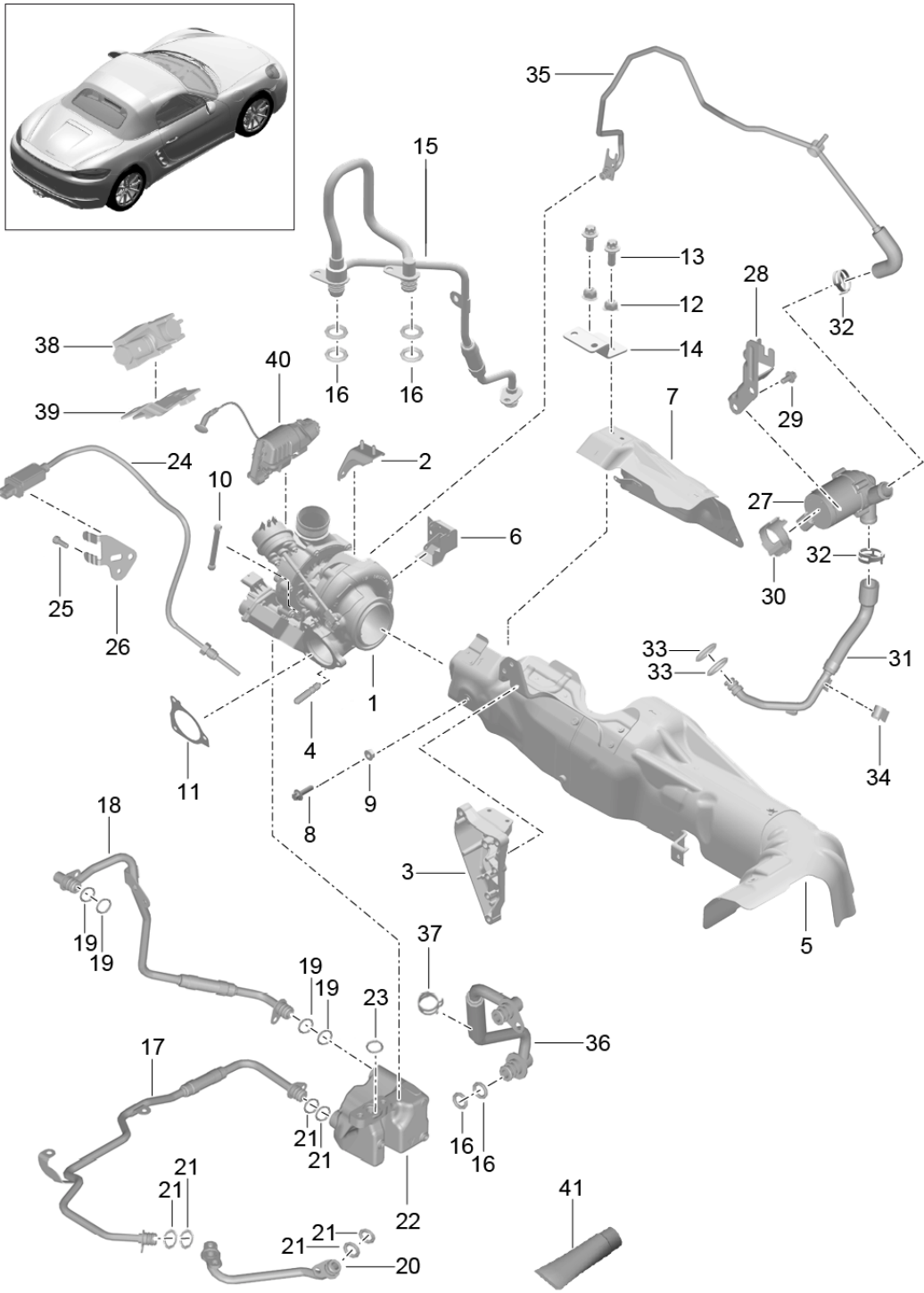
Model: 982-17

Model life 2017>>

Pos	Part Number	Description	Remark	Qty	Model
		silver			-XLS, -XLW, -XLX
(30)	982 251 187 J	Tailpipe Black		1	PR:XLW, -XLF, -XLX
(30)	982 251 187 L	Tailpipe silver		1	PR:XLS, -XLF, -XLX
31	982 251 225 E	bracket for exhaust silencer		1	PR:480
(31)	982 251 225 D	bracket for exhaust silencer		1	PR:250
32	981 111 240 00	Clip Tailpipe		2	
33	900 385 001 02	Torx screw M8X20		4	PR:480
(33)	900 385 274 01	Torx screw M8X25		4	PR:250
34	9A2 606 183 01	Lambda probe Pre-catalytic converter	right	1	
35	9A2 606 182 00	Lambda probe Pre-catalytic converter	left	1	
36	9A2 606 193 00	Lambda probe After Catalytic converter		1	

Model: 982-17

Model life 2017>>



Model: 982-17

Model life 2017&gt;&gt;

Pos	Part Number	Description	Remark	Qty	Model
		Exhaust gas turbocharger with: Heat protection Oil pipe Water line			
1	9A2 123 021 01	Exhaust gas turbocharger No longer use the part here		1	DDPB,DDP, DDPA
1	9A2 123 021 02	Exhaust gas turbocharger D >> - 15.07.2016		1	DDPB,DDP, DDPA
1	9A2 123 021 03	Exhaust gas turbocharger D - 18.07.2016>> - 18.03.2017		1	DDPB,DDP, DDPA
1	9A2 123 021 04	Exhaust gas turbocharger D - 20.03.2017>>		1	DDPB,DDP, DDPA
1	9A2 123 022 02	Exhaust gas turbocharger No longer use the part here		1	DDNC,DDN+ PR:-011
(1)	9A2 123 022 03	Exhaust gas turbocharger D >> - 26.09.2016		1	DDNC,DDN+ PR:-011
(1)	9A2 123 022 04	Exhaust gas turbocharger D - 27.09.2016>>		1	DDNC,DDN+ PR:-011
(1)	0PC 145 701	Exhaust gas turbocharger		1	GTS DJUA,DJU, DJUB+ PR:011
2	9A2 123 320 00	Carrier Exhaust gas turbocharger		1	DDPB,DDP, DDPA
(2)	9A2 123 321 00	Carrier Exhaust gas turbocharger		1	DDNC,DDN, DJUA,DJU, DJUB
3	9A2 123 323 00	Console Exhaust gas turbocharger		1	
4	999 061 409 01	Threaded pin M 8 X 28		1	
5	9A2 123 205 01	Guard plate Exhaust gas turbocharger		1	
6	9A2 123 222 00	Guard plate Exhaust gas turbocharger		1	DDNC,DDN, DJUA,DJU, DJUB
7	9A2 123 206 01	Guard plate Exhaust gas turbocharger No longer use the part here		1	
7	9A2 123 206 02	Guard plate Exhaust gas turbocharger		1	
8	900 385 114 01	Torx screw BM 8 X 25		2	
9	900 377 018 09	Hexagon nut M 6		1	
10	9A2 123 122 00	connecting rod		1	DDNC,DDN, DJUA,DJU, DJUB
11	9A2 123 420 00	Seal Exhaust gas turbocharger		1	
12	999 084 642 02	Hexagon nut M 8		5	
13	900 385 001 02	Torx screw M 8 X 20		2	
14	9A2 123 325 00	Connecting plate Exhaust gas turbocharger		1	
15	9A2 107 220 01	Pressure line Exhaust gas turbocharger		1	
16	999 707 692 40	O-ring 10,00 X 3,00		2	
17	9A2 107 320 02	suction line Exhaust gas turbocharger		1	

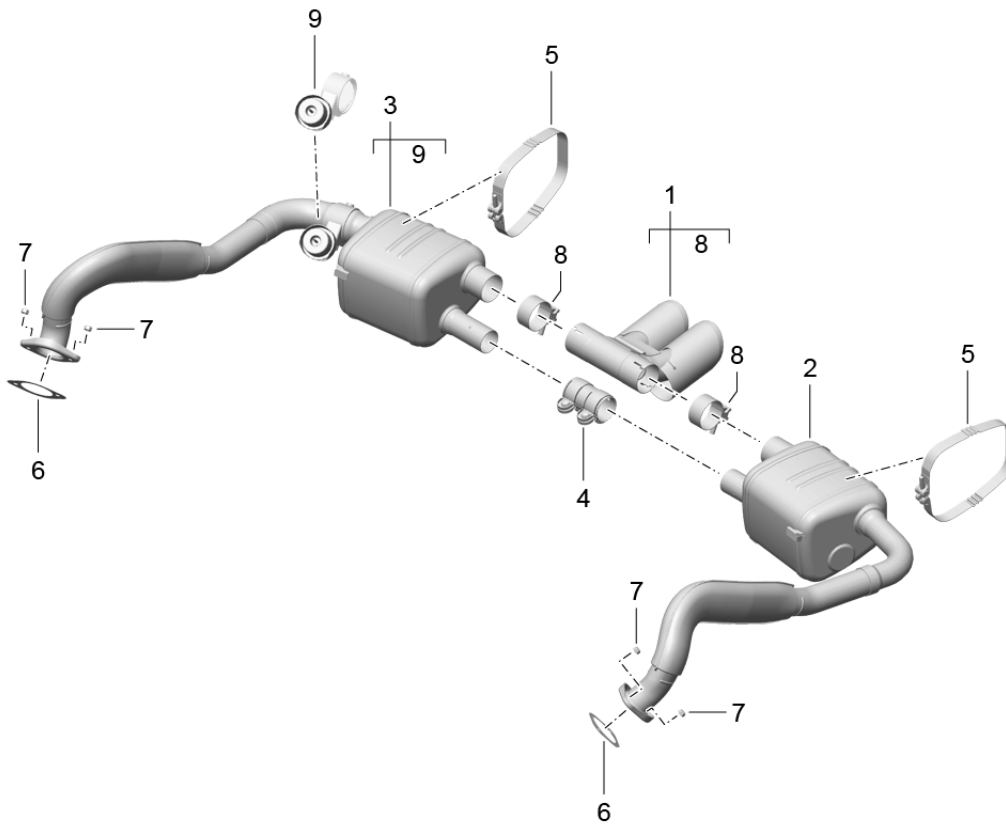
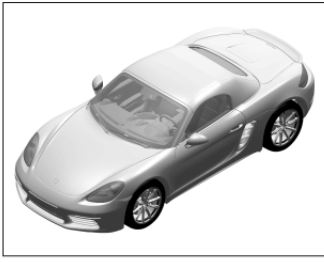
Model: 982-17

Model life 2017&gt;&gt;

Pos	Part Number	Description	Remark	Qty	Model
18	9A2 107 326 01	Breather line Exhaust gas turbocharger		1	
19	999 707 612 42	O-ring 12,00 X 2,50		12	
20	9A2 107 315 00	suction line oil pump		1	
21	999 707 612 41	O-ring 12,00 X 2,50		6	
22	9A2 107 322 20	collector container		1	
23	999 707 387 40	O-ring 15,00 X 2,50		1	
24	9A2 606 260 00	Temperature sensor Exhaust gas turbocharger		1	DDNC, DDN
24	9A7 906 081 01	Temperature sensor Exhaust gas turbocharger		1	DJUA, DJU, DJUB
25	N 105 464 03	Hexagon socket head bolt M 6 X 16		2	
26	9A2 606 150 01	Bracket Temperature sensor		1	DDNC, DDN, DJUA, DJU, DJUB
27	9A2 620 251 00	Coolant pump Exhaust gas turbocharger		1	
28	9A2 106 632 00	Bracket Coolant pump		1	
29	900 385 041 01	Torx screw BM 6 X 12		7	
30	9A2 106 201 70	Thrust ring Coolant pump		1	
31	9A2 106 618 31	Water line Exhaust gas turbocharger Supply		1	
32	999 512 658 09	Hose clamp B 27 X 12		4	
33	999 707 688 40	O-ring 13,00 X 3,00		2	
34	999 651 407 01	Cable fastener 12,0 - 14,0		1	
35	9A2 106 075 01	Water line Exhaust gas turbocharger Supply		1	
36	9A2 106 077 00	Water line Exhaust gas turbocharger Return line		1	
37	999 512 686 09	Hose clamp B 17 X 12		2	
38	946 605 155 00	Pressure converter		1	
39	9A2 606 165 00	Bracket Pressure converter		1	PR:-011
39	0PC 906 129	Bracket Pressure converter		1	GTS PR:011
40	9A1 605 318 00	Adjusting motor Exhaust gas turbocharger		1	
41	000 043 206 95	Grease MICROGLEIT LP475 10GR		X	

Model: 982-17

Model life 2017>>



Model: 982-17

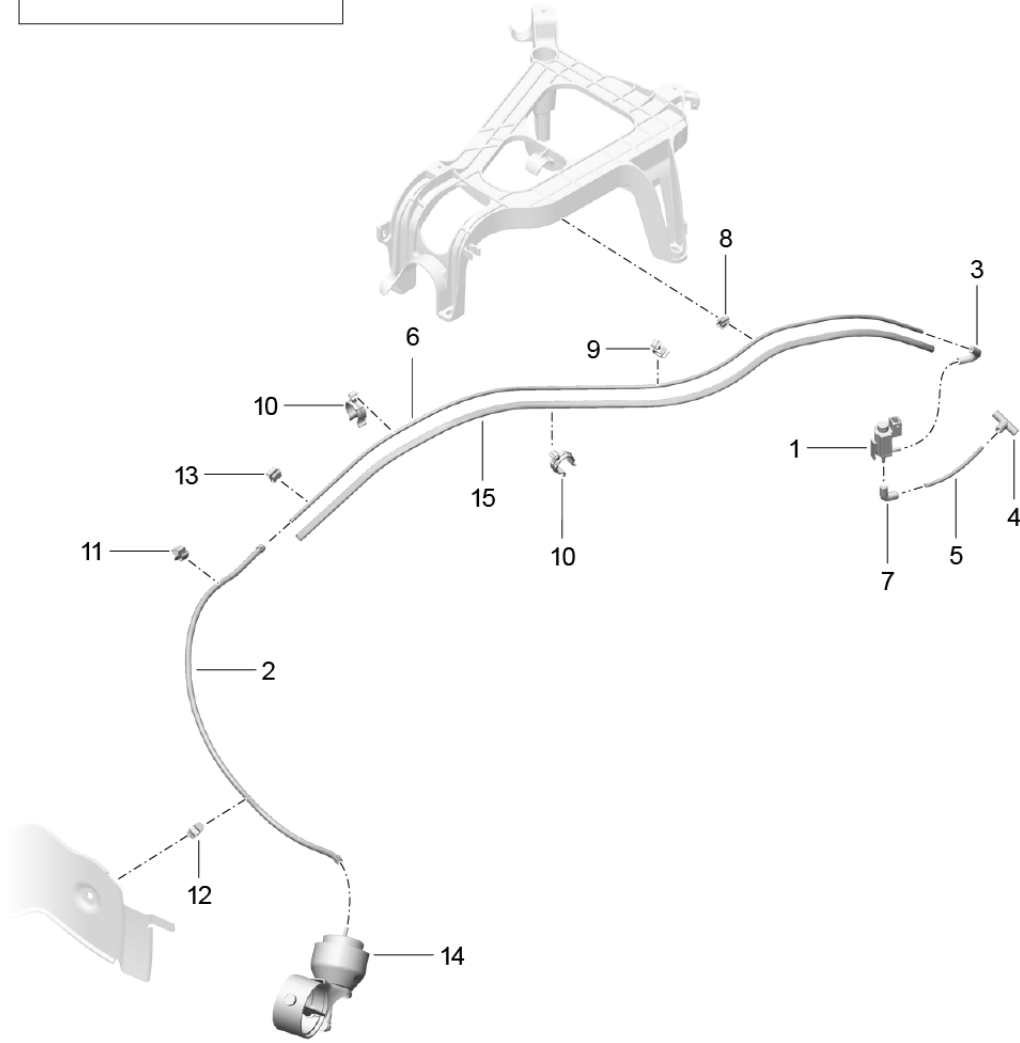
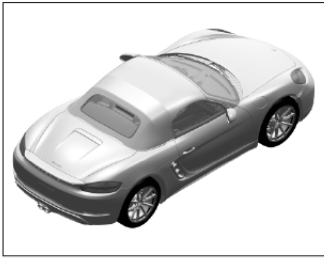
Model life 2017>>

Pos	Part Number	Description	Remark	Qty	Model
1	982 251 187 L	exhaust system SPORT Tailpipe silver D >> - 08.07.2018	Double Round	1	PR: XLF, XLX, 176 PR: XLF, -XLS, -XLW
1	982 251 187 L	Tailpipe silver D - 09.07.2018>>	Double Round	1	PR: XLS, -XLX
(1)	982 251 187 G	Tailpipe Black No longer use the part here	Double	1	PR: XLX, -XLS, -XLW
(1)	982 251 187 J	Tailpipe Black D >> - 08.07.2018	Double	1	PR: XLX, -XLS, -XLW
(1)	982 251 187 J	Tailpipe Black D - 09.07.2018>>	Double	1	PR: XLW, -XLX
2	982 251 051 C	Silencer	left	1	PR: XLF, XLX
2	982 251 051 F	Silencer D - 09.07.2018>>	left	1	PR: 176, XLX
3	982 251 052 C	Silencer	right	1	PR: XLF, XLX
3	982 251 052 F	Silencer D - 09.07.2018>>	right	1	PR: 176, XLX
4	981 111 280 00	clamp		1	
5	982 251 571 E	Clip Silencer		2	
6	982 251 263	Seal		2	
7	900 910 003 03	Hexagon nut M 8		4	
8	981 111 240 00	Clip Tailpipe		2	
9		Vacuum unit see illustration:	202-015	1	



Model: 982-17

Model life 2017>>



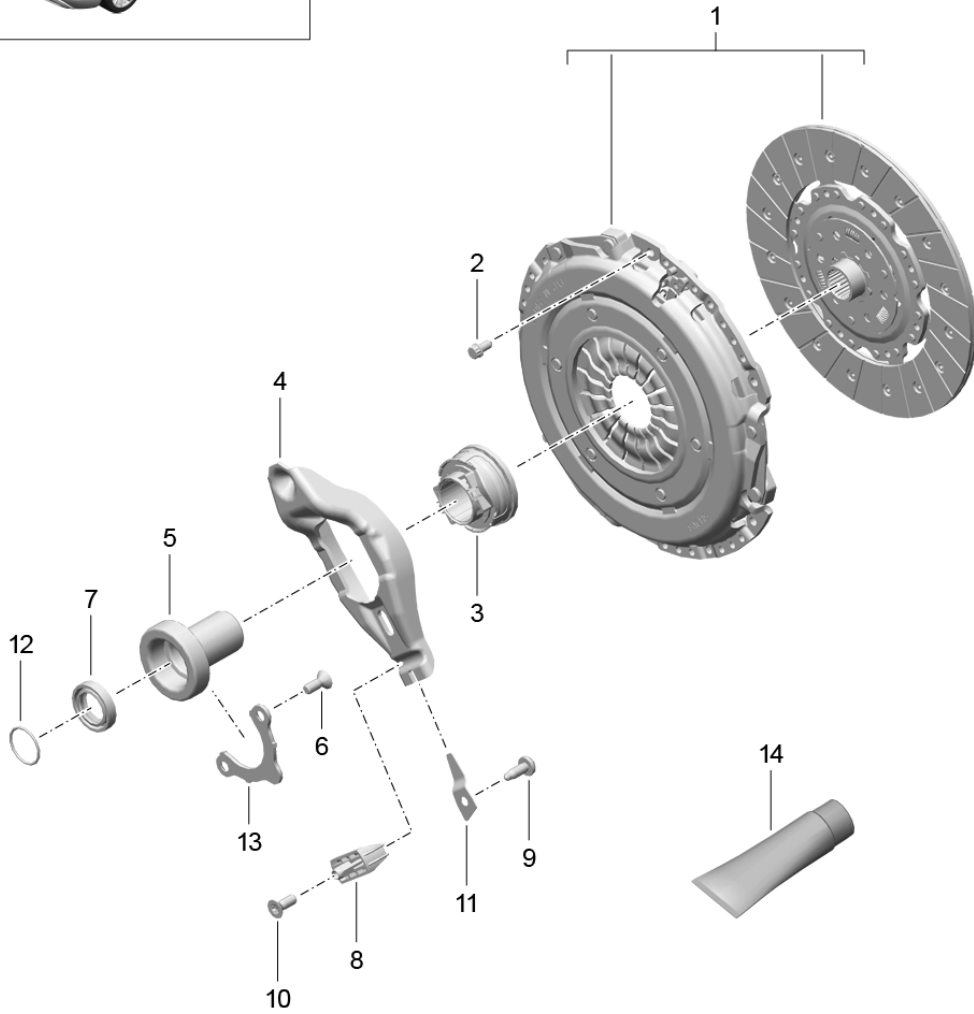
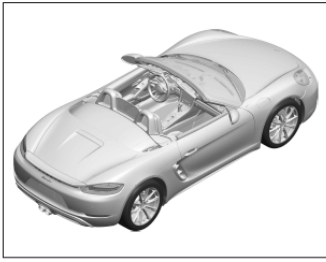
Model: 982-17

Model life 2017>>

Pos	Part Number	Description	Remark	Qty	Model
		exhaust system Sport Control			PR:176, XLF, XLX
1	7PP 906 270	Change-over valve		1	
2	991 111 495 00	Vacuum hose		1	
		with:			
		Clamp			
3	928 574 717 07	Molded hose		1	
		No longer use the part here			
3	9P1 129 487	Molded hose		1	
4	06E 133 794	t-piece		1	
-	900 918 005 40	Pipe		X	
		Vacuum line 5,0 X 1,0			
5		Vacuum line L = 110MM		1	
6		Vacuum line L = 980MM		1	
7	9A1 110 666 00	Connecting piece		1	
8	999 651 401 01	Cable fastener 6,00		1	
9	999 507 821 40	Line holder 4,30 / 11,00		1	
10	999 591 820 40	Bracket 4,30 / 25,0		2	PR:480
10	999 591 820 40	Bracket 4,30 / 25,0		1	PR:250
11	3D0 971 939 B	cable terminal 6,00 - 9,00		1	PR:480
11	3D0 971 939 B	cable terminal 6,00 - 9,00		2	PR:250
12	999 651 360 01	Cable fastener 6,00		1	
13	811 971 848 B	Retaining clip		2	
14	982 251 837	Vacuum unit		2	
		D - MJ 2018>>			
15	999 181 327 40	Protective hose 5,0 X 980		1	

Model: 982-17

Model life 2017>>



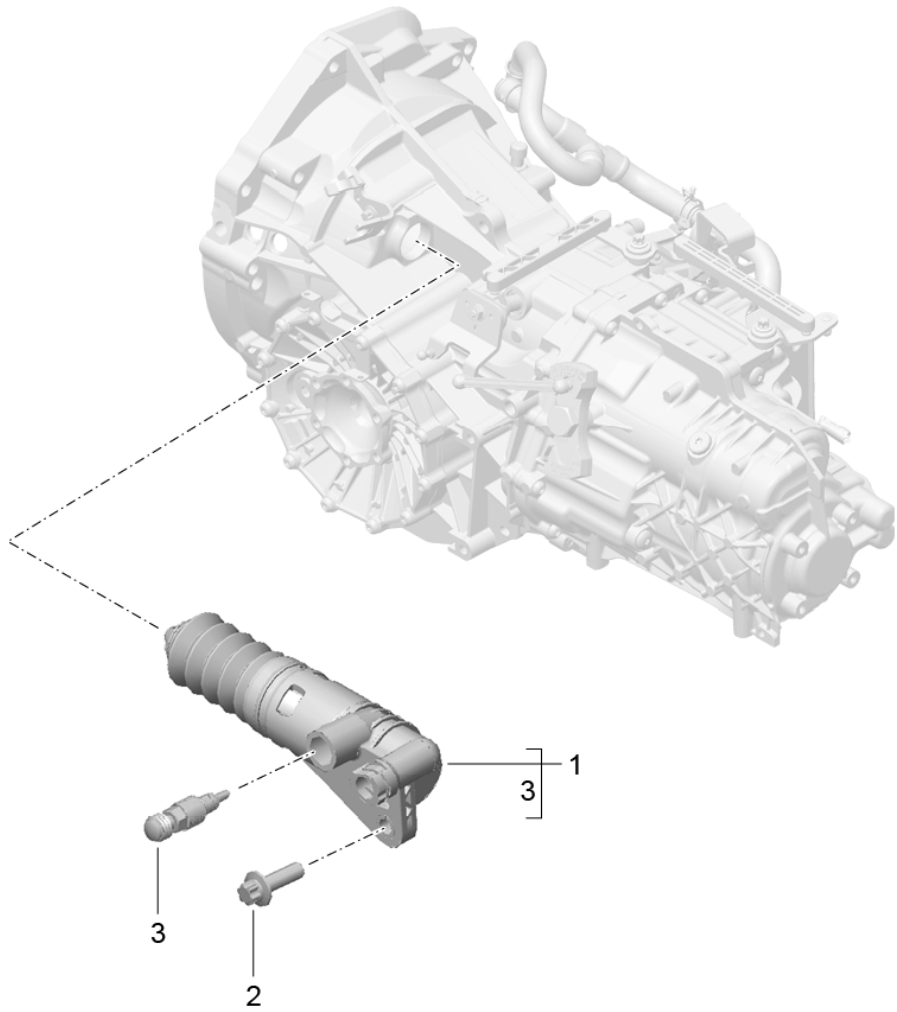
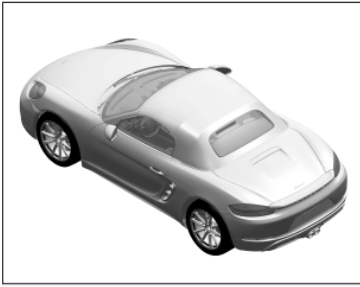
Model: 982-17

Model life 2017&gt;&gt;

Pos	Part Number	Description	Remark	Qty	Model
1	982 141 015	Coupling		1	G8200, G8220
		Coupling			
		Set			
2	999 074 151 01	12-point head bolt		6	
		BM 7 X 16			
3	012 141 165 E	release bearing		1	
4	982 141 719	clutch operating lever		1	
5	0A2 141 181	guide sleeve		1	
6	999 073 320 02	Hexagon bolt		2	
		M 8 X 22			
7	016 311 113 C	radial shaft seal		1	
8	01E 141 751 A	Intermediate piece		1	
9	999 073 319 02	flat round head bolt		1	
		M 8 X 20,5			
10	999 073 320 02	Hexagon bolt		2	
		M 8 X 20,5			
11	01E 141 721 A	leaf spring		1	
12	0A2 311 091 A	O-ring		1	
13	0A2 141 179	Retaining plate		1	
14	000 043 304 02	Grease		1	
		Container			
		50 GR.			

Model: 982-17

Model life 2017>>



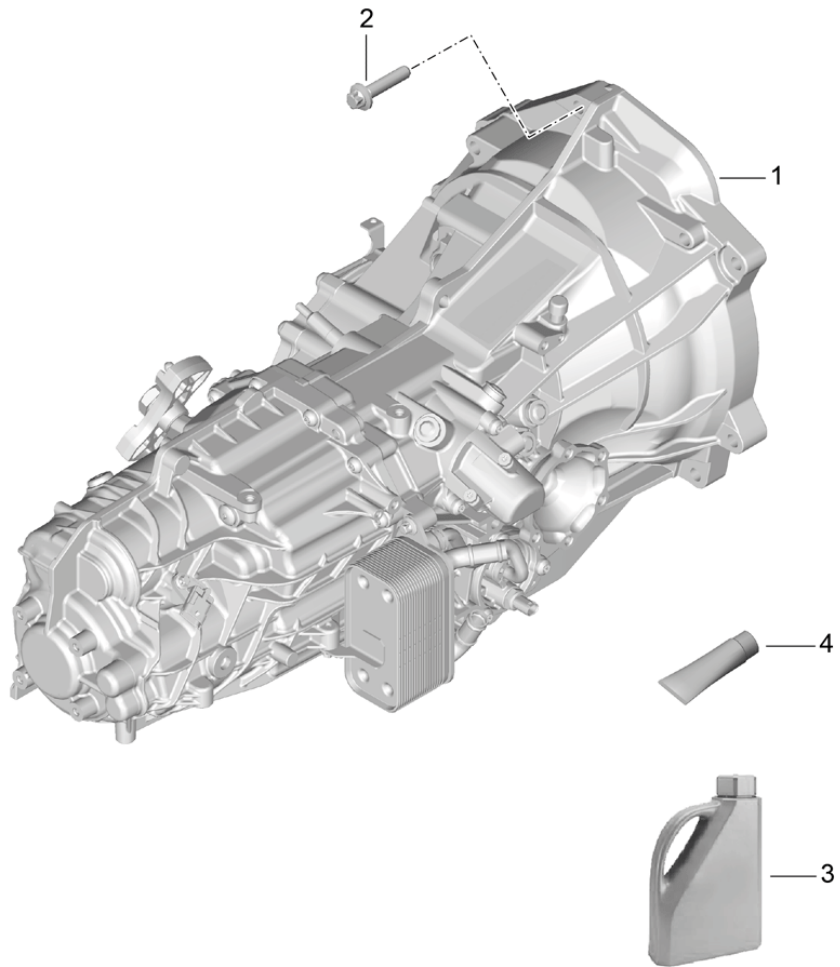
Model: 982-17

Model life 2017>>

Pos	Part Number	Description	Remark	Qty	Model
1	981 116 237 01	Clutch release		1	G8200, G8220
2	900 385 098 01	Clutch slave cylinder Slave cylinder		1	
3		Torx screw BM 8 X 25 breather assy. To Use Clutch slave cylinder		1	

Model: 982-17

Model life 2017>>



Model: 982-17

Model life 2017>>

Pos	Part Number	Description	Remark	Qty	Model
		Manual gearbox Replacement transmission			G8200, G8220
1	982 300 041	Manual gearbox No longer use the part here		1	G8200+ PR:219
1	982 300 041 X	Manual gearbox No longer use the part here		1	G8200+ PR:219
1	982 300 041 A	Manual gearbox		1	G8200+
1	982 300 041 AX	Manual gearbox		1	G8200+
(1)	982 300 042	Manual gearbox with: limited slip differential No longer use the part here		1	G8200+ PR:220
(1)	982 300 042 X	Manual gearbox with: limited slip differential No longer use the part here		1	G8200+ PR:220
(1)	982 300 042 A	Manual gearbox with: limited slip differential		1	G8200+ PR:220
(1)	982 300 042 AX	Manual gearbox with: limited slip differential		1	G8200+ PR:220
(1)	982 300 051	Manual gearbox No longer use the part here		1	G8220+ PR:219
(1)	982 300 051 X	Manual gearbox No longer use the part here		1	G8220+ PR:219
(1)	982 300 051 A	Manual gearbox		1	G8220+
(1)	982 300 051 AX	Manual gearbox		1	G8220+
(1)	982 300 051 B	Manual gearbox		1	GTS PR:219
(1)	982 300 051 BX	Manual gearbox		1	GTS PR:219
(1)	982 300 052	Manual gearbox with: limited slip differential No longer use the part here		1	G8220+ PR:220
(1)	982 300 052 X	Manual gearbox with: limited slip differential No longer use the part here		1	G8220+ PR:220
(1)	982 300 052 A	Manual gearbox with: limited slip differential		1	G8220+ PR:220,-011
(1)	982 300 052 AX	Manual gearbox with: limited slip differential		1	G8220+ PR:220,-011
(1)	982 300 052 B	Manual gearbox with: limited slip differential		1	GTS G8220+ PR:220,011
(1)	982 300 052 BX	Manual gearbox with: limited slip differential		1	GTS G8220+ PR:220,011
2	999 385 009 01	Hexagon head bolt BM 12 X 1,5 X 55		6	
3	000 043 204 19	Transmission fluid 20 LITER Container Discontinued part		X	
3	000 043 305 48	Transmission fluid 20 LITER Container		X	
4	000 043 024 00	Extreme-pressure grease for		X	



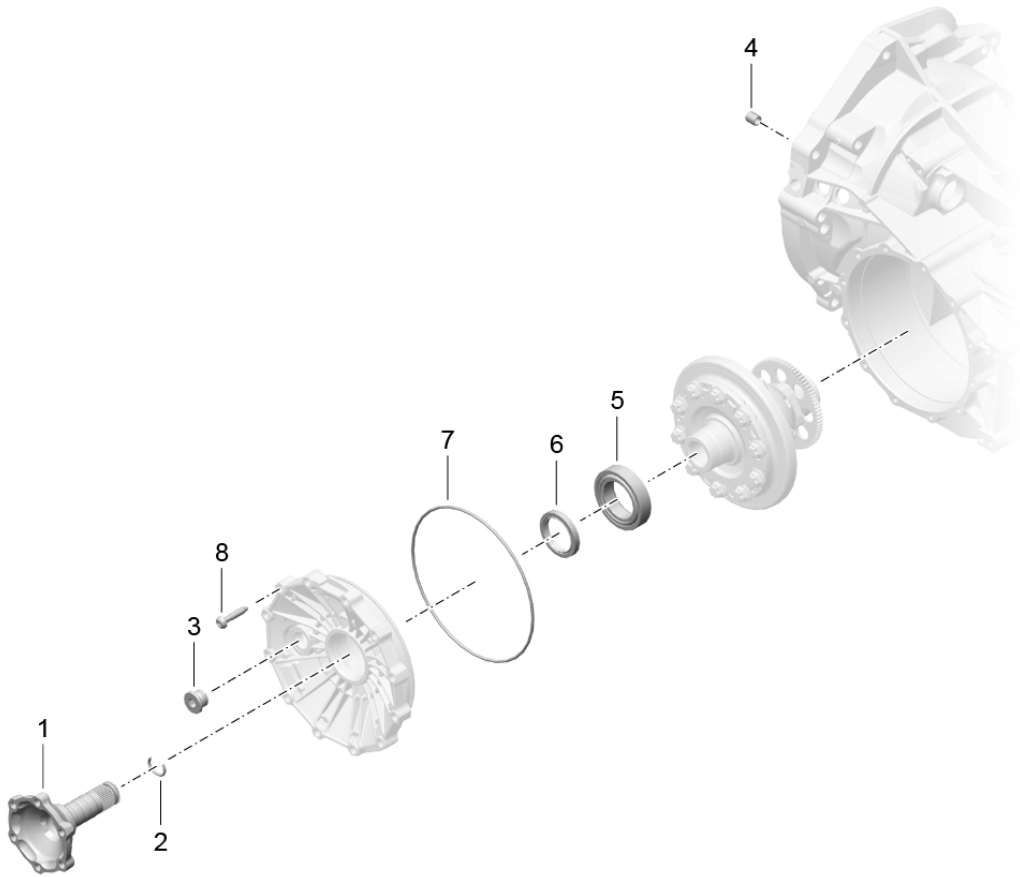
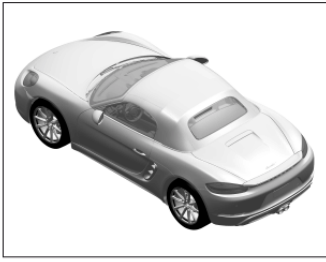
Model: 982-17

Model life 2017&gt;&gt;

Pos	Part Number	Description	Remark	Qty	Model
		shaft 1 tube 80 GR.			

Model: 982-17

Model life 2017>>



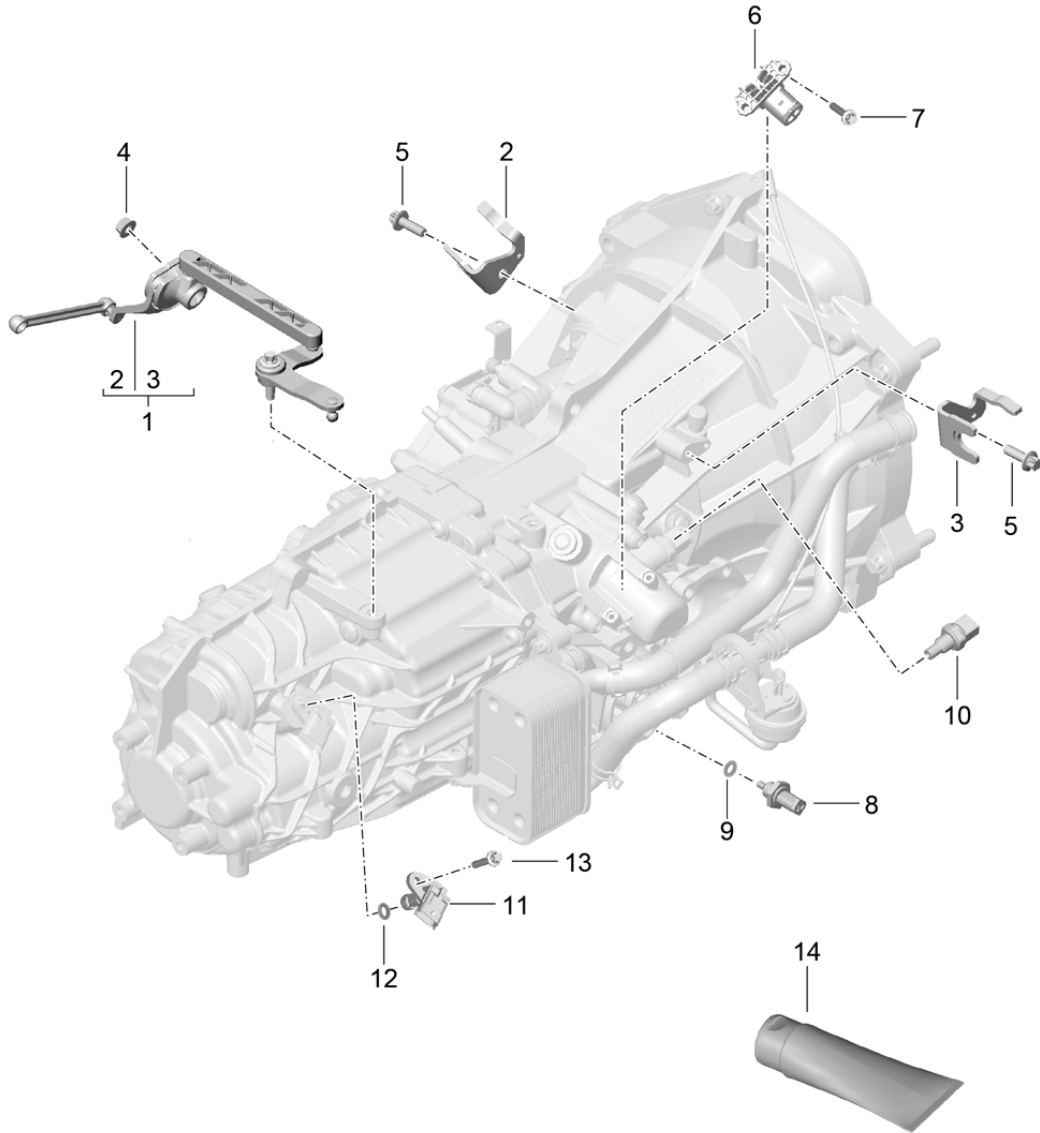
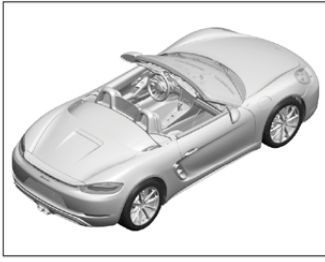
Model: 982-17

Model life 2017>>

Pos	Part Number	Description	Remark	Qty	Model
		Manual gearbox Individual parts limited slip differential			G8200, G8220
1	981 332 209 40	Drive flange		2	G8200
(1)	982 307 161	Drive flange		2	G8220
2	012 409 413	snap ring		2	
3	981 301 813 00	sealing plug M18 X 1,5 X 12		1	
4	999 203 003 00	Bearing bush 16 X 22 X 20		6	
5	01X 409 123	Taper roller bearing		2	
6	016 409 399 B	radial shaft seal		2	
7	999 701 497 40	Drive flange O-ring 194,00 X 3,50		1	
8	999 073 368 01	Torx screw M 8 X 42		10	

Model: 982-17

Model life 2017>>



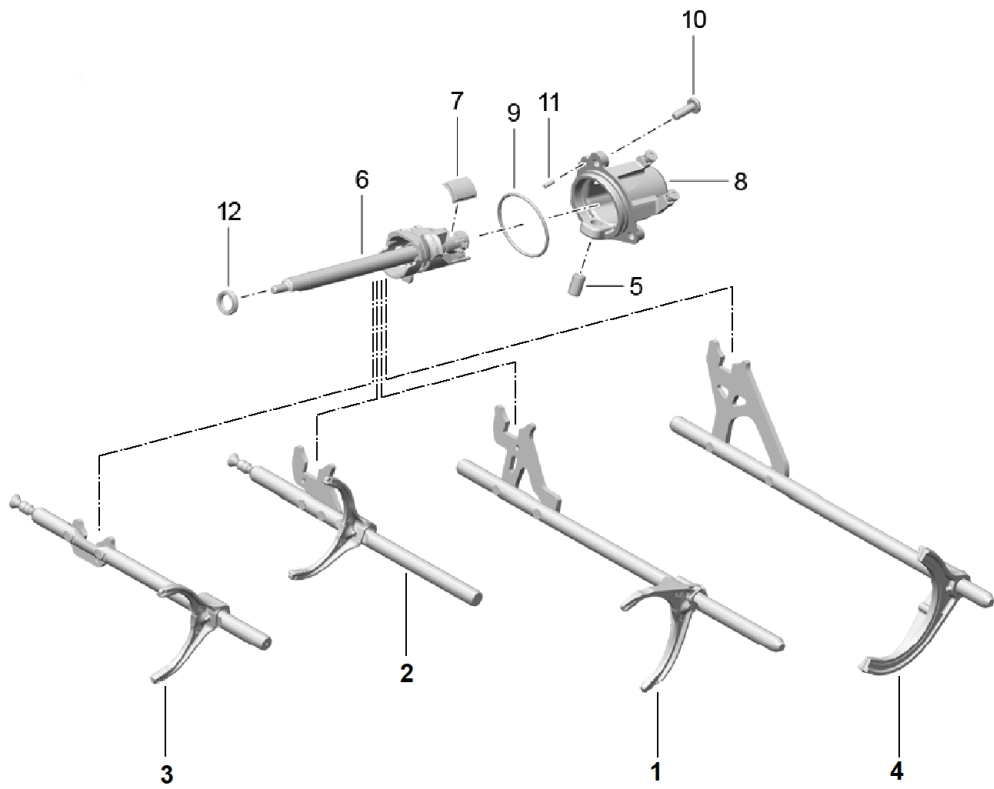
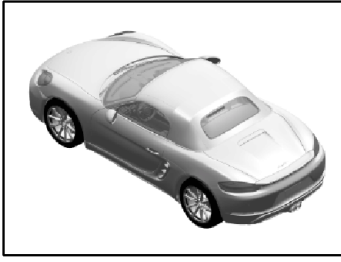
Model: 982-17

Model life 2017>>

Pos	Part Number	Description	Remark	Qty	Model
		Manual gearbox Individual parts			G8200, G8220
1		Sensor relay lever		1	
		see illustration:	701-000		
2		Bracket		1	
		see illustration:	701-000		
3		Bracket		1	
		see illustration:	701-000		
4	900 377 003 03	Hexagon nut M 8		1	
5	900 385 098 01	Torx screw BM 8 X 25		2	
6	981 606 303 00	Sensor Neutral Speed		1	
7	981 606 801 00	Socket head bolt M 6 X 18		2	
8	981 606 420 00	Temperature sensor		1	
9	900 123 111 20	seal ring A 14 X 20		1	
10	01E 941 521 B	switch for reversing light Back-up light		1	
11	7PP 905 381 B	Inductive sensor speed sensor		1	
12	981 606 805 00	O-ring 14,4 X 1,98		1	
13	981 606 803 00	flat round head bolt M 6 X 14		1	
14	000 043 209 23	Grease LIQUI MOLY PU 53 / WDR 50 GR.		X	

Model: 982-17

Model life 2017>>



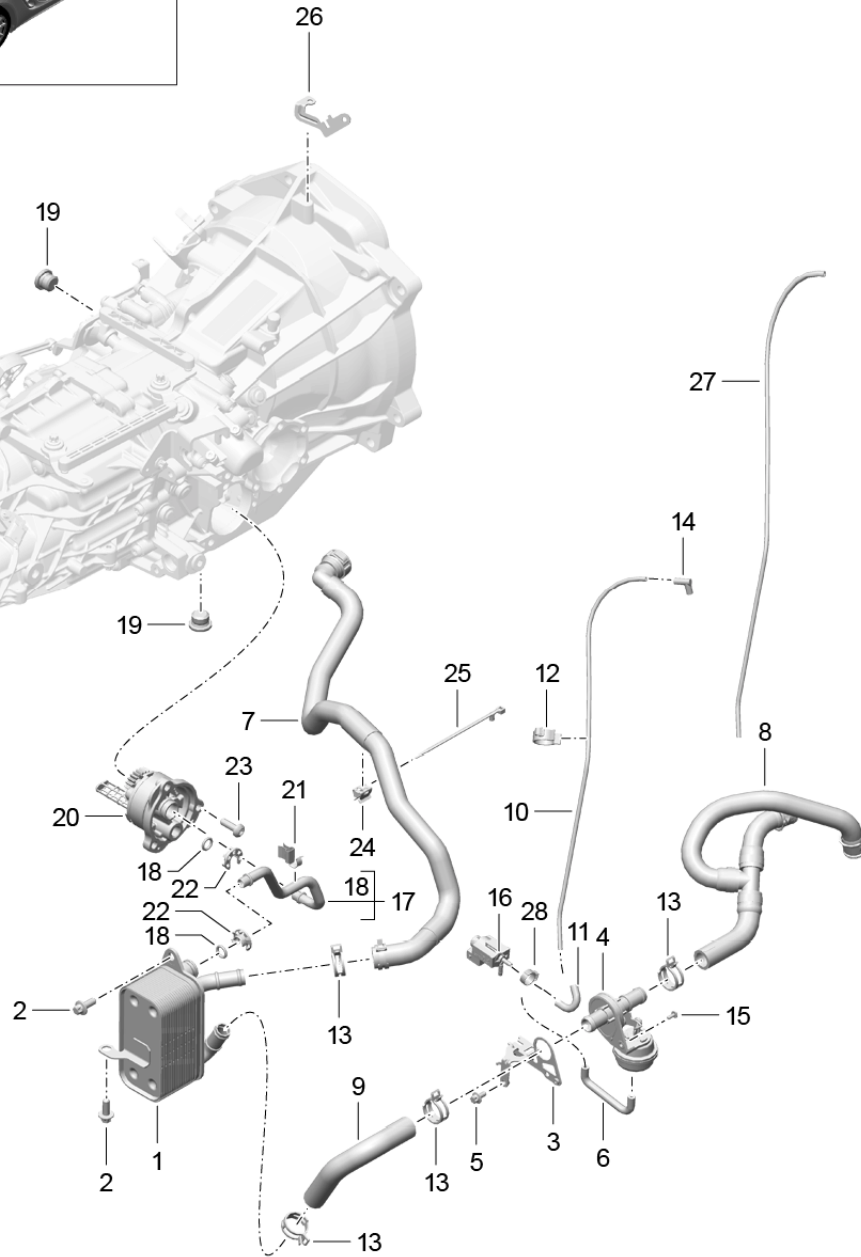
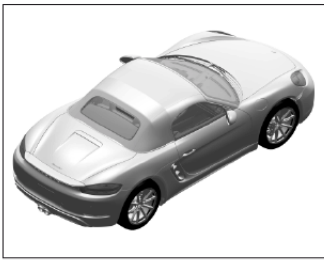
Model: 982-17

Model life 2017>>

Pos	Part Number	Description	Remark	Qty	Model
		Manual gearbox Selector mechanism Shift rods			G8200, G8220
1	981 303 010 00	selector shaft		1	
2	981 303 013 00	1st / 2nd gear selector shaft		1	
3	981 303 015 00	3rd/4th gear selector shaft		1	
4	9A7 311 558 00	5th and 6th gear selector shaft		1	
5	981 303 283 00	Reverse gear Sleeve		1	
6	981 303 121 01	shift rod		1	
7	981 303 321 00	Magnet		1	
8	981 301 063 00	Cover for selector shaft		1	
9	010 409 580	O-ring Cover		1	
10	981 307 850 00	flat round head bolt		3	
11	981 301 801 00	Cylinder pin Cover		1	
12	012 301 457 B	Shaft oil seal		1	

Model: 982-17

Model life 2017>>





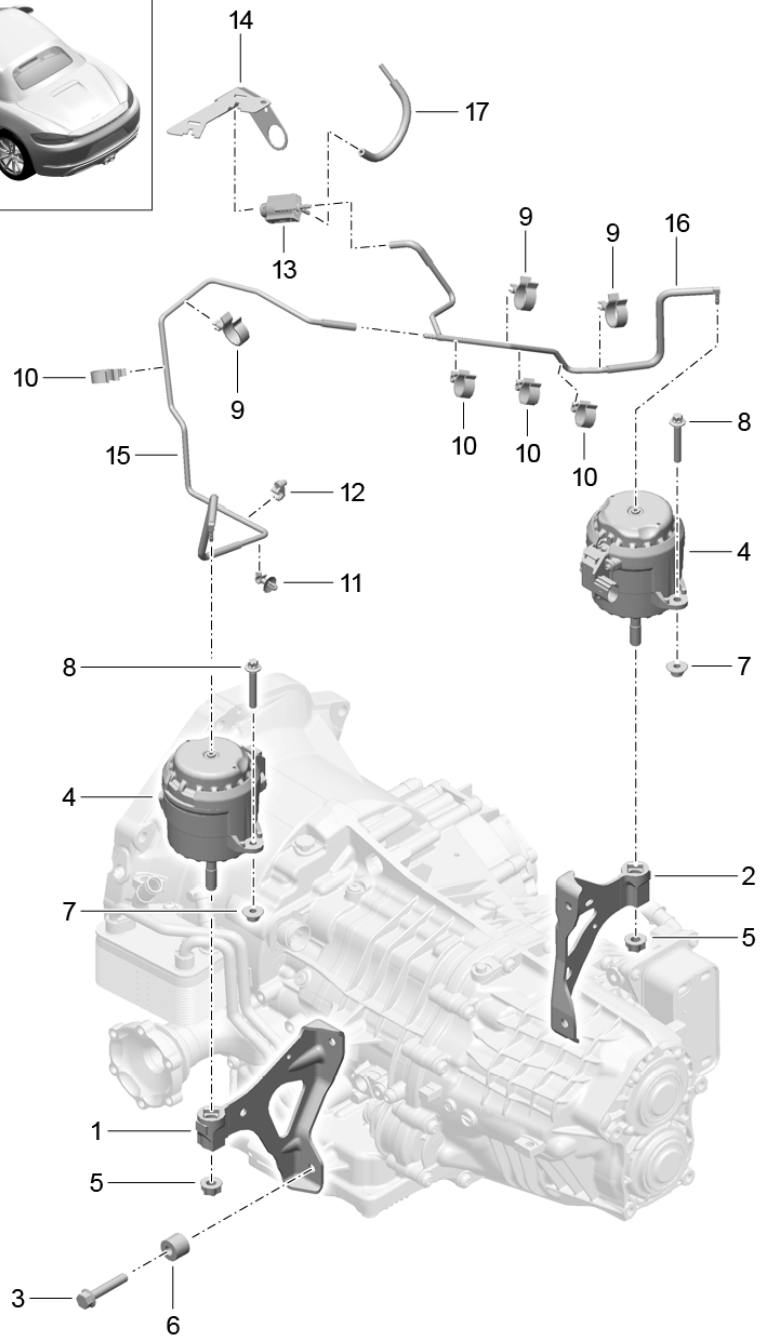
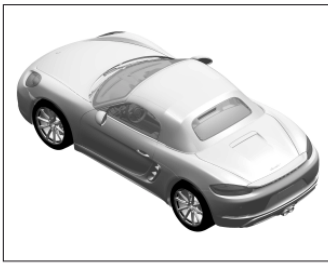
Model: 982-17

Model life 2017>>

Pos	Part Number	Description	Remark	Qty	Model
		Manual gearbox heat exchanger oil pipe Water pipe			G8200 ,G8220
1	981 307 017 00	heat exchanger		1	
2	981 307 821 00	flat round head bolt M 8 X 20		3	
3	981 307 401 00	Bracket Disc valve		1	
4	991 307 573 00	Disc valve		1	
5	900 385 041 01	Torx screw M 6 X 12		2	
6	9G1 307 673 00	Molded hose		1	
7	982 317 030 C	Water line Coolant		1	
8	981 307 074 02	Water line Coolant	return	1	
9	981 307 075 00	Water hose Coolant	feed	1	
-	000 043 205 01	Pipe 4,0 X 1,0 modify in workshop Shorten	feed	*	
10		Vacuum line L = 400 MM		1	
11	928 574 717 07	Molded hose No longer use the part here		1	
11	9P1 129 487	Molded hose		1	
12	999 507 872 40	Bracket		1	
13	999 512 589 09	Hose clamp 25 X 12		1	
14	948 110 126 00	Connecting piece		1	
15	N 910 682 01	Hexagon socket flat head bolt M 4 X 10		1	
16	7PP 906 270	Change-over valve		1	
17	981 307 053 00	Line		1	
18	981 307 853 00	O-ring		2	
19	N 910 597 01	sealing plug		2	
20	981 307 023 00	oil pump		1	
21	981 307 815 00	Clip		1	
22	981 307 825 00	Bracket		1	
23	981 307 850 00	flat round head bolt		3	
24	999 591 402 01	Clip 9,00		1	
25	999 513 003 40	Cable ties 3,5 - 102		1	
26	982 317 359	Bracket Change-over valve		1	
-	900 918 005 40	Pipe 5,0 X 1,0 modify in workshop Shorten		X	
27		Vacuum line L=485 MM		1	
28	N 102 035 01	Clamp 11,3 X 0,5		1	

Model: 982-17

Model life 2017>>



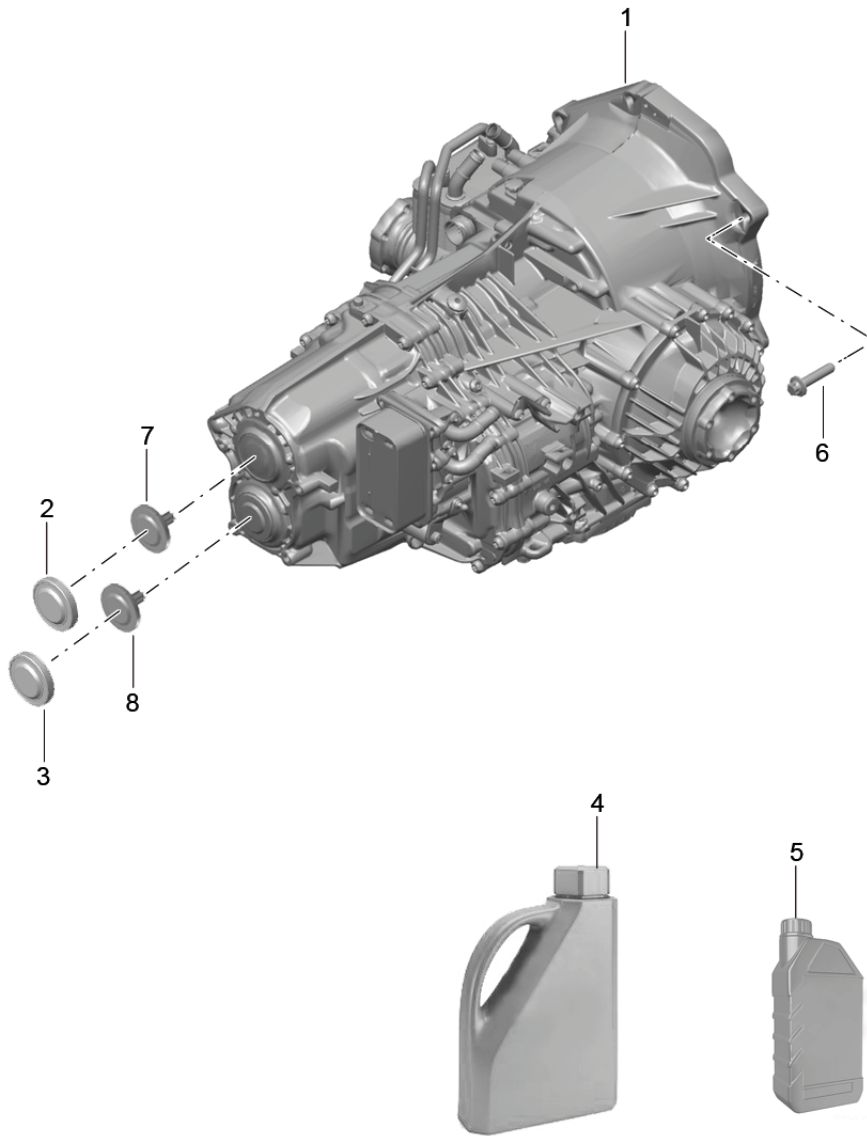
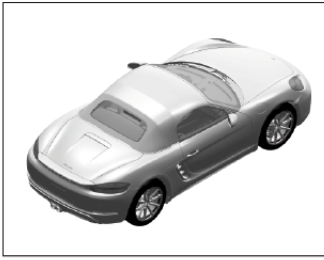
Model: 982-17

Model life 2017&gt;&gt;

Pos	Part Number	Description	Remark	Qty	Model
		Transmission suspension			
		Threaded joint			
		Engine			
1	981 375 195 01	Console	left	1	PR:250
(1)	981 375 181 00	Console	left	1	PR:480
2	981 375 196 01	Console	right	1	PR:250
(2)	981 375 182 00	Console	right	1	PR:480
3	900 378 249 01	Hexagon bolt		4	PR:480
		AM 10 X 55			
(3)	900 378 338 01	Bolt with washer		4	PR:250
		AM 10 X 30			
4	982 399 202 A	hydro-mounting		2	PR:140
(4)	982 399 201 A	hydro-mounting		2	PR:-140
5	999 086 009 02	Nut		2	
		M 12 X 1,5			
6	999 209 118 30	spacer sleeve		4	PR:480
		10,2 X 7,4			
7	999 084 447 01	Hexagon nut		4	
		M 8			
7	PAF 003 923	Hexagon nut		4	
		M 8			
8	900 385 071 01	Torx screw		4	
		M 8 X 50			
9	N 102 448 01	Bracket		3	PR:140,480
10	N 102 992 01	Double hose holder		4	PR:140,250
11	N 103 314 01	Bracket		1	PR:140,250
12	999 507 586 40	Cable holder		1	PR:140,480
13	7PP 906 270	Change-over valve		1	PR:-140
13	7PP 906 270	Change-over valve		2	PR:140
14	9G2 307 409 00	Bracket		1	
		Change-over valve			
15	982 399 465 B	Vacuum line		1	PR:140,480
(15)	982 399 465 C	Vacuum line		1	PR:140,250
16	982 399 469 B	Vacuum line		1	PR:140,480
(16)	982 399 469 C	Vacuum line		1	PR:140,250
17	982 399 471 B	Vacuum line		1	PR:140

Model: 982-17

Model life 2017>>



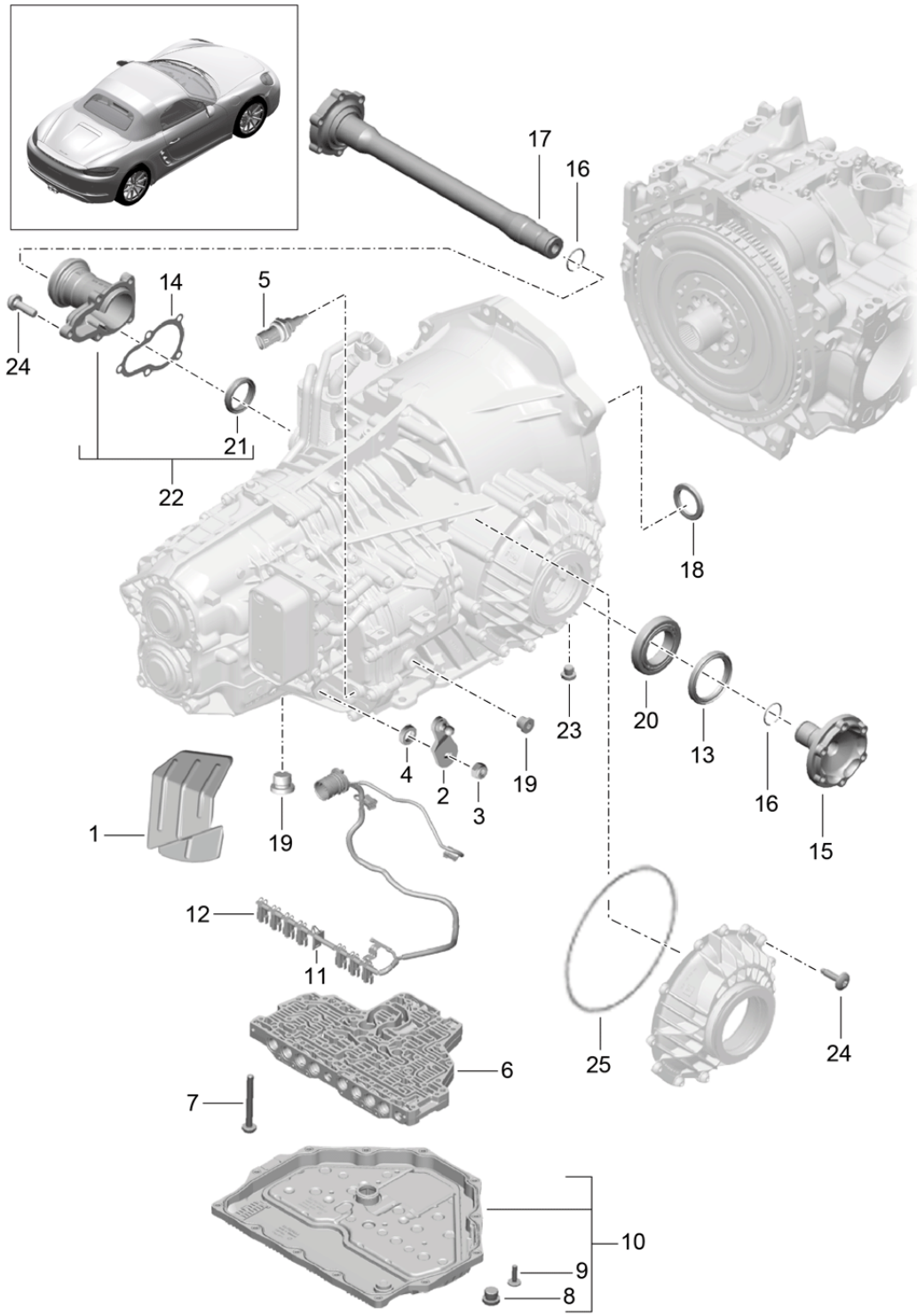
Model: 982-17

Model life 2017>>

Pos	Part Number	Description	Remark	Qty	Model
		- PDK - Gearbox Replacement transmission Gearbox		1	CG210,CG240
1	9G2 300 011 10	Gearbox		1	CG210+ PR:219
1	9G2 300 011 CX	Gearbox		1	CG210+ PR:219
(1)	9G2 300 021 10	Gearbox		1	CG210+ PR:220
(1)	9G2 300 021 CX	Gearbox		1	CG210+ PR:220
(1)	9G2 300 011 41	Gearbox		1	CG240+ PR:219
(1)	9G2 300 011 DX	Gearbox with: limited slip differential		1	CG240+ PR:219
(1)	9G2 300 021 41	Gearbox with: limited slip differential		1	CG240+ PR:220
(1)	9G2 300 021 DX	Gearbox with: limited slip differential		1	CG240+ PR:220
2	9G1 321 360 00	End cap Gear housing	rear	1	
3	9G2 321 361 00	End cap Gear housing	rear	1	
4	000 043 305 14	Transmission fluid PENTOSIN FFL 3 20 LTR. Container		X	
(4)	000 043 305 13	Transmission fluid PENTOSIN FFL 3 1 LTR. Container		X	
(5)	000 043 305 55	Transmission fluid MOBILUBE PTX 75 W 90 Container 20 LTR.		X	
6	999 385 009 01	Hexagon head bolt BM 12 X 1,5 X 55		6	
7	9G2 302 377 00	seal ring End cap		1	
8	9G1 302 375 00	seal ring End cap		1	

Model: 982-17

Model life 2017>>



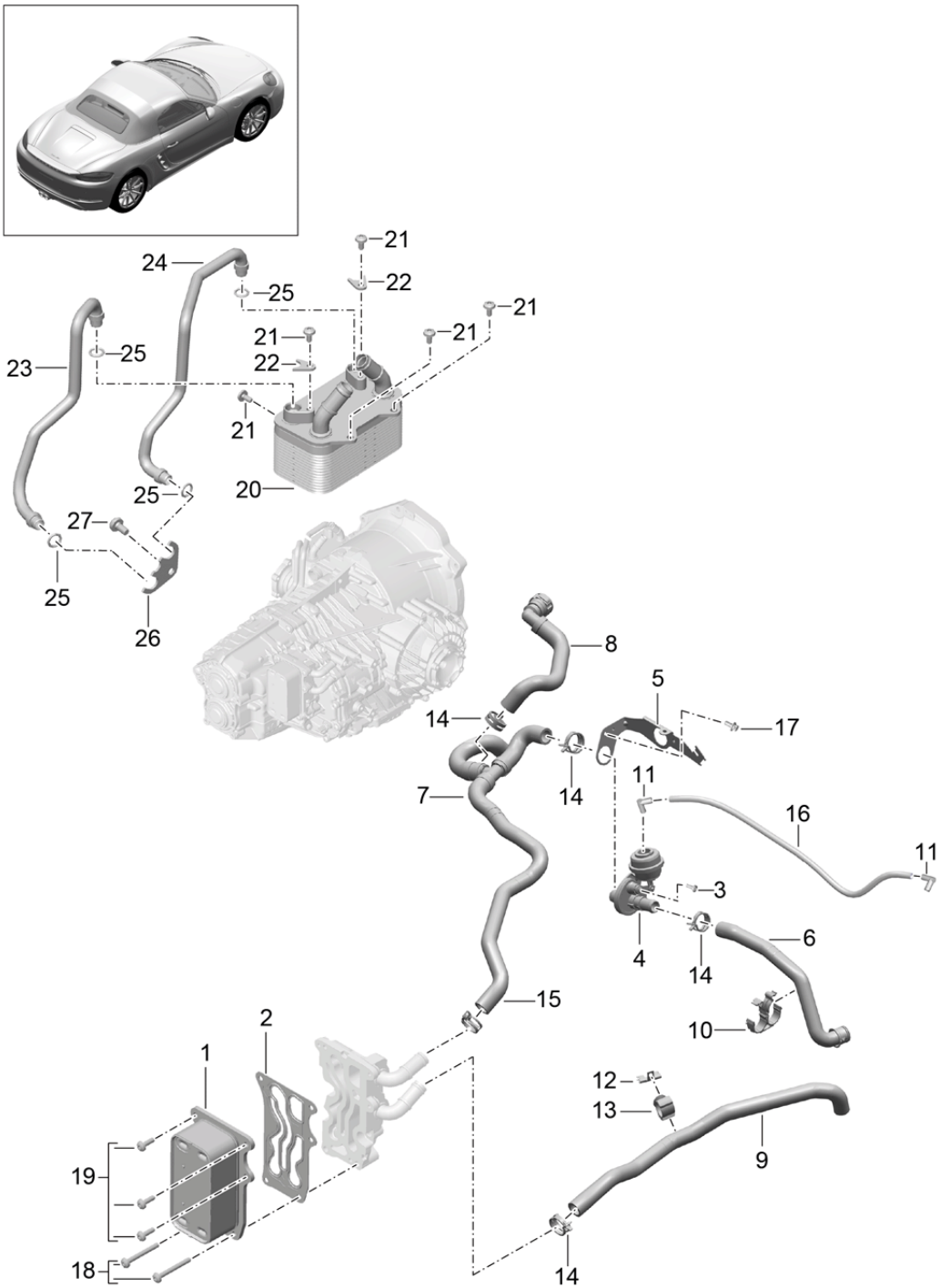
Model: 982-17

Model life 2017>>

Pos	Part Number	Description	Remark	Qty	Model
		- PDK - Gearbox Individual parts			CG210,CG240
1	981 331 198 00	Guard plate		1	
2	9G1 324 135 00	gearshift lever		1	
3	9G1 324 815 00	Nut M 8 X 1		1	
4	970 324 805 00	Shaft oil seal 10 X 18 X 5		1	
5	991 606 391 00	Temperature sensor		1	CG240
6	9G1 317 015 05	Control unit		1	
		also use:	918 317 801 00		
6	9G1 317 015 10	No longer use the part here Control unit		1	
		also use:	918 317 801 00		
7	918 317 801 00	Torx screw M 6 X 55 aluminium		20	
8	9G1 321 825 01	sealing plug		1	
9	9G1 321 801 00	Torx screw M 6 X 25		13	
10	9G1 321 125 00	oil sump		1	
		with:			
11	9G1 317 697 00	Connector housing pressure regulator		1	
12	9G1 317 698 00	Connector housing Solenoid valve		1	
13	9G2 332 803 01	Shaft oil seal 62 X 80 X 75		1	
14	9G1 321 259 00	Seal		1	
15	9G2 332 208 40	Drive flange Short		1	CG240
		also use:	9G1 332 820 00		
(15)	9G2 332 208 25	Drive flange Short		1	CG210
		also use:	9G1 332 820 00		
16	9G1 332 820 00	snap ring		2	
17	9G2 332 209 40	Drive flange Long		1	CG240
		also use:	9G1 332 820 00		
(17)	9G2 332 209 25	Drive flange Long		1	CG210
		also use:	9G1 332 820 00		
18	9G1 116 807 00	Shaft oil seal 40 X 57 X 6		1	
19	970 321 805 00	Seal bolt with sealing ring M 18 X 1,5		3	
20	9G1 332 806 01	Shaft oil seal 40 X 52 / 55 X 7 /18.8		1	
21	9G1 332 804 01	Shaft oil seal 42 X 55 X 7		1	
22	9G1 321 059 00	Housing neck		1	
		with:			
23	970 321 871 00	needle bearing - sealing plug M10X1		1	
24	9G1 332 801 00	Torx screw		17	
25	9G2 321 815 00	O-ring Housing cover 200 X 3		1	

Model: 982-17

Model life 2017>>





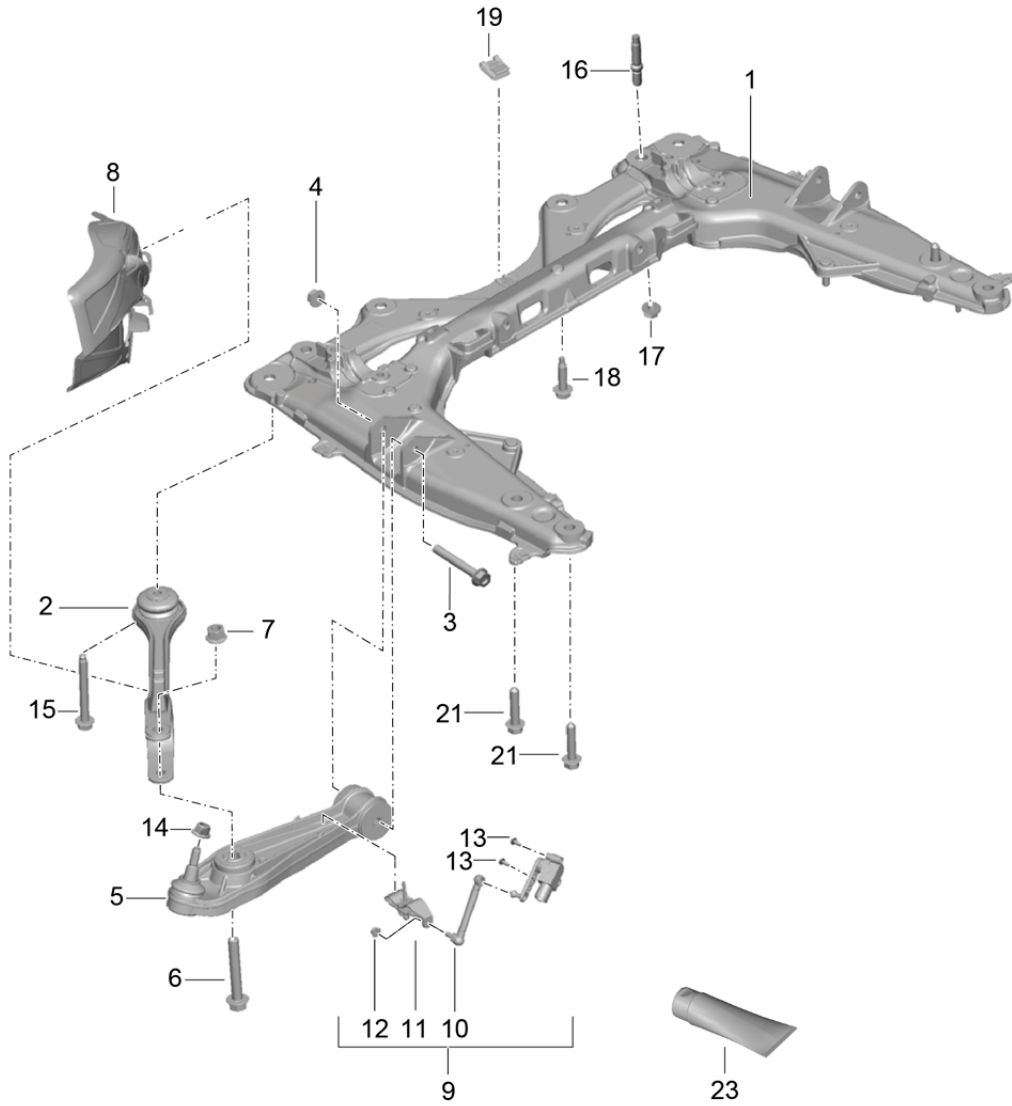
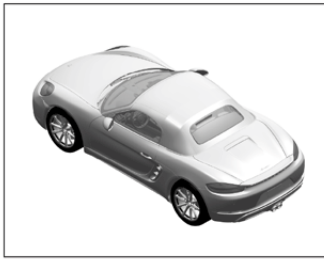
Model: 982-17

Model life 2017>>

Pos	Part Number	Description	Remark	Qty	Model
		- PDK - Gearbox heat exchanger oil pipe Water pipe			CG210,CG240
1	9G2 307 019 00	heat exchanger		1	
2	9G2 307 241 00	Seal heat exchanger		1	
3	N 910 682 01	Hexagon socket flat head bolt		1	
4	9P1 317 233	Disc valve		1	
5	9G2 307 409 04	Bracket Disc valve		1	
6	9G2 307 063 00	Coolant hose	feed	1	
7	9G2 307 065 00	Coolant hose	feed	1	
8	9G2 307 078 01	Coolant hose	return	1	
9	9G2 307 079 04	Coolant hose	return	1	
10	999 507 281 40	Cable holder 25,00 / 25,00		1	
11	948 110 126 00	Connecting piece		2	
12	999 507 609 01	Clip 3,00 - 4,00		2	
13	999 507 793 40	Hose bracket 23,0		2	
14	999 512 589 09	Hose clamp A 25 X 12		6	
15	999 512 656 09	Hose clamp B 25 X 12		1	
-	900 918 005 40	Pipe 5,0 X 1,0 modify in workshop Shorten		X	
16		Vacuum line L = 110 MM		1	
17	900 385 041 01	Torx screw BM 6 X 12		1	
18	991 307 823 00	flat round head bolt heat exchanger		2	
19	991 307 822 00	flat round head bolt heat exchanger		3	
20	9G2 307 017 00	heat exchanger		1	
21	9G1 307 813 00	Torx screw M 6 X 12		6	
22	9G1 307 245 00	Retaining plate		2	
23	9G2 307 087 05	Oil return line		1	
24	9G2 307 085 05	Oil pipe	feed	1	
25	9G1 307 891 00	seal ring 12,5 X 2,5		4	
26	9G2 307 255 00	Retaining plate		1	
27	9G1 307 802 00	Torx screw M 8 X 15		1	

Model: 982-17

Model life 2017>>



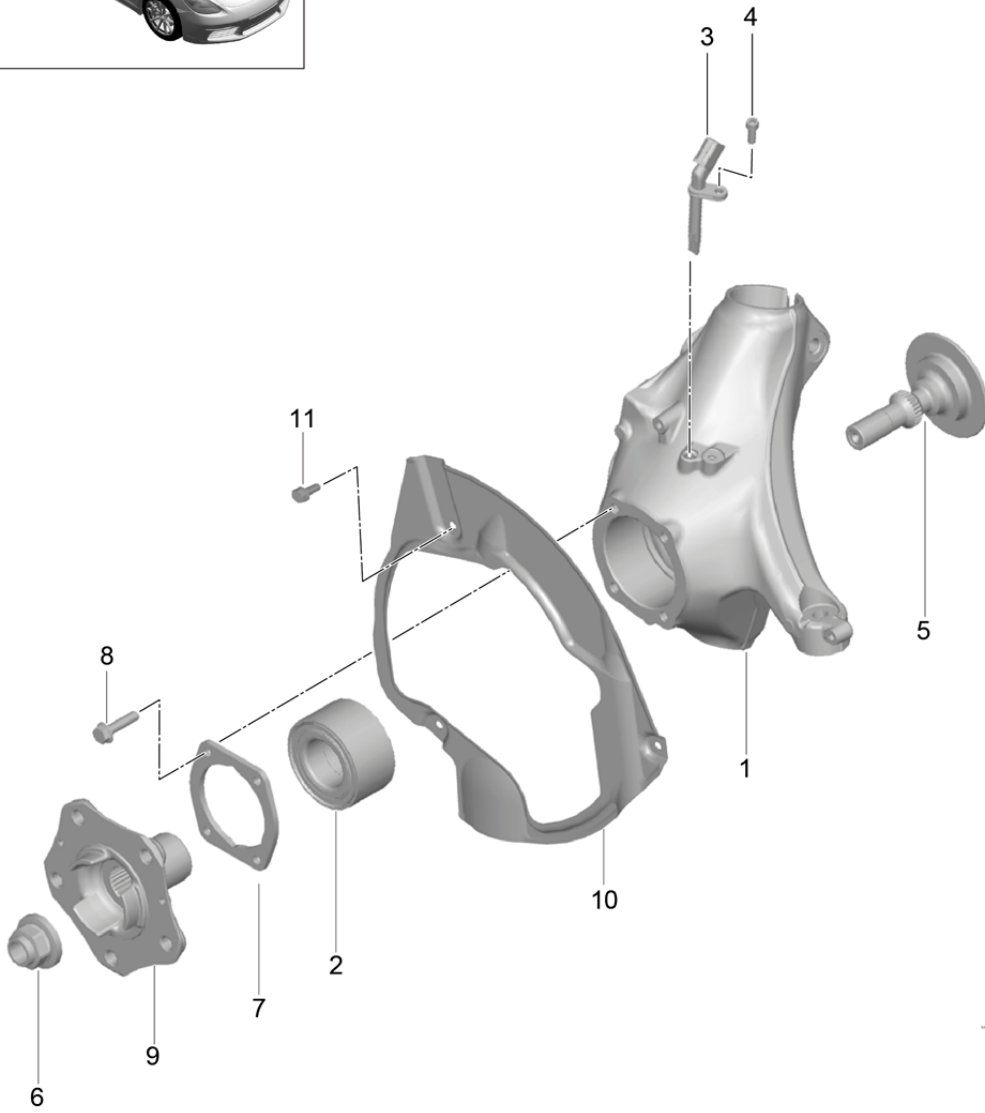
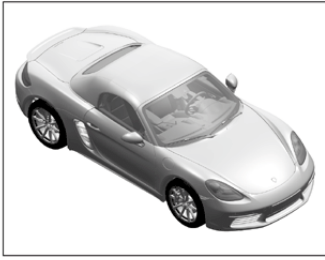
Model: 982-17

Model life 2017&gt;&gt;

Pos	Part Number	Description	Remark	Qty	Model
		Cross member			
		Wishbone			
1	991 341 081 16	Cross member		1	
2	991 341 043 03	Guide		2	
3	9A7 008 209 00	Hexagon bolt		2	
		M 12 X 1,5 X 90			
4	999 084 445 01	Locknut		2	
		M 12 X 1,5			
5	991 341 053 01	Wishbone		2	
6	999 072 892 01	Hexagon bolt		2	
		AM 14 X 1,5 X 95			
7	900 380 012 01	Hexagon nut		2	
		M 14 X 1,5			
(8)	981 341 483 00	Spoiler	left	1	
(8)	981 341 484 00	Spoiler	right	1	
9	991 343 021 01	Level sensor		1	PR:029
(9)	991 343 021 01	Level sensor		2	PR:030,475, 477
10	991 343 327 00	Brace		1	PR:029
(10)	991 343 327 00	Brace		2	PR:030,475, 477
11	996 341 371 03	Bracket for cross member		1	PR:029
(11)	996 341 371 03	Bracket for cross member		2	PR:030,475, 477
12	900 380 015 01	Hexagon nut		1	PR:029
		M 6			
(12)	900 380 015 01	Hexagon nut		2	PR:030,475, 477
		M 6			
13	N 104 857 03	Hexagon socket flat head bolt		2	PR:029
		M 5 X 12			
(13)	N 104 857 03	Hexagon socket flat head bolt		4	PR:030,475, 477
		M 5 X 12			
14	999 084 449 09	Locknut		2	
		M 12 X 1,5			
15	999 072 864 01	Hexagon bolt		2	
		AM 12 X 1,5 X 105			
16	999 061 125 01	Threaded pin		2	
		M 12 X 1,5			
17	N 909 167 01	Hexagon collar nut self-locking		2	
		M 12 X 1,5			
18	999 072 863 01	Hexagon bolt		2	
		AM12X1,5X50			
19	999 507 795 09	panel nut		5	
		ST 4,8			
21	N 911 489 01	multi-point socket head bolt with collar		4	
		M 12 X 1,5 X 60			
23	9A7 915 576 01	Corrosion protection		1	

Model: 982-17

Model life 2017>>



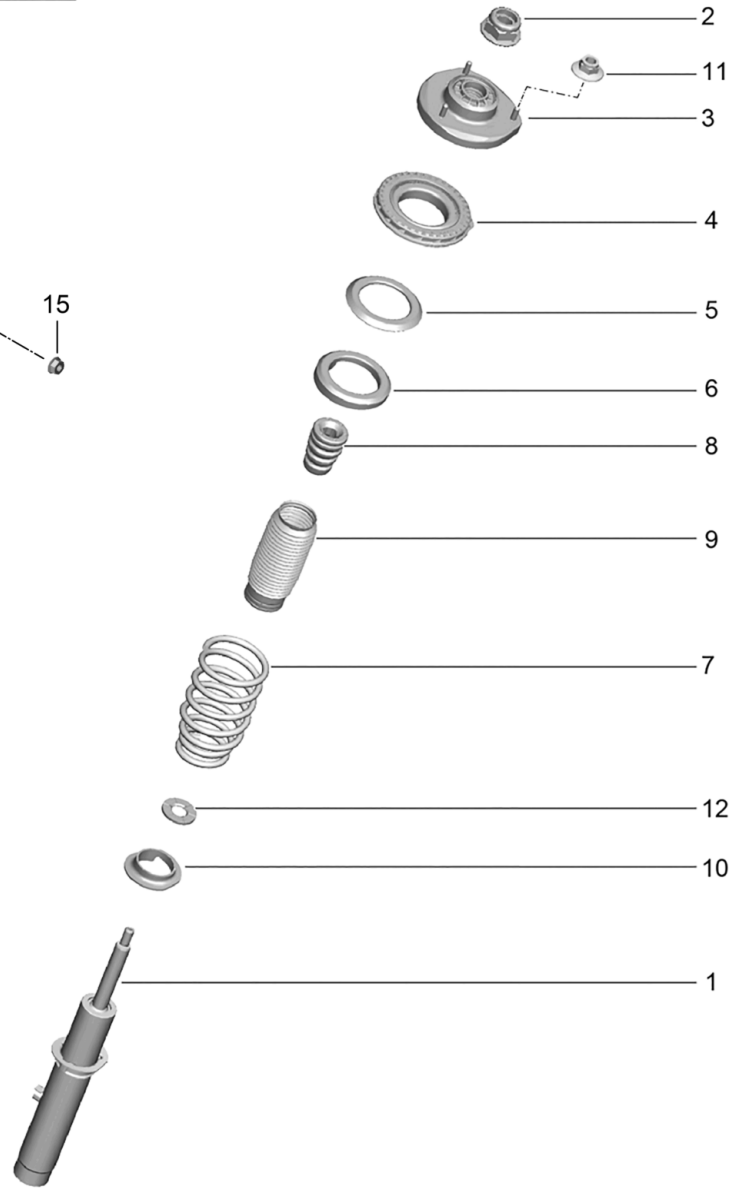
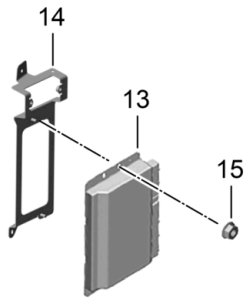
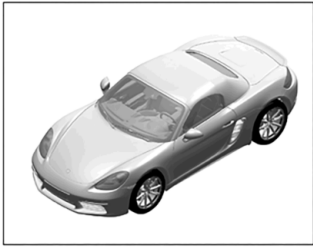
Model: 982-17

Model life 2017>>

Pos	Part Number	Description	Remark	Qty	Model
		Wheel carrier			
		Wheel hub			
1	991 341 157 05	Wheel carrier	left	1	
(1)	991 341 158 05	Wheel carrier	right	1	
2	9P1 407 621	angular ball bearing		2	
3	991 606 407 01	speed sensor		2	
4	900 067 117 04	Socket head bolt		2	
		M 6 X 16			
5	9P1 407 123	retaining bolt		2	
6	WHT 007 021	hex. nut, self-locking with		2	
		washer			
		M 22 X 1,5 S			
7	986 331 661 20	Cover		2	
8	999 217 042 03	Hexagon bolt		8	
		M 8 X 35			
9	991 341 605 03	Wheel hub		2	
10	981 351 801 00	Cover plate	left	1	PR:-450
(10)	981 351 802 00	Cover plate	right	1	PR:-450
(10)	991 351 801 01	Cover plate	left	1	PR:450
(10)	991 351 802 01	Cover plate	right	1	PR:450
11	999 217 116 01	Hexagon bolt		6	
		M 6 X 16			

Model: 982-17

Model life 2017>>



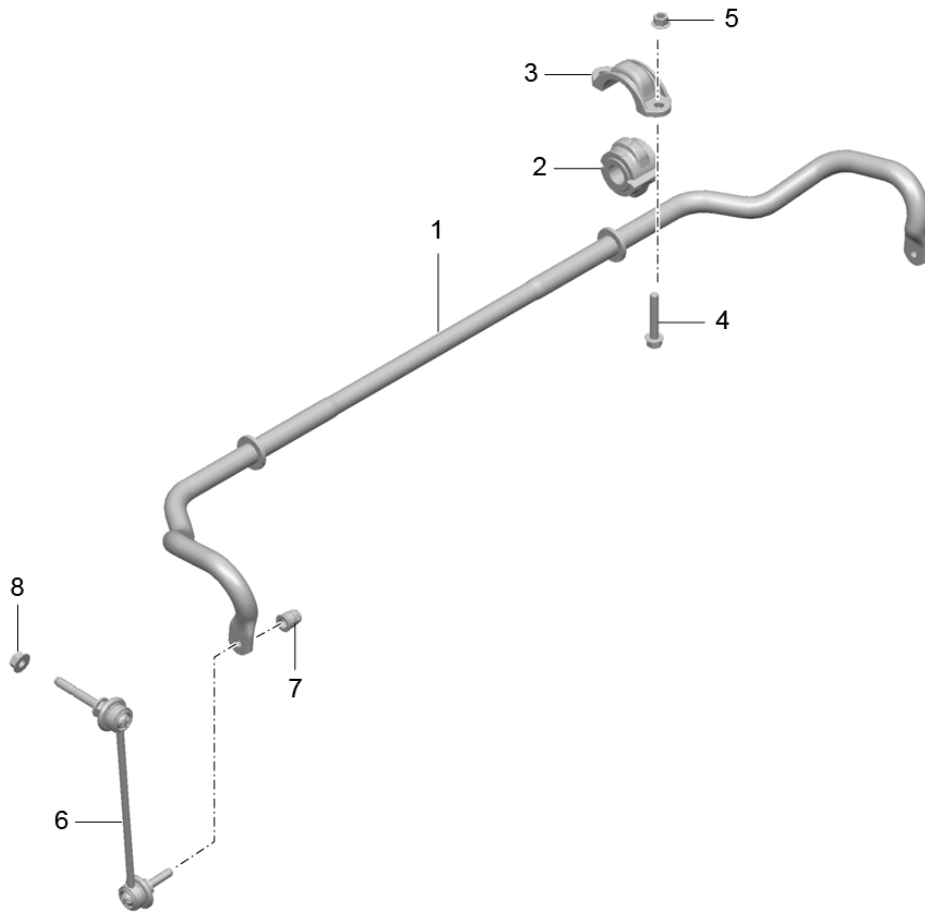
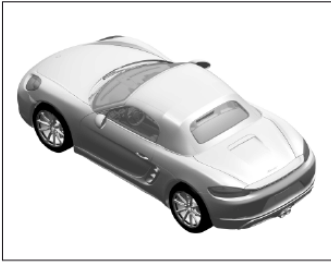
Model: 982-17

Model life 2017>>

Pos	Part Number	Description	Remark	Qty	Model
		suspension			
		Shock absorber strut			
1	982 413 029 B	Shock absorbers		2	PR:029
(1)	982 413 031 B	Shock absorbers		2	PR:475,477
(1)	982 413 031 C	Shock absorbers		2	PR:030
2	999 084 133 01	Hexagon nut M 14 X 1,5		2	
3	991 343 015 02	Shock absorber bearing		2	
4	991 343 501 03	Mounting		2	
5	991 343 513 00	compensation ring		2	
6	991 343 511 01	Underlay	upper	2	
7	982 411 105	Coil spring		1	PR:029
	982 411 105 504	1 pair of springs Identification: >> >> Squirrel grey yellow			
(7)	982 411 105 A	Coil spring		1	PR:475,477
	982 411 105 A 504	1 pair of springs Identification: >> >> fire red yellow			
(7)	982 411 105 B	Coil spring		1	PR:030
	982 411 105 B 504	1 pair of springs Identification: >> >> fire red Deer Brown			
8	991 343 301 03	helper spring		2	PR:475,477
(8)	991 343 301 04	helper spring		2	PR:029
(8)	991 343 301 05	helper spring		2	PR:030
9	991 343 509 02	Bellows		2	PR:475,477, 030,029
(9)	991 343 509 01	Bellows		2	PR:029
10	991 343 525 02	shelf	lower	2	
11	999 084 447 01	Hexagon nut		6	
11	PAF 003 923	Hexagon nut		6	
12	991 343 561 01	Washer shelf	lower	1	
13	991 618 440 26	Control unit		1	PR:030,475, 477,-140
(13)	991 618 450 26	Control unit		1	PR:030,475, 477,140
(13)	991 618 465 26	Control unit		1	PR:029,140
(13)	991 618 465 27	Control unit D >> - 04.05.2016 D - 09.05.2016>>		1	PR:029,140
14	982 907 392	Retainer for control unit For vehicles with electron- ically controlled damping		1	
15	999 084 638 01	Hexagon nut	M6	2	

Model: 982-17

Model life 2017>>





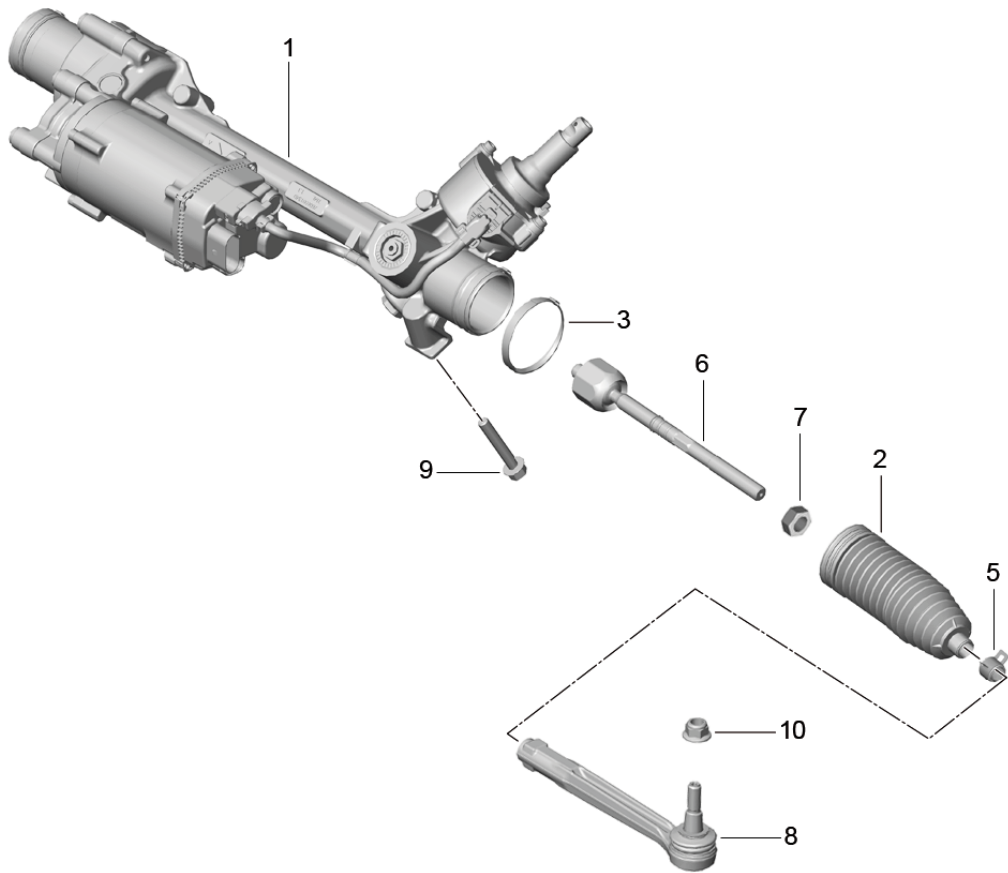
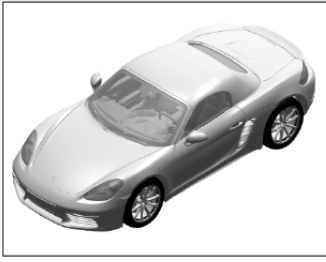
Model: 982-17

Model life 2017>>

Pos	Part Number	Description	Remark	Qty	Model
1	991 343 705 11	Anti-roll bar		1	PR:029,475,
(1)	991 343 705 16	Anti-roll bar		1	PR:030,-011
(1)	991 343 705 14	Anti-roll bar		1	PR:030,011
2	991 343 792 07	anti-roll bar bearing bracket		2	PR:029,475, 477
(2)	991 343 792 09	anti-roll bar bearing bracket		2	PR:030,-011
(2)	991 343 792 13	anti-roll bar bearing bracket		2	PR:030,011
3	991 343 777 00	Clamp		2	
4	999 072 836 01	Hexagon bolt AM 10 X 60		4	
5	900 380 008 01	Hexagon nut M 10		4	
6	991 343 069 02	Coupling rod	left	1	
(6)	991 343 070 02	Coupling rod	right	1	
7	999 084 123 09	Hexagon nut M 10	lower	2	
8	999 084 445 01	Locknut M 12 X 1,5	upper	2	

Model: 982-17

Model life 2017>>



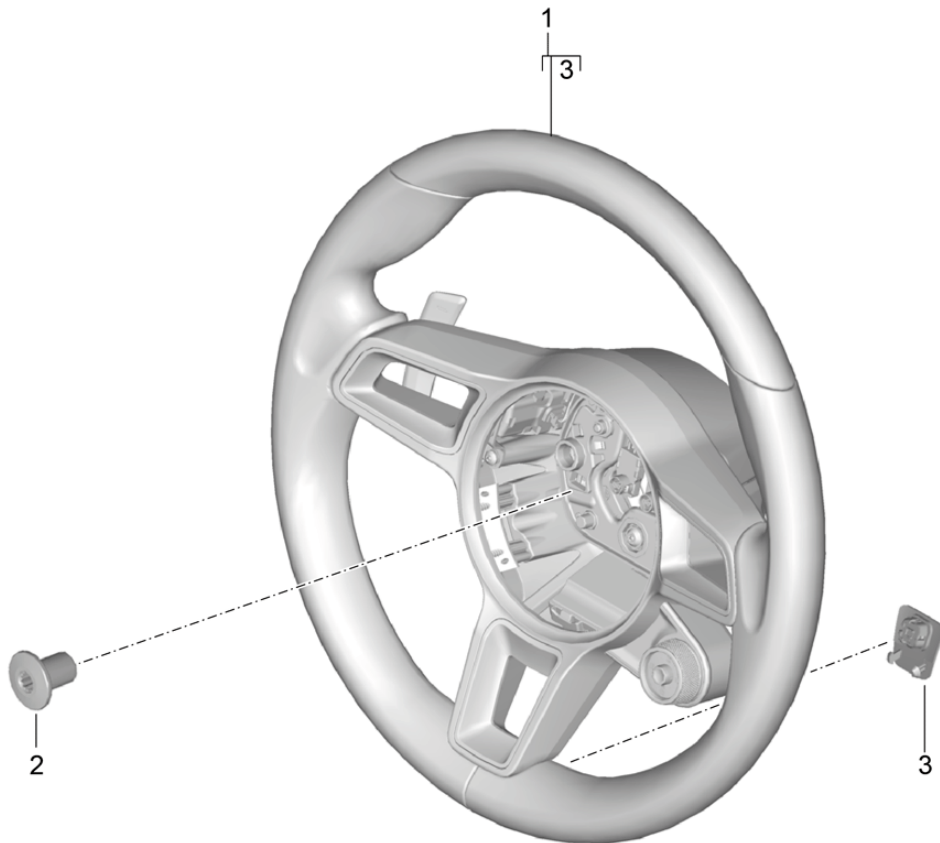
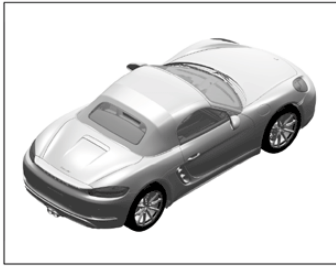
Model: 982-17

Model life 2017>>

Pos	Part Number	Description	Remark	Qty	Model
1	991 347 011 65	Steering gear Steering parts Steering gear		1	PR:098,657, 658
(1)	991 347 012 65	Steering gear		1	PR:099,657, 658
2	991 347 191 01	Bellows		2	
3	991 347 293 01	clamping ring		2	
5	991 347 375 01	clamping ring		2	
6	991 347 322 00	Joint		2	
7	999 034 037 01	Hexagon nut M 14 X 1,5		2	
8	991 347 131 00	Track rod		2	
9	999 072 836 01	Hexagon bolt AM 10 X 60		2	
10	999 084 449 09	Locknut M 12 X 1,5		2	

Model: 982-17

Model life 2017>>



Model: 982-17

Model life 2017>>

Pos	Part Number	Description	Remark	Qty	Model
1	9P1 419 091 EG	Steering wheels - PDK - steering wheel (leather)		1	PR:250
	9P1 419 091 EG A34	Black	-AD,AG,AJ,AS, AZ,BM,BT,BW, PM,PT,PW,TD, 99		PR:855,QR0, -489
	9P1 419 091 EG OE5	agate grey	-FD,FG,FJ,FS, FZ		
	9P1 419 091 EG 9J9	Luxor beige	-UD,UG,UJ,US, UZ		
	9P1 419 091 EG OH7	Graphite Blue	-HZ,TG		
	9P1 419 091 EG OK6	saddle brown	-SZ		
	9P1 419 091 EG OG6	Bordeaux red	-LZ		
	9P1 419 091 EG 6H6	Espresso	-BY,NE		
(1)	9P1 419 091 EH	steering wheel (leather)		1	PR:855,QR4, QR5,-489
	9P1 419 091 EH A34	Black	-AD,AG,AJ,AS, AZ,BM,BT,BW, PM,PT,PW,TD, 99		
	9P1 419 091 EH OE5	agate grey	-FD,FG,FJ,FS, FZ		
	9P1 419 091 EH 9J9	Luxor beige	-UD,UG,UJ,US, UZ		
	9P1 419 091 EH OH7	Graphite Blue	-HZ,TG		
	9P1 419 091 EH OK6	saddle brown	-SZ		
	9P1 419 091 EH OG6	Bordeaux red	-LZ		
	9P1 419 091 EH 6H6	Espresso	-BY,NE		
(1)	95B 419 091 AK	steering wheel Leather		1	PR:855,QR0, 489
	95B 419 091 AK A34	Black	-AD,AG,AJ,AS, AZ,BM,BT,BW, PM,PT,PW,TD, 99		
	95B 419 091 AK OE5	agate grey	-FD,FG,FJ,FS, FZ		
	95B 419 091 AK 9J9	Luxor beige	-UD,UG,UJ,US, UZ		
	95B 419 091 AK OH7	Graphite Blue	-HZ,TG		
	95B 419 091 AK OK6	saddle brown	-SZ		
	95B 419 091 AK OG6	Bordeaux red	-LZ		
	95B 419 091 AK 6H6	Espresso	-BY,NE		
(1)	9P1 419 091 EJ	steering wheel (leather)		1	PR:855,QR4, QR5,489
	9P1 419 091 EJ A34	Black	-AD,AG,AJ,AS, AZ,BM,BT,BW, PM,PT,PW,TD, 99		
	9P1 419 091 EJ OE5	agate grey	-FD,FG,FJ,FS, FZ		
	9P1 419 091 EJ 9J9	Luxor beige	-UD,UG,UJ,US, UZ		
	9P1 419 091 EJ OH7	Graphite Blue	-HZ,TG		
	9P1 419 091 EJ OK6	saddle brown	-SZ		
	9P1 419 091 EJ OG6	Bordeaux red	-LZ		
	9P1 419 091 EJ 6H6	Espresso	-BY,NE		
(1)	9P1 419 091 EK	steering wheel Carbon		1	PR:XHW,QR0, 489
	9P1 419 091 EK A34	Black	-AD,AG,AJ,AS, AZ,BM,BT,BW, PM,PT,PW,TD,		

Model: 982-17

Model life 2017>>

Pos	Part Number	Description	Remark	Qty	Model
	9P1 419 091 EK OE5	agate grey	99 -FD,FG,FJ,FS, FZ		
	9P1 419 091 EK 9J9	Luxor beige	-UD,UG,UJ,US, UZ		
	9P1 419 091 EK OH7	Graphite Blue	-HZ,TG		
	9P1 419 091 EK OK6	saddle brown	-SZ		
	9P1 419 091 EK OG6	Bordeaux red	-LZ		
	9P1 419 091 EK 6H6	Espresso	-BY,NE		
(1)	9P1 419 091 EM	steering wheel Carbon		1	PR:XHW,QR4, QR5,489
	9P1 419 091 EM A34	Black	-AD,AG,AJ,AS, AZ,BM,BT,BW, PM,PT,PW,TD, 99		
	9P1 419 091 EM OE5	agate grey	-FD,FG,FJ,FS, FZ		
	9P1 419 091 EM 9J9	Luxor beige	-UD,UG,UJ,US, UZ		
	9P1 419 091 EM OH7	Graphite Blue	-HZ,TG		
	9P1 419 091 EM OK6	saddle brown	-SZ		
	9P1 419 091 EM OG6	Bordeaux red	-LZ		
	9P1 419 091 EM 6H6	Espresso	-BY,NE		
(1)	9P1 419 091 EL	steering wheel Mahogany Yachting		1	PR:XHV,QR0, 489
	9P1 419 091 EL A34	Yachting mahogany/black	-AD,AG,AJ,AS, AZ,BM,BT,BW, PM,PT,PW,TD, 99		
	9P1 419 091 EL OE5	Yachting mahogany/agate grey	-FD,FG,FJ,FS, FZ		
	9P1 419 091 EL 9J9	Yachting mahogany/luxor beige	-UD,UG,UJ,US, UZ		
	9P1 419 091 EL OH7	Yachting mahogany/graphit blue	-HZ,TG		
	9P1 419 091 EL OK6	Yachting mahogany/saddle brown	-SZ		
	9P1 419 091 EL OG6	Yachting mahogany/bordeaux red	-LZ		
	9P1 419 091 EL 6H6	Yachting mahogany/espresso	-BY,NE		
(1)	9P1 419 091 EN	steering wheel Mahogany Yachting		1	PR:XHV,QR4, QR5,489
	9P1 419 091 EN A34	Yachting mahogany/black	-AD,AG,AJ,AS, AZ,BM,BT,BW, PM,PT,PW,TD, 99		
	9P1 419 091 EN OE5	Yachting mahogany/agate grey	-FD,FG,FJ,FS, FZ		
	9P1 419 091 EN 9J9	Yachting mahogany/luxor beige	-UD,UG,UJ,US, UZ		
	9P1 419 091 EN OH7	Yachting mahogany/graphit blue	-HZ,TG		
	9P1 419 091 EN OK6	Yachting mahogany/saddle brown	-SZ		
	9P1 419 091 EN OG6	Yachting mahogany/bordeaux red	-LZ		
	9P1 419 091 EN 6H6	Yachting mahogany/espresso	-BY,NE		
(1)	9P1 419 091 FD	steering wheel (leather)		1	PR:858,QR0, -489
	9P1 419 091 FD A34	GT Black	-AD,AG,AJ,AS, AZ,BM,BT,BW, PM,PT,PW,TD, 99		
	9P1 419 091 FD OE5	agate grey	-FD,FG,FJ,FS, FZ		
	9P1 419 091 FD 9J9	Luxor beige	-UD,UG,UJ,US, UZ		
	9P1 419 091 FD OH7	Graphite Blue	-HZ,TG		

Model: 982-17 Model life 2017>>

Pos	Part Number	Description	Remark	Qty	Model
(1)	9P1 419 091 FD OK6	saddle brown	-SZ	1	PR:858,QR4, QR5,-489
	9P1 419 091 FD OG6	Bordeaux red	-LZ		
	9P1 419 091 FD 6H6	Espresso	-BY,NE		
	9P1 419 091 FF	steering wheel (leather)			
		GT			
	9P1 419 091 FF A34	Black	-AD,AG,AJ,AS, AZ,BM,BT,BW, PM,PT,PW,TD, 99		
	9P1 419 091 FF OE5	agate grey	-FD,FG,FJ,FS, FZ		
(1)	9P1 419 091 FF 9J9	Luxor beige	-UD,UG,UJ,US, UZ	1	PR:858,QR0, 489
	9P1 419 091 FF OH7	Graphite Blue	-HZ,TG		
	9P1 419 091 FF OK6	saddle brown	-SZ		
	9P1 419 091 FF OG6	Bordeaux red	-LZ		
	9P1 419 091 FF 6H6	Espresso	-BY,NE		
	9P1 419 091 FH	steering wheel (leather)			
		GT			
(1)	9P1 419 091 FH A34	Black	-AD,AG,AJ,AS, AZ,BM,BT,BW, PM,PT,PW,TD, 99	1	PR:858,QR4, QR5,489
	9P1 419 091 FH OE5	agate grey	-FD,FG,FJ,FS, FZ		
	9P1 419 091 FH 9J9	Luxor beige	-UD,UG,UJ,US, UZ		
	9P1 419 091 FH OH7	Graphite Blue	-HZ,TG		
	9P1 419 091 FH OK6	saddle brown	-SZ		
	9P1 419 091 FH OG6	Bordeaux red	-LZ		
	9P1 419 091 FH 6H6	Espresso	-BY,NE		
(1)	9P1 419 091 FK	steering wheel (leather)		1	PR:858,QR4, QR5,489
		GT			
	9P1 419 091 FK A34	Black	-AD,AG,AJ,AS, AZ,BM,BT,BW, PM,PT,PW,TD, 99		
	9P1 419 091 FK OE5	agate grey	-FD,FG,FJ,FS, FZ		
	9P1 419 091 FK 9J9	Luxor beige	-UD,UG,UJ,US, UZ		
	9P1 419 091 FK OH7	Graphite Blue	-HZ,TG		
	9P1 419 091 FK OK6	saddle brown	-SZ		
(1)	9P1 419 091 FK OG6	Bordeaux red	-LZ	1	PR:XLL,QR0, -489
	9P1 419 091 FK 6H6	Espresso	-BY,NE		
	9P1 419 091 FE	steering wheel Alcantara			
		GT			
	9P1 419 091 FE 2W0	Black			
	9P1 419 091 FG	steering wheel Alcantara			
		GT			
(1)	9P1 419 091 FG 2W0	Black		1	PR:XLL,QR4, QR5,-489
	9P1 419 091 FJ	steering wheel Alcantara			
(1)	9P1 419 091 FJ 2W0	Black		1	PR:XLL,QR0, 489
	9P1 419 091 FL	steering wheel Alcantara			
(1)	9P1 419 091 FL	steering wheel Alcantara		1	PR:XLL,QR4, QR5,489
		GT			

Model: 982-17

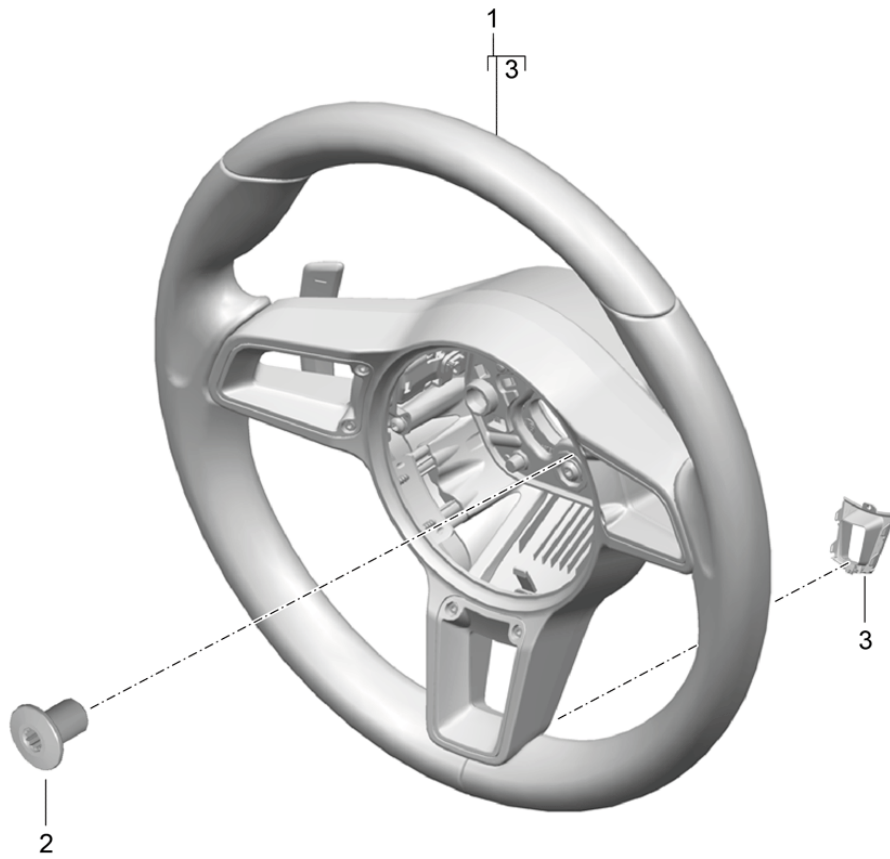
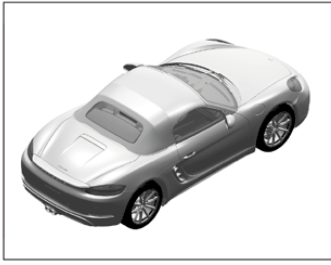
Model life 2017>>

Pos	Part Number	Description	Remark	Qty	Model
2	9P1 419 091 FL 2W0 N 910 207 01	Black Screw with int. serrations M 18 X 1,5 X 26 D >> - 24.01.2017		1	
(2)	N 907 991 02	Pan head bolt w/ multi-point drive, self-locking M18 X 1,5 X 18 D - 25.01.2017>>		1	
3	95B 951 527  95B 951 527 6N3	Trim heater steering wheel Black		1	PR:489



Model: 982-17

Model life 2017>>



Model: 982-17

Model life 2017>>

Pos	Part Number	Description	Remark	Qty	Model
1	9P1 419 091 DS	Steering wheels Manual gearbox steering wheel (leather)		1	PR:480
	9P1 419 091 DS A34	Black	-AD,AG,AJ,AS, AZ,BM,BT,BW, PM,PT,PW,TD, 99		PR:855,QR0, -489
	9P1 419 091 DS OE5	agate grey	-FD,FG,FJ,FS, FZ		
	9P1 419 091 DS 9J9	Luxor beige	-UD,UG,UJ,US, UZ		
	9P1 419 091 DS OH7	Graphite Blue	-HZ,TG		
	9P1 419 091 DS OK6	saddle brown	-SZ		
	9P1 419 091 DS OG6	Bordeaux red	-LZ		
	9P1 419 091 DS 6H6	Espresso	-BY,NE		
(1)	9P1 419 091 DT	steering wheel (leather)		1	PR:855,QR4, QR5,-489
	9P1 419 091 DT A34	Black	-AD,AG,AJ,AS, AZ,BM,BT,BW, PM,PT,PW,TD, 99		
	9P1 419 091 DT OE5	agate grey	-FD,FG,FJ,FS, FZ		
	9P1 419 091 DT 9J9	Luxor beige	-UD,UG,UJ,US, UZ		
	9P1 419 091 DT OH7	Graphite Blue	-HZ,TG		
	9P1 419 091 DT OK6	saddle brown	-SZ		
	9P1 419 091 DT OG6	Bordeaux red	-LZ		
	9P1 419 091 DT 6H6	Espresso	-BY,NE		
(1)	9P1 419 091 EA	steering wheel (leather)		1	PR:855,QR0, 489
	9P1 419 091 EA A34	Black	-AD,AG,AJ,AS, AZ,BM,BT,BW, PM,PT,PW,TD, 99		
	9P1 419 091 EA OE5	agate grey	-FD,FG,FJ,FS, FZ		
	9P1 419 091 EA 9J9	Luxor beige	-UD,UG,UJ,US, UZ		
	9P1 419 091 EA OH7	Graphite Blue	-HZ,TG		
	9P1 419 091 EA OK6	saddle brown	-SZ		
	9P1 419 091 EA OG6	Bordeaux red	-LZ		
	9P1 419 091 EA 6H6	Espresso	-BY,NE		
(1)	9P1 419 091 EB	steering wheel (leather)		1	PR:855,QR4, QR5,489
	9P1 419 091 EB A34	Black	-AD,AG,AJ,AS, AZ,BM,BT,BW, PM,PT,PW,TD, 99		
	9P1 419 091 EB OE5	agate grey	-FD,FG,FJ,FS, FZ		
	9P1 419 091 EB 9J9	Luxor beige	-UD,UG,UJ,US, UZ		
	9P1 419 091 EB OH7	Graphite Blue	-HZ,TG		
	9P1 419 091 EB OK6	saddle brown	-SZ		
	9P1 419 091 EB OG6	Bordeaux red	-LZ		
	9P1 419 091 EB 6H6	Espresso	-BY,NE		
(1)	9P1 419 091 EC	steering wheel Carbon		1	PR:XHW,QR0, 489
	9P1 419 091 EC A34	Black	-AD,AG,AJ,AS, AZ,BM,BT,BW, PM,PT,PW,TD,		

Model: 982-17

Model life 2017>>

Pos	Part Number	Description	Remark	Qty	Model
	9P1 419 091 EC OE5	agate grey	99 -FD,FG,FJ,FS, FZ		
	9P1 419 091 EC 9J9	Luxor beige	-UD,UG,UJ,US, UZ		
	9P1 419 091 EC OH7	Graphite Blue	-HZ,TG		
	9P1 419 091 EC OK6	saddle brown	-SZ		
	9P1 419 091 EC OG6	Bordeaux red	-LZ		
	9P1 419 091 EC 6H6	Espresso	-BY,NE		
(1)	9P1 419 091 ED	steering wheel Carbon		1	PR:XHW,QR4, QR5,489
	9P1 419 091 ED A34	Black	-AD,AG,AJ,AS, AZ,BM,BT,BW, PM,PT,PW,TD, 99		
	9P1 419 091 ED OE5	agate grey	-FD,FG,FJ,FS, FZ		
	9P1 419 091 ED 9J9	Luxor beige	-UD,UG,UJ,US, UZ		
	9P1 419 091 ED OH7	Graphite Blue	-HZ,TG		
	9P1 419 091 ED OK6	saddle brown	-SZ		
	9P1 419 091 ED OG6	Bordeaux red	-LZ		
	9P1 419 091 ED 6H6	Espresso	-BY,NE		
(1)	9P1 419 091 EE	steering wheel Mahogany Yachting		1	PR:XHV,QR0, 489
	9P1 419 091 EE A34	Yachting mahogany/black	-AD,AG,AJ,AS, AZ,BM,BT,BW, PM,PT,PW,TD, 99		
	9P1 419 091 EE OE5	Yachting mahogany/agate grey	-FD,FG,FJ,FS, FZ		
	9P1 419 091 EE 9J9	Yachting mahogany/luxor beige	-UD,UG,UJ,US, UZ		
	9P1 419 091 EE OH7	Yachting mahogany/graphit blue	-HZ,TG		
	9P1 419 091 EE OK6	Yachting mahogany/saddle brown	-SZ		
	9P1 419 091 EE OG6	Yachting mahogany/bordeaux red	-LZ		
	9P1 419 091 EE 6H6	Yachting mahogany/espresso	-BY,NE		
(1)	9P1 419 091 EF	steering wheel Mahogany Yachting		1	PR:XHV,QR4, QR5,489
	9P1 419 091 EF A34	Yachting mahogany/black	-AD,AG,AJ,AS, AZ,BM,BT,BW, PM,PT,PW,TD, 99		
	9P1 419 091 EF OE5	Yachting mahogany/agate grey	-FD,FG,FJ,FS, FZ		
	9P1 419 091 EF 9J9	Yachting mahogany/luxor beige	-UD,UG,UJ,US, UZ		
	9P1 419 091 EF OH7	Yachting mahogany/graphit blue	-HZ,TG		
	9P1 419 091 EF OK6	Yachting mahogany/saddle brown	-SZ		
	9P1 419 091 EF OG6	Yachting mahogany/bordeaux red	-LZ		
	9P1 419 091 EF 6H6	Yachting mahogany/espresso	-BY,NE		
(1)	9P1 419 091 EP	steering wheel (leather)		1	PR:858,QR0, -489
	9P1 419 091 EP A34	GT Black	-AD,AG,AJ,AS, AZ,BM,BT,BW, PM,PT,PW,TD, 99		
	9P1 419 091 EP OE5	agate grey	-FD,FG,FJ,FS, FZ		
	9P1 419 091 EP 9J9	Luxor beige	-UD,UG,UJ,US, UZ		
	9P1 419 091 EP OH7	Graphite Blue	-HZ,TG		

Model: 982-17 Model life 2017>>

Pos	Part Number	Description	Remark	Qty	Model
(1)	9P1 419 091 EP OK6	saddle brown	-SZ	1	PR:858,QR4, QR5,-489
	9P1 419 091 EP OG6	Bordeaux red	-LZ		
	9P1 419 091 EP 6H6	Espresso	-BY,NE		
	9P1 419 091 ER	steering wheel (leather)			
		GT			
	9P1 419 091 ER A34	Black	-AD,AG,AJ,AS, AZ,BM,BT,BW, PM,PT,PW,TD, 99		
	9P1 419 091 ER OE5	agate grey	-FD,FG,FJ,FS, FZ		
(1)	9P1 419 091 ER 9J9	Luxor beige	-UD,UG,UJ,US, UZ	1	PR:858,QR0, 489
	9P1 419 091 ER OH7	Graphite Blue	-HZ,TG		
	9P1 419 091 ER OK6	saddle brown	-SZ		
	9P1 419 091 ER OG6	Bordeaux red	-LZ		
	9P1 419 091 ER 6H6	Espresso	-BY,NE		
	9P1 419 091 ET	steering wheel (leather)			
		GT			
(1)	9P1 419 091 ET A34	Black	-AD,AG,AJ,AS, AZ,BM,BT,BW, PM,PT,PW,TD, 99	1	PR:858,QR4, QR5,489
	9P1 419 091 ET OE5	agate grey	-FD,FG,FJ,FS, FZ		
	9P1 419 091 ET 9J9	Luxor beige	-UD,UG,UJ,US, UZ		
	9P1 419 091 ET OH7	Graphite Blue	-HZ,TG		
	9P1 419 091 ET OK6	saddle brown	-SZ		
	9P1 419 091 ET OG6	Bordeaux red	-LZ		
	9P1 419 091 ET 6H6	Espresso	-BY,NE		
(1)	9P1 419 091 FB	steering wheel (leather)		1	PR:858,QR4, QR5,489
		GT			
	9P1 419 091 FB A34	Black	-AD,AG,AJ,AS, AZ,BM,BT,BW, PM,PT,PW,TD, 99		
	9P1 419 091 FB OE5	agate grey	-FD,FG,FJ,FS, FZ		
	9P1 419 091 FB 9J9	Luxor beige	-UD,UG,UJ,US, UZ		
	9P1 419 091 FB OH7	Graphite Blue	-HZ,TG		
	9P1 419 091 FB OK6	saddle brown	-SZ		
(1)	9P1 419 091 FB OG6	Bordeaux red	-LZ	1	PR:XLL,QR0, -489
	9P1 419 091 FB 6H6	Espresso	-BY,NE		
	9P1 419 091 EQ	steering wheel Alcantara			
		GT			
	9P1 419 091 EQ 2W0	Black			
	9P1 419 091 ES	steering wheel Alcantara			
		GT			
(1)	9P1 419 091 ES 2W0	Black		1	PR:XLL,QR4, QR5,-489
	9P1 419 091 FA	steering wheel Alcantara			
(1)		GT		1	PR:XLL,QR0, 489
	9P1 419 091 FA 2W0	Black			
(1)	9P1 419 091 FA 2W0	Black		1	PR:XLL,QR4, QR5,489
	9P1 419 091 FC	steering wheel Alcantara			
		GT			

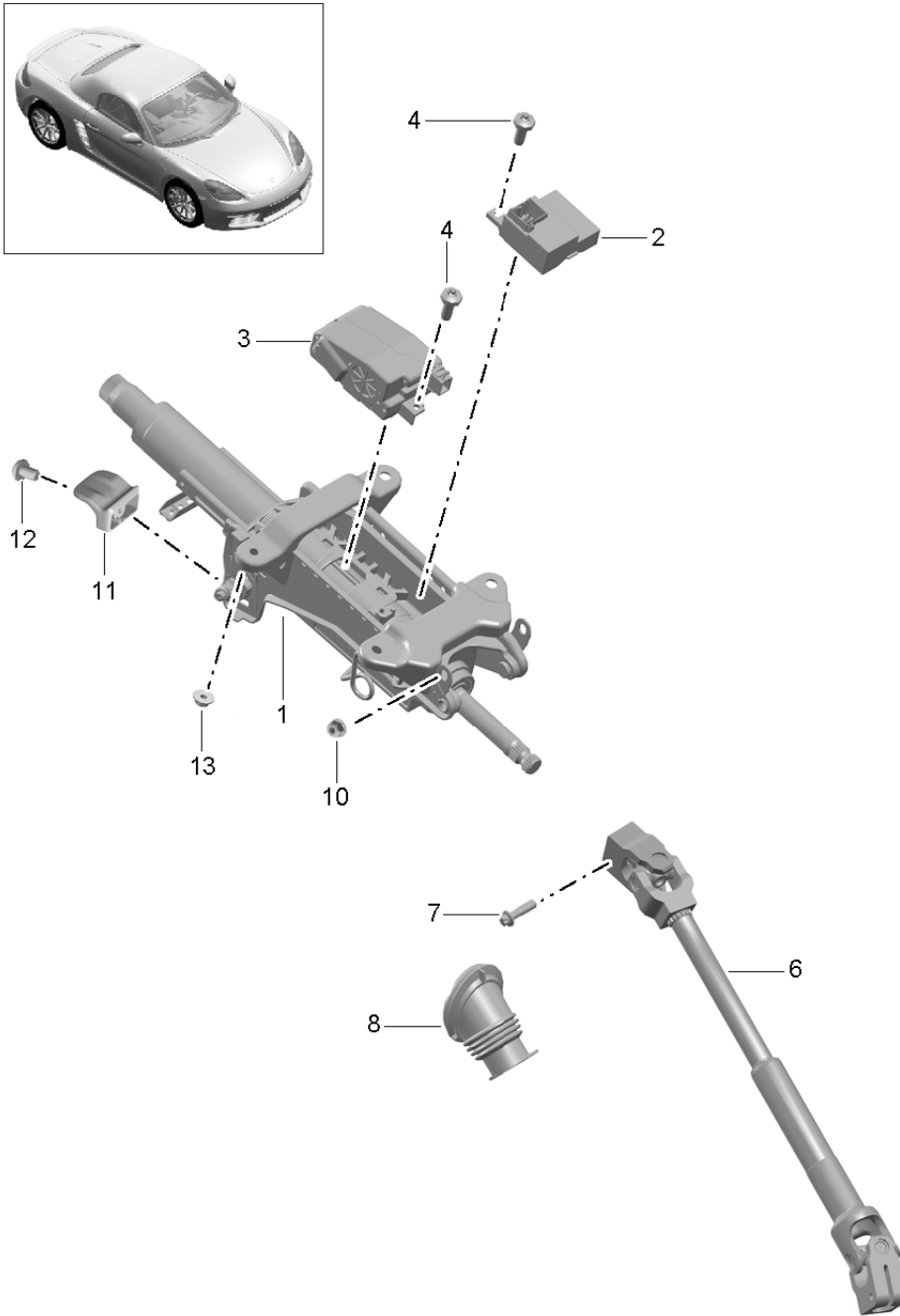
Model: 982-17

Model life 2017>>

Pos	Part Number	Description	Remark	Qty	Model
2	9P1 419 091 FC 2W0 N 910 207 01	Black Screw with int. serrations M 18 X 1,5 X 26 D >> - 24.01.2017		1	
(2)	N 907 991 02	Pan head bolt w/ multi-point drive, self-locking M18 X 1,5 X 18 D - 25.01.2017>>		1	
3	95B 951 527  95B 951 527 6N3	Trim heater steering wheel Black		1	PR:489

Model: 982-17

Model life 2017>>



Model: 982-17

Model life 2017>>

Pos	Part Number	Description	Remark	Qty	Model
1	991 347 015 24	Steering column Intermediate steering shaft		1	PR:647
(1)	991 347 015 33	Steering column		1	PR:648
(1)	991 347 015 06	Steering column		1	PR:655
(1)	991 347 015 15	Steering column		1	PR:656
2	4H0 907 705 K	Control unit for electrically adjustable steering column		1	PR:648,656
3	7PP 905 852 C	Control unit		1	PR:655,656
4	8E0 035 413	Hexagon socket head bolt M 5 X 10		2	PR:648,656
6	991 347 023 03	Intermediate steering shaft		1	PR:098
(6)	991 347 024 03	Intermediate steering shaft		1	PR:099
7	WHT 004 955 A	Torx socket head bolt M 8 X 30		2	
8	991 347 037 02	Bellows		1	
10	999 084 630 01	Hexagon nut M 8		1	
11	970 347 175 00	handle		1	PR:647,655
	970 347 175 00 1E0	Black			
12	N 104 857 03	Hexagon socket flat head bolt M 5 X 12		1	
13	N 907 988 05	Hexagon collar nut M 8		4	





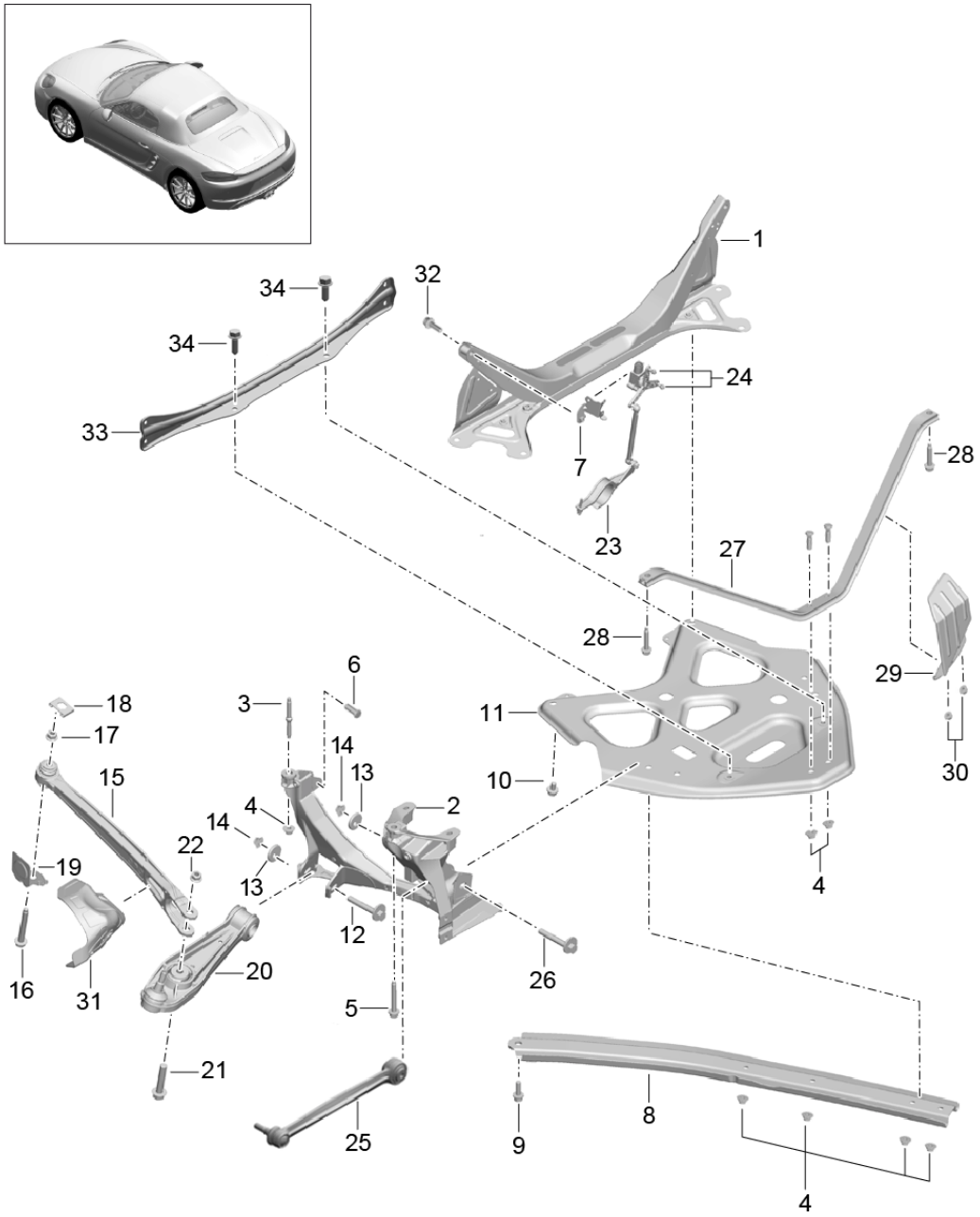
Model: 982-17

Model life 2017>>

Pos	Part Number	Description	Remark	Qty	Model
		Rear axle			
		Wheel carrier			
		Wheel hub			
1	982 505 051 A	Wheel carrier	left	1	
(1)	982 505 052 A	Wheel carrier	right	1	
2	982 507 625	angular ball bearing		2	
3	986 331 661 20	Cover		2	
4	999 217 042 03	Hexagon bolt M 8 X 35		8	
5	991 341 605 03	Wheel hub		2	
6	991 606 407 01	speed sensor		2	
7	900 067 117 04	Socket head bolt M 6 X 16		2	
8	981 352 801 02	Cover plate	left	1	
(8)	981 352 802 02	Cover plate	right	1	
9	981 355 501 01	Bracket	left	1	
(9)	981 355 502 01	Bracket	right	1	
10	999 217 116 01	Hexagon bolt M6 X 16		10	
11	WHT 007 021	hex. nut, self-locking with washer M 22 X 1,5		2	

Model: 982-17

Model life 2017>>



Model: 982-17 Model life 2017>>

Pos	Part Number	Description	Remark	Qty	Model
		Rear axle Side part Carrier Guide			
1	982 505 099 C	Cross member		1	
2	981 331 051 06	Side part	left	1	
(2)	981 331 052 06	Side part	right	1	
3	999 061 120 01	Threaded pin M 10 X 100		2	
4	999 076 053 01	Hexagon nut M 10		12	
4	PAF 008 868	Hexagon nut M 10		12	
5	999 072 843 01	Bolt with washer M 10 X 80 PA		2	
6	999 072 829 01	Hexagon bolt M 10 X 45		2	
7	982 907 347 B	Bracket Sensor	left	1	PR:029,030, 475,477
(7)	982 907 333 A	Bracket Sensor	right	1	PR:030,475, 477
8	982 505 477	Brace	left	1	
(8)	982 505 478	Brace	right	1	
9	999 072 840 01	Hexagon bolt AM 10 X 35		2	
10	999 072 844 01	Bolt with washer AM 10 X 20		2	
11	981 331 261 11	Bracket		1	
12	997 331 217 03	Eccentric bolt M 12 X 1,5 X 100		2	
13	996 331 219 00	eccentric washer		4	
14	999 084 445 01	Locknut M 12 X 1,5		4	
15	982 501 401	Guide		2	
16	999 072 875 01	Hexagon bolt AM 12 X 1,5 X 95		2	
17	999 084 445 01	Locknut M 12 X 1,5		2	
18	982 501 299	Nut lock		2	
19	982 501 812 A	Protective plate Only	right	1	
20	981 331 053 00	Wishbone		2	
21	999 072 890 01	Hexagon bolt AM 14 X 1,5 X 75		2	
22	900 380 012 01	Hexagon nut M 14 X 1,5		2	
23	982 616 214	Level sensor	left	1	
(23)	982 616 214 A	Level sensor	right	1	PR:030,475, 477
24	N 104 857 03	Hexagon socket flat head bolt M 5 X 12 - W		2	
25	981 331 045 02	Track rod		2	
26	997 331 217 02	Eccentric bolt M 12 X 1,5 X 83		2	
27	981 331 093 01	Brace		1	
28	999 072 837 01	Hexagon bolt AM 10 X 55 - PA		2	
29	981 331 198 00	Guard plate		1	PR:250
30	900 380 015 01	Hexagon nut M 6		2	PR:250
31	982 505 569	Spoiler	left	1	
(31)	982 505 570	Spoiler	right	1	

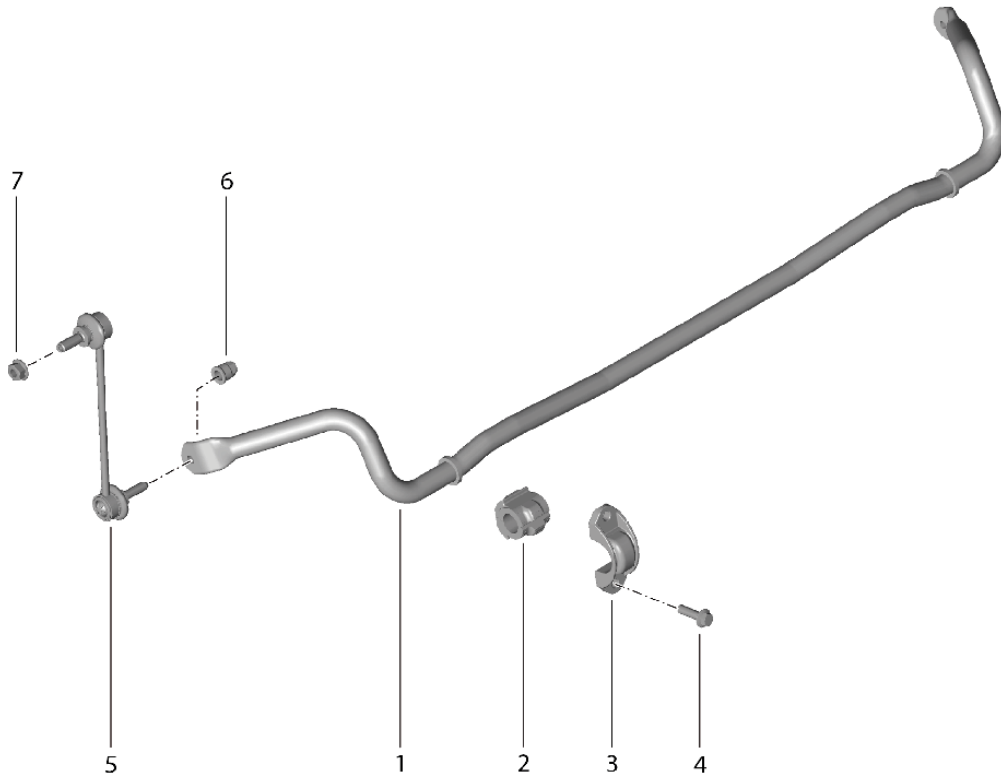
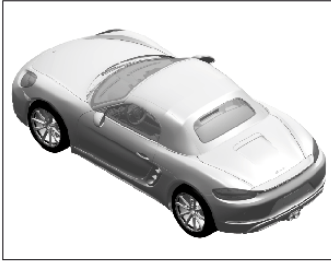
Model: 982-17

Model life 2017>>

Pos	Part Number	Description	Remark	Qty	Model
32	900 378 115 01	Hexagon bolt AM 6 X 35		1	PR:029
(32)	900 378 115 01	Hexagon bolt AM 6 X 35		2	PR:030,475, 477
33	982 505 475	Transverse strut		1	
34	N 106 421 01	Hex collared bolt M 8 X 25		2	

Model: 982-17

Model life 2017>>



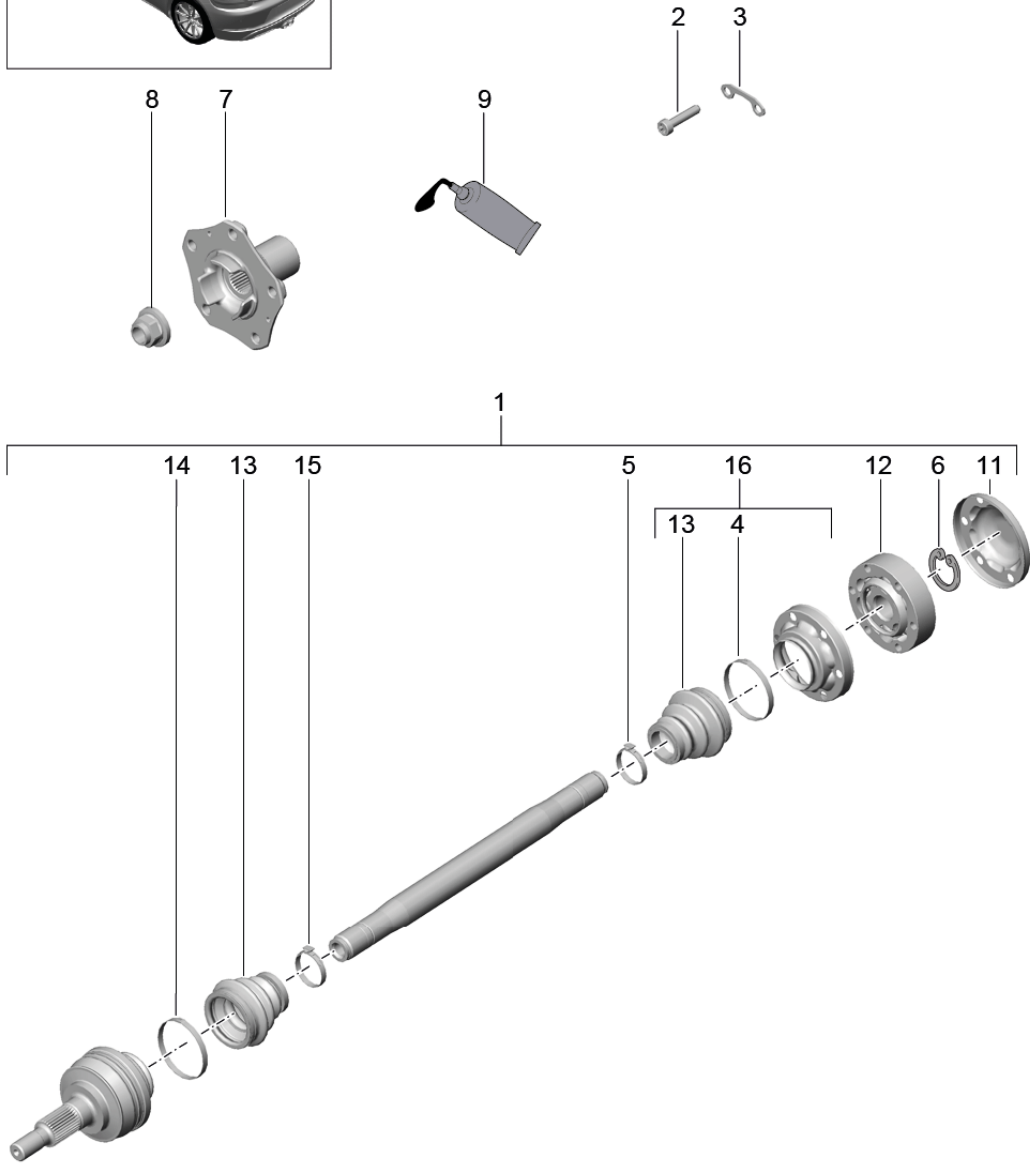
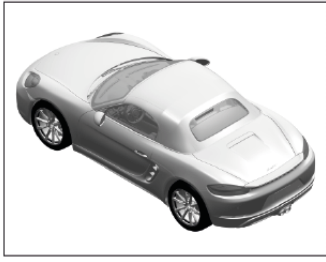
Model: 982-17

Model life 2017>>

Pos	Part Number	Description	Remark	Qty	Model
1	981 333 703 13	Anti-roll bar		1	PR:029
(1)	981 333 703 14	Anti-roll bar		1	PR:219,475, 477
(1)	981 333 703 15	Anti-roll bar		1	PR:220,475, 477,-011
(1)	981 333 703 16	Anti-roll bar		1	PR:030,-011
(1)	981 333 703 17	Anti-roll bar		1	PR:030,011
2	996 333 792 27	anti-roll bar bearing bracket		2	PR:219,475,
(2)	996 333 792 29	anti-roll bar bearing bracket		2	PR:220,475,
(2)	997 333 792 90	anti-roll bar bearing bracket		2	PR:029,030,
(2)	997 333 792 95	anti-roll bar bearing bracket		2	PR:030,011
3	981 333 777 00	Bearing clamp		2	
4	900 378 159 01	Hexagon bolt AM 8 X 60		4	
5	997 343 069 04	Coupling rod	left	2	
(5)	997 343 070 04	Coupling rod	right	2	
6	999 084 123 09	Hexagon nut M 10		2	
7	999 084 445 01	Locknut M 12 X 1,5 Anti-roll bar		2	

Model: 982-17

Model life 2017>>



Model: 982-17

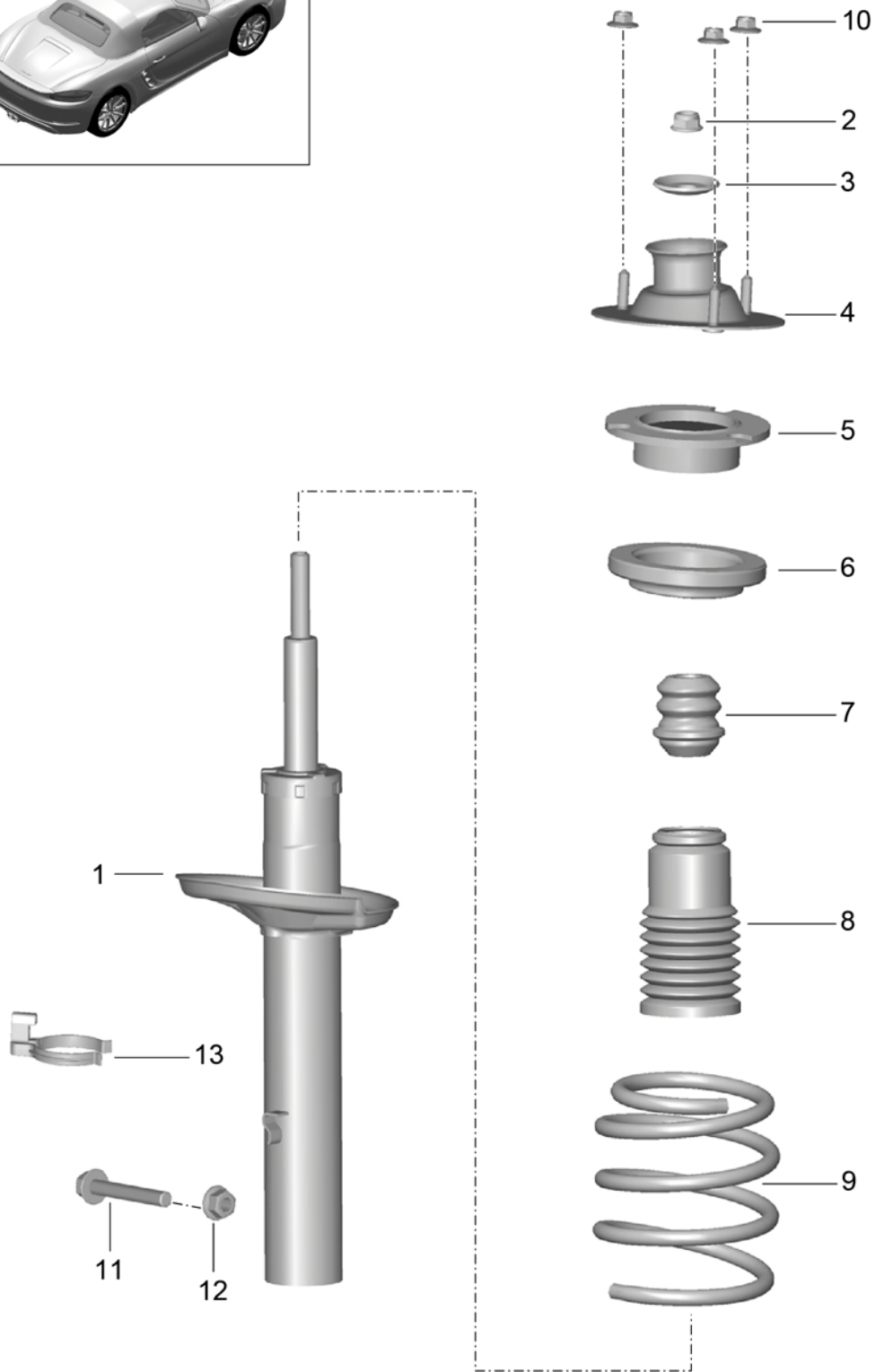
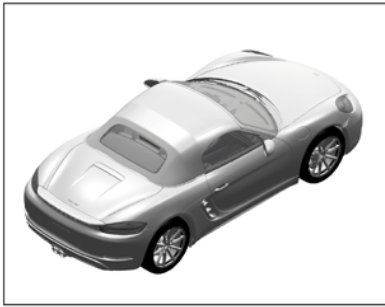
Model life 2017>>

Pos	Part Number	Description	Remark	Qty	Model
1	981 332 024 10	Drive shaft			
		Wheel hub			
(1)	981 332 024 30	Drive shaft	left	1	PR:008,480
(1)	981 332 024 60	Drive shaft	right	1	PR:008,480
(1)	982 501 201 D	Drive shaft		2	PR:008,250
(1)	982 501 202 D	Drive shaft	left	1	PR:009,480
(1)	982 501 203 C	Drive shaft	right	1	PR:009,480
2	999 510 047 01	Socket head bolt		2	PR:009,250
		M 10 X 46,5		12	PR:008
(2)	N 105 234 02	Socket head bolt with inner multipoint head		12	PR:009
		AM 10 X 52			
3	9P1 501 375	Spacer		6	PR:008
(3)	9A7 407 357 00	Spacer		6	PR:009
4	996 332 957 00	Clip		4	PR:008
		73 MM			
(4)	999 512 783 01	hose clip		2	PR:009
5	996 332 257 00	Clip		4	
		34 MM			
6	900 041 014 00	Securing ring		4	
7	991 341 605 03	Wheel hub		2	
8	WHT 007 021	hex. nut, self-locking with washer		2	
		M 22 X 1,5			
9	000 043 110 01	Grease		X	
		1 100-gramme tube			
11	997 332 267 00	End cap		2	PR:008
(11)	982 501 147	End cap		2	PR:009
12	991 332 030 00	Joint		2	PR:008
(12)	982 501 517	Joint		2	PR:009
13	996 332 293 00	Dust bellows		4	PR:008
(13)	970 332 293 00	Bellows		2	PR:009
14	996 332 957 00	Clip		4	PR:008
		73 MM			
(14)	999 512 783 01	hose clip		2	PR:009
15	996 332 257 00	Clip		4	
		34 MM			
16	997 332 955 00	Bellows		2	PR:008
		with:			
		Cap			
(16)	982 501 135 B	Bellows		2	PR:009
		with:			
		Cap			



Model: 982-17

Model life 2017>>

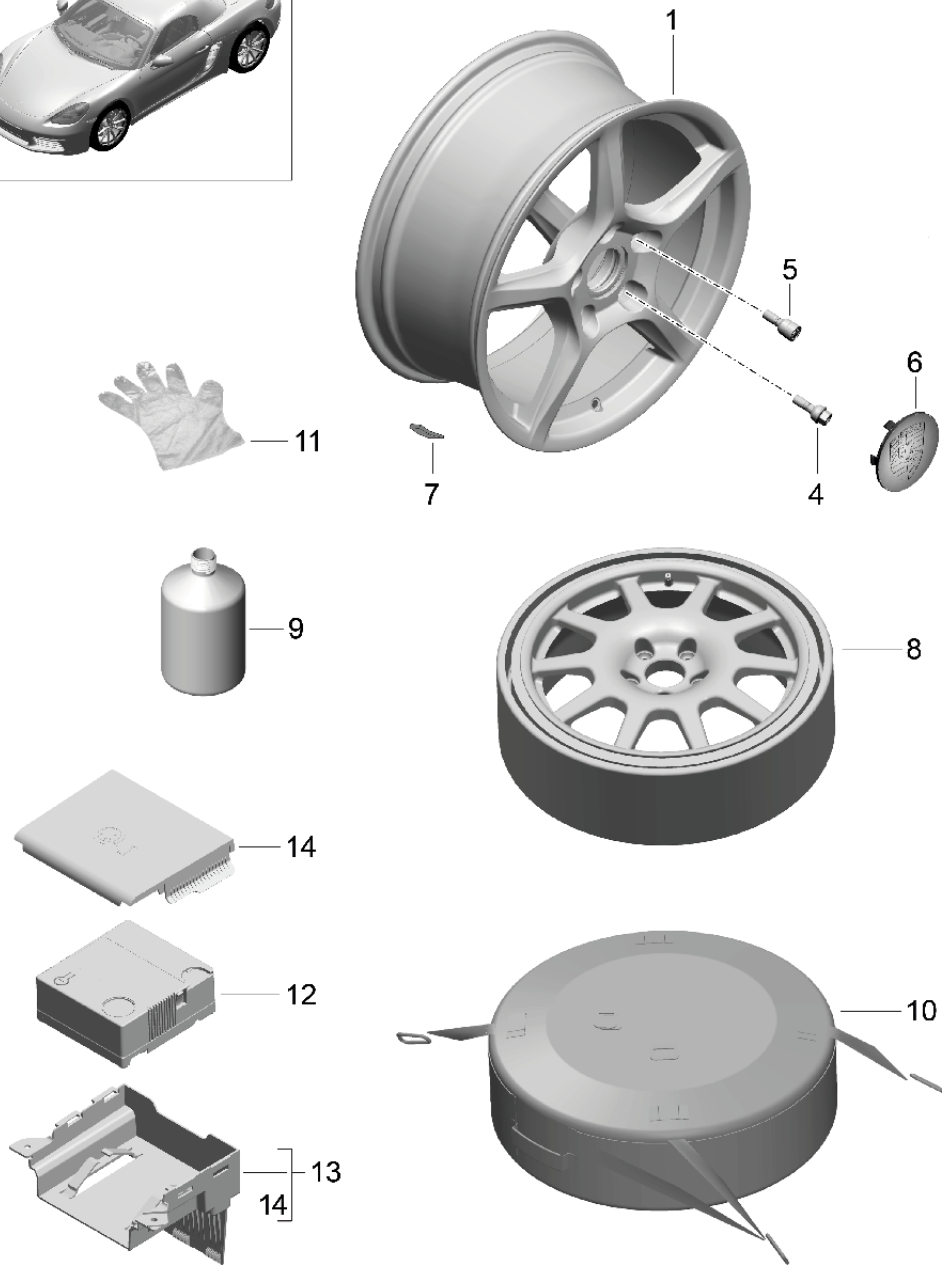
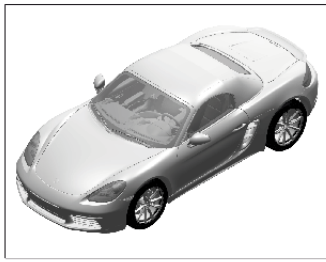


Model: 982-17 Model life 2017>>

Pos	Part Number	Description	Remark	Qty	Model
1	982 513 029 B	Shock absorbers		2	PR:029
(1)	982 513 031 A	Coil spring		2	PR:030
(1)	982 513 031 B	Shock absorbers		2	PR:475,477
2	999 084 133 01	Shock absorbers		2	
		Hexagon nut		2	
		M 14 X 1,5			
3	981 333 207 00	stop washer		4	
4	981 333 059 01	Shock absorber bearing		2	
5	981 333 509 00	Centring ring		2	
		Identification: >> >>			
		yellow			
		3MM			
(5)	981 333 509 01	Centring ring		2	
		Identification: >> >>			
		blue			
		6,5MM			
6	981 333 504 01	spring bush		2	
7	987 333 301 00	helper spring		2	
8	981 333 505 00	Bellows		2	
9	982 511 115	Coil spring		1	PR:029,480
	982 511 115 504	1 pair of springs			
		Identification: >> >>			
		Squirrel grey			
		violet			
(9)	982 511 115 A	Coil spring		1	PR:029,250
	982 511 115 A 504	1 pair of springs			
		Identification: >> >>			
		Squirrel grey			
		fire red			
(9)	982 511 115 B	Coil spring		1	PR:475,477,480
	982 511 115 B 504	1 pair of springs			
		Identification: >> >>			
		fire red			
		orange			
(9)	982 511 115 C	Coil spring		1	PR:475,477,250
	982 511 115 C 504	1 pair of springs			
		Identification: >> >>			
		fire red			
		fire red			
(9)	982 511 115 D	Coil spring		1	PR:030,480
	982 511 115 D 504	1 pair of springs			
		Identification: >> >>			
		fire red			
		violet			
(9)	982 511 115 E	Coil spring		1	PR:030,250
	982 511 115 E 504	1 pair of springs			
		Identification: >> >>			
		fire red			
		Squirrel grey			
10	999 084 447 01	Hexagon nut		6	
		M 8			
10	PAF 003 923	Hexagon nut		6	
		M 8			
11	999 072 868 01	Hexagon bolt		2	
		M 12 X 1,5 X 80			
12	999 084 445 01	Locknut		2	
		M 12 X 1,5			
13	991 343 571 00	Distance piece		2	PR:477

Model: 982-17

Model life 2017>>



Model: 982-17 Model life 2017>>

Pos	Part Number	Description	Remark	Qty	Model
-		Wheels part number Disc wheel			
		without:			
		Hub cap and Wheel bolts			
1	982 601 025 M	Alloy wheel 8,0JX18 ET 57	front	2	PR:395
(1)	982 601 025 M 8Z8	Brilliant Silver			PR:340
(1)	982 601 025 P	Alloy wheel 8,0JX18 ET 57	front	2	PR:396
(1)	982 601 025 P 8Z8	Brilliant Silver			PR:340
(1)	982 601 025	Alloy wheel 8,0JX19 ET 57	front	2	PR:397
(1)	982 601 025 88Z	Brilliant chrome finish			PR:340
(1)	982 601 025 B	Alloy wheel 8,0JX19 ET 57	front	2	PR:398,340
(1)	982 601 025 B 88Z	Brilliant chrome finish			PR:340
(1)	981 362 160 14	Alloy wheel 8,0JX20 ET 57	front	2	PR:427
(1)	981 362 160 14 OC6	Titanium			PR:340
(1)	982 601 025 F	Alloy wheel 8,5JX20 ET 57	front	2	PR:439
(1)	982 601 025 F OC6	Titanium			PR:340
(1)	982 601 025 H	Alloy wheel 8,0JX20 ET 57	front	2	PR:433,340, XDH,XDK,XDL, XDG
	982 601 025 H 88Z	Brilliant chrome finish			PR:340
	982 601 025 H OB5	Platinum satin-matt			PR:XDH
	982 601 025 H JE1	Matt black			PR:XDK
	982 601 025 H C9X	Jet Black Metallic			PR:XDL
	982 601 025 H 041	Black			PR:XDG
(1)	982 601 025 K	Alloy wheel 8,5JX20 ET 57	front	2	PR:XRD
	982 601 025 K 041	Black			PR:XDG
	982 601 025 K OB5	Platinum satin-matt			PR:XDH
	982 601 025 K C9X	Jet Black Metallic			PR:XDL
	982 601 025 K OU7	Platinum Silver Metallic			PR:340
(1)	982 601 025 N	Alloy wheel 9,5JX18 ET 48	rear	2	PR:395
(1)	982 601 025 N 8Z8	Brilliant Silver			PR:340
(1)	982 601 025 Q	Alloy wheel 9,5JX18 ET 49	rear	2	PR:396
(1)	982 601 025 Q 8Z8	Brilliant Silver			PR:340
(1)	982 601 025 A	Alloy wheel 10,0JX19 ET 45	rear	2	PR:397
(1)	982 601 025 A 88Z	Brilliant chrome finish			PR:340
(1)	982 601 025 C	Alloy wheel 10,0JX19 ET 50	rear	2	PR:398,340
(1)	982 601 025 C 88Z	Brilliant chrome finish			PR:340
(1)	982 601 025 S	Alloy wheel	rear	2	PR:427

Model: 982-17

Model life 2017>>

Pos	Part Number	Description	Remark	Qty	Model
		10,0JX20 ET 45			
(1)	982 601 025 S OC6 982 601 025 G	Titanium Alloy wheel 10,5JX20 ET 47	rear	2	PR:340 PR:439
(1)	982 601 025 G OC6 982 601 025 J	Titanium Alloy wheel 10,0JX20 ET 45	rear	2	PR:340 PR:433,340, XDH,XDK,XDL, XDG
	982 601 025 J 88Z	Brilliant chrome finish			PR:340
	982 601 025 J OB5	Platinum satin-matt			PR:XDH
	982 601 025 J JE1	Matt black			PR:XDK
	982 601 025 J C9X	Jet Black Metallic			PR:XDL
	982 601 025 J 041	Black			PR:XDG
(1)	982 601 025 L	Alloy wheel 10,5JX20 ET 51	rear	2	PR:XRD
	982 601 025 L 041	Black			PR:XDG
	982 601 025 L OB5	Platinum satin-matt			PR:XDH
	982 601 025 L C9X	Jet Black Metallic			PR:XDL
	982 601 025 L OU7	Platinum Silver Metallic			PR:340
4	WHT 006 978	Wheel bolt M 14 X 1,5 X 44		16	
5	WHT 006 979 A	1 set wheel studs, anti-theft Black		1	PR:-444
(5)	9A7 006 980 00	1 set wheel studs, anti-theft Black		1	PR:444
6	7L5 601 151	Hub cap Concave Coloured		4	PR:446,433, XDG,XDH,XDK
	7L5 601 151 041	Black			PR:XDG
	7L5 601 151 OB5	Platinum satin-matt			PR:XDH
	7L5 601 151 JE1	Matt black			PR:XDK
(6)	7P5 601 151	Hub cap Convex Coloured		4	PR:446,XRD
	7P5 601 151 041	Black			PR:XDG
	7P5 601 151 OB5	Platinum satin-matt			PR:XDH
	7P5 601 151 C9X	Jet Black Metallic			PR:XDL
	7P5 601 151 OU7	Platinum Silver Metallic			PR:340
(6)	9P1 601 147	Hub cap Concave		4	PR:396,-446
	9P1 601 147 8Z8	Brilliant Silver			PR:340
(6)	9P1 601 147	Hub cap Concave		4	PR:433,-446
	9P1 601 147 88Z	Brilliant chrome finish			PR:340
(6)	9P1 601 147 A	Hub cap Concave Coloured		4	PR:396,446
	9P1 601 147 A 8Z8	Brilliant Silver			PR:340
(6)	9P1 601 147 A	Hub cap Concave Coloured		4	PR:433,446, 340
	9P1 601 147 A 88Z	Brilliant chrome finish			PR:340
(6)	9P1 601 149	Hub cap Convex		4	PR:395,-446
	9P1 601 149 8Z8	Brilliant Silver			PR:340
(6)	9P1 601 149	Hub cap Convex		4	PR:397,398, -446
	9P1 601 149 88Z	Brilliant chrome finish			PR:340

Model: 982-17

Model life 2017&gt;&gt;

Pos	Part Number	Description	Remark	Qty	Model
(6)	9P1 601 149	Hub cap Convex		4	PR:427,-446
	9P1 601 149 OC6	Titanium			PR:340
(6)	9P1 601 149 A	Hub cap Convex Coloured		4	PR:395,446
	9P1 601 149 A 8Z8	Brilliant Silver			PR:340
(6)	9P1 601 149 A	Hub cap Convex Coloured		4	PR:397,398, 446
	9P1 601 149 A 88Z	Brilliant chrome finish			PR:340
(6)	9P1 601 149 A	Hub cap Convex Coloured		4	PR:427,446
	9P1 601 149 A OC6	Titanium			PR:340
(6)	7PP 601 149 H	Hub cap		4	PR:439,340, -446
(6)	7PP 601 149 J	Hub cap Coloured		4	PR:439,340, 446
7	997 361 405 00	Balancer weight (self-adhesive) silver		X	
(7)	9P1 601 179	Balancer weight (self-adhesive) Black		X	
(7)	997 361 410 00	Balancer weight (self-adhesive) silver		X	
(7)	9P1 601 181	Balancer weight (self-adhesive) Black		X	
(7)	997 361 415 00	Balancer weight (self-adhesive) silver		X	
(7)	9P1 601 182	Balancer weight (self-adhesive) Black		X	
(7)	997 361 420 00	Balancer weight (self-adhesive) silver		X	
(7)	9P1 601 183	Balancer weight (self-adhesive) Black		X	
(7)	997 361 425 00	Balancer weight (self-adhesive) silver		X	
(7)	9P1 601 184	Balancer weight (self-adhesive) Black		X	
(7)	997 361 430 00	Balancer weight (self-adhesive) silver		X	
(7)	9P1 601 185	Balancer weight (self-adhesive) Black		X	
(7)	997 361 435 00	Balancer weight (self-adhesive) silver		X	
(7)	9P1 601 186	Balancer weight (self-adhesive) Black		X	
(7)	997 361 440 00	Balancer weight (self-adhesive)		X	

Model: 982-17

Model life 2017>>

Pos	Part Number	Description	Remark	Qty	Model
(7)	9P1 601 187	silver Balancer weight (self-adhesive)		X	
(7)	997 361 445 00	Black Balancer weight (self-adhesive)		X	
(7)	9P1 601 188	silver Balancer weight (self-adhesive)		X	
(7)	997 361 450 00	Black Balancer weight (self-adhesive)		X	
(7)	9P1 601 189	silver Balancer weight (self-adhesive)		X	
(7)	997 361 455 00	Black Balancer weight (self-adhesive)		X	
(7)	9P1 601 190	silver Balancer weight (self-adhesive)		X	
(7)	997 361 460 00	Black Balancer weight (self-adhesive)		X	
(7)	9P1 601 191	silver Balancer weight (self-adhesive)		X	
(7)	997 361 465 00	Black Balancer weight (self-adhesive)		X	
(7)	9P1 601 192	silver Balancer weight (self-adhesive)		X	
(7)	997 361 470 00	Black Balancer weight (self-adhesive)		X	
(7)	9P1 601 193	silver Balancer weight (self-adhesive)		X	
(7)	997 361 475 00	Black Balancer weight (self-adhesive)		X	
(7)	9P1 601 194	silver Balancer weight (self-adhesive)		X	
(7)	997 361 480 00	Black Balancer weight (self-adhesive)		X	
(7)	9P1 601 195	silver Balancer weight (self-adhesive)		X	
(7)	997 361 485 00	Black Balancer weight (self-adhesive)		X	
(7)	9P1 601 196	silver Balancer weight (self-adhesive)		X	
(7)	997 361 490 00	Black Balancer weight (self-adhesive)		X	
(7)	9P1 601 197	silver Balancer weight (self-adhesive)		X	

Model: 982-17

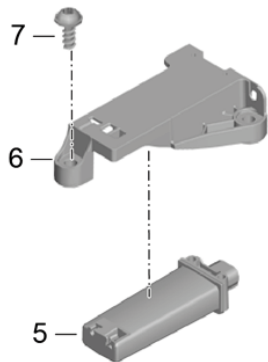
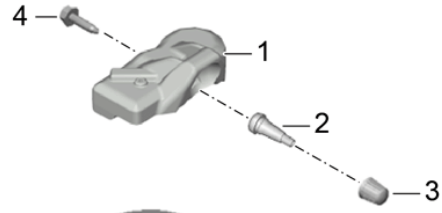
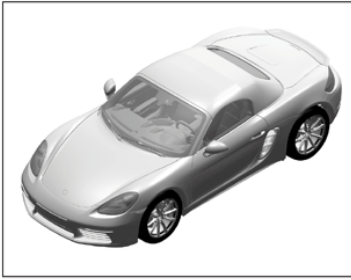
Model life 2017>>

Pos	Part Number	Description	Remark	Qty	Model
8	991 362 020 00	Black Spare wheel		1	PR:447
9	4L0 012 619 B	Tyre sealant		1	
10	996 361 521 00	Protective sleeve Spare wheel		1	PR:447
11	999 914 001 40	Plastic gloves No longer use the part here		1	PR:447
12	5N0 012 615 C	Air compressor Spare wheel		1	
13	991 555 575 04	Bracket for compressor with:		1	
14	991 555 575 04 1E0	Cover Black		1	
	991 555 765 03	Cover			
	991 555 765 03 1E0	Black			



Model: 982-17

Model life 2017>>



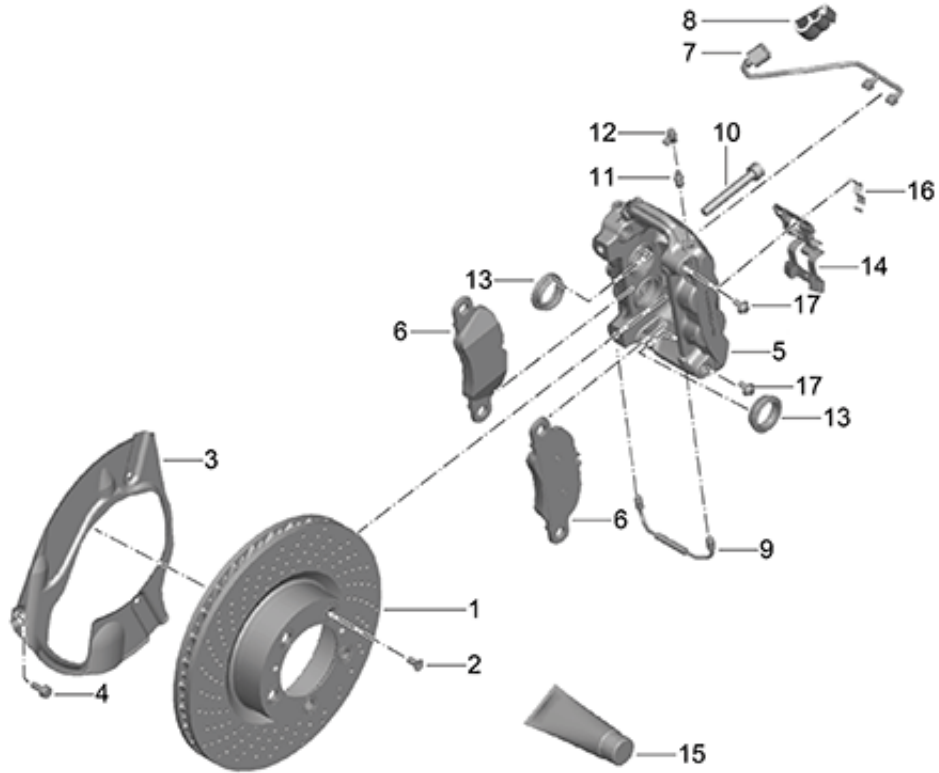
Model: 982-17

Model life 2017>>

Pos	Part Number	Description	Remark	Qty	Model
1	5Q0 907 275 B	tyre pressure control system Tyre pressure sensor tyre pressure control system also use: Valve		4	PR:482,483 PR:482
(1)	5Q0 907 275 C	Tyre pressure sensor tyre pressure control system also use: Valve		4	PR:483
2	9P1 601 361	Valve tyre pressure control system Black		4	PR:UX7
(2)	9P1 601 361 A	Valve tyre pressure control system silver		4	PR:UX6
3	WHT 006 913	Valve cap for valve unit Black		4	PR:UX7
(3)	N 908 729 01	Valve cap for valve unit silver		4	PR:UX6
4	4D0 601 365	Hexagon socket head bolt, self-locking		4	
5	7PP 907 273 H	Control unit for tyre pressure control		1	PR:482
(5)	9A7 907 273 00	Control unit for tyre pressure control		1	PR:483
6	991 618 269 01	Bracket		1	
7	999 919 241 01	Oval-head screw		2	

Model: 982-17

Model life 2017>>



Model: 982-17

Model life 2017>>

Pos	Part Number	Description	Remark	Qty	Model
1	997 351 401 01	Disc brake			
		Front axle			
(1)	997 351 402 01	Brake disc	left front	1	PR:008,-450
(1)	9P1 615 301 A	Brake disc	right front	1	PR:008,-450
(1)	9P1 615 302 A	Brake disc	left front	1	PR:009,-450
(1)	981 351 031 01	Brake disc	right front	1	PR:009,-450
(1)	981 351 032 01	Brake disc	left front	1	PR:450
(1)	981 351 032 01	Brake disc	right front	1	PR:450
2	900 269 047 03	countersunk bolt		4	
		M 6 X 12 - MK			
3	981 351 801 00	Cover plate	left	1	PR:-450
(3)	981 351 802 00	Cover plate	right	1	PR:-450
(3)	991 351 801 01	Cover plate	left	1	PR:450
(3)	991 351 802 01	Cover plate	right	1	PR:450
4	999 217 116 01	Hexagon bolt		6	
		M6 X 16			
5	997 351 421 0F	caliper without brake pads	left	1	PR:008,-450
		also use:	999 067 053 09	2	
		Discontinued part			
(5)	9P1 615 123 H	caliper without brake pads	left	1	PR:008,-450
		also use:	999 067 053 09	2	
(5)	997 351 422 0F	caliper without brake pads	right	1	PR:008,-450
		also use:	999 067 053 09	2	
		Discontinued part			
(5)	9P1 615 124 H	caliper without brake pads	right	1	PR:008,-450
		also use:	999 067 053 09	2	
(5)	982 615 123 C	caliper without brake pads	left	1	PR:009,-450
		also use:	999 067 053 09	2	
(5)	982 615 124 C	caliper without brake pads	right	1	PR:009,-450
		also use:	999 067 053 09	2	
(5)	991 351 425 34	caliper without brake pads	left	1	PR:450
		also use:	999 067 053 09	2	
		Discontinued part			
(5)	9P1 615 123 N	caliper without brake pads	left	1	PR:450
		also use:	999 067 053 09	2	
(5)	991 351 426 34	caliper without brake pads	right	1	PR:450
		also use:	999 067 053 09	2	
		Discontinued part			
(5)	9P1 615 124 N	caliper without brake pads	right	1	PR:450
		also use:	999 067 053 09	2	
6	981 351 939 00	1 set of brake pads for	front	1	PR:008,-450
		disk brake			
		Brake lining	999 067 053 09	4	
		also use:			
(6)	9P1 698 151 A	1 set of brake pads for	front	1	PR:009,-450
		disk brake			
		4X 9P1615115A	999 067 053 09	4	
		also use:			
(6)	991 351 948 02	1 set of brake pads for	front	1	PR:450
		disk brake			
		also use:			
		Fasteners	999 067 053 09	4	
		also use:			
7	991 609 165 00	sender wire		2	PR:-450
		(pad wear indicator)			
(7)	991 609 181 00	sender wire		2	PR:450
		(pad wear indicator)			
8	944 612 627 00	Line holder		2	
		for			
		sender wire			
		(pad wear indicator)			
9	997 351 961 01	Connecting line		2	PR:008,-450

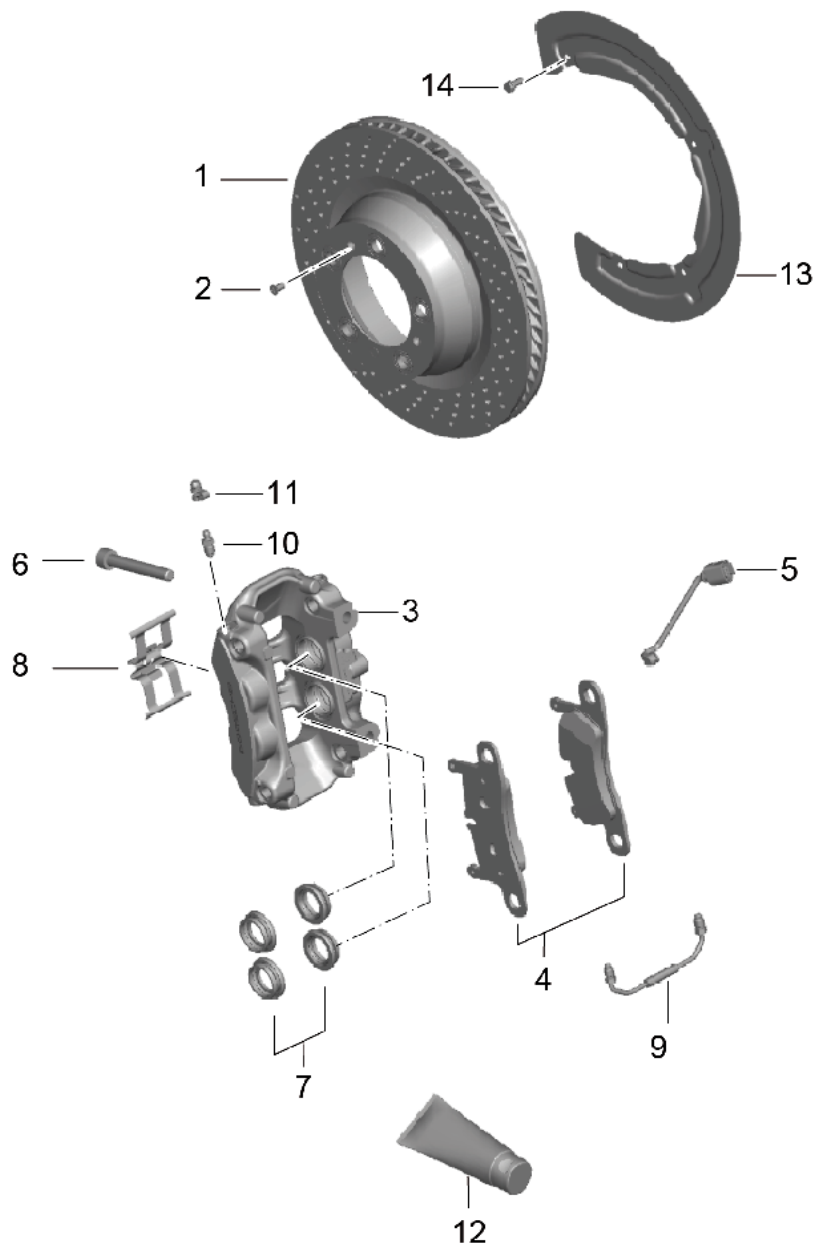
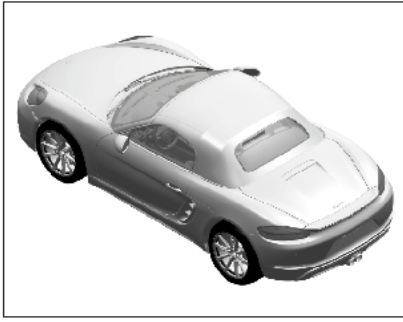
Model: 982-17

Model life 2017&gt;&gt;

Pos	Part Number	Description	Remark	Qty	Model
(9)	9P1 615 175	Fixed calliper Connecting line		2	PR:009,-450
(9)	991 351 961 11	Fixed calliper Connecting line		2	PR:450
10	999 067 053 09	Fixed calliper Socket head bolt M 12 X 1,5 X 85		4	
11	997 352 919 00	Breather valve		1	PR:008,-450
(11)	8A0 615 273	Breather valve		1	PR:009,-450
(11)	997 352 917 00	Breather valve		1	PR:450
12	930 351 927 00	dust cap		2	PR:008,-450
(12)	211 611 483	dust cap		2	PR:009,-450
13	996 351 915 01	repair set Protection caps 38 MM		X	PR:-450
(13)	951 352 917 01	repair set Protection caps 30 MM		X	PR:450
(13)	996 352 915 00	repair set Protection caps 32 MM		X	PR:450
14	997 351 959 01	Spring repair set		2	PR:008,-450
(14)	9P1 615 157	Spring repair set		2	PR:009,-450
(14)	970 351 959 01	Spring repair set		2	PR:450
15	000 043 117 00	brake cylinder paste 50 G		X	
(15)	000 043 020 00	Assembly paste 100 G		X	
16	991 352 960 00	Cable holder		2	PR:450
17	9A7 008 689 00	shouldered bolt M 8 X 16		4	PR:-450

Model: 982-17

Model life 2017>>



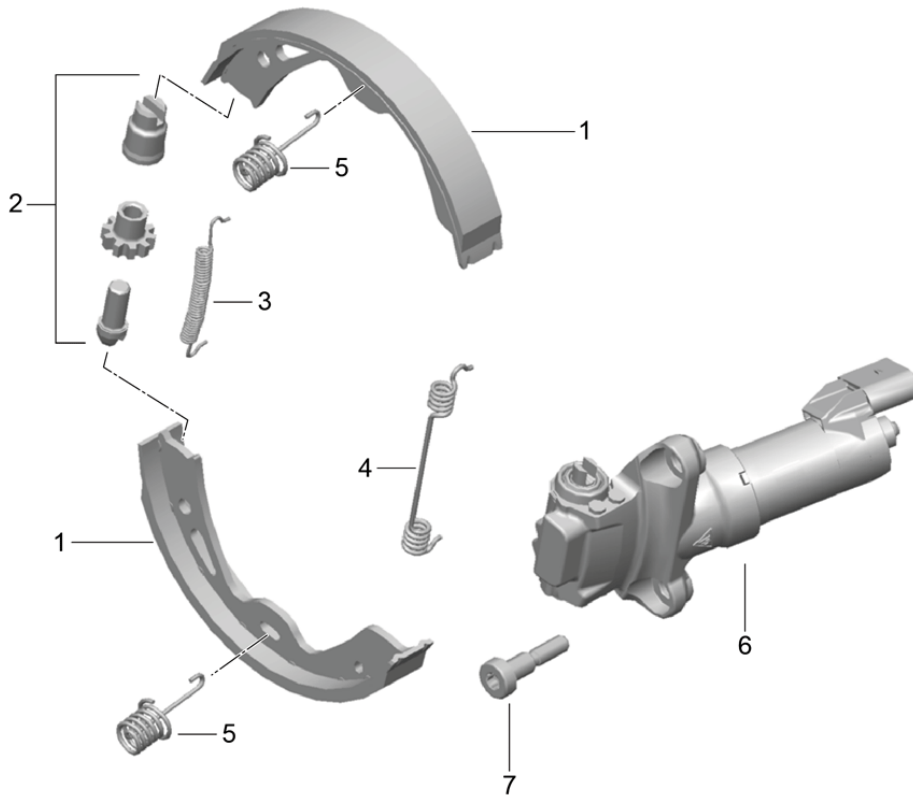
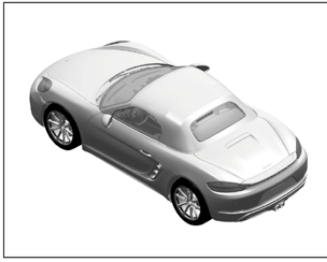
Model: 982-17

Model life 2017>>

Pos	Part Number	Description	Remark	Qty	Model
1	987 352 401 01	Disc brake			
		Rear axle			
(1)	981 352 031 01	Brake disc	rear	2	PR:-450
(1)	981 352 032 01	Brake disc	left rear	1	PR:450
		Brake disc	right rear	1	PR:450
2	900 269 047 03	countersunk bolt		4	
		M 6 X 12			
3	986 352 423 03	caliper without brake pads	left	1	PR:008,-450
		also use:	999 073 402 01	2	
(3)	986 352 424 03	caliper without brake pads	right	1	PR:008,-450
		also use:	999 073 402 01	2	
(3)	986 352 423 11	caliper without brake pads	left	1	PR:009,-450
		also use:	999 073 402 01	2	
(3)	986 352 424 11	caliper without brake pads	right	1	PR:009,-450
		also use:	999 073 402 01	2	
(3)	996 352 423 32	caliper without brake pads	left	1	PR:450
		also use:	999 067 053 09	2	
(3)	996 352 424 32	caliper without brake pads	right	1	PR:450
		also use:	999 067 053 09	2	
4	987 352 939 01	1 set of brake pads for	rear	1	PR:-450
		disk brake			
		also use:	999 073 402 01	4	
(4)	997 352 948 00	1 set of brake pads for	rear	1	PR:450
		disk brake			
		also use:	999 067 053 09	4	
5	981 609 163 00	sender wire		2	
		(pad wear indicator)			
6	999 073 402 01	Socket head bolt		4	PR:-450
		M 12 X 1,5 X 72			
(6)	999 067 053 09	Socket head bolt		4	PR:450
		M 12 X 1,5 X 85			
7	951 352 917 00	repair set		1	
		Protection caps			
		28 MM			
(7)	951 352 917 01	repair set		1	
		Protection caps			
		30 MM			
8	996 352 959 01	repair set		2	PR:-450
		Spring			
(8)	996 352 959 30	repair set		2	PR:450
		Fasteners			
9	996 352 961 02	Connecting line	left	1	PR:-450
(9)	996 352 962 02	Connecting line	right	1	PR:-450
(9)	996 352 961 31	Connecting line		2	PR:450
10	997 352 919 00	Breather valve		1	PR:-450
(10)	997 352 917 00	Breather valve		4	PR:450
11	930 351 927 00	dust cap		1	
		repair set			
13	981 352 801 02	Cover plate	left	1	
(13)	981 352 802 02	Cover plate	right	1	
14	999 217 116 01	Hexagon bolt		10	
		M 6 X 16			

Model: 982-17

Model life 2017>>





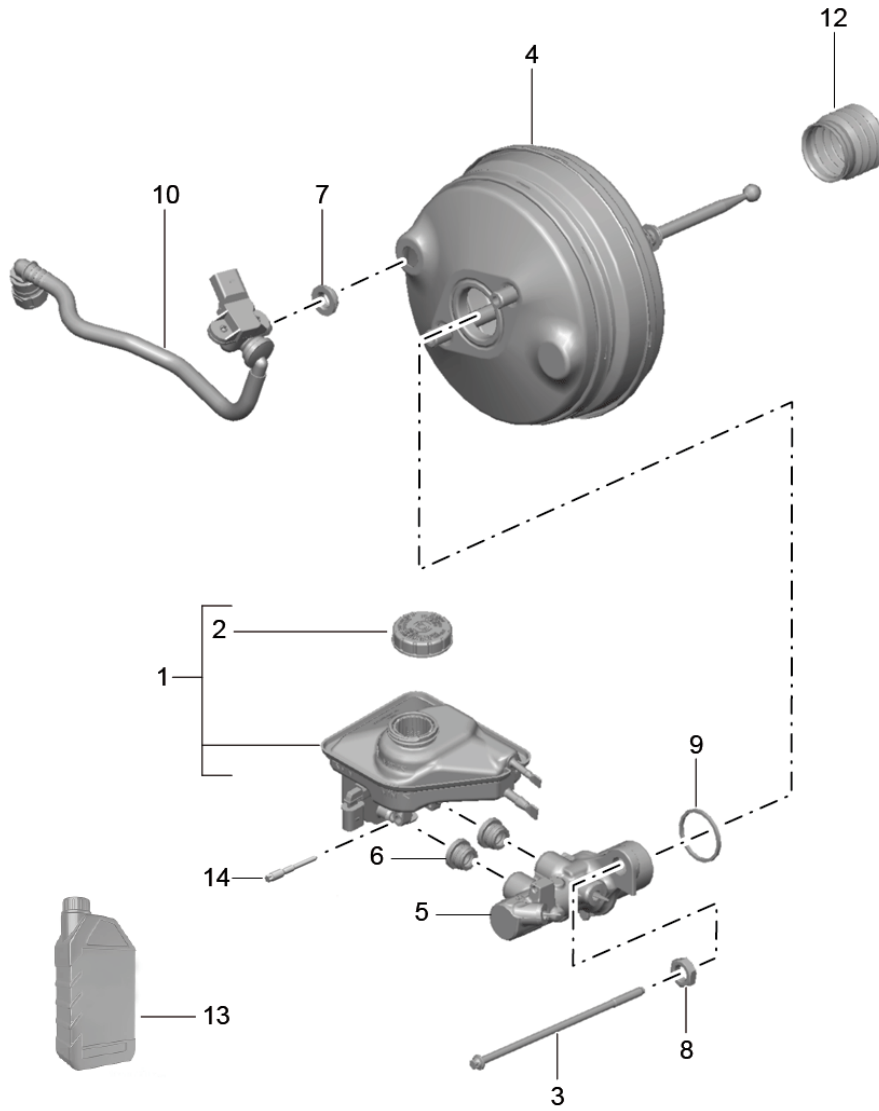
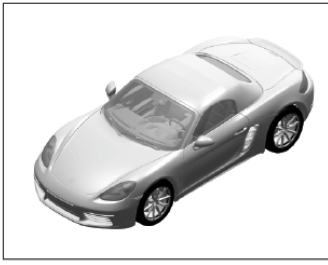
Model: 982-17

Model life 2017>>

Pos	Part Number	Description	Remark	Qty	Model
1	970 352 993 02	Parking brake Brake shoe repair set comprising: Brake shoe		1	
		also use:		4	
		Fasteners			
		D >> - 13.05.2016			
		Discontinued part			
1	298 698 533	Brake shoe repair set comprising: Brake shoe		1	
		also use:		4	
		Fasteners			
		D >> - 13.05.2016			
1	971 698 533	Brake shoe repair set comprising: Brake shoe		1	
		also use:		4	
		Fasteners			
		D - 16.05.2016>>			
2	298 609 723	adjustment screw		2	
3	298 609 717	tension spring		2	
4	298 609 715	tension spring		2	
5	298 609 583	Pressure spring		4	
6	298 609 404	Servomotor	left	1	
(6)	298 609 403	Servomotor	right	1	
7	999 073 452 01	Screw M 8 X 38		4	

Model: 982-17

Model life 2017>>



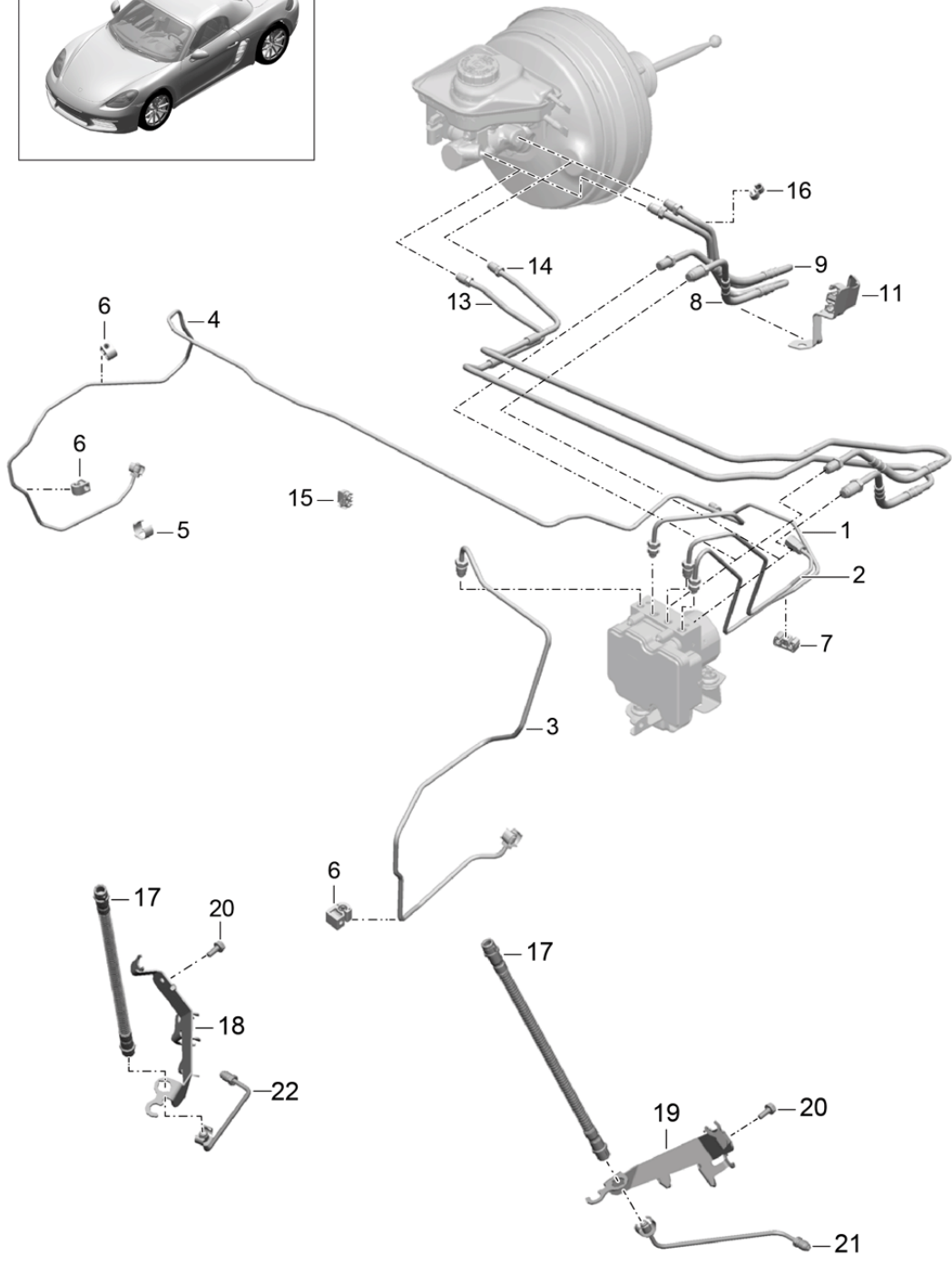
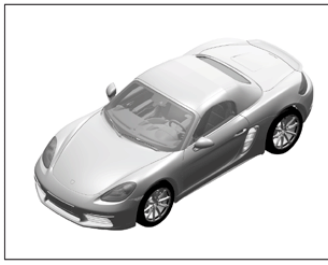
Model: 982-17

Model life 2017>>

Pos	Part Number	Description	Remark	Qty	Model
1	991 355 013 02	Brake master cylinder		1	
2	5Q0 611 349 A	Brake servo Reservoir		1	"USA"
(2)	5Q0 611 349 B	cap for expansion tank		1	- "USA"
3	991 355 929 00	cap for expansion tank		2	
4	991 355 125 28	Socket head bolt M 8 X 196,9 X 31,9		1	
5	981 355 130 27	Brake servo		1	
6	958 355 922 00	Brake master cylinder Rubber seal		2	
7		Reservoir Seal		1	
		only in conj. with:			
8	970 355 925 00	Brake servo Nut		2	
9	993 355 212 00	M 16 X 8 Seal		2	
10	991 355 577 04	Vacuum line		1	PR:098
(10)	991 355 578 02	Vacuum line		1	PR:099
12	970 355 969 00	Bellows		1	
13	000 043 210 82	brake fluid	1.0 Ltr.	X	
13	000 043 210 86	brake fluid	30ltr.	X	
14	WHT 005 308	stud with shoulder M 5 X 51		1	

Model: 982-17

Model life 2017>>



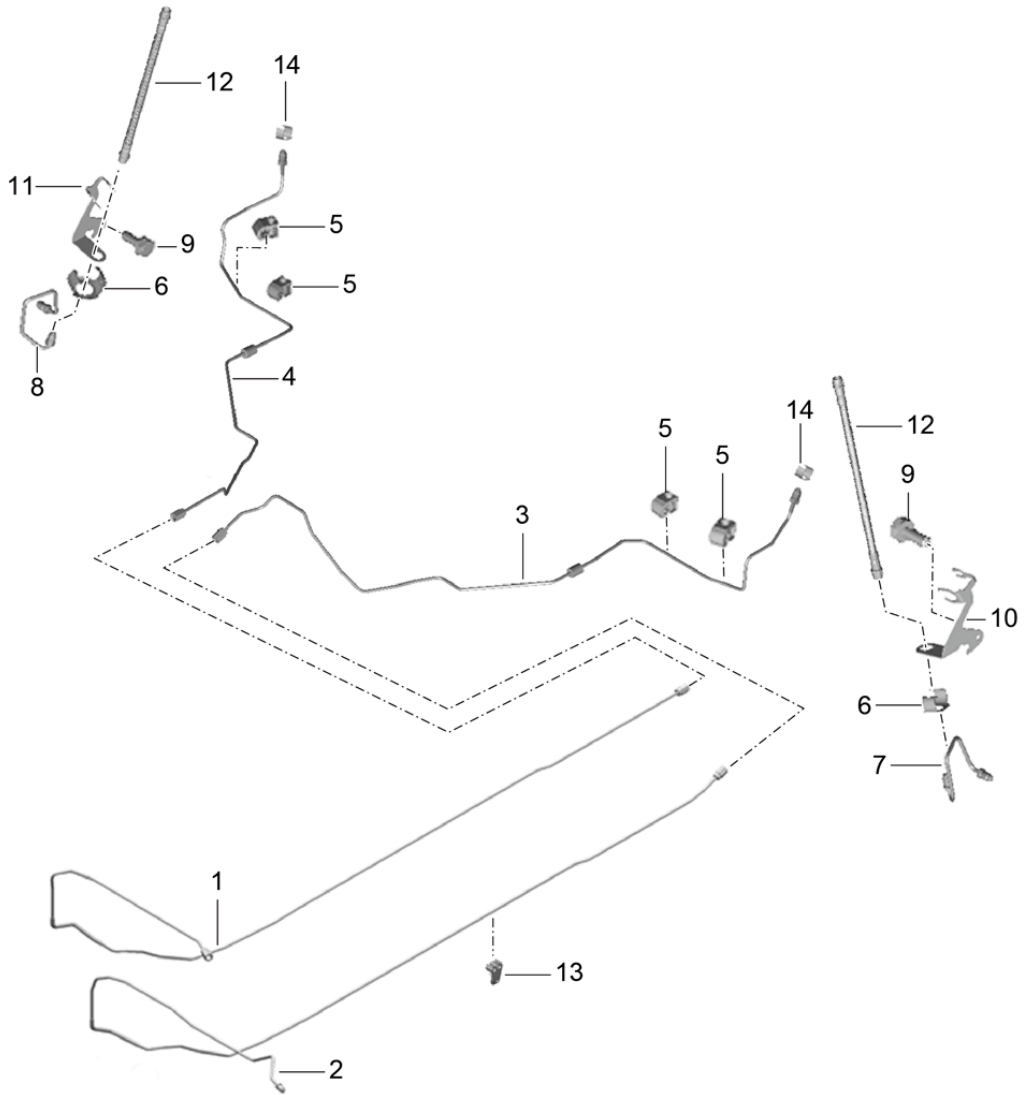
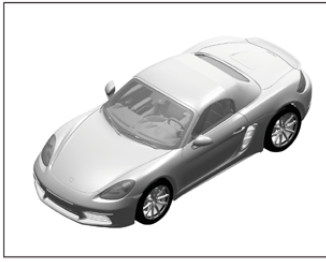
Model: 982-17

Model life 2017>>

Pos	Part Number	Description	Remark	Qty	Model
		Brake lines	front		
		Front end			
1	991 355 316 12	Brake line		1	
2	991 355 315 07	Brake line		1	
3	991 355 175 05	Brake line		1	
4	991 355 176 06	Brake line		1	
6	95B 611 797	Clip		4	
		4,75-6,0			
7	8K0 611 797 G	Brake line bracket		2	
8	991 355 311 30	Brake line		1	PR:098
9	991 355 313 29	Brake line		1	PR:098
11	991 355 509 10	Bracket		1	PR:099
13	991 355 312 31	Brake line		1	PR:099
14	991 355 314 30	Brake line		1	PR:099
15	991 355 508 01	Bracket		2	PR:099
16	999 591 897 40	Bracket		1	PR:098
		8,00/8,00			
(16)	999 591 897 40	Bracket		3	PR:099
		8,00/8,00			
17	991 355 137 01	Brake hose		2	
18	9P1 611 845	Bracket	left	1	
19	9P1 611 846	Bracket	right	1	
20	999 217 116 01	Hexagon bolt		2	
		M 6 X 16			
21	991 355 581 02	Brake line	left	1	PR:-450
(21)	991 355 581 03	Brake line	left	1	PR:450
22	991 355 582 02	Brake line	right	1	PR:-450
(22)	991 355 582 03	Brake line	right	1	PR:450

Model: 982-17

Model life 2017>>



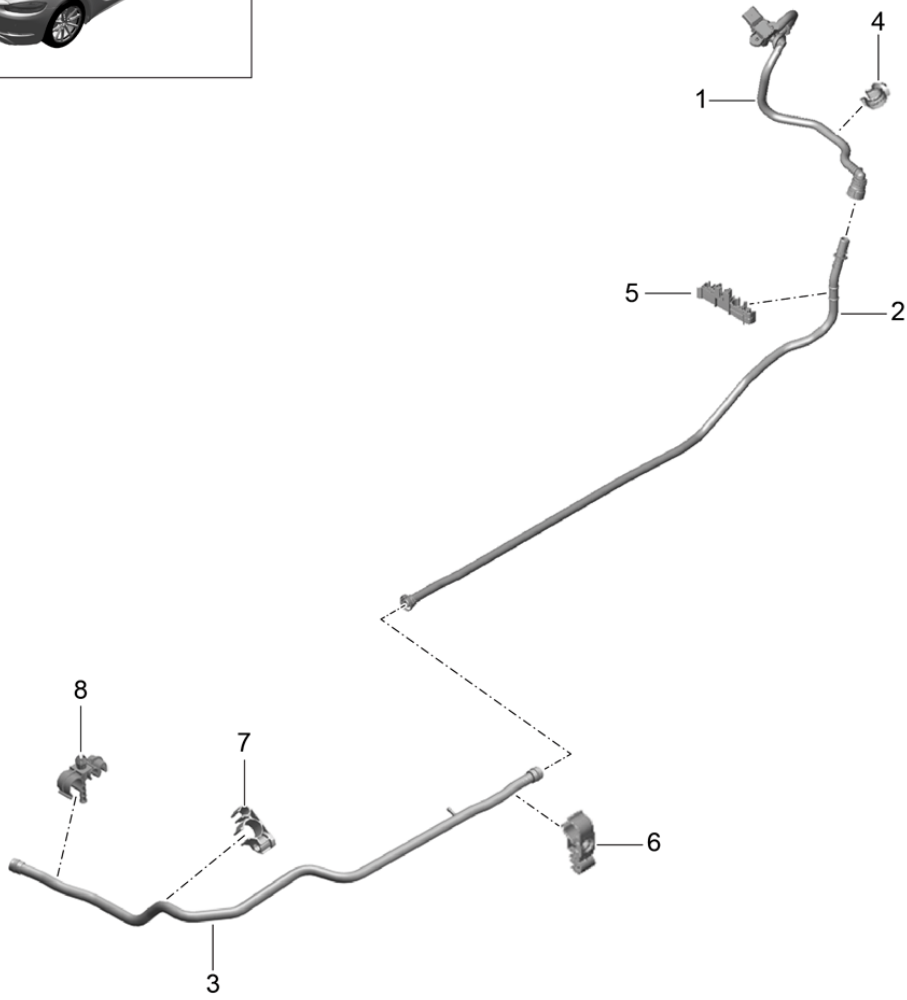
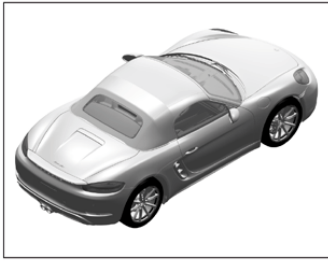
Model: 982-17

Model life 2017>>

Pos	Part Number	Description	Remark	Qty	Model
		Brake lines	center		
		Underbody	rear		
1	991 355 179 11	Brake line		1	
2	991 355 177 13	Brake line		1	
3	982 611 741 A	Brake line	left	1	
4	982 611 742 A	Brake line	right	1	
5	9A7 616 739 00	Retaining clip		3	PR:480
		2 X 6,1 X 8			
(5)	95B 611 797	Clip		1	PR:480
		4,75-6,0			
(5)	95B 611 797	Clip		4	PR:250
		4,75-6,0			
6	982 611 793 A	Bracket		2	
		Brake line			
7	981 355 581 02	Brake line	left	1	PR:-450
(7)	981 355 581 03	Brake line	left	1	PR:450
8	981 355 582 02	Brake line	right	1	PR:-450
(8)	981 355 582 03	Brake line	right	1	PR:450
9	999 217 116 01	Hexagon bolt		2	
		M 6 X 16			
10	981 355 501 01	Bracket	left	1	
		Brake hose			
11	981 355 502 01	Bracket	right	1	
		Brake hose			
12	991 355 137 01	Brake hose		2	
13	991 355 510 02	Bracket		2	
		Clip			
14	997 355 331 00	retaining spring		2	

Model: 982-17

Model life 2017>>





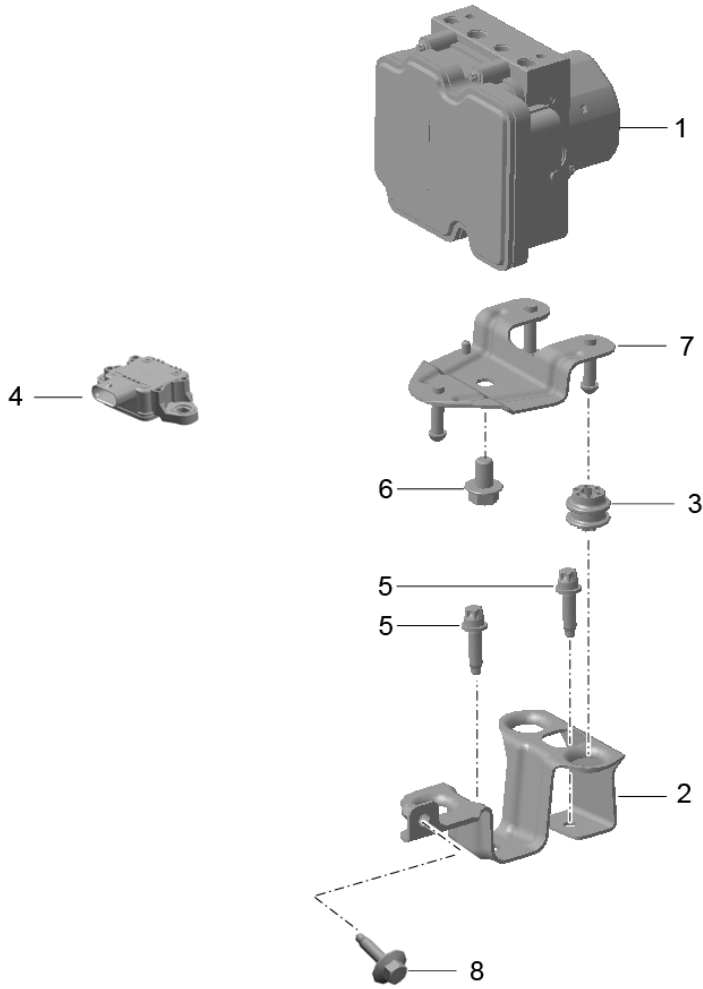
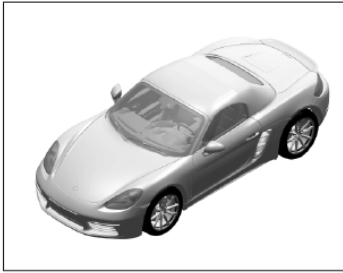
Model: 982-17

Model life 2017>>

Pos	Part Number	Description	Remark	Qty	Model
		Vacuum line Brake servo	front center rear		
1	991 355 577 04	Vacuum line	lhd	1	PR:098
(1)	991 355 578 02	Vacuum line	rhd	1	PR:099
2	991 355 571 02	Vacuum line		1	
3	982 611 923	Vacuum line		1	
4	999 507 968 41	Clip 15,0		1	
5	991 355 507 50	Bracket		1	
6	991 355 512 02	Vacuum line Bracket		1	
7	982 611 791 A	Vacuum line Bracket		1	
8	982 611 793 A	Vacuum line Bracket		1	
		Vacuum line			

Model: 982-17

Model life 2017>>



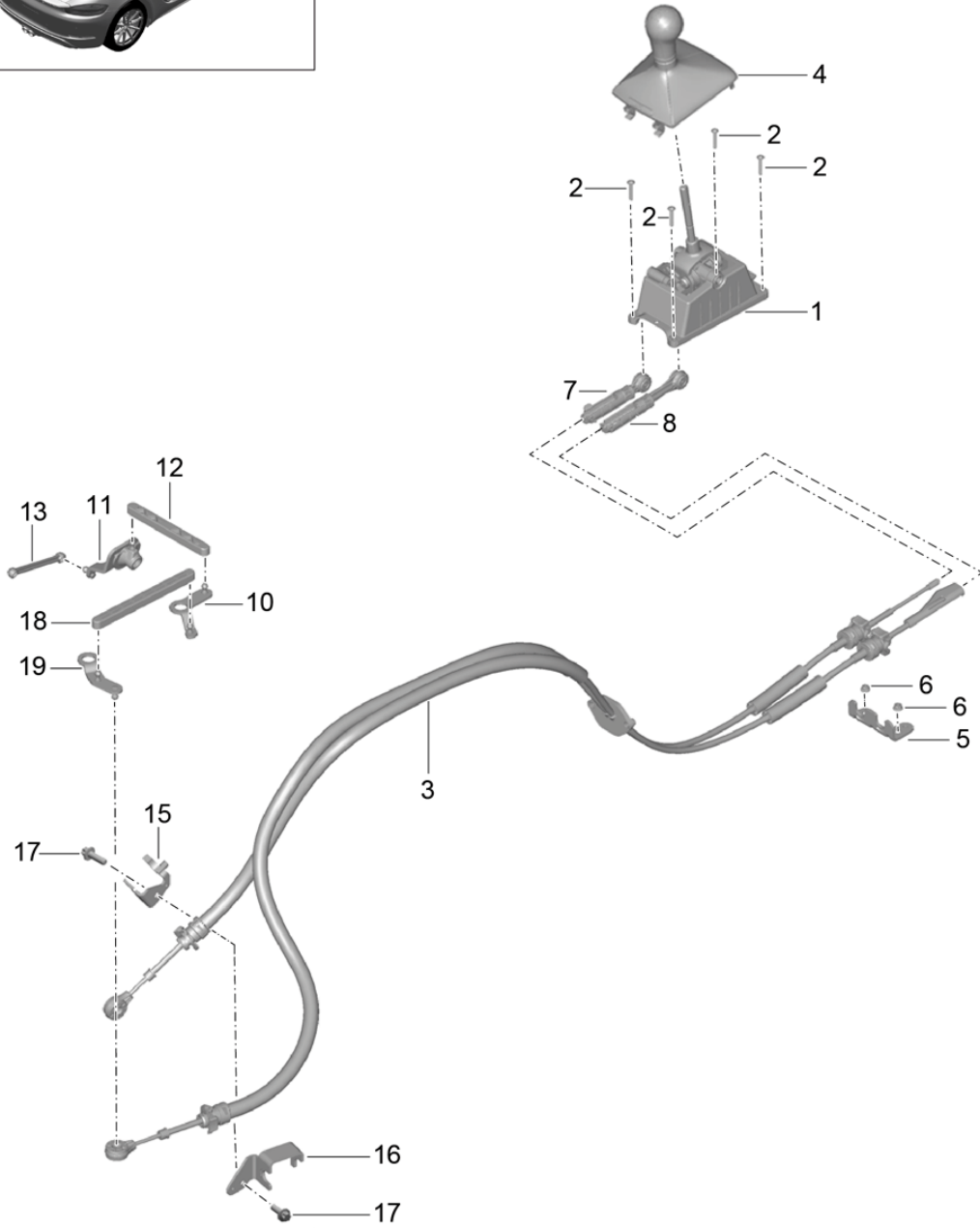
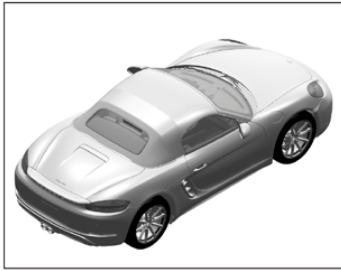
Model: 982-17

Model life 2017&gt;&gt;

Pos	Part Number	Description	Remark	Qty	Model
		Hydraulic unit anti-locking brake syst. -abs- Control			
1	982 698 517	Hydraulic unit		1	
2	991 355 033 01	Bracket		1	
3	958 355 177 10	Stop buffer		3	
4	991 606 145 03	Sensor		1	
5	999 073 556 01	Hexagon bolt M 8 X 30		2	
6	900 378 346 01	Hexagon bolt M 10 X 1 X 16		1	
7	991 355 135 01	Retainer, upper part	upper	1	
8	N 909 995 02	Hex collared bolt AM 6 X 25		1	

Model: 982-17

Model life 2017>>



Model: 982-17 Model life 2017>>

Pos	Part Number	Description	Remark	Qty	Model
		Transmission control Manual gearbox			PR:480
1	981 424 010 00	ball housing - gearshift lever		1	
2	999 919 281 01	fillister hd. bolt 5 X 30		4	
3	982 711 007	cable for shift mechanism		1	
4	982 711 141 P	Transmission control gearstick knob (leather)		1	PR: -XHC, -XHH, -XLM, -XYC
(4)	982 711 141 P 8YR	Black			
	982 711 141 Q	gearstick knob Carbon		1	PR: XHH
	982 711 141 Q 8YR	Black	-AD, AG, AJ, AS, AZ, BM, BT, BW, PM, PT, PW, TD, 99		
	982 711 141 Q PL1	agate grey	-FD, FG, FJ, FS, FZ		
	982 711 141 Q 9H6	Luxor beige	-UD, UG, UJ, US, UZ		
	982 711 141 Q OK6	saddle brown	-SZ		
	982 711 141 Q OG6	Bordeaux red	-LZ		
	982 711 141 Q OH7	Graphite Blue	-HZ, TG		
	982 711 141 Q 8C0	Espresso	-NE, BY		
(4)	982 711 141 R	gearstick knob mahagoni		1	PR: XHC
	982 711 141 R 8YR	Black	-AD, AG, AJ, AS, AZ, BM, BT, BW, PM, PT, PW, TD, 99		
	982 711 141 R PL1	Mahogany/agate grey	-FD, FG, FJ, FS, FZ		
	982 711 141 R 9H6	Mahogany/luxor beige	-UD, UG, UJ, US, UZ		
	982 711 141 R OK6	Mahogany/saddle brown	-SZ		
	982 711 141 R OG6	Mahogany/bordeaux red	-LZ		
	982 711 141 R OH7	Mahogany/graphite blue	-HZ, TG		
	982 711 141 R 8C0	Mahogany/espresso	-NE, BY		
(4)	982 711 141 S	gearstick knob aluminium		1	PR: XYC
	982 711 141 S 8YR	Black	-AD, AG, AJ, AS, AZ, BM, BT, BW, PM, PT, PW, TD, 99		
	982 711 141 S PL1	agate grey	-FD, FG, FJ, FS, FZ		
	982 711 141 S 9H6	Luxor beige	-UD, UG, UJ, US, UZ		
	982 711 141 S OK6	saddle brown	-SZ		
	982 711 141 S OG6	Bordeaux red	-LZ		
	982 711 141 S OH7	Graphite Blue	-HZ, TG		
	982 711 141 S 8C0	Espresso	-NE, BY		
(4)	982 711 141 T	gearstick knob (alcantara)		1	PR: XLM
	982 711 141 T 2W0	Black			
5	991 424 163 00	Bracket		1	
6	999 084 629 01	Hexagon nut BM 6		2	
7	991 424 145 00	Securing element for Cable		1	
8	991 424 147 00	Adjustable Securing element		1	

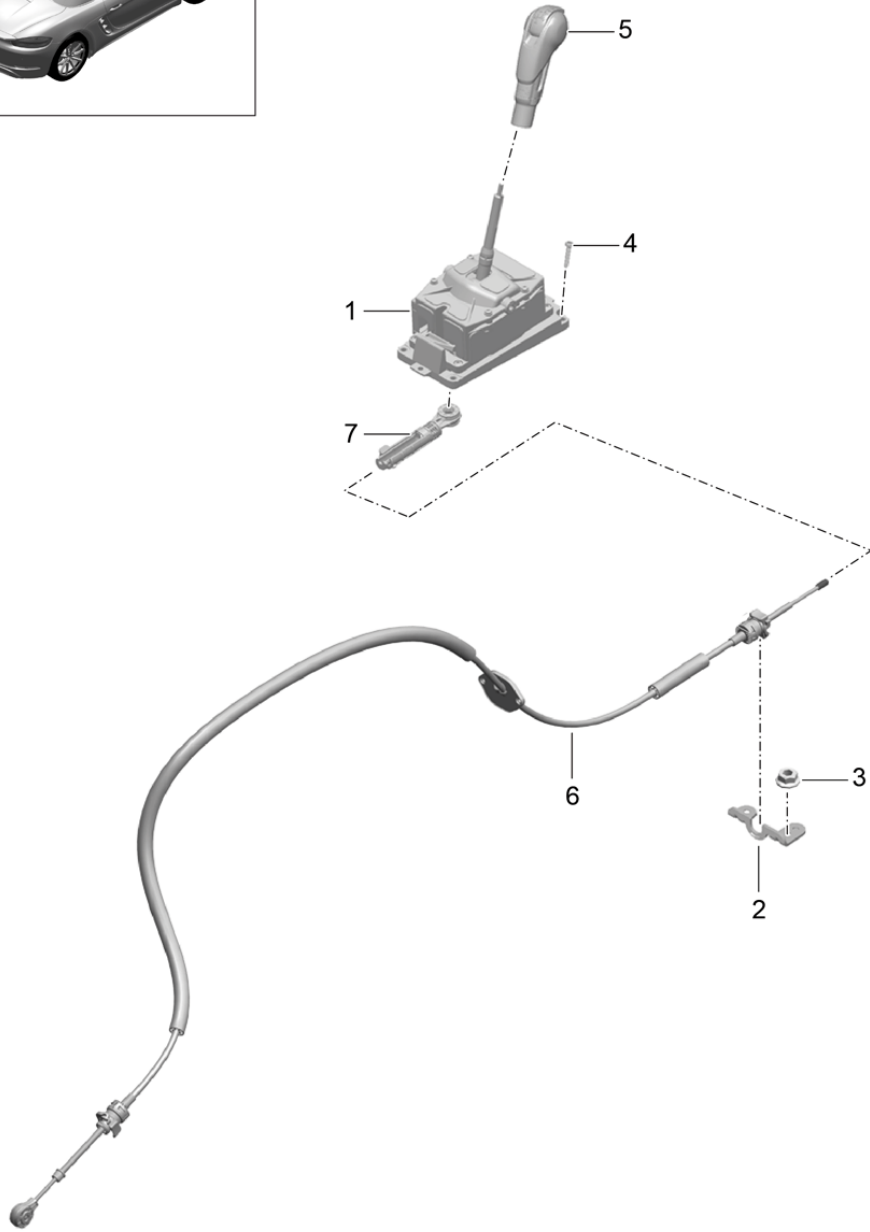
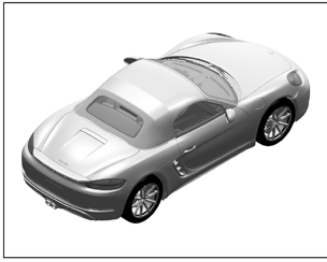
Model: 982-17

Model life 2017>>

Pos	Part Number	Description	Remark	Qty	Model
9	000 043 205 93	for Cable Adjustable grease 1 100-gramme tube		X	
10	982 711 201	relay lever Transmission control	front	1	
11	981 424 023 00	lever		1	
12	987 424 131 10	toggle lever		1	
13	981 424 035 00	connecting rod		1	
15	981 424 065 02	Bracket		1	
16	982 711 583	Bracket		1	
17	900 385 098 01	Torx screw BM 8 X 25		2	
18	982 711 364	toggle lever		1	
19	982 711 202	relay lever Transmission control	rear	1	

Model: 982-17

Model life 2017>>



Model: 982-17 Model life 2017>>

Pos	Part Number	Description	Remark	Qty	Model
1	9G1 426 011 10	selector lever - PDK - Support		1	PR:250
		with:			
2	9G1 426 209 00	housing		1	
3	999 084 629 01	Bracket		2	
		Hexagon nut			
		M 6 SB			
4	999 919 281 01	fillister hd. bolt		4	
		5 X 30			
5	9G1 426 069 30	Selector knob		1	PR: -XHD, -XHJ, -XLN, -XYA, -XYH
		Leather			
	9G1 426 069 30 8YR	Black	-AD,AG,AJ,AS, AZ,BM,BT,BW, PM,PT,PW,TD, 99		
	9G1 426 069 30 OG6	Bordeaux red	-LZ		
	9G1 426 069 30 PL1	agate grey	-FD,FG,FJ,FS, FZ		
	9G1 426 069 30 OH7	Graphite Blue	-HZ,TG		
	9G1 426 069 30 OK6	saddle brown	-SZ		
	9G1 426 069 30 8C0	Espresso	-NE,BY		
	9G1 426 069 30 9H6	Luxor beige	-UD,UG,UJ,US, UZ		
(5)	9G1 426 980 11	selector lever		1	PR:XYA
		aluminium			
	9G1 426 980 11 8YR	Black	-AD,AG,AJ,AS, AZ,BM,BT,BW, PM,PT,PW,TD, 99		
	9G1 426 980 11 OG6	Bordeaux red	-LZ		
	9G1 426 980 11 PL1	agate grey	-FD,FG,FJ,FS, FZ		
	9G1 426 980 11 OH7	Graphite Blue	-HZ,TG		
	9G1 426 980 11 OK6	saddle brown	-SZ		
	9G1 426 980 11 8C0	Espresso	-NE,BY		
	9G1 426 980 11 9H6	Luxor beige	-UD,UG,UJ,US, UZ		
(5)	9G1 426 980 13	Selector knob		1	PR:XHJ
		Carbon			
	9G1 426 980 13 8YR	Black	-AD,AG,AJ,AS, AZ,BM,BT,BW, PM,PT,PW,TD, 99		
	9G1 426 980 13 OG6	Bordeaux red	-LZ		
	9G1 426 980 13 PL1	agate grey	-FD,FG,FJ,FS, FZ		
	9G1 426 980 13 OH7	Graphite Blue	-HZ,TG		
	9G1 426 980 13 OK6	saddle brown	-SZ		
	9G1 426 980 13 8C0	Espresso	-NE,BY		
	9G1 426 980 13 9H6	Luxor beige	-UD,UG,UJ,US, UZ		
(5)	9G1 426 980 14	Selector knob		1	PR:XHD
		mahagoni			
	9G1 426 980 14 8YR	Black	-AD,AG,AJ,AS, AZ,BM,BT,BW, PM,PT,PW,TD, 99		
	9G1 426 980 14 OG6	Mahogany/bordeaux red	-LZ		
	9G1 426 980 14 PL1	Mahogany/agate grey	-FD,FG,FJ,FS, FZ		
	9G1 426 980 14 OH7	Mahogany/graphite blue	-HZ,TG		



Model: 982-17

Model life 2017>>

Pos	Part Number	Description	Remark	Qty	Model
	9G1 426 980 14 OK6	Mahogany/saddle brown	-SZ		
	9G1 426 980 14 8C0	Mahogany/espresso	-NE, BY		
	9G1 426 980 14 9H6	Mahogany/luxor beige	-UD, UG, UJ, US, UZ		
(5)	9G1 426 980 15	Selector knob aluminium		1	PR: XYH
	9G1 426 980 15 8YR	Black	-AD, AG, AJ, AS, AZ, BM, BT, BW, PM, PT, PW, TD, 99		
	9G1 426 980 15 OG6	Bordeaux red	-LZ		
	9G1 426 980 15 PL1	agate grey	-FD, FG, FJ, FS, FZ		
	9G1 426 980 15 OH7	Graphite Blue	-HZ, TG		
	9G1 426 980 15 OK6	saddle brown	-SZ		
	9G1 426 980 15 8C0	Espresso	-NE, BY		
	9G1 426 980 15 9H6	Luxor beige	-UD, UG, UJ, US, UZ		
(5)	9G1 426 980 16	selector lever Alcantara		1	PR: XLN
	9G1 426 980 16 2W0	Alcantara			
6	982 713 266	Cable		1	
7	9G1 426 035 00	Securing element for Bracket Adjustable		1	

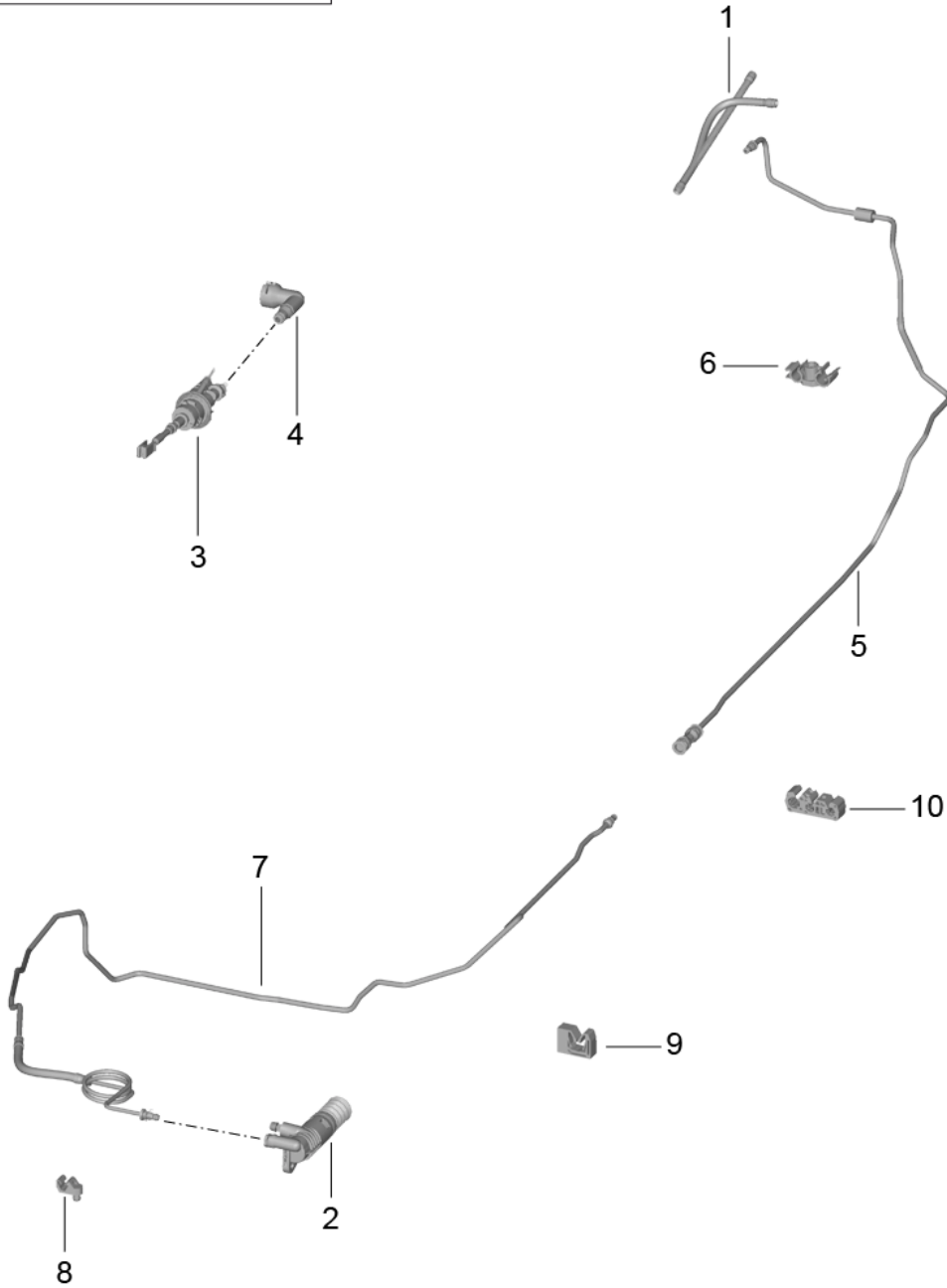
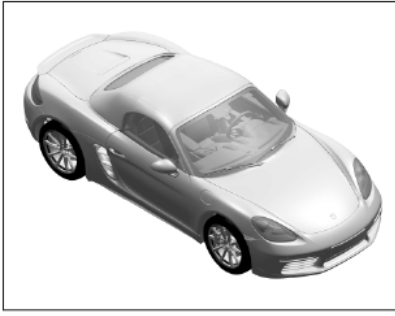


Model: 982-17 Model life 2017>>

Pos	Part Number	Description	Remark	Qty	Model
1	991 423 065 01	Pedals		1	PR:098
(1)	991 423 066 00	Bracket		1	PR:099
3	991 423 039 01	Clutch pedal		1	PR:098,480
		also use:		1	
(3)	991 423 040 01	Clutch pedal	991 423 111 00	1	PR:099,480
		also use:		1	
4	991 423 041 01	brake pedal	991 423 111 00	1	PR:098,480
		also use:		1	
(4)	991 423 042 01	brake pedal	991 423 111 00	1	PR:099,480
		also use:		1	
5	991 423 283 00	bearing pin	991 423 111 00	2	PR:098
		Clutch pedal			
		brake pedal			
(5)	991 423 284 00	bearing pin		1	PR:099
6	997 423 910 00	pad for		2	PR:-XXV
		brake and clutch pedals			
(6)	991 423 111 01	Pedal cap		2	PR:XXV,480
7	7PP 721 113	bush		2	PR:480
(7)	7PP 721 113 A	bush		2	
8	991 423 081 11	Servo spring		1	PR:480
9	955 423 581 00	bearing shell		2	PR:480
		Servo spring			
10	996 423 315 06	Pin		1	
		Servo spring			
		D >> - 19.05.2016			
(10)	992 721 737	Pin		1	
		Servo spring			
		D - 20.05.2016>>			
11	999 166 022 01	Kl-lock		1	
		Pin			
		D >> - 19.05.2016			
(11)	N 908 874 02	Kl-lock		1	
		Pin			
		D - 20.05.2016>>			
12	1J0 721 165	Support		1	
		push rod			
13	955 423 341 00	bearing shell		1	
		Support			
14	955 423 720 00	Stop buffer		2	PR:480
15	991 423 275 00	Seal		1	PR:098
		Firewall			
(15)	991 423 276 01	Seal		1	PR:099
		Firewall			
16	999 166 092 01	Kl-lock		1	PR:480
		KL 16			
17	N 907 611 03	Hexagon collar nut		2	
		self-locking			
		M 8			
18	900 378 180 01	Hexagon bolt		2	
		AM 8 X 25 - PA			

Model: 982-17

Model life 2017>>



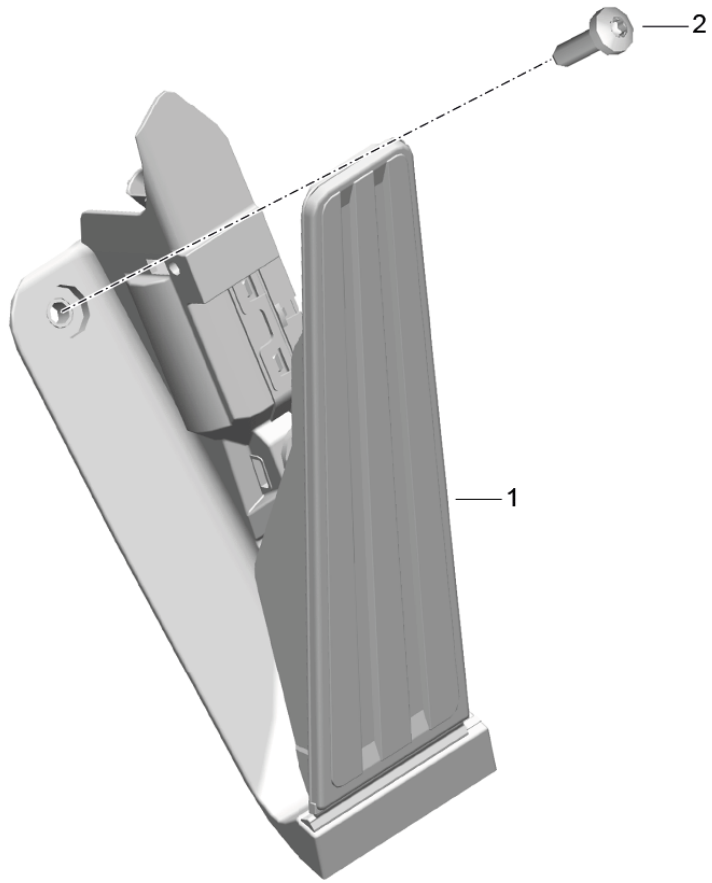
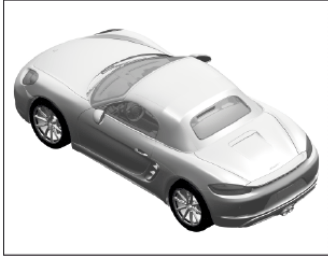
Model: 982-17

Model life 2017>>

Pos	Part Number	Description	Remark	Qty	Model
		clutch actuation Clutch master cylinder Clutch slave cylinder Lines			PR:480
1	991 423 137 03	suction line		1	PR:098
(1)	991 423 138 02	Clutch master cylinder suction line		1	PR:099
2	981 116 237 01	Clutch master cylinder Slave cylinder		1	
3	991 423 171 00	Clutch master cylinder		1	
4	991 423 151 00	Elbow fitting		1	PR:099
5	991 423 107 10	Clutch tube		1	PR:098
(5)	991 423 108 10	Clutch tube		1	PR:099
6	991 423 514 02	Bracket		5	
7	982 721 387 A	Clutch tube		1	
		with:			
8	999 507 586 40	Clutch hose Cable holder Clutch hose		1	
9	999 591 922 40	Gearbox Bracket		2	
10	9A7 616 739 00	No longer use the part here Retaining clip		3	

Model: 982-17

Model life 2017>>



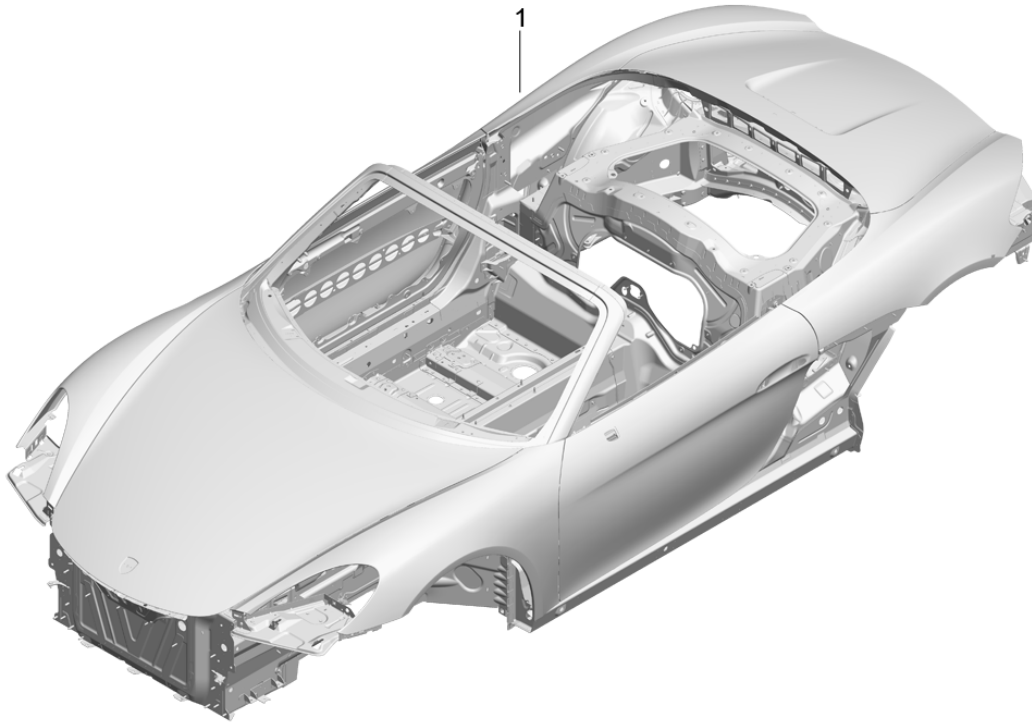
Model: 982-17

Model life 2017>>

Pos	Part Number	Description	Remark	Qty	Model
		Pedals			
1	982 723 507 A	throttle control		1	PR:-121,-XXV
(1)	298 721 507 K	throttle control		1	PR:121
(1)	298 721 507 L	throttle control		1	PR:XXV
2	999 073 378 05	flat round head bolt M 6 X 20		1	

Model: 982-17

Model life 2017>>



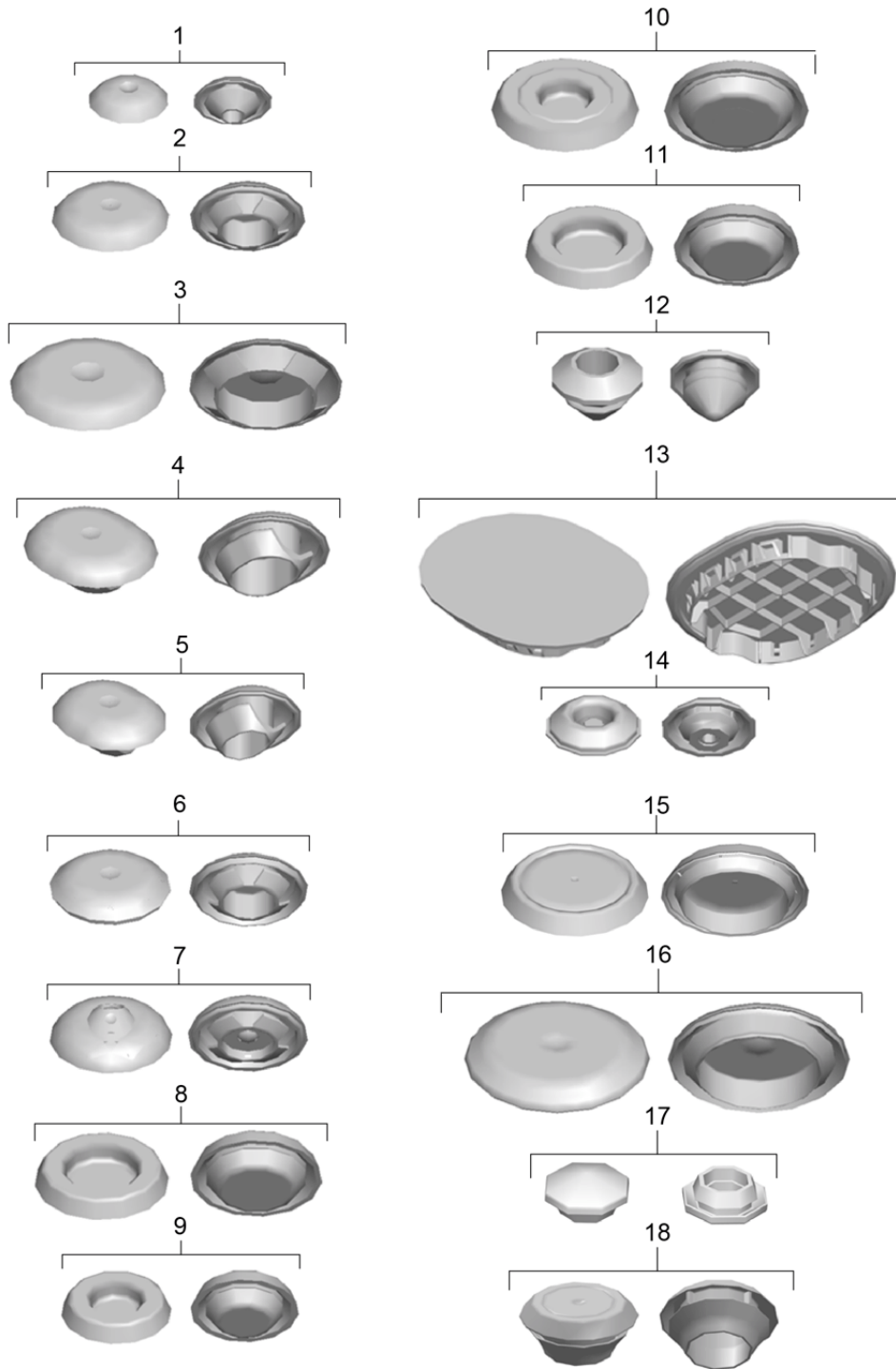


Model: 982-17 Model life 2017>>

Pos	Part Number	Description	Remark	Qty	Model
-		Car body primed Sealed			
		with: Underbody protection			
		with: Doors/lids/wings			
-		Bodyshells can only only available from current Model year available			
-		The data required for your order Can be found on the Vehicle data carrier in Vehicle wallet Please indicate this data in your order Vehicle data carrier Vehicle Ident. No. Order type Country equipment Optional extras Additional applications Please state the colour			
A					
B					
C					
D					
E					
F					
G					
1	982 800 049 Y	Car body	lhd	1	PR:098,QU8
	982 800 049 Y GRV	primed			
1	982 800 049 AY	Car body	rhd	1	PR:099,QU8
	982 800 049 AY GRV	primed			
1	982 800 049 BY	Car body	lhd	1	PR:098,QV0
	982 800 049 BY GRV	primed			
1	982 800 049 CY	Car body	rhd	1	PR:099,QV0
	982 800 049 CY GRV	primed			

Model: 982-17

Model life 2017>>



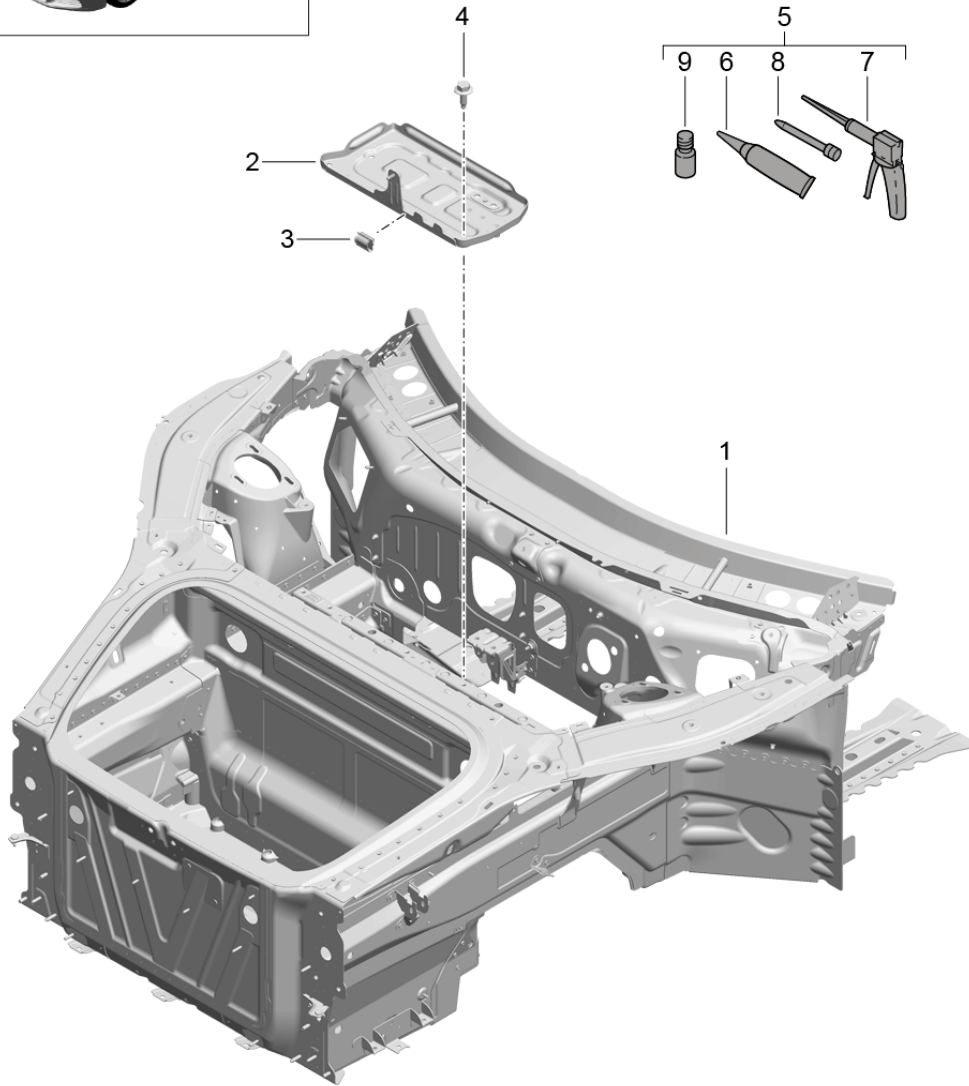
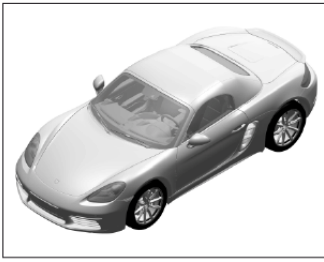
Model: 982-17

Model life 2017>>

Pos	Part Number	Description	Remark	Qty	Model
1	955 504 281 00	Bungs Bungs Hole 10 MM		X	
2	955 504 182 00	Bungs Hole 20 MM		X	
3	955 504 183 00	Bungs Hole 30 MM		X	
4	955 504 184 00	Bungs Hole 20 MM X 25 MM		X	
5	955 504 185 00	Bungs Hole 15 MM X 20 MM		X	
6	955 504 187 00	Bungs Hole 20 MM		X	
7	955 512 188 00	Water drain valve Hole 20 MM		X	
8	191 971 928	Bungs Hole 27 MM		X	
9	999 703 196 40	End cap Hole 20 MM		X	
10	999 703 195 40	Rubber grommet Hole 30 MM		X	
11	999 703 543 40	End cap Hole 25 MM		X	
12	999 703 466 40	Bungs Hole 15 MM		X	
13	999 703 553 40	End cap Hole 70 MM X 89,6 MM		X	
14	999 703 556 40	End cap Hole 15 MM		X	
15	999 703 021 40	End cap Hole 50 MM		X	
16	N 909 649 01	Sealing cap Hole 40 MM		X	
17	999 703 563 40	Sealing cap Wheel housing 7,0 MM X11,5 MM	front	X	
18	999 703 555 40	Sealing cap Side member 24,0X2,50	rear	X	

Model: 982-17

Model life 2017>>



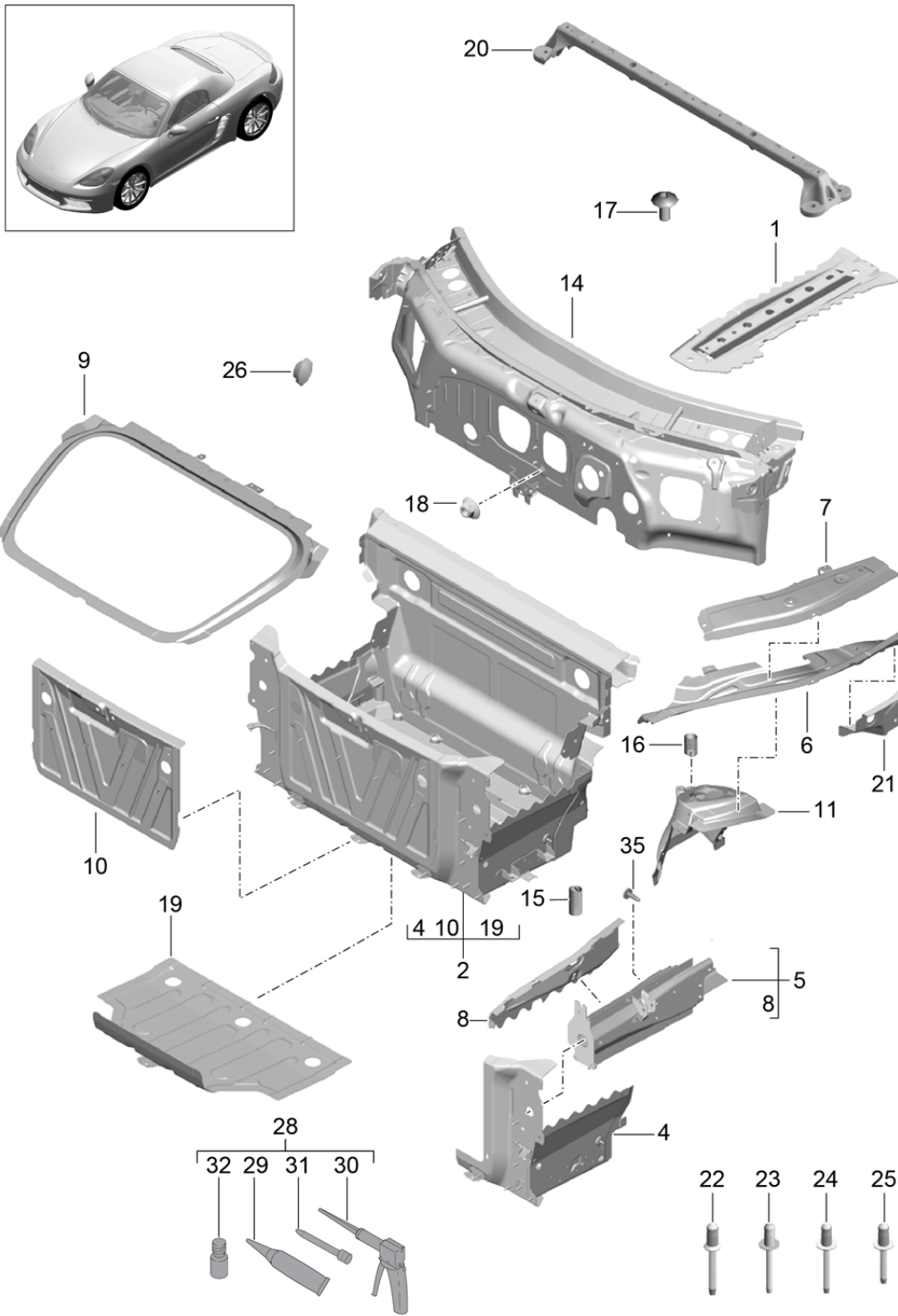
Model: 982-17

Model life 2017>>

Pos	Part Number	Description	Remark	Qty	Model
1	981 501 981 00 981 501 981 00 GRV	Front end (complete) Front end primed	lhd	1	PR:098
		also use:	000 043 206 30		
		Processing instructions See technical manual			
(1)	981 501 981 01 981 501 981 01 GRV	Front end primed	rhd	1	PR:099
		also use:	000 043 206 30		
		Processing instructions See technical manual			
2	9P1 804 825	Battery console	lhd	1	PR:098
(2)	9P1 804 825 A	Battery console	rhd	1	PR:099
3	999 591 545 01	Cable fastener		3	
4	N 102 400 03	Hex collared bolt M8X32		4	
5	000 043 206 29	Adhesive set		1	
6	000 043 206 30	adhesive		1	
7	000 043 206 31	Double cartridge gun		1	
8	000 043 206 32	emulsion tube		1	
9	000 043 206 33	activator		1	

Model: 982-17

Model life 2017>>



Model: 982-17 Model life 2017>>

Pos	Part Number	Description	Remark	Qty	Model
1	991 501 125 00	Front end Individual parts Cross panel	left rear	1	
1	991 501 125 00 GRV 991 501 126 00	primed Cross panel	right rear	1	
2	991 501 126 00 GRV 991 501 201 00	primed Luggage compartment liner		1	
4	991 501 201 00 GRV 991 501 911 00	primed Side part	left	1	
(4)	991 501 911 00 GRV 991 501 912 00	Luggage compartment primed Side part	right	1	
5	991 501 912 00 GRV 991 501 913 01	Luggage compartment primed Carrier	left	1	
(5)	991 501 913 01 GRV 991 501 914 01	Sub-part primed workshop manual Attention Carrier	right	1	
6	991 501 914 01 GRV 991 501 387 00	Sub-part primed workshop manual Attention Side member	left upper outer	1	
(6)	991 501 387 00 GRV 991 501 388 00	primed Side member	right upper outer	1	
7	991 501 388 00 GRV 991 501 397 00	primed Side member	left upper	1	
(7)	991 501 397 00 GRV 991 501 398 00	primed Side member	right upper	1	
8	991 501 398 00 GRV 991 501 535 01	primed Side plate for wheel arch	left	1	
(8)	991 501 535 01 GRV 991 501 536 01	primed Side plate for wheel arch	right	1	
9	991 501 536 01 GRV 991 501 231 02	primed Sealing frame		1	
10	991 501 231 02 GRV 991 501 431 02	Luggage compartment primed Cross panel		1	
11	991 501 431 02 GRV 991 501 477 00	Of primed Suspension strut mounting	left	1	
(11)	991 501 477 00 GRV 991 501 478 00	primed Suspension strut mounting	right	1	
14	991 501 478 00 GRV 991 502 331 00	primed Firewall	upper lhd	1	PR:098
(14)	991 502 331 00 GRV 991 502 331 00	primed Firewall	upper rhd	1	PR:099
15	991 502 331 00 GRV 999 504 266 01	primed threaded insert M12X1,5X28 Cross member		X	

Model: 982-17

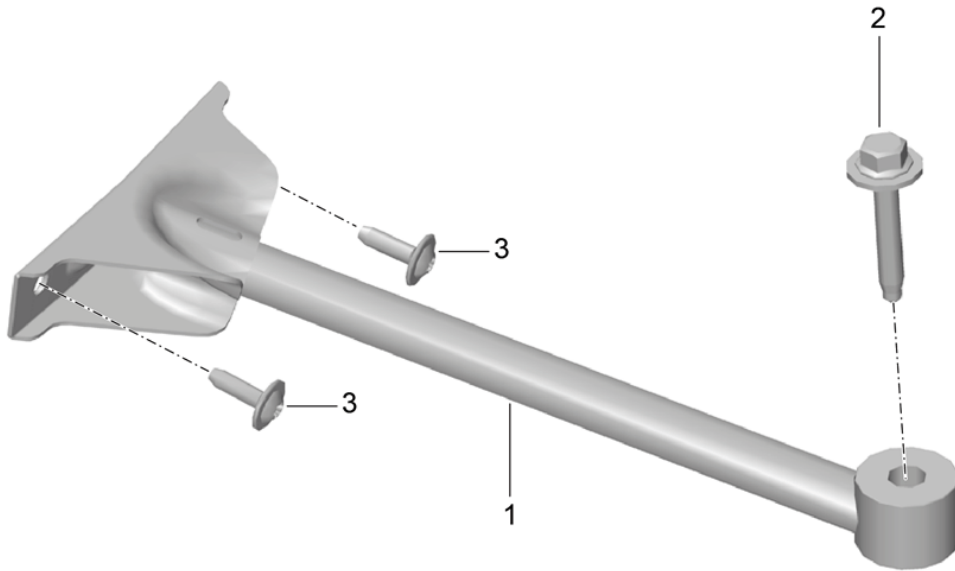
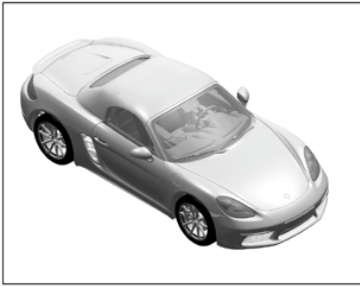
Model life 2017>>

Pos	Part Number	Description	Remark	Qty	Model
16	999 504 262 01	Luggage compartment threaded insert M8X15 Support		X	
17	999 073 549 01	Spring strut Oval-head screw M 8 X 16		X	
18	N 907 988 05	Hexagon collar nut M8		1	
19	991 501 479 00	boot floor plate		1	
	991 501 479 00 GRV	primed			
20	9P1 804 471	Cross member		1	
21	991 502 547 00	Side member	left	1	
	991 502 547 00 GRV	primed			
(21)	991 502 548 00	Side member	right	1	
	991 502 548 00 GRV	primed			
-		use if required: Pop rivet Adhesive set see Technical manual Group 5			
22	999 190 227 01	Pop rivet 6,5 X 12,5		X	
23	999 190 228 01	Pop rivet 6,4 X 11,5		X	
24	999 190 229 01	Pop rivet 6,5 X 10,5		X	
25	999 190 230 01	Pop rivet 6,5 X 14,5		X	
26		Sealing cap Wheel housing see illustration, item:	front 801-002,17	1	
28	000 043 206 29	Adhesive set		1	
29	000 043 206 30	adhesive		1	
30	000 043 206 31	Double cartridge gun		1	
31	000 043 206 32	emulsion tube		1	
32	000 043 206 33	activator		1	
35	999 073 577 01	Torx screw		X	
36	991 501 671 00	Bracket		1	
	991 501 671 00 GRV	primed	lower		
37	991 501 815 00	Brake line bracket	left	1	
	991 501 815 00 GRV	primed			
(37)	991 501 816 00	Brake line bracket	right	1	
	991 501 816 00 GRV	primed			



Model: 982-17

Model life 2017>>



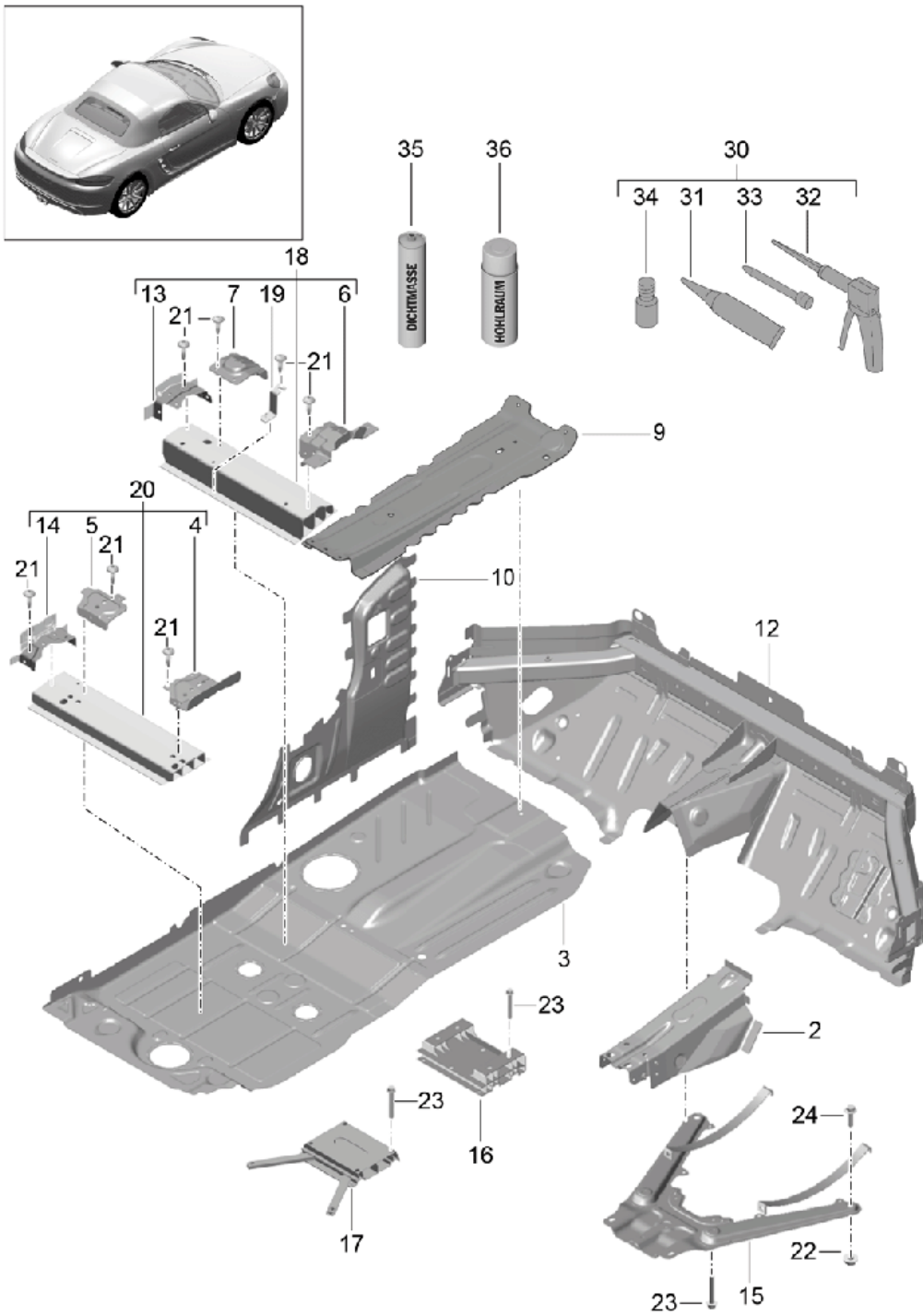
Model: 982-17

Model life 2017>>

Pos	Part Number	Description	Remark	Qty	Model
1	991 504 537 01	Dome strut			
(1)	991 504 538 01	Brace	left	1	
2	N 105 728 02	Brace	right	1	
		bolt,hex.hd.with shoul.(combi)		1	
		M8X50			
3	999 073 322 02	fillister hd. bolt		4	
		M6X20			

Model: 982-17

Model life 2017>>



Model: 982-17 Model life 2017>>

Pos	Part Number	Description	Remark	Qty	Model
2	991 501 309 00 991 501 309 00 GRV	Floor Support primed	center front	1	
3	991 501 251 03 991 501 251 03 GRV	Floor primed	also use: 000 043 206 30 left outer	1	
(3)	991 501 252 03 991 501 252 03 GRV	Floor primed	also use: 000 043 206 30 right outer	1	
4	991 501 645 00 991 501 645 00 GRV	Reinforcement Seat support primed	also use: 000 043 206 30 left rear, inner	1	
(4)	991 501 646 00 991 501 646 00 GRV	Reinforcement Seat support primed	right rear, inner	1	
5	991 501 581 00 991 501 581 00 GRV	Reinforcement Seat support primed	left rear outer	1	
(5)	991 501 582 00 991 501 582 00 GRV	Reinforcement Seat support primed	right rear outer	1	
6	991 501 687 00 991 501 687 00 GRV	Reinforcement Seat support primed	left rear, inner	1	
(6)	991 501 688 00 991 501 688 00 GRV	Reinforcement Seat support primed	right rear, inner	1	
7	991 501 583 00 991 501 583 00 GRV	Reinforcement Seat support primed	front outer	2	
9	991 501 297 00 991 501 297 00 GRV	Connecting piece primed	left	1	
9	991 501 298 00 991 501 298 00 GRV	Connecting piece primed	also use: 000 043 206 30 right	1	
10	991 502 639 00 991 502 639 00 GRV	Web plate A-pillar primed	also use: 000 043 206 30 left	1	
(10)	991 502 640 00 991 502 640 00 GRV	Web plate A-pillar primed	also use: 000 043 206 30 right	1	
12	991 501 951 08 991 501 951 08 GRV	Firewall primed	also use: 000 043 206 30 lhd lower	1	PR:098
(12)	991 501 951 09 991 501 951 09 GRV	Firewall primed	also use: 000 043 206 30 rhd lower	1	PR:099
13	991 501 893 00 991 501 893 00 GRV	angle primed	also use: 000 043 206 30 left front	1	
(13)	991 501 894 00 991 501 894 00 GRV	angle primed	right front	1	

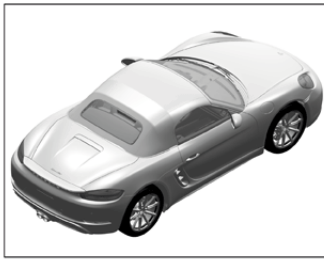
Model: 982-17

Model life 2017>>

Pos	Part Number	Description	Remark	Qty	Model
14	991 501 891 00	angle	left rear	1	
(14)	991 501 891 00 GRV 991 501 892 00	primed angle	right rear	1	
15	991 501 892 00 GRV 991 504 233 02	primed Support frame Front end		1	
16	981 504 633 00	Transverse strut tunnel		1	
18	991 501 453 00 991 501 453 00 GRV	Seat support primed (complete)	left front	1	
(18)	991 501 454 00 991 501 454 00 GRV	Seat support primed (complete)	right front	1	
19	991 501 635 02 991 501 635 02 GRV	Bracket primed	front right	1	
20	991 501 493 00 991 501 493 00 GRV	AUDIOKOMPONENTE Seat support primed (complete)	left rear	1	
(20)	991 501 494 00 991 501 494 00 GRV	Seat support primed (complete)	right rear	1	
21	999 073 917 01	Oval-head screw M5X20		X	
22	999 084 648 01	Hexagon nut M 10		X	
23	900 378 255 01	Hexagon bolt M 10 X 70		4	
24	999 072 063 02	Hexagon bolt M 10 X 40		6	
30	000 043 206 29	Adhesive set		1	
31	000 043 206 30	adhesive		1	
32	000 043 206 31	Double cartridge gun		1	
33	000 043 206 32	emulsion tube		1	
34	000 043 206 33	activator		1	
35	000 043 305 32	sealant		1	
36	000 043 204 85	cavity preservative agent		1	

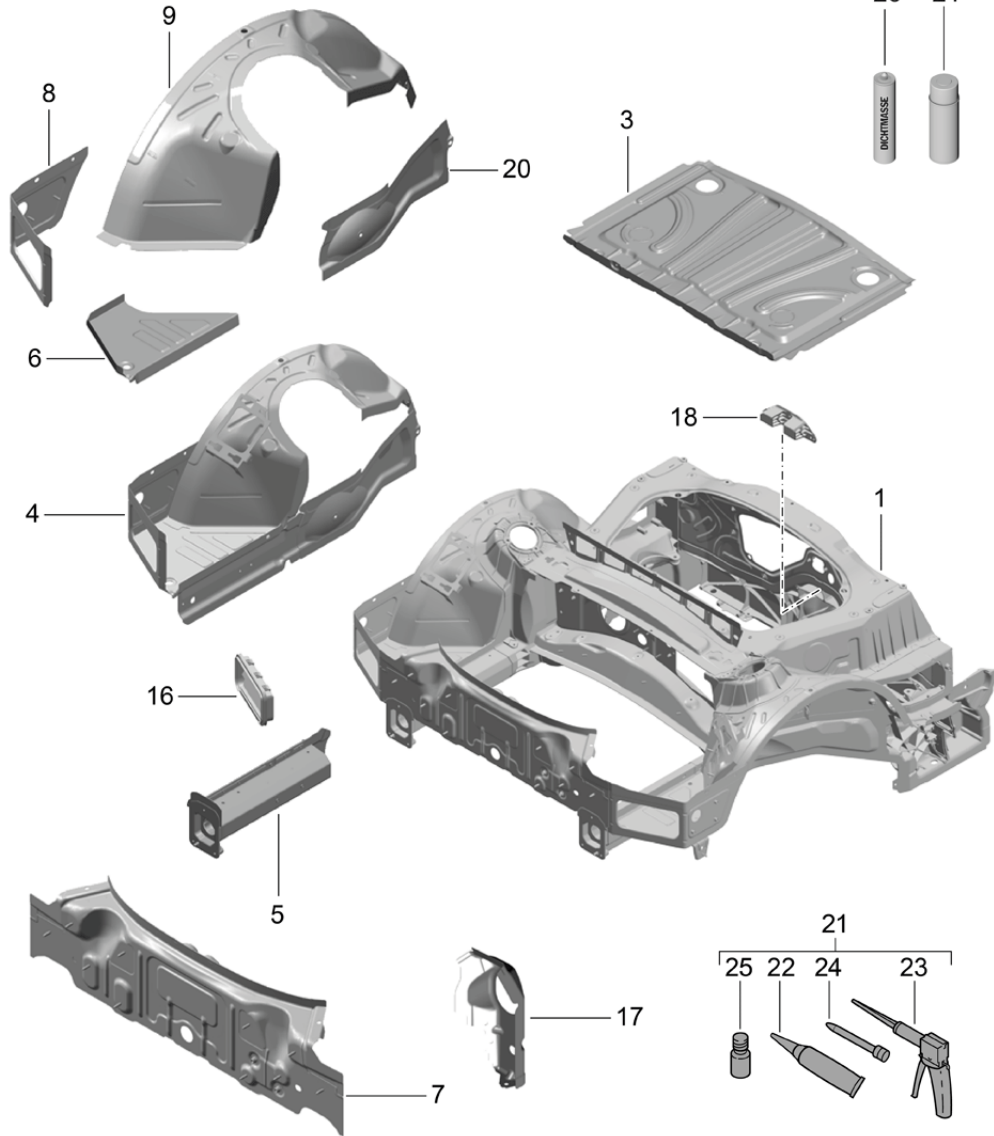
Model: 982-17

Model life 2017>>



- 15 — [part]
- 14 — [part]
- 13 — [part]
- 19 — [part]
- 10 — [part]
- 11 — [part]
- 12 — [part]

- 26 — [part]
- 21 — [part]



Model: 982-17 Model life 2017>>

Pos	Part Number	Description	Remark	Qty	Model
1	982 813 017 Y 982 813 017 Y GRV	Rear end Rear end primed		1	
3	981 501 571 01 981 501 571 01 GRV	Floor primed	also use: 000 043 206 30	1	
5	981 501 977 00 981 501 977 00 GRV	Carrier primed	also use: 000 043 206 30 left	1	
(5)	981 501 978 00 981 501 978 00 GRV	Carrier primed	also use: 000 043 206 30 right	1	
6	981 501 523 00 981 501 523 00 GRV	Floor section primed	also use: 000 043 206 30 left	1	
(6)	981 501 524 00 981 501 524 00 GRV	Floor section primed	right	1	
7	981 501 243 02 981 501 243 02 GRV	Cross panel primed		1	
8	981 501 651 01 981 501 651 01 GRV	corner part Luggage compartment primed	also use: 000 043 206 30 left	1	
(8)	981 501 552 01 981 501 552 01 GRV	corner part primed Luggage compartment	right	1	
9	981 501 983 00 981 501 983 00 GRV	Wheel housing primed	left inner	1	
(9)	981 501 984 00 981 501 984 00 GRV	Wheel housing primed	also use: 000 043 206 30 right inner	1	
10	999 500 196 01	Nut M8	also use: 000 043 206 30	X	
11	999 025 285 31	Washer 8,4X20X1,5		X	
12	999 504 267 01	threaded insert M10X27		X	
13	999 504 268 01	threaded insert M10X20		X	
14	999 504 263 01	threaded insert M12X1,5X22		X	
15	999 504 262 01	threaded insert M8X15		X	
16	981 572 043 00	Bleeding Frame		2	
17	981 501 695 00 981 501 695 00 GRV	Closing element primed	left	1	
(17)	981 501 696 00 981 501 696 00 GRV	Closing element primed	right	1	
18	982 803 461 982 803 461 GRV	Reinforcement Crash protection primed		1	
19	N 019 530 7	Hex collared bolt M8X25		3	
20	981 501 693 01 981 501 693 01 GRV	Closing element Carrier primed	left	1	
(20)	981 501 694 01 981 501 694 01 GRV	Closing element Carrier primed	right	1	

Model: 982-17

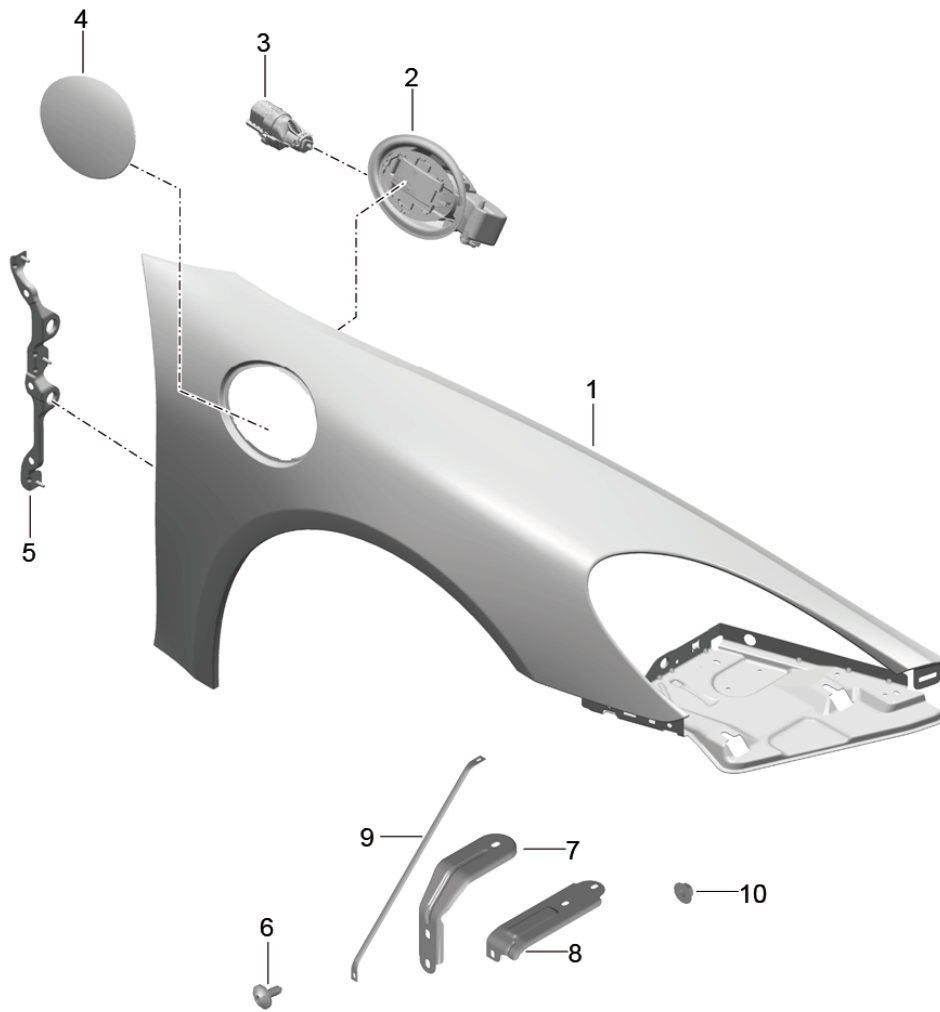
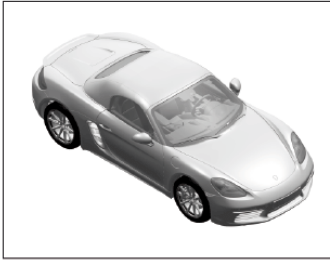
Model life 2017>>

Pos	Part Number	Description	Remark	Qty	Model
21	000 043 206 29	Adhesive set Body		X	
		comprising:			
22	000 043 206 30	adhesive		1	
23	000 043 206 31	Double cartridge gun		1	
24	000 043 206 32	emulsion tube		1	
25	000 043 207 70	activator		1	
26	000 043 305 32	sealant		1	
21	000 043 305 51	cavity preservative agent		1	



Model: 982-17

Model life 2017>>



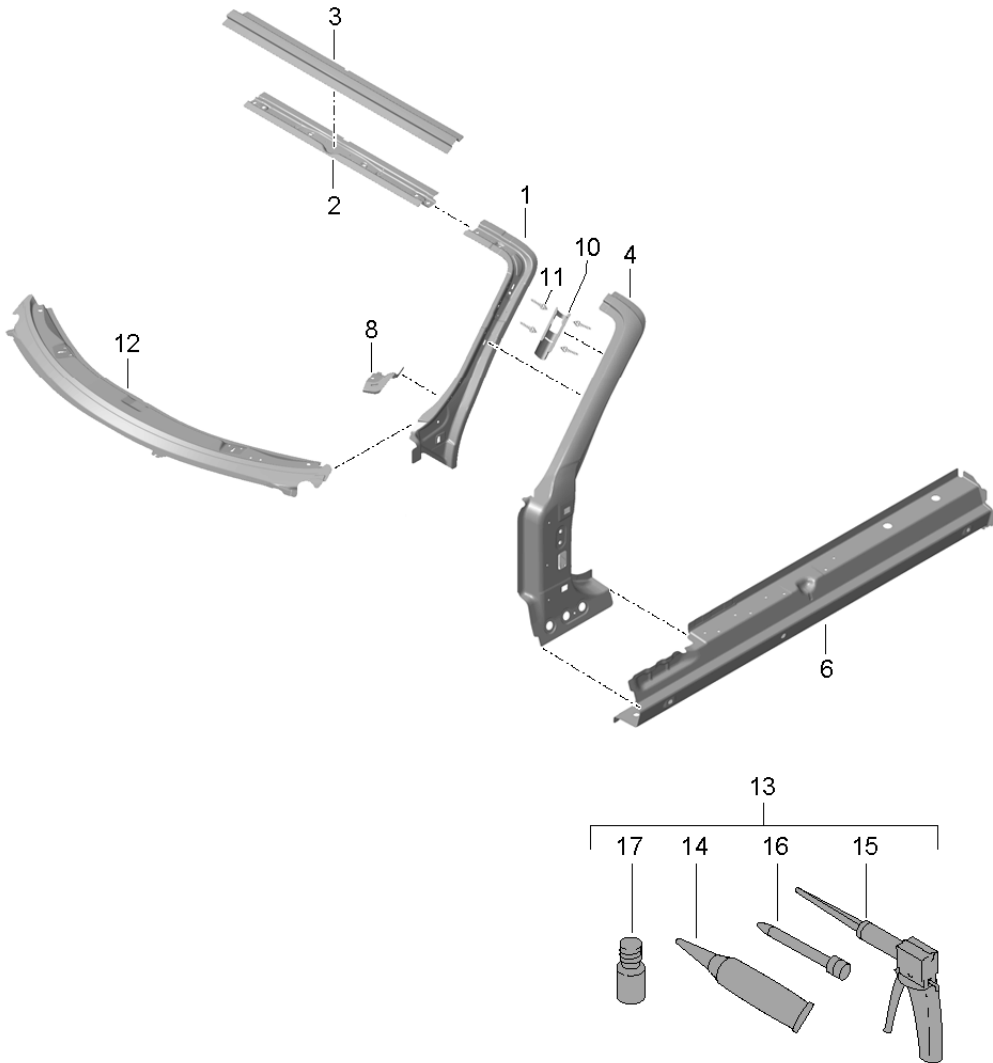
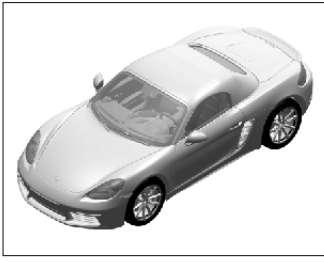
Model: 982-17

Model life 2017>>

Pos	Part Number	Description	Remark	Qty	Model
(1)	982 821 021 Y	Wing	left	1	
	982 821 021 Y GRV	primed			
1	982 821 022 Y	Wing	right	1	
	982 821 022 Y GRV	primed			
2	982 809 930	Cup		1	
		Fuel filler flap			
3	991 504 414 03	throttle control element		1	
		Fuel filler flap			
4	982 809 905 Y	Fuel filler flap		1	
	982 809 905 Y GRV	primed			
5	981 502 347 00	bracket - fender	left	1	
	981 502 347 00 GRV	primed			
(5)	981 502 348 00	bracket - fender	right	1	
	981 502 348 00 GRV	primed			
6	N 910 423 01	Oval hexagon socket head bolt		X	
		M 6 X 16			
7	991 503 555 00	Console		2	
		Headlight recess			
8	991 503 557 00	Support	left	1	
		Headlight recess			
(8)	991 503 558 00	Support	right	1	
		Headlight recess			
9	991 503 441 01	Brace		2	
		Headlight recess			
10	999 076 066 09	Hexagon nut		X	
		M6			

Model: 982-17

Model life 2017>>



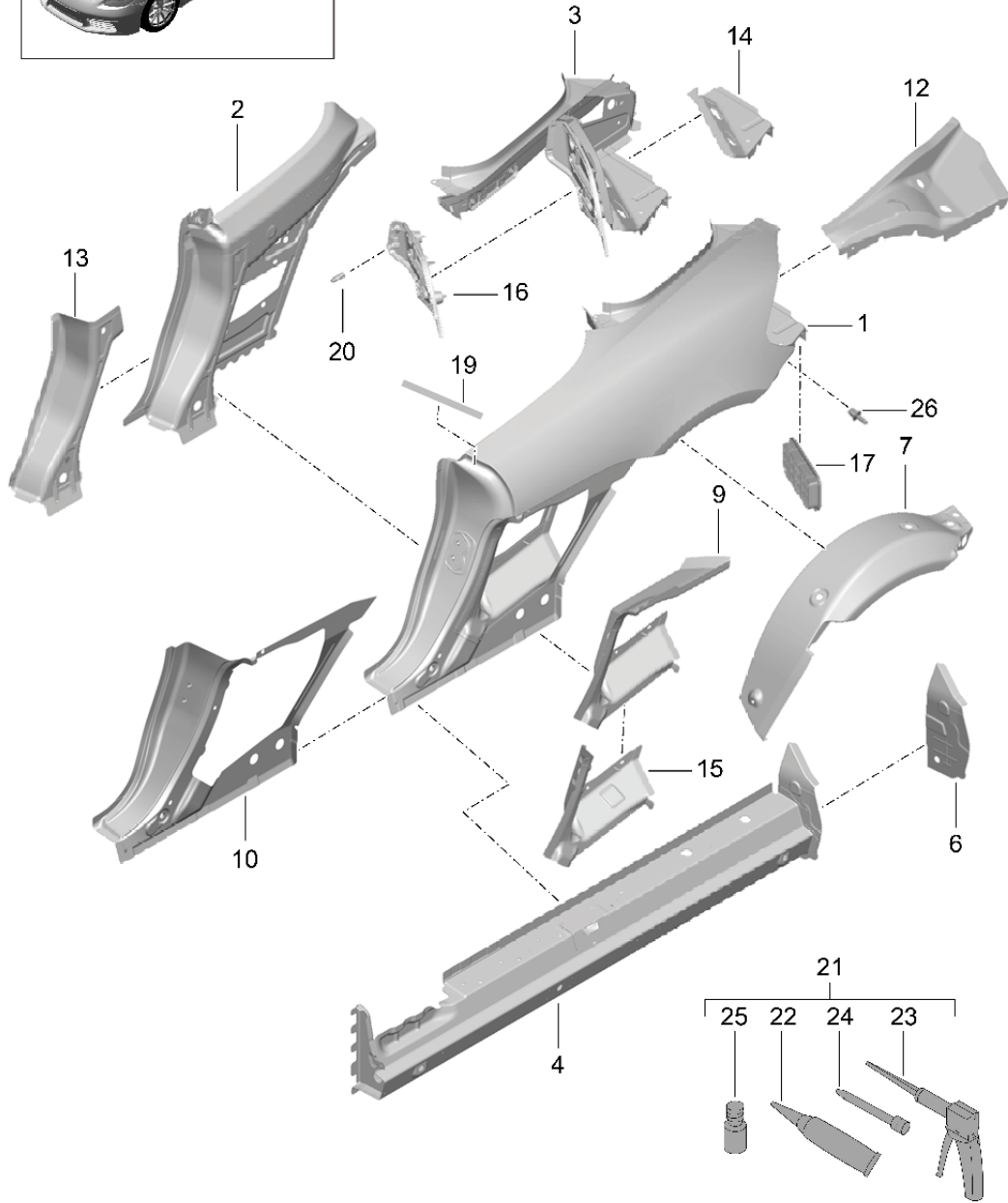
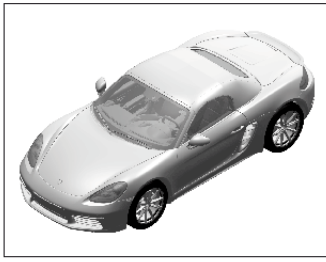
Model: 982-17

Model life 2017>>

Pos	Part Number	Description	Remark	Qty	Model
1	981 502 205 00	Scuttle A-pillar	left	1	
	981 502 205 00 GRV	primed	inner		
(1)	981 502 206 00	A-pillar	right	1	
	981 502 206 00 GRV	primed	inner		
2	981 502 629 00	Frame		1	
	981 502 629 00 GRV	primed	upper		
		Scuttle			
3	981 502 529 00	Frame		1	
	981 502 529 00 GRV	primed			
		Scuttle			
4	981 502 135 00	Reinforcement for A-pillar	left	1	
	981 502 135 00 GRV	primed			
(4)	981 502 136 00	Reinforcement for A-pillar	right	1	
	981 502 136 00 GRV	primed			
6	981 502 163 00	Reinforcement for A-pillar	left	1	
	981 502 163 00 GRV	primed			
		Sill			
		A-pillar			
(6)	981 502 164 00	Reinforcement for A-pillar	right	1	
	981 502 164 00 GRV	primed			
		Sill			
		A-pillar			
8	991 502 657 00	Console	left	1	
	991 502 657 00 GRV	primed			
(8)	991 502 658 00	Console	right	1	
	991 502 658 00 GRV	primed			
12	991 502 137 00	Scuttle	lower	1	
			outer		
	991 502 137 00 GRV	primed			
13	000 043 206 29	Adhesive set		1	
14	000 043 206 30	adhesive		1	
15	000 043 206 31	Double cartridge gun		1	
16	000 043 206 32	emulsion tube		1	
17	000 043 206 33	activator		1	

Model: 982-17

Model life 2017>>



Model: 982-17 Model life 2017>>

Pos	Part Number	Description	Remark	Qty	Model
1	982 809 085 Y	Side part			
	982 809 085 Y GRV	Side part primed	left	1	
(1)	982 809 086 Y	Side part			
	982 809 086 Y GRV	Side part primed	right	1	
2	981 502 983 01	Side part			
	981 502 983 01 GRV	Side part primed	left	1	
(2)	981 502 984 01	Side part			
	981 502 984 01 GRV	Side part primed	front, inner	1	
3	982 809 639 Y	Sealing channel			
	982 809 639 Y GRV	Sealing channel primed	right	1	
(3)	982 809 640 Y	Sealing channel			
	982 809 640 Y GRV	Sealing channel primed	left	1	
4	981 502 963 00	Reinforcement			
	981 502 963 00 GRV	Reinforcement primed	left	1	
(4)	981 502 964 00	Sill			
	981 502 964 00 GRV	Sill primed	A-pillar	1	
6	981 502 815 00	Connecting piece			
	981 502 815 00 GRV	Connecting piece primed	right	1	
(6)	981 502 816 00	Wheel housing			
	981 502 816 00 GRV	Wheel housing primed	left	1	
7	981 502 515 00	Wheel housing			
	981 502 515 00 GRV	Wheel housing primed	right	1	
(7)	981 502 516 00	Wheel housing			
	981 502 516 00 GRV	Wheel housing primed	left	1	
9	981 502 961 00	Reinforcement for side panel			
	981 502 961 00 GRV	Reinforcement for side panel primed	right	1	
(9)	981 502 962 00	Side part			
	981 502 962 00 GRV	Side part primed	left	1	
10	982 809 085 BY	Sectional part - side panel			
	982 809 085 BY GRV	Sectional part - side panel primed	right	1	
(10)	982 809 086 BY	Sub-part			
	982 809 086 BY GRV	Sub-part primed	left	1	
12	981 502 105 00	Side part			
	981 502 105 00 GRV	Side part primed	rear, inner	1	
(12)	981 502 106 00	Side part			
	981 502 106 00 GRV	Side part primed	right	1	
13	981 502 531 01	B-pillar			
	981 502 531 01 GRV	B-pillar primed	left	1	
(13)	981 502 532 01	B-pillar			
	981 502 532 01 GRV	B-pillar primed	outer	1	
14	981 502 563 00	Floor			
	981 502 563 00 GRV	Floor primed	right	1	
(14)	981 502 564 00	Rear light			
	981 502 564 00 GRV	Rear light primed	left	1	
15	981 502 493 01	Reinforcement for side panel			
	981 502 493 01 GRV	Reinforcement for side panel primed	right	1	
(15)	981 502 494 01	Reinforcement for side panel			
	981 502 494 01 GRV	Reinforcement for side panel primed	left	1	
16	982 810 045	Seal			
		Side part	left	1	

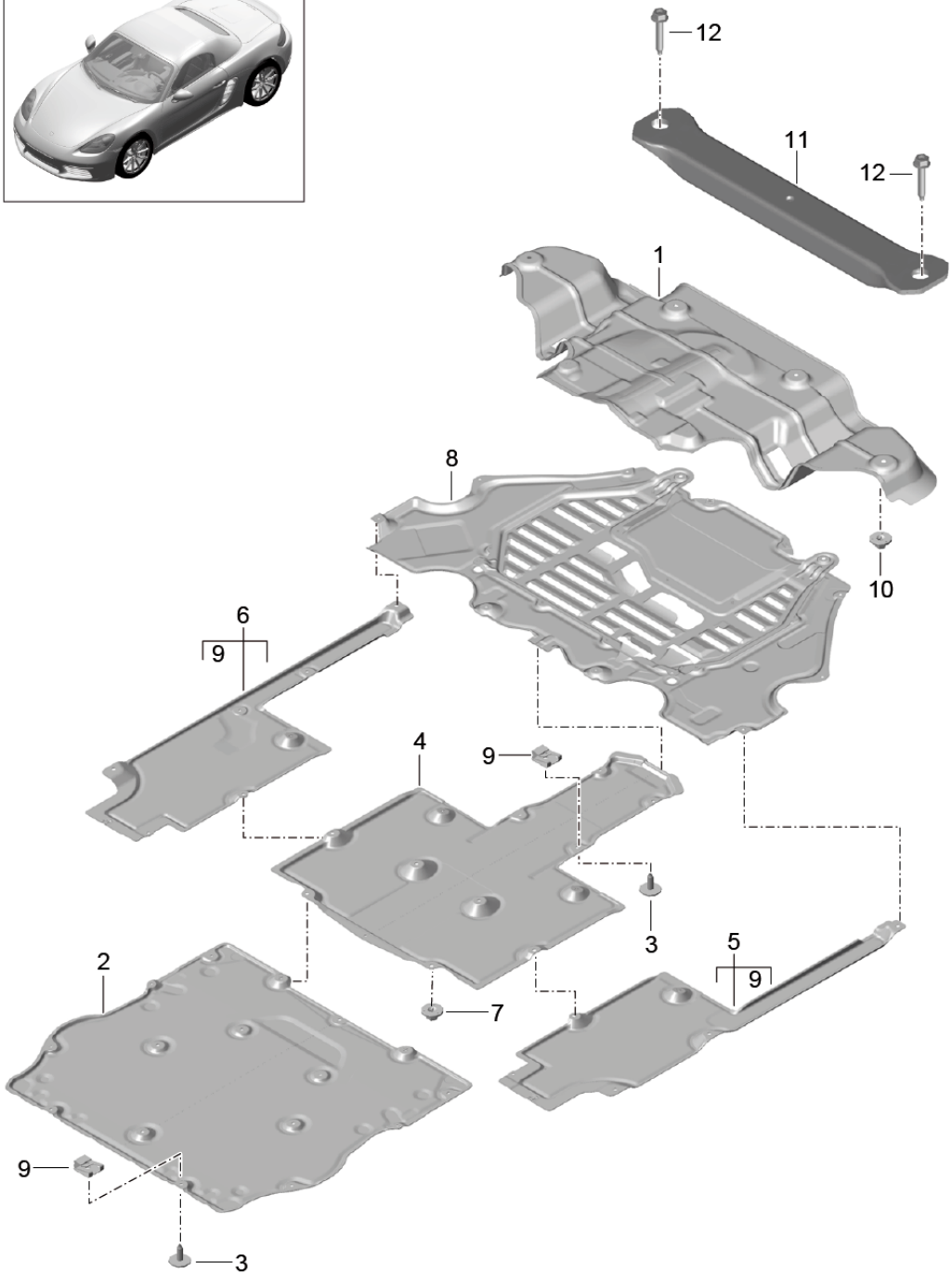
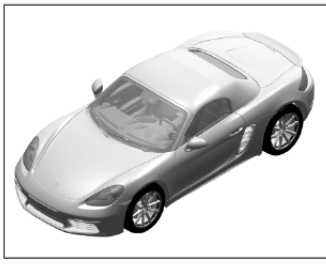
Model: 982-17

Model life 2017>>

Pos	Part Number	Description	Remark	Qty	Model
(16)	982 810 046	Seal Side part	right	1	
17	981 572 043 00	Bleeding Frame		X	
19	991 537 237 01	Protective film Side part and	left right	2	
20	999 516 045 01	Threaded stud Side part T6X18		X	
21	000 043 206 29	Adhesive set Body comprising:		X	
22	000 043 206 30	adhesive		1	
23	000 043 206 31	Double cartridge gun		1	
24	000 043 206 32	emulsion tube		1	
25	000 043 206 33	activator		1	
26	999 080 057 01	Blind rivet stud Side part Mount Bracket M 6 X 15	side	X	

Model: 982-17

Model life 2017>>





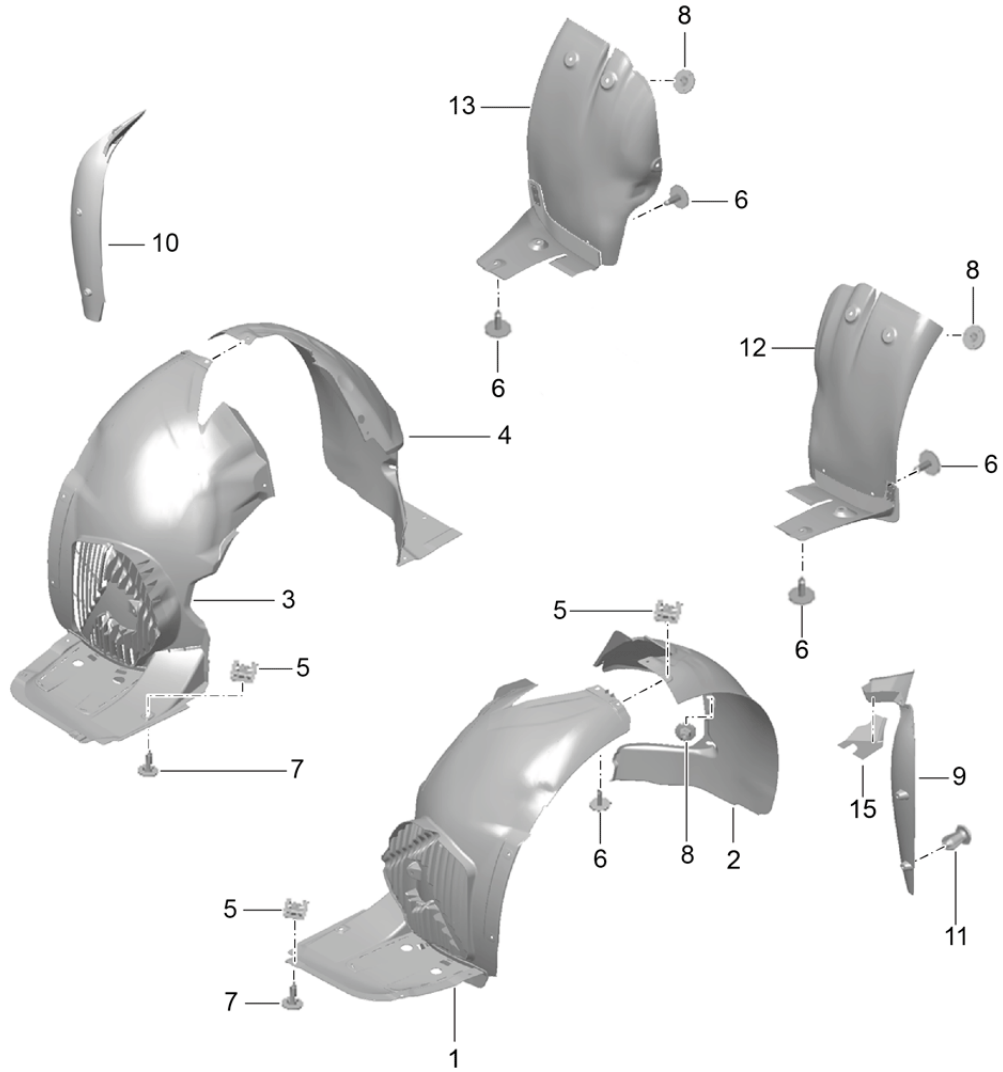
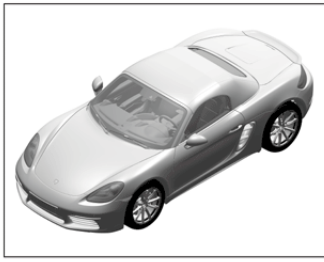
Model: 982-17

Model life 2017>>

Pos	Part Number	Description	Remark	Qty	Model
1	981 504 405 01	Trim Underbody Heat insulation boot floor plate		1	
2	991 504 601 04	Cover	front	1	
3	999 073 505 01	panel screw ST 4,8x16		X	
4	991 504 603 00	Cover	center	1	
5	991 504 605 00	Cover	left	1	
6	991 504 606 00	Cover	center right center	1	
7	999 049 032 40	Hexagon plastic collar nut T6/22x10,5		X	
8	982 825 253 A	Cover Underbody D >> - 28.01.2018	rear	1	
8	982 825 253 C	Cover Underbody D - 29.01.2018>>	rear	1	PR-008
8	982 825 253 D	Cover Underbody D - 29.01.2018>>	rear	1	PR-009
8	982 825 213 A	Cover Underbody	rear	1	PR-160,165, 7MU,7MV
8	982 825 213 C	Cover Underbody	rear	1	PR-008,7CP
9	999 507 795 09	panel nut ST 4,8		2	
10	999 049 039 01	Hexagon nut T6		6	
11	981 504 843 00	Transverse strut		1	
12	999 072 837 01	Hexagon bolt M10 X 55		2	

Model: 982-17

Model life 2017>>

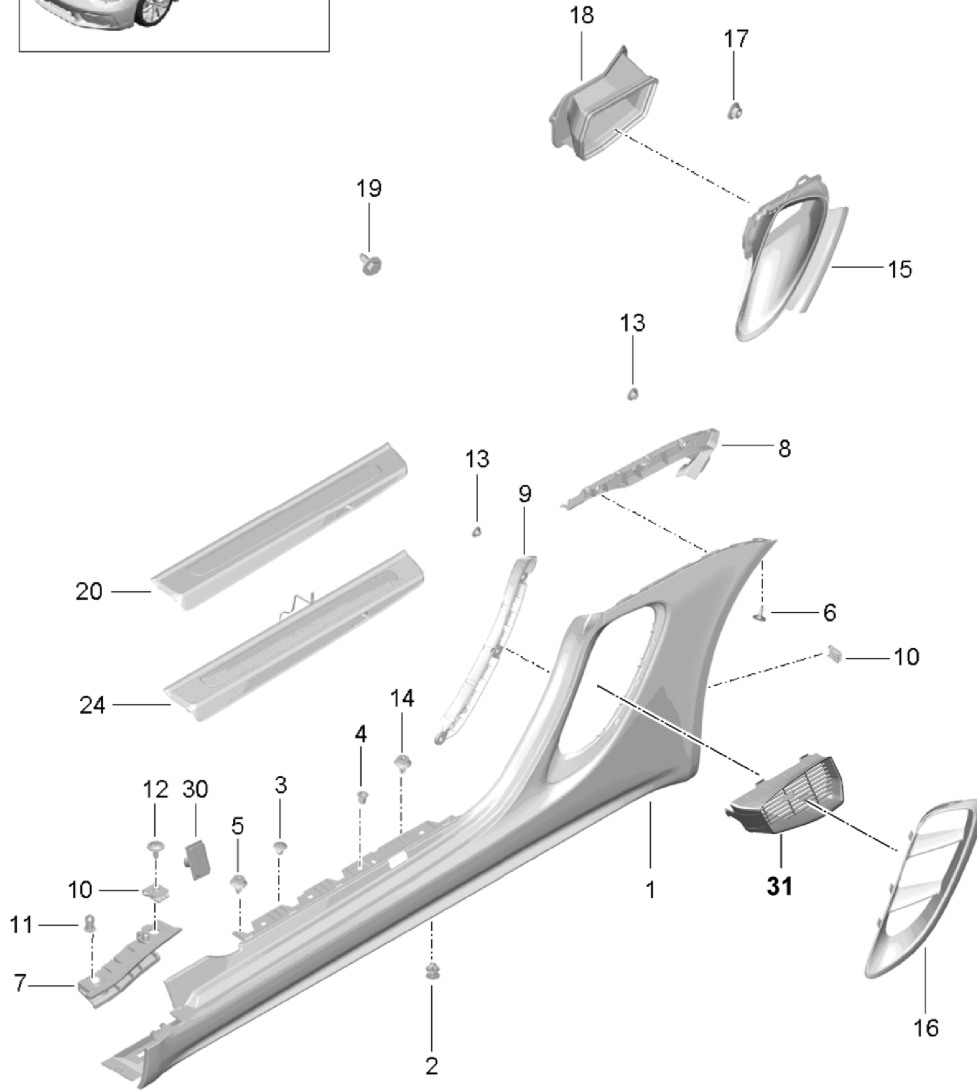
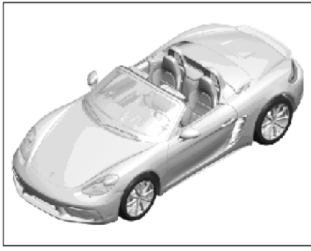


Model: 982-17 Model life 2017>>

Pos	Part Number	Description	Remark	Qty	Model
1	982 809 957	Linings Wheel housing Wheel housing liner	left front	1	
2	981 504 503 01	Wheel housing liner	left front rear	1	
3	982 809 958	Wheel housing liner	right front	1	
4	981 504 504 00	Wheel housing liner	right front rear	1	
5	999 507 309 02	panel nut ST 4,8		X	
6	999 073 505 01	panel screw ST 4,8x16		X	
7	999 073 227 09	panel screw ST 4,8x19		2	
8	999 049 032 40	Hexagon plastic collar nut T6/22x10,5		12	
9	981 504 641 00	trim for a-pillar	left	1	
10	981 504 641 00 1E0	Black			
10	981 504 642 00	trim for a-pillar	right	1	
	981 504 642 00 1E0	Black			
11	999 591 712 40	Spreader rivet 6,0X12,0		6	
12	981 504 505 01	Wheel housing liner	left rear front	1	
13	981 504 506 01	Wheel housing liner	right rear front	1	
15	991 555 747 00	Trim A-pillar Wing	left	1	
(15)	991 555 747 00 1E0	Black			
	991 555 748 00	Trim A-pillar Wing	right	1	
	991 555 748 00 1E0	Black			

Model: 982-17

Model life 2017>>



Model: 982-17

Model life 2017>>

Pos	Part Number	Description	Remark	Qty	Model
1	982 853 563	Side member trim and Ventilation Engine compartment	left	1	
(1)	982 853 563 G2X	Side member trim primed	right	1	
2	982 853 564	Side member trim primed		2	
2	981 504 597 00	Fasteners		2	
3	999 591 413 40	Side member trim Retaining clip 9,80		8	
4	999 702 403 40	Grommet 9,5X14		8	
5	999 507 999 40	Retaining clip 8,1X2,00		8	
6	999 073 231 09	panel screw ST4,8X16-C		2	
7	982 854 541	retaining strip	left front	1	
(7)	982 854 542	Wing retaining strip	right front	1	
8	982 854 943	Wing retaining strip	left rear	1	
(8)	982 854 944	Side part retaining strip	right rear	1	
9	982 854 945	Side part retaining strip	left center	1	
(9)	982 854 946	retaining strip	right center	1	
10	999 507 795 09	panel nut ST 4,8		4	
11	999 591 712 40	Spreader rivet 6,0X12,0		2	
12	999 073 505 01	panel screw ST4,8X16-C		2	
13	999 049 032 40	Hexagon plastic collar nut T6/22X10,5		12	
14	999 507 999 40	Retaining clip 8,1X2,00		8	
15	982 815 265	Frame Air inlet	left	1	
(15)	982 815 265 OK1	Black mat/satin black			
	982 815 266	Frame Air inlet	right	1	
16	982 815 266 OK1	Black mat/satin black			
	982 853 189	Ventilation grille	left	1	
(16)	982 853 189 OK1	Disc Matt black			
	982 853 190	Ventilation grille	right	1	
17	982 853 190 OK1	Disc Matt black			
	999 076 078 01	Hexagon nut M6		4	
18	982 819 657	Air guide channel	left	1	
		Seal			

Model: 982-17 Model life 2017>>

Pos	Part Number	Description	Remark	Qty	Model
(18)	982 819 658	Air guide channel	right	1	
		with:			
		Seal			
19	900 075 510 01	Bolt with washer M6X20-PA		6	
20	981 504 467 09	Sill trim strip Side member trim	left	1	Boxster PR:008
	981 504 467 09 1E0	Black			
20	981 504 467 10	Sill trim strip Side member trim	left	1	Boxster S PR:009
	981 504 467 10 1E0	Black			
20	981 504 467 22	Sill trim strip Side member trim	left	1	Boxster GTS PR:011
	981 504 467 22 1E0	Black			
(20)	981 504 468 09	Sill trim strip Side member trim	right	1	Boxster PR:008
	981 504 468 09 1E0	Black			
(20)	981 504 468 10	Sill trim strip Side member trim	right	1	Boxster S PR:009
	981 504 468 10 1E0	Black			
(20)	981 504 468 22	Sill trim strip Side member trim	right	1	Boxster GTS PR:011
	981 504 468 22 1E0	Black			
24	981 504 981 16	Sill trim strip Side member trim inscription Boxster stainless steel	left	1	PR:008,X70
	981 504 981 16 1E0	Black			
(24)	981 504 982 16	Sill trim strip Side member trim inscription Boxster stainless steel	right	1	PR:008,X70
	981 504 982 16 1E0	Black			
(24)	981 504 981 40	Sill trim strip Side member trim inscription Boxster stainless steel	left	1	PR:008,XXB
	981 504 981 40 1E0	Black			
(24)	981 504 982 40	Sill trim strip Side member trim inscription Boxster stainless steel	right	1	PR:008,XXB
	981 504 982 40 1E0	Black			
		with:			
		Lighting			
	981 504 981 40 1E0	Black			
(24)	981 504 982 40	Sill trim strip Side member trim inscription Boxster stainless steel	right	1	PR:008,XXB
	981 504 982 40 1E0	Black			
(24)	981 504 981 18	Sill trim strip Side member trim inscription Boxster Carbon	left	1	PR:008,X69
	981 504 981 18 1E0	Black			
(24)	981 504 982 18	Sill trim strip Side member trim inscription Boxster Carbon	right	1	PR:008,X69
	981 504 982 18 1E0	Black			

Model: 982-17

Model life 2017>>

Pos	Part Number	Description	Remark	Qty	Model
(24)	981 504 981 41	Sill trim strip Side member trim inscription Boxster Carbon	left	1	PR:008,XXD
		with: Lighting			
	981 504 981 41 1E0	Black			
(24)	981 504 982 41	Sill trim strip Side member trim inscription Boxster Carbon	right	1	PR:008,XXD
		with: Lighting			
	981 504 982 41 1E0	Black			
(24)	981 504 981 20	Sill trim strip Side member trim inscription Boxster S stainless steel	left	1	PR:009,X70
		with: Lighting			
	981 504 981 20 1E0	Black			
(24)	981 504 982 20	Sill trim strip Side member trim inscription Boxster S stainless steel	right	1	PR:009,X70
		with: Lighting			
	981 504 982 20 1E0	Black			
(24)	981 504 981 42	Sill trim strip Side member trim inscription Boxster S stainless steel	left	1	PR:009,XXB
		with: Lighting			
	981 504 981 42 1E0	Black			
(24)	981 504 982 42	Sill trim strip Side member trim inscription Boxster S stainless steel	right	1	PR:009,XXB
		with: Lighting			
	981 504 982 42 1E0	Black			
(24)	981 504 981 22	Sill trim strip Side member trim inscription Boxster S Carbon	left	1	PR:009,X69
		with: Lighting			
	981 504 981 22 1E0	Black			
(24)	981 504 982 22	Sill trim strip Side member trim inscription Boxster S Carbon	right	1	PR:009,X69
		with: Lighting			
	981 504 982 22 1E0	Black			
(24)	981 504 981 43	Sill trim strip Side member trim inscription Boxster S Carbon	left	1	PR:009,XXD
		with: Lighting			

Model: 982-17 Model life 2017>>

Pos	Part Number	Description	Remark	Qty	Model
(24)	981 504 981 43 1E0 981 504 982 43	Black Sill trim strip Side member trim inscription Boxster S Carbon  with: Lighting	right	1	PR:009,XXD
(24)	981 504 982 43 1E0 981 504 981 44	Black Sill trim strip Side member trim inscription Boxster GTS stainless steel  with: Lighting	left	1	PR:011,XXB
(24)	981 504 981 44 1E0 981 504 982 44	Black Sill trim strip Side member trim inscription Boxster GTS stainless steel  with: Lighting	right	1	PR:011,XXB
(24)	981 504 982 44 1E0 981 504 981 45	Black Sill trim strip Side member trim inscription Boxster GTS Carbon, fine high-gloss  with: Lighting	left	1	PR:011,XXD
(24)	981 504 981 45 1E0 981 504 982 45	Black Sill trim strip Side member trim inscription Boxster GTS Carbon, fine high-gloss  with: Lighting	right	1	PR:011,XXD
(24)	981 504 982 45 1E0 981 504 981 34	Black Sill trim strip Side member trim inscription Boxster GTS Carbon	left	1	PR:011,X69
(24)	981 504 981 34 1E0 981 504 982 34	Black Sill trim strip Side member trim inscription Boxster GTS Carbon	right	1	PR:011,X69
(24)	981 504 982 34 1E0 981 504 981 32	Black Sill trim strip Side member trim inscription Boxster GTS stainless steel	left	1	PR:011,X70
(24)	981 504 981 32 1E0 981 504 982 32	Black Sill trim strip Side member trim inscription Boxster GTS	right	1	PR:011,X70



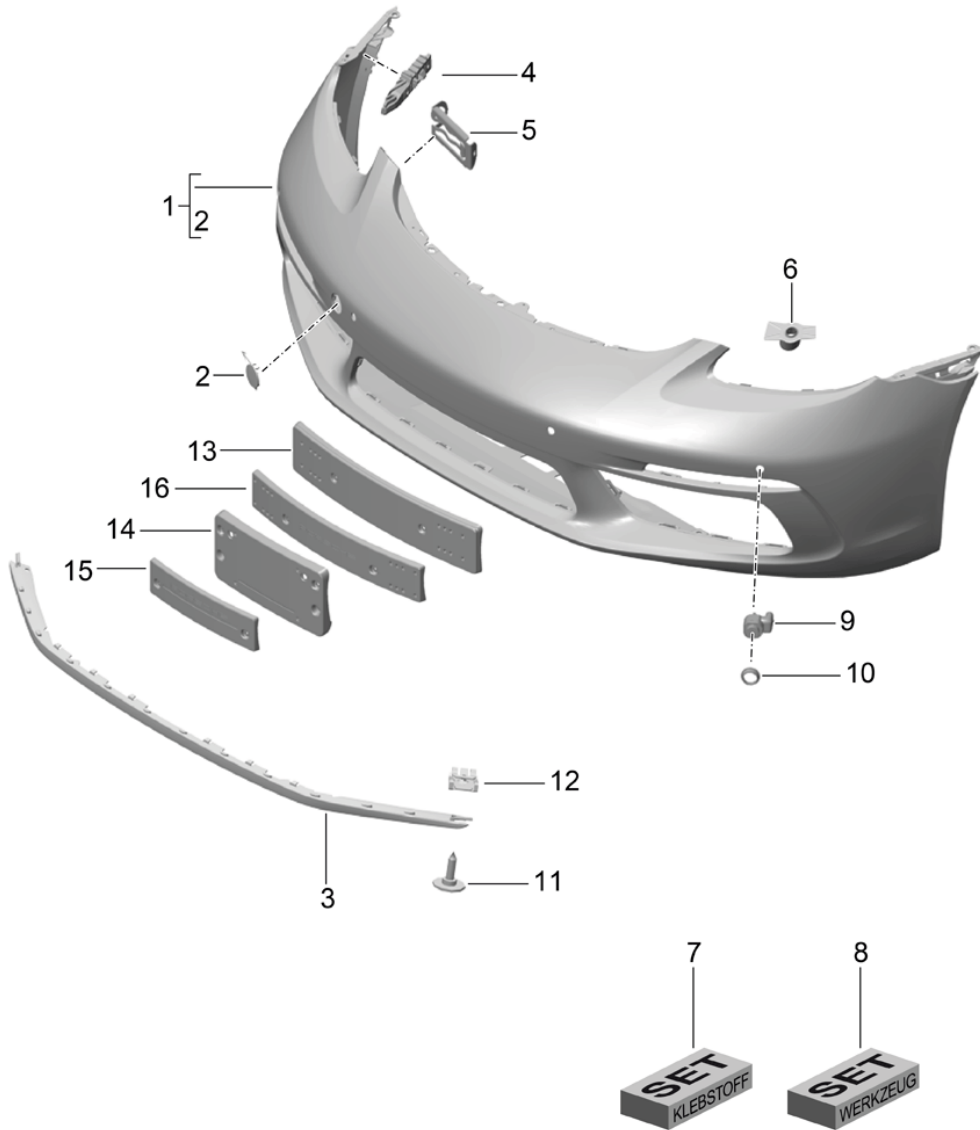
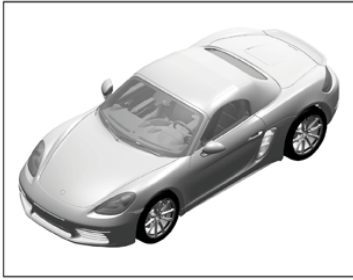
Model: 982-17

Model life 2017>>

Pos	Part Number	Description	Remark	Qty	Model
30	981 504 982 32 1E0	stainless steel			
	999 902 062 41	Black Velcro fastener Clip		X	
31	982 825 483	protective grille	left	1	
	982 825 483 OK1	Matt black			
(31)	982 825 484	protective grille	right	1	
	982 825 484 OK1	Matt black			

Model: 982-17

Model life 2017>>



Model: 982-17 Model life 2017>>

Pos	Part Number	Description	Remark	Qty	Model
1	982 898 041	bumper Trim Of	front	1	PR:-288, -636,-638
(1)	982 898 041 G2X 982 898 041 A	primed Trim Of		1	PR:288,-636, -638
(1)	982 898 041 A G2X 982 898 041 B	primed Trim Of		1	PR:-288,636, 638
(1)	982 898 041 B G2X 982 898 041 C	primed Trim Of		1	PR:288,636, 638
2	982 898 041 C G2X 982 807 499	primed Tow hitch		1	
3	982 807 499 G2X 982 807 110 A	primed Spoiler lip Short		1	
4	982 807 110 A OK1 982 807 055	Matt black Bracket Cover	left	1	
(4)	982 807 056	Bracket Cover	right	1	
5	981 505 719 01	Fixing		2	
6	982 807 463	Retaining plate Headlight washer system	left	1	PR:288
(6)	982 807 464	Retaining plate Headlight washer system also use:	000 043 300 47 right	1	PR:288
7	000 043 300 47	Adhesive set adhesive with:	000 043 300 47	1	
-		5-fold emulsion tube Bracket Headlight washer system use if required:			
8	000 043 300 48	Tool set for adhesive		1	
9	5Q0 919 275 B	Sensor Parking aid	inner	2	
(9)	5Q0 919 275 B G2X 5Q0 919 275 C	primed Sensor Parking aid	outer	2	
10	5Q0 919 275 C G2X 5Q0 919 133	primed seal ring Sensor Parking aid		4	
11	5Q0 919 133 9B9 999 073 227 09	Satin black panel screw ST4,8X19		6	
12	999 507 309 02	panel nut ST 4,8		X	
13	982 807 813	Assembly kit Number plate Carrier	ECE	1	PR:211,-075
14	982 807 813 OK1 982 807 813 B	Matt black Assembly kit Number plate Carrier	Japan	1	PR:209,-456
(14)	982 807 813 B OK1 982 807 813 E	Matt black Assembly kit	Japan	1	PR:209,456

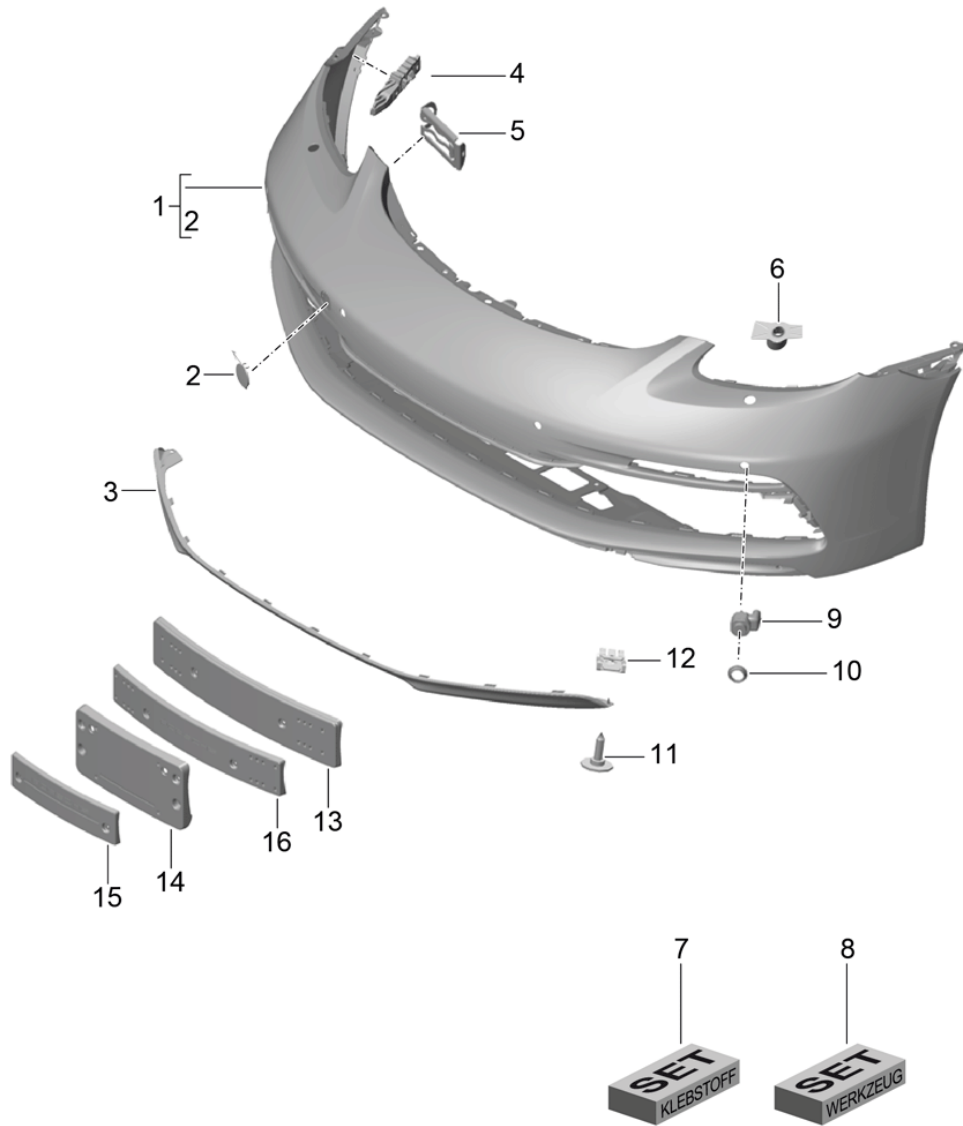
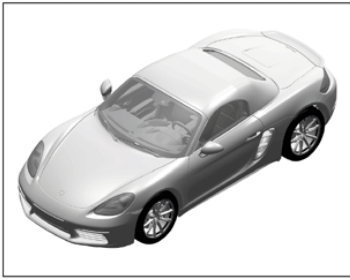
Model: 982-17

Model life 2017>>

Pos	Part Number	Description	Remark	Qty	Model
15	982 807 813 E OK1	Number plate Carrier	ACC	1	PR:210
	982 807 813 D	Matt black Assembly kit	RDW		
16	982 807 813 D OK1	Number plate Carrier	China	1	PR:211,075
	982 807 813 F	Matt black Assembly kit			
	982 807 813 F OK1	Number plate Carrier Matt black			

Model: 982-17

Model life 2017>>



Model: 982-17 Model life 2017>>

Pos	Part Number	Description	Remark	Qty	Model
		bumper	front		PR: XAN, XAT, 011
1	982 898 041 D	Sport Design package and GTS Trim primed	front	1	
(1)	982 898 041 E	Trim primed	front	1	PR:288
(1)	982 898 041 F	Trim	front	1	PR:636,638,-288
(1)	982 898 041 G	primed Trim	front	1	PR:636,638,288
2	982 807 397	primed cover for towing eye		1	
(3)	982 807 397 G2X	primed		1	
	982 807 547 B	Spoiler lip		1	
4	982 807 547 B OK1	Matt black		1	
(4)	982 807 055	Bracket Cover	left	1	
	982 807 056	Bracket Cover	right	1	
5	981 505 719 01	Fixing		2	
6	982 807 463	Retaining plate	left	1	PR:288
(6)	982 807 464	Headlight washer system Retaining plate Headlight washer system	also use: 000 043 300 47 right	1	PR:288
7	000 043 300 47	Adhesive set adhesive	also use: 000 043 300 47	1	
-		with: 5-fold emulsion tube Bracket Headlight washer system			
8	000 043 300 48	use if required: Tool set for adhesive		1	
9	5Q0 919 275 B	Sensor	inner	2	
(9)	5Q0 919 275 B G2X	Parking aid primed		2	
	5Q0 919 275 C	Sensor	outer	2	
	5Q0 919 275 C G2X	Parking aid primed		2	
10	5Q0 919 133	seal ring		4	
	5Q0 919 133 9B9	Sensor			
11	999 073 227 09	Parking aid Satin black panel screw		18	
12	999 507 309 02	ST4,8X19 panel nut		X	
13	982 807 813 G	ST 4,8 Assembly kit	ECE	1	PR:211,-075
	982 807 813 G OK1	Number plate Carrier			
14	982 807 813 J	Matt black Assembly kit	Japan	1	PR:209,-456
	982 807 813 J OK1	Number plate Carrier			
	982 807 813 J OK1	Matt black			

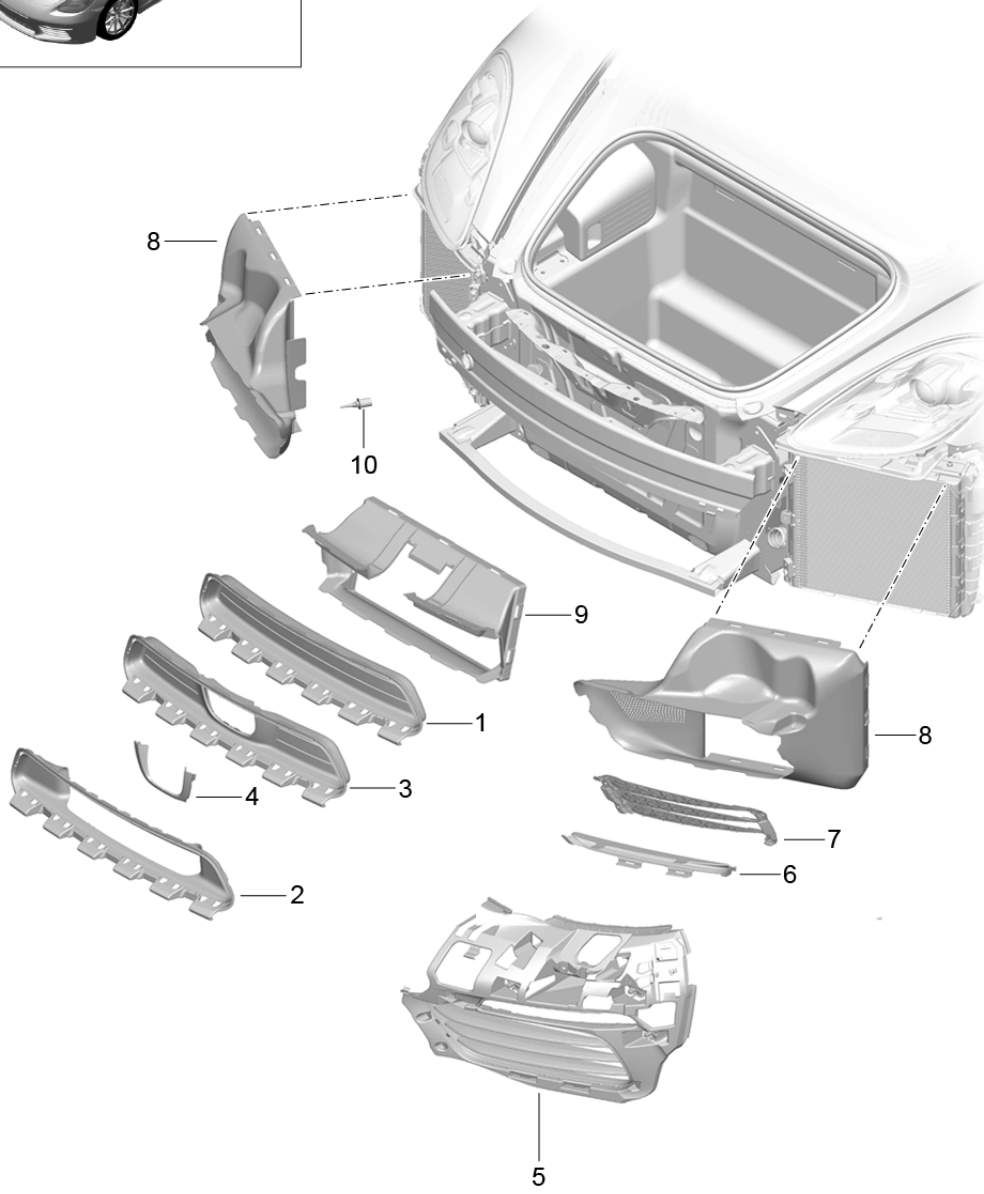
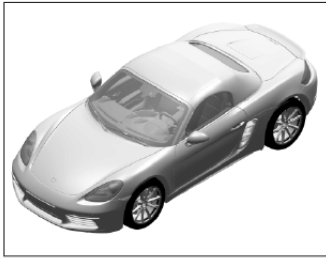
Model: 982-17

Model life 2017>>

Pos	Part Number	Description	Remark	Qty	Model
(14)	982 807 813 M	Assembly kit Number plate Carrier	Japan ACC	1	PR:209,456
	982 807 813 M OK1	Matt black			
15	982 807 813 L	Assembly kit Number plate Carrier	RDW	1	PR:210
	982 807 813 L OK1	Matt black			
16	982 807 813 N	Assembly kit Number plate Carrier	China	1	PR:211,075
	982 807 813 N OK1	Matt black			

Model: 982-17

Model life 2017>>



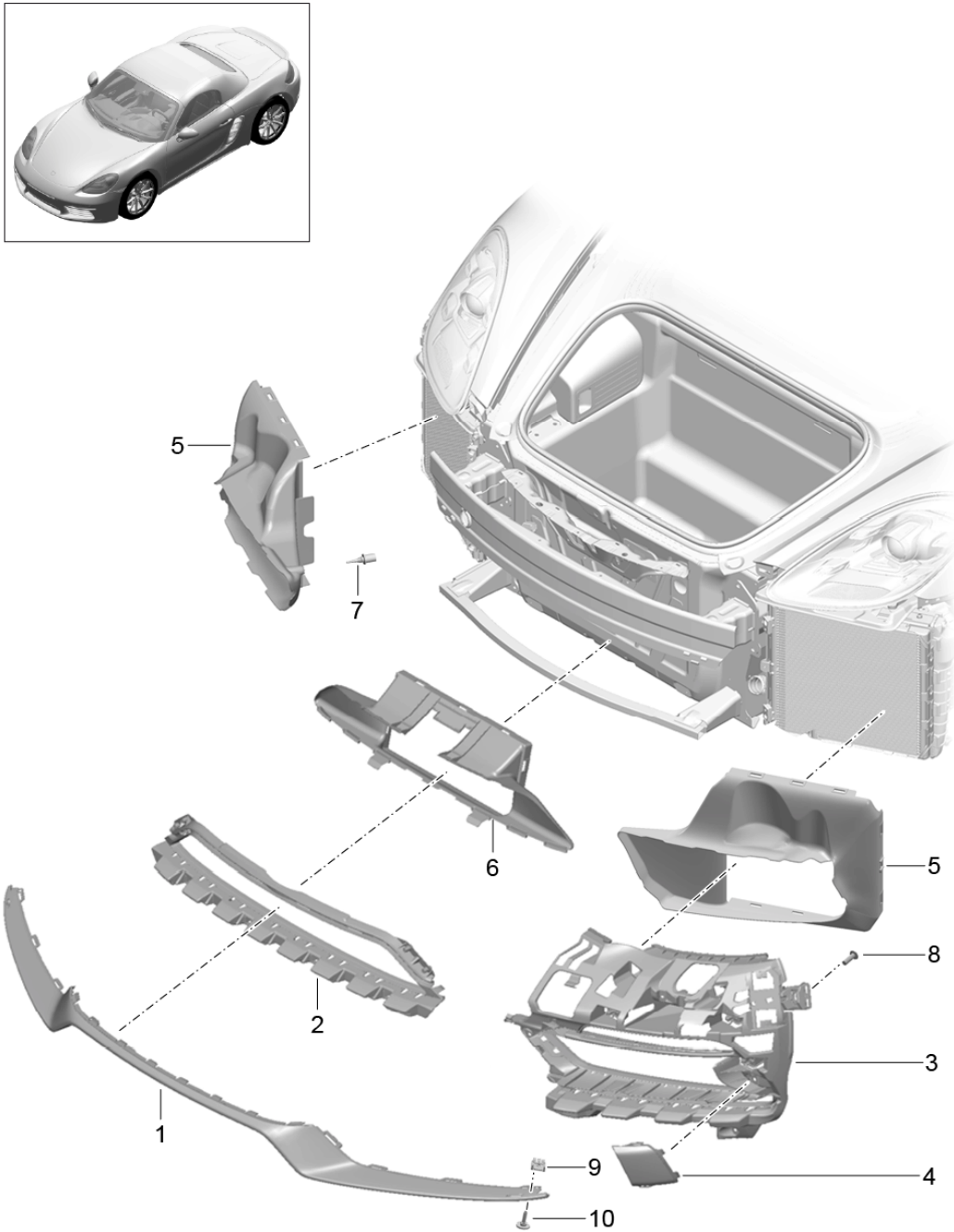


Model: 982-17 Model life 2017>>

Pos	Part Number	Description	Remark	Qty	Model
1	982 807 681	Air guide bumper Grille Closed	front center	1	
2	982 807 681 OK1 982 807 681 A	Matt black Grille open	center	1	
3	982 807 681 A OK1 982 807 681 B	Matt black Grille ACC	center	1	
4	982 807 681 B OK1 982 807 644	Matt black Trim ACC	center	1	
5	982 807 644 OK1 982 807 683	Matt black Grille	left side	1	
(5)	982 807 683 OK1 982 807 684	Matt black Grille	right side	1	
6	982 807 684 OK1 982 807 819	Matt black Trim Grille	left	1	PR:008
(6)	982 807 819 OK1 982 807 820	Matt black Trim Grille	right	1	PR:008
7	982 807 820 OK1 982 807 333	Matt black Support Vanes	left	1	
(7)	982 807 334	Support Vanes	right	1	
8		Air guide	side	1	
9	982 121 291	Air guide	center	1	PR:153
(9)	982 121 291 OK1 982 121 291 A	Matt black Air guide ACC	center	1	PR:153,456
10	982 121 291 A OK1 958 505 535 00	Matt black Sensor Ambient temperature gauge		1	

Model: 982-17

Model life 2017>>

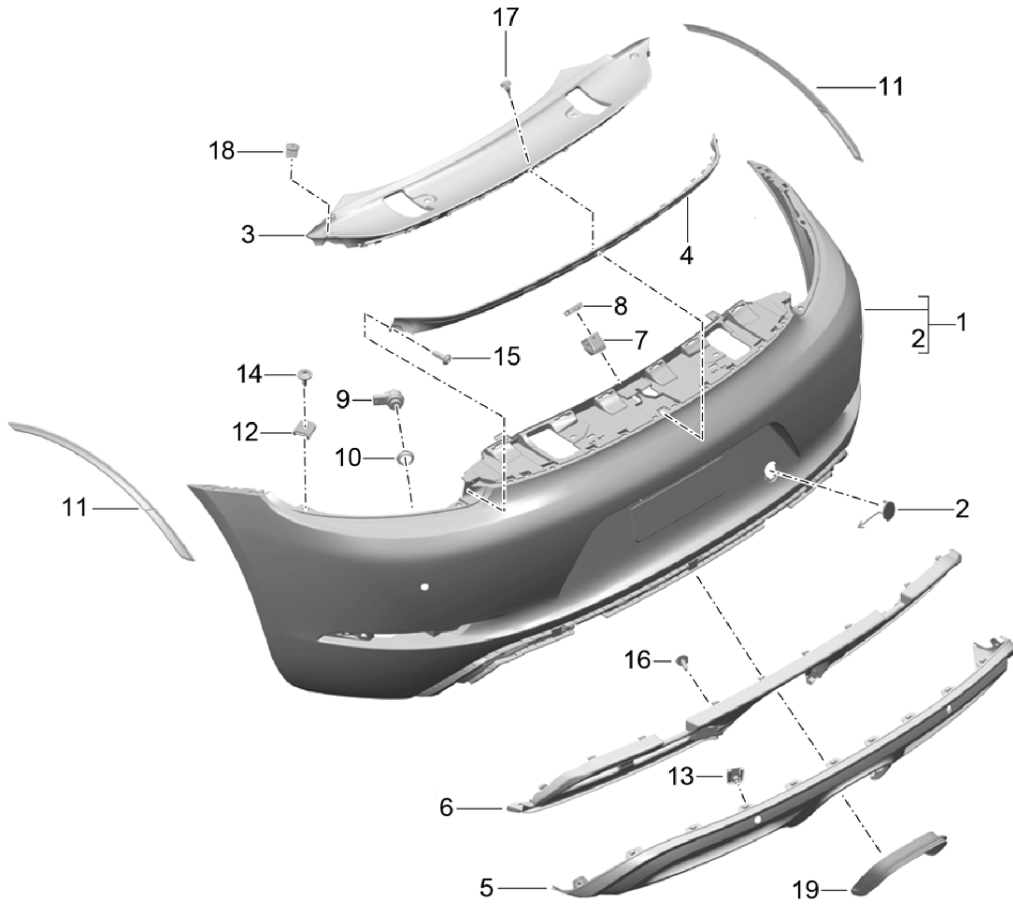
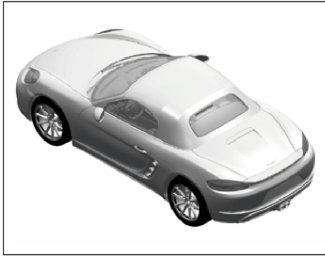


Model: 982-17 Model life 2017>>

Pos	Part Number	Description	Remark	Qty	Model
		Air guide bumper Sport Design package and GTS	front		PR: XAN, XAT, 011
1	982 807 725	Front end cover		1	
	982 807 725 G2X	primed			
2	982 807 682	Grille open	center	1	
	982 807 682 OK1	Matt black			
3	982 807 697	Grille	left	1	
	982 807 697 OK1	Matt black			
(3)	982 807 698	Grille	right	1	
	982 807 698 OK1	Matt black			
4	982 807 945	Trim	left side	1	PR: XAT
	982 807 945 OK1	Matt black			
(4)	982 807 945	Trim	left side	1	PR: XAN
	982 807 945 041	Black			
(4)	982 807 946	Trim	right side	1	PR: XAT
	982 807 946 OK1	Matt black			
(4)	982 807 946	Trim	right side	1	PR: XAN
	982 807 946 041	Black			
5	982 121 735	Air guide	left	1	
	982 121 735 OK1	Matt black			
(5)	982 121 736	Air guide	right	1	
	982 121 736 OK1	Matt black			
6	982 121 699	Air guide	center	1	PR: 153
	982 121 699 OK1	Matt black			
(6)	982 121 699 A	Air guide ACC	center	1	PR: 153, 456
	982 121 699 A OK1	Matt black			
7	958 505 535 00	Sensor Ambient temperature gauge		1	
8	999 919 246 01	fillister hd. bolt 6,0 X 18,0 - Q		8	
9	999 507 309 02	panel nut ST 4,8		6	
10	999 073 227 09	panel screw ST4,8X19		6	

Model: 982-17

Model life 2017>>

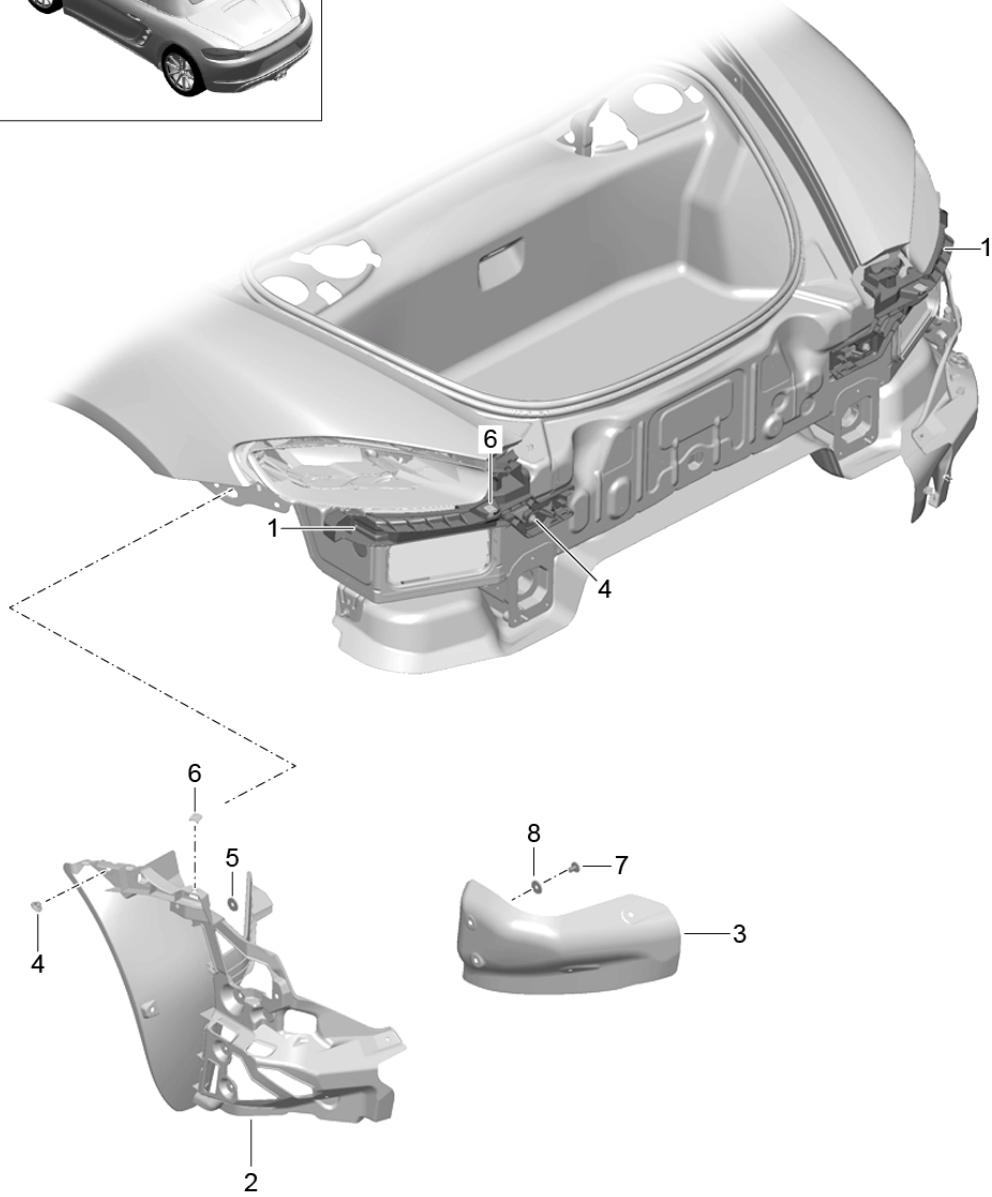
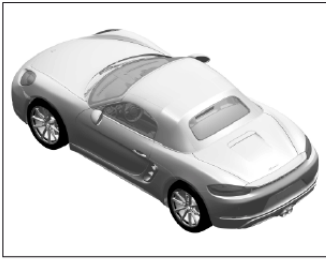


Model: 982-17 Model life 2017>>

Pos	Part Number	Description	Remark	Qty	Model
1	982 898 352	bumper Trim	rear	1	PR:-635, -636,-638
1	982 898 352 G2X 982 898 352 A	primed Trim		1	PR:635,636
1	982 898 352 A G2X 982 898 352 B	primed Trim		1	PR:638
2	982 898 352 B G2X 982 807 442	primed cover for towing eye		1	PR:-533
3	982 807 442 G2X 982 807 417	primed Cover	upper	1	
4	982 807 417 OK1 982 807 659	Matt black Trim	upper	1	
5	982 807 659 041 982 807 983	Black Cover	lower	1	PR:-635, -636,-638
5	982 807 983 OK1 982 898 307	Matt black Cover	lower	1	PR:635,636, 638
5	982 898 307 A	Cover	lower	1	PR:635,636, 638,XAT,XAN
5	982 898 307 A G2X 982 898 307 A	Discontinued part primed Cover	lower	1	PR:635,636, 638,XAT,XAN
6	982 807 125 982 807 125 OK1	Bracket Matt black	lower	1	
7	991 505 899 01	Bracket		1	PR:638
8	991 505 899 01 OK1 991 505 901 01	Reversing camera Matt black arm		1	PR:638
9	5Q0 919 275 B	Reversing camera Sensor	outer	2	
(9)	5Q0 919 275 B G2X 9P1 919 275 A	Parking aid primed Sensor	inner	2	
10	9P1 919 275 A G2X 5Q0 919 133	primed Parking aid Sensor		4	
11	5Q0 919 133 9B9 982 853 025	Parking aid Satin black Set		1	PR:193
12	982 853 025 G2X 999 507 309 02	wheel cover Japan primed panel nut		X	
13	999 507 856 01	ST 4,8 panel nut		X	
14	999 073 227 09	M6 panel screw		X	
15	999 919 246 01	ST4,8X19 fillister hd. bolt		10	
16	999 073 322 02	6,0X18,0-Q ST 26 D0 fillister hd. bolt		2	
17	999 703 272 40	M6X20-SC Stop buffer		1	
18	999 703 503 40	5,0X8X13,0 Stop buffer		2	
19	982 815 099 982 815 099 OK1	5,0X8X13,0 Cover Tailpipe Matt black		1	

Model: 982-17

Model life 2017>>



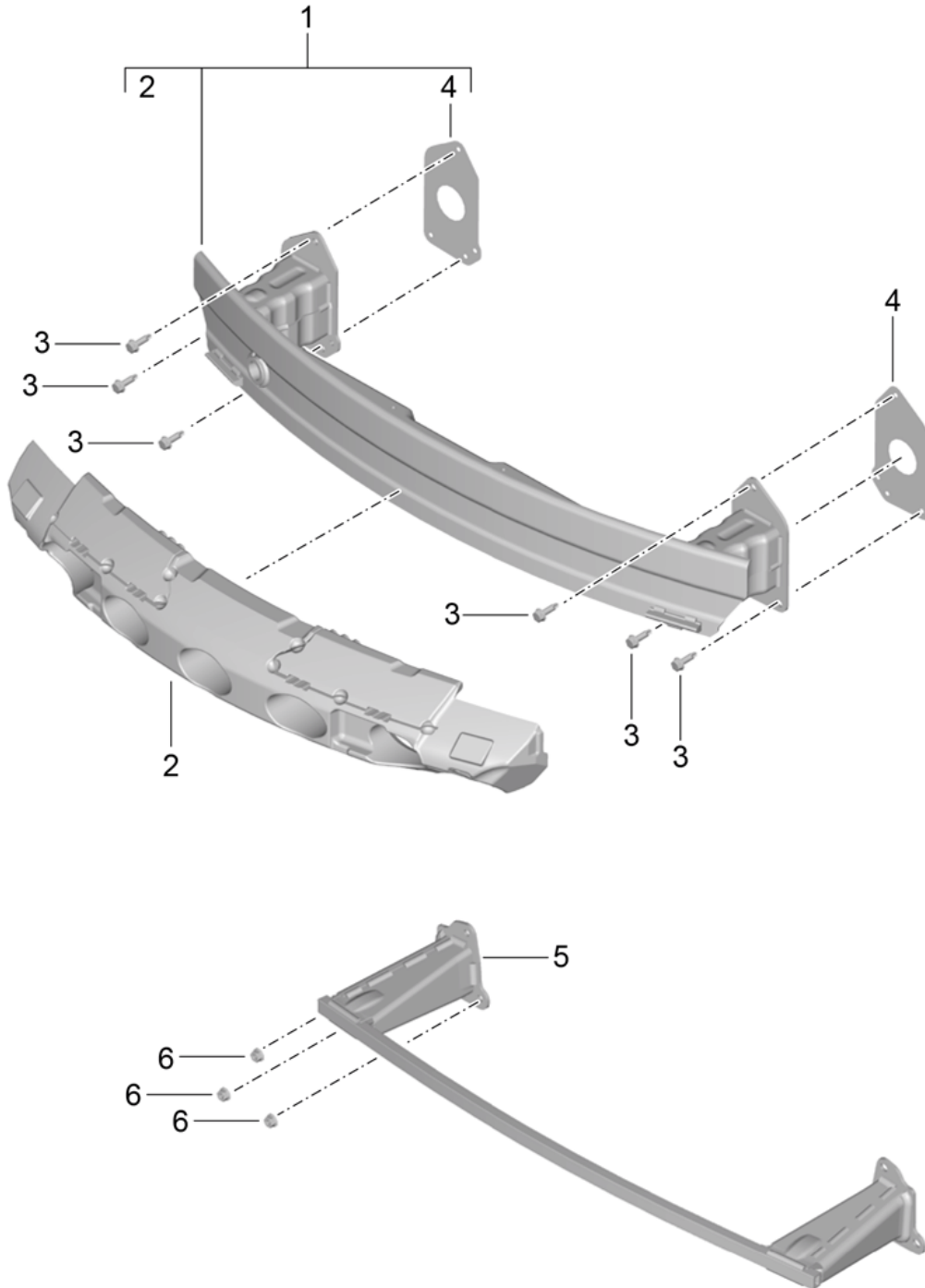
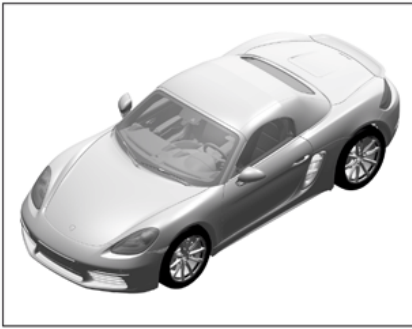
Model: 982-17

Model life 2017>>

Pos	Part Number	Description	Remark	Qty	Model
		Fasteners bumper	rear		
1	982 807 861	Securing strip	left	1	
(1)	982 807 862	Securing strip	right	1	
2	982 807 147	Bracket	left	1	
			side		
(2)	982 807 148	Bracket	right	1	
			side		
3	982 825 729	Heat insulation Cover	left	1	
			side		
(3)	982 825 730	Heat insulation Cover	right	1	
			side		
4	999 076 042 01	Hexagon nut M 6		4	
5	999 049 032 40	Hexagon plastic collar nut T6/22X10,5		2	
6	999 507 309 02	panel nut ST 4,8		X	
7	999 190 115 30	Pop rivet A 6,4X10,0		8	
8	900 151 006 03	Washer 6		8	

Model: 982-17

Model life 2017>>





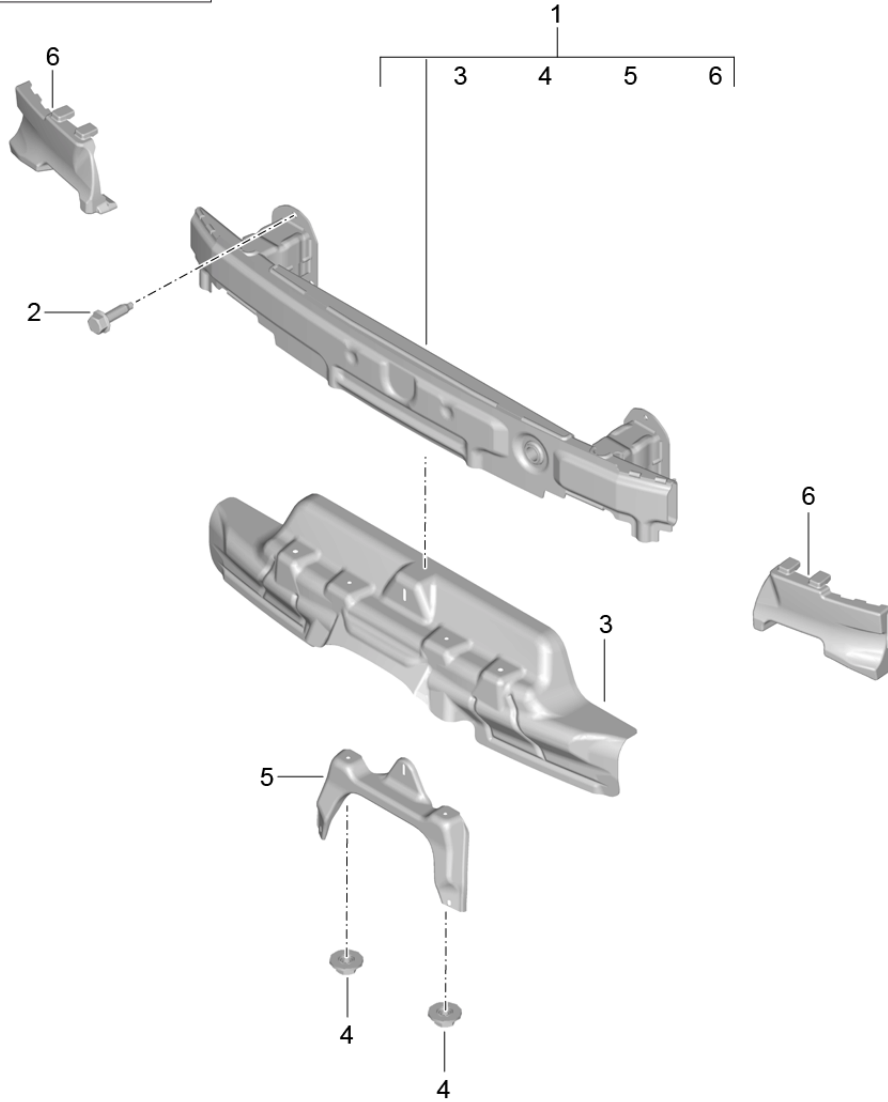
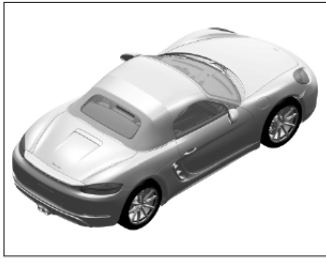
Model: 982-17

Model life 2017>>

Pos	Part Number	Description	Remark	Qty	Model
1	982 807 109	Bumper carrier Bumper carrier (complete)	front front	1	
		with:			
2	982 807 231	Foam part Foam part		1	
3	900 378 351 01	Bumper carrier Hexagon bolt M 8 X 30		6	
4	991 505 771 00	Seal Shock absorber		2	
5	991 505 531 04	Carrier Pedestrian protection	front	1	PR:070
(5)	991 505 531 05	Carrier protective clip	front	1	PR:-070
(5)	991 505 531 07	Carrier protective clip	front	1	PR:XAN,XAT
(5)	982 807 113	Carrier protective clip	front	1	PR:-070,XAN, XAT
6	N 106 092 04	Hexagon collar nut M 8		6	

Model: 982-17

Model life 2017>>



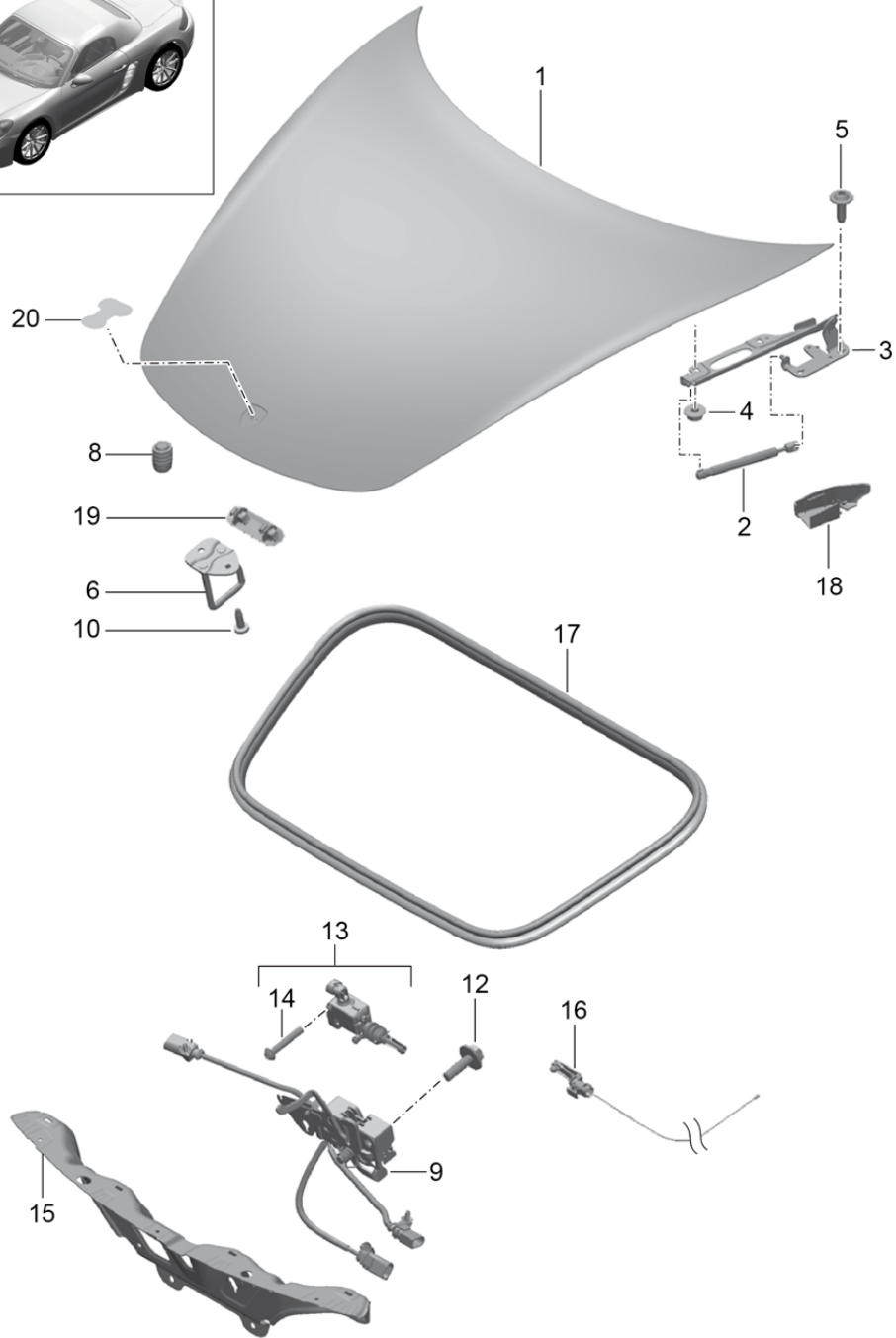
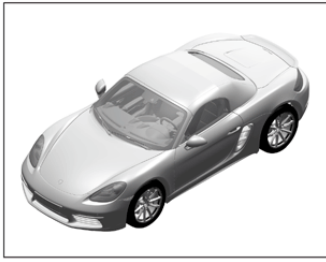
Model: 982-17

Model life 2017>>

Pos	Part Number	Description	Remark	Qty	Model
1	982 807 089	Bumper carrier Bumper carrier	rear rear	1	
		with:			
2	900 378 351 01	Heat protection Hexagon bolt M 8 X 30		6	
3	982 825 747	Heat insulation	center	1	
4	999 076 091 01	Hexagon nut M6-S		5	
5	982 807 384	Support	rear lower	1	
6	982 807 603	Attachment Carrier	left	1	
(6)	982 807 604	Attachment Carrier	right	1	

Model: 982-17

Model life 2017>>



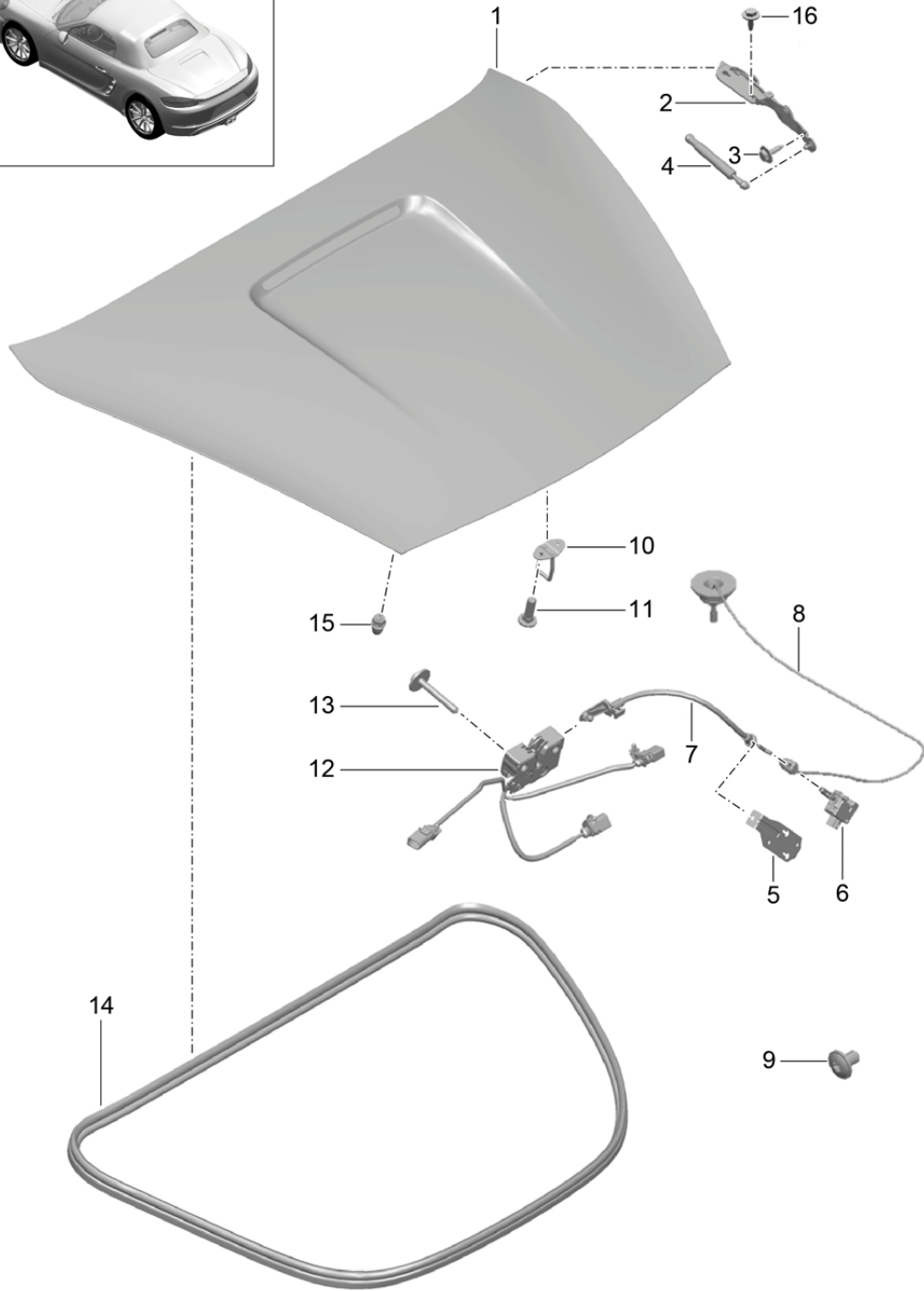
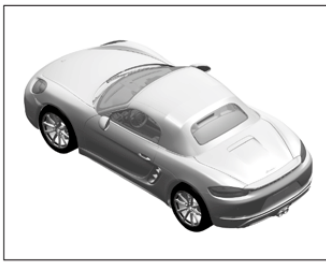
Model: 982-17

Model life 2017>>

Pos	Part Number	Description	Remark	Qty	Model
1	991 511 011 04	Cover	front	1	
	991 511 011 04 GRV	Cover primed			
2	991 511 551 00	Gas filled strut		2	
3	991 511 151 03	Hinge	left	1	
(3)	991 511 152 03	Hinge	right	1	
4	999 076 048 02	Hexagon nut		4	
		M6			
5	N 911 883 02	Hexagon socket head bolt		4	
		M6 X 20			
6	991 511 051 00	Lock upper part		1	
7	900 075 520 01	Bolt with washer		2	
		M6X22			
8	999 703 140 41	Rubber buffer		2	
9	991 511 033 05	Lock lower part		1	
10	999 073 378 02	flat round head bolt		2	
		M6 X 20			
12	900 075 520 01	Bolt with washer		2	
		M6 X 22			
15	9P1 806 623	Bracket		1	
16	991 511 217 01	Cable		1	
		Emergency operation			
17	991 511 611 03	Seal		1	
		Cover			
18	991 511 651 02	Hose bracket	left	1	
	991 511 651 02 1E0	Black			
(18)	991 511 652 02	Hose bracket	right	1	
	991 511 652 02 1E0	Black			
19	991 511 649 00	Protective cap		1	
20	999 911 756 41	Adhesive film		1	

Model: 982-17

Model life 2017>>



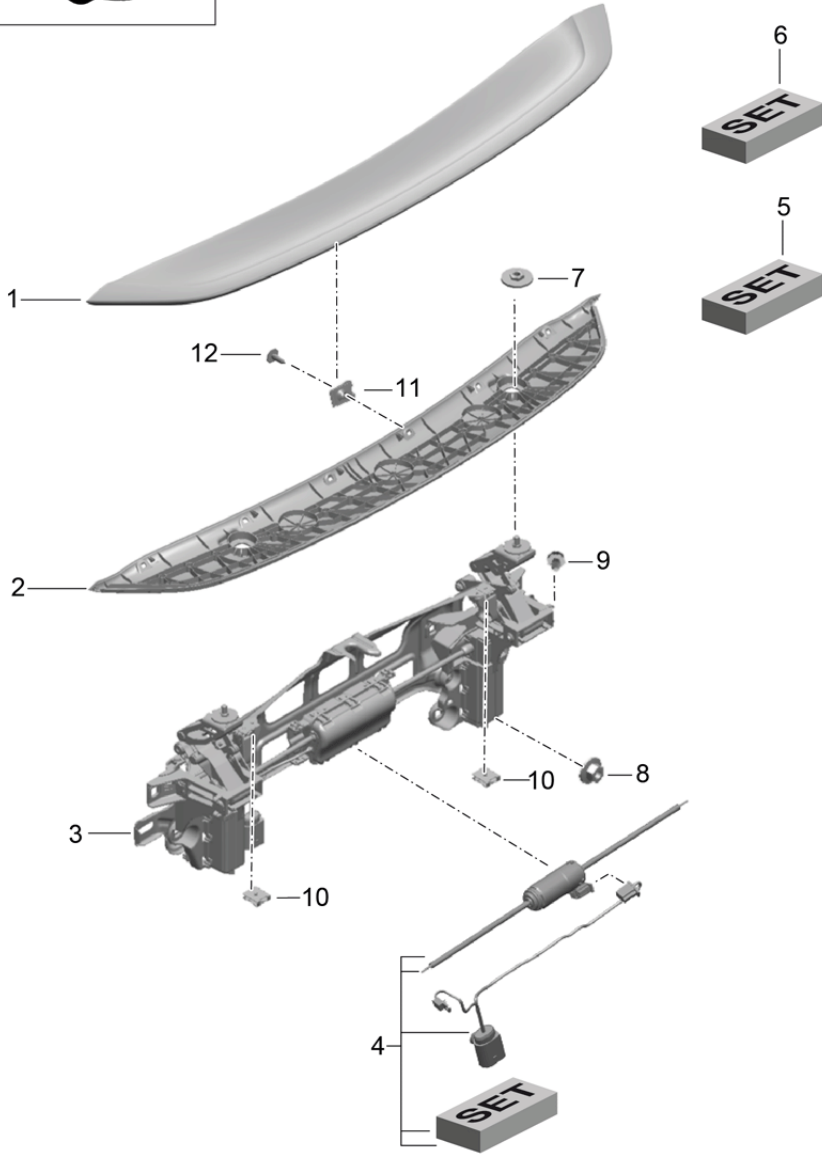
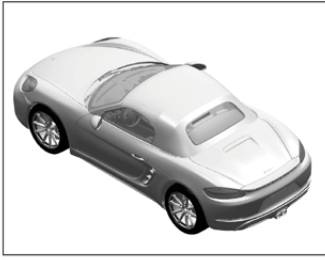
Model: 982-17

Model life 2017>>

Pos	Part Number	Description	Remark	Qty	Model
1	981 512 011 05	Cover	rear	1	PR:QV0
	981 512 011 05 GRV	Cover primed			
(1)	981 512 011 06	Cover		1	PR:QU8
	981 512 011 06 GRV	Cover primed			
2	981 512 151 02	Hinge	left	1	
(2)	981 512 152 02	Hinge	right	1	
3	900 075 510 01	Bolt with washer M6X20		4	
4	981 512 551 02	Gas filled strut		1	
5	991 504 563 00	bracket f.throttle contr.elem.		1	
6	981 624 118 00	throttle control element		1	
7	981 512 217 01	Bowden cable		1	
8	981 512 521 00	Cable Emergency operation		1	
9	999 919 717 01	fillister hd. bolt M5X27		2	
10	981 512 051 00	Striker		1	
11	999 073 378 01	flat round head bolt M6X20		2	
12	981 512 053 00	Lid lock		1	
13	900 075 504 01	Bolt with washer M6X45		2	
14	981 512 911 02	Seal		1	
15	987 512 987 00	throttle control element		2	
16	999 075 082 01	Bolt with washer M6X24		4	

Model: 982-17

Model life 2017>>





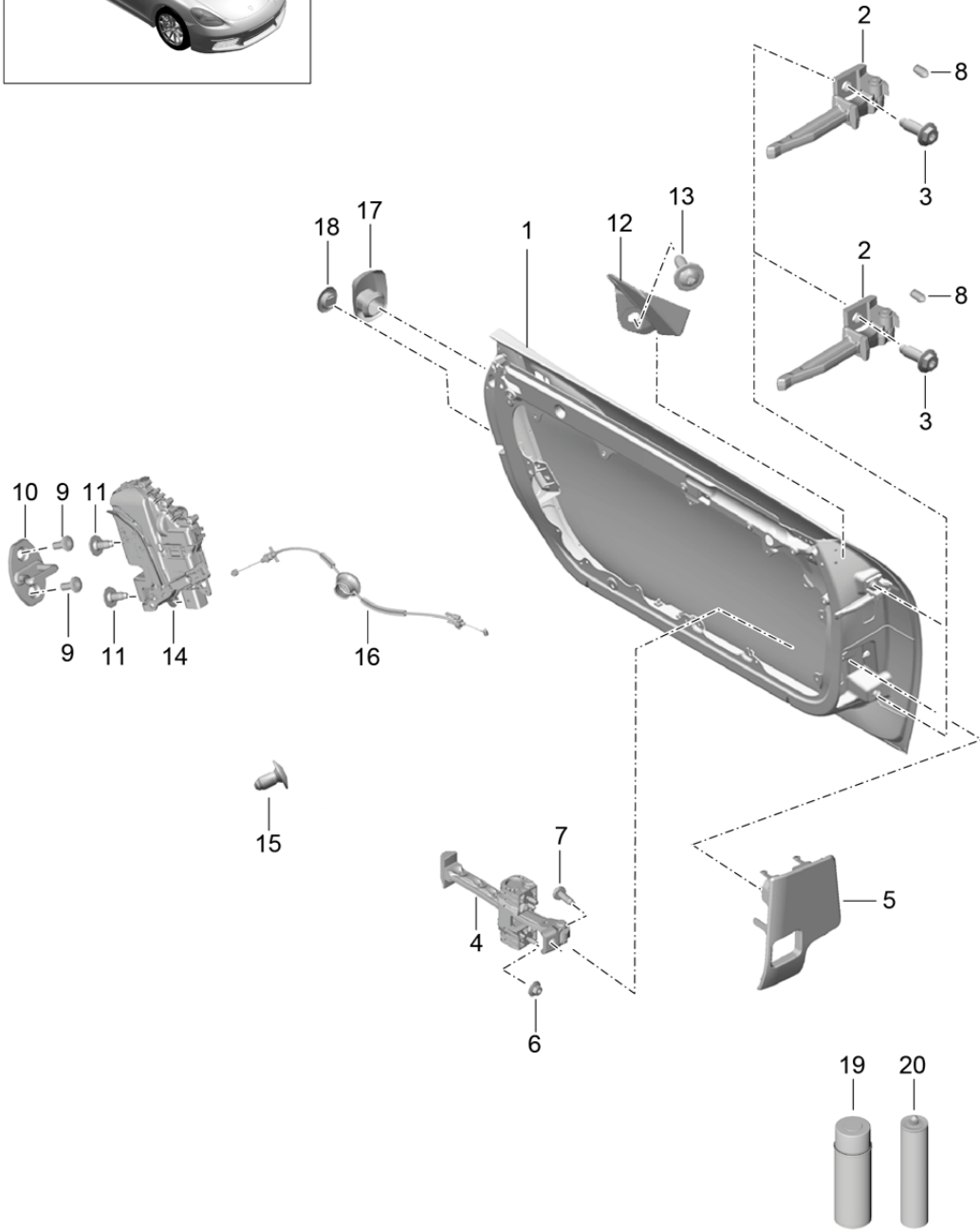
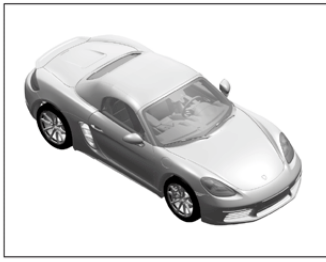
Model: 982-17

Model life 2017>>

Pos	Part Number	Description	Remark	Qty	Model
1	982 827 934	Rear spoiler Rear spoiler Upper part		1	
2	982 827 934 G2X 982 827 677 C	primed Rear spoiler Lower part		1	
3	982 827 204 A	Driving mechanism Rear spoiler (complete)		1	
4	982 898 148	Mount Set Rear spoiler Driving mechanism electrical components		1	
5	982 898 222	Mount Set Rear spoiler Driving mechanism		1	
6	982 898 125	Mount Set Rear spoiler Upper part		1	
7	999 076 063 01	Combined nut M8X1		2	
8	999 076 094 01	Combined nut M6		8	
9	999 703 503 40	Stop buffer 6,0X11,5X14		2	
10	981 504 963 00	Support		2	
11	999 507 795 09	panel nut ST 4,8		X	
12	999 507 785 01	panel nut ST 4,2		6	
13	N 909 868 03	Hexagon socket head panel bolt Mount Rear spoiler Upper part		6	

Model: 982-17

Model life 2017>>



Model: 982-17 Model life 2017>>

Pos	Part Number	Description	Remark	Qty	Model
1	982 831 051 Y 982 831 051 Y GRV	Door shell Installation parts Door lock Door shell primed	left	1	
		also use:	9P1 837 111 9P1 837 111 A		
(1)	982 831 052 Y 982 831 052 Y GRV	Door shell primed	right	1	
		also use:	9P1 837 111		
2	991 531 319 00	P9P1.837.111.A Hinge	left	2	
(2)	991 531 320 00	Hinge	right	2	
3	999 072 068 01	Socket head bolt M 10 X 33		2	
4	991 537 151 00	Door catch		2	
6	999 076 042 01	Hexagon nut M 6		4	
7	999 073 138 01	flat round head bolt M 8 X 25		2	
8	958 537 947 00	Cover cap Hinge		4	
9	N 910 174 01	countersunk multi-point socket head bolt M 8 X 22		4	
10	3C0 837 767 A	Striker		2	
11	WHT 003 688	fillister head bolt (combi.) M 8 X 14		3	
12	981 537 831 00	Support Wing	left	1	
	981 537 831 00 1E0	Black			
(12)	981 537 832 00	Support Wing	right	1	
	981 537 832 00 1E0	Black			
13	999 073 322 02	fillister hd. bolt M6X20-SC		1	
14	9A7 837 215 05	Door lock	left lhd	1	PR:098,480, 534,-072, -553
(14)	9A7 837 215 06	Door lock	left lhd	1	PR:072,480, 534,098
(14)	9A7 837 215 06	Door lock	left lhd	1	PR:098,480, -534,-072
(14)	9A7 837 215 06	Door lock	left lhd	1	PR:480,534, 098,072
(14)	9A7 837 216 05	Door lock	right lhd	1	PR:098,534, -072,-553
(14)	9A7 837 216 06	Door lock	right lhd	1	PR:072,534, 098
(14)	9A7 837 216 06	Door lock	right lhd	1	PR:098,-534
(14)	9A7 837 315 00	Door lock	left lhd	1	PR:098,250, 534,-072, -553
(14)	9A7 837 315 01	Door lock	left lhd	1	PR:072,250, 534,098
(14)	9A7 837 315 01	Door lock	left lhd	1	PR:098,250, -534
(14)	9A7 837 415 05	Door lock	left rhd	1	PR:099,534
(14)	9A7 837 415 05	Door lock	left rhd	1	PR:099,-534
(14)	9A7 837 416 05	Door lock	right rhd	1	PR:099,480, 534
(14)	9A7 837 416 05	Door lock	right rhd	1	PR:099,-534
(14)	9A7 837 616 00	Door lock	right rhd	1	PR:099,250,

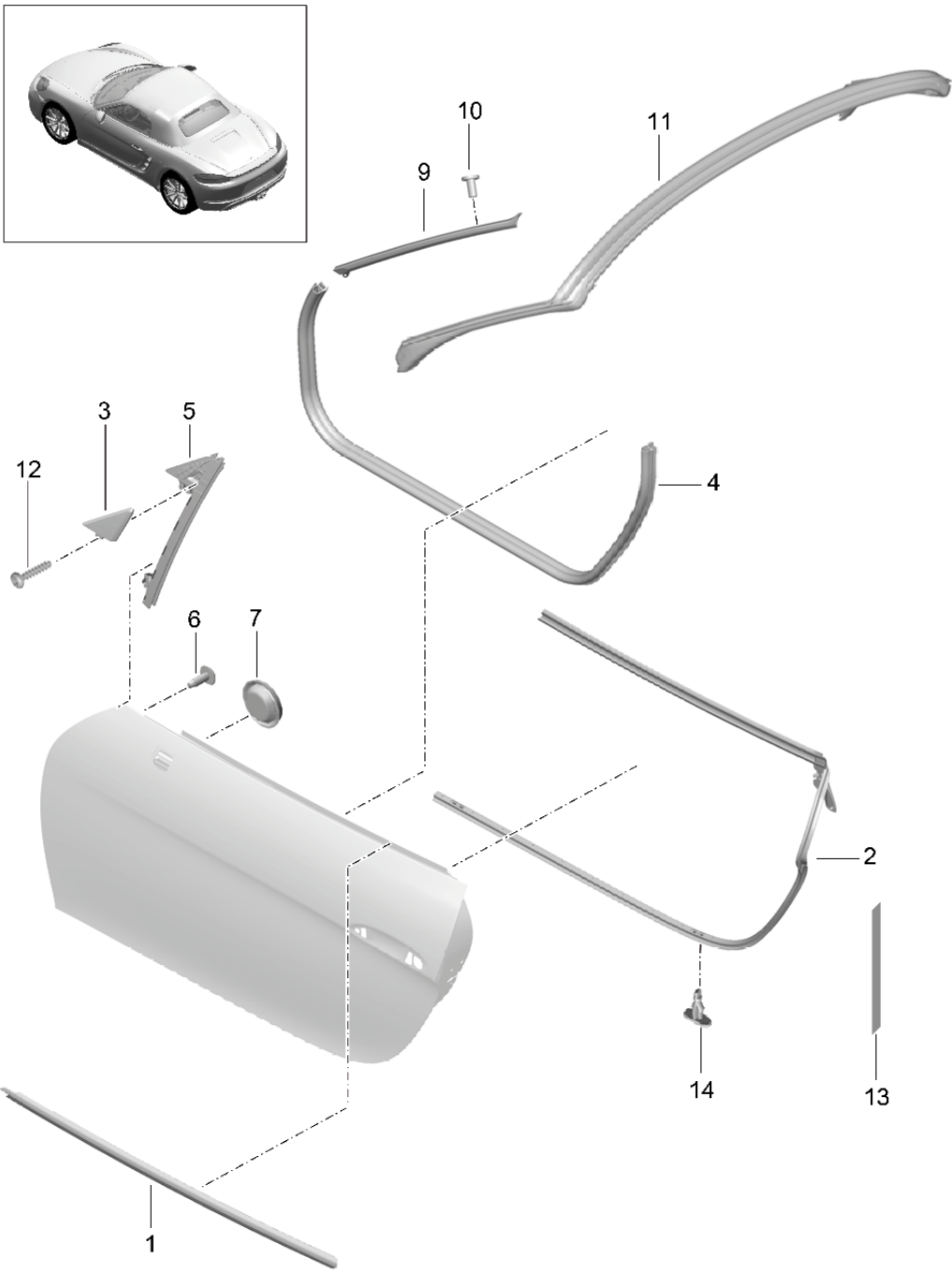
Model: 982-17

Model life 2017>>

Pos	Part Number	Description	Remark	Qty	Model
(14)	9A7 837 616 01	Door lock	right rhd	1	534 PR:099,250, -534
15	WHT 003 688	fillister head bolt (combi.) M8X16		4	
16	991 537 319 00	Bowden cable Door lock		2	
17	9P1 837 111	Cover Door frame		1	
18	9P1 837 111 1E0	Black		1	
	9P1 837 111 A	Cover Emergency operation Door frame			
19	000 043 305 51	Black cavity preservative agent		1	
20	000 043 207 67	sealant		1	

Model: 982-17

Model life 2017>>



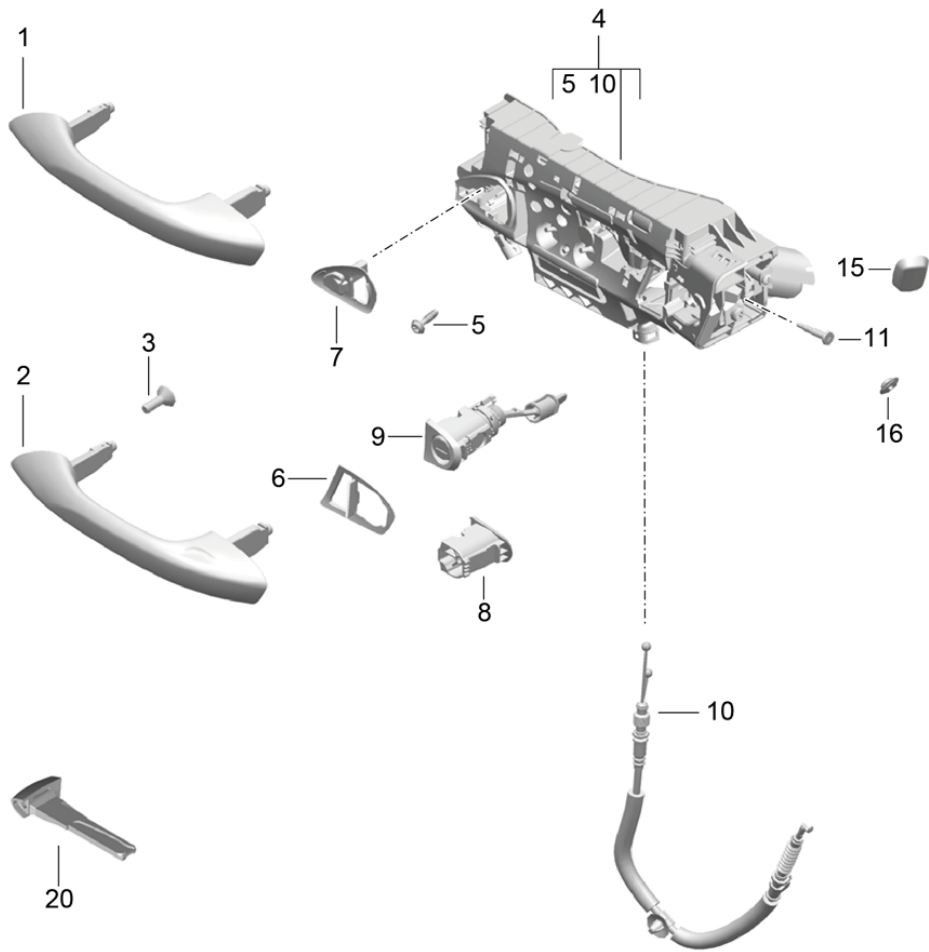
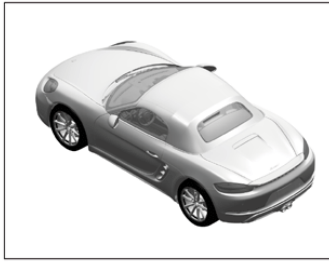
Model: 982-17

Model life 2017>>

Pos	Part Number	Description	Remark	Qty	Model
1	981 537 085 03	Door seal and Trim Seal	left	1	
(1)	981 537 086 03	Door channel Seal	outer right	1	
2	981 537 377 02	Door channel Seal	outer left	1	
(2)	981 537 378 02	Door channel Seal	inner right	1	
3	991 537 551 03	Door channel Cover	inner left	1	
(3)	991 537 551 03 1E0 991 537 552 03	Black Cover	outer right	1	
4	991 537 552 03 1E0	Black	inner	2	
5	981 537 075 00	Door seal	left	1	
(5)	991 537 431 04 991 537 432 04	Window guide Window guide	right	1	
6	999 073 333 09	fillister hd. bolt M6X16-SC		6	
7	999 703 543 40	End cap 25,0X35,0		1	
9	981 537 481 05	Trim roof frame	left side	1	
(9)	981 537 482 05	Trim roof frame	right side	1	
10	999 190 445 37	Pop rivet		8	
11	981 537 077 04	Seal		1	
12	999 919 718 01	windshield frame fillister hd. bolt M4X18		1	
13	999 911 201 40	sealing tape 1000 X 10 X 3 MM		1	
14	999 507 304 41	Clip		X	

Model: 982-17

Model life 2017>>



Model: 982-17 Model life 2017>>

Pos	Part Number	Description	Remark	Qty	Model
1	9P1 837 165 Y	Door handle Door handle	left basic	1	
(1)	9P1 837 166 Y	primed Door handle	right basic	1	
2	9P1 837 165 AY	primed Door handle	left	1	
(2)	9P1 837 166 AY	'Keyless Entry (KESSY)' primed Door handle	right	1	
3	900 144 183 01	'Keyless Entry (KESSY)' primed panel screw		1	
4	982 837 885 B	ST2.9X5.4 Mounting bar	left lhd	1	PR:098
(4)	982 837 886 B	Mounting bar	left right lhd	1	PR:098
(4)	982 837 885 C	Mounting bar	right left rhd	1	PR:099
(4)	982 837 886 C	Mounting bar	left right rhd	1	PR:099
5	999 919 311 01	fillister hd. bolt	right	3	
6	9P1 837 209	5.0X18.0 Underlay	left	1	
(6)	9P1 837 210	Lock cylinders Underlay	right	1	
7	9P1 837 161	Lock cylinders Bracket	left	1	
(7)	9P1 837 162	Mounting bar Bracket	right	1	
8	9P1 837 469	Mounting bar Bracket	left rhd	1	PR:099
(8)	9P1 837 470	Mounting bar Bracket	right lhd	1	PR:098
9	982 800 375 B	Mounting bar Set of locks	lhd	1	PR:098
		with stipulated lock number comprising: Lock cylinders		1	
		emergency key		1	
		Key fob		1	
		Vehicle Ident. No. and			
(9)	982 800 375 C	State lock number Set of locks	rhd	1	PR:099
		with stipulated lock number comprising: Lock cylinders		1	
		emergency key		1	
		Key fob		1	
		Vehicle Ident. No. and			
10	9P1 837 017	State lock number Bowden cable		1	
11	WHT 002 684	Mounting bar Locating bolt		1	
15	9P1 837 111	M 4GFX5X29 Cover		1	
		Door frame			
	9P1 837 111 1E0	Black			
16	9P1 837 111 A	Cover		1	



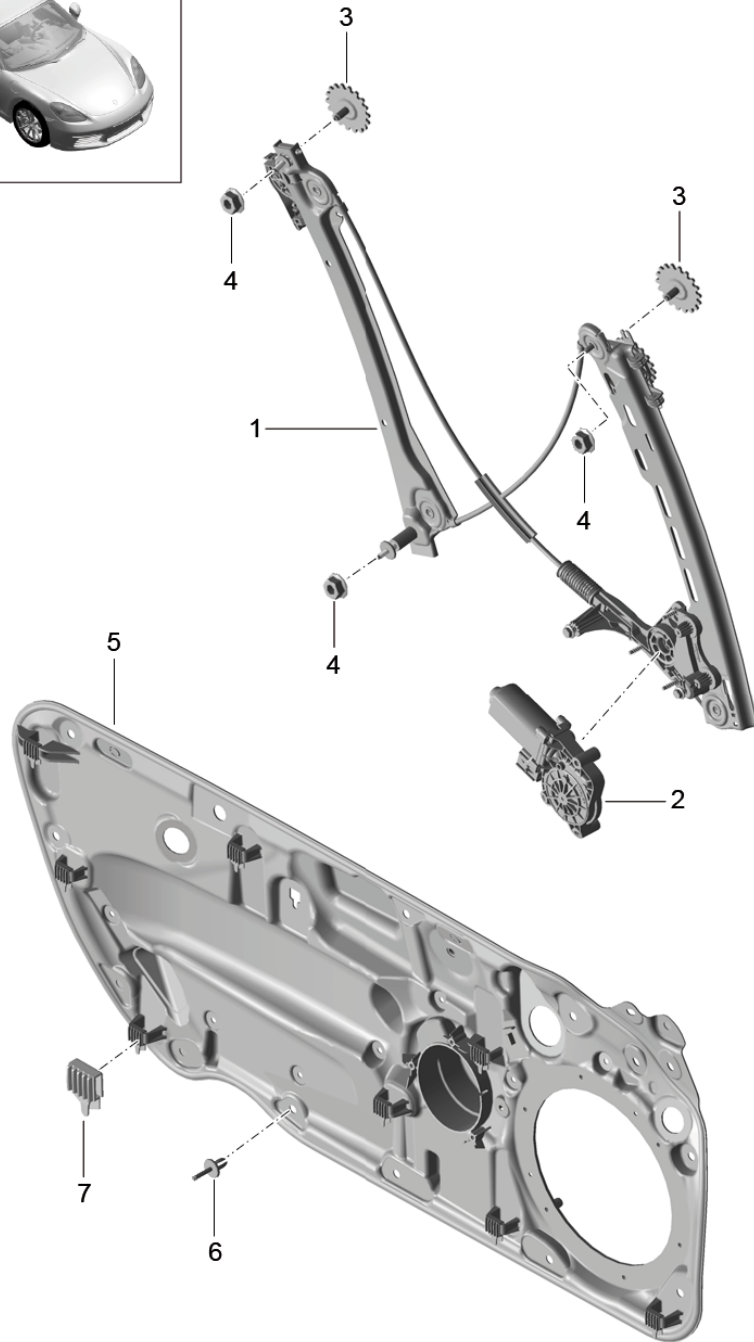
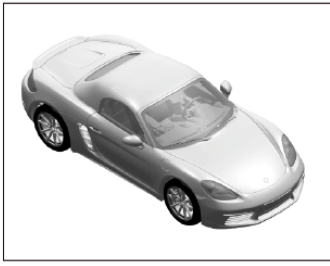
Model: 982-17

Model life 2017>>

Pos	Part Number	Description	Remark	Qty	Model
	9P1 837 111 A 1E0	Emergency operation Black			

Model: 982-17

Model life 2017>>



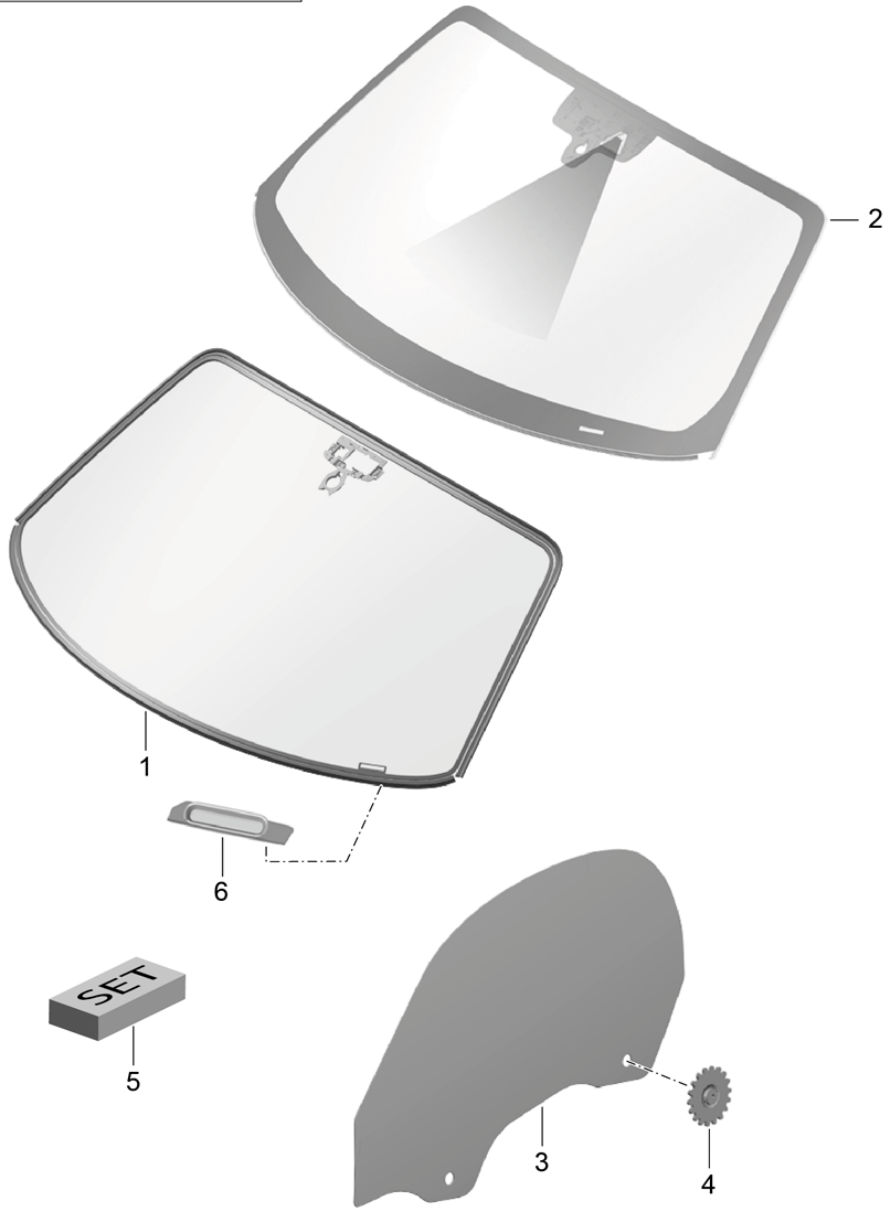
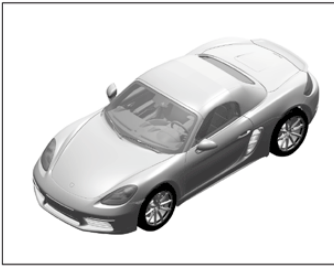
Model: 982-17

Model life 2017>>

Pos	Part Number	Description	Remark	Qty	Model
1	991 542 975 01	Window regulator Window regulator without motor	left	1	
(1)	991 542 976 01	Electric motor Window regulator without motor	right	1	
2	991 624 101 02	Electric motor Window regulator Connector housing	left	1	
2	991 624 102 02	2-pole Electric motor Window regulator Connector housing	right	1	
3	991 542 551 04	2-pole Mount Side window		2	
4	900 377 018 09	Hexagon nut M 6		3	
5	991 537 221 01	Assembly frame	left	1	
(5)	991 537 222 01	Assembly frame	right	1	
6	999 591 525 40	Spreader rivet 7,0X14,2		13	
7	991 537 557 00	Rubber ply		8	

Model: 982-17

Model life 2017>>



Model: 982-17 Model life 2017>>

Pos	Part Number	Description	Remark	Qty	Model
1	982 845 011	window glazing Windscreen without: Camera		1	PR:568,QU8, QV0,-ER5, -632,-631, -852
(1)	982 845 011 A	Windscreen without: Camera	also use: 000 043 305 35	1	PR:567,QU8, QV0,-ER5, -632,-631, -852
(1)	982 845 011 B	Windscreen without: Camera	also use: 000 043 305 35	1	PR:567,QU1, QV1,QV3, -ER5,-631, -632,-852
(1)	982 845 011 C	Windscreen without: Camera	also use: 000 043 305 35	1	PR:568,ER5, -631,-632, -852
(1)	982 845 011 D	Windscreen without: Camera	also use: 000 043 305 35	1	PR:567,ER5, -631,-632, -852
2	982 845 011 E	Windscreen with: Camera	also use: 000 043 305 35	1	PR:567,QU8, QV0,-ER5, 852,632,631
2	982 845 011 E	Windscreen with: Camera	also use: 000 043 305 35	1	PR:567,QU8, QV0,-ER5, -852,-632, 631
2	982 845 011 E	Windscreen with: Camera	also use: 000 043 305 35	1	PR:567,QU8, QV0,-ER5, 852,632,-631
(2)	982 845 011 F	Windscreen with: Camera	also use: 000 043 305 35	1	PR:567,QU1, QV1,QV3, -ER5,632, 631,852
(2)	982 845 011 F	Windscreen with: Camera	also use: 000 043 305 35	1	PR:567,QU1, QV1,QV3, -ER5,-632, 631,-852
(2)	982 845 011 F	Windscreen with: Camera	also use: 000 043 305 35	1	PR:567,QU1, QV1,QV3, -ER5,632, -631,852
(2)	982 845 011 G	Windscreen with: Camera	also use: 000 043 305 35	1	PR:568,ER5, 631,632,852
(2)	982 845 011 G	Windscreen with: Camera	also use: 000 043 305 35	1	PR:568,ER5, 631,-632, -852
(2)	982 845 011 G	Windscreen with: Camera	also use: 000 043 305 35	1	PR:568,ER5, -631,632,852
(2)	982 845 011 H	Windscreen with: Camera	also use: 000 043 305 35	1	PR:567,ER5, 631,632,852
(2)	982 845 011 H	Windscreen with:	also use: 000 043 305 35	1	PR:567,ER5, 631,-632,

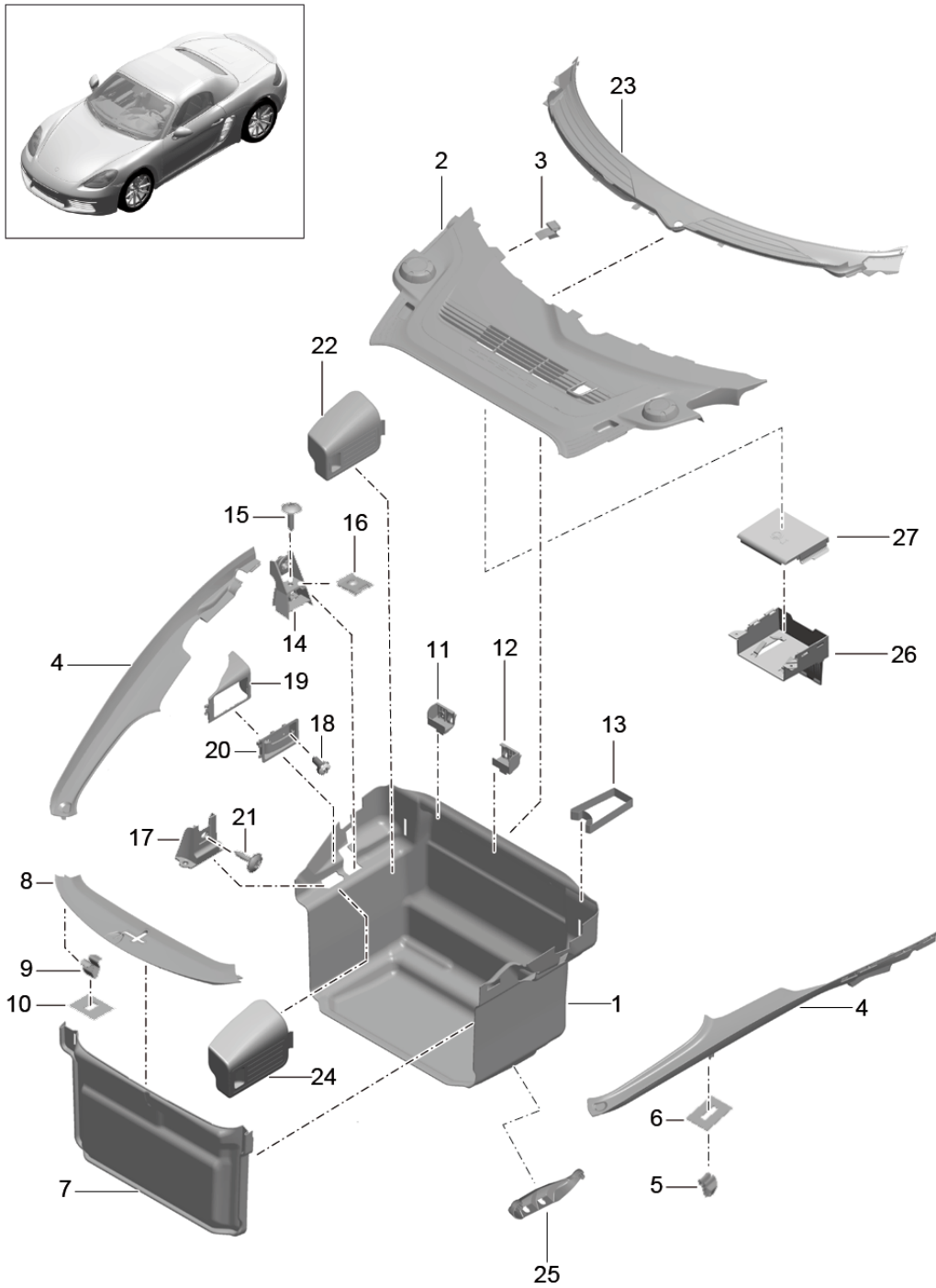
Model: 982-17

Model life 2017>>

Pos	Part Number	Description	Remark	Qty	Model
		Camera			-852
(2)	982 845 011 H	Windscreen	also use: 000 043 305 35	1	PR:567,ER5, -631,632,852
		Camera	with:	1	
3		Side window doors	also use: 000 043 305 35	1	
3	981 542 511 02	Door window	left	1	
(3)	981 542 512 02	Door window	right	1	
4	991 542 551 04	Mount		2	
5	000 043 305 35	Door window 2K pane adhesive set		1	
6	991 552 571 00	Bracket		1	
		Chassis number			

Model: 982-17

Model life 2017>>



Model: 982-17 Model life 2017>>

Pos	Part Number	Description	Remark	Qty	Model
1	981 551 045 00	Luggage compartment	front	1	PR:-193,-553
	981 551 045 00 A31	Luggage compartment trim	front	1	PR:193
	981 551 045 04	Black			
1	981 551 045 04	Luggage compartment trim	front	1	PR:193
	981 551 045 04 A31	Black			
2	991 555 367 06	Cover	upper	1	PR:098
	991 555 367 06 1E0	Black			
(2)	991 555 367 07	Cover	upper	1	PR:099
	991 555 367 07 1E0	Black			
3	991 555 773 00	Bracket		2	
		Cover			
4	991 555 466 03	Cover	right	1	
		Wing			
	991 555 466 03 1E0	Black			
(4)	991 555 465 03	Cover	left	1	
		Wing			
	991 555 465 03 1E0	Black			
5	999 507 130 01	U-clip		3	
		Cover			
6	999 209 113 40	Distance piece		3	
		Clip			
		Cover			
7	981 551 051 00	Lock carrier trim		1	
	981 551 051 00 A31	Black			
8	991 555 411 02	Trim		1	
		lock			
	991 555 411 02 1E0	Black			
9	999 507 047 01	Clip		4	
		cover - lock			
10	999 209 084 40	Distance piece		4	
		Clip			
		cover - lock			
11	991 551 802 00	retaining strap for warning	right	1	PR:-193,-553
		triangle			
	991 551 802 00 1E0	Black			
12	991 551 801 00	retaining strap for warning	left	1	PR:-193,-553
		triangle			
	991 551 801 00 1E0	Black			
13	997 551 741 00	retaining strap for first aid		1	
		kit			
14	991 551 825 00	Bracket	front	2	
		Cover			
		with:			
15	999 073 418 01	Rubber grommet	front	2	PR:553
		panel screw			
		4,8 X 19			
		Bracket			
		Cover			
16	999 591 348 01	panel nut		2	
22	991 551 422 00	Cover		1	PR:-553
		Compressed air bottle			
	991 551 422 00 1E0	Black			
23	991 555 563 06	Cover		1	PR:098
		Scuttle			
	991 555 563 06 1E0	Black			
(23)	991 555 563 07	Cover		1	PR:099
		Scuttle			
	991 555 563 07 1E0	Black			
24	991 551 421 02	Cover		1	
		Tool			
	991 551 421 02 1E0	Black			
25	981 610 113 00	Cover		2	
		Ground distributor			



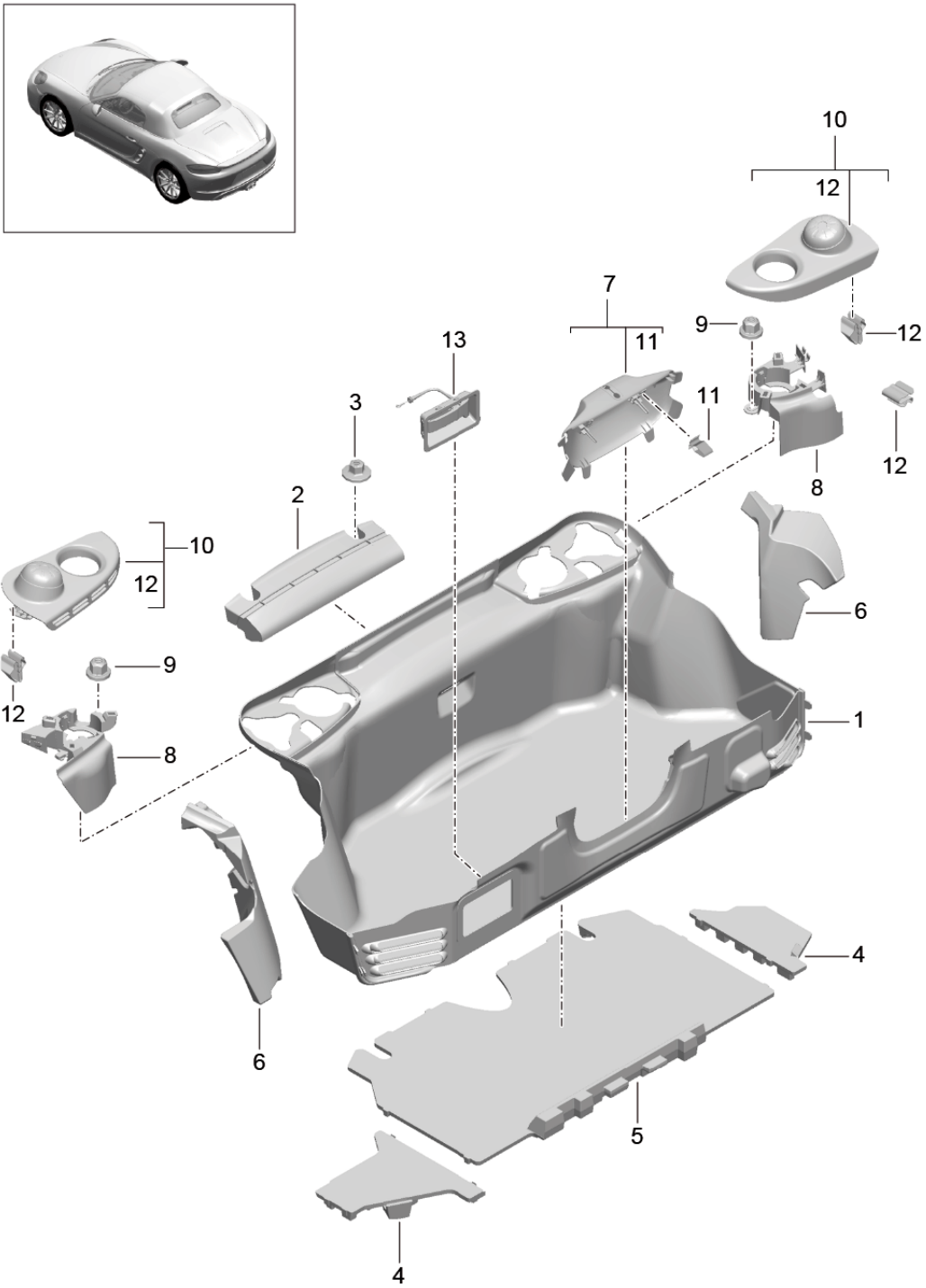
Model: 982-17

Model life 2017&gt;&gt;

Pos	Part Number	Description	Remark	Qty	Model
26	991 555 775 04	Bracket for compressor Spare wheel		1	
27	991 555 765 03	Cover Compressor Spare wheel		1	
	991 555 765 03 1E0	Black			

Model: 982-17

Model life 2017>>

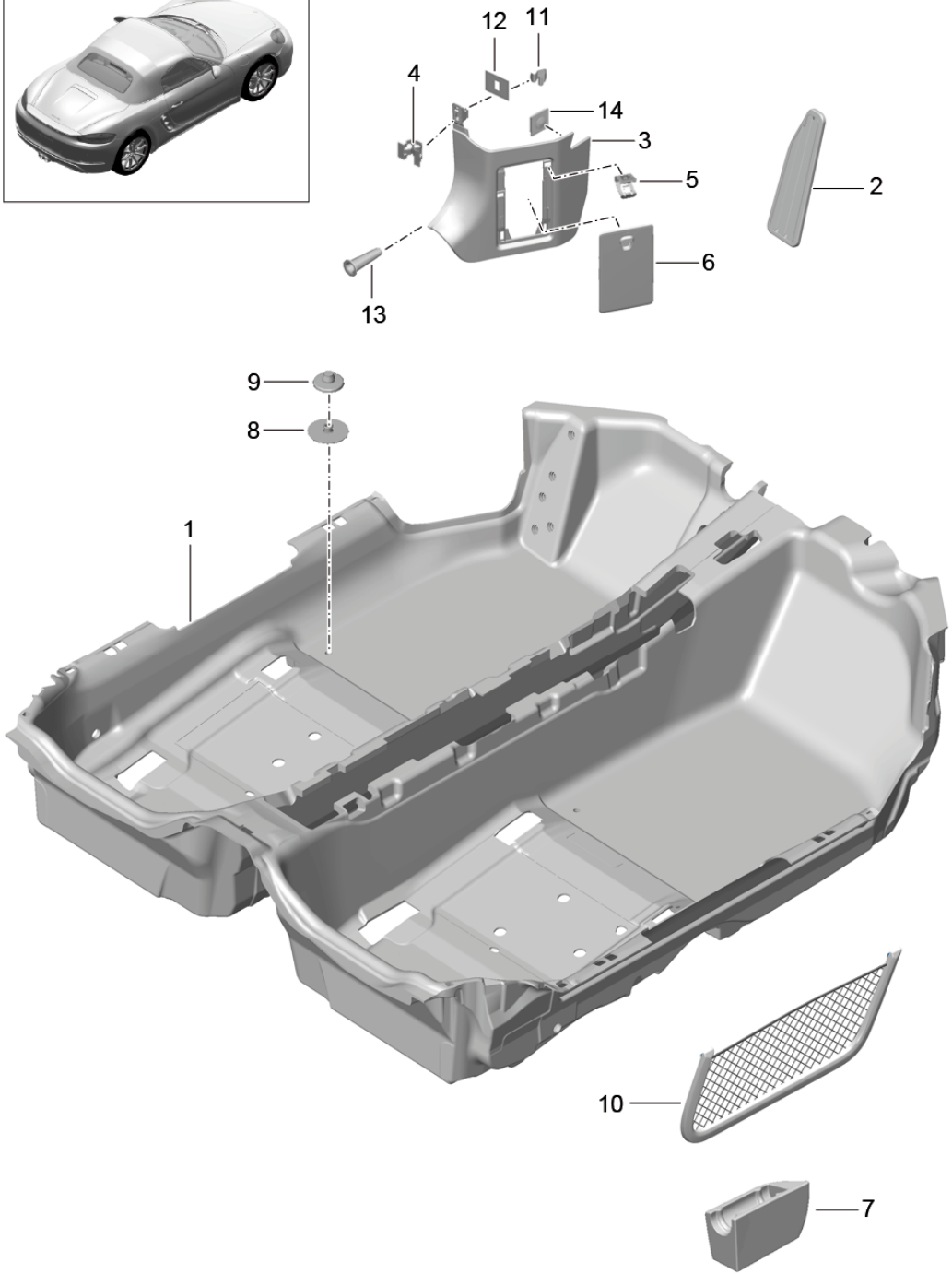
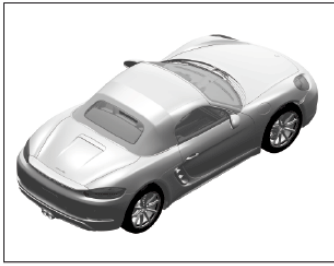


Model: 982-17 Model life 2017>>

Pos	Part Number	Description	Remark	Qty	Model
1	982 863 462 B	Luggage compartment Carpet Trim	rear	1	
2	982 863 462 B A31 982 863 849 A	Luggage compartment Black Carpet Support		1	
3	999 049 032 40	Hexagon plastic collar nut		2	
4	981 551 765 00	shelf Carpet	left	1	
(4)	981 551 766 01	Luggage compartment shelf Carpet	right	1	
5	981 551 764 02	Luggage compartment shelf Carpet	center	1	
6	982 861 827	Luggage compartment Support	left	1	
(6)	982 861 828	Support	right	1	
7	981 551 251 02	cover - lock Luggage compartment		1	
8	981 551 251 02 1E0 982 863 253	Black Assembly frame Service Cup	left	1	
(8)	982 863 254	Assembly frame Service Cup	right	1	
9	999 049 033 40	Plastic nut T6/16,0		2	
10	981 551 381 01	Cover Service Cup	left	1	
(10)	981 551 381 01 1E0 981 551 382 01	Black Cover Service Cup	right	1	
11	981 551 382 01 1E0 999 507 681 01	Black Clip		2	
12	999 507 130 01	U-clip		3	

Model: 982-17

Model life 2017>>



Model: 982-17 Model life 2017>>

Pos	Part Number	Description	Remark	Qty	Model
1	981 551 011 16	Flooring Flooring (carpet)		1	PR:098,581, -388,-389
	981 551 011 16 GDE	Black	-AD,AG,AJ,AS, PM,PT,PW,AZ, BM,BT,BW,TD		
	981 551 011 16 GFE	Luxor beige	-UD,UG,UJ,US, UZ		
	981 551 011 16 GHE	agate grey	-FD,FG,FJ,FS, FZ		
	981 551 011 16 GKE	Espresso	-NE,BY		
	981 551 011 16 GIE	saddle brown	-SZ		
	981 551 011 16 GUE	Bordeaux red	-LZ		
	981 551 011 16 GTE	Graphite Blue	-HZ,TG		
(1)	981 551 011 17	Flooring (carpet)		1	PR:099,581, -388,-389
	981 551 011 17 GDE	Black	-AD,AG,AJ,AS, PM,PT,PW,AZ, BM,BT,BW,TD		
	981 551 011 17 GFE	Luxor beige	-UD,UG,UJ,US, UZ		
	981 551 011 17 GHE	agate grey	-FD,FG,FJ,FS, FZ		
	981 551 011 17 GKE	Espresso	-NE,BY		
	981 551 011 17 GIE	saddle brown	-SZ		
	981 551 011 17 GUE	Bordeaux red	-LZ		
	981 551 011 17 GTE	Graphite Blue	-HZ,TG		
(1)	981 551 011 20	Flooring (carpet)		1	PR:098,581, 388,389
	981 551 011 20 GDE	Black	-AD,AG,AJ,AS, PM,PT,PW,AZ, BM,BT,BW,TD		
	981 551 011 20 GFE	Luxor beige	-UD,UG,UJ,US, UZ		
	981 551 011 20 GHE	agate grey	-FD,FG,FJ,FS, FZ		
	981 551 011 20 GKE	Espresso	-NE,BY		
	981 551 011 20 GIE	saddle brown	-SZ		
	981 551 011 20 GUE	Bordeaux red	-LZ		
	981 551 011 20 GTE	Graphite Blue	-HZ,TG		
(1)	981 551 011 21	Flooring (carpet)		1	PR:099,581, 388,389
	981 551 011 21 GDE	Black	-AD,AG,AJ,AS, PM,PT,PW,AZ, BM,BT,BW,TD		
	981 551 011 21 GFE	Luxor beige	-UD,UG,UJ,US, UZ		
	981 551 011 21 GHE	agate grey	-FD,FG,FJ,FS, FZ		
	981 551 011 21 GKE	Espresso	-NE,BY		
	981 551 011 21 GIE	saddle brown	-SZ		
	981 551 011 21 GUE	Bordeaux red	-LZ		
	981 551 011 21 GTE	Graphite Blue	-HZ,TG		
(1)	981 551 011 22	Flooring (carpet)		1	PR:098,-581, -388,-389
	981 551 011 22 GDE	Black	-AD,AG,AJ,AS, PM,PT,PW,AZ, BM,BT,BW,TD		
	981 551 011 22 GFE	Luxor beige	-UD,UG,UJ,US, UZ		
	981 551 011 22 GHE	agate grey	-FD,FG,FJ,FS, FZ		
	981 551 011 22 GKE	Espresso	-NE,BY		

Model: 982-17 Model life 2017>>

Pos	Part Number	Description	Remark	Qty	Model
(1)	981 551 011 22 GIE	saddle brown	-SZ	1	PR:099,-581, -388,-389
	981 551 011 22 GUE	Bordeaux red	-LZ		
	981 551 011 22 GTE	Graphite Blue	-HZ,TG		
	981 551 011 19	Flooring (carpet)			
	981 551 011 19 GDE	Black	-AD,AG,AJ,AS, PM,PT,PW,AZ, BM,BT,BW,TD		
	981 551 011 19 GFE	Luxor beige	-UD,UG,UJ,US, UZ		
	981 551 011 19 GHE	agate grey	-FD,FG,FJ,FS, FZ		
(1)	981 551 011 19 GKE	Espresso	-NE,BY	1	PR:098,388, 389,-581
	981 551 011 19 GIE	saddle brown	-SZ		
	981 551 011 19 GUE	Bordeaux red	-LZ		
	981 551 011 19 GTE	Graphite Blue	-HZ,TG		
	981 551 011 22	Flooring (carpet)			
	981 551 011 22 GDE	Black	-AD,AG,AJ,AS, PM,PT,PW,AZ, BM,BT,BW,TD		
	981 551 011 22 GFE	Luxor beige	-UD,UG,UJ,US, UZ		
(1)	981 551 011 22 GHE	agate grey	-FD,FG,FJ,FS, FZ	1	PR:099,388, 389,-581
	981 551 011 22 GKE	Espresso	-NE,BY		
	981 551 011 22 GIE	saddle brown	-SZ		
	981 551 011 22 GUE	Bordeaux red	-LZ		
	981 551 011 22 GTE	Graphite Blue	-HZ,TG		
	981 551 011 23	Flooring (carpet)			
	981 551 011 23 GDE	Black	-AD,AG,AJ,AS, PM,PT,PW,AZ, BM,BT,BW,TD		
2	981 551 011 23 GFE	Luxor beige	-UD,UG,UJ,US, UZ	1	PR:098,122, -XXZ
	981 551 011 23 GHE	agate grey	-FD,FG,FJ,FS, FZ		
	981 551 011 23 GKE	agate grey	-NE,BY		
	981 551 011 23 GIE	saddle brown	-SZ		
	981 551 011 23 GUE	Bordeaux red	-LZ		
	981 551 011 23 GTE	Graphite Blue	-HZ,TG		
	991 551 611 01	Cover for footrest			
(2)	991 551 611 01 1E0	Black		1	PR:099,122, -XXZ
	991 551 612 01	Cover for footrest			
3	991 551 612 01 1E0	Black		1	
	991 555 101 01	Trim	left		
		Fuse box			
	991 555 101 01 A75	Black	-AD,AG,AJ,AS, PM,PT,PW,AZ, BM,BT,BW,TD		
	991 555 101 01 T75	Luxor beige	-UD,UG,UJ,US, UZ		
	991 555 101 01 C75	agate grey	-FD,FG,FJ,FS, FZ		
	991 555 101 01 R75	Espresso	-NE,BY		
(3)	991 555 101 01 CH6	saddle brown	-SZ	1	
	991 555 101 01 OG6	Bordeaux red	-LZ		
	991 555 101 01 OH7	Black/graphite blue	-HZ,TG		
	991 555 102 02	Trim	right		
		Fuse box			

Model: 982-17 Model life 2017>>

Pos	Part Number	Description	Remark	Qty	Model
	991 555 102 02 A75	Black	-AD, AG, AJ, AS, PM, PT, PW, AZ, BM, BT, BW, TD		
	991 555 102 02 T75	Luxor beige	-UD, UG, UJ, US, UZ		
	991 555 102 02 C75	agate grey	-FD, FG, FJ, FS, FZ		
	991 555 102 02 R75	Espresso	-NE, BY		
	991 555 102 02 CH6	saddle brown	-SZ		
	991 555 102 02 OG6	Bordeaux red	-LZ		
	991 555 102 02 OH7	Graphite Blue	-HZ, TG		
4	999 507 533 02	Clamp 8,0 X 10,0		2	
5	999 507 552 01	Spring clip 9,0 X 13,0		4	
6	991 555 421 03	Cover Trim Fuse box (complete)	left	1	
	991 555 421 03 1E0	Black	-AD, AG, AJ, AS, PM, PT, PW, AZ, BM, BT, BW, TD		
	991 555 421 03 4H0	Luxor beige	-UD, UG, UJ, US, UZ		
	991 555 421 03 OP1	agate grey	-FD, FG, FJ, FS, FZ		
	991 555 421 03 7N0	Espresso	-NE, BY		
	991 555 421 03 OM8	saddle brown	-SZ		
	991 555 421 03 OG6	Bordeaux red	-LZ		
	991 555 421 03 OH7	Graphite Blue	-HZ, TG		
(6)	991 555 622 02	Cover trim Fuse box	right	1	
	991 555 622 02 1E0	Black	-AD, AG, AJ, AS, PM, PT, PW, AZ, BM, BT, BW, TD		
	991 555 622 02 4H0	Luxor beige	-UD, UG, UJ, US, UZ		
	991 555 622 02 OP1	Black/agate grey	-FD, FG, FJ, FS, FZ		
	991 555 622 02 7N0	Black/espresso	-NE, BY		
	991 555 622 02 OM8	saddle brown	-SZ		
	991 555 622 02 OG6	Bordeaux red	-LZ		
	991 555 622 02 OH7	Graphite Blue	-HZ, TG		
7	991 555 718 00	Bracket Warning light		1	PR:193
8	955 551 227 02	Bracket Flooring		4	
9	955 551 229 02	Cover cap Flooring		4	
	955 551 229 02 1E0	Black	-AD, AG, AJ, AS, PM, PT, PW, AZ, BM, BT, BW, TD, TG		
	955 551 229 02 4H0	Luxor beige	-UD, UG, UJ, US, UZ		
	955 551 229 02 OP1	agate grey	-FD, FG, FJ, FS, FZ		
	955 551 229 02 7N0	Espresso	-NE, BY		
	955 551 229 02 OM8	saddle brown	-SZ		
	955 551 229 02 OG6	saddle brown	-LZ		
	955 551 229 02 OH7	Graphite Blue	-HZ		
10	981 551 547 00	Luggage net tunnel		1	PR:098

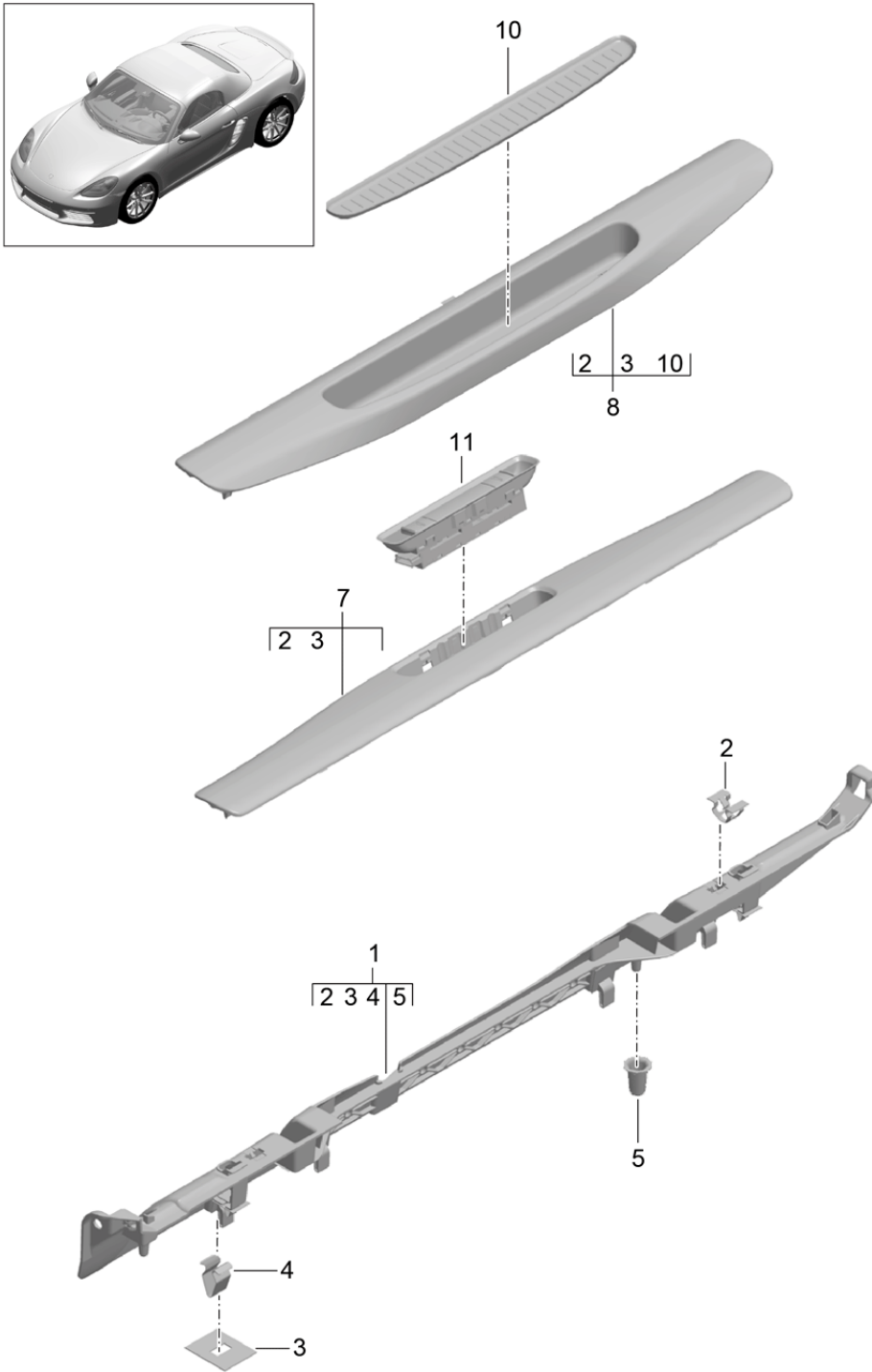
Model: 982-17 Model life 2017>>

Pos	Part Number	Description	Remark	Qty	Model
	981 551 547 00 1E0	Black	-AD,AG,AJ,AS, PM,PT,PW,AZ, BM,BT,BW,TD		
	981 551 547 00 4H0	Luxor beige	-UD,UG,UJ,US, UZ		
	981 551 547 00 OP1	agate grey	-FD,FG,FJ,FS, FZ		
	981 551 547 00 7N0	Espresso	-NE,BY		
	981 551 547 00 OM8	saddle brown	-SZ		
	981 551 547 00 OG6	Bordeaux red	-LZ		
	981 551 547 00 OH7	Graphite Blue	-HZ,TG		
(10)	981 551 548 00	Luggage net tunnel		1	PR:099
	981 551 548 00 1E0	Black	-AD,AG,AJ,AS, PM,PT,PW,AZ, BM,BT,BW,TD		
	981 551 548 00 4H0	Luxor beige	-UD,UG,UJ,US, UZ		
	981 551 548 00 OP1	agate grey	-FD,FG,FJ,FS, FZ		
	981 551 548 00 7N0	Espresso	-NE,BY		
	981 551 548 00 OM8	saddle brown	-SZ		
	981 551 548 00 OG6	Bordeaux red	-LZ		
	981 551 548 00 OH7	Graphite Blue	-HZ,TG		
11	999 507 047 01	Clip Metal		1	
		Fuse box			
		A-pillar			
12	999 209 084 40	Distance piece		1	
		Fuse box			
		A-pillar			
13	996 555 857 00	Grommet		1	
		A-pillar			
		Fuse box			
		A-pillar			
14	999 902 059 40	Holding strap		1	
		Fuse box			
		A-pillar			



Model: 982-17

Model life 2017>>



Model: 982-17 Model life 2017>>

Pos	Part Number	Description	Remark	Qty	Model
1	991 555 619 03	Trim Sill Support	inner left	1	
(1)	991 555 620 03	Sill Support	right	1	
2	999 507 839 01	Clip		X	
3	999 209 084 40	Distance piece		X	
4	999 507 533 02	Clamp		10	
5	997 555 857 00	Grommet		4	
7	991 555 119 04	Trim Sill (drivers side)	lhd inner	1	PR:098,-XTG
(7)	991 555 119 04 1E0	Black			
(7)	991 555 120 00	Trim Sill (drivers side)	rhd inner	1	PR:099,-XTG
(7)	991 555 120 00 1E0	Black			
(7)	991 555 985 01	Trim Sill (drivers side) Leather	lhd inner	1	PR:XTG,098
	991 555 985 01 A11	Black	-AD,AG,AJ,AS, PM,PT,PW,AZ, BM,BT,BW		
	991 555 985 01 7J0	Luxor beige	-UD,UG,UJ,US, UZ		
	991 555 985 01 OA1	agate grey	-FD,FD,FJ,FS, FZ		
	991 555 985 01 6J0	Espresso	-NE,BY		
	991 555 985 01 OK6	saddle brown	-SZ		
	991 555 985 01 OG6	Bordeaux red	-LZ		
	991 555 985 01 OH7	Graphite Blue	-HZ,TG		
	991 555 985 01 JHB	Black/Dark Silver	-TD		
(7)	991 555 986 01	Trim Sill (drivers side) Leather	rhd inner	1	PR:XTG,099
	991 555 986 01 A11	Black	-AD,AG,AJ,AS, PM,PT,PW,AZ, BM,BT,BW		
	991 555 986 01 7J0	Luxor beige	-UD,UG,UJ,US, UZ		
	991 555 986 01 OA1	agate grey	-FD,FD,FJ,FS, FZ		
	991 555 986 01 6J0	Espresso	-NE,BY		
	991 555 986 01 OK6	saddle brown	-SZ		
	991 555 986 01 OG6	Bordeaux red	-LZ		
	991 555 986 01 OH7	Graphite Blue	-HZ,TG		
	991 555 986 01 JHB	Black/Dark Silver	-TD		
8	991 555 122 04	Trim Sill (passenger side)	lhd inner	1	PR:098,-XTG
(8)	991 555 122 04 1E0	Black			
(8)	991 555 121 00	Trim Sill (passenger side)	rhd inner	1	PR:099,-XTG
(8)	991 555 121 00 1E0	Black			
(8)	991 555 988 01	Trim Sill (passenger side) Leather	lhd inner	1	PR:XTG,098
	991 555 988 01 A11	Black	-AD,AG,AJ,AS,		

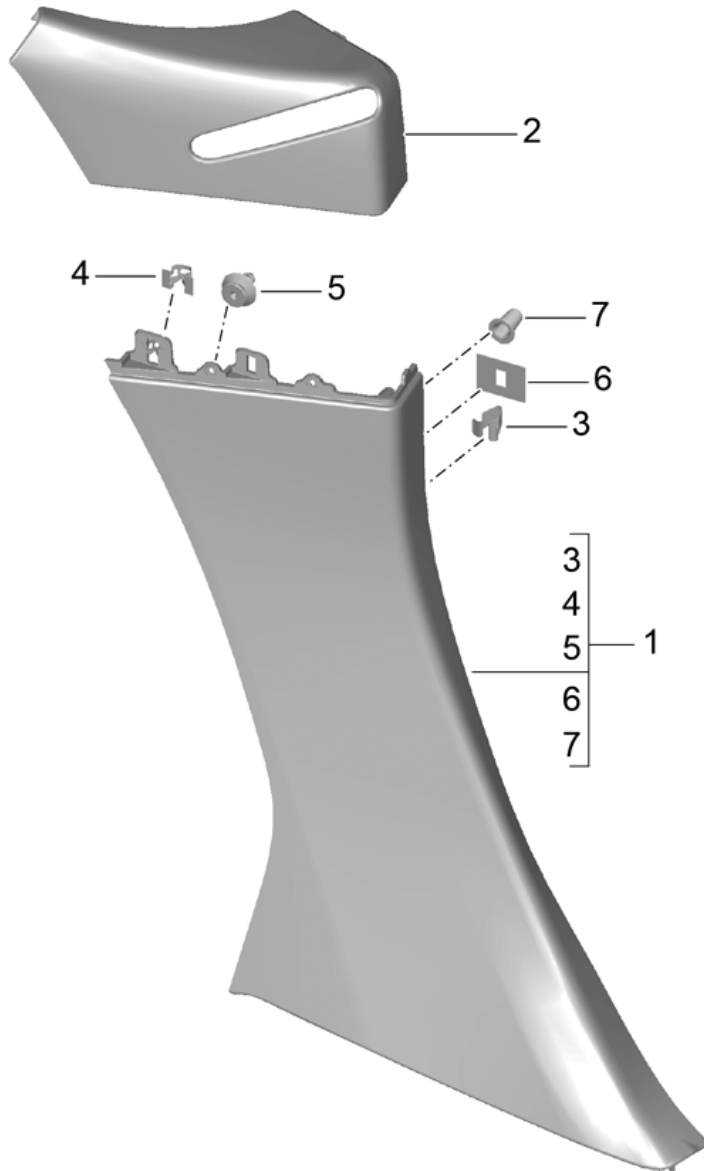
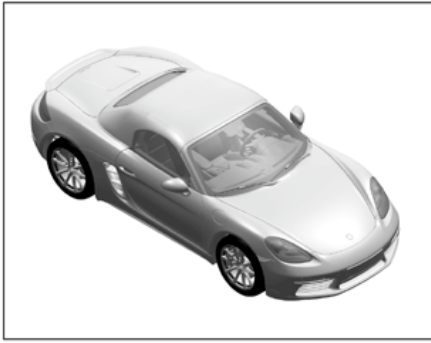
Model: 982-17

Model life 2017>>

Pos	Part Number	Description	Remark	Qty	Model
	991 555 988 01 7J0	Luxor beige	PM,PT,PW,AZ, BM,BT,BW -UD,UG,UJ,US, UZ		
	991 555 988 01 OA1	agate grey	-FD,FD,FJ,FS, FZ		
	991 555 988 01 6J0	Espresso	-NE,BY		
	991 555 988 01 OK6	saddle brown	-SZ		
	991 555 988 01 OG6	Bordeaux red	-LZ		
	991 555 988 01 0H7	Graphite Blue	-HZ,TG		
	991 555 988 01 JHB	Black/Dark Silver	-TD		
(8)	991 555 987 01	Trim Sill (passenger side) Leather	inner rhd	1	PR:XTG,099
	991 555 987 01 A11	Black	-AD,AG,AJ,AS, PM,PT,PW,AZ, BM,BT,BW -UD,UG,UJ,US, UZ		
	991 555 987 01 7J0	Luxor beige	-FD,FD,FJ,FS, FZ		
	991 555 987 01 OA1	agate grey	-NE,BY		
	991 555 987 01 6J0	Espresso	-SZ		
	991 555 987 01 OK6	saddle brown	-LZ		
	991 555 987 01 OG6	Bordeaux red	-HZ,TG		
	991 555 987 01 0H7	Graphite Blue	-TD		
	991 555 987 01 JHB	Black/Dark Silver			
10	991 555 613 00	Insert Sill		1	
11		Switch		1	

Model: 982-17

Model life 2017>>



Model: 982-17 Model life 2017>>

Pos	Part Number	Description	Remark	Qty	Model				
1	981 555 215 02	Side panel trim	left	1					
		B-pillar							
	981 555 215 02 1E0	Side panel trim							
		B-pillar							
	981 555 215 02 4H0	Belt							
		Black							
	981 555 215 02 OP1	Luxor beige							
		agate grey							
	981 555 215 02 7N0	Espresso							
		saddle brown							
	981 555 215 02 OM8	Bordeaux red							
		Graphite Blue							
	(1)	981 555 216 02				Side panel trim	right	1	
						B-pillar			
981 555 216 02 1E0		Belt							
		Black							
981 555 216 02 4H0		Luxor beige							
		agate grey							
981 555 216 02 7N0		Espresso							
		saddle brown							
981 555 216 02 OM8		Bordeaux red							
		Graphite Blue							
2		981 555 451 10	Rosette	left	1				
			B-pillar						
		981 555 451 10 1E0	Belt						
			Black						
	981 555 451 10 4H0	Luxor beige							
		agate grey							
	981 555 451 10 7N0	Espresso							
		saddle brown							
	981 555 451 10 OM8	Bordeaux red							
		Graphite Blue							
	(2)	981 555 452 10	Rosette				right	1	
			B-pillar						
		981 555 452 10 1E0	Belt						
			Black						
981 555 452 10 4H0		Luxor beige							
		agate grey							
981 555 452 10 7N0		Espresso							
		saddle brown							
981 555 452 10 OM8		Bordeaux red							
		Graphite Blue							
3		999 507 839 01	Clip		1				
			Side panel trim						
		999 507 533 02	B-pillar						
			Belt						
	999 507 533 02	Clamp							

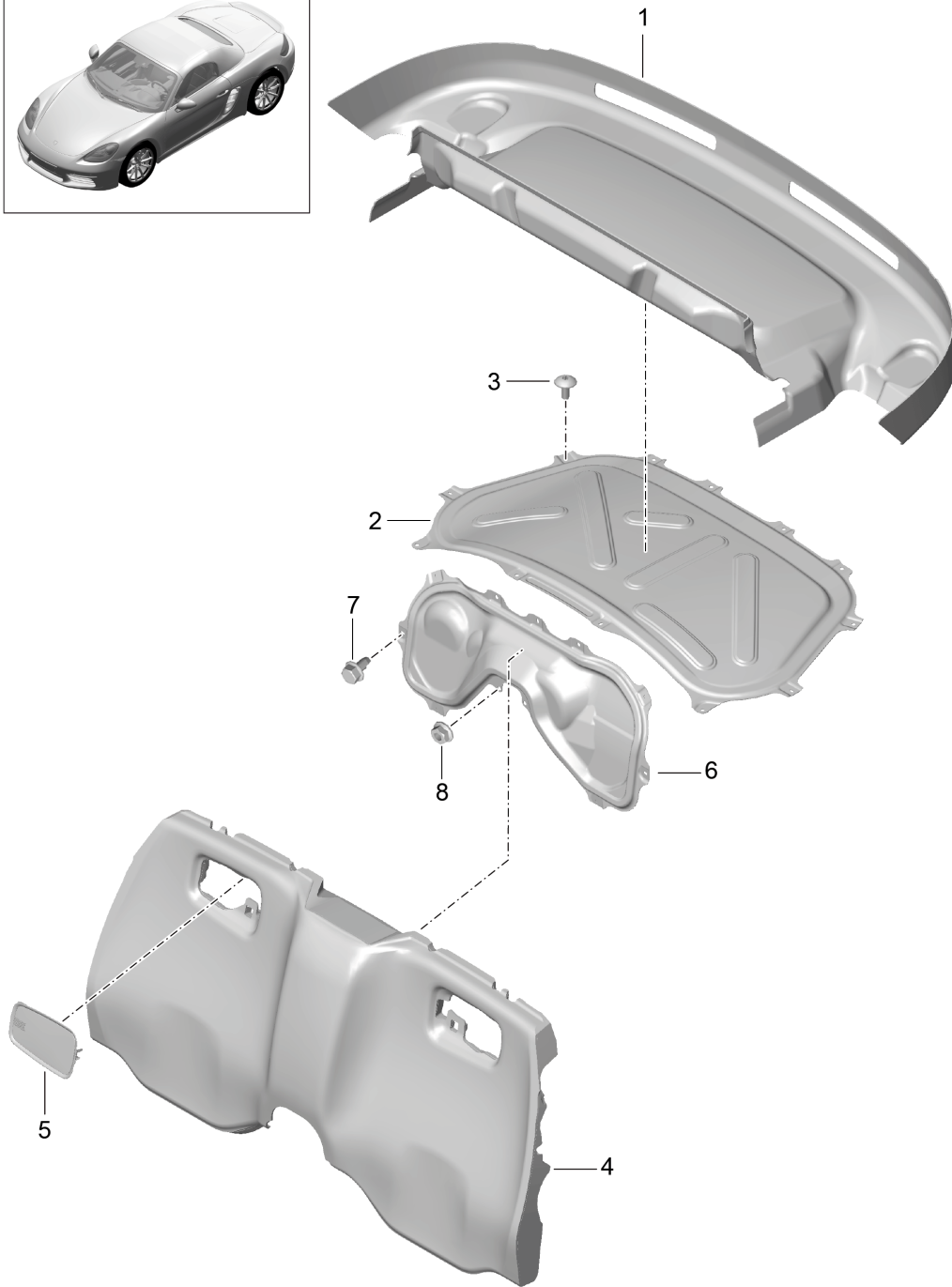
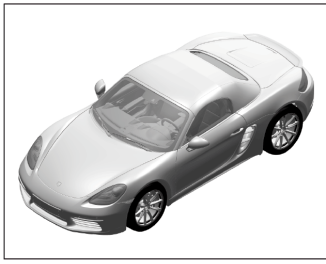
Model: 982-17

Model life 2017>>

Pos	Part Number	Description	Remark	Qty	Model
5	999 507 999 40	Side panel trim B-pillar Belt Retaining clip		1	
6	999 209 084 40	Side panel trim B-pillar Belt Distance piece		1	
7	997 555 857 00	Side panel trim B-pillar Belt Grommet		1	

Model: 982-17

Model life 2017>>



Model: 982-17

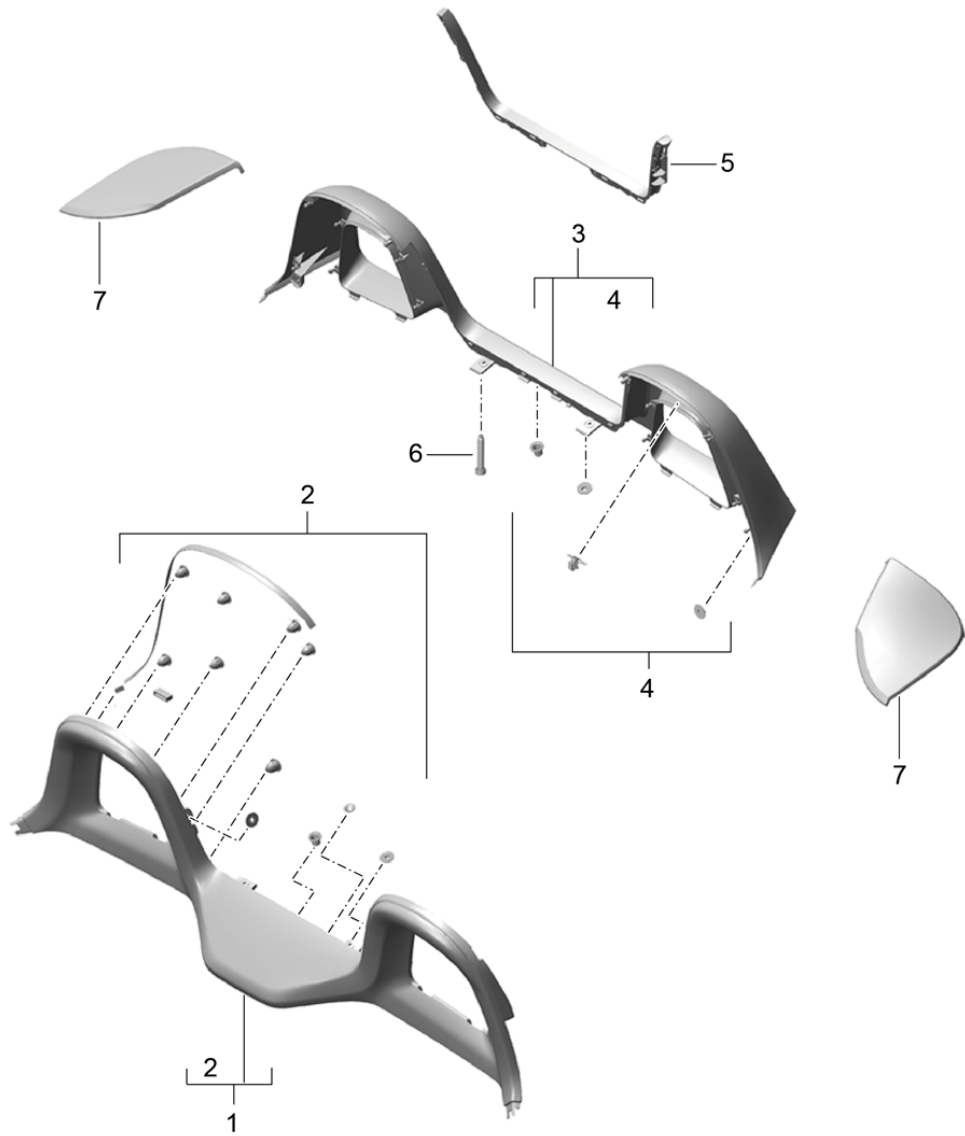
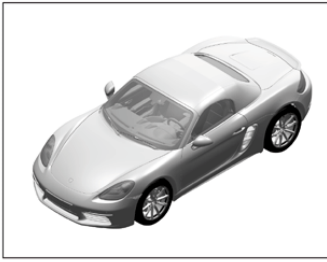
Model life 2017>>

Pos	Part Number	Description	Remark	Qty	Model
1	981 551 039 02	Linings Engine bay Carpet Trim Engine bay		1	
	981 551 039 02 A31	Black			
2	982 827 015 A	engine compartment lid		1	
3	999 073 404 01	fillister hd. bolt M6X14		12	
	981 551 035 13	Rear panel trim		1	
4	981 551 035 13 A75	Black	-AD, AG, AJ, AS, PM, PT, PW, AZ, BM, BT, BW, TD		
	981 551 035 13 C75	agate grey	-FD, FG, FJ, FS, FZ		
	981 551 035 13 T75	Luxor beige	-UD, UG, UJ, US, UZ		
	981 551 035 13 OL7	saddle brown	-SZ		
	981 551 035 13 OG6	Bordeaux red	-LZ		
	981 551 035 13 OH7	Graphite Blue	-HZ, TG		
	981 551 035 13 R75	Espresso	-NE, BY		
5	981 551 037 02	cover for loudspeaker		1	
	981 551 037 02 1E0	Black			
6	982 827 014 A	engine compartment lid filler plate		1	
	900 378 169 01	Hexagon bolt M6X12		9	
8	999 084 629 01	Hexagon nut M6		2	



Model: 982-17

Model life 2017>>



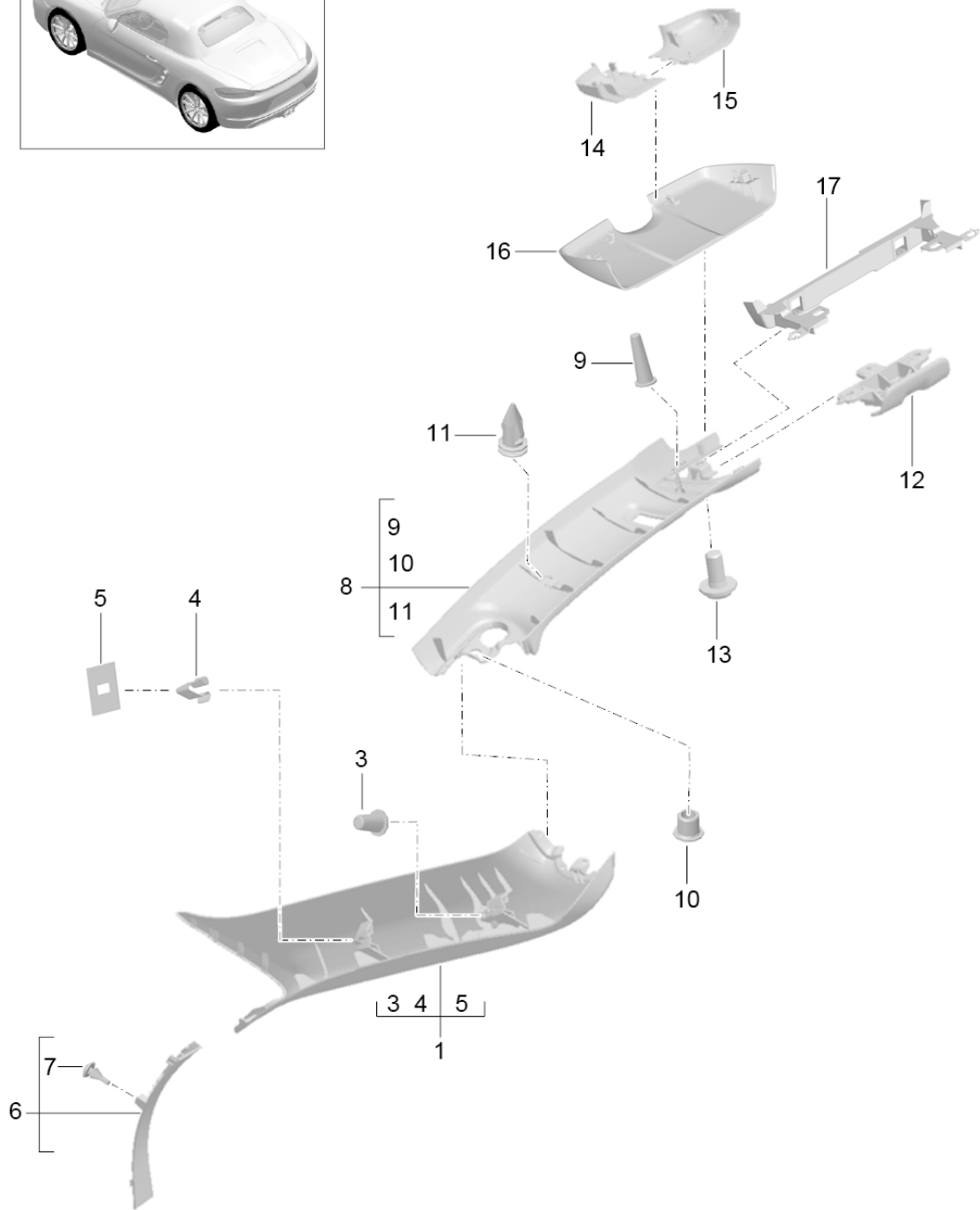
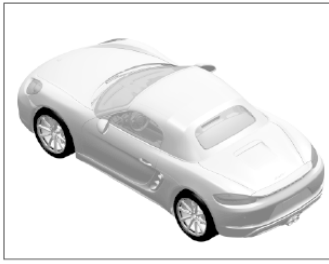
Model: 982-17

Model life 2017>>

Pos	Part Number	Description	Remark	Qty	Model
1	981 555 311 02	Linings roll bar Rollover bar trim	front	1	
	981 555 311 02 1E0	No longer use the part here Black	-AD,AG,AJ,AS, PM,PT,PW,AZ, BM,BT,BW,TD		
	981 555 311 02 4H0	Luxor beige	-UD,UG,UJ,US, UZ		
	981 555 311 02 OP1	agate grey	-FD,FG,FJ,FS, FZ		
	981 555 311 02 7N0	Espresso	-NE,BY		
	981 555 311 02 OM8	saddle brown	-SZ		
	981 555 311 02 OG6	Bordeaux red	-LZ		
	981 555 311 02 OH7	Graphite Blue	-HZ,TG		
1	981 555 311 05	Rollover bar trim	front	1	
	981 555 311 05 5Q0	Black	-AD,AG,AJ,AS, PM,PT,PW,AZ, BM,BT,BW,TD		
	981 555 311 05 6W0	Luxor beige	-UD,UG,UJ,US, UZ		
	981 555 311 05 OA6	agate grey	-FD,FG,FJ,FS, FZ		
	981 555 311 05 3T0	Espresso	-NE,BY		
	981 555 311 05 OL7	saddle brown	-SZ		
	981 555 311 05 OG6	Bordeaux red	-LZ		
	981 555 311 05 OH7	Graphite Blue	-HZ,TG		
2	981 555 911 00	Parts kit Securing element for Trim roll bar	front	1	
3	981 555 331 02	Rollover bar trim	rear	1	PR:-546,-547
	981 555 331 02 1E0	Black			
(3)	981 555 331 05	Rollover bar trim primed	rear	1	PR:546
(3)	981 555 331 04	Rollover bar trim	rear	1	PR:547
	981 555 331 04 V04	Galvano silver			
4	981 555 931 00	Parts kit Securing element for Trim roll bar	rear	1	
5	981 555 751 02	Cover trim		1	PR:-551
	981 555 751 02 1E0	Black			
(5)		Guide		1	PR:551
(6)	999 073 498 01	see illustration: fillister hd. bolt M5X20	811-055	6	
7	981 555 263 02	Upper part	left	1	PR:-546, -547,-789
	981 555 263 02 1E0	Black			
(7)	981 555 263 08	Upper part primed	left	1	PR:546,789
(7)	981 555 263 07	Upper part	left	1	PR:547,-789
	981 555 263 07 V04	Galvano silver			
(7)	981 555 264 02	Upper part	right	1	PR:-546, -547,-789
	981 555 264 02 1E0	Black			
(7)	981 555 264 08	Upper part primed	right	1	PR:546,789
(7)	981 555 264 07	Upper part	right	1	PR:547,-789
	981 555 264 07 V04	Galvano silver			

Model: 982-17

Model life 2017>>



Model: 982-17 Model life 2017>>

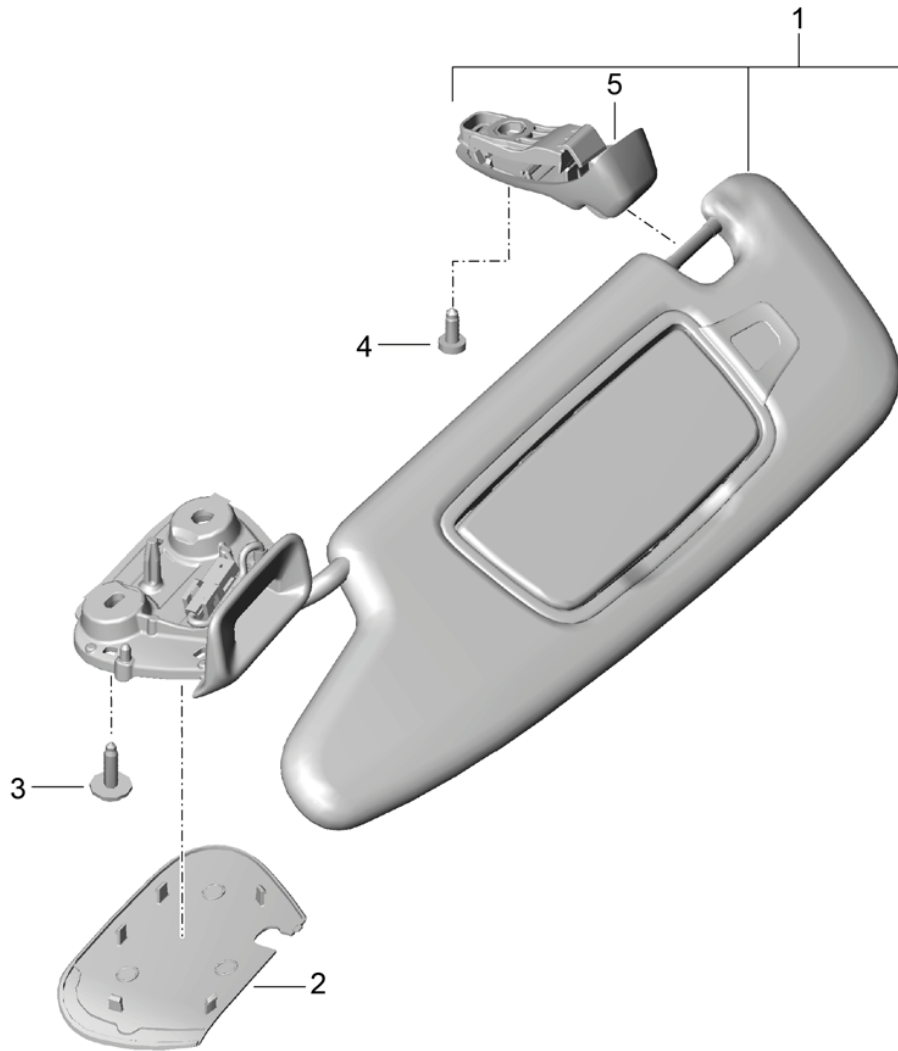
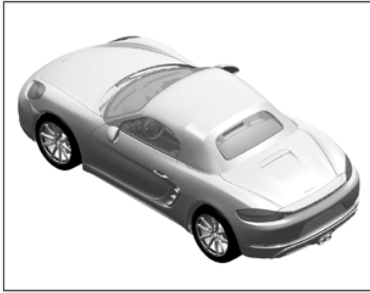
Pos	Part Number	Description	Remark	Qty	Model
1	982 867 233 982 867 233 1E0	A-pillar windshield frame A-pillar trim Black	left -AD,FD,UD,AG, FG,UG,AJ,FJ, UJ,AS,FS,PM, PT,PW,AZ,FZ, SZ,LZ,HZ,BM, BT,BW,TD,TG, NE,BY -GF,GG,GW,GY, GQ,GE	1	
(1)	982 867 233 4H0 982 867 234 982 867 234 1E0	Luxor beige A-pillar trim Black	-US,UZ right -AD,FD,UD,AG, FG,UG,AJ,FJ, UJ,AS,FS,PM, PT,PW,AZ,FZ, SZ,LZ,HZ,BM, BT,BW,TD,TG, NE,BY -GF,GG,GW,GY, GQ,GE	1	
3	982 867 234 4H0 997 555 857 00	Luxor beige Grommet Centring journal	-US,UZ	2	
4	955 555 278 00	Retaining clip		4	
5	999 209 084 40	Distance piece 25 X 20 X 0,5		4	
6	991 555 185 01 991 555 185 01 1E0 991 555 185 01 4H0 991 555 185 01 OP1 991 555 185 01 7N0 991 555 185 01 OM8 991 555 185 01 OG6 991 555 185 01 OH7 (6) 991 555 186 01 991 555 186 01 1E0 991 555 186 01 4H0 991 555 186 01 OP1 991 555 186 01 7N0 991 555 186 01 OM8 991 555 186 01 OG6 991 555 186 01 OH7	A-pillar trim Black Luxor beige agate grey Espresso saddle brown Bordeaux red Graphite Blue A-pillar trim Black Luxor beige agate grey Espresso saddle brown Bordeaux red Graphite Blue	left lower -AD,AG,AJ,AS, PM,PT,PW,AZ, BM,BT,BW,TD -GF,GG,GW,GY, GQ,GE -UD,UG,UJ,US, UZ -FD,FG,FJ,FS, FZ -NE,BY -SZ -LZ -HZ,TG	1	
7	999 703 041 40	Rubber buffer 4 X 6 X 9,3		2	
8	981 555 059 03	Trim Windscreen frame part	left inner	1	

Model: 982-17 Model life 2017>>

Pos	Part Number	Description	Remark	Qty	Model
	981 555 059 03 1E0	Black	-AD,FD,UD,AG, FG,UG,AJ,FJ, UJ,AS,FS,PM, PT,PW,AZ,FZ, SZ,LZ,HZ,BM, BT,BW,TD,TG, NE,BY -GF,GG,GW,GY, GQ,GE		
(8)	981 555 059 03 4H0	Luxor beige	-US,UZ		
	981 555 060 03	Trim	right	1	
		Windscreen frame part	inner		
	981 555 060 03 1E0	Black	-AD,FD,UD,AG, FG,UG,AJ,FJ, UJ,AS,FS,PM, PT,PW,AZ,FZ, SZ,LZ,HZ,BM, BT,BW,TD,TG, NE,BY -GE,GF,GG,GQ, GW,GY		
	981 555 060 03 4H0	Luxor beige	-US,UZ		
9	996 555 857 00	Grommet		2	
10	999 209 116 01	spacer sleeve 8,0 X 2,0		2	
11	999 591 143 40	Clip 12,0 X 2,0		2	
12	991 561 235 04	Support sealing bearing		1	
	991 561 235 04 5Q0	Black			
13	999 015 025 09	Oval-head screw M 6 X 12		2	
14	981 555 525 00	Cover GPS-ANTENNE	left	1	PR:-631, -632,-852
	981 555 525 00 1E0	Black			
15	981 555 526 00	Cover GPS-ANTENNE	right	1	PR:-631, -632,-852
	981 555 526 00 1E0	Black			
16	981 555 525 01	Cover GPS-ANTENNE (complete)		1	PR:631,632, 852
	981 555 525 01 1E0	Black			
17	981 555 825 01	Retaining frame Cover		1	PR:631,632, 852
	981 555 825 01 1E0	Black			

Model: 982-17

Model life 2017>>



Model: 982-17 Model life 2017>>

Pos	Part Number	Description	Remark	Qty	Model
1	981 731 031 54 981 731 031 54 OF7	sun vizors Sun visor Black	left -AD,FD,UD,AG, FG,UG,AJ,FJ, UJ,AS,FS,PM, PT,PW,AZ,FZ, SZ,HZ,BM,BT, BW,TD,TG,NE, BY	1	PR:098,630
(1)	981 731 031 54 OE6 981 731 032 58 981 731 032 58 OF7	Luxor beige Sun visor Black	-US,UZ,LZ right -AD,FD,UD,AG, FG,UG,AJ,FJ, UJ,AS,FS,PM, PT,PW,AZ,FZ, SZ,HZ,BM,BT, BW,TD,TG,NE, BY	1	PR:098,630 -"CN."
(1)	981 731 032 58 OE6 981 731 031 58 981 731 031 58 OF7	Luxor beige Sun visor Black	-US,UZ,LZ left -AD,FD,UD,AG, FG,UG,AJ,FJ, UJ,AS,FS,PM, PT,PW,AZ,FZ, SZ,HZ,BM,BT, BW,TD,TG,NE, BY	1	PR:099,630
(1)	981 731 031 58 OE6 981 731 032 54 981 731 032 54 OF7	Luxor beige Sun visor Black	-US,UZ,LZ right -AD,FD,UD,AG, FG,UG,AJ,FJ, UJ,AS,FS,PM, PT,PW,AZ,FZ, SZ,HZ,BM,BT, BW,TD,TG,NE, BY	1	PR:099,630
(1)	981 731 032 54 OE6 981 731 032 66 981 731 032 66 OF7	Luxor beige Sun visor Black	-US,UZ,LZ right -AD,FD,UD,AG, FG,UG,AJ,FJ, UJ,AS,FS,PM, PT,PW,AZ,FZ, SZ,HZ,BM,BT, BW,TD,TG,NE, BY	1	PR:098,630 "CN."
(1)	981 731 032 66 OE6 981 731 031 56 981 731 031 56 OF7	Luxor beige Sun visor Light Black	-US,UZ,LZ left without: -AD,FD,UD,AG, FG,UG,AJ,FJ, UJ,AS,FS,PM, PT,PW,AZ,FZ, SZ,HZ,BM,BT, BW,TD,TG,NE, BY	1	PR:098,-630
(1)	981 731 031 56 OE6 981 731 032 59 981 731 032 59 OF7	Luxor beige Sun visor Light Black	-US,UZ,LZ right without: -AD,FD,UD,AG,	1	PR:098,-630 -"CN."

Model: 982-17

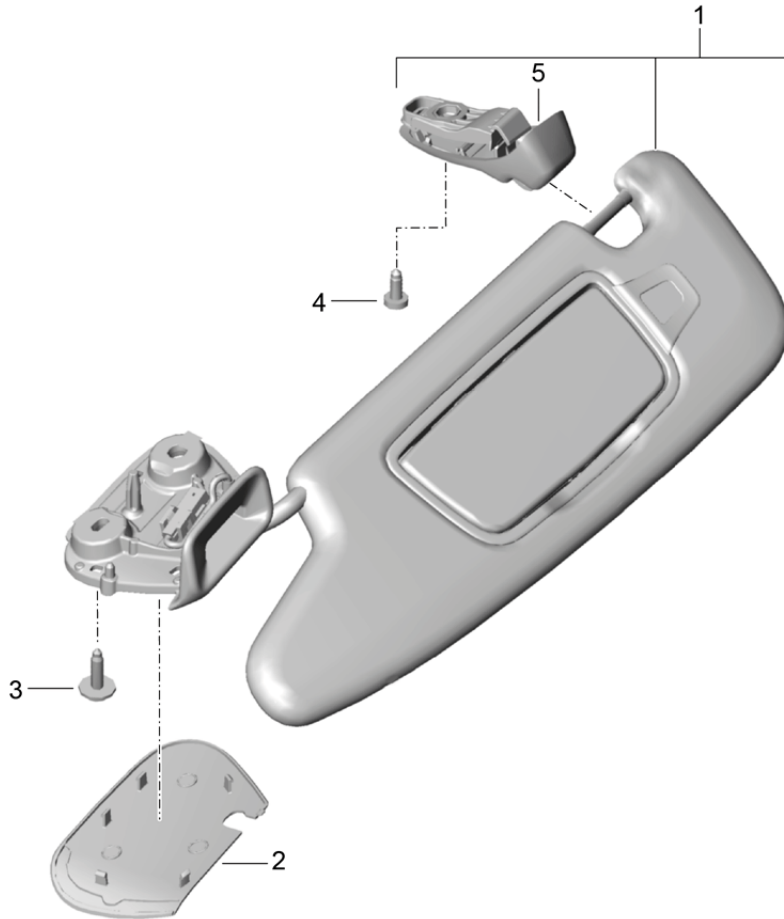
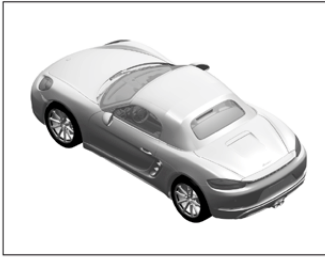
Model life 2017>>

Pos	Part Number	Description	Remark	Qty	Model
(1)	981 731 032 59 OE6	Luxor beige	FG,UG,AJ,FJ, UJ,AS,FS,PM, PT,PW,AZ,FZ, SZ,HZ,BM,BT, BW,TD,TG,NE, BY	1	PR:099,-630
	981 731 031 59	Sun visor	-US,UZ,LZ left		
		without: Light			
	981 731 031 59 OF7	Black	-AD,FD,UD,AG, FG,UG,AJ,FJ, UJ,AS,FS,PM, PT,PW,AZ,FZ, SZ,HZ,BM,BT, BW,TD,TG,NE, BY		
(1)	981 731 031 59 OE6	Luxor beige	-US,UZ,LZ	1	PR:099,-630
	981 731 032 56	Sun visor	right		
		without: Light			
	981 731 032 56 OF7	Black	-AD,FD,UD,AG, FG,UG,AJ,FJ, UJ,AS,FS,PM, PT,PW,AZ,FZ, SZ,HZ,BM,BT, BW,TD,TG,NE, BY		
(1)	981 731 032 56 OE6	Luxor beige	-US,UZ,LZ	1	PR:098,-630 "CN."
	981 731 032 67	Sun visor	right		
		without: Light			
	981 731 032 67 OF7	Black	-AD,FD,UD,AG, FG,UG,AJ,FJ, UJ,AS,FS,PM, PT,PW,AZ,FZ, SZ,HZ,BM,BT, BW,TD,TG,NE, BY		
2	981 731 032 67 OE6	Luxor beige	-US,UZ,LZ	1	
	981 731 831 03	Cover	left		
(2)	981 731 831 03 1E0	Black		1	
	981 731 832 03	Cover	right		
	981 731 832 03 1E0	Black			
3	999 073 223 01	Bolt with washer		4	
		M6X25			
4	999 073 350 01	Screw		2	
		M6X16			
5	981 731 931 00	repair set	left	1	
		Mounting	inner		
(5)	981 731 932 00	repair set	right	1	
		Mounting	inner		



Model: 982-17

Model life 2017>>



Model: 982-17 Model life 2017>>

Pos	Part Number	Description	Remark	Qty	Model
1	981 731 981 22 981 731 981 22 A11	sun vizors Leather Alcantara Sun visor Black	left -AD,FD,UD,AG, FG,UG,AJ,FJ, UJ,AS,FS,PM, PT,PW,AZ,FZ, SZ,LZ,HZ,BM, BT,BW,TD,TG, NE,BY	1	PR:XMP,XLU PR:098,XMP
1	981 731 981 22 7J0 981 731 981 22 981 731 981 22 A11	Luxor beige Sun visor Black	-US,UZ left -AD,FD,UD,AG, FG,UG,AJ,FJ, UJ,AS,FS,PM, PT,PW,AZ,FZ, SZ,LZ,HZ,BM, BT,BW,TD,TG, NE,BY	1	PR:XMP,074
1	981 731 981 22 7J0 981 731 982 22 981 731 982 22 A11	Luxor beige Sun visor Black	-US,UZ left -AD,FD,UD,AG, FG,UG,AJ,FJ, UJ,AS,FS,PM, PT,PW,AZ,FZ, SZ,LZ,HZ,BM, BT,BW,TD,TG, NE,BY	1	PR:XMP,074
(1)	981 731 982 22 7J0 982 857 552 AB 982 857 552 AB A11	Luxor beige Sun visor Black	-US,UZ right -AD,FD,UD,AG, FG,UG,AJ,FJ, UJ,AS,FS,PM, PT,PW,AZ,FZ, SZ,LZ,HZ,BM, BT,BW,TD,TG, NE,BY	1	PR:074,XMP
(1)	982 857 552 AB 7J0 981 731 982 22 981 731 982 22 A11	Luxor beige Sun visor Black	-US,UZ right -AD,FD,UD,AG, FG,UG,AJ,FJ, UJ,AS,FS,PM, PT,PW,AZ,FZ, SZ,LZ,HZ,BM, BT,BW,TD,TG, NE,BY	1	PR:099,XMP
(1)	981 731 982 22 7J0 981 731 981 30 981 731 981 30 A11	Luxor beige Sun visor Black	-US,UZ left -AD,FD,UD,AG, FG,UG,AJ,FJ, UJ,AS,FS,PM, PT,PW,AZ,FZ, SZ,LZ,HZ,BM, BT,BW,TD,TG, NE,BY	1	PR:099,XMP
(1)	981 731 981 30 7J0 981 731 982 30 981 731 982 30 A11	Luxor beige Sun visor Black	-US,UZ right -AD,FD,UD,AG, FG,UG,AJ,FJ, UJ,AS,FS,PM, PT,PW,AZ,FZ, SZ,LZ,HZ,BM,	1	PR:098,XMP

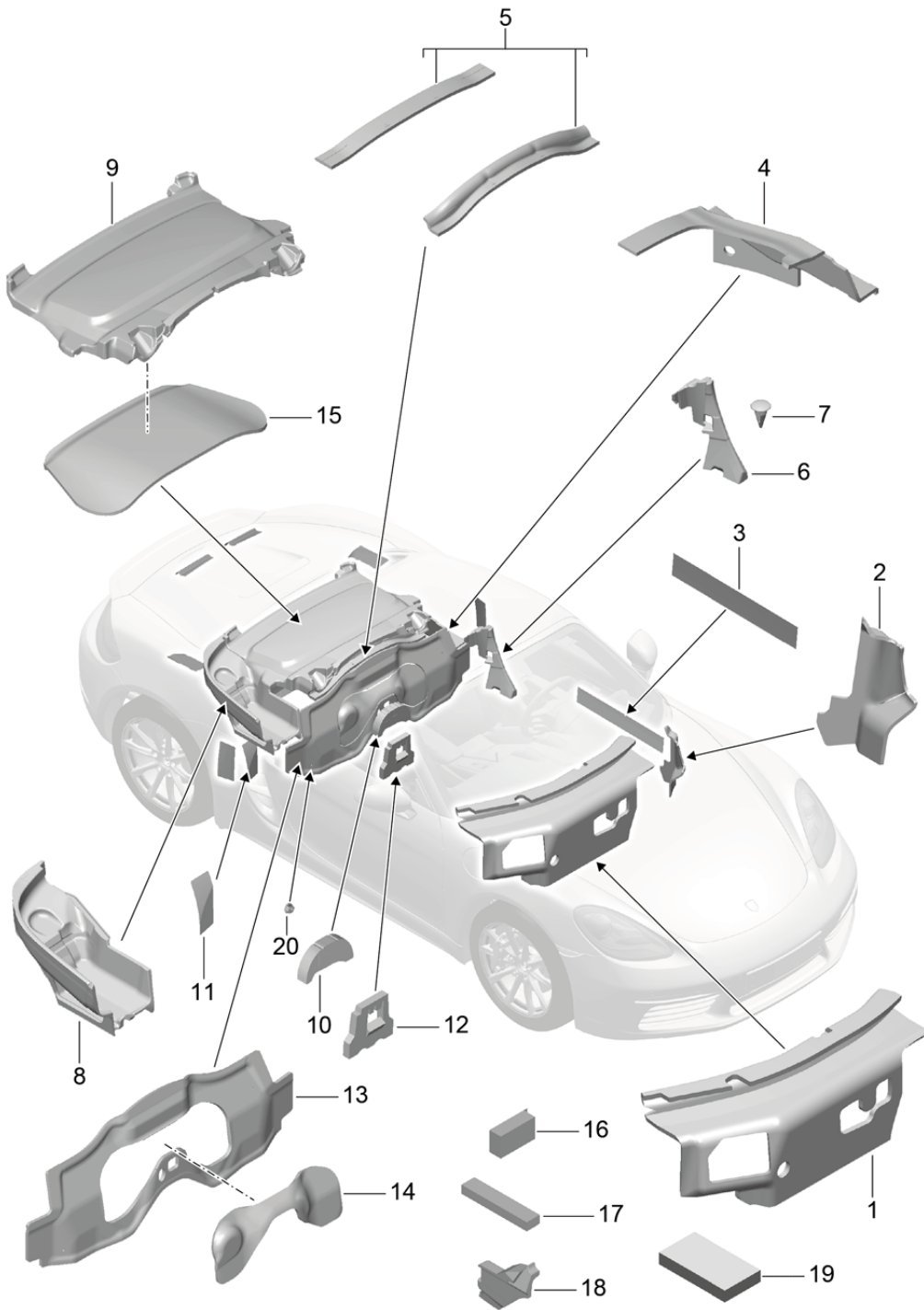
Model: 982-17

Model life 2017>>

Pos	Part Number	Description	Remark	Qty	Model
	981 731 982 30 7J0	Luxor beige	BT, BW, TD, TG, NE, BY		
(1)	981 731 981 25	Sun visor	-US, UZ		
	981 731 981 25 2W0	Black	left	1	PR:098, XLU
(1)	981 731 981 25	Sun visor	left	1	PR:074, XLU
	981 731 981 25 2W0	Black			
(1)	981 731 982 25	Sun visor	right	1	PR:074, XLU
	981 731 982 25 2W0	Black			
(1)	981 731 982 25	Sun visor	right	1	PR:099, XLU
	981 731 982 25 2W0	Black			
(1)	981 731 981 31	Sun visor	left	1	PR:099, XLU
	981 731 981 31 2W0	Black			
(1)	981 731 982 31	Sun visor	right	1	PR:098, XLU
	981 731 982 31 2W0	Black			
2	981 731 831 03	Cover	left	1	
	981 731 831 03 1E0	Black			
(2)	981 731 832 03	Cover	right	1	
	981 731 832 03 1E0	Black			
3	999 073 223 01	Bolt with washer		4	
		M6X25			
4	999 073 350 01	Screw		2	
		M6X16			
5	981 731 931 00	repair set	left	1	
		Mounting	inner		
(5)	981 731 932 00	repair set	right	1	
		Mounting	inner		

Model: 982-17

Model life 2017>>



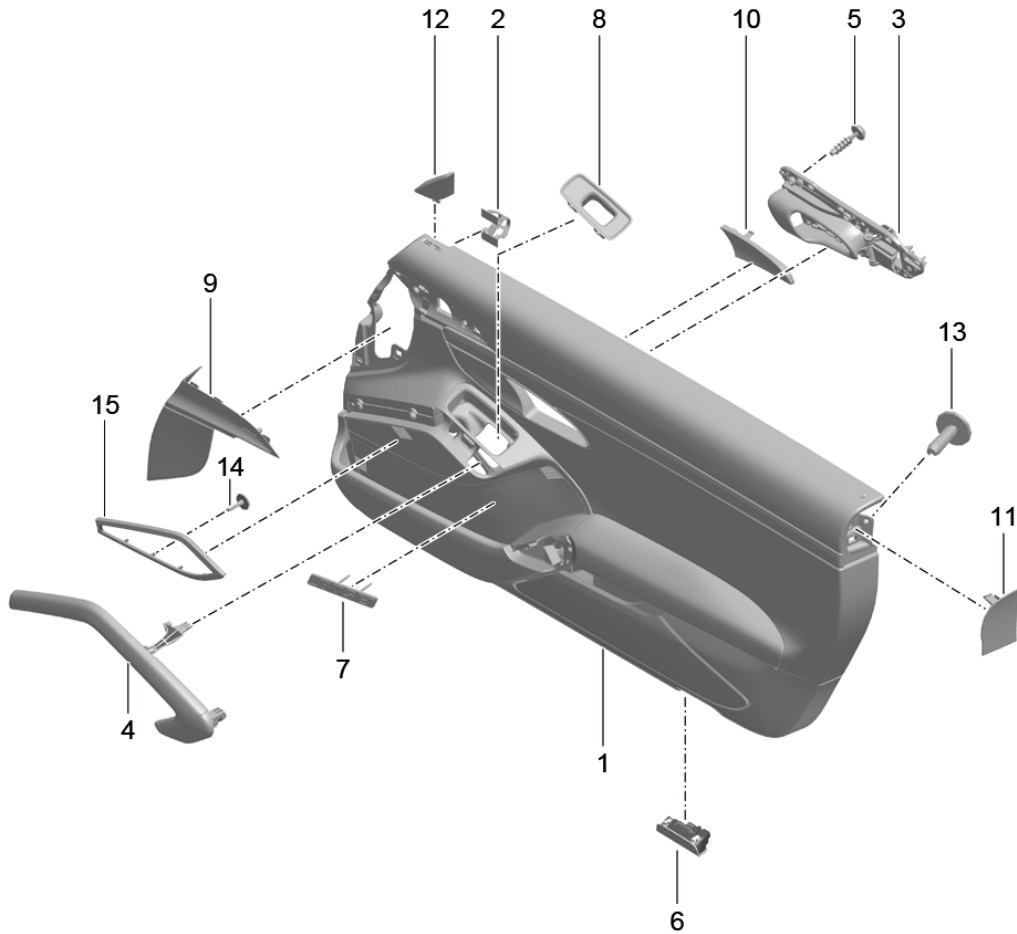
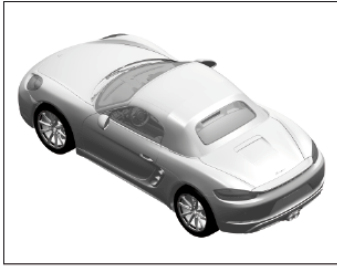
Model: 982-17

Model life 2017&gt;&gt;

Pos	Part Number	Description	Remark	Qty	Model
1	991 556 723 01	Body Sound proofing 1 Sound absorber	lhd	1	PR:098
(1)	991 556 724 01	Firewall Sound absorber	rhd	1	PR:099
2	991 556 605 02	Firewall Sound absorber	left	1	
(2)	991 556 606 01	Wheel housing Sound absorber	front right	1	
3	997 556 531 01	Wheel housing sound absorber for door	front	2	
4	981 556 721 01	Sound absorber	left	1	
(4)	981 556 722 02	Engine bay Sound absorber	side right	1	
5	981 556 645 02	Engine bay Sound absorber	side front and rear	2	
6	981 556 603 01	Engine bay Sound absorber	left	1	
(6)	981 556 604 01	Cover Belt Sound absorber	right	1	
7	999 703 259 40	Cover Belt Bungs Sound absorber		2	
8	981 556 624 02	Cover Belt Sound absorber	right lower	1	
(8)	981 556 623 02	convertible top stowage box Sound absorber	left lower	1	
9	982 863 545	convertible top stowage box Sound absorber	rear	1	
10	981 556 683 01	tray Convertible top Sound absorber	rear	1	
11	991 556 503 00	Centre console Damping	inner	1	
12	981 556 681 02	Sound absorber Seal		1	
13	982 863 309	tunnel Sound absorber		1	
14	981 556 745 02	filler plate Engine bay Sound absorber		1	
15	981 556 743 02	filler plate Passenger compartment Sound absorber		1	
16	991 572 529 00	cover for engine compartment Passenger compartment Foam part		1	
17	991 572 525 01	Fuel tank Foam part		1	
18	991 572 522 03	Fuel tank Foam part		1	
19	9P1 864 714	Fuel tank Foam part Console		1	
20	999 049 039 01	Fuel tank Firewall Hexagon nut filler plate		1	

Model: 982-17

Model life 2017>>



Model: 982-17 Model life 2017>>

Pos	Part Number	Description	Remark	Qty	Model
		door panel			PR:-981,
		Accessories			-980,811
1	981 555 203 00	slush technology			
		door panel	left	1	PR:008,9VK,
		slush technology			-537,-625
	981 555 203 00 DK4	Black	-AD,AG,AJ		
	981 555 203 00 OU4	agate grey	-FD,FG,FJ		
	981 555 203 00 DM5	Luxor beige	-UD,UG,UJ		
(1)	981 555 204 00	door panel	right	1	PR:008,9VK,
		slush technology			-538,-625
	981 555 204 00 DK4	Black	-AD,AG,AJ		
	981 555 204 00 OU4	agate grey	-FD,FG,FJ		
	981 555 204 00 DM5	Luxor beige	-UD,UG,UJ		
(1)	981 555 203 01	door panel	left	1	PR:008,9VL,
		slush technology			-537,-625
	981 555 203 01 DK4	Black	-AD,AG,AJ		
	981 555 203 01 OU4	agate grey	-FD,FG,FJ		
	981 555 203 01 DM5	Luxor beige	-UD,UG,UJ		
(1)	981 555 204 01	door panel	right	1	PR:008,9VL,
		slush technology			-538,-625
	981 555 204 01 DK4	Black	-AD,AG,AJ		
	981 555 204 01 OU4	agate grey	-FD,FG,FJ		
	981 555 204 01 DM5	Luxor beige	-UD,UG,UJ		
(1)	981 555 203 02	door panel	left	1	PR:008,9VJ,
		slush technology			-537,-625
	981 555 203 02 DK4	Black	-AD,AG,AJ		
	981 555 203 02 OU4	agate grey	-FD,FG,FJ		
	981 555 203 02 DM5	Luxor beige	-UD,UG,UJ		
(1)	981 555 204 02	door panel	right	1	PR:008,9VJ,
		slush technology			-538,-625
	981 555 204 02 DK4	Black	-AD,AG,AJ		
	981 555 204 02 OU4	agate grey	-FD,FG,FJ		
	981 555 204 02 DM5	Luxor beige	-UD,UG,UJ		
(1)	981 555 203 03	door panel	left lhd	1	PR:008,9VK,
		slush technology			537,-625,098
	981 555 203 03 DK4	Black	-AD,AG,AJ		
	981 555 203 03 OU4	agate grey	-FD,FG,FJ		
	981 555 203 03 DM5	Luxor beige	-UD,UG,UJ		
(1)	981 555 204 03	door panel	right rhd	1	PR:008,9VK,
		slush technology			538,-625,099
	981 555 204 03 DK4	Black	-AD,AG,AJ		
	981 555 204 03 OU4	agate grey	-FD,FG,FJ		
	981 555 204 03 DM5	Luxor beige	-UD,UG,UJ		
(1)	981 555 203 04	door panel	left lhd	1	PR:008,9VL,
		slush technology			537,-625,098
	981 555 203 04 DK4	Black	-AD,AG,AJ		
	981 555 203 04 OU4	agate grey	-FD,FG,FJ		
	981 555 203 04 DM5	Luxor beige	-UD,UG,UJ		
(1)	981 555 204 04	door panel	right rhd	1	PR:008,9VL,
		slush technology			538,-625,099
	981 555 204 04 DK4	Black	-AD,AG,AJ		
	981 555 204 04 OU4	agate grey	-FD,FG,FJ		
	981 555 204 04 DM5	Luxor beige	-UD,UG,UJ		
(1)	981 555 203 05	door panel	left lhd	1	PR:008,9VJ,
		slush technology			537,-625,098
	981 555 203 05 DK4	Black	-AD,AG,AJ		
	981 555 203 05 OU4	agate grey	-FD,FG,FJ		
	981 555 203 05 DM5	Luxor beige	-UD,UG,UJ		
(1)	981 555 204 05	door panel	right rhd	1	PR:008,9VJ,
		slush technology			538,-625,099
	981 555 204 05 DK4	Black	-AD,AG,AJ		
	981 555 204 05 OU4	agate grey	-FD,FG,FJ		
	981 555 204 05 DM5	Luxor beige	-UD,UG,UJ		

Model: 982-17 Model life 2017>>

Pos	Part Number	Description	Remark	Qty	Model
(1)	981 555 203 18	door panel slush technology	left	1	PR:008,9VK, 625,-537
	981 555 203 18 DK4	Black	-AD,AG,AJ		
	981 555 203 18 OU4	agate grey	-FD,FG,FJ		
	981 555 203 18 DM5	Luxor beige	-UD,UG,UJ		
(1)	981 555 204 18	door panel slush technology	right	1	PR:008,9VK, 625,-538
	981 555 204 18 DK4	Black	-AD,AG,AJ		
	981 555 204 18 OU4	agate grey	-FD,FG,FJ		
	981 555 204 18 DM5	Luxor beige	-UD,UG,UJ		
(1)	981 555 203 19	door panel slush technology	left	1	PR:008,9VL, 625,-537
	981 555 203 19 DK4	Black	-AD,AG,AJ		
	981 555 203 19 OU4	agate grey	-FD,FG,FJ		
	981 555 203 19 DM5	Luxor beige	-UD,UG,UJ		
(1)	981 555 204 19	door panel slush technology	right	1	PR:008,9VL, 625,-538
	981 555 204 19 DK4	Black	-AD,AG,AJ		
	981 555 204 19 OU4	agate grey	-FD,FG,FJ		
	981 555 204 19 DM5	Luxor beige	-UD,UG,UJ		
(1)	981 555 203 20	door panel slush technology	left	1	PR:008,9VJ, 625,-537
	981 555 203 20 DK4	Black	-AD,AG,AJ		
	981 555 203 20 OU4	agate grey	-FD,FG,FJ		
	981 555 203 20 DM5	Luxor beige	-UD,UG,UJ		
(1)	981 555 204 20	door panel slush technology	right	1	PR:008,9VJ, 625,-538
	981 555 204 20 DK4	Black	-AD,AG,AJ		
	981 555 204 20 OU4	agate grey	-FD,FG,FJ		
	981 555 204 20 DM5	Luxor beige	-UD,UG,UJ		
(1)	981 555 203 21	door panel slush technology	left lhd	1	PR:008,9VK, 537,625,098
	981 555 203 21 DK4	Black	-AD,AG,AJ		
	981 555 203 21 OU4	agate grey	-FD,FG,FJ		
	981 555 203 21 DM5	Luxor beige	-UD,UG,UJ		
(1)	981 555 204 21	door panel slush technology	right rhd	1	PR:008,9VK, 538,625,099
	981 555 204 21 DK4	Black	-AD,AG,AJ		
	981 555 204 21 OU4	agate grey	-FD,FG,FJ		
	981 555 204 21 DM5	Luxor beige	-UD,UG,UJ		
(1)	981 555 203 22	door panel slush technology	left lhd	1	PR:008,9VL, 537,625,098
	981 555 203 22 DK4	Black	-AD,AG,AJ		
	981 555 203 22 OU4	agate grey	-FD,FG,FJ		
	981 555 203 22 DM5	Luxor beige	-UD,UG,UJ		
(1)	981 555 204 22	door panel slush technology	right rhd	1	PR:008,9VL, 538,625,099
	981 555 204 22 DK4	Black	-AD,AG,AJ		
	981 555 204 22 OU4	agate grey	-FD,FG,FJ		
	981 555 204 22 DM5	Luxor beige	-UD,UG,UJ		
(1)	981 555 203 23	door panel slush technology	left lhd	1	PR:008,9VJ, 537,625,098
	981 555 203 23 DK4	Black	-AD,AG,AJ		
	981 555 203 23 OU4	agate grey	-FD,FG,FJ		
	981 555 203 23 DM5	Luxor beige	-UD,UG,UJ		
(1)	981 555 204 23	door panel slush technology	right rhd	1	PR:008,9VJ, 538,625,099
	981 555 204 23 DK4	Black	-AD,AG,AJ		
	981 555 204 23 OU4	agate grey	-FD,FG,FJ		
	981 555 204 23 DM5	Luxor beige	-UD,UG,UJ		
(1)	991 555 203 00	door panel slush technology	left	1	PR:009,9VK, -537,-625
	991 555 203 00 DK4	Black	-AD,AG,AJ		



Model: 982-17 Model life 2017>>

Pos	Part Number	Description	Remark	Qty	Model
(1)	991 555 203 00 OU4	agate grey	-FD,FG,FJ	1	PR:009,9VK, -538,-625
	991 555 203 00 DM5	Luxor beige	-UD,UG,UJ		
	991 555 204 00	door panel slush technology	right		
(1)	991 555 204 00 DK4	Black	-AD,AG,AJ	1	PR:009,9VL, -537,-625
	991 555 204 00 OU4	agate grey	-FD,FG,FJ		
	991 555 204 00 DM5	Luxor beige	-UD,UG,UJ		
(1)	991 555 203 01	door panel slush technology	left	1	PR:009,9VK, -538,-625
	991 555 203 01 DK4	Black	-AD,AG,AJ		
	991 555 203 01 OU4	agate grey	-FD,FG,FJ		
(1)	991 555 203 01 DM5	Luxor beige	-UD,UG,UJ	1	PR:009,9VL, -538,-625
	991 555 204 01	door panel slush technology	right		
	991 555 204 01 DK4	Black	-AD,AG,AJ		
(1)	991 555 204 01 OU4	agate grey	-FD,FG,FJ	1	PR:009,9VJ, -537,-625
	991 555 204 01 DM5	Luxor beige	-UD,UG,UJ		
	991 555 203 02	door panel slush technology	left		
(1)	991 555 203 02 DK4	Black	-AD,AG,AJ	1	PR:009,9VK, -538,-625
	991 555 203 02 OU4	agate grey	-FD,FG,FJ		
	991 555 203 02 DM5	Luxor beige	-UD,UG,UJ		
(1)	991 555 204 02	door panel slush technology	right	1	PR:009,9VJ, -538,-625
	991 555 204 02 DK4	Black	-AD,AG,AJ		
	991 555 204 02 OU4	agate grey	-FD,FG,FJ		
(1)	991 555 204 02 DM5	Luxor beige	-UD,UG,UJ	1	PR:009,9VK, 537,-625,098
	991 555 203 06	door panel slush technology	left lhd		
	991 555 203 06 DK4	Black	-AD,AG,AJ		
(1)	991 555 203 06 OU4	agate grey	-FD,FG,FJ	1	PR:009,9VK, 538,-625,099
	991 555 203 06 DM5	Luxor beige	-UD,UG,UJ		
	991 555 204 06	door panel slush technology	right rhd		
(1)	991 555 204 06 DK4	Black	-AD,AG,AJ	1	PR:009,9VL, 537,-625,098
	991 555 204 06 OU4	agate grey	-FD,FG,FJ		
	991 555 204 06 DM5	Luxor beige	-UD,UG,UJ		
(1)	991 555 203 07	door panel slush technology	left lhd	1	PR:009,9VK, 538,-625,099
	991 555 203 07 DK4	Black	-AD,AG,AJ		
	991 555 203 07 OU4	agate grey	-FD,FG,FJ		
(1)	991 555 203 07 DM5	Luxor beige	-UD,UG,UJ	1	PR:009,9VL, 538,-625,099
	991 555 204 07	door panel slush technology	right rhd		
	991 555 204 07 DK4	Black	-AD,AG,AJ		
(1)	991 555 204 07 OU4	agate grey	-FD,FG,FJ	1	PR:009,9VJ, 537,-625,098
	991 555 204 07 DM5	Luxor beige	-UD,UG,UJ		
	991 555 203 08	door panel slush technology	left lhd		
(1)	991 555 203 08 DK4	Black	-AD,AG,AJ	1	PR:009,9VK, 625,-537
	991 555 203 08 OU4	agate grey	-FD,FG,FJ		
	991 555 203 08 DM5	Luxor beige	-UD,UG,UJ		
(1)	991 555 204 08	door panel slush technology	right rhd	1	PR:009,9VJ, 538,-625,099
	991 555 204 08 DK4	Black	-AD,AG,AJ		
	991 555 204 08 OU4	agate grey	-FD,FG,FJ		
(1)	991 555 204 08 DM5	Luxor beige	-UD,UG,UJ	1	PR:009,9VK, 625,-537
	991 555 203 12	door panel slush technology	left		
	991 555 203 12 DK4	Black	-AD,AG,AJ		
(1)	991 555 203 12 OU4	agate grey	-FD,FG,FJ	1	PR:009,9VK,
	991 555 203 12 DM5	Luxor beige	-UD,UG,UJ		
	991 555 204 12	door panel	right		

Model: 982-17 Model life 2017>>

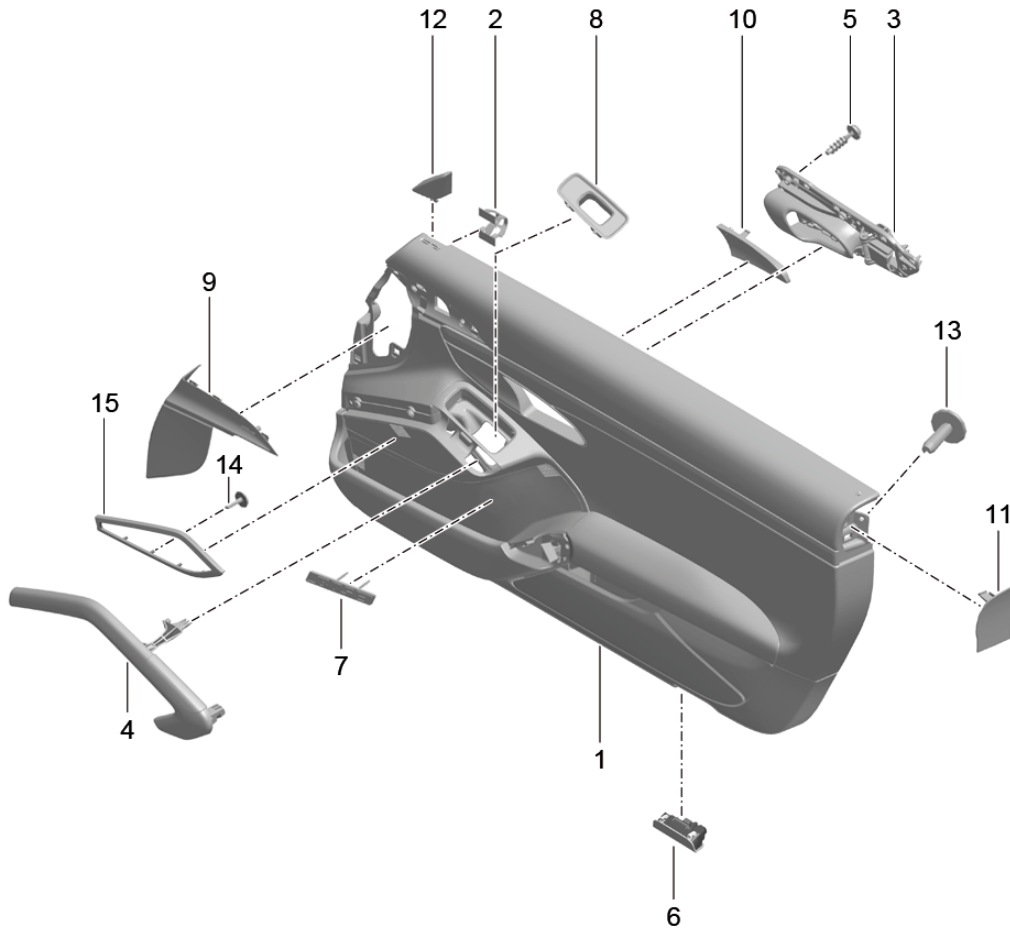
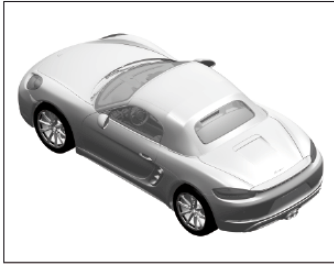
Pos	Part Number	Description	Remark	Qty	Model
		slush technology			625,-538
	991 555 204 12 DK4	Black	-AD,AG,AJ		
	991 555 204 12 OU4	agate grey	-FD,FG,FJ		
	991 555 204 12 DM5	Luxor beige	-UD,UG,UJ		
(1)	991 555 203 13	door panel	left	1	PR:009,9VL, 625,-537
		slush technology			
	991 555 203 13 DK4	Black	-AD,AG,AJ		
	991 555 203 13 OU4	agate grey	-FD,FG,FJ		
	991 555 203 13 DM5	Luxor beige	-UD,UG,UJ		
(1)	991 555 204 13	door panel	right	1	PR:009,9VL, 625,-538
		slush technology			
	991 555 204 13 DK4	Black	-AD,AG,AJ		
	991 555 204 13 OU4	agate grey	-FD,FG,FJ		
	991 555 204 13 DM5	Luxor beige	-UD,UG,UJ		
(1)	991 555 203 14	door panel	left	1	PR:009,9VJ, 625,-538
		slush technology			
	991 555 203 14 DK4	Black	-AD,AG,AJ		
	991 555 203 14 OU4	agate grey	-FD,FG,FJ		
	991 555 203 14 DM5	Luxor beige	-UD,UG,UJ		
(1)	991 555 204 14	door panel	right	1	PR:009,9VJ, 625,-538
		slush technology			
	991 555 204 14 DK4	Black	-AD,AG,AJ		
	991 555 204 14 OU4	agate grey	-FD,FG,FJ		
	991 555 204 14 DM5	Luxor beige	-UD,UG,UJ		
(1)	991 555 203 18	door panel	left lhd	1	PR:009,9VK, 537,625,098
		slush technology			
	991 555 203 18 DK4	Black	-AD,AG,AJ		
	991 555 203 18 OU4	agate grey	-FD,FG,FJ		
	991 555 203 18 DM5	Luxor beige	-UD,UG,UJ		
(1)	991 555 204 18	door panel	right rhd	1	PR:009,9VK, 538,625,099
		slush technology			
	991 555 204 18 DK4	Black	-AD,AG,AJ		
	991 555 204 18 OU4	agate grey	-FD,FG,FJ		
	991 555 204 18 DM5	Luxor beige	-UD,UG,UJ		
(1)	991 555 203 19	door panel	left lhd	1	PR:009,9VL, 537,625,098
		slush technology			
	991 555 203 19 DK4	Black	-AD,AG,AJ		
	991 555 203 19 OU4	agate grey	-FD,FG,FJ		
	991 555 203 19 DM5	Luxor beige	-UD,UG,UJ		
(1)	991 555 204 19	door panel	right rhd	1	PR:009,9VL, 538,625,099
		slush technology			
	991 555 204 19 DK4	Black	-AD,AG,AJ		
	991 555 204 19 OU4	agate grey	-FD,FG,FJ		
	991 555 204 19 DM5	Luxor beige	-UD,UG,UJ		
(1)	991 555 203 20	door panel	left lhd	1	PR:009,9VJ, 537,625,098
		slush technology			
	991 555 203 20 DK4	Black	-AD,AG,AJ		
	991 555 203 20 OU4	agate grey	-FD,FG,FJ		
	991 555 203 20 DM5	Luxor beige	-UD,UG,UJ		
(1)	991 555 204 20	door panel	right rhd	1	PR:009,9VJ, 538,625,099
		slush technology			
	991 555 204 20 DK4	Black	-AD,AG,AJ		
	991 555 204 20 OU4	agate grey	-FD,FG,FJ		
	991 555 204 20 DM5	Luxor beige	-UD,UG,UJ		
2	999 507 533 02	Clamp		4	
		8,0 X 10,0 /2,5			
3	991 555 521 00	Inner actuator	left	1	
	991 555 521 00 V08	Galvano silver			
(3)	991 555 521 01	Inner actuator	left	1	
	991 555 521 01 V08	Galvano silver			
(3)	991 555 522 00	Inner actuator	right	1	
	991 555 522 00 V08	Galvano silver			
(3)	991 555 522 01	Inner actuator	right	1	

Model: 982-17 Model life 2017>>

Pos	Part Number	Description	Remark	Qty	Model
4	991 555 522 01 V08	Galvano silver			
	981 555 533 00	Pull handle	left	1	
	981 555 533 00 1E0	Black	-AD,AG,AJ		
	981 555 533 00 OP1	agate grey	-FD,FG,FJ		
(4)	981 555 533 00 4H0	Luxor beige	-UD,UG,UJ		
	981 555 534 00	Pull handle	right	1	
	981 555 534 00 1E0	Black	-AD,AG,AJ		
	981 555 534 00 OP1	agate grey	-FD,FG,FJ		
5	981 555 534 00 4H0	Luxor beige	-UD,UG,UJ		
	999 919 262 01	fillister hd. bolt 4,0 X 16,0		9	
6	1K0 947 419 A	rear light reflector		2	
7	7PP 945 699	inscription Bose		2	PR:9VL
8	991 555 723 02	Mounting frame Switch		1	
	991 555 723 02 1E0	Black			
9	991 555 721 02	Cover	left front	1	
	991 555 721 02 5Q0	Black	-AD,AG,AJ		
(9)	991 555 721 02 OA6	agate grey	-FD,FG,FJ		
	991 555 721 02 6W0	Luxor beige	-UD,UG,UJ		
	991 555 722 02	Cover	right front	1	
	991 555 722 02 5Q0	Black	-AD,AG,AJ		
10	991 555 722 02 OA6	agate grey	-FD,FG,FJ		
	991 555 722 02 6W0	Luxor beige	-UD,UG,UJ		
	7PP 837 247	Cover panel Inner actuator	left	1	
(10)	7PP 837 247 1E0	Black			
	7PP 837 248	Cover panel Inner actuator	right	1	
11	7PP 837 248 1E0	Black			
	991 555 683 01	cover for airbag	left	1	
(11)	991 555 683 01 5Q0	Black	-AD,AG,AJ		
	991 555 683 01 OA6	agate grey	-FD,FG,FJ		
	991 555 683 01 6W0	Luxor beige	-UD,UG,UJ		
	991 555 684 01	cover for airbag	right	1	
12	991 555 684 01 5Q0	Black	-AD,AG,AJ		
	991 555 684 01 OA6	agate grey	-FD,FG,FJ		
	991 555 684 01 6W0	Luxor beige	-UD,UG,UJ		
(12)	991 555 741 00	Cover panel window frame	left	1	
	991 555 741 00 1E0	Black			
13	991 555 742 00	Cover panel window frame	right	1	
	991 555 742 00 1E0	Black			
14	999 073 322 02	fillister hd. bolt M 6 X 20		8	
15	999 919 203 07	fillister hd. bolt M 3 X 10		10	
(15)	991 555 581 00	decorative frame Loudspeaker trim	left	1	PR:9VJ
	991 555 581 00 V08	Galvano silver			
	991 555 582 00	decorative frame Loudspeaker trim	right	1	PR:9VJ
	991 555 582 00 V08	Galvano silver			

Model: 982-17

Model life 2017>>



Model: 982-17 Model life 2017>>

Pos	Part Number	Description	Remark	Qty	Model
		door panel Accessories slush technology Leather package			PR:-981,980, 811
(1)	991 555 203 00	door panel slush technology Leather package	left	1	PR:9VK,-537, -625
	991 555 203 00 DK4	Black	-AS		
	991 555 203 00 OU4	agate grey	-FS		
	991 555 203 00 DM5	Luxor beige	-US		
(1)	991 555 203 00	door panel slush technology Leather package two-colour	left	1	PR:9VK,-537, -625
	991 555 203 00 GUL	Black/Bordeaux Red	-PM		
	991 555 203 00 GUM	Black/Luxor Beige	-PT		
	991 555 203 00 GUN	Black/Chalk	-PW		
(1)	991 555 204 00	door panel slush technology Leather package	right	1	PR:9VK,-538, -625
	991 555 204 00 DK4	Black	-AS		
	991 555 204 00 OU4	agate grey	-FS		
	991 555 204 00 DM5	Luxor beige	-US		
(1)	991 555 204 00	door panel slush technology Leather package two-colour	right	1	PR:9VK,-538, -625
	991 555 204 00 GUL	Black/Bordeaux Red	-PM		
	991 555 204 00 GUM	Black/Luxor Beige	-PT		
	991 555 204 00 GUN	Black/Chalk	-PW		
(1)	991 555 203 01	door panel slush technology Leather package	left	1	PR:9VL,-537, -625
	991 555 203 01 DK4	Black	-AS		
	991 555 203 01 OU4	agate grey	-FS		
	991 555 203 01 DM5	Luxor beige	-US		
(1)	991 555 203 01	door panel slush technology Leather package two-colour	left	1	PR:9VL,-537, -625
	991 555 203 01 GUL	Black/Bordeaux Red	-PM		
	991 555 203 01 GUM	Black/Luxor Beige	-PT		
	991 555 203 01 GUN	Black/Chalk	-PW		
(1)	991 555 204 01	door panel slush technology Leather package	right	1	PR:9VL,-538, -625
	991 555 204 01 DK4	Black	-AS		
	991 555 204 01 OU4	agate grey	-FS		
	991 555 204 01 DM5	Luxor beige	-US		
(1)	991 555 204 01	door panel slush technology Leather package two-colour	right	1	PR:9VL,-538, -625
	991 555 204 01 GUL	Black/Bordeaux Red	-PM		
	991 555 204 01 GUM	Black/Luxor Beige	-PT		
	991 555 204 01 GUN	Black/Chalk	-PW		
(1)	991 555 203 02	door panel slush technology Leather package	left	1	PR:9VJ,-537, -625
	991 555 203 02 DK4	Black	-AS		
	991 555 203 02 OU4	agate grey	-FS		
	991 555 203 02 DM5	Luxor beige	-US		
(1)	991 555 203 02	door panel	left	1	PR:9VJ,-537,

Model: 982-17 Model life 2017>>

Pos	Part Number	Description	Remark	Qty	Model
		slush technology Leather package two-colour			-625
	991 555 203 02 GUL	Black/Bordeaux Red	-PM		
	991 555 203 02 GUM	Black/Luxor Beige	-PT		
	991 555 203 02 GUN	Black/Chalk	-PW		
(1)	991 555 204 02	door panel slush technology Leather package	right	1	PR:9VJ,-538,-625
	991 555 204 02 DK4	Black	-AS		
	991 555 204 02 OU4	agate grey	-FS		
	991 555 204 02 DM5	Luxor beige	-US		
(1)	991 555 204 02	door panel slush technology Leather package two-colour	right	1	PR:9VJ,-538,-625
	991 555 204 02 GUL	Black/Bordeaux Red	-PM		
	991 555 204 02 GUM	Black/Luxor Beige	-PT		
	991 555 204 02 GUN	Black/Chalk	-PW		
(1)	991 555 203 06	door panel slush technology Leather package	left lhd	1	PR:9VK,537,-625,098
	991 555 203 06 DK4	Black	-AS		
	991 555 203 06 OU4	agate grey	-FS		
	991 555 203 06 DM5	Luxor beige	-US		
(1)	991 555 203 06	door panel slush technology Leather package two-colour	left lhd	1	PR:9VK,537,-625,098
	991 555 203 06 GUL	Black/Bordeaux Red	-PM		
	991 555 203 06 GUM	Black/Luxor Beige	-PT		
	991 555 203 06 GUN	Black/Chalk	-PW		
(1)	991 555 204 06	door panel slush technology Leather package	right rhd	1	PR:9VK,538,-625,099
	991 555 204 06 DK4	Black	-AS		
	991 555 204 06 OU4	agate grey	-FS		
	991 555 204 06 DM5	Luxor beige	-US		
(1)	991 555 204 06	door panel slush technology Leather package two-colour	right rhd	1	PR:9VK,538,-625,099
	991 555 204 06 GUL	Black/Bordeaux Red	-PM		
	991 555 204 06 GUM	Black/Luxor Beige	-PT		
	991 555 204 06 GUN	Black/Chalk	-PW		
(1)	991 555 203 07	door panel slush technology Leather package	left lhd	1	PR:9VL,537,-625,098
	991 555 203 07 DK4	Black	-AS		
	991 555 203 07 OU4	agate grey	-FS		
	991 555 203 07 DM5	Luxor beige	-US		
(1)	991 555 203 07	door panel slush technology Leather package two-colour	left lhd	1	PR:9VL,537,-625,098
	991 555 203 07 GUL	Black/Bordeaux Red	-PM		
	991 555 203 07 GUM	Black/Luxor Beige	-PT		
	991 555 203 07 GUN	Black/Chalk	-PW		
(1)	991 555 204 07	door panel slush technology Leather package	right rhd	1	PR:9VL,538,-625,099
	991 555 204 07 DK4	Black	-AS		
	991 555 204 07 OU4	agate grey	-FS		

Model: 982-17 Model life 2017>>

Pos	Part Number	Description	Remark	Qty	Model
(1)	991 555 204 07 DM5 991 555 204 07	Luxor beige door panel slush technology Leather package two-colour	-US right rhd	1	PR:9VL,538, -625,099
	991 555 204 07 GUL	Black/Bordeaux Red	-PM		
	991 555 204 07 GUM	Black/Luxor Beige	-PT		
	991 555 204 07 GUN	Black/Chalk	-PW		
(1)	991 555 203 08	door panel slush technology Leather package	left lhd	1	PR:9VJ,537, -625,098
	991 555 203 08 DK4	Black	-AS		
	991 555 203 08 OU4	agate grey	-FS		
	991 555 203 08 DM5	Luxor beige	-US		
(1)	991 555 203 08	door panel slush technology Leather package two-colour	left lhd	1	PR:9VJ,537, -625,098
	991 555 203 08 GUL	Black/Bordeaux Red	-PM		
	991 555 203 08 GUM	Black/Luxor Beige	-PT		
	991 555 203 08 GUN	Black/Chalk	-PW		
(1)	991 555 204 08	door panel slush technology Leather package	right rhd	1	PR:9VJ,538, -625,099
	991 555 204 08 DK4	Black	-AS		
	991 555 204 08 OU4	agate grey	-FS		
	991 555 204 08 DM5	Luxor beige	-US		
(1)	991 555 204 08	door panel slush technology Leather package two-colour	right rhd	1	PR:9VJ,538, -625,099
	991 555 204 08 GUL	Black/Bordeaux Red	-PM		
	991 555 204 08 GUM	Black/Luxor Beige	-PT		
	991 555 204 08 GUN	Black/Chalk	-PW		
(1)	991 555 203 12	door panel slush technology Leather package	left	1	PR:9VK,625, -537
	991 555 203 12 DK4	Black	-AS		
	991 555 203 12 OU4	agate grey	-FS		
	991 555 203 12 DM5	Luxor beige	-US		
(1)	991 555 203 12	door panel slush technology Leather package two-colour	left	1	PR:9VK,625, -537
	991 555 203 12 GUL	Black/Bordeaux Red	-PM		
	991 555 203 12 GUM	Black/Luxor Beige	-PT		
	991 555 203 12 GUN	Black/Chalk	-PW		
(1)	991 555 204 12	door panel slush technology Leather package	right	1	PR:9VK,625, -538
	991 555 204 12 DK4	Black	-AS		
	991 555 204 12 OU4	agate grey	-FS		
	991 555 204 12 DM5	Luxor beige	-US		
(1)	991 555 204 12	door panel slush technology Leather package two-colour	right	1	PR:9VK,625, -538
	991 555 204 12 GUL	Black/Bordeaux Red	-PM		
	991 555 204 12 GUM	Black/Luxor Beige	-PT		
	991 555 204 12 GUN	Black/Chalk	-PW		
(1)	991 555 203 13	door panel slush technology Leather package	left	1	PR:9VL,625, -537

Model: 982-17 Model life 2017>>

Pos	Part Number	Description	Remark	Qty	Model
(1)	991 555 203 13 DK4	Black	-AS	1	PR:9VL,625, -537
	991 555 203 13 OU4	agate grey	-FS		
	991 555 203 13 DM5	Luxor beige	-US		
	991 555 203 13	door panel slush technology Leather package two-colour	left		
(1)	991 555 203 13 GUL	Black/Bordeaux Red	-PM	1	PR:9VL,625, -538
	991 555 203 13 GUM	Black/Luxor Beige	-PT		
	991 555 203 13 GUN	Black/Chalk	-PW		
	991 555 204 13	door panel slush technology Leather package	right		
(1)	991 555 204 13 DK4	Black	-AS	1	PR:9VL,625, -538
	991 555 204 13 OU4	agate grey	-FS		
	991 555 204 13 DM5	Luxor beige	-US		
	991 555 204 13	door panel slush technology Leather package two-colour	right		
(1)	991 555 204 13 GUL	Black/Bordeaux Red	-PM	1	PR:9VJ,625, -537
	991 555 204 13 GUM	Black/Luxor Beige	-PT		
	991 555 204 13 GUN	Black/Chalk	-PW		
	991 555 203 14	door panel slush technology Leather package	left		
(1)	991 555 203 14 DK4	Black	-AS	1	PR:9VJ,625, -537
	991 555 203 14 OU4	agate grey	-FS		
	991 555 203 14 DM5	Luxor beige	-US		
	991 555 203 14	door panel slush technology Leather package two-colour	left		
(1)	991 555 203 14 GUL	Black/Bordeaux Red	-PM	1	PR:9VJ,625, -538
	991 555 203 14 GUM	Black/Luxor Beige	-PT		
	991 555 203 14 GUN	Black/Chalk	-PW		
	991 555 204 14	door panel slush technology Leather package	right		
(1)	991 555 204 14 DK4	Black	-AS	1	PR:9VJ,625, -538
	991 555 204 14 OU4	agate grey	-FS		
	991 555 204 14 DM5	Luxor beige	-US		
	991 555 204 14	door panel slush technology Leather package two-colour	right		
(1)	991 555 204 14 GUL	Black/Bordeaux Red	-PM	1	PR:9VK,537, 625,098
	991 555 204 14 GUM	Black/Luxor Beige	-PT		
	991 555 204 14 GUN	Black/Chalk	-PW		
	991 555 203 18	door panel slush technology Leather package	left lhd		
(1)	991 555 203 18 DK4	Black	-AS	1	PR:9VK,537, 625,098
	991 555 203 18 OU4	agate grey	-FS		
	991 555 203 18 DM5	Luxor beige	-US		
	991 555 203 18	door panel slush technology Leather package two-colour	left lhd		
(1)	991 555 203 18 GUL	Black/Bordeaux Red	-PM	1	PR:9VK,538,
	991 555 203 18 GUM	Black/Luxor Beige	-PT		
	991 555 203 18 GUN	Black/Chalk	-PW		
	991 555 204 18	door panel	right rhd		



Model: 982-17 Model life 2017>>

Pos	Part Number	Description	Remark	Qty	Model
		slush technology Leather package			625,099
	991 555 204 18 DK4	Black	-AS		
	991 555 204 18 OU4	agate grey	-FS		
	991 555 204 18 DM5	Luxor beige	-US		
(1)	991 555 204 18	door panel	right rhd	1	PR:9VK,538, 625,099
		slush technology Leather package two-colour			
	991 555 204 18 GUL	Black/Bordeaux Red	-PM		
	991 555 204 18 GUM	Black/Luxor Beige	-PT		
	991 555 204 18 GUN	Black/Chalk	-PW		
(1)	991 555 203 19	door panel	left lhd	1	PR:9VL,537, 625,098
		slush technology Leather package			
	991 555 203 19 DK4	Black	-AS		
	991 555 203 19 OU4	agate grey	-FS		
	991 555 203 19 DM5	Luxor beige	-US		
(1)	991 555 203 19	door panel	left lhd	1	PR:9VL,537, 625,098
		slush technology Leather package two-colour			
	991 555 203 19 GUL	Black/Bordeaux Red	-PM		
	991 555 203 19 GUM	Black/Luxor Beige	-PT		
	991 555 203 19 GUN	Black/Chalk	-PW		
(1)	991 555 204 19	door panel	right rhd	1	PR:9VL,538, 625,099
		slush technology Leather package			
	991 555 204 19 DK4	Black	-AS		
	991 555 204 19 OU4	agate grey	-FS		
	991 555 204 19 DM5	Luxor beige	-US		
(1)	991 555 204 19	door panel	right rhd	1	PR:9VL,538, 625,099
		slush technology Leather package two-colour			
	991 555 204 19 GUL	Black/Bordeaux Red	-PM		
	991 555 204 19 GUM	Black/Luxor Beige	-PT		
	991 555 204 19 GUN	Black/Chalk	-PW		
(1)	991 555 203 20	door panel	left lhd	1	PR:9VJ,537, 625,098
		slush technology Leather package			
	991 555 203 20 DK4	Black	-AS		
	991 555 203 20 OU4	agate grey	-FS		
	991 555 203 20 DM5	Luxor beige	-US		
(1)	991 555 203 20	door panel	left lhd	1	PR:9VJ,537, 625,098
		slush technology Leather package two-colour			
	991 555 203 20 GUL	Black/Bordeaux Red	-PM		
	991 555 203 20 GUM	Black/Luxor Beige	-PT		
	991 555 203 20 GUN	Black/Chalk	-PW		
(1)	991 555 204 20	door panel	right rhd	1	PR:9VJ,538, 625,099
		slush technology Leather package			
	991 555 204 20 DK4	Black	-AS		
	991 555 204 20 OU4	agate grey	-FS		
	991 555 204 20 DM5	Luxor beige	-US		
(1)	991 555 204 20	door panel	right rhd	1	PR:9VJ,538, 625,099
		slush technology Leather package two-colour			
	991 555 204 20 GUL	Black/Bordeaux Red	-PM		
	991 555 204 20 GUM	Black/Luxor Beige	-PT		

Model: 982-17

Model life 2017&gt;&gt;

Pos	Part Number	Description	Remark	Qty	Model
2	991 555 204 20 GUN 999 507 533 02	Black/Chalk Clamp 8,0 X 10,0 /2,5	-PW	4	
3	991 555 521 02	Inner actuator	left	1	
(3)	991 555 521 02 V08 991 555 522 02 991 555 522 02 V08	Galvano silver Inner actuator Galvano silver	right	1	
4	991 555 533 00	Pull handle Leather	left	1	
(4)	991 555 533 00 A11 991 555 533 00 OA1 991 555 533 00 7J0 991 555 533 00 OG6 991 555 533 00 OL8 991 555 534 00 991 555 534 00 A11 991 555 534 00 OA1 991 555 534 00 7J0 991 555 534 00 OG6 991 555 534 00 OL8	Black agate grey Luxor beige Bordeaux red Chalk Pull handle (leather) Black agate grey Luxor beige Bordeaux red Chalk	-AS -FS -US,PT -PM -PW right -AS -FS -US,PT -PM -PW	1	
5	999 919 262 01	fillister hd. bolt 4,0 X 16,0		9	
6	1K0 947 419 A	rear light reflector		2	
7	7PP 945 699	inscription Bose		2	PR:9VL
8	991 555 723 02	Mounting frame Switch		1	
9	991 555 723 02 1E0 991 555 721 02	Black Cover	left front	1	
(9)	991 555 721 02 5Q0 991 555 721 02 OA6 991 555 721 02 6W0 991 555 722 02 991 555 722 02 5Q0 991 555 722 02 OA6 991 555 722 02 6W0	Black agate grey Luxor beige Cover Black agate grey Luxor beige	-AS,PM,PT,PW -FS -US right front -AS,PM,PT,PW -FS -US	1	
10	7PP 837 247	Cover panel Inner actuator	left	1	
(10)	7PP 837 247 1E0 7PP 837 248	Black Cover panel Inner actuator	right	1	
11	991 555 683 01 991 555 683 01 5Q0 991 555 683 01 OA6 991 555 683 01 6W0	cover for airbag Black agate grey Luxor beige	left -AS,PM,PT,PW -FS -US	1	
(11)	991 555 684 01 991 555 684 01 5Q0 991 555 684 01 OA6 991 555 684 01 6W0	cover for airbag Black agate grey Luxor beige	right -AS,PM,PT,PW -FS -US	1	
12	991 555 741 00	Cover panel window frame	left	1	
(12)	991 555 741 00 1E0 991 555 742 00	Black Cover panel window frame	right	1	
13	991 555 742 00 1E0 999 073 322 02	Black fillister hd. bolt M 6 X 20		8	
14	999 919 203 07	fillister hd. bolt M 3 X 10		10	
15	991 555 581 00	decorative frame	left	1	PR:9VJ

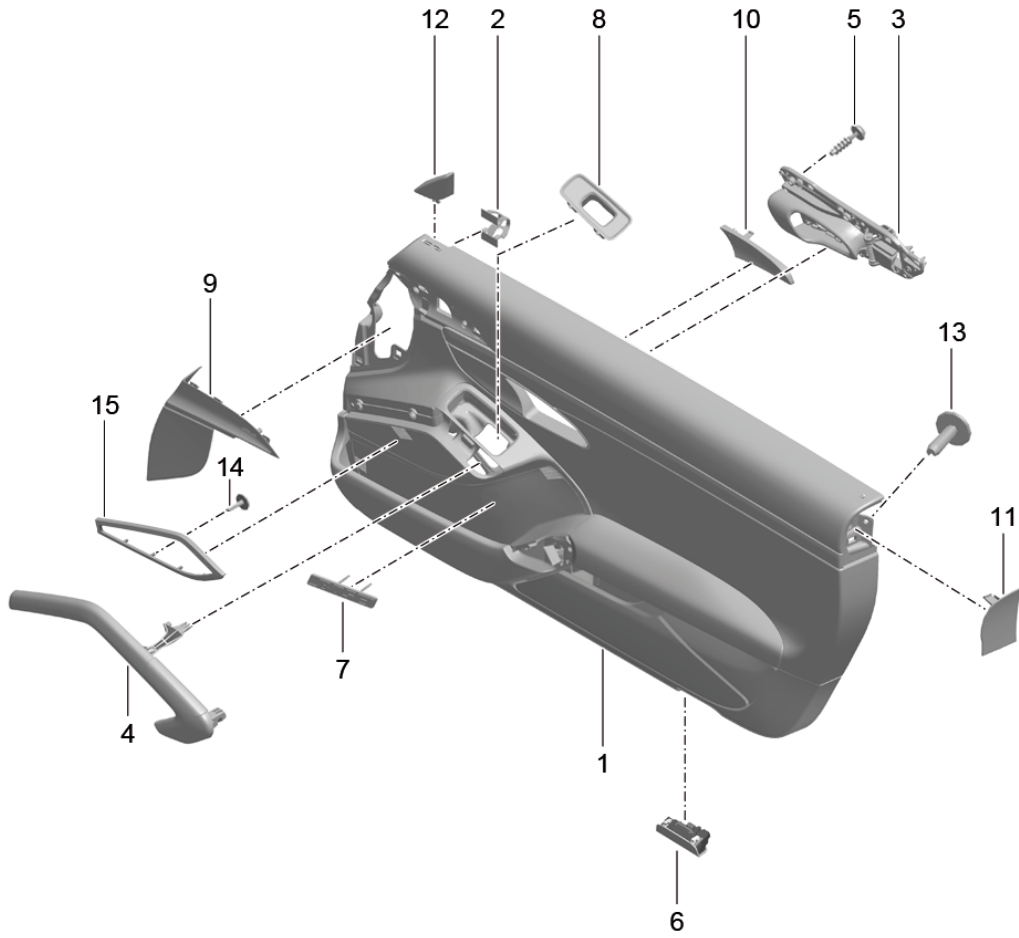
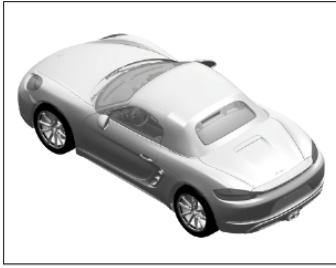
Model: 982-17

Model life 2017>>

Pos	Part Number	Description	Remark	Qty	Model
(15)	991 555 581 00 V08	Loudspeaker trim Galvano silver			
	991 555 582 00	decorative frame	right	1	PR:9VJ
	991 555 582 00 V08	Loudspeaker trim Galvano silver			

Model: 982-17

Model life 2017>>



Model: 982-17 Model life 2017>>

Pos	Part Number	Description	Remark	Qty	Model
		door panel Accessories Leather			PR:981,812
(1)	991 555 203 03	Door panel trim (leather)	left	1	PR:9VK,-537, -625
	991 555 203 03 A11	Black	-AZ		
	991 555 203 03 OA1	agate grey	-FZ		
	991 555 203 03 OK6	saddle brown	-SZ		
	991 555 203 03 7J0	Luxor beige	-UZ		
	991 555 203 03 OG6	Bordeaux red	-LZ		
	991 555 203 03 OH7	Graphite Blue	-HZ		
	991 555 203 03 6J0	Espresso	-NE		
	991 555 203 03 JHB	Black/Dark Silver	-TD		
(1)	991 555 203 03	Door panel trim (leather)	left	1	PR:9VK,-537, -625
		two-colour			
	991 555 203 03 GUG	Black/Bordeaux Red	-BM		
	991 555 203 03 DTO	Black/Luxor Beige	-BT		
	991 555 203 03 GUH	Black/Chalk	-BW		
	991 555 203 03 GRG	Espresso/Cognac	-BY		
	991 555 203 03 GTG	Graphite Blue/Chalk	-TG		
(1)	991 555 204 03	Door panel trim (leather)	right	1	PR:9VK,-538, -625
	991 555 204 03 A11	Black	-AZ		
	991 555 204 03 OA1	agate grey	-FZ		
	991 555 204 03 OK6	saddle brown	-SZ		
	991 555 204 03 7J0	Luxor beige	-UZ		
	991 555 204 03 OG6	Bordeaux red	-LZ		
	991 555 204 03 OH7	Graphite Blue	-HZ		
	991 555 204 03 6J0	Espresso	-NE		
	991 555 204 03 JHB	Black/Dark Silver	-TD		
(1)	991 555 204 03	Door panel trim (leather)	right	1	PR:9VK,-538, -625
		two-colour			
	991 555 204 03 GUG	Black/Bordeaux Red	-BM		
	991 555 204 03 DTO	Black/Luxor Beige	-BT		
	991 555 204 03 GUH	Black/Chalk	-BW		
	991 555 204 03 GRG	Espresso/Cognac	-BY		
	991 555 204 03 GTG	Graphite Blue/Chalk	-TG		
(1)	991 555 203 04	Door panel trim (leather)	left	1	PR:9VL,-537, -625
	991 555 203 04 A11	Black	-AZ		
	991 555 203 04 OA1	agate grey	-FZ		
	991 555 203 04 OK6	saddle brown	-SZ		
	991 555 203 04 7J0	Luxor beige	-UZ		
	991 555 203 04 OG6	Bordeaux red	-LZ		
	991 555 203 04 OH7	Graphite Blue	-HZ		
	991 555 203 04 6J0	Espresso	-NE		
	991 555 203 04 JHB	Black/Dark Silver	-TD		
(1)	991 555 203 04	Door panel trim (leather)	left	1	PR:9VL,-537, -625
		two-colour			
	991 555 203 04 GUG	Black/Bordeaux Red	-BM		
	991 555 203 04 DTO	Black/Luxor Beige	-BT		
	991 555 203 04 GUH	Black/Chalk	-BW		
	991 555 203 04 GRG	Espresso/Cognac	-BY		
	991 555 203 04 GTG	Graphite Blue/Chalk	-TG		
(1)	991 555 204 04	Door panel trim (leather)	right	1	PR:9VL,-538, -625
	991 555 204 04 A11	Black	-AZ		
	991 555 204 04 OA1	agate grey	-FZ		
	991 555 204 04 OK6	saddle brown	-SZ		
	991 555 204 04 7J0	Luxor beige	-UZ		

Model: 982-17 Model life 2017>>

Pos	Part Number	Description	Remark	Qty	Model
(1)	991 555 204 04 OG6	Bordeaux red	-LZ	1	PR:9VL,-538,-625
	991 555 204 04 OH7	Graphite Blue	-HZ		
	991 555 204 04 6J0	Espresso	-NE		
	991 555 204 04 JHB	Black/Dark Silver	-TD		
	991 555 204 04	Door panel trim (leather)	right		
		two-colour			
	991 555 204 04 GUG	Black/Bordeaux Red	-BM		
(1)	991 555 204 04 DTO	Black/Luxor Beige	-BT	1	PR:9VJ,-537,-625
	991 555 204 04 GUH	Black/Chalk	-BW		
	991 555 204 04 GRG	Espresso/Cognac	-BY		
	991 555 204 04 GTG	Graphite Blue/Chalk	-TG		
	991 555 203 05	Door panel trim (leather)	left		
		two-colour			
	991 555 203 05 A11	Black	-AZ		
(1)	991 555 203 05 OA1	agate grey	-FZ	1	PR:9VJ,-537,-625
	991 555 203 05 OK6	saddle brown	-SZ		
	991 555 203 05 7J0	Luxor beige	-UZ		
	991 555 203 05 OG6	Bordeaux red	-LZ		
	991 555 203 05 OH7	Black	-HZ		
	991 555 203 05 6J0	Espresso	-NE		
	991 555 203 05 JHB	Black/Dark Silver	-TD		
(1)	991 555 203 05	Door panel trim (leather)	left	1	PR:9VJ,-538,-625
		two-colour			
	991 555 203 05 GUG	Black/Bordeaux Red	-BM		
	991 555 203 05 DTO	Black/Luxor Beige	-BT		
	991 555 203 05 GUH	Black/Chalk	-BW		
	991 555 203 05 GRG	Espresso/Cognac	-BY		
	991 555 203 05 GTG	Graphite Blue/Chalk	-TG		
(1)	991 555 204 05	Door panel trim (leather)	right	1	PR:9VJ,-538,-625
		two-colour			
	991 555 204 05 A11	Black	-AZ		
	991 555 204 05 OA1	agate grey	-FZ		
	991 555 204 05 OK6	saddle brown	-SZ		
	991 555 204 05 7J0	Luxor beige	-UZ		
	991 555 204 05 OG6	Bordeaux red	-LZ		
(1)	991 555 204 05 OH7	Black	-HZ	1	PR:9VJ,-538,-625
	991 555 204 05 6J0	Espresso	-NE		
	991 555 204 05 JHB	Black/Dark Silver	-TD		
	991 555 204 05	Door panel trim (leather)	right		
		two-colour			
	991 555 204 05 GUG	Black/Bordeaux Red	-BM		
	991 555 204 05 DTO	Black/Luxor Beige	-BT		
(1)	991 555 204 05 GUH	Black/Chalk	-BW	1	PR:9VK,537,-625,098
	991 555 204 05 GRG	Espresso/Cognac	-BY		
	991 555 204 05 GTG	Graphite Blue/Chalk	-TG		
	991 555 203 09	Door panel trim (leather)	left lhd		
		two-colour			
	991 555 203 09 A11	Black	-AZ		
	991 555 203 09 OA1	agate grey	-FZ		
(1)	991 555 203 09 OK6	saddle brown	-SZ	1	PR:9VK,537,-625,098
	991 555 203 09 7J0	Luxor beige	-UZ		
	991 555 203 09 OG6	Bordeaux red	-LZ		
	991 555 203 09 OH7	Graphite Blue	-HZ		
	991 555 203 09 6J0	Espresso	-NE		
	991 555 203 09 JHB	Black/Dark Silver	-TD		
	991 555 203 09	Door panel trim (leather)	left lhd		
(1)		two-colour		1	PR:9VK,537,-625,098
	991 555 203 09 GUG	Black/Bordeaux Red	-BM		
	991 555 203 09 DTO	Black/Luxor Beige	-BT		

Model: 982-17 Model life 2017>>

Pos	Part Number	Description	Remark	Qty	Model			
(1)	991 555 203 09 GUH	Black/Chalk	-BW	1	PR:9VK,538, -625,099			
	991 555 203 09 GRG	Espresso/Cognac	-BY					
	991 555 203 09 GTG	Graphite Blue/Chalk	-TG					
	991 555 204 09	Door panel trim (leather)	right rhd					
	991 555 204 09 A11	Black	-AZ					
	991 555 204 09 OA1	agate grey	-FZ					
	991 555 204 09 OK6	saddle brown	-SZ					
	991 555 204 09 7J0	Luxor beige	-UZ					
	991 555 204 09 OG6	Bordeaux red	-LZ					
	991 555 204 09 OH7	Black	-HZ					
(1)	991 555 204 09 6J0	Espresso	-NE	1	PR:9VK,538, -625,099			
	991 555 204 09 JHB	Black/Dark Silver	-TD					
	991 555 204 09	Door panel trim (leather)	right rhd					
		two-colour						
	991 555 204 09 GUG	Black/Bordeaux Red	-BM					
	991 555 204 09 DTO	Black/Luxor Beige	-BT					
	991 555 204 09 GUH	Black/Chalk	-BW					
	991 555 204 09 GRG	Espresso/Cognac	-BY					
	991 555 204 09 GTG	Graphite Blue/Chalk	-TG					
	(1)	991 555 203 10	Door panel trim (leather)			left lhd	1	PR:9VL,537, -625,098
991 555 203 10 A11		Black	-AZ					
991 555 203 10 OA1		agate grey	-FZ					
991 555 203 10 OK6		saddle brown	-SZ					
991 555 203 10 7J0		Luxor beige	-UZ					
991 555 203 10 OG6		Bordeaux red	-LZ					
991 555 203 10 OH7		Graphite Blue	-HZ					
991 555 203 10 6J0		Espresso	-NE					
991 555 203 10 JHB		Black/Dark Silver	-TD					
(1)		991 555 203 10	Door panel trim (leather)	left lhd	1	PR:9VL,537, -625,098		
		two-colour						
	991 555 203 10 GUG	Black/Bordeaux Red	-BM					
	991 555 203 10 DTO	Black/Luxor Beige	-BT					
	991 555 203 10 GUH	Black/Chalk	-BW					
	991 555 203 10 GRG	Espresso/Cognac	-BY					
	991 555 203 10 GTG	Graphite Blue/Chalk	-TG					
	(1)	991 555 204 10	Door panel trim (leather)	right rhd			1	PR:9VL,538, -625,099
		991 555 204 10 A11	Black	-AZ				
		991 555 204 10 OA1	agate grey	-FZ				
991 555 204 10 OK6		saddle brown	-SZ					
991 555 204 10 7J0		Luxor beige	-UZ					
991 555 204 10 OG6		Bordeaux red	-LZ					
991 555 204 10 OH7		Graphite Blue	-HZ					
991 555 204 10 6J0		Espresso	-NE					
991 555 204 10 JHB		Black/Dark Silver	-TD					
(1)		991 555 204 10	Door panel trim (leather)	right rhd	1	PR:9VL,538, -625,099		
		two-colour						
	991 555 204 10 GUG	Black/Bordeaux Red	-BM					
	991 555 204 10 DTO	Black/Luxor Beige	-BT					
	991 555 204 10 GUH	Black/Chalk	-BW					
	991 555 204 10 GRG	Espresso/Cognac	-BY					
	991 555 204 10 GTG	Graphite Blue/Chalk	-TG					
	(1)	991 555 203 11	Door panel trim (leather)	left lhd			1	PR:9VJ,537, -625,098
		991 555 203 11 A11	Black	-AZ				
		991 555 203 11 OA1	agate grey	-FZ				
991 555 203 11 OK6		saddle brown	-SZ					
991 555 203 11 7J0		Luxor beige	-UZ					

Model: 982-17 Model life 2017>>

Pos	Part Number	Description	Remark	Qty	Model
(1)	991 555 203 11 OG6	Bordeaux red	-LZ	1	PR:9VJ,537, -625,098
	991 555 203 11 OH7	Graphite Blue	-HZ		
	991 555 203 11 6J0	Espresso	-NE		
	991 555 203 11 JHB	Black/Dark Silver	-TD		
	991 555 203 11	Door panel trim (leather)	left lhd		
		two-colour			
	991 555 203 11 GUG	Black/Bordeaux Red	-BM		
(1)	991 555 203 11 DTO	Black/Luxor Beige	-BT	1	PR:9VJ,538, -625,099
	991 555 203 11 GUH	Black/Chalk	-BW		
	991 555 203 11 GRG	Espresso/Cognac	-BY		
	991 555 203 11 GTG	Graphite Blue/Chalk	-TG		
	991 555 204 11	Door panel trim (leather)	right rhd		
		two-colour			
	991 555 204 11 A11	Black	-AZ		
(1)	991 555 204 11 OA1	agate grey	-FZ	1	PR:9VJ,538, -625,099
	991 555 204 11 OK6	saddle brown	-SZ		
	991 555 204 11 7J0	Luxor beige	-UZ		
	991 555 204 11 OG6	Bordeaux red	-LZ		
	991 555 204 11 OH7	Graphite Blue	-HZ		
	991 555 204 11 6J0	Espresso	-NE		
	991 555 204 11 JHB	Black/Dark Silver	-TD		
(1)	991 555 204 11	Door panel trim (leather)	right rhd	1	PR:9VJ,538, -625,099
		two-colour			
	991 555 204 11 GUG	Black/Bordeaux Red	-BM		
	991 555 204 11 DTO	Black/Luxor Beige	-BT		
	991 555 204 11 GUH	Black/Chalk	-BW		
	991 555 204 11 GRG	Espresso/Cognac	-BY		
	991 555 204 11 GTG	Graphite Blue/Chalk	-TG		
(1)	991 555 203 15	Door panel trim (leather)	left	1	PR:9VK,625, -537
		two-colour			
	991 555 203 15 A11	Black	-AZ		
	991 555 203 15 OA1	agate grey	-FZ		
	991 555 203 15 OK6	saddle brown	-SZ		
	991 555 203 15 7J0	Luxor beige	-UZ		
	991 555 203 15 OG6	Bordeaux red	-LZ		
(1)	991 555 203 15 OH7	Graphite Blue	-HZ	1	PR:9VK,625, -537
	991 555 203 15 6J0	Espresso	-NE		
	991 555 203 15 JHB	Black/Dark Silver	-TD		
	991 555 203 15	Door panel trim (leather)	left		
		two-colour			
	991 555 203 15 GUG	Black/Bordeaux Red	-BM		
	991 555 203 15 DTO	Black/Luxor Beige	-BT		
(1)	991 555 203 15 GUH	Black/Chalk	-BW	1	PR:9VK,625, -538
	991 555 203 15 GRG	Espresso/Cognac	-BY		
	991 555 203 15 GTG	Graphite Blue/Chalk	-TG		
	991 555 204 15	Door panel trim (leather)	right		
		two-colour			
	991 555 204 15 A11	Black	-AZ		
	991 555 204 15 OA1	agate grey	-FZ		
(1)	991 555 204 15 OK6	saddle brown	-SZ	1	PR:9VK,625, -538
	991 555 204 15 7J0	Luxor beige	-UZ		
	991 555 204 15 OG6	Bordeaux red	-LZ		
	991 555 204 15 OH7	Graphite Blue	-HZ		
	991 555 204 15 6J0	Espresso	-NE		
	991 555 204 15 JHB	Black/Dark Silver	-TD		
	991 555 204 15	Door panel trim (leather)	right		
(1)		two-colour		1	PR:9VK,625, -538
	991 555 204 15 GUG	Black/Bordeaux Red	-BM		
	991 555 204 15 DTO	Black/Luxor Beige	-BT		



Model: 982-17 Model life 2017>>

Pos	Part Number	Description	Remark	Qty	Model			
(1)	991 555 204 15 GUH	Black/Chalk	-BW	1	PR:9VL,625, -537			
	991 555 204 15 GRG	Espresso/Cognac	-BY					
	991 555 204 15 GTG	Graphite Blue/Chalk	-TG					
	991 555 203 16	Door panel trim (leather)	left					
	991 555 203 16 A11	Black	-AZ					
	991 555 203 16 OA1	agate grey	-FZ					
	991 555 203 16 OK6	saddle brown	-SZ					
	991 555 203 16 7J0	Luxor beige	-UZ					
	991 555 203 16 OG6	Bordeaux red	-LZ					
	991 555 203 16 OH7	Graphite Blue	-HZ					
(1)	991 555 203 16 6J0	Espresso	-NE	1	PR:9VL,625, -537			
	991 555 203 16 JHB	Black/Dark Silver	-TD					
	991 555 203 16	Door panel trim (leather)	left					
		two-colour						
	991 555 203 16 GUG	Black/Bordeaux Red	-BM					
	991 555 203 16 DTO	Black/Luxor Beige	-BT					
	991 555 203 16 GUH	Black/Chalk	-BW					
	991 555 203 16 GRG	Espresso/Cognac	-BY					
	991 555 203 16 GTG	Graphite Blue/Chalk	-TG					
	(1)	991 555 204 16	Door panel trim (leather)			right	1	PR:9VL,625, -538
991 555 204 16 A11		Black	-AZ					
991 555 204 16 OA1		agate grey	-FZ					
991 555 204 16 OK6		saddle brown	-SZ					
991 555 204 16 7J0		Luxor beige	-UZ					
991 555 204 16 OG6		Bordeaux red	-LZ					
991 555 204 16 OH7		Graphite Blue	-HZ					
991 555 204 16 6J0		Espresso	-NE					
991 555 204 16 JHB		Black/Dark Silver	-TD					
(1)		991 555 204 16	Door panel trim (leather)	right	1	PR:9VL,625, -538		
		two-colour						
	991 555 204 16 GUG	Black/Bordeaux Red	-BM					
	991 555 204 16 DTO	Black/Luxor Beige	-BT					
	991 555 204 16 GUH	Black/Chalk	-BW					
	991 555 204 16 GRG	Espresso/Cognac	-BY					
	991 555 204 16 GTG	Graphite Blue/Chalk	-TG					
	(1)	991 555 203 17	Door panel trim (leather)	left			1	PR:9VJ,625, -537
		991 555 203 17 A11	Black	-AZ				
		991 555 203 17 OA1	agate grey	-FZ				
991 555 203 17 OK6		saddle brown	-SZ					
991 555 203 17 7J0		Luxor beige	-UZ					
991 555 203 17 OG6		Bordeaux red	-LZ					
991 555 203 17 OH7		Graphite Blue	-HZ					
991 555 203 17 6J0		Espresso	-NE					
991 555 203 17 JHB		Black/Dark Silver	-TD					
(1)		991 555 203 17	Door panel trim (leather)	left	1	PR:9VJ,625, -537		
		two-colour						
	991 555 203 17 GUG	Black/Bordeaux Red	-BM					
	991 555 203 17 DTO	Black/Luxor Beige	-BT					
	991 555 203 17 GUH	Black/Chalk	-BW					
	991 555 203 17 GRG	Espresso/Cognac	-BY					
	991 555 203 17 GTG	Graphite Blue/Chalk	-TG					
	(1)	991 555 204 17	Door panel trim (leather)	right			1	PR:9VJ,625, -538
		991 555 204 17 A11	Black	-AZ				
		991 555 204 17 OA1	agate grey	-FZ				
991 555 204 17 OK6		saddle brown	-SZ					
991 555 204 17 7J0		Luxor beige	-UZ					

Model: 982-17 Model life 2017>>

Pos	Part Number	Description	Remark	Qty	Model
(1)	991 555 204 17 OG6	Bordeaux red	-LZ	1	PR:9VJ,625, -538
	991 555 204 17 OH7	Graphite Blue	-HZ		
	991 555 204 17 6J0	Espresso	-NE		
	991 555 204 17 JHB	Black/Dark Silver	-TD		
	991 555 204 17	Door panel trim (leather)	right		
		two-colour			
	991 555 204 17 GUG	Black/Bordeaux Red	-BM		
(1)	991 555 204 17 DTO	Black/Luxor Beige	-BT	1	PR:9VK,537, 625,098
	991 555 204 17 GUH	Black/Chalk	-BW		
	991 555 204 17 GRG	Espresso/Cognac	-BY		
	991 555 204 17 GTG	Graphite Blue/Chalk	-TG		
	991 555 203 21	Door panel trim (leather)	left lhd		
		two-colour			
	991 555 203 21 A11	Black	-AZ		
(1)	991 555 203 21 OA1	agate grey	-FZ	1	PR:9VK,537, 625,098
	991 555 203 21 OK6	saddle brown	-SZ		
	991 555 203 21 7J0	Luxor beige	-UZ		
	991 555 203 21 OG6	Bordeaux red	-LZ		
	991 555 203 21 OH7	Graphite Blue	-HZ		
	991 555 203 21 6J0	Espresso	-NE		
	991 555 203 21 JHB	Black/Dark Silver	-TD		
(1)	991 555 203 21	Door panel trim (leather)	left lhd	1	PR:9VK,537, 625,098
		two-colour			
	991 555 203 21 GUG	Black/Bordeaux Red	-BM		
	991 555 203 21 DTO	Black/Luxor Beige	-BT		
	991 555 203 21 GUH	Black/Chalk	-BW		
	991 555 203 21 GRG	Espresso/Cognac	-BY		
	991 555 203 21 GTG	Graphite Blue/Chalk	-TG		
(1)	991 555 204 21	Door panel trim (leather)	right rhd	1	PR:9VK,538, 625,099
		two-colour			
	991 555 204 21 A11	Black	-AZ		
	991 555 204 21 OA1	agate grey	-FZ		
	991 555 204 21 OK6	saddle brown	-SZ		
	991 555 204 21 7J0	Luxor beige	-UZ		
	991 555 204 21 OG6	Bordeaux red	-LZ		
(1)	991 555 204 21 OH7	Graphite Blue	-HZ	1	PR:9VK,538, 625,099
	991 555 204 21 6J0	Espresso	-NE		
	991 555 204 21 JHB	Black/Dark Silver	-TD		
	991 555 204 21	Door panel trim (leather)	right rhd		
		two-colour			
	991 555 204 21 GUG	Black/Bordeaux Red	-BM		
	991 555 204 21 DTO	Black/Luxor Beige	-BT		
(1)	991 555 204 21 GUH	Black/Chalk	-BW	1	PR:9VL,537, 625,098
	991 555 204 21 GRG	Espresso/Cognac	-BY		
	991 555 204 21 GTG	Graphite Blue/Chalk	-TG		
	991 555 203 22	Door panel trim (leather)	left lhd		
		two-colour			
	991 555 203 22 A11	Black	-AZ		
	991 555 203 22 OA1	agate grey	-FZ		
(1)	991 555 203 22 OK6	saddle brown	-SZ	1	PR:9VL,537, 625,098
	991 555 203 22 7J0	Luxor beige	-UZ		
	991 555 203 22 OG6	Bordeaux red	-LZ		
	991 555 203 22 OH7	Graphite Blue	-HZ		
	991 555 203 22 6J0	Espresso	-NE		
	991 555 203 22 JHB	Black/Dark Silver	-TD		
	991 555 203 22	Door panel trim (leather)	left lhd		
(1)		two-colour		1	PR:9VL,537, 625,098
	991 555 203 22 GUG	Black/Bordeaux Red	-BM		
	991 555 203 22 DTO	Black/Luxor Beige	-BT		

Model: 982-17 Model life 2017>>

Pos	Part Number	Description	Remark	Qty	Model
(1)	991 555 203 22 GUH	Black/Chalk	-BW	1	PR:9VL,538, 625,099
	991 555 203 22 GRG	Espresso/Cognac	-BY		
	991 555 203 22 GTG	Graphite Blue/Chalk	-TG		
	991 555 204 22	Door panel trim (leather)	right rhd		
	991 555 204 22 A11	Black	-AZ		
	991 555 204 22 OA1	agate grey	-FZ		
	991 555 204 22 OK6	saddle brown	-SZ		
	991 555 204 22 7J0	Luxor beige	-UZ		
	991 555 204 22 OG6	Bordeaux red	-LZ		
	991 555 204 22 OH7	Graphite Blue	-HZ		
(1)	991 555 204 22 6J0	Espresso	-NE	1	PR:9VL,538, 625,099
	991 555 204 22 JHB	Black/Dark Silver	-TD		
	991 555 204 22	Door panel trim (leather)	right rhd		
		two-colour			
	991 555 204 22 GUG	Black/Bordeaux Red	-BM		
	991 555 204 22 DTO	Black/Luxor Beige	-BT		
	991 555 204 22 GUH	Black/Chalk	-BW		
	991 555 204 22 GRG	Espresso/Cognac	-BY		
	991 555 204 22 GTG	Graphite Blue/Chalk	-TG		
	(1)	991 555 203 23	Door panel trim (leather)		
991 555 203 23 A11		Black	-AZ		
991 555 203 23 OA1		agate grey	-FZ		
991 555 203 23 OK6		saddle brown	-SZ		
991 555 203 23 7J0		Luxor beige	-UZ		
991 555 203 23 OG6		Bordeaux red	-LZ		
991 555 203 23 OH7		Graphite Blue	-HZ		
991 555 203 23 6J0		Espresso	-NE		
991 555 203 23 JHB		Black/Dark Silver	-TD		
991 555 203 23		Door panel trim (leather)	left lhd		
(1)	991 555 203 23 GUG	Black/Bordeaux Red	-BM	1	PR:9VJ,538, 625,099
	991 555 203 23 DTO	Black/Luxor Beige	-BT		
	991 555 203 23 GUH	Black/Chalk	-BW		
	991 555 203 23 GRG	Espresso/Cognac	-BY		
	991 555 203 23 GTG	Graphite Blue/Chalk	-TG		
	991 555 204 23	Door panel trim (leather)	right rhd		
	991 555 204 23 A11	Black	-AZ		
	991 555 204 23 OA1	agate grey	-FZ		
	991 555 204 23 OK6	saddle brown	-SZ		
	991 555 204 23 7J0	Luxor beige	-UZ		
(1)	991 555 204 23 OG6	Bordeaux red	-LZ	1	PR:9VJ,538, 625,099
	991 555 204 23 OH7	Graphite Blue	-HZ		
	991 555 204 23 6J0	Espresso	-NE		
	991 555 204 23 JHB	Black/Dark Silver	-TD		
	991 555 204 23	Door panel trim (leather)	right rhd		
		two-colour			
	991 555 204 23 GUG	Black/Bordeaux Red	-BM		
	991 555 204 23 DTO	Black/Luxor Beige	-BT		
	991 555 204 23 GUH	Black/Chalk	-BW		
	991 555 204 23 GRG	Espresso/Cognac	-BY		
991 555 204 23 GTG	Graphite Blue/Chalk	-TG			
2	999 507 533 02	Clamp 8,0 X 10,0 /2,5		4	
3	991 555 521 02	Inner actuator	left	1	
(3)	991 555 521 02 V08	Galvano silver			
	991 555 522 02	Inner actuator	right	1	
	991 555 522 02 V08	Galvano silver			

Model: 982-17

Model life 2017&gt;&gt;

Pos	Part Number	Description	Remark	Qty	Model
4	991 555 533 00	Pull handle Leather	left	1	
	991 555 533 00 A11	Black	-AZ		
	991 555 533 00 OA1	agate grey	-FZ		
	991 555 533 00 OK6	saddle brown	-SZ		
	991 555 533 00 7J0	Luxor beige	-UZ,BT		
	991 555 533 00 OG6	Bordeaux red	-LZ,BM		
	991 555 533 00 OH7	Graphite Blue	-HZ		
	991 555 533 00 6J0	Espresso	-NE		
	991 555 533 00 7F0	Cognac	-BY		
	991 555 533 00 OL8	Chalk	-BW,TG		
	991 555 533 00 JHB	Black/Dark Silver	-TD		
(4)	991 555 534 00	Pull handle (leather)	right	1	
	991 555 534 00 A11	Black	-AZ		
	991 555 534 00 OA1	agate grey	-FZ		
	991 555 534 00 OK6	saddle brown	-SZ		
	991 555 534 00 7J0	Luxor beige	-UZ,BT		
	991 555 534 00 OG6	Bordeaux red	-LZ,BM		
	991 555 534 00 OH7	Graphite Blue	-HZ		
	991 555 534 00 6J0	Espresso	-NE		
	991 555 534 00 7F0	Cognac	-BY		
	991 555 534 00 OL8	Chalk	-BW,TG		
	991 555 534 00 JHB	Black/Dark Silver	-TD		
5	999 919 262 01	fillister hd. bolt 4,0 X 16,0		9	
6	1K0 947 419 A	rear light reflector		2	
7	7PP 945 699	inscription Bose		2	PR:9VL
8	991 555 723 02	Mounting frame Switch (passenger side)		1	
	991 555 723 02 1E0	Black			
9	991 555 721 02	Cover	left front	1	
	991 555 721 02 5Q0	Black	-AZ,BM,BT,BW, TD		
	991 555 721 02 OA6	agate grey	-FZ		
	991 555 721 02 OL7	saddle brown	-SZ		
	991 555 721 02 6W0	Luxor beige	-UZ		
	991 555 721 02 OG6	Bordeaux red	-LZ		
	991 555 721 02 OH7	Graphite Blue	-HZ,TG		
	991 555 721 02 3T0	Espresso	-NE,BY		
(9)	991 555 722 02	Cover	right front	1	
	991 555 722 02 5Q0	Black	-AZ,BM,BT,BW, TD		
	991 555 722 02 OA6	agate grey	-FZ		
	991 555 722 02 OL7	saddle brown	-SZ		
	991 555 722 02 6W0	Luxor beige	-UZ		
	991 555 722 02 OG6	Bordeaux red	-LZ		
	991 555 722 02 OH7	Graphite Blue	-HZ,TG		
	991 555 722 02 3T0	Espresso	-NE,BY		
10	7PP 837 247	Cover panel Inner actuator	left	1	
	7PP 837 247 1E0	Black			
(10)	7PP 837 248	Cover panel Inner actuator	right	1	
	7PP 837 248 1E0	Black			
11	991 555 683 01	cover for airbag	left	1	
	991 555 683 01 5Q0	Black	-AZ,BT,BM,BW, TD		
	991 555 683 01 OA6	agate grey	-FZ		
	991 555 683 01 OL7	saddle brown	-SZ		

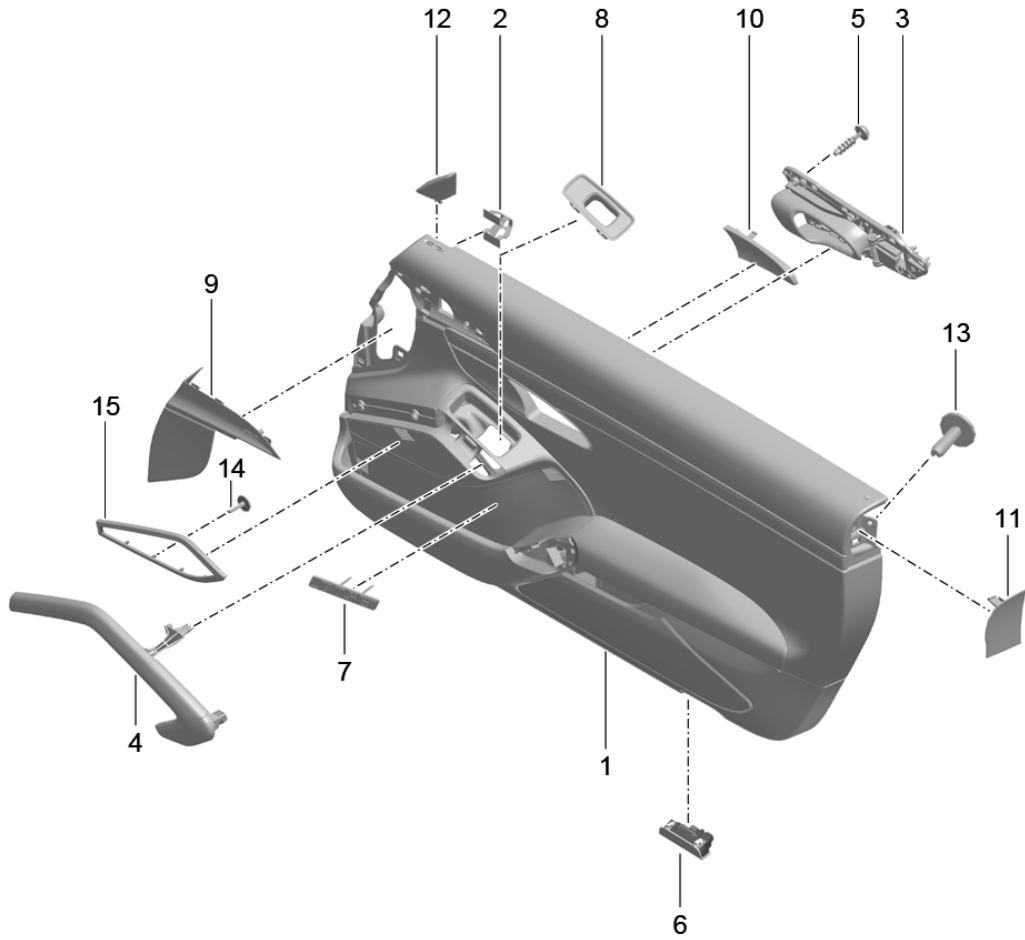
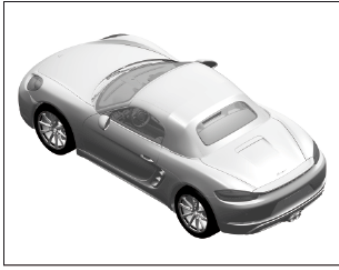
Model: 982-17

Model life 2017>>

Pos	Part Number	Description	Remark	Qty	Model
	991 555 683 01 6W0	Luxor beige	-UZ		
	991 555 683 01 OG6	Bordeaux red	-LZ		
	991 555 683 01 OH7	Graphite Blue	-HZ,TG		
	991 555 683 01 3T0	Espresso	-NE,BY		
(11)	991 555 684 01	cover for airbag	right	1	
	991 555 684 01 5Q0	Black	-AZ,BT,BM,BW, TD		
	991 555 684 01 OA6	agate grey	-FZ		
	991 555 684 01 OL7	saddle brown	-SZ		
	991 555 684 01 6W0	Luxor beige	-UZ		
	991 555 684 01 OG6	Bordeaux red	-LZ		
	991 555 684 01 OH7	Graphite Blue	-HZ,TG		
	991 555 684 01 3T0	Espresso	-NE,BY		
12	991 555 741 00	Cover panel window frame	left	1	
	991 555 741 00 1E0	Black			
(12)	991 555 742 00	Cover panel window frame	right	1	
	991 555 742 00 1E0	Black			
13	999 073 322 02	fillister hd. bolt M 6 X 20		8	
14	999 919 203 07	fillister hd. bolt M 3 X 10		10	
15	991 555 581 00	decorative frame Loudspeaker trim	left	1	PR:9VJ
	991 555 581 00 V08	Galvano silver			
(15)	991 555 582 00	decorative frame Loudspeaker trim	right	1	PR:9VJ
	991 555 582 00 V08	Galvano silver			

Model: 982-17

Model life 2017>>



Model: 982-17 Model life 2017>>

Pos	Part Number	Description	Remark	Qty	Model
		door panel Accessories Trim Leather			PR:981,XWA
(1)	991 555 993 06	Door panel trim (leather)	left	1	PR:9VK,-625
	991 555 993 06 A11	Black	-AZ		
	991 555 993 06 OA1	agate grey	-FZ		
	991 555 993 06 OH7	Graphite Blue	-HZ		
	991 555 993 06 OK6	saddle brown	-SZ		
	991 555 993 06 7J0	Luxor beige	-UZ		
	991 555 993 06 OG6	Bordeaux red	-LZ		
	991 555 993 06 6J0	Espresso	-NE		
	991 555 993 06 JHB	Black/Dark Silver	-TD		
(1)	991 555 993 06	Door panel trim (leather) two-colour	left	1	PR:9VK,-625
	991 555 993 06 DTO	Black/Luxor Beige	-BT		
	991 555 993 06 GUG	Black/Bordeaux Red	-BM		
	991 555 993 06 GUH	Black/Chalk	-BW		
	991 555 993 06 GTG	Graphite Blue/Chalk	-TG		
	991 555 993 06 GRG	Espresso/Cognac	-BY		
(1)	991 555 994 06	Door panel trim (leather)	right	1	PR:9VK,-625
	991 555 994 06 A11	Black	-AZ		
	991 555 994 06 OA1	agate grey	-FZ		
	991 555 994 06 OH7	Graphite Blue	-HZ		
	991 555 994 06 OK6	saddle brown	-SZ		
	991 555 994 06 7J0	Luxor beige	-UZ		
	991 555 994 06 OG6	Bordeaux red	-LZ		
	991 555 994 06 6J0	Espresso	-NE		
	991 555 994 06 JHB	Black/Dark Silver	-TD		
(1)	991 555 994 06	Door panel trim (leather) two-colour	right	1	PR:9VK,-625
	991 555 994 06 DTO	Black/Luxor Beige	-BT		
	991 555 994 06 GUG	Black/Bordeaux Red	-BM		
	991 555 994 06 GUH	Black/Chalk	-BW		
	991 555 994 06 GTG	Graphite Blue/Chalk	-TG		
	991 555 994 06 GRG	Espresso/Cognac	-BY		
(1)	991 555 993 07	Door panel trim (leather)	left	1	PR:9VL,-625
	991 555 993 07 A11	Black	-AZ		
	991 555 993 07 OA1	agate grey	-FZ		
	991 555 993 07 OH7	Graphite Blue	-HZ		
	991 555 993 07 OK6	saddle brown	-SZ		
	991 555 993 07 7J0	Luxor beige	-UZ		
	991 555 993 07 OG6	Bordeaux red	-LZ		
	991 555 993 07 6J0	Espresso	-NE		
	991 555 993 07 JHB	Black/Dark Silver	-TD		
(1)	991 555 993 07	Door panel trim (leather) two-colour	left	1	PR:9VL,-625
	991 555 993 07 DTO	Black/Luxor Beige	-BT		
	991 555 993 07 GUG	Black/Bordeaux Red	-BM		
	991 555 993 07 GUH	Black/Chalk	-BW		
	991 555 993 07 GTG	Graphite Blue/Chalk	-TG		
	991 555 993 07 GRG	Espresso/Cognac	-BY		
(1)	991 555 994 07	Door panel trim (leather)	right	1	PR:9VL,-625
	991 555 994 07 A11	Black	-AZ		
	991 555 994 07 OA1	agate grey	-FZ		
	991 555 994 07 OH7	Graphite Blue	-HZ		
	991 555 994 07 OK6	saddle brown	-SZ		
	991 555 994 07 7J0	Luxor beige	-UZ		
	991 555 994 07 OG6	Bordeaux red	-LZ		
	991 555 994 07 6J0	Espresso	-NE		
	991 555 994 07 JHB	Black/Dark Silver	-TD		
(1)	991 555 994 07	Door panel trim (leather) two-colour	right	1	PR:9VL,-625

Model: 982-17 Model life 2017>>

Pos	Part Number	Description	Remark	Qty	Model
	991 555 994 07 DTO	Black/Luxor Beige	-BT		
	991 555 994 07 GUG	Black/Bordeaux Red	-BM		
	991 555 994 07 GUH	Black/Chalk	-BW		
	991 555 994 07 GTG	Graphite Blue/Chalk	-TG		
	991 555 994 07 GRG	Espresso/Cognac	-BY		
(1)	991 555 993 08	Door panel trim (leather)	left	1	PR:9VJ,-625
	991 555 993 08 A11	Black	-AZ		
	991 555 993 08 OA1	agate grey	-FZ		
	991 555 993 08 OH7	Graphite Blue	-HZ		
	991 555 993 08 OK6	saddle brown	-SZ		
	991 555 993 08 7J0	Luxor beige	-UZ		
	991 555 993 08 OG6	Bordeaux red	-LZ		
	991 555 993 08 6J0	Espresso	-NE		
	991 555 993 08 JHB	Black/Dark Silver	-TD		
(1)	991 555 993 08	Door panel trim (leather)	left	1	PR:9VJ,-625
		two-colour			
	991 555 993 08 DTO	Black/Luxor Beige	-BT		
	991 555 993 08 GUG	Black/Bordeaux Red	-BM		
	991 555 993 08 GUH	Black/Chalk	-BW		
	991 555 993 08 GTG	Graphite Blue/Chalk	-TG		
	991 555 993 08 GRG	Espresso/Cognac	-BY		
(1)	991 555 994 08	Door panel trim (leather)	right	1	PR:9VJ,-625
	991 555 994 08 A11	Black	-AZ		
	991 555 994 08 OA1	agate grey	-FZ		
	991 555 994 08 OH7	Graphite Blue	-HZ		
	991 555 994 08 OK6	saddle brown	-SZ		
	991 555 994 08 7J0	Luxor beige	-UZ		
	991 555 994 08 OG6	Bordeaux red	-LZ		
	991 555 994 08 6J0	Espresso	-NE		
	991 555 994 08 JHB	Black/Dark Silver	-TD		
(1)	991 555 994 08	Door panel trim (leather)	right	1	PR:9VJ,-625
		two-colour			
	991 555 994 08 DTO	Black/Luxor Beige	-BT		
	991 555 994 08 GUG	Black/Bordeaux Red	-BM		
	991 555 994 08 GUH	Black/Chalk	-BW		
	991 555 994 08 GTG	Graphite Blue/Chalk	-TG		
	991 555 994 08 GRG	Espresso/Cognac	-BY		
(1)	991 555 993 09	Door panel trim (leather)	left lhd	1	PR:9VK,537,-625,098
	991 555 993 09 A11	Black	-AZ		
	991 555 993 09 OA1	agate grey	-FZ		
	991 555 993 09 OH7	Graphite Blue	-HZ		
	991 555 993 09 OK6	saddle brown	-SZ		
	991 555 993 09 7J0	Luxor beige	-UZ		
	991 555 993 09 OG6	Bordeaux red	-LZ		
	991 555 993 09 6J0	Espresso	-NE		
	991 555 993 09 JHB	Black/Dark Silver	-TD		
(1)	991 555 993 09	Door panel trim (leather)	left lhd	1	PR:9VK,537,-625,098
		two-colour			
	991 555 993 09 DTO	Black/Luxor Beige	-BT		
	991 555 993 09 GUG	Black/Bordeaux Red	-BM		
	991 555 993 09 GUH	Black/Chalk	-BW		
	991 555 993 09 GTG	Graphite Blue/Chalk	-TG		
	991 555 993 09 GRG	Espresso/Cognac	-BY		
(1)	991 555 994 09	Door panel trim (leather)	right rhd	1	PR:9VK,538,-625,099
	991 555 994 09 A11	Black	-AZ		
	991 555 994 09 OA1	agate grey	-FZ		
	991 555 994 09 OH7	Graphite Blue	-HZ		
	991 555 994 09 OK6	saddle brown	-SZ		
	991 555 994 09 7J0	Luxor beige	-UZ		
	991 555 994 09 OG6	Bordeaux red	-LZ		



Model: 982-17 Model life 2017>>

Pos	Part Number	Description	Remark	Qty	Model
(1)	991 555 994 09 6J0	Espresso	-NE	1	PR:9VK,538, -625,099
	991 555 994 09 JHB	Black/Dark Silver	-TD		
	991 555 994 09	Door panel trim (leather)	right rhd		
		two-colour			
	991 555 994 09 DTO	Black/Luxor Beige	-BT		
	991 555 994 09 GUG	Black/Bordeaux Red	-BM		
	991 555 994 09 GUH	Black/Chalk	-BW		
	991 555 994 09 GTG	Graphite Blue/Chalk	-TG		
	991 555 994 09 GRG	Espresso/Cognac	-BY		
	(1)	991 555 993 10	Door panel trim (leather)		
991 555 993 10 A11		Black	-AZ		
991 555 993 10 OA1		agate grey	-FZ		
991 555 993 10 OH7		Graphite Blue	-HZ		
991 555 993 10 OK6		saddle brown	-SZ		
991 555 993 10 7J0		Luxor beige	-UZ		
991 555 993 10 OG6		Bordeaux red	-LZ		
991 555 993 10 6J0		Espresso	-NE		
991 555 993 10 JHB		Black/Dark Silver	-TD		
991 555 993 10		Door panel trim (leather)	left lhd		
(1)	991 555 993 10 DTO	Black/Luxor Beige	-BT	1	PR:9VL,538, -625,099
	991 555 993 10 GUG	Black/Bordeaux Red	-BM		
	991 555 993 10 GUH	Black/Chalk	-BW		
	991 555 993 10 GTG	Graphite Blue/Chalk	-TG		
	991 555 993 10 GRG	Espresso/Cognac	-BY		
	991 555 994 10	Door panel trim (leather)	right rhd		
	991 555 994 10 A11	Black	-AZ		
	991 555 994 10 OA1	agate grey	-FZ		
	991 555 994 10 OH7	Graphite Blue	-HZ		
	991 555 994 10 OK6	saddle brown	-SZ		
(1)	991 555 994 10 7J0	Luxor beige	-UZ	1	PR:9VL,538, -625,099
	991 555 994 10 OG6	Bordeaux red	-LZ		
	991 555 994 10 6J0	Espresso	-NE		
	991 555 994 10 JHB	Black/Dark Silver	-TD		
	991 555 994 10	Door panel trim (leather)	right rhd		
	991 555 994 10 DTO	Black/Luxor Beige	-BT		
	991 555 994 10 GUG	Black/Bordeaux Red	-BM		
	991 555 994 10 GUH	Black/Chalk	-BW		
	991 555 994 10 GTG	Graphite Blue/Chalk	-TG		
	991 555 994 10 GRG	Espresso/Cognac	-BY		
(1)	991 555 993 11	Door panel trim (leather)	left lhd	1	PR:9VJ,537, -625,098
	991 555 993 11 A11	Black	-AZ		
	991 555 993 11 OA1	agate grey	-FZ		
	991 555 993 11 OH7	Graphite Blue	-HZ		
	991 555 993 11 OK6	saddle brown	-SZ		
	991 555 993 11 7J0	Luxor beige	-UZ		
	991 555 993 11 OG6	Bordeaux red	-LZ		
	991 555 993 11 6J0	Espresso	-NE		
	991 555 993 11 JHB	Black/Dark Silver	-TD		
	991 555 993 11	Door panel trim (leather)	left lhd		
(1)	991 555 993 11	two-colour		1	PR:9VJ,537, -625,098
	991 555 993 11 DTO	Black/Luxor Beige	-BT		
	991 555 993 11 GUG	Black/Bordeaux Red	-BM		
	991 555 993 11 GUH	Black/Chalk	-BW		
	991 555 993 11 GTG	Graphite Blue/Chalk	-TG		

Model: 982-17 Model life 2017>>

Pos	Part Number	Description	Remark	Qty	Model
(1)	991 555 993 11 GRG	Espresso/Cognac	-BY		
	991 555 994 11	Door panel trim (leather)	right rhd	1	PR:9VJ,538, -625,099
	991 555 994 11 A11	Black	-AZ		
	991 555 994 11 OA1	agate grey	-FZ		
	991 555 994 11 OH7	Graphite Blue	-HZ		
	991 555 994 11 OK6	saddle brown	-SZ		
	991 555 994 11 7J0	Luxor beige	-UZ		
	991 555 994 11 OG6	Bordeaux red	-LZ		
	991 555 994 11 6J0	Espresso	-NE		
	991 555 994 11 JHB	Black/Dark Silver	-TD		
(1)	991 555 994 11	Door panel trim (leather)	right rhd	1	PR:9VJ,538, -625,099
		two-colour			
	991 555 994 11 DTO	Black/Luxor Beige	-BT		
	991 555 994 11 GUG	Black/Bordeaux Red	-BM		
	991 555 994 11 GUH	Black/Chalk	-BW		
	991 555 994 11 GTG	Graphite Blue/Chalk	-TG		
	991 555 994 11 GRG	Espresso/Cognac	-BY		
(1)	991 555 993 36	Door panel trim (leather)	left	1	PR:9VK,625
	991 555 993 36 A11	Black	-AZ		
	991 555 993 36 OA1	agate grey	-FZ		
	991 555 993 36 OH7	Graphite Blue	-HZ		
	991 555 993 36 OK6	saddle brown	-SZ		
	991 555 993 36 7J0	Luxor beige	-UZ		
	991 555 993 36 OG6	Bordeaux red	-LZ		
	991 555 993 36 6J0	Espresso	-NE		
	991 555 993 36 JHB	Black/Dark Silver	-TD		
(1)	991 555 993 36	Door panel trim (leather)	left	1	PR:9VK,625
		two-colour			
	991 555 993 36 DTO	Black/Luxor Beige	-BT		
	991 555 993 36 GUG	Black/Bordeaux Red	-BM		
	991 555 993 36 GUH	Black/Chalk	-BW		
	991 555 993 36 GTG	Graphite Blue/Chalk	-TG		
	991 555 993 36 GRG	Espresso/Cognac	-BY		
(1)	991 555 994 36	Door panel trim (leather)	right	1	PR:9VK,625
	991 555 994 36 A11	Black	-AZ		
	991 555 994 36 OA1	agate grey	-FZ		
	991 555 994 36 OH7	Graphite Blue	-HZ		
	991 555 994 36 OK6	saddle brown	-SZ		
	991 555 994 36 7J0	Luxor beige	-UZ		
	991 555 994 36 OG6	Bordeaux red	-LZ		
	991 555 994 36 6J0	Espresso	-NE		
	991 555 994 36 JHB	Black/Dark Silver	-TD		
(1)	991 555 994 36	Door panel trim (leather)	right	1	PR:9VK,625
		two-colour			
	991 555 994 36 DTO	Black/Luxor Beige	-BT		
	991 555 994 36 GUG	Black/Bordeaux Red	-BM		
	991 555 994 36 GUH	Black/Chalk	-BW		
	991 555 994 36 GTG	Graphite Blue/Chalk	-TG		
	991 555 994 36 GRG	Espresso/Cognac	-BY		
(1)	991 555 993 37	Door panel trim (leather)	left	1	PR:9VL,625
	991 555 993 37 A11	Black	-AZ		
	991 555 993 37 OA1	agate grey	-FZ		
	991 555 993 37 OH7	Graphite Blue	-HZ		
	991 555 993 37 OK6	saddle brown	-SZ		
	991 555 993 37 7J0	Luxor beige	-UZ		
	991 555 993 37 OG6	Bordeaux red	-LZ		
	991 555 993 37 6J0	Espresso	-NE		
	991 555 993 37 JHB	Black/Dark Silver	-TD		
(1)	991 555 993 37	Door panel trim (leather)	left	1	PR:9VL,625
		two-colour			
	991 555 993 37 DTO	Black/Luxor Beige	-BT		

Model: 982-17 Model life 2017>>

Pos	Part Number	Description	Remark	Qty	Model
	991 555 993 37 GUG	Black/Bordeaux Red	-BM		
	991 555 993 37 GUH	Black/Chalk	-BW		
	991 555 993 37 GTG	Graphite Blue/Chalk	-tg		
	991 555 993 37 GRG	Espresso/Cognac	-BY		
(1)	991 555 994 37	Door panel trim (leather)	right	1	PR:9VL,625
	991 555 994 37 A11	Black	-AZ		
	991 555 994 37 OA1	agate grey	-FZ		
	991 555 994 37 OH7	Graphite Blue	-HZ		
	991 555 994 37 OK6	saddle brown	-SZ		
	991 555 994 37 7J0	Luxor beige	-UZ		
	991 555 994 37 OG6	Bordeaux red	-LZ		
	991 555 994 37 6J0	Espresso	-NE		
	991 555 994 37 JHB	Black/Dark Silver	-TD		
(1)	991 555 994 37	Door panel trim (leather)	right	1	PR:9VL,625
	991 555 994 37	two-colour			
	991 555 994 37 DTO	Black/Luxor Beige	-BT		
	991 555 994 37 GUG	Black/Bordeaux Red	-BM		
	991 555 994 37 GUH	Black/Chalk	-BW		
	991 555 994 37 GTG	Graphite Blue/Chalk	-TG		
	991 555 994 37 GRG	Espresso/Cognac	-BY		
(1)	991 555 993 38	Door panel trim (leather)	left	1	PR:9VJ,625
	991 555 993 38 A11	Black	-AZ		
	991 555 993 38 OA1	agate grey	-FZ		
	991 555 993 38 OH7	Graphite Blue	-HZ		
	991 555 993 38 OK6	saddle brown	-SZ		
	991 555 993 38 7J0	Luxor beige	-UZ		
	991 555 993 38 OG6	Bordeaux red	-LZ		
	991 555 993 38 6J0	Espresso	-NE		
	991 555 993 38 JHB	Black/Dark Silver	-TD		
(1)	991 555 993 38	Door panel trim (leather)	left	1	PR:9VJ,625
	991 555 993 38	two-colour			
	991 555 993 38 DTO	Black/Luxor Beige	-BT		
	991 555 993 38 GUG	Black/Bordeaux Red	-BM		
	991 555 993 38 GUH	Black/Chalk	-BW		
	991 555 993 38 GTG	Graphite Blue/Chalk	-TG		
	991 555 993 38 GRG	Espresso/Cognac	-BY		
(1)	991 555 994 38	Door panel trim (leather)	right	1	PR:9VJ,625
	991 555 994 38 A11	Black	-AZ		
	991 555 994 38 OA1	agate grey	-FZ		
	991 555 994 38 OH7	Graphite Blue	-HZ		
	991 555 994 38 OK6	saddle brown	-SZ		
	991 555 994 38 7J0	Luxor beige	-UZ		
	991 555 994 38 OG6	Bordeaux red	-LZ		
	991 555 994 38 6J0	Espresso	-NE		
	991 555 994 38 JHB	Black/Dark Silver	-TD		
(1)	991 555 994 38	Door panel trim (leather)	right	1	PR:9VJ,625
	991 555 994 38	two-colour			
	991 555 994 38 DTO	Black/Luxor Beige	-BT		
	991 555 994 38 GUG	Black/Bordeaux Red	-BM		
	991 555 994 38 GUH	Black/Chalk	-BW		
	991 555 994 38 GTG	Graphite Blue/Chalk	-TG		
	991 555 994 38 GRG	Espresso/Cognac	-BY		
(1)	991 555 993 39	Door panel trim (leather)	left	1hd	PR:9VK,537, 625,098
	991 555 993 39 A11	Black	-AZ		
	991 555 993 39 OA1	agate grey	-FZ		
	991 555 993 39 OH7	Graphite Blue	-HZ		
	991 555 993 39 OK6	saddle brown	-SZ		
	991 555 993 39 7J0	Luxor beige	-UZ		
	991 555 993 39 OG6	Bordeaux red	-LZ		
	991 555 993 39 6J0	Espresso	-NE		
	991 555 993 39 JHB	Black/Dark Silver	-TD		
(1)	991 555 993 39	Door panel trim (leather)	left	1hd	PR:9VK,537,

Model: 982-17

Model life 2017>>

Pos	Part Number	Description	Remark	Qty	Model
		two-colour			625,098
	991 555 993 39 DTO	Black/Luxor Beige	-BT		
	991 555 993 39 GUG	Black/Bordeaux Red	-BM		
	991 555 993 39 GUH	Black/Chalk	-BW		
	991 555 993 39 GTG	Graphite Blue/Chalk	-TG		
	991 555 993 39 GRG	Espresso/Cognac	-BY		
(1)	991 555 994 39	Door panel trim (leather)	right rhd	1	PR:9VK,538, 625,099
	991 555 994 39 A11	Black	-AZ		
	991 555 994 39 OA1	agate grey	-FZ		
	991 555 994 39 OH7	Graphite Blue	-HZ		
	991 555 994 39 OK6	saddle brown	-SZ		
	991 555 994 39 7J0	Luxor beige	-UZ		
	991 555 994 39 OG6	Bordeaux red	-LZ		
	991 555 994 39 6J0	Espresso	-NE		
	991 555 994 39 JHB	Black/Dark Silver	-TD		
(1)	991 555 994 39	Door panel trim (leather)	right rhd	1	PR:9VK,538, 625,099
		two-colour			
	991 555 994 39 DTO	Black/Luxor Beige	-BT		
	991 555 994 39 GUG	Black/Bordeaux Red	-BM		
	991 555 994 39 GUH	Black/Chalk	-BW		
	991 555 994 39 GTG	Graphite Blue/Chalk	-TG		
	991 555 994 39 GRG	Espresso/Cognac	-BY		
(1)	991 555 993 40	Door panel trim (leather)	left lhd	1	PR:9VL,537, 625,098
	991 555 993 40 A11	Black	-AZ		
	991 555 993 40 OA1	agate grey	-FZ		
	991 555 993 40 OH7	Graphite Blue	-HZ		
	991 555 993 40 OK6	saddle brown	-SZ		
	991 555 993 40 7J0	Luxor beige	-UZ		
	991 555 993 40 OG6	Bordeaux red	-LZ		
	991 555 993 40 6J0	Espresso	-NE		
	991 555 993 40 JHB	Black/Dark Silver	-TD		
(1)	991 555 993 40	Door panel trim (leather)	left lhd	1	PR:9VL,537, 625,098
		two-colour			
	991 555 993 40 DTO	Black/Luxor Beige	-BT		
	991 555 993 40 GUG	Black/Bordeaux Red	-BM		
	991 555 993 40 GUH	Black/Chalk	-BW		
	991 555 993 40 GTG	Graphite Blue/Chalk	-TG		
	991 555 993 40 GRG	Espresso/Cognac	-BY		
(1)	991 555 994 40	Door panel trim (leather)	right rhd	1	PR:9VL,538, 625,099
	991 555 994 40 A11	Black	-AZ		
	991 555 994 40 OA1	agate grey	-FZ		
	991 555 994 40 OH7	Graphite Blue	-HZ		
	991 555 994 40 OK6	saddle brown	-SZ		
	991 555 994 40 7J0	Luxor beige	-UZ		
	991 555 994 40 OG6	Bordeaux red	-LZ		
	991 555 994 40 6J0	Espresso	-NE		
	991 555 994 40 JHB	Black/Dark Silver	-TD		
(1)	991 555 994 40	Door panel trim (leather)	right rhd	1	PR:9VL,538, 625,099
		two-colour			
	991 555 994 40 DTO	Black/Luxor Beige	-BT		
	991 555 994 40 GUG	Black/Bordeaux Red	-BM		
	991 555 994 40 GUH	Black/Chalk	-BW		
	991 555 994 40 GTG	Graphite Blue/Chalk	-TG		
	991 555 994 40 GRG	Espresso/Cognac	-BY		
(1)	991 555 993 41	Door panel trim (leather)	left lhd	1	PR:9VJ,537, 625,098

Model: 982-17 Model life 2017>>

Pos	Part Number	Description	Remark	Qty	Model
	991 555 993 41 A11	Black	-AZ		
	991 555 993 41 OA1	agate grey	-FZ		
	991 555 993 41 OH7	Graphite Blue	-HZ		
	991 555 993 41 OK6	saddle brown	-SZ		
	991 555 993 41 7J0	Luxor beige	-UZ		
	991 555 993 41 OG6	Bordeaux red	-LZ		
	991 555 993 41 6J0	Espresso	-NE		
	991 555 993 41 JHB	Black/Dark Silver	-TD		
(1)	991 555 993 41	Door panel trim (leather)	left lhd	1	PR:9VJ,537, 625,098
		two-colour			
	991 555 993 41 DTO	Black/Luxor Beige	-BT		
	991 555 993 41 GUG	Black/Bordeaux Red	-BM		
	991 555 993 41 GUH	Black/Chalk	-BW		
	991 555 993 41 GTG	Graphite Blue/Chalk	-TG		
	991 555 993 41 GRG	Espresso/Cognac	-BY		
(1)	991 555 994 41	Door panel trim (leather)	right rhd	1	PR:9VJ,538, 625,099
	991 555 994 41 A11	Black	-AZ		
	991 555 994 41 OA1	agate grey	-FZ		
	991 555 994 41 OH7	Graphite Blue	-HZ		
	991 555 994 41 OK6	saddle brown	-SZ		
	991 555 994 41 7J0	Luxor beige	-UZ		
	991 555 994 41 OG6	Bordeaux red	-LZ		
	991 555 994 41 6J0	Espresso	-NE		
	991 555 994 41 JHB	Black/Dark Silver	-TD		
(1)	991 555 994 41	Door panel trim (leather)	right rhd	1	PR:9VJ,538, 625,099
		two-colour			
	991 555 994 41 DTO	Black/Luxor Beige	-BT		
	991 555 994 41 GUG	Black/Bordeaux Red	-BM		
	991 555 994 41 GUH	Black/Chalk	-BW		
	991 555 994 41 GTG	Graphite Blue/Chalk	-TG		
	991 555 994 41 GRG	Espresso/Cognac	-BY		
2	999 507 533 02	Clamp		4	
		8,0 X 10,0 /2,5			
3	991 555 521 02	Inner actuator	left	1	
	991 555 521 02 V08	Galvano silver			
(3)	991 555 522 02	Inner actuator	right	1	
	991 555 522 02 V08	Galvano silver			
4	991 555 533 00	Pull handle	left	1	
		Leather			
	991 555 533 00 A11	Black	-AZ		
	991 555 533 00 OA1	agate grey	-FZ		
	991 555 533 00 OK6	saddle brown	-SZ		
	991 555 533 00 7J0	Luxor beige	-UZ,BT		
	991 555 533 00 OG6	Bordeaux red	-LZ,BM		
	991 555 533 00 OH7	Graphite Blue	-HZ		
	991 555 533 00 6J0	Espresso	-NE		
	991 555 533 00 7F0	Cognac	-BY		
	991 555 533 00 OL8	Chalk	-BW,TG		
	991 555 533 00 JHB	Black/Dark Silver	-TD		
(4)	991 555 534 00	Pull handle (leather)	right	1	
	991 555 534 00 A11	Black	-AZ		
	991 555 534 00 OA1	agate grey	-FZ		
	991 555 534 00 OK6	saddle brown	-SZ		
	991 555 534 00 7J0	Luxor beige	-UZ,BT		
	991 555 534 00 OG6	Bordeaux red	-LZ,BM		
	991 555 534 00 OH7	Graphite Blue	-HZ		
	991 555 534 00 6J0	Espresso	-NE		
	991 555 534 00 7F0	Cognac	-BY		
	991 555 534 00 OL8	Chalk	-BW,TG		
	991 555 534 00 JHB	Black/Dark Silver	-TD		

Model: 982-17

Model life 2017&gt;&gt;

Pos	Part Number	Description	Remark	Qty	Model
5	999 919 262 01	fillister hd. bolt 4,0 X 16,0		9	
6	1K0 947 419 A	rear light reflector		2	
7	7PP 945 699	inscription Bose		2	PR:9VL
8	991 555 723 02	Mounting frame Switch		1	
	991 555 723 02 1E0	Black			
9	991 555 721 02	Cover	left front	1	
	991 555 721 02 5Q0	Black	-AZ, BM, BT, BW, TD		
	991 555 721 02 OA6	agate grey	-FZ		
	991 555 721 02 OL7	saddle brown	-SZ		
	991 555 721 02 6W0	Luxor beige	-UZ		
	991 555 721 02 OG6	Bordeaux red	-LZ		
	991 555 721 02 OH7	Graphite Blue	-HZ, TG		
	991 555 721 02 3T0	Espresso	-NE, BY		
(9)	991 555 722 02	Cover	right front	1	
	991 555 722 02 5Q0	Black	-AZ, BM, BT, BW, TD		
	991 555 722 02 OA6	agate grey	-FZ		
	991 555 722 02 OL7	saddle brown	-SZ		
	991 555 722 02 6W0	Luxor beige	-UZ		
	991 555 722 02 OG6	Bordeaux red	-LZ		
	991 555 722 02 OH7	Graphite Blue	-HZ, TG		
	991 555 722 02 3T0	Espresso	-NE, BY		
10	7PP 837 247	Cover panel Inner actuator	left	1	
	7PP 837 247 1E0	Black			
(10)	7PP 837 248	Cover panel Inner actuator	right	1	
	7PP 837 248 1E0	Black			
11	991 555 683 01	cover for airbag	left	1	
	991 555 683 01 5Q0	Black	-AZ, BT, BM, BW, TD		
	991 555 683 01 OA6	agate grey	-FZ		
	991 555 683 01 OL7	saddle brown	-SZ		
	991 555 683 01 6W0	Luxor beige	-UZ		
	991 555 683 01 OG6	Bordeaux red	-LZ		
	991 555 683 01 OH7	Graphite Blue	-HZ, TG		
	991 555 683 01 3T0	Espresso	-NE, BY		
(11)	991 555 684 01	cover for airbag	right	1	
	991 555 684 01 5Q0	Black	-AZ, BT, BM, BW, TD		
	991 555 684 01 OA6	agate grey	-FZ		
	991 555 684 01 OL7	saddle brown	-SZ		
	991 555 684 01 6W0	Luxor beige	-UZ		
	991 555 684 01 OG6	Bordeaux red	-LZ		
	991 555 684 01 OH7	Graphite Blue	-HZ, TG		
	991 555 684 01 3T0	Espresso	-NE, BY		
12	991 555 741 00	Cover panel window frame	left	1	
	991 555 741 00 1E0	Black			
(12)	991 555 742 00	Cover panel window frame	right	1	
	991 555 742 00 1E0	Black			
13	999 073 322 02	fillister hd. bolt M 6 X 20		8	
14	999 919 203 07	fillister hd. bolt M 3 X 10		10	
15	991 555 581 00	decorative frame	left	1	PR:9VJ

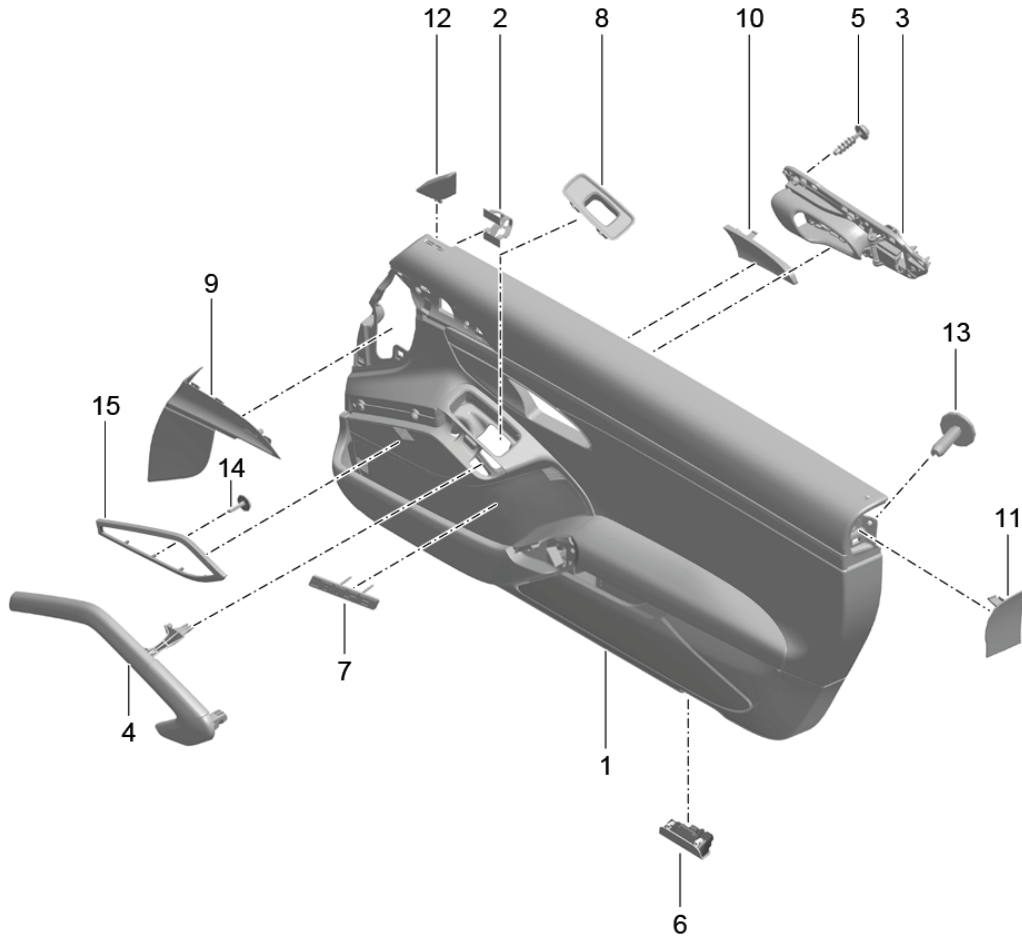
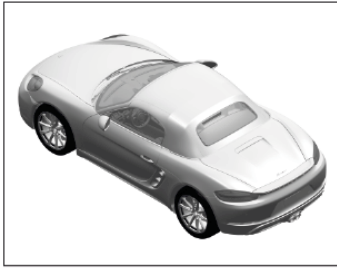
Model: 982-17

Model life 2017>>

Pos	Part Number	Description	Remark	Qty	Model
(15)	991 555 581 00 V08	Loudspeaker trim Galvano silver			
	991 555 582 00	decorative frame	right	1	PR:9VJ
	991 555 582 00 V08	Loudspeaker trim Galvano silver			

Model: 982-17

Model life 2017>>





Model: 982-17 Model life 2017>>

Pos	Part Number	Description	Remark	Qty	Model
		door panel Accessories Leather Trim mahagoni			PR:981,XWB
1	991 555 993 18	Door panel trim (leather)	left	1	PR:9VK,-625
	991 555 993 18 A11	Black	-AZ		
	991 555 993 18 OA1	Black/agate grey	-FZ		
	991 555 993 18 OH7	Graphite Blue	-HZ		
	991 555 993 18 OK6	saddle brown	-SZ		
	991 555 993 18 7J0	Luxor beige	-UZ		
	991 555 993 18 OG6	Bordeaux red	-LZ		
	991 555 993 18 6J0	Black/espresso	-NE		
	991 555 993 18 JHB	Black/Dark Silver	-TD		
(1)	991 555 993 18	Door panel trim (leather) two-colour	left	1	PR:9VK,-625
	991 555 993 18 DTO	Black/Luxor Beige	-BT		
	991 555 993 18 GUG	Black/Bordeaux Red	-BM		
	991 555 993 18 GUH	Black/Chalk	-BW		
	991 555 993 18 GTG	Graphite Blue/Chalk	-TG		
	991 555 993 18 GRG	Espresso/Cognac	-BY		
(1)	991 555 994 18	Door panel trim (leather)	right	1	PR:9VK,-625
	991 555 994 18 A11	Black	-AZ		
	991 555 994 18 OA1	agate grey	-FZ		
	991 555 994 18 OH7	Graphite Blue	-HZ		
	991 555 994 18 OK6	saddle brown	-SZ		
	991 555 994 18 7J0	Luxor beige	-UZ		
	991 555 994 18 OG6	Bordeaux red	-LZ		
	991 555 994 18 6J0	Espresso	-NE		
	991 555 994 18 JHB	Black/Dark Silver	-TD		
(1)	991 555 994 18	Door panel trim (leather) two-colour	right	1	PR:9VK,-625
	991 555 994 18 DTO	Black/Luxor Beige	-BT		
	991 555 994 18 GUG	Black/Bordeaux Red	-BM		
	991 555 994 18 GUH	Black/Chalk	-BW		
	991 555 994 18 GTG	Graphite Blue/Chalk	-TG		
	991 555 994 18 GRG	Espresso/Cognac	-BY		
(1)	991 555 993 19	Door panel trim (leather)	left	1	PR:9VL,-625
	991 555 993 19 A11	Black	-AZ		
	991 555 993 19 OA1	agate grey	-FZ		
	991 555 993 19 OH7	Graphite Blue	-HZ		
	991 555 993 19 OK6	saddle brown	-SZ		
	991 555 993 19 7J0	Luxor beige	-UZ		
	991 555 993 19 OG6	Bordeaux red	-LZ		
	991 555 993 19 6J0	Espresso	-NE		
	991 555 993 19 JHB	Black/Dark Silver	-TD		
(1)	991 555 993 19	Door panel trim (leather) two-colour	left	1	PR:9VL,-625
	991 555 993 19 DTO	Black/Luxor Beige	-BT		
	991 555 993 19 GUG	Black/Bordeaux Red	-BM		
	991 555 993 19 GUH	Black/Chalk	-BW		
	991 555 993 19 GTG	Graphite Blue/Chalk	-TG		
	991 555 993 19 GRG	Espresso/Cognac	-BY		
(1)	991 555 994 19	Door panel trim (leather)	right	1	PR:9VL,-625
	991 555 994 19 A11	Black	-AZ		
	991 555 994 19 OA1	agate grey	-FZ		
	991 555 994 19 OH7	Graphite Blue	-HZ		
	991 555 994 19 OK6	saddle brown	-SZ		
	991 555 994 19 7J0	Luxor beige	-UZ		
	991 555 994 19 OG6	Bordeaux red	-LZ		
	991 555 994 19 6J0	Espresso	-NE		
	991 555 994 19 JHB	Black/Dark Silver	-TD		
(1)	991 555 994 19	Door panel trim (leather)	right	1	PR:9VL,-625

Model: 982-17 Model life 2017>>

Pos	Part Number	Description	Remark	Qty	Model
		two-colour			
	991 555 994 19 DTO	Black/Luxor Beige	-BT		
	991 555 994 19 GUG	Black/Bordeaux Red	-BM		
	991 555 994 19 GUH	Black/Chalk	-BW		
	991 555 994 19 GTG	Graphite Blue/Chalk	-TG		
	991 555 994 19 GRG	Espresso/Cognac	-BY		
(1)	991 555 993 20	Door panel trim (leather)	left	1	PR:9VJ,-625
	991 555 993 20 A11	Black	-AZ		
	991 555 993 20 OA1	agate grey	-FZ		
	991 555 993 20 OH7	Graphite Blue	-HZ		
	991 555 993 20 OK6	saddle brown	-SZ		
	991 555 993 20 7J0	Luxor beige	-UZ		
	991 555 993 20 OG6	Bordeaux red	-LZ		
	991 555 993 20 6J0	Espresso	-NE		
	991 555 993 20 JHB	Black/Dark Silver	-TD		
(1)	991 555 993 20	Door panel trim (leather)	left	1	PR:9VJ,-625
		two-colour			
	991 555 993 20 DTO	Black/Luxor Beige	-BT		
	991 555 993 20 GUG	Black/Bordeaux Red	-BM		
	991 555 993 20 GUH	Black/Chalk	-BW		
	991 555 993 20 GTG	Graphite Blue/Chalk	-TG		
	991 555 993 20 GRG	Espresso/Cognac	-BY		
(1)	991 555 994 20	Door panel trim (leather)	right	1	PR:9VJ,-625
	991 555 994 20 A11	Black	-AZ		
	991 555 994 20 OA1	agate grey	-FZ		
	991 555 994 20 OH7	Graphite Blue	-HZ		
	991 555 994 20 OK6	saddle brown	-SZ		
	991 555 994 20 7J0	Luxor beige	-UZ		
	991 555 994 20 OG6	Bordeaux red	-LZ		
	991 555 994 20 6J0	Espresso	-NE		
	991 555 994 20 JHB	Black/Dark Silver	-TD		
(1)	991 555 994 20	Door panel trim (leather)	right	1	PR:9VJ,-625
		two-colour			
	991 555 994 20 DTO	Black/Luxor Beige	-BT		
	991 555 994 20 GUG	Black/Bordeaux Red	-BM		
	991 555 994 20 GUH	Black/Chalk	-BW		
	991 555 994 20 GTG	Graphite Blue/Chalk	-TG		
	991 555 994 20 GRG	Espresso/Cognac	-BY		
(1)	991 555 993 21	Door panel trim (leather)	left lhd	1	PR:9VK,537,-625,098
	991 555 993 21 A11	Black	-AZ		
	991 555 993 21 OA1	agate grey	-FZ		
	991 555 993 21 OH7	Graphite Blue	-HZ		
	991 555 993 21 OK6	saddle brown	-SZ		
	991 555 993 21 7J0	Luxor beige	-UZ		
	991 555 993 21 OG6	Bordeaux red	-LZ		
	991 555 993 21 6J0	Espresso	-NE		
	991 555 993 21 JHB	Black/Dark Silver	-TD		
(1)	991 555 993 21	Door panel trim (leather)	left lhd	1	PR:9VK,537,-625,098
		two-colour			
	991 555 993 21 DTO	Black/Luxor Beige	-BT		
	991 555 993 21 GUG	Black/Bordeaux Red	-BM		
	991 555 993 21 GUH	Black/Chalk	-BW		
	991 555 993 21 GTG	Graphite Blue/Chalk	-TG		
	991 555 993 21 GRG	Espresso/Cognac	-BY		
(1)	991 555 994 21	Door panel trim (leather)	right rhd	1	PR:9VK,538,-625,099
	991 555 994 21 A11	Black	-AZ		
	991 555 994 21 OA1	agate grey	-FZ		
	991 555 994 21 OH7	Graphite Blue	-HZ		
	991 555 994 21 OK6	saddle brown	-SZ		
	991 555 994 21 7J0	Luxor beige	-UZ		

Model: 982-17 Model life 2017>>

Pos	Part Number	Description	Remark	Qty	Model
(1)	991 555 994 21 OG6	Bordeaux red	-LZ	1	PR:9VK,538, -625,099
	991 555 994 21 6J0	Espresso	-NE		
	991 555 994 21 JHB	Black/Dark Silver	-TD		
	991 555 994 21	Door panel trim (leather)	right rhd		
		two-colour			
	991 555 994 21 DTO	Black/Luxor Beige	-BT		
	991 555 994 21 GUG	Black/Bordeaux Red	-BM		
	991 555 994 21 GUH	Black/Chalk	-BW		
	991 555 994 21 GTG	Graphite Blue/Chalk	-TG		
	991 555 994 21 GRG	Espresso/Cognac	-BY		
(1)	991 555 993 22	Door panel trim (leather)	left lhd	1	PR:9VL,537, -625,098
	991 555 993 22 A11	Black	-AZ		
	991 555 993 22 OA1	agate grey	-FZ		
	991 555 993 22 OH7	Graphite Blue	-HZ		
	991 555 993 22 OK6	saddle brown	-SZ		
	991 555 993 22 7J0	Luxor beige	-UZ		
	991 555 993 22 OG6	Bordeaux red	-LZ		
	991 555 993 22 6J0	Espresso	-NE		
	991 555 993 22 JHB	Black/Dark Silver	-TD		
	991 555 993 22	Door panel trim (leather)	left lhd		
(1)	991 555 993 22 DTO	Black/Luxor Beige	-BT	1	PR:9VL,538, -625,099
	991 555 993 22 GUG	Black/Bordeaux Red	-BM		
	991 555 993 22 GUH	Black/Chalk	-BW		
	991 555 993 22 GTG	Graphite Blue/Chalk	-TG		
	991 555 993 22 GRG	Espresso/Cognac	-BY		
	991 555 994 22	Door panel trim (leather)	right rhd		
	991 555 994 22 A11	Black	-AZ		
	991 555 994 22 OA1	agate grey	-FZ		
	991 555 994 22 OH7	Graphite Blue	-HZ		
	991 555 994 22 OK6	saddle brown	-SZ		
(1)	991 555 994 22 7J0	Luxor beige	-UZ	1	PR:9VL,538, -625,099
	991 555 994 22 OG6	Bordeaux red	-LZ		
	991 555 994 22 6J0	Espresso	-NE		
	991 555 994 22 JHB	Black/Dark Silver	-TD		
	991 555 994 22	Door panel trim (leather)	right rhd		
	991 555 994 22 DTO	Black/Luxor Beige	-BT		
	991 555 994 22 GUG	Black/Bordeaux Red	-BM		
	991 555 994 22 GUH	Black/Chalk	-BW		
	991 555 994 22 GTG	Graphite Blue/Chalk	-TG		
	991 555 994 22 GRG	Espresso/Cognac	-BY		
(1)	991 555 993 23	Door panel trim (leather)	left lhd	1	PR:9VJ,537, -625,098
	991 555 993 23 A11	Black	-AZ		
	991 555 993 23 OA1	agate grey	-FZ		
	991 555 993 23 OH7	Graphite Blue	-HZ		
	991 555 993 23 OK6	saddle brown	-SZ		
	991 555 993 23 7J0	Luxor beige	-UZ		
	991 555 993 23 OG6	Bordeaux red	-LZ		
	991 555 993 23 6J0	Espresso	-NE		
	991 555 993 23 JHB	Black/Dark Silver	-TD		
	991 555 993 23	Door panel trim (leather)	left lhd		
(1)	991 555 993 23	two-colour		1	PR:9VJ,537, -625,098
	991 555 993 23 DTO	Black/Luxor Beige	-BT		
	991 555 993 23 GUG	Black/Bordeaux Red	-BM		
	991 555 993 23 GUH	Black/Chalk	-BW		

Model: 982-17 Model life 2017>>

Pos	Part Number	Description	Remark	Qty	Model			
(1)	991 555 993 23 GTG	Graphite Blue/Chalk	-TG	1	PR:9VJ,538, -625,099			
	991 555 993 23 GRG	Espresso/Cognac	-BY					
	991 555 994 23	Door panel trim (leather)	right rhd					
	991 555 994 23 A11	Black	-AZ					
	991 555 994 23 OA1	agate grey	-FZ					
	991 555 994 23 OH7	Graphite Blue	-HZ					
	991 555 994 23 OK6	saddle brown	-SZ					
	991 555 994 23 7J0	Luxor beige	-UZ					
	991 555 994 23 OG6	Bordeaux red	-LZ					
	991 555 994 23 6J0	Espresso	-NE					
(1)	991 555 994 23 JHB	Black/Dark Silver	-TD	1	PR:9VJ,538, -625,099			
	991 555 994 23	Door panel trim (leather)	right rhd					
		two-colour						
	991 555 994 23 DTO	Black/Luxor Beige	-BT					
	991 555 994 23 GUG	Black/Bordeaux Red	-BM					
	991 555 994 23 GUH	Black/Chalk	-BW					
	991 555 994 23 GTG	Graphite Blue/Chalk	-TG					
	991 555 994 23 GRG	Espresso/Cognac	-BY					
	(1)	991 555 993 48	Door panel trim (leather)			left	1	PR:9VK,625
		991 555 993 48 A11	Black			-AZ		
991 555 993 48 OA1		agate grey	-FZ					
991 555 993 48 OH7		Graphite Blue	-HZ					
991 555 993 48 OK6		saddle brown	-SZ					
991 555 993 48 7J0		Luxor beige	-UZ					
991 555 993 48 OG6		Bordeaux red	-LZ					
991 555 993 48 6J0		Espresso	-NE					
991 555 993 48 JHB		Black/Dark Silver	-TD					
(1)		991 555 993 48	Door panel trim (leather)	left	1	PR:9VK,625		
		two-colour						
	991 555 993 48 DTO	Black/Luxor Beige	-BT					
	991 555 993 48 GUG	Black/Bordeaux Red	-BM					
	991 555 993 48 GUH	Black/Chalk	-BW					
	991 555 993 48 GTG	Graphite Blue/Chalk	-TG					
	991 555 993 48 GRG	Espresso/Cognac	-BY					
	(1)	991 555 994 48	Door panel trim (leather)	right			1	PR:9VK,625
		991 555 994 48 A11	Black	-AZ				
		991 555 994 48 OA1	agate grey	-FZ				
991 555 994 48 OH7		Graphite Blue	-HZ					
991 555 994 48 OK6		saddle brown	-SZ					
991 555 994 48 7J0		Luxor beige	-UZ					
991 555 994 48 OG6		Bordeaux red	-LZ					
991 555 994 48 6J0		Espresso	-NE					
991 555 994 48 JHB		Black/Dark Silver	-TD					
(1)		991 555 994 48	Door panel trim (leather)	right	1	PR:9VK,625		
		two-colour						
	991 555 994 48 DTO	Black/Luxor Beige	-BT					
	991 555 994 48 GUG	Black/Bordeaux Red	-BM					
	991 555 994 48 GUH	Black/Chalk	-BW					
	991 555 994 48 GTG	Graphite Blue/Chalk	-TG					
	991 555 994 48 GRG	Espresso/Cognac	-BY					
	(1)	991 555 993 49	Door panel trim (leather)	left			1	PR:9VL,625
		991 555 993 49 A11	Black	-AZ				
		991 555 993 49 OA1	agate grey	-FZ				
991 555 993 49 OH7		Graphite Blue	-HZ					
991 555 993 49 OK6		saddle brown	-SZ					
991 555 993 49 7J0		Luxor beige	-UZ					
991 555 993 49 OG6		Bordeaux red	-LZ					
991 555 993 49 6J0		Espresso	-NE					
991 555 993 49 JHB		Black/Dark Silver	-TD					
(1)		991 555 993 49	Door panel trim (leather)	left	1	PR:9VL,625		
		two-colour						

Model: 982-17 Model life 2017>>

Pos	Part Number	Description	Remark	Qty	Model
	991 555 993 49 DTO	Black/Luxor Beige	-BT		
	991 555 993 49 GUG	Black/Bordeaux Red	-BM		
	991 555 993 49 GUH	Black/Chalk	-BW		
	991 555 993 49 GTG	Graphite Blue/Chalk	-TG		
	991 555 993 49 GRG	Espresso/Cognac	-BY		
(1)	991 555 994 49	Door panel trim (leather)	right	1	PR:9VL,625
	991 555 994 49 A11	Black	-AZ		
	991 555 994 49 OA1	agate grey	-FZ		
	991 555 994 49 OH7	Graphite Blue	-HZ		
	991 555 994 49 OK6	saddle brown	-SZ		
	991 555 994 49 7J0	Luxor beige	-UZ		
	991 555 994 49 OG6	Bordeaux red	-LZ		
	991 555 994 49 6J0	Espresso	-NE		
	991 555 994 49 JHB	Black/Dark Silver	-TD		
(1)	991 555 994 49	Door panel trim (leather)	right	1	PR:9VL,625
		two-colour			
	991 555 994 49 DTO	Black/Luxor Beige	-BT		
	991 555 994 49 GUG	Black/Bordeaux Red	-BM		
	991 555 994 49 GUH	Black/Chalk	-BW		
	991 555 994 49 GTG	Graphite Blue/Chalk	-TG		
	991 555 994 49 GRG	Espresso/Cognac	-BY		
(1)	991 555 993 50	Door panel trim (leather)	left	1	PR:9VJ,625
	991 555 993 50 A11	Black	-AZ		
	991 555 993 50 OA1	agate grey	-FZ		
	991 555 993 50 OH7	Graphite Blue	-HZ		
	991 555 993 50 OK6	saddle brown	-SZ		
	991 555 993 50 7J0	Luxor beige	-UZ		
	991 555 993 50 OG6	Bordeaux red	-LZ		
	991 555 993 50 6J0	Espresso	-NE		
	991 555 993 50 JHB	Black/Dark Silver	-TD		
(1)	991 555 993 50	Door panel trim (leather)	left	1	PR:9VJ,625
		two-colour			
	991 555 993 50 DTO	Black/Luxor Beige	-BT		
	991 555 993 50 GUG	Black/Bordeaux Red	-BM		
	991 555 993 50 GUH	Black/Chalk	-BW		
	991 555 993 50 GTG	Graphite Blue/Chalk	-TG		
	991 555 993 50 GRG	Espresso/Cognac	-BY		
(1)	991 555 994 50	Door panel trim (leather)	right	1	PR:9VJ,625
	991 555 994 50 A11	Black	-AZ		
	991 555 994 50 OA1	agate grey	-FZ		
	991 555 994 50 OH7	Graphite Blue	-HZ		
	991 555 994 50 OK6	saddle brown	-SZ		
	991 555 994 50 7J0	Luxor beige	-UZ		
	991 555 994 50 OG6	Bordeaux red	-LZ		
	991 555 994 50 6J0	Espresso	-NE		
	991 555 994 50 JHB	Black/Dark Silver	-TD		
(1)	991 555 994 50	Door panel trim (leather)	right	1	PR:9VJ,625
		two-colour			
	991 555 994 50 DTO	Black/Luxor Beige	-BT		
	991 555 994 50 GUG	Black/Bordeaux Red	-BM		
	991 555 994 50 GUH	Black/Chalk	-BW		
	991 555 994 50 GTG	Graphite Blue/Chalk	-BG		
	991 555 994 50 GRG	Espresso/Cognac	-BY		
(1)	991 555 993 51	Door panel trim (leather)	left lhd	1	PR:9VK,537, 625,098
	991 555 993 51 A11	Black	-AZ		
	991 555 993 51 OA1	agate grey	-FZ		
	991 555 993 51 OH7	Graphite Blue	-HZ		
	991 555 993 51 OK6	saddle brown	-SZ		
	991 555 993 51 7J0	Luxor beige	-UZ		
	991 555 993 51 OG6	Bordeaux red	-LZ		
	991 555 993 51 6J0	Espresso	-NE		
	991 555 993 51 JHB	Black/Dark Silver	-TD		

Model: 982-17 Model life 2017>>

Pos	Part Number	Description	Remark	Qty	Model
(1)	991 555 993 51	Door panel trim (leather)	left lhd	1	PR:9VK,537, 625,098
		two-colour			
	991 555 993 51 DTO	Black/Luxor Beige	-BT		
	991 555 993 51 GUG	Black/Bordeaux Red	-BM		
	991 555 993 51 GUH	Black/Chalk	-BW		
	991 555 993 51 GTG	Graphite Blue/Chalk	-TG		
	991 555 993 51 GRG	Espresso/Cognac	-BY		
(1)	991 555 994 51	Door panel trim (leather)	right rhd	1	PR:9VK,538, 625,099
	991 555 994 51 A11	Black	-AZ		
	991 555 994 51 OA1	agate grey	-FZ		
	991 555 994 51 OH7	Graphite Blue	-HZ		
	991 555 994 51 OK6	saddle brown	-SZ		
	991 555 994 51 7J0	Luxor beige	-UZ		
	991 555 994 51 OG6	Bordeaux red	-LZ		
	991 555 994 51 6J0	Espresso	-NE		
	991 555 994 51 JHB	Black/Dark Silver	-TD		
(1)	991 555 994 51	Door panel trim (leather)	right rhd	1	PR:9VK,538, 625,099
		two-colour			
	991 555 994 51 DTO	Black/Luxor Beige	-BT		
	991 555 994 51 GUG	Black/Bordeaux Red	-BM		
	991 555 994 51 GUH	Black/Chalk	-BW		
	991 555 994 51 GTG	Graphite Blue/Chalk	-TG		
	991 555 994 51 GRG	Espresso/Cognac	-BY		
(1)	991 555 993 52	Door panel trim (leather)	left lhd	1	PR:9VL,537, 625,098
	991 555 993 52 A11	Black	-AZ		
	991 555 993 52 OA1	agate grey	-FZ		
	991 555 993 52 OH7	Graphite Blue	-HZ		
	991 555 993 52 OK6	saddle brown	-SZ		
	991 555 993 52 7J0	Luxor beige	-UZ		
	991 555 993 52 OG6	Bordeaux red	-LZ		
	991 555 993 52 6J0	Espresso	-NE		
	991 555 993 52 JHB	Black/Dark Silver	-TD		
(1)	991 555 993 52	Door panel trim (leather)	left lhd	1	PR:9VL,537, 625,098
		two-colour			
	991 555 993 52 DTO	Black/Luxor Beige	-BT		
	991 555 993 52 GUG	Black/Bordeaux Red	-BM		
	991 555 993 52 GUH	Black/Chalk	-BW		
	991 555 993 52 GTG	Graphite Blue/Chalk	-BG		
	991 555 993 52 GRG	Espresso/Cognac	-BY		
(1)	991 555 994 52	Door panel trim (leather)	right rhd	1	PR:9VL,538, 625,099
	991 555 994 52 A11	Black	-AZ		
	991 555 994 52 OA1	agate grey	-FZ		
	991 555 994 52 OH7	Graphite Blue	-HZ		
	991 555 994 52 OK6	saddle brown	-SZ		
	991 555 994 52 7J0	Luxor beige	-UZ		
	991 555 994 52 OG6	Bordeaux red	-LZ		
	991 555 994 52 6J0	Espresso	-NE		
	991 555 994 52 JHB	Black/Dark Silver	-TD		
(1)	991 555 994 52	Door panel trim (leather)	right rhd	1	PR:9VL,538, 625,099
		two-colour			
	991 555 994 52 DTO	Black/Luxor Beige	-BT		
	991 555 994 52 GUG	Black/Bordeaux Red	-BM		
	991 555 994 52 GUH	Black/Chalk	-BW		
	991 555 994 52 GTG	Graphite Blue/Chalk	-BG		
	991 555 994 52 GRG	Espresso/Cognac	-BY		
(1)	991 555 993 53	Door panel trim (leather)	left lhd	1	PR:9VJ,537,

Model: 982-17 Model life 2017>>

Pos	Part Number	Description	Remark	Qty	Model
	991 555 993 53 A11	Black	-AZ		625,098
	991 555 993 53 OA1	agate grey	-FZ		
	991 555 993 53 OH7	Graphite Blue	-HZ		
	991 555 993 53 OK6	saddle brown	-SZ		
	991 555 993 53 7J0	Luxor beige	-UZ		
	991 555 993 53 OG6	Bordeaux red	-LZ		
	991 555 993 53 6J0	Espresso	-NE		
	991 555 993 53 JHB	Black/Dark Silver	-TD		
(1)	991 555 993 53	Door panel trim (leather)	left lhd	1	PR:9VJ,537, 625,098
		two-colour			
	991 555 993 53 DTO	Black/Luxor Beige	-BT		
	991 555 993 53 GUG	Black/Bordeaux Red	-BM		
	991 555 993 53 GUH	Black/Chalk	-BW		
	991 555 993 53 GTG	Graphite Blue/Chalk	-BG		
	991 555 993 53 GRG	Espresso/Cognac	-BY		
(1)	991 555 994 53	Door panel trim (leather)	right rhd	1	PR:9VJ,538, 625,099
	991 555 994 53 A11	Black	-AZ		
	991 555 994 53 OA1	agate grey	-FZ		
	991 555 994 53 OH7	Graphite Blue	-HZ		
	991 555 994 53 OK6	saddle brown	-SZ		
	991 555 994 53 7J0	Luxor beige	-UZ		
	991 555 994 53 OG6	Bordeaux red	-LZ		
	991 555 994 53 6J0	Espresso	-NE		
	991 555 994 53 JHB	Black/Dark Silver	-TD		
(1)	991 555 994 53	Door panel trim (leather)	right rhd	1	PR:9VJ,538, 625,099
		two-colour			
	991 555 994 53 DTO	Black/Luxor Beige	-BT		
	991 555 994 53 GUG	Black/Bordeaux Red	-BM		
	991 555 994 53 GUH	Black/Chalk	-BW		
	991 555 994 53 GTG	Graphite Blue/Chalk	-BG		
	991 555 994 53 GRG	Espresso/Cognac	-BY		
2	999 507 533 02	Clamp		4	
		8,0 X 10,0 /2,5			
3	991 555 521 02	Inner actuator	left	1	
	991 555 521 02 V08	Galvano silver			
(3)	991 555 522 02	Inner actuator	right	1	
	991 555 522 02 V08	Galvano silver			
4	991 555 533 00	Pull handle	left	1	
		Leather			
	991 555 533 00 A11	Black	-AZ		
	991 555 533 00 OA1	agate grey	-FZ		
	991 555 533 00 OK6	saddle brown	-SZ		
	991 555 533 00 7J0	Luxor beige	-UZ,BT		
	991 555 533 00 OG6	Bordeaux red	-LZ,BM		
	991 555 533 00 OH7	Graphite Blue	-HZ		
	991 555 533 00 6J0	Espresso	-NE		
	991 555 533 00 7F0	Cognac	-BY		
	991 555 533 00 OL8	Chalk	-BW,TG		
	991 555 533 00 JHB	Black/Dark Silver	-TD		
(4)	991 555 534 00	Pull handle (leather)	right	1	
	991 555 534 00 A11	Black	-AZ		
	991 555 534 00 OA1	agate grey	-FZ		
	991 555 534 00 OK6	saddle brown	-SZ		
	991 555 534 00 7J0	Luxor beige	-UZ,BT		
	991 555 534 00 OG6	Bordeaux red	-LZ,BM		
	991 555 534 00 OH7	Graphite Blue	-HZ		
	991 555 534 00 6J0	Espresso	-NE		
	991 555 534 00 7F0	Cognac	-BY		
	991 555 534 00 OL8	Chalk	-BW,TG		

Model: 982-17

Model life 2017&gt;&gt;

Pos	Part Number	Description	Remark	Qty	Model
5	991 555 534 00 JHB 999 919 262 01	Black/Dark Silver fillister hd. bolt 4,0 X 16,0	-TD	9	
6	1K0 947 419 A	rear light reflector		2	
7	7PP 945 699	inscription Bose		2	PR:9VL
8	991 555 723 02	Mounting frame Switch		1	
9	991 555 723 02 1E0 991 555 721 02	Black Cover	left front	1	
	991 555 721 02 5Q0	Black	-AZ, BM, BT, BW, TD		
	991 555 721 02 OA6	agate grey	-FZ		
	991 555 721 02 OL7	saddle brown	-SZ		
	991 555 721 02 6W0	Luxor beige	-UZ		
	991 555 721 02 OG6	Bordeaux red	-LZ		
	991 555 721 02 OH7	Graphite Blue	-HZ, TG		
	991 555 721 02 3T0	Espresso	-NE, BY		
(9)	991 555 722 02	Cover	right front	1	
	991 555 722 02 5Q0	Black	-AZ, BM, BT, BW, TD		
	991 555 722 02 OA6	agate grey	-FZ		
	991 555 722 02 OL7	saddle brown	-SZ		
	991 555 722 02 6W0	Luxor beige	-UZ		
	991 555 722 02 OG6	Bordeaux red	-LZ		
	991 555 722 02 OH7	Graphite Blue	-HZ, TG		
	991 555 722 02 3T0	Espresso	-NE, BY		
10	7PP 837 247	Cover panel Inner actuator	left	1	
(10)	7PP 837 247 1E0 7PP 837 248	Black Cover panel Inner actuator	right	1	
	7PP 837 248 1E0	Black			
11	991 555 683 01 991 555 683 01 5Q0	cover for airbag Black	left -AZ, BT, BM, BW, TD	1	
	991 555 683 01 OA6	agate grey	-FZ		
	991 555 683 01 OL7	saddle brown	-SZ		
	991 555 683 01 6W0	Luxor beige	-UZ		
	991 555 683 01 OG6	Bordeaux red	-LZ		
	991 555 683 01 OH7	Graphite Blue	-HZ, TG		
	991 555 683 01 3T0	Espresso	-NE, BY		
(11)	991 555 684 01 991 555 684 01 5Q0	cover for airbag Black	right -AZ, BT, BM, BW, TD	1	
	991 555 684 01 OA6	agate grey	-FZ		
	991 555 684 01 OL7	saddle brown	-SZ		
	991 555 684 01 6W0	Luxor beige	-UZ		
	991 555 684 01 OG6	Bordeaux red	-LZ		
	991 555 684 01 OH7	Graphite Blue	-HZ, TG		
	991 555 684 01 3T0	Espresso	-NE, BY		
12	991 555 741 00	Cover panel window frame	left	1	
(12)	991 555 741 00 1E0 991 555 742 00	Black Cover panel window frame	right	1	
	991 555 742 00 1E0	Black			
13	999 073 322 02	fillister hd. bolt M 6 X 20		8	
14	999 919 203 07	fillister hd. bolt M 3 X 10		10	



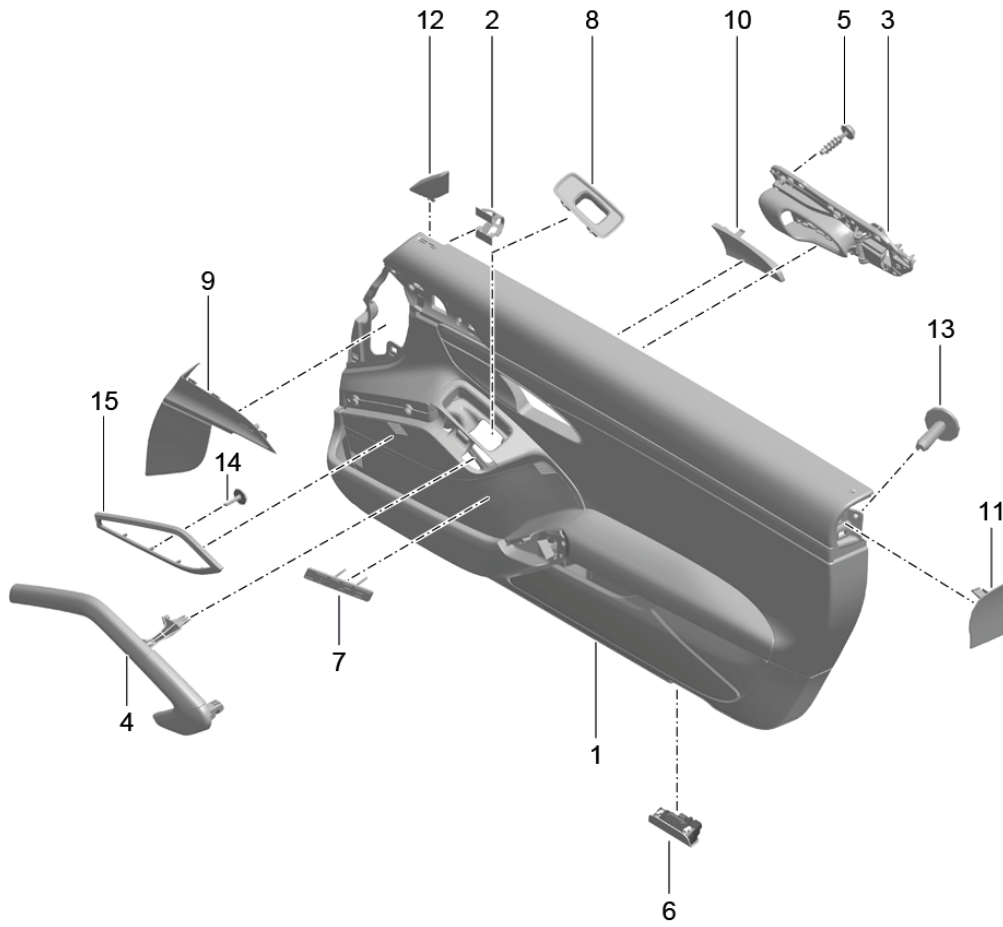
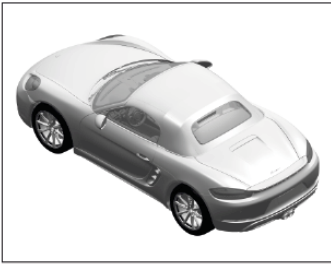
Model: 982-17

Model life 2017>>

Pos	Part Number	Description	Remark	Qty	Model
15	991 555 581 00	decorative frame Loudspeaker trim	left	1	PR:9VJ
(15)	991 555 581 00 V08	Galvano silver			
	991 555 582 00	decorative frame Loudspeaker trim	right	1	PR:9VJ
	991 555 582 00 V08	Galvano silver			

Model: 982-17

Model life 2017>>



Model: 982-17 Model life 2017>>

Pos	Part Number	Description	Remark	Qty	Model
		door panel			PR:981,XWC
		Accessories			
		Trim			
		Carbon			
(1)	991 555 993 12	Door panel trim (leather)	left	1	PR:9VK,-625
	991 555 993 12 A11	Black	-AZ		
	991 555 993 12 OA1	agate grey	-FZ		
	991 555 993 12 OH7	Graphite Blue	-HZ		
	991 555 993 12 OK6	saddle brown	-SZ		
	991 555 993 12 7J0	Luxor beige	-UZ		
	991 555 993 12 OG6	Bordeaux red	-LZ		
	991 555 993 12 6J0	Espresso	-NE		
	991 555 993 12 JHB	Black/Dark Silver	-TD		
(1)	991 555 993 12	Door panel trim (leather)	left	1	PR:9VK,-625
		two-colour			
	991 555 993 12 DTO	Black/Luxor Beige	-BT		
	991 555 993 12 GUG	Black/Bordeaux Red	-BM		
	991 555 993 12 GUH	Black/Chalk	-BW		
	991 555 993 12 GTG	Graphite Blue/Chalk	-TG		
	991 555 993 12 GRG	Espresso/Cognac	-BY		
(1)	991 555 994 12	Door panel trim (leather)	right	1	PR:9VK,-625
	991 555 994 12 A11	Black	-AZ		
	991 555 994 12 OA1	agate grey	-FZ		
	991 555 994 12 OH7	Graphite Blue	-HZ		
	991 555 994 12 OK6	saddle brown	-SZ		
	991 555 994 12 7J0	Luxor beige	-UZ		
	991 555 994 12 OG6	Bordeaux red	-LZ		
	991 555 994 12 6J0	Espresso	-NE		
	991 555 994 12 JHB	Black/Dark Silver	-TD		
(1)	991 555 994 12	Door panel trim (leather)	right	1	PR:9VK,-625
		two-colour			
	991 555 994 12 DTO	Black/Luxor Beige	-BT		
	991 555 994 12 GUG	Black/Bordeaux Red	-BM		
	991 555 994 12 GUH	Black/Chalk	-BW		
	991 555 994 12 GTG	Graphite Blue/Chalk	-TG		
	991 555 994 12 GRG	Espresso/Cognac	-BY		
(1)	991 555 993 13	Door panel trim (leather)	left	1	PR:9VL,-625
		Leather			
	991 555 993 13 A11	Black	-AZ		
	991 555 993 13 OA1	agate grey	-FZ		
	991 555 993 13 OH7	Graphite Blue	-HZ		
	991 555 993 13 OK6	saddle brown	-SZ		
	991 555 993 13 7J0	Luxor beige	-UZ		
	991 555 993 13 OG6	Bordeaux red	-LZ		
	991 555 993 13 6J0	Espresso	-NE		
	991 555 993 13 JHB	Black/Dark Silver	-TD		
(1)	991 555 993 13	Door panel trim (leather)	left	1	PR:9VL,-625
		Leather			
		two-colour			
	991 555 993 13 DTO	Black/Luxor Beige	-BT		
	991 555 993 13 GUG	Black/Bordeaux Red	-BM		
	991 555 993 13 GUH	Black/Chalk	-BW		
	991 555 993 13 GTG	Graphite Blue/Chalk	-TG		
	991 555 993 13 GRG	Espresso/Cognac	-BY		
(1)	991 555 994 13	Door panel trim (leather)	right	1	PR:9VL,-625
		Leather			
	991 555 994 13 A11	Black	-AZ		
	991 555 994 13 OA1	agate grey	-FZ		
	991 555 994 13 OH7	Graphite Blue	-HZ		
	991 555 994 13 OK6	saddle brown	-SZ		
	991 555 994 13 7J0	Luxor beige	-UZ		
	991 555 994 13 OG6	Bordeaux red	-LZ		
	991 555 994 13 6J0	Espresso	-NE		

Model: 982-17 Model life 2017>>

Pos	Part Number	Description	Remark	Qty	Model
(1)	991 555 994 13 JHB 991 555 994 13	Black/Dark Silver Door panel trim (leather) Leather two-colour	-TD right	1	PR:9VL,-625
	991 555 994 13 DTO 991 555 994 13 GUG 991 555 994 13 GUH 991 555 994 13 GTG 991 555 994 13 GRG	Black/Luxor Beige Black/Bordeaux Red Black/Chalk Graphite Blue/Chalk Espresso/Cognac	-BT -BM -BW -TG -BY		
(1)	991 555 993 14 991 555 993 14 A11 991 555 993 14 OA1 991 555 993 14 OH7 991 555 993 14 OK6 991 555 993 14 7J0 991 555 993 14 OG6 991 555 993 14 6J0	Door panel trim (leather) Black agate grey Graphite Blue saddle brown Luxor beige Bordeaux red Espresso	left -AZ -FZ -HZ -SZ -UZ -LZ -NE	1	PR:9VJ,-625
(1)	991 555 993 14 JHB 991 555 993 14	Black/Dark Silver Door panel trim (leather) two-colour	-TD left	1	PR:9VJ,-625
	991 555 993 14 DTO 991 555 993 14 GUG 991 555 993 14 GUH 991 555 993 14 GTG 991 555 993 14 GRG	Black/Luxor Beige Black/Bordeaux Red Black/Chalk Graphite Blue/Chalk Espresso/Cognac	-BT -BM -BW -TG -BY		
(1)	991 555 994 14 991 555 994 14 A11 991 555 994 14 OA1 991 555 994 14 OH7 991 555 994 14 OK6 991 555 994 14 7J0 991 555 994 14 OG6 991 555 994 14 6J0	Door panel trim (leather) Black agate grey Graphite Blue saddle brown Luxor beige Bordeaux red Espresso	right -AZ -FZ -HZ -SZ -UZ -LZ -NE	1	PR:9VJ,-625
(1)	991 555 994 14 JHB 991 555 994 14	Black/Dark Silver Door panel trim (leather) two-colour	-TD right	1	PR:9VJ,-625
	991 555 994 14 DTO 991 555 994 14 GUG 991 555 994 14 GUH 991 555 994 14 GTG 991 555 994 14 GRG	Black/Luxor Beige Black/Bordeaux Red Black/Chalk Graphite Blue/Chalk Espresso/Cognac	-BT -BM -BW -TG -BY		
(1)	991 555 993 15 991 555 993 15 A11 991 555 993 15 OA1 991 555 993 15 OH7 991 555 993 15 OK6 991 555 993 15 7J0 991 555 993 15 OG6 991 555 993 15 6J0	Door panel trim (leather) Black agate grey Graphite Blue saddle brown Luxor beige Bordeaux red Espresso	left -AZ -FZ -HZ -SZ -UZ -LZ -NE	1	PR:9VK,537, -625,098
(1)	991 555 993 15 JHB 991 555 993 15	Black/Dark Silver Door panel trim (leather) two-colour	-TD left lhd	1	PR:9VK,537, -625,098
	991 555 993 15 DTO 991 555 993 15 GUG 991 555 993 15 GUH 991 555 993 15 GTG 991 555 993 15 GRG	Black/Luxor Beige Black/Bordeaux Red Black/Chalk Graphite Blue/Chalk Espresso/Cognac	-BT -BM -BW -TG -BY		
(1)	991 555 994 15 991 555 994 15 A11 991 555 994 15 OA1	Door panel trim (leather) Black agate grey	right rhd -AZ -FZ	1	PR:9VK,538, -625,099

Model: 982-17 Model life 2017>>

Pos	Part Number	Description	Remark	Qty	Model
	991 555 994 15 OH7	Graphite Blue	-HZ		
	991 555 994 15 OK6	saddle brown	-SZ		
	991 555 994 15 7J0	Luxor beige	-UZ		
	991 555 994 15 OG6	Bordeaux red	-LZ		
	991 555 994 15 6J0	Espresso	-NE		
	991 555 994 15 JHB	Black/Dark Silver	-TD		
(1)	991 555 994 15	Door panel trim (leather)	right rhd	1	PR:9VK,538, -625,099
		two-colour			
	991 555 994 15 DTO	Black/Luxor Beige	-BT		
	991 555 994 15 GUG	Black/Bordeaux Red	-BM		
	991 555 994 15 GUH	Black/Chalk	-BW		
	991 555 994 15 GTG	Graphite Blue/Chalk	-TG		
	991 555 994 15 GRG	Espresso/Cognac	-BY		
(1)	991 555 993 16	Door panel trim (leather)	left lhd	1	PR:9VL,537, -625,098
	991 555 993 16 A11	Black	-AZ		
	991 555 993 16 OA1	agate grey	-FZ		
	991 555 993 16 OH7	Graphite Blue	-HZ		
	991 555 993 16 OK6	saddle brown	-SZ		
	991 555 993 16 7J0	Luxor beige	-UZ		
	991 555 993 16 OG6	Bordeaux red	-LZ		
	991 555 993 16 6J0	Espresso	-NE		
	991 555 993 16 JHB	Black/Dark Silver	-TD		
(1)	991 555 993 16	Door panel trim (leather)	left lhd	1	PR:9VK,537, -625,098
		two-colour			
	991 555 993 16 DTO	Black/Luxor Beige	-BT		
	991 555 993 16 GUG	Black/Bordeaux Red	-BM		
	991 555 993 16 GUH	Black/Chalk	-BW		
	991 555 993 16 GTG	Graphite Blue/Chalk	-TG		
	991 555 993 16 GRG	Espresso/Cognac	-BY		
(1)	991 555 994 16	Door panel trim (leather)	right rhd	1	PR:9VL,538, -625,099
	991 555 994 16 A11	Black	-AZ		
	991 555 994 16 OA1	agate grey	-FZ		
	991 555 994 16 OH7	Graphite Blue	-HZ		
	991 555 994 16 OK6	saddle brown	-SZ		
	991 555 994 16 7J0	Luxor beige	-UZ		
	991 555 994 16 OG6	Bordeaux red	-LZ		
	991 555 994 16 6J0	Espresso	-NE		
	991 555 994 16 JHB	Black/Dark Silver	-TD		
(1)	991 555 994 16	Door panel trim (leather)	right rhd	1	PR:9VL,538, -625,099
		two-colour			
	991 555 994 16 DTO	Black/Luxor Beige	-BT		
	991 555 994 16 GUG	Black/Bordeaux Red	-BM		
	991 555 994 16 GUH	Black/Chalk	-BW		
	991 555 994 16 GTG	Graphite Blue/Chalk	-TG		
	991 555 994 16 GRG	Espresso/Cognac	-BY		
(1)	991 555 993 17	Door panel trim (leather)	left lhd	1	PR:9VJ,537, -625,098
	991 555 993 17 A11	Black	-AZ		
	991 555 993 17 OA1	agate grey	-FZ		
	991 555 993 17 OH7	Graphite Blue	-HZ		
	991 555 993 17 OK6	saddle brown	-SZ		
	991 555 993 17 7J0	Luxor beige	-UZ		
	991 555 993 17 OG6	Bordeaux red	-LZ		
	991 555 993 17 6J0	Espresso	-NE		
	991 555 993 17 JHB	Black/Dark Silver	-TD		
(1)	991 555 993 17	Door panel trim (leather)	left lhd	1	PR:9VJ,537, -625,098
		two-colour			

Model: 982-17 Model life 2017>>

Pos	Part Number	Description	Remark	Qty	Model
	991 555 993 17 DTO	Black/Luxor Beige	-BT		
	991 555 993 17 GUG	Black/Bordeaux Red	-BM		
	991 555 993 17 GUH	Black/Chalk	-BW		
	991 555 993 17 GTG	Graphite Blue/Chalk	-TG		
	991 555 993 17 GRG	Espresso/Cognac	-BY		
(1)	991 555 994 17	Door panel trim (leather)	right rhd	1	PR:9VJ,538, -625,099
	991 555 994 17 A11	Black	-AZ		
	991 555 994 17 OA1	agate grey	-FZ		
	991 555 994 17 OH7	Graphite Blue	-HZ		
	991 555 994 17 OK6	saddle brown	-SZ		
	991 555 994 17 7J0	Luxor beige	-UZ		
	991 555 994 17 OG6	Bordeaux red	-LZ		
	991 555 994 17 6J0	Espresso	-NE		
	991 555 994 17 JHB	Black/Dark Silver	-TD		
(1)	991 555 994 17	Door panel trim (leather)	right rhd	1	PR:9VJ,538, -625,099
		two-colour			
	991 555 994 17 DTO	Black/Luxor Beige	-BT		
	991 555 994 17 GUG	Black/Bordeaux Red	-BM		
	991 555 994 17 GUH	Black/Chalk	-BW		
	991 555 994 17 GTG	Graphite Blue/Chalk	-TG		
	991 555 994 17 GRG	Espresso/Cognac	-BY		
(1)	991 555 993 42	Door panel trim (leather)	left	1	PR:9VK,625
	991 555 993 42 A11	Black	-AZ		
	991 555 993 42 OA1	agate grey	-FZ		
	991 555 993 42 OH7	Graphite Blue	-HZ		
	991 555 993 42 OK6	saddle brown	-SZ		
	991 555 993 42 7J0	Luxor beige	-UZ		
	991 555 993 42 OG6	Bordeaux red	-LZ		
	991 555 993 42 6J0	Espresso	-NE		
	991 555 993 42 JHB	Black/Dark Silver	-TD		
(1)	991 555 993 42	Door panel trim (leather)	left	1	PR:9VK,625
		two-colour			
	991 555 993 42 DTO	Black/Luxor Beige	-BT		
	991 555 993 42 GUG	Black/Bordeaux Red	-BM		
	991 555 993 42 GUH	Black/Chalk	-BW		
	991 555 993 42 GTG	Graphite Blue/Chalk	-TG		
	991 555 993 42 GRG	Espresso/Cognac	-BY		
(1)	991 555 994 42	Door panel trim (leather)	right	1	PR:9VK,625
	991 555 994 42 A11	Black	-AZ		
	991 555 994 42 OA1	agate grey	-FZ		
	991 555 994 42 OH7	Graphite Blue	-HZ		
	991 555 994 42 OK6	saddle brown	-SZ		
	991 555 994 42 7J0	Luxor beige	-UZ		
	991 555 994 42 OG6	Bordeaux red	-LZ		
	991 555 994 42 6J0	Espresso	-NE		
	991 555 994 42 JHB	Black/Dark Silver	-TD		
(1)	991 555 994 42	Door panel trim (leather)	right	1	PR:9VK,625
		two-colour			
	991 555 994 42 DTO	Black/Luxor Beige	-BT		
	991 555 994 42 GUG	Black/Bordeaux Red	-BM		
	991 555 994 42 GUH	Black/Chalk	-BW		
	991 555 994 42 GTG	Graphite Blue/Chalk	-TG		
	991 555 994 42 GRG	Espresso/Cognac	-BY		
(1)	991 555 993 43	Door panel trim (leather)	left	1	PR:9VL,625
	991 555 993 43 A11	Black	-AZ		
	991 555 993 43 OA1	agate grey	-FZ		
	991 555 993 43 OH7	Graphite Blue	-HZ		
	991 555 993 43 OK6	saddle brown	-SZ		
	991 555 993 43 7J0	Luxor beige	-UZ		
	991 555 993 43 OG6	Bordeaux red	-LZ		
	991 555 993 43 6J0	Espresso	-NE		

Model: 982-17 Model life 2017>>

Pos	Part Number	Description	Remark	Qty	Model
(1)	991 555 993 43 JHB	Black/Dark Silver	-TD		
	991 555 993 43	Door panel trim (leather)	left	1	PR:9VL,625
		two-colour			
	991 555 993 43 DTO	Black/Luxor Beige	-BT		
	991 555 993 43 GUG	Black/Bordeaux Red	-BM		
	991 555 993 43 GUH	Black/Chalk	-BW		
	991 555 993 43 GTG	Graphite Blue/Chalk	-TG		
	991 555 993 43 GRG	Espresso/Cognac	-BY		
(1)	991 555 994 43	Door panel trim (leather)	right	1	PR:9VL,625
	991 555 994 43 A11	Black	-AZ		
	991 555 994 43 OA1	agate grey	-FZ		
	991 555 994 43 OH7	Graphite Blue	-HZ		
	991 555 994 43 OK6	saddle brown	-SZ		
	991 555 994 43 7J0	Luxor beige	-UZ		
	991 555 994 43 OG6	Bordeaux red	-LZ		
	991 555 994 43 6J0	Espresso	-NE		
	991 555 994 43 JHB	Black/Dark Silver	-TD		
(1)	991 555 994 43	Door panel trim (leather)	right	1	PR:9VL,625
		two-colour			
	991 555 994 43 DTO	Black/Luxor Beige	-BT		
	991 555 994 43 GUG	Black/Bordeaux Red	-BM		
	991 555 994 43 GUH	Black/Chalk	-BW		
	991 555 994 43 GTG	Graphite Blue/Chalk	-TG		
	991 555 994 43 GRG	Espresso/Cognac	-BY		
(1)	991 555 993 44	Door panel trim (leather)	left	1	PR:9VJ,625
	991 555 993 44 A11	Black	-AZ		
	991 555 993 44 OA1	agate grey	-FZ		
	991 555 993 44 OH7	Graphite Blue	-HZ		
	991 555 993 44 OK6	saddle brown	-SZ		
	991 555 993 44 7J0	Luxor beige	-UZ		
	991 555 993 44 OG6	Bordeaux red	-LZ		
	991 555 993 44 6J0	Espresso	-NE		
	991 555 993 44 JHB	Black/Dark Silver	-TD		
(1)	991 555 993 44	Door panel trim (leather)	left	1	PR:9VJ,625
		two-colour			
	991 555 993 44 DTO	Black/Luxor Beige	-BT		
	991 555 993 44 GUG	Black/Bordeaux Red	-BM		
	991 555 993 44 GUH	Black/Chalk	-BW		
	991 555 993 44 GTG	Graphite Blue/Chalk	-TG		
	991 555 993 44 GRG	Espresso/Cognac	-BY		
(1)	991 555 994 44	Door panel trim (leather)	right	1	PR:9VJ,625
	991 555 994 44 A11	Black	-AZ		
	991 555 994 44 OA1	agate grey	-FZ		
	991 555 994 44 OH7	Graphite Blue	-HZ		
	991 555 994 44 OK6	saddle brown	-SZ		
	991 555 994 44 7J0	Luxor beige	-UZ		
	991 555 994 44 OG6	Bordeaux red	-LZ		
	991 555 994 44 6J0	Espresso	-NE		
	991 555 994 44 JHB	Black/Dark Silver	-TD		
(1)	991 555 994 44	Door panel trim (leather)	right	1	PR:9VJ,625
		two-colour			
	991 555 994 44 DTO	Black/Luxor Beige	-BT		
	991 555 994 44 GUG	Black/Bordeaux Red	-BM		
	991 555 994 44 GUH	Black/Chalk	-BW		
	991 555 994 44 GTG	Graphite Blue/Chalk	-TG		
	991 555 994 44 GRG	Espresso/Cognac	-BY		
(1)	991 555 993 45	Door panel trim (leather)	left lhd	1	PR:9VK,537, 625,098
	991 555 993 45 A11	Black	-AZ		
	991 555 993 45 OA1	agate grey	-FZ		
	991 555 993 45 OH7	Graphite Blue	-HZ		
	991 555 993 45 OK6	saddle brown	-SZ		
	991 555 993 45 7J0	Luxor beige	-UZ		

Model: 982-17 Model life 2017>>

Pos	Part Number	Description	Remark	Qty	Model
(1)	991 555 993 45 OG6	Bordeaux red	-LZ	1	PR:9VK,537, 625,098
	991 555 993 45 6J0	Espresso	-NE		
	991 555 993 45 JHB	Black/Dark Silver	-TD		
	991 555 993 45	Door panel trim (leather)	left lhd		
		two-colour			
	991 555 993 45 DTO	Black/Luxor Beige	-BT		
	991 555 993 45 GUG	Black/Bordeaux Red	-BM		
	991 555 993 45 GUH	Black/Chalk	-BW		
	991 555 993 45 GTG	Graphite Blue/Chalk	-TG		
	991 555 993 45 GRG	Espresso/Cognac	-BY		
(1)	991 555 994 45	Door panel trim (leather)	right rhd	1	PR:9VK,538, 625,099
	991 555 994 45 A11	Black	-AZ		
	991 555 994 45 OA1	agate grey	-FZ		
	991 555 994 45 OH7	Graphite Blue	-HZ		
	991 555 994 45 OK6	saddle brown	-SZ		
	991 555 994 45 7J0	Luxor beige	-UZ		
	991 555 994 45 OG6	Bordeaux red	-LZ		
	991 555 994 45 6J0	Espresso	-NE		
	991 555 994 45 JHB	Black/Dark Silver	-TD		
	991 555 994 45	Door panel trim (leather)	right rhd		
(1)	991 555 994 45 DTO	Black/Luxor Beige	-BT	1	PR:9VL,537, 625,098
	991 555 994 45 GUG	Black/Bordeaux Red	-BM		
	991 555 994 45 GUH	Black/Chalk	-BW		
	991 555 994 45 GTG	Graphite Blue/Chalk	-TG		
	991 555 994 45 GRG	Espresso/Cognac	-BY		
	991 555 993 46	Door panel trim (leather)	left lhd		
	991 555 993 46 A11	Black	-AZ		
	991 555 993 46 OA1	agate grey	-FZ		
	991 555 993 46 OH7	Graphite Blue	-HZ		
	991 555 993 46 OK6	saddle brown	-SZ		
(1)	991 555 993 46 7J0	Luxor beige	-UZ	1	PR:9VL,537, 625,098
	991 555 993 46 OG6	Bordeaux red	-LZ		
	991 555 993 46 6J0	Espresso	-NE		
	991 555 993 46 JHB	Black/Dark Silver	-TD		
	991 555 993 46	Door panel trim (leather)	left lhd		
	991 555 993 46 DTO	Black/Luxor Beige	-BT		
	991 555 993 46 GUG	Black/Bordeaux Red	-BM		
	991 555 993 46 GUH	Black/Chalk	-BW		
	991 555 993 46 GTG	Graphite Blue/Chalk	-TG		
	991 555 993 46 GRG	Espresso/Cognac	-BY		
(1)	991 555 994 46	Door panel trim (leather)	right rhd	1	PR:9VL,538, 625,099
	991 555 994 46 A11	Black	-AZ		
	991 555 994 46 OA1	agate grey	-FZ		
	991 555 994 46 OH7	Graphite Blue	-HZ		
	991 555 994 46 OK6	saddle brown	-SZ		
	991 555 994 46 7J0	Luxor beige	-UZ		
	991 555 994 46 OG6	Bordeaux red	-LZ		
	991 555 994 46 6J0	Espresso	-NE		
	991 555 994 46 JHB	Black/Dark Silver	-TD		
	991 555 994 46	Door panel trim (leather)	right rhd		
(1)	991 555 994 46 DTO	Black/Luxor Beige	-BT	1	PR:9VL,538, 625,099
	991 555 994 46 GUG	Black/Bordeaux Red	-BM		
	991 555 994 46 GUH	Black/Chalk	-BW		



Model: 982-17 Model life 2017>>

Pos	Part Number	Description	Remark	Qty	Model			
(1)	991 555 994 46 GTG	Graphite Blue/Chalk	-TG	1	PR:9VJ,537, 625,098			
	991 555 994 46 GRG	Espresso/Cognac	-BY					
	991 555 993 47	Door panel trim (leather)	left lhd					
	991 555 993 47 A11	Black	-AZ					
	991 555 993 47 OA1	agate grey	-FZ					
	991 555 993 47 OH7	Graphite Blue	-HZ					
	991 555 993 47 OK6	saddle brown	-SZ					
	991 555 993 47 7J0	Luxor beige	-UZ					
	991 555 993 47 OG6	Bordeaux red	-LZ					
	991 555 993 47 6J0	Espresso	-NE					
(1)	991 555 993 47 JHB	Black/Dark Silver	-TD	1	PR:9VJ,537, 625,098			
	991 555 993 47	Door panel trim (leather)	left lhd					
		two-colour						
	991 555 993 47 DTO	Black/Luxor Beige	-BT					
	991 555 993 47 GUG	Black/Bordeaux Red	-BM					
	991 555 993 47 GUH	Black/Chalk	-BW					
	991 555 993 47 GTG	Graphite Blue/Chalk	-TG					
	991 555 993 47 GRG	Espresso/Cognac	-BY					
	(1)	991 555 994 47	Door panel trim (leather)			right rhd	1	PR:9VJ,538, 625,099
		991 555 994 47 A11	Black			-AZ		
991 555 994 47 OA1		agate grey	-FZ					
991 555 994 47 OH7		Graphite Blue	-HZ					
991 555 994 47 OK6		saddle brown	-SZ					
991 555 994 47 7J0		Luxor beige	-UZ					
991 555 994 47 OG6		Bordeaux red	-LZ					
991 555 994 47 6J0		Espresso	-NE					
991 555 994 47 JHB		Black/Dark Silver	-TD					
(1)		991 555 994 47	Door panel trim (leather)	right rhd	1	PR:9VJ,538, 625,099		
		two-colour						
	991 555 994 47 DTO	Black/Luxor Beige	-BT					
	991 555 994 47 GUG	Black/Bordeaux Red	-BM					
	991 555 994 47 GUH	Black/Chalk	-BW					
	991 555 994 47 GTG	Graphite Blue/Chalk	-TG					
	991 555 994 47 GRG	Espresso/Cognac	-BY					
	(1)	991 555 203 44	Door trim (Alcantara)	left			1	PR:9VK,625 975
	(1)	991 555 203 44 DSP	Black	-GW,GY			1	PR:9VK,625 975
991 555 203 44 DSN		Black/Carmin Red	-GQ					
(1)	991 555 204 44	Door trim (Alcantara)	right	1	PR:9VK,625 975			
2	991 555 204 44 DSP	Black	-GW,GY	4				
	991 555 204 44 DSN	Black/Carmin Red	-GQ					
3	999 507 533 02	Clamp 8,0 X 10,0 /2,5		1				
(3)	991 555 521 01	Inner actuator	left	1				
	991 555 521 01 V08	Galvano silver						
(3)	991 555 522 01	Inner actuator	right	1				
	991 555 522 01 V08	Galvano silver						
4	991 555 533 00	Pull handle Leather	left	1				
	991 555 533 00 A11	Black	-AZ					
	991 555 533 00 OA1	agate grey	-FZ					
	991 555 533 00 OK6	saddle brown	-SZ					
	991 555 533 00 7J0	Luxor beige	-UZ,BT					
	991 555 533 00 OG6	Bordeaux red	-LZ,BM					
	991 555 533 00 OH7	Graphite Blue	-HZ					
	991 555 533 00 6J0	Espresso	-NE					
	991 555 533 00 7F0	Cognac	-BY					
	991 555 533 00 OL8	Chalk	-BW,TG					

Model: 982-17 Model life 2017>>

Pos	Part Number	Description	Remark	Qty	Model
(4)	991 555 533 00 JHB	Black/Dark Silver	-TD	1	
	991 555 534 00	Pull handle (leather)	right		
	991 555 534 00 A11	Black	-AZ		
	991 555 534 00 OA1	agate grey	-FZ		
	991 555 534 00 OK6	saddle brown	-SZ		
	991 555 534 00 7J0	Luxor beige	-UZ,BT		
	991 555 534 00 OG6	Bordeaux red	-LZ,BM		
	991 555 534 00 OH7	Graphite Blue	-HZ		
	991 555 534 00 6J0	Espresso	-NE		
	991 555 534 00 7F0	Cognac	-BY		
5	991 555 534 00 OL8	Chalk	-BW,TG	9	
	991 555 534 00 JHB	Black/Dark Silver	-TD		
	999 919 262 01	fillister hd. bolt 4,0 X 16,0			
6	970 632 135 00	Door warning light		2	PR:9VL
7	7PP 945 699	inscription		2	
8		Bose		1	
	991 555 723 02	Mounting frame			
9		Switch		1	
	991 555 723 02 1E0	Black			
	991 555 721 02	Cover	left	1	
	991 555 721 02 5Q0	Black	-AZ, BM, BT, BW, TD		
	991 555 721 02 OA6	agate grey	-FZ		
	991 555 721 02 OL7	saddle brown	-SZ		
	991 555 721 02 6W0	Luxor beige	-UZ		
	991 555 721 02 OG6	Bordeaux red	-LZ		
	991 555 721 02 OH7	Graphite Blue	-HZ, TG		
	991 555 721 02 3T0	Espresso	-NE, BY		
(9)	991 555 722 02	Cover	right		
	991 555 722 02 5Q0	Black	-AZ, BM, BT, BW, TD		
	991 555 722 02 OA6	agate grey	-FZ		
	991 555 722 02 OL7	saddle brown	-SZ		
	991 555 722 02 6W0	Luxor beige	-UZ		
	991 555 722 02 OG6	Bordeaux red	-LZ		
	991 555 722 02 OH7	Graphite Blue	-HZ, TG		
	991 555 722 02 3T0	Espresso	-NE, BY		
10	7PP 837 247	Cover panel	left	1	
		Inner actuator		1	
	7PP 837 247 1E0	Black			
(10)	7PP 837 248	Cover panel	right	1	
		Inner actuator		1	
	7PP 837 248 1E0	Black			
11	991 555 683 01	cover for airbag	left	1	
	991 555 683 01 5Q0	Black	-AZ, BT, BM, BW, TD		
	991 555 683 01 OA6	agate grey	-FZ		
	991 555 683 01 OL7	saddle brown	-SZ		
	991 555 683 01 6W0	Luxor beige	-UZ		
	991 555 683 01 OG6	Bordeaux red	-LZ		
	991 555 683 01 OH7	Graphite Blue	-HZ, TG		
	991 555 683 01 3T0	Espresso	-NE, BY		
(11)	991 555 684 01	cover for airbag	right	1	
	991 555 684 01 5Q0	Black	-AZ, BT, BM, BW, TD		
	991 555 684 01 OA6	agate grey	-FZ		
	991 555 684 01 OL7	saddle brown	-SZ		
	991 555 684 01 6W0	Luxor beige	-UZ		
	991 555 684 01 OG6	Bordeaux red	-LZ		
	991 555 684 01 OH7	Graphite Blue	-HZ, TG		

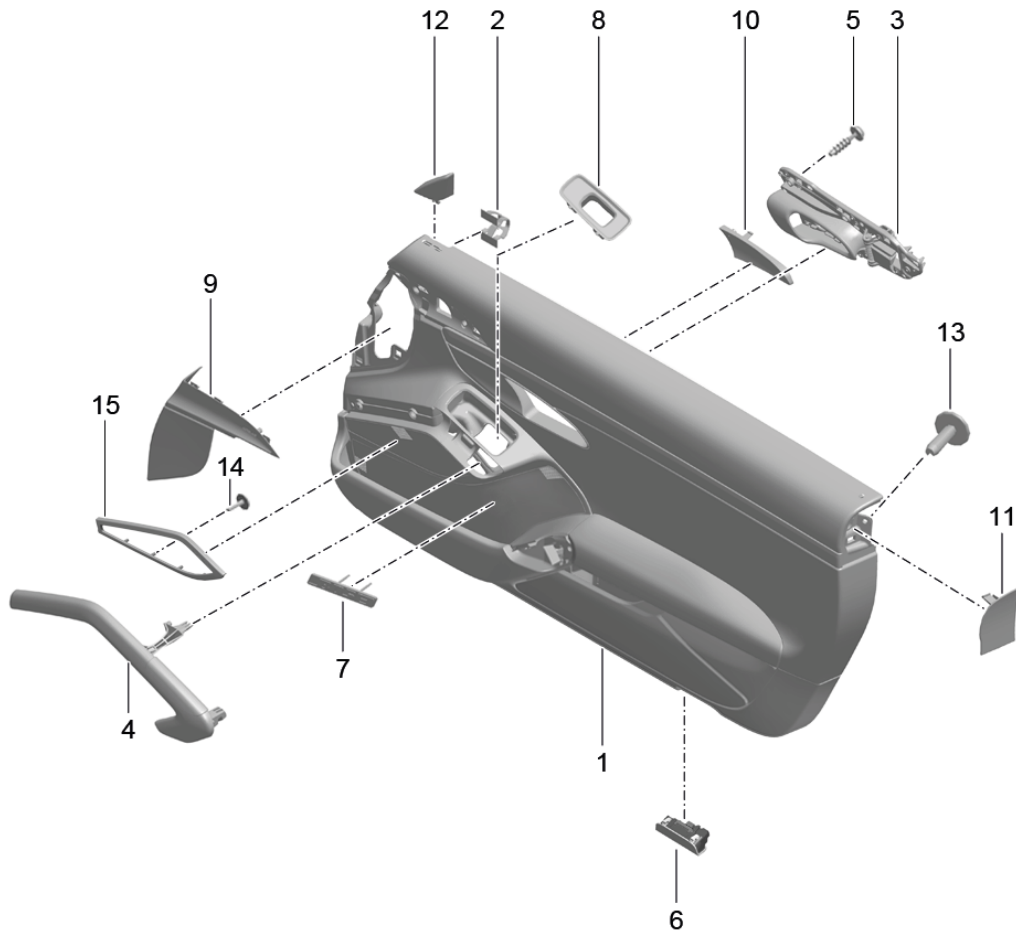
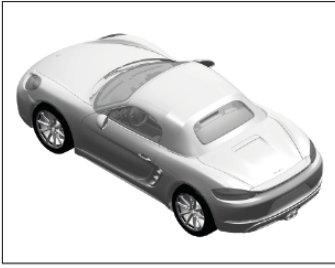
Model: 982-17

Model life 2017>>

Pos	Part Number	Description	Remark	Qty	Model
12	991 555 684 01 3T0 991 555 741 00	Espresso Cover panel window frame	-NE,BY left	1	
(12)	991 555 741 00 1E0 991 555 742 00	Black Cover panel window frame	right	1	
13	991 555 742 00 1E0 999 073 322 02	Black fillister hd. bolt M 6 X 20		8	
14	999 919 203 07	fillister hd. bolt M 3 X 10		10	
15	991 555 581 00	decorative frame Loudspeaker trim	left	1	PR:9VJ
(15)	991 555 581 00 V08 991 555 582 00	Galvano silver decorative frame Loudspeaker trim	right	1	PR:9VJ
	991 555 582 00 V08	Galvano silver			

Model: 982-17

Model life 2017>>



Model: 982-17 Model life 2017>>

Pos	Part Number	Description	Remark	Qty	Model
		door panel			PR:981,XWD
		Accessories			
		Trim			
		Aluminium, brushed			
(1)	991 555 993 24	Door panel trim (leather)	left	1	PR:9VK,-625
	991 555 993 24 A11	Black	-AZ		
	991 555 993 24 OA1	agate grey	-FZ		
	991 555 993 24 OH7	Graphite Blue	-HZ		
	991 555 993 24 OK6	saddle brown	-SZ		
	991 555 993 24 7J0	Luxor beige	-UZ		
	991 555 993 24 OG6	Bordeaux red	-LZ		
	991 555 993 24 6J0	Espresso	-NE		
	991 555 993 24 JHB	Black/Dark Silver	-TD		
(1)	991 555 993 24	Door panel trim (leather)	left	1	PR:9VK,-625
		two-colour			
	991 555 993 24 DTO	Black/Luxor Beige	-BT		
	991 555 993 24 GUG	Black/Bordeaux Red	-BM		
	991 555 993 24 GUH	Black/Chalk	-BW		
	991 555 993 24 GTG	Graphite Blue/Chalk	-TG		
	991 555 993 24 GRG	Espresso/Cognac	-BY		
(1)	991 555 994 24	Door panel trim (leather)	right	1	PR:9VK,-625
	991 555 994 24 A11	Black	-AZ		
	991 555 994 24 OA1	agate grey	-FZ		
	991 555 994 24 OH7	Graphite Blue	-HZ		
	991 555 994 24 OK6	saddle brown	-SZ		
	991 555 994 24 7J0	Luxor beige	-UZ		
	991 555 994 24 OG6	Bordeaux red	-LZ		
	991 555 994 24 6J0	Espresso	-NE		
	991 555 994 24 JHB	Black/Dark Silver	-TD		
(1)	991 555 994 24	Door panel trim (leather)	right	1	PR:9VK,-625
		two-colour			
	991 555 994 24 DTO	Black/Luxor Beige	-BT		
	991 555 994 24 GUG	Black/Bordeaux Red	-BM		
	991 555 994 24 GUH	Black/Chalk	-BW		
	991 555 994 24 GTG	Graphite Blue/Chalk	-TG		
	991 555 994 24 GRG	Espresso/Cognac	-BY		
(1)	991 555 993 25	door panel	left	1	PR:9VL,-625
		Leather			
	991 555 993 25 A11	Black	-AZ		
	991 555 993 25 OA1	agate grey	-FZ		
	991 555 993 25 OH7	Graphite Blue	-HZ		
	991 555 993 25 OK6	saddle brown	-SZ		
	991 555 993 25 7J0	Luxor beige	-UZ		
	991 555 993 25 OG6	Bordeaux red	-LZ		
	991 555 993 25 6J0	Espresso	-NE		
	991 555 993 25 JHB	Black/Dark Silver	-TD		
(1)	991 555 993 25	door panel	left	1	PR:9VL,-625
		Leather			
		two-colour			
	991 555 993 25 DTO	Black/Luxor Beige	-BT		
	991 555 993 25 GUG	Black/Bordeaux Red	-BM		
	991 555 993 25 GUH	Black/Chalk	-BW		
	991 555 993 25 GTG	Graphite Blue/Chalk	-TG		
	991 555 993 25 GRG	Espresso/Cognac	-BY		
(1)	991 555 994 25	door panel	right	1	PR:9VL,-625
		Leather			
	991 555 994 25 A11	Black	-AZ		
	991 555 994 25 OA1	agate grey	-FZ		
	991 555 994 25 OH7	Graphite Blue	-HZ		
	991 555 994 25 OK6	saddle brown	-SZ		
	991 555 994 25 7J0	Luxor beige	-UZ		
	991 555 994 25 OG6	Bordeaux red	-LZ		
	991 555 994 25 6J0	Espresso	-NE		

Model: 982-17

Model life 2017>>

Pos	Part Number	Description	Remark	Qty	Model
(1)	991 555 994 25 JHB 991 555 994 25	Black/Dark Silver door panel Leather two-colour	-TD right	1	PR:9VL,-625
	991 555 994 25 DTO	Black/Luxor Beige	-BT		
	991 555 994 25 GUG	Black/Bordeaux Red	-BM		
	991 555 994 25 GUH	Black/Chalk	-BW		
	991 555 994 25 GTG	Graphite Blue/Chalk	-TG		
	991 555 994 25 GRG	Espresso/Cognac	-BY		
(1)	991 555 993 26 991 555 993 26 A11 991 555 993 26 OA1 991 555 993 26 OH7 991 555 993 26 OK6 991 555 993 26 7J0 991 555 993 26 OG6 991 555 993 26 6J0	Door panel trim (leather) Black agate grey Graphite Blue saddle brown Luxor beige Bordeaux red Espresso	left -AZ -FZ -HZ -SZ -UZ -LZ -NE	1	PR:9VJ,-625
(1)	991 555 993 26 JHB 991 555 993 26 991 555 993 26 DTO 991 555 993 26 GUG 991 555 993 26 GUH 991 555 993 26 GTG 991 555 993 26 GRG	Black/Dark Silver Door panel trim (leather) two-colour Black/Luxor Beige Black/Bordeaux Red Black/Chalk Graphite Blue/Chalk Espresso/Cognac	-TD left -BT -BM -BW -TG -BY	1	PR:9VJ,-625
(1)	991 555 994 26 991 555 994 26 A11 991 555 994 26 OA1 991 555 994 26 OH7 991 555 994 26 OK6 991 555 994 26 7J0 991 555 994 26 OG6 991 555 994 26 6J0	Door panel trim (leather) Black agate grey Graphite Blue saddle brown Luxor beige Bordeaux red Espresso	right -AZ -FZ -HZ -SZ -UZ -LZ -NE	1	PR:9VJ,-625
(1)	991 555 994 26 JHB 991 555 994 26 991 555 994 26 DTO 991 555 994 26 GUG 991 555 994 26 GUH 991 555 994 26 GTG 991 555 994 26 GRG	Black/Dark Silver Door panel trim (leather) two-colour Black/Luxor Beige Black/Bordeaux Red Black/Chalk Graphite Blue/Chalk Espresso/Cognac	-TD right -BT -BM -BW -TG -BY	1	PR:9VJ,-625
(1)	991 555 993 27 991 555 993 27 A11 991 555 993 27 OA1 991 555 993 27 OH7 991 555 993 27 OK6 991 555 993 27 7J0 991 555 993 27 OG6 991 555 993 27 6J0	Door panel trim (leather) Black agate grey Graphite Blue saddle brown Luxor beige Bordeaux red Espresso	left -AZ -FZ -HZ -SZ -UZ -LZ -NE	1	PR:9VK,537, -625,098
(1)	991 555 993 27 JHB 991 555 993 27 991 555 993 27 DTO 991 555 993 27 GUG 991 555 993 27 GUH 991 555 993 27 GTG 991 555 993 27 GRG	Black/Dark Silver Door panel trim (leather) two-colour Black/Luxor Beige Black/Bordeaux Red Black/Chalk Graphite Blue/Chalk Espresso/Cognac	-TD left -BT -BM -BW -TG -BY	1	PR:9VK,537, -625,098
(1)	991 555 994 27 991 555 994 27 A11 991 555 994 27 OA1	Door panel trim (leather) Black agate grey	right -AZ -FZ	1	PR:9VK,538, -625,099

Model: 982-17 Model life 2017>>

Pos	Part Number	Description	Remark	Qty	Model
	991 555 994 27 OH7	Graphite Blue	-HZ		
	991 555 994 27 OK6	saddle brown	-SZ		
	991 555 994 27 7J0	Luxor beige	-UZ		
	991 555 994 27 OG6	Bordeaux red	-LZ		
	991 555 994 27 6J0	Espresso	-NE		
	991 555 994 27 JHB	Black/Dark Silver	-TD		
(1)	991 555 994 27	Door panel trim (leather)	right rhd	1	PR:9VK,538, -625,099
		two-colour			
	991 555 994 27 DTO	Black/Luxor Beige	-BT		
	991 555 994 27 GUG	Black/Bordeaux Red	-BM		
	991 555 994 27 GUH	Black/Chalk	-BW		
	991 555 994 27 GTG	Graphite Blue/Chalk	-TG		
	991 555 994 27 GRG	Espresso/Cognac	-BY		
(1)	991 555 993 28	Door panel trim (leather)	left lhd	1	PR:9VL,537, -625,098
	991 555 993 28 A11	Black	-AZ		
	991 555 993 28 OA1	agate grey	-FZ		
	991 555 993 28 OH7	Graphite Blue	-HZ		
	991 555 993 28 OK6	saddle brown	-SZ		
	991 555 993 28 7J0	Luxor beige	-UZ		
	991 555 993 28 OG6	Bordeaux red	-LZ		
	991 555 993 28 6J0	Espresso	-NE		
	991 555 993 28 JHB	Black/Dark Silver	-TD		
(1)	991 555 993 28	Door panel trim (leather)	left lhd	1	PR:9VL,537, -625,098
		two-colour			
	991 555 993 28 DTO	Black/Luxor Beige	-BT		
	991 555 993 28 GUG	Black/Bordeaux Red	-BM		
	991 555 993 28 GUH	Black/Chalk	-BW		
	991 555 993 28 GTG	Graphite Blue/Chalk	-TG		
	991 555 993 28 GRG	Espresso/Cognac	-BY		
(1)	991 555 994 28	Door panel trim (leather)	right rhd	1	PR:9VL,538, -625,099
	991 555 994 28 A11	Black	-AZ		
	991 555 994 28 OA1	agate grey	-FZ		
	991 555 994 28 OH7	Graphite Blue	-HZ		
	991 555 994 28 OK6	saddle brown	-SZ		
	991 555 994 28 7J0	Luxor beige	-UZ		
	991 555 994 28 OG6	Bordeaux red	-LZ		
	991 555 994 28 6J0	Espresso	-NE		
	991 555 994 28 JHB	Black/Dark Silver	-TD		
(1)	991 555 994 28	Door panel trim (leather)	right rhd	1	PR:9VL,538, -625,099
		two-colour			
	991 555 994 28 DTO	Black/Luxor Beige	-BT		
	991 555 994 28 GUG	Black/Bordeaux Red	-BM		
	991 555 994 28 GUH	Black/Chalk	-BW		
	991 555 994 28 GTG	Graphite Blue/Chalk	-TG		
	991 555 994 28 GRG	Espresso/Cognac	-BY		
(1)	991 555 993 29	Door panel trim (leather)	left lhd	1	PR:9VJ,537, -625,098
	991 555 993 29 A11	Black	-AZ		
	991 555 993 29 OA1	agate grey	-FZ		
	991 555 993 29 OH7	Graphite Blue	-HZ		
	991 555 993 29 OK6	saddle brown	-SZ		
	991 555 993 29 7J0	Luxor beige	-UZ		
	991 555 993 29 OG6	Bordeaux red	-LZ		
	991 555 993 29 6J0	Espresso	-NE		
	991 555 993 29 JHB	Black/Dark Silver	-TD		
(1)	991 555 993 29	Door panel trim (leather)	left lhd	1	PR:9VJ,537, -625,098
		two-colour			

Model: 982-17

Model life 2017>>

Pos	Part Number	Description	Remark	Qty	Model
	991 555 993 29 DTO	Black/Luxor Beige	-BT		
	991 555 993 29 GUG	Black/Bordeaux Red	-BM		
	991 555 993 29 GUH	Black/Chalk	-BW		
	991 555 993 29 GTG	Graphite Blue/Chalk	-TG		
	991 555 993 29 GRG	Espresso/Cognac	-BY		
(1)	991 555 994 29	Door panel trim (leather)	right rhd	1	PR:9VJ,538, -625,099
	991 555 994 29 A11	Black	-AZ		
	991 555 994 29 OA1	agate grey	-FZ		
	991 555 994 29 OH7	Graphite Blue	-HZ		
	991 555 994 29 OK6	saddle brown	-SZ		
	991 555 994 29 7J0	Luxor beige	-UZ		
	991 555 994 29 OG6	Bordeaux red	-LZ		
	991 555 994 29 6J0	Espresso	-NE		
	991 555 994 29 JHB	Black/Dark Silver	-TD		
(1)	991 555 994 29	Door panel trim (leather)	right rhd	1	PR:9VJ,538, -625,099
		two-colour			
	991 555 994 29 DTO	Black/Luxor Beige	-BT		
	991 555 994 29 GUG	Black/Bordeaux Red	-BM		
	991 555 994 29 GUH	Black/Chalk	-BW		
	991 555 994 29 GTG	Graphite Blue/Chalk	-TG		
	991 555 994 29 GRG	Espresso/Cognac	-BY		
(1)	991 555 993 54	Door panel trim (leather)	left	1	PR:9VK,625
	991 555 993 54 A11	Black	-AZ		
	991 555 993 54 OA1	agate grey	-FZ		
	991 555 993 54 OH7	Graphite Blue	-HZ		
	991 555 993 54 OK6	saddle brown	-SZ		
	991 555 993 54 7J0	Luxor beige	-UZ		
	991 555 993 54 OG6	Bordeaux red	-LZ		
	991 555 993 54 6J0	Espresso	-NE		
	991 555 993 54 JHB	Black/Dark Silver	-TD		
(1)	991 555 993 54	Door panel trim (leather)	left	1	PR:9VK,625
		two-colour			
	991 555 993 54 DTO	Black/Luxor Beige	-BT		
	991 555 993 54 GUG	Black/Bordeaux Red	-BM		
	991 555 993 54 GUH	Black/Chalk	-BW		
	991 555 993 54 GTG	Graphite Blue/Chalk	-TG		
	991 555 993 54 GRG	Espresso/Cognac	-BY		
(1)	991 555 994 54	Door panel trim (leather)	right	1	PR:9VK,625
	991 555 994 54 A11	Black	-AZ		
	991 555 994 54 OA1	agate grey	-FZ		
	991 555 994 54 OH7	Graphite Blue	-HZ		
	991 555 994 54 OK6	saddle brown	-SZ		
	991 555 994 54 7J0	Luxor beige	-UZ		
	991 555 994 54 OG6	Bordeaux red	-LZ		
	991 555 994 54 6J0	Espresso	-NE		
	991 555 994 54 JHB	Black/Dark Silver	-TD		
(1)	991 555 994 54	Door panel trim (leather)	right	1	PR:9VK,625
		two-colour			
	991 555 994 54 DTO	Black/Luxor Beige	-BT		
	991 555 994 54 GUG	Black/Bordeaux Red	-BM		
	991 555 994 54 GUH	Black/Chalk	-BW		
	991 555 994 54 GTG	Graphite Blue/Chalk	-TG		
	991 555 994 54 GRG	Espresso/Cognac	-BY		
(1)	991 555 993 55	Door panel trim (leather)	left	1	PR:9VL,625
	991 555 993 55 A11	Black	-AZ		
	991 555 993 55 OA1	agate grey	-FZ		
	991 555 993 55 OH7	Graphite Blue	-HZ		
	991 555 993 55 OK6	saddle brown	-SZ		
	991 555 993 55 7J0	Luxor beige	-UZ		
	991 555 993 55 OG6	Bordeaux red	-LZ		
	991 555 993 55 6J0	Espresso	-NE		



Model: 982-17

Model life 2017&gt;&gt;

Pos	Part Number	Description	Remark	Qty	Model
(1)	991 555 993 55 JHB	Black/Dark Silver	-TD		
	991 555 993 55	Door panel trim (leather)	left	1	PR:9VL,625
		two-colour			
	991 555 993 55 DTO	Black/Luxor Beige	-BT		
	991 555 993 55 GUG	Black/Bordeaux Red	-BM		
	991 555 993 55 GUH	Black/Chalk	-BW		
	991 555 993 55 GTG	Graphite Blue/Chalk	-TG		
	991 555 993 55 GRG	Espresso/Cognac	-BY		
(1)	991 555 994 55	Door panel trim (leather)	right	1	PR:9VL,625
	991 555 994 55 A11	Black	-AZ		
	991 555 994 55 OA1	agate grey	-FZ		
	991 555 994 55 OH7	Graphite Blue	-HZ		
	991 555 994 55 OK6	saddle brown	-SZ		
	991 555 994 55 7J0	Luxor beige	-UZ		
	991 555 994 55 OG6	Bordeaux red	-LZ		
	991 555 994 55 6J0	Espresso	-NE		
	991 555 994 55 JHB	Black/Dark Silver	-TD		
(1)	991 555 994 55	Door panel trim (leather)	right	1	PR:9VL,625
		two-colour			
	991 555 994 55 DTO	Black/Luxor Beige	-BT		
	991 555 994 55 GUG	Black/Bordeaux Red	-BM		
	991 555 994 55 GUH	Black/Chalk	-BW		
	991 555 994 55 GTG	Graphite Blue/Chalk	-TG		
	991 555 994 55 GRG	Espresso/Cognac	-BY		
(1)	991 555 993 56	Door panel trim (leather)	left	1	PR:9VJ,625
	991 555 993 56 A11	Black	-AZ		
	991 555 993 56 OA1	agate grey	-FZ		
	991 555 993 56 OH7	Graphite Blue	-HZ		
	991 555 993 56 OK6	saddle brown	-SZ		
	991 555 993 56 7J0	Luxor beige	-UZ		
	991 555 993 56 OG6	Bordeaux red	-LZ		
	991 555 993 56 6J0	Espresso	-NE		
	991 555 993 56 JHB	Black/Dark Silver	-TD		
(1)	991 555 993 56	Door panel trim (leather)	left	1	PR:9VJ,625
		two-colour			
	991 555 993 56 DTO	Black/Luxor Beige	-BT		
	991 555 993 56 GUG	Black/Bordeaux Red	-BM		
	991 555 993 56 GUH	Black/Chalk	-BW		
	991 555 993 56 GTG	Graphite Blue/Chalk	-TG		
	991 555 993 56 GRG	Espresso/Cognac	-BY		
(1)	991 555 994 56	Door panel trim (leather)	right	1	PR:9VJ,625
	991 555 994 56 A11	Black	-AZ		
	991 555 994 56 OA1	agate grey	-FZ		
	991 555 994 56 OH7	Graphite Blue	-HZ		
	991 555 994 56 OK6	saddle brown	-SZ		
	991 555 994 56 7J0	Luxor beige	-UZ		
	991 555 994 56 OG6	Bordeaux red	-LZ		
	991 555 994 56 6J0	Espresso	-NE		
	991 555 994 56 JHB	Black/Dark Silver	-TD		
(1)	991 555 994 56	Door panel trim (leather)	right	1	PR:9VJ,625
		two-colour			
	991 555 994 56 DTO	Black/Luxor Beige	-BT		
	991 555 994 56 GUG	Black/Bordeaux Red	-BM		
	991 555 994 56 GUH	Black/Chalk	-BW		
	991 555 994 56 GTG	Graphite Blue/Chalk	-TG		
	991 555 994 56 GRG	Espresso/Cognac	-BY		
(1)	991 555 993 57	Door panel trim (leather)	left lhd	1	PR:9VK,537, 625,098
	991 555 993 57 A11	Black	-AZ		
	991 555 993 57 OA1	agate grey	-FZ		
	991 555 993 57 OH7	Graphite Blue	-HZ		
	991 555 993 57 OK6	saddle brown	-SZ		
	991 555 993 57 7J0	Luxor beige	-UZ		

Model: 982-17 Model life 2017>>

Pos	Part Number	Description	Remark	Qty	Model
(1)	991 555 993 57 OG6	Bordeaux red	-LZ	1	PR:9VK,537, 625,098
	991 555 993 57 6J0	Espresso	-NE		
	991 555 993 57 JHB	Black/Dark Silver	-TD		
	991 555 993 57	Door panel trim (leather)	left lhd		
		two-colour			
	991 555 993 57 DTO	Black/Luxor Beige	-BT		
	991 555 993 57 GUG	Black/Bordeaux Red	-BM		
	991 555 993 57 GUH	Black/Chalk	-BW		
	991 555 993 57 GTG	Graphite Blue/Chalk	-TG		
	991 555 993 57 GRG	Espresso/Cognac	-BY		
(1)	991 555 994 57	Door panel trim (leather)	right rhd	1	PR:9VK,538, 625,099
	991 555 994 57 A11	Black	-AZ		
	991 555 994 57 OA1	agate grey	-FZ		
	991 555 994 57 OH7	Graphite Blue	-HZ		
	991 555 994 57 OK6	saddle brown	-SZ		
	991 555 994 57 7J0	Luxor beige	-UZ		
	991 555 994 57 OG6	Bordeaux red	-LZ		
	991 555 994 57 6J0	Espresso	-NE		
	991 555 994 57 JHB	Black/Dark Silver	-TD		
	991 555 994 57	Door panel trim (leather)	right rhd		
(1)	991 555 994 57 DTO	Black/Luxor Beige	-BT	1	PR:9VL,537, 625,098
	991 555 994 57 GUG	Black/Bordeaux Red	-BM		
	991 555 994 57 GUH	Black/Chalk	-BW		
	991 555 994 57 GTG	Graphite Blue/Chalk	-TG		
	991 555 994 57 GRG	Espresso/Cognac	-BY		
	991 555 993 58	Door panel trim (leather)	left lhd		
	991 555 993 58 A11	Black	-AZ		
	991 555 993 58 OA1	agate grey	-FZ		
	991 555 993 58 OH7	Graphite Blue	-HZ		
	991 555 993 58 OK6	saddle brown	-SZ		
(1)	991 555 993 58 7J0	Luxor beige	-UZ	1	PR:9VL,537, 625,098
	991 555 993 58 OG6	Bordeaux red	-LZ		
	991 555 993 58 6J0	Espresso	-NE		
	991 555 993 58 JHB	Black/Dark Silver	-TD		
	991 555 993 58	Door panel trim (leather)	left lhd		
	991 555 993 58 DTO	Black/Luxor Beige	-BT		
	991 555 993 58 GUG	Black/Bordeaux Red	-BM		
	991 555 993 58 GUH	Black/Chalk	-BW		
	991 555 993 58 GTG	Graphite Blue/Chalk	-TG		
	991 555 993 58 GRG	Espresso/Cognac	-BY		
(1)	991 555 994 58	Door panel trim (leather)	right rhd	1	PR:9VL,538, 625,099
	991 555 994 58 A11	Black	-AZ		
	991 555 994 58 OA1	agate grey	-FZ		
	991 555 994 58 OH7	Graphite Blue	-HZ		
	991 555 994 58 OK6	saddle brown	-SZ		
	991 555 994 58 7J0	Luxor beige	-UZ		
	991 555 994 58 OG6	Bordeaux red	-LZ		
	991 555 994 58 6J0	Espresso	-NE		
	991 555 994 58 JHB	Black/Dark Silver	-TD		
	991 555 994 58	Door panel trim (leather)	right rhd		
(1)	991 555 994 58 DTO	Black/Luxor Beige	-BT	1	PR:9VL,538, 625,099
	991 555 994 58 GUG	Black/Bordeaux Red	-BM		
	991 555 994 58 GUH	Black/Chalk	-BW		
	991 555 994 58	Door panel trim (leather)	right rhd		

Model: 982-17 Model life 2017>>

Pos	Part Number	Description	Remark	Qty	Model			
(1)	991 555 994 58 GTG	Graphite Blue/Chalk	-TG	1	PR:9VJ,537, 625,098			
	991 555 994 58 GRG	Espresso/Cognac	-BY					
	991 555 993 59	Door panel trim (leather)	left lhd					
	991 555 993 59 A11	Black	-AZ					
	991 555 993 59 OA1	agate grey	-FZ					
	991 555 993 59 OH7	Graphite Blue	-HZ					
	991 555 993 59 OK6	saddle brown	-SZ					
	991 555 993 59 7J0	Luxor beige	-UZ					
	991 555 993 59 OG6	Bordeaux red	-LZ					
	991 555 993 59 6J0	Espresso	-NE					
(1)	991 555 993 59 JHB	Black/Dark Silver	-TD	1	PR:9VJ,537, 625,098			
	991 555 993 59	Door panel trim (leather)	left lhd					
		two-colour						
	991 555 993 59 DTO	Black/Luxor Beige	-BT					
	991 555 993 59 GUG	Black/Bordeaux Red	-BM					
	991 555 993 59 GUH	Black/Chalk	-BW					
	991 555 993 59 GTG	Graphite Blue/Chalk	-TG					
	991 555 993 59 GRG	Espresso/Cognac	-BY					
	(1)	991 555 994 59	Door panel trim (leather)			right rhd	1	PR:9VJ,538, 625,099
		991 555 994 59 A11	Black			-AZ		
991 555 994 59 OA1		agate grey	-FZ					
991 555 994 59 OH7		Graphite Blue	-HZ					
991 555 994 59 OK6		saddle brown	-SZ					
991 555 994 59 7J0		Luxor beige	-UZ					
991 555 994 59 OG6		Bordeaux red	-LZ					
991 555 994 59 6J0		Espresso	-NE					
991 555 994 59 JHB		Black/Dark Silver	-TD					
(1)		991 555 994 59	Door panel trim (leather)	right rhd	1	PR:9VJ,538, 625,099		
		two-colour						
	991 555 994 59 DTO	Black/Luxor Beige	-BT					
	991 555 994 59 GUG	Black/Bordeaux Red	-BM					
	991 555 994 59 GUH	Black/Chalk	-BW					
	991 555 994 59 GTG	Graphite Blue/Chalk	-TG					
	991 555 994 59 GRG	Espresso/Cognac	-BY					
	2	999 507 533 02	Clamp 8,0 X 10,0 /2,5				4	
	3	991 555 521 01	Inner actuator	left			1	
	(3)	991 555 521 01 V08	Galvano silver					
991 555 522 01		Inner actuator	right	1				
4	991 555 522 01 V08	Galvano silver						
	991 555 533 00	Pull handle Leather	left	1				
(4)	991 555 533 00 A11	Black	-AZ	1				
	991 555 533 00 OA1	agate grey	-FZ					
	991 555 533 00 OK6	saddle brown	-SZ					
	991 555 533 00 7J0	Luxor beige	-UZ,BT					
	991 555 533 00 OG6	Bordeaux red	-LZ,BM					
	991 555 533 00 OH7	Graphite Blue	-HZ					
	991 555 533 00 6J0	Espresso	-NE					
	991 555 533 00 7F0	Cognac	-BY					
	991 555 533 00 OL8	Chalk	-BW,TG					
	991 555 533 00 JHB	Black/Dark Silver	-TD					
(4)	991 555 534 00	Pull handle (leather)	right	1				
	991 555 534 00 A11	Black	-AZ					
	991 555 534 00 OA1	agate grey	-FZ					
	991 555 534 00 OK6	saddle brown	-SZ					
	991 555 534 00 7J0	Luxor beige	-UZ,BT					
	991 555 534 00 OG6	Bordeaux red	-LZ,BM					
	991 555 534 00 OH7	Graphite Blue	-HZ					

Model: 982-17

Model life 2017&gt;&gt;

Pos	Part Number	Description	Remark	Qty	Model
	991 555 534 00 6J0	Espresso	-NE		
	991 555 534 00 7F0	Cognac	-BY		
	991 555 534 00 OL8	Chalk	-BW, TG		
	991 555 534 00 JHB	Black/Dark Silver	-TD		
5	999 919 262 01	fillister hd. bolt 4,0 X 16,0		9	
6	970 632 135 00	Door warning light		2	
7	7PP 945 699	inscription Bose		2	PR:9VL
8	991 555 723 02	Mounting frame Switch		1	
	991 555 723 02 1E0	Black			
9	991 555 721 02	Cover	left	1	
	991 555 721 02 5Q0	Black	front -AZ, BM, BT, BW, TD		
	991 555 721 02 OA6	agate grey	-FZ		
	991 555 721 02 OL7	saddle brown	-SZ		
	991 555 721 02 6W0	Luxor beige	-UZ		
	991 555 721 02 OG6	Bordeaux red	-LZ		
	991 555 721 02 OH7	Graphite Blue	-HZ, TG		
	991 555 721 02 3T0	Espresso	-NE, BY		
(9)	991 555 722 02	Cover	right	1	
	991 555 722 02 5Q0	Black	front -AZ, BM, BT, BW, TD		
	991 555 722 02 OA6	agate grey	-FZ		
	991 555 722 02 OL7	saddle brown	-SZ		
	991 555 722 02 6W0	Luxor beige	-UZ		
	991 555 722 02 OG6	Bordeaux red	-LZ		
	991 555 722 02 OH7	Graphite Blue	-HZ, TG		
	991 555 722 02 3T0	Espresso	-NE, BY		
10	7PP 837 247	Cover panel Inner actuator	left	1	
	7PP 837 247 1E0	Black			
(10)	7PP 837 248	Cover panel Inner actuator	right	1	
	7PP 837 248 1E0	Black			
11	991 555 683 01	cover for airbag	left	1	
	991 555 683 01 5Q0	Black	-AZ, BT, BM, BW, TD		
	991 555 683 01 OA6	agate grey	-FZ		
	991 555 683 01 OL7	saddle brown	-SZ		
	991 555 683 01 6W0	Luxor beige	-UZ		
	991 555 683 01 OG6	Bordeaux red	-LZ		
	991 555 683 01 OH7	Graphite Blue	-HZ, TG		
	991 555 683 01 3T0	Espresso	-NE, BY		
(11)	991 555 684 01	cover for airbag	right	1	
	991 555 684 01 5Q0	Black	-AZ, BT, BM, BW, TD		
	991 555 684 01 OA6	agate grey	-FZ		
	991 555 684 01 OL7	saddle brown	-SZ		
	991 555 684 01 6W0	Luxor beige	-UZ		
	991 555 684 01 OG6	Bordeaux red	-LZ		
	991 555 684 01 OH7	Graphite Blue	-HZ, TG		
	991 555 684 01 3T0	Espresso	-NE, BY		
12	991 555 741 00	Cover panel window frame	left	1	
	991 555 741 00 1E0	Black			
(12)	991 555 742 00	Cover panel window frame	right	1	
	991 555 742 00 1E0	Black			
13	999 073 322 02	fillister hd. bolt		8	

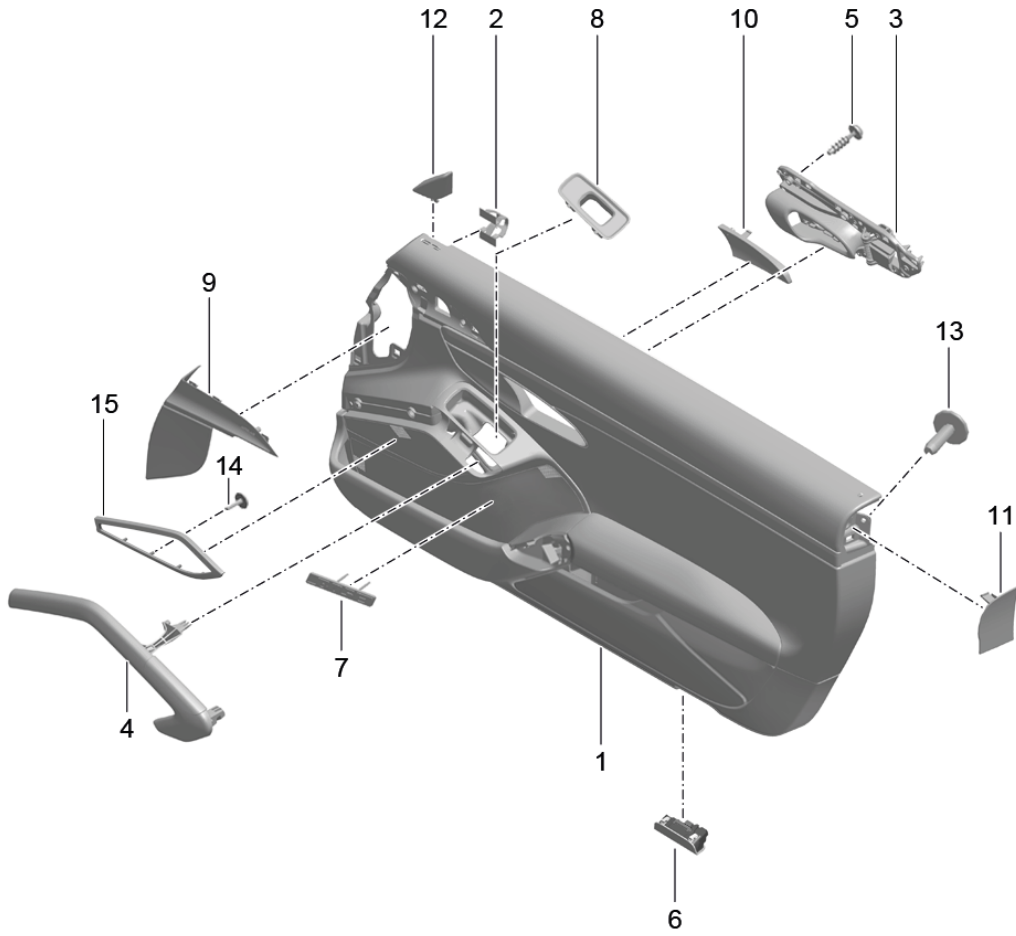
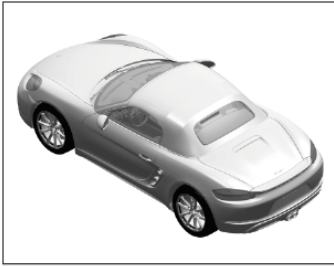
Model: 982-17

Model life 2017>>

Pos	Part Number	Description	Remark	Qty	Model
14	999 919 203 07	M 6 X 20 fillister hd. bolt		10	
15	991 555 581 00	M 3 X 10 decorative frame Loudspeaker trim	left	1	PR:9VJ
(15)	991 555 581 00 V08	Galvano silver			
	991 555 582 00	decorative frame Loudspeaker trim	right	1	PR:9VJ
	991 555 582 00 V08	Galvano silver			

Model: 982-17

Model life 2017>>



Model: 982-17 Model life 2017>>

Pos	Part Number	Description	Remark	Qty	Model
-		door panel Leather Accessories Trim Lacquered in your order Vehicle Ident. No. and Please state the colour			PR:981,XWE
1	991 555 993 00	Door panel trim (leather)	left	1	PR:9VK,-625
	991 555 993 00 A11	Black	-AZ		
	991 555 993 00 OA1	Black/agate grey	-FZ		
	991 555 993 00 OH7	Graphite Blue	-HZ		
	991 555 993 00 OK6	saddle brown	-SZ		
	991 555 993 00 7J0	Luxor beige	-UZ		
	991 555 993 00 OG6	Bordeaux red	-LZ		
	991 555 993 00 6J0	Black/espresso	-NE		
	991 555 993 00 JHB	Black/Dark Silver	-TD		
(1)	991 555 993 00	Door panel trim (leather) two-colour	left	1	PR:9VK,-625
	991 555 993 00 DTO	Black/Luxor Beige	-BT		
	991 555 993 00 GUG	Black/Bordeaux Red	-BM		
	991 555 993 00 GUH	Black/Chalk	-BW		
	991 555 993 00 GTG	Graphite Blue/Chalk	-TG		
	991 555 993 00 GRG	Black/espresso/cognac	-BY		
(1)	991 555 994 00	Door panel trim (leather)	right	1	PR:9VK,-625
	991 555 994 00 A11	Black	-AZ		
	991 555 994 00 OA1	Black/agate grey	-FZ		
	991 555 994 00 OH7	Graphite Blue	-HZ		
	991 555 994 00 OK6	saddle brown	-SZ		
	991 555 994 00 7J0	Luxor beige	-UZ		
	991 555 994 00 OG6	Bordeaux red	-LZ		
	991 555 994 00 6J0	Black/espresso	-NE		
	991 555 994 00 JHB	Black/Dark Silver	-TD		
(1)	991 555 994 00	Door panel trim (leather) two-colour	right	1	PR:9VK,-625
	991 555 994 00 DTO	Black/Luxor Beige	-BT		
	991 555 994 00 GUG	Black/Bordeaux Red	-BM		
	991 555 994 00 GUH	Black/Chalk	-BW		
	991 555 994 00 GTG	Graphite Blue/Chalk	-TG		
	991 555 994 00 GRG	Black/espresso/cognac	-BY		
(1)	991 555 993 01	Door panel trim (leather)	left	1	PR:9VL,-625
	991 555 993 01 A11	Black	-AZ		
	991 555 993 01 OA1	agate grey	-FZ		
	991 555 993 01 OH7	Graphite Blue	-HZ		
	991 555 993 01 OK6	saddle brown	-SZ		
	991 555 993 01 7J0	Luxor beige	-UZ		
	991 555 993 01 OG6	Bordeaux red	-LZ		
	991 555 993 01 6J0	Espresso	-NE		
	991 555 993 01 JHB	Black/Dark Silver	-TD		
(1)	991 555 993 01	Door panel trim (leather) two-colour	left	1	PR:9VL,-625
	991 555 993 01 DTO	Black/Luxor Beige	-BT		
	991 555 993 01 GUG	Black/Bordeaux Red	-BM		
	991 555 993 01 GUH	Black/Chalk	-BW		
	991 555 993 01 GTG	Graphite Blue/Chalk	-TG		
	991 555 993 01 GRG	Espresso/Cognac	-BY		
(1)	991 555 994 01	Door panel trim (leather)	right	1	PR:9VL,-625
	991 555 994 01 A11	Black	-AZ		
	991 555 994 01 OA1	agate grey	-FZ		
	991 555 994 01 OH7	Graphite Blue	-HZ		
	991 555 994 01 OK6	saddle brown	-SZ		
	991 555 994 01 7J0	Luxor beige	-UZ		

Model: 982-17 Model life 2017>>

Pos	Part Number	Description	Remark	Qty	Model
(1)	991 555 994 01 OG6	Bordeaux red	-LZ	1	PR:9VL,-625
	991 555 994 01 6J0	Espresso	-NE		
	991 555 994 01 JHB	Black/Dark Silver	-TD		
	991 555 994 01	Door panel trim (leather) right			
	991 555 994 01 DTO	Black/Luxor Beige	-BT		
	991 555 994 01 GUG	Black/Bordeaux Red	-BM		
(1)	991 555 994 01 GUH	Black/Chalk	-BW	1	PR:9VJ,-625
	991 555 994 01 GTG	Graphite Blue/Chalk	-TG		
	991 555 994 01 GRG	Espresso/Cognac	-BY		
	991 555 993 02	Door panel trim (leather) left			
	991 555 993 02 A11	Black	-AZ		
	991 555 993 02 OA1	agate grey	-FZ		
(1)	991 555 993 02 OH7	Graphite Blue	-HZ	1	PR:9VJ,-625
	991 555 993 02 OK6	saddle brown	-SZ		
	991 555 993 02 7J0	Luxor beige	-UZ		
	991 555 993 02 OG6	Bordeaux red	-LZ		
	991 555 993 02 6J0	Espresso	-NE		
	991 555 993 02 JHB	Black/Dark Silver	-TD		
(1)	991 555 993 02	Door panel trim (leather) left		1	PR:9VJ,-625
	991 555 993 02 DTO	Black/Luxor Beige	-BT		
	991 555 993 02 GUG	Black/Bordeaux Red	-BM		
	991 555 993 02 GUH	Black/Chalk	-BW		
	991 555 993 02 GTG	Graphite Blue/Chalk	-TG		
	991 555 993 02 GRG	Espresso/Cognac	-BY		
(1)	991 555 994 02	Door panel trim (leather) right		1	PR:9VJ,-625
	991 555 994 02 A11	Black	-AZ		
	991 555 994 02 OA1	agate grey	-FZ		
	991 555 994 02 OH7	Graphite Blue	-HZ		
	991 555 994 02 OK6	saddle brown	-SZ		
	991 555 994 02 7J0	Luxor beige	-UZ		
(1)	991 555 994 02 OG6	Bordeaux red	-LZ	1	PR:9VJ,-625
	991 555 994 02 6J0	Espresso	-NE		
	991 555 994 02 JHB	Black/Dark Silver	-TD		
	991 555 994 02	Door panel trim (leather) right			
	991 555 994 02 DTO	Black/Luxor Beige	-BT		
	991 555 994 02 GUG	Black/Bordeaux Red	-BM		
(1)	991 555 994 02 GUH	Black/Chalk	-BW	1	PR:9VK,537, -625,098
	991 555 994 02 GTG	Graphite Blue/Chalk	-TG		
	991 555 994 02 GRG	Espresso/Cognac	-BY		
	991 555 993 03	Door panel trim (leather) left	lhd		
	991 555 993 03 A11	Black	-AZ		
	991 555 993 03 OA1	agate grey	-FZ		
(1)	991 555 993 03 OH7	Graphite Blue	-HZ	1	PR:9VK,537, -625,098
	991 555 993 03 OK6	saddle brown	-SZ		
	991 555 993 03 7J0	Luxor beige	-UZ		
	991 555 993 03 OG6	Bordeaux red	-LZ		
	991 555 993 03 6J0	Espresso	-NE		
	991 555 993 03 JHB	Black/Dark Silver	-TD		
(1)	991 555 993 03	Door panel trim (leather) left	lhd	1	PR:9VK,538, -625,099
	991 555 993 03 DTO	Black/Luxor Beige	-BT		
	991 555 993 03 GUG	Black/Bordeaux Red	-BM		
	991 555 993 03 GUH	Black/Chalk	-BW		
	991 555 993 03 GTG	Graphite Blue/Chalk	-TG		
	991 555 993 03 GRG	Espresso/Cognac	-BY		
(1)	991 555 994 03	Door panel trim (leather) right	rhd	1	PR:9VK,538, -625,099
	991 555 994 03 A11	Black	-AZ		



Model: 982-17 Model life 2017>>

Pos	Part Number	Description	Remark	Qty	Model
	991 555 994 03 OA1	agate grey	-FZ		
	991 555 994 03 OH7	Graphite Blue	-HZ		
	991 555 994 03 OK6	saddle brown	-SZ		
	991 555 994 03 7J0	Luxor beige	-UZ		
	991 555 994 03 OG6	Bordeaux red	-LZ		
	991 555 994 03 6J0	Espresso	-NE		
	991 555 994 03 JHB	Black/Dark Silver	-TD		
(1)	991 555 994 03	Door panel trim (leather)	right rhd	1	PR:9VK,538, -625,099
		two-colour			
	991 555 994 03 DTO	Black/Luxor Beige	-BT		
	991 555 994 03 GUG	Black/Bordeaux Red	-BM		
	991 555 994 03 GUH	Black/Chalk	-BW		
	991 555 994 03 GTG	Graphite Blue/Chalk	-TG		
	991 555 994 03 GRG	Espresso/Cognac	-BY		
(1)	991 555 993 04	Door panel trim (leather)	left lhd	1	PR:9VL,537, -625,098
		two-colour			
	991 555 993 04 A11	Black	-AZ		
	991 555 993 04 OA1	agate grey	-FZ		
	991 555 993 04 OH7	Graphite Blue	-HZ		
	991 555 993 04 OK6	saddle brown	-SZ		
	991 555 993 04 7J0	Luxor beige	-UZ		
	991 555 993 04 OG6	Bordeaux red	-LZ		
	991 555 993 04 6J0	Espresso	-NE		
	991 555 993 04 JHB	Black/Dark Silver	-TD		
(1)	991 555 993 04	Door panel trim (leather)	left lhd	1	PR:9VL,537, -625,098
		two-colour			
	991 555 993 04 DTO	Black/Luxor Beige	-BT		
	991 555 993 04 GUG	Black/Bordeaux Red	-BM		
	991 555 993 04 GUH	Black/Chalk	-BW		
	991 555 993 04 GTG	Graphite Blue/Chalk	-TG		
	991 555 993 04 GRG	Espresso/Cognac	-BY		
(1)	991 555 994 04	Door panel trim (leather)	right rhd	1	PR:9VL,538, -625,099
		two-colour			
	991 555 994 04 A11	Black	-AZ		
	991 555 994 04 OA1	agate grey	-FZ		
	991 555 994 04 OH7	Graphite Blue	-HZ		
	991 555 994 04 OK6	saddle brown	-SZ		
	991 555 994 04 7J0	Luxor beige	-UZ		
	991 555 994 04 OG6	Bordeaux red	-LZ		
	991 555 994 04 6J0	Espresso	-NE		
	991 555 994 04 JHB	Black/Dark Silver	-TD		
(1)	991 555 994 04	Door panel trim (leather)	right rhd	1	PR:9VL,538, -625,099
		two-colour			
	991 555 994 04 DTO	Black/Luxor Beige	-BT		
	991 555 994 04 GUG	Black/Bordeaux Red	-BM		
	991 555 994 04 GUH	Black/Chalk	-BW		
	991 555 994 04 GTG	Graphite Blue/Chalk	-TG		
	991 555 994 04 GRG	Espresso/Cognac	-BY		
(1)	991 555 993 05	Door panel trim (leather)	left lhd	1	PR:9VJ,537, -625,098
		two-colour			
	991 555 993 05 A11	Black	-AZ		
	991 555 993 05 OA1	agate grey	-FZ		
	991 555 993 05 OH7	Graphite Blue	-HZ		
	991 555 993 05 OK6	saddle brown	-SZ		
	991 555 993 05 7J0	Luxor beige	-UZ		
	991 555 993 05 OG6	Bordeaux red	-LZ		
	991 555 993 05 6J0	Espresso	-NE		
	991 555 993 05 JHB	Black/Dark Silver	-TD		
(1)	991 555 993 05	Door panel trim (leather)	left lhd	1	PR:9VJ,537, -625,098

Model: 982-17 Model life 2017>>

Pos	Part Number	Description	Remark	Qty	Model
		two-colour			
	991 555 993 05 DTO	Black/Luxor Beige	-BT		
	991 555 993 05 GUG	Black/Bordeaux Red	-BM		
	991 555 993 05 GUH	Black/Chalk	-BW		
	991 555 993 05 GTG	Graphite Blue/Chalk	-TG		
	991 555 993 05 GRG	Espresso/Cognac	-BY		
(1)	991 555 994 05	Door panel trim (leather)	right rhd	1	PR:9VJ,538, -625,099
	991 555 994 05 A11	Black	-AZ		
	991 555 994 05 OA1	agate grey	-FZ		
	991 555 994 05 OH7	Graphite Blue	-HZ		
	991 555 994 05 OK6	saddle brown	-SZ		
	991 555 994 05 7J0	Luxor beige	-UZ		
	991 555 994 05 OG6	Bordeaux red	-LZ		
	991 555 994 05 6J0	Espresso	-NE		
	991 555 994 05 JHB	Black/Dark Silver	-TD		
(1)	991 555 994 05	Door panel trim (leather)	right rhd	1	PR:9VJ,538, -625,099
		two-colour			
	991 555 994 05 DTO	Black/Luxor Beige	-BT		
	991 555 994 05 GUG	Black/Bordeaux Red	-BM		
	991 555 994 05 GUH	Black/Chalk	-BW		
	991 555 994 05 GTG	Graphite Blue/Chalk	-TG		
	991 555 994 05 GRG	Espresso/Cognac	-BY		
(1)	991 555 993 30	Door panel trim (leather)	left	1	PR:9VK,625
	991 555 993 30 A11	Black	-AZ		
	991 555 993 30 OA1	agate grey	-FZ		
	991 555 993 30 OH7	Graphite Blue	-HZ		
	991 555 993 30 OK6	saddle brown	-SZ		
	991 555 993 30 7J0	Luxor beige	-UZ		
	991 555 993 30 OG6	Bordeaux red	-LZ		
	991 555 993 30 6J0	Espresso	-NE		
	991 555 993 30 JHB	Black/Dark Silver	-TD		
(1)	991 555 993 30	Door panel trim (leather)	left	1	PR:9VK,625
		two-colour			
	991 555 993 30 DTO	Black/Luxor Beige	-BT		
	991 555 993 30 GUG	Black/Bordeaux Red	-BM		
	991 555 993 30 GUH	Black/Chalk	-BW		
	991 555 993 30 GTG	Graphite Blue/Chalk	-TG		
	991 555 993 30 GRG	Espresso/Cognac	-BY		
(1)	991 555 994 30	Door panel trim (leather)	right	1	PR:9VK,625
	991 555 994 30 A11	Black	-AZ		
	991 555 994 30 OA1	agate grey	-FZ		
	991 555 994 30 OH7	Graphite Blue	-HZ		
	991 555 994 30 OK6	saddle brown	-SZ		
	991 555 994 30 7J0	Luxor beige	-UZ		
	991 555 994 30 OG6	Bordeaux red	-LZ		
	991 555 994 30 6J0	Espresso	-NE		
	991 555 994 30 JHB	Black/Dark Silver	-TD		
(1)	991 555 994 30	Door panel trim (leather)	right	1	PR:9VK,625
		two-colour			
	991 555 994 30 DTO	Black/Luxor Beige	-BT		
	991 555 994 30 GUG	Black/Bordeaux Red	-BM		
	991 555 994 30 GUH	Black/Chalk	-BW		
	991 555 994 30 GTG	Graphite Blue/Chalk	-TG		
	991 555 994 30 GRG	Espresso/Cognac	-BY		
(1)	991 555 993 31	Door panel trim (leather)	left	1	PR:9VL,625
	991 555 993 31 A11	Black	-AZ		
	991 555 993 31 OA1	agate grey	-FZ		
	991 555 993 31 OH7	Graphite Blue	-HZ		
	991 555 993 31 OK6	saddle brown	-SZ		
	991 555 993 31 7J0	Luxor beige	-UZ		
	991 555 993 31 OG6	Bordeaux red	-LZ		

Model: 982-17

Model life 2017>>

Pos	Part Number	Description	Remark	Qty	Model
(1)	991 555 993 31 6J0	Espresso	-NE	1	PR:9VL,625
	991 555 993 31 JHB	Black/Dark Silver	-TD		
	991 555 993 31	Door panel trim (leather) two-colour	left		
	991 555 993 31 DTO	Black/Luxor Beige	-BT		
	991 555 993 31 GUG	Black/Bordeaux Red	-BM		
	991 555 993 31 GUH	Black/Chalk	-BW		
(1)	991 555 993 31 GTG	Graphite Blue/Chalk	-TG	1	PR:9VL,625
	991 555 993 31 GRG	Espresso/Cognac	-BY		
	991 555 994 31	Door panel trim (leather)	right		
	991 555 994 31 A11	Black	-AZ		
	991 555 994 31 OA1	agate grey	-FZ		
	991 555 994 31 OH7	Graphite Blue	-HZ		
(1)	991 555 994 31 OK6	saddle brown	-SZ	1	PR:9VL,625
	991 555 994 31 7J0	Luxor beige	-UZ		
	991 555 994 31 OG6	Bordeaux red	-LZ		
	991 555 994 31 6J0	Espresso	-NE		
	991 555 994 31 JHB	Black/Dark Silver	-TD		
	991 555 994 31	Door panel trim (leather) two-colour	right		
(1)	991 555 994 31 DTO	Black/Luxor Beige	-BT	1	PR:9VJ,625
	991 555 994 31 GUG	Black/Bordeaux Red	-BM		
	991 555 994 31 GUH	Black/Chalk	-BW		
	991 555 994 31 GTG	Graphite Blue/Chalk	-TG		
	991 555 994 31 GRG	Espresso/Cognac	-BY		
	991 555 993 32	Door panel trim (leather)	left		
(1)	991 555 993 32 A11	Black	-AZ	1	PR:9VJ,625
	991 555 993 32 OA1	agate grey	-FZ		
	991 555 993 32 OH7	Graphite Blue	-HZ		
	991 555 993 32 OK6	saddle brown	-SZ		
	991 555 993 32 7J0	Luxor beige	-UZ		
	991 555 993 32 OG6	Bordeaux red	-LZ		
(1)	991 555 993 32 6J0	Espresso	-NE	1	PR:9VJ,625
	991 555 993 32 JHB	Black/Dark Silver	-TD		
	991 555 993 32	Door panel trim (leather) two-colour	left		
	991 555 993 32 DTO	Black/Luxor Beige	-BT		
	991 555 993 32 GUG	Black/Bordeaux Red	-BM		
	991 555 993 32 GUH	Black/Chalk	-BW		
(1)	991 555 993 32 GTG	Graphite Blue/Chalk	-TG	1	PR:9VJ,625
	991 555 993 32 GRG	Espresso/Cognac	-BY		
	991 555 994 32	Door panel trim (leather)	right		
	991 555 994 32 A11	Black	-AZ		
	991 555 994 32 OA1	agate grey	-FZ		
	991 555 994 32 OH7	Graphite Blue	-HZ		
(1)	991 555 994 32 OK6	saddle brown	-SZ	1	PR:9VJ,625
	991 555 994 32 7J0	Luxor beige	-UZ		
	991 555 994 32 OG6	Bordeaux red	-LZ		
	991 555 994 32 6J0	Espresso	-NE		
	991 555 994 32 JHB	Black/Dark Silver	-TD		
	991 555 994 32	Door panel trim (leather) two-colour	right		
(1)	991 555 994 32 DTO	Black/Luxor Beige	-BT	1	PR:9VK,537, 625,098
	991 555 994 32 GUG	Black/Bordeaux Red	-BM		
	991 555 994 32 GUH	Black/Chalk	-BW		
	991 555 994 32 GTG	Graphite Blue/Chalk	-TG		
	991 555 994 32 GRG	Espresso/Cognac	-BY		
	991 555 993 33	Door panel trim (leather)	left lhd		
(1)	991 555 993 33 A11	Black	-AZ	1	PR:9VK,537, 625,098
	991 555 993 33 OA1	agate grey	-FZ		
	991 555 993 33 OH7	Graphite Blue	-HZ		
	991 555 993 33 OK6	saddle brown	-SZ		

Model: 982-17 Model life 2017>>

Pos	Part Number	Description	Remark	Qty	Model
	991 555 993 33 7J0	Luxor beige	-UZ		
	991 555 993 33 OG6	Bordeaux red	-LZ		
	991 555 993 33 6J0	Espresso	-NE		
	991 555 993 33 JHB	Black/Dark Silver	-TD		
(1)	991 555 993 33	Door panel trim (leather)	left lhd	1	PR:9VK,537, 625,098
		two-colour			
	991 555 993 33 DTO	Black/Luxor Beige	-BT		
	991 555 993 33 GUG	Black/Bordeaux Red	-BM		
	991 555 993 33 GUH	Black/Chalk	-BW		
	991 555 993 33 GTG	Graphite Blue/Chalk	-TG		
	991 555 993 33 GRG	Espresso/Cognac	-BY		
(1)	991 555 994 33	Door panel trim (leather)	right rhd	1	PR:9VK,538, 625,099
	991 555 994 33 A11	Black	-AZ		
	991 555 994 33 OA1	agate grey	-FZ		
	991 555 994 33 OH7	Graphite Blue	-HZ		
	991 555 994 33 OK6	saddle brown	-SZ		
	991 555 994 33 7J0	Luxor beige	-UZ		
	991 555 994 33 OG6	Bordeaux red	-LZ		
	991 555 994 33 6J0	Espresso	-NE		
	991 555 994 33 JHB	Black/Dark Silver	-TD		
(1)	991 555 994 33	Door panel trim (leather)	right rhd	1	PR:9VK,538, 625,099
		two-colour			
	991 555 994 33 DTO	Black/Luxor Beige	-BT		
	991 555 994 33 GUG	Black/Bordeaux Red	-BM		
	991 555 994 33 GUH	Black/Chalk	-BW		
	991 555 994 33 GTG	Graphite Blue/Chalk	-TG		
	991 555 994 33 GRG	Espresso/Cognac	-BY		
(1)	991 555 993 34	Door panel trim (leather)	left lhd	1	PR:9VL,537, 625,098
	991 555 993 34 A11	Black	-AZ		
	991 555 993 34 OA1	agate grey	-FZ		
	991 555 993 34 OH7	Graphite Blue	-HZ		
	991 555 993 34 OK6	saddle brown	-SZ		
	991 555 993 34 7J0	Luxor beige	-UZ		
	991 555 993 34 OG6	Bordeaux red	-LZ		
	991 555 993 34 6J0	Espresso	-NE		
	991 555 993 34 JHB	Black/Dark Silver	-TD		
(1)	991 555 993 34	Door panel trim (leather)	left lhd	1	PR:9VL,537, 625,098
		two-colour			
	991 555 993 34 DTO	Black/Luxor Beige	-BT		
	991 555 993 34 GUG	Black/Bordeaux Red	-BM		
	991 555 993 34 GUH	Black/Chalk	-BW		
	991 555 993 34 GTG	Graphite Blue/Chalk	-TG		
	991 555 993 34 GRG	Espresso/Cognac	-BY		
(1)	991 555 994 34	Door panel trim (leather)	right rhd	1	PR:9VL,538, 625,099
	991 555 994 34 A11	Black	-AZ		
	991 555 994 34 OA1	agate grey	-FZ		
	991 555 994 34 OH7	Graphite Blue	-HZ		
	991 555 994 34 OK6	saddle brown	-SZ		
	991 555 994 34 7J0	Luxor beige	-UZ		
	991 555 994 34 OG6	Bordeaux red	-LZ		
	991 555 994 34 6J0	Espresso	-NE		
	991 555 994 34 JHB	Black/Dark Silver	-TD		
(1)	991 555 994 34	Door panel trim (leather)	right rhd	1	PR:9VL,538, 625,099
		two-colour			
	991 555 994 34 DTO	Black/Luxor Beige	-BT		
	991 555 994 34 GUG	Black/Bordeaux Red	-BM		

Model: 982-17 Model life 2017>>

Pos	Part Number	Description	Remark	Qty	Model			
(1)	991 555 994 34 GUH	Black/Chalk	-BW	1	PR:9VJ,537, 625,098			
	991 555 994 34 GTG	Graphite Blue/Chalk	-TG					
	991 555 994 34 GRG	Espresso/Cognac	-BY					
	991 555 993 35	Door panel trim (leather)	left lhd					
	991 555 993 35 A11	Black	-AZ					
	991 555 993 35 OA1	agate grey	-FZ					
	991 555 993 35 OH7	Graphite Blue	-HZ					
	991 555 993 35 OK6	saddle brown	-SZ					
	991 555 993 35 7J0	Luxor beige	-UZ					
	991 555 993 35 OG6	Bordeaux red	-LZ					
(1)	991 555 993 35 6J0	Espresso	-NE	1	PR:9VJ,537, 625,098			
	991 555 993 35 JHB	Black/Dark Silver	-TD					
	991 555 993 35	Door panel trim (leather)	left lhd					
		two-colour						
	991 555 993 35 DTO	Black/Luxor Beige	-BT					
	991 555 993 35 GUG	Black/Bordeaux Red	-BM					
	991 555 993 35 GUH	Black/Chalk	-BW					
	991 555 993 35 GTG	Graphite Blue/Chalk	-TG					
	991 555 993 35 GRG	Espresso/Cognac	-BY					
	991 555 994 35	Door panel trim (leather)	right rhd					
(1)	991 555 994 35 A11	Black	-AZ	1	PR:9VJ,538, 625,099			
	991 555 994 35 OA1	agate grey	-FZ					
	991 555 994 35 OH7	Graphite Blue	-HZ					
	991 555 994 35 OK6	saddle brown	-SZ					
	991 555 994 35 7J0	Luxor beige	-UZ					
	991 555 994 35 OG6	Bordeaux red	-LZ					
	991 555 994 35 6J0	Espresso	-NE					
	991 555 994 35 JHB	Black/Dark Silver	-TD					
	991 555 994 35	Door panel trim (leather)	right rhd					
		two-colour						
2	991 555 994 35 DTO	Black/Luxor Beige	-BT	4				
	991 555 994 35 GUG	Black/Bordeaux Red	-BM					
	991 555 994 35 GUH	Black/Chalk	-BW					
	991 555 994 35 GTG	Graphite Blue/Chalk	-TG					
	991 555 994 35 GRG	Espresso/Cognac	-BY					
	999 507 533 02	Clamp 8,0 X 10,0 /2,5						
	3	991 555 521 01	Inner actuator			left	1	
		991 555 521 01 V08	Galvano silver					
	(3)	991 555 522 01	Inner actuator			right	1	
		991 555 522 01 V08	Galvano silver					
4	991 555 533 00	Pull handle Leather	left	1				
	991 555 533 00 A11	Black	-AZ					
	991 555 533 00 OA1	agate grey	-FZ					
	991 555 533 00 OK6	saddle brown	-SZ					
	991 555 533 00 7J0	Luxor beige	-UZ,BT					
	991 555 533 00 OG6	Bordeaux red	-LZ,BM					
	991 555 533 00 OH7	Graphite Blue	-HZ					
	991 555 533 00 6J0	Espresso	-NE					
	991 555 533 00 7F0	Cognac	-BY					
	991 555 533 00 OL8	Chalk	-BW,TG					
(4)	991 555 533 00 JHB	Black/Dark Silver	-TD	1				
	991 555 534 00	Pull handle (leather)	right					
	991 555 534 00 A11	Black	-AZ					
	991 555 534 00 OA1	agate grey	-FZ					
	991 555 534 00 OK6	saddle brown	-SZ					
	991 555 534 00 7J0	Luxor beige	-UZ,BT					
	991 555 534 00 OG6	Bordeaux red	-LZ,BM					

Model: 982-17 Model life 2017>>

Pos	Part Number	Description	Remark	Qty	Model	
5	991 555 534 00 OH7	Graphite Blue	-HZ	9	PR:9VL	
	991 555 534 00 6J0	Espresso	-NE			
	991 555 534 00 7F0	Cognac	-BY			
	991 555 534 00 OL8	Chalk	-BW,TG			
	991 555 534 00 JHB	Black/Dark Silver	-TD			
	999 919 262 01	fillister hd. bolt 4,0 X 16,0				
	6	970 632 135 00	Door warning light			2
	7	7PP 945 699	inscription Bose			2
	8	991 555 723 02	Mounting frame Switch			1
9	991 555 723 02 1E0	Black	left front	1		
	991 555 721 02	Cover				
(9)	991 555 721 02 5Q0	Black	-AZ, BM, BT, BW, TD	1		
	991 555 721 02 OA6	agate grey	-FZ			
	991 555 721 02 OL7	saddle brown	-SZ			
	991 555 721 02 6W0	Luxor beige	-UZ			
	991 555 721 02 OG6	Bordeaux red	-LZ			
	991 555 721 02 OH7	Graphite Blue	-HZ,TG			
	991 555 721 02 3T0	Espresso	-NE,BY			
	991 555 722 02	Cover	right front			
	991 555 722 02 5Q0	Black	-AZ, BM, BT, BW, TD			
	991 555 722 02 OA6	agate grey	-FZ			
	991 555 722 02 OL7	saddle brown	-SZ			
	991 555 722 02 6W0	Luxor beige	-UZ			
	991 555 722 02 OG6	Bordeaux red	-LZ			
	991 555 722 02 OH7	Graphite Blue	-HZ,TG			
	991 555 722 02 3T0	Espresso	-NE,BY			
10	7PP 837 247	Cover panel Inner actuator	left	1		
(10)	7PP 837 247 1E0	Black	right	1		
	7PP 837 248	Cover panel Inner actuator				
11	7PP 837 248 1E0	Black	left	1		
	991 555 683 01	cover for airbag				
(11)	991 555 683 01 5Q0	Black	-AZ, BT, BM, BW, TD	1		
	991 555 683 01 OA6	agate grey	-FZ			
	991 555 683 01 OL7	saddle brown	-SZ			
	991 555 683 01 6W0	Luxor beige	-UZ			
	991 555 683 01 OG6	Bordeaux red	-LZ			
	991 555 683 01 OH7	Graphite Blue	-HZ,TG			
	991 555 683 01 3T0	Espresso	-NE,BY			
	991 555 684 01	cover for airbag	right			
	991 555 684 01 5Q0	Black	-AZ, BT, BM, BW, TD			
	991 555 684 01 OA6	agate grey	-FZ			
	991 555 684 01 OL7	saddle brown	-SZ			
	991 555 684 01 6W0	Luxor beige	-UZ			
	991 555 684 01 OG6	Bordeaux red	-LZ			
	991 555 684 01 OH7	Graphite Blue	-HZ,TG			
	991 555 684 01 3T0	Espresso	-NE,BY			
12	991 555 741 00	Cover panel window frame	left	1		
(12)	991 555 741 00 1E0	Black	right	1		
	991 555 742 00	Cover panel window frame				
	991 555 742 00 1E0	Black				

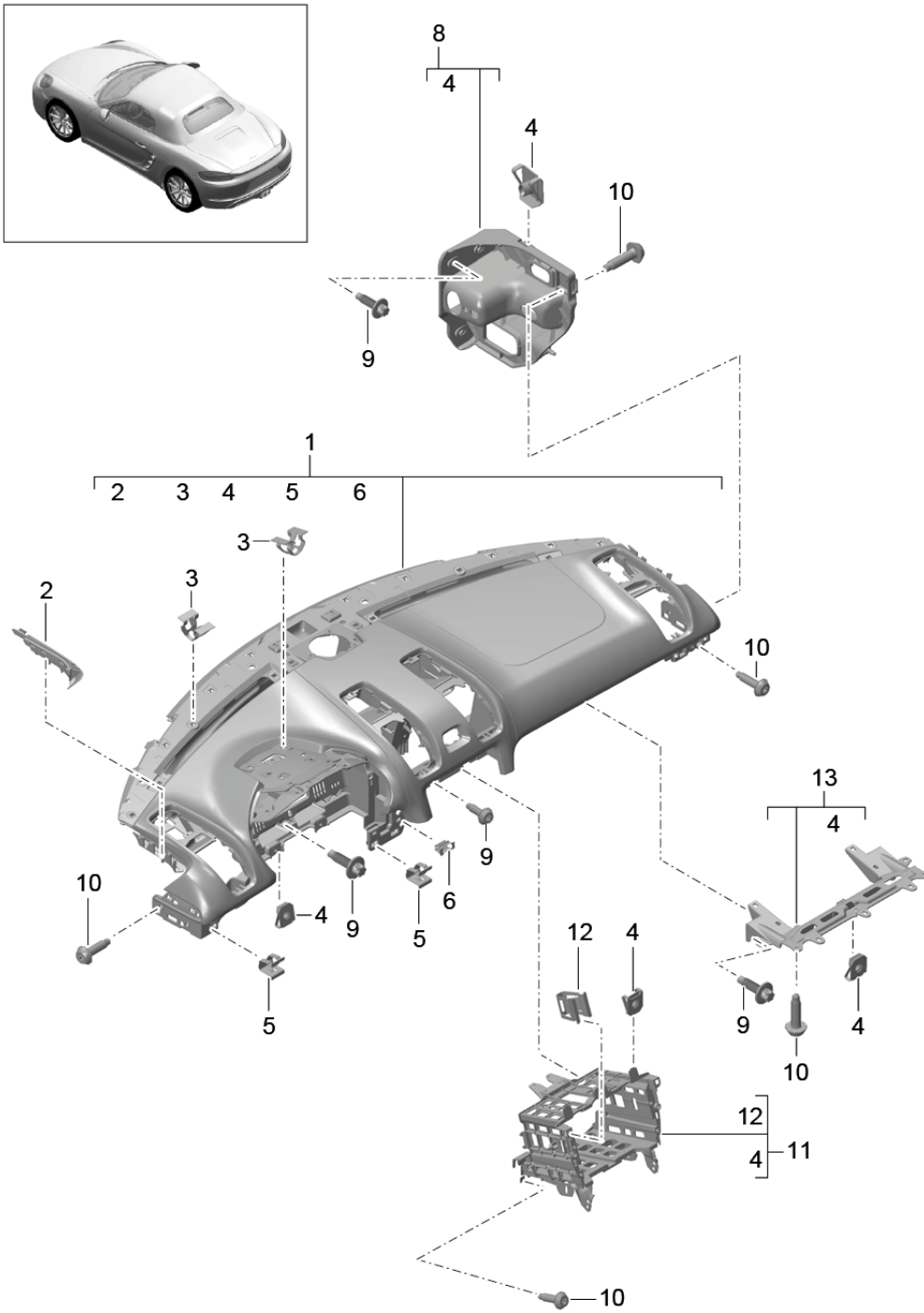
Model: 982-17

Model life 2017>>

Pos	Part Number	Description	Remark	Qty	Model
13	999 073 322 02	fillister hd. bolt M 6 X 20		8	
14	999 919 203 07	fillister hd. bolt M 3 X 10		10	
15	991 555 581 00	decorative frame Loudspeaker trim	left	1	PR:9VJ
	991 555 581 00 V08	Galvano silver			
(15)	991 555 582 00	decorative frame Loudspeaker trim	right	1	PR:9VJ
	991 555 582 00 V08	Galvano silver			

Model: 982-17

Model life 2017>>





Model: 982-17

Model life 2017>>

Pos	Part Number	Description	Remark	Qty	Model
-		Instrument panel trim Upper part  with: Fasteners Accessories  see illustration:	809-005		
1	982 857 003 F	dashboard Upper part slush technology	lhd	1	PR:098,-980, -981
	982 857 003 F DK4	Black	-AD,AG,AJ,GF, GG		
	982 857 003 F OU4	agate grey	-FD,FG,FJ		
	982 857 003 F DM5	Luxor beige	-UD,UG,UJ		
(1)	982 857 003 G	dashboard Upper part slush technology	rhd	1	PR:099,-980, -981
	982 857 003 G DK4	Black	-AD,AG,AJ,GF, GG		
	982 857 003 G OU4	agate grey	-FD,FG,FJ		
	982 857 003 G DM5	Luxor beige	-UD,UG,UJ		
(1)	982 857 003 H	dashboard Upper part slush technology	lhd	1	PR:098,980
	982 857 003 H DK4	Black	-AS,PM,PT,PW		
	982 857 003 H OU4	agate grey	-FS		
	982 857 003 H DM5	Luxor beige	-US		
(1)	982 857 003 J	dashboard Upper part slush technology	rhd	1	PR:099,980
	982 857 003 J DK4	Black	-AS,PM,PT,PW		
	982 857 003 J OU4	agate grey	-FS		
	982 857 003 J DM5	Luxor beige	-US		
(1)	982 857 003 N	dashboard Upper part Leather	lhd	1	PR:098,981
	982 857 003 N A11	Black	-AZ,GW,GY		
	982 857 003 N OA1	agate grey	-FZ		
	982 857 003 N OK6	saddle brown	-SZ		
	982 857 003 N 7J0	Luxor beige	-UZ		
	982 857 003 N OG6	Bordeaux red	-LZ		
	982 857 003 N OH7	Graphite Blue	-HZ		
	982 857 003 N 6J0	Espresso	-NE		
	982 857 003 N GUF	Black/Bordeaux Red	-BM		
	982 857 003 N DTK	Black/Luxor Beige	-BT		
	982 857 003 N GUJ	Black/Chalk	-BW		
	982 857 003 N JHB	Black/Dark Silver	-TD		
	982 857 003 N GTF	Graphite Blue/Chalk	-TG		
	982 857 003 N GRF	Espresso/Cognac	-BY		
	982 857 003 N DSK	Black/Carmine Red	-GQ		
	982 857 003 N GUJ	Black/Chalk	-GE,GU		J
(1)	982 857 003 M	dashboard Upper part Leather	rhd	1	PR:099,981
	982 857 003 M A11	Black	-AZ,GW,GY		
	982 857 003 M OA1	agate grey	-FZ		
	982 857 003 M OK6	saddle brown	-SZ		
	982 857 003 M 7J0	Luxor beige	-UZ		
	982 857 003 M OG6	Bordeaux red	-LZ		
	982 857 003 M OH7	Graphite Blue	-HZ		
	982 857 003 M 6J0	Espresso	-NE		
	982 857 003 M GUF	Black/Bordeaux Red	-BM		
	982 857 003 M DTK	Black/Luxor Beige	-BT		
	982 857 003 M GUJ	Black/Chalk	-BW		

Model: 982-17

Model life 2017>>

Pos	Part Number	Description	Remark	Qty	Model
	982 857 003 M JHB	Black/Dark Silver	-TD		
	982 857 003 M GTF	Graphite Blue/Chalk	-TG		
	982 857 003 M GRF	Espresso/Cognac	-BY		
	982 857 003 M DSK	Black/Carmine Red	-GQ		
	982 857 003 M GUJ	Black/Chalk	-GE, GU		J
2	982 860 437 A	Insert A-pillar	left	1	
(2)	982 860 438 A	Insert A-pillar	right	1	
3	999 507 533 02	Clamp Mount Trim		26	
4	999 507 556 01	panel nut M5		X	
5	8E0 853 107	Clip		4	
6	955 552 107 00	Retaining clip		2	
8	991 552 619 00	Retainer for support frame	left	1	
(8)	991 552 620 00	Retainer for support frame	right	1	
9	999 919 278 01	Hexagon head bolt M6 X 20		X	
10	999 073 498 01	fillister hd. bolt M5X20		X	
11	982 857 273 A	Mounting frame PCM/ MIB		1	
12	8T0 853 107	Clip		2	
13	991 552 360 02	bracket for airbag (passenger side)		1	



Model: 982-17 Model life 2017>>

Pos	Part Number	Description	Remark	Qty	Model
1	991 552 381 02	Accessories Instrument panel trim Upper part Trim (drivers side)	lhd	1	PR:098,-XDM, -XGB,-XHE, -XVP,-XYD
		with:			
(1)	991 552 381 02 V08	Lighting Galvano silver			
	991 552 382 02	Trim (drivers side)	rhd	1	PR:099,-XDM, -XGB,-XHE, -XVP,-XYD
		with:			
	991 552 382 02 V08	Lighting Galvano silver			
2	991 552 383 01	Trim (drivers side)	lhd	1	PR:098,-XDM, -XGB,-XHE, -XVP,-XYD
(2)	991 552 383 01 V08	Galvano silver			
	991 552 384 01	Trim (drivers side)	rhd	1	PR:099,-XDM, -XGB,-XHE, -XVP,-XYD
	991 552 384 01 V08	Galvano silver			
3	982 857 054 D	Trim Combi-instrument	lhd	1	PR:098
	982 857 054 D 5Q0	Black			
	982 857 054 D OA6	agate grey			
	982 857 054 D 6W0	Luxor beige			
	982 857 054 D OL7	saddle brown			
	982 857 054 D OG6	Bordeaux red			
	982 857 054 D OH7	Graphite Blue			
	982 857 054 D 3T0	Espresso			
(3)	982 857 054 E	Trim Combi-instrument	rhd	1	PR:099
	982 857 054 E 5Q0	Black			
	982 857 054 E OA6	agate grey			
	982 857 054 E 6W0	Luxor beige			
	982 857 054 E OL7	saddle brown			
	982 857 054 E OG6	Bordeaux red			
	982 857 054 E OH7	Graphite Blue			
	982 857 054 E 3T0	Espresso			
4	999 507 533 02	Clamp		X	
5	999 507 971 01	panel nut ST4,2		2	
6	991 552 194 02	Drinks holder	lhd	1	PR:098,-XDM, -XGB,-XHE, -XVP,-XYD
(6)	991 552 194 02 V08	Galvano silver			
	991 552 193 02	Drinks holder	rhd	1	PR:099,-XDM, -XGB,-XHE, -XVP,-XYD
	991 552 193 02 V08	Galvano silver			
7	991 552 388 01	Trim (passenger side)	lhd	1	PR:098,-XDM, -XGB,-XHE, -XVP,-XYD

Model: 982-17 Model life 2017>>

Pos	Part Number	Description	Remark	Qty	Model
(7)	991 552 388 01 V08 991 552 387 01	Galvano silver Trim (passenger side)	rhd	1	PR:099,-XDM, -XGB,-XHE, -XVP,-XYD
8	991 552 387 01 V08 991 552 980 20	Galvano silver 1 set trim strips for vehicle interior	lhd	1	PR:XVP,098
		with: Drinks holder			
	991 552 980 20 A11	Black	-AD,AG,AJ,AS, PM,PT,PW,AZ, TD		
	991 552 980 20 OA1	agate grey	-FD,FG,FJ,FS, FZ		
	991 552 980 20 7J0	Luxor beige	-UD,UG,UJ,US, UZ,BT		
	991 552 980 20 OK6	saddle brown	-SZ		
	991 552 980 20 OG6	Chalk	-LZ,BM		
	991 552 980 20 OH7	Graphite Blue	-HZ		
	991 552 980 20 OL8	Espresso	-BW,TG		
	991 552 980 20 6J0	Espresso	-NE		
	991 552 980 20 7F0	Cognac	-BY		
(8)	991 552 980 20	1 set trim strips for vehicle interior	rhd	1	PR:XVP,099
		with: Drinks holder			
	991 552 980 20 A11	Black	-AD,AG,AJ,AS, PM,PT,PW,AZ, TD		
	991 552 980 20 OA1	agate grey	-FD,FG,FJ,FS, FZ		
	991 552 980 20 7J0	Luxor beige	-UD,UG,UJ,US, UZ,BT		
	991 552 980 20 OK6	saddle brown	-SZ		
	991 552 980 20 OG6	Chalk	-LZ,BM		
	991 552 980 20 OH7	Graphite Blue	-HZ		
	991 552 980 20 OL8	Espresso	-BW,TG		
	991 552 980 20 6J0	Espresso	-NE		
	991 552 980 20 7F0	Cognac	-BY		
(8)	991 552 980 21	1 set trim strips for vehicle interior	lhd	1	PR:XGB,098
		with: Drinks holder			
(8)	991 552 980 21 BX3 991 552 981 21	Carbon, fine high-gloss 1 set trim strips for vehicle interior	rhd	1	PR:XGB,099
		with: Drinks holder			
(8)	991 552 981 21 BX3 991 552 980 22	Carbon, fine high-gloss 1 set trim strips for vehicle interior	lhd	1	PR:XHE,098
		with: Drinks holder			
(8)	991 552 980 22 S65 991 552 981 22	mahagoni 1 set trim strips for vehicle interior	rhd	1	PR:XHE,099
		with: Drinks holder			
(8)	991 552 981 22 S65 991 552 980 23	mahagoni 1 set trim strips for vehicle interior	lhd	1	PR:XYD,098
		with: Drinks holder			

Model: 982-17 Model life 2017>>

Pos	Part Number	Description	Remark	Qty	Model
(8)	991 552 980 23 U03 991 552 981 23	Aluminium, brushed 1 set trim strips for vehicle interior  with: Drinks holder	rhd	1	PR:XYD,099
(8)	991 552 981 23 U03 991 552 980 24	Aluminium, brushed 1 set trim strips for vehicle interior  with: Drinks holder	lhd	1	PR:XDM,098
	991 552 980 24 041	Black	-A1		
	991 552 980 24 M5C	miami blue	-J5		
	991 552 980 24 84A	guards red (Porsche)	-G1		
	991 552 980 24 M2A	Lava Orange	-H2		
	991 552 980 24 M3C	Carmine red	-OL		
	991 552 980 24 1S1	Racing Yellow	-P3		
	991 552 980 24 C9A	white	-0Q		
	991 552 980 24 C9X	Jet Black Metallic	-2T		
	991 552 980 24 M7S	Achat Grey Metallic	-N0		
	991 552 980 24 M8Y	Mahogany Metallic	-Y8		
	991 552 980 24 M5G	Graphite Blue Metallic	-A7		
	991 552 980 24 M5F	Midnight Blue Metallic	-N5		
	991 552 980 24 M5J	Sapphire Blue Metallic	-N1		
	991 552 980 24 M7Z	GT Silver Metallic	-U2		
	991 552 980 24 M7U	Rhodium Silver Metallic	-S2		
	991 552 980 24 S9R	Carrara White metallic	-2Y		
(8)	991 552 981 24	1 set trim strips for vehicle interior  with: Drinks holder	rhd	1	PR:XDM,099
	991 552 981 24 041	Black	-A1		
	991 552 981 24 M5C	miami blue	-J5		
	991 552 981 24 84A	guards red (Porsche)	-G1		
	991 552 981 24 M2A	Lava Orange	-H2		
	991 552 981 24 M3C	Carmine red	-OL		
	991 552 981 24 1S1	Racing Yellow	-P3		
	991 552 981 24 C9A	white	-0Q		
	991 552 981 24 C9X	Jet Black Metallic	-2T		
	991 552 981 24 M7S	Achat Grey Metallic	-N0		
	991 552 981 24 M8Y	Mahogany Metallic	-Y8		
	991 552 981 24 M5G	Graphite Blue Metallic	-A7		
	991 552 981 24 M5F	Midnight Blue Metallic	-N5		
	991 552 981 24 M5J	Sapphire Blue Metallic	-N1		
	991 552 981 24 M7Z	GT Silver Metallic	-U2		
	991 552 981 24 M7U	Rhodium Silver Metallic	-S2		
	991 552 981 24 S9R	Carrara White metallic	-2Y		
9	991 552 711 00	Trim Defroster	left	1	
(9)	991 552 712 00	Trim Defroster	right	1	
10	999 702 559 40	Grommet		X	
11	982 857 995 A	Cover	left side	1	PR:981
	982 857 995 A 1E0	Black	-AZ,BM,BT,BW		
	982 857 995 A OP1	agate grey	-FZ		
	982 857 995 A OM8	saddle brown	-SZ		
	982 857 995 A 4H0	Luxor beige	-UZ		
	982 857 995 A OG6	Bordeaux red	-LZ		
	982 857 995 A OH7	Graphite Blue	-HZ		
	982 857 995 A 7N0	Espresso	-NE,BY		
(11)	982 857 996 A	Cover	right side	1	PR:981
	982 857 996 A 1E0	Black	-AZ,BM,BT,BW		

Model: 982-17 Model life 2017>>

Pos	Part Number	Description	Remark	Qty	Model
	982 857 996 A OP1	agate grey	-FZ		
	982 857 996 A OM8	saddle brown	-SZ		
	982 857 996 A 4H0	Luxor beige	-UZ		
	982 857 996 A OG6	Bordeaux red	-LZ		
	982 857 996 A OH7	Graphite Blue	-HZ		
	982 857 996 A 7N0	Espresso	-NE, BY		
12	999 073 273 09	fillister hd. bolt M5X10		4	
13	982 858 189 D	Trim	center	1	PR:QR0
	982 858 189 D 5Q0	Black	-AD, AG, AJ, AS, PM, PT, PW, AZ, BM, BT, BW, TD		
	982 858 189 D OA6	agate grey	-FD, FG, FJ, FS, FZ		
	982 858 189 D 6W0	Luxor beige	-UD, UG, UJ, US, UZ		
	982 858 189 D OL7	saddle brown	-SZ		
	982 858 189 D OG6	Bordeaux red	-LZ		
	982 858 189 D OH7	Graphite Blue	-HZ, TG		
	982 858 189 D 3T0	Espresso	-NE, BY		
(13)	982 858 189 E	Trim	center	1	PR:QR4, QR5
	982 858 189 E 5Q0	Black	-AD, AG, AJ, AS, PM, PT, PW, AZ, BM, BT, BW, TD		
	982 858 189 E OA6	agate grey	-FD, FG, FJ, FS, FZ		
	982 858 189 E 6W0	Luxor beige	-UD, UG, UJ, US, UZ		
	982 858 189 E OL7	saddle brown	-SZ		
	982 858 189 E OG6	Bordeaux red	-LZ		
	982 858 189 E OH7	Graphite Blue	-HZ, TG		
	982 858 189 E 3T0	Espresso	-NE, BY		
14	999 073 498 01	fillister hd. bolt M5X20		1	
15	982 857 303 A	Instrument box		1	PR:980, 981
	982 857 303 A DSK	Black/Carmin Red	-GQ		
	982 857 303 A A11	Black	-AS, AZ		
	982 857 303 A OA1	agate grey	-FS, FZ		
	982 857 303 A 7J0	Luxor beige	-US, PT, UZ		
	982 857 303 A OG6	Bordeaux red	-PM, LZ		
	982 857 303 A OL8	Chalk	-PW		
	982 857 303 A OK6	saddle brown	-SZ		
	982 857 303 A OH7	Graphite Blue	-HZ		
	982 857 303 A 6J0	Espresso	-NE		
	982 857 303 A GUF	Black/Bordeaux Red	-BM		
	982 857 303 A DTK	Black/Luxor Beige	-BT		
	982 857 303 A GUJ	Black/Chalk	-BW, GE		
	982 857 303 A JHB	Black/Dark Silver	-TD		
	982 857 303 A GTF	Graphite Blue/Chalk	-TG		
	982 857 303 A GRF	Espresso/Cognac	-BY		
16	982 858 365 C	Defroster trim Leather	left	1	PR:981
	982 858 365 C 5Q0	Black	-AZ, BM, BT, BW, TD, GW, GY, GQ, GE		
	982 858 365 C OA6	agate grey	-FZ		
	982 858 365 C OL7	saddle brown	-SZ		
	982 858 365 C 6W0	Luxor beige	-UZ		
	982 858 365 C OG6	Bordeaux red	-LZ		
	982 858 365 C OH7	Graphite Blue	-HZ, TG		
	982 858 365 C 3T0	Espresso	-NE, BY		
(16)	982 858 366 C	Defroster trim Leather	right	1	PR:981
	982 858 366 C 5Q0	Black	-AZ, BM, BT, BW,		

Model: 982-17 Model life 2017>>

Pos	Part Number	Description	Remark	Qty	Model			
17	982 858 366 C OA6	agate grey	TD, GW, GY, GQ, GE -FZ	1				
	982 858 366 C OL7	saddle brown	-SZ					
	982 858 366 C 6W0	Luxor beige	-UZ					
	982 858 366 C OG6	Bordeaux red	-LZ					
	982 858 366 C OH7	Graphite Blue	-HZ, TG					
	982 858 366 C 3T0	Espresso	-NE, BY					
	982 819 701 C	Vent	left					
	982 819 701 C 5Q0	Black	-AD, AG, AJ, AS, PM, PT, PW, AZ, BM, BT, BW, TD					
	982 819 701 C OA6	agate grey	-FD, FG, FJ, FS, FZ					
	982 819 701 C 6W0	Luxor beige	-UD, UG, UJ, US, UZ					
(17)	982 819 701 C OL7	saddle brown	-SZ	1				
	982 819 701 C OG6	Bordeaux red	-LZ					
	982 819 701 C OH7	Graphite Blue	-HZ, TG					
	982 819 701 C 3T0	Espresso	-NE, BY					
	982 819 702 C	Vent	right					
	982 819 702 C 5Q0	Black	-AD, AG, AJ, AS, PM, PT, PW, AZ, BM, BT, BW, TD					
	982 819 702 C OA6	agate grey	-FD, FG, FJ, FS, FZ					
	982 819 702 C 6W0	Luxor beige	-UD, UG, UJ, US, UZ					
	982 819 702 C OL7	saddle brown	-SZ					
	982 819 702 C OG6	Bordeaux red	-LZ					
18	982 819 702 C OH7	Graphite Blue	-HZ, TG	1				
	982 819 702 C 3T0	Espresso	-NE, BY					
	982 819 201 C	Centre nozzle	left					
	982 819 201 C 5Q0	Black	-AD, AG, AJ, AS, PM, PT, PW, AZ, BM, BT, BW, TD					
	982 819 201 C OA6	agate grey	-FD, FG, FJ, FS, FZ					
	982 819 201 C 6W0	Luxor beige	-UD, UG, UJ, US, UZ					
	982 819 201 C OL7	saddle brown	-SZ					
	982 819 201 C OG6	Bordeaux red	-LZ					
	982 819 201 C OH7	Graphite Blue	-HZ, TG					
	982 819 201 C 3T0	Espresso	-NE, BY					
(18)	982 819 202 C	Centre nozzle	right	1				
	982 819 202 C 5Q0	Black	-AD, AG, AJ, AS, PM, PT, PW, AZ, BM, BT, BW, TD					
	982 819 202 C OA6	agate grey	-FD, FG, FJ, FS, FZ					
	982 819 202 C 6W0	Luxor beige	-UD, UG, UJ, US, UZ					
	982 819 202 C OL7	saddle brown	-SZ					
	982 819 202 C OG6	Bordeaux red	-LZ					
	982 819 202 C OH7	Graphite Blue	-HZ, TG					
	982 819 202 C 3T0	Espresso	-NE, BY					
	19	999 507 533 02	Clamp				X	
			Defroster trim					





Model: 982-17

Model life 2017>>

Pos	Part Number	Description	Remark	Qty	Model
1	991 552 201 14	Glove box and Trim (drivers side) Instrument panel trim	lhd	1	PR:098,-981
	991 552 201 14 DK4	Lower part Black	-AD,AG,AJ,AS, PM,PT,PW,GF,GG -FD,FG,FJ,FS -UD,UG,UJ,US		
	991 552 201 14 OS2	agate grey			
	991 552 201 14 DM5	Luxor beige			
(1)	991 552 202 10	Instrument panel trim	rhd	1	PR:099,-981
	991 552 202 10 DK4	Lower part Black	-AD,AG,AJ,AS, PM,PT,PW,GF,GG -FD,FG,FJ,FS -UD,UG,UJ,US		
	991 552 202 10 OS2	agate grey			
	991 552 202 10 DM5	Luxor beige			
(1)	991 552 201 15	Instrument panel trim	lhd	1	PR:098,981
		Lower part Leather			
	991 552 201 15 A11	Black	-AZ,TD		
	991 552 201 15 OA1	agate grey	-FZ		
	991 552 201 15 OK6	saddle brown	-SZ		
	991 552 201 15 7J0	Luxor beige	-UZ,BT		
	991 552 201 15 OG6	Bordeaux red	-LZ,BM		
	991 552 201 15 OH7	Graphite Blue	-HZ		
	991 552 201 15 OL8	Chalk	-BW,TG		
	991 552 201 15 6J0	Espresso	-NE		
	991 552 201 15 7F0	Cognac	-BY		
(1)	991 552 202 11	Instrument panel trim	rhd	1	PR:099,981
		Lower part Leather			
	991 552 202 11 A11	Black	-AZ,TD		
	991 552 202 11 OA1	agate grey	-FZ		
	991 552 202 11 OK6	saddle brown	-SZ		
	991 552 202 11 7J0	Luxor beige	-UZ,BT		
	991 552 202 11 OG6	Bordeaux red	-LZ,BM		
	991 552 202 11 OH7	Graphite Blue	-HZ		
	991 552 202 11 OL8	Chalk	-BW,TG		
	991 552 202 11 6J0	Espresso	-NE		
	991 552 202 11 7F0	Cognac	-BY		
(1)	991 552 201 93	Instrument panel trim	lower LHD	1	PR:098,975, 981
		Alcantara			
	991 552 201 93 2W0	Black			
(1)	991 552 202 91	Instrument panel trim	lower RHD	1	PR:099,975, 981
		Alcantara			
	991 552 202 91 2W0	Black			
2	999 507 533 02	Clamp		2	
4	999 073 498 01	fillister hd. bolt M5X20		X	
5	999 507 556 01	panel nut M5		2	
6	999 919 278 01	Hexagon head bolt 6X20		2	
7	991 552 405 02	Trim	left	1	
	991 552 405 02 5Q0	Black	-AD,AG,AJ,AS, PM,PT,PW,AZ, TD -GF,GG,GW,GY, GQ,GE -FD,FG,FJ,FS, FZ -UD,UG,UJ,US, UZ,BT		
	991 552 405 02 OA6	agate grey			
	991 552 405 02 6W0	Luxor beige			

Model: 982-17 Model life 2017>>

Pos	Part Number	Description	Remark	Qty	Model
(7)	991 552 405 02 OL7	saddle brown	-SZ	1	
	991 552 405 02 OG6	Bordeaux red	-LZ, BM		
	991 552 405 02 OH7	Graphite Blue	-HZ		
	991 552 405 02 OL8	Chalk	-BW, TG		
	991 552 405 02 3T0	Espresso	-NE		
	991 552 405 02 2S0	Cognac	-BY		
	991 552 406 02	Trim	right		
991 552 406 02 5Q0	Black	-AD, AG, AJ, AS, PM, PT, PW, AZ, TD			
	991 552 406 02 OA6	agate grey	-GF, GG, GW, GY, GQ, GE		
	991 552 406 02 6W0	Luxor beige	-FD, FG, FJ, FS, FZ		
	991 552 406 02 OL7	saddle brown	-UD, UG, UJ, US, UZ, BT		
	991 552 406 02 OG6	Bordeaux red	-SZ		
	991 552 406 02 OH7	Graphite Blue	-LZ, BM		
	991 552 406 02 OL8	Chalk	-HZ		
	991 552 406 02 3T0	Espresso	-BW, TG		
	991 552 406 02 2S0	Cognac	-NE		
8	991 552 204 16	Glove box (complete)	-BY	1	PR:098, -981
	991 552 204 16 DK4	Black	lhd		
	991 552 204 16 OS2	agate grey	-AD, AG, AJ, AS, PM, PT, PW		
	991 552 204 16 DM5	Luxor beige	-FD, FG, FJ, FS		
(8)	991 552 203 16	Glove box (complete)	-UD, UG, UJ, US	1	PR:099, -981
	991 552 203 16 DK4	Black	rhd		
	991 552 203 16 OS2	agate grey	-AD, AG, AJ, AS, PM, PT, PW		
	991 552 203 16 DM5	Luxor beige	-FD, FG, FJ, FS		
(8)	991 552 204 15	Glove box (complete)	-UD, UG, UJ, US	1	PR:098, 981
	991 552 204 15 A11	Leather			
	991 552 204 15 OA1	Black	-AZ, TD		
	991 552 204 15 OK6	agate grey	-FZ		
	991 552 204 15 7J0	saddle brown	-SZ		
	991 552 204 15 OG6	Luxor beige	-UZ, BT		
	991 552 204 15 OH7	Bordeaux red	-LZ, BM		
	991 552 204 15 OL8	Graphite Blue	-HZ		
	991 552 204 15 6J0	Chalk	-BW, TG		
	991 552 204 15 7F0	Espresso	-NE		
(8)	991 552 203 15	Glove box (complete)	-BY	1	PR:099, 981
	991 552 203 15 A11	Leather			
	991 552 203 15 OA1	Black	-AZ, TD		
	991 552 203 15 OK6	agate grey	-FZ		
	991 552 203 15 7J0	saddle brown	-SZ		
	991 552 203 15 OG6	Luxor beige	-UZ, BT		
	991 552 203 15 OH7	Bordeaux red	-LZ, BM		
	991 552 203 15 OL8	Graphite Blue	-HZ		
	991 552 203 15 6J0	Chalk	-BW, TG		
	991 552 203 15 7F0	Espresso	-NE		
(8)	991 552 204 95	Glove box (complete)	-BY	1	PR:098, 975, 981
	991 552 204 95 2W0	Alcantara	lhd		
	991 552 204 95	Black			
(8)	991 552 203 95	Glove box	rhd	1	PR:099, 975,

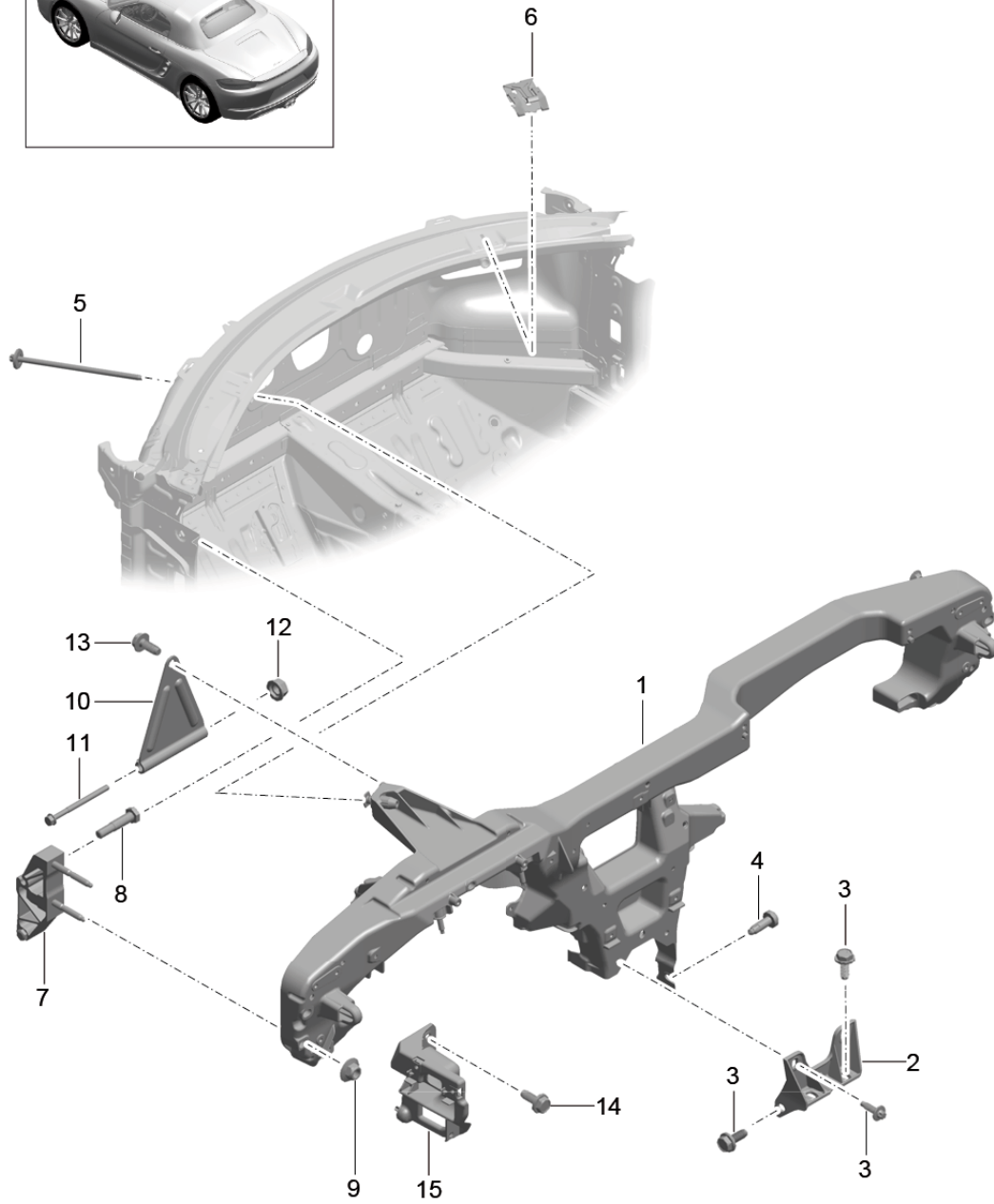
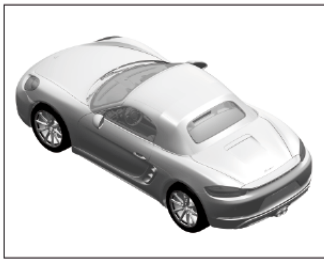
Model: 982-17

Model life 2017>>

Pos	Part Number	Description	Remark	Qty	Model
		(complete)			981
		Alcantara			
	991 552 203 95 2W0	Black			
9	996 552 813 00	Pen holder		2	
10	999 507 556 01	panel nut		1	
		M5			
11	999 702 560 40	Grommet		X	
12	999 702 559 40	Grommet		X	
13	999 919 278 01	Hexagon head bolt		2	
		6 X 20			
16	996 552 915 01	Lock cylinders		1	
		Glove box			
		Vehicle Ident. No.			
		Indicate			
17	9P1 857 115	Dummy cover		1	PR:-899
		Switch-off			
		Airbag			
18	991 552 601 02	Trim		1	
		Multimedia interface			
19	991 552 601 02 1E0	Black		1	PR:870,665, 696
		Plug socket			
		#SIEHE BILDTAFEL			
		9/11/00			
21	991 552 414 00	Trim	lhd	1	PR:098
		Footwell			
		(passenger side)			
(21)	991 552 413 00	Trim	rhd	1	PR:099
		Footwell			
		(passenger side)			
22	1H0 819 943	round hd. screw		X	
		Mount			
		Trim			
		Footwell			
23	955 552 107 00	Retaining clip		1	
24	999 702 559 40	Grommet		3	
25	991 552 484 00	Damper	lhd	1	PR:098
		Glove box			
(25)	991 552 483 00	Damper	rhd	1	PR:099
		Glove box			
26	991 552 803 00	Pin		1	
		Mount			
		Damper			

Model: 982-17

Model life 2017>>



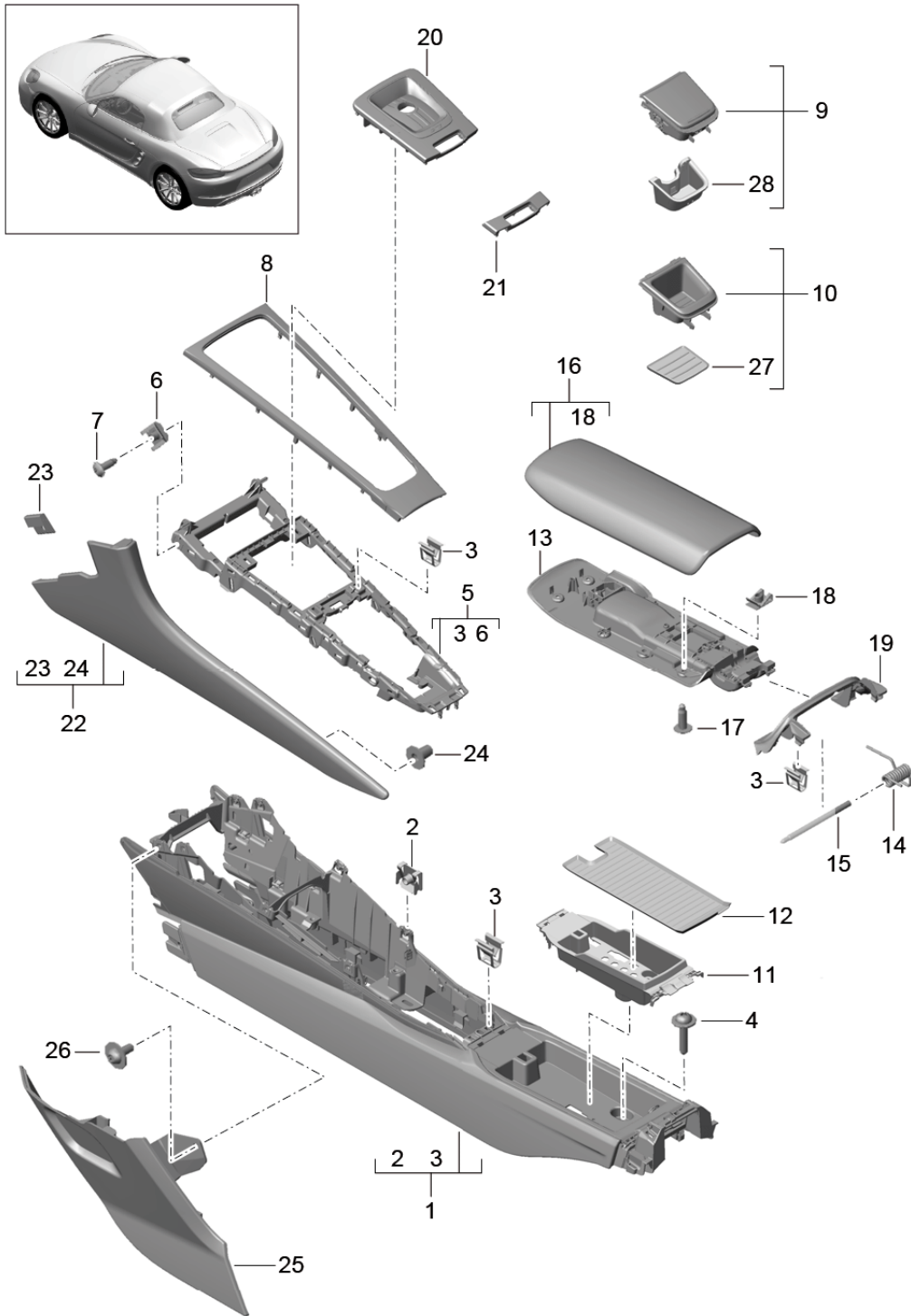
Model: 982-17

Model life 2017>>

Pos	Part Number	Description	Remark	Qty	Model
1	991 504 063 02	retaining frame dashboard			
(1)	991 504 063 03	retaining frame	lhd	1	PR:098
2	991 504 615 00	retaining frame	rhd	1	PR:099
		Bracket		1	
		tunnel			
3	999 143 014 01	Hexagon bolt M8X27		5	
4	999 073 138 01	flat round head bolt M8X25		1	
5	999 073 587 01	Bolt with washer M8X195		1	
6	8E0 857 117	Clip dashboard		2	
		Cowl panel			
7	991 504 407 02	Retainer for support frame A-pillar		2	
8	900 919 009 01	Locating bolt M8X45		4	
9	N 907 611 03	Hexagon collar nut self-locking M8		4	
10	991 504 653 01	Support Steering column		1	
11	N 106 366 01	bolt,hex.hd.with shoul.(combi) M8X110X80		1	
12	999 084 630 01	Hexagon nut M8		1	
13	999 143 014 01	Hexagon bolt M8X27		1	
14	999 919 278 01	Hexagon head bolt M6X20		6	
15		Bracket retaining frame		1	
		see illustration:	809-000		

Model: 982-17

Model life 2017>>



Model: 982-17 Model life 2017>>

Pos	Part Number	Description	Remark	Qty	Model
1	9P1 858 186	Centre console Carrier		1	
	9P1 858 186 PT7	Centre console Black	-AD,AG,AJ,AS, AZ,GE,GF,GG, GQ,GW,GY,PM, PT,PW,TD		
	9P1 858 186 OQ7	agate grey	-FD,FG,FJ,FS, FZ		
	9P1 858 186 PU8	Luxor beige	-BT,UD,UG,UJ, US,UZ		
	9P1 858 186 CH6	saddle brown	-SZ		
	9P1 858 186 OG6	Bordeaux red	-BM,LZ		
	9P1 858 186 OH7	Graphite Blue	-HZ		
	9P1 858 186 OL8	Chalk	-BW,TG		
	9P1 858 186 OP4	Espresso	-NE		
	9P1 858 186 OM2	Cognac	-BY		
2	999 591 145 01	panel nut M 5		8	
3	8T0 853 107	Clip		X	
4	N 105 355 02	Hexagon socket head bolt (combi) M 6 X 30		6	
5	991 553 263 01	Carrier Trim		1	
6	999 507 556 01	panel nut M 5		2	
7	999 073 459 01	fillister hd. bolt M 5 X 16		6	
8	991 553 261 00	Trim for centre console		1	PR: -XHB, -XHG, -XHM, -XYE, -XYG
(8)	991 553 261 00 V08	Galvano silver			
	991 553 981 00	Trim for centre console		1	PR: XYG
	991 553 981 00 041	Black			
	991 553 981 00 M5C	miami blue			
	991 553 981 00 84A	guards red (Porsche)			
	991 553 981 00 M2A	Lava Orange			
	991 553 981 00 M3C	Carmine red			
	991 553 981 00 1S1	Racing Yellow			
	991 553 981 00 C9A	white			
	991 553 981 00 C9X	Jet Black Metallic			
	991 553 981 00 M7S	Achat Grey Metallic			
	991 553 981 00 M8Y	Mahogany Metallic			
	991 553 981 00 M5G	Graphite Blue Metallic			
	991 553 981 00 M5F	Midnight Blue Metallic			
	991 553 981 00 M5J	Sapphire Blue Metallic			
	991 553 981 00 M7Z	GT Silver Metallic			
	991 553 981 00 M7U	Rhodium Silver Metallic			
	991 553 981 00 S9R	Carrara White metallic			
(8)	991 553 981 01	Trim for centre console		1	PR: XHB
	991 553 981 01 A11	Black	-AD,AG,AJ,AS, AZ,BM,BT,BW, PM,PT,PW,TD		
	991 553 981 01 OA1	agate grey	-FD,FG,FJ,FS, FZ		
	991 553 981 01 7J0	Luxor beige	-UD,UG,UJ,US, UZ		
	991 553 981 01 OK6	saddle brown	-SZ		
	991 553 981 01 OG6	Bordeaux red	-LZ		
	991 553 981 01 OH7	Graphite Blue	-HZ,TG		
	991 553 981 01 6J0	Espresso	-BY,NE		
(8)	991 553 981 02	Trim for centre console		1	PR: XHM



Model: 982-17

Model life 2017>>

Pos	Part Number	Description	Remark	Qty	Model
(8)	991 553 981 02 BX3	Carbon			
	991 553 981 03	Trim for centre console		1	PR: XHG
	991 553 981 03 S65	mahagoni			
(8)	991 553 981 04	Trim for centre console		1	PR: XYE
	991 553 981 04 U03	aluminium			
9	991 553 141 02	ashtray		1	PR: 583
	991 553 141 02 DML	Matt Black/hi-gloss chrome			
10	991 553 143 00	Stowage compartment		1	PR: -583
	991 553 143 00 A05	Black			
11	9P1 858 331	Stowage compartment		6	
		Centre console			
	9P1 858 331 1E0	Black			
12	9P1 857 130	Insert		1	
		Stowage compartment			
13	9P1 857 479	Cover for stowage compartment	inner	1	
	9P1 857 479 1E0	Black			
14	9P1 858 989	torsion spring		1	
		Cover			
15	991 553 447 00	axle		1	
		Cover			
16	982 857 151	Cover		1	PR: 008, -XPT,
		Centre console			-XUV, -980,
		slush technology			-981, -009
	982 857 151 DK4	Black	-AD, AG, AJ		
	982 857 151 OS2	agate grey	-FD, FG, FJ		
	982 857 151 DM5	Luxor beige	-UD, UG, UJ		
(16)	9P1 857 151	Cover		1	PR: 980, 981,
		Leather			-XPT, -XUV
		with:			
		Decorative stitching			
	9P1 857 151 A11	Black	-AD, AG, AJ, AS,		
			AZ		
	9P1 857 151 OA1	agate grey	-FD, FG, FJ, FS,		
			FZ		
	9P1 857 151 7J0	Luxor beige	-BT, PT, UD, UG,		
			UJ, US, UZ		
	9P1 857 151 OG6	Bordeaux red	-BM, LZ, PM		
	9P1 857 151 OL8	Chalk	-BW, PW, TG		
	9P1 857 151 OK6	saddle brown	-SZ		
	9P1 857 151 OH7	Graphite Blue	-HZ		
	9P1 857 151 6J0	Espresso	-NE		
	9P1 857 151 7F0	Cognac	-BY		
	9P1 857 151 JHB	Black/Dark Silver	-TD		
(16)	9P1 857 151 B	Cover		1	PR: XPT, 980,
		with:			981
		Porsche crest			
		and			
		Decorative stitching			
	9P1 857 151 B A11	Black	-AS, AZ		
	9P1 857 151 B OA1	agate grey	-FS, FZ		
	9P1 857 151 B 7J0	Luxor beige	-BT, PT, US, UZ		
	9P1 857 151 B OG6	Bordeaux red	-BM, LZ, PM		
	9P1 857 151 B OL8	Chalk	-BW, PW, TG		
	9P1 857 151 B OK6	saddle brown	-SZ		
	9P1 857 151 B OH7	Graphite Blue	-HZ		
	9P1 857 151 B 6J0	Espresso	-NE		
	9P1 857 151 B 7F0	Cognac	-BY		
	9P1 857 151 B JHB	Black/Dark Silver	-TD		
(16)	9P1 857 151 AG	Cover		1	PR: 098, XUV,
		with:			008, 980, 981
		inscription			
		and			
		Decorative stitching			

Model: 982-17 Model life 2017>>

Pos	Part Number	Description	Remark	Qty	Model
(16)	9P1 857 151 AG A11	Black	-AS, AZ, TD	1	PR:099, XUV, 008,980,981
	9P1 857 151 AG OA1	agate grey	-FS, FZ		
	9P1 857 151 AG 7J0	Luxor beige	-BT, PT, US, UZ		
	9P1 857 151 AG OG6	Bordeaux red	-BM, LZ, PM		
	9P1 857 151 AG OL8	Chalk	-BW, PW, TG		
	9P1 857 151 AG OK6	saddle brown	-SZ		
	9P1 857 151 AG OH7	Graphite Blue	-HZ		
	9P1 857 151 AG 6J0	Espresso	-NE		
	9P1 857 151 AG 7F0	Cognac	-BY		
	9P1 857 151 AH	Cover			
		with:			
		inscription and Decorative stitching			
	9P1 857 151 AH A11	Black	-AS, AZ, TD		
	9P1 857 151 AH OA1	agate grey	-FS, FZ		
	9P1 857 151 AH 7J0	Luxor beige	-BT, PT, US, UZ		
	9P1 857 151 AH OG6	Bordeaux red	-BM, LZ, PM		
9P1 857 151 AH OL8	Chalk	-BW, PW, TG			
9P1 857 151 AH OK6	saddle brown	-SZ			
9P1 857 151 AH OH7	Graphite Blue	-HZ			
9P1 857 151 AH 6J0	Espresso	-NE			
9P1 857 151 AH 7F0	Cognac	-BY			
(16)	9P1 857 151 AJ	Cover		1	PR:098, XUV, 009,980,981
	with:				
	inscription and Decorative stitching				
9P1 857 151 AJ A11	Black	-AS, AZ, TD			
9P1 857 151 AJ OA1	agate grey	-FS, FZ			
9P1 857 151 AJ 7J0	Luxor beige	-BT, PT, US, UZ			
9P1 857 151 AJ OG6	Bordeaux red	-BM, LZ, PM			
9P1 857 151 AJ OL8	Chalk	-BW, PW, TG			
9P1 857 151 AJ OK6	saddle brown	-SZ			
9P1 857 151 AJ OH7	Graphite Blue	-HZ			
9P1 857 151 AJ 6J0	Espresso	-NE			
9P1 857 151 AJ 7F0	Cognac	-BY			
(16)	9P1 857 151 AK	Cover		1	PR:099, XUV, 009,980,981
	with:				
	inscription and Decorative stitching				
9P1 857 151 AK A11	Black	-AS, AZ, TD			
9P1 857 151 AK OA1	agate grey	-FS, FZ			
9P1 857 151 AK 7J0	Luxor beige	-BT, PT, US, UZ			
9P1 857 151 AK OG6	Bordeaux red	-BM, LZ, PM			
9P1 857 151 AK OL8	Chalk	-BW, PW, TG			
9P1 857 151 AK OK6	saddle brown	-SZ			
9P1 857 151 AK OH7	Graphite Blue	-HZ			
9P1 857 151 AK 6J0	Espresso	-NE			
9P1 857 151 AK 7F0	Cognac	-BY			
(16)	9P1 857 151 A	Cover		1	PR:975
	Alcantara				
9P1 857 151 A JNW	Black/Chalk	-GE			
9P1 857 151 A DSN	Black/Carmine Red	-GQ			
9P1 857 151 A DSP	Black	-GF, GG, GW, GY			
17	999 073 459 01	fillister hd. bolt M5 X 16		8	
18	999 507 274 02	panel nut M 5		8	
19	981 553 251 01	Extension for centre console	rear	1	
	981 553 251 01 1E0	Black	-AD, AG, AJ, AS,		

Model: 982-17 Model life 2017>>

Pos	Part Number	Description	Remark	Qty	Model
	981 553 251 01 OP1	agate grey	AZ,GE,GF,GG, GQ,GW,GY,PM, PT,PW,TD -FD,FG,FJ,FS, FZ		
	981 553 251 01 4H0	Luxor beige	-BT,UD,UG,UJ, US,UZ		
	981 553 251 01 OM8	saddle brown	-SZ		
	981 553 251 01 OG6	Bordeaux red	-BM,LZ		
	981 553 251 01 OH7	Graphite Blue	-HZ		
	981 553 251 01 OL8	Chalk	-BW,TG		
	981 553 251 01 7N0	Espresso	-NE		
	981 553 251 01 8P0	Cognac	-BY		
20	9P1 858 401 E	Cover - PDK -		1	PR:250
	9P1 858 401 E DRZ	Black/Galvano Silver			
21	991 553 651 01	trim with inscription		1	PR:480
	991 553 651 01 A05	Matt black			
22	991 553 131 02	Trim for centre console slush technology	left	1	PR:-981
	991 553 131 02 DK4	Black	-AD,AG,AJ,AS, PM,PT,PW		
	991 553 131 02 OU4	agate grey	-FD,FG,FJ,FS		
(22)	991 553 131 02 DM5	Luxor beige	-UD,UG,UJ,US	1	PR:-981
	991 553 132 02	Trim for centre console slush technology	right		
	991 553 132 02 DK4	Black	-AD,AG,AJ,AS, PM,PT,PW		
	991 553 132 02 OU4	agate grey	-FD,FG,FJ,FS		
(22)	991 553 132 02 DM5	Luxor beige	-UD,UG,UJ,US	1	PR:981
	982 858 065 A	Leather panel Centre console	left		
	982 858 065 A DSK	Black/Carmine Red	-GQ		
	982 858 065 A A11	Black	-AZ		
	982 858 065 A OA1	agate grey	-FZ		
	982 858 065 A OK6	saddle brown	-SZ		
	982 858 065 A 7J0	Luxor beige	-UZ		
	982 858 065 A OG6	Bordeaux red	-LZ		
	982 858 065 A OH7	Graphite Blue	-HZ		
	982 858 065 A 6J0	Espresso	-NE		
	982 858 065 A GUF	Black/Bordeaux Red	-BM		
	982 858 065 A DTK	Black/Luxor Beige	-BT		
	982 858 065 A GUJ	Black/Chalk	-BW		
	982 858 065 A JHB	Black/Dark Silver	-TD		
	982 858 065 A GTF	Graphite Blue/Chalk	-TG		
(22)	982 858 065 A GRF	Espresso/Cognac	-BY	1	PR:981
	982 858 066 A	Leather panel Centre console	right		
	982 858 066 A DSK	Black/Carmine Red	-GQ		
	982 858 066 A A11	Black	-AZ		
	982 858 066 A OA1	agate grey	-FZ		
	982 858 066 A OK6	saddle brown	-SZ		
	982 858 066 A 7J0	Luxor beige	-UZ		
	982 858 066 A OG6	Bordeaux red	-LZ		
	982 858 066 A OH7	Graphite Blue	-HZ		
	982 858 066 A 6J0	Espresso	-NE		
	982 858 066 A GUF	Black/Bordeaux Red	-BM		
	982 858 066 A DTK	Black/Luxor Beige	-BT		
	982 858 066 A GUJ	Black/Chalk	-BW		
	982 858 066 A JHB	Black/Dark Silver	-TD		
	982 858 066 A GTF	Graphite Blue/Chalk	-TG		
	982 858 066 A GRF	Espresso/Cognac	-BY		
23	991 553 823 00	Rubber ply		2	

Model: 982-17 Model life 2017>>

Pos	Part Number	Description	Remark	Qty	Model
24	999 702 299 40	Grommet 6,5 X 8,5 X 1,0		2	
25	991 553 151 04	Cover panel	left	1	PR:098
	991 553 151 04 1E0	Footwell outlet vent Black	-AD,AG,AJ,AS, AZ,GE,GF,GG, GQ,GW,GY,PM, PT,PW,TD		
	991 553 151 04 OP1	agate grey	-FD,FG,FJ,FS, FZ		
	991 553 151 04 4H0	Luxor beige	-BT,UD,UG,UJ, US,UZ		
	991 553 151 04 OM8	saddle brown	-SZ		
	991 553 151 04 OG6	Bordeaux red	-BM,LZ		
	991 553 151 04 OH7	Graphite Blue	-HZ		
	991 553 151 04 OL8	Chalk	-BW,TG		
	991 553 151 04 7N0	Espresso	-NE		
	991 553 151 04 8P0	Cognac	-BY		
(25)	991 553 152 05	Cover panel	right	1	PR:098
	991 553 152 05 1E0	Footwell outlet vent Black	-AD,AG,AJ,AS, AZ,GE,GF,GG, GQ,GW,GY,PM, PT,PW,TD		
	991 553 152 05 OP1	agate grey	-FD,FG,FJ,FS, FZ		
	991 553 152 05 4H0	Luxor beige	-BT,UD,UG,UJ, US,UZ		
	991 553 152 05 OM8	saddle brown	-SZ		
	991 553 152 05 OG6	Bordeaux red	-BM,LZ		
	991 553 152 05 OH7	Graphite Blue	-HZ		
	991 553 152 05 OL8	Chalk	-BW,TG		
	991 553 152 05 7N0	Espresso	-NE		
	991 553 152 05 8P0	Cognac	-BY		
(25)	991 553 151 05	Cover panel	left	1	PR:099
	991 553 151 05 1E0	Footwell outlet vent Black	-AD,AG,AJ,AS, AZ,GE,GF,GG, GQ,GW,GY,PM, PT,PW,TD		
	991 553 151 05 OP1	agate grey	-FD,FG,FJ,FS, FZ		
	991 553 151 05 4H0	Luxor beige	-BT,UD,UG,UJ, US,UZ		
	991 553 151 05 OM8	saddle brown	-SZ		
	991 553 151 05 OG6	Bordeaux red	-BM,LZ		
	991 553 151 05 OH7	Graphite Blue	-HZ		
	991 553 151 05 OL8	Chalk	-BW,TG		
	991 553 151 05 7N0	Espresso	-NE		
	991 553 151 05 8P0	Cognac	-BY		
(25)	991 553 152 04	Cover panel	right	1	PR:099
	991 553 152 04 1E0	Footwell outlet vent Black	-AD,AG,AJ,AS, AZ,GE,GF,GG, GQ,GW,GY,PM, PT,PW,TD		
	991 553 152 04 OP1	agate grey	-FD,FG,FJ,FS, FZ		
	991 553 152 04 4H0	Luxor beige	-BT,UD,UG,UJ, US,UZ		
	991 553 152 04 OM8	saddle brown	-SZ		
	991 553 152 04 OG6	Bordeaux red	-BM,LZ		
	991 553 152 04 OH7	Graphite Blue	-HZ		

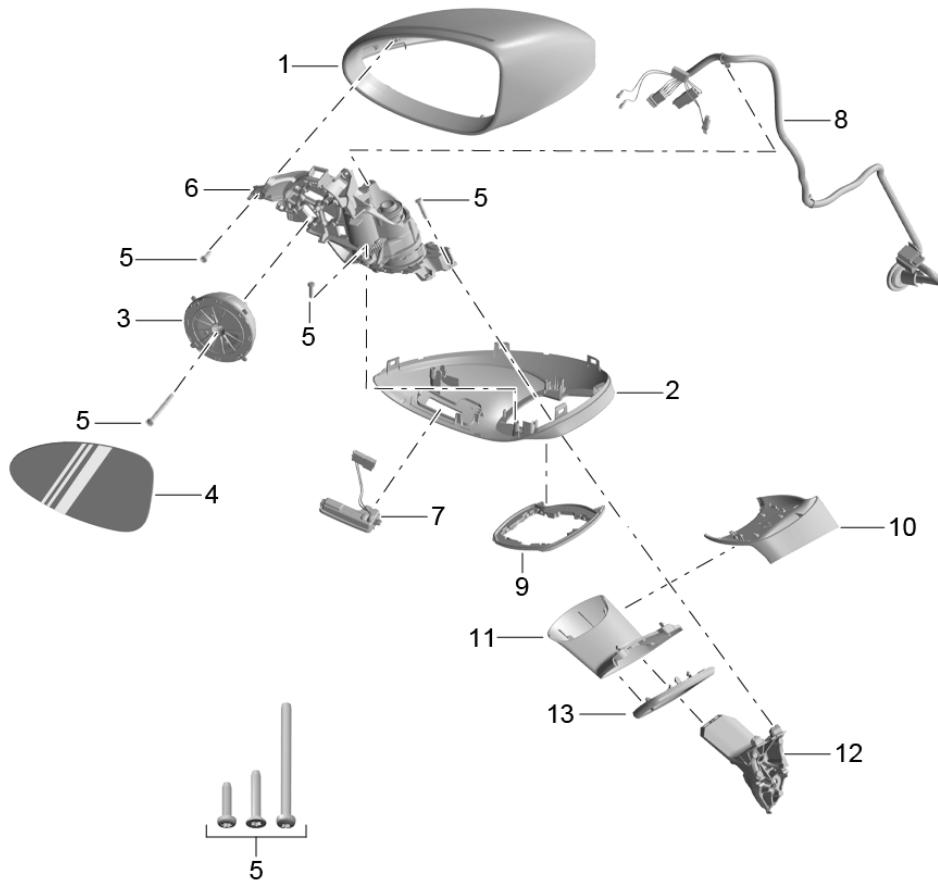
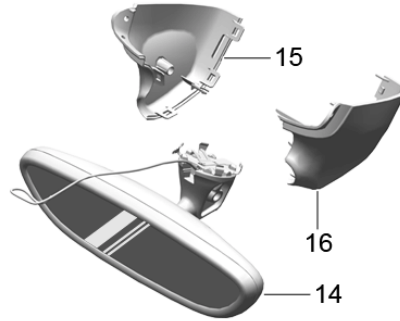
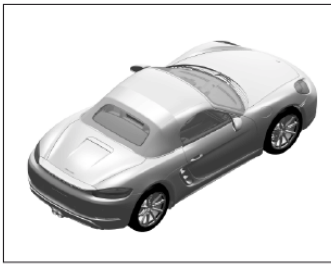
Model: 982-17

Model life 2017>>

Pos	Part Number	Description	Remark	Qty	Model
	991 553 152 04 OL8	Chalk	-BW, TG		
	991 553 152 04 7N0	Espresso	-NE		
	991 553 152 04 8P0	Cognac	-BY		
26	999 073 295 A2	fillister hd. bolt M 5 X 12		2	
27	991 553 625 00	Insert Stowage compartment		1	
28	991 553 341 01	Ashtray insert		1	PR:583
	991 553 341 01 1E0	Black			

Model: 982-17

Model life 2017>>



Model: 982-17 Model life 2017>>

Pos	Part Number	Description	Remark	Qty	Model
1	982 858 653	Exterior mirror Interior mirror Mirror housing	left lhd	1	PR:098
(1)	982 858 653 G2X 982 858 654	Exterior mirror Upper part primed Mirror housing	right lhd	1	PR:098
(1)	982 858 654 G2X 982 858 653 A	Exterior mirror Upper part primed Mirror housing	left rhd	1	PR:099
(1)	982 858 653 A G2X 982 858 654 A	Exterior mirror Upper part primed Mirror housing	right rhd	1	PR:099
2	982 858 654 A G2X 982 857 185	Exterior mirror Upper part primed Trim for exterior mirror housing	left lhd lower	1	PR:098,254, 255,256,257
(2)	982 857 185 OK1 982 857 185 B	Black mat/satin black Trim for exterior mirror housing	left lhd lower	1	PR:098,258, 259,260,261
(2)	982 857 185 B OK1 982 857 185 A	Black mat/satin black Trim for exterior mirror housing	left rhd lower	1	PR:099,254, 255,256,257
(2)	982 857 185 A OK1 982 857 185 C	Black mat/satin black Trim for exterior mirror housing	left rhd lower	1	PR:099,258, 259,260,261
(2)	982 857 185 C OK1 982 857 186	Black mat/satin black Trim for exterior mirror housing	right lhd lower	1	PR:098,254, 255,256,257
(2)	982 857 186 OK1 982 857 186 B	Black mat/satin black Trim for exterior mirror housing	right lhd lower	1	PR:098,258, 259,260,261
(2)	982 857 186 B OK1 982 857 186 A	Black mat/satin black Trim for exterior mirror housing	right rhd lower	1	PR:099,254, 255,256,257
(2)	982 857 186 A OK1 982 857 186 C	Black mat/satin black Trim for exterior mirror housing	right rhd lower	1	PR:099,258, 259,260,261
3	982 857 186 C OK1 7PP 959 578 D	Black mat/satin black Adjusting motor Exterior mirror		2	PR:-537,-538
(3)	7PP 959 578 E	Adjusting motor Exterior mirror		2	PR:537,538
4	982 857 521	Mirror glass (flat)	L	1	PR:098,254, 255,258,259, 263
(4)	982 857 521 A	Mirror (aspherical) Aspherical	L	1	PR:098,254, 255,258,259, 265
(4)	982 857 521 C	Mirror glass (flat)	L	1	PR:098,256, 257,260,261, 263
(4)	982 857 521 D	Mirror (aspherical) Aspherical	L	1	PR:098,256, 257,260,261, 265
(4)	982 857 521 B	Mirror glass (convex)	left rhd	1	PR:099,254, 255,258,259, 264
(4)	982 857 521 E	Mirror glass (convex)	left rhd	1	PR:099,256, 257,260,261,

Model: 982-17 Model life 2017>>

Pos	Part Number	Description	Remark	Qty	Model
(4)	982 857 522	Mirror glass (convex)	R	1	264 PR:098,254, 255,258,259, 284,-553
(4)	982 857 522 B	Mirror glass (convex)	R	1	PR:215,254, 255,258,259, 099,098
(4)	982 857 522 C	Mirror glass (convex)	R	1	PR:256,257, 260,261,263, 284,-553, 099,098
(4)	982 857 522 E	Mirror glass (convex)	R	1	PR:215,256, 257,260,261, 284,099,098
(4)	982 857 522 F	Mirror (aspherical) Aspherical	R	1	PR:254,255, 258,259,285, -553,099,098
(4)	982 857 522 G	Mirror (aspherical) Aspherical	R	1	PR:256,257, 260,261,285, -553
5	982 898 813	1 set securing bolts 3X17 3X40 3X12		1 3 1 5	
6	982 858 317	Mirror base Upper part Manually adjustable	left lhd	1	PR:098,254, 255,256,257
(6)	982 858 317 A	Mirror base Upper part Manually adjustable	left rhd	1	PR:099,254, 255,256,257
(6)	982 858 317 B	Mirror base Upper part Electrically adjustable	left lhd	1	PR:098,258, 259,260,261
(6)	982 858 317 C	Mirror base Upper part Electrically adjustable	left rhd	1	PR:099,258, 259,260,261
(6)	982 858 318	Mirror base Upper part Manually adjustable	right lhd	1	PR:098,254, 255,256,257
(6)	982 858 318 A	Mirror base Upper part Manually adjustable	right rhd	1	PR:099,254, 255,256,257
(6)	982 858 318 B	Mirror base Upper part Electrically adjustable	right lhd	1	PR:098,258, 259,260,261
(6)	982 858 318 C	Mirror base Upper part Electrically adjustable	right rhd	1	PR:099,258, 259,260,261
7	9P9 949 133	Light Exterior mirror	left	1	PR:258,259, 260,261
(7)	9P9 949 134	Light Exterior mirror	right	1	PR:258,259, 260,261
8	982 972 235	Wire set Mirror housing		1	PR:254
(8)	982 972 235 A	Wire set Mirror housing		1	PR:255
(8)	982 972 235 B	Wire set Mirror housing		1	PR:256
(8)	982 972 235 C	Wire set Mirror housing		1	PR:257
(8)	982 972 235 D	Wire set Mirror housing		1	PR:258
(8)	982 972 235 E	Wire set		1	PR:259



Model: 982-17 Model life 2017>>

Pos	Part Number	Description	Remark	Qty	Model
(8)	982 972 235 F	Mirror housing Wire set		1	PR:260
(8)	982 972 235 G	Mirror housing Wire set		1	PR:261
9	982 857 555	Mirror housing gasket for housing	left upper	1	
(9)	982 857 556	Mirror base gasket for housing	right upper	1	
10	982 857 109	Mirror base Mirror base Cover	left inner	1	PR:254,255, 256,257,258, 259,260,261
10	982 857 109 OK1 982 857 110	Matt black Mirror base Cover	right inner	1	PR:254,255, 256,257,258, 259,260,261
11	982 857 110 OK1 982 857 112	Matt black Mirror base Cover	left outer	1	PR:254,255, 256,257,258, 259,260,261
(11)	982 857 112 OK1 982 857 113	Matt black Mirror base Cover	right outer	1	PR:254,255, 256,257,258, 259,260,261
12	982 857 113 OK1 982 857 539	Matt black Mirror base Lower part	left	1	
(12)	982 857 540	Mirror base Lower part	right	1	
13	982 857 679	gasket for housing	left	1	
(13)	982 857 680	Mirror base gasket for housing Mirror base	lower right lower	1	
14	991 731 511 03 991 731 511 03 4PK	Interior mirror Satin black		1	PR:275
(14)	991 731 511 04 991 731 511 04 4PK	Interior mirror Satin black		1	PR:276
15	991 731 811 01	Cover Interior mirror	left	1	
16	991 731 811 01 1E0 991 731 812 01	Mirror base Black Cover	right	1	
	991 731 812 01 1E0	Interior mirror Mirror base Black			

Model: 982-17

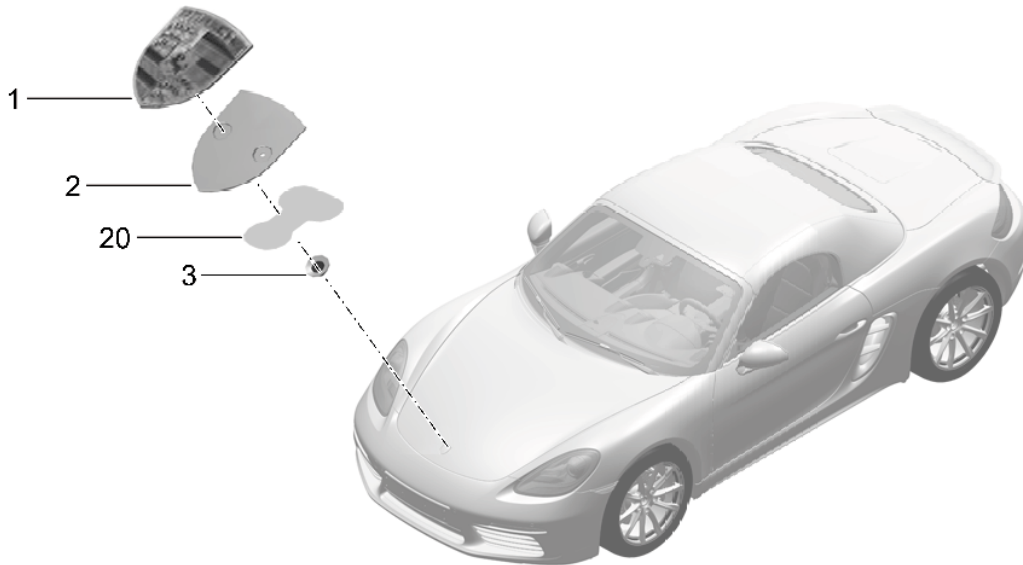
Model life 2017>>

5 — *Boxster*

6 — *S*

7 — *718*

8 — *GTS*



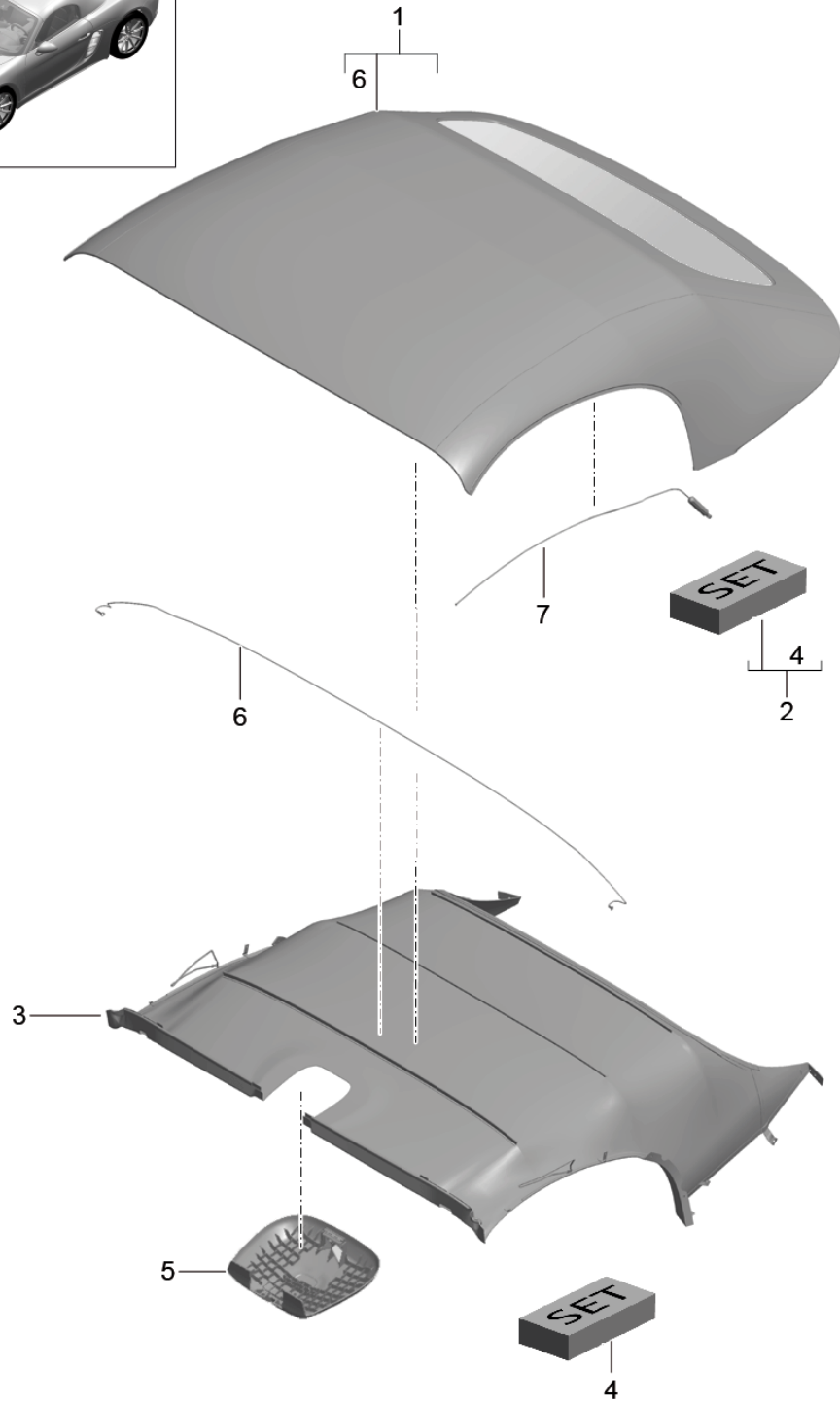
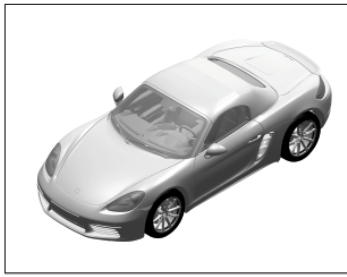
Model: 982-17

Model life 2017&gt;&gt;

Pos	Part Number	Description	Remark	Qty	Model
		inscriptions/lettering Decorative fittings			
(1)	991 559 211 00	Porsche crest	front	1	
2	991 559 215 02	Underlay		1	
3	999 591 423 03	Tapping nut 3,0		2	
5	981 559 237 01	inscription *BOXSTER* chromed		1	
(5)	982 853 675 C	inscription *BOXSTER*		1	PR:011
6	981 559 243 01	Black inscription *S*		1	
7	982 853 675 A	chromed inscription *718*		1	
(7)	982 853 675 B	chromed inscription *718*		1	PR:011
8	95B 853 675 E	Black inscription GTS		1	PR:011
9	991 559 443 00	Black Decorative film for door KEINE FREIGABE!!! GTS NICHT DARSTELLE!!!!		1	PR:011
20	999 911 756 41	Black Adhesive film		1	

Model: 982-17

Model life 2017>>



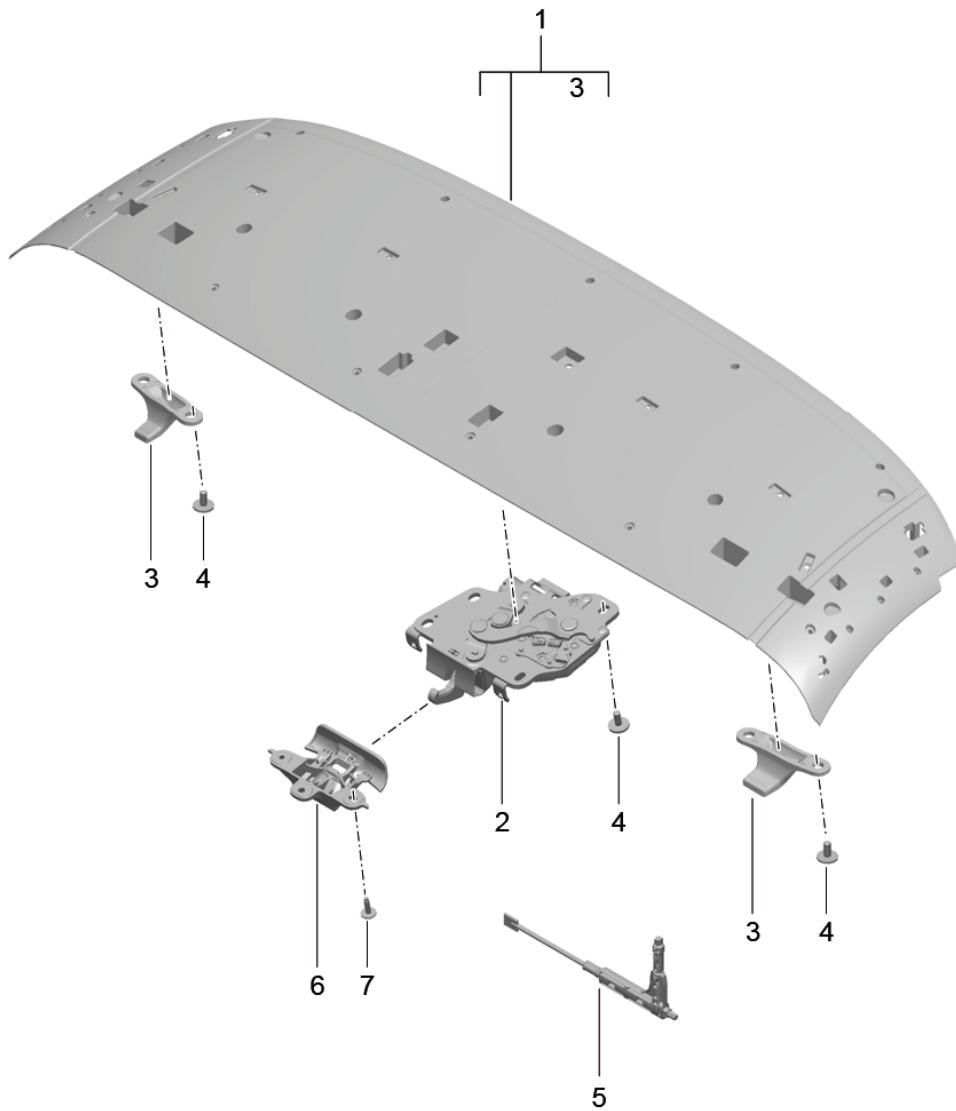
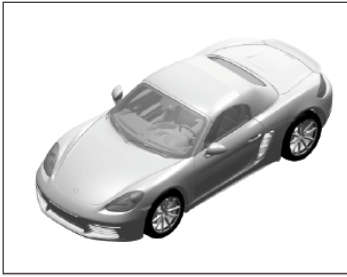
Model: 982-17

Model life 2017>>

Pos	Part Number	Description	Remark	Qty	Model
1	981 561 015 04	Convertible top covering Roofliner Convertible top covering		1	
		also use:	981 561 955 06		
	981 561 015 04 A27	Black			
	981 561 015 04 G25	blue			
	981 561 015 04 L25	red			
	981 561 015 04 R25	brown			
2	981 561 955 06	Assembly kit Convertible top covering		1	
		with:			
		retaining strip and Fasteners			
3	981 561 025 01	Moulded headliner		1	
	981 561 025 01 PT7	Black			
	981 561 025 01 PU8	Luxor beige			
4	981 561 953 02	Assembly kit Roofliner		1	
5	981 561 855 01	Trim catch		1	
	981 561 855 01 PT7	Black			
	981 561 855 01 PU8	Luxor beige			
6	981 561 957 00	repair set tension wire		1	
7	981 561 939 00	Transverse repair set tension wire	side	1	

Model: 982-17

Model life 2017>>



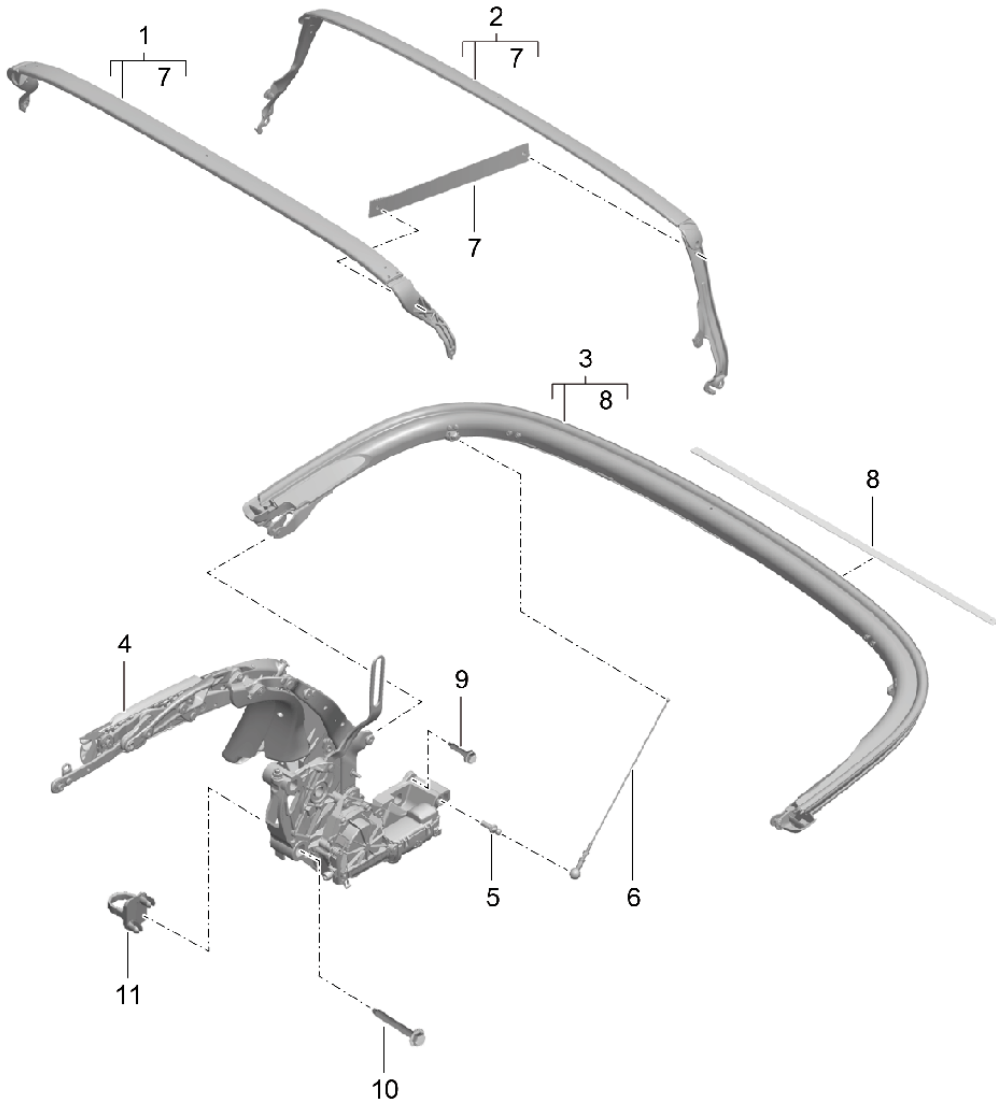
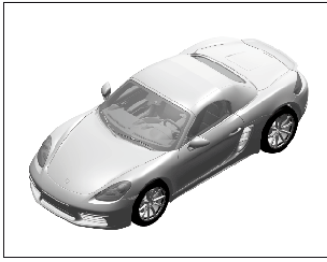
Model: 982-17

Model life 2017>>

Pos	Part Number	Description	Remark	Qty	Model
		top frame	front		
		roof frame			
		catch			
1	981 561 911 02	roof frame	front	1	
2	991 561 117 03	catch		1	
3	991 561 605 00	Centring journal	left	1	
(3)	991 561 606 00	Centring journal	right	1	
4	991 561 965 01	Set of fastening parts for catch and Centring journal		1	
5		Tool Emergency operation see illustration:	001-000	1	
6	991 561 235 04	Support catch		1	
	991 561 235 04 5Q0	Black			
7	999 073 223 01	Bolt with washer M6X25		3	

Model: 982-17

Model life 2017>>





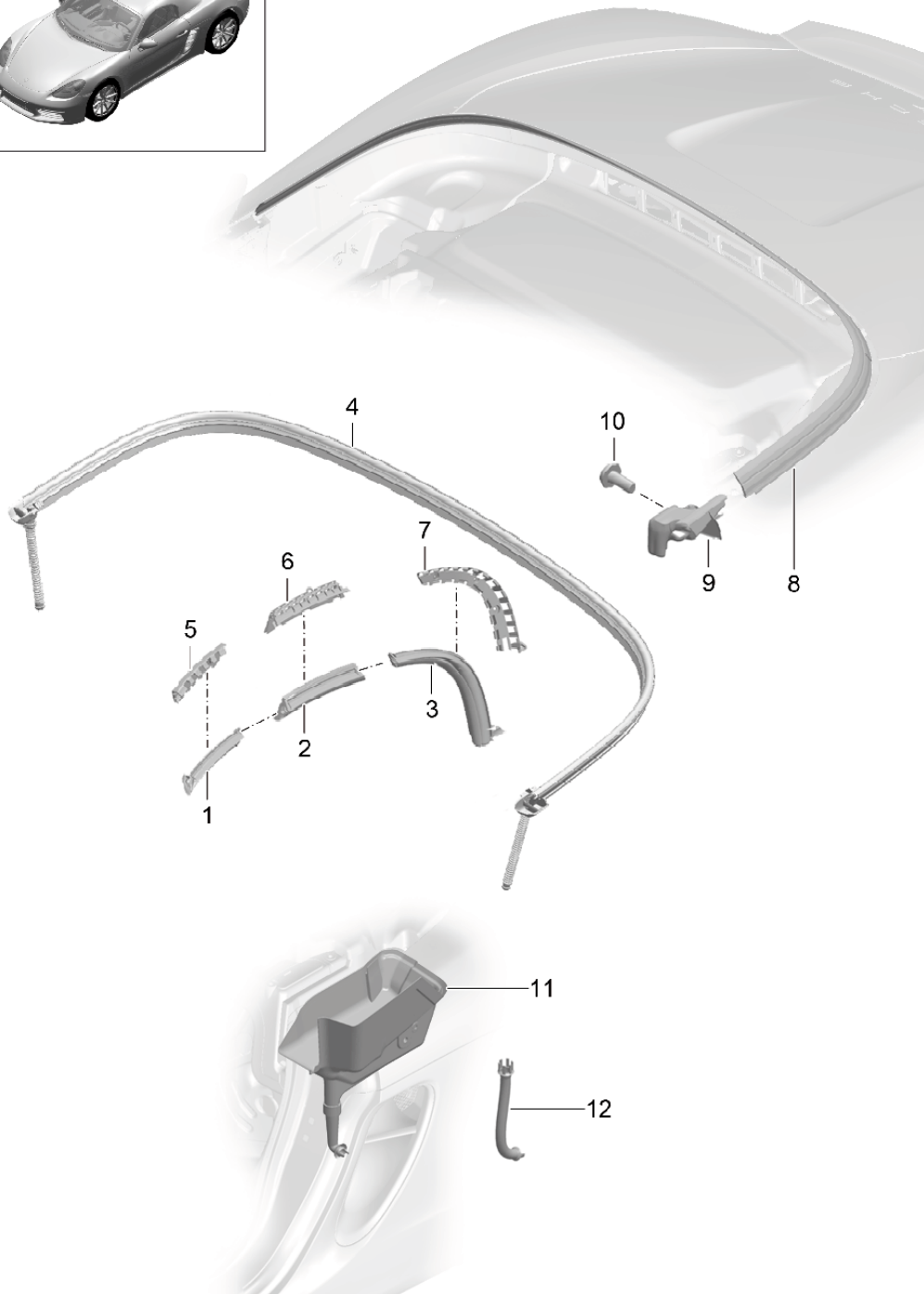
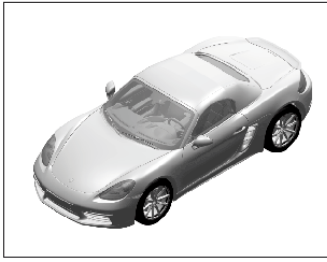
Model: 982-17

Model life 2017&gt;&gt;

Pos	Part Number	Description	Remark	Qty	Model
1	981 561 917 00	top frame Individual parts Main bracing		1	
2	981 561 919 00	Set Roof arch		1	
3	981 561 915 00	Set Roof arch		1	
4	981 561 913 02	Set top frame	left	1	
(4)	981 561 914 02	Set top frame	right	1	
5	981 561 929 00	Ball stud repair set		1	
6	981 561 433 00	tension wire Roof arch		2	
7	981 561 941 00	repair set tensioning strap for Roof arch		1	
(8)	981 561 945 00	Main bracing Holding strap for Service repair set		1	
9	900 075 521 01	Fastening screw Convertible top support M10X55		2	
10	999 072 066 01	Hexagon bolt roll bar Convertible top support M10X80		4	
11	981 561 437 00	Bracket Water hose		2	

Model: 982-17

Model life 2017>>



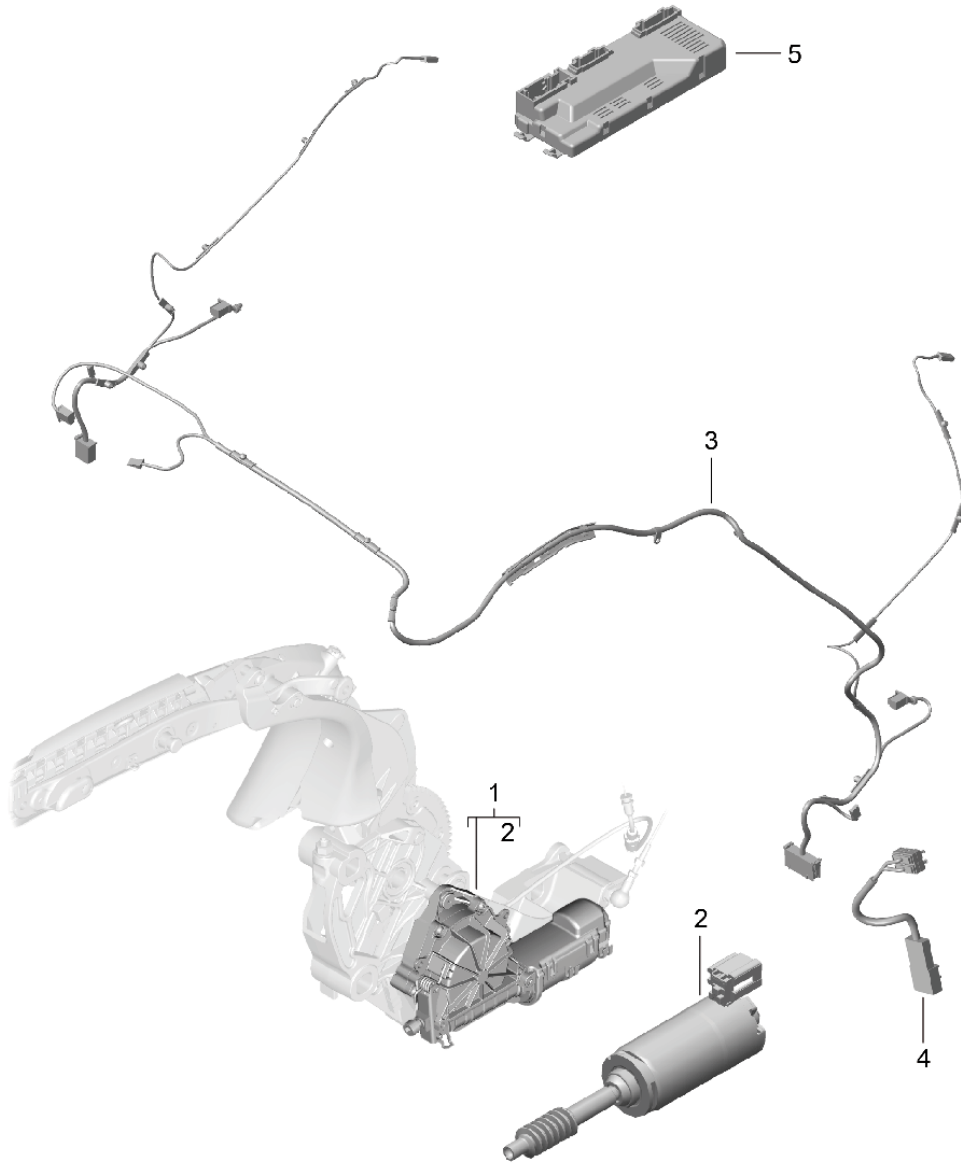
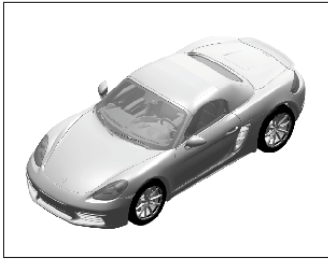
Model: 982-17

Model life 2017>>

Pos	Part Number	Description	Remark	Qty	Model
1	981 561 327 00	Convertible top Seal Water drip pan Seal	left front	1	
(1)	981 561 328 00	Seal	right front	1	
2	981 561 329 00	Seal	left center	1	
(2)	981 561 330 00	Seal	right center	1	
3	981 561 331 02	Seal	left	1	
(3)	981 561 332 02	Seal	right	1	
(4)	981 561 931 02	repair set Seal Roof arch		1	
		with:			
5	981 561 933 00	Water drainage hose repair set retaining strip	left front	1	
(5)	981 561 934 00	repair set retaining strip	right front	1	
6	981 561 935 00	repair set retaining strip	left center	1	
(6)	981 561 936 00	repair set retaining strip	right center	1	
7	981 561 937 00	repair set retaining strip	left rear	1	
(7)	981 561 938 00	repair set retaining strip	right rear	1	
8	981 504 197 05	Seal Body		1	
9	981 561 475 07	Seal B-pillar	left	1	
(9)	981 561 476 07	Seal B-pillar	right	1	
10	999 073 268 A2	fillister hd. bolt M5X12		4	
11	981 561 805 03	Water drip pan	left	1	
(11)	981 561 806 03	Water drip pan	right	1	
12	981 504 397 03	Water drainage hose B-pillar		2	

Model: 982-17

Model life 2017>>



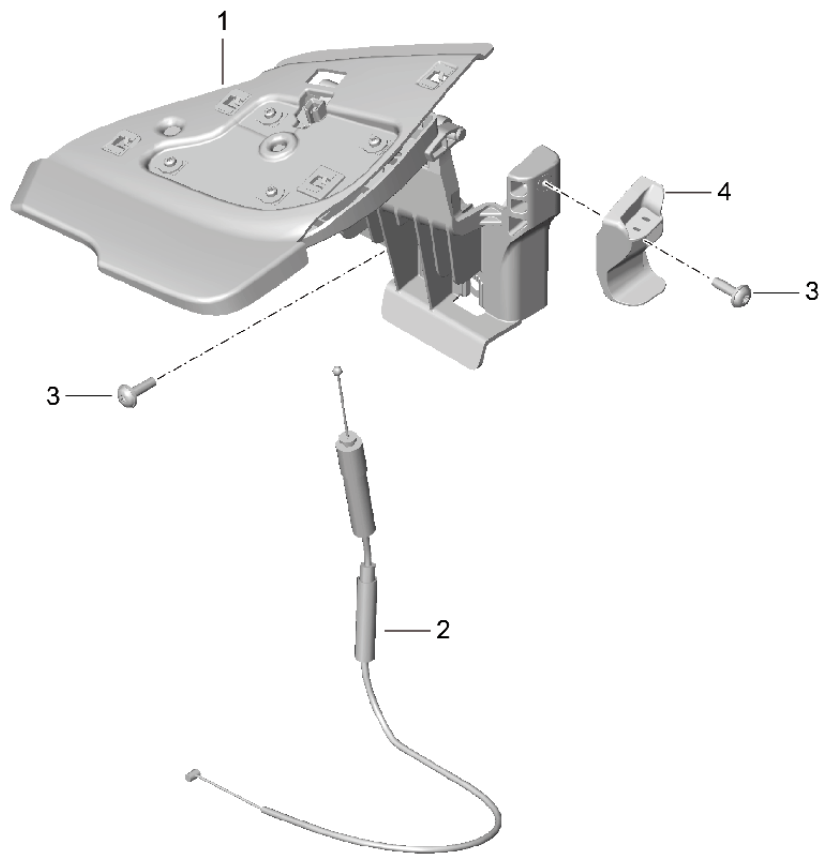
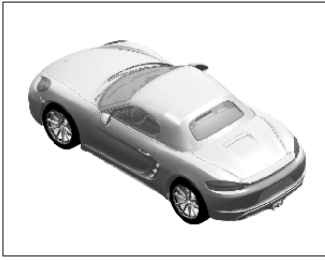
Model: 982-17

Model life 2017>>

Pos	Part Number	Description	Remark	Qty	Model
1	981 561 923 01	Convertible top Driving mechanism Wire set Gearbox	left	1	
(1)	981 561 924 01	Driving mechanism Gearbox	right	1	
2	981 561 925 01	Driving mechanism Electric motor	left	1	
(2)	981 561 926 01	Driving mechanism Electric motor	right	1	
3	982 972 383 A	Driving mechanism Wire set	left	1	
(3)	982 972 383	Wire set	right	1	
4	981 561 943 00	repair set Micro switch	left	1	
(4)	981 561 944 00	Convertible top support repair set Micro switch	right	1	
5	981 618 121 03	Convertible top support Control unit Driving mechanism Convertible top		1	

Model: 982-17

Model life 2017>>



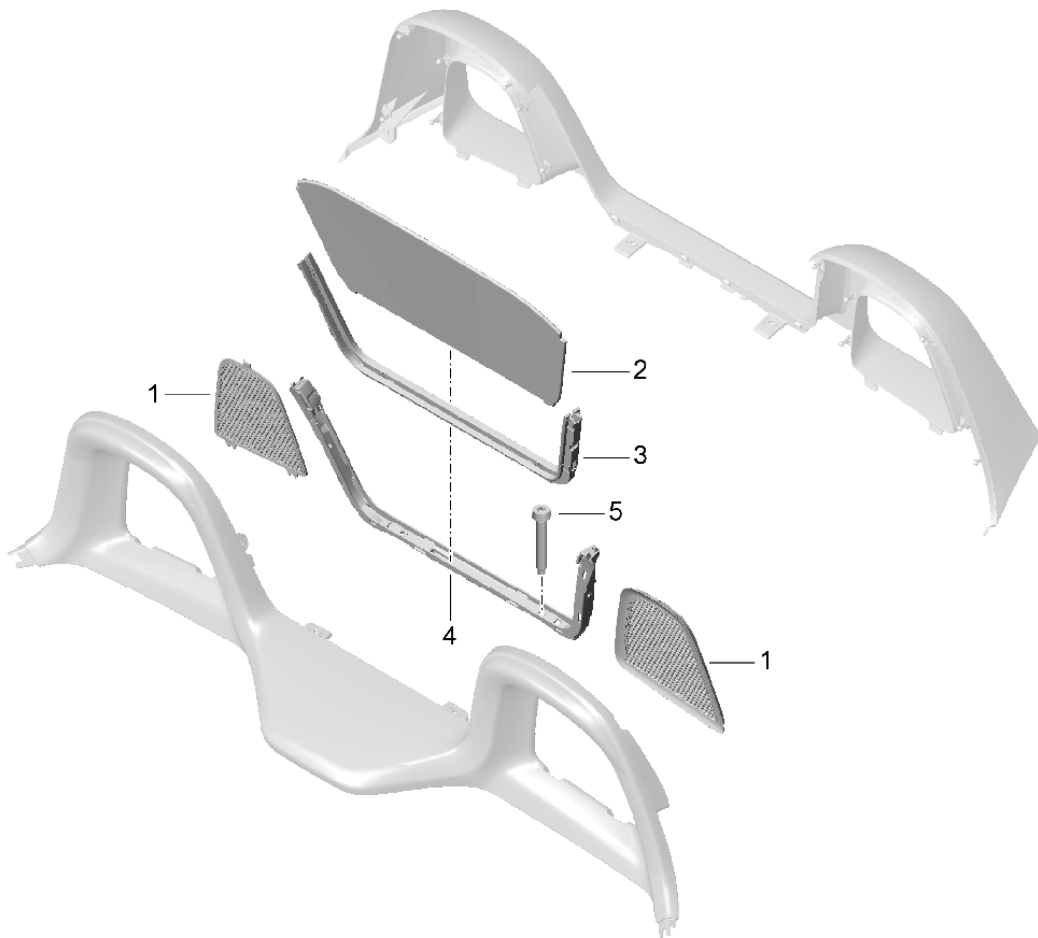
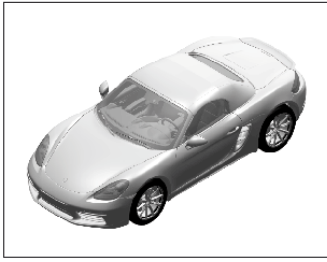
Model: 982-17

Model life 2017>>

Pos	Part Number	Description	Remark	Qty	Model
1	981 561 175 06	Flap Convertible top Flap	side left side	1	
(1)	981 561 175 06 1E0 981 561 176 06	Black Flap	right side	1	
2	981 561 176 06 1E0 981 561 431 00	Black Bowden cable Actuator		2	
3	N 106 610 02	Hex socket oval head collared M6X20		X	
4	981 580 463 02	shelf Centring journal	left	1	
(4)	981 580 464 02	shelf Centring journal	right	1	

Model: 982-17

Model life 2017>>





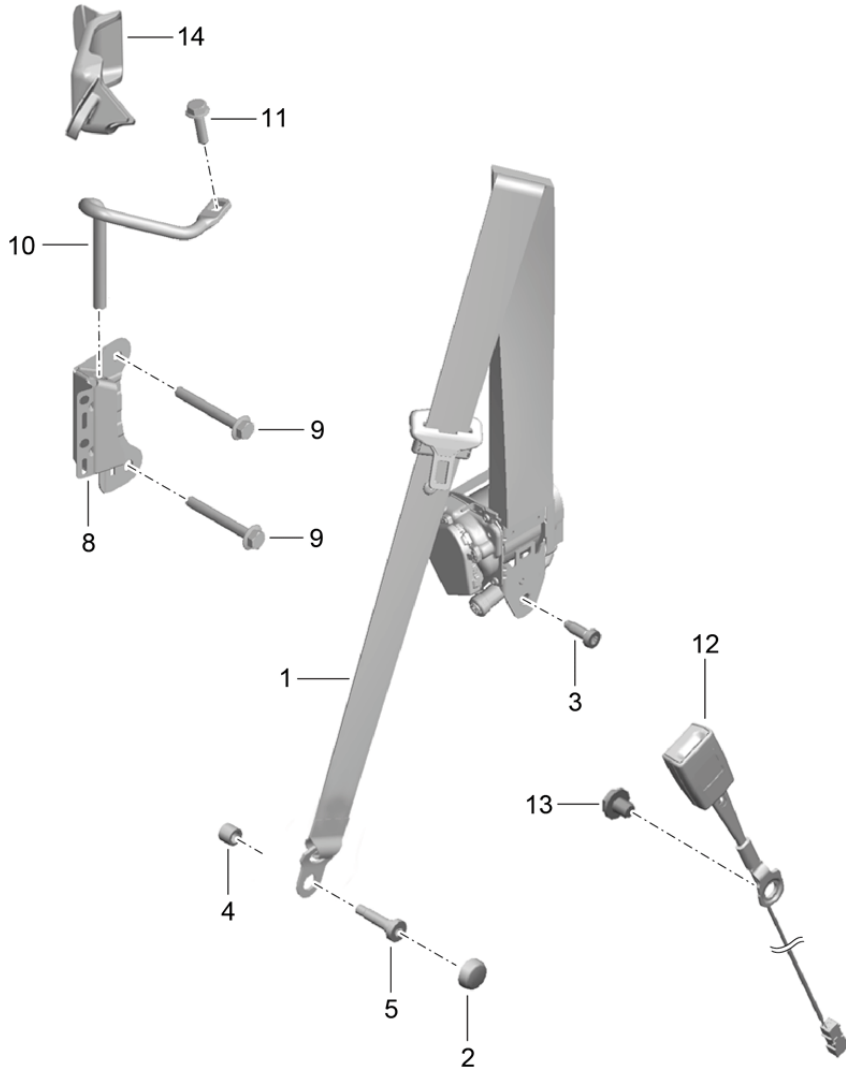
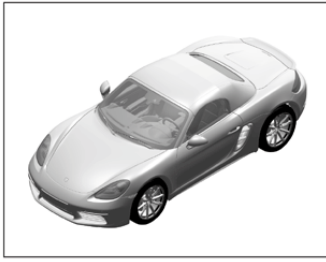
Model: 982-17

Model life 2017>>

Pos	Part Number	Description	Remark	Qty	Model
1	981 561 583 02	Windbreak Side part	left	1	PR:551
(1)	981 561 584 02	Windbreak Side part	right	1	
2	981 561 921 01	Windbreak Centre part		1	
		with: Pocket			
3	981 561 730 03	Black Insert		1	
4	981 561 650 03	Guide		1	
	981 561 650 03 1E0	Black			
5	900 976 011 01	Socket head bolt M5X30		X	

Model: 982-17

Model life 2017>>



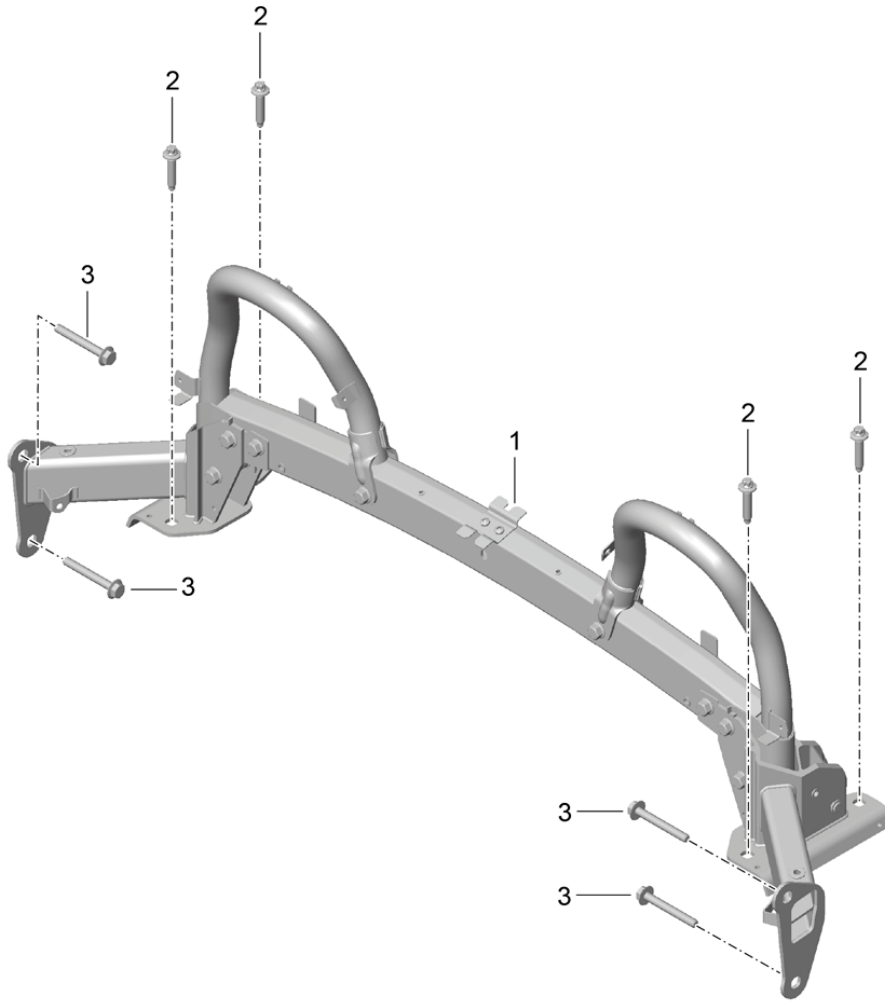
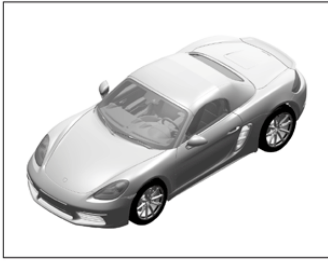
Model: 982-17

Model life 2017>>

Pos	Part Number	Description	Remark	Qty	Model
1	981 803 033 03	Three-point safety belt		2	
	981 803 033 03 OG6	Three-point safety belt			
	981 803 033 03 OL8	Bordeaux red			PR: XHU
	981 803 033 03 M5C	Chalk	-GE		PR: 557
	981 803 033 03 M3C	miami blue			PR: XHY
	981 803 033 03 OL8	Carmine red	-GQ		PR: 557
	981 803 033 03 A23	Chalk			PR: XHX
	981 803 033 03 1S1	Black			PR: 555
	981 803 033 03 62S	Racing Yellow			PR: XHN
	981 803 033 03 U01	Luxor beige			PR: XHP
	981 803 033 03 N13	silver			PR: XSH
	981 803 033 03 N13	guards red (Porsche)			PR: XSX
2	991 803 295 00	Cover cap		2	
3	N 989 261 02	Socket head bolt with inner multipoint head		2	
		7/16-20UNF			
4	999 924 064 03	spacer bush		2	
5	999 510 048 01	Socket head bolt		2	
		7/16-20UNF			
(5)	999 075 057 09	Hexagon bolt		2	PR: 373,374
8	981 803 581 00	Support	left	1	
(8)	981 803 582 00	Support	right	1	
9	999 072 066 01	Hexagon bolt		4	
		M10X80			
10	981 803 815 00	Deflection angle	left	1	
(10)	981 803 816 00	Deflection angle	right	1	
11	N 106 296 02	Hex collared bolt		2	
		M10X35			
12	991 803 183 00	Belt latch	lhd	1	PR: 098
		(drivers side)			
(12)	991 803 183 05	Belt latch	rhd	1	PR: 099
		(passenger side)			
(12)	991 803 184 06	Belt latch	lhd	1	PR: 098
		(passenger side)			
(12)	991 803 184 02	Belt latch	rhd	1	PR: 099
		(drivers side)			
13	999 218 101 02	Hexagon bolt		2	
		7/16-20UNF			
		Mount			
		Belt latch			
14	981 803 835 01	Guide	left	1	
		Seat belt			
(14)	981 803 836 01	Guide	right	1	
		Seat belt			

Model: 982-17

Model life 2017>>



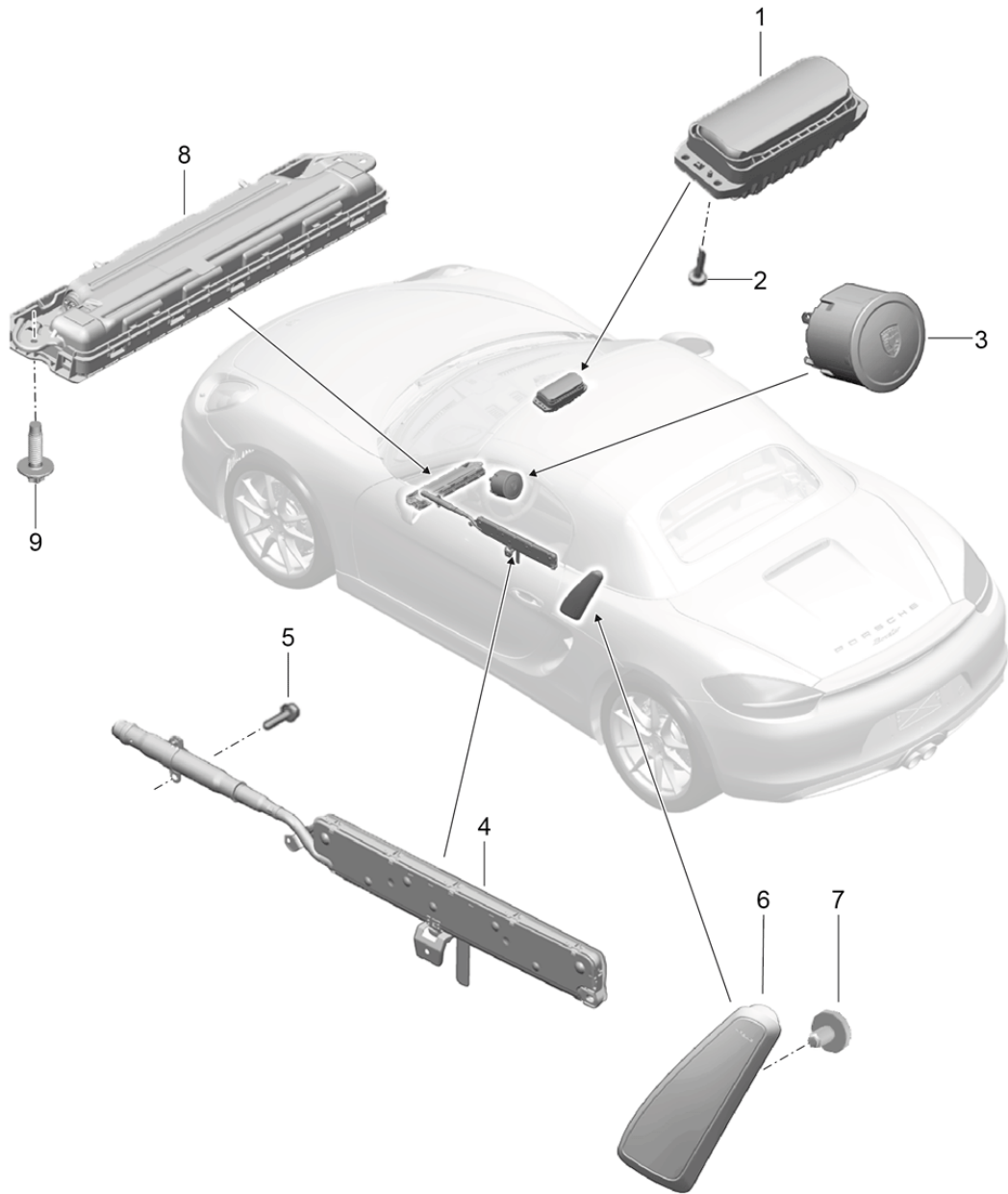
Model: 982-17

Model life 2017&gt;&gt;

Pos	Part Number	Description	Remark	Qty	Model
1	981 580 149 00	roll bar roll bar (complete)		1	
2	900 385 133 01	Screw M10X50		4	
3	999 072 066 01	Hexagon bolt M10X80		4	

Model: 982-17

Model life 2017>>



Model: 982-17 Model life 2017>>

Pos	Part Number	Description	Remark	Qty	Model
1	991 803 071 00	Airbag Airbag unit (passenger side)		1	
2	N 911 859 01	Hexagon socket flat head bolt Airbag unit (passenger side)		4	
3	982 880 201 B	Airbag unit (drivers side)		1	PR: -991
	982 880 201 B 5Q0	Black	-AD,FD,UD,AG, FG,UG,AJ,FJ, UJ,AS,FS,US, PM,PT,PW		
	982 880 201 B 6W0	Luxor beige	-UD,UG,UJ,US		
	982 880 201 B OA6	agate grey	-FD,FG,FJ,FS		
(3)	982 880 201 C	Airbag unit (drivers side) Leather		1	PR:991
	982 880 201 C A34	Black	-AD,FD,UD,AG, FG,UG,AJ,FJ, UJ,AS,FS,US, PM,PT,AZ,FZ, SZ,UZ,LZ,HZ, BM,BT,BW,TD, TG,NE,BY		
	982 880 201 C 9J9	Luxor beige	-UD,UG,UJ,US, PW,UZ		
	982 880 201 C OE5	agate grey	-FD,FJ,FS,FZ		FG,
	982 880 201 C 6H6	Espresso	-NE,BY		
	982 880 201 C OK6	saddle brown	-SZ		
	982 880 201 C OG6	Bordeaux red	-LZ		
	982 880 201 C OH7	Graphite Blue	-HZ,TG		
4	991 803 091 02	Head airbag unit Door	left	1	
(4)	991 803 092 02	Head airbag unit Door	right	1	
5	N 911 087 01	Hexagon collared bolt with multi-point socket head (duo) M6X25		4	
6	991 803 081 01	Side airbag unit Seat	left	1	
	991 803 081 01 5Q0	Black	-AD,AG,AJ,AS, PM,PT,PW,AZ, TD		
	991 803 081 01 6W0	Luxor beige	-UD,UG,UJ,US, UZ,BT		
	991 803 081 01 D20	silver grey metallic	-AJ,FJ,UJ,AZ, FZ,SZ,UZ,LZ, HZ,BM,BT,BW, TD,TG,NE,BY		
	991 803 081 01 OA6	agate grey	-FD,FG,FJ,FS, FZ		
	991 803 081 01 3T0	Espresso	-NE		
	991 803 081 01 OL7	saddle brown	-SZ		
	991 803 081 01 OG6	Bordeaux red	-LZ,BM		
	991 803 081 01 OH7	Graphite Blue	-HZ		
	991 803 081 01 OL8	Chalk	-BW,TG		
	991 803 081 01 2S0	Cognac	-BY		
6	991 803 082 01	Side airbag unit Seat	right	1	
	991 803 082 01 5Q0	Black	-AD,AG,AJ,AS, PM,PT,PW,AZ, TD		

Model: 982-17

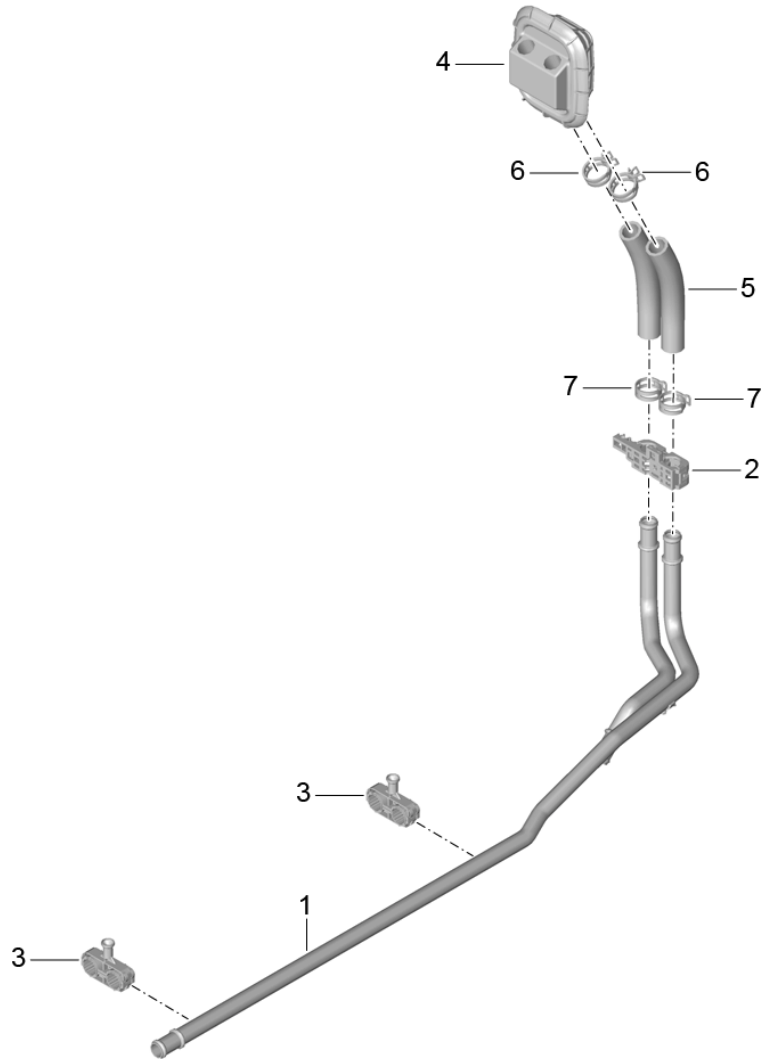
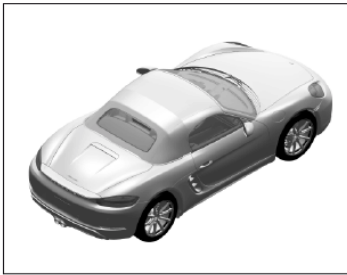
Model life 2017>>

Pos	Part Number	Description	Remark	Qty	Model
	991 803 082 01 6W0	Luxor beige	-UD,UG,UJ,US, UZ,BT		
	991 803 082 01 D20	silver grey metallic	-AJ,FJ,UJ,AZ, FZ,SZ,UZ,LZ, HZ,BM,BT,BW, TD,TG,NE,BY		
	991 803 082 01 OA6	agate grey	-FD,FG,FJ,FS, FZ		
	991 803 082 01 3T0	Espresso	-NE		
	991 803 082 01 OL7	saddle brown	-SZ		
	991 803 082 01 OG6	Bordeaux red	-LZ,BM		
	991 803 082 01 OH7	Graphite Blue	-HZ		
	991 803 082 01 OL8	saddle brown	-BW,TG		
	991 803 082 01 2S0	Cognac	-BY		
7	999 073 306 09	Screw Side airbag unit Seat M6X10		4	



Model: 982-17

Model life 2017>>



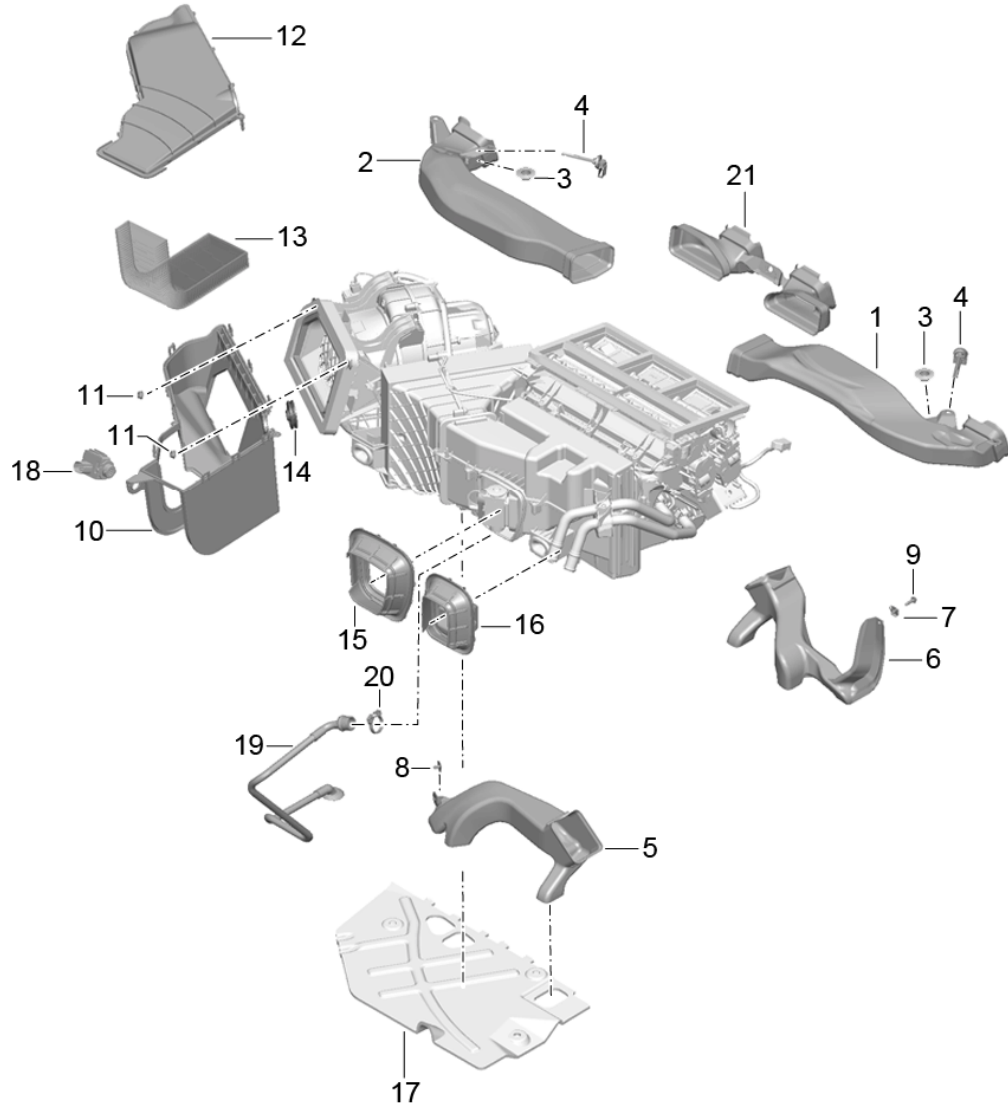
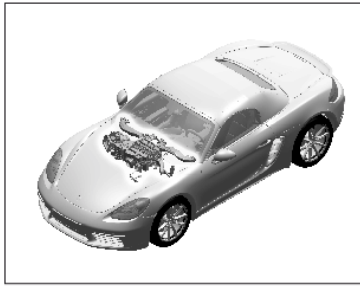
Model: 982-17

Model life 2017>>

Pos	Part Number	Description	Remark	Qty	Model
		heater			
		Feed line			
		return line			
1	982 265 189	Heater pipeline		1	
2	991 572 825 01	Bracket		1	
3	991 572 823 00	Bracket		2	
		Double			
4	991 572 263 01	Seal		1	
		Cross panel			
		Heater pipeline			
5	991 572 585 01	Heating hose		2	
6	999 512 603 09	Hose clamp		2	
		A26X12			
7	999 512 657 09	Hose clamp		2	
		B26X12			

Model: 982-17

Model life 2017>>

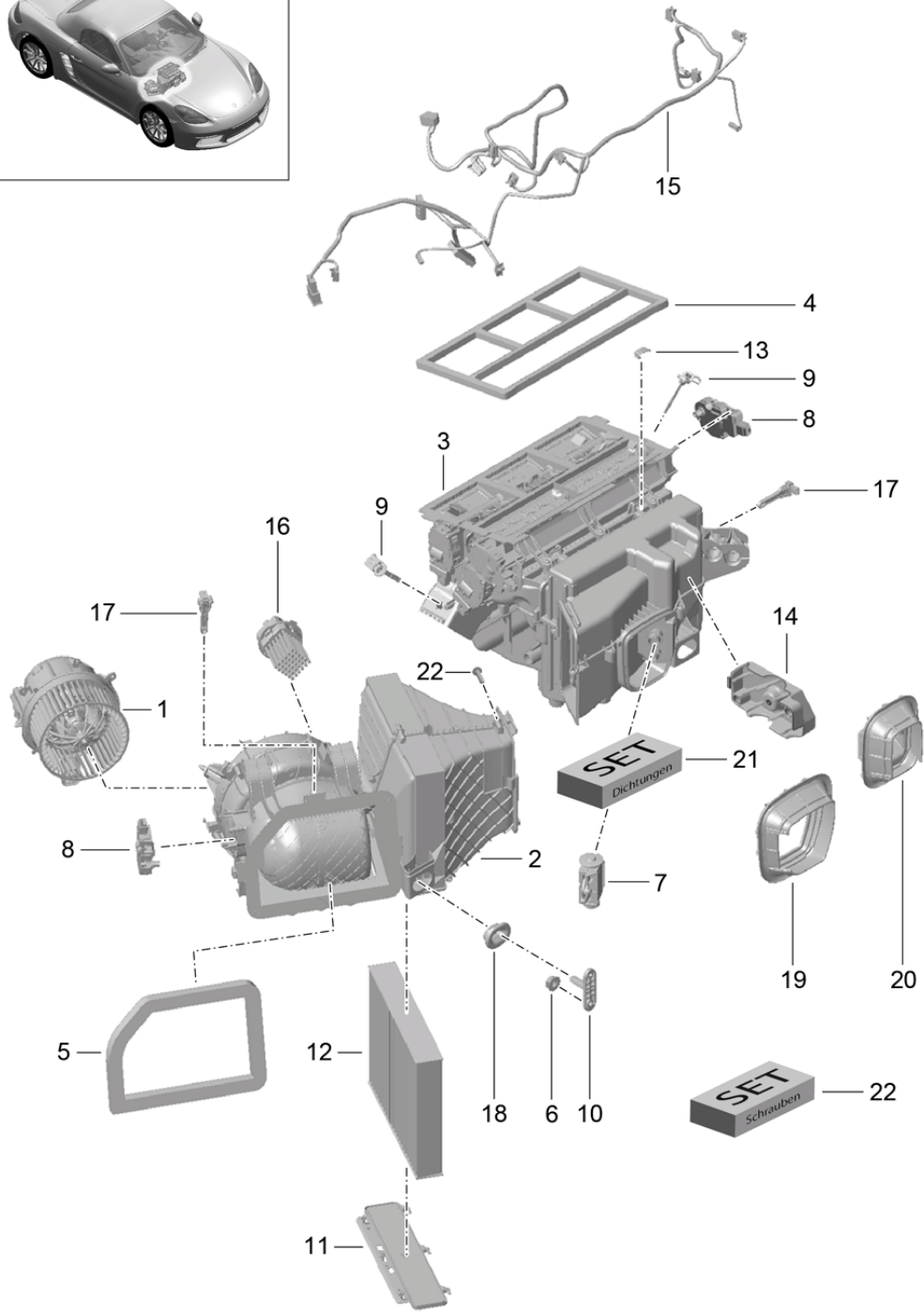
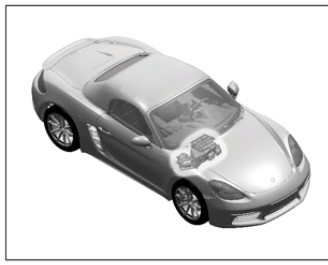


Model: 982-17 Model life 2017>>

Pos	Part Number	Description	Remark	Qty	Model
1	982 820 157	Air guide Air distributor Air guide	left lhd	1	PR:098
(1)	982 820 157 A	Air guide	left side rhd	1	PR:099
2	982 820 158	Air guide	right side lhd	1	PR:098
(2)	982 820 158 A	Air guide	right side rhd	1	PR:099
3	999 703 462 40	End cap 10,0X65		2	PR:572
4	970 653 253 00	Temperature sensor Temperature sensor		2	
5	991 572 693 00	Footwell outlet vent (drivers side)	lhd	1	PR:098
(5)	991 572 694 00	Footwell outlet vent (drivers side)	rhd	1	PR:099
6	991 572 793 02	Footwell outlet vent (passenger side)	rhd	1	PR:099
(6)	991 572 794 02	Footwell outlet vent (passenger side)	lhd	1	PR:098
7	999 507 556 01	panel nut M 5		2	
8	1H0 819 943	round hd. screw (passenger side)		1	
9	999 073 498 01	fillister hd. bolt M5X20 (drivers side)		1	
10	991 572 072 01	Lower part Air intake	lhd	1	PR:098
(10)	991 572 071 00	Lower part Air intake	rhd	1	PR:099
11	900 377 018 09	Hexagon nut M6		2	
12	991 572 272 01	Cover Air intake	left	1	PR:098
(12)	991 572 271 00	Cover Air intake	rhd	1	PR:099
13	991 572 371 00	Air filter Air intake		1	
14	991 572 471 01	Grommet Air intake		1	
15	991 573 769 01	Grommet Firewall Expansion valve		1	PR:572,573
16	991 572 263 01	Seal Cross panel Heater pipeline		1	
17		Trim Cold air Cover		1	
18	7PP 907 659	see illustration: Sensor	809-010	1	
19	991 573 794 00	water drain pipe		1	PR:572,573
20	999 512 418 40	Hose clamp 22,7-24,7		1	PR:572,573
21	982 820 560	Air guide Intermediate piece	center	1	

Model: 982-17

Model life 2017>>



Model: 982-17 Model life 2017>>

Pos	Part Number	Description	Remark	Qty	Model
		Air conditioner and Individual parts			
1	991 573 922 00	Fan	lhd	1	PR:098
(1)	991 573 922 01	Fan	rhd	1	PR:099
2	991 573 912 06	blower housing (complete)	lhd	1	PR:098,573
		with:			
(2)	981 573 912 02	Engine blower housing (complete)	lhd	1	PR:098,572
		with:			
(2)	991 573 912 07	Engine blower housing (complete)	rhd	1	PR:099,573
		with:			
(2)	981 573 912 03	Engine blower housing (complete)	rhd	1	PR:099,572
		with:			
3	991 573 914 08	Engine Junction	lhd	1	PR:098,573
(3)	981 573 914 06	Junction	lhd	1	PR:098,572
(3)	991 573 914 09	Junction	rhd	1	PR:099,573
(3)	981 573 914 07	Junction	rhd	1	PR:099,572
4	991 573 851 00	Sealing frame Air distributor		1	
5	991 573 850 00	Seal	lhd	1	PR:098
(5)	991 573 849 00	Fan Seal	rhd	1	PR:099
6	900 377 018 09	Fan Hexagon nut M6		2	
7	991 573 921 00	Expansion valve R134A		1	
(7)	991 573 921 01	Expansion valve R1234YF	also use: 8K0 820 261	1	
			also use: 8K0 820 261		
8	991 624 425 03	Servomotor 2-zone		X	
9	970 653 253 00	Temperature sensor		2	PR:573
10	991 572 481 00	Temperature sensor Bracket		2	
11	991 573 916 00	Air conditioner Cover for Filter		1	
12	991 573 623 00	Passenger compart. filter		1	
13	928 570 423 00	Tensioning spring		3	
14	991 573 913 00	blower housing pipe holder	rhd	1	PR:099
15	9P3 971 565	Wire set	lhd	1	PR:098,573
(15)	9P4 971 565	Wire set	rhd	1	PR:099,573
16	991 624 423 01	governor for Fan		1	PR:573
17	970 653 257 00	Temperature sensor for evaporator		1	
18	991 572 875 00	Grommet		2	
19	991 573 769 01	Air conditioner Grommet		1	PR:573

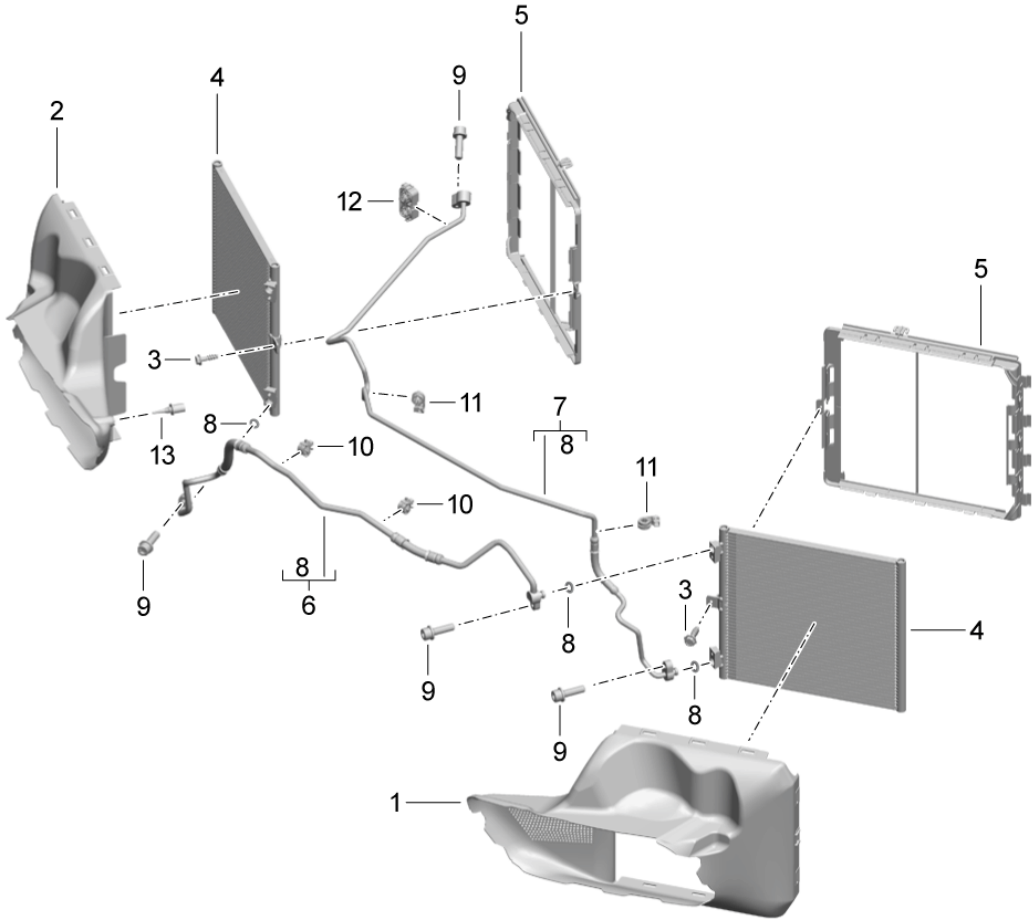
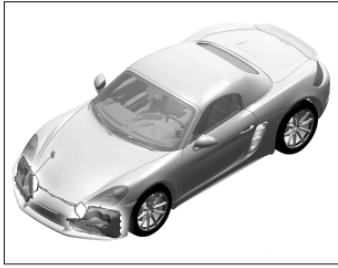
Model: 982-17

Model life 2017>>

Pos	Part Number	Description	Remark	Qty	Model
20	991 572 263 01	Firewall Expansion valve Seal Firewall		1	
21	8K0 820 261	Heater pipeline Gasket set Expansion valve		1	
22	8K0 898 540	1 set securing bolts		1	

Model: 982-17

Model life 2017>>





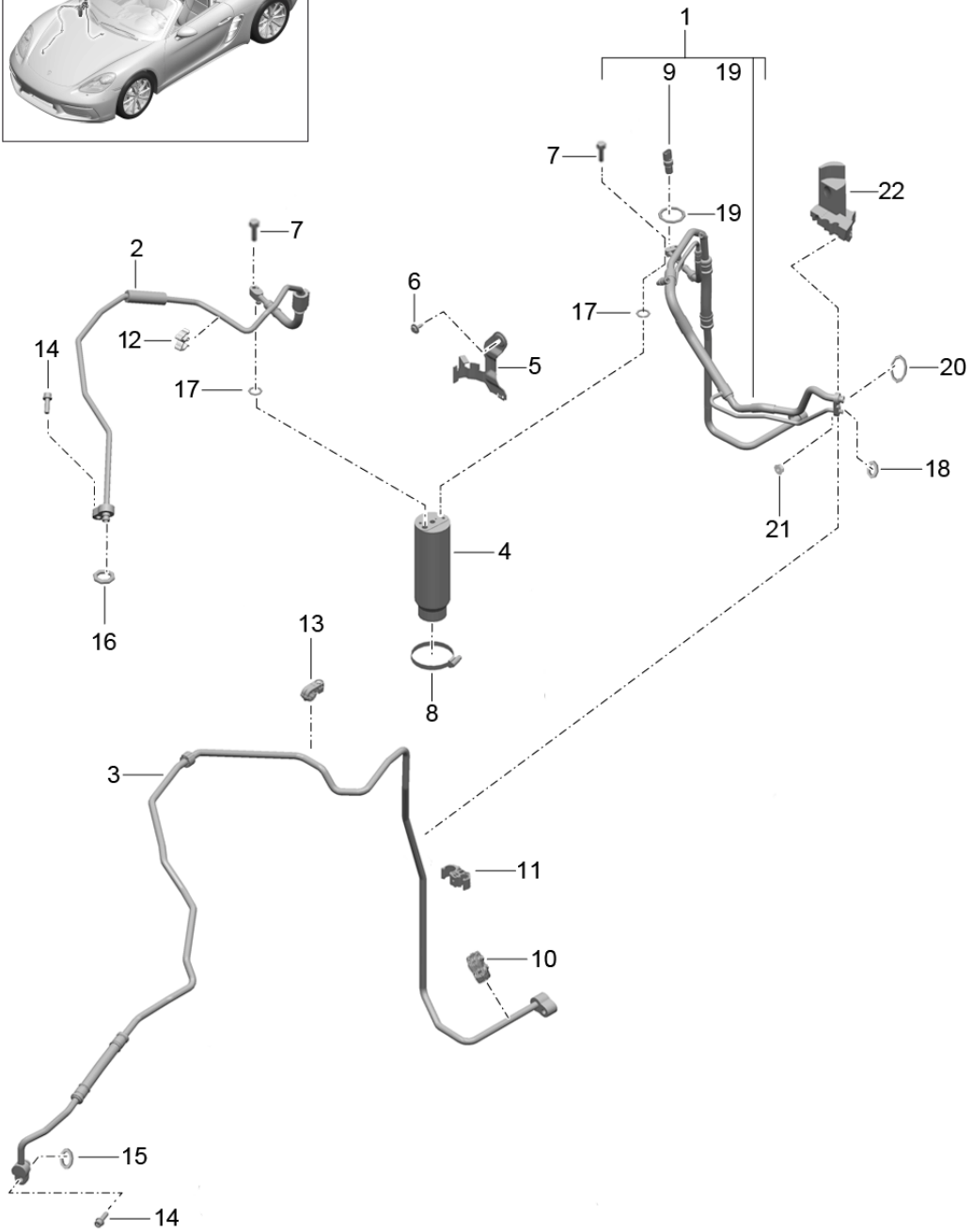
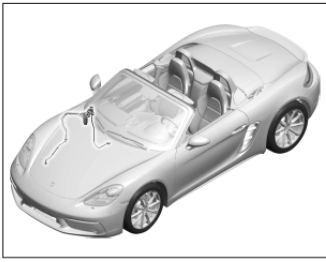
Model: 982-17

Model life 2017>>

Pos	Part Number	Description	Remark	Qty	Model
1	982 121 333 B	refrigerant circuit Air guide	front left side	1	PR: -XAT
(1)	982 121 333 B OK1 982 121 735	Matt black Air guide	left side	1	PR: XAT
2	982 121 735 OK1 982 121 334 B	Matt black Air guide	right side	1	PR: -XAN, -XAT
(2)	982 121 334 B OK1 982 121 736	Matt black Air guide	right side	1	PR: XAN, XAT
3	982 121 736 OK1 999 919 133 09	Matt black Hexagon bolt 6,0X20,0		2	
4	9P1 820 411	A/C condenser		2	
5	9P1 820 860	Sealing frame		2	
6	982 260 335 C	Pressure line Between Condenser		1	
7	982 260 335 D	Pressure line Condenser		1	PR: -070
(7)	982 260 335 E	Wheel housing Pressure line Condenser Wheel housing		1	PR: 070 "D..", "GB."
8	999 707 557 41	O-ring 11X2.5		3	
9	N 104 144 02	Socket head bolt with hexagon socket head M 8X28		4	
10	991 573 839 01	Bracket		2	
11	971 260 197	bracket for refrigerant pipe		1	
12	991 573 841 00	Bracket		1	
13	958 505 535 00	Sensor		1	

Model: 982-17

Model life 2017>>



Model: 982-17

Model life 2017&gt;&gt;

Pos	Part Number	Description	Remark	Qty	Model
1	991 573 102 00	refrigerant circuit Lines Drier Of heat exchanger Line R134A	lhd	1	PR:KK1,098
(1)	991 573 102 02	heat exchanger Line R1234YF	lhd	1	PR:KK3,098
(1)	991 573 102 01	heat exchanger Line R134A	rhd	1	PR:KK1,099
(1)	991 573 102 07	heat exchanger Refrigerant line Air conditioning		1	PR:KK3,099
2	991 573 108 03	Pressure line Drier for Expansion valve		1	
3	991 573 094 05	Wheel housing panel Pressure line Underbody for Condenser	front	1	
4	944 573 143 01	Drier		1	
5	991 573 451 01	bracket for drier		1	
6	900 075 510 01	Bolt with washer M6X20		1	
7	900 075 340 01	Bolt with washer M6X22		2	
8	999 512 349 01	Hose clamp A 50-70/ 9		1	
9	955 613 137 03	Pressure sensor		1	
10	991 573 843 00	Bracket Refrigerant line Underbody		1	
11	991 573 825 01	Bracket for coolant line		1	
12	999 507 287 40	Wheel housing Cable holder Refrigerant line		1	
13	971 260 197	Wheel housing bracket for refrigerant pipe		1	
14	N 104 144 02	Refrigerant line Socket head bolt with hexagon socket head M 8X28		2	
15	999 707 557 41	O-ring 11X2.5		3	
16	999 707 556 41	O-ring 9,5X2,5		1	
17	999 707 660 40	O-ring 7X1.9		1	
18	999 707 652 40	O-ring 7.5X2.1		1	
19	999 707 555 41	O-ring 10.8X1.82		1	
20	999 707 558 41	O-ring 13.7X2.5		1	
21	900 377 018 09	Hexagon nut M6		1	
22	991 572 512 00	Foam part	lhd	1	PR:098

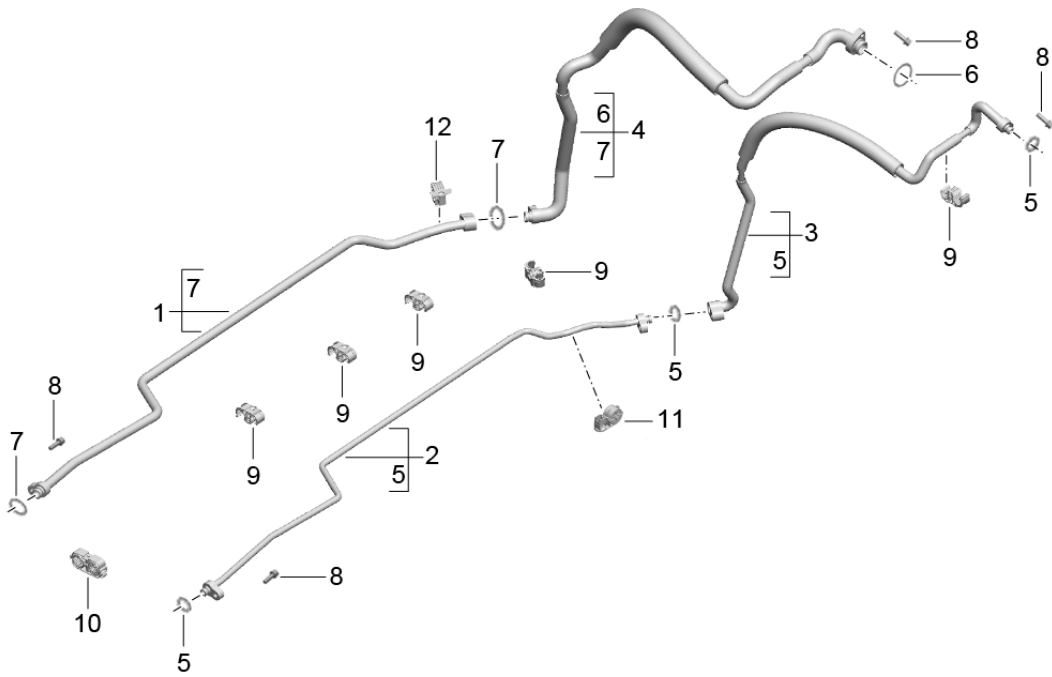
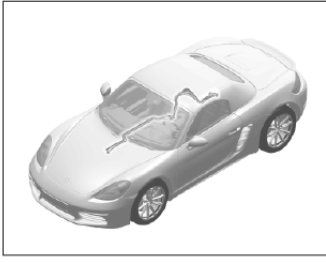
Model: 982-17

Model life 2017>>

Pos	Part Number	Description	Remark	Qty	Model
(22)	991 572 513 01	Foam part	rhd	1	PR:099

Model: 982-17

Model life 2017>>



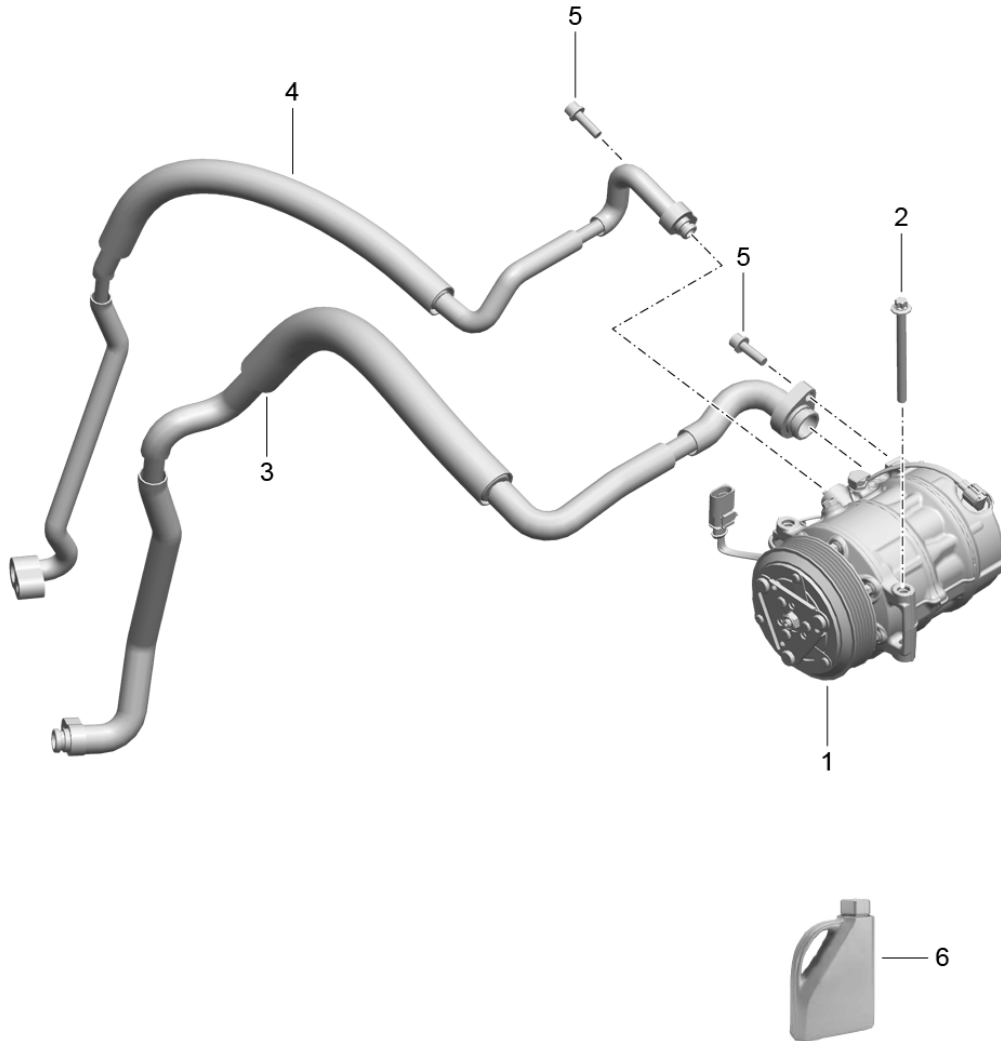
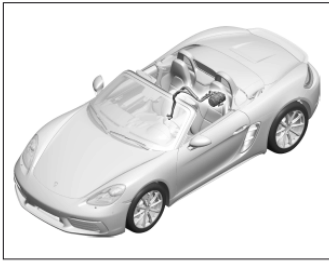
Model: 982-17

Model life 2017&gt;&gt;

Pos	Part Number	Description	Remark	Qty	Model
1	991 573 091 02	refrigerant circuit Underbody and Rear end suction line Wheel housing for Underbody	front	1	
2	991 573 092 02	Pressure line Underbody for Wheel housing	front	1	
3	9A2 573 097 03	Pressure line Underbody for Compressor		1	
4	9A2 573 099 03	suction line Underbody for Compressor		1	
5	999 707 557 41	O-ring 11.00X2.50		3	
6	999 707 439 41	O-ring 23.80X2.40		1	
7	999 707 653 40	O-ring 16.70X2.50		2	
8	N 104 144 02	Socket head bolt with hexagon socket head M 8X28		4	
9	991 573 825 01	Bracket for coolant line		4	
10	991 573 843 00	Bracket		1	
11	971 260 197	bracket for refrigerant pipe		1	
12	991 573 829 01	Bracket for coolant line		1	

Model: 982-17

Model life 2017>>



Model: 982-17

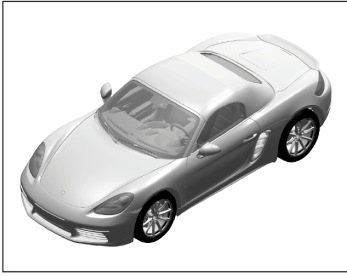
Model life 2017>>

Pos	Part Number	Description	Remark	Qty	Model
1	9P1 820 803 B	Compressor		1	
(1)	9P1 820 803 BX	Air conditioning Compressor		1	
2	N 107 822 01	Compressor Replacement parts		3	
3		Hexagon bolt BM8X95X80		1	
4		suction line see illustration, item:	813-030,3	1	
5		Pressure line see illustration, item:	813-030,4	2	
6	N 104 144 02	Socket head bolt with hexagon socket head M8X28-U		1	
(6)	9A7 573 900 00	Compressor oil 250 ML		1	
		Refrigerant for R1234YF 5 KG See workshop manual 8X00IN		1	



Model: 982-17

Model life 2017>>



Model: 982-17 Model life 2017>>

Pos	Part Number	Description	Remark	Qty	Model
		Front seat sports seat Sports seat Plus bucket seat Not available Trim Rail Rail Front seat			PR:313,314, 317,318,321, 322,323,324, 388,389
1	991 521 359 00	Rail Front seat	left	1	PR:313,317
(1)	991 521 359 00 1E0	Black			
(1)	991 521 360 00	Rail Front seat	right	1	PR:314,318
(1)	991 521 360 00 1E0	Black			
(1)	991 521 361 00	Rail Front seat	left	1	PR:314,318, 321,322,323, 324,389
(1)	991 521 361 00 1E0	Black			
(1)	991 521 362 00	Rail Front seat	right	1	PR:313,317, 321,322,323, 324,388
2	991 521 362 00 1E0	Black			
(2)	991 521 315 00	Cover panel Mounting component Front seat	left	1	PR:321,323, -XWK
(2)	991 521 315 00 D20	silver grey metallic			
(2)	991 521 316 00	Cover panel Mounting component Front seat	right	1	PR:322,324, -XWK
3	991 521 316 00 D20	silver grey metallic			
(3)	991 521 335 01	Cover panel Mounting component Front seat	inner	1	PR:321,323, -XWK
(3)	991 521 335 01 D20	silver grey metallic			
(3)	991 521 336 01	Cover panel Mounting component Front seat	inner	1	PR:322,324, -XWK
(3)	991 521 336 01 D20	silver grey metallic			
(3)	991 521 338 01	Cover panel Mounting component Front seat	inner	1	PR:321,323, -XWK
(3)	991 521 338 01 D20	silver grey metallic			
(3)	991 521 337 01	Cover panel Mounting component Front seat	inner	1	PR:322,324, -XWK
(3)	991 521 337 01 D20	silver grey metallic			
(3)	981 521 338 01	Cover panel Mounting component Front seat tunnel	inner	1	PR:313,317
(3)	981 521 338 01 1E0	Black			
(3)	981 521 337 01	Cover panel Mounting component Front seat tunnel	inner	1	PR:314,318
(3)	981 521 337 01 1E0	Black			
(3)	981 521 335 01	Cover panel Mounting component Front seat	inner	1	PR:313,317
(3)	981 521 335 01 1E0	Black			
(3)	981 521 336 01	Cover panel Mounting component Front seat	inner	1	PR:314,318
(3)	981 521 336 01 1E0	Black			

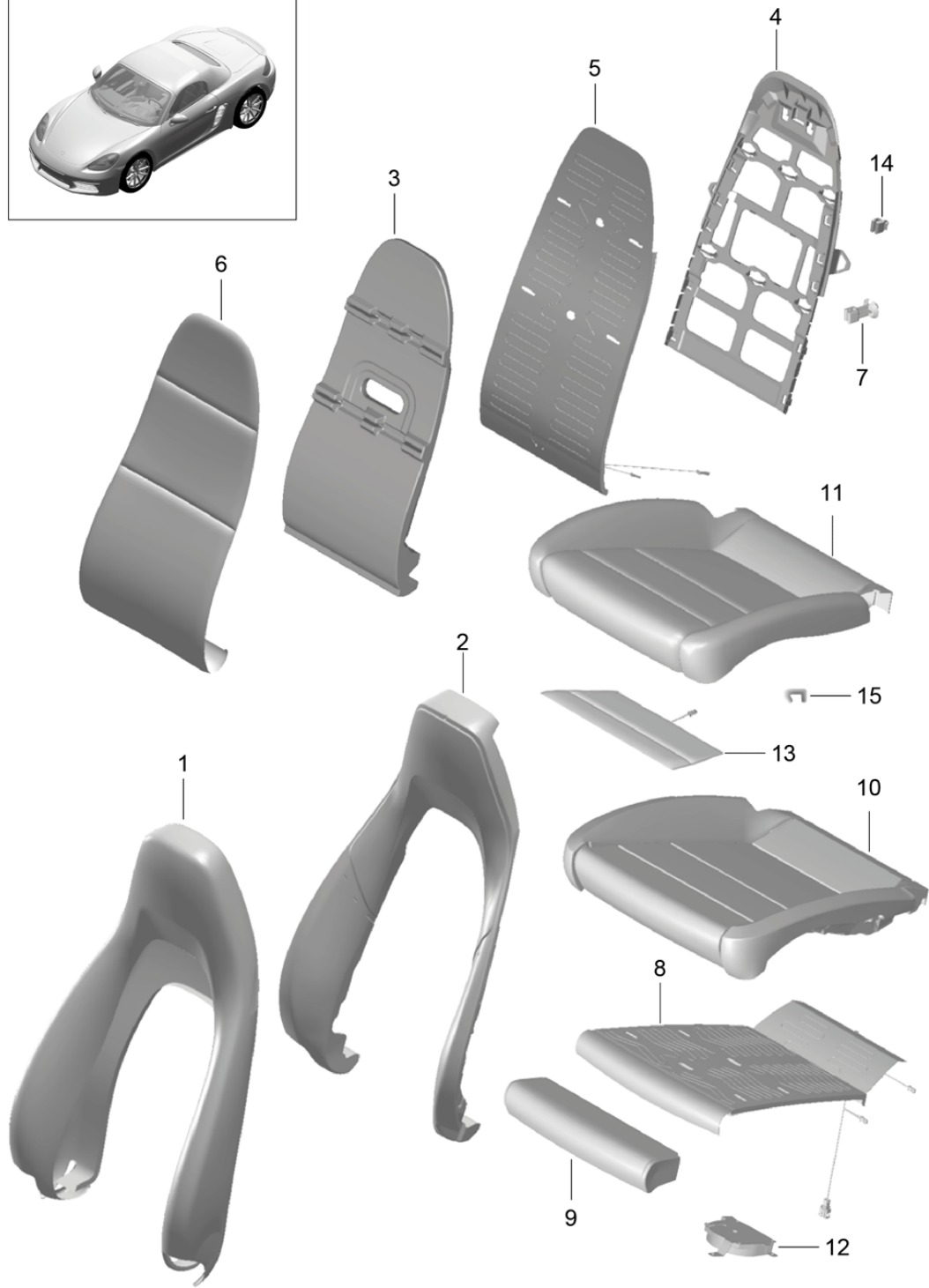
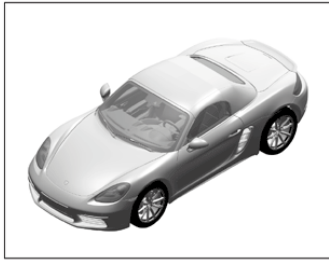
Model: 982-17

Model life 2017&gt;&gt;

Pos	Part Number	Description	Remark	Qty	Model
4	9A7 007 483 00	Outer hexagon round screw Seat rail Front seat Floor section		4	

Model: 982-17

Model life 2017>>



Model: 982-17 Model life 2017>>

Pos	Part Number	Description	Remark	Qty	Model
1	991 521 141 12	Foam part Cover sports seat Backrest cover	left	1	PR:313,314, 321,322
	991 521 141 12 GDB	Outer part sports seat Black	-AG,AS,PM,PT, PW		PR:313,321, 946,-541
	991 521 141 12 GHB	agate grey	-FG,FS		
	991 521 141 12 GFB	Luxor beige	-UG,US		
(1)	991 521 141 13	Backrest cover	left	1	PR:313,321, 983,-541, -998
	991 521 141 13 GDC	Outer part sports seat Black	-AZ		
	991 521 141 13 GHC	agate grey	-FZ		
	991 521 141 13 DUE	saddle brown	-SZ		
	991 521 141 13 GFC	Luxor beige	-UZ,BT		
	991 521 141 13 GUC	Bordeaux red	-LZ,BM		
	991 521 141 13 GTC	Graphite Blue	-HZ		
	991 521 141 13 GVC	Chalk	-BW		
(1)	991 521 141 14	Backrest cover	left	1	PR:313,321, 541,946
	991 521 141 14 GDB	Outer part sports seat Black	-AG,AS,PM,PT, PW		
	991 521 141 14 GHB	agate grey	-FG,FS		
	991 521 141 14 GFB	Luxor beige	-UG,US		
(1)	991 521 141 15	Backrest cover	left	1	PR:313,321, 541,983,-998
	991 521 141 15 GDC	Outer part sports seat Black	-AZ		
	991 521 141 15 GHC	agate grey	-FZ		
	991 521 141 15 DUE	saddle brown	-SZ		
	991 521 141 15 GFC	Luxor beige	-UZ,BT		
	991 521 141 15 GUC	Bordeaux red	-LZ,BM		
	991 521 141 15 GTC	Graphite Blue	-HZ		
	991 521 141 15 GVC	Chalk	-BW		
(1)	991 521 141 16	Backrest cover	left	1	PR:313,321, 983,998,-541
	991 521 141 16 GKC	Outer part sports seat Espresso	-NE		
	991 521 141 16 GRC	Cognac	-BY		
(1)	991 521 141 17	Backrest cover	left	1	PR:313,321, 541,983,998
	991 521 141 17 GKC	Outer part sports seat Espresso	-NE		
	991 521 141 17 GRC	Cognac	-BY		
(1)	981 521 141 01	backrest cover (alcantara)	left	1	PR:314,950
	981 521 141 01 1D0	Outer part sports seat Black	-AD		
	981 521 141 01 OW7	agate grey	-FD		
	981 521 141 01 2E0	Luxor beige	-UD		
(1)	991 521 981 10	Backrest cover	left	1	PR:XSC,313, 321,946,-541
	991 521 981 10 GDB	Outer part sports seat Porsche crest Black	-AG,AS		
	991 521 981 10 GHB	agate grey	-FG,FS		
	991 521 981 10 GFB	Luxor beige	-UG,US		
	991 521 981 10 GUB	Black/Bordeaux Red	-PM		
	991 521 981 10 GFF	Black/Luxor Beige	-PT		
	991 521 981 10 GVB	Black/Chalk	-PW		

Model: 982-17 Model life 2017>>

Pos	Part Number	Description	Remark	Qty	Model
(1)	991 521 981 11	Backrest cover Outer part sports seat Porsche crest	left	1	PR:XSC,313, 321,541,946
	991 521 981 11 GDB	Black	-AG,AS		
	991 521 981 11 GHB	agate grey	-FG,FS		
	991 521 981 11 GFB	Luxor beige	-UG,US		
	991 521 981 11 GUB	Black/Bordeaux Red	-PM		
	991 521 981 11 GFF	Black/Luxor Beige	-PT		
	991 521 981 11 GVB	Black/Chalk	-PW		
(1)	991 521 981 12	Backrest cover Outer part sports seat Porsche crest	left	1	PR:XSC,313, 321,983, -541,-998
	991 521 981 12 GDC	Black	-AZ		
	991 521 981 12 GHC	agate grey	-FZ		
	991 521 981 12 DUE	saddle brown	-SZ		
	991 521 981 12 GFC	Luxor beige	-UZ,BT		
	991 521 981 12 GUC	Bordeaux red	-LZ,BM		
	991 521 981 12 GTC	Graphite Blue	-HZ		
	991 521 981 12 GVC	Chalk	-BW		
(1)	991 521 981 13	Backrest cover Outer part sports seat Porsche crest	left	1	PR:XSC,313, 321,541,983, -998
	991 521 981 13 GDC	Black	-AZ		
	991 521 981 13 GHC	agate grey	-FZ		
	991 521 981 13 DUE	saddle brown	-SZ		
	991 521 981 13 GFC	Luxor beige	-UZ,BT		
	991 521 981 13 GUC	Bordeaux red	-LZ,BM		
	991 521 981 13 GTC	Graphite Blue	-HZ		
	991 521 981 13 GVC	Chalk	-BW		
(1)	991 521 981 14	Backrest cover Outer part sports seat Porsche crest	left	1	PR:XSC,313, 321,983,998, -541
	991 521 981 14 GKC	Espresso	-NE		
	991 521 981 14 GRC	Cognac	-BY		
(1)	991 521 981 15	Backrest cover Outer part sports seat Porsche crest	left	1	PR:XSC,313, 321,541,983, 998
	991 521 981 15 GKC	Espresso	-NE		
	991 521 981 15 GRC	Cognac	-BY		
(1)	991 521 142 12	Backrest cover Outer part sports seat	right	1	PR:314,322, 946,-541
	991 521 142 12 GDB	Black	-AG,AS,PM,PT, PW		
	991 521 142 12 GHB	agate grey	-FG,FS		
	991 521 142 12 GFB	Luxor beige	-UG,US		
(1)	991 521 142 13	Backrest cover Outer part sports seat	right	1	PR:314,322, 983,-541
	991 521 142 13 GDC	Black	-AZ		
	991 521 142 13 GHC	agate grey	-FZ		
	991 521 142 13 DUE	saddle brown	-SZ		
	991 521 142 13 GFC	Luxor beige	-UZ,BT		
	991 521 142 13 GUC	Bordeaux red	-LZ,BM		
	991 521 142 13 GTC	Graphite Blue	-HZ		
	991 521 142 13 GVC	Chalk	-BW		
(1)	991 521 142 14	Backrest cover Outer part	right	1	PR:314,322, 541,946

Model: 982-17 Model life 2017>>

Pos	Part Number	Description	Remark	Qty	Model
	991 521 142 14 GDB	sports seat Black	-AG,AS,PM,PT, PW		
	991 521 142 14 GHB	agate grey	-FG,FS		
	991 521 142 14 GFB	Luxor beige	-UG,US		
(1)	991 521 142 15	Backrest cover Outer part sports seat	right	1	PR:314,322, 541,983,-998
	991 521 142 15 GDC	Black	-AZ		
	991 521 142 15 GHC	agate grey	-FZ		
	991 521 142 15 DUE	saddle brown	-SZ		
	991 521 142 15 GFC	Luxor beige	-UZ,BT		
	991 521 142 15 GUC	Bordeaux red	-LZ,BM		
	991 521 142 15 GTC	Graphite Blue	-HZ		
	991 521 142 15 GVC	Chalk	-BW		
(1)	991 521 142 16	Backrest cover Outer part sports seat	right	1	PR:314,322, 983,998,-541
	991 521 142 16 GKC	Espresso	-NE		
	991 521 142 16 GRC	Cognac	-BY		
(1)	991 521 142 17	Backrest cover Outer part sports seat	right	1	PR:314,322, 541,983,998
	991 521 142 17 GKC	Espresso	-NE		
	991 521 142 17 GRC	Cognac	-BY		
(1)	981 521 142 01	backrest cover (alcantara) Outer part sports seat	right	1	PR:313,950
	981 521 142 01 1D0	Black	-AD		
	981 521 142 01 OW7	agate grey	-FD		
	981 521 142 01 2E0	Luxor beige	-UD		
(1)	991 521 982 10	Backrest cover Outer part sports seat Porsche crest	right	1	PR:XSC,314, 322,946,-541
	991 521 982 10 GDB	Black	-AG,AS		
	991 521 982 10 GHB	agate grey	-FG,FS		
	991 521 982 10 GFB	Luxor beige	-UG,US		
	991 521 982 10 GUB	Black/Bordeaux Red	-PM		
	991 521 982 10 GFF	Black/Luxor Beige	-PT		
	991 521 982 10 GVB	Black/Chalk	-PW		
(1)	991 521 982 11	Backrest cover Outer part sports seat Porsche crest	right	1	PR:XSC,314, 322,541,946
	991 521 982 11 GDB	Black	-AG,AS		
	991 521 982 11 GHB	agate grey	-FG,FS		
	991 521 982 11 GFB	Luxor beige	-UG,US		
	991 521 982 11 GUB	Black/Bordeaux Red	-PM		
	991 521 982 11 GFF	Black/Luxor Beige	-PT		
	991 521 982 11 GVB	Black/Chalk	-PW		
(1)	991 521 982 12	Backrest cover Outer part sports seat Porsche crest	right	1	PR:XSC,314, 322,983, -541,-998
	991 521 982 12 GDC	Black	-AZ		
	991 521 982 12 GHC	agate grey	-FZ		
	991 521 982 12 DUE	saddle brown	-SZ		
	991 521 982 12 GFC	Luxor beige	-UZ,BT		
	991 521 982 12 GUC	Bordeaux red	-LZ,BM		
	991 521 982 12 GTC	Graphite Blue	-HZ		
	991 521 982 12 GVC	Chalk	-BW		
(1)	991 521 982 13	Backrest cover	right	1	PR:XSC,314,

Model: 982-17

Model life 2017>>

Pos	Part Number	Description	Remark	Qty	Model
		Outer part sports seat Porsche crest			322,541,983, -998
	991 521 982 13 GDC	Black	-AZ		
	991 521 982 13 GHC	agate grey	-FZ		
	991 521 982 13 DUE	saddle brown	-SZ		
	991 521 982 13 GFC	Luxor beige	-UZ,BT		
	991 521 982 13 GUC	Bordeaux red	-LZ,BM		
	991 521 982 13 GTC	Graphite Blue	-HZ		
	991 521 982 13 GVC	Chalk	-BW		
(1)	991 521 982 14	Backrest cover Outer part sports seat Porsche crest	right	1	PR:XSC,314, 322,983,998, -541
	991 521 982 14 GKC	Espresso	-NE		
	991 521 982 14 GRC	Cognac	-BY		
(1)	991 521 982 15	Backrest cover Outer part sports seat Porsche crest	right	1	PR:XSC,314, 322,541,983, 998
	991 521 982 15 GKC	Espresso	-NE		
	991 521 982 15 GRC	Cognac	-BY		
2	991 521 535 00	Foam part backrest	outer	1	PR:313,314, 321,322,-541
(2)	991 521 535 01	Foam part backrest	outer	1	PR:314,321, 541,313,322
3	991 521 581 01	Foam part backrest	left a. right	1	PR:313,314, 321,322,541
(3)	991 521 581 00	Centre part sports seat Foam part backrest	left a. right	1	PR:313,314, 321,322,-541
4	991 521 551 00	Centre part sports seat Backrest-padding support part	left a. right	1	PR:313,314, 321,322
5	991 521 731 01	sports seat Airbag backrest	left a. right	1	PR:313,314, 321,322,541
6	991 521 151 00	sports seat Backrest cushion cover Centre part sports seat	left a. right	1	PR:313,314, 321,322,946, -541
	991 521 151 00 21U	Black	-AG,AS		
	991 521 151 00 OF6	agate grey	-FG,FS		
	991 521 151 00 32X	Luxor beige	-UG,US		
(6)	991 521 151 00	Backrest cushion cover Centre part sports seat	left a. right	1	PR:313,314, 321,322,946, -541
	991 521 151 00 OG6	Black/Bordeaux Red	-PM		
	991 521 151 00 OL8	Black/Chalk	-PW		
	991 521 151 00 9H6	Black/Luxor Beige	-PT		
(6)	991 521 151 01	Backrest cushion cover Centre part sports seat	left a. right	1	PR:313,314, 321,322,983, -541,-998
	991 521 151 01 8YR	Black	-AJ,AZ		
	991 521 151 01 PL1	agate grey	-FJ,FZ		
	991 521 151 01 9H6	Luxor beige	-UJ,UZ,BT		
	991 521 151 01 OK6	saddle brown	-SZ		
	991 521 151 01 OG6	Bordeaux red	-LZ,BM		
	991 521 151 01 OH7	Graphite Blue	-HZ		
	991 521 151 01 OL8	Chalk	-BW		
(6)	991 521 151 02	Backrest cushion cover	left a. right	1	PR:313,314,



Model: 982-17

Model life 2017>>

Pos	Part Number	Description	Remark	Qty	Model
		Centre part sports seat			321,322,541, 946
	991 521 151 02 21U	Black	-AG,AS		
	991 521 151 02 OF6	agate grey	-FG,FS		
	991 521 151 02 32X	Luxor beige	-UG,US		
(6)	991 521 151 02	Backrest cushion cover	left a. right	1	PR:313,314, 321,322,541, 946
		Centre part sports seat			
	991 521 151 02 OG6	Black/Bordeaux Red	-PM		
	991 521 151 02 OL8	Black/Chalk	-PW		
	991 521 151 02 9H6	Black/Luxor Beige	-PT		
(6)	991 521 151 03	Backrest cushion cover	left a. right	1	PR:313,314, 321,322,541, 983,-998
		Centre part sports seat			
	991 521 151 03 8YR	Black	-AJ,AZ		
	991 521 151 03 PL1	agate grey	-FJ,FZ		
	991 521 151 03 9H6	Luxor beige	-UJ,UZ,BT		
	991 521 151 03 OK6	saddle brown	-SZ		
	991 521 151 03 OG6	Bordeaux red	-LZ,BM		
	991 521 151 03 OH7	Graphite Blue	-HZ		
	991 521 151 03 OL8	Chalk	-BW		
(6)	991 521 151 05	Backrest cushion cover	left a. right	1	PR:313,314, 321,322,983, 998,-541
		Centre part sports seat			
	991 521 151 05 8C0	Espresso	-NE		
	991 521 151 05 9EF	Cognac	-BY		
(6)	991 521 151 06	Backrest cushion cover	left a. right	1	PR:313,314, 321,322,541, 983,998
		Centre part sports seat			
	991 521 151 06 8C0	Espresso	-NE		
	991 521 151 06 9EF	Cognac	-BY		
(6)	981 521 151 00	Backrest cushion cover	left a. right	1	PR:313,314, 321,322,946, -541
		Centre part sports seat			
	981 521 151 00 2W0	Black	-AD		
	981 521 151 00 OU5	agate grey	-FD		
	981 521 151 00 9U1	Luxor beige	-UD		
7	991 521 899 00	Clip	left a. right	1	PR:313,314, 321,322
		Cushioning backrest sports seat			
8	991 521 721 04	Airbag with heating Seat cushion sports seat		1	PR:313,314, 541
(8)	991 521 721 05	Airbag with heating Seat cushion sports seat Position Deep		1	PR:321,322, 541
9	991 521 539 00	Adjustable Foam part Seat cushion sports seat Position Deep		1	PR:321,322, -541
(9)	991 521 539 01	Adjustable Foam part Seat cushion sports seat Position Deep		1	PR:321,322, 541

Model: 982-17 Model life 2017>>

Pos	Part Number	Description	Remark	Qty	Model
10	991 521 571 00	Adjustable Foam part Seat cushion sports seat	left	1	PR:313,-541
(10)	991 521 571 01	Foam part Seat cushion sports seat	left	1	PR:313,541
(10)	991 521 572 08	Foam part Seat cushion sports seat	right	1	PR:314,-541, -560
(10)	991 521 572 09	Foam part Seat cushion sports seat	right	1	PR:314,541, -560
(10)	991 521 571 02	Foam part Seat cushion sports seat Adjustable	left	1	PR:321,-541
(10)	991 521 571 03	Foam part Seat cushion sports seat Adjustable	left	1	PR:321,541
(10)	991 521 572 10	Foam part Seat cushion sports seat Adjustable	right	1	PR:322,-541, -560
(10)	991 521 572 11	Foam part Seat cushion sports seat Adjustable	right	1	PR:322,541, -560
(10)	991 521 572 19	Foam part Seat cushion sports seat Adjustable (passenger side)	right	1	PR:322,541, 560
11	991 521 161 26	Seat cover sports seat	left	1	PR:313,946, -541
	991 521 161 26 GDB	Black	-AG,AS		
	991 521 161 26 GHB	agate grey	-FG,FS		
	991 521 161 26 GFB	Luxor beige	-UG,US		
	991 521 161 26 GUB	Black/Bordeaux Red	-PM		
	991 521 161 26 GFF	Black/Luxor Beige	-PT		
	991 521 161 26 GVB	Black/Chalk	-PW		
(11)	991 521 161 27	Seat cover sports seat	left	1	PR:313,983, -541,-998
	991 521 161 27 GDC	Black	-AZ		
	991 521 161 27 GDC	Black	-AZ		
	991 521 161 27 GHC	agate grey	-FZ		
	991 521 161 27 DUE	saddle brown	-SZ		
	991 521 161 27 GFC	Luxor beige	-UZ,BT		
	991 521 161 27 GUC	Bordeaux red	-LZ,BM		
	991 521 161 27 GTC	Graphite Blue	-HZ		
	991 521 161 27 GVC	Chalk	-BW		
(11)	991 521 161 29	Seat cover sports seat	left	1	PR:313,541, 946
	991 521 161 29 GDB	Black	-AG,AS		
	991 521 161 29 GHB	agate grey	-FG,FS		
	991 521 161 29 GFB	Luxor beige	-UG,US		
	991 521 161 29 GUB	Black/Bordeaux Red	-PM		
	991 521 161 29 GFF	Black/Luxor Beige	-PT		
	991 521 161 29 GVB	Black/Chalk	-PW		
(11)	991 521 161 30	Seat cover sports seat	left	1	PR:313,541, 983,-998
	991 521 161 30 GDC	Black	-AZ		

Model: 982-17 Model life 2017>>

Pos	Part Number	Description	Remark	Qty	Model
	991 521 161 30	GHC agate grey	-FZ		
	991 521 161 30	DUE saddle brown	-SZ		
	991 521 161 30	GFC Luxor beige	-UZ,BT		
	991 521 161 30	GUC Bordeaux red	-LZ,BM		
	991 521 161 30	GTC Graphite Blue	-HZ		
	991 521 161 30	GVC Chalk	-BW		
(11)	991 521 161 32	Seat cover sports seat	left	1	PR:321,946,-541
	991 521 161 32	GDB Black	-AG,AS		
	991 521 161 32	GHB agate grey	-FG,FS		
	991 521 161 32	GFB Luxor beige	-UG,US		
	991 521 161 32	GUB Black/Bordeaux Red	-PM		
	991 521 161 32	GFF Black/Luxor Beige	-PT		
	991 521 161 32	GVB Black/Chalk	-PW		
(11)	991 521 161 33	Seat cover sports seat	left	1	PR:321,983,-541,-998
	991 521 161 33	GDC Black	-AZ		
	991 521 161 33	GHC agate grey	-FZ		
	991 521 161 33	DUE saddle brown	-SZ		
	991 521 161 33	GFC Luxor beige	-UZ,BT		
	991 521 161 33	GUC Bordeaux red	-LZ,BM		
	991 521 161 33	GTC Graphite Blue	-HZ		
	991 521 161 33	GVC Chalk	-BW		
(11)	991 521 161 35	Seat cover sports seat	left	1	PR:321,541,946
	991 521 161 35	GDB Black	-AG,AS		
	991 521 161 35	GHB agate grey	-FG,FS		
	991 521 161 35	GFB Luxor beige	-UG,US		
	991 521 161 35	GUB Black/Bordeaux Red	-PM		
	991 521 161 35	GFF Black/Luxor Beige	-PT		
	991 521 161 35	GVB Black/Chalk	-PW		
(11)	991 521 161 36	Seat cover sports seat	left	1	PR:321,541,983,-998
	991 521 161 36	GDC Black	-AZ		
	991 521 161 36	GHC agate grey	-FZ		
	991 521 161 36	DUE saddle brown	-SZ		
	991 521 161 36	GFC Luxor beige	-UZ,BT		
	991 521 161 36	GUC Bordeaux red	-LZ,BM		
	991 521 161 36	GTC Graphite Blue	-HZ		
	991 521 161 36	GVC Chalk	-BW		
(11)	991 521 161 31	Seat cover sports seat	left	1	PR:313,541,983,998
	991 521 161 31	GKC Espresso	-NE		
	991 521 161 31	GRC Cognac	-BY		
(11)	991 521 161 34	Seat cover sports seat	left	1	PR:321,983,998
	991 521 161 34	GKC Espresso	-NE		
	991 521 161 34	GRC Cognac	-BY		
(11)	991 521 161 37	Seat cover sports seat	left	1	PR:321,541,983,998
	991 521 161 37	GKC Espresso	-NE		
	991 521 161 37	GRC Cognac	-BY		
(11)	991 521 161 28	Seat cover sports seat	left	1	PR:313,983,998,-541
	991 521 161 28	GKC Espresso	-NE		
	991 521 161 28	GRC Cognac	-BY		
(11)	981 521 161 00	Seat cover sports seat	left	1	PR:313,950
	981 521 161 00	GDA Black	-AD		
	981 521 161 00	YBI agate grey	-FD		
	981 521 161 00	GFA Luxor beige	-UD		
(11)	991 521 162 26	Seat cover sports seat	right	1	PR:314,946,-541

Model: 982-17 Model life 2017>>

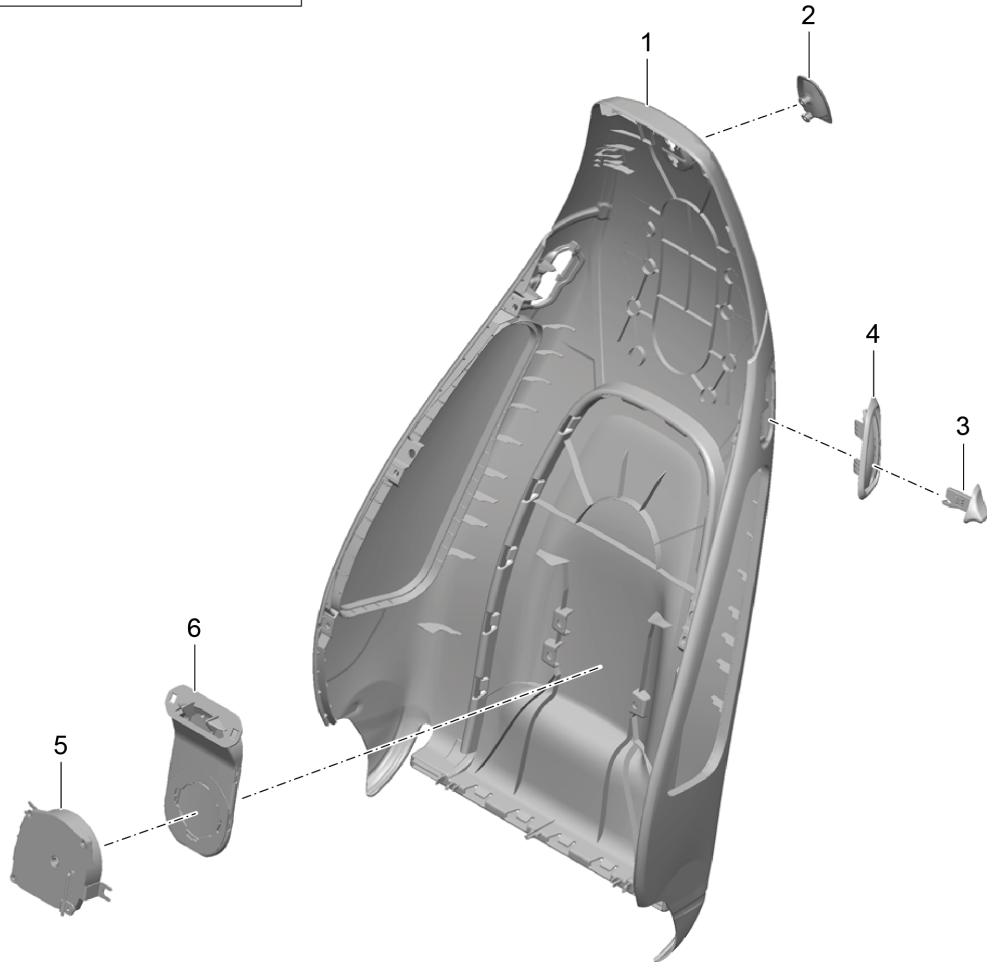
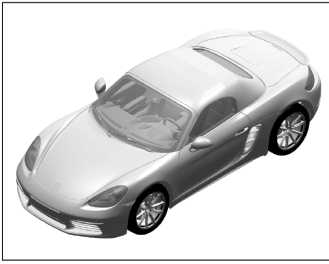
Pos	Part Number	Description	Remark	Qty	Model
	991 521 162 26 GDB	Black	-AG,AS		
	991 521 162 26 GHB	agate grey	-FG,FS		
	991 521 162 26 GFB	Luxor beige	-UG,US		
	991 521 162 26 GUB	Black/Bordeaux Red	-PM		
	991 521 162 26 GFF	Black/Luxor Beige	-PT		
	991 521 162 26 GVB	Black/Chalk	-PW		
(11)	991 521 162 27	Seat cover sports seat	right	1	PR:314,983, -541,-998
	991 521 162 27 GDC	Black			
	991 521 162 27 GDC	Black	-AZ		
	991 521 162 27 GHC	agate grey	-FZ		
	991 521 162 27 DUE	saddle brown	-SZ		
	991 521 162 27 GFC	Luxor beige	-UZ,BT		
	991 521 162 27 GUC	Bordeaux red	-LZ,BM		
	991 521 162 27 GTC	Graphite Blue	-HZ		
	991 521 162 27 GVC	Chalk	-BW		
(11)	991 521 162 29	Seat cover sports seat	right	1	PR:314,541, 946
	991 521 162 29 GDB	Black	-AG,AS		
	991 521 162 29 GHB	agate grey	-FG,FS		
	991 521 162 29 GFB	Luxor beige	-UG,US		
	991 521 162 29 GUB	Black/Bordeaux Red	-PM		
	991 521 162 29 GFF	Black/Luxor Beige	-PT		
	991 521 162 29 GVB	Black/Chalk	-PW		
(11)	991 521 162 30	Seat cover sports seat	right	1	PR:314,541, 983,-998
	991 521 162 30 GDC	Black	-AZ		
	991 521 162 30 GHC	agate grey	-FZ		
	991 521 162 30 DUE	saddle brown	-SZ		
	991 521 162 30 GFC	Luxor beige	-UZ,BT		
	991 521 162 30 GUC	Bordeaux red	-LZ,BM		
	991 521 162 30 GTC	Graphite Blue	-HZ		
	991 521 162 30 GVC	Chalk	-BW		
(11)	991 521 162 32	Seat cover sports seat	right	1	PR:322,946, -541
	991 521 162 32 GDB	Black	-AG,AS		
	991 521 162 32 GHB	agate grey	-FG,FS		
	991 521 162 32 GFB	Luxor beige	-UG,US		
	991 521 162 32 GUB	Black/Bordeaux Red	-PM		
	991 521 162 32 GFF	Black/Luxor Beige	-PT		
	991 521 162 32 GVB	Black/Chalk	-PW		
(11)	991 521 162 33	Seat cover sports seat	right	1	PR:322,983, -541,-998
	991 521 162 33 GDC	Black	-AZ		
	991 521 162 33 GHC	agate grey	-FZ		
	991 521 162 33 DUE	saddle brown	-SZ		
	991 521 162 33 GFC	Luxor beige	-UZ,BT		
	991 521 162 33 GUC	Bordeaux red	-LZ,BM		
	991 521 162 33 GTC	Graphite Blue	-HZ		
	991 521 162 33 GVC	Chalk	-BW		
(11)	991 521 162 35	Seat cover sports seat	right	1	PR:322,541, 946
	991 521 162 35 GDB	Black	-AG,AS		
	991 521 162 35 GHB	agate grey	-FG,FS		
	991 521 162 35 GFB	Luxor beige	-UG,US		
	991 521 162 35 GUB	Black/Bordeaux Red	-PM		
	991 521 162 35 GFF	Black/Luxor Beige	-PT		
	991 521 162 35 GVB	Black/Chalk	-PW		
(11)	991 521 162 36	Seat cover sports seat	right	1	PR:322,541, 983,-998
	991 521 162 36 GDC	Black	-AZ		
	991 521 162 36 GHC	agate grey	-FZ		
	991 521 162 36 DUE	saddle brown	-SZ		

Model: 982-17 Model life 2017>>

Pos	Part Number	Description	Remark	Qty	Model
	991 521 162 36 GFC	Luxor beige	-UZ,BT		
	991 521 162 36 GUC	Bordeaux red	-LZ,BM		
	991 521 162 36 GTC	Graphite Blue	-HZ		
	991 521 162 36 GVC	Chalk	-BW		
(11)	991 521 162 31	Seat cover sports seat	right	1	PR:314,541, 983,998
	991 521 162 31 GKC	Espresso	-NE		
	991 521 162 31 GRC	Cognac	-BY		
(11)	991 521 162 34	Seat cover sports seat	right	1	PR:322,983, 998,-541
	991 521 162 34 GKC	Espresso	-NE		
	991 521 162 34 GRC	Cognac	-BY		
(11)	991 521 162 37	Seat cover sports seat	right	1	PR:322,541, 983,998
	991 521 162 37 GKC	Espresso	-NE		
	991 521 162 37 GRC	Cognac	-BY		
(11)	991 521 162 28	Seat cover sports seat	right	1	PR:314,983, 998,-541
	991 521 162 28 GKC	Espresso	-NE		
	991 521 162 28 GRC	Cognac	-BY		
(11)	981 521 162 00	Seat cover sports seat	right	1	PR:314,950
	981 521 162 00 GDA	Black	-AD		
	981 521 162 00 YBI	agate grey	-FD		
	981 521 162 00 GFA	Luxor beige	-UD		
12	997 624 335 00	Electric motor Seat cushion sports seat		1	PR:541
13	991 653 115 03	Heating element Seat cushion sports seat Adjustable Deep		1	PR:321,322, 342,-541
14	991 521 891 00	Clip Backrest cover		5	PR:313,314, 321,322
15	N 015 261 2	Clip Mount Seat cover		1	

Model: 982-17

Model life 2017>>



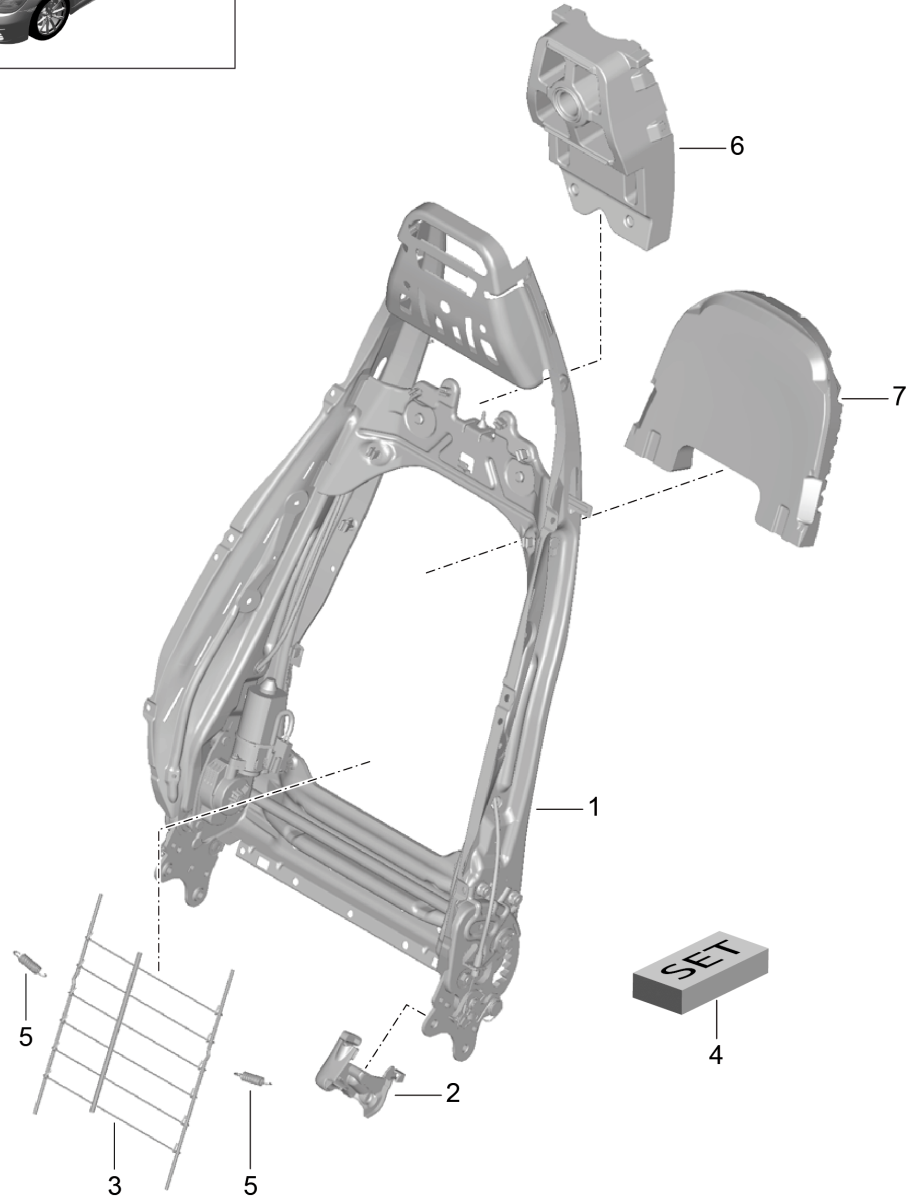
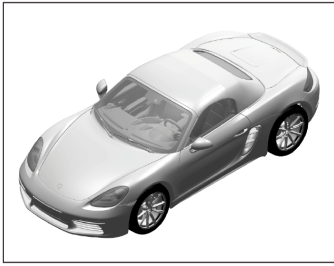
Model: 982-17

Model life 2017>>

Pos	Part Number	Description	Remark	Qty	Model
1	981 521 303 00	Backrest shell sports seat Accessories	left	1	PR:313,314, 321,322
(1)	981 521 303 00 1E0	Black			
	981 521 304 00	Backrest shell sports seat	right	1	PR:314,322
	981 521 304 00 1E0	Black			
2	991 521 373 00	Coat hook		1	PR:313,314, 321,322
3	991 521 373 00 D20	Backrest shell silver grey metallic	left	1	PR:313,314, 321,322
(3)	991 521 623 00	Actuator button lever for folding backrest	right	1	PR:313,314, 321,322
	991 521 623 00 V08	Galvano silver			
	991 521 624 00	Actuator button lever for folding backrest	left	1	PR:313,314, 321,322
	991 521 624 00 V08	Galvano silver			
4	991 521 621 00	Rosette	right	1	PR:313,314, 321,322
(4)	991 521 621 00 D20	Actuator button lever for folding backrest silver grey metallic			
	991 521 622 00	Rosette	right	1	PR:313,314, 321,322
	991 521 622 00 D20	Actuator button lever for folding backrest silver grey metallic			
5	997 624 337 00	Electric motor		1	PR:313,314, 321,322,541
6	997 521 733 00	backrest Air guide channel backrest		1	PR:313,314, 321,322,541

Model: 982-17

Model life 2017>>





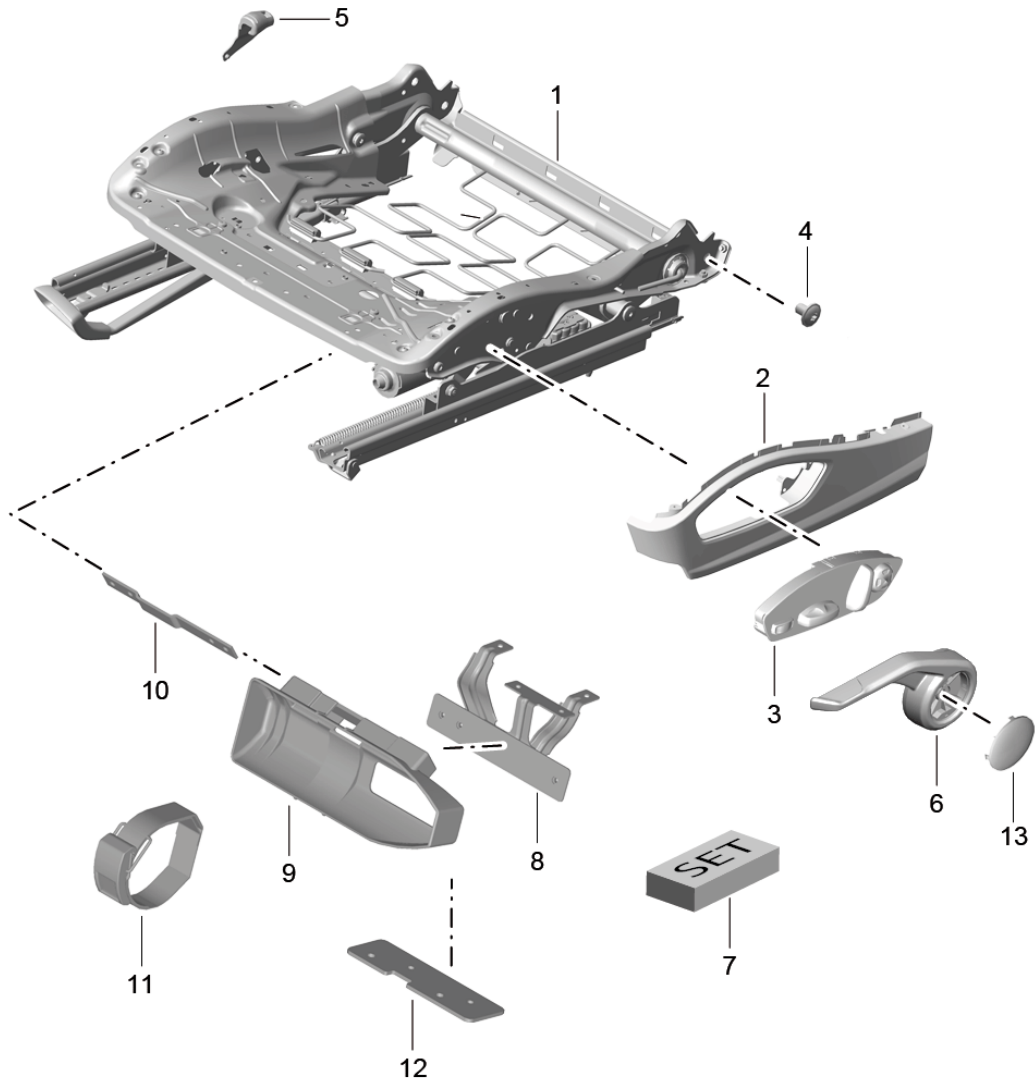
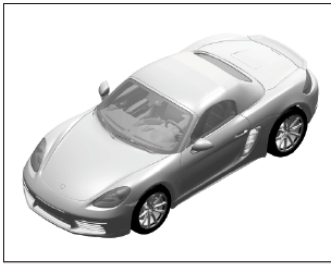
Model: 982-17

Model life 2017>>

Pos	Part Number	Description	Remark	Qty	Model
		Backrest frame Lumbar support sports seat Accessories			PR:313,314, 321,322
1	9P1 881 045 E	backrest frame sports seat No memory function		1	PR:313,314
(1)	9P1 881 045 F	backrest frame sports seat With memory function		1	PR:321,322
2	991 521 335 01	Cover panel Mounting component	left inner	1	PR:321
2	991 521 335 01 D20 991 521 338 01	silver grey metallic Cover panel Mounting component tunnel	left inner	1	PR:321
(2)	991 521 338 01 D20 991 521 336 01	silver grey metallic Cover panel Mounting component	right inner	1	PR:322
(2)	991 521 336 01 D20 991 521 337 01	silver grey metallic Cover panel Mounting component tunnel	right inner	1	PR:322
3	991 521 337 01 D20 991 521 855 00	silver grey metallic Grille	left a. right	1	PR:313,314, 321,322
4	991 521 902 00	Backrest frame repair set Connecting piece		1	
5	991 521 893 00	Backrest frame sports seat tension spring Grille	left a. right	1	PR:313,314, 321,322
6	991 521 887 00	Backrest frame Foam part Head restraint		1	PR:313,314, 321,322
7	991 521 897 00	Backrest frame sports seat Foam part backrest Backrest frame sports seat		1	PR:313,314, 321,322

Model: 982-17

Model life 2017>>



Model: 982-17 Model life 2017>>

Pos	Part Number	Description	Remark	Qty	Model
		Seat frame sports seat Accessories Bracket Fire extinguishers			PR:313,314, 321,322
1	9P2 881 105 A	Seat frame sports seat Manually	left	1	PR:313
(1)	9P2 881 106 A	Seat frame sports seat Manually	right	1	PR:314
(1)	9P1 881 105 G	Seat frame (electrically adjustable) sports seat Electric	left	1	PR:321
(1)	9P1 881 106 G	With memory function Seat frame (electrically adjustable) sports seat Electric	right	1	PR:322
2	991 521 325 00	With memory function Trim for switch sports seat Electric	left	1	PR:321
(2)	991 521 325 00 D20	silver grey metallic			
(2)	991 521 326 00	Trim for switch sports seat Electric	right	1	PR:322
(2)	991 521 326 00 D20	silver grey metallic			
(2)	981 521 325 00	Trim for switch sports seat Manually	left	1	PR:313
(2)	981 521 325 00 1E0	Black			
(2)	981 521 326 00	Trim for switch sports seat Manually	right	1	PR:314
3	981 521 326 00 1E0	Black			
	7PP 959 748 AA	Switch module for seat Module sports seat Electric	right	1	PR:322
(3)	7PP 959 748 AA DMN	Galvano silver			
	7PP 959 747 AA	Switch module for seat Module sports seat Electric	left	1	PR:321
4	7PP 959 747 AA DMN	Galvano silver			
	999 073 538 01	fillister hd. bolt A 10 X 13		4	PR:313,314, 321,322
5	991 521 612 00	Protective plate Belt latch Seat frame		1	PR:314,322, 560
6	981 521 627 00	Front seat Actuating lever Height adjustment Seat frame	left	1	PR:313
(6)	981 521 627 00 1E0	Black			
	981 521 628 00	Front seat Actuating lever Height adjustment Seat frame	right	1	PR:314
	981 521 628 00 1E0	Black			

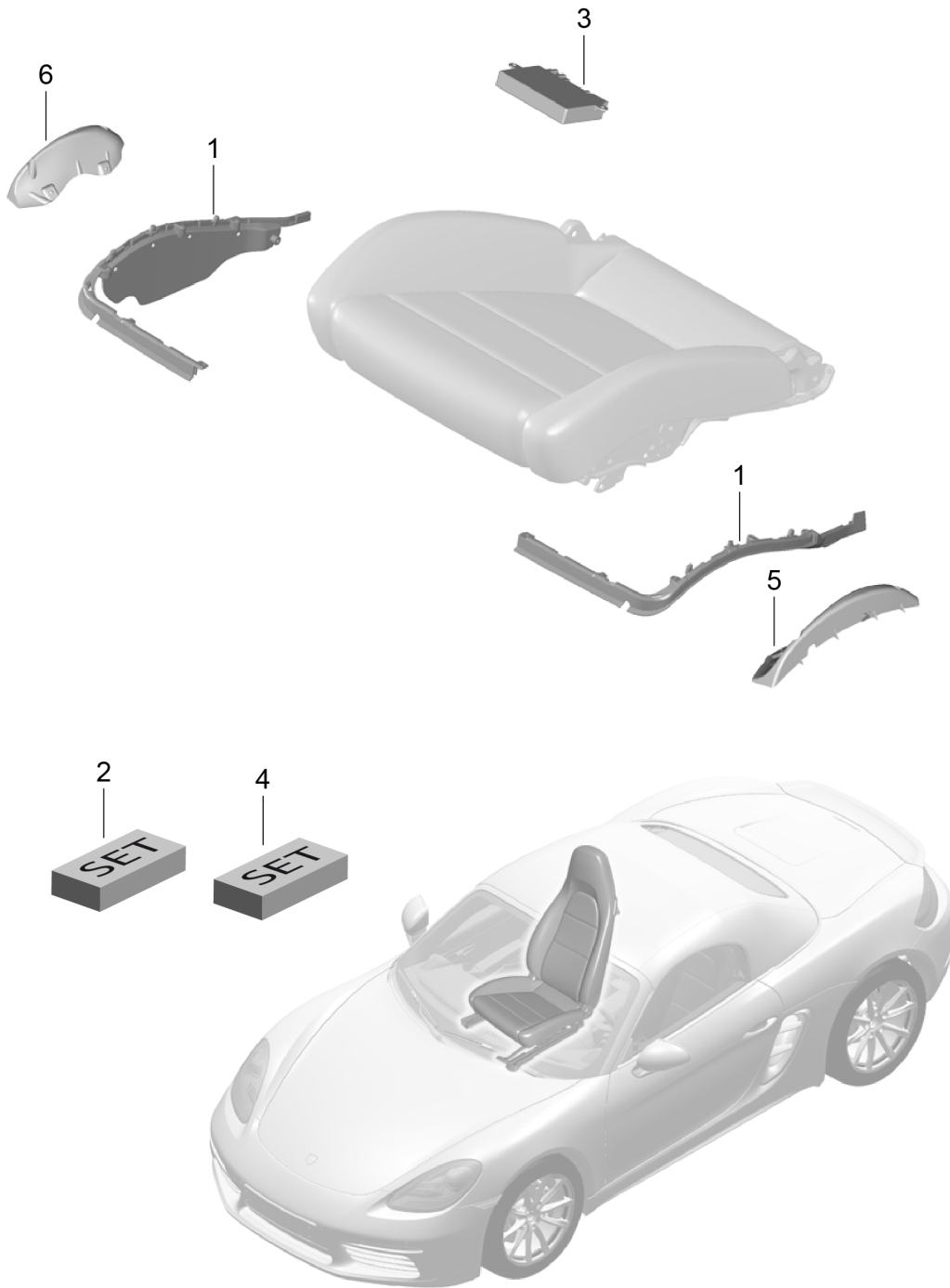
Model: 982-17

Model life 2017>>

Pos	Part Number	Description	Remark	Qty	Model
8	9P1 860 232	Holder for fire extinguisher		1	PR:099,509
(8)	9P1 860 232 A	Holder for fire extinguisher		1	PR:098,509
9	7PP 882 650	Cup Fire extinguishers		1	PR:509
10	7PP 882 649	Insert Cup Fire extinguishers		1	PR:509
11	7PP 882 645	tensioning strap Fire extinguishers		1	PR:509
12	997 521 841 01	Reinforcement Bracket Fire extinguishers	front	1	PR:509
(12)	997 521 843 01	Reinforcement Bracket Fire extinguishers	rear	1	PR:509
13	981 521 629 00	Cover cap Actuating lever		2	PR:313,314
	981 521 629 00 1E0	Black			

Model: 982-17

Model life 2017>>



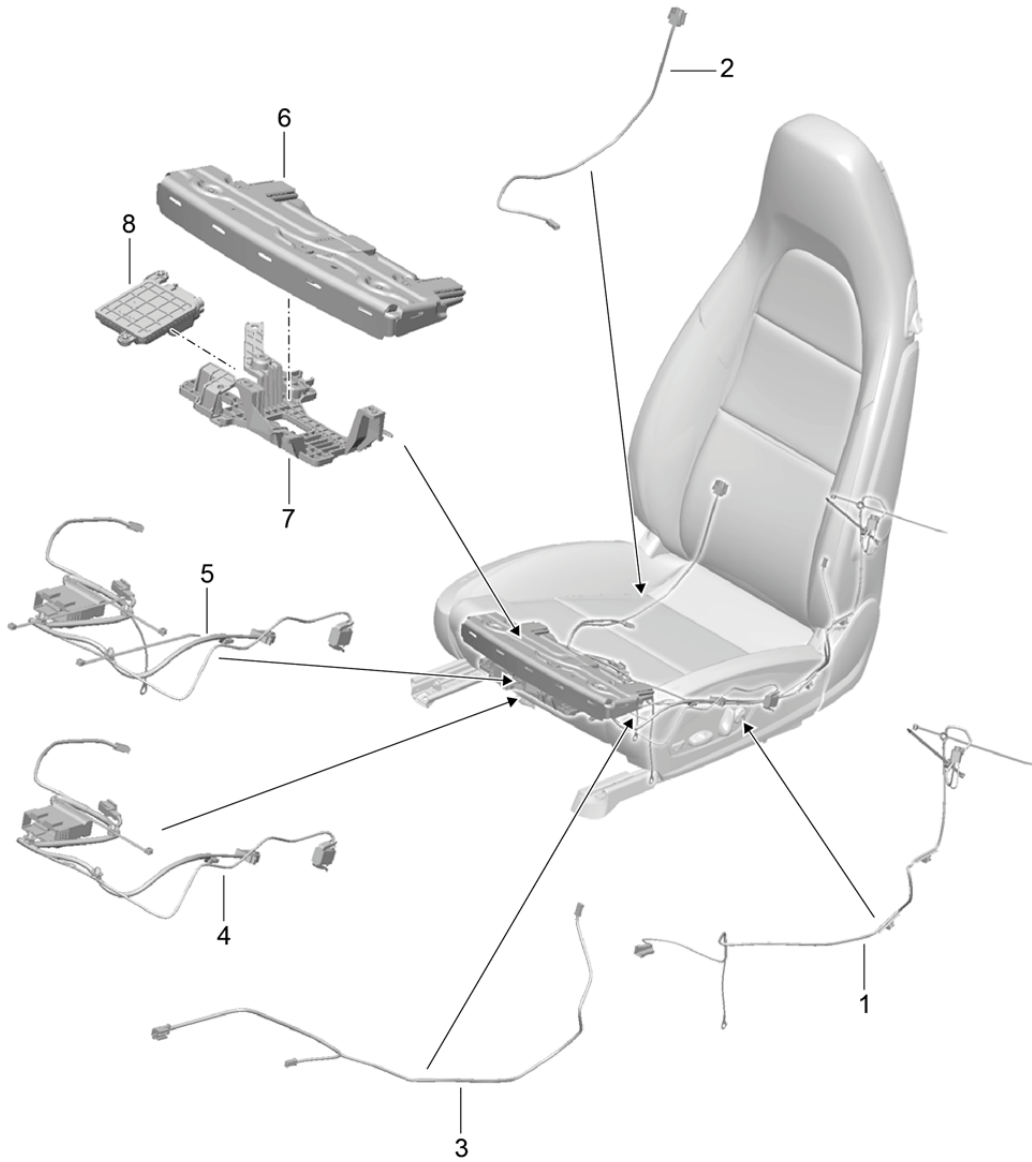
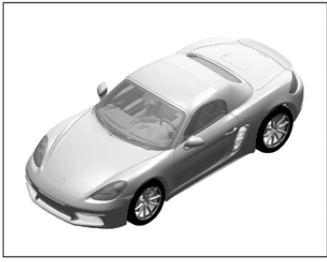
Model: 982-17

Model life 2017>>

Pos	Part Number	Description	Remark	Qty	Model
1	991 521 547 00	Cushion carrier Frame Seat surface sports seat	right inner	1	PR:313,314, 321,322
(1)	991 521 548 00	Frame Cushion carrier Seat surface sports seat	left inner	1	PR:313,321
(1)	991 521 545 00	Frame Cushion carrier Seat surface sports seat	left outer	1	PR:313,321
(1)	991 521 546 00	Frame Cushion carrier Seat surface sports seat	right outer	1	PR:314,322
3	970 618 537 13	Control unit Seat frame With memory function		1	PR:321,322
(5)	970 521 519 00	Support plate	left	1	PR:321,322
(6)	970 521 520 00	Support plate	right	1	PR:321,322

Model: 982-17

Model life 2017>>



Model: 982-17

Model life 2017>>

Pos	Part Number	Description	Remark	Qty	Model
		Wiring looms Switch Control unit Electric motor sports seat			PR:313,314, 321,322
1	9P1 972 171	Wire set	left	1	PR:313,321
(1)	991 622 796 00	Airbag Wire set	right	1	PR:314,322
		Airbag Seat			
(1)	9P1 972 173	D >> - 22.06.2015 Wire set	right	1	PR:314,322
		Airbag Seat			
(1)	9P1 972 173 A	D - 23.06.2015>> - 03.11.2016 Wire set	right	1	PR:314,322
		Airbag Seat			
2	991 622 787 02	D - 04.11.2016>> Wire set		1	PR:313,314
		Backrest frame Adjustment Tilt angle			
(2)	9P1 971 369	Wire set	left	1	PR:321
		Backrest frame Adjustment Tilt angle Lumbar			
(2)	9P1 971 370	With memory function Discontinued part Wire set	right	1	PR:322
		Backrest frame Adjustment Tilt angle Lumbar			
(2)	9P1 971 369 A	Discontinued part Wire set	left a. right	1	
		Backrest frame Adjustment Tilt angle Lumbar			
(2)	9P1 971 370 A	With memory function ADAPTIV modify in workshop Wire set	right	1	PR:324
		Backrest frame Adjustment Tilt angle Lumbar			
3	991 622 797 00	Discontinued part Wire set		1	PR:313,314, 321,322,541
		Fan Seat			
4	981 622 761 02	Vented Wire set	left	1	PR:313,-342, -590
(4)	981 622 762 02	Seat Wire set	right	1	PR:314,-342, -560
(4)	9P3 971 391 B	Seat Wire set	lhd	1	PR:098,321, -342,-560
(4)	9P3 971 392 B	(drivers side) Wire set	lhd	1	PR:098,322,



Model: 982-17

Model life 2017&gt;&gt;

Pos	Part Number	Description	Remark	Qty	Model
(4)	9P4 971 391 B	Seat (passenger side) Wire set	rhd	1	-342,-560 PR:099,322, -342,-560
(4)	9P4 971 392 B	Seat (drivers side) Wire set	rhd	1	PR:099,321, -342,-560
(4)	981 622 769 02	Seat (passenger side) Wire set	left	1	PR:313,560, -342
(4)	981 622 770 02	Seat (drivers side) Wire set	right	1	PR:314,560, -342
(4)	9P1 971 391 B	Seat (passenger side) Wire set	left	1	PR:321,323, 560,-342
(4)	9P1 971 392 B	Seat (drivers side) Wire set	right	1	PR:322,560, -342
5	981 622 761 02	Seat (passenger side) Wire set with heating	left	1	PR:313,-342, -560
(5)	981 622 776 02	Seat (drivers side) Wire set with heating	right	1	PR:314,342, -560
(5)	9P3 971 391 C	Seat (passenger side) Wire set with heating	lhd	1	PR:098,321, 342,-560
(5)	9P3 971 392 C	Seat (drivers side) Wire set		1	PR:-560
(5)	9P4 971 391 C	Seat (passenger side) Wire set with heating	rhd	1	PR:099,322, 342,-560
(5)	9P4 971 392 C	Seat (drivers side) Wire set with heating	rhd	1	PR:099,321, 342,-560
(5)	981 622 781 02	Seat (passenger side) Wire set sports seat Manually	left	1	PR:313,342, 560
(5)	981 622 782 02	Seat (drivers side) Wire set sports seat Manually	right	1	PR:314,342, 560
(5)	9P1 971 391 C	Seat (passenger side) Wire set with heating		1	
(5)	9P1 971 392 C	Seat (drivers side) Wire set with heating	right	1	
6	970 521 749 00	Seat frame Wide Deep Adjustable		1	PR:321,322
7	991 521 643 02	Bracket Electronic component Seat frame		1	PR:321,322

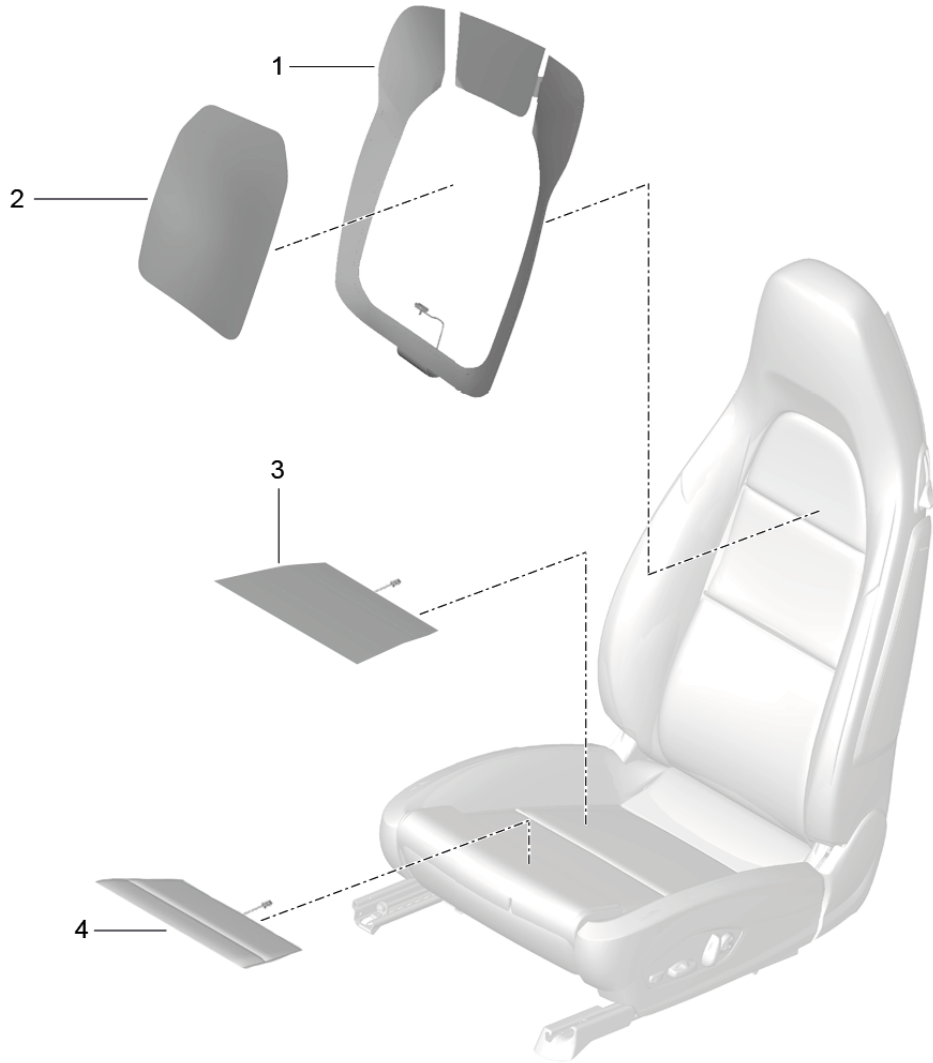
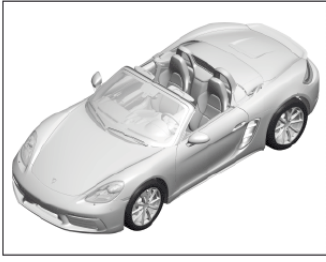
Model: 982-17

Model life 2017&gt;&gt;

Pos	Part Number	Description	Remark	Qty	Model
(7)	991 521 643 00	sports seat Bracket Electronic component Seat frame		1	PR:313,314, -541
(7)	991 521 643 01	sports seat Bracket Electronic component Seat frame		1	PR:313,314, 541
8	970 618 245 03	sports seat Control unit for seat occupied sensor		1	PR:314,322, 560

Model: 982-17

Model life 2017>>

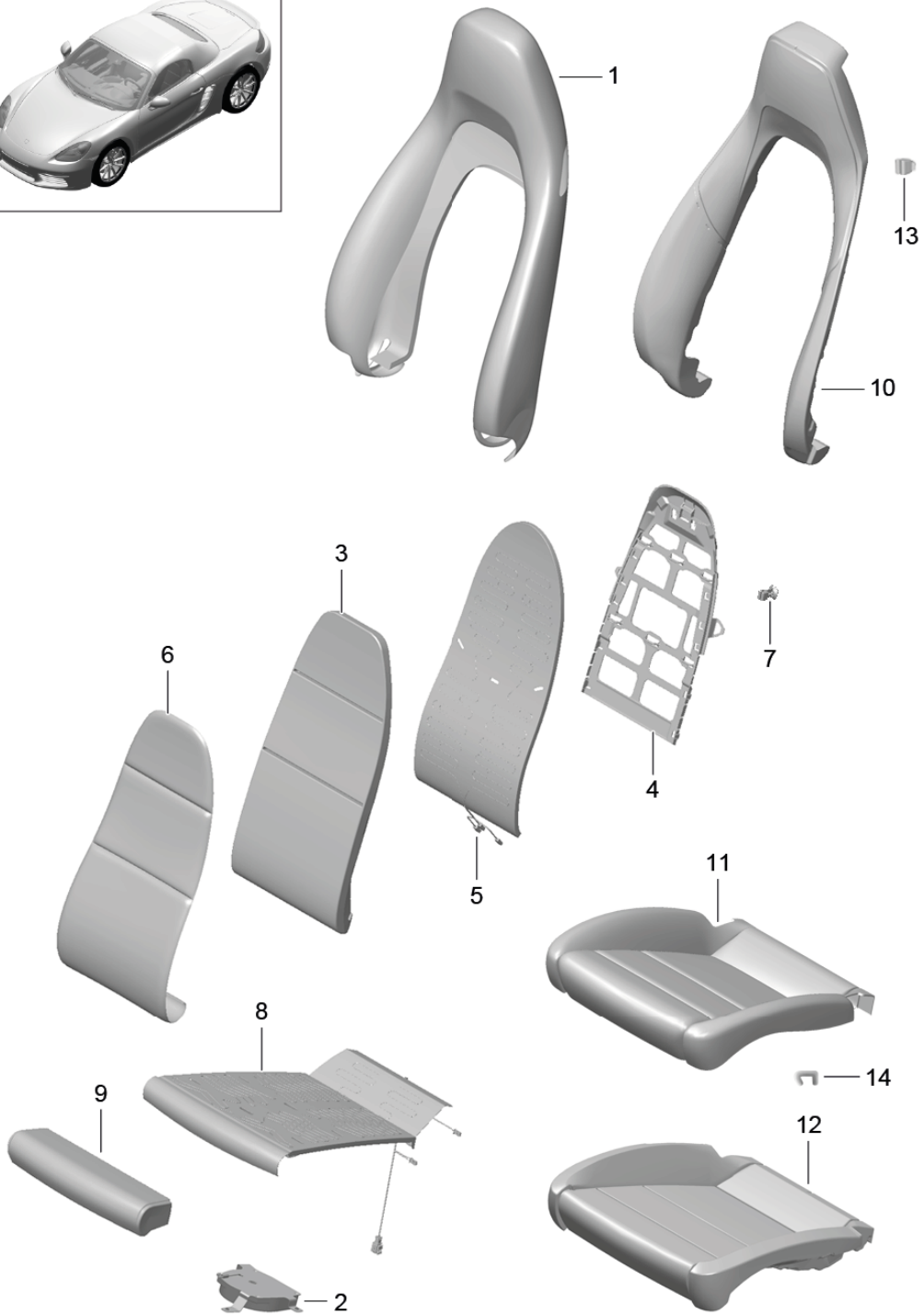
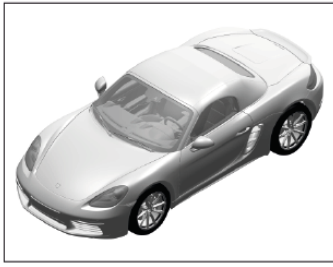


Model: 982-17 Model life 2017>>

Pos	Part Number	Description	Remark	Qty	Model
1	991 653 107 02	Heating element Backrest side bolster Centre part Seat surface	left	1	PR:313,314, 317,318,321, 322,323,324, -541
(1)	991 653 127 02	Heating element Backrest side bolster	left	1	PR:313,314, 321,322,342, -541
(1)	991 653 108 02	Heating element Backrest side bolster	right	1	PR:317,318, 323,324,342, -541
(1)	991 653 126 02	Heating element Backrest side bolster	right	1	PR:313,314, 321,322,342, -541
2	991 653 106 02	Heating element Centre part backrest		1	PR:317,318, 323,324,342, -541
3	991 653 105 03	Heating element Seat cushion		1	PR:313,314, 342,-541
(3)	991 653 125 03	Heating element Seat cushion		2	PR:317,318, 342,-541
4	991 653 135 03	Heating element Seat cushion Adjustable Deep		1	PR:323,324, 342,-541

Model: 982-17

Model life 2017>>



Model: 982-17

Model life 2017>>

Pos	Part Number	Description	Remark	Qty	Model
1	991 521 141 04	Foam part seat covers Backrest cover Outer part Sports seat Plus	left a. right	1	PR:317,318, 323,324 PR:317,318, 323,324,983, -541,-998
	991 521 141 04 GDC	Black	-AZ,AJ		
	991 521 141 04 GHC	agate grey	-FJ,FZ		
	991 521 141 04 GFC	Luxor beige	-UJ,UZ,BT		
	991 521 141 04 GTC	Graphite Blue	-HZ		
	991 521 141 04 DUE	saddle brown	-SZ		
	991 521 141 04 GUC	Bordeaux red	-LZ,BM		
	991 521 141 04 GVC	Chalk	-BW		
(1)	991 521 141 05	Backrest cover Outer part Sports seat Plus	left a. right	1	PR:317,318, 323,324,541, 983,-998
	991 521 141 05 GDC	Black	-AZ,AJ		
	991 521 141 05 GHC	agate grey	-FJ,FZ		
	991 521 141 05 GFC	Luxor beige	-UJ,UZ,BT		
	991 521 141 05 GTC	Graphite Blue	-HZ		
	991 521 141 05 DUE	saddle brown	-SZ		
	991 521 141 05 GUC	Bordeaux red	-LZ,BM		
	991 521 141 05 GVC	Chalk	-BW		
(1)	991 521 141 08	Backrest cover Outer part Sports seat Plus	left a. right	1	PR:317,318, 323,324,983, 998,-541
	991 521 141 08 GKC	Espresso	-NE		
	991 521 141 08 GRC	Cognac	-BY		
(1)	991 521 141 09	Backrest cover Outer part Sports seat Plus	left a. right	1	PR:317,318, 323,324,541, 983,998
	991 521 141 09 GKC	Espresso	-NE		
	991 521 141 09 GRC	Cognac	-BY		
(1)	9P1 881 806	Backrest cover Outer part Sports seat Plus	left a. right	1	
	9P1 881 806 JHD	Black/Dark Silver	-TD		
	9P1 881 806 GTB	Graphite Blue/Chalk	-TG		
(1)	991 521 981 06	Backrest cover Outer part Sports seat Plus Porsche crest	left a. right	1	PR:XSC,317, 318,323,324, 983,-541, -998
	991 521 981 06 GDC	Black	-AZ,AJ		
	991 521 981 06 GHC	Leather	-FJ,FZ		
	991 521 981 06 GFC	Leather	-UJ,UZ,BT		
	991 521 981 06 GTC	Graphite Blue	-HZ		
	991 521 981 06 DUE	saddle brown	-SZ		
	991 521 981 06 GUC	Bordeaux red	-LZ,BM		
	991 521 981 06 GVC	Chalk	-BW		
(1)	991 521 981 07	Backrest cover Outer part Sports seat Plus Porsche crest	left a. right	1	PR:XSC,317, 318,323,324, 541,983,-998
	991 521 981 07 GDC	Black	-AZ,AJ		
	991 521 981 07 GHC	Leather	-FJ,FZ		
	991 521 981 07 GFC	Leather	-UJ,UZ,BT		
	991 521 981 07 GTC	Graphite Blue	-HZ		
	991 521 981 07 DUE	saddle brown	-SZ		
	991 521 981 07 GUC	Bordeaux red	-LZ,BM		
	991 521 981 07 GVC	Chalk	-BW		
(1)	991 521 981 08	Backrest cover Outer part Sports seat Plus Porsche crest	left a. right	1	PR:XSC,317, 318,323,324, 983,998,-541

Model: 982-17 Model life 2017>>

Pos	Part Number	Description	Remark	Qty	Model
(1)	991 521 981 08 GKC	Espresso	-NE	1	PR:XSC,317, 318,323,324, 541,983,998
	991 521 981 08 GRC	Cognac	-BY		
	991 521 981 09	Backrest cover Outer part Sports seat Plus Porsche crest	left a. right		
(1)	991 521 981 09 GKC	Espresso	-NE	1	PR-011,317, 318,323,324, 951,-541
	991 521 981 09 GRC	Cognac	-BY		
	9P1 881 806 A	Backrest cover Outer part Sports seat Plus GTS inscription Leather Alcantara			
2	9P1 881 806 A DSD	Black	-GF,GW	1	PR:541
	9P1 881 806 A DJP	Black/Rhodium Silver	-GR		
	9P1 881 806 A DSA	Black/Carmin Red	-GQ		
3	997 624 335 00	Electric motor Seat cushion Sports seat Plus		1	PR:317,318, 323,324,-541
	991 521 581 00	Foam part backrest Centre part Sport version	left a. right		
	991 521 581 01	Foam part backrest Centre part Sport version	left a. right		
4	991 521 551 00	Backrest-padding support part	left a. right	1	PR:317,318, 323,324
5	991 521 731 01	Sport version Airbag backrest Sport version	left a. right	1	PR:317,318, 323,324,541
6	991 521 151 01	Backrest cushion cover Centre part Sport version	left a. right	1	PR:317,318, 323,324,983, -541,-998
	991 521 151 01 8YR	Black	-AJ,AZ		
	991 521 151 01 PL1	agate grey	-FJ,FZ		
	991 521 151 01 9H6	Luxor beige	-UJ,UZ,BT		
	991 521 151 01 OH7	Graphite Blue	-HZ		
	991 521 151 01 OK6	saddle brown	-SZ		
	991 521 151 01 OG6	Bordeaux red	-LZ,BM		
	991 521 151 01 OL8	Chalk	-BW		
	991 521 151 03	Backrest cushion cover Centre part Sport version	left a. right		
	991 521 151 03 8YR	Black	-AJ,AZ		
991 521 151 03 PL1	agate grey	-FJ,FZ			
991 521 151 03 9H6	Luxor beige	-UJ,UZ,BT			
991 521 151 03 OH7	Graphite Blue	-HZ			
991 521 151 03 OK6	saddle brown	-SZ			
991 521 151 03 OG6	Bordeaux red	-LZ,BM			
991 521 151 03 OL8	Chalk	-BW			
(6)	991 521 151 05	Backrest cushion cover Centre part Sport version	left a. right	1	PR:317,318, 323,324,983, 998,-541
	991 521 151 05 8C0	Espresso	-NE		
	991 521 151 05 9EF	Cognac	-BY		
(6)	991 521 151 06	Backrest cushion cover Centre part Sport version	left a. right	1	PR:317,318, 323,324,541, 983,998

Model: 982-17 Model life 2017>>

Pos	Part Number	Description	Remark	Qty	Model	
7	991 521 151 06 8C0	Espresso	-NE	1	PR:317,318, 323,324	
	991 521 151 06 9EF	Cognac	-BY			
	991 521 899 00	Clip Cushioning backrest Sport version	left a. right			
8	991 521 721 04	Airbag with heating Seat cushion sports seat		1	PR:317,318, 541	
(8)	991 521 721 05	Airbag with heating Seat cushion sports seat Position Deep Adjustable		1	PR:323,324, 541	
9	991 521 539 00	Foam part Seat cushion Sport version Position Deep Adjustable		1	PR:323,324, -541	
(9)	991 521 539 01	Foam part Seat cushion Sport version Position Deep Adjustable		1	PR:323,324, 541	
10	991 521 535 02	Foam part backrest Outer part Sport version	left a. right	1	PR:317,318, -541,983	
(10)	991 521 535 03	Foam part backrest Outer part Sport version	left a. right	1	PR:317,318, 541	
(10)	991 521 535 04	Foam part backrest Outer part Sports seat Plus	left a. right	1	PR:323,324, -541,983	
(10)	991 521 535 05	Foam part backrest Outer part Sports seat Plus	left a. right	1	PR:323,324, 541	
11	991 521 161 38	Seat cover Sports seat Plus	left	1	PR:317,983, -541,-998	
	991 521 161 38 GDC	Black	-AZ,AJ			
	991 521 161 38 GHC	agate grey	-FJ,FZ			
	991 521 161 38 GFC	Luxor beige	-UJ,UZ,BT			
	991 521 161 38 GTC	Graphite Blue	-HZ			
	991 521 161 38 DUE	saddle brown	-SZ			
	991 521 161 38 GUC	Bordeaux red	-LZ,BM			
	991 521 161 38 GVC	Chalk	-BW			
	(11)	991 521 161 40	Seat cover Sports seat Plus			left
		991 521 161 40 GDC	Black			-AZ,AJ
	991 521 161 40 GHC	agate grey	-FJ,FZ			
	991 521 161 40 GFC	Luxor beige	-UJ,UZ,BT			
	991 521 161 40 GTC	Graphite Blue	-HZ			
	991 521 161 40 DUE	saddle brown	-SZ			
	991 521 161 40 GUC	Bordeaux red	-LZ,BM			
	991 521 161 40 GVC	Chalk	-BW			



Model: 982-17 Model life 2017>>

Pos	Part Number	Description	Remark	Qty	Model
(11)	991 521 161 42	Seat cover Sports seat Plus	left	1	PR:323,983, -541,-998
	991 521 161 42 GDC	Black	-AZ,AJ		
	991 521 161 42 GHC	agate grey	-FJ,FZ		
	991 521 161 42 GFC	Luxor beige	-UJ,UZ,BT		
	991 521 161 42 GTC	Graphite Blue	-HZ		
	991 521 161 42 DUE	saddle brown	-SZ		
	991 521 161 42 GUC	Bordeaux red	-LZ,BM		
	991 521 161 42 GVC	Chalk	-BW		
(11)	991 521 161 44	Seat cover Sports seat Plus	left	1	PR:323,541, 983,-998
	991 521 161 44 GDC	Black	-AZ,AJ		
	991 521 161 44 GHC	agate grey	-FJ,FZ		
	991 521 161 44 GFC	Luxor beige	-UJ,UZ,BT		
	991 521 161 44 GTC	Graphite Blue	-HZ		
	991 521 161 44 DUE	saddle brown	-SZ		
	991 521 161 44 GUC	Bordeaux red	-LZ,BM		
	991 521 161 44 GVC	Chalk	-BW		
(11)	991 521 161 39	Seat cover Sports seat Plus	left	1	PR:317,983, 998,-541
	991 521 161 39 GKC	Espresso	-NE		
	991 521 161 39 GRC	Cognac	-BY		
(11)	991 521 161 41	Seat cover Sports seat Plus	left	1	PR:317,541, 983,998
	991 521 161 41 GKC	Espresso	-NE		
	991 521 161 41 GRC	Cognac	-BY		
(11)	991 521 161 43	Seat cover Sports seat Plus	left	1	PR:323,983, 998,-541
	991 521 161 43 GKC	Espresso	-NE		
	991 521 161 43 GRC	Cognac	-BY		
(11)	991 521 161 45	Seat cover Sports seat Plus	left	1	PR:323,541, 983,998
	991 521 161 45 GKC	Espresso	-NE		
	991 521 161 45 GRC	Cognac	-BY		
(11)	991 521 162 38	Seat cover Sports seat Plus	right	1	PR:318,983, -541,-998
	991 521 162 38 GDC	Black	-AZ,AJ		
	991 521 162 38 GHC	agate grey	-FJ,FZ		
	991 521 162 38 GFC	Luxor beige	-UJ,UZ,BT		
	991 521 162 38 GTC	Graphite Blue	-HZ		
	991 521 162 38 DUE	saddle brown	-SZ		
	991 521 162 38 GUC	Bordeaux red	-LZ,BM		
	991 521 162 38 GVC	Chalk	-BW		
(11)	991 521 162 40	Seat cover Sports seat Plus	right	1	PR:318,541, 983,-998
	991 521 162 40 GDC	Black	-AZ,AJ		
	991 521 162 40 GHC	agate grey	-FJ,FZ		
	991 521 162 40 GFC	Luxor beige	-UJ,UZ,BT		
	991 521 162 40 GTC	Graphite Blue	-HZ		
	991 521 162 40 DUE	saddle brown	-SZ		
	991 521 162 40 GUC	Bordeaux red	-LZ,BM		
	991 521 162 40 GVC	Chalk	-BW		
(11)	991 521 162 42	Seat cover Sports seat Plus	right	1	PR:324,983, -541,-998
	991 521 162 42 GDC	Black	-AZ,AJ		
	991 521 162 42 GHC	agate grey	-FJ,FZ		
	991 521 162 42 GFC	Luxor beige	-UJ,UZ,BT		
	991 521 162 42 GTC	Graphite Blue	-HZ		
	991 521 162 42 DUE	saddle brown	-SZ		
	991 521 162 42 GUC	Bordeaux red	-LZ,BM		
	991 521 162 42 GVC	Chalk	-BW		
(11)	991 521 162 44	Seat cover	right	1	PR:324,541,

Model: 982-17 Model life 2017>>

Pos	Part Number	Description	Remark	Qty	Model
	991 521 162 44 GDC	Sports seat Plus Black	-AZ,AJ		983,-998
	991 521 162 44 GHC	agate grey	-FJ,FZ		
	991 521 162 44 GFC	Luxor beige	-UJ,UZ,BT		
	991 521 162 44 GTC	Graphite Blue	-HZ		
	991 521 162 44 DUE	saddle brown	-SZ		
	991 521 162 44 GUC	Bordeaux red	-LZ,BM		
	991 521 162 44 GVC	Chalk	-BW		
(11)	991 521 162 39	Seat cover Sports seat Plus	right	1	PR:318,983, 998,-541
	991 521 162 39 GKC	Espresso	-NE		
	991 521 162 39 GRC	Cognac	-BY		
(11)	991 521 162 41	Seat cover Sports seat Plus	right	1	PR:318,541, 983,998
	991 521 162 41 GKC	Espresso	-NE		
	991 521 162 41 GRC	Cognac	-BY		
(11)	991 521 162 43	Seat cover Sports seat Plus	right	1	PR:324,983, 998,-541
	991 521 162 43 GKC	Espresso	-NE		
	991 521 162 43 GRC	Cognac	-BY		
(11)	991 521 162 45	Seat cover Sports seat Plus	right	1	PR:324,541, 983,998
	991 521 162 45 GKC	Espresso	-NE		
	991 521 162 45 GRC	Cognac	-BY		
(11)	9P1 881 405	Seat cover Sports seat Plus	left	1	
	9P1 881 405 JHD	Black/Dark Silver	-TD		
	9P1 881 405 GTB	Graphite Blue/Chalk	-TG		
(11)	9P1 881 406	Seat cover Sports seat Plus	right	1	
	9P1 881 406 JHD	Black/Dark Silver	-TD		
	9P1 881 406 GTB	Graphite Blue/Chalk	-TG		
(11)	9P1 881 405 A	Seat cover Sports seat Plus	left	1	PR:323,948, -541
	9P1 881 405 A JHD	Black/Dark Silver	-TD		
	9P1 881 405 A GTB	Graphite Blue/Chalk	-TG		
(11)	9P1 881 406 A	Seat cover Sports seat Plus	right	1	PR:324,948, -541
	9P1 881 406 A JHD	Black/Dark Silver	-TD		
	9P1 881 406 A GTB	Graphite Blue/Chalk	-TG		
(11)	9P1 881 405 C	Seat cover Sports seat Plus	left	1	PR-323,011, 951,-541
	9P1 881 405 C DSD	GTS Black	-GF,GW		
	9P1 881 405 C DJP	Black/Rhodium Silver	-GR		
	9P1 881 405 C DSA	Black/Carmin Red	-GQ		
(11)	9P1 881 406 C	Seat cover Sports seat Plus	right	1	PR-011,324, 951,-541
	9P1 881 406 C DSD	GTS Black	-GF,GW		
	9P1 881 406 C DJP	Black/Rhodium Silver	-GR		
	9P1 881 406 C DSA	Black/Carmin Red	-GQ		
12	991 521 571 04	Foam part Seat cushion Sports seat Plus	left	1	PR:317,-541, 983
(12)	991 521 571 05	Foam part Seat cushion Sports seat Plus	left	1	PR:317,541
(12)	991 521 572 12	Foam part Seat cushion Sports seat Plus	right	1	PR:318,-541, -560,983
(12)	991 521 572 13	Foam part Seat cushion Sports seat Plus	right	1	PR:318,541, -560

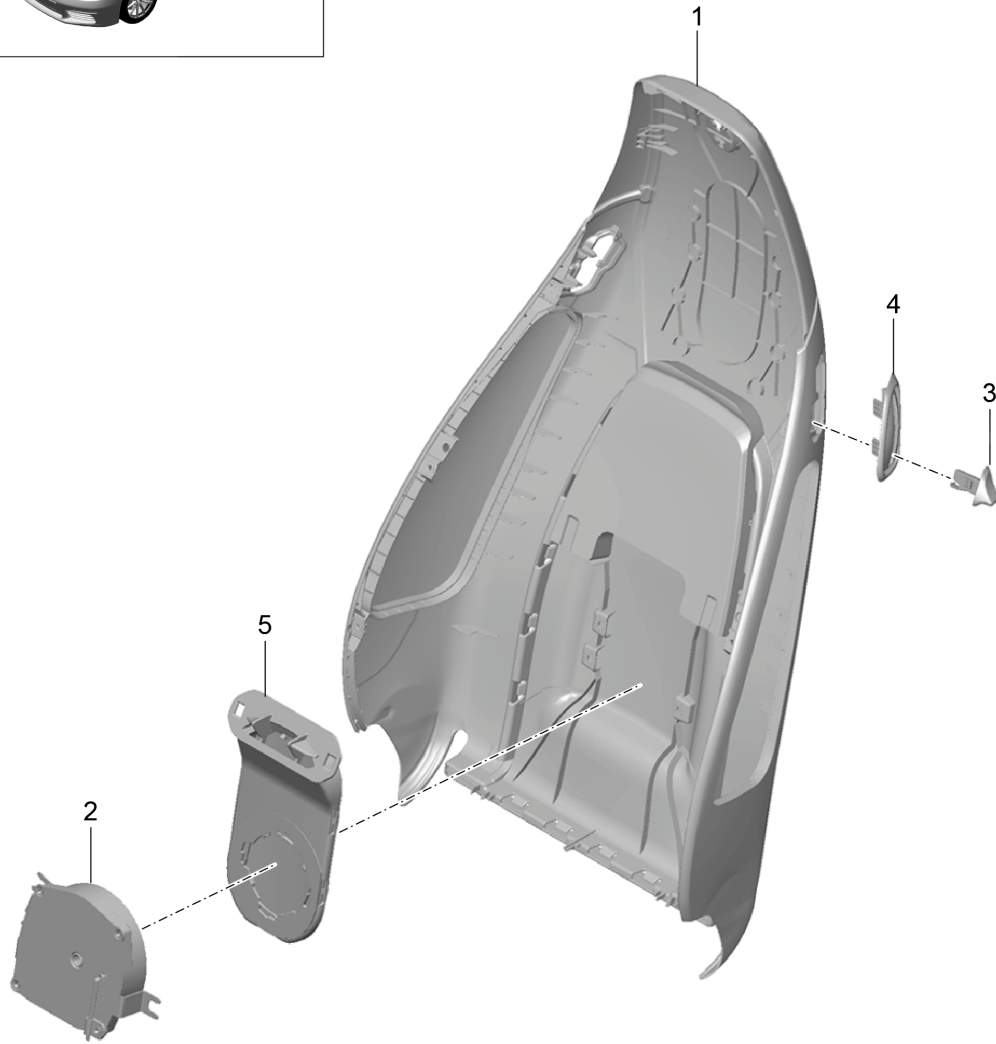
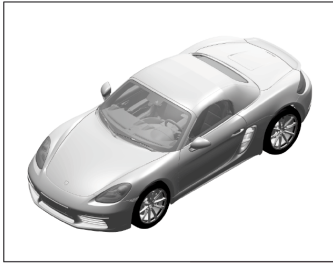
Model: 982-17

Model life 2017&gt;&gt;

Pos	Part Number	Description	Remark	Qty	Model
(12)	991 521 571 06	Foam part Seat cushion Sports seat Plus Adjustable	left	1	PR:323,-541, 983
(12)	991 521 571 07	Foam part Seat cushion Sports seat Plus Adjustable	left	1	PR:323,541
(12)	991 521 572 14	Foam part Seat cushion Sports seat Plus Adjustable	right	1	PR:324,-541, -560,983
(12)	991 521 572 15	Foam part Seat cushion Sports seat Plus Adjustable	right	1	PR:324,541, -560
13	991 521 891 00	Clip Backrest cover		5	
14	N 015 261 2	Clip Mount Seat cover		1	

Model: 982-17

Model life 2017>>

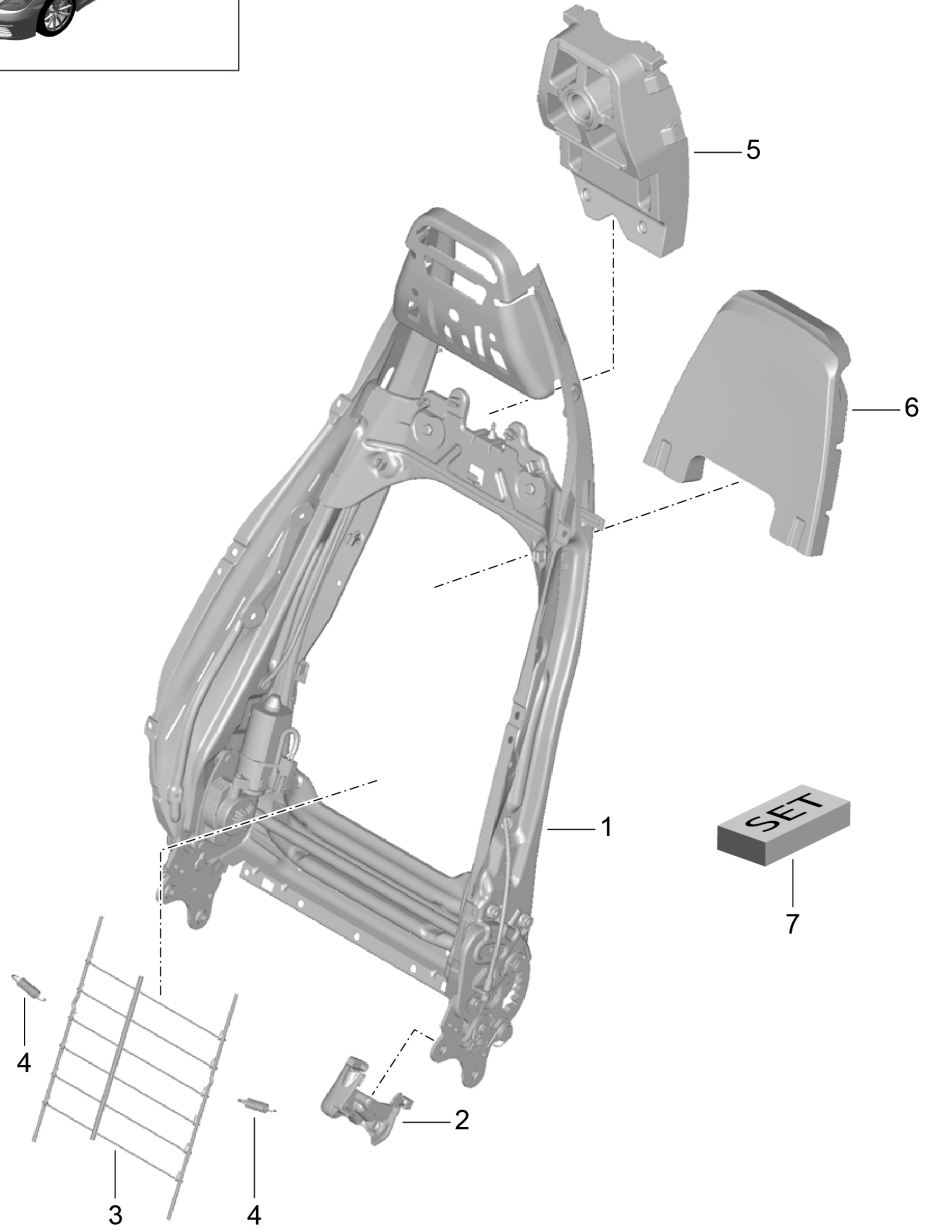
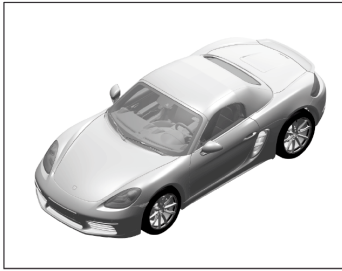


Model: 982-17 Model life 2017>>

Pos	Part Number	Description	Remark	Qty	Model
1	991 521 303 03	Backrest shell Sports seat Plus Accessories	left	1	PR:317,318, 323,324
(1)	991 521 303 03 D20	Backrest shell Sport version			PR:317,323, -XWK
(1)	991 521 304 03	Backrest shell Sports seat Plus	right	1	PR:318,324, -XWK
(1)	991 521 304 03 D20	Backrest shell Sport version			PR:XWK,323, 983,-998
	991 521 985 01	Backrest shell Sports seat Plus	left	1	
	991 521 985 01 A11	Black	-AJ,AZ		
	991 521 985 01 OA1	agate grey	-FJ,FZ		
	991 521 985 01 7J0	Luxor beige	-UJ,UZ,BT		
	991 521 985 01 OK6	saddle brown	-SZ		
	991 521 985 01 OG6	Bordeaux red	-LZ,BM		
	991 521 985 01 OH7	Graphite Blue	-HZ		
	991 521 985 01 OL8	Chalk	-BW		
(1)	991 521 986 01	Backrest shell Sports seat Plus	right	1	PR:XWK,324, 983,-998
	991 521 986 01 A11	Black	-AJ,AZ		
	991 521 986 01 OA1	agate grey	-FJ,FZ		
	991 521 986 01 7J0	Luxor beige	-UJ,UZ,BT		
	991 521 986 01 OK6	saddle brown	-SZ		
	991 521 986 01 OG6	Bordeaux red	-LZ,BM		
	991 521 986 01 OH7	Graphite Blue	-HZ		
	991 521 986 01 OL8	Chalk	-BW		
(1)	991 521 985 02	Backrest shell Sports seat Plus Leather	left	1	PR:XWK,323, 983,998
	991 521 985 02 6J0	Espresso	-NE		
	991 521 985 02 7F0	Cognac	-BY		
(1)	991 521 986 02	Backrest shell Sports seat Plus Leather	right	1	PR:XWK,324, 983,998
	991 521 986 02 6J0	Espresso	-NE		
	991 521 986 02 7F0	Cognac	-BY		
2	997 624 337 00	Electric motor backrest		1	PR:541
3	991 521 623 00	Actuator button lever for folding backrest Sport version	left	1	PR:317,318, 323,324
(3)	991 521 623 00 V08	Galvano silver			
(3)	991 521 624 00	Actuator button lever for folding backrest Sport version	right	1	PR:317,318, 323,324
	991 521 624 00 V08	Galvano silver			
4	991 521 621 01	Rosette Actuator button Sport version lever for folding backrest	left	1	PR:317,318, 323,324,-XWK
(4)	991 521 621 01 D20	silver grey metallic			
(4)	991 521 622 01	Rosette Actuator button Sport version lever for folding backrest	right	1	PR:317,318, 323,324,-XWK
	991 521 622 01 D20	silver grey metallic			
5	997 521 733 00	Air guide channel backrest		1	PR:541,317, 318,323,324

Model: 982-17

Model life 2017>>



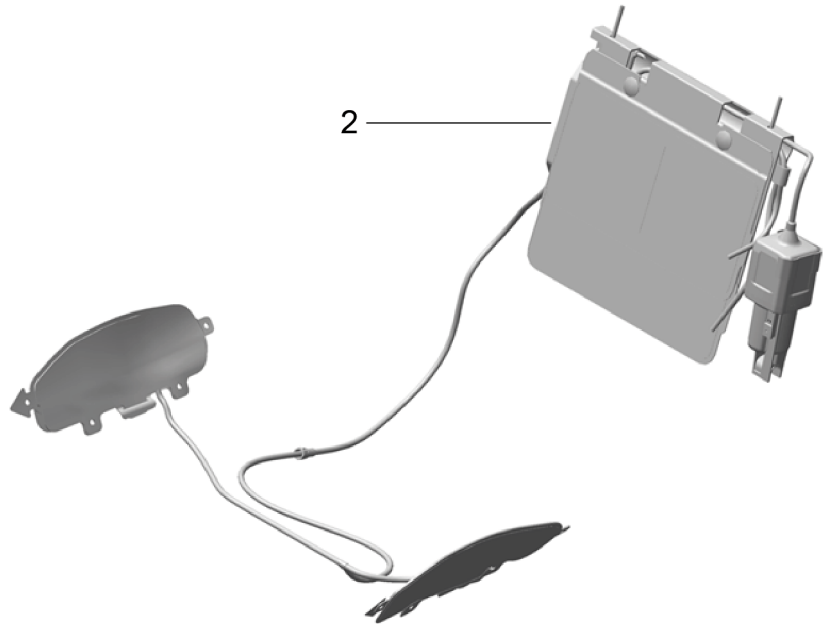
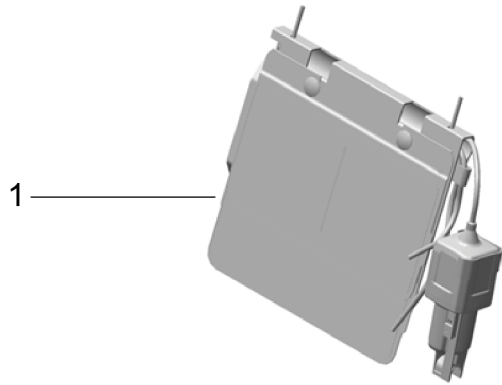
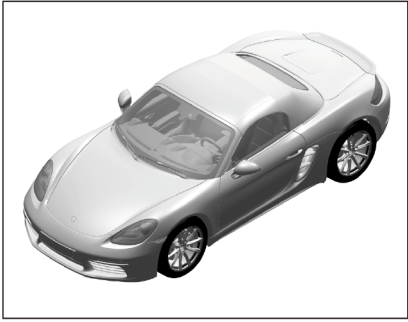
Model: 982-17

Model life 2017&gt;&gt;

Pos	Part Number	Description	Remark	Qty	Model
1	9P1 881 045 E	Backrest frame Sports seat Plus Accessories backrest frame Sport version No memory function		1	PR:317,318, 323,324
(1)	9P1 881 045 F	backrest frame Sport version With memory function		1	PR:323,324
2	991 521 335 01	Cover panel Mounting component Sport version	left inner	1	PR:321,323, -XWK
(2)	991 521 335 01 D20 991 521 338 01	silver grey metallic Cover panel Mounting component tunnel Sport version	left inner	1	PR:321,323, -XWK
(2)	991 521 338 01 D20 991 521 336 01	silver grey metallic Cover panel Mounting component Sport version	right inner	1	PR:322,324, -XWK
(2)	991 521 336 01 D20 991 521 337 01	silver grey metallic Cover panel Mounting component tunnel Sport version	right inner	1	PR:322,324, -XWK
3	991 521 337 01 D20 991 521 855 00	silver grey metallic Grille		1	PR:317,318, 323,324
4	991 521 893 00	Backrest frame tension spring Grille	left a. right	1	PR:317,318, 323,324
5	991 521 887 02	Backrest frame Foam part Head restraint Backrest frame Sport version		1	PR:317,318, 323,324
6	991 521 897 01	Foam part backrest Backrest frame Sport version		1	PR:317,318, 323,324
7	991 521 902 00	repair set backrest Fasteners		1	

Model: 982-17

Model life 2017>>





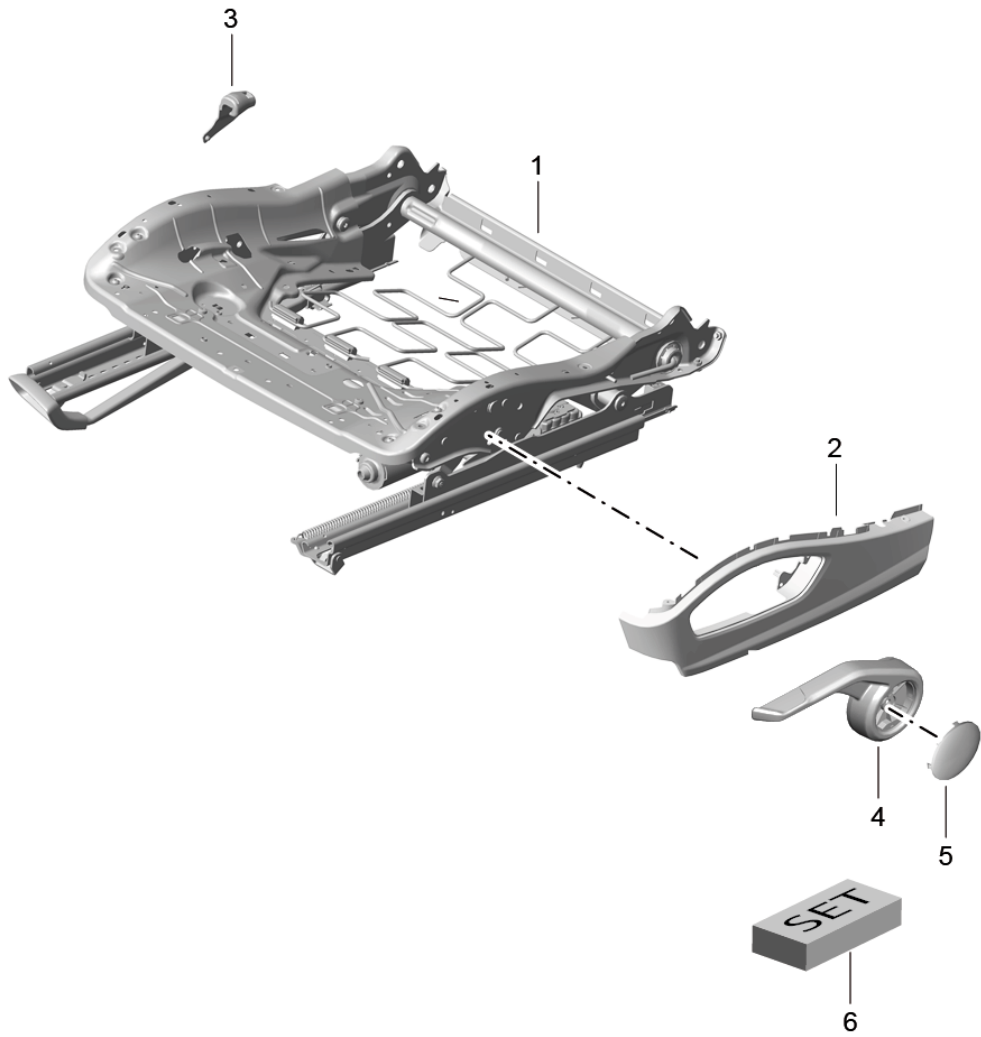
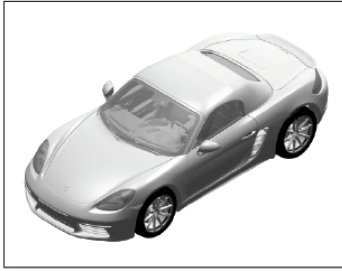
Model: 982-17

Model life 2017>>

Pos	Part Number	Description	Remark	Qty	Model
1	991 521 394 00	Lumbar support Accessories Lumbar support Units With memory function		1	PR: 321, 322, 323, 324 PR: 322
(1)	991 521 393 00	Lumbar support Units With memory function		1	PR: 321
2	991 521 394 01	Lumbar support Units With memory function		1	PR: 324
(2)	991 521 393 01	Lumbar support Units With memory function		1	PR: 323

Model: 982-17

Model life 2017>>

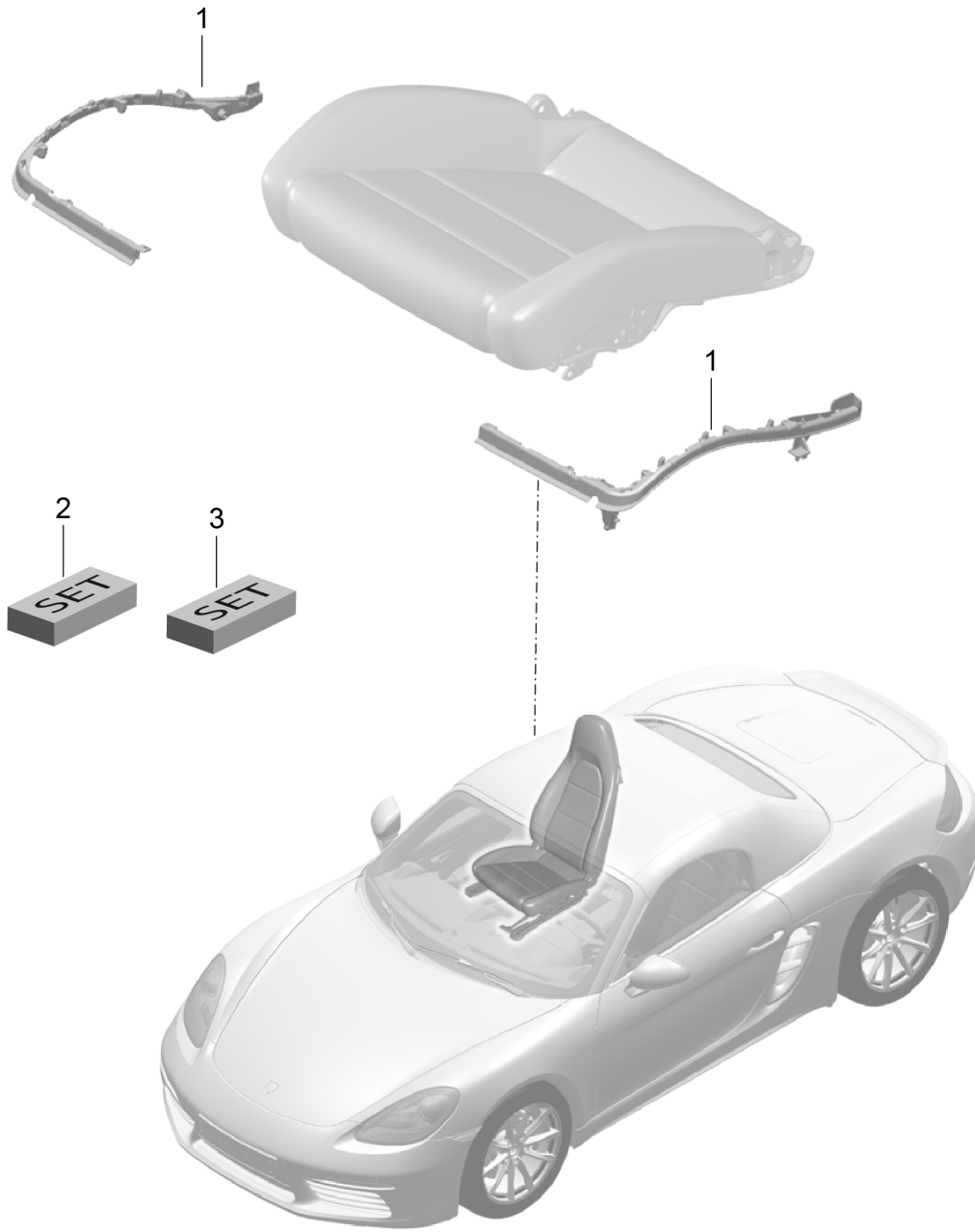


Model: 982-17 Model life 2017>>

Pos	Part Number	Description	Remark	Qty	Model
		Seat frame Sports seat Plus Accessories repair set seat occupied recognition Trim for switch			PR:317,318, 323,324
1	9P2 881 105 A	Seat frame sports seat Manually	left	1	PR:317
(1)	9P2 881 106 A	Seat frame sports seat Manually	right	1	PR:318
(1)	9P1 881 105 G	Seat frame (electrically adjustable) sports seat Electric	left	1	PR:323
(1)	9P1 881 106 G	With memory function Seat frame (electrically adjustable) sports seat Electric	right	1	PR:324
2	991 521 325 00	With memory function Trim for switch Sports seat Plus	left	1	PR:323,-XWK
(2)	991 521 325 00 D20	silver grey metallic			
(2)	991 521 326 00	Trim for switch Sports seat Plus	right	1	PR:324,-XWK
(2)	991 521 326 00 D20	silver grey metallic			
(2)	981 521 325 00	Trim for switch Sports seat Plus	left	1	PR:317
(2)	981 521 325 00 1E0	Black			
(2)	981 521 326 00	Trim for switch Sports seat Plus	right	1	PR:318
(2)	981 521 326 00 1E0	Black			
3	991 521 612 00	Protective plate Belt latch		1	PR:318,324, 560
4	981 521 627 00	Seat frame Front seat Actuating lever Height adjustment	left	1	PR:317
(4)	981 521 627 00 1E0	Seat frame Front seat Black			
(4)	981 521 628 00	Actuating lever Height adjustment Seat frame Front seat	right	1	PR:318
(4)	981 521 628 00 1E0	Black			
5	981 521 629 00	Cover cap Actuating lever		1	PR:317,318
6	981 521 629 00 1E0	Black			
(6)	991 618 947 02	Repair set for seat occupied sensor		1	PR:322,560, -541
(6)	991 618 948 02	Repair set for seat occupied sensor		1	PR:322,541, 560

Model: 982-17

Model life 2017>>



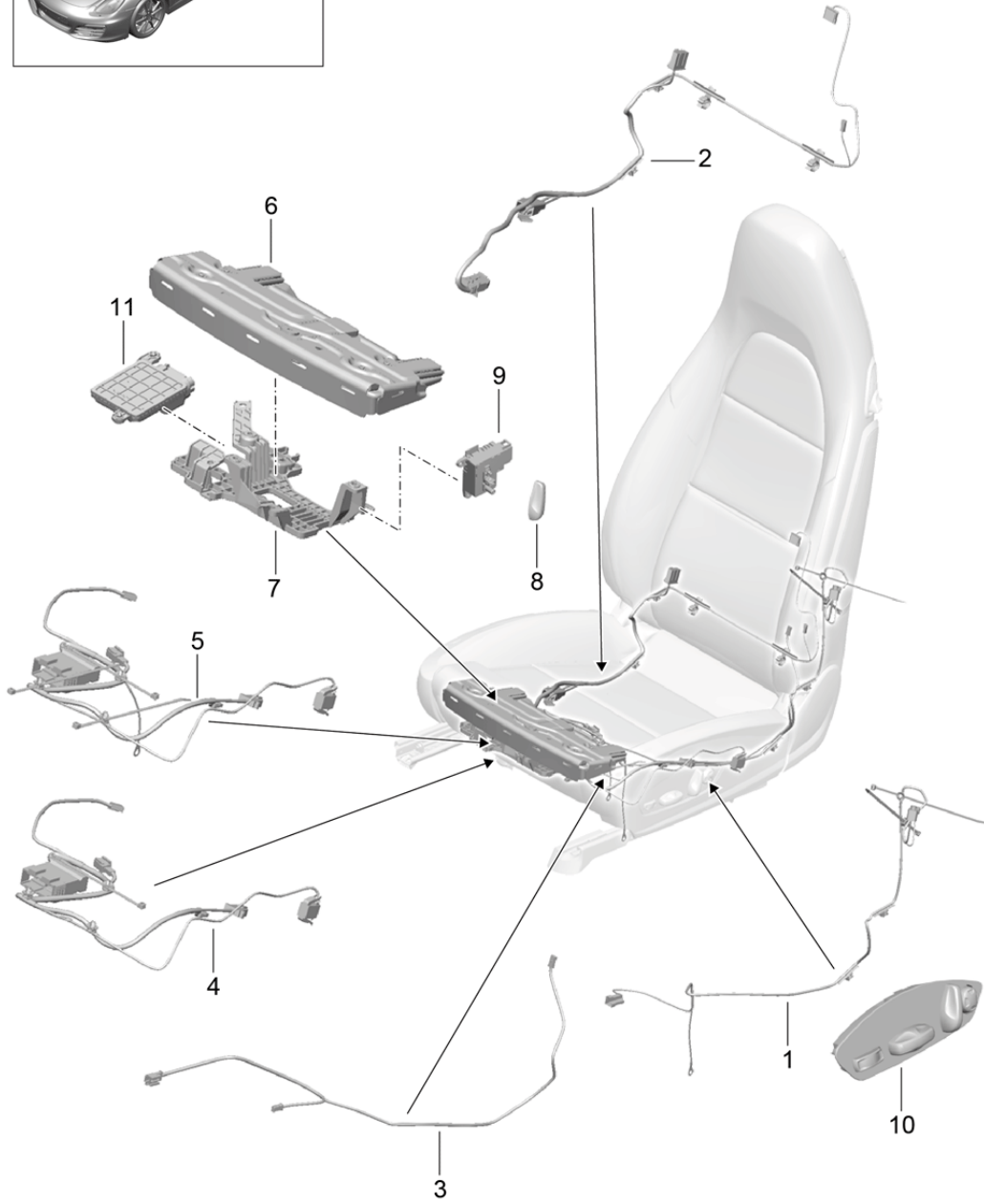
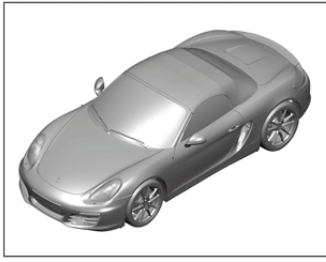
Model: 982-17

Model life 2017>>

Pos	Part Number	Description	Remark	Qty	Model
1	991 521 547 00	Cushion carrier Frame Seat surface Sports seat Plus repair set seat occupied recognition			PR:317,318, 323,324
(1)	991 521 548 00	Frame Cushion carrier Seat surface Sports seat Plus	right inner	1	PR:318,324
(1)	991 521 545 00	Frame Cushion carrier Seat surface Sports seat Plus	left inner	1	PR:317,323
(1)	991 521 546 00	Frame Cushion carrier Seat surface Sports seat Plus	left outer	1	PR:317,323
(1)	991 521 546 00	Frame Cushion carrier Seat surface Sports seat Plus	right outer	1	PR:318,324

Model: 982-17

Model life 2017>>



Model: 982-17 Model life 2017>>

Pos	Part Number	Description	Remark	Qty	Model
		Wiring looms Switch Control unit Electric motor sports seat			PR:317,318, 323,324
1	9P1 972 171	Wire set	left	1	PR:317,323
(1)	991 622 796 00	Airbag Wire set	right	1	PR:318,324
		Airbag Seat			
(1)	9P1 972 173	D >> - 22.06.2015 Wire set	right	1	PR:318,324
		Airbag Seat			
(1)	9P1 972 173 A	D - 23.06.2015>> - 03.11.2016 Wire set	right	1	PR:318,324
		Airbag Seat			
2	991 622 787 02	D - 04.11.2016>> Wire set		1	PR:317,318
		Backrest frame Adjustment Tilt angle			
(2)	9P1 971 369 A	Wire set		1	PR:323
		Backrest frame Adjustment Tilt angle Lumbar With memory function ADAPTIV			
(2)	9P1 971 370 A	Wire set		1	PR:324
		Backrest frame Adjustment Tilt angle Lumbar ADAPTIV			
3	991 622 797 00	Wire set		1	PR:317,318, 323,324,541
		Fan Seat Vented			
4	981 622 761 02	Wire set	left	1	PR:317,-342, -560
(4)	981 622 762 02	Seat Wire set	right	1	PR:318,-342, -560
(4)	9P3 971 391 B	Seat Wire set	lhd	1	PR:098,321, -342,-560
		(drivers side)			
(4)	9P3 971 392 B	Seat Wire set	lhd	1	PR:098,322, -342,-560
		(passenger side)			
(4)	9P4 971 391 B	Wire set	rhd	1	PR:099,322, -342,-560
		Seat (drivers side)			
(4)	9P4 971 392 B	Wire set	rhd	1	PR:099,321, -342,-560
		Seat (passenger side)			
(4)	981 622 769 02	Wire set	left	1	PR:317,560, -342
		Seat			
(4)	981 622 770 02	Wire set	right	1	PR:318,560, -342
		Seat			
(4)	9P1 971 391 B	Wire set	left	1	PR:321,323, 560,-342
		Seat			
(4)	9P1 971 392 B	Wire set	right	1	PR:322,560,

Model: 982-17

Model life 2017&gt;&gt;

Pos	Part Number	Description	Remark	Qty	Model
5	981 622 775 02	Seat Wire set	left	1	-342 PR:317,342, -560
(5)	981 622 776 02	Seat with heating Wire set	right	1	PR:318,342, -560
(5)	9P3 971 391 C	Seat with heating Wire set	lhd	1	PR:098,321, 342,-560
(5)	9P3 971 392 C	Seat with heating		1	PR:-560
(5)	9P4 971 391 C	Seat (passenger side) modify in workshop Wire set	rhd	1	PR:099,322, 342,-560
(5)	9P4 971 392 C	Seat with heating (passenger side) Wire set	rhd	1	PR:099,321, 342,-560
(5)	981 622 781 02	Seat with heating Wire set	left	1	PR:317,342, 560
(5)	981 622 782 02	Seat with heating Wire set	right	1	PR:318,342, 560
(5)	9P1 971 391 C	Seat with heating (drivers side) Wire set		1	
(5)	9P1 971 392 C	Seat with heating (drivers side) modify in workshop Wire set	right	1	
6	970 521 749 00	Electric drive Seat frame Wide Deep Adjustable		1	PR:323,324
7	991 521 643 02	Bracket Electronic component Seat frame sports seat		1	PR:323,324
(7)	991 521 643 00	Bracket Electronic component Seat frame sports seat		1	PR:317,318, -541
(7)	991 521 643 01	Bracket Electronic component Seat frame sports seat		1	PR:317,318, 541
8	981 613 713 00	Actuator button Seat frame sports seat		1	PR:317,318
9	981 613 713 00 1E0 997 613 713 01	Black switch for seat adjustment Seat frame sports seat	left	1	PR:317
(9)	997 613 714 01	switch for seat adjustment Seat frame sports seat	right	1	PR:318
(10)	7PP 959 747 AB	Switch module for seat Seat adjuster	left	1	PR:323



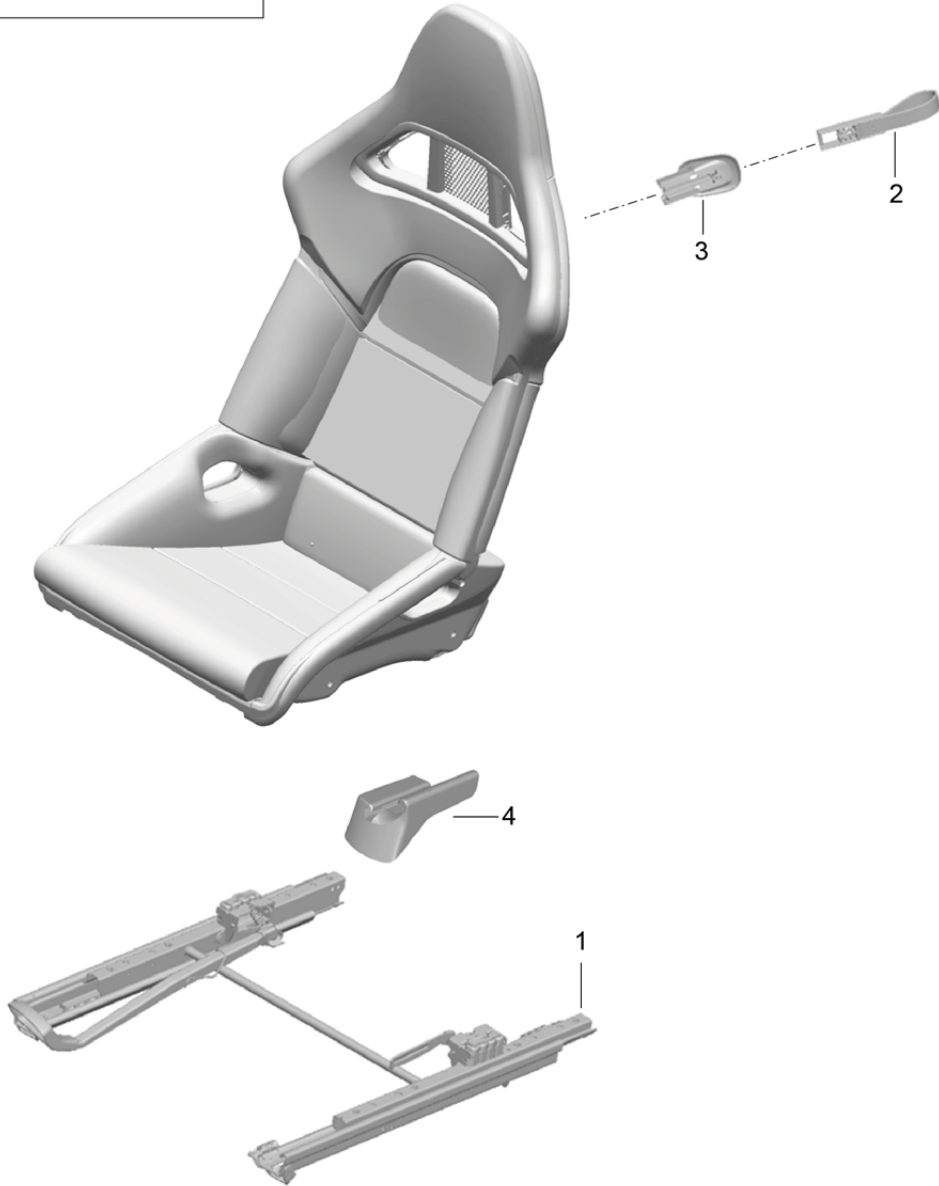
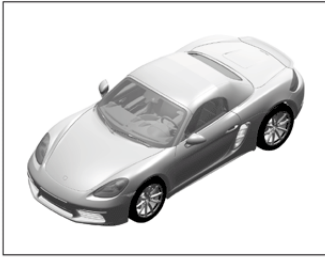
Model: 982-17

Model life 2017&gt;&gt;

Pos	Part Number	Description	Remark	Qty	Model
(10)	7PP 959 747 AB DMN 7PP 959 748 AB	Galvano silver Switch module for seat Seat adjuster	right	1	PR:324
11	7PP 959 748 AB DMN 970 618 245 03	Galvano silver Control unit for seat occupied sensor		1	PR:318,324, 560

Model: 982-17

Model life 2017>>



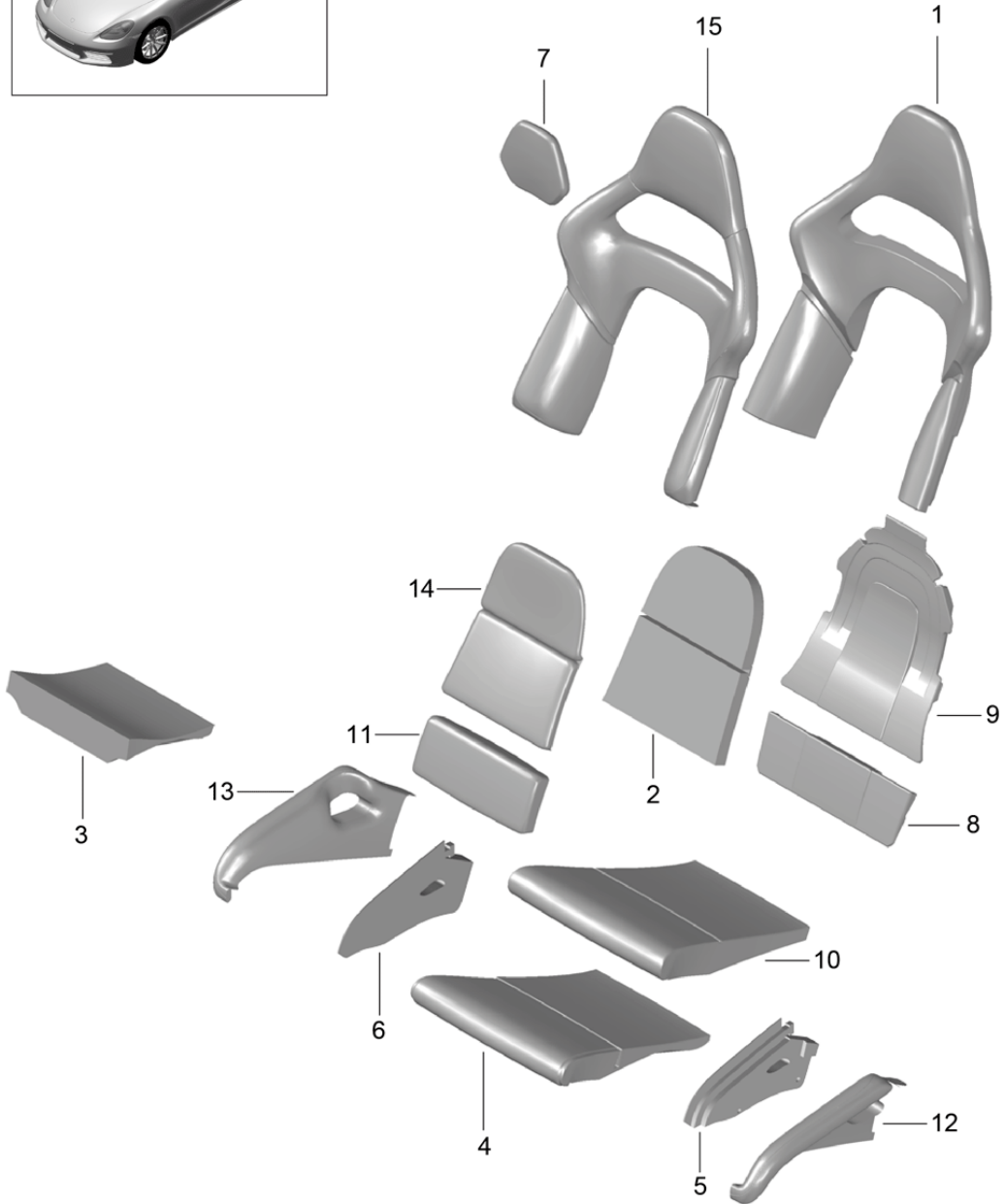
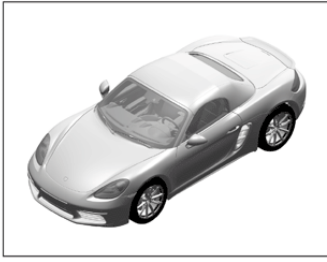
Model: 982-17

Model life 2017>>

Pos	Part Number	Description	Remark	Qty	Model
		bucket seat Collapsible (complete) Not available			PR:388,389
1	997 521 429 01	1 set of seat rails (drivers side)	left	1	PR:388
(1)	997 521 430 02	1 set of seat rails Seat rail (drivers side)	right	1	PR:389
2	991 521 541 00	Pull loop Backrest frame	left	1	PR:388
	991 521 541 00 A80	Black			
(2)	991 521 542 00	Pull loop Backrest frame	right	1	PR:389
	991 521 542 00 A80	Black			
3	997 521 538 00	Rosette Pull loop Backrest frame	right	1	PR:389
	997 521 538 00 01C	Satin black			
(3)	997 521 537 00	Rosette Pull loop Backrest frame	left	1	PR:388
	997 521 537 00 01C	Satin black			
4	991 521 359 00	Rail Seat rail Manually	left	1	PR:388,317
	991 521 359 00 1E0	Black			
(4)	991 521 360 00	Rail Seat rail Manually	right	1	PR:389,318
	991 521 360 00 1E0	Black			
(4)	991 521 361 00	Rail Seat rail	right	1	PR:389,318, 323,324
	991 521 361 00 1E0	Black			
(4)	991 521 362 00	Rail Seat rail	left	1	PR:389,317, 323,324
	991 521 362 00 1E0	Black			

Model: 982-17

Model life 2017>>



Model: 982-17 Model life 2017>>

Pos	Part Number	Description	Remark	Qty	Model
		Foam part Cover Seat and backrest surface bucket seat Collapsible			PR:388,389
1	997 521 447 00	Foam part backrest Outer part		1	PR:388,389
2	991 521 448 00	Foam part backrest Centre part		1	PR:388,389
3	997 521 441 00	Foam part Seat cushion	rear	1	PR:388,389
4	991 521 440 01	Foam part Seat cushion	front	1	PR:388,389
5	997 521 443 00	Foam part Seat cushion	left side outer	1	PR:388
(5)	997 521 444 00	Foam part Seat cushion	left side inner	1	PR:388
6	997 521 446 00	Foam part Seat cushion	right side outer	1	PR:389
(6)	997 521 445 00	Foam part Seat cushion	right side inner	1	PR:389
7	997 521 458 00	Foam part Head restraint		1	PR:388,389
8	991 521 456 00	Foam part Seat cushion	rear	1	PR:388,389
9	997 521 457 00	Foam part backrest		1	PR:388,389
10	991 521 380 03	Seat cover	front	1	PR:388,389, 983,-998
	991 521 380 03 8YR	Black	-AJ,AZ		
	991 521 380 03 PL1	agate grey	-FJ,FZ		
	991 521 380 03 OK6	saddle brown	-SZ		
	991 521 380 03 9H6	Luxor beige	-UJ,BT		+UZ,
	991 521 380 03 OG6	Bordeaux red	-LZ,BM		
	991 521 380 03 OH7	Graphite Blue	-HZ		
	991 521 380 03 OL8	Chalk	-BW		
(10)	991 521 380 04	Seat cover	front	1	PR:388,389, 983,998
	991 521 380 04 8C0	Espresso	-NE		
	991 521 380 04 9EF	Cognac	-BY		
11	997 521 381 00	Seat cover	rear	1	PR:388,389, 983,-998
	997 521 381 00 8YR	Black	-AJ,AZ		
	997 521 381 00 PL1	agate grey	-FJ,FZ		
	997 521 381 00 OK6	saddle brown	-SZ		
	997 521 381 00 9H6	Luxor beige	-UJ,UZ,BT		
	997 521 381 00 OG6	Bordeaux red	-LZ,BM		
	997 521 381 00 OH7	Graphite Blue	-HZ		
	997 521 381 00 OL8	Chalk	-BW		
(11)	991 521 381 00	Seat cover	rear	1	PR:388,389, 983,998
	991 521 381 00 8C0	Espresso	-NE		
	991 521 381 00 9EF	Cognac	-BY		
12	991 521 383 01	Cover	left side outer	1	PR:388,983, -998
	991 521 383 01 8YR	Black	-AJ,AZ		

Model: 982-17 Model life 2017>>

Pos	Part Number	Description	Remark	Qty	Model
	991 521 383 01 PL1	agate grey	-FJ,FZ		
	991 521 383 01 OK6	saddle brown	-SZ		
	991 521 383 01 9H6	Luxor beige	-UJ,UZ,BT		
	991 521 383 01 OG6	Bordeaux red	-LZ,BM		
	991 521 383 01 OH7	Graphite Blue	-HZ		
	991 521 383 01 OL8	Chalk	-BW		
(12)	991 521 383 00	Seat cover (leather)	left side outer	1	PR:388,983,998
	991 521 383 00 8C0	Espresso	-NE		
	991 521 383 00 9EF	Cognac	-BY		
(12)	991 521 384 01	Cover	left side inner	1	PR:388,983,-998
	991 521 384 01 8YR	Black	-AJ,AZ		
	991 521 384 01 PL1	agate grey	-FJ,FZ		
	991 521 384 01 OK6	saddle brown	-SZ		
	991 521 384 01 9H6	Luxor beige	-UJ,UZ,BT		
	991 521 384 01 OG6	Bordeaux red	-LZ,BM		
	991 521 384 01 OH7	Graphite Blue	-HZ		
	991 521 384 01 OL8	Chalk	-BW		
(12)	991 521 384 00	Seat cover (leather)	left side inner	1	PR:388,983,998
	991 521 384 00 8C0	Espresso	-NE		
	991 521 384 00 9EF	Cognac	-BY		
(13)	991 521 386 01	Cover	right side outer	1	PR:389,983,-998
	991 521 386 01 8YR	Black	-AJ,AZ		
	991 521 386 01 PL1	agate grey	-FJ,FZ		
	991 521 386 01 OK6	saddle brown	-SZ		
	991 521 386 01 9H6	Luxor beige	-UJ,UZ,BT		
	991 521 386 01 OG6	Bordeaux red	-LZ,BM		
	991 521 386 01 OH7	Graphite Blue	-HZ		
	991 521 386 01 OL8	Chalk	-BW		
(13)	991 521 386 00	Seat cover (leather)	right side outer	1	PR:389,983,998
	991 521 386 00 8C0	Espresso	-NE		
	991 521 386 00 9EF	Cognac	-BY		
(13)	991 521 385 01	Cover	right side inner	1	PR:389,983,-998
	991 521 385 01 8YR	Black	-AJ,AZ		
	991 521 385 01 PL1	agate grey	-FJ,FZ		
	991 521 385 01 OK6	saddle brown	-SZ		
	991 521 385 01 9H6	Luxor beige	-UJ,UZ,BT		
	991 521 385 01 OG6	Bordeaux red	-LZ,BM		
	991 521 385 01 OH7	Graphite Blue	-HZ		
	991 521 385 01 OL8	Chalk	-BW		
(13)	991 521 385 00	Seat cover (leather)	right side inner	1	PR:389,983,998
	991 521 385 00 8C0	Espresso	-NE		
	991 521 385 00 9EF	Cognac	-BY		
14	997 521 387 00	Backrest centre part w. cover		1	PR:388,389,983,-998
	997 521 387 00 8YR	Black	-AJ,AZ		
	997 521 387 00 PL1	agate grey	-FJ,FZ		
	997 521 387 00 OK6	saddle brown	-SZ		
	997 521 387 00 9H6	Luxor beige	-UJ,UZ,BT		
	997 521 387 00 OG6	Bordeaux red	-LZ,BM		

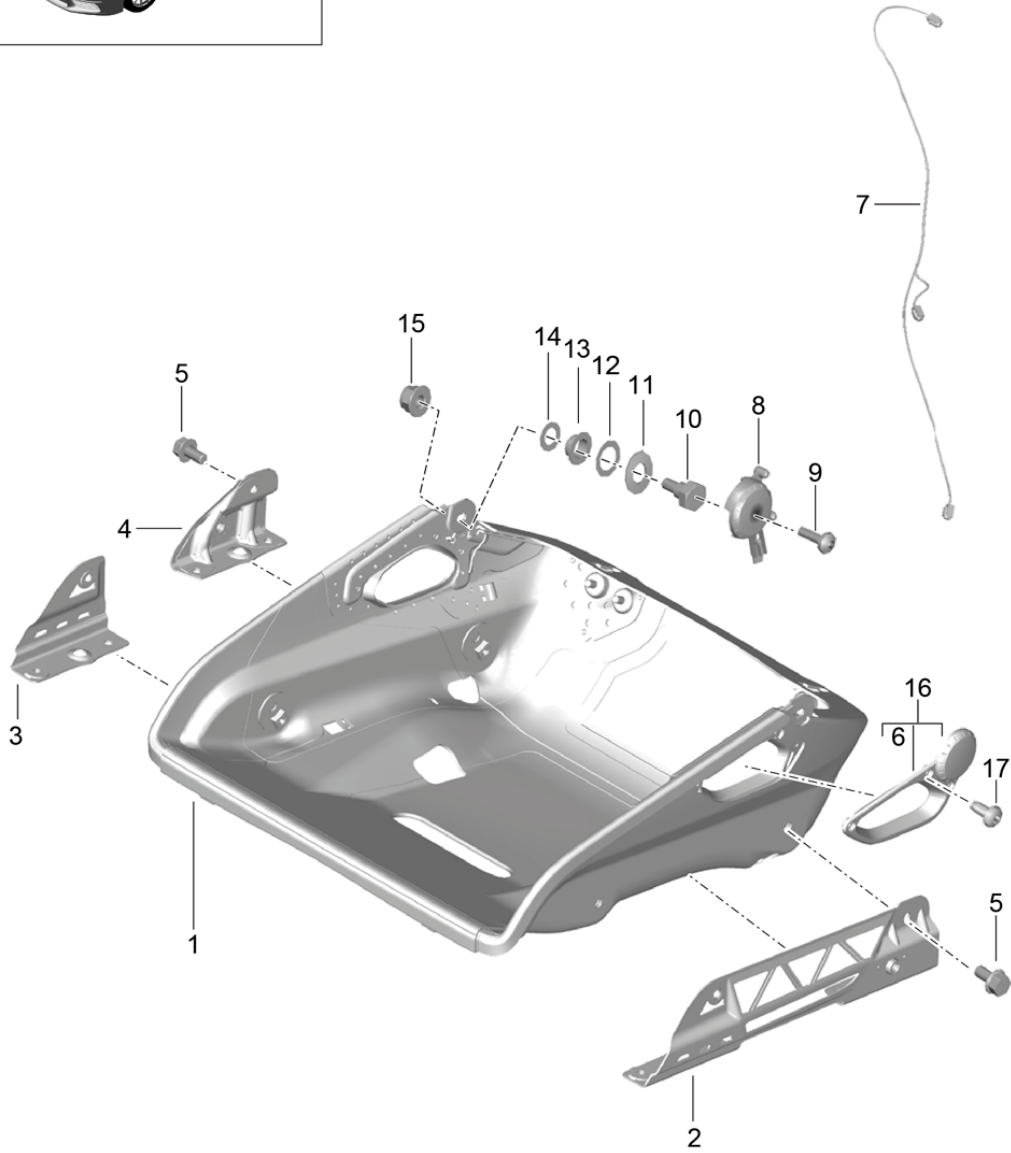
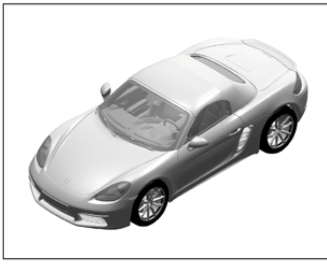
Model: 982-17

Model life 2017>>

Pos	Part Number	Description	Remark	Qty	Model
(14)	997 521 387 00 OH7	Graphite Blue	-HZ	1	PR:388,389, 983,998
	997 521 387 00 OL8	Chalk	-BW		
	991 521 387 00	Backrest centre part w. cover			
15	991 521 387 00 8C0	Espresso	-NE	1	PR:388,389, 983,-998
	991 521 387 00 9EF	Cognac	-BY		
	991 521 388 01	Backrest cover	outer		
	991 521 388 01 8YR	Black	-AJ,AZ		
	991 521 388 01 PL1	agate grey	-FJ,FZ		
	991 521 388 01 OK6	saddle brown	-SZ		
	991 521 388 01 9H6	Luxor beige	-UJ,UZ,BT		
	991 521 388 01 OG6	Bordeaux red	-LZ,BM		
(15)	991 521 388 01 OH7	Graphite Blue	-HZ	1	PR:388,389, 983,998
	991 521 388 01 OL8	Chalk	-BW		
	991 521 388 00	backrest cover (leather)	outer		
(15)	991 521 388 00 8C0	Espresso	-NE	1	PR:388,389, 983,XSC,-998
	991 521 388 00 9EF	Cognac	-BY		
(15)	991 521 981 16	Backrest cover Outer part		1	PR:388,389, 983,998,XSC
		with:			
		Porsche crest			
	991 521 981 16 GDC	Black	-AJ,AZ		
	991 521 981 16 GHC	agate grey	-FJ,FZ		
	991 521 981 16 GFC	Luxor beige	-UJ,UZ,BT		
	991 521 981 16 DUE	saddle brown	-SZ		
	991 521 981 16 GUC	Bordeaux red	-LZ,BM		
	991 521 981 16 GTC	Graphite Blue	-HZ		
	991 521 981 16 GVC	Chalk	-BW		
	991 521 981 17	Backrest cover Outer part			
	991 521 981 17 GKC	Espresso	-NE		
	991 521 981 17 GRC	Cognac	-BY		

Model: 982-17

Model life 2017>>





Model: 982-17 Model life 2017>>

Pos	Part Number	Description	Remark	Qty	Model
		bucket seat Collapsible Seat frame Accessories			PR:388,389
1	991 521 281 00	Cup Seat frame	left	1	PR:388
		without: seat occupied recognition			
2	997 521 433 01	Adapter Seat frame	outer left	1	PR:388
(2)	997 521 434 01	Adapter Seat frame	outer right	1	PR:389
3	997 521 436 01	Adapter Seat frame	front, inner right	1	PR:388
(3)	997 521 435 01	Adapter Seat frame	front, inner left	1	PR:389
		without: seat occupied recognition			
4	997 521 438 01	Adapter Seat frame	rear, inner right	1	PR:388
(4)	997 521 437 01	Adapter Seat frame	rear, inner left	1	PR:389
		without: seat occupied recognition			
6	997 521 561 00	Trim Seat belt	left lower	1	PR:388,389
	997 521 561 00 01C	Satin black			
(6)	997 521 562 00	Trim Seat belt	right lower	1	PR:388,389
	997 521 562 00 01C	Satin black			
7	991 622 759 00	Wire set Side airbag unit		1	PR:388,389, -342
8	997 521 563 00	Trim Hinge	left inner	1	PR:388,389
	997 521 563 00 01C	Satin black			
(8)	997 521 564 00	Trim Hinge	right inner	1	PR:388,389
	997 521 564 00 01C	Satin black			
9	999 073 456 01	flat round head bolt M4 X 12 Mount Trim	inner	2	
10	997 521 690 01	bearing pin Backrest shell Cup	lower	2	PR:388,389
11	999 523 019 01	Belleville spring A25		2	
12	999 234 034 00	fitted washer 12 X 18 X 0,2		2	
13	999 924 136 40	Plain bearing F12 X 5 X 14		2	
14	999 025 122 40	thrust washer 20 X 12 X 0,5		2	
15	900 380 024 01	Outer hexagon round nut M8		2	
16	997 521 561 00	Trim Seat belt	left lower	1	PR:388,389
	997 521 561 00 01C	Satin black			
(16)	997 521 562 00	Trim Seat belt	right lower	1	PR:388,389
	997 521 562 00 01C	Satin black			
17	999 141 049 01	Oval-head screw M5 X 10		6	

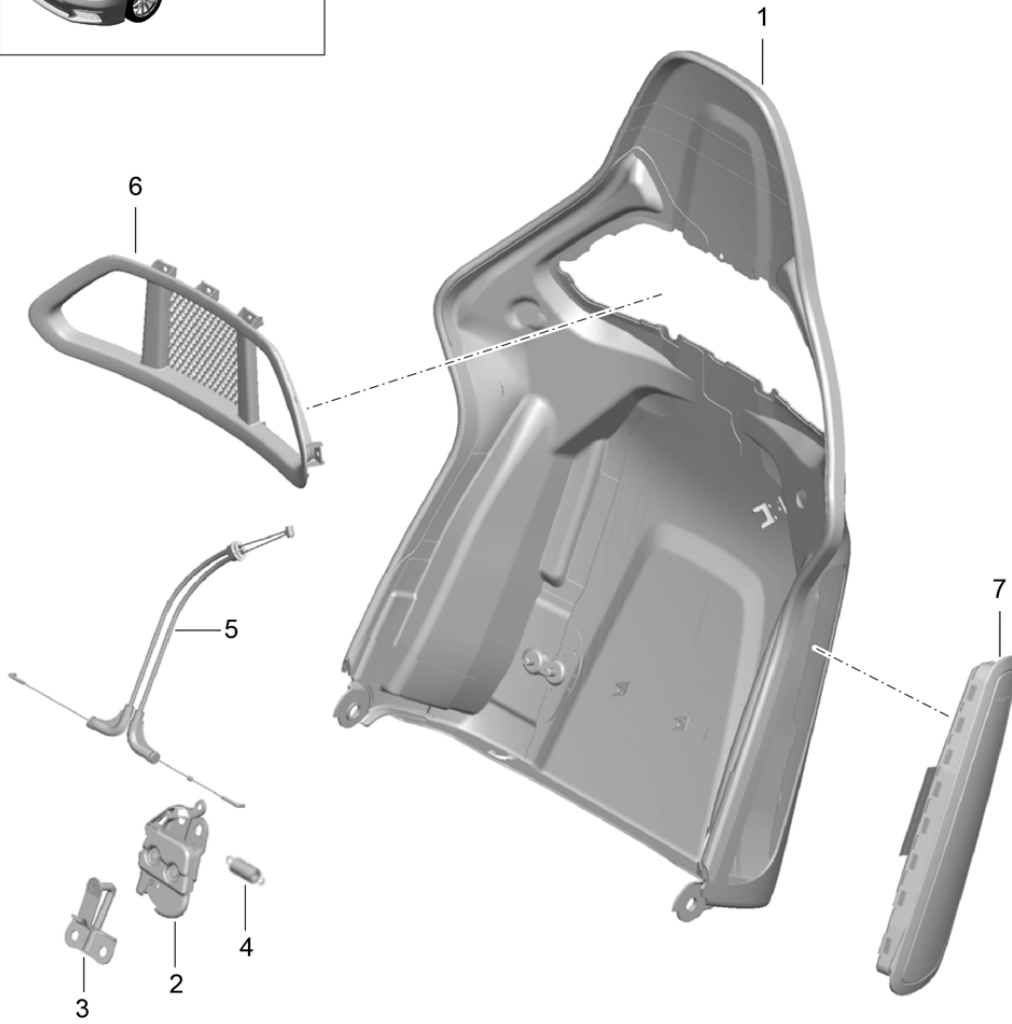
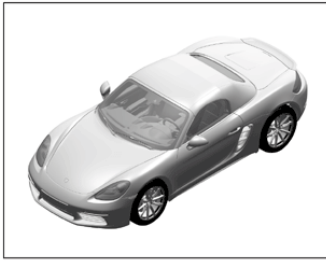
Model: 982-17

Model life 2017>>

Pos	Part Number	Description	Remark	Qty	Model
		Mount Trim			

Model: 982-17

Model life 2017>>



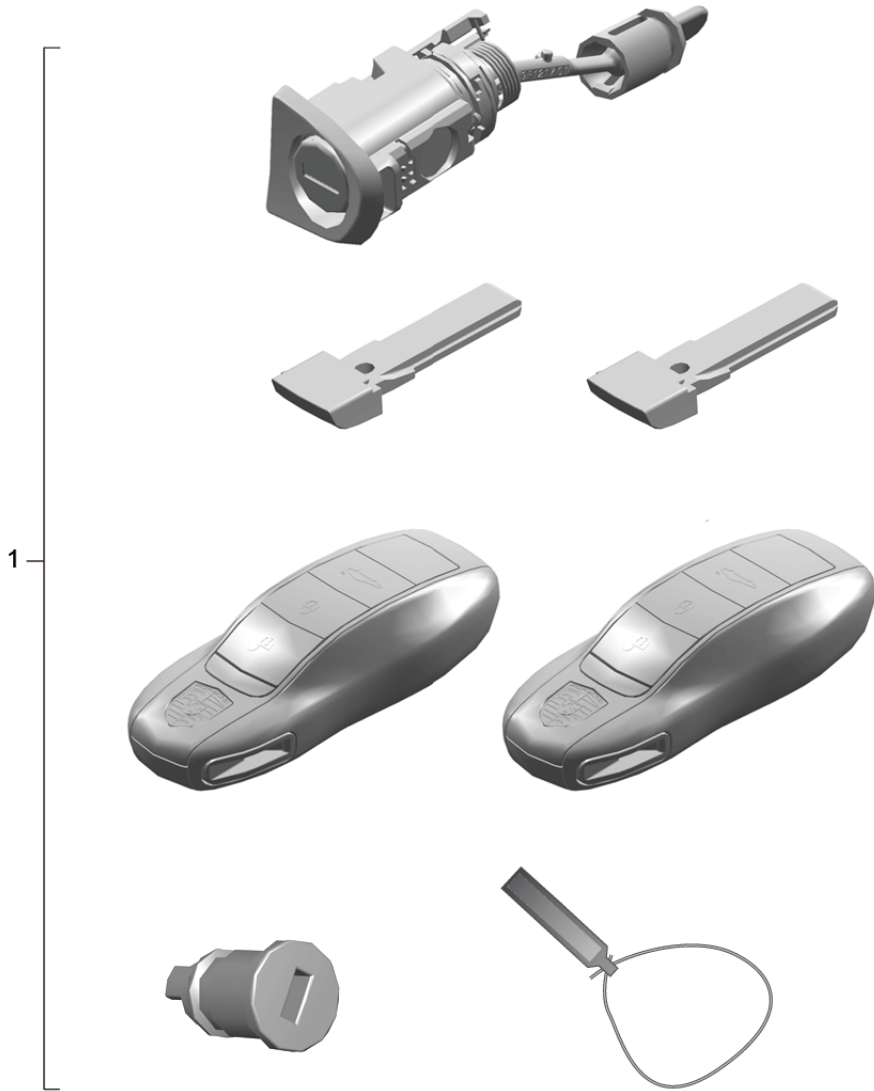
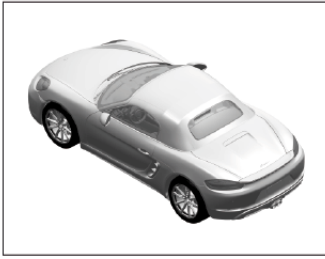
Model: 982-17

Model life 2017>>

Pos	Part Number	Description	Remark	Qty	Model
		Backrest shell bucket seat Collapsible Accessories			PR:388,389
1	991 521 271 00	Backrest shell bucket seat Collapsible	left	1	PR:388
(1)	991 521 272 00	Backrest shell bucket seat Collapsible	right	1	PR:389
2	997 521 651 00	backrest lock	left	1	PR:388,389
(2)	997 521 652 00	backrest lock	right	1	PR:388,389
3	997 521 660 01	Closing element lock		2	PR:388,389
4	997 521 650 00	Backrest shell tension spring lock		2	PR:388,389
5	997 521 640 01	backrest Bowden cable Release		1	PR:388,389
6	997 521 330 00	Trim Seat belt	front	1	PR:388,389
(6)	997 521 330 00 01C	Satin black			
	997 521 531 00	Trim Seat belt	rear	1	PR:388,389
	997 521 531 00 01C	Satin black			
7	997 803 081 02	Side airbag unit Front seat	left	1	PR:388
(7)	997 803 081 02 A03	Black			
	997 803 082 02	Side airbag unit Front seat	right	1	PR:389
	997 803 082 02 A03	Black			

Model: 982-17

Model life 2017>>



1

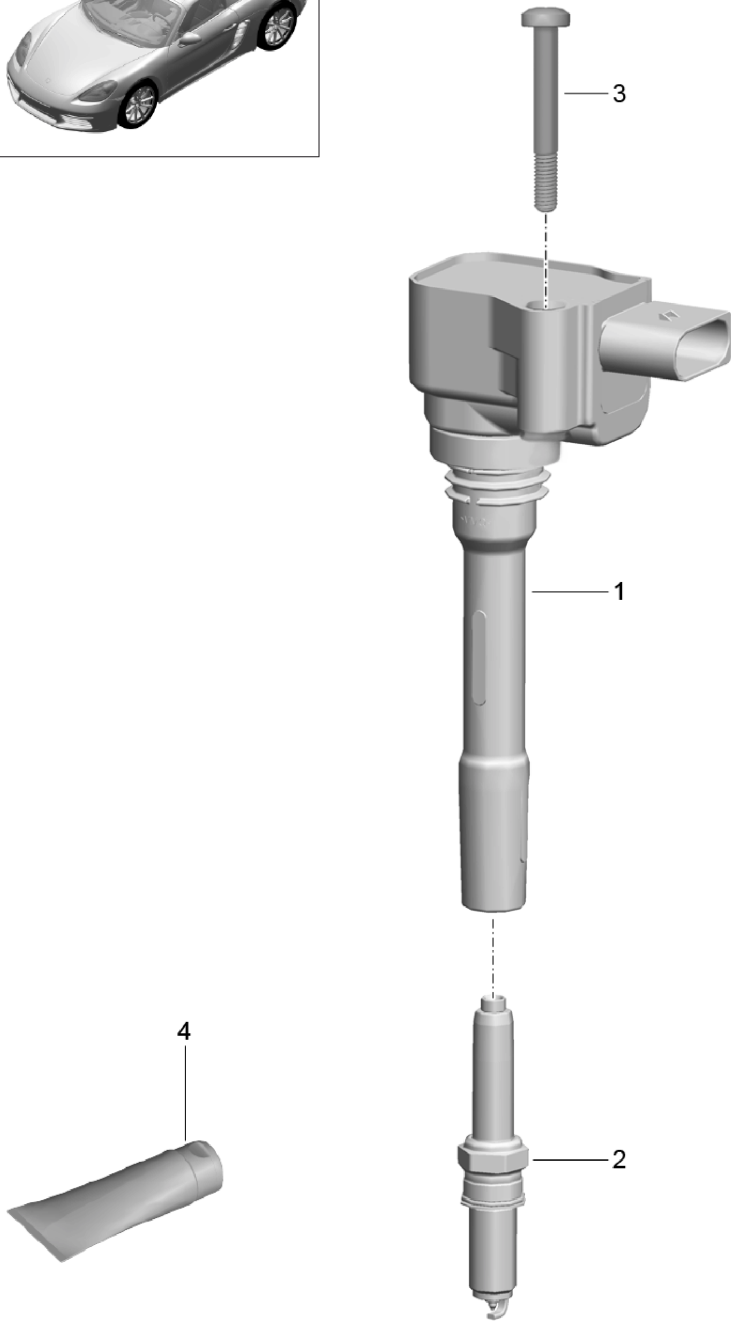
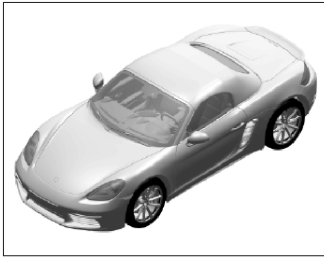
Model: 982-17

Model life 2017>>

Pos	Part Number	Description	Remark	Qty	Model
-		repair set Set of locks comprising: Halter Door handle, exterior emergency key Key fob Glove compartment lock Key cover		1 2 1 1 2	
1	982 800 375 D	Set of locks W/o stipulated lock number	lhd	1	PR:098,524
(1)	982 800 375 E	Set of locks W/o stipulated lock number	rhd	1	PR:099,524
(1)	982 800 375 F	Set of locks W/o stipulated lock number	lhd	1	PR:098,523
(1)	982 800 375 G	Set of locks W/o stipulated lock number	rhd	1	PR:099,523
(1)	982 800 375 H	Set of locks W/o stipulated lock number	lhd	1	PR:072,098, 525
(1)	982 800 375 J	Set of locks W/o stipulated lock number	rhd	1	PR:068,099, 525
(1)	982 800 375 J	Set of locks W/o stipulated lock number	rhd	1	PR:074,099, 525
(1)	982 800 375 K	Set of locks W/o stipulated lock number	lhd	1	PR:098,525, -072,-553
(1)	982 800 375 L	Set of locks W/o stipulated lock number	rhd	1	PR:099,525, -068,-074

Model: 982-17

Model life 2017>>



Model: 982-17

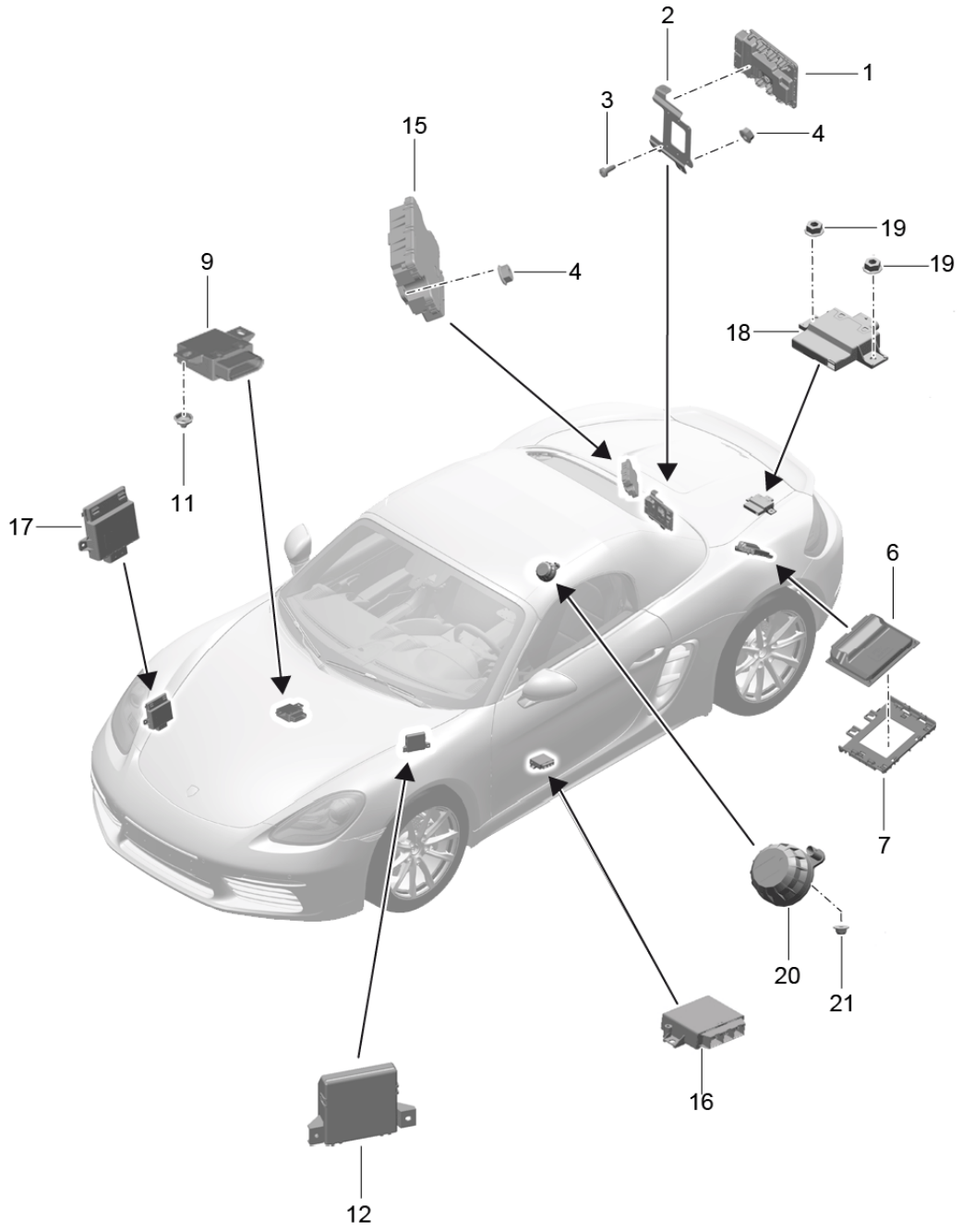
Model life 2017>>

Pos	Part Number	Description	Remark	Qty	Model
1	9A2 602 104 02	Ignition system Ignition coil		4	
		with:			
2	999 170 154 90	Screw Spark plug ZR5		4	DDPA,DDP, DDPB
		also use:	000 043 210 83	X	
(2)	9A7 905 606 00	Spark plug NGK		4	DDNC,DDN
		also use:	000 043 210 83	X	
3	999 073 703 01	flat round head bolt M 6 X 46,5		4	
4	000 043 210 83	grease for Ignition coil		1	



Model: 982-17

Model life 2017>>



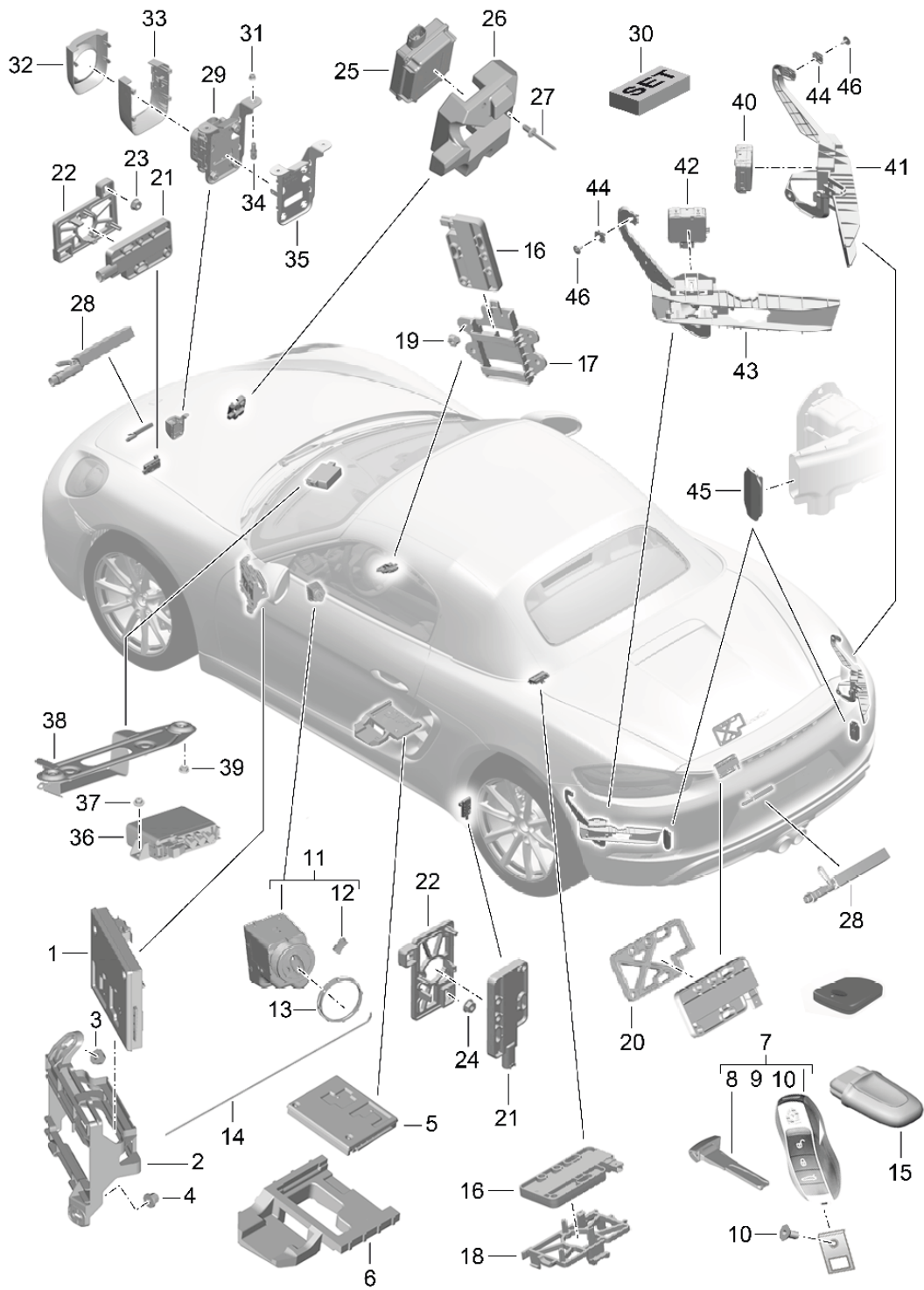
Model: 982-17

Model life 2017&gt;&gt;

Pos	Part Number	Description	Remark	Qty	Model
1	982 907 309 A	Control units Control unit		1	
2	982 907 645	- DME - Retainer for control units		1	
3	999 141 044 09	- DME - fillister hd. bolt		6	
4	999 084 638 01	M 6 X 16 Hexagon nut		2	
6	991 618 272 05	M 6 Control unit		1	PR:250
7	981 618 255 02	- PDK - Retainer for control units		1	PR:250
(9)	991 618 025 02	STEUERGERÄT - PDK - Control unit for fuel		1	
11	999 049 025 09	pump Collar nut		2	
12	95B 907 530 H	T 5 Control unit for gateway		1	
12	95B 907 530 M	D >> - 20.11.2017 Control unit for gateway		1	
15	991 618 145 04	D - 21.11.2017>> Control unit		1	
16	95B 919 475 K	Electric parking brake Control unit for parking aid		1	PR:636,638
(16)	991 618 185 10	Control unit for parking aid		1	PR:635
17	7PP 959 663 D	Voltage converter For start-stop system		1	PR:642
18	982 907 159 B	Control unit impulse sender		1	PR:2HB
19	999 084 638 01	Hexagon nut		2	PR:2HB
20	982 907 601	impulse sender		1	PR:2HB
21	N 908 877 03	Hexagon flange nut, self-locking		1	PR:2HB

Model: 982-17

Model life 2017>>



Model: 982-17

Model life 2017>>

Pos	Part Number	Description	Remark	Qty	Model
		Control units Electronics Front end Rear end Handheld transmitter Ignition/starter switch Aerial Garage door opener Sensor Interior monitoring			
(1)	9A7 907 064 00	Control unit Electronics Front end		1	PR:523
(1)	9A7 907 064 01	Control unit Electronics Front end		1	PR:524
(1)	9A7 907 064 02	Control unit (BCM) for conv. system & OB power supply Front end		1	PR:525
2	991 610 111 00	Retainer for control units		1	PR:098
(2)	991 610 113 00	Retainer for control units		1	PR:099
3	999 084 638 01	Hexagon nut M 6		1	
4	999 076 081 40	Hexagon plastic collar nut T 5		1	
5	9A7 907 279 00	Control unit Electronics Rear end		1	
6	991 618 325 00	Retainer for control units		1	
7		Handheld transmitter Key cover See technical information Service Group 5 Document 5708 31/12		1	
(7)	991 637 953 03	Handheld transmitter Key cover Vehicle Ident. No. Indicate D >> - 03.11.2016		1	PR:524
(7)	991 637 953 10	Handheld transmitter Key cover Vehicle Ident. No. Indicate D - 04.11.2016>>		1	PR:524
(7)	991 637 961 03	Handheld transmitter Key cover Vehicle Ident. No. Indicate D >> - 03.11.2016		1	PR:523
(7)	991 637 961 10	Handheld transmitter Key cover Vehicle Ident. No. Indicate D - 04.11.2016>>		1	PR:523
(7)	991 637 955 03	Handheld transmitter Key cover Vehicle Ident. No. Indicate D >> - 03.11.2016		1	PR:525
(7)	991 637 955 10	Handheld transmitter Key cover		1	PR:525

Model: 982-17

Model life 2017>>

Pos	Part Number	Description	Remark	Qty	Model
8	958 538 916 00	Vehicle Ident. No. Indicate D - 04.11.2016>> emergency key with stipulated lock number		1	
9	991 637 301 00	Vehicle Ident. No. Indicate Eye		1	
10	991 637 303 00	countersunk bolt		1	
11	7PP 905 865 F	Control unit Ignition/starter switch		1	
(11)	9A7 905 865 00	D >> - 25.09.2016 Control unit Ignition/starter switch D - 26.09.2016>>		1	
12	970 618 959 00	Cover Release Handheld transmitter		1	
13	7PP 911 094	Nut		1	
14	7PP 907 256	Emergency operation Release Ignition/starter switch		1	
15	7PP 919 157 A	Control panel		1	
16	7PP 962 132 A	Aerial	inner	3	PR:625
17	991 637 335 01	Retainer for aerial		1	PR:625
18	981 637 333 03	Retainer for aerial		1	PR:625
19	999 507 074 02	Tapping nut		4	PR:625
20	970 637 331 01	Retainer for aerial		1	PR:625
21	7PP 962 132	Aerial	outer	3	PR:625
22	991 637 331 00	Retainer for aerial		3	PR:625
23	999 084 638 01	Hexagon nut M 6		2	PR:625
24	999 049 033 40	Plastic nut T 6		4	PR:625
25	8K0 907 410	Control unit for opening garage door		1	PR:608
(25)	8K0 907 410 C	Control unit for opening garage door		1	PR:607
26	991 618 267 00	Bracket		1	
27	999 190 310 30	Pop rivet		1	PR:607,608
28	991 637 133 01	Sensor Cover Trim	front	2	
29	991 605 085 04	Control unit for distance regulation Distance sensor		1	PR:456
30	970 605 901 00	Bracket repair set comprising: Clip adjusting screw Screw Clip	with:	1	PR:456
31	N 102 058 02	Hexagon collar nut self-locking M 6		2	
32	991 605 186 00	Cover panel		1	PR:153
(32)	991 605 186 00 1E0	Black			
	991 605 190 01	Cover panel		1	PR:-153
	991 605 190 01 1E0	Black			
33	991 605 188 00	Cover panel		1	
	991 605 188 00 1E0	Black			

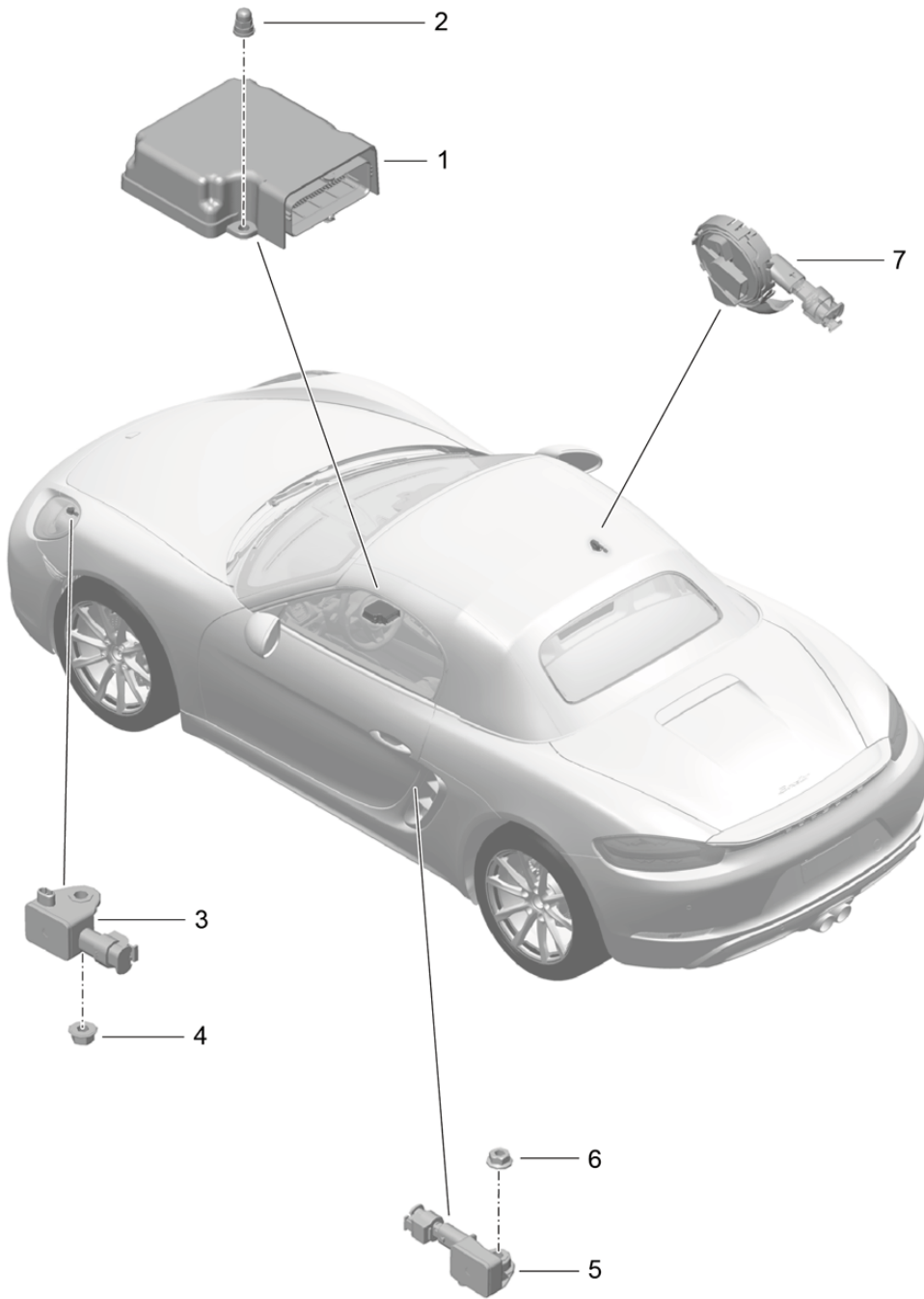
Model: 982-17

Model life 2017>>

Pos	Part Number	Description	Remark	Qty	Model
34	999 080 056 01	Fastening screw		2	
35	991 605 285 01	Retainer for control units for Distance sensor		1	
36	9A7 637 620 01	Control unit VTS vehicle tracking		1	
37	900 377 010 01	Hexagon nut		2	
38	9P1 035 317	Retainer for control units VTS vehicle tracking		1	
39	999 076 081 40	Hexagon plastic collar nut		2	
40	9P1 907 566 B	Control unit for lane change assist MASTER See workshop manual D >> - 29.07.2016		1	
(40)	9P1 907 566 C	Control unit for lane change assist MASTER D - 29.08.2016>>		1	
41	982 907 510 B	Bracket Control unit for lane change assist MASTER		1	
42	9P1 907 590 B	Control unit for lane change assist SLAVE See workshop manual D >> - 29.07.2016		1	
(42)	9P1 907 590 C	Control unit for lane change assist SLAVE D - 29.08.2016>>		1	
43	982 907 509 B	Bracket Control unit for lane change assist SLAVE		1	
44	999 507 309 02	panel nut		1	
45	982 907 243 A	Cover for control unit For vehicles with lane change assist		2	
46	999 073 505 01	panel screw		4	
47	7PP 862 077	Driver Card Card VTS vehicle tracking		1	PR:7I2
-		Alarm horn see illustration:	903-000		

Model: 982-17

Model life 2017>>



Model: 982-17

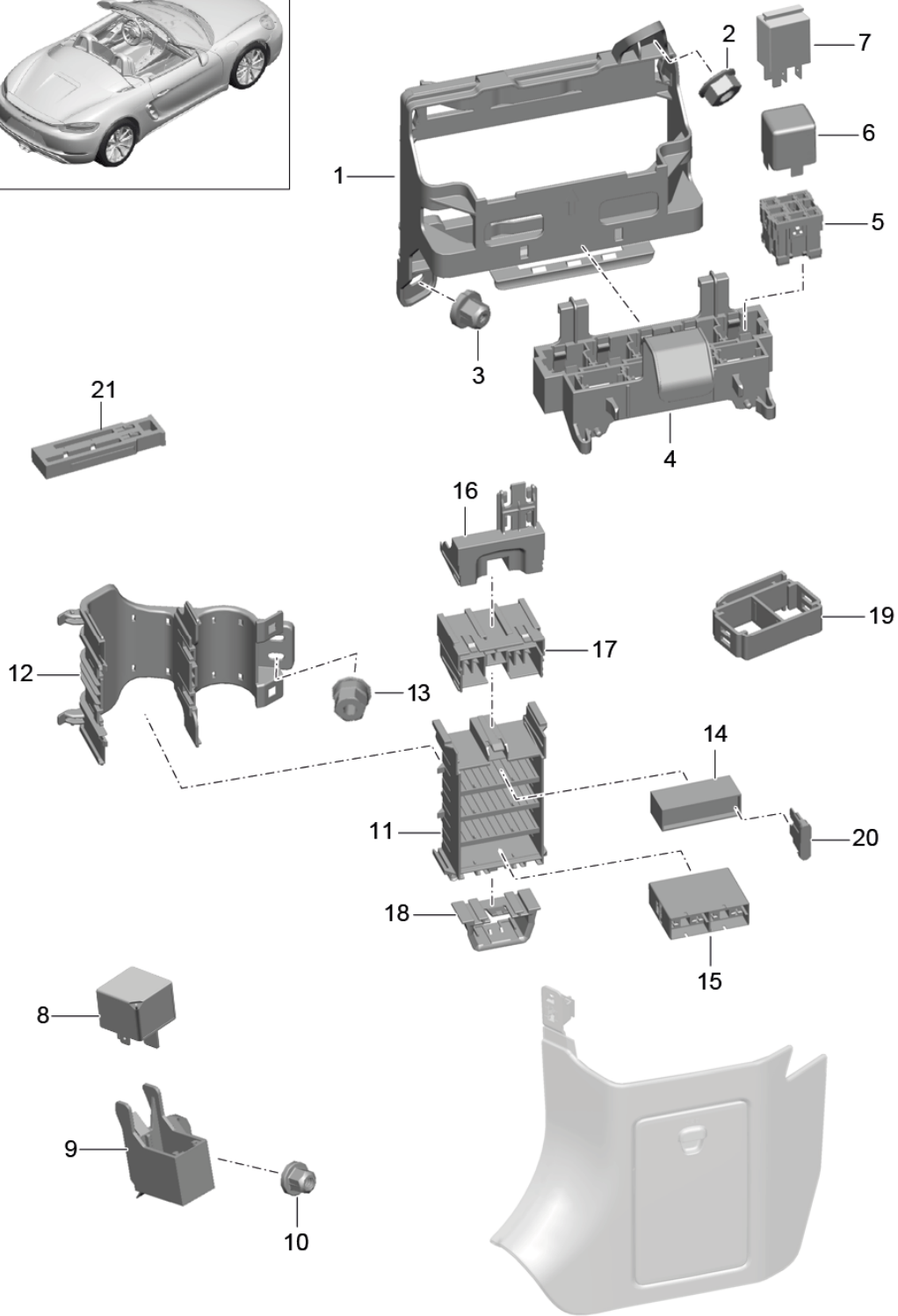
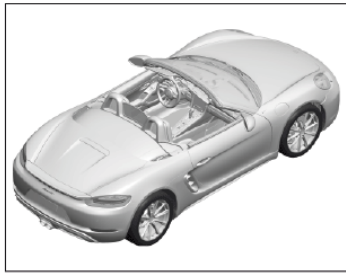
Model life 2017>>

Pos	Part Number	Description	Remark	Qty	Model
-		Control unit Sensor Airbag Airbag unit			
-		see illustration: Switch Airbag	812-050		
1	991 618 201 09	Control unit for airbag	see illustration: 903-005	1	
2	999 070 015 02	domed cap nut M 6		3	
3	991 618 223 01	Front sensor		2	
4	999 084 638 01	Hexagon nut M 6		2	
5	991 618 221 01	Sensor Side airbag unit		2	
6	999 084 629 01	Hexagon nut M 6		2	
7	9P1 959 354	Pressure sensor doors		2	



Model: 982-17

Model life 2017>>



Model: 982-17

Model life 2017>>

Pos	Part Number	Description	Remark	Qty	Model
		central electrics dashboard			
1	991 610 111 00	Retainer for control units	lhd	1	PR:098
(1)	991 610 113 00	Retainer for control units	rhd	1	PR:099
2	999 084 638 01	Hexagon nut M 6		1	
3	999 076 081 40	Hexagon plastic collar nut T 5		1	
4	991 610 105 00	Mounting frame		1	
5	443 937 527	relay plate		X	
		for Relay K 3,K 4,K 5			
(5)	999 650 538 40	relay plate		X	
		for Relay K 6			
6		Relay			
(6)	958 615 008 01	Relay		1	
		Radiator fan 1			
		relay location/code no.:	K1		
(6)	958 615 008 01	Relay		1	
		Radiator fan 2			
		relay location/code no.:	K2		
(6)	999 657 016 90	Relay		1	
		Emergency operation Cover			
		relay location/code no.:	K3		
7	958 615 010 00	Relay		1	
		Fanfare			
		relay location/code no.:	K8		
8	4H0 951 253 C	Relay		1	
		Fuel pump			
		Luggage compartment			
9	991 610 151 00	Relay holder		1	
		Fuel pump			
10	999 049 033 40	Plastic nut T 6		1	
11	991 610 101 00	Carrier		2	
12	991 610 103 00	Cover		2	
13	999 516 032 01	Hexagon nut M 6		2	
14	999 650 209 40	fuse holder		6	
15	999 650 750 40	fuse holder		2	
16	991 610 104 00	Cover		1	
17	991 610 102 00	Bracket	left	1	
		fuse			
18	991 610 120 00	mounting for diagnosis plug		1	
19	991 610 127 00	Bracket		5	
		Connection point			
20	999 607 082 00	fuse		X	
		5 A			
(20)	999 607 083 00	fuse		X	
		7 , 5 A			
(20)	999 607 084 00	fuse		X	
		10 A			
(20)	999 607 085 00	fuse		X	
		15 A			
(20)	999 607 086 00	fuse		X	
		20 A			
(20)	999 607 087 00	fuse		X	
		25 A			

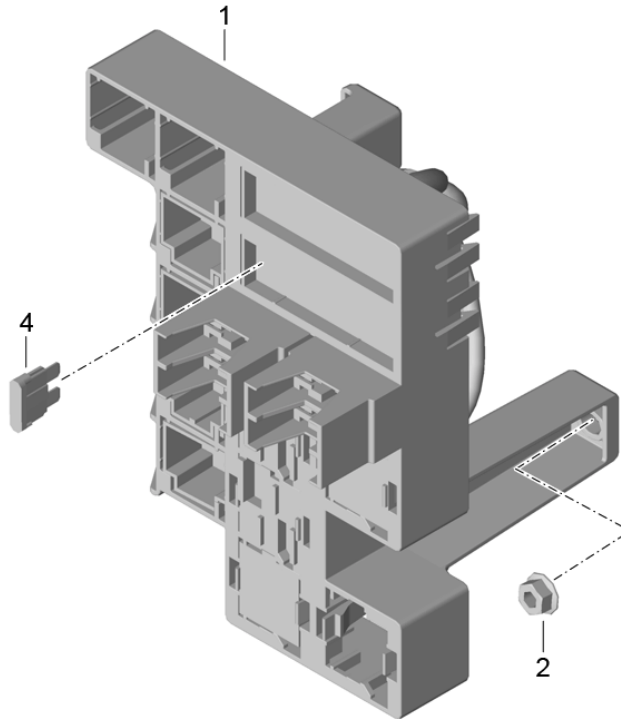
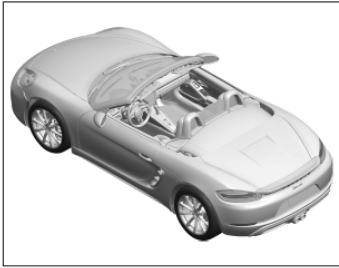
Model: 982-17

Model life 2017>>

Pos	Part Number	Description	Remark	Qty	Model
(20)	999 607 088 00	fuse 30 A		X	
(20)	999 607 089 00	fuse 40 A		X	
(20)	999 607 111 00	fuse 25 A	Large	X	
(20)	999 607 072 00	fuse 30 A	Large	X	
(20)	999 607 073 00	fuse 40 A	Large	X	
(20)	999 607 019 00	fuse 50 A	Large	X	
21	991 610 340 00	Terminal clamp Emergency operation Cover		1	
-		Cover for housing fuse  see illustration:	807-010	X	

Model: 982-17

Model life 2017>>



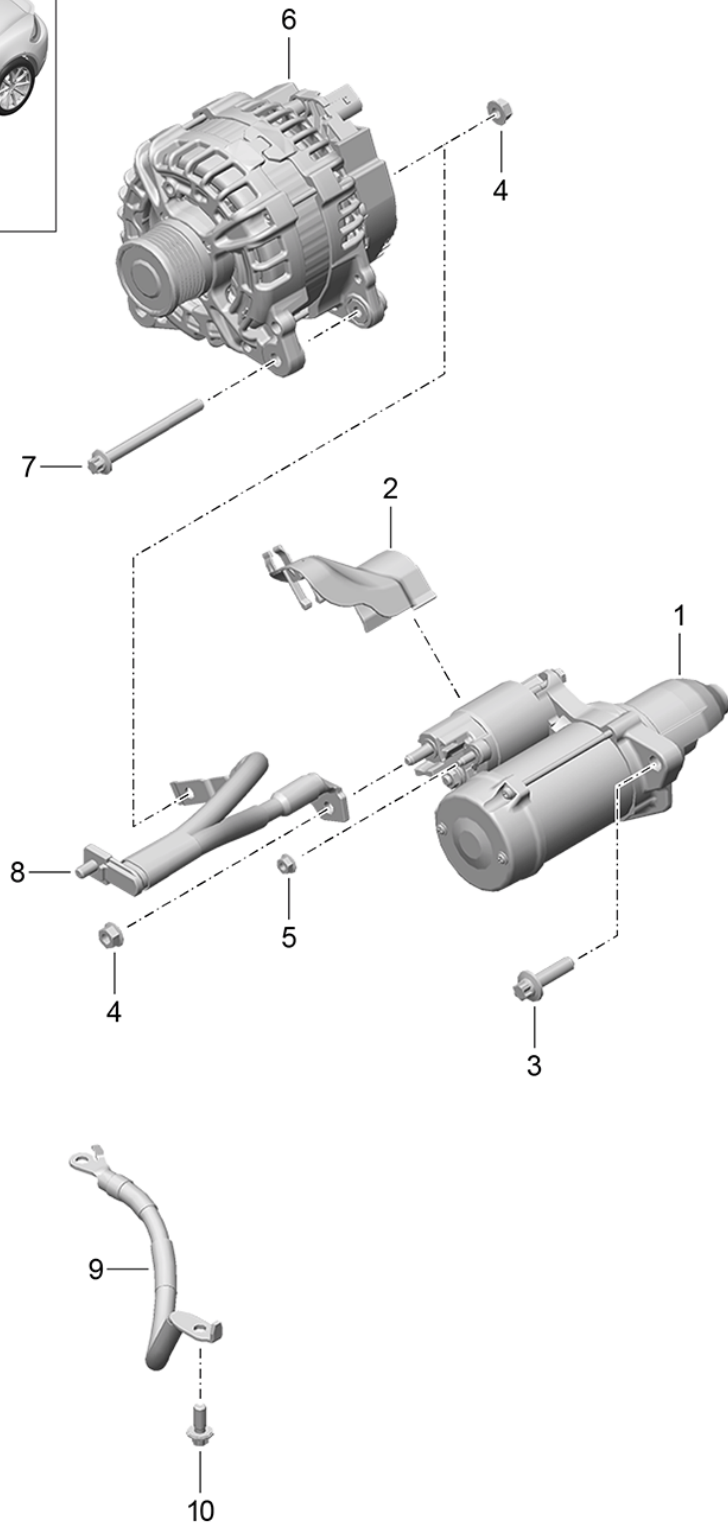
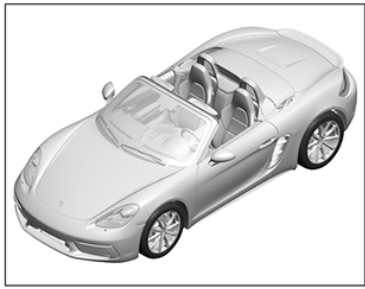
Model: 982-17

Model life 2017>>

Pos	Part Number	Description	Remark	Qty	Model
1	982 971 706 A	central electrics Luggage compartment Relay carrier 2	rear	1	
		with:			
2	999 084 638 01	Wire set Hexagon nut M 6		3	
3		Relay			
(3)	958 615 010 00	Relay Rear window heating		1	
		relay location/code no.:	K1		
(3)	955 615 025 10	Relay - DME -		1	
		relay location/code no.:	K2		
(3)	999 657 014 90	Relay catch Hooks		1	
		relay location/code no.:	K3		
(3)	955 615 027 00	Relay Starter		1	
		relay location/code no.:	K4		
4	999 607 082 00	fuse 5 A		X	
(4)	999 607 084 00	fuse 10 A		X	
(4)	999 607 085 00	fuse 15 A		X	
(4)	999 607 087 00	fuse 25 A		X	
(4)	999 607 073 00	fuse 40 A		X	
			Large		

Model: 982-17

Model life 2017>>



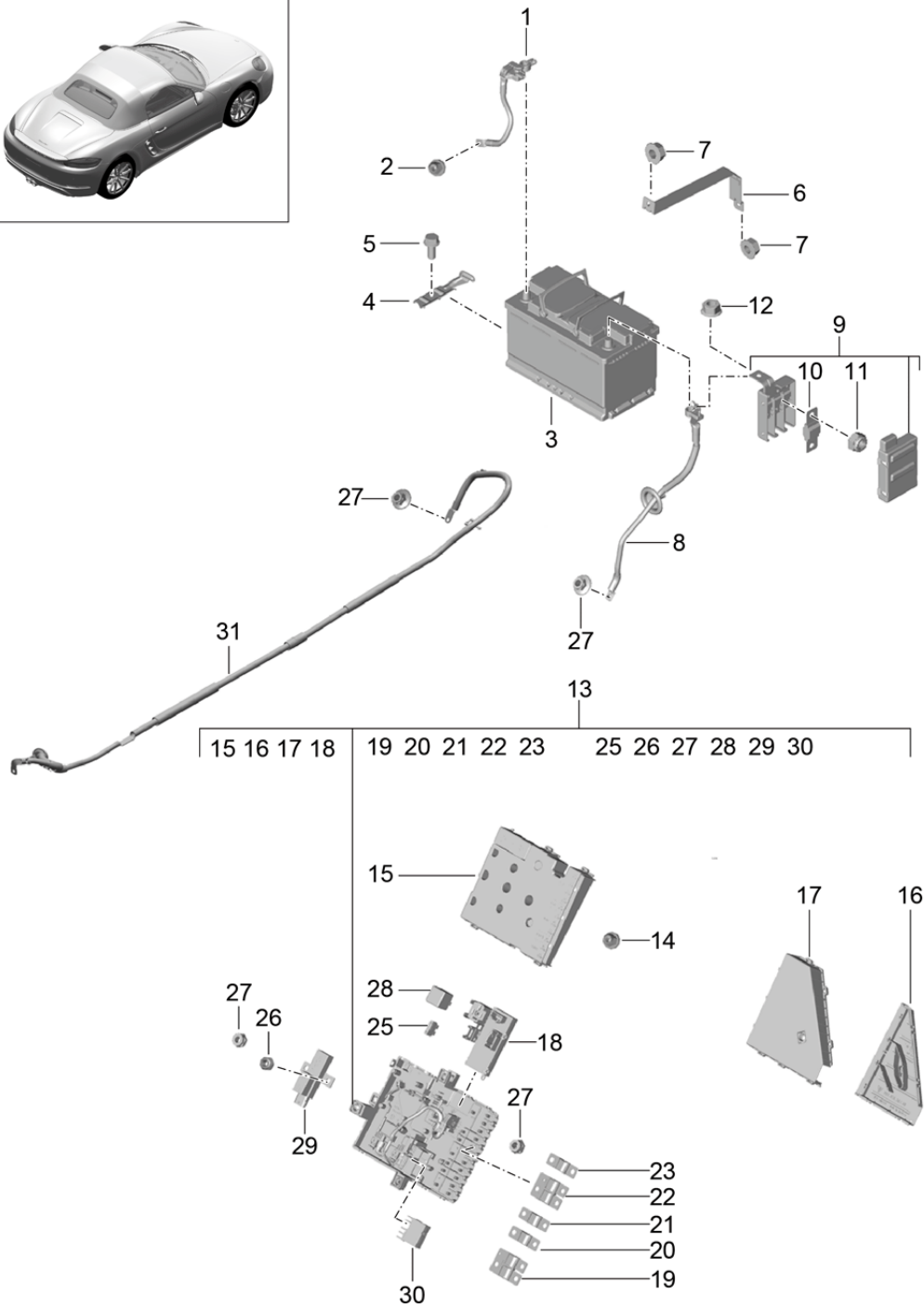
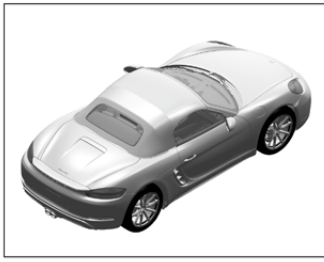
Model: 982-17

Model life 2017>>

Pos	Part Number	Description	Remark	Qty	Model
		Starter			
		Alternator			
		Ground cable			
1	9A2 604 111 00	Starter		1	
1	9A2 604 111 X	Starter		1	
2	9A2 607 211 02	Protective cap		1	
		Starter			
3	900 385 097 01	Torx screw		2	
		BM 10 X 35			
4	900 377 003 01	Hexagon nut		1	
		M8			
5	900 377 010 02	Hexagon nut		1	
		M6			
6	9A2 603 018 00	Alternator		1	
6	9A2 603 018 X	Alternator		1	
(6)	9A2 603 022 00	Alternator		1	
(6)	9A2 603 022 X	Alternator		1	
7	900 385 102 01	Torx screw		2	
		BM 8 X 90			
8	9A2 607 078 00	Wire set		1	
		with:			
		Connection point			
		Alternator			
		Starter			
(8)	9A2 607 079 00	Wire set		1	
		with:			
		Connection point			
		Alternator			
		Starter			
9	9A2 607 037 02	Earth line		1	
		Engine			
		Body			
10	900 385 001 03	Torx screw		1	
		BM 8 X 20			
		Ground cable			
		Body			

Model: 982-17

Model life 2017>>





Model: 982-17

Model life 2017>>

Pos	Part Number	Description	Remark	Qty	Model
		Battery			
		Power distributor			
1	991 611 043 03	Earth line	lhd	1	PR:098
(1)	991 611 044 03	Earth line	rhd	1	PR:099
2	999 084 447 01	Hexagon nut M 8		1	
3	958 611 075 21	Battery 75 AH		1	PR:197 -"BR."
(3)	999 611 080 12	Battery 80 AH		1	PR:196 -"BR."
(3)	999 611 095 12	Battery 95 AH		1	PR:200 -"BR."
4	991 611 209 01	Rail	lhd	1	PR:098
(4)	991 611 210 01	Battery Rail	rhd	1	PR:099
5	900 378 017 01	Battery Hexagon bolt M 8 X 20		1	
6	991 611 212 00	Retainer for battery		1	
7	900 377 003 03	Hexagon nut M 8		2	
8	991 611 013 01	Battery cable	lhd	1	PR:098
(8)	991 611 014 01	Power distributor Battery cable	rhd	1	PR:099
9	991 610 321 00	Power distributor Fuse socket		1	
10	999 607 095 00	Battery fuse 80 A		1	
(10)	999 607 092 00	fuse 60 A		2	
-		also use:			
11	900 084 122 02	Hexagon nut M 5		6	
12	900 377 001 00	Hexagon nut M 6		1	
13	991 610 301 04	Power distributor (complete)		1	
		use if required:			
14	999 049 033 40	Position 14 Plastic nut T 6		3	
15	991 610 305 00	Cover		1	
16	991 610 307 00	Cable guide Lower part		1	
17	991 610 309 00	Cable guide - upper part		1	
18	991 618 075 01	Control unit		1	
19	999 607 054 00	fuse 100 A		1	
20	999 607 099 00	60 A fuse		1	
21	999 607 095 00	40 A fuse		1	
22	999 607 055 00	80 A fuse		1	
23	999 607 092 00	100 A 40 A fuse		1	
25	999 607 082 00	60 A fuse		1	
26	900 084 122 02	5 A Hexagon nut		X	

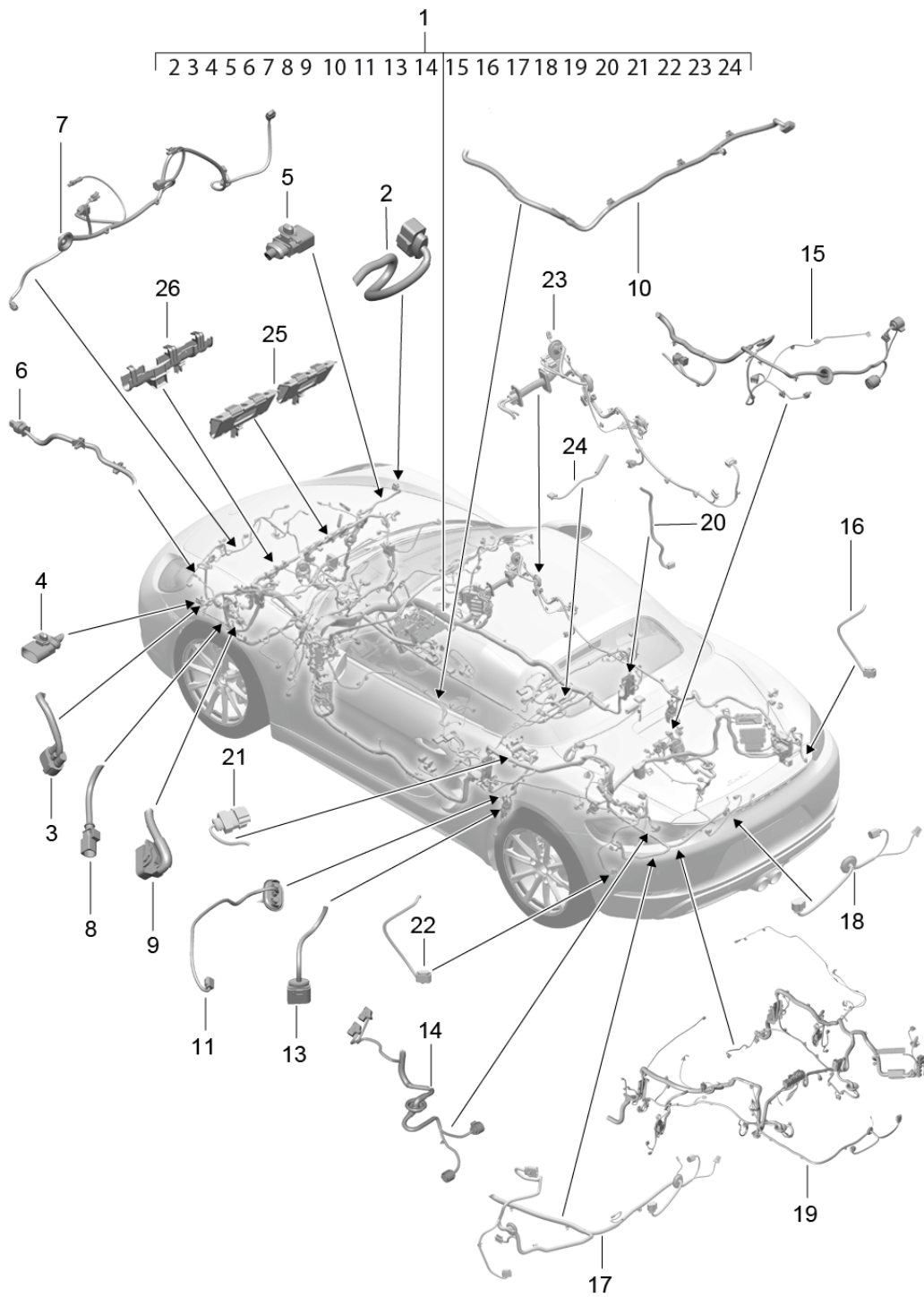
Model: 982-17

Model life 2017>>

Pos	Part Number	Description	Remark	Qty	Model
27	900 084 123 02	M 5 Hexagon nut		X	
28	8D0 951 253	M 8 Relay		1	
29	999 657 020 90	Relay		2	
30	999 657 021 90	Relay		1	
31	9P0 971 345	Battery cable Connection point	lhd	1	PR:098
(31)	9P9 971 345	Battery cable Connection point	rhd	1	PR:099

Model: 982-17

Model life 2017>>



Model: 982-17

Model life 2017>>

Pos	Part Number	Description	Remark	Qty	Model
1	991 612 901 00	Wiring looms Passenger compartment and part section wiring harness Wire set Passenger compartment * Part number must be ordered * manually by indicating * vehicle ID number.		1	
2	991 612 920 03	Wire set part section wiring harness Headlights modify in workshop	left right	1	PR:601,603, XEW
(2)	991 612 920 11	Wire set part section wiring harness Headlights modify in workshop	left right	1	PR:602
3	991 612 921 01	Wire set part section wiring harness Fan Radiator modify in workshop	left right	1	
4	991 612 922 03	Wire set part section wiring harness Connection point Trim modify in workshop	left front	1	PR:-625, -635,-636, -638
(4)	991 612 922 52	Wire set part section wiring harness Connection point Trim modify in workshop	left front	1	PR:625,-635, -636,-638
(4)	991 612 922 53	Wire set part section wiring harness Connection point Trim modify in workshop	left front	1	PR:625,635, 636,638
5	991 612 937 02	Wire set part section wiring harness Connection point Trim modify in workshop	right front	1	PR:635,636, 638
6	991 612 923 01	Wire set part section wiring harness Sensor Airbag and modify in workshop	front left right	1	
7	991 612 924 11	Wire set part section wiring harness Front end modify in workshop		1	PR:098,454
(7)	991 612 924 53	Wire set part section wiring harness Front end modify in workshop		1	PR:098,456
(7)	991 612 938 11	Wire set part section wiring harness Front end modify in workshop		1	PR:099,454
(7)	991 612 938 53	Wire set part section wiring harness Front end		1	PR:099,456

Model: 982-17

Model life 2017>>

Pos	Part Number	Description	Remark	Qty	Model
8	991 612 926 00	modify in workshop Wire set part section wiring harness Connection point Front axle and	left right	2	
9	991 612 940 02	modify in workshop Wire set part section wiring harness Control unit Hydraulic unit		1	
10	991 612 925 03	modify in workshop Wire set part section wiring harness Control unit tyre pressure control system		1	PR:482
(10)	991 612 925 11	modify in workshop Wire set part section wiring harness Control unit tyre pressure control system		1	PR:483
11	981 612 928 12	modify in workshop Wire set part section wiring harness Aerial Wheel housing	rear left right	1	PR:625
13	991 612 930 01	modify in workshop Wire set part section wiring harness Connection point Rear axle	left right	1	
14	981 612 936 02	modify in workshop Wire set part section wiring harness - PDK - Gearbox		1	PR:250
		with:			
15	981 612 958 01	Connector Control unit modify in workshop Wire set part section wiring harness Manual gearbox		1	PR:480,-140
		with:			
(15)	981 612 958 02	Connector Control unit modify in workshop Wire set part section wiring harness Manual gearbox		1	PR:480,140
		with:			
16	981 612 933 00	modify in workshop Wire set part section wiring harness Rear light	right	1	
17	981 612 934 03	modify in workshop Wire set part section wiring harness Rear light and Trim	left	1	

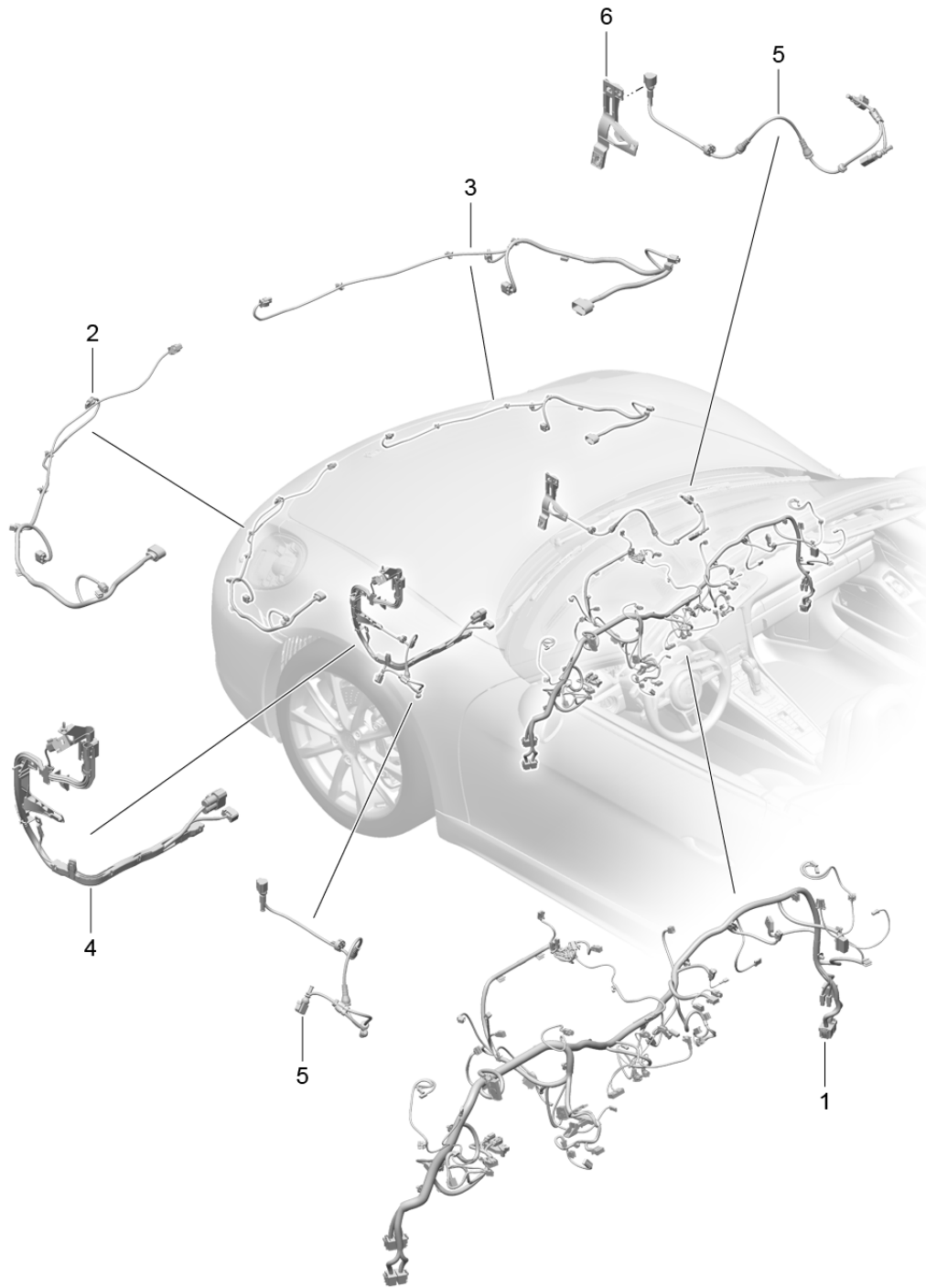
Model: 982-17

Model life 2017>>

Pos	Part Number	Description	Remark	Qty	Model
18	981 612 935 30	Rear end modify in workshop Wire set part section wiring harness Trim Rear end and Rear spoiler modify in workshop	left	1	
19	991 612 951 02	Wire set part section wiring harness Rear end Electronics		1	
20	981 612 929 02	Wire set part section wiring harness Level sensor Electronics	rear	1	PR:030,475, 477
21	991 612 956 01	Wire set part section wiring harness Control unit VTS vehicle tracking modify in workshop		1	PR:7G9,7I0, 7I2
22	991 612 950 00	Wire set part section wiring harness Control unit Parking aid modify in workshop		1	PR:635,636, 638
23	991 612 952 02	Wire set part section wiring harness Control unit TV modify in workshop		1	PR:QU1,QV1
24	991 612 954 02	Wire set part section wiring harness Amplifiers Bose modify in workshop		1	PR:9VL
(24)	991 612 955 02	Wire set part section wiring harness Amplifiers Burmester modify in workshop		1	PR:9VJ
25	991 610 233 01	Cable guide filler plate		2	
26	991 610 234 01	Cable guide filler plate		1	

Model: 982-17

Model life 2017>>



Model: 982-17

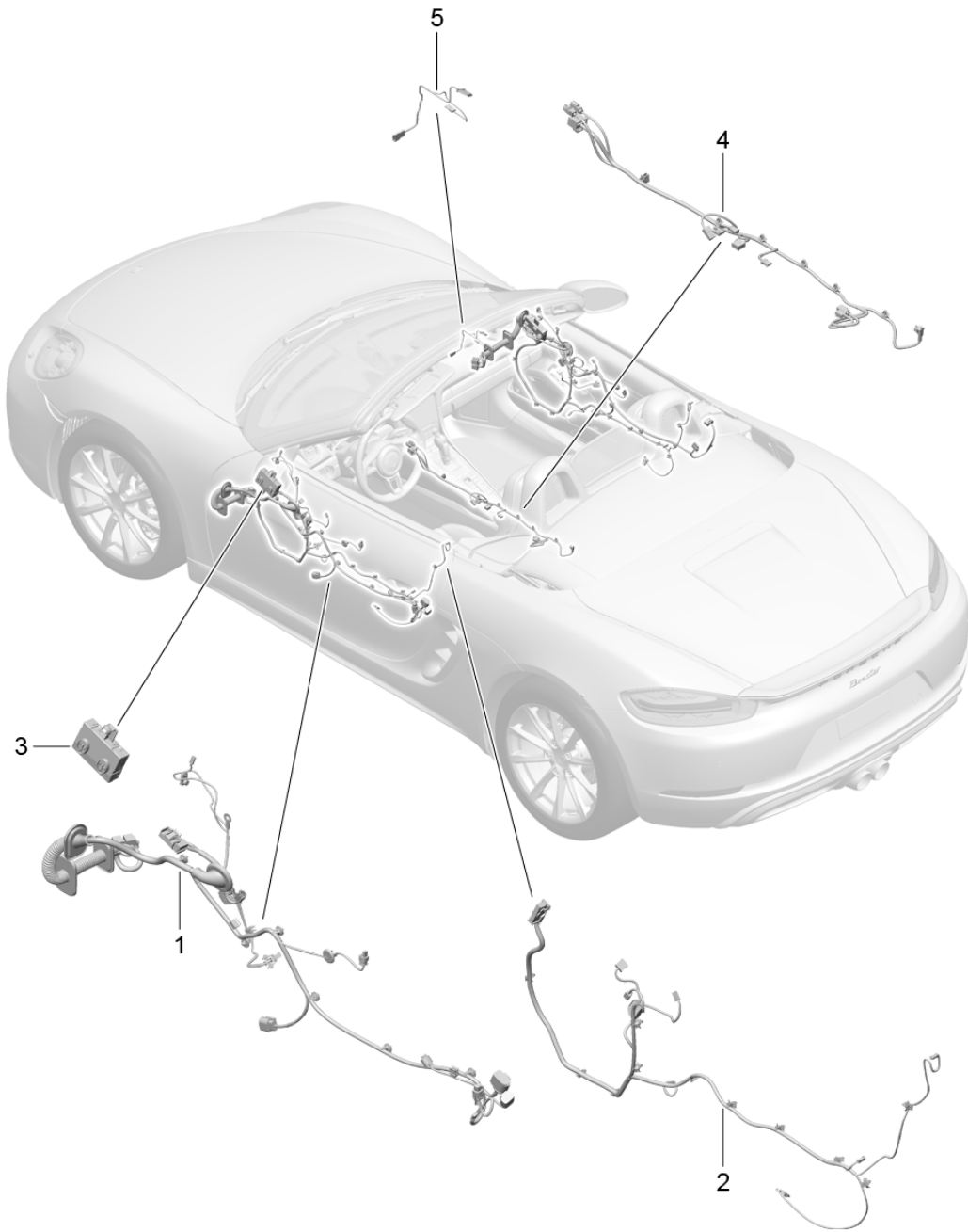
Model life 2017>>

Pos	Part Number	Description	Remark	Qty	Model
1	991 612 902 00	Wiring looms dashboard Trim Steering Front axle differential Wire set dashboard Vehicle Ident. No. Indicate	front	1	
2	982 972 155 E	Wire set Trim	front left	1	PR:9ZK,9ZX
(2)	982 972 155 G	Wire set Trim	front left	1	PR:9ZC,9ZE
3	982 972 156 B	Wire set Trim	front right	1	PR:9ZE,9ZX
(3)	982 972 156 C	Wire set Trim	front right	1	PR:9ZC,9ZK
4	9P3 971 111	Wire set Steering		1	PR:098
(4)	9P4 971 111	Wire set Steering		1	PR:099
5	991 609 137 00	Wire set Front axle		1	
6	991 610 133 00	Bracket Connection point Wire set Front axle		1	



Model: 982-17

Model life 2017>>



Model: 982-17 Model life 2017>>

Pos	Part Number	Description	Remark	Qty	Model
		Wiring looms doors Centre console Control unit doors Convertible top control			
1	9P3 971 029 AC	Wire set Assembly frame Driver's door	lhd	1	PR:098,250,9VK
(1)	9P3 971 029 AD	Wire set Assembly frame Driver's door	lhd	1	PR:098,250,9VL
(1)	9P3 971 029 AE	Wire set Assembly frame Driver's door	lhd	1	PR:098,250,9VJ
(1)	9P3 971 029 Q	Wire set Assembly frame Driver's door	lhd	1	PR:098,487,9VK
(1)	9P3 971 029 R	Wire set Assembly frame Driver's door	lhd	1	PR:098,487,9VL
(1)	9P3 971 029 S	Wire set Assembly frame Driver's door	lhd	1	PR:098,487,9VJ
(1)	9P3 971 687 J	Wire set Assembly frame Passenger's door	lhd	1	PR:098,9VK
(1)	9P3 971 687 K	Wire set Assembly frame Passenger's door	lhd	1	PR:098,9VL
(1)	9P3 971 687 L	Wire set Assembly frame Passenger's door	lhd	1	PR:098,9VJ
(1)	9P4 971 030 AC	Wire set Assembly frame Driver's door	rhd	1	PR:099,250,9VK
(1)	9P4 971 030 AD	Wire set Assembly frame Driver's door	rhd	1	PR:099,250,9VL
(1)	9P4 971 030 AE	Wire set Assembly frame Driver's door	rhd	1	PR:099,250,9VJ
(1)	9P4 971 030 Q	Wire set Assembly frame Driver's door	rhd	1	PR:099,487,9VK
(1)	9P4 971 030 R	Wire set Assembly frame Driver's door	rhd	1	PR:099,487,9VL
(1)	9P4 971 030 S	Wire set Assembly frame Driver's door	rhd	1	PR:099,487,9VJ
(1)	9P4 971 688 J	Wire set Assembly frame Passenger's door	rhd	1	PR:099,9VK
(1)	9P4 971 688 K	Wire set Assembly frame Passenger's door	rhd	1	PR:099,9VL
(1)	9P4 971 688 L	Wire set Assembly frame Passenger's door	rhd	1	PR:099,9VJ
2	982 971 035 G	Wire set door panel Driver's door		1	

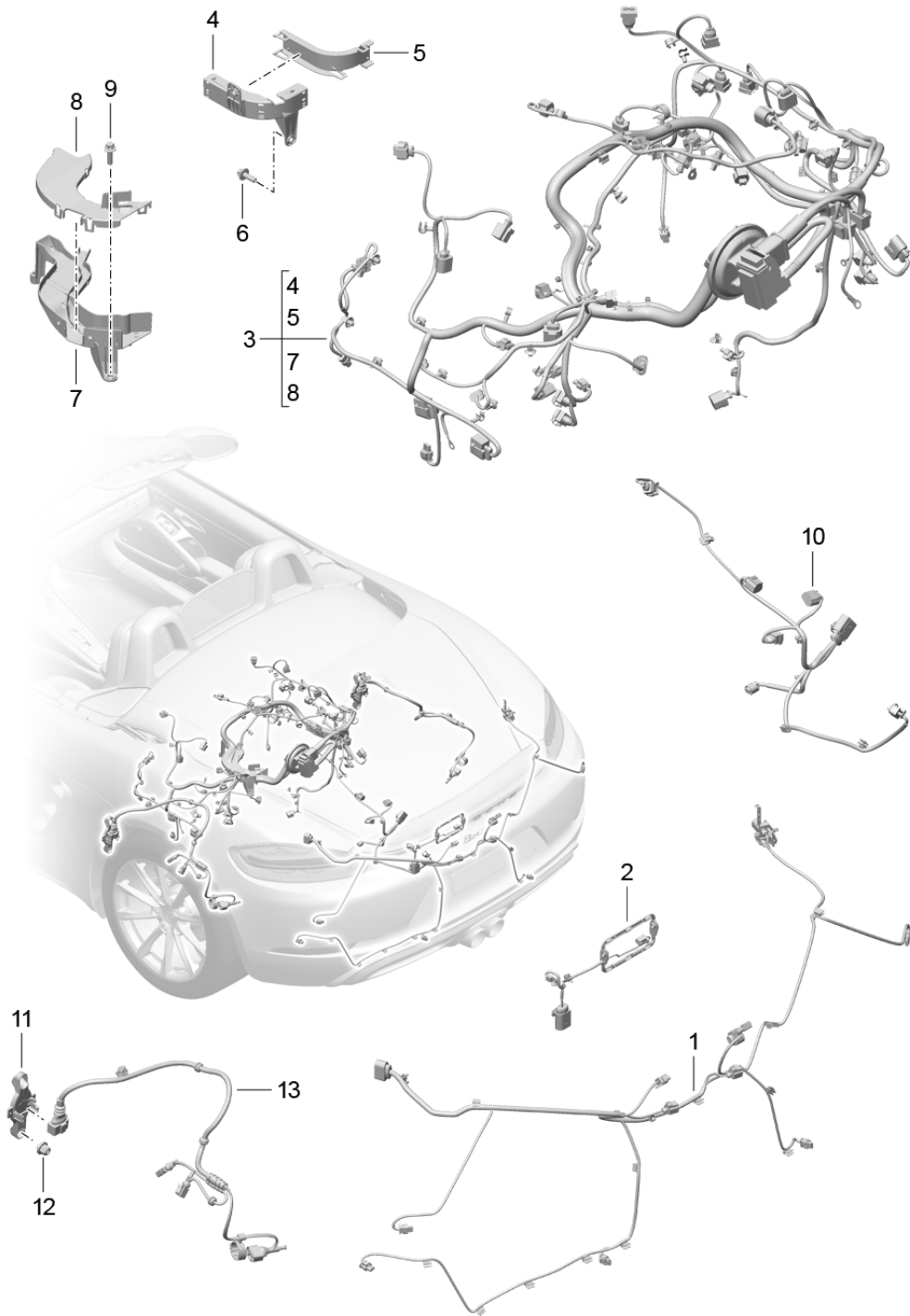
Model: 982-17

Model life 2017>>

Pos	Part Number	Description	Remark	Qty	Model
(2)	982 971 036 C	Wire set door panel		1	
3	4H0 959 793 AC	Passenger's door Door control unit (drivers side)		1	
(3)	4H0 959 792 S	Door control unit Passenger's door		1	
4	9P1 971 641 C	Wire set Centre console		1	PR:-UI4,-NZ3
(4)	9P1 971 641 B	Wire set Centre console		1	PR:UI4,-NZ3
(4)	9P1 971 641 E	Wire set Centre console		1	PR:NZ3,-UI4
5	991 612 701 00	Wire set Glove box		1	

Model: 982-17

Model life 2017>>



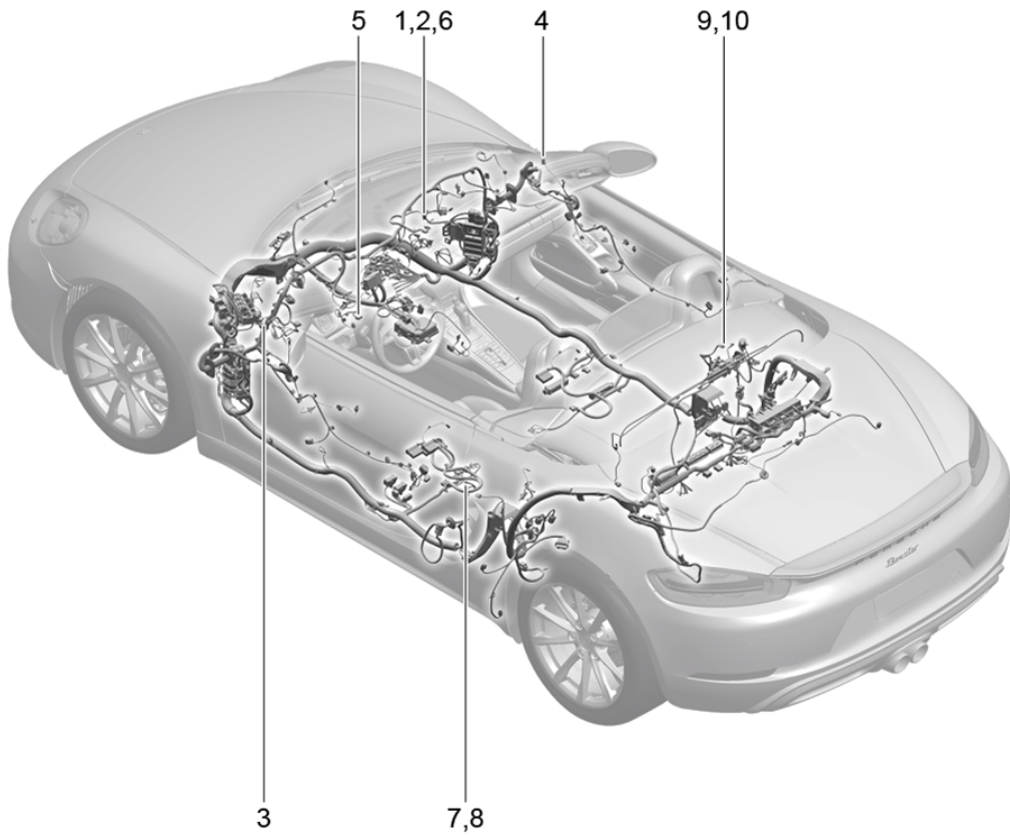
Model: 982-17

Model life 2017>>

Pos	Part Number	Description	Remark	Qty	Model
1	9P9 971 174 E	Wiring looms Trim Engine Gearbox Rear axle Wire set Trim	rear	1	PR:098
(1)	9P0 971 174 E	Wire set Trim	rear	1	PR:099
2	982 974 224	Wire set Mount Set Rear spoiler Driving mechanism	rear	1	
3	9A2 607 055 03	Wire set		1	
(3)	9A2 607 060 03	Wire set Engine		1	
4	9A2 607 175 00	Cable guide Cyl. 1 - 2		1	
5	9A2 607 185 00	Cover Cable guide Cyl. 1 - 2		1	
6	900 385 009 01	Torx screw BM 6X16		2	
7	9A2 607 176 00	Cable guide Cyl. 3 - 4		1	
8	9A2 607 186 00	Cover Cable guide Cyl. 3 - 4		1	
9	900 385 019 01	Torx screw BM 6 X 20		2	
10	982 971 771 A	Wire set Manual gearbox		1	PR:480,-140
(10)	982 971 771 B	Wire set Manual gearbox		1	PR:480,140
(10)	982 971 661 B	Wire set - PDK -		1	PR:250
11	981 610 135 00	Cover Connection point Wire set		2	
12	999 049 033 40	Rear axle Plastic nut T 6		4	
13	981 609 133 01	Wire set Rear axle		2	
-		Wire set Front axle  see illustration:	902-010		

Model: 982-17

Model life 2017>>



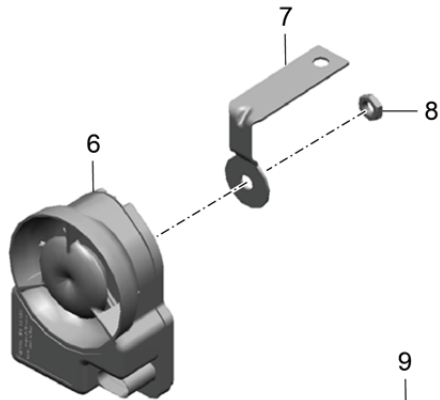
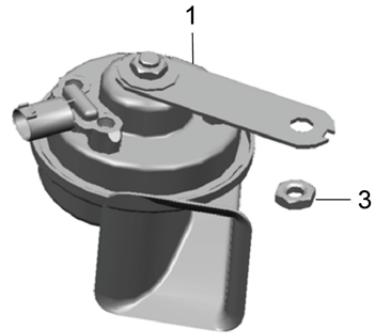
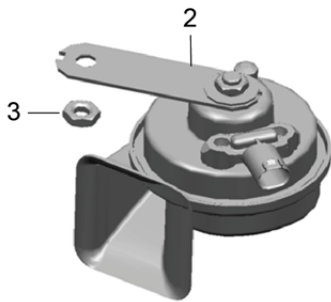
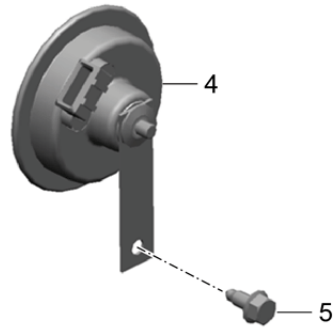
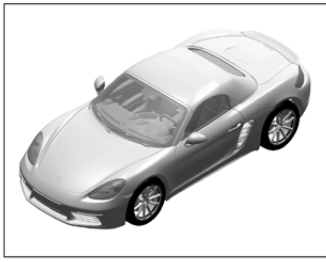
Model: 982-17

Model life 2017>>

Pos	Part Number	Description	Remark	Qty	Model
1	991 612 082 00	Wiring looms Airbag Seat belt Wire set Airbag unit (passenger side) Setting 1 To Connection point dashboard Connector Light green		1	
2	991 612 083 00	Wire set Airbag unit (passenger side) Setting2 To Connection point dashboard Connector yellow		1	
3	991 612 090 00	Wire set Airbag unit Driver's door To Connection point Door		1	
4	991 612 091 00	Wire set Airbag unit Passenger's door To Connection point Door		1	
7	981 612 084 00	Wire set Seat belt tensioner (drivers side) To Control unit Airbag Connector yellow		1	
9	981 612 085 00	Wire set Seat belt tensioner (passenger side) To Control unit Airbag Connector yellow		1	

Model: 982-17

Model life 2017>>





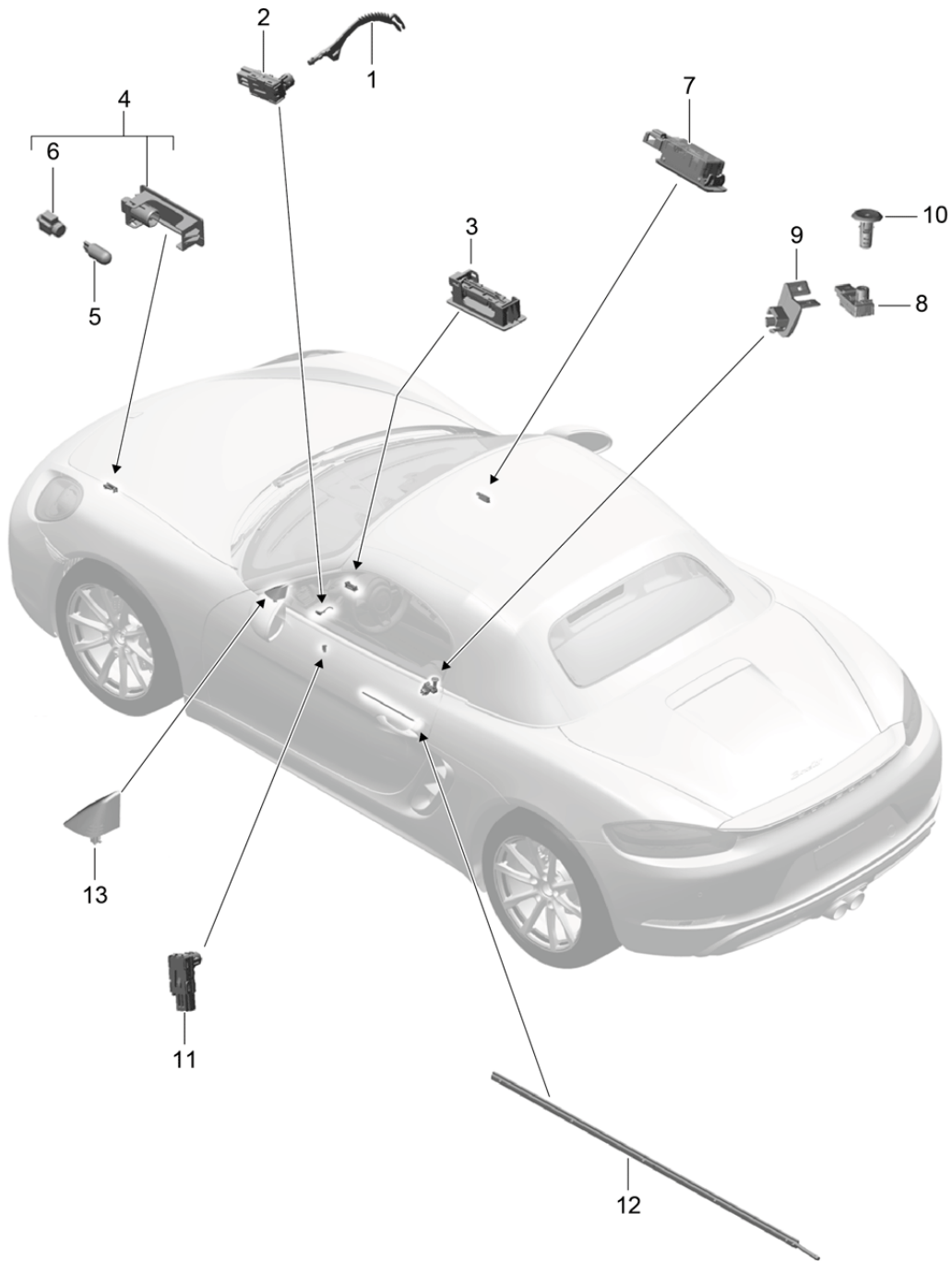
Model: 982-17

Model life 2017>>

Pos	Part Number	Description	Remark	Qty	Model
1	991 635 159 01	Fanfare Signal horn alarm system Fanfare High-pitched		1	
		with: also use:	991 612 947 00		
2	991 635 160 01	Fanfare Low-pitched		1	
		with: also use:	991 612 947 00		
3	N 106 092 04	Hexagon collar nut M 8		2	
4	9P1 951 101	Signal horn for alarm system		1	PR:534,544, IY0
		use if required: >> - MJ 2017	9P1 998 003 A		
(4)	9P1 951 101	D Signal horn for alarm system D - MJ 2017>>		1	PR:534,544
5	900 378 176 01	Hexagon bolt M 8 X 20		1	PR:534,544
6	1K8 951 605 B	Alarm horn		1	PR:536
7	991 637 419 01	Bracket		1	PR:536
8	N 106 092 01	Hexagon collar nut M 8		1	PR:536
9	9P1 998 003 A	Wire set Modification kit Signal horn		1	PR:534,544, IY0

Model: 982-17

Model life 2017>>



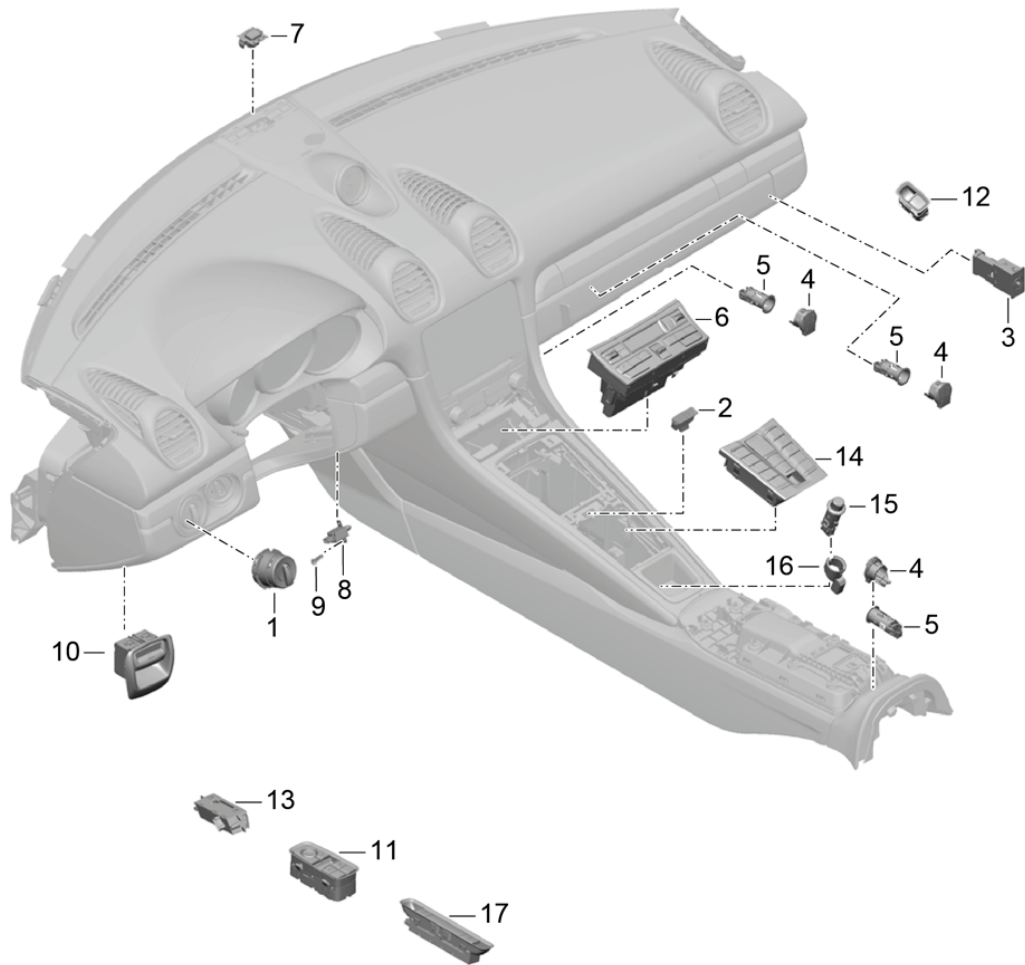
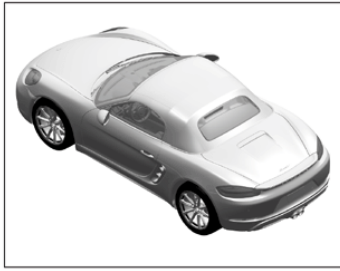
Model: 982-17

Model life 2017>>

Pos	Part Number	Description	Remark	Qty	Model
		Interior lights Door warning light Footwell light Luggage compartment lamp Glove box light Light Exterior mirror			
1	991 632 131 00	fibre optic conductor	lhd	1	PR:098
(1)	991 632 132 00	Ignition/starter switch fibre optic conductor	rhd	1	PR:099
2	7PP 947 101	Ignition/starter switch Light		4	
3	991 632 133 00	Centre console Footwell light Included LED module		2	PR:630
4	991 632 020 00	Light		2	PR:-630
(4)	991 632 137 00	Light Included LED module		2	PR:630
5	999 631 134 90	Luggage compartment bulb		2	PR:-630
6	970 632 187 00	X6 W Bulb holder		2	PR:-630
7	991 632 071 00	Glove box light		1	
8	991 616 115 00	warning lamp Immobiliser Door		2	PR:625
9	991 616 119 00	Bracket		2	PR:625
10	991 616 117 00	Sleeve		2	PR:625
	991 616 117 00 1E0	Black			
	991 616 117 00 4H0	Luxor beige			
	991 616 117 00 OP1	agate grey			
	991 616 117 00 7N0	Espresso			
	991 616 117 00 OM8	saddle brown			
	991 616 117 00 OG6	Bordeaux red			
	991 616 117 00 OH7	Graphite Blue			
11	991 632 085 00	Door handle light	left	1	PR:630
(11)	991 632 086 00	Door handle light	right	1	PR:630
12	991 632 189 00	fibre optic conductor Stowage compartment	left	1	PR:630
(12)	991 632 190 00	fibre optic conductor Stowage compartment	right	1	PR:630
13	9P1 953 039 E	Warning display for lane change assist	left	1	PR:457
(13)	9P1 953 040 E	Warning display for lane change assist	right	1	PR:457

Model: 982-17

Model life 2017>>



Model: 982-17 Model life 2017>>

Pos	Part Number	Description	Remark	Qty	Model
1	970 613 533 09	Switch Control panel		1	
	970 613 533 09 DML	Air conditioning switch for lighting			
2	991 613 332 01	Matt Black/hi-gloss chrome Combined switch		1	
		Hazard warning light sw. Central locking system			
3	991 613 332 01 A05	Matt black		1	
	958 613 165 00	Switch			
4	997 652 104 00	Airbag clamping ring		3	
		with:			
5	970 652 105 00	Cover		3	
6	982 907 039 J	Socket		1	PR:572,-342,-541
	982 907 039 J DML	Control panel			
(6)	982 907 039 K	Air conditioning Matt Black/hi-gloss chrome Control panel		1	PR:342,572,-541
	982 907 039 K DML	Air conditioning			
(6)	982 907 039 L	Matt Black/hi-gloss chrome Control panel		1	PR:342,572,541
	982 907 039 L DML	Air conditioning			
(6)	9P1 907 039 J	Matt Black/hi-gloss chrome Control panel		1	PR:573,-342,-541
	9P1 907 039 J DML	Air conditioning			
(6)	9P1 907 039 K	Matt Black/hi-gloss chrome Control panel		1	PR:573,342,-541
	9P1 907 039 K DML	Air conditioning			
(6)	9P1 907 039 L	Matt Black/hi-gloss chrome Control panel		1	PR:573,342,541
	9P1 907 039 L DML	Air conditioning			
7	982 907 539 A	Matt Black/hi-gloss chrome Sensor		1	
8	991 653 241 02	Air conditioning Temperature sensor	inner	1	PR:573
9	999 919 167 09	fillister hd. bolt 3,0 X 10,0		2	PR:573
10	991 613 251 00	Switch		1	
	991 613 251 00 1E0	Electric parking brake Black			
11	991 613 151 02	Switch for electric window regulator		1	PR:254,255,256,257
	991 613 151 02 DML	Exterior mirror (drivers side)			
(11)	991 613 155 02	Matt Black/hi-gloss chrome Switch for electric window regulator		1	PR:258,259,260,261
	991 613 155 02 DML	Exterior mirror (drivers side)			
12	7PP 959 855 E	Matt Black/hi-gloss chrome Switch for electric window regulator		1	
	7PP 959 855 E DML	(passenger side)			
13	970 613 103 51	Matt Black/hi-gloss chrome Memory switch		1	PR:537
(13)	970 613 103 51 DML	Matt Black/hi-gloss chrome			
	970 613 104 51	Memory switch		1	PR:538
	970 613 104 51 DML	Matt Black/hi-gloss chrome			
14	991 613 961 50	Combined switch Centre console repair set		1	
	991 613 961 50 DML	Matt Black/hi-gloss chrome			

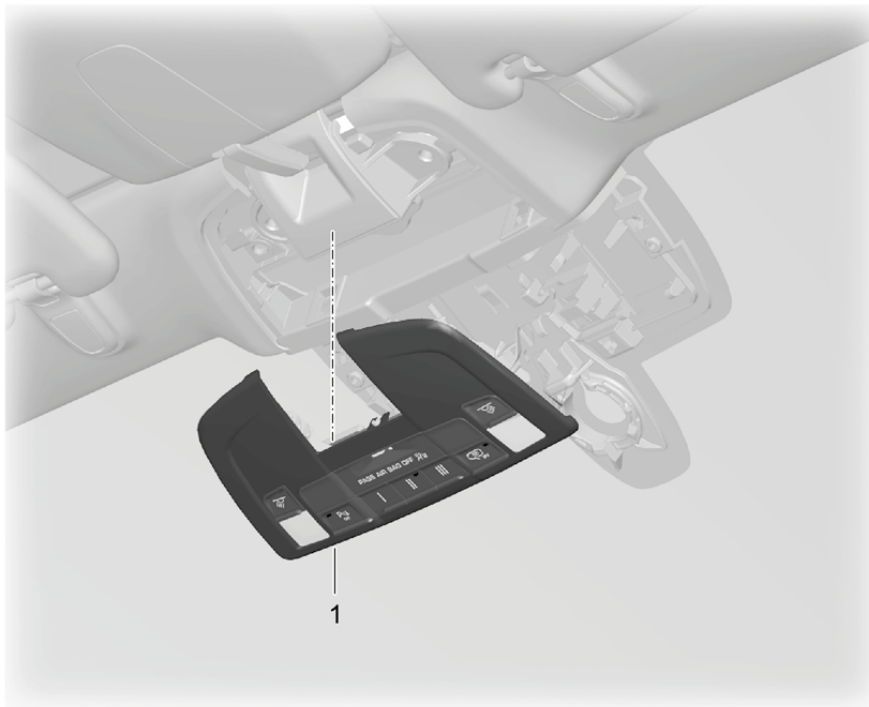
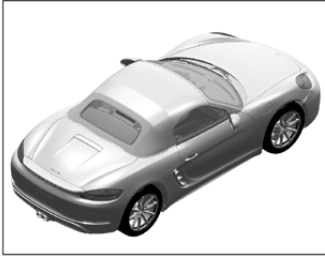
Model: 982-17

Model life 2017&gt;&gt;

Pos	Part Number	Description	Remark	Qty	Model
15	970 652 101 00 970 652 101 00 A05	Cigarette lighter Matt black		1	PR:583
16	7PP 919 341	Spring pin Headlight unit		1	PR:583
17	991 613 105 01 991 613 105 01 A05	Switch Cover Matt black	front and rear	1	

Model: 982-17

Model life 2017>>



Model: 982-17 Model life 2017>>

Pos	Part Number	Description	Remark	Qty	Model
1	991 613 422 10	Console Roof Roof console		1	PR:-899, -560,-607, -636,-638, -630
(1)	991 613 422 10 1E0 991 613 423 10	Black Roof console		1	PR:560,-607, -630,-636, -638
(1)	991 613 423 10 1E0 991 613 423 10	Black Roof console		1	PR:899,-607, -608,-630, -636,-638
(1)	991 613 423 10 1E0 991 613 424 10	Black Roof console		1	PR:560,607, -630,-636, -638
(1)	991 613 424 10 1E0 991 613 424 10	Black Roof console		1	PR:899,607, 608,-630, -636,-638
(1)	991 613 424 10 1E0 991 613 425 10	Black Roof console		1	PR:607,608, -899,-560, -630,-636, -638
(1)	991 613 425 10 1E0 991 613 433 10	Black Roof console		1	PR:636,638, -899,-560, -607,-630
(1)	991 613 433 10 1E0 991 613 434 10	Black Roof console		1	PR:560,636, 638,-607, -630
(1)	991 613 434 10 1E0 991 613 434 10	Black Roof console		1	PR:899,636, 638,-607, -630
(1)	991 613 434 10 1E0 991 613 435 10	Black Roof console		1	PR:560,607, 636,638,-630
(1)	991 613 435 10 1E0 991 613 435 10	Black Roof console		1	PR:899,607, 608,636,638, -630
(1)	991 613 435 10 1E0 991 613 436 10	Black Roof console		1	PR:607,608, 636,638, -560,-899, -630
(1)	991 613 436 10 1E0 991 613 622 10	Black Roof console		1	PR:-899, -560,-607, -636,-638, 630
(1)	991 613 622 10 1E0 991 613 623 10	Black Roof console		1	PR:560,-607, -636,-638, 630
(1)	991 613 623 10 1E0 991 613 623 10	Black Roof console		1	PR:899,-607, -608,-636,



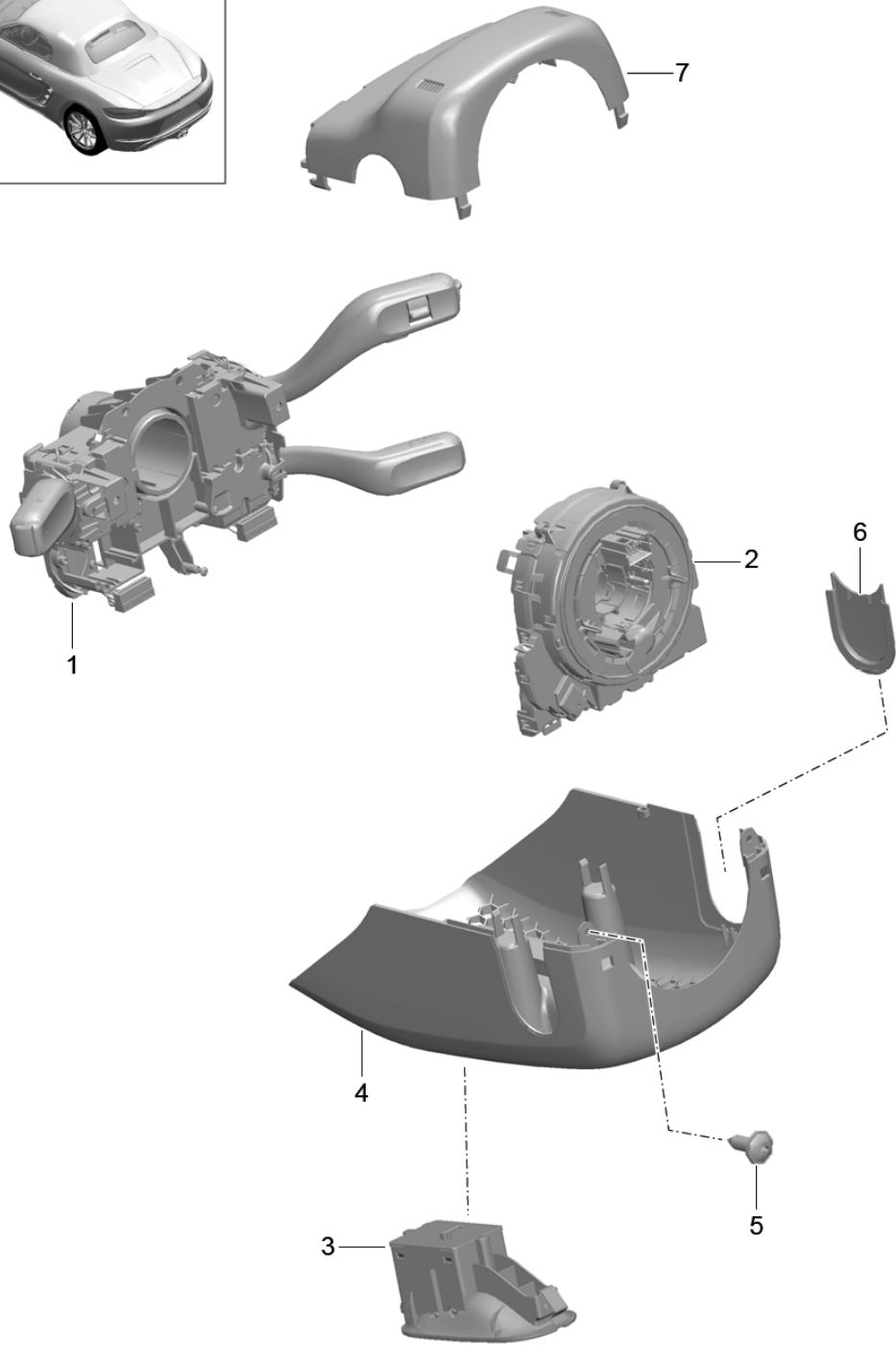
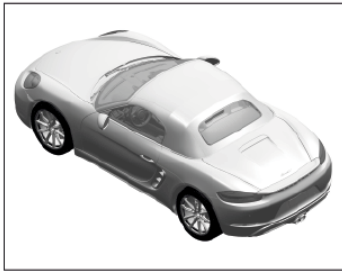
Model: 982-17

Model life 2017>>

Pos	Part Number	Description	Remark	Qty	Model
					-638,630
(1)	991 613 623 10 1E0 991 613 624 10	Black Roof console		1	PR:560,607, -636,-638, 630
(1)	991 613 624 10 1E0 991 613 624 10	Black Roof console		1	PR:899,607, 608,-636, -638,630
(1)	991 613 624 10 1E0 991 613 625 10	Black Roof console		1	PR:607,608, -899,-560, -636,-638, 630
(1)	991 613 625 10 1E0 991 613 633 10	Black Roof console		1	PR:636,638, -899,-560, -607,630
(1)	991 613 633 10 1E0 991 613 634 10	Black Roof console		1	PR:560,636, 638,-607,630
(1)	991 613 634 10 1E0 991 613 634 10	Black Roof console		1	PR:899,636, 638,-607,630
(1)	991 613 634 10 1E0 991 613 635 10	Black Roof console		1	PR:560,607, 636,638,630
(1)	991 613 635 10 1E0 991 613 635 10	Black Roof console		1	PR:899,607, 608,636,638, 630
(1)	991 613 635 10 1E0 991 613 636 10	Black Roof console		1	PR:607,608, 636,638, -560,-899, 630
	991 613 636 10 1E0	Black			

Model: 982-17

Model life 2017>>



Model: 982-17 Model life 2017>>

Pos	Part Number	Description	Remark	Qty	Model
1	991 613 043 50	Steering column switch Steering column switch		1	PR:QH0,288, 426,9WC, -454,-456, -489
(1)	991 613 043 50 1E0 970 613 043 50	Black Steering column switch		1	PR:QH0,288, 426,454,9WC, -489
(1)	970 613 043 50 1E0 991 613 045 50	Black Steering column switch		1	PR:QH0,288, 426,489,9WC, -454,-456
(1)	991 613 045 50 1E0 970 613 045 50	Black Steering column switch		1	PR:QH0,288, 426,454,489, 9WC
(1)	970 613 045 50 1E0 970 613 047 50	Black Steering column switch		1	PR:QH0,288, 426,456,9WC, -489
(1)	970 613 047 50 1E0 970 613 049 50	Black Steering column switch		1	PR:QH0,288, 426,456,489, 9WC
(1)	970 613 049 50 1E0 991 613 051 50	Black Steering column switch		1	PR:QH0,288, 426,9WT, -454,-456, -489
(1)	991 613 051 50 1E0 991 613 051 50	Black Steering column switch		1	PR:QH1,288, 426,-454, -456,-489
(1)	991 613 051 50 1E0 970 613 051 50	Black Steering column switch		1	PR:QH0,288, 426,454,9WT, -489
(1)	970 613 051 50 1E0 970 613 051 50	Black Steering column switch		1	PR:QH1,288, 426,454,-489
(1)	970 613 051 50 1E0 991 613 053 50	Black Steering column switch		1	PR:QH0,288, 426,489,9WT, -454,-456
(1)	991 613 053 50 1E0 991 613 053 50	Black Steering column switch		1	PR:QH1,288, 426,489, -454,-456
(1)	991 613 053 50 1E0 970 613 053 50	Black Steering column switch		1	PR:QH0,288, 426,454,489, 9WT
(1)	970 613 053 50 1E0 970 613 053 50	Black Steering column switch		1	PR:QH1,288, 426,454,489
(1)	970 613 053 50 1E0 970 613 055 50	Black Steering column switch		1	PR:QH0,288, 426,456,9WT, -489
(1)	970 613 055 50 1E0 970 613 055 50	Black Steering column switch		1	PR:QH1,288, 426,456,-489

Model: 982-17 Model life 2017>>

Pos	Part Number	Description	Remark	Qty	Model
(1)	970 613 055 50 1E0 970 613 057 50	Black Steering column switch		1	PR:QH0,288, 426,456,489, 9WT
(1)	970 613 057 50 1E0 970 613 057 50	Black Steering column switch		1	PR:QH1,288, 426,456,489
(1)	970 613 057 50 1E0 991 613 011 50	Black Steering column switch		1	PR:QH0,426, 9WC,-288, -454,-456, -489
(1)	991 613 011 50 1E0 970 613 011 50	Black Steering column switch		1	PR:QH0,426, 454,9WC, -288,-489
(1)	970 613 011 50 1E0 991 613 013 50	Black Steering column switch		1	PR:QH0,426, 489,9WC, -288,-454, -456
(1)	991 613 013 50 1E0 970 613 013 50	Black Steering column switch		1	PR:QH0,426, 454,489,9WC, -288
(1)	970 613 013 50 1E0 970 613 015 50	Black Steering column switch		1	PR:QH0,426, 456,9WC, -288,-489
(1)	970 613 015 50 1E0 970 613 017 50	Black Steering column switch		1	PR:QH0,426, 456,489,9WC, -288
(1)	970 613 017 50 1E0 991 613 019 50	Black Steering column switch		1	PR:QH0,426, 9WT,-288, -454,-456, -489
(1)	991 613 019 50 1E0 991 613 019 50	Black Steering column switch		1	PR:QH1,426, -288,-454, -456,-489
(1)	991 613 019 50 1E0 970 613 019 50	Black Steering column switch		1	PR:QH0,426, 454,9WT, -288,-489
(1)	970 613 019 50 1E0 970 613 019 50	Black Steering column switch		1	PR:QH1,426, 454,-288, -489
(1)	970 613 019 50 1E0 991 613 021 50	Black Steering column switch		1	PR:QH0,426, 489,9WT, -288,-454, -456
(1)	991 613 021 50 1E0 991 613 021 50	Black Steering column switch		1	PR:QH1,426, 489,-288, -454,-456
(1)	991 613 021 50 1E0 970 613 021 50	Black Steering column switch		1	PR:QH0,426, 454,489,9WT, -288

Model: 982-17 Model life 2017>>

Pos	Part Number	Description	Remark	Qty	Model
(1)	970 613 021 50 1E0 970 613 021 50	Black Steering column switch		1	PR:QH1,426, 454,489,-288
(1)	970 613 021 50 1E0 970 613 023 50	Black Steering column switch		1	PR:QH0,426, 456,9WT, -288,-489
(1)	970 613 023 50 1E0 970 613 023 50	Black Steering column switch		1	PR:QH1,426, 456,-288, -489
(1)	970 613 023 50 1E0 970 613 025 50	Black Steering column switch		1	PR:QH0,426, 456,489,9WT, -288
(1)	970 613 025 50 1E0 970 613 025 50	Black Steering column switch		1	PR:QH1,426, 456,489,-288
2	970 613 025 50 1E0 9A7 953 568 01	Black Control unit Steering column switch		1	
		with: Spring steering sensor			
		without: heater steering wheel			
(2)	9A7 953 568 11	Control unit Steering column switch		1	
		with: Spring steering sensor			
		with: heater steering wheel			
3	7PP 953 519 E	Switch for steering column adjustment		1	
4	7PP 953 519 E IVI 991 552 475 00	Matt black Switch housing	lower	1	PR:-XNS,647, 655
(4)	991 552 475 00 1E0 991 552 983 00	Black Switch housing	lower	1	PR:XNS,454, 456,647,655, -489
	991 552 983 00 A11	Black			
	991 552 983 00 7J0	Luxor beige			
	991 552 983 00 OA1	agate grey			
	991 552 983 00 6J0	Espresso			
	991 552 983 00 OK6	saddle brown			
	991 552 983 00 OG6	Bordeaux red			
	991 552 983 00 OH7	Graphite Blue			
	991 552 983 00 JHB	Black/Dark Silver			
(4)	991 552 983 02	Switch housing	lower	1	PR:XNS,647, 655,-454, -456,-489
	991 552 983 02 A11	Black			
	991 552 983 02 7J0	Luxor beige			
	991 552 983 02 OA1	agate grey			
	991 552 983 02 6J0	Espresso			
	991 552 983 02 OK6	saddle brown			
	991 552 983 02 OG6	Bordeaux red			
	991 552 983 02 OH7	Graphite Blue			
	991 552 983 02 JHB	Black/Dark Silver			

Model: 982-17 Model life 2017>>

Pos	Part Number	Description	Remark	Qty	Model
(4)	991 552 983 04	Switch housing	lower	1	PR:XNS,454, 656,489,647, 655
		Leather			
	991 552 983 04 A11	Black			
	991 552 983 04 7J0	Luxor beige			
	991 552 983 04 OA1	agate grey			
	991 552 983 04 6J0	Espresso			
	991 552 983 04 OK6	saddle brown			
	991 552 983 04 OG6	Bordeaux red			
	991 552 983 04 OH7	Graphite Blue			
	991 552 983 04 JHB	Black/Dark Silver			
(4)	991 552 983 06	Switch housing	lower	1	PR:XNS,489, 647,655, -454,-456
		Leather			
	991 552 983 06 A11	Black			
	991 552 983 06 7J0	Luxor beige			
	991 552 983 06 OA1	agate grey			
	991 552 983 06 6J0	Espresso			
	991 552 983 06 OK6	saddle brown			
	991 552 983 06 OG6	Bordeaux red			
	991 552 983 06 OH7	Graphite Blue			
	991 552 983 06 JHB	Black/Dark Silver			
(4)	991 552 475 01	Switch housing	lower	1	PR:-XNS,648, 656
	991 552 475 01 1E0	Black			
(4)	991 552 983 01	Switch housing	lower	1	PR:XNS,454, 456,648,656, -489
		Leather			
	991 552 983 01 A11	Black			
	991 552 983 01 7J0	Luxor beige			
	991 552 983 01 OA1	agate grey			
	991 552 983 01 6J0	Espresso			
	991 552 983 01 OK6	saddle brown			
	991 552 983 01 OG6	Bordeaux red			
	991 552 983 01 OH7	Graphite Blue			
	991 552 983 01 JHB	Black/Dark Silver			
(4)	991 552 983 03	Switch housing	lower	1	PR:XNS,648, 656,-454, -456,-489
		Leather			
	991 552 983 03 A11	Black			
	991 552 983 03 7J0	Luxor beige			
	991 552 983 03 OA1	agate grey			
	991 552 983 03 6J0	Espresso			
	991 552 983 03 OK6	saddle brown			
	991 552 983 03 OG6	Bordeaux red			
	991 552 983 03 OH7	Graphite Blue			
	991 552 983 03 JHB	Black/Dark Silver			
(4)	991 552 983 05	Switch housing	lower	1	PR:XNS,454, 456,489,648, 656
		Leather			
	991 552 983 05 A11	Black			
	991 552 983 05 7J0	Luxor beige			
	991 552 983 05 OA1	agate grey			
	991 552 983 05 6J0	Espresso			
	991 552 983 05 OK6	saddle brown			
	991 552 983 05 OG6	Bordeaux red			
	991 552 983 05 OH7	Graphite Blue			
	991 552 983 05 JHB	Black/Dark Silver			
(4)	991 552 983 07	Switch housing	lower	1	PR:XNS,489, 648,656, -454,-456
		Leather			
	991 552 983 07 A11	Black			
	991 552 983 07 7J0	Luxor beige			

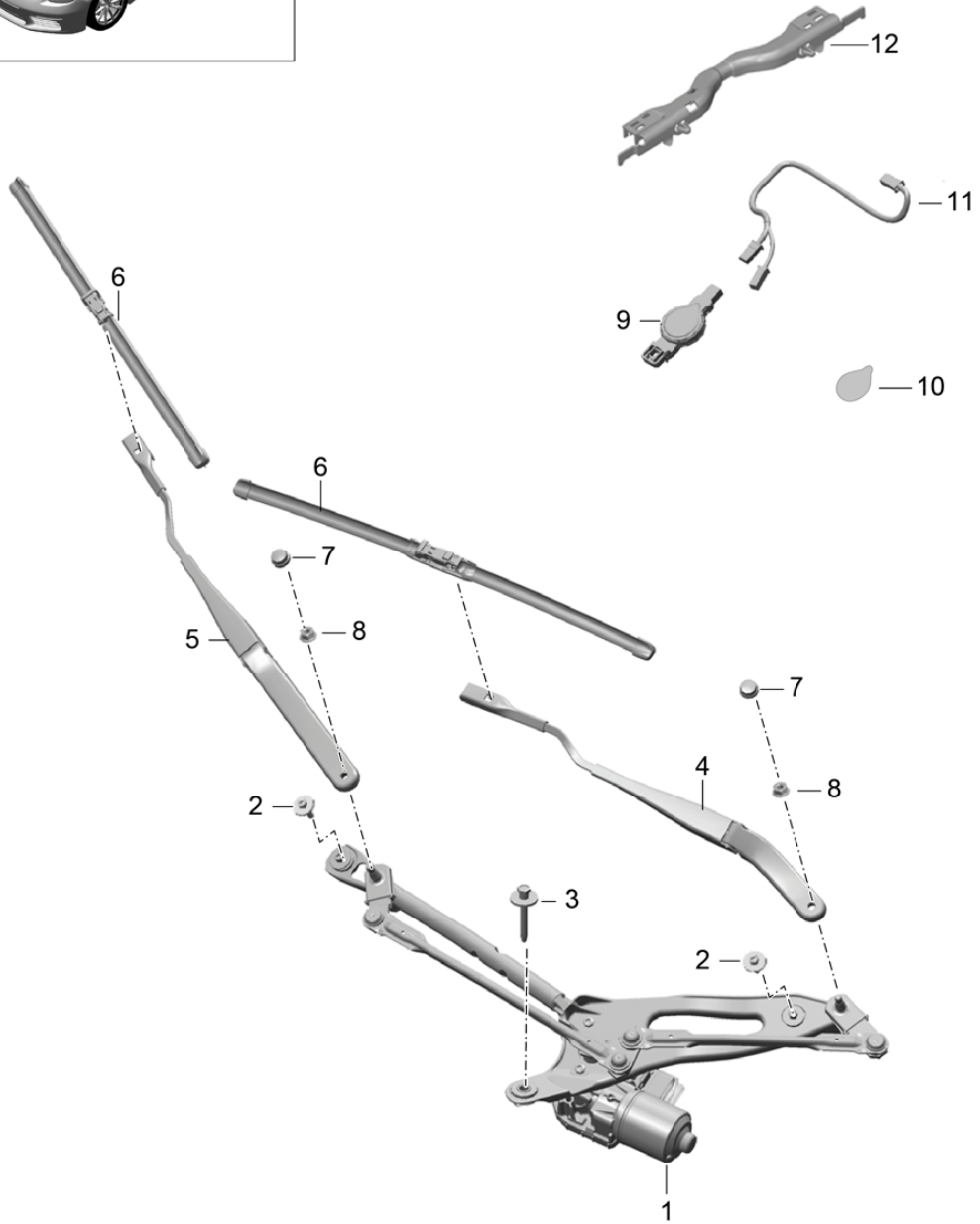
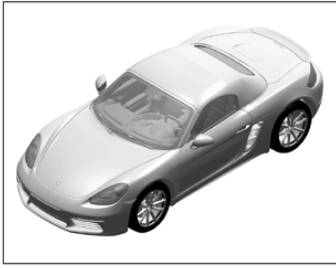
Model: 982-17

Model life 2017>>

Pos	Part Number	Description	Remark	Qty	Model
	991 552 983 07 OA1	agate grey			
	991 552 983 07 6J0	Espresso			
	991 552 983 07 OK6	saddle brown			
	991 552 983 07 OG6	Bordeaux red			
	991 552 983 07 OH7	Graphite Blue			
	991 552 983 07 JHB	Black/Dark Silver			
5	999 073 155 09	panel screw ST 4,2 X 13		4	
6	991 552 675 00	Cover		X	
	991 552 675 00 1E0	Black			
7	991 552 473 01	Switch housing	upper	1	PR: -XNS
	991 552 473 01 1E0	Black			
(7)	991 552 984 00	Switch housing	upper	1	PR: XNS
		Leather			
	991 552 984 00 A11	Black			
	991 552 984 00 7J0	Luxor beige			
	991 552 984 00 OA1	agate grey			
	991 552 984 00 6J0	Espresso			
	991 552 984 00 OK6	saddle brown			
	991 552 984 00 OG6	Bordeaux red			
	991 552 984 00 OH7	Graphite Blue			
	991 552 984 00 JHB	Black/Dark Silver			

Model: 982-17

Model life 2017>>





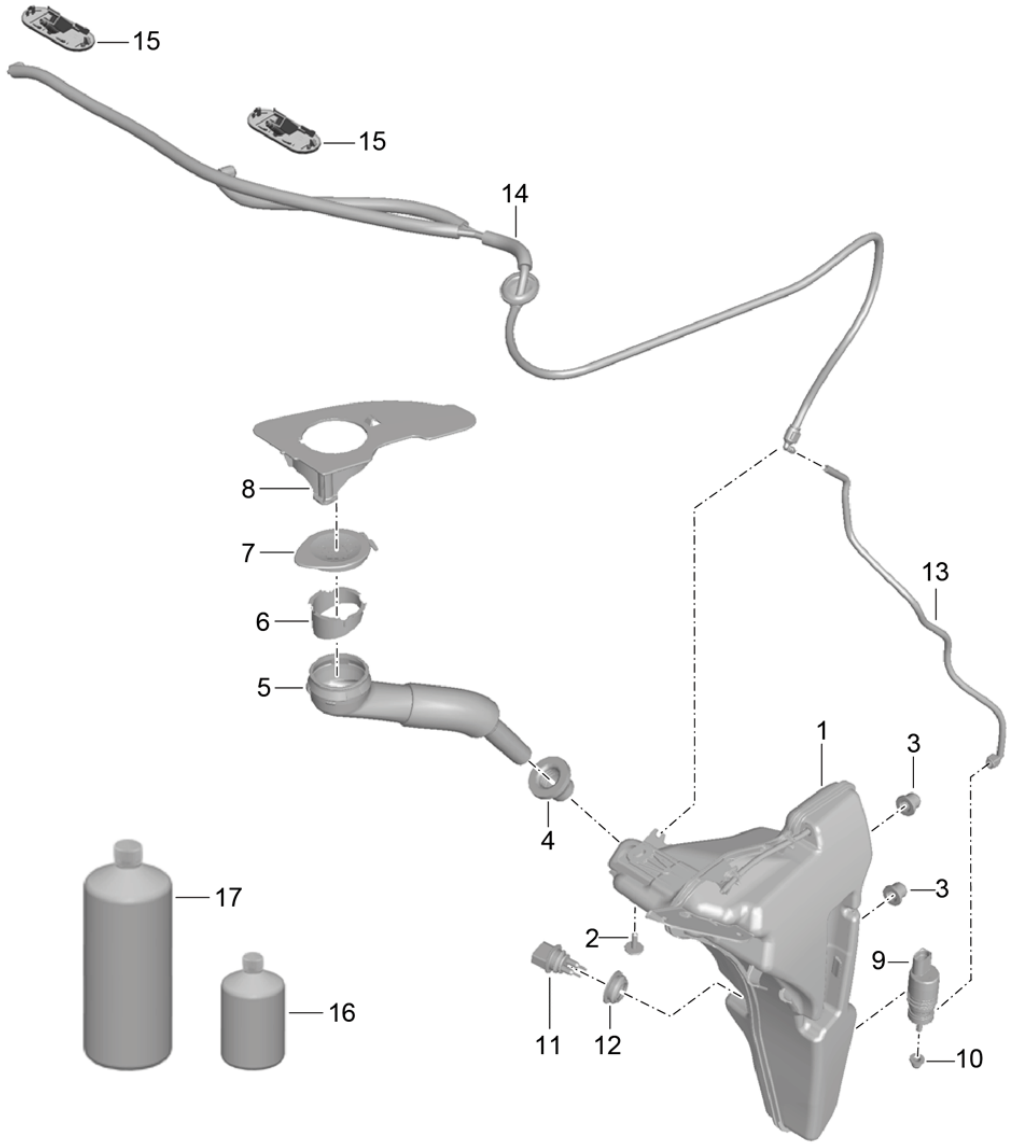
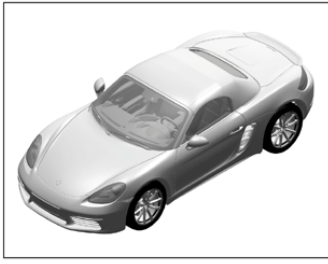
Model: 982-17

Model life 2017>>

Pos	Part Number	Description	Remark	Qty	Model
1	991 628 035 07	Windscreen wiper system, compl Rain sensor Wiper motor	lhd	1	PR:098
		with:			
(1)	991 628 036 07	Crank drive Wiper motor	rhd	1	PR:099
		with:			
2	900 387 017 02	Crank drive Bolt with washer M 6 X 25 SC		2	
3	999 141 304 01	Bolt with washer M 8 X 66		1	
4	991 628 121 02	Wiper arm (drivers side)	lhd	1	PR:098
(4)	991 628 131 03	Wiper arm (passenger side)	rhd	1	PR:099
5	991 628 122 03	Wiper arm (passenger side)	lhd	1	PR:098
(5)	991 628 132 02	Wiper arm (drivers side)	rhd	1	PR:099
6	991 628 901 00	1 set: wiper blades (drivers side)	front LHD	1	PR:098
		(passenger side)			
(6)	991 628 903 00	1 set: wiper blades (drivers side)	front RHD	1	PR:099
		(passenger side)			
7	991 628 305 00	cap for wiper arm		2	
8	N 106 092 04	Hexagon collar nut Mount Wiper arm		2	
9	991 615 108 01	Rain sensor		1	
10	9A7 955 609 00	Adhesive film		1	
11	9P1 971 103	Rain sensor Wire set		1	PR:-631,
		Rain sensor			-632,-852
(11)	9P1 971 103 A	Wire set		1	PR:631,632,
		Rain sensor			852
12	981 610 119 00	Bracket Wire set Rain sensor		1	

Model: 982-17

Model life 2017>>



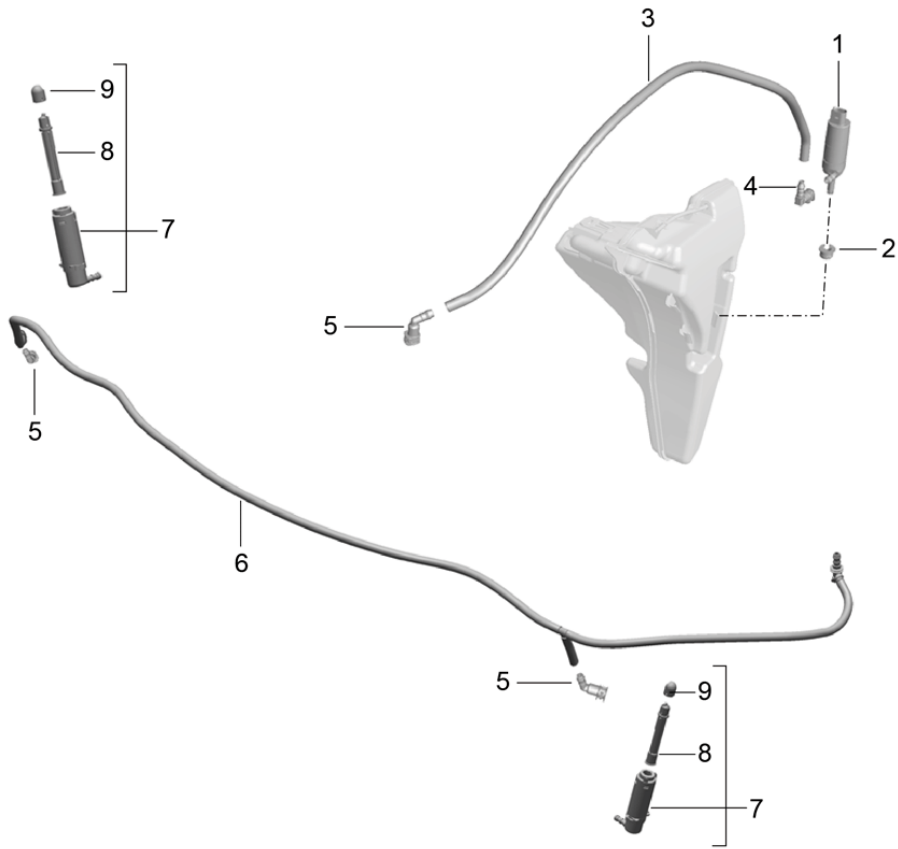
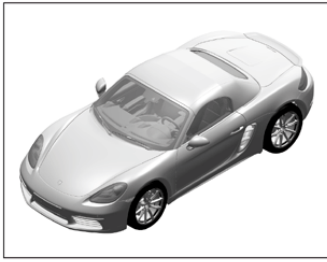
Model: 982-17

Model life 2017>>

Pos	Part Number	Description	Remark	Qty	Model
1	991 528 701 00	Windscreen washer system		1	PR:-288
(1)	991 528 703 00	Water reservoir		1	PR:288
2	N 911 883 01	Hexagon socket head bolt M 6 X 20		1	
3	999 702 221 40	Grommet		2	
4	955 528 711 01	Seal		1	
5	991 528 403 00	fuel filler neck		1	
6	820 955 485	strainer		1	
7	991 528 413 00	Cover		1	
8	991 528 503 01	Bracket for filler neck		1	
9	1K5 955 651	Windscreen washer system pump		1	
10	958 628 712 00	Seal		1	
11	955 628 105 00	Water level switch		1	
12	955 528 721 00	Seal		1	
13	991 628 669 00	Hose line for washer water Pump		1	
		also use:	991 511 65102 (1E0)	1	
			991 511 65202 (1E0)	1	
14	991 628 667 05	Line Connection point jet		1	
15	991 628 073 00	jet Not (heated)		2	
16	999 901 017 42	Window cleaning solution 250 ML Summer		X	
17	999 901 033 40	Window cleaning solution 1000 ML Winter		X	

Model: 982-17

Model life 2017>>



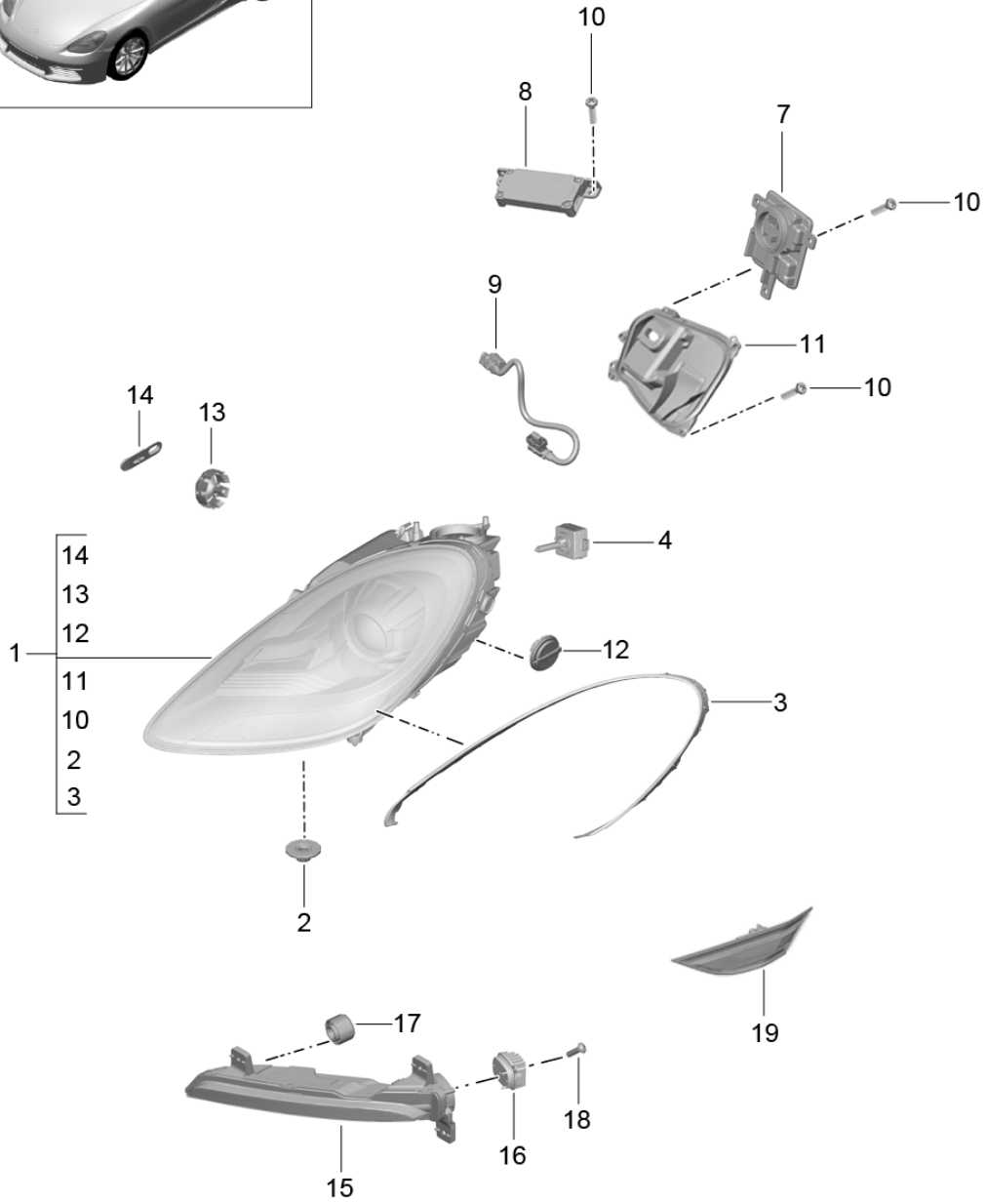
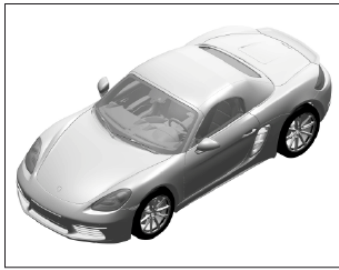
Model: 982-17

Model life 2017>>

Pos	Part Number	Description	Remark	Qty	Model
1	958 624 502 00	Headlight washer system Pump for headlight- washer system		1	PR:288
2	431 955 465 A	Seal		1	
-	000 043 204 79	Hose 8 X 3		*	
3		shorten to:	905 MM	1	
4	8E0 955 665	Elbow fitting		1	
5	997 628 205 00	Coupling		3	
6	982 955 944 A	Hose		1	
7	997 628 163 01	jet chromed		2	PR:-011
		with:			
8	997 628 263 00	Nozzle head Nozzle head chromed		2	PR:-011
9	997 628 981 02	Cap primed		2	PR:XUB

Model: 982-17

Model life 2017>>



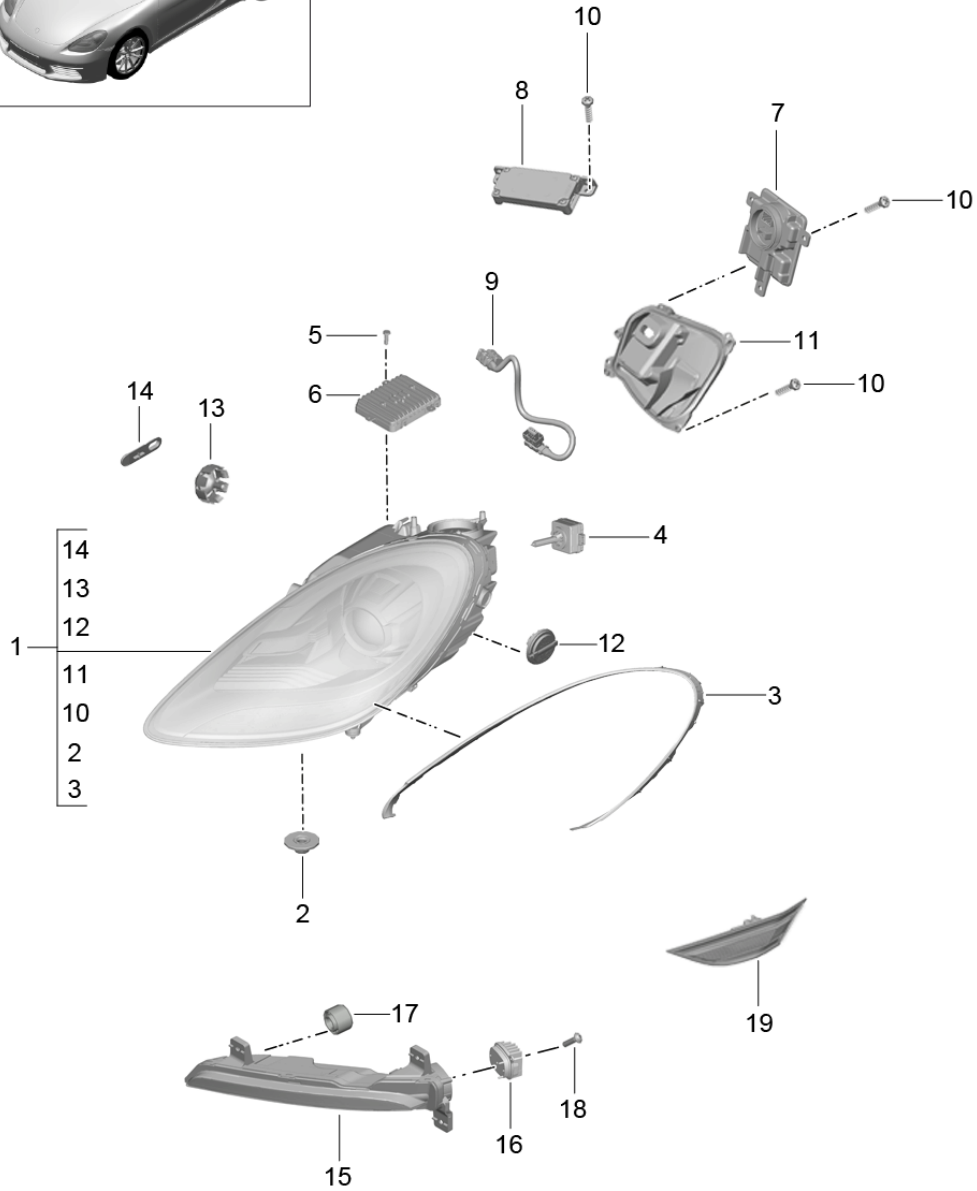
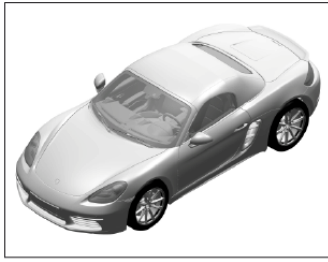
Model: 982-17

Model life 2017&gt;&gt;

Pos	Part Number	Description	Remark	Qty	Model
-		Headlights Additional headlight Turn signal indicator side marker light Turn signal repeater Headlights  without:  Control unit and Gas discharge lamp XENON			PR:601,800
1	982 941 029 K	Headlights	left	1	PR:-492
(1)	982 941 030 K	Headlights	right	1	PR:-492
(1)	982 941 029 L	Headlights	left	1	PR:492
(1)	982 941 030 L	Headlights	right	1	PR:492
(1)	982 941 019	Headlights	left	1	
(1)	982 941 020	Headlights	right	1	
(1)	982 941 019 A	Headlights	left	1	
(1)	982 941 020 A	Headlights	right	1	
2	991 631 371 01	Locknut		4	
3	982 941 119	Seal	left	1	
(3)	982 941 120	Seal	right	2	
4	999 631 072 90	Gas discharge lamp D8S		2	
7	8K0 941 597 F	Control unit for gas discharge lamp XENON		2	
8	7PP 941 597 B	Control unit LED Daytime driving lights		1	
9	981 631 323 10	Connecting line		2	
10	991 631 377 00	Screw 4,0 X 16		18	
11	982 941 607	Cap	left	1	
(11)	982 941 608	Cap	right	1	
12	997 631 267 01	ventilation valve		2	
14	991 631 101 00	Bungs		6	
-		Additional headlight			
15	982 953 041 B	Additional headlight	left	1	
(15)	982 953 042 B	Additional headlight	right	1	
16	9P1 953 249	LED module	left	1	
(16)	9P1 953 249 A	LED module	right	1	
17	987 631 291 00	Cover cap		2	
18	999 919 246 01	fillister hd. bolt 6,0 X 18,0		6	
19	991 631 255 05	Turn signal repeater	left	1	
(19)	991 631 256 05	Turn signal repeater	right	1	

Model: 982-17

Model life 2017>>



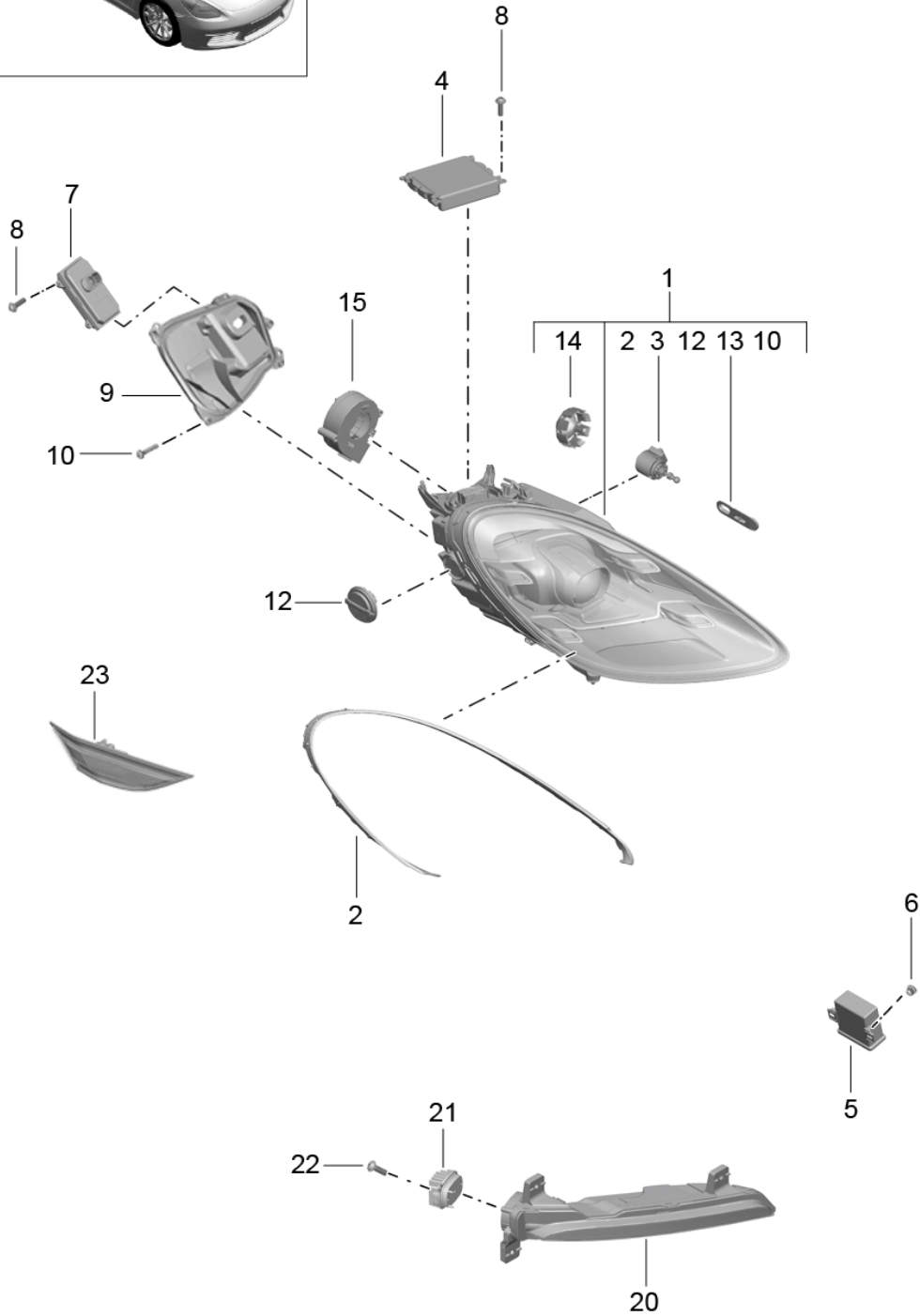
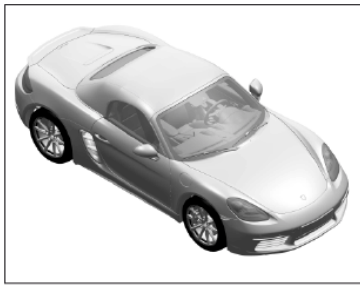


Model: 982-17 Model life 2017>>

Pos	Part Number	Description	Remark	Qty	Model
-		Headlights Additional headlight Turn signal indicator side marker light Turn signal repeater Headlights  without: Control unit and Gas discharge lamp XENON			PR:603
1	982 941 043 K	Headlights	left	1	PR:603,-492
(1)	982 941 077	Headlights	left	1	PR:XEW,-492
(1)	982 941 044 K	Headlights	right	1	PR:603,-492
(1)	982 941 078	Headlights	right	1	PR:XEW,-492
(1)	982 941 043 L	Headlights	left	1	PR:603,492
(1)	982 941 077 A	Headlights	left	1	PR:XEW,492
(1)	982 941 044 L	Headlights	right	1	PR:603,492
(1)	982 941 078 A	Headlights	right	1	PR:XEW,492
2	991 631 371 01	Locknut		4	
3	982 941 119	Seal	left	1	
(3)	982 941 120	Seal	right	2	
4	999 631 070 90	Gas discharge lamp D3S		2	
5	991 631 327 03	Servomotor Headlight range control		2	
6	991 618 321 32	Control unit Headlight range control		2	
7	8K0 941 597 E	Control unit for gas discharge lamp XENON		2	
8	7PP 941 597 B	Control unit LED Daytime driving lights		1	
9	991 631 323 10	Connecting line		2	
10	991 631 377 00	Screw 4,0 X 16		10	
11	982 941 607	Cap	left	1	
(11)	982 941 608	Cap	right	1	
12	997 631 267 01	ventilation valve		2	
14	991 631 101 00	Bungs		6	
-		Additional headlight			
15	982 953 041 B	Additional headlight	left	1	PR:603
15	982 953 351	Additional headlight	left	1	PR:-603
(15)	982 953 042 B	Additional headlight	right	1	PR:603
(15)	982 953 352	Additional headlight	right	1	PR:-603
16	9P1 953 249	LED module	left	1	
(16)	9P1 953 249 A	LED module	right	1	
17	987 631 291 00	Cover cap		2	
18	999 919 246 01	fillister hd. bolt 6,0 X 18,0		6	
19	991 631 255 05	Turn signal repeater	left	1	
(19)	991 631 256 05	Turn signal repeater	right	1	

Model: 982-17

Model life 2017>>



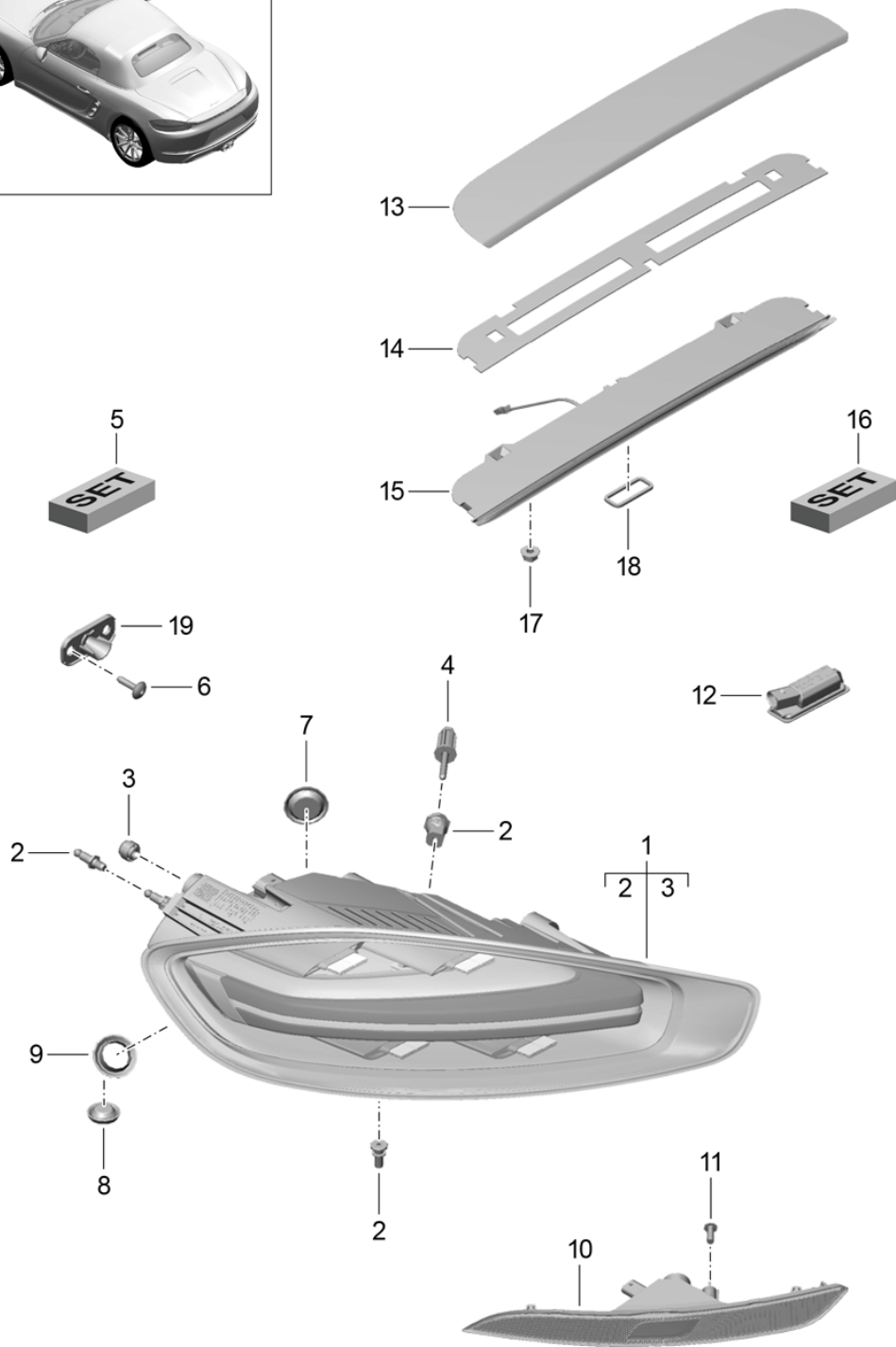
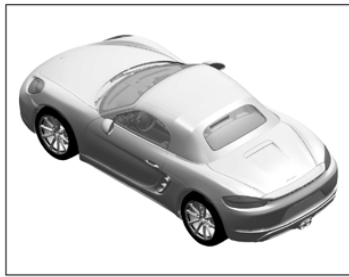
Model: 982-17

Model life 2017&gt;&gt;

Pos	Part Number	Description	Remark	Qty	Model
-		Headlights Additional headlight Turn signal indicator side marker light Turn signal repeater Headlights			PR:602
		without:			
		Control units Fan			
1	982 941 039 K	LED headlight	left	1	PR:-492
(1)	982 941 040 K	LED headlight	right	1	PR:-492
(1)	982 941 040 N	LED headlight	right	1	PR:-492
(1)	982 941 039 L	LED headlight	left	1	PR:492
(1)	982 941 040 L	LED headlight	right	1	PR:492
(1)	982 941 040 P	LED headlight	right	1	PR:492
2	982 941 119	Seal	left	1	
(2)	982 941 120	Seal	right	1	
3	991 631 327 03	Servomotor Headlight range control		2	
4	7PP 941 572 BB	Control unit LED module		2	
5	9A7 907 357 00	Control unit Headlight range control		1	
6	999 049 033 40	Plastic nut T6X16		2	
7	7PP 941 329 T	Control unit for LED headlight		2	
8	999 919 159 09	fillister hd. bolt 4,0 X 12,0		14	
9	982 941 627	Protective hood	left	1	
(9)	982 941 628	Protective hood	right	1	
10	991 631 377 00	Screw		10	
12	997 631 267 01	ventilation valve		2	
13	991 631 101 00	Bungs		6	
15	9A7 907 463 00	Fan for headlamps		2	
-		Additional headlight			
20	982 953 041 B	Additional headlight	left	1	
(20)	982 953 042 B	Additional headlight	right	1	
21	9P1 953 249	LED module	left	1	
(21)	9P1 953 249 A	LED module	right	1	
22	999 919 246 01	fillister hd. bolt 6,0 X 18,0		6	
23	991 631 255 05	Turn signal repeater	left	1	
(23)	991 631 256 05	Turn signal repeater	right	1	

Model: 982-17

Model life 2017>>



Model: 982-17

Model life 2017&gt;&gt;

Pos	Part Number	Description	Remark	Qty	Model
1	982 945 095 H	Rear light Licence plate light Additional brake light Rear fog light Rear light	left	1	PR:-XXP
		D >> - 24.10.2016			
(1)	982 945 095 M	Rear light	left	1	PR:-XXP
		D - 25.10.2016>>			
(1)	982 945 096 H	Rear light	right	1	PR:-XXP
		D >> - 24.10.2016			
(1)	982 945 096 M	Rear light	right	1	PR:-XXP
		D - 25.10.2016>>			
(1)	9P0 945 095	Rear light	left	1	PR:XXP
		D >> - 24.10.2016			
(1)	9P0 945 095 B	Rear light	left	1	PR:XXP
		D - 25.10.2016>>			
(1)	9P0 945 096	Rear light	right	1	PR:XXP
		D >> - 24.10.2016			
(1)	9P0 945 096 B	Rear light	right	1	PR:XXP
		D - 25.10.2016>>			
2	981 631 925 00	repair set		2	
3	987 631 291 00	Bracket		6	
4	9A7 007 785 00	Cover cap Ventilation component		2	
5	982 998 021	Bolt with washer M 6 X 70		2	
6	999 073 131 02	repair set SBBR comprising: 987 631 291 00 999 073 131 02 982 945 067 Y		4	
7	999 703 195 40	fillister hd. bolt M 6 X 25		2	
8	999 703 196 40	Rubber grommet D=30MM		2	
9	999 702 297 40	End cap D=20MM		2	
10	982 945 703 H	Grommet		2	
		Rear fog light	left	1	PR:098,465
(10)	982 945 704 H	rear light reflector Rear fog light	right	1	PR:098,-466
		rear light reflector		1	PR:099,-465
(10)	982 945 703 J	Rear fog light	left	1	PR:099,-465
		rear light reflector		1	PR:099,-466
(10)	982 945 704 J	Rear fog light	right	1	PR:099,466
		rear light reflector		2	
11	999 919 246 01	fillister hd. bolt 6X18		2	
12	1K8 943 021 C	LED licence plate light		2	
13	982 827 699	Trim		1	
		Additional brake light primed		1	
14	982 827 972	Adhesive tape		1	
15	982 945 087 B	Additional brake light		1	
		Raised		1	
16	982 998 022	repair set		1	
		Brake light Raised		2	
17	900 377 009 01	Hexagon nut M5		2	
18	982 945 197	Seal		1	
19	982 945 067 Y	Retaining plate		2	

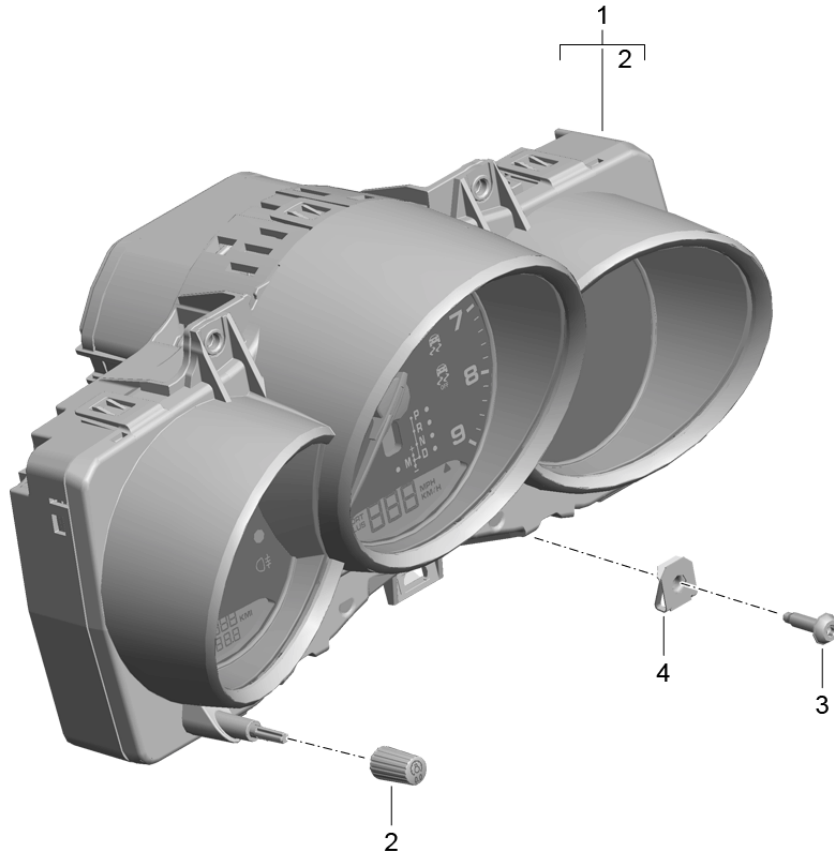
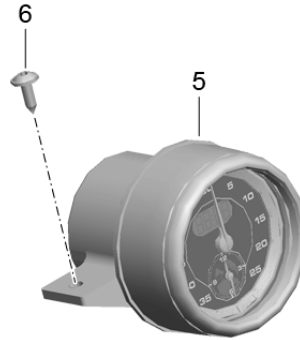
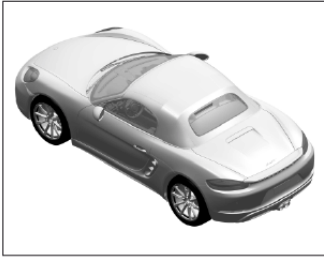
Model: 982-17

Model life 2017>>

Pos	Part Number	Description	Remark	Qty	Model
		Rear light			

Model: 982-17

Model life 2017>>



Model: 982-17

Model life 2017&gt;&gt;

Pos	Part Number	Description	Remark	Qty	Model
		Instruments Stopwatch Standard			PR:022,023, 026,027
1	982 920 810 F	Combi-instrument (complete)		1	PR:022,480 -"GB."
	982 920 810 F A05	Matt black			
(1)	982 920 910 F	Combi-instrument (complete)		1	PR:022,250 -"GB."
	982 920 910 F A05	Matt black			
(1)	982 920 850 F	Combi-instrument (complete)		1	PR:022,480 "GB."
	982 920 850 F A05	Matt black			
(1)	982 920 950 F	Combi-instrument (complete)		1	PR:022,250 "GB."
	982 920 950 F A05	Matt black			
(1)	982 920 810 G	Combi-instrument (complete)		1	PR:023,480 -"GB."
	982 920 810 G A05	Matt black			
(1)	982 920 910 G	Combi-instrument (complete)		1	PR:023,250 -"GB."
	982 920 910 G A05	Matt black			
(1)	982 920 850 G	Combi-instrument (complete)		1	PR:023,480 "GB."
	982 920 850 G A05	Matt black			
(1)	982 920 950 G	Combi-instrument (complete)		1	PR:023,250 "GB."
	982 920 950 G A05	Matt black			
1	982 920 811 B	Combi-instrument (complete)		1	PR:011,022, 480 -"GB."
	982 920 811 B A05	Black			
(1)	982 920 911 B	Combi-instrument (complete)		1	PR:011,022, 250 -"GB."
	982 920 911 B A05	Black			
(1)	982 920 851 B	Combi-instrument (complete)		1	PR:011,022, 480 "GB."
	982 920 851 B A05	Black			
(1)	982 920 951 B	Combi-instrument (complete)		1	PR:011,022, 250 "GB."
	982 920 951 B A05	Black			
1	982 920 812 B	Combi-instrument (complete)		1	PR:011,026, 480 -"GB."
	982 920 812 B A05	Chalk			
(1)	982 920 912 B	Combi-instrument (complete)		1	PR:011,026, 250 -"GB."
	982 920 912 B A05	Chalk			
(1)	982 920 852 B	Combi-instrument (complete)		1	PR:011,026, 480 "GB."
	982 920 852 B A05	Chalk			
(1)	982 920 952 B	Combi-instrument (complete)		1	PR:011,026, 250 "GB."
	982 920 952 B A05	Chalk			
1	982 920 813 B	Combi-instrument (complete)		1	PR:011,027, 480 -"GB."
	982 920 813 B A05	Carmine red			



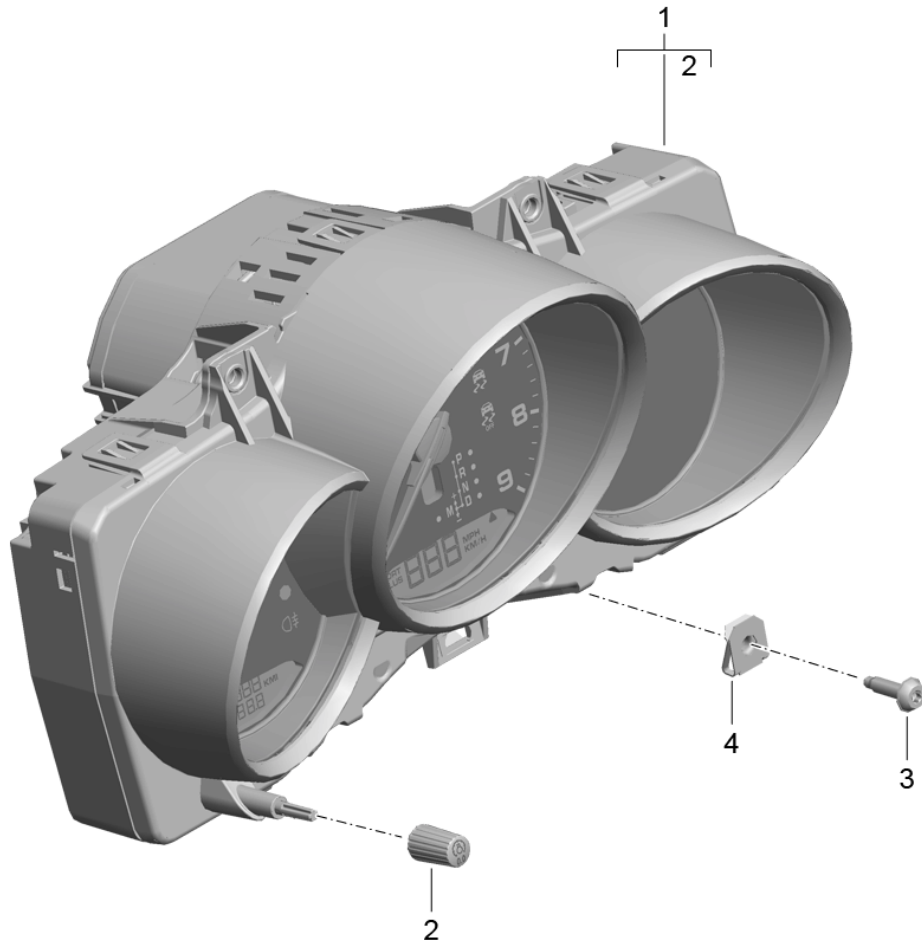
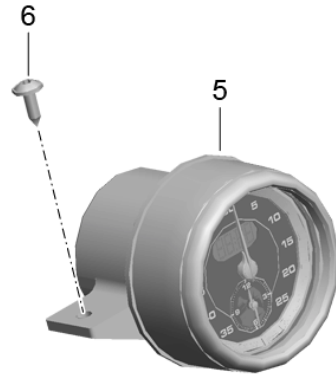
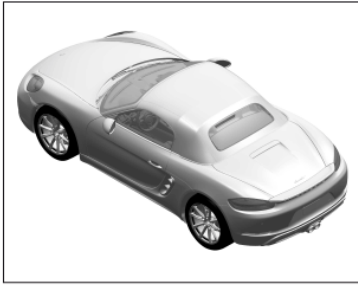
Model: 982-17

Model life 2017>>

Pos	Part Number	Description	Remark	Qty	Model
(1)	982 920 913 B	Combi-instrument (complete)		1	PR:011,027, 250 -"GB."
	982 920 913 B A05	Carmine red			
(1)	982 920 853 B	Combi-instrument (complete)		1	PR:011,027, 480 "GB."
	982 920 853 B A05	Carmine red			
(1)	982 920 953 B	Combi-instrument (complete)		1	PR:011,027, 250 "GB."
	982 920 953 B A05	Carmine red			
2	991 641 911 00	Setting knob for daily distance recorder (kilometres or miles) throttle control element Trip meter		1	
3	999 073 498 01	fillister hd. bolt M 5 X 20		4	
4	999 507 556 01	panel nut		4	
5	982 919 203 D	Stopwatch		1	PR:025
	982 919 203 D DAP	Matt Black/Galvano Silver			
6	999 073 155 09	panel screw ST 4,2 X 13		2	

Model: 982-17

Model life 2017>>



Model: 982-17

Model life 2017>>

Pos	Part Number	Description	Remark	Qty	Model
1	9P9 920 810 F	Instruments Stopwatch Exclusive Combi-instrument (complete)		1	PR:-022, -023,-026, -027 PR:008,480 -"GB."
	9P9 920 810 F C9A	white			PR:XFJ
	9P9 920 810 F 84A	guards red (Porsche)			PR:XFG
	9P9 920 810 F 6W0	Luxor beige			PR:XFL
	9P9 920 810 F OG6	Bordeaux red			PR:XFB
	9P9 920 810 F 1S1	Racing Yellow			PR:XFR
(1)	9P9 920 910 F	Combi-instrument (complete)		1	PR:008,250 -"GB."
	9P9 920 910 F C9A	white			PR:XFJ
	9P9 920 910 F 84A	guards red (Porsche)			PR:XFG
	9P9 920 910 F 6W0	Luxor beige			PR:XFL
	9P9 920 910 F OG6	Bordeaux red			PR:XFB
	9P9 920 910 F 1S1	Racing Yellow			PR:XFR
(1)	9P9 920 850 F	Combi-instrument (complete)		1	PR:008,480
	9P9 920 850 F C9A	white			PR:XFJ
	9P9 920 850 F 84A	guards red (Porsche)			PR:XFG
	9P9 920 850 F 6W0	Luxor beige			PR:XFL
	9P9 920 850 F OG6	Bordeaux red			PR:XFB
	9P9 920 850 F 1S1	Racing Yellow			PR:XFR
(1)	9P9 920 950 F	Combi-instrument (complete)		1	PR:008,250
	9P9 920 950 F C9A	white			PR:XFJ
	9P9 920 950 F 84A	guards red (Porsche)			PR:XFG
	9P9 920 950 F 6W0	Luxor beige			PR:XFL
	9P9 920 950 F OG6	Bordeaux red			PR:XFB
	9P9 920 950 F 1S1	Racing Yellow			PR:XFR
(1)	9P9 920 810 G	Combi-instrument (complete)		1	PR:009,480 -"GB."
	9P9 920 810 G C9A	white			PR:XFJ
	9P9 920 810 G 84A	guards red (Porsche)			PR:XFG
	9P9 920 810 G 6W0	Luxor beige			PR:XFL
	9P9 920 810 G OG6	Bordeaux red			PR:XFB
	9P9 920 810 G 1S1	Racing Yellow			PR:XFR
(1)	9P9 920 910 G	Combi-instrument (complete)		1	PR:009,250 -"GB."
	9P9 920 910 G C9A	white			PR:XFJ
	9P9 920 910 G 84A	guards red (Porsche)			PR:XFG
	9P9 920 910 G 6W0	Luxor beige			PR:XFL
	9P9 920 910 G OG6	Bordeaux red			PR:XFB
	9P9 920 910 G 1S1	Racing Yellow			PR:XFR
(1)	9P9 920 850 G	Combi-instrument (complete)		1	PR:009,480
	9P9 920 850 G C9A	white			PR:XFJ
	9P9 920 850 G 84A	guards red (Porsche)			PR:XFG
	9P9 920 850 G 6W0	Luxor beige			PR:XFL
	9P9 920 850 G OG6	Bordeaux red			PR:XFB
	9P9 920 850 G 1S1	Racing Yellow			PR:XFR
(1)	9P9 920 950 G	Combi-instrument (complete)		1	PR:009,250
	9P9 920 950 G C9A	white			PR:XFJ
	9P9 920 950 G 84A	guards red (Porsche)			PR:XFG
	9P9 920 950 G 6W0	Luxor beige			PR:XFL
	9P9 920 950 G OG6	Bordeaux red			PR:XFB
	9P9 920 950 G 1S1	Racing Yellow			PR:XFR
1	9P9 920 811 B	Combi-instrument (complete)		1	PR:011,480 -"GB."
	9P9 920 811 B C9A	white			PR:XFJ
	9P9 920 811 B 84A	guards red (Porsche)			PR:XFG

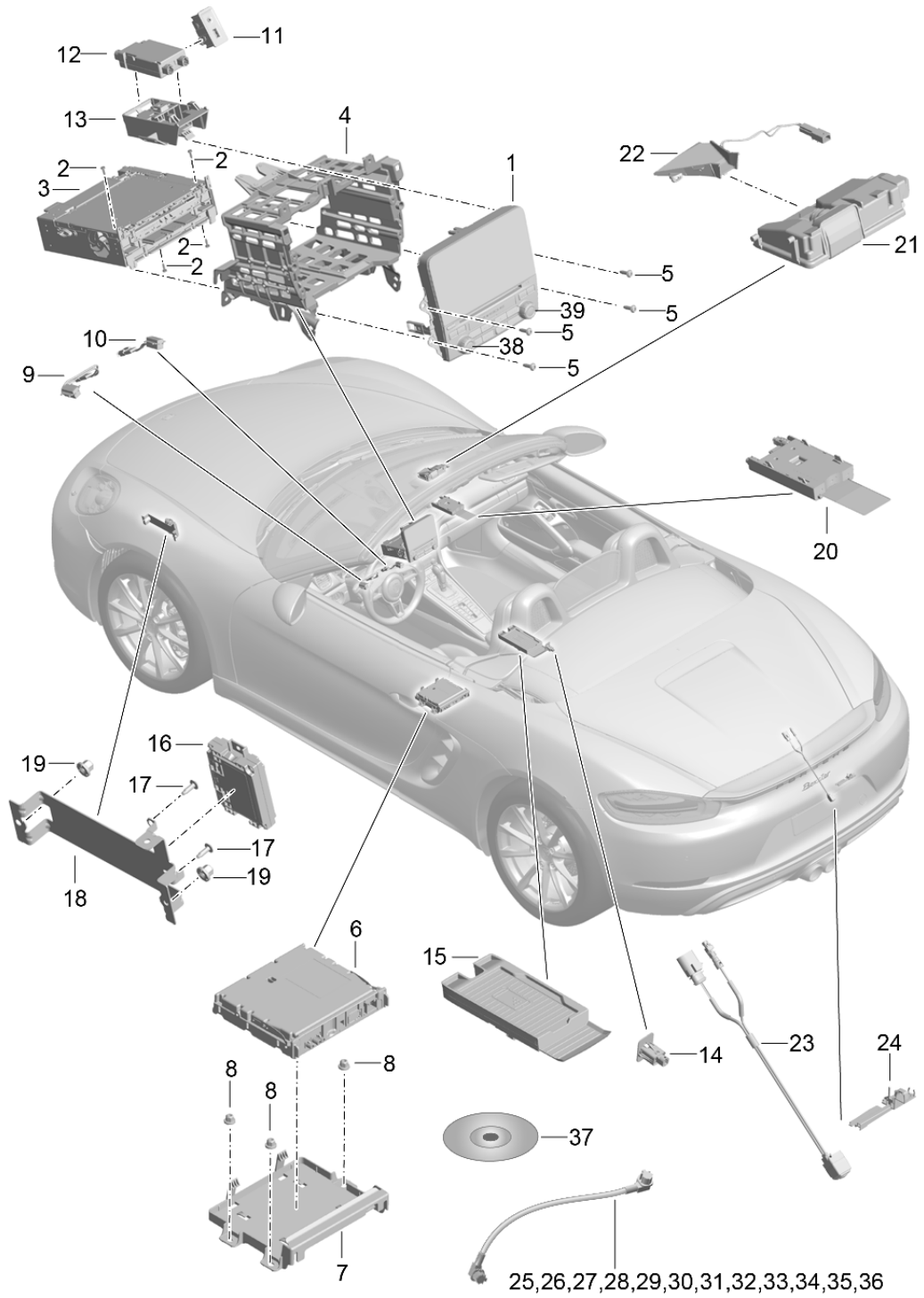
Model: 982-17

Model life 2017>>

Pos	Part Number	Description	Remark	Qty	Model
(1)	9P9 920 811 B 1S1	Racing Yellow			PR:XFR
	9P9 920 911 B	Combi-instrument (complete)		1	PR:011,250 -"GB."
	9P9 920 911 B C9A	white			PR:XFJ
	9P9 920 911 B 84A	guards red (Porsche)			PR:XFG
1	9P9 920 911 B 1S1	Racing Yellow			PR:XFR
	9P9 920 851 B	Combi-instrument (complete)		1	PR:011,480 -"GB."
	9P9 920 851 B C9A	white			PR:XFJ
	9P9 920 851 B 84A	guards red (Porsche)			PR:XFG
	9P9 920 851 B 1S1	Racing Yellow			PR:XFR
(1)	9P9 920 951 B	Combi-instrument (complete)		1	PR:011,250 -"GB."
	9P9 920 951 B C9A	white			PR:XFJ
	9P9 920 951 B 84A	guards red (Porsche)			PR:XFG
	9P9 920 951 B 1S1	Racing Yellow			PR:XFR
2	991 641 911 00	Setting knob for daily distance recorder (kilometres or miles) throttle control element		1	
		Trip meter			
3	999 073 498 01	fillister hd. bolt M 5 X 20		4	
4	999 507 556 01	panel nut		4	
5	9P9 919 203 B	Stopwatch		1	PR:XGM
	9P9 919 203 B C9A	white			
(5)	9P9 919 203 C	Stopwatch		1	PR:XGN
	9P9 919 203 C 84A	guards red (Porsche)			
(5)	9P9 919 203	Stopwatch		1	PR:XGK
	9P9 919 203 6W0	Luxor beige			
(5)	9P9 919 203 D	Stopwatch		1	PR:XGP
	9P9 919 203 D OG6	Bordeaux red			
(5)	9P9 919 203 A	Stopwatch		1	PR:XGL
	9P9 919 203 A 1S1	Racing Yellow			
(5)	982 919 203 D	Stopwatch		1	PR:025
	982 919 203 D DAP	Matt Black/Galvano Silver			
6	999 073 155 09	panel screw ST 4,2 X 13		2	

Model: 982-17

Model life 2017>>



Model: 982-17

Model life 2017&gt;&gt;

Pos	Part Number	Description	Remark	Qty	Model
1	9P1 919 606 D	Control panel Navigation system Central computer TV microphone Camera display		1	PR:I8L,9ZC, 9ZK
(1)	9P1 919 606 D DML 9P1 919 606 X	Matt Black/hi-gloss chrome display		1	PR:I8L,9ZC, 9ZK
(1)	9P1 919 606 X DML 9P1 919 607 B	Matt Black/hi-gloss chrome display		1	PR:I8L,9ZE, 9ZX
(1)	9P1 919 607 B DML 9P1 919 607 X	Matt Black/hi-gloss chrome display		1	PR:I8L,9ZE, 9ZX
2	9P1 919 607 X DML 9A7 008 064 00	Matt Black/hi-gloss chrome flat round head bolt M 2,5 X 10		4	
3	9P1 035 035 D	Central computer		1	PR:ER1,QU1, QV3,9ZC,9ZK
3	9P1 035 035 X	Central computer		1	PR:ER1,QU1, QV3,9ZC,9ZK
(3)	9P1 035 036 D	Central computer		1	PR:ER1,QV0, QV1,9ZC,9ZK
(3)	9P1 035 036 X	Central computer		1	PR:ER1,QV0, QV1,9ZC,9ZK
(3)	9P1 035 037 D	Central computer		1	PR:ER1,QU1, QV3,9ZE,9ZX
(3)	9P1 035 037 X	Central computer		1	PR:ER1,QU1, QV3,9ZE,9ZX
(3)	9P1 035 038 D	Central computer		1	PR:ER1,QV0, QV1,9ZE,9ZX
(3)	9P1 035 038 X	Central computer		1	PR:ER1,QV0, QV1,9ZE,9ZX
(3)	9P1 035 039 D	Central computer		1	PR:ER2,QV0, QV1,9ZC,9ZK
(3)	9P1 035 039 X	Central computer		1	PR:ER2,QV0, QV1,9ZC,9ZK
(3)	9P1 035 040 D	Central computer		1	PR:ER2,QV0, QV1,9ZE,9ZX
(3)	9P1 035 040 X	Central computer		1	PR:ER2,QV0, QV1,9ZE,9ZX
(3)	9P1 035 041 D	Central computer		1	PR:ER2,QU1, QV3,9ZC,9ZK
(3)	9P1 035 041 X	Central computer		1	PR:ER2,QU1, QV3,9ZC,9ZK
(3)	9P1 035 868 D	Central computer		1	PR:ER2,QU1, QV3,9ZE,9ZX
(3)	9P1 035 868 X	Central computer		1	PR:ER2,QU1, QV3,9ZE,9ZX
(3)	9P1 035 890 D	Central computer		1	PR:ER3,9ZC, 9ZK
(3)	9P1 035 890 X	Central computer		1	PR:ER3,9ZC, 9ZK
(3)	9P1 035 892 D	Central computer		1	PR:ER3,9ZE, 9ZX
(3)	9P1 035 892 X	Central computer		1	PR:ER3,9ZE, 9ZX
(3)	9P1 035 893 D	Central computer		1	PR:ER4,QV0
(3)	9P1 035 893 X	Central computer		1	PR:ER4,QV0
(3)	9P1 035 894 C	Central computer		1	PR:ER6,9ZC,

Model: 982-17 Model life 2017>>

Pos	Part Number	Description	Remark	Qty	Model
(3)	9P1 035 894 X	Central computer		1	9ZK PR:ER6,9ZC, 9ZK
(3)	9P1 035 895 C	Central computer		1	PR:ER6,9ZE, 9ZX
(3)	9P1 035 895 X	Central computer		1	PR:ER6,9ZE, 9ZX
(3)	9P1 035 896 C	Central computer		1	PR:ER8,9ZE, 9ZX
(3)	9P1 035 896 X	Central computer		1	PR:ER8,9ZE, 9ZX
(3)	9P1 035 897 C	Central computer		1	PR:ER5,9ZC, 9ZK "J.."
(3)	9P1 035 897 X	Central computer		1	PR:ER5,9ZC, 9ZK "J.."
(3)	9P1 035 898 C	Central computer		1	PR:ER5,9ZE, 9ZX "J.."
(3)	9P1 035 898 X	Central computer		1	PR:ER5,9ZE, 9ZX "J.."
(3)	9P1 035 899 C	Central computer		1	PR:ER7,9ZE, 9ZX
(3)	9P1 035 899 X	Central computer		1	PR:ER7,9ZE, 9ZX
4	982 857 273 A	Mounting frame Central computer		1	
			with:		
5	999 073 498 01	Screen fillister hd. bolt M5X20		X	
6	9A7 919 191 00	TV tuner TV		1	PR:ER1,ER2, ER8,QU1,QV1
(6)	9A7 919 192 00	TV tuner TV		1	PR:ER6,QU1, QV1
(6)	9A7 919 146 00	TV tuner TV		1	PR:ER7,QU1, QV1
(6)	9A7 919 129 00	TV tuner TV		1	PR:ER5,QU1, QV1
7	9P1 919 159	Bracket Receiving part TV		1	PR:QU1,QV1
8	999 049 033 40	Plastic nut		3	PR:QU1,QV1
9	991 646 307 02	microphone	left	1	PR:9VK,9ZC, 9ZE,9ZK,9ZX
(9)	991 646 309 02	microphone	left	1	PR:9VJ,9VL, 9ZC,9ZE,9ZK, 9ZX
10	991 646 313 02	microphone	right	1	PR:I8L
(10)	9P1 035 222 B	USB connector		1	PR:UI2
11	9A7 642 222 00	Connection for USB and AUX-IN		1	PR:UI2,-ER5
11	9A7 642 222 00	Connection for USB and AUX-IN		1	PR:UI4,ER5
(11)	9A7 642 222 20	Multimedia interface Connection for USB and AUX-IN		1	PR:UI4-ER5
12	9A7 642 953 00	USB hub		1	PR:UI4,ER5
12	9A7 642 953 00	USB hub		1	PR:UI4,UI2
(12)	9A7 642 953 02	USB distributor		1	PR:UI2,ER5
13	9P1 035 925 A	Bracket for USB hub		1	PR:UI2,UI4
14	9P1 035 222	USB connector		1	PR:ER1,ER2, ER3,ER4,ER5, ER6,ER7,ER8,

Model: 982-17

Model life 2017&gt;&gt;

Pos	Part Number	Description	Remark	Qty	Model
15	9P1 035 502 A	Coupler box		1	UI2,UI4 PR:9ZC,9ZE
	9P1 035 502 A 1E0	Black			
16	PAB 035 456 00	Amplifiers Mobile		1	PR:GB1
(16)	PAB 035 456 01	Amplifiers Mobile		1	PR:GB2
(16)	PAB 035 456 02	Amplifiers Mobile		1	PR:GB3
17	999 073 459 01	fillister hd. bolt		2	PR:9ZC,9ZE
18	9P1 035 205	Cellphone holder Amplifiers		1	PR:9ZC,9ZE
19	999 049 033 40	Plastic nut		2	PR:9ZC,9ZE
20	9A7 919 813 00	chip card reader for road toll system D >> - 18.01.2018		1	PR:ER5
20	9A7 919 813 A	chip card reader for road toll system	9A7 035 504 use also for retrofitting:	1	PR:ER5
21	7PP 980 653 D	Camera Windscreen		1	PR:631,-632, -852
(21)	7PP 980 653 D	Camera Windscreen		1	PR:-631,632, 852
22	991 555 715 00	Trim	with:	1	PR:631,-632, -852
(22)	991 555 715 00	heater Trim	with:	1	PR:-631,632, 852
23	95B 980 551 K	Reversing camera		1	PR:638
24	991 642 222 00	Support for reversing camera Connector		1	PR:638
25	9P1 979 001	Connecting line Coupler box Centre console 800 MM		1	PR:9ZC,9ZE
26	9P1 979 002	Connecting line USB adapter Centre console 1025 MM		1	PR:UI2
27	9P1 979 018	Connecting line USB adapter Centre console 600 MM		1	PR:UI2
28	9P3 979 001	Connecting line Combi-instrument Centre console 730 MM		1	PR:7UG,098
29	9P4 979 001	Connecting line Combi-instrument Centre console 1100 MM		1	PR:7UG,099
30	9P1 979 008	Connecting line Reversing camera 1350 MM		1	PR:638
31	9P1 979 016	Connecting line Reversing camera 4100 MM		1	PR:638
32	9P1 979 022	Connecting line Reversing camera Trim 950 MM	rear	1	PR:638



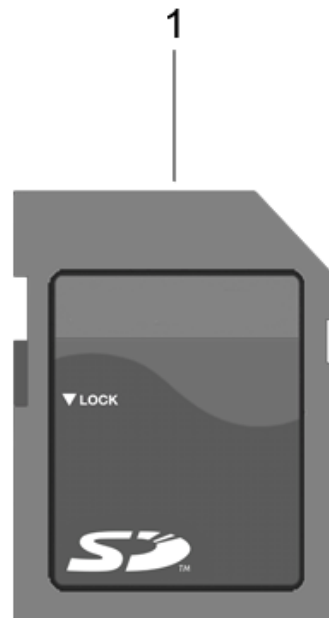
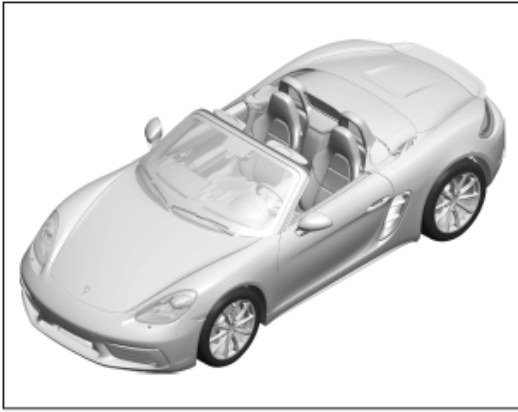
Model: 982-17

Model life 2017&gt;&gt;

Pos	Part Number	Description	Remark	Qty	Model
33	9P1 979 004	Connecting line USB adapter USB distributor 850 MM		1	PR:ER1,ER2, ER3,ER4,ER6, ER7,ER8,I8L, UI2
34	9P1 979 005	Connecting line USB adapter Central computer 890 MM		1	PR:ER5
(34)	9P1 979 007	USB connection cable USB adapter Central computer 900 MM		1	PR:ER1,ER2, ER3,ER4,ER6, ER7,ER8,I8L, UI4
35	9P1 970 295	Connecting line (Central computer > USB hub)		1	PR:ER1,ER2, ER3,ER4,ER6, ER7,ER8,I8L, UI2
36	9P1 970 349	Connecting line display Central computer 250 MM		1	
37	958 919 855 00	CD-ROM for electronic driver's logbook		1	PR:9NY
38	9P1 919 069	Rot. knob display	left	1	
39	9P1 919 070	Rot. knob display	right	1	

Model: 982-17

Model life 2017>>



Model: 982-17

Model life 2017&gt;&gt;

Pos	Part Number	Description	Remark	Qty	Model
1	9P1 909 000 G	SD card Data Navigation for Update SD memory card for updating the navigation data D >> - MJ 2017		1	PR:ER1
1	9P1 909 000 T	SD memory card for updating the navigation data D - MJ 2018>>		1	PR:ER1
1	9P1 909 000 H	SD memory card for updating the navigation data D >> - MJ 2017		1	PR:ER3,ER4
1	9P1 909 000 AA	SD memory card for updating the navigation data D - MJ 2018>>		1	PR:ER3,ER4
1	9P1 909 000 J	SD memory card for updating the navigation data D >> - MJ 2017		1	PR:ER2
1	9P1 909 000 AB	SD memory card for updating the navigation data D - MJ 2018>>		1	PR:ER2
1	9P1 909 000 L	SD memory card for updating the navigation data D >> - MJ 2017		1	PR:ER5
1	9P1 909 000 AD	SD memory card for updating the navigation data D - MJ 2018>> - MJ 2018		1	PR:ER5,IY1
1	9P1 909 000 AH	SD memory card for updating the navigation data D - MJ 2018>> - MJ 2018		1	PR:ER5,IY2
1	9P1 909 000 N	SD memory card for updating the navigation data D >> - MJ 2017		1	PR:ER8
1	9P1 909 000 AF	SD memory card for updating the navigation data D - MJ 2018>> - MJ 2018		1	PR:ER8,IY1
1	9P1 909 000 AK	SD memory card for updating the navigation data D - MJ 2018>> - MJ 2018		1	PR:ER8,IY2
1	9P1 906 961	SD card Software Central computer D >> - MJ 2017		1	PR:ER1,ER2
1	9P1 919 360 B	SD card Software Central computer D - MJ 2018>>		1	PR:ER1,ER2
1	9P1 906 961 A	SD card Software Central computer D >> - MJ 2017		1	PR:ER3,ER4
1	9P1 919 360 C	SD card Software Central computer D - MJ 2018>>		1	PR:ER3,ER4
1	9P1 906 961 B	SD card Software Central computer D >> - 08.11.2016		1	PR:ER6
1	9P1 919 360	SD card Software		1	PR:ER6

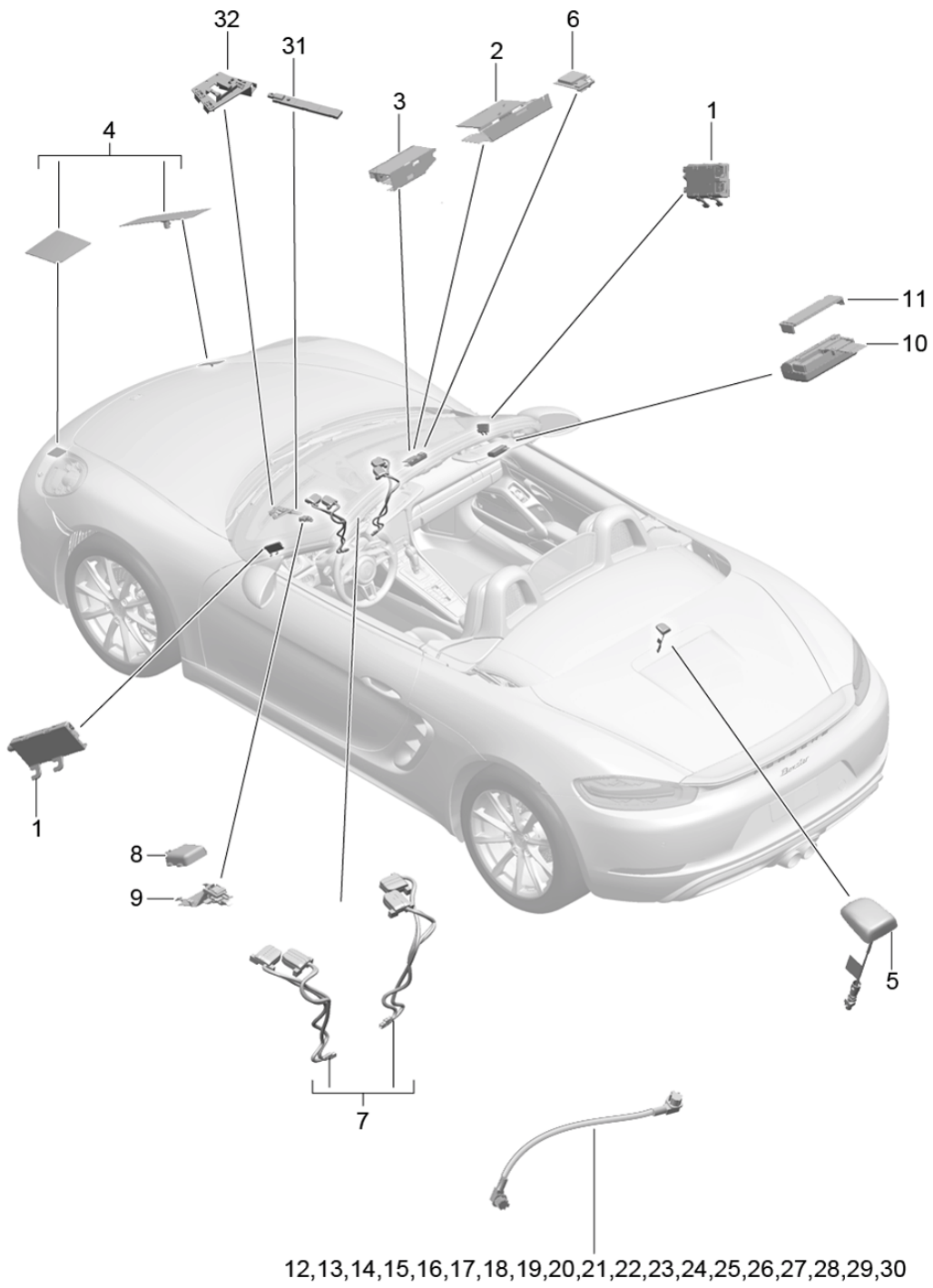
Model: 982-17

Model life 2017>>

Pos	Part Number	Description	Remark	Qty	Model
1	9P1 919 360 D	Central computer D - 09.11.2016>> D >> - MJ 2017 SD card Software		1	PR:ER6
1	9P1 919 360 A	Central computer D - MJ 2018>> SD card Software		1	PR:ER5
1	9P1 919 360 E	Central computer D >> - MJ 2017 SD card Software		1	PR:ER5
1	9P1 906 961 D	Central computer D - MJ 2018>> SD card Software		1	PR:ER8
1	9P1 919 360 F	Central computer D >> - MJ 2017 SD card Software		1	PR:ER8
1	9P1 906 961 E	Central computer D - MJ 2018>> SD card Software		1	PR:ER7
1	9P1 919 360 G	Central computer D >> - MJ 2017 SD card Software		1	PR:ER7
		Central computer D - MJ 2018>>			

Model: 982-17

Model life 2017>>



Model: 982-17

Model life 2017>>

Pos	Part Number	Description	Remark	Qty	Model
1	9P1 035 225	Aerial Lines Aerial amplifier A-pillar	right	1	/R PR:ER1,ER2, ER3,ER4,ER6, ER7,ER8,QU8, QV0,QV3
(1)	9P1 035 225 A	Aerial amplifier A-pillar	right	1	/R PR:ER5,QV0
(1)	9P1 035 225 C	Aerial amplifier A-pillar	right	1	/R PR:ER1,ER2, ER3,ER4,ER6, ER7,ER8,QU1, QV1
(1)	9P1 035 225 D	Aerial amplifier A-pillar	right	1	/R PR:ER5,QV1
(1)	9P1 035 225 B	Aerial amplifier A-pillar	left	1	/L PR:ER1,ER2, ER3,ER4,ER6, ER7,ER8,QV3
(1)	9P1 035 225 E	Aerial amplifier A-pillar	left	1	/L PR:ER1,ER2, ER3,ER4,ER6, ER8,QV1
(1)	9P1 035 225 F	Aerial amplifier A-pillar	left	1	/L PR:ER5,QV1
(1)	9P1 035 225 G	Aerial amplifier A-pillar	left	1	/L PR:ER1,ER2, ER3,ER4,ER6, ER8,QU1
2	971 035 503	Telephone aerial		1	PR:9ZC,9ZK, -631,-632,
3	971 035 503 A	Telephone aerial		1	PR:9ZC,9ZK, 631,-632, -852
(3)	971 035 503 A	Data Telephone aerial		1	PR:9ZC,9ZK, -631,632,852
(3)	971 035 503 A	Data Telephone aerial		1	PR:9ZC,9ZK, 631,632,852
4	982 035 510 A	Data Telephone aerial		2	PR:9ZC
(4)	982 035 510 A	Front apron Telephone aerial		1	PR:9ZE,9ZK
5	9P1 035 510	Front apron Aerial		1	PR:QU8
6	7PP 035 504 A	Digital Radio unit For painting in ext. colour		1	PR:7UG
7	991 647 053 01	Aerial Navigation		1	PR:7G9,7I0, 7I2
8	9A7 647 504 00	Aerial ETC		1	PR:ER5
9	9P1 035 755	Retainer for aerial ETC		1	PR:ER5
10	9A7 647 504 10	Aerial VICS		1	PR:ER5
10	9A7 035 504	D Aerial VICS	>> - 18.01.2018	1	PR:ER5
		use also for			

Model: 982-17 Model life 2017>>

Pos	Part Number	Description	Remark	Qty	Model
		retrofitting:	9A7.919.813.A		
11	9A7 647 720 00	D - 19.01.2018>> Retainer for aerial		1	PR:ER5
12	9P4 979 002	VICS Single wire Aerial		1	PR:ER5
13	9P3 979 008	ETC Single wire Aerial		1	PR:ER5, I8L, QV0
(13)	9P3 979 009	Single wire Aerial	right	1	/R PR:ER5, I8L, QV1
(13)	9P3 979 013	Single wire Aerial	left	1	/L PR:ER5, I8L, QV1
14	9P3 979 023	Single wire Aerial GSM		1	PR:7G9, 7I0, 7I2
15	9P4 979 005	Single wire Aerial GPS		1	PR:7UG
16	9P4 979 006	Single wire Aerial GPS		1	PR:7G9, 7I0, 7I2
17	9P3 979 007	VTS vehicle tracking Single wire Aerial GSM		1	PR:7G9, 7I0, 7I2
18	9P3 979 018	VTS vehicle tracking Single wire Aerial GSM		1	PR:9ZC, 9ZK, -631, -632, -852
19	9P3 979 019	Single wire Aerial GSM		1	PR:9ZC, 9ZK, 631, -632, -852
(19)	9P3 979 019	Single wire Aerial GSM		1	PR:9ZC, 9ZK, 632, 852
20	9P1 979 010	Single wire Aerial Digital		1	PR:QU8
21	9P1 979 015	Radio unit Single wire Aerial		1	PR:7G9, 7I0, 7I2
22	9P3 979 010	Centre console VTS vehicle tracking Single wire Aerial		1	PR:ER1, ER2, ER3, ER4, ER6, ER7, ER8, I8L, QU8, QV0, QV3
23	9P3 979 011	Single wire Aerial		1	PR:ER1, ER2, ER3, ER4, ER6, ER8, I8L, QU1, QV1
24	9P3 979 012	Single wire Aerial		1	PR:ER1, ER2, ER3, ER4, ER6, ER8, I8L, QU1
25	9P3 979 014	Single wire Aerial	lhd	1	PR:QV3
25	9P4 979 014	DAB Single wire Aerial DAB	rhd	1	PR:QV3

Model: 982-17

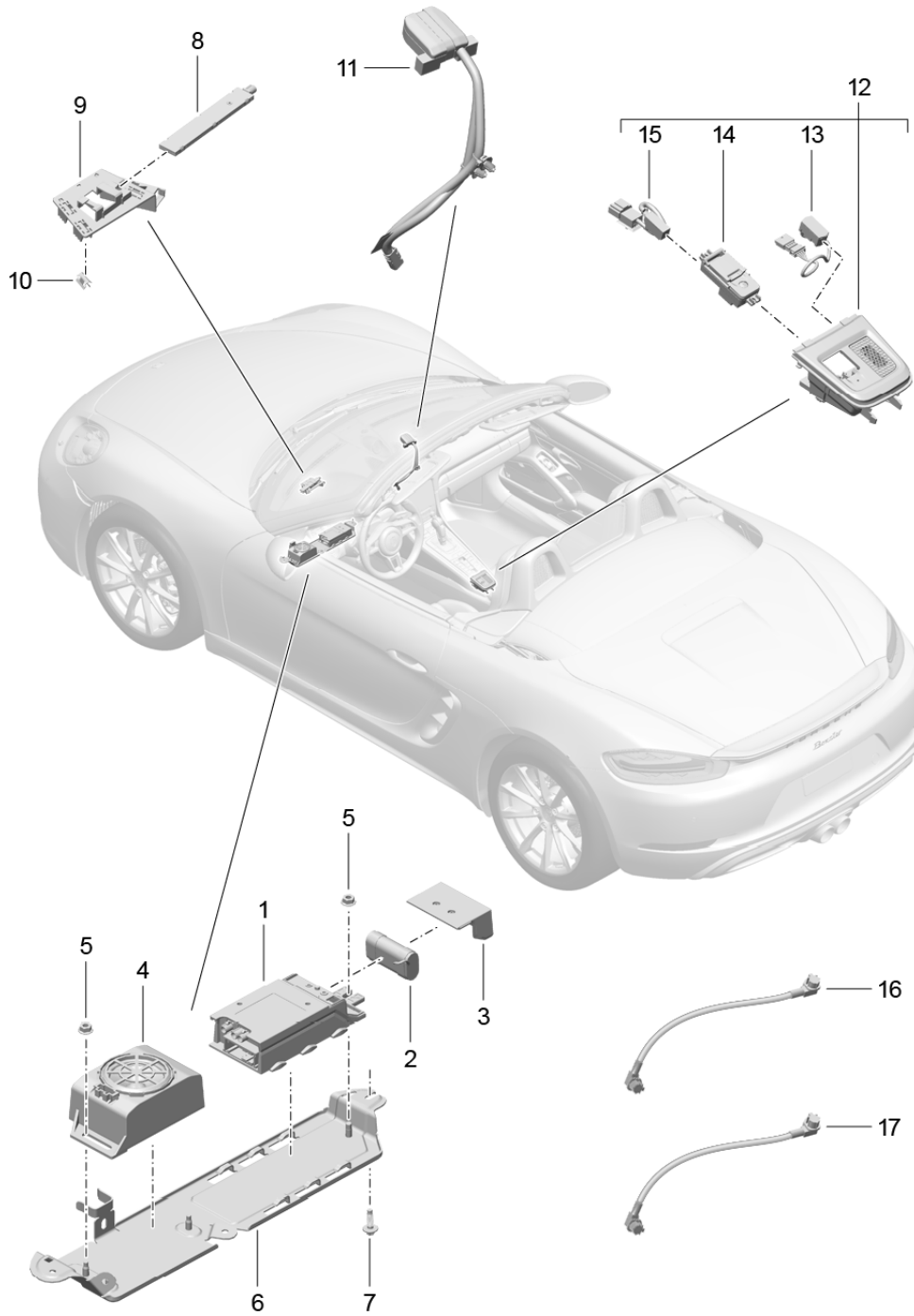
Model life 2017>>

Pos	Part Number	Description	Remark	Qty	Model
26	9P3 979 015	Single wire Aerial  without: DAB		1	PR:ER1,ER2, ER3,ER4,ER6, ER8,I8L,QV1
27	9P3 979 016	Single wire Aerial FRONT luggage compartment		1	PR:9ZC
28	9P3 979 017	Single wire Aerial Centre console Amplifiers		1	PR:9ZC
29	982 979 004	Single wire Aerial Telephone Front apron		1	PR:9ZC,9ZE
30	982 979 003	Single wire Aerial Telephone Front apron		1	PR:9ZC,9ZK
31	9A7 035 504 00	Aerial GSM		1	PR:7G9,7I0, 7I2
32	9P1 035 525	Retainer for aerial  GSM		1	PR:7G9,7I0, 7I2



Model: 982-17

Model life 2017>>



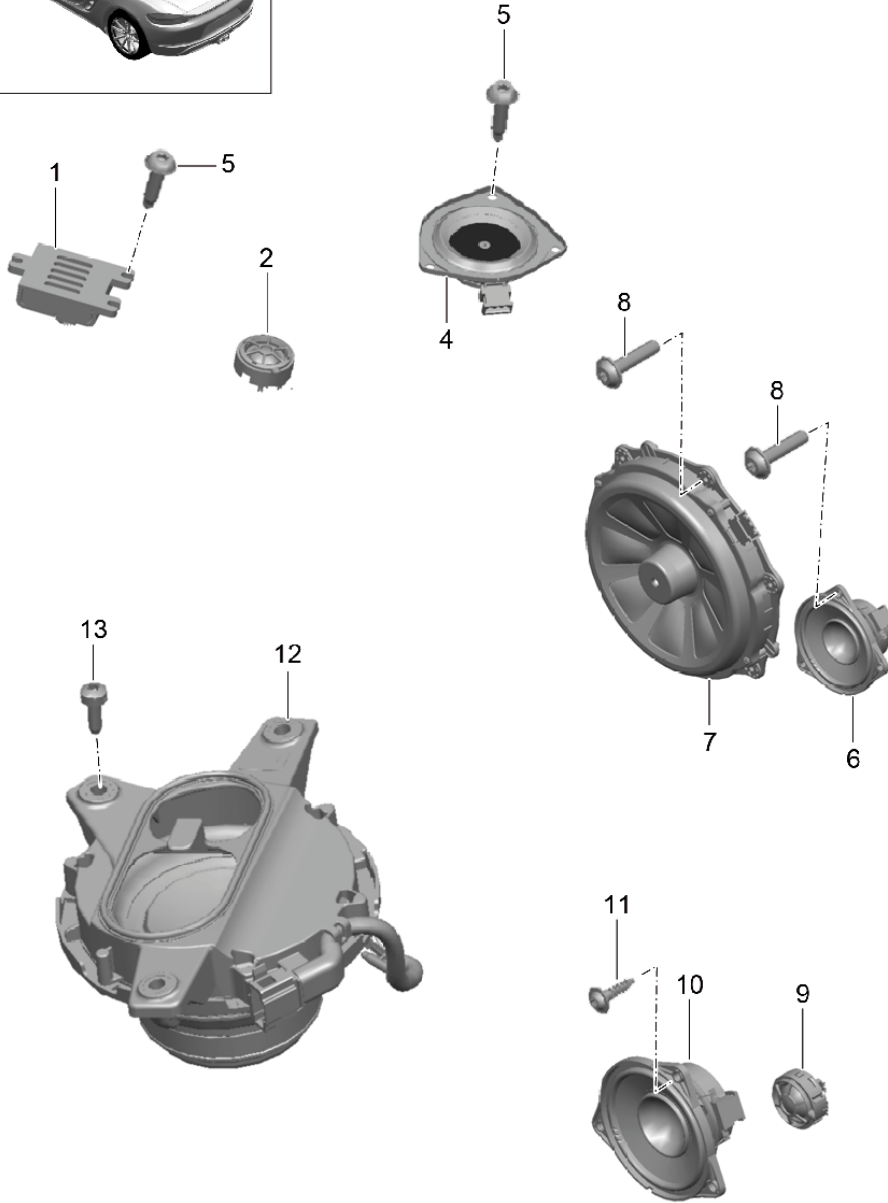
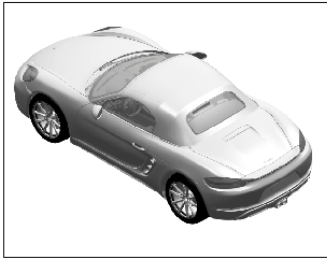
Model: 982-17

Model life 2017>>

Pos	Part Number	Description	Remark	Qty	Model
1	9P1 035 284 B	Emergency call system Control unit for emerg. call module and communications unit Communication Box		1	PR:NZ3
2	9P1 915 611	Battery for Communication Box		1	
3	9P1 035 215	Cover for Communication Box		1	
4	7PP 035 709 A	Loudspeaker		1	
5	900 377 010 01	Hexagon nut		4	
6	9P1 035 206	Bracket		1	
7	999 919 278 01	Hexagon head bolt		2	
8	9A7 035 504 00	Aerial GSM		1	
9	9P1 035 525	Retainer for aerial		1	
10	N 107 297 01	U-clip Bracket		3	
11	9P1 035 504	Aerial GPS		1	
12	982 857 200 982 857 200 A05	Trim for centre console Black		1	PR:-583
13	9P1 035 712	microphone	with:	1	
14	9P1 959 511	Switch		1	
15	9P1 959 511 6N3	Black		1	
15	9P1 971 659	Adapter Line		1	
16	9P1 979 023	Single wire for Control unit Emergency call system To Aerial GSM 1250 MM Connector housing Black and Connector housing violet		1	
17	9P1 979 024	Single wire for Control unit Emergency call system To Aerial GPS 1300 MM Connector housing blue and Connector housing Black		1	

Model: 982-17

Model life 2017>>



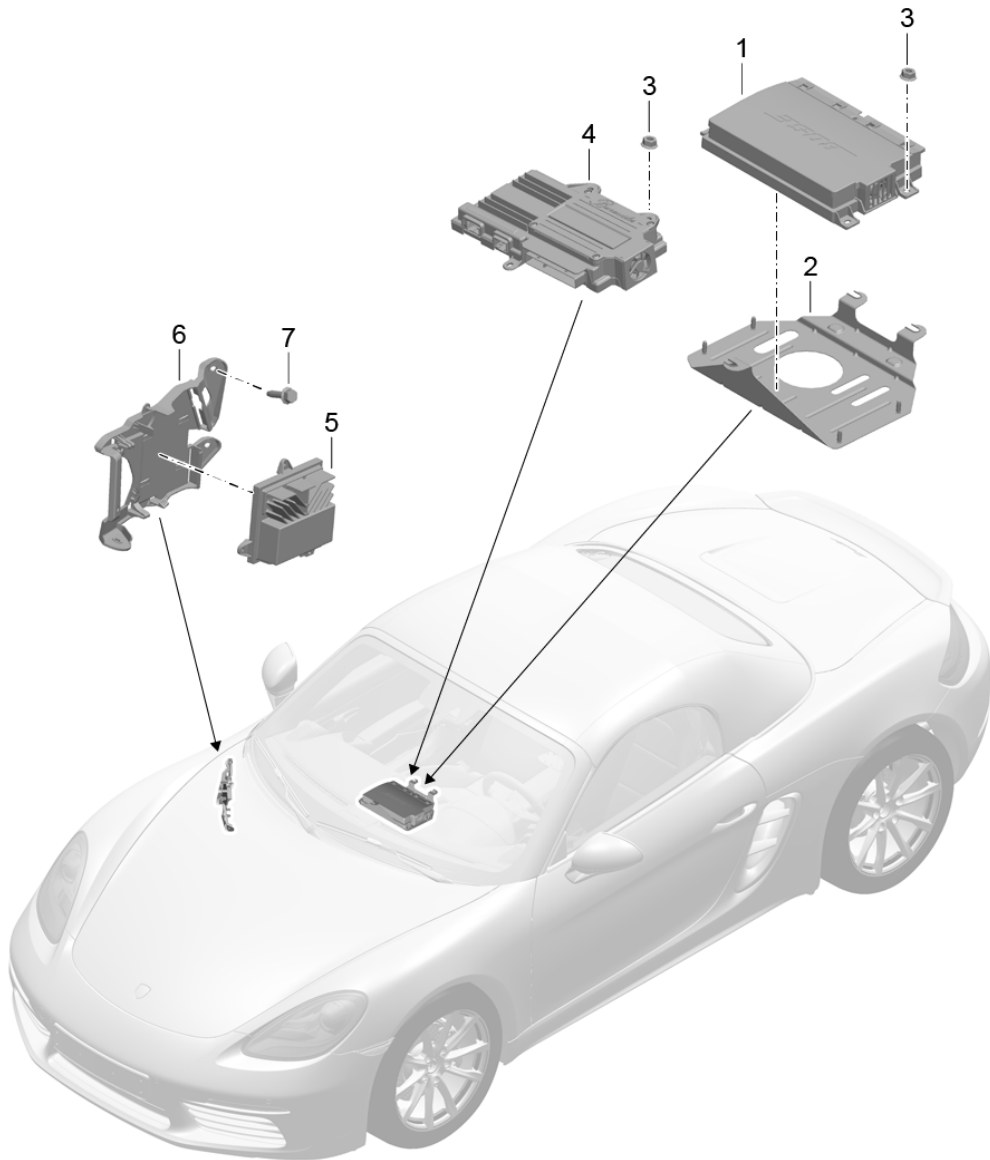
Model: 982-17

Model life 2017>>

Pos	Part Number	Description	Remark	Qty	Model
1	7PP 035 411 E	Loudspeaker Treble speaker dashboard		2	PR:9VJ
2	7PP 035 411 D	Treble speaker dashboard		2	PR:9VL
(2)	7PP 035 411	Treble speaker dashboard		2	PR:9VK
4	7PP 035 828 E	Loudspeaker dashboard	center	1	PR:9VJ
(4)	7PP 035 828 D	Loudspeaker dashboard	center	1	PR:9VL
5	999 073 498 01	fillister hd. bolt M 5 X 20		9	
6	7PP 035 415 G	Mid tone speaker Door		2	PR:9VJ
(6)	7PP 035 415 F	Mid tone speaker Door		2	PR:9VL
(6)	7PP 035 415 J	Mid tone speaker Door		2	PR:9VK
7	7PP 035 454 H	Bass loudspeaker Door		2	PR:9VJ
(7)	9A7 645 555 14	Bass loudspeaker Door		2	PR:9VL
(7)	7PP 035 454 L	Bass loudspeaker Door		2	PR:9VK
8	999 919 209 09	fillister hd. bolt 5,0 X 22,0		12	
9	7PP 035 411	Treble speaker	rear	2	PR:9VK
(9)	7PP 035 411 D	Treble speaker	rear	2	PR:9VL
(9)	7PP 035 411 E	Treble speaker	rear	2	PR:9VJ
(9)	7PP 035 412 A	Treble speaker Door	rear	2	PR:9VJ
10	7PP 035 415 G	Mid tone speaker	rear	2	PR:9VJ
(10)	7PP 035 415 F	Mid tone speaker	rear	2	PR:9VL
(10)	7PP 035 415 J	Mid tone speaker	rear	2	PR:9VK
11	999 919 250 01	Oval-head screw 4,0 X 16,0		6	
12	991 645 575 00	Subwoofer	lhd	1	PR:098,9VJ
(12)	991 645 565 00	Subwoofer	lhd	1	PR:098,9VL
(12)	991 645 576 00	Subwoofer	rhd	1	PR:099,9VJ
(12)	991 645 566 00	Subwoofer	rhd	1	PR:099,9VL
13	999 073 382 01	Bolt with washer M 6 X 20		3	PR:680,682

Model: 982-17

Model life 2017>>



Model: 982-17

Model life 2017>>

Pos	Part Number	Description	Remark	Qty	Model
1	9A7 645 443 10	Amplifiers		1	PR:9VL,9VJ
2	9P1 035 251 B	Holder for amplifier		1	PR:9VL
3	999 084 638 01	Hexagon nut		4	PR:9VL,9VJ
				3	
4	9P1 035 223 B	Amplifiers		1	PR:9VJ
5	9P1 035 465 A	Additional amplifier		1	PR:9VJ
		Subwoofer			
6	991 645 521 00	Bracket for subwoofer	lhd	1	PR:098,9VJ
		Additional amplifier			
(6)	991 645 522 00	Bracket for subwoofer	rhd	1	PR:099,9VJ
		Additional amplifier			
7	900 378 317 01	Hexagon bolt		1	PR:9VJ
		M 6 X 25			