

**Model: 928 78****Model life 1978>>1982**

## ORDER-INFO

THIS PARTS CATALOGUE CONTAINS ALL ORDER INFORMATION OF  
TYPE 928 FROM MODEL YEAR 1978 TO MODEL YEAR 1982

IT IS AVAILABLE IN TWO EDITIONS IN THE FOLLOWING LANGUAGES:

## EDITION

USA, CANADA

- \*

## EDITION

ALL OTHER COUNTRIES

- GERMAN

\* - ENGLISH

- FRENCH

- ITALIAN

- SPANISH

UPDATING IS BEING PERFORMED BY CHANGING OF UPDATE.

THE EDITION CAN BE RECOGNIZED BY THE CURRENT NO.  
YEAR IN THE BOTTOM LINE OF SUBJECT UPDATE.

THE PREVIOUS UPDATE SHOULD NO LONGER BE USED.

ALL ILLUSTRATIONS ARE SUBJECT TO CHANGE WITHOUT OBLIGATION.

"WE RESERVE THE RIGHT TO SUPPLY A SUBSEQUENTLY  
PRODUCED COMPONENT, ON WHICH ADDITIONAL WORK  
IS NECESSARY, INSTEAD OF THE COMPONENT LISTED IN  
THE CATALOGUE"

Model: 928 78

Model life 1978>>1982

EXPLANAT.-VIN

EXPLANATION OF THE ABRIDGED VERSION OF THE VEHICLE IDENT. NUMBERS (VIN)  
 =====  
 USED IN THE CATALOGUE  
 =====

--->MOD.79

=====

DIGIT:                                   1 2 3    4    5    6 7 8 9 10

EXAMPLE:                               9 2 8    9    1    0 0 2 5 3

=====

   !    !    !           !

VEHICLE TYPE-----+                   !    !           !

   !    !           !

MODEL YEAR-----+                     !           !

   !           !

CODE FOR BODY AND ENGINE-----+                   !

!

SERIAL NUMBER-----+

MOD.80--->

=====

DIGIT:                               1 2 3    4 5 6    7 8 9 10 11 12 13 14 15 16 17

EXAMPLE:                           W P O    Z Z Z    9 2 Z    C    S    8    0 0 3 1 6

=====

   !           !    !    !           !

VEHICLE TYPE 1ST+2ND DIGIT-----+                   !    !    !           !

   !    !    !           !

MODEL YEAR-----+                     !    !           !

   !    !           !

MANUFACTURING LOCATION-----+                   !

!           !

VEHICLE TYPE 3RD DIGIT-----+                   !

!

SERIAL NUMBER-----+

Model: 928 78

Model life 1978>>1982

SUMMARY TYPES

VEHICLE TYPE	MY	VIN	ENGINE TYPE
928	78 8	92881 00001>>	M28.01/02 177KW
928 (USA)(CDN)	78 8	92882 00001>09500	M28.03/04 169KW
928 (J)	78 8	92882 09501>>	M28.03/04 169KW
928	79 9	92891 00001>>	M28.01/02 177KW
928 (USA)(CDN)	79 9	92892 00001>09500	M28.03/04 169KW
928 (J)	79 9	92892 09501>>	M28.03/04 169KW
928	80 A	92A08 00001>05000	M28.09/10 177KW
928 S	80 A	92A08 20001>25000	M28.11/12 221KW
928 (USA)(CDN)	80 A	92A08 10001>15000	M28.13/14 170KW
928 (J)	80 A	92A08 00001>05000	M28.13/14 170KW
928	81 B	92BS8 00001>05000	M28.09/10 177KW
928 S	81 B	92BS8 40001>45000	M28.11/12 221KW
928 (USA)(CDN)	81 B	92BS8 20001>25000	M28.15/16 170KW
928 (J)	81 B	92BS8 29500>29999	M28.17/18 170KW
928	82 C	92CS8 00001>05000	M28.09/10 177KW
928 S	82 C	92CS8 40001>45000	M28.11/12 221KW
928 (USA)(CDN)	82 C	92CS8 20001>25000	M28.15/16 170KW
928 (J)	82 C	92CS8 09501>09999	M28.17/18 170KW

Model: 928 78

Model life 1978>>1982

EXPL. ENGINE-NO.

EXPLANATION OF THE MOTOR-NUMBERS USED IN THE CATALOGUE

--->MOD.81

```

=====
DIGIT:                1 2 3   4 5 6 7
EXAMPLE:              8 0 1   0 2 5 3
                      = = =   =====
                      ! ! !   !
ENGINE TYPE (8 = 8-CYL.-ENGINE)-----+ ! !   !
                      ! !   !
ENGINE VERSION-----+ !   !
                      !   !
MODEL YEAR-----+   !
                      !
SERIAL NUMBER-----+

```

MOD.82--->

```

=====
DIGIT:                1 2 3   4 5 6 7 8
EXAMPLE:              8 0 C   0 2 5 3 4
                      = = =   =====
                      ! ! !   !
ENGINE TYPE (8 = 8-CYL.-ENGINE)-----+ ! !   !
                      ! !   !
ENGINE VERSION-----+ !   !
                      !   !
MODEL YEAR-----+   !
                      !
SERIAL NUMBER-----+

```

Model: 928 78

Model life 1978&gt;&gt;1982

## SUMMARY ENGINES

VEHICLE TYPE	ENGINE		ENGINE NO.	TECHNICAL DATA
	TYPE	MY		
928	M28.01	78 8	818 0001>9000	8ZYL/4,5L/177KW
928 M249	M28.02	78 8	818 9001>9999	8ZYL/4,5L/177KW
928 (USA)(CDN)(J)	M28.03	78 8	828 0001>9000	8ZYL/4,5L/169KW
928 M249 (USA)(CDN)(J)	M28.04	78 8	828 9001>9999	8ZYL/4,5L/169KW
928	M28.01	79 9	819 0001>5000	8ZYL/4,5L/177KW
928 M249	M28.02	79 9	819 5001>9999	8ZYL/4,5L/177KW
928 (USA)(CDN)(J)	M28.03	79 9	829 0001>5000	8ZYL/4,5L/169KW
928 M249 (USA)(CDN)(J)	M28.04	79 9	829 5001>9999	8ZYL/4,5L/169KW
928	M28.09	80 A	800 0001>5000	8ZYL/4,5L/177KW
928 M249	M28.10	80 A	800 5001>5999	8ZYL/4,5L/177KW
928 S	M28.11	80 A	820 0001>1000	8ZYL/4,7L/221KW
928 S M249	M28.12	80 A	820 5001>6000	8ZYL/4,7L/221KW
928 (USA)(CDN)(J)	M28.13	80 A	810 0001>5000	8ZYL/4,5L/170KW
928 M249 (USA)(CDN)(J)	M28.14	80 A	810 5001>9999	8ZYL/4,5L/170KW
928	M28.09	81 B	801 0001>5000	8ZYL/4,5L/177KW
928 M249	M28.10	81 B	801 5001>8000	8ZYL/4,5L/177KW
928 S	M28.11	81 B	821 0001>5000	8ZYL/4,7L/221KW
928 S M249	M28.12	81 B	821 5001>8000	8ZYL/4,7L/221KW
928 (USA)(CDN)	M28.15	81 B	811 0001>5000	8ZYL/4,5L/170KW
928 M249 (USA)(CDN)	M28.16	81 B	811 5001>8000	8ZYL/4,5L/170KW
928 (J)	M28.17	81 B	801 8001>9000	8ZYL/4,5L/170KW
928 M249 (J)	M28.18	81 B	801 9001>9999	8ZYL/4,5L/170KW
928	M28.09	82 C	80C 0001>5000	8ZYL/4,5L/177KW
928 M249	M28.10	82 C	80C 5001>8000	8ZYL/4,5L/177KW
928 S	M28.11	82 C	82C 0001>5000	8ZYL/4,7L/221KW
928 S M249	M28.12	82 C	82C 5001>8000	8ZYL/4,7L/221KW
928 (USA)(CDN)	M28.15	82 C	81C 0001>5000	8ZYL/4,5L/170KW
928 M249 (USA)(CDN)	M28.16	82 C	81C 5001>8000	8ZYL/4,5L/170KW
928 (J)	M28.17	82 C	80C 8001>9000	8ZYL/4,5L/170KW
928 M249 (J)	M28.18	82 C	80C 9001>9999	8ZYL/4,5L/170KW

Model: 928 78

Model life 1978>>1982

EXPL. TRANSM. MO.

EXPLANATION OF THE TRANSMISSION-NUMBERS USED IN THE CATALOGUE

=====

--->MOD. 81

=====

DIGIT: 1 2 3 4 5 6 7

EXAMPLE: 1 6 1 0 3 5 5

= = = =====

! ! ! !

TRANSMISSION TYPE-----+ ! ! !

! ! !

TRANSMISSION VERSION-----+ ! !

! !

MODEL YEAR-----+ !

! !

SERIAL NUMBER-----+ !

MOD. 82--->

=====

DIGIT: 1 2 3 4 5 6 7 8

EXAMPLE: 8 0 C 0 2 5 3 4

= = = =====

! ! ! !

TRANSMISSION TYPE-----+ ! ! !

! ! !

TRANSMISSION VERSION-----+ ! !

! !

MODEL YEAR-----+ !

! !

SERIAL NUMBER-----+ !

SHORT TRANSMISSION NO.===== > PORSCHE-TRANSMISSION-TYPE

=====

722 270 03 01 722 005 0. . . . . =A22.01

I\_\_\_\_\_I

V

SHORT TRANSMISSION NO. V

===== V

V

DIGIT: 1 2 3 4 5 6 7

EXAMPLE: A 0 0 6 0 0 7

= =====

! !

TRANSMISSION TYPE---+ !

! !

SERIAL NUMBER-----+ !

Model: 928 78

Model life 1978&gt;&gt;1982

## SUMM. TRANSMISS.

VEHICLE TYPE	TRANSM.		TRANSMISSION NO.	TECHNICAL DATA
	TYPE	MY		
928	G28.03	78 8	118 0001>>	5-SPEED
928 M249	A22.01	78 8	168 0001>>	3-SPEED
928 (USA)(CDN)(J)	A22.02	78 8	168 1001>>	3-SPEED
928	G28.03	79 9	119 0001>>	5-SPEED
928 M249	A22.01	79 9	169 0001>>	3-SPEED
928 (USA)(CDN)(J)	A22.02	79 9	169 3001>>	3-SPEED
928	G28.03	80 A	11 00001>05000	5-SPEED
928	G28.05	80 A	11 05001>09999	5-SPEED
928 M249	A22.01	80 A	16 00001>03000	3-SPEED
928 S	G28.05	80 A	11 05001>09999	5-SPEED
928 S M249	A22.04	80 A	16 00001>03000	3-SPEED
928	G28.05	81 B	11 10001>19999	5-SPEED
928 M249	A22.01	81 B	16 10001>15000	3-SPEED
928 S M249	A22.04	81 B	16 15001>19999	3-SPEED
928 M249 (USA)(CDN)(J)	A22.01	81 B	16 10001>15000	3-SPEED
928	G28.09	82 C	11C 0001>9999	5-SPEED
928 M249	A22.01	82 C	16C 0001>5000	3-SPEED
928 S	G28.05	82 C	11C 0001>9999	5-SPEED
928 S M249	A22.04	82 C	16C 5001>9999	3-SPEED

Model: 928 78

Model life 1978>>1982

LEGENDS/NOTICES

LEGENDS AND NOTICES

=====

IN COLUMN -S- STATUS

-----

- N NEW ADDITION
- P PART ALREADY IN PROGRAMME, BUT NEW AT THIS APPLICATION
- W DELETED AT THIS APPLICATION, BUT CONTINUED TO BE CARRIED
- A STOCK TO BE USED UP
- U DELETED WITHOUT REPLACEMENT
- \* PART ALSO OR ONLY AVAILABLE IN REPAIR KIT
- > ALSO AVAILABLE IN EXCHANGE

IN COLUMN - ILL. -

-----

- 1 IDENTIFICATION NO. IN ILLUSTRATION
- (1) PART ONLY SIMILAR AS ILLUSTRATED
- PART IS NOT ILLUSTRATED

FIG.-NUMBERS FOR WHICH THERE IS SHOWN NO TEXT ARE NOT VALID FOR THIS EDITION OF CATALOGUE

IN COLUMN -PART NUMBER/CODE-

-----

000 000 000 00 PART NUMBER EQUALS ORDERING NO., IF A CODE IS SHOWN, IT WILL HAVE TO BE PART OF ORDERING NUMBER

AC3 COLOUR CODE

IN COLUMN -TEXT

-----

INSTALLATION WIRH ENGINE OR CHASSIS NUMBER-RANGE

EXAMPLE:

M 28C 01291 >> FROM ENGINE NO.



**Model: 928 78****Model life 1978>>1982**

F &gt;&gt; 92 CS84 01291 UP TO VIN

Model: 928 78

Model life 1978>>1982

LEGENDS/NOTICES

IN COLUMN - A -  
-----

IDENTIFICATION LETTER FOR PERIOD OF INSTALLATION  
THAT IS REPEATED SEVERAL TIMES IN THE CATALOG GROUP.

EXPLANATION PLEASE FIND IN TEXT COLUMN OF THE CATALOG GROUP

IN COLUMN - QU - = NO. OF PIECES  
-----

- 1 NUMBER PER APPLICATION
- X NUMBER AS NEEDED
- \* AVAILABLE ONLY IN RUNNING LENGTHS 1 = 1 METRE

IN COLUMN - MODEL/SYMBOL -  
-----

- M650 OPTIONAL EQUIPMENT - SEE M-NO. LIST
- 82 LIMITATION OF MODEL YEAR FOR INSTANCE: VALID UP TO  
END OF MODEL YEAR 1982
- /LL LHD
- /RL RHD
- +
- /V FRONT I  
I
- /H REAR I  
I----> APPLIES TO
- /L LEFT I DIRECTION OF TRAVEL  
I
- /R RIGHT I  
-----+
- AUT. AUTOMATIC
- WW THE PART CAN BE USED INSTEAD OF THE  
PRECEDING ONE

Model: 928 78

Model life 1978&gt;&gt;1982

COUNTRY-EQIPM.

## EQUIPMENT BY COUNTRY REGULATIONS

=====

(A)	AUSTRIA
(AG)	THE GULF STATES
(AUS)	AUSTRALIA
(B)	BELGIUM
(CDN)	CANADA
(CH)	SWITZERLAND
(D)	FEDERAL REPUBLIC OF GERMANY
(DK)	DENMARK
(E)	SPAIN
(F)	FRANCE
(GB)	GREAT BRITAIN
(GR)	GREECE
(HK)	HONGKONG
(I)	ITALY
(J)	JAPAN
(L)	LUXEMBURG
(N)	NORWAY
(NL)	NETHERLANDS
(NS)	NEW ZEALAND
(P)	PORTUGAL
(RC)	TAIWAN
(S)	SWEDEN
(SA)	SAUDI ARABIA
(SF)	FINLAND
(USA)	UNITED STATES OF AMERICA

Model: 928 78

Model life 1978&gt;&gt;1982

NR	Description
M000	+-----+ ! Summary of optional extras "M"! +-----+
M020	Speedometer with two scales mph-km/h
M026	With activated charcoal canister
M027	Version for California
M034	Version for Italy
M058	Impact absorbers, front and rear
M062	Version for Sweden
M113	Version for Canada
M124	Version for France
M157	Exhaust gas recirculation, air pump and catalytic converter -79 three-way catalytic converter, oxygen sensor, L-Jetronic 80 air pump, three-way catalytic converter, oxygen sensor, central cold start injection, L-Jetronic 81-
M186	Seat belt for back seats
M187	Headlamps with sealed-beam insert "asymmetric"
M190	Increased side door strength
M193	Version for Japan
M197	Stronger battery
M220	Locking differential 40 %
M249	Automatic transmission
M261	Door mirror - flat - passenger's side, electrically adjustable and heatable
M406	928 S - anniversary car 82 "50 years of Porsche designs" Exterior color: Meteor Metallic Interior equipment: Burgundy
M409	Sports seats, leather
M410	Sports seats, seat and backrest surface cloth/leatherette
M418	Side protection moldings
M437	Comfort seat, left, electrically adjustable
M438	Comfort seat, right, electrically adjustable
M462	928 - special model 82 Weissach Exterior colour: Light Bronze Metallic Interior equipment: Leather Medium Brown
M467	Door mirror for driver's side, convex,

Model: 928 78

Model life 1978&gt;&gt;1982

NR	Description
	electrically heatable and adjustable
M473	With front spoiler and rear spoiler
M474	Shock absorber (sporting), front and rear
M479	Version for Australia
M484	Symbols and lettering for switches and instruments
M489	Switches and insignias in German language
M492	Headlamps for left-hand traffic
M494	Additional amplifier
M528	Door mirror for passenger's side - convex - electrically heatable and adjustable
M533	Anti-theft device
M553	Version for USA, Canada
M563	Airbag - passenger's side
M568	Tinted side windows and tinted windscreen
M573	Air conditioner
M650	Electrical sliding roof
M981	Leather equipment

Model: 928 78

Model life 1978>>1982



Model: 928 78

Model life 1978>>1982

Pos	Part Number	Description	Remark	Qty	Model
-	928 721 011 03	Tool Jack		1	
-	000 721 711 00	Jack		1	
-	000 721 711 02	Jack		1	
-	000 721 710 01	Jack		1	
-	000 721 710 03	Jack		1	
-	928 551 093 02	Bag for Jack		1	
-	928 721 005 06	Tool Set Comprising:		1	
-	928 721 012 02	Spark plug wrench		1	
-	999 571 045 02	Rim wrench		1	
-	999 195 011 02	Double-end spanner 8 X 9		1	
-	999 195 012 02	Double-end spanner 10 X 11		1	
-	999 195 013 02	Double-end spanner 12 X 13		1	
-		Double-end spanner 14 X 15			
-	999 195 015 02	Double-end spanner 17 X 19		1	
-		Universal pliers			
-		Screwdriver		2	
-		Universal pliers		1	
-	928 722 101 03	Towing lug 15 X 1/8 \$		1	
-		V-belt Generator		1	
-		V-belt Air pump		1	
-		V-belt Power-steering pump		1	
-	928 722 101 05	Towing lug 20 X 1/8 \$		1	
-	928 722 103 02	Box with bulbs		1	
-	928 722 103 04	Box with bulbs	(F)	1	
-	928 701 015 02	Support Number plate Mount		1	
-	928 701 017 02	Support Number plate Mount	(B) (I) (L)	1	. .
-		Support Mount	(A) (AUS) (SF)	1	.

Model: 928 78

Model life 1978>>1982





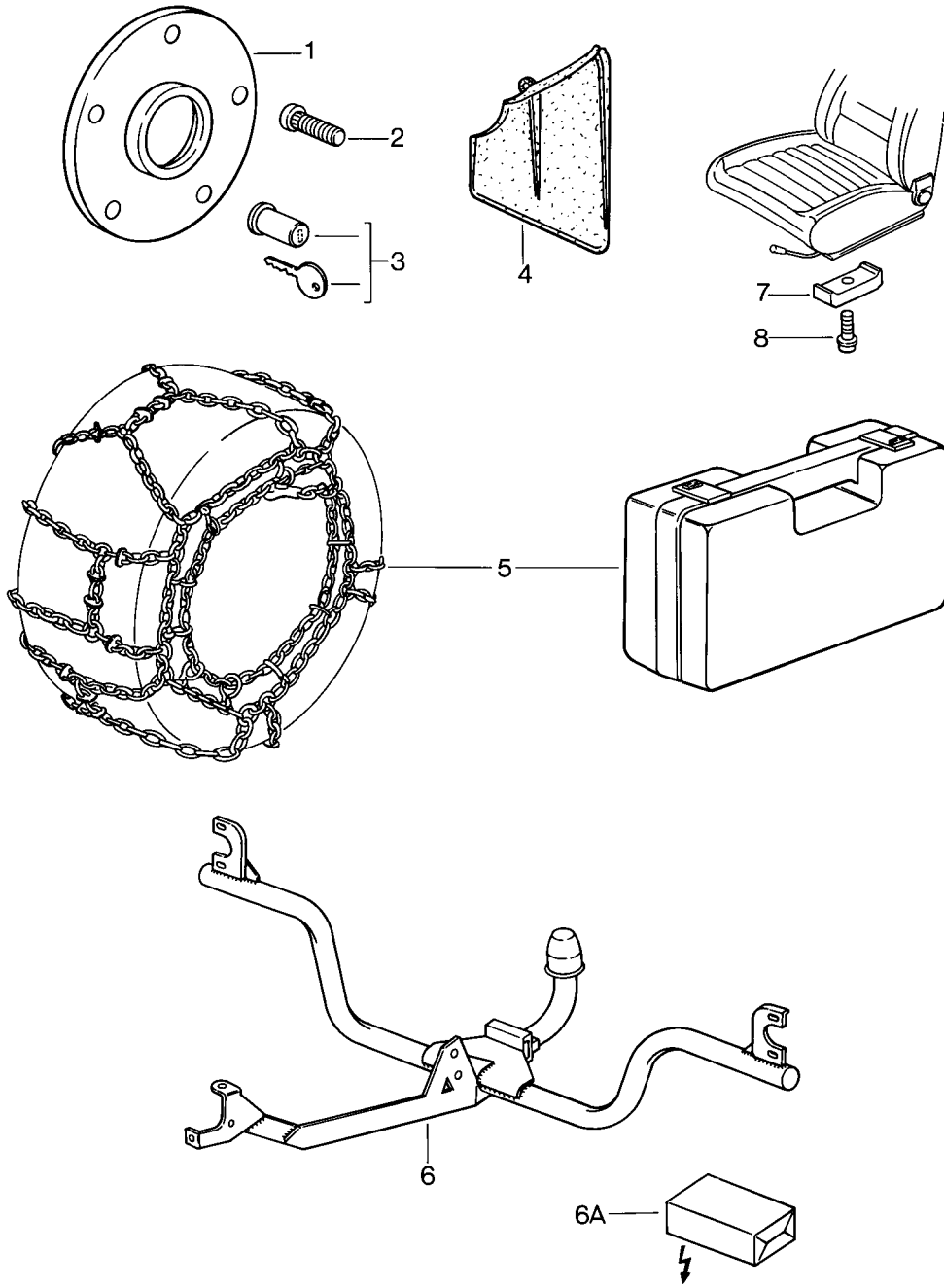
Model: 928 78

Model life 1978&gt;&gt;1982

Pos	Part Number	Description	Remark	Qty	Model
-	928 006 101 13	Stickers Sticker Engine specifications	(S)	1	
-		Sticker	(S)	1	928
-	928 006 101 14	Sticker	(S)	1	928S
-	928 006 101 07	Sticker	(AUS) -79	1	
-	928 006 101 16	Sticker	(AUS) 80-	1	
-	928 006 101 15	Sticker	(AUS)	1	928S
-	928 006 109 00	Sticker Toothed belt		1	
-	411 000 263 A	Sticker		1	
-	928 006 505 00	98 ROZ Sticker	-79	1	
-	928 006 518 00	Tyre pressure Sticker		1	928S
-	928 006 519 00	Tyre pressure Sticker	80-	1	928
-	928 006 507 00	Tyre pressure Sticker	(AUS) -79	1	
-	928 006 516 00	Tyre pressure Sticker	(AUS)	1	928S.
-	928 006 517 00	Tyre pressure Sticker	(AUS) 80-	1	928.
-	928 701 157 03	Tyre pressure Sticker		1	
-	928 006 901 00	Emergency wheel Sticker		1	
-	928 701 153 03	Trailer coupling Sticker		1	
-	928 006 103 00	Windscreen washer system Sticker		1	
-	928 006 105 00	Ignition point Sticker		1	
-	964 701 163 00	Firing order Sticker		1	
-	928 701 151 03	High voltage Sticker		1	M573
-	928 701 155 02	Additional blower Sticker Battery cover		1	

Model: 928 78

Model life 1978>>1982



Model: 928 78 Model life 1978>>1982

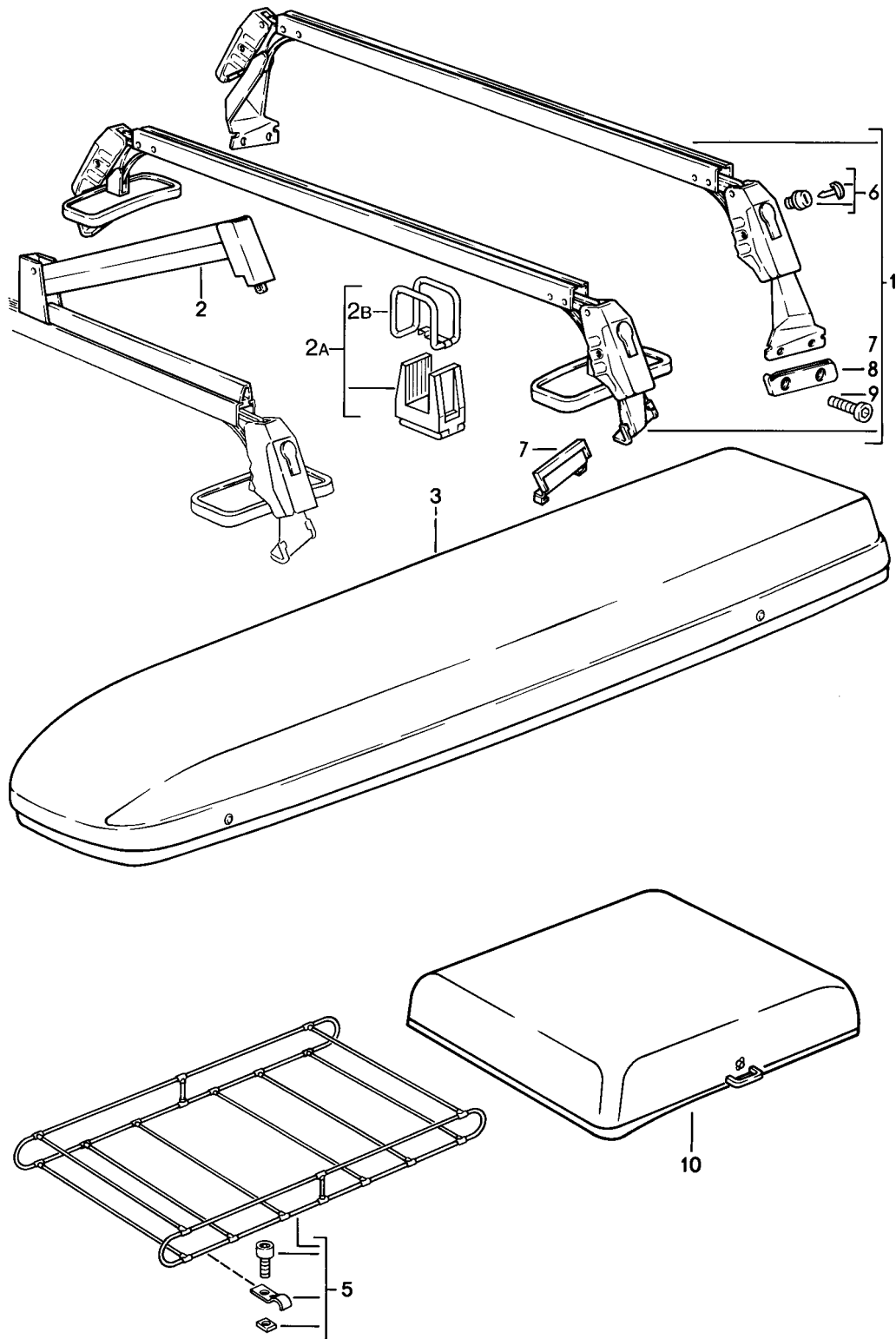
Pos	Part Number	Description	Remark	Qty	Model
		Accessories Widening of track Rear axle See technical information 928 GRUPPE X 5			
1	477 501 701	Spacer ring 21 MM		2	
2	901 331 671 01	Wheel bolt		10	
3	928 361 047 03	Wheel nut 1 set Lockable		1	
3	965 361 955 00	Wheel nut 1 set Lockable		1	
3	968 361 955 00	Wheel nut 1 set Lockable		1	
3	993 361 057 00	Wheel nut 1 set Lockable		1	
-	928 361 310 00	Cap for Wheel nut		X	
-	928 361 306 03	Wheel nut Lockable without lock		4	
4	928 559 901 02	Mud flap Set Comprising:		1	
-	928 559 383 02	Mud flap	/L	1	
-	928 559 384 02	Mud flap	/R	1	
-	928 559 385 02	Desk pad		2	
-	N 010 264 4	Hexagon-head bolt M 5 X 20		2	
-	900 910 008 02	Lock nut M 5		2	
-	928 559 386 02	Bracket		1	
-	928 559 389 02	Clamp		5	
(5)	911 361 909 00	Snow chains 1 set 185/70 R 15 225/50 R 16		1	
-	928 801 901 02	Ski rack 1 set Lockable		1	
-	928 801 035 02	Roof rack Surfboard support		1	
6	928 722 031 02	Trailer coupling		1	
6A	928 612 905 00	Electric installation set Trailer coupling		1	
-	928 731 051 02	Outside mirror for caravan	/L	1	
-	928 731 052 02	Outside mirror for caravan	/R	1	
-	928 361 510 00	Small compressor		1	
-	911 722 202 00	Tyre pressure gauge Porsche Classic mit Lederhülle Vertical pedal adjustment See group 7/02/00 7/02/05		1	
-	928 555 631 02	Luggage net Vertical seat adjustment 13 MM	80-	1	

Model: 928 78 Model life 1978>>1982

Pos	Part Number	Description	Remark	Qty	Model
7	911 521 493 00	Spacer		X	
8	900 067 089 02	Pan-head screw M 6 X 25 Vertical seat adjustment 26 MM		X	
8	900 067 089 01	Pan-head screw M 6 X 25 Vertical seat adjustment 26 MM		X	
(8)	N 014 749 2	Pan-head screw M 6 X 40		X	
-	944 522 051 01	Child car seat Up to 4 years		1	
-	928 522 050 00	Child car seat Older than 4 years Only together with		1	
-	928 522 159 02	Child car seat cushion with Logo Porsche	/L	1	
-	928 522 159 02 4CR 928 522 160 02	Black Child car seat cushion with Logo Porsche	/R	1	
-	928 522 160 02 4CR 000 043 002 00	Black Car basket Foldable		X	

Model: 928 78

Model life 1978>>1982



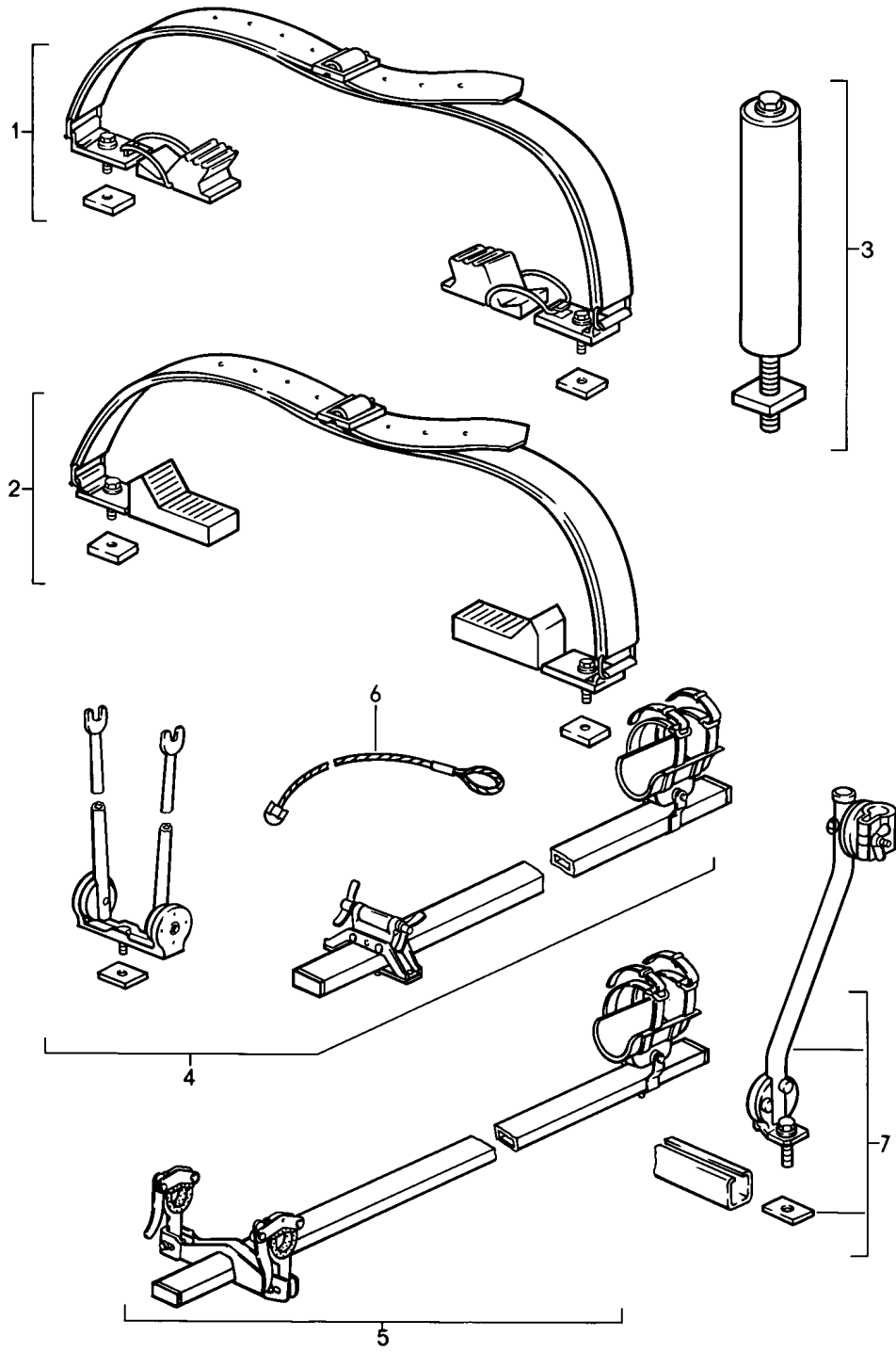
Model: 928 78

Model life 1978>>1982

Pos	Part Number	Description	Remark	Qty	Model
1	928 801 055 02	Roof transport system		1	
2	928 801 061 02	Set of main supports		4	
		Clamping bow			
		Set			
2A	928 801 903 02	Rubber support for skis		1	
		1 set			
2B	928 801 193 02	Retaining strap		1	
		1 set			
3	928 801 063 02	Ski box	/L	1	
(3)	928 801 064 02	Ski box	/R	1	
5	928 801 081 02	Roof luggage rack set		1	
		1 set			
6	928 801 011 02	Cylinder lock		4	
-	928 801 271 02	Protective rubber		2	
		Front			
-	928 801 167 02	Protective rubber		2	
		Rear			
-	900 119 072 00	Pan-head screw		4	
		M 8 X 18			
-	928 801 073 02	Box for suitcase		1	

Model: 928 78

Model life 1978>>1982



Model: 928 78

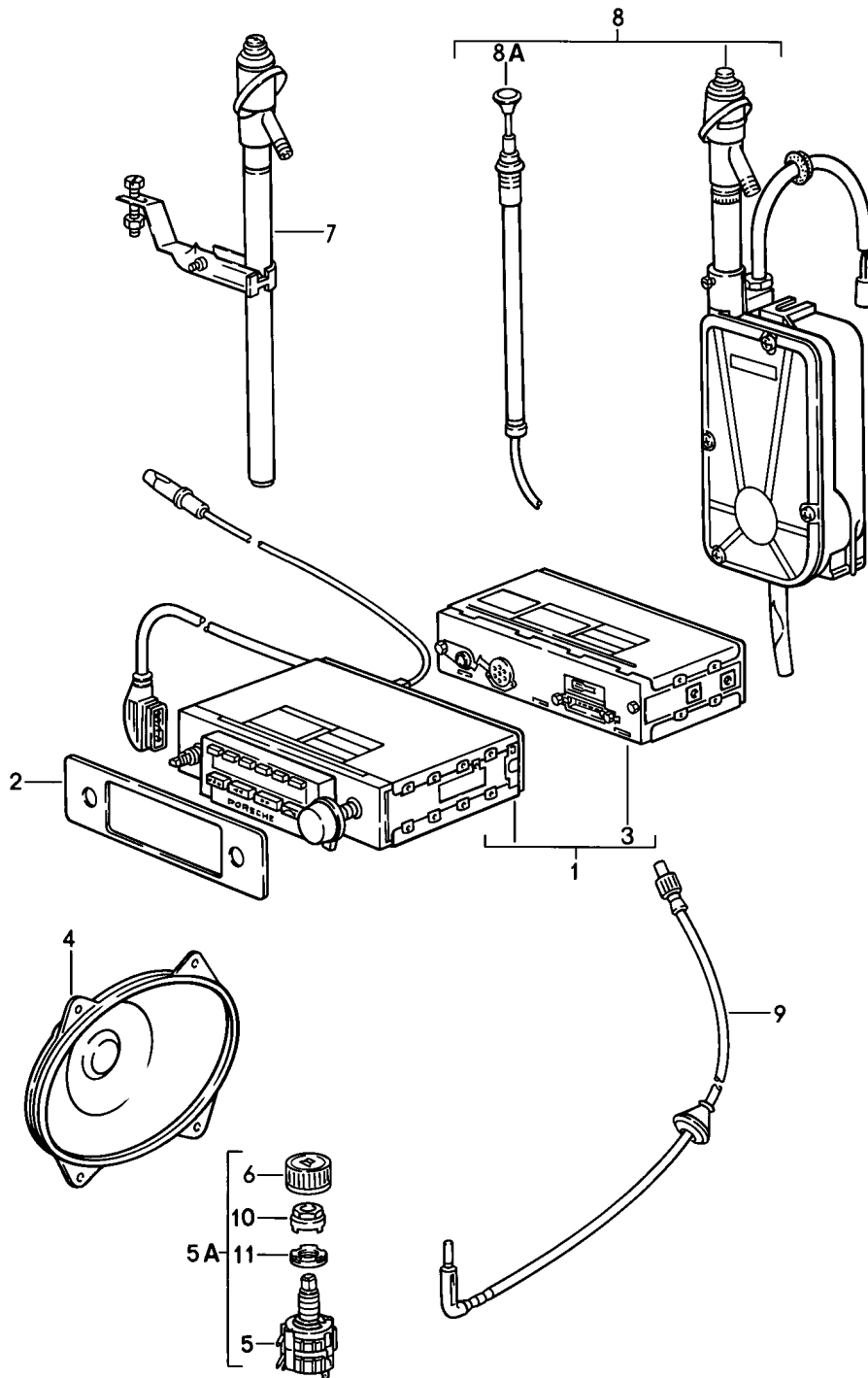
Model life 1978&gt;&gt;1982

Pos	Part Number	Description	Remark	Qty	Model
1	928 801 019 02	Roof transport system		1	
2	928 801 017 02	Set of surf board supports		1	
3	928 801 085 02	Set - canoe carrier		1	
4	928 801 093 02	Ladder support mandrel 1 set		1	
5	928 801 095 02	Set - bike carrier		1	
6	928 801 079 02	Racing bike		1	
7	928 801 097 02	Set - bike carrier		1	
		Standard bike			
		Safety rope			
		Support for bicycle			



Model: 928 78

Model life 1978>>1982



Model: 928 78 Model life 1978>>1982

Pos	Part Number	Description	Remark	Qty	Model
1	928 645 101 00	Radio Installation parts		1	M 351
(1)	928 645 102 00	Radio Porsche STEREO TYP DE		1	
(1)	928 645 105 01	Radio Porsche CR STEREO TYP RW Car radio	(A) (CH) (D)	1	
(2)	928 645 911 00	BAMBERG Digital display SUPER ARIMAT Cover for Radio (928.645.105.01)		1	
(1)	928 645 108 01	Radio BAMBERG Digital display		1	
(2)	928 645 913 00	Cover for Radio (928 645 108 01)		1	
2	928 645 151 00	Cover	-79	1	
3	911 645 165 01	Receiving part	-79	1	
4	928 645 401 00	Loudspeaker Front 4 OHM 5 WATT	-79	2	
-	928 555 119 02	Seal Loudspeaker		2	
-	900 076 056 02	Hexagon nut	-79	8	
-	999 591 461 01	Fastening clamp	-79	8	
-	900 151 019 02	Washer	-79	8	
(4)	928 645 402 00	Loudspeaker Front 4 OHM 15 WATT	80-	2	
-	N 011 004 6	Hexagon nut	80-	8	
-	N 011 004 G	Nut	80-	8	
-	900 027 011 01	Lock ring B 4	80-	8	
-	900 151 001 02	Washer	80-	8	
(4)	928 645 401 00	Loudspeaker Rear 4 OHM 5 WATT	-79	2	
-	999 591 461 01	Fastening clamp	-79	8	
-	900 025 001 02	Washer	-79	8	
-	900 076 056 02	Hexagon nut	-79	8	
4	928 645 403 00	Loudspeaker Rear 4 OHM 25 WATT	80-	2	
-	N 011 004 6	Hexagon nut	80-	8	
-	N 011 004 G	Nut	80-	8	
-	900 027 011 01	Lock ring B 4	80-	8	
-	900 151 001 02	Washer	80-	8	
5	928 645 153 00	Fader		1	
5A		Fader		1	
6	928 645 154 01	Rotary knob Fader		1	
7	928 645 030 00	Antenna Manually	-81	1	
8	928 645 035 00	Antenna	-79	1	
(8)	928 645 035 01	Antenna	80-	1	

Model: 928 78

Model life 1978&gt;&gt;1982

Pos	Part Number	Description	Remark	Qty	Model
8A	477 035 513	Antenna rod for Antenna Automatic		1	
9	928 645 031 00	Cable for Antenna		1	
-	928 645 121 01	Installation set	-79	1	
-	928 645 121 02	Installation set	80-	1	
-	928 645 901 01	Suppression set		1	
-		Suppression set for Radio PORSCHE CR		1	
-	999 619 138 00	Interference-suppr. choke for Radio BAMBERG Booster		X	
-	928 645 405 01	Amplifier		1	
5	928 645 153 02	Fader		1	
6	928 645 154 01	Rotary knob Fader		1	
-	999 619 140 00	Battery interference choke		1	
-	928 645 077 01	Support		2	
-	900 028 007 02	Spring washer		2	
-	900 143 026 02	Oval-head sheetmetal screw 4,8 X 13 Mounting parts Fader		2	
6	928 645 154 01	Rotary knob		1	
10	928 645 161 00	Rosette		1	
11	911 645 130 00	Nut		1	

Model: 928 78

Model life 1978>>1982



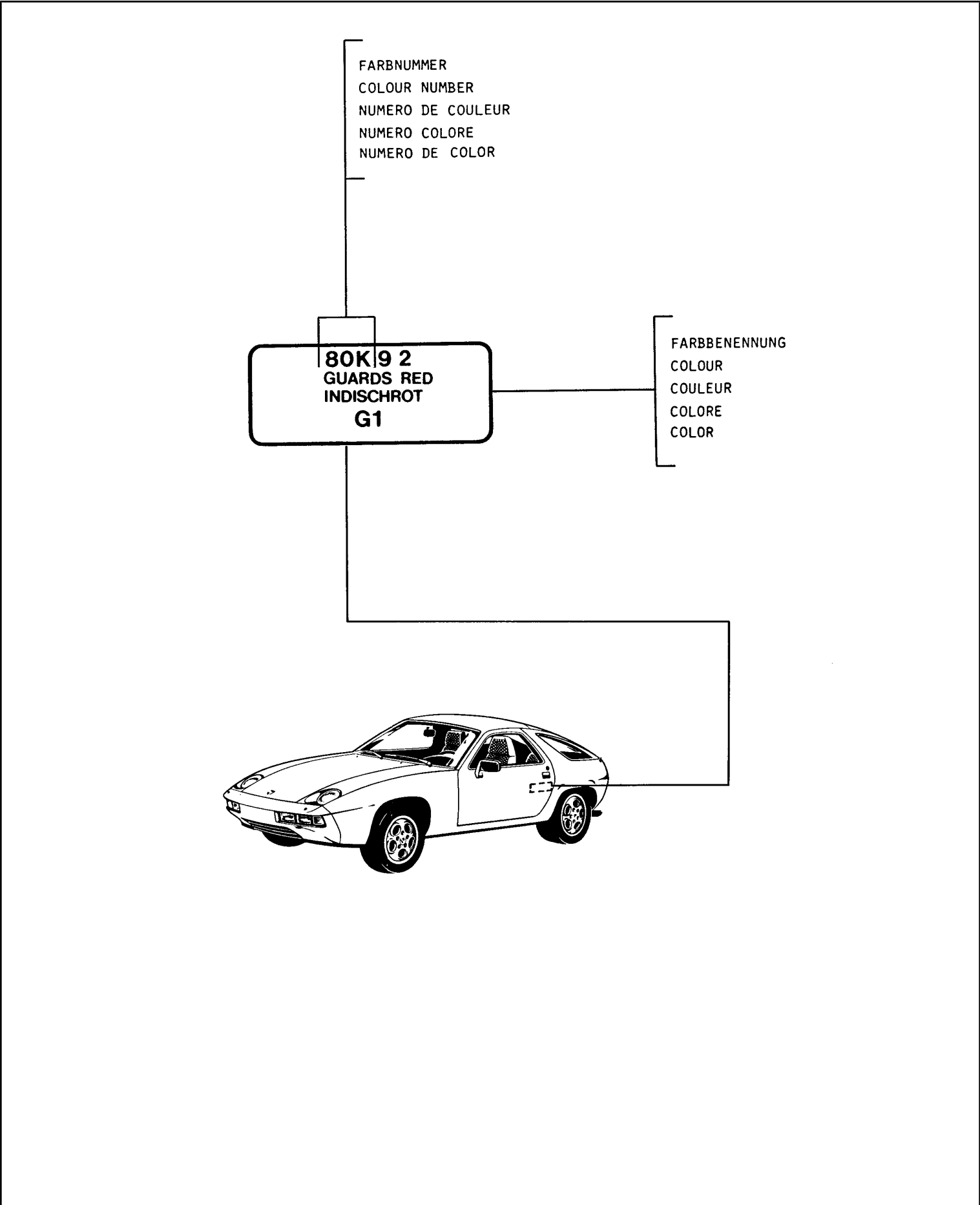
Model: 928 78

Model life 1978&gt;&gt;1982

Pos	Part Number	Description	Remark	Qty	Model
-	911 645 190 00	Radio Navigation system Installation parts		1	
-	911 645 191 00	Radio Navigation system with PORSCHE logo		1	
-	911 645 192 00	Radio Navigation system with TMC with PORSCHE logo		1	
-	911 645 195 00	Radio Navigation system with PORSCHE logo Cover for		1	
-	911 645 197 00	Radio Navigation system without PORSCHE logo Cover for		1	
-	911 645 196 00	Adapter		1	
-	911 642 105 00	Adapter		1	
-	911 642 100 00	Antenna		1	
-	911 642 100 00	Software Update 1-2011		1	
-	911 642 100 01	Software Update 1-2013		1	
-	911 642 100 02	Software Update 1-2014		1	
-	911 642 107 00	Microphone		1	
-	911 645 199 00	Handheld transmitter Navigation system		1	

Model: 928 78

Model life 1978>>1982



Model: 928 78

Model life 1978&gt;&gt;1982

Pos	Part Number	Description	Remark	Qty	Model
-	911 096 050 00	Lacquers Basic materials Polyester filler 1 KG. GLASSIT-NON-FERRO 839-10		X	
-	911 096 051 00	Hardener 30 GR. GLASSIT 948-36 Red		X	
-	911 096 052 00	Primer filler 1 LTR. GLASSOFIX 238-150		X	
-	911 096 053 00	Hardener 500 ML. GLASSOFIX 352-228		X	
-	911 096 054 00	Primer filler 1 LTR. GLASSODUR 285-100 White		X	
-	911 096 055 00	Hardener 500 ML. GLASSODUR 929-28/1		X	
-	911 096 056 00	Wash primer 2 LTR. GLASSOFIX 2K 934-200		X	
-	911 096 057 00	Hardener 1 LTR. GLASSOFIX 934-100		X	
-	911 096 058 00	Polyurethane plastic putty 1 KG. GLASSODUR 995-20		X	
-	911 096 059 00	Hardener 1KG. GLASSODUR 929-13		X	
-	911 096 060 00	Thinner 1 KG. GLASSODUR 352-91		X	
-	911 096 062 00	Additional lacquer 1 LTR. GLASSODUR 521-111		X	
-	911 096 063 00	Underbody protection 1 KG. GLASSOHYD 1109-		X	
-	000 043 001 00	Tin SN 90% 2 Pieces		X	
-	911 095 902 60	Top-coat paint		X	
	911 095 902 60 027	Guards red			027
	911 095 902 60 106	Talbot yellow			106
	911 095 902 60 107	Orange			107
	911 095 902 60 260	Green			260
	911 095 902 60 273	Fern green			273
	911 095 902 60 274	Olive green			274
	911 095 902 60 305	Arrow blue			305
	911 095 902 60 408	Bitter chocolate			408
	911 095 902 60 451	Mocha black			451
	911 095 902 60 502	Cashmere beige			502
	911 095 902 60 601	Flieder/Lilac Grey Met.			601
	911 095 902 60 700	Black			700
	911 095 902 60 908	Grand prix white			908
	911 095 902 60 20A	Mint green			20A
	911 095 902 60 182	White			182

Model: 928 78

Model life 1978&gt;&gt;1982

Pos	Part Number	Description	Remark	Qty	Model
	911 095 902 60 523	Bamboo beige			523
	911 095 902 60 524	Caramel			524
-	911 095 903 80	Synthetic resin prime coat 1 LTR.		X	
	911 095 903 80 265	Oak green metallic			265
	911 095 903 80 275	Lind green			275
	911 095 903 80 304	Minerva blue			304
	911 095 903 80 376	Petrol blue			376
	911 095 903 80 443	Brown copper			443
	911 095 903 80 936	Silver metallic			936
	911 095 903 80 30T	Light blue metallic			30T
	911 095 903 80 463	Casablanca beige metallic			463
	911 095 903 80 464	Tobacco metallic			464
	911 095 903 80 708	Black-metallic			708
	911 095 903 80 20C	Moss green metallic			20C
	911 095 903 80 31G	Metallic blue shade			31G
	911 095 903 80 474	Rosewood			474
	911 095 903 80 895	Burgundy-metallic			895
	911 095 903 80 655	Platinum-metallic			655
	911 095 903 80 956	Zinc metallic			956
	911 095 903 80 961	Meteor metallic			961
	911 095 903 80 966	Light bronze metallic			966
-	911 096 064 00	Clear lacquer 1 LTR. GLASSODUR-MS 923-85		X	
-	911 095 932 20	Paint touch-up applicator		X	
	911 095 932 20 027	Guards red			027
	911 095 932 20 106	Talbot yellow			106
	911 095 932 20 182	White			182
	911 095 932 20 107	Orange			107
	911 095 932 20 20A	Mint green			20A
	911 095 932 20 260	Green			260
	911 095 932 20 20C	Moss green metallic			20C
	911 095 932 20 265	Oak green metallic			265
	911 095 932 20 273	Fern green			273
	911 095 932 20 274	Olive green			274
	911 095 932 20 275	Lind green			275
	911 095 932 20 304	Minerva blue			304
	911 095 932 20 305	Arrow blue			305
	911 095 932 20 376	Petrol blue			376
	911 095 932 20 408	Bitter chocolate			408
	911 095 932 20 443	Brown copper			443
	911 095 932 20 451	Mocha black			451
	911 095 932 20 474	Rosewood			474
	911 095 932 20 524	Caramel			524
	911 095 932 20 502	Cashmere beige			502
	911 095 932 20 523	Bamboo beige			523
	911 095 932 20 700	Black			700
	911 095 932 20 895	Burgundy-metallic			895
	911 095 932 20 908	Grand prix white			908
	911 095 932 20 601	Flieder/Lilac Grey Met.			601
-	911 095 933 20	Paint touch-up applicator Comprising: Paint touch-up applicator Top-coat paint Paint touch-up applicator Paint		X	
	911 095 933 20 20C	Moss green metallic			
	911 095 933 20 265	Oak green metallic			
	911 095 933 20 275	Lind green			
	911 095 933 20 30T	Light blue metallic			
	911 095 933 20 304	Minerva blue			
	911 095 933 20 376	Petrol blue			



Model: 928 78

Model life 1978>>1982

Pos	Part Number	Description	Remark	Qty	Model
	911 095 933 20 463	Casablanca beige metallic			
	911 095 933 20 464	Tobacco metallic			
	911 095 933 20 474	Rosewood			
	911 095 933 20 655	Platinum-metallic			
	911 095 933 20 708	Black-metallic			
	911 095 933 20 895	Burgundy-metallic			
	911 095 933 20 956	Zinc metallic			
	911 095 933 20 961	Meteor metallic			
	911 095 933 20 966	Light bronze metallic			

Model: 928 78

Model life 1978>>1982



Model: 928 78

Model life 1978&gt;&gt;1982

Pos	Part Number	Description	Remark	Qty	Model
-	928 101 921 00	Sealing compound Adhesive Loctite 10 CCM		X	
-	000 043 010 00	Adhesive Loctite 1 TUBE - 50 CCM		X	
-	000 043 051 00	Sealing compound Loctite 50 CCM LOCTITE 312		X	
-	000 043 202 65	Loctite AKTIVATOR NF 736 180 CCM for pasting		X	
-	000 043 004 00	Metal Glass Ceramics Mounting paste 1 KG		X	
-		Mounting paste Optimoly ht 90 GR.		X	
-	999 917 725 00	Grease 100 G		X	
-	000 043 005 00	Grease for drive shaft Grease 90 G		X	
-	000 043 204 21	Grease for drive shaft Grease for lock cylinder		X	
-	G 052 778 A2	Spraying can Grease for lock cylinder		X	
-	999 571 062 00	Spraying can Preservative agent Care kit		1	
-	999 901 013 40	Comprising: Suitcase Liquid preservative		X	
-	999 901 014 41	Car shampoo		X	
-	999 901 015 40	Polisher		X	
-	999 901 016 40	Tar remover		X	
-	999 901 017 40	Dashboard cleaner		X	
-	999 901 018 40	Paint polish		X	
-	999 901 019 41	Insect remover		X	
-	999 901 020 40	Spot remover		X	
-	999 901 021 40	Polishing cotton		X	
-	999 901 022 40	Polishing cloth		X	
-	999 917 803 00	Window cleaner Spray bottle 250 ML		X	
-	000 044 000 02	Leather care -KARNEOL- 250 CCM		1	
-	999 901 030 40	Rim cleaner Spray bottle 500 ML		X	
-	999 901 031 40	Rim cleaner Refilling bottle 1000 ML		X	
-	928 628 931 00	Silicone remover 1000 ML		X	
-	000 044 000 93	Silicone remover		X	

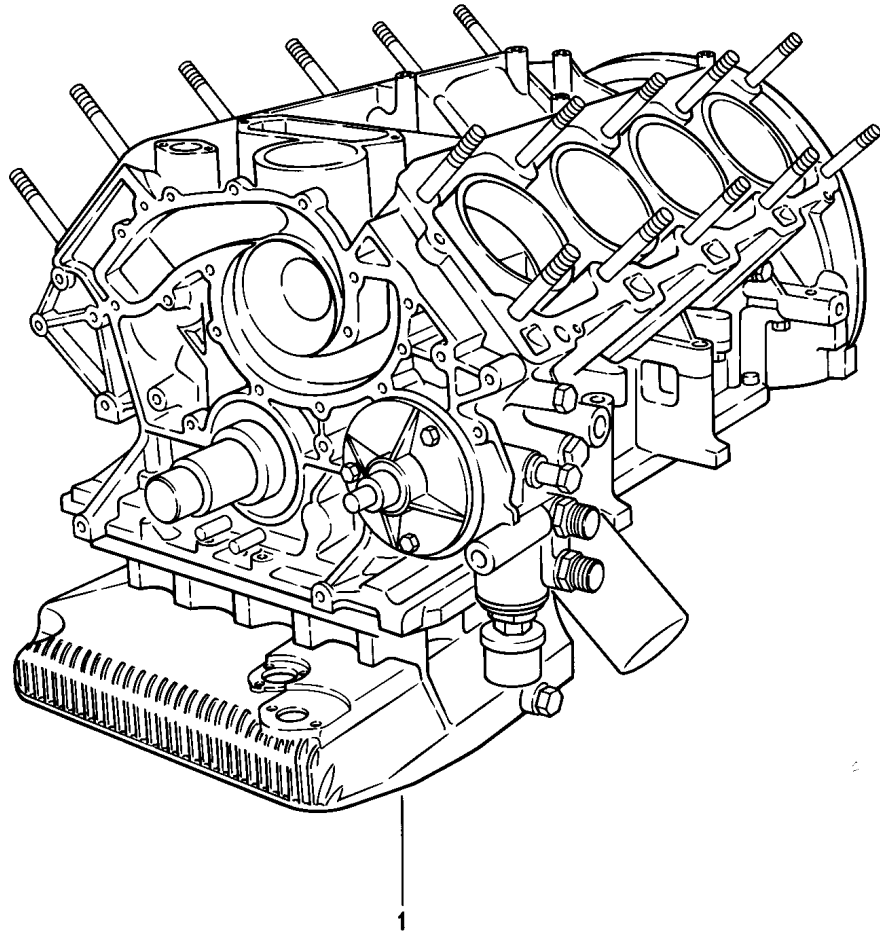
Model: 928 78

Model life 1978>>1982

Pos	Part Number	Description	Remark	Qty	Model
		1000 ML			

Model: 928 78

Model life 1978>>1982



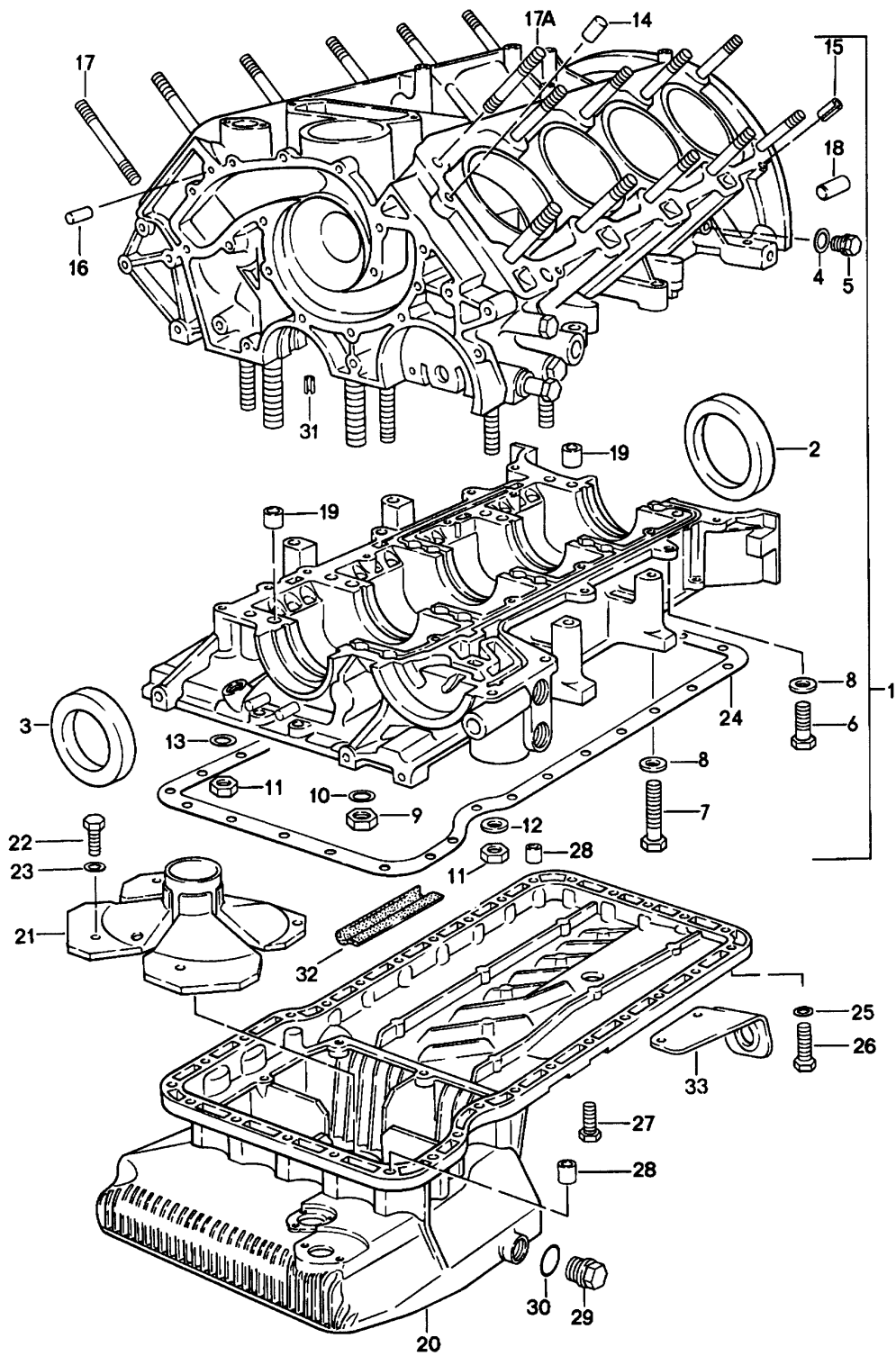
Model: 928 78

Model life 1978>>1982

Pos	Part Number	Description	Remark	Qty	Model
		Replacement engine Ready for installation			
-	928 100 921 01	Replacement engine	-79	1	M28.01
-	928 100 922 02	Replacement engine	AUT. -79	1	M28.02
-	928 100 925 09	Replacement engine	80-	1	M28.09
-	928 100 926 10	Replacement engine	AUT. 80-	1	M28.10
-	928 100 911 02	Short engine	80-	1	M28.11
-		Short engine with Crankshaft Piston Oil pump Oil pan	AUT. 80-	1	M28.12
1	928 100 911 00	Short engine	-79	1	-04 M28.01
(1)	928 100 911 01	Short engine	80-	1	M28.09/10
(1)	928 100 911 02	Short engine		1	M28.11/12

Model: 928 78

Model life 1978>>1982



Model: 928 78

Model life 1978&gt;&gt;1982

Pos	Part Number	Description	Remark	Qty	Model
1	928 101 905 01	Crankcase Crankcase with pistons Bearing 1 Closed	-79	1	-04 M28.01
(1)	928 101 906 00	Crankcase with pistons Bearing 1 Divided		1	M28.09/10
(1)	928 101 906 01	Crankcase with pistons Bearing 1 Closed	80-	1	M28.09/10
(1)	928 101 907 01	Crankcase with Piston Bearing 1		1	M28.11/12
(1)	928 101 907 AX	Crankcase with Piston Bearing 1 Closed		1	M28.11/12
2	999 113 264 40	Radial sealing ring 90 X 110 X 12		1	
2	999 113 461 40	Radial sealing ring 90 X 110 X 12		1	
2	999 113 426 40	Radial sealing ring 90 X 110 X 12		1	
2	999 113 426 41	Radial sealing ring 90 X 110 X 12		1	
3	999 113 263 40	Shaft sealing ring	-80	1	
3		Shaft sealing ring 60 X 85 X 10	81-	1	
4	900 123 055 30	Sealing ring		2	
5	N 029 703 1	Screw plug M 12 X 1,5 X 16		2	
6	900 075 099 02	Hexagon-head bolt M 8 X 30		6	
6	900 075 099 03	Hexagon-head bolt M 8 X 30		6	
7	N 010 361 4	Hexagon-head bolt M 8 X 65		10	
7	N 010 361 13	Hexagon-head bolt M 8 X 65		10	
8	900 025 007 02	Washer A 8,4		16	
8	900 025 007 03	Washer A 8,4		16	
9	N 011 020 8	Hexagon nut M 12 X 1,5		10	
9	900 034 036 01	Hexagon nut M 12 X 1,5		10	
10	928 101 301 02	Washer		10	
11	N 011 010 13	Hexagon nut M 10		12	
12	900 025 008 09	Washer A 10,5		2	



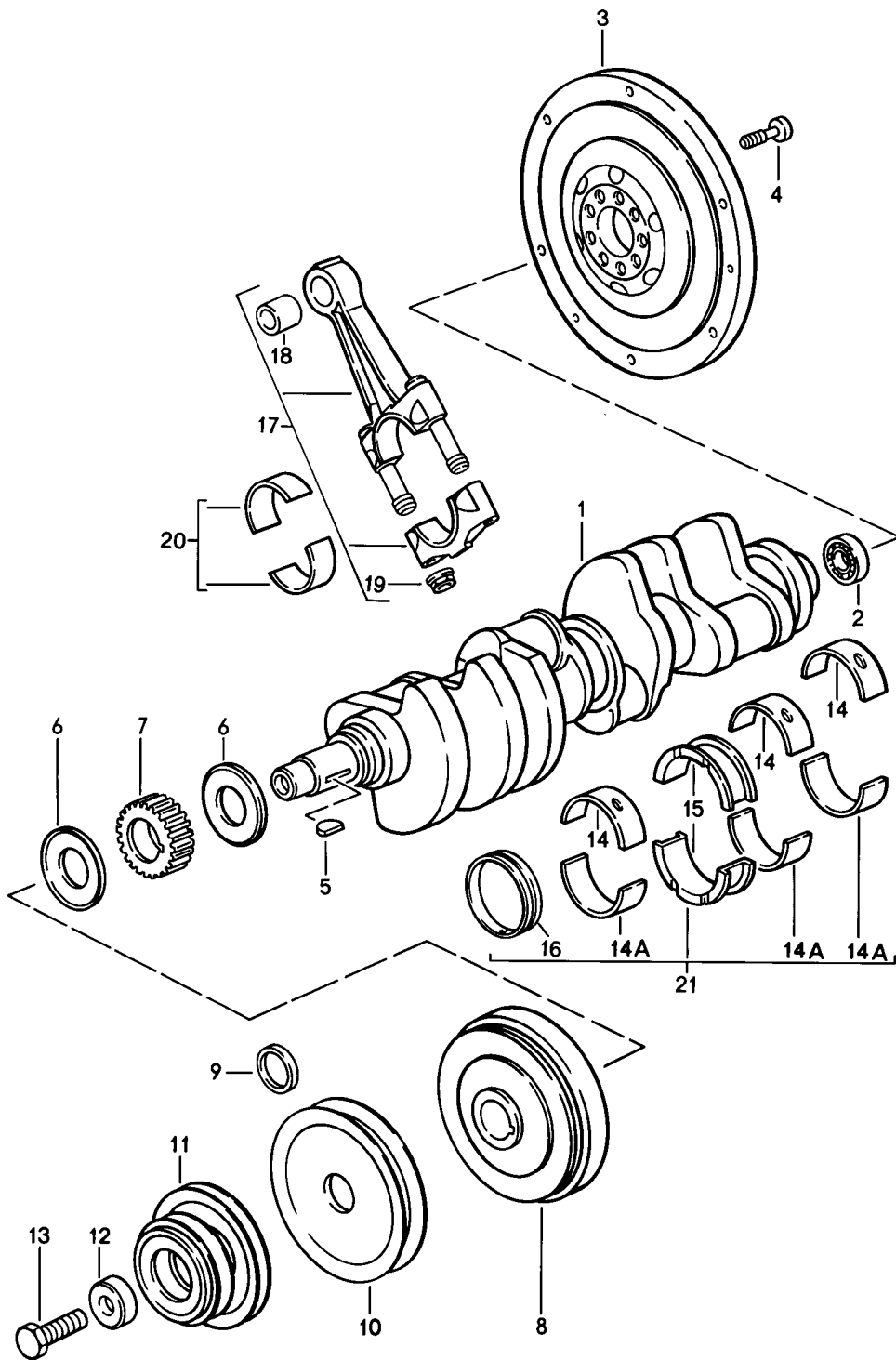
Model: 928 78

Model life 1978&gt;&gt;1982

Pos	Part Number	Description	Remark	Qty	Model
12	900 025 008 04	Washer A 10,5		2	
13	928 101 303 00	Washer		10	
14	999 012 034 00	Straight pin 8 M 6 X 12		4	
15	900 095 072 01	Tensioning sleeve 6 X 12		2	
16	N 013 199 1	Straight pin 6 X 12		2	
17	928 101 187 06	Stud 193 MM		18	
17A	928 101 186 04	Stud 142 MM		2	
18	900 012 070 00	Straight pin 12 X 18		2	
19	928 101 195 02	Fitting bushing	-80	2	
(19)	928 101 195 03	Fitting bushing	81-	1	
20	928 101 208 00	Oil pan Only together with 944.107.197.00 Use also: 928.107.167.00 999.701.591.40 900.075.015.02		1	
21	928 107 139 04	Insert for oil sump		1	
22	999 072 005 09	Hexagon nut M 6 X 12		4	
22	999 072 005 01	Hexagon nut M 6 X 12		4	
23	900 025 014 02	Washer B 6,4		4	
24	928 101 207 00	Oil sump gasket		1	
25	999 025 108 02	Washer B 6,4 X 14		25	
26	900 075 135 02	Hexagon-head bolt M 6 X 28		25	
26	900 075 347 02	Combination screw M 6 X 28 Z1		25	
27	900 075 333 02	Combination screw M 6 X 25 Z2		5	
27	900 075 333 01	Combination screw M 6 X 25 Z2		5	
28	928 101 189 00	Dowel sleeve		2	
29	911 107 176 03	Screw plug M >> 801 0299 M >> 801 5333 M >> 821 0679 M >> 821 5652		1	
29	944 107 197 01	Screw plug Only together with 928.101.201.10		1	
30	900 123 118 30	Sealing ring		1	
31	N 013 315 1	Roll pin 5 X 10	82	1	
32	928 604 121 00	Insulating piece		1	
33	928 423 221 01	Support II		1	

Model: 928 78

Model life 1978>>1982



Model: 928 78 Model life 1978>>1982

Pos	Part Number	Description	Remark	Qty	Model
		Crankshaft			
		Connecting rod			
1	928 102 011 21	Crankshaft		1	
1	928 102 011 28	Crankshaft		1	
2	928 102 111 02	Deep-groove ball bearing		1	
3	928 102 202 04	Flywheel	-79	1	
(3)	928 102 202 10	Flywheel	80-	1	
3		Flywheel	82	1	M28.09/10
(3)	928 102 075 00	Flywheel	AUT.	1	
(3)		Flywheel	AUT.	1	
4	928 102 151 01	Pan-head screw		9	
5	900 118 014 00	Woodruff key		1	
6	928 102 125 02	Flange washer		2	
7	928 105 125 03	Gear wheel		1	
		Vibration damper			
8	928 102 120 14	Vibration damper	-79	1	-04 M28.01
		Black			
(8)	928 102 120 15	Vibration damper		1	M28.11/12
		Red			
(8)	928 102 120 16	Vibration damper		1	-12 M28.09
			(AUS) (S)		
		Blue			
8	928 102 120 17	Vibration damper	80-	1	M28.09/10
		Grey			
9	928 102 126 00	Spacer		1	
(10)	928 102 115 00	V-belt pulley		1	-04 M28.01
		M >> 818 1765			
		M >> 818 9378	AUT.		
(10)	928 102 118 00	V-belt pulley	-79	1	
		M 818 1766 >>			
		M 818 9379 >>	AUT.		
10	928 102 118 03	V-belt pulley	80-	1	
11	928 102 116 05	V-belt pulley	-81	1	
11	928 102 139 02	Pulley	82-	1	
		for			
		Generator			
		928.603.114.00			
12	928 102 124 01	Thrust washer		1	
13	900 083 036 02	Hexagon-head bolt		1	
13	900 083 036 01	Hexagon-head bolt		1	
14	928 101 115 02	Main bearing shell		X	
		Upper half 2,4,5			
14	928 101 115 50	Main bearing shell		X	
		Upper half 2,4,5			
		Undersize 0.25 mm			
14	928 101 115 60	Main bearing shell		X	
		Upper half 2,4,5			
		Undersize 0.50 mm			
14A	928 101 115 03	Main bearing		X	
		Lower half 2,4,5			
14A	928 101 115 51	Main bearing shell		X	
		Lower half 2,4,5			
		Undersize 0.25 mm			
14A	928 101 115 61	Main bearing shell		X	
		Lower half 2,4,5			
		Undersize 0.50 mm			
15	928 101 133 03	Thrust bearing		2	
		3			
15	928 101 133 53	Thrust bearing		X	
		3			

Model: 928 78

Model life 1978>>1982

Pos	Part Number	Description	Remark	Qty	Model
15	928 101 133 63	Undersize 0.25 mm Thrust bearing 3		X	
16	928 101 117 08	Undersize 0.50 mm Main bearing bush i		1	
16	928 101 117 58	Main bearing bush i Undersize 0.25 mm		1	
16	928 101 117 68	Main bearing bush i Undersize 0.50 mm		1	
17	928 103 004 00	Connecting rod		8	
-	928 103 173 03	Connecting rod bolt		8	
18	928 103 133 00	Piston pin bush		8	
19	928 103 172 02	Connecting rod nut		16	
20	928 103 143 02	Conrod bearing shell		16	
20	928 103 143 05	Connecting-rod bearing		16	
	928 103 143 05 002	Russet			
20	928 103 143 52	Conrod bearing shell Undersize 0.25 mm		16	
20	928 103 143 57	Conrod bearing shell Undersize 0.25 mm	-80	16	
20		Conrod bearing shell Undersize 0.25 mm	81-	X	
21	928 101 901 01	Bearing set Crankshaft bearing Valid for Engine with Bearing 1 Divided		1	
21	928 101 901 51	Bearing set Crankshaft bearing Undersize 0.25 mm Valid for Engine with Bearing 1 Divided		1	
21	928 101 901 61	Bearing set Crankshaft bearing Undersize 0.50 mm Valid for Engine with Bearing 1 Divided		1	
21	928 101 901 02	Set of crankshaft bearings Valid for Engine with Bearing 1 Closed		1	
21	928 101 901 52	Set of crankshaft bearings Undersize 0.25 mm Valid for Engine with Bearing 1 Closed		1	

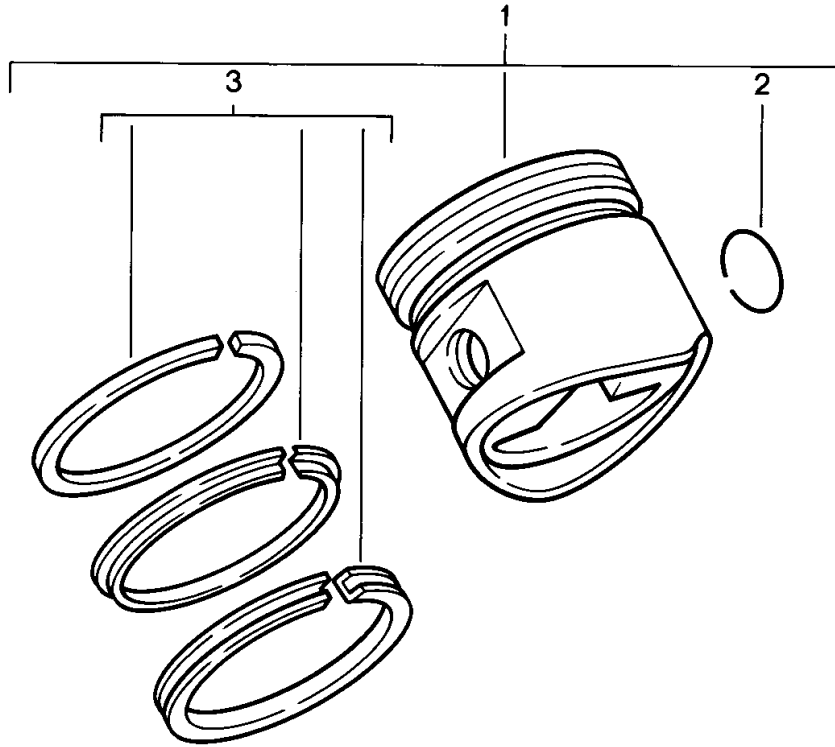
Model: 928 78

Model life 1978&gt;&gt;1982

Pos	Part Number	Description	Remark	Qty	Model
21	928 101 901 62	Set of crankshaft bearings Undersize 0.50 mm Valid for Engine Bearing 1 Closed		1	

Model: 928 78

Model life 1978>>1982



Model: 928 78

Model life 1978>>1982

Pos	Part Number	Description	Remark	Qty	Model
1	928 103 074 03	Piston Piston rings Piston  - ks - 95,00 MM Tolerance group 0		8	-04 M28.01
(1)	928 103 074 13	Piston  - ks - 95,00 MM Tolerance group 0		X	-04 M28.01
(1)	928 103 074 23	Piston  - ks - 95,00 MM Tolerance group 1		X	-04 M28.01
(1)	928 103 074 53	Piston  - ks - 95,50 MM Tolerance group 2		X	-04 M28.01
(1)	928 103 074 63	Piston  - ks - 95,50 MM Tolerance group 0		X	-04 M28.01
(1)	928 103 074 73	Piston  - ks - 95,50 MM Tolerance group 1		X	-04 M28.01
(1)	928 103 074 58	Piston  - ks - 95,50 MM Tolerance group 2		X	-04 M28.01
(1)	928 103 088 00	Piston - ks - 95,00 MM Tolerance group 0	80-	8	M28.09/10
(1)	928 103 088 10	Piston - ks - 95,00 MM Tolerance group 0	80-	X	M28.09/10
(1)	928 103 088 20	Piston - KS - 95,00 MM Tolerance group 1	80-	X	M28.09/10
(1)	928 103 088 50	Piston - ks - 95,50 MM Tolerance group 2	80-	X	M28.09/10
(1)	928 103 088 60	Piston - ks - 95,50 MM Tolerance group 0	80-	X	M28.09/10
(1)	928 103 088 70	Piston - ks - 95,50 MM Tolerance group 1	80-	X	M28.09/10
(1)	928 103 086 00	Piston MAHLE		8	M28.11/12

Model: 928 78

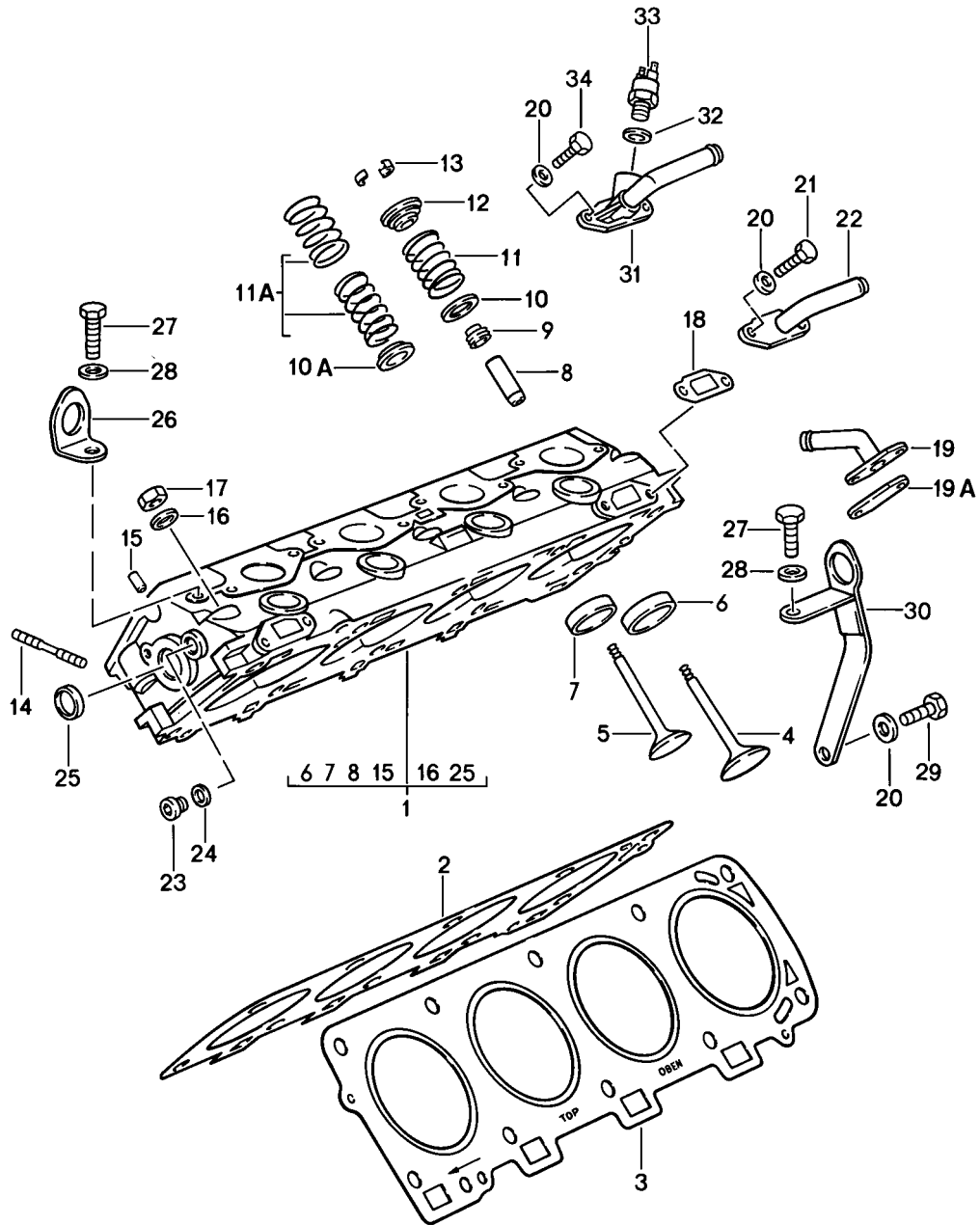
Model life 1978>>1982

Pos	Part Number	Description	Remark	Qty	Model
(1)	928 103 086 10	97,00 MM Tolerance group 0 Piston MAHLE		X	M28.11/12
(1)	928 103 086 20	97,00 MM Tolerance group 1 Piston MAHLE		X	M28.11/12
(1)	928 103 086 50	97,00 MM Tolerance group 2 Piston MAHLE		X	M28.11/12
(1)	928 103 086 60	97,50 MM Tolerance group 0 Piston MAHLE		X	M28.11/12
(1)	928 103 086 70	97,50 MM Tolerance group 1 Piston MAHLE		X	M28.11/12
(1)	928 103 086 55	97,50 Tolerance group 2 Piston MAHLE		X	M28.11/12
(1)	928 103 086 65	98,00 MM Tolerance group 0 Piston MAHLE		X	M28.11/12
(1)	928 103 086 75	98,00 MM Tolerance group 1 Piston MAHLE		X	M28.11/12
2	N 012 277 1	Tolerance group 2 Circlip		16	
3	928 103 902 00	Set of piston rings	-79	X	-04 M28.01
(3)	928 103 903 00	95,00 MM Set of piston rings	-79	X	-04 M28.01
(3)	928 103 904 00	95,50 MM Set of piston rings	-79	X	-04 M28.01
(3)	928 103 905 04	96,00 MM Set of piston rings	80-	X	
(3)	928 103 905 05	95,00 MM Set of piston rings	80-	X	
(3)	928 103 905 06	95,50 MM Set of piston rings	80-	X	
(3)	928 103 906 11	96,00 MM Set of piston rings		X	M28.11/12
(3)	928 103 906 12	97,00 MM Set of piston rings 97,50 MM		X	M28.11/12



Model: 928 78

Model life 1978>>1982



Model: 928 78 Model life 1978>>1982

Pos	Part Number	Description	Remark	Qty	Model
1	928 104 046 04	Cylinder head Cylinder head		2	-04 M28.01
1	928 104 046 DX	Cylinder head		2	-04 M28.01
(1)	928 104 053 01	Cylinder head		2	M28.09/10
(1)	928 104 055 05	Cylinder head		2	M28.11/12
2	928 104 371 12	Cylinder head gasket	/R	1	-04 M28.01 M28.09/10 -18 M28.13
2		Cylinder head gasket  without asbestos	/R	1	-04 M28.01/04 M28.09/10 -18 M28.13
2	928 104 361 07	Cylinder head gasket	/R	1	M28.11/12
2		Cylinder head gasket without asbestos	/R	1	M28.11/12
2	928 104 361 15	Cylinder head gasket without asbestos for	/R	1	M28.11/12
3	928 104 372 12	Recond. cylinder heads Cylinder head gasket	/L	1	-04 M28.01 M28.09/10 -18 M28.13
3		Cylinder head gasket  without asbestos	/L	1	-04 M28.01 M28.09/10 -18 M28.13
3	928 104 362 07	Cylinder head gasket	/L	1	M28.11/12
3		Cylinder head gasket without asbestos	/L	1	M28.11/12
3	928 104 362 15	Cylinder head gasket without asbestos for	/L	1	M28.11/12
4	928 105 413 00	Recond. cylinder heads Intake valve		8	-04 M28.01 M28.09/10 -18 M28.13
(4)	928 105 409 02	Intake valve		8	M28.11/12
5	928 105 417 03	Exhaust valve		8	-04 M28.01 M28.09/10 -18 M28.13
(5)	928 105 410 00	Exhaust valve		8	M28.11/12
6	928 104 338 55	Valve seat ring	-79	8	-04 M28.01
(6)		Intake Oversize Valve seat ring	80-	8	M28.09/10 -18 M28.13
(6)	944 104 331 51	Intake valve Oversize Valve seat ring		8	M28.11/12

Model: 928 78 Model life 1978>>1982

Pos	Part Number	Description	Remark	Qty	Model
7	928 104 336 55	Intake valve Oversize Valve seat ring	-79	8	-04 M28.01
(7)		Exhaust Oversize Valve seat ring	80-	8	M28.09/10 -18 M28.13
(7)	944 104 333 50	Exhaust valve Oversize Valve seat ring Exhaust valve Oversize		8	M28.11/12
8	928 104 328 51	Valve guide		16	-04 M28.01 M28.09/10 -18 M28.13
(8)	944 104 328 51	1st oversize Valve guide		16	M28.11/12
(8)		1st oversize Valve guide		16	M28.11/12
9	911 104 193 03	1st oversize Valve stem seal		16	-04 M28.01 M28.09/10 -18 M28.13
9	928 104 193 03	Valve stem seal		16	M28.11/12
9	928 104 193 12	Valve stem seal		16	M28.11/12
(9)	928 104 193 13	Valve stem seal		16	M28.11/12
(9)	964 104 111 07	Valve stem seal		16	M28.11/12
10	928 105 461 01	Washer	-79	X	-04 M28.01
(10)	928 105 468 01	Washer	80-	X	M28.09/10 -18 M28.13
(10)		0,5 MM Washer 0,5 MM		16	M28.11/12
(10)	928 105 468 03	M >> 821 0515 M >> 821 5502 Washer	81-	X	M28.11/12
(10)		0,5 MM M 821 0516 >> M 821 5503 >>			
(10)	928 105 470 01	Washer	80-	X	M28.09/10 -18 M28.13
(10)		1,0 MM Washer 1,0 MM		X	M28.11/12
(10)	928 105 470 03	M >> 821 0515 M >> 821 5502 Washer	81-	X	M28.11/12
(10)		M 821 0516 >> M 821 5503 >>			
10A	928 105 469 02	Guide washer		16	-04 M28.01 M28.09/10 -18 M28.13

Model: 928 78 Model life 1978>>1982

Pos	Part Number	Description	Remark	Qty	Model
10A		Guide washer M >> 821 0515 M >> 821 5502		16	M28.11/12
(10A)	928 105 469 06	Washer M 821 0516 >> M >> 82C 0553 M 821 5503 >> M >> 82C 5592	-81	16	M28.11/12
(10A)	928 105 469 06	Washer M 82C 0554 >> M 82C 5593 >>	82	16	M28.11/12
(10A)	928 105 469 52	Guide washer 1st oversize		X	M28.11/12
(10A)	928 105 469 62	Guide washer 2nd oversize		X	M28.11/12
11	928 105 341 05	Valve spring	-79	16	-04 M28.01
11A	928 105 903 00	Set of valve springs	80-	16	M28.09/10 -18 M28.13
(11A)	928 105 905 00	Set of valve springs M >> 821 0515 M >> 821 5502		16	M28.11/12
(11A)	928 105 905 02	Set of valve springs M 821 0516 >> M >> 82C 0553 M 821 5503 >> M >> 82C 5592		16	M28.11/12
(11A)	928 105 905 09	Set of valve springs M 821 0516 >> M 821 5503 >>		16	M28.11/12
12	928 105 424 02	Concave washer	-79	16	-04 M28.01
(12)	928 105 449 01	Concave washer	80-	16	M28.09/10 -18 M28.13
(12)		Concave washer M >> 821 0515 M >> 821 5502		16	M28.11/12
(12)	928 105 449 04	Concave washer M 821 0516 >> M >> 82C 0553 M 821 5503 >> M >> 82C 5592		16	M28.11/12
(12)		Concave washer M 821 0516 >> M 821 5503 >>		16	M28.11/12
13	901 105 417 00	Collet		32	
14	999 062 044 02	Stud M 8 X 30		16	
15	900 012 016 00	Straight pin		4	
15	900 302 019 00	Straight pin		4	
16	928 101 301 02	Washer		20	
17	N 011 020 8	Hexagon nut M 12 X 1,5		20	
17	900 034 036 01	Hexagon nut M 12 X 1,5		20	
18	928 106 197 02	Gasket 1,5 MM		X	
19	928 104 223 00	Adapter	/L -79	1	
19A	928 104 214 00	Lid	/L 80-	1	
20	900 025 007 02	Washer		5	
20	900 025 007 03	Washer		5	

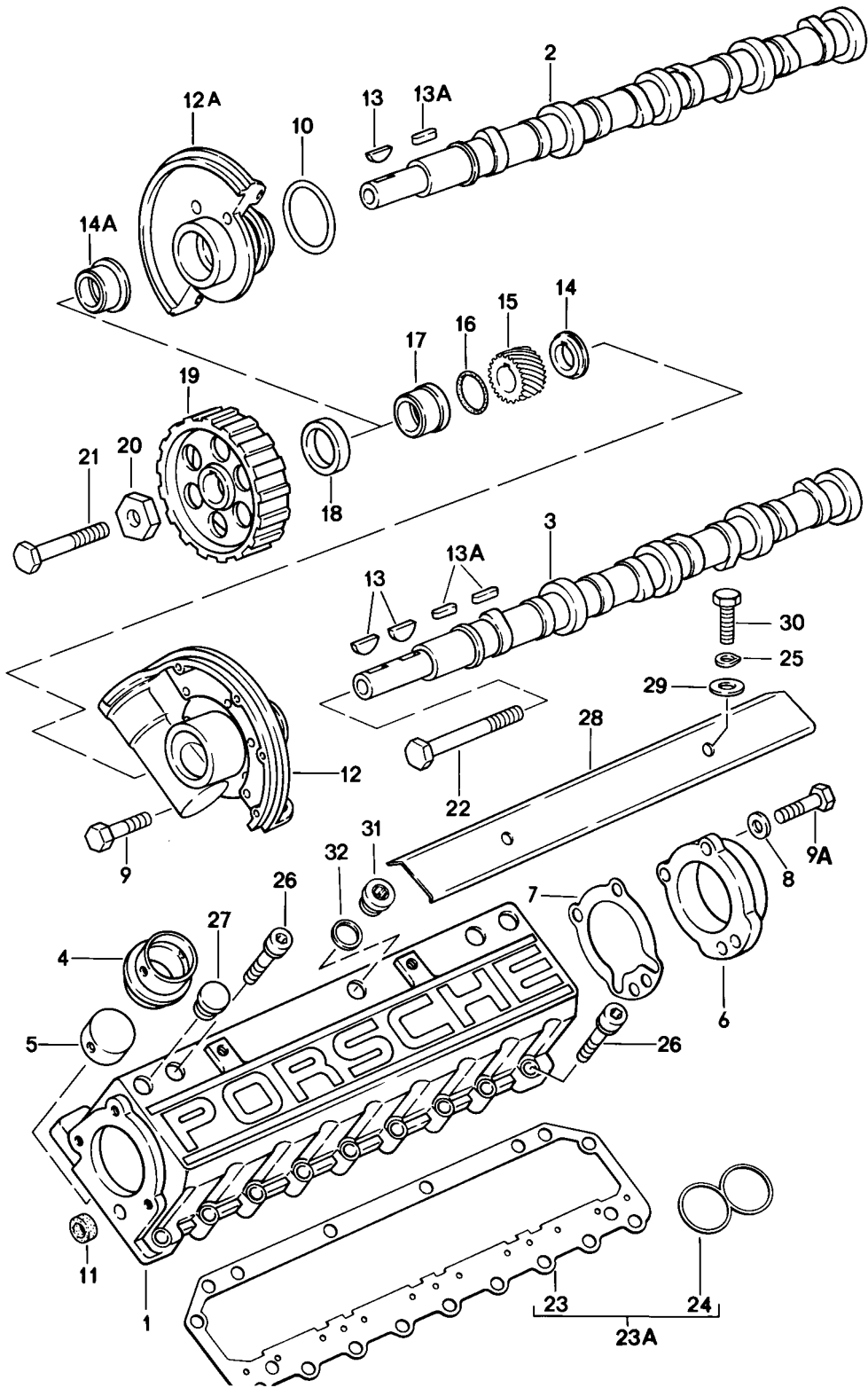
Model: 928 78

Model life 1978>>1982

Pos	Part Number	Description	Remark	Qty	Model
21	900 075 079 02	Hexagon-head bolt M 8 X 22		4	
22	928 104 221 00	Adapter	/R	1	
23	900 219 004 02	Screw plug		2	
24	900 123 018 30	Sealing ring		2	
25	900 036 005 02	Lid		4	
26	928 101 411 00	Bracket for transportation		1	
27	N 010 253 7	Hexagon-head bolt M 10 X 22		2	
28	900 025 008 09	Washer		2	
28	900 025 008 04	Washer		2	
29	900 075 085 02	Hexagon-head bolt M 8 X 20		1	
30	928 101 412 01	Shackle for transportation		1	
31	928 104 025 05	Adapter M >> 80C 0053 M >> 80C 5051 M >> 82C 0050 M >> 82C 5052		1	M28.09 M28.10 M28.11 M28.12
(31)		Adapter M 80C 0054 >> M 80C 5052 >> M 82C 0051 >> M 82C 5053 >>		1	M28.09 M28.10 M28.11 M28.12
32	900 123 007 30	Sealing ring A 14 X 18		1	
33	928 605 104 00	Temperature switch		1	
34	N 010 242 12	Hexagon-head bolt M 8 X 25		2	

Model: 928 78

Model life 1978>>1982



Model: 928 78 Model life 1978>>1982

Pos	Part Number	Description	Remark	Qty	Model
1	928 105 251 00	Camshaft Camshaft housing without Bush for Hydraulic valve tappet	81-	2	
1	928 105 250 07	Camshaft housing See technical information GRP.1 NR. 11	-80	2	
2	928 105 155 07	Camshaft	/R -79	1	-04 M28.01
(2)	928 105 173 01	Cylinders 1 - 4 Camshaft	/R 80-	1	M28.09/10 -18 M28.13
(2)	928 105 187 03	Cylinders 1 - 4 Camshaft	/R	1	M28.11/12
3	928 105 156 07	Cylinders 1 - 4 Camshaft	/L -79	1	-04 M28.01
(3)	928 105 174 01	Cylinders 5 - 8 Camshaft	/L 80-	1	M28.09/10 -18 M28.13
(3)	928 105 188 03	Cylinders 5 - 8 Camshaft	/L	1	M28.11/12
4	928 105 206 06	Bush	-80	16	
5	928 105 311 06	Hydraulic valve tappet		16	
5	928 105 311 08	Hydraulic valve tappet		16	
6	928 105 153 04	Lid		2	
7	928 105 189 02	Gasket		2	
8	N 011 524 7	Washer		6	
8	N 011 524 27	Washer		6	
9	900 075 333 02	Combination screw M 6 X 25 Z2		6	
9	900 075 333 01	Combination screw M 6 X 25 Z2		6	
9A	900 075 016 02	Hexagon-head bolt M 6 X 22		6	
9A	900 075 016 03	Hexagon-head bolt M 6 X 22		6	
10	999 701 425 40	O-ring		2	M28.01/02 M28.03/04
(10)	999 701 602 40	52 X 4 O-ring 50 X 5 See technical information GRP.1 NR.5		2	
11	928 105 184 00	Sealing ring		2	
11	928 105 184 01	Sealing ring		2	
12	928 105 136 04	Flange mounting	/L	1	
12A	928 105 119 04	Camshaft bearing	/R	1	
13	N 012 710 1	Woodruff key	-79	3	
13A	900 117 050 00	Feather key	80-	3	
14	928 105 131 01	Spacer sleeve	/L	1	
14A	928 105 139 02	Spacer sleeve	/R	1	
15	928 105 543 02	Drive wheel		1	
16	999 701 592 40	O-ring 23 X 2		2	
17	928 105 143 02	Spacer tube		1	
18	999 113 282 40	Shaft sealing ring		2	
19	928 105 545 04	Camshaft timing gear		2	

Model: 928 78

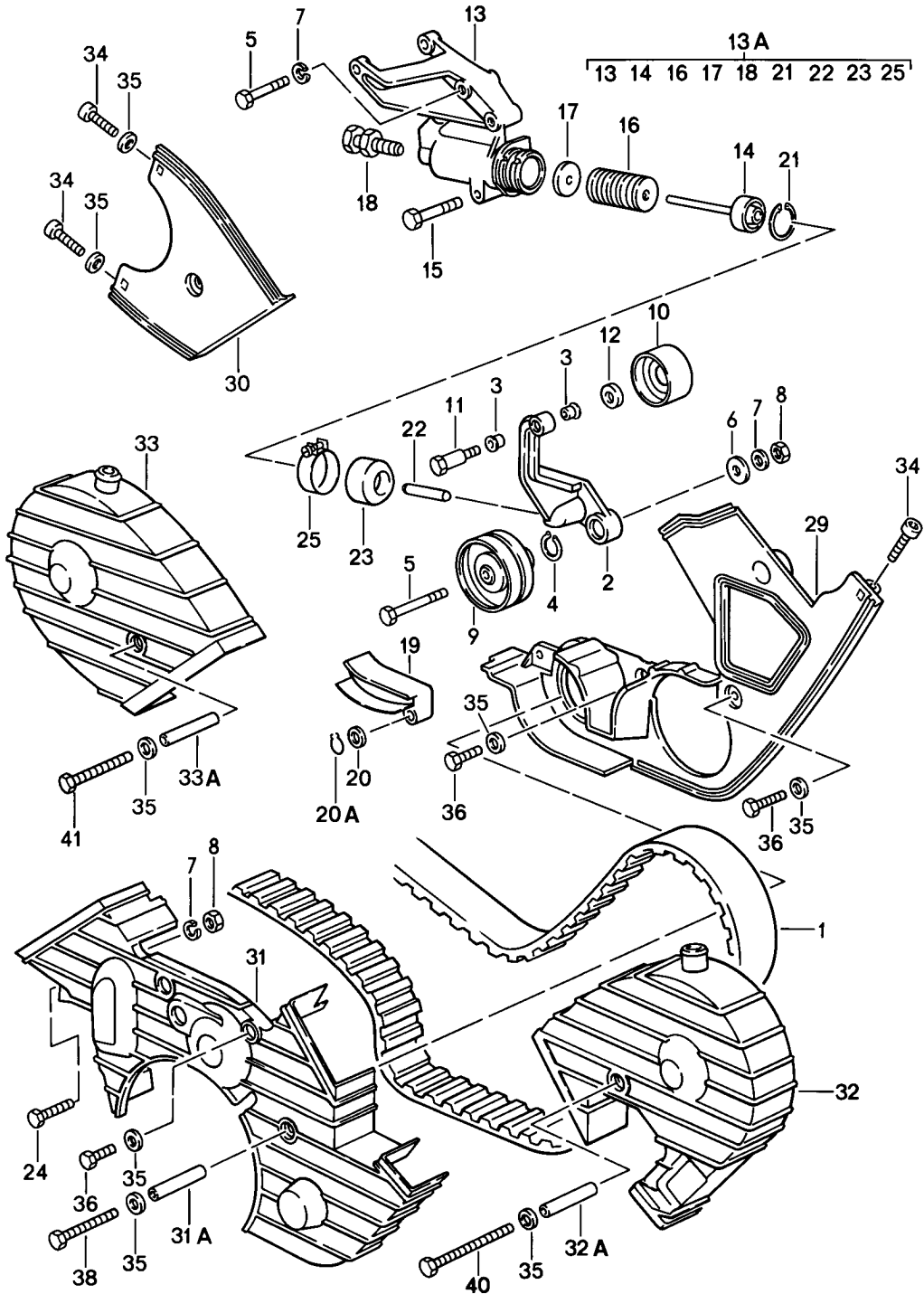
Model life 1978>>1982

Pos	Part Number	Description	Remark	Qty	Model
20	928 105 565 00	Washer		2	
21	N 010 470 7	Hexagon-head bolt M 10 X 70		1	
21	N 010 470 1	Hexagon-head bolt M 10 X 70		1	
22	900 074 224 08	Hexagon-head bolt M 10 X 95		1	
23A	928 105 901 00	Gasket Camshaft housing M >> 801 0160 M >> 801 5140 M >> 821 0255 M >> 821 5222		2	M28.09 M28.10 M28.11 M28.12
23	944 105 199 03	Gasket		2	
23	928 105 199 12	Gasket		2	
23	944 105 199 03	Gasket without asbestos M 801 0161 >> M 801 5141 >> M 821 0256 >> M 821 5223 >>		2	M28.09 M28.10 M28.11 M28.12
24	928 105 427 01	Gasket		8	
25	N 012 226 5	Spring washer		4	
26	900 067 214 02	Pan-head screw		30	
26	900 067 214 01	Pan-head screw		30	
27	928 105 149 03	Stopper	-79	12	
28	928 105 255 00	Locking plate	-79	2	
29	900 223 003 02	Washer 6,4	-79	4	
30	999 072 005 09	Hexagon nut M 6 X 12	-79	4	
30	999 072 005 01	Hexagon nut M 6 X 12		4	
31	900 219 009 30	Screw plug M 18 X 1,5	80-	12	
32	900 123 044 30	Sealing ring A 18 X 22	80-	12	



Model: 928 78

Model life 1978>>1982



Model: 928 78 Model life 1978>>1982

Pos	Part Number	Description	Remark	Qty	Model
		Camshaft			
		Driving mechanism			
		See technical information			
		GRP. 1NR. 13/17			
1	928 105 157 00	Toothed belt		1	
2	928 105 540 03	Carrier for tension roller		1	
3	999 924 002 40	Bush	-81	2	
3	999 924 003 40	Bush	82	2	
4	N 042 364 1	Circlip		1	
		20 X 1,75			
5	900 074 139 02	Hexagon-head bolt		3	
		M 8 X 55			
5	900 074 139 03	Hexagon-head bolt		3	
		M 8 X 55			
6	999 025 068 07	Washer		1	
7	N 012 241 8	Spring washer		5	
7	900 025 007 02	Washer		1	
7	900 025 007 03	Washer		1	
8	900 076 025 02	Hexagon nut		1	
8	900 076 064 02	Hexagon nut		1	
9	928 105 512 05	Tensioning roller		1	
10	928 105 571 00	Roller		1	
11	928 105 570 00	Bearing screw	-81	1	
11	928 105 570 03	Bearing pin	82	1	
12	928 105 572 00	Washer		1	
13A	928 105 046 04	Tension roller housing		1	
15	900 074 135 02	Hexagon-head bolt		1	
		M 8 X 62			
16	928 105 539 03	Bi-metal plate		35	
16	928 105 539 02	Bi-metal plate		35	
17	928 105 163 01	Support washer		1	
18	928 105 075 02	Adjusting screw		1	
19	928 105 567 01	Guide rail		1	
20	900 234 003 02	Shim		2	
		8 X 14 X 1			
20	900 234 003 01	Shim		2	
		8 X 14 X 1			
20A	N 012 408 2	Circlip		2	
		8 X 0,8			
21	999 041 030 01	Circlip		1	
22	928 105 551 00	Push rod		1	
23	928 105 552 02	Convoluted air bellows		1	
24	900 074 134 02	Hexagon-head bolt		1	
		M 8 X 45			
25	999 512 322 02	Hose clamp		1	
		S 44/9			
29	928 105 147 01	Cover		1	
29	928 105 147 03	Toothed belt covering		1	
30	928 105 148 00	Toothed belt covering		1	
31	928 105 144 01	Toothed belt covering		1	
		Centre			
31A	928 105 445 00	Spacer tube		1	
		44,5 MM			
32	928 105 145 04	Toothed belt covering		1	
32A	928 105 443 00	Spacer tube		1	
		82,5 MM			
33	928 105 146 03	Toothed belt covering		1	
33A	928 105 444 00	Spacer tube		1	
		57,5 MM			
34	900 067 008 02	Pan-head screw		3	
		M 6 X 12			
34	900 067 008 03	Pan-head screw		3	
		M 6 X 12			

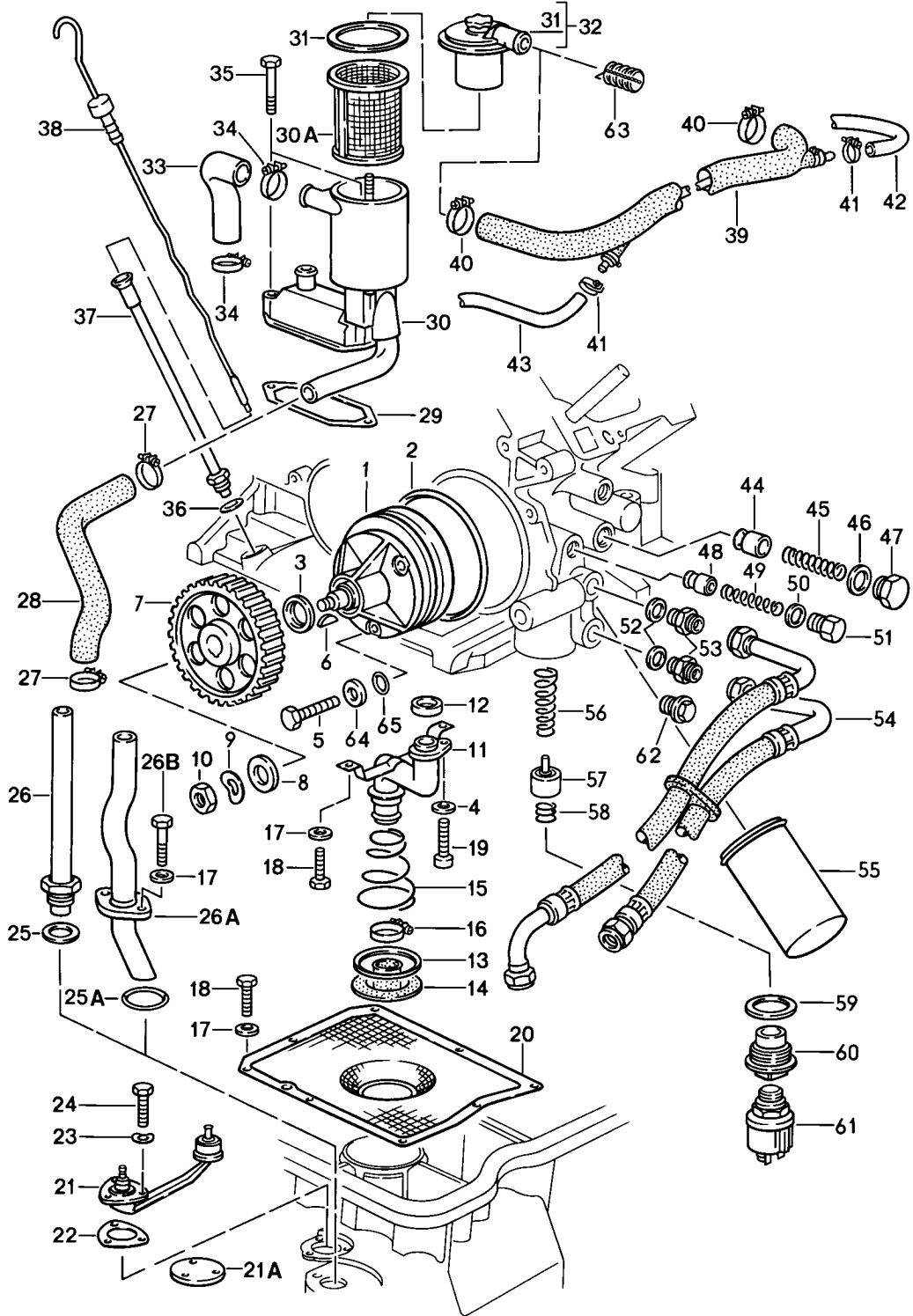
Model: 928 78

Model life 1978&gt;&gt;1982

Pos	Part Number	Description	Remark	Qty	Model
35	N 011 524 7	Washer A 6,4		14	
35	N 011 524 27	Washer A 6,4		14	
36	900 075 014 02	Hexagon-head bolt M 6 X 18		5	
36	900 075 014 03	Hexagon-head bolt M 6 X 18		5	
38	N 040 307 1	Hexagon-head bolt M 6 X 73		1	
39	900 223 003 02	Washer B 6,4		5	
40	900 074 262 02	Hexagon-head bolt M 6 X 98		1	
40	900 074 262 0C	Hexagon-head bolt M 6 X 98		1	
41	900 074 164 02	Hexagon-head bolt M 6 X 70		1	

Model: 928 78

Model life 1978>>1982



Model: 928 78 Model life 1978>>1982

Pos	Part Number	Description	Remark	Qty	Model
1	928 107 018 06	Engine lubrication Oil pump M >> 801 0292 M >> 801 5326 M >> 821 0657 M >> 821 5629		1	M28.01/02 M28.03/04 M28.09 M28.10 M28.11 M28.12
1	928 107 018 07	Oil pump M 801 0293 >> M 801 5327 >> M 821 0658 >> M 821 5630 >>		1	M28.09 M28.10 M28.11 M28.12
2	999 701 633 40	O-ring 98 X 3		1	
3	999 113 275 40	Shaft sealing ring		1	
4	900 025 007 02	Washer A 8,4		1	
4	900 025 007 03	Washer A 8,4		1	
5	900 074 134 02	Hexagon-head bolt M 8 X 45		3	
6	N 012 713 1	Woodruff key		1	
7	928 107 107 04	Gear wheel		1	
8	928 101 303 00	Washer		1	
9	N 012 242 3	Spring washer		1	
10	N 011 010 6	Hexagon nut		1	
10	N 101 552 10	Hexagon nut		1	
(11)	928 107 032 06	Suction tube		1	
12	928 107 136 04	Sealing ring		1	
13	928 107 158 00	Support ring Conical spring		1	
14	928 107 137 05	Rubber sleeve		1	
(14)		Rubber sleeve		1	M28.11/12
15	928 107 159 01	Conical spring Suction tube		1	
16	N 024 141 2	Hose clamp		1	
(16)	N 024 511 2	Hose clamp		1	M28.11/12
17	N 011 524 7	Washer A 6,4		12	
17	N 011 524 27	Washer A 6,4		12	
18	999 072 005 09	Hexagon nut M 6 X 12		10	
18	999 072 005 01	Hexagon nut M 6 X 12		10	
19	N 014 726 1	Pan-head screw M 8 X 30		1	
20	928 107 147 10	Oil strainer		1	
21	928 606 301 02	Tank gauge switch		1	
21A	928 101 203 00	Lid	80-	1	
22	928 606 213 03	Gasket		1	
23	N 012 222 4	Spring washer A 5		3	
24	N 010 207 6	Hexagon-head bolt M 5 X 12		3	
24	N 010 207 17	Hexagon-head bolt M 5 X 12		3	
25	900 123 015 30	Sealing ring	-79	1	
25A	928 107 169 01	Gasket		1	
(25A)		Gasket without asbestos		1	
26	928 107 039 01	Oil tube M >> 818 1659	-79	1	

Model: 928 78 Model life 1978>>1982

Pos	Part Number	Description	Remark	Qty	Model
26A	928 107 167 01	M >> 818 9281 Oil tube		1	
26B	N 010 217 9	M 818 1660 >> M 818 9282 >> Hexagon-head bolt M 6 X 20		2	
27	999 512 038 02	Hose clamp		2	
27	PCG 512 038 02	Hose clamp		2	
28	928 107 311 01	Connecting hose		1	
29	928 107 707 01	Gasket		1	
30	928 107 071 01	Oil separator		1	
30A	928 107 717 03	Oil strainer		1	
31	928 107 711 00	Gasket		1	
32	928 199 710 03	Lid		1	
33	928 107 315 00	Hose for Oil separator		1	
33	928 107 315 01	Hose for Oil separator		1	
34	999 512 038 02	Hose clamp		2	
34	PCG 512 038 02	Hose clamp		2	
34	999 512 038 02	Hose clamp		2	
35	900 075 343 02	Hexagon-head bolt M 6 X 45 Z2		2	
36	900 123 007 30	Sealing ring		1	
37	928 107 020 00	Guide tube		1	
38	928 107 737 07	Oil level dipstick		1	
38		Oil level dipstick		1	
39	928 107 073 00	Vent line	-79	1	
(39)	928 107 722 00	Breather hose	-79	1	
40	999 512 044 02	Hose clamp		2	
41	999 512 255 02	Hose clamp		2	
-	999 181 709 50	Hose		*	
42		230 MM		1	
43		450 MM		1	
44	928 107 182 00	Piston	-78	1	
44		Piston	79-	1	
45	928 107 183 01	Compression spring	-78	1	
45		Compression spring	79-	1	
46	900 123 060 30	Sealing ring		1	
47	928 107 181 01	Screw plug		1	
(48)	928 107 081 00	Piston with Sealing strap		1	
49	928 107 176 02	Compression spring		1	
50	900 123 140 30	Sealing ring		1	
51	928 107 180 01	Screw plug		1	
52	900 123 118 30	Sealing ring		2	
53	900 915 003 02	Screw socket		2	
54	928 107 037 05	Oil hose	-78	1	
54		Oil hose	79-	1	
55	928 107 201 05	Oil filter		1	
55	928 107 201 07	Oil filter Red		1	
56	928 107 171 01	Compression spring		1	
57	928 107 172 02	Regulator insert		1	
58	928 107 173 00	Compression spring		1	
59	900 123 143 70	Sealing ring		1	
60	928 107 174 07	Screw plug		1	
60		Screw plug		1	
61	928 606 203 01	Oil pressure sender with		1	

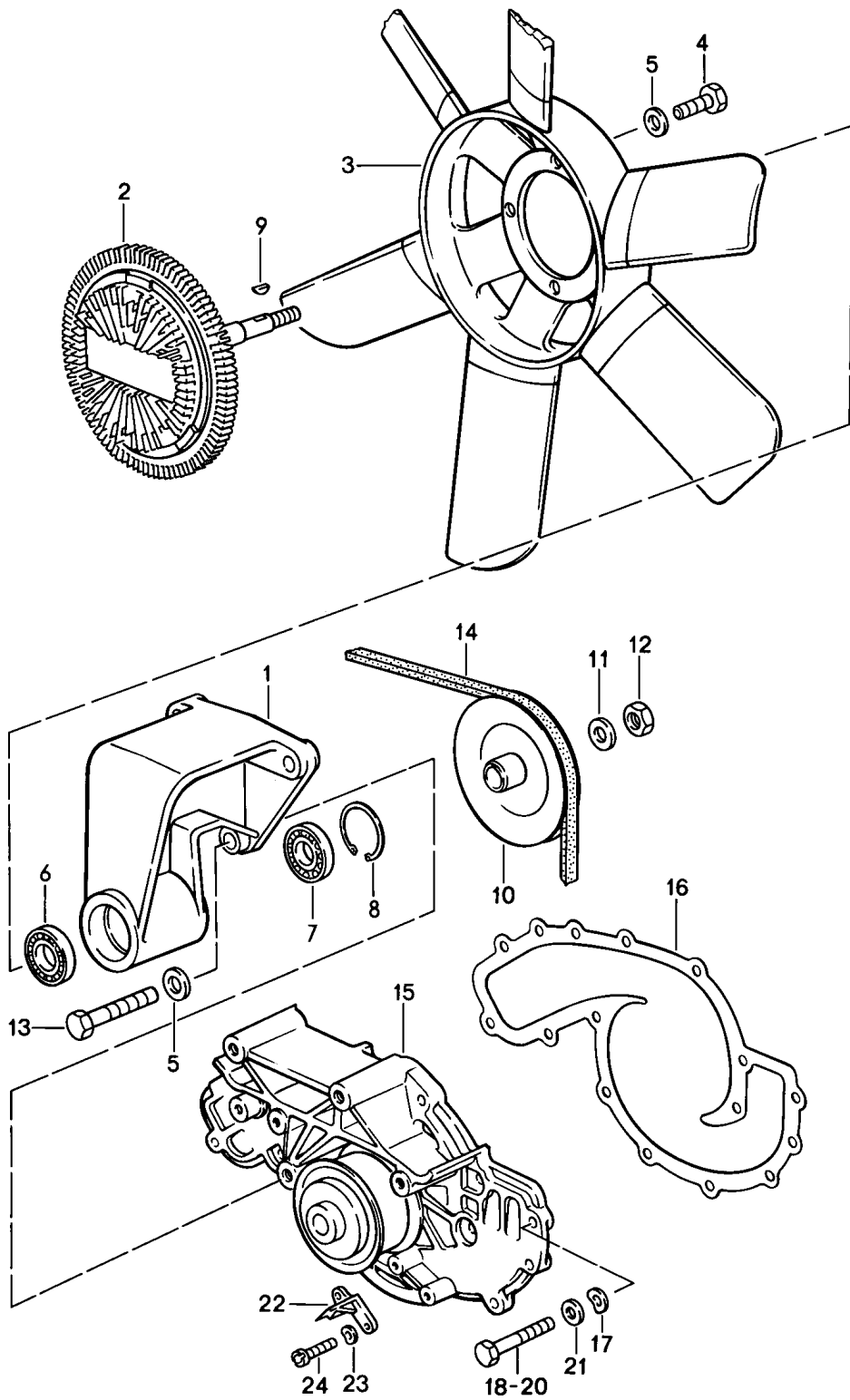
Model: 928 78

Model life 1978>>1982

Pos	Part Number	Description	Remark	Qty	Model
61	928 606 203 04	Warning contact Oil pressure sender with		1	
63	928 107 729 00	Warning contact Backfire grid	80-	1	
64	928 107 165 00	Washer		3	
65	999 701 006 40	O-ring		3	

Model: 928 78

Model life 1978>>1982





Model: 928 78 Model life 1978>>1982

Pos	Part Number	Description	Remark	Qty	Model
		Fan			
		Water pump			
1	928 106 110 00	Fan carrier	-80	1	
1	928 106 110 04	Fan carrier		1	
2	928 106 112 05	Viscous clutch		1	
		Only together with 928.106.445.00			
		Use			
3	928 106 137 01	Fan		1	
4	900 075 087 02	Hexagon-head bolt M 8 X 16		4	
4	900 075 087 03	Hexagon-head bolt M 8 X 16		4	
5	N 011 525 13	Washer		7	
6	928 102 111 02	Deep-groove ball bearing	-80	1	
		Only together with 928.106.112.02			
		Use			
6	928 106 445 02	Deep-groove ball bearing	81-	1	
		Only together with 928.106.112.03			
		Use			
7	928 106 441 05	Deep-groove ball bearing		1	
8	900 042 026 01	Circlip 37 X 1,5		1	
9	900 118 005 00	Woodruff key		1	
9	N 012 708 2	Woodruff key		1	
10	928 106 113 02	Pulley	-78	1	
10		Pulley	79-	1	
11	N 012 242 3	Spring washer		1	
11	900 025 008 09	Washer		1	
11	900 025 008 04	Washer		1	
12	N 011 010 6	Hexagon nut		1	
12	N 101 552 10	Hexagon nut		1	
13	N 010 335 5	Hexagon-head bolt M 8 X 35		3	
13	900 075 032 03	Hexagon-head bolt M 8 X 35		3	
14	999 192 117 50	Narrow v-belt 12,5 X 1050 MM	-78	1	
14	999 192 160 50	Narrow v-belt 12,5 X 1040 MM	79-	1	
15	928 106 015 09	Water pump		1	
15	928 106 015 22	Water pump		1	
(15)	928 106 015 AX	Water pump		1	
(15)	928 106 915 AX	Water pump		1	
		Comprising:			
-	928 106 134 05	Gasket		1	
-	928 106 134 06	Gasket		1	
-	N 011 524 7	Washer		7	
-	N 011 524 27	Washer		7	
-	900 075 015 02	Hexagon-head bolt		5	
-	900 075 341 02	Combination screw		8	
-	900 075 341 01	Combination screw		8	
-	N 040 307 1	Hexagon-head bolt		1	
-	928 105 176 01	Pointer for t.d.c.		1	
-	N 011 523 7	Washer		2	
-	900 014 066 02	Pan-head screw		2	
-	900 976 010 01	Pan-head screw		2	
-	928 106 015 AX	Water pump		1	
		-----			
16	928 106 134 03	Gasket		1	
16	928 106 134 05	Gasket		1	

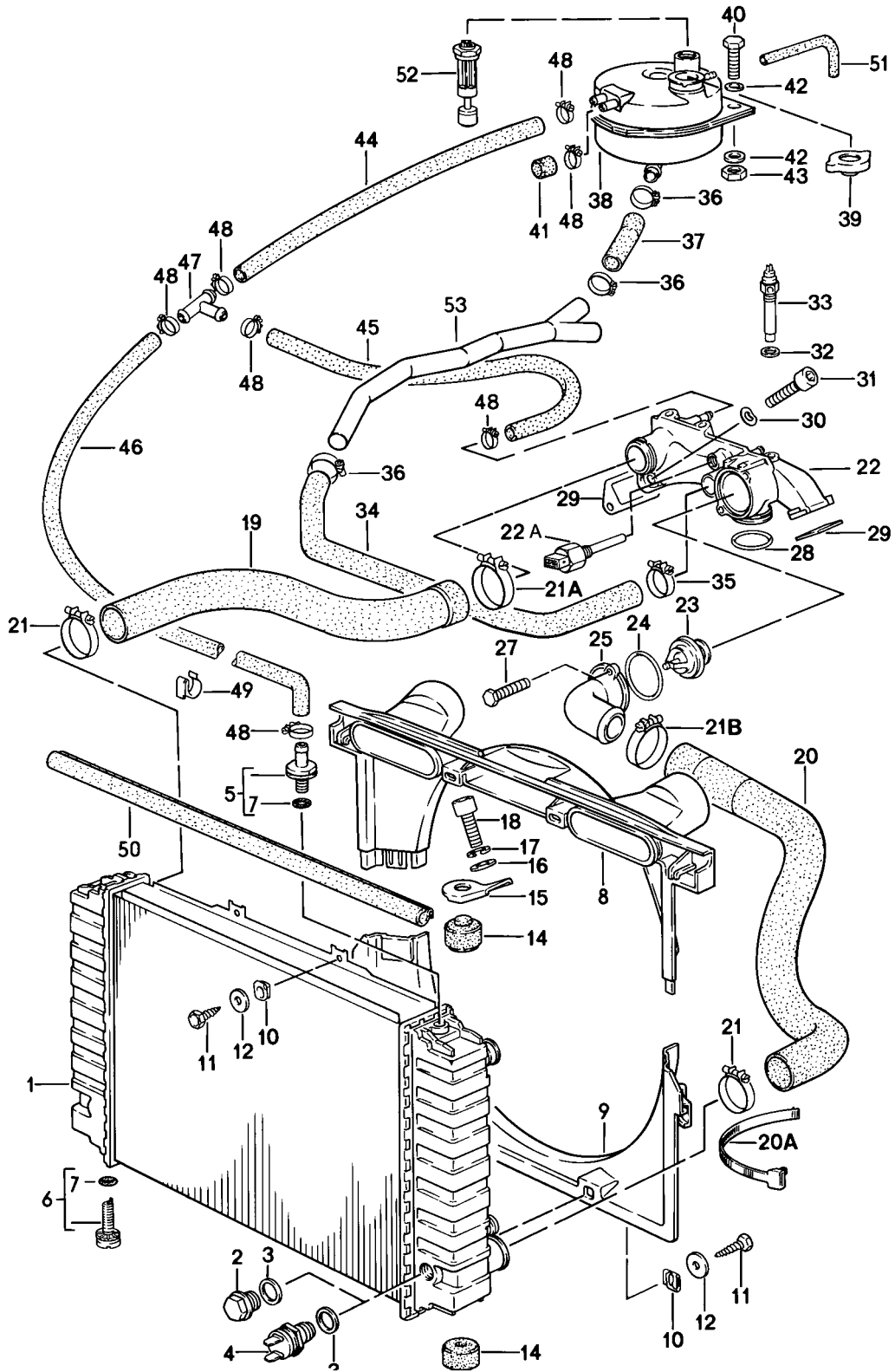
Model: 928 78

Model life 1978&gt;&gt;1982

Pos	Part Number	Description	Remark	Qty	Model
16	928 106 134 06	without asbestos Gasket		1	
17	N 011 524 7	without asbestos Washer		6	
17	N 011 524 27	Washer		6	
18	N 010 217 9	Hexagon-head bolt M 6 X 20		5	
19	900 075 333 02	Combination screw M 6 X 25 Z2		8	
19	900 075 333 01	Combination screw M 6 X 25 Z2		8	
20	N 040 307 1	Hexagon-head bolt M 6 X 72		1	
21	900 025 014 02	Washer		1	
22	928 105 176 01	Pointer for t.d.c.		1	
23	N 011 523 9	Washer A 5,3		2	
24	900 014 066 02	Pan-head screw M 5 X 18		2	
24	900 976 010 01	Pan-head screw M 5 X 18		2	

Model: 928 78

Model life 1978>>1982



Model: 928 78

Model life 1978>>1982

Pos	Part Number	Description	Remark	Qty	Model
1	928 106 040 02	Water cooling Radiator		1	M28.01/09/11
1		Engine oil cooler Radiator		1	M28.01/09/11
(1)		Engine oil cooler Radiator		1	M28.02/10/12
(1)		Engine and transmission Oil cooler Radiator		1	
		Engine and transmission Oil cooler		1	M28.02/10/12
2	N 016 163 2	Screw plug		1	
2	900 124 020 01	CM 22 X 1,5 Screw plug		1	
3	900 123 149 70	Sealing ring		1	
4	823 959 481 F	Temperature switch		1	M573
5	928 106 443 02	Breather adapter		1	
6	928 106 444 01	Drain plug		1	
7	999 701 651 40	O-ring		X	
8	928 106 063 00	7,65 X 1,78 Air guide		1	
9	928 106 262 02	Upper part Air guide Lower part		1	
10	999 591 571 02	Speed nut		4	
11	900 187 015 02	Hexagon-head tapping screw		4	
12	N 011 612 3	Washer		4	
12	N 011 612 C	Washer		4	
14	928 106 177 01	Rubber mounting		4	
15	928 106 178 01	Support		2	
16	900 151 008 02	Washer		2	
17	N 012 241 8	Spring washer		2	
18	900 119 052 02	Pan-head screw		2	
19	928 106 238 06	M 8 X 16 Hose		1	
20	928 106 239 08	Hose		1	
20A	999 513 010 40	Tie-wrap		1	
21	999 512 330 02	Hose clamp		2	
21	PCG 512 330 02	Hose clamp		2	
21A	999 512 331 02	Hose clamp		1	
21B	999 512 334 02	Hose clamp		1	
21B	PCG 512 334 02	Hose clamp		1	
22	928 106 016 03	Regulator housing	-79	1	
(22)	928 106 016 11	Regulator housing	-79	1	
(22)	928 106 016 05	Regulator housing		1	M28.09/10 M28.11/12
(22)	928 106 016 12	Regulator housing		1	M28.09/10 M28.11/12
22A	928 605 101 00	Temperature time switch		1	
22A	928 605 101 02	Temperature time switch		1	
23	928 106 129 16	Thermostat		1	
23	928 106 129 17	Thermostat		1	
24	999 701 632 40	O-ring		1	
25	928 106 173 02	Lid for Regulator housing		1	
27	900 075 333 02	Combination screw		2	
27	900 075 333 01	M 6 X 25 Z2 Combination screw		2	
28	999 701 627 40	M 6 X 25 Z2 O-ring		1	
		OR 53 X 7			

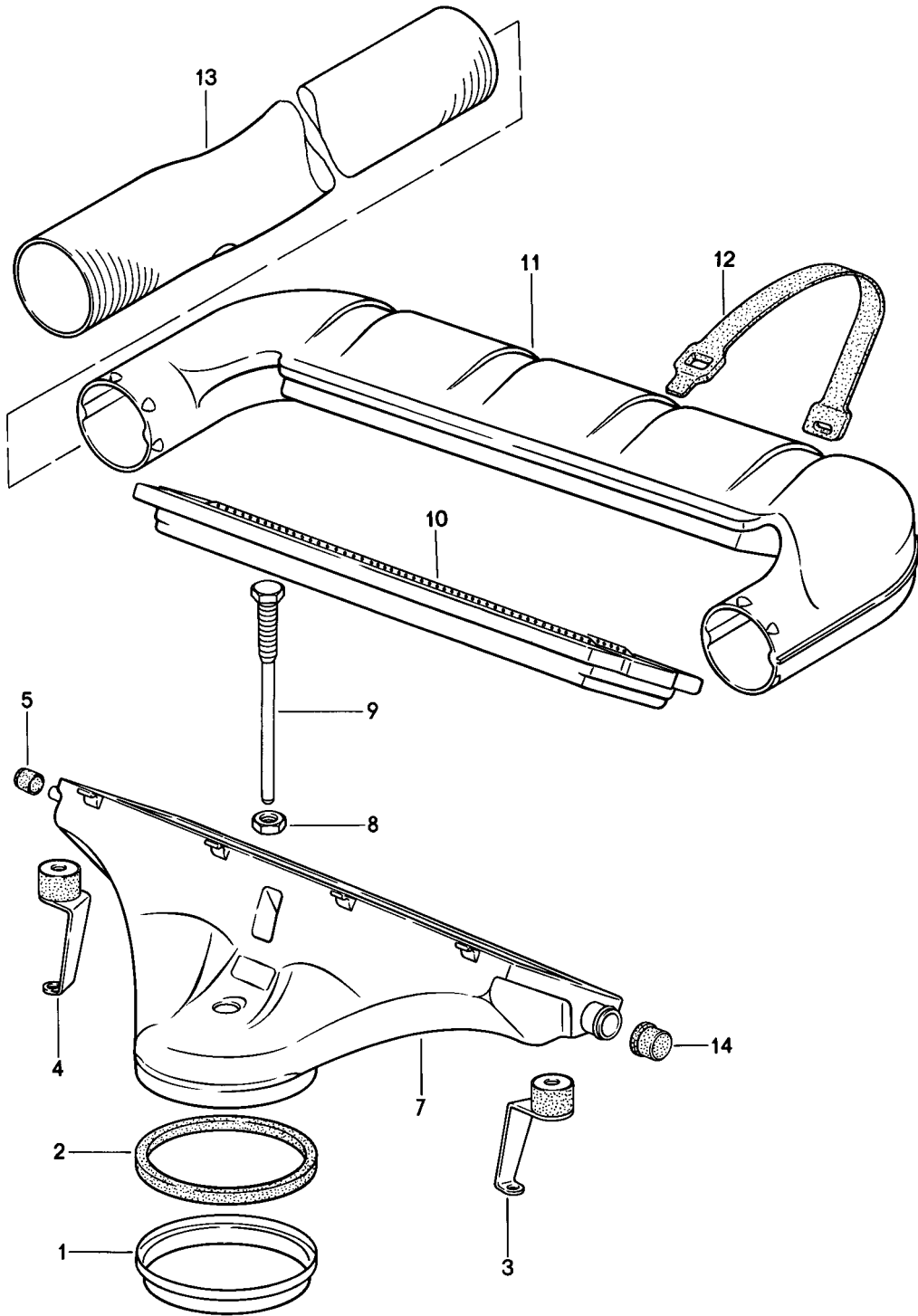
Model: 928 78

Model life 1978>>1982

Pos	Part Number	Description	Remark	Qty	Model
29	928 106 197 00	Gasket		2	
29	928 106 197 01	Gasket		2	
29	928 106 197 04	Gasket		2	
(29)	928 106 197 03	Gasket		2	
30	900 025 007 02	Washer		4	
30	900 025 007 03	Washer		4	
31	N 014 726 1	Pan-head screw M 8 X 30		4	
32	900 123 007 30	Sealing ring		1	
33	928 606 201 01	Remote temperature sensor		1	
34	928 106 321 00	Line		1	
34	928 106 321 03	Line		1	
34	928 106 321 05	Line		1	
(34)	927 106 321 01	Line	/RL	1	
35	999 512 300 02	Hose clamp SR 33/98		1	
36	999 512 374 02	Hose clamp LB 20-32		3	
37	928 106 323 01	Line		1	
37		Line		1	
38	928 106 256 03	Expansion tank	/LL	1	
(38)		Expansion tank	/LL	1	
(38)	927 106 256 01	Expansion tank	/RL	1	
39	928 106 257 03	Catch		1	
40	900 075 057 02	Hexagon-head bolt M 6 X 16		2	
40	900 075 057 03	Hexagon-head bolt M 6 X 16		2	
41	930 110 256 02	Cap		1	
42	N 011 524 7	Washer		4	
42	N 011 524 27	Washer		4	
43	900 076 010 02	Nut		1	
43	900 076 010 0B	Nut		1	
-	999 181 709 50	Hose		*	
44		330 MM		1	
(44)		270 MM	/RL	1	
45		380 MM	/LL	1	
(45)		830 MM	/RL	1	
(45)		630 MM	/LL	1	
46	928 106 277 00	Hose	/LL	1	
(46)	927 106 277 00	Hose	/RL	1	
47	999 137 001 40	T-hose nipple		1	
48	999 512 255 02	Hose clamp SM 13/9		6	
49	999 651 165 02	Cable clamp		3	
50	928 106 271 02	Sealing strip		1	
51	928 106 425 00	Overpressure hose 350 MM		1	
52	928 641 503 01	Tank gauge switch for cooling water		1	
53		See group 8/13/10 - 5			
54	N 024 509 2	Hose clamp LA 12 - 20		1	

Model: 928 78

Model life 1978>>1982



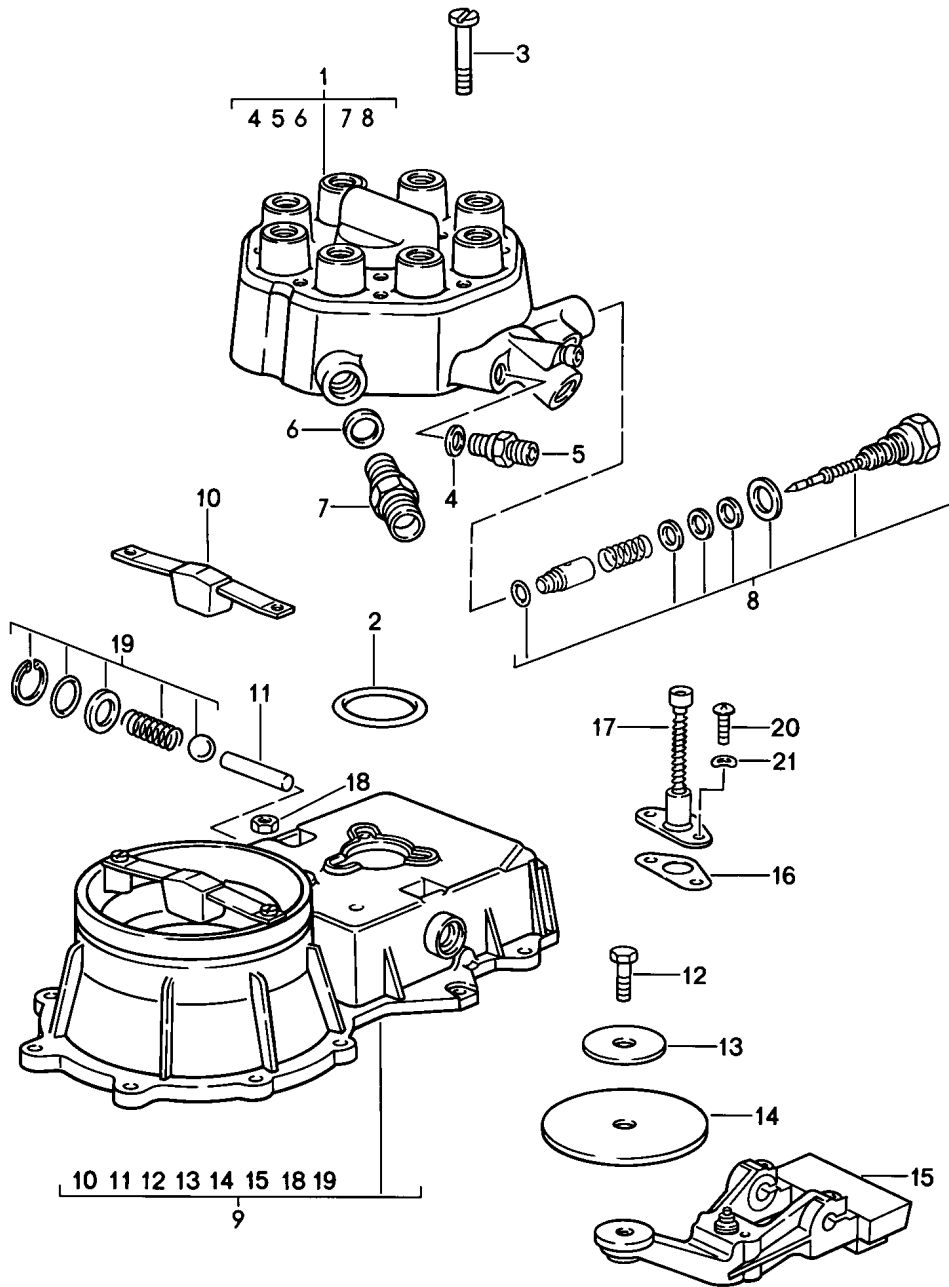
Model: 928 78

Model life 1978>>1982

Pos	Part Number	Description	Remark	Qty	Model
1	928 110 141 01	Air cleaner Support ring		1	
2	930 110 122 00	Sealing ring		1	
3	928 110 043 00	Support	/L	1	
4	928 110 044 00	Support	/R	1	
5	930 110 256 00	Stopper		1	
6	928 110 421 00	Backfire grid		1	
7	928 110 229 00	Air cleaner Lower part		1	
8	N 011 118 11	Hexagon nut		1	
8	900 034 001 05	Hexagon nut		1	
9	928 110 142 00	Screw		1	
10	928 110 185 01	Air cleaner cartridge		1	
11	928 110 916 00	Air cleaner Upper part		1	
12	928 110 363 01	Restraining strap		4	
12		Restraining strap		4	
13	928 110 272 04	Suction hose	-80	2	
(13)		Suction hose	81-	2	
14	928 110 293 00	Cap		1	

Model: 928 78

Model life 1978>>1982





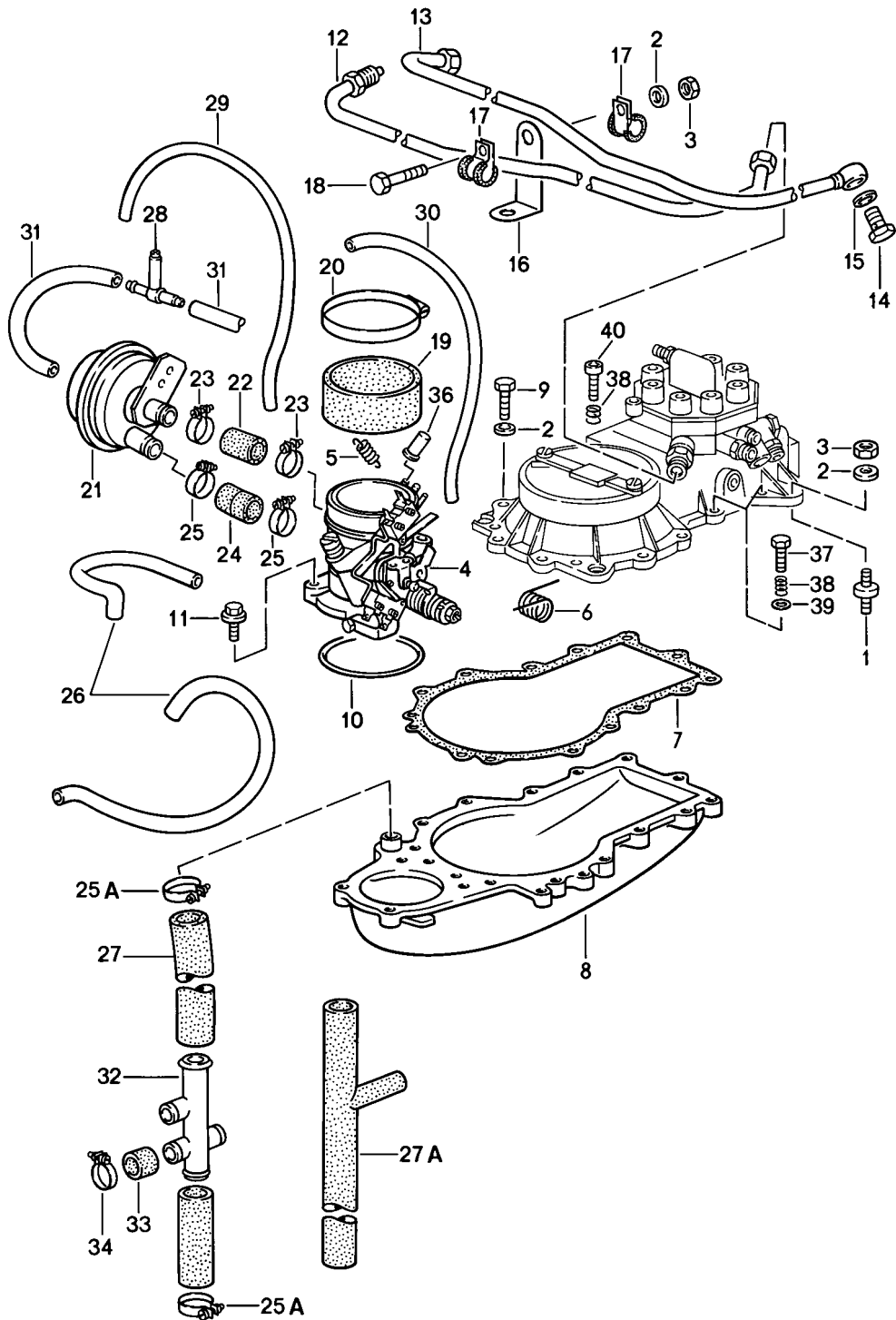
Model: 928 78

Model life 1978>>1982

Pos	Part Number	Description	Remark	Qty	Model
		K-jetronic			
		1			
		Mixture control unit			
1	928 110 906 00	Fuel distributor		1	
2	911 110 936 01	Gasket		1	
3	900 146 045 02	Oval-head screw		3	
		BM 5 X 45			
4	N 013 830 7	Sealing ring		3	
		A 8 X 12			
5	928 110 921 00	Union	-79	3	
5	928 110 223 03	Union	-81	2	
5		Union	82	2	
6	900 123 055 20	Sealing ring		1	
7	928 110 922 00	Union		1	
8	928 110 920 01	Parts kit		1	
		Pressure regulator			
		See workshop manual			
		KD-NR. 256155			
9	928 110 905 00	Mass air flow meter	-81	1	
9	928 110 905 X	Mass air flow meter		1	
(9)	928 110 905 02	Mass air flow meter	82	1	
		with			
		Consumption indicator			
(9)	928 110 905 BX	Mass air flow meter	82-	1	
		with			
		Consumption indicator			
10	928 110 924 00	Stop		1	
11	911 110 941 01	Straight pin		1	
12	911 110 944 01	Hexagon-head bolt		1	
13	911 110 960 00	Support washer		1	
14	911 110 943 01	Air flow sensor plate		1	
14	911 110 943 03	Air flow sensor plate		1	
15	928 110 923 00	Control lever		1	
16	928 110 925 00	Gasket		1	
17	928 110 926 00	Allen key		1	
18	911 110 945 00	Lock nut		1	
19	911 110 946 00	Parts kit		1	
		for			
		Control lever			
		Bearing shaft			
20	N 014 128 13	Oval-head screw		2	
21	N 012 005 3	Lock ring		2	
		B 5			

Model: 928 78

Model life 1978>>1982



Model: 928 78 Model life 1978>>1982

Pos	Part Number	Description	Remark	Qty	Model
		K-jetronic 2			
1	928 110 191 00	Bonded rubber buffer		4	
1	999 703 261 00	Bonded rubber buffer		4	
2	N 011 524 7	Washer		16	
2	N 011 524 27	Washer		16	
3	900 076 010 02	Nut		6	
3	900 076 010 0B	Nut		6	
4	928 110 090 08	Flap-Nozzle		1	M28.01/02 M28.09/10 M28.11/12
4	928 110 099 01	Flap-Nozzle		1	
5	928 110 425 00	Tension spring		1	
6	928 110 427 00	Torsion spring		1	
7	930 110 394 00	Gasket		1	
8	928 110 097 03	Air guide housing		1	M28.01/02
8	928 110 097 04	Air guide housing		1	M28.09/10
8	928 110 097 05	Air guide housing		1	M28.11/12
9	N 010 217 9	Hexagon-head bolt M 6 X 20		11	
10	999 701 436 40	O-ring 91 X 4		1	
11	900 075 333 02	Combination screw M 6 X 25 Z2		4	
11	900 075 333 01	Combination screw M 6 X 25 Z2		4	
12	928 110 501 00	Fuel line Intake F >>92A08 00878 F >>92A08 20538		1	
12	928 110 501 02	Fuel line F 92A08 00879>> F 92A08 20539>>		1	
13	928 110 502 00	Fuel return line F >>92A08 00878 F >>92A08 20538		1	
(13)	928 110 502 02	Fuel line F 92A08 00879>> F 92A08 20539>>		1	
14	900 175 020 02	Banjo bolt		1	
14	900 175 020 01	Banjo bolt		1	
15	900 123 005 20	Sealing ring		2	
16	928 110 287 00	Bracket for Fuel line		1	
17	999 511 116 02	Clamp		4	
17	999 511 116 03	Clamp		4	
18	900 075 014 02	Hexagon-head bolt M 6 X 18		2	
18	900 075 014 03	Hexagon-head bolt M 6 X 18		2	
19	928 110 248 01	Connecting piece		1	M28.01/02 M28.09/10 M28.11/12
(19)	928 110 243 00	Connecting piece		1	M28.11/12
20	999 512 226 02	Hose clamp	/10	2	M28.01/02/09 M28.09/10
(20)	999 512 087 02	Hose clamp		2	M28.11/12
(20)	PCG 512 087 02	Hose clamp		2	M28.11/12
21	930 110 173 00	Vacuum limiter	80-	1	M28.11/12
(21)		Vacuum limiter	80-	1	M28.09/10
(21)		Vacuum limiter	(S) 80-	1	M28.09/10
(21)	928 110 173 01	Vacuum limiter	(AUS) 80-	1	M28.09/10

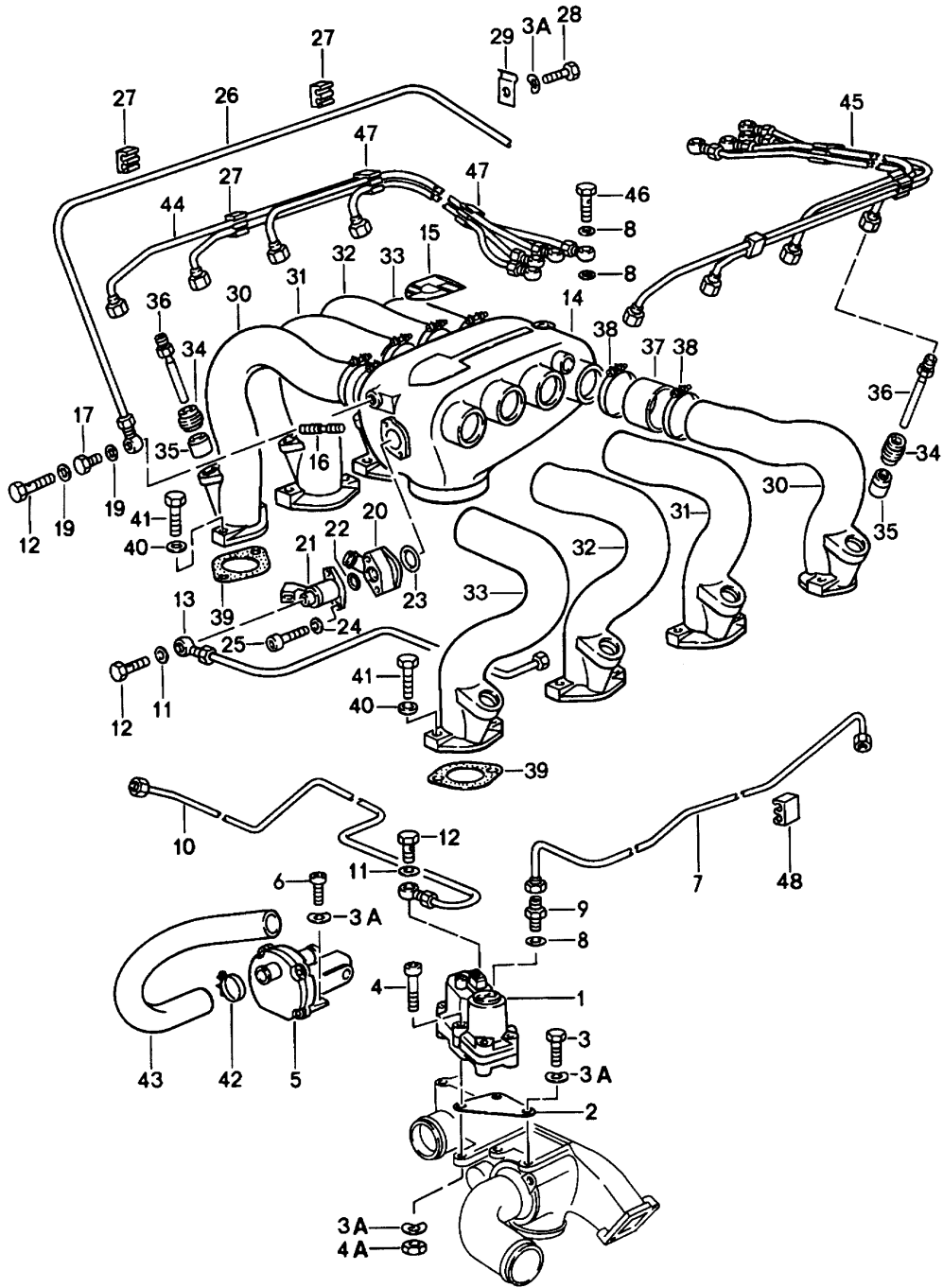
Model: 928 78

Model life 1978&gt;&gt;1982

Pos	Part Number	Description	Remark	Qty	Model
22	928 110 175 00	Hose		1	
23	999 512 045 02	Hose clamp		2	
24	928 110 178 00	Hose		1	
25	999 512 552 00	Hose clamp		2	
25	999 512 552 01	Hose clamp		2	
25A	999 512 038 02	Hose clamp		2	
25A	PCG 512 038 02	Hose clamp		2	
26	928 110 511 00	Vacuum hose Warm-up valve Flap-Nozzle		2	
26	928 110 511 02	Vacuum hose Warm-up valve Flap-Nozzle		2	
27	999 239 009 40	Hose Air guide housing Distributing piece	-79	*	
27		Hose 340 MM	80-	*	
27A	928 110 357 00	Hose Air guide housing Auxiliary air regulator	80-	1	
27A	928 110 357 01	Hose Air guide housing Auxiliary air regulator	80-	1	
28	930 110 271 01	T-piece		1	
29	999 239 003 40	Hose		*	
29		500 MM		1	
30		650 MM		1	
-	000 043 204 94	Hose		*	
31		150 MM		2	
32	928 110 439 00	Distributing piece	-79	1	
33	930 110 256 00	Stopper		1	
34	999 512 056 02	Hose clamp		1	
35	999 239 009 40	Hose Distributing piece Auxiliary air regulator		*	
36	930 110 292 00	Stopper	(AUS) (S) 80-	1	
37	900 075 135 02	Hexagon-head bolt M 6 X 28		2	
38	911 110 364 00	Compression spring		3	
39	900 031 011 02	Washer		2	
40	N 010 220 3	Hexagon-head bolt		1	

Model: 928 78

Model life 1978>>1982



Model: 928 78 Model life 1978>>1982

Pos	Part Number	Description	Remark	Qty	Model
		K-jetronic 3			
1	928 606 109 04	Warm-up valve		1	M28.11/12
1	928 606 109 DX	Warm-up valve		1	M28.11/12
(1)	928 606 109 05	Warm-up valve		1	-04 M28.01
(1)	928 606 109 EX	Warm-up valve		1	-04 M28.01 M28.09/10
2	928 110 239 00	Bracket	-79	1	
3	999 072 005 09	Hexagon nut M 6 X 12	-79	1	
3	999 072 005 01	Hexagon nut M 6 X 12		1	
3A	N 011 524 7	Washer A 6,4		7	
3A	N 011 524 27	Washer A 6,4		7	
4	N 014 719 2	Pan-head screw M 6 X 50		2	
4A	900 076 010 02	Nut	-79	3	
4A	900 076 010 0B	Nut	-79	3	
5	930 606 102 00	Auxiliary air regulator		1	
5	930 606 102 X	Auxiliary air regulator		1	
6	N 014 703 2	Pan-head screw M 6 X 18	-79	2	
7	928 110 189 05	Fuel line Warm-up valve Diaphragm damper Only together with Fuel distributor with Capsule Valve	-79	1	
7	928 110 189 03	Fuel line	80-	1	
7	928 110 189 04	Fuel line		1	M28.11/12
8	900 123 144 30	Sealing ring A 10 X 13,5		17	
9	999 105 013 02	Screw socket		1	
10	928 110 190 00	Fuel line Return line Warm-up valve	-79	1	
(10)	928 110 190 01	Fuel line	80-	1	
11	N 013 830 7	Sealing ring A 8 X 12		4	
12	911 110 899 00	Banjo bolt		3	
13	928 110 194 00	Fuel line Intake Start valve		1	
14	928 110 056 02	Intake distributor		1	-10 M28.01
(14)	928 110 086 00	Intake distributor		1	M28.11/12
15	928 110 403 00	Crest		1	
17	900 083 047 02	Hexagon-head bolt M 8 X 1 X 10		1	
19	900 123 115 30	Sealing ring A 8 X 11,5		3	
20	911 110 264 00	Intermediate piece for Start valve		1	
21	911 606 107 01	Start valve	-80	1	
21		Start valve	81-	1	
22	999 701 395 50	O-ring		1	

Model: 928 78 Model life 1978>>1982

Pos	Part Number	Description	Remark	Qty	Model
23	999 701 210 40	O-ring		1	
23	999 701 210 4A	O-ring		1	
24	N 011 523 9	Washer		2	
25	900 067 150 02	Pan-head screw M 5 X 32		2	
26	928 110 087 01	Vacuum line	AUT.	1	
27	928 110 150 00	Terminal	AUT.	4	
28	999 072 005 09	Hexagon nut M 6 X 12	AUT.	1	
28	999 072 005 01	Hexagon nut M 6 X 12	AUT.	1	
29	900 264 001 02	Pipe clamp	AUT.	1	
30	928 110 281 02	Intake manifold		2	-10 M28.01
		Cylinder 1 And Cylinder 8			
(30)	928 110 295 00	Intake manifold Cylinder 1 And Cylinder 8		2	M28.11/12
31	928 110 282 03	Intake manifold		2	-10 M28.01
		Cylinder 2 And Cylinder 7			
(31)	928 110 296 00	Intake manifold Cylinder 2 And Cylinder 7		2	M28.11/12
32	928 110 283 02	Intake manifold		2	-10 M28.01
		Cylinder 3 And Cylinder 6			
(32)	928 110 297 00	Intake manifold Cylinder 3 And Cylinder 6		2	M28.11/12
33	928 110 284 02	Intake manifold		2	-10 M28.01
		Cylinder 4 And Cylinder 5			
(33)	928 110 298 00	Intake manifold Cylinder 4 And Cylinder 5		2	M28.11/12
34	928 110 399 02	Tensioning sleeve		8	
35	928 110 398 00	Sleeve for Injector valve		8	
36	928 110 225 00	Injector valve		8	
37	928 110 158 01	Rubber sleeve		8	-10 M28.01
(37)	928 110 241 00	Rubber sleeve		8	M28.11/12
38	999 512 085 02	Hose clamp S 52/9	-79	16	
38	999 512 348 02	Hose clamp	80-	16	
39	928 110 330 03	Gasket		8	
40	900 025 007 02	Washer		16	
40	900 025 007 03	Washer		16	
41	N 010 335 5	Hexagon-head bolt		16	

Model: 928 78

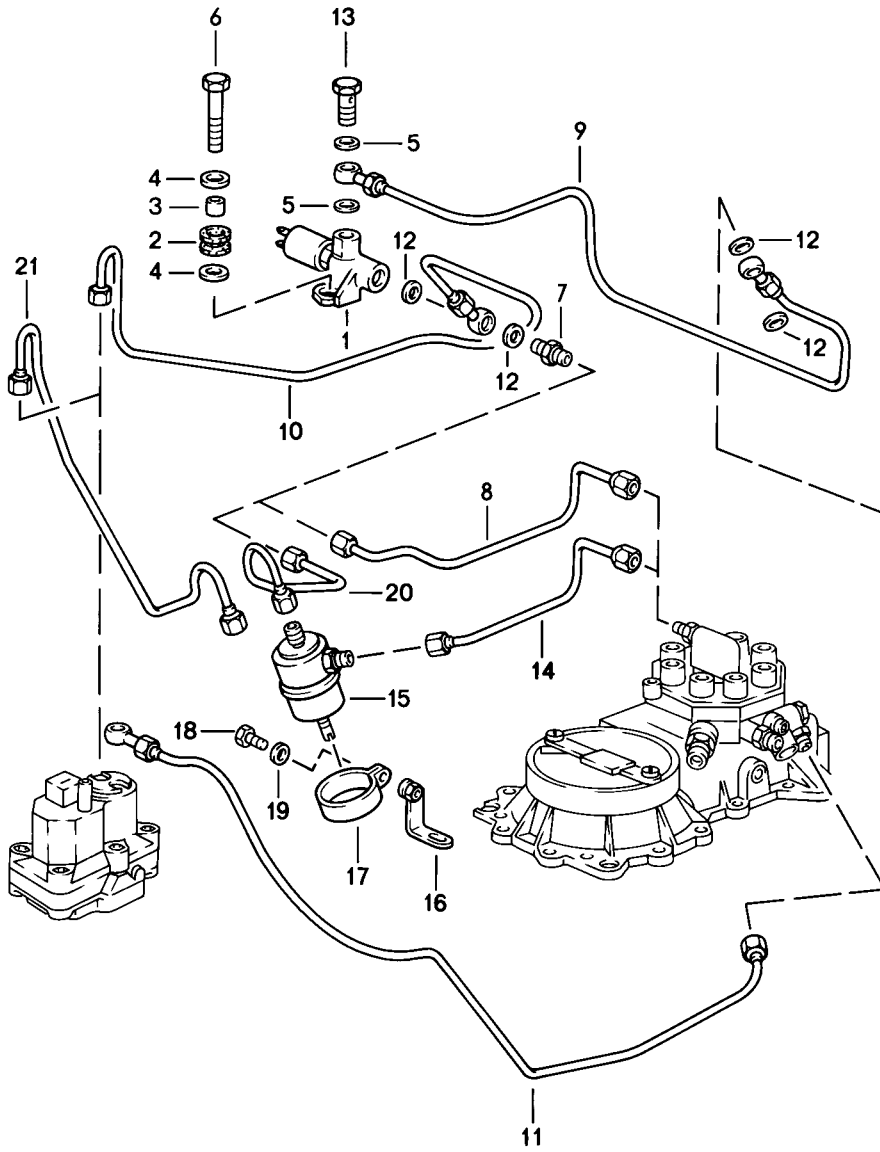
Model life 1978&gt;&gt;1982

Pos	Part Number	Description	Remark	Qty	Model
41	900 075 032 03	M 8 X 35 Hexagon-head bolt		16	
42	999 512 552 00	M 8 X 35 Hose clamp		2	-10 M28.01
42	999 512 552 01	Hose clamp		2	-10 M28.01
43	928 110 177 02	Hose		1	-10 M28.01
44	928 110 028 00	Auxiliary air regulator Intake distributor Injection line Cylinders 1 - 4	/R	1	
45	928 110 027 00	Injection line Cylinders 5 - 8	/L	1	
46	930 110 547 00	Banjo bolt		8	
46	930 110 547 01	Banjo bolt		8	
47	928 110 149 00	Terminal		4	
48	928 110 148 01	Terminal		2	



Model: 928 78

Model life 1978>>1982



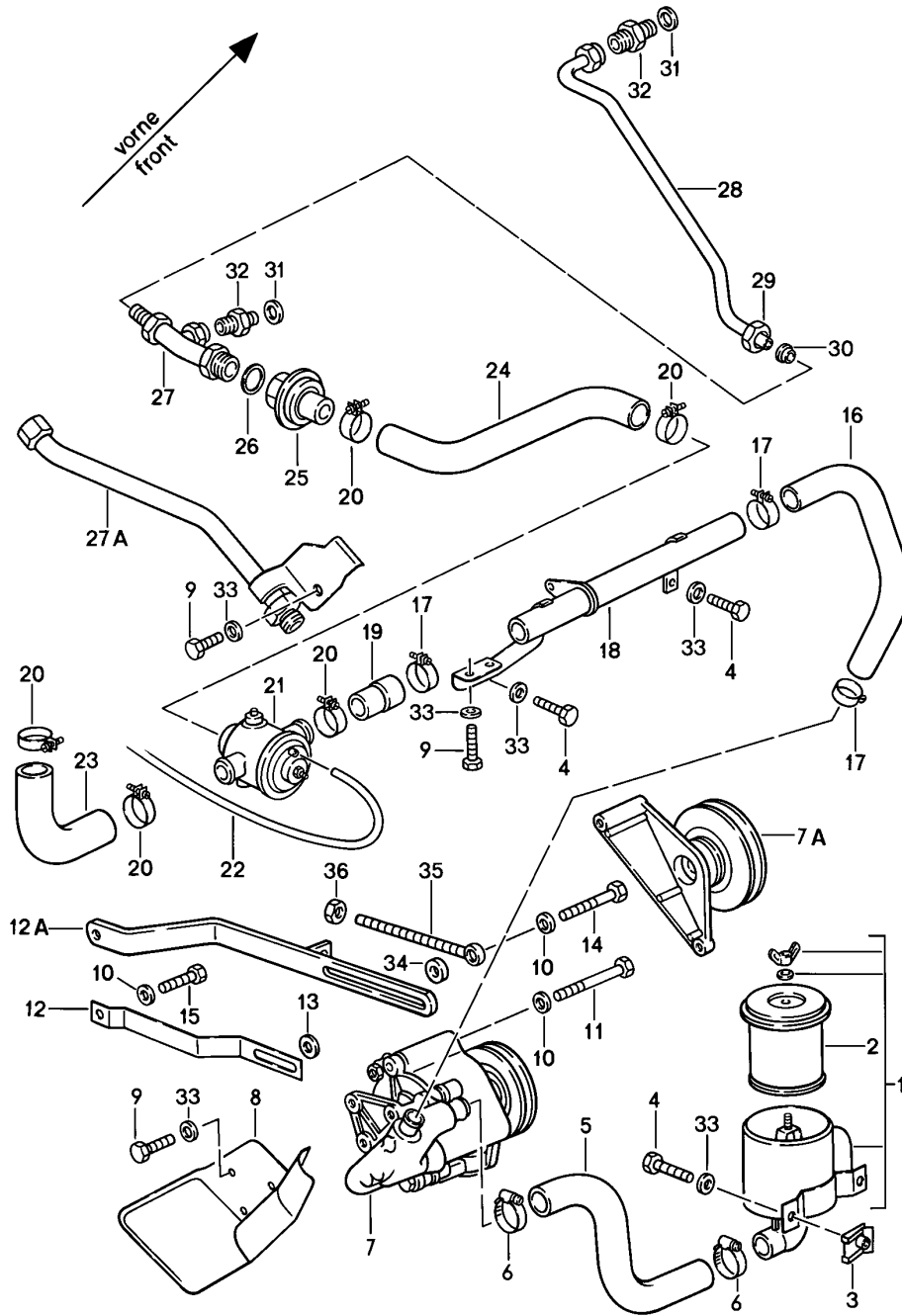
Model: 928 78

Model life 1978>>1982

Pos	Part Number	Description	Remark	Qty	Model
		Control pressure Lowering Standard Valid from: 18.02.80 M 800 0378 >> M 800 5496 >> M 820 0233 >> M 820 5025 >> for subsequent installat. See technical information GRP.2 NR.9	80-		M28.09 M28.10 M28.11 M28.12
1	928 605 103 00	Solenoid valve with Distributing piece		1	
-	928 605 901 00	Nozzle 65		1	
2	928 110 244 00	Rubber sleeve		1	
3	928 110 245 00	Spacer sleeve		1	
4	999 025 072 02	Washer		2	
5	N 013 830 7	Sealing ring		2	
6	900 074 040 02	Hexagon-head bolt		1	
7	900 176 001 02	Connection piece		2	
8	928 110 235 00	Fuel line		1	
9	928 110 234 02	Fuel line	-81	1	
9		Fuel line	82	1	
10	928 110 189 04	Fuel line		1	
11	928 110 190 02	Fuel line		1	
12	900 123 115 30	Sealing ring A 8 X 11,5		4	
13	911 110 899 00	Banjo bolt		3	
14	928 110 505 01	Fuel line		1	
15	928 110 231 02	Diaphragm damper		1	
16	928 110 525 00	Support		1	
17	999 511 132 02	Clamp		1	
18	999 072 005 09	Hexagon nut M 6 X 12		1	
18	999 072 005 01	Hexagon nut M 6 X 12		1	
19	N 011 524 7	Washer		1	
19	N 011 524 27	Washer		1	
20	928 110 503 00	Fuel line		1	
21	928 110 189 05	Fuel line		X	

Model: 928 78

Model life 1978>>1982



Model: 928 78 Model life 1978>>1982

Pos	Part Number	Description	Remark	Qty	Model
1	928 113 145 00	Air injection		1	
2	928 113 445 00	Air cleaner		1	
3	999 507 246 02	Filter cartridge		2	
3	999 507 246 01	Speed nut		2	
4	900 075 057 02	Speed nut		2	
4	900 075 057 02	Hexagon-head bolt		4	
		M 6 X 16			
4	900 075 057 03	Hexagon-head bolt		4	
		M 6 X 16			
5	928 113 155 00	Moulded hose		1	
6	N 024 511 2	Hose clamp		2	
7	928 113 109 04	Air pump		1	M28.01/02 -12 M28.09
8	928 113 125 05	Cover plate		1	
9	999 072 005 09	Hexagon nut		6	
		M 6 X 12			
9	999 072 005 01	Hexagon nut		6	
		M 6 X 12			
10	900 025 007 02	Washer		3	
10	900 025 007 03	Washer		3	
11	900 074 049 02	Screw		1	
		M 8 X 110			
12	928 113 113 05	Strut	-79	1	
		for			
		Air pump			
12A	928 113 113 10	Strut	80-	1	
		for			
		Air pump			
13	900 025 007 02	Washer		1	
13	900 025 007 03	Washer		1	
14	N 010 246 4	Hexagon-head bolt	-79	1	
		M 8 X 45			
(14)	900 075 033 02	Stud	80-	1	
(14)	900 075 033 03	Stud	80-	1	
15	900 075 079 02	Hexagon-head bolt		1	
		M 8 X 22			
16	928 113 139 02	Hose		1	
17	999 512 038 02	Hose clamp		3	
17	PCG 512 038 02	Hose clamp		3	
18	928 113 141 02	Air tube	-79	1	
(18)	928 113 141 03	Air tube	80-	1	
19	928 113 149 00	Hose		1	
		Diverter valve			
20	PCG 512 237 02	Hose clamp		5	
21	930 113 147 01	Diverter valve		1	
-	999 239 003 40	Hose		*	
22		400 MM	-81	1	
22		650 MM	82	1	
23	928 113 159 02	Hose		1	
		Air cleaner			
24	928 113 140 03	Hose		1	
		Check valve			
25	911 113 115 01	Check valve		1	
25		Check valve		1	
26	900 123 060 30	Sealing ring		1	
27	928 113 136 00	Air tube	/R	1	
28	928 113 135 03	Air tube	/L	1	
29	900 104 020 02	Union nut		2	
30	N 020 823 1	Cutting ring		1	
31	900 123 018 30	Sealing ring		2	
32	900 915 005 02	Connection piece		2	
33	N 011 524 7	Washer		6	

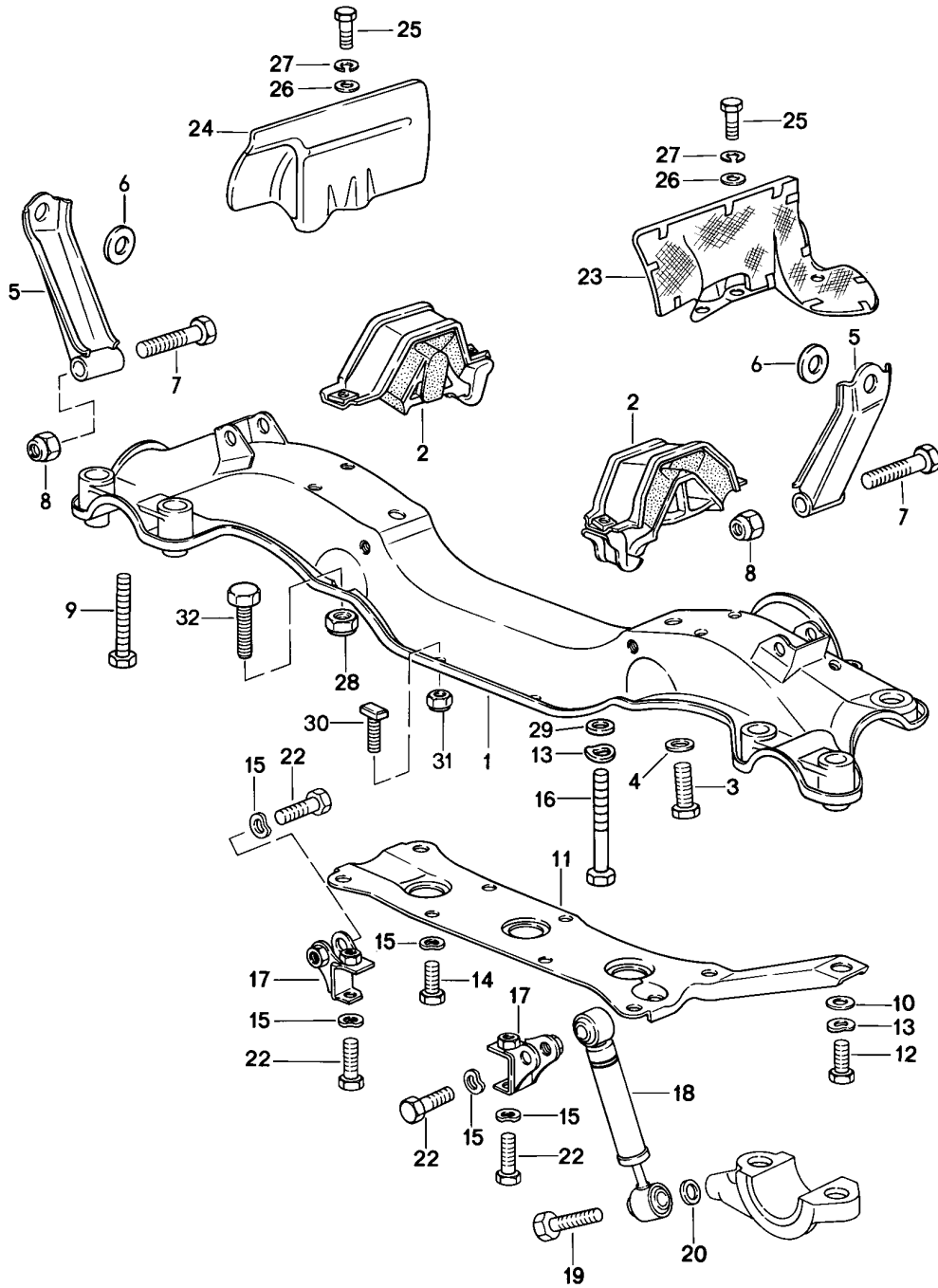
Model: 928 78

Model life 1978>>1982

Pos	Part Number	Description	Remark	Qty	Model
33	N 011 524 27	A 6,4 Washer		6	
34	999 025 075 02	A 6,4 Washer 8,5 X 19 X 6	80-	1	
35	999 460 002 02	Eye screw AM 8 X 90 X 75	80-	1	
36	900 076 025 02	Hexagon nut M 8		1	
36	900 076 064 02	Hexagon nut M 8		1	

Model: 928 78

Model life 1978>>1982



Model: 928 78

Model life 1978&gt;&gt;1982

Pos	Part Number	Description	Remark	Qty	Model
1	928 375 011 04	Engine suspension			
(1)	927 375 011 00	Engine carrier	/LL	1	
(1)	927 375 011 04	Engine carrier	/RL -80	1	
		Engine carrier	/RL 81-	1	
2	928 375 043 02	Engine mounting		2	
3	N 040 108 1	Hexagon-head bolt		2	
		M 12 X 1,5 X 40			
4	901 333 143 01	Washer		2	
5	928 375 063 00	Bracket	/L	1	
(5)	928 375 064 00	Bracket	/R	1	
6	928 375 211 00	Washer		2	
7	N 010 156 3	Hexagon-head bolt		2	
		M 12 X 1,5 X 70			
8	900 910 046 02	Lock nut		2	
		VM 12 X 1,5			
8	999 084 439 09	Lock nut		2	
		VM 12 X 1,5			
8	999 084 445 09	Lock nut		2	
		VM 12 X 1,5			
8	999 084 445 01	Lock nut		2	
		VM 12 X 1,5			
9	N 010 455 3	Hexagon-head bolt		2	
		M 10 X 55			
10	928 375 212 00	Washer		2	
11	928 375 109 01	Reinforcement plate	/LL	1	
(11)	927 375 021 00	Reinforcement plate	/RL	1	
12	900 075 043 02	Hexagon-head bolt		3	
		M 10 X 30			
13	900 028 032 02	Spring washer		6	
		B 10		6	
14	900 075 079 02	Hexagon-head bolt		4	
		M 8 X 25			
15	N 012 241 8	Spring washer		8	
16	N 010 500 3	Hexagon-head bolt		4	
		M 10 X 110			
17	928 375 081 01	Connecting bow	/L	1	
(17)	928 375 082 01	Connecting bow	/R	1	
18	928 375 179 02	Vibration damper		2	
19	N 010 450 5	Hexagon-head bolt		2	
		M 10 X 50			
19	900 074 373 02	Hexagon-head bolt		2	
		M 10 X 50			
20	900 089 002 02	Washer		2	
		10 MM			
22	N 010 340 6	Hexagon-head bolt		4	
		M 8 X 40			
23	928 375 055 01	Heat shield	/L	1	
24	928 375 056 01	Heat shield	/R	1	
25	900 075 057 02	Hexagon-head bolt		4	
		M 6 X 16			
25	900 075 057 03	Hexagon-head bolt		4	
		M 6 X 16			
26	900 223 003 02	Washer		4	
27	N 012 006 4	Lock ring		4	
		B 6			
28	900 910 031 09	Lock nut		4	
28	900 910 031 01	Lock nut		4	
29	900 025 008 09	Washer		4	
29	900 025 008 04	Washer		4	
30	928 375 125 00	T-headed screw	81-	4	
31	900 910 022 02	Lock nut	81-	4	
32	N 010 445 2	Hexagon-head bolt	81-	4	
		M 10 X 45			

Model: 928 78

Model life 1978&gt;&gt;1982

Pos	Part Number	Description	Remark	Qty	Model
32	900 074 372 01	Hexagon-head bolt M 10 X 45	81-	4	



Model: 928 78

Model life 1978>>1982



Model: 928 78

Model life 1978&gt;&gt;1982

Pos	Part Number	Description	Remark	Qty	Model
>>	928 100 901 00	Maintenance set Gasket set Repair kit Gasket set		1	-04 M28.01 M28.09/10 -18 M28.13
		Engine			
		Comprising:			
-	900 123 050 20	Sealing ring A 8 X 11,5		4	
-	900 123 033 20	Sealing ring A 10 X 13,5 CU		17	
-	900 123 005 20	Sealing ring A 12 X 16		2	
-	900 123 118 30	Sealing ring A 22 X 27		3	
-	999 113 275 40	Shaft sealing ring A 20 X 30 X 7		1	
-	900 123 007 30	Sealing ring A 14 X 18		2	
-	900 123 149 70	Sealing ring A 22 X 29		1	
-	900 123 015 30	Sealing ring A 30 X 36		1	
-	900 123 018 30	Sealing ring A 16 X 20		6	
-	900 123 044 30	Sealing ring A 18 X 22		13	
-	900 123 050 30	Sealing ring A 8 X 11,5		3	
-	900 123 055 30	Sealing ring A 12 X 16		2	
-	900 123 060 30	Sealing ring A 24 X 29		2	
-	900 123 143 70	Sealing ring A 48 X 55		1	
-	911 104 193 03	Valve stem seal		16	
-	928 101 207 00	Oil sump gasket		1	
-	928 104 371 12	Cylinder head gasket Cylinders 1 - 4		1	
-	928 104 372 12	Cylinder head gasket Cylinders 5 - 8		1	
-	928 105 184 00	Sealing ring		2	
-	928 105 184 01	Sealing ring		2	
-	928 105 189 02	Gasket		2	
-	928 105 901 00	Gasket for Camshaft housing		2	
-	928 106 134 03	Gasket		1	
-	928 106 197 02	Gasket		1	
-	928 106 197 04	Gasket for Regulator housing		2	
-	928 107 136 04	Sealing ring		1	
-	928 107 707 04	Gasket for Oil inlet		1	
-	928 107 711 00	Gasket		1	
-	928 110 330 03	Gasket		8	
-	928 111 193 12	Gasket		8	
-	928 113 179 01	Gasket		2	
-	928 602 103 00	Sealing ring		1	

Model: 928 78

Model life 1978>>1982

Pos	Part Number	Description	Remark	Qty	Model
-	928 603 135 01	Sealing ring		1	
-	928 606 213 03	Gasket		1	
-	930 110 122 00	Sealing ring		1	
-	930 110 394 00	Gasket		1	
-	999 113 215 40	Sealing ring 90 X 110		1	
-	999 113 263 40	Shaft sealing ring 60 X 85 X 10		1	
-	999 113 282 40	Shaft sealing ring 30 X 47 X 7		2	
-	999 701 210 40	O-ring 20 X 2,5		1	
-	999 701 210 4A	O-ring 20 X 2,5		1	
-	999 701 395 50	O-ring 7 X 2		1	
-	999 701 425 40	O-ring 50 X 4		1	
-	999 701 633 40	O-ring 98 X 3		1	
-	999 701 436 40	O-ring 91 X 4 X 63		1	
-	928 107 169 01	Gasket 29,2 X 3		1	
-	999 701 592 40	O-ring 18,3 X 2,4		2	
-	999 701 602 40	O-ring 50 X 5		2	
-	999 701 627 40	O-ring 53 X 7		1	
-	999 701 632 40	O-ring 65 X 5		1	
>>	928 100 901 01	Gasket set Engine Comprising:		1	M28.11/12
-	900 123 050 20	Sealing ring A 8 X 11,5		4	
-	900 123 033 20	Sealing ring A 10 X 13,5 CU		17	
-	900 123 005 20	Sealing ring A 12 X 16		2	
-	900 123 118 30	Sealing ring A 22 X 27		3	
-	999 113 275 40	Shaft sealing ring A 20 X 30 X 7		1	
-	900 123 007 30	Sealing ring A 14 X 18		2	
-	900 123 149 70	Sealing ring A 22 X 29		1	
-	900 123 015 30	Sealing ring A 30 X 36		1	
-	900 123 018 30	Sealing ring A 16 X 20		4	
-	900 123 044 30	Sealing ring A 18 X 22		13	
-	900 123 050 30	Sealing ring A 8 X 11,5		3	
-	900 123 055 30	Sealing ring A 12 X 16		2	
-	900 123 060 30	Sealing ring A 24 X 29		2	
-	900 123 143 70	Sealing ring A 48 X 55		1	

Model: 928 78 Model life 1978>>1982

Pos	Part Number	Description	Remark	Qty	Model
-	928 104 193 03	Valve stem seal		16	
-	928 101 207 00	Oil sump gasket		1	
-	928 104 361 07	Cylinder head gasket Cylinders 1 - 4		1	
-	928 104 362 07	Cylinder head gasket Cylinders 5 - 8		1	
-	928 105 184 00	Sealing ring		2	
-	928 105 184 01	Sealing ring		2	
-	928 105 189 02	Gasket		2	
-	928 105 901 00	Gasket for Camshaft housing		2	
-	928 106 134 03	Gasket		1	
-	928 106 197 02	Gasket		2	
-	928 106 197 04	Gasket for Regulator housing		2	
-	928 107 136 04	Sealing ring		1	
-	928 107 707 04	Gasket for Oil inlet		1	
-	928 107 711 00	Gasket		1	
-	928 110 330 03	Gasket		8	
-	928 111 193 12	Gasket		8	
-	928 113 179 01	Gasket		2	
-	928 602 103 00	Sealing ring		1	
-	928 603 135 01	Sealing ring		1	
-	928 606 213 03	Gasket		1	
-	930 110 122 00	Sealing ring		1	
-	930 110 394 00	Gasket		1	
-	999 113 215 40	Sealing ring 90 X 110		1	
-	999 113 263 40	Shaft sealing ring 60 X 85 10		1	
-	999 113 282 40	Shaft sealing ring 30 X 47 X 7		2	
-	999 701 210 40	O-ring 20 X 2,5		1	
-	999 701 210 4A	O-ring 20 X 2,5		1	
-	999 701 395 50	O-ring 7 X 2		1	
-	999 701 425 40	O-ring 50 X 4		1	
-	999 701 633 40	O-ring 98 X 3		1	
-	999 701 436 40	O-ring 91 X 4 X 63		1	
-	928 107 169 01	Gasket 29,2 X 3		1	
-	999 701 592 40	O-ring 18,3 X 2,4		2	
-	999 701 602 40	O-ring 50 X 5		2	
-	999 701 627 40	O-ring 53 X 7		1	
-	999 701 632 40	O-ring 65 X 5		1	
>>	928 100 931 00	Maintenance set  for 20,000 km intervals F >>92881 01259 F >>92882 00053	78	1	-04 M28.01

Model: 928 78

Model life 1978>>1982

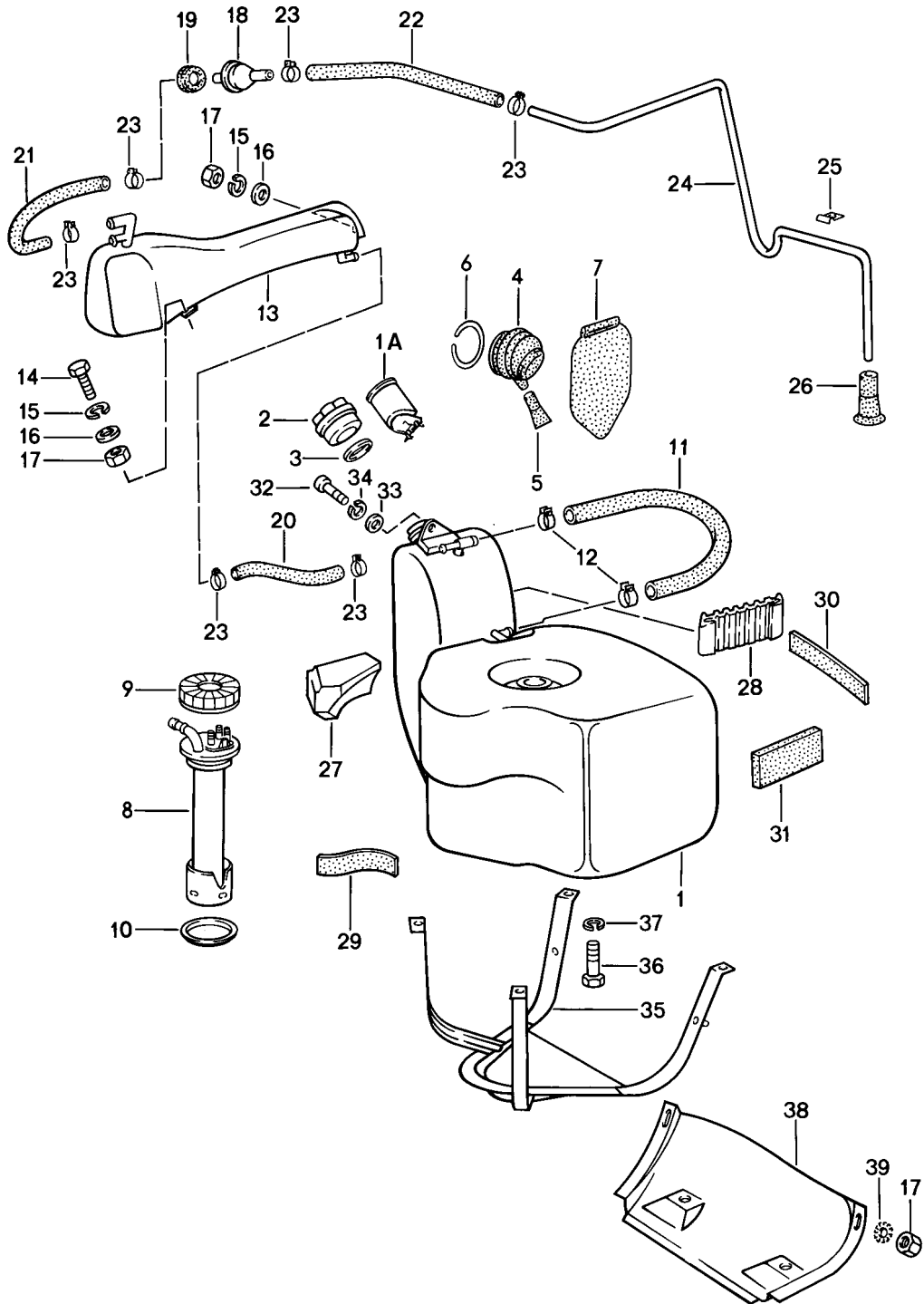
Pos	Part Number	Description	Remark	Qty	Model
		F >>92882 09521			
		Comprising:			
-	999 170 170 90	Spark plug		8	
-	928 107 201 05	Oil filter		1	
-	928 107 201 07	Oil filter	-(IND)	1	
		Red			
-	900 123 011 30	Sealing ring		1	
-	928 110 147 02	Fuel filter		1	
-	928 110 185 01	Air cleaner cartridge		1	
-	928 113 445 00	Filter cartridge		1	
>>	928 100 931 01	Maintenance set	-79	1	-04 M28.01
		for 20,000 km intervals			
		F 92881 01260>>			
		F 92882 00054>>			
		F 92882 09522>>			
		Comprising:			
-	999 170 170 90	Spark plug		8	
-	928 107 201 05	Oil filter		1	
-	928 107 201 07	Oil filter	-(IND)	1	
		Red			
-	900 123 011 30	Sealing ring		1	
-	928 110 147 09	Fuel filter		1	
-	928 110 185 01	Air cleaner cartridge		1	
-	928 113 445 00	Filter cartridge		1	
>>	928 100 931 02	Maintenance set	80-	1	M28.09/10
		for 20,000 km intervals			
		Comprising:			
-	999 170 170 90	Spark plug		8	
-	928 107 201 05	Oil filter		1	
-	928 107 201 07	Oil filter	-(IND)	1	
		Red			
-	900 123 011 30	Sealing ring		1	
-	928 110 147 05	Fuel filter		1	
-	928 110 185 01	Air cleaner cartridge		1	
-	928 113 445 00	Filter cartridge		1	
>>	928 100 931 03	Maintenance set		1	M28.11/12
		for 20,000 km intervals			
		Comprising:			
-	999 170 156 90	Spark plug		8	
-	928 107 201 05	Oil filter		1	
-	928 107 201 07	Oil filter	-(IND)	1	
		Red			
-	900 123 011 30	Sealing ring		1	
-	928 110 147 05	Fuel filter		1	
-	928 110 185 01	Air cleaner cartridge		1	
-	928 113 445 00	Filter cartridge		1	
>>	928 103 901 00	Set of piston rings	78	X	-04 M28.01
		1 set			
		for			
		Piston			
		928.103.074.02			
		928.103.075.02			
>>	928 103 902 00	Set of piston rings	-79	X	-04 M28.01
		1 set			
		for			
		Piston			
		95,00 MM			
>>	928 103 903 00	Set of piston rings	-79	X	-04 M28.01
		1 set			

Model: 928 78 Model life 1978>>1982

Pos	Part Number	Description	Remark	Qty	Model
>>	928 103 904 00	for Piston 95,50 MM Set of piston rings	-79	X	-04 M28.01
>>	928 103 905 04	1 set for Piston 96,00 MM Set of piston rings	80-	X	M28.09/10 -18 M28.13
>>	928 103 905 05	1 set for Piston 95,00 MM Set of piston rings	80-	X	M28.09/10 -18 M28.13
>>	928 103 905 06	1 set for Piston 95,50 MM 1. Oversize Set of piston rings	80-	X	M28.09/10 -18 M28.13
>>	928 103 906 11	1 set for Piston 96,00 MM 2. Oversize Set of piston rings		X	M28.11/12
>>	928 103 906 12	1 set for Piston 97,00 MM Set of piston rings		X	M28.11/12
>>	928 103 906 03	1 set for Piston 97,50 MM 1. Oversize Set of piston rings		X	M28.11/12
		1 set for Piston 98,00 MM 2. Oversize			

Model: 928 78

Model life 1978>>1982



Model: 928 78

Model life 1978&gt;&gt;1982

Pos	Part Number	Description	Remark	Qty	Model
1	928 201 003 03	Fuel tank		1	
2	928 201 901 03	Fuel tank cap with stipulated lock number State lock number		1	
(2)	928 201 903 02	Fuel tank cap W/o stipulated lock number		1	
3	928 201 275 03	Sealing ring		1	
4	928 201 333 02	Grommet		1	
5	928 201 255 02	Drain bush		1	
6	900 906 046 00	Outer ring		1	
7	928 201 057 02	Protective flap		1	
8	928 641 030 01	Tank filler neck Tank gauge		1	
9	113 201 375	Fuel tank Union nut		1	
10	928 201 327 02	Gasket for Tank gauge		1	
11	928 201 194 02	Breather hose		1	
(11)	928 201 194 03	Hose	(AUS) 80-	1	
(11)	928 201 194 04	Hose	(AUS) 80-	1	
(11)	928 201 194 05	Hose	(AUS) 80-	1	
12	N 023 565 3	Hose clamp		2	
13	928 201 013 02	Expansion tank with Connecting pipe F >>92891 01296 F >>92892 01042 F >>92892 09557	-79	1	
(13)	928 201 013 03	Expansion tank without Connecting pipe F 92891 01297>> F 92892 01043>> F 92892 09558>>	-82	1	
14	900 075 014 02	Hexagon-head bolt M 6 X 18		2	
14	900 075 014 03	Hexagon-head bolt M 6 X 18		2	
15	N 012 006 4	Lock ring B 6		2	
16	N 011 524 7	Washer		2	
16	N 011 524 27	Washer		2	
17	900 076 010 02	Nut		4	
17	900 076 010 0B	Nut		4	
18	928 201 083 02	Shut-off valve		1	
19	928 201 197 02	Grommet		1	
-	999 181 716 50	Hose 9,5 X 15,5		*	
20		250 MM		1	
21		850 MM		1	
22		640 MM		1	
23	N 023 569 2	Hose clamp S 16/9		6	
23	PCG 023 569 2	Hose clamp S 16/9		6	
24	928 201 135 02	Ventilation tube	-79	1	
(24)	928 201 135 03	Ventilation tube	80-	1	
25	928 201 343 02	Clip		2	
26	928 201 195 02	End piece		1	
27	928 201 107 02	Desk pad		1	
28	928 201 249 02	Desk pad	-79	1	



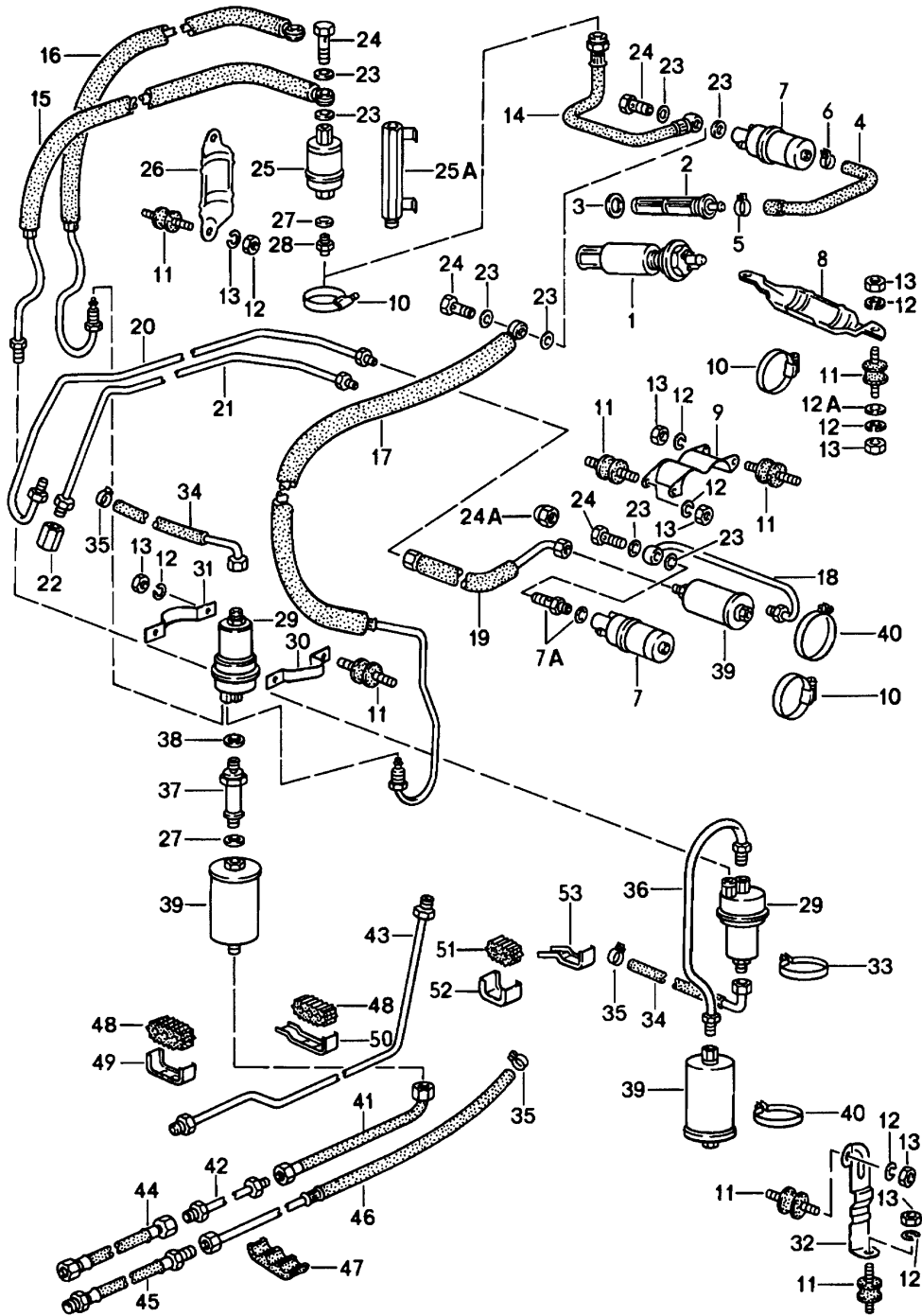
Model: 928 78

Model life 1978>>1982

Pos	Part Number	Description	Remark	Qty	Model
-	999 911 227 40	Base strap		*	
29		210 MM		1	
30		290 MM		2	
31	928 201 345 02	Spacer		1	
32	N 014 707 2	Pan-head screw M 8 X 15		1	
32	900 067 131 03	Pan-head screw M 8 X 15		1	
33	900 025 007 02	Washer		1	
33	900 025 007 03	Washer		1	
34	900 142 002 01	Lock ring		1	
35	928 201 313 02	Tank covering	-79	1	
(35)	928 201 313 03	Tank covering	80-	1	
36	N 010 246 4	Hexagon-head bolt M 8 X 45		4	
37	900 027 015 02	Lock ring B 8		4	
37	900 027 015 03	Lock ring B 8		4	
38	928 201 145 02	Lid	-79	1	
(38)	928 201 145 03	Lid	80-	1	
39	N 042 121 3	Shake-proof washer		2	

Model: 928 78

Model life 1978>>1982



Model: 928 78

Model life 1978>>1982

Pos	Part Number	Description	Remark	Qty	Model
1	928 608 013 00	Fuel system In-tank fuel pump	(CDN) (USA) -79	1	
		F 92891 00334>> F 92892 00014>> F 92892 09528>>			
1	928 608 013 01	In-tank fuel pump	(CDN) (USA)	1	
		F 92891 00334>> F 92892 00014>> F 92892 09528>>			
(2)	928 201 081 03	Fuel strainer M 36 X 1,5		1	
		F >>92881 01287 F >>92882 00053 F >>92882 09527			
2	928 201 081 04	Fuel filter M 37 X 1,5 Deleted with In-tank fuel pump		1	
		F 92881 01288>> F 92882 00054>> F 92882 09528>>			
3	928 201 187 02	Sealing ring		1	
(4)	928 356 550 04	Fuel hose	(CDN) (USA) -79	1	
		Only together with In-tank fuel pump	(AUS) (J)		
4	928 356 550 05	Fuel hose		1	
5	999 512 346 00	Hose clamp S 20/9		1	
6	999 512 554 00	Hose clamp S 18/9		1	
7	911 608 102 00	Fuel pump	-80	1	
7	911 608 102 02	Fuel pump		1	
7A	893 906 093	Check valve		1	
8	928 608 125 00	Support	-79	1	
9	928 356 151 00	Support	80-	1	
10	999 512 394 00	Hose clamp		1	
11	944 610 115 00	Bonded rubber mounting		6	
12	N 012 006 4	Lock ring B 6		12	
12A	N 011 666 7	Washer		4	
13	900 076 010 02	Nut		12	
13	900 076 010 0B	Nut		12	
14	928 356 021 01	Fuel hose F >>92881 01259 F >>92892 00013 F >>92892 09527		1	
15	928 356 025 02	Fuel line F >>92881 01259		1	
15	928 356 025 04	Fuel line F >>92881 01259		1	
17	928 356 019 00	Fuel line	-79	1	
18	928 356 063 10	Fuel line	80-	1	
18	928 356 063 11	Fuel line	80-	1	
19	928 356 053 01	Fuel line	80-	1	
20	928 356 051 00	Fuel line	80-	1	
20	928 356 051 01	Fuel line	80-	1	
23	900 123 005 20	Sealing ring		4	
24	900 175 020 02	Banjo bolt		2	
24	900 175 020 01	Banjo bolt		2	
25	930 608 113 00	Fuel pump		1	

Model: 928 78 Model life 1978>>1982

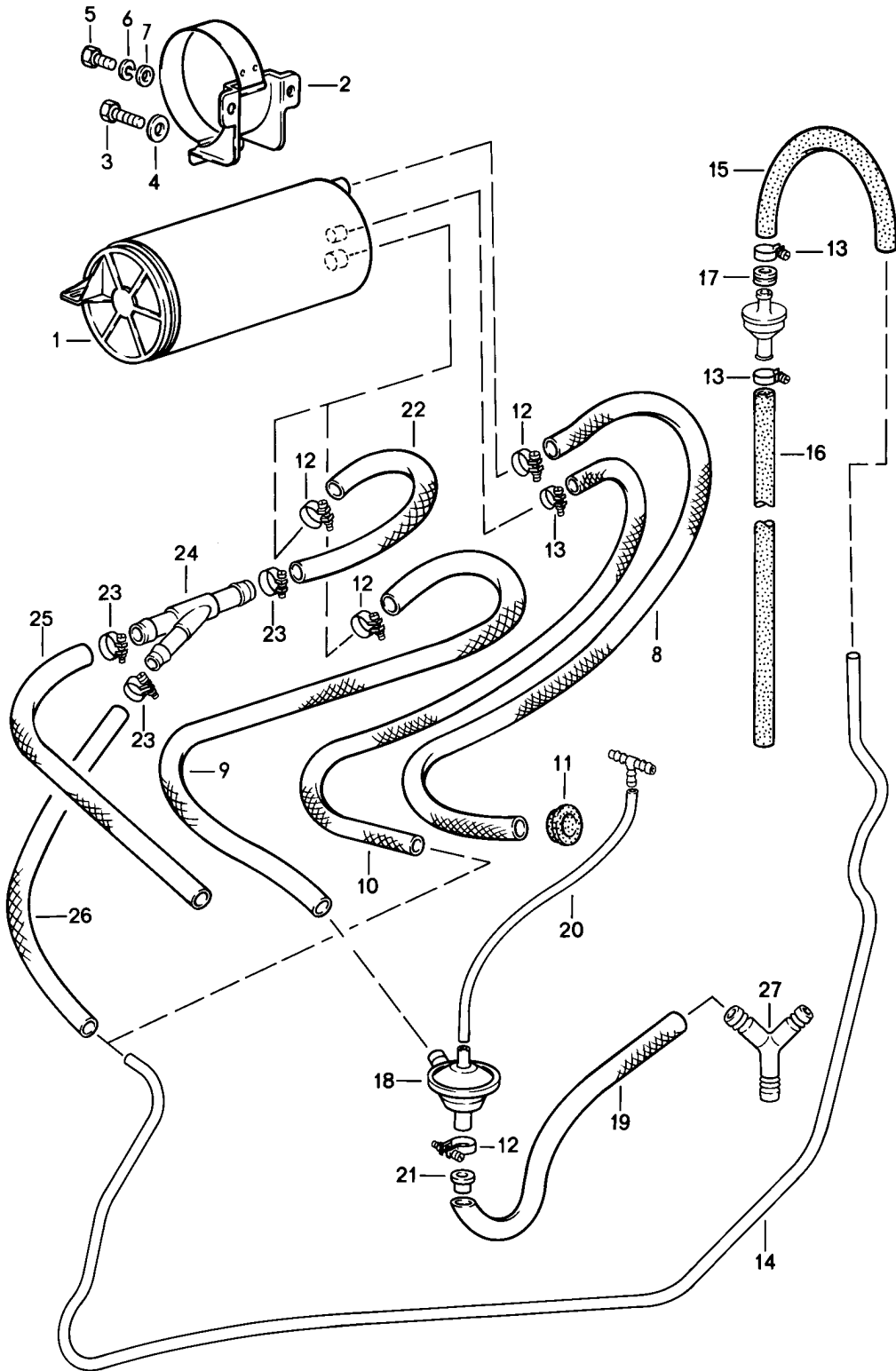
Pos	Part Number	Description	Remark	Qty	Model
		2 F >>92881 00375 F >>92892 00013 F >>92892 09527			
25A	928 356 617 00	Intermediate piece	-79	1	
26	911 608 105 00	Support	-79	1	
27	N 013 849 2	Sealing ring	-79	2	
28	N 020 702 1	Screw socket	-79	1	
29	928 110 197 06	Fuel accumulator F >>92881 01259		1	
(29)	928 110 197 04	Fuel accumulator F 92881 01260>> F >>92891 01296 with Adapter		1	
(29)	928 110 197 06	Fuel leakage line Fuel accumulator F 92891 01297>> without Adapter		1	
30	928 356 621 00	Fuel leakage line Clamping bow Front	-79	1	
31	928 356 623 00	Clamping bow Rear	-79	1	
32	928 356 639 00	Support	80-	1	
33	999 512 288 02	Clamp	-79	1	
(33)	999 512 199 02	Clamp		1	
34	928 356 032 03	Fuel leakage line F >>92891 01296 F >>92892 01042 F >>92892 09557		1	
35	N 023 569 2	Hose clamp S 16/9		2	
35	PCG 023 569 2	Hose clamp S 16/9		2	
36	928 356 028 00	Fuel line F >>92881 01259		1	
37	928 356 619 01	Connecting piece F 92881 01260>>	-79	1	
38	900 123 018 30	Sealing ring	-79	1	
(39)	931 110 149 04	Fuel filter F >>92881 01259		1	
(39)	928 110 147 09	Fuel filter F 92881 01260>> F 92882 00054>> F 92882 09522>>	-79	1	
39	928 110 147 05	Fuel filter	80-	1	
40	999 512 276 02	Clamp		2	
40	999 512 276 0B	Clamp		2	
41	928 356 037 00	Fuel hose	-79	1	
-	999 511 121 40	Clip	-79	1	
-	900 143 077 02	Tapping screw 4,2 X 32	-79	1	
42	928 356 029 00	Fuel line Fuel distributor F >>92881 01259 F >>92882 00053		1	
(42)	928 356 029 01	Fuel line Fuel distributor F 92881 01260>> F 92881 00054>>	-79	1	
43	928 356 029 03	Fuel line	80-	1	

Model: 928 78 Model life 1978>>1982

Pos	Part Number	Description	Remark	Qty	Model
44	928 356 039 00	Fuel distributor Fuel hose Fuel distributor F >>92A08 00878 F >>92A08 20538 F >>92A08 11105		1	
(44)	928 356 079 00	Fuel hose F 92A08 00879>> F 92A08 20539>>		1	
(45)	928 356 041 00	Fuel hose Return line	-78	1	
(45)	928 356 041 02	Fuel hose	-79	1	
45	928 356 041 03	Fuel hose	79-	1	
(45)	928 356 081 00	Fuel hose F 92A08 00879>> F 92A08 20539>>		1	
46	928 356 031 01	Fuel line Return line Fuel tank		1	
47	928 356 543 02	Line clamp	-79	9	
48	928 356 521 00	Rubber mounting	80-	5	
49	928 356 523 00	Supporting bow	80-	4	
50	928 356 524 00	Supporting bow	80-	1	
51	928 356 525 00	Rubber mounting	80-	8	
52	928 356 527 00	Supporting bow	80-	7	
53	928 356 647 00	Supporting bow Fuel pump with Pressure damper for Subsequent installation From MOD. 80	80-	1	
-	928 356 063 01	Fuel line	80-	1	
-	928 356 151 01	Support for Fuel pump And Fuel filter	80-	1	
-	928 356 905 00	Pressure damper	80-	1	
-	928 356 907 00	Check valve	80-	1	
-	900 123 005 20	Sealing ring A 12 X 16	80-	2	

Model: 928 78

Model life 1978>>1982

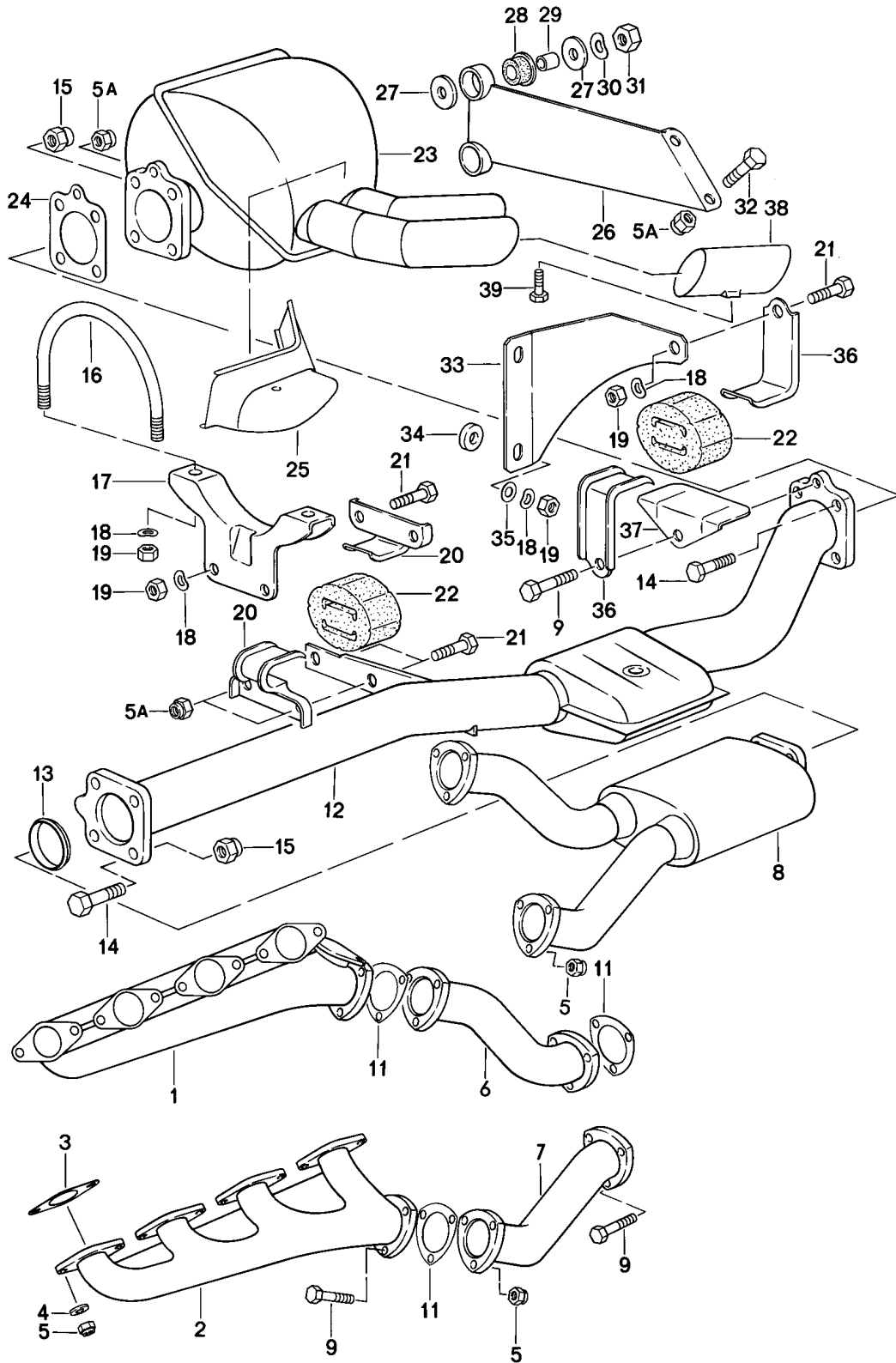


Model: 928 78 Model life 1978>>1982

Pos	Part Number	Description	Remark	Qty	Model
		Tank ventilation Origin			
		USA / CDN / J			
1	993 201 221 01	Carbon canister		1	
1	993 201 221 03	Carbon canister		1	
2	928 201 015 02	Bracket		1	
3	900 075 014 02	Hexagon-head bolt M 6 X 18		1	
3	900 075 014 03	Hexagon-head bolt M 6 X 18		1	
4	803 817 121	Washer B 6,4 \$ 18 MM		1	
5	999 072 005 09	Hexagon nut M 6 X 12		2	
5	999 072 005 01	Hexagon nut M 6 X 12		2	
6	N 012 026 3	Lock ring		2	
7	N 011 524 7	Washer		2	
7	N 011 524 27	Washer		2	
8	928 201 009 02	Hose Air cleaner	-78	1	
(8)	928 201 009 03	Hose Air cleaner	-79	1	
(8)	999 180 106 50	Fuel hose 12 X 17 X 680	80-	*	
9	928 201 008 03	Hose		1	
10	928 201 006 02	Hose Expansion tank		1	
11	021 119 569 A	Rubber sleeve		3	
12	999 512 554 00	Hose clamp S 18/9		4	
13	N 023 569 2	Hose clamp S 16/9		4	
13	PCG 023 569 2	Hose clamp S 16/9		4	
14	928 201 341 02	Vent line	-79	1	
(14)	928 201 341 04	Vent line	80-	1	
-	999 181 716 50	Hose 9,5 X 15,5		*	
15		400 MM		1	
16		850 MM		1	
17	999 702 119 50	Rubber sleeve		1	
(18)	928 110 429 03	Vacuum valve	-80	1	M479
-	999 239 016 40	Hose 13 X 18		*	
19		470 MM	-80	1	M479
19		280 MM	82	1	-18 M28.15
-	999 239 003 40	Hose 500 MM		*	
20		500 MM		1	
22	928 201 008 04	Moulded hose	80-	1	
23	900 272 003 02	Hose clamp	80-	3	
23	999 512 554 00	Hose clamp	80-	3	
24	928 201 219 02	Connecting piece	80-	1	
-	999 181 168 50	Hose 12 X 18,5	80-	*	
25		380 MM	/LL	1	
(25)		800 MM	/RL	1	
-	999 181 716 50	Hose 9,5 X 15,5		*	
26		530 MM	80-	1	
27	928 110 273 00	Y-piece	80-	1	

Model: 928 78

Model life 1978>>1982





Model: 928 78

Model life 1978&gt;&gt;1982

Pos	Part Number	Description	Remark	Qty	Model
1	928 111 139 09	Exhaust system	78		
		Exhaust manifold	/LL	1	
(1)	927 111 138 02	Cylinders 1 - 4 Exhaust manifold	/RL	1	
(1)	927 111 138 03	Cylinders 1 - 4 Exhaust manifold	/RL	1	
2	928 111 137 00	Cylinders 1 - 4 Exhaust manifold		1	
2	928 111 140 02	Cylinders 5 - 8 Exhaust manifold		1	
3	928 111 193 12	Cylinders 5 - 8 Gasket		8	
4	928 111 181 00	Washer		16	
5	999 084 052 02	Lock nut		30	
5A	999 084 041 02	Lock nut		4	
6	928 111 052 04	Exhaust pipe	/R	1	
7	928 111 051 04	Exhaust pipe	/L	1	
8	928 111 082 07	Front muffler		1	
9	900 074 287 02	Hexagon-head bolt		13	
		M 8 X 35			
-	900 074 259 00	Hexagon-head bolt		1	
		M 8 X 38			
11	928 111 127 02	Gasket		2	
(11)		Gasket		2	
		without asbestos			
12	928 111 030 03	Intermediate silencer		1	
13	928 111 244 01	Sealing ring		1	
14	900 155 033 00	Hexagon-head bolt		8	
		M 10 X 38			
15	999 084 047 02	Lock nut		8	
16	928 111 227 01	Clip		1	
17	928 111 061 00	Support		1	
18	N 012 241 8	Spring washer		9	
19	900 076 025 02	Hexagon nut		9	
19	900 076 064 02	Hexagon nut		9	
20	928 111 261 02	Hook		2	
21	900 075 087 02	Hexagon-head bolt		5	
		M 8 X 16			
21	900 075 087 03	Hexagon-head bolt		5	
		M 8 X 16			
22	928 111 259 02	Rubber mounting		2	
		Information available			
23	928 111 031 03	Main exhaust muffler		1	
24	928 111 135 01	Gasket		1	
25	928 111 242 01	Heat shield		1	
-	999 507 326 02	Captive nut		2	
		B 4,8 X 18,5			
-	900 075 057 02	Hexagon-head bolt		2	
		M 6 X 16			
-	900 075 057 03	Hexagon-head bolt		2	
		M 6 X 16			
-	N 011 524 7	Washer		2	
-	N 011 524 27	Washer		2	
26	928 111 238 06	Bracket		1	
27	999 151 034 02	Washer		4	
28	928 111 252 00	Rubber bush		4	
29	928 111 253 00	Spacer tube		2	
30	900 028 014 02	Washer		2	
30	900 028 014 03	Washer		2	
31	N 011 020 8	Hexagon nut		2	
		M 12 X 1,5			
31	900 034 036 01	Hexagon nut		2	
		M 12 X 1,5			

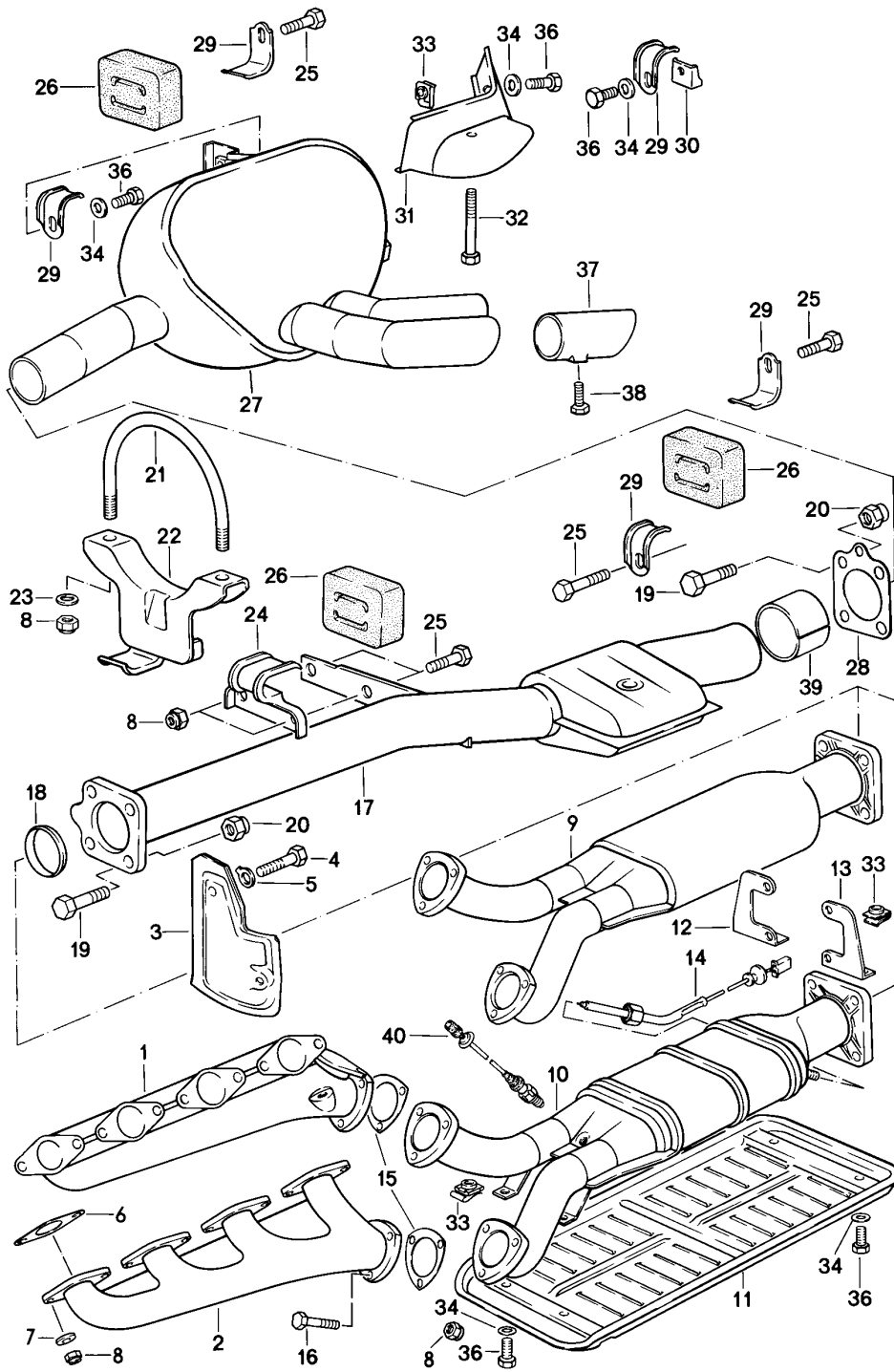
Model: 928 78

Model life 1978&gt;&gt;1982

Pos	Part Number	Description	Remark	Qty	Model
32	N 010 239 11	Hexagon-head bolt M 8 X 18		2	
32	N 010 239 30	Hexagon-head bolt M 8 X 18		2	
33	928 111 266 00	Bracket		1	
34	928 111 267 00	Spacer ring		1	
35	900 151 008 02	Washer		2	
36	928 111 264 01	Hook		2	
37	928 111 265 00	Heat shield		1	
38	928 111 271 01	Ornamental exhaust pipe		2	
39	900 075 001 07	Hexagon-head bolt M 5 X 8		2	

Model: 928 78

Model life 1978>>1982



Model: 928 78

Model life 1978&gt;&gt;1982

Pos	Part Number	Description	Remark	Qty	Model
		Exhaust system Differing parts Twin-pipe system See group 2/02/10	79-		
1	928 111 139 09	Exhaust manifold Cylinders 1 - 4	/LL	1	
(1)	927 111 138 02	Exhaust manifold Cylinders 1 - 4	/RL -80	1	
(1)	927 111 138 03	Exhaust manifold Cylinders 1 - 4	/RL	1	
1	927 111 138 05	Exhaust manifold Cylinders 1 - 4	/RL	1	
2	928 111 137 00	Exhaust manifold Cylinders 5 - 8	-79	1	
2	928 111 140 02	Exhaust manifold Cylinders 5 - 8	/LL	1	
3	927 111 149 02	Heat shield	/RL	1	
4	N 010 208 5	Hexagon-head bolt M 6 X 8	/RL	2	
5	900 020 001 01	Washer 6,4		2	
6	928 111 193 12	Gasket		8	
7	928 111 181 00	Washer		16	
8	999 084 052 02	Lock nut		28	
9	928 111 082 07	Front muffler		1	
15	928 111 127 02	Gasket		2	
(15)		Gasket without asbestos		2	
16	900 074 287 02	Hexagon-head bolt M 8 X 35	-79	6	
(16)		Hexagon-head bolt	80-	6	
(17)	928 111 030 03	Intermediate silencer	-79	1	
17	928 111 934 00	Intermediate silencer	-80	1	
17		Intermediate silencer	80-	1	
18	928 111 244 01	Sealing ring	-79	1	
18	928 111 244 03	Sealing ring	80-	1	
19	900 155 033 00	Hexagon-head bolt M 10 X 38	-79	8	
(19)	N 010 020 2	Hexagon-head bolt M10 X 38	80-	4	
20	999 084 047 02	Lock nut		8	
21	928 111 227 01	Clip		1	
22	928 111 061 00	Support		1	
23	900 025 007 02	Washer A 8,4		2	
23	900 025 007 03	Washer A 8,4		2	
24	928 111 261 02	Hook		4	
25	900 075 087 02	Hexagon-head bolt M 8 X 16		6	
25	900 075 087 03	Hexagon-head bolt M 8 X 16		6	
26	928 111 259 02	Rubber mounting		3	
(27)	928 111 031 04	Information available Main exhaust muffler	79	1	
27	928 111 931 00	Main exhaust muffler	80-82	1	
28	928 111 135 01	Gasket	-79	1	
29	928 111 264 01	Hook		4	
30	928 111 257 01	Support		1	
31	928 111 242 01	Heat shield		1	
32	N 010 375 4	Hexagon-head bolt M 8 X 75		1	

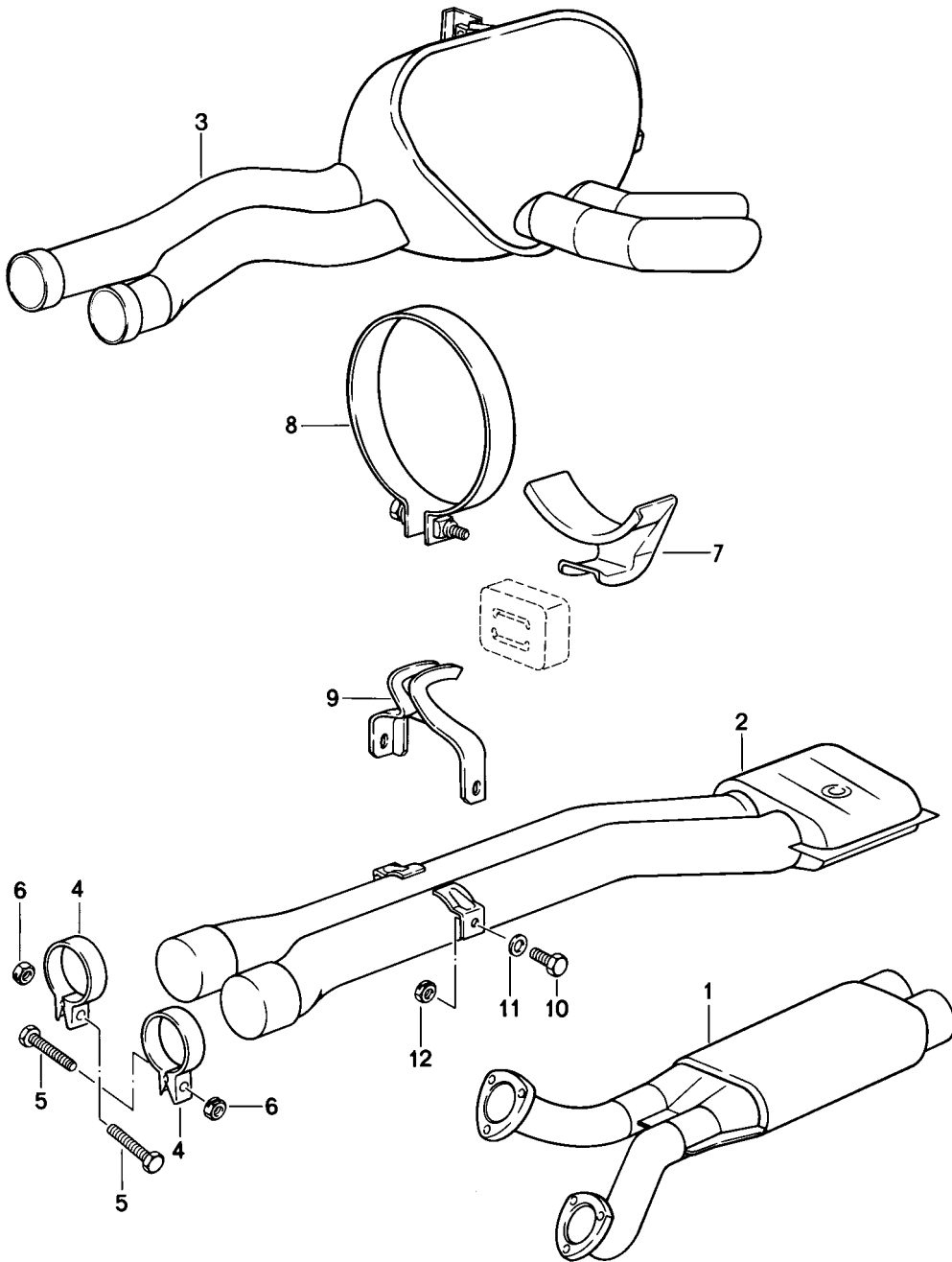
Model: 928 78

Model life 1978&gt;&gt;1982

Pos	Part Number	Description	Remark	Qty	Model
33	999 507 326 02	Captive nut		X	
34	N 011 524 7	Washer A 6,4		1	
34	N 011 524 27	Washer A 6,4		1	
35	N 011 666 7	Washer		X	
36	900 075 057 02	Hexagon-head bolt M 6 X 16		X	
36	900 075 057 03	Hexagon-head bolt M 6 X 16		X	
37	928 111 271 01	Ornamental exhaust pipe		2	
38	900 075 001 07	Hexagon-head bolt M 5 X 8	-79	2	
39	928 111 955 00	Welded sleeve	80-	1	

Model: 928 78

Model life 1978>>1982



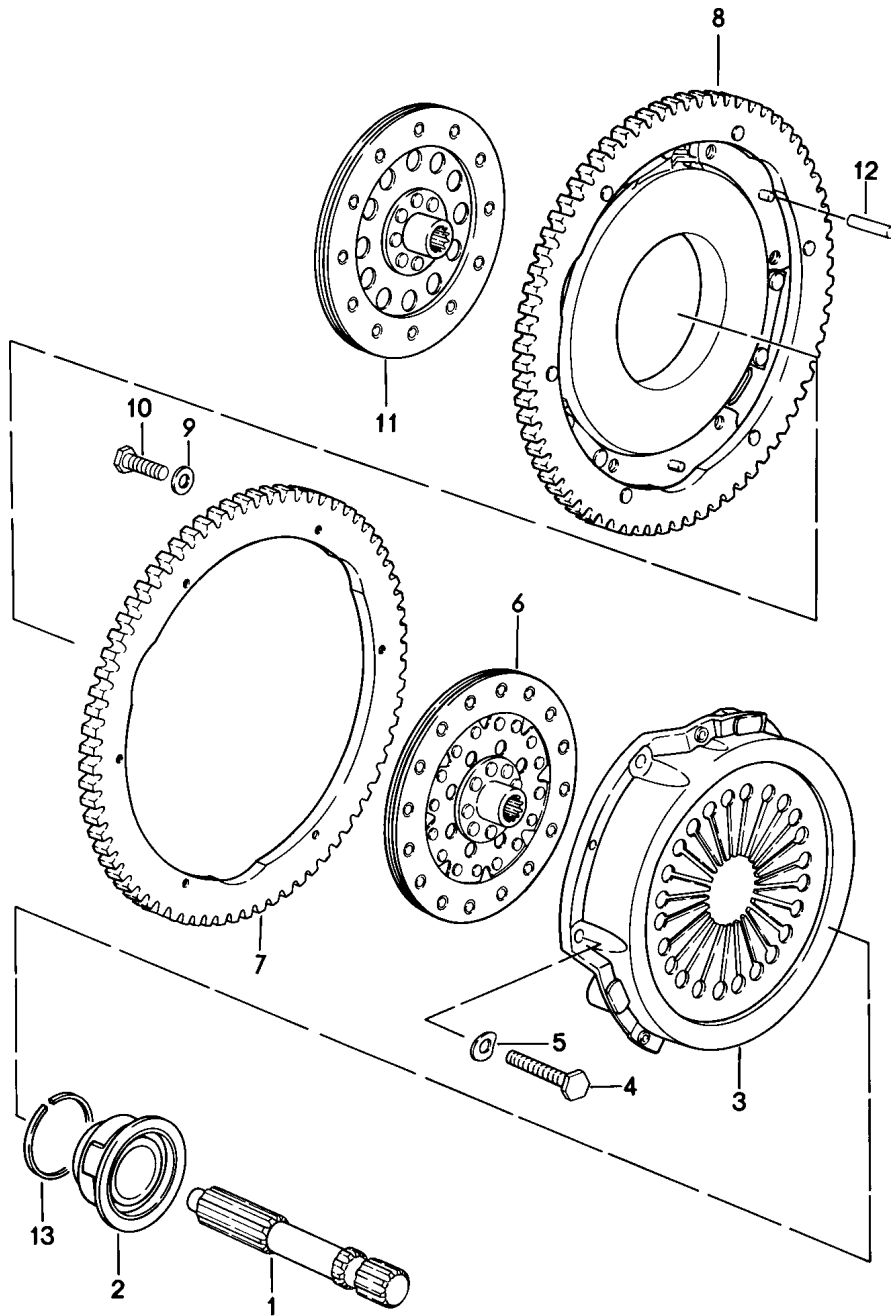
Model: 928 78

Model life 1978>>1982

Pos	Part Number	Description	Remark	Qty	Model
		Exhaust system			M28.11/12
		Twin-pipe system			
		Differing parts			
		Twin-pipe system			
1	928 111 096 03	Front muffler		1	
2	928 111 935 00	Intermediate silencer		1	
3	928 111 933 00	Main exhaust muffler		1	
4	928 111 424 00	Pipe clamp		2	
5	900 155 036 02	Hexagon-head bolt M 10 X 50		2	
6	999 084 047 02	Lock nut		4	
7	928 111 278 00	Hook		1	
		Upper			
8	999 512 325 02	Clamp		1	
9	928 111 279 00	Hook		1	
		Lower			
10	900 075 318 02	Hexagon-head bolt M 8 X 16		2	
11	999 025 078 02	Washer		2	
12	999 084 052 02	Lock nut M 8		2	

Model: 928 78

Model life 1978>>1982





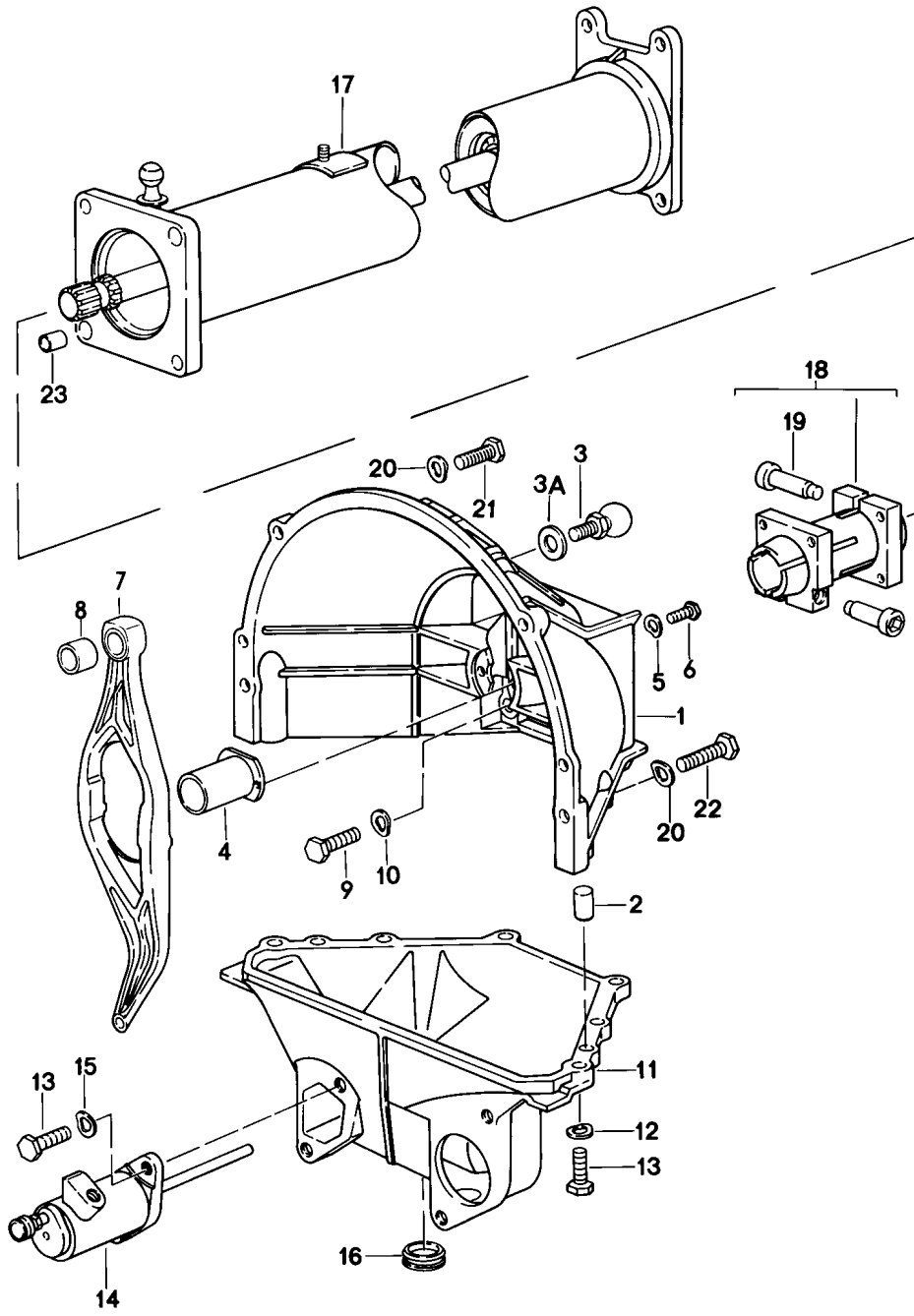
Model: 928 78

Model life 1978&gt;&gt;1982

Pos	Part Number	Description	Remark	Qty	Model
1	928 421 235 11	Clutch See technical information GRP. 3 NR.3-4-12 Central shaft 1 F >>92881 00753 F >>92882 00054 F >>92882 09522		1	
1	928 421 235 16	Central shaft 1 F 92881 00754>> F 92882 00055>> F 92882 09523>>		1	
1	928 421 235 17	Central shaft 1 F 92881 00754>> F 92882 00055>> F 92882 09523>>		1	
2	928 116 085 24	Clutch release bearing		1	
2	928 116 085 25	Clutch release bearing		1	
3	928 116 031 03	Pressure plate	-79	1	
(3)	928 116 031 26	Pressure plate	80-	1	
(3)	928 116 031 27	Pressure plate	80-	1	
4	N 010 340 6	Hexagon-head bolt M 8 X 40		6	
5	N 012 241 8	Spring washer		6	
6	928 116 011 24	Clutch plate 2	-79	1	
6	928 116 011 36	Clutch plate 2 Only together with 928.116.011.35		1	
6	928 116 011 28	Clutch plate 2	80-	1	
7	928 116 143 00	Ring gear	-79	1	
8	928 116 033 22	Intermediate ring	80-	1	
(8)	928 116 033 03	Intermediate ring	-79	1	
9	N 012 234 3	Spring washer B 7	-79	6	
10	N 010 229 2	Hexagon-head bolt M 7 X 18	-79	6	
11	928 116 011 23	Clutch plate 1	-79	1	
11	928 116 011 35	Clutch plate 1 Only together with 928.116.011.36		1	
11	928 116 011 27	Clutch plate 1	80-	1	
12	999 012 030 00	Straight pin	80-	3	
13	999 152 068 01	Circlip for Clutch release bearing		1	
-	928 116 911 00	Repair kit for Clutch	80-	1	

Model: 928 78

Model life 1978>>1982



Model: 928 78 Model life 1978>>1982

Pos	Part Number	Description	Remark	Qty	Model
		Central tube			
		Manual transmission			
1	928 116 401 11	Clutch housing		1	
1	928 116 402 00	Clutch housing		1	
2	900 012 110 00	Straight pin		2	
3	928 116 075 01	Ball pin		1	
3	928 116 075 02	Ball pin		1	
3A	900 025 007 02	Washer		1	
3A	900 025 007 03	Washer		1	
4	928 116 087 13	Guide tube		1	
5	N 012 226 5	Spring washer		2	
6	900 075 057 02	Hexagon-head bolt M 6 X 16		2	
6	900 075 057 03	Hexagon-head bolt M 6 X 16		2	
7	928 116 832 06	Clutch release lever		1	
8	928 116 145 03	Ball socket		1	
9	900 074 059 02	Hexagon-head bolt M 10 X 40	-79	4	
9	900 074 379 01	Hexagon-head bolt M 10 X 40		4	
(9)	N 010 445 2	Hexagon-head bolt	80-	4	
(9)	900 074 372 01	Hexagon-head bolt	80-	4	
10	N 012 230 1	Spring washer		4	
11	928 116 411 12	Lid for Clutch housing		1	
12	N 012 241 8	Spring washer		6	
13	900 075 099 02	Hexagon-head bolt M 8 X 30		8	
13	900 075 099 03	Hexagon-head bolt M 8 X 30		8	
14	928 116 237 18	Clutch operating cylinder		1	
-	928 116 901 00	Repair kit Clutch operating cylinder		1	
15	900 027 015 02	Lock ring B 8		2	
15	900 027 015 03	Lock ring B 8		2	
16	928 116 425 00	Cap	-80	2	
(16)	477 521 177	Cap	80-	1	
16	928 116 425 00	Cap	81-	3	
17	928 421 012 13	Central tube F >>92881 00753 F >>92882 00054 F >>92882 09522 Use also: 928.421.235.16 922.421.051.01		1	G28.03
(17)	928 421 012 14	Central tube	-80	1	G28.03
(17)	928 421 012 18	Central tube	80	1	G28.05
17	928 421 012 26	Central tube	80-	1	G28.05
18	928 421 051 02	Clamping sleeve F >>92881 00753 F >>92882 00054 F >>92882 09522		1	
18	922 421 051 02	Clamping sleeve F 92881 00754>> F 92881 00055>> F 92882 09523>>		1	
18	922 421 051 03	Clamping sleeve F 92881 00754>> F 92881 00055>>		1	

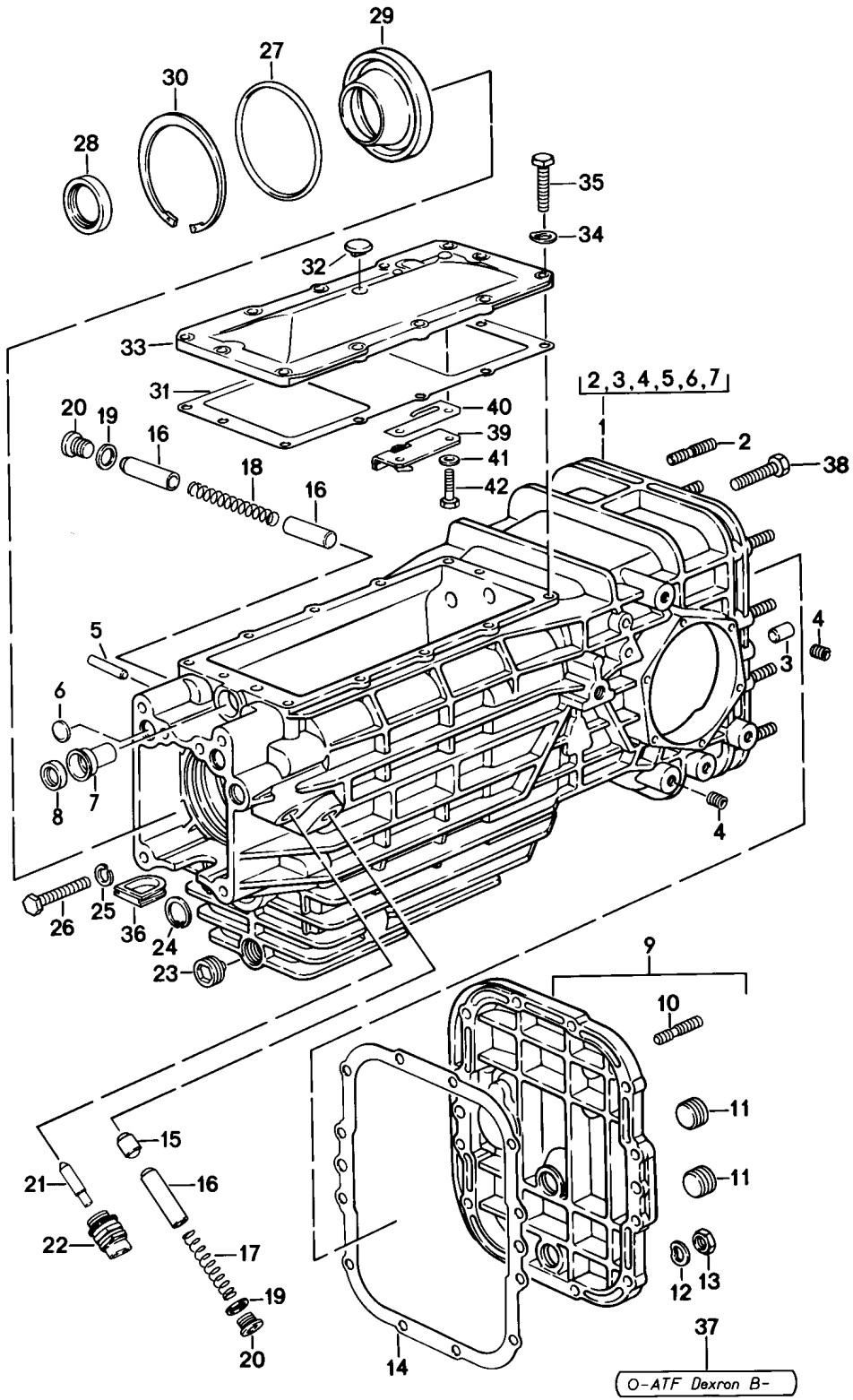
Model: 928 78

Model life 1978>>1982

Pos	Part Number	Description	Remark	Qty	Model
19	931 421 240 00	F 92882 09523>> Clamping screw		2	
		F >>92881 00753			
		F >>92882 00054			
		F >>92882 09522			
19		Clamping screw		2	
		F 92881 00754>>			
		F 92882 00055>>			
		F 92882 09523>>			
20	N 012 232 1	Spring washer		4	
21	N 010 142 2	Hexagon-head bolt		4	
		M 12 X 50			
22	N 010 165 3	Hexagon-head bolt		2	
		M 12 X 65			
22	900 082 109 01	Hexagon-head bolt		2	
		M 12 X 65			
23	900 197 042 01	Roll pin		2	
		10 X 12			

Model: 928 78

Model life 1978>>1982



Model: 928 78

Model life 1978&gt;&gt;1982

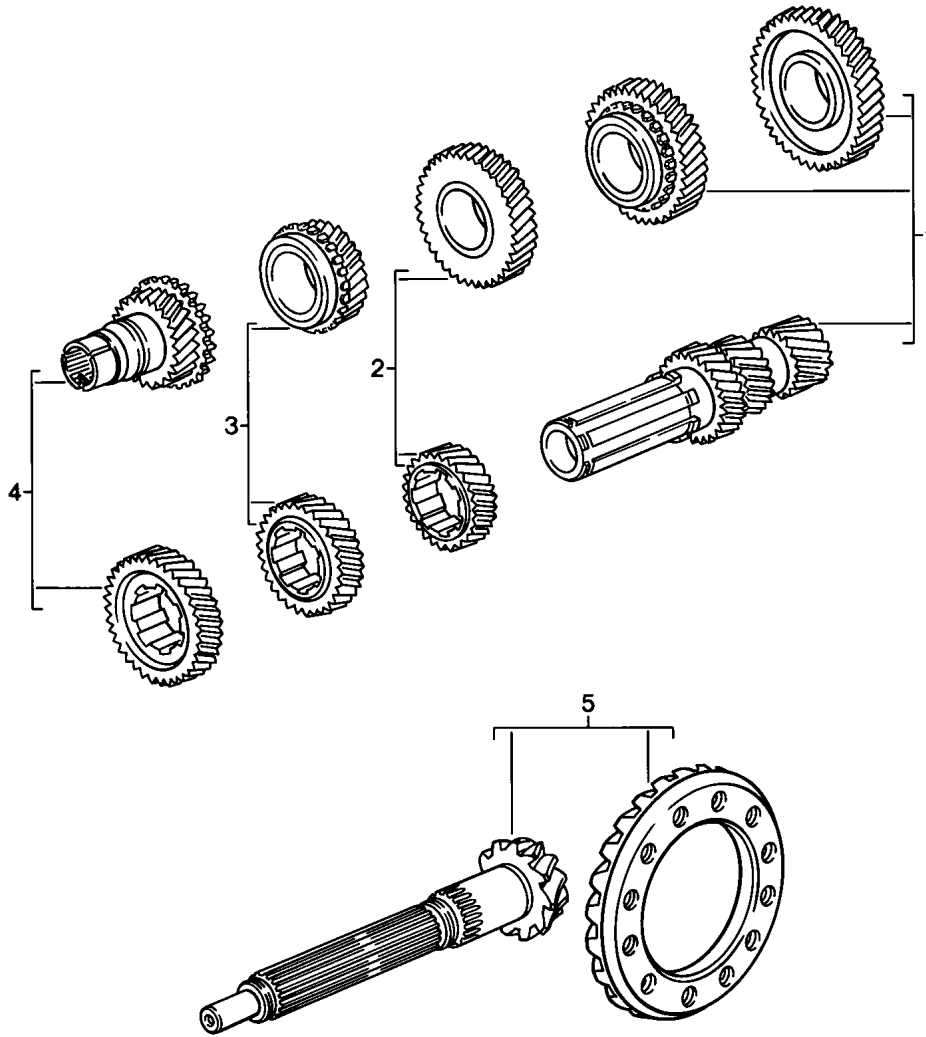
Pos	Part Number	Description	Remark	Qty	Model
-	928 300 005 03	Replacement transmission Transmission case Manual transmission	-80	1	G28.03
-	928 300 005 05	Manual transmission Ready for installation	80- 81-	1	G28.05 M28.11 G28.05 M28.09
-	928 300 905 03	Ready for installation Manual transmission Ready for installation	81- -80	1	G28.03
-	928 300 905 05	with Limit.-slip different. 40% Manual transmission	80-	1	G28.05 M28.11 G28.05 M28.09
1	928 301 901 00	Ready for installation with Limit.-slip different. 40% Transmission case	81- -79	1	
(1)	928 301 901 01	Transmission case	80-	1	
2	999 062 007 02	Stud 8 X 22 G >> 110 5012		12	G28.05
2	900 060 106 01	Stud 8 X 22 G >> 110 5012		12	G28.05
3	900 012 086 00	Straight pin		2	
4	999 504 004 00	Threaded insert Threaded insert		2	
5	900 302 009 00	Straight pin		1	
6	900 040 013 02	Cover plate		3	
7	928 301 502 00	Guide bush		1	
8	928 303 120 01	Shaft sealing ring		1	
9	928 301 035 04	Housing cover with Battery box Mount		1	
9	928 301 305 09	Housing cover Rear without Battery box Mount		1	
10	900 061 004 02	Stud M 8 X 15		3	
11	999 064 019 02	Screw plug Hexagon socket head bolt without Magnet		1	
12	N 012 241 8	Spring washer		12	
13	900 076 025 02	Hexagon nut		12	
13	900 076 064 02	Hexagon nut		12	
14	928 301 395 03	Gasket for Housing cover Rear		1	
15	928 303 231 21	Detent		1	
16	928 303 233 22	Arresting bush		3	
17	928 303 235 20	Compression spring		1	
18	928 303 237 20	Compression spring		1	
19	900 123 043 30	Sealing ring		2	

Model: 928 78 Model life 1978>>1982

Pos	Part Number	Description	Remark	Qty	Model
20	900 219 006 02	Screw plug		2	
20	900 219 006 01	Screw plug		2	
21	928 606 241 02	Cam follower		1	
22	914 613 541 02	Back-up light switch		1	
23	999 064 020 02	Screw plug		1	
24	N 012 375 1	Circlip		1	
25	900 027 016 02	Lock ring B 10		6	
25	900 027 016 03	Lock ring B 10		6	
26	900 075 266 01	Hexagon-head bolt M 10 X 45		6	
27	928 301 111 00	O-ring		1	
27	928 301 111 01	O-ring		1	
28	928 302 167 03	Shaft sealing ring		1	
28	928 302 167 05	Shaft sealing ring		1	
29	928 302 175 11	Housing		1	
30	900 042 052 01	Circlip		1	
31	928 301 393 06	Gasket for Housing cover Upper		1	
32	928 301 311 01	Bleeder		1	
33	928 301 303 06	Housing cover Upper	-81	1	
33	928 301 303 09	Housing cover Upper	82	1	
34	900 028 008 01	Lock ring		12	
35	900 075 016 02	Hexagon-head bolt M 6 X 22		12	
35	900 075 016 03	Hexagon-head bolt M 6 X 22		12	
36	928 301 171 00	Cap		1	
37	928 006 515 00	Flag "ATF DEXRON"		X	
38	900 075 099 02	Hexagon-head bolt M 8 X 30 G 110 5012 >>		12	G28.05
38	900 075 099 03	Hexagon-head bolt M 8 X 30 G 110 5012 >>		12	G28.05
39	928 303 025 05	Reversing gear lock	82	1	
39	928 303 025 06	Reversing gear lock	82-	1	
40	928 303 287 01	Leaf spring	82	1	
41	N 012 226 5	Spring washer	82	2	
42	900 075 057 02	Hexagon-head bolt M 6 X 16	82	2	
42	900 075 057 03	Hexagon-head bolt M 6 X 16	82-	2	

Model: 928 78

Model life 1978>>1982



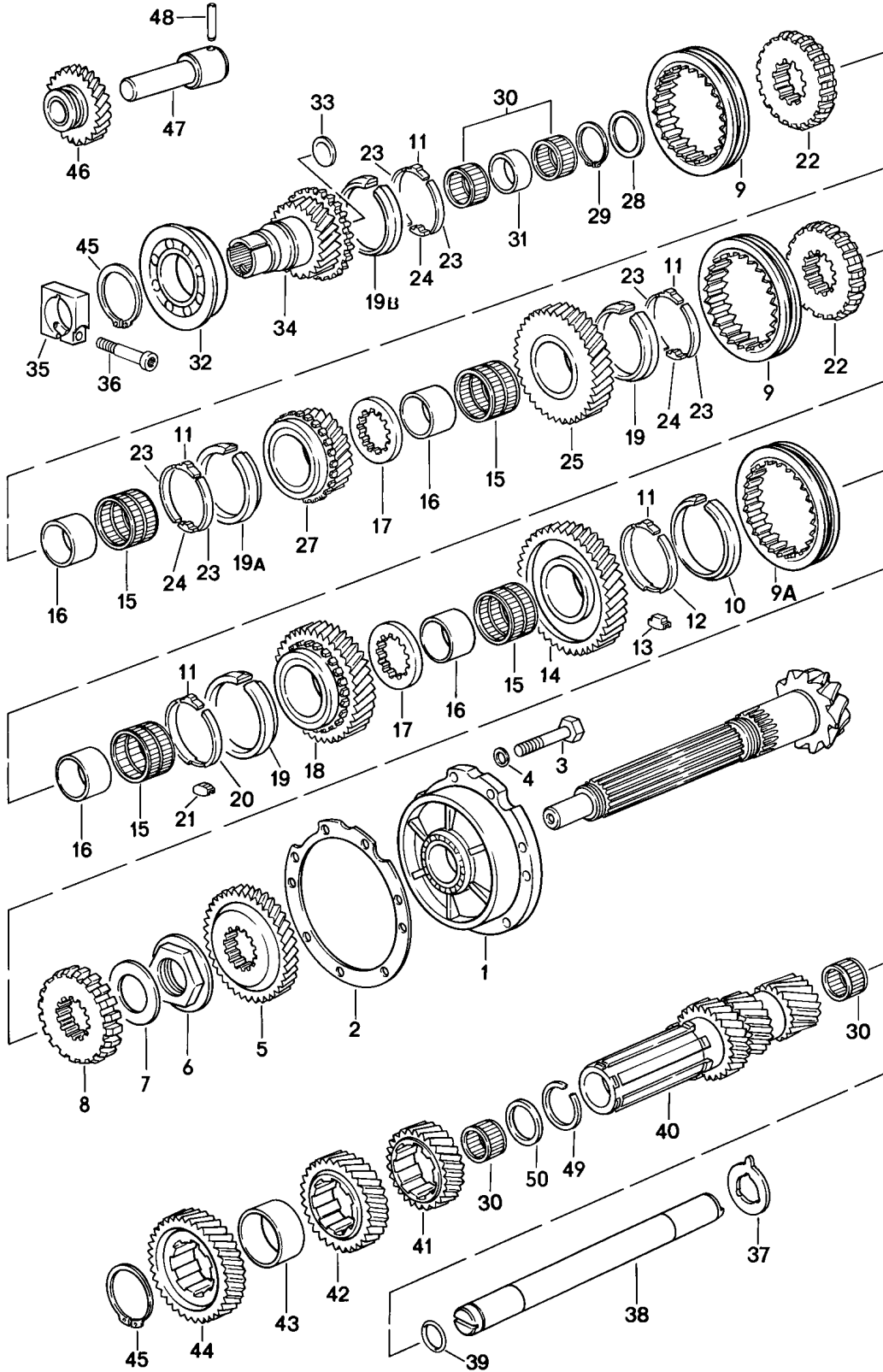


Model: 928 78 Model life 1978>>1982

Pos	Part Number	Description	Remark	Qty	Model
1	928 302 901 13	Gear wheel sets Manual transmission for G28.03 Gear set 1st / 2nd gear Z = 17:44 Z = 22:39 Use also: 999.152.087.01 928.302.278.00		1	
2	928 302 903 11	Gear wheel pair 3rd gear Z = 26:34		1	
3	928 302 904 11	Gear wheel pair 4th speed Z = 29:28		1	
4	928 302 905 08	Gear set Permanent 5th gear Z = 32:23		1	
5	928 302 911 26	Ring gear and pinion shaft 11:30 for G28.05		1	
1	928 302 901 13	Gear set 1st / 2nd gear Z = 17:44 Z = 22:39 Use also: 999.152.087.01 928.302.278.00		1	
2	928 302 903 11	Gear wheel pair 3rd gear Z = 26:34		1	
3	928 302 904 11	Gear wheel pair 4th speed Z = 29:28		1	
4	928 302 905 09	Gear set Permanent 5th gear Z = 32:23		1	
5	928 302 911 26	Ring gear and pinion shaft 11:30		1	

Model: 928 78

Model life 1978>>1982



Model: 928 78

Model life 1978&gt;&gt;1982

Pos	Part Number	Description	Remark	Qty	Model
-		Gears and shafts Manual transmission			
1	928 302 063 29	Drive shaft Housing with Bearing		1	
2	928 302 298 10	Adjusting shim 0,10 MM		X	
(2)	928 302 298 11	Adjusting shim 0,15 MM		X	
(2)	928 302 298 12	Adjusting shim 0,20 MM		X	
(2)	928 302 298 13	Adjusting shim 0,50 MM		X	
3	N 010 244 6	Hexagon-head bolt 8 X 30		7	
4	999 523 102 02	Washer 8 MM		7	
4	999 523 102 0B	Washer 8 MM		7	
5	928 302 305 08	Reversing fixed gear with Shifting gear 928.302.026.08 Use		1	
6	928 302 266 06	Lock nut 42 X 1,5		1	
7	928 302 289 00	Shim 0,60 MM		X	
(7)	928 302 289 01	Shim 0,65 MM		X	
(7)	928 302 289 02	Shim 0,70 MM		X	
(7)	928 302 289 03	Shim 0,75 MM		X	
(7)	928 302 289 04	Shim 0,95 MM		X	
(7)	928 302 289 05	Shim 1,10 MM		X	
8	928 302 401 21	Guide sleeve		1	
9	928 302 413 11	Shift sleeve		2	
9A		Shift sleeve G >> 11C 1343		1	
9A	928 302 411 01	Shift sleeve G 11C 1344 >>		1	
10	928 302 301 31	Synchroniser ring 1st gear		1	
11	915 302 315 01	Stone		5	
12	928 302 319 05	Double barricade tape		1	
13	928 302 321 00	Stop 1st gear		1	
14		Loose gear wheel 1st gear		1	
15	928 302 158 02	Needle cage		4	
16	928 302 271 01	Inner ring		4	
17	928 302 267 01	Thrust washer		2	
18		Loose gear wheel 2nd gear		1	
19	928 302 302 31	Synchroniser ring 2nd/3rd gear		2	
19A	928 302 302 33	Synchroniser ring 4th speed		1	
(19B)		Synchroniser ring		1	

Model: 928 78 Model life 1978>>1982

Pos	Part Number	Description	Remark	Qty	Model
19B	928 302 304 31	5th gear G >> 118 1092 Synchroniser ring		1	
19B		5th gear G 118 1093 >> Synchroniser ring		1	
20	928 302 318 01	5th gear Double barricade tape		1	
21	928 302 320 01	2nd gear Stop		1	
22	928 302 402 01	2nd gear Guide sleeve		2	
23	915 302 316 01	Brake band		6	
24	928 302 327 00	Stop		3	
25		Loose gear wheel		1	
27		3rd gear Loose gear wheel		1	
28	928 302 290 00	4th speed Position 28 / 29 G >> 11C 1017 Shim		X	G28.05
(28)	928 302 290 01	0,85 MM Shim		X	
(28)	928 302 290 02	0,90 MM Shim		X	
(28)	928 302 290 03	0,95 MM Shim		X	
(28)	928 302 290 04	1,00 MM Shim		X	
(28)	928 302 290 05	1,20 MM Shim		X	
(28)	928 302 290 06	1,40 MM Shim		X	
29	900 041 039 01	1,60 MM Circlip 38 X 1,75 Position 28 / 29		1	
28	928 302 290 14	G 11C 1018 >> Shim		X	G28.05
(28)	928 302 290 15	0,85 MM Shim		X	
(28)	928 302 290 16	0,90 MM Shim		X	
(28)	928 302 290 17	0,95 MM Shim		X	
(28)	928 302 290 18	1,00 MM Shim		X	
(28)	928 302 290 19	1,20 MM Shim		X	
(28)	928 302 290 20	1,40 MM Shim		X	
29	999 041 036 01	1,60 MM Circlip 37 X 1,75		1	
30	928 302 163 00	Needle cage		4	
31	928 302 165 01	Thrust ring		1	
32	928 302 152 06	Deep-groove ball bearing		1	
33	900 040 008 01	Lid		1	
34		Drive shaft		1	
35	928 421 239 05	Clamping piece		1	
35	922 421 239 02	Clamping piece		1	

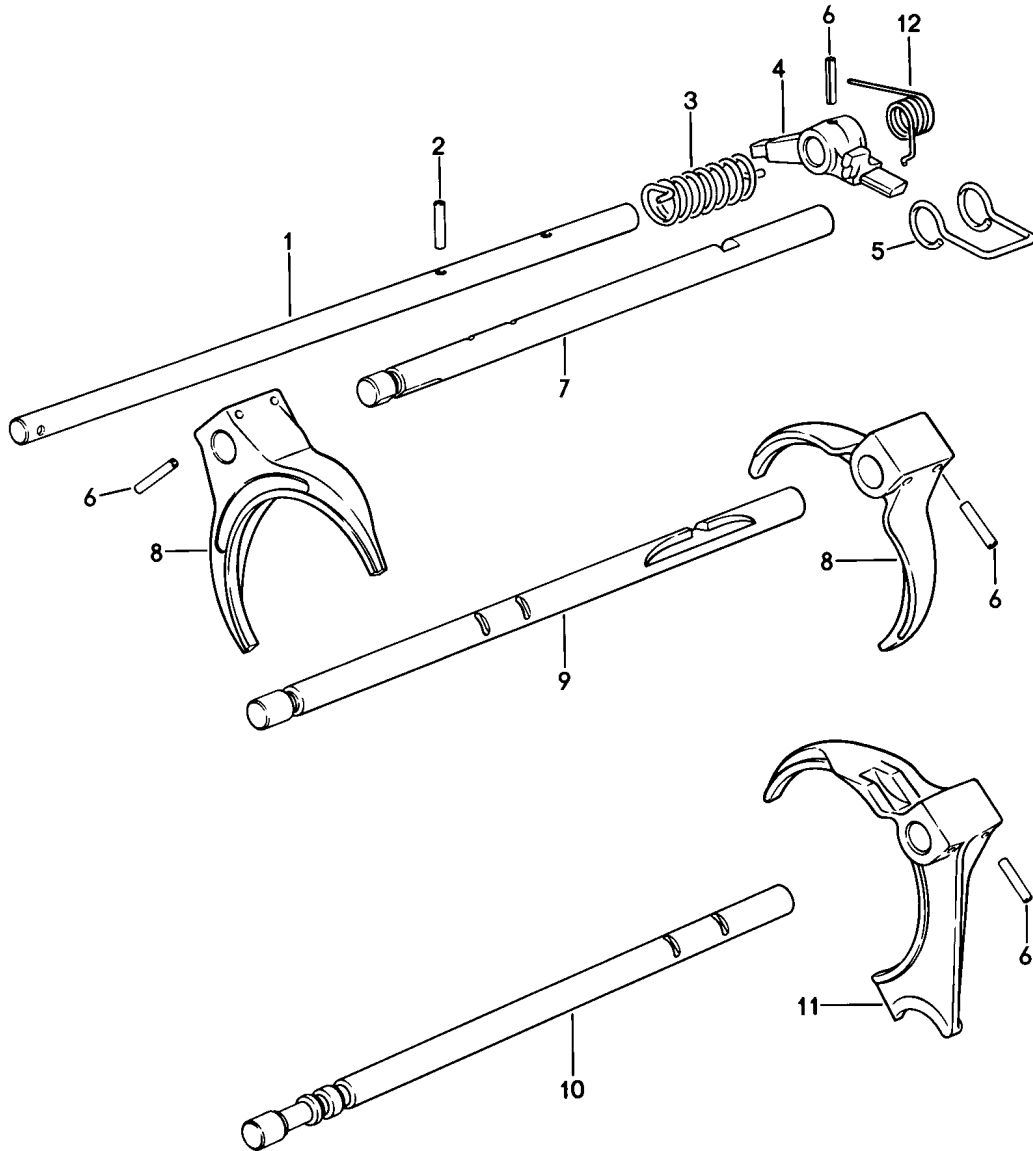
Model: 928 78

Model life 1978&gt;&gt;1982

Pos	Part Number	Description	Remark	Qty	Model
36	931 421 240 00	Clamping screw Until F >>92881 00753 F >>92882 00054 F >>92882 09522 Use also: POS. 35 / 36		1	
37	928 302 281 03	Thrust washer		1	
38	928 302 036 00	Countershaft axle		1	
39	928 302 283 00	Round seal		1	
40		Shaft		1	
41		Fixed gear wheel 3rd gear		1	
42		Fixed gear wheel 4th speed		1	
43	928 302 279 02	Spacer sleeve		1	
44		Fixed gear wheel 5th gear		1	
45	900 041 019 01	Circlip 50 X 2		2	
46	928 302 026 08	Reversing gear with Fixed gear wheel 928.302.305.08 Use		1	
47	928 302 229 01	Reverse idler shaft		1	
48	900 309 009 00	Roll pin		1	
49	999 152 087 01	Circlip		1	
50	928 302 278 00	Support washer		1	

Model: 928 78

Model life 1978>>1982



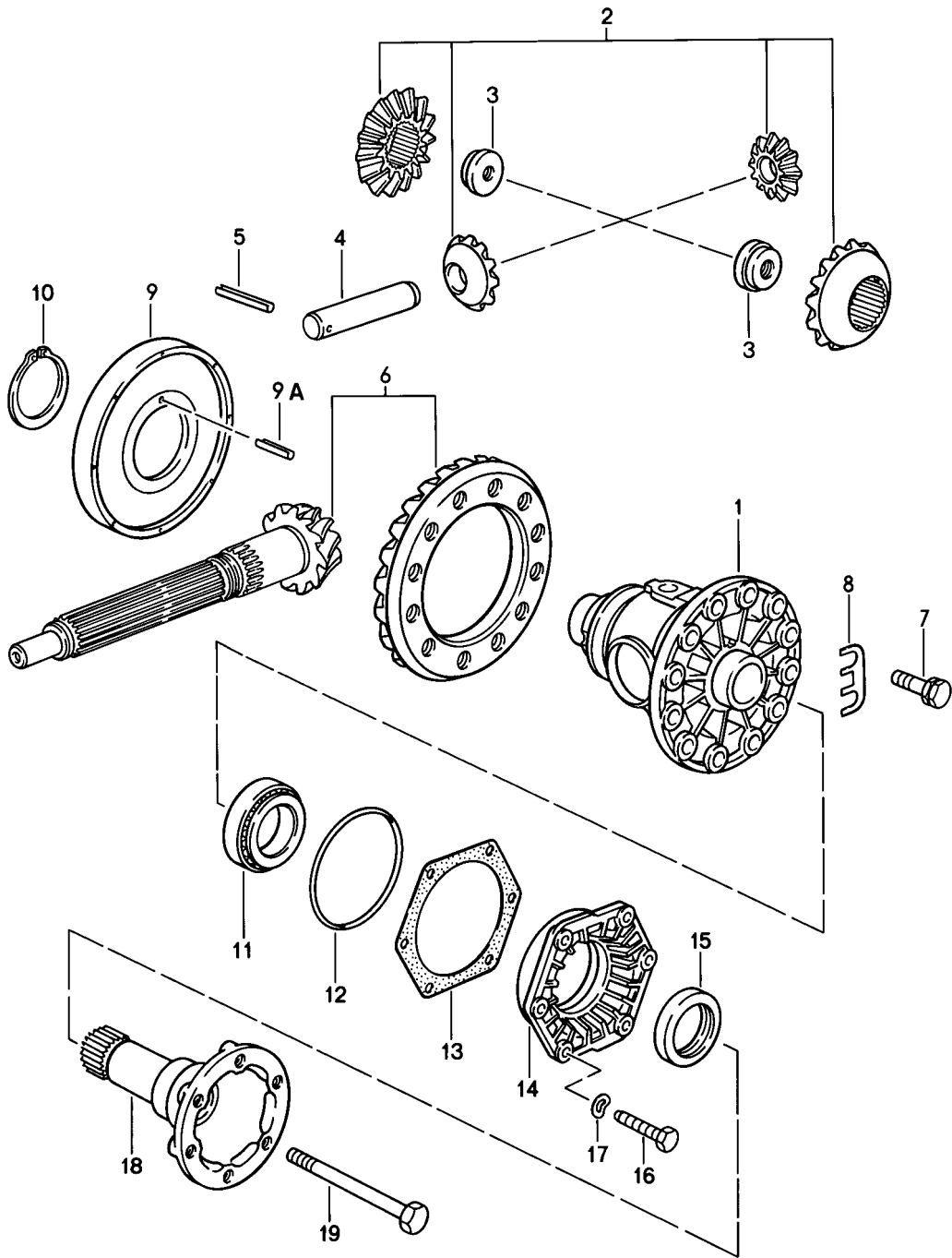
Model: 928 78

Model life 1978>>1982

Pos	Part Number	Description	Remark	Qty	Model
		Shift rods shift forks Manual transmission			
1	928 303 107 06	Inner shift rod		1	
2	900 309 013 00	Roll pin		1	
3	928 303 243 13	Torsion spring		1	
4	928 303 117 08	Shift finger		1	
5	928 303 244 00	Wire clip		1	
6	N 013 317 1	Roll pin		7	
7	928 303 102 27	Gear shift rod 4th/5th gear		1	
8	928 303 113 24	Shift fork 2nd/3rd gear 4th/5th gear		2	
9	928 303 101 07	Gear shift rod 2nd/3rd gear		1	
10	928 303 105 20	Gear shift rod 1st gear Reverse gear		1	
11	928 303 115 36	Shift fork 1st gear Reverse gear		1	
12	928 303 284 15	Torsion spring	82	1	

Model: 928 78

Model life 1978>>1982



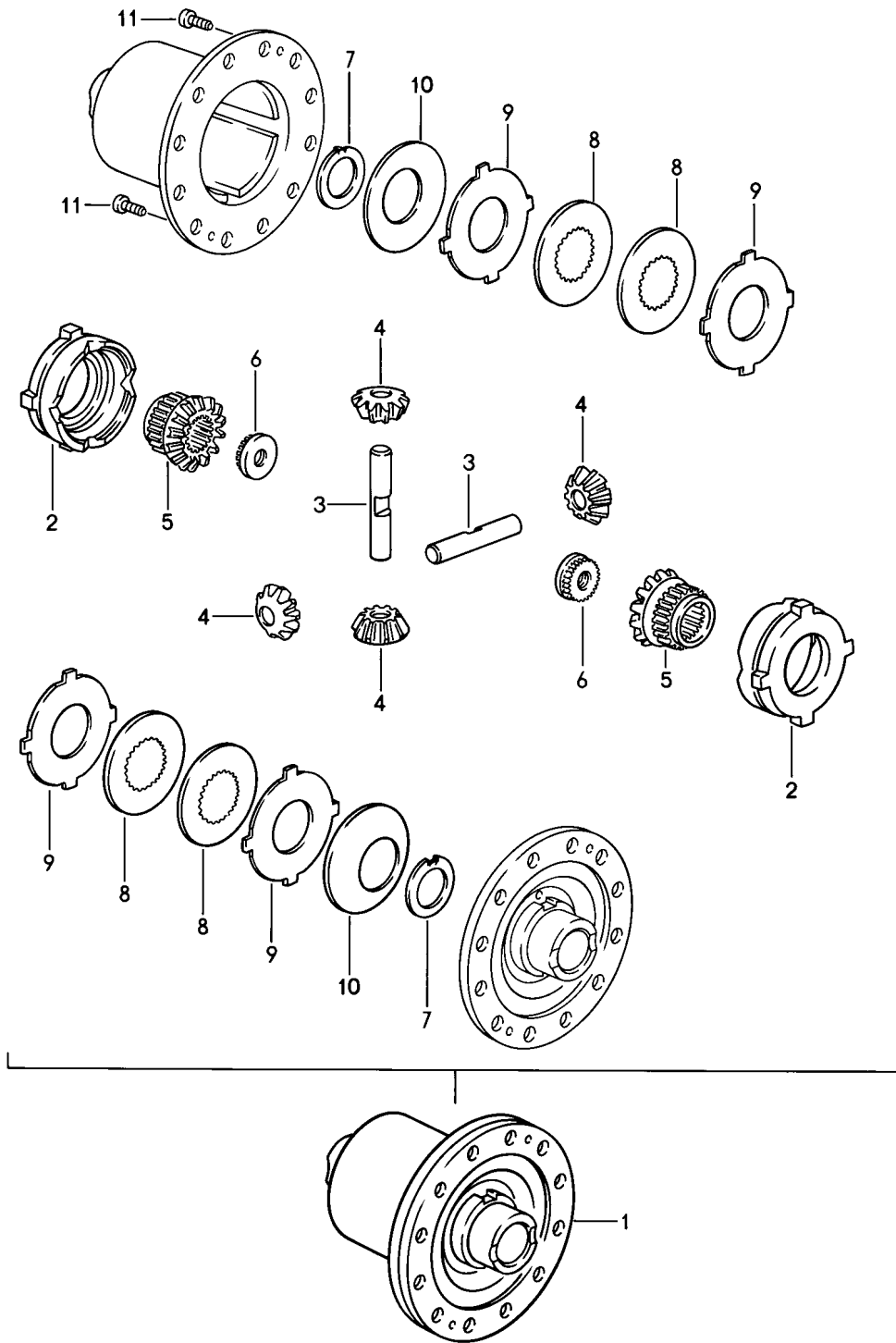


Model: 928 78 Model life 1978>>1982

Pos	Part Number	Description	Remark	Qty	Model
		Differential Manual transmission			
1	928 332 212 04	Differential housing		1	G28.03/05
2	928 332 902 00	Differential pinions 1 set G >> 111 1600		1	
2	928 332 902 01	Differential pinions 1 set G 111 1601 >>		1	
2	928 332 902 90	Differential pinions 1 set G 111 1601 >>		1	
2	950 332 902 90	Differential pinions 1 set G 111 1601 >>		1	
3	928 332 279 02	Nut G >> 111 1600		2	
3		Nut G 111 1601 >>		2	
4	005 409 177 00	Differential bolt G >> 111 1600		1	
4	928 332 207 05	Differential bolt 21 MM G 111 1601 >>		1	
5	900 309 035 00	Roll pin 5 X 40		1	
6	928 302 911 26	Ring gear and pinion shaft 12 : 33		1	
7	928 332 276 00	Hexagon-head bolt		12	
8	928 332 285 00	Tab washer		6	
9	928 318 024 02	Carrier disc with magnets		1	
9		Carrier disc with magnets		1	
9A	900 309 020 00	Pin 5 X 20		1	
10	999 152 089 01	Circlip		1	
11	999 059 027 00	Taper roller bearing		2	
11	999 059 027 02	Taper roller bearing		2	
12	928 332 217 02	O-ring		2	
13	928 332 219 00	Adjusting shim 0,15 MM		X	
(13)	928 332 219 01	Adjusting shim 0,20 MM		X	
(13)	928 332 219 02	Adjusting shim 0,25 MM		X	
(13)	928 332 219 03	Adjusting shim 0,30 MM		X	
(13)	928 332 219 04	Adjusting shim 0,10 MM		X	
14	928 332 213 02	Housing		2	
15	928 332 215 02	Shaft sealing ring		2	
16	900 075 099 02	Hexagon-head bolt		12	
16	900 075 099 03	Hexagon-head bolt		12	
17	N 012 241 8	Spring washer		12	
18	928 332 206 00	Joint flange		2	
19	900 074 292 02	Hexagon-head bolt M 10 X 100	-80	2	
19		Hexagon-head bolt M 10 X 98	81-	2	

Model: 928 78

Model life 1978>>1982



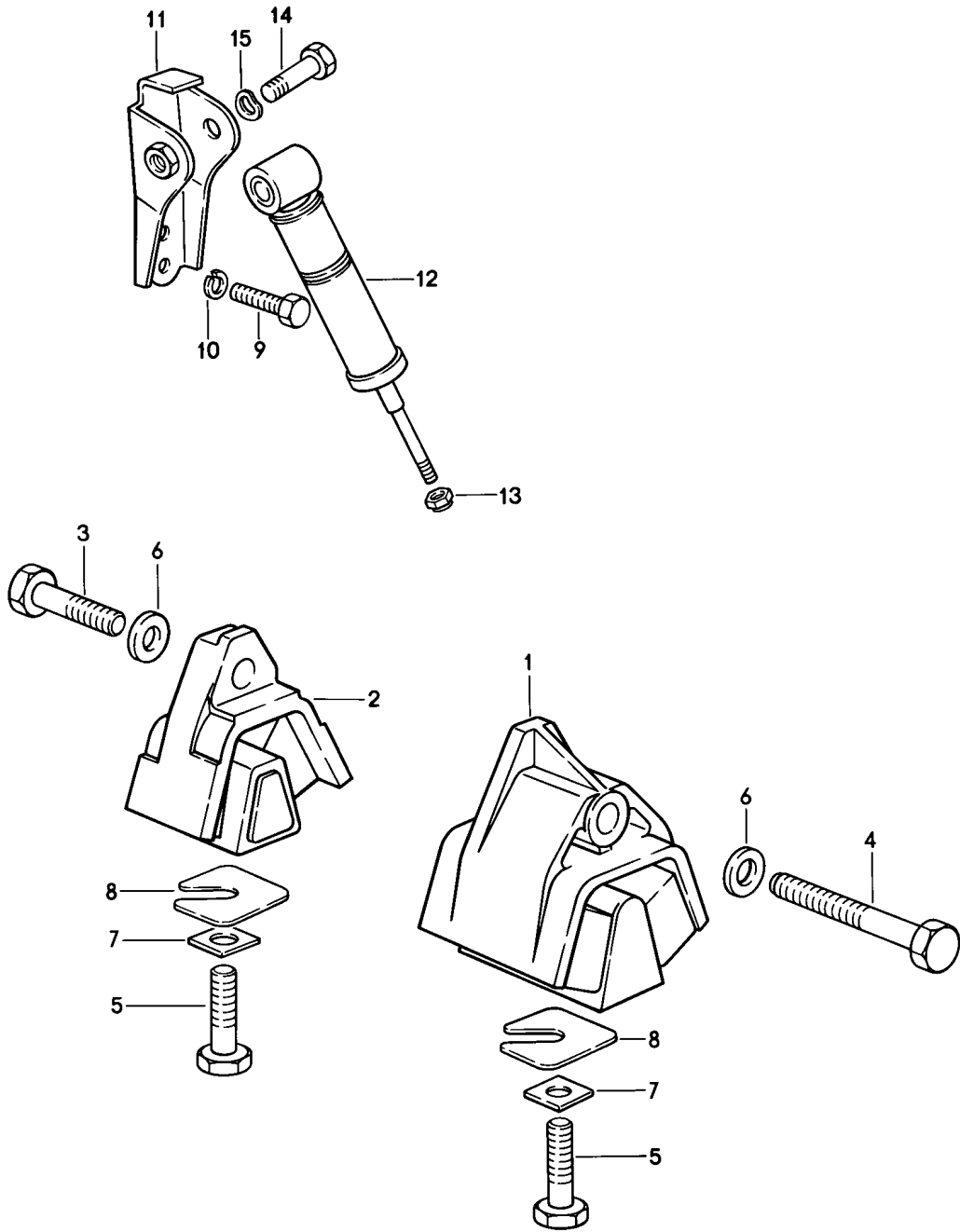
Model: 928 78

Model life 1978>>1982

Pos	Part Number	Description	Remark	Qty	Model
		Limited-slip differential Manual transmission			
1	928 332 052 04	Limited-slip differential		1	
2	928 332 511 00	Thrust ring		2	
3	928 332 541 00	Differential shaft		2	
4	928 332 531 00	Bevel pinion		4	
5	928 332 535 00	Shaft bevel gear		2	
6	928 332 279 01	Threaded disc		2	
7	901 332 561 11	Thrust washer		2	
8	928 332 551 00	Inner disc 2,0 MM		2	
9	917 332 552 10	Disc with external splines 1,9 MM		6	
9	917 332 552 11	Disc with external splines 2,0 MM		X	
9	917 332 552 12	Disc with external splines 2,1MM		X	
10	928 332 555 00	Cup spring		2	
11	900 119 002 00	Pan-head screw M 6 X 10		2	

Model: 928 78

Model life 1978>>1982



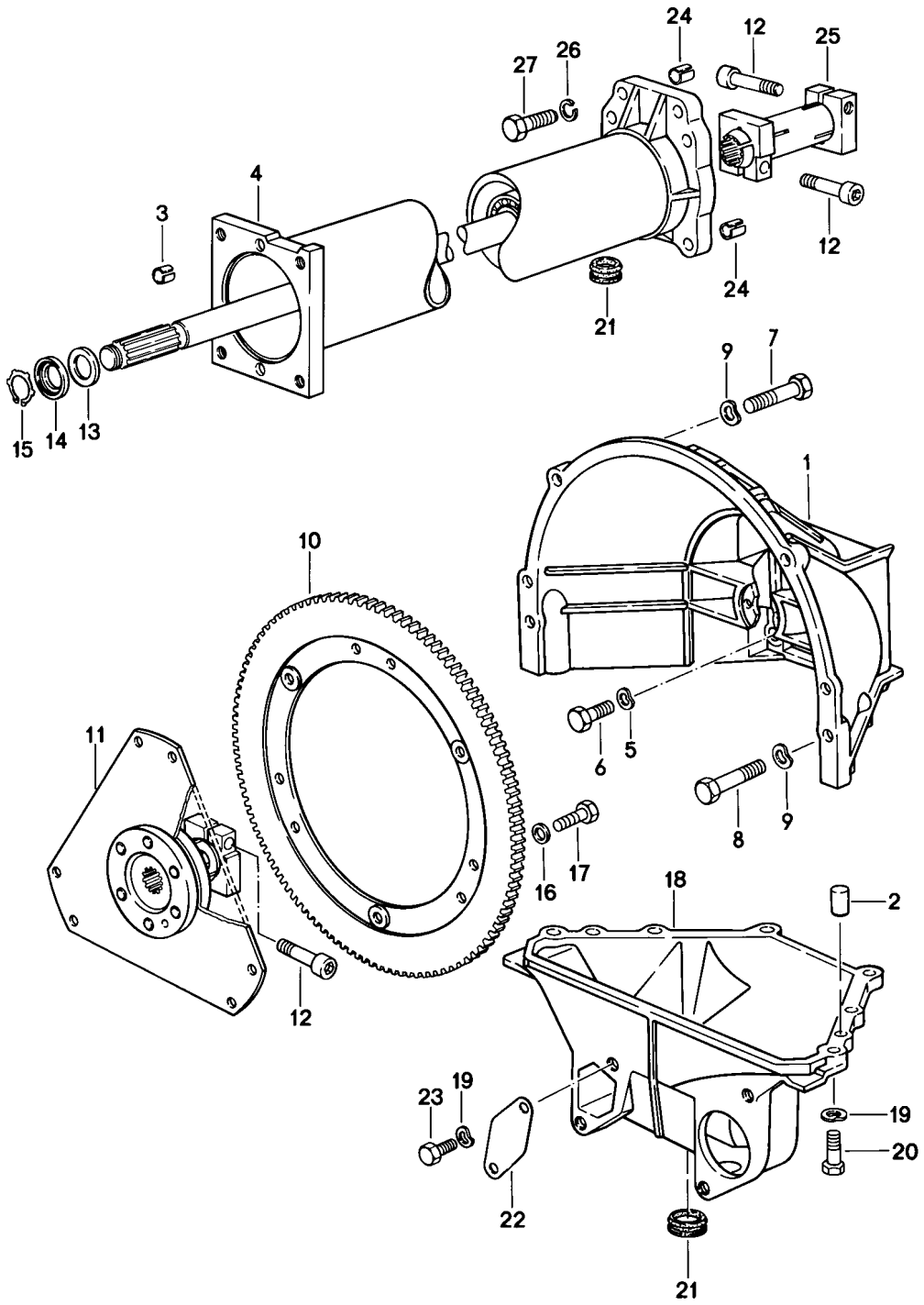
Model: 928 78

Model life 1978&gt;&gt;1982

Pos	Part Number	Description	Remark	Qty	Model
		Transmission suspension Manual transmission			
1	928 375 045 13	Transmission mounting	/L -78	1	
2	928 375 046 13	Transmission mounting	/R -78	1	
(2)	928 375 045 16	Transmission mounting	-79	2	
(2)		Transmission mounting	80-	2	
3	N 010 142 2	Hexagon-head bolt M 12 X 1,5 X 50	-78	1	
(3)		Hexagon-head bolt M 12 X 1,5 X 50	79-	2	
4	900 082 020 09	Hexagon-head bolt M 12 X 1,5 X 80	-78	1	
4	900 082 020 03	Hexagon-head bolt M 12 X 1,5 X 80		1	
5	N 040 108 1	Hexagon-head bolt M 12 X 1,5 X 40		2	
6	901 333 143 01	Washer		2	
7	928 375 331 00	Square washer		2	
8	928 331 520 01	Washer	80-	X	
(8)	928 331 520 02	Washer	80-	X	
(8)	928 331 520 03	Washer	80-	X	
(8)	928 331 520 04	Washer	80-	X	
9	900 075 085 02	Hexagon-head bolt M 8 X 20		4	
10	900 027 015 02	Lock ring B 8		4	
10	900 027 015 03	Lock ring B 8		4	
11	928 375 085 00	Connecting bow	/L	1	
(11)	928 375 086 00	Connecting bow	/R	1	
12	928 375 177 01	Vibration damper		2	
13	900 910 010 02	Lock nut		2	
14	900 074 130 02	Hexagon-head bolt M 8X40		2	
14	900 075 033 02	Stud M 8X40		2	
14	900 075 033 03	Stud M 8X40		2	
15	N 012 241 8	Spring washer B 8		2	

Model: 928 78

Model life 1978>>1982

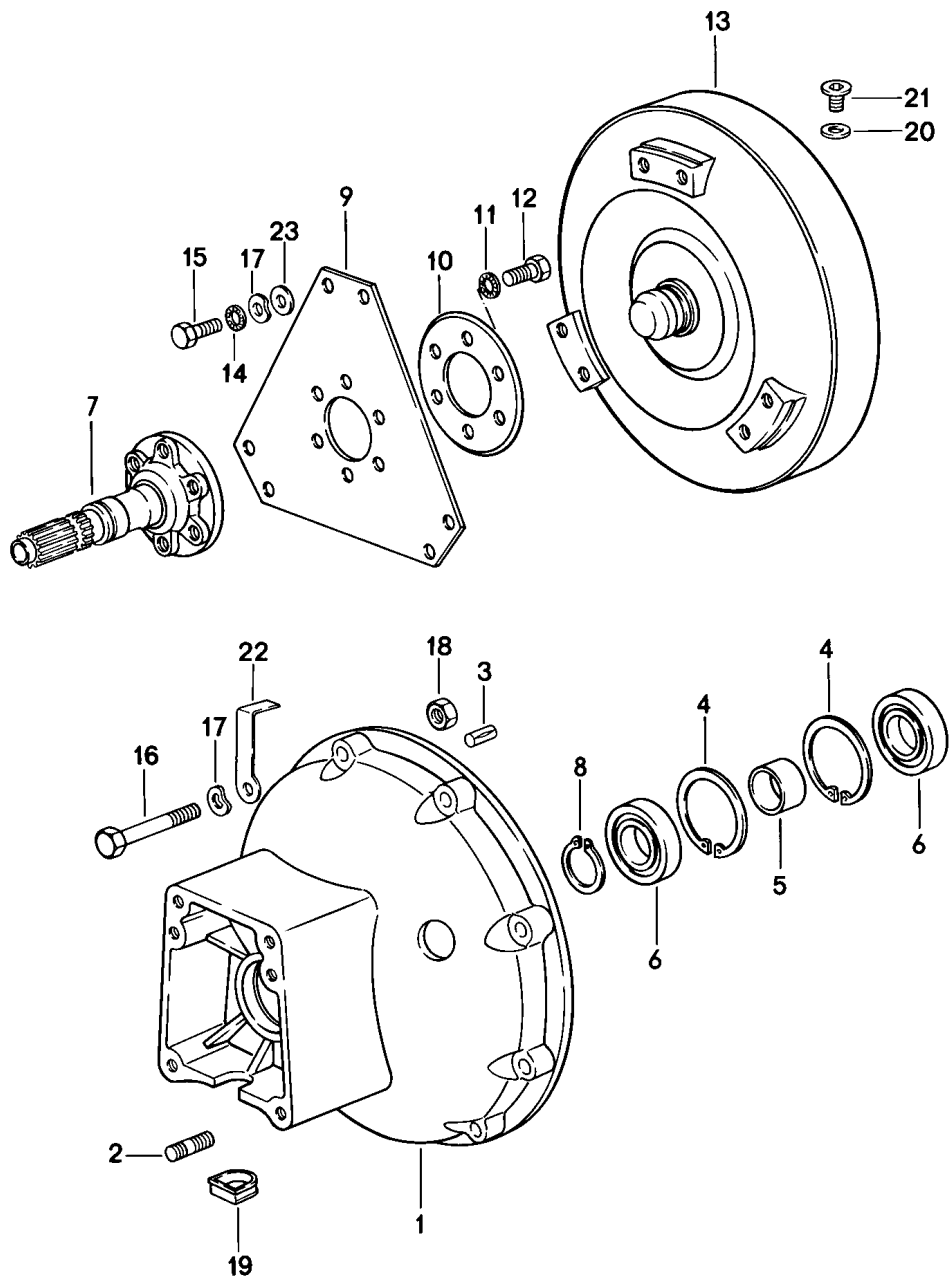


Model: 928 78 Model life 1978>>1982

Pos	Part Number	Description	Remark	Qty	Model
		Central tube			
		Automatic transmission			
1	928 116 401 11	Clutch housing		1	
1	928 116 402 00	Clutch housing		1	
2	900 012 110 00	Straight pin		2	
3	900 197 042 01	Roll pin		2	
		10 X 12			
4	922 421 012 03	Central tube		1	
		Ready for installation			
		See technical information			
		GRP.3 NR.9			
5	N 012 230 1	Spring washer		4	
6	900 074 059 02	Hexagon-head bolt		4	
		M 10 X 40			
6	900 074 379 01	Hexagon-head bolt		4	
		M 10 X 40			
7	N 010 142 2	Hexagon-head bolt		2	
		M 12 X 1,5 X 50			
8	N 010 165 3	Hexagon-head bolt		2	
		M 12 X 1,5 X 65			
8	900 082 109 01	Hexagon-head bolt		2	
		M 12 X 1,5 X 65			
9	N 012 232 1	Spring washer		4	
10	922 116 025 00	Ring gear		1	
11	922 116 041 03	Drive plate		1	
12	931 421 240 00	Clamping screw		3	
13	900 234 116 02	Shim		X	
		22 X 32 X 0,5			
(13)	900 234 117 02	Shim		X	
		22 X 32 X 1,0			
(13)	900 234 118 02	Shim		X	
		22 X 32 X 0,2			
14	922 421 257 00	Bush		1	
15	900 273 003 01	Circlip		1	
16	999 523 102 02	Washer		9	
16	999 523 102 0B	Washer		9	
17	900 075 280 01	Hexagon-head bolt		9	
		M 8 X 18			
18	928 116 411 12	Lid		1	
		for			
		Clutch housing			
19	N 012 241 8	Spring washer		8	
20	900 075 099 02	Hexagon-head bolt		6	
		M 8 X 30			
20	900 075 099 03	Hexagon-head bolt		6	
		M 8 X 30			
21	928 116 425 00	Cap		2	
22	922 116 121 00	Cover plate		1	
23	N 010 237 6	Hexagon-head bolt		2	
		M 8 X 12			
23	N 010 237 14	Hexagon-head bolt		2	
		M 8 X 12			
24	900 197 040 01	Roll pin		2	
		13 X 16			
25	922 421 051 02	Clamping sleeve		1	
25	922 421 051 03	Clamping sleeve		1	
26	900 027 016 02	Lock ring		6	
		B 10			
26	900 027 016 03	Lock ring		6	
		B 10			
27	900 075 266 01	Hexagon-head bolt		6	
		M 10 X 45			

Model: 928 78

Model life 1978>>1982





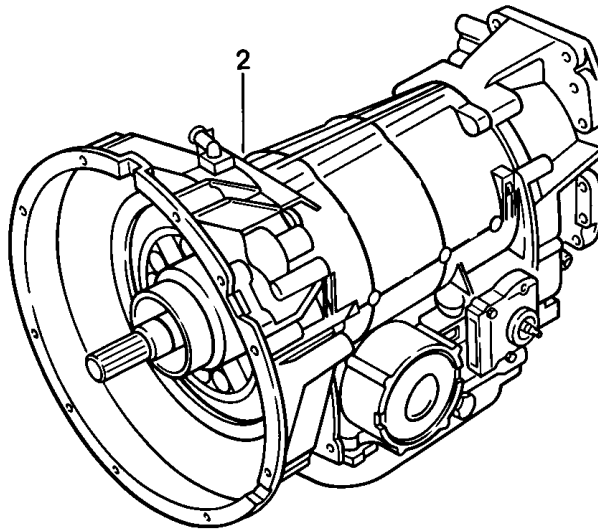
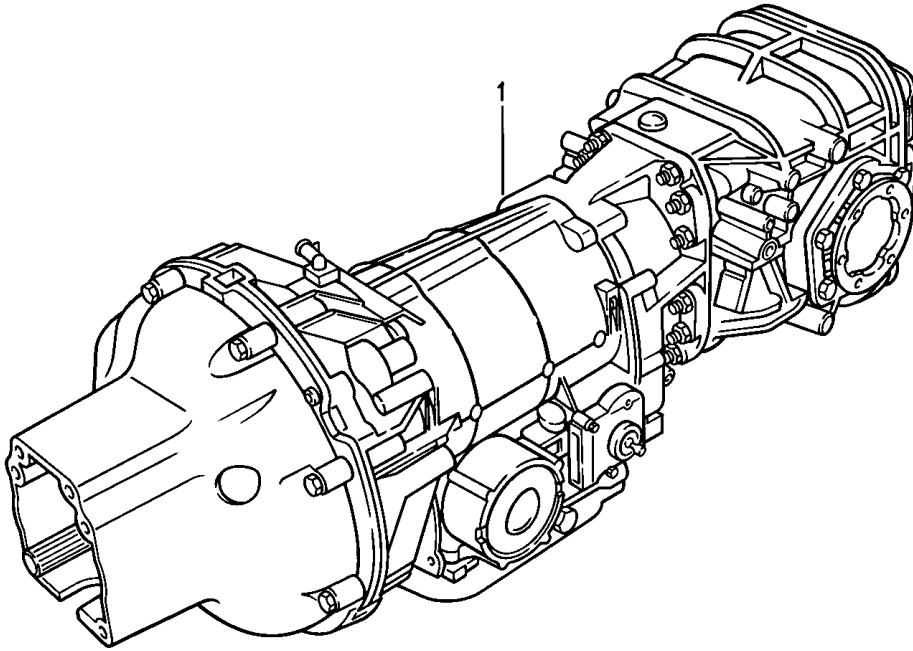
Model: 928 78

Model life 1978>>1982

Pos	Part Number	Description	Remark	Qty	Model
		Torque converter			
		Converter housing			
		Automatic transmission			
1	922 321 101 03	Converter housing, front		1	
2	900 061 004 02	Stud		2	
		M 8 X 12			
3	900 185 011 02	Grooved pin		1	
4	N 012 319 1	Circlip		2	
		62 X 2			
5	922 321 541 00	Spacer sleeve		1	
6	900 052 117 00	Deep-groove ball bearing		2	
6	PCG 052 117 00	Deep-groove ball bearing		2	
7	922 421 101 04	Drive flange		1	A22.04
		Only together with			
		922.116.101.01			
8	N 012 375 1	Circlip		1	
		30 X 1,5			
9	922 116 101 01	Drive plate		2	A22.04
		Only together with			
		922.421.101.04			
10	922 116 103 00	Packing plate		1	
11	999 523 103 01	Schnorr retainng washer		6	
12	900 083 039 01	Hexagon-head bolt		6	
		M 10 X 1,25 X 20			
13	123 250 010 2	Torque converter		1	
13		Torque converter		1	
14	999 523 102 02	Washer	-79	6	
14	999 523 102 0B	Washer		6	
15	900 075 305 01	Hexagon-head bolt	-79	6	
		M 8 X 12			
(15)		Hexagon-head bolt	80-	6	
		M 8 X 14			
16	900 074 136 02	Hexagon-head bolt		8	
		M 8 X 80			
16	900 074 136 03	Hexagon-head bolt		8	
		M 8 X 80			
17	N 012 241 1	Spring washer		14	
18	900 076 025 02	Hexagon nut		1	
18	900 076 064 02	Hexagon nut		1	
19	928 301 171 00	Cap		1	
20	900 123 033 20	Sealing ring		1	
21	900 219 010 02	Screw plug		1	
		M 10 X 1			
22	922 307 135 01	Bracket		1	
		Vacuum line			
23	110 990 204 0	Washer	80-	6	

Model: 928 78

Model life 1978>>1982



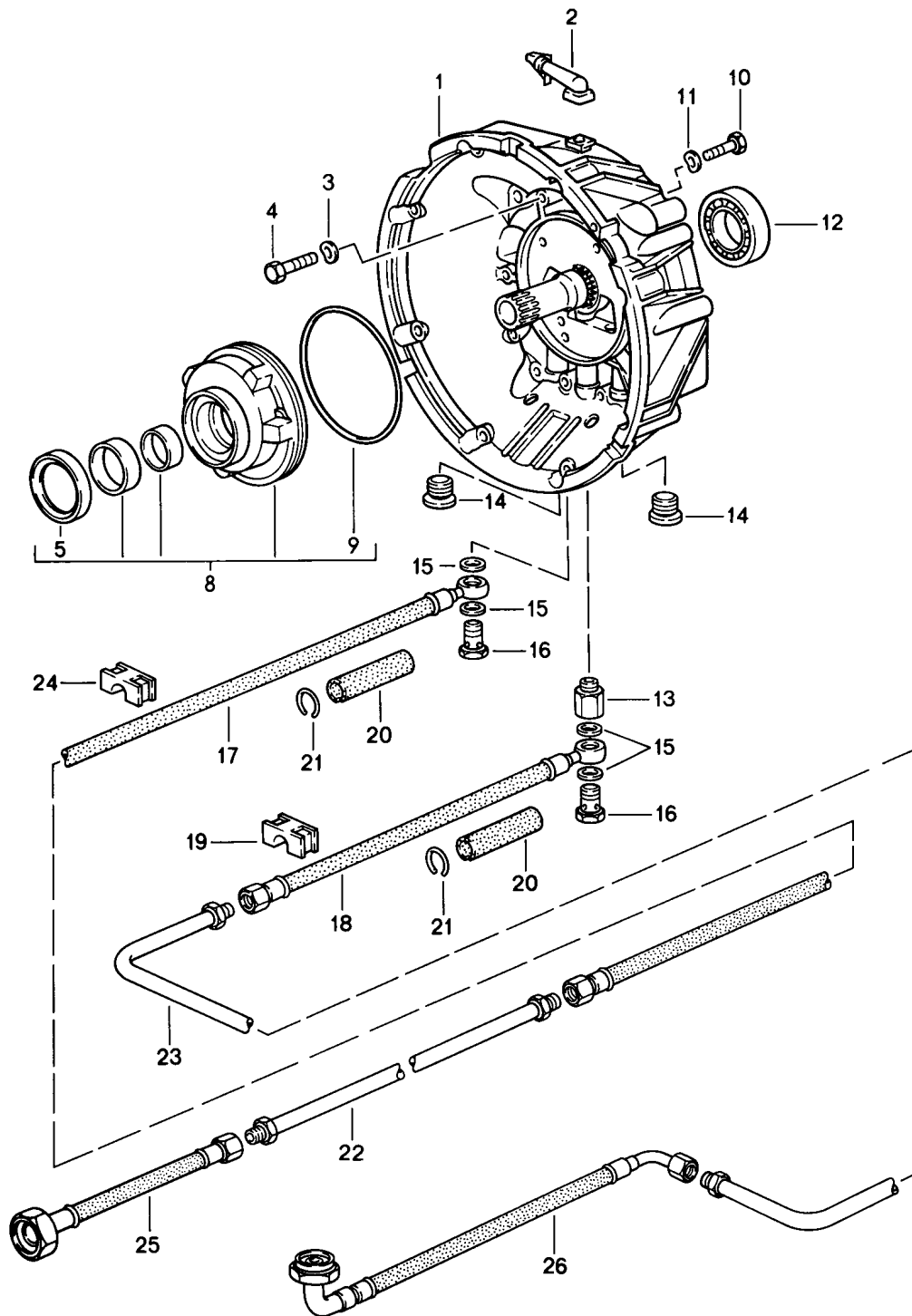
Model: 928 78

Model life 1978&gt;&gt;1982

Pos	Part Number	Description	Remark	Qty	Model
1	922 300 003 01	Replacement transmission Automatic transmission Automatic transmission 3 speed		1	A22.01
1	922 300 003 04	Automatic transmission 3 speed		1	A22.04
1	922 300 903 01	Automatic transmission 3 speed		1	A22.01
1	922 300 903 04	Limit.-slip different. 40% Automatic transmission 3 speed		1	A22.04
2	722 270 030 1	Limit.-slip different. 40% Short transmission without converter and Differential		1	A22.01
2	722 270 060 1	Short transmission without converter and Differential		1	A22.04

Model: 928 78

Model life 1978>>1982

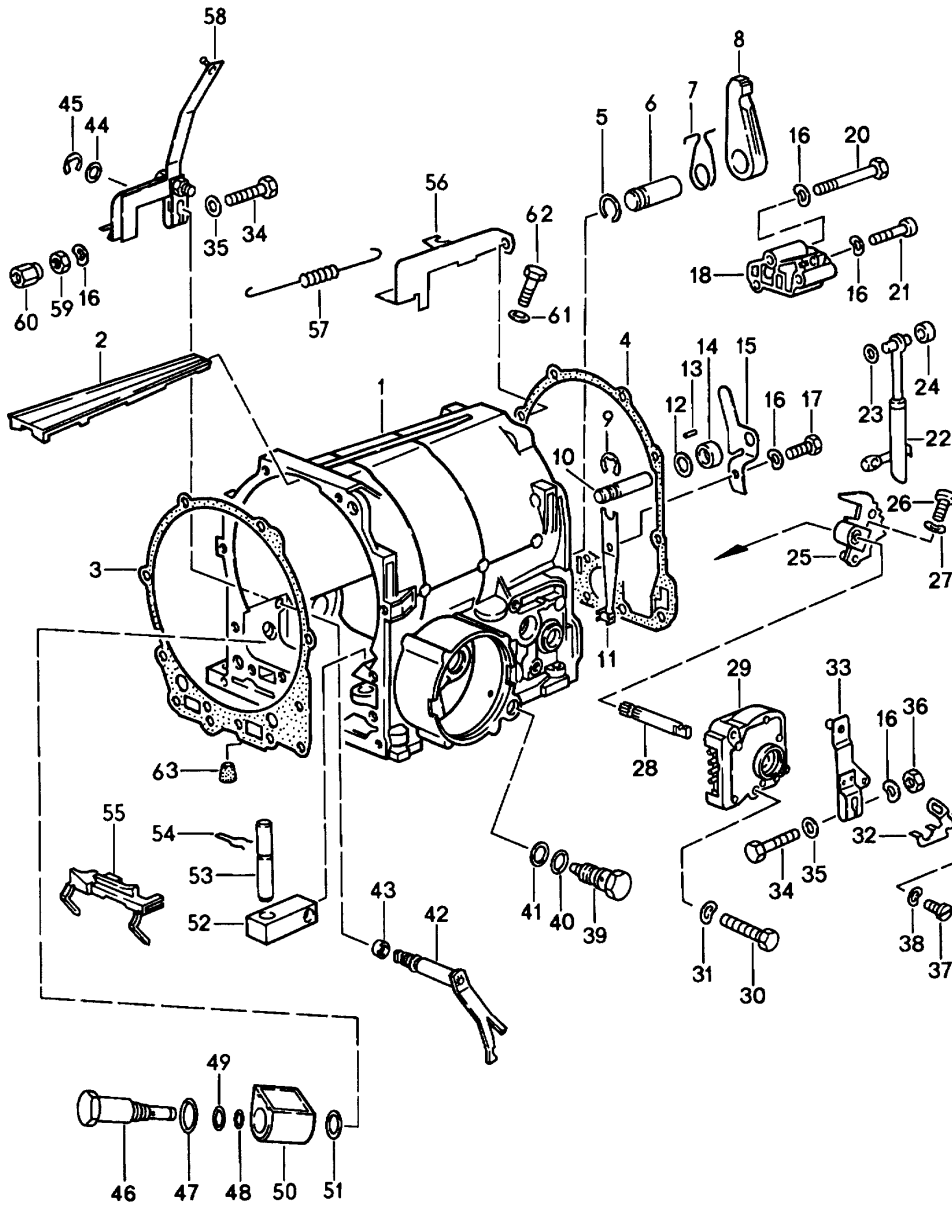


Model: 928 78 Model life 1978>>1982

Pos	Part Number	Description	Remark	Qty	Model
		Transmission case 1			
1	722 250 010 5	Automatic transmission Converter housing		1	
1	722 250 010 5X	Converter housing Rear with Shaft		1	
2	115 250 045 7	Bleeder		1	
3	722 990 024 0	Washer		11	
4	900 074 265 01	Hexagon-head bolt M 8 X 60		11	
5	017 997 324 7	Sealing ring		1	
8	116 270 009 0	Primary pump		1	
9	004 997 054 8	Sealing ring		1	
10	N 010 335 5	Hexagon-head bolt M 8 X 35		4	
10	900 075 032 03	Hexagon-head bolt M 8 X 35		4	
11	N 012 241 8	Spring washer B 8		4	
12	900 052 120 00	Deep-groove ball bearing 40 X 68 X 9		1	
13	115 257 105 7	Union		1	
14	900 219 001 30	Screw plug 22 X 1,5		2	
15	900 123 043 30	Sealing ring A 12 X 15,5		4	
16	900 175 020 02	Banjo bolt		2	
16	900 175 020 01	Banjo bolt		2	
17	922 307 020 00	Pressure hose Supply		1	
17	922 307 020 01	Pressure hose Supply		1	
18	922 307 021 00	Pressure hose Return line		1	
18	922 307 021 01	Pressure hose Return line		1	
19	922 307 114 02	Clamp		5	
20	922 307 121 00	Hose piece		2	
21	900 906 024 00	Circlip		2	
22	922 307 018 99	Oil pipe Supply		1	
23	922 307 019 03	Oil pipe Return line		1	
24	922 307 114 01	Clamp		10	
25	922 307 023 02	Pressure hose Supply		1	
25	922 307 023 04	Pressure hose Supply		1	
26	922 307 025 00	Pressure hose Return line		1	
26	922 307 025 02	Pressure hose Return line		1	

Model: 928 78

Model life 1978>>1982



Model: 928 78

Model life 1978>>1982

Pos	Part Number	Description	Remark	Qty	Model
		Transmission case 2			
		Automatic transmission			
1	116 270 011 1	Transmission case		1	
2	116 277 004 0	Support		1	
		Upper			
3	115 277 338 0	Gasket		1	
4	116 271 018 0	Gasket		1	
5	000 994 424 1	Lock		1	
6	115 278 077 4	Bolt		1	
7	115 993 022 2	Spring		1	
8	115 278 022 1	Pawl		1	
9	900 116 007 01	Lock washer		1	
9	N 012 439 1	Lock washer		1	
9	N 012 439 2	Lock washer		1	
10	115 278 087 4	Bolt		1	
11	100 270 017 8	Spring		1	
12	115 990 214 0	Washer		1	
13	000 981 518 7	Needle		23	
14	115 278 041 7	Roller		1	
15	115 278 044 0	Support		1	
16	N 012 226 5	Spring washer		6	
17	N 010 215 13	Hexagon-head bolt		1	
		M 6 X 15			
18	100 270 330 7	Slide-valve gearbox for Control pressure with Regulating valve		1	A22.01/02
(18)	722 270 100 7	Regulating valve	82	1	A22.04
(18)	722 270 100 7X	Regulating valve	82	1	A22.04
20	900 074 111 02	Hexagon-head bolt		2	
		M 6 X 50			
21	900 067 008 02	Pan-head screw		1	
		M 6 X 30			
21	900 067 008 03	Pan-head screw		1	
		M 6 X 30			
22	116 270 006 5	Linkage		1	
23	115 278 006 2	Thrust washer		1	
24	115 278 051 7	Roller		1	
25	115 270 045 7	Shift segment		1	
26	N 014 774 1	Pan-head screw		1	
		M 6 X 18			
27	N 012 226 5	Spring washer		1	
28	115 278 161 0	Control shaft		1	
29	000 545 420 6	Combined switch		1	
30	900 075 287 02	Hexagon-head bolt		2	
		M 6 X 28			
31	N 012 222 4	Spring washer		2	
32	115 545 014 2	Driver		1	
33	922 424 063 00	Lever		1	
34	N 010 220 3	Hexagon-head bolt		2	
		M 6 X 30			
35	N 011 524 7	Washer		2	
35	N 011 524 27	Washer		2	
36	900 076 010 02	Nut		1	
36	900 076 010 0B	Nut		1	
37	900 075 106 02	Hexagon-head bolt		1	
		M 4 X 6			
38	N 012 224 3	Spring washer		1	
		B 4			
39	115 270 248 9	Valve		1	
40	002 997 214 8	Sealing ring		1	

Model: 928 78

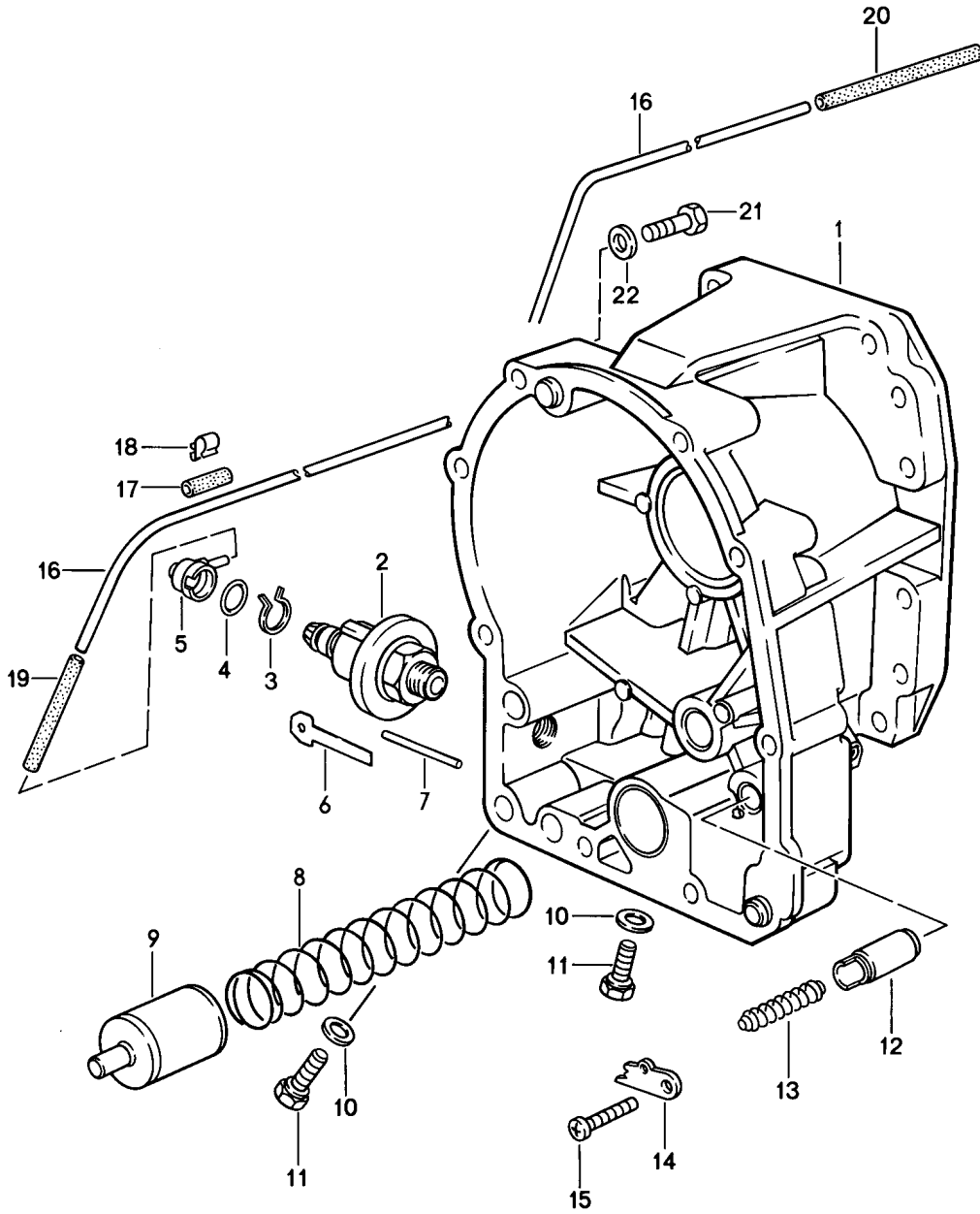
Model life 1978&gt;&gt;1982

Pos	Part Number	Description	Remark	Qty	Model
41	900 123 019 30	Sealing ring		1	
42	115 270 145 9	Lever		1	
43	006 997 614 6	Sealing ring		1	
44	115 990 174 0	Washer		1	
45	900 116 006 02	Lock washer		1	
46	000 304 129 0	Solenoid switch		1	
47	010 997 774 5	O-ring 19 X 1,8		1	
48	008 997 304 8	Sealing ring 12,5 X 1,5		1	
49	001 997 354 8	Sealing ring		1	
50	000 304 119 0	Housing		1	
51	115 304 016 0	Sealing ring Aluminium		1	
52	115 277 042 4	Lever		1	
53	115 277 027 4	Bolt		1	
54	115 993 022 5	Spring		1	
55	115 277 244 0	Support		1	
56	922 307 133 03	Support		1	
57	922 321 130 04	Tension spring		1	
58	922 321 023 06	Control pressure lever		1	
59	N 011 116 5	Hexagon nut		1	
60	922 321 129 00	Hexagon nut Self-locking		1	
61	900 123 105 30	Sealing ring		1	
62	115 997 063 0	Screw plug		1	
63	722 271 005 0	Rubber bush		1	



Model: 928 78

Model life 1978>>1982



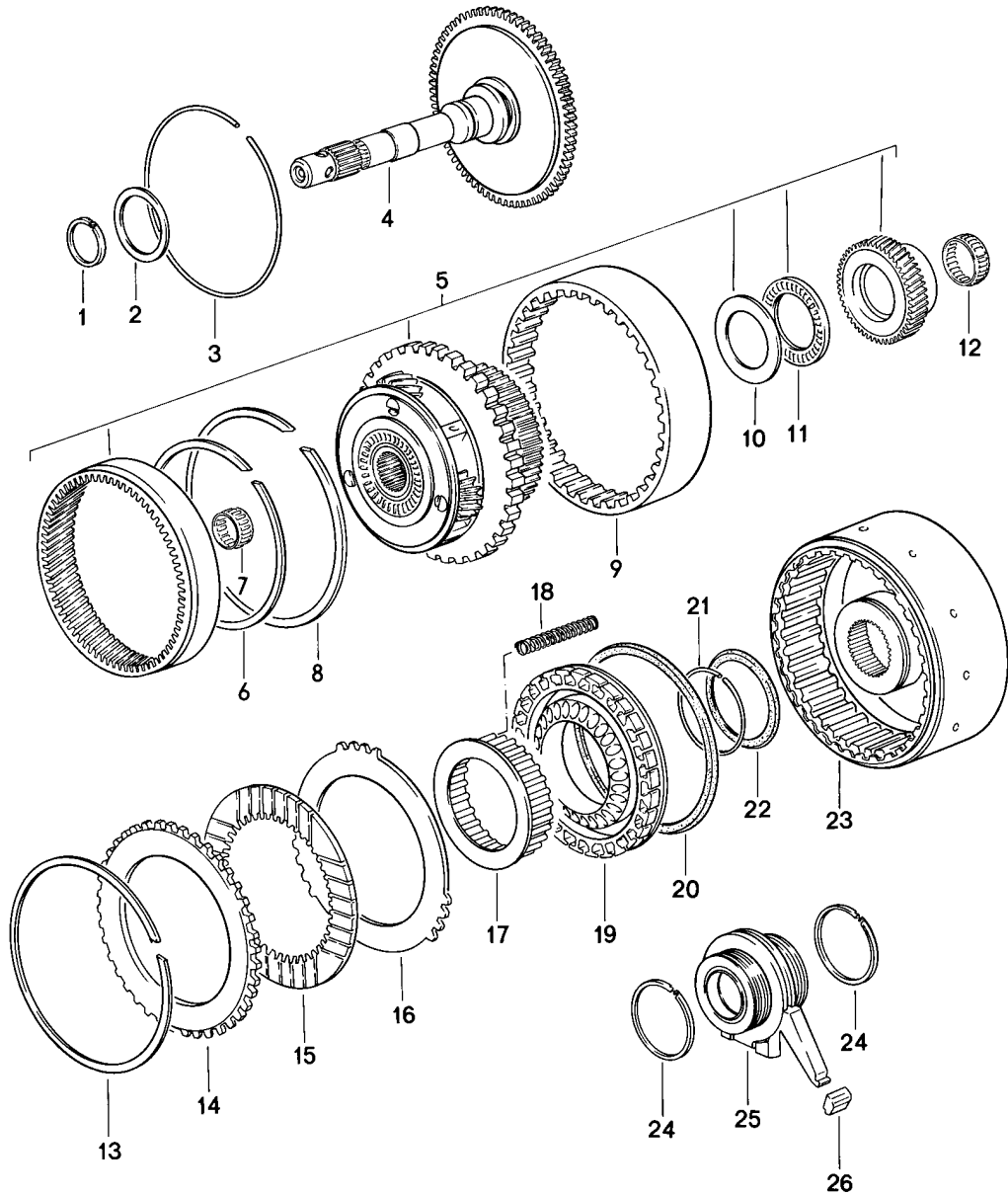
Model: 928 78

Model life 1978>>1982

Pos	Part Number	Description	Remark	Qty	Model
		Transmission case 3			
1	722 270 011 1	Automatic transmission Transmission case		1	
(1)		Transmission case		1	
2	123 270 007 9	Diaphragm		1	
3	115 994 293 5	Circlip		1	
4	002 997 574 8	Sealing ring		1	
5	116 276 018 3	Cap		1	
6	114 277 024 0	Support		1	
7	123 277 027 5	Pin		1	
(7)	115 277 297 5	39,15 MM Pin		1	
(7)	115 277 307 5	39,65 MM Pin		X	
		40,15 MM			
8	115 993 050 4	Spring		1	
9	115 277 503 8	Piston		1	
10	900 123 105 30	Sealing ring		2	
11	115 997 063 0	Screw plug		2	
12	115 277 413 1	Piston		1	
13	115 993 340 4	Spring		1	
14	115 277 274 0	Support		1	
15	900 146 037 02	Oval-head screw		1	
16	922 307 131 01	Pipeline		1	
-	999 181 167 50	Hose		*	
17		20 MM		3	
18	999 651 159 02	Cable clamp		2	
-	999 239 003 40	Hose		*	
19		60 MM		1	
20		120 MM		1	
21	900 074 265 01	Hexagon-head bolt M 8 X 60		10	
22	722 990 024 0	Washer		10	

Model: 928 78

Model life 1978>>1982



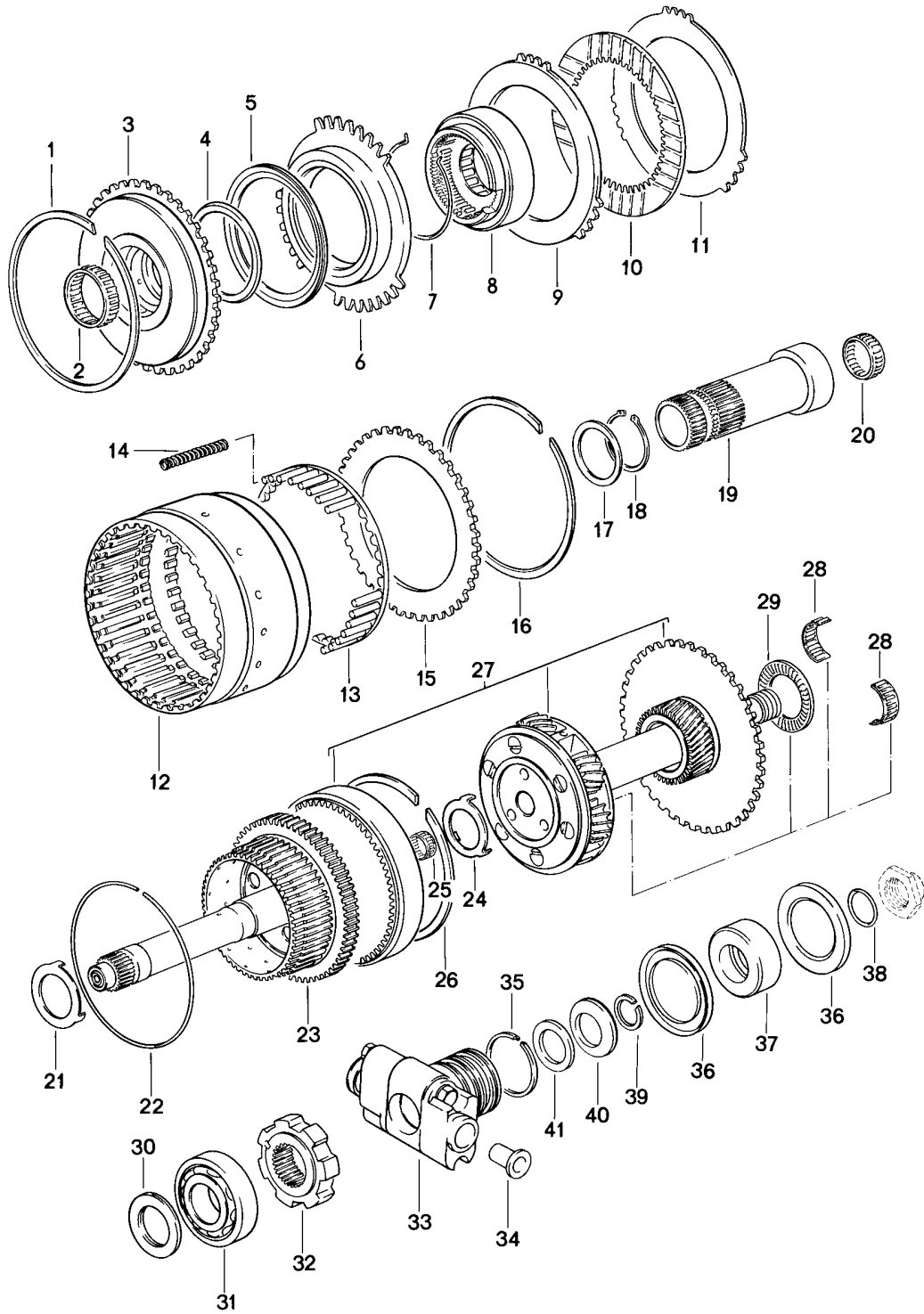
Model: 928 78

Model life 1978>>1982

Pos	Part Number	Description	Remark	Qty	Model
		Gears and shafts 1 Automatic transmission			
1	100 272 045 5	Sealing ring		1	
2	100 272 125 2	Spacer		X	
(2)	100 272 135 2	Spacer		X	
(2)	100 272 145 2	Spacer		X	
3	115 272 027 3	Circlip		1	
4	116 270 092 5	Drive shaft		1	
5	722 270 064 3	Planet-gear carrier		1	A22.01/02
(5)	722 270 104 3	Planet-gear carrier	82	1	A22.04
6	115 272 047 3	Circlip		1	
7	001 981 801 0	Needle-roller bearing		1	
8	112 994 073 5	Circlip		1	
9	116 272 002 7	Belt carrier		1	
10	100 272 085 2	Spacer		X	
(10)	100 272 095 2	Spacer		X	
(10)	100 272 105 2	Spacer		X	
11	000 981 991 0	Needle-roller bearing		1	
12	002 981 321 0	Needle-roller bearing		2	
13	115 272 127 3	Circlip		1	
14	109 272 182 6	Disc with external splines		1	
15	115 272 002 5	Inner disc 2,0 MM		6	
16	109 272 062 6	Disc with external splines		6	
(16)	109 272 082 6	Disc with external splines		X	
17	100 272 026 4	Concave washer		1	
18	100 993 020 2	Spring		28	
19	116 270 163 2	Piston		1	
20	109 272 099 2	Boot		1	
21	115 994 083 5	Circlip		1	
22	115 272 149 2	Boot	-79	1	
(22)		Boot	80-	1	
23	116 270 242 0	Flange		1	
24	115 272 065 5	Sealing ring		4	
25	115 270 215 0	Bush		1	
26	115 272 079 2	Boot		1	

Model: 928 78

Model life 1978>>1982



Model: 928 78 Model life 1978>>1982

Pos	Part Number	Description	Remark	Qty	Model
		Gears and shafts 2			
		Automatic transmission			
1	115 272 047 3	Circlip		1	
2	002 981 311 0	Needle-roller bearing		1	
3	116 270 202 0	Flange		1	
4	109 272 049 2	Boot		1	
5	115 272 169 2	Boot		1	
6	116 272 023 1	Piston		1	
7	109 994 003 5	Circlip		1	
8	100 270 003 1	Free wheel lock		1	
9	109 272 222 6	Disc with external splines		1	
(9)	109 272 232 6	Disc with external splines		X	
10	115 272 002 5	Inner disc 2,0 MM		6	
11	109 272 062 6	Disc with external splines		4	
(11)	109 272 082 6	Disc with external splines		X	
(11)	109 272 152 6	Disc with external splines		1	
12	100 272 412 4	Disc carrier		1	
13	109 272 036 7	Concave washer		1	
14	100 993 880 1	Spring		18	
15	109 272 212 6	Disc with external splines		1	
16	115 272 137 3	Circlip		1	
17	100 272 125 2	Spacer		1	
(17)	100 272 135 2	Spacer		X	
(17)	100 272 145 2	Spacer		X	
18	N 012 382 1	Outer ring 40 X 1,75		1	
19	100 272 392 0	Shaft		1	
20	002 981 321 0	Needle-roller bearing		2	
21	115 272 346 2	Thrust washer		1	
22	112 994 073 5	Circlip		1	
23	116 270 132 5	Drive shaft		1	
24	722 272 006 2	Thrust washer		1	A22.01/02
(24)	722 272 016 2	Thrust washer		1	A22.04
25	002 981 301 0	Needle-roller bearing		1	
26	115 272 027 3	Circlip		1	
27	722 270 034 3	Planet-gear carrier A >> 005 005797		1	A22.01/02
27	722 270 114 3	Planet-gear carrier A 005 005798 >>		1	A22.01
(27)		Planet-gear carrier		1	A22.04
28	007 981 391 0	Needle-roller bearing		1	A22.01/02
28		Needle-roller bearing		1	A22.04
29	004 981 401 0	Needle-roller bearing		1	
30	115 272 376 2	Thrust washer		1	
31	001 981 182 5	Ball bearing		1	
32	722 272 001 7	Gear wheel		1	
33	722 270 007 4	Centrifugal governor		1	A22.01/02
33	722 270 007 4X	Centrifugal governor		1	A22.01/02
(33)	722 270 027 4	Regulator		1	A22.04
34	115 270 009 8	Strainer		2	
35	115 272 135 5	Sealing ring		3	
36	922 321 301 07	Sealing ring		2	
37	922 302 403 02	Spacer ring A >> 005 005797		1	A22.01/02
(37)	922 302 404 00	Spacer ring A 005 005798 >>		1	A22.01
(37)		Spacer ring		1	A22.04
38	922 302 401 00	Round seal A >> 005 005797		1	A22.01/02
(38)	922 302 402 01	O-ring A 005 005798 >>		1	A22.01

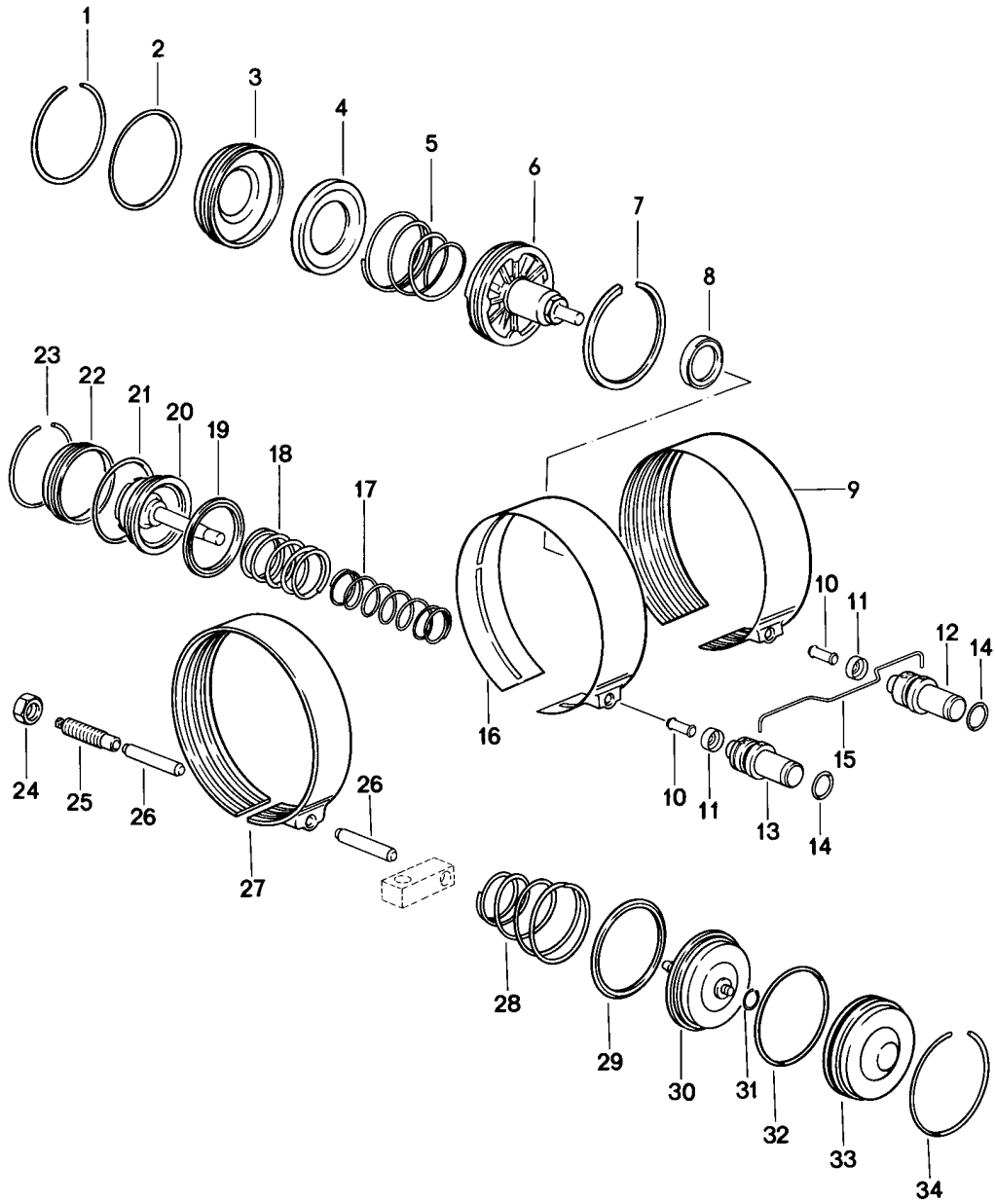
Model: 928 78

Model life 1978>>1982

Pos	Part Number	Description	Remark	Qty	Model
(38)		O-ring		1	A22.04
39	722 994 003 5	Circlip		1	A22.01
		A 005 005798 >>			
39		Circlip		1	A22.04
40	722 993 002 6	Cup spring		1	A22.01
		A 005 005798 >>			
40		Cup spring		1	A22.04
41	900 234 082 01	Shim		1	A22.01
		A 005 005798 >>			
41		Shim		1	A22.04

Model: 928 78

Model life 1978>>1982





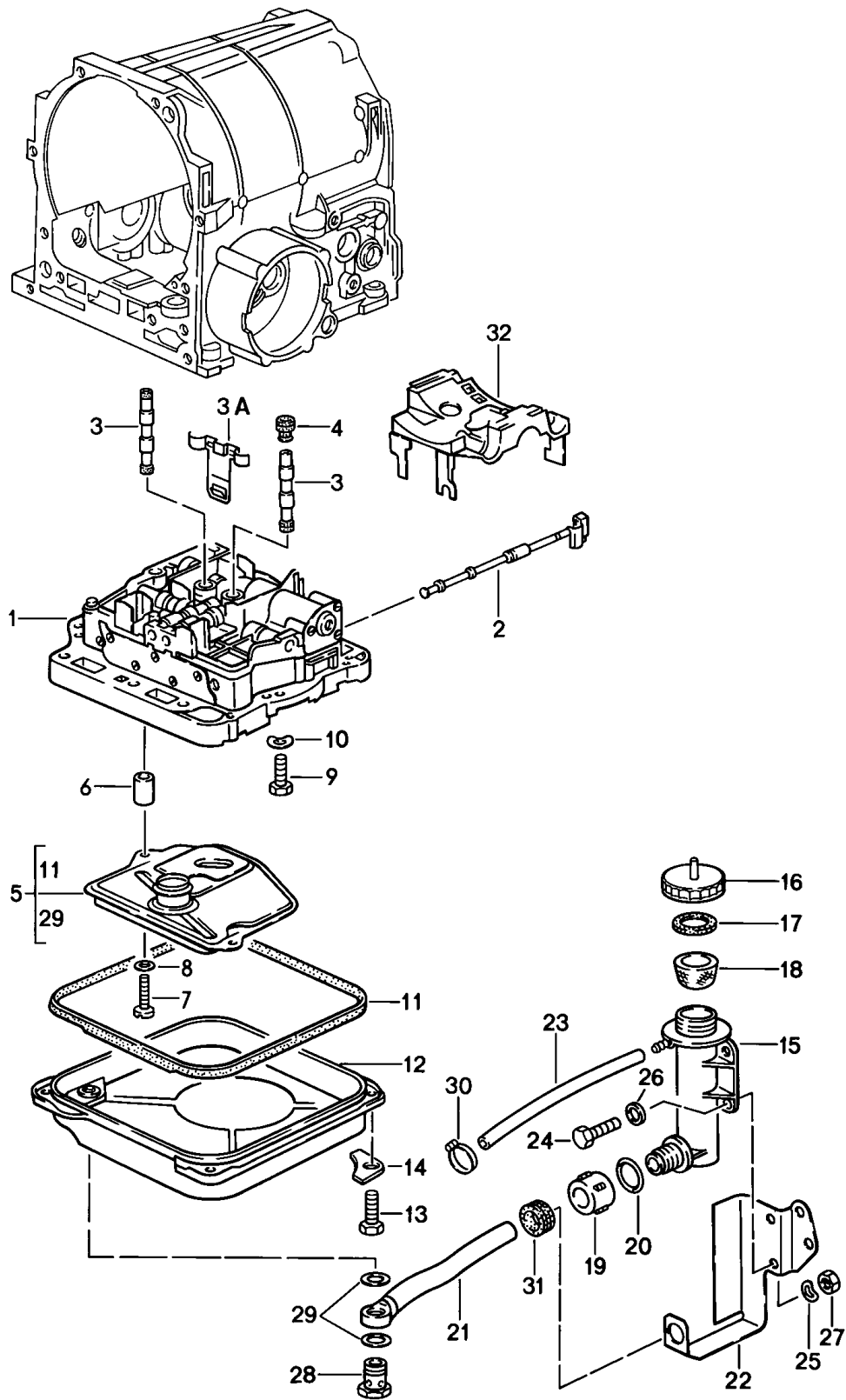
Model: 928 78

Model life 1978&gt;&gt;1982

Pos	Part Number	Description	Remark	Qty	Model
		Brake bands			
		Automatic transmission			
1	115 994 273 5	Circlip		1	
2	000 997 484 8	Sealing ring		1	
3	115 277 420 3	Lid		1	
4	115 277 177 7	Guide piece		1	
5	115 993 230 5	Spring		1	
6	115 270 693 2	Piston		1	
7	115 277 075 5	Sealing ring		1	
8	115 272 119 2	Boot		1	
(8)		Boot		1	
9	115 270 726 2	Brake band		1	
10	109 277 027 5	Pin		1	
		23 MM			
(10)	109 277 037 5	Pin		X	
		24 MM			
(10)	109 277 047 5	Pin		X	
		25 MM			
(10)	109 277 057 5	Pin		X	
		26 MM			
11	115 277 175 8	Support		2	
12	109 270 118 9	Valve		1	
		B 2			
13	109 270 108 9	Valve		1	
		B 1			
14	010 997 084 5	Sealing ring		2	
15	115 993 002 2	Retainer spring		1	
16	115 270 696 2	Brake band		1	
16		Brake band		1	
		without asbestos			
17	116 993 530 1	Spring		1	A22.01/02
(17)	115 993 550 3	Spring		1	A22.04
18	116 993 540 1	Spring		1	A22.01/02
(18)	115 993 540 3	Spring		1	A22.04
19	115 272 109 2	Boot		1	
20	115 270 663 2	Piston		1	
21	000 997 474 8	Sealing ring		1	
22	115 277 410 3	Lid		1	
23	115 994 263 5	Circlip		1	
24	115 990 045 1	Hexagon nut		1	
		M 14 X 1,5			
25	115 277 177 1	Shear bolt		1	
26	115 277 537 5	Pin		2	
27	116 270 186 2	Brake band		1	
27		Brake band		1	
		without asbestos			
28	115 993 180 5	Spring		1	
29	115 272 089 2	Boot		1	
30	115 270 743 2	Piston		1	
31	115 994 173 5	Circlip		1	
32	008 997 354 5	Sealing ring		1	
33	115 277 370 3	Lid		1	
34	115 994 303 5	Circlip		1	

Model: 928 78

Model life 1978>>1982



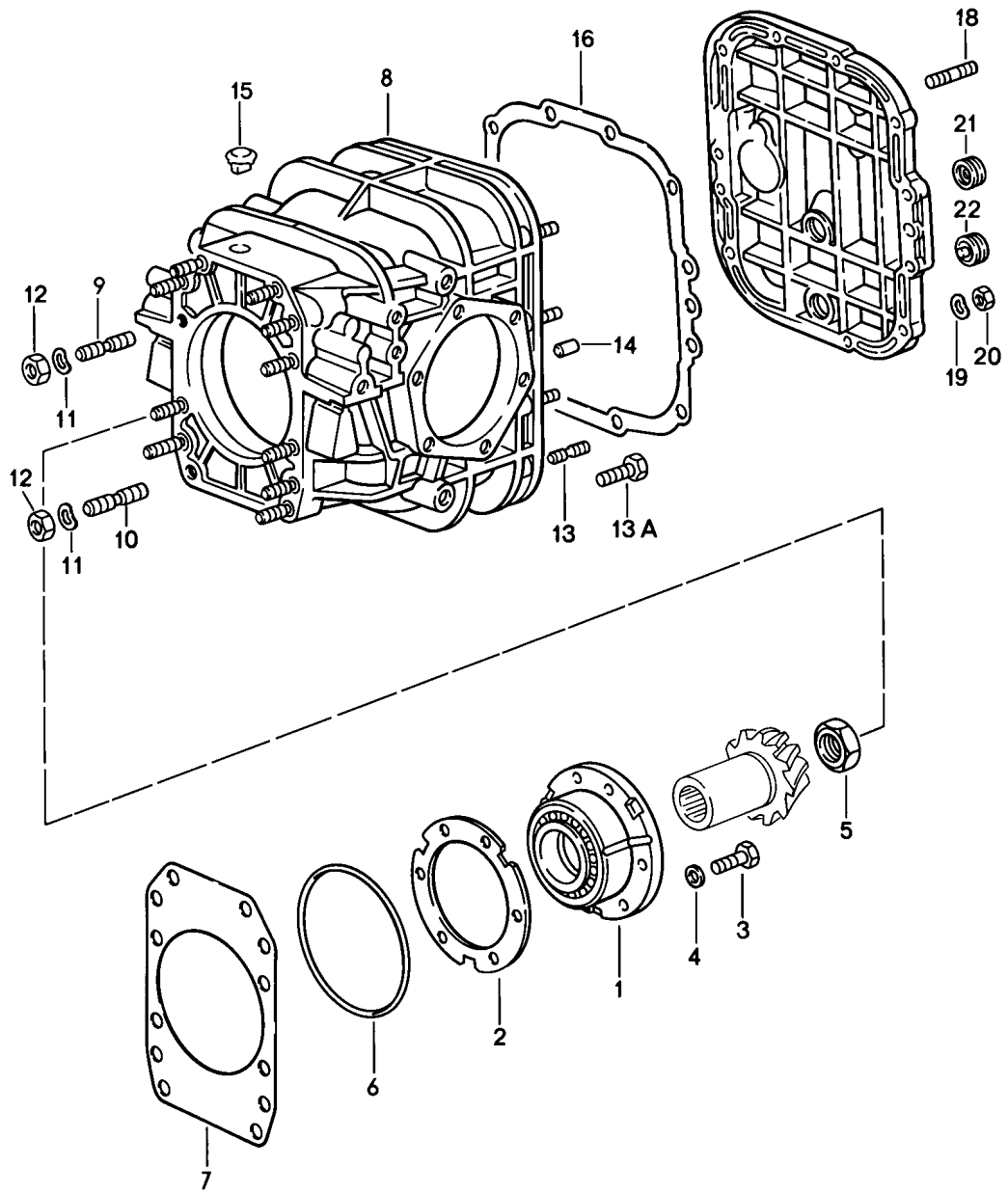
Model: 928 78

Model life 1978&gt;&gt;1982

Pos	Part Number	Description	Remark	Qty	Model
		Shift-valve body Automatic transmission			
(1)	722 270 140 7	Shift-valve body		1	A22.01
(1)	722 270 140 7X	Shift-valve body		1	A22.01
(1)	722 270 110 7	Shift-valve body		1	A22.04
2	115 270 047 0	Regulating valve		1	
3	115 270 106 8	Guide tube		2	
3A	115 277 284 0	Support		2	
4	115 277 335 0	Bush		4	
5	123 270 009 8	Oil filter set		1	
6	123 277 005 3	Spacer tube		2	
7	900 146 010 02	Oval-head screw M 5 X 30		2	
8	N 012 225 2	Spring washer		2	
9	900 075 030 02	Hexagon-head bolt M 8 X 28		11	
10	900 028 004 01	Spring washer		11	
11	115 271 158 0	Oil sump gasket		1	
11	115 271 168 0	Oil sump gasket		1	
12	123 270 011 2	Oil pan		1	
13	900 075 079 02	Hexagon-head bolt M 8 X 22		4	
14	115 271 019 4	Shim		4	
15	922 321 535 00	Filling container		1	
16	477 321 481	Screw-on cap		1	
17	477 321 483 A	Gasket		1	
18	477 321 479 A	Strainer		1	
19	922 321 533 00	Union nut		1	
20	922 321 537 00	O-ring		1	
21	922 321 051 05	Filler tube		1	
22	922 321 519 02	Support		1	
23	922 321 539 00	Hose		1	
24	999 072 005 09	Hexagon nut M 6 X 12		2	
24	999 072 005 01	Hexagon nut M 6 X 12		2	
25	N 012 006 4	Lock ring		2	
26	N 011 524 7	Washer		2	
26	N 011 524 27	Washer		2	
27	900 076 010 02	Nut		2	
27	900 076 010 0B	Nut		2	
28	115 990 016 3	Banjo bolt		1	
29	900 123 007 30	Sealing ring		2	
30	999 512 082 02	Hose clamp		1	
30	999 512 082 01	Hose clamp		1	
31	900 622 015 40	Grommet		1	
32	115 277 294 0	Brake band support		1	
-	722 277 001 4	Intermediate plate		1	
-	116 277 088 0	Gasket		1	

Model: 928 78

Model life 1978>>1982

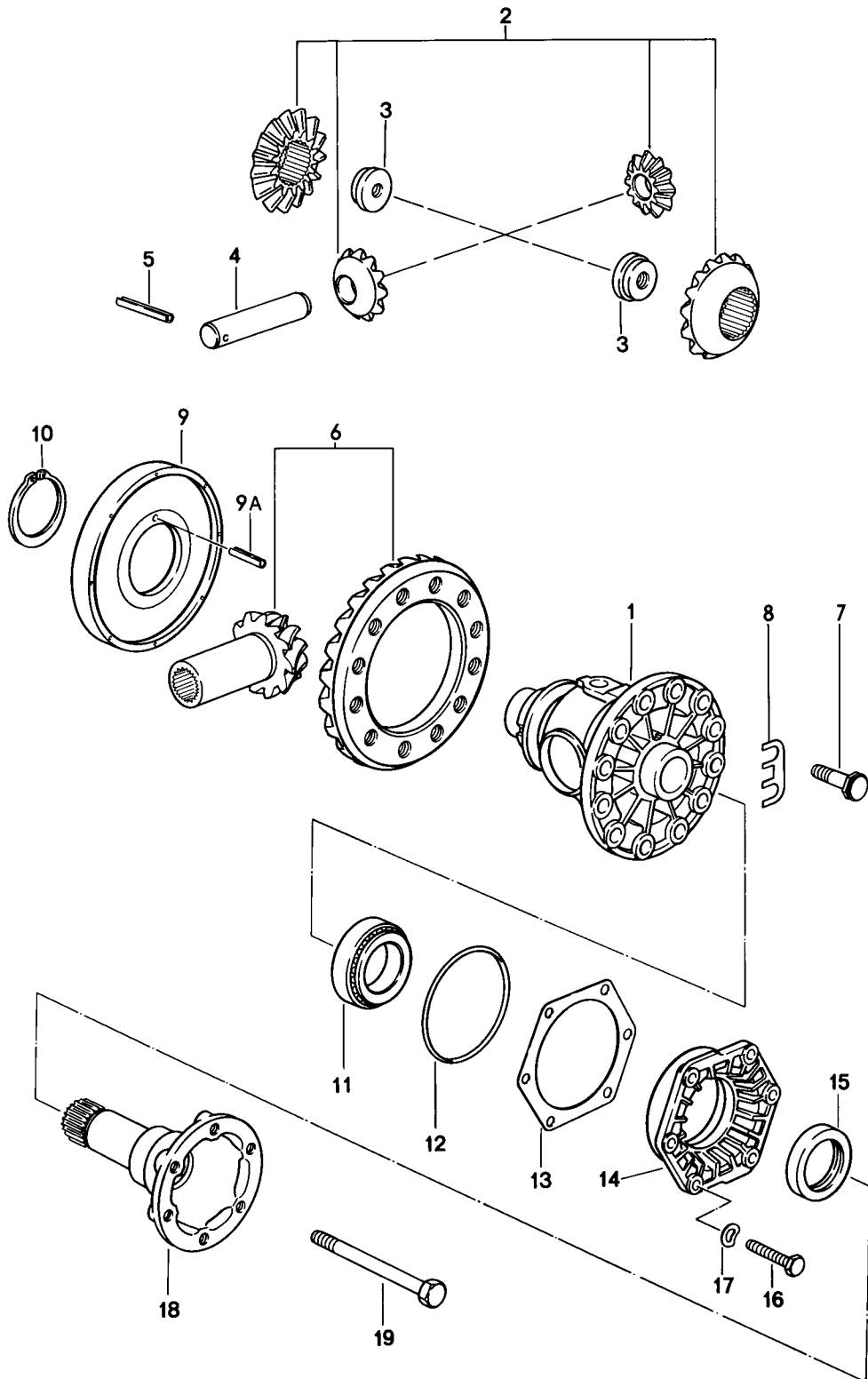


Model: 928 78 Model life 1978>>1982

Pos	Part Number	Description	Remark	Qty	Model
		Differential			
		1			
		Automatic transmission			
1	922 302 063 19	Bearing sleeve		1	A22.01
1		Bearing sleeve		1	A22.04
2	922 302 298 00	Adjusting shim		X	
		0,15 MM			
(2)	922 302 298 01	Adjusting shim		X	
		0,20 MM			
(2)	922 302 298 02	Adjusting shim		X	
		0,25 MM			
(2)	922 302 298 03	Adjusting shim		X	
		0,40 MM			
(2)	922 302 298 04	Adjusting shim		X	
		0,50 MM			
3	N 010 244 6	Hexagon-head bolt		6	
		M 8 X 30			
4	999 523 102 02	Washer		6	
4	999 523 102 0B	Washer		6	
5	922 302 282 00	Collar nut		1	
6	922 321 311 00	Round seal		1	
7	922 302 297 00	Adjusting shim		X	
		0,15 MM			
(7)	922 302 297 01	Adjusting shim		X	
		0,20 MM			
(7)	922 302 297 02	Adjusting shim		X	
		0,25 MM			
(7)	922 302 297 03	Adjusting shim		X	
		0,40 MM			
(7)	922 302 297 04	Adjusting shim		X	
		0,50 MM			
8	922 321 041 01	Rear axle housing		1	
8	922 321 041 AX	Rear axle housing		1	
9	999 062 086 02	Stud		10	
		M 10 X 30			
10	999 062 210 02	Stud		2	
		M 10 X 35			
11	N 012 230 1	Spring washer		12	
12	N 011 010 6	Hexagon nut		12	
12	N 101 552 10	Hexagon nut		12	
13	999 062 007 02	Stud	-79	12	
		BM 8 X 22			
13	900 060 106 01	Stud		12	
		BM 8 X 22			
13A	900 075 099 02	Hexagon-head bolt	80-	12	
		M 8 X 30			
13A	900 075 099 03	Hexagon-head bolt	80-	12	
		M 8 X 30			
14	900 012 086 00	Straight pin		2	
15	928 301 311 01	Bleeder		1	
16	928 301 395 03	Gasket		1	
17	928 301 035 04	Housing cover	-78	1	
17	928 301 305 09	Housing cover	79-	1	
18	900 061 004 02	Stud		3	
		M 8 X 12			
19	N 012 241 8	Spring washer		12	
20	900 076 025 02	Hexagon nut		12	
20	900 076 064 02	Hexagon nut		12	
21	999 064 019 02	Screw plug		1	
21	999 064 019 0C	Screw plug		1	
22	999 064 020 02	Screw plug		1	

Model: 928 78

Model life 1978>>1982



Model: 928 78 Model life 1978>>1982

Pos	Part Number	Description	Remark	Qty	Model
		Differential 2			
1	928 332 212 04	Automatic transmission Differential housing G >> 161 1175 G >> 161 5608		1	A22.01 A22.04
1		Differential housing G 161 1176 >> G 161 5609 >>		1	A22.01 A22.04
2	928 332 902 00	Differential pinions 1 set G >> 161 1175 G >> 161 5608		1	A22.01 A22.04
2	928 332 902 01	Differential pinions 1 set G 161 1176 >> G 161 5609 >>		1	A22.01 A22.04
2	928 332 902 90	Differential pinions 1 set G 161 1176 >> G 161 5609 >>		1	A22.01 A22.04
2	950 332 902 90	Differential pinions 1 set G 161 1176 >> G 161 5609 >>		1	A22.01 A22.04
3	928 332 279 02	Nut G >> 161 1175 G >> 161 5608		2	A22.01 A22.04
3		Nut G 161 1176 >> G 161 5609 >>		2	A22.01 A22.04
4	005 409 177 00	Differential bolt G >> 161 1175 G >> 161 5608		1	A22.01 A22.04
4	928 332 207 05	Differential bolt 21 MM G 161 1176 >> G 161 5609 >>		1	A22.01 A22.04
5	900 309 035 00	Roll pin 5 X 40		1	
6	922 302 911 03	Ring gear and pinion shaft 33:12		1	
7	928 332 276 00	Hexagon-head bolt		12	
8	928 332 285 00	Tab washer		6	
9	928 318 024 02	Carrier disc with magnets		1	
9		Carrier disc with magnets		1	
(9A)	N 043 285 1	Roll pin 5 X 20		1	
10	999 152 089 01	Circlip		1	
11	999 059 027 00	Taper roller bearing		2	
11	999 059 027 02	Taper roller bearing		2	
12	928 332 217 02	O-ring		2	
13	928 332 219 00	Adjusting shim 0,15 MM		X	
(13)	928 332 219 01	Adjusting shim 0,20 MM		X	
(13)	928 332 219 02	Adjusting shim 0,25 MM		X	
(13)	928 332 219 03	Adjusting shim 0,30 MM		X	
(13)	928 332 219 04	Adjusting shim 0,10 MM		X	
14	928 332 213 02	Housing		2	

Model: 928 78

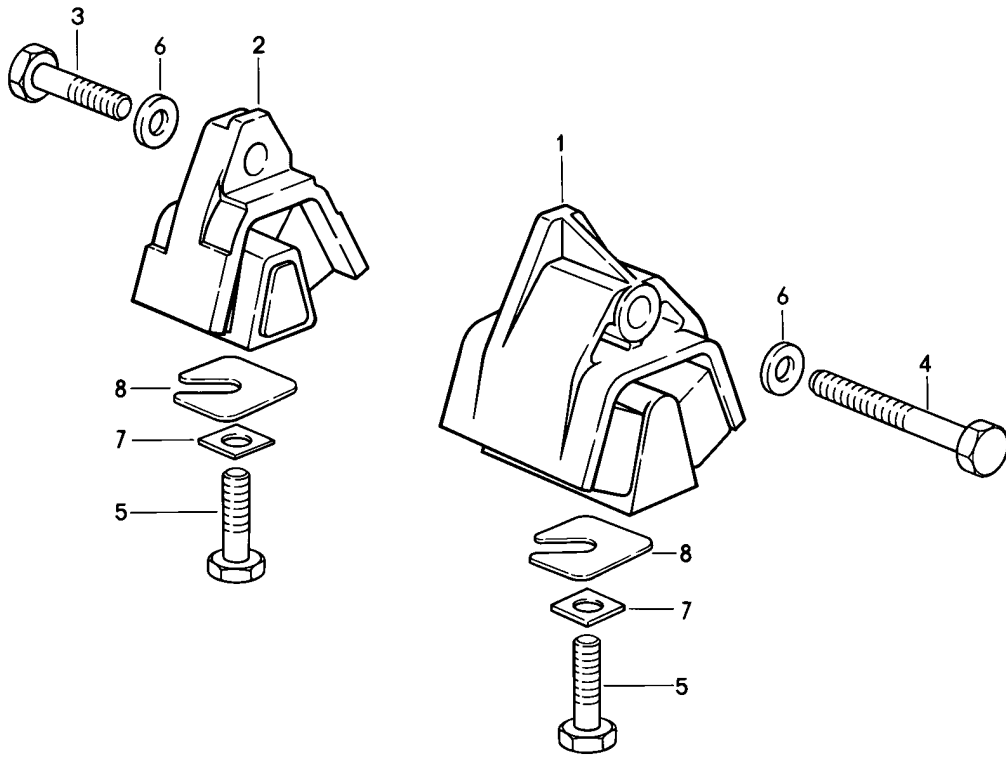
Model life 1978&gt;&gt;1982

Pos	Part Number	Description	Remark	Qty	Model
15	928 332 215 02	Shaft sealing ring		2	
16	900 075 099 02	Hexagon-head bolt M 8 X 30		12	
16	900 075 099 03	Hexagon-head bolt M 8 X 30		12	
17	N 012 241 1	Spring washer		6	
18	928 332 206 00	Joint flange		2	
19	900 074 292 02	Hexagon-head bolt M 10 X 98		2	



Model: 928 78

Model life 1978>>1982



Model: 928 78

Model life 1978>>1982

Pos	Part Number	Description	Remark	Qty	Model
		Transmission suspension Automatic transmission			
1	928 375 045 13	Transmission mounting	/L -78	1	
2	928 375 046 13	Transmission mounting	/R -78	1	
(2)	928 375 045 16	Transmission mounting	-79	2	
(2)		Transmission mounting	80-	2	
3	N 010 142 2	Hexagon-head bolt M 12 X 1,5 X 50	-78	1	
(3)		Hexagon-head bolt M 12 X 1,5 X 50	79-	2	
4	N 010 185 2	Hexagon-head bolt M 12 X 1,5 X 80	-78	1	
5	N 040 108 1	Hexagon-head bolt M 12 X 1,5 X 40		2	
6	901 333 143 01	Washer		2	
7	928 375 331 00	Square washer		2	
8	928 331 520 01	Washer	80-	X	
(8)	928 331 520 02	Washer	80-	X	
(8)	928 331 520 03	Washer	80-	X	
(8)	928 331 520 04	Washer	80-	X	

Model: 928 78

Model life 1978>>1982



Model: 928 78

Model life 1978&gt;&gt;1982

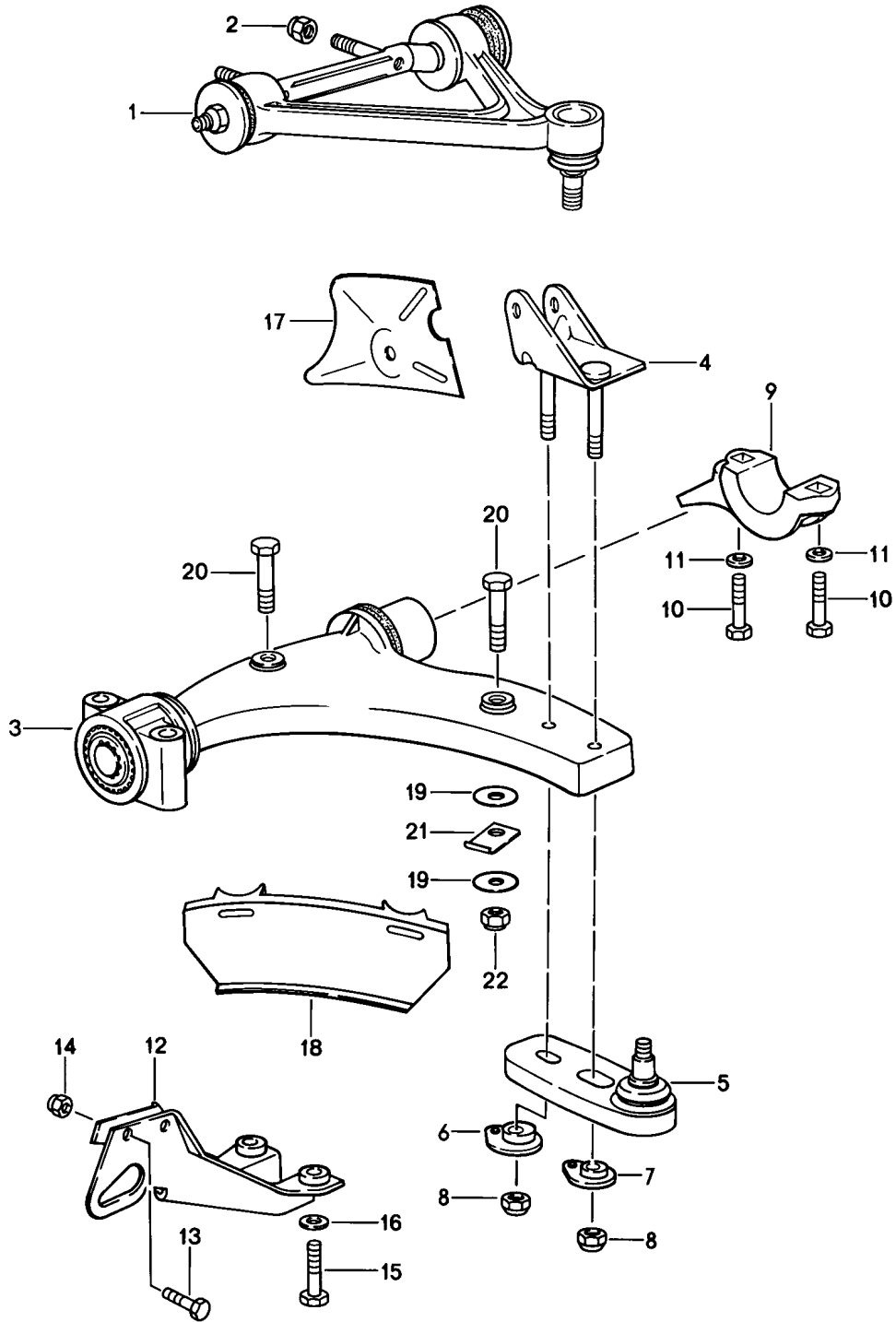
Pos	Part Number	Description	Remark	Qty	Model
>>	928 300 901 00	Gasket set Gasket set Comprising:		1	G28.03/05
-	928 303 120 01	Shaft sealing ring		1	
-	928 301 111 00	O-ring		1	
-	928 301 111 01	O-ring		1	
-	928 302 167 03	Shaft sealing ring		1	
-	928 302 167 05	Shaft sealing ring		1	
-	928 302 283 00	Round seal		1	
-	928 301 393 04	Gasket		1	
-	928 332 217 02	O-ring		2	
-	928 332 215 02	Shaft sealing ring		2	
-	928 301 395 03	Gasket		1	
>>	928 300 901 01	Gasket set Comprising:		1	G28.03/05
-	928 301 111 00	O-ring		1	
-	928 301 111 01	O-ring		1	
-	928 301 393 07	Gasket		1	
-	928 301 393 06	Gasket		1	
-	928 301 395 03	Gasket		1	
-	928 302 167 03	Shaft sealing ring		1	
-	928 302 167 05	Shaft sealing ring		1	
-	928 302 283 00	Round seal		1	
-	928 303 120 01	Shaft sealing ring		1	
-	928 332 215 02	Shaft sealing ring		2	
-	928 332 217 02	O-ring		2	
-	928 303 313 00	Gasket		1	
-	928 302 283 01	Round seal		1	
-	999 701 904 40	O-ring		1	
>>	928 116 901 00	Repair kit for Clutch operating cylinder		1	
>>	922 300 901 00	Gasket set for Automatic transmission without Differential Comprising:		1	
-	017 997 324 7	Sealing ring		1	
-	004 997 054 8	Sealing ring		1	
-	900 123 043 30	Sealing ring A 12 X 15,5		4	
-	115 277 338 0	Gasket		1	
-	116 271 018 0	Gasket		1	
-	002 997 214 8	Sealing ring		1	
-	900 123 019 30	Sealing ring A 16 X 22		1	
-	006 997 614 6	Sealing ring		1	
-	010 997 774 5	O-ring 19 X 1,8		1	
-	008 997 304 8	Sealing ring 12,5 X 1,5		1	
-	001 997 354 8	Sealing ring 6,5 X 1,5		1	
-	115 304 016 0	Sealing ring		1	
-	900 123 105 30	Sealing ring A 8 X 14		1	
-	002 997 574 8	Sealing ring		1	
-	100 272 045 5	Sealing ring		1	
-	109 272 099 2	Boot		1	
-	115 272 149 2	Boot		1	
-	115 272 065 5	Sealing ring		4	
-	115 272 079 2	Boot		1	

Model: 928 78 Model life 1978>>1982

Pos	Part Number	Description	Remark	Qty	Model
-	109 272 049 2	Boot		1	
-	115 272 169 2	Boot		1	
-	115 272 135 5	Sealing ring		3	
-	922 321 301 07	Sealing ring		2	
-	922 302 401 00	Round seal 26,7 X 1,78		1	
-	922 302 402 01	O-ring 31 X 2		1	
-	000 997 484 8	Sealing ring		1	
-	115 277 075 5	Sealing ring		1	
-	115 272 119 2	Boot		1	
-	010 997 084 5	Sealing ring		2	
-	115 272 109 2	Boot		1	
-	000 997 474 8	Sealing ring		1	
-	115 272 089 2	Boot		1	
-	008 997 354 5	Sealing ring		1	
-	477 321 483 A	Gasket		1	
-	922 321 537 00	O-ring		1	
>>	922 300 902 00	Gasket set for Differential Automatic transmission Comprising: Sealing ring Gasket Shaft sealing ring O-ring		1 1 2 2	
>>	123 270 009 8	Oil filter set Comprising: Oil filter		1 1	
-	115 271 158 0	Oil sump gasket		1	
-	115 271 168 0	Oil sump gasket		1	
-	900 123 007 30	Sealing ring for Oil inlet		2	
-	900 123 033 20	Sealing ring for Drain plug Converter		1	
-	928 116 911 00	Repair kit Clutch Comprising: Pressure plate Clutch plate Clutch plate Clutch release bearing	80-	1 1 1 1	

Model: 928 78

Model life 1978>>1982



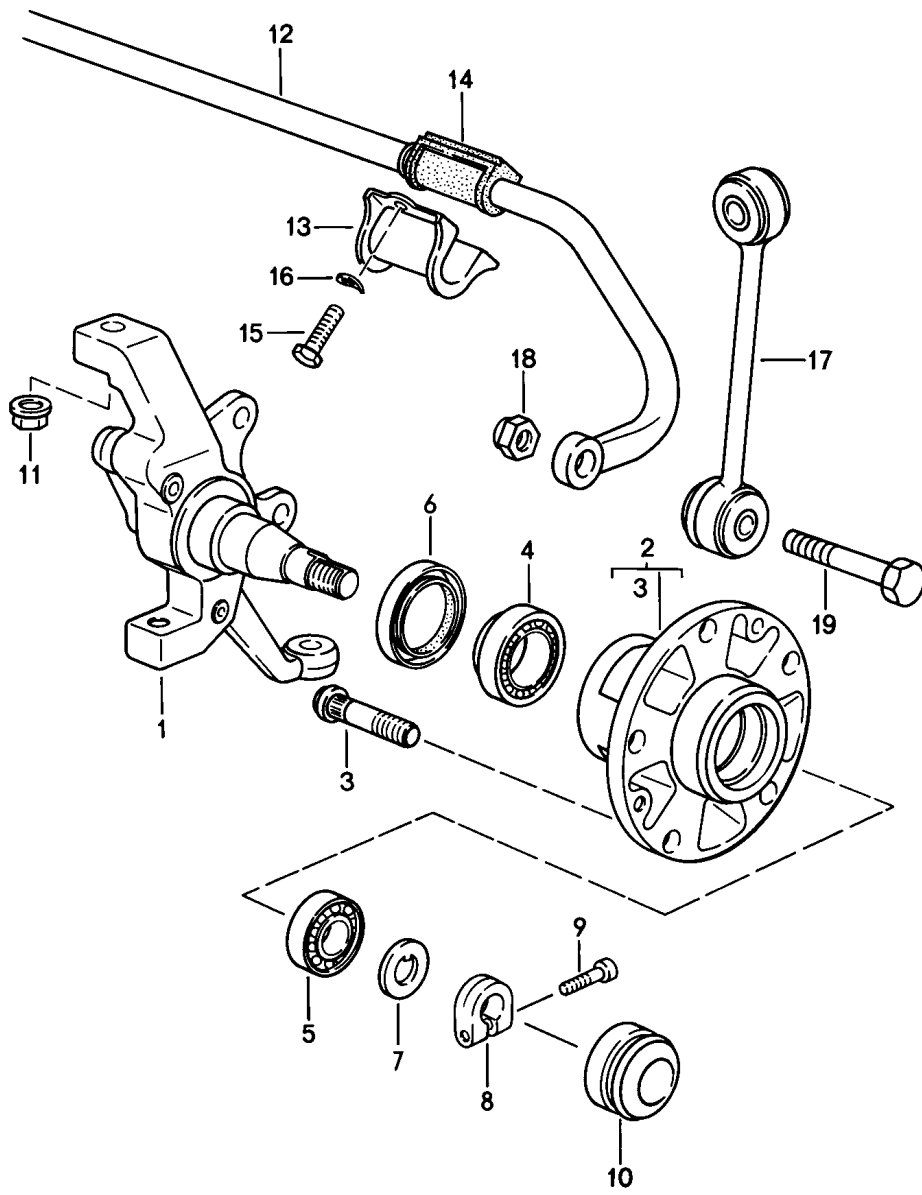
Model: 928 78

Model life 1978>>1982

Pos	Part Number	Description	Remark	Qty	Model
		Wishbone See technical information GR. 4 NR. 1/84			
1	928 341 027 33	Wishbone Upper	/L	1	
(1)	928 341 028 33	Wishbone Upper	/R	1	
(1)		Wishbone Upper	/R	1	
2	900 910 094 02	Lock nut		4	
3	928 341 017 02	Wishbone Lower		2	
4	928 341 091 05	Clip	/L	1	
(4)	928 341 092 05	Clip	/R	1	
5	928 341 049 10	Ball joint		2	
5	928 341 049 12	Ball joint		2	
6	928 341 466 00	Eccentric		2	
(7)		Eccentric		2	
8	N 022 141 4	Lock nut		4	
9	928 341 167 00	Supporting bow		2	
10	900 082 048 08	Hexagon-head bolt M 12 X 1,5 X 80		4	
10	900 082 048 03	Hexagon-head bolt M 12 X 1,5 X 80		4	
11	928 341 165 00	Washer		4	
11	928 341 165 01	Washer		4	
12	928 341 064 02	Protective bracket		1	
13	N 010 253 7	Hexagon-head bolt M 10 X 22		4	
14	900 910 031 09	Lock nut		4	
14	900 910 031 01	Lock nut		4	
15	900 082 039 02	Hexagon-head bolt M 12 X 1,5 X 100		4	
15	900 082 137 01	Hexagon-head bolt M 12 X 1,5 X 100		4	
16	901 333 143 02	Washer		4	
17	928 341 383 01	Baffle plate	/L	1	928S
(17)	928 341 383 05	Baffle plate	/L	1	928S
(17)	928 341 384 01	Baffle plate	/R	1	928S
(17)	928 341 384 05	Baffle plate	/R	1	928S
18	928 341 389 01	Spoiler		2	928S
19	928 341 391 00	Retaining washer		4	928S
20	N 010 367 4	Hexagon-head bolt M 6 X 60		4	928S
20	900 074 021 03	Hexagon-head bolt M 6 X 60		4	928S
21	928 341 395 00	Fastening clip		4	928S
22	900 910 012 02	Lock nut M 6		4	928S
22	900 910 047 09	Lock nut M 6		4	928S

Model: 928 78

Model life 1978>>1982





Model: 928 78 Model life 1978>>1982

Pos	Part Number	Description	Remark	Qty	Model
-	PCG 043 110 00	Steering knuckle Stabiliser Front axle Lubricants Grease Bearing 200 GR.		1	
1	928 341 057 03	Steering knuckle Only together with Floating calliper	/L	1	928
(1)	928 341 058 03	Steering knuckle Only together with Floating calliper	/R	1	928
(1)	928 341 057 05	Steering knuckle Only together with Floating calliper	/L 80-	1	
(1)	928 341 058 05	Steering knuckle Only together with Floating calliper	/R 80-	1	
(1)	928 341 057 13	Steering knuckle Only together with Floating calliper	/L 80-	1	
(1)	928 341 058 13	Steering knuckle Only together with Floating calliper	/R 80-	1	
2	928 341 065 02	Front wheel hub		2	
3	928 341 671 02	Wheel bolt		10	
(3)		Wheel bolt Oversize		X	
4	999 059 090 00	Taper roller bearing		2	
5	999 059 067 00	Taper roller bearing		2	
6	477 405 641	Radial sealing ring		2	
7	911 341 663 00	Thrust washer		2	
8	911 341 673 00	Clamping nut		2	
9	999 119 001 01	Pan-head screw M 7 X 18		2	
9	999 119 001 0B	Pan-head screw M 7 X 18		2	
10	911 341 684 00	Cap		2	
11	900 380 010 09	Lock nut M 12 X 1,5	-79	4	
(11)	999 084 059 02	Lock nut M 12 X 1,5	80-	2	
12	928 343 073 05	Stabiliser 26 MM	-79	1	
(12)		Stabiliser 28 MM	80-	1	
13	928 343 777 00	Bearing clamp		2	
14	928 343 793 02	Stabiliser mounting 26 MM	-79	2	
(14)	928 343 793 04	Stabiliser mounting 28 MM	80-	2	
15	900 075 043 02	Hexagon-head bolt M 10 X 30		4	
(15)	N 010 275 3	Hexagon-head bolt M 10 X 35	/LL	1	
(15)	900 075 460 01	Hexagon-head bolt M 10 X 35	/LL	1	
16	900 027 016 02	Lock ring B 10		4	
16	900 027 016 03	Lock ring B 10		4	
17	928 343 069 00	Stabiliser mounting		2	

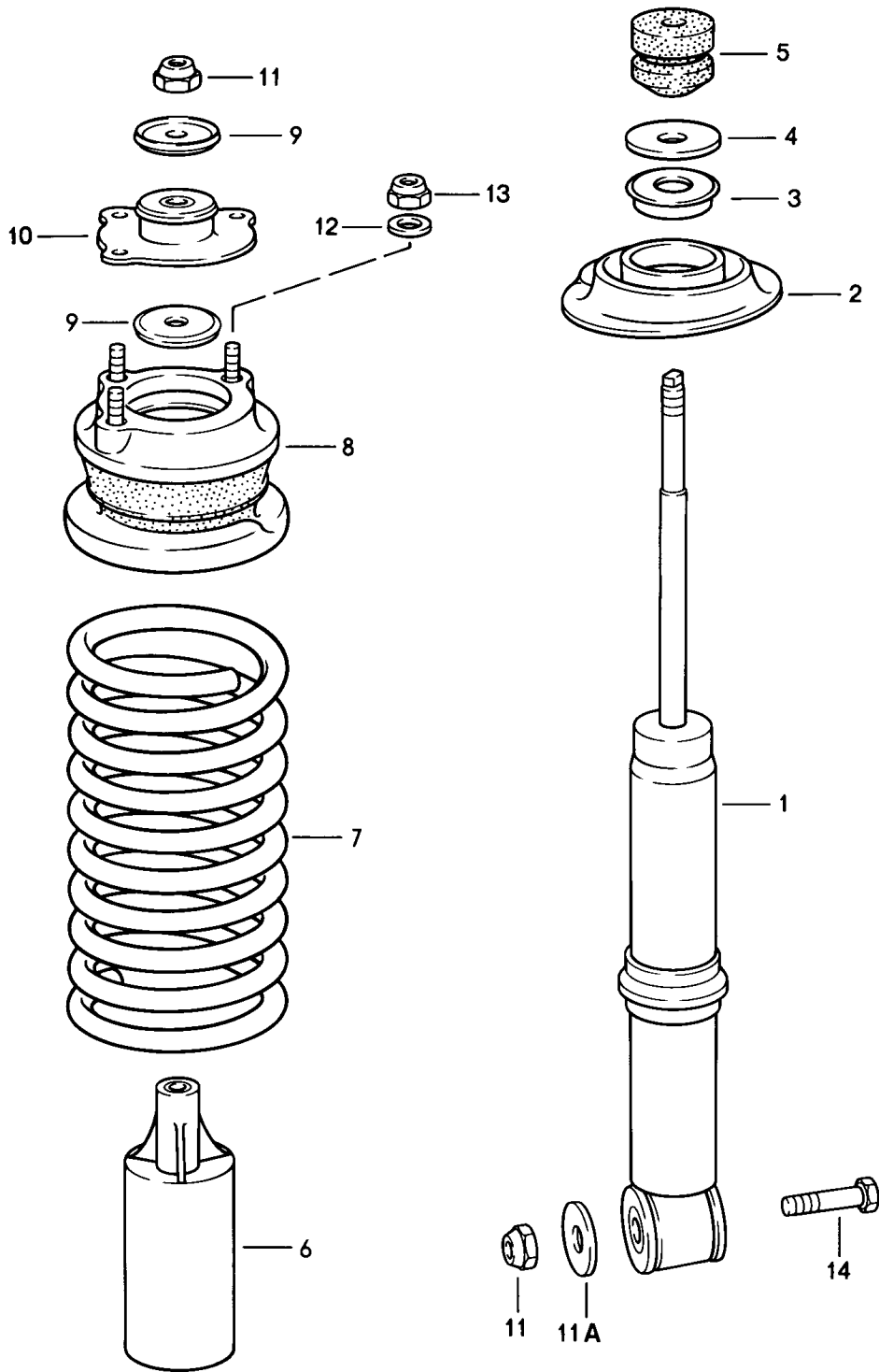
Model: 928 78

Model life 1978&gt;&gt;1982

Pos	Part Number	Description	Remark	Qty	Model
18	900 910 046 02	Lock nut M 12 X 1,5		2	
18	999 084 439 09	Lock nut M 12 X 1,5		2	
18	999 084 445 09	Lock nut M 12 X 1,5		2	
18	999 084 445 01	Lock nut M 12 X 1,5		2	
19	900 082 035 02	Hexagon-head bolt M 12 X 1,5 X 60		2	

Model: 928 78

Model life 1978>>1982



Model: 928 78 Model life 1978>>1982

Pos	Part Number	Description	Remark	Qty	Model
1	928 343 055 04	suspension Front axle Vibration damper - boge - Modification parts Sports suspension - BOGE - Only by sets Front axle 92834305509	VR/VL	2	M474
(1)	928 343 055 09	Only together with Rear axle 92833305117 Vibration damper - boge - Only together with Rear axle 92833305117	HR/HL VR/VL	2 2	M474 M474
(1)	928 343 055 05	- boge - Vibration damper - bilstein -	HR/HL 80-	2	M474
2	928 343 525 00	Concave washer Lower		2	
-	928 343 533 00	Spacer ring		X	
3	928 333 551 00	Supporting cover		2	
4	911 333 511 00	Washer		2	
5	928 343 527 02	Additional spring		2	
6	928 343 507 02	Protective tube		2	
7	928 343 511 01	Front wheel spring Identification Blue See technical information 4/NR. 7 F >>92A08 00645 F >>92A08 20127		2	
	928 343 511 01 301	1 colour line			
	928 343 511 01 302	2 colour lines			
	928 343 511 01 303	3 colour lines Only together with - boge -			
7	928 343 511 03	Front wheel spring Identification White F 92A08 20128>>		2	
	928 343 511 03 901	1 colour line			
	928 343 511 03 902	2 colour lines Only together with - boge -			
(7)	928 343 511 04	Front wheel spring		1	
	928 343 511 04 204	Identification 1 set Green White Only together with Damper - bilstein -			
(7)	928 343 511 13	Front wheel spring Identification 1 set Green White Only together with Damper		1	

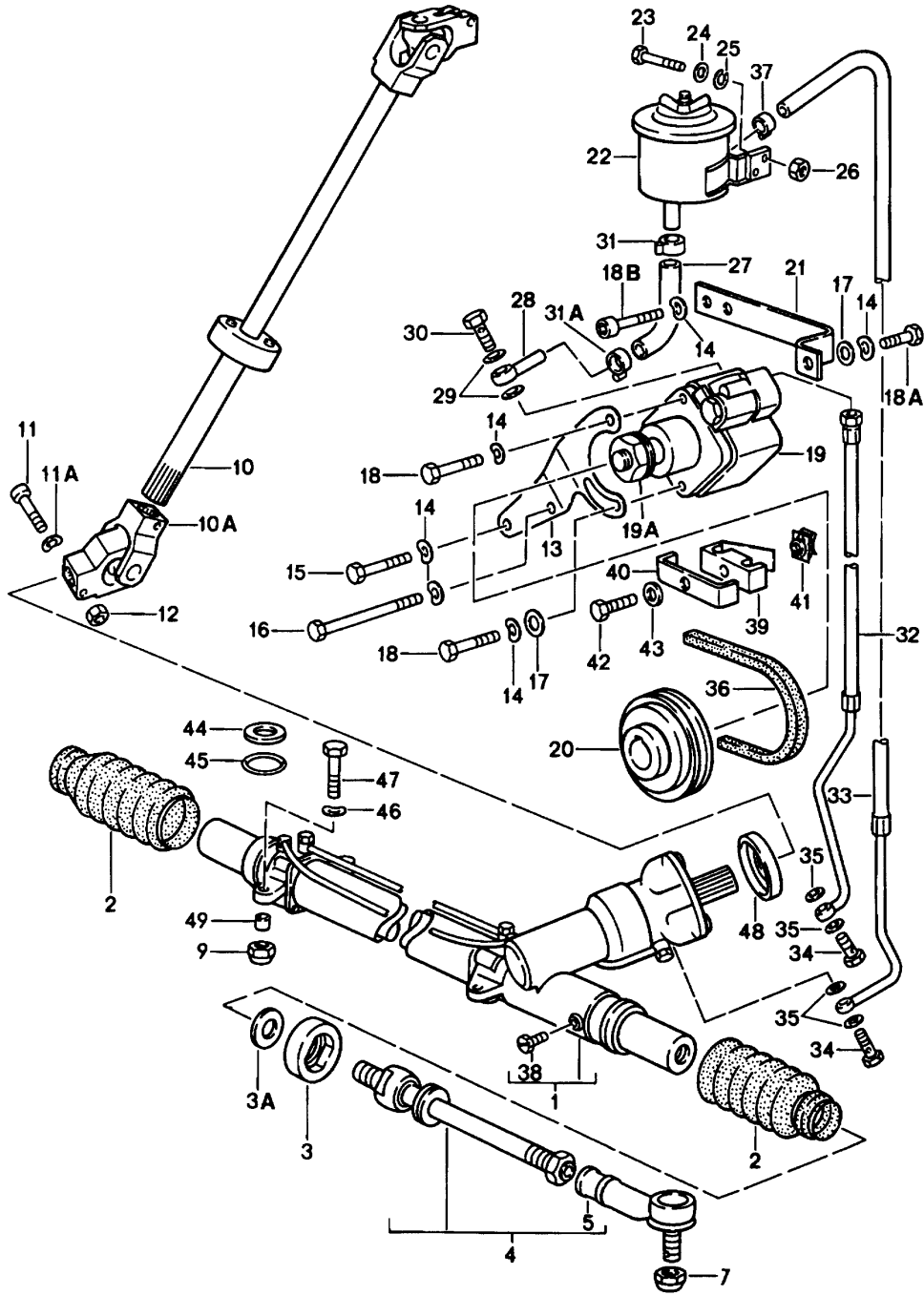
Model: 928 78

Model life 1978>>1982

Pos	Part Number	Description	Remark	Qty	Model
8	928 343 047 07	- bilstein - Concave washer Upper		2	
8	928 343 047 08	Concave washer Upper		2	
9	928 343 523 00	Washer		4	
10	928 343 051 01	Mounting for absorber Upper		2	
11	900 910 046 02	Lock nut		4	
11	999 084 439 09	Lock nut		4	
11	999 084 445 09	Lock nut		4	
11	999 084 445 01	Lock nut		4	
11A	999 025 074 02	Washer	80-	2	
11A	999 025 074 01	Washer	80-	2	
12	900 025 008 09	Washer		6	
12	900 025 008 04	Washer		6	
13	900 910 031 09	Lock nut		6	
13	900 910 031 01	Lock nut		6	
14	900 082 040 02	Hexagon-head bolt M 12 X 1,5 X 120		2	
(14)	900 082 044 02	Hexagon-head bolt M 12 X 1,5 X 125	80-	2	
(14)	900 082 118 01	Hexagon-head bolt M 12 X 1,5 X 125	80-	2	

Model: 928 78

Model life 1978>>1982



Model: 928 78 Model life 1978>>1982

Pos	Part Number	Description	Remark	Qty	Model
		Steering gear Track rod See technical information NR-4/20			
1	928 347 010 22	Steering gear	/LL -81	1	
(1)	928 347 010 24	Steering gear	/LL	1	
(1)	928 347 010 26	Steering gear	/LL	1	
(1)	928 347 010 27	Steering gear	/LL	1	
(1)	928 347 010 DX	Steering gear	/LL	1	
(1)	928 347 010 CX	Steering gear	/LL	1	
(1)	927 347 010 20	Steering gear	/RL -81	1	
(1)	927 347 010 26	Steering gear	/RL	1	
2	928 347 191 03	Bellows		2	
3	928 347 329 00	Stop	-81	2	
		Only together with 928.347.010.22 927.347.010.20			
(3)	928 347 329 04	Stop		2	
		Only together with 928.347.010.24 927.347.010.22			
3A	928 347 331 00	Spacer ring	-81	2	
		Only together with 928.347.010.22 927.347.010.20			
4	928 347 031 01	Tie rod		2	
5	928 347 322 02	Ball joint		2	
7	900 910 046 02	Lock nut		2	
7	999 084 439 09	Lock nut		2	
7	999 084 445 09	Lock nut		2	
7	999 084 445 01	Lock nut		2	
9	900 910 031 09	Lock nut		4	
9	900 910 031 01	Lock nut		4	
10	928 347 093 01	Intermed. steering shaft	/LL	1	
10	927 347 093 01	Intermed. steering shaft	/RL	1	
10A	928 347 021 04	Universal joint		1	
11	928 347 128 01	Fit bolt		3	
11A	N 012 241 1	Spring washer		3	
12	900 910 022 02	Lock nut		3	
(13)	928 347 443 07	Support		1	
14	N 012 241 8	Spring washer		7	
15	N 010 239 11	Hexagon-head bolt M 8 X 18		1	
15	N 010 239 30	Hexagon-head bolt M 8 X 18		1	
16	900 074 050 02	Hexagon-head bolt M 8 X 120		1	
(16)	900 075 321 02	Screw		1	
17	900 025 007 02	Washer		2	
17	900 025 007 03	Washer		2	
18	900 075 085 02	Hexagon-head bolt M 8 X 20		2	
18A	900 074 139 02	Hexagon-head bolt M 8 X 55		1	
18A	900 074 139 03	Hexagon-head bolt M 8 X 55		1	
18B	900 119 052 02	Pan-head screw M 8 X 16		2	
19	928 347 431 05	Vane type pump		1	
-	928 347 431 EX	Vane type pump		1	
-	928 347 921 00	Repair kit for Vane type pump		1	

Model: 928 78 Model life 1978>>1982

Pos	Part Number	Description	Remark	Qty	Model
19A	900 910 094 02	928 347 431 05 Lock nut M 14 X 1,5		1	
20	928 347 441 06	Pulley for Vane type pump 928.347.431.02	78	1	
(20)	928 347 441 08	Pulley for Vane type pump 928.347.431.04/05		1	
21	928 101 112 00	Strut		1	
22	928 347 015 01	Oil tank		1	
23	900 075 014 02	Hexagon-head bolt M 6 X 18		2	
23	900 075 014 03	Hexagon-head bolt M 6 X 18		2	
-	928 501 817 02	Retaining bracket Pressure line		1	
-	928 501 817 02 GRV	Retaining bracket Prime coated Pressure line		1	
24	900 151 003 02	Washer		2	
24	900 151 006 03	Washer		2	
25	N 012 007 2	Lock ring A 6		2	
25	900 027 004 03	Lock ring A 6		2	
26	900 076 010 02	Nut		2	
26	900 076 010 0B	Nut		2	
27	928 347 445 00	Moulded hose		1	
27	928 347 445 01	Moulded hose Information available		1	
28	999 230 077 02	Nipple with elastic ring		1	
29	N 013 832 2	Sealing ring		2	
30	900 134 010 02	Banjo bolt		1	
31	999 512 297 02	Hose clamp		1	
31A	999 512 298 02	Hose clamp		1	
32	928 347 447 02	Pressure line	/LL	1	
(32)	927 347 447 01	Pressure line	/RL	1	
33	928 347 449 02	Return line	/LL	1	
(33)	927 347 449 01	Return line Mounting parts Pressure line Return line Engine carrier	/RL	1	
-	900 067 008 02	Pan-head screw M 6 X 12	/RL	1	
-	900 067 008 03	Pan-head screw M 6 X 12	/RL	1	
-	N 011 524 7	Washer	/RL	1	
-	N 011 524 27	Washer	/RL	1	
34	900 134 007 02	Banjo bolt		2	
34	900 134 007 01	Banjo bolt		2	
34	PCG 134 007 01	Banjo bolt		2	
35	900 123 042 20	Sealing ring		4	
36	999 192 128 50	Narrow v-belt 12,5 X 978		1	
37	N 023 569 2	Hose clamp		1	
37	PCG 023 569 2	Hose clamp		1	
38	999 063 002 40	Screw plug AM 12 X 1,5	-81	1	
39	999 511 121 40	Clip		1	



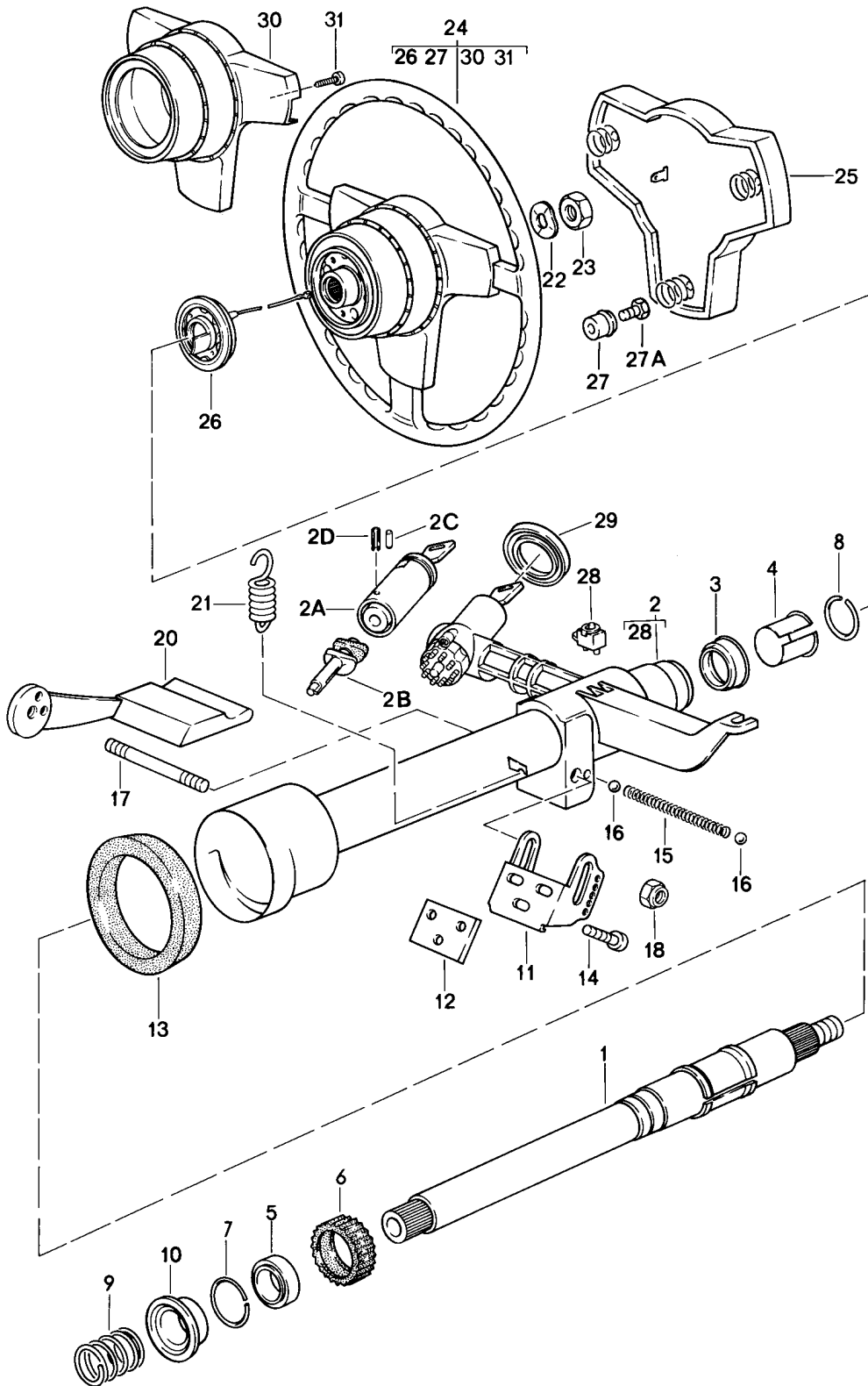
Model: 928 78

Model life 1978>>1982

Pos	Part Number	Description	Remark	Qty	Model
40	928 347 455 00	Shim		1	
(41)	999 507 003 02	Speed nut	81-	1	
(41)	999 507 003 01	Speed nut	81-	1	
(42)	900 187 032 02	Tapping screw B 6,3 X 32	81-	1	
41	999 507 328 02	Captive nut	-80	1	
41	999 507 328 0B	Captive nut		1	
42	N 010 220 3	Hexagon-head bolt M 6 X 30	-80	1	
43	N 011 524 7	Washer		1	
43	N 011 524 27	Washer		1	
44	928 375 192 00	Washer F >>92881 00468		4	
45	999 701 600 40	O-ring F >>92881 00468		4	
46	900 028 005 02	Spring washer -A 10-		4	
47	N 010 445 2	Hexagon-head bolt M 10 X 45	/LL	4	
47	900 074 372 01	Hexagon-head bolt M 10 X 45	/LL	4	
(47)	N 010 445 2	Hexagon-head bolt M 10 X 45	/RL	3	
(47)	900 074 372 01	Hexagon-head bolt M 10 X 45	/RL	3	
(47)	N 010 450 5	Hexagon-head bolt M 10 X 50	/RL	1	
(47)	900 074 373 02	Hexagon-head bolt M 10 X 50	/RL	1	
48	928 347 923 00	Protection cap		1	
49	928 347 779 03	Bush		4	

Model: 928 78

Model life 1978>>1982



Model: 928 78 Model life 1978>>1982

Pos	Part Number	Description	Remark	Qty	Model
		Steering			
1	928 347 061 06	Steering wheel		1	
2	928 347 903 02	Steering shaft		1	
		Steering lock			
		with			
		Steering outer tube			
		with 1 key			
(2)	928 347 903 03	W/o stipulated lock number		1	
		Steering lock			
		Steering outer tube			
		with 1 key			
2A	928 347 915 01	State lock number		1	
		Lock cylinder			
		for			
		Steering lock			
		with 1 key			
2A	928 347 917 01	W/o stipulated lock number		1	
		Lock cylinder			
		for			
		Steering lock			
		with 1 key			
		with stipulated lock number			
		Key			
		See group			
		8/04/05 POS.53/1			
		Ignition starter switch			
		See group			
		9/01/00 POS.29			
2B	928 347 919 00	Control cams		1	
2B	928 347 755 02	Control cams		1	
		Use also:			
-	928 347 962 00	Intermediate piece		1	
-	900 015 030 02	Intermediate piece		2	
2C	900 091 001 00	Dowel pin		1	
2D	900 095 007 00	Roll pin		1	
		3 X 12			
3	928 347 791 00	Steering shaft bearing		1	
3		Steering shaft bearing		1	
4	928 347 739 02	Support ring		1	
5	928 347 735 01	Steering shaft bearing	-81	1	
6	928 347 607 02	Bush	-81	1	
7	900 906 015 00	Circlip	-81	1	
8	113 415 531	Circlip		1	
9	928 347 213 04	Compression spring		1	
-	N 027 416 1	Shim		X	
		0,5 MM			
-	N 100 512 01	Shim		X	
		1,5 MM			
10	928 347 241 01	Steering shaft bearing	-79	1	
10		Steering shaft bearing	80-	1	
11	928 347 369 04	Bracket		1	
12	928 347 370 01	Desk pad		X	
(12)	928 347 370 02	Desk pad		X	
(12)	928 347 370 03	Desk pad		X	
13	928 347 659 02	Sealing ring		1	
13		Sealing ring		1	
(14)	N 014 782 1	Pan-head screw		3	
		M 6 X 25			
15	928 347 375 01	Compression spring		1	
16	900 108 020 00	Ball		2	
17	928 347 259 02	Threaded bolt		1	
18	900 910 022 02	Lock nut		2	
20	928 347 033 02	Control lever		1	

Model: 928 78

Model life 1978>>1982

Pos	Part Number	Description	Remark	Qty	Model
21	928 347 377 03	Tension spring		1	
22	N 012 239 1	Spring washer		1	
23	900 078 007 02	Hexagon nut M 18 X 1,5		1	
24	928 347 084 01	Steering wheel	-79	1	928
	928 347 084 01 70B	Black			
-	928 347 084 03	Steering wheel		1	928
	928 347 084 03 70B	Black			
-	928 347 084 02	Sports steering wheel		1	
	928 347 084 02 1RN	Medium brown			
	928 347 084 02 1AJ	Black			
	928 347 084 02 2LB	Burgundy			
25	911 347 859 00	Padded cap		1	928
	911 347 859 00 70B	Black			
-	928 347 087 00	Padded cap		1	
	928 347 087 00 1RN	Medium brown			
	928 347 087 00 2LB	Burgundy			
26	928 347 099 00	Slip ring		1	
27	321 419 779	Insulating bush for 928 347 084 03		3	
27	321 419 779 A	Insulating bush for 928 347 084 02		4	
27A	900 075 230 10	Hexagon-head bolt M 4 X 16		X	
29	928 347 913 00	Rubber boot		1	
30	928 347 085 00	Hub cover		1	
	928 347 085 00 70B	Black			
-	928 347 857 02	Lining		1	
	928 347 857 02 2LB	Burgundy			
	928 347 857 02 1RN	Medium brown			
31	900 146 029 02	Oval-head screw M 3,5 X 10		6	

Model: 928 78

Model life 1978>>1982



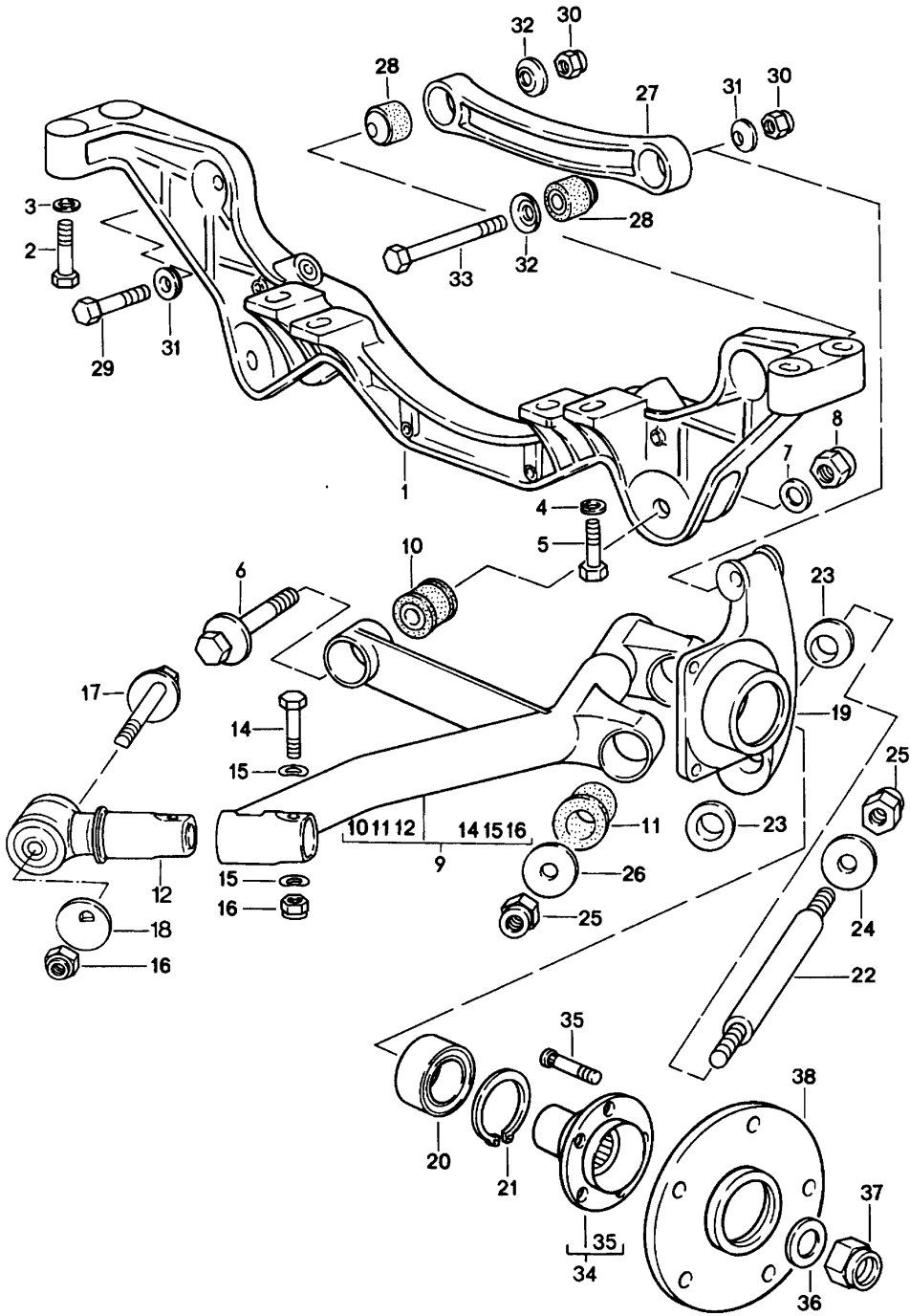
Model: 928 78

Model life 1978>>1982

Pos	Part Number	Description	Remark	Qty	Model
>>	928 347 921 00	Repair kits Repair kit for Vane type pump 928.347.431.05 Comprising: Sealing ring Front Sealing ring Inner Support ring Inner		X     1  2  2	

Model: 928 78

Model life 1978>>1982



Model: 928 78 Model life 1978>>1982

Pos	Part Number	Description	Remark	Qty	Model
1	928 331 131 17	Rear axle Rear axle cross member	-79	1	928
(1)		Rear axle cross member	-79	1	
(1)	928 331 131 13	Rear axle cross member Only together with G.28.03		1	
(1)	928 331 131 17	Rear axle cross member Only together with G.28.03	80-	1	
(1)		Rear axle cross member Only together with G.28.03	80-	1	
(1)	928 331 131 13	Rear axle cross member		1	
(1)	928 331 131 17	Rear axle cross member		1	
(1)		Rear axle cross member		1	
(1)	928 331 131 14	Rear axle cross member Only together with G.28.05	80-	1	
(1)	928 331 131 18	Rear axle cross member Only together with G.28.05	80-	1	
(1)		Rear axle cross member Only together with G.28.05	80-	1	
2	N 010 473 6	Hexagon-head bolt M 10 X 75		4	M249 M249 M249
-	928 331 133 00	Washer		X	
3	900 223 011 01	Washer		6	
3	900 223 011 02	Washer		6	
4	900 027 016 02	Lock ring B 10		2	
4	900 027 016 03	Lock ring B 10		2	
5	N 010 445 3	Hexagon-head bolt M 10 X 45		2	
6	928 331 075 04	Eccentric screw		2	
7	928 331 581 00	Washer		2	
8	900 910 094 02	Lock nut		2	
9	928 331 043 03	Control arm Lower	/L -79	1	
9	928 331 043 06	Control arm Lower	/L 80-	1	
(9)	928 331 044 03	Control arm Lower	/R -79	1	
(9)	928 331 044 06	Control arm Lower	/R 80-	1	
10	928 331 588 10	Rubber mounting		2	
11	928 331 588 13	Rubber mounting		4	
11	928 331 588 15	Rubber mounting		4	
12	928 331 085 00	Rocker bar		2	
14	900 082 140 01	Hexagon-head bolt M 12 X 1,5 X 75		2	
15	900 028 014 02	Washer		4	
15	900 028 014 03	Washer		4	
16	N 022 141 4	Lock nut		4	
17	928 331 659 04	Eccentric screw		2	
18	928 331 523 12	Eccentric washer		2	
19	928 331 219 07	Wheel carrier F >>92CS8 20792	/L	1	
19		Wheel carrier F >>92CS8 20792	/L	1	
(19)	928 331 219 03	Wheel carrier F 92CS8 20793>>	/L	1	



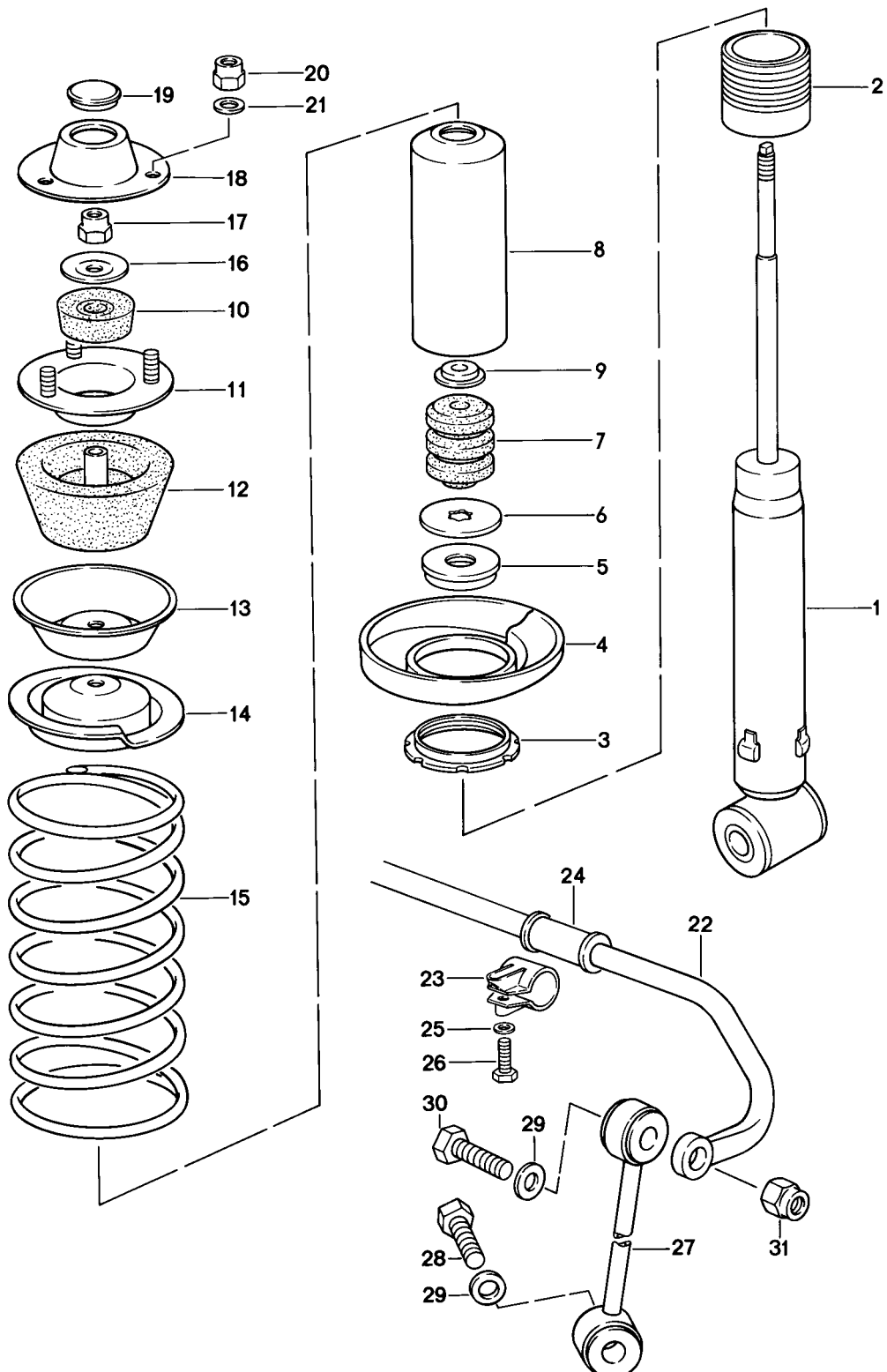
Model: 928 78

Model life 1978>>1982

Pos	Part Number	Description	Remark	Qty	Model
(19)	928 331 220 07	Wheel carrier F >>92CS8 20792	/R	1	
(19)		Wheel carrier F >>92CS8 20792	/R	1	
(19)	928 331 220 03	Wheel carrier F 92CS8 20793>>	/R	1	
20	928 331 583 00	Angular-contact bearing		2	
(20)	999 053 050 00	Angular-contact bearing		2	
(20)	999 053 055 02	Angular-contact bearing		2	
21	900 042 030 02	Circlip		2	
22	928 331 641 01	Bearing pin		2	
23	928 331 655 06	Cone washer		4	
24	928 331 647 02	Washer		2	
25	900 910 094 02	Lock nut		4	
26	928 331 647 00	Washer		4	
27	928 331 101 02	Control arm Upper		2	
28	928 331 089 02	Link bearing Upper		4	
28	928 331 089 04	Link bearing Upper		4	
29	900 074 065 02	Hexagon-head bolt M 10 X 70		2	
30	900 910 031 09	Lock nut		4	
30	900 910 031 01	Lock nut		4	
32	928 331 575 01	Cone washer		4	
31	928 331 649 02	Cone washer		2	
33	N 010 482 3	Hexagon-head bolt M 10 X 105		2	
34	928 331 065 01	Wheel hub		2	
(34)	928 331 065 07	Rear-wheel hub with Wheel bolt		2	
35	928 341 671 02	Wheel bolt		10	
(35)	901 331 671 01	Wheel bolt Widening of track		X	
36	928 331 591 02	Washer		2	
37	900 910 093 02	Lock nut		2	
38	477 501 701	Spacer ring		X	

Model: 928 78

Model life 1978>>1982



Model: 928 78 Model life 1978>>1982

Pos	Part Number	Description	Remark	Qty	Model
		suspension Stabiliser Rear			
1	928 333 051 08	Vibration damper		2	
		- boge -			
(1)	928 333 051 17	Vibration damper	HR/HL	2	M474
		- boge -			
		Only together with Front axle 92834305509			
(1)	928 333 051 12	Vibration damper	VR/VL	2	M474
		- bilstein -	80-	2	M474
2	928 333 511 05	Threaded sleeve		2	
3	928 333 513 02	Adjusting nut		2	
		- boge -			
(3)	928 333 513 01	Adjusting nut	80-	2	
		- bilstein -			
4	928 333 521 02	Concave washer		2	
		Lower			
5	928 333 551 00	Supporting cover		2	
6	911 333 511 00	Washer		2	
7	928 333 518 10	Additional spring		2	
8	928 333 502 01	Protective tube		2	
9	928 333 517 01	Retaining ring		2	
10	928 333 465 01	Damping rubber		2	
11	928 333 064 00	Fastening plate		2	
12	928 333 043 00	Supporting rubber		2	
12	928 333 043 01	Supporting rubber		2	
13	928 333 436 00	Supporting plate		2	
14	928 333 522 04	Concave washer		2	
		Upper			
15	928 333 531 09	Rear wheel spring	-78	2	
		Identification Green			
	928 333 531 09 201	1 colour line			
	928 333 531 09 202	2 colour lines			
	928 333 531 09 203	3 colour lines			
(15)	928 333 531 12	Rear wheel spring	79-	2	
		Identification Yellow			
	928 333 531 12 101	1 colour line			
	928 333 531 12 102	2 colour lines			
	928 333 531 12 103	3 colour lines			
16	928 333 525 01	Washer		2	
17	900 910 046 02	Lock nut		2	
17	999 084 439 09	Lock nut		2	
17	999 084 445 09	Lock nut		2	
17	999 084 445 01	Lock nut		2	
18	928 333 151 01	Lid		2	
18	928 333 151 02	Lid		2	
19	999 703 131 40	Lid		2	
20	900 910 031 09	Lock nut		6	
20	900 910 031 01	Lock nut		6	
21	900 025 008 09	Washer		6	
21	900 025 008 04	Washer		6	
22	928 333 701 31	Stabiliser		1	
		21 MM F >>92BS8 00250 F >>92BS8 40422			
22	928 333 701 34	Stabiliser		1	
		22 MM F 92BS8 00251>> F 92BS8 40423>>			

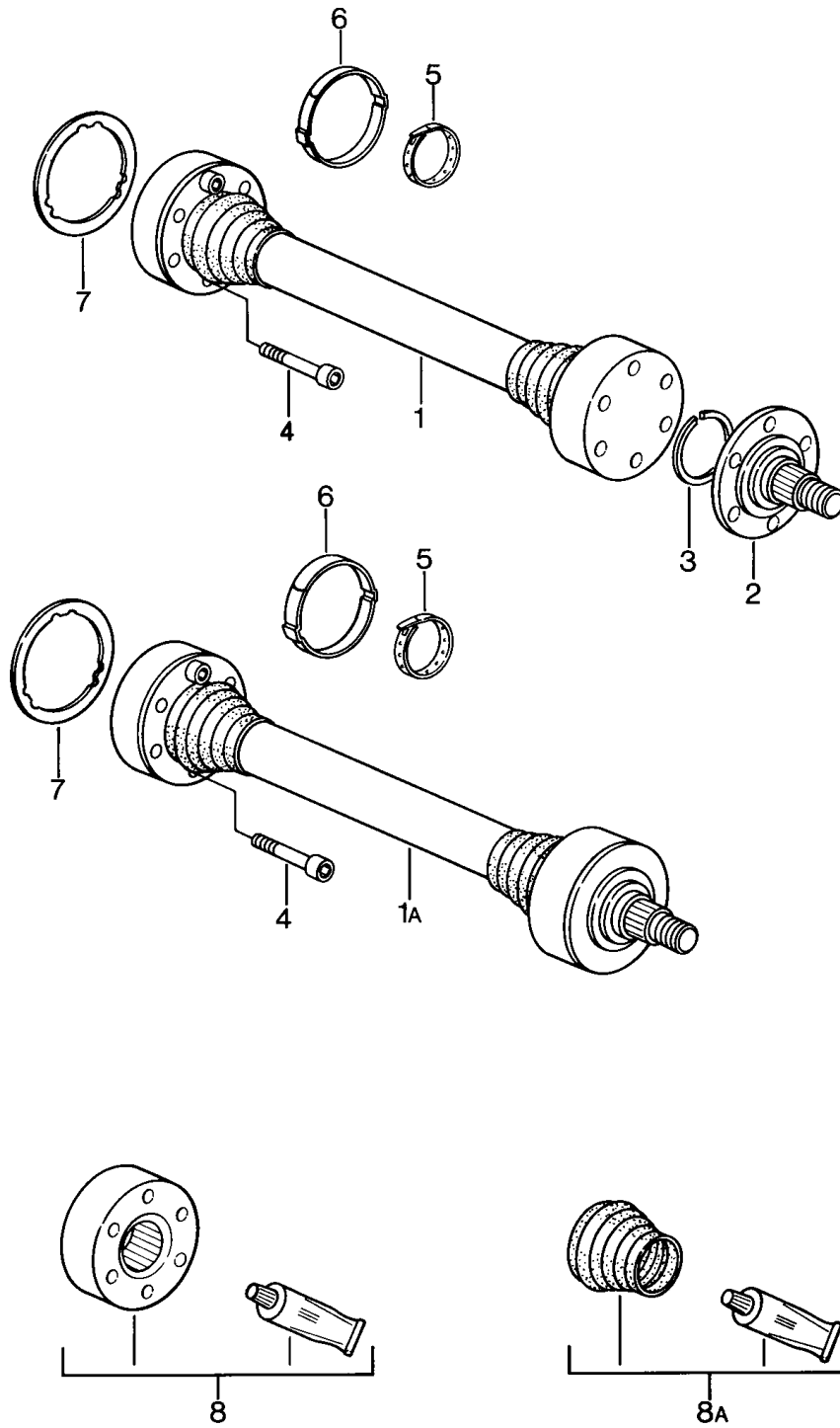
Model: 928 78

Model life 1978&gt;&gt;1982

Pos	Part Number	Description	Remark	Qty	Model
23	928 333 085 00	Clip		2	
24	928 333 754 31	Rubber mounting 21 MM		2	
24	928 333 754 26	Bearing 22 MM		2	
25	477 407 425	Washer		2	
26	N 010 472 4	Hexagon-head bolt M 10 X 85		2	
26	900 074 375 01	Hexagon-head bolt M 10 X 85		2	
27	928 333 059 01	Stabiliser mounting	/L	1	
27	928 333 059 02	Stabiliser mounting	/L	1	
(27)	928 333 060 01	Stabiliser mounting	/R	1	
(27)	928 333 060 02	Stabiliser mounting	/R	1	
28	N 010 445 2	Hexagon-head bolt M 10 X 45		2	
28	900 074 372 01	Hexagon-head bolt M 10 X 45		2	
29	928 333 761 00	Washer		4	
30	900 074 063 02	Hexagon-head bolt M 10 X 55		2	
30	900 074 380 01	Hexagon-head bolt M 10 X 55		2	
31	900 910 031 09	Lock nut		2	
31	900 910 031 01	Lock nut		2	

Model: 928 78

Model life 1978>>1982



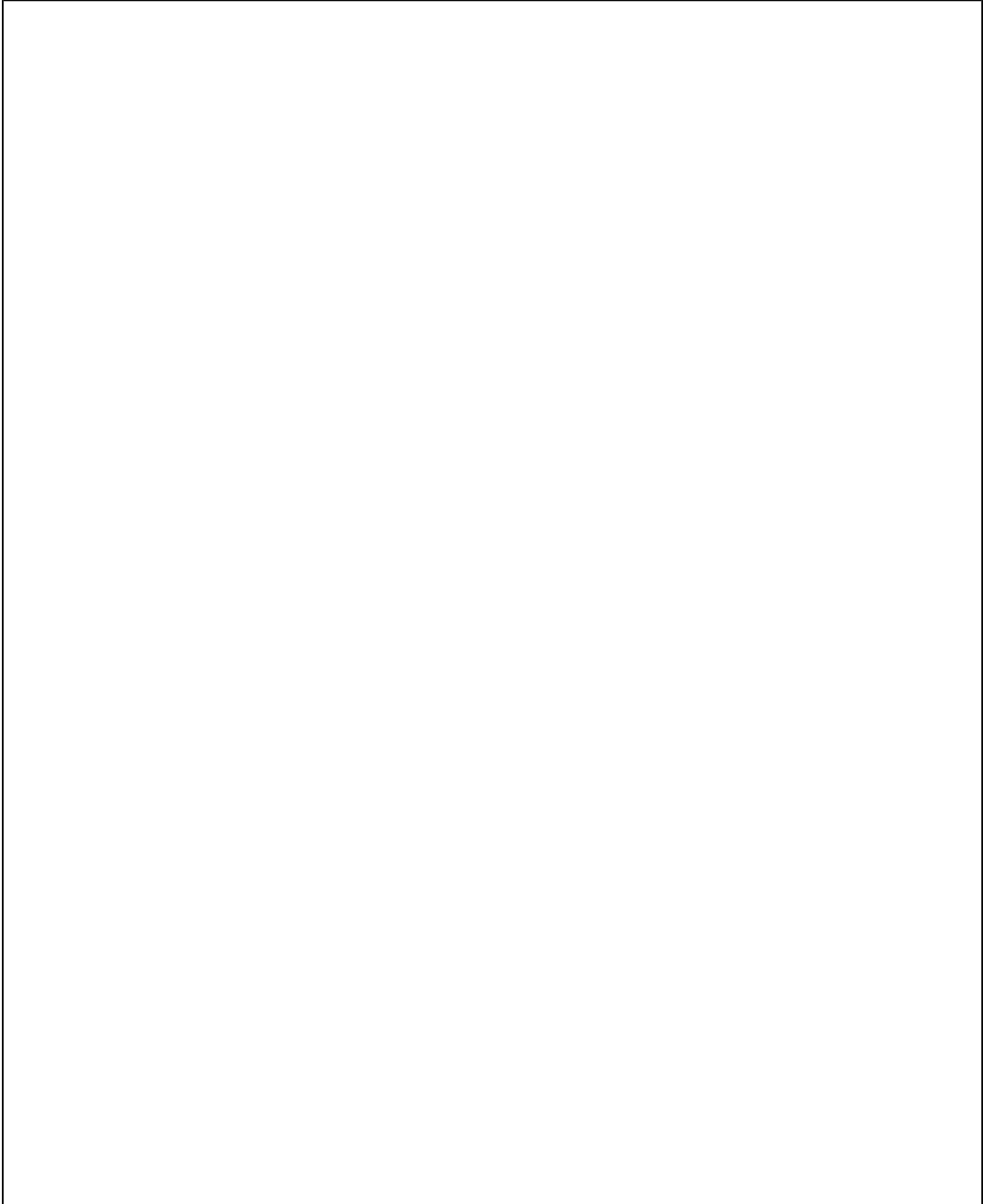
Model: 928 78

Model life 1978>>1982

Pos	Part Number	Description	Remark	Qty	Model
1	928 332 033 30	Drive shaft			
1A		Drive shaft	-81	2	
2	928 332 026 03	Drive shaft		2	
3	999 152 084 01	Drive shaft	-81	2	
(3)		Circlip		4	
4	900 067 168 01	Circlip	82	2	
(4)		Pan-head screw		24	
		M 10 X 57			
		Pan-head screw	82	8	
		M 10 X 57			
5	928 332 257 00	Clip	-81	4	
(5)	928 332 257 01	Clip	82	2	
6	999 512 315 02	Clamp		2	
6	999 512 486 00	Clamp		2	
7	930 332 297 00	Gasket	-81	6	
(7)		Gasket	82	2	
8A	928 332 922 00	Repair kit		X	
8A	928 332 922 01	Repair kit	-81	X	
8	928 332 923 00	Repair kit		X	
8	928 332 923 02	Repair kit		X	
(8A)	928 332 924 00	Repair kit	82	X	

Model: 928 78

Model life 1978>>1982



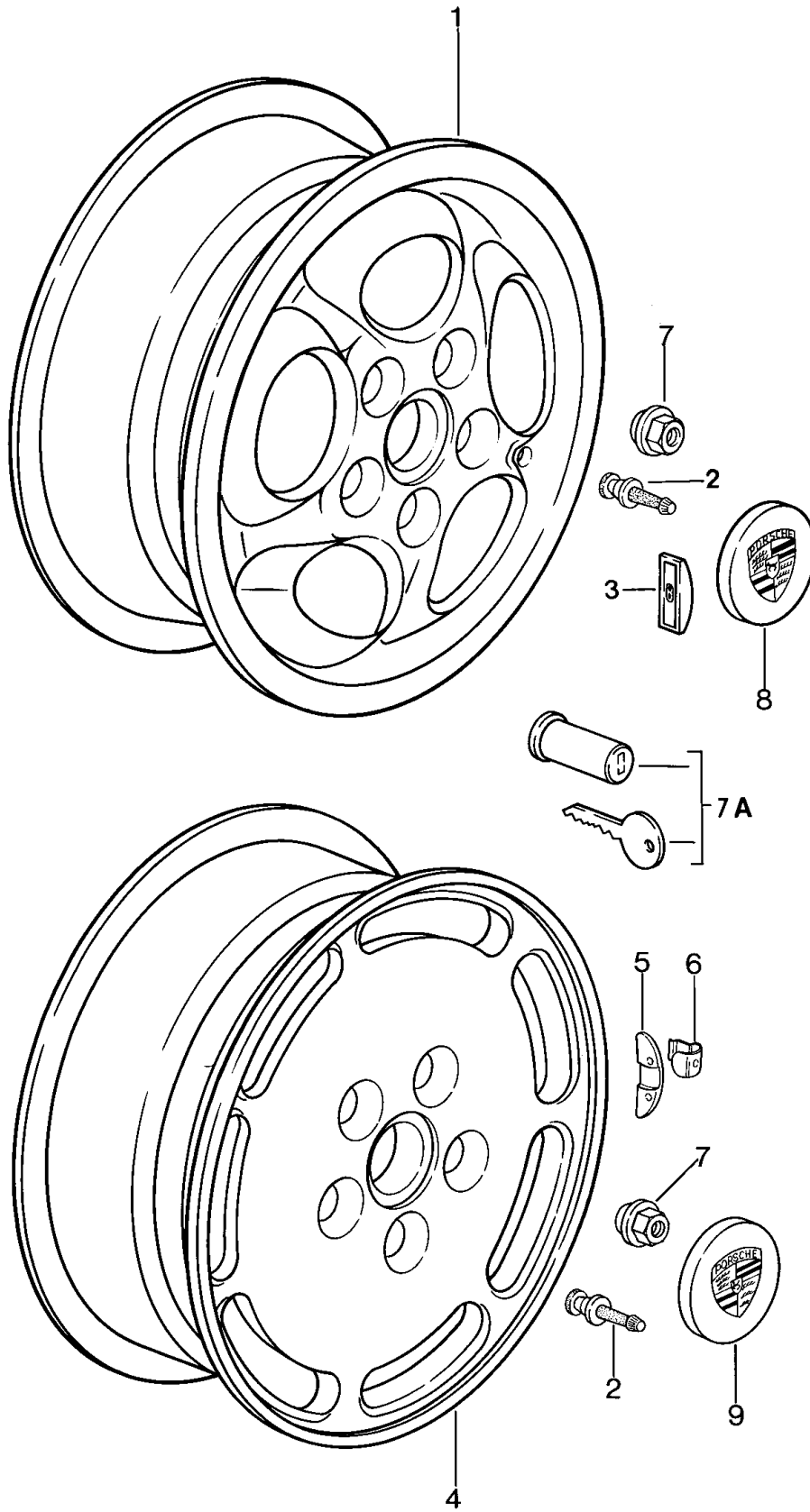
Model: 928 78 Model life 1978>>1982

Pos	Part Number	Description	Remark	Qty	Model
>>	928 332 922 00	Repair kits Repair kit for Drive shaft 928.332.033.17 Comprising: Dust bellows		X     1	
-	000 043 005 00	Grease 90 G		1	
>>	928 332 922 01	Repair kit for Drive shaft 928.332.033.17 Comprising: Dust bellows Grease for drive shaft Clip Hose clamp Circlip		X      1 1 1 1 1	
>>	928 332 923 00	Repair kit for Drive shaft 928.332.033.17/30 Comprising: Joint		X    1	
>>	928 332 923 02	Repair kit for Drive shaft 928.332.033.17/30 Comprising: Joint		X    1	
-	000 043 005 00	Grease 90 G		1	
>>	928 332 924 00	Repair kit for Drive shaft 928.332.033.30 Comprising: Dust bellows		X    1	
-	000 043 005 00	Grease 90 G		1	



Model: 928 78

Model life 1978>>1982



Model: 928 78

Model life 1978&gt;&gt;1982

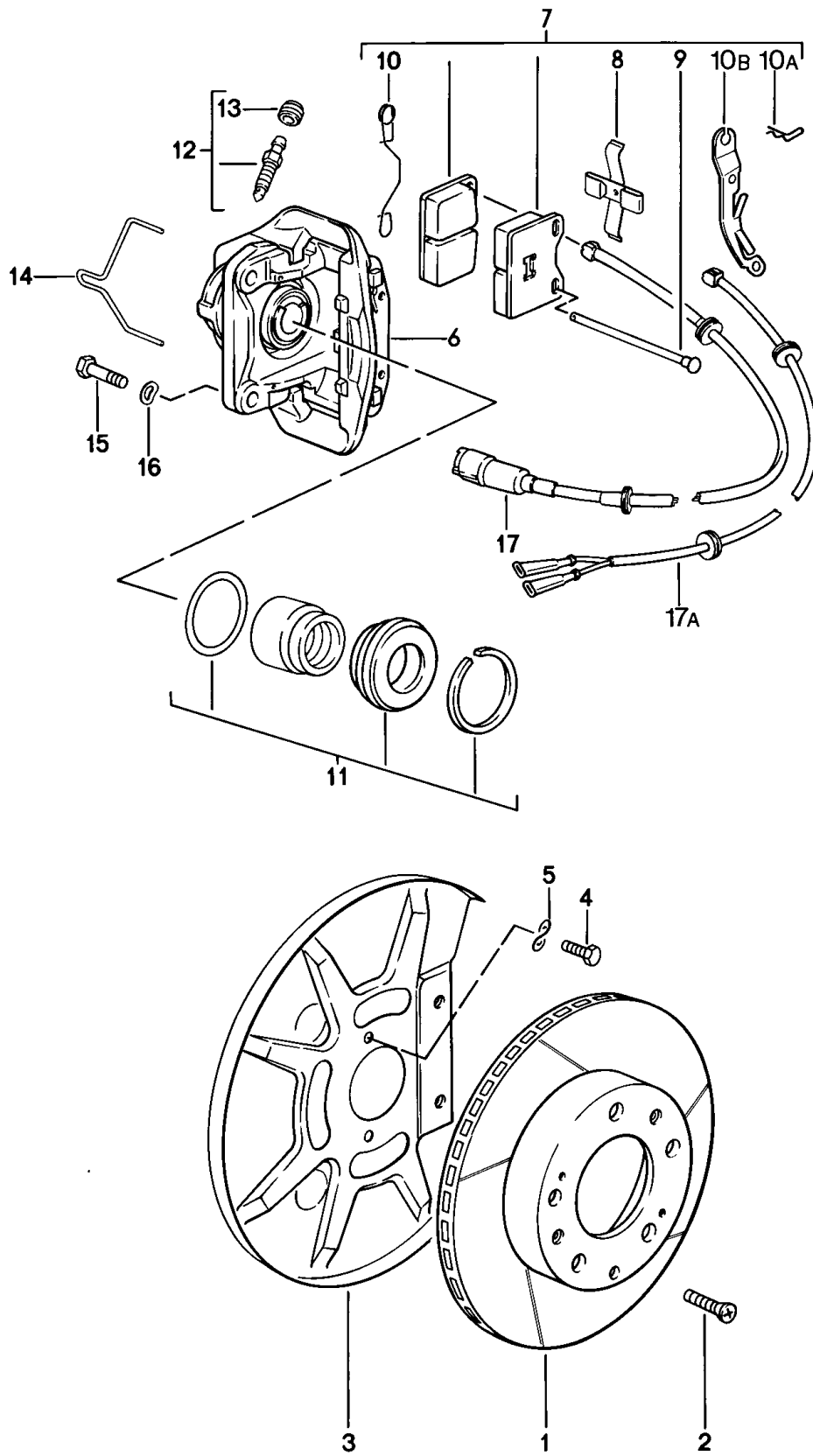
Pos	Part Number	Description	Remark	Qty	Model
1	928 361 916 00	Wheels Alloy wheel 7 J X 16	-79	4	
(1)	928 361 016 00	Matte Alloy wheel 7 J X 16	80-	4	
(1)	928 361 919 00	Clear Alloy wheel 7 J X 15	-79	4	
(1)	928 361 019 00	Matte Alloy wheel 7 J X 15	80-	4	
(1)	928 362 114 20	Clear Alloy wheel 7 J X 16		4	
		Winter wheel			
2	900 265 001 50	Rubber valve		4	
2	900 265 001 51	Rubber valve		4	
3	901 361 410 00	Balance stick-on weight 10 G		X	
3	901 361 411 00	Balance stick-on weight 20 G		X	
3	901 361 412 00	Balance stick-on weight 30 G		X	
3	901 361 413 00	Balance stick-on weight 40 G		X	
3	901 361 414 00	Balance stick-on weight 50 G		X	
3	901 361 415 00	Balance stick-on weight 60 G		X	
3	901 361 416 00	Balance stick-on weight 70 G		X	
3	901 361 417 00	Balance stick-on weight 80 G		X	
-	928 362 030 02	Emergency wheel with collapsible tire 5 J X 15	-79	1	
-	928 361 008 02	Emergency wheel with collapsible tire 5 J X 15	80-	1	
4	928 362 115 01	Alloy wheel Light alloy Forged 7 J X 16	80-	4	
(4)	928 361 021 08	Perforated disc wheel Light alloy Lacquered 7 J X 16	82	4	M406
5		Balance weight Coated		X	
-	928 361 410 00	Balance weight 10 G		X	
-	928 361 411 00	Balance weight 20 G		X	
-	928 361 412 00	Balance weight 30 G		X	
-	928 361 413 00	Balance weight 40 G		X	
-	928 361 414 00	Balance weight 50 G		X	
-	928 361 415 00	Balance weight 60 G		X	
-	928 361 416 00	Balance weight		X	

Model: 928 78 Model life 1978>>1982

Pos	Part Number	Description	Remark	Qty	Model
-	928 361 417 00	70 G Balance weight		X	
6	928 361 420 01	80 G Retaining clip for Balance weight		X	
7	999 182 003 36	Wheel nut		20	
7A	928 361 047 03	Wheel nut Lockable 1 set		X	
7A	965 361 955 00	Wheel nut Lockable 1 set		X	
7A	968 361 955 00	Wheel nut Lockable 1 set		X	
7A	993 361 057 00	Wheel nut Lockable 1 set		X	
-	928 361 310 00	Cap		X	
8	928 361 032 01	Hub cap Not for Perforated disc wheel 928.361.021.05		4	
(8)	PCG 361 032 01	Hub cap Not for Perforated disc wheel 928.361.021.05 Porsche crest Black		4	
(8)	PCG 361 032 02	Hub cap Not for Perforated disc wheel 928.361.021.05 Porsche crest Black		4	
9	477 601 051 D	Hub cap for Perforated disc wheel 928.361.021.05 Platinum-metallic	80-	4	
9	477 601 051 G	Hub cap for Perforated disc wheel 928.361.021.05 Platinum-metallic	80-	4	
(9)	928 361 032 04	Hub cap for Perforated disc wheel 928 361 021 08	82	4	M406
-	911 361 510 02	Small electric compressor		1	
-	911 361 510 03	Small electric compressor		1	
-	911 722 202 00	Tyre pressure gauge Porsche Classic mit Lederhülle		1	
-	996 361 521 00	Boot for Impeller		1	
-	911 361 522 00	Cover foil		1	
-	999 914 001 40	Plastic gloves		1	

Model: 928 78

Model life 1978>>1982

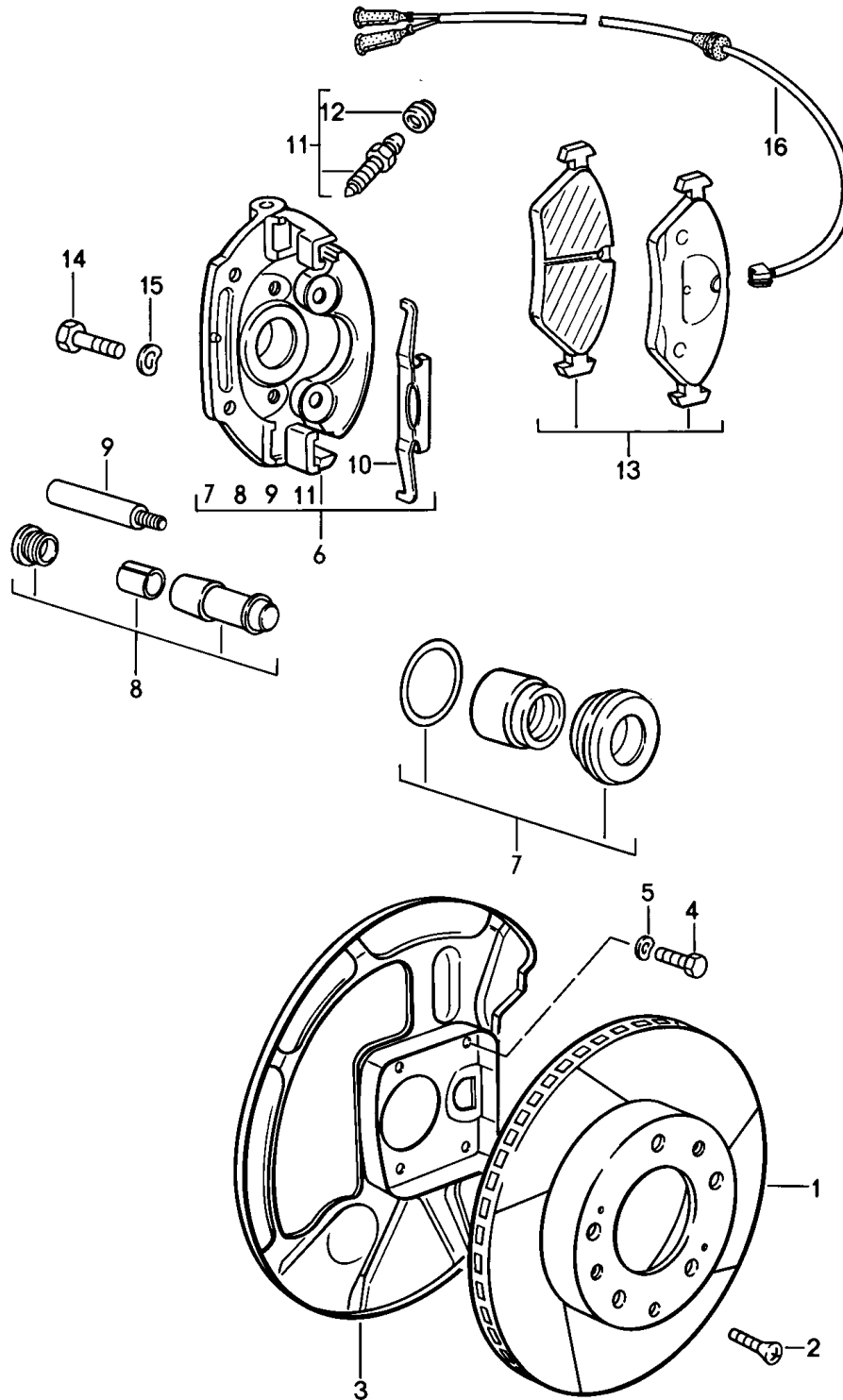


Model: 928 78 Model life 1978>>1982

Pos	Part Number	Description	Remark	Qty	Model
		Disc brake			928
		Front axle			928
		Floating calliper			928
		F >>92A08 00749			
		Use also:			
		Mounting parts			
		for			
		Brake pad			
1	928 351 041 09	Brake disc		2	
2	N 033 167 1	Countersunk-head screw		4	
2	900 269 047 01	Countersunk-head screw		4	
3	928 351 081 00	Protective plate		2	
4	N 010 227 2	Hexagon-head bolt		4	
		M 7 X 12			
(5)	900 028 019 08	Spring washer		4	
6	928 351 425 01	Floating calliper	/L	1	
		without pad			
(6)	928 351 426 01	Floating calliper	/R	1	
		without pad			
7	928 351 951 00	Brake pad repair set		1	
		with			
		Mounting parts			
(7)	944 351 951 02	Brake pad repair set		1	
		without			
		Mounting parts			
(7)	944 351 951 03	Brake pad repair set		1	
		without			
		Mounting parts			
(7)	944 351 951 02	Brake pad repair set		1	
		without			
		Mounting parts			
(7)	944 351 951 03	Brake pad repair set		1	
		without			
		Mounting parts			
-	928 351 958 00	without asbestos		1	
8	928 351 935 00	Mounting parts		2	
9	928 351 936 00	Expanding spring		4	
10	928 351 937 00	Retaining pin		2	
10A	901 351 955 10	Retaining spring	-80	4	
10B	928 351 823 00	Safety clip		1	
10C	928 351 824 00	Cable guide plate	/L	1	
11	928 351 941 00	Cable guide plate	/R	2	
12	928 351 945 00	Gasket set		2	
13	901 351 927 10	Ventilation valve		2	
14	928 351 946 00	Dust boot		2	
15	N 010 142 2	Guide spring		4	
		Hexagon-head bolt			
		M 12 X 1,5 X 50			
(16)	900 028 014 02	Washer		4	
(16)	900 028 014 03	Washer		4	
17	928 612 311 00	Warning contact	-79	2	
		F >>92881 01800			
(17)	928 612 311 01	Warning contact		2	
		F 92881 01801>>	-80		
(17)	928 612 311 03	Warning contact	-80	2	
		Together with			
17A		Cable guide plate			
		Warning contact	81	2	

Model: 928 78

Model life 1978>>1982



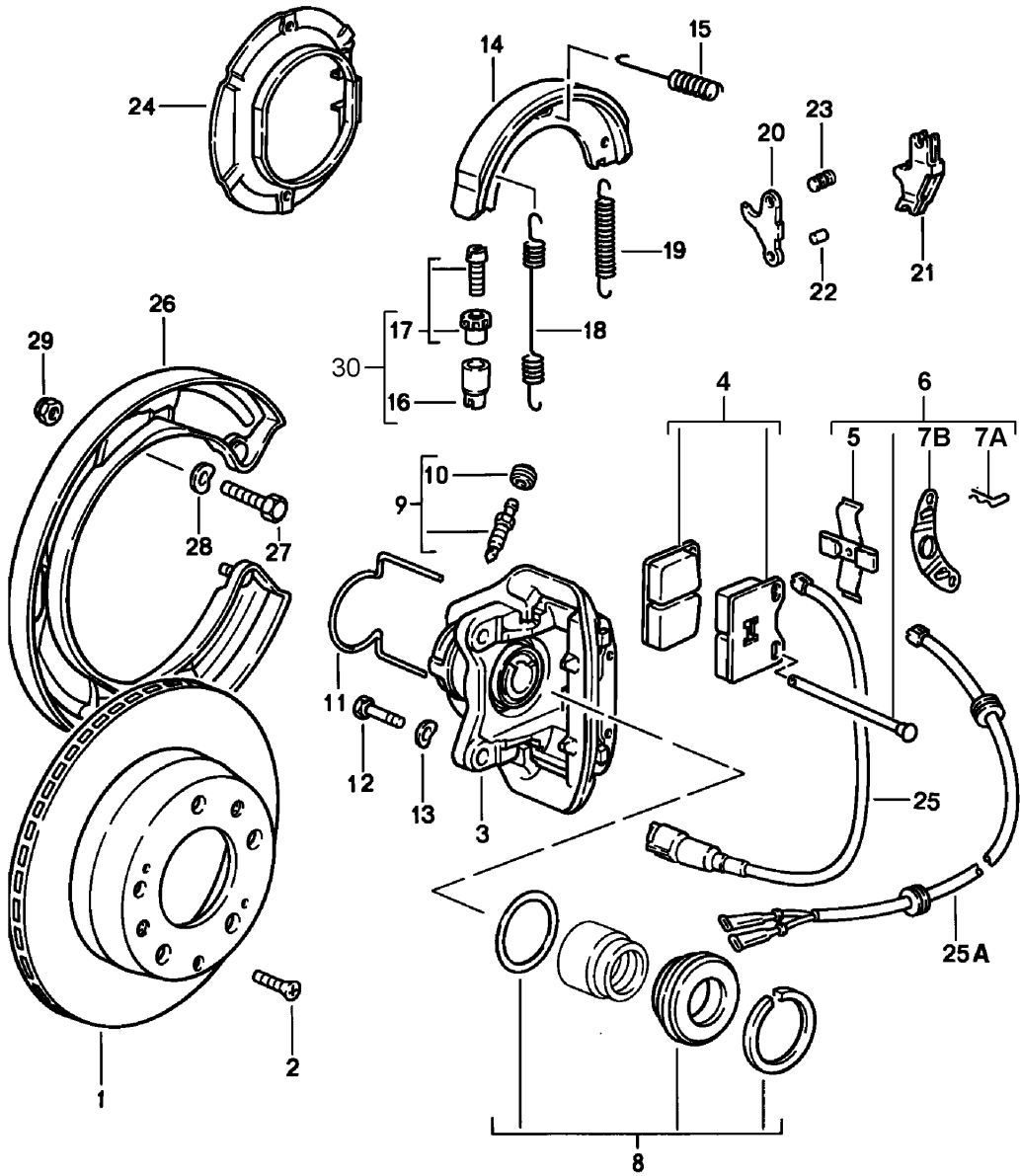
Model: 928 78

Model life 1978>>1982

Pos	Part Number	Description	Remark	Qty	Model
		Disc brake Front axle Floating calliper F 92A08 00750>> F 92A08 20001>> Use also: Mounting parts for Brake pad			928 928S
1	928 351 043 01	Brake disc	/L	1	
1	928 351 043 06	Brake disc	/L	1	
(1)	928 351 044 01	Brake disc	/R	1	
2	N 033 167 1	Countersunk-head screw M 6 X 12		4	
2	900 269 047 01	Countersunk-head screw M 6 X 12		4	
2	N 033 167 1	Countersunk-head screw		4	
2	900 269 047 01	Countersunk-head screw		4	
3	928 351 083 00	Protective plate	/L	1	
(3)	928 351 084 00	Protective plate	/R	1	
4	N 010 227 2	Hexagon-head bolt M 7 X 12		8	
5	900 028 019 08	Spring washer		8	
6	928 351 427 00	Floating calliper without pad	/L	1	
(6)	928 351 428 00	Floating calliper	/R	1	
7	928 351 943 00	Gasket set		2	
8	928 351 949 00	Set of damping sleeves Deleted Slide		2	
9	928 351 947 00	Guide pin		4	
10	928 351 953 00	Retainer spring		2	
11	928 351 945 01	Ventilation valve		2	
12	901 351 927 10	Dust boot		2	
13	928 351 931 01	Brake pad repair set		1	
(13)		Brake pad repair set without asbestos		1	
14	N 010 142 2	Hexagon-head bolt M 12 X 1,5 X 50		4	
15	900 028 014 02	Washer		4	
15	900 028 014 03	Washer		4	
16	928 612 315 01	Warning contact		2	
16	928 612 315 03	Warning contact		2	
-	999 651 165 02	Cable clamp		2	
-	999 651 162 40	Cable holder		2	
-	999 651 154 40	Cable tie		2	
-	999 651 161 40	Cable tie		4	

Model: 928 78

Model life 1978>>1982





Model: 928 78 Model life 1978>>1982

Pos	Part Number	Description	Remark	Qty	Model
		Disc brake			
		Rear axle			
		Use also:			
		Mounting parts			
		for			
		Brake pad			
1	944 352 041 02	Brake disc		2	
2	N 033 167 1	Countersunk-head screw		4	
2	900 269 047 01	Countersunk-head screw		4	
3	928 352 425 01	Floating calliper	/L	1	
		without pad			
(3)	928 352 426 01	Floating calliper	/R	1	
		without pad			
4	928 352 951 02	Brake pad repair set		1	
		-TEXTAR T 400-			
		without			
		Mounting parts			
		without asbestos			
-	928 352 953 00	Set of fastening parts		1	
5	928 352 935 00	Expanding spring		2	
6	928 352 953 00	Set of fastening parts		4	
7	928 352 937 00	Retaining spring	-79	2	
7A	901 351 955 10	Safety clip	80-	4	
7B	928 352 823 00	Cable guide plate	80-	2	
8	928 352 941 00	Gasket set		2	
9	901 352 977 10	Bleeder valve		2	
10	901 351 927 10	Dust boot		2	
11	928 352 939 00	Guide spring	/L -79	1	
(11)	928 352 940 00	Guide spring	/R -79	1	
(11)	928 352 939 00	Guide spring	/L 80-	1	
(11)	928 352 940 00	Guide spring	/R 80-	1	
12	900 082 077 02	Hexagon-head bolt		4	
		M 12 X 1,5 X 37			
12	900 082 145 01	Hexagon-head bolt		4	
		M 12 X 1,5 X 37			
13	N 012 232 1	Spring washer		4	
14	928 352 097 00	Brake shoe		4	
(14)	996 352 993 00	Repair kit		4	
		without asbestos			
(14)	997 352 993 02	Brake shoe		1	
		1 set			
		Only together with			
		Compression spring			
		996.352.741.00			
		Adjusting screw			
		993.352.071.00			
15	928 352 957 02	Compression spring		4	
(15)	996 352 741 00	Compression spring		4	
		Only together with			
		Repair kit			
		997.352.993.02			
16	911 352 944 00	Support bush		2	
17	911 352 098 00	Adjusting screw		2	
17	911 352 098 01	Adjusting screw		2	
18	901 352 954 10	Return spring		2	
19	901 352 932 10	Return spring		2	
20	993 352 073 00	Push-button lock		2	
21		Push-button lock		2	
22	993 352 737 00	Bolt		2	
23	928 352 447 00	Articulated bolt		2	
24	928 352 081 01	Brake mounting plate		2	
25	928 612 313 00	Warning contact		2	
		F >>92881 01800			

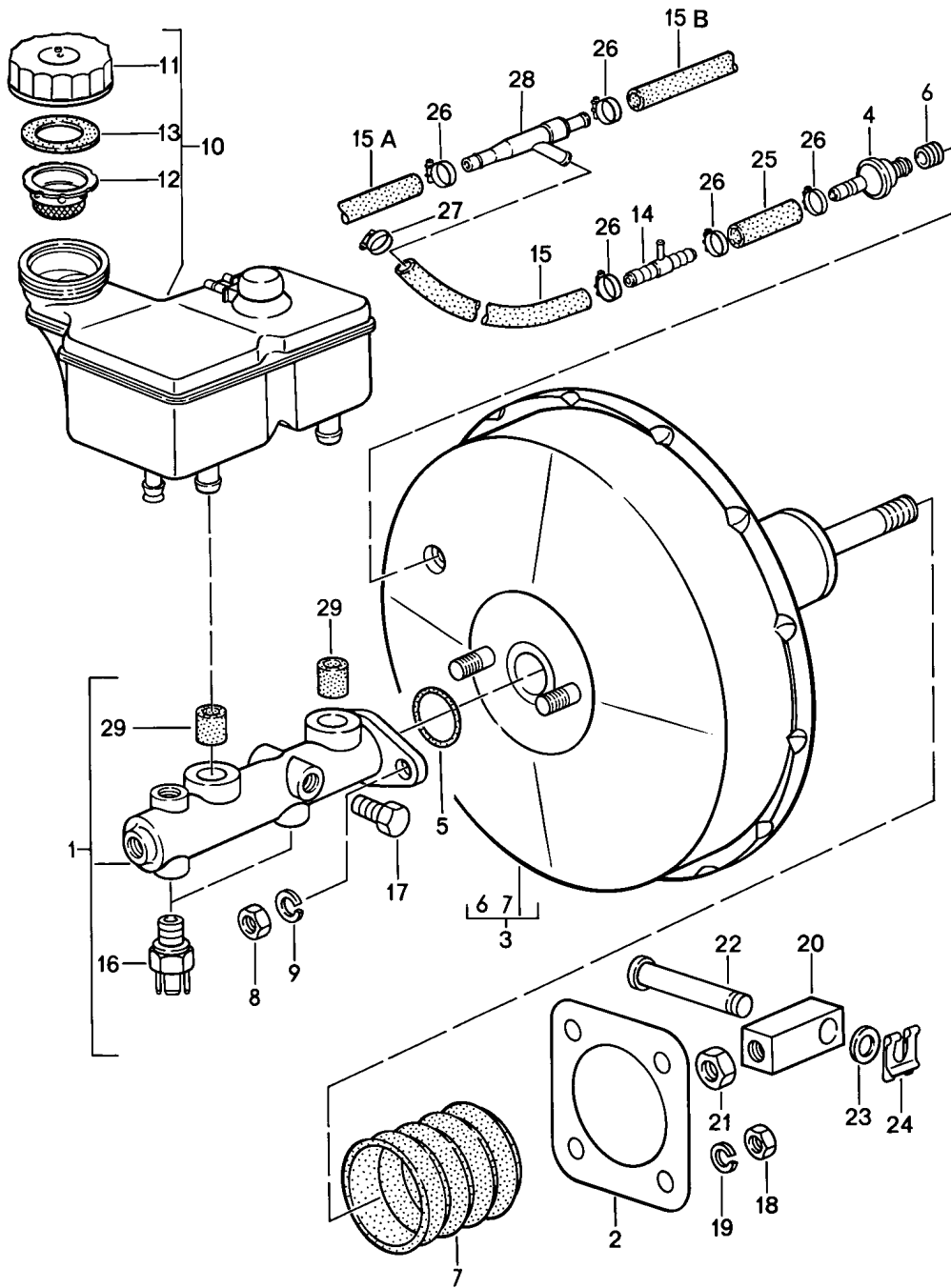
Model: 928 78

Model life 1978>>1982

Pos	Part Number	Description	Remark	Qty	Model
25	928 612 313 03	Warning contact F >>92881 01800		2	
25A	928 612 313 01	Warning contact F 92881 01801>>		2	
25A	928 612 313 05	Warning contact F 92881 01801>>		2	
-	999 651 165 02	Cable clamp		2	
-	999 651 163 40	Cable clamp		2	
-	999 651 161 40	Cable tie		7	
26	928 352 813 02	Protective plate	/L	1	
(26)	928 352 814 02	Protective plate	/R	1	
27	900 119 030 02	Pan-head screw M 8 X 20		6	
(27)	N 010 215 13	Hexagon-head bolt M 6 X 15		2	
28	N 012 241 8	Spring washer		6	
(28)	N 012 226 5	Spring washer		2	
29	900 910 022 02	Lock nut		6	
30	993 352 071 00	Adjusting screw Only together with Repair kit 997.352.993.02		2	
30	298 609 723	Adjusting screw Only together with Repair kit 997.352.993.02		2	

Model: 928 78

Model life 1978>>1982



Model: 928 78 Model life 1978>>1982

Pos	Part Number	Description	Remark	Qty	Model
		Brake master cylinder			
		Brake booster			
1	928 355 011 04	Brake master cylinder		1	
1		Brake master cylinder		1	
2	477 611 951	Gasket		1	
		4 MM			
		Brake booster			
		\$ 9"			
2		Gasket		1	
		2 MM			
		Brake booster			
		\$ 10"			
3	928 355 023 04	Brake booster	-79	1	
		F >>92891 01485			
(3)	928 355 023 09	Vacuum booster		1	
		\$ 10"			
		Only together with			
		Floating calliper			
		Front			
		F 92891 01486>>			
		F >>92A08 00749			
(3)		Vacuum booster	80-	1	
		Only together with			
		Floating calliper			
		Front			
4	431 611 933	Check valve	/LL	1	
4	191 611 933 F	Check valve	/RL	1	
5	251 611 243	Sealing ring		1	
6	911 355 921 00	Rubber seal		1	
6	955 355 921 00	Rubber seal		1	
7	477 611 115	Bellows		1	
8	900 076 025 02	Hexagon nut		2	
8	900 076 064 02	Hexagon nut		2	
9	N 012 241 8	Spring washer		2	
10	928 355 013 13	Brake fluid reservoir		1	
		Complete			
(10)	928 355 650 06	Container		1	
		Complete			
(10)		Container		1	
-	928 355 654 03	Support		1	
		for			
		Container			
11	477 611 361	Lid		1	
12	211 611 381 B	Strainer		1	
13	901 355 908 00	Gasket		1	
14	321 611 813	T-piece		1	
15	928 355 663 00	Moulded hose	/LL	1	
(15)	927 355 609 02	Hose elbow	/RL	1	
-	999 181 022 51	Hose		*	
15A		50 MM	/LL	2	
15B		640 MM		1	
16	113 945 515 G	Brake light switch		2	
17	999 064 018 02	Screw plug	/RL	1	
		for			
		Brake master cylinder			
18	900 076 025 02	Hexagon nut		4	
18	900 076 064 02	Hexagon nut		4	
19	900 027 015 02	Lock ring		4	
		B 8			
19	900 027 015 03	Lock ring		4	
		B 8			
20	928 355 509 00	Intermediate piece	-79	1	
		for			

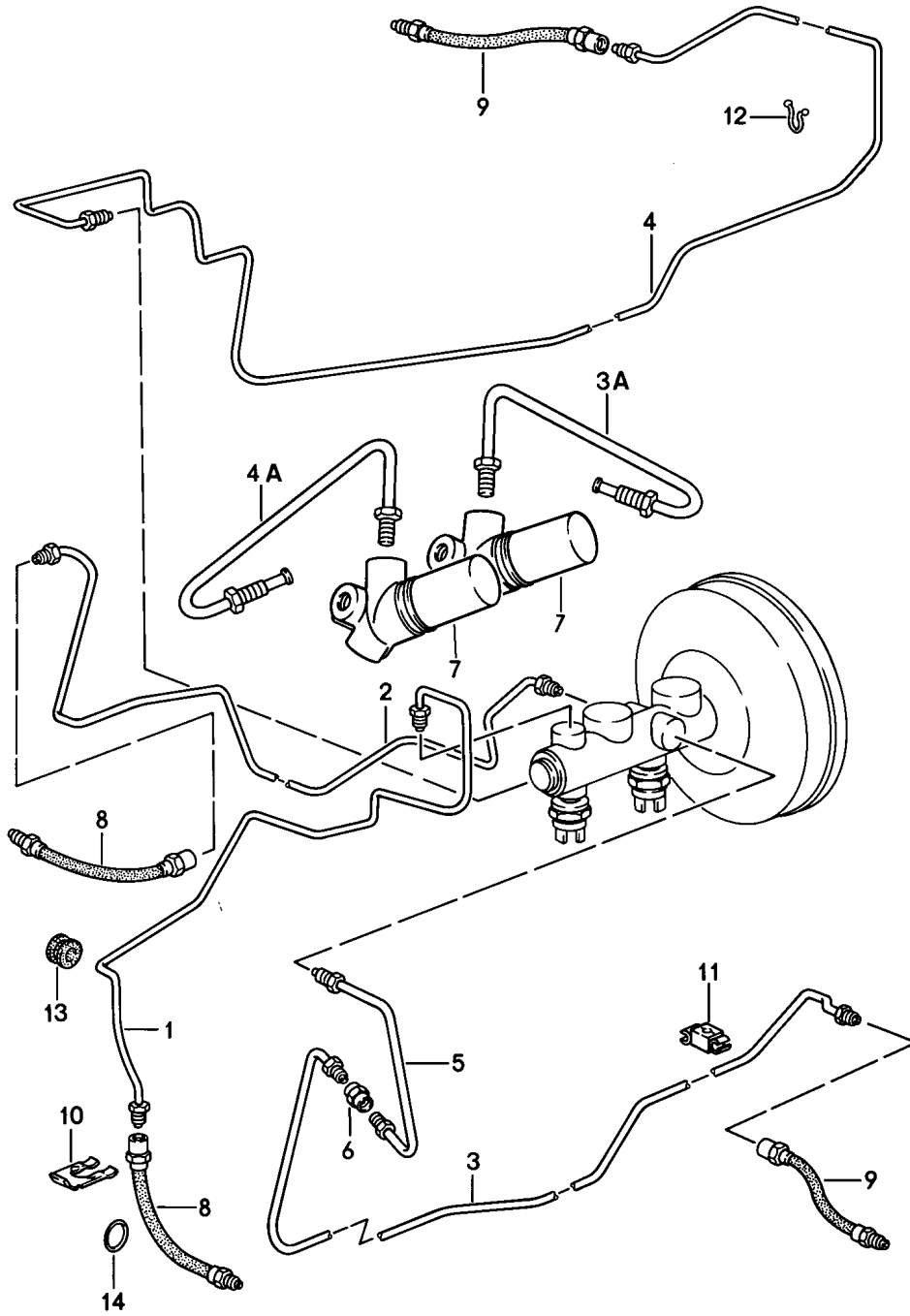
Model: 928 78

Model life 1978>>1982

Pos	Part Number	Description	Remark	Qty	Model
(20)	928 355 509 01	Brake booster \$ 9" Intermediate piece for Brake booster \$ 10"		1	
21	900 034 003 02	Hexagon nut		1	
22	928 355 511 00	Bolt		1	
23	900 025 009 02	Washer		1	
24	N 012 653 1	Lock washer		1	
-	999 181 022 51	Hose		*	
25		50 MM	/LL	1	
(25)		280 MM	/RL	1	
26	999 512 063 02	Clip		7	
26	999 512 063 01	Clip		7	
27	999 512 045 02	Hose clamp		1	
28	035 133 753 A	Venturi tube		1	
28	035 133 753 B	Venturi tube		1	
-	928 355 515 00	Nozzle	80-	1	
29	911 355 922 00	Sealing plug		2	

Model: 928 78

Model life 1978>>1982



Model: 928 78 Model life 1978>>1982

Pos	Part Number	Description	Remark	Qty	Model
		Brake lines Only together with Vacuum booster 928.355.023.03 /04 without Brake pressure regulator F >>92881 01129			
1	928 355 061 01	Brake line Left	/LL	1	
2	928 355 062 01	Brake line Right	/LL	1	
3	928 355 063 01	Brake line Left	/LL	1	
4	928 355 064 01	Brake line Right	/LL	1	
5	928 355 075 00	Brake line Left with Brake pressure regulator F >>92891 01485		1	
1	928 355 061 03	Brake line Left	/LL	1	
(1)	927 355 061 00	Brake line Left	/RL	1	
2	928 355 062 01	Brake line Right	/LL	1	
(2)	927 355 062 00	Brake line Right	/RL	1	
3	927 355 073 01	Brake line Left	/LL	1	
3A	928 355 093 01	Brake line Left Short	/LL	1	
(3A)	927 355 063 01	Brake line Left	/RL	1	
4	927 355 071 00	Brake line Right	/RL	1	
(4)	927 355 067 00	Brake line Right	/RL	1	
4A	928 355 092 01	Brake line Right Short	/LL	1	
(4A)	927 355 069 01	Brake line Left	/RL	1	
6	914 355 661 00	Intermediate piece M 10 X 1		1	
7	928 355 083 02	Brake pressure regulator		2	
-	900 025 007 02	Washer		2	
-	900 025 007 03	Washer		2	
-	N 010 237 6	Hexagon-head bolt M 8 X 12		2	
-	N 010 237 14	Hexagon-head bolt M 8 X 12		2	
-	914 355 667 00	Distributor	/RL	1	
-	900 075 017 02	Hexagon-head bolt M 6 X 25	/RL	1	
-	900 075 017 03	Hexagon-head bolt M 6 X 25	/RL	1	
-	900 028 008 01	Lock ring	/RL	1	
-	900 076 010 02	Nut	/RL	1	
-	900 076 010 0B	Nut	/RL	1	
8	928 355 079 00	Brake hose	/V -79	2	
8	928 355 079 03	Brake hose	/V	2	

Model: 928 78

Model life 1978>>1982

Pos	Part Number	Description	Remark	Qty	Model
9	928 355 626 00	Brake hose	/H -79	2	
9	928 355 080 01	Brake hose	/H	2	
9	928 355 080 02	Brake hose	/H	2	
10	113 611 715 A	Brake hose bracket	-79	4	
11	477 611 767 B	Cable clip	-79	14	
12	999 651 161 40	Cable tie	-79	11	
13	999 702 031 50	Rubber sleeve	-79	2	
13	999 702 031 5A	Rubber sleeve		2	
14	999 701 481 40	Round seal	-79	12	
14	999 701 442 40	Round seal		12	
		Only together with Vacuum booster 928.355.023.05/06 F 92891 01486>>			
1	928 355 061 03	Brake line Left	/LL -79	1	
(1)	928 355 061 04	Brake line Left	/LL 80-	1	
(1)	927 355 061 00	Brake line Left	/RL -79	1	
(1)	927 355 061 01	Brake line Left	/RL 80-	1	
2	928 355 062 02	Brake line Right	/LL -79	1	
(2)	928 355 062 03	Brake line Right	/LL 80-	1	
(2)	927 355 062 01	Brake line Right	/RL -79	1	
(2)	927 355 062 02	Brake line Right	/RL 80-	1	
3	927 355 073 01	Brake line Left		1	
3A	928 355 093 01	Brake line Left	/LL	1	
(3A)	927 355 063 01	Brake line Left	/RL	1	
4	927 355 071 01	Brake line Right		1	
(4)	927 355 067 00	Brake line Right	/RL	1	
4A	928 355 092 01	Brake line Right	/LL	1	
(4A)	927 355 069 01	Brake line	/RL	1	
7	928 355 083 02	Brake pressure regulator		2	
-	900 025 007 02	Washer		2	
-	900 025 007 03	Washer		2	
-	N 010 237 6	Hexagon-head bolt M 8 X 12		2	
-	N 010 237 14	Hexagon-head bolt M 8 X 12		2	
-	914 355 667 00	Distributor	/RL	1	
-	900 075 017 02	Hexagon-head bolt M 6 X 25	/RL	1	
-	900 075 017 03	Hexagon-head bolt M 6 X 25	/RL	1	
-	900 028 008 01	Lock ring	/RL	1	
-	900 076 010 02	Nut	/RL	1	
-	900 076 010 0B	Nut	/RL	1	
8	928 355 079 00	Brake hose Floating calliper	/V	2	
8	928 355 079 03	Brake hose Floating calliper	/V	2	
(8)	928 355 079 02	Brake hose	/V	2	



Model: 928 78

Model life 1978>>1982

Pos	Part Number	Description	Remark	Qty	Model
(8)	928 355 079 04	Floating calliper Brake hose	/V	2	
9	928 355 080 02	Floating calliper Brake hose	/H	2	
10	113 611 715 A	Brake hose bracket		4	
11	477 611 767 B	Cable clip		14	
12	999 651 161 40	Cable tie		11	
13	999 702 031 50	Rubber sleeve		2	
13	999 702 031 5A	Rubber sleeve		2	
14	999 701 481 40	Round seal		12	
14	999 701 442 40	Round seal		12	

Model: 928 78

Model life 1978>>1982



Model: 928 78

Model life 1978&gt;&gt;1982

Pos	Part Number	Description	Remark	Qty	Model
>>	928 351 951 00	Repair kits Use also: Mounting parts for Brake pad Brake pad repair set (ENERGIT 394 - 380) for Floating calliper Comprising: Brake pad with Bore for Warning contact	/V	1	928
-	928 351 935 00	Expanding spring		2	
-	928 351 936 00	Retaining pin		4	
-	901 351 955 10	Safety clip		4	
-	928 351 823 00	Cable guide plate Left		1	
-	928 351 824 00	Cable guide plate Right		1	
>>	944 351 951 02	Brake pad repair set ENERGIT 394 - 380 for Floating calliper Comprising: Brake pad with Bore for Warning contact	/V	1	928
>>	944 351 951 03	Brake pad repair set ENERGIT 394 - 380 for Floating calliper Comprising: Brake pad with Bore for Warning contact	/V	1	928
>>	944 351 951 02	Brake pad repair set TEXTAR T 400 for Floating calliper without asbestos Comprising: Brake pad with Bore for Warning contact	/V	1	928
>>	944 351 951 03	Brake pad repair set TEXTAR T 400 for Floating calliper without asbestos Comprising: Brake pad with Bore for Warning contact	/V	1	928

Model: 928 78 Model life 1978>>1982

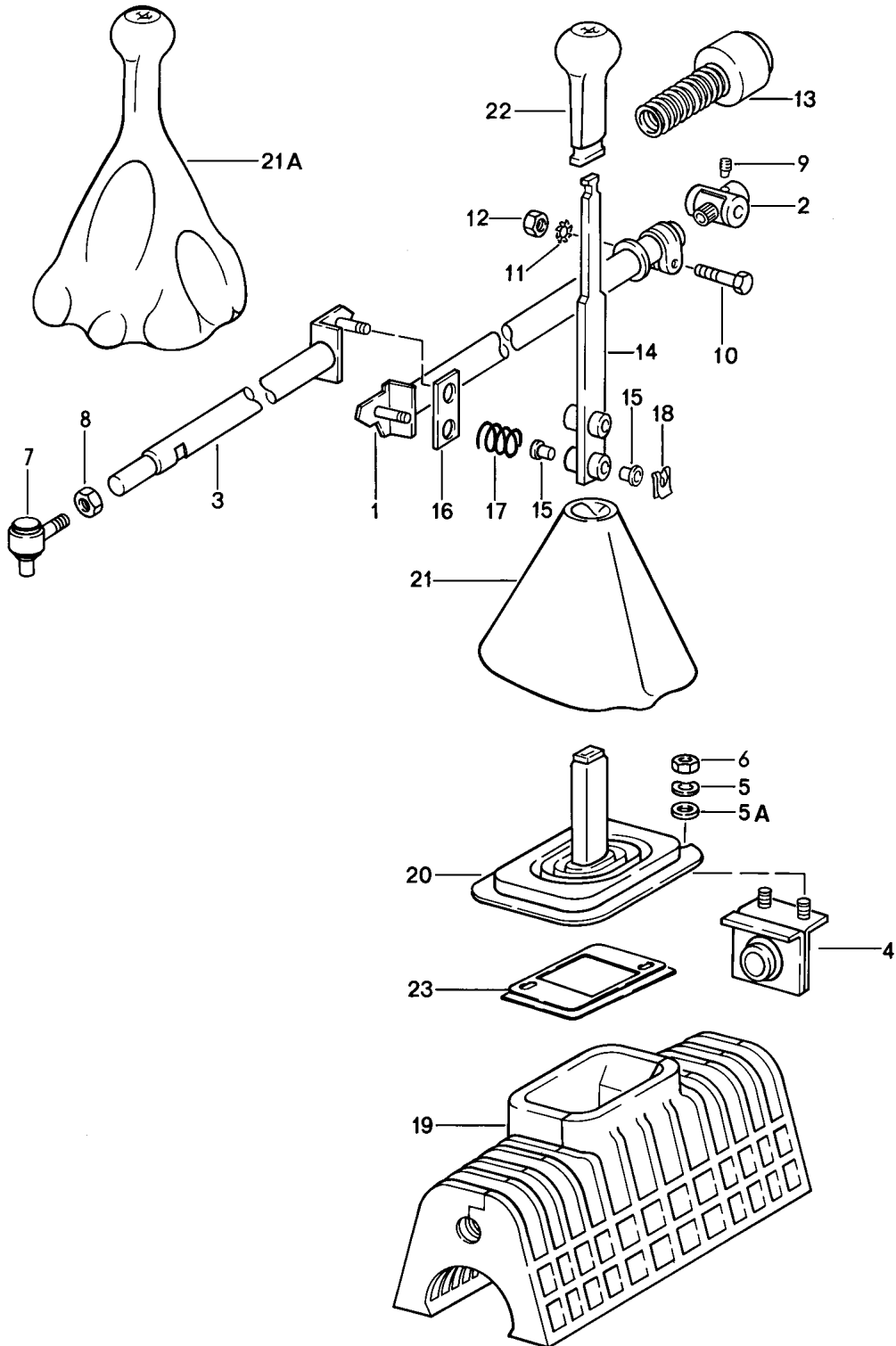
Pos	Part Number	Description	Remark	Qty	Model
>>	928 351 958 00	Warning contact Mounting parts 1 set Comprising:	/V	1	
-	928 351 935 00	Expanding spring		2	
-	928 351 936 00	Retaining pin		4	
-	928 351 823 00	Cable guide plate Left		1	
-	928 351 824 00	Cable guide plate Right		1	
-	901 351 955 10	Safety clip		1	
>>	928 351 941 00	Gasket set for Floating calliper Comprising:	/V	2	928
		Gasket		1	
		Protection cap		1	
		Clamping ring		1	
>>	928 351 931 01	Brake pad repair set (JURID 226/238) for Floating calliper Comprising:	/V	1	
		Brake pad Inner		2	
		Brake pad Outer		2	
>>		Brake pad repair set TEXTAR T 400 for Floating calliper without asbestos Comprising:	/V	1	
		Brake pad Inner		2	
		Brake pad Outer		2	
>>	928 351 943 00	Gasket set for Floating calliper Comprising:	/V	2	
		Protection cap		1	
		Gasket		1	
>>	928 351 949 00	Set of damping sleeves Deleted Slide	/V	2	
>>	928 352 951 00	Brake pad repair set (ENERGIT 394 - 380) Only together with Floating calliper -ENERGIT- for Front axle Comprising:	/H	1	928
		Brake pad with Bore for Warning contact		4	
-	928 352 823 00	Cable guide plate		2	
-	928 352 935 00	Expanding spring		2	
-	928 352 953 00	Set of fastening parts		4	
-	901 351 955 10	Safety clip		4	

Model: 928 78 Model life 1978>>1982

Pos	Part Number	Description	Remark	Qty	Model
>>	928 352 952 00	Brake pad repair set ENERGIT 394 - 380 Only together with Floating calliper ENERGIT for Front axle Comprising: Brake pad with Bore for Warning contact	/H	1	
>>	928 352 953 00	Set of fastening parts 1 set Comprising:	/H	1	
-	928 352 823 00	Cable guide plate		2	
-	928 352 935 00	Expanding spring		2	
-	928 352 953 00	Set of fastening parts		4	
-	901 351 955 10	Safety clip		4	
>>	928 352 951 01	Brake pad repair set (JURID 226/238) Only together with Floating calliper JURID for Front axle Comprising: Brake pad with Bore for Warning contact	/H	1	
-	928 352 823 00	Cable guide plate		2	
-	928 352 935 00	Expanding spring		2	
-	928 352 953 00	Set of fastening parts		4	
-	901 351 955 10	Safety clip		4	
>>	928 352 951 02	Brake pad repair set Floating calliper for Front axle	/H	1	
>>	928 352 953 00	Set of fastening parts 1 set Comprising:	/H	1	
-	928 352 823 00	Cable guide plate		2	
-	928 352 935 00	Expanding spring		2	
-	928 352 953 00	Set of fastening parts		4	
-	901 351 955 10	Safety clip		4	
>>	928 352 941 00	Gasket set for Floating calliper Comprising: Gasket Protection cap Clamping ring Slide	/H	2	
				1	
				1	
				1	
				2	

Model: 928 78

Model life 1978>>1982



Model: 928 78

Model life 1978&gt;&gt;1982

Pos	Part Number	Description	Remark	Qty	Model
1	928 424 028 01	Shift mechanism Manual transmission Gear shift rod	-80	1	928 G28.03
(1)	928 424 028 18	Gear shift rod		1	928S
(1)		F 92A08 20001>> Gear shift rod	81-	1	928 G28.05
2	928 424 029 00	Bearing body		1	
3	928 424 009 01	Guide tube	79	1	
(3)	928 424 009 08	F >>92891 00170 Guide tube		1	
4	928 424 017 06	F 92891 00171>> Bearing bracket	78	1	
(4)		Bearing bracket	-79	1	
(4)	928 424 017 05	F >>92891 00170 Bearing bracket		1	
5	N 012 006 4	F 92891 00171>> Lock ring		2	
5A	N 011 524 7	Washer		2	
5A	N 011 524 27	Washer		2	
6	900 076 010 02	Nut		2	
6	900 076 010 0B	Nut		2	
7	928 424 005 01	Angular joint		1	
8	900 034 003 02	Hexagon nut		1	
9	928 424 229 00	Conical screw		1	
10	N 040 222 2	Hexagon-head bolt M 8 X 32		1	
11	999 523 102 02	Washer		1	
11	999 523 102 0B	Washer		1	
12	900 076 025 02	Hexagon nut		1	
12	900 076 064 02	Hexagon nut		1	
13	928 424 209 00	Bellows		1	
14	928 424 067 08	Gearshift lever	/LL	1	
(14)	927 424 067 00	Gearshift lever	/RL	1	
15	999 924 002 40	Bush		4	
16	928 424 149 01	Friction strap		1	
17	928 424 147 03	Compression spring		2	
18	999 166 034 02	Sl-lock	-81	2	
(18)		Sl-lock	82	2	
19	928 424 182 01	Sound absorber	-79	1	
(19)	928 424 182 03	F >>92891 00170 Sound absorber		1	
20	928 424 181 03	F 92891 00171>> Sleeve		1	928
21	928 424 139 02	Bellows	-79	1	928
(21)	928 424 023 01	F >>92891 00016 Leather bellows		1	928
	928 424 023 01 1AJ	Black			
-	477 711 257	F 92891 00017>> Rubber ring		1	928
21A	928 424 073 01	Gearshift knob	80-	1	928S
	928 424 073 01 1AJ	Black			
21A	928 424 073 01	Gearshift knob		1	
	928 424 073 01 2LB	Burgundy			
	928 424 073 01 1RN	Medium brown			
22	928 424 105 06	Gearshift knob		1	928
23	928 552 283 02	Frame	-79	1	
-	928 552 441 02	F >>92891 00016 Speed nut	-79	2	
-	900 151 019 02	Washer	-79	2	
-	N 013 957 5	Oval-head sheetmetal screw B 3,5 X 9,5	-79	2	

Model: 928 78

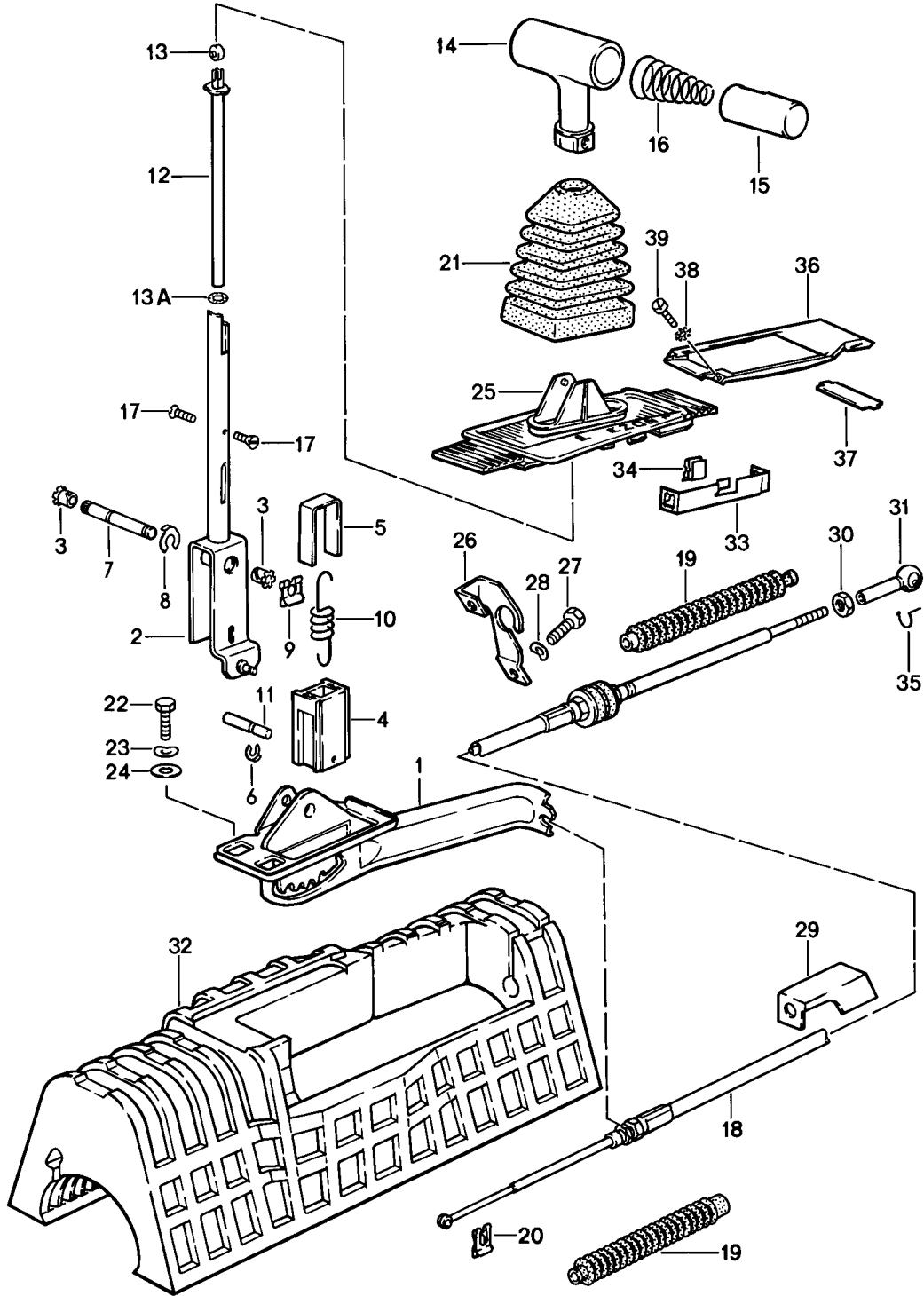
Model life 1978>>1982

Pos	Part Number	Description	Remark	Qty	Model
(23)	928 552 017 00	Frame F 92891 00017>>		1	



Model: 928 78

Model life 1978>>1982



Model: 928 78 Model life 1978>>1982

Pos	Part Number	Description	Remark	Qty	Model
		Shift mechanism Automatic transmission			
1	922 424 031 02	Support		1	
2	922 424 061 01	Selector lever	/LL	1	
(2)		Selector lever	/RL	1	
3	999 924 001 40	Bearing sleeve		2	
4	922 424 172 00	Locking piece		1	
5	922 424 171 00	Clip		1	
6	999 166 040 02	Kl-lock		1	
7	922 424 166 02	Bearing pin		1	
(7)	922 424 166 03	F >>92891 02573 Bearing pin F 92891 02574>>		1	
8	999 166 022 02	Kl-lock		1	
9	999 166 005 02	Sl-lock		1	
10	922 424 168 01	Tension spring		1	
11	922 424 167 01	Straight pin		1	
12	922 424 170 03	Push rod		1	
13	321 713 137	Roller		1	
13A	999 701 608 40	Round seal 5 X 2 B		2	
14	922 424 173 01	Selector knob		1	
15	922 424 174 00	Key		1	
16	922 424 176 01	Compression spring		1	
-	922 424 201 00	Concave washer		1	
-	922 424 203 00	Concave washer		1	
17	N 033 165 1	Countersunk-head screw M 4 X 8		2	
(17)		Countersunk-head screw M 4 X 8		2	
18	922 424 033 01	Cable for Selector lever		1	
19	922 424 103 00	Bellows		2	
20	N 012 644 1	Lock		1	
21	928 426 139 00	Bellows	-79	1	
(21)		Bellows		1	
22	900 075 057 02	Hexagon-head bolt M 6 X 16		3	
22	900 075 057 03	Hexagon-head bolt M 6 X 16		3	
23	N 012 226 5	Spring washer B 6		3	
24	N 011 550 1	Washer		3	
25	928 552 091 02	Frame	/LL -78	1	
(25)	927 552 091 03	Frame	/RL	1	
(25)		Frame	/RL	1	
(25)	928 552 091 04	Frame	/LL 79-	1	
26	922 424 101 01	Retaining bracket		1	
27	N 010 237 6	Hexagon-head bolt M 8 X 12		2	
27	N 010 237 14	Hexagon-head bolt M 8 X 12		2	
28	N 012 241 8	Spring washer		2	
29	922 424 193 00	Supporting plate		1	
30	900 076 027 02	Nut		1	
31	911 423 147 00	Ball socket		1	
32	922 424 182 00	Sound absorber		1	
33	922 424 191 00	Bracket		1	
34	999 591 462 02	Clamp		2	
35	900 169 014 02	Securing clip		1	
35	900 169 014 01	Securing clip		1	
36	928 552 181 02	Mounting		1	

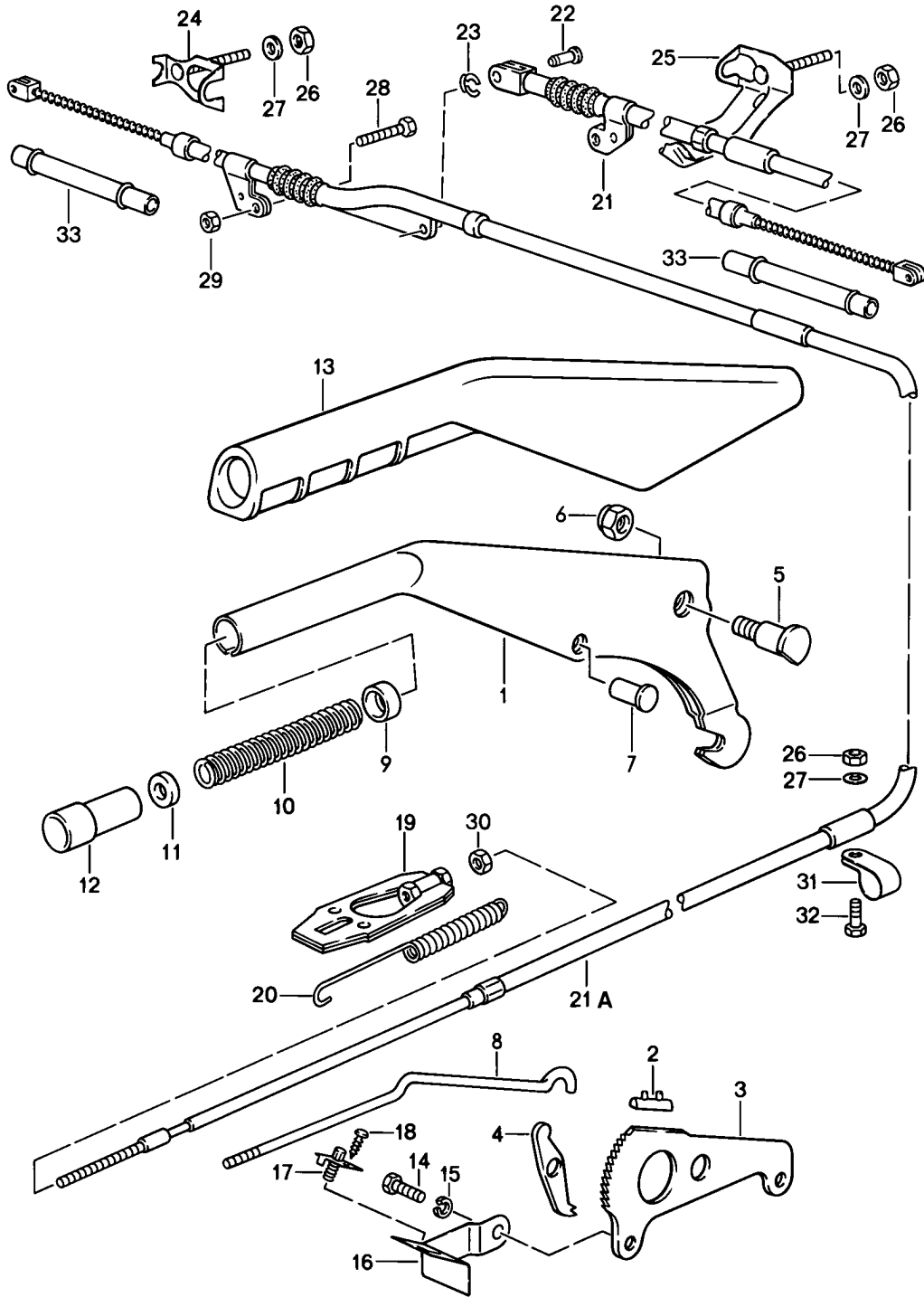
Model: 928 78

Model life 1978&gt;&gt;1982

Pos	Part Number	Description	Remark	Qty	Model
37	928 552 317 02	Shift gate Separator for mounting		1	
38	900 114 015 01	Shake-proof washer		2	
39	900 146 032 02	Oval-head screw AM 3,5 X 10		2	

Model: 928 78

Model life 1978>>1982



Model: 928 78 Model life 1978>>1982

Pos	Part Number	Description	Remark	Qty	Model
		Actuator Handbrake			
1	928 424 253 13	Parking-brake lever		1	
2	901 424 509 01	Stop		1	
3	928 424 541 14	Locking segment		1	
4	928 424 508 00	Pawl		1	
5	928 424 527 00	Bearing pin		1	
6	900 910 024 02	Lock nut		1	
7	900 120 040 02	Rivet		1	
8	928 424 255 12	Push rod		1	
9	914 424 258 00	Guide sleeve		1	
10	901 424 543 00	Compression spring		1	
11	901 424 593 01	Ring for Parking-brake lever		1	
12	928 424 523 12	Push button		1	
13	928 424 259 00	Cover for Parking-brake lever		1	
14	N 010 239 11	Hexagon-head bolt M 8 X 18		2	
14	N 010 239 30	Hexagon-head bolt M 8 X 18		2	
14	N 010 239 11	Hexagon-head bolt M 8 X 18		2	
14	N 010 239 30	Hexagon-head bolt M 8 X 18		2	
15	900 027 015 02	Lock ring B 8		2	
15	900 027 015 03	Lock ring B 8		2	
16	928 424 535 00	Support	/LL	1	
(16)	927 424 535 00	Support	/RL	1	
17	113 947 561 G	Contact switch		1	
18	N 013 957 5	Oval-head sheetmetal screw B 3,5 X 9,5		1	
19	928 424 033 00	Turnbuckle		1	
20	477 711 975	Return spring		1	
21	928 424 551 16	Parking-brake cable	/L	1	
21	928 424 551 17	Parking-brake cable Short	/L	1	
21A	928 424 552 16	Parking-brake cable	/R	1	
21A	928 424 552 17	Parking-brake cable Long	/R	1	
22	999 166 048 02	Bolt		1	
23	N 012 645 2	Lock washer		1	
24	928 424 045 00	Support	80-	2	
25	928 424 047 00	Support	-79	1	
26	900 910 012 02	Lock nut		3	
26	900 910 047 09	Lock nut		3	
27	N 011 524 7	Washer		3	
27	N 011 524 27	Washer		3	
28	N 010 349 5	Hexagon-head bolt M 6 X 45	-79	2	
(28)	900 074 111 02	Hexagon-head bolt M 6 X 50	80-	2	
28	N 010 349 5	Hexagon-head bolt M 6 X 45	80-	2	M249
29	900 910 096 02	Lock nut		2	
30	900 076 010 02	Nut		1	
30	900 076 010 0B	Nut		1	
31	999 511 069 02	Clamp		1	
31	999 511 069 0C	Clamp		1	

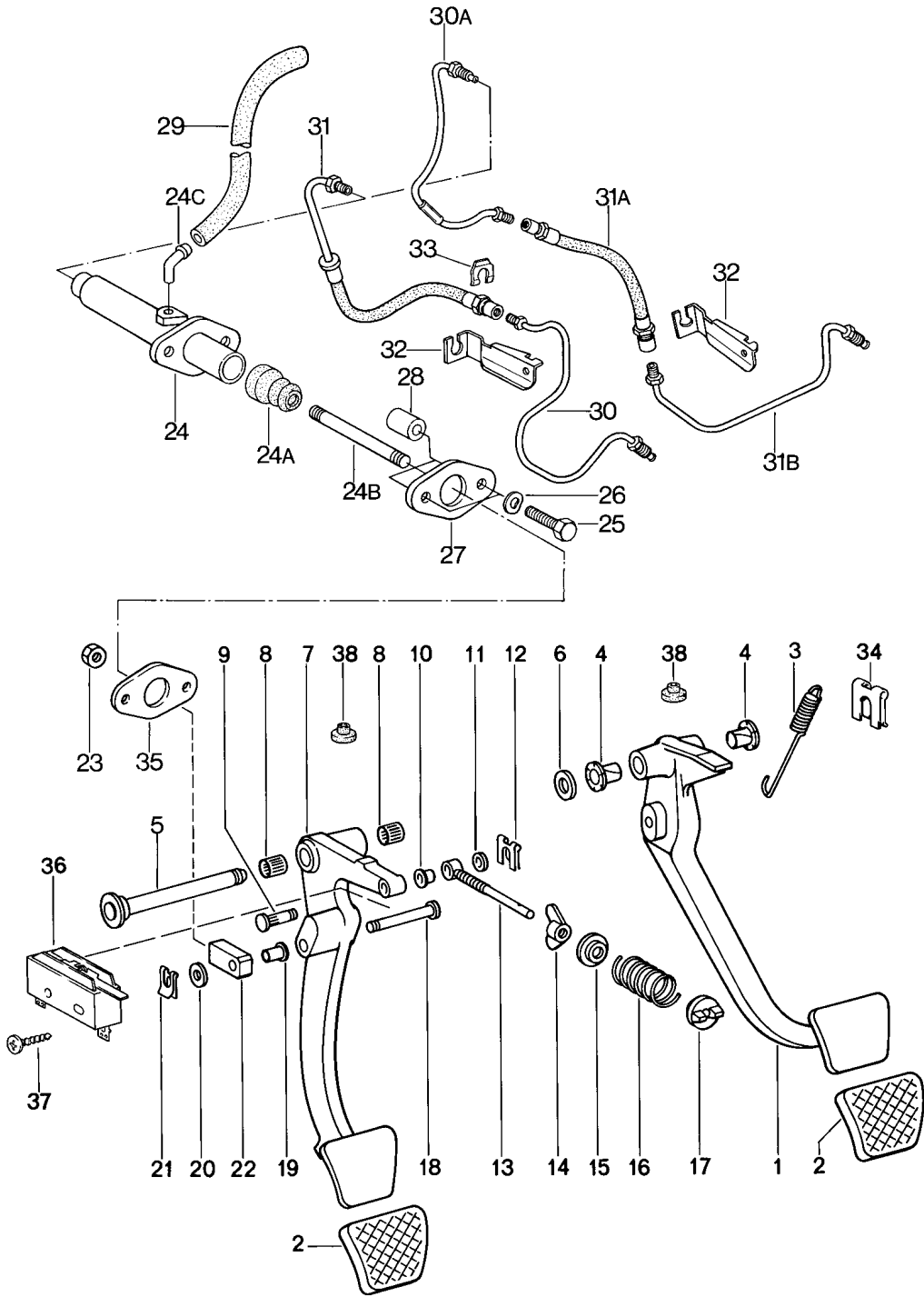
Model: 928 78

Model life 1978&gt;&gt;1982

Pos	Part Number	Description	Remark	Qty	Model
32	900 075 010 02	Hexagon nut M 6 X 12		1	
32	N 010 212 14	Hexagon-head bolt M 6 X 12		1	
32	999 072 005 09	Hexagon nut M 6 X 12		1	
32	999 072 005 01	Hexagon nut M 6 X 12		1	
33	928 424 405 01	Guide tube		2	

Model: 928 78

Model life 1978>>1982



Model: 928 78 Model life 1978>>1982

Pos	Part Number	Description	Remark	Qty	Model
		Pedals			
		Insert			
		Brake booster			
		\$ 10"			
		F 92891 01486>>			
		F 92892 09572>>			
1	928 423 501 05	Brake pedal	/LL	1	
(1)	927 423 501 07	Brake pedal	/RL	1	
(1)	928 423 515 01	Brake pedal	/LL	1	M249
(1)	927 423 501 04	Brake pedal	/RL	1	M249
2	928 423 210 03	Rubber pad		2	
(2)	928 423 211 00	Pedal cap		1	M249
3	928 423 531 02	Return spring	-81	1	
(3)	928 423 531 03	Return spring	82-	1	
4	928 423 542 00	Bearing sleeve		2	
5	928 423 037 02	Bearing shaft		1	
-	928 423 523 00	Spacer sleeve		1	M249
(6)	N 011 565 3	Washer	-80	2	
(6)		Washer	81-	2	
7	928 423 311 06	Clutch pedal	/LL	1	
(7)	927 423 311 01	Clutch pedal	/RL	1	
(7)	928 423 313 00	Clutch pedal	/LL -80	1	
(7)	928 423 311 06	Clutch pedal	/LL 81-	1	
8	900 317 001 00	Needle-roller bearing		2	
9	928 423 355 00	Bolt		1	
10	999 924 001 40	Bearing sleeve		1	
11	900 089 006 02	Washer		1	
11	900 089 006 01	Washer		1	
12	999 166 044 01	Sl-lock		1	
12	999 166 044 0B	Sl-lock		1	
13	928 423 349 01	Guiding rod		1	
14	999 044 001 02	Winged nut		1	
15	928 423 353 00	Concave washer		1	
16	928 423 357 04	Clutch power spring		1	
17	928 423 351 00	Knife-edge bearing		1	
18	928 423 513 00	Bolt	/LL	1	
19	999 924 002 40	Bush	/LL	1	
20	900 025 008 09	Washer	/LL	1	
20	900 025 008 04	Washer	/LL	1	
21	999 166 034 02	Sl-lock	/LL	1	
22	928 423 517 00	Clevis	/LL	1	
22A	999 168 017 40	Ball socket	/RL	1	
23	900 076 025 02	Hexagon nut		1	
23	900 076 064 02	Hexagon nut		1	
24	928 423 193 00	Clutch master cylinder		1	
		Only together with			
		Brake booster			
		\$ 9"			
(24)	928 423 173 06	Clutch master cylinder	/LL	1	
		Only together with			
		Brake booster			
		\$ 10"			
(24)	927 423 173 02	Clutch master cylinder	/RL	1	
		Only together with			
		Brake booster			
		\$ 10"			
24A	928 423 908 00	Bellows		1	
24B	928 423 187 00	Piston rod	/LL	1	
(24B)	927 423 187 01	Piston rod	/RL	1	
24C	928 423 181 00	Elbow	-79	1	
		Only together with			
		Brake booster			



Model: 928 78 Model life 1978>>1982

Pos	Part Number	Description	Remark	Qty	Model
(24C)	477 721 177	\$ 9" Angled pipe Only together with Brake booster		1	
25	N 010 340 4	\$ 10" Hexagon-head bolt M 8 X 40		2	
26	N 012 241 8	Spring washer		2	
27	928 423 521 00	Cover plate		1	
28	928 423 519 00	Spacer tube		2	
-	999 181 021 50	Hose		*	
29		330 MM Only together with Brake booster	-79	1	
(29)		\$ 9" 375 MM Only together with Brake booster		1	
30	928 423 185 01	\$ 10" Clutch tube Only together with Brake booster	/LL -79	1	
30A	928 423 197 01	\$ 9" See technical information NR. 3/10 Clutch tube Only together with Brake booster	/LL 80-	1	
(30)	927 423 185 00	\$ 10" Clutch tube	/RL	1	
31	928 423 177 01	Clutch hose Only together with Brake booster	/LL -79	1	
31	928 423 177 11	\$ 9" Clutch hose Only together with Brake booster	/LL	1	
31A	928 423 177 03	\$ 9" Clutch hose Only together with Brake booster	/LL 80-	1	
(31)	928 423 177 01	\$ 10" Clutch hose	/RL	1	
(31)	928 423 177 11	Clutch hose	/RL	1	
31B	928 423 199 01	Clutch tube Only together with Brake booster	/LL 80-	1	
32	928 423 189 00	\$ 10" Support Only together with Brake booster	/LL -79	1	
32	928 423 189 01	\$ 9" Bump stop Only together with Brake booster	/LL 80-	1	
(32)	928 423 221 01	\$ 10" Support Only together with Brake booster	/LL 80-	1	
		\$ 10" Mounting parts for Support			

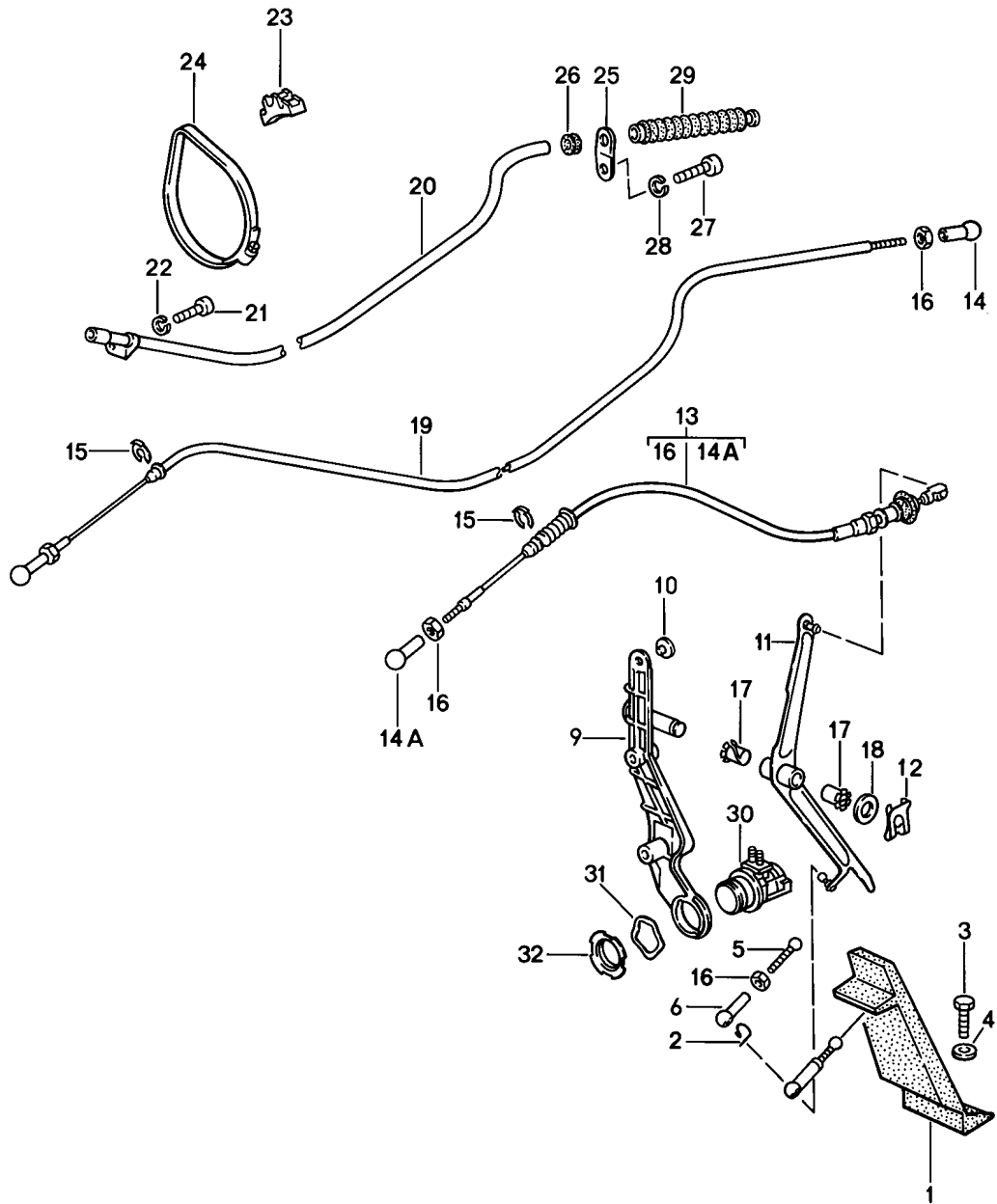
Model: 928 78

Model life 1978>>1982

Pos	Part Number	Description	Remark	Qty	Model
		928.423.189.01			
-	N 011 010 6	Hexagon nut		1	
-	N 101 552 10	Hexagon nut		1	
-	900 025 008 09	Washer B 10,5		1	
-	900 025 008 04	Washer B 10,5		1	
(32)	927 423 189 00	Support	/RL	1	
33	928 423 183 01	Hose holder		2	
34	N 012 654 1	Lock washer		1	
35	928 423 191 00	Gasket		1	
36	928 613 413 01	Microswitch		1	
37	900 143 013 02	Oval-head sheetmetal screw B 2,9 X 16		2	
38	999 703 183 40	Buffer		2	
		Vertical pedal adjustment 15 MM			
		Brake pedal			
		Clutch pedal			
-	928 423 207 00	Pedal spacer plate		2	
-	928 423 213 00	Pedal spacer plate		1	M249
-	900 067 057 02	Pan-head screw M 8 X 20		2	
-	900 067 057 03	Pan-head screw M 8 X 20		2	
-	900 115 013 01	Spring washer		2	
		See technical information GR. X NR.15			
		Not USA			
		Vertical pedal adjustment 30 MM			
		Brake pedal			
		Clutch pedal			
-	928 423 207 00	Pedal spacer plate		4	
-	928 423 213 00	Pedal spacer plate		2	M249
-	900 067 081 02	Pan-head screw M 8 X 35		2	
-	900 067 102 02	Pan-head screw M 8 X 35		2	
-	900 115 013 01	Spring washer		2	
		See technical information GR. X NR.15			

Model: 928 78

Model life 1978>>1982



Model: 928 78

Model life 1978&gt;&gt;1982

Pos	Part Number	Description	Remark	Qty	Model
1	911 423 111 02	Accelerator control		1	
1	911 423 111 03	Accelerator pedal		1	
2	900 169 014 02	Securing clip		1	
2	900 169 014 01	Securing clip		1	
3	999 072 005 09	Hexagon nut		2	
		M 6 X 12			
3	999 072 005 01	Hexagon nut		2	
		M 6 X 12			
4	N 011 666 7	Washer		2	
5	928 423 119 00	Push rod	/LL	1	
(5)	927 423 119 00	Push rod	/RL	1	
6	911 423 147 00	Ball socket		1	
-	928 423 117 03	Stop		1	
-	928 423 025 00	Bump stop		1	
9	928 423 021 01	Bearing bracket	/LL	1	
		F >>92881 00656			
(9)	928 423 021 03	Bearing bracket	/LL	1	
		F 92881 00657>>			
-	900 076 010 02	Nut	/LL -79	2	
-	900 076 010 0B	Nut	/LL -79	2	
-	N 012 226 5	Spring washer	/LL -79	2	
(9)	927 423 129 03	Bearing bracket	/RL	1	
-	900 076 025 02	Hexagon nut	/RL -79	2	
-	900 076 064 02	Hexagon nut	/RL	2	
-	N 012 241 8	Spring washer	/RL -79	2	
10	999 703 183 40	Buffer		1	
11	928 423 250 05	Reverse lever	/LL	1	
		F >>92881 00656			
(11)		Reverse lever	/LL	1	
		F 92881 00657>>			
(11)	927 423 250 02	Reverse lever	/RL	1	
12	999 166 034 02	Sl-lock		1	
13	928 423 023 06	Accelerator cable	/LL	1	
(13)	927 423 023 01	Accelerator cable	/RL	1	
-	927 423 025 01	Guide tube	/RL	1	
14	N 015 521 3	Ball socket		2	
14A	911 423 147 00	Ball socket		1	
15	999 166 046 02	Lock		2	
16	900 076 027 02	Nut		3	
17	999 924 002 40	Bush		2	
18	900 025 008 02	Washer		1	
18	900 025 008 09	Washer		1	
18	900 025 008 04	Washer		1	
19	928 423 071 03	Cable	-79	1	M249
19		Cable		1	M249
20	928 423 073 01	Guide tube		1	M249
21	900 075 010 02	Hexagon nut		1	M249
		M 6 X 12			
21	N 010 212 14	Hexagon-head bolt		1	M249
		M 6 X 12			
21	999 072 005 09	Hexagon nut		1	M249
		M 6 X 12			
21	999 072 005 01	Hexagon nut		1	M249
		M 6 X 12			
22	N 012 226 5	Spring washer		1	M249
22		Spring washer		1	M249
23	928 423 141 00	Support		2	M249
24	999 512 355 02	Hose clamp		2	M249
24	999 512 355 01	Hose clamp		2	M249
25	928 423 143 00	Support		1	M249
26	999 702 119 50	Rubber sleeve		1	M249
27	N 010 237 6	Hexagon-head bolt		1	M249

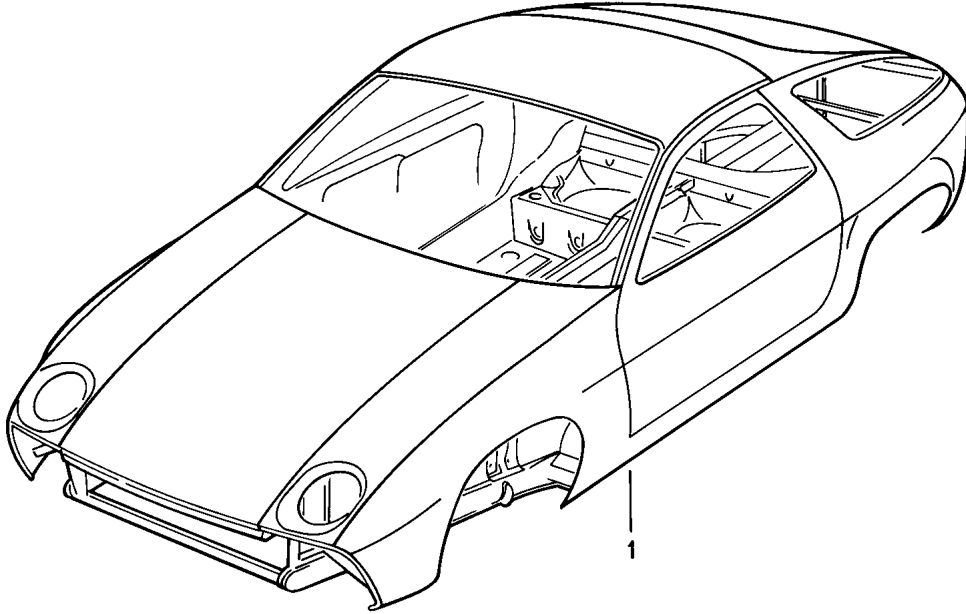
Model: 928 78

Model life 1978>>1982

Pos	Part Number	Description	Remark	Qty	Model
27	N 010 237 14	M 8 X 12 Hexagon-head bolt		1	M249
28	900 027 015 02	M 8 X 12 Lock ring		1	M249
28	900 027 015 03	B 8 Lock ring		1	M249
29	928 423 277 00	B 8 Sealing sleeve		1	M249
30	928 606 111 00	Kickdown switch		1	M249
31	928 613 419 00	Spring washer		1	M249
32	928 613 421 00	Grooved nut		1	M249
		M 28 X 1,5 Vertical pedal adjustment 15 MM			
-	928 423 025 00	Bump stop	-78	1	
-	928 423 133 04	Bump stop	79-	1	
-	928 423 119 01	Push rod	/LL	1	
-	927 423 119 01	Push rod	/RL	1	
-	911 423 147 00	Ball socket		1	
-	N 011 005 14	Hexagon nut		1	
-	900 076 091 01	Hexagon nut		1	
		Vertical pedal adjustment 30 MM			
-	928 423 025 01	Bump stop	-78	1	
-	928 423 133 05	Bump stop	79-	1	
-	928 423 119 02	Push rod	/LL	1	
-	927 423 119 01	Push rod	/RL	1	
-	911 423 147 00	Ball socket		1	
-	900 076 027 02	Nut		1	
		See technical information GR. X NR.15			

Model: 928 78

Model life 1978>>1982



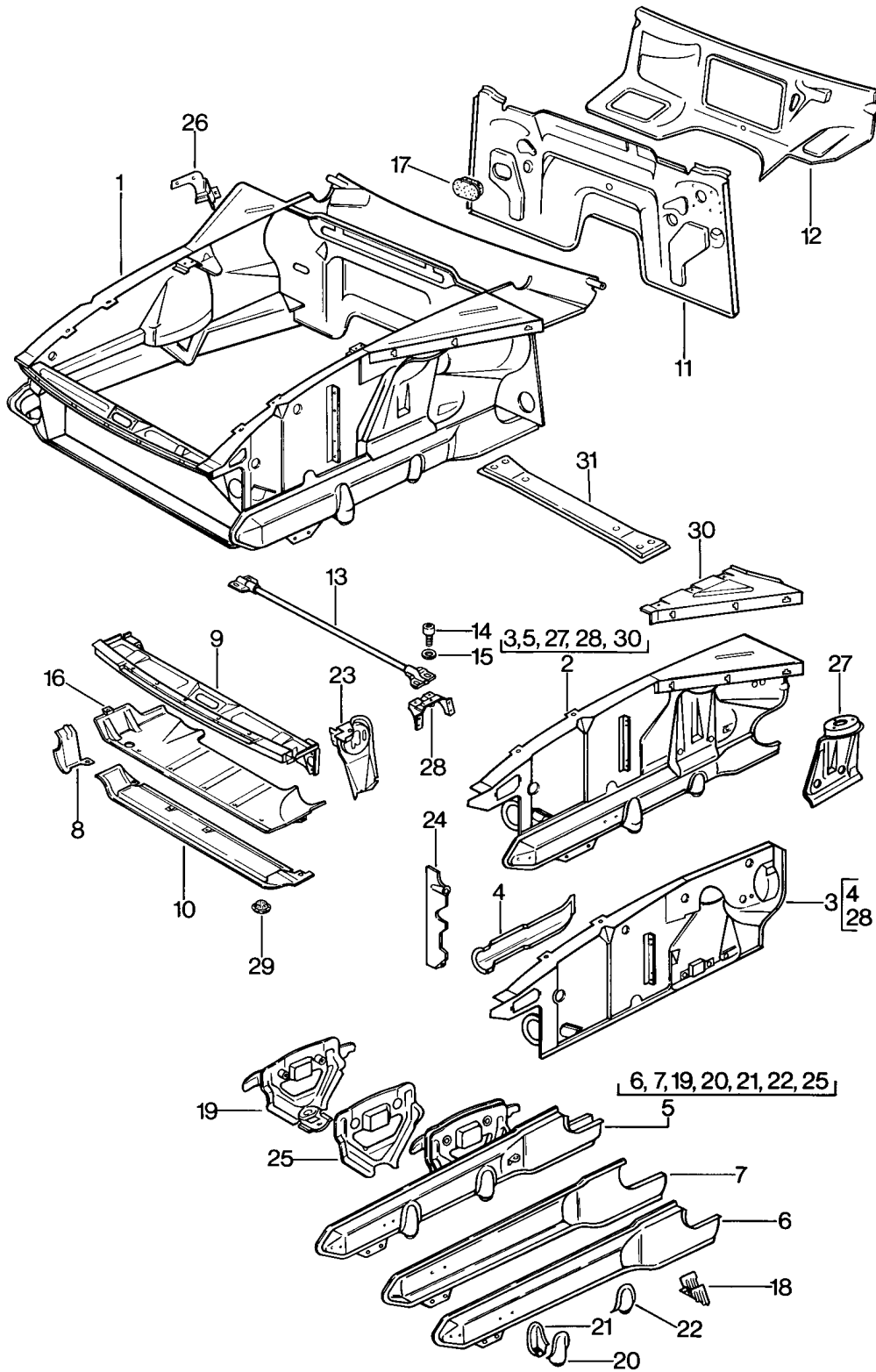
Model: 928 78

Model life 1978>>1982

Pos	Part Number	Description	Remark	Qty	Model
		Body in white Prime coated Sealed with Underbody protection BodysHELLS can only only available from current Model year available Until F >>92891 00769 F >>92892 00528 F >>92892 09535 Use also: 928.375.011.04			
1	928 500 901 02	Body in white	/LL	1	
(1)	928 500 901 03	Body in white	/LL	1	AUT.
(1)	928 500 901 05	Body in white	/RL	1	
(1)	928 500 901 07	Body in white	/RL	1	AUT.
(1)	928 500 901 60	Body in white	/LL	1	M650
(1)	928 500 901 61	Body in white	/LL	1	AUT. M650
(1)	928 500 901 63	Body in white	/RL	1	M650
(1)	928 500 901 65	Body in white	/RL	1	AUT. M650
		Body in white BodysHELLS can only only available from current Model year available			

Model: 928 78

Model life 1978>>1982





Model: 928 78 Model life 1978>>1982

Pos	Part Number	Description	Remark	Qty	Model
1	928 501 949 05	Body front section	/LL	1	
1	927 501 949 05	Body front section	/RL	1	
		Order also: 928.722.101.05			
2	928 501 947 05	Wheel housing with Bracket	/LL /L	1	
(2)	928 501 014 02	Wheel housing with Bracket	/LL /R 78	1	
2	928 501 948 05 928 501 948 05 GRV	Wheel housing with Bracket	/LL /R	1	
2	927 501 947 05 927 501 947 05 GRV	Wheel housing Prime coated with Bracket	/RL /L	1	
2	927 501 948 05 927 501 948 05 GRV	Wheel housing Prime coated with Bracket	/RL /R	1	
		Order also: 928.722.101.05			
3	927 501 035 02	Wheel housing	/RL /L -81	1	
3	927 501 035 03	Wheel housing	/RL /L 82	1	
3	928 501 036 03	Wheel housing	/LL /R	1	
3	927 501 036 02	Wheel housing	/RL /R -81	1	
3	927 501 036 03	Wheel housing	/RL /R 82	1	
4	928 501 121 02	Bracket		2	
		Impact absorber			
4		Bracket		2	
	928 501 121 02 GRV	Prime coated			
5	928 501 915 00	Side member	/L	1	
(5)	928 501 916 00	Side member See TPI GR.8 NR.3	/R	1	
5	928 501 915 01	Bracket	/L	1	
5		Bracket	/L	1	
	928 501 915 01 GRV	Prime coated			
(5)	928 501 916 01	Bracket See TPI GR.8 NR.3	/R	1	
(5)		Bracket See TPI GR.8 NR.3	/R	1	
	928 501 916 01 GRV	Prime coated			
6	928 501 105 02	Bracket Outer	/L	1	
(6)	928 501 106 02	Bracket Outer	/R	1	
(6)		Bracket	/R	1	
	928 501 106 02 GRV	Prime coated			
7	928 501 103 02	Bracket Inner	/L	1	
(7)	928 501 104 02	Bracket Inner	/R	1	
(7)		Bracket	/R	1	
	928 501 104 02 GRV	Prime coated			
(8)	928 501 129 02	Connecting cap	/L	1	
8	928 501 130 02	Connecting cap	/R	1	
9	928 501 033 02	Terminal piece	/V	1	
10	928 501 031 03	Cross member	/V	1	

Model: 928 78

Model life 1978&gt;&gt;1982

Pos	Part Number	Description	Remark	Qty	Model
11	928 502 201 02	Firewall	/LL	1	
11		Firewall	/LL	1	
	928 502 201 02 GRV	Prime coated			
12	928 502 203 02	Cross panel	/LL	1	
13	928 504 061 02	Transverse strut for engine compartment		1	
14	900 119 053 02	Pan-head screw 10 X 16		4	
15	900 025 008 09	Washer 10,5		4	
15	900 025 008 04	Washer 10,5		4	
16	928 504 941 04	Protective plate		1	
17	928 504 357 02	Water drain valve	-79	1	
(17)		Water drain valve	80	1	
17		Water drain valve	81-	1	
18	928 501 307 02	Bracket for Stabiliser	/L	1	
18		Bracket	/L	1	
	928 501 307 02 GRV	Prime coated for Stabiliser			
(18)	928 501 308 02	Bracket for Stabiliser	/R	1	
19	928 501 047 02	Bracket	/L	1	
(19)	928 501 048 02	Bracket	/R	1	
20	928 501 139 02	Bracket	/L	1	
(20)	928 501 140 02	Bracket	/R	1	
21	928 501 135 02	Bracket	/L	1	
(21)	928 501 136 02	Bracket	/R	1	
22	928 501 195 02	Bracket	/L	1	
(22)	928 501 196 02	Bracket	/R	1	
23	928 501 127 02	Bracket for engine Pop-up headlight		1	
23		Bracket		1	
	928 501 127 02 GRV	Prime coated for engine Pop-up headlight			
24	928 501 811 02	Lining for Radiator	/L	1	
(24)	928 501 812 02	Lining for Radiator	/R	1	
25	928 501 191 02	Bracket for Wheel housing	/L	1	
(25)	928 501 192 02	Bracket for Wheel housing	/R	1	
26	928 501 313 02	Retaining bracket	/LL	1	
(26)	927 501 313 02	Expansion tank Retaining bracket	/RL	1	
27	928 501 113 02	Expansion tank Reinforcement	/L	1	
(27)	928 501 114 02	Suspension strut mounting Reinforcement	/R	1	
28	928 501 551 02	Suspension strut mounting Bearing bracket Transverse strut		2	

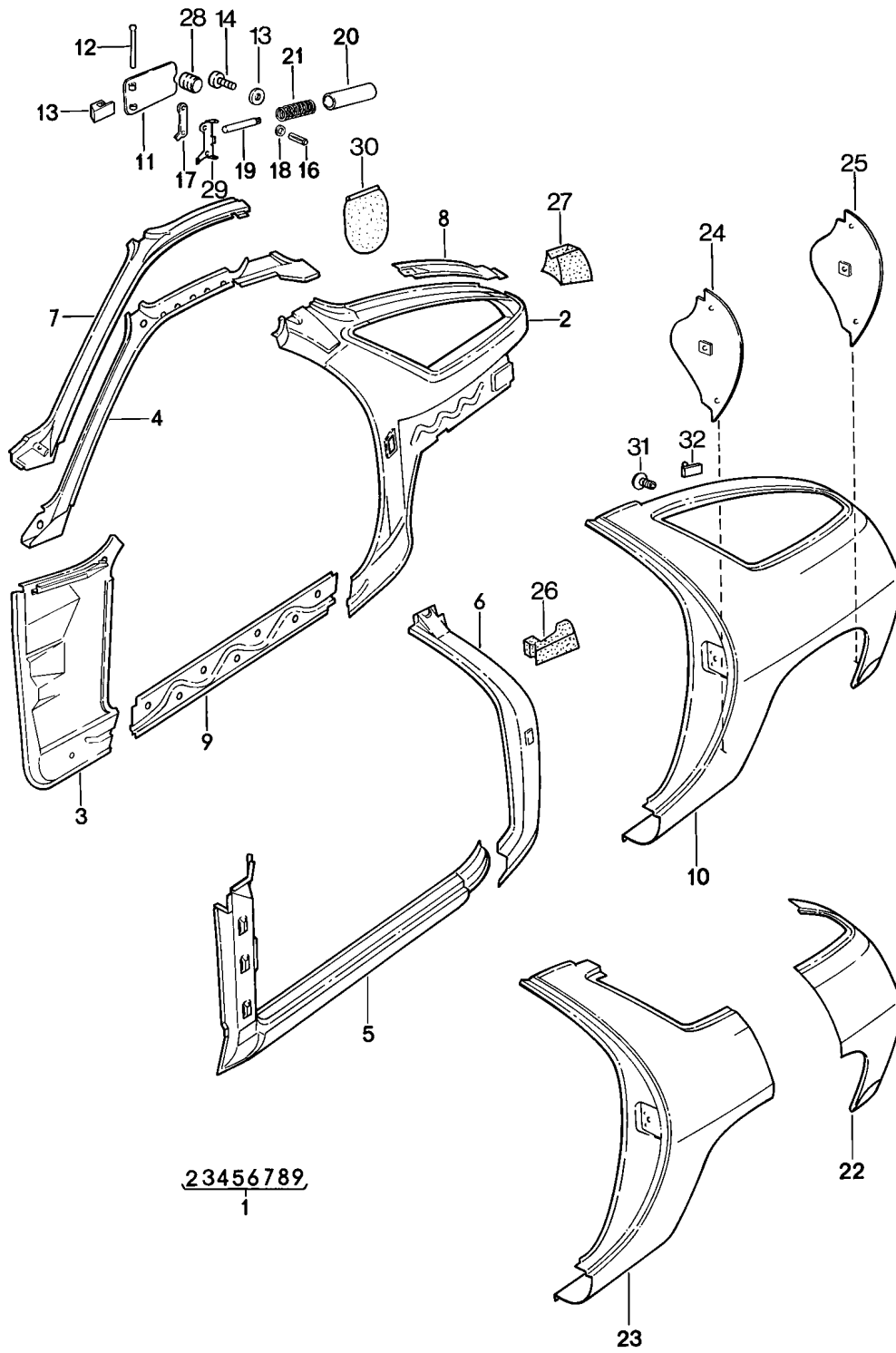
Model: 928 78

Model life 1978>>1982

Pos	Part Number	Description	Remark	Qty	Model
(29)	803 803 583 A	Stopper		9	
(29)	999 703 196 40	Lid		9	
30	928 501 081 02	Side member		1	
(30)	928 501 082 02	Side member		1	
31	928 501 091 02	Cross member	78	1	

Model: 928 78

Model life 1978>>1982



23456789,  
1

Model: 928 78 Model life 1978>>1982

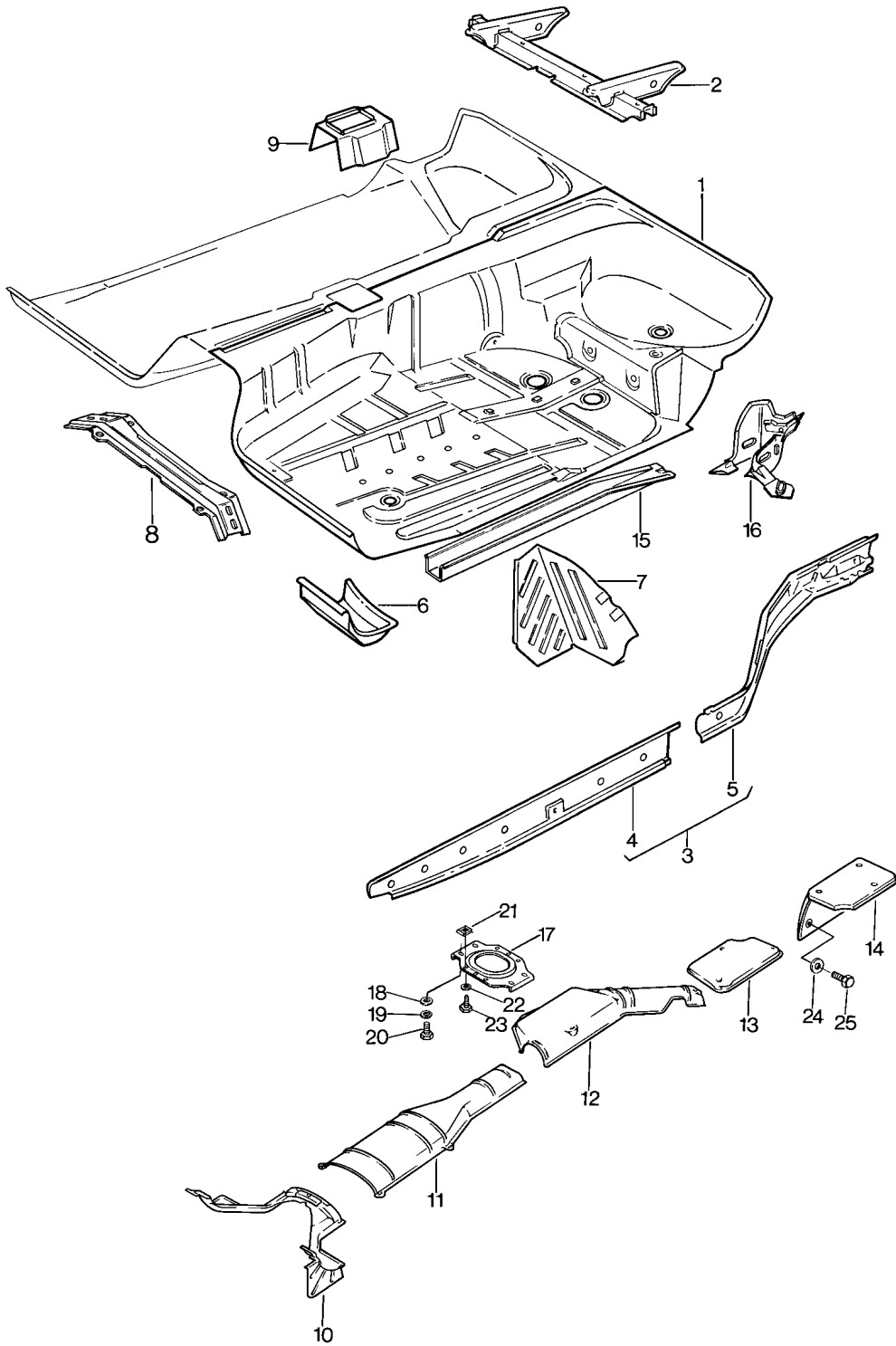
Pos	Part Number	Description	Remark	Qty	Model
1	928 502 011 02	Frame Side section	/L	1	
(1)	928 502 012 02	Side section Inner	/R	1	
2	928 502 017 02	Side section Inner rear	/L	1	
(2)	928 502 017 04	Side section Inner rear		1	
(2)	928 502 018 02	Side section Inner rear	/R	1	
3	928 502 013 02	Side section Inner front	/L	1	
3	928 502 013 09	Side section Inner front	/LL /L	1	
(3)	927 502 013 09	Side section Inner front	/RL /L	1	
(3)	928 502 014 02	Side section Inner front	/R	1	
(3)	928 502 014 09	Side section Inner front	/LL /R	1	
4	928 502 301 02	Roof frame Lateral	/L	1	
(4)	928 502 302 02	Roof frame Lateral	/R	1	
5	928 502 015 02	Door sill	/L	1	
5	928 502 015 02 GRV	Door sill Prime coated	/L	1	
(5)	928 502 016 02	Door sill	/R	1	
6	928 502 051 02	Lock pillar	/L	1	
(6)	928 502 052 02	Lock pillar	/R	1	
7	928 502 331 02	Roof frame Lateral	/L	1	
(7)	928 502 332 02	Roof frame Lateral	/R	1	
8	928 502 033 02	Interior frame	/L	1	
(8)	928 502 034 02	Interior frame	/R	1	
9	928 502 111 02	Separator		2	
10	928 503 061 02	Side section Outer	/L	1	928 928S
(10)	928 503 061 12	F >>92BS8 00192 F >>92BS8 40296 Side section Outer		1	928 928S
(10)	928 503 062 02	F 92BS8 00193>> F 92BS8 40297>> Side section Outer	/R	1	928 928S
(10)	928 503 062 12	F >>92BS8 00192 F >>92BS8 40296 Side section Outer	/R	1	928 928S
		F 92BS8 00193>> F 92BS8 40297>>			928 928S
11	928 504 301 02	Flap		1	
12	928 504 313 02	Axle		1	
13	928 504 326 02	Stop		1	
14	N 014 133 8	Oval-head screw M 5 X 12		2	
14	N 014 133 I	Oval-head screw M 5 X 12		2	
15	900 151 027 02	Washer		2	

Model: 928 78 Model life 1978>>1982

Pos	Part Number	Description	Remark	Qty	Model
15	900 151 027 03	B 5,3 Washer		2	
16	900 095 036 02	B 5,3 Tensioning sleeve 2 X 8		1	
17	928 504 335 02	Desk pad		1	
18	928 504 347 02	Washer		1	
19	928 504 341 02	Guiding rod		1	
20	928 504 343 02	Protective tube		1	
21	928 504 345 02	Compression spring		1	
22	928 503 911 02	Sub-part Side section Rear F >>92BS8 00192 F >>92BS8 40296	/L	1	928 928S
22	928 503 911 06	Sub-part Side section Rear F 92BS8 00193>> F 92BS8 40297>>	/L	1	928 928S
(22)	928 503 912 02	Sub-part Side section Rear F >>92BS8 00192 F >>92BS8 40296	/R	1	928 928S
22	928 503 062 12	Side section Side section Rear F 92BS8 00193>> F 92BS8 40297>>	/R	1	928 928S
23	928 503 061 14	Side section Side section Front	/L	1	
(23)	928 503 062 12	Side section Side section Front	/R	1	
24	928 504 303 02	Wheel cover	/L	1	
(24)	928 504 304 02	Wheel cover	/R	1	
25	928 504 309 02	Wheel cover Rear	/L	1	
25	928 504 309 05	Wheel cover Rear	/L	1	
26	928 504 281 02	Seal Lock pillar	/L	1	
(26)	928 504 282 02	Seal Lock pillar	/R	1	
27	928 504 283 02	Seal	/L	1	
(27)	928 504 284 02	Seal	/R	1	
28	999 703 135 40	Rubber buffer		1	
29	928 504 325 02	Hinge half		1	
30	928 201 057 02	Protective flap		1	
31	261 829 419	Stopper	-79	4	
31	999 015 005 07	Half-round screw	80-	4	
32	928 503 621 02	Pneumatic spring mount		2	

Model: 928 78

Model life 1978>>1982



Model: 928 78 Model life 1978>>1982

Pos	Part Number	Description	Remark	Qty	Model
		Floor section			
		Frame			
		Centre			
1	928 501 053 02	Floor section	/L -79	1	
(1)	928 501 953 03	Floor section	/L 80-	1	
(1)	928 501 054 02	Floor section	/R 78	1	
(1)	928 501 054 03	Floor section	/R -81	1	
(1)	928 501 954 03	Floor section	/R 82-	1	
2	928 501 055 02	Seat support	/L 78	1	
(2)	928 501 055 60	Seat support	/L	1	
(2)		Seat support	/L	1	
	928 501 055 60 GRV	Prime coated			
(2)	928 501 056 02	Seat support	/R 78	1	
(2)	928 501 056 60	Seat support	/R	1	
(2)		Seat support	/R	1	
	928 501 056 60 GRV	Prime coated			
3	928 501 021 02	Side member	/L	1	
(3)	928 501 022 02	Side member	/R	1	
4	928 501 023 02	Bracket	/L	1	
		1			
(4)	928 501 024 02	Bracket	/R	1	
		2			
5	928 501 025 02	Bracket	/L	1	
		3			
(5)	928 501 026 02	Bracket	/R	1	
		3			
6	928 501 093 02	Gusset plate	/L	1	
(6)	928 501 094 02	Gusset plate	/R	1	
7	928 551 071 02	Foot support	/LL	1	
7	927 551 071 02	Foot support	/RL	1	
8	928 501 901 05	Cross member	79-	1	
9	928 501 059 02	Reinforcement		1	
		Gearshift lever			
		Mounting			
9		Reinforcement		1	
	928 501 059 02 GRV	Prime coated			
-	927 504 655 02	Bearing plate		1	
		FUER PEDALERIE			
-	900 076 010 02	Nut		3	
		M 6			
-	900 076 010 0B	Nut		3	
		M 6			
-	900 151 003 02	Washer		3	
		A 6,4			
-	900 151 006 03	Washer		3	
		A 6,4			
10	928 504 921 02	Heat protection plate	-79	1	
(10)	928 504 921 05	Heat protection plate	80-	1	
11	928 504 925 03	Heat protection plate	-79	1	
(11)	928 504 925 06	Heat protection plate	80-	1	
(11)	928 504 491 01	Heat protection plate	80-82	1	
12	928 504 931 04	Heat protection plate	-79	1	
(12)		Heat protection plate	80-	1	
(12)		Heat protection plate	80-	1	
13	928 504 935 02	Heat protection plate	-78	1	
14	928 504 051 02	Heat protection plate	79-	1	
15	928 501 577 02	Side member	/L	1	
15		Side member	/L	1	
	928 501 577 02 GRV	Prime coated			
15	928 501 578 50	Side member	/R	1	
15		Side member	/R	1	
	928 501 578 50 GRV	Prime coated			
16	928 501 067 02	Link bearing	/L	1	



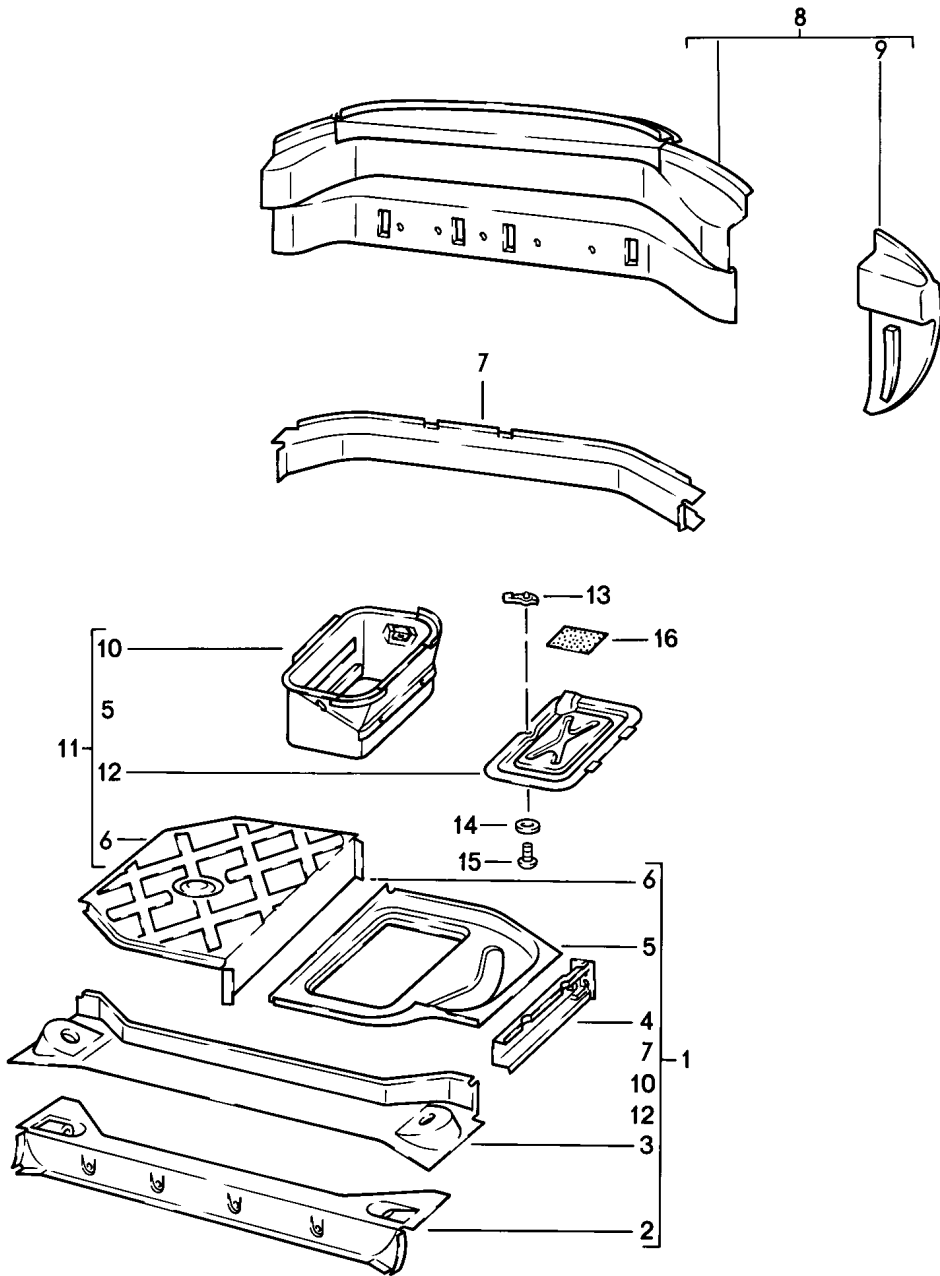
Model: 928 78

Model life 1978&gt;&gt;1982

Pos	Part Number	Description	Remark	Qty	Model
16	928 501 068 02	Link bearing	/R	1	
17	928 501 495 02	Bridge Seat belt		1	
18	900 025 007 02	Washer 8,4		4	
18	900 025 007 03	Washer 8,4		4	
19	900 027 015 02	Lock ring B 8		4	
19	900 027 015 03	Lock ring B 8		4	
20	900 075 087 02	Hexagon-head bolt M 8 X 16		4	
20	900 075 087 03	Hexagon-head bolt M 8 X 16		4	
21	999 591 487 02	Speed nut B 5,5		16	
22	N 011 666 7	Washer B 6,4		16	
23	900 187 115 02	Combination screw B 5,5 X 16		16	
23	900 187 115 01	Combination screw B 5,5 X 16		16	
24	N 011 524 7	Washer B 6,4	79-	2	
24	N 011 524 27	Washer B 6,4	79-	2	
25	N 010 210 13	Hexagon-head bolt M 6 X 10	79-	2	

Model: 928 78

Model life 1978>>1982

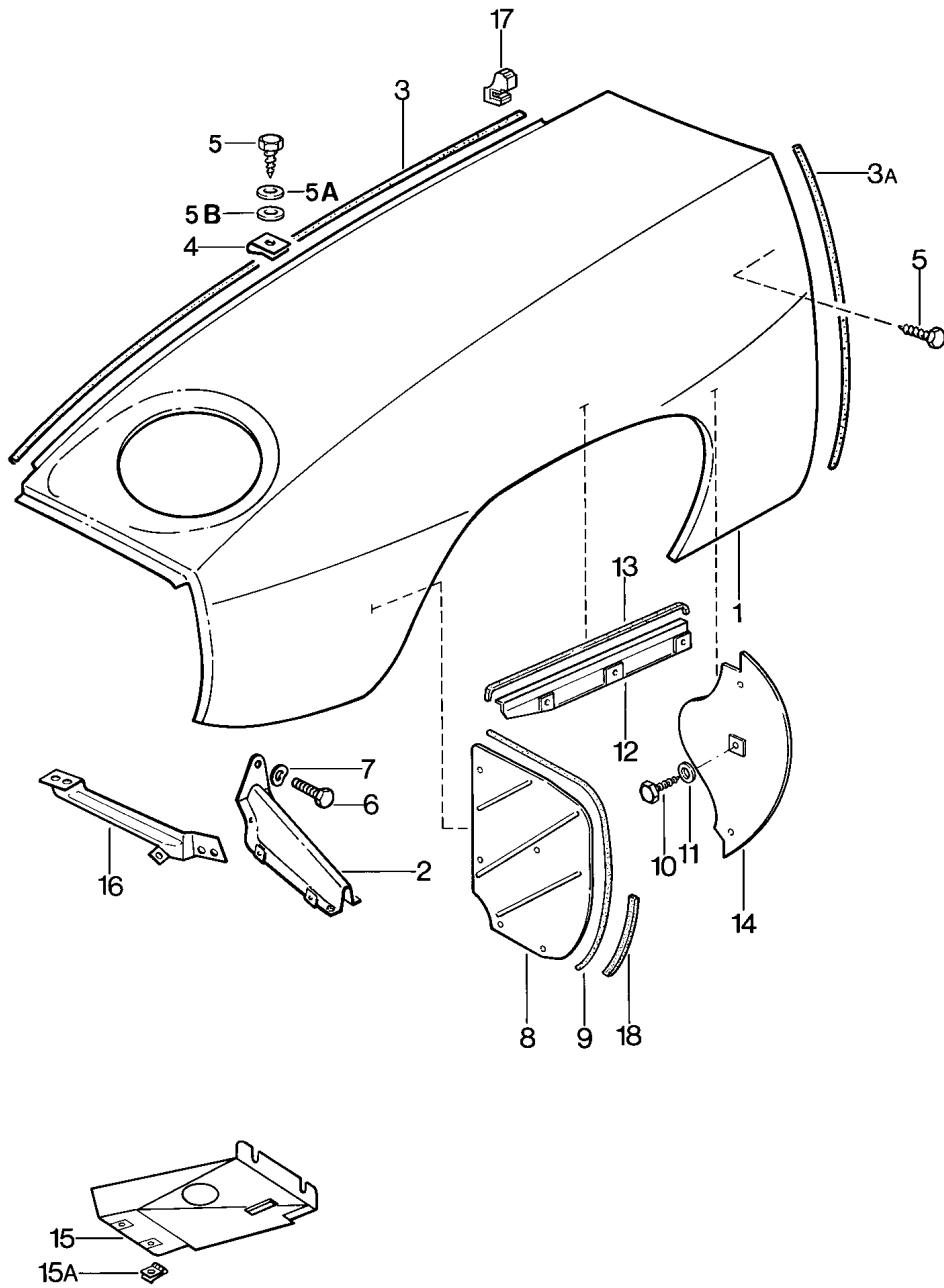


Model: 928 78 Model life 1978>>1982

Pos	Part Number	Description	Remark	Qty	Model
		Frame			
		Rear			
		Rear end			
1	928 501 071 02	Rear end	78	1	
(1)	928 501 071 03	Rear end	79-	1	
(1)		Rear end	79-	1	
	928 501 071 03 GRV	Prime coated			
2	928 501 515 02	Cross member		1	
		Lower part			
2		Cross member		1	
		Lower part			
	928 501 515 02 GRV	Prime coated			
3	928 501 715 02	Cross member		1	
3		Cross member		1	
	928 501 715 02 GRV	Prime coated			
4	928 501 207 02	Extension	/L	1	
(4)	928 501 208 02	Extension	/R	1	
5	928 501 701 02	Floor section	/L	1	
5		Floor section	/L	1	
	928 501 701 02 GRV	Prime coated			
6	928 501 702 02	Floor section	/R	1	
7	928 501 079 02	Cross member		1	
8	928 502 081 04	Terminal piece	/LL	1	
8		Terminal piece	/LL	1	
	928 502 081 04 GRV	Prime coated			
8	927 502 081 04	Terminal piece	/RL	1	
8		Terminal piece	/RL	1	
	927 502 081 04 GRV	Prime coated			
9	928 502 341 02	Terminal piece	/L	1	
(9)	928 502 342 02	Terminal piece	/R	1	
10	928 501 805 02	Battery box	79-	1	
10		Battery box	79-	1	
	928 501 805 02 GRV	Prime coated			
11	928 501 075 02	Floor	78	1	
(11)	928 501 075 03	Floor	79-	1	
(11)		Floor	79-	1	
	928 501 075 03 GRV	Prime coated			
12	928 504 011 03	Lid		1	
13	928 504 103 02	Latch		1	
14	900 151 027 02	Washer		1	
		B 5,3			
14	900 151 027 03	Washer		1	
		B 5,3			
15	N 013 973 4	Oval-head sheetmetal screw		1	
		BZ 5,5 X 13			
16	911 201 259 00	Desk pad		3	
		for			
		Emergency wheel			

Model: 928 78

Model life 1978>>1982



Model: 928 78 Model life 1978>>1982

Pos	Part Number	Description	Remark	Qty	Model
1	928 503 901 02	Wing Wing F >>92881 00479	/L	1	
(1)	928 503 902 02	Wing F >>92881 00479	/R	1	
(1)	928 503 902 02 GRV	Wing Prime coated F >>92881 00479	/R	1	
(1)	928 503 011 02	Wing F 92881 00480>>	/L	1	
(1)	928 503 011 02 GRV	Wing Prime coated F 92881 00480>>	/L	1	
(1)	928 503 012 02	Wing F 92881 00480>>	/R	1	
(1)	928 503 012 02 GRV	Wing Prime coated F 92881 00480>>	/R	1	
2	928 503 031 02	Wing strut		2	928
(2)	928 503 031 03	Wing strut		2	928S
(2)	928 503 031 03 GRV	Wing strut Prime coated		2	928S
3	000 043 129 00	Sealing strap		2	
3A		Sealing strap		*	
4	999 507 003 02	Speed nut		26	
4	999 507 003 01	Speed nut		26	
5	900 187 010 02	Hexagon-head tapping screw BZ 6,3 X 19		26	
5	900 187 010 03	Hexagon-head tapping screw BZ 6,3 X 19		26	
5A	900 151 003 02	Washer A 6,4		26	
5A	900 151 006 03	Washer A 6,4		26	
5B	999 704 157 40	Washer		26	
6	900 075 010 02	Hexagon nut M 6 X 12		10	
6	N 010 212 14	Hexagon-head bolt M 6 X 12		10	
6	999 072 005 09	Hexagon nut M 6 X 12		10	
6	999 072 005 01	Hexagon nut M 6 X 12		10	
7	N 012 226 5	Spring washer A 6		10	
8	928 504 221 08	Cover	/V	2	928
(8)	928 504 221 10	Cover		2	928S
9	928 504 223 02	Sealing strap		2	
10	900 075 057 02	Hexagon-head bolt M 6 X 16		16	
10	900 075 057 03	Hexagon-head bolt M 6 X 16		16	
11	900 151 003 02	Washer A 6,4		16	
11	900 151 006 03	Washer A 6,4		16	
12	928 504 317 02	Cover	/L	1	
(12)	928 504 318 02	Cover	/R	1	
13	928 504 211 02	Sealing strap		2	
14	928 504 315 02	Cover	/L	1	
(14)	928 504 316 03	Cover	/R	1	
15	928 504 027 02	Cover Headlamp casing	/L	1	

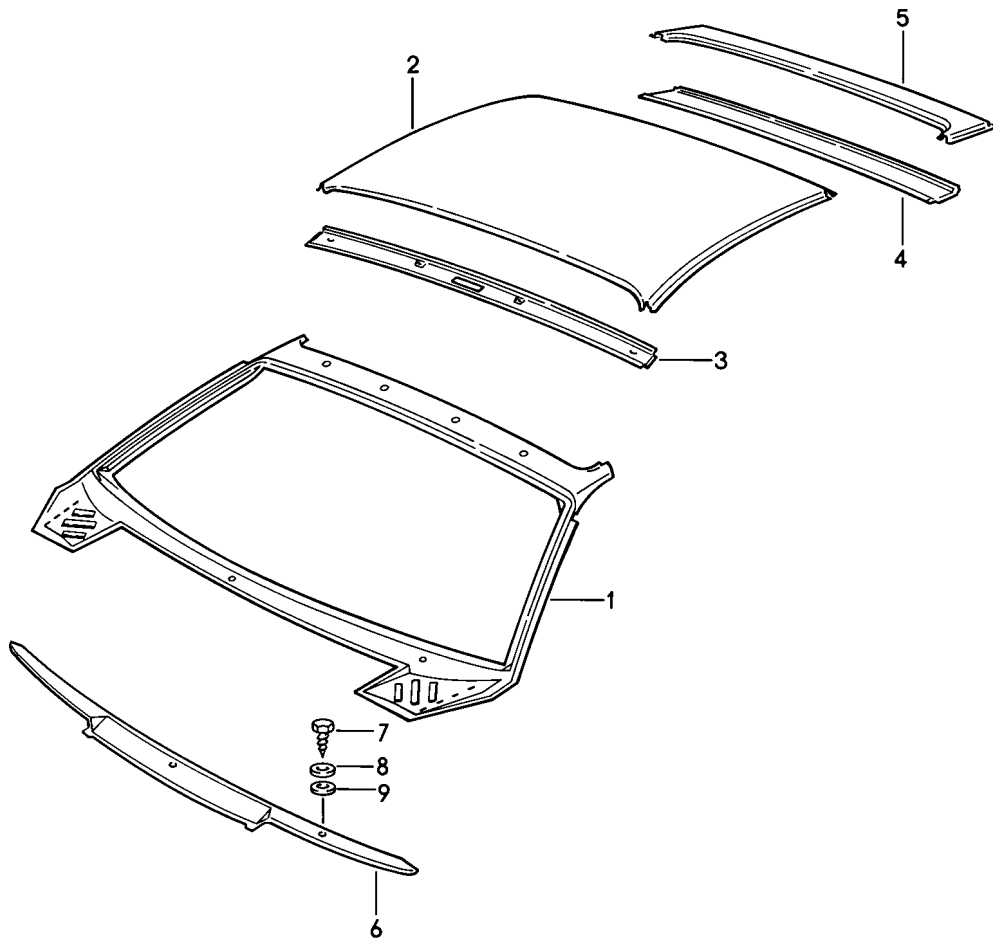
Model: 928 78

Model life 1978>>1982

Pos	Part Number	Description	Remark	Qty	Model
15	928 504 028 02	Lower Cover Headlamp casing	/R	1	
15A	999 507 246 02	Lower Speed nut M 6		4	
15A	999 507 246 01	Speed nut M 6		4	
17	928 511 577 02	Seal		2	
18	928 504 228 02	Gasket		2	928S:M 471
18	928 504 233 02	Gasket		2	928
18	928 504 233 03	Gasket		2	928

Model: 928 78

Model life 1978>>1982



Model: 928 78

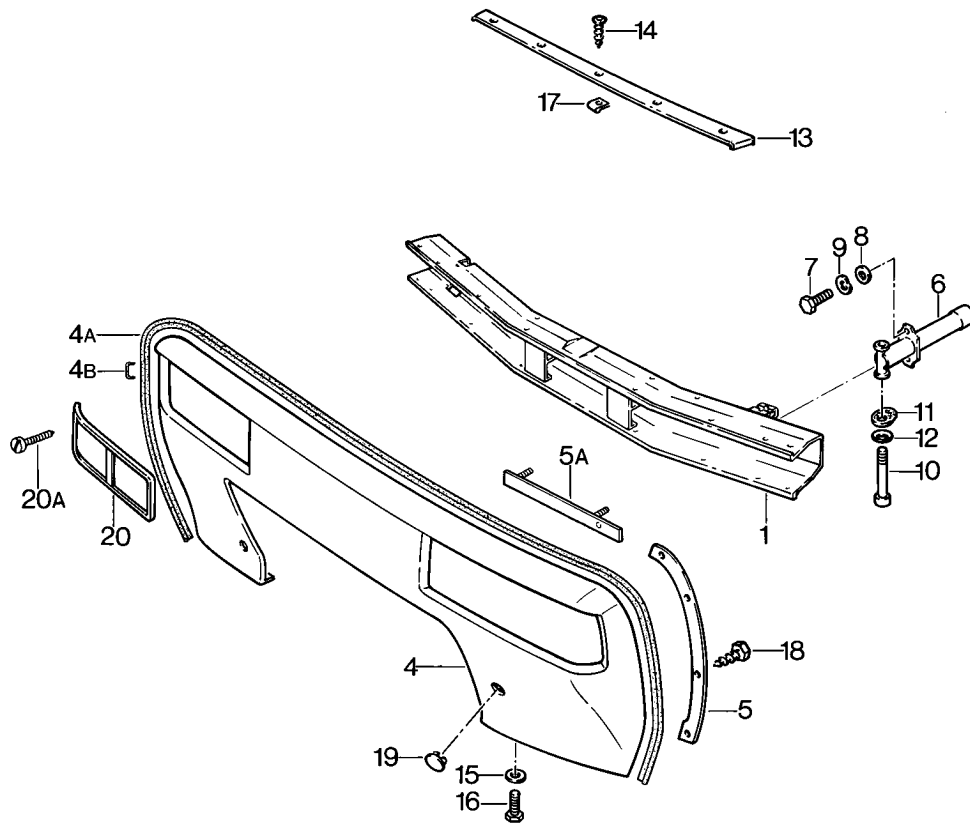
Model life 1978>>1982

Pos	Part Number	Description	Remark	Qty	Model
		Outer roof panel			
		Cowl			
1	928 503 041 08	Cowl	/LL	1	
(1)	927 503 041 02	Cowl	/RL	1	
(1)	927 503 041 04	Cowl	/RL	1	
2	928 503 501 02	Roof		1	
3	928 502 383 02	Roof frame	/V	1	
4	928 502 393 02	Roof frame	/H	1	
		Lower			
5	928 502 395 02	Roof frame	/H	1	
		Upper			
6	928 559 117 02	Cowl panel	/LL	1	
		Outer part			
(6)	927 559 117 02	Cowl panel	/RL	1	
-	928 559 251 02	Gasket		1	
		Cowl panel			
		1600 MM			
7	900 187 010 02	Hexagon-head tapping screw		2	
		BZ 6,3 X 19			
7	900 187 010 03	Hexagon-head tapping screw		2	
		BZ 6,3 X 19			
8	900 151 003 02	Washer		2	
		A 6,4			
8	900 151 006 03	Washer		2	
		A 6,4			
9	999 704 157 40	Washer		2	



Model: 928 78

Model life 1978>>1982



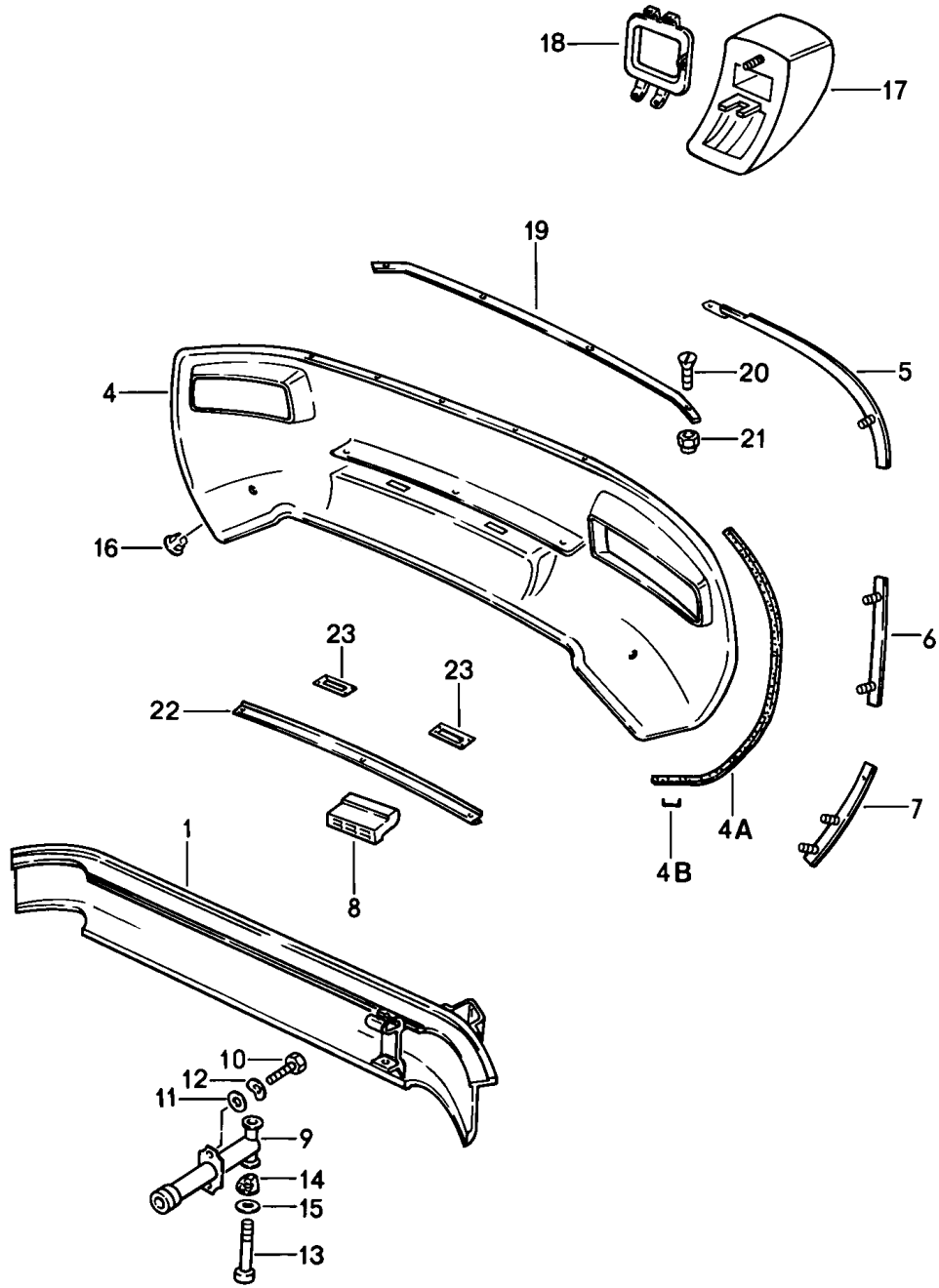
Model: 928 78

Model life 1978>>1982

Pos	Part Number	Description	Remark	Qty	Model
		Bumper			
		Front			
1	928 505 010 04	Bracket		1	
(1)	928 505 010 03	Bracket	78	1	M 58
(1)	928 505 010 05	Bracket	79-	1	M 58
4	928 505 113 06	Lining		1	
-	928 025 289 02	Piping		*	
4A		2300 MM		1	
4B	999 591 539 07	Fastening clamp		X	
5	928 505 033 02	Retaining strip	/L	1	
5		Retaining strip	/L	1	
	928 505 033 02 GRV	Prime coated			
(5)	928 505 034 02	Retaining strip	/R	1	
(5)		Retaining strip	/R	1	
	928 505 034 02 GRV	Prime coated			
5A	928 505 031 02	Retaining strip		2	
6	928 505 017 02	Impact pipe		2	
(6)	928 505 015 02	Impact absorber		2	M 58
7	900 075 085 02	Hexagon-head bolt		4	
		M 8 X 20			
8	900 025 007 02	Washer		4	
		A 8,4			
8	900 025 007 03	Washer		4	
		A 8,4			
9	N 012 241 8	Spring washer		4	
		B 8			
10	900 067 084 02	Pan-head screw		2	
		M 12 X 110			
10	900 067 084 03	Pan-head screw		2	
		M 12 X 110			
11	999 025 212 09	Washer		2	
		12			
11	999 025 212 01	Washer		2	
		12			
(11)	928 505 243 02	Eccentric washer		2	M 58
12	900 222 003 01	Cup spring		2	
13	928 505 114 02	Rail		1	
14	N 014 098 6	Rais. counters. h. tap. s.		5	
		B 4,8 X 16			
15	900 151 003 02	Washer		2	
		A 6,4			
15	900 151 006 03	Washer		2	
		A 6,4			
16	900 075 057 02	Hexagon-head bolt		2	
		M 6 X 16			
16	900 075 057 03	Hexagon-head bolt		2	
		M 6 X 16			
17	999 507 025 02	Speed nut		13	
18	900 187 106 02	Combination tapping screw		8	
		B 4,8 X 13			
19	928 505 131 02	Lid		2	
20	928 505 117 04	Covering frame	/L	1	
20	928 505 118 04	Covering frame	/R	1	
20A	900 143 125 07	Oval-head sheetmetal screw		1	
		B 3,5 X 13			

Model: 928 78

Model life 1978>>1982



Model: 928 78

Model life 1978>>1982

Pos	Part Number	Description	Remark	Qty	Model
		Bumper Rear			
1	928 505 020 07	Bracket	78	1	
1		Bracket		1	
(1)		Bracket	79-	1	
4	928 505 123 03	Lining without rear foglamp		1	
-	928 025 289 02	Piping		*	
4A		1000 MM		2	
4B	999 591 539 07	Fastening clamp		X	
5	928 505 035 02	Retaining strip Upper	/L	1	
(5)	928 505 036 02	Retaining strip Upper	/R	1	
6	928 505 037 02	Retaining strip Centre	/L	1	
(6)	928 505 038 02	Retaining strip Centre	/R	1	
7	928 505 039 02	Retaining strip Lower	/L	1	
(7)	928 505 040 02	Retaining strip Lower	/R	1	
-	999 190 313 02	Buttonhead rivet 3,2		6	
-	999 190 114 30	Blind rivet 3,2		4	
8	928 505 245 02	Buffer		2	
-	999 591 450 40	Buttonhead rivet 4,8		3	
-	999 190 312 30	Buttonhead rivet 4,8		3	
(9)	928 505 017 02	Impact pipe		2	
9	928 505 015 02	Impact absorber		2	M 58
10	900 075 085 02	Hexagon-head bolt M 8 X 20		4	
11	900 025 007 02	Washer A 8,4		4	
11	900 025 007 03	Washer A 8,4		4	
12	N 012 241 8	Spring washer B 8		4	
13	900 067 084 02	Pan-head screw M 12 X 110		2	
13	900 067 084 03	Pan-head screw M 12 X 110		2	
14	999 025 212 09	Washer 12		2	
14	999 025 212 01	Washer 12		2	
(14)	928 505 243 02	Eccentric washer		2	N 58
-	900 143 046 02	Oval-head sheetmetal screw B 4,8 X 16		5	
-	900 143 046 01	Oval-head sheetmetal screw B 4,8 X 16		5	
15	900 222 003 01	Cup spring		2	
-	N 011 556 2	Washer		5	
16	928 505 131 02	Lid for Lining		2	
18	928 505 285 02	Frame for fog lamp	/L	1	
19	928 505 267 02	Rail		1	
20	900 269 050 07	Countersunk-head screw		11	

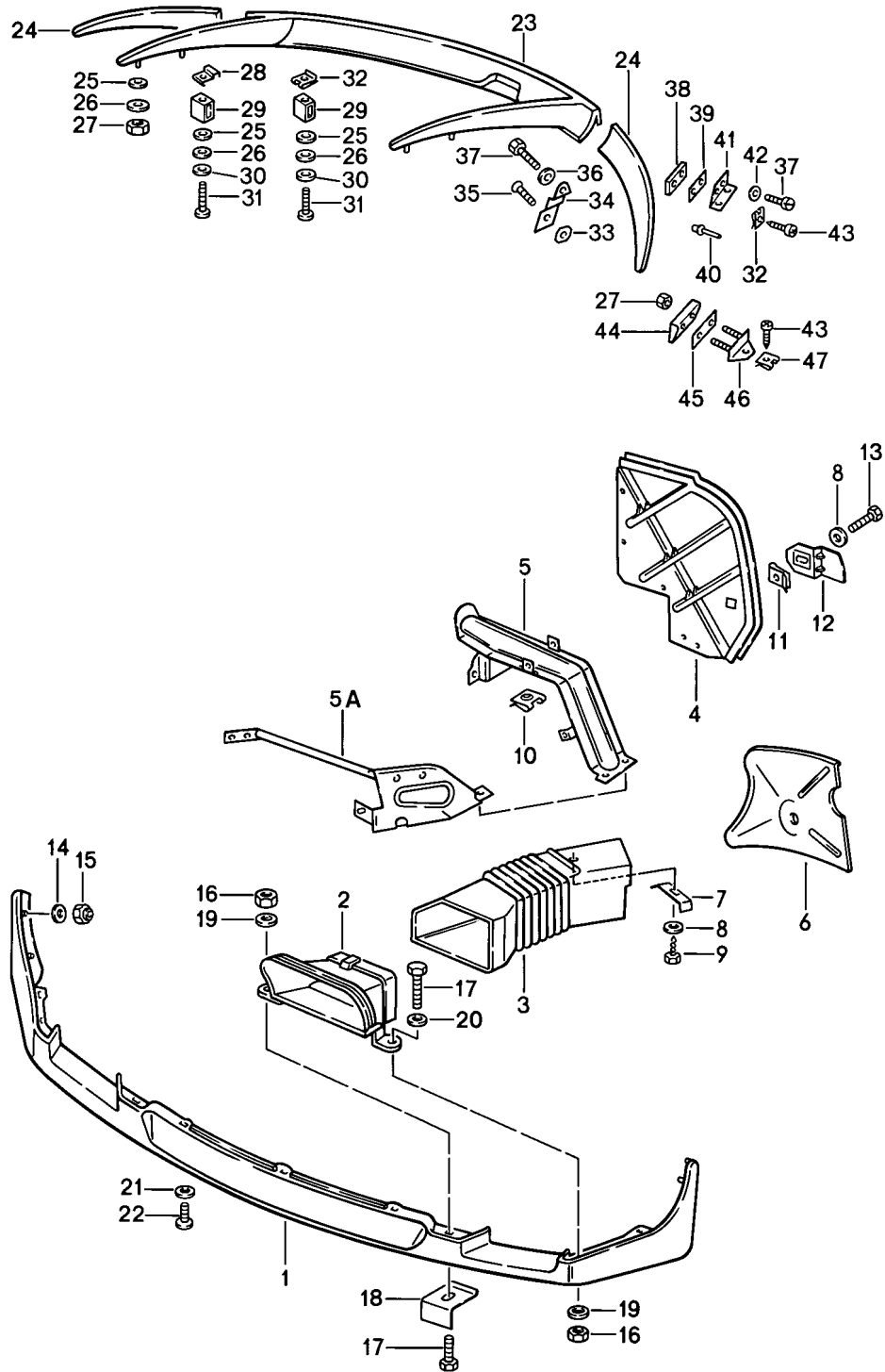
Model: 928 78

Model life 1978&gt;&gt;1982

Pos	Part Number	Description	Remark	Qty	Model
21	900 910 009 02	M 5 X 25 Lock nut		11	
21	900 084 026 01	M 5 Lock nut		11	
22	928 505 253 02	M 5 Reinforcement strip		1	
23	928 505 112 02	Mounting plate		2	

Model: 928 78

Model life 1978>>1982



Model: 928 78

Model life 1978&gt;&gt;1982

Pos	Part Number	Description	Remark	Qty	Model
		Spoiler Front and rear			
1	928 505 071 03	Front spoiler		1	
2	928 505 159 02	Ventilation grille	/L	1	
(2)	928 505 160 02	Ventilation grille	/R	1	
3	928 504 159 02	Vent hose	/L	1	
(3)	928 504 160 02	Vent hose	/R	1	
4	928 504 221 10	Cover Wheel housing Front		2	
5	928 503 031 03	Wing strut		2	
6	928 503 031 03 GRV	Prime coated See illustrations 4/01/00 POS.17			
7	928 504 247 02	Support		2	
8	900 151 003 02	Washer B 6		16	
8	900 151 006 03	Washer B 6		16	
9	900 187 108 02	Tapping screw B 6,3 X 16		12	
9	900 187 108 01	Tapping screw B 6,3 X 16		12	
10	999 591 486 02	Speed nut B 6,3		2	
11	999 507 246 02	Speed nut M 6		2	
11	999 507 246 01	Speed nut M 6		2	
12	928 504 219 02	Support		1	
12	928 504 220 02	Support		1	
13	900 075 057 02	Hexagon-head bolt M 6 X 16		2	
13	900 075 057 03	Hexagon-head bolt M 6 X 16		2	
14	900 151 027 02	Washer B 5,3		6	
14	900 151 027 03	Washer B 5,3		6	
15	900 910 008 02	Lock nut M 5		6	
16	900 910 011 02	Lock nut M 6		4	
17	900 075 017 02	Hexagon-head bolt M 6 X 25		6	
17	900 075 017 03	Hexagon-head bolt M 6 X 25		6	
18	928 505 373 02	Support		6	
19	N 011 612 3	Washer R 6,6		6	
19	N 011 612 C	Washer R 6,6		6	
20	900 151 003 02	Washer B 6		2	
20	900 151 006 03	Washer B 6		2	
21	900 151 027 02	Washer B 5,3		3	
21	900 151 027 03	Washer B 5,3		3	
22	999 141 001 02	Half-round screw M 5 X 12		3	

Model: 928 78

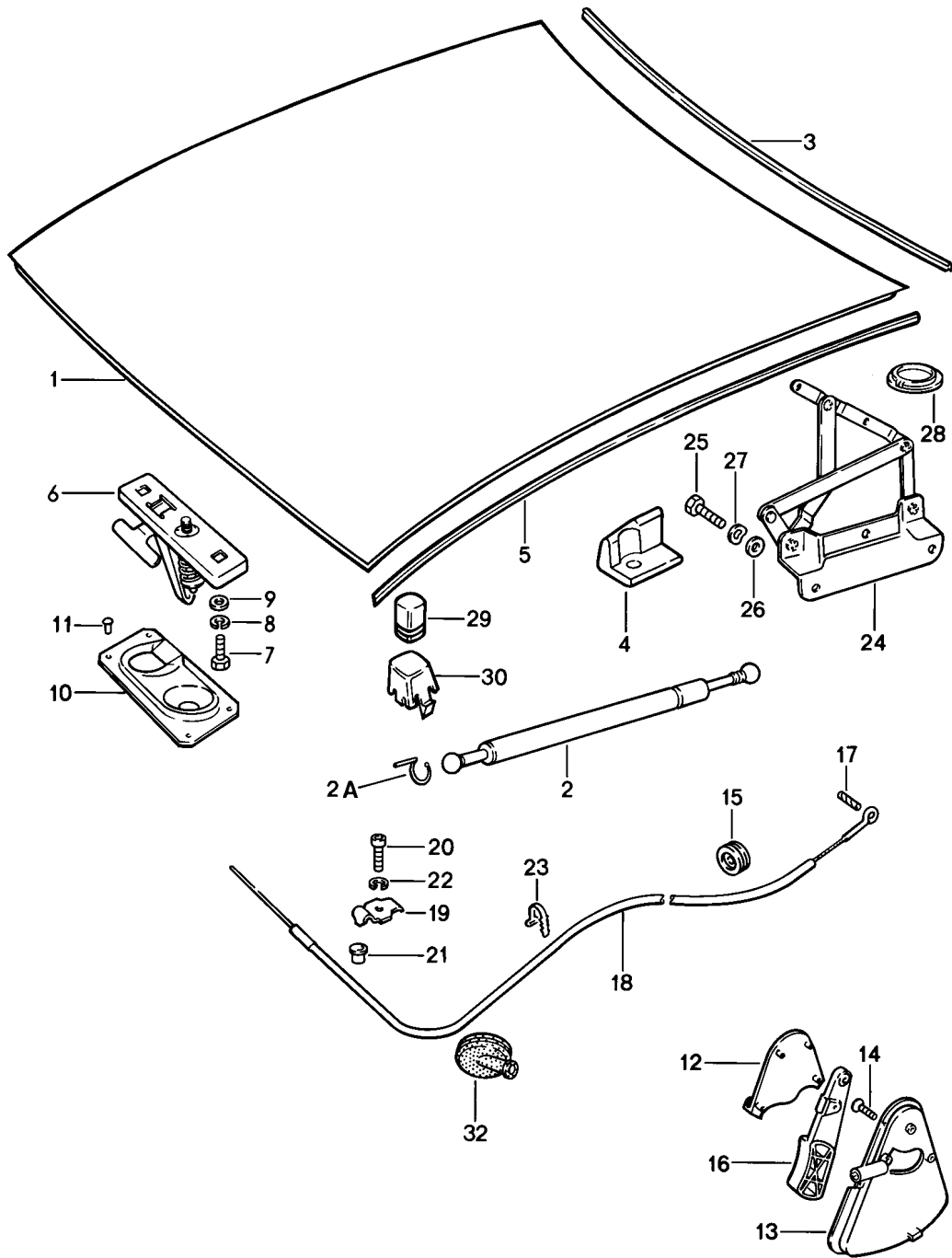
Model life 1978&gt;&gt;1982

Pos	Part Number	Description	Remark	Qty	Model
22	999 141 001 0B	Half-round screw M 5 X 12		3	
23	928 512 071 02	Rear spoiler		1	
24	928 512 073 02	Rear spoiler	/L	1	
24	928 512 074 02	Rear spoiler	/R	1	
25	928 559 143 02	Sealing ring		10	
25	928 559 143 03	Sealing ring		10	
26	999 025 083 70	Washer 3,7 X 11 X 0,5		10	
27	900 910 006 02	Lock nut M 4		4	
27	900 084 020 01	Lock nut M 4		4	
28	928 512 307 02	Speed nut		6	
29	928 512 199 02	Spacer		12	
30	900 025 002 02	Washer A 4,3		12	
30	900 025 002 03	Washer A 4,3		12	
31	900 143 077 02	Tapping screw B 4,2 X 32		12	
32	N 015 429 2	Speed nut 4,2		6	
32	N 015 429 6	Speed nut 4,2		6	
33	928 512 611 02	Desk pad		2	
34	928 512 589 02	Retaining bracket		2	
35	999 219 003 07	Countersunk-head screw M 6 X 16		2	
36	900 151 037 07	Washer A 6,4		2	
37	999 217 006 07	Hexagon-head bolt M 6 X 10		4	
38	928 512 601 02	Threaded plate		2	
39	928 512 613 02	Desk pad		2	
40	999 190 151 30	Tubular rivet 4 X 8		2	
41	928 512 595 02	Bracket		2	
42	N 011 524 7	Washer A 6,4		2	
42	N 011 524 27	Washer A 6,4		2	
43	N 013 965 9	Oval-head sheetmetal screw 4,2 X 9,5		4	
44	928 512 609 02	Base wedge		2	
45	928 512 615 02	Desk pad		2	
46	928 512 605 02	Bracket		2	
47	999 507 229 02	Speed nut B 4,2		2	



Model: 928 78

Model life 1978>>1982



Model: 928 78 Model life 1978>>1982

Pos	Part Number	Description	Remark	Qty	Model
		Lid			
		Front			
1	928 511 005 03	Bonnet		1	
2	928 511 139 03	Gas-pressure spring		2	
2A	900 169 016 02	Securing clip		4	
3	928 511 141 03	Gasket	-79	1	
(3)		Gasket	80-	1	
(5)	928 511 551 03	Gasket		2	
		Lateral			
(5)	928 511 551 05	Gasket		2	
		Lateral			
6	928 511 029 02	Lid lock		1	
		Upper part			
6	928 511 029 03	Lid lock		1	
		Upper part			
6	944 511 029 00	Lock upper part		1	
		Upper part			
7	900 076 010 02	Nut		2	
		M 6			
7	900 076 010 0B	Nut		2	
		M 6			
8	N 012 007 2	Lock ring		2	
		A 6			
8	900 027 004 03	Lock ring		2	
		A 6			
9	N 011 666 7	Washer		2	
		B 6,4			
10	928 511 027 02	Lid lock		1	
		Lower part			
11	999 190 128 30	Blind rivet		4	
		4,8 X 2			
12	928 511 143 02	Cover		1	
	928 511 143 02 70B	Black			
13	928 511 173 02	Bearing shell		1	
	928 511 173 02 70B	Black			
14	900 249 001 02	Countersunk-head screw		2	
14	900 249 031 01	Countersunk-head screw		2	
		M 6 X 15			
15	477 823 591	Grommet	78	1	
16	928 511 175 02	Pull handle		1	
	928 511 175 02 70B	Black			
17	900 308 027 02	Spiral clamping pin	-80	1	
		3,5 X 10			
17	900 197 018 00	Roll pin	81-	1	
		4 X 12			
18	928 511 037 04	Wire pull	/LL	1	
18	927 504 037 00	Wire pull	/RL	1	
19	928 511 541 02	Clamping piece		1	
20	900 067 008 02	Pan-head screw		1	
		M 6 X 12			
20	900 067 008 03	Pan-head screw		1	
		M 6 X 12			
21	928 511 543 02	Sleeve		1	
22	N 012 007 2	Lock ring		1	
		A 6			
22	900 027 004 03	Lock ring		1	
		A 6			
23	999 513 007 40	Tie-wrap		3	
24	928 511 041 04	Lid hinge	/L	1	
(24)	928 511 042 04	Lid hinge	/R	1	
25	N 010 237 6	Hexagon-head bolt		10	
		M 8			
25	N 010 237 14	Hexagon-head bolt		10	

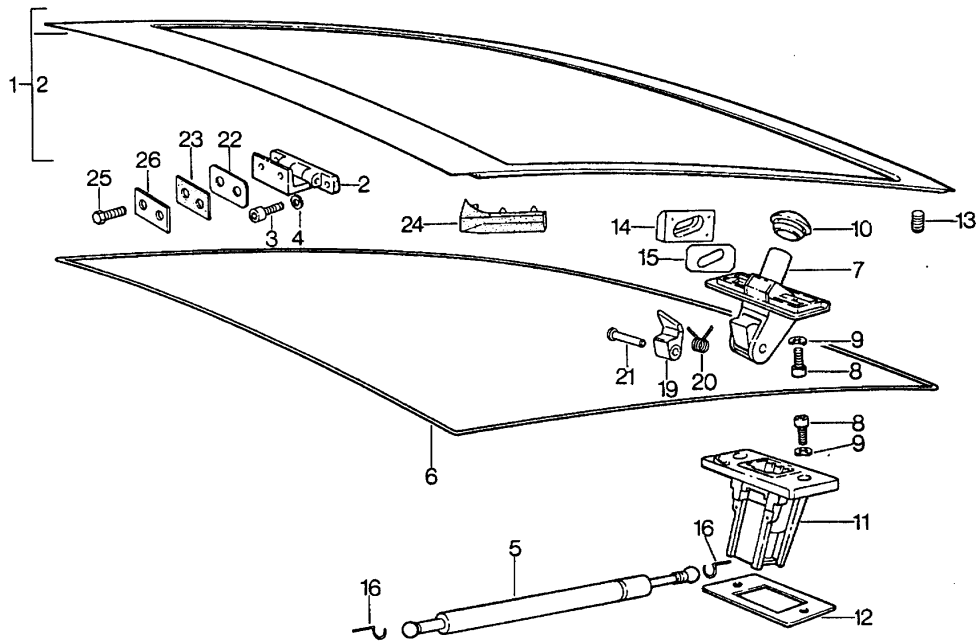
Model: 928 78

Model life 1978>>1982

Pos	Part Number	Description	Remark	Qty	Model
26	900 025 007 02	M 8 Washer		10	
26	900 025 007 03	A 8,4 Washer		10	
27	N 012 241 8	A 8,4 Spring washer		10	
28	928 511 321 02	A 8 Cap		2	
29	999 703 132 40	Rubber buffer VERSTELLBAR		1	
30	928 511 203 02	Support		2	
32	111 957 861	Grommet		1	

Model: 928 78

Model life 1978>>1982

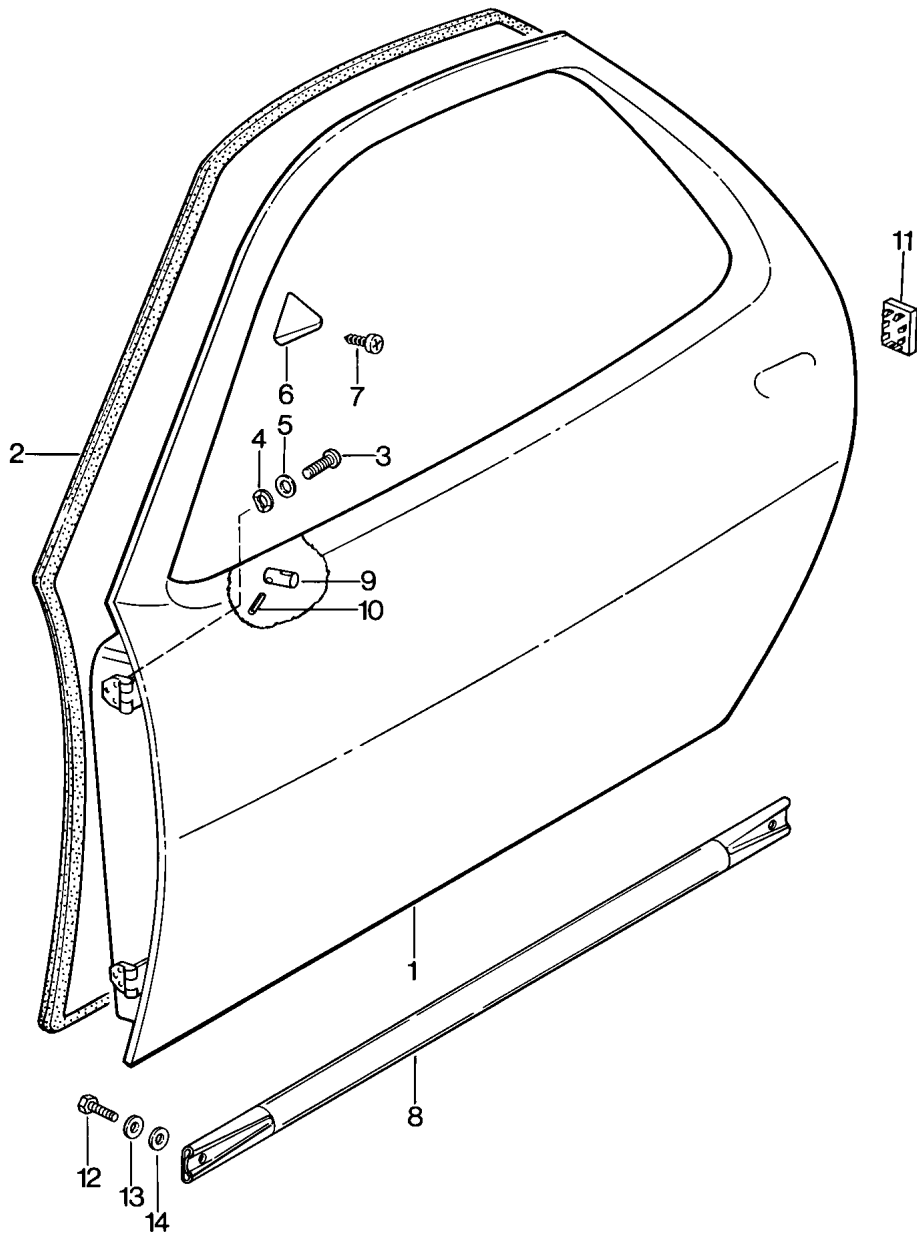


Model: 928 78 Model life 1978>>1982

Pos	Part Number	Description	Remark	Qty	Model
		Lid Rear Differing parts for Alarm system See group 8/04/20			
1	928 512 005 03	Lid		1	
(1)	928 512 005 02	Rear lid without Rear window wiper	80	1	928
2	928 512 041 04	Hinge		2	
3	999 509 012 02	Pan-head screw M 6 X 20		8	
4	N 012 026 3	Lock ring A 6		8	
5	928 512 331 05	Gas-pressure spring		2	
6	928 512 129 02	Gasket		1	
6	928 512 129 05	Gasket		1	
-	000 043 204 38	Use also: Sealing compound		1	
7	928 512 903 02	Lid lock with Secondary key W/o stipulated lock number		1	
(7)	928 512 901 02	Lid lock with Secondary key State lock number		1	
8	900 186 149 02	Pan-head screw M 8 X 15		4	
9	999 523 102 02	Washer		4	
9	999 523 102 0B	Washer		4	
10	928 512 169 02	Gasket		1	
11	928 512 055 40	Push-button lock Lower part		1	928
11		Push-button lock Lower part		1	928S M473
12	928 512 179 02	Desk pad 1 MM		X	
(12)	928 512 181 02	Desk pad 2 MM		X	
13	999 703 132 40	Rubber buffer		2	
14	928 512 057 02	Guide wedge		2	
15	928 512 263 02	Plate		2	
16	900 169 016 02	Securing clip		4	
19	928 512 161 02	Latch		1	
20	928 512 163 02	Spring		1	
21	928 512 165 02	Clinch pin		1	
22	928 512 409 02	Desk pad		X	
23	928 512 413 03	Gasket	-80	2	
23		Gasket	81	2	
23	928 512 413 07	Gasket	82	2	
24	928 512 261 02	Water deflector	/L	1	
(24)	928 512 262 02	Water deflector	/R	1	
25	999 217 017 02	Hexagon-head bolt M 8 X 18		4	
26	928 512 417 03	Plate		2	

Model: 928 78

Model life 1978>>1982



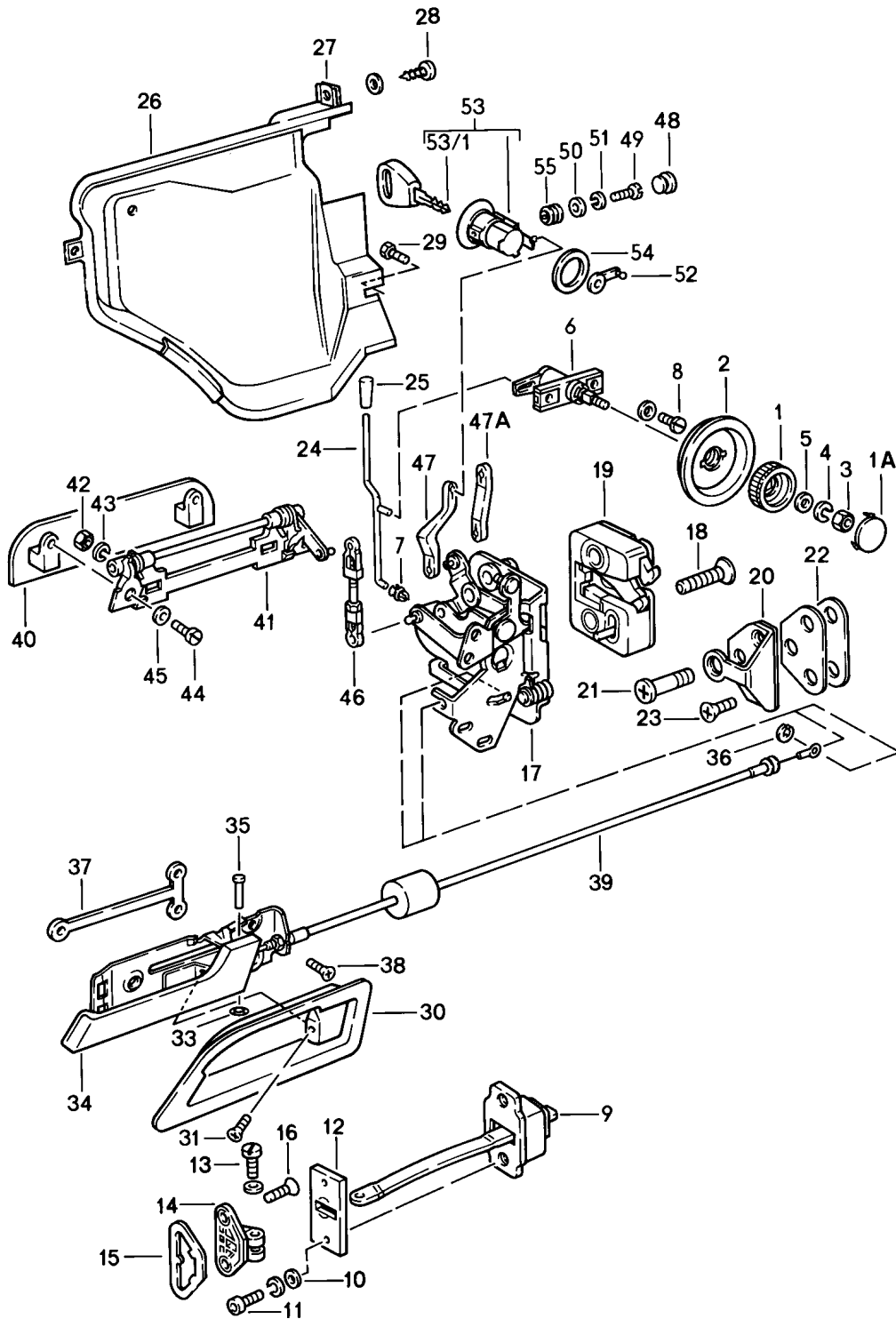
Model: 928 78

Model life 1978>>1982

Pos	Part Number	Description	Remark	Qty	Model
1	928 531 005 07	Door in white	/L	1	
(1)	928 531 006 07	Door in white Prepared for mirror	/R	1	
1	927 531 005 08	Door in white	/L	1	
(1)	927 531 006 10	Door in white Not prepared for mirror Prepared for mirror	/R	1	
2	928 537 345 03	Door seal	/L	1	
(2)	928 537 346 03	Door seal	/R	1	
3	N 014 770 3	Pan-head screw M 8 X 15		12	
4	900 025 007 02	Washer A 8,4		16	
4	900 025 007 03	Washer A 8,4		16	
5	900 027 015 02	Lock ring B 8		16	
5	900 027 015 03	Lock ring B 8		16	
6	928 537 341 02	Thrust wedge	/L	1	
(6)	928 537 342 02	Thrust wedge	/R	1	
7	900 144 008 02	Counters. head tapp. screw B 3,5 X 9,5		2	
8	928 531 601 03	Reinforcement		2	M190
8	928 531 601 03 GRV	Reinforcement Prime coated		2	M190
9	928 531 235 03	Threaded piece		1	
10	N 013 295 1	Tensioning sleeve 3 X 12		1	
11	928 537 723 02	Dummy plug	80-	2	
12	N 010 239 11	Hexagon-head bolt M 8 X 18		4	
12	N 010 239 30	Hexagon-head bolt M 8 X 18		4	
13	N 012 009 3	Lock ring A 8		4	
14	900 025 007 02	Washer A 8,4		4	
14	900 025 007 03	Washer A 8,4		4	

Model: 928 78

Model life 1978>>1982





Model: 928 78

Model life 1978&gt;&gt;1982

Pos	Part Number	Description	Remark	Qty	Model
		Installation parts			
		Door			
		Differing parts			
		for			
		Alarm system			
		See group			
		8/04/20			
1	928 537 581 03	Rotary knob		2	
1A	911 531 703 00	Cap		2	
2	928 537 585 02	Covering		2	
3	N 011 005 14	Hexagon nut		2	
		M 5			
3	900 076 091 01	Hexagon nut		2	
		M 5			
4	N 012 222 4	Spring washer		2	
		A 5			
5	900 151 027 02	Washer		2	
		B 5,3			
5	900 151 027 03	Washer		2	
		B 5,3			
(6)	928 537 095 02	Rotary knob		1	
		for			
		Rotary knob			
		Driver's door			
6	928 537 096 02	Bearing		1	
	928 537 096 02 TPP	for			
		Rotary knob			
		Passenger's door			
7	993 531 563 00	Linkage clip		2	
8	900 143 058 02	Tapping screw		4	
		BZ 4,5 X 9,5			
9	928 537 033 04	Door support		2	
10	N 011 524 7	Washer		4	
		6,4			
10	N 011 524 27	Washer		4	
		6,4			
11	928 537 451 02	Pan-head screw		4	
12	928 537 371 02	Desk pad		2	
		for			
		Door support			
(13)	900 309 031 02	Roll pin	-79	2	
		6 X 16			
13	928 537 419 03	Pan-head screw		2	
(14)	928 537 417 02	Bearing bracket	/L	1	
(14)	928 537 417 03	Bearing bracket	/L	1	
14	928 537 418 02	Bearing bracket	/R	1	
(15)	928 537 425 02	Desk pad	/L	1	
15	928 537 426 02	Desk pad	/R	1	
16	928 537 459 02	Oval-head screw		4	
		M 6 X 25			
(17)	928 537 907 03	Lock	/L	1	
		Inner part			
17	927 537 908 03	Lock	/R	1	
		Inner part			
18	928 537 721 02	Oval-head screw		4	
(19)	928 537 153 03	Door lock	/L	1	
		Outer part			
19	928 537 154 03	Door lock	/R	1	
		Outer part			
20	928 537 038 02	Door lock striker	-79	2	
20	928 537 133 02	Door lock striker		2	
21	928 537 131 03	Lock pin		2	
22	928 537 135 04	Desk pad		2	

Model: 928 78

Model life 1978&gt;&gt;1982

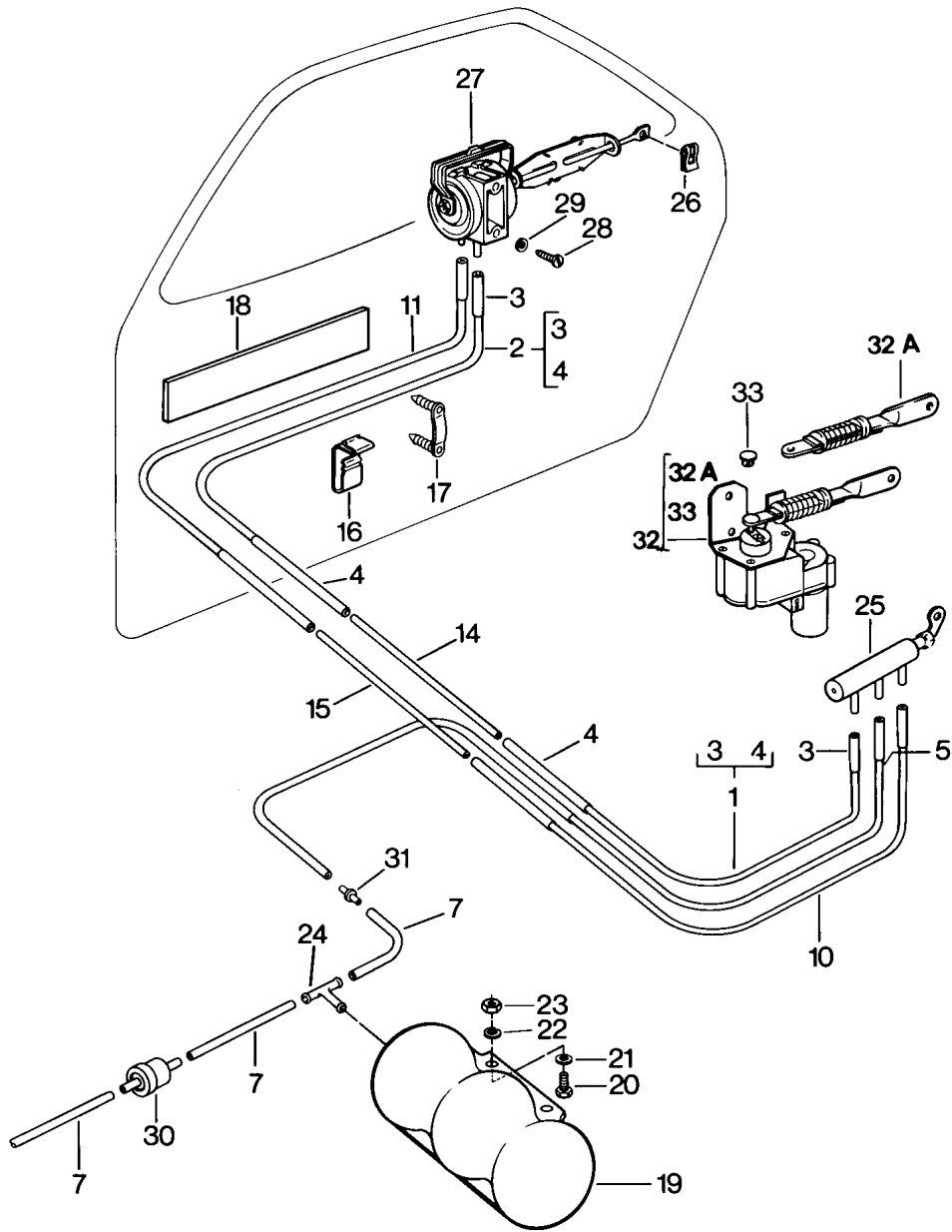
Pos	Part Number	Description	Remark	Qty	Model
23	900 249 024 00	Countersunk-head screw M 8X25		4	
(24)	928 537 160 04	Locking rod		2	
25	928 555 359 02	Locking knob		2	
25		Locking knob		2	
		Doors			
	928 555 359 02 70B	Black			
(26)	928 537 333 02	Covering for lock	/L -80	1	
(26)	928 537 333 03	Covering for lock	/L 81-	1	
26	928 537 334 02	Covering for lock	/R -80	1	
26	928 537 334 03	Covering for lock	/R 81-	1	
27	999 507 033 02	Speed nut		4	
		B 4,8			
27	999 507 033 01	Speed nut		4	
		B 4,8			
28	900 143 118 02	Tapping screw		4	
		B 4,8 X 13			
29	900 075 078 02	Hexagon-head bolt		2	
		M 8 X 15			
29	900 075 078 03	Hexagon-head bolt		2	
		M 8 X 15			
(30)	928 537 545 02	Finger plate	/L	1	
30	928 537 546 02	Finger plate	/R	1	
31	900 269 006 07	Countersunk-head screw		2	
		M 4 X 8			
33	999 591 242 01	Speed nut		2	
(34)	928 537 547 02	Interior handle	/L	1	
34	928 537 548 02	Interior handle	/R	1	
35	928 537 557 02	Bolt		2	
36	900 116 002 01	Lock washer		2	
		3,2			
37	928 537 157 02	Nut lock		2	
38	900 269 015 02	Countersunk-head screw		6	
		M 5 X 10			
39	928 537 055 02	Bowden cable		2	
40	928 537 661 02	Grab plate		2	
(41)	928 537 063 04	Bearing	/L -80	1	
(41)		Bearing	/L 81-	1	
(41)		Bearing		1	
(41)	928 537 064 04	Bearing	/R -80	1	
(41)		Bearing	/R 81-	1	
(41)		Bearing		1	
42	900 076 010 02	Nut		4	
		M 6			
42	900 076 010 0B	Nut		4	
		M 6			
43	N 012 006 4	Lock ring		4	
		B 6			
44	N 014 761 2	Pan-head screw		4	
		M 6 X 12			
44	900 119 129 01	Pan-head screw		4	
		M 6 X 12			
45	N 012 226 5	Spring washer		4	
		B 6			
46	928 537 140 02	Connecting rod	-80	2	
46	928 537 140 03	Connecting rod	81-	1	
(47)	928 537 111 02	Operating rod	78	1	
47	928 537 112 02	Operating rod	78	1	
47A	928 537 111 03	Operating rod	-80	2	
47A	928 537 111 04	Operating rod	81-	2	
48	999 703 224 40	Cap		2	
49	900 119 035 02	Pan-head screw	-80	2	
		M 6 X 8			

Model: 928 78 Model life 1978>>1982

Pos	Part Number	Description	Remark	Qty	Model
49	999 218 003 02	Pan-head screw M 6 X 18	81-	2	
50	N 011 524 7	Washer B 6,4		2	
50	N 011 524 27	Washer B 6,4		2	
51	N 012 226 5	Spring washer A 6	-80	2	
52	928 537 117 03	Driver	/L	1	
52	928 537 118 03	Driver	/R	1	
(53)	928 537 633 05	Door lock cylinder Rosette Black without key State lock number	79-	2	
(53)	928 537 633 06	Door lock cylinder Rosette Chrome without key State lock number Use also: 928.537.111.03	78	2	
53	928 537 903 02	Door lock cylinder Rosette Black Secondary key W/o stipulated lock number	79-	2	
53	928 537 903 03	Door lock cylinder	78	2	
53	928 537 903 04	Door lock cylinder Rosette Chrome Secondary key W/o stipulated lock number Use also: 928.537.111.03		1	
53/1	928 537 017 02	Main key with Key lamp State lock number		2	
-	928 537 624 02	Lid		2	
-	928 537 625 02	Contact plate		2	
-	928 537 626 02	Connecting lug		2	
-	928 537 627 02	Pressure spring		2	
-	928 537 628 02	Knob		2	
-	928 537 630 02	Bulb		2	
53	928 537 639 10	Blank key		2	
54	928 537 531 02	Desk pad for lock cylinder		2	
55	928 537 573 02	Spacer sleeve	81-	2	

Model: 928 78

Model life 1978>>1982

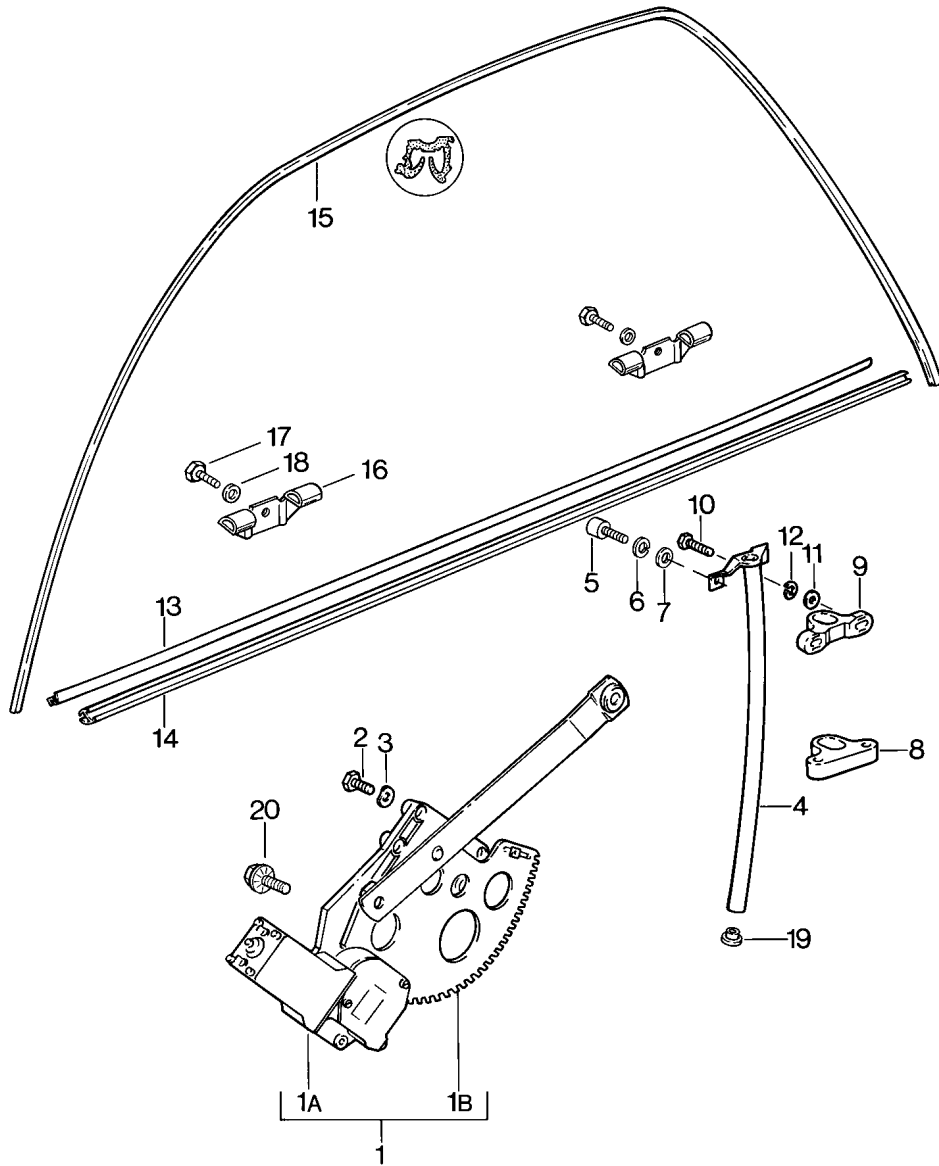


Model: 928 78 Model life 1978>>1982

Pos	Part Number	Description	Remark	Qty	Model
1	928 537 471 02	Central locking system Vacuum line Red	/L -79	1	
2	928 537 472 02	Vacuum line Red	/R -79	1	
-	928 025 305 03	Hose 2,6 X 1,7 Red	-79	*	
3		40 MM	-79	2	
4		350 MM	-79	2	
5	928 537 473 02	Vacuum line Blue	-79	1	
7	928 574 723 02	Vacuum line Black 400 MM	-79	3	
10	928 537 475 02	Vacuum line Light green	-79	1	
11	928 537 476 02	Vacuum line Light green	-79	1	
14	928 537 447 02	Vacuum line Red	-79	1	
15	928 537 449 02	Vacuum line Light green	-79	1	
16	928 537 394 02	Clamp	-79	8	
(16)	928 537 394 03	Clamp	80-	8	
17	928 537 411 02	Clip	-79	4	
-	999 911 227 40	Base strap 915 MM	-79	*	
18		915 MM	-79	2	
19	928 537 443 02	Vacuum reservoir	-79	1	
20	900 075 145 02	Hexagon-head bolt M 5 X 16	-79	2	
21	900 025 003 02	Washer A 5,3	-79	4	
22	N 012 222 4	Spring washer A 5	-79	2	
23	N 011 005 14	Hexagon nut M 5		2	
23	900 076 091 01	Hexagon nut M 5		2	
24	901 628 745 20	T-piece	-79	1	
25	928 537 077 02	Control valve	/LL -79	1	
(25)	928 537 078 02	Control valve	/RL -79	1	
26	999 166 054 02	Sl-lock		4	
26	999 166 054 01	Sl-lock		4	
(27)	928 537 079 02	Actuator	/RL -79	1	
27	928 537 080 02	Actuator ELEMENT	/LL -79	1	
28	N 013 968 7	Tapping screw B 4,8 X 13		2	
28	900 143 097 01	Tapping screw B 4,8 X 13		2	
29	900 025 003 02	Washer A 5,3	-79	4	
30	928 537 361 02	Valve	-79	1	
31	928 574 689 02	Connecting piece	-79	1	
32	928 624 401 02	Electric motor	/L 80-	1	
(32)	928 624 402 02	Electric motor	/R 80-	1	
32A	928 624 403 00	Operating rod	80-	2	
33	999 591 570 40	Clip Wiring harnesses See group 9/02/15	80-	2	

Model: 928 78

Model life 1978>>1982



Model: 928 78 Model life 1978>>1982

Pos	Part Number	Description	Remark	Qty	Model
1	928 537 075 02	Power windows	/L	1	
1	928 537 075 06	Engine and transmission	/L	1	
1	928 537 076 02	Power windows	/R	1	
1	928 537 076 06	Engine and transmission	/R	1	
1A	928 624 013 04	Engine and transmission for window opener Only together with 928.537.075.02	/L	1	
1	928 624 013 03	Engine and transmission for window opener Only together with 928.537.075.05	/L	1	
1A	928 624 014 04	Engine and transmission for window opener Only together with 928.537.076.02	/R	1	
1	928 624 014 03	Engine and transmission for window opener Only together with 928.537.076.05	/R	1	
1B	928 537 909 02	Power windows without Engine and transmission Only together with 928.537.075.02	/L	1	
1B	928 537 909 04	Power windows without Engine and transmission Only together with 928.537.075.05	/L	1	
1B	928 537 910 02	Power windows without Engine and transmission Only together with 928.537.076.02	/R	1	
1B	928 537 910 04	Power windows without Engine and transmission Only together with 928.537.076.05	/R	1	
2	N 010 210 13	Hexagon-head bolt M 6 X 10		8	
3	N 012 226 5	Spring washer B 6		8	
4	928 537 263 02	Guide tube	/L	1	
(4)	928 537 264 02	Guide tube	/R	1	
5	900 067 008 02	Pan-head screw M 6 X 12		4	
5	900 067 008 03	Pan-head screw M 6 X 12		4	
6	900 151 007 02	Washer B 7,4		4	
6	900 151 007 03	Washer B 7,4		4	
7	N 012 006 4	Lock ring B 6		4	
8	928 537 259 02	Slide Lower	/L	2	
(8)	928 537 260 02	Slide Lower	/R	2	
9	928 537 289 02	Slide Upper	/L	2	

Model: 928 78

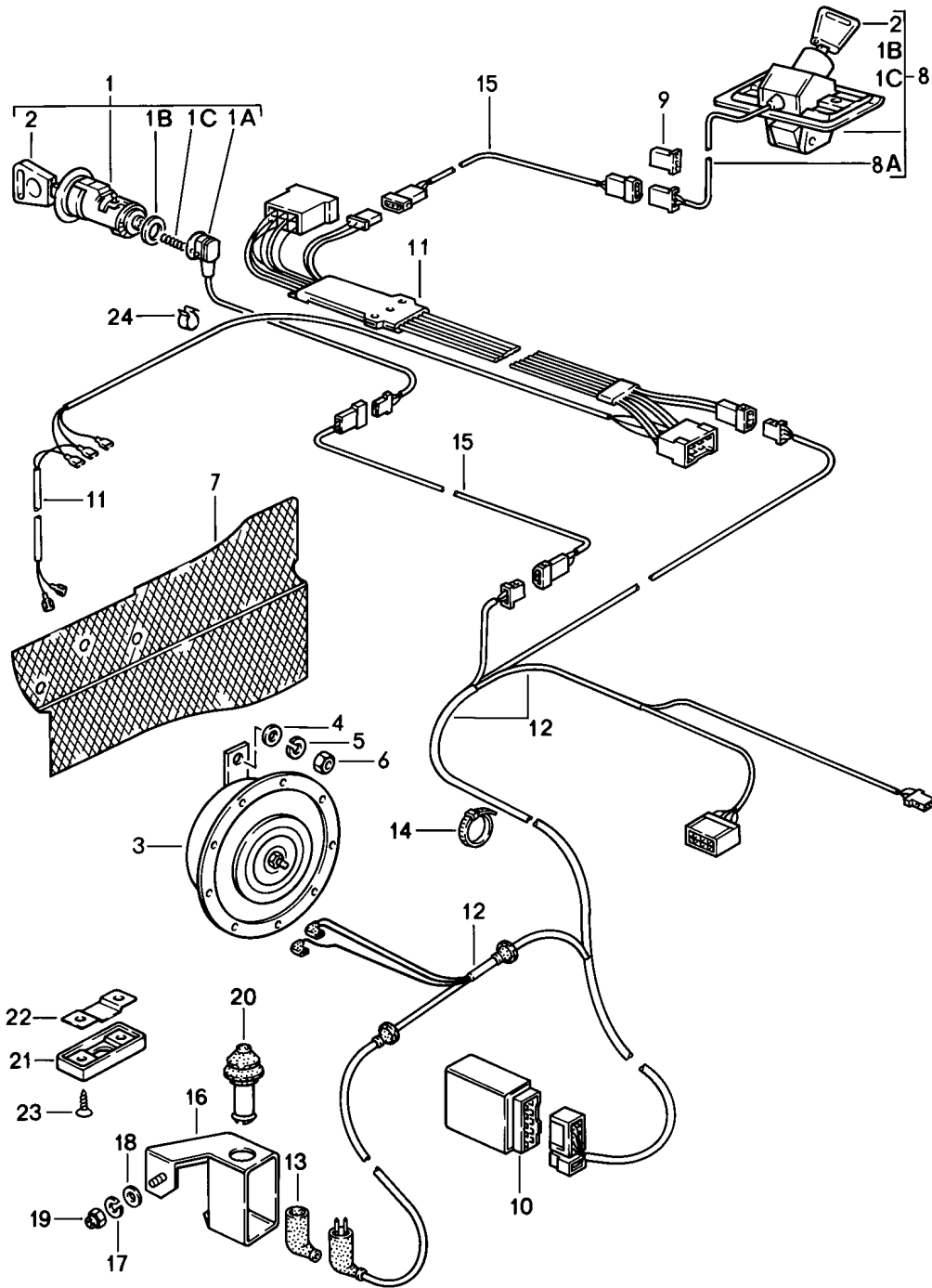
Model life 1978&gt;&gt;1982

Pos	Part Number	Description	Remark	Qty	Model
(9)	928 537 290 02	Slide Upper	/R	2	
10	900 075 016 02	Hexagon-head bolt M 6 X 22		4	
10	900 075 016 03	Hexagon-head bolt M 6 X 22		4	
11	N 011 524 7	Washer B 6,4		4	
11	N 011 524 27	Washer B 6,4		4	
12	N 012 006 4	Lock ring B 6		4	
13	928 537 319 03	Sealing for door slot	/L -79	1	
13		Sealing for door slot	/L 80-	1	
(13)	928 537 320 03	Sealing for door slot	/R -79	1	
(13)		Sealing for door slot	/R 80-	1	
14	928 537 321 03	Sealing for door slot Outer	/L	1	
14		Sealing for door slot Outer	/L	1	
(14)	928 537 322 03	Sealing for door slot Outer	/R	1	
(14)	928 537 322 04	Sealing for door slot Outer	/R	1	
(14)	928 537 322 03	Sealing for door slot Outer	/R	1	
(14)	928 537 322 04	Sealing for door slot Outer	/R	1	
15	928 537 323 03	Window guide	/L	1	
(15)	928 537 324 03	Window guide	/R	1	
(15)		Window guide	/R	1	
-	999 920 004 02	U-clamp		10	
16	928 537 085 03	Fleet angle		4	
17	N 014 761 2	Pan-head screw M 6 X 12		4	
17	900 119 129 01	Pan-head screw M 6 X 12		4	
-	N 012 226 5	Spring washer B 6		4	
18	N 011 524 7	Washer A 6,4		4	
18	N 011 524 27	Washer A 6,4		4	
19	928 537 285 02	Insert		2	
20	999 093 004 02	Hexagon-head bolt		6	



Model: 928 78

Model life 1978>>1982



Model: 928 78

Model life 1978&gt;&gt;1982

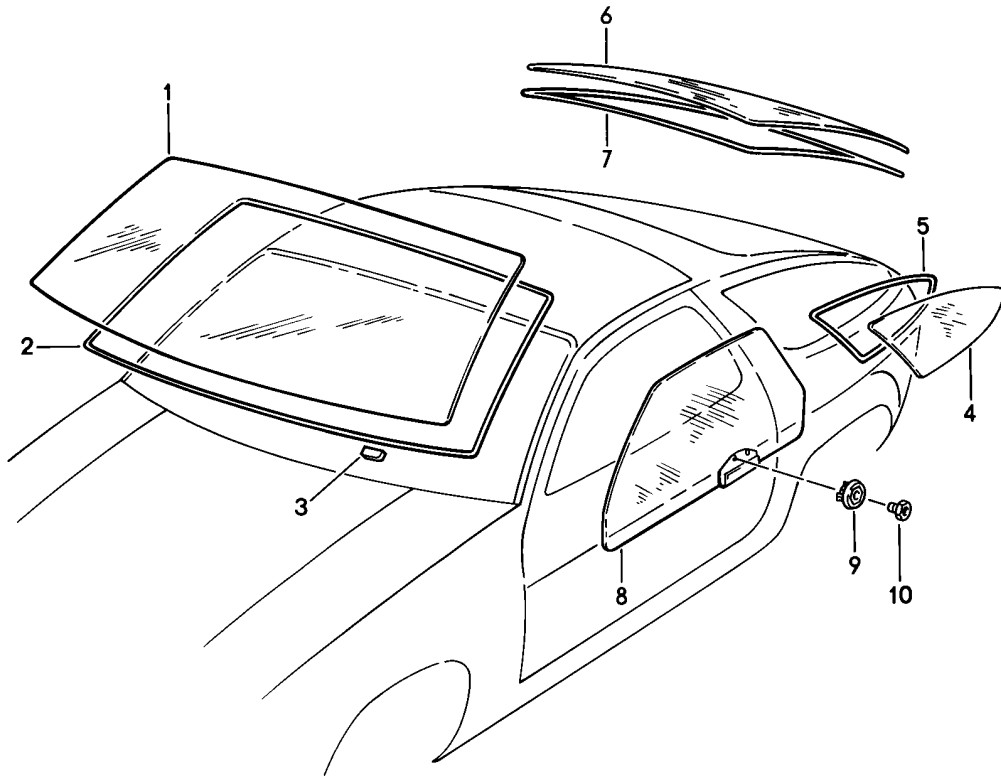
Pos	Part Number	Description	Remark	Qty	Model
1	928 537 906 02	Alarm system Door lock cylinder with Microswitch with stipulated lock number State lock number Secondary key Key	/R	1	
1	928 537 905 02	Door lock cylinder with Microswitch with stipulated lock number State lock number Secondary key Key	/L	1	
1	928 537 908 02	Door lock cylinder with Microswitch W/o stipulated lock number Secondary key Key	/R	1	
1	928 537 907 02	Door lock cylinder with Microswitch W/o stipulated lock number Secondary key Key	/L	1	
(1A)	928 537 713 02	Contact switch	/L	1	
1A	928 537 714 02	Contact switch	/R	1	
1B	928 537 493 02	Compression spring		3	
1C	928 537 495 03	Gasket		3	
2	928 537 019 02	Key with Key lamp with stipulated lock number State lock number		1	
2	928 537 639 10	Blank key		1	
3	928 635 105 00	High volume horn		1	
4	900 025 008 09	Washer A 10,5		1	
4	900 025 008 04	Washer A 10,5		1	
5	900 027 016 02	Lock ring B 10		1	
5	900 027 016 03	Lock ring B 10		1	
6	N 011 010 6	Hexagon nut M 10		1	
6	N 101 552 10	Hexagon nut M 10		1	
7	928 504 353 02	Protective grille	/LL	1	
7	927 504 353 02	Protective grille	/RL	1	
8	928 512 901 03	Lid lock with stipulated lock number State lock number Key		1	
8	928 512 903 03	Lid lock W/o stipulated lock number Key		1	
8A	928 512 070 02	Contact switch	/H	1	
9	171 971 999 B	Terminal sleeve housing		3	
10	928 618 117 00	Alarm control unit		1	
10	928 618 117 01	Alarm control unit	(CH)	1	

Model: 928 78 Model life 1978>>1982

Pos	Part Number	Description	Remark	Qty	Model
11	928 612 008 04	Wiring harness		1	
11		Wiring harness		1	
12	928 612 182 02	Wiring harness with Lock for Rear lid	/LL	1	
12	928 612 182 00	Wiring harness without Lock for Rear lid	/LL	1	
12	927 612 182 02	Wiring harness	/RL	1	
13	113 927 249	Protection cap		1	
14	999 513 003 40	Tie-wrap		4	
15	928 612 183 00	Wiring harness for Doors And Rear lid		3	
16	928 637 101 01	Switch housing		1	
17	N 012 005 3	Lock ring		1	
18	900 151 027 02	Washer A 5,3		1	
18	900 151 027 03	Washer A 5,3		1	
19	N 011 005 14	Hexagon nut M 5		1	
19	900 076 091 01	Hexagon nut M 5		1	
20	928 613 173 00	Contact switch		1	
21	928 637 121 00	Protection cap		1	
22	928 637 123 00	Pressure plate		1	
23	N 013 994 2	Counters. head tapp. screw B 4,8 X 16		2	
24	999 591 465 02	Cable clamp		2	
(24A)	N 011 005 14	Hexagon nut		1	
(24A)	900 076 091 01	Hexagon nut		1	

Model: 928 78

Model life 1978>>1982



Model: 928 78 Model life 1978>>1982

Pos	Part Number	Description	Remark	Qty	Model
1	928 541 013 02	window glazing Windscreen Clear	-80	1	
1	928 541 011 06	Windscreen Clear		1	
1	928 541 012 01	Windscreen Clear		1	
1	928 541 011 12	Windscreen Clear		1	
(1)	928 541 014 03	Windscreen Brown Tinted		1	
(1)	928 541 011 05	Windscreen Green Tinted		1	
(1)	928 541 011 11	Windscreen Green Tinted		1	
1	928 541 011 07	Windscreen Green Green top tint		1	
1	928 541 013 01	Windscreen Green Green top tint		1	
1	928 541 011 13	Windscreen Green Green top tint		1	
2	477 898 011 A	Sealing set Windscreen		1	
3	928 541 121 04	Spacer		2	
4	928 543 101 02	Side window Clear	/L -79	1	
(4)	928 543 102 02	Side window Clear	/R -79	1	
(4)	928 543 103 08	Side window Brown Tinted	/L	1	
(4)	928 543 103 03	Side window Brown Rear spoiler	/L	1	
(4)	928 543 104 02	Side window Brown Tinted	/R	1	
(4)	928 543 104 03	Side window Brown Rear spoiler	/R	1	
(4)	928 543 105 02	Side window Green Tinted	/L	1	
(4)	928 543 105 03	Side window Green Rear spoiler	/L	1	
(4)	928 543 106 02	Side window Green Tinted	/R	1	
(4)	928 543 106 03	Side window Green Rear spoiler	/R	1	
		Side window F 92BS8 00193>> F 92BS8 40297>> F 92BS8 29571>> F 92BS8 20567>>	(J) (USA)		928 928S

Model: 928 78 Model life 1978>>1982

Pos	Part Number	Description	Remark	Qty	Model
(4)	928 543 103 08	Side window Brown Tinted	/L	1	
(4)		Side window Brown Tinted	/L	1	
(4)	928 543 103 09	Side window Brown	/L	1	
(4)	928 543 104 08	Rear spoiler Side window Brown Tinted	/R	1	
(4)	928 543 104 09	Side window Brown Rear spoiler	/R	1	
(4)		Side window Brown Rear spoiler	/R	1	
(4)	928 543 105 08	Side window Green Tinted	/L	1	
(4)	928 543 105 07	Side window Green Rear spoiler	/L	1	
(4)	928 543 106 08	Side window Green Tinted	/R	1	
(4)	928 543 106 09	Side window Green Rear spoiler Sealing frame F >>92BS8 00192 F >>92BS8 40296 F >>92BS8 29570 F >>92BS8 20566	/R    (J) (USA)	1	928 928S
5	928 543 037 03	Sealing frame without Rear spoiler	/L	1	
5	928 543 037 04	Sealing frame without Rear spoiler	/L	1	
5	928 543 038 03	Sealing frame without Rear spoiler	/R	1	
5	928 543 038 04	Sealing frame without Rear spoiler	/R	1	
(5)	928 543 045 03	Sealing frame with Rear spoiler	/L	1	
5	928 543 046 03	Sealing frame with Rear spoiler F 92BS8 00193>> F 92BS8 40297>> F 92BS8 29571>> F 92BS8 20567>>	/R    (J) (USA)	1	928 928S
5	928 543 045 04	Sealing frame Rear spoiler		1	
5	928 543 046 04	Sealing frame Rear spoiler Sealing frame	/L	1	
		Rear spoiler Sealing frame	/R		

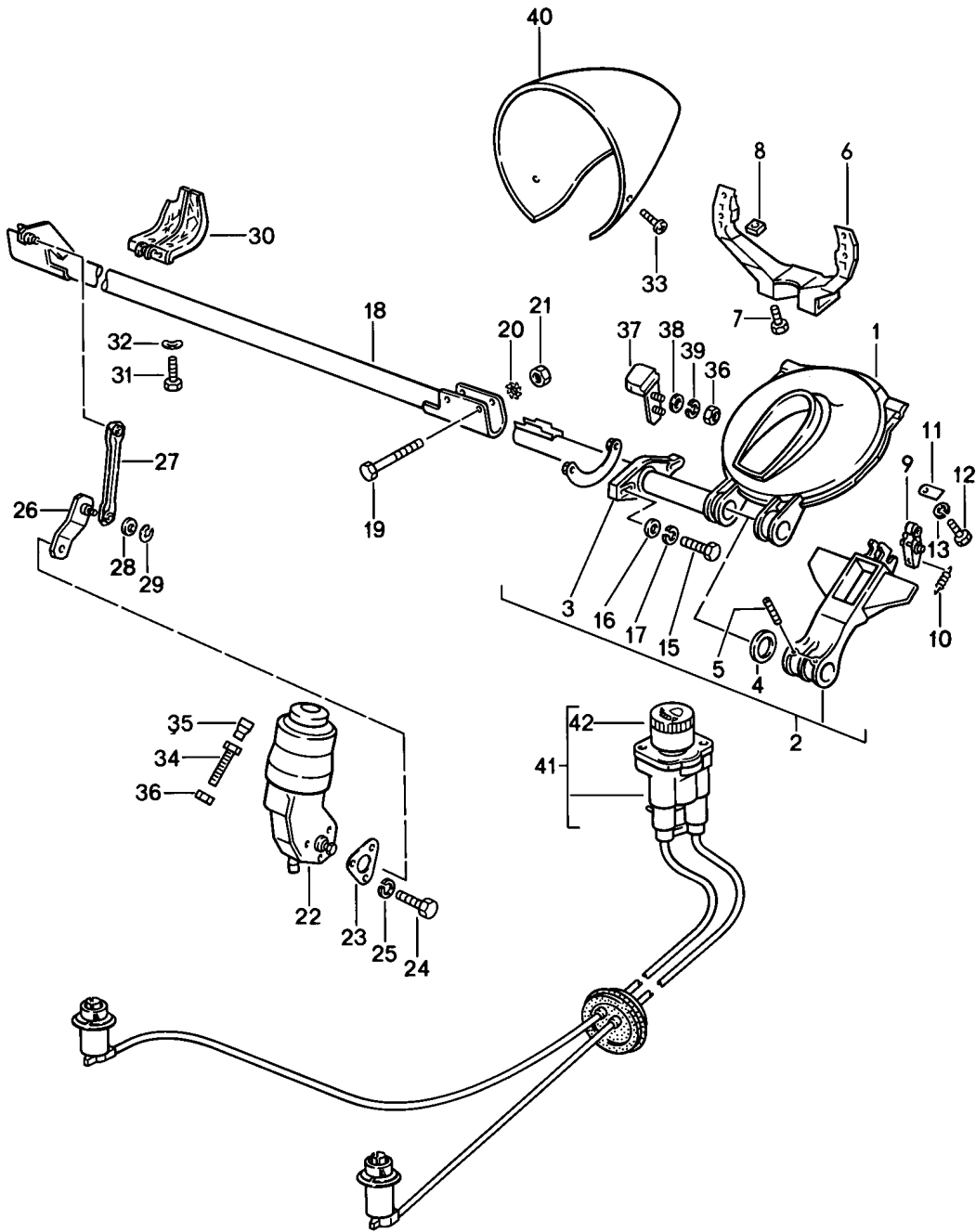
Model: 928 78

Model life 1978>>1982

Pos	Part Number	Description	Remark	Qty	Model
6	928 545 107 03	Rear window Rear spoiler Rear window Brown Tinted		1	
(6)	928 545 018 02	Rear window Rear spoiler Rear window Green Tinted		1	
7	999 915 509 40	Adhesive set		1	
7	000 043 300 94	Adhesive set		1	
8	928 537 013 02	Door window glass Clear	/L	1	
(8)	928 537 014 02	Door window glass Clear	/R	1	
(8)	928 537 015 02	Door window glass Brown Tinted	/L	1	
(8)	928 537 016 02	Door window glass Brown Tinted	/R	1	
(8)	928 537 101 02	Door window glass Green Tinted	/L	1	
(8)	928 537 102 02	Door window glass Green Tinted	/R	1	
9	928 537 281 04	Fastening plug		4	
10	928 537 277 02	Threaded piece		4	

Model: 928 78

Model life 1978>>1982





Model: 928 78

Model life 1978&gt;&gt;1982

Pos	Part Number	Description	Remark	Qty	Model
1	928 750 243 02	Pop-up headlight Swivel frame		2	
2	928 750 097 05	Driving arm	/L	1	
2	928 750 098 05	Driving arm	/R	1	
3	928 750 211 04	Bearing Headlamp Shaft	-81	2	
3	928 750 211 06	Bearing Headlamp Shaft		2	
3	928 750 211 04	Bearing Headlamp Shaft	82	2	
3	928 750 211 06	Bearing Headlamp Shaft	82-	2	
4	928 750 253 02	Washer		4	
5	900 095 085 02	Spiral clamping pin		4	
6	928 750 285 03	Supporting arm		2	
7	900 067 011 02	Pan-head screw M 6 X 20		4	
7	900 067 011 03	Pan-head screw M 6 X 20		4	
-	999 025 108 02	Washer 6,5		4	
8	900 076 010 02	Nut M 6		4	
8	900 076 010 0B	Nut M 6		4	
9	928 750 079 02	Locking segment		2	
10	928 750 291 02	Tension spring		2	
11	928 750 325 02	Tab		8	
12	999 015 004 02	Screw AM 5 X 10		8	
13	N 012 222 4	Spring washer B 5		8	
-	928 750 255 05	Bracket		2	
14	928 750 071 02	Counterplate		2	
15	900 074 015 02	Hexagon-head bolt M 6 X 30		4	
16	N 011 666 7	Washer B 6,4		4	
17	N 012 006 4	Lock ring B 6		4	
18	928 750 041 05	Shaft		1	
19	N 010 339 3	Hexagon-head bolt M 6 X 45		4	
20	900 115 006 01	Serrated lock washer A 6,4		4	
21	900 096 006 02	Hexagon nut M 6		4	
22	928 624 021 00	Electric motor		1	
23	928 750 207 02	Pop-up headlight Plate		1	
24	900 075 010 02	Hexagon nut M 6 X 12		3	
24	N 010 212 14	Hexagon-head bolt M 6 X 12		3	
24	999 072 005 09	Hexagon nut M 6 X 12		3	
24	999 072 005 01	Hexagon nut M 6 X 12		3	
25	N 012 006 4	Lock ring		3	

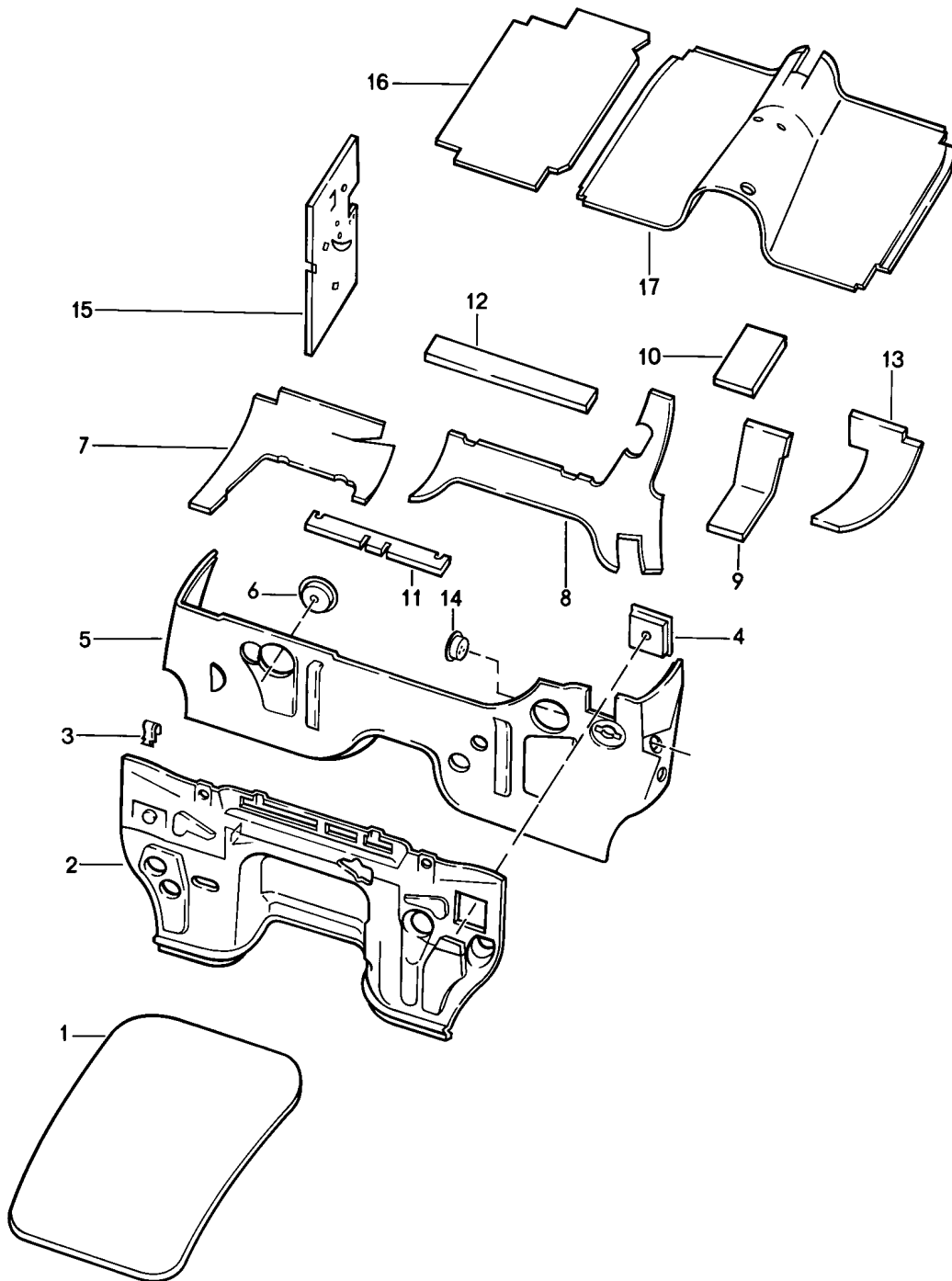
Model: 928 78

Model life 1978&gt;&gt;1982

Pos	Part Number	Description	Remark	Qty	Model
		B 6			
26	928 750 065 03	Lever		1	
27	928 750 067 02	Push rod		1	
28	900 031 001 02	Washer 8,4		2	
28	900 031 105 01	Washer 8,4		2	
29	900 116 009 01	Kl-lock 6		2	
30	928 750 055 02	Guide		1	
31	999 217 019 02	Hexagon-head bolt M 6 X 12		2	
32	N 012 226 5	Spring washer B6		2	
33	999 919 008 07	Oval-head screw 4 X 13	-81	1	
33	PCG 919 008 07	Oval-head screw Set 4 X 13 Pieces		10	
33	900 143 125 07	Oval-head sheetmetal screw 3,5 X 13	82	6	
34	N 010 221 3	Hexagon-head bolt M 6 X 35		2	
35	914 504 319 00	Grommet		2	
36	900 076 010 02	Nut M 6		2	
36	900 076 010 0B	Nut M 6		2	
37	928 750 031 02	Stop bracket		2	
38	900 151 003 02	Washer A 6,4		4	
38	900 151 006 03	Washer A 6,4		4	
39	N 012 006 4	Lock ring B 6		4	
40	928 750 083 02	Housing Pop-up headlight		2	
(41)	928 631 220 01	Governor Headlight levelling system Manually adjustable Until F >>92891 02996 F >>92892 09622 2 Connection piece 928.631.203.03 Use also:		1	
42	928 631 221 01	Rotary knob		1	
-	928 631 223 02	Rosette		1	
-	928 799 750 07	Tension spring		2	

Model: 928 78

Model life 1978>>1982



Model: 928 78

Model life 1978&gt;&gt;1982

Pos	Part Number	Description	Remark	Qty	Model
1	928 556 285 02	Body Sound proofing 1 Insulation	/H	1	
(1)	928 556 241 02	Bonnet Sound absorber Bonnet	/V	1	
2	928 556 089 02	Insulation Engine compartment	/LL	1	
(2)	927 556 089 02	Insulation Engine compartment	/RL	1	
3	928 556 295 02	Clamp		7	
4	928 556 057 03	Insert Firewall		1	
5	928 556 051 02	Insulation Firewall	/LL -81	1	
5	928 556 051 03	Insulation Firewall	/LL	1	
5	927 556 051 02	Insulation Firewall	/RL -81	1	
5	927 556 041 03	Insulation Firewall	/RL 82	1	
6	928 556 063 05	Insert Firewall		1	
7	928 556 155 02	Sound absorber Cross panel	/LL /R 78	1	
7	928 556 155 04	Insulation Cross panel	/LL /R 79-	1	
(7)	927 556 155 03	Insulation Cross panel	/RL /R	1	
8	928 556 159 03	Insulation Cross panel Centre	/LL	1	
(8)	927 556 159 04	Insulation	/RL	1	
(8)		Insulation Cross panel Centre	/RL	1	
9	928 556 169 04	Insert Steering	/LL	1	
9	927 556 169 03	Insert Steering	/RL	1	
10	928 556 171 04	Insert Brake booster		1	
11	928 556 267 02	Insulation Cross panel		1	
12	928 556 387 03	Insulation Heater		1	
13	928 556 173 05	Insulation Cross panel	/LL /L	1	
13	927 556 173 03	Insulation Cross panel	/RL /L	1	
14	928 556 075 02	Insert Headlight levelling system	-81	1	
14		Insert Headlight levelling system	/RL 82	1	
14	928 556 075 06	Insert Headlight levelling system	/LL 82	1	
15	928 556 353 02	Insulation Side section	/LL	1	
15	928 556 354 02	Insulation Side section	/LL	1	
15	927 556 353 02	Insulation Side section	/RL	1	
16	928 556 291 02	Sound absorber	/LL -79	1	

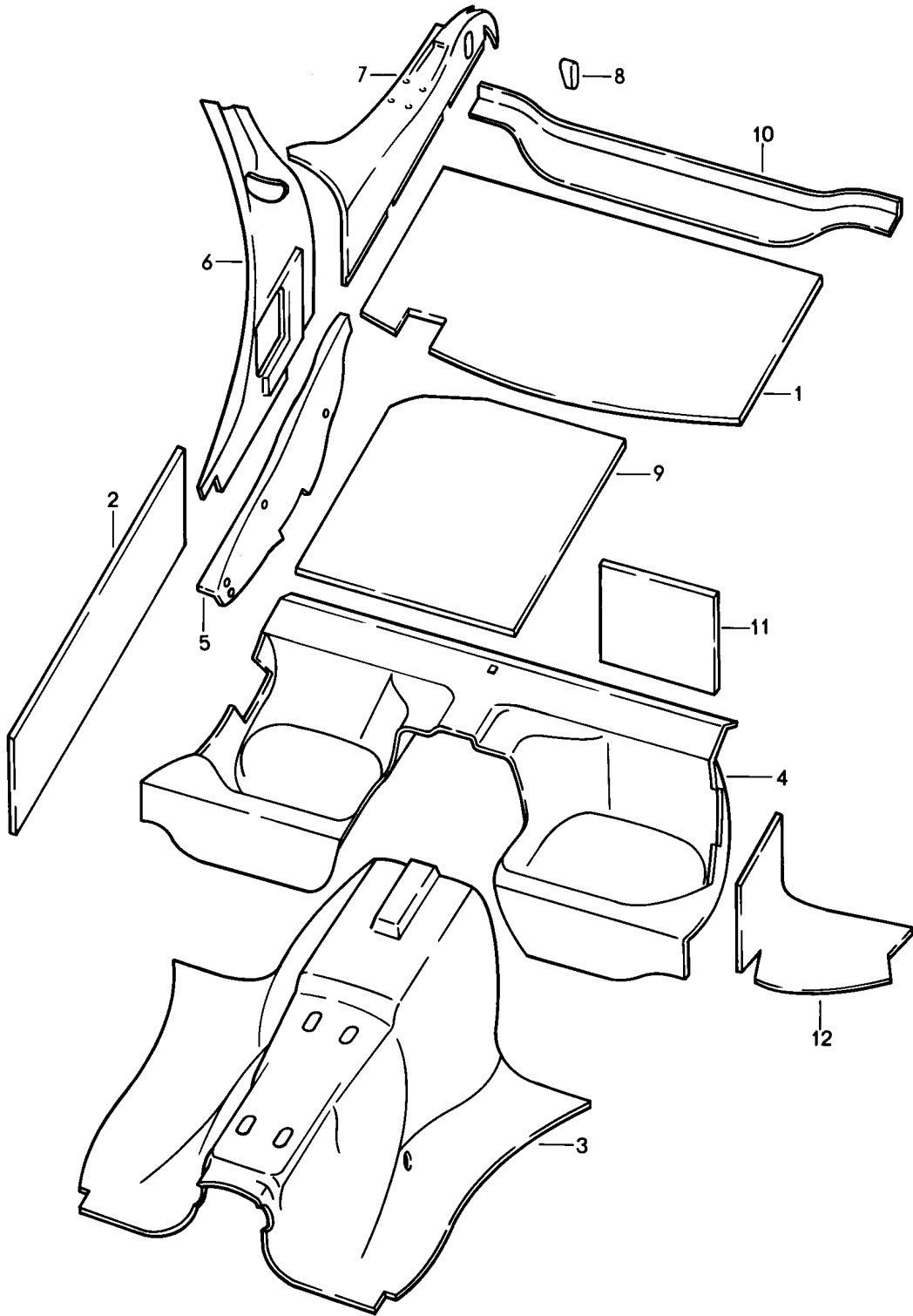
Model: 928 78

Model life 1978>>1982

Pos	Part Number	Description	Remark	Qty	Model
16	928 556 291 03	Floor Insulation	/LL	1	
16	927 556 291 02	Floor Insulation	/RL	1	
16	928 556 292 02	Floor Insulation	/LL	1	
16	927 556 292 02	Floor Insulation	/RL -79	1	
16	927 556 292 05	Floor Insulation	/RL	1	
16		Floor Insulation	/RL	1	
17	928 556 031 02	Floor Insulation Tunnel		1	

Model: 928 78

Model life 1978>>1982



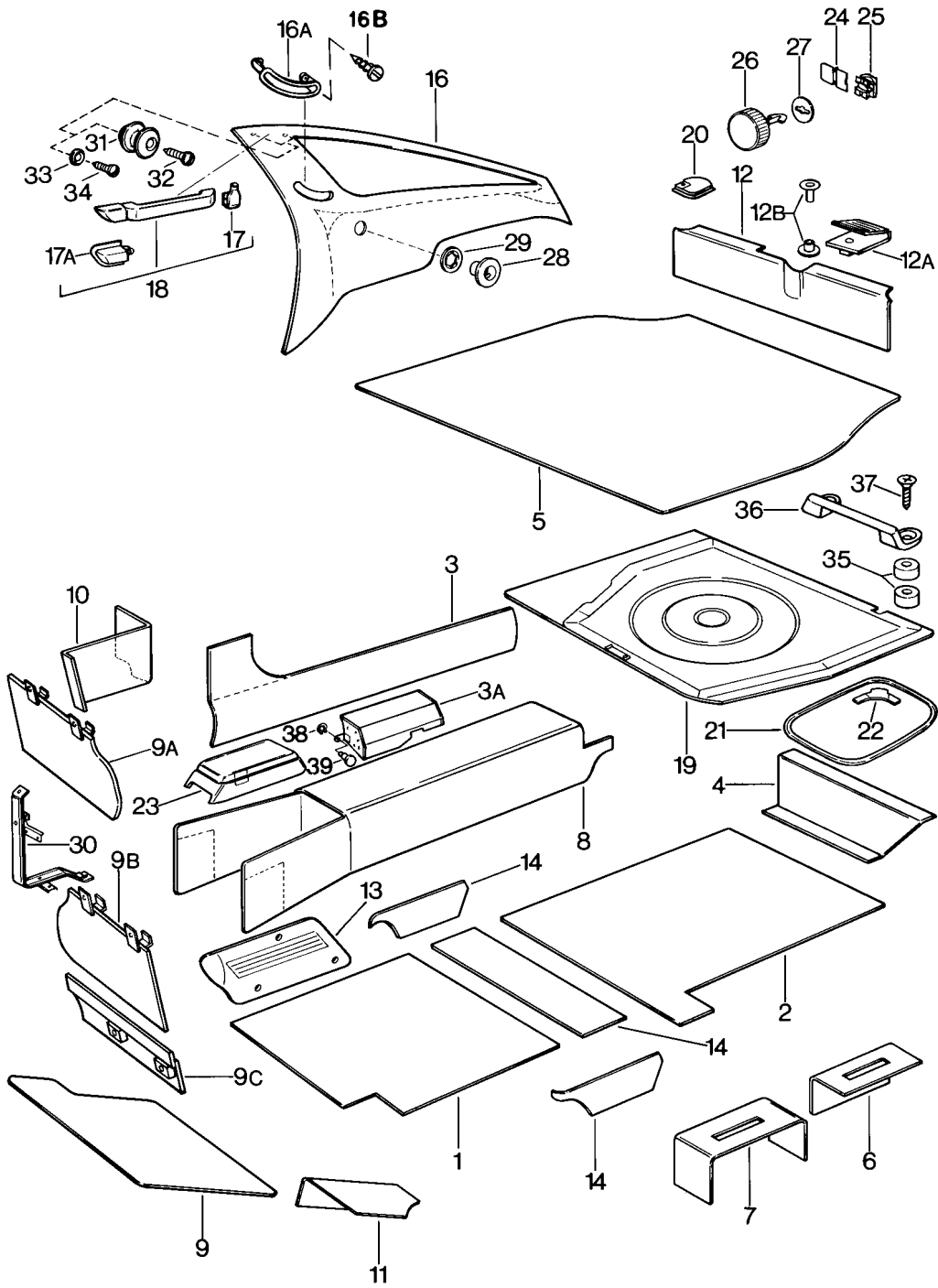
Model: 928 78

Model life 1978>>1982

Pos	Part Number	Description	Remark	Qty	Model
1	928 556 233 02	Body Sound proofing 2 Insulation Roof		1	
2	928 556 235 02	Insulation Door		2	
3	928 556 033 02	Insulation		1	
3	928 556 033 03	Insulation Tunnel		1	AUT.
4	928 556 055 02	Insulation Seat well		1	
5	928 556 205 02	Insulation	/LL /L	1	
5	928 556 206 02	Insulation	/LL /R	1	
5	927 556 205 03	Insulation	/RL /L	1	
5	927 556 206 03	Insulation	/RL /R	1	
6	928 556 261 05	Bracket Insulation	/V /L	1	
6	928 556 262 05	Insulation Side section	/V /R	1	
7	928 556 251 03	Insulation	/H /L	1	
7	928 556 252 03	Insulation Side section	/H /R	1	
8	928 556 265 02	Insert Side section		1	
9	928 556 239 02	Insulation Boot floor plate		1	
10	928 556 289 02	Insulation Terminal piece		1	
11	928 556 271 02	Insulation Seat well		2	
12	928 556 273 02	Insulation		1	
12	928 556 274 02	Insulation Seat well		1	

Model: 928 78

Model life 1978>>1982





Model: 928 78 Model life 1978>>1982

Pos	Part Number	Description	Remark	Qty	Model
1	928 551 011 02	Linings Carpet Velour pile	/LL /L	1	
	928 551 011 02 20B	Dark green	78		
	928 551 011 02 40A	Brown	78		
	928 551 011 02 70A	Black	78		
	928 551 011 02 40D	Cork	78		
(1)	928 551 012 02	Carpet Velour pile	/LL /R	1	
	928 551 012 02 20B	Dark green	78		
	928 551 012 02 40A	Brown	78		
	928 551 012 02 70A	Black	78		
	928 551 012 02 40D	Cork	78		
1	927 551 011 02	Carpet Velour pile	/RL /L	1	
	927 551 011 02 20B	Dark green	78		
	927 551 011 02 40A	Brown	78		
	927 551 011 02 70A	Black	78		
	927 551 011 02 40D	Cork	78		
(1)	927 551 012 02	Carpet Velour pile	/RL /R	1	
	927 551 012 02 20B	Dark green	78		
	927 551 012 02 40A	Brown	78		
	927 551 012 02 70A	Black	78		
	927 551 012 02 40D	Cork	78		
1	928 551 011 02	Carpet Cut pile	/LL /L	1	
	928 551 011 02 70E	Black	79		
	928 551 011 02 20E	Green	79		
	928 551 011 02 40E	Brown	79		
	928 551 011 02 41D	Cork	79		
(1)	928 551 012 02	Carpet Cut pile	/LL /R	1	
	928 551 012 02 70E	Black	79		
	928 551 012 02 20E	Green	79		
	928 551 012 02 40E	Brown	79		
	928 551 012 02 41D	Cork	79		
1	927 551 011 02	Carpet Cut pile	/RL /L	1	
	927 551 011 02 70E	Black	79		
	927 551 011 02 20E	Green	79		
	927 551 011 02 40E	Brown	79		
	927 551 011 02 41D	Cork	79		
(1)	927 551 012 02	Carpet Cut pile	/RL /R	1	
	927 551 012 02 70E	Black	79		
	927 551 012 02 20E	Green	79		
	927 551 012 02 40E	Brown	79		
	927 551 012 02 41D	Cork	79		
(1)	928 551 011 03	Carpet Cut pile	/LL /L	1	
	928 551 011 03 70E	Black	80-		
	928 551 011 03 30B	Blue	80-		
	928 551 011 03 40E	Brown	80-		
	928 551 011 03 50B	Beige	80-		
	928 551 011 03 20S	Mint green	81-		
	928 551 011 03 60A	Grey	81-		
	928 551 011 03 80E	Burgundy			
(1)	928 551 012 03	Carpet Cut pile	/LL /R	1	
	928 551 012 03 70E	Black	80-		
	928 551 012 03 30B	Blue	80-		
	928 551 012 03 40E	Brown	80-		

Model: 928 78 Model life 1978>>1982

Pos	Part Number	Description	Remark	Qty	Model
	928 551 012 03 50B	Beige	80-		
	928 551 012 03 20S	Mint green	81-		
	928 551 012 03 60A	Grey	81-		
(1)	928 551 012 03 80E	Burgundy			
	927 551 011 03	Carpet	/RL /L	1	
		Cut pile			
	927 551 011 03 70E	Black	80-		
	927 551 011 03 30B	Blue	80-		
	927 551 011 03 40E	Brown	80-		
	927 551 011 03 50B	Beige	80-		
	927 551 011 03 20S	Mint green	81-		
	927 551 011 03 60A	Grey	81-		
(1)	927 551 011 03 80E	Burgundy			
	927 551 012 03	Carpet	/RL /R	1	
		Cut pile			
	927 551 012 03 70E	Black	80-		
	927 551 012 03 30B	Blue	80-		
	927 551 012 03 40E	Brown	80-		
	927 551 012 03 50B	Beige	80-		
	927 551 012 03 20S	Mint green	81-		
	927 551 012 03 60A	Grey	81-		
2	927 551 012 03 80E	Burgundy			
	928 551 013 02	Carpet	/L	1	
		Velour pile			
	928 551 013 02 20B	Dark green	78		
	928 551 013 02 40A	Brown	78		
	928 551 013 02 70A	Black	78		
	928 551 013 02 40D	Cork	78		
(2)	928 551 014 02	Carpet	/R	1	
		Velour pile			
	928 551 014 02 20B	Dark green	78		
	928 551 014 02 40A	Brown	78		
	928 551 014 02 70A	Black	78		
	928 551 014 02 40D	Cork	78		
2	928 551 013 04	Carpet	/L	1	
		Velour pile			
	928 551 013 04 20B	Dark green	78		
	928 551 013 04 40A	Brown	78		
	928 551 013 04 70A	Black	78		
	928 551 013 04 40D	Cork	78		
(2)	928 551 014 04	Carpet	/R	1	
		Velour pile			
	928 551 014 04 20B	Dark green	78		
	928 551 014 04 40A	Brown	78		
	928 551 014 04 70A	Black	78		
	928 551 014 04 40D	Cork	78		
2	928 551 013 02	Carpet	/L	1	
		Cut pile			
	928 551 013 02 70E	Black	79-		
	928 551 013 02 20E	Green	79		
	928 551 013 02 40E	Brown	79-		
	928 551 013 02 41D	Cork	79		
	928 551 013 02 30B	Blue	80-		
	928 551 013 02 50B	Beige	80-		
	928 551 013 02 20S	Mint green	81-		
	928 551 013 02 60A	Grey	81-		
	928 551 013 02 80E	Burgundy	82		
(2)	928 551 014 02	Carpet	/R	1	
		Cut pile			
	928 551 014 02 70E	Black	79-		
	928 551 014 02 20E	Green	79		
	928 551 014 02 40E	Brown	79-		
	928 551 014 02 41D	Cork	79		

Model: 928 78 Model life 1978>>1982

Pos	Part Number	Description	Remark	Qty	Model
2	928 551 014 02 30B	Blue	80-	1	
	928 551 014 02 50B	Beige	80-		
	928 551 014 02 20S	Mint green	81-		
	928 551 014 02 60A	Grey	81-		
	928 551 014 02 80E	Burgundy	82		
	928 551 013 04	Carpet	/L		
		Cut pile			
	928 551 013 04 70E	Black	79-		
	928 551 013 04 20E	Green	79		
	928 551 013 04 40E	Brown	79-		
	928 551 013 04 41D	Cork	79		
	928 551 013 04 30B	Blue	80-		
	928 551 013 04 50B	Beige	80-		
	928 551 013 04 20S	Mint green	81-		
928 551 013 04 60A	Grey	81-			
928 551 013 04 80E	Burgundy	82			
(2)	928 551 014 04	Carpet	/R	1	
		Cut pile			
	928 551 014 04 70E	Black	79-		
	928 551 014 04 20E	Green	79		
	928 551 014 04 40E	Brown	79-		
	928 551 014 04 41D	Cork	79		
	928 551 014 04 30B	Blue	80-		
	928 551 014 04 50B	Beige	80-		
	928 551 014 04 20S	Mint green	81-		
	928 551 014 04 60A	Grey	81-		
	928 551 014 04 80E	Burgundy	82		
(3)	928 551 031 02	Lining	/LL /L		
		Side member			
		Velour pile			
	928 551 031 02 20B	Dark green	78		
	928 551 031 02 40A	Brown	78		
	928 551 031 02 70A	Black	78		
	928 551 031 02 40D	Cork	78		
3	928 551 032 02	Lining	/LL /R	1	
		Side member			
		Velour pile			
	928 551 032 02 20B	Dark green	78		
	928 551 032 02 40A	Brown	78		
	928 551 032 02 70A	Black	78		
	928 551 032 02 40D	Cork	78		
(3)	928 551 032 03	Lining	/LL /R		
		Side member			
		Velour pile			
	928 551 032 03 20B	Dark green			
	928 551 032 03 40A	Brown			
	928 551 032 03 70A	Black			
	928 551 032 03 40D	Cork			
(3)	927 551 031 02	Lining	/RL /L	1	
		Side member			
		Velour pile			
	927 551 031 02 20B	Dark green	78		
	927 551 031 02 40A	Brown	78		
	927 551 031 02 70A	Black	78		
	927 551 031 02 40D	Cork	78		
(3)	927 551 032 02	Lining	/RL /R		
		Side member			
		Velour pile			
	927 551 032 02 20B	Dark green	78		
	927 551 032 02 40A	Brown	78		
	927 551 032 02 70A	Black	78		
	927 551 032 02 40D	Cork	78		
(3)	928 551 031 02	Lining	/LL /L	1	
		Side member			
		Velour pile			
	927 551 031 02 20B	Dark green	78		
	927 551 031 02 40A	Brown	78		
	927 551 031 02 70A	Black	78		
	927 551 031 02 40D	Cork	78		

Model: 928 78 Model life 1978>>1982

Pos	Part Number	Description	Remark	Qty	Model
		Cut pile			
	928 551 031 02 70E	Black	79-		
	928 551 031 02 20E	Green	79		
	928 551 031 02 40E	Brown	79-		
	928 551 031 02 41D	Cork	79		
	928 551 031 02 30B	Blue	80-		
	928 551 031 02 50B	Beige	80-		
	928 551 031 02 20S	Mint green	81-		
	928 551 031 02 60A	Grey	81-		
	928 551 031 02 80E	Burgundy	82		
3	928 551 032 02	Lining	/LL /R	1	
		Cut pile			
	928 551 032 02 70E	Black	79-		
	928 551 032 02 20E	Green	79		
	928 551 032 02 40E	Brown	79-		
	928 551 032 02 41D	Cork	79		
	928 551 032 02 30B	Blue	80-		
	928 551 032 02 50B	Beige	80-		
	928 551 032 02 20S	Mint green	81-		
	928 551 032 02 60A	Grey	81-		
	928 551 032 02 80E	Burgundy	82		
(3)	928 551 032 03	Lining	/LL /R	1	
		Cut pile			
	928 551 032 03 70E	Black			
	928 551 032 03 20E	Green			
	928 551 032 03 40E	Brown			
	928 551 032 03 41D	Cork			
	928 551 032 03 30B	Blue	80-		
	928 551 032 03 50B	Beige	80-		
	928 551 032 03 20S	Mint green	81-		
	928 551 032 03 60A	Grey	81-		
	928 551 032 03 80E	Burgundy	82		
(3)	927 551 031 02	Lining	/RL /L	1	
		Cut pile			
	927 551 031 02 70E	Black	79-		
	927 551 031 02 20E	Green	79		
	927 551 031 02 40E	Brown	79-		
	927 551 031 02 41D	Cork	79		
	927 551 031 02 30B	Blue	80-		
	927 551 031 02 50B	Beige	80-		
	927 551 031 02 20S	Mint green	81-		
	927 551 031 02 60A	Grey	81-		
	927 551 031 02 80E	Burgundy	82		
(3)	927 551 032 02	Lining	/RL /R	1	
		Cut pile			
	927 551 032 02 70E	Black	79-		
	927 551 032 02 20E	Green	79		
	927 551 032 02 40E	Brown	79-		
	927 551 032 02 41D	Cork	79		
	927 551 032 02 30B	Blue	80-		
	927 551 032 02 50B	Beige	80-		
	927 551 032 02 20S	Mint green	81-		
	927 551 032 02 60A	Grey	81-		
	927 551 032 02 80E	Burgundy	82		
3A	928 551 505 03	Cover	/LL 80-	1	
	928 551 505 03 70E	Black			
	928 551 505 03 30B	Blue			
	928 551 505 03 40E	Brown			
	928 551 505 03 50B	Beige			
	928 551 505 03 20S	Mint green	81-		
	928 551 505 03 60A	Grey	81-		
	928 551 505 03 80E	Burgundy	82		
(3A)	927 551 505 03	Cover	/RL 80-	1	

Model: 928 78 Model life 1978>>1982

Pos	Part Number	Description	Remark	Qty	Model
	927 551 505 03 70E	Black			
	927 551 505 03 30B	Blue			
	927 551 505 03 40E	Brown			
	927 551 505 03 50B	Beige			
	927 551 505 03 20S	Mint green	81-		
	927 551 505 03 60A	Grey	81-		
	927 551 505 03 80E	Burgundy			
4	928 551 057 02	Lining Heel plate Velour pile	/LL /L	1	
	928 551 057 02 20B	Dark green	78		
	928 551 057 02 40A	Brown	78		
	928 551 057 02 70A	Black	78		
	928 551 057 02 40D	Cork	78		
(4)	928 551 058 02	Lining Heel plate Velour pile	/LL /R	1	
	928 551 058 02 20B	Dark green	78		
	928 551 058 02 40A	Brown	78		
	928 551 058 02 70A	Black	78		
	928 551 058 02 40D	Cork	78		
4	927 551 057 02	Lining Heel plate Velour pile	/RL /L	1	
	927 551 057 02 20B	Dark green	78		
	927 551 057 02 40A	Brown	78		
	927 551 057 02 70A	Black	78		
	927 551 057 02 40D	Cork	78		
(4)	927 551 058 02	Lining Heel plate Velour pile	/RL /R	1	
	927 551 058 02 20B	Dark green	78		
	927 551 058 02 40A	Brown	78		
	927 551 058 02 70A	Black	78		
	927 551 058 02 40D	Cork	78		
4	928 551 057 02	Lining Cut pile	/LL /L	1	
	928 551 057 02 70E	Black	79-		
	928 551 057 02 20E	Green	79		
	928 551 057 02 40E	Brown	79-		
	928 551 057 02 41D	Cork	79		
	928 551 057 02 30B	Blue	80-		
	928 551 057 02 50B	Beige	80-		
	928 551 057 02 20S	Mint green	81-		
	928 551 057 02 60A	Grey	81-		
	928 551 057 02 80E	Burgundy			
(4)	928 551 058 02	Lining Cut pile	/LL /R	1	
	928 551 058 02 70E	Black	79-		
	928 551 058 02 20E	Green	79		
	928 551 058 02 40E	Brown	79-		
	928 551 058 02 41D	Cork	79		
	928 551 058 02 30B	Blue	80-		
	928 551 058 02 50B	Beige	80-		
	928 551 058 02 20S	Mint green	81-		
	928 551 058 02 60A	Grey	81-		
	928 551 058 02 80E	Burgundy			
4	927 551 057 02	Lining Cut pile	/RL /L	1	
	927 551 057 02 70E	Black	79-		
	927 551 057 02 20E	Green	79		
	927 551 057 02 40E	Brown	79-		
	927 551 057 02 41D	Cork	79		

Model: 928 78 Model life 1978>>1982

Pos	Part Number	Description	Remark	Qty	Model
	927 551 057 02 30B	Blue	80-		
	927 551 057 02 50B	Beige	80-		
	927 551 057 02 20S	Mint green	81-		
	927 551 057 02 60A	Grey	81-		
(4)	927 551 057 02 80E	Burgundy			
	927 551 058 02	Lining	/RL /R	1	
		Cut pile			
	927 551 058 02 70E	Black	79-		
	927 551 058 02 20E	Green	79		
	927 551 058 02 40E	Brown	79-		
	927 551 058 02 41D	Cork	79		
	927 551 058 02 30B	Blue	80-		
	927 551 058 02 50B	Beige	80-		
	927 551 058 02 20S	Mint green	81-		
	927 551 058 02 60A	Grey	81-		
	927 551 058 02 80E	Burgundy			
5	928 551 061 02	Boot floor carpet	-79	1	
		Velour pile			
	928 551 061 02 20B	Dark green	78		
	928 551 061 02 40A	Brown	78		
	928 551 061 02 70A	Black	78		
	928 551 061 02 40D	Cork	78		
		Cut pile	78		
	928 551 061 02 70E	Black	79		
	928 551 061 02 20E	Green	79		
	928 551 061 02 40E	Brown	79		
	928 551 061 02 41D	Cork	79		
(5)	928 551 061 03	Boot floor carpet	80-	1	
		Cut pile			
	928 551 061 03 70E	Black			
	928 551 061 03 30B	Blue			
	928 551 061 03 40E	Brown			
	928 551 061 03 50B	Beige			
	928 551 061 03 20S	Mint green	81-		
	928 551 061 03 60A	Grey	81-		
	928 551 061 03 80E	Burgundy			
-	928 504 207 02	Lid		1	
6	928 551 091 02	Lining	/LL	1	
		Parking-brake cable			
		Velour pile			
	928 551 091 02 20B	Dark green	78		
	928 551 091 02 40A	Brown	78		
	928 551 091 02 70A	Black	78		
	928 551 091 02 40D	Cork	78		
6	927 551 091 02	Lining	/RL	1	
		Parking-brake cable			
		Velour pile			
	927 551 091 02 20B	Dark green	78		
	927 551 091 02 40A	Brown	78		
	927 551 091 02 70A	Black	78		
	927 551 091 02 40D	Cork	78		
6	928 551 091 02	Lining	/LL	1	
		Cut pile			
	928 551 091 02 70E	Black	79-		
	928 551 091 02 20E	Green	79		
	928 551 091 02 40E	Brown	79-		
	928 551 091 02 41D	Cork	79		
	928 551 091 02 30B	Blue	80-		
	928 551 091 02 50B	Beige	80-		
	928 551 091 02 20S	Mint green	81-		
	928 551 091 02 60A	Grey	81-		
	928 551 091 02 80E	Burgundy			
6	927 551 091 02	Lining	/RL	1	

Model: 928 78 Model life 1978>>1982

Pos	Part Number	Description	Remark	Qty	Model
		Cut pile			
	927 551 091 02 70E	Black	79-		
	927 551 091 02 20E	Green	79		
	927 551 091 02 40E	Brown	79-		
	927 551 091 02 41D	Cork	79		
	927 551 091 02 30B	Blue	80-		
	927 551 091 02 50B	Beige	80-		
	927 551 091 02 20S	Mint green	81-		
	927 551 091 02 60A	Grey	81-		
	927 551 091 02 80E	Burgundy			
7	928 551 089 04	Lining	/LL	1	
		Handbrake			
		Velour pile			
	928 551 089 04 20B	Dark green	78		
	928 551 089 04 40A	Brown	78		
	928 551 089 04 70A	Black	78		
	928 551 089 04 40D	Cork	78		
7	927 551 089 04	Lining	/RL	1	
		Handbrake			
		Velour pile			
	927 551 089 04 20B	Dark green	78		
	927 551 089 04 40A	Brown	78		
	927 551 089 04 70A	Black	78		
	927 551 089 04 40D	Cork	78		
7	928 551 089 04	Lining	/LL	1	
		Cut pile			
	928 551 089 04 70E	Black	79-		
	928 551 089 04 20E	Green	79		
	928 551 089 04 40E	Brown	79-		
	928 551 089 04 41D	Cork	79		
	928 551 089 04 30B	Blue	80-		
	928 551 089 04 50B	Beige	80-		
	928 551 089 04 20S	Mint green	81-		
	928 551 089 04 60A	Grey	81-		
	928 551 089 04 80E	Burgundy	82		
7	927 551 089 04	Lining	/RL	1	
		Cut pile			
	927 551 089 04 70E	Black	79-		
	927 551 089 04 20E	Green	79		
	927 551 089 04 40E	Brown	79-		
	927 551 089 04 41D	Cork	79		
	927 551 089 04 30B	Blue	80-		
	927 551 089 04 50B	Beige	80-		
	927 551 089 04 20S	Mint green	81-		
	927 551 089 04 60A	Grey	81-		
	927 551 089 04 80E	Burgundy	82		
8	928 551 113 02	Lining		1	
		Tunnel			
		Velour pile			
	928 551 113 02 20B	Dark green	78		
	928 551 113 02 40A	Brown	78		
	928 551 113 02 70A	Black	78		
	928 551 113 02 40D	Cork	78		
8	928 551 113 03	Lining	AUT.	1	
		Tunnel			
		Velour pile			
	928 551 113 03 20B	Dark green	78		
	928 551 113 03 40A	Brown	78		
	928 551 113 03 70A	Black	78		
	928 551 113 03 40D	Cork	78		
8	928 551 113 02	Lining		1	
		Cut pile			
	928 551 113 02 70E	Black	79-		

Model: 928 78 Model life 1978>>1982

Pos	Part Number	Description	Remark	Qty	Model
	928 551 113 02 20E	Green	79		
	928 551 113 02 40E	Brown	79-		
	928 551 113 02 41D	Cork	79		
	928 551 113 02 30B	Blue	80-		
	928 551 113 02 50B	Beige	80-		
	928 551 113 02 20S	Mint green	81-		
	928 551 113 02 60A	Grey	81-		
	928 551 113 02 80E	Burgundy	82		
8	928 551 113 03	Lining Cut pile	AUT.	1	
	928 551 113 03 70E	Black	79-		
	928 551 113 03 20E	Green	79		
	928 551 113 03 40E	Brown	79-		
	928 551 113 03 41D	Cork	79		
	928 551 113 03 30B	Blue	80-		
	928 551 113 03 50B	Beige	80-		
	928 551 113 03 20S	Mint green	81-		
	928 551 113 03 60A	Grey	81-		
	928 551 113 03 80E	Burgundy	82		
9	928 551 049 02	Lining Firewall Velour pile	/LL	1	
	928 551 049 02 20B	Dark green	78		
	928 551 049 02 40A	Brown	78		
	928 551 049 02 70A	Black	78		
	928 551 049 02 40D	Cork	78		
(9)	927 551 050 02	Lining Firewall Velour pile	/RL	1	
	927 551 050 02 20B	Dark green	78		
	927 551 050 02 40A	Brown	78		
	927 551 050 02 70A	Black	78		
	927 551 050 02 40D	Cork	78		
9	928 551 049 02	Lining Cut pile	/LL	1	
	928 551 049 02 70E	Black	79-		
	928 551 049 02 20E	Green	79		
	928 551 049 02 40E	Brown	79-		
	928 551 049 02 41D	Cork	79		
	928 551 049 02 30B	Blue	80-		
	928 551 049 02 50B	Beige	80-		
	928 551 049 02 20S	Mint green	81-		
	928 551 049 02 60A	Grey	81-		
	928 551 049 02 80E	Burgundy	82		
(9)	927 551 050 02	Lining Cut pile	/RL	1	
	927 551 050 02 70E	Black	79-		
	927 551 050 02 20E	Green	79		
	927 551 050 02 40E	Brown	79-		
	927 551 050 02 41D	Cork	79		
	927 551 050 02 30B	Blue	80-		
	927 551 050 02 50B	Beige	80-		
	927 551 050 02 20S	Mint green	81-		
	927 551 050 02 60A	Grey	81-		
	927 551 050 02 80E	Burgundy	82		
9A	928 551 062 02	Foot support	/LL -79	1	
(9A)	927 799 551 07	Foot support	/RL	1	
9A		Foot support	/RL	1	
(9B)	928 799 551 10	Foot support	/LL 80-	1	
9B		Foot support	/LL 80-	1	
		Upper part			
(9C)	928 551 066 02	Foot support	/LL 80-	1	
		Lower part			



Model: 928 78 Model life 1978>>1982

Pos	Part Number	Description	Remark	Qty	Model
-	928 551 351 02	Hinge		2	
-	900 143 113 07	Oval-head screw B 4,2 X 13		8	
-	900 143 113 0G	Oval-head screw B 4,2 X 13		8	
10	928 551 069 02	Lining First-aid kit Velour pile	/LL	1	
	928 551 069 02 20B	Dark green	78		
	928 551 069 02 40A	Brown	78		
	928 551 069 02 70A	Black	78		
	928 551 069 02 40D	Cork	78		
(10)	927 551 069 02	Lining First-aid kit Velour pile	/RL	1	
	927 551 069 02 20B	Dark green	78		
	927 551 069 02 40A	Brown	78		
	927 551 069 02 70A	Black	78		
	927 551 069 02 40D	Cork	78		
10	928 551 069 02	Lining Cut pile	/LL	1	
	928 551 069 02 70E	Black	79-		
	928 551 069 02 20E	Green	79-		
	928 551 069 02 40E	Brown	79-		
	928 551 069 02 41D	Cork	79		
	928 551 069 02 30B	Blue	80-		
	928 551 069 02 50B	Beige	80-		
	928 551 069 02 20S	Mint green	81-		
	928 551 069 02 60A	Grey	81-		
	928 551 069 02 80E	Burgundy	82		
(10)	927 551 069 02	Lining Cut pile	/RL	1	
	927 551 069 02 70E	Black	79-		
	927 551 069 02 20E	Green	79-		
	927 551 069 02 40E	Brown	79-		
	927 551 069 02 41D	Cork	79		
	927 551 069 02 30B	Blue	80-		
	927 551 069 02 50B	Beige	80-		
	927 551 069 02 20S	Mint green	81-		
	927 551 069 02 60A	Grey	81-		
	927 551 069 02 80E	Burgundy	82		
-	928 551 087 02	Tab First-aid kit		1	
11	928 551 035 02	Lining Foot support Velour pile	/LL	1	
	928 551 035 02 20B	Dark green	78		
	928 551 035 02 40A	Brown	78		
	928 551 035 02 70A	Black	78		
	928 551 035 02 40D	Cork	78		
(11)	927 551 036 02	Lining Foot support Velour pile	/RL	1	
	927 551 036 02 20B	Dark green	78		
	927 551 036 02 40A	Brown	78		
	927 551 036 02 70A	Black	78		
	927 551 036 02 40D	Cork	78		
11	928 551 035 02	Lining Cut pile	/LL	1	
	928 551 035 02 70E	Black	79-		
	928 551 035 02 20E	Green	79		
	928 551 035 02 40E	Brown	79-		
	928 551 035 02 41D	Cork	79		

Model: 928 78 Model life 1978>>1982

Pos	Part Number	Description	Remark	Qty	Model
	928 551 035 02 30B	Blue	80-		
	928 551 035 02 50B	Beige	80-		
	928 551 035 02 20S	Mint green	81-		
	928 551 035 02 60A	Grey	81-		
	928 551 035 02 80E	Burgundy	82		
(11)	927 551 036 02	Lining Cut pile	/RL	1	
	927 551 036 02 70E	Black	79-		
	927 551 036 02 20E	Green	79		
	927 551 036 02 40E	Brown	79-		
	927 551 036 02 41D	Cork	79		
	927 551 036 02 30B	Blue	80-		
	927 551 036 02 50B	Beige	80-		
	927 551 036 02 20S	Mint green	81-		
	927 551 036 02 60A	Grey	81-		
	927 551 036 02 80E	Burgundy	82		
12	928 551 081 03	Plate for tools Leatherette	-79	1	
	928 551 081 03 20B	Dark green			
	928 551 081 03 21S	Brown			
	928 551 081 03 05T	Black			
	928 551 081 03 40D	Cork			
(12)	928 551 081 04	Plate for tools without Rear window wiper Carpet	80-	1	
	928 551 081 04 70E	Black			
	928 551 081 04 40E	Brown			
	928 551 081 04 30B	Blue			
	928 551 081 04 50B	Beige			
	928 551 081 04 20S	Mint green	81-		
	928 551 081 04 60A	Grey	81-		
(12)	928 551 081 05	Plate for tools with Rear window wiper Leatherette	80-	1	
	928 551 081 05 05T	Black			
	928 551 081 05 30B	Blue			
	928 551 081 05 21S	Brown Carpet			
	928 551 081 05 70E	Black	81-		
	928 551 081 05 30B	Blue	81-		
	928 551 081 05 40E	Brown	81-		
	928 551 081 05 50B	Beige	81-		
	928 551 081 05 20S	Mint green	81-		
	928 551 081 05 60A	Grey	81-		
	928 551 081 05 80E	Burgundy	82		
-	928 551 653 02	Lining Terminal piece	80-	1	
	928 551 653 02 70E	Black			
	928 551 653 02 30B	Blue			
	928 551 653 02 40E	Brown			
	928 551 653 02 50B	Beige			
	928 551 653 02 20S	Mint green	81-		
	928 551 653 02 60A	Grey	81-		
	928 551 653 02 80E	Burgundy	82		
12A	928 551 187 02	Latch	-79	2	
12B	900 190 022 03	Buttonhead rivet	-79	2	
13	928 551 137 02	Scuff plate	/LL	1	
14	928 551 145 02	Lining Seat frame Velour pile	/L	1	
	928 551 145 02 20B	Dark green	78		

Model: 928 78 Model life 1978>>1982

Pos	Part Number	Description	Remark	Qty	Model		
(14)	928 551 145 02 40A	Brown	78	1			
	928 551 145 02 70A	Black	78				
	928 551 145 02 40D	Cork	78				
	928 551 146 02	Lining Seat frame Velour pile	/R				
14	928 551 146 02 20B	Dark green	78	1			
	928 551 146 02 40A	Brown	78				
	928 551 146 02 70A	Black	78				
	928 551 146 02 40D	Cork	78				
	928 551 145 02	Lining Cut pile	/L				
	928 551 145 02 70E	Black	79-				
	928 551 145 02 20E	Green	79				
	928 551 145 02 40E	Brown	79-				
	928 551 145 02 41D	Cork	79				
	928 551 145 02 30B	Blue	80-				
	928 551 145 02 50B	Beige	80-				
	928 551 145 02 20S	Mint green	81-				
	928 551 145 02 60A	Grey	81-				
	928 551 145 02 80E	Burgundy	82				
(14)	928 551 146 02	Lining Cut pile	/R	1			
	928 551 146 02 70E	Black	79-				
	928 551 146 02 20E	Green	79				
	928 551 146 02 40E	Brown	79-				
	928 551 146 02 41D	Cork	79				
	928 551 146 02 30B	Blue	80-				
	928 551 146 02 50B	Beige	80-				
	928 551 146 02 20S	Mint green	81-				
	928 551 146 02 60A	Grey	81-				
	928 551 146 02 80E	Burgundy	82				
	928 555 021 02	Side trim panel Leatherette	/LL /L -78			1	
	928 555 021 02 20B	Dark green					
	928 555 021 02 21S	Brown					
	928 555 021 02 05T	Black					
928 555 021 02 40D	Cork						
(16)	928 555 021 03	Side trim panel Leatherette	/LL /L -79	1			
	928 555 021 03 20B	Dark green					
	928 555 021 03 21S	Brown					
	928 555 021 03 05T	Black					
(16)	928 555 021 03 40D	Cork		1			
	928 555 022 02	Side trim panel Leatherette	/R -78				
	928 555 022 02 20B	Dark green					
	928 555 022 02 21S	Brown					
(16)	928 555 022 02 05T	Black		1			
	928 555 022 02 40D	Cork					
	928 555 022 03	Side trim panel Leatherette	/R -79				
	928 555 022 03 20B	Dark green					
(16)	928 555 022 03 21S	Brown		1			
	928 555 022 03 05T	Black					
	928 555 022 03 40D	Cork					
	927 555 021 03	Side trim panel Leatherette	/RL /L -79			1	
927 555 021 03 20B	Dark green						
927 555 021 03 21S	Brown						
927 555 021 03 05T	Black						
(16)	927 555 021 03 40D	Cork		1			
	928 555 021 04	Side trim panel	/LL /L 80-				

Model: 928 78 Model life 1978>>1982

Pos	Part Number	Description	Remark	Qty	Model
		with loudspeaker opening Leatherette			
	928 555 021 04 05T	Black			
	928 555 021 04 30B	Blue			
	928 555 021 04 21S	Brown			
	928 555 021 04 50B	Beige			
(16)	928 555 022 04	Side trim panel with loudspeaker opening Leatherette	/R 80-	1	
	928 555 022 04 05T	Black			
	928 555 022 04 30B	Blue			
	928 555 022 04 21S	Brown			
	928 555 022 04 50B	Beige			
(16)	927 555 021 04	Side trim panel with loudspeaker opening Leatherette	/RL /L 80-	1	
	927 555 021 04 05T	Black			
	927 555 021 04 30B	Blue			
	927 555 021 04 21S	Brown			
	927 555 021 04 50B	Beige			
(16)	928 555 021 50	Side trim panel Leather	/LL /L -78	1	
	928 555 021 50 20B	Dark green			
	928 555 021 50 3NG	Brown			
	928 555 021 50 1AJ	Black			
	928 555 021 50 40D	Cork			
(16)	928 555 021 51	Side trim panel Leather	/LL /L -79	1	
	928 555 021 51 20B	Dark green			
	928 555 021 51 3NG	Brown			
	928 555 021 51 1AJ	Black			
	928 555 021 51 40D	Cork			
(16)	928 555 022 50	Side trim panel Leather	/R -78	1	
	928 555 022 50 20B	Dark green			
	928 555 022 50 3NG	Brown			
	928 555 022 50 1AJ	Black			
	928 555 022 50 40D	Cork			
(16)	927 555 021 51	Side trim panel Leather	/RL /L -79	1	
	927 555 021 51 20B	Dark green			
	927 555 021 51 3NG	Brown			
	927 555 021 51 1AJ	Black			
	927 555 021 51 40D	Cork			
(16)	928 555 021 52	Side trim panel with loudspeaker opening Leather	/LL /L 80-	1	
	928 555 021 52 1AJ	Black			
	928 555 021 52 30B	Blue			
	928 555 021 52 3NG	Brown			
	928 555 021 52 50B	Beige			
	928 555 021 52 60S	Hannibal grey			
	928 555 021 52 20S	Mint green			
	928 555 021 52 2LB	Burgundy	82		
(16)	928 555 022 52	Side trim panel with loudspeaker opening Leather	/R 80-	1	
	928 555 022 52 1AJ	Black			
	928 555 022 52 30B	Blue			
	928 555 022 52 3NG	Brown			
	928 555 022 52 50B	Beige			
	928 555 022 52 60S	Hannibal grey			
	928 555 022 52 20S	Mint green			

Model: 928 78 Model life 1978>>1982

Pos	Part Number	Description	Remark	Qty	Model
(16)	928 555 022 52 2LB	Burgundy	82		
	927 555 021 52	Side trim panel with loudspeaker opening Leather	/RL /L 80-	1	
	927 555 021 52 1AJ	Black			
	927 555 021 52 30B	Blue			
	927 555 021 52 3NG	Brown			
	927 555 021 52 50B	Beige			
	927 555 021 52 60S	Hannibal grey			
	927 555 021 52 20S	Mint green			
	927 555 021 52 2LB	Burgundy	82		
16A	928 555 275 02	Rosette	/L -79	1	
(16A)	928 555 275 03	Rosette	/L 80-	1	
(16A)	928 555 275 04	Rosette	/L 80-	1	
	928 555 275 04 70B	Black			
(16A)	928 555 276 02	Rosette	/R -79	1	
(16A)	928 555 276 03	Rosette	/R 80-	1	
(16A)	928 555 276 04	Rosette	/R 80-	1	
	928 555 276 04 70B	Black			
16B	900 143 007 02	Oval-head sheetmetal screw B 4,2 X 13		4	
16B	900 073 507 01	Oval-head sheetmetal screw B 4,2 X 13		4	
-	928 555 271 02	Clamp	78	6	
17	928 555 289 02	Cap	/L -81	1	
(17)	928 555 290 02	Cap	/R -81	1	
17A	928 555 291 02	Adjustable support	/L -81	1	
17A	928 555 292 02	Adjustable support	/R -81	1	
18	928 555 203 02	Grab handle	/L -81	1	
(18)	928 555 204 02	Grab handle	/R -81	1	
19	928 556 045 02	Spare wheel covering		1	
-	171 860 273 A	Retaining strap		1	
20	928 551 185 02	Rubber stop	/L	1	
(20)	928 551 186 02	Rubber stop	/R	1	
21	928 504 105 02	Gasket		1	
		Battery cover			
22	928 504 107 02	Sealing rubber		1	
		Battery cover			
-	928 555 631 02	Luggage net	80-	1	
(23)	928 555 701 05	Cassette box	/LL 80-	1	
		Leatherette			
	928 555 701 05 05T	Black			
	928 555 701 05 30B	Blue			
	928 555 701 05 21S	Brown			
	928 555 701 05 50B	Beige			
(23)	927 555 701 05	Cassette box	/RL 80-	1	
		Leatherette			
	927 555 701 05 05T	Black			
	927 555 701 05 30B	Blue			
	927 555 701 05 21S	Brown			
	927 555 701 05 50B	Beige			
(23)	928 555 701 53	Cassette box	/LL 80-	1	
		Leather			
	928 555 701 53 1AJ	Black			
	928 555 701 53 30B	Blue			
	928 555 701 53 3NG	Brown			
	928 555 701 53 60S	Hannibal grey			
	928 555 701 53 20S	Mint green			
(23)	927 555 701 53	Cassette box	/RL 80-	1	
		Leather			
	927 555 701 53 1AJ	Black			
	927 555 701 53 30B	Blue			
	927 555 701 53 3NG	Brown			

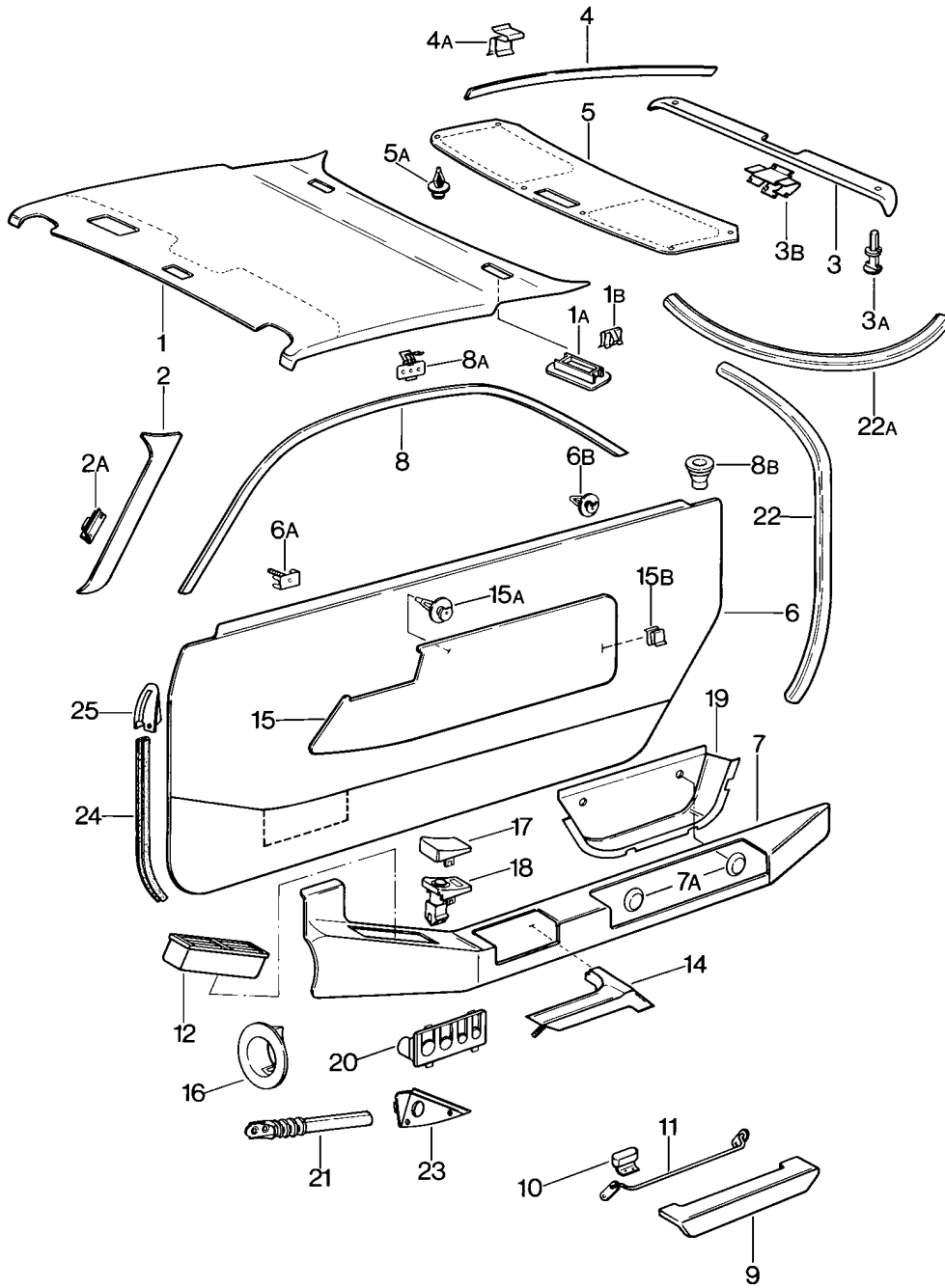
Model: 928 78

Model life 1978&gt;&gt;1982

Pos	Part Number	Description	Remark	Qty	Model
	927 555 701 53 60S	Hannibal grey			
	927 555 701 53 20S	Mint green			
-	928 555 729 02	Container insert	80	1	
-	928 555 729 03	Container insert for Cassette box	80-	1	
	928 555 729 03 01C	Black			
-	928 555 731 02	Cassette rack	80-	8	
	928 555 731 02 01C	Black			
-	928 555 741 02	Partition panel	80-	1	
-	900 143 065 07	Tapping screw 2,9 X 9,5	80-	14	
-	900 073 003 01	Tapping screw 2,9 X 9,5	80-	14	
-	999 450 001 07	Round head screw 4,2 X 25		4	
24	928 551 199 02	Cap	80-	2	
25	928 551 203 02	Locking cam	80-	2	
26	928 551 221 02	Knob	80-	2	
27	999 591 483 40	Lock washer	80-	2	
28	928 555 777 02	End piece of rope	80-	4	
29	999 591 484 02	Clamping washer	80-	4	
30	927 551 073 03	Clip	/RL -80	2	
30		Clip	/RL 81-	2	
30		Clip	/RL	1	
30	928 551 073 04	Clip	/LL	2	
30		Clip	/LL	1	
-	928 551 911 00	Floor mat with Logo 928	/L	1	
	928 551 911 00 40A	Brown			
	928 551 911 00 70A	Black			
-	928 551 912 00	Floor mat with Logo 928	/R	1	
	928 551 912 00 40A	Brown			
	928 551 912 00 70A	Black			
-	000 043 087 00	Floor mat 1 set	/LL	X	
	000 043 087 00 70E	Black		2	
	000 043 087 00 3KF	Blue			
	000 043 087 00 5MF	Brown			
	000 043 087 00 80E	Burgundy			
	000 043 087 00 60A	Grey			
31	928 555 469 03	Knob Coat hook	82	2	
32	900 145 091 07	Tapping screw B 4,8 X 32	82	2	
33	999 591 102 07	Protection washer 3,5	82	2	
34	900 145 062 07	Tapping screw B 3,5 X 25	82	2	
35	928 555 615 02	Spacer sleeve		8	
36	477 885 761	Retaining bar		4	
37	900 269 050 07	Countersunk-head screw M 5 X 25		4	
38	N 012 406 2	Lock washer 6 X 0,7		2	
39	900 253 005 07	Knurled screw M 6 X 10		2	

Model: 928 78

Model life 1978>>1982



Model: 928 78 Model life 1978>>1982

Pos	Part Number	Description	Remark	Qty	Model
1	928 555 071 02	Door trim panel Rooflining	/LL	1	
	928 555 071 02 20B	Dark green			
	928 555 071 02 40A	Brown			
	928 555 071 02 70A	Black			
	928 555 071 02 40D	Cork			
	928 555 071 02 30B	Blue			
(1)	927 555 071 02	Rooflining	/RL	1	
	927 555 071 02 20B	Dark green			
	927 555 071 02 40A	Brown			
	927 555 071 02 70A	Black			
	927 555 071 02 40D	Cork			
	927 555 071 02 30B	Blue			
(1)	928 555 071 03	Rooflining for cars without Vanity mirror Leatherette	/LL	1	
	928 555 071 03 40A	Brown			
	928 555 071 03 70A	Black			
	928 555 071 03 30B	Blue			
(1)	927 555 071 03	Rooflining for cars without Vanity mirror Leatherette	/RL	1	
	927 555 071 03 40A	Brown			
	927 555 071 03 70A	Black			
	927 555 071 03 30B	Blue			
(1)	928 555 071 50	Rooflining Leather	/LL	1	
	928 555 071 50 20B	Dark green			
	928 555 071 50 3NG	Brown			
	928 555 071 50 1AJ	Black			
	928 555 071 50 40D	Cork			
	928 555 071 50 30B	Blue			
	928 555 071 50 60S	Hannibal grey			
	928 555 071 50 20S	Mint green			
	928 555 071 50 2LB	Burgundy	82		
(1)	927 555 071 50	Rooflining Leather	/RL	1	
	927 555 071 50 20B	Dark green			
	927 555 071 50 3NG	Brown			
	927 555 071 50 1AJ	Black			
	927 555 071 50 40D	Cork			
	927 555 071 50 30B	Blue			
	927 555 071 50 60S	Hannibal grey			
	927 555 071 50 20S	Mint green			
	927 555 071 50 2LB	Burgundy	82		
1A	928 555 355 02	Cap		2	
1B	928 555 365 03	Spring clamp		4	
(2)	928 555 073 02	Lining Windscreen frame Leatherette	/L	1	
	928 555 073 02 20B	Dark green			
	928 555 073 02 40A	Brown			
	928 555 073 02 70A	Black			
	928 555 073 02 40D	Cork			
	928 555 073 02 30B	Blue			
2	928 555 074 02	Lining Windscreen frame Leatherette	/R	1	
	928 555 074 02 20B	Dark green			
	928 555 074 02 40A	Brown			



Model: 928 78 Model life 1978>>1982

Pos	Part Number	Description	Remark	Qty	Model
2	928 555 074 02 70A	Black			
	928 555 074 02 40D	Cork			
	928 555 074 02 30B	Blue			
	928 555 251 50	Lining Windscreen frame Leather	/L	1	
	928 555 251 50 20B	Dark green			
	928 555 251 50 40D	Cork			
	928 555 251 50 1AJ	Black			
	928 555 251 50 30B	Blue			
	928 555 251 50 3NG	Brown			
	928 555 251 50 60S	Hannibal grey			
2	928 555 251 50 20S	Mint green			
	928 555 251 50 2LB	Burgundy	82		
	928 555 252 50	Lining Windscreen frame Leather	/R	1	
	928 555 252 50 20B	Dark green			
	928 555 252 50 40D	Cork			
	928 555 252 50 1AJ	Black			
	928 555 252 50 30B	Blue			
	928 555 252 50 3NG	Brown			
	928 555 252 50 60S	Hannibal grey			
	928 555 252 50 20S	Mint green			
2A (2A)	928 555 252 50 2LB	Burgundy	82		
	999 591 749 02	Clamp		6	
3	928 555 047 03	Clamp		4	
	928 555 047 03	Lining Rear lid Leatherette	/H -79	1	
(3)	928 555 047 03 20B	Dark green			
	928 555 047 03 21S	Brown			
	928 555 047 03 40D	Cork			
	928 555 047 03 05T	Black			
	928 555 047 02	Lining for cars without Rear window wiper Leatherette	/H 80-81	1	
(3)	928 555 047 02 05T	Black			
	928 555 047 02 30B	Blue			
	928 555 047 02 21S	Brown			
	928 555 047 04	Lining for cars with Rear window wiper Leatherette	/H 80-81	1	
	928 555 047 04 05T	Black			
3	928 555 047 04 30B	Blue			
	928 555 047 04 21S	Brown			
	928 555 047 05	Lining for cars with Rear window wiper And Luggage compartment lamp Leatherette	/H 82	1	
	928 555 047 05 05T	Black			
	928 555 047 05 30B	Blue			
(3)	928 555 047 05 21S	Brown			
	928 555 047 50	Lining Rear lid Leather	/H -79	1	
	928 555 047 50 20B	Dark green			
	928 555 047 50 3NG	Brown			
	928 555 047 50 40D	Cork			

Model: 928 78 Model life 1978>>1982

Pos	Part Number	Description	Remark	Qty	Model
(3)	928 555 047 50 1AJ 928 555 047 51	Black Lining for cars without Rear window wiper Leather	/H 80-81	1	
	928 555 047 51 1AJ 928 555 047 51 30B 928 555 047 51 3NG 928 555 047 51 60S 928 555 047 51 20S	Black Blue Brown Hannibal grey Mint green			
(3)	928 555 047 52	Lining for cars with Rear window wiper Leather	/H 80-81	1	
	928 555 047 52 1AJ 928 555 047 52 30B 928 555 047 52 3NG 928 555 047 52 60S 928 555 047 52 20S	Black Blue Brown Hannibal grey Mint green			
3	928 555 047 53	Lining for cars with Rear window wiper And Luggage compartment lamp Leather	/H 82	1	
	928 555 047 53 1AJ 928 555 047 53 30B 928 555 047 53 3NG 928 555 047 53 60S 928 555 047 53 20S 928 555 047 53 2LB	Black Blue Brown Hannibal grey Mint green Burgundy	82		
3A	999 591 564 40	Expansion rivet		8	
3B	928 555 438 02	Clamp		5	
4	928 555 037 02	Lining Rear lid Leatherette	/L	1	
	928 555 037 02 20B 928 555 037 02 21S 928 555 037 02 40D 928 555 037 02 05T 928 555 037 02 30B	Dark green Brown Cork Black Blue			
(4)	928 555 038 02	Lining Rear lid Leatherette	/R	1	
	928 555 038 02 20B 928 555 038 02 21S 928 555 038 02 40D 928 555 038 02 05T 928 555 038 02 30B	Dark green Brown Cork Black Blue			
(4)	928 555 037 50	Lining Rear lid Leather	/L	1	
	928 555 037 50 20B 928 555 037 50 3NG 928 555 037 50 40D 928 555 037 50 1AJ 928 555 037 50 30B 928 555 037 50 60S 928 555 037 50 20S 928 555 037 50 2LB	Dark green Brown Cork Black Blue Hannibal grey Mint green Burgundy	82		
4	928 555 038 50	Lining Rear lid Leather	/R	1	

Model: 928 78 Model life 1978>>1982

Pos	Part Number	Description	Remark	Qty	Model
	928 555 038 50 20B	Dark green			
	928 555 038 50 3NG	Brown			
	928 555 038 50 40D	Cork			
	928 555 038 50 1AJ	Black			
	928 555 038 50 30B	Blue			
	928 555 038 50 60S	Hannibal grey			
	928 555 038 50 20S	Mint green			
	928 555 038 50 2LB	Burgundy	82		
4A	928 555 437 02	Clamp		12	
5	928 555 527 02	Lining	/H	1	
		Rear lid			
		Leatherette			
	928 555 527 02 20B	Dark green			
	928 555 527 02 21S	Brown			
	928 555 527 02 40D	Cork			
	928 555 527 02 05T	Black			
	928 555 527 02 30B	Blue			
(5)	928 555 527 50	Lining	/H	1	
		Rear lid			
		Leather			
	928 555 527 50 20B	Dark green			
	928 555 527 50 3NG	Brown			
	928 555 527 50 40D	Cork			
	928 555 527 50 1AJ	Black			
	928 555 527 50 30B	Blue			
	928 555 527 50 60S	Hannibal grey			
	928 555 527 50 20S	Mint green			
	928 555 527 50 2LB	Burgundy	82		
5A	999 591 559 40	Clip		8	
(6)	928 555 015 03	Door trim panel	/L	1	928
		Leatherette/			
		Carpet			
	928 555 015 03 BB1	Dark green/green			
	928 555 015 03 BB3	Brown/brown			
	928 555 015 03 BB4	Cork/cork			
	928 555 015 03 BB5	Cork/brown			
	928 555 015 03 BB2	Black/black			
	928 555 015 03 BB6	Blue/blue			
	928 555 015 03 BB7	Brown/beige			
	928 555 015 03 BB8	Beige/Beige			
6	928 555 016 03	Door trim panel	/R	1	928
		Leatherette/			
		Carpet			
	928 555 016 03 BB1	Dark green/green			
	928 555 016 03 BB3	Brown/brown			
	928 555 016 03 BB4	Cork/cork			
	928 555 016 03 BB5	Cork/brown			
	928 555 016 03 BB2	Black/black			
	928 555 016 03 BB6	Blue/blue			
	928 555 016 03 BB7	Brown/beige			
	928 555 016 03 BB8	Beige/Beige			
(6)	928 555 015 06	Door trim panel	/L	1	928S
		Leatherette/			
		Carpet			
	928 555 015 06 BB2	Black/black			
	928 555 015 06 BB6	Blue/blue			
	928 555 015 06 BB3	Brown/brown			
	928 555 015 06 BB8	Beige/Beige			
(6)	928 555 016 06	Door trim panel	/R	1	928S
		Leatherette/			
		Carpet			
	928 555 016 06 BB2	Black/black			
	928 555 016 06 BB6	Blue/blue			

Model: 928 78 Model life 1978>>1982

Pos	Part Number	Description	Remark	Qty	Model
6	928 555 016 06 BB3	Brown/brown			
	928 555 016 06 BB8	Beige/Beige			
	928 555 015 50	Door trim panel Leather/ Carpet	/L	1	
	928 555 015 50 20B	Dark green			
	928 555 015 50 3NG	Brown			
	928 555 015 50 40D	Cork			
	928 555 015 50 1AJ	Black			
	928 555 015 50 30B	Blue			
	928 555 015 50 80S	Can-can-red			
	928 555 015 50 95S	Papyrus			
	928 555 015 50 60S	Hannibal grey			
	928 555 015 50 20S	Mint green			
	(6) 928 555 016 50	Door trim panel Leather/ Carpet	/R	1	
	928 555 016 50 20B	Dark green			
928 555 016 50 3NG	Brown				
928 555 016 50 40D	Cork				
928 555 016 50 1AJ	Black				
928 555 016 50 30B	Blue				
928 555 016 50 80S	Can-can-red				
928 555 016 50 95S	Papyrus				
928 555 016 50 60S	Hannibal grey				
928 555 016 50 20S	Mint green				
(6) 928 555 015 54	Door trim panel Leather/ Carpet	/L	1		
928 555 015 54 BG1	Black/black				
928 555 015 54 BG2	Brown/brown				
928 555 015 54 BG3	Blue/blue				
928 555 015 54 BG5	Beige/Beige				
928 555 015 54 HS7	Burgundy/burgundy	82			
(6) 928 555 016 54	Door trim panel Leather/ Carpet	/R	1		
928 555 016 54 BG1	Black/black				
928 555 016 54 BG2	Brown/brown				
928 555 016 54 BG3	Blue/blue				
928 555 016 54 BG5	Beige/Beige				
928 555 016 54 HS7	Burgundy/burgundy	82			
6A 999 591 461 01	Fastening clamp Loudspeaker			8	
6B 823 867 299	Clip			26	
(7) 928 555 901 02	Armrest Leatherette	/L		1	
928 555 901 02 20B	Dark green	-79			
928 555 901 02 40A	Brown				
928 555 901 02 05T	Black				
928 555 901 02 40D	Cork	-79			
928 555 901 02 30B	Blue	80-			
7 928 555 902 02	Armrest Leatherette	/R		1	
928 555 902 02 20B	Dark green	-79			
928 555 902 02 40A	Brown				
928 555 902 02 05T	Black				
928 555 902 02 40D	Cork	-79			
928 555 902 02 30B	Blue	80-			
(7) 928 555 901 50	Armrest Leather	/L		1	
928 555 901 50 20B	Dark green	-79			
928 555 901 50 3NG	Brown				

Model: 928 78 Model life 1978>>1982

Pos	Part Number	Description	Remark	Qty	Model
	928 555 901 50 1AJ	Black			
	928 555 901 50 40D	Cork	-79		
	928 555 901 50 30B	Blue	80-		
	928 555 901 50 80S	Can-can-red			
	928 555 901 50 95S	Papyrus			
	928 555 901 50 60S	Hannibal grey	81-		
	928 555 901 50 20S	Mint green	81-		
7	928 555 901 50 2LB	Burgundy	82		
	928 555 902 50	Armrest	/R	1	
		Leather			
	928 555 902 50 20B	Dark green	-79		
	928 555 902 50 3NG	Brown			
	928 555 902 50 1AJ	Black			
	928 555 902 50 40D	Cork	-79		
	928 555 902 50 30B	Blue	80-		
	928 555 902 50 80S	Can-can-red			
	928 555 902 50 95S	Papyrus			
	928 555 902 50 60S	Hannibal grey	81-		
	928 555 902 50 20S	Mint green	81-		
	928 555 902 50 2LB	Burgundy	82		
7A	928 555 383 02	Cap		4	
(8)	928 555 025 02	Lining	/L	1	
		Door frame			
		Leatherette			
	928 555 025 02 20B	Dark green			
	928 555 025 02 40A	Brown			
	928 555 025 02 70A	Black			
	928 555 025 02 40D	Cork			
	928 555 025 02 30B	Blue			
	928 555 025 02 50B	Beige			
8	928 555 026 02	Lining	/R	1	
		Door frame			
		Leatherette			
	928 555 026 02 20B	Dark green			
	928 555 026 02 40A	Brown			
	928 555 026 02 70A	Black			
	928 555 026 02 40D	Cork			
	928 555 026 02 30B	Blue			
	928 555 026 02 50B	Beige			
(8)	928 555 025 50	Lining	/L	1	
		Door frame			
		Leather			
	928 555 025 50 20B	Dark green			
	928 555 025 50 3NG	Brown			
	928 555 025 50 1AJ	Black			
	928 555 025 50 40D	Cork			
	928 555 025 50 30B	Blue			
	928 555 025 50 50B	Beige			
	928 555 025 50 60S	Hannibal grey			
	928 555 025 50 20S	Mint green			
	928 555 025 50 2LB	Burgundy	82		
(8)	928 555 026 50	Lining	/R	1	
		Door frame			
		Leather			
	928 555 026 50 20B	Dark green			
	928 555 026 50 3NG	Brown			
	928 555 026 50 1AJ	Black			
	928 555 026 50 40D	Cork			
	928 555 026 50 30B	Blue			
	928 555 026 50 50B	Beige			
	928 555 026 50 60S	Hannibal grey			
	928 555 026 50 20S	Mint green			
	928 555 026 50 2LB	Burgundy	82		

Model: 928 78 Model life 1978>>1982

Pos	Part Number	Description	Remark	Qty	Model
8A	928 555 493 02	Clamp		14	
8B	928 555 569 02	Guide bush		2	
9	928 555 043 03	Lid		2	
		Leatherette			
	928 555 043 03 20B	Dark green			
	928 555 043 03 21S	Brown			
	928 555 043 03 05T	Black			
	928 555 043 03 40D	Cork			
9	928 555 233 50	Lid		2	
		Leather			
	928 555 233 50 20B	Dark green			
	928 555 233 50 3NG	Brown			
	928 555 233 50 1AJ	Black			
	928 555 233 50 40D	Cork			
	928 555 233 50 30B	Blue			
	928 555 233 50 50B	Beige			
	928 555 233 50 60S	Hannibal grey			
	928 555 233 50 20S	Mint green			
	928 555 233 50 2LB	Burgundy	82		
10	928 555 607 02	Key		2	
10		Key		2	
	928 555 607 02 70B	Black			
(11)	928 555 553 02	Steering linkage	/L	1	
11	928 555 554 02	Steering linkage	/R	1	
(12)	928 574 087 02	Side vent	/L	1	
12	928 574 088 02	Side vent	/R	1	
(14)	928 555 053 02	Handle	/L -81	1	
		Leatherette			
	928 555 053 02 20B	Dark green			
	928 555 053 02 40A	Brown			
	928 555 053 02 70A	Black			
	928 555 053 02 40D	Cork			
	928 555 053 02 30B	Blue			
(14)	928 555 053 03	Handle	/L 82	1	
		Leatherette			
	928 555 053 03 20B	Dark green			
	928 555 053 03 40A	Brown			
	928 555 053 03 70A	Black			
	928 555 053 03 40D	Cork			
	928 555 053 03 30B	Blue			
14	928 555 054 02	Handle	/R -81	1	
		Leatherette			
	928 555 054 02 20B	Dark green			
	928 555 054 02 40A	Brown			
	928 555 054 02 70A	Black			
	928 555 054 02 40D	Cork			
	928 555 054 02 30B	Blue			
14	928 555 054 03	Handle	/R 82	1	
		Leatherette			
	928 555 054 03 20B	Dark green			
	928 555 054 03 40A	Brown			
	928 555 054 03 70A	Black			
	928 555 054 03 40D	Cork			
	928 555 054 03 30B	Blue			
(14)	928 555 053 04	Handle	/L	1	
		Leatherette			
	928 555 053 04 20B	Dark green			
	928 555 053 04 40A	Brown			
	928 555 053 04 05T	Black			
	928 555 053 04 40D	Cork			
	928 555 053 04 30B	Blue			
14	928 555 054 04	Handle	/R	1	
		Leatherette			

Model: 928 78 Model life 1978>>1982

Pos	Part Number	Description	Remark	Qty	Model
	928 555 054 04 20B	Dark green			
	928 555 054 04 40A	Brown			
	928 555 054 04 05T	Black			
	928 555 054 04 40D	Cork			
	928 555 054 04 30B	Blue			
(14)	928 555 267 52	Handle	/L	1	
		Leather			
	928 555 267 52 1AJ	Black			
	928 555 267 52 3NG	Brown			
	928 555 267 52 40D	Cork			
	928 555 267 52 30B	Blue			
	928 555 267 52 60S	Hannibal grey			
	928 555 267 52 20S	Mint green			
	928 555 267 52 2LB	Burgundy	82		
14	928 555 268 52	Handle	/R	1	
		Leather			
	928 555 268 52 1AJ	Black			
	928 555 268 52 3NG	Brown			
	928 555 268 52 40D	Cork			
	928 555 268 52 30B	Blue			
	928 555 268 52 60S	Hannibal grey			
	928 555 268 52 20S	Mint green			
	928 555 268 52 2LB	Burgundy	82		
(15)	928 555 051 02	Cover	/L	1	
		Checker board velour			
	928 555 051 02 57A	Beige/black			
	928 555 051 02 47A	Brown/black			
	928 555 051 02 37A	Blue/black			
	928 555 051 02 79A	Black-white			
	928 555 051 02 1BV	Grey/black	80-		
	928 555 051 02 4NV	Beige/brown	80-		
15	928 555 052 02	Cover	/R	1	
		Checker board velour			
	928 555 052 02 57A	Beige/black			
	928 555 052 02 47A	Brown/black			
	928 555 052 02 37A	Blue/black			
	928 555 052 02 79A	Black-white			
	928 555 052 02 1BV	Grey/black	80-		
	928 555 052 02 4NV	Beige/brown	80-		
(15)	928 555 051 02	Cover	/L	1	
		Pin stripe velour			
	928 555 051 02 40D	Cork			
	928 555 051 02 80D	Lobster			
	928 555 051 02 70D	Black			
15	928 555 052 02	Cover	/R	1	
		Pin stripe velour			
	928 555 052 02 40D	Cork			
	928 555 052 02 80D	Lobster			
	928 555 052 02 70D	Black			
(15)	928 555 051 02	Cover	/L	1	
		Uni-coloured cloth			
	928 555 051 02 30C	Blue	80-		
	928 555 051 02 40C	Brown	80-		
	928 555 051 02 50C	Beige	80-		
	928 555 051 02 70F	Black	80-		
15	928 555 052 02	Cover	/R	1	
		Uni-coloured cloth			
	928 555 052 02 30C	Blue	80-		
	928 555 052 02 40C	Brown	80-		
	928 555 052 02 50C	Beige	80-		
	928 555 052 02 70F	Black	80-		
(15)	928 555 051 02	Cover	/L	1	
		Tartan cloth			

Model: 928 78 Model life 1978>>1982

Pos	Part Number	Description	Remark	Qty	Model
15	928 555 051 02 83S	Red-blue	80-	1	
	928 555 051 02 23A	Green-blue	80-		
	928 555 051 02 45A	Brown-beige	80-		
	928 555 052 02	Cover Tartan cloth	/R		
(15)	928 555 052 02 83S	Red-blue	80-	1	
	928 555 052 02 23A	Green-blue	80-		
	928 555 052 02 45A	Brown-beige	80-		
	928 555 051 02	Cover Berber cloth	/L		
15	928 555 051 02 1GB	Grey/black	/R	1	
	928 555 051 02 37B	Blue/black			
	928 555 051 02 8NB	Beige/brown			
	928 555 052 02	Cover Berber cloth			
(15)	928 555 052 02 1GB	Grey/black	/L	1	M406
	928 555 052 02 37B	Blue/black			
	928 555 052 02 8NB	Beige/brown			
	928 555 051 02	Cover Stripe design			
15	928 555 051 02 9LA	Burgundy-grey	/R	1	M406
	928 555 052 02	Cover Stripe design			
15	928 555 052 02 9LA	Burgundy-grey	/L	1	
	928 555 051 03	Cover Leatherette			
15	928 555 051 03 40D	Cork	/R	1	
	928 555 051 03 20B	Dark green			
	928 555 051 03 21S	Brown			
	928 555 051 03 05T	Black			
	928 555 051 03 30B	Blue			
	928 555 051 03 50B	Beige			
	928 555 052 03	Cover Leatherette			
	928 555 052 03 40D	Cork			
	928 555 052 03 20B	Dark green			
	928 555 052 03 21S	Black			
(15)	928 555 052 03 05T	Black	/L	1	
	928 555 052 03 30B	Blue			
	928 555 052 03 50B	Beige			
	928 555 051 50	Cover Leather			
	928 555 051 50 3NG	Brown			
	928 555 051 50 1AJ	Black			
	928 555 051 50 40D	Cork			
	928 555 051 50 20B	Dark green			
	928 555 051 50 30B	Blue			
	928 555 051 50 50B	Beige			
15	928 555 051 50 80S	Can-can-red	/R	1	
	928 555 051 50 95S	Papyrus			
	928 555 051 50 60S	Hannibal grey			
	928 555 051 50 20S	Mint green			
	928 555 052 50	Cover Leather			
	928 555 052 50 3NG	Brown			
	928 555 052 50 1AJ	Black			
	928 555 052 50 40D	Cork			
	928 555 052 50 20B	Dark green			
	928 555 052 50 30B	Blue			
928 555 052 50 50B	Beige				
928 555 052 50 80S	Can-can-red				
928 555 052 50 95S	Papyrus				
928 555 052 50 60S	Hannibal grey				

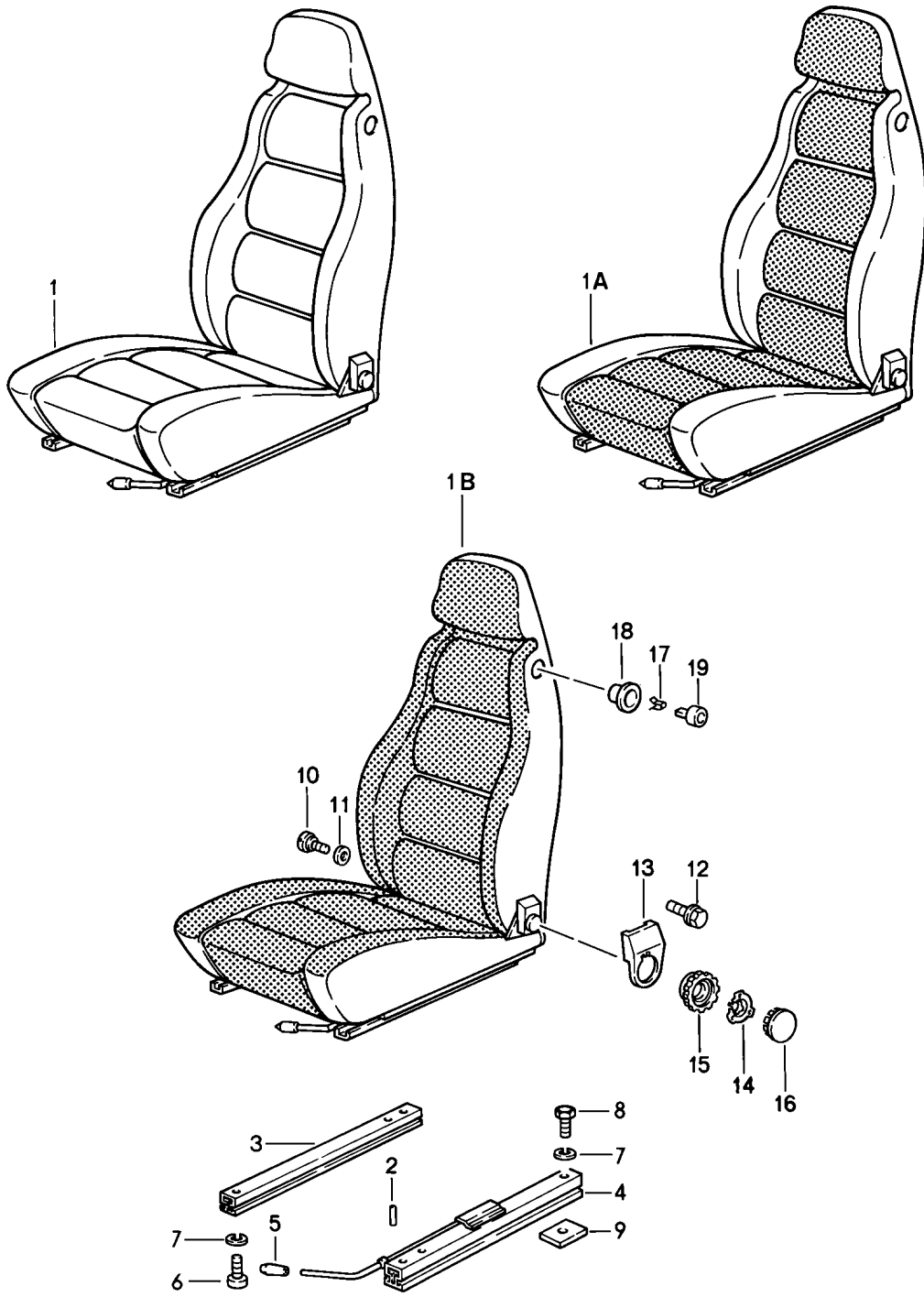


Model: 928 78 Model life 1978>>1982

Pos	Part Number	Description	Remark	Qty	Model
	928 555 052 50 20S	Mint green			
15A	999 591 559 40	Clip		6	
15B	928 555 327 02	Clamp		8	
15B		Clamp		8	
16	928 555 317 02	Rosette		2	
16		Rosette		2	
	928 555 317 02 70B	Black			
17	928 555 363 02	Cover	/LL	1	
(17)	927 555 363 02	Cover	/RL	1	
		Side vent			
18	928 555 461 02	Mounting piece	/LL	1	
18	927 555 461 02	Mounting piece	/RL	1	
		Door mirror switch			
19	928 555 087 02	Package box	/L	1	
19	928 555 088 02	Package box	/R	1	
(19)	928 555 087 03	Package box	/L	1	
	928 555 087 03 71B	Black			
19	928 555 088 03	Package box	/R	1	
	928 555 088 03 71B	Black			
-	928 555 479 03	Sealing film	/L	1	
-	928 555 480 03	Sealing film	/R	1	
		Door			
21	928 555 551 02	Cable guide		2	
(22)	928 555 579 02	Edge protection	/L	1	
22	928 555 580 02	Edge protection	/R	1	
(22A)	928 555 425 02	Lining	/L	1	
		B-pillar lining			
	928 555 425 02 05T	Black			
(22A)	928 555 426 02	Lining	/R	1	
		B-pillar lining			
	928 555 426 02 05T	Black			
23	928 555 263 02	Cover	/L	1	
23	928 555 264 02	Cover	/R	1	
		Cable guide			
24	928 551 315 03	Piping		2	
25	928 551 433 02	Cap	/L	1	
25	928 551 434 02	Cap	/R	1	

Model: 928 78

Model life 1978>>1982



Model: 928 78 Model life 1978>>1982

Pos	Part Number	Description	Remark	Qty	Model
		Front seat Complete			928 S
1	928 521 001 56	Front seat Manually adjustable Leather	-79 /L	1	928
	928 521 001 56 40D	Cork			
	928 521 001 56 20B	Dark green			
	928 521 001 56 3NG	Brown			
	928 521 001 56 1AJ	Black			
	928 521 001 56 30B	Blue			
	928 521 001 56 50B	Beige			
	928 521 001 56 10A	Yellow			
	928 521 001 56 99A	White			
	928 521 001 56 80B	Light red			
	928 521 001 56 30A	Light blue			
	928 521 001 56 80S	Can-can-red			
	928 521 001 56 95S	Papyrus			
	928 521 001 56 60S	Hannibal grey			
	928 521 001 56 20S	Mint green			
(1)	928 521 002 56	Front seat Manually adjustable Leather	/R	1	
	928 521 002 56 40D	Cork			
	928 521 002 56 20B	Dark green			
	928 521 002 56 3NG	Brown			
	928 521 002 56 1AJ	Black			
	928 521 002 56 30B	Blue			
	928 521 002 56 50B	Beige			
	928 521 002 56 10A	Yellow			
	928 521 002 56 99A	White			
	928 521 002 56 80B	Light red			
	928 521 002 56 30A	Light blue			
	928 521 002 56 80S	Can-can-red			
	928 521 002 56 95S	Papyrus			
	928 521 002 56 60S	Hannibal grey			
	928 521 002 56 20S	Mint green			
(1)	928 521 001 53	Comfort seat Leather	/L	1	M437
	928 521 001 53 40D	Cork			
	928 521 001 53 20B	Dark green			
	928 521 001 53 3NG	Brown			
	928 521 001 53 1AJ	Black			
	928 521 001 53 30B	Blue			
	928 521 001 53 50B	Beige			
	928 521 001 53 10A	Yellow			
	928 521 001 53 99A	White			
	928 521 001 53 80B	Light red			
	928 521 001 53 30A	Light blue			
	928 521 001 53 80S	Can-can-red			
	928 521 001 53 95S	Papyrus			
	928 521 001 53 60S	Hannibal grey			
	928 521 001 53 20S	Mint green			
(1)	928 521 002 53	Comfort seat Leather	/R	1	M438
	928 521 002 53 40D	Cork			
	928 521 002 53 20B	Dark green			
	928 521 002 53 3NG	Brown			
	928 521 002 53 1AJ	Black			
	928 521 002 53 30B	Blue			
	928 521 002 53 50B	Beige			
	928 521 002 53 10A	Yellow			
	928 521 002 53 99A	White			

Model: 928 78

Model life 1978&gt;&gt;1982

Pos	Part Number	Description	Remark	Qty	Model
	928 521 002 53 80B	Light red			
	928 521 002 53 30A	Light blue			
	928 521 002 53 80S	Can-can-red			
	928 521 002 53 95S	Papyrus			
	928 521 002 53 60S	Hannibal grey			
	928 521 002 53 20S	Mint green			
1A	928 521 001 08	Front seat Manually adjustable Leatherette/ Centre part Checker board velour	/L -79	1	
	928 521 001 08 AC1	Dark green/ Beige/black			
	928 521 001 08 AC2	Brown/ Brown/black			
	928 521 001 08 AC3	Black/ Beige/black			
	928 521 001 08 AC4	Black/ Brown/black			
	928 521 001 08 AC5	Black/ Blue/black			
	928 521 001 08 AC6	Cork/ Beige/black			
	928 521 001 08 AC7	Black/ Black-white			
	928 521 001 08 AD4	Cork/ Brown/black			
(1A)	928 521 002 08	Front seat Manually adjustable Leatherette/ Centre part Checker board velour	/R -79	1	
	928 521 002 08 AC1	Dark green/ Beige/black			
	928 521 002 08 AC2	Brown/ Brown/black			
	928 521 002 08 AC3	Black/ Beige/black			
	928 521 002 08 AC4	Black/ Brown/black			
	928 521 002 08 AC5	Black/ Blue/black			
	928 521 002 08 AC6	Cork/ Beige/black			
	928 521 002 08 AC7	Black/ Black-white			
	928 521 002 08 AD4	Cork/ Brown/black			
(1A)	928 521 001 06	Comfort seat Leatherette/ Centre part Checker board velour	/L -79	1	M437
	928 521 001 06 AC1	Dark green/ Beige/black			
	928 521 001 06 AC2	Brown/ Brown/black			
	928 521 001 06 AC3	Black/ Beige/black			
	928 521 001 06 AC4	Black/ Brown/black			
	928 521 001 06 AC5	Black/ Blue/black			
	928 521 001 06 AC6	Cork/ Beige/black			

Model: 928 78 Model life 1978>>1982

Pos	Part Number	Description	Remark	Qty	Model
	928 521 001 06 AC7	Beige/black			
	928 521 001 06 AD4	Black/ Black-white Cork/ Brown/black			
(1A)	928 521 002 06	Comfort seat Leatherette/ Centre part Checker board velour	/R -79	1	M438
	928 521 002 06 AC1	Dark green/ Beige/black			
	928 521 002 06 AC2	Brown/ Brown/black			
	928 521 002 06 AC3	Black/ Beige/black			
	928 521 002 06 AC4	Black/ Brown/black			
	928 521 002 06 AC5	Black/ Blue/black			
	928 521 002 06 AC6	Cork/ Beige/black			
	928 521 002 06 AC7	Black/ Black-white			
	928 521 002 06 AD4	Cork/ Brown/black			
1A	928 521 001 08	Front seat Manually adjustable Leatherette/ Centre part Pin stripe velour	/L -79	1	
	928 521 001 08 AC8	Cork/cork			
	928 521 001 08 AC9	Black/cork			
	928 521 001 08 AD1	Dark green/cork			
	928 521 001 08 AD2	Black/lobster			
	928 521 001 08 AD3	Black/black			
(1A)	928 521 002 08	Front seat Manually adjustable Leatherette/ Centre part Pin stripe velour	/R -79	1	
	928 521 002 08 AC8	Cork/cork			
	928 521 002 08 AC9	Black/cork			
	928 521 002 08 AD1	Dark green/cork			
	928 521 002 08 AD2	Black/lobster			
	928 521 002 08 AD3	Black/black			
(1A)	928 521 001 06	Comfort seat Leatherette/ Centre part Pin stripe velour	/L -79	1	M437
	928 521 001 06 AC8	Cork/cork			
	928 521 001 06 AC9	Black/cork			
	928 521 001 06 AD1	Dark green/cork			
	928 521 001 06 AD2	Black/lobster			
	928 521 001 06 AD3	Black/black			
(1A)	928 521 002 06	Comfort seat Leatherette/ Centre part Pin stripe velour	/R -79	1	M438
	928 521 002 06 AC8	Cork/cork			
	928 521 002 06 AC9	Black/cork			
	928 521 002 06 AD1	Dark green/cork			
	928 521 002 06 AD2	Black/lobster			
	928 521 002 06 AD3	Black/black			

Model: 928 78

Model life 1978&gt;&gt;1982

Pos	Part Number	Description	Remark	Qty	Model
1A	928 521 001 57	Front seat Manually adjustable Leather/ Centre part Checker board velour	/L	1	
	928 521 001 57 AH1	Dark green/ Beige/black			
	928 521 001 57 AH2	Brown/ Brown/black			
	928 521 001 57 AH3	Black/ Beige/black			
	928 521 001 57 AH4	Black/ Blue/black			
	928 521 001 57 AH5	Cork/ Beige/black			
	928 521 001 57 AH6	Black/ Black-white			
	928 521 001 57 AH7	Cork/ Brown/black			
	928 521 001 57 AH8	Black/ Brown/black			
	928 521 001 57 AJ1	Blue/ Blue/black			
	928 521 001 57 AJ2	Black/ Grey/black			
	928 521 001 57 AJ3	Brown/ Beige/brown			
	928 521 001 57 AJ4	Beige/ Beige/brown			
	928 521 001 57 AJ5	Beige/ Brown/black			
(1A)	928 521 002 57	Front seat Manually adjustable Leather/ Centre part Checker board velour	/R	1	
	928 521 002 57 AH1	Dark green/ Beige/black			
	928 521 002 57 AH2	Brown/ Brown/black			
	928 521 002 57 AH3	Black/ Beige/black			
	928 521 002 57 AH4	Black/ Blue/black			
	928 521 002 57 AH5	Cork/ Beige/black			
	928 521 002 57 AH6	Black/ Black-white			
	928 521 002 57 AH7	Cork/ Brown/black			
	928 521 002 57 AH8	Black/ Brown/black			
	928 521 002 57 AJ1	Blue/ Blue/black			
	928 521 002 57 AJ2	Black/ Grey/black			
	928 521 002 57 AJ3	Brown/ Beige/brown			
	928 521 002 57 AJ4	Beige/ Beige/brown			
	928 521 002 57 AJ5	Beige/ Brown/black			
(1A)	928 521 001 54	Comfort seat	/L	1	M437

Model: 928 78 Model life 1978>>1982

Pos	Part Number	Description	Remark	Qty	Model
		Leather/ Centre part Checker board velour			
	928 521 001 54 AH1	Dark green/ Beige/black			
	928 521 001 54 AH2	Brown/ Brown/black			
	928 521 001 54 AH3	Black/ Beige/black			
	928 521 001 54 AH4	Black/ Blue/black			
	928 521 001 54 AH5	Cork/ Beige/black			
	928 521 001 54 AH6	Black/ Black-white			
	928 521 001 54 AH7	Cork/ Brown/black			
	928 521 001 54 AH8	Black/ Brown/black			
	928 521 001 54 AJ1	Blue/ Blue/black			
	928 521 001 54 AJ2	Black/ Grey/black			
	928 521 001 54 AJ3	Brown/ Beige/brown			
	928 521 001 54 AJ4	Beige/ Beige/brown			
	928 521 001 54 AJ5	Beige/ Brown/black			
(1A)	928 521 002 54	Comfort seat Leather/ Centre part Checker board velour	/R	1	M438
	928 521 002 54 AH1	Dark green/ Beige/black			
	928 521 002 54 AH2	Brown/ Brown/black			
	928 521 002 54 AH3	Black/ Beige/black			
	928 521 002 54 AH4	Black/ Blue/black			
	928 521 002 54 AH5	Cork/ Beige/black			
	928 521 002 54 AH6	Black/ Black-white			
	928 521 002 54 AH7	Cork/ Brown/black			
	928 521 002 54 AH8	Black/ Brown/black			
	928 521 002 54 AJ1	Blue/ Blue/black			
	928 521 002 54 AJ2	Black/ Grey/black			
	928 521 002 54 AJ3	Brown/ Beige/brown			
	928 521 002 54 AJ4	Beige/ Beige/brown			
	928 521 002 54 AJ5	Beige/ Brown/black			
1A	928 521 001 57	Front seat Manually adjustable Leather/ Centre part	/L	1	

Model: 928 78 Model life 1978>>1982

Pos	Part Number	Description	Remark	Qty	Model
		Uni-coloured cloth			
	928 521 001 57 AK1	Blue/blue			
	928 521 001 57 AK2	Brown/brown			
	928 521 001 57 AK3	Beige/Beige			
	928 521 001 57 AK4	Black/black			
	928 521 001 57 AK5	Brown/beige			
(1A)	928 521 002 57	Front seat Manually adjustable Leather/ Centre part Uni-coloured cloth	/R	1	
	928 521 002 57 AK1	Blue/blue			
	928 521 002 57 AK2	Brown/brown			
	928 521 002 57 AK3	Beige/Beige			
	928 521 002 57 AK4	Black/black			
	928 521 002 57 AK5	Brown/beige			
(1A)	928 521 001 54	Comfort seat Leather/ Centre part Uni-coloured cloth	/L	1	M437
	928 521 001 54 AK1	Blue/blue			
	928 521 001 54 AK2	Brown/brown			
	928 521 001 54 AK3	Beige/Beige			
	928 521 001 54 AK4	Black/black			
	928 521 001 54 AK5	Brown/beige			
(1A)	928 521 002 54	Comfort seat Leather/ Centre part Uni-coloured cloth	/R	1	M438
	928 521 002 54 AK1	Blue/blue			
	928 521 002 54 AK2	Brown/brown			
	928 521 002 54 AK3	Beige/Beige			
	928 521 002 54 AK4	Black/black			
	928 521 002 54 AK5	Brown/beige			
1A	928 521 001 57	Front seat Manually adjustable Leather/ Centre part Tartan cloth	/L	1	
	928 521 001 57 AL1	Blue/ Red-blue			
	928 521 001 57 AL2	Black/ Red-blue			
	928 521 001 57 AL3	Blue/ Green-blue			
	928 521 001 57 AL4	Black/ Green-blue			
	928 521 001 57 AL5	Black/ Brown-beige			
	928 521 001 57 AL6	Brown/ Brown-beige			
	928 521 001 57 AL7	Beige/ Brown-beige			
(1A)	928 521 002 57	Front seat Manually adjustable Leather/ Centre part Tartan cloth	/R	1	
	928 521 002 57 AL1	Blue/ Red-blue			
	928 521 002 57 AL2	Black/ Red-blue			
	928 521 002 57 AL3	Blue/			



Model: 928 78 Model life 1978>>1982

Pos	Part Number	Description	Remark	Qty	Model
	928 521 002 57 AL4	Green-blue Black/			
	928 521 002 57 AL5	Green-blue Black/			
	928 521 002 57 AL6	Brown-beige Brown/			
	928 521 002 57 AL7	Brown-beige Beige/			
(1A)	928 521 001 54	Brown-beige Comfort seat Leather/ Centre part Tartan cloth	/L	1	M437
	928 521 001 54 AL1	Blue/ Red-blue			
	928 521 001 54 AL2	Black/ Red-blue			
	928 521 001 54 AL3	Blue/ Green-blue			
	928 521 001 54 AL4	Black/ Green-blue			
	928 521 001 54 AL5	Black/ Brown-beige			
	928 521 001 54 AL6	Brown/ Brown-beige			
	928 521 001 54 AL7	Beige/ Brown-beige			
(1A)	928 521 002 54	Comfort seat Leather/ Centre part Tartan cloth	/R	1	M438
	928 521 002 54 AL1	Blue/ Red-blue			
	928 521 002 54 AL2	Black/ Red-blue			
	928 521 002 54 AL3	Blue/ Green-blue			
	928 521 002 54 AL4	Black/ Green-blue			
	928 521 002 54 AL5	Black/ Brown-beige			
	928 521 002 54 AL6	Brown/ Brown-beige			
	928 521 002 54 AL7	Beige/ Brown-beige			
1A	928 521 001 57	Front seat Manually adjustable Leather/ Centre part Stripe design	/L	1	
	928 521 001 57 HS6	Burgundy/ Burgundy-grey			
(1A)	928 521 002 57	Front seat Manually adjustable Leather/ Centre part Stripe design	/R	1	
	928 521 002 57 HS6	Burgundy/ Burgundy-grey			
(1A)	928 521 001 54	Comfort seat Leather/ Centre part Stripe design	/L	1	M437

Model: 928 78

Model life 1978&gt;&gt;1982

Pos	Part Number	Description	Remark	Qty	Model
	928 521 001 54 HS6	Burgundy/ Burgundy-grey			
(1A)	928 521 002 54	Comfort seat Leather/ Centre part Stripe design	/R	1	M438
	928 521 002 54 HS6	Burgundy/ Burgundy-grey			
1B	928 521 001 09	Front seat Manually adjustable Leatherette/ Seat and backrest surface Checker board velour	/L -79	1	
	928 521 001 09 AA1	Dark green/ Beige/black			
	928 521 001 09 AA2	Brown/ Brown/black			
	928 521 001 09 AA3	Black/ Beige/black			
	928 521 001 09 AA4	Black/ Brown/black			
	928 521 001 09 AA5	Black/ Blue/black			
	928 521 001 09 AA6	Cork/ Beige/black			
	928 521 001 09 AA7	Black/ Black-white			
	928 521 001 09 AB4	Cork/ Brown/black			
(1B)	928 521 002 09	Front seat Manually adjustable Leatherette/ Seat and backrest surface Checker board velour	/R -79	1	
	928 521 002 09 AA1	Dark green/ Beige/black			
	928 521 002 09 AA2	Brown/ Brown/black			
	928 521 002 09 AA3	Black/ Beige/black			
	928 521 002 09 AA4	Black/ Brown/black			
	928 521 002 09 AA5	Black/ Blue/black			
	928 521 002 09 AA6	Cork/ Beige/black			
	928 521 002 09 AA7	Black/ Black-white			
	928 521 002 09 AB4	Cork/ Brown/black			
(1B)	928 521 001 07	Comfort seat Leatherette/ Seat and backrest surface Checker board velour	/L -79	1	M437
	928 521 001 07 AA1	Dark green/ Beige/black			
	928 521 001 07 AA2	Brown/ Brown/black			
	928 521 001 07 AA3	Black/ Beige/black			
	928 521 001 07 AA4	Black/ Brown/black			
	928 521 001 07 AA5	Black/			

Model: 928 78

Model life 1978&gt;&gt;1982

Pos	Part Number	Description	Remark	Qty	Model
	928 521 001 07 AA6	Blue/black Cork/			
	928 521 001 07 AA7	Beige/black Black/			
	928 521 001 07 AB4	Black-white Cork/			
(1B)	928 521 002 07	Brown/black Comfort seat Leatherette/ Seat and backrest surface Checker board velour	/R -79	1	M438
	928 521 002 07 AA1	Dark green/ Beige/black			
	928 521 002 07 AA2	Brown/ Brown/black			
	928 521 002 07 AA3	Black/ Beige/black			
	928 521 002 07 AA4	Black/ Brown/black			
	928 521 002 07 AA5	Black/ Blue/black			
	928 521 002 07 AA6	Cork/ Beige/black			
	928 521 002 07 AA7	Black/ Black-white			
	928 521 002 07 AB4	Cork/ Brown/black			
1B	928 521 001 09	Front seat Manually adjustable Leatherette/ Seat and backrest surface Pin stripe velour	/L -79	1	
	928 521 001 09 AA8	Cork/cork			
	928 521 001 09 AA9	Black/cork			
	928 521 001 09 AB1	Dark green/cork			
	928 521 001 09 AB2	Black/lobster			
	928 521 001 09 AB3	Black/black			
(1B)	928 521 002 09	Front seat Manually adjustable Leatherette/ Seat and backrest surface Pin stripe velour	/R -79	1	
	928 521 002 09 AA8	Cork/cork			
	928 521 002 09 AA9	Black/cork			
	928 521 002 09 AB1	Dark green/cork			
	928 521 002 09 AB2	Black/lobster			
	928 521 002 09 AB3	Black/black			
(1B)	928 521 001 07	Comfort seat Leatherette/ Seat and backrest surface Pin stripe velour	/L -79	1	M437
	928 521 001 07 AA8	Cork/cork			
	928 521 001 07 AA9	Black/cork			
	928 521 001 07 AB1	Dark green/cork			
	928 521 001 07 AB2	Black/lobster			
	928 521 001 07 AB3	Black/black			
(1B)	928 521 002 07	Comfort seat Leatherette/ Seat and backrest surface Pin stripe velour	/R -79	1	M438
	928 521 002 07 AA8	Cork/cork			
	928 521 002 07 AA9	Black/cork			
	928 521 002 07 AB1	Dark green/cork			

Model: 928 78

Model life 1978&gt;&gt;1982

Pos	Part Number	Description	Remark	Qty	Model
1B	928 521 002 07 AB2	Black/lobster			
	928 521 002 07 AB3	Black/black			
	928 521 001 58	Front seat Manually adjustable Leather/ Seat and backrest surface Berber cloth	/L 81-	1	
	928 521 001 58 AK6	Black/ Grey/black			
	928 521 001 58 AK7	Blue/ Blue/black			
	928 521 001 58 AK8	Brown/ Beige/brown			
	928 521 001 58 AK9	Beige/ Beige/brown			
	(1B) 928 521 002 58	Front seat Manually adjustable Leather/ Seat and backrest surface Berber cloth	/R 81-	1	
	928 521 002 58 AK6	Black/ Grey/black			
928 521 002 58 AK7	Blue/ Blue/black				
928 521 002 58 AK8	Brown/ Beige/brown				
928 521 002 58 AK9	Beige/ Beige/brown				
(1B) 928 521 001 55	Comfort seat Leather/ Seat and backrest surface Berber cloth	/L 81-	1	M437	
928 521 001 55 AK6	Black/ Grey/black				
928 521 001 55 AK7	Blue/ Blue/black				
928 521 001 55 AK8	Brown/ Beige/brown				
928 521 001 55 AK9	Beige/ Beige/brown				
(1B) 928 521 002 55	Comfort seat Leather/ Seat and backrest surface Berber cloth	/R 81-	1	M438	
928 521 002 55 AK6	Black/ Grey/black				
928 521 002 55 AK7	Blue/ Blue/black				
928 521 002 55 AK8	Brown/ Beige/brown				
928 521 002 55 AK9	Beige/ Beige/brown				
2	900 012 123 00	Pin 2,5 X 12		2	
3	944 521 491 00	Seat rail without locking device See TPI GR.8 NR.34		2	
3		Seat rail		2	
4	928 521 489 02	Seat rail	/L	1	
(4)	928 521 490 02	Seat rail with locking device	/R	1	
(5)	911 521 533 01	Handle		2	

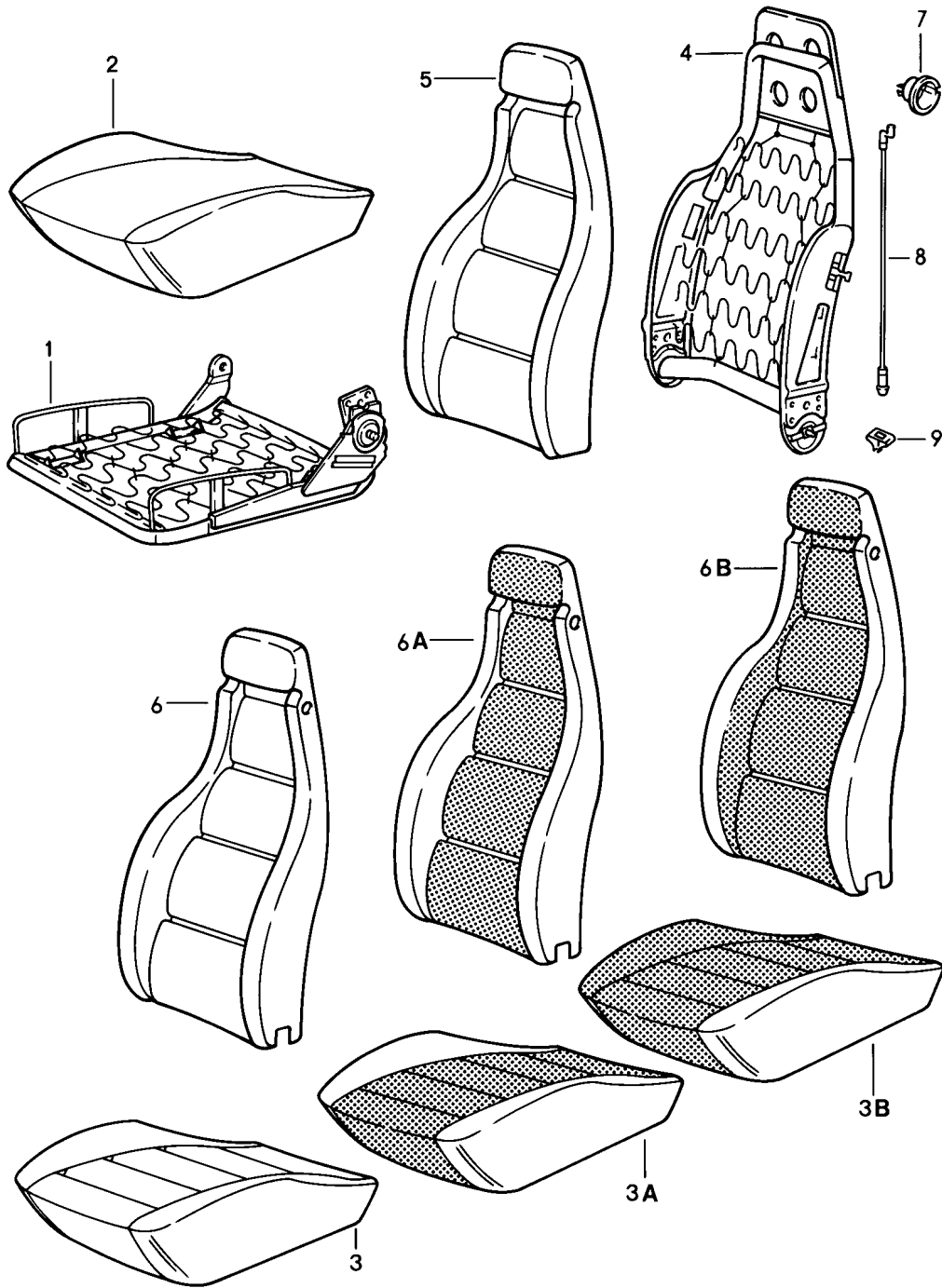
Model: 928 78

Model life 1978>>1982

Pos	Part Number	Description	Remark	Qty	Model
	911 521 533 01 01C	for longitudinal adjustment Satin black			
6	900 119 129 01	Pan-head screw		8	
6	N 014 761 2	Pan-head screw M 6 X 12		8	
6	900 119 129 01	Pan-head screw M 6 X 12		8	
7	N 012 006 4	Lock ring B 6		16	
8	900 075 057 02	Hexagon-head bolt M 6 X 16		8	
8	900 075 057 03	Hexagon-head bolt M 6 X 16		8	
9	928 521 101 04	Threaded plate	80-	8	
10	911 521 371 00	Screw		2	
11	999 025 117 40	Washer 12,5 X 32 X 1		X	
12	911 521 547 00	Screw M 10 X 20		8	
13	911 521 359 02	Cover	/L	1	
(13)	911 521 360 02	Cover	/R	1	
14	911 521 571 00	Tensioning spring		2	
(15)	911 521 381 02	Cover for backrest adjustment Comprising: POS. 15 HANDRAD LEHNE POS. 16 Cover		2	
15	911 521 381 00	Shifting wheel Backrest		2	
15	911 521 381 02	Cover Backrest		2	
16	911 521 383 00	Cover		2	
16	911 521 381 02	Cover		2	
17	311 881 247	Clip		2	
18	928 521 815 02	Rosette		2	
19	928 521 817 02	Push button		2	

Model: 928 78

Model life 1978>>1982



Model: 928 78 Model life 1978>>1982

Pos	Part Number	Description	Remark	Qty	Model
		Front seat Single parts			
1	928 521 069 02	Seat frame	/L	1	
(1)	928 521 070 02	Seat frame	/R	1	
(1)	928 521 069 05	Seat frame	/L	1	
		Comfort seat			
(1)	928 521 070 05	Seat frame	/R	1	
		Comfort seat			
2	928 521 385 04	Foam part	/L	1	
(2)	928 521 386 04	Foam part	/R	1	
3	928 521 037 50	Seat cover	/L	1	
		Leather			
	928 521 037 50 40D	Cork			
	928 521 037 50 20B	Dark green			
	928 521 037 50 3NG	Brown			
	928 521 037 50 1AJ	Black			
	928 521 037 50 30B	Blue			
	928 521 037 50 50B	Beige			
	928 521 037 50 10A	Yellow			
	928 521 037 50 99A	White			
	928 521 037 50 80B	Light red			
	928 521 037 50 30A	Light blue			
	928 521 037 50 80S	Can-can-red			
	928 521 037 50 95S	Papyrus			
	928 521 037 50 60S	Hannibal grey			
	928 521 037 50 20S	Mint green			
(3)	928 521 038 50	Seat cover	/R	1	
		Leather			
	928 521 038 50 40D	Cork			
	928 521 038 50 20B	Dark green			
	928 521 038 50 3NG	Brown			
	928 521 038 50 1AJ	Black			
	928 521 038 50 30B	Blue			
	928 521 038 50 50B	Beige			
	928 521 038 50 10A	Yellow			
	928 521 038 50 99A	White			
	928 521 038 50 80B	Light red			
	928 521 038 50 30A	Light blue			
	928 521 038 50 80S	Can-can-red			
	928 521 038 50 95S	Papyrus			
	928 521 038 50 60S	Hannibal grey			
	928 521 038 50 20S	Mint green			
3	928 521 037 53	Seat cover	/L	1	M437
		Leather			
	928 521 037 53 40D	Cork			
	928 521 037 53 20B	Dark green			
	928 521 037 53 3NG	Brown			
	928 521 037 53 1AJ	Black			
	928 521 037 53 30B	Blue			
	928 521 037 53 50B	Beige			
	928 521 037 53 10A	Yellow			
	928 521 037 53 99A	White			
	928 521 037 53 80B	Light red			
	928 521 037 53 30A	Light blue			
	928 521 037 53 80S	Can-can-red			
	928 521 037 53 95S	Papyrus			
	928 521 037 53 60S	Hannibal grey			
	928 521 037 53 20S	Mint green			
(3)	928 521 038 53	Seat cover	/R	1	M438
		Leather			
	928 521 038 53 40D	Cork			
	928 521 038 53 20B	Dark green			
	928 521 038 53 3NG	Brown			

Model: 928 78

Model life 1978>>1982

Pos	Part Number	Description	Remark	Qty	Model
	928 521 038 53 1AJ	Black			
	928 521 038 53 30B	Blue			
	928 521 038 53 50B	Beige			
	928 521 038 53 10A	Yellow			
	928 521 038 53 99A	White			
	928 521 038 53 80B	Light red			
	928 521 038 53 30A	Light blue			
	928 521 038 53 80S	Can-can-red			
	928 521 038 53 95S	Papyrus			
	928 521 038 53 60S	Hannibal grey			
	928 521 038 53 20S	Mint green			
3A	928 521 037 03	Seat cover Leatherette/ Centre part Checker board velour	/L -79	1	
	928 521 037 03 AC1	Dark green/ Beige/black			
	928 521 037 03 AC2	Brown/ Brown/black			
	928 521 037 03 AC3	Black/ Beige/black			
	928 521 037 03 AC4	Black/ Brown/black			
	928 521 037 03 AC5	Black/ Blue/black			
	928 521 037 03 AC6	Cork/ Beige/black			
	928 521 037 03 AC7	Black/ Black-white			
	928 521 037 03 AD4	Cork/ Brown/black			
(3A)	928 521 038 03	Seat cover Leatherette/ Centre part Checker board velour	/R -79	1	
	928 521 038 03 AC1	Dark green/ Beige/black			
	928 521 038 03 AC2	Brown/ Brown/black			
	928 521 038 03 AC3	Black/ Beige/black			
	928 521 038 03 AC4	Black/ Brown/black			
	928 521 038 03 AC5	Black/ Blue/black			
	928 521 038 03 AC6	Cork/ Beige/black			
	928 521 038 03 AC7	Black/ Black-white			
	928 521 038 03 AD4	Cork/ Brown/black			
3A	928 521 037 06	Seat cover Leatherette/ Centre part Checker board velour	/L -79	1	M437
	928 521 037 06 AC1	Dark green/ Beige/black			
	928 521 037 06 AC2	Brown/ Brown/black			
	928 521 037 06 AC3	Black/ Beige/black			
	928 521 037 06 AC4	Black/ Brown/black			



Model: 928 78 Model life 1978>>1982

Pos	Part Number	Description	Remark	Qty	Model
	928 521 037 06 AC5	Black/ Blue/black			
	928 521 037 06 AC6	Cork/ Beige/black			
	928 521 037 06 AC7	Black/ Black-white			
	928 521 037 06 AD4	Cork/ Brown/black			
(3A)	928 521 038 06	Seat cover Leatherette/ Centre part Checker board velour	/R -79	1	M438
	928 521 038 06 AC1	Dark green/ Beige/black			
	928 521 038 06 AC2	Brown/ Brown/black			
	928 521 038 06 AC3	Black/ Beige/black			
	928 521 038 06 AC4	Black/ Brown/black			
	928 521 038 06 AC5	Black/ Blue/black			
	928 521 038 06 AC6	Cork/ Beige/black			
	928 521 038 06 AC7	Black/ Black-white			
	928 521 038 06 AD4	Cork/ Brown/black			
3A	928 521 037 03	Seat cover Leatherette/ Centre part Pin stripe velour	/L -79	1	
	928 521 037 03 AC8	Cork/cork			
	928 521 037 03 AC9	Black/cork			
	928 521 037 03 AD1	Dark green/cork			
	928 521 037 03 AD2	Black/lobster			
	928 521 037 03 AD3	Black/black			
(3A)	928 521 038 03	Seat cover Leatherette/ Centre part Pin stripe velour	/R -79	1	
	928 521 038 03 AC8	Cork/cork			
	928 521 038 03 AC9	Black/cork			
	928 521 038 03 AD1	Dark green/cork			
	928 521 038 03 AD2	Black/lobster			
	928 521 038 03 AD3	Black/black			
3A	928 521 037 06	Seat cover Leatherette/ Centre part Pin stripe velour	/L -79	1	M437
	928 521 037 06 AC8	Cork/cork			
	928 521 037 06 AC9	Black/cork			
	928 521 037 06 AD1	Dark green/cork			
	928 521 037 06 AD2	Black/lobster			
	928 521 037 06 AD3	Black/black			
(3A)	928 521 038 06	Seat cover Leatherette/ Centre part Pin stripe velour	/R -79	1	M438
	928 521 038 06 AC8	Cork/cork			
	928 521 038 06 AC9	Black/cork			
	928 521 038 06 AD1	Dark green/cork			
	928 521 038 06 AD2	Black/lobster			

Model: 928 78 Model life 1978>>1982

Pos	Part Number	Description	Remark	Qty	Model			
3A	928 521 038 06 AD3	Black/black	/L	1				
	928 521 037 51	Seat cover Leather/ Centre part Checker board velour						
	928 521 037 51 AH1	Dark green/ Beige/black						
	928 521 037 51 AH2	Brown/ Brown/black						
	928 521 037 51 AH3	Black/ Beige/black						
	928 521 037 51 AH4	Black/ Blue/black						
	928 521 037 51 AH5	Cork/ Beige/black						
	928 521 037 51 AH6	Black/ Black-white						
	928 521 037 51 AH7	Cork/ Brown/black						
	928 521 037 51 AH8	Black/ Brown/black						
	928 521 037 51 AJ1	Blue/ Blue/black						
	928 521 037 51 AJ2	Black/ Grey/black						
	928 521 037 51 AJ3	Brown/ Beige/brown						
	928 521 037 51 AJ4	Beige/ Beige/brown						
	928 521 037 51 AJ5	Beige/ Brown/black						
	(3A) 928 521 038 51	Seat cover Leather/ Centre part Checker board velour				/R	1	
	928 521 038 51 AH1	Dark green/ Beige/black						
	928 521 038 51 AH2	Brown/ Brown/black						
	928 521 038 51 AH3	Black/ Beige/black						
	928 521 038 51 AH4	Black/ Blue/black						
928 521 038 51 AH5	Cork/ Beige/black							
928 521 038 51 AH6	Black/ Black-white							
928 521 038 51 AH7	Cork/ Brown/black							
928 521 038 51 AH8	Black/ Brown/black							
928 521 038 51 AJ1	Blue/ Blue/black							
928 521 038 51 AJ2	Black/ Grey/black							
928 521 038 51 AJ3	Brown/ Beige/brown							
928 521 038 51 AJ4	Beige/ Beige/brown							
928 521 038 51 AJ5	Beige/ Brown/black							
3A	928 521 037 54	Seat cover Leather/	/L	1	M437			

Model: 928 78 Model life 1978>>1982

Pos	Part Number	Description	Remark	Qty	Model
		Centre part Checker board velour			
	928 521 037 54 AH1	Dark green/ Beige/black			
	928 521 037 54 AH2	Brown/ Brown/black			
	928 521 037 54 AH3	Black/ Beige/black			
	928 521 037 54 AH4	Black/ Blue/black			
	928 521 037 54 AH5	Cork/ Beige/black			
	928 521 037 54 AH6	Black/ Black-white			
	928 521 037 54 AH7	Cork/ Brown/black			
	928 521 037 54 AH8	Black/ Brown/black			
	928 521 037 54 AJ1	Blue/ Blue/black			
	928 521 037 54 AJ2	Black/ Grey/black			
	928 521 037 54 AJ3	Brown/ Beige/brown			
	928 521 037 54 AJ4	Beige/ Beige/brown			
	928 521 037 54 AJ5	Beige/ Brown/black			
(3A)	928 521 038 54	Seat cover Leather/ Centre part Checker board velour	/R	1	M438
	928 521 038 54 AH1	Dark green/ Beige/black			
	928 521 038 54 AH2	Brown/ Brown/black			
	928 521 038 54 AH3	Black/ Beige/black			
	928 521 038 54 AH4	Black/ Blue/black			
	928 521 038 54 AH5	Cork/ Beige/black			
	928 521 038 54 AH6	Black/ Black-white			
	928 521 038 54 AH7	Cork/ Brown/black			
	928 521 038 54 AH8	Black/ Brown/black			
	928 521 038 54 AJ1	Blue/ Blue/black			
	928 521 038 54 AJ2	Black/ Grey/black			
	928 521 038 54 AJ3	Brown/ Beige/brown			
	928 521 038 54 AJ4	Beige/ Beige/brown			
	928 521 038 54 AJ5	Beige/ Brown/black			
3A	928 521 037 51	Seat cover Leather/ Centre part Uni-coloured cloth	/L	1	
	928 521 037 51 AK1	Blue/blue			

Model: 928 78 Model life 1978>>1982

Pos	Part Number	Description	Remark	Qty	Model
(3A)	928 521 037 51 AK2	Brown/brown	/R	1	
	928 521 037 51 AK3	Beige/Beige			
	928 521 037 51 AK4	Black/black			
	928 521 037 51 AK5	Brown/beige			
	928 521 038 51	Seat cover Leather/ Centre part Uni-coloured cloth			
3A	928 521 038 51 AK1	Blue/blue	/L	1	M437
	928 521 038 51 AK2	Brown/brown			
	928 521 038 51 AK3	Beige/Beige			
	928 521 038 51 AK4	Black/black			
	928 521 038 51 AK5	Brown/beige			
928 521 037 54	Seat cover Leather/ Centre part Uni-coloured cloth				
(3A)	928 521 037 54 AK1	Blue/blue	/R	1	M438
	928 521 037 54 AK2	Brown/brown			
	928 521 037 54 AK3	Beige/Beige			
	928 521 037 54 AK4	Black/black			
	928 521 037 54 AK5	Brown/beige			
928 521 038 54	Seat cover Leather/ Centre part Uni-coloured cloth				
3A	928 521 038 54 AK1	Blue/blue	/L	1	
	928 521 038 54 AK2	Brown/brown			
	928 521 038 54 AK3	Beige/Beige			
	928 521 038 54 AK4	Black/black			
	928 521 038 54 AK5	Brown/beige			
928 521 037 51	Seat cover Leather/ Centre part Tartan cloth				
(3A)	928 521 037 51 AL1	Blue/ Red-blue	/R	1	
	928 521 037 51 AL2	Black/ Red-blue			
	928 521 037 51 AL3	Blue/ Green-blue			
	928 521 037 51 AL4	Black/ Green-blue			
	928 521 037 51 AL5	Black/ Brown-beige			
	928 521 037 51 AL6	Brown/ Brown-beige			
	928 521 037 51 AL7	Beige/ Brown-beige			
	928 521 038 51	Seat cover Leather/ Centre part Tartan cloth			
	928 521 038 51 AL1	Blue/ Red-blue			
	928 521 038 51 AL2	Black/ Red-blue			
	928 521 038 51 AL3	Blue/ Green-blue			
	928 521 038 51 AL4	Black/ Green-blue			
	928 521 038 51 AL5	Black/ Brown-beige			

Model: 928 78 Model life 1978>>1982

Pos	Part Number	Description	Remark	Qty	Model
	928 521 038 51 AL6	Brown/ Brown-beige			
	928 521 038 51 AL7	Beige/ Brown-beige			
3A	928 521 037 54	Seat cover Leather/ Centre part Tartan cloth	/L	1	M437
	928 521 037 54 AL1	Blue/ Red-blue			
	928 521 037 54 AL2	Black/ Red-blue			
	928 521 037 54 AL3	Blue/ Green-blue			
	928 521 037 54 AL4	Black/ Green-blue			
	928 521 037 54 AL5	Black/ Brown-beige			
	928 521 037 54 AL6	Brown/ Brown-beige			
	928 521 037 54 AL7	Beige/ Brown-beige			
(3A)	928 521 038 54	Seat cover Leather/ Centre part Tartan cloth	/R	1	M438
	928 521 038 54 AL1	Blue/ Red-blue			
	928 521 038 54 AL2	Black/ Red-blue			
	928 521 038 54 AL3	Blue/ Green-blue			
	928 521 038 54 AL4	Black/ Green-blue			
	928 521 038 54 AL5	Black/ Brown-beige			
	928 521 038 54 AL6	Brown/ Brown-beige			
	928 521 038 54 AL7	Beige/ Brown-beige			
3A	928 521 037 51	Seat cover Leather/ Centre part Stripe design	/L	1	
	928 521 037 51 HS6	Burgundy/ Burgundy-grey			M406
(3A)	928 521 038 51	Seat cover Leather/ Centre part Stripe design	/R	1	
	928 521 038 51 HS6	Burgundy/ Burgundy-grey			M406
3A	928 521 037 54	Seat cover Leather/ Centre part Stripe design	/L	1	M437
	928 521 037 54 HS6	Burgundy/ Burgundy-grey			M406
(3A)	928 521 038 54	Seat cover Leather/ Centre part Stripe design	/R	1	M438
	928 521 038 54 HS6	Burgundy/			M406

Model: 928 78

Model life 1978&gt;&gt;1982

Pos	Part Number	Description	Remark	Qty	Model
3B	928 521 037 04	Burgundy-grey Seat cover Leatherette/ Seat surface Checker board velour	/L -79	1	
	928 521 037 04 AA1	Dark green/ Beige/black			
	928 521 037 04 AA2	Brown/ Brown/black			
	928 521 037 04 AA3	Black/ Beige/black			
	928 521 037 04 AA4	Black/ Brown/black			
	928 521 037 04 AA5	Black/ Blue/black			
	928 521 037 04 AA6	Cork/ Beige/black			
	928 521 037 04 AA7	Black/ Black-white			
	928 521 037 04 AB4	Cork/ Brown/black			
(3B)	928 521 038 04	Seat cover Leatherette/ Seat surface Checker board velour	/R -79	1	
	928 521 038 04 AA1	Dark green/ Beige/black			
	928 521 038 04 AA2	Brown/ Brown/black			
	928 521 038 04 AA3	Black/ Beige/black			
	928 521 038 04 AA4	Black/ Brown/black			
	928 521 038 04 AA5	Black/ Blue/black			
	928 521 038 04 AA6	Cork/ Beige/black			
	928 521 038 04 AA7	Black/ Black-white			
	928 521 038 04 AB4	Cork/ Brown/black			
3B	928 521 037 07	Seat cover Leatherette/ Seat surface Checker board velour	/L -79	1	M437
	928 521 037 07 AA1	Dark green/ Beige/black			
	928 521 037 07 AA2	Brown/ Brown/black			
	928 521 037 07 AA3	Black/ Beige/black			
	928 521 037 07 AA4	Black/ Brown/black			
	928 521 037 07 AA5	Black/ Blue/black			
	928 521 037 07 AA6	Cork/ Beige/black			
	928 521 037 07 AA7	Black/ Black-white			
	928 521 037 07 AB4	Cork/ Brown/black			
(3B)	928 521 038 07	Seat cover Leatherette/	/R -79	1	M438

Model: 928 78 Model life 1978>>1982

Pos	Part Number	Description	Remark	Qty	Model
		Seat surface Checker board velour			
	928 521 038 07 AA1	Dark green/ Beige/black			
	928 521 038 07 AA2	Brown/ Brown/black			
	928 521 038 07 AA3	Black/ Beige/black			
	928 521 038 07 AA4	Black/ Brown/black			
	928 521 038 07 AA5	Black/ Blue/black			
	928 521 038 07 AA6	Cork/ Beige/black			
	928 521 038 07 AA7	Black/ Black-white			
	928 521 038 07 AB4	Cork/ Brown/black			
3B	928 521 037 04	Seat cover Leatherette/ Seat surface Pin stripe velour	/L -79	1	
	928 521 037 04 AA8	Cork/cork			
	928 521 037 04 AA9	Black/cork			
	928 521 037 04 AB1	Dark green/cork			
	928 521 037 04 AB2	Black/lobster			
	928 521 037 04 AB3	Black/black			
(3B)	928 521 038 04	Seat cover Leatherette/ Seat surface Pin stripe velour	/R -79	1	
	928 521 038 04 AA8	Cork/cork			
	928 521 038 04 AA9	Black/cork			
	928 521 038 04 AB1	Dark green/cork			
	928 521 038 04 AB2	Black/lobster			
	928 521 038 04 AB3	Black/black			
3B	928 521 037 07	Seat cover Leatherette/ Seat surface Pin stripe velour	/L -79	1	M437
	928 521 037 07 AA8	Cork/cork			
	928 521 037 07 AA9	Black/cork			
	928 521 037 07 AB1	Dark green/cork			
	928 521 037 07 AB2	Black/lobster			
	928 521 037 07 AB3	Black/black			
(3B)	928 521 038 07	Seat cover Leatherette/ Seat surface Pin stripe velour	/R -79	1	M438
	928 521 038 07 AA8	Cork/cork			
	928 521 038 07 AA9	Black/cork			
	928 521 038 07 AB1	Dark green/cork			
	928 521 038 07 AB2	Black/lobster			
	928 521 038 07 AB3	Black/black			
3B	928 521 037 52	Seat cover Leather/ Seat surface Berber cloth	/L 81-	1	
	928 521 037 52 AK6	Black/ Grey/black			
	928 521 037 52 AK7	Blue/ Blue/black			
	928 521 037 52 AK8	Brown/			

Model: 928 78

Model life 1978&gt;&gt;1982

Pos	Part Number	Description	Remark	Qty	Model
	928 521 037 52 AK9	Beige/brown Beige/			
(3B)	928 521 038 52	Beige/brown Seat cover Leather/	/R 81-	1	
	928 521 038 52 AK6	Seat surface Berber cloth Black/			
	928 521 038 52 AK7	Grey/black Blue/			
	928 521 038 52 AK8	Blue/black Brown/			
	928 521 038 52 AK9	Beige/brown Beige/			
3B	928 521 037 55	Beige/brown Seat cover Leather/	/L 81-	1	M437
	928 521 037 55 AK6	Seat surface Berber cloth Black/			
	928 521 037 55 AK7	Grey/black Blue/			
	928 521 037 55 AK8	Blue/black Brown/			
	928 521 037 55 AK9	Beige/brown Beige/			
(3B)	928 521 038 55	Beige/brown Seat cover Leather/	/R 81-	1	M438
	928 521 038 55 AK6	Seat surface Berber cloth Black/			
	928 521 038 55 AK7	Grey/black Blue/			
	928 521 038 55 AK8	Blue/black Brown/			
	928 521 038 55 AK9	Beige/brown Beige/			
	928 521 038 55 AK9	Beige/brown Beige/brown			
4	928 521 027 02	Backrest frame	/L	1	
(4)	928 521 028 02	Backrest frame	/R	1	
(4)	928 521 027 03	Backrest frame	/L	1	
		Comfort seat			
(4)	928 521 028 03	Backrest frame	/R	1	
		Comfort seat			
5	928 521 393 02	Foam part	/L	1	
		Backrest			
(5)	928 521 394 02	Foam part	/R	1	
		Backrest			
6	928 521 072 50	Backrest cover		2	
		Leather			
	928 521 072 50 40D	Cork			
	928 521 072 50 20B	Dark green			
	928 521 072 50 3NG	Dark green			
	928 521 072 50 1AJ	Black			
	928 521 072 50 30B	Blue			
	928 521 072 50 50B	Beige			
	928 521 072 50 10A	Yellow			
	928 521 072 50 99A	White			
	928 521 072 50 80B	Light red			
	928 521 072 50 30A	Light blue			
	928 521 072 50 80S	Can-can-red			
	928 521 072 50 95S	Papyrus			



Model: 928 78 Model life 1978>>1982

Pos	Part Number	Description	Remark	Qty	Model				
6	928 521 072 50 60S	Hannibal grey	/L	1	M437				
	928 521 072 50 20S	Mint green							
	928 521 071 53	Backrest cover Leather							
	928 521 071 53 40D	Cork							
	928 521 071 53 20B	Dark green							
	928 521 071 53 3NG	Brown							
	928 521 071 53 1AJ	Black							
	928 521 071 53 30B	Blue							
	928 521 071 53 50B	Beige							
	928 521 071 53 10A	Yellow							
	928 521 071 53 99A	White							
	928 521 071 53 80B	Light red							
	928 521 071 53 30A	Light blue							
	928 521 071 53 80S	Can-can-red							
928 521 071 53 95S	Papyrus								
(6)	928 521 071 53 60S	Hannibal grey	/R	1	M438				
	928 521 071 53 20S	Mint green							
	928 521 072 53	Backrest cover Leather							
	928 521 072 53 40D	Cork							
	928 521 072 53 20B	Dark green							
	928 521 072 53 3NG	Brown							
	928 521 072 53 1AJ	Black							
	928 521 072 53 30B	Blue							
	928 521 072 53 50B	Beige							
	928 521 072 53 10A	Yellow							
	928 521 072 53 99A	White							
	928 521 072 53 80B	Light red							
	928 521 072 53 30A	Light blue							
	928 521 072 53 80S	Can-can-red							
928 521 072 53 95S	Papyrus								
6A	928 521 072 53 60S	Hannibal grey		2					
	928 521 072 53 20S	Mint green							
	928 521 072 03	Backrest cover Leatherette/ Centre part Checker board velour							
	928 521 072 03 AC1	Dark green/ Beige/black							
	928 521 072 03 AC2	Brown/ Brown/black							
	928 521 072 03 AC3	Black/ Beige/black							
	928 521 072 03 AC4	Black/ Brown/black							
	928 521 072 03 AC5	Black/ Blue/black							
	928 521 072 03 AC6	Cork/ Beige/black							
	928 521 072 03 AC7	Black/ Black-white							
	928 521 072 03 AD4	Cork/ Brown/black							
	6A	928 521 071 06				Backrest cover Leatherette/ Centre part Checker board velour	/L	1	M437
		928 521 071 06 AC1				Dark green/ Beige/black			
		928 521 071 06 AC2				Brown/ Brown/black			
928 521 071 06 AC3		Black/							

Model: 928 78 Model life 1978>>1982

Pos	Part Number	Description	Remark	Qty	Model
	928 521 071 06 AC4	Beige/black Black/ Brown/black			
	928 521 071 06 AC5	Black/ Blue/black			
	928 521 071 06 AC6	Cork/ Beige/black			
	928 521 071 06 AC7	Black/ Black-white			
	928 521 071 06 AD4	Cork/ Brown/black			
(6A)	928 521 072 06	Backrest cover Leatherette/ Centre part Checker board velour	/R	1	M438
	928 521 072 06 AC1	Dark green/ Beige/black			
	928 521 072 06 AC2	Brown/ Brown/black			
	928 521 072 06 AC3	Black/ Beige/black			
	928 521 072 06 AC4	Black/ Brown/black			
	928 521 072 06 AC5	Black/ Blue/black			
	928 521 072 06 AC6	Cork/ Beige/black			
	928 521 072 06 AC7	Black/ Black-white			
	928 521 072 06 AD4	Cork/ Brown/black			
6A	928 521 072 03	Backrest cover Leatherette/ Centre part Pin stripe velour		2	
	928 521 072 03 AC8	Cork/cork			
	928 521 072 03 AC9	Black/cork			
	928 521 072 03 AD1	Dark green/cork			
	928 521 072 03 AD2	Black/lobster			
	928 521 072 03 AD3	Black/black			
6A	928 521 071 06	Backrest cover Leatherette/ Centre part Pin stripe velour	/L	1	M437
	928 521 071 06 AC8	Cork/cork			
	928 521 071 06 AC9	Black/cork			
	928 521 071 06 AD1	Dark green/cork			
	928 521 071 06 AD2	Black/lobster			
	928 521 071 06 AD3	Black/black			
(6A)	928 521 072 06	Backrest cover Leatherette/ Centre part Pin stripe velour	/R	1	M438
	928 521 072 06 AC8	Cork/cork			
	928 521 072 06 AC9	Black/cork			
	928 521 072 06 AD1	Dark green/cork			
	928 521 072 06 AD2	Black/lobster			
	928 521 072 06 AD3	Black/black			
6A	928 521 072 51	Backrest cover Leather/ Centre part Checker board velour		2	
	928 521 072 51 AH1	Dark green/			

Model: 928 78 Model life 1978>>1982

Pos	Part Number	Description	Remark	Qty	Model
	928 521 072 51 AH2	Beige/black Brown/			
	928 521 072 51 AH3	Brown/black Black/			
	928 521 072 51 AH4	Beige/black Black/			
	928 521 072 51 AH5	Blue/black Cork/			
	928 521 072 51 AH6	Beige/black Black/			
	928 521 072 51 AH7	Black-white Cork/			
	928 521 072 51 AH8	Brown/black Black/			
	928 521 072 51 AJ1	Brown/black Blue/			
	928 521 072 51 AJ2	Blue/black Black/			
	928 521 072 51 AJ3	Grey/black Brown/			
	928 521 072 51 AJ4	Beige/brown Beige/			
	928 521 072 51 AJ5	Beige/brown Beige/			
6A	928 521 071 54	Brown/black Backrest cover Leather/ Centre part Checker board velour	/L	1	M437
	928 521 071 54 AH1	Dark green/ Beige/black			
	928 521 071 54 AH2	Brown/ Brown/black			
	928 521 071 54 AH3	Black/ Beige/black			
	928 521 071 54 AH4	Black/ Blue/black			
	928 521 071 54 AH5	Cork/ Beige/black			
	928 521 071 54 AH6	Black/ Black-white			
	928 521 071 54 AH7	Cork/ Brown/black			
	928 521 071 54 AH8	Black/ Brown/black			
	928 521 071 54 AJ1	Blue/ Blue/black			
	928 521 071 54 AJ2	Black/ Grey/black			
	928 521 071 54 AJ3	Brown/ Beige/brown			
	928 521 071 54 AJ4	Beige/ Beige/brown			
	928 521 071 54 AJ5	Beige/ Brown/black			
(6A)	928 521 072 54	Brown/black Backrest cover Leather/ Centre part Checker board velour	/R	1	M438
	928 521 072 54 AH1	Dark green/ Beige/black			
	928 521 072 54 AH2	Brown/ Brown/black			

Model: 928 78 Model life 1978>>1982

Pos	Part Number	Description	Remark	Qty	Model
	928 521 072 54 AH3	Black/ Beige/black			
	928 521 072 54 AH4	Black/ Blue/black			
	928 521 072 54 AH5	Cork/ Beige/black			
	928 521 072 54 AH6	Black/ Black-white			
	928 521 072 54 AH7	Cork/ Brown/black			
	928 521 072 54 AH8	Black/ Brown/black			
	928 521 072 54 AJ1	Blue/ Blue/black			
	928 521 072 54 AJ2	Black/ Grey/black			
	928 521 072 54 AJ3	Brown/ Beige/brown			
	928 521 072 54 AJ4	Beige/ Beige/brown			
	928 521 072 54 AJ5	Beige/ Brown/black			
6A	928 521 072 51	Backrest cover Leather/ Centre part Uni-coloured cloth		2	
	928 521 072 51 AK1	Blue/blue			
	928 521 072 51 AK2	Brown/brown			
	928 521 072 51 AK3	Beige/Beige			
	928 521 072 51 AK4	Black/black			
	928 521 072 51 AK5	Brown/beige			
6A	928 521 071 54	Backrest cover Leather/ Centre part Uni-coloured cloth	/L	1	M437
	928 521 071 54 AK1	Blue/blue			
	928 521 071 54 AK2	Brown/brown			
	928 521 071 54 AK3	Beige/Beige			
	928 521 071 54 AK4	Black/black			
	928 521 071 54 AK5	Brown/beige			
(6A)	928 521 072 54	Backrest cover Leather/ Centre part Uni-coloured cloth	/R	1	M438
	928 521 072 54 AK1	Blue/blue			
	928 521 072 54 AK2	Brown/brown			
	928 521 072 54 AK3	Beige/Beige			
	928 521 072 54 AK4	Black/black			
	928 521 072 54 AK5	Brown/beige			
6A	928 521 072 51	Backrest cover Leather/ Centre part Tartan cloth		2	
	928 521 072 51 AL1	Blue/ Red-blue			
	928 521 072 51 AL2	Black/ Red-blue			
	928 521 072 51 AL3	Blue/ Green-blue			
	928 521 072 51 AL4	Black/ Green-blue			
	928 521 072 51 AL5	Black/ Brown-beige			

Model: 928 78

Model life 1978&gt;&gt;1982

Pos	Part Number	Description	Remark	Qty	Model
	928 521 072 51 AL6	Brown/ Brown-beige			
	928 521 072 51 AL7	Beige/ Brown-beige			
6A	928 521 071 54	Backrest cover Leather/ Centre part Tartan cloth	/L	1	M437
	928 521 071 54 AL1	Blue/ Red-blue			
	928 521 071 54 AL2	Black/ Red-blue			
	928 521 071 54 AL3	Blue/ Green-blue			
	928 521 071 54 AL4	Black/ Green-blue			
	928 521 071 54 AL5	Black/ Brown-beige			
	928 521 071 54 AL6	Brown/ Brown-beige			
	928 521 071 54 AL7	Beige/ Brown-beige			
(6A)	928 521 072 54	Backrest cover Leather/ Centre part Tartan cloth	/R	1	M438
	928 521 072 54 AL1	Blue/ Red-blue			
	928 521 072 54 AL2	Black/ Red-blue			
	928 521 072 54 AL3	Blue/ Green-blue			
	928 521 072 54 AL4	Black/ Green-blue			
	928 521 072 54 AL5	Black/ Brown-beige			
	928 521 072 54 AL6	Brown/ Brown-beige			
	928 521 072 54 AL7	Beige/ Brown-beige			
6A	928 521 072 51	Backrest cover Leather/ Centre part Stripe design		2	
	928 521 072 51 HS6	Burgundy/ Burgundy-grey			M406
6A	928 521 071 54	Backrest cover Leather/ Centre part Stripe design	/L	1	M437
	928 521 071 54 HS6	Burgundy/ Burgundy-grey			M406
(6A)	928 521 072 54	Backrest cover Leather/ Centre part Stripe design	/R	1	M438
	928 521 072 54 HS6	Burgundy/ Burgundy-grey			M406
6B	928 521 072 04	Backrest cover Leatherette/ Backrest surface Checker board velour	-79	2	
	928 521 072 04 AA1	Dark green/			

Model: 928 78

Model life 1978&gt;&gt;1982

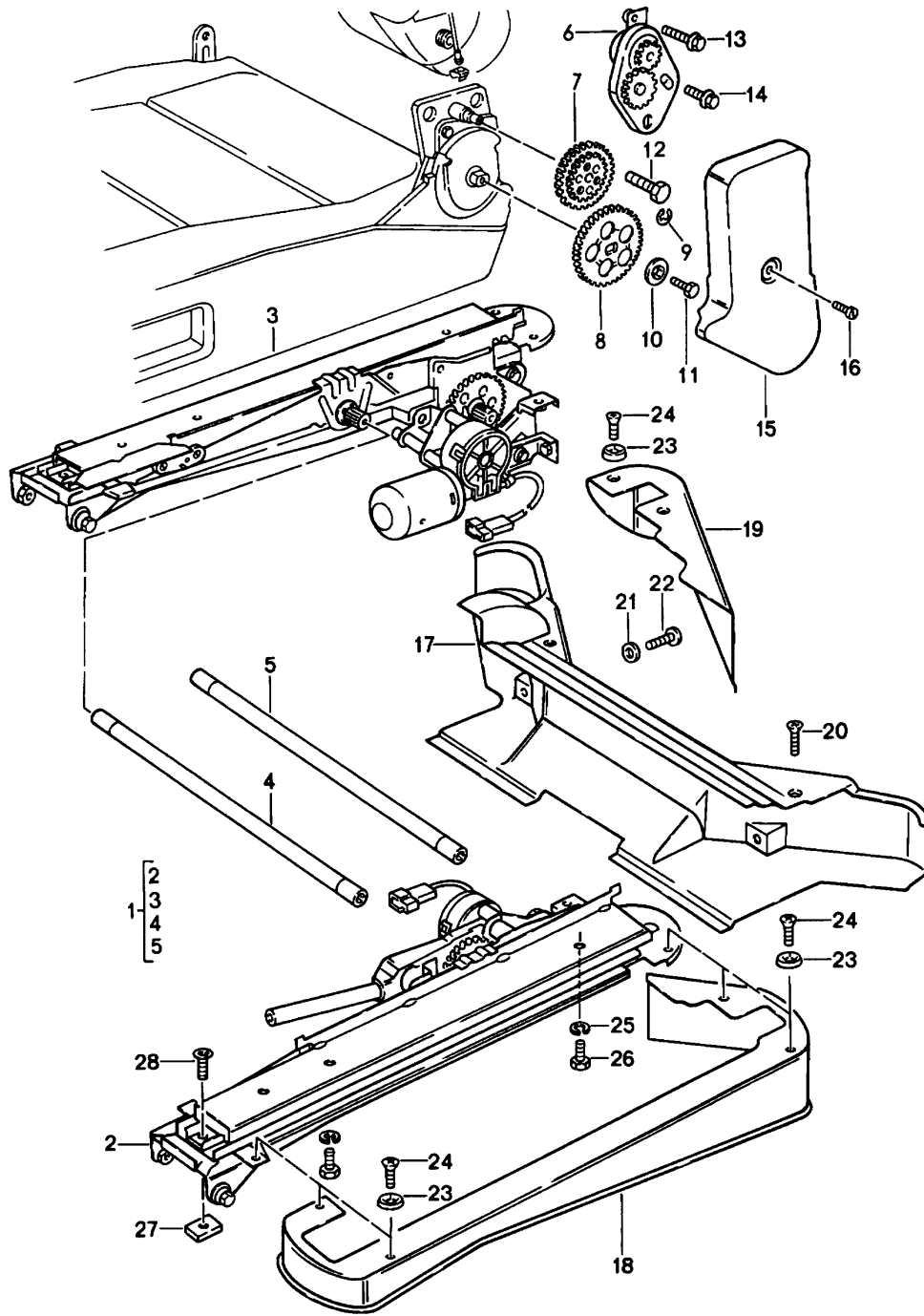
Pos	Part Number	Description	Remark	Qty	Model
	928 521 072 04 AA2	Beige/black Brown/ Brown/black			
	928 521 072 04 AA3	Black/ Beige/black			
	928 521 072 04 AA4	Black/ Brown/black			
	928 521 072 04 AA5	Black/ Blue/black			
	928 521 072 04 AA6	Cork/ Beige/black			
	928 521 072 04 AA7	Black/ Black-white			
	928 521 072 04 AB4	Cork/ Brown/black			
6B	928 521 071 07	Backrest cover Leatherette/ Backrest surface Checker board velour	/L -79	1	M437
	928 521 071 07 AA1	Dark green/ Beige/black			
	928 521 071 07 AA2	Brown/ Brown/black			
	928 521 071 07 AA3	Black/ Beige/black			
	928 521 071 07 AA4	Black/ Brown/black			
	928 521 071 07 AA5	Black/ Blue/black			
	928 521 071 07 AA6	Cork/ Beige/black			
	928 521 071 07 AA7	Black/ Black-white			
	928 521 071 07 AB4	Cork/ Brown/black			
(6B)	928 521 072 07	Backrest cover Leatherette/ Backrest surface Checker board velour	/R -79	1	M438
	928 521 072 07 AA1	Dark green/ Beige/black			
	928 521 072 07 AA2	Brown/ Brown/black			
	928 521 072 07 AA3	Black/ Beige/black			
	928 521 072 07 AA4	Black/ Brown/black			
	928 521 072 07 AA5	Black/ Blue/black			
	928 521 072 07 AA6	Cork/ Beige/black			
	928 521 072 07 AA7	Black/ Black-white			
	928 521 072 07 AB4	Cork/ Brown/black			
6B	928 521 072 04	Backrest cover Leatherette/ Backrest surface Pin stripe velour	-79	2	
	928 521 072 04 AA8	Cork/cork			
	928 521 072 04 AA9	Black/cork			
	928 521 072 04 AB1	Dark green/cork			
	928 521 072 04 AB2	Black/lobster			

Model: 928 78 Model life 1978>>1982

Pos	Part Number	Description	Remark	Qty	Model
6B	928 521 072 04 AB3 928 521 071 07	Black/black Backrest cover Leatherette/ Backrest surface Pin stripe velour	/L -79	1	M437
	928 521 071 07 AA8 928 521 071 07 AA9 928 521 071 07 AB1 928 521 071 07 AB2 928 521 071 07 AB3	Cork/cork Black/cork Dark green/cork Black/lobster Black/black			
(6B)	928 521 072 07	Backrest cover Leatherette/ Backrest surface Pin stripe velour	/R -79	1	M438
	928 521 072 07 AA8 928 521 072 07 AA9 928 521 072 07 AB1 928 521 072 07 AB2 928 521 072 07 AB3	Cork/cork Black/cork Dark green/cork Black/lobster Black/black			
6B	928 521 072 52	Backrest cover Leather/ Backrest surface Berber cloth	81-	2	
	928 521 072 52 AK6 928 521 072 52 AK7 928 521 072 52 AK8 928 521 072 52 AK9	Black/ Grey/black Blue/ Blue/black Brown/ Beige/brown Beige/ Beige/brown			
6B	928 521 071 55	Backrest cover Leather/ Backrest surface Berber cloth	/L 81-	1	M437
	928 521 071 55 AK6 928 521 071 55 AK7 928 521 071 55 AK8 928 521 071 55 AK9	Black/ Grey/black Blue/ Blue/black Brown/ Beige/brown Beige/ Beige/brown			
(6B)	928 521 072 55	Backrest cover Leather/ Backrest surface Berber cloth	/R 81-	1	M438
	928 521 072 55 AK6 928 521 072 55 AK7 928 521 072 55 AK8 928 521 072 55 AK9	Black/ Grey/black Blue/ Blue/black Brown/ Beige/brown Beige/ Beige/brown			
7	928 521 813 02	Support ring		2	
8	911 521 361 01	Wire pull		2	
9	911 521 369 00	Terminal Wire pull		2	

Model: 928 78

Model life 1978>>1982



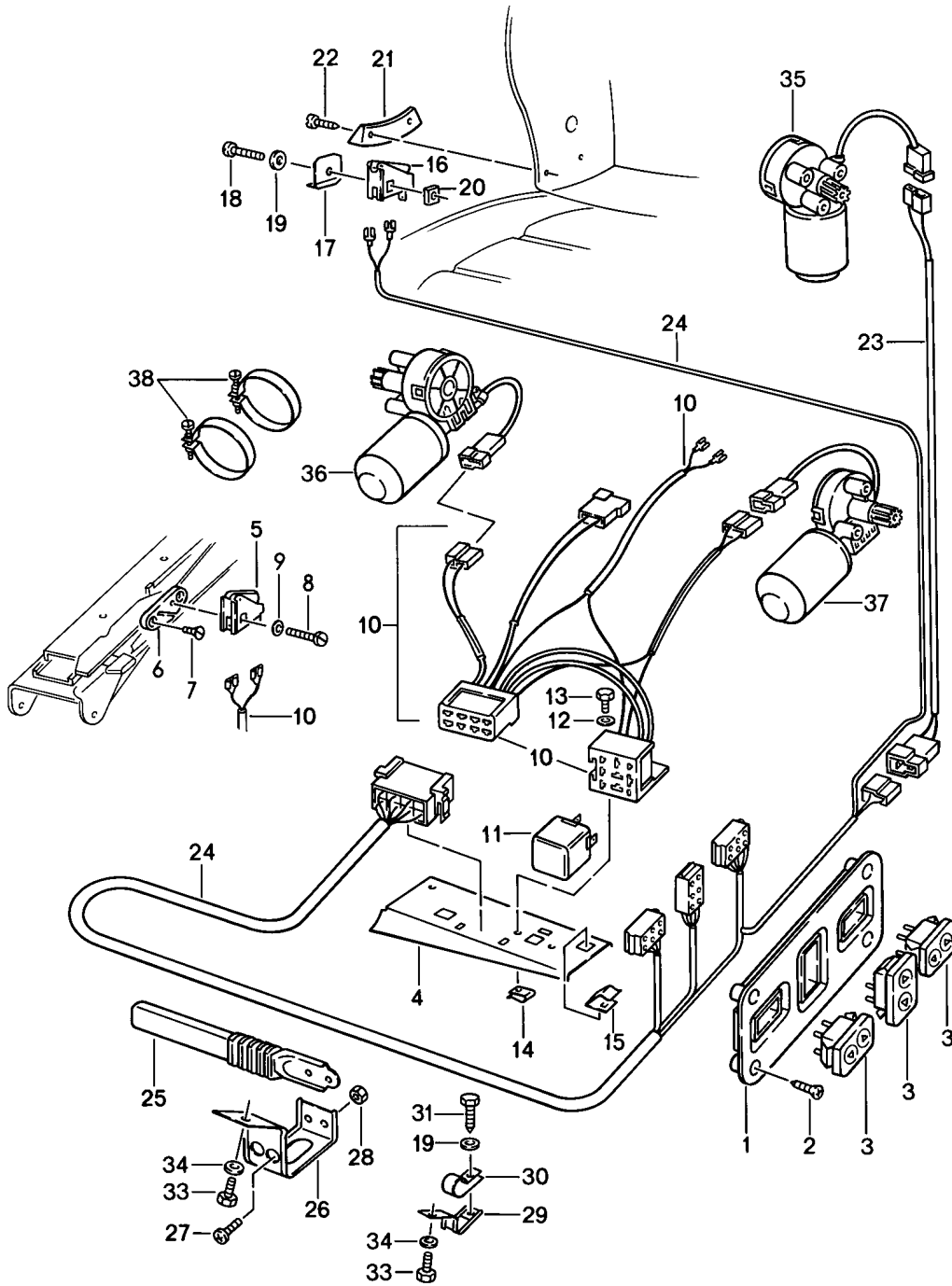


Model: 928 78 Model life 1978>>1982

Pos	Part Number	Description	Remark	Qty	Model
		Seat adjuster Comfort seat Single parts			M437/438
1	928 521 059 02	Seat adjuster		2	
2	928 521 061 02	Driving mechanism	/L	1	
3	928 521 062 02	Driving mechanism	/R	1	
4	928 521 795 02	Transmission tube for longitudinal adjustment		2	
5	928 521 797 02	Transmission tube Height adjustment		2	
6	928 521 055 02	Bearing plate	/L	1	
(6)	928 521 056 02	Bearing plate	/R	1	
7	928 521 653 02	Gear wheel		1	
8	928 521 648 02	Gear wheel		1	
9	900 116 005 02	Lock washer		2	
10	928 521 705 02	Dished washer		2	
11	N 010 208 5	Screw M 6 X 8		2	
12	911 521 547 00	Screw M 10 X 20		4	
13	999 217 005 02	Screw M 6 X 20		2	
14	999 217 003 02	Screw M 6 X 8		2	
15	928 521 785 02	Cover	/L	1	
(15)	928 521 786 02	Cover	/R	1	
16	N 014 122 17	Oval-head screw M 4 X 8		2	
16	N 014 122 8	Oval-head screw M 4 X 8		2	
16	N 014 122 17	Oval-head screw M 4 X 8		2	
17	928 521 781 04	Protection cap	/H	2	
18	928 521 761 04	Cover	/L	1	
(18)	928 521 764 04	Cover	/L	1	
(19)	928 521 762 04	Cover	/R	1	
19	928 521 763 04	Cover	/R	1	
20	900 269 018 07	Countersunk-head screw M 5 X 16		2	
21	900 025 003 02	Washer A 5,3		2	
22	900 146 037 07	Oval-head screw M 5 X 16		2	
23	999 591 102 17	Washer A 3,5		6	
23	999 591 102 1H	Washer A 3,5		6	
24	900 145 071 07	Tapping screw B 3,5 X 13		6	
25	N 012 006 4	Lock ring B 6		4	
26	900 075 014 02	Hexagon-head bolt		4	
26	900 075 014 03	Hexagon-head bolt M 6 X 18		4	
27	928 521 101 04	Threaded plate	80-	8	
28	900 249 008 02	Countersunk-head screw M 6 X 12		4	

Model: 928 78

Model life 1978>>1982



Model: 928 78 Model life 1978>>1982

Pos	Part Number	Description	Remark	Qty	Model
		Electrical equipment			M437/438
		Electric drive			
		Comfort seat			
1	928 521 351 04	Rosette		2	
2	900 143 049 07	Tapping screw		8	
		BZ 3,5 X 9,5			
3	928 613 144 00	Tip switch		6	
4	928 615 129 01	Relay holder		2	
5	928 613 169 00	Switch	-81	2	
6	928 613 471 00	Spacer	-81	2	
7	900 269 049 02	Countersunk-head screw	-81	2	
		M 4 X 6			
8	900 146 025 02	Half-round screw		2	
		M 4 X 18			
9	900 031 009 02	Washer		2	
		4,3			
10	928 612 174 01	Wiring harness	/R -81	1	
		Comfort seat			
10	928 612 174 04	Wiring harness	/R 82	1	
		Comfort seat			
(10)	928 612 174 02	Wiring harness	/L -81	1	
		Comfort seat			
10	928 612 174 03	Wiring harness	/L 82	1	
		Comfort seat			
11	928 615 123 00	Relay	-81	2	
12	900 151 028 02	Washer		4	
		A 4,3			
12	900 151 028 01	Washer		4	
		A 4,3			
13	900 187 013 02	Hexagon-head tapping screw	-81	6	
		BZ 4,2 X 13			
14	N 015 429 2	Speed nut	-81	2	
		B 4,2			
14	N 015 429 6	Speed nut		2	
		B 4,2			
15	999 651 146 02	Cable clamp		6	
16	928 613 167 00	Switch	-81	2	
17	928 613 469 00	Spacer	-81	1	M437
(17)	928 613 470 00	Spacer	-81	1	M438
18	900 146 055 02	Oval-head screw	-81	2	
		M 4 X 25			
19	900 025 002 02	Washer	-81	2	
19	900 025 002 03	Washer		2	
19	900 025 002 02	Washer	-81	2	
		A 4,3			
19	900 025 002 03	Washer		2	
		A 4,3			
20	928 613 473 00	Threaded plate	-81	2	
21	928 521 895 03	Pressure plate	-81	2	
22	900 143 049 07	Tapping screw	-81	8	
		BZ 3,5 X 9,5			
23	928 612 175 00	Wiring harness		2	
24	928 612 173 01	Wiring harness	-81	2	
24	928 612 173 02	Wiring harness	82	2	
25	928 555 551 03	Cable guide		2	
26	928 612 445 01	Support		2	
27	N 014 139 1B	Oval-head screw		4	
27	N 014 139 11	Oval-head screw		4	
		AM 6 X 12			
27	N 014 139 1B	Oval-head screw		4	
		AM 6 X 12			
28	900 076 010 0B	Nut		4	
28	900 076 010 02	Nut		4	

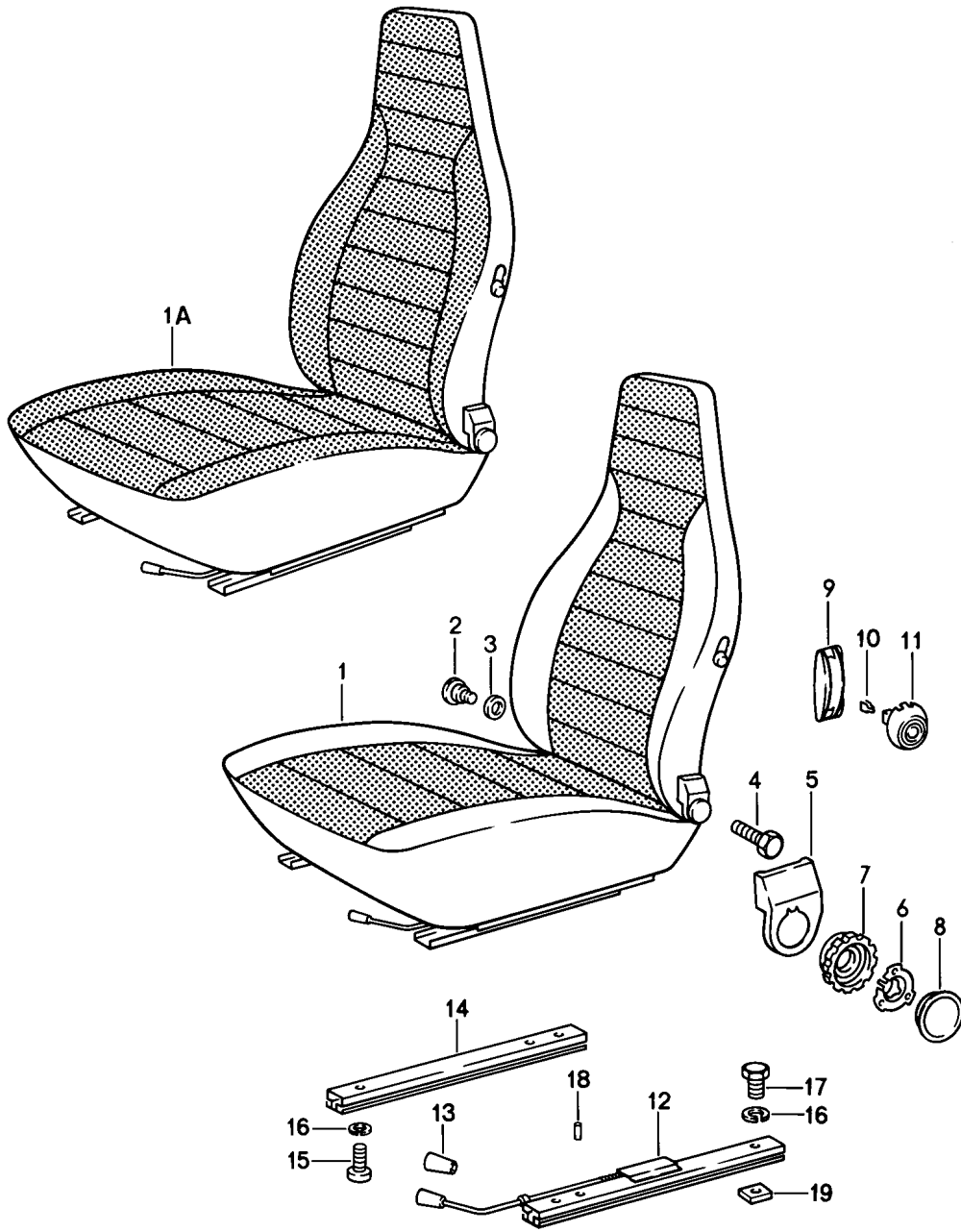
Model: 928 78

Model life 1978&gt;&gt;1982

Pos	Part Number	Description	Remark	Qty	Model
28	900 076 010 0B	M 6 Nut		4	
29	928 612 446 01	M 6 Support		2	
30	999 511 081 02	Pipe clamp		2	
31	900 187 013 02	Hexagon-head tapping screw BZ 4,2 X 13		6	
32	900 151 028 02	Washer A 4,3		2	
32	900 151 028 01	Washer A 4,3		2	
33	N 010 208 5	Hexagon-head bolt M 6 X 8		4	
34	N 012 226 5	Spring washer B 6		4	
35	928 624 123 00	Adjusting motor Backrest	/L	1	
(35)	928 624 124 00	Adjusting motor Backrest	/R	1	
36		Adjusting motor Height adjustment		2	
37	928 624 125 00	Adjusting motor for longitudinal adjustment		2	
38	999 512 341 02	Clamp		4	

Model: 928 78

Model life 1978>>1982



Model: 928 78 Model life 1978>>1982

Pos	Part Number	Description	Remark	Qty	Model
1	928 521 001 30	Front seat Complete	80- /L 80-	1	928
	928 521 001 30 AC2	Brown/ Brown/black			
	928 521 001 30 AC4	Black/ Brown/black			
	928 521 001 30 AC5	Black/ Blue/black			
	928 521 001 30 BC1	Blue/ Blue/black			
	928 521 001 30 FD8	Black/ Grey/black			
	928 521 001 30 FD9	Brown/ Beige/brown			
	928 521 001 30 BC4	Beige/ Beige/brown			
	928 521 001 30 BC5	Beige/ Brown/black			
(1)	928 521 002 30	Front seat Leatherette/ Centre part Checker board velour	/R 80-	1	
	928 521 002 30 AC2	Brown/ Brown/black			
	928 521 002 30 AC4	Black/ Brown/black			
	928 521 002 30 AC5	Black/ Blue/black			
	928 521 002 30 BC1	Blue/ Blue/black			
	928 521 002 30 FD8	Black/ Grey/black			
	928 521 002 30 FD9	Brown/ Beige/brown			
	928 521 002 30 BC4	Beige/ Beige/brown			
	928 521 002 30 BC5	Beige/ Brown/black			
1	928 521 001 30	Front seat Leatherette/ Centre part Uni-coloured cloth	/L 80-	1	
	928 521 001 30 BD1	Blue/blue			
	928 521 001 30 BD2	Brown/brown			
	928 521 001 30 BD3	Beige/Beige			
	928 521 001 30 BD4	Black/black			
	928 521 001 30 BD5	Brown/beige			
(1)	928 521 002 30	Front seat Leatherette/ Centre part Uni-coloured cloth	/R 80-	1	
	928 521 002 30 BD1	Blue/blue			
	928 521 002 30 BD2	Brown/brown			
	928 521 002 30 BD3	Beige/Beige			
	928 521 002 30 BD4	Black/black			
	928 521 002 30 BD5	Brown/beige			
1	928 521 001 30	Front seat Leatherette/	/L 80-	1	

Model: 928 78

Model life 1978&gt;&gt;1982

Pos	Part Number	Description	Remark	Qty	Model
		Centre part Tartan cloth			
	928 521 001 30 BE1	Blue/ Red-blue			
	928 521 001 30 BE2	Black/ Red-blue			
	928 521 001 30 BE3	Blue/ Green-blue			
	928 521 001 30 BE4	Black/ Green-blue			
	928 521 001 30 BE5	Black/ Brown-beige			
	928 521 001 30 BE6	Brown/ Brown-beige			
	928 521 001 30 BE7	Beige/ Brown-beige			
(1)	928 521 002 30	Front seat Leatherette/ Centre part Tartan cloth	/R 80-	1	
	928 521 002 30 BE1	Blue/ Red-blue			
	928 521 002 30 BE2	Black/ Red-blue			
	928 521 002 30 BE3	Blue/ Green-blue			
	928 521 002 30 BE4	Black/ Green-blue			
	928 521 002 30 BE5	Black/ Brown-beige			
	928 521 002 30 BE6	Brown/ Brown-beige			
	928 521 002 30 BE7	Beige/ Brown-beige			
1A	928 521 001 31	Front seat Leatherette/ Seat and backrest surface Berber cloth	/L 81-	1	
	928 521 001 31 GE9	Black/ Grey/black			
	928 521 001 31 BD7	Blue/ Blue/black			
	928 521 001 31 FE3	Brown/ Beige/brown			
	928 521 001 31 BD9	Beige/ Beige/brown			
(1A)	928 521 002 31	Front seat Leatherette/ Seat and backrest surface Berber cloth	/R 81-	1	
	928 521 002 31 GE9	Black/ Grey/black			
	928 521 002 31 BD7	Blue/ Blue/black			
	928 521 002 31 FE3	Brown/ Beige/brown			
	928 521 002 31 BD9	Beige/ Beige/brown			
2	911 521 371 00	Screw		2	
3	999 025 117 40	Washer 12,5 X 32 X 1		X	
4	911 521 547 00	Screw M 10 X 20		4	

Model: 928 78

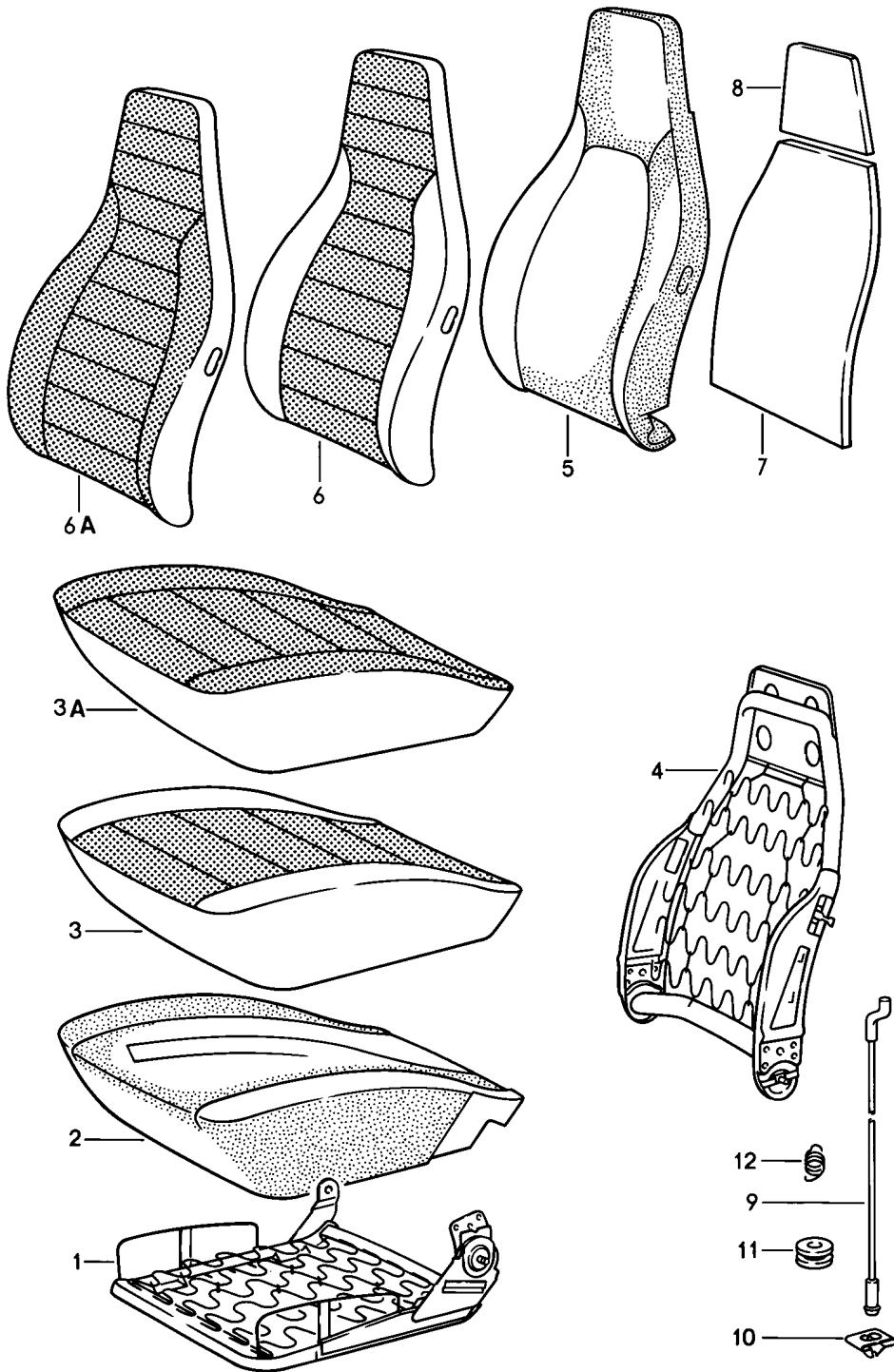
Model life 1978>>1982

Pos	Part Number	Description	Remark	Qty	Model
5	911 521 359 02	Cover	/L	1	
(5)	911 521 360 02	Cover	/R	1	
6	911 521 571 00	Tensioning spring		2	
(7)	911 521 381 02	Cover for backrest adjustment Comprising: POS. 7 Shifting wheel POS. 8 Cover		2	
7	911 521 381 00	Shifting wheel		2	
8	911 521 383 00	Cover		2	
8	911 521 381 02	Cover		2	
9	311 881 607 A	Cover Actuating lever		2	
10	311 881 247	Clip		2	
11	113 881 633 E	Control button		2	
	113 881 633 E 01C	Satin black			
12	928 521 489 02	Seat rail with locking device	/L	1	
(12)	928 521 490 02	Seat rail with locking device	/R	1	
(13)	911 521 533 01	Handle for longitudinal adjustment		2	
	911 521 533 01 01C	Satin black			
14	944 521 491 00	Seat rail without locking device See TPI GR.8 NR.34		2	
14		Seat rail		2	
15	N 014 761 2	Pan-head screw M 6 X 12		2	
15	900 119 129 01	Pan-head screw M 6 X 12		2	
16	N 012 006 4	Lock ring B 6		16	
17	900 075 057 02	Hexagon-head bolt M 6 X 16		8	
17	900 075 057 03	Hexagon-head bolt M 6 X 16		8	
18	900 012 123 00	Pin A 2,5 X 12		2	
19	928 521 101 04	Threaded plate		8	



Model: 928 78

Model life 1978>>1982



Model: 928 78

Model life 1978>>1982

Pos	Part Number	Description	Remark	Qty	Model
		Front seat Single parts	80-		
1	911 521 069 56	Seat frame	/L 80-	1	
(1)	911 521 070 56	Seat frame	/R 80-	1	
2	911 521 385 02	Foam part Seat cushion	/L 80-	1	
(2)	911 521 386 02	Foam part Seat cushion	/R 80-	1	
3	911 521 037 11	Cover for cushion Leatherette/ Centre part Checker board velour	/L 80-	1	
	911 521 037 11 AC2	Brown/ Brown/black			
	911 521 037 11 AC4	Black/ Brown/black			
	911 521 037 11 AC5	Black/ Blue/black			
	911 521 037 11 BC1	Blue/ Blue/black			
	911 521 037 11 FD8	Black/ Grey/black			
	911 521 037 11 FD9	Brown/ Beige/brown			
	911 521 037 11 BC4	Beige/ Beige/brown			
	911 521 037 11 BC5	Beige/ Brown/black			
(3)	911 521 038 11	Cover for cushion Leatherette/ Centre part Checker board velour	/R 80-	1	
	911 521 038 11 AC2	Brown/ Brown/black			
	911 521 038 11 AC4	Black/ Brown/black			
	911 521 038 11 AC5	Black/ Blue/black			
	911 521 038 11 BC1	Blue/ Blue/black			
	911 521 038 11 FD8	Black/ Grey/black			
	911 521 038 11 FD9	Brown/ Beige/brown			
	911 521 038 11 BC4	Beige/ Beige/brown			
	911 521 038 11 BC5	Beige/ Brown/black			
3	911 521 037 11	Cover for cushion Leatherette/ Centre part Uni-coloured cloth	/L 80-	1	
	911 521 037 11 BD1	Blue/blue			
	911 521 037 11 BD2	Brown/brown			
	911 521 037 11 BD3	Beige/Beige			
	911 521 037 11 BD4	Black/black			
	911 521 037 11 BD5	Brown/beige			
(3)	911 521 038 11	Cover for cushion Leatherette/ Centre part Uni-coloured cloth	/R 80-	1	
	911 521 038 11 BD1	Blue/blue			
	911 521 038 11 BD2	Brown/brown			

Model: 928 78 Model life 1978>>1982

Pos	Part Number	Description	Remark	Qty	Model	
3	911 521 038 11 BD3	Beige/Beige				
	911 521 038 11 BD4	Black/black				
	911 521 038 11 BD5	Brown/beige				
	911 521 037 11	Cover for cushion Leatherette/ Centre part Tartan cloth	/L 80-	1		
	911 521 037 11 BE1	Blue/ Red-blue				
	911 521 037 11 BE2	Black/ Red-blue				
	911 521 037 11 BE3	Blue/ Green-blue				
	911 521 037 11 BE4	Black/ Green-blue				
	911 521 037 11 BE5	Black/ Brown-beige				
	911 521 037 11 BE6	Brown/ Brown-beige				
(3)	911 521 037 11 BE7	Beige/ Brown-beige				
	911 521 038 11	Cover for cushion Leatherette/ Centre part Tartan cloth	/R 80-	1		
	911 521 038 11 BE1	Blue/ Red-blue				
	911 521 038 11 BE2	Black/ Red-blue				
	911 521 038 11 BE3	Blue/ Green-blue				
	911 521 038 11 BE4	Black/ Green-blue				
	911 521 038 11 BE5	Black/ Brown-beige				
	911 521 038 11 BE6	Brown/ Brown-beige				
	911 521 038 11 BE7	Beige/ Brown-beige				
	3A	911 521 037 12	Cover for cushion Leatherette/ Seat surface Berber cloth	/L 80-	1	
911 521 037 12 GE9		Black/ Grey/black				
911 521 037 12 BD7		Blue/black Blue/black				
911 521 037 12 FE3		Brown/ Beige/brown				
911 521 037 12 BD9		Beige/ Beige/brown				
(3A)		911 521 038 12	Cover for cushion Leatherette/ Seat surface Berber cloth	/R 80-	1	
		911 521 038 12 GE9	Black/ Grey/black			
		911 521 038 12 BD7	Blue/black Blue/black			
		911 521 038 12 FE3	Brown/ Beige/brown			
		911 521 038 12 BD9	Beige/ Beige/brown			

Model: 928 78

Model life 1978&gt;&gt;1982

Pos	Part Number	Description	Remark	Qty	Model
4	911 521 027 58	Backrest frame	/L 80-	1	
(4)	911 521 028 58	Backrest frame	/R 80-	1	
5	911 521 393 02	Foam part Backrest	80-	2	
6	911 521 072 21	Backrest cover Leatherette/ Centre part Checker board velour	80-	2	
	911 521 072 21 AC2	Brown/ Brown/black			
	911 521 072 21 AC4	Black/ Brown/black			
	911 521 072 21 AC5	Black/ Blue/black			
	911 521 072 21 BC1	Blue/ Blue/black			
	911 521 072 21 FD8	Black/ Grey/black			
	911 521 072 21 FD9	Brown/ Beige/brown			
	911 521 072 21 BC4	Beige/ Beige/brown			
	911 521 072 21 BC5	Beige/ Brown/black			
6	911 521 072 21	Backrest cover Leatherette/ Centre part Uni-coloured cloth	80-	2	
	911 521 072 21 BD1	Blue/blue			
	911 521 072 21 BD2	Brown/brown			
	911 521 072 21 BD3	Beige/Beige			
	911 521 072 21 BD4	Black/black			
	911 521 072 21 BD5	Brown-beige			
6	911 521 072 21	Backrest cover Leatherette/ Centre part Tartan cloth	80-	2	
	911 521 072 21 BE1	Blue/ Red-blue			
	911 521 072 21 BE2	Black/ Red-blue			
	911 521 072 21 BE3	Blue/ Green-blue			
	911 521 072 21 BE4	Black/ Green-blue			
	911 521 072 21 BE5	Black/ Brown-beige			
	911 521 072 21 BE6	Brown/ Brown-beige			
	911 521 072 21 BE7	Beige/ Brown-beige			
6A	911 521 072 22	Backrest cover Leatherette/ Backrest surface Berber cloth	80-	2	
	911 521 072 22 GE9	Black/ Grey/black			
	911 521 072 22 BD7	Blue/ Blue/black			
	911 521 072 22 FE3	Brown/ Beige/brown			
	911 521 072 22 BD9	Beige/ Beige/brown			

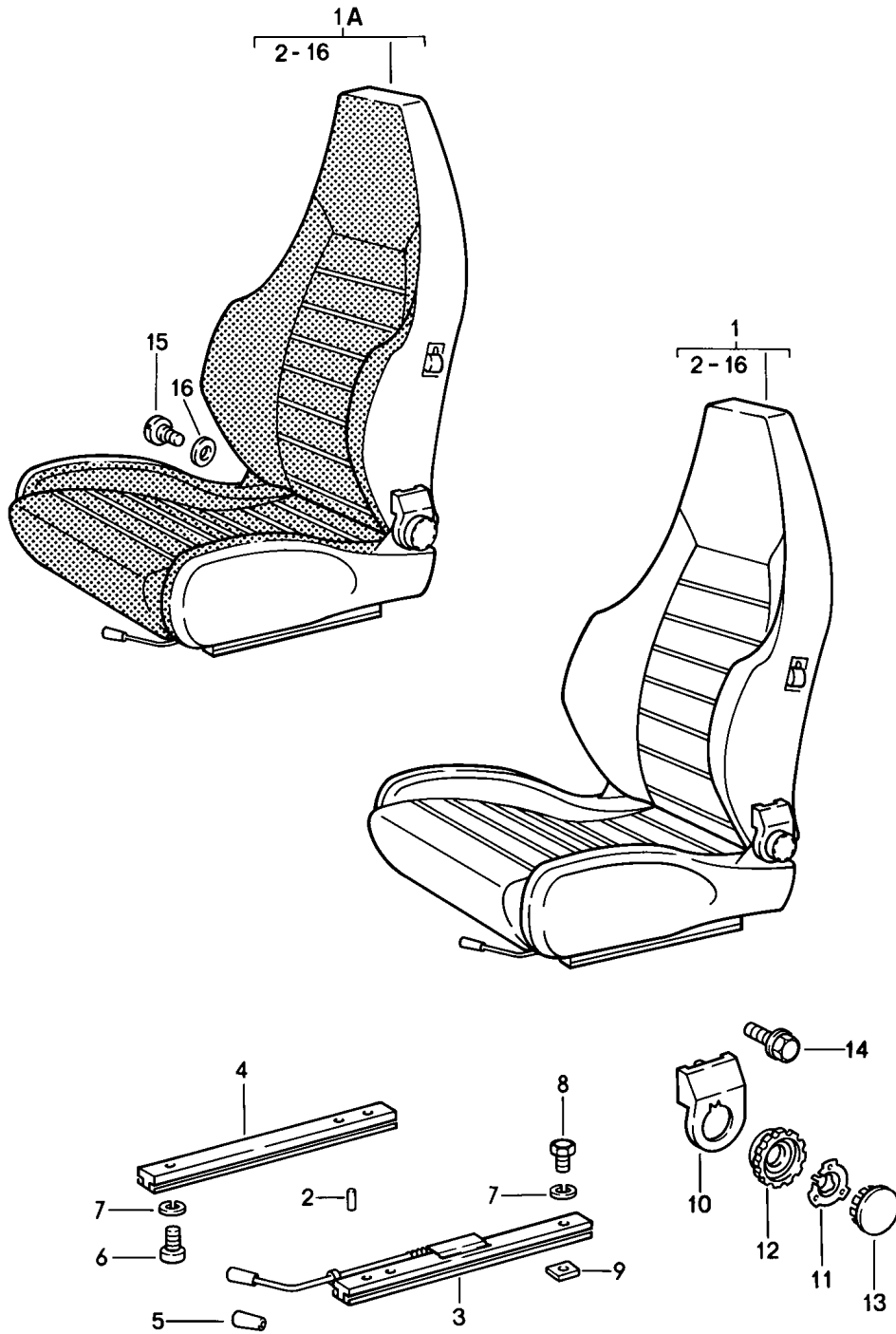
Model: 928 78

Model life 1978>>1982

Pos	Part Number	Description	Remark	Qty	Model
7	911 521 575 00	Filler piece Backrest frame	80-	2	
8	911 521 435 00	Filler piece	80-	2	
9	911 521 361 00	Wire pull	80-	2	
9	911 521 361 02	Wire pull	80-	2	
10	911 521 369 00	Terminal Wire pull	80-	2	
11	911 521 343 00	Guide bush Wire pull	80-	2	
12	311 881 287 A	Tension spring Actuating lever	80-	2	

Model: 928 78

Model life 1978>>1982



Model: 928 78

Model life 1978&gt;&gt;1982

Pos	Part Number	Description	Remark	Qty	Model
1	911 521 007 61	Sports seat Complete	80- 81-	1	M409 M410 M409
	911 521 007 61 1AJ	Leather Black	/L		
	911 521 007 61 3NG	Brown			
	911 521 007 61 30B	Dark blue			
	911 521 007 61 50B	Beige			
	911 521 007 61 80S	Can-can-red			
	911 521 007 61 95S	Papyrus			
	911 521 007 61 60S	Hannibal grey			
	911 521 007 61 20S	Mint green			
(1)	911 521 008 61	Sports seat Leather	/R	1	M409
	911 521 008 61 1AJ	Black			
	911 521 008 61 3NG	Brown			
	911 521 008 61 30B	Dark blue			
	911 521 008 61 50B	Beige			
	911 521 008 61 80S	Can-can-red			
	911 521 008 61 95S	Papyrus			
	911 521 008 61 60S	Hannibal grey			
	911 521 008 61 20S	Mint green			
1A	911 521 007 06	Sports seat Leatherette/ Seat and backrest surface Berber cloth	/L	1	M410
	911 521 007 06 GE9	Black/ Grey/black			
	911 521 007 06 BD7	Blue/ Blue/black			
	911 521 007 06 FE3	Brown/ Beige/brown			
	911 521 007 06 BD9	Beige/ Beige/brown			
(1A)	911 521 008 06	Sports seat Leatherette/ Seat and backrest surface Berber cloth	/R	1	M410
	911 521 008 06 GE9	Black/ Grey/black			
	911 521 008 06 BD7	Blue/ Blue/black			
	911 521 008 06 FE3	Brown/ Beige/brown			
	911 521 008 06 BD9	Beige/ Beige/brown			
2	900 012 123 00	Pin A 2,5 X 12		2	
3	928 521 489 02	Seat rail	/L	1	
(3)	928 521 490 02	Seat rail with locking device	/R	1	
4	944 521 491 00	Seat rail		2	
4		Seat rail without locking device See TPI GR.8 NR.34		2	
5	911 521 533 00	Handle knob		2	
(5)	911 521 533 01	Handle for longitudinal adjustment		2	
	911 521 533 01 01C	Satin black			
6	N 014 761 2	Pan-head screw M 6 X 12		8	
6	900 119 129 01	Pan-head screw		8	

Model: 928 78

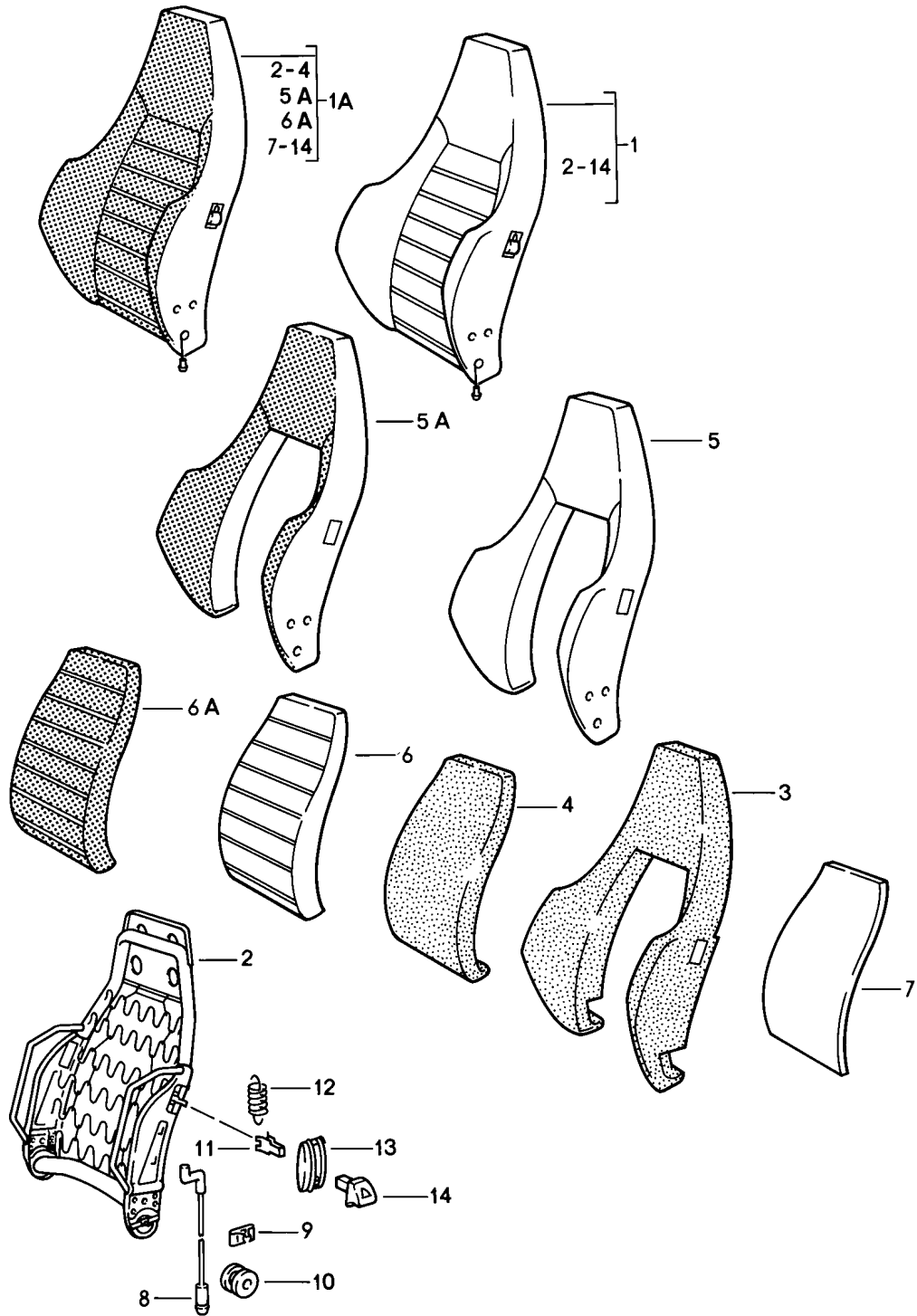
Model life 1978>>1982

Pos	Part Number	Description	Remark	Qty	Model
7	N 012 006 4	M 6 X 12 Lock ring		16	
		B 6			
8	900 075 057 03	Hexagon-head bolt		8	
8	900 075 057 02	Hexagon-head bolt		8	
		M 6 X 16			
8	900 075 057 03	Hexagon-head bolt		8	
		M 6 X 16			
9	928 521 101 04	Threaded plate		8	
10	911 521 359 02	Cover	/L	1	
(10)	911 521 360 02	Cover	/R	1	
11	911 521 571 00	Tensioning spring		2	
(12)	911 521 381 02	Cover		2	
		for backrest adjustment			
		Comprising:			
		POS. 12			
		Shifting wheel			
		POS. 13			
		Cover			
12	911 521 381 00	Shifting wheel		2	
13	911 521 383 00	Cover		2	
13	911 521 381 02	Cover		2	
14	911 521 371 00	Screw		2	
		Inner			
15	911 521 547 00	Screw		4	
		M 10 X 20			
16	999 025 117 40	Washer		X	
		12,5 X 32 X 1			



Model: 928 78

Model life 1978>>1982



Model: 928 78

Model life 1978>>1982

Pos	Part Number	Description	Remark	Qty	Model				
1	911 521 603 50	Sports seat	80-	1	M409				
		Backrest	81-		M410				
		Single parts							
		Backrest	/L		M409				
		Leather							
		911 521 603 50 1AJ	Black						
		911 521 603 50 3NG	Brown						
		911 521 603 50 30B	Dark blue						
		911 521 603 50 50B	Beige						
		911 521 603 50 80S	Can-can-red						
		911 521 603 50 95S	Papyrus						
		911 521 603 50 60S	Hannibal grey						
		911 521 603 50 20S	Mint green						
		(1)	911 521 604 50		Backrest	/R	1	M409	
1A	911 521 604 50	Leather		1	M410				
		911 521 604 50 1AJ	Black						
		911 521 604 50 3NG	Brown						
		911 521 604 50 30B	Dark blue						
		911 521 604 50 50B	Beige						
		911 521 604 50 80S	Can-can-red						
		911 521 604 50 95S	Papyrus						
		911 521 604 50 60S	Hannibal grey						
		911 521 604 50 20S	Mint green						
		1A	911 521 603 06			Backrest	/L	1	M410
		(1A)	911 521 603 06			Leatherette/ Backrest surface		1	M410
						Berber cloth			
						911 521 603 06 GE9	Black/ Grey/black		
						911 521 603 06 BD7	Blue/ Blue/black		
911 521 603 06 FE3	Brown/ Beige/brown								
911 521 603 06 BD9	Beige/ Beige/brown								
(1A)	911 521 604 06			Backrest	/R	1	M410		
(1A)	911 521 604 06			Leatherette/ Backrest surface		1	M410		
				Berber cloth					
				911 521 604 06 GE9	Black/ Grey/black				
				911 521 604 06 BD7	Blue/ Blue/black				
				911 521 604 06 FE3	Brown/ Beige/brown				
				911 521 604 06 BD9	Beige/ Beige/brown				
				2	911 521 613 02				
		2	911 521 613 02	Backrest frame	/L			1	
		(2)	911 521 614 02	Backrest frame	/R			1	
		(2)	911 521 614 02	Backrest frame	/R			1	
		3	911 521 751 02	Foam part				2	
		4	911 521 104 02	Backrest side bolster				2	
				Foam part					
		5	911 521 072 70	Backrest cushion				2	M409
Backrest side bolster cover									
Leather									
911 521 072 70 1AJ	Black								
911 521 072 70 3NG	Brown								
911 521 072 70 30B	Dark blue								
911 521 072 70 50B	Beige								
911 521 072 70 80S	Can-can-red								
911 521 072 70 95S	Papyrus								

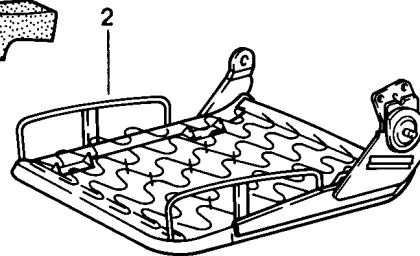
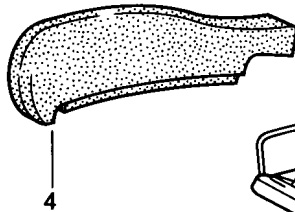
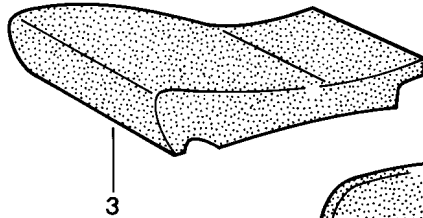
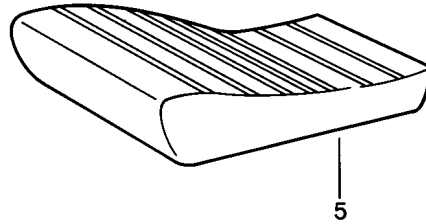
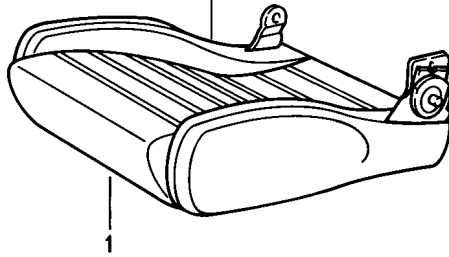
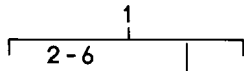
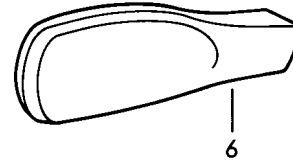
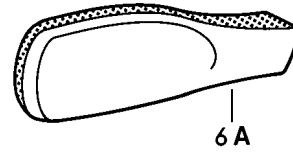
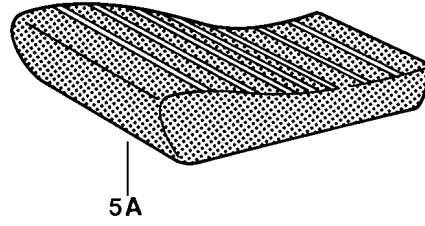
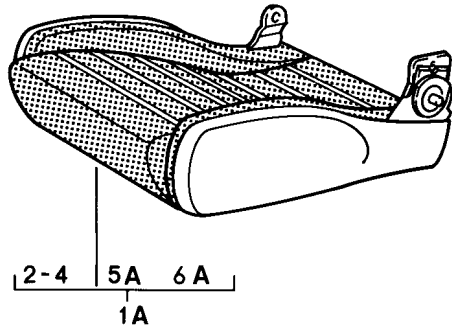
Model: 928 78

Model life 1978>>1982

Pos	Part Number	Description	Remark	Qty	Model
5A	911 521 072 70 60S	Hannibal grey		2	M410
	911 521 072 70 20S	Mint green			
	911 521 072 06	Backrest side bolster cover			
		Leatherette/ Backrest surface			
		Berber cloth			
	911 521 072 06 GE6	Black/ Grey/black			
	911 521 072 06 BD7	Blue/ Blue/black			
	911 521 072 06 FE3	Brown/ Beige/brown			
	911 521 072 06 BD9	Beige/ Beige/brown			
6	911 521 403 50	Backrest cushion cover		2	M409
		Leather			
	911 521 403 50 1AJ	Black			
	911 521 403 50 3NG	Brown			
	911 521 403 50 30B	Dark blue			
	911 521 403 50 50B	Beige			
	911 521 403 50 80S	Can-can-red			
	911 521 403 50 95S	Papyrus			
	911 521 403 50 60S	Hannibal grey			
	911 521 403 50 20S	Mint green			
	6A	911 521 403 06	Backrest cushion cover		
		Berber cloth			
911 521 403 06 1GB		Grey/black			
911 521 403 06 37B		Blue/black			
911 521 403 06 8NB		Beige/brown			
7	911 521 575 00	Filler piece		2	
8	911 521 361 00	Wire pull		2	
8	911 521 361 02	Wire pull		2	
9	911 521 369 00	Terminal		2	
		Wire pull			
10	911 521 343 00	Guide bush		2	
11	311 881 247	Clip		2	
12	311 881 287 A	Tension spring		2	
		Actuating lever			
13	911 521 815 00	Rosette		2	
		Actuating lever			
14	911 521 815 00 01C	Satin black		2	
	911 521 817 00	Control button			
	911 521 817 00 01C	Satin black			

Model: 928 78

Model life 1978>>1982



Model: 928 78 Model life 1978>>1982

Pos	Part Number	Description	Remark	Qty	Model					
1	911 521 605 50	Sports seat	80-	1	M409					
		Seat cushion	81-		M410					
		Single parts								
		Seat cushion	/L		M409					
		Leather								
		911 521 605 50 1AJ	Black							
		911 521 605 50 3NG	Brown							
		911 521 605 50 30B	Dark blue							
		911 521 605 50 50B	Beige							
		911 521 605 50 80S	Can-can-red							
		911 521 605 50 95S	Papyrus							
		911 521 605 50 60S	Hannibal grey							
		911 521 605 50 20S	Mint green							
(1)	911 521 606 50	Seat cushion	/R	1	M409					
		Leather								
		911 521 606 50 1AJ	Black							
		911 521 606 50 3NG	Brown							
		911 521 606 50 30B	Dark blue							
		911 521 606 50 50B	Beige							
		911 521 606 50 80S	Can-can-red							
		911 521 606 50 95S	Papyrus							
		911 521 606 50 60S	Hannibal grey							
		911 521 606 50 20S	Mint green							
		1A	911 521 605 06			Seat cushion	/L	1	M410	
						Leatherette/ Seat surface				
						Berber cloth				
911 521 605 06 GE9	Black/ Grey/black									
911 521 605 06 BD7	Blue/ Blue/black									
911 521 605 06 FE3	Brown/ Beige/brown									
911 521 605 06 BD9	Beige/ Beige/brown									
(1A)	911 521 606 06			Seat cushion	/R	1	M410			
				Leatherette/ Seat surface						
				Berber cloth						
				911 521 606 06 GE9	Black/ Grey/black					
				911 521 606 06 BD7	Blue/ Blue/black					
				911 521 606 06 FE3	Brown/ Beige/brown					
		911 521 606 06 BD9	Beige/ Beige/brown							
		2	911 521 621 01	Seat frame	/L			1		
				Seat frame	/R					
		(2)	911 521 622 01	Seat frame	/R			1		
				Seat frame	/L					
		3	911 521 697 02	Foam part				2		
				Seat cushion						
4	911 521 683 02	Foam part	/L	1						
		Foam part	/R							
(4)	911 521 654 02	Foam part	/R	1						
		Seat side bolster								
(4)	911 521 653 02	Left seat	/L	1						
		Foam part	/R							
(4)	911 521 684 02	Foam part	/L	1						
		Seat side bolster	/R							
5	911 521 439 50	Right seat		2	M409					
		Cover for cushion								
		Leather								
	911 521 439 50 1AJ	Black								
	911 521 439 50 3NG	Brown								

Model: 928 78 Model life 1978>>1982

Pos	Part Number	Description	Remark	Qty	Model
	911 521 439 50 30B	Dark blue			
	911 521 439 50 50B	Beige			
	911 521 439 50 80S	Can-can-red			
	911 521 439 50 95S	Papyrus			
	911 521 439 50 60S	Hannibal grey			
	911 521 439 50 20S	Mint green			
5A	911 521 439 06	Cover for cushion Berber cloth		2	M410
	911 521 439 06 1GB	Grey/black			
	911 521 439 06 37B	Blue/black			
	911 521 439 06 8NB	Beige/brown			
6	911 521 631 50	Seat side bolster cover Left seat Leather	/L	1	M409
	911 521 631 50 1AJ	Black			
	911 521 631 50 3NG	Brown			
	911 521 631 50 30B	Dark blue			
	911 521 631 50 50B	Beige			
	911 521 631 50 80S	Can-can-red			
	911 521 631 50 95S	Papyrus			
	911 521 631 50 60S	Hannibal grey			
	911 521 631 50 20S	Mint green			
(6)	911 521 632 50	Seat side bolster cover Left seat Leather	/R	1	M409
	911 521 632 50 1AJ	Black			
	911 521 632 50 3NG	Brown			
	911 521 632 50 30B	Dark blue			
	911 521 632 50 50B	Beige			
	911 521 632 50 80S	Can-can-red			
	911 521 632 50 95S	Papyrus			
	911 521 632 50 60S	Hannibal grey			
	911 521 632 50 20S	Mint green			
(6)	911 521 633 50	Seat side bolster cover Right seat Leather	/L	1	M409
	911 521 633 50 1AJ	Black			
	911 521 633 50 3NG	Brown			
	911 521 633 50 30B	Dark blue			
	911 521 633 50 50B	Beige			
	911 521 633 50 80S	Can-can-red			
	911 521 633 50 95S	Papyrus			
	911 521 633 50 60S	Hannibal grey			
	911 521 633 50 20S	Mint green			
(6)	911 521 634 50	Seat side bolster cover Right seat Leather	/R	1	M409
	911 521 634 50 1AJ	Black			
	911 521 634 50 3NG	Brown			
	911 521 634 50 30B	Dark blue			
	911 521 634 50 50B	Beige			
	911 521 634 50 80S	Can-can-red			
	911 521 634 50 95S	Papyrus			
	911 521 634 50 60S	Hannibal grey			
	911 521 634 50 20S	Mint green			
6A	911 521 631 06	Seat side bolster cover Left seat Leatherette/ Seat surface Berber cloth	/L	1	M410
	911 521 631 06 GE9	Black/ Grey/black			
	911 521 631 06 BD7	Blue/			

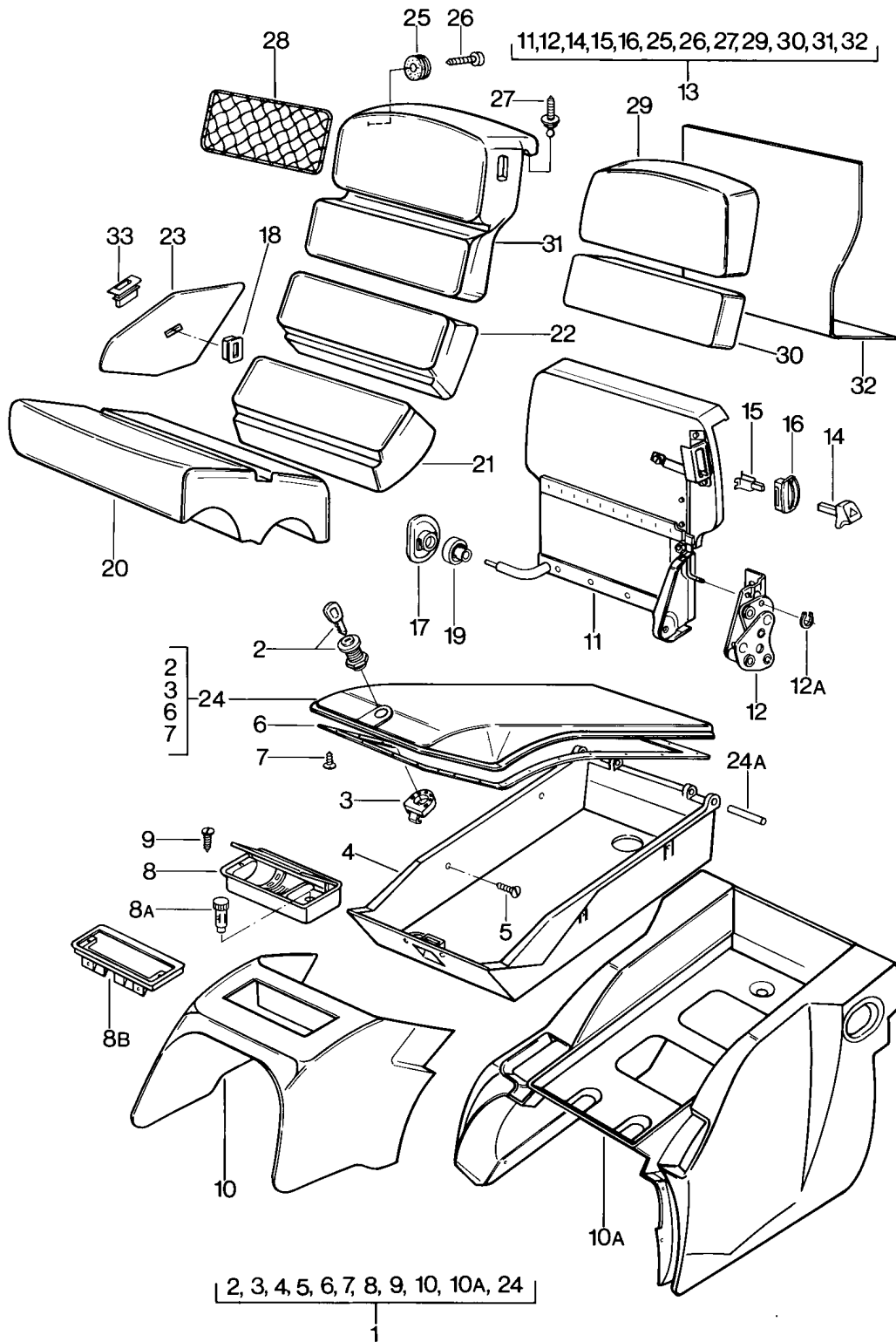
Model: 928 78

Model life 1978>>1982

Pos	Part Number	Description	Remark	Qty	Model
	911 521 631 06 FE3	Blue/black Brown/ Beige/brown			
	911 521 631 06 BD9	Beige/ Beige/brown			
(6A)	911 521 632 06	Seat side bolster cover Left seat Leatherette/ Seat surface Berber cloth	/R	1	M410
	911 521 632 06 GE9	Black/ Grey/black			
	911 521 632 06 BD7	Blue/ Blue/black			
	911 521 632 06 FE3	Brown/ Beige/brown			
	911 521 632 06 BD9	Beige/ Beige/brown			
(6A)	911 521 633 06	Seat side bolster cover Right seat Leatherette/ Seat surface Berber cloth	/L	1	M410
	911 521 633 06 GE9	Black/ Grey/black			
	911 521 633 06 BD7	Blue/ Blue/black			
	911 521 633 06 FE3	Brown/ Beige/brown			
	911 521 633 06 BD9	Beige/ Beige/brown			
(6A)	911 521 634 06	Seat side bolster cover Right seat Leatherette/ Seat surface Berber cloth	/R	1	M410
	911 521 634 06 GE9	Black/ Grey/black			
	911 521 634 06 BD7	Blue/ Blue/black			
	911 521 634 06 FE3	Brown/ Beige/brown			
	911 521 634 06 BD9	Beige/ Beige/brown			

Model: 928 78

Model life 1978>>1982





Model: 928 78 Model life 1978>>1982

Pos	Part Number	Description	Remark	Qty	Model
1	928 522 065 02	Back seat with Package box Package box Leatherette		1	
	928 522 065 02 40D	Cork			
	928 522 065 02 20B	Dark green			
	928 522 065 02 21S	Brown			
	928 522 065 02 05T	Black			
	928 522 065 02 30B	Blue			
	928 522 065 02 50B	Beige			
(1)	928 522 065 03	Package box Leatherette		1	AUT.
	928 522 065 03 40D	Cork			
	928 522 065 03 20B	Dark green			
	928 522 065 03 21S	Brown			
	928 522 065 03 05T	Black			
	928 522 065 03 30B	Blue			
	928 522 065 03 50B	Beige			
1	928 522 065 50	Package box Leather		1	
	928 522 065 50 40D	Cork			
	928 522 065 50 20B	Dark green			
	928 522 065 50 3NG	Brown			
	928 522 065 50 1AJ	Black			
	928 522 065 50 30B	Blue			
	928 522 065 50 50B	Beige			
	928 522 065 50 2LB	Burgundy			
(1)	928 522 065 51	Package box Leather		1	AUT.
	928 522 065 51 40D	Cork			
	928 522 065 51 20B	Dark green			
	928 522 065 51 3NG	Brown			
	928 522 065 51 1AJ	Black			
	928 522 065 51 30B	Blue			
	928 522 065 51 50B	Beige			
	928 522 065 51 2LB	Burgundy			
-	N 014 139 1B	Oval-head screw		3	
-	N 014 139 11	Oval-head screw		3	
		M 6 X 12			
-	N 014 139 1B	Oval-head screw		3	
		M 6 X 12			
-	900 089 005 02	Washer		3	
		6			
-	N 012 226 5	Spring washer		3	
		B 6			
2	928 522 015 02	Push-button lock with keys		1	
3	928 522 069 02	Catch		1	
4	928 522 279 02	Insert		1	
	928 522 279 02 70B	Satin black			
5	900 144 017 07	Tapping screw		6	
		B 2,9 X 13			
6	928 522 269 02	Cover strip		1	
		Lid			
7	900 143 066 07	Screw		19	
		ST 4,2 X 9,5			
-	999 141 010 07	Countersunk-head screw		14	
		7 X 7			
8	928 552 060 03	Ashtray		1	
8A	928 652 103 00	Cigarette lighter		1	
8B	928 522 277 03	Insert for		1	

Model: 928 78 Model life 1978>>1982

Pos	Part Number	Description	Remark	Qty	Model
9	900 144 017 07	Ashtray Tapping screw B 2,9 X 13		2	
10	928 522 063 02	Package box Front Leatherette		1	
	928 522 063 02 40D	Cork			
	928 522 063 02 20B	Dark green			
	928 522 063 02 21S	Brown			
	928 522 063 02 05T	Black			
	928 522 063 02 30B	Blue			
	928 522 063 02 50B	Beige			
(10)	928 522 063 03	Package box Front Leatherette		1	AUT.
	928 522 063 03 40D	Cork			
	928 522 063 03 20B	Dark green			
	928 522 063 03 21S	Brown			
	928 522 063 03 05T	Black			
	928 522 063 03 30B	Blue			
	928 522 063 03 50B	Beige			
10	928 522 063 50	Package box Front Leather		1	
	928 522 063 50 40D	Cork			
	928 522 063 50 20B	Dark green			
	928 522 063 50 3NG	Brown			
	928 522 063 50 1AJ	Black			
	928 522 063 50 30B	Blue			
	928 522 063 50 50B	Beige			
	928 522 063 50 80S	Can-can-red			
	928 522 063 50 95S	Papyrus			
	928 522 063 50 60S	Hannibal grey			
	928 522 063 50 20S	Mint green			
	928 522 063 50 2LB	Burgundy			
(10)	928 522 063 51	Package box Front Leather		1	AUT.
	928 522 063 51 40D	Cork			
	928 522 063 51 20B	Dark green			
	928 522 063 51 3NG	Brown			
	928 522 063 51 1AJ	Black			
	928 522 063 51 30B	Blue			
	928 522 063 51 50B	Beige			
	928 522 063 51 80S	Can-can-red			
	928 522 063 51 95S	Papyrus			
	928 522 063 51 60S	Hannibal grey			
	928 522 063 51 20S	Mint green			
	928 522 063 51 2LB	Burgundy			
10A	928 522 067 02	Package box Rear Leatherette		1	
	928 522 067 02 40D	Cork			
	928 522 067 02 20B	Dark green			
	928 522 067 02 21S	Brown			
	928 522 067 02 05T	Black			
	928 522 067 02 30B	Blue			
	928 522 067 02 50B	Beige			
(10A)	928 522 067 03	Package box Rear Leatherette		1	AUT.
	928 522 067 03 40D	Cork			
	928 522 067 03 20B	Dark green			

Model: 928 78 Model life 1978>>1982

Pos	Part Number	Description	Remark	Qty	Model	
(10A)	928 522 067 03 21S	Brown				
	928 522 067 03 05T	Black				
	928 522 067 03 30B	Blue				
	928 522 067 03 50B	Beige				
	928 522 067 05	Package box		1	AUT.	
		Rear				
		Leatherette				
	928 522 067 05 40D	Cork				
	928 522 067 05 20B	Dark green				
	928 522 067 05 21S	Brown				
10A	928 522 067 05 05T	Black				
	928 522 067 05 30B	Blue				
	928 522 067 05 50B	Beige				
	928 522 067 50	Package box		1		
		Rear				
		Leather				
	928 522 067 50 40D	Cork				
	928 522 067 50 20B	Dark green				
	928 522 067 50 3NG	Brown				
	928 522 067 50 1AJ	Black				
(10A)	928 522 067 50 30B	Blue				
	928 522 067 50 50B	Beige				
	928 522 067 50 80S	Can-can-red				
	928 522 067 50 95S	Papyrus				
	928 522 067 50 60S	Hannibal grey				
	928 522 067 50 20S	Mint green				
	928 522 067 50 2LB	Burgundy				
	928 522 067 51	Package box		1	AUT.	
		Rear				
		Leather				
(10A)	928 522 067 51 40D	Cork				
	928 522 067 51 20B	Dark green				
	928 522 067 51 3NG	Brown				
	928 522 067 51 1AJ	Black				
	928 522 067 51 30B	Blue				
	928 522 067 51 50B	Beige				
	928 522 067 51 80S	Can-can-red				
	928 522 067 51 95S	Papyrus				
	928 522 067 51 60S	Hannibal grey				
	928 522 067 51 20S	Mint green				
(10A)	928 522 067 51 2LB	Burgundy				
	928 522 067 55	Package box		1	AUT.	
		Rear				
		Leather				
	928 522 067 55 40D	Cork				
	928 522 067 55 20B	Dark green				
	928 522 067 55 3NG	Brown				
	928 522 067 55 1AJ	Black				
	928 522 067 55 30B	Blue				
	928 522 067 55 50B	Beige				
11	928 522 067 55 80S	Can-can-red				
	928 522 067 55 95S	Papyrus				
	928 522 067 55 60S	Hannibal grey				
	928 522 067 55 20S	Mint green				
	928 522 067 55 2LB	Burgundy				
	11	928 522 013 02	Backrest frame	/L	1	
	(11)	928 522 014 02	Backrest frame	/R	1	
	12	928 522 085 03	Backrest fittings	/L	1	
	(12)	928 522 086 03	Backrest fittings	/R	1	
	12A	900 116 005 02	Lock washer		2	
(13)		7				
	928 522 005 03	Back seat backrest	/L	1		
		Leatherette/				

Model: 928 78 Model life 1978>>1982

Pos	Part Number	Description	Remark	Qty	Model
	928 522 005 03 AG4	Checker board velour Cork/ Brown/black			
	928 522 005 03 AE1	Dark green/ Beige/black			
	928 522 005 03 AE2	Brown/ Brown/black			
	928 522 005 03 AE3	Black/ Beige/black			
	928 522 005 03 AE4	Black/ Brown/black			
	928 522 005 03 AE5	Black/ Blue/black			
	928 522 005 03 AE6	Cork/ Beige/black			
	928 522 005 03 AE7	Black/ Black-white			
13	928 522 006 03	Back seat backrest Leatherette/ Checker board velour	/R	1	
	928 522 006 03 AG4	Cork/ Brown/black			
	928 522 006 03 AE1	Dark green/ Beige/black			
	928 522 006 03 AE2	Brown/ Brown/black			
	928 522 006 03 AE3	Black/ Beige/black			
	928 522 006 03 AE4	Black/ Brown/black			
	928 522 006 03 AE5	Black/ Blue/black			
	928 522 006 03 AE6	Cork/ Beige/black			
	928 522 006 03 AE7	Black/ Black-white			
(13)	928 522 005 03	Back seat backrest Leatherette/ Pin stripe velour	/L	1	
	928 522 005 03 AE8	Cork/cork			
	928 522 005 03 AE9	Black/cork			
	928 522 005 03 AG1	Dark green/cork			
	928 522 005 03 AG2	Black/lobster			
	928 522 005 03 AG3	Black/black			
13	928 522 006 03	Back seat backrest Leatherette/ Pin stripe velour	/R	1	
	928 522 006 03 AE8	Cork/cork			
	928 522 006 03 AE9	Black/cork			
	928 522 006 03 AG1	Dark green/cork			
	928 522 006 03 AG2	Black/lobster			
	928 522 006 03 AG3	Black/black			
(13)	928 522 005 50	Back seat backrest Leather	/L	1	
	928 522 005 50 40D	Cork			
	928 522 005 50 20B	Dark green			
	928 522 005 50 3NG	Brown			
	928 522 005 50 1AJ	Black			
	928 522 005 50 30B	Blue			
	928 522 005 50 50B	Beige			
	928 522 005 50 80S	Can-can-red			
	928 522 005 50 95S	Papyrus			
	928 522 005 50 60S	Hannibal grey			

Model: 928 78

Model life 1978&gt;&gt;1982

Pos	Part Number	Description	Remark	Qty	Model
13	928 522 005 50 20S	Mint green			
	928 522 006 50	Back seat backrest	/R	1	
		Leather			
	928 522 006 50 40D	Cork			
	928 522 006 50 20B	Dark green			
	928 522 006 50 3NG	Brown			
	928 522 006 50 1AJ	Black			
	928 522 006 50 30B	Blue			
	928 522 006 50 50B	Beige			
	928 522 006 50 80S	Can-can-red			
	928 522 006 50 95S	Papyrus			
	928 522 006 50 60S	Hannibal grey			
(13)	928 522 006 50 20S	Mint green			
	928 522 005 51	Back seat backrest	/L	1	
		Leather/			
		Checker board velour			
	928 522 005 51 AH1	Dark green/			
		Beige/black			
	928 522 005 51 AH2	Brown/			
		Brown/black			
	928 522 005 51 AH3	Black/			
		Beige/black			
	928 522 005 51 AH4	Black/			
		Blue/black			
	928 522 005 51 AH5	Cork/			
		Beige/black			
	928 522 005 51 AH6	Black/			
		Black-white			
	928 522 005 51 AH7	Cork/			
		Brown/black			
	928 522 005 51 AQ1	Brown/			
		Brown/black			
	928 522 005 51 AQ2	Black/			
		Brown/black			
	928 522 005 51 AQ3	Black/			
		Blue/black			
	928 522 005 51 AJ1	Blue/			
		Blue/black			
	928 522 005 51 AJ2	Black/			
		Grey/black			
	928 522 005 51 AJ3	Brown/			
		Beige/brown			
	928 522 005 51 AJ4	Beige/			
		Beige/brown			
	928 522 005 51 AQ8	Beige/			
		Brown/black			
13	928 522 006 51	Back seat backrest	/R	1	
		Leather/			
		Checker board velour			
	928 522 006 51 AH1	Dark green/			
		Beige/black			
	928 522 006 51 AH2	Brown/			
		Brown/black			
	928 522 006 51 AH3	Black/			
		Beige/black			
	928 522 006 51 AH4	Black/			
		Blue/black			
	928 522 006 51 AH5	Cork/			
		Beige/black			
	928 522 006 51 AH6	Black/			
		Black-white			
	928 522 006 51 AH7	Cork/			
		Brown/black			

Model: 928 78 Model life 1978>>1982

Pos	Part Number	Description	Remark	Qty	Model
	928 522 006 51 AQ1	Brown/ Brown/black			
	928 522 006 51 AQ2	Black/ Brown/black			
	928 522 006 51 AQ3	Black/ Blue/black			
	928 522 006 51 AJ1	Blue/ Blue/black			
	928 522 006 51 AJ2	Black/ Grey/black			
	928 522 006 51 AJ3	Brown/ Beige/brown			
	928 522 006 51 AJ4	Beige/ Beige/brown			
	928 522 006 51 AQ8	Beige/ Brown/black			
(13)	928 522 005 51	Back seat backrest Leather/ Uni-coloured cloth	/L	1	
	928 522 005 51 AK1	Blue/blue			
	928 522 005 51 AR2	Brown/brown			
	928 522 005 51 AK3	Beige/Beige			
	928 522 005 51 AK4	Black/black			
	928 522 005 51 AK5	Brown/beige			
13	928 522 006 51	Back seat backrest Leather/ Uni-coloured cloth	/R	1	
	928 522 006 51 AK1	Blue/blue			
	928 522 006 51 AR2	Brown/brown			
	928 522 006 51 AK3	Beige/Beige			
	928 522 006 51 AK4	Black/black			
	928 522 006 51 AK5	Brown/beige			
(13)	928 522 005 51	Back seat backrest Leather/ Tartan cloth	/L	1	
	928 522 005 51 AS1	Blue/ Red-blue			
	928 522 005 51 AS2	Black/ Red-blue			
	928 522 005 51 AS3	Blue/ Green-blue			
	928 522 005 51 AS4	Black/ Green-blue			
	928 522 005 51 AS5	Black/ Brown-beige			
	928 522 005 51 AS6	Brown/ Brown-beige			
	928 522 005 51 AS7	Beige/ Brown-beige			
13	928 522 006 51	Back seat backrest Leather/ Tartan cloth	/R	1	
	928 522 006 51 AS1	Blue/ Red-blue			
	928 522 006 51 AS2	Black/ Red-blue			
	928 522 006 51 AS3	Blue/ Green-blue			
	928 522 006 51 AS4	Black/ Green-blue			
	928 522 006 51 AS5	Black/ Brown-beige			
	928 522 006 51 AS6	Brown/ Brown-beige			

Model: 928 78 Model life 1978>>1982

Pos	Part Number	Description	Remark	Qty	Model
	928 522 006 51 AS7	Brown-beige Beige/			
(13)	928 522 005 51	Brown-beige Back seat backrest Leather/ Berber cloth	/L	1	
	928 522 005 51 AK6	Black/ Grey/black			
	928 522 005 51 AK7	Blue/ Blue/black			
	928 522 005 51 AK8	Brown/ Beige/brown			
	928 522 005 51 AK9	Beige/ Beige/brown			
13	928 522 006 51	Back seat backrest Leather/ Berber cloth	/R	1	
	928 522 006 51 AK6	Black/ Grey/black			
	928 522 006 51 AK7	Blue/ Blue/black			
	928 522 006 51 AK8	Brown/ Beige/brown			
	928 522 006 51 AK9	Beige/ Beige/brown			
14	113 881 633 E	Control button	-79	2	
	113 881 633 E 01C	Satin black			
(14)	911 521 817 00	Control button	80-	2	
	911 521 817 00 01C	Satin black			
15	311 881 247	Clip		2	
16	311 881 607 A	Cover	-79	2	
(16)	911 521 815 00	Rosette	80-	2	
	911 521 815 00 01C	Satin black			
17	928 522 619 02	Rosette		2	
18	928 522 415 03	Rosette		2	
	928 522 415 03 70B	Satin black			
19	928 522 635 02	Bearing sleeve		2	
(20)	928 522 059 03	Back seat cushion Front Checker board velour	/L	1	
	928 522 059 03 57A	Beige/black			
	928 522 059 03 47A	Brown/black			
	928 522 059 03 37A	Blue/black			
	928 522 059 03 79A	Black-white			
	928 522 059 03 1BV	Grey/black			
	928 522 059 03 4NV	Beige/brown			
(20)	928 522 059 04	Seat cushion Front Checker board velour	/L	1	
	928 522 059 04 57A	Beige/black			
	928 522 059 04 47A	Brown/black			
	928 522 059 04 37A	Blue/black			
	928 522 059 04 79A	Black-white			
	928 522 059 04 1BV	Grey/black			
	928 522 059 04 4NV	Beige/brown			
20	928 522 060 03	Back seat cushion Front Checker board velour	/R	1	
	928 522 060 03 57A	Beige/black			
	928 522 060 03 47A	Brown/black			
	928 522 060 03 37A	Blue/black			
	928 522 060 03 79A	Black-white			
	928 522 060 03 1BV	Grey/black			

Model: 928 78

Model life 1978&gt;&gt;1982

Pos	Part Number	Description	Remark	Qty	Model
20	928 522 060 03 4NV	Beige/brown			
	928 522 060 04	Seat cushion	/R	1	
		Front			
		Checker board velour			
	928 522 060 04 57A	Beige/black			
	928 522 060 04 47A	Brown/black			
	928 522 060 04 37A	Blue/black			
	928 522 060 04 79A	Black-white			
	928 522 060 04 1BV	Grey/black			
	928 522 060 04 4NV	Beige/brown			
(20)	928 522 059 03	Back seat cushion	/L	1	
		Pin stripe velour			
	928 522 059 03 40D	Cork			
	928 522 059 03 80D	Lobster			
	928 522 059 03 70D	Black			
(20)	928 522 059 04	Seat cushion	/L	1	
		Pin stripe velour			
	928 522 059 04 40D	Cork			
	928 522 059 04 80D	Lobster			
	928 522 059 04 70D	Black-white			
20	928 522 060 03	Back seat cushion	/R	1	
		Pin stripe velour			
	928 522 060 03 40D	Cork			
	928 522 060 03 80D	Lobster			
	928 522 060 03 70D	Black			
20	928 522 060 04	Seat cushion	/R	1	
		Pin stripe velour			
	928 522 060 04 40D	Cork			
	928 522 060 04 80D	Lobster			
	928 522 060 04 70D	Black			
(20)	928 522 059 03	Back seat cushion	/L	1	
		Uni-coloured cloth			
	928 522 059 03 30C	Blue			
	928 522 059 03 40C	Brown			
	928 522 059 03 50C	Beige			
	928 522 059 03 70F	Black			
(20)	928 522 059 04	Seat cushion	/L	1	
		Uni-coloured cloth			
	928 522 059 04 30C	Blue			
	928 522 059 04 40C	Brown			
	928 522 059 04 50C	Beige			
	928 522 059 04 70F	Black			
20	928 522 060 03	Back seat cushion	/R	1	
		Uni-coloured cloth			
	928 522 060 03 30C	Blue			
	928 522 060 03 40C	Brown			
	928 522 060 03 50C	Beige			
	928 522 060 03 70F	Black			
20	928 522 060 04	Seat cushion	/R	1	
		Uni-coloured cloth			
	928 522 060 04 30C	Blue			
	928 522 060 04 40C	Brown			
	928 522 060 04 50C	Beige			
	928 522 060 04 70F	Black			
(20)	928 522 059 03	Back seat cushion	/L	1	
		Tartan cloth			
	928 522 059 03 83S	Red-blue			
	928 522 059 03 23A	Green-blue			
	928 522 059 03 45A	Brown-beige			
(20)	928 522 059 04	Seat cushion	/L	1	
		Tartan cloth			
	928 522 059 04 83S	Red-blue			
	928 522 059 04 23A	Green-blue			



Model: 928 78 Model life 1978>>1982

Pos	Part Number	Description	Remark	Qty	Model
20	928 522 059 04 45A	Brown-beige			
	928 522 060 03	Back seat cushion	/R	1	
		Tartan cloth			
	928 522 060 03 83S	Red-blue			
	928 522 060 03 23A	Green-blue			
20	928 522 060 03 45A	Brown-beige			
	928 522 060 04	Seat cushion	/R	1	
		Tartan cloth			
	928 522 060 04 83S	Red-blue			
	928 522 060 04 23A	Green-blue			
	928 522 060 04 45A	Brown-beige			
(20)	928 522 059 03	Back seat cushion	/L	1	
		Berber cloth			
	928 522 059 03 37B	Blue/black			
	928 522 059 03 8NB	Beige/brown			
	928 522 059 03 1GB	Grey/black			
(20)	928 522 059 04	Seat cushion	/L	1	
		Berber cloth			
	928 522 059 04 37B	Blue/black			
	928 522 059 04 8NB	Beige/brown			
	928 522 059 04 1GB	Grey/black			
20	928 522 060 03	Back seat cushion	/R	1	
		Berber cloth			
	928 522 060 03 37B	Blue/black			
	928 522 060 03 8NB	Beige/brown			
	928 522 060 03 1GB	Grey/black			
20	928 522 060 04	Seat cushion	/R	1	
		Berber cloth			
	928 522 060 04 37B	Blue/black			
	928 522 060 04 8NB	Beige/brown			
	928 522 060 04 1GB	Grey/black			
(20)	928 522 059 03	Back seat cushion	/L	1	M406
		Stripe design			
	928 522 059 03 9LA	Burgundy-grey			
(20)	928 522 059 04	Seat cushion	/L	1	M406
		Stripe design			
	928 522 059 04 9LA	Burgundy-grey			
20	928 522 060 03	Back seat cushion	/R	1	M406
		Stripe design			
	928 522 060 03 9LA	Burgundy-grey			
20	928 522 060 04	Seat cushion	/R	1	M406
		Stripe design			
	928 522 060 04 9LA	Burgundy-grey			
(20)	928 522 059 50	Back seat cushion	/L	1	
		Front			
		Leather			
	928 522 059 50 40D	Cork			
	928 522 059 50 20B	Dark green			
	928 522 059 50 3NG	Brown			
	928 522 059 50 1AJ	Black			
	928 522 059 50 30B	Blue			
	928 522 059 50 50B	Beige			
	928 522 059 50 80S	Can-can-red			
	928 522 059 50 95S	Papyrus			
	928 522 059 50 60S	Hannibal grey			
	928 522 059 50 20S	Mint green			
(20)	928 522 059 51	Seat cushion	/L	1	
		Front			
		Leather			
	928 522 059 51 40D	Cork			
	928 522 059 51 20B	Dark green			
	928 522 059 51 3NG	Brown			
	928 522 059 51 1AJ	Black			

Model: 928 78 Model life 1978>>1982

Pos	Part Number	Description	Remark	Qty	Model
	928 522 059 51 30B	Blue			
	928 522 059 51 50B	Beige			
	928 522 059 51 80S	Can-can-red			
	928 522 059 51 95S	Papyrus			
	928 522 059 51 60S	Hannibal grey			
	928 522 059 51 20S	Mint green			
20	928 522 060 50	Seat cushion	/R	1	
		Front			
		Leather			
	928 522 060 50 40D	Cork			
	928 522 060 50 20B	Dark green			
	928 522 060 50 3NG	Brown			
	928 522 060 50 1AJ	Black			
	928 522 060 50 30B	Blue			
	928 522 060 50 50B	Beige			
	928 522 060 50 80S	Can-can-red			
	928 522 060 50 95S	Papyrus			
	928 522 060 50 60S	Hannibal grey			
	928 522 060 50 20S	Mint green			
20	928 522 060 51	Seat cushion	/R	1	
		Front			
		Leather			
	928 522 060 51 40D	Cork			
	928 522 060 51 20B	Dark green			
	928 522 060 51 3NG	Brown			
	928 522 060 51 1AJ	Black			
	928 522 060 51 30B	Blue			
	928 522 060 51 50B	Beige			
	928 522 060 51 80S	Can-can-red			
	928 522 060 51 95S	Papyrus			
	928 522 060 51 60S	Hannibal grey			
	928 522 060 51 20S	Mint green			
(21)	928 522 087 03	Back seat cushion	/L	1	
		Centre			
		Checker board velour			
	928 522 087 03 57A	Beige/black			
	928 522 087 03 47A	Brown/black			
	928 522 087 03 37A	Blue/black			
	928 522 087 03 79A	Black-white			
	928 522 087 03 1BV	Grey/black			
	928 522 087 03 4NV	Beige/brown			
(21)	928 522 087 04	Seat cushion	/L	1	
		Centre			
		Checker board velour			
	928 522 087 04 57A	Beige/black			
	928 522 087 04 47A	Brown/black			
	928 522 087 04 37A	Blue/black			
	928 522 087 04 79A	Black-white			
	928 522 087 04 1BV	Grey/black			
	928 522 087 04 4NV	Beige/brown			
21	928 522 088 03	Seat cushion	/R	1	
		Centre			
		Checker board velour			
	928 522 088 03 57A	Beige/black			
	928 522 088 03 47A	Brown/black			
	928 522 088 03 37A	Blue/black			
	928 522 088 03 79A	Black-white			
	928 522 088 03 1BV	Grey/black			
	928 522 088 03 4NV	Beige/brown			
21	928 522 088 04	Seat cushion	/R	1	
		Centre			
		Checker board velour			
	928 522 088 04 57A	Beige/black			

Model: 928 78 Model life 1978>>1982

Pos	Part Number	Description	Remark	Qty	Model
	928 522 088 04 47A	Brown/black			
	928 522 088 04 37A	Blue/black			
	928 522 088 04 79A	Black-white			
	928 522 088 04 1BV	Grey/black			
	928 522 088 04 4NV	Beige/brown			
(21)	928 522 087 03	Back seat cushion Pin stripe velour	/L	1	
	928 522 087 03 40D	Cork			
	928 522 087 03 80D	Lobster			
	928 522 087 03 70D	Black			
(21)	928 522 087 04	Seat cushion Pin stripe velour	/L	1	
	928 522 087 04 40D	Cork			
	928 522 087 04 80D	Lobster			
	928 522 087 04 70D	Black			
21	928 522 088 03	Seat cushion Pin stripe velour	/R	1	
	928 522 088 03 40D	Cork			
	928 522 088 03 80D	Lobster			
	928 522 088 03 70D	Black			
21	928 522 088 04	Seat cushion Pin stripe velour	/R	1	
	928 522 088 04 40D	Cork			
	928 522 088 04 80D	Lobster			
	928 522 088 04 70D	Black			
(21)	928 522 087 03	Back seat cushion Uni-coloured cloth	/L	1	
	928 522 087 03 30C	Blue			
	928 522 087 03 40C	Brown			
	928 522 087 03 50C	Beige			
	928 522 087 03 70F	Black			
(21)	928 522 087 04	Seat cushion Uni-coloured cloth	/L	1	
	928 522 087 04 30C	Blue			
	928 522 087 04 40C	Brown			
	928 522 087 04 50C	Beige			
	928 522 087 04 70F	Black			
21	928 522 088 03	Seat cushion Uni-coloured cloth	/R	1	
	928 522 088 03 30C	Blue			
	928 522 088 03 40C	Brown			
	928 522 088 03 50C	Beige			
	928 522 088 03 70F	Black			
21	928 522 088 04	Seat cushion Uni-coloured cloth	/R	1	
	928 522 088 04 30C	Blue			
	928 522 088 04 40C	Brown			
	928 522 088 04 50C	Beige			
	928 522 088 04 70F	Black			
(21)	928 522 087 03	Back seat cushion Tartan cloth	/L	1	
	928 522 087 03 83S	Red-blue			
	928 522 087 03 23A	Green-blue			
	928 522 087 03 45A	Brown-beige			
(21)	928 522 087 04	Seat cushion Tartan cloth	/L	1	
	928 522 087 04 83S	Red-blue			
	928 522 087 04 23A	Green-blue			
	928 522 087 04 45A	Brown-beige			
21	928 522 088 03	Seat cushion Tartan cloth	/R	1	
	928 522 088 03 83S	Red-blue			
	928 522 088 03 23A	Green-blue			

Model: 928 78 Model life 1978>>1982

Pos	Part Number	Description	Remark	Qty	Model
21	928 522 088 03 45A	Brown-beige			
	928 522 088 04	Seat cushion	/R	1	
		Tartan cloth			
	928 522 088 04 83S	Red-blue			
	928 522 088 04 23A	Green-blue			
	928 522 088 04 45A	Brown-beige			
(21)	928 522 087 03	Back seat cushion	/L	1	
		Berber cloth			
	928 522 087 03 37B	Blue/black			
	928 522 087 03 8NB	Beige/brown			
	928 522 087 03 1GB	Grey/black			
(21)	928 522 087 04	Seat cushion	/L	1	
		Berber cloth			
	928 522 087 04 37B	Blue/black			
	928 522 087 04 8NB	Beige/brown			
	928 522 087 04 1GB	Grey/black			
21	928 522 088 03	Seat cushion	/R	1	
		Berber cloth			
	928 522 088 03 37B	Blue/black			
	928 522 088 03 8NB	Beige/brown			
	928 522 088 03 1GB	Grey/black			
21	928 522 088 04	Seat cushion	/R	1	
		Berber cloth			
	928 522 088 04 37B	Blue/black			
	928 522 088 04 8NB	Beige/brown			
	928 522 088 04 1GB	Grey/black			
(21)	928 522 087 03	Back seat cushion	/L	1	
		Stripe design			M406
(21)	928 522 087 03 9LA	Burgundy-grey			
	928 522 087 04	Seat cushion	/L	1	
		Stripe design			M406
	928 522 087 04 9LA	Burgundy-grey			
21	928 522 088 03	Seat cushion	/R	1	
		Stripe design			M406
	928 522 088 03 9LA	Burgundy-grey			
21	928 522 088 04	Seat cushion	/R	1	
		Stripe design			M406
	928 522 088 04 9LA	Burgundy-grey			
(21)	928 522 087 50	Back seat cushion	/L	1	
		Centre			
		Leather			
	928 522 087 50 40D	Cork			
	928 522 087 50 20B	Dark green			
	928 522 087 50 3NG	Brown			
	928 522 087 50 1AJ	Black			
	928 522 087 50 30B	Blue			
	928 522 087 50 50B	Beige			
	928 522 087 50 80S	Can-can-red			
	928 522 087 50 95S	Papyrus			
	928 522 087 50 60S	Hannibal grey			
	928 522 087 50 20S	Mint green			
(21)	928 522 087 51	Seat cushion	/L	1	
		Centre			
		Leather			
	928 522 087 51 40D	Cork			
	928 522 087 51 20B	Dark green			
	928 522 087 51 3NG	Brown			
	928 522 087 51 1AJ	Black			
	928 522 087 51 30B	Blue			
	928 522 087 51 50B	Beige			
	928 522 087 51 80S	Can-can-red			
	928 522 087 51 95S	Papyrus			
	928 522 087 51 60S	Hannibal grey			

Model: 928 78 Model life 1978>>1982

Pos	Part Number	Description	Remark	Qty	Model
21	928 522 087 51 20S	Mint green			
	928 522 088 50	Seat cushion	/R	1	
		Centre			
		Leather			
	928 522 088 50 40D	Cork			
	928 522 088 50 20B	Dark green			
	928 522 088 50 3NG	Brown			
	928 522 088 50 1AJ	Black			
	928 522 088 50 30B	Blue			
	928 522 088 50 50B	Beige			
	928 522 088 50 80S	Can-can-red			
	928 522 088 50 95S	Papyrus			
	928 522 088 50 60S	Hannibal grey			
	928 522 088 50 20S	Mint green			
21	928 522 088 51	Seat cushion	/R	1	
		Centre			
		Leather			
	928 522 088 51 40D	Cork			
	928 522 088 51 20B	Dark green			
	928 522 088 51 3NG	Brown			
	928 522 088 51 1AJ	Black			
	928 522 088 51 30B	Blue			
	928 522 088 51 50B	Beige			
	928 522 088 51 80S	Can-can-red			
	928 522 088 51 95S	Papyrus			
	928 522 088 51 60S	Hannibal grey			
	928 522 088 51 20S	Mint green			
(22)	928 522 045 03	Seat cushion	/L	1	
		Upper			
		Checker board velour			
	928 522 045 03 57A	Beige/black			
	928 522 045 03 47A	Brown/black			
	928 522 045 03 37A	Blue/black			
	928 522 045 03 79A	Black-white			
	928 522 045 03 1BV	Grey/black			
	928 522 045 03 4NV	Beige/brown			
22	928 522 046 03	Seat cushion	/R	1	
		Upper			
		Checker board velour			
	928 522 046 03 57A	Beige/black			
	928 522 046 03 47A	Brown/black			
	928 522 046 03 37A	Blue/black			
	928 522 046 03 79A	Black-white			
	928 522 046 03 1BV	Grey/black			
	928 522 046 03 4NV	Beige/brown			
(22)	928 522 045 03	Seat cushion	/L	1	
		Pin stripe velour			
	928 522 045 03 40D	Cork			
	928 522 045 03 80D	Lobster			
	928 522 045 03 70D	Black-white			
22	928 522 046 03	Seat cushion	/R	1	
		Pin stripe velour			
	928 522 046 03 40D	Cork			
	928 522 046 03 80D	Lobster			
	928 522 046 03 70D	Black-white			
(22)	928 522 045 03	Seat cushion	/L	1	
		Uni-coloured cloth			
	928 522 045 03 30C	Blue			
	928 522 045 03 40C	Brown			
	928 522 045 03 50C	Beige			
	928 522 045 03 70F	Black			
22	928 522 046 03	Seat cushion	/R	1	
		Uni-coloured cloth			

Model: 928 78 Model life 1978>>1982

Pos	Part Number	Description	Remark	Qty	Model
	928 522 046 03 30C	Blue			
	928 522 046 03 40C	Brown			
	928 522 046 03 50C	Beige			
	928 522 046 03 70F	Black			
(22)	928 522 045 03	Seat cushion	/L	1	
		Tartan cloth			
	928 522 045 03 83S	Red-blue			
	928 522 045 03 23A	Green-blue			
	928 522 045 03 45A	Brown-beige			
22	928 522 046 03	Seat cushion	/R	1	
		Tartan cloth			
	928 522 046 03 83S	Red-blue			
	928 522 046 03 23A	Green-blue			
	928 522 046 03 45A	Brown-beige			
(22)	928 522 045 03	Seat cushion	/L	1	
		Berber cloth			
	928 522 045 03 37B	Blue/black			
	928 522 045 03 8NB	Beige/brown			
	928 522 045 03 1GB	Grey/black			
22	928 522 046 03	Seat cushion	/R	1	
		Berber cloth			
	928 522 046 03 37B	Blue/black			
	928 522 046 03 8NB	Beige/brown			
	928 522 046 03 1GB	Grey/black			
(22)	928 522 045 03	Seat cushion	/L	1	
		Stripe design			M406
	928 522 045 03 9LA	Burgundy-grey			
22	928 522 046 03	Seat cushion	/R	1	
		Stripe design			M406
	928 522 046 03 9LA	Burgundy-grey			
(22)	928 522 045 50	Seat cushion	/L	1	
		Upper			
		Leather			
	928 522 045 50 40D	Cork			
	928 522 045 50 20B	Dark green			
	928 522 045 50 3NG	Brown			
	928 522 045 50 1AJ	Black			
	928 522 045 50 30B	Blue			
	928 522 045 50 50B	Beige			
	928 522 045 50 80S	Can-can-red			
	928 522 045 50 95S	Papyrus			
	928 522 045 50 60S	Hannibal grey			
	928 522 045 50 20S	Mint green			
22	928 522 046 50	Seat cushion	/R	1	
		Upper			
		Leather			
	928 522 046 50 40D	Cork			
	928 522 046 50 20B	Dark green			
	928 522 046 50 3NG	Brown			
	928 522 046 50 1AJ	Black			
	928 522 046 50 30B	Blue			
	928 522 046 50 50B	Beige			
	928 522 046 50 80S	Can-can-red			
	928 522 046 50 95S	Papyrus			
	928 522 046 50 60S	Hannibal grey			
	928 522 046 50 20S	Mint green			
(23)	928 522 041 03	Seat well	/L -78	1	
		Outer			
		Leatherette			
	928 522 041 03 40D	Cork			
	928 522 041 03 20B	Dark green			
	928 522 041 03 21S	Brown			
	928 522 041 03 05T	Black			

Model: 928 78 Model life 1978>>1982

Pos	Part Number	Description	Remark	Qty	Model
23	928 522 041 03 30B	Blue	/R -78	1	
	928 522 041 03 50B	Beige			
	928 522 042 03	Seat well			
		Outer			
		Leatherette			
	928 522 042 03 40D	Cork			
	928 522 042 03 20B	Dark green			
	928 522 042 03 21S	Brown			
	928 522 042 03 05T	Black			
	928 522 042 03 30B	Blue			
(23)	928 522 042 03 50B	Beige	/L 79-	1	
	928 522 041 04	Seat well			
		Outer			
		Leatherette			
	928 522 041 04 40D	Cork			
	928 522 041 04 20B	Dark green			
	928 522 041 04 21S	Brown			
	928 522 041 04 05T	Black			
	928 522 041 04 30B	Blue			
	928 522 041 04 50B	Beige			
23	928 522 042 04	Seat well	/R 79-	1	
		Outer			
		Leatherette			
	928 522 042 04 40D	Cork			
	928 522 042 04 20B	Dark green			
	928 522 042 04 21S	Brown			
	928 522 042 04 05T	Black			
	928 522 042 04 30B	Blue			
	928 522 042 04 50B	Beige			
	(23)	928 522 041 51			
		Outer			
		Leather			
928 522 041 51 40D		Cork			
928 522 041 51 20B		Dark green			
928 522 041 51 3NG		Brown			
928 522 041 51 1AJ		Black			
928 522 041 51 30B		Blue			
928 522 041 51 50B		Beige			
928 522 041 51 80S		Can-can-red			
23	928 522 041 51 95S	Papyrus	/R	1	
	928 522 041 51 60S	Hannibal grey			
	928 522 041 51 20S	Mint green			
	928 522 041 51 2LB	Burgundy			
	928 522 042 51	Seat well			
		Outer			
		Leather			
	928 522 042 51 40D	Cork			
	928 522 042 51 20B	Dark green			
	928 522 042 51 3NG	Brown			
(23)	928 522 042 51 1AJ	Black	/L 79-	1	
	928 522 042 51 30B	Blue			
	928 522 042 51 50B	Beige			
	928 522 042 51 80S	Can-can-red			
	928 522 042 51 95S	Papyrus			
	928 522 042 51 60S	Hannibal grey			
	928 522 042 51 20S	Mint green			
	928 522 042 51 2LB	Burgundy			
	928 522 041 52	Seat well			
		Outer			
23	928 522 041 52 40D	Cork	/L 79-	1	
	928 522 041 52 20B	Dark green			
	928 522 041 52 3NG	Brown			

Model: 928 78 Model life 1978>>1982

Pos	Part Number	Description	Remark	Qty	Model
	928 522 041 52 1AJ	Black			
	928 522 041 52 30B	Blue			
	928 522 041 52 50B	Beige			
	928 522 041 52 80S	Can-can-red			
	928 522 041 52 95S	Papyrus			
	928 522 041 52 60S	Hannibal grey			
	928 522 041 52 20S	Mint green			
	928 522 041 52 2LB	Burgundy	82		
23	928 522 042 52	Seat well	/R 79-	1	
		Outer			
		Leather			
	928 522 042 52 40D	Cork			
	928 522 042 52 20B	Dark green			
	928 522 042 52 3NG	Brown			
	928 522 042 52 1AJ	Black			
	928 522 042 52 30B	Blue			
	928 522 042 52 50B	Beige			
	928 522 042 52 80S	Can-can-red			
	928 522 042 52 95S	Papyrus			
	928 522 042 52 60S	Hannibal grey			
	928 522 042 52 20S	Mint green			
	928 522 042 52 2LB	Burgundy	82		
24	928 522 061 02	Lid	-79	1	
		Package box			
		Leatherette			
	928 522 061 02 40D	Cork			
	928 522 061 02 20B	Dark green			
	928 522 061 02 21S	Brown			
	928 522 061 02 05T	Black			
24	928 522 061 50	Lid		1	
		Package box			
		Leather			
	928 522 061 50 40D	Cork			
	928 522 061 50 20B	Dark green			
	928 522 061 50 3NG	Brown			
	928 522 061 50 1AJ	Black			
	928 522 061 50 30B	Blue			
	928 522 061 50 50B	Beige			
	928 522 061 50 80S	Can-can-red			
	928 522 061 50 95S	Papyrus			
	928 522 061 50 60S	Hannibal grey			
	928 522 061 50 20S	Mint green			
	928 522 061 50 2LB	Burgundy			
24A	900 309 010 00	Roll pin		2	
		3 X 32			
25	928 555 469 02	Knob	-79	4	
		Luggage net			
26	900 145 053 07	Tapping screw	-79	4	
		B 4,8 X 22			
27	999 591 602 12	Tapping screw	-79	4	
		ST 4,2 X 16			
28	928 555 471 02	Luggage net	-79	1	
		Backrest			
29	928 522 251 02	Foam part	/L	1	
		Upper			
(29)	928 522 252 02	Foam part	/R	1	
		Upper			
30	928 522 253 02	Foam part	/L	1	
		Lower			
(30)	928 522 254 02	Foam part	/R	1	
		Lower			
31	928 522 037 03	Back seat backrest cover	/L	1	
		Leatherette/			



Model: 928 78 Model life 1978>>1982

Pos	Part Number	Description	Remark	Qty	Model
		Checker board velour			
	928 522 037 03 AE1	Dark green/ Beige/black			
	928 522 037 03 AE2	Brown/ Brown/black			
	928 522 037 03 AE3	Black/ Beige/black			
	928 522 037 03 AE4	Black/ Brown/black			
	928 522 037 03 AE5	Black/ Blue/black			
	928 522 037 03 AE6	Cork/ Beige/brown			
	928 522 037 03 AE7	Black/ Black-white			
	928 522 037 03 AG4	Cork/ Brown/black			
(31)	928 522 038 03	Back seat backrest cover Leatherette/ Checker board velour	/R	1	
	928 522 038 03 AE1	Dark green/ Beige/black			
	928 522 038 03 AE2	Brown/ Brown/black			
	928 522 038 03 AE3	Black/ Beige/black			
	928 522 038 03 AE4	Black/ Brown/black			
	928 522 038 03 AE5	Black/ Blue/black			
	928 522 038 03 AE6	Cork/ Beige/brown			
	928 522 038 03 AE7	Black/ Black-white			
	928 522 038 03 AG4	Cork/ Brown/black			
31	928 522 037 03	Back seat backrest cover Leatherette/ Pin stripe velour	/L	1	
	928 522 037 03 AE8	Cork/cork			
	928 522 037 03 AE9	Black/cork			
	928 522 037 03 AG1	Dark green/cork			
	928 522 037 03 AG2	Black/lobster			
	928 522 037 03 AG3	Black/black			
(31)	928 522 038 03	Back seat backrest cover Leatherette/ Pin stripe velour	/R	1	
	928 522 038 03 AE8	Cork/cork			
	928 522 038 03 AE9	Black/cork			
	928 522 038 03 AG1	Dark green/cork			
	928 522 038 03 AG2	Black/lobster			
	928 522 038 03 AG3	Black/black			
(31)	928 522 037 50	Back seat backrest cover Leather	/L	1	
	928 522 037 50 40D	Cork			
	928 522 037 50 20B	Dark green			
	928 522 037 50 3NG	Brown			
	928 522 037 50 1AJ	Black			
	928 522 037 50 30B	Blue			
	928 522 037 50 50B	Beige			
	928 522 037 50 80S	Can-can-red			
	928 522 037 50 95S	Papyrus			
	928 522 037 50 60S	Hannibal grey			

Model: 928 78

Model life 1978&gt;&gt;1982

Pos	Part Number	Description	Remark	Qty	Model
(31)	928 522 037 50 20S	Mint green			
	928 522 038 50	Back seat backrest cover Leather	/R	1	
	928 522 038 50 40D	Cork			
	928 522 038 50 20B	Dark green			
	928 522 038 50 3NG	Brown			
	928 522 038 50 1AJ	Black			
	928 522 038 50 30B	Blue			
	928 522 038 50 50B	Beige			
	928 522 038 50 80S	Can-can-red			
	928 522 038 50 95S	Papyrus			
	928 522 038 50 60S	Hannibal grey			
(31)	928 522 037 51	Mint green Back seat backrest cover Leather/ Checker board velour	/L	1	
	928 522 037 51 AH1	Dark green/ Beige/black			
	928 522 037 51 AH2	Brown/ Brown/black			
	928 522 037 51 AH3	Black/ Beige/black			
	928 522 037 51 AH4	Black/ Blue/black			
	928 522 037 51 AH5	Cork/ Beige/black			
	928 522 037 51 AH6	Black/ Black-white			
	928 522 037 51 AH7	Cork/ Brown/black			
	928 522 037 51 AQ1	Brown/ Brown/black			
	928 522 037 51 AQ2	Black/ Brown/black			
	928 522 037 51 AQ3	Black/ Blue/black			
	928 522 037 51 AJ1	Blue/ Blue/black			
	928 522 037 51 AJ2	Black/ Grey/black			
	928 522 037 51 AJ3	Brown/ Beige/brown			
	928 522 037 51 AJ4	Beige/ Beige/brown			
	928 522 037 51 AQ8	Beige/ Brown/black			
(31)	928 522 038 51	Back seat backrest cover Leather/ Checker board velour	/R	1	
	928 522 038 51 AH1	Dark green/ Beige/black			
	928 522 038 51 AH2	Brown/ Brown/black			
	928 522 038 51 AH3	Black/ Beige/black			
	928 522 038 51 AH4	Black/ Blue/black			
	928 522 038 51 AH5	Cork/ Beige/black			
	928 522 038 51 AH6	Black/ Black-white			
	928 522 038 51 AH7	Cork/ Brown/black			

Model: 928 78 Model life 1978>>1982

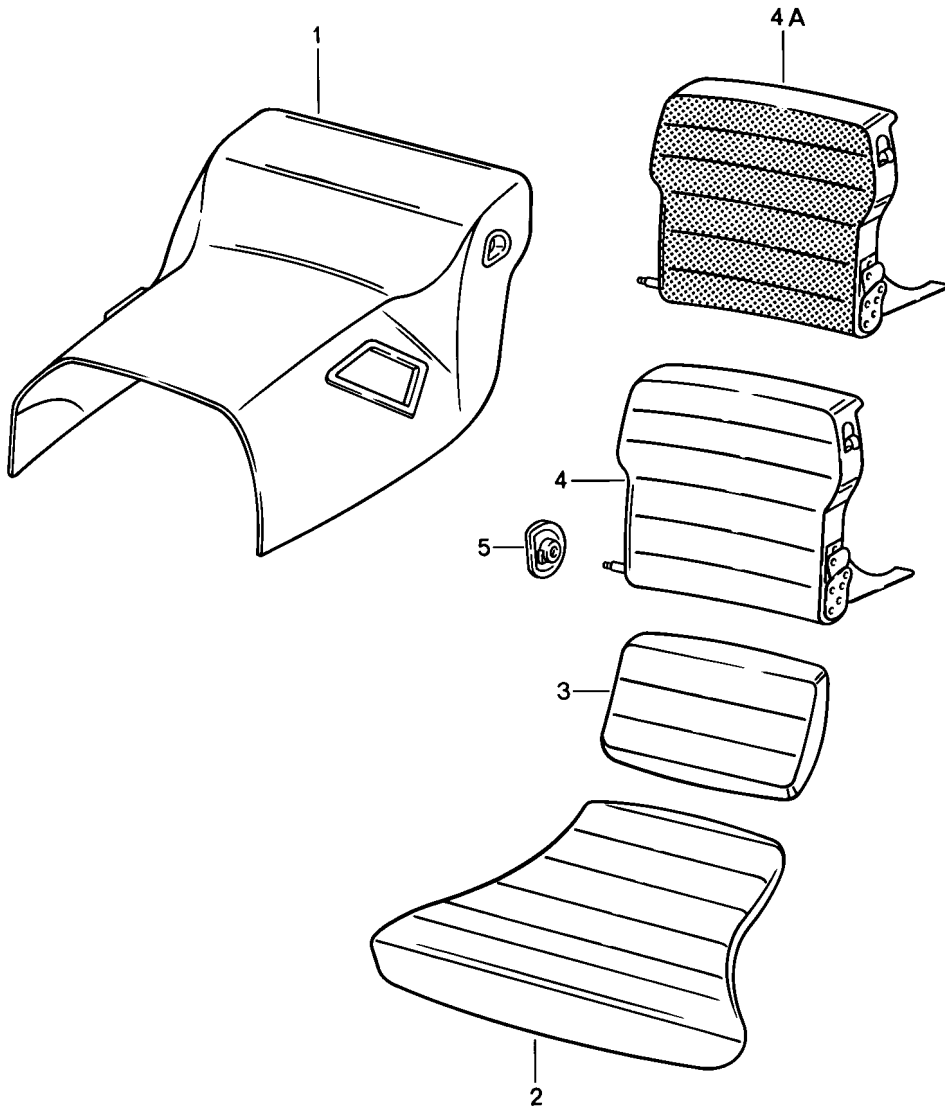
Pos	Part Number	Description	Remark	Qty	Model
	928 522 038 51 AQ1	Brown/ Brown/black			
	928 522 038 51 AQ2	Black/ Brown/black			
	928 522 038 51 AQ3	Black/ Blue/black			
	928 522 038 51 AJ1	Blue/ Blue/black			
	928 522 038 51 AJ2	Black/ Grey/black			
	928 522 038 51 AJ3	Brown/ Beige/brown			
	928 522 038 51 AJ4	Beige/ Beige/brown			
	928 522 038 51 AQ8	Beige/ Brown/black			
(31)	928 522 037 51	Back seat backrest cover Leather/ Uni-coloured cloth	/L	1	
	928 522 037 51 AK1	Blue/blue			
	928 522 037 51 AR2	Brown/brown			
	928 522 037 51 AK3	Beige/Beige			
	928 522 037 51 AK4	Black/black			
	928 522 037 51 AK5	Brown/beige			
(31)	928 522 038 51	Back seat backrest cover Leather/ Uni-coloured cloth	/R	1	
	928 522 038 51 AK1	Blue/blue			
	928 522 038 51 AR2	Brown/brown			
	928 522 038 51 AK3	Beige/Beige			
	928 522 038 51 AK4	Black/black			
	928 522 038 51 AK5	Brown/beige			
(31)	928 522 037 51	Back seat backrest cover Leather/ Tartan cloth	/L	1	
	928 522 037 51 AS1	Blue/ Red-blue			
	928 522 037 51 AS2	Black/ Red-blue			
	928 522 037 51 AS3	Blue/ Green-blue			
	928 522 037 51 AS4	Black/ Green-blue			
	928 522 037 51 AS5	Black/ Brown-beige			
	928 522 037 51 AS6	Brown/ Brown-beige			
	928 522 037 51 AS7	Beige/ Brown-beige			
(31)	928 522 038 51	Back seat backrest cover Leather/ Tartan cloth	/R	1	
	928 522 038 51 AS1	Blue/ Red-blue			
	928 522 038 51 AS2	Black/ Red-blue			
	928 522 038 51 AS3	Blue/ Green-blue			
	928 522 038 51 AS4	Black/ Green-blue			
	928 522 038 51 AS5	Black/ Brown-beige			
	928 522 038 51 AS6	Brown/			

Model: 928 78 Model life 1978>>1982

Pos	Part Number	Description	Remark	Qty	Model
	928 522 038 51 AS7	Brown-beige Beige/			
(31)	928 522 037 51	Brown-beige Back seat backrest cover Leather/ Berber cloth	/L	1	
	928 522 037 51 AK6	Black/ Grey/black			
	928 522 037 51 AK7	Blue/ Blue/black			
	928 522 037 51 AK8	Brown/ Beige/brown			
	928 522 037 51 AK9	Beige/ Beige/brown			
(31)	928 522 038 51	Back seat backrest cover Leather/ Berber cloth	/R	1	
	928 522 038 51 AK6	Black/ Grey/black			
	928 522 038 51 AK7	Blue/ Blue/black			
	928 522 038 51 AK8	Brown/ Beige/brown			
	928 522 038 51 AK9	Beige/ Beige/brown			
(31)	928 522 037 51	Back seat backrest cover Leather/ Stripe design	/L	1	M406
	928 522 037 51 HS6	Burgundy/ Burgundy-grey			
(31)	928 522 038 51	Back seat backrest cover Leather/ Stripe design	/R	1	M406
	928 522 038 51 HS6	Burgundy/ Burgundy-grey			
32	928 522 051 03	Carpet for Back seat backrest	/L	1	
	928 522 051 03 20E	Green			
	928 522 051 03 40E	Brown			
	928 522 051 03 70E	Black			
	928 522 051 03 41D	Cork			
	928 522 051 03 30B	Blue			
	928 522 051 03 50B	Beige			
	928 522 051 03 80E	Burgundy			
(32)	928 522 052 03	Carpet for Back seat backrest	/R	1	
	928 522 052 03 20E	Green			
	928 522 052 03 40E	Brown			
	928 522 052 03 70E	Black			
	928 522 052 03 41D	Cork			
	928 522 052 03 30B	Blue			
	928 522 052 03 50B	Beige			
	928 522 052 03 80E	Burgundy			
33	928 522 321 02	Bag		2	
	928 522 321 02 70B	Black			

Model: 928 78

Model life 1978>>1982



Model: 928 78 Model life 1978>>1982

Pos	Part Number	Description	Remark	Qty	Model
1	928 522 345 30	Back seat Lining Tunnel without Package box	80-	1	928
1	928 522 345 31	Lining Tunnel Leatherette	80-	1	928AUT.
	928 522 345 30 21S	Brown			
	928 522 345 30 05T	Black			
	928 522 345 30 30B	Blue			
	928 522 345 30 50B	Beige			
1	928 522 345 50	Lining Tunnel Leather	80-	1	
	928 522 345 50 1AJ	Black			
	928 522 345 50 30B	Blue			
	928 522 345 50 50B	Beige			
	928 522 345 50 3NG	Brown			
	928 522 345 50 80S	Can-can-red			
	928 522 345 50 95S	Papyrus			
	928 522 345 50 60S	Hannibal grey			
	928 522 345 50 20S	Mint green			
1	928 522 345 51	Lining Tunnel Leather	80-	1	AUT.
	928 522 345 51 1AJ	Black			
	928 522 345 51 30B	Blue			
	928 522 345 51 50B	Beige			
	928 522 345 51 3NG	Brown			
	928 522 345 51 80S	Can-can-red			
	928 522 345 51 95S	Papyrus			
	928 522 345 51 60S	Hannibal grey			
	928 522 345 51 20S	Mint green			
2	928 522 059 30	Seat cushion Front Checker board velour	/L 80-	1	928
	928 522 059 30 47A	Brown/black			
	928 522 059 30 37A	Blue/black			
	928 522 059 30 1BV	Grey/black			
	928 522 059 30 4NV	Beige/brown			
2	928 522 060 30	Seat cushion Front Checker board velour	/R 80-	1	928
	928 522 060 30 47A	Brown/black			
	928 522 060 30 37A	Blue/black			
	928 522 060 30 1BV	Grey/black			
	928 522 060 30 4NV	Beige/brown			
2	928 522 059 30	Seat cushion Uni-coloured cloth	/L 80-	1	928
	928 522 059 30 30C	Blue			
	928 522 059 30 40C	Brown			
	928 522 059 30 50C	Beige			
	928 522 059 30 70F	Black			
2	928 522 060 30	Seat cushion Uni-coloured cloth	/R 80-	1	928

Model: 928 78 Model life 1978>>1982

Pos	Part Number	Description	Remark	Qty	Model
	928 522 060 30 30C	Blue			
	928 522 060 30 40C	Brown			
	928 522 060 30 50C	Beige			
	928 522 060 30 70F	Black			
2	928 522 059 30	Seat cushion	/L 80-	1	928
		Tartan cloth			
	928 522 059 30 83S	Red-blue			
	928 522 059 30 23A	Green-blue			
	928 522 059 30 45A	Brown-beige			
2	928 522 060 30	Seat cushion	/R 80-	1	928
		Tartan cloth			
	928 522 060 30 83S	Red-blue			
	928 522 060 30 23A	Green-blue			
	928 522 060 30 45A	Brown-beige			
2	928 522 059 30	Seat cushion	/L 80-	1	928
		Berber cloth			
	928 522 059 30 37B	Blue/black			
	928 522 059 30 8NB	Beige/brown			
	928 522 059 30 1GB	Grey/black			
2	928 522 060 30	Seat cushion	/R 80-	1	928
		Berber cloth			
	928 522 060 30 37B	Blue/black			
	928 522 060 30 8NB	Beige/brown			
	928 522 060 30 1GB	Grey/black			
2	928 522 059 60	Seat cushion	/L 80-	1	M409
		Front			
		Leather			
	928 522 059 60 1AJ	Black			
	928 522 059 60 30B	Blue			
	928 522 059 60 50B	Beige			
	928 522 059 60 3NG	Brown			
	928 522 059 60 80S	Can-can-red			
	928 522 059 60 95S	Papyrus			
	928 522 059 60 60S	Hannibal grey			
	928 522 059 60 20S	Mint green			
2	928 522 060 60	Seat cushion	/R 80-	1	M409
		Front			
		Leather			
	928 522 060 60 1AJ	Black			
	928 522 060 60 30B	Blue			
	928 522 060 60 50B	Beige			
	928 522 060 60 3NG	Brown			
	928 522 060 60 80S	Can-can-red			
	928 522 060 60 95S	Papyrus			
	928 522 060 60 60S	Hannibal grey			
	928 522 060 60 20S	Mint green			
3	928 522 045 30	Seat cushion	/L 80-	1	928
		Upper			
		Checker board velour			
	928 522 045 30 47A	Brown/black			
	928 522 045 30 37A	Blue/black			
	928 522 045 30 1BV	Grey/black			
	928 522 045 30 4NV	Beige/brown			
3	928 522 046 30	Seat cushion	/R 80-	1	928
		Upper			
		Checker board velour			
	928 522 046 30 47A	Brown/black			
	928 522 046 30 37A	Blue/black			
	928 522 046 30 1BV	Grey/black			
	928 522 046 30 4NV	Beige/brown			
3	928 522 045 30	Seat cushion	/L 80-	1	928
		Uni-coloured cloth			
	928 522 045 30 30C	Blue/black			

Model: 928 78 Model life 1978>>1982

Pos	Part Number	Description	Remark	Qty	Model
3	928 522 045 30 40C	Brown			
	928 522 045 30 50C	Beige			
	928 522 045 30 70F	Black			
	928 522 046 30	Seat cushion Uni-coloured cloth	/R 80-	1	928
	928 522 046 30 30C	Blue			
3	928 522 046 30 40C	Brown			
	928 522 046 30 50C	Beige			
	928 522 046 30 70F	Black			
	928 522 045 30	Seat cushion Tartan cloth	/L 80-	1	928
	928 522 045 30 83S	Red-blue			
3	928 522 045 30 23A	Green-blue			
	928 522 045 30 45A	Brown-beige			
	928 522 046 30	Seat cushion Tartan cloth	/R 80-	1	928
	928 522 046 30 83S	Red-blue			
	928 522 046 30 23A	Green-blue			
3	928 522 046 30 45A	Brown-beige			
	928 522 045 30	Seat cushion Berber cloth	/L 80-	1	928
	928 522 045 30 37B	Blue/black			
	928 522 045 30 8NB	Beige/brown			
	928 522 045 30 1GB	Grey/black			
3	928 522 046 30	Seat cushion Berber cloth	/R 80-	1	928
	928 522 046 30 37B	Blue/black			
	928 522 046 30 8NB	Beige/brown			
	928 522 046 30 1GB	Grey/black			
	928 522 045 60	Seat cushion Upper Leather	/L 80-	1	M409
3	928 522 045 60 1AJ	Black			
	928 522 045 60 30B	Blue			
	928 522 045 60 50B	Beige			
	928 522 045 60 3NG	Brown			
	928 522 045 60 80S	Can-can-red			
	928 522 045 60 95S	Papyrus			
	928 522 045 60 60S	Hannibal grey			
	928 522 045 60 20S	Mint green			
	928 522 046 60	Seat cushion Upper Leather	/R 80-	1	M409
	928 522 046 60 1AJ	Black			
	928 522 046 60 30B	Blue			
4	928 522 046 60 50B	Beige			
	928 522 046 60 3NG	Brown			
	928 522 046 60 80S	Can-can red/black			
	928 522 046 60 95S	Papyrus			
	928 522 046 60 60S	Hannibal grey			
	928 522 046 60 20S	Mint green			
	928 522 005 60	Back seat backrest Leather	/L 80-	1	M409
	928 522 005 60 1AJ	Black			
	928 522 005 60 30B	Blue			
	928 522 005 60 3NG	Brown			
	928 522 005 60 50B	Beige			
(4)	928 522 005 60 80S	Can-can-red			
	928 522 005 60 95S	Papyrus			
	928 522 005 60 60S	Hannibal grey			
	928 522 005 60 20S	Mint green			
	928 522 006 60	Back seat backrest Leather	/R 80-	1	M409



Model: 928 78 Model life 1978>>1982

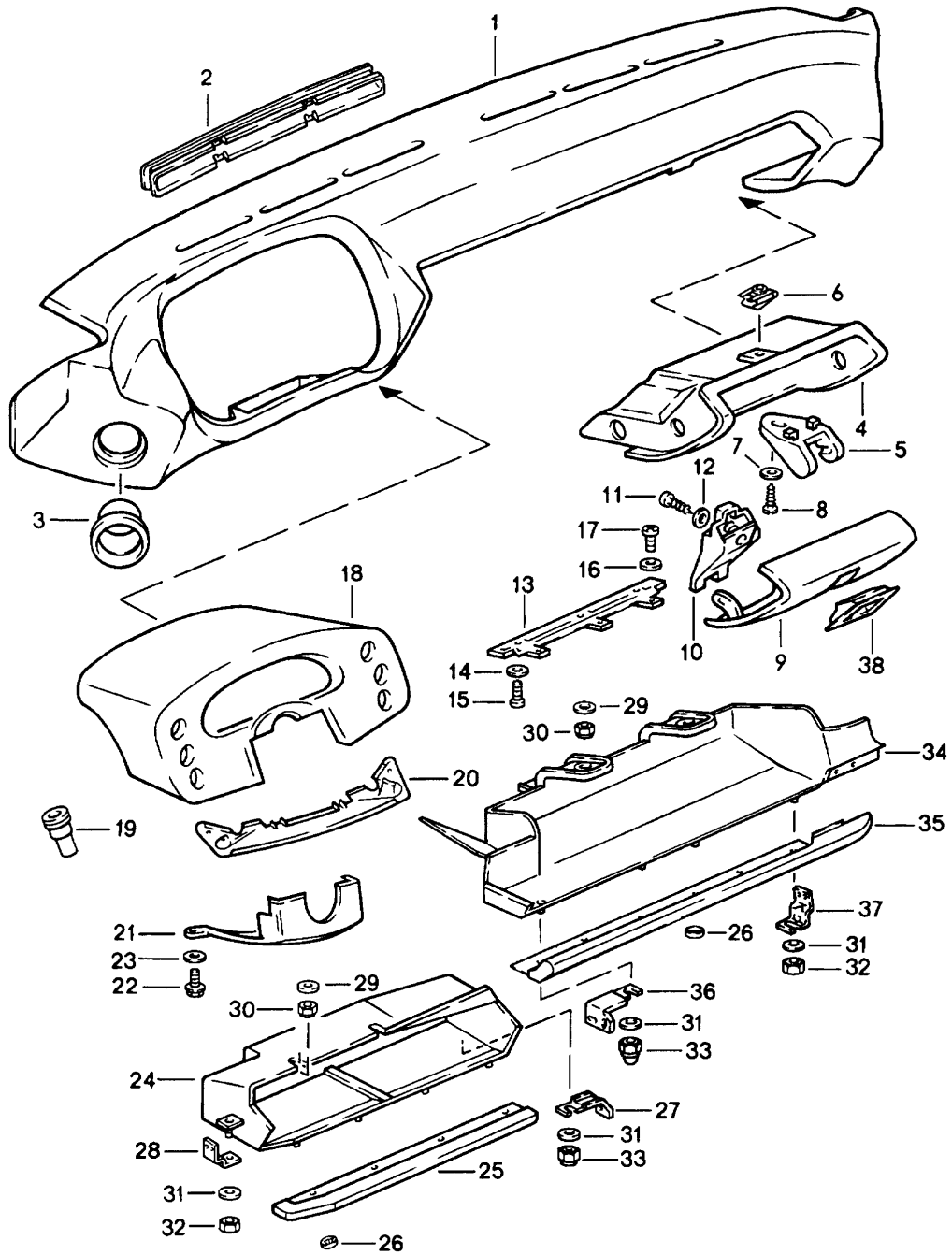
Pos	Part Number	Description	Remark	Qty	Model
	928 522 006 60 1AJ	Black			
	928 522 006 60 30B	Blue			
	928 522 006 60 3NG	Brown			
	928 522 006 60 50B	Beige			
	928 522 006 60 80S	Can-can-red			
	928 522 006 60 95S	Papyrus			
	928 522 006 60 60S	Hannibal grey			
	928 522 006 60 20S	Mint green			
4A	928 522 005 30	Back seat backrest Leatherette/ Checker board velour	/L	1	928
	928 522 005 30 AE2	Brown/ Brown/black			
	928 522 005 30 AE4	Black/ Brown/black			
	928 522 005 30 AE5	Black/ Blue/black			
	928 522 005 30 BC1	Blue/ Blue/black			
	928 522 005 30 FD8	Black/ Grey/black			
	928 522 005 30 FD9	Brown/ Beige/brown			
	928 522 005 30 BC4	Beige/ Beige/brown			
	928 522 005 30 AM5	Beige/ Brown/black			
(4A)	928 522 006 30	Back seat backrest Leatherette/ Checker board velour	/R	1	928
	928 522 006 30 AE2	Brown/ Brown/black			
	928 522 006 30 AE4	Black/ Brown/black			
	928 522 006 30 AE5	Black/ Blue/black			
	928 522 006 30 BC1	Blue/ Blue/black			
	928 522 006 30 FD8	Black/ Grey/black			
	928 522 006 30 FD9	Brown/ Beige/brown			
	928 522 006 30 BC4	Beige/ Beige/brown			
	928 522 006 30 AM5	Beige/ Brown/black			
4A	928 522 005 30	Back seat backrest Leatherette/ Uni-coloured cloth	/L	1	928
	928 522 005 30 BD1	Blue/blue			
	928 522 005 30 AN2	Brown/brown			
	928 522 005 30 BD3	Beige/Beige			
	928 522 005 30 BD4	Black/black			
	928 522 005 30 BD5	Brown/beige			
(4A)	928 522 006 30	Back seat backrest Leatherette/ Uni-coloured cloth	/R	1	928
	928 522 006 30 BD1	Blue/blue			
	928 522 006 30 AN2	Brown/brown			
	928 522 006 30 BD3	Beige/Beige			
	928 522 006 30 BD4	Black/black			
	928 522 006 30 BD5	Brown/beige			
4A	928 522 005 30	Back seat backrest	/L	1	928

Model: 928 78 Model life 1978>>1982

Pos	Part Number	Description	Remark	Qty	Model
		Leatherette/ Tartan cloth			
	928 522 005 30 AP1	Blue/ Red-blue			
	928 522 005 30 AP2	Black/ Red-blue			
	928 522 005 30 AP3	Blue/ Green-blue			
	928 522 005 30 AP4	Black/ Green-blue			
	928 522 005 30 AP5	Black/ Brown-beige			
	928 522 005 30 AP6	Brown/ Brown-beige			
	928 522 005 30 AP7	Beige/ Brown-beige			
(4A)	928 522 006 30	Back seat backrest Leatherette/ Tartan cloth	/R	1	928
	928 522 006 30 AP1	Blue/ Red-blue			
	928 522 006 30 AP2	Black/ Red-blue			
	928 522 006 30 AP3	Blue/ Green-blue			
	928 522 006 30 AP4	Black/ Green-blue			
	928 522 006 30 AP5	Black/ Brown-beige			
	928 522 006 30 AP6	Brown/ Brown-beige			
	928 522 006 30 AP7	Beige/ Brown-beige			
4A	928 522 005 30	Back seat backrest Leatherette/ Berber cloth	/L	1	928
	928 522 005 30 GE9	Black/ Grey/black			
	928 522 005 30 BD7	Blue/ Blue/black			
	928 522 005 30 FE3	Brown/ Beige/brown			
	928 522 005 30 BD9	Beige/ Beige/brown			
(4A)	928 522 006 30	Back seat backrest Leatherette/ Berber cloth	/R	1	928
	928 522 006 30 GE9	Black/ Grey/black			
	928 522 006 30 BD7	Blue/ Blue/black			
	928 522 006 30 FE3	Brown/ Beige/brown			
	928 522 006 30 BD9	Beige/ Beige/brown			
5	928 522 619 30	Rosette Backrest		2	

Model: 928 78

Model life 1978>>1982



Model: 928 78 Model life 1978>>1982

Pos	Part Number	Description	Remark	Qty	Model
1	928 552 023 04	Dashboard Dashboard trim Leatherette	/LL	1	
	928 552 023 04 05T	Black			
	928 552 023 04 21S	Brown			
	928 552 023 04 20B	Dark green			
	928 552 023 04 40D	Cork			
	928 552 023 04 30B	Blue			
(1)	927 552 023 04	Dashboard trim Leatherette	/RL	1	
	927 552 023 04 05T	Black			
	927 552 023 04 21S	Brown			
	927 552 023 04 20B	Dark green			
	927 552 023 04 40D	Cork			
	927 552 023 04 30B	Blue			
1	928 552 021 52	Dashboard trim Leather	/LL	1	
	928 552 021 52 1AJ	Black			
	928 552 021 52 20B	Dark green			
	928 552 021 52 3NG	Brown			
	928 552 021 52 40D	Cork			
	928 552 021 52 30B	Blue			
	928 552 021 52 50B	Beige			
	928 552 021 52 60S	Hannibal grey			
	928 552 021 52 20S	Mint green			
(1)	927 552 021 52	Dashboard trim Leather	/RL	1	
	927 552 021 52 1AJ	Black			
	927 552 021 52 20B	Dark green			
	927 552 021 52 3NG	Brown			
	927 552 021 52 40D	Cork			
	927 552 021 52 30B	Blue			
	927 552 021 52 50B	Beige			
	927 552 021 52 60S	Hannibal grey			
	927 552 021 52 20S	Mint green			
(1)	928 552 021 52	Dashboard trim Leather	/LL 82	1	
	928 552 021 52 2LB	Burgundy			
2	928 552 309 50	Defroster trim	/L	1	
	928 552 309 50 5XJ	Black			
2	928 552 310 50	Defroster trim	/R	1	
	928 552 310 50 5XJ	Black			
3	928 552 057 02	Cover		2	
3	928 552 057 03	Cover		2	
		Air guide			
4	928 552 051 02	Glove compartment	/LL	1	
4		Glove compartment	/LL 78	1	
4	928 552 051 05	Glove compartment	/LL 79-	1	
	928 552 051 05 71B	Black			
(4)	927 552 051 05	Glove compartment	/RL	1	
	927 552 051 05 71B	Black			
5	928 552 253 03	Closing element	-79	1	
5		Closing element		1	
6	999 507 029 02	Speed nut		2	
		4,8			
7	900 151 002 07	Washer		2	
		A 5,3			
8	900 143 019 07	Oval-head sheetmetal screw		2	
		B 4,8 X 22			
9	928 552 053 02	Lid	/LL 78	1	
	928 552 053 02 20B	Dark green			
9	928 552 053 03	Lid Leatherette	/LL 79-	1	

Model: 928 78 Model life 1978>>1982

Pos	Part Number	Description	Remark	Qty	Model
	928 552 053 03 CA1	Black			
	928 552 053 03 CA2	Dark green			
	928 552 053 03 CA3	Brown			
	928 552 053 03 CB3	Cork			
	928 552 053 03 CC2	Blue			
(9)	927 552 053 03	Lid	/RL	1	
		Leatherette			
	927 552 053 03 CA1	Black			
	927 552 053 03 CA2	Dark green			
	927 552 053 03 CA3	Brown			
	927 552 053 03 CB3	Cork			
	927 552 053 03 CC2	Blue			
9	928 552 053 04	Glove compartment cover	/LL	1	
		Leatherette			
	928 552 053 04 CA1	Black			
	928 552 053 04 CA2	Dark green			
	928 552 053 04 CA3	Brown			
	928 552 053 04 CB3	Cork			
	928 552 053 04 CC2	Blue			
(9)	927 552 053 04	Glove compartment cover	/RL	1	
		Leatherette			
	927 552 053 04 CA1	Black			
	927 552 053 04 CA2	Dark green			
	927 552 053 04 CA3	Brown			
	927 552 053 04 CB3	Cork			
	927 552 053 04 CC2	Blue			
(9)	928 552 059 52	Glove compartment cover	/LL	1	
		Leather			
	928 552 059 52 1AJ	Black			
	928 552 059 52 20B	Dark green			
	928 552 059 52 3NG	Brown			
	928 552 059 52 40D	Cork			
	928 552 059 52 30B	Blue			
	928 552 059 52 50B	Beige			
	928 552 059 52 60S	Hannibal grey			
	928 552 059 52 20S	Mint green			
	928 552 059 52 2LB	Burgundy			
(9)	927 552 059 52	Glove compartment cover	/RL	1	
		Leather			
	927 552 059 52 1AJ	Black			
	927 552 059 52 20B	Dark green			
	927 552 059 52 3NG	Brown			
	927 552 059 52 40D	Cork			
	927 552 059 52 30B	Blue			
	927 552 059 52 50B	Beige			
	927 552 059 52 60S	Hannibal grey			
	927 552 059 52 20S	Mint green			
	927 552 059 52 2LB	Burgundy			
10	928 552 903 02	Catch		1	
		with lock cylinder			
		with stipulated lock number			
		State lock number			
11	900 143 113 07	Oval-head screw		2	
		B 4,2 X 13			
11	900 143 113 0G	Oval-head screw		2	
		B 4,2 X 13			
12	N 011 523 11	Washer		2	
		A 5,3			
13	928 552 055 03	Hinge		1	
		Glove compartment			
14	900 151 002 07	Washer		3	
		A 5,3			
15	N 014 133 8	Oval-head screw		3	

Model: 928 78 Model life 1978>>1982

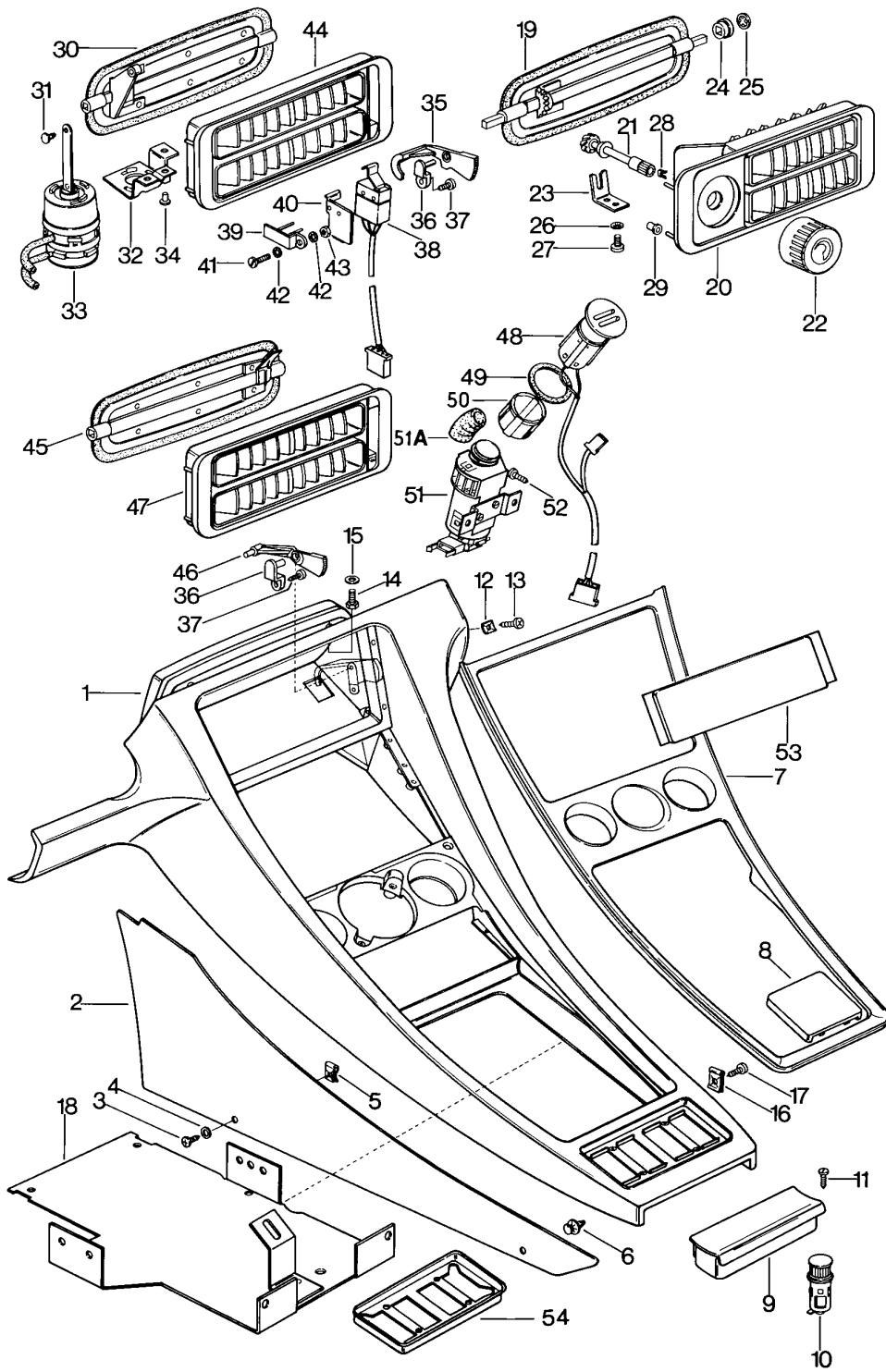
Pos	Part Number	Description	Remark	Qty	Model
15	N 014 133 I	AM 5 X 12 Oval-head screw		3	
16	N 011 523 11	AM 5 X 12 Washer		3	
17	N 014 128 13	A 5,3 Oval-head screw		3	
18	928 552 031 02	AM 5 X 8 Instrument box		1	
	928 552 031 02 05T	Black			
	928 552 031 02 2LB	Burgundy			
18	928 552 031 03	Instrument box		1	
	928 552 031 03 05T	Black			
	928 552 031 03 2LB	Burgundy			
19	928 552 049 02	Spacer sleeve		4	
20	928 552 321 02	Cover		1	
21	928 552 135 03	Cover		1	
	928 552 135 03 05T	Black			
	928 552 135 03 2LB	Burgundy			
22	211 829 155	Hexagon-head bolt		2	
23	900 025 007 02	Washer		2	
		A 8,4			
23	900 025 007 03	Washer		2	
		A 8,4			
24	928 552 117 02	Shelf	82	1	
		Driver's side			
	928 552 117 02 71B	Black			
25	928 552 127 02	Edge protection	82	1	
		Shelf			
		Leatherette			
	928 552 127 02 05T	Black			
	928 552 127 02 30B	Blue			
	928 552 127 02 21S	Brown			
25	928 552 127 50	Edge protection	82	1	
		Shelf			
		Leather			
	928 552 127 50 1AJ	Black			
	928 552 127 50 30B	Blue			
	928 552 127 50 3NG	Brown			
	928 552 127 50 LG7	Burgundy			
26	999 507 251 02	Mecano-speed-fix		7	
27	927 552 381 02	Bracket	82	1	
28	928 552 395 02	Bracket	82	1	
29	N 011 524 7	Washer		2	
		A 6,4			
29	N 011 524 27	Washer		2	
		A 6,4			
30	900 085 003 02	Cap nut		2	
		M 6			
31	900 151 027 02	Washer		2	
		A 5,3			
31	900 151 027 03	Washer		2	
		A 5,3			
32	N 011 005 14	Hexagon nut		1	
		M 5			
32	900 076 091 01	Hexagon nut		1	
		M 5			
33	N 011 141 2	Cap nut		1	
		M 5			
34	928 552 077 02	Shelf	/LL	1	
	928 552 077 02 71B	Black			
(34)	927 552 077 02	Shelf	/RL	1	
	927 552 077 02 71B	Black			
35	928 552 079 02	Edge protection	/LL	1	

Model: 928 78 Model life 1978>>1982

Pos	Part Number	Description	Remark	Qty	Model
		Shelf			
		Leatherette			
	928 552 079 02 05T	Black			
	928 552 079 02 20B	Dark green			
	928 552 079 02 21S	Brown			
	928 552 079 02 40D	Cork			
	928 552 079 02 30B	Blue			
(35)	927 552 079 02	Edge protection	/RL	1	
		Shelf			
		Leatherette			
	927 552 079 02 05T	Black			
	927 552 079 02 20B	Dark green			
	927 552 079 02 21S	Brown			
	927 552 079 02 40D	Cork			
	927 552 079 02 30B	Blue			
(35)	928 552 097 50	Edge protection	/LL	1	
		Shelf			
		Leather			
	928 552 097 50 1AJ	Black			
	928 552 097 50 20B	Dark green			
	928 552 097 50 3NG	Brown			
	928 552 097 50 50B	Beige			
	928 552 097 50 40D	Cork			
	928 552 097 50 30B	Blue			
	928 552 097 50 2LB	Burgundy			
(35)	927 552 097 50	Edge protection	/RL	1	
		Shelf			
		Leather			
	927 552 097 50 1AJ	Black			
	927 552 097 50 20B	Dark green			
	927 552 097 50 3NG	Brown			
	927 552 097 50 50B	Beige			
	927 552 097 50 40D	Cork			
	927 552 097 50 30B	Blue			
	927 552 097 50 2LB	Burgundy			
-	928 552 271 02	Retaining bracket		1	
36	928 552 382 02	Bracket		1	
		Shelf			
37	928 552 395 02	Bracket		1	
		Shelf			
38	928 552 315 50	Rosette		1	
		Lid			

Model: 928 78

Model life 1978>>1982





Model: 928 78 Model life 1978>>1982

Pos	Part Number	Description	Remark	Qty	Model
1	928 552 043 02	Centre console Centre console Leatherette	/LL 78	1	
	928 552 043 02 CA4	Black			
	928 552 043 02 CA5	Dark green			
	928 552 043 02 CA6	Brown			
	928 552 043 02 CB4	Cork			
(1)	928 552 043 04	Centre console Leatherette	/LL 79	1	
	928 552 043 04 CA4	Black			
	928 552 043 04 CA5	Dark green			
	928 552 043 04 CA6	Brown			
	928 552 043 04 CB4	Cork			
(1)	927 552 043 04	Centre console Leatherette	/RL 79	1	
	927 552 043 04 CA4	Black			
	927 552 043 04 CA5	Dark green			
	927 552 043 04 CA6	Brown			
	927 552 043 04 CB4	Cork			
(1)	928 552 043 05	Centre console Leatherette	/LL 80-	1	
	928 552 043 05 CA4	Black			
	928 552 043 05 CC3	Blue			
	928 552 043 05 CA6	Brown			
(1)	927 552 043 05	Centre console Leatherette	/RL 80-	1	
	927 552 043 05 CA4	Black			
	927 552 043 05 CC3	Blue			
	927 552 043 05 CA6	Brown			
(1)	928 552 043 06	Centre console Leatherette	/LL 80-	1	M563
	928 552 043 06 CA4	Black			
	928 552 043 06 CC3	Blue			
	928 552 043 06 CA6	Brown			
(1)	927 552 043 06	Centre console Leatherette	/RL 80-	1	M563
	927 552 043 06 CA4	Black			
	927 552 043 06 CC3	Blue			
	927 552 043 06 CA6	Brown			
(1)	928 552 045 52	Centre console Leather	/LL -79	1	
	928 552 045 52 1AJ	Black			
	928 552 045 52 20B	Dark green			
	928 552 045 52 3NG	Brown			
	928 552 045 52 40D	Cork			
(1)	927 552 045 52	Centre console Leather	/RL -79	1	
	927 552 045 52 1AJ	Black			
	927 552 045 52 20B	Dark green			
	927 552 045 52 3NG	Brown			
	927 552 045 52 40D	Cork			
(1)	928 552 045 53	Centre console Leather	/LL 80-82	1	
	928 552 045 53 1AJ	Black			
	928 552 045 53 30B	Blue			
	928 552 045 53 3NG	Brown			
	928 552 045 53 60S	Hannibal grey			
(1)	927 552 045 53	Centre console Leather	/RL 80-82	1	
	927 552 045 53 1AJ	Black			
	927 552 045 53 30B	Blue			
	927 552 045 53 3NG	Brown			
	927 552 045 53 60S	Hannibal grey			

Model: 928 78 Model life 1978>>1982

Pos	Part Number	Description	Remark	Qty	Model
(1)	928 552 045 54	Centre console Leather	/LL 80-	1	M563
	928 552 045 54 1AJ	Black			
	928 552 045 54 30B	Blue			
	928 552 045 54 3NG	Brown			
	928 552 045 54 60S	Hannibal grey			
(1)	927 552 045 54	Centre console Leather	/RL 80-	1	M563
	927 552 045 54 1AJ	Black			
	927 552 045 54 30B	Blue			
	927 552 045 54 3NG	Brown			
	927 552 045 54 60S	Hannibal grey			
(1)	928 552 045 54	Centre console Leather	/LL	1	
	928 552 045 54 2LB	Burgundy	82		
2	928 552 073 02	Side section Velour pile	/L	1	
	928 552 073 02 70A	Black	78		
	928 552 073 02 20B	Dark green	78		
	928 552 073 02 40A	Brown	78		
	928 552 073 02 40D	Cork	78		
2	927 552 073 02	Side section Velour pile	/L	1	
	927 552 073 02 70A	Black	78		
	927 552 073 02 20B	Dark green	78		
	927 552 073 02 40A	Brown	78		
	927 552 073 02 40D	Cork	78		
(2)	928 552 074 02	Side section Velour pile	/R	1	
	928 552 074 02 70A	Black	78		
	928 552 074 02 20B	Dark green	78		
	928 552 074 02 40A	Brown	78		
	928 552 074 02 40D	Cork	78		
2	928 552 073 02	Side section Cut pile	/L	1	
	928 552 073 02 70E	Black	79-		
	928 552 073 02 20E	Green	79		
	928 552 073 02 40E	Brown	79-		
	928 552 073 02 41D	Cork	79		
	928 552 073 02 30B	Blue	80-		
	928 552 073 02 50B	Beige	80-		
	928 552 073 02 80E	Burgundy			
2	927 552 073 02	Side section Cut pile	/L	1	
	927 552 073 02 70E	Black	79-		
	927 552 073 02 20E	Green	79		
	927 552 073 02 40E	Brown	79-		
	927 552 073 02 41D	Cork	79		
	927 552 073 02 30B	Blue	80-		
	927 552 073 02 50B	Beige	80-		
	927 552 073 02 80E	Burgundy			
(2)	928 552 074 02	Side section Cut pile	/R	1	
	928 552 074 02 70E	Black	79-		
	928 552 074 02 20E	Green	79		
	928 552 074 02 40E	Brown	79-		
	928 552 074 02 41D	Cork	79		
	928 552 074 02 30B	Blue	80-		
	928 552 074 02 50B	Beige	80-		
	928 552 074 02 80E	Burgundy			
3	N 014 098 6	Rais. counters. h. tap. s. B 4,8 X 16		4	
4	999 591 437 07	Washer		4	

Model: 928 78 Model life 1978>>1982

Pos	Part Number	Description	Remark	Qty	Model
		4,8			
5	999 507 002 02	Speed nut		2	
5	999 507 002 0B	Speed nut		2	
6	823 867 299	Clip		2	
7	928 552 047 04	Cover	-79	1	
(7)	928 552 047 05	Cover	80-	1	
8	928 552 277 02	Trim for switch		1	
9	928 552 060 02	Ashtray		1	
10	928 652 103 00	Cigarette lighter		1	
11	900 144 017 07	Tapping screw B 2,9 X 13		2	
12	999 507 030 02	Speed nut 4,8		3	
13	900 187 018 02	Hexagon-head tapping screw B 4,8 X 16		1	
14	900 075 145 02	Hexagon-head bolt M 5 X 16		2	
15	900 025 003 02	Washer A 5,3		2	
16	999 507 002 02	Speed nut			
16	999 507 002 0B	Speed nut			
17	900 143 046 07	Tapping screw B 4,8 X 16		6	
18	928 552 085 02	Mounting plate Regulator And Receiving part	-79	1	
(18)	928 552 389 02	Mounting plate	80-	1	
19	928 574 072 02	Flap Centre nozzle	-79	1	
20	928 574 040 02	Covering frame	-79	1	
21	928 574 455 02	Splined shaft	-79	1	
22	928 574 453 02	Rotary knob	-79	1	
23	928 552 187 03	Axle bearing	-79	1	
24	928 574 291 02	Bearing sleeve		2	
25	999 591 459 02	Mecano-speed-fix		2	
26	900 114 007 01	Shake-proof washer A 5,3	-79	2	
26	900 114 007 0B	Shake-proof washer A 5,3		2	
27	N 014 128 13	Oval-head screw AM 5 X 8	-79	2	
28	999 591 434 02	Spring	-79	1	
29	999 702 111 50	Grommet		4	
30	928 573 137 02	Flap Centre nozzle	80-	1	M563
31	928 574 735 02	Bolt		1	
32	928 573 315 02	Support	80-	1	
33	928 573 094 02	Vacuum unit	80-	1	
34	999 190 215 30	Blind rivet	80-	3	
35	928 573 649 02	Actuating lever	80-	1	
36	928 574 645 02	Fastening part	80-	1	
37	900 143 031 02	Oval-head sheetmetal screw B 4,2 X 9,5		1	
38	928 613 049 00	Micro-changeover switch	80-	1	
39	928 573 747 02	Support	80-	1	
40	928 573 745 02	Support	80-	1	
41	900 119 024 02	Pan-head screw M 4 X 12		1	
42	N 042 122 2	Shake-proof washer		2	
43	N 011 004 6	Hexagon nut M 4		1	
43	N 011 004 G	Nut		1	

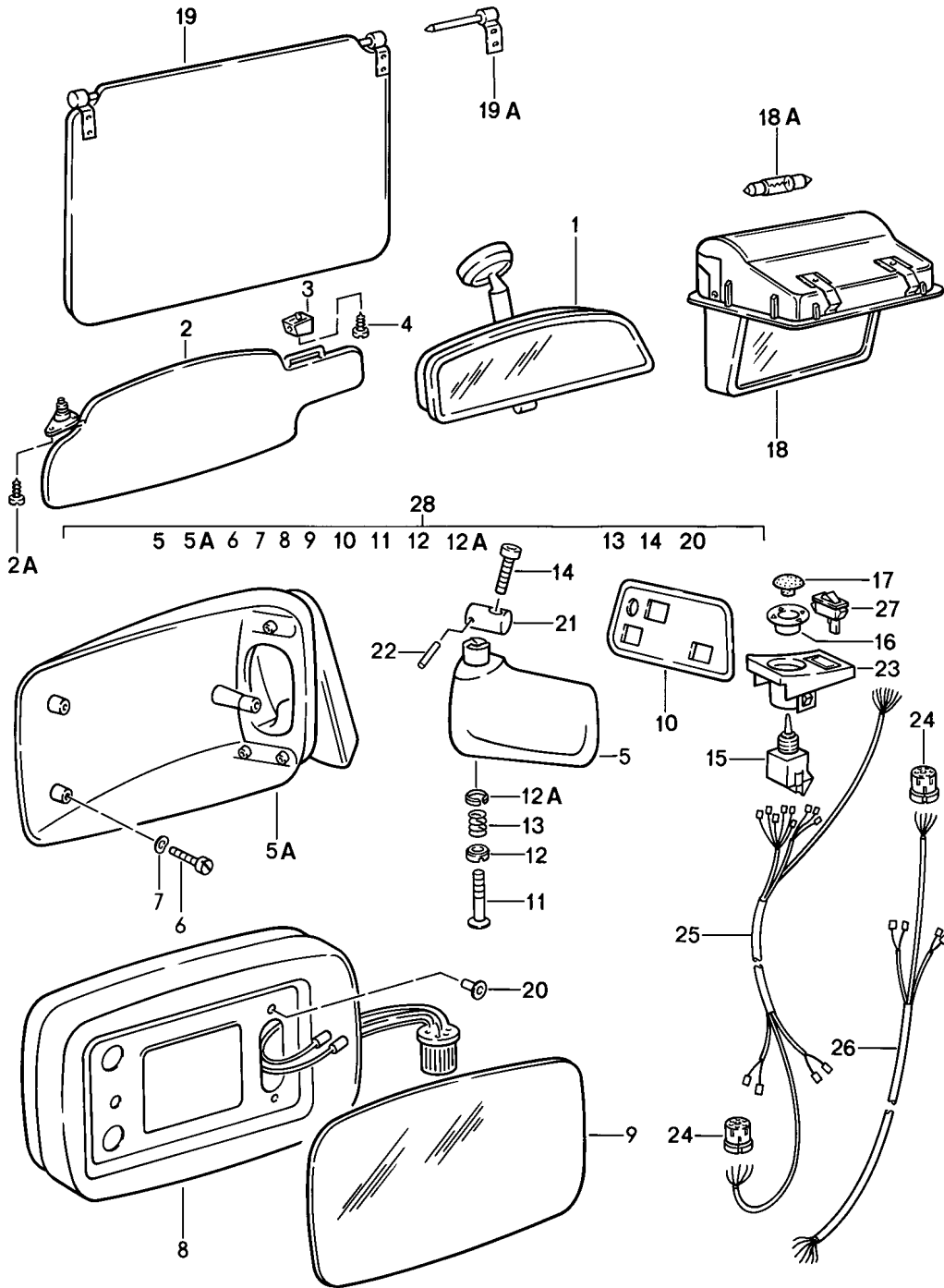
Model: 928 78

Model life 1978>>1982

Pos	Part Number	Description	Remark	Qty	Model
44	928 573 045 02	M 4 Covering frame for cars with Leatherette	80-	1	M563
(44)	928 573 045 50	Covering frame for cars with Leather	80-	1	M563
45	928 574 125 02	Flap Centre nozzle	80-	1	
46	928 574 649 02	Actuating lever	80-	1	
47	928 574 040 03	Covering frame for cars with Leatherette	80-	1	
(47)	928 574 040 50	Covering frame for cars with Leather	80-	1	
48	928 624 041 00	Interior sensor	80-	1	
49	928 573 344 02	Sealing ring	80-	1	
50	928 573 527 02	Connecting piece	80-	1	
51	928 624 113 01	Interior sensor	80-	1	
51A	928 624 312 01	Hose	/LL	1	
(51A)	928 624 312 00	Hose	/RL	1	
52	N 013 968 7	Tapping screw B 4,8 X 13		2	
52	900 143 097 01	Tapping screw B 4,8 X 13		2	
53	928 552 270 04	Cover	80-	1	
54	928 552 313 50	Frame for tip switch for cars with Leather		1	

Model: 928 78

Model life 1978>>1982



Model: 928 78 Model life 1978>>1982

Pos	Part Number	Description	Remark	Qty	Model
		Sun visor			
		Door mirror			
		Interior mirror			
		Vanity mirror			
1	477 857 511	Interior mirror		1	
1	477 857 511 A	Interior mirror		1	
	477 857 511 A 01C	Satin black			
1	477 857 511 B	Interior mirror		1	
	477 857 511 B 01C	Satin black			
2	928 731 031 02	Sun visor	/L -79	1	
		Leatherette			
	928 731 031 02 CB5	Cork			
	928 731 031 02 CB1	Dark green			
	928 731 031 02 CA9	Black			
	928 731 031 02 CA7	Brown			
(2)	928 731 032 04	Sun visor	/R -79	1	
		without mirror			
		Leatherette			
	928 731 032 04 CB5	Cork			
	928 731 032 04 CB1	Dark green			
	928 731 032 04 CA9	Black			
	928 731 032 04 CA7	Brown			
(2)	928 731 032 02	Sun visor	/R -79	1	
		Leatherette			
	928 731 032 02 CB5	Cork			
	928 731 032 02 CB1	Dark green			
	928 731 032 02 CA9	Black			
	928 731 032 02 CA7	Brown			
(2)	927 731 031 02	Sun visor	/L -79	1	
		with mirror			
		Leatherette			
	927 731 031 02 CB5	Cork			
	927 731 031 02 CB1	Dark green			
	927 731 031 02 CA9	Black			
	927 731 031 02 CA7	Brown			
(2)	928 731 031 06	Sun visor	/L 80-	1	
		Leatherette			
	928 731 031 06 CA9	Black			
	928 731 031 06 CA7	Brown			
	928 731 031 06 CC1	Blue			
(2)	928 731 031 11	Sun visor	/L 80-	1	
		Leatherette			
	928 731 031 11 CA9	Black			
	928 731 031 11 CA7	Brown			
	928 731 031 11 CC1	Blue			
(2)	928 731 032 07	Sun visor	/R 80-	1	
		without mirror			
		Leatherette			
	928 731 032 07 CA9	Black			
	928 731 032 07 CA7	Brown			
	928 731 032 07 CC1	Blue			
(2)	928 731 032 06	Sun visor	/R 80-	1	M650
		Leatherette			
	928 731 032 06 CA9	Black			
	928 731 032 06 CA7	Brown			
	928 731 032 06 CC1	Blue			
(2)	928 731 032 11	Sun visor	/R 80-	1	
		Leatherette			
	928 731 032 11 CA9	Black			
	928 731 032 11 CA7	Brown			
	928 731 032 11 CC1	Blue			
(2)	927 731 031 04	Sun visor	/L 80-	1	M650
		with mirror			

Model: 928 78 Model life 1978>>1982

Pos	Part Number	Description	Remark	Qty	Model
		Leatherette			
	927 731 031 04 CA9	Black			
	927 731 031 04 CA7	Brown			
	927 731 031 04 CC1	Blue			
(2)	928 731 031 50	Sun visor	/L	1	
		Leather			
	928 731 031 50 40D	Cork	-79		
	928 731 031 50 20B	Dark green	-79		
	928 731 031 50 40A	Brown	-79		
	928 731 031 50 70A	Black	-79		
	928 731 031 50 BS1	Black	80-		
	928 731 031 50 BS2	Brown	80-		
	928 731 031 50 BS3	Blue	80-		
	928 731 031 50 2LB	Burgundy			
(2)	928 731 032 50	Sun visor	/R	1	
		without mirror			
		Leather			
	928 731 032 50 40D	Cork	-79		
	928 731 032 50 20B	Dark green	-79		
	928 731 032 50 40A	Brown	-79		
	928 731 032 50 70A	Black	-79		
	928 731 032 50 BS1	Black	80-		
	928 731 032 50 BS2	Brown	80-		
	928 731 032 50 BS3	Blue	80-		
	928 731 032 50 2LB	Burgundy			
(2)	927 731 031 50	Sun visor	/L	1	M650
		Leather			
	927 731 031 50 40D	Cork	-79		
	927 731 031 50 20B	Dark green	-79		
	927 731 031 50 40A	Brown	-79		
	927 731 031 50 70A	Black	-79		
	927 731 031 50 BS1	Black	80-		
	927 731 031 50 BS2	Brown	80-		
	927 731 031 50 BS3	Blue	80-		
	927 731 031 50 2LB	Burgundy			
(2)	928 731 032 51	Sun visor	/R	1	
		with mirror			
		Leather			
	928 731 032 51 40D	Cork	-79		
	928 731 032 51 20B	Dark green	-79		
	928 731 032 51 40A	Brown	-79		
	928 731 032 51 70A	Black	-79		
	928 731 032 51 BS1	Black	80-		
	928 731 032 51 BS2	Brown	80-		
	928 731 032 51 BS3	Blue	80-		
	928 731 032 51 2LB	Burgundy			
2A	900 145 016 07	Tapping screw		4	
		4,2 X 16			
3	911 731 331 00	Support		2	
3		Support		2	M650
4	N 013 962 3	Tapping screw	-80	2	
		3,9 X 16			
4	900 143 034 07	Oval-head sheetmetal screw	81-	2	
		3,9 X 19			
-	927 731 023 03	Mirror housing	/RL 78		
-	927 731 023 04	Mirror housing	/RL 79-	1	
5	928 731 141 06	Mirror base	/LL /L	1	
5		Mirror base	/LL /L	1	
(5)	928 731 143 08	Mirror base	/LL /R	1	
(5)		Mirror base	/LL /R	1	
(5)	927 731 141 06	Mirror base	/RL /R	1	
(5)		Mirror base	/RL /R	1	
(5)	927 731 143 08	Mirror base	/RL /L	1	

Model: 928 78 Model life 1978>>1982

Pos	Part Number	Description	Remark	Qty	Model
(5)		Mirror base	/RL /L	1	
5A	911 731 043 00	Mirror housing	/L	1	
5A	911 731 043 03	Mirror housing	/L	1	
(5A)	911 731 044 00	Mirror housing	/R	1	
(5A)	911 731 044 03	Mirror housing	/R	1	
5AB	944 731 021 01	Mirror housing	/L	1	
	944 731 021 01 G3M	with Mirror base Grey Prime coated			
6	999 143 003 02	Hexagon-head bolt M 5 X 12		3	
7	N 012 222 4	Spring washer A 5		3	
8	911 799 731 04	Covering frame	/L	1	
8	911 731 027 06	Covering frame	/L	1	
(8)	911 731 028 06	Covering frame Repair kit for Covering frame Bayonet lock Comprising:	/R	1	
-	PCG 731 028 06	Electronic unit Engine Door mirror	/R /L	1	
-	944 731 027 01	Covering frame Use also:	/R /L	1	
9	944 731 035 02	Mirror glass Bayonet lock		1	
9	944 731 035 04	Mirror glass Plane Bayonet lock	(S)	1	
9	944 731 035 03	Mirror glass Convex Bayonet lock		1	
9	944 731 035 05	Mirror glass Convex Bayonet lock	(S)	1	
9	911 731 035 08	Mirror glass Plane		1	
(9)	911 731 035 09	Mirror glass Convex	(J) (N) (S)	1	
10	928 731 247 03	Desk pad	/LL /L	1	
(10)	928 731 249 03	Desk pad	/LL /R	1	
(10)	927 731 247 03	Desk pad	/RL /R	1	
(10)	927 731 249 03	Desk pad	/RL /L	1	
11	911 731 257 02	Guide tube		1	
11	911 731 257 03	Guide tube		1	
12	911 731 345 02	Centring washer Lower		1	
12A	911 731 347 00	Centring washer Upper		1	
13	911 731 029 01	Compression spring		1	
14	999 218 019 02	Screw M 5 X 45		1	
14	999 218 073 02	Pan-head screw M 5 X 45		1	
15	911 613 115 00	Switch		1	
16	928 555 463 02	Threaded bush		1	
17	928 613 462 00	Knob		1	
18	928 731 013 02	Vanity mirror		1	
18A	900 631 105 90	Bulb 12 V - 5 W		1	



Model: 928 78 Model life 1978>>1982

Pos	Part Number	Description	Remark	Qty	Model
19	928 731 035 02	Sun visor Leatherette	/H	2	
	928 731 035 02 CB7	Dark green	-79		
	928 731 035 02 CB8	Black	-79		
	928 731 035 02 CB6	Brown	-79		
	928 731 035 02 CB9	Cork	-79		
	928 731 035 02 70A	Black	80-		
	928 731 035 02 30B	Blue	80-		
	928 731 035 02 40A	Brown	80-		
19	928 731 035 04	Sun visor Leatherette	/H	2	
	928 731 035 04 CB7	Dark green	-79		
	928 731 035 04 CB8	Black	-79		
	928 731 035 04 CB6	Brown	-79		
	928 731 035 04 CB9	Cork	-79		
	928 731 035 04 70A	Black	80-		
	928 731 035 04 30B	Blue	80-		
	928 731 035 04 40A	Brown	80-		
19	928 731 035 50	Sun visor Leather	/H	2	
	928 731 035 50 20B	Dark green	-79		
	928 731 035 50 40A	Brown	-79		
	928 731 035 50 40D	Cork	-79		
	928 731 035 50 70A	Black	-79		
	928 731 035 50 BS1	Black	80-		
	928 731 035 50 BS2	Brown	80-		
	928 731 035 50 BS3	Blue	80-		
	928 731 035 50 SC3	Hannibal grey	80-		
	928 731 035 50 SD3	Mint green	80-		
	928 731 035 50 2LB	Burgundy			
19	928 731 035 51	Sun visor Leather	/H	2	
	928 731 035 51 20B	Dark green	-79		
	928 731 035 51 40A	Brown	-79		
	928 731 035 51 40D	Cork	-79		
	928 731 035 51 70A	Black	-79		
	928 731 035 51 BS1	Black	80-		
	928 731 035 51 BS2	Brown	80-		
	928 731 035 51 BS3	Blue	80-		
	928 731 035 51 SC3	Hannibal grey	80-		
	928 731 035 51 SD3	Mint green	80-		
	928 731 035 51 2LB	Burgundy			
19A	928 731 043 02	Bearing bracket	/L	1	
19A	928 731 044 02	Bearing bracket	/R	1	
20	999 703 128 40	Grommet		3	
		Mirror glass			
21	928 531 235 03	Threaded piece		2	
22	N 013 295 1	Tensioning sleeve		1	
23	928 555 461 02	Mounting piece	/LL	1	
(23)	927 555 461 02	Mounting piece	/RL	1	
24	803 971 979	Plug socket		1	
		7-pole electrical components			
		Door mirror			
		Passenger's side			
25	928 612 164 00	Wiring harness	-79	1	
		Driver's side			
(25)	928 612 164 02	Wiring harness	80-	1	
		Driver's side			
26	928 612 166 00	Wiring harness	-79	1	
		Passenger's side			
(26)	928 612 166 02	Wiring harness	80-	1	
		Passenger's side			

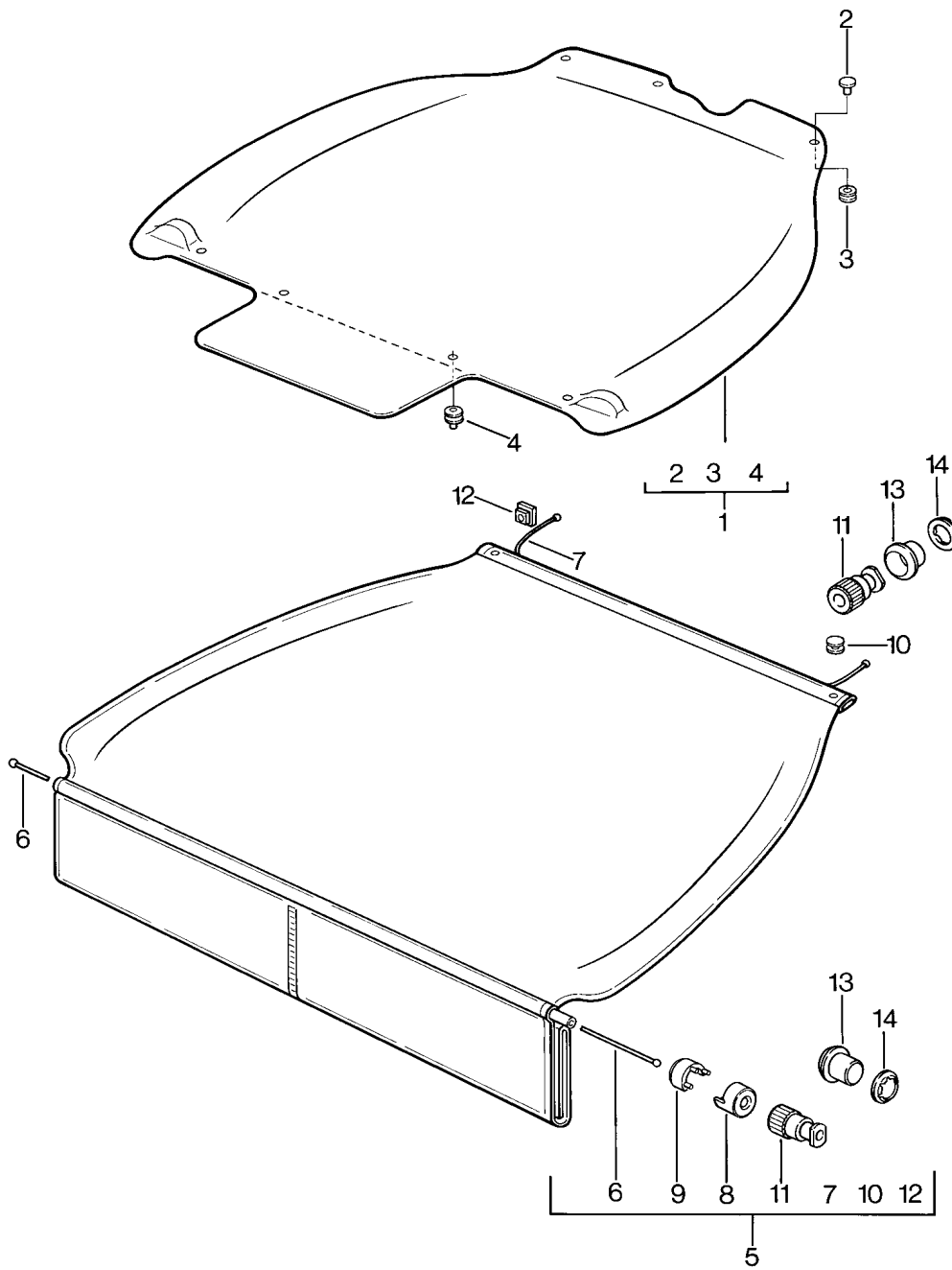
Model: 928 78

Model life 1978>>1982

Pos	Part Number	Description	Remark	Qty	Model
27	911 613 113 00	Changeover switch		1	
28	928 731 927 02	Door mirror Plane	/LL /L	1	
(28)	928 731 928 02	Door mirror Plane	/LL /R	1	
(28)	928 731 929 02	Door mirror Convex	/LL /L	1	
(28)	928 731 930 02	Door mirror Convex	/LL /R	1	
(28)	927 731 927 02	Door mirror Plane	/RL /L	1	
(28)	927 731 928 02	Door mirror Plane	/RL /R	1	
(28)	927 731 929 02	Door mirror Convex	/RL /L	1	

Model: 928 78

Model life 1978>>1982



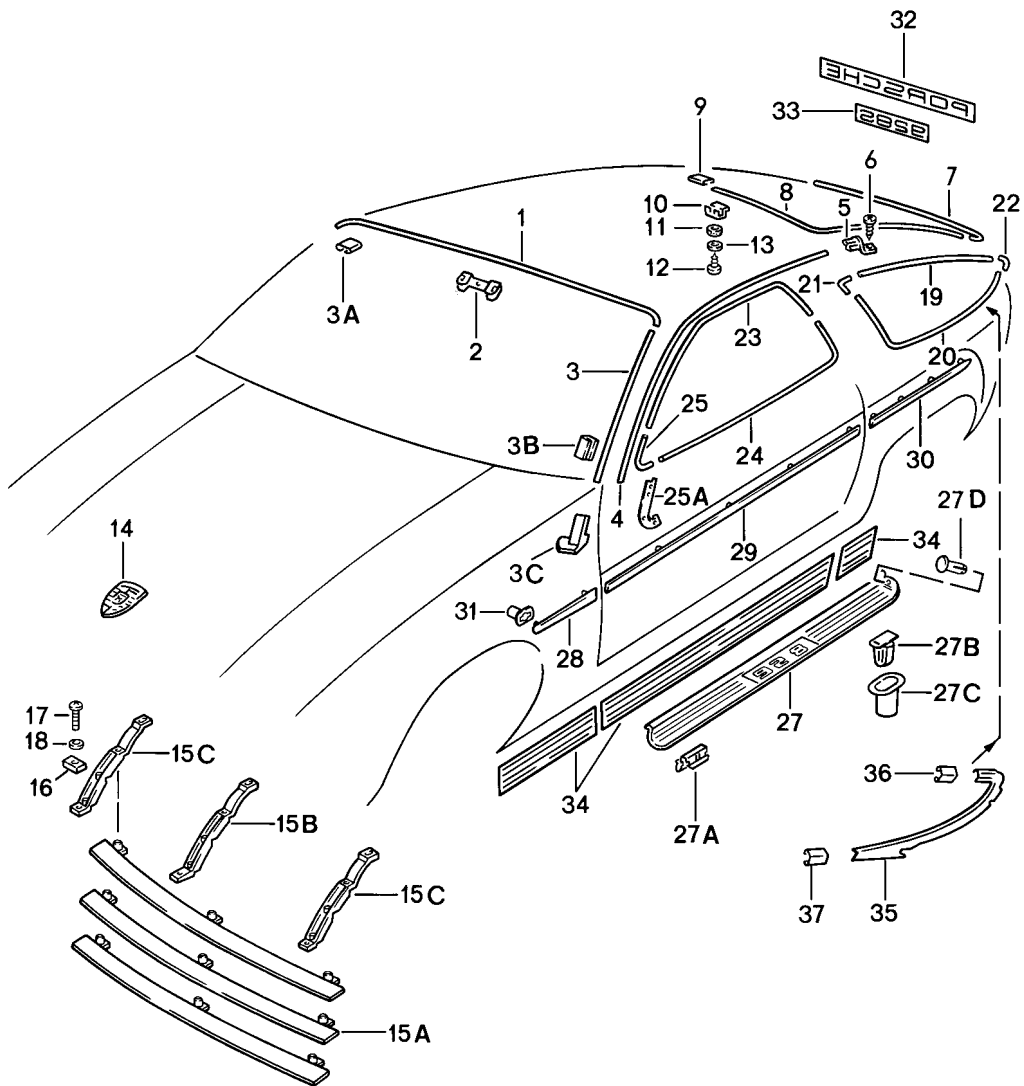
Model: 928 78

Model life 1978>>1982

Pos	Part Number	Description	Remark	Qty	Model
1	928 555 083 03	Luggage compartment cover	-79	1	M406
		Luggage compartment trim			
		Perlon velour			
	928 555 083 03 20B	Dark green			
	928 555 083 03 40A	Brown			
	928 555 083 03 70A	Black			
2	999 591 802 17	Cap	-79	4	
3	999 591 803 17	Circular spring	-79	4	
4	999 591 607 12	Tenax upper part	-79	4	
5	928 555 179 02	Luggage compartment cover	80-	1	
	928 555 179 02 70G	Black			
	928 555 179 02 30D	Blue			
	928 555 179 02 40B	Brown			
	928 555 179 02 2LB	Burgundy			
-	999 701 639 40	Round rubber cord	80-	*	
6		1150 MM	80-	1	
7		740 MM	80-	2	
8	928 555 795 02	End piece of pipe	80-	2	
9	928 555 785 02	Clamp for fabric	80-	2	
10	900 190 005 03	Tubular rivet	80-	2	
		B 4 X 9 X 6			
11	928 555 775 02	Belt end piece	80-	4	
12	928 555 791 02	Rosette	80-	2	
	928 555 791 02 70B	Black			
13	928 555 777 02	End piece of rope		4	
14	999 591 484 02	Clamping washer		4	

Model: 928 78

Model life 1978>>1982



Model: 928 78 Model life 1978>>1982

Pos	Part Number	Description	Remark	Qty	Model
		Cover strip Decorative fittings F >>92CS8 00354 F >>92CS8 40998 F 92CS8 00355>> F 92CS8 40999>> See TPI GR.8 NR.38			928 928S 928 928 S
1	928 559 103 02	Cover strip		1	
	928 559 103 02 70H	Black			
1	928 559 103 04	Cover strip		1	
	928 559 103 04 70K	Black			
2	928 559 285 02	Clamp		9	
3	928 559 105 02	Water drain strip	/L	1	
	928 559 105 02 70H	Black			
3	928 559 106 02	Water drain strip	/R	1	
	928 559 106 02 70H	Black			
3	928 559 105 05	Water drain strip	/L	1	
	928 559 105 05 70K	Black			
3	928 559 106 05	Water drain strip	/R	1	
	928 559 106 05 70K	Black			
3A	928 559 213 03	Sleeve	/L	1	
	928 559 213 03 70H	Black			
3A	928 559 214 03	Sleeve	/R	1	
	928 559 214 03 70H	Black			
3A	928 559 213 05	Sleeve	/L	1	
	928 559 213 05 70K	Black			
3A	928 559 214 05	Sleeve	/R	1	
	928 559 214 05 70K	Black			
3B	928 559 107 02	Clamp		9	
3C	928 559 111 02	End piece	/L	1	
3C	928 559 112 02	End piece	/R	1	
4	928 559 119 04	Roof edge strip	/L	1	
4		Roof edge strip	/L	1	
	928 559 119 04 004				
4	928 559 120 04	Roof edge strip	/R	1	
4		Roof edge strip	/R	1	
	928 559 120 04 004	004			
5	928 559 121 03	Roof edge strip	/L	1	
5	928 559 122 03	Roof edge strip	/R	1	
		Terminal piece			
6	900 145 044 07	Tapping screw 4,2 X 19		2	
7	928 559 151 03	Cover strip		1	
	928 559 151 03 70H	Black			
7	928 559 151 04	Cover strip		1	
	928 559 151 04 70K	Black			
8	928 559 153 02	Cover strip	/L -81	1	
8	928 559 153 04	Cover strip	/L	1	
	928 559 153 04 70H	Black			
8	928 559 153 06	Cover strip	/L	1	
	928 559 153 06 70K	Black			
8	928 559 153 03	Cover strip	/L	1	
	928 559 153 03 70H	Black			
		for cars with Rear spoiler			
8	928 559 153 05	Cover strip	/L	1	
	928 559 153 05 70K	Black			
		for cars with Rear spoiler			
8	928 559 154 02	Cover strip	/R -81	1	
8	928 559 154 04	Cover strip	/R	1	
	928 559 154 04 70H	Black			

Model: 928 78 Model life 1978>>1982

Pos	Part Number	Description	Remark	Qty	Model
8	928 559 154 06	Cover strip	/R	1	
	928 559 154 06 70K	Black			
8	928 559 154 03	Cover strip	/R	1	
	928 559 154 03 70H	Black for cars with Rear spoiler			
8	928 559 154 05	Cover strip	/R	1	
	928 559 154 05 70K	Black for cars with Rear spoiler			
9	928 559 155 02	Sleeve		3	
	928 559 155 02 70H	Black			
9	928 559 155 03	Sleeve		3	
	928 559 155 03 70K	Black			
10	928 559 133 04	Retaining clip		16	
11	928 559 143 02	Sealing ring		16	
11	928 559 143 03	Sealing ring		16	
12	900 143 066 07	Screw 7 X 7		16	
13	999 025 083 70	Washer 3,7		16	
14	901 559 210 20	Lid emblem		1	
14	901 559 210 26	Lid emblem		1	
15A	928 559 135 04	Cross strut Radiator grille		3	
15B	928 559 137 02	Centre web		1	
15C	928 559 139 02	Outer part		2	
16	928 559 141 02	Desk pad		2	
17	999 921 004 02	Oval-head screw M 4 X 15		9	
18	900 151 001 02	Washer A 4,3		9	
19	928 543 419 02	Moulding section	/L -81	1	
19	928 543 419 08	Moulding section	/L	1	
	928 543 419 08 70H	Black			
19	928 543 419 08	Moulding section	/L	1	
	928 543 419 08 70K	Black			
19	928 543 419 03	Moulding section Rear spoiler	/L -81	1	
19	928 543 419 07	Moulding section	/L	1	
	928 543 419 07 70H	Black Rear spoiler			
19	928 543 419 07	Moulding section	/L	1	
	928 543 419 07 70K	Black Rear spoiler			
19	928 543 420 02	Moulding section	/R -81	1	
19	928 543 420 08	Moulding section	/R	1	
	928 543 420 08 70H	Black			
19	928 543 420 08	Moulding section	/R	1	
	928 543 420 08 70K	Black			
19	928 543 420 03	Moulding section Rear spoiler	/R -81	1	
19	928 543 420 07	Moulding section	/R	1	
	928 543 420 07 70H	Black Rear spoiler			
19	928 543 420 07	Moulding section	/R	1	
	928 543 420 07 70K	Black Rear spoiler			
20	928 543 417 02	Moulding section	/L -81	1	
20	928 543 417 08	Moulding section	/L	1	
	928 543 417 08 70H	Black			
20	928 543 417 08	Moulding section	/L	1	
	928 543 417 08 70K	Black			

Model: 928 78 Model life 1978>>1982

Pos	Part Number	Description	Remark	Qty	Model
20	928 543 417 03	Moulding section Rear spoiler	/L -81	1	
20	928 543 417 07 928 543 417 07 70H	Moulding section Black Rear spoiler	/L	1	
20	928 543 417 07 928 543 417 07 70K	Moulding section Black Rear spoiler	/L	1	
20	928 543 418 02	Moulding section	/R -81	1	
20	928 543 418 08 928 543 418 08 70H	Moulding section Black	/R	1	
20	928 543 418 08 928 543 418 08 70K	Moulding section Black	/R	1	
20	928 543 418 03	Moulding section Rear spoiler	/R -81	1	
20	928 543 418 07 928 543 418 07 70H	Moulding section Black Rear spoiler	/R	1	
20	928 543 418 07 928 543 418 07 70K	Moulding section Black Rear spoiler	/R	1	
21	928 543 413 02	Corner piece	-81	2	
21	928 543 413 04 928 543 413 04 70H	Corner piece Black		2	
21	928 543 413 04 928 543 413 04 70K	Corner piece Black		2	
22	928 543 415 02	Corner piece F >>92BS8 00192 F >>92BS8 40296		2	928 928S
22	928 543 415 05 928 543 415 05 70H	Corner piece Black		2	
22	928 543 415 05 928 543 415 05 70K	Corner piece Black F 92BS8 00193>> F 92BS8 40297>>		2	928 928S
23	928 537 311 02 928 537 311 02 70H	Moulding Black	/L	1	
23	928 537 311 04 928 537 311 04 70K	Moulding Black	/L	1	
23	928 537 312 02 928 537 312 02 70H	Moulding Black	/R	1	
23	928 537 312 04 928 537 312 04 70K	Moulding Black	/R	1	
24	928 537 313 02 928 537 313 02 70H	Moulding Black	/L	1	
24	928 537 313 04 928 537 313 04 70K	Moulding Black	/L	1	
24	928 537 314 02 928 537 314 02 70H	Moulding Black	/R	1	
24	928 537 314 04 928 537 314 04 70K	Moulding Black	/R	1	
25	928 537 301 03 928 537 301 03 70H	Moulding connection Black	/L	1	
25	928 537 301 05 928 537 301 05 70K	Moulding connection Black	/L	1	
25	928 537 302 03 928 537 302 03 70H	Moulding connection Black	/R	1	
25	928 537 302 05 928 537 302 05 70K	Moulding connection Black	/R	1	
25A	928 537 369 03	Desk pad	/L	1	
(25A)	928 537 370 03	Desk pad	/R	1	
-	900 143 114 07	Oval-head sheetmetal screw B 3,5 X 9,5		2	



Model: 928 78 Model life 1978>>1982

Pos	Part Number	Description	Remark	Qty	Model
27	928 799 551 30	Scuff plate	/L	1	
27	928 551 056 02	Scuff plate	/R	1	
27A	928 551 123 02	Clamp		12	
27B	999 591 451 40	Fastening clamp		12	
27C	999 702 116 40	Grommet		12	
27D	999 591 519 40	Expansion rivet		2	
		Protective moulding			
28	928 559 037 03	Protective moulding	/V /L	1	
28	928 559 038 03	Protective moulding	/V /R	1	
		Wing			
-	928 559 175 03	Adhesive tape		2	
		Wing			
29	928 559 033 03	Protective moulding	/L	1	
29	928 559 034 03	Protective moulding	/R	1	
		Door			
-	928 559 965 00	Adhesive tape		2	
		Door			
30	928 559 041 03	Protective moulding	/H /L	1	
30	928 559 042 03	Protective moulding	/H /R	1	
		Side section			
-	928 559 181 03	Adhesive tape		2	
		Side section			
31	928 559 281 02	Bush		10	
32	928 505 325 04	Logo		1	
		Dark grey			
32	928 505 325 03	Logo		1	
		White			
32	928 505 325 05	Logo		1	
		Light grey			
33	928 505 335 04	Logo		1	
		Dark grey			
33	928 505 335 05	Logo		1	
		Silver			
34	928 559 075 02	Stone guard film	/L	1	
34	928 559 076 02	Stone guard film	/R	1	
		1 set			
-	928 537 403 02	Clip		2	
		Moulding connection			
35	928 543 437 02	Trim frame	/L	1	
	928 543 437 02 70H	Black			
		Rear spoiler			
35	928 543 437 03	Trim frame	/L	1	
	928 543 437 03 70K	Black			
		Rear spoiler			
35	928 543 438 02	Trim frame	/R	1	
	928 543 438 02 70H	Black			
		Rear spoiler			
35	928 543 438 03	Trim frame	/R	1	
	928 543 438 03 70K	Black			
		Rear spoiler			
36	928 543 439 02	Sleeve		2	
	928 543 439 02 70H	Black			
		Trim frame			
		Rear spoiler			
36	928 543 439 03	Sleeve		2	
	928 543 439 03 70K	Black			
		Trim frame			
		Rear spoiler			
37	928 543 439 04	Sleeve	/L	1	
	928 543 439 04 70H	Black			
		Trim frame			
		Rear spoiler			
37	928 543 439 04	Sleeve	/L	1	

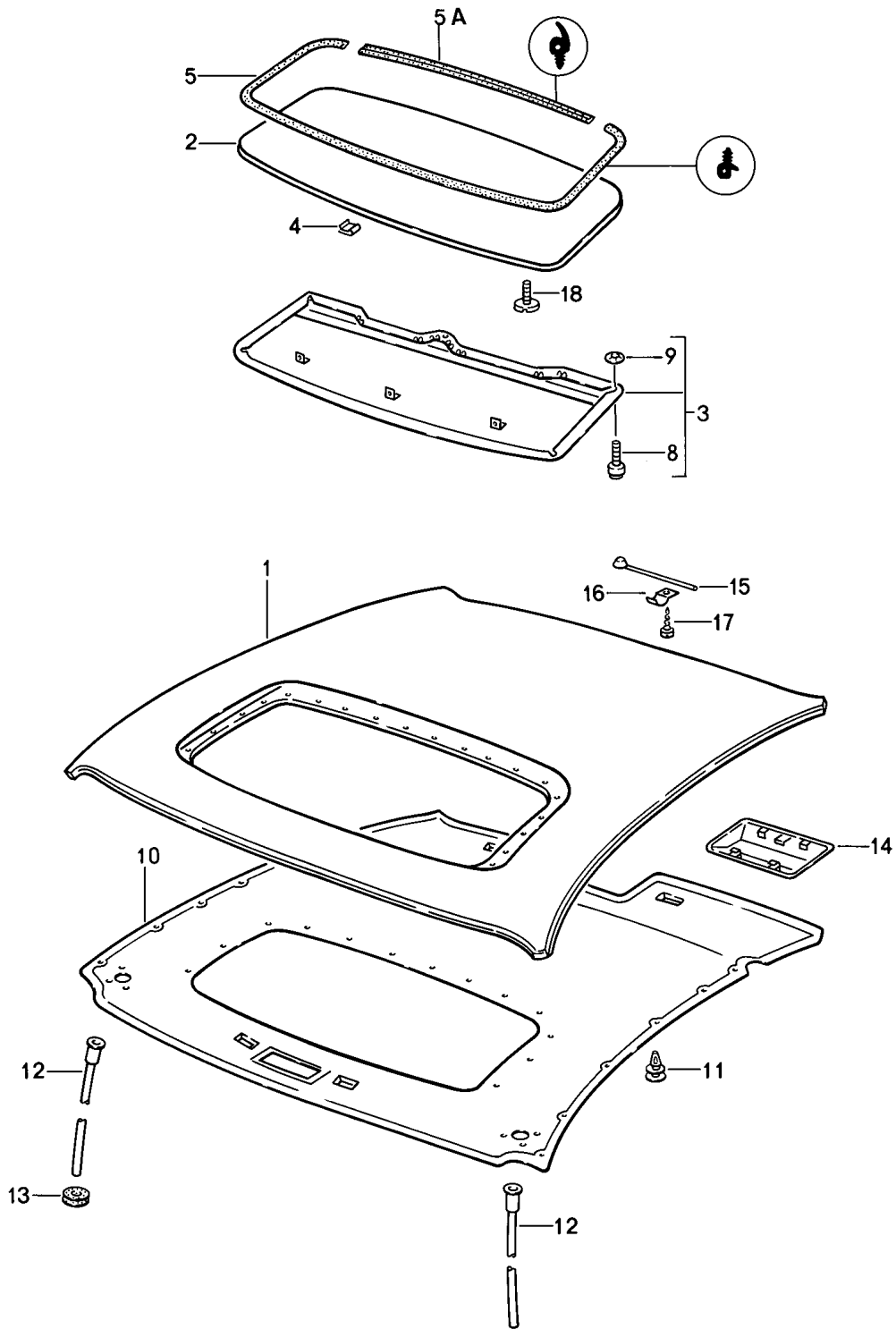
Model: 928 78

Model life 1978>>1982

Pos	Part Number	Description	Remark	Qty	Model
	928 543 439 04 70K	Black Trim frame Rear spoiler			
37	928 543 440 04	Sleeve	/R	1	
	928 543 440 04 70H	Black Trim frame Rear spoiler			
37	928 543 440 04	Sleeve	/R	1	
	928 543 440 04 70K	Black Trim frame Rear spoiler			

Model: 928 78

Model life 1978>>1982



Model: 928 78 Model life 1978>>1982

Pos	Part Number	Description	Remark	Qty	Model
		Electric Sunroof			
1	928 503 027 60	Roof		1	
1		Roof		1	
	928 503 027 60 GRV	Prime coated			
2	928 564 033 41	Lid		1	
2		Lid		1	
	928 564 033 41 GRV	Prime coated			
3	928 564 069 40	Roofliner frame		1	
		Leatherette			
	928 564 069 40 40D	Cork			
	928 564 069 40 20B	Dark green			
	928 564 069 40 21S	Brown			
	928 564 069 40 05T	Black			
	928 564 069 40 30B	Blue			
(3)	928 564 069 50	Roofliner frame		1	
		Leather			
	928 564 069 50 40D	Cork			
	928 564 069 50 20B	Dark green			
	928 564 069 50 3NG	Brown			
	928 564 069 50 1AJ	Black			
	928 564 069 50 30B	Blue			
	928 564 069 50 60S	Hannibal grey			
	928 564 069 50 20S	Mint green			
	928 564 069 50 2LB	Burgundy			
4	999 591 898 02	Clamp		18	
4	PCG 591 898 02	Clamp		18	
4		Clamp		18	
5	928 564 259 02	Gasket		1	
5A	928 564 261 02	Gasket		1	
8	928 564 399 40	Sliding piece		3	
9	999 591 377 02	Speed nut		3	
10	928 555 071 60	Rooflining		1	
		Leatherette			
	928 555 071 60 40D	Cork			
	928 555 071 60 20B	Dark green			
	928 555 071 60 21S	Brown			
	928 555 071 60 70A	Black			
(10)	928 555 071 63	Rooflining		1	
		Leather			
	928 555 071 63 40D	Cork			
	928 555 071 63 20B	Dark green			
	928 555 071 63 3NG	Brown			
	928 555 071 63 1AJ	Black			
	928 555 071 63 2LB	Burgundy			
11	999 591 559 40	Clip		10	
12	928 564 413 02	Water drain hose		2	
13	021 119 569 A	Rubber sleeve		2	
14	928 555 301 60	Cover		1	
		Engine			
		Leatherette			
	928 555 301 60 40D	Cork			
	928 555 301 60 20B	Dark green			
	928 555 301 60 21S	Brown			
	928 555 301 60 05T	Black			
(14)	928 555 301 61	Cover		1	
		Engine			
		Leather			
	928 555 301 61 40D	Cork			
	928 555 301 61 20B	Dark green			
	928 555 301 61 3NG	Brown			
	928 555 301 61 1AJ	Black			
	928 555 301 61 2LB	Burgundy			

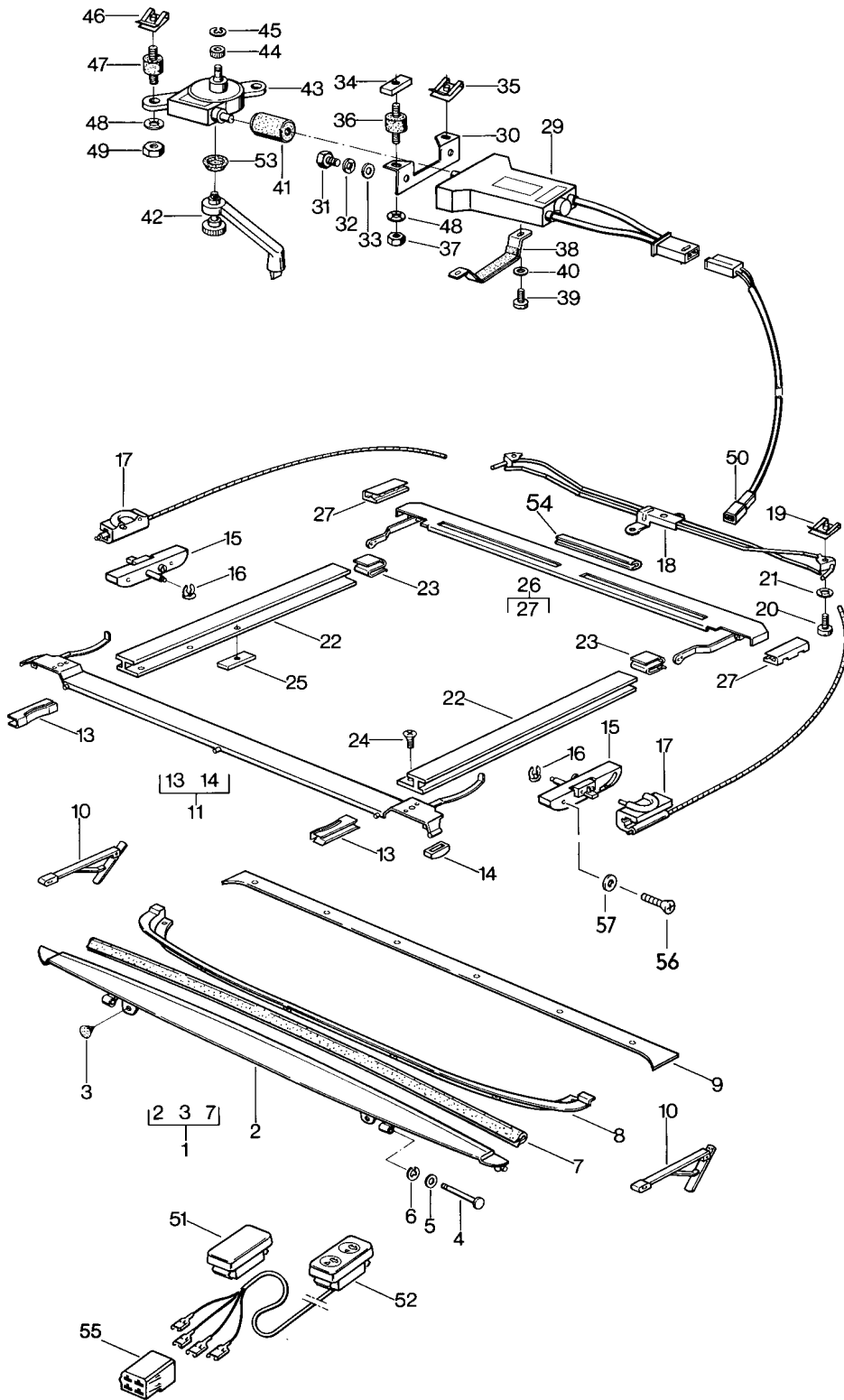
Model: 928 78

Model life 1978&gt;&gt;1982

Pos	Part Number	Description	Remark	Qty	Model
15	928 564 081 02	Wire spring		1	
16	928 564 379 02	Clamping piece		1	
17	N 013 970 5	Oval-head sheetmetal screw B 4,8 X 9,5		1	
17	N 106 568 02	Oval-head sheetmetal screw B 4,8 X 9,5		1	
18	900 072 003 02	Adjusting screw M 5 X 12		2	

Model: 928 78

Model life 1978>>1982



Model: 928 78

Model life 1978&gt;&gt;1982

Pos	Part Number	Description	Remark	Qty	Model
		Sunroof			
		Installation parts			
1	928 564 013 02	Air deflector		1	
2	928 564 023 02	Wind deflector plate		1	
3	928 564 629 02	Rubber buffer		2	
4	999 088 009 07	Bolt		2	
5	900 089 015 07	Washer		2	
6	900 116 001 07	Lock washer		2	
7	928 564 358 02	Edge protection		1	
8	928 564 341 02	Cover		1	
9	928 564 105 02	Cover strip		1	
10	928 564 057 02	Hinge	/L	1	
10	928 564 058 02	Hinge	/R	1	
11	928 564 061 40	Guide		1	
13	928 564 267 02	Slide		2	
14	928 564 268 03	Guide shoe		2	
15	928 564 045 42	Gate guide	/L	1	
(15)		Gate guide	/L	1	
15	928 564 046 42	Gate guide	/R	1	
(15)		Gate guide	/R	1	
16	999 166 026 07	Safety fuse	-79	2	
17	928 564 083 43	Guide	/L	1	
17	928 564 084 43	Guide	/R	1	
18	928 564 209 40	Guide tube		1	
19	999 507 248 02	Speed nut		2	
		M 5			
20	N 014 133 8	Oval-head screw		3	
		M 5 X 12			
20	N 014 133 I	Oval-head screw		3	
		M 5 X 12			
21	N 012 005 3	Lock ring		2	
		B 5			
22	928 564 015 41	Guide rail	/L -80	1	
22		Guide rail	/L 82	1	
22	928 564 016 41	Guide rail	/R -80	1	
22		Guide rail	/R 82	1	
23	999 591 448 02	Fixing clip		2	
24	900 269 052 00	Countersunk-head screw		6	
		M 4 X 10			
25	928 502 617 60	Threaded plate		2	
		M 4			
26	928 564 167 41	Water drain plate	-79	1	
(26)		Water drain plate	80-	1	
29	928 624 007 00	Motor		1	
30	928 624 105 00	Engine bracket		1	
31	N 010 208 5	Hexagon-head bolt		2	
		M 6 X 8			
32	N 012 006 4	Lock ring		2	
		B 6			
33	N 011 524 7	Washer		2	
		A 6,4			
33	N 011 524 27	Washer		2	
		A 6,4			
34	928 502 617 61	Threaded plate		1	
		M 5			
35	999 507 248 02	Speed nut		2	
		M 5			
36	999 703 308 00	Bonded rubber mounting		2	
36	999 703 308 0A	Bonded rubber mounting		2	
37	N 011 005 14	Hexagon nut		2	
		M 5			
37	900 076 091 01	Hexagon nut		2	
		M 5			

Model: 928 78

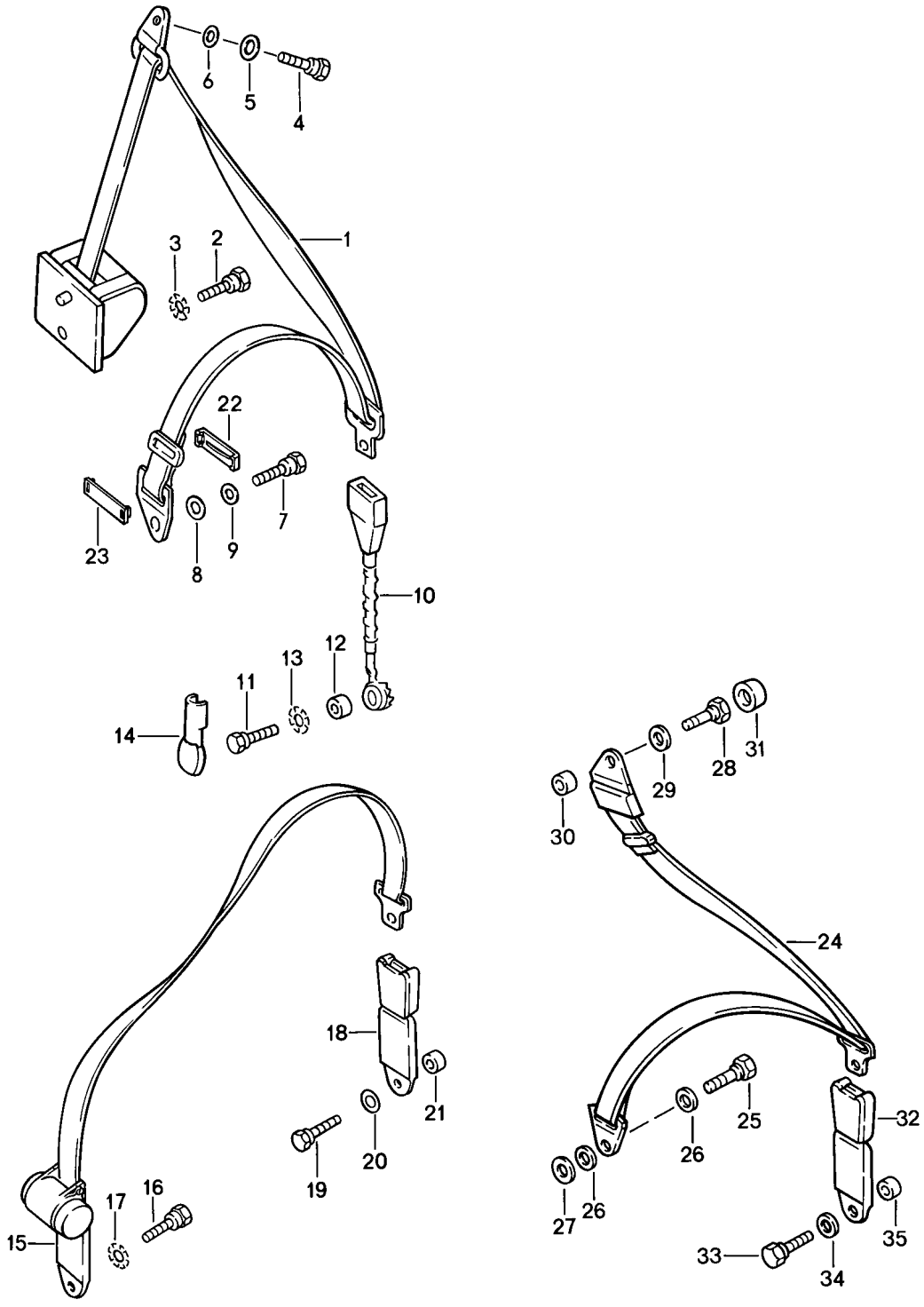
Model life 1978&gt;&gt;1982

Pos	Part Number	Description	Remark	Qty	Model
38	928 624 011 00	Motor mount		1	
39	N 013 883 3	Tapping screw		1	
40	900 025 003 02	Washer		1	
41	911 624 103 00	Clutch		1	
41	911 624 103 01	Clutch		1	
42	901 564 085 05	Crank		1	
43	928 564 025 02	Transmission		1	
44	928 564 125 02	Drive pinion		1	
45	900 116 003 01	Lock washer		1	
46	999 507 248 02	Speed nut		2	
47	999 703 306 00	Bonded rubber mounting		2	
48	N 012 005 3	Lock ring		2	
49	N 011 005 14	Hexagon nut M 5		2	
49	900 076 091 01	Hexagon nut M 5		2	
50	928 612 006 01	Wiring harness		1	
51	928 613 123 04	Display specimen		1	
52	928 613 120 00	Tip switch		1	
53	901 564 663 05	Cap		1	
-	999 911 041 00	Edge protection 150 MM		*	
54				1	
55	928 612 413 03	Connector housing		1	
56	999 217 008 02	Hexagon-head bolt M 5 X 10		4	
57	900 025 003 02	Washer A 5,3		4	



Model: 928 78

Model life 1978>>1982



Model: 928 78 Model life 1978>>1982

Pos	Part Number	Description	Remark	Qty	Model
1	928 803 126 02	Seat belt Front and rear Seat belt Automatic for Seat belt buckle 928.803.183.02 928.803.184.02	-79	2	
1	928 803 126 09	Seat belt Automatic	-79	2	
(1)		Seat belt Automatic	80-	2	
(1)		Seat belt Automatic	80-	2	
(1)	928 803 126 04	Seat belt Automatic	(GB)	2	
(1)	928 803 126 05	Seat belt Automatic	(GB)	2	
(1)		Seat belt Automatic	(AUS) -79	2	
(1)	928 803 126 09	Seat belt Automatic	(AUS) 80-	2	
(1)		Seat belt Automatic	(AUS) 80-	2	
2	928 803 121 02	Fastening screw		2	
3	N 012 112 2	Serrated lock washer J 12,5		2	
4	111 857 793 E	Hexagon-head bolt		2	
5	N 011 655 2	Washer 11,5		2	
6	211 857 771	Washer		4	
7	901 803 119 22	Hexagon-head bolt		2	
8	999 025 212 09	Washer 12		2	
8	999 025 212 01	Washer 12		2	
9	211 857 771	Washer		2	
10	928 803 183 02	Seat belt buckle for Seat belt Automatic 928.803.126.02	/L -79	1	
(10)	928 803 184 02	Seat belt buckle for Seat belt Automatic 928.803.126.02	/R -79	1	
(10)	928 803 183 04	Seat belt buckle	/L (GB) -79	1	
(10)	928 803 183 07	Seat belt buckle	/L (AUS) -79	1	
(10)	928 803 184 07	Seat belt buckle	/R (AUS) -79	1	
(10)	928 803 183 05	Seat-belt buckle	80-	2	
11	111 857 799	Hexagon-head bolt for Seat belt buckle		1	
12	928 803 259 02	Spacer sleeve		2	
13	N 012 112 2	Serrated lock washer 12,5		2	
14	803 019 845	Cap		2	
15	928 803 015 02	Lap belt Automatic		2	
(15)	928 803 015 04	Lap belt	(GB)	2	
16	111 857 799 A	Hexagon-head bolt		2	
16	3B0 857 799	Hexagon-head bolt		2	

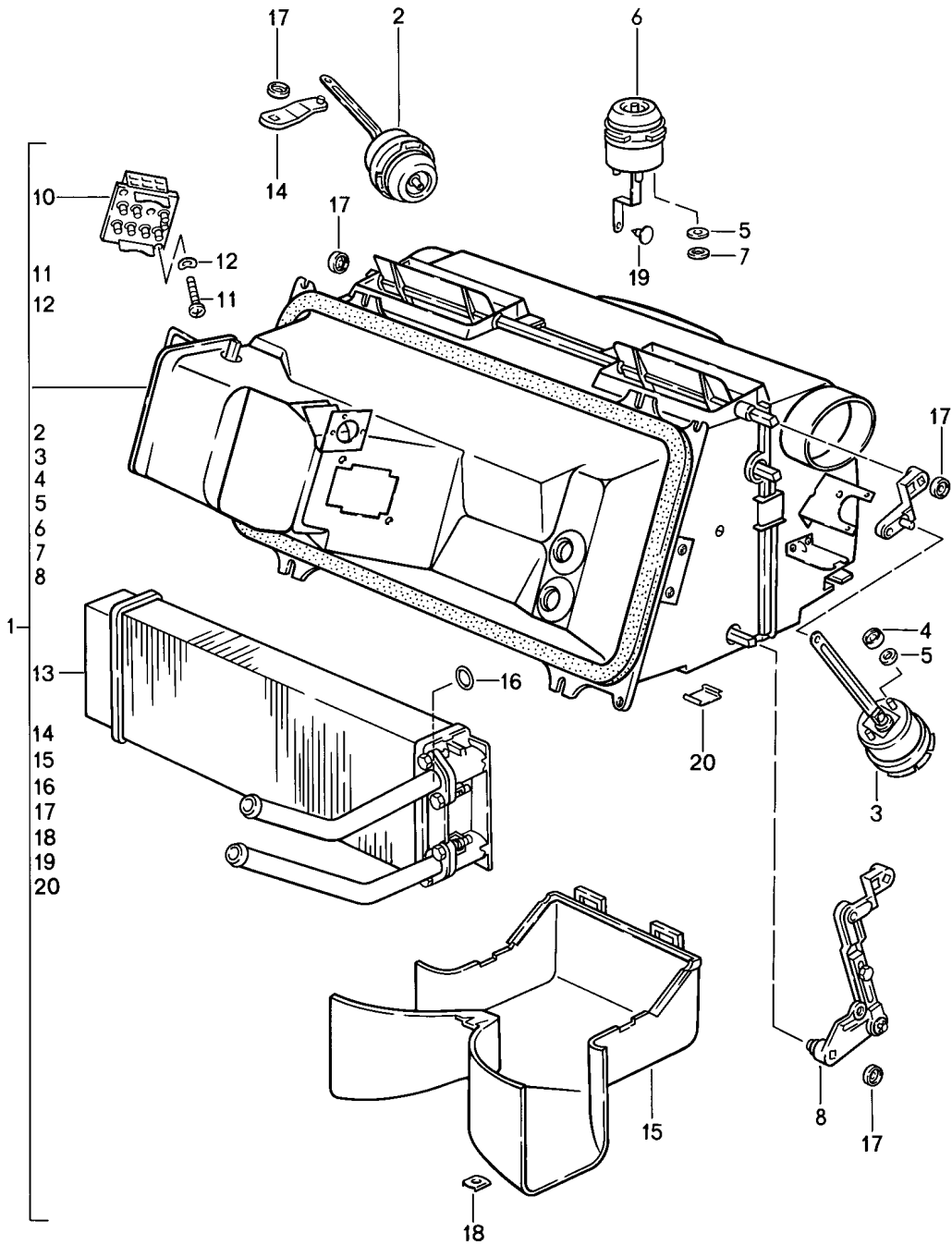
Model: 928 78

Model life 1978&gt;&gt;1982

Pos	Part Number	Description	Remark	Qty	Model
17	N 012 112 2	Serrated lock washer 12,5		2	
18	928 803 081 02	Push-button lock	/L -79	1	
(18)	928 803 082 02	Push-button lock	/R -79	1	
(18)	928 803 051 02	Lock	80-	2	
19	111 857 793 E	Hexagon-head bolt		2	
20	211 857 771	Washer		4	
21	928 803 259 02	Spacer sleeve		2	
-	928 803 903 02	Lap belt		1	
22	928 803 151 02	Clip Upper part		1	
23	928 803 153 02	Clip Lower part		1	
24	927 803 021 02	Seat belt Automatic	(AUS)	2	
25	111 857 793 E	Hexagon-head bolt	(AUS)	2	
26	211 857 771	Washer	(AUS)	4	
27	N 011 655 2	Washer	(AUS)	2	
28	111 857 793 E	Hexagon-head bolt	(AUS)	2	
29	211 857 771	Washer	(AUS)	2	
30	901 803 116 40	Spacer sleeve	(AUS)	2	
31	811 857 845	Cap	(AUS)	2	
32	928 803 051 02	Lock	(AUS)	2	
(32)	928 803 081 02	Push-button lock	/L (AUS)	1	M417
(32)	928 803 082 02	Push-button lock	/R (AUS)	1	M417
33	111 857 793 E	Hexagon-head bolt	(AUS)	2	
34	211 857 771	Washer	(AUS)	2	
35	928 803 259 02	Spacer sleeve	(AUS)	2	

Model: 928 78

Model life 1978>>1982



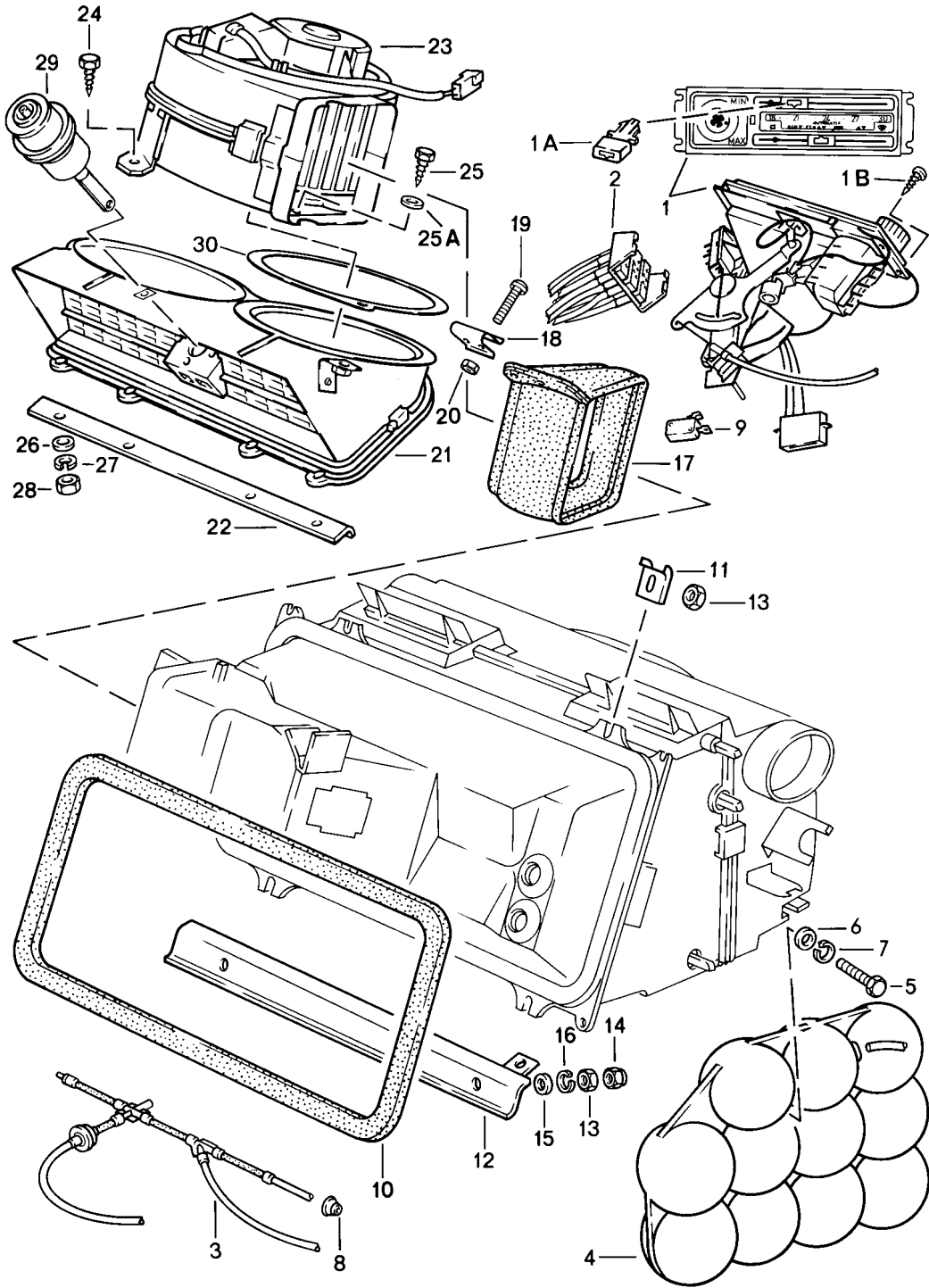
Model: 928 78

Model life 1978&gt;&gt;1982

Pos	Part Number	Description	Remark	Qty	Model
1	928 574 037 02	Heater		1	
(1)	928 574 037 03	Heater	-79	1	
2	928 574 062 03	Vacuum unit	80-	1	
		Flap			
3	928 574 077 02	Vacuum unit		1	
		Defroster			
4	999 507 243 02	Kronen-fix		6	
5	928 574 465 02	Rubber washer		9	
6	928 574 079 02	Vacuum unit		1	
		Footwell			
7	999 507 247 02	Mecano-speed-fix		3	
8	928 574 082 02	Control shaft		1	
		Control flap			
10	928 618 101 01	Thermo bi-metal switch		1	
11	900 146 025 02	Half-round screw		2	
		M 4 X 18			
12	N 012 224 3	Spring washer		2	
		B 4			
13	928 574 047 02	Heat exchanger	/LL	1	
(13)	927 574 047 02	Heat exchanger	/RL	1	
14	928 574 397 02	Bearing lever		1	
15	928 574 027 02	Housing		1	
		Footwell			
16	999 701 615 40	O-ring		2	
17	999 591 425 03	Mecano-speed-fix		6	
18	999 507 244 02	Kronen-fix		1	
19	928 574 735 02	Bolt		1	
20	928 574 423 02	Clamp		8	

Model: 928 78

Model life 1978>>1982



Model: 928 78

Model life 1978&gt;&gt;1982

Pos	Part Number	Description	Remark	Qty	Model
		Control switch Lines			
1	928 574 061 04	Control switch	-79	1	M489
1	928 574 119 02	Control switch	80-	1	
(1)	928 574 061 05	Control switch English	-79	1	
1	928 574 119 03	Control switch English	80-	1	
(1)	928 573 061 04	Control switch Air conditioner German	-79	1	
(1)	928 573 119 02	Control switch Air conditioner German	80-	1	
(1)	928 573 061 05	Control switch Air conditioner English	-79	1	
(1)	928 573 119 03	Control switch Air conditioner English	80-	1	
(1)	928 573 060 04	Control switch Automatic air conditioner		1	
1A	928 574 093 02	Control button Blower switch Rotary knob See group 9/03/00 - 10 + 12		2	
1B	113 415 869	Oval-head screw AM 3,5 X 10		4	
2	928 574 670 02	Vacuum line Complete	-79	1	
(2)	928 574 670 03	Vacuum line Complete	80-	1	
3	928 574 710 08	Vacuum line		1	
4	171 820 601	Vacuum tank		1	
5	N 010 221 3	Hexagon-head bolt M 6 X 35		1	
6	N 011 524 7	Washer A 6,4		1	
6	N 011 524 27	Washer A 6,4		1	
7	N 012 007 2	Lock ring A 6,4		1	
7	900 027 004 03	Lock ring A 6,4		1	
8	311 949 149 B	Grommet		1	
9	928 613 128 00	Micro-changeover switch		1	
-	928 613 049 00	Micro-changeover switch Automatic air conditioner		1	
10	928 574 387 02	Gasket Heater		1	
11	928 574 581 02	Clip		2	
12	928 556 301 02	Reinforcement bracket		1	
13	900 076 010 02	Nut M 6		4	
13	900 076 010 0B	Nut M 6		4	
14	900 070 002 02	Cap nut M 6		2	
15	N 011 524 7	Washer A 6,4		4	
15	N 011 524 27	Washer A 6,4		4	

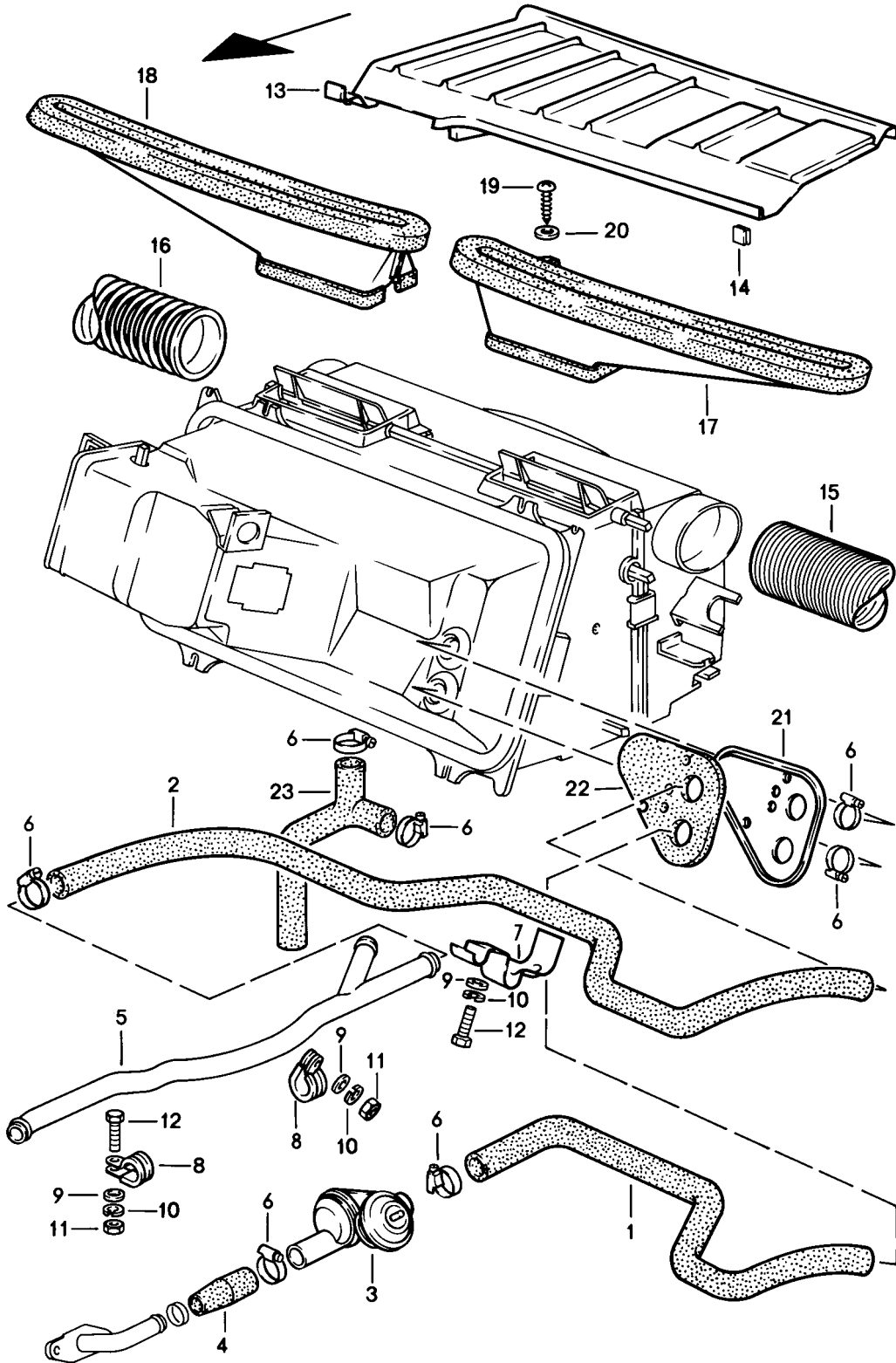
Model: 928 78 Model life 1978>>1982

Pos	Part Number	Description	Remark	Qty	Model
16	N 012 006 4	Lock ring B 6		6	
17	928 574 389 04	Rubber connecting piece	/LL -80	1	
(17)		Rubber connecting piece	/RL -80	1	
17		Rubber connecting piece	81-	1	
18	928 574 425 02	Clamping bow	-80	1	
19	N 010 264 4	Hexagon-head bolt M 5 X 25	-80	2	
20	N 011 005 14	Hexagon nut M 5		2	
20	900 076 091 01	Hexagon nut M 5		2	
21	928 574 031 03	Suction housing Heater	/LL -79	1	
(21)		Suction housing Heater	/LL	1	
(21)	927 574 031 02	Suction housing Heater	/RL	1	
(21)	928 573 031 05	Suction housing Air conditioner	/LL	1	
(21)	927 573 031 03	Suction housing Air conditioner	/RL	1	
22	928 556 303 02	Reinforcement bracket		1	
23	928 574 033 05	Blower	/LL	1	
23	927 574 033 04	Blower	/RL	1	
24	900 187 104 02	Tapping screw B 4,8 X 13		2	
25	900 075 265 02	Hexagon-head bolt 5 X 16	-79	2	
(25)	900 187 033 02	Tapping screw B 4,8 X 50		1	
25A	900 151 002 07	Washer A 5,3		1	
26	N 011 524 7	Washer A 6,4		4	
26	N 011 524 27	Washer A 6,4		4	
27	N 012 006 4	Lock ring B 6		4	
28	900 076 010 02	Nut M 6		4	
28	900 076 010 0B	Nut M 6		4	
-	477 819 343	Spring clamp		2	
-	928 511 321 02	Cap		1	
-	928 574 259 02	Gasket		1	
-	999 915 270 40	Gasket		*	
-	999 703 058 40	Stopper		2	
-	928 574 459 02	Cable holder		1	
-	928 659 021 01	Outer sensor Automatic air conditioner	80-	1	
-	928 573 344 02	Sealing ring		1	
-	928 573 527 02	Connecting piece		1	
29	928 573 077 02	Vacuum unit Suction housing		1	M563/573
30	928 574 133 02	Gasket	/LL	1	
(30)		Gasket	/RL	1	



Model: 928 78

Model life 1978>>1982

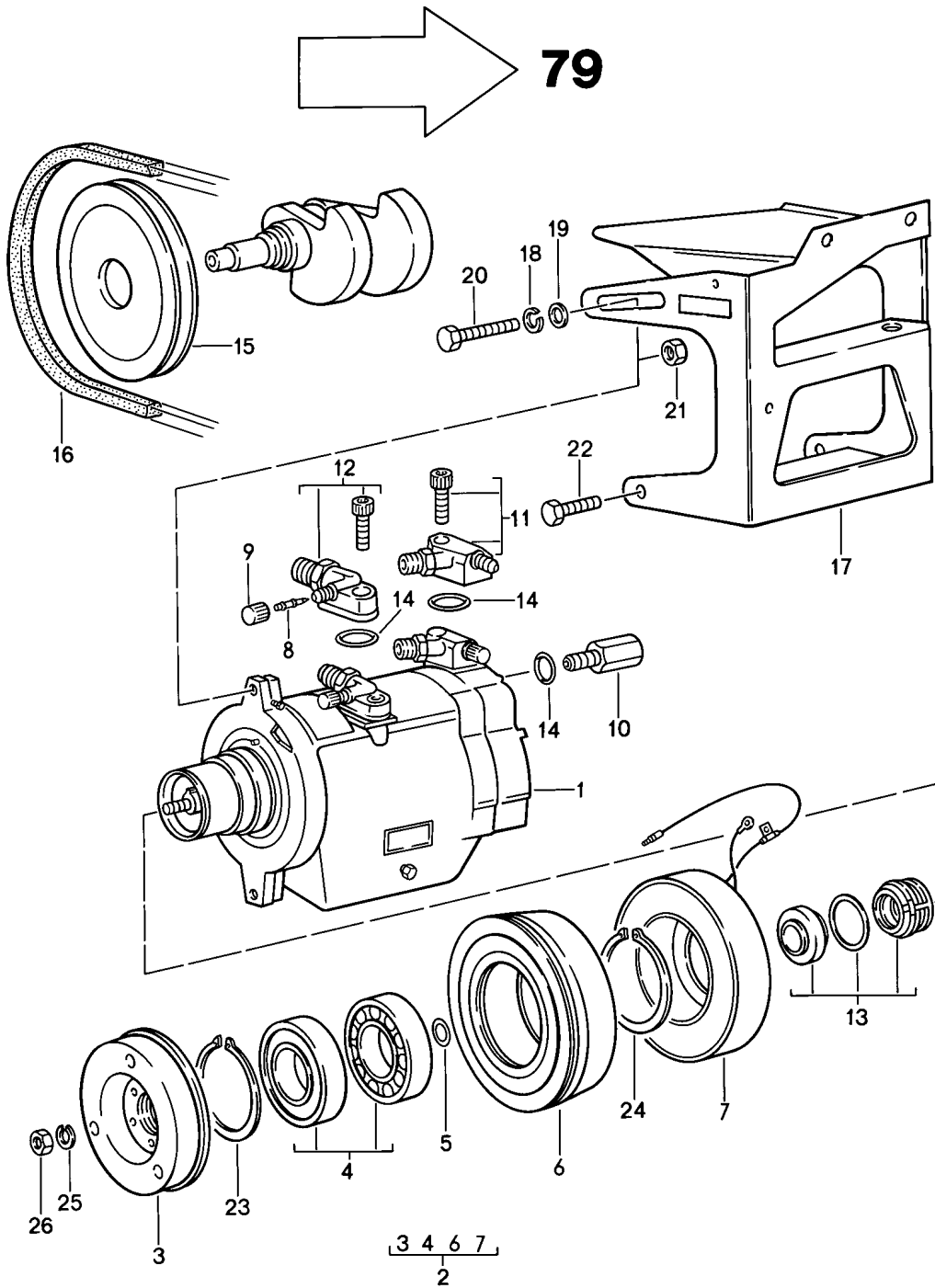


Model: 928 78 Model life 1978>>1982

Pos	Part Number	Description	Remark	Qty	Model
1	928 574 587 03	Heater hose Nozzle		1	
(1)	927 574 587 03	Heater hose Intake	/LL	1	
2	928 574 589 04	Heater hose Return line	/RL	1	
(2)	927 574 589 03	Heater hose Return line	/LL	1	
3	928 574 573 03	Disc valve		1	
3	928 574 573 04	Disc valve		1	
-	986 307 507 00	Use also: Cap		1	
4	928 574 567 02	Connecting hose		1	
5	928 574 106 03	Heater pipeline	/LL	1	
(5)	927 574 106 03	Heater pipeline	/RL	1	
6	999 512 346 00	Hose clamp		6	
7	928 574 605 02	Hose holder		1	
8	999 511 066 02	Clamp		2	
9	N 011 524 7	Washer A 6,4		3	
9	N 011 524 27	Washer A 6,4		3	
10	N 012 006 4	Lock ring B 6		3	
11	900 076 010 02	Nut M 6		2	
11	900 076 010 0B	Nut M 6		2	
12	900 075 057 02	Hexagon-head bolt M 6 X 16		2	
12	900 075 057 03	Hexagon-head bolt M 6 X 16		2	
13	928 574 553 04	Cowl panel covering		1	
(13)	927 574 553 04	Cowl panel covering		1	
14	999 920 005 02	U-clamp		4	
14	999 920 005 01	U-clamp		4	
15	928 574 625 02	Flexible pipe	/L	1	
16	928 574 626 02	Flexible pipe	/R	1	
17	928 574 631 02	Defroster vent	/L	1	
18	928 574 632 02	Defroster vent	/R	1	
19	900 143 031 02	Oval-head sheetmetal screw B 4,2 X 9,5		4	
20	N 011 522 14	Washer A 4,3		4	
21	928 574 055 02	Lid	/LL	1	
21	928 574 055 02 GRV	Lid Prime coated	/LL	1	
(21)	927 574 055 02	Lid	/RL	1	
21	928 573 065 02	Seal	/LL	1	M563/573
21	927 573 065 02	Seal	/RL	1	M563/573
22	928 574 585 02	Cover plate		1	
22	928 573 551 02	Cover plate		1	M563/573
23	928 574 583 04	Water drain hose		1	

Model: 928 78

Model life 1978>>1982



Model: 928 78

Model life 1978&gt;&gt;1982

Pos	Part Number	Description	Remark	Qty	Model
(1)	928 126 010 01	Compressor F >>92A08 00356	-79	1	928
2	928 573 902 02	Compressor with Magnetic clutch		1	
3	928 573 903 02	Magnetic clutch Complete		1	
4	928 573 904 02	Clutch plate		1	
5	928 573 905 02	Set of bearings		1	
6	928 573 906 02	Shim		1	
7	928 573 907 02	Pulley		1	
8	928 573 908 03	Coil		1	
9	928 573 909 02	Valve insert		1	
10	928 573 910 02	Cap		1	
11	928 573 911 02	Relief valve		1	
12	928 573 912 02	Pressure valve		1	
13	928 573 913 02	Suction valve		1	
14	928 573 914 02	Set of shaft seals		1	
15	928 102 115 00	Gasket set Complete		1	
15	928 102 118 00	V-belt pulley M >> 818 1765 M >> 818 9378	AUT.	1	
16	999 192 146 50	V-belt pulley M 818 1766 >> M 818 9379 >>	AUT.	1	
16	999 192 127 50	Narrow v-belt 12,5 X 1075 M 818 1766 >> M 818 9379 >>	AUT.	1	
17	928 126 017 00	Narrow v-belt 12,5 X 1022 M >> 818 1765 M >> 818 9378	AUT.	1	
18	N 012 242 3	Compressor console		3	
19	900 025 008 02	Spring washer B 10		1	
19	N 011 527 4	Washer 10,5		1	
19	900 025 008 09	Washer 10,5		1	
19	900 025 008 04	Washer 10,5		1	
20	N 040 249 2	Hexagon-head bolt M 10 X 40		1	
21	N 011 010 6	Hexagon nut M 10		1	
21	N 101 552 10	Hexagon nut M 10		1	
22	900 075 041 02	Hexagon-head bolt M 10 X 25		2	
23	999 152 090 00	Circlip 41\$		1	
24	999 152 091 00	Circlip		1	
-	928 126 123 03	Strut		1	
25	900 027 015 02	Lock ring A 8		1	
25	900 027 015 03	Lock ring A 8		1	
26	900 076 025 02	Hexagon nut M 8		1	

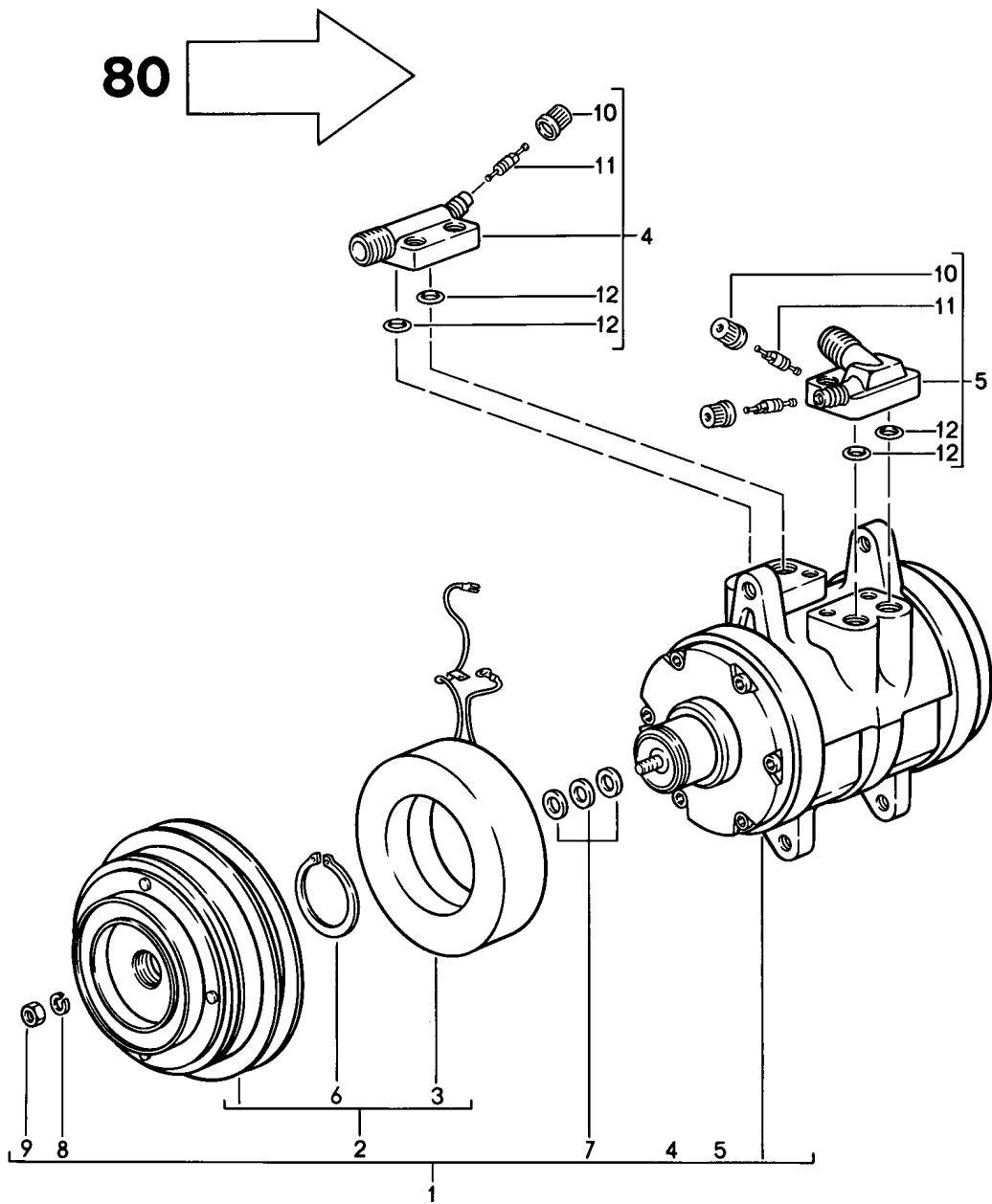
Model: 928 78

Model life 1978&gt;&gt;1982

Pos	Part Number	Description	Remark	Qty	Model
26	900 076 064 02	Hexagon nut M 8		1	
-	928 126 125 00	Driver		1	
-	900 075 311 02	Screw M 8 X 85		1	
-	900 082 087 02	Screw M 10 X 45		1	

Model: 928 78

Model life 1978>>1982



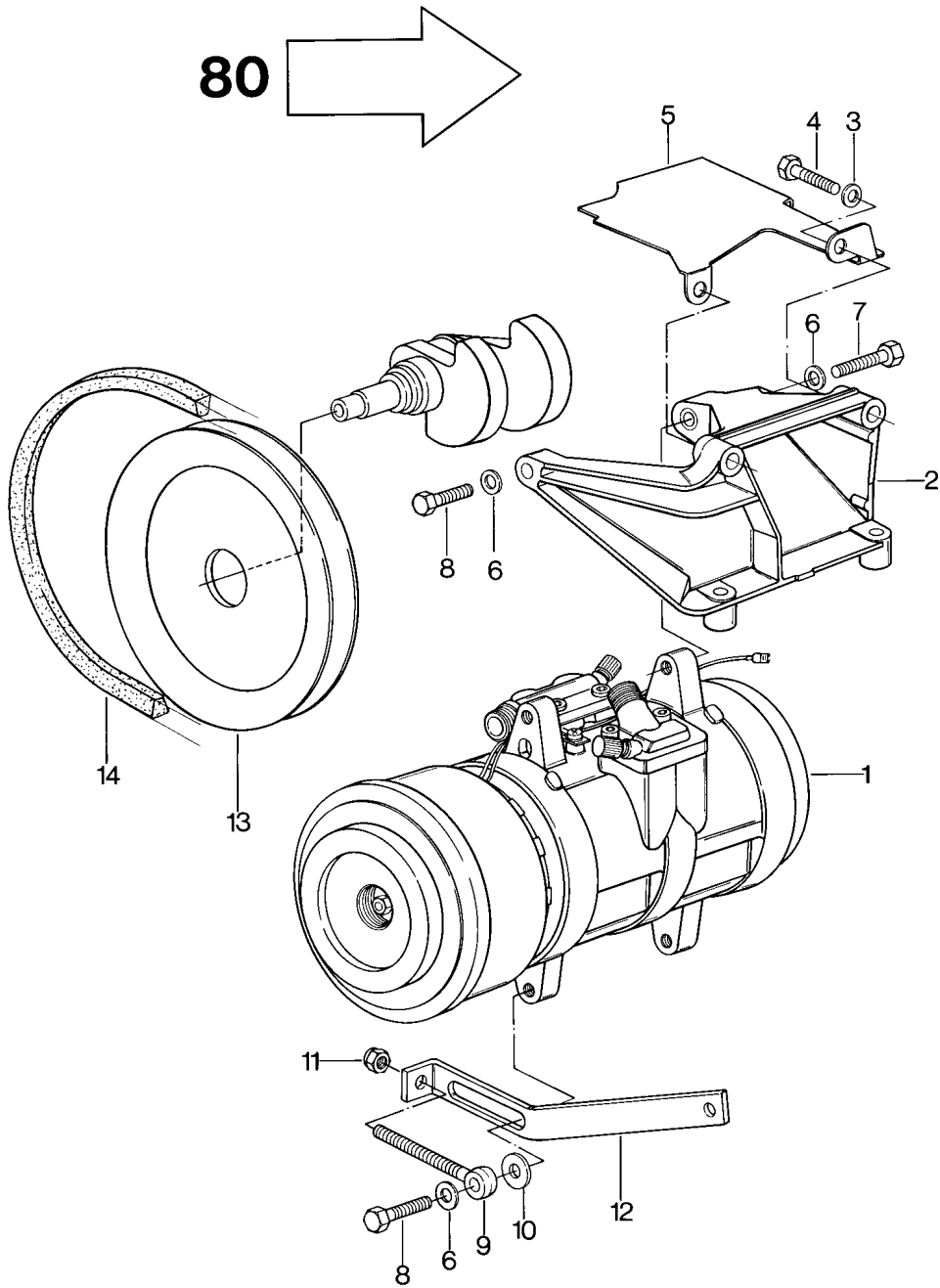
Model: 928 78

Model life 1978>>1982

Pos	Part Number	Description	Remark	Qty	Model
		Compressor F 92A08 00357>>	80-		928
1	928 126 010 06	Compressor		1	
2	928 126 901 00	Clutch		1	
3	928 126 925 00	Solenoid coil		1	
4	928 126 904 00	Pressure valve		1	
5	928 126 903 00	Suction valve		1	
6	477 298 843	Circlip		1	
7	477 298 829	Spacer 0,1 MM		X	
(7)	477 298 829 A	Spacer 0,2 MM		X	
(7)	477 298 829 B	Spacer 0,5 MM		X	
(7)	477 298 829 C	Spacer 0,8 MM		X	
(7)	477 298 829 B	Spacer 1,0 MM		X	
8	900 027 015 02	Lock ring B 8		1	
8	900 027 015 03	Lock ring B 8		1	
9	N 011 008 8	Hexagon nut M 8		1	
10	928 573 909 02	Cap		2	
11	928 573 908 03	Valve insert		2	
12	944 126 935 01	O-ring		4	

Model: 928 78

Model life 1978>>1982



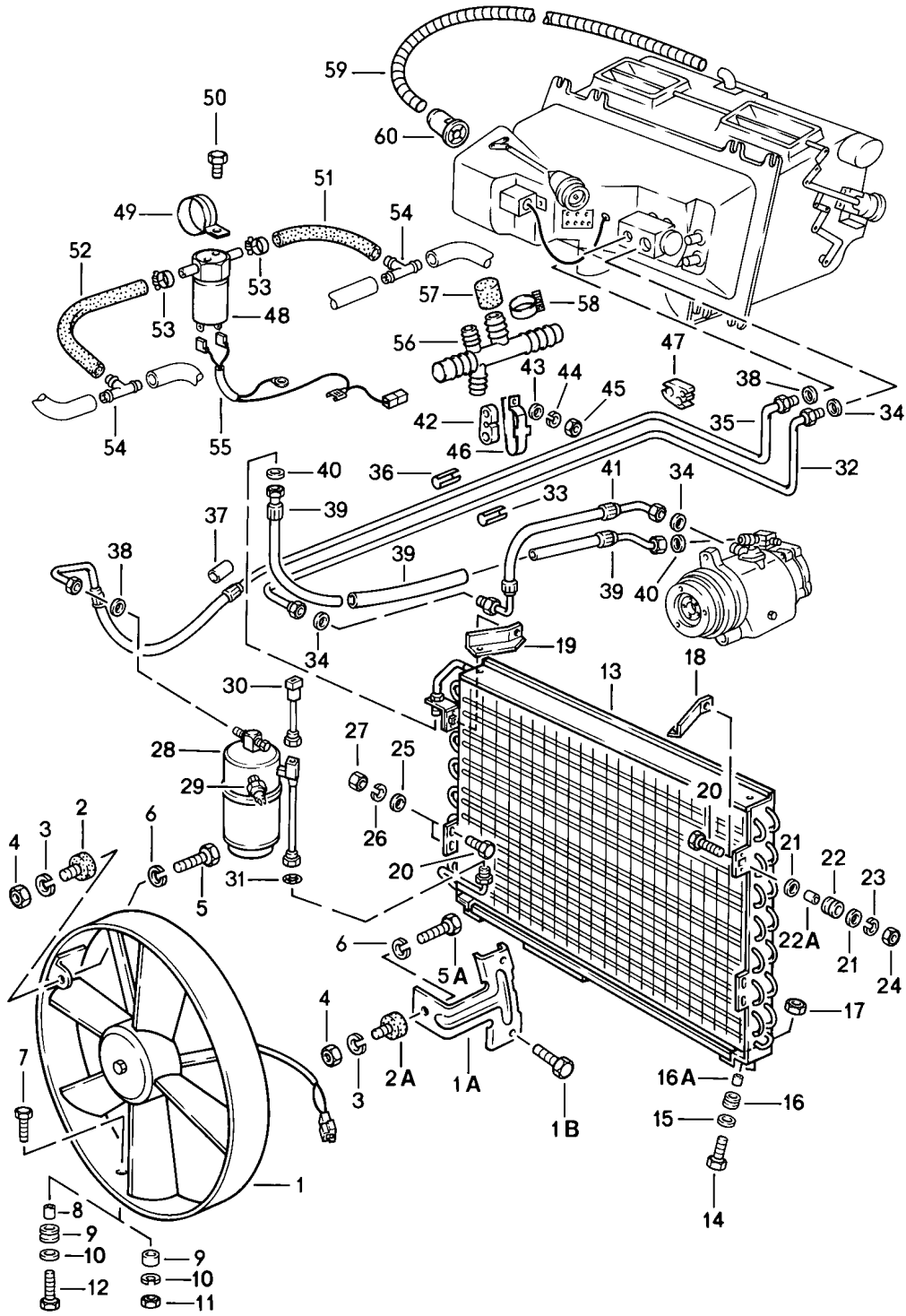


Model: 928 78 Model life 1978>>1982

Pos	Part Number	Description	Remark	Qty	Model
1	-	for M 573 UND 563 Compressor Assembly F 92A08 00357>> See group 8/13/19			
2	928 126 017 02	Compressor console		1	
3	N 012 241 8	Spring washer		5	
4	N 010 340 4	Hexagon-head bolt M 8 X 40		4	
5	928 126 116 02	Heat shield		1	
6	N 012 242 3	Spring washer B 10		3	
7	900 083 048 02	Hexagon-head bolt M 10 X 40		1	
8	900 083 057 02	Hexagon-head bolt M 10 X 33		2	
9	999 460 003 02	Eye screw		1	
10	928 101 303 00	Washer	-80	1	
10		Washer	81-	1	
11	900 910 024 02	Lock nut M 8		1	
12	928 126 123 03	Strut		1	
12		Strut		1	
13	928 102 118 03	V-belt pulley		1	
14	999 192 305 50	Narrow v-belt 12,5 X 1125		1	

Model: 928 78

Model life 1978>>1982



Model: 928 78 Model life 1978>>1982

Pos	Part Number	Description	Remark	Qty	Model
		for			
		M 573			
		Lines			
		Blower			
1	928 624 103 00	Blower	-79	1	
(1)	928 624 103 01	Blower	80-	1	
1A	928 573 345 02	Support	80-	2	
		for			
		Blower			
1B	999 217 023 02	Hexagon-head bolt	80-	2	
		M 5 X 12			
-	999 513 002 40	Tie-wrap		2	
-	N 020 910 4	Tie-wrap		2	
-	999 513 003 40	Tie-wrap		2	
2	999 703 305 00	Rubber stop	-79	2	
2A	999 703 310 00	Rubber buffer	80-	2	
3	N 012 006 4	Lock ring		2	
		B 6			
4	900 076 010 02	Nut		2	
		M 6			
4	900 076 010 0B	Nut		2	
		M 6			
5	N 010 211 4	Hexagon-head bolt	-79	2	
		M 6 X 12			
5A	999 217 021 02	Hexagon-head bolt	80-	2	
		M 6 X 8			
6	N 012 006 4	Lock ring		2	
		B 6			
7	900 075 017 02	Hexagon-head bolt	-79	1	
		M 6 X 25			
7	900 075 017 03	Hexagon-head bolt		1	
		M 6 X 25			
8	928 573 347 02	Spacer tube	80-	1	
9	911 511 332 00	Spacer	-79	1	
(9)	999 702 125 50	Rubber sleeve	80-	1	
10	N 011 524 7	Washer	-79	1	
		A 6,4			
10	N 011 524 27	Washer		1	
		A 6,4			
(10)	900 151 002 07	Washer	80-	1	
		5,3			
11	900 910 011 02	Lock nut	-79	1	
		M 6			
12	999 217 024 02	Hexagon-head bolt	80-	1	
		M 5 X 16			
13	928 573 143 03	Condenser		1	
14	900 075 057 02	Hexagon-head bolt	-79	2	
		M 6 X 16			
14	900 075 057 03	Hexagon-head bolt		2	
		M 6 X 16			
14	999 217 025 02	Hexagon-head bolt	80-	2	
		M 6 X 20			
15	N 011 524 7	Washer	-79	2	
		A 6,4			
15	N 011 524 27	Washer		2	
		A 6,4			
15	900 151 003 02	Washer	80-	2	
		A 6,4			
15	900 151 006 03	Washer	80-	2	
		A 6,4			
16	999 702 046 50	Grommet		2	
16A	928 573 347 02	Spacer tube	80-	2	
17	900 910 011 02	Lock nut		2	

Model: 928 78

Model life 1978&gt;&gt;1982

Pos	Part Number	Description	Remark	Qty	Model
		M 6			
18	928 573 089 02	Retaining bracket	/L	1	
19	928 573 090 02	Retaining bracket	/R	1	
20	900 075 017 02	Hexagon-head bolt M 6 X 25	-79	2	
20	900 075 017 03	Hexagon-head bolt M 6 X 25		2	
20	999 217 022 02	Hexagon-head bolt M 6 X 16	80-	4	
21	N 011 524 7	Washer A 6,4		4	
21	N 011 524 27	Washer A 6,4		4	
22	111 955 641	Rubber sleeve	-79	2	
(22)	999 702 046 50	Grommet	80-	2	
22A	928 573 347 02	Spacer tube	80-	2	
23	N 012 006 4	Lock ring A 6		2	
24	900 076 010 02	Nut M 6		2	
24	900 076 010 0B	Nut M 6		2	
25	N 011 524 7	Washer A 6,4		4	
25	N 011 524 27	Washer A 6,4		4	
26	N 012 006 4	Lock ring B 6		4	
27	900 076 010 02	Nut M 6		4	
27	900 076 010 0B	Nut M 6		4	
28	928 573 941 03	Desiccator		1	
29	959 613 137 00	Low pressure switch		1	
30	928 613 131 01	Thermostat	-79	1	
30		Thermostat	80-	1	
31	999 701 619 40	O-ring		1	
32	928 573 091 03	Intake pipe NW 13	/LL	1	
(32)	927 573 091 04	Intake pipe NW 13	/RL	1	
33	928 573 573 02	Intake pipe Intake pipe NW 13		2	
34	999 707 251 40	O-ring 14,0 X 1,8		1	
35	928 573 093 03	Pressure line NW 8	/LL	1	
(35)	927 573 093 02	Pressure line NW 8	/RL -79	1	
(35)	927 573 093 04	Pressure line NW 8	/RL 80-	1	
36	928 573 571 02	Pressure line Pressure line NW 8		1	
37	928 573 615 02	Hose		1	
38	999 707 247 40	O-ring 7,5 X 1,8		2	
39	928 573 397 02	Hose line NW 10	-79	1	
39	928 573 097 04	Hose line NW 10	80-	1	
40	999 707 250 40	O-ring		2	

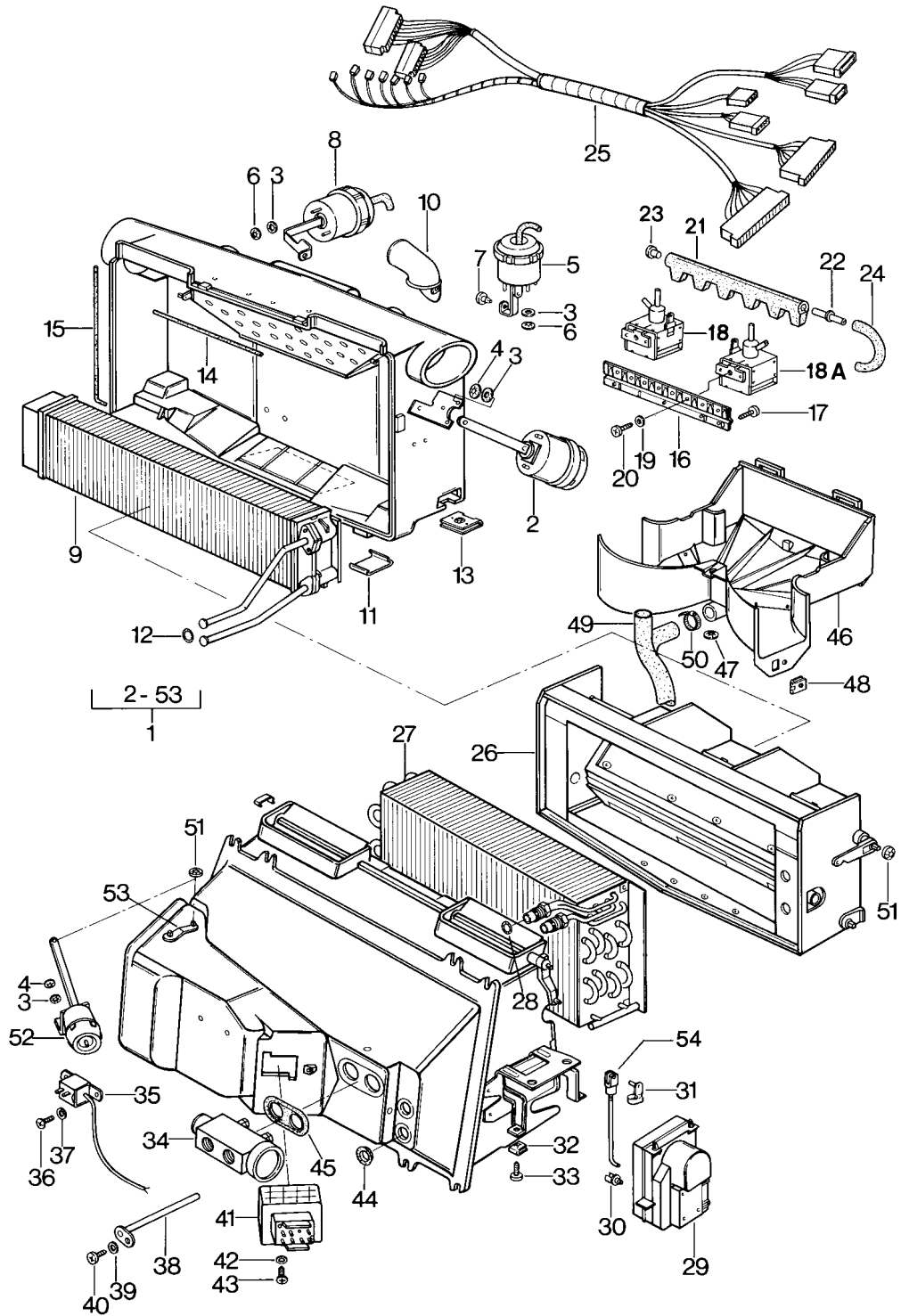
Model: 928 78

Model life 1978>>1982

Pos	Part Number	Description	Remark	Qty	Model
40	999 707 434 41	10,6 X 1,8 O-ring		2	
41	928 573 098 02	10,6 X 1,8 Hose line	-79	1	
(41)	928 573 098 03	NW 13 Hose line	80-	1	
42	928 573 645 03	NW 13 Spacer rubber	/LL	1	
(42)	927 573 645 03	Spacer rubber	/RL	1	
43	N 011 524 7	Washer		2	
43	N 011 524 27	A 6,4 Washer		2	
44	N 012 006 4	A 6,4 Lock ring		1	
45	900 076 010 02	B 6 Nut		1	
45	900 076 010 0B	M 6 Nut		1	
46	928 574 603 04	M 6 Pipe clamp		1	
47	928 573 575 02	Clamping piece		1	
-	928 574 679 02	4 way connector		2	
48	928 606 215 01	Electric air valve		1	
49	999 511 124 02	Pipe clamp		1	
49	999 511 124 01	Clip		1	
50	999 072 005 09	Hexagon nut		1	
50	999 072 005 01	M 6 X 12 Hexagon nut		1	
-	999 239 008 40	M 6 X 12 Hose		*	
51		9,5 X 15,5 150 MM		1	
52		290 MM		1	
53	N 023 570 2	Hose clamp		2	
54	999 137 014 40	T-piece		2	
55	928 612 181 00	Wiring harness		1	
56	928 110 439 00	Distributing piece	-79	1	
57	930 110 256 00	Stopper	-79	1	
58	999 512 056 02	Hose clamp	-79	1	
59	999 181 188 30	Hose		*	
(59)	928 573 357 02	Inner 24,5 Hose		1	
60	928 573 355 02	850 MM Intake socket		1	

Model: 928 78

Model life 1978>>1982



Model: 928 78 Model life 1978>>1982

Pos	Part Number	Description	Remark	Qty	Model
		for M 573 M 563			
1	928 573 037 02	Air conditioner	/LL -79	1	
(1)	927 573 037 02	Air conditioner	/RL -79	1	
(1)	928 573 037 03	Air conditioner	/LL 80-	1	
(1)	927 573 037 03	Air conditioner	/RL 80-	1	
(1)	928 573 036 02	Air conditioner Automatic	/LL 80-	1	M563
(1)	927 573 036 02	Air conditioner Automatic	/RL 80-	1	M563
2	928 574 077 02	Vacuum unit		1	
3	928 574 465 02	Defroster flap		9	
4	999 507 243 02	Rubber washer		6	
5	928 574 079 02	Kronen-fix		1	
(5)	928 574 079 06	Vacuum unit Footwell	-79 80-	1	
6	999 507 247 02	Mecano-speed-fix		6	
7	928 574 735 02	Bolt	80-	1	
8	928 573 309 03	Vacuum unit Centre nozzle	80-	1	
9	928 574 047 02	Heat exchanger	/LL	1	
(9)	927 574 047 02	Heat exchanger	/RL	1	
10	928 573 356 02	Exhaust socket	/LL -79	1	
(10)	927 573 356 02	Exhaust socket	/RL -79	1	
11	928 574 423 02	Clamp		8	
12	999 701 615 40	O-ring		2	
13	999 591 368 02	Speed nut 4,2		2	
-	999 911 214 50	Sealing cord		*	
14		152 MM		1	
15		800 MM		1	
16	928 573 693 02	Support	80-	1	
17	N 013 965 9	Oval-head sheetmetal screw B 4,2 X 9,5	80-	2	
18	928 573 691 02	Solenoid valve	/LL 80-	2	M563
18		Solenoid valve	/RL 80-	6	M563
(18A)	928 573 692 02	Change-over valve Black	/LL 80-	4	M563
18A		Change-over valve Black		1	M573
19	900 025 001 02	Washer A 3,2	80-	6	
20	N 013 932 1	Oval-head sheetmetal screw B 2,9 X 6,5	80-	6	
21	928 573 695 02	Connection	80-	1	
22	928 574 689 02	Connecting piece	80-	4	
23	928 574 721 02	Stopper	80-	2	
24	928 574 717 02	Moulded hose	80-	6	
25	928 612 921 01	Wiring harness	80-	1	
26	928 573 038 02	Flap housing	/LL -79	1	
(26)	927 573 038 02	Flap housing	/RL -79	1	
(26)	928 573 038 03	Flap housing	/LL 80-	1	
(26)	927 573 038 03	Flap housing	/RL 80-	1	
27	928 573 013 02	Evaporator	/LL	1	
(27)	927 573 013 02	Evaporator	/RL	1	
28	999 701 620 40	O-ring		2	
29	928 573 150 03	Control mechanism		1	M563
30	993 531 563 00	Linkage clip	80-	1	M563
31	999 166 050 02	Bolt	80-	1	M563
32	999 507 037 02	Speed nut	80-	2	

Model: 928 78 Model life 1978>>1982

Pos	Part Number	Description	Remark	Qty	Model
33	900 143 121 07	4,2 Tapping screw	80-	2	
33	900 143 121 0H	B 4,2 X 16 Tapping screw	80-	2	
34	928 573 123 02	B 4,2 X 16 Expansion valve		1	
35	928 613 135 00	Temperature switch		1	
35	928 613 133 00	Temperature switch		1	
-	928 613 163 00	Use also: 928.613.163.00 Adapter		1	
36	900 075 145 02	Hexagon-head bolt		2	
37	N 012 225 2	M 5 X 16 Spring washer		2	
38	928 573 581 02	B 5 Capillary tube		1	
39	900 028 006 01	Washer		1	
40	N 013 953 2	A 3 Oval-head sheetmetal screw		1	
41	928 618 101 01	B 2,9 X 9,5 Thermo bi-metal switch		1	
42	N 012 224 3	Spring washer		2	
43	900 146 025 02	A 4 Half-round screw		2	
44	928 574 383 02	M 4 X 18 Grommet		2	
45	928 573 383 03	Grommet	-80	1	
45		Grommet	81-	1	
46	928 574 027 02	Housing		1	
47	999 507 244 02	Kronen-fix		1	
48	999 507 020 02	Speed nut		1	
48	999 507 020 01	Speed nut		1	
49	928 574 583 04	4,2 Water drain hose for		1	
-	928 423 523 00	Air conditioner Spacer sleeve		1	
50	999 513 001 40	Tie-wrap		1	
51	999 591 425 03	Mecano-speed-fix		2	
52	928 574 062 03	Vacuum unit Flap		1	
53	928 574 397 02	Bearing lever		1	
54	928 573 313 02	Gear shift rod		1	M563
-	928 573 299 02	Plastic foam strip		2	
-	928 573 717 02	Vacuum line Control valve Fresh-air flap		1	
-	928 573 676 02	Vacuum line Control valve Centre nozzle		1	
-	999 513 025 40	Tie-wrap		2	
-	928 573 094 02	9,5 X 211 Vacuum unit Centre nozzle Automatic air conditioner		1	



Model: 928 78

Model life 1978>>1982



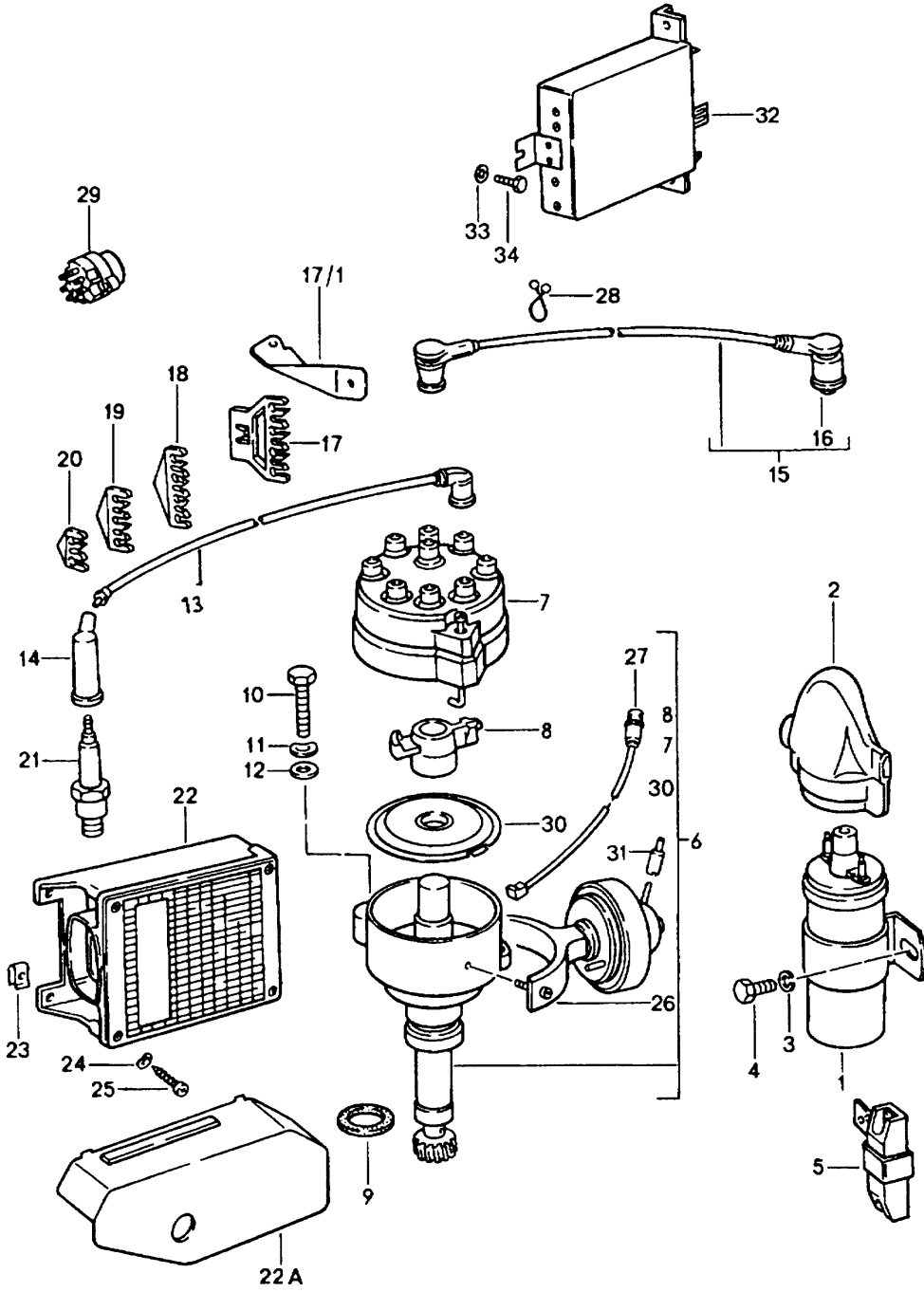
Model: 928 78

Model life 1978&gt;&gt;1982

Pos	Part Number	Description	Remark	Qty	Model
>>	928 799 537 13	Repair kits		1	
>>	928 799 537 15	Set of locks		1	M533
		Comprising:			
		Steering outer tube		1	
		with			
		Steering lock			
		Door lock cylinder		2	
		Lid lock		1	
		Rear			
		Upper part			
		Fuel tank cap		1	
		with lock cylinder			
		Glove compartment lock		1	
		with lock cylinder			
		Key		3	
>>	928 537 111 03	Operating rod		2	
>>	928 559 075 02	Stone guard film	/L	1	
		1 set			
>>	928 559 076 02	Stone guard film	/R	1	
		1 set			
>>	928 799 574 15	Air conditioner	-79	1	
		1 set			
		for subsequent installation			
		Left-hand drive			
		Use also:			
>>	928 573 061 04	Control switch	-79	1	
		Lettering			
		German			
>>	928 573 061 05	Control switch	-79	1	
		Lettering			
		English			
>>	928 102 115 00	V-belt pulley	-79	1	
>>	999 192 127 50	Narrow v-belt	79	1	
		M >> 818 1765			
		M >> 818 9378			
		M >> 828 0812			
		M >> 828 9102			
>>	928 102 118 00	V-belt pulley	-79	1	
>>	999 192 146 50	Narrow v-belt	-79	1	
		M 818 1766 >>			
		M 818 9379 >>			
		M 828 0813 >>			
		M 828 9103 >>			
>>	928 799 574 21	Air conditioner	80-	1	M573
		1 set			
		for subsequent installation			
		Left-hand drive			
		Use also:			
>>	928 573 061 06	Control switch	80-	1	M573
		Lettering			
		German			
>>	928 573 061 07	Control switch	80-	1	M573
		Lettering			
		English			
>>	928 102 118 03	V-belt pulley	80-	1	M573
>>	999 192 148 50	V-belt	80-	1	M573

Model: 928 78

Model life 1978>>1982



Model: 928 78

Model life 1978&gt;&gt;1982

Pos	Part Number	Description	Remark	Qty	Model
		electrical components			
		Engine			
1	928 602 503 00	Ignition coil		1	
2	928 602 801 00	Cap		1	
3	900 028 004 01	Spring washer		2	
4	N 010 237 6	Hexagon-head bolt M 8 X 12	-80	2	
4	N 010 237 14	Hexagon-head bolt M 8 X 12		2	
(4)	N 010 239 11	Hexagon-head bolt M 8 X 18	81-	2	
(4)	N 010 239 30	Hexagon-head bolt M 8 X 18	81-	2	
5	046 905 109	Series resistor Green		1	
(5)	046 905 109 A	Series resistor Red		1	
6	928 602 031 01	Distributor M28.01/02	-79	1	
(6)	928 602 031 AX	Distributor M28.01/02	-79	1	
(6)	928 602 031 01	Distributor	(AUS) 80-	1	
(6)	928 602 031 AX	Distributor	(AUS) 80-	1	
(6)	928 602 031 02	Distributor	(S) 80-	1	
(6)	928 602 031 BX	Distributor M28.09/10	80-	1	
(6)	928 602 033 00	Distributor	80-	1	
(6)	928 602 033 X	Distributor M28.11/12	80-	1	
7	928 602 902 00	Distributor cap		1	
8	928 602 904 02	Rotor for 928 602 031 00 928 602 031 01	-79	1	
(8)	928 602 904 04	Rotor for 928 602 031 02	80-	1	
(8)	928 602 904 05	Rotor for 928 602 033 00	81- 80-	1	
9	928 602 103 00	Sealing ring		1	
10	N 010 247 7	Hexagon-head bolt M 8 X 35		1	
10	N 010 247 18	Hexagon-head bolt M 8 X 35		1	
11	N 012 241 8	Spring washer		1	
12	900 089 006 02	Washer		1	
12	900 089 006 01	Washer		1	
13	928 609 061 00	Ignition lead ZYL.1		1	
(13)	928 609 061 01	Ignition lead ZYL. 2		1	
(13)	928 609 061 02	Ignition lead Cylinder 3		1	
(13)	928 609 061 03	Ignition lead Cylinder 4		1	
(13)	928 609 061 05	Ignition lead ZYL. 5/6		2	
(13)	928 609 061 06	Ignition lead Cylinder 7		1	

Model: 928 78

Model life 1978&gt;&gt;1982

Pos	Part Number	Description	Remark	Qty	Model
(13)	928 609 061 08	Ignition lead Cylinder 8		1	
14	928 609 105 02	Screened connector	-79	8	928
(14)	928 609 105 03	Screened connector Ignition cable connector	80-	8	
15	928 609 061 07	Ignition lead		1	
16	477 035 281	Screened connector		1	
17	928 609 139 03	Support		1	
17A	928 609 140 00	Ignition lead Support	-80	1	
(17B)	928 609 140 01	Right Support	80-	1	
18	928 609 139 02	Right Pipe holder		2	
19	928 609 139 01	Pipe holder		2	
20	928 609 139 00	Pipe holder Spark plug		2	
-	547 09 222	Use also: 547 09222 for Spark plug		X	
-	547 09 222	Nut for Spark plug		X	
21	999 170 170 90	Spark plug 145/14/3 A (BERU)		8	928
(21)		Spark plug (BOSCH) W 8 DC		8	928
(21)	999 170 119 90	Spark plug 175/14/3A BERU		8	928S
(21)	999 170 156 90	Spark plug (BOSCH) WR 7 DC		8	928S
22	928 602 702 02	Tsz switch unit		1	
22A	928 612 871 02	Cover Ignition switch unit		1	
23	999 591 348 02	Speed nut		3	
23	999 591 348 01	Speed nut		3	
24	900 028 007 02	Spring washer		3	
25	900 143 046 02	Oval-head sheetmetal screw B 4,8 X 16		3	
25	900 143 046 01	Oval-head sheetmetal screw B 4,8 X 16		3	
26	928 602 906 00	Vacuum timing unit F.ignition distributor 928.602.031.00	-79	1	928
-	999 651 163 40	Cable clamp		1	
(26)	928 602 915 05	Vacuum timing unit F.ignition distributor 928.602.031.02	80-	1	928
(26)	928 602 915 04	Vacuum timing unit F.ignition distributor 928.602.031.01	-79	1	928
(26)		Vacuum timing unit F.ignition distributor 928.602.031.01	80- (AUS) (S)	1	928
(26)	928 602 915 01	Vacuum timing unit F.ignition distributor 928.602.033.00		1	928S
27	928 602 907 00	Supply cable		1	

Model: 928 78

Model life 1978>>1982

Pos	Part Number	Description	Remark	Qty	Model
28	999 651 161 40	Cable tie		1	
29	964 613 012 00	Ignition starter switch		1	
		Ignition starter switch			
		See group			
		4/03/05			
30	928 602 905 00	Dust cover		1	
		F.ignition distributor			
		928.602.031.00			
(30)	928 602 913 00	Dust cover		1	
		F.ignition distributor			
		928.602.031.01/031.02			
		928.602.032.02/032.03			
		928.602.033.00			
31	911 110 297 00	Stopper	(AUS)	1	
		for	(S)		
		Vacuum unit			



Model: 928 78 Model life 1978>>1982

Pos	Part Number	Description	Remark	Qty	Model
1	928 603 113 03	Generator	-81	1	
(1)	928 603 114 01	Generator	82	1	
(1)	928 603 114 AX	Generator	82	1	
(1)	928 603 114 BX	Generator	82-	1	
1A	901 603 905 00	Hexagon nut M 16 X 1	-81	1	
1A	901 603 905 01	Hexagon nut M 16 X 1		1	
1A	928 603 904 00	Set of fastening parts	82	1	
2	928 603 131 00	Pulley	-81	1	
(2)	928 603 145 02	Pulley	82	1	
3	999 192 135 50	Narrow v-belt 9,5 X 875	-81	1	
3	999 192 214 50	Poly-rib belt K4 858	82	1	
4	928 101 041 03	Support	-78	1	
(4)		Generator Support		1	
(5)	928 101 402 07	Tension shackle for Generator		1	
6	N 012 241 8	Spring washer		5	
7	900 075 085 02	Hexagon-head bolt M 8 X 20		1	
8	900 075 029 09	Hexagon-head bolt M 8 X 25		1	
8	900 075 029 03	Hexagon-head bolt M 8 X 25		1	
9	900 076 025 02	Hexagon nut	-81	2	
9	900 076 064 02	Hexagon nut		2	
(9)	900 076 025 02	Hexagon nut	82	2	
(9)	900 076 064 02	Hexagon nut	82-	2	
10	928 101 403 00	Hexagon-head bolt M 8 X 75		1	
10A	N 010 274 1	Hexagon-head bolt		1	
11	900 223 001 02	Washer		1	
12	900 074 050 02	Hexagon-head bolt M 8 X 120		1	
13	N 010 239 11	Hexagon-head bolt M 8 X 18		1	
13	N 010 239 30	Hexagon-head bolt M 8 X 18		1	
15	928 603 135 01	Sealing ring	-81	1	
15	928 603 135 02	Sealing ring	82	1	
16	928 603 133 01	Ventilation cowl	-81	1	
16	928 603 133 04	Ventilation cowl	82	1	
16A	928 612 865 02	Hose piece Only together with 928 603 114 00	82	1	
17	900 067 008 02	Pan-head screw M 6 X 12		3	
17	900 067 008 03	Pan-head screw M 6 X 12		3	
17A	N 011 005 14	Hexagon nut	82-	4	
17A	900 076 091 01	Hexagon nut	82-	4	
18	N 012 226 5	Spring washer	-81	3	
(18)	900 025 003 02	Washer	82	8	
19	928 603 143 00	Breather hose 1170 MM		1	
(19)	928 603 143 01	Flexible pipe 320 MM		1	M563
(19)	928 603 143 00	Breather hose		1	M563



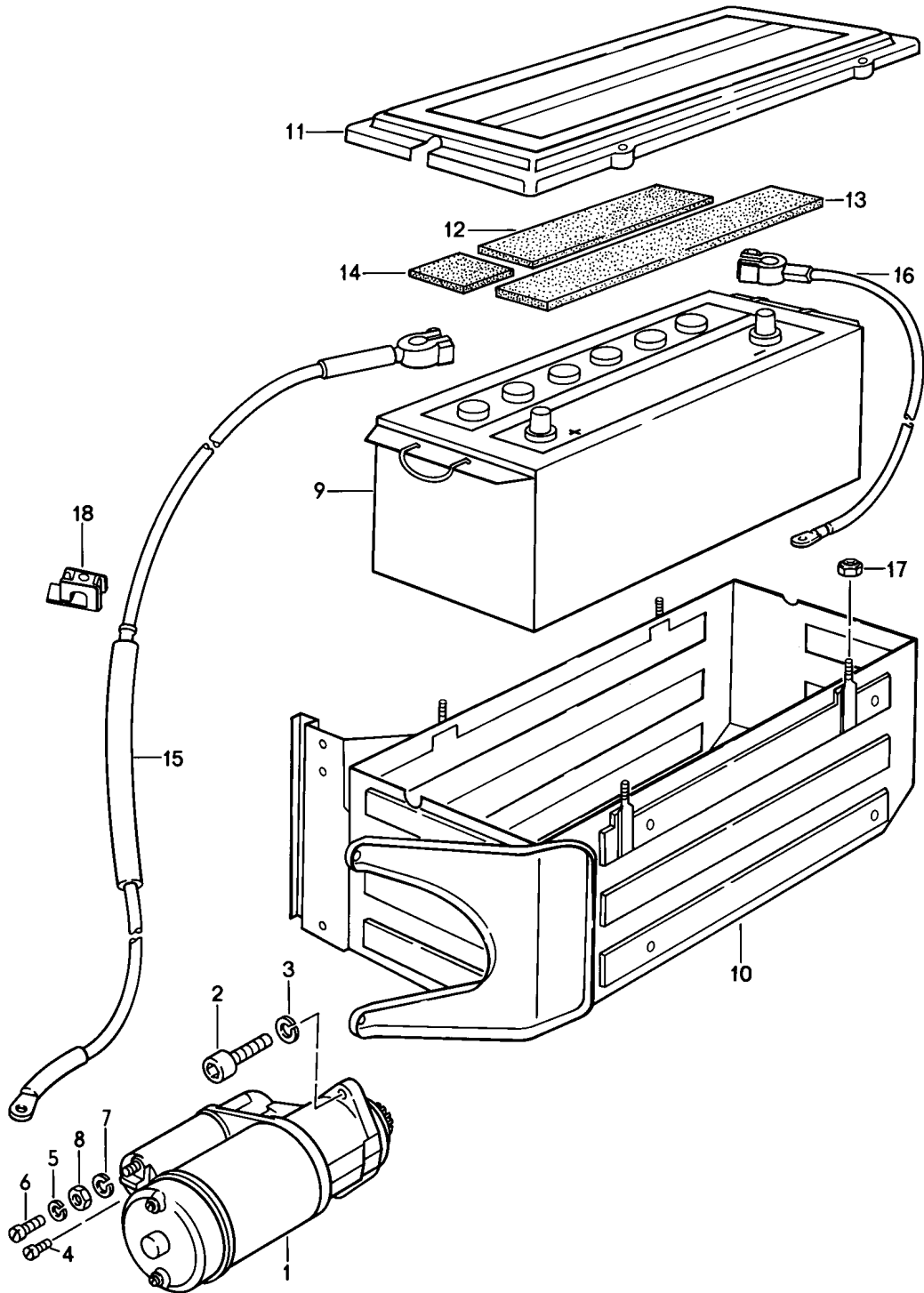
Model: 928 78

Model life 1978>>1982

Pos	Part Number	Description	Remark	Qty	Model
(19)	928 603 143 04	1170 MM Flexible pipe 900 MM		1	M563
-	928 603 365 00	Edge protection	81-	3	
-	999 512 349 02	Hose clamp	-81	2	M563
-	999 512 349 01	Hose clamp		2	M563
-	999 512 349 0B	Hose clamp	-81	2	
-	999 512 349 02	Hose clamp		2	M563
-	999 512 349 01	Hose clamp		2	M563
-	999 512 349 0B	Hose clamp		2	
-	999 513 023 40	Tie-wrap		1	M563
20	928 603 139 00	Retaining bar		1	
21	928 603 901 02	Regulator	-81	1	
21	911 603 913 01	Electronic regulator	82	1	
21A	911 603 911 00	Push-on connector Only together with 928.603.913.01 928.603.114.00	82	1	

Model: 928 78

Model life 1978>>1982



Model: 928 78

Model life 1978&gt;&gt;1982

Pos	Part Number	Description	Remark	Qty	Model
1	928 604 103 04	Starter Battery		1	
(1)	928 604 103 DX	Starter 1,5 KW		1	
(1)	928 604 103 EX	Starter 1,5 KW		1	
2	900 067 124 02	Pan-head screw M 10 X 35		2	
3	900 027 016 02	Lock ring B 10		2	
3	900 027 016 03	Lock ring B 10		2	
4	900 075 275 02	Pan-head screw AM 4 X 8		1	
5	N 012 005 3	Lock ring		1	
6	900 075 276 02	Pan-head screw AM 5 X 6		1	
7	N 012 009 3	Lock ring A 8		1	
8	900 076 025 02	Hexagon nut		1	
8	900 076 064 02	Hexagon nut		1	
9	928 611 101 00	Battery 12 V - 66 AH		1	
(9)	928 611 101 01	Battery 12 V - 66 AH		1	
(9)	928 611 175 02	Battery 12 V - 75 AH		1	
(9)	999 611 070 20	Battery 12 V - 70 AH		1	
(9)	999 611 070 21	Battery 12 V - 70 AH		1	
(9)	999 611 088 20	Battery 12 V - 88 AH		1	
10	928 611 017 01	Battery box	-78	1	
11	928 611 147 01	Cover for housing	-78	1	
12	928 611 153 00	Rubber strip	-78	1	
13	928 611 153 01	Rubber strip	-78	1	
14	928 611 159 00	Rubber plate	-78	1	
15	928 612 007 00	Wiring harness	/LL -78	1	
(15)	928 612 007 01	Wiring harness	/RL -78	1	
(15)	928 612 007 01	Wiring harness	79-	1	
-	928 612 140 00	Cable holder		1	
-	N 012 234 5	Spring washer		1	
-	900 187 016 02	Hexagon-head tapping screw 6,3 X 13		1	
-	999 513 003 40	Tie-wrap		1	
-	999 702 124 50	Grommet		1	
-	999 611 104 00	Battery-starter cable Pole covering		1	
16	928 612 009 00	Battery Ground cable	/LL -78	1	
(16)	928 612 009 10	Ground cable	/RL -78	1	
(16)	928 612 009 13	Ground cable	-81	1	
(16)	928 612 009 13	Ground cable	/RL -78	1	M197
(16)	928 612 009 13	Ground cable	-82	1	M197
17	900 910 012 02	Lock nut	-78	4	
17	900 910 047 09	Lock nut		4	
18	928 612 902 00	Clamp		10	
-	999 044 001 02	Battery-starter cable Winged nut for		1	

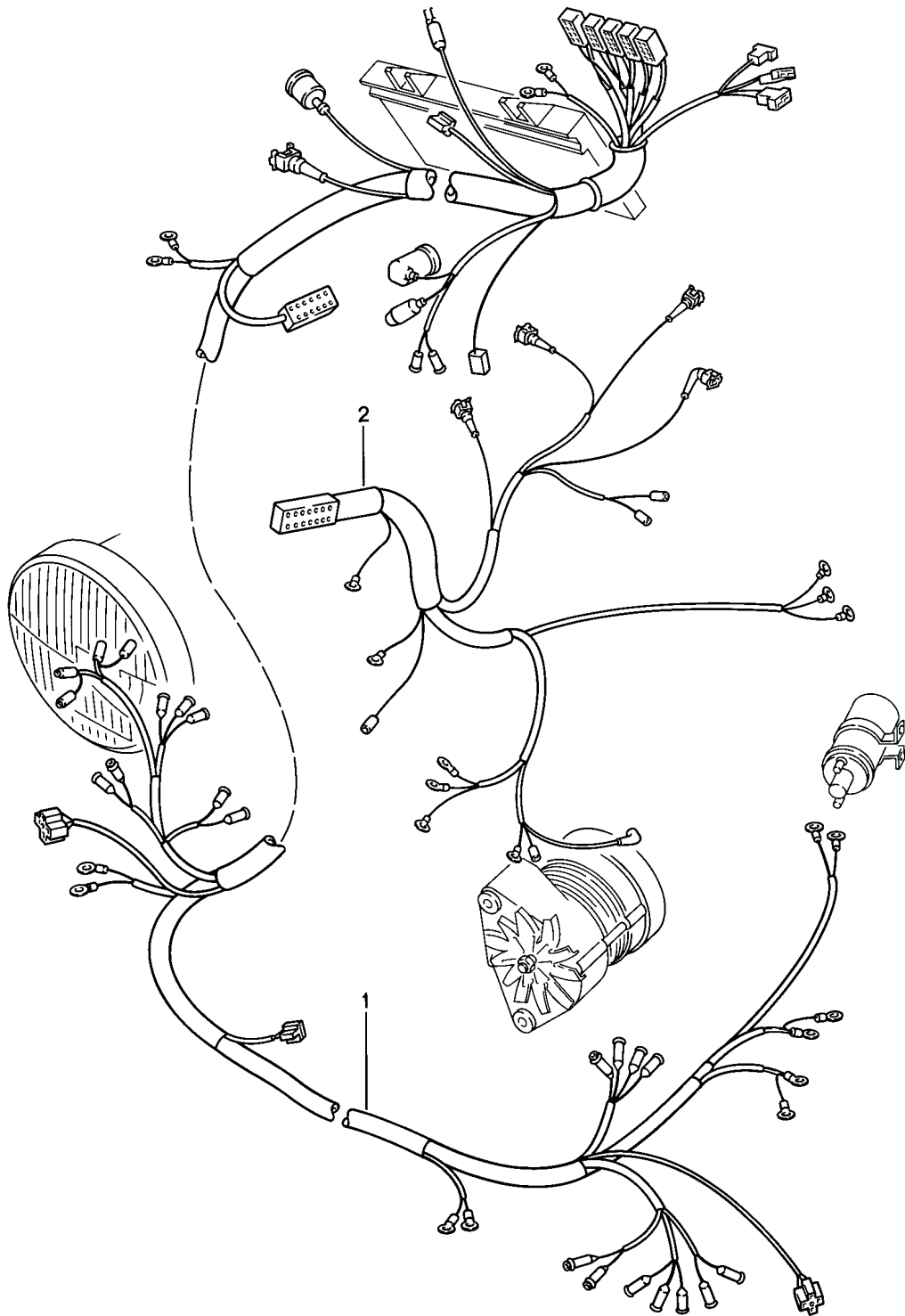
Model: 928 78

Model life 1978>>1982

Pos	Part Number	Description	Remark	Qty	Model
-	N 012 241 8	Ground cable Spring washer for Ground cable		1	
-	900 151 008 02	Washer		1	
-	999 702 128 50	Dummy grommet for Mount Ground cable Mounting parts Battery		1	
-	911 611 209 00	Bracket	-81	1	
-	928 611 209 02	Clamp	-81	1	M197
-		Clamp	82	1	
-	900 025 007 02	Washer	79-	1	
-	900 025 007 03	Washer	79-	1	
-	900 027 015 02	Lock ring B 8	79-	1	
-	900 027 015 03	Lock ring B 8	79-	1	
-	900 075 087 02	Hexagon-head bolt M 8 X 16	79-	1	
-	900 075 087 03	Hexagon-head bolt M 8 X 16	79-	1	

Model: 928 78

Model life 1978>>1982



Model: 928 78 Model life 1978>>1982

Pos	Part Number	Description	Remark	Qty	Model
1	928 612 001 02	Wiring harness FRONT luggage compartment Engine	/LL	1	
(1)	928 612 001 06	Wiring harness FRONT luggage compartment F >>92891 01485 F >>92892 09571	/LL	1	
(1)	927 612 001 00	Wiring harness FRONT luggage compartment	/RL	1	
(1)	928 612 001 02	Wiring harness FRONT luggage compartment F >>92891 01485 F >>92892 09571	-79	1	M573
2	928 612 002 00	Wiring harness Engine	-81	1	
(2)	928 612 002 04	Wiring harness Engine	82	1	
-	928 612 497 00	Protection cap Oil pressure sender		2	
-	928 612 907 00	Wiring harness Control pressure	80-	1	
-	928 612 011 00	Ground cable Engine		1	
-	928 612 012 01	Body Wiring harness Starter Switch	-78	1	M249
-	928 612 012 02	Transmission Wiring harness Starter Switch	79-	1	M249
-	999 651 168 40	Transmission Cable holder		1	M249
-	927 612 201 00	Wiring harness Engine compartment lamp Mounting parts Wiring harness	/RL	1	
-	999 511 124 02	FRONT luggage compartment Pipe clamp	-81	1	
-	999 511 124 01	Clip	-81	1	
-	928 503 113 02	Hexagon-head bolt	-81	1	
-	999 507 328 02	Captive nut	-81	1	
-	999 507 328 0B	Captive nut		1	
-	999 511 138 02	Pipe clamp	82	1	
-	928 503 113 02	Hexagon-head bolt	82	1	
-	928 612 867 00	Cable connection Single pole		1	
-	928 612 869 00	Protection cap		1	
-	N 012 006 4	Lock ring		1	
-	928 612 868 00	Hexagon-head bolt		1	
-	999 513 023 40	Tie-wrap		13	
-	999 513 007 40	Tie-wrap Long		8	
-	999 513 023 40	Tie-wrap		2	
-	999 651 161 40	Cable tie		11	
-	999 651 159 02	Cable clamp	-78	2	
-	N 020 621 1	Clamp		6	
-	928 612 459 00	Cable cover Mounting parts		1	M573

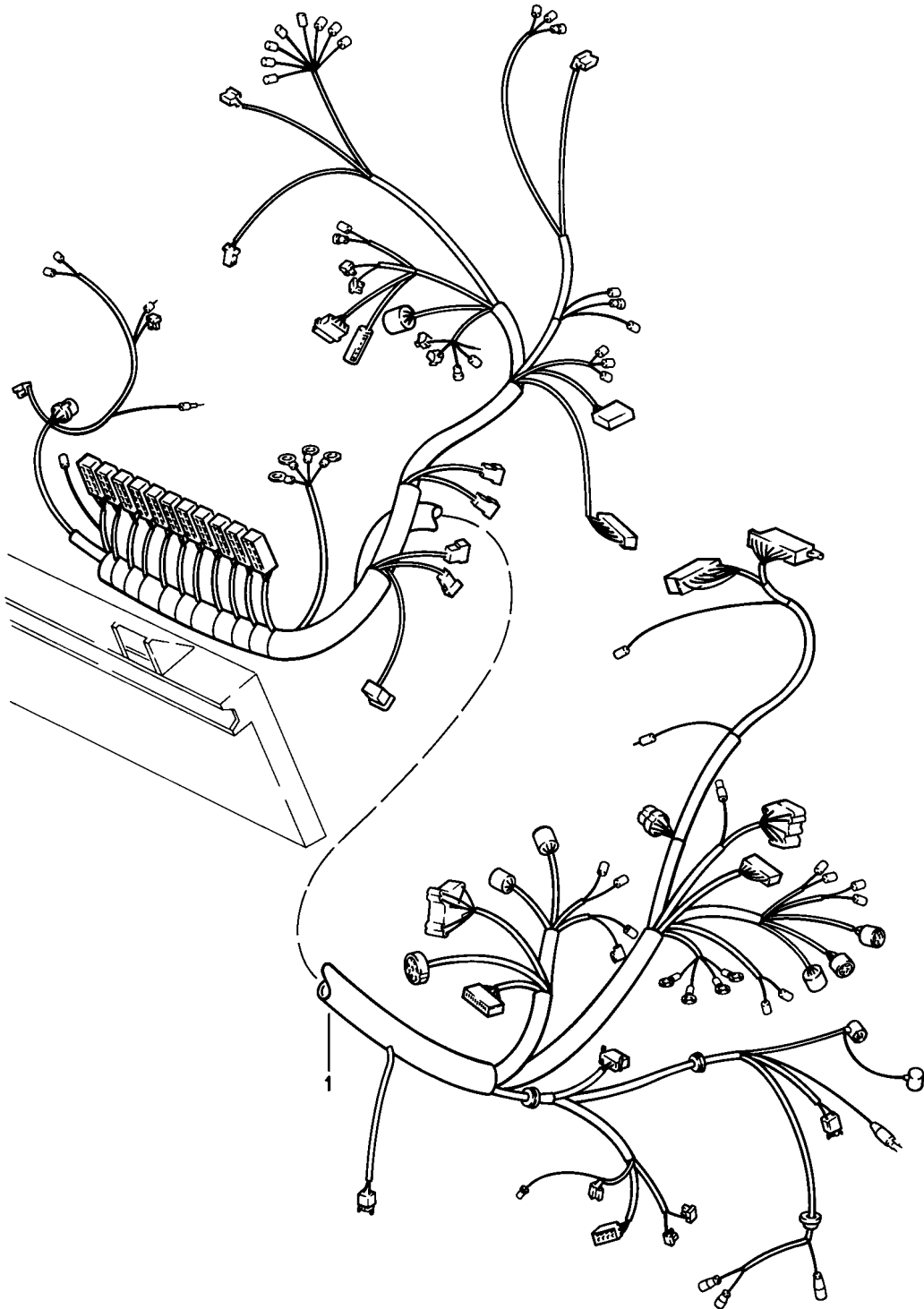
Model: 928 78

Model life 1978>>1982

Pos	Part Number	Description	Remark	Qty	Model
		Wiring harness			
		Engine			
-	999 511 069 02	Clamp		1	
-	999 511 069 0C	Clamp		1	
-	999 513 023 40	Tie-wrap		4	
-	999 651 162 40	Cable holder		1	
-	999 651 154 40	Cable tie		2	
-	999 651 166 40	Cable tie		1	
-	928 612 477 00	Plug-protection		1	
		Mounting parts			
		Ground cable			
		Engine			
-	N 012 241 8	Spring washer		1	
-	900 076 025 02	Hexagon nut	-78	1	
-	900 076 064 02	Hexagon nut		1	
-	N 010 239 11	Hexagon-head bolt	79-	1	
		M 8 X 18			
-	N 010 239 30	Hexagon-head bolt	79-	1	
		M 8 X 18			

Model: 928 78

Model life 1978>>1982



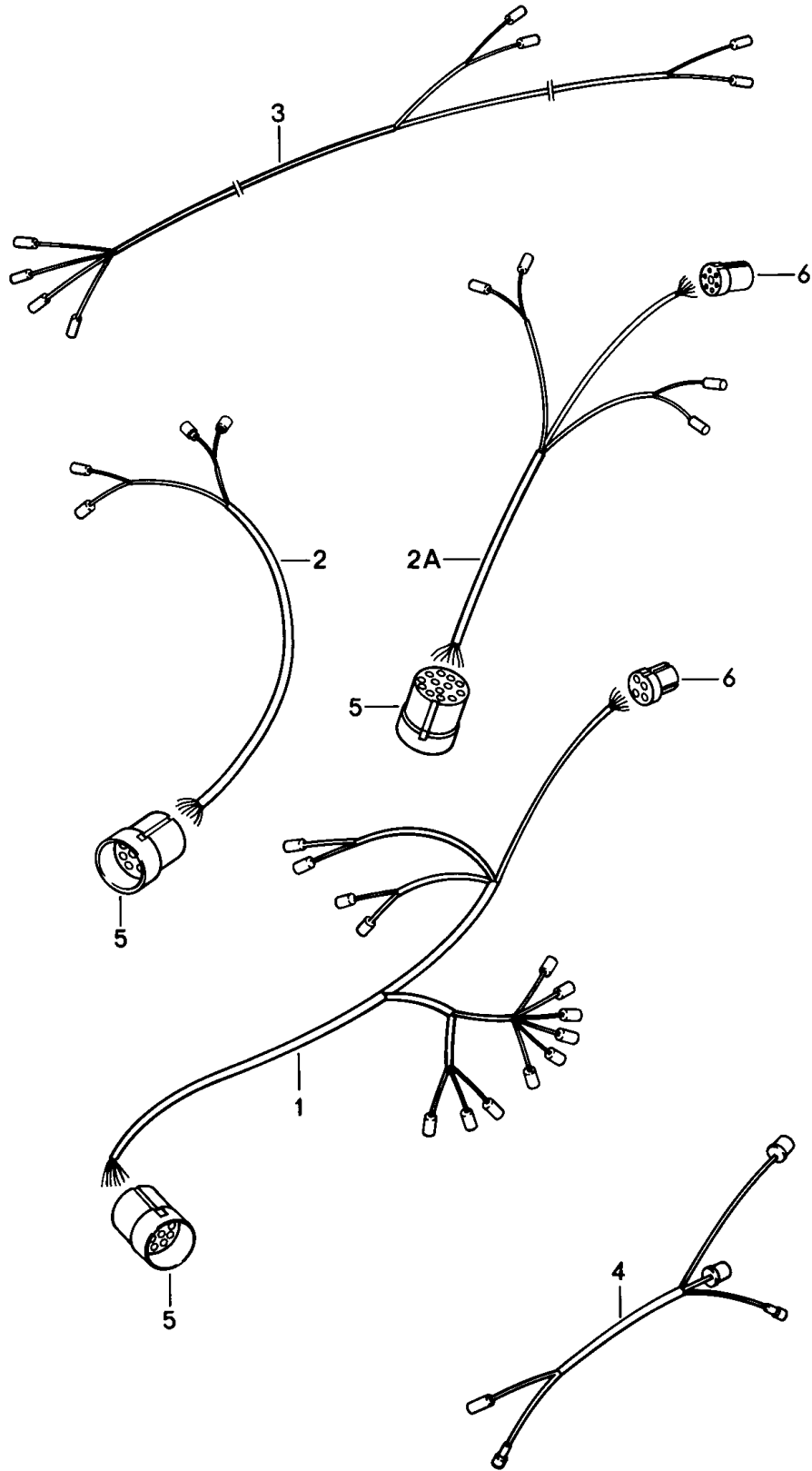


Model: 928 78 Model life 1978>>1982

Pos	Part Number	Description	Remark	Qty	Model
		Wiring harness Dashboard			
1	928 612 003 03	Wiring harness	/LL -78	1	
(1)	928 612 003 06	Wiring harness	/LL 79	1	
		F >>92891 01485			
(1)	928 612 003 09	Wiring harness	/LL 79	1	
		F 92891 01486>>			
(1)	928 612 003 13	Wiring harness	/LL 80	1	
			/LL 81		
(1)	928 612 003 15	Wiring harness	/LL 81	1	928S:M 499
(1)	928 612 003 20	Wiring harness	/LL 82	1	
(1)		Wiring harness	/LL 82	1	
(1)	927 612 003 00	Wiring harness	/RL -78	1	
(1)	927 612 003 01	Wiring harness	/RL 79	1	
		F >>92891 01485			
(1)	927 612 003 02	Wiring harness	/RL 79	1	
		F 92891 01486>>			
(1)	927 612 003 04	Wiring harness	/RL 80	1	
			/RL 81		
(1)	927 612 003 07	Wiring harness	/RL 82	1	
-	928 612 091 00	Bridge		1	
		Central electrical system			
		Mounting parts			
		Wiring harness			
		Dashboard			
-	999 513 002 40	Tie-wrap		1	
-	N 020 910 4	Tie-wrap		1	
-	999 513 003 40	Tie-wrap		1	
-	999 513 023 40	Tie-wrap		1	
-	999 651 152 02	Cable clamp		1	
-	999 651 152 01	Cable clamp		1	
-	999 591 380 02	Cable clamp		5	
-	477 971 939	Cable terminal		5	
-	PCG 971 939	Cable terminal		5	

Model: 928 78

Model life 1978>>1982



Model: 928 78 Model life 1978>>1982

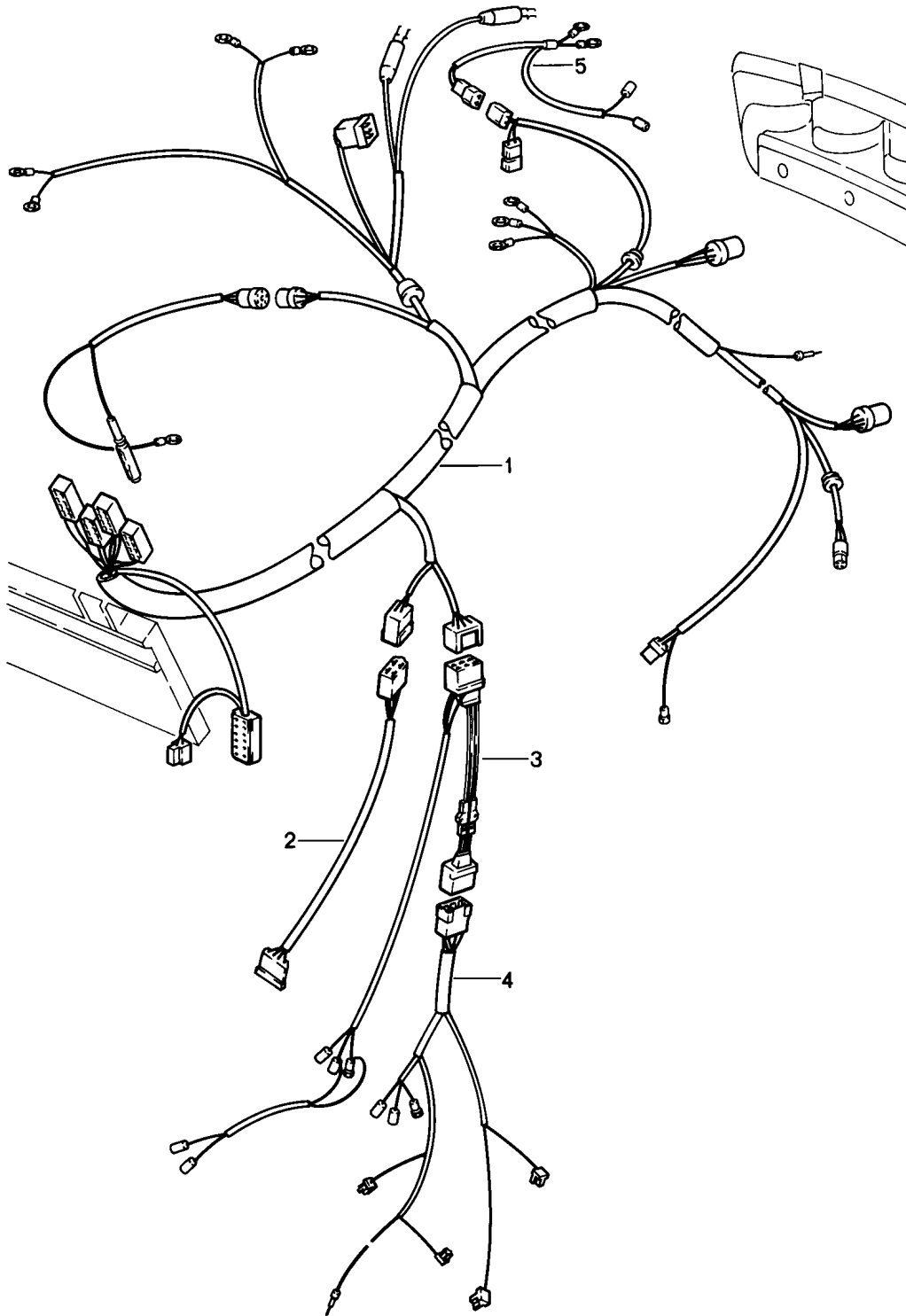
Pos	Part Number	Description	Remark	Qty	Model
1	928 612 164 00	Wiring harness Passenger compartment Doors	-79	1	M261
(1)	928 612 164 02	Wiring harness Door Driver's side Only together with Door mirror Passenger's side	80-	1	M261/528
(1)	928 612 163 00	Wiring harness Door Driver's side without Door mirror Passenger's side	-79	1	
(1)	928 612 163 02	Wiring harness	80-	1	
2	928 612 167 00	Wiring harness Door Passenger's side without Door mirror Passenger's side	-79	1	
2A	928 612 166 00	Wiring harness Door Passenger's side Only together with with Door mirror Passenger's side	-79	1	M261
(2A)	928 612 166 02	Wiring harness Door Passenger's side Only together with Door mirror Passenger's side	80-	1	M261/528
-	928 612 167 02	Wiring harness Door Door guard light Power windows Actuator Loudspeaker	80-	2	
3	928 612 067 00	Wiring harness Loudspeaker Rear Right Left	-79	1	
(3)	928 612 067 02	Wiring harness Loudspeaker Rear Right Left	/LL 80-	1	
(3)	927 612 067 00	Wiring harness Loudspeaker Rear Right Left	/RL 80-	1	
4	928 612 172 01	Wiring harness	-78	1	M249

Model: 928 78 Model life 1978>>1982

Pos	Part Number	Description	Remark	Qty	Model
(4)		Illumination Gearshift lever Wiring harness	79-	1	M249
-	928 612 068 02	Illumination Gearshift lever Wiring harness for Amplifier	/LL 80-	1	M494
-	927 612 068 00	Wiring harness	/RL 80-	1	M494
-	928 612 040 00	Wiring harness Fan	/LL	1	
-	927 612 040 00	Wiring harness Fan	/RL	1	
-	928 612 016 01	Wiring harness		1	
-	928 612 038 00	Back-up light switch Wiring harness		1	
-	928 612 020 00	Glove compartment light Wiring harness for Cigarette lighter Mounting parts Wiring harness	80-	1	
-	999 651 160 02	Back-up light switch Cable holder Mounting parts Wiring harness Driver's side Door		2	
-	999 651 163 40	Cable clamp	-79	1	
-	999 651 164 40	Cable clamp	-81	2	
-	113 142 261 A	Clip		2	
5	861 972 524	Connector housing 12-pole		1	
6	803 971 979	Plug socket 7-pole		1	
-	999 651 167 02	Cable clamp Mounting parts Wiring harness Passenger's side Door		1	
-	999 651 163 40	Cable clamp		2	

Model: 928 78

Model life 1978>>1982



Model: 928 78 Model life 1978>>1982

Pos	Part Number	Description	Remark	Qty	Model
1	928 612 004 05	Wiring harness Rear end Wiring harness without In-tank fuel pump Pump	/LL -78	1	
(1)	928 612 004 07	Wiring harness with In-tank fuel pump	/LL 79	1	
(1)	928 612 004 18	Wiring harness	/LL 80-	1	
(1)	927 612 004 01	Wiring harness without In-tank fuel pump	/LL 80- /RL -78	1	
(1)	927 612 004 03	Wiring harness with In-tank fuel pump	/RL 79	1	
(1)	927 612 004 10	Wiring harness	/RL 80-	1	
(1)	927 612 004 10	Wiring harness	/RL 80-	1	
-	928 612 037 00	Wiring harness Rear lid Door contact switch	79-	1	
2	928 612 006 01	Wiring harness Sunroof		1	
3	928 612 008 03	Wiring harness Lock pillar		1	
4	928 612 005 00	Wiring harness Rear lid	-79	1	
(4)	928 612 005 01	Wiring harness Rear lid	-81	1	
-	928 612 005 02	Wiring harness Rear lid	82	1	
5	928 612 039 00	Wiring harness License plate light		1	
-	928 612 045 00	Wiring harness Double Rear fog light	(GB)	1	
-	928 612 007 00	Wiring harness Battery-starter cable	/LL -78	1	
-	928 612 007 01	Wiring harness	/RL -78 /LL /RL	1	
-	928 612 009 00	Battery-starter cable Ground cable Battery	/LL -81	1	
-	928 612 009 10	Ground cable Battery	/RL -81	1	
-	928 612 009 13	Ground cable Battery Mounting parts Wiring harness	/RL -82	1	M197
-	999 513 021 40	Rear end Tie-wrap		1	
-	900 622 001 40	Grommet		1	
-	999 651 154 40	Cable tie		3	
-	113 941 189	Grommet		1	
-	999 651 162 40	Cable holder		4	
-	999 651 158 02	Cable holder Mounting parts Wiring harness		1	
-	477 971 939	Rear lid Cable terminal		5	
-	PCG 971 939	Cable terminal		5	

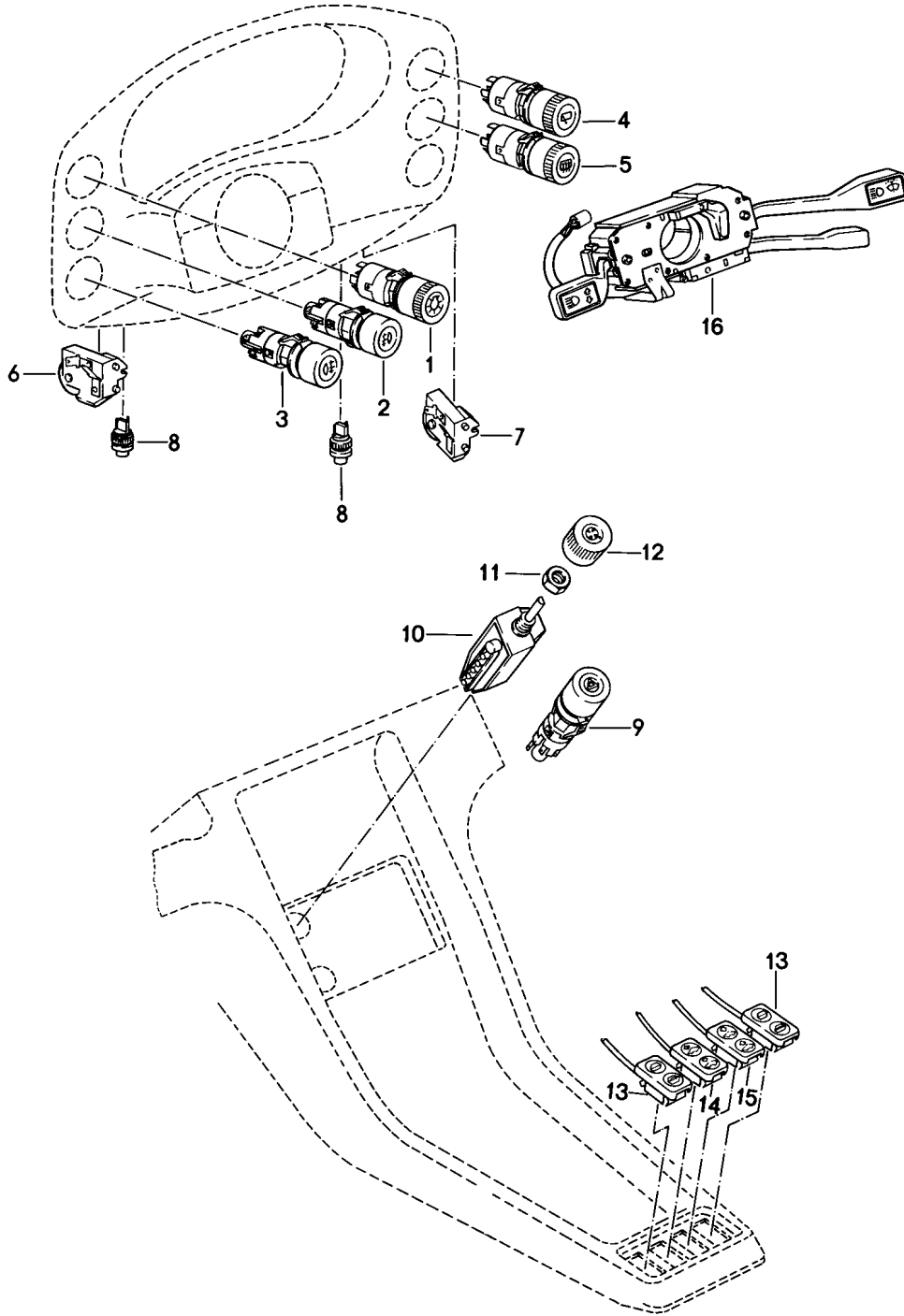
Model: 928 78

Model life 1978&gt;&gt;1982

Pos	Part Number	Description	Remark	Qty	Model
-	999 591 379 01	Cable clamp		5	

Model: 928 78

Model life 1978>>1982





Model: 928 78 Model life 1978>>1982

Pos	Part Number	Description	Remark	Qty	Model
1	928 613 103 00	Switch Manually Combined switch for light		1	
2	928 613 111 00	Switch Fog headlamp		1	
3	928 613 109 00	Switch for rear fog light Rear fog light		1	
(3)	928 613 125 00	Push-button for Trip meter		1	
4	928 613 113 00	Combined switch Rear window wiper	-79	1	
5	928 613 107 01	Combined switch Rear window heating		1	
6	928 613 121 01	Potentiometer Illumination		1	
7	928 613 122 00	Potentiometer for Interval relay		1	
8	928 613 124 00	Push-button for Trip meter		1	
(8)		Push-button for Intensive windscreen washer		1	
9	928 613 105 01	Hazard warning light sw.	-79	1	
(9)		Hazard warning light sw.		1	
(9)		Hazard warning light sw.		1	
10	928 613 127 00	Blower switch		1	
11	999 034 007 02	Hexagon flat nut M 12 X 1		1	
12	928 613 731 01	Rotary knob Blower switch		1	
-	999 591 434 02	Spring Blower switch		1	
13	928 613 123 05	Tip switch for window opener		2	
14	928 613 120 00	Tip switch		1	M650
15	928 613 129 03	Tip switch Rear window wiper		1	
(15)	928 613 123 04	Display specimen		1	
(16)	928 613 101 03	Steering column switch with Headlight washer system without Cruise control		1	
(16)		Steering column switch without Headlight washer system without Cruise control	-80	1	
(16)	928 613 101 05	Steering column switch with Headlight washer system with Cruise control		1	M489
(16)	928 613 101 10	Steering column switch without Headlight washer system with Cruise control	80-	1	M489
(16)	928 613 101 06	Steering column switch	80-	1	

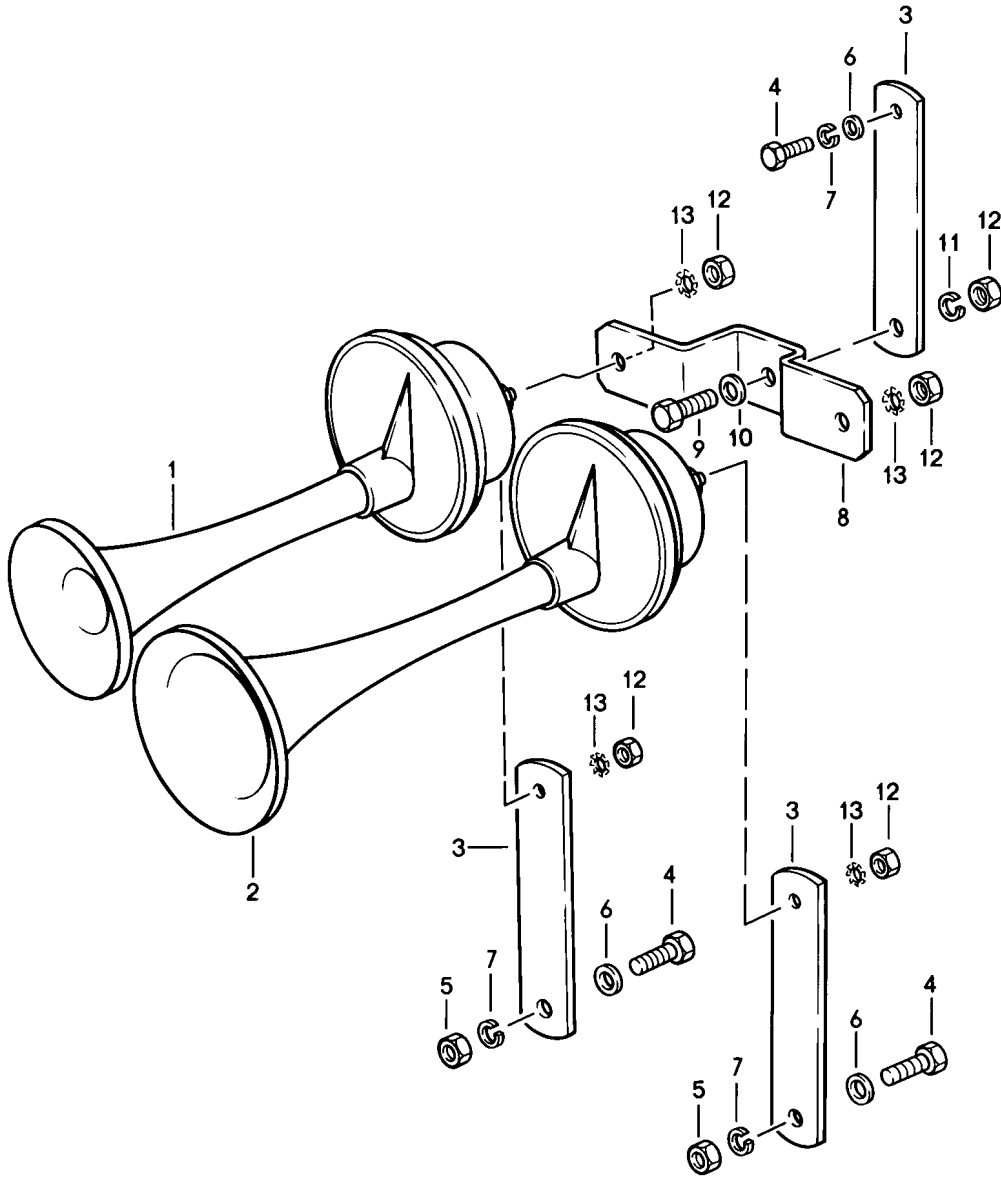
Model: 928 78

Model life 1978>>1982

Pos	Part Number	Description	Remark	Qty	Model
		with Headlight washer system	(J)		
(16)	928 613 101 07	with Cruise control Lettering English Steering column switch	(F)	1	
(16)	928 613 101 11	with Headlight washer system with Cruise control Steering column switch	(F)	1	
-	999 651 165 02	without Headlight washer system with Cruise control Cable clamp		1	

Model: 928 78

Model life 1978>>1982

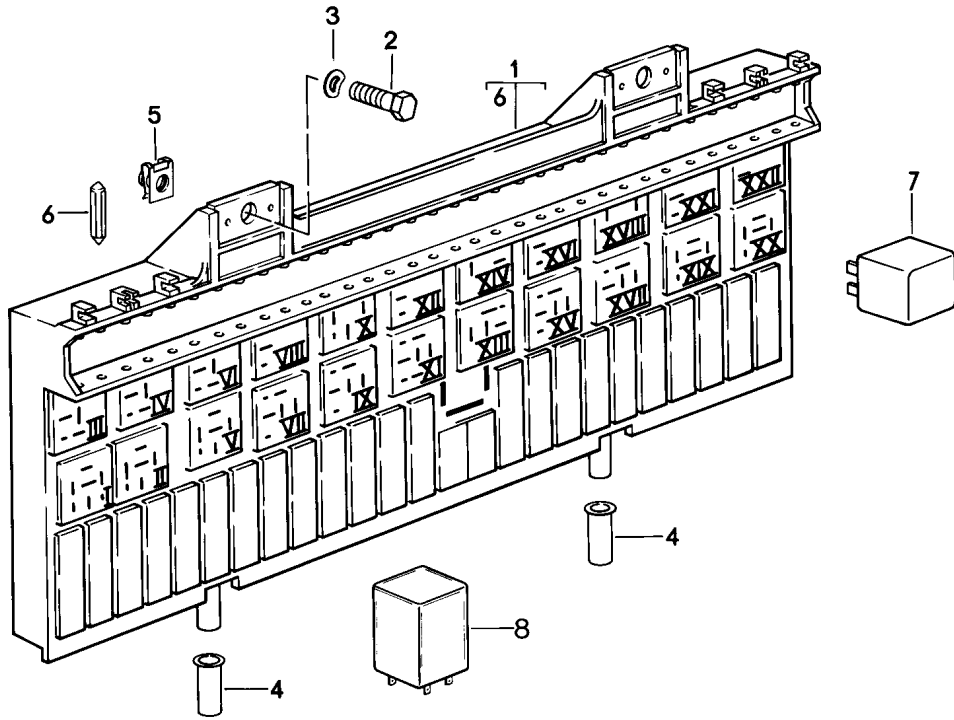


Model: 928 78 Model life 1978>>1982

Pos	Part Number	Description	Remark	Qty	Model
1	911 635 101 20	Fanfare Fanfare High-pitched		1	
1	911 635 101 21	Fanfare Short High-pitched		1	
2	911 635 102 20	Fanfare Long Low-pitched		1	
2	911 635 102 21	Fanfare Long Low-pitched		1	
3	928 635 101 00	Support	-81	3	928
				2	928
				1	928S
4	900 075 087 02	Hexagon-head bolt M 8 X 16		2	928
				1	928S
4	900 075 087 03	Hexagon-head bolt M 8 X 16		2	928
				1	928S
5	900 076 025 02	Hexagon nut M 8		2	928
5	900 076 064 02	Hexagon nut M 8		2	928
6	900 025 007 02	Washer 8,4		2	928
6	900 025 007 03	Washer 8,4		2	928
(6)	900 025 007 02	Washer		1	928S
(6)	900 025 007 03	Washer		1	928S
7	900 027 015 02	Lock ring B 8		2	928
				1	928S
7	900 027 015 03	Lock ring B 8		2	928
				1	928S
-	999 507 328 02	Captive nut	80	1	928S
-	999 507 328 0B	Captive nut	80-	1	928S
8	928 635 103 01	Support	-80	1	928S
(8)		Support	-81	1	928S
9	900 075 267 02	Hexagon-head bolt M 6 X 14		1	928S
(10)	N 011 524 7	Washer A 6,4		1	928S
(10)	N 011 524 27	Washer A 6,4		1	928S
(11)	N 012 006 4	Lock ring B 6		1	928S
(12)	900 076 010 02	Nut M 6		2	928
				3	928S
(12)	900 076 010 0B	Nut M 6		2	928
				3	928S
(13)	N 012 006 4	Lock ring B 8	-80	2	928
			-80	3	928S
13	N 042 121 3	Shake-proof washer	81-	2	928
			81-	3	928S

Model: 928 78

Model life 1978>>1982



Model: 928 78 Model life 1978>>1982

Pos	Part Number	Description	Remark	Qty	Model
1	928 610 105 00	Central electrical system Relay Lock Mounting plate F >>92881 01738 F >>92881 01210	-79	1	M249
(1)	928 610 105 01	Mounting plate	-79	1	
(1)	928 610 105 04	Mounting plate	80	1	
(1)		Mounting plate	-81	1	
(1)	928 610 105 05	Mounting plate	82	1	
2	900 075 014 02	Hexagon-head bolt M 6 X 18		2	
2	900 075 014 03	Hexagon-head bolt M 6 X 18		2	
3	N 012 226 5	Spring washer		2	
4	928 628 287 00	Grommet		2	
5	999 507 246 02	Speed nut		2	
5	999 507 246 01	Speed nut		2	
6	N 017 121 1	Safety fuse 8 A		X	
(6)	N 017 121 4	Lock 16 A		X	
(6)	N 017 121 5	Lock 25 A		X	
(6)	900 321 002 90	Safety fuse T 0,40 B		2	
7		Central locking system Relay	-79	X	
(7)	928 615 115 00	Slow-action relay for Rear window heating		1	
(7)	928 615 116 00	Relay socket/code: Relay	I-II -78	1	
(7)	928 615 116 01	Pop-up headlight Relay socket/code: Relay	III	1	III
(7)	928 615 127 00	Pop-up headlight Relay	-78	1	
(7)	111 953 227 D	Relay socket/code: Flasher relay	IV	1	
(7)	191 953 227 A	Relay socket/code: Flasher relay	V	1	
(7)	1H0 953 227	Relay socket/code: Flasher relay	V	1	
(7)	928 615 131 00	Relay socket/code: Flasher relay Only together with Trailer coupling	V	1	
(7)	928 615 117 00	Relay socket/code: Relay	V	1	
(7)	928 618 111 00	Power windows Relay socket/code: Relay	VI	1	
(7)	911 618 102 01	Headlight washer system Relay socket/code: Relay	VII	1	
(7)	928 615 117 00	Seat belt Relay socket/code: Relay	IX	1	
(7)	928 618 103 00	Fanfare Relay socket/code: Diode group	X	1	

Model: 928 78 Model life 1978>>1982

Pos	Part Number	Description	Remark	Qty	Model
(7)	928 618 105 00	Relay socket/code: Relay Compressor Air conditioner	XI	1	M573
(7)	928 615 117 00	Relay socket/code: Relay Fog headlamp	XI	1	
(7)	928 615 119 00	Relay socket/code: Relay High beam	XII	1	
(7)	928 615 119 01	Relay socket/code: Relay High beam	XIII	1	
(7)	928 615 123 00	Relay socket/code: Relay	XIII	1	
(7)	928 615 125 00	Relay socket/code: Bridge Starter	XIV	1	
(7)	928 615 117 00	Relay socket/code: Relay Starter	XV	1	M249
(7)	928 615 116 00	Relay socket/code: Relay	XV	1	
(7)	928 615 116 01	Relay socket/code: Relay	XVI	1	XVI
(7)	928 615 113 01	Relay Fuel pump		1	
(7)	928 615 111 00	Relay socket/code: Relay	XVII	1	M573
(7)	993 615 101 00	Relay socket/code: Switch unit Windscreen wiper system	XVIII	1	
(7)	993 615 101 01	Relay socket/code: Switch unit Windscreen wiper system	XIX	1	
(7)	928 618 113 01	Relay socket/code: Relay Intensive windscreen washer	XIX	1	
(7)	928 618 113 02	Relay socket/code: Relay Intensive windscreen washer	XX	1	XX
(7)	928 618 115 00	Contact bow without Intensive windscreen washer		1	
(7)	928 615 117 00	Relay socket/code: Relay Blower	XX	1	
(7)		Relay socket/code: Relay Defroster	XXI	1	
(7)		Relay socket/code: Relay Front seat See group 8/08/15	XXII		
(7)	928 615 115 00	Relay Slow-action relay for Rear window heating	80	1	
(7)	111 953 227 D	Relay socket/code: Flasher relay	I-II	1	
(7)	191 953 227 A	Relay socket/code: Flasher relay	V	1	

Model: 928 78 Model life 1978>>1982

Pos	Part Number	Description	Remark	Qty	Model
(7)	1H0 953 227	Relay socket/code: Flasher relay	V	1	
(7)	928 615 131 00	Relay socket/code: Flasher relay Only together with Trailer coupling	V	1	
(7)	928 615 117 00	Relay socket/code: Relay Power windows	V	1	
(7)	928 618 111 00	Relay socket/code: Relay Headlight washer system	VI	1	
(7)	928 615 117 00	Relay socket/code: Relay Fanfare	VII	1	
(7)		Relay socket/code: Relay Fog headlamp	X	1	
(7)	993 615 101 00	Relay socket/code: Switch unit	XII	1	
(7)	993 615 101 01	Relay socket/code: Switch unit	XIII	1	
(7)	928 615 125 00	Relay socket/code: Bridge Starter	XIII	1	
(7)	928 615 117 00	Relay socket/code: Relay Starter	XIV	1	
(7)	928 618 113 01	Relay socket/code: Relay Intensive windscreen washer	XIV	1	
(7)	928 618 113 02	Relay socket/code: Relay Intensive windscreen washer	XV	1	XV
(7)	928 618 115 00	Contact bow without Intensive windscreen washer		1	
(7)	928 615 113 01	Relay socket/code: Relay Fuel pump	XV	1	
(7)	928 615 111 00	Relay socket/code: Relay Blower	XVII	1	M573
(7)	928 618 107 02	Relay socket/code: Relay Pop-up headlight	XVIII	1	
(7)	928 618 107 05	Relay socket/code: Relay Pop-up headlight	XIX	1	
(7)	928 618 107 02	Relay socket/code: Relay Pop-up headlight	XIX	1	
(7)	928 618 107 05	Relay socket/code: Relay Pop-up headlight	XX	1	
(7)	928 615 117 00	Relay socket/code: Relay Blower	XX	1	
(7)		Relay socket/code: Relay Defroster	XXI	1	
(7)		Relay socket/code: Relay	XXII 81		



Model: 928 78

Model life 1978>>1982

Pos	Part Number	Description	Remark	Qty	Model
(7)	928 615 115 00	Slow-action relay for Rear window heating		1	
(7)	111 953 227 D	Relay socket/code: Flasher relay	I-II	1	
(7)	191 953 227 A	Relay socket/code: Flasher relay	V	1	
(7)	1H0 953 227	Relay socket/code: Flasher relay	V	1	
(7)	928 615 131 00	Flasher relay Only together with Trailer coupling	V	1	
(7)	928 615 116 00	Relay socket/code: Relay Power windows	VI	1	
(7)	928 615 116 01	Relay socket/code: Relay Power windows		1	VI
(7)	928 618 111 00	Relay socket/code: Relay Headlight washer system	VII	1	
(7)	928 615 117 00	Relay socket/code: Relay Horn	X	1	
(7)	993 615 101 00	Relay socket/code: Switch unit	XII	1	
(7)	993 615 101 01	Relay socket/code: Switch unit	XIII	1	
(7)	928 615 125 00	Relay socket/code: Bridge Starter	XIII	1	
(7)	928 615 117 00	Relay socket/code: Relay Starter	XIV	1	M249
(7)	928 618 113 01	Relay socket/code: Relay Intensive windscreen washer	XIV	1	
(7)	928 618 113 02	Relay socket/code: Relay Intensive windscreen washer	XV	1	XV
(7)	928 618 115 00	Contact bow without Intensive windscreen washer		1	
(7)	928 615 113 01	Relay socket/code: Relay Fuel pump	XV	1	
(7)	928 615 111 00	Relay socket/code: Relay Blower	XVII	1	M573
(7)	928 618 107 02	Relay socket/code: Relay Pop-up headlight	XVIII	1	
(7)	928 618 107 05	Relay socket/code: Relay Pop-up headlight	XIX	1	
(7)	928 618 107 02	Relay socket/code: Relay Pop-up headlight	XIX	1	
(7)	928 618 107 05	Relay socket/code: Relay Pop-up headlight	XX	1	

Model: 928 78 Model life 1978>>1982

Pos	Part Number	Description	Remark	Qty	Model
(7)	928 615 117 00	Pop-up headlight Relay socket/code: Relay Blower	XX	1	
(7)		Relay socket/code: Relay Defroster	XXI	1	
(7)	928 615 115 00	Relay socket/code: Relay Slow-action relay for Rear window heating	XXII 82	1	
(7)	111 953 227 D	Relay socket/code: Flasher relay	I-II	1	
(7)	191 953 227 A	Relay socket/code: Flasher relay	V	1	
(7)	1H0 953 227	Relay socket/code: Flasher relay	V	1	
(7)	928 615 131 00	Relay socket/code: Flasher relay Only together with Trailer coupling	V	1	
(7)	928 615 116 00	Relay socket/code: Relay Power windows	V	1	
(7)	928 615 116 01	Relay socket/code: Relay Power windows	VI	1	VI
(7)	928 618 111 00	Relay socket/code: Relay Headlight washer system		1	
(7)	141 951 253 B	Relay socket/code: Relay Horn	VII	1	
(7)		Relay socket/code: Relay Fog headlamp	X	1	
(7)	993 615 101 00	Relay socket/code: Switch unit	XII	1	
(7)	993 615 101 01	Relay socket/code: Switch unit	XIII	1	
(7)	928 612 473 00	Relay socket/code: Plug bridge for Starter	XIII	1	
(7)	141 951 253 B	Relay socket/code: Relay Starter	XIV	1	M249
(7)	928 618 113 01	Relay socket/code: Relay Intensive windscreen washer	XIV	1	
(7)	928 618 113 02	Relay socket/code: Relay Intensive windscreen washer	XV	1	XV
(7)	928 615 113 01	Relay socket/code: Relay Fuel pump		1	
(7)	141 951 253 B	Relay socket/code: Relay Blower Air conditioner	XVII	1	
(7)	928 618 107 02	Relay socket/code: Relay Pop-up headlight Relay socket/code:	XVIII	1	
			XIX		

Model: 928 78

Model life 1978>>1982

Pos	Part Number	Description	Remark	Qty	Model
(7)	928 618 107 05	Relay Pop-up headlight		1	
(7)	928 618 107 02	Relay socket/code: Relay Pop-up headlight	XIX	1	
(7)	928 618 107 05	Relay socket/code: Relay Pop-up headlight	XX	1	
(7)	141 951 253 B	Relay socket/code: Relay Blower	XX	1	
(7)		Relay socket/code: Relay Intensive windscreen washer	XXI	1	
		Relay socket/code: Relay Front seat See group 8/08/15	XXII		
		Relay Centre console		X	
8	911 618 102 01	Relay Seat belt	80-	1	
(8)	928 618 104 00	Relay Rear window wiper	80-	1	
(8)	911 617 119 00	Switch unit Emission control	(J) 80-	2	



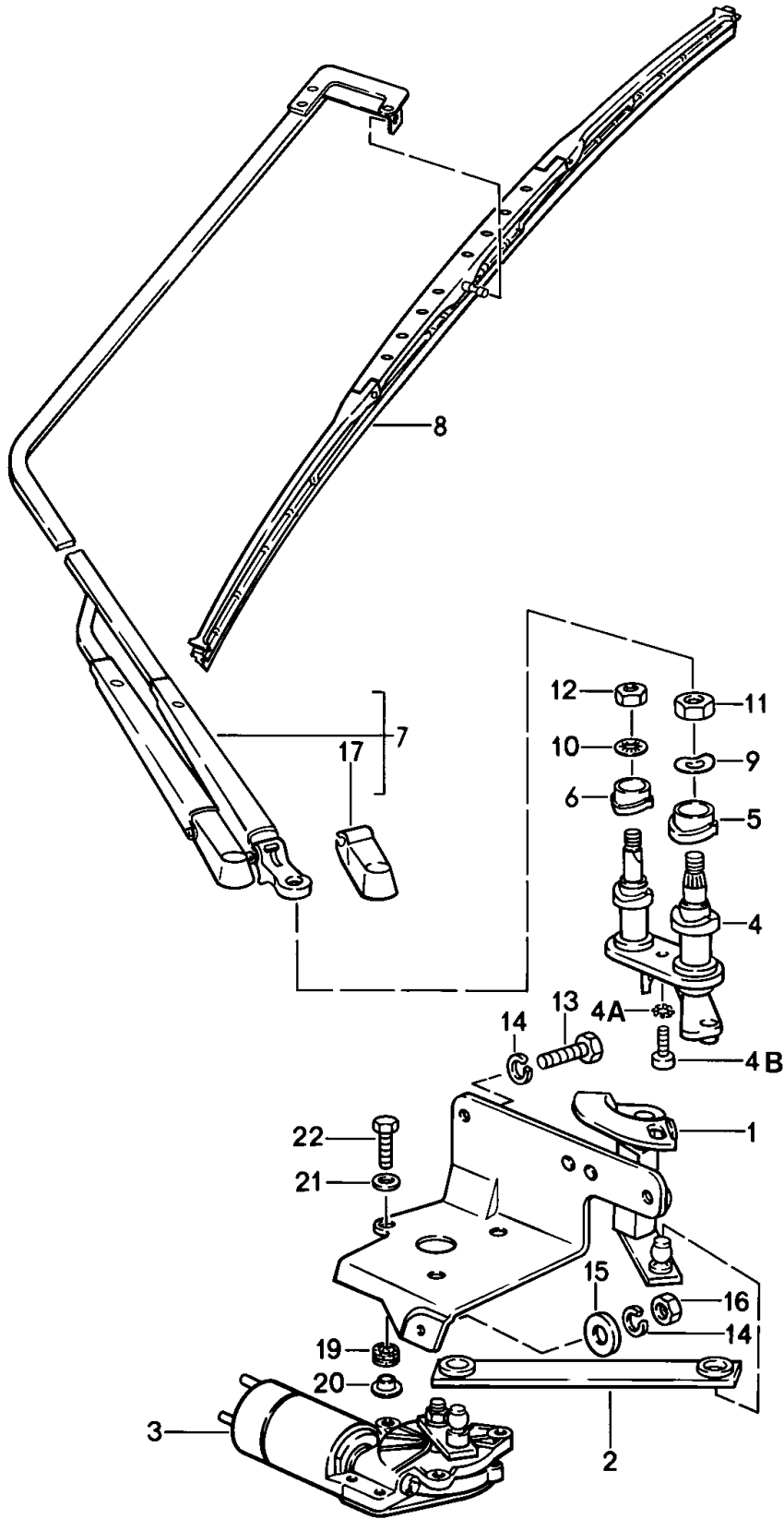
Model: 928 78

Model life 1978>>1982

Pos	Part Number	Description	Remark	Qty	Model
		Windscreen wiper system			
		Front			
1	928 628 303 00	Wiper motor	-80	1	
(1)	928 628 303 01	Wiper motor	81-	1	
2	928 628 221 00	Crank drive	/LL	1	
(2)	927 628 221 00	Crank drive	/RL	1	
3	N 042 121 3	Shake-proof washer		3	
4	900 075 010 02	Hexagon nut		3	
4	N 010 212 14	Hexagon-head bolt		3	
4	999 072 005 09	Hexagon nut		3	
4	999 072 005 01	Hexagon nut		3	
5	928 628 233 02	Lever		1	
(5)		Wiper motor			
		Lever		1	
		for			
		Wiper motor			
6	999 084 045 02	Lock nut	-80	1	
(6)	999 084 055 02	Lock nut	81-	1	
7	901 628 924 00	Rubber bush		2	
8	901 628 923 01	Rubber bush		2	
9	911 628 963 00	Flange washer		2	
		Black			
10	928 628 716 02	Grommet	/R	1	
(10)	928 628 717 01	Grommet	/L	1	
11	477 955 149	Hexagon nut		2	
12	928 628 213 01	Wiper arm	/LL -78	1	
		Passenger's side			
12A	928 628 213 05	Wiper arm	/LL 79-	1	
		Passenger's side			
(12)	927 628 213 02	Wiper arm	/RL	2	
12	928 628 213 06	Wiper arm	/LL -78	1	
		with			
		Spoiler			
(12A)		Driver's side			
		Wiper arm	/LL 79-	1	
		with			
		Spoiler			
(12A)		Driver's side			
		Wiper arm	/LL 79-	1	
		with			
		Spoiler			
		Driver's side			
-	928 628 623 00	Cap		2	
13	803 955 437	Spring washer		2	
14	N 011 151 2	Hexagon nut		2	
15	928 628 217 01	Wiper blade	-78	2	
15A	478 955 425	Wiper blade	79-	2	
16	928 628 289 00	Bush		2	
-	N 011 666 7	Washer		1	
17	N 012 006 4	Lock ring		2	
		B 6			
(18)	900 075 014 02	Hexagon-head bolt		2	
		M 6 X 18			
(18)	900 075 014 03	Hexagon-head bolt		2	
		M 6 X 18			
19	928 628 759 00	Rubber strap		1	
20	928 628 760 00	Hose clamp		1	
21	928 628 287 00	Grommet		2	
-	999 507 246 02	Speed nut		2	
-	999 507 246 01	Speed nut		2	

Model: 928 78

Model life 1978>>1982



Model: 928 78 Model life 1978>>1982

Pos	Part Number	Description	Remark	Qty	Model
		Windscreen wiper system			
		Rear			
1	928 628 071 03	Engine bracket with Bearing		1	
2	928 628 202 02	Joint rod		1	
3	928 628 403 02	Wiper motor with Crank		1	
4	928 628 309 02	Wiper bearing Upper		1	
4A	N 012 007 2	Lock ring A 6		1	
4A	900 027 004 03	Lock ring A 6		1	
4B	900 119 014 02	Pan-head screw		1	
5	928 628 325 01	Bush	-81	1	
(5)		Bush		1	
6	928 628 326 01	Bush	-81	1	
(6)		Bush		1	
7	928 628 610 05	Wiper arm without Cap		1	
8	477 955 427 C	Wiper blade		1	
9	N 012 241 8	Spring washer		1	
10	900 114 002 02	Shake-proof washer		1	
(11)	900 076 025 02	Hexagon nut M 8		1	
(11)	900 076 064 02	Hexagon nut M 8		1	
12	900 076 010 02	Nut		1	
12	900 076 010 0B	Nut		1	
13	900 119 014 02	Pan-head screw M 6 X 20		2	
14	N 012 007 2	Lock ring A 6		3	
14	900 027 004 03	Lock ring A 6		3	
15	900 151 006 09	Washer		1	
16	900 076 010 02	Nut		1	
16	900 076 010 0B	Nut		1	
17	928 628 622 00	Cap		1	
(17)	928 628 623 00	Cap for cars with Rear spoiler	81-	2	
(17)	928 628 621 00	Cap for cars without Rear spoiler	81-	1	928
(17)	928 628 622 00	Cap Wiper arm for cars without Rear spoiler	81-	1	928
19	928 628 287 00	Grommet		3	
20	928 628 289 00	Bush		3	
21	N 011 524 7	Washer		3	
21	N 011 524 27	Washer		3	
(22)	900 075 014 02	Hexagon-head bolt M 6 X 18		3	
(22)	900 075 014 03	Hexagon-head bolt M 6 X 18		3	
-	928 628 903 00	Installation set Rear window wiper Use also:	80-	1	

Model: 928 78

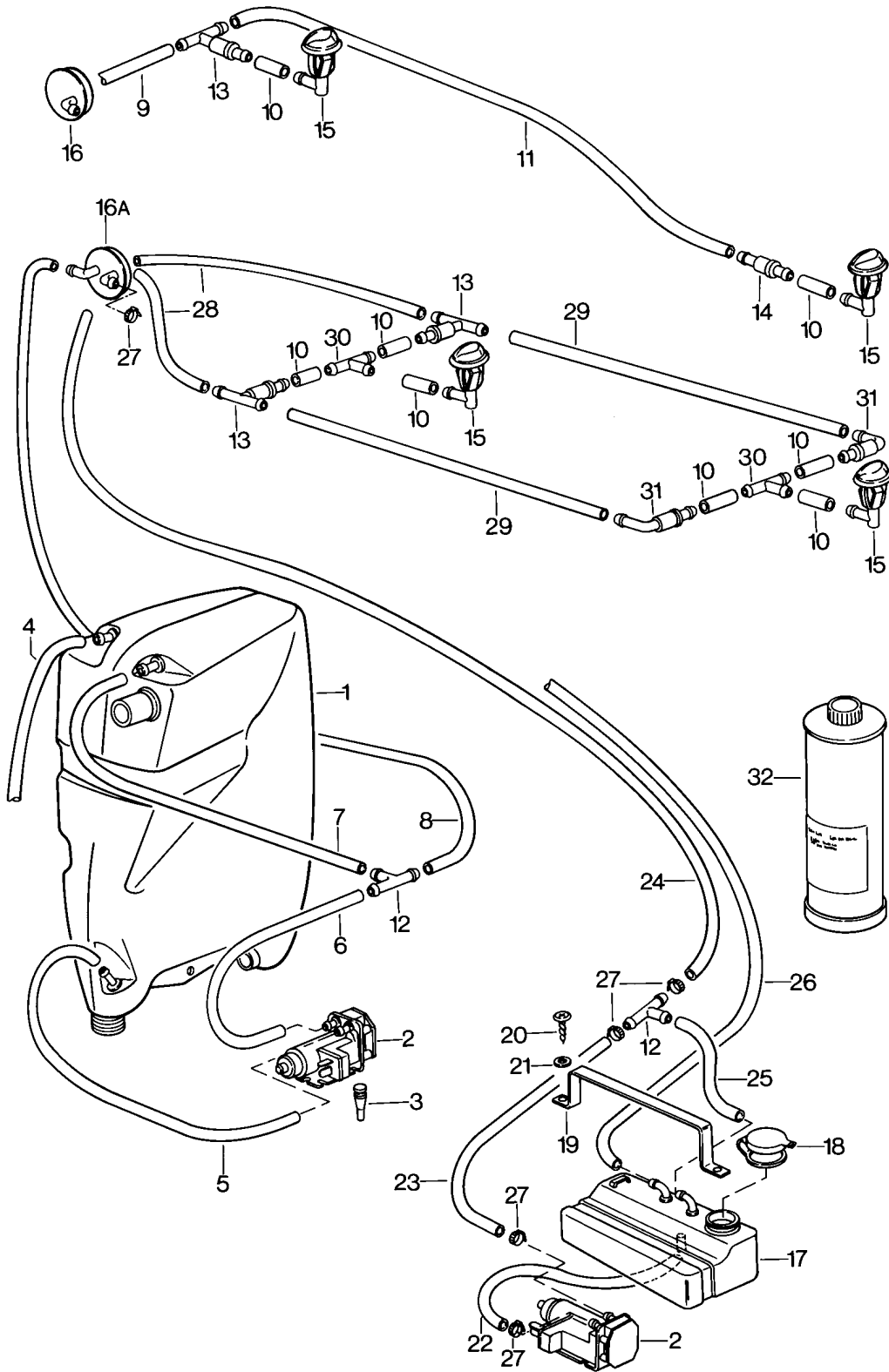
Model life 1978>>1982

Pos	Part Number	Description	Remark	Qty	Model
-	928 551 081 05	Plate for tools for Rear window wiper	80-	1	
-	928 555 047 04	Lining Lower Leatherette	80-	1	
	928 555 047 04 70A	Black			
	928 555 047 04 30B	Blue			
	928 555 047 04 40A	Brown			
-	928 555 047 52	Lining Lower Leather	80-	1	
	928 555 047 52 70A	Black			
	928 555 047 52 30B	Blue			
	928 555 047 52 40A	Brown			



Model: 928 78

Model life 1978>>1982



Model: 928 78

Model life 1978&gt;&gt;1982

Pos	Part Number	Description	Remark	Qty	Model
1	928 528 975 01	Windscreen washer system		1	
(1)		Water reservoir		1	
-	928 641 501 01	Water reservoir		1	
-	928 628 735 00	Tank gauge switch		1	
-	928 628 737 00	Cap		1	
-	928 628 737 00	Sealing ring		1	
2	928 628 074 01	Pump		2	
3	914 628 741 00	Stopper		3	
-	999 181 029 40	Motor pump		*	
4		Hose		1	
5		320 MM		1	
6		620 MM		1	
7		100 MM		1	
7		400 MM		1	
8		450 MM	/LL	1	
-		1170 MM		1	
9		160 MM		1	
10		25 MM		1	
11		650 MM		1	
12	901 628 749 20	T-piece	/RL	2	
13	914 628 433 00	Valve		3	
14	914 628 215 00	Valve		1	
15	928 628 079 00	Nozzle		2	
16	928 528 073 03	Hose connection	/LL	1	
16	927 528 073 03	Hose connection	/RL	1	
		with			
16A	928 528 073 04	Intensive windscreen washer		1	
16A	927 528 073 04	Hose connection	/LL	1	
17	928 628 091 00	Hose connection	/RL	1	
17	928 628 091 00	Container		1	
18	928 528 183 03	Lid		1	
19	928 628 189 00	Restraining strap		1	
20	900 143 031 02	Oval-head sheetmetal screw		2	
		4,2 X 9,5			
21	900 025 002 02	Washer		2	
21	900 025 002 03	Washer		2	
-	999 181 722 40	Hose		*	
		4,6 X 1,8			
22		145 MM		1	
23		300 MM		1	
24		1860 MM		1	
25		250 MM		1	
26		1060 MM	/LL	1	
26		2260 MM	/RL	1	
27	999 512 069 02	Hose clamp		5	
27	PCG 512 069 02	Hose clamp		5	
-	999 181 029 40	Hose		*	
28		140 MM		2	
29		650 MM		2	
30	901 628 745 20	T-piece		2	
31	477 955 481	Valve		2	
32	928 628 931 00	Silicone remover		X	
		1000 CCM			
32	000 044 000 93	Silicone remover		X	
		1000 CCM			
		Mounting parts			
		Motor pump			
-	927 628 471 00	Support		1	
-	901 511 791 21	Rubber washer		2	
-	999 507 240 00	Speed nut		2	
-	N 020 301 1	Hose		2	
-	PCG 020 301 10	Hose		1	
		4 X 1			

Model: 928 78

Model life 1978>>1982

Pos	Part Number	Description	Remark	Qty	Model
-	900 025 002 02	3000 MM Washer		2	
-	900 025 002 03	Washer		2	
-	900 187 013 02	Hexagon-head tapping screw 4,2 X 13		2	
-	928 628 757 00	Grommet		1	



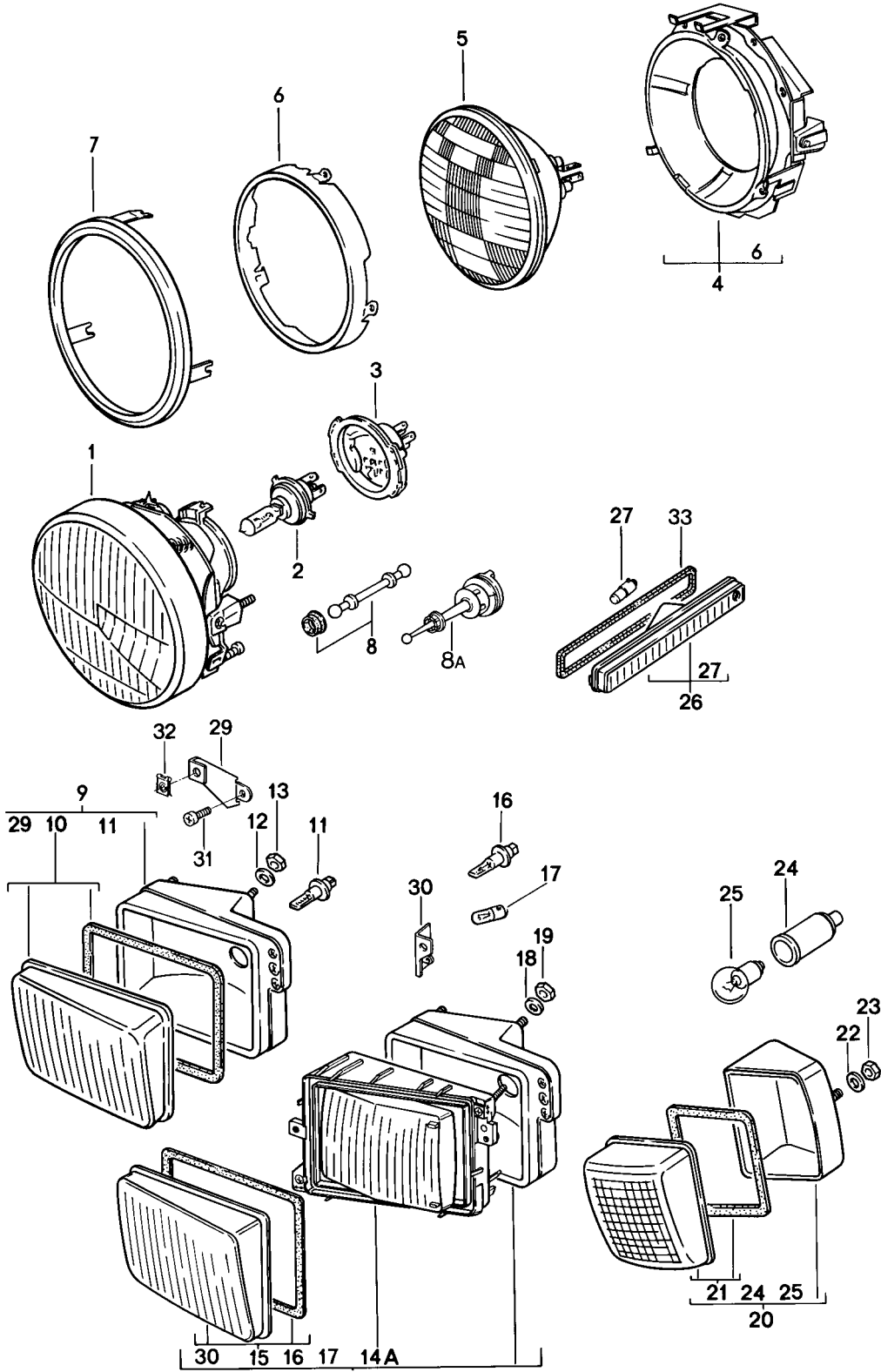
Model: 928 78

Model life 1978>>1982

Pos	Part Number	Description	Remark	Qty	Model
		Headlight washer system			
1	928 628 075 03	Water reservoir		1	
(1)	928 528 975 01	Water reservoir		1	
2	928 628 743 00	Pressure hose		1	
3	928 628 743 02	Water hose		1	
(3)	999 181 806 40	Hose		*	
		225 MM			
4	928 628 743 01	Water hose		1	
5	928 628 087 00	Restraining strap		1	
6	900 075 085 02	Hexagon-head bolt		2	
		M 8 X 20			
7	900 115 004 01	Serrated lock washer		2	
8	191 955 681	Pump		1	
9	928 628 085 00	Restraining strap		1	
10	900 075 014 02	Hexagon-head bolt		1	
		M 6 X 18			
10	900 075 014 03	Hexagon-head bolt		1	
		M 6 X 18			
11	N 011 524 7	Washer		1	
11	N 011 524 27	Washer		1	
12	999 181 286 50	Hose		*	
		270 MM			
12	PCG 181 286 50	Hose		*	
		270 MM			
13	999 512 272 02	Hose clamp		2	
14	914 628 413 10	Distributing piece		1	
(15)	477 955 183	Pressure control valve		2	
16	928 528 161 02	Hose		2	
		C 9 X 15			
17	928 528 071 02	Jet carrier		2	
18	999 512 304 02	Hose clamp		7	
18A	N 023 569 2	Hose clamp		3	
18A	PCG 023 569 2	Hose clamp		3	
19	928 628 179 00	Filler neck	/LL	1	
(19)	927 528 085 02	Filler neck	/RL	1	
20	928 528 181 02	Lid		1	
21	900 076 010 02	Nut		2	
21	900 076 010 0B	Nut		2	
22	900 151 003 02	Washer		2	
22	900 151 006 03	Washer		2	
24	928 641 501 01	Tank gauge switch		1	
24A	928 628 735 00	Cap		1	
24B	928 628 737 00	Sealing ring		1	
26	928 628 193 00	Gasket		1	
27	900 281 002 40	Hexagon nut		2	
-	927 612 463 00	Grommet		1	
-	927 528 181 02	Filling hose	/RL	1	
-	927 528 179 02	Support	/RL	1	
		Filler neck			
-	999 512 084 02	Hose clamp	/RL	1	
-		Hose clamp	/LL	2	

Model: 928 78

Model life 1978>>1982



Model: 928 78 Model life 1978>>1982

Pos	Part Number	Description	Remark	Qty	Model
		Headlamp Direction indicator light Front Not for USA,CDN			
1	928 631 101 03	Headlamp H 4	/LL	2	
(1)	928 631 102 01	Headlamp H 4	/RL	2	M492
2	999 631 202 90	Bulb H 4		2	
(2)	999 631 202 91	Halogen bulb H 4	(F)	2	
3	928 631 923 00	Protective cap		2	
8	928 631 203 02	Bolt F >>92891 02996 F >>92892 09622		2	
(8)	928 631 203 03	Bolt F 92891 02997>> F 92892 09623>>		2	
8A	928 631 201 02	Support		2	
9	928 631 414 01	High-beam headlight	/L	1	
(9)	928 631 414 00	High-beam headlight	/R	1	
(9)	928 631 415 01	High-beam headlight	/L (F)	1	
(9)	928 631 415 00	High-beam headlight	/R (F)	1	
10	928 631 927 00	Lens without Rubber seal Mounting parts			
(10)	928 631 928 00	Lens without Rubber seal Mounting parts	/R	1	
(-)	PCG 631 927 00	Set Rubber seal Mounting parts for		1	
(10)	928 631 927 02	Lens Rubber seal Mounting parts	/L (F)	1	
(10)	928 631 928 02	Lens Rubber seal Mounting parts	/R (F)	1	
11	900 631 126 90	Halogen bulb H 3, 12 V - 55 W		2	
12	900 151 027 02	Washer		8	
12	900 151 027 03	Washer		8	
13	900 910 009 02	Lock nut		8	
13	900 084 026 01	Lock nut		8	
14	928 631 416 01	Fog headlamp	/L	1	
(14)	928 631 416 00	Fog headlamp	/R	1	
(14)	928 631 418 01	Fog headlamp	/L (E) (F)	1	
(14)	928 631 418 00	Fog headlamp	/R (E) (F)	1	
14A	928 631 947 00	Retaining frame with Lens Inner		2	
15	928 631 925 00	Lens without Rubber seal Mounting parts	/L	1	
(15)	928 631 926 00	Lens	/R	1	

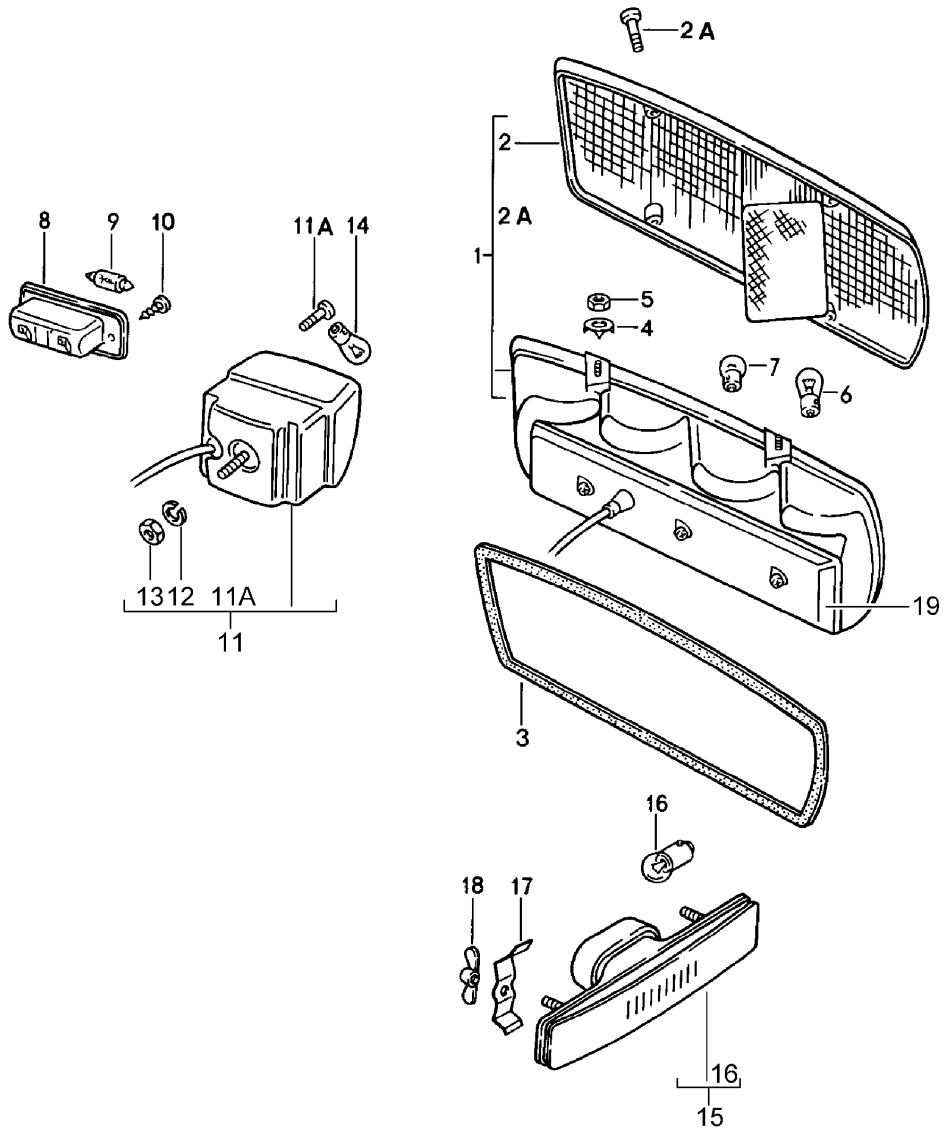
Model: 928 78 Model life 1978>>1982

Pos	Part Number	Description	Remark	Qty	Model
15	PCG 631 927 00	without Rubber seal Mounting parts Set		1	
(15)	928 631 925 02	Rubber seal Mounting parts for LICHTSCHEIBE Lens	/L (F)	1	
(15)	928 631 926 02	Rubber seal Mounting parts Lens	/R (F)	1	
16	900 631 126 90	Rubber seal Mounting parts Halogen bulb H 3, 12 V - 55 W		2	
17	900 631 103 90	Bulb 12 V - 4 W		2	
18	900 151 027 02	Washer		8	
18	900 151 027 03	Washer		8	
19	900 910 009 02	Lock nut		8	
19	900 084 026 01	Lock nut		8	
20	928 631 421 01	Direction indicator light	/L	1	
(20)	928 631 421 00	Direction indicator light	/R	1	
21	928 631 929 00	Lens Rubber seal Mounting parts	/L	1	
21	928 631 930 00	Lens Rubber seal Mounting parts	/R	1	
22	900 151 027 02	Washer		4	
22	900 151 027 03	Washer		4	
23	900 910 009 02	Lock nut		4	
23	900 084 026 01	Lock nut		4	
24	311 971 867 A	Grommet		2	
25	900 631 127 90	Bulb 12 V - 21 W		2	
26	928 631 410 01	Direction indicator light		2	
26	928 631 410 02	Direction indicator light		2	
26	928 631 410 03	Direction indicator light		2	
-	999 507 252 02	Nut		2	
27	900 631 103 90	Bulb 12 V - 4 W		2	
29	928 631 435 00	Support		2	
(30)	928 631 437 01	Support		2	
31	N 014 133 8	Oval-head screw M 5 X 12		4	
31	N 014 133 I	Oval-head screw M 5 X 12		4	
32	999 591 338 02	Speed nut		4	
32	999 591 460 01	Speed nut		4	
33	928 631 448 00	Gasket Headlight levelling system See group 8/06/00		2	



Model: 928 78

Model life 1978>>1982



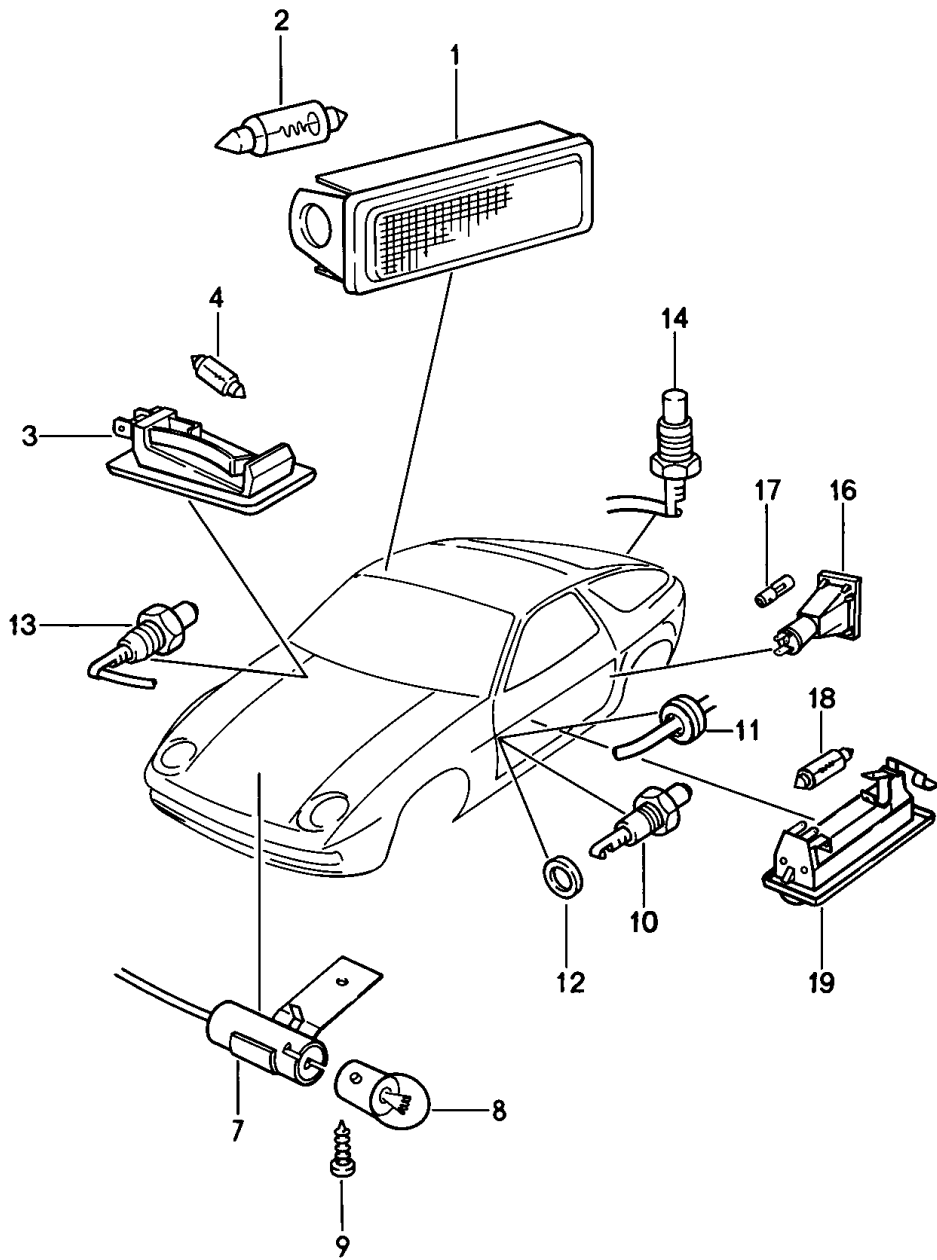
Model: 928 78

Model life 1978>>1982

Pos	Part Number	Description	Remark	Qty	Model
1	928 631 931 02	Rear light		1	
(1)	928 631 932 02	Rear light	/L	1	
2	928 631 933 02	Rear light	/R	1	
	928 631 933 02	Lens	/L	1	
(2)	928 631 934 02	Rear light	/R	1	
	928 631 934 02	Lens	/R	1	
2A	928 631 941 00	Screw		8	
		Rear light			
4	928 631 439 00	Washer		8	
5	900 910 009 02	Lock nut		8	
5	900 084 026 01	Lock nut		8	
6	900 631 127 90	Bulb		2	
		12 V - 21 W			
6	999 631 114 90	Bulb		6	
		12 V - 32 CP			
7	900 631 115 90	Bulb		2	
		12 V - 10 W			
8	928 631 620 00	License plate light	/H	2	
9	900 631 105 90	Bulb		2	
		12 V - 5 W			
10	900 145 044 07	Tapping screw		4	
		B 4,2 X 22			
11	928 631 935 02	Rear fog light	/L	1	
(11)		Rear fog light	/L	1	
(11)	928 631 936 02	Rear fog light	/R	1	
(11)		Rear fog light	/R	1	
11A	928 631 943 00	Screw		4	
12	N 012 006 4	Lock ring		2	
		B 6			
13	900 076 010 02	Nut		2	
		M 6			
13	900 076 010 0B	Nut		2	
		M 6			
14	900 631 127 90	Bulb		2	
		12 V - 21 W			
-	113 971 935 D	Push-on connector	-80	1	
19	PCG 631 931 02	Lid	L/R	1	
		with			
		Wiring harness			
		for			
		Rear light			

Model: 928 78

Model life 1978>>1982



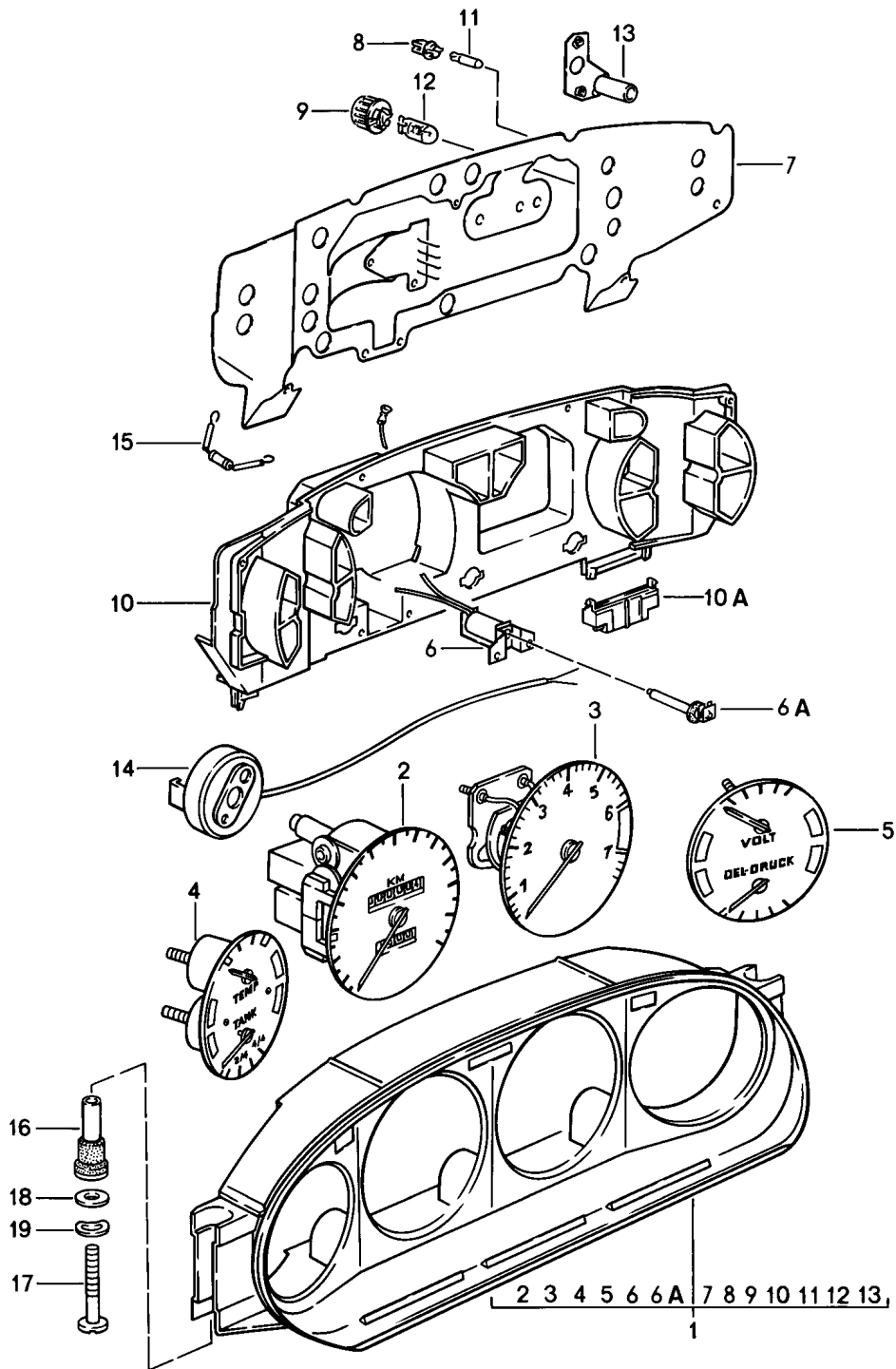
Model: 928 78

Model life 1978>>1982

Pos	Part Number	Description	Remark	Qty	Model
		Interior lights			
1	911 632 102 00	Light		3	
2	900 631 106 90	Linolite lamp		3	
		12 V - 10 W			
3	928 632 101 00	Glove compartment light		1	
4	999 631 018 90	Bulb		1	
7	928 632 105 00	Engine compartment lamp		1	
8	900 631 115 90	Bulb		1	
		12 V - 10 W			
9	N 013 970 5	Oval-head sheetmetal screw		1	
		B 4,2 X 9,5			
9	N 106 568 02	Oval-head sheetmetal screw		1	
		B 4,8 X 9,5			
10	964 613 601 00	Door contact switch		2	
11	321 971 905	Rubber sleeve		2	
12	900 031 001 60	Washer		2	
13	964 613 601 00	Door contact switch		1	
		Glove compartment			
14	928 613 119 00	Door contact switch		1	
		Rear lid			
16	928 631 131 00	Door guard light	80-	2	
17	900 631 120 90	Bulb	80-	2	
		12 V - 2 W			
18	928 632 109 01	Footwell light	80-	2	
18	823 947 105 B	Footwell light	80-	2	
(19)	900 631 106 90	Linolite lamp	80-	1	
		12 V - 10 W			

Model: 928 78

Model life 1978>>1982



Model: 928 78 Model life 1978>>1982

Pos	Part Number	Description	Remark	Qty	Model
1	928 641 114 30	Instrument cluster Instrument cluster	(AUS) (CDN) -78	1	
2	928 641 901 00	Electric speedometer		1	
2	928 641 901 X	Electric speedometer		1	
3	928 641 907 00	Tachometer		1	
4	928 641 913 00	Fuel/oil temperature gauge - temperat. - fuel gauge -		1	
5	928 641 919 00	Indicator - volt - oil -		1	
(1)	928 641 101 30	Instrument cluster	-78	1	
(2)	928 641 901 00	Electric speedometer		1	
(2)	928 641 901 X	Electric speedometer		1	
(3)	928 641 907 00	Tachometer		1	
(4)	928 641 909 00	Fuel/oil temperature gauge - temperat. - fuel gauge -		1	
(5)	928 641 915 00	Indicator - volt - oil -		1	
(1)	928 641 111 30	Instrument cluster	(GB) -78	1	
(2)	928 641 903 00	Electric speedometer		1	
(3)	928 641 907 00	Tachometer		1	
(4)	928 641 913 00	Fuel/oil temperature gauge - temperat. - fuel gauge -		1	
(5)	928 641 919 00	Indicator - volt - oil -		1	
(1)	928 641 109 30	Instrument cluster	(AUS) (CDN) -81	1	
(2)	928 641 967 00	Speedometer		1	
(2)	928 641 967 X	Speedometer		1	
(3)	928 641 971 00	Tachometer		1	
(4)	928 641 943 00	Fuel/oil temperature gauge - temperat. - fuel gauge -		1	
(5)	928 641 941 00	Indicator - volt - oil -		1	
(5)	928 641 955 00	Indicator - volt - oil -		1	
(1)	928 641 103 30	Instrument cluster	-81	1	M489
(2)	928 641 967 00	Speedometer		1	
(2)	928 641 967 X	Speedometer		1	
(3)	928 641 971 00	Tachometer		1	
(4)	928 641 933 00	Fuel/oil temperature gauge - temperat. - fuel gauge -		1	
(5)	928 641 961 00	Indicator - volt - oil -	-80	1	
(5)		Indicator - volt - oil -		1	
(1)	928 641 105 30	Instrument cluster	(GB) 79	1	
2	928 641 951 00	Electric speedometer		1	
(3)	928 641 971 00	Tachometer		1	
(4)	928 641 943 00	Fuel/oil temperature gauge - temperat. - fuel gauge -		1	
(5)	928 641 941 00	Indicator - volt - oil -		1	
(1)	928 641 116 30	Instrument cluster	(GB) -81	1	
(2)	928 641 957 00	Speedometer		1	
(2)	928 641 957 X	Speedometer		1	
(3)	928 641 971 00	Tachometer		1	
(4)	928 641 943 00	Fuel/oil temperature gauge - temperat. - fuel gauge -		1	
(5)	928 641 941 00	Indicator - volt - oil -		1	
(5)	928 641 955 00	Indicator - volt - oil -		1	

Model: 928 78 Model life 1978>>1982

Pos	Part Number	Description	Remark	Qty	Model
(1)	928 641 104 30	Instrument cluster	(F) -81	1	
(2)	928 641 967 00	Speedometer		1	
(2)	928 641 967 X	Speedometer		1	
(3)	928 641 971 00	Tachometer		1	
(4)	928 641 949 00	Fuel/oil temperature gauge - temperat. - fuel gauge -		1	
(5)	928 641 947 00	Indicator - volt - oil -	-80	1	
(5)	928 641 962 00	Indicator - volt - oil -	81	1	
1	928 641 103 31	Instrument cluster	82	1	M489
2	928 641 967 00	Speedometer		1	
2	928 641 967 X	Speedometer		1	
3	928 641 965 01	Tachometer		1	
4	928 641 933 00	Fuel/oil temperature gauge - temperat. - fuel gauge -		1	
5	928 641 961 00	Indicator - volt - oil -		1	
1	928 641 104 31	Instrument cluster	(F) 82	1	
2	928 641 967 00	Speedometer		1	
2	928 641 967 X	Speedometer		1	
3	928 641 965 01	Tachometer		1	
4	928 641 949 00	Fuel/oil temperature gauge - temperat. - fuel gauge -		1	
5	928 641 962 00	Indicator - volt - oil -		1	
1	928 641 114 31	Instrument cluster	82	1	
2	928 641 967 00	Speedometer		1	
2	928 641 967 X	Speedometer		1	
3	928 641 965 01	Tachometer		1	
4	928 641 943 00	Fuel/oil temperature gauge - temperat. - fuel gauge -		1	
5	928 641 963 00	Indicator - volt - oil -		1	
1	928 641 116 31	Instrument cluster	(GB) 82	1	
2	928 641 957 00	Speedometer		1	
3	928 641 965 02	Tachometer		1	
4	928 641 943 00	Fuel/oil temperature gauge - temperat. - fuel gauge -		1	
5	928 641 963 00	Indicator - volt - oil -		1	
6	928 641 921 00	Solenoid coil		1	
6A	928 641 960 00	Trip meter Zero adjustment shaft Trip meter		1	
7	928 641 923 00	Printed circuit film	-78	1	
(7)	928 641 939 00	Printed circuit film	-81	1	
(7)	928 641 973 01	Printed circuit film	82	1	
8	999 631 301 90	Bulb (1,2 WATT)		X	
9	928 641 927 00	Bulb socket (3,0 W)		4	
9	928 641 927 01	Bulb socket (3,0 W)		4	
10	928 641 929 00	Plate	-78	1	
(10)	928 641 953 00	Plate	-81	1	
(10)	928 641 968 00	Plate	82	1	
10A	928 641 977 00	Consumption indicator Plug with guide for Instrument cluster without Consumption indicator		3	

Model: 928 78

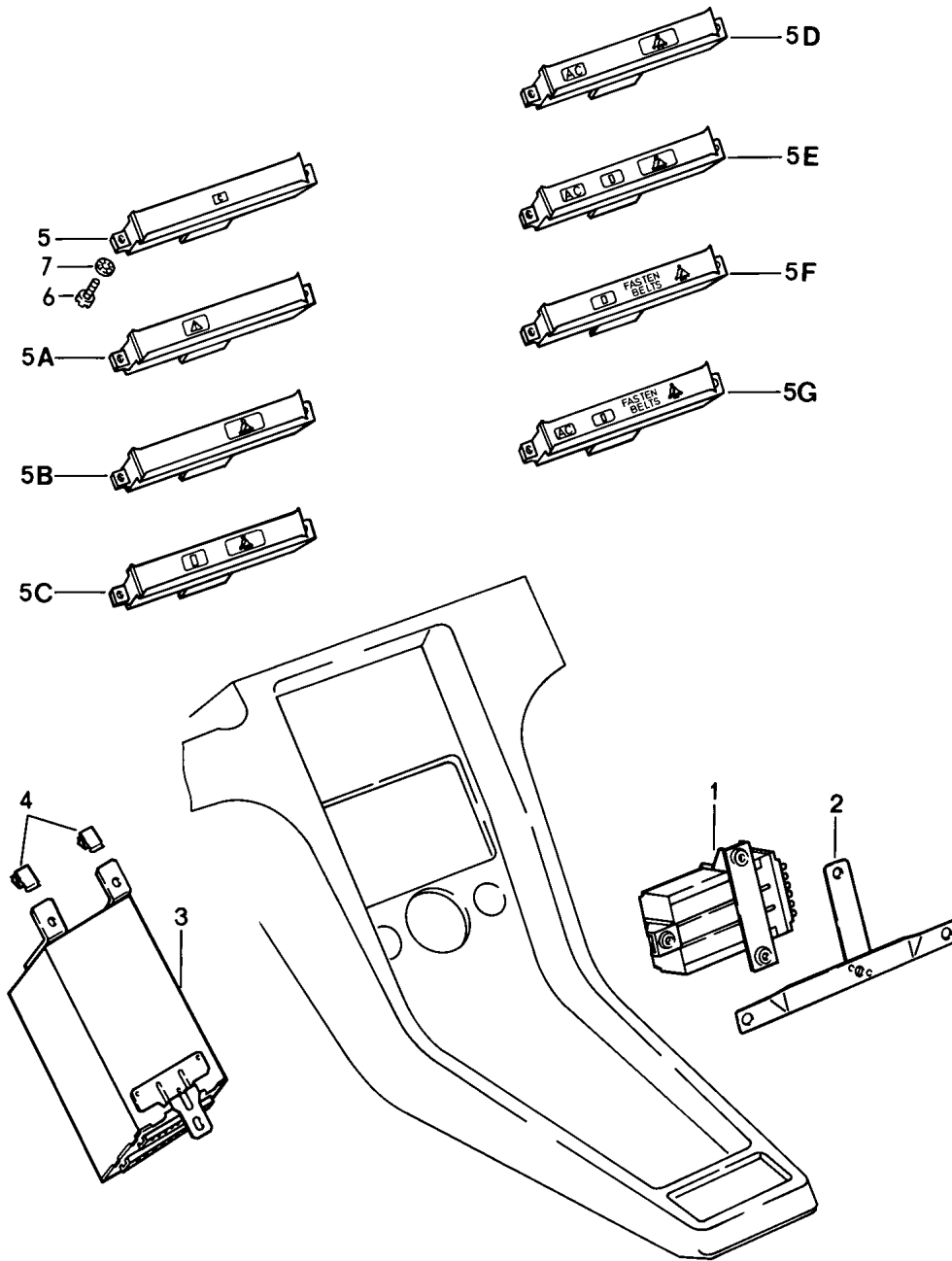
Model life 1978&gt;&gt;1982

Pos	Part Number	Description	Remark	Qty	Model
10A	928 641 975 00	Plug with guide for Instrument cluster with Consumption indicator	82	3	
11	900 631 129 90	Bulb 12 V-1,2 W		19	
11	999 631 301 90	Bulb 12 V-1,2 W		19	
12	900 631 019 90	Glass-base bulb 12 V-3 W		4	
13	928 641 958 00	Printed circuit board with Bulb Temperature gauge Fuel-level indicator Charging control indicator		3	
(13)	928 641 959 00	Printed circuit board with Bulb Oil pressure indicator		1	
14	928 606 210 00	Pulse sender		1	
15	928 641 981 00	Resistor for Charging control indicator for subsequent installat. for Generator 928 603 114 00	82	1	
16	928 552 049 02	Spacer sleeve		4	
17	N 019 908 1	Pan-head screw M 6 X 100		2	
18	N 011 524 7	Washer A 6,4		2	
18	N 011 524 27	Washer A 6,4		2	
19	N 012 226 5	Spring washer B 6 Mounting parts Pulse sender Transmission		2	
-	915 660 509 00	Tensioning spring		1	
-	900 025 014 02	Washer		1	
-	900 075 010 02	Hexagon nut		1	
-	N 010 212 14	Hexagon-head bolt		1	
-	999 072 005 09	Hexagon nut		1	
-	999 072 005 01	Hexagon nut		1	
-	999 651 158 02	Cable holder		1	
-	928 606 305 00	Retaining bracket		1	
-	999 651 163 40	Cable clamp		1	



Model: 928 78

Model life 1978>>1982

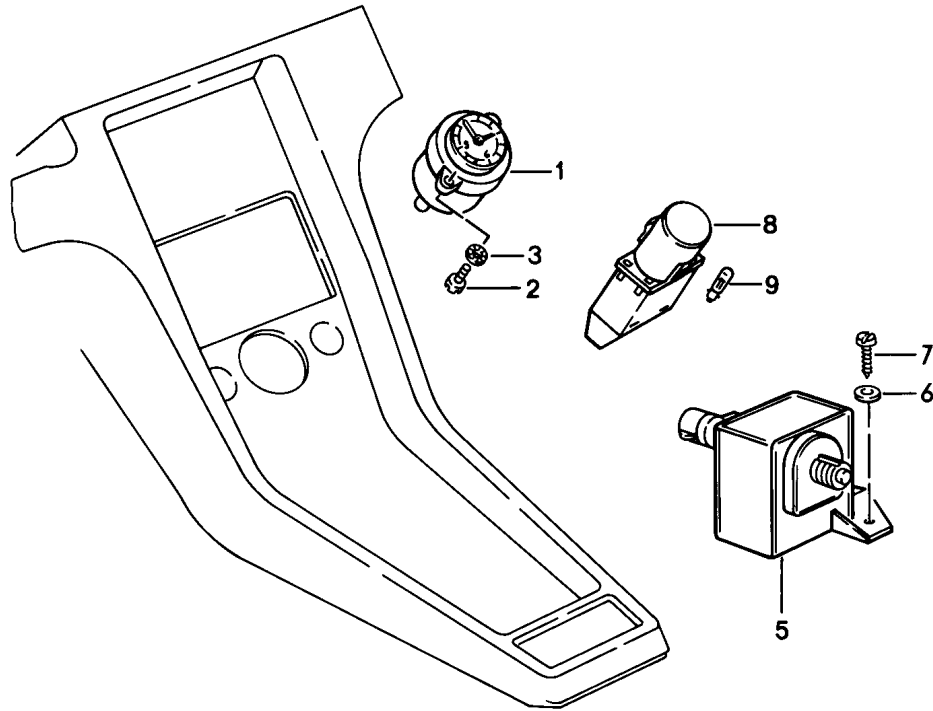


Model: 928 78 Model life 1978>>1982

Pos	Part Number	Description	Remark	Qty	Model
1	928 641 603 02	Central indicator		1	
-	928 612 423 00	Bulb controlling device		1	
		Connector housing			
		12-pole			
2	927 641 607 00	Support	-79	1	
(2)	928 641 607 01	Support	/LL 80-	1	
(2)	927 641 607 00	Support	/RL 80-	1	
3	928 641 602 01	Central indicator		1	
4	999 591 470 02	Cable clamp	/RL	2	
5	928 641 604 00	Display	-78	1	M489
(5)	928 641 605 00	Display	-78	1	
5A	928 641 609 00	Keypad	79	1	
5B	928 641 609 02	Keypad	80-	1	
		with			
		Warning light			
		for			
		Seat belt			
		Automatic air conditioner			
5C	928 641 609 03	Keypad	80-	1	
		with			
		Warning light			
		for			
		Seat belt			
		with			
		Key			
		for			
		Central indicator			
		Automatic air conditioner			
5D	928 641 609 04	Keypad	-81	1	M573
		with			
		Warning light			
		for			
		Seat belt			
		Air conditioner			
		Manually			
5E	928 641 609 05	Keypad	-81	1	M573
		with			
		Warning light			
		for			
		Seat belt			
		Key			
		Central indicator			
		Air conditioner			
		Manually			
6	900 146 032 02	Oval-head screw		2	
		AM 3,5 X 10			
7	900 114 015 01	Shake-proof washer		2	
-	928 641 610 00	Adapter	80-	1	
		for cars without			
		Bulb controlling device			
-	928 641 601 01	Adapter	80-	1	
		for cars without			
		Central indicator			
-		Adapter		1	
		for cars without			
		Central indicator			

Model: 928 78

Model life 1978>>1982



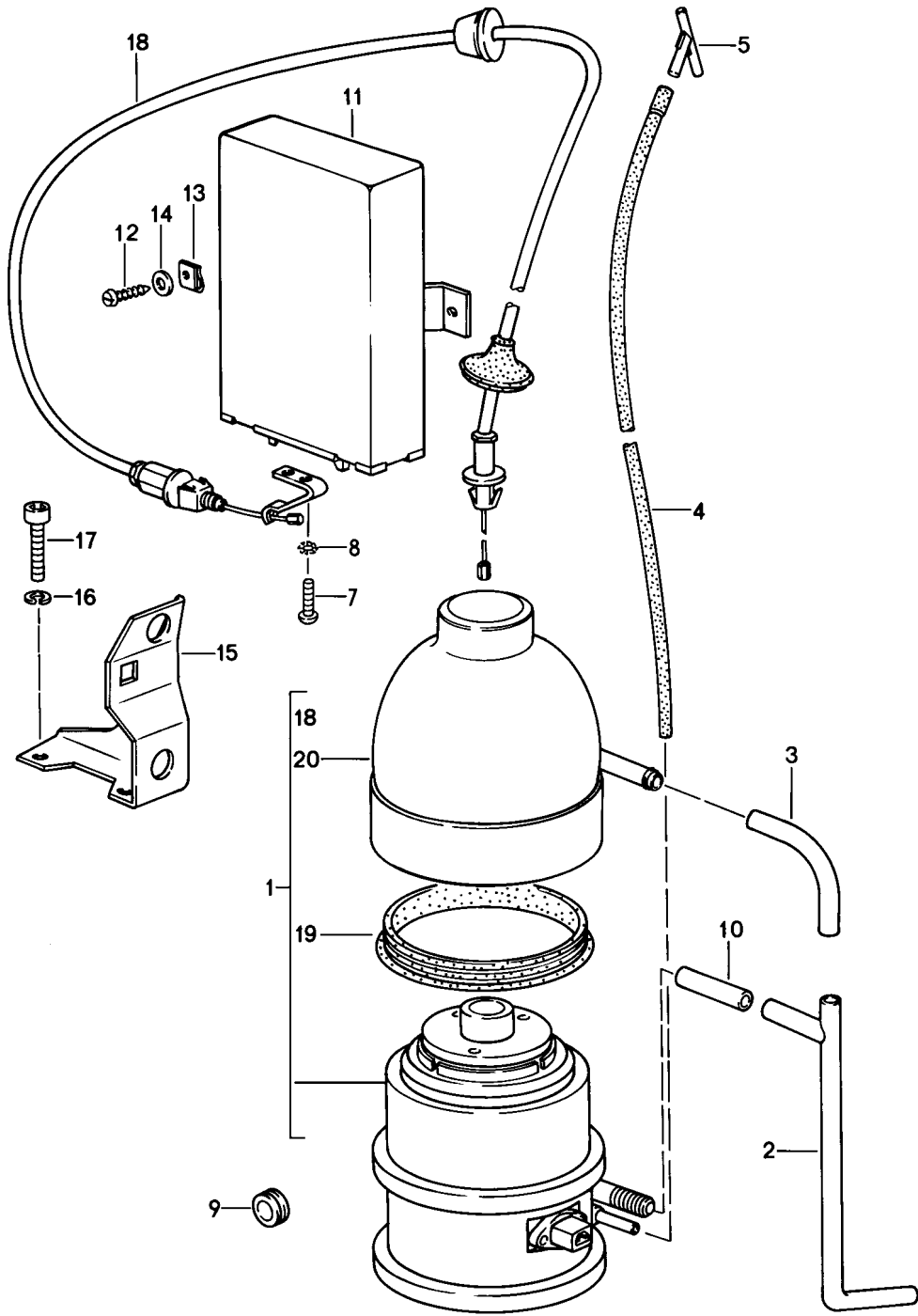
Model: 928 78

Model life 1978>>1982

Pos	Part Number	Description	Remark	Qty	Model
		Instruments			
		Centre console			
1	928 641 701 00	Clock		1	
2	900 146 032 02	Oval-head screw		2	
		AM 3,5 X 10			
3	900 114 015 01	Shake-proof washer		2	
8	928 632 013 02	Double indicator light	-79	1	M489
(8)	928 632 013 03	Double indicator light	-79	1	
(8)	928 632 013 06	Double indicator light	(F) -79	1	
9	900 631 129 90	Bulb	-79	1	
		12 V - 1,2 W			

Model: 928 78

Model life 1978>>1982



Model: 928 78

Model life 1978&gt;&gt;1982

Pos	Part Number	Description	Remark	Qty	Model
1	928 617 121 00	Cruise control Drive link Brake booster \$ 9"		1	
(1)	928 617 121 01	Drive link Brake booster \$ 10"		1	
2	928 617 124 00	Breather pipe		1	
3	928 617 123 00	Connecting piece		1	
4	928 574 710 08	Vacuum line		1	
5	928 574 678 02	Y-piece		1	
7	900 146 005 02	Oval-head screw		2	
8	900 114 018 01	Shake-proof washer		2	
9	021 119 569 A	Rubber sleeve		1	
-	N 020 359 1	Hose		*	
10		48 MM		1	
11	928 617 127 00	Cruise control regulator		1	
12	900 187 013 02	Hexagon-head tapping screw 4,2 X 13		2	
13	N 015 429 2	Speed nut		2	
13	N 015 429 6	Speed nut		2	
14	900 151 001 02	Washer		2	
15	928 110 196 02	Support		1	
16	N 012 226 5	Spring washer		2	
17	N 014 740 2	Pan-head screw M 6 X 16		2	
17	N 014 740 11	Pan-head screw M 6 X 16		2	
18	928 617 901 00	Bowden cable		1	
19	928 617 902 00	Gasket		1	
20	928 617 903 00	Protection cap		1	

Model: 928 78

Model life 1978>>1982



Model: 928 78

Model life 1978&gt;&gt;1982

Pos	Part Number	Description	Remark	Qty	Model
>>	928 603 904 00	Repair kits Set of fastening parts for Pulley Generator 928.603.114.00 Comprising: Nut SW 24 Washer Thrust washer Woodruff key PVC-ROHR Rear window wiper for subsequent installation		X	
>>	928 628 060 02	Windscreen wiper system Small Complete Comprising:	80-	X	
-	928 628 071 03	Engine bracket with Bearing		1	
-	928 628 202 02	Joint rod		1	
-	928 628 403 02	Wiper motor with Crank		1	
-	928 628 309 02	Wiper bearing Upper		1	
-	928 628 325 01	Bush		1	
-	928 628 326 01	Bush		1	
-	928 628 287 00	Grommet		3	
-	928 628 289 00	Bush		3	
-	900 075 014 02	Hexagon-head bolt M6 X 18		3	
-	900 075 014 03	Hexagon-head bolt M6 X 18		3	
-	900 075 014 02	Hexagon-head bolt M6 X 18		3	
-	900 075 014 03	Hexagon-head bolt M6 X 18		3	
>>	928 628 903 00	Installation set Large Complete Comprising:	80-	X	
-	928 628 070 02	Assembly frame		1	
-	928 628 403 02	Wiper motor		1	
-	928 628 307 02	Wiper bearing Engine bracket		1	
-	928 628 202 02	Joint rod		1	
-	928 628 309 02	Wiper bearing		1	
-	928 628 325 01	Bush		1	
-	928 628 326 01	Bush Spring washer B 8		1	
-	900 114 002 02	Shake-proof washer 6,4		2	
-	900 076 025 02	Hexagon nut M 8		3	
-	900 076 064 02	Hexagon nut M 8		2	
-	900 076 010 02	Nut M 6		2	
-	900 076 010 0B	Nut		3	



Model: 928 78

Model life 1978>>1982

Pos	Part Number	Description	Remark	Qty	Model
		M 6			
-	477 955 427 C	Wiper blade		1	
-	999 591 564 40	Expansion rivet		6	
		Sealing ring		2	
-	928 618 104 00	Relay		1	
-	928 613 129 03	Tip switch		1	
-	928 613 123 04	Display specimen		1	
		Pan-head screw		1	
		M 6 X 15			
-	900 119 014 02	Pan-head screw		2	
		M 6 X 20			
-	900 910 009 02	Lock nut		1	
		M 5			
		Flat connector		1	
-	900 084 026 01	Lock nut		1	
		M 5			
		Flat connector		1	
-	900 151 006 09	Washer		6	
		B 6,4			