

Model: 991G13

Model life 2014>>

Model Overview Sales Type

Sales term	Description	Mounting time	Remark
991810	GT3	05/13	
991811	GT3	05/13	
991850	GT3 RS	05/14	
991851	GT3 RS	05/14	
991880	991 R	05/15-05/16	
991881	991 R	05/15-05/16	

Model: 991G13

Model life 2014>>

Model Overview EC

EC	Sales term	LTR	KW	Hp	Cyl	Mounting time	Remark
A175		3,80	350	476	6	05/13-05/17	
A176		4,00	373	507	6	05/14-05/17	
DGG		4,00	368	500	6	05/17	
DGGA		4,00	368	500	6	05/17	MA177
DGGB		4,00	382	519	6	05/17	MA177
DNSA		4,00	382	519	6	05/13	MA179
DNSH		4,00	382	519	6	05/13	MA179

Model: 991G13**Model life 2014>>**

Model Overview TC

TC	Sales term	Type	Mounting time	Remark
CG190		7C	05/13-05/17	
CG192		7C	05/17	
CG195		7C	05/14-05/17	
G9190		6S	05/15-05/16	

Model: 991G13

Model life 2014>>

VIN-Numbers Overview

Model year	Date	VIN		Remark
2014	01.06.2013	99-ES180061	>99-ES183000	991 GT3
2014	01.06.2013	A9-ES183061	>A9-ES185000	991 GT3 (USA, CDN)
2014	01.06.2013	99-ES183061	>99-ES185000	991 GT3 (KOR, CN, MEX, BR)
2015	01.06.2014	99-FS182061	>99-FS185000	991 GT3
2015	01.06.2014	A9-FS182061	>A9-FS185000	991 GT3 (USA, CDN)
2015	01.06.2014	99-FS185061	>99-FS188000	991 GT3 RS
2015	01.06.2014	A9-FS185061	>A9-FS188000	991 GT3 RS (USA, CDN)
2015	01.06.2014	99-FS182061	>99-FS185000	991 GT3 (KOR, CN, MEX, BR)
2015	01.06.2014	99-FS185061	>99-FS188000	991 GT3 RS (KOR, CN, MEX, BR)
2016	01.06.2015	99-GS183061	>99-GS184000	991 GT3
2016	01.06.2015	A9-GS184061	>A9-GS185000	991 GT3 (USA, CDN)
2016	01.06.2015	99-GS185061	>99-GS187000	991 GT3 RS
2016	01.06.2015	99-GS188061	>99-GS192000	991 GT3 RS
2016	01.06.2015	A9-GS187061	>A9-GS188000	991 GT3 RS (USA, CDN)
2016	01.06.2015	A9-GS192061	>A9-GS194000	991 GT3 RS (USA, CDN)
2016	01.06.2015	99-GS194001	>99-GS195000	991 R
2016	01.06.2015	A9-GS195001	>A9-GS196000	991 R (USA, CDN)
2016	01.06.2015	99-GS184061	>99-GS185000	991 GT3 (KOR, CN, MEX, BR)
2016	01.06.2015	99-GS187061	>99-GS188000	991 GT3 RS (KOR, CN, MEX, BR)
2016	01.06.2015	99-GS192061	>99-GS194000	991 GT3 RS (KOR, CN, MEX, BR)
2016	01.06.2015	99-GS195001	>99-GS196000	991 R KOR, CN, MEX, BR)
2017	01.06.2016	99-HS185061	>99-HS187000	991 GT3 RS
2017	01.06.2016	A9-HS187061	>A9-HS188000	991 GT3 RS (USA, CDN)
2017	01.06.2016	99-HS187061	>99-HS188000	991 GT3 RS (KOR, CN, MEX, BR)
2018	01.06.2017	99-JS164061	>99-JS174000	991 II GT3
2018	01.06.2017	A9-JS174061	>A9-JS180000	991 II GT3 (USA, CDN)
2018	01.06.2017	99-JS174061	>99-JS180000	991 II GT3 (KOR, CN, MEX, BR)
2019	01.06.2018	99-KS158001	>99-KS164000	991 GT3 RS
2019	01.06.2018	A9-KS164001	>A9-KS170000	991 GT3 RS (USA, CDN)
2019	01.06.2018	99-KS170001	>99-KS172000	GT SPEEDSTER
2019	01.06.2018	A9-KS172001	>A9-KS174000	GT SPEEDSTER (USA, CDN)
2019	01.06.2018	99-KS164001	>99-KS170000	991 GT3 RS (KOR, CN, MEX, BR)

Model: 991G13

Model life 2014>>

Engine Numbers

Engine number	Model year	Vehicle type	Engine type
__E 00501>60000	2014	991 GT3	A175
__F 00501>60000	2015	991 GT3	A175
__F 00501>60000	2015	991 GT3 RS	A176
__G 00501>60000	2016	991 GT3	A175
__G 00501>60000	2016	991 GT3 RS	A176
__G 00501>60000	2016	991 R	A176
__H 00501>60000	2017	991 GT3	A175
__H 00501>60000	2017	991 GT3 RS	A176
__J 00501>60000	2018	991 GT3 C33	DGG
__J 00501>60000	2018	991 GT3	DGGA

Model: 991G13**Model life 2014>>**

Transmission Numbers

Transmission Number	Model year	Vehicle type	Gearbox type
CG190 1 002001>999999	2014	991 GT3	CG190
CG190 1 002001>999999	2015	991 GT3	CG190
CG195 1 002001>999999	2015	991 GT3 RS	CG195
CG190 1 002001>999999	2016	991 GT3	CG190
CG195 1 002001>999999	2016	991 GT3 RS	CG195
G9190 1 002001>999999	2016	991 R	G9190
CG190 1 002001>999999	2017	991 GT3	CG190
CG195 1 002001>999999	2017	991 GT3 RS	CG195
CG192 1 002001>999999	2018	991 II GT3	CG192

Model: 991G13

Model life 2014>>

NR	Description
003	Clubsport package
004	RS version
008	Basic 981/991
009	"s" 981/991
011	Special model GTS (981/991)
012	Special model China Style Edition
013	Special model Black Edition
019	Special model 911 Carrera 4 GTS
022	Black-coloured instrument dials, instrument cluster
023	Silver -coloured instrument dials, instrument cluster
024	Version for Greece
025	Black-coloured instrument dials, stopwatch
026	Silver-coloured instrument dials, stopwatch
029	Standard chassis
030	Sports suspension
031	Sports chassis with PASM and PDCC
032	Touring suspension
034	Version for Italy
038	911 R
039	Touring package
058	Impact absorbers, front and rear
061	Version for Great Britain
062	sweden version
063	Version Luxemburg
064	Version for Netherlands
065	Version for Denmark
066	Version for Norway
067	Version for Finland
068	PAP right-hand drive version
069	Other country version
070	Pedestrian protection
071	EU country version
072	Version for Mexico
073	Version for Russia
074	PAP left-hand drive version
075	Chinese version
082	Fuel tank, 90-litre
086	Korea version
098	Left-hand drive version
099	Right-hand drive version
111	Version for Austria
113	Version for Canada
114	Version for Taiwan
119	Version for Spain
124	Version for France
126	Control and indications in French lettering

Model: 991G13

Model life 2014>>

NR	Description
127	Control and indications in Swedish lettering
130	Control and indications in English lettering
140	Dynamic engine mounts (PADM)
145	Compression variant
150	Operation with leaded gas
153	Middle radiator
155	Sound symposer
170	Acoustic package RoW
171	Acoustic package USA
172	Acoustic package PAP, China, Korea
176	Sports exhaust system
181	Standard climatic zones
182	Hot country
183	Super hot country
187	Single-mass flywheel, 911 R
192	Lightweight battery 40 AH
193	japan version
194	Battery, 60 Ah
195	Battery, 70 Ah
196	Battery, 80 Ah
197	Stronger battery
198	Enhanced starter motor (1.7 kW)
199	Battery disconnection switch
200	95 Ah battery
209	Licence plate holder version 1
210	Licence plate holder version 2
211	Licence plate holder version 3
214	Licence plate holder version V
215	Version for Saudi Arabia
218	Licence plate holder version 4
219	Differential
220	Locking differential 40 %
221	PTV Plus, el. controlled rear-diff. lock
225	Version for Belgium
250	PDK transmission (dual clutch)
254	Manually retractable exterior mirrors
255	Manually retractable exterior mirrors with memory
256	Manually retractable exterior mirrors, with automatic dimming
257	Manually retractable exterior mirrors, with automatic dimming and memory
258	Electrically retractable exterior mirrors
259	Electrically retractable ext. mirrors with memory
260	Electrically retractable exterior mirrors with automatic dimming
261	Electrically retractable exterior mirrors

Model: 991G13

Model life 2014>>

NR	Description
	with automatic dimming and memory
263	Left exterior mirror glass, flat
264	Left exterior mirror glass, convex
265	Automatic anti-dazzle interior mirror with rain sensor
266	Automatic anti-dazzle door mirror
267	Automatically dimmable interior and door mirrors
268	Rain sensor
270	Door mirrors -flat - driver's side, electrically adjustable and heatable
271	Door mirrors -aspherical- driver's side, electrically adjustable and heatable
273	Door mirrors, electrically adjustable and heatable
274	Vanity mirror, illuminated
275	Manual anti-dazzle interior mirror
276	Automatic anti-dazzle interior mirror
277	Swiss version
284	Right exterior mirror glass, convex
285	Right exterior mirror glass, aspherical
288	Headlamp washer
301	Transmission ratio long
305	Gear lever in Alcantara, Black
306	GTX shift lever, leather
308	Selector lever in Alcantara, Black
309	PDK gear selector GTX, leather
310	PDK gear selector EXC
313	Sports seat, left, manual, 2-way
314	Sports seat, right, manual, 2-way
315	Sports seat, left, partially electrical, 4-way
316	Sports seat, right, partially electrical, 4-way
317	Sports seat Plus, left, manual, 2-way
318	Sports seat Plus, right, manual, 2-way
319	Sports seat Plus, left, partially electrical, 4-way
320	Sports seat Plus, right, partially electrical, 4-way
321	Sports seat, left, electrical, 14-way
322	Sports seat, right, electrical, 14-way
323	Sports seat Plus, left, electrical, 18-way

Model: 991G13

Model life 2014>>

NR	Description
324	Sports seat Plus, right, electrical, 18-way
325	Version for South Africa/New Zealand
335	Automatic seat belt, 3-point, rear
338	Rear-wheel drive
339	All-wheel drive
340	Wheel rims painted in basic colour
341	Rims, painted white
342	Seat heating, left/right seat
345	Heated steering wheel
346	Rims, painted Silver
352	Electronic damper control for PASM and PDCC
357	Lenkung mit zusätzlicher Hubbegrenzung
369	Standard seat, left
370	Standard seat, right
371	Bucket seat, 918 Spyder, left (harder)
373	Bucket seat, 918 Spyder, left
374	Bucket seat, 918 Spyder, right
375	Sports seat, backrest shell, left
376	Sports seat, backrest shell, right
377	Sports seat, backrest shell, left, electrically adjustable
378	Sports seat, backrest shell, right, electrically adjustable
388	Sports bucket seat, left
389	Sports bucket seat, right
392	17-inch Carrera wheel
393	17-inch Boxster II wheel (987)
395	BOXSTER IIII 18" wheel
396	18" Cayman (III) wheel
397	18-inch Boxster II wheel (987)
398	19" Cayman S wheel
399	CAYMAN II 17" wheel
400	Boxster S III 19" wheel
401	18-in. Cayman S wheel
402	Carrera 3 wheel 18-inch
403	Carrera S wheel 19-inch
404	19" Turbo-1 wheel
405	Carrera Classic wheel 19-inch
406	Carrera GT wheel 19-inch/20-inch
407	SportDesign wheel 19-inch
410	18" Turbo-2/Panamera wheel
411	18-inch Carrera wheel -->2005 19-inch Carrera wheel 2012-->
414	Carrera S Facelift 18" wheel

Model: 991G13

Model life 2014>>

NR	Description
415	18-inch Turbo-Look II wheel
416	18-inch GT3 wheel
418	18-inch Turbo II wheel in GT Silver
419	Carrera S Facelift 19" wheel
421	Turbo 2 wheel, 19"
422	Turbo wheel, 19", central lock
423	20-inch Carrera S wheel (III)
424	CD storage unit
425	Rear window wiper
426	Without rear window wiper
427	20-inch Carrera Classic wheel (II)
428	20-inch Sport Design wheel (II)
430	GT3 wheel, 19", central lock
431	Central wheel lock, GT3, 20" wheel
432	19" Carrera wheel (6)
437	Comfort seat, left, electrically adjustable
438	Comfort seat, right, electrically adjustable
439	20" 911 Turbo 4 wheel
440	Antenna diversity
441	Basic sound package
444	Anti-theft lock, wheel bolts "THATCHAM"
446	Concave wheel centers with full-colour Porsche Crest
447	Emergency wheel
448	Brake pad; sport version
450	Ceramic brake (PCCB)
451	991-II GTX-RS wheel 20/21" Central locking Aluminium
452	991-II GTX-RS wheel 20/21" Central locking Magnesium
453	Wheel cover in black, coloured emblem
454	Automatic speed control
456	Automatic distance control (ACC)
459	3-spoke airbag steering wheel, touch + feel
460	20" RS Spyder Design wheel
461	External antenna
465	Rear fog light, left
466	Rear fog light, right
470	Rear-axle steering
474	Front-axle lift function
475	"PASM" electronic damper control
476	Porsche Stability Management (PSM)
477	PASM w/o lowering
478	Central wheel lock
479	Version for Australia

Model: 991G13

Model life 2014>>

NR	Description
480	6-speed manual transmission
482	Tire Pressure Monitoring TPM, 433 MHz
483	315-MHz TPM, Tire Pressure Monitoring
484	Version for USA
486	6-speed GT sports manual transmission
487	7-speed manual transmission
488	Inscriptions in German language
490	Sound system "ASK"
492	Headlights for left-hand traffic
493	Balance weights, Black
498	Deletion of model designation on rear end
499	Version for Germany
501	Car cover
509	Fire extinguishers
513	Lumbar support, right seat
514	GTS logo with model designation in Silver
515	GTS logo with model designation in Black
521	Tilt sensor
523	Immobiliser, 434 MHz
524	Immobilizer, central locking, 433 MHz
525	Immobilizer, central locking, 315 MHz
529	SportDesign exterior mirror
532	Alarm system remote control omitted
533	Radio convertible-top operation omitted
534	Theft security system, 433 MHz
535	Theft security system, 315 MHz
536	-07 Alarm siren and tilt sensor 08- Alarm siren
537	Seat position control for comfort seat, left
538	Seat position control for comfort seat, right
539	Mechanical seat height adjustment, left
540	Mechanical seat height adjustment, right
541	Active seat ventilation (incl. heated seats)
542	Active seat ventilation, front and rear (incl. heated seats)
544	Anti-theft protection without infrared monitoring, 433 MHz
545	Anti-theft protection without infrared monitoring, 315 MHz
546	Roll-over bar in exterior colour
547	Roll-over bar in Aluminium Look
549	Roof Transport System
550	Hardtop

Model: 991G13

Model life 2014>>

NR	Description
551	Wind deflector
552	Electric wind deflector
553	Version for USA, Canada
554	Front spoiler lip included
555	Black seat belts
559	High-gloss mouldings
560	Advanced airbag
562	Airbag, driver's side and front passenger's side
563	Side airbag
566	Front fog lights, white
567	Windscreen tinted, upper part darker coloured
568	Windscreen without shade band
571	Activated charcoal filter
572	Manual air-conditioning system
573	Air conditioner
574	No air conditioning
575	Luggage compartment cooling system
578	6-point seat belt, driver
579	6-point seat belt, passenger
581	Centre console, front
582	Safety cage in Lava Orange
583	Smoker package
584	Storage box on engine cover
586	Lumbar support, left seat
587	Safety cage in White
589	Front wing in Carbon
590	Steel doors
594	Alcantara rooflining
595	Safety cage in Black
599	Aluminium doors
601	Xenon lighting system
602	LED headlights with dynamic cornering light Plus (PDLS Plus)
603	Bi-Xenon and dynamic cornering light
605	LED daytime driving lights
606	Daytime driving lights
607	Garage door opener "Homelink", 315 MHz
608	Garage door opener "Homelink" 433 MHz
609	without radio
610	DVD navigation, "Europe package"
611	DVD navigation South Africa
612	DVD navigation middle east
613	DVD navigation australia
614	DVD navigation asia-pacific
615	DVD navigation system, North America

Model: 991G13

Model life 2014>>

NR	Description
616	DVD, Navigation Russia
617	DVD Navigation China
618	Phone preparation
619	Mobile phone preparation (BLUETOOTH) without console
621	12-V socket, passenger's side, footwell
625	"KESSEY" Porsche Entry and Drive
630	Interior light package
631	Traffic sign recognition
632	PDLs+ dynamic high beam
635	Park distance control
636	Park distance control in front and rear
638	ParkAssist, front, rear and reversing camera
639	Sport Chrono package
640	Sport Chrono Plus package
641	electronic log book
642	Start/Stop function
643	Track app
647	Steering column, mechanically reach/height-adjustable, without ELV
648	Steering column, electrically reach/height-adjustable, without ELV
650	Electrical sliding roof
651	Electric window opener
652	Without sliding/tilting roof
653	External-sliding glass sunroof
655	Steering column with mech. reach/height adjustment
656	Steering column with electric reach/ height adjustment and memory
657	Power steering
659	on-board computer
660	Obd 2
661	Stricter emission-control concept
663	Fuel pump activation
664	Orvr
665	-2008 PCM 2, 2009- PCM 3 basic module incl. radio
666	-2008 PCM 2, 2009- PCM 3 telephone (GSM)
668	PCM2 telephone handset
669	PCM 3 - Telephone handset (BLUETOOTH)
670	PCM2 navigation
671	Voice control system
672	-2008 PCM 2, 2009- PCM 3 Offroad navigation
673	Navigation system preparation, China
674	"Vehicle Tracking System" preparation
675	Without radio preparation (Japan navigation system)
676	TV tuner

Model: 991G13

Model life 2014>>

NR	Description
677	"Driver card" antenna
678	Alarm system connection
679	Restart inhibitor
680	BOSE sound package
682	Top Premium sound system
685	Rear seat assembly
686	SAT radio reception XM (SDARS)
688	HD radio reception
689	Preperation for CD autochanger
690	SDARS + HD radio reception
691	Digital radio reception DAB
692	CD autochanger "Porsche"
693	Integrated CD/DVD autochanger
694	CD radio "PORSCHE CDR 24"
696	CD radio, Porsche CDR 31
697	CD radio "Porsche CDR-23"
703	without Clubsport package
711	Omission underbody protection
751	PCCB, front axle and rear axle 3K
756	Special model "911 Sport Classic"
788	Painted plastic components, door panel
789	Colour to sample
796	Full leather trim natural leather
798	Full leather trim special leather
799	Full leather trim by choice
801	Makassar Ebony wood package, dark (matt satin finish)
802	Sycamore package, light (matt satin finish)
803	Carbon package
804	GT2 Carbon exterior package
805	Lifestyle package
808	Racetrack package
809	Centre console trim, brushed aluminium, Black
810	foot mats
811	without door panel trim
812	Door panel trim, galvanised
814	Door panel trims in brushed aluminium Anthracite
815	Door panel trim, brushed aluminium, Black
816	Centre console trim, brushed aluminium, Anthracite
820	Dashboard trim, brushed aluminium, Anthracite
840	Sports steering wheel (for PDK with paddle)
841	Basic steering wheel Smooth leather
843	Sports steering wheel in Alcantara
844	Multi-function steering wheel Smooth leather
845	Multi-function steering wheel Carbon
847	Multi-function steering wheel Makassar

Model: 991G13

Model life 2014>>

NR	Description
852	PDLs+ High beam assist
870	Universal multimedia interface
877	Sports steering wheel, Alcantara
878	Sports steering wheel, leather
886	12 o'clock marking, red
887	12 o'clock marking Yellow
888	12 o'clock marking Lava Orange
899	Isofix child-seat restraint on front passenger side
903	Film strip, Red
904	Film strip, Green
911	Model designation 911
912	without identification plate
931	Rear seat covers in Alcantara/leatherette
932	Rear seat covers in Alcantara/leather
936	Seat covers, rear, leather
937	Seat covers, rear, leatherette
939	Seat covers, rear, draped leather
940	Seat covers rear, ruff.leather/leather/leatherette Soft ruffled leather, embossed
946	Seat covers, front, leather/leather/leatherette
948	Front seat covers in fabric/leather/leather
950	Alcantara seat covers, front
951	Seat covers front, Alcantara/leather/leather
970	Two-tone interior
971	"TORO" embossed leather
975	Alcantara interior
980	Leather package
981	Leather equipment, without seat covers
982	Seat covers, front, draped leather/leather/leather
983	Seat covers, front, leather
984	Leather interior, authentic
985	Seat covers, leather/leather/leatherette, 2
990	Seat covers, front, cloth/cloth/leatherette
991	Steering wheel airbag module in leather
998	Leather, natural
999	Passenger compartment monitoring sensor for leather colour of choice
ER1	Regional code "ECE" for radio
ER2	Regional code "RdW" for radio
ER3	Region code "USA" for radio
ER4	Region code "Mexico/NAR2" for radio
ER5	Region code Japan for radio
ER6	Regional code "China" for radio

Model: 991G13

Model life 2014>>

NR	Description
ER7	Regional code "Korea" for radio
ER8	Regional code "Taiwan" for radio
ER9	Regional code "Rest of Asia" for radio
IY1	Model year period from week 22 to week 45
IY2	Model year period from week 45 to week 22
I8L	Premium radio (2nd gen.)
KK1	Refrigerant R134a
M9I	Flat-six engine, 4.0l, 368KW
M9J	GT3 RS 4.0 l
NZ3	ERA/GLONASS (emergency call)
QR0	without compass/Sport Chrono/analogue clock
QR5	Sport Chrono Package Plus
QU1	TV reception + digital radio reception (DAB) MIB
QU8	SAT radio reception, USA
QV0	Without TV/SAT/DAB reception
QV1	With TV reception/TV tuner
QV3	HD radio reception (high-definition)
UI2	2 X USB/IPOD interface
UI4	AUX + USB/IPOD electric interface + 2X charging
UX5	Standard valve
UX6	TPM valve, Silver
UX7	TPM valve, Black
XAA	Aerokit Cup
XAF	Turbo aerokit
XAG	Carrera - rear spoiler
XAH	Carrera 4S aerokit
XAJ	Painted sill covers
XAS	Sport Design front apron
XAT	SportDesign package
XCA	Dashboard trim strip (3-part) sports seats
XCB	Instrument surround sports seats
XCC	Side air vents sports seats
XCD	Center air vent bracket sports seats
XCE	Rear center console sports seats
XCG	Sports seat backrest in Aluminium Look finish
XCH	Side/centre air vent slats, sports seats
XCK	Rear center console in Galvano Silver
XCL	Instrument surround in Galvano Silver
XCN	Side air vents in Aluminium Look finish (997)
XCS	SportDesign mirror, lower shell, Black
XCW	Aluminium Look trim on belt opening in B-pillar
XCY	Center air vent in Aluminium Look finish
XCZ	Short shifter
XDA	Wheel spokes painted Black
XDG	Rims painted in high-gloss Black
XDH	Wheel centre painted in Platinum

Model: 991G13

Model life 2014>>

NR	Description
XDJ	Decorative trim on gear lever/selector, painted
XDK	Silky gloss rims, Black Matt
XDM	Decorative dashboard trim, painted
XDP	Instrument cluster frame, painted
XDR	Painted trim on belt opening in B-pillar
XDS	Ignition lock surround in leather
XDU	Leather trim on belt opening in B-pillar
XDV	Dashboard end-trim in leather
XDX	Mirror attachment point finisher, leather
XDZ	Selector lever cover in leather
XD9	Wheel painted in body colour
XEA	Passive handset in leather
XES	Preparation, illuminated door entry guard
XEX	Headlights, Black
XEY	LED headlights, dynamic Cornering light
XE8	Gear lever knob aluminium/dark burr maple/leather
XE9	Handbrake lever aluminium/dark burr maple/leather
XFD	Instrument dials in Sand Beige
XFE	Instrument dials in Terracotta
XFF	Instrument dials in Brown/Natural
XFG	Instrument dials in Guards Red
XFH	Instrument dials in Speed Yellow
XFJ	Instrument dials in Carrara White
XFL	Instrument dials painted in Luxor Beige
XFP	Handbrake lever Aluminium II
XFR	Instrument dial painted Racing Yellow
XGB	Decorative dashboard trim, carbon
XGC	Dashboard carbon/Alcantara
XGD	Parking brake handle carbon/Alcantara
XGE	Handle recess insert, carbon
XGG	Rims in gold high gloss
XGS	Rims in black high gloss, green edging
XGT	Silk-gloss rims, Black. Red border
XHB	Centre console trim in leather
XHC	Shift lever in mahogany
XHD	PDK selector lever in mahogany
XHE	Dashboard trim panel in mahogany
XHF	Multi-function steering wheel in mahogany
XHG	Centre console trim in mahogany
XHH	Shift lever, carbon
XHJ	PDK selector lever, carbon
XHL	Multi-function steering wheel, carbon
XHM	Centre console trim, carbon
XHS	Rear centre tunnel in leather
XJJ	Carbon trim on belt opening in B-pillar

Model: 991G13

Model life 2014>>

NR	Description
XJL	Makassar Ebony side air vent
XJM	Sycamore side air vent
XJN	Makassar Ebony center air vent
XJP	Sycamore center air vent
XJR	Makassar Ebony windscreen defroster panel
XJS	Sycamore windscreen defroster panel
XJT	Makassar Ebony rear center console
XJU	Sycamore rear center console
XJW	Exterior mirror top half, Carbon
XJ4	Leather cover for ignition lock surround
XKB	Side air vent in light burr maple
XKC	Side air vent in dark burr maple
XKD	Side air vent in Carbon
XKG	"Defroster trim in light burr maple; leather"
XKH	"Defroster trim in dark burr maple; leather"
XKJ	Defroster trim in Carbon/leather
XKL	Leather speaker covers
XKM	Speaker covers in light burr maple
XKN	Speaker covers in dark burr maple
XKP	Carbon speaker covers
XKR	Center air vent bracket in light burr maple
XKS	Center air vent bracket in dark burr maple
XLF	Sports exhaust system
XLG	Centre console storage bin cover in Alcantara, with logo
XLJ	Centre console lid in Alcantara with crest
XLK	SportDesign steering wheel, Alcantara
XLS	Sports tailpipe 98X
XLT	Sports tailpipes, 997
XLU	Sun visors, Alcantara
XMA	Rooflining in leather
XME	Rear section of centre console painted
XMF	Front center console including 2 storage bins, leather
XMJ	Rear section of centre console in Carbon
XMK	Roll-over bar in exterior color
XML	Rear center console in light burr maple
XMP	Leather sun visor, 2 illuminated vanity mirrors *
XMR	Sun visor in leather, 2 illuminated vanity mirrors,
XMZ	Rear section of centre console in leather
XNB	Rear center console in dark burr maple
XNG	Instrument surround in leather
XNN	Center air vent bracket in leather
XNR	Carbon center air vent bracket
XNS	Leather steering column trim, 4-part
XNU	Leather trim strip (dashboard)

Model: 991G13

Model life 2014>>

NR	Description
XNV	Trim strip (dashboard) in light burr maple
XNW	Trim strip (dashboard) in dark burr maple
XNX	Carbon trim strip (dashboard)
XN3	Dashboard side air vent in leather
XPA	3-spoke sports steering wheel in leather interior co
XPB	3-spoke sports steering wheel, light burr maple, leather
XPC	3-spoke sports steering wheel, dark burr maple, leather
XPD	3-spoke sports steering wheel, Carbon/leather
XPG	3-spoke sports steering wheel, sports seats
XPL	Privacy glazing
XPR	Rear window with privacy-glazing
XPT	Centre console storage bin lid with crest
XPU	Multi-function steering wheel Galvano Silver, new generation
XPV	Multi-function steering wheel, Galvano Silver
XPW	Instrument surround in light burr maple
XPX	Instrument surround in dark burr maple *
XPY	Carbon instrument surround
XRB	18-inch Sport Classic II wheel
XRC	18-inch SportTechno wheel
XRL	18-inch SportDesign wheel
XRN	17-mm spacers, rear
XRP	5-mm spacers, front/rear
XRR	19-in. Carrera Sport wheel
XRS	19" Sport Classic WHEEL
XRT	20-inch Sport Techno wheel
XSA	Painted sports seat backrest
XSB	Leather sports seat backrest
XSC	Porsche Crest embossed in headrest
XSD	Front seat controls in leather
XSE	Bucket seat, left
XSF	Bucket seat, right
XSG	Racing bucket seat, left
XSH	Silver seat belts
XSJ	6-point harness
XSL	6-point safety catch
XSM	Racing safety cage
XSN	Omission of rear seats
XSR	Carbon back for bucket seat, right
XSS	Carbon back for bucket seat, left
XST	Seat belts in Sand Beige
XSU	Upholstered seat
XSW	Seat belts in Maritime Blue
XSX	Seat belts in Guards Red

Model: 991G13

Model life 2014>>

NR	Description
XSY	Seat belts in Speed Yellow
XTG	Inner door sills in leather
XTJ	Door panel parts in light burr maple
XTK	Door panel parts in dark burr maple
XTL	Door panel parts in Carbon
XTR	Door panel parts in Aluminium Look finish
XTT	Makassar Ebony door panel parts
XTU	Sycamore door panel parts
XTV	Leather door panel parts
XTW	Door panel parts in Galvano Silver
XUA	Spoiler lip painted
XUB	Cover on headlight cleaning system, painted
XUC	Model designation painted
XUV	Centre console storage bin lid with logo
XUX	Rear backrest release loop in leather
XVM	Leather center air vent
XVP	Trim strip including cupholder cover in leather
XVR	Side/centre air vent in leather
XVT	Cover for loudspeakers, doors and rear in leather
XV1	Defroster trim in leather
XWA	Door panel trim in leather
XWB	Door panel trim in mahogany
XWC	Door panel trim in carbon
XWD	Door panel trim in brushed aluminium
XWE	Door panel trim, painted
XWJ	Sports seat Plus, painted backrest
XWK	Sports seat Plus, leather backrest
XWL	Sports seat Plus package, leather backrest
XWR	PDK gate frame in Aluminium Look
XWS	PDK gate frame painted
XWT	PDK gate frame painted Black
XWU	PDK gate frame in leather
XXB	Door entry guards, stainless steel, illuminated
XXD	Door entry guards, carbon, illuminated
XXF	Red tail lights
XXG	Tail lights in clear glass look
XXH	Alcantara sun visor
XXJ	Alcantara interior light cover
XXK	Front seat covers in woven leather
XXL	Rear seat covers in woven leather
XXM	Without chequered flag design (seat)
XXP	Tail lights, darkened
XXR	Tail lights, darkened

Model: 991G13

Model life 2014>>

NR	Description
XXV	Sports-look pedals
XXZ	Footrest
XX1	Floor mats, logo, leather border
XX2	footwell light
XYA	PDK selector lever (EXC)
XYB	Fuel tank cap in Aluminium Look
XYC	Shift lever, aluminium
XYD	Dashboard trim panel, aluminium
XYE	Centre console cover, brushed aluminium
XYG	Centre console trim, painted
XYH	PDK selector lever, aluminium
XY5	Tiptronic gear selector gate in leather
XZB	Carbon centre air vent
XZD	Interior light surround in leather
XZM	Centre tunnel, front, leather
X45	Instrument dial in interior color
X46	Tiptronic selector lever in aluminium/leather
X47	Gear lever knob in Carbon/leather
X50	Powerkit 331/340 kW
X51	Powerkit 250 kW
X54	Stainless steel tailpipes
X58	Handbrake lever in Carbon/leather
X69	Door entry guards in Carbon with logo
X70	Door entry guards in stainless steel with logo
X71	Instrument dial painted/Aluminium Look finish
X72	Gear lever knob aluminium/light burr maple/leather
X73	Sports chassis -20 mm, without PASM
X74	Sports suspension (exclusive)
X75	Differential lock (exclusive)
X76	Inner door sill guard, left/right
X91	Handbrake lever aluminium/light burr maple/leather
X97	Gear lever knob in aluminium/leather
X98	Handbrake lever in aluminium/leather
X99	Natural leather
7CP	Emission standard EU6 AG/H/I
7G9	VTS preparation and Porsche Car Connect (pcc)
7I0	VTS security package (incl. PCC) and keypad
7I2	VTS security package (with PCC)
7UG	Navigation device, High
7X9	Rear view camera system
77J	Navigation software Argentina
77K	Navigation software Chile
8AA	without radio
9VJ	Top Premium sound system
9VK	Sound package 1/sound package

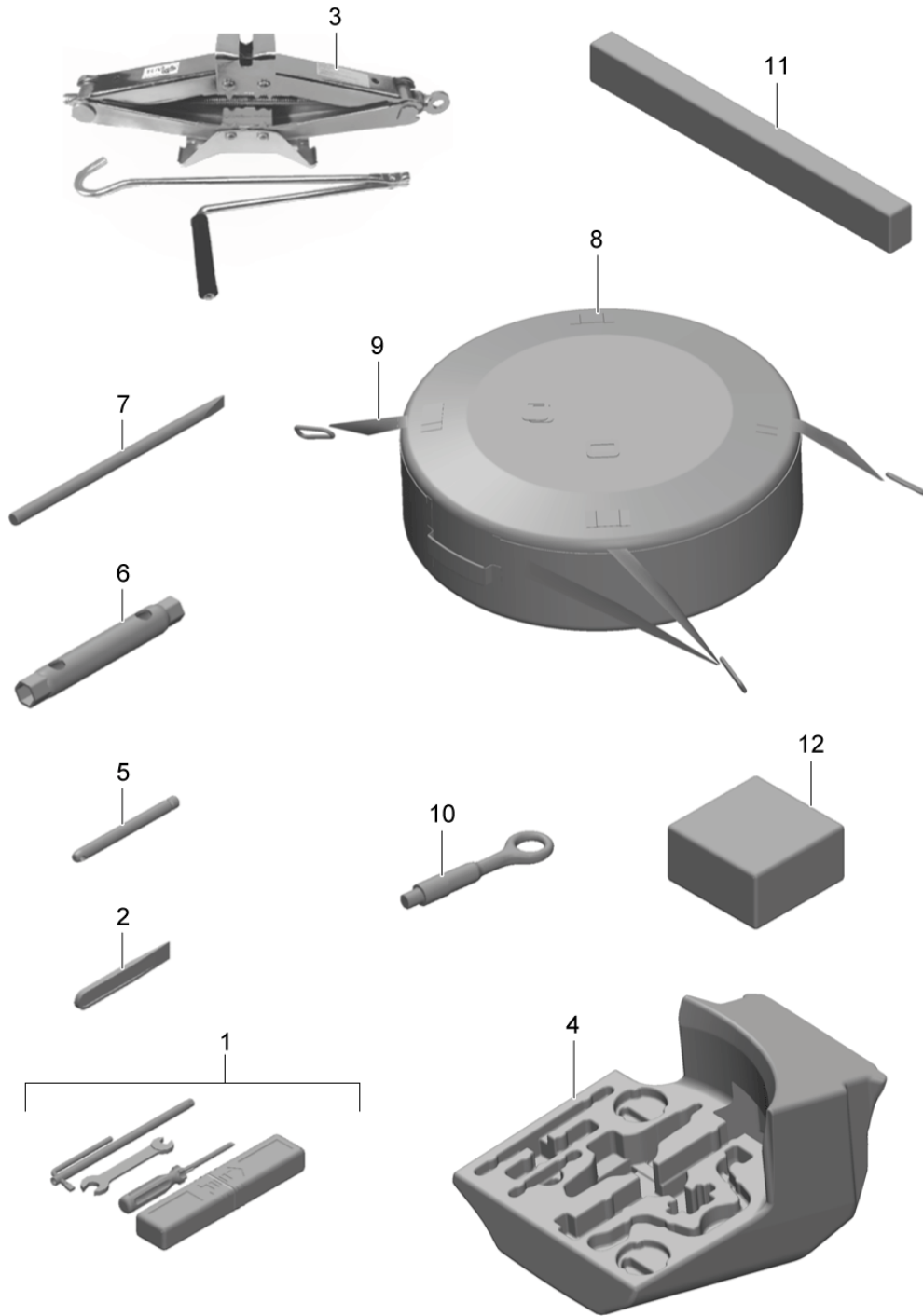
Model: 991G13

Model life 2014>>

NR	Description
9VL	Bose Premium sound system
9ZC	Telephone module with connection box
9ZE	Mobile-phone preparation with connection box
9ZK	Telephone module
9ZX	Mobile phone preparation

Model: 991G13

Model life 2014>>



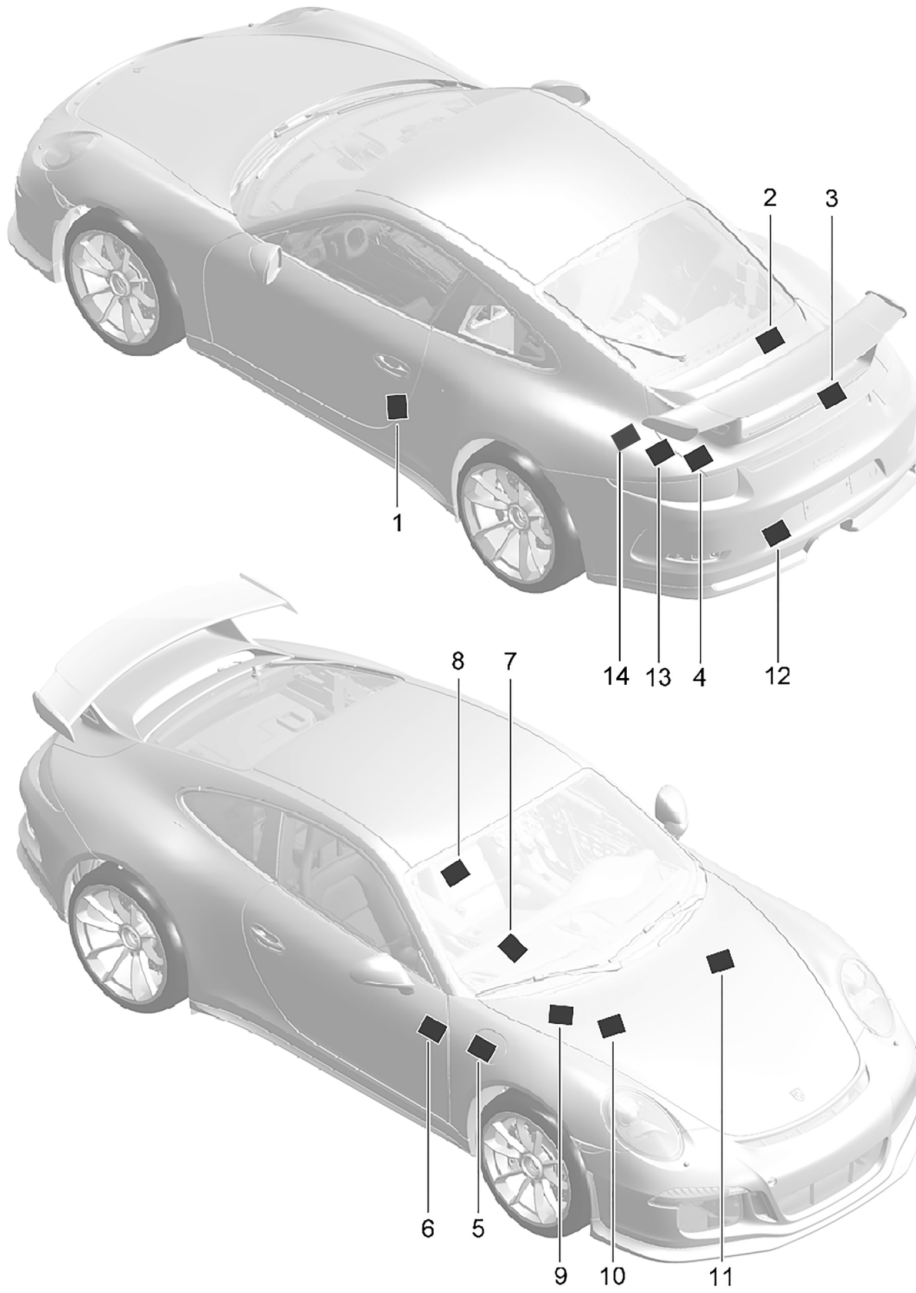
Model: 991G13

Model life 2014>>

Pos	Part Number	Description	Remark	Qty	Model
1	997 721 115 00	Tool jack Toolbox with contents comprising:		1	
-	477 012 229	Double open-ended spanner 10 X 13		1	
-	477 012 231	screwdriver		1	
-	111 012 287	handle for screwdriver		1	
-	999 571 077 02	Socket wrench - 5 - for Headlights		1	
2	991 613 299 00	Assembly tool Release Selector lever lock - PDK -		1	PR:250
3	996 721 211 00	Scissors type jack		1	PR:447
4	991 722 101 00	Foam part		1	PR:447
5	999 571 074 30	Threaded stud for Assembly Wheels		1	PR:447
6	477 012 221 A	wheel bolt wrench		1	PR:447
7	999 571 070 30	operating rod for Rim wrench		1	PR:447
-	996 361 521 00	Protective sleeve		1	PR:447
8	991 722 061 00	Cover Spare wheel		1	PR:447,-450
(8)	991 722 061 01	Cover Spare wheel		1	PR:447,450
9	997 722 073 00	tensioning strap Spare wheel		1	PR:447
10	970 721 551 01	Tow hitch No longer use the part here		1	
(10)	970 721 551 02	Tow hitch		1	
11	8K0 860 251	warning triangle		1	
-		Bracket warning triangle see illustration:	807-000		
12	000 722 041 00	first aid kit		1	
-	991 722 115 80	Fire extinguishers with:		1	PR:003

Model: 991G13

Model life 2014>>



Model: 991G13 Model life 2014>>

Pos	Part Number	Description	Remark	Qty	Model
-		Signs/notices		1	
(1)	991 701 286 92	Signs/notices Tyre pressure Data plate for tyre pressure D >> - MJ 2017	GT3	1	PR:431,482, 483
(1)	991 701 287 05	Data plate for tyre pressure D - MJ 2018>>	GT3	1	PR:431,482, 483
(1)	991 701 286 95	Data plate for tyre pressure D >> - MJ 2016	GT3RS	1	PR:448
(1)	991 701 286 1G	Data plate for tyre pressure D >> - MJ 2016	GT3RS	1	PR:448
(1)	991 701 286 96	Data plate for tyre pressure D >> - MJ 2016	GT3RS	1	PR:448
-	958 701 289 01	Sticker Spare wheel		1	PR:447
-		Signs/notices Engine specifications			
3	7PP 010 751 C	Sticker		1	PR:068
3	955 006 675 00	Sticker Motor fan		1	PR:193 "J.."
3	7PP 010 786 T	Sticker engine oil - MOBIL 1 -		1	
4	9P1 010 867 M	Sticker Reservoir		1	PR:193 "J.."
-		Signs/notices Type of fuel			
5	991 006 117 00	Sticker 98 ROZ		1	PR:-075
5	991 006 117 04	Sticker 98 ROZ		1	PR:075
5	991 006 117 02	Sticker 96 ROZ		1	PR:479 "AUS"
5	955 701 676 15	sticker for fuel filler neck		1	PR:193 "J.."
5	955 701 676 10	Sticker Fuel filler flap		1	PR:193 "J.."
6	955 701 435 10	Warning sign Airbag D >> - MJ 2017		1	PR:075
(6)	955 701 435 20	Warning sign Airbag D >> - MJ 2017		1	PR:215 "PME"
(6)	955 701 435 30	Warning sign Airbag D >> - MJ 2017		1	PR:479 "AUS"
(6)	9A7 001 029 00	Warning sign Airbag D - MJ 2018>>		1	"AUS"
(6)	970 701 523 00	Sticker Recycling		1	PR:193 "J.."
8	991 701 531 00	Sticker Airbag		2	PR:193 "J.."
(9)	991 701 521 00	Sticker Air conditioning		1	PR:193 "J.."
10	955 701 673 00	Sticker Battery		1	PR:193 "J.."
11	955 701 675 05	Sticker		1	PR:193

Model: 991G13

Model life 2014>>

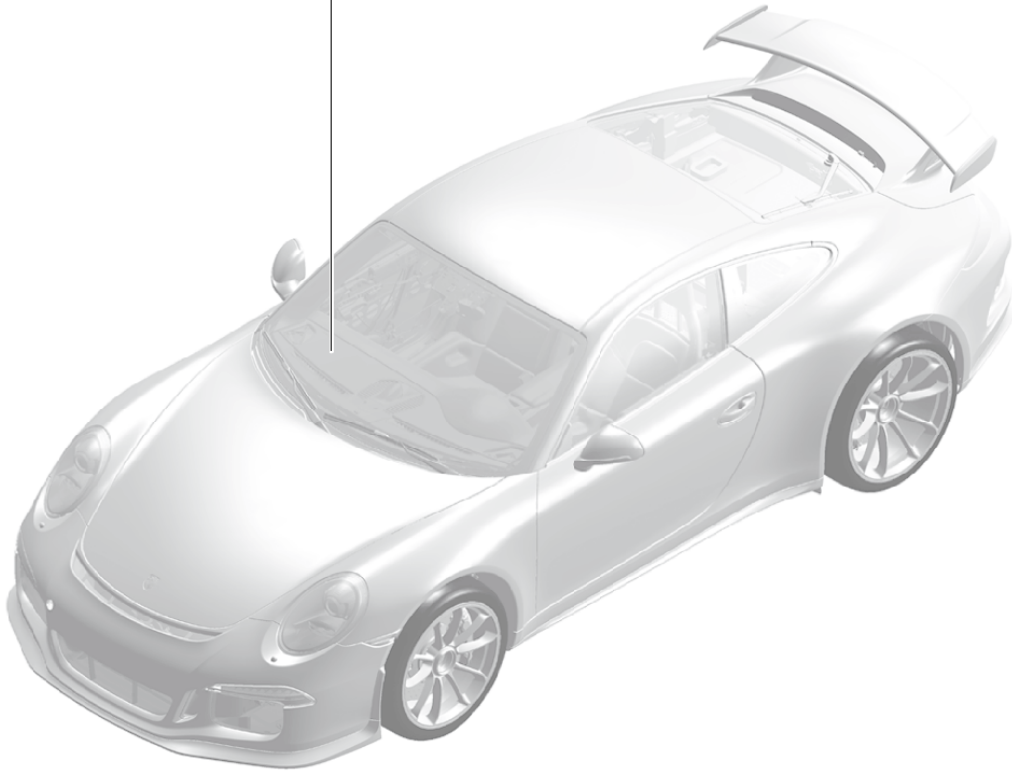
Pos	Part Number	Description	Remark	Qty	Model
12	955 701 675 15	brake fluid Sticker Import Japan		1	"J.." PR:193 "J.."
13	991 006 207 80	Sticker Oil level D >> - MJ 2017		1	
13	991 006 207 90	Sticker Oil level D - MJ 2018>>		1	
14	991 010 103 00	Sticker Bonnet hinge D - MJ 2018>>	rear	1	

Model: 991G13

Model life 2014>>

PROD.NUMMER PROD.NUMBER	888 0815
FIN VIN	WP1ZZZ12345678912
TYP TYPE	9PAAG1
MOTORKB./GETR.KB ENG.CODE/TRANS.CODE	M5502/C7050
VERTRIEBSFARBCODE SALESNO.	G1
AUSSTATTUNGSCODE INTERIOR CODE	AT
FARBCODE COLORCODE	6B8

7P5.010.732.T



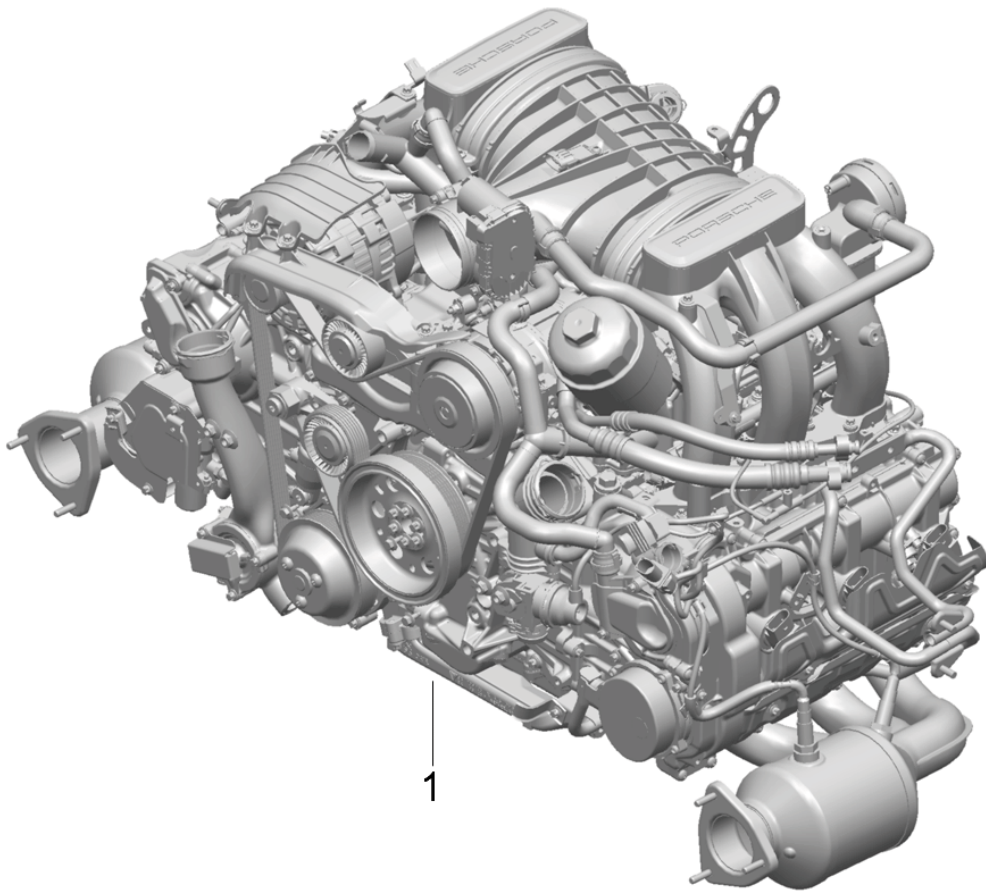
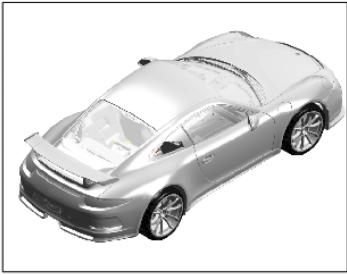
Model: 991G13

Model life 2014>>

Pos	Part Number	Description	Remark	Qty	Model
-		paint touch-up applicator Paints Paint identification label see Vehicle wallet Vehicle data carrier			
-	911 095 932 20	paint touch-up applicator		X	
	911 095 932 20 041	Black			A 1
	911 095 932 20 80K	guards red (Porsche)			G 1
	911 095 932 20 1S1	Racing Yellow			P 3
	911 095 932 20 C9A	white			O Q
	911 095 932 20 M2A	Lava Orange			H 2
	911 095 932 20 M4A	Ultraviolet			G 7
-	911 095 932 21	paint touch-up applicator		X	
	911 095 932 21 M3C	Carmine red			O L
	911 095 932 21 M5C	miami blue			J 5
	911 095 932 21 M9A	Chalk			3H
	911 095 932 21 M6B	Lizard green			
-	911 095 933 20	Paint pen set Set comprising: base paint clear paint		X	
	911 095 933 20 C9Z	Basalt black metallic			Z 4
	911 095 933 20 M7Z	GT Silver Metallic			U 2
	911 095 933 20 M5X	Dark blue metallic			N 4
	911 095 933 20 M8S	Anthracite Brown Metallic			G 0
	911 095 933 20 M7S	Achat Grey Metallic			N 0
	911 095 933 20 5P1	Lime Gold Metallic			R 2
	911 095 933 20 M8Y	Mahogany Metallic			Y 8
	911 095 933 20 8L1	Amaranth Red Metallic			L 6
	911 095 933 20 M7U	Rhodium Silver Metallic			S 2
	911 095 933 20 M5J	Sapphire Blue Metallic			N 1
3	911 095 933 31	Paint pen set Set comprising: Primer filler base paint clear paint		X	
	911 095 933 31 S9R	Carrara White metallic			2 Y

Model: 991G13

Model life 2014>>



Model: 991G13

Model life 2014>>

Pos	Part Number	Description	Remark	Qty	Model
1	9A1 100 975 00	Replacement engine Replacement engine	GT3	1	A175,A176, A175+ PR:573
		D - MJ 2014>> - MJ 2014 No longer use the part here			
1	9A1 100 975 AX	Replacement engine	GT3	1	A175+ PR:573
		D - MJ 2014>> - MJ 2014 No longer use the part here			
1	9A1 100 975 10	Replacement engine	GT3	1	A175+ PR:573
		D - MJ 2014>> - MJ 2014			
1	9A1 100 975 KX	Replacement engine	GT3	1	A175+ PR:573
		D - MJ 2014>> - MJ 2014			
1	9A1 100 975 01	Replacement engine	GT3	1	A175+ PR:573
		D - MJ 2015>> - MJ 2015 Discontinued part			
1	9A1 100 975 BX	Replacement engine	GT3	1	A175+ PR:573
		D - MJ 2015>> - MJ 2015			
1	9A1 100 975 02	Replacement engine	GT3	1	A175+ PR:573
		D - MJ 2015>> - MJ 2015			
1	9A1 100 975 CX	Replacement engine	GT3	1	A175+ PR:573
		D - MJ 2015>> - MJ 2015 Discontinued part			
1	9A1 100 975 03	Replacement engine	GT3	1	A175+ PR:573
		D - MJ 2016>> - MJ 2016			
1	9A1 100 975 DX	Replacement engine	GT3	1	A175+ PR:573
		D - MJ 2016>> - MJ 2016			
1	9A1 100 976 00	Replacement engine	GT3 RS	1	A176+ PR:573
		D - MJ 2015>> - MJ 2015			
1	9A1 100 976 X	Replacement engine	GT3 RS	1	A176+ PR:573
		D - MJ 2015>> - MJ 2015			
1	9A1 100 976 01	Replacement engine	GT3 RS	1	A176+ PR:574
		D - MJ 2015>> - MJ 2015			
1	9A1 100 976 AX	Replacement engine	GT3 RS	1	A176+ PR:574
		D - MJ 2015>> - MJ 2015			
1	9A1 100 976 02	Replacement engine	GT3 RS	1	A176+ PR:573,-038
		D - MJ 2016>>			
1	9A1 100 976 BX	Replacement engine	GT3 RS	1	A176+ PR:573,-038
		D - MJ 2016>>			
1	9A1 100 976 03	Replacement engine	GT3 RS	1	A176+ PR:574,-038
		D - MJ 2016>>			
1	9A1 100 976 CX	Replacement engine	GT3 RS	1	A176+ PR:574,-038
		D - MJ 2016>>			
1	9A1 100 976 10	Replacement engine	991 R	1	A176+ PR:038,486, 573
		D - MJ 2016>>			
1	9A1 100 976 KX	Replacement engine	991 R	1	A176+

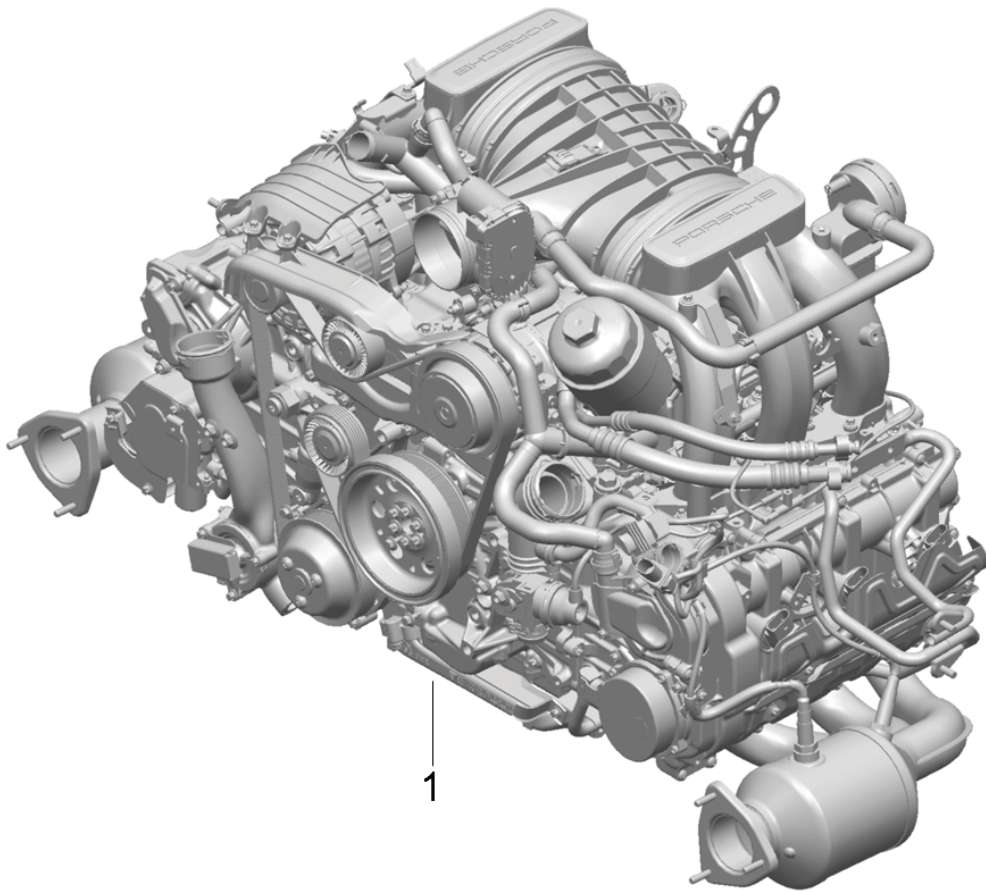
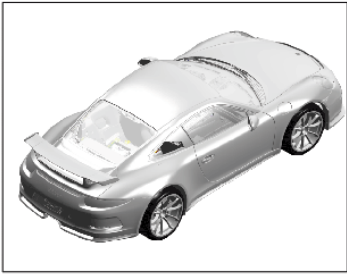
Model: 991G13

Model life 2014>>

Pos	Part Number	Description	Remark	Qty	Model
1	9A1 100 976 11	D - MJ 2016>> Replacement engine	991 R	1	PR:038,486, 573 A176+
1	9A1 100 976 LX	D - MJ 2016>> Replacement engine	991 R	1	PR:038,486, 574 A176+
2	000 043 303 61	D - MJ 2016>> repair set Engine Setting 1		1	PR:038,486, 574
2	000 043 303 62	repair set Engine Setting2		1	
2	000 043 303 63	repair set Engine Setting 3		1	
2	000 043 303 64	repair set Engine Stage 4		1	

Model: 991G13

Model life 2014>>



1

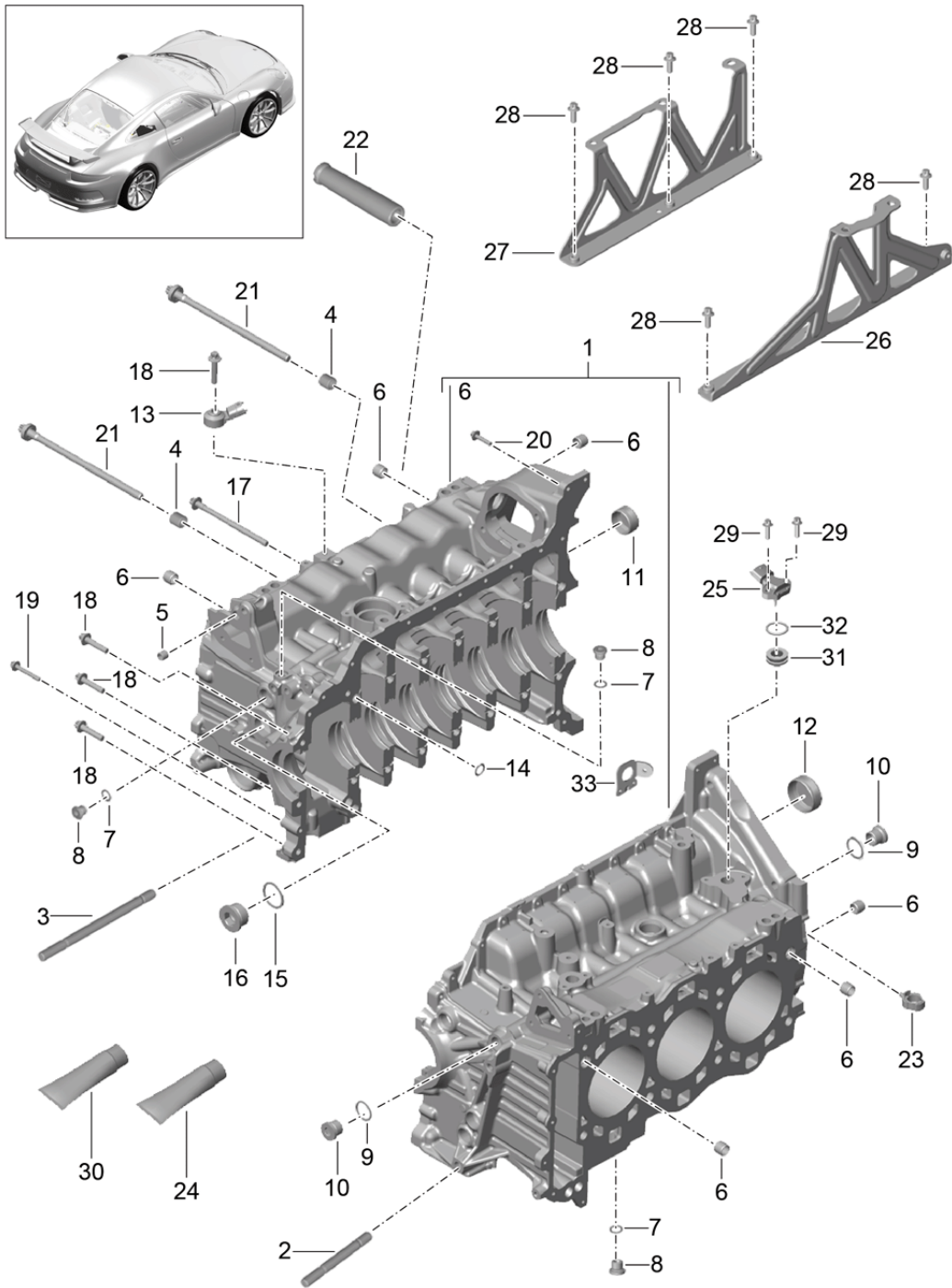
Model: 991G13

Model life 2014>>

Pos	Part Number	Description	Remark	Qty	Model
		Replacement engine			DGGA, DGGB, DNSA, DNSH
1	9A1 100 977 00	Replacement engine	GT3	1	DGGA PR:573
		D - MJ 2018>>			
1	9A1 100 977 X	Replacement engine	GT3	1	DGGA PR:573
		D - MJ 2018>>			
1	9A1 100 977 00	Replacement engine	GT3 RS	1	DGGB PR:573
		D - MJ 2019>>			
1	9A1 100 977 X	Replacement engine	GT3 RS	1	DGGB PR:573
		D - MJ 2019>>			
1	9A1 100 977 10	Replacement engine	GT3 RS	1	DGGB PR:574
		D - MJ 2019>>			
1	9A1 100 977 LX	Replacement engine	GT3 RS	1	DGGB PR:574
		D - MJ 2019>>			

Model: 991G13

Model life 2014>>



Model: 991G13

Model life 2014>>

Pos	Part Number	Description	Remark	Qty	Model
1	9A1 101 938 90	Crankcase housing Crankcase housing	GT3	1	A175
		with:			
1	9A1 101 938 96	Threaded pin Crankcase housing	GT3 RS	1	A176
		with:			
1	9A1 101 945 91	Threaded pin Crankcase housing	GT3	1	DGGA, DGGB DNSA, DNSH
		with:			
2	900 060 112 01	Threaded pin M 10 X 80		1	
3	900 060 113 01	Threaded pin M 10 X 140		1	
4	996 101 225 50	dowel sleeve		2	
5	999 095 063 01	dowel sleeve M 6 X 10		1	
6	014 301 153 B	dowel sleeve		6	
7	900 123 160 30	seal ring D 10 X 13,5		3	
		No longer use the part here			
7	900 123 160 20	seal ring D 10 X 13,5		3	
8	999 063 036 01	sealing plug M 10 X 1 X 11		3	A175, A176
8	999 063 036 01	sealing plug M 10 X 1 X 11		10	DGGA, DGGB
8		sealing plug M 10 X 1 X 11		10	DGGA, DGGB, DNSA, DNSH
9	900 123 159 30	seal ring D 20 X 24		2	
		No longer use the part here			
9	900 123 159 20	seal ring D 20 X 24		2	
10	999 063 039 01	sealing plug M 20 X 1,5 X 18		2	
11	9A1 101 215 01	End cap		1	
12	9A1 101 216 01	End cap M 8 X 35		1	
13	997 606 121 00	Knock sensor A 22 X 27		2	A175, A176
13	0PB 905 377	Knock sensor A 22 X 27		2	DGGA, DGGB, DNSA, DNSH
14	999 707 568 40	O-ring 12,00 X 3,00		1	
15	900 123 015 30	seal ring 30 X 36		1	A175, A176
15	900 123 172 20	seal ring 30 X 36		1	DGGA, DGGB, DNSA, DNSH
16	900 219 025 30	sealing plug M 30 X 1,5		1	A175, A176
16	900 219 031 30	sealing plug M 30 X 1,5		1	DGGA, DGGB, DNSA, DNSH
17	900 385 281 01	Torx screw BM 8 X 120		1	
18	900 385 042 01	Torx screw BM 8 X 35		5	A175, A176
18	WHT 001 703	Hexagon head bolt BM 8 X 35		3	DGGA, DGGB, DNSA, DNSH
19	900 385 045 01	Torx screw BM 8 X 40		1	
20	900 385 072 01	Torx screw M 6 X 25		14	

Model: 991G13 Model life 2014>>

Pos	Part Number	Description	Remark	Qty	Model
21	9A1 101 250 01	Outer hexagon round screw		14	
22	9A1 101 511 01	Main bearing		12	
23	999 507 075 40	reducing piece		1	
24	000 043 207 31	Cable holder		X	
		sealant			
		30 GR.			
		DREI BOND			
		SILICON 2210			
25	948 606 213 00	Oil pressure sender		1	
		with:			
		Temperature sensor			
26	991 504 377 90	Bracket		1	A175
		Engine cover			
			cylinders 1-3		
26	991 504 377 90	Bracket		1	A176+
		Engine cover			PR:-038
			cylinders 1-3		
26	991 504 377 91	Bracket		1	A176+
		Engine cover			PR:-038
			cylinders 1-3		
		No longer use the part here			
26	991 504 377 95	Bracket		1	A176+
		Engine cover			PR:038
			cylinders 1-3		
26	991 504 377 95	Bracket		1	A176+
		Engine cover			PR:038
			cylinders 1-3		
(26)	991 504 377 97	Bracket		1	DGGA, DGGB,
		Engine cover			DNSA, DNSH
			cylinders 1-3		
27	991 504 378 90	Bracket		1	A175
		Engine cover			
			cylinders 4-6		
27	991 504 378 90	Bracket		1	A176+
		Engine cover			PR:-038
			cylinders 4-6		
27	991 504 378 95	Bracket		1	A176+
		Engine cover			PR:038
			cylinders 4-6		
27	991 504 378 97	Bracket		1	DGGA, DGGB,
		Engine cover			DNSA, DNSH
			cylinders 4-6		
28	900 385 001 01	Torx screw		5	
		BM 8 X 20			
29	900 385 019 01	Torx screw		2	A175
		BM 6 X 20			
30	000 043 209 40	sealant		X	
		30 GR.			
		DREI BOND 1209			
		No longer use the part here			
30	000 043 203 73	sealant		X	
		30 GR.			
		DREI BOND 1209			
		No longer use the part here			
30	000 043 305 33	sealant		X	
		75 ML			
		DOBOSEAL 224N			
31	9A1 107 314 90	Adapter		1	A175, A176
		Pressure sensor			
31	9A1 107 314 91	Adapter		1	DGGA, DGGB,
		Pressure sensor			DNSA, DNSH
32	999 707 496 40	O-ring		1	
		23,00 X 3,00			

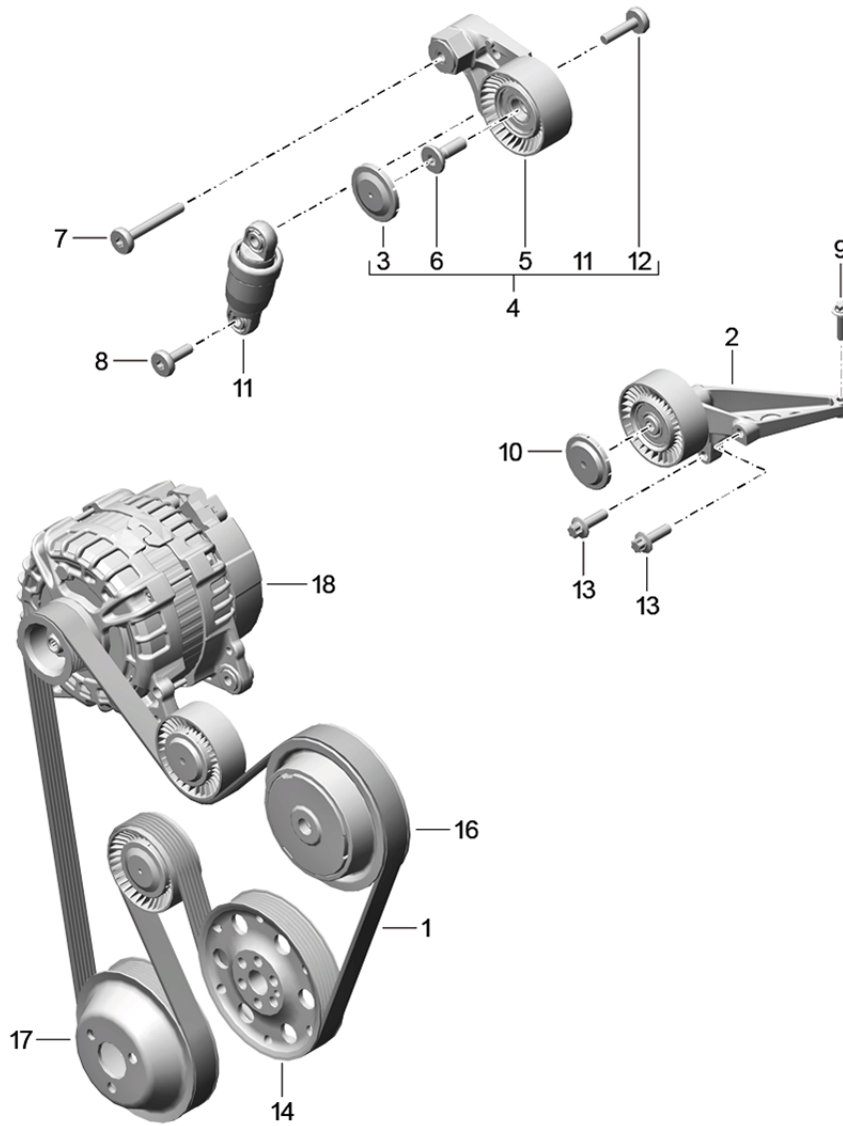
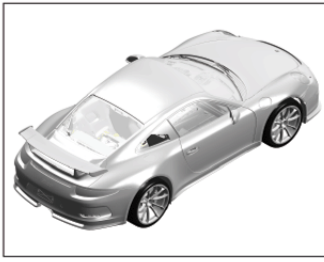
Model: 991G13

Model life 2014>>

Pos	Part Number	Description	Remark	Qty	Model
33	9A1 101 213 22	Transportation shackle No longer use the part here		1	DGGA, DGGB, DNSA, DNSH

Model: 991G13

Model life 2014>>



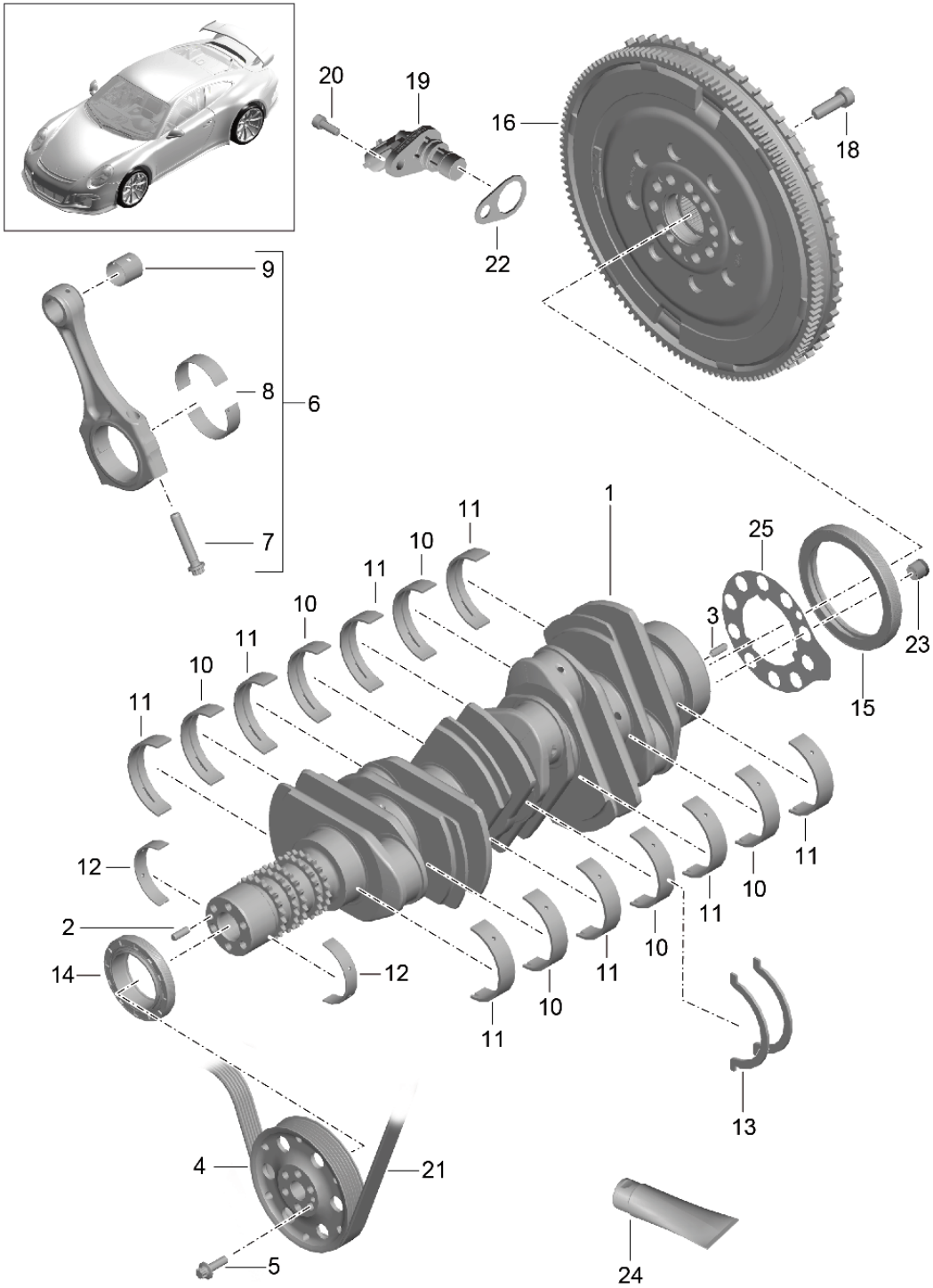
Model: 991G13

Model life 2014>>

Pos	Part Number	Description	Remark	Qty	Model
1	9A1 102 218 90	Poly-V-belt		1	A175
1	9A1 102 218 90	Belt tensioner damper		1	A176, DGGA, DGGB, DNSA, DNSH
		v-belt			PR:573
1	9A1 102 218 91	v-belt		1	A176, DGGA, DGGB, DNSA, DNSH
2	9A1 102 030 90	Console		1	PR:574 A175, A176
		with:			
		idler pulley			
2	9A1 102 030 92	Console		1	DGGA, DGGB, DNSA, DNSH
		with:			
		idler pulley			
3	948 102 839 00	Protective cap		1	
		Tensioning roller			
4	9A1 102 211 01	lever		1	
		Tensioning roller			
4	9A2 102 211 00	No longer use the part here		1	
		lever			
		Tensioning roller			
		also use:	9A1 102 212 00		
			999 073 579 01		
			948 102 839 00		
4	9A2 102 016 00	Belt tensioner damper (complete)		1	
5	9A1 102 212 00	Tensioning roller		1	
6	999 073 579 01	round hd. screw	M10X30,0	1	
7	999 073 411 01	Hexagon socket flat head bolt		1	
		M 8 X 60			
8	999 073 412 01	Torx screw		1	
		M 8 X 26			
9	900 385 072 01	Torx screw		1	
		BM 6 X 25			
10	03G 145 291	Protective cap		1	
11	948 102 261 00	tensioner	hydraulic	1	
12	999 073 246 09	Torx screw		1	
		M 8 X 33			
12	999 073 246 02	No longer use the part here		1	
		Hexagon socket head bolt			
		M 8 X 33			
13	900 385 098 01	Torx screw		2	
		M 8 X 25			
14	900 385 048 01	Torx screw		1	
		BM 6 X 30			
15		pulley		1	
		Crankshaft			
16		see illustration:	102-000	1	
		pulley			
		Compressor			
		see illustration:	813-015		
17		pulley		1	
		Coolant pump			
		see illustration:	105-000		
18		Alternator		1	
		see illustration:	902-005		

Model: 991G13

Model life 2014>>



Model: 991G13

Model life 2014>>

Pos	Part Number	Description	Remark	Qty	Model
1	9A1 102 077 91	Crankshaft flywheel Crankshaft Discontinued part		1	A175
1	9A1 102 077 94	Crankshaft		1	A175
(1)	9A1 102 081 92	Crankshaft		1	A176
(1)	9A1 102 081 82	Crankshaft		1	DGGA, DGGB, DNSA, DNSH
2	900 095 031 00	Spring pin 6 X 16		1	
3	900 302 016 00	Cylinder pin 6,0 X 16,0		1	
4	9A1 102 224 90	pulley		1	A175, A176
4	9A1 102 224 91	pulley		1	DGGA, DGGB, DNSA, DNSH
5	900 385 127 01	Hexagon head bolt No longer use the part here	BM8X1X25	6	
5	900 385 127 02	Hexagon head bolt	BM8X1X25	6	
5		Hexagon head bolt BM 8 X 1 X 25		6	
6	9A1 103 170 92	conrod Discontinued part	GT3	6	A175
6	9A1 103 170 95	conrod Discontinued part	GT3	6	A175
6	9A1 103 170 96	conrod	GT3	6	A175
6	9A1 103 017 97	conrod No longer use the part here	GT3	6	A175
6	9A1 103 017 99	conrod See technical information see main group 1 (engine) 1330 99/15	GT3	6	A175
6	9A1 103 017 81	conrod Discontinued part	GT3 RS	6	A176
6	9A1 103 017 84	conrod	GT3 RS	6	A176
6	9A1 103 015 84	conrod No longer use the part here	GT3 RS	6	A176
6	9A1 103 015 86	conrod See technical information see main group 1 (engine) 1330 99/15	GT3 RS	6	A176
6	9A1 103 085 92	conrod	GT3	6	DGGA, DGGB, DNSA, DNSH
7	9A1 103 115 91	bolt - connecting rod No longer use the part here	GT3	12	
7	9A1 103 115 92	bolt - connecting rod	GT3	12	A175
7	9A1 103 115 84	bolt - connecting rod	GT3 RS	12	A176
7	9A1 103 295 90	bolt - connecting rod	GT3	12	DGGA, DGGB, DNSA, DNSH
8	9A1 103 053 A1	connecting rod bearing shell Cover Colour designation: red	red	6	A176
8	9A1 103 053 A4	No longer use the part here connecting rod bearing shell Cover Colour designation: red	red	6	A175
8	9A1 103 057 90	No longer use the part here connecting rod bearing shell Cover Colour designation: red	red	6	A175, A176
8	9A1 103 067 90	See technical information see main group 1 (engine) 1330 99/15 connecting rod bearing shell		6	DGGA, DGG

Model: 991G13

Model life 2014>>

Pos	Part Number	Description	Remark	Qty	Model
(8)	9A1 103 053 A2	Cover Colour designation: connecting rod bearing shell Cover	red	6	A176
(8)	9A1 103 053 A5	No longer use the part here Cover Colour designation: connecting rod bearing shell	yellow	6	A175
(8)	9A1 103 057 91	No longer use the part here Cover Colour designation: connecting rod bearing shell	yellow	6	A175,A176
(8)	9A1 103 067 91	See technical information see main group 1 (engine) 1330 99/15 connecting rod bearing shell Cover	yellow	6	DGGA,DGG
(8)	9A1 103 053 A3	Colour designation: connecting rod bearing shell Cover	yellow	6	A176
(8)	9A1 103 053 A6	No longer use the part here Cover Colour designation: connecting rod bearing shell	blue	6	A175
(8)	9A1 103 057 92	No longer use the part here Cover Colour designation: connecting rod bearing shell	blue	6	A175,A176
(8)	9A1 103 067 92	See technical information see main group 1 (engine) 1330 99/15 connecting rod bearing shell Cover	blue	6	DGGA,DGG
8	9A1 103 073 A1	Colour designation: connecting rod bearing shell rod	blue	6	A176
8	9A1 103 073 A4	No longer use the part here Cover Colour designation: connecting rod bearing shell rod	red	6	A175
8	9A1 103 077 90	No longer use the part here Cover Colour designation: connecting rod bearing shell rod	red	6	A175,A176
8	9A1 103 087 90	See technical information see main group 1 (engine) 1330 99/15 connecting rod bearing shell rod	red	6	DGGA,DGG
(8)	9A1 103 073 A2	Colour designation: connecting rod bearing shell rod	red	6	A176
(8)	9A1 103 073 A5	No longer use the part here Cover Colour designation: connecting rod bearing shell rod	yellow	6	A175
(8)	9A1 103 077 91	No longer use the part here Cover Colour designation: connecting rod bearing shell rod	yellow	6	A175,A176

Model: 991G13

Model life 2014>>

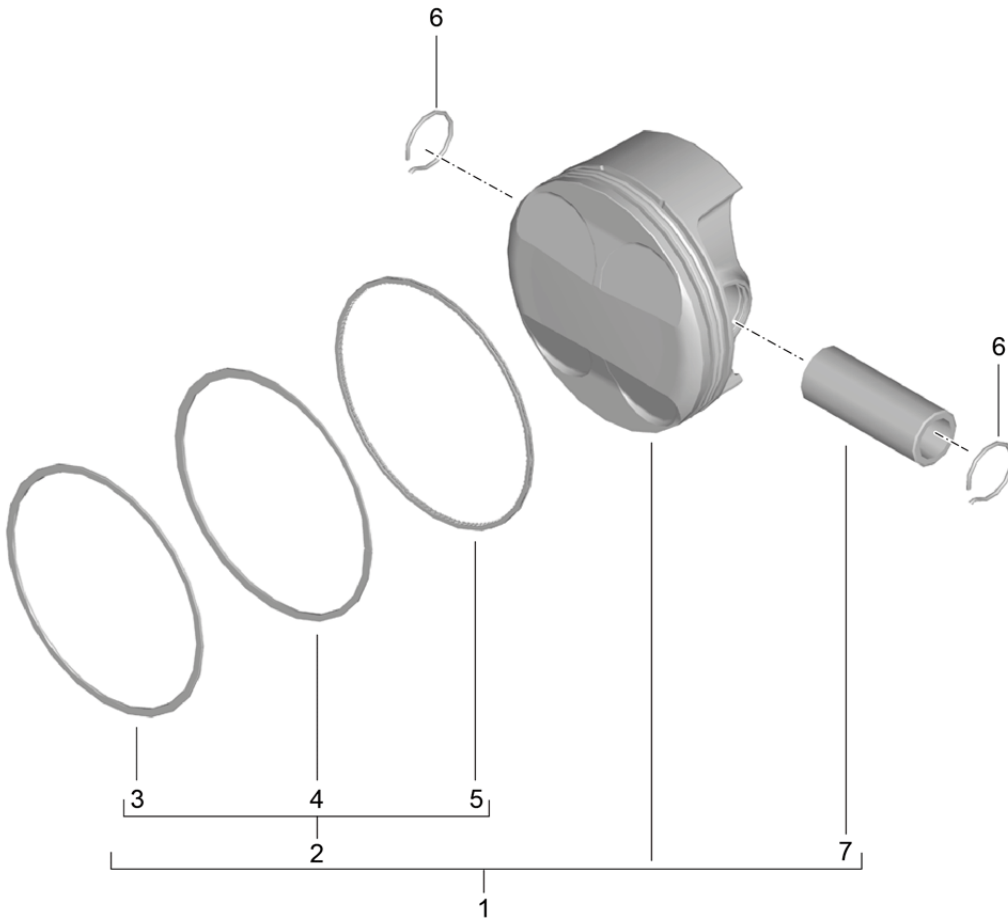
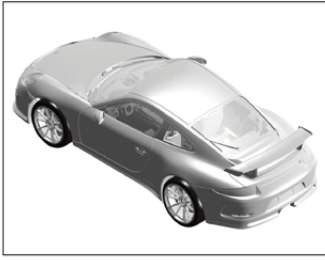
Pos	Part Number	Description	Remark	Qty	Model
(8)	9A1 103 087 91	Colour designation: See technical information see main group 1 (engine) 1330 99/15 connecting rod bearing shell rod	yellow	6	DGGA,DGG
(8)	9A1 103 073 A3	Colour designation: connecting rod bearing shell rod	yellow	6	A176
(8)	9A1 103 073 A6	Colour designation: No longer use the part here connecting rod bearing shell rod	blue	6	A175
(8)	9A1 103 077 92	Colour designation: No longer use the part here connecting rod bearing shell rod	blue	6	A175,A176
(8)	9A1 103 087 92	Colour designation: See technical information see main group 1 (engine) 1330 99/15 connecting rod bearing shell rod	blue	6	DGGA,DGG
9	9A1 103 124 90	Colour designation: bush - connecting rod D = 23 No longer use the part here	blue	6	A175
10	9A1 101 063 96	Main bearing		6	A175,A176
10	9A1 101 073 90	Colour designation: crankshaft bearing	red	6	DGGA,DGG
(10)	9A1 101 063 97	Colour designation: Main bearing	red	6	A175,A176
(10)	9A1 101 073 91	Colour designation: crankshaft bearing	yellow	6	DGGA,DGG
(10)	9A1 101 063 98	Colour designation: Main bearing	yellow	6	A175,A176
(10)	9A1 101 073 92	Colour designation: crankshaft bearing	blue	6	DGGA,DGG
11	9A1 101 064 00	Colour designation: crankshaft bearing	blue	8	
(11)	9A1 101 064 01	Colour designation: crankshaft bearing	red	8	
(11)	9A1 101 064 02	Colour designation: crankshaft bearing	red	8	
12	9A1 101 052 00	Colour designation: crankshaft bearing	blue	2	A175,A176
12	0PB 105 589 E	Colour designation: crankshaft bearing	red	2	DGGA,DGG
(12)	9A1 101 052 01	Colour designation: crankshaft bearing	red	2	A175,A176
(12)	0PB 105 589 F	Colour designation: crankshaft bearing	yellow	2	DGGA,DGG
(12)	9A1 101 052 02	Colour designation: crankshaft bearing	yellow	2	A175,A176
(12)	0PB 105 589 G	Colour designation: crankshaft bearing	blue	2	DGGA,DGG
13	996 101 132 00	Colour designation: thrust washer D = 63 No longer use the part here	blue	2	A175,A176
13	0PB 105 638	thrust washer D = 63		2	A175,A176

Model: 991G13 Model life 2014>>

Pos	Part Number	Description	Remark	Qty	Model
13	9A1 101 131 91	thrust washer D = 74,5		2	DGGA, DGGB,
14	9A1 101 222 90	Shaft oil seal		1	
15	9A1 101 223 90	Shaft oil seal		1	
16	991 114 020 90	Dual-mass flywheel		1	A175, A176+ PR:250
16	991 114 020 91	Dual-mass flywheel		1	DGGA, DGGB PR:250
(16)	9P1 105 262 B	Dual-mass flywheel		1	A176+ PR:038, 486, -187
(16)	9P1 105 262 B	Dual-mass flywheel No longer use the part here		1	DGGA, PR:486
(16)	9P1 105 262 D	Dual-mass flywheel		1	DGGA, DGGB
(16)	9P1 105 269	Single-mass flywheel		1	A176+ PR:038, 486, 187
		with:			
18	N 906 651 01	Friction washer Socket head bolt with inner multipoint head M 10 X 1 X 29		10	
19	991 606 112 00	speed sensor	also use: 991 606 912 00	1	CG190+ A175
19	991 606 112 02	speed sensor	also use: 991 606 912 00	1	CG195+ A176
19	991 606 112 02	D >> - 26.06.2016 speed sensor D - 27.06.2016>>		1	CG195+ A176, DGGA, DGGB G9190
19	991 606 112 02	speed sensor		1	
20	900 387 264 01	Socket head bolt M 6 X 16 Discontinued part		1	
20	N 105 464 03	Hexagon socket head bolt M 6 X 16		1	
21		v-belt	see illustration: 101-010		
22	991 606 912 00	Shim speed sensor D >> - 26.06.2016		1	CG190, CG195
23	999 501 220 01	Sealing cap Crankshaft STP - 8		11	DGGA, DGGB, DNSA, DNSH
24	000 043 204 17	Extreme-pressure grease OPTIPIT 08110-210 100GR TUBE		1	
25	9A1 102 381 80	Friction washer flywheel		1	DGGA, DGGB, DNSA, DNSH

Model: 991G13

Model life 2014>>



Model: 991G13 Model life 2014>>

Pos	Part Number	Description	Remark	Qty	Model
1	9A1 103 038 95	piston piston (complete)		6	A175
1	9A1 103 038 96	No longer use the part here piston (complete)		6	A175
1	9A1 103 043 90	piston (complete) Discontinued part	cylinders 1-3	3	A176
1	9A1 103 043 91	piston (complete)	cylinders 1-3	3	A176
1	9A1 103 043 93	piston (complete)	cylinders 1-3	3	A176
1	9A1 103 145 92	D - 19.09.2016>> piston (complete)	cylinders 1-3	3	DGGA, DGGB,
(1)	9A1 103 044 90	piston (complete) Discontinued part	cylinders 4-6	3	A176
(1)	9A1 103 044 91	piston (complete)	cylinders 4-6	3	A176
(1)	9A1 103 044 93	piston (complete)	cylinders 4-6	3	A176
(1)	9A1 103 146 92	D - 19.12.2016>> piston (complete)	cylinders 4-6	3	DGGA, DGGB, DNSA, DNSH
2	9A1 103 075 92	1 set: piston rings Use		6	A175
		with: 9A1.103.038.95			
2	9A1 103 075 93	Discontinued part 1 set: piston rings Use		6	A175
		with: 9A1.103.038.95			
2	9A1 103 075 94	1 set: piston rings Use		6	A175
		with: 9A1.103.038.96 9A1.103.038.97			
2	9A1 103 075 95	No longer use the part here 1 set: piston rings Use		6	A175
		with: 9A1.103.038.96 9A1.103.038.97			
2	9A1 103 075 95	1 set: piston rings		6	A176
2	9A1 103 247 90	1 set: piston rings		6	DGGA, DGGB, DNSA, DNSH
6	9A1 103 241 91	snap ring Use		12	A175
		with: 9A1.103.038.97			
6	9A1 103 241 91	snap ring Use		12	A176
		with: 9A1.103.044.92 9A1.103.043.92			
(6)	9A1 103 241 92	D >> - 17.12.2016 snap ring Use		12	A175
		with: 9A1.103.038.98			

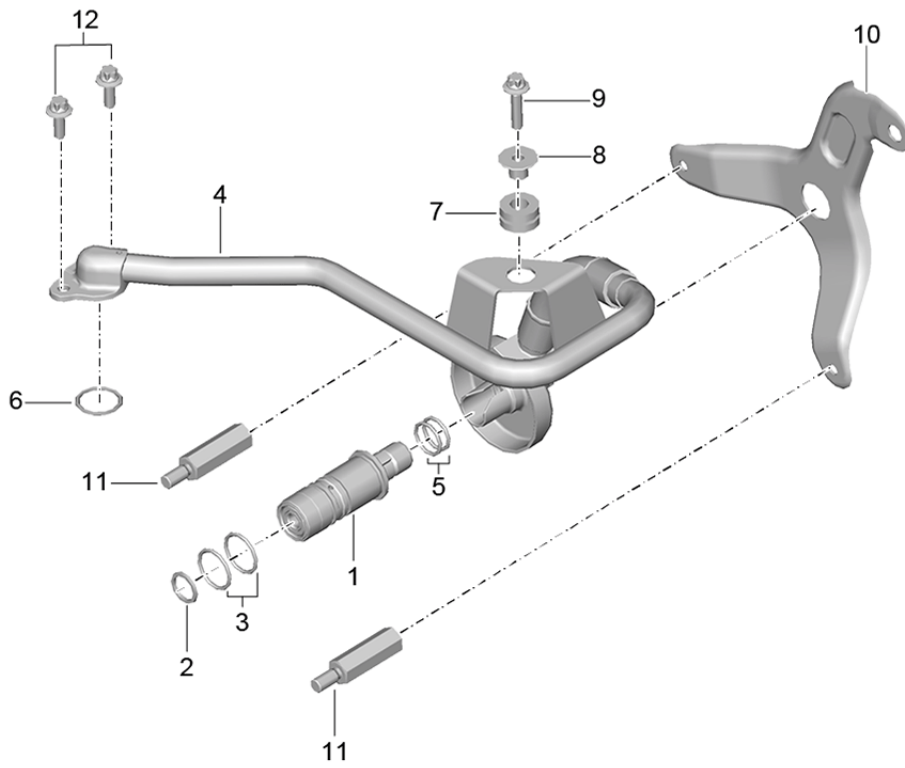
Model: 991G13

Model life 2014>>

Pos	Part Number	Description	Remark	Qty	Model
(6)	9A1 103 241 92	snap ring Use		12	A176
		with: 9A1.103.044.93 9A1.103.043.93 D - 19.12.2016>>			
(6)	9A1 103 241 92	snap ring		12	DGGA, DGGB, DNSA, DNSH
7	9A1 103 260 91	piston pin		6	A175, A176
7	9A1 103 260 92	piston pin		6	DGGA, DGGB, DNSA, DNSH

Model: 991G13

Model life 2014>>



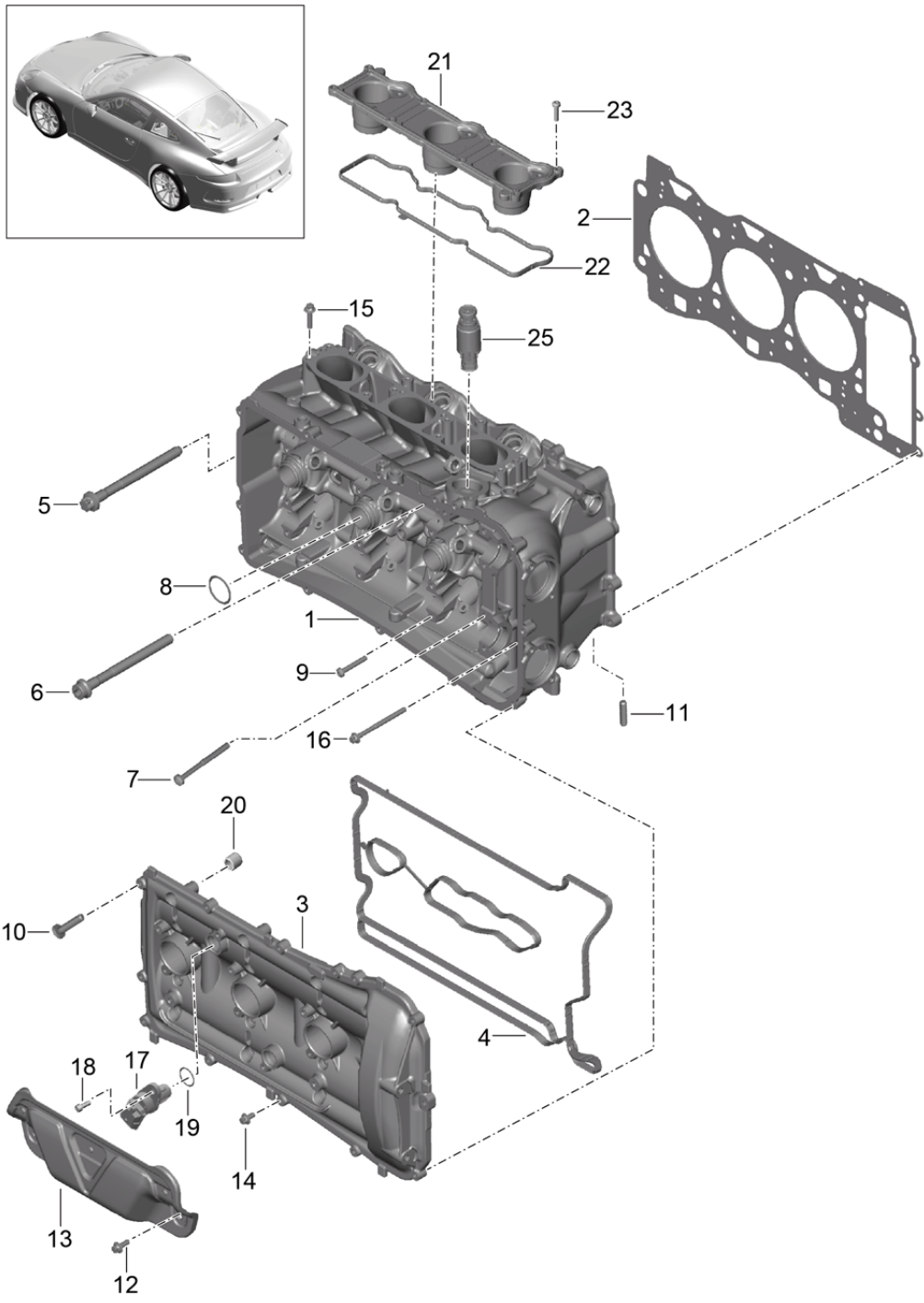
Model: 991G13

Model life 2014>>

Pos	Part Number	Description	Remark	Qty	Model
1	9A1 102 041 82	Crankshaft Engine (oil press./lubrica.) oil pipe		1	DGGA, DGGB, DNSA, DNSH
2	918 102 411 00	Oil supply Crankshaft seal ring oil pipe		1	
3	999 707 155 42	No longer use the part here O-ring oil pipe		2	
4	9A1 107 167 92	20,00 X 2,0 Oil pipe		1	
5	999 707 699 40	O-ring 16, X 2,0		2	
6	999 707 472 40	O-ring 20,0 X 2,5		1	
7	N 900 377 01	Grommet		1	
8	9A1 107 643 91	Sleeve		1	
9	900 385 072 01	Torx screw BM 6 X 25		1	
10	9A1 102 441 94	Retaining plate		1	
11	9A1 102 331 90	Screwed socket		1	
12	900 385 276 09	Torx screw BM 6 X 60		2	
12	900 385 009 01	Torx screw	BM6X16	2	

Model: 991G13

Model life 2014>>



Model: 991G13

Model life 2014>>

Pos	Part Number	Description	Remark	Qty	Model
1	9A1 104 011 90	Cylinder head with: Valves Cylinder head gasket Valve cover Cylinder head (complete)		1	A175
1	9A1 104 911 90	Valve cover Valves No longer use the part here cylinder head with valves (complete) with: Valve cover Valves	cylinders 1-3	1	A175
1	9A1 104 911 X	M >> F 03047 cylinder head with valves (complete) with: Valve cover Valves	cylinders 1-3	1	A175
1	9A1 104 911 93	M >> F 03047 cylinder head with valves (complete) with: Valve cover Valves	cylinders 1-3	1	A175
1	9A1 104 911 93	M F 03048 >> cylinder head with valves (complete) with: Valve cover Valves	cylinders 1-3	1	A176
1	9A1 104 911 AX	cylinder head with valves (complete) with: Valve cover Valves	cylinders 1-3	1	A176
1	9A1 104 911 95	cylinder head with valves (complete) with: Valve cover Valves	cylinders 1-3	1	A175,A176
1	9A1 104 911 BX	D - 11.07.2015>> cylinder head with valves (complete) with: Valve cover Valves	cylinders 1-3	1	A175,A176
1	9A1 104 011 96	D - 11.07.2015>> Cylinder head (complete) with: Valve cover	cylinders 1-3	1	DGGA,DGGB

Model: 991G13

Model life 2014>>

Pos	Part Number	Description	Remark	Qty	Model
1	9A1 104 011 CX	without: Valve Cylinder head (complete)	cylinders 1-3	1	DGGA,DGGB
		with: Valve cover			
(1)	9A1 104 012 90	without: Valve Cylinder head (complete)		1	A175
		with: Valve cover Valves	cylinders 4-6		
(1)	9A1 104 912 90	No longer use the part here cylinder head with valves (complete)		1	A175
		with: Valve cover Valves	cylinders 4-6		
(1)	9A1 104 912 X	M >> F 03047 cylinder head with valves (complete)		1	A175
		with: Valve cover Valves	cylinders 4-6		
(1)	9A1 104 912 93	M >> F 03047 cylinder head with valves (complete)		1	A176
		with: Valve cover Valves	cylinders 4-6		
(1)	9A1 104 912 AX	cylinder head with valves (complete)		1	A176
		with: Valve cover Valves	cylinders 4-6		
(1)	9A1 104 912 95	cylinder head with valves (complete)		1	A175,A176
		with: Valve cover Valves	cylinders 4-6		
(1)	9A1 104 912 BX	D - 11.07.2015>> cylinder head with valves (complete)		1	A175,A176
		with: Valve cover Valves	cylinders 4-6		
(1)	9A1 104 012 96	D - 11.07.2015>> Cylinder head (complete)	cylinders 4-6	1	DGGA,DGGB
		with: Valve cover			
(1)	9A1 104 012 CX	without: Valve Cylinder head (complete)	cylinders 4-6	1	DGGA,DGGB

Model: 991G13

Model life 2014>>

Pos	Part Number	Description	Remark	Qty	Model
		with: Valve cover			
		without: VENTIL			
2	9A1 104 149 00	Cylinder head gasket	cylinders 1-3	1	A175,A176
(2)	9A1 104 149 05	Cylinder head gasket	cylinders 1-3	1	DGGA,DGGB, DNSA,DNSH
(2)	9A1 104 148 00	Cylinder head gasket	cylinders 4-6	1	
3	9A1 105 231 90	Valve cover	cylinders 1-3	1	
		when using: Cylinder head			
(3)	9A1 105 232 90	No longer use the part here Valve cover	cylinders 4-6	1	
		when using: Cylinder head			
4	9A1 105 731 90	No longer use the part here Seal	cylinders 1-3	1	
(4)	9A1 105 732 90	Valve cover Seal	cylinders 4-6	1	
5	9A1 104 191 00	Valve cover Torx screw		4	
6	9A1 104 191 02	Cylinder head M 12 X 1,5 X 140 Torx screw		12	
7	N 106 268 01	Cylinder head M 12 X 1,5 X 140 fillister hd. bolt		4	
8	999 707 495 40	M 6 X 70 O-ring		3	A175,A176
8	999 707 495 40	O-ring		6	DGGA,DGGB
9	N 105 821 03	oval head countersunk bolt with multi-point socket head		28	
10	9A1 107 313 00	M 6 X 40 Torx screw		40	A175
(10)	9A1 107 313 01	M 6 X 25 Torx screw		40	A176,DGGA,
11	999 060 002 01	M 6 X 25 Threaded stud		18	
12	900 385 009 01	M 8 X 33 Torx screw		12	
13	9A1 104 311 90	BM 6 X 16 Heat insulation		2	A175
13	9A1 104 311 91	Heat insulation		2	A175
13	9A1 104 311 92	Heat insulation		2	A176
13	9A1 104 311 93	Heat insulation D - 09.09.2015>>		2	A176,DGGA, DGGB
14	900 385 041 01	Torx screw BM 6 X 12		8	
15	900 385 072 01	Torx screw BM 6 X 25		12	
16	900 385 108 02	Torx screw BM 6 X 80		2	
17	997 606 106 03	Hall sensor		4	A175,A176
17	991 606 106 10	No longer use the part here Hall sensor	cylinders 1-3	2	A175,A176
(17)	991 606 106 20	90 GRAD ABGEWINKELT Hall sensor	cylinders 4-6	2	A175,A176
(17)	946 606 106 00	90 GRAD ABGEWINKELT Hall sensor		4	DGGA,DGGB,
18	N 105 464 03	with: O-ring Hexagon socket head bolt		4	

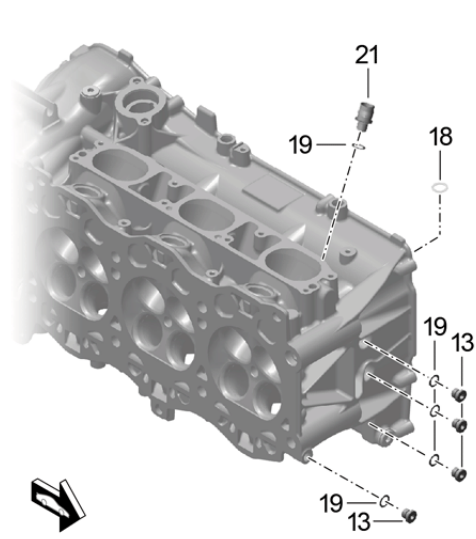
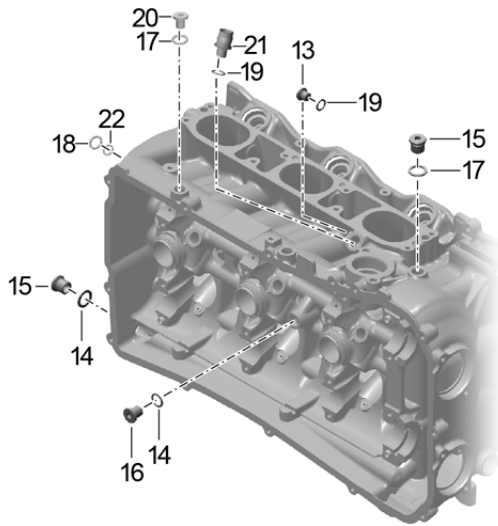
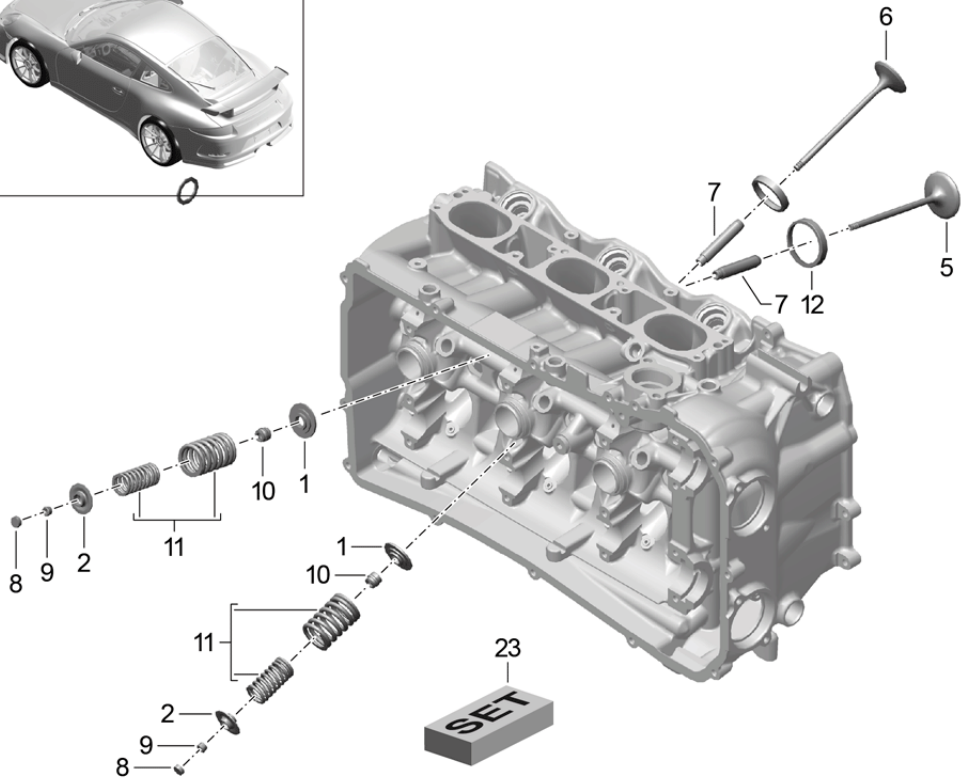
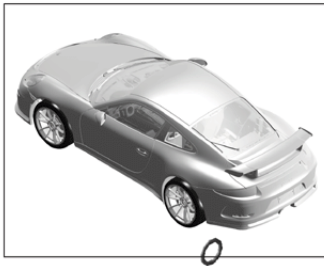
Model: 991G13

Model life 2014>>

Pos	Part Number	Description	Remark	Qty	Model
19	999 707 404 40	M 6 X 16 O-ring 17,05 X 1,78	when using: 99760610603	4	A175,A176
20	999 095 075 01	No longer use the part here dowel sleeve 8H 7X7		8	A175,A176
20	999 095 075 01	dowel sleeve 8H 7X7		4	DGGA,DGGB, DNSA,DNSH
21	9A1 105 113 96	Service cover		2	DGGA,DGGB, DNSA,DNSH
22	9A1 105 531 96	Seal Seal Service cover		2	DGGA,DGGB, DNSA,DNSH
23	N 105 995 02	round hd. screw M5 X 20		16	DGGA,DGGB,

Model: 991G13

Model life 2014>>



Model: 991G13 Model life 2014>>

Pos	Part Number	Description	Remark	Qty	Model
1	9A1 105 151 90	Cylinder head Accessories Valve spring disc	lower	24	A175,A176
(1)	9A1 105 151 98	spring disc	lower	24	DGGA,DGGB, DNSA,DNSH
2	9A1 105 150 90	spring disc	upper	24	A175,A176
(2)	9A1 105 150 92	spring disc	upper	24	DGGA,DGGB, DNSA,DNSH
5	9A1 105 310 90	Inlet valve		12	A175
5	9A1 105 310 95	Inlet valve		12	A176
5	9A1 105 310 93	Inlet valve		12	DGGA,DGGB, DNSA,DNSH
6	9A1 105 320 90	exhaust valve		12	A175
6	9A1 105 320 95	exhaust valve		12	A176
6	9A1 105 320 93	exhaust valve		12	DGGA,DGGB, DNSA,DNSH
7	9A1 104 252 90	Valve guide		24	
8	9A1 105 425 91	compensation washer		24	
8	9A1 105 425 93	No longer use the part here compensation washer see Technical information TI 59/15		24	A175,A176
9	996 105 123 52	cotter, split		48	A175,A176
9	955 105 651 10	cotter, split		48	DGGA,DGGB, DNSA,DNSH
10	996 105 115 52	Valve stem seal		24	
11	9A1 105 110 90	Set Valve spring M >> F 03047 No longer use the part here		24	A175
11	9A1 105 110 91	Set		24	A175,A176
11	9A1 105 110 96	Valve spring 1 set of valve springs		24	DGGA,DGGB
13	900 219 023 01	Valve spring sealing plug M 10 X 1 No longer use the part here		10	A175,A176
13	999 063 036 01	sealing plug M 10 X 1		10	A175,A176
14	900 123 111 21	seal ring 14 X 20		4	
15	999 063 038 01	sealing plug M 14 X 1,5 X 14		3	
16	999 063 037 01	sealing plug M 12 X 1,5 X 15		3	A175,A176
(16)	999 063 037 01	sealing plug M 12 X 1,5 X 15		1	DGGA,DGGB
17	900 123 161 30	seal ring D 12 X 16 No longer use the part here		3	
18	900 123 161 20	seal ring D 12 X 16		7	A175,A176
18	900 123 161 20	seal ring D 12 X 16		5	DGGA,DGGB
19	900 123 160 30	seal ring D 10 X 13,5 aluminium No longer use the part here		10	
19	900 123 160 20	seal ring D 10 X 13,5		10	A175,A176
19	900 123 160 20	seal ring		12	DGGA,DGGB

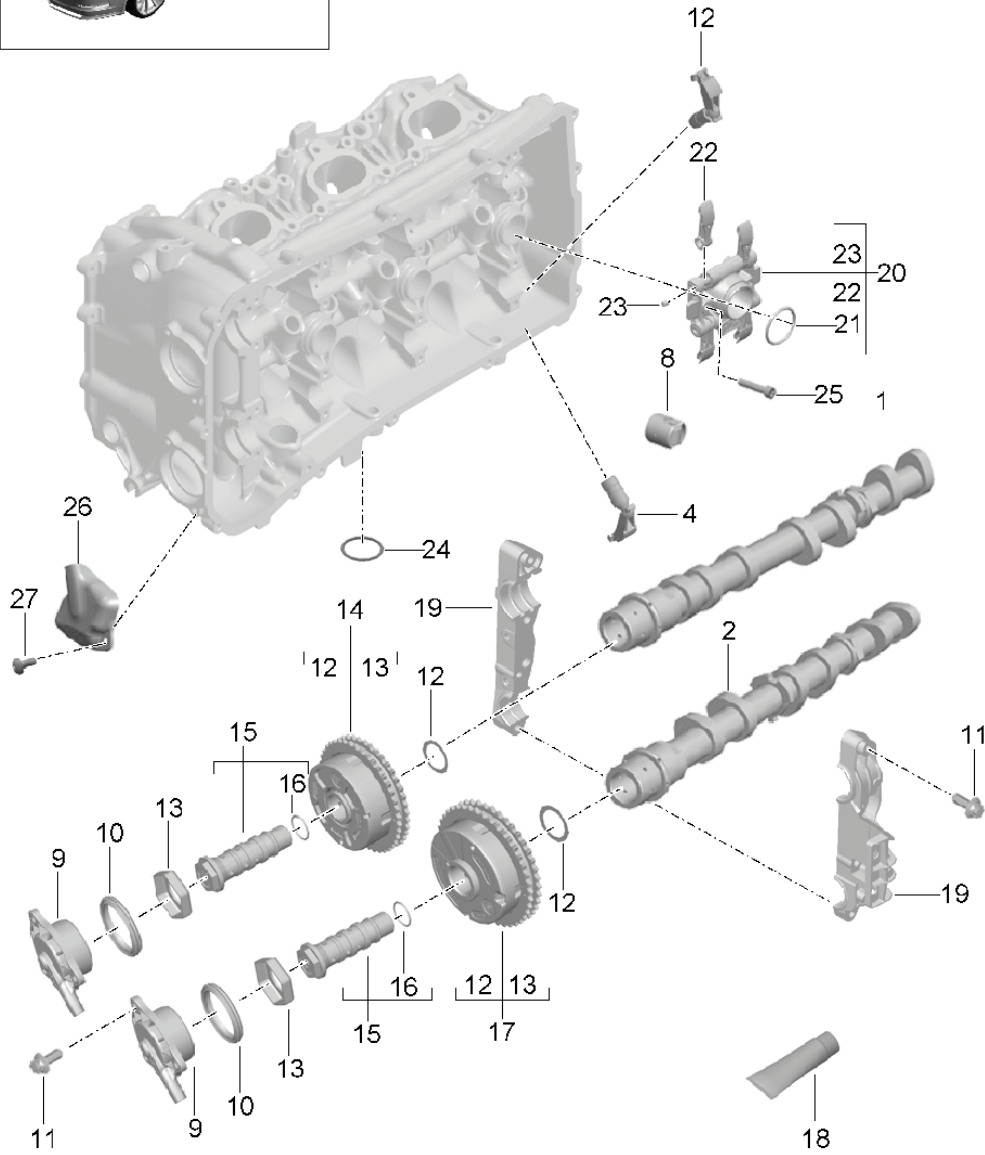
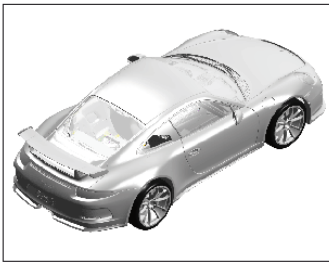
Model: 991G13

Model life 2014>>

Pos	Part Number	Description	Remark	Qty	Model
20	900 219 006 01	D 10 X 13,5 sealing plug		6	A175,A176
20	900 219 006 01	M 12 X 1,5 sealing plug		4	DGGA, DGGB, DNSA, DNSH
21	918 104 523 00	Screwed socket		2	DGGA, DGGB
22	900 123 003 30	seal ring A10 X 14		2	DGGA, DGGB
22	900 123 160 20	No longer use the part here seal ring	10X13,5	2	
23	9A1 105 903 00	compensation washer repair set		1	DGGA, DGGB

Model: 991G13

Model life 2014>>



Model: 991G13

Model life 2014>>

Pos	Part Number	Description	Remark	Qty	Model
1	9A1 105 275 92	Camshaft Valve control Camshaft	Inlet cylinders 1-3	1	A175
1	9A1 105 275 93	M >> F 03047 No longer use the part here Camshaft	Inlet cylinders 1-3	1	A175
1	9A1 105 275 A1	M F 03048 >> No longer use the part here Camshaft	Inlet cylinders 1-3	1	A175
1	9A1 105 275 93	see Technical information TI 59/15 Camshaft	Inlet cylinders 1-3	1	A176
1	9A1 105 275 A1	M >> G 05373 Camshaft	Inlet cylinders 1-3	1	A176
1	9A1 105 375 94	M G 05374 >> Camshaft	cylinders 1-3 Inlet	1	DGGA, DGGB, DNSA, DNSH A175
(1)	9A1 105 276 92	Camshaft	Inlet cylinders 4-6	1	
(1)	9A1 105 276 93	M >> F 03047 No longer use the part here Camshaft	Inlet cylinders 4-6	1	A175
(1)	9A1 105 276 A1	M F 03048 >> No longer use the part here Camshaft	Inlet cylinders 4-6	1	A175
(1)	9A1 105 276 93	see Technical information TI 59/15 Camshaft	Inlet cylinders 4-6	1	A176
(1)	9A1 105 276 A1	M >> G 05373 Camshaft	cylinders 4-6	1	A176
(1)	9A1 105 376 94	M G 05374 >> Camshaft	cylinders 4-6 Inlet	1	DGGA, DGGB, DNSA, DNSH A175
2	9A1 105 277 92	Camshaft	Outlet cylinders 1-3	1	
2	9A1 105 277 93	M >> F 03047 No longer use the part here Camshaft	Outlet cylinders 1-3	1	A175
		M F 03048 >> No longer use the part here			

Model: 991G13 Model life 2014>>

Pos	Part Number	Description	Remark	Qty	Model
2	9A1 105 277 A1	Camshaft see Technical information TI 59/15	Outlet cylinders 1-3	1	A175
2	9A1 105 277 93	Camshaft	Outlet cylinders 1-3	1	A176
2	9A1 105 277 A1	M >> G 05373 Camshaft	Outlet cylinders 1-3	1	A176
2	9A1 105 377 94	M G 05374 >> Camshaft	cylinders 1-3 Outlet	1	DGGA, DGGB, DNSA, DNSH A175
(2)	9A1 105 278 92	Camshaft	Outlet cylinders 4-6	1	
(2)	9A1 105 278 93	M >> F 03047 No longer use the part here Camshaft	Outlet cylinders 4-6	1	A175
(2)	9A1 105 278 A1	M F 03048 >> No longer use the part here Camshaft	Outlet cylinders 4-6	1	A175
(2)	9A1 105 278 93	see Technical information TI 59/15 Camshaft	Outlet cylinders 4-6	1	A176
(2)	9A1 105 278 A1	M >> G 05373 Camshaft	Outlet cylinders 4-6	1	A176
(2)	9A1 105 378 94	M G 05374 >> Camshaft	cylinders 4-6 Outlet	1	DGGA, DGGB, DNSA, DNSH A175, A176
3	9A1 105 035 91	cam lever	Inlet	12	
4	9A1 105 036 91	see Technical information TI 59/15 cam lever	Outlet	12	A175, A176
8	06L 109 311	Tappets		2	
9	946 105 053 76	throttle control element Camshaft		4	A175
(9)	946 105 053 77	Discontinued part throttle control element Camshaft		4	A176
(9)	946 105 053 79	Discontinued part throttle control element Camshaft		4	A176
(9)	0PB 109 259	throttle control element Camshaft		4	DGGA, DGGB

Model: 991G13

Model life 2014>>

Pos	Part Number	Description	Remark	Qty	Model
(9)	0PB 109 259 A	throttle control element		4	DGGA, DGGB
10	999 701 506 40	Camshaft seal ring 42,0 X 51,8 X 4,9 Discontinued part		4	A175
(10)	999 701 506 41	seal ring 42,0 X 51,8 X 4,9		4	A175, A176
(10)	9A7 008 348 00	seal ring 42,0 X 51,8 X 4,9		4	DGGA, DGGB, DNSA, DNSH
11	900 385 009 01	Torx screw BM 6 X 16		8	
12	946 105 155 75	Friction washer		4	A175
12	9A7 008 224 00	Friction washer		4	A176 DGGA, DGGB DNSA, DNSH
13	946 105 154 75	Sleeve		4	A175
13	9A7 008 299 00	Sleeve		4	A176 DGGA, DGGB DNSA, DNSH
14	946 105 051 75	camshaft adjuster unit Discontinued part	Inlet	2	A175
14	946 105 051 76	camshaft adjuster unit	Inlet	2	A176
14	0PB 109 083	camshaft adjuster unit	Inlet	2	DGGA, DGGB DNSA, DNSH
15	946 105 054 75	Screw camshaft adjuster unit Discontinued part		4	A175
15	946 105 054 76	Screw camshaft adjuster unit Discontinued part		4	A175
15	946 105 054 77	Screw camshaft adjuster unit		4	A176
15	0PB 109 257	Screw camshaft adjuster unit		4	DGGA, DGGB DNSA, DNSH
16	946 105 156 75	piston ring Screw Individual parts Not available No longer use the part here		4	
17	9A1 105 054 90	camshaft adjuster unit	Outlet	2	A175
17	9A1 105 054 91	camshaft adjuster unit	Outlet	2	A176
17	0PB 109 084 A	camshaft adjuster unit	Outlet	2	DGGA, DGGB
19	9A1 104 267 90	Mounting	cylinders 4-6 lower	1	A175, A176
(19)	9A1 104 267 96	Mounting	cylinders 4-6 lower	1	DGGA, DGGB DNSA, DNSH
20	9A1 105 161 94	Bracket with:		6	DGGA, DGGB DNSA, DNSH
21	999 707 358 40	cam lever O-ring 30,00 X 3,00 Bracket		12	DGGA, DGGB DNSA, DNSH
22		cam lever Discontinued part		24	
23	999 501 222 01	Sealing plug Bracket	Use item: 9A110516494	24	DGGA, DGGB DNSA, DNSH
24	999 707 547 40	O-ring 28,00 X 3,00		6	DGGA, DGGB DNSA, DNSH
25	900 387 023 02	Socket head bolt M6 X 30		12	DGGA, DGGB
26	9A1 105 690 90	Guard plate camshaft adjuster unit		2	DGGA

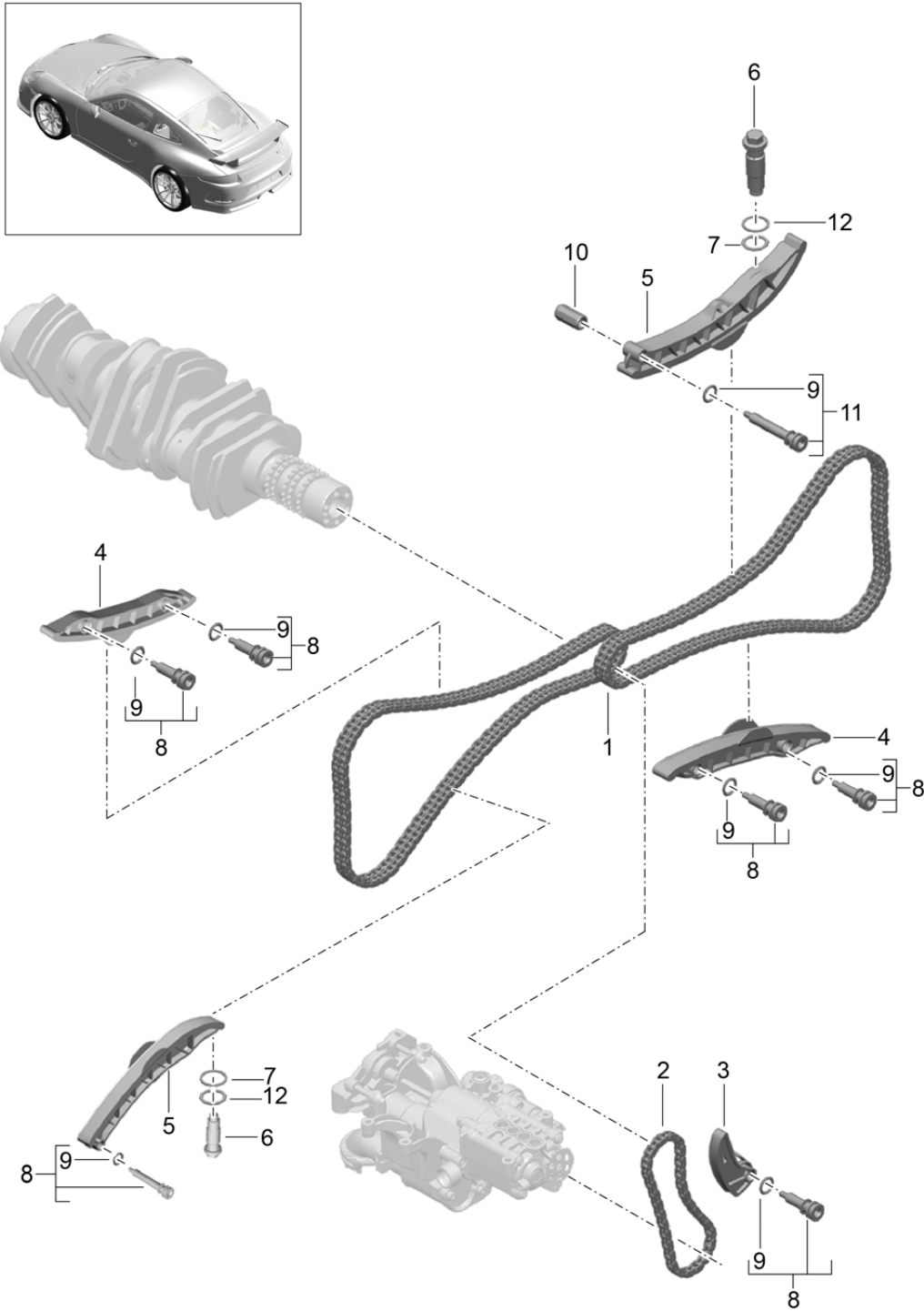
Model: 991G13

Model life 2014>>

Pos	Part Number	Description	Remark	Qty	Model
26	9A1 105 690 91	Guard plate camshaft adjuster unit		2	DGGA, DGGB DNSA, DNSH
27	999 073 189 01	flat round head bolt M6 X 12 D >> - 28.02.2018		4	DGGA, DGGB
27	N 103 352 06	Hexagon socket flat head bolt D - 01.03.2018>>	M6X12	4	DGGA, DGGB DNSA, DNSH

Model: 991G13

Model life 2014>>



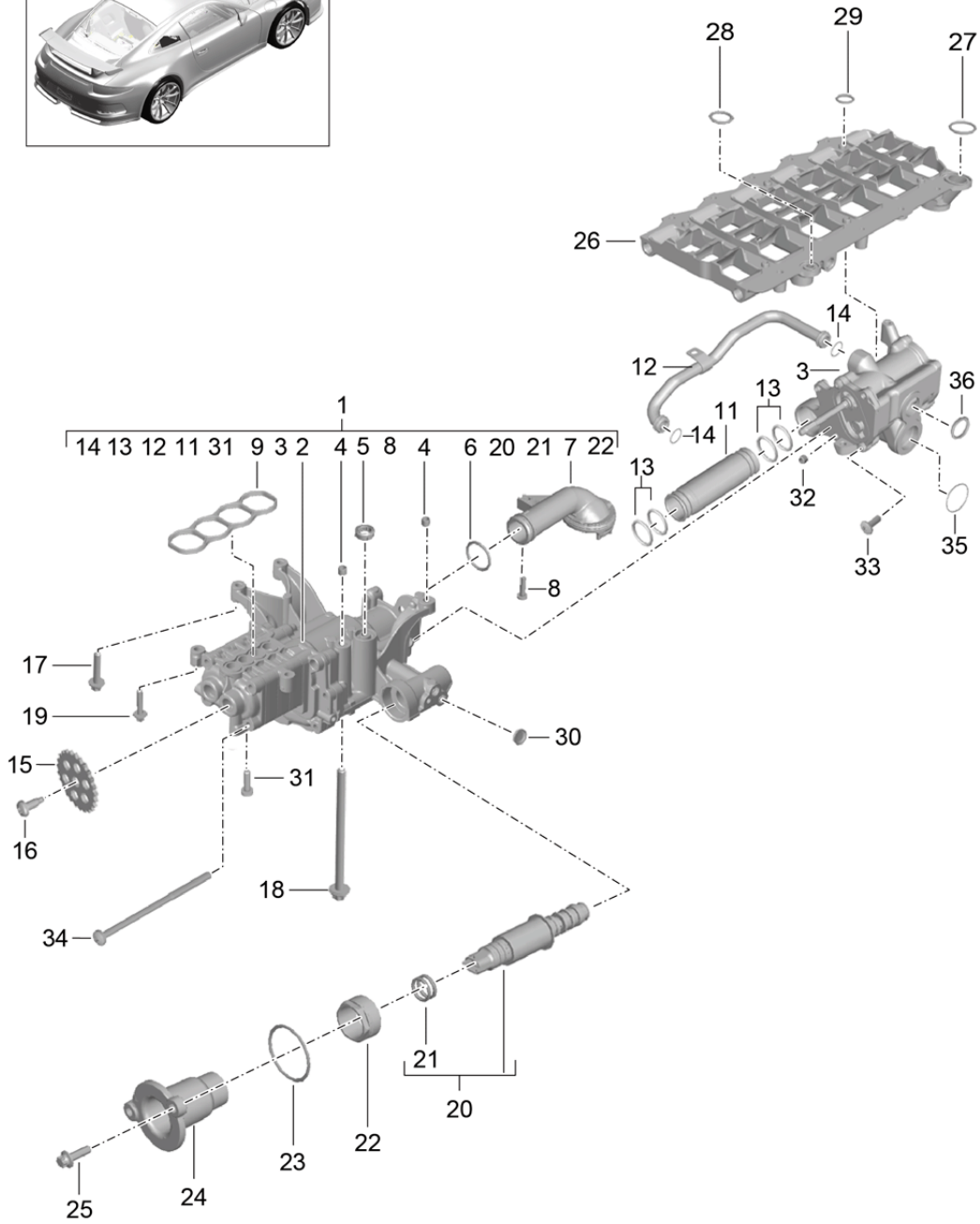
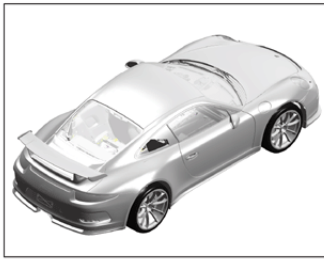
Model: 991G13

Model life 2014>>

Pos	Part Number	Description	Remark	Qty	Model
1	9A1 105 142 02	chain tensioner Valve control timing chain Camshaft Crankshaft		2	A175
1	9A1 105 142 03	timing chain Camshaft Crankshaft		2	A175
1	9A1 105 142 90	timing chain Camshaft Crankshaft		2	A176
1	9A1 105 142 91	timing chain Camshaft Crankshaft		2	DGGA, DGGB DNSA, DNSH
2	9A1 105 233 02	timing chain oil pump Crankshaft		1	A175
2	9A1 105 233 91	timing chain oil pump Crankshaft		1	A176
2	9A1 105 233 90	timing chain oil pump Crankshaft		1	DGGA, DGGB DNSA, DNSH
3	9A1 105 235 02	Tensioner blade		1	A175, A176 DGGA, DGGB
4	9A1 105 153 03	slide rail No longer use the part here		2	
4	9A1 105 153 04	slide rail		2	
5	9A1 105 155 03	Tensioner blade		2	
5	9A1 105 155 04	Tensioner blade		2	A176 DGGA, DGGB
6	9A1 105 157 02	chain tensioner		2	A175
6	9A1 105 157 03	chain tensioner		2	A176
6	9A1 105 157 04	chain tensioner		2	DGGA, DGGB DNSA, DNSH
7	900 123 118 30	seal ring A 22 X 27 No longer use the part here		2	
7	N 013 827 7	seal ring A 22 X 27		2	
8	9A1 105 162 01	Screw Tensioner blade		6	A175
8	9A1 105 062 01	Socket head bolt Tensioner blade		6	A176 DGGA, DGGB
9	999 707 346 40	O-ring 15,0 X 3,0		7	
10	9A1 105 165 02	spacer sleeve		1	A175, A176
10	9A7 008 298 00	spacer sleeve		1	DGGA, DGGB DNSA, DNSH
11	9A1 105 163 01	Screw		1	A175
11	9A1 105 063 01	Screw		1	A176 DGGA, DGGB
12	999 701 066 40	O-ring chain tensioner		2	
-		Grease KLÜBER SYNTHESO GLEP1		X	
-		Crankshaft	see illustration: 102-000	X	
-		oil pump	see illustration: 104-000	X	

Model: 991G13

Model life 2014>>



Model: 991G13 Model life 2014>>

Pos	Part Number	Description	Remark	Qty	Model
1	9A1 107 051 90	oil pump oil pump (complete) D >> - MJ 2015 Discontinued part		1	A175,A176 A175
1	9A1 107 051 91	oil pump (complete) D >> - MJ 2015 Discontinued part		1	A175
1	9A1 107 051 92	oil pump (complete) D >> - MJ 2015		1	A175
1	9A1 107 051 93	oil pump (complete)		1	A176+ PR:-038
1	9A1 107 051 94	oil pump (complete)		1	A176+ PR:038
1	9A1 107 051 93	oil pump (complete) D - MJ 2016>>		1	A175
2	9A1 107 050 12	oil pump		1	
2	9A1 107 050 90	oil pump		1	A175
2	9A1 107 050 91	oil pump		1	A176
3		oil pump Not available To Use 9A1.107.051.90		1	
4	996 106 103 50	dowel sleeve 8,2 X 7,0		2	
5	9A1 107 327 00	seal ring		1	
6	999 707 375 40	O-ring 30,00 X 3,00		1	
7	9A1 107 075 10	Suction tube		1	
8	999 073 102 01	flat round head bolt M6 X 25		1	
9	9A1 107 370 90	Seal		1	
(9)	9A1 107 370 00	Seal for oil pump		1	
11	9A1 107 361 90	oil pipe		1	A175
11	9A1 107 361 91	oil pipe		1	A176+ PR:-038
11	9A1 107 361 93	oil pipe		1	A176+ PR:038
12	9A1 107 301 90	Return pipe		1	
13	999 701 666 40	O-ring 29,2 X 3,0		4	
14	999 707 631 40	O-ring 16,00 X 2,00		2	
15	9A1 105 225 02	Chain sprocket oil pump		1	
16	999 073 380 01	Torx screw M8 X 22		1	
17	900 385 125 01	Torx screw M 6 X 45		1	
18	900 385 171 01	Torx screw M 6 X 110		1	
19	900 385 048 01	Torx screw M6 X 30		5	
20	948 107 113 11	Solenoid valve		1	
21	999 707 567 40	O-ring 17,00 X 3,00		2	
22	999 261 024 01	Union nut M36 X 1,0 X 12		1	
23	999 707 570 40	O-ring		1	

Model: 991G13

Model life 2014>>

Pos	Part Number	Description	Remark	Qty	Model
24	9A1 107 330 01	44,00 X 3,00 Sealing flange control valve		1	
25	900 385 019 01	Torx screw M6 X 20		2	
26	9A1 107 039 90	oil separator Discontinued part		1	A175
26	9A1 107 039 91	oil separator		1	A175
26	9A1 107 039 92	oil separator		1	A176
27	999 707 496 40	O-ring 23 X 3		2	
28	999 707 582 41	O-ring 13 X 3		1	
29	999 707 346 40	O-ring 15 X 3		1	
31	900 385 070 01	Torx screw BM 6 X 50		3	
31	PAF 008 685 00	Torx screw BM 6 X 50		3	
33	999 073 334 00	flat round head bolt M 6 X 16		4	
33	999 073 103 01	No longer use the part here flat round head bolt M 6 X 16		4	
34	999 073 381 01	flat round head bolt M 6 X 110		1	A175
35	999 707 581 41	O-ring 54,0 X 3,0		2	
36	999 707 595 40	O-ring 20,00 X 4,00		2	
-		No longer use the part here Chain oil pump see illustration:	103-015		

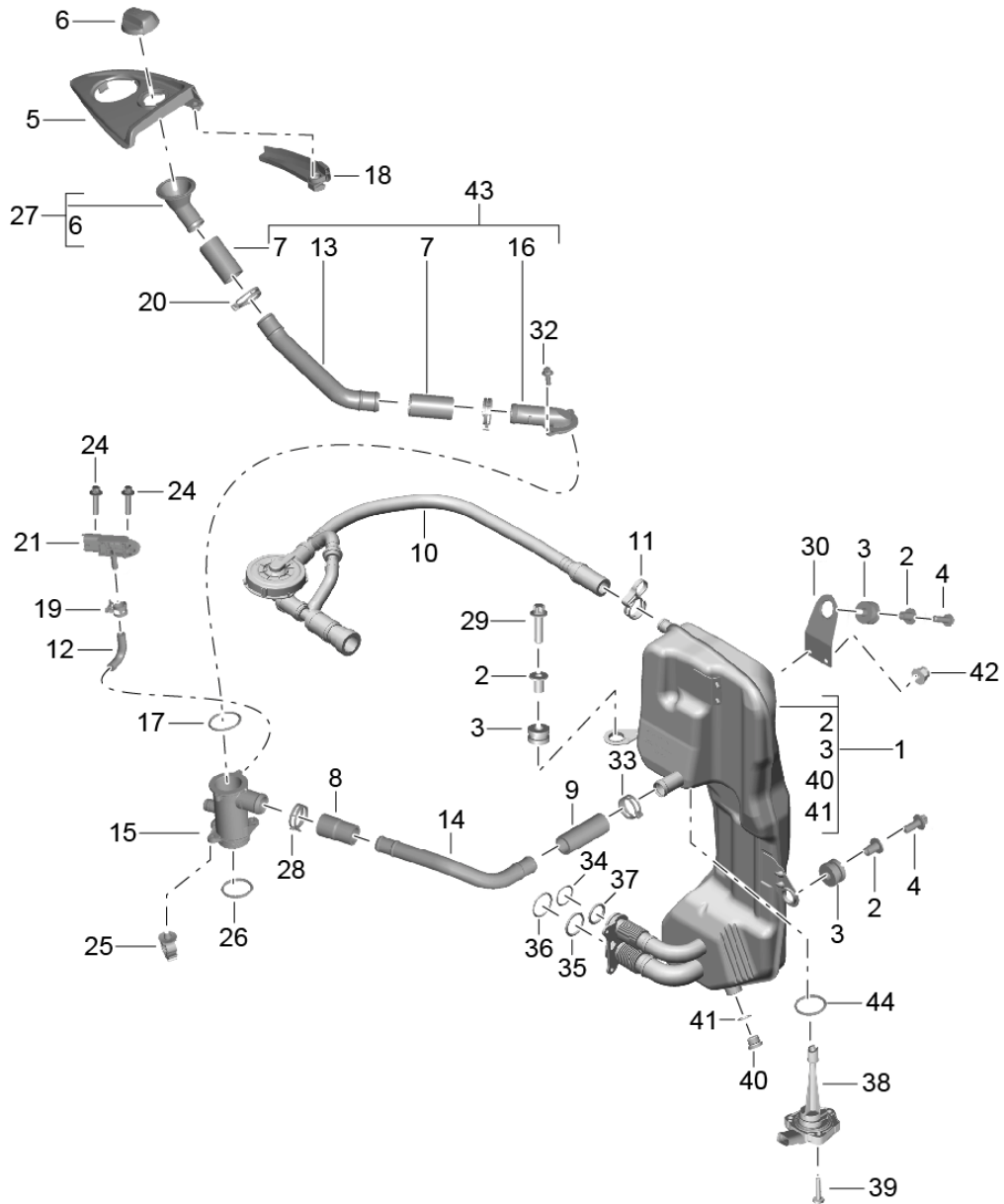
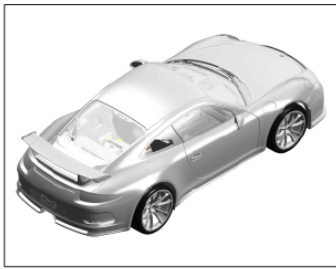
Model: 991G13

Model life 2014>>

Pos	Part Number	Description	Remark	Qty	Model
1	9A1 107 056 92	oil pump oil pump (complete) D - <<031117		1	DGGA, DGGB DGGA
1	9A1 107 056 93	oil pump ZSB INKL. POS 2,3,4,5,6,8,11 (complete)		1	DGGB DNSA, DNSH
2	9A1 107 653 91	Seal for oil pump		1	
3	999 707 696 40	O-ring 18,00 X 3,00		1	
4	999 707 697 40	O-ring 11,00 X 3,00		1	
5	999 707 698 40	O-ring 17,00 X 2,50		1	
6	999 707 547 40	O-ring 28,00 X 3,00		1	
7	999 707 647 40	O-ring 15,00 X 3,60 No longer use the part here		1	
8	999 707 494 40	O-ring 33,00 X 3,00		1	
9	999 073 706 01	flat round head bolt M6 X 30		4	
10	996 106 103 50	dowel sleeve 8,2 X 7,0		6	
11	996 106 103 49	dowel sleeve 8,2 X 8,0		1	
12	9A1 105 225 93	Chain sprocket		1	
13	9A1 105 729 92	oil pump flat round head bolt M7 X 22		1	
14	9A1 107 751 91	Outer hexagon round screw BM6 X 140		2	
15	9A1 107 039 96	oil separator		1	
16	900 385 019 01	Torx screw BM 6 X 20		11	
17	999 707 496 40	O-ring 23 X 3		4	
18	999 707 582 41	O-ring 13 X 3		1	
19	900 036 033 01	End cap B 12		3	
20	999 707 346 40	O-ring 15,00 X 3,00		1	
-		Chain oil pump see illustration:	103-015		

Model: 991G13

Model life 2014>>



Model: 991G13 Model life 2014>>

Pos	Part Number	Description	Remark	Qty	Model
		Engine lubrication			A175,A176
		Oil tank			
		Bleeding			
1	9A1 207 070 90	Oil tank		1	A175
1	9A1 207 070 91	Oil tank		1	A175
1	9A1 207 070 93	Oil tank		1	A176
1	9A1 207 070 A0	Oil tank		1	A176
2	999 209 037 01	spacer sleeve 8,4 X 1,8		3	
2	999 209 037 01	spacer sleeve 8,4 X 1,8		2	
		Use	with:		
3	999 702 193 40	9A1.207.070.A0 Rubber grommet 12,2 X 24,0 X 6,0		3	
3	999 702 193 40	Rubber grommet 12,2 X 24,0 X 6,0		2	
		Use	with:		
4	900 385 042 01	9A1.207.070.A0 Torx screw BM 8 X 35		2	
5	991 107 274 02	Cradle Hose		1	A175
			with:		
5	991 107 274 03	End cap Cradle Hose		1	A176+ PR:-038
			with:		
(5)	991 107 273 04	End cap Filler tube Oil inlet		1	A176+ PR:038
6	991 107 475 01	End cap		1	
6	9P1 115 423	End cap		1	A176+ PR:038
7	9A1 207 271 91	Hose Oil inlet		1	
8	9A1 207 273 91	Hose Oil inlet		1	
9	9A1 207 274 90	Hose Oil inlet		1	
10	9A1 107 510 91	Breather line Crankcase housing		1	A175
		Use	with:		
10	9A1 107 510 93	991.110.270.81 Breather line Crankcase housing		1	
			with:		
10	9A1 107 510 94	MEMBRAN to use for: 991.110.270.82 Discontinued part Breather line Crankcase housing		1	
			with:		
11	999 512 662 09	MEMBRAN to use for: 991.110.270.82 Hose clamp B 32 X 12		4	
12	9A1 207 297 91	Vacuum line		1	

Model: 991G13

Model life 2014>>

Pos	Part Number	Description	Remark	Qty	Model
13	9A1 207 371 90	Pipe		1	A175,A176
15	9A1 207 375 91	Adapter		1	
(15)	9A1 207 275 91	Oil inlet Adapter Oil inlet (complete)		1	
		with:			
		Pressure sensor			
		Oil hose			
16	9A1 207 377 90	Cover		1	
17	999 707 177 40	O-ring		1	
		38,0 X 2,0			
18	991 106 473 00	Seal		1	
19	999 512 596 09	Hose clamp		2	
		A 13 X 12			
20	999 512 610 09	Hose clamp		4	
		A 38 X 12			
21	9A1 606 114 00	Pressure sensor		1	
22	9A1 107 314 91	Adapter		1	
		Pressure sensor			
24	900 385 019 01	Torx screw		2	
		BM 6 X 20			
25	999 511 239 40	Cable holder		2	
		6,0 - 12,0			
26	999 707 348 40	O-ring		2	
		42,00 X 4,0			
28	999 512 709 01	Hose clamp		1	
		B 35 X 12			
29	900 385 116 01	Torx screw		1	
		M 8 X 30			
30	9A1 207 471 90	Securing bracket		1	
		Oil tank			
32	900 385 009 01	Torx screw		5	
		M 6 X 16			
33	999 512 743 01	Hose clamp		1	
		B 32 X 12			
34	999 707 495 40	O-ring		1	
		31,00 X 3,0			
35	999 707 664 40	O-ring		1	
		32,00 X 4,0			
36	999 707 665 40	O-ring		1	
		36,00 X 3,0			
37	999 707 666 40	O-ring		1	
		24,00 X 4,0			
38	958 606 160 10	oil level sensor		1	
39	9A1 107 313 00	Torx screw		3	
		M6 X 25			
(39)	900 377 010 02	Hexagon nut		3	
		M 6			
		use only in conjunction with: 9A1.207.070.A0			
(39)	N 015 082 10	No longer use the part here Hexagon collar nut		3	
		M 6			
		use only in conjunction with: 9A1.207.070.A0			
40	900 219 015 00	sealing plug		1	
		M18 X 1,5			
41	900 123 009 20	seal ring		1	
		A 18 X 24			
41	N 013 832 6	No longer use the part here seal ring		1	
		A 18 X 22			

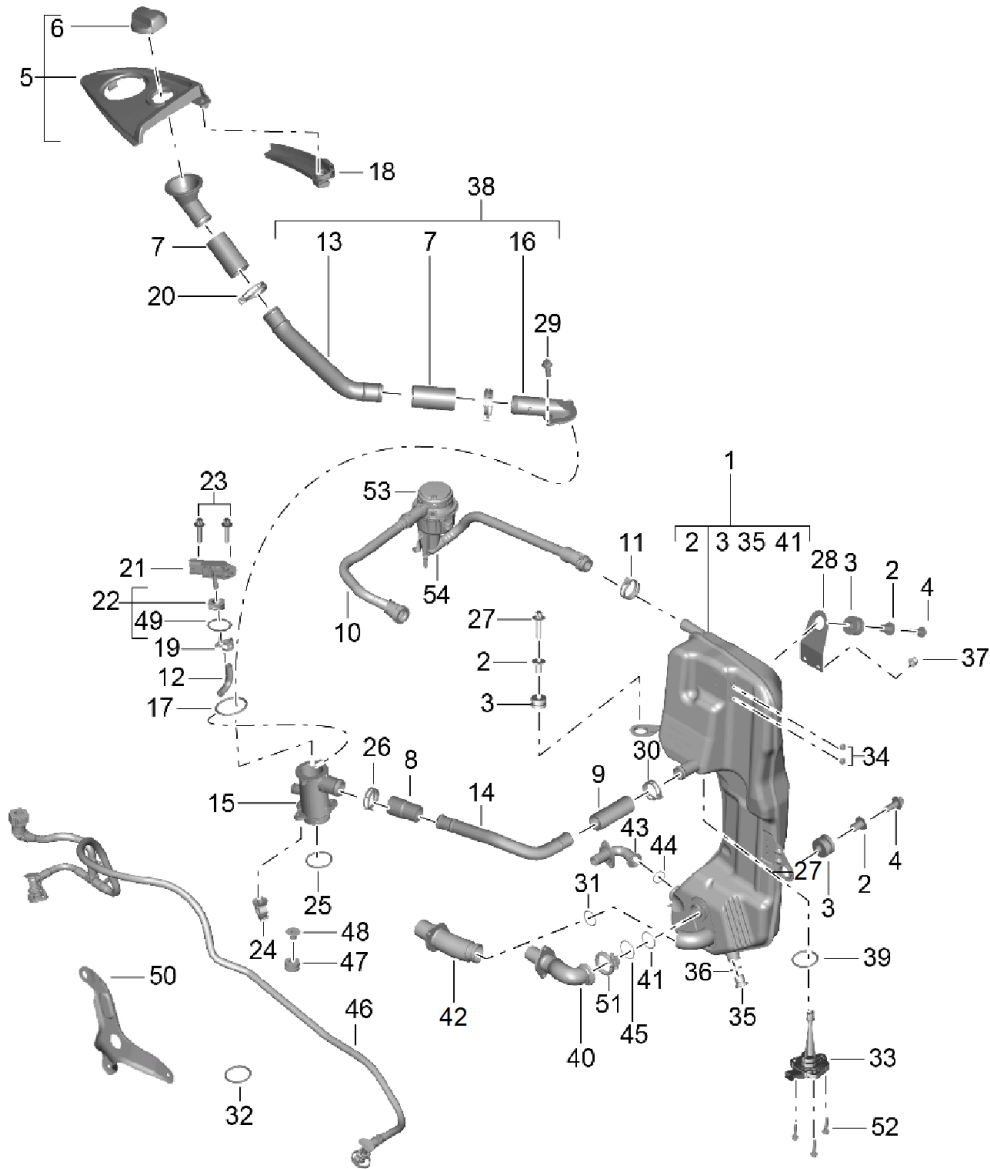
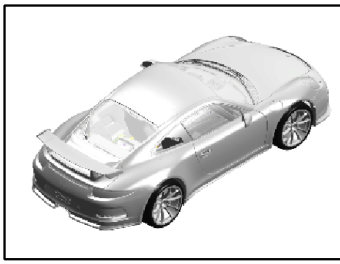
Model: 991G13

Model life 2014>>

Pos	Part Number	Description	Remark	Qty	Model
42	900 380 022 01	Hexagon nut M 6		2	
42	900 377 010 01	No longer use the part here Hexagon nut M 6		2	
43	9A1 207 277 91	End cap (complete)		1	
44	038 103 196 B	seal ring oil level sender		1	

Model: 991G13

Model life 2014>>



Model: 991G13

Model life 2014>>

Pos	Part Number	Description	Remark	Qty	Model
1	9A1 207 070 98	Engine (oil press./lubrica.) Oil tank Oil tank D >> - 17.10.2017		1	DGGA, DGGB, DNSA, DNSH DGGA
2	999 209 037 01	spacer sleeve 8,4 X 1,8		2	
3	999 702 193 40	Rubber grommet 12,2 X 24,0 X 6,0		2	
4	999 073 601 01	flat round head bolt M6 X 14		6	
5	9P1 115 653	oil filler pipe OELEINFUELLUNG		1	
6	9P1 115 423	End cap		1	
7	9A1 207 271 91	Hose Oil inlet		1	
8	9A1 207 273 91	Hose Oil inlet		1	
9	9A1 207 274 90	Hose Oil inlet		1	
10	9A1 107 510 99	Breather line Crankcase housing with: diaphragm		1	DGGA, DGGB
11	999 512 662 09	Hose clamp B 32 X 12		4	
12	9A1 207 297 91	Vacuum line		1	
13	9A1 207 371 95	Pipe Oil inlet		1	
14	9A1 207 373 90	Pipe		1	
15	9A1 207 375 91	Adapter Oil inlet		1	
16	9A1 207 377 90	Cover		1	
17	999 707 177 40	O-ring 38,0 X 2,0		1	A175, A176
17	999 707 712 01	O-ring 38,0 X 2,0		1	DGGA, DGGB
18	991 106 473 00	Seal		1	
19	999 512 596 09	Hose clamp A 13 X 12		2	
20	999 512 610 09	Hose clamp A 38 X 12		4	
21	7P5 906 051	Pressure sensor		1	
22	9A1 107 314 91	Adapter Pressure sensor		1	
23	900 385 019 01	Torx screw BM 6 X 20		2	
24	999 511 239 40	Cable holder 6,0 - 12,0		2	
25	999 707 348 40	O-ring 42,00 X 4,0		2	
26	999 512 709 01	Hose clamp B 35 X 12		1	
27	900 385 116 01	Torx screw M 8 X 30		3	
28	9A1 207 471 90	Securing bracket Oil tank D >> - 17.10.2017		1	A175, A176, DGGA
28	9A1 207 471 91	Securing bracket Oil tank D - 18.10.2017>>		1	DGGA, DGGB
29	900 385 009 01	Torx screw M 6 X 16		2	
30	999 512 743 01	Hose clamp		1	

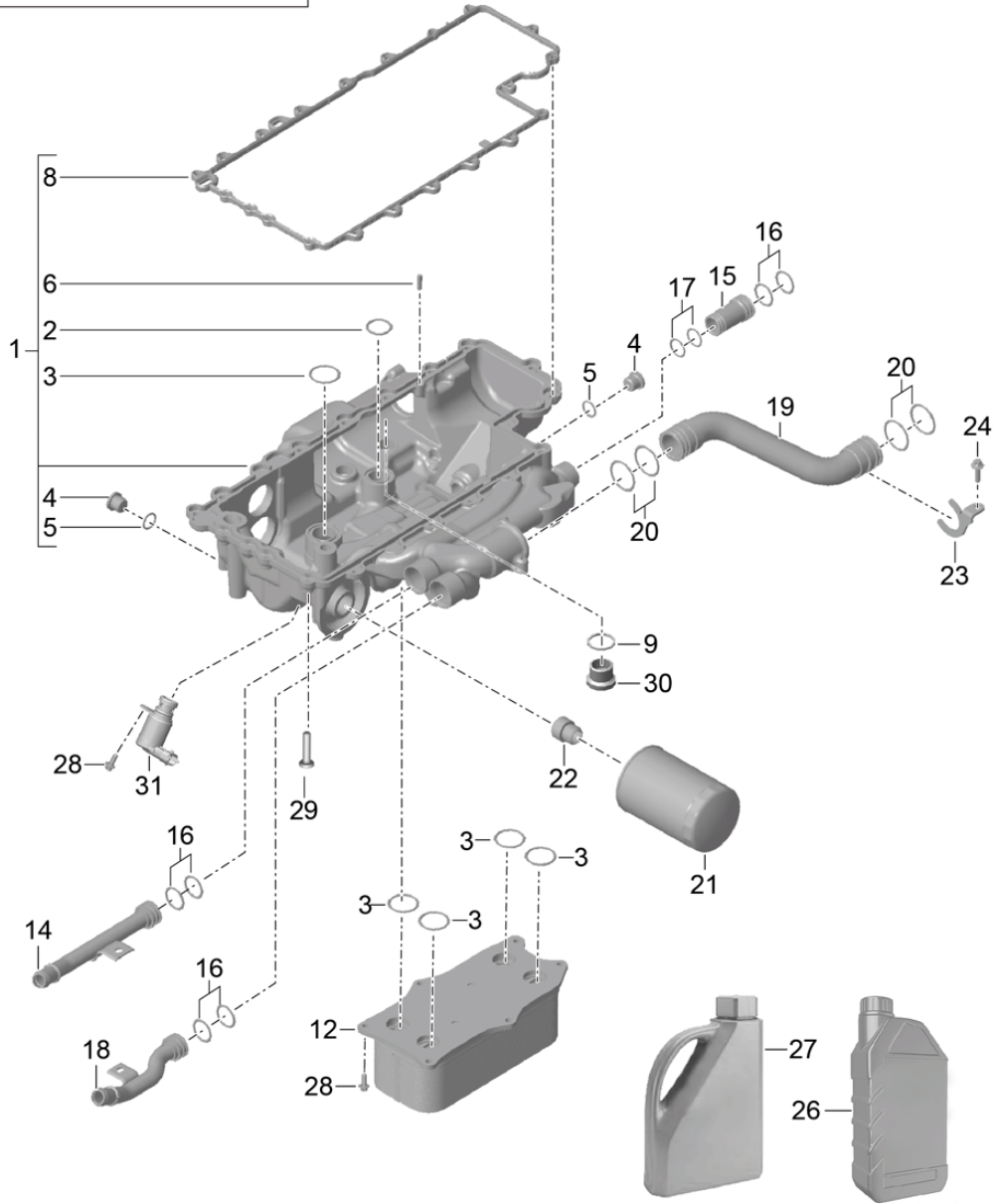
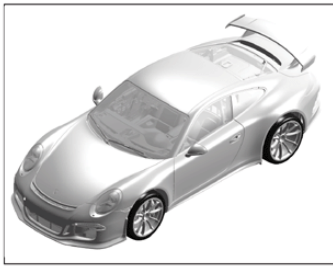
Model: 991G13

Model life 2014>>

Pos	Part Number	Description	Remark	Qty	Model
31	999 707 495 41	B 32 X 12 O-ring		4	
32	999 707 665 40	31,00 X 3,0 O-ring		3	
33	958 606 160 11	36,00 X 3,0 oil level sensor		1	
34	9A1 107 313 01	Torx screw		3	
35	900 219 015 00	M6 X 25 sealing plug		1	
36	N 013 832 6	M18 X 1,5 seal ring		1	
37	900 377 010 01	A 18 X 22 Hexagon nut		2	
38	9A1 207 277 95	M 6 End cap		1	
39	038 103 196 B	(complete) seal ring		1	
40	9A1 207 104 91	oil level sender		1	
41	999 707 693 40	Oil return line	return	1	
43	9A1 107 410 92	O-ring		1	DGGA
43	9A1 107 410 93	32,00 X 2,50 Breather line		1	DGGA, DGGB,
44	999 707 709 40	Discontinued part		1	
45	999 707 409 41	O-ring		1	
46	9A1 107 233 92	22,00 X 2,00 O-ring		1	DGGA, DGGB
47	N 900 377 01	26,00 X 3,00 Ventilation pipe		1	
48	9A1 107 643 91	Cylinder head		1	
49	999 707 496 40	Grommet		1	
50	9A1 102 441 94	10,0 X 15,0 Sleeve		1	
51	999 512 205 01	O-ring		1	
52	900 377 010 02	23,0 X 3,0 Retaining plate		1	
52	N 015 082 10	Hose clamp		1	
53	918 107 031 01	29,00 Hexagon nut		3	
54	9A1 107 610 93	M6 No longer use the part here		3	
		Hexagon collar nut		1	
		M6 oil separator		1	
		Bracket		1	
		oil separator		1	

Model: 991G13

Model life 2014>>



Model: 991G13 Model life 2014>>

Pos	Part Number	Description	Remark	Qty	Model
		oil filter			
		Console			
1	9A1 107 061 90	Oil-conducting housing		1	A175
1	9A1 107 061 91	Oil-conducting housing		1	A176
2	999 707 496 40	O-ring		4	
		23,00 X 3,0			
3	999 707 547 40	O-ring		5	A175,A176
		28,00 X 3,0			
4	900 219 004 01	sealing plug		2	A175,A176
		M 16 X 1,5			
5	900 123 131 30	seal ring		2	A175,A176
		A 16 X 20			
6	900 302 046 01	Cylinder pin		2	A175,A176
		5,0 X 18			
8	9A1 107 315 03	gasket for oil sump		1	
9	900 123 159 30	seal ring		2	A175,A176
		20 X 24			
12	9A1 107 450 90	heat exchanger		1	A175
		also use:	900 385 009 01	6	
		M6 X 16			
12	9A1 107 450 91	heat exchanger		1	A176
		also use:	900 385 019 01	6	
		M6 X 20			
14	9A1 106 620 90	Water pipe	feed	1	A175,A176
15	9A1 106 621 90	Water pipe	feed	1	A175
		Discontinued part			
15	9A1 106 621 91	Water pipe	feed	1	A175
15	9A1 106 621 92	Water pipe	feed	1	A176
16	999 707 517 40	O-ring		2	A175,A176
		22,00 X 3,0			
17	999 707 155 40	O-ring		2	A175,A176
		20,00 X 2,0			
18	9A1 106 625 90	Water pipe	feed	1	A175,A176
		heat exchanger			
(18)	9A1 106 625 96	Water pipe	feed	1	DGGA,DGGB, DNSA,DNSH
		heat exchanger			
19	9A1 106 626 90	Water pipe	return	1	A175
		Discontinued part			
19	9A1 106 626 91	Water pipe	return	1	A175
19	9A1 106 626 92	Water pipe	return	1	A176
20	999 707 589 40	O-ring		4	
		31,00 X 3,00			
		No longer use the part here			
20	999 707 691 40	O-ring		4	
		31,00 X 3,00			
21	9A1 107 203 90	oil filter		1	A175
		D >> - MJ 2015			
21	9A1 107 203 91	oil filter		1	A175
		D - MJ 2016>>			
21	9A1 107 203 91	oil filter		1	A176
22	9A1 107 575 90	Adapter		1	A175
		oil filter			
		D >> - MJ 2015			
22	9A1 107 575 91	Adapter		1	A175
		oil filter			
		D - MJ 2016>>			
22	9A1 107 575 91	Adapter		1	A176
		oil filter			
23	9A1 107 441 90	Retaining plate		1	A175,A176
24	900 385 019 01	Torx screw		6	
		M 6 X 20			
24	900 385 009 01	Torx screw		6	
		BM 6 X 16			

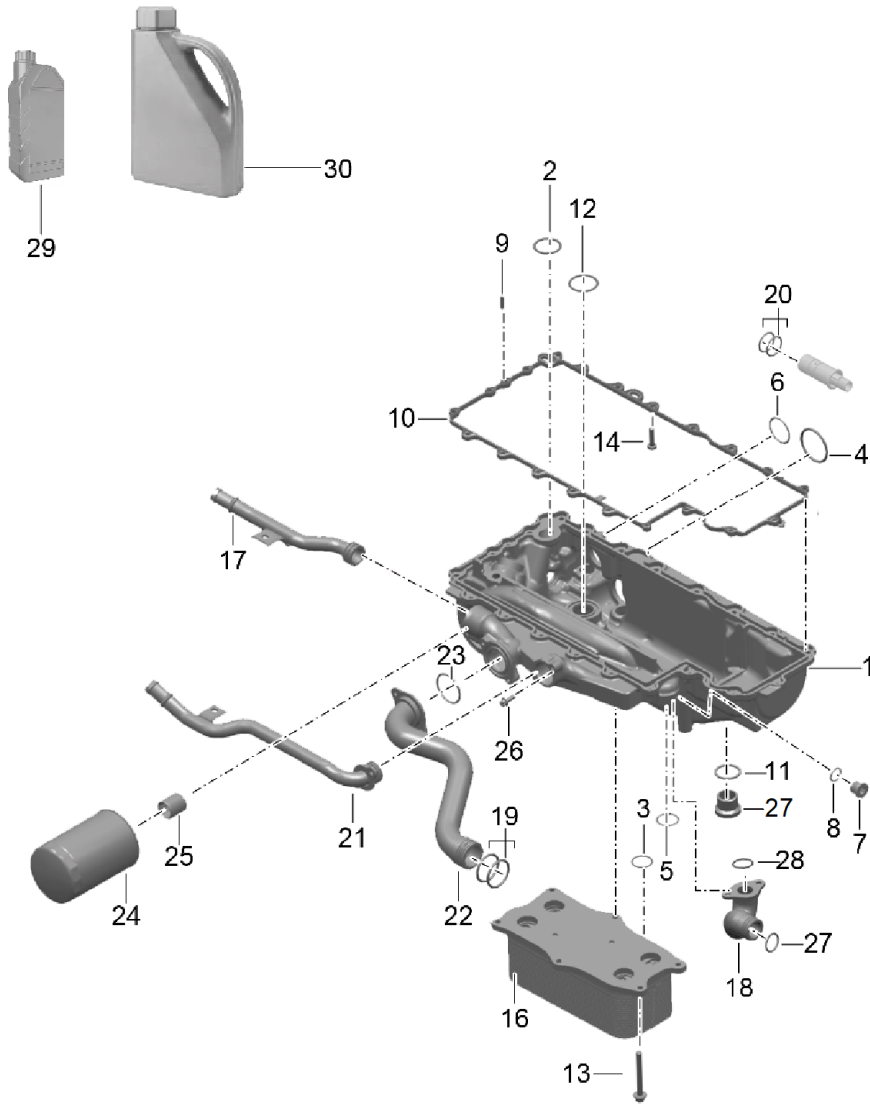
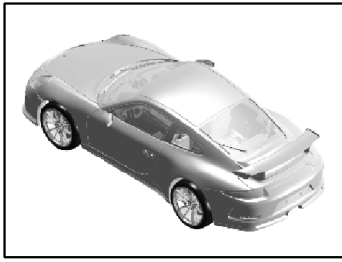
Model: 991G13

Model life 2014>>

Pos	Part Number	Description	Remark	Qty	Model
26	000 043 301 19	engine oil EXXON MOBIL 1 0W-40 1 LITER D >> - 02.12.2017		X	A175,A176
27	000 043 301 21	engine oil EXXON MOBIL 1 0W-40 20 LITER D >> - 02.12.2017		X	A175,A176
28	900 385 009 01	Torx screw M6 X 16 Use		6	A175,A176
(28)	900 385 019 01	Torx screw M6 X 20 Use	with: 9A1.107.450.90	6	A175,A176
29	9A1 107 313 00	Torx screw M6 X 25		18	A175,A176
30	999 063 039 01	sealing plug M20X1,5X18		2	
31	9A1 107 357 93	Valve Water jet engine oil		1	A175,A176
32	999 707 665 41	O-ring 36,00 X 3,00		3	
33	999 707 481 41	O-ring 24,00 X 3,00		1	
34	999 701 924 41	O-ring 40,00 X 3,00		1	

Model: 991G13

Model life 2014>>



Model: 991G13 Model life 2014>>

Pos	Part Number	Description	Remark	Qty	Model
		oil filter			DGGA, DGGB
		Console			DNSA, DNSH
1	9A1 107 063 92	Oil-conducting housing		1	
2	999 707 496 40	O-ring		4	
		23,00 X 3,0			
4	999 707 665 41	O-ring		3	
		36,00 X 3,00			
5	999 707 481 41	O-ring		1	
		24,00 X 3,00			
6	999 707 665 41	O-ring		3	
		36,00 X 3,00			
7	900 219 004 01	sealing plug		1	
		M 16 X 1,5			
8	900 123 131 30	seal ring		1	
		A 16 X 20			
9	900 302 046 01	Cylinder pin		1	
		5,0 X 18			
10	9A1 107 315 03	gasket for oil sump		1	
11	900 123 159 20	seal ring		2	
		20 X 24			
12	999 707 495 41	O-ring		4	
		31,00 X 3,00			
13	900 385 019 01	Torx screw		6	
		M 6 X 20			
14	9A1 107 313 01	Torx screw	M6X25	20	
15	999 073 601 01	flat round head bolt	M6X14	7	
16	9A1 107 450 95	heat exchanger		1	
		also use:	900 385 019 01	6	
		M6 X 20			
17	9A1 106 620 96	Water pipe	feed	1	
18	9A1 106 621 97	Water pipe	feed	1	
19	999 707 517 41	O-ring		2	
		22,00 X 3,0			
21	9A1 106 625 95	Water pipe	feed	1	DGGA
21	9A1 106 625 96	Water pipe	feed	1	DGGB
22	9A1 106 626 96	Water pipe	return	1	DGGA
22	9A1 106 626 97	Water pipe	return	1	DGGB
23	999 707 589 40	O-ring		4	
		31,00 X 3,00			
		No longer use the part here			
23	999 707 691 40	O-ring		4	
		31,00 X 3,00			
24	9A1 107 203 91	oil filter		1	
25	9A1 107 575 91	Adapter		1	
		oil filter			
27	999 063 039 01	sealing plug	M20X1,5X18	2	
28	999 707 517 41	O-ring		4	
		22,00 X 3,0			
29	000 043 301 19	engine oil	1.0 Ltr.	X	DGGA, DGGB
		EXXON MOBIL 1 0W-40			
		D >> - 13.05.2018			
		Discontinued part			
29	000 043 305 21	engine oil	1.0 Ltr.	X	DGGA, DGGB
		EXXON MOBIL 1 0W-40			
		D >> - 13.05.2018			
(29)	000 043 210 93	engine oil	1.0 Ltr.	X	DGGA, DGGB
		EXXON MOBIL 1 0W-40			
		ESP X 3			
		D - 14.05.2018>>			
30	000 043 301 21	engine oil	20ltr.	X	DGGA, DGGB
		EXXON MOBIL 1 0W-40			
		D >> - 13.05.2018			
		Discontinued part			

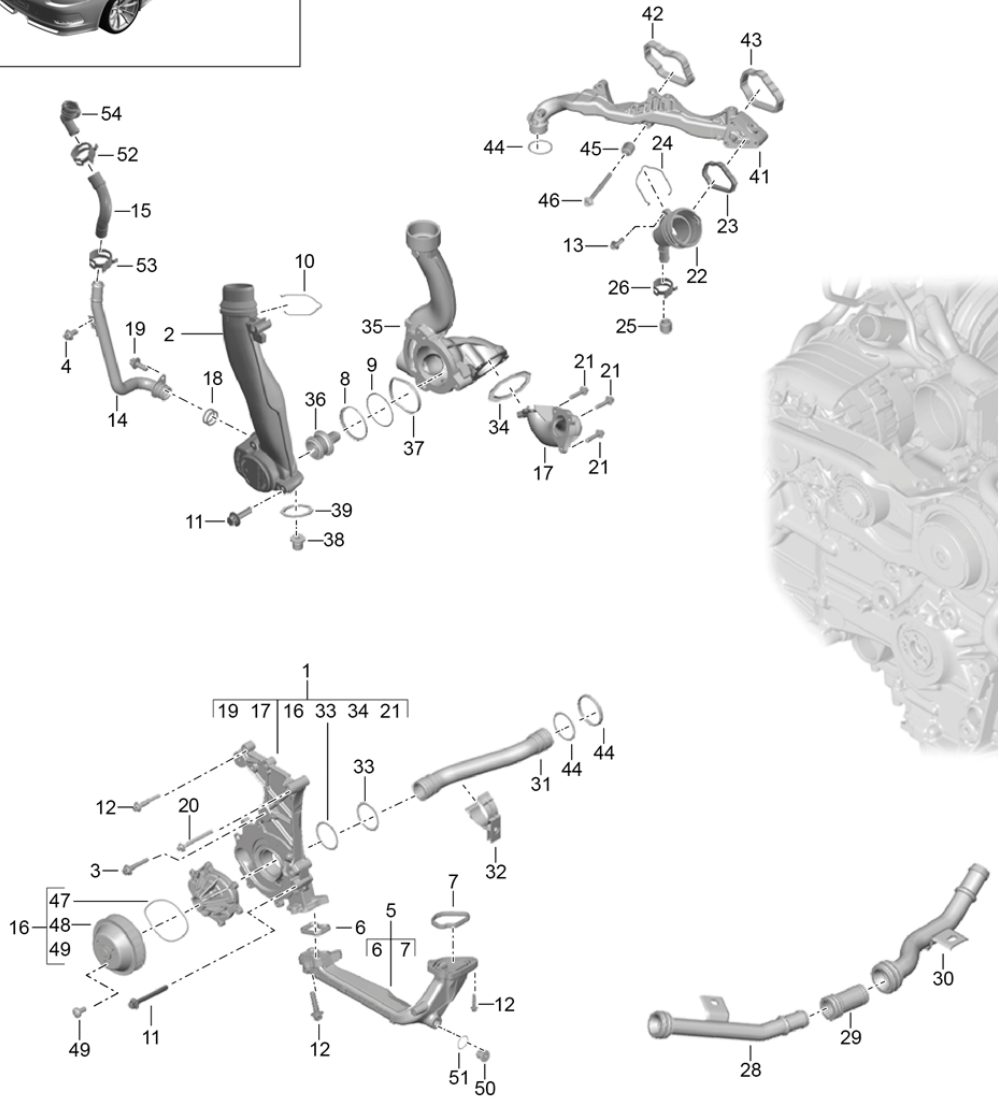
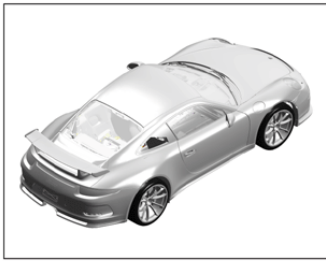
Model: 991G13

Model life 2014>>

Pos	Part Number	Description	Remark	Qty	Model
30	000 043 305 22	engine oil EXXON MOBIL 1 0W-40 D >> - 13.05.2018	20ltr.	X	DGGA, DGGB

Model: 991G13

Model life 2014>>



Model: 991G13

Model life 2014>>

Pos	Part Number	Description	Remark	Qty	Model
1	9A1 106 039 01	Coolant pump Coolant pump housing Coolant pump housing (complete)		1	A175,A176
1	9A1 106 039 90	Coolant pump housing (complete)		1	DGGA
1	9A1 106 039 91	Coolant pump housing (complete)		1	DGGA,DGGB, DNSA,DNSH
2	9A1 106 111 90	Water guide housing No longer use the part here		1	A175
2	9A1 106 111 91	Water guide housing D >> - 15.11.2016 No longer use the part here		1	A176
2	9A1 106 111 95	Water guide housing use only in conjunction with: 9A1.106.150.95 9A1.106.225.97 999.707.710.40 D >> - 25.03.2017		1	
2	9A1 106 111 96	Water guide housing use only in conjunction with: 9A1.106.150.95 9A1.106.225.97 999.707.710.40 D - 27.03.2017>>		1	DGGA,DGGB, DNSA,DNSH
3	900 385 270 01	Hexagon head bolt BM 6 X 35		1	
4	900 385 009 01	Torx screw BM 6 X 16		1	
5	9A1 106 026 31	Water pipe		1	A175,A176
5	9A1 106 025 91	Water pipe		1	DGGA,DGGB,
6	9A1 106 325 00	Seal		1	A175,A176
7	9A1 106 326 00	Seal		1	A175,A176
7	0PB 121 149	Seal		1	DGGA,DGGB, DNSA,DNSH
8	9A1 106 558 00	seal ring thermostat		1	
9	999 707 625 40	O-ring 59 X 2,5 Thermostat insert		1	
10	997 106 802 03	Spring		2	
11	900 385 070 01	Torx screw BM 6 X 50		4	A175,A176
11	900 385 070 01	Torx screw BM 6 X 50		5	DGGA,DGGB,
12	900 385 071 01	Torx screw BM 8 X 50		3	
13	900 385 115 01	Torx screw M 8 X 70		3	
14	9A1 106 851 90	Line fuel filler neck		1	
15	9A1 106 852 90	Hose		1	
16	9A1 106 048 02	Coolant pump with: pulley		1	
17	9A1 106 238 00	Water pipe		1	
18	999 707 658 40	O-ring 23 X 3		2	
19	900 385 019 01	Torx screw M6 X 20		4	
20	900 385 098 01	Torx screw BM8 X 25		1	
21	900 385 072 01	Torx screw		7	

Model: 991G13

Model life 2014>>

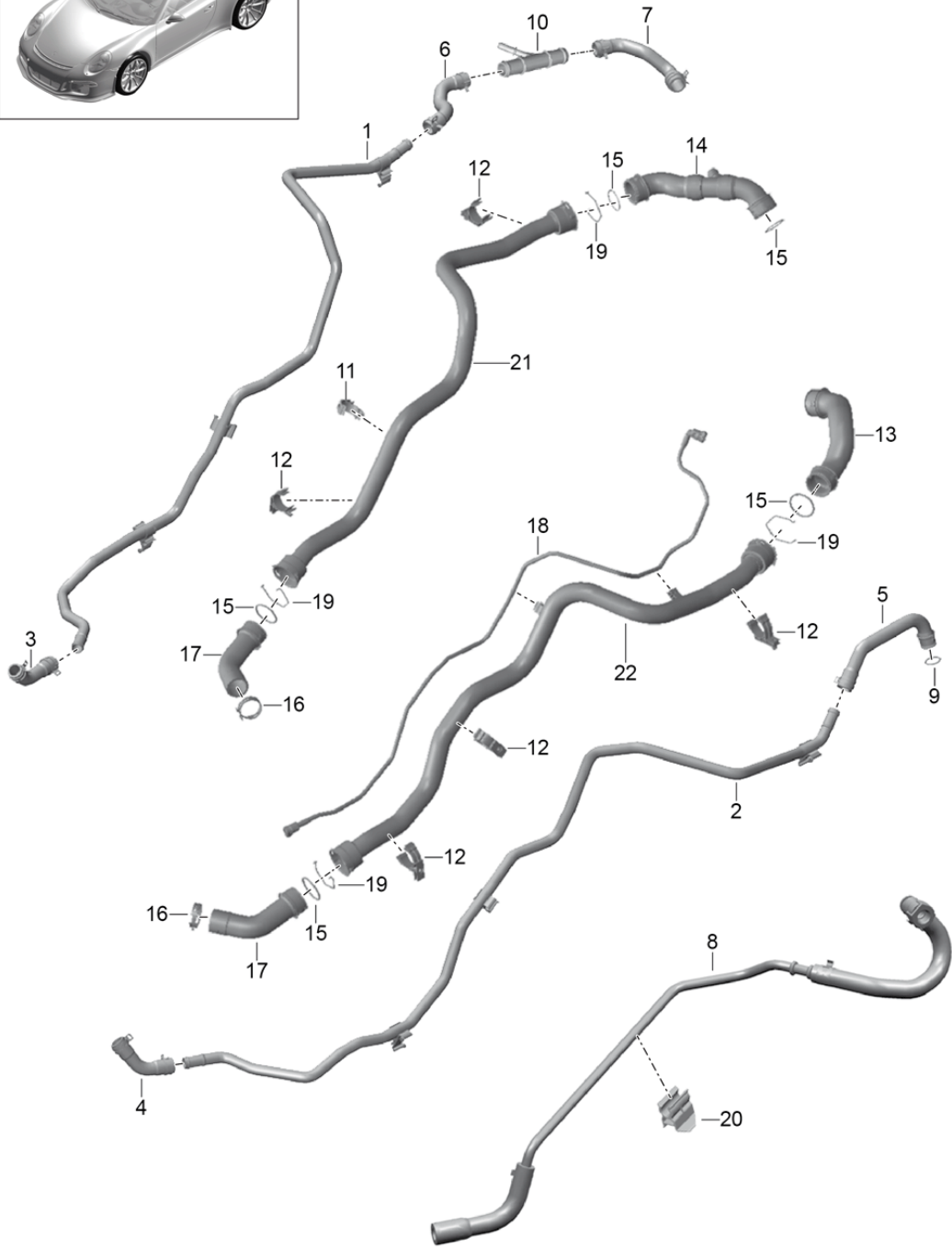
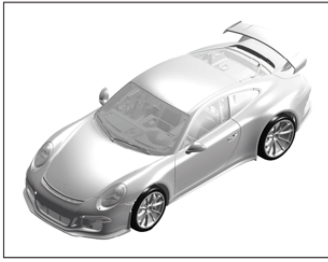
Pos	Part Number	Description	Remark	Qty	Model
22	9A1 106 031 90	BM6 X 25 Coolant connection No longer use the part here		1	
(22)	9A1 106 031 91	Coolant connection		1	
23	9A1 102 322 00	Seal		1	
24	997 106 802 03	Spring		1	
25	9A1 106 531 90	Sealing cap		1	
26	999 512 657 09	Hose clamp B 26 X 12		1	
27	9A1 106 631 00	Bracket		1	A175
27	9A1 106 631 01	Bracket		1	A176
32	991 106 415 01	Bracket		4	A175
32	991 106 415 02	Water pipe Bracket Water pipe		4	A176,DGGA, DNSH DGG
33	999 707 604 40	O-ring 34,00 X 3,00		2	
34	9A1 106 215 00	Seal		2	
34	0PB 121 437	Seal		2	DGGA,DGGB, DNSA,DNSH
35	9A1 106 150 01	thermostat housing D >> - 15.11.2016 No longer use the part here		1	A175,A176
(35)	9A1 106 150 95	thermostat housing use only in conjunction with: 9A1.106.111.95 999.707.710.40		1	A176,DGGA, DGGB,DNSA, DNSH
36	9A1 106 225 01	Thermostat insert No longer use the part here		1	A175,A176
36	9A1 106 225 02	Thermostat insert No longer use the part here		1	A175,A176
36	9A1 106 225 97	Thermostat insert Use with:		1	
37	9A1 106 305 00	O-ring 999.707.710.40 Seal thermostat Use with:		1	A175,A176
37	9A1 106 305 95	D >> - 15.11.2016 Seal thermostat Use with:		1	A175,A176
(37)	999 707 710 40	9A1.106.111.95 9A1.106.111.96 No longer use the part here O-ring thermostat Use with:		1	
		9A1.106.111.95 9A1.106.111.96 9A1.106.225.97			

Model: 991G13 Model life 2014>>

Pos	Part Number	Description	Remark	Qty	Model
38	900 219 018 30	sealing plug M 14 X 1,5 No longer use the part here		1	
38	999 063 038 01	sealing plug M 14 X 1,5		1	
39	900 123 104 30	seal ring A 14 X 18 No longer use the part here		1	
39	900 123 007 30	seal ring A 14 X 18 No longer use the part here		1	
39	900 123 173 20	seal ring A 14 X 18		1	
41	9A1 102 012 02	Assembly carrier		1	
42	9A1 102 312 00	Seal		1	
43	9A1 102 322 00	Seal		1	
44	999 707 589 40	O-ring 31,00 X 3,0		2	
45	999 095 063 03	dowel sleeve M 6 X 10		3	
46	900 385 115 01	Torx screw M 8 X 70		3	
(46)	900 385 071 01	Torx screw M 8 X 50		2	A175,A176
(46)	900 385 071 01	Torx screw M 8 X 50		1	DGGA,DGGB, DNSA,DNSH
47	9A1 106 217 00	Seal Coolant pump		1	
48	9A1 106 248 00	pulley Coolant pump		1	A175,A176
48	0PB 121 031	pulley Coolant pump		1	DGGA,DGGB, DNSA,DNSH
49	999 073 104 01	Torx screw M 8 X 16		3	
50	900 219 018 30	sealing plug M 14 X 1,5 No longer use the part here		1	
50	999 063 038 01	sealing plug M 14 X 1,5 No longer use the part here		1	
50	999 926 030 01	bleeder screw plastic M 10 X 1,0		1	
51	900 123 104 30	seal ring A 14 X 18 No longer use the part here		1	
51	900 123 173 20	seal ring A 14 X 18 No longer use the part here		1	
52	999 512 661 09	Hose clamp		1	
53	999 512 658 09	Hose clamp		1	
54	9A1 106 535 00	Coupling		1	
55	999 707 691 40	O-ring 31,00 X 3,00		4	
56	948 606 420 01	Temperature sensor		1	
57	900 123 111 21	seal ring 14 X 20		1	

Model: 991G13

Model life 2014>>



Model: 991G13

Model life 2014>>

Pos	Part Number	Description	Remark	Qty	Model
1	991 106 181 03	Water cooling 1 Rear end heater Bleeding Heater pipeline Supply		1	
2	991 106 182 03	Heater pipeline Return line		1	
3	991 106 212 01	Water hose		1	
4	991 106 222 01	Water hose		1	
5	991 106 822 01	Water hose Return line		1	
6	991 106 814 02	Water hose		1	
7	991 106 813 04	Heating hose D >> - 29.05.2016	feed	1	
7	9P1 121 393	Heating hose D - 30.05.2016>>	feed	1	
8	9A1 106 550 90	Breather line		1	
9	996 106 801 03	O-ring No longer use the part here		2	
9	996 106 801 01	O-ring		1	
10	991 106 563 90	Distributor for coolant		1	
11	991 106 417 03	Bracket Water pipe		2	
12	991 106 415 02	Bracket Water pipe		4	
13	991 106 832 80	Water hose		1	
14	991 106 833 01	Water hose		1	
15	996 106 801 03	O-ring		6	
16	999 512 667 09	Hose clamp		4	
17	991 106 740 01	Water hose		2	
18	991 106 681 02	Breather line		1	
19	997 106 802 03	Spring		2	
20	991 106 512 02	Bracket		2	
21	991 106 610 02	Coolant pipe Supply		1	
22	991 106 809 02	Coolant pipe Return line		1	

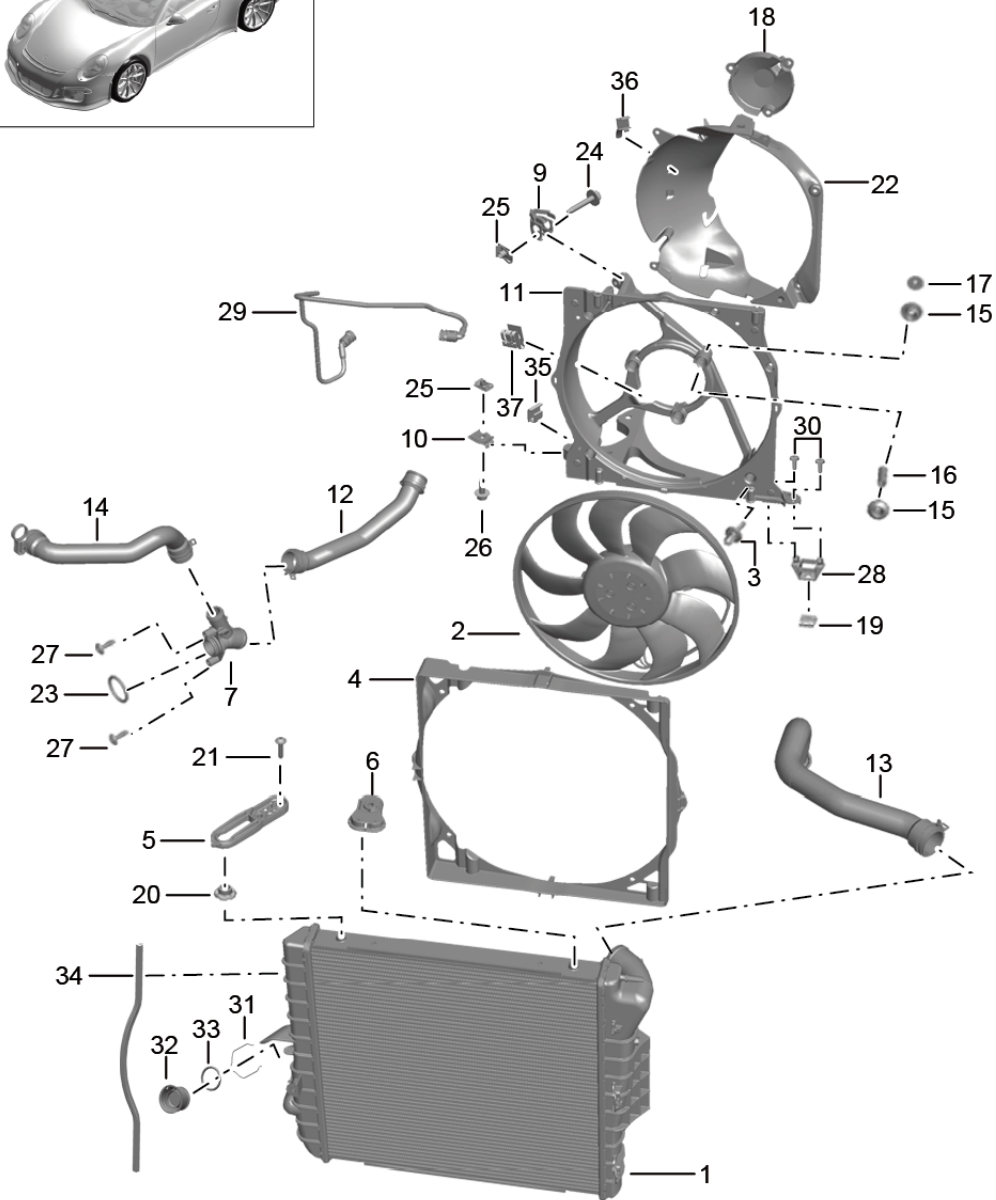
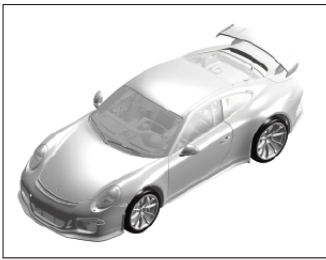
Model: 991G13

Model life 2014>>

Pos	Part Number	Description	Remark	Qty	Model
		Coolant cooling system			
		Front end			
1	991 106 651 02	Coolant pipe	feed	1	
2	991 106 652 02	Coolant pipe	return	1	
3	999 507 246 01	panel nut		2	
4	991 106 551 01	Water hose		2	
5	999 512 667 09	Hose clamp		2	
		B 44 X 12			
6	996 106 801 03	O-ring		2	
		Cross tube			
7	991 106 540 01	Bracket		1	
8	991 106 541 01	Bracket		1	
9	991 106 751 03	Distributor tube	feed	1	
10	991 106 752 03	Distributor tube	return	1	
11	N 106 532 01	Hex collared bolt		2	
		M 6 X 16			
12	900 378 141 01	Hexagon bolt		2	
		M 6 X 35			
13	991 106 227 03	Breather line		1	
14	948 606 420 01	Temperature sensor		1	
14	948 606 420 00	No longer use the part here Temperature sensor		1	
		with:			
15	900 123 111 21	seal ring seal ring 14 X 20 No longer use the part here		1	
16	991 106 512 02	Bracket		6	
17	997 106 802 01	Spring		6	
18	997 106 802 03	Spring		2	
19	991 106 525 02	Bracket		2	
20	991 106 413 03	Bracket		2	
21	991 106 711 02	Cross tube		1	
22	991 106 724 00	Water hose		1	
23	996 106 801 02	O-ring		2	
24	999 512 664 09	Hose clamp		2	
		B 36 X 12			
25	991 106 527 02	Bracket		2	
26	991 106 720 02	Cross tube		1	
27	991 106 723 00	Water hose		1	
28	991 106 767 03	Breather line		1	
29	900 378 270 01	Hexagon bolt		2	
		M 6 X 45			

Model: 991G13

Model life 2014>>



Model: 991G13 Model life 2014>>

Pos	Part Number	Description	Remark	Qty	Model
		Coolant cooling system			
		Cooler for coolant			
		Radiator fan			
1	991 106 141 01	Cooler for coolant	left	1	A175,A176
1	9P1 121 251	Cooler for coolant	left	1	DGGA,DGGB, DNSA,DNSH
(1)	991 106 142 01	Cooler for coolant	right	1	A175,A176
(1)	9P1 121 252	Cooler for coolant	right	1	DGGA,DGGB, DNSA,DNSH
2	991 624 937 02	Radiator fan		2	A175
2	991 624 937 03	Radiator fan		2	A176+
		D >> - 03.09.2015			PR:-038
2	991 624 937 03	Radiator fan	right	1	A176+
					PR:038
2	991 624 937 04	Radiator fan		2	PR:-038
		D - 04.09.2015>>			
3	999 507 292 40	Spreader rivet		2	A175,A176
		5,9 X 10,3			
3	999 591 525 40	Spreader rivet		17	A175,A176, DGGB
		7,0 X 14,2			
3	999 591 525 40	Spreader rivet		10	DGGA
		7,0 X 14,2			
4	991 106 241 01	Frame		2	A175,A176
5	991 106 242 01	Bracket		4	A175,A176
		Discontinued part			
5	991 106 242 02	Bracket		4	A175,A176
6	991 106 243 01	Bracket		4	A175,A176
6	9P1 121 241	Bracket		4	DGGA,DGGB, DNSA,DNSH
7	991 106 245 00	Junction		2	A175,A176
9	991 106 255 02	Cap		2	
		Assembly aux. material			
10	991 106 355 02	Clip		4	A175
10	991 106 355 03	Clip		4	A176,DGGA, DGGB,DNSA, DNSH
11	991 106 165 01	Console	left	1	A175,A176
		Cooler for coolant			
11	9P1 121 383	Console	left	1	DGGA,DGGB, DNSA,DNSH
		Cooler for coolant			
(11)	991 106 166 01	Console	right	1	A175,A176
		Cooler for coolant			
(11)	9P1 121 384	Console	right	1	DGGA,DGGB, DNSA,DNSH
		Cooler for coolant			
12	991 106 635 01	Coolant hose	left return short	1	A175,A176
12	9P1 121 623	Coolant hose	left return short	1	DGGA,DGGB, DNSA,DNSH
(12)	991 106 636 01	Coolant hose	right return short	1	A175,A176
(12)	9P1 121 624	Coolant hose	right return short	1	DGGA,DGGB, DNSA,DNSH
13	991 106 631 01	Coolant hose	left feed long	1	A175,A176
13	9P1 121 611	Coolant hose	left feed long	1	DGGA,DGGB, DNSA,DNSH
(13)	991 106 632 01	Coolant hose	right	1	A175,A176

Model: 991G13 Model life 2014>>

Pos	Part Number	Description	Remark	Qty	Model
(13)	9P1 121 612	Coolant hose	feed long right feed long	1	DGGA, DGGB, DNSA, DNSH
14		Coolant hose see illustration:	105-020	1	
15	991 624 173 00	Rubber bush Radiator fan		6	A176, DGGB, DNSA, DNSH
15	991 624 173 00	Rubber bush Radiator fan		12	A175, DGGA
16	991 624 177 01	spacer sleeve Radiator fan		6	A175, A176, DGGB, DNSA, DNSH
17	999 076 066 09	Hexagon nut M 6 D >> - MJ 2017		3	
17	999 076 066 09	Hexagon nut M 6 D - MJ 2018>>		6	
18	991 624 133 01	Cap Radiator fan		1	A175, A176, DGGB, DNSA, DNSH
19	999 591 938 03	panel nut ST 4,8 D >> - MJ 2017		2	
20	991 106 331 01	Rubber bush	upper	4	A175, DGGA
20	991 106 331 01	Rubber bush	upper	8	A176, DGGB, DNSA, DNSH
21	999 919 258 01	Screw 6,0 X 25,0		12	A175, A176
21	999 919 258 01	Screw 6,0 X 25,0		8	DGGA, DGGB,
22	991 106 351 01	Air guide	left	1	A175, A176
22	9P1 121 333	Air guide	left	1	DGGA, DGGB, DNSA, DNSH
(22)	991 106 352 01	Air guide	right	1	A175, A176
(22)	9P1 121 334	Air guide	right	1	DGGA, DGGB, DNSA, DNSH
23	996 106 801 02	O-ring		4	
24	N 105 728 02	bolt, hex.hd.with shoul.(combi) M 8 X 50		2	
25	999 591 869 03	panel nut M 8		6	
26	999 072 048 01	Hexagon bolt M 8 X 25		4	A175
26	N 019 530 7	Hex collared bolt M 8 X 25		4	A176, DGGA, DGGB, DNSA, DNSH DGG
27	999 919 292 01	fillister hd. bolt 7,0 X 20,0 D >> - MJ 2017		4	
28	991 106 755 02	Bracket No longer use the part here		2	
28	991 106 755 03	Bracket		2	A175, A176
28	992 121 277	Bracket	also use: 999 919 306 01	2	DGGA, DGGB,
29	991 106 865 01	Breather line	left	1	A175, A176
29	9P1 121 465	Breather line	left	1	DGGA, DGGB, DNSA, DNSH
(29)	991 106 866 01	Breather line	right	1	A175, A176

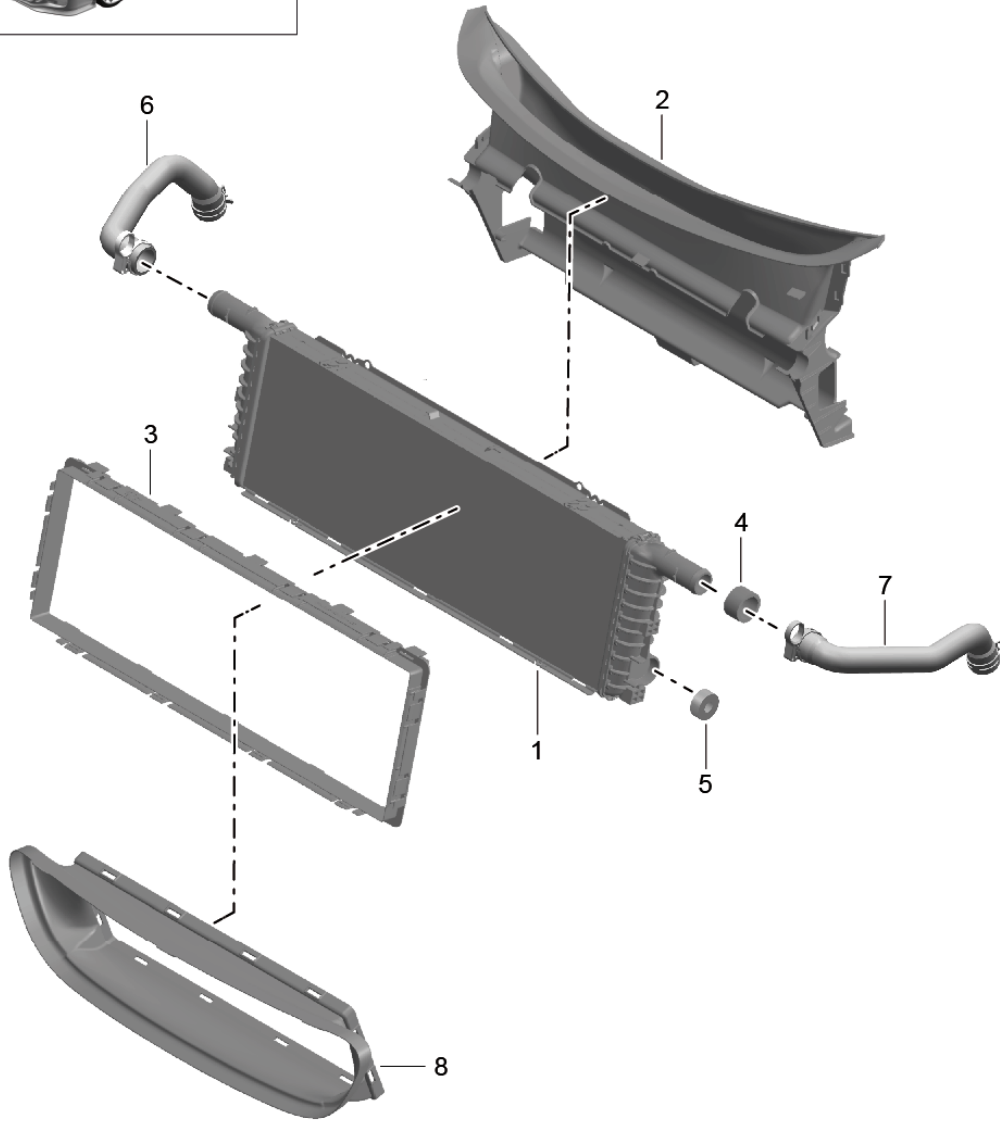
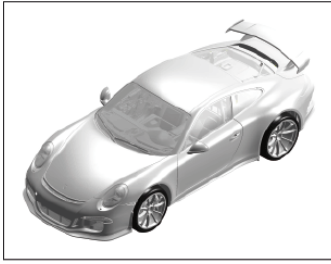
Model: 991G13

Model life 2014>>

Pos	Part Number	Description	Remark	Qty	Model
(29)	9P1 121 466	Breather line	right	1	DGGA, DGGB, DNSA, DNSH
-	9P1 121 137	Connector union	left	1	DGGA, DGGB, DNSA, DNSH
30	999 919 306 01	Screw use only in conjunction with:	991.106.755.03	4	
31	997 106 802 00	Spring		2	DGGA, DGGB, DNSA, DNSH
32	991 106 546 01	Bungs		2	DGGA, DGGB, DNSA, DNSH
33	996 106 801 05	O-ring		2	DGGA, DGGB
34	9P1 121 228	Seal		6	DGGA, DGGB
35	9P1 121 299	Cap		2	DGGA, DGGB
36	9P1 121 724	Bracket		2	DGGA, DGGB
37	999 507 759 01	panel nut 4,8		2	DGGA, DGGB
-		Air guide Condenser Sealing frame see illustration:	813-020		

Model: 991G13

Model life 2014>>



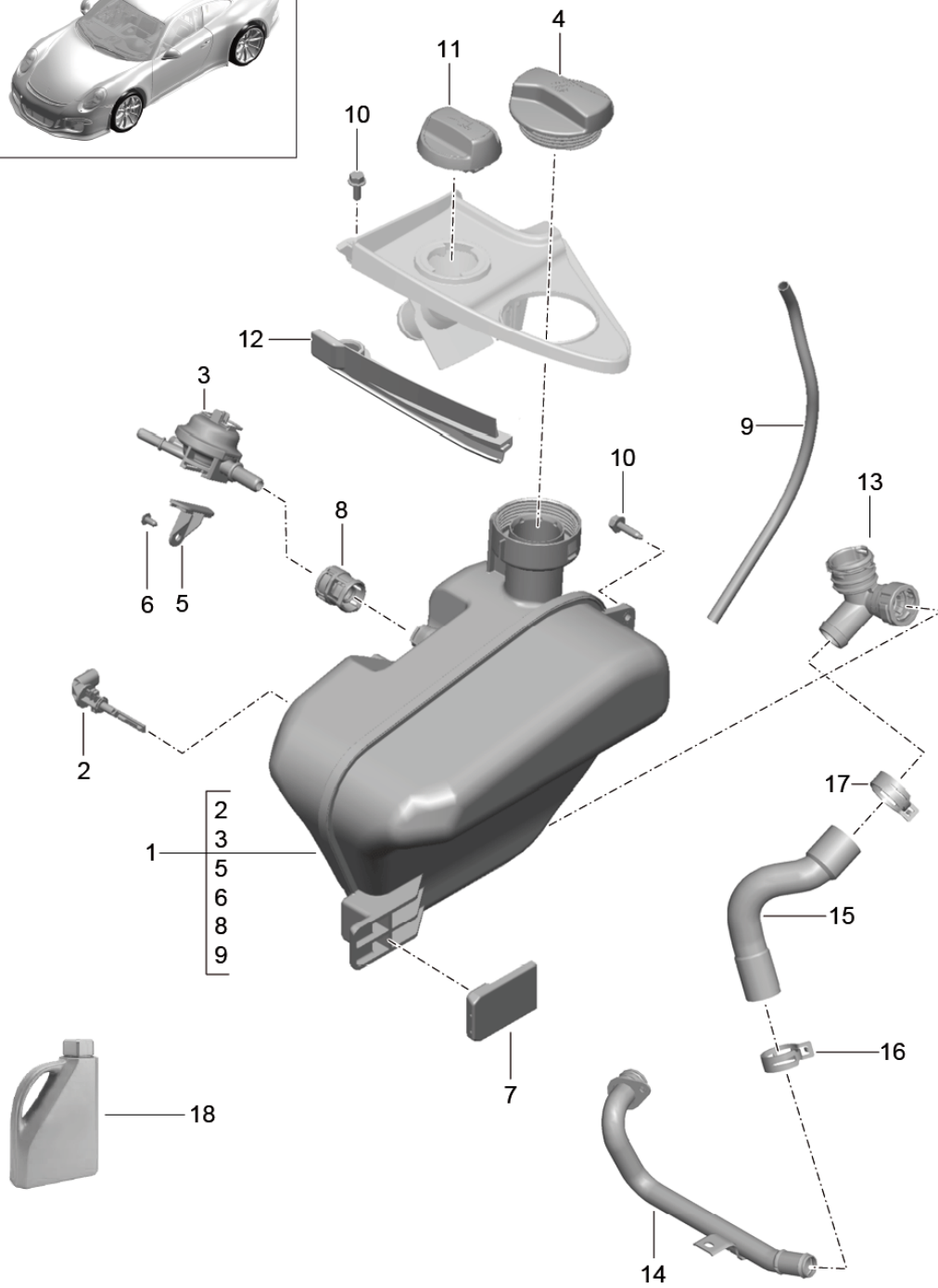
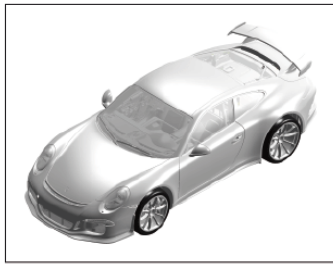
Model: 991G13

Model life 2014>>

Pos	Part Number	Description	Remark	Qty	Model
1	991 106 138 01	Cooler for coolant Radiator	center center	1	PR:153
1	991 106 138 02	D >> - MJ 2015 Radiator	center	1	
2	991 106 238 02	D - MJ 2016>> Retaining frame		1	
2	991 106 237 01	No longer use the part here Retaining frame		1	
2		No longer use the part here Retaining frame		1	
3	991 106 338 01	see illustration: Sealing frame	802-000	1	
4	991 106 537 01	Rubber bush	upper	2	A175, DGGA
5	991 106 538 02	Rubber bush	lower	2	A175, A176
5	991 106 538 03	Rubber bush	lower	2	DGGA, DGGB DNSA, DNSH
6	991 106 648 81	Coolant hose		1	A175, A176
6	991 106 648 91	Coolant hose		1	DGGA, DGGB
7	991 106 649 81	Coolant hose		1	A175, A176
7	991 106 649 91	Coolant hose		1	DGGA, DGGB
8		Air guide see illustration:	802-000	1	

Model: 991G13

Model life 2014>>

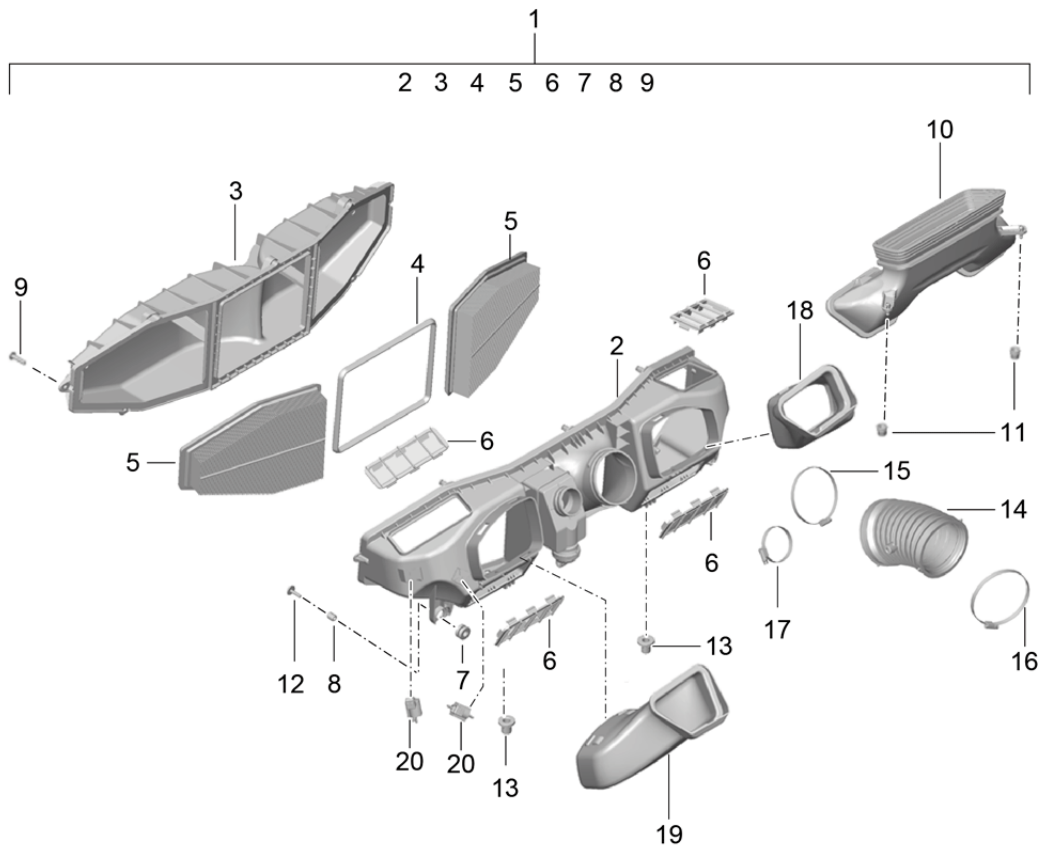
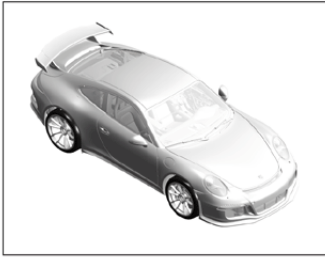


Model: 991G13 Model life 2014>>

Pos	Part Number	Description	Remark	Qty	Model
		Coolant cooling system Reservoir			
1	991 106 157 04	Water reservoir		1	
2	970 606 503 00	water level sender		1	
		Coolant expansion tank			
3	7P5 121 671	Bleed valve		1	
		D >> - MJ 2015			
		Discontinued part			
3	7P5 121 671 A	Bleed valve		1	
		D - MJ 2016>>			
4	991 106 457 01	End cap		1	A175, A176
		Coolant expansion tank			
4	991 106 457 02	End cap		1	DGGA, DGGB, DNSA, DNSH
		Coolant expansion tank			
5	991 106 449 01	Bracket		1	
		Bleed valve			
6	999 919 164 01	fillister hd. bolt		1	
		M 5 X 12			
7	991 106 357 01	Rubber holder		1	
8	999 230 595 40	Coupling		1	
9	991 106 297 00	Overflow hose		1	
10	900 378 317 01	Hexagon bolt		2	
		M 6 X 25			
11		End cap engine oil		1	
		see illustration:	104-005		
12	991 106 473 00	Seal		1	
13	9A1 106 535 00	Coupling		1	
14		for cable: see illustration:	105-000	1	
15	9A1 106 852 90	Hose		1	
		Hose			
16	999 512 658 09	Hose clamp		1	
		B 27 X 12			
17	999 512 661 09	Hose clamp		1	
		B 30 X 12			
18	000 043 301 47	Coolant additive discontinued part	1.0 Ltr.	X	
(18)	000 043 305 15	Coolant additive	1.0 Ltr.	X	
(18)	000 043 301 48	Coolant additive discontinued part	20ltr.	X	
(18)	000 043 305 16	Coolant additive	20ltr.	X	
(18)	000 043 305 64	Cleaning solution	20ltr.	1	

Model: 991G13

Model life 2014>>



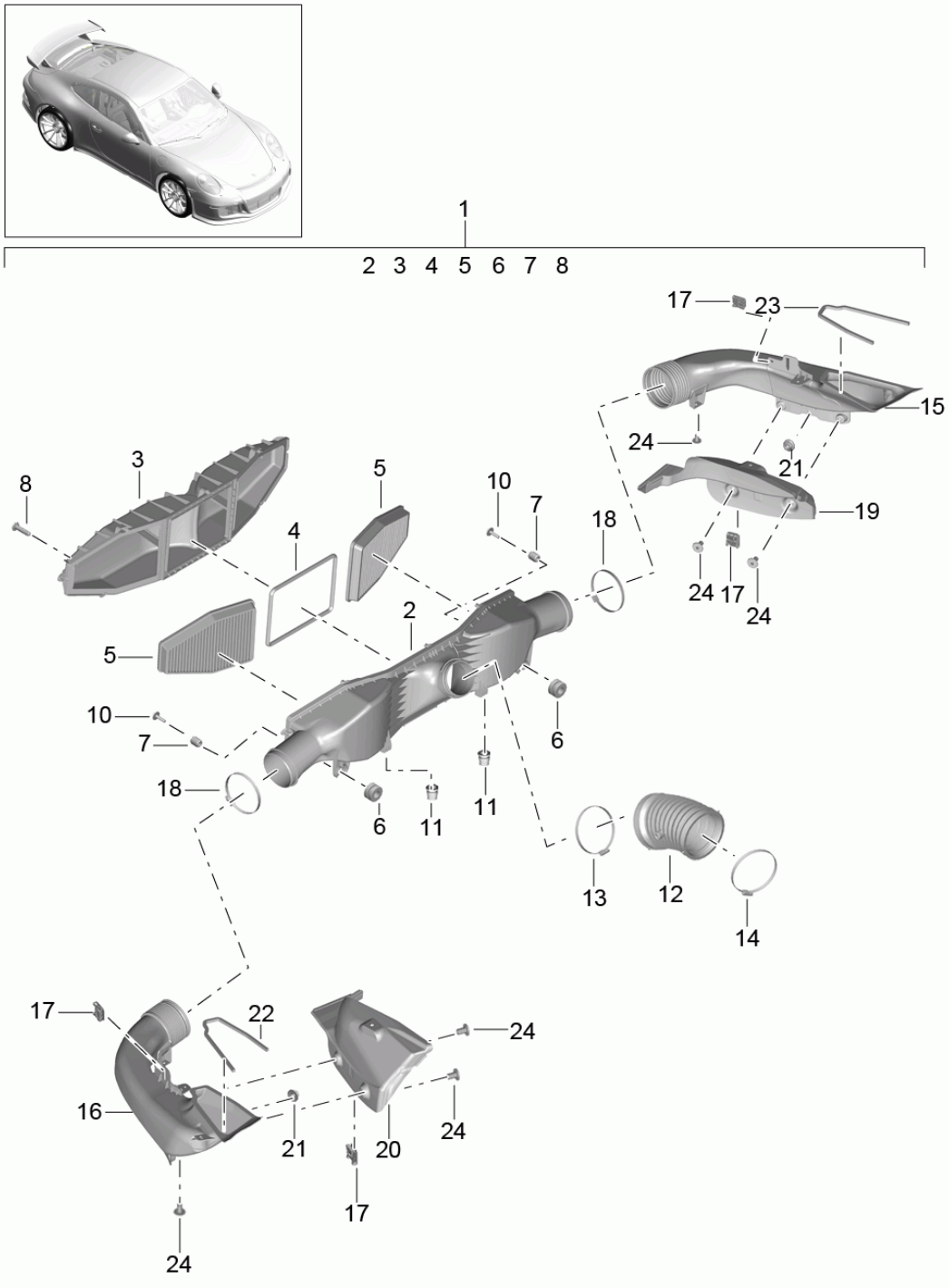
Model: 991G13

Model life 2014>>

Pos	Part Number	Description	Remark	Qty	Model
		Air filter	GT3 911 R		A175,A176+ PR:038
1	991 110 022 02	Air filter		1	
2	991 110 212 02	Air filter housing		1	
3	991 110 231 01	Housing cover		1	
4	991 110 131 00	Seal		1	
5	991 110 130 00	Air filter element		2	
6	991 110 240 00	Frame		4	
7	999 702 246 40	Grommet		2	
8	999 095 076 01	dowel sleeve 12,0 X 14,3		2	
9	999 919 237 00	fillister hd. bolt 5,0 X 20,0		7	
10	991 110 261 02	Air guide		1	
10	991 110 261 03	Air guide		1	
11	997 110 239 00	Support		2	
12	N 106 998 01	Air guide hexagon head bolt (combi) M 6 X 35		2	
13	999 703 267 40	bush 12,0 X 25,6 X 17,0		2	
14	991 110 270 81	Air guide to use for: 9A1.107.510.91		1	
14	991 110 270 82	Air guide to use for: 9A1.107.510.92		1	
14	991 110 270 83	D >> - 16.04.2018 Air guide to use for: 9A1.107.510.92 D - 17.04.2018>>		1	
15	999 512 629 00	Hose clamp 90 - 110		1	
16	N 024 508 5	Hose clamp 80 - 100		1	
17	N 024 505 6	Hose clamp 50 - 70 No longer use the part here		1	
18	991 110 213 00	Air guide	left	1	
19	991 110 214 00	Air guide	right	1	
20	7PP 906 283 C	Change-over valve No longer use the part here		2	

Model: 991G13

Model life 2014>>



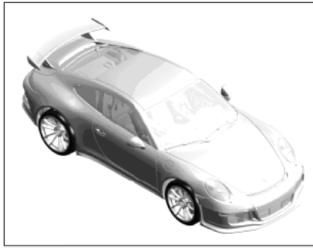
Model: 991G13

Model life 2014>>

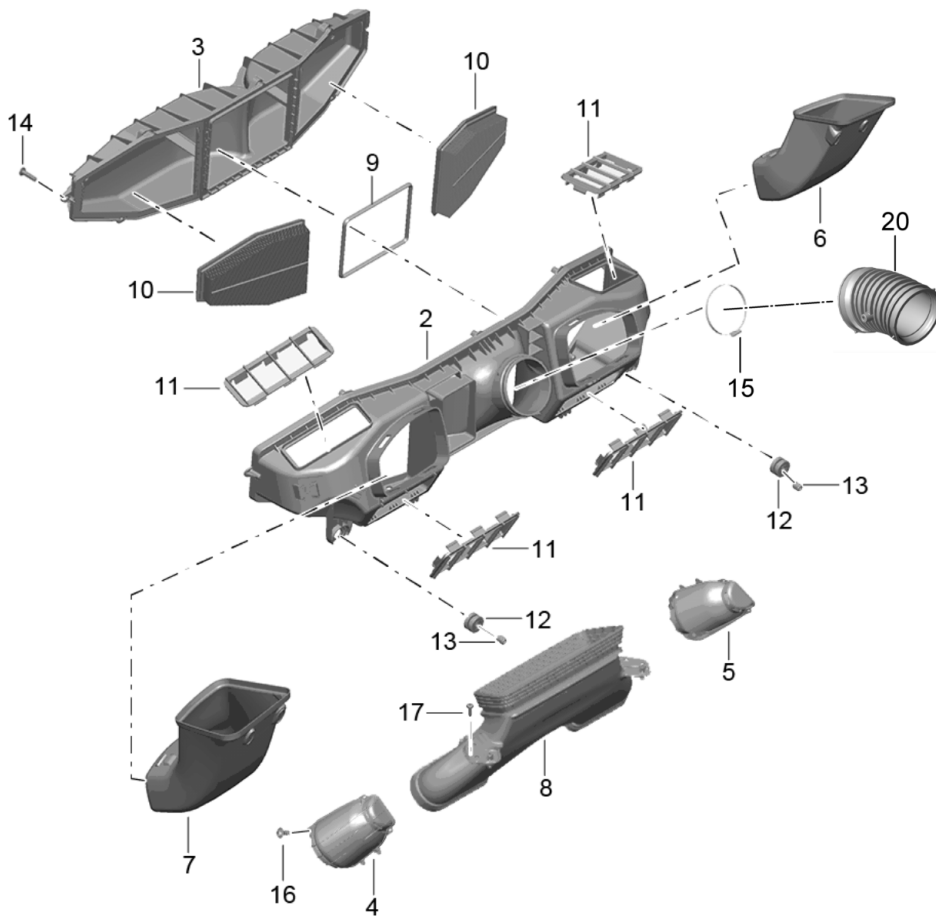
Pos	Part Number	Description	Remark	Qty	Model
		Air filter	GT3 RS		A176,DGGB PR:-038
1	991 110 022 92	Air filter		1	
2	991 110 212 92	housing		1	
3	991 110 231 01	Housing cover		1	
4	991 110 131 00	Seal		1	
5	991 110 130 92	Air filter element		2	
6	999 702 246 40	Grommet		2	
7	999 095 076 01	dowel sleeve 12,0 X 14,3		2	
8	999 919 237 00	fillister hd. bolt 5,0 X 20,0		7	
9	997 110 239 00	Support		2	
10	N 106 998 01	Air guide hexagon head bolt (combi) M 6 X 35		2	
11	999 703 267 40	bush 12,0 X 25,6 X 17,0		2	
12	991 110 270 82	Air guide		1	
			when using: 9A1 107 510 92		
12	991 110 270 83	D >> - 16.04.2018 Air guide		1	
			when using: 9A1 107 510 92		
13	999 512 629 00	D - 17.04.2018>> Hose clamp 90 - 110		1	
14	N 024 508 5	Hose clamp 80 - 100		1	
15	991 110 225 90	Air guide	left	1	A176
15		Air guide	left	1	DGGB
16	991 110 226 90	Air guide	right	1	A176
		D >> - 20.10.2017			
16		Air guide	right	1	DGGB
17	999 507 309 02	panel nut 4,8		4	
18	999 512 539 01	Hose clamp A 90 - 110		2	
19	991 110 425 90	Heat insulation	outer	1	
			left		
20	991 110 426 90	Heat insulation	outer	1	
			right		
21	999 076 042 01	Hexagon nut M 6		4	
22	991 575 789 00	Seal	left	1	
23	991 575 790 00	Seal	right	1	
24	999 190 115 30	Pop rivet A 6,4 X 10,0		8	

Model: 991G13

Model life 2014>>



1

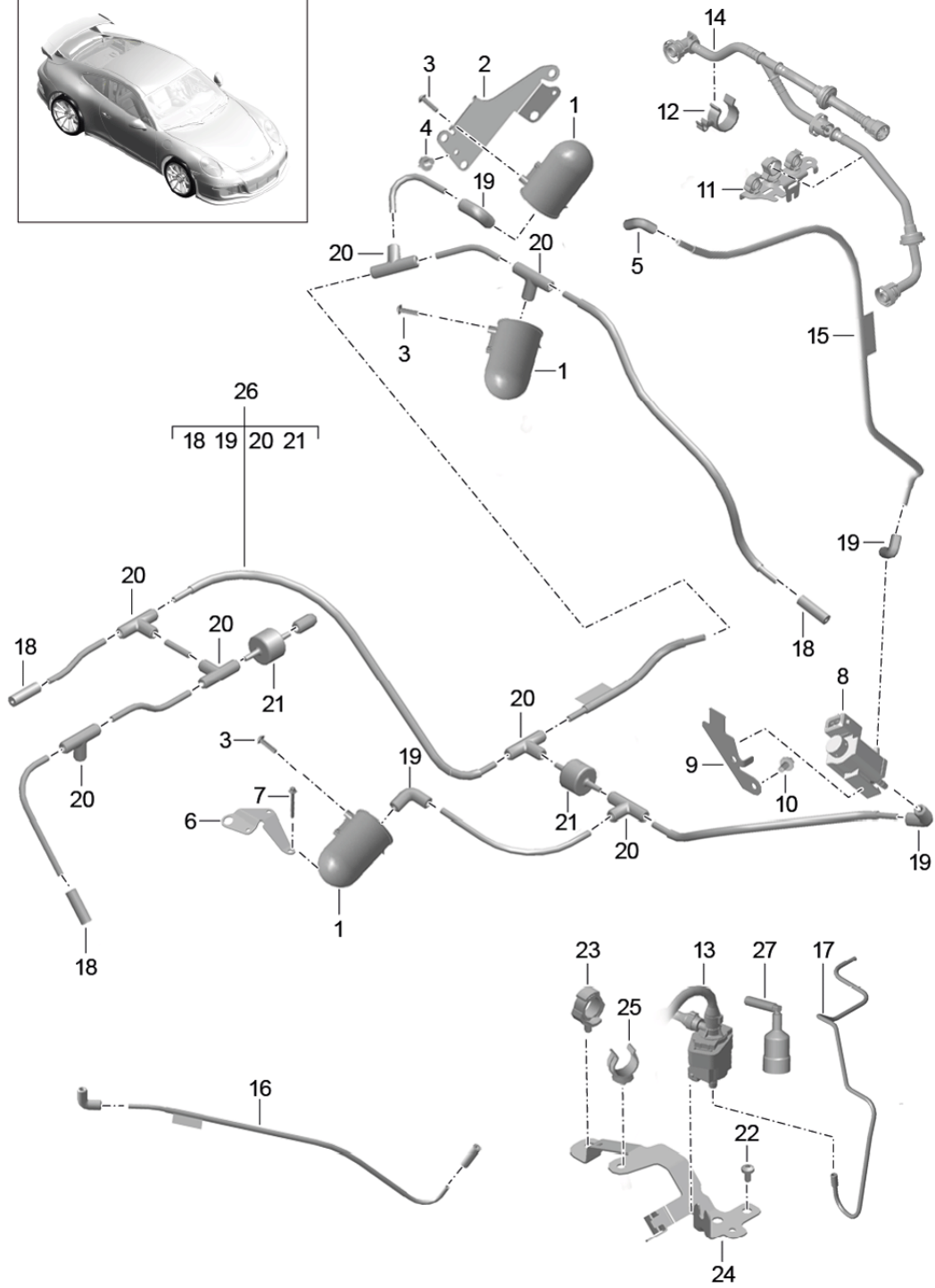
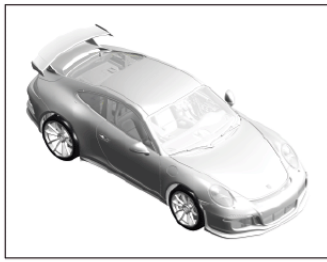


Model: 991G13 Model life 2014>>

Pos	Part Number	Description	Remark	Qty	Model
1	991 110 022 93	Air filter		1	GT3
(1)	991 110 022 94	Air filter		1	PR:-039
		Air filter		1	PR:039
		D >> - 29.04.2018			
2	991 110 212 02	Air filter housing		1	PR:-039
(2)	991 110 212 93	Air filter housing		1	PR:039
		D >> - 29.04.2018			
3	991 110 231 01	Housing cover		1	PR:-039
4	991 110 231 90	Housing cover	left	1	PR:039
5	991 110 232 90	Housing cover	right	1	PR:039
6	991 110 213 90	Air guide	left	1	PR:-039
7	991 110 214 90	Air guide	right	1	PR:-039
8	991 110 261 90	Air guide		1	PR:039
9	991 110 131 00	Seal		1	PR:-039
		Air filter			
10	991 110 130 00	Air filter element		2	PR:-039
10	991 110 130 93	Air filter element		2	PR:039
11	991 110 240 00	Frame		4	PR:-039
		Air filter			
12	999 702 246 40	Grommet		2	
		12 X 17X 3			
13	999 095 076 01	dowel sleeve		2	
		12,0 X 14,3			
14	999 919 237 00	fillister hd. bolt		7	PR:-039
		5,0 X 20			
14	999 919 237 00	fillister hd. bolt		8	PR:039
		5,0 X 20			
15	999 512 629 00	Hose clamp		1	PR:039
		90 - 110			
16	999 919 286 01	fillister hd. bolt		8	PR:039
		5,0 X 10,0			
17	999 919 121 09	fillister hd. bolt		4	PR:039
		5,0 X 16,0			
		No longer use the part here			
17	999 919 236 02	fillister hd. bolt		6	PR:039
		5,0 X 14,0			
20	991 110 270 90	intake manifold		1	PR:039
		Air filter			
		D >> - 29.04.2018			

Model: 991G13

Model life 2014>>



Model: 991G13

Model life 2014>>

Pos	Part Number	Description	Remark	Qty	Model
		vacuum system			
		Engine			
1	993 110 140 03	vacuum reservoir		3	
2	9A1 110 628 90	Bracket		1	
		vacuum reservoir			
3	999 919 209 09	fillister hd. bolt 5,0 X 22,0		3	
4	900 385 099 01	Torx screw BM 8 X 12		1	
5	9A1 207 297 91	Vacuum line		1	
6	9A1 110 627 90	Retaining plate		1	
		vacuum reservoir			
7	900 385 070 01	Torx screw M 6 X 50		4	
8	7PP 906 270	Change-over valve		1	A175,A176
8	7PP 906 283 F	Change-over valve		2	DGGA,DGGB
9	9A1 606 517 90	Bracket		1	
		Change-over valve			
10	900 385 041 01	Torx screw BM 6 X 12		2	
(11)	9A1 110 321 95	Bracket		1	
		Vacuum line			
		Use	with:		
		7PP.906.283.F			
12	999 507 872 40	Bracket		1	
		4,0 / 22,0			
13	997 110 163 90	Control line		1	
			with:		
14	9A1 110 081 81	Change-over valve	GT3	1	A175
		Vacuum line			
14	9A1 110 081 82	Engine	GT3 RS	1	A176
		Vacuum line			
		Engine			
15	9A1 110 381 91	Vacuum line		1	A175
		Air injection			
15	9A1 110 381 92	Vacuum line		1	A176
		Air injection			
16	9A1 110 385 90	Vacuum line		1	A175
16	9A1 110 385 91	Vacuum line		1	A176
17	9A1 110 280 91	Air line		1	A175,A176
		Valve			
		exhaust system			
17	9A1 110 280 96	Air line		1	DGGA,DGGB
		Valve			
		exhaust system			
18	9A1 110 755 90	Hose		5	
19	9A1 110 666 00	Connecting piece		6	
20	06E 133 794	t-piece		7	
21	964 110 950 01	Non-return valve		2	
		Discontinued part			
21	964 110 950 02	Non-return valve		2	
22	999 073 189 01	flat round head bolt M 6 X 12		1	
23	999 507 075 40	Cable holder 4,0 - 12,0		1	
24	9A1 110 292 01	Bracket		1	
25	999 507 930 40	Hose bracket 21,0 - 23,0		1	
26	9A1 110 181 91	Vacuum line (complete)		1	
26	9A1 110 181 96	Vacuum line (complete)		1	DGGA

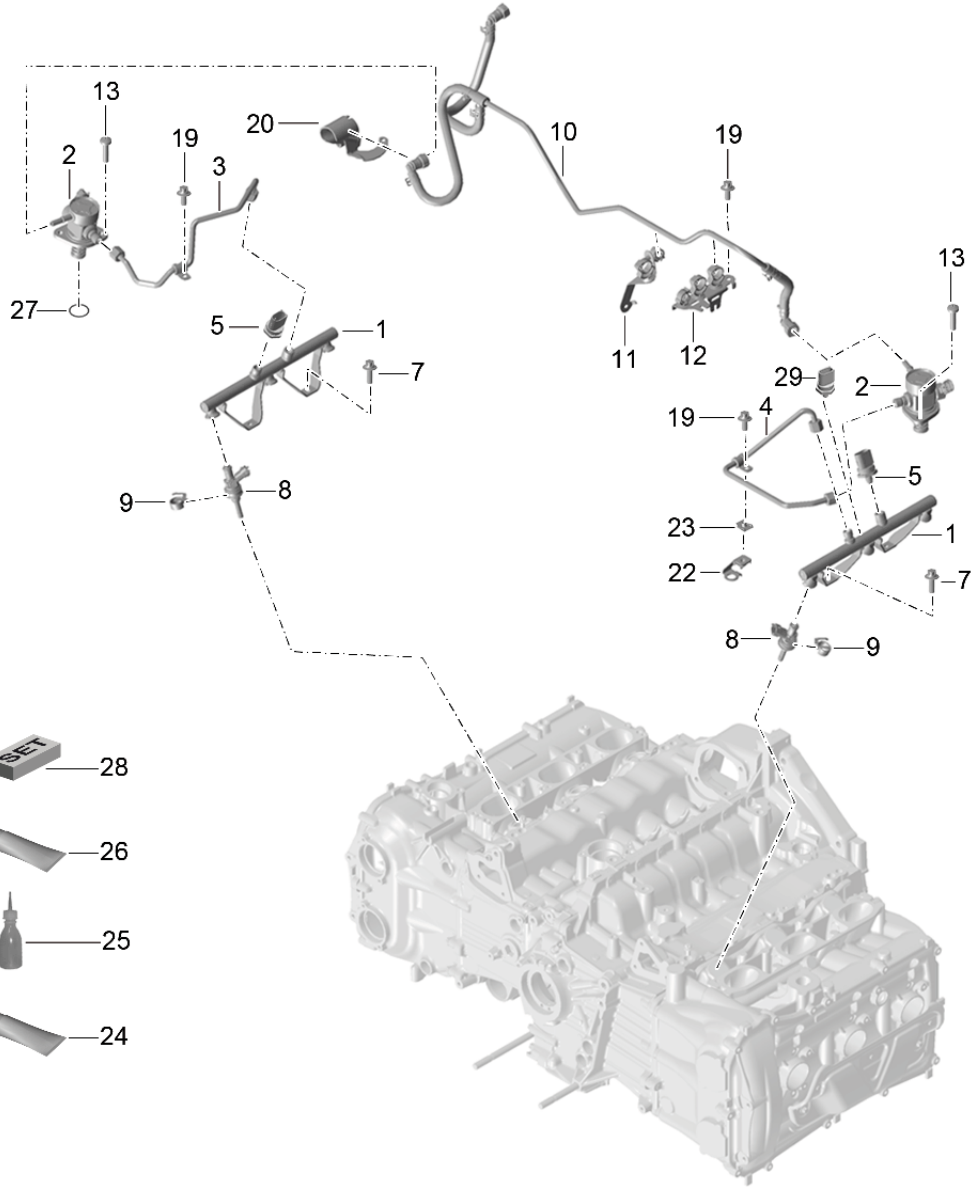
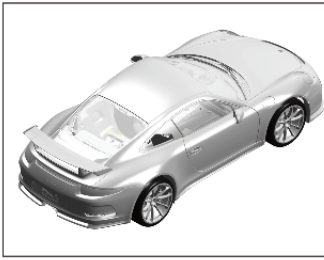
Model: 991G13

Model life 2014>>

Pos	Part Number	Description	Remark	Qty	Model
26	9A1 110 181 97	Vacuum line (complete)		1	DGGB
28	9A1 110 383 92	Vacuum line RESONANZROHR		1	DGGA, DGGB
29	955 606 291 00	Non-return valve		2	DGGA, DGGB

Model: 991G13

Model life 2014>>



Model: 991G13

Model life 2014>>

Pos	Part Number	Description	Remark	Qty	Model
1	9A1 110 859 90	Fuel collection pipe		2	A175,A176
(1)	9A1 110 849 90	Fuel collection pipe	cylinders 1-3	1	DGGA,DGGB
(1)	9A1 110 859 91	Fuel collection pipe	cylinders 4-6	1	DGGA,DGGB
2	9A1 110 315 90	high pressure pump		2	A175
2	9A1 110 315 92	high pressure pump		2	A176
2	9A1 110 315 95	high pressure pump		2	DGGA,DGGB
3	9A1 110 331 91	Fuel line		1	A175,A176 DNSA,DNSH DGGA,DGGB
3	9A1 110 331 92	Fuel line		1	
4	9A1 110 332 91	Fuel line		1	
5	06J 906 051 F	Pressure sensor		2	
7	900 385 009 01	Torx screw M6 X 16		4	
8	9A1 110 128 90	high-pressure injector		6	A175
		also use:	9A1 110 759 91		
8	9A1 110 128 91	high-pressure injector		6	A176
		also use:	9A1 110 759 91		
8	9A1 110 128 92	high-pressure injector		6	DGGA,DGGB
		also use:	9A1 110 759 91		
(8)	9A1 110 928 90	high-pressure injector		6	A175,A176
		with:			
		Retaining clip			
(8)	9A1 110 928 92	high-pressure injector		6	DGGA,DGGB
		with:			
		Retaining clip			
9	9A1 110 759 91	Retaining clip		6	
10	9A1 110 906 91	Fuel line		1	A175
10	9A1 110 906 92	Fuel line		1	A176
10	9A1 110 906 96	Fuel line		1	DGGA
10	9A1 110 906 97	Fuel line		1	DGGA,DGGB
11	9A1 110 306 90	Bracket		1	A175,A176
12	9A1 110 321 90	Fuel line		1	A175,A176
13	9A1 107 313 00	Bracket		1	A175,A176
		Torx screw M6 X 25		4	A175,A176
13	9A1 107 313 01	Torx screw M6 X 25		4	DGGA
17	999 073 189 01	flat round head bolt BM 6 X 12		1	
19	900 385 041 01	Torx screw BM 6 X 12		2	
20	9A1 110 515 90	Support		1	A175
		high pressure pump			
20	9A1 110 515 91	Support		1	A176,DGGA, DGGB
		high pressure pump			
22	9A1 110 531 90	Line holder		2	A175
22	9A1 110 531 91	Line holder		2	A176 DGGA,DGGB
23	999 591 882 01	panel nut M 6		2	
24	000 043 207 35	Grease VP 881		1	
25	000 043 303 27	Lubricants OKS 1710 50ML		1	
26	000 043 209 35	special lubricant DF 977 S 400ML		1	
27	9A1 110 815 95	seal ring		2	A175,A176, DNSA,DNSH
		high pressure pump			
28	9A1 110 908 90	repair set		X	A175,A176
		Injection valve			

Model: 991G13

Model life 2014>>

Pos	Part Number	Description	Remark	Qty	Model
28	9A1 110 908 91	repair set Injection valve		X	DGGA, DGGB
29	06H 906 051 J	Pressure sensor Low-pressure switch		1	DGGA, DGGB DNSA, DNSH

Model: 991G13

Model life 2014>>

Pos	Part Number	Description	Remark	Qty	Model
1	9A1 110 015 92	intake system		2	A175,A176
1	9A1 110 015 95	intake air distributor		2	DGGA,DGGB
2	9A1 110 220 01	Seal		1	
3	9A1 110 253 93	Distributor tube		1	
		No longer use the part here			
3	9A1 110 253 95	Distributor tube		1	A175
3	9A1 110 253 96	Distributor tube		1	A176
3	9A1 110 253 99	Distributor tube		1	DGGA,DGGB
4	993 110 462 02	Vacuum unit		1	A176,DGGA, DGGB
5	999 919 265 01	Oval-head screw		4	
		5,0 X 18,0			
6	997 605 116 01	throttle valve adapter		1	
7	900 385 070 01	Torx screw		4	
		BM 6 X 50			
8	900 385 270 01	Hexagon head bolt		16	
		BM 6 X 35			
9	900 385 048 01	Torx screw		4	A175
		BM 6 X 30			
		use only in conjunction with:			
		Clamp			
		9A111021390			
(9)	999 073 630 01	Torx screw		2	A176,DGGA, DGGB
		BM 6 X 30			
		use only in conjunction with:			
		Clamp			
		9A111021391			
10	9A1 110 212 90	Clamp		4	
11	9A1 110 213 90	Clamp		2	A175
11	9A1 110 213 91	Clamp		2	A176,DGGA, DGGB
12	9A1 110 685 80	Rubber sleeve		2	A175,A176
12	9A1 110 685 80	Rubber sleeve		4	DGGA,DGGB
13	948 606 180 00	Pressure sensor		1	
14	999 919 241 01	Oval-head screw		1	
		M 6 X 15			
15	928 574 717 06	Molded hose		1	
		Discontinued part			
15	928 574 717 07	Molded hose		1	
		No longer use the part here			
15	9P1 129 487	Molded hose		1	
17	996 110 530 90	Grommet		1	
		Temperature sensor			
18	9A1 110 215 01	Seal		6	
		intake air distributor			
		No longer use the part here			
18	9A1 110 215 90	Seal		6	
		intake air distributor			
19	7PP 906 270	Change-over valve		1	
		No longer use the part here			
19	7PP 906 283 F	Change-over valve		1	A176
		also use:	991 612 944 00		
19	7PP 906 283 F	Change-over valve		2	DGGA,DGGB
20	997 606 213 00	Temperature sensor		1	
		Engine bay			
21	9A1 606 517 90	Bracket		1	
22	999 073 189 01	flat round head bolt		3	
		M 6X12			
23	999 507 075 40	Cable holder		1	
		4,0 - 12,0			
24	9A1 110 091 90	Breather line		1	A175
		Fuel			

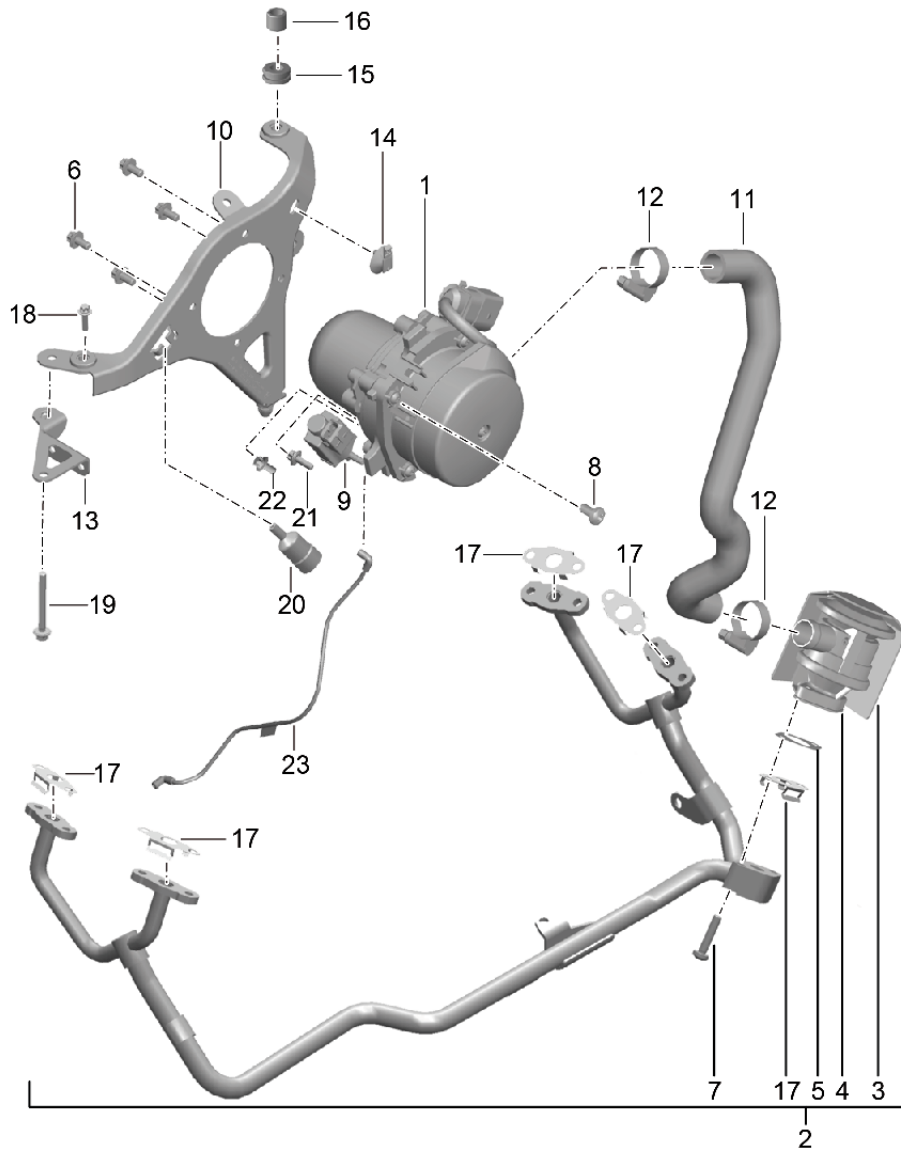
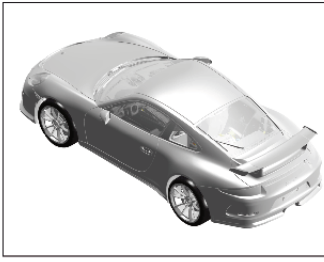
Model: 991G13

Model life 2014>>

Pos	Part Number	Description	Remark	Qty	Model
24	9A1 110 091 91	Breather line Fuel		1	A176
24	9A1 110 091 94	Breather line		1	DGGA, DGGB
25	9A1 110 296 90	Bracket		1	A175
		Breather line			
25	9A1 110 296 91	Bracket		1	A176
		Breather line			
25	9A1 110 296 95	Bracket		1	DGGA, DGGB
		Breather line			
26	991 612 944 00	Wire set		1	A175, A176
27	993 110 530 01	Grommet		1	
		Temperature sensor			

Model: 991G13

Model life 2014>>



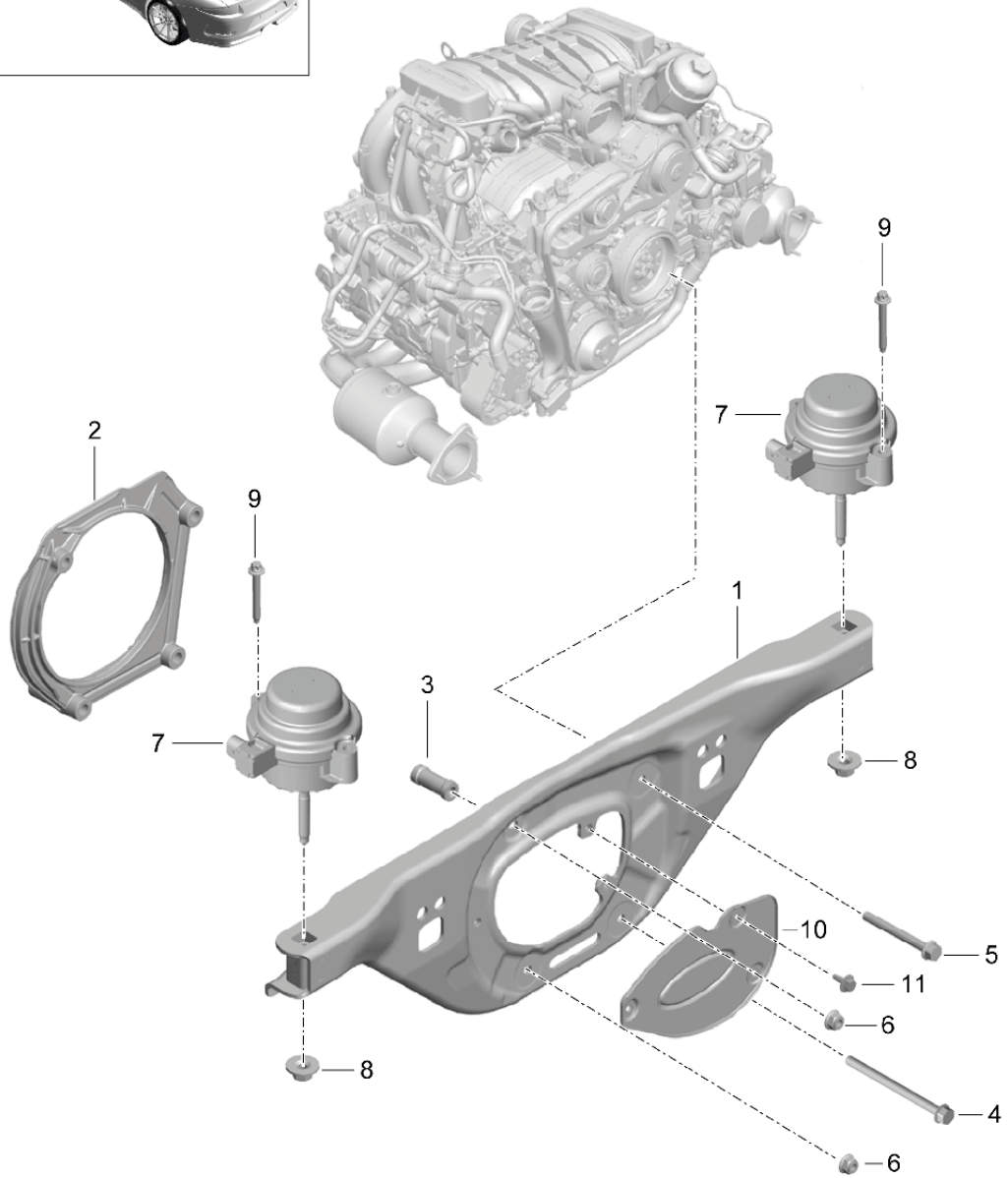
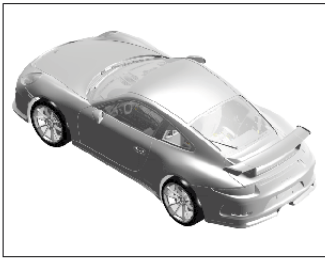
Model: 991G13

Model life 2014>>

Pos	Part Number	Description	Remark	Qty	Model
1	9A1 605 104 72	Secondary air pump		1	A175
1	95B 959 253	Secondary air pump		1	A176 DGGA, DGGB DNSA, DNSH A175, A176
2	9A1 113 189 92	Valve Air line		1	DGGA, DGGB
2	9A1 113 189 93	Valve Air line		1	DGGA, DGGB
3		Heat insulation * single parts no available * Use item:	2	1	
4	997 113 249 90	cut-off valve		1	
5	993 113 258 51	Seal		2	
6	900 385 041 02	Outer hexagon round screw M6 X 12		4	
7	999 073 110 01	flat round head bolt M 6 X 30		2	
8	999 073 189 01	flat round head bolt M 6 X 12		4	
9	7PP 906 270	Change-over valve		1	A175, A176
9	7PP 906 283 E	Change-over valve		1	DGGA, DGGB, DNSA, DNSH A175, A176
10	9A1 113 305 90	Bracket Secondary air pump		1	DGGA, DGGB
10	9A1 113 305 95	Bracket Secondary air pump		1	DGGA, DGGB
11	9A1 113 339 90	Hose		1	A175
11	9A1 113 239 90	Hose		1	A176
11	9A1 113 239 95	Hose		1	DGGA, DGGB, DNSA, DNSH
12	999 512 346 01	Hose clamp 16 - 27		2	
13	9A1 113 385 90	Bracket		1	
14	999 507 085 40	Clip		1	
15	999 702 319 40	Grommet		2	DGGA, DGGB, DNSA, DNSH
16	991 504 867 90	Sleeve		2	
17	9A1 113 258 00	Seal Air line		4	
18	900 385 019 01	Torx screw BM 6 X 20		1	
19	900 385 070 01	Torx screw BM 6 X 50		4	
20	9A1 110 608 90	Air filter Secondary air pump		1	DGGA, DGGB, DNSA, DNSH
21	900 385 009 01	Torx screw BM 6 X 16		8	DGGA, DGGB
22	900 385 041 01	Torx screw BM 6 X 12		3	DGGA, DGGB
23	9A1 110 381 96	Vacuum line D >> - 08.01.2018		1	DGGA
23	9A1 110 381 97	Vacuum line D - 09.01.2018>>		1	DGGA
23	9A1 110 381 97	Vacuum line		1	DGGB

Model: 991G13

Model life 2014>>



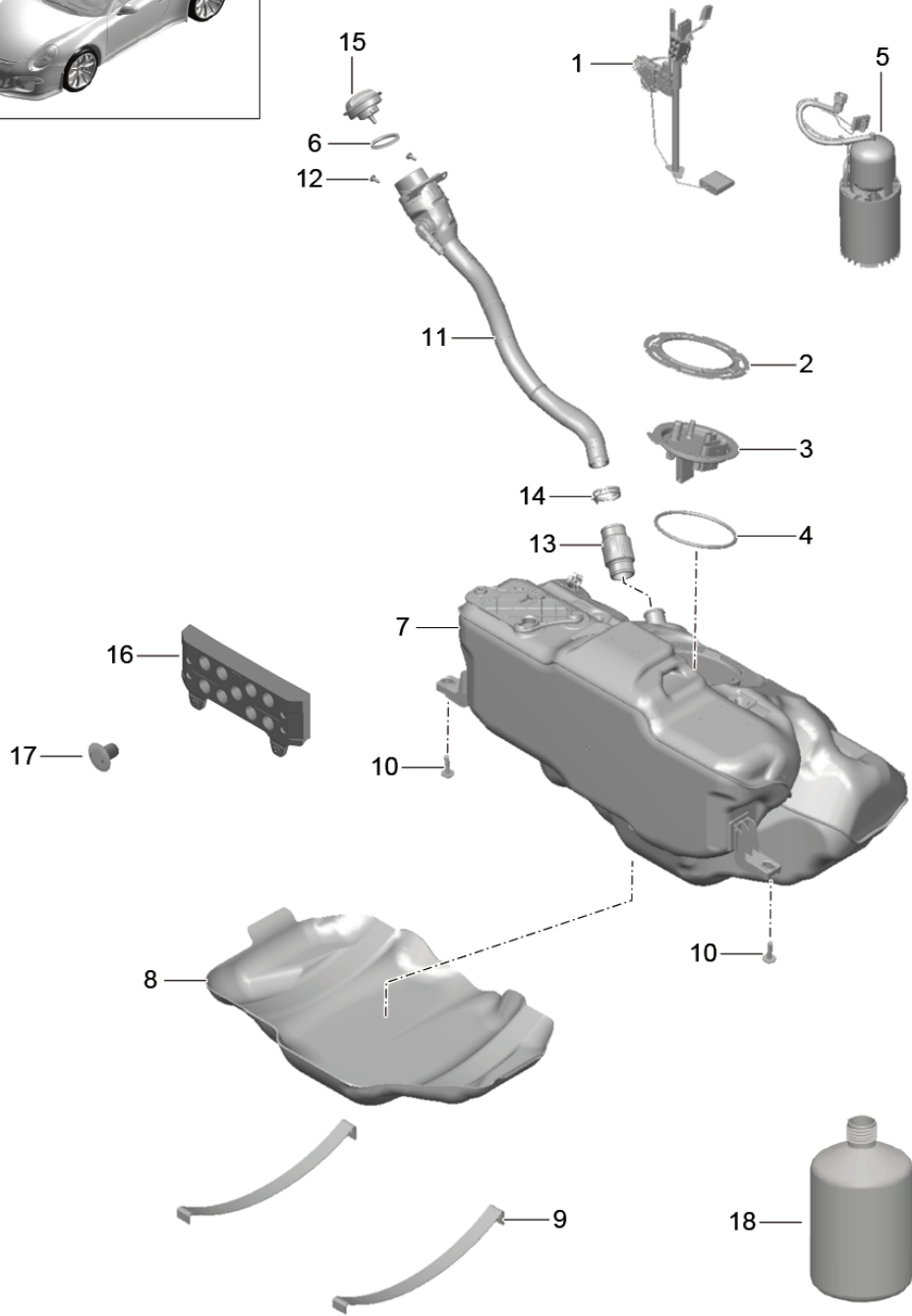
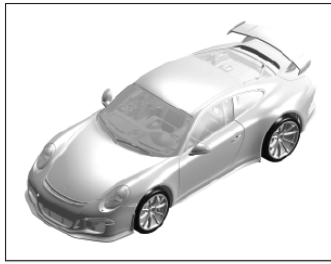
Model: 991G13

Model life 2014>>

Pos	Part Number	Description	Remark	Qty	Model
1	9A1 375 014 08	Engine suspension		1	A175,A176
1	9A2 375 056 03	Engine brackets		1	DGGA,DGGB, DNSA,DNSH
2	9A1 375 236 04	Intermediate flange		1	A175,A176
2	9A1 375 236 11	Intermediate flange		1	DGGA,DGGB, DNSA,DNSH
3	9A1 375 245 01	spacer sleeve		1	A175,A176, DGGA
3	9A1 375 245 02	Intermediate flange spacer sleeve Intermediate flange		1	DGGA,DGGB, DNSA, DNSH
4	900 378 286 01	Hexagon bolt M 10 X 135		1	
5	900 378 332 01	Hexagon flange screw M 10 X 92		1	
6	900 380 021 01	Hexagon nut M 10		2	
6	N 102 861 10	No longer use the part here Hexagon collar nut self-locking M 10		2	
7	991 375 059 81	hydro-mounting		2	A175+ PR:140
7	991 375 059 84	hydro-mounting		2	A176+ PR:140
7	991 375 059 86	hydro-mounting		2	DGGA,DGGB, DNSA,DNSH PR:140
8	N 908 484 05	Hexagon nut M 12 X 1,5		2	
9	900 385 168 01	Outer hexagon round screw M 8 X 65		4	PR:140
10	9A1 102 251 01	Heat insulation		1	A175,A176
11	N 100 988 08	Hex collared bolt M6 X 16		3	A175,A176
11	N 100 988 11	Discontinued part bolt, hex. hd. (combi.) self-locking M6 X 16		3	A175,A176

Model: 991G13

Model life 2014>>



Model: 991G13 Model life 2014>>

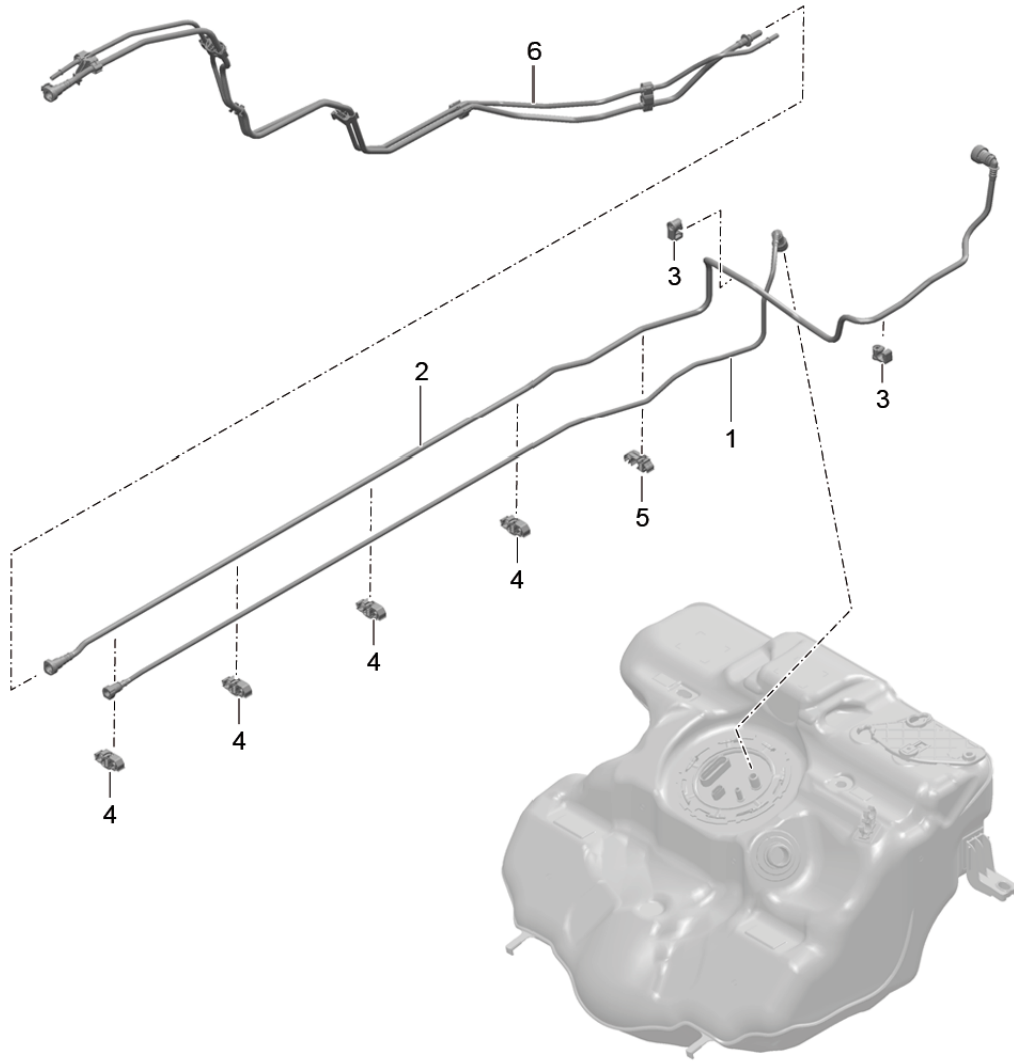
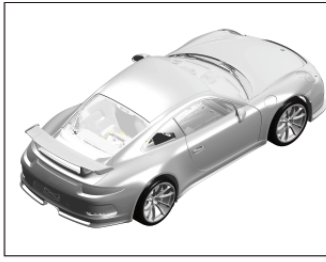
Pos	Part Number	Description	Remark	Qty	Model
1	991 620 831 00	Fuel tank Tank gauge		1	
2	991 201 623 00	Fuel tank Union nut		1	
3	991 201 421 00	flange		1	
		D >> - MJ 2016			
3	9P1 201 194	flange		1	
		D - MJ 2017>>			
4	991 201 733 01	seal ring		1	
5	991 620 141 00	Fuel pump		1	
		D >> - MJ 2016			
5	991 620 141 01	Fuel pump		1	
		D >> - MJ 2016			
5	9P1 919 087 B	Fuel pump		1	
		D - MJ 2017>>			
6	1K0 201 557 A	seal ring		1	
7	991 201 021 01	Fuel tank Discontinued part		1	/LL A175+ PR:098,-082
7	991 201 021 04	Fuel tank		1	/LL A175+ PR:098,-082
7	991 201 021 04	Fuel tank		1	/LL A176+ PR:098,-082, 038
7	9P1 201 075	Fuel tank		1	/LL DGGG, DGGB, DNSA, DNSH PR:098,-082
(7)	991 201 021 90	Fuel tank		1	/LL A175+ PR:098,082
(7)	991 201 021 91	Fuel tank		1	/LL A176+ PR:098,082
(7)	9P1 201 075 B	Fuel tank		1	/LL DGGG, DGGB, DNSA, DNSH PR:098,082
(7)	991 201 022 02	Fuel tank		1	/RL A175+ PR:099
(7)	991 201 022 04	Fuel tank		1	/RL A176+ PR:099
(7)	9P1 201 076	Fuel tank		1	/RL DGGG, DGGB
		D >> - 22.12.2017			
(7)	9P1 201 076 B	Fuel tank		1	PR:099 DGGG, DGGB, DNSA, DNSH
		D - 02.01.2018>>			
8	991 201 331 00	Underside protection		1	PR:098
		D >> - MJ 2015			
8	9P1 201 975	Underside protection		1	PR:098
		D - MJ 2016>>			
(8)	991 201 331 01	Underside protection		1	PR:099
		D >> - MJ 2015			
(8)	9P1 201 975 A	Underside protection		1	PR:099
		D - MJ 2016>>			
9		tensioning strap		2	
		To			

Model: 991G13 Model life 2014>>

Pos	Part Number	Description	Remark	Qty	Model
		Use			
		Support frame			
		991.504.233.01			
9	991 201 107 01	tensioning strap		1	PR:082
10	N 911 591 01	hexagon head bolt (combi)		2	PR:-082
		M 8 X 40			
(10)	N 019 530 7	Hex collared bolt		2	PR:082
		M 8 X 25			
11	991 201 044 06	fuel filler neck		1	PR:-082,-664
11	991 201 044 14	fuel filler neck		1	
(11)	991 201 044 10	fuel filler neck		1	A175+
					PR:082,-664
(11)	991 201 044 12	fuel filler neck		1	A176,DGGA
					PR:082,-664
(11)	991 201 044 15	fuel filler neck		1	
12	N 910 967 02	Oval hexagon socket head bolt		2	
		M 6 X 16			
13	991 201 812 00	Hose		1	
13	9P1 201 543	Hose		1	
14	999 512 748 01	Clip		2	
		B 43 X 12			
15	991 201 241 01	Fuel tank cap		1	PR:-XYB
		with:			
(15)	000 044 001 90	Support Holding strap Fuel tank cap aluminium		1	
		with:			
16	991 201 811 90	Support Fuel tank		1	A175+
		D >> - MJ 2014			PR:-082
(16)	991 201 811 00	Support Fuel tank		1	A175+
		D - MJ 2015>>			PR:-082
(16)	991 201 811 00	Support Fuel tank		1	A176,DGGA, DGGB,DNSA, DNSH
					PR:-082
17	999 049 035 40	Plastic nut		2	PR:-082
		T5 30 X 3,0			
		Use			
		with:			
18	000 043 209 02	991.201.811.90 D >> - MJ 2014 Multi-purpose additive for Otto engine fuels 100 ML		X	

Model: 991G13

Model life 2014>>



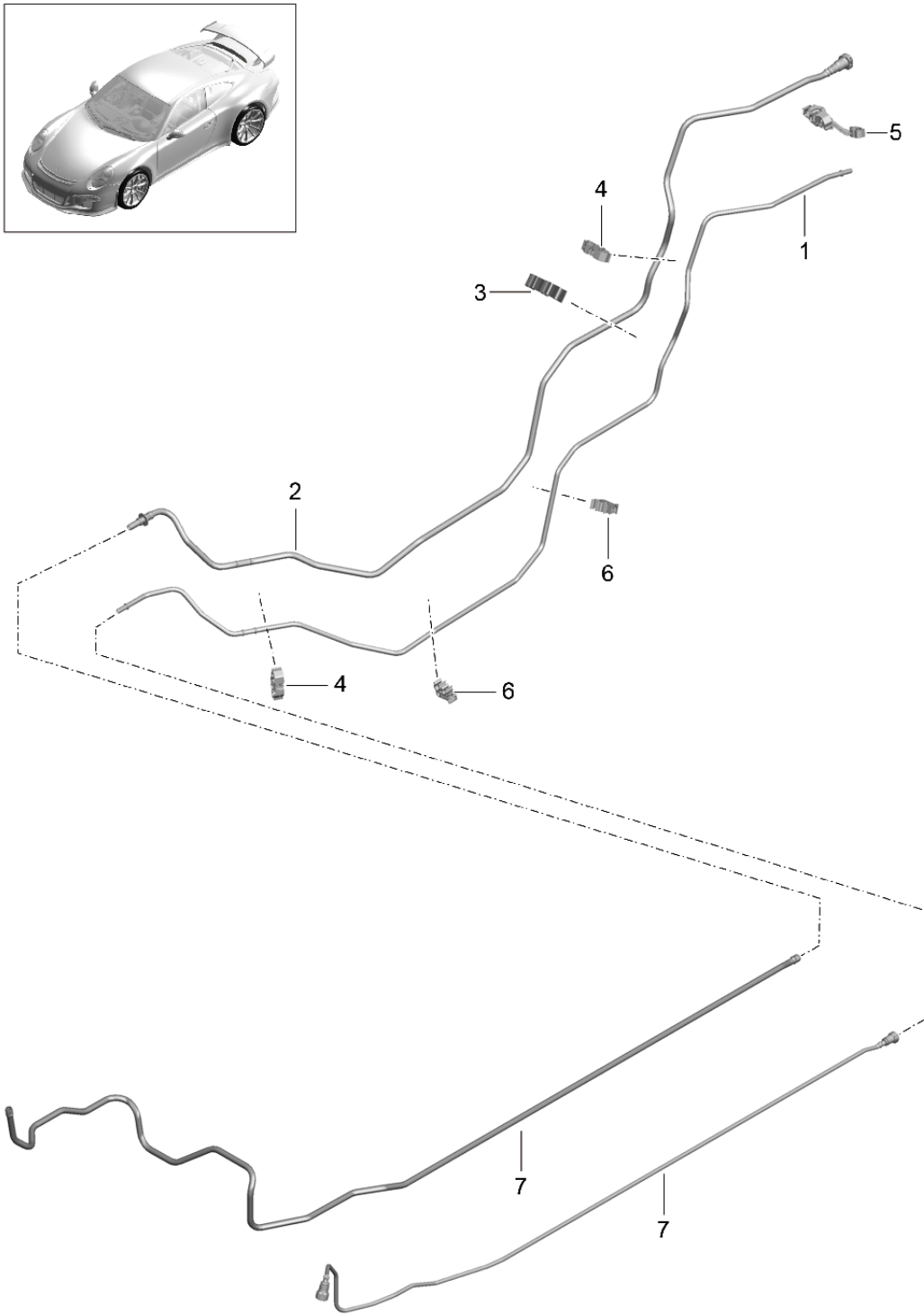
Model: 991G13

Model life 2014>>

Pos	Part Number	Description	Remark	Qty	Model
1	991 201 261 01	Fuel system Fuel line Pressure line D >> - MJ 2016	front front	1	A176+ PR:038
(1)	9P1 201 082	Fuel line Pressure line	front	1	A175,DGGA, DGGB,DNSA, DNSH
(1)	9P1 201 082	Fuel line Pressure line D - MJ 2017>>	front	1	A176+ PR:-038
2	991 201 351 00	Purge-air line	front	1	
3	999 651 416 40	Cable holder 12,0		2	
4	999 507 269 40	Cable holder 8,0 / 12,0		4	
5	999 507 273 40	Cable holder 8,0 / 16 / 10		1	
6		Fuel line see illustration:	rear 201-010		

Model: 991G13

Model life 2014>>



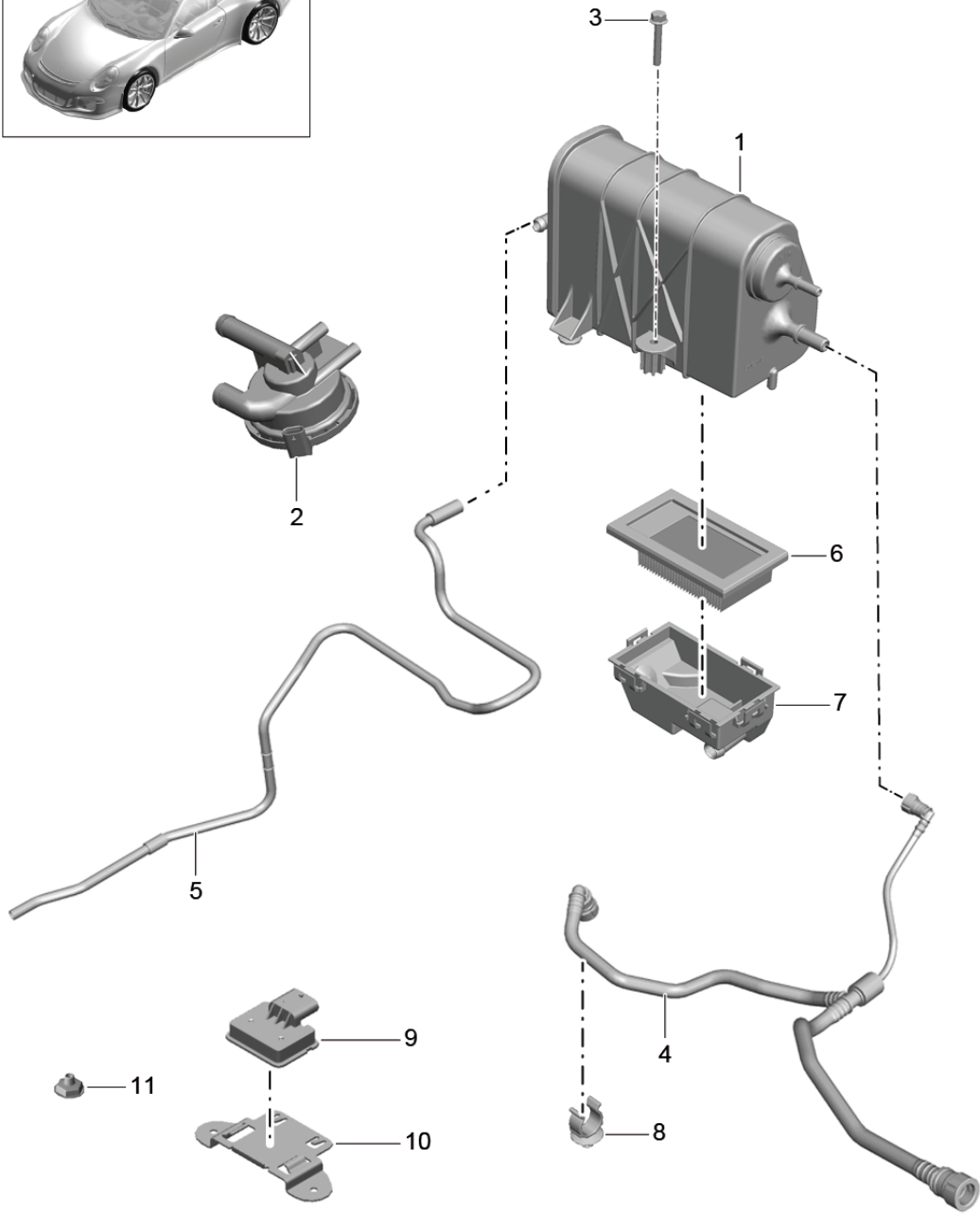
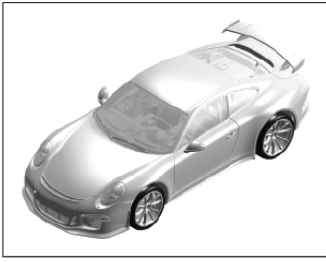
Model: 991G13

Model life 2014>>

Pos	Part Number	Description	Remark	Qty	Model
1	991 201 965 00	Fuel system Fuel line	rear rear	1	
2	991 201 355 03	Pressure line Purge-air line	rear	1	
3	999 507 488 40	Cable holder 5,0 / 10,0		1	
4	999 507 269 40	Cable holder 8,0 / 12,0		2	
5	991 201 835 00	Cable holder		1	
6	999 507 270 40	Cable holder 8,0 / 10,0		2	
7		Fuel line see illustration:	front 201-005		

Model: 991G13

Model life 2014>>



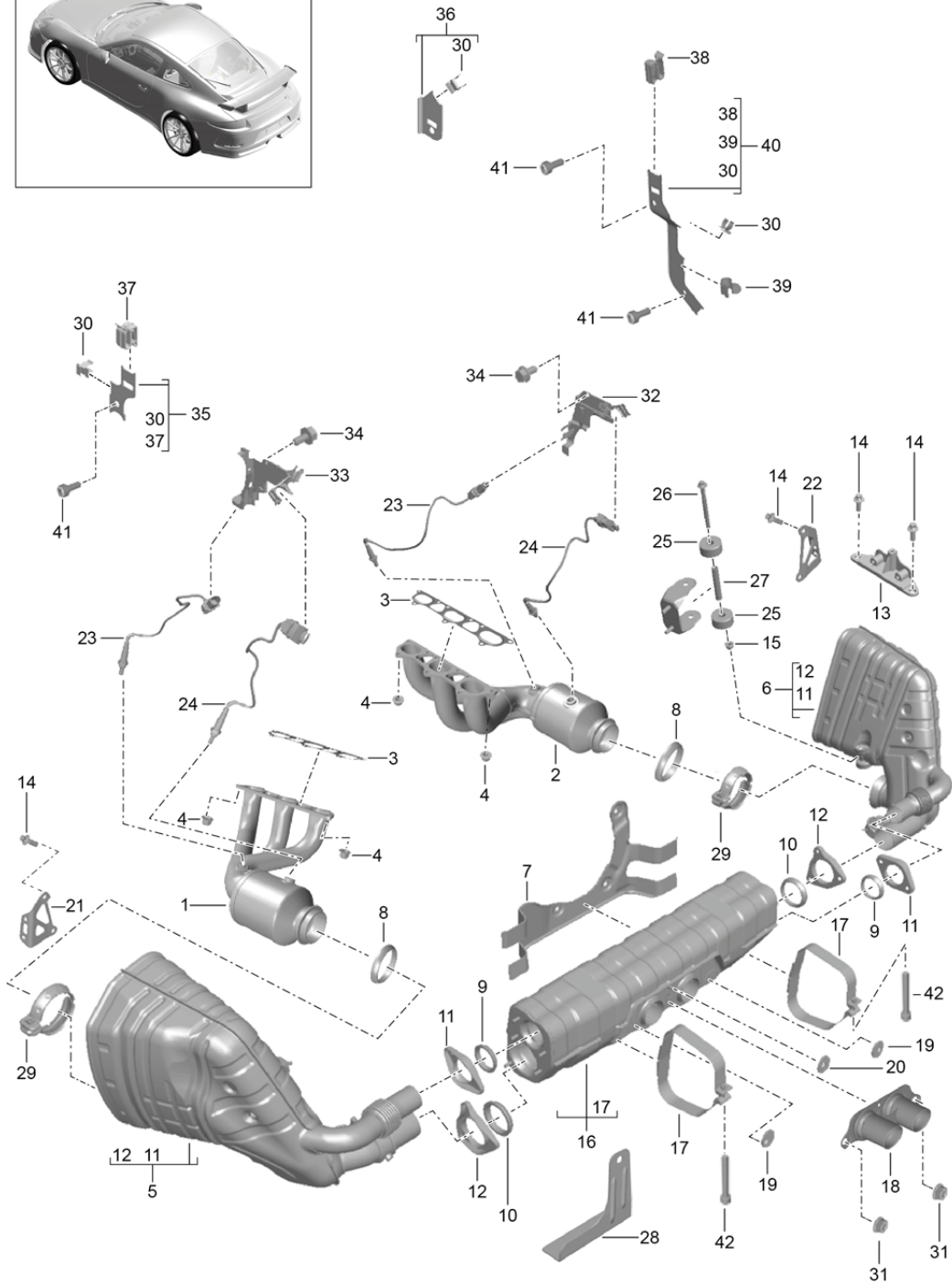
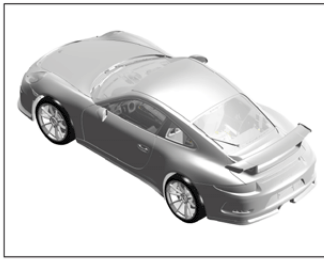
Model: 991G13

Model life 2014>>

Pos	Part Number	Description	Remark	Qty	Model
1	991 201 221 00	Activated charcoal container Activated charcoal container D >> - 21.07.2015 Discontinued part		1	PR:-664
1	991 201 221 02	Activated charcoal container D - 22.07.2015>>		1	PR:-664
3	900 378 115 01	Hexagon bolt M 6 X 35		1	
4	991 201 251 00	Breather line Fuel tank		1	PR:098,-664
(4)	991 201 251 02	Breather line Fuel tank No longer use the part here		1	PR:099
(4)	991 201 251 04	Breather line Fuel tank		1	PR:099
5	991 201 361 00	Purge-air line Activated charcoal container D >> - MJ 2014		1	A175+ PR:098,-664
5	991 201 361 03	Purge-air line Activated charcoal container D - MJ 2015>>		1	PR:098,-664
(5)	991 201 361 02	Purge-air line Activated charcoal container D >> - MJ 2014		1	A175+ PR:099
(5)	991 201 361 05	Purge-air line Activated charcoal container D - MJ 2015>>		1	PR:099
8	999 507 280 40	Cable holder 16,0		1	PR:099
11	999 049 025 09	Collar nut T5		2	

Model: 991G13

Model life 2014>>



Model: 991G13

Model life 2014>>

Pos	Part Number	Description	Remark	Qty	Model
1	9A1 113 021 90	exhaust system Exhaust manifold with catalytic converter Discontinued part	left	1	A175
1	9A1 113 021 91	Exhaust manifold with catalytic converter	left	1	
1	9A1 113 021 AX	Exhaust manifold with catalytic converter	left	1	
2	9A1 113 022 90	Exhaust manifold with catalytic converter Discontinued part	right	1	
2	9A1 113 022 91	Exhaust manifold with catalytic converter	right	1	
2	9A1 113 022 AX	Exhaust manifold with catalytic converter	right	1	
3	9A1 111 107 90	Seal Exhaust manifolds		2	
4	999 084 642 02	Hexagon nut M 8		18	
5	997 111 047 82	Front silencer	left cylinders 1-3	1	
5	991 111 047 81	No longer use the part here Front silencer	left cylinders 1-3	1	
6	997 111 048 82	Front silencer	right cylinders 4-6	1	
6	991 111 048 81	No longer use the part here Front silencer	right cylinders 4-6	1	
7	991 111 473 91	Bracket Front silencer		1	
8	980 111 561 00	seal ring		2	
9	997 111 561 90	seal ring		2	
10	997 111 563 90	seal ring		2	
11	997 111 461 90	flange		2	
12	997 111 463 90	flange		2	
13	997 111 126 30	Console Silencer No longer use the part here		2	
14	900 385 001 01	Torx screw M 8 X 20		4	
15	900 377 003 01	Hexagon nut M 8		4	
16	997 111 027 92	Silencer		1	
17	997 111 119 70	tensioning strap Silencer		2	
18	991 111 253 90	Tailpipe		1	
19	997 111 753 91	Shim		2	
20	997 111 755 91	Shim		1	
21	9A1 111 471 90	Bracket Front silencer	left cylinders 1-3	1	
22	9A1 111 472 90	Bracket Front silencer	right cylinders 4-6	1	
23	9A1 606 181 01	Lambda probe in front of Catalytic converter		2	
24	9A1 606 191 80	Lambda probe After Catalytic converter		2	
25	996 111 229 00	sound absorber piece		4	
26	900 385 102 01	Torx screw		2	

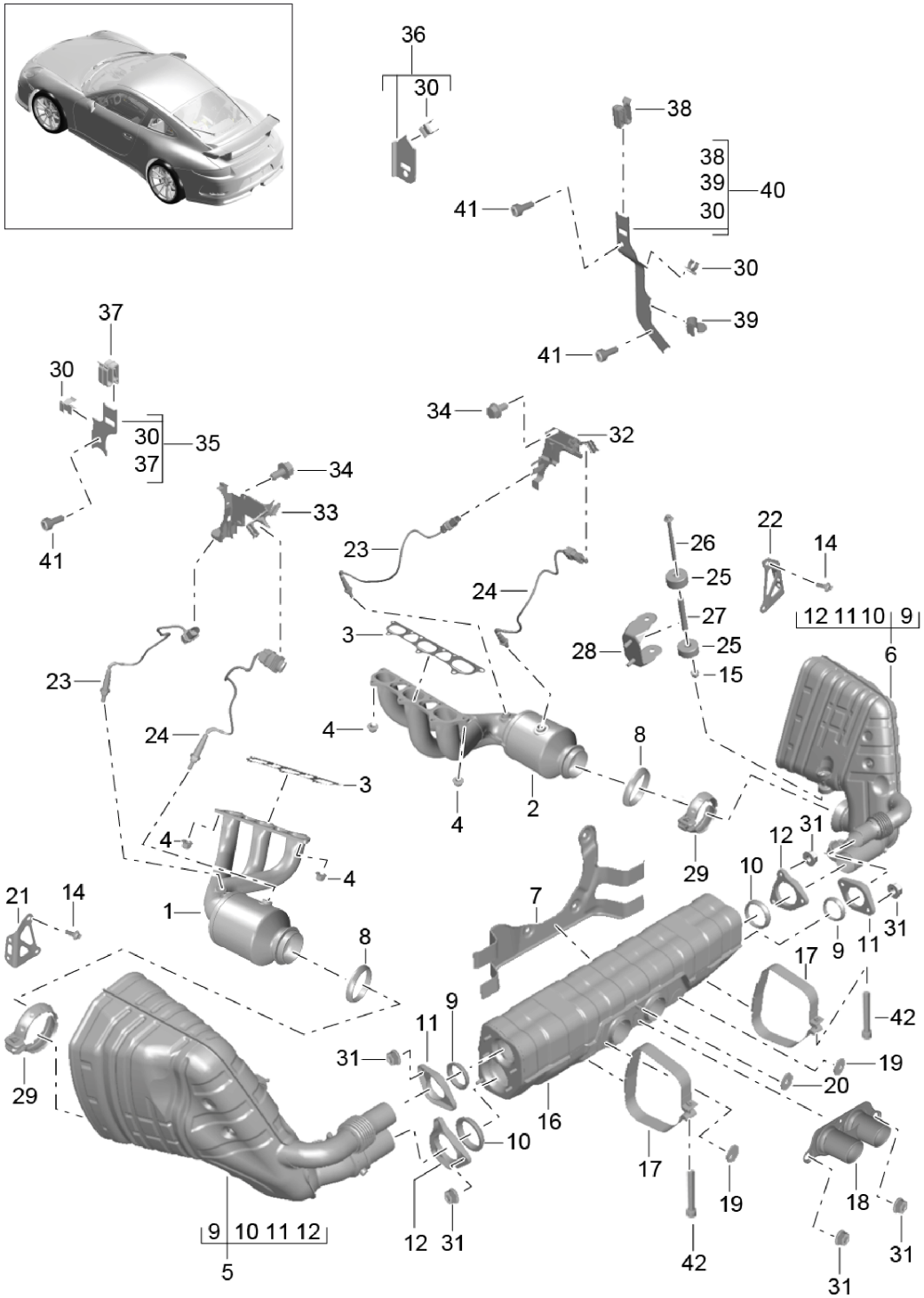
Model: 991G13

Model life 2014>>

Pos	Part Number	Description	Remark	Qty	Model
27	997 111 551 90	BM 8 X 90 Sleeve		2	
28	997 111 451 91	Retaining bar		2	
29	997 111 336 90	Clamp		2	
30	999 651 392 07	Catalytic converter Cable holder 9,5 - 10,5		3	
31	999 084 649 01	Hexagon nut M 8		13	
32	991 606 256 01	Holder for lambda probe Connector		1	
33	991 606 257 01	Holder for lambda probe Connector	cylinders 4-6	1	
34	900 378 036 01	Hexagon bolt M 6 X 12	cylinders 1-3	2	
35	9A1 606 144 01	Bracket (complete)		1	
36	9A1 606 176 00	Bracket (complete)		1	
37	999 651 394 40	Cable holder 6,0		1	
38	999 651 399 40	Line holder 5,0		1	
39	999 651 407 01	Cable fastener 12,0 - 14,0		1	
40	9A1 606 174 01	Bracket (complete)		1	
41	900 387 021 01	Socket head bolt M 6 X 12		3	
42	900 067 362 01	Socket head bolt M 8 X 50		2	

Model: 991G13

Model life 2014>>



Model: 991G13

Model life 2014>>

Pos	Part Number	Description	Remark	Qty	Model
1	9A1 113 021 91	exhaust system Exhaust manifold with catalytic converter	left	1	A176
1	9A1 113 021 BX	Exhaust manifold with catalytic converter	left	1	
1	9A1 113 021 CX	Exhaust manifold with catalytic converter	left	1	
2	9A1 113 022 91	Exhaust manifold with catalytic converter	right	1	
2	9A1 113 022 BX	Exhaust manifold with catalytic converter	right	1	
2	9A1 113 022 CX	Exhaust manifold with catalytic converter	right	1	
3	9A1 111 107 90	Seal Exhaust manifolds		2	
4	999 084 642 02	Hexagon nut M 8		18	
5	991 111 047 81	Front silencer	left cylinders 1-3	1	
6	991 111 048 81	Front silencer	right cylinders 4-6	1	
7	991 111 473 91	Bracket Front silencer		1	
8	980 111 561 00	seal ring		2	
9	997 111 561 90	seal ring		2	
10	997 111 563 90	seal ring		2	
11	997 111 461 93	flange		2	
12	997 111 463 93	flange		2	
14	900 385 001 01	Torx screw M 8 X 20		4	
15	900 377 003 01	Hexagon nut M 8		6	
16	997 111 027 99	Silencer No longer use the part here		1	
16	991 111 027 90	Silencer		1	
17	997 111 119 70	tensioning strap Silencer		2	
18	991 111 253 91	Tailpipe		1	
18	991 111 253 91	Tailpipe		1	PR:038
19	997 111 753 91	Shim		2	
20	997 111 755 91	Shim		1	
21	9A1 111 471 90	Bracket Front silencer	left cylinders 1-3	1	
22	9A1 111 472 90	Bracket Front silencer	right cylinders 4-6	1	
23	9A1 606 181 01	Lambda probe in front of Catalytic converter		2	
24	9A1 606 191 80	Lambda probe After Catalytic converter		2	
25	996 111 229 00	sound absorber piece		4	
26	900 385 102 01	Torx screw BM 8 X 90		2	
27	997 111 551 90	Sleeve		2	
28	997 111 451 91	Retaining bar		2	
29	997 111 336 90	Clamp Tailpipe		2	
30	999 651 392 07	Cable holder 9,5 - 10,5 No longer use the part here		3	

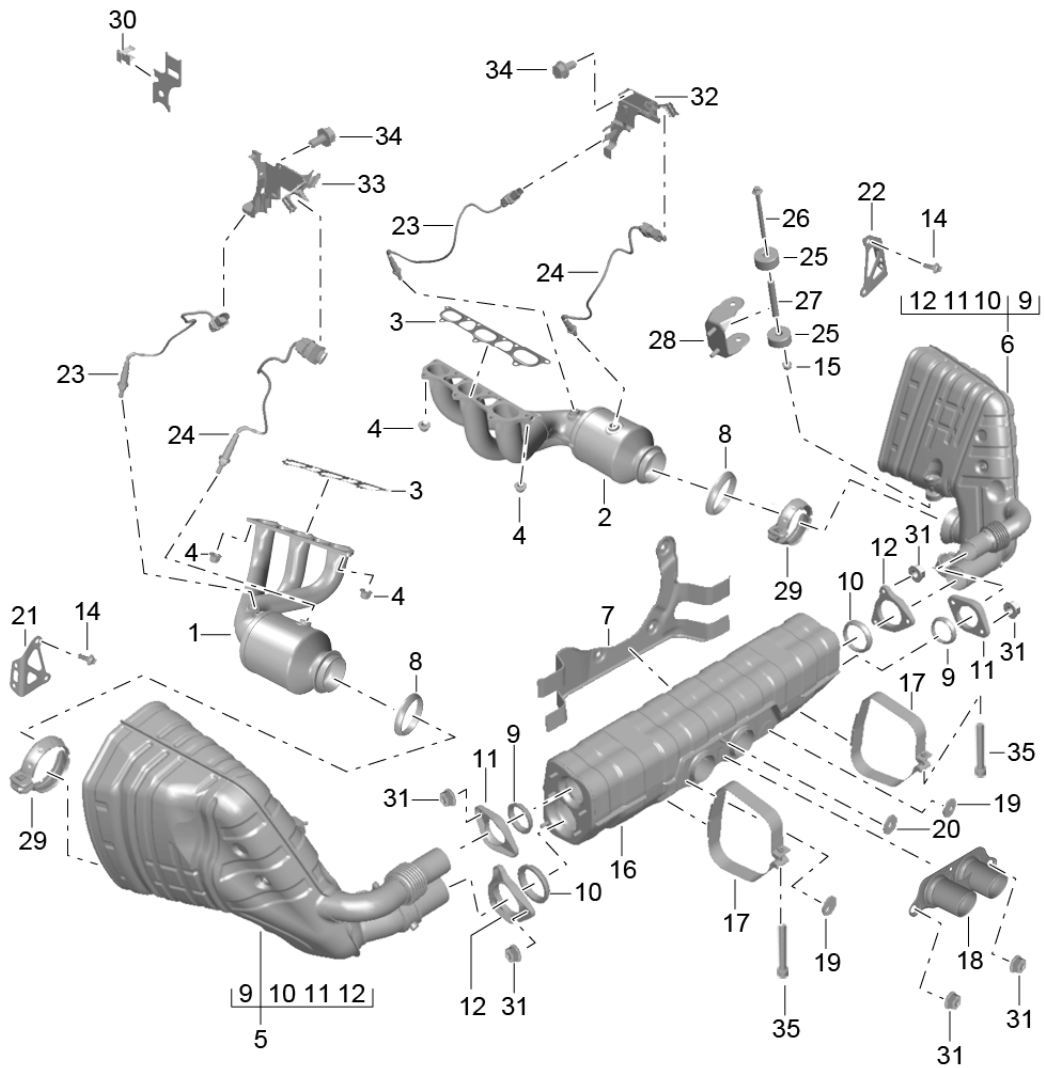
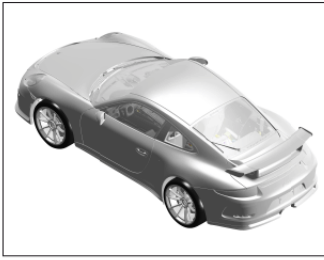
Model: 991G13

Model life 2014>>

Pos	Part Number	Description	Remark	Qty	Model
31	999 084 649 01	Hexagon nut M 8		13	
32	991 606 256 01	Holder for lambda probe Connector		1	
33	991 606 257 01	Holder for lambda probe Connector		1	
34	900 378 036 01	Hexagon bolt M 6 X 12		2	
35	9A1 606 144 01	Bracket (complete) No longer use the part here		1	
36	9A1 606 176 00	Bracket (complete) No longer use the part here		1	
37	999 651 394 40	Cable holder 6,0 No longer use the part here		1	
38	999 651 399 40	Line holder 5,0 No longer use the part here		1	
39	999 651 407 01	Cable fastener 12,0 - 14,0 No longer use the part here		1	
40	9A1 606 174 01	Bracket (complete) No longer use the part here		1	
41	900 387 021 01	Socket head bolt M 6 X 12		3	
42	900 067 362 01	Socket head bolt M 8 X 50		2	

Model: 991G13

Model life 2014>>



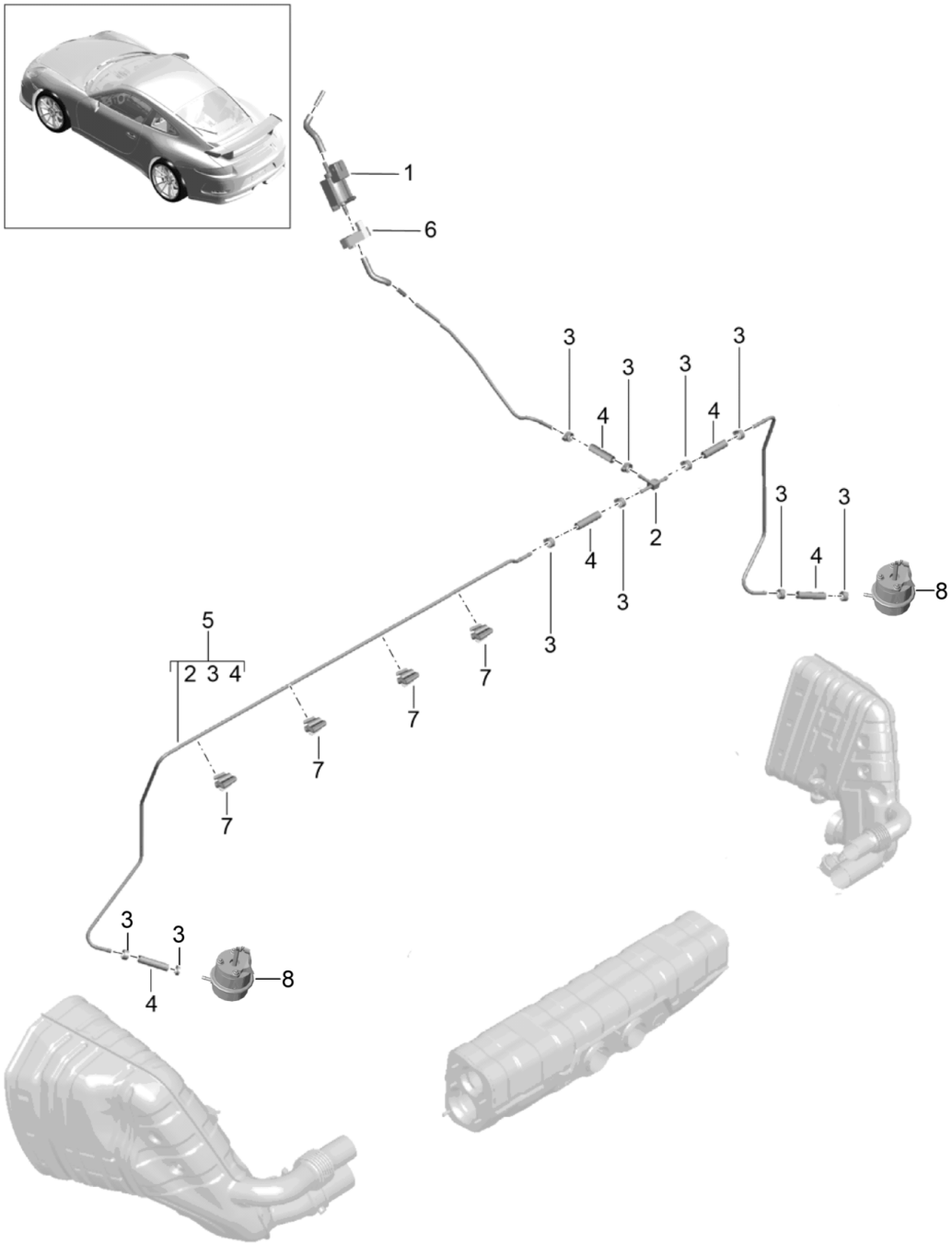
Model: 991G13

Model life 2014>>

Pos	Part Number	Description	Remark	Qty	Model
		exhaust system	GT3		DGGA
			GT3RS		DGGB
1	9A1 113 021 95	Exhaust manifold with catalytic converter	left	1	
1	9A1 113 021 FX	Exhaust manifold with catalytic converter	left	1	
2	9A1 113 022 95	Exhaust manifold with catalytic converter	right	1	
2	9A1 113 022 FX	Exhaust manifold with catalytic converter	right	1	
3	9A1 111 107 90	Seal		2	
4	999 084 642 02	Exhaust manifolds			
4	999 084 642 02	Hexagon nut	M8	18	
5	991 111 047 82	Front silencer	left	1	
6	991 111 048 82	Front silencer	cylinders 1-3 right	1	
7	991 111 473 91	Bracket	cylinders 4-6	1	
8	980 111 561 00	Front silencer		2	
9	997 111 561 90	seal ring		2	
10	997 111 563 90	seal ring		2	
11	997 111 461 93	seal ring		2	
12	997 111 463 93	flange		2	
14	900 385 001 01	flange		2	
14	900 385 001 01	Torx screw		4	
		M 8 X 20			
15	900 377 003 01	Hexagon nut	M8	6	
16	997 111 027 92	Silencer		1	
17	997 111 119 70	tensioning strap		2	
18	991 111 253 95	Silencer		1	DGGA
		Tailpipe		1	PR:-032
		Black			
18	991 111 253 80	Tailpipe		1	DGGA
		chrome			PR:032
18	991 111 257 91	Tailpipe		1	DGGB
		Titanium			
19	997 111 753 91	Shim		2	
20	997 111 755 91	Shim		1	
21	9A1 111 471 90	Bracket	left	1	
		Front silencer	cylinders 1-3		
22	9A1 111 472 90	Bracket	right	1	
		Front silencer	cylinders 4-6		
23	9A1 606 181 01	Lambda probe		2	
		(in front of catalyst)			
24	9A1 606 191 80	Lambda probe		2	
		(behind catalyst)			
25	996 111 229 00	sound absorber piece		4	
26	900 385 102 01	Torx screw		2	
		BM 8 X 90			
27	997 111 551 90	Sleeve		2	
28	997 111 451 91	Retaining bar		2	
29	997 111 336 90	Clamp		2	
		Silencer			
30	999 651 392 07	Cable holder		3	
		9,5 - 10,5			
31	999 084 649 01	Hexagon nut		13	
		M 8			
32	991 606 256 01	Holder for lambda probe		1	
33	991 606 257 01	Holder for lambda probe		1	
34	900 378 036 01	Hexagon bolt		2	
		M 6 X 12			
35	900 067 362 01	Socket head bolt		2	
		M 8 X 50			

Model: 991G13

Model life 2014>>



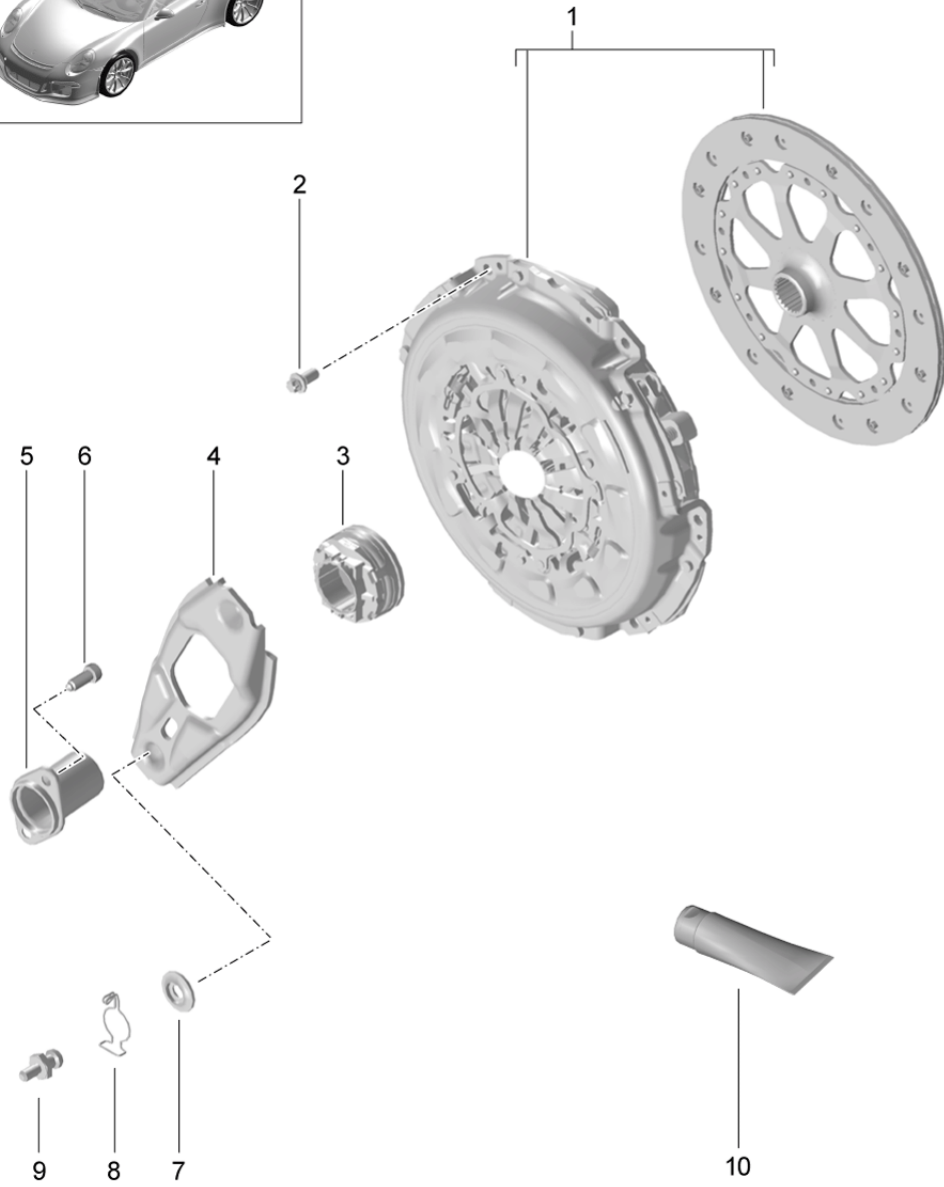
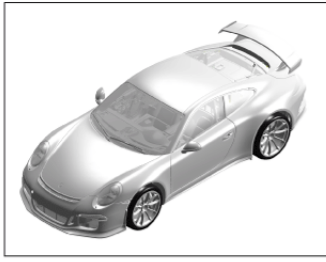
Model: 991G13

Model life 2014>>

Pos	Part Number	Description	Remark	Qty	Model
1	9A1 605 165 00	exhaust system vacuum system Change-over valve No longer use the part here		1	
1	996 605 165 00	Change-over valve		1	
2	999 137 095 02	t-piece		1	
3	999 512 707 00	Ear crimp hose clamp 9,6 - 11,3 No longer use the part here		10	
3	999 512 764 00	Ear crimp hose clamp 9,4		10	
4	999 181 536 40	Hose L = 42MM		5	
5	991 110 161 90	Control line (complete) Discontinued part		1	A175
5	991 110 161 91	Control line (complete)		1	A176
5	991 110 161 92	Control line (complete)		1	A176
5	991 110 161 94	Control line (complete)		1	DGGA, DGGB
6	948 605 167 01	Bracket		1	
7	999 651 401 01	Change-over valve Cable fastener 6,00		4	A175, A176
7	999 651 401 01	Cable fastener 6,00		6	DGGA, DGGB,
8	991 111 901 90	Vacuum unit with: Nut Seal Securing clip		1	A175, A176, DGGA, DGGB

Model: 991G13

Model life 2014>>

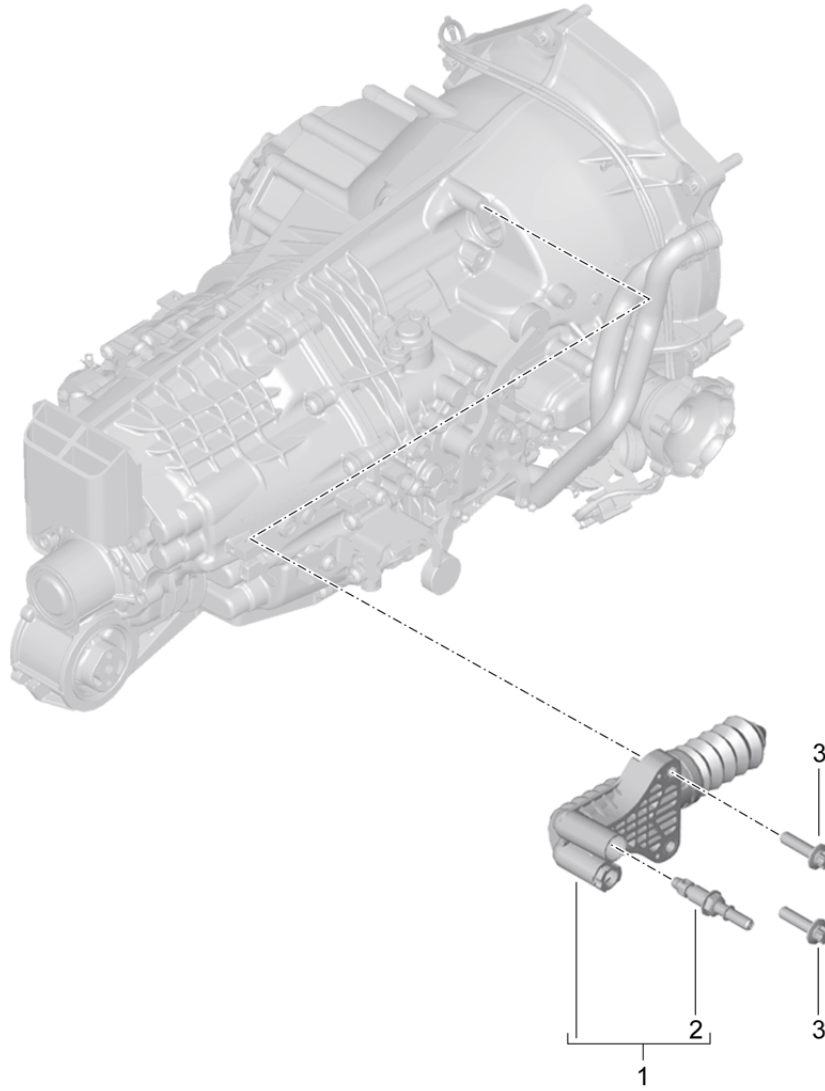
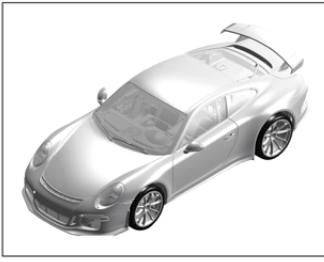


Model: 991G13 Model life 2014>>

Pos	Part Number	Description	Remark	Qty	Model
		Coupling			G9190+ PR:486
1	9P1 141 117	Coupling repair set Dual-mass flywheel		1	A176+ PR:038,-187, 486
(1)	9P1 141 117 A	Coupling repair set Single-mass flywheel		1	A176+ PR:038,187, 486
(1)	9P1 141 117 C	Coupling repair set Dual-mass flywheel		1	DGGA PR:486
2	9A7 004 076 00	Torx screw M 8 X 16 No longer use the part here		6	911R A176
(2)	999 510 106 01	Torx screw M 8 X 19		6	911R A176
(2)	999 510 106 01	Torx screw M 8 X 19		6	GT3 DGGA
3	012 141 165 E	release bearing		1	
4	9P1 141 719	clutch operating lever		1	
5	996 116 087 01	guide sleeve		1	
5	9P1 141 181	D >> - MJ 2016 guide sleeve		1	
6	N 903 663 01	D - MJ 2017>> Socket head bolt M 8 X 22		2	
7	996 116 743 00	seal ring D >> - MJ 2017		1	
7	9P1 141 143	seal ring D - MJ 2018>>		1	
8	996 116 741 00	Clip D >> - MJ 2016		1	
8	9P1 141 164	Clip D - MJ 2017>>		1	
9	997 116 716 02	Ball stud D >> - MJ 2016		1	
9	9P1 141 777	Ball stud D - MJ 2017>>		1	
10	000 043 304 02	Grease Container 50 GR.		1	

Model: 991G13

Model life 2014>>



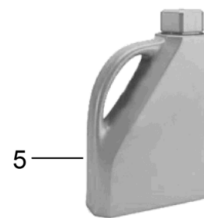
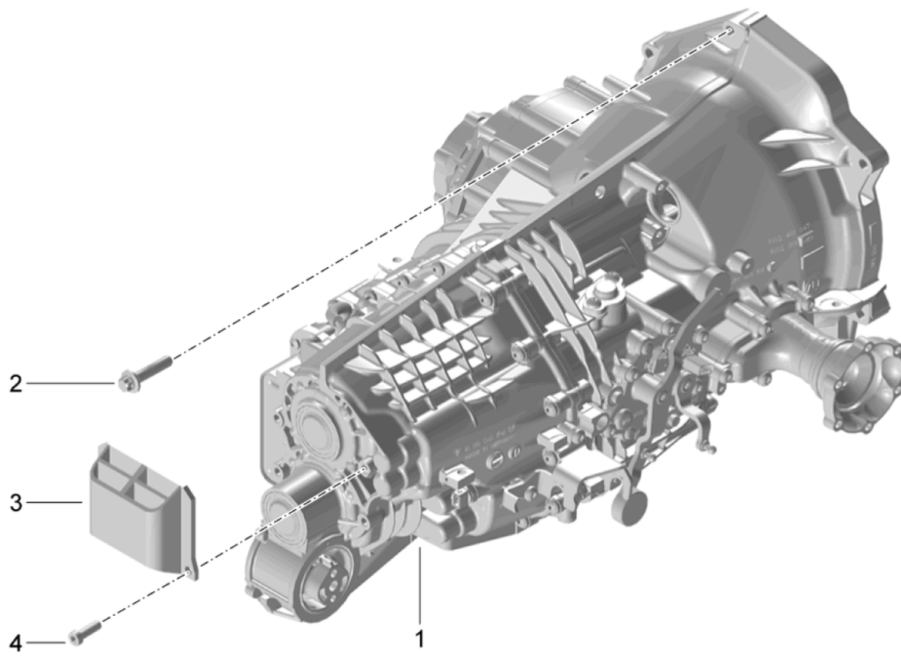
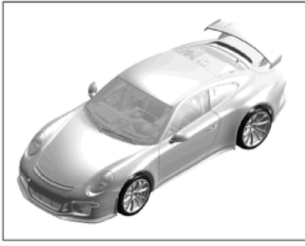
Model: 991G13

Model life 2014>>

Pos	Part Number	Description	Remark	Qty	Model
1	9G1 116 238 01	Clutch release Clutch slave cylinder Clutch slave cylinder D >> - MJ 2016		1	G9190+ PR:486
1	9P1 721 263	Clutch slave cylinder D - MJ 2017>>		1	
2		breather assy. To Use		1	
3	900 385 096 01	Clutch slave cylinder Torx screw		2	

Model: 991G13

Model life 2014>>



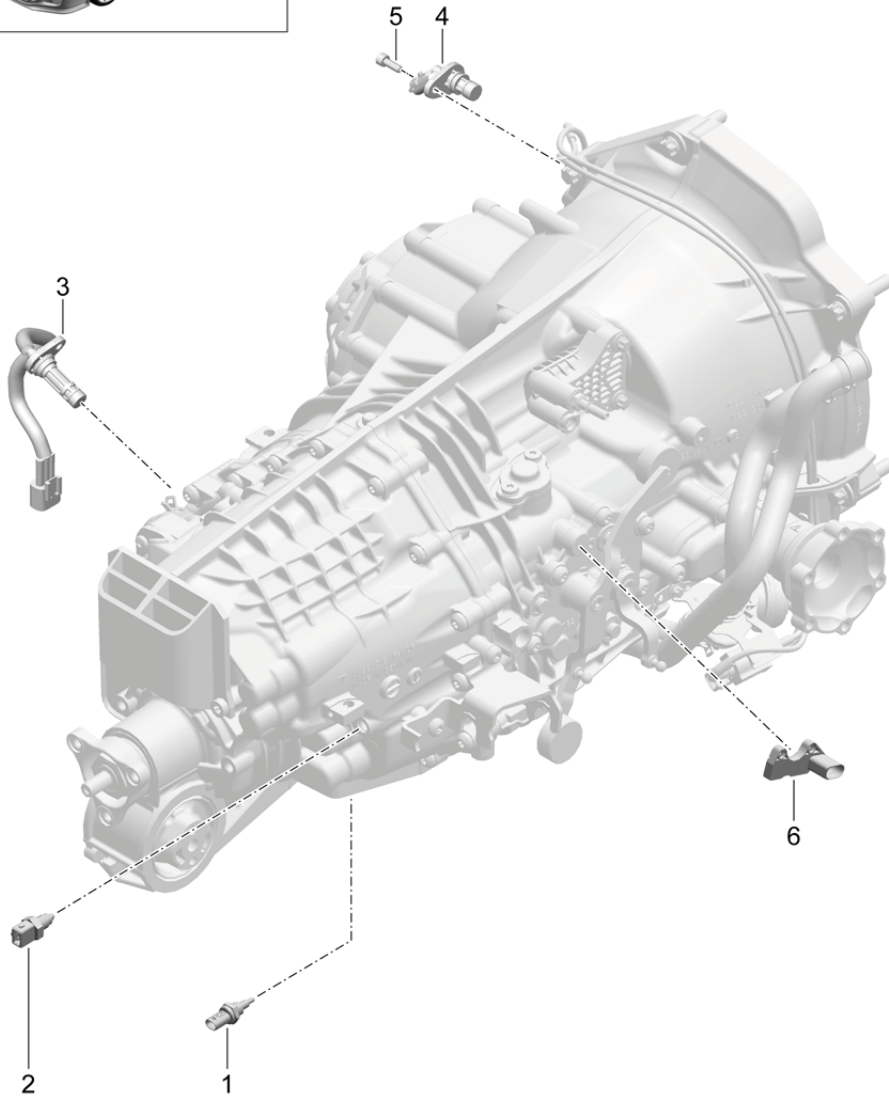
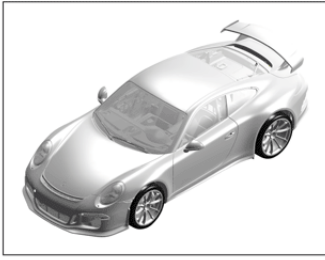
Model: 991G13

Model life 2014>>

Pos	Part Number	Description	Remark	Qty	Model
		Replacement transmission			G9190+
1	9P1 300 064 A	Replacement transmission D >> - MJ 2017		1	PR:486 911R G9190+
(1)	9P1 300 064 AX	Replacement transmission D >> - MJ 2017		1	PR:220,038 911R G9190+
(1)	9P1 300 064 B	Replacement transmission D - MJ 2018>>		1	PR:220,038 GT3 G9190+
(1)	9P1 300 064 BX	Replacement transmission D - MJ 2018>>		1	PR:220 GT3 G9190+
2	999 385 009 01	Hexagon head bolt BM 12 X 1,5 X 55		6	PR:220
3	991 449 105 02	Shock absorber D >> - MJ 2016		1	
3	9P1 399 541	Shock absorber D - MJ 2017>>		1	
4	999 073 209 01	Socket head bolt M 10 X 20		2	
5	000 043 305 55	Transmission fluid MOBILUBE PTX 75 W 90 20 LTR.		X	

Model: 991G13

Model life 2014>>



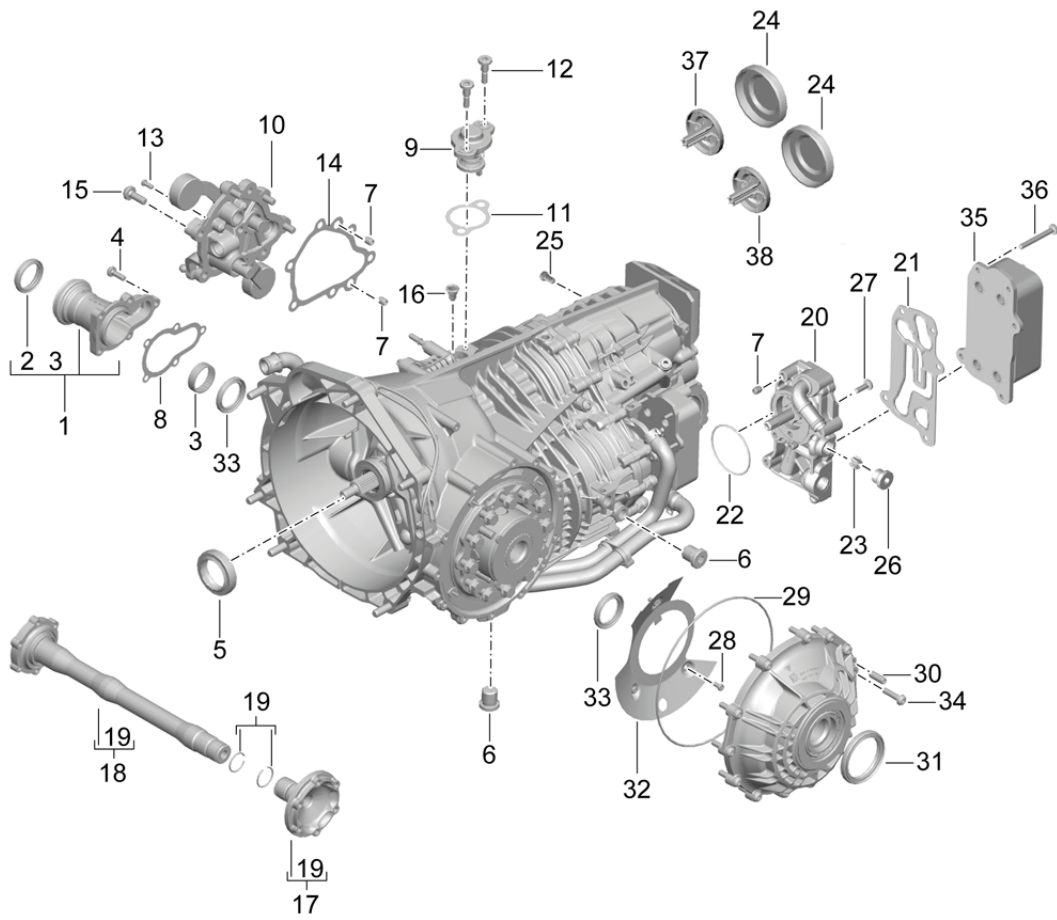
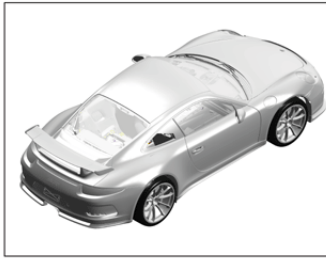
Model: 991G13

Model life 2014>>

Pos	Part Number	Description	Remark	Qty	Model
		Manual gearbox Individual parts			G9190+ PR:486
1	991 606 391 00	Temperature sensor		1	
2	991 613 189 01	Reverse light switch		1	
3	991 606 305 00	Sensor speed sensor		1	
4	991 606 112 02	speed sensor		1	
5	N 105 464 03	Hexagon socket head bolt M 6 X 16		1	
6	991 606 303 00	Sensor Neutral Speed		1	

Model: 991G13

Model life 2014>>



Model: 991G13 Model life 2014>>

Pos	Part Number	Description	Remark	Qty	Model
1	9G1 321 959 00	Manual gearbox Individual parts Housing neck Discontinued part		1	G9190+ PR:486
1	9G1 321 059 00	Housing neck		1	
2	9G1 332 804 00	Shaft oil seal 42 X 55 X 7 No longer use the part here		1	
2	9G1 332 804 01	Shaft oil seal 42 X 55 X 7		1	
3		needle bearing - Not available Housing neck 9G1.321.959.00 Use		1	
4	9G1 332 801 00	Torx screw M 8 X 25		5	
5	991 302 801 00	Shaft oil seal 28 X 41 X 2,8		1	
6	9G1 321 805 00	Seal bolt with sealing ring M 18 X 1,5		2	
7	9G1 321 821 00	Centre sleeve		2	
8	9G1 321 259 00	Seal Housing neck		1	
9	991 303 103 00	barring pin No longer use the part here		1	
9	991 303 103 05	barring pin		1	
10	991 303 105 01	Cover		1	
11	991 303 802 00	Seal		1	
12	991 303 804 00	Locating bolt		2	
13	991 303 806 00	flat round head bolt M 5 X 12		2	
14	991 303 807 00	Seal Cover		1	
15	991 303 808 00	flat round head bolt M 8 X 22		7	
16	9G1 321 219 00	Sleeve breather assy.		1	
17	9G1 332 208 55	Drive flange	short	1	
17	9G1 332 208 95	No longer use the part here Drive flange	short	1	
18	991 332 209 00	Drive flange Long No longer use the part here		1	
18	991 332 209 05	Drive flange Long		1	
19	9G1 332 820 00	snap ring		2	
20	9G1 307 033 01	Oil pump housing		1	
21	9G1 307 241 00	Seal		1	
		also use:	991 307 822 00	2	
			991 307 823 00	3	
22	9G1 307 890 00	O-ring		1	
23	9G1 307 893 00	Valve		1	
24	9G1 321 360 00	End cap		2	
26	970 321 805 00	Seal bolt with sealing ring M 18 X 1,5		1	
27	991 307 822 00	flat round head bolt M 6 X 20		2	
28	9G1 321 809 00	flat round head bolt		3	

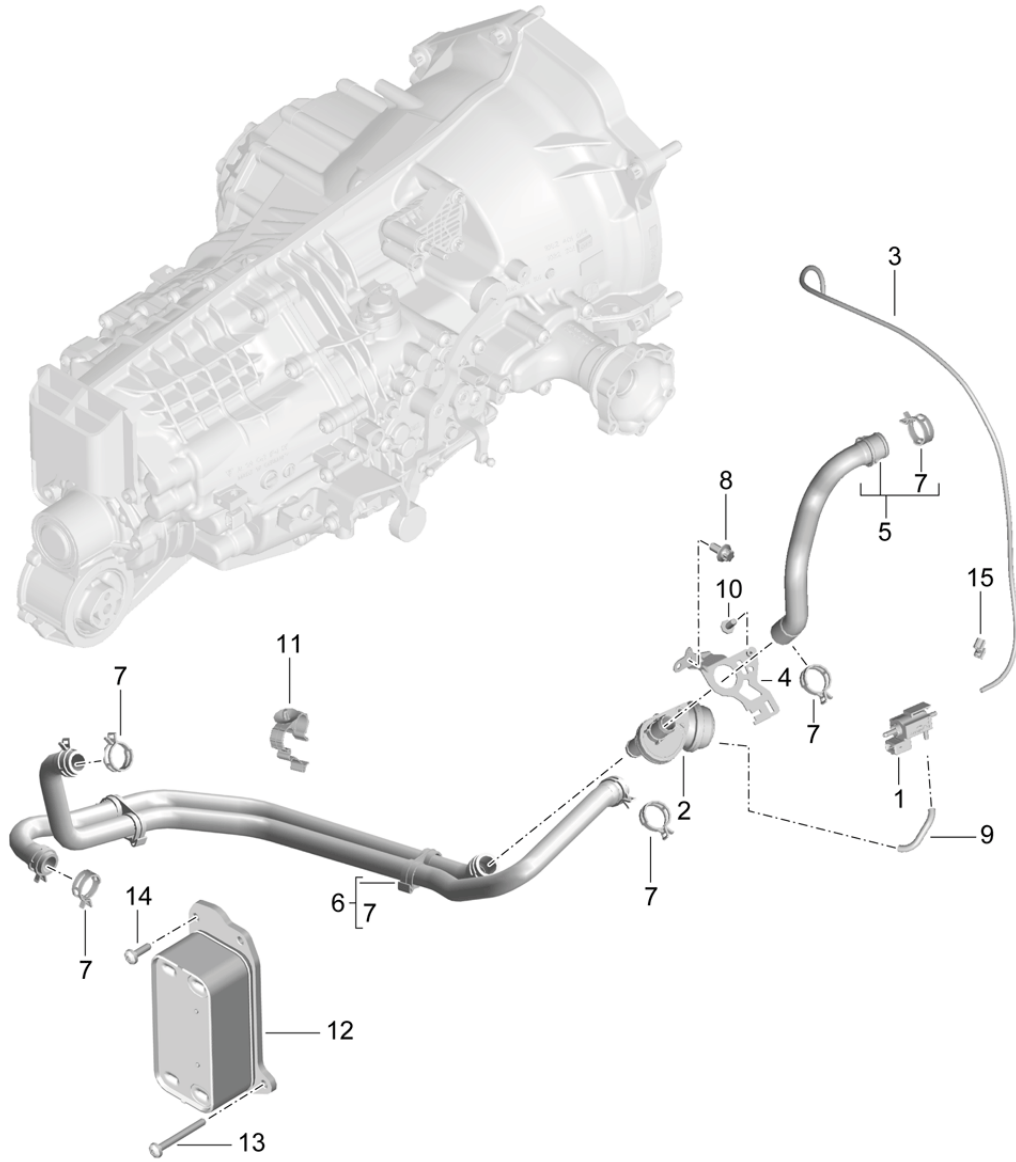
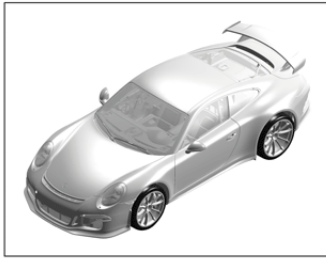
Model: 991G13

Model life 2014>>

Pos	Part Number	Description	Remark	Qty	Model
29	9G1 321 815 00	O-ring 221 X 3		1	
30	9G1 321 890 00	Cylinder pin D 10 X 28		1	
31	9G1 332 803 00	Shaft oil seal Drive flange 64 X 82 X 8		1	
31	9G1 332 803 01	No longer use the part here Shaft oil seal Drive flange 64 X 82 X 8		1	
32	991 307 104 01	Guide Transmission fluid		1	
33	991 332 805 00	Shaft oil seal 40 X 55 X 7		2	
34	991 332 806 00	flat round head bolt M 8 X 33,5		13	
35	9G1 307 019 00	heat exchanger		1	
36	991 307 823 00	flat round head bolt		3	
37	9G1 302 375 00	seal ring End cap		1	
38	9G2 302 377 00	seal ring End cap		1	

Model: 991G13

Model life 2014>>



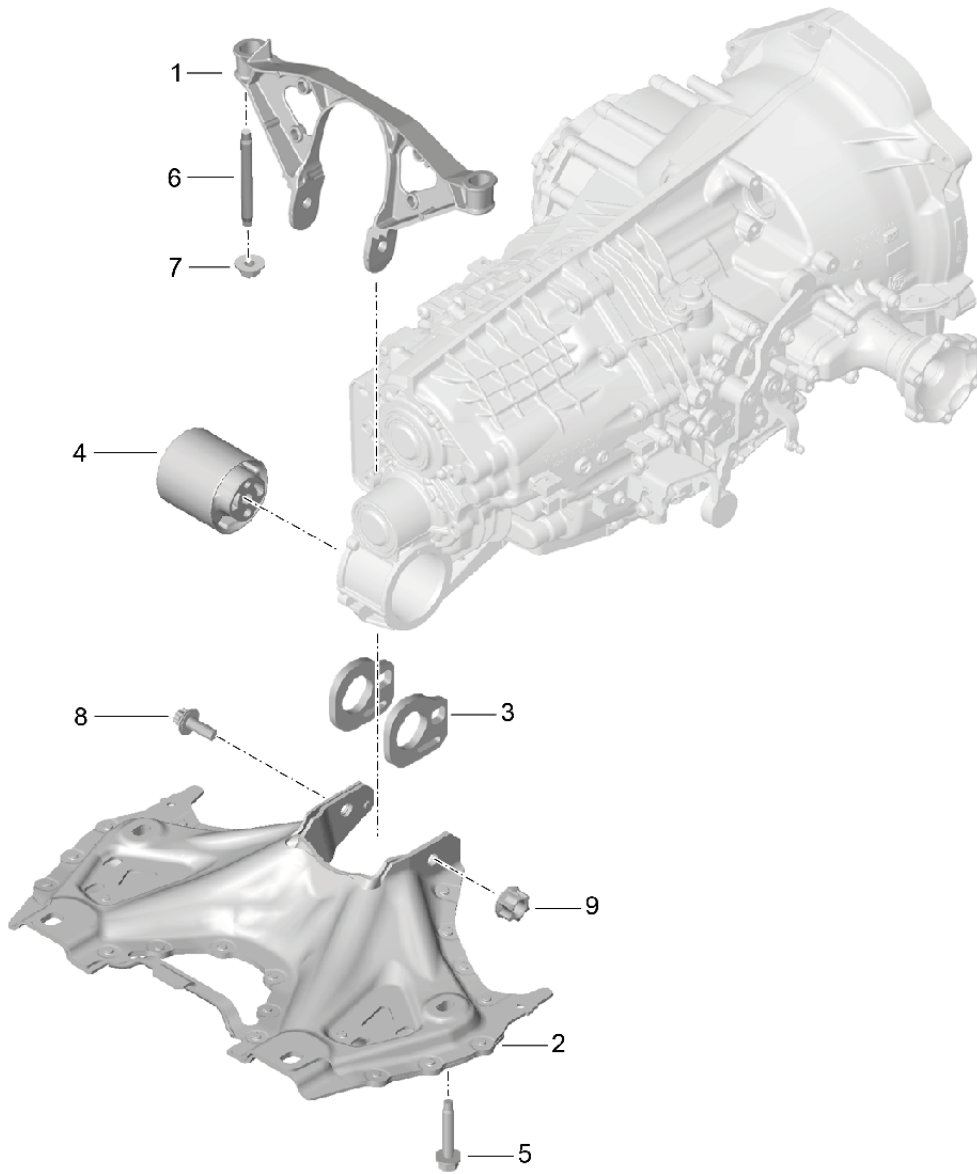
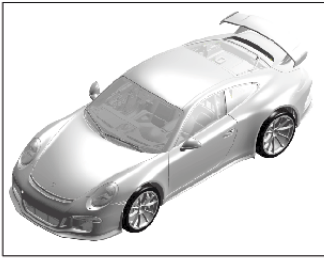
Model: 991G13

Model life 2014>>

Pos	Part Number	Description	Remark	Qty	Model
		Manual gearbox heat exchanger oil pipe Water pipe			G9190+ PR:486
1	7PP 906 270	Change-over valve		1	911R
		D >> - MJ 2017			
2	9P1 317 233	Disc valve		1	
		No longer use the part here			
2	991 307 573 00	Disc valve		1	
3	9A1 110 387 90	Vacuum line		1	
4	991 307 402 00	Bracket		1	911R
		Disc valve			
		D >> - MJ 2017			
5	9P1 317 031	Water line	feed	1	911R
		D >> - MJ 2017			
6	9P1 317 241	Water line		1	911R
		D >> - MJ 2017			
6	9P1 317 241 A	Water line		1	GT3
		D - MJ 2018>>			
7	999 512 589 09	Hose clamp A 25 X 12		6	911R
		D >> - MJ 2017			
7	999 512 589 09	Hose clamp A 25 X 12		4	GT3
		D - MJ 2018>>			
8	900 385 041 01	Torx screw BM 6 X 12		1	911R
		D >> - MJ 2017			
9	999 239 044 40	Hose 3,5 X 2,0 X 130		1	911R
		D >> - MJ 2017			
10	N 910 682 01	Hexagon socket flat head bolt M 4 X 10		1	911R
		D >> - MJ 2017			
11	999 507 855 40	Cable holder 22,0 / 22,0		1	
12	9G1 307 019 00	heat exchanger		1	
		also use:	9G1 307 241 00	1	
			991 307 822 00	2	
			991 307 823 00	3	
13	991 307 823 00	flat round head bolt M 6 X 55		3	
14	991 307 822 00	flat round head bolt M 6 X 20		3	
15	N 102 810 02	Bracket Vacuum line		1	

Model: 991G13

Model life 2014>>



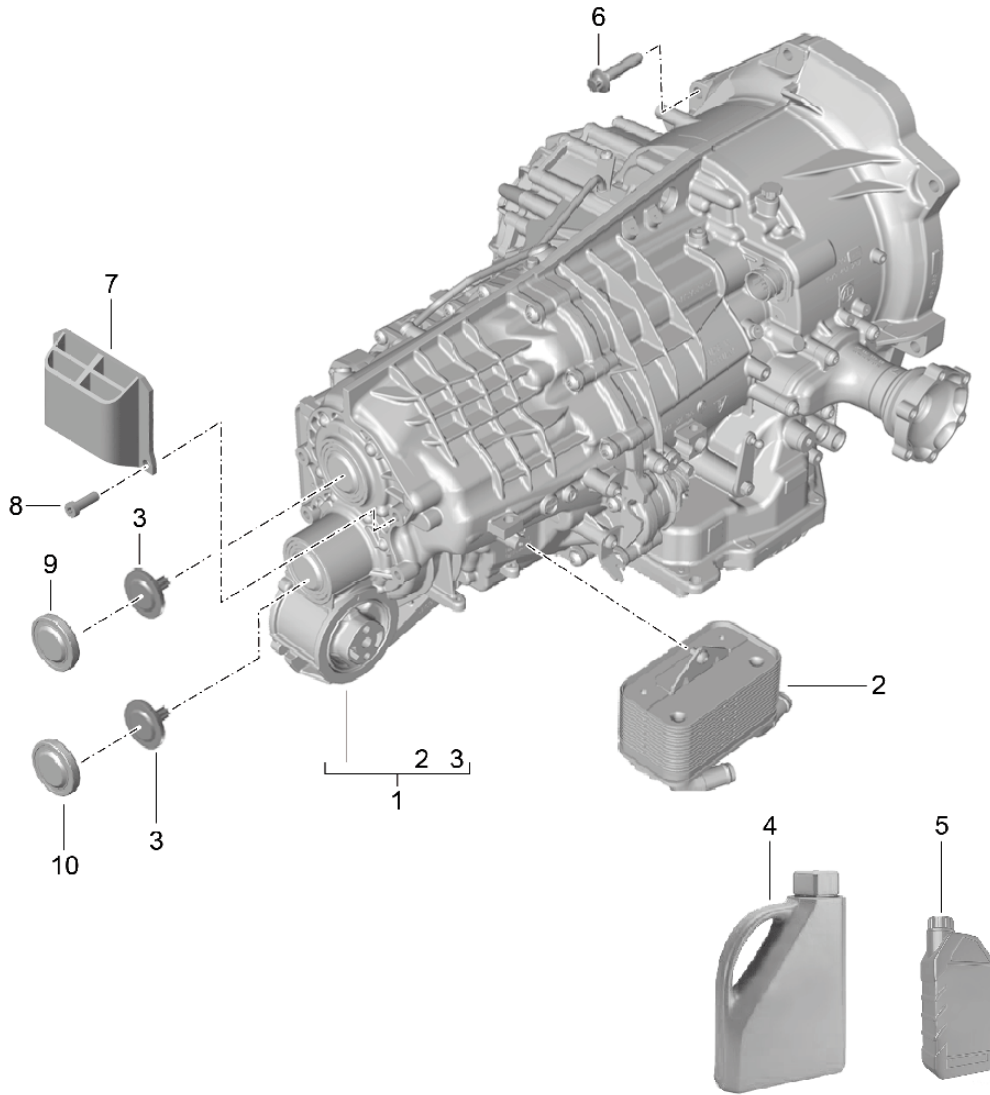
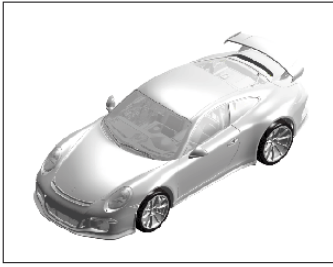
Model: 991G13

Model life 2014>>

Pos	Part Number	Description	Remark	Qty	Model
1	991 375 039 03	Transmission suspension Threaded joint transmission carrier		1	CG190,CG195, CG192,G9190 CG190,CG192, CG195,G9190
2	991 375 114 03	Side member		1	
3	991 375 255 80	Stop gearbox mounting		2	
4	991 375 055 81	gearbox mounting		1	
5	999 072 083 01	Bolt with washer M 10 X 58		2	
6	999 061 009 01	Threaded pin M 10 X 102,5		2	CG190
6	999 061 009 02	Threaded pin M 10 X 102,5		2	CG195,G9190
7	999 084 648 01	Hexagon nut M 10 No longer use the part here		2	
7	999 076 053 01	Hexagon nut M 10		2	
8	900 385 164 01	Outer hexagon round screw BM 12 X 1,5 X 140		1	
9	999 086 009 02	Nut M 12 X 1,5		1	
10	999 072 063 02	Hexagon bolt AM 10 X 40		2	

Model: 991G13

Model life 2014>>



Model: 991G13 Model life 2014>>

Pos	Part Number	Description	Remark	Qty	Model
-		- PDK - Gearbox see Technical information Group 3			CG190,CG192, CG195
1	9G1 300 031 90	Gearbox with: limited slip differential Discontinued part		1	CG190+ PR:221
1	9G1 300 031 91	Gearbox with: limited slip differential Discontinued part		1	CG190+ PR:221
(1)	9G1 300 031 CX	Gearbox with: limited slip differential Discontinued part		1	CG190+ PR:221
(1)	9G1 300 031 HX	Gearbox with: limited slip differential Discontinued part		1	CG190+ PR:221
1	9G1 300 031 95	Gearbox with: limited slip differential D >> - 26.06.2016		1	CG195+ PR:221
(1)	9G1 300 031 KX	Gearbox with: limited slip differential D >> - 26.06.2016		1	CG195+ PR:221
(1)	9G1 300 031 96	Gearbox with: limited slip differential D - 27.06.2016>>		1	CG195+ PR:221
(1)	9G1 300 031 RX	Gearbox with: limited slip differential D - 27.06.2016>>		1	CG195+ PR:221
(1)	9G1 300 031 97	Gearbox with: limited slip differential D - 01.03.2018>>	GT 3 RS	1	PR:221
(1)	9G1 300 031 UX	Gearbox with: limited slip differential D - 01.03.2018>>		1	PR:221
(1)	9G1 300 031 92	Replacement transmission with: limited slip differential		1	CG192+ PR:221
(1)	9G1 300 031 SX	Replacement transmission with: limited slip differential		1	CG192+ PR:221
2		heat exchanger see illustration:			
3	9G1 321 360 00	End cap	360-000 rear	2	
4	000 043 207 30	Gear housing Transmission fluid PENTOSIN FFL 3 20 LTR. Container		X	
(4)	000 043 207 29	Transmission fluid PENTOSIN FFL 3 1 LTR. Container		X	
5	000 043 204 20	Transmission fluid 75 W 90 MOBILUBE PTX		X	

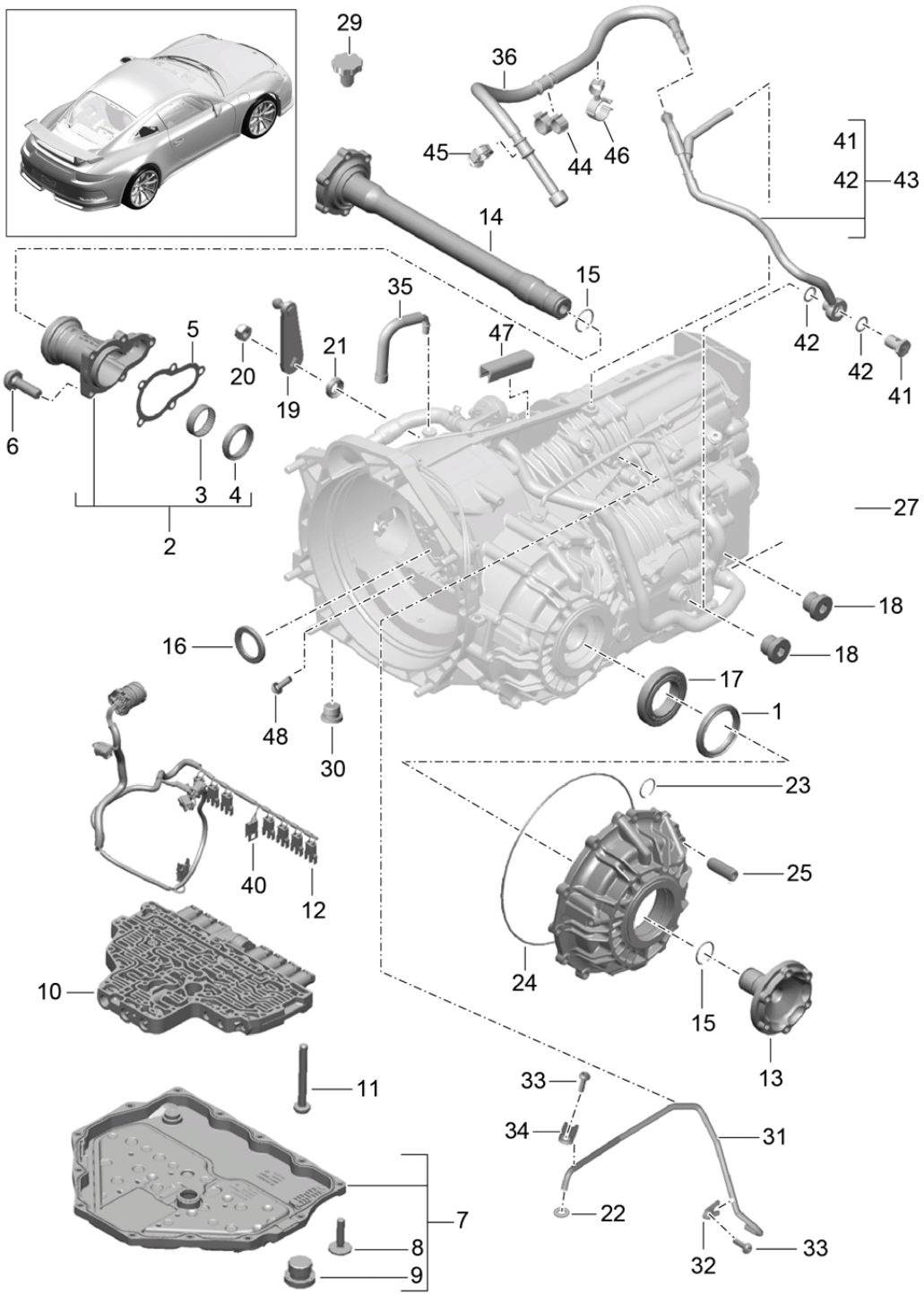
Model: 991G13

Model life 2014>>

Pos	Part Number	Description	Remark	Qty	Model
6	999 385 009 01	Differential 20 LTR. Container Hexagon head bolt M 12 X 1,5 X 55 Threaded joint Engine and transmission		6	
7	991 449 105 02	Shock absorber		1	CG190,CG195
7	9P1 399 541	Shock absorber		1	CG192
8	999 073 209 01	Socket head bolt M 10 X 20		2	
9	9G1 302 375 00	seal ring End cap		1	
10	9G1 302 377 91	seal ring End cap		1	

Model: 991G13

Model life 2014>>



Model: 991G13

Model life 2014>>

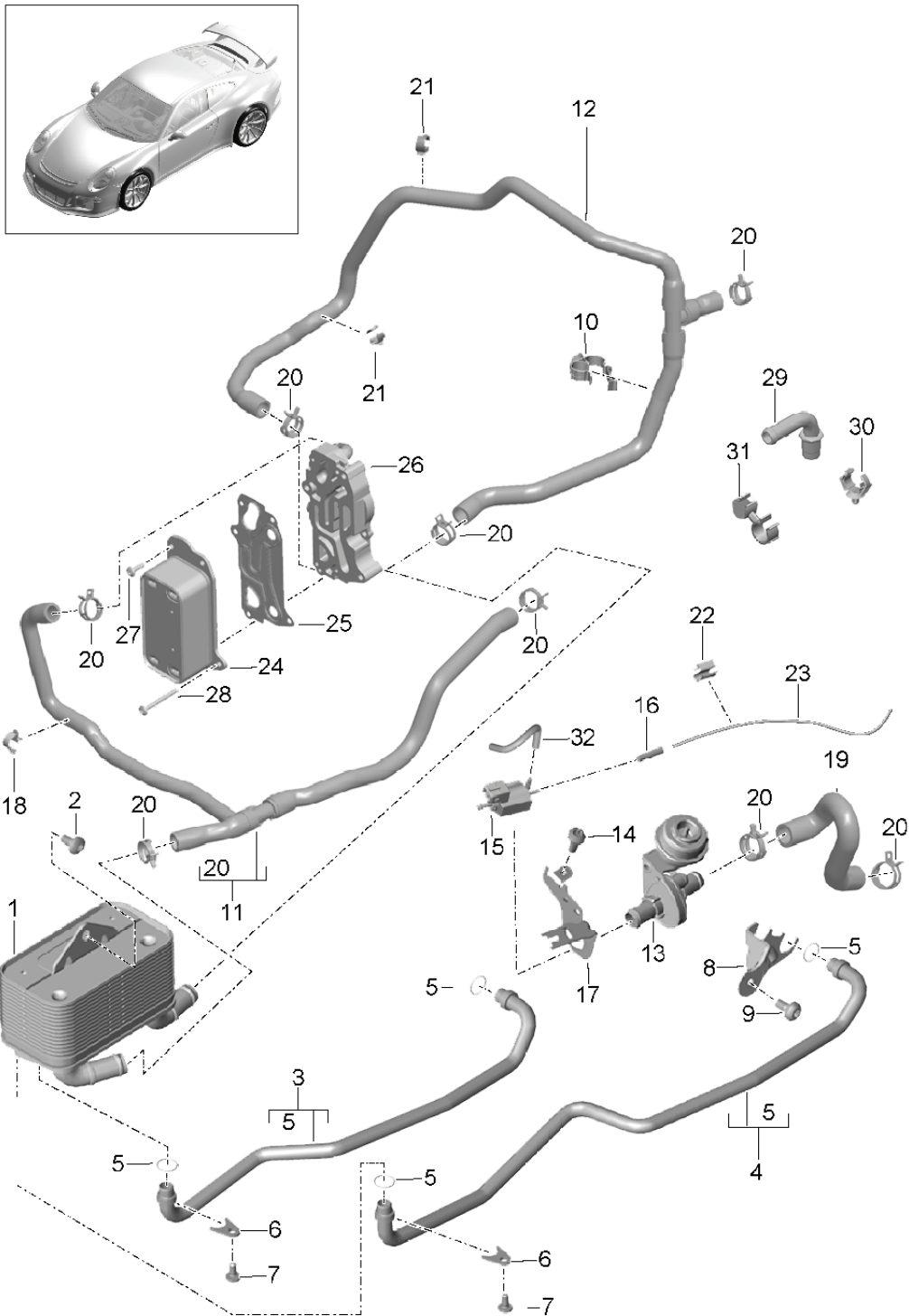
Pos	Part Number	Description	Remark	Qty	Model
		- PDK - Gearbox Individual parts			CG190,CG192, CG195
1	9G1 332 806 00	Shaft oil seal 40X52 / 55X40		1	CG190,CG195
1	9G1 332 806 01	Shaft oil seal 40X52 / 55X40		1	CG192
2	9G1 321 959 00	Housing neck (complete) Discontinued part		1	
2	9G1 321 059 00	Housing neck (complete)		1	
3	9G1 332 850 00	needle bearing - 42,0 X 47,0 X 13,0		1	
4	9G1 332 804 00	Shaft oil seal 42 X 55 X 7		2	CG190,CG195
4	9G1 332 804 01	Shaft oil seal 42 X 55 X 7		2	CG192
5	9G1 321 259 00	Seal flange		1	
6	9G1 332 801 00	Torx screw M8 X 25		18	
7	9G1 321 125 00	oil sump (complete) Discontinued part		1	
7	9G1 321 025 00	oil sump (complete)		1	
8	9G1 321 801 00	Torx screw M6 X 25		13	
9	9G1 321 825 01	sealing plug Included seal ring		1	
10	9G1 317 015 35	Control unit Hydraulic - PDK -		1	PR:221
11	9G1 317 801 00	Screw M6X55		20	
12	9G1 317 698 00	Connector housing Solenoid valve		7	
13	9G1 332 028 55	Drive flange		1	CG190
13	9G1 332 208 95	Drive flange	short	1	CG192,CG195
14	9G1 332 029 55	Drive flange Long	also use: 9G1 332 820 00	1	CG190
14	9G1 332 209 95	Drive flange Long		1	CG192,CG195
15	9G1 332 820 00	snap ring D36 X 2,6	also use: 9G1 332 820 00	2	
16	9G1 116 807 00	Shaft oil seal for Coupling 40 X 57 X 6		1	
17	9G1 332 803 00	Shaft oil seal 64X82X8 No longer use the part here		1	
17	9G1 332 803 01	Shaft oil seal 64X82X8		1	
18	970 321 805 00	Seal bolt with sealing ring M 18 X 1,5		3	

Model: 991G13 Model life 2014>>

Pos	Part Number	Description	Remark	Qty	Model
19	9G1 324 135 05	gearshift lever		1	
20	9G1 324 815 00	Nut M 8 X 1		1	
21	970 324 805 00	Shaft oil seal 10 X 18 X 5		1	
22	9G1 307 892 00	O-ring oil pipe		4	PR:221
23	9G1 321 818 00	O-ring		2	PR:221
24	9G1 321 815 00	O-ring 221 X 3		1	
25	9G1 321 890 00	Cylinder pin D 10 X 28		1	
27	991 606 391 00	Temperature sensor Gearbox		1	
29	9G1 321 215 00	Cap		1	
-	9G1 321 221 00	ventilation union breather assy.		2	
30	970 321 871 00	sealing plug		1	
31	9G1 307 202 00	Pipe assembly		1	
32	9G1 307 253 00	Retaining plate		1	
33	9G1 307 822 00	flat round head bolt		3	
34	9G1 307 259 00	Retaining plate		1	
35	9G1 321 011 03	Bleeding		1	
36	9G1 321 011 04	Bleeding		1	
36	0B5 301 675 A	No longer use the part here Vent hose To Use 9G1.321.211.91 and 9G1.321.011.95 No longer use the part here		1	
36	9G1 321 211 91	Bleeding		1	
-	999 507 127 40	Hose bracket 16,0 - 18,5 Use		1	
		with:			
-	999 507 909 40	Bleeding 9G132101104 Cable holder		1	
40	9G1 317 697 00	Connector housing pressure regulator		X	
41	9G1 321 235 90	Banjo bolt		1	
42	900 123 106 30	seal ring A 18X24		2	
43	9G1 321 011 95	Bleeding		1	
44	N 102 627 01	Double clip		1	
45	999 507 909 40	Cable holder		1	
46	N 105 257 01	Double hose holder		1	
47	999 911 764 01	Edge protection		1	
48	9G1 307 816 00	Torx screw M6 X 16		3	

Model: 991G13

Model life 2014>>



Model: 991G13 Model life 2014>>

Pos	Part Number	Description	Remark	Qty	Model
		- PDK - Gearbox heat exchanger oil pipe Water pipe			CG190,CG192, CG195
1	9G1 307 017 00	heat exchanger		1	
2	9G1 307 813 00	Torx screw M 6 X 12		5	
3	9G1 307 087 05	Oil pipe heat exchanger		1	
4	9G1 307 085 05	Oil return line heat exchanger	feed	1	
5	9G1 307 891 00	seal ring Oil pipe heat exchanger		4	
6	9G1 307 245 00	Retaining plate Oil pipe heat exchanger		2	
7	9G1 307 813 00	Torx screw M 6 X 12		2	
8	9G1 307 255 00	Retaining plate oil pipe		1	
9	9G1 307 802 00	Gearbox Torx screw M 8 X 15		1	
10	999 507 855 40	Cable holder 12,00 / 12,00		1	
11	9G1 307 735 91	Hose Coolant		1	
12	9G1 307 713 90	Coolant hose	return	1	CG190,CG195
12	9G1 307 713 91	Coolant hose		1	CG192
13	991 307 573 00	Disc valve		2	CG190
13	9P1 317 233	Disc valve		2	CG195
14	N 910 682 01	Hexagon socket flat head bolt M 4 X 10		3	CG190,CG195
15	7PP 906 270	Change-over valve		2	CG190
16	999 239 040 40	Connecting piece		2	
17	9G1 307 411 90	Bracket Disc valve		1	CG190,CG195
18	999 651 418 01	Bracket Hose		1	
19	9G1 307 733 91	Hose Coolant		1	CG190,CG195
20	999 512 589 09	Hose clamp A 25 X 12	feed	9	
20	999 512 589 09	Hose clamp A 25 X 12		2	CG192
21	999 651 358 01	Bracket 15 - 21		2	
22	811 971 848 B	Retaining clip 4,8 - 5,3		1	
-	000 043 205 01	Pipe Vacuum line 4,0 X 1,0		*	
23		Vacuum line L = 480MM		1	
24	9G1 307 019 00	heat exchanger		1	
		also use:	9G1 307 241 00	1	
			991 307 822 00	2	

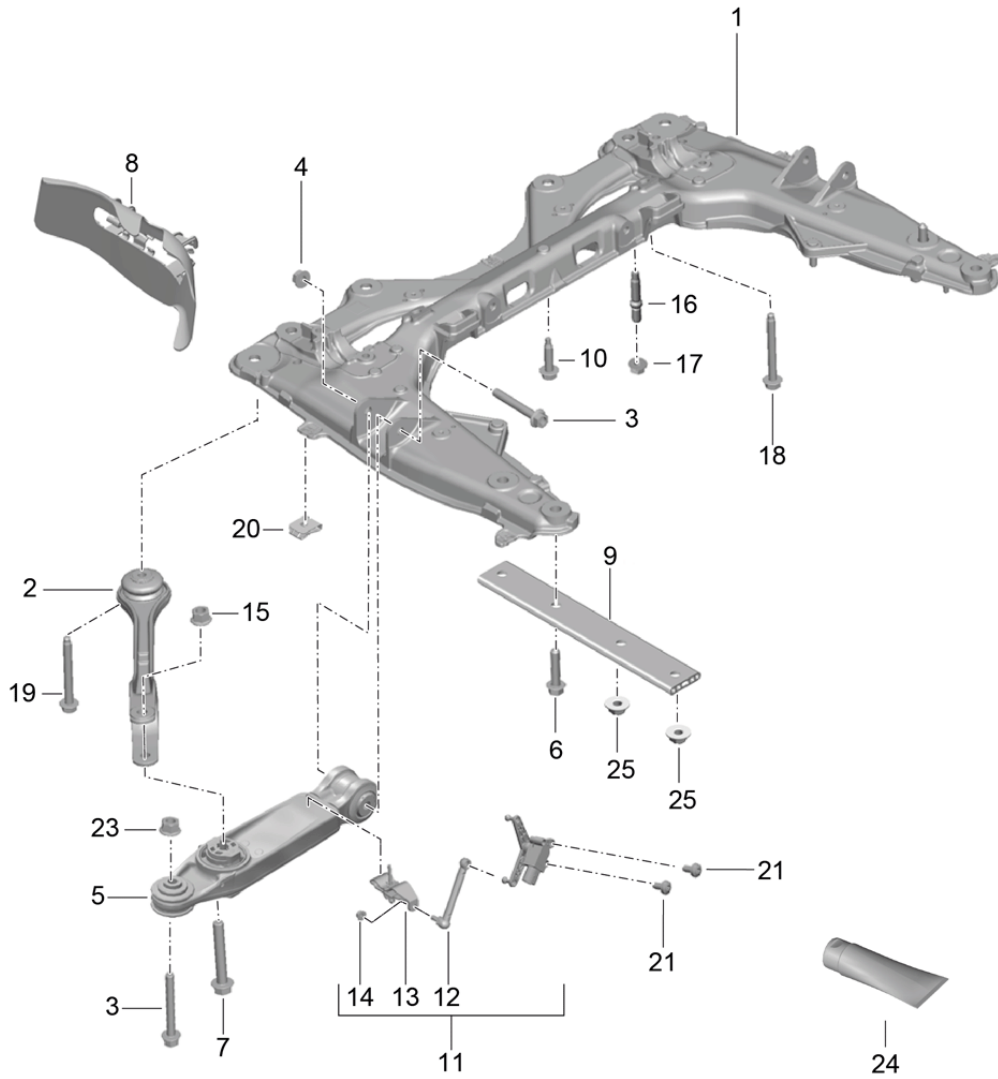
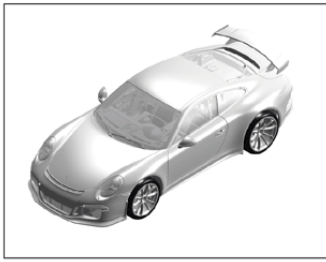
Model: 991G13

Model life 2014>>

Pos	Part Number	Description	Remark	Qty	Model
25	9G1 307 241 00	Seal heat exchanger	991 307 823 00	3	
				1	
			also use:		
			991 307 822 00	2	
27	991 307 822 00	flat round head bolt M 6 X 20	991 307 823 00	3	
				2	
28	991 307 823 00	flat round head bolt M 6 X 55		3	
-	999 239 031 42	Hose Vacuum line 3,5 X 2,0		X	
		D >> - MJ 2017			
29		Vacuum line L = 100MM		1	
30	999 507 909 40	Cable holder 11,5 - 13,0		1	
31	N 102 627 01	Double clip Disc valve		1	
32	9G1 307 675 00	Vacuum hose		1	CG190,CG195

Model: 991G13

Model life 2014>>



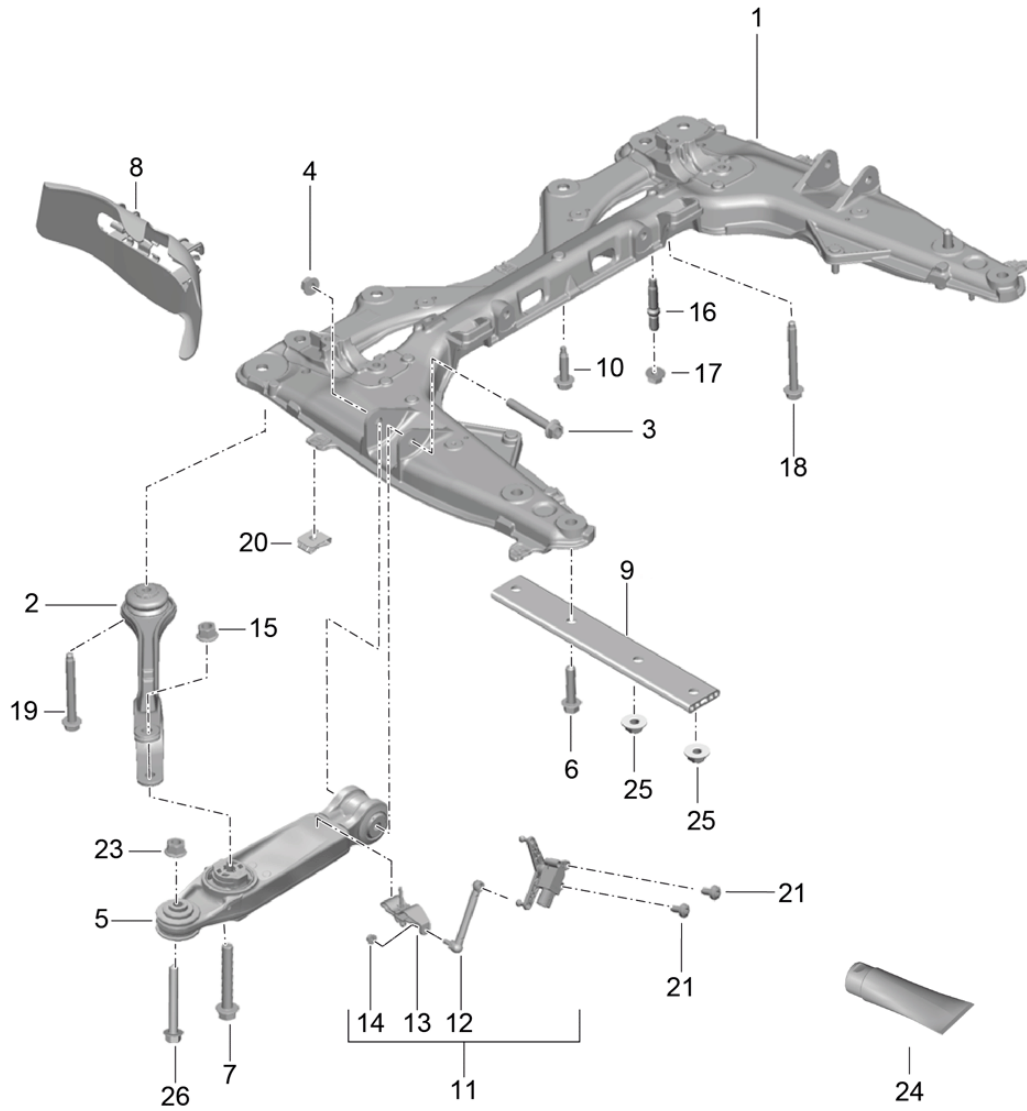
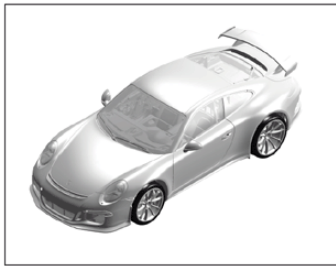
Model: 991G13

Model life 2014>>

Pos	Part Number	Description	Remark	Qty	Model
		Cross member Wishbone D >> - MJ 2017			
1	991 341 081 16	Cross member		1	
2	991 341 043 01	Guide Discontinued part		2	
(2)	991 341 043 02	Guide		2	
(2)	991 341 043 03	Guide		2	
(2)	991 341 043 80	Guide		2	
3	999 072 852 01	Hexagon bolt M 12 X 1,5 X 90 No longer use the part here		2	
(3)	9A7 008 209 00	Hexagon bolt M 12 X 1,5 X 90		2	
(3)	999 072 876 01	Hexagon bolt M 12 X 1,5 X 95		4	
4	999 084 445 01	Locknut M 12 X 1,5		2	
5	991 341 041 81	Wishbone	left	1	
(5)	991 341 041 87	Wishbone	left	1	
(5)	991 341 041 82	Wishbone	left	1	
(5)	991 341 042 81	Wishbone	right	1	
(5)	991 341 042 87	Wishbone	right	1	
(5)	991 341 042 82	Wishbone	right	1	
6	N 911 489 01	multi-point socket head bolt with collar M 12 X 1,5 X 60		4	
7	999 072 892 01	Hexagon bolt AM 14 X 1,5 X 92		2	
8	991 341 483 80	Spoiler	left	1	
(8)	991 341 483 81	Spoiler	left	1	
(8)	991 341 484 80	Spoiler	right	1	
(8)	991 341 484 81	Spoiler	right	1	
9	991 504 741 00	Brace		2	
10	999 072 863 01	Hexagon bolt M 12 X 1,5 X 50		2	
11	991 343 021 80	Level sensor		2	PR:475
(11)	991 343 921 80	Level sensor		2	PR:475
12	991 343 327 00	Brace		2	PR:475
13	996 341 371 03	Bracket for cross member		2	PR:475
14	900 380 015 01	Hexagon nut M 6		2	
15	900 380 012 01	Hexagon nut M 14 X 1,5		2	
16	999 061 125 01	Threaded pin M 12 X 1,5		4	
17	N 909 167 01	Hexagon collar nut self-locking M 12 X 1,5		4	
18	999 072 836 01	Hexagon bolt M 10 X 60		4	
19	999 072 864 01	Hexagon bolt AM 12 X 1,5 X 105		2	
20	999 507 795 09	panel nut ST 4,8		6	
21	N 104 857 03	Hexagon socket flat head bolt M 5X12		4	PR:475
23	999 084 449 09	Locknut M 12 X 1,5		2	
24	9A7 915 576 01	Corrosion protection		1	
25	999 084 648 01	Hexagon nut M 10		4	

Model: 991G13

Model life 2014>>



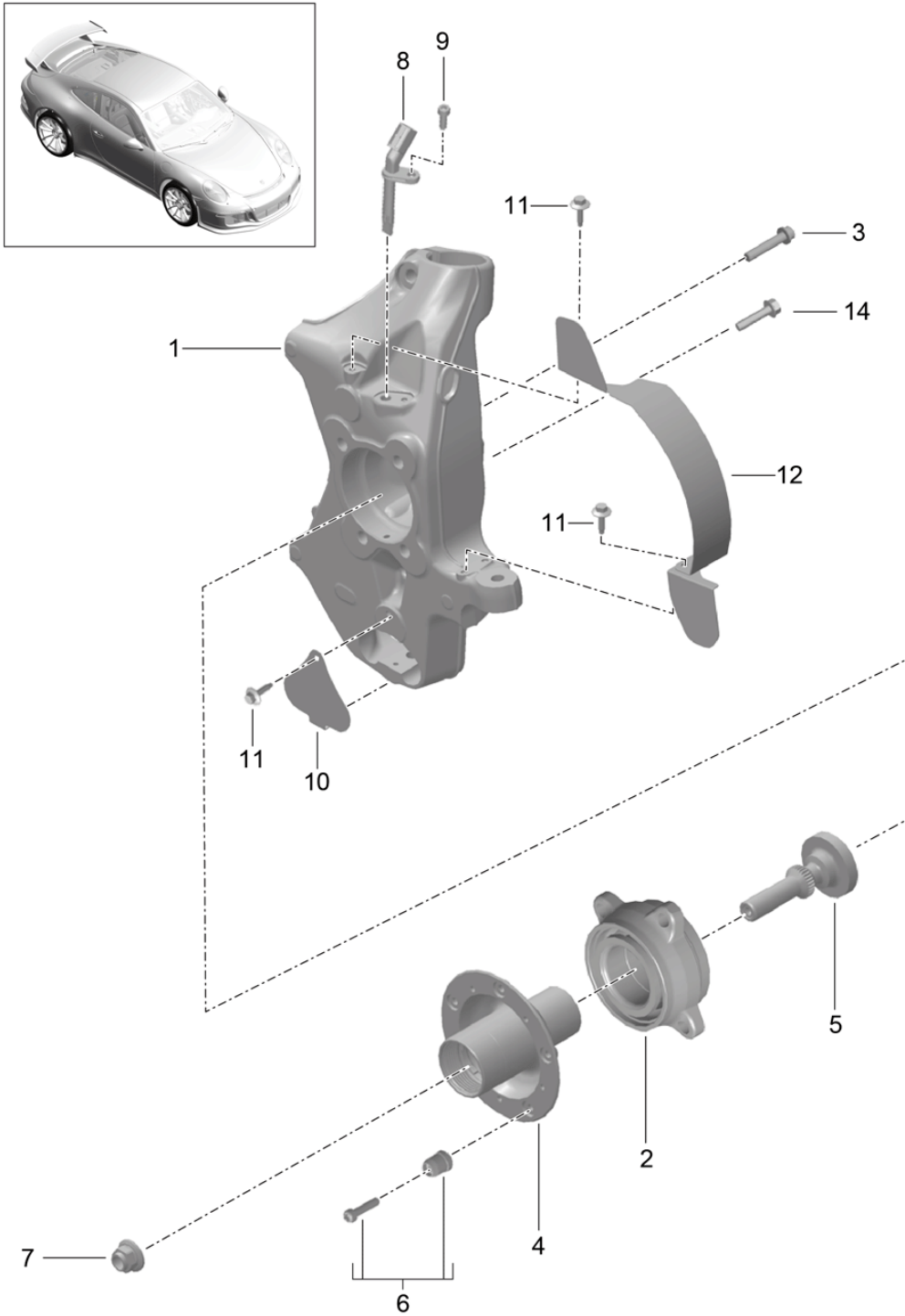
Model: 991G13

Model life 2014>>

Pos	Part Number	Description	Remark	Qty	Model
		Cross member Wishbone D - MJ 2018>>			
1	991 341 081 16	Cross member		1	
2	991 341 043 03	Guide		2	
(3)	9A7 008 209 00	Hexagon bolt M 12 X 1,5 X 90		2	
4	999 084 445 01	Locknut M 12 X 1,5		2	
5	991 341 041 89	Wishbone Front axle	left	1	
5	991 341 041 87	Wishbone	left	1	
5	991 341 042 89	Wishbone	right	1	
(5)	991 341 042 87	Wishbone	right	1	
6	N 911 489 01	multi-point socket head bolt with collar M 12 X 1,5 X 60		4	
7	999 072 892 01	Hexagon bolt AM 14 X 1,5 X 92		2	
8	991 341 483 80	Spoiler	left	1	
(8)	991 341 484 80	Spoiler	right	1	
9	991 504 741 00	Brace		2	
10	999 072 863 01	Hexagon bolt M 12 X 1,5 X 50		2	
11	991 343 921 80	Level sensor		2	PR:475
12	991 343 327 00	Brace		2	PR:475
13	996 341 371 03	Bracket for cross member		2	PR:475
14	900 380 015 01	Hexagon nut M 6		2	
15	900 380 012 01	Hexagon nut M 14 X 1,5		2	
16	999 061 125 01	Threaded pin M 12 X 1,5		4	
17	N 909 167 01	Hexagon collar nut self-locking M 12 X 1,5		4	
18	999 072 836 01	Hexagon bolt M 10 X 60		2	
19	999 072 864 01	Hexagon bolt AM 12 X 1,5 X 105		2	
20	999 507 795 09	panel nut ST 4,8		6	
21	N 104 857 03	Hexagon socket flat head bolt M 5X12		4	PR:475
22	996 341 543 95	adjusting washer 10 MM		2	
23	999 084 449 09	Locknut M 12 X 1,5		2	
24	9A7 915 576 01	Corrosion protection		1	
25	999 084 648 01	Hexagon nut M 10		4	
26	999 072 877 01	Hexagon bolt M 12 X 1,5 X 95		2	

Model: 991G13

Model life 2014>>



Model: 991G13

Model life 2014>>

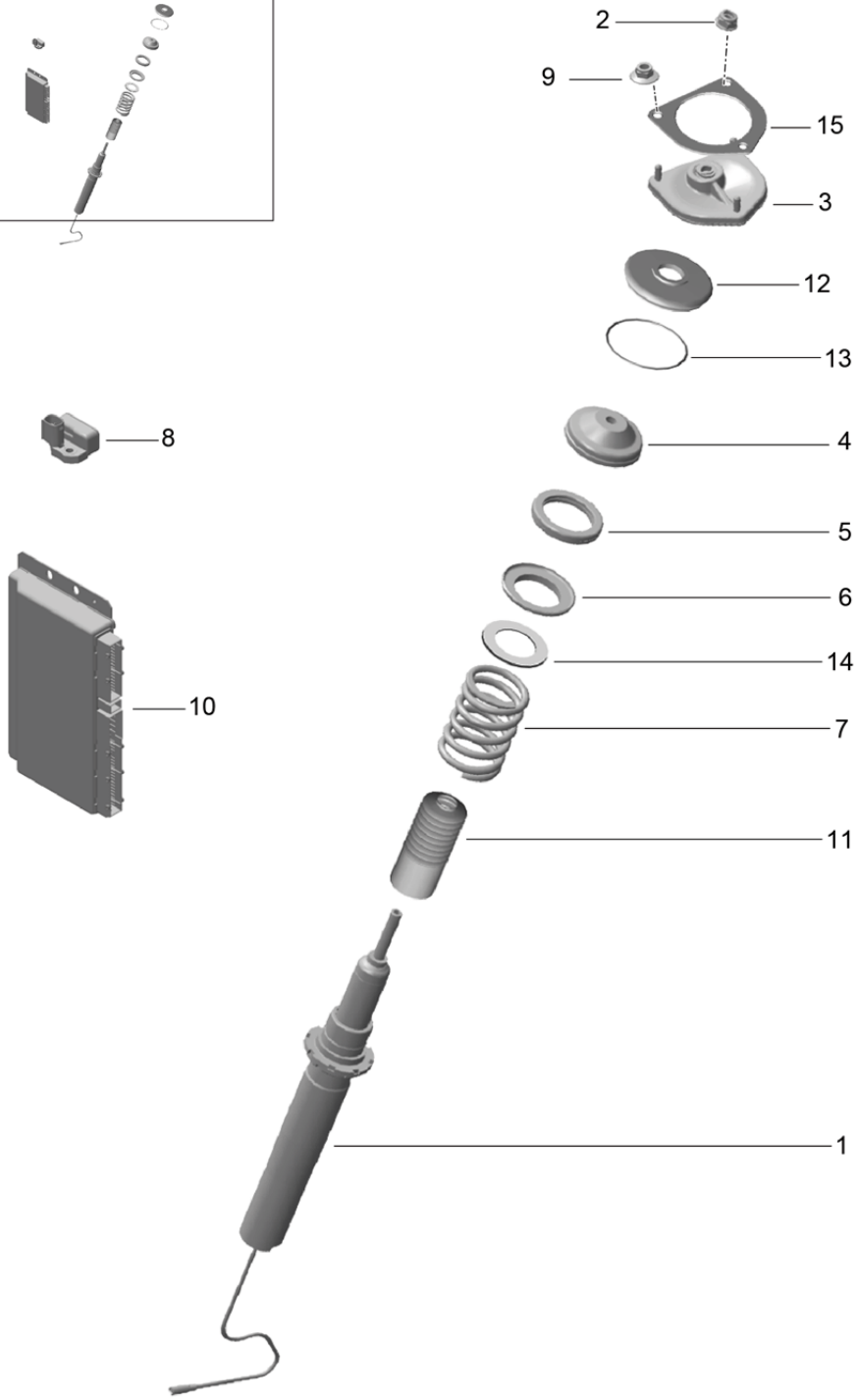
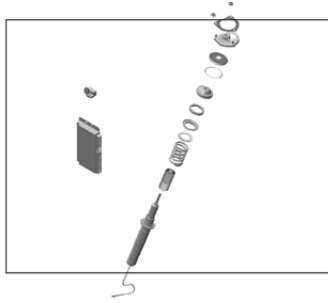
Pos	Part Number	Description	Remark	Qty	Model
		Wheel carrier Wheel hub D >> - MJ 2017			
1	991 341 157 80	Wheel carrier	left	1	
(1)	991 341 158 80	Wheel carrier	right	1	
2	958 331 583 00	angular ball bearing also use:		2	
		Position 3 + 7			
3	WHT 004 835	Ball screw M 12 X 1.25 X 45		8	
4	991 341 607 80	Wheel hub Discontinued part		2	
(4)	991 341 607 81	Wheel hub		2	
5	991 341 131 80	retaining bolt		2	
6	991 341 905 80	1 set attachment parts comprising:		2	PR:478
		Driving pin		5	
		Fastening screw		5	
7	999 084 135 02	Hexagon nut M 22 X 1,5 S		2	
(7)	WHT 007 021	No longer use the part here hex. nut, self-locking with washer M 22 X 1,5 S		2	
8	991 606 407 01	speed sensor		2	
9	900 067 117 04	Socket head bolt M 6 X 16		2	
10	991 351 801 80	Cover plate Wheel carrier		2	
11	999 217 116 01	Hexagon bolt M 6 X 16		X	
12	991 351 603 81	Cover plate	left	1	
(12)	991 351 604 81	Cover plate	right	1	
14	900 378 108 01	Hexagon bolt AM 8 X 35		2	

Model: 991G13 Model life 2014>>

Pos	Part Number	Description	Remark	Qty	Model
		Wheel carrier Wheel hub D - MJ 2018>>			
1	991 341 157 80	Wheel carrier	left	1	
(1)	991 341 158 80	Wheel carrier	right	1	
2	958 331 583 00	angular ball bearing		2	
		also use:			
		Position 3 + 7			
3	WHT 004 835	Ball screw M 12 X 1.25 X 45		8	
4	991 341 607 81	Wheel hub		2	PR:478
5	991 341 131 80	retaining bolt		2	
6	991 341 905 80	1 set attachment parts comprising:		2	PR:478
		Driving pin		5	
		Fastening screw		5	
7	WHT 007 021	hex. nut, self-locking with washer M 22 X 1,5 S		2	
8	991 606 407 01	speed sensor		2	
9	900 067 117 04	Socket head bolt M 6 X 16		2	
10	991 351 801 80	Cover plate Wheel carrier		2	
11	999 217 116 01	Hexagon bolt M 6 X 16		10	
12	991 351 603 81	Cover plate	left	1	
		D >> - 31.07.2017			
12	991 351 603 82	Cover plate	left	1	
		D - 01.08.2017>>			
(12)	991 351 604 81	Cover plate	right	1	
		D >> - 31.07.2017			
(12)	991 351 604 82	Cover plate	right	1	
		D - 01.08.2017>>			
14	900 378 108 01	Hexagon bolt AM 8 X 35		2	

Model: 991G13

Model life 2014>>

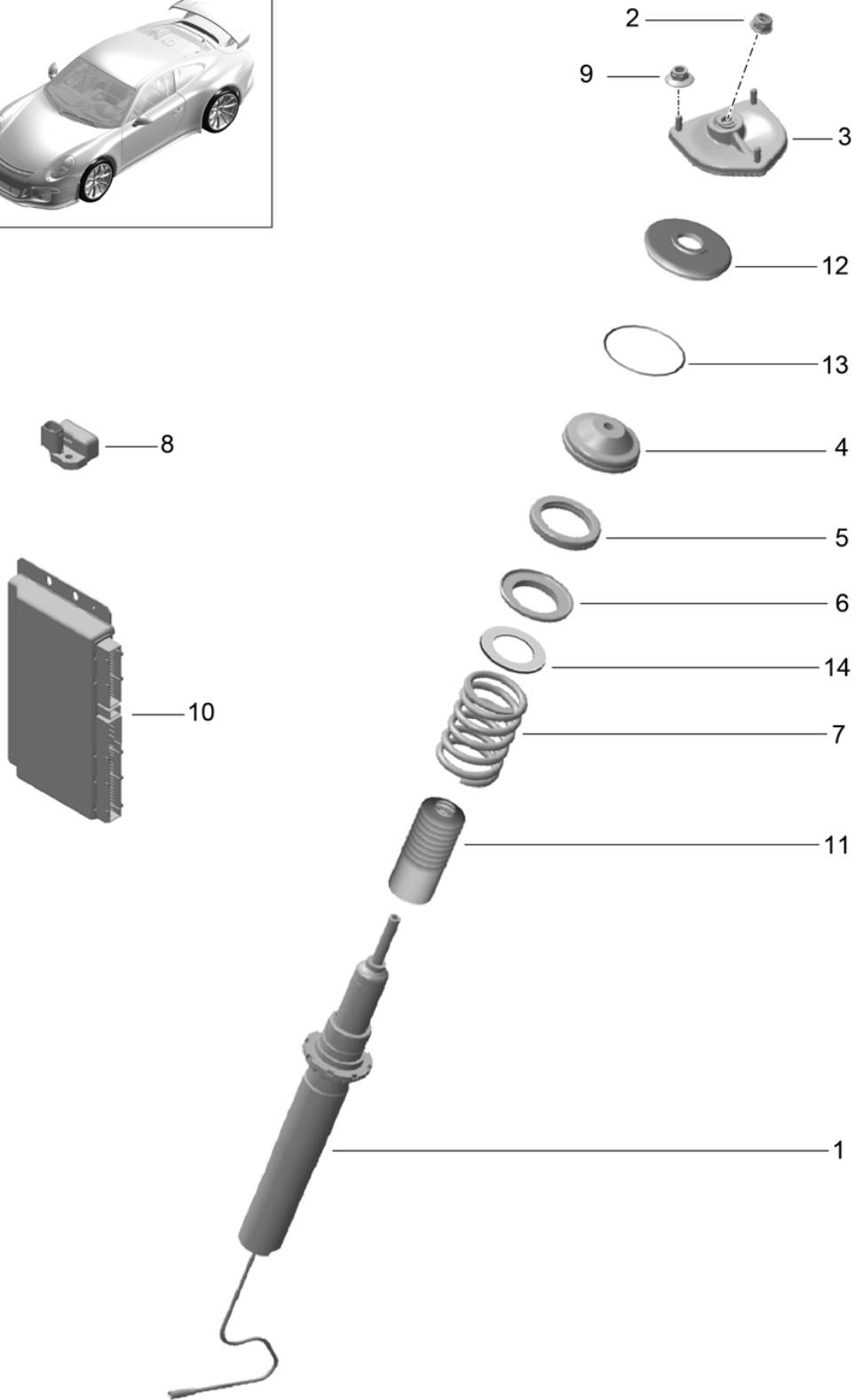
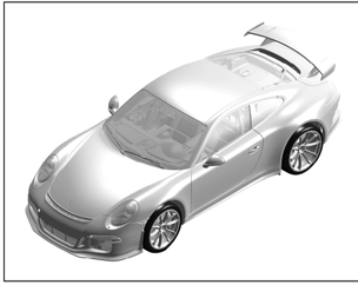


Model: 991G13 Model life 2014>>

Pos	Part Number	Description	Remark	Qty	Model
		vibration damper D >> - MJ 2017			PR:475
1	991 343 045 82	vibration damper		2	PR:474
(1)	991 343 045 86	vibration damper		2	PR:474
(1)	991 343 045 80	vibration damper		2	PR:-474
(1)	991 343 045 85	vibration damper		2	PR:-474
2	999 084 133 01	Hexagon nut M 14 X 1,5		4	
3	991 343 015 80	Shock absorber bearing		2	
(3)	991 343 015 81	Shock absorber bearing without:	left	1	
		Spacer ring see Technical information GR. 4 NR. 28/16			
(3)	991 343 016 81	Shock absorber bearing without:	right	1	
		Spacer ring see Technical information GR. 4 NR. 28/16			
(3)	991 343 915 82	Shock absorber bearing with:	left	1	
		Spacer ring see Technical information GR. 4 NR. 28/16			
(3)	991 343 916 82	Shock absorber bearing with:	right	1	
		Spacer ring see Technical information GR. 4 NR. 28/16			
4	991 343 507 81	spring disc	upper	2	
(4)	991 343 507 82	spring disc	upper	2	
5	991 343 501 81	Mounting		2	
6	991 343 517 81	shelf	lower	2	
7	991 343 531 80	Coil spring		1	
	991 343 531 80 504	1 pair of springs			
(7)	981 343 531 80	Coil spring		1	PR:475
	981 343 531 80 504	1 pair of springs			
8	991 606 111 00	Acceleration sensor for bodywork		3	
9	999 084 447 01	Hexagon nut M 8		6	
9	PAF 003 923	Hexagon nut M 8		6	
10	991 618 450 11	Control unit		1	PR:140
(10)	991 618 450 12	Control unit		1	PR:140
(10)	991 618 450 16	Control unit		1	PR:140
11	997 343 567 90	protective pipe		2	
12	964 343 186 80	sealing cap		2	
13	964 343 188 80	retaining spring		2	
14	991 343 518 80	shelf	lower	2	
15	991 343 925 80	Spacer ring see Technical information GR. 4 NR. 28/16		2	

Model: 991G13

Model life 2014>>



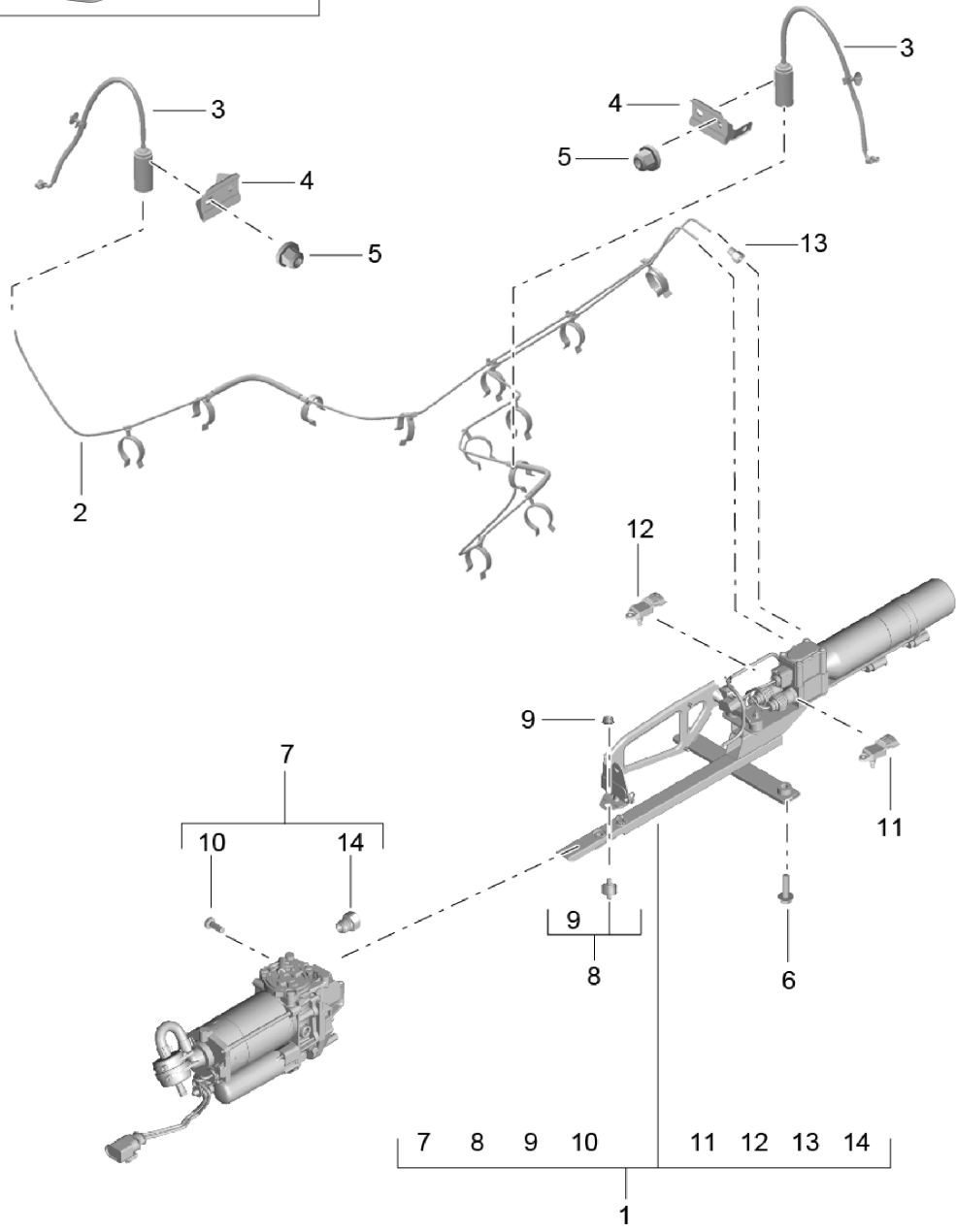
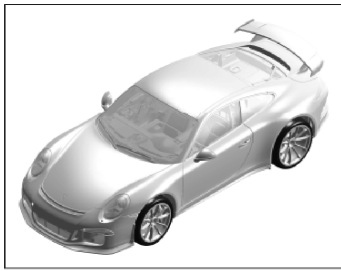
Model: 991G13

Model life 2014>>

Pos	Part Number	Description	Remark	Qty	Model
		vibration damper			PR:475
		D - MJ 2018>>			
1	991 343 045 82	vibration damper		2	PR:474
(1)	991 343 045 80	vibration damper		2	PR:-474
(1)	991 343 045 72	vibration damper		2	PR:-474
(1)	991 343 045 75	vibration damper		2	PR:474
		Included			
		Axle lift			
2	999 084 133 01	Hexagon nut		2	
		M 14 X 1,5			
3	991 343 015 80	Shock absorber bearing		2	
4	991 343 507 82	spring disc	upper	2	
5	991 343 501 81	Mounting		2	
6	991 343 517 82	shelf	lower	2	
6	991 343 517 81	shelf	lower	2	
7	981 343 531 80	Coil spring		1	
	981 343 531 80 504	1 pair of springs			
8	991 606 111 00	Acceleration sensor for bodywork		3	
9	999 084 447 01	Hexagon nut		6	
		M 8			
9	PAF 003 923	Hexagon nut		6	
		M 8			
10	991 618 450 28	Control unit		1	PR:140,486
		Discontinued part			
(10)	991 618 450 50	Control unit		1	PR:140,250
		Discontinued part			
(10)	991 618 450 52	Control unit		1	PR:140
		Discontinued part			
(10)	991 618 450 54	Control unit		1	
(10)	991 618 450 53	Control unit		1	PR:140,475
11	997 343 567 90	protective pipe		2	
12	964 343 186 80	sealing cap		2	
13	964 343 188 80	retaining spring		2	
14	991 343 518 80	shelf	lower	2	

Model: 991G13

Model life 2014>>



Model: 991G13

Model life 2014>>

Pos	Part Number	Description	Remark	Qty	Model
		Level adjustment Front axle D >> - MJ 2017			PR:474
1	991 341 263 90	Pump (complete) Discontinued part		1	
(1)	991 341 263 91	Pump (complete) Discontinued part		1	
(1)	991 341 263 92	Pump (complete) Discontinued part		1	
(1)	991 341 263 93	Pump (complete) Discontinued part		1	
(1)	991 341 263 94	Pump (complete) Discontinued part		1	
(1)	991 341 263 95	Pump (complete)		1	
(1)	991 341 263 96	Pump (complete)		1	
(1)	991 341 263 95	Pump (complete)		1	
2	991 341 267 90	Line Set Pump		1	
3	991 341 365 91	Line for Shock absorbers	left	1	
(3)	991 341 366 91	Line for Shock absorbers	right	1	
4	991 341 857 80	Bracket Level adjustment	left	1	
(4)	991 341 858 80	Bracket Level adjustment	right	1	
5	999 049 033 40	Plastic nut Bracket T6/16		4	
6	999 072 063 02	Hexagon bolt Line Pump AM 10 X 40		3	
7	991 341 993 80	Repair kit for compressor comprising: Compressor Wire set Screw Cable ties		1 1 1 2	
8	991 341 877 80	Wiring connector sound absorber piece repair set comprising: sound absorber piece Nut		1 3 1 2	
9	991 341 875 80	Hexagon nut M6		1	
10	991 341 873 80	fillister hd. bolt M6X12		3	
11	991 606 995 80	Pressure sensor Black		1	
12	991 606 993 80	Pressure sensor		1	

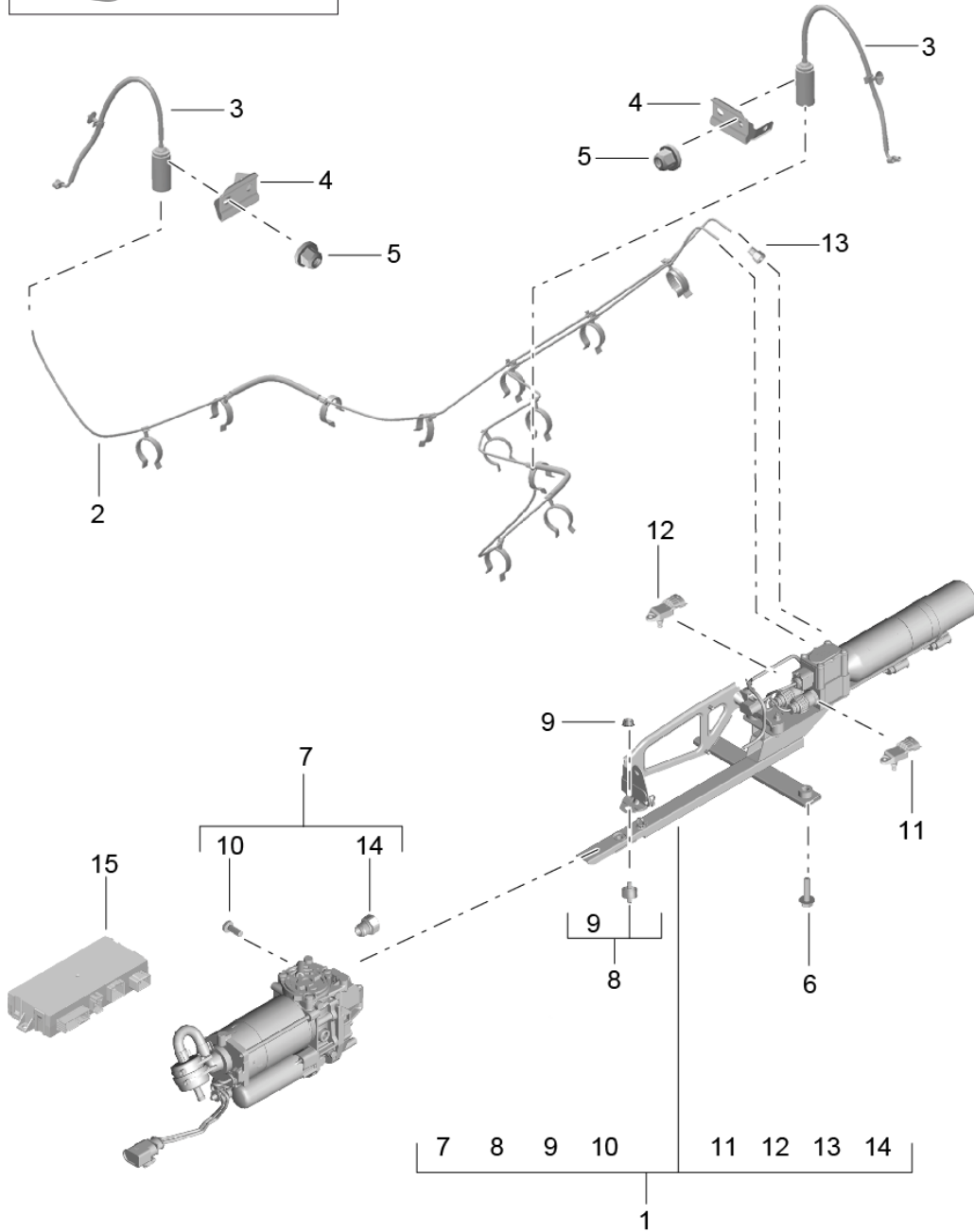
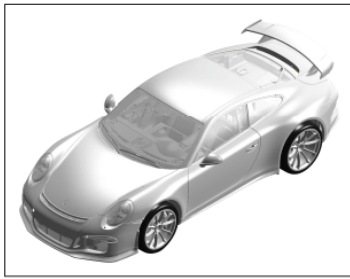
Model: 991G13

Model life 2014>>

Pos	Part Number	Description	Remark	Qty	Model
13	999 230 598 10	blue Connecting piece for Lines VOSS 4,0		2	
14	999 230 753 10	Connecting piece for Lines VOSS 6,0		1	
-		Control unit Level adjustment see illustration:	901-003		

Model: 991G13

Model life 2014>>



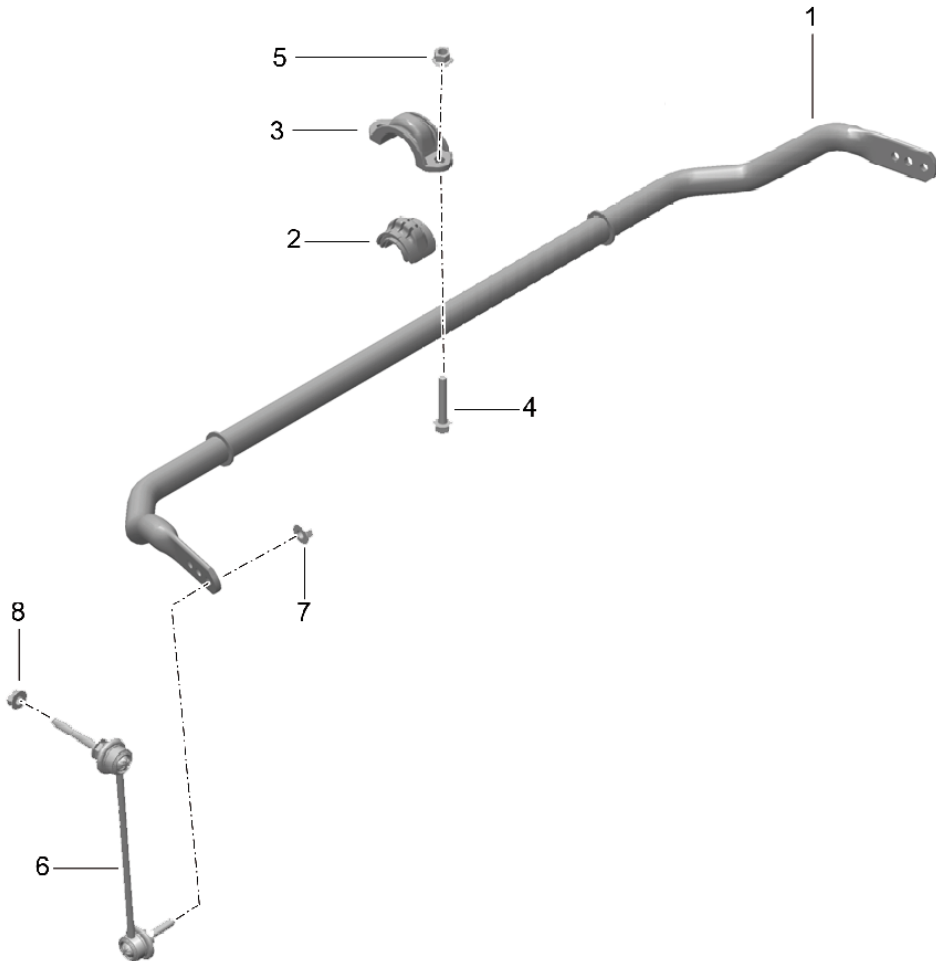
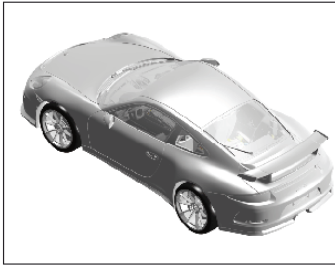
Model: 991G13

Model life 2014>>

Pos	Part Number	Description	Remark	Qty	Model
		Level adjustment Front axle D - MJ 2018>>			PR:474
1	991 341 263 97	Pump (complete)		1	
2	991 341 267 90	Line Set Pump		1	
3	991 341 365 91	Line for Shock absorbers	left	1	
(3)	991 341 366 91	Line for Shock absorbers	right	1	
4	991 341 857 80	Bracket Level adjustment	left	1	
(4)	991 341 858 80	Bracket Level adjustment	right	1	
5	999 049 033 40	Plastic nut Bracket		4	
6	999 072 063 02	T6/16 Hexagon bolt Line Pump		3	
7	991 341 993 80	AM 10 X 40 Repair kit for compressor comprising: Compressor Wire set Screw Cable ties Wiring connector		1 1 1 3 2 1	
8	991 341 877 80	sound absorber piece repair set comprising: sound absorber piece Nut		3 1 2	
9	991 341 875 80	Hexagon nut M6		1	
10	991 341 873 80	fillister hd. bolt M6X12		3	
11	991 606 995 80	Pressure sensor Black		1	
12	991 606 993 80	Pressure sensor blue		1	
15		Control unit Level adjustment			
16	000 043 305 50	Oil NIVEAUANHEBUNG	see illustration: 901-003	1	

Model: 991G13

Model life 2014>>



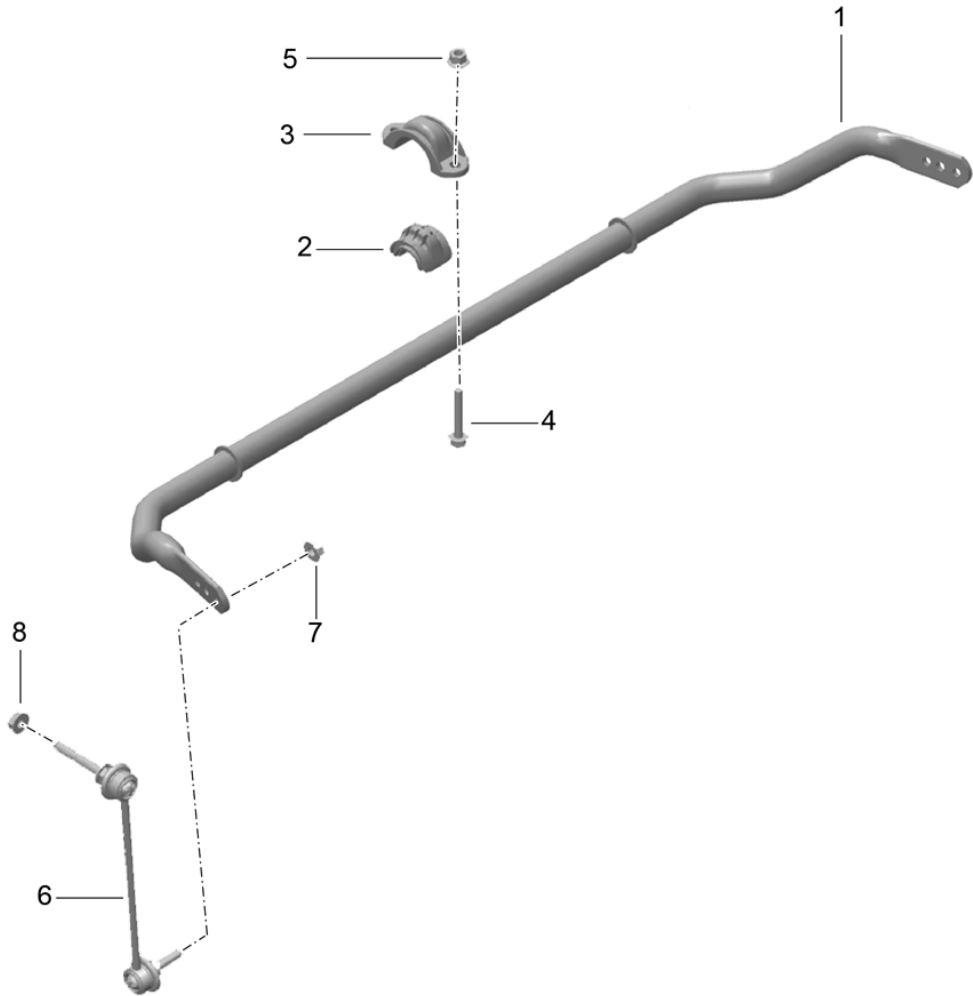
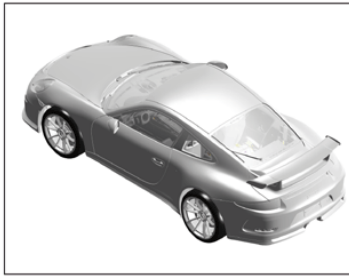
Model: 991G13

Model life 2014>>

Pos	Part Number	Description	Remark	Qty	Model
		Anti-roll bar D >> - MJ 2017			
1	991 343 701 80	Anti-roll bar		1	
2	991 343 793 02	anti-roll bar bearing bracket		4	
3	991 343 777 00	Clamp		2	
4	999 072 836 01	Hexagon bolt AM 10 X 60		4	
5	900 380 008 01	Hexagon nut M 10		4	
6	991 343 069 80	Coupling rod Set		2	
7	999 084 123 09	Hexagon nut M 10	lower	2	
8	999 084 445 01	Locknut M 12	upper	2	

Model: 991G13

Model life 2014>>



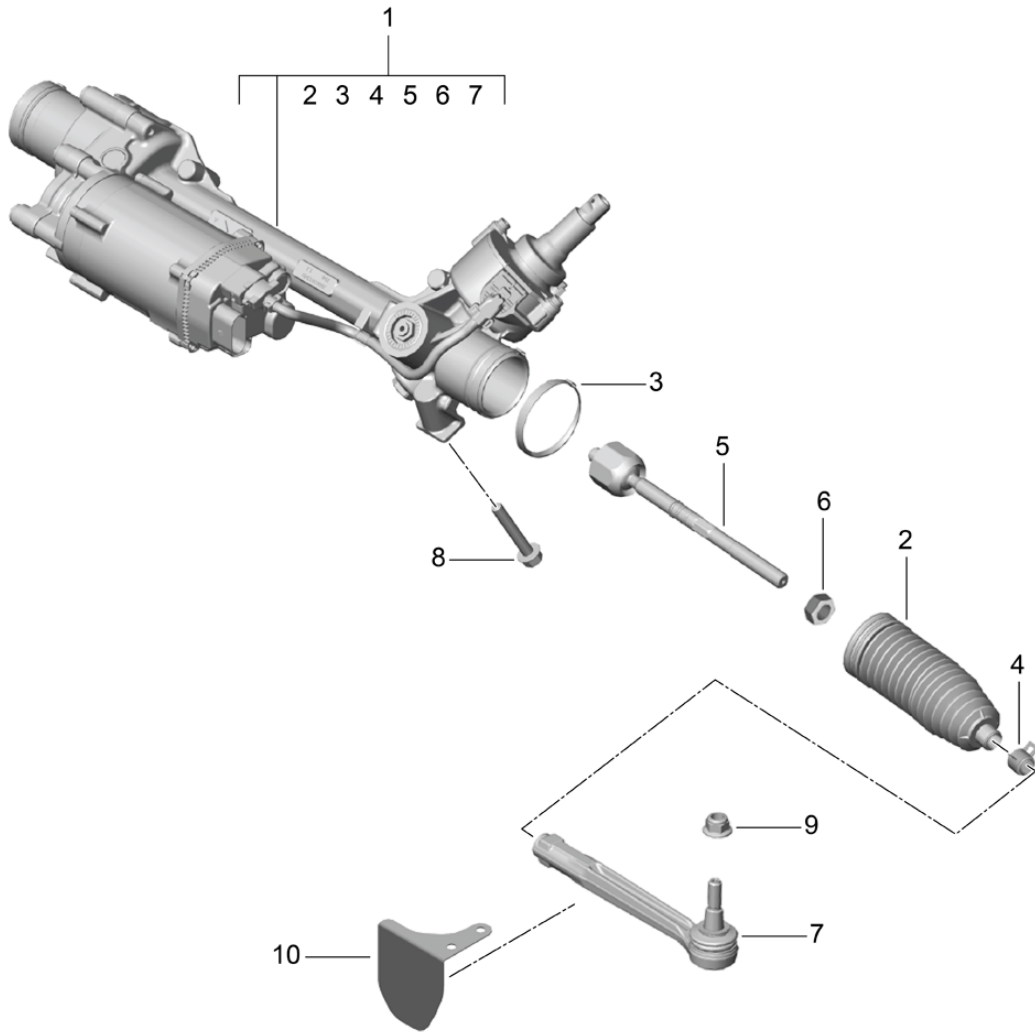
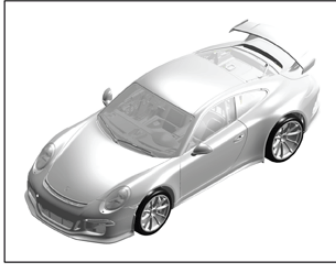
Model: 991G13

Model life 2014>>

Pos	Part Number	Description	Remark	Qty	Model
		Anti-roll bar			
		D - MJ 2018>>			
1	991 343 701 81	Anti-roll bar		1	PR:-808,004
(1)	9P1 411 309 B	Anti-roll bar		1	PR:808
1	991 343 701 80	Anti-roll bar		1	PR:-004,-808
2	991 343 793 02	anti-roll bar bearing bracket		4	
3	991 343 777 00	Clamp		2	
4	N 106 996 01	bolt,hex.hd.with shoul.(combi)	M10X60	4	PR:808
(4)	999 072 836 01	Hexagon bolt	AM 10X60	4	PR:-808
5	900 380 008 01	Hexagon nut	M10	4	
		discontinued part			
(5)	N 912 679 02	Hexagon nut	M10	4	
6	9P1 411 315	Coupling rod		2	PR:808
6	991 343 069 80	Coupling rod		2	PR:-808
7	999 084 123 09	Hexagon nut	lower	2	
		M 10			
8	999 084 445 01	Locknut	upper	2	
		M 12			

Model: 991G13

Model life 2014>>

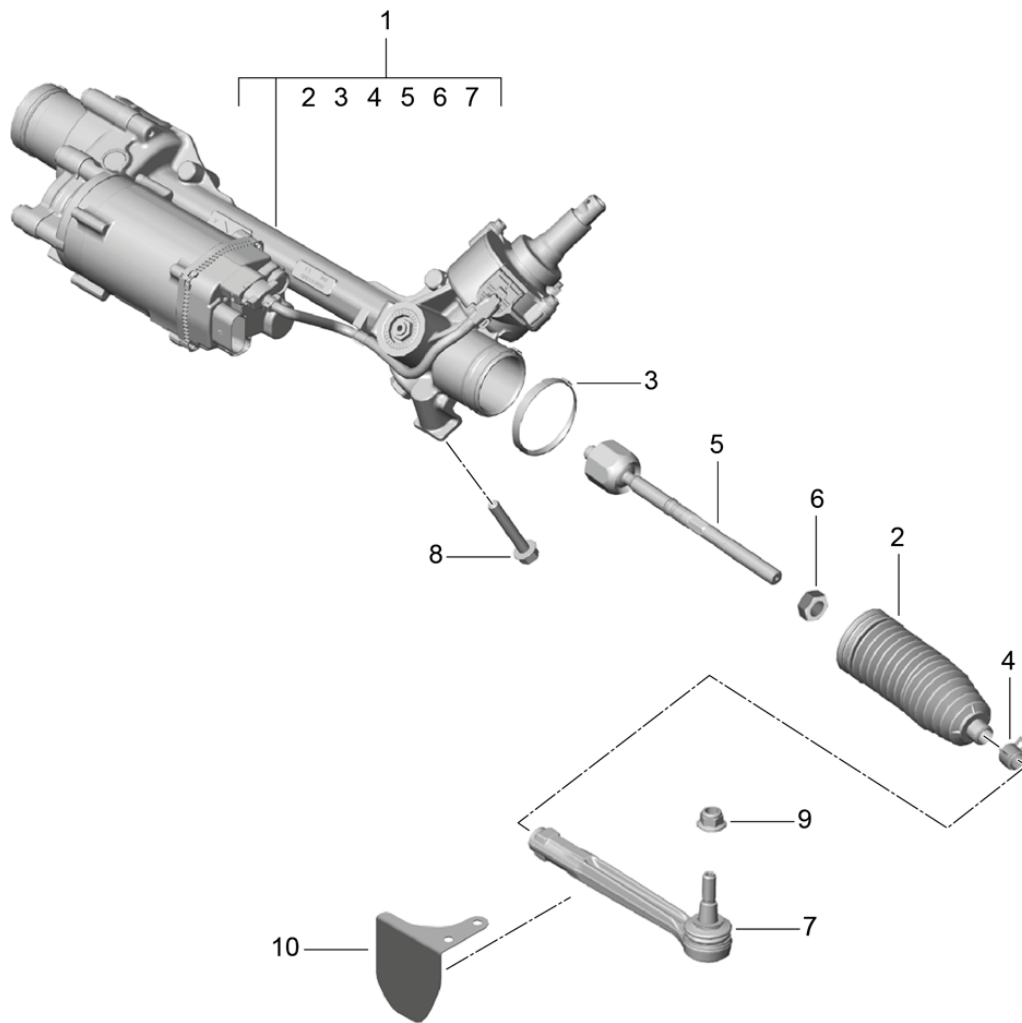
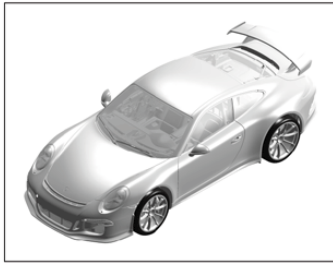


Model: 991G13 Model life 2014>>

Pos	Part Number	Description	Remark	Qty	Model
		Steering gear			
		Steering parts			
		D >> - MJ 2017			
1	991 347 011 81	Steering gear		1	PR:098,657
		No longer use the part here			
1	991 347 011 14	Steering gear		1	PR:098,657
		No longer use the part here			
1	991 347 005 14	Steering gear (complete)		1	PR:098,657
		Discontinued part			
(1)	991 347 005 15	Steering gear (complete)		1	PR:098,657
		Discontinued part			
(1)	991 347 005 18	Steering gear (complete)		1	PR:098,657
(1)	991 347 005 32	Steering gear (complete)		1	PR:098,657
(1)	991 347 005 84	Steering gear (complete)		1	PR:098,657
(1)	991 347 012 81	Steering gear		1	PR:099,657
		No longer use the part here			
(1)	991 347 012 14	Steering gear		1	PR:099,657
		No longer use the part here			
(1)	991 347 006 14	Steering gear (complete)		1	PR:099,657
		Discontinued part			
(1)	991 347 006 15	Steering gear (complete)		1	PR:099,657
(1)	991 347 006 32	Steering gear (complete)		1	PR:099,657
(1)	991 347 006 84	Steering gear (complete)		1	PR:099,657
2	991 347 191 01	Bellows		2	
3	991 347 293 01	clamping ring		2	
4	991 347 375 01	clamping ring		2	
5	991 347 322 00	Joint		2	
(5)	991 347 322 80	Joint		2	
6	999 034 037 01	Hexagon nut M 14 X 1,5		2	
7	991 347 131 00	Track rod		2	
8	999 072 836 01	Hexagon bolt AM 10 X 60		2	
9	999 084 449 09	Locknut M 12 X 1,5		2	
10	991 351 803 80	Cover plate	left	1	
		Track rod			
(10)	991 351 804 80	Cover plate	right	1	
		Track rod			

Model: 991G13

Model life 2014>>

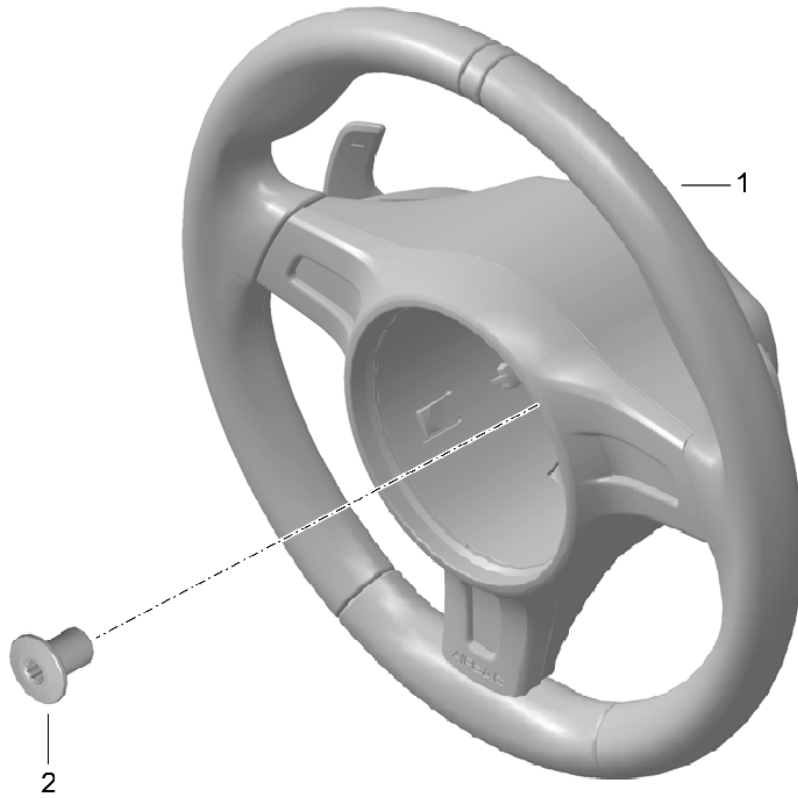
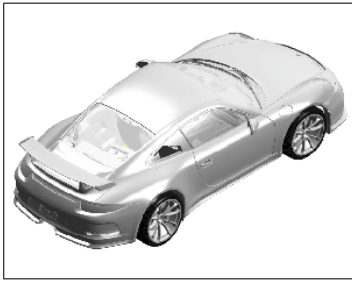


Model: 991G13 Model life 2014>>

Pos	Part Number	Description	Remark	Qty	Model
1	991 347 005 32	Steering gear Steering parts D - MJ 2018>> Steering gear (complete)		1	PR:098,657
1	991 347 005 42	Steering gear (complete)		1	
(1)	991 347 006 42	Steering gear		1	
(1)	991 347 006 32	Steering gear (complete)		1	PR:099,657
(1)	991 347 005 43	Steering gear	KOMPLETT	1	PR:098,357 657
(1)	991 347 006 43	Steering gear	KOMPLETT	1	PR:099,357 657
2	991 347 191 01	Bellows		2	
3	991 347 293 01	clamping ring		2	
4	991 347 375 01	clamping ring		2	
5	991 347 322 00	Joint		2	
6	999 034 037 01	Hexagon nut M 14 X 1,5		2	
7	991 347 131 00	Track rod		2	
8	999 072 836 01	Hexagon bolt AM 10 X 60		2	
9	999 084 449 09	Locknut M 12 X 1,5		2	
10	991 351 803 80	Cover plate Track rod D >> - 31.07.2017	left	1	
10	991 351 803 81	Cover plate Track rod D - 01.08.2017>>	left	1	
(10)	991 351 804 80	Cover plate Track rod D >> - 31.07.2017	right	1	
(10)	991 351 804 81	Cover plate Track rod D - 01.08.2017>>	right	1	

Model: 991G13

Model life 2014>>



Model: 991G13

Model life 2014>>

Pos	Part Number	Description	Remark	Qty	Model
1	991 347 803 80	Steering wheels D >> - MJ 2017 steering wheel Alcantara Discontinued part		1	PR:843,250
	991 347 803 80 RAG	Black/Platinum Grey	-28,78		
	991 347 803 80 RAH	Black/Guards Red	-68		
1	991 347 803 82	steering wheel Alcantara		1	PR:843,250
	991 347 803 82 RAG	Black/Platinum Grey	-28,78		
	991 347 803 82 RAH	Black/Guards Red	-68		
(1)	991 347 803 81	steering wheel (leather) Discontinued part		1	PR:840,250
	991 347 803 81 DRN	Black/Platinum Grey	-28,78		
	991 347 803 81 DRO	Black/Guards Red	-68		
(1)	991 347 803 83	steering wheel (leather)		1	PR:840,250
	991 347 803 83 DRN	Black/Platinum Grey	-28,78		
	991 347 803 83 DRO	Black/Guards Red	-68		
(1)	9P1 419 091 AD	steering wheel Alcantara		1	PR:877,-888,250
	9P1 419 091 AD RBA	Black/Lava Orange	-18,69,49		
	9P1 419 091 AD RBB	black/silver	-29,79,59		
(1)	9P1 419 091 DR	steering wheel Alcantara		1	PR:877,888,250
	9P1 419 091 DR RBA	Black/Lava Orange	-18,49,69		
(1)	9P1 419 091 AE	steering wheel (leather)		1	PR:878,250
	9P1 419 091 AE A34	Black			
(1)	9P1 419 091 GA	steering wheel (leather)		1	PR:878,486
	9P1 419 091 GA JHG	black/silver	-12,16,22,26		
2	N 910 207 01	Screw with int. serrations M 18 X 1.5 X 26		1	

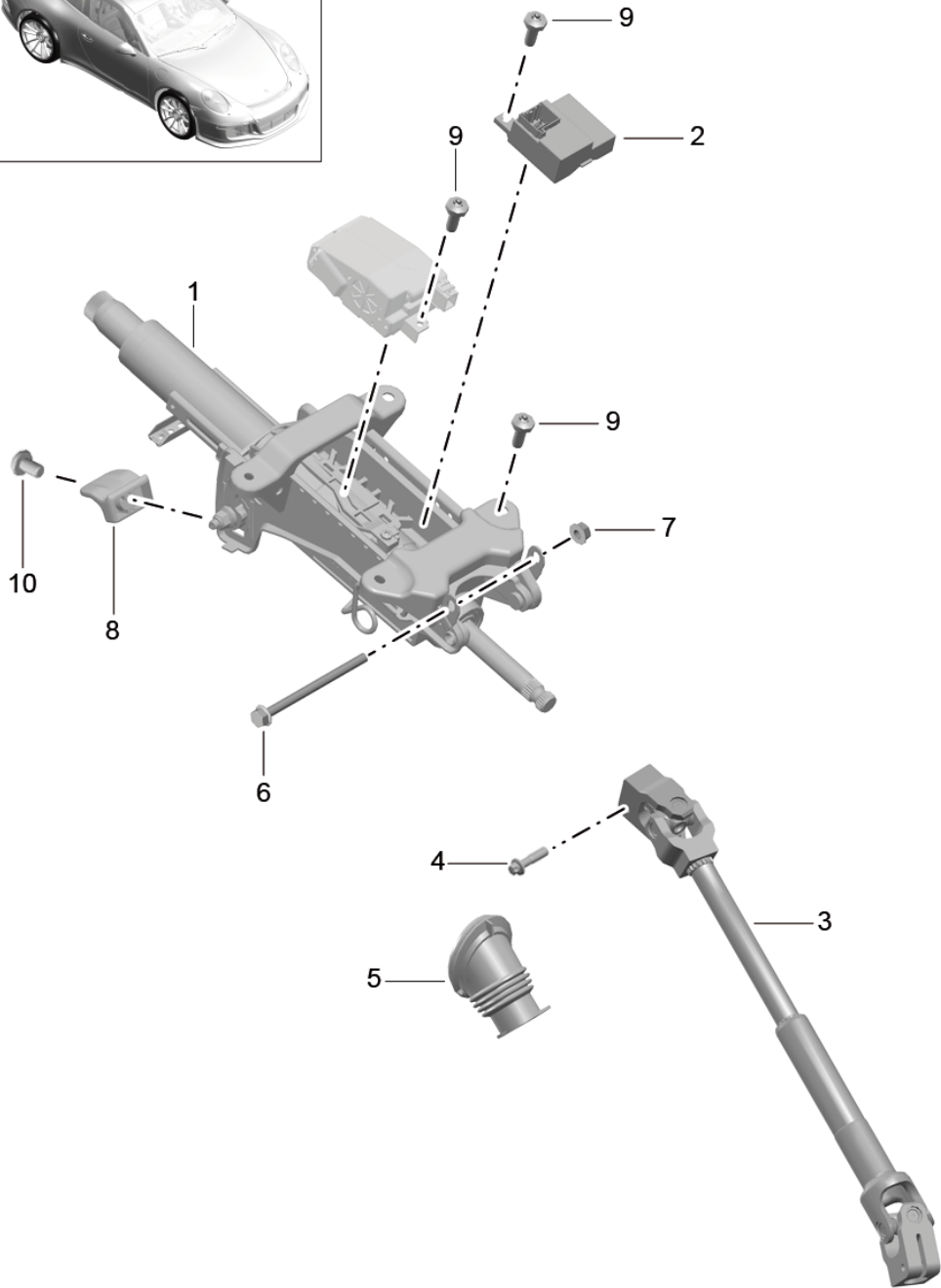
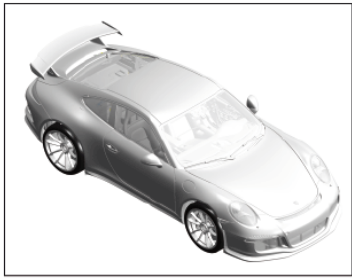
Model: 991G13

Model life 2014>>

Pos	Part Number	Description	Remark	Qty	Model
1	9P1 419 091 GD	Steering wheels D - MJ 2018>> steering wheel Alcantara		1	PR:877,250, -886
	9P1 419 091 GD RAG	Black/Platinum Grey	-28,78		
	9P1 419 091 GD RAH	Black/Guards Red	-68		
(1)	9P1 419 091 GD	steering wheel Alcantara		1	PR:877,250, 886
	9P1 419 091 GD RBU	Black/Platinum Grey	-28,78		
	9P1 419 091 GD RBV	Black/Guards Red	-68		
(1)	9P1 419 091 GE	steering wheel (leather)		1	PR:878,250
	9P1 419 091 GE DRN	Black/Platinum Grey	-28,78		
	9P1 419 091 GE DRO	Black/Guards Red	-68		
(1)	9P1 419 091 GF	steering wheel Alcantara		1	PR:877,486, -886
	9P1 419 091 GF RAG	Black/Platinum Grey	-28,78		
	9P1 419 091 GF RAH	Black/Guards Red	-68		
(1)	9P1 419 091 GF	steering wheel Alcantara		1	PR:877,486, 886
	9P1 419 091 GF RBU	Black/Platinum Grey	-28,78		
	9P1 419 091 GF RBV	Black/Guards Red	-68		
(1)	9P1 419 091 GG	steering wheel (leather)		1	PR:878,486
	9P1 419 091 GG DRN	Black/Platinum Grey	-28,78		
	9P1 419 091 GG DRO	Black/Guards Red	-34,68		
	9P1 419 091 GG A34	Black	-14,39		
2	N 907 991 02	Pan head bolt w/ multi-point drive, self-locking M 18 X 1.5 X 18		1	
3	95B 419 798	Cover	rear	1	PR:250
	95B 419 798 5Q0	Black			
(3)	95B 419 798 B	Cover	rear	1	PR:486
	95B 419 798 B 5Q0	Black			
4	9P1 419 937 G	Trim	left front	1	
	9P1 419 937 G 5Q0	Black			
(4)	9P1 419 936 G	Trim	right front	1	
	9P1 419 936 G 5Q0	Black			
5	9P1 419 938 C	Trim	front	1	
	9P1 419 938 C 5Q0	Black			
6	9P1 419 732	Trim	front	1	
	9P1 419 732 5Q0	Black			
7	9P1 419 937 E	Trim	left rear	1	
	9P1 419 937 E 5Q0	Black			
(7)	9P1 419 936 E	Trim	right rear	1	
	9P1 419 936 E 5Q0	Black			
8	95B 419 938 G	Trim for steering wheel	rear	1	
	95B 419 938 G 5Q0	Black			
9	95B 971 388 B	Wire set steering wheel		1	PR:250

Model: 991G13

Model life 2014>>



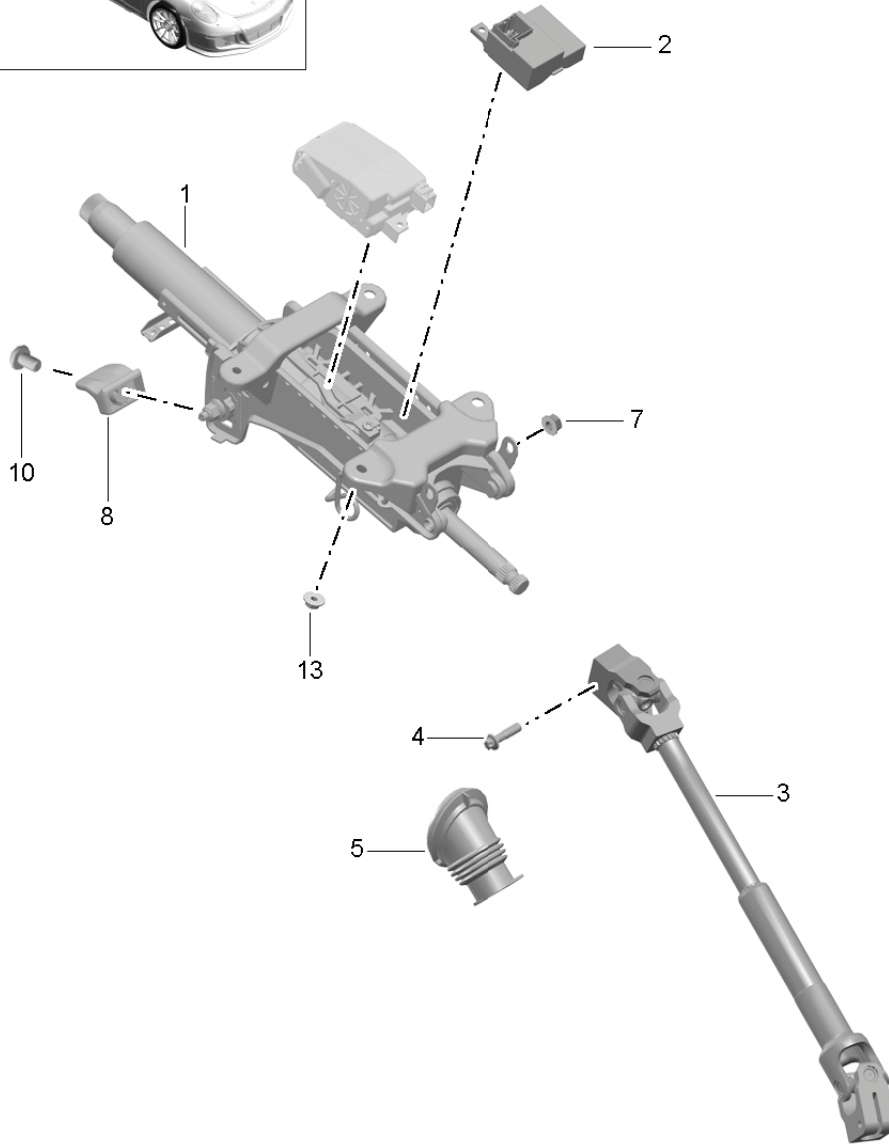
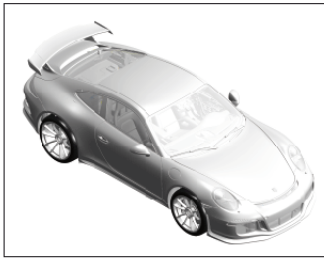
Model: 991G13

Model life 2014>>

Pos	Part Number	Description	Remark	Qty	Model
		Steering column Intermediate steering shaft D >> - MJ 2017			
1	991 347 015 23	Steering column		1	PR:647
1	991 347 015 24	Steering column		1	PR:647
(1)	991 347 015 05	Steering column		1	PR:655
(1)	991 347 015 06	Steering column		1	PR:655
(1)	991 347 007 04	Complete steering column No longer use the part here		1	PR:098,655
(1)	991 347 008 04	Complete steering column No longer use the part here		1	PR:099,655
2	7PP 905 852 C	Control unit		1	PR:655
3	991 347 023 03	Intermediate steering shaft		1	PR:098
(3)	991 347 024 03	Intermediate steering shaft		1	PR:099
4	WHT 004 955 A	Torx socket head bolt M 8 X 30		2	
5	991 347 037 01	Bellows Discontinued part		1	
(5)	991 347 037 02	Bellows		1	
6	900 378 319 01	Hexagon bolt M 8 X 110		1	
7	999 084 457 01	Hexagon nut M 8		1	
8	970 347 175 00 970 347 175 00 1E0	handle Black		1	PR:647,655
9	N 104 857 03	Hexagon socket flat head bolt M5 X 12		6	
10	N 104 066 02	Oval hexagon socket head bolt M 5 X 8		1	PR:647,655

Model: 991G13

Model life 2014>>



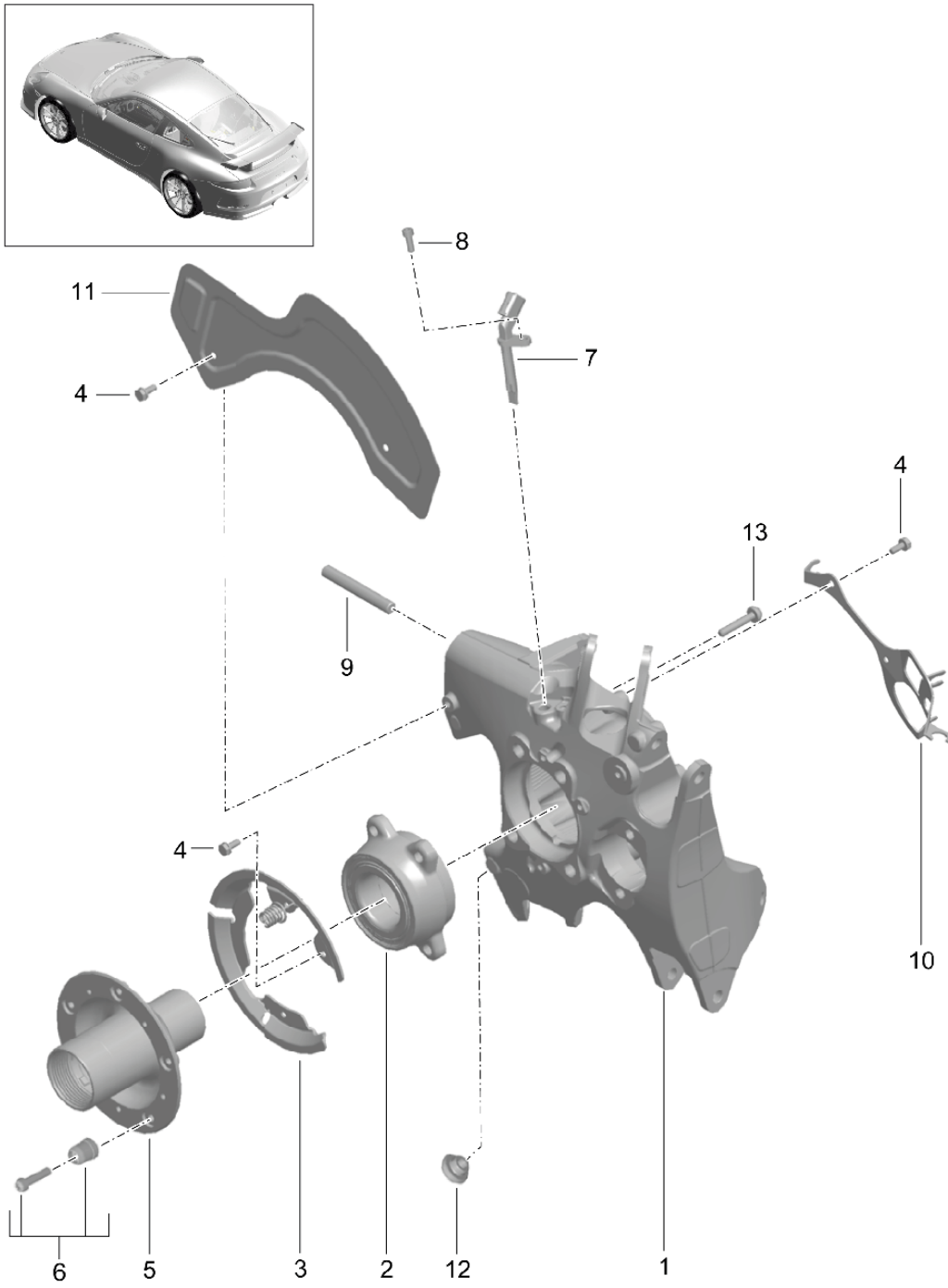
Model: 991G13

Model life 2014>>

Pos	Part Number	Description	Remark	Qty	Model
		Steering column Intermediate steering shaft D - MJ 2018>>			
1	991 347 015 24	Steering column		1	PR:647
(1)	991 347 015 06	Steering column		1	PR:655
2	7PP 905 852 C	Control unit		1	PR:655
3	991 347 023 03	Intermediate steering shaft		1	PR:098
(3)	991 347 024 03	Intermediate steering shaft		1	PR:099
4	WHT 004 955 A	Torx socket head bolt M 8 X 30		2	
5	991 347 037 02	Bellows		1	
7	999 084 630 01	Hexagon nut M 8		1	
8	970 347 175 00	handle		1	PR:647,655
	970 347 175 00 1E0	Black			
10	N 104 857 03	Hexagon socket flat head bolt M 5 X 12		1	
13	N 907 988 05	Hexagon collar nut M 8		4	

Model: 991G13

Model life 2014>>



Model: 991G13 Model life 2014>>

Pos	Part Number	Description	Remark	Qty	Model
		Rear axle Wheel carrier Wheel hub D >> - MJ 2017			
1	991 331 611 81	Wheel carrier	left	1	
(1)	991 331 612 81	Wheel carrier	right	1	
2	958 331 583 00	angular ball bearing also use:		2	
		Position 3			
3	991 352 521 80	Retaining plate	left	1	
		Parking brake			
(3)	991 352 522 80	Retaining plate	right	1	
		Parking brake			
4	999 217 116 01	Hexagon bolt M 6X 16		X	
5	991 331 607 80	Wheel hub Discontinued part		2	PR:478
5	991 331 607 81	Wheel hub		2	PR:478
6	991 341 905 80	1 set attachment parts comprising: Driving pin		2	PR:478
		Socket head bolt		5	
7	991 606 407 01	speed sensor		5	
8	900 067 117 04	Socket head bolt M6 X 16		2	
9	999 061 052 01	Threaded pin M 12 X 58		2	
10	991 609 401 80	bracket for speed sensor	left	1	
(10)	991 609 402 80	bracket for speed sensor	right	1	
11	991 352 801 80	Cover plate	left	1	
(11)	991 352 802 80	Cover plate	right	1	
12	999 500 205 01	Nut M12X1,5		1	
13	WHT 004 835	Ball screw M12X1,5X45		8	

Model: 991G13 Model life 2014>>

Pos	Part Number	Description	Remark	Qty	Model
		Rear axle Side part Carrier Guide D >> - MJ 2017			
1	991 331 261 80	Cross member		1	
2	991 331 151 80	Side part	left	1	
(2)	991 331 152 80	Side part	right	1	
3	999 072 868 01	Hexagon bolt M 12 X 1,5 X 80		8	
4	999 072 859 01	Hexagon bolt M 12 X 58		4	
5	999 084 445 01	Locknut M 12 X 1,5		X	
6	999 507 795 09	panel nut 4,8 Discontinued part		4	
6	999 507 309 02	panel nut 4,8		4	
7	991 331 087 07	Brace	left	1	
(7)	991 331 088 07	Brace	right	1	
8	999 073 443 01	Bolt with washer M 12 X 1,5 X 40		2	
9	999 073 095 01	fillister hd. bolt M 8 X 30		2	
10	N 019 530 8	Hex collared bolt M8 X 25		6	
11	991 331 070 80	Bracket		1	
12	999 217 116 01	Hexagon bolt MM 6 X 16		2	
13	999 072 869 01	Hexagon bolt AM 12 X 1,5 X 45		2	
14	970 341 217 00	Eccentric bolt		4	
15	970 331 219 00	eccentric washer		2	PR:470
16	991 331 057 02	Track rod Discontinued part	left	1	PR:470
(16)	991 331 057 04	Track rod Discontinued part	left	1	PR:470
(16)	991 331 057 05	Track rod Discontinued part	left	1	PR:470
(16)	991 331 057 06	Track rod Discontinued part	left	1	PR:470
(16)	991 331 057 07	Track rod Discontinued part	left	1	PR:470
(16)	991 331 057 08	Track rod	left	1	PR:470
(16)	991 331 058 02	Track rod Discontinued part	right	1	PR:470
(16)	991 331 058 04	Track rod Discontinued part	right	1	PR:470
(16)	991 331 058 05	Track rod Discontinued part	right	1	PR:470
(16)	991 331 058 06	Track rod Discontinued part	right	1	PR:470
(16)	991 331 058 07	Track rod Discontinued part	right	1	PR:470
(16)	991 331 058 08	Track rod	right	1	PR:470
(16)	991 331 057 34	Track rod Adjustable	left	1	PR:470
(16)	991 331 058 34	Track rod Adjustable	right	1	PR:470
17	999 072 086 01	Hexagon bolt M 12 X 1,5 X 75		6	
18	991 331 061 80	Guide	upper	2	

Model: 991G13

Model life 2014>>

Pos	Part Number	Description	Remark	Qty	Model
19	991 331 047 03	Wishbone	upper	2	
20	999 072 852 01	Hexagon bolt M 12 X 90 D >> - 17.10.2013 Discontinued part		4	
(20)	9A7 008 209 00	Hexagon bolt M 12 X 90 D >> - 17.10.2013		4	
(20)	999 072 866 01	Hexagon bolt M 12 X 1,5 X 95 D - 18.10.2013>> - 12.10.2015		4	
(20)	999 072 875 01	Hexagon bolt M 12 X 95 D - 13.10.2015>>		4	
21	991 331 053 80	Wishbone	lower	2	
(21)	991 331 053 81	Wishbone	lower	2	
22	996 331 219 00	eccentric washer		2	
23	999 919 197 02	fillister hd. bolt M 6 X 40		8	
24	991 575 431 80	Air guide channel Wishbone	left	1	
(24)	991 575 432 80	Air guide channel Wishbone	right	1	
25	991 331 043 80	Guide Rear axle	lower	2	
26	991 331 481 80	Brake ventilation Air duct Discontinued part	left	1	
26	991 331 481 81	Brake ventilation Air duct	left	1	
(26)	991 331 481 81	Brake ventilation Air duct	left	1	
(26)	991 331 482 80	Brake ventilation Air duct Discontinued part	right	1	
(26)	991 331 482 81	Brake ventilation Air duct	right	1	
(26)	991 331 482 81	Brake ventilation Air duct	right	1	
27	991 331 329 80	Support Guide	left	1	
(27)	991 331 330 80	Support Guide	right	1	
28	999 072 083 01	Bolt with washer AM 10 X 58		4	
29	999 076 053 01	Hexagon nut M 10		2	
29	PAF 008 868	Hexagon nut M 10		2	
30	999 061 124 01	Threaded pin M 10 X 1,5		2	
31	991 333 021 00	Level sensor Discontinued part		2	PR:475
(31)	991 333 021 04	Level sensor		2	PR:475
-	991 333 327 00	connecting rod		2	
-	N 104 857 03	Hexagon socket flat head bolt M 5 X 12		4	
32	999 217 116 01	Hexagon bolt M 6 X 16		2	
33	991 609 407 02	Bracket	left	1	
(33)	991 609 408 02	Bracket	right	1	
34	999 061 127 01	Threaded pin		2	

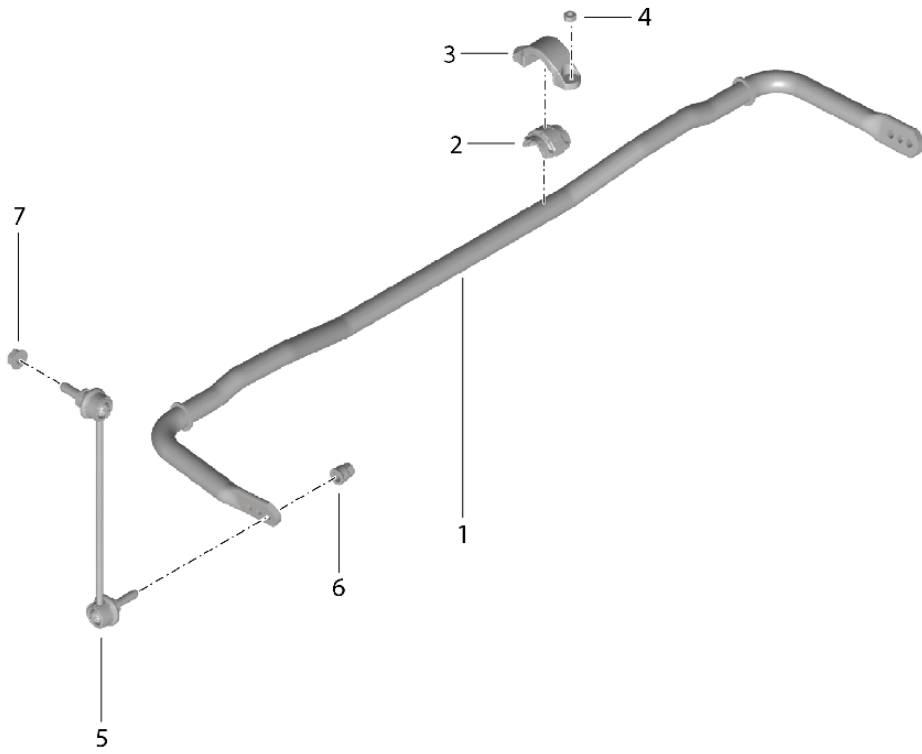
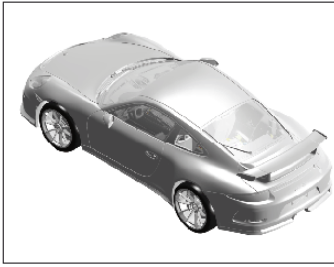
Model: 991G13

Model life 2014>>

Pos	Part Number	Description	Remark	Qty	Model
35	N 909 167 01	M 12 X 1,5 Hexagon collar nut self-locking		2	
36	N 107 009 01	M 12 Spreader rivet		2	
37	999 072 866 01	BD 4,5 X 11,5 Hexagon bolt		2	
(37)	999 072 875 01	M 12 X 1.5 X 95 Hexagon bolt		2	
38	991 331 375 00	M 12 X 1.5 X 95 Rubber bush		2	PR:470
39	991 331 521 00	Steering Rear axle Assembly kit		2	PR:470
		Steering Rear axle comprising:			
		Bellows		1	
		ball joint		1	
		Locknut		1	
		clamp		2	

Model: 991G13

Model life 2014>>



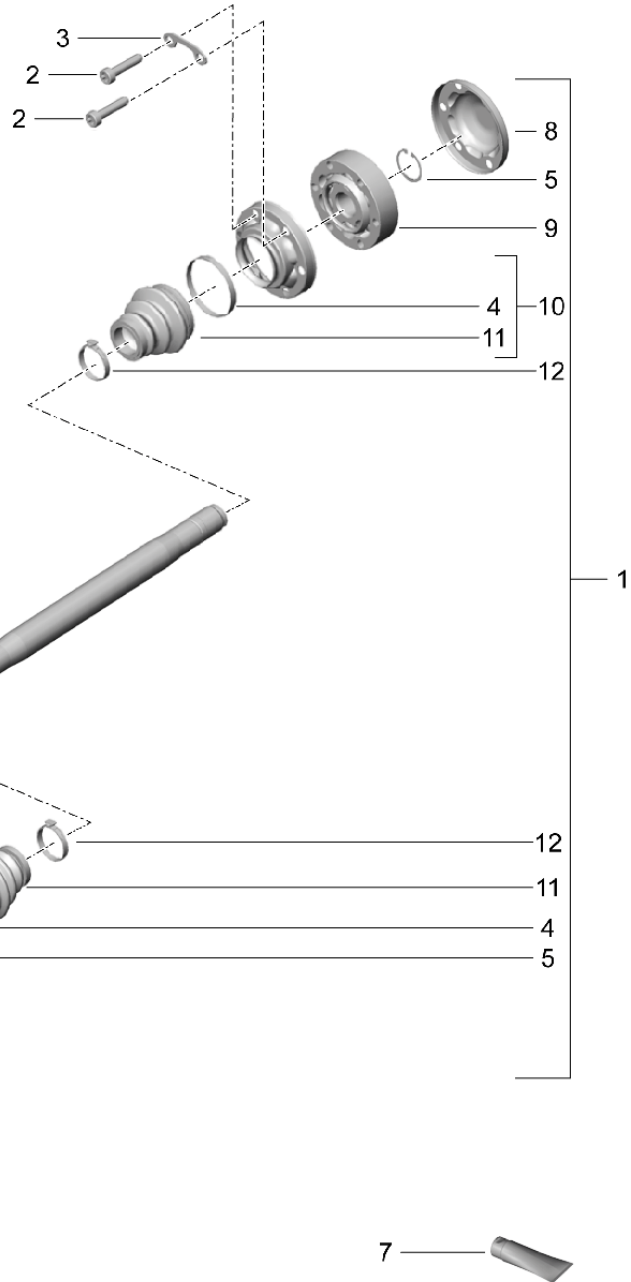
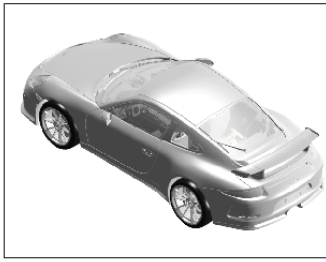
Model: 991G13

Model life 2014>>

Pos	Part Number	Description	Remark	Qty	Model
		Anti-roll bar D >> - MJ 2017			
1	991 333 701 80	Anti-roll bar		1	
(1)	9P1 511 309 A	Anti-roll bar	808	1	
		Rear axle			
2	991 333 794 80	anti-roll bar bearing bracket		4	
3	991 333 777 80	Clamp		2	
4	900 076 064 02	Hexagon nut M 8		4	
5	991 333 071 80	Coupling rod	left	1	
(5)	9P1 511 467 B	Coupling rod	808	1	
		Rear axle			
(5)	991 333 072 80	Coupling rod	right	1	
6	999 084 123 09	Hexagon nut M 10	lower	2	
7	999 084 445 01	Locknut M 12 X 1,5	upper	2	
8	9P1 511 239	Sleeve Coupling rod CFR	808	1	

Model: 991G13

Model life 2014>>



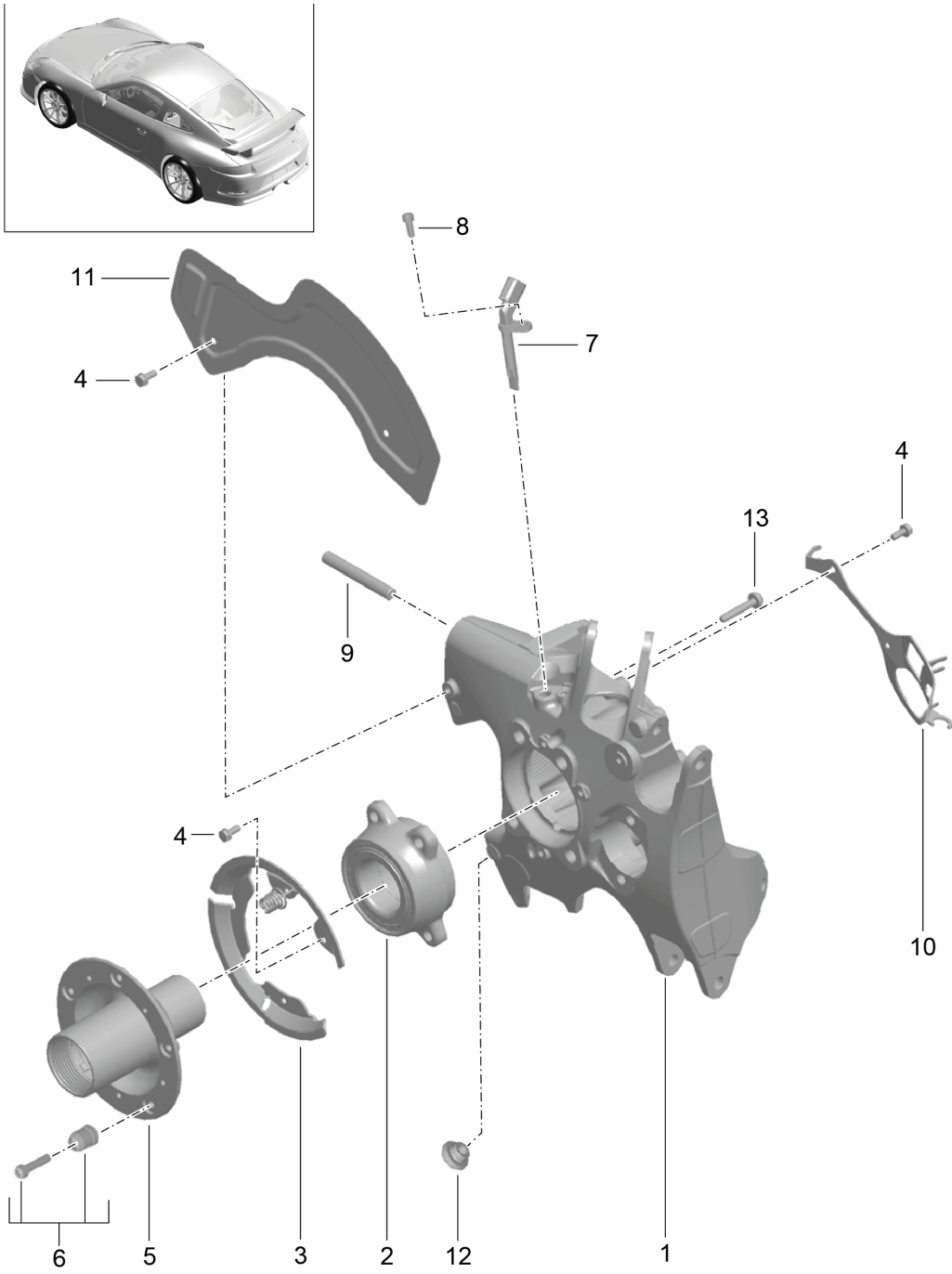
Model: 991G13

Model life 2014>>

Pos	Part Number	Description	Remark	Qty	Model
		Drive shaft			
		D >> - MJ 2017			
1	991 332 024 80	Drive shaft		2	
(1)	991 332 024 81	Drive shaft		2	
2	999 073 517 01	Socket head bolt M 10 X 1 X 46,5		12	
3	9P1 501 375	Spacer		6	
(3)	955 332 191 21	Spacer		6	
4	996 332 957 00	Clip 73 MM		4	
5	900 041 055 01	Securing ring		4	
6	999 084 135 01	Hexagon nut M 22 X 1,5 Discontinued part		2	
6	999 084 135 02	Hexagon nut M 22 X 1,5		2	
(6)	WHT 007 021	hex. nut, self-locking with washer M 22 X 1,5 S		2	
7	000 043 110 02	grease 1 100-gramme tube		X	
(7)	000 043 205 36	sealant 1 100-gramme tube		X	
8	997 332 267 00	End cap		2	
9	991 332 030 80	Joint		2	
10	997 332 955 00	Bellows		2	
		with:			
11	997 332 293 00	Cap Dust bellows		4	PR:250
(11)	970 332 293 10	Bellows		4	PR:250
12	996 332 257 00	Clip		4	

Model: 991G13

Model life 2014>>

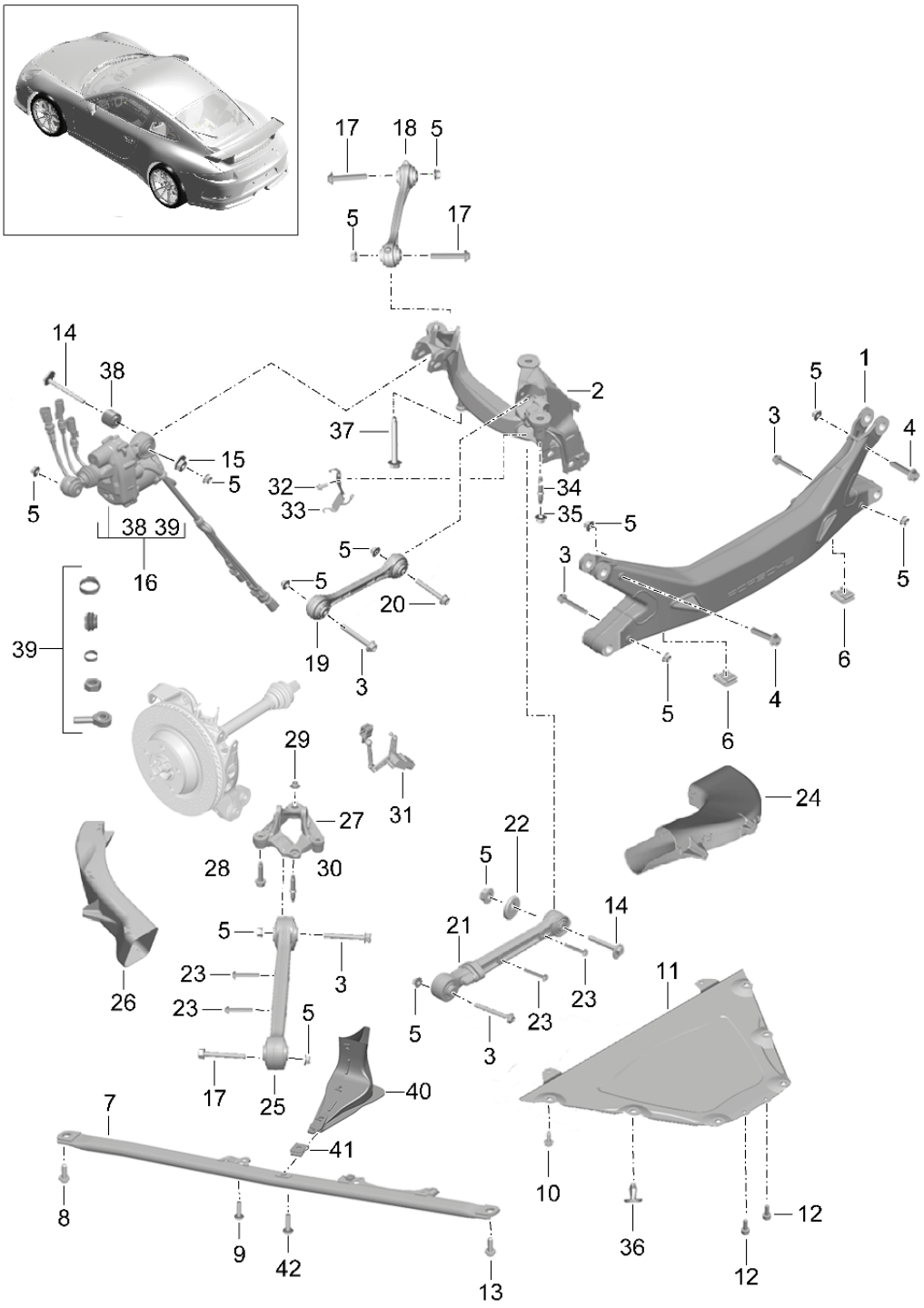


Model: 991G13 Model life 2014>>

Pos	Part Number	Description	Remark	Qty	Model
		Wheel carrier Wheel hub D - MJ 2018>>			
1	991 331 611 81	Wheel carrier	left	1	
(1)	991 331 612 81	Wheel carrier	right	1	
2	958 331 583 00	angular ball bearing		2	
		also use:			
		Position 3			
3	991 352 521 80	Retaining plate	left	1	
		Parking brake			
(3)	991 352 522 80	Retaining plate	right	1	
		Parking brake			
4	999 217 116 01	Hexagon bolt M 6 X 16		14	
5	991 331 607 81	Wheel hub		2	PR:478
6	991 341 905 80	1 set attachment parts comprising: Driving pin		2	PR:478
		Socket head bolt		5	
7	991 606 407 01	speed sensor		5	
8	900 067 117 04	Socket head bolt M 6 X 16		2	
9	999 061 052 01	Threaded pin M 12 X 58		2	
10	991 609 401 80	bracket for speed sensor	left	1	
		Discontinued part			
(10)	991 609 401 81	bracket for speed sensor	left	1	
(10)	991 609 402 80	bracket for speed sensor	right	1	
		Discontinued part			
(10)	991 609 402 81	bracket for speed sensor	right	1	
11	991 352 801 80	Cover plate	left	1	
(11)	991 352 802 80	Cover plate	right	1	
12	999 500 205 01	Nut M 12 X 1,5		1	
13	WHT 004 835	Ball screw M 12 X 1,5 X 45		8	

Model: 991G13

Model life 2014>>



Model: 991G13 Model life 2014>>

Pos	Part Number	Description	Remark	Qty	Model
		Cross member Side part Guide D - MJ 2018>>			
1	991 331 261 81	Cross member		1	
2	991 331 151 81	Side part	left	1	
		D >> - 18.06.2017			
2	991 331 151 82	Side part	left	1	
		D - 19.06.2017>>			
(2)	991 331 152 81	Side part	right	1	
3	999 072 868 01	Hexagon bolt M 12 X 1,5 X 80		8	
4	999 072 859 01	Hexagon bolt M 12 X 58		4	
5	999 084 445 01	Locknut M 12 X 1,5		24	
6	999 507 309 02	panel nut 4,8		4	
7	991 331 087 10	Brace Cross member	left	1	
7	991 331 087 07	Brace D >> - 18.04.2017	left	1	
(7)	991 331 087 09	Brace D - 19.04.2017>>	left	1	
(7)	991 331 088 07	Brace D >> - 18.04.2017	right	1	
(7)	991 331 088 09	Brace D - 19.04.2017>>	right	1	
(7)	991 331 088 10	Brace Cross member		1	
8	999 073 443 01	Bolt with washer M 12 X 1,5 X 40		2	
9	999 073 095 01	fillister hd. bolt M 8 X 30		2	
10	N 019 530 8	Hex collared bolt M 8 X 25		6	
11	991 331 070 80	Bracket		1	
12	999 217 116 01	Hexagon bolt MM 6 X 16		2	
13	999 072 869 01	Hexagon bolt AM 12 X 1,5 X 45		2	
14	970 341 217 00	Eccentric bolt		4	
15	970 331 219 00	eccentric washer		2	PR:470
16	991 331 057 85	Track rod Electrically adjustable		1	
16	991 331 057 83	Track rod Electrically adjustable	left	1	PR:470
(16)	991 331 058 85	Track rod Electrically adjustable		1	
(16)	991 331 058 83	Track rod Electrically adjustable	right	1	PR:470
17	999 072 086 01	Hexagon bolt M 12 X 1,5 X 75		6	
18	991 331 061 80	Guide	upper	2	
19	991 331 047 03	Wishbone D >> - 31.08.2017	upper	2	
(19)	9P1 505 397 A	Wishbone D - 01.09.2017>>	upper	2	
20	999 072 875 01	Hexagon bolt M 12 X 95		4	
21	991 331 053 81	Wishbone	lower	2	
22	996 331 219 00	eccentric washer		2	
23	999 919 197 02	fillister hd. bolt		8	

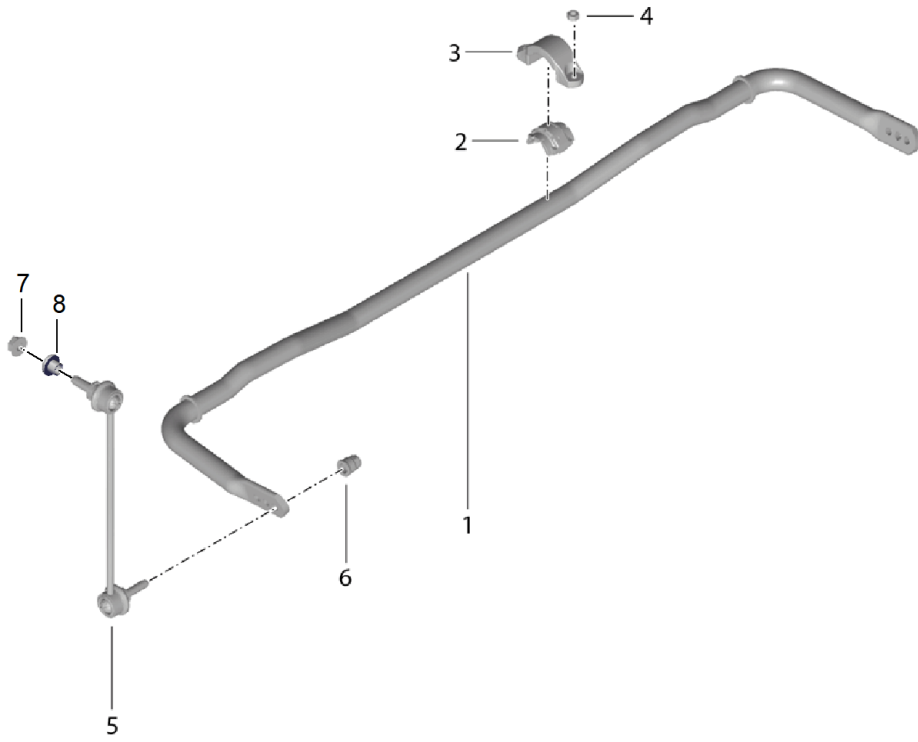
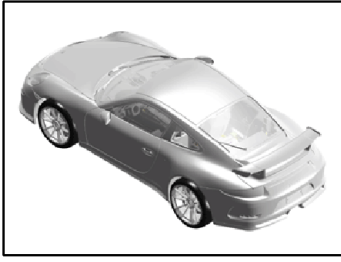
Model: 991G13

Model life 2014>>

Pos	Part Number	Description	Remark	Qty	Model
24	991 575 431 80	M 6 X 40 Air guide channel	left	1	
(24)	991 575 432 80	Wishbone Air guide channel	right	1	
25	991 331 043 80	Wishbone Guide	lower	2	
26	991 331 481 81	Rear axle Brake ventilation	left	1	
(26)	991 331 482 81	Air duct Brake ventilation	right	1	
27	991 331 329 80	Air duct Support	left	1	
(27)	991 331 330 80	Guide Support	right	1	
28	999 072 083 01	Guide Bolt with washer		4	
29	999 076 053 01	AM 10 X 58 Hexagon nut		2	
29	PAF 008 868	M 10 Hexagon nut		2	
30	999 061 124 01	M 10 Threaded pin		2	
31	991 333 021 04	M 10 X 1,5 Level sensor		2	PR:475
32	999 217 116 01	Hexagon bolt		2	
33	991 609 407 02	M 6 X 16 Bracket	left	1	
(33)	991 609 408 02	Bracket	right	1	
34	999 061 127 01	Threaded pin		2	
35	N 909 167 01	M 12 X 1,5 Hexagon collar nut		2	
36	N 107 009 01	self-locking M 12 Spreader rivet		2	
37	999 072 875 01	BD 4,5 X 11,5 Hexagon bolt		4	
40	991 575 117 81	M 12 X 1.5 X 95 Air guide	left	1	
(40)	991 575 118 81	Input shaft Air guide	right	1	
41	N 912 425 01	Input shaft		2	
42	N 106 795 01	clamping nut		2	
		oval head panel screw		2	
		ST 4,8 X 16			

Model: 991G13

Model life 2014>>



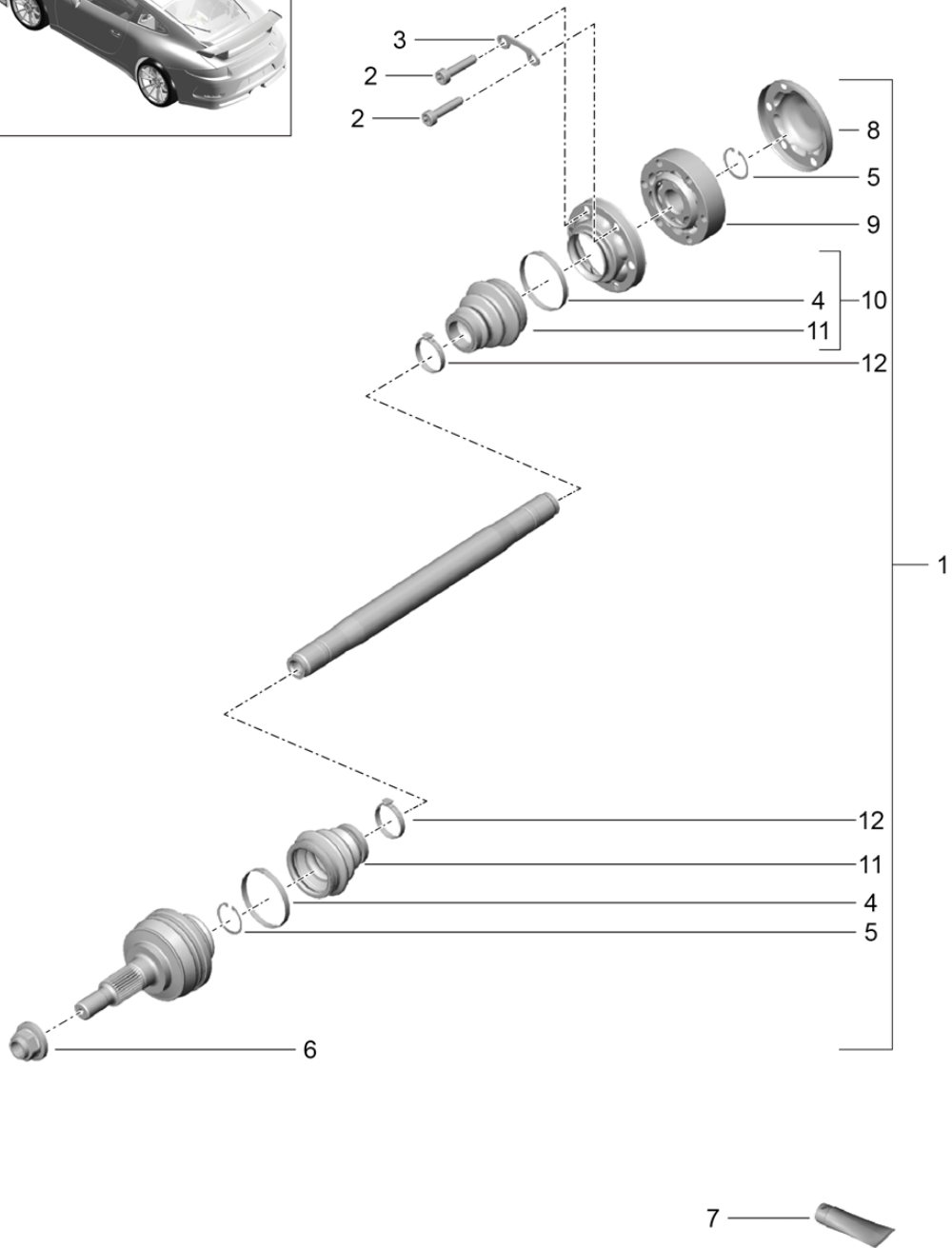
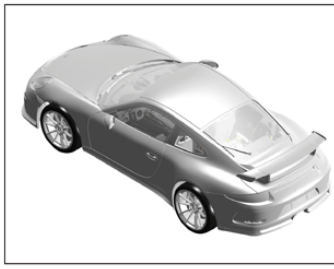
Model: 991G13

Model life 2014>>

Pos	Part Number	Description	Remark	Qty	Model
		Anti-roll bar D - MJ 2018>>			
1	991 333 701 80	Anti-roll bar		1	PR:-808
(1)	9P1 511 309 A	Anti-roll bar		1	PR:808
2	991 333 794 80	anti-roll bar bearing bracket		4	PR:-808
(2)	991 333 794 90	anti-roll bar bearing bracket		4	PR:808
3	991 333 777 80	Clamp		2	
4	900 076 064 02	Hexagon nut M 8		4	
5	991 333 071 80	Coupling rod	left	1	PR:-808
(5)	991 333 072 80	Coupling rod	right	1	PR:-808
6	999 084 123 09	Hexagon nut M 10	lower	2	
7	999 084 445 01	Locknut M 12 X 1,5	upper	2	
8	9P1 511 239	Sleeve Coupling rod	upper	2	PR:808

Model: 991G13

Model life 2014>>



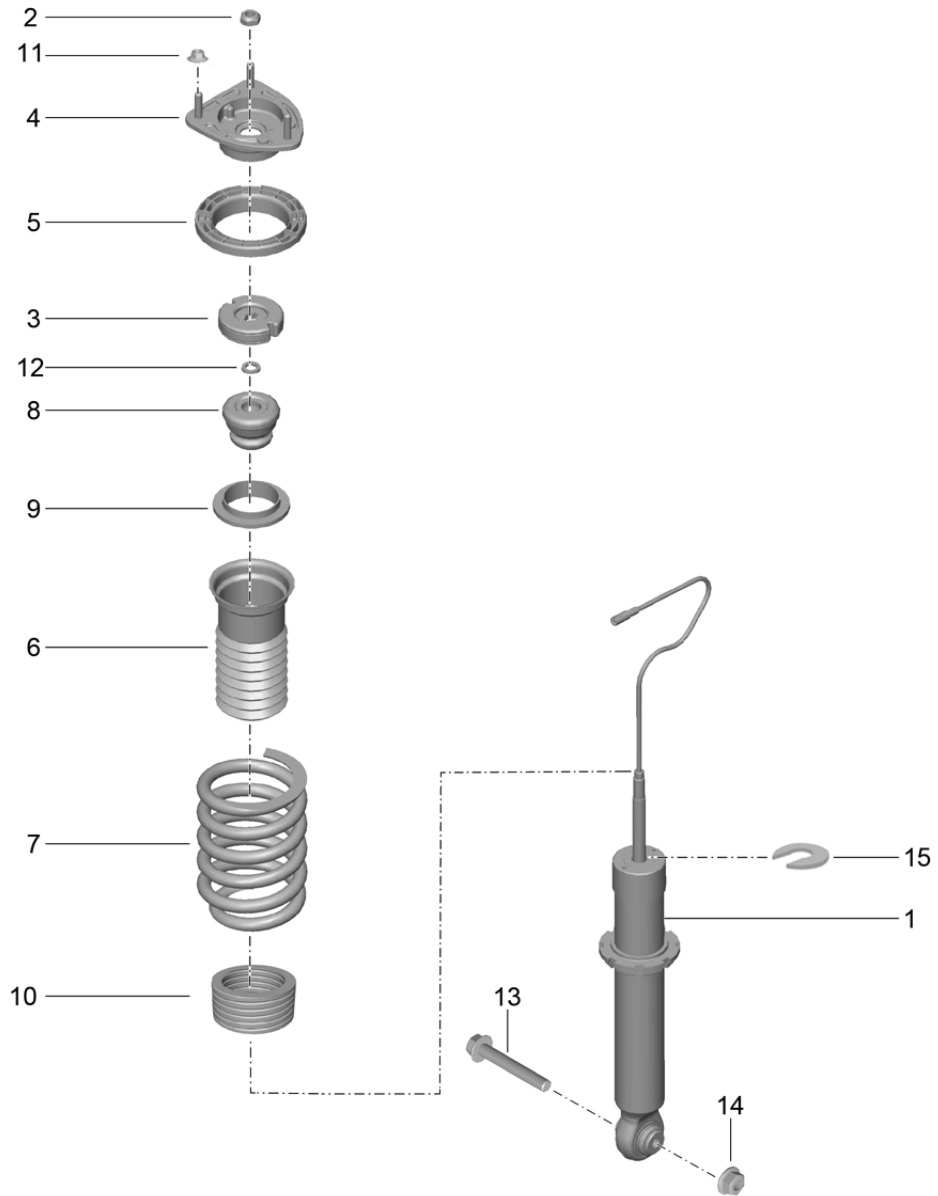
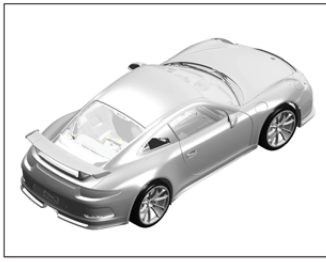
Model: 991G13

Model life 2014>>

Pos	Part Number	Description	Remark	Qty	Model
		Drive shaft			
		D - MJ 2018>>			
1	991 332 024 84	Drive shaft		2	
1	991 332 024 83	Drive shaft		2	
2	999 073 517 01	Socket head bolt		12	
		M 10 X 1 X 46,5			
3	955 332 191 21	Spacer		6	
4	996 332 957 00	Clip		4	
		73 MM			
5	900 041 055 01	Securing ring		4	
6	WHT 007 021	hex. nut, self-locking with		2	
		washer			
		M 22 X 1,5 S			
7	000 043 110 02	grease		X	
		1 100-gramme tube			
8	997 332 267 00	End cap		2	
9	991 332 030 80	Joint		2	
10	997 332 955 00	Bellows		2	
		with:			
11	970 332 293 10	Cap		4	
12	996 332 257 00	Bellows		4	PR:250
		Clip			

Model: 991G13

Model life 2014>>

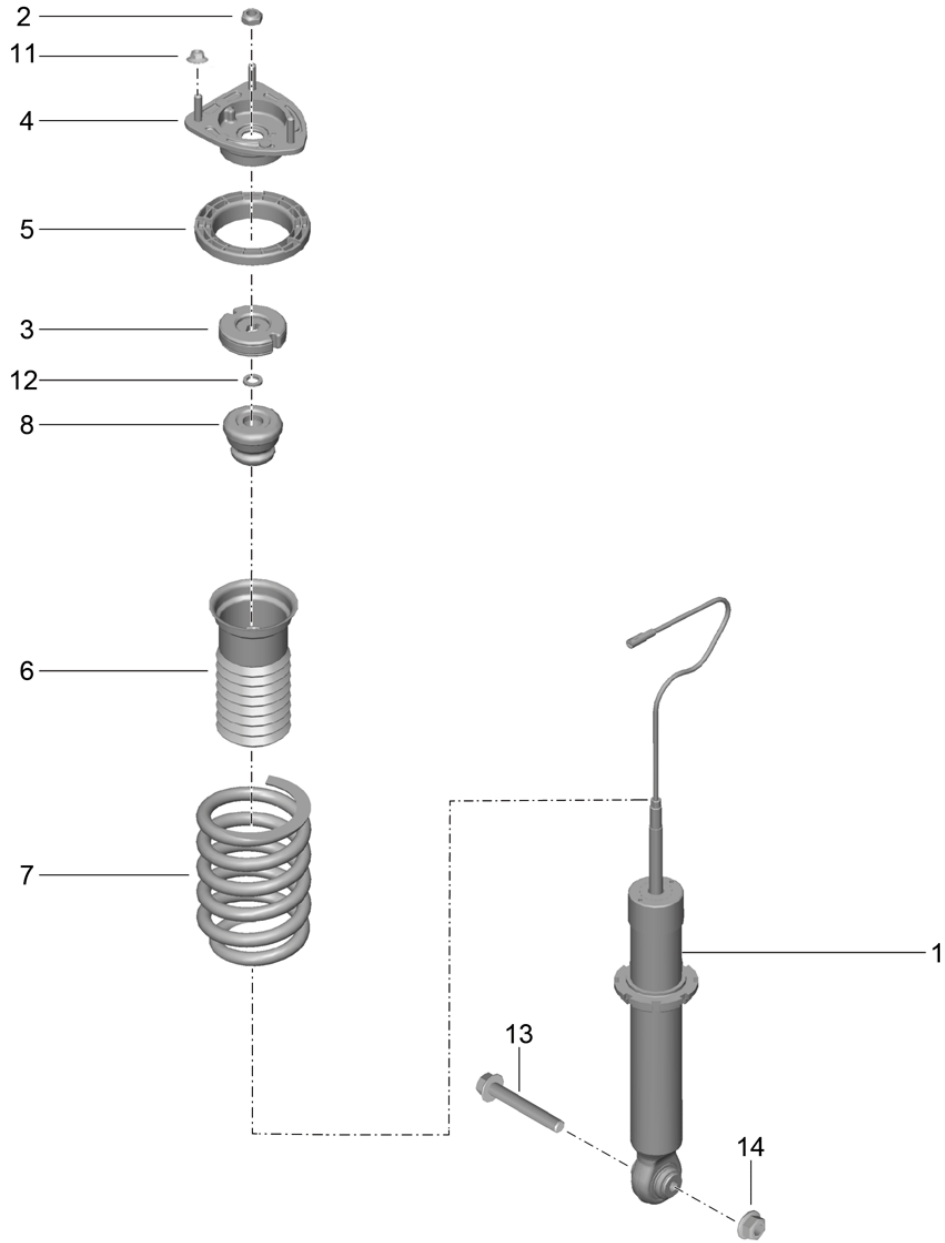
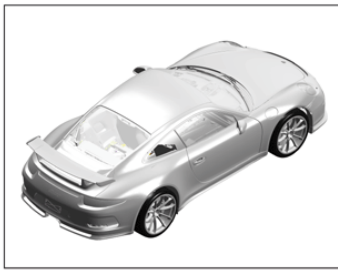


Model: 991G13 Model life 2014>>

Pos	Part Number	Description	Remark	Qty	Model
		Shock absorbers			
		Coil spring			
		D >> - MJ 2017			
1	991 333 051 81	Shock absorbers		2	PR:475
(1)	991 333 051 85	Shock absorbers		2	PR:475
		D >> - 11.12.2016			
(1)	991 333 051 86	Shock absorbers		2	PR:475
		D - 12.12.2016>>			
2	999 084 050 02	Hexagon nut		2	
		M 12 X 1			
3	991 333 691 80	Insert		2	
4	991 333 161 01	Shock absorber bearing		2	
(4)	991 333 061 80	Shock absorber bearing		2	
5	991 333 504 81	shelf	upper	2	
(5)	991 333 504 82	shelf	upper	2	
6	991 333 107 81	Bellows		2	
(6)	991 333 107 82	Bellows		2	
7	991 333 531 81	Coil spring		1	PR:475
	991 333 531 81 504	1 pair of springs			
(7)	991 333 531 82	Coil spring		1	
	991 333 531 82 504	1 pair of springs			
8	991 333 105 01	helper spring		2	
9	997 333 511 80	Intermediate ring		2	
10	997 333 537 81	helper spring		2	
11	999 084 447 01	Hexagon nut		6	
		M 8			
11	PAF 003 923	Hexagon nut		6	
		M 8			
12	999 025 271 02	Washer		2	
		12,1X19,1X3			
13	999 084 445 01	Locknut		2	
		M 12 X 1,5			
14	999 072 868 01	Hexagon bolt		2	
		M 12 X 1,5 X 80			
15	991 333 955 80	Distance piece		2	
		see			
		Technical information			
		GR. 4 NR. 28/16			

Model: 991G13

Model life 2014>>



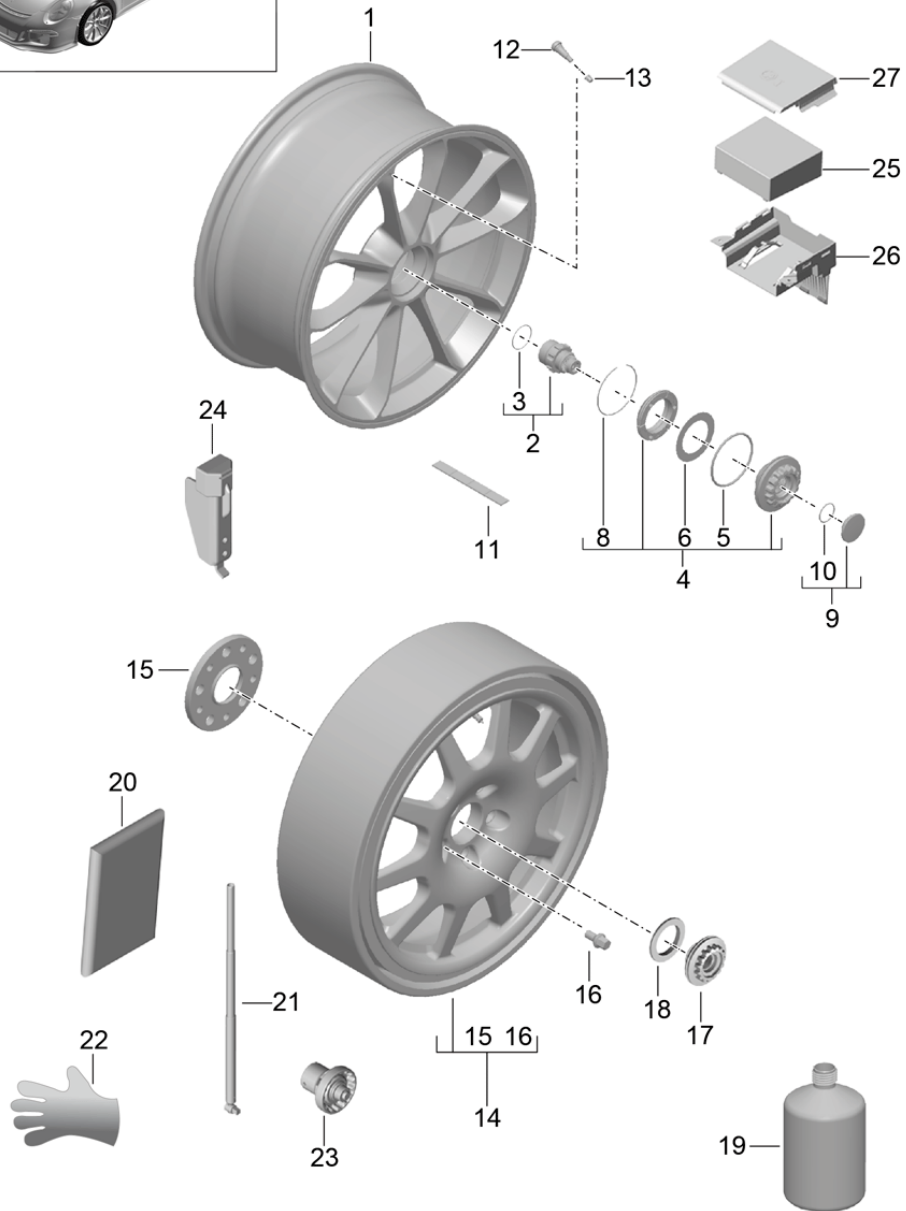
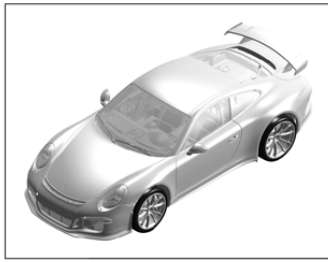
Model: 991G13

Model life 2014>>

Pos	Part Number	Description	Remark	Qty	Model
		Shock absorbers			
		Coil spring			
		D - MJ 2018>>			
1	991 333 051 86	Shock absorbers		2	
1	991 333 051 87	Shock absorbers		2	PR:475
2	999 084 050 02	Hexagon nut		2	
		M 12 X 1			
3	991 333 691 80	Insert		2	
4	9P1 513 353	Shock absorber bearing		1	
4	991 333 161 01	Shock absorber bearing		2	
4	991 333 061 81	Shock absorber bearing		2	
5	991 333 504 81	shelf	upper	2	
6	991 333 107 81	Bellows		2	
7	991 333 531 82	Coil spring		1	
	991 333 531 82 504	1 pair of springs			
8	991 333 105 01	helper spring		2	
9	991 333 511 71	Intermediate ring		1	
10	997 333 537 82	helper spring		1	
		Rear axle			
11	999 084 447 01	Hexagon nut		6	
		M 8			
11	PAF 003 923	Hexagon nut		6	
		M 8			
12	999 025 271 02	Washer		2	
		12,1X19,1X3			
13	999 084 445 01	Locknut		2	
		M 12 X 1,5			
14	999 072 868 01	Hexagon bolt		2	
		M 12 X 1,5 X 80			

Model: 991G13

Model life 2014>>



Model: 991G13 Model life 2014>>

Pos	Part Number	Description	Remark	Qty	Model
1	991 362 162 82	Alloy wheel Central locking D >> - MJ 2017	front	2	
	991 362 162 82 041	Black			PR:XDG,431
	991 362 162 82 OB5	Platinum satin-matt			PR:340,431
	991 362 162 82 8Z8	Brilliant Silver			PR:346,431
		9 J X 20 ET 55			
1	991 362 162 82	Alloy wheel	front	2	PR:431
	991 362 162 82 041	Black			PR:XDG
	991 362 162 82 OB5	Platinum satin-matt			PR:XDH
	991 362 162 82 OM9	Aluminium White			PR:340
		9 J X 20 ET 55			
(1)	991 362 163 82	Alloy wheel with central locking	front	2	PR:448
		9,5 J X 20 ET 50			
	991 362 163 82 OB5	Platinum satin-matt			PR:340,448
	991 362 163 82 8Z8	Matt silk platinum/ brilliant silver			PR:346,448
	991 362 163 82 OM9	Aluminium white			PR:340,448
	991 362 163 82 JE1	Matt black			PR:XDK,448,
(1)	991 362 168 82	Alloy wheel	rear	2	
	991 362 168 82 041	Black			PR:XDG,431
	991 362 168 82 OB5	Platinum satin-matt			PR:340,431
	991 362 168 82 8Z8	Brilliant Silver			PR:346,431
		12 J X 20 ET 47			
(1)	991 362 168 83	Alloy wheel	rear	2	PR:431
	991 362 168 83 041	Black			PR:XDG
	991 362 168 83 OB5	Platinum satin-matt			PR:XDH
	991 362 168 83 OM9	Aluminium White			PR:340
		12 J X 20 ET 47			
(1)	991 362 189 82	Alloy wheel with central locking	rear	2	PR:448
		12,5 J X 21 ET 48			
	991 362 189 82 OB5	Platinum satin-matt			PR:340,448
	991 362 189 82 OM9	Aluminium white			PR:340,448
	991 362 189 82 8Z8	Matt silk platinum/ brilliant silver			PR:346,448
	991 362 189 82 JE1	Matt black			PR:XDK,448,
2	991 341 251 00	Locking mechanism		2	PR:478
(2)	991 341 251 01	Locking mechanism		2	PR:478
3	999 707 012 40	O-ring 37 X 2,5 N		4	PR:478
4	991 361 081 90	Wheel bolt		4	PR:478
5	999 707 663 40	O-ring 90,00 X 4		4	PR:478
6	991 361 189 00	Washer		4	PR:478
8	997 361 187 00	Securing ring 2,0		4	PR:478
9	991 361 207 90	Hub cap		4	PR:431
(9)	991 361 207 30	Hub cap		4	PR:431
(9)	991 361 207 95	Hub cap		4	PR:448
(9)	991 361 207 95	Hub cap		4	
10	999 707 667 40	O-ring 30 X 2,5 N		4	PR:431,448
11	997 361 405 00	Balancer weight (self-adhesive)		X	PR:-493

Model: 991G13

Model life 2014>>

Pos	Part Number	Description	Remark	Qty	Model
(11)	9P1 601 179	5.G. Balancer weight (self-adhesive) Black		X	PR:493
(11)	997 361 410 00	Balancer weight (self-adhesive) 10 G.		X	PR:-493
(11)	9P1 601 181	Balancer weight (self-adhesive) Black		X	PR:493
(11)	997 361 415 00	Balancer weight (self-adhesive) 15 G.		X	PR:-493
(11)	9P1 601 182	Balancer weight (self-adhesive) Black		X	PR:493
(11)	997 361 420 00	Balancer weight (self-adhesive) 20 G.		X	PR:-493
(11)	9P1 601 183	Balancer weight (self-adhesive) Black		X	PR:493
(11)	997 361 425 00	Balancer weight (self-adhesive) 25 G.		X	PR:-493
(11)	9P1 601 184	Balancer weight (self-adhesive) Black		X	PR:493
(11)	997 361 430 00	Balancer weight (self-adhesive) 30 G.		X	PR:-493
(11)	9P1 601 185	Balancer weight (self-adhesive) Black		X	PR:493
(11)	997 361 435 00	Balancer weight (self-adhesive) 35 G.		X	PR:-493
(11)	9P1 601 186	Balancer weight (self-adhesive) Black		X	PR:493
(11)	997 361 440 00	Balancer weight (self-adhesive) 40 G.		X	PR:-493
(11)	9P1 601 187	Balancer weight (self-adhesive) Black		X	PR:493
(11)	997 361 445 00	Balancer weight (self-adhesive) 45 G.		X	PR:-493
(11)	9P1 601 188	Balancer weight (self-adhesive) Black		X	PR:493
(11)	997 361 450 00	Balancer weight (self-adhesive) 50 G.		X	PR:-493
(11)	9P1 601 189	Balancer weight (self-adhesive) Black		X	PR:493
(11)	997 361 455 00	Balancer weight (self-adhesive) 55 G.		X	PR:-493
(11)	9P1 601 190	Balancer weight (self-adhesive)		X	PR:493

Model: 991G13

Model life 2014>>

Pos	Part Number	Description	Remark	Qty	Model
(11)	997 361 460 00	Black Balancer weight (self-adhesive) 60 G.		X	PR:-493
(11)	9P1 601 191	Black Balancer weight (self-adhesive) 60 G.		X	PR:493
(11)	997 361 465 00	Black Balancer weight (self-adhesive) 65 G.		X	PR:-493
(11)	9P1 601 192	Black Balancer weight (self-adhesive) 65 G.		X	PR:493
(11)	997 361 470 00	Black Balancer weight (self-adhesive) 70 G.		X	PR:-493
(11)	9P1 601 193	Black Balancer weight (self-adhesive) 70 G.		X	PR:493
(11)	997 361 475 00	Black Balancer weight (self-adhesive) 75 G.		X	PR:-493
(11)	9P1 601 194	Black Balancer weight (self-adhesive) 75 G.		X	PR:493
(11)	997 361 480 00	Black Balancer weight (self-adhesive) 80 G.		X	PR:-493
(11)	9P1 601 195	Black Balancer weight (self-adhesive) 80 G.		X	PR:493
(11)	997 361 485 00	Black Balancer weight (self-adhesive) 85 G.		X	PR:-493
(11)	9P1 601 196	Black Balancer weight (self-adhesive) 85 G.		X	PR:493
(11)	997 361 490 00	Black Balancer weight (self-adhesive) 90 G.		X	PR:-493
(11)	9P1 601 197	Black Balancer weight (self-adhesive) 90 G.		X	PR:493
12	900 265 001 51	Rubber valve Discontinued part		4	PR:447,478
12	311 601 361	Rubber valve		4	PR:447,478
(12)	9P1 601 361	Valve tyre pressure control system Black		4	PR:UX7,482, 483
13	993 361 163 10	D >> - MJ 2016 Cap for Rubber valve		4	PR:447
(13)	N 908 729 01	Valve cap for valve unit Valve silver		4	PR:UX6
(13)	WHT 006 913	Valve cap for valve unit Black		4	PR:UX7
14	991 362 021 00	Spare wheel		1	PR:447,478
(14)	991 362 021 02	Spare wheel		1	PR:447,478
(14)	991 362 021 01	Spare wheel		1	PR:447,478

Model: 991G13 Model life 2014>>

Pos	Part Number	Description	Remark	Qty	Model
15	991 362 191 00	Adapter Spare wheel		1	PR:447,478
16	991 361 209 00	Wheel bolt Adapter		5	PR:447,478
17	991 361 181 50	Wheel bolt Central locking Spare wheel		1	PR:447,478
18	991 362 193 00	Shim Front axle		1	PR:447,478
(18)	991 362 195 00	Shim Rear axle		1	PR:447,478
19	4L0 012 619 A	Tyre sealant		1	
(19)	4L0 012 619 B	Tyre sealant		1	
(19)	9A7 012 619 02	Tyre sealant		1	
20	996 361 521 00	Protective sleeve Spare wheel		1	PR:447
21	997 361 161 00	Extension Spare wheel		1	PR:447,478
22	999 914 001 40	Plastic gloves No longer use the part here		1	PR:447
23	991 361 069 00	Tool for Wheel bolt		1	PR:478
24	991 361 079 00	release tool		1	PR:478
25	997 652 055 00	Compressor for Spare wheel		1	
		also use:	991 555 575 02 (1E0)	1	
25	5N0 012 615 A	No longer use the part here Air compressor for Spare wheel		1	
		also use:	991 555 575 03 (1E0)	1	
(25)	5N0 012 615 C	Discontinued part Air compressor for Spare wheel		1	
		also use:	991 555 575 04 (1E0)	1	
(25)	5N0 012 615 C	Air compressor for Spare wheel		1	
		also use:	991 555 575 04 (1E0)	1	
26	991 555 575 02 991 555 575 02 1E0	Bracket for compressor Black for Compressor 997.652.055.00		1	
(26)	991 555 575 03 991 555 575 03 1E0	D >> - 04.11.2014 Bracket for compressor Black for Compressor 5N0.012.615.A		1	
(26)	991 555 575 04 991 555 575 04 1E0	D - 05.11.2014>> - 09.04.2015 Bracket for compressor Black for Compressor 5N0.012.615.C		1	

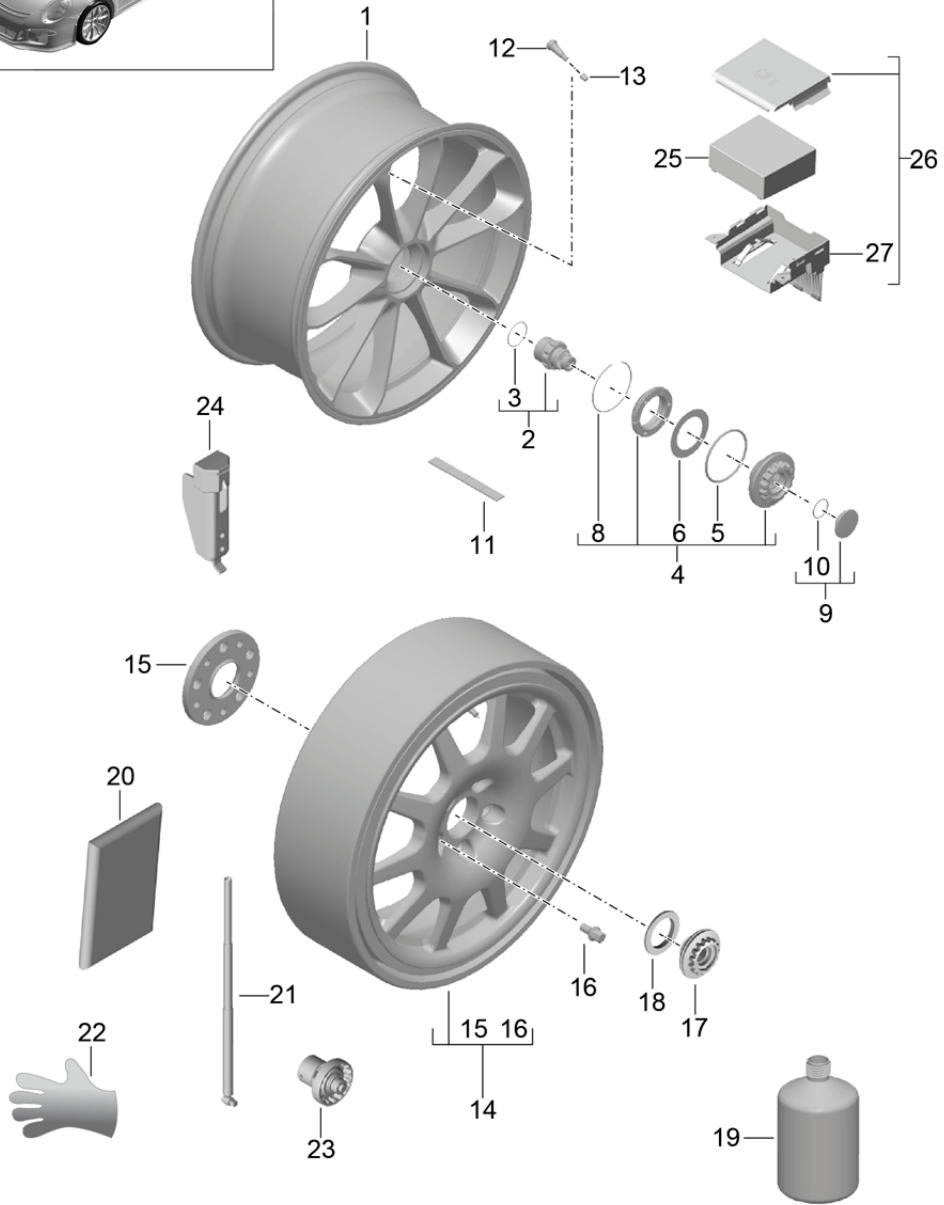
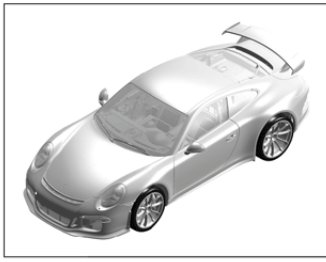
Model: 991G13

Model life 2014>>

Pos	Part Number	Description	Remark	Qty	Model
27	991 555 765 01 991 555 765 01 1E0	D - 10.04.2015>> Cover Black for Compressor 997.652.055.00 D >> - 04.11.2014		1	
(27)	991 555 765 02 991 555 765 02 1E0	Cover Black for Compressor 5N0.012.615.A D - 05.11.2014>> - 09.04.2015		1	
(27)	991 555 765 03 991 555 765 03 1E0	Cover Black for Compressor 5N0.012.615.C D - 10.04.2015>>		1	

Model: 991G13

Model life 2014>>



Model: 991G13 Model life 2014>>

Pos	Part Number	Description	Remark	Qty	Model
1	991 362 162 82	Alloy wheel Central locking D - MJ 2018>> Alloy wheel 9 J X 20 ET 55	front	2	PR:431,XDH, XDK,340,341
	991 362 162 82 OB5	Platinum satin-matt			PR:XDH
	991 362 162 82 JE1	Matt black			PR:XDK
	991 362 162 82 8Z8	Brilliant Silver			PR:340
	991 362 162 82 OM9	Aluminium White			PR:341
(1)	991 362 168 83	Alloy wheel 12 J X 20 ET 47	rear	2	PR:431,XDH, XDK,340,341
	991 362 168 83 OB5	Platinum satin-matt			PR:XDH
	991 362 168 83 JE1	Matt black			PR:XDK
	991 362 168 83 8Z8	Brilliant Silver			PR:340
	991 362 168 83 OM9	Aluminium White			PR:341
(1)	991 364 162 82	Rim 9 J X 20 ET 55	front	2	PR:431,XGT
(1)	991 364 162 82 TR0	black/red			
(1)	991 364 168 83	Rim 12 J X 20 ET 47	rear	2	PR:431,XGT
(1)	991 364 168 83 TR0	black/red			
(1)	991 362 162 84	Alloy wheel 9,5JX20 ET50	front	2	PR:451,XDK, 340,XDH,346
	991 362 162 84 OB5	Platinum satin-matt			PR:XDH
	991 362 162 84 JE1	Matt black			PR:XDK
	991 362 162 84 OP9	Aurum Metallic			PR:340
	991 362 162 84 8Z8	Brilliant Silver			PR:346
(1)	991 362 167 85	Alloy wheel 12,5JX21 ET48	rear	2	PR:451,XDK, 340,XDH,346
	991 362 167 85 OB5	Platinum satin-matt			PR:XDH
	991 362 167 85 JE1	Matt black			PR:XDK
	991 362 167 85 OP9	Aurum high gloss			PR:340
	991 362 167 85 8Z8	Brilliant Silver			PR:346
(1)	991 362 163 83	Alloy wheel 9,5 J X 20 ET 50	front	2	PR:452,XDK, XGG,340,346
	991 362 163 83 OB5	Platinum satin-matt			PR:340
	991 362 163 83 JE1	Matt black			PR:XDK
	991 362 163 83 8Z8	Brilliant Silver			PR:346
	991 362 163 83 OP9	Aurum high gloss			PR:XGG
(1)	991 362 168 84	Alloy wheel with central locking 12,5 J X 21 ET 48	rear	2	PR:452,XDK, 340,XDH,346
	991 362 168 84 OB5	Platinum satin-matt			PR:340
	991 362 168 84 JE1	Matt black			PR:XDK
	991 362 168 84 8Z8	Brilliant Silver			PR:346
	991 362 168 84 OP9	Aurum high gloss			PR-XGG
2	991 341 251 02	Locking mechanism		2	PR:478
3	999 707 012 40	O-ring 37 X 2,5 N		4	PR:478
4	991 361 081 90	Wheel bolt		4	PR:478
5	999 707 663 40	O-ring 90,00 X 4		4	PR:478
6	991 361 189 00	Washer		4	PR:478
8	997 361 187 00	Securing ring 2,0		4	PR:478

Model: 991G13 Model life 2014>>

Pos	Part Number	Description	Remark	Qty	Model
9	991 361 207 90	Hub cap		4	PR:431,-039
(9)	991 361 207 30	Hub cap		4	PR:431,039
9	991 361 207 95	Hub cap		4	PR:451,452,-XGG,-XGS
(9)	991 361 207 96	Hub cap		4	PR:451,452,XGG
(9)	991 361 207 97	Hub cap		4	PR:451,XGS
10	999 707 667 40	O-ring 30 X 2,5 N		4	PR:431,448
11	997 361 405 00	Balancer weight (self-adhesive) 5.G.		X	PR:-493
(11)	9P1 601 179	Balancer weight (self-adhesive) Black		X	PR:493
(11)	997 361 410 00	Balancer weight (self-adhesive) 10 G.		X	PR:-493
(11)	9P1 601 181	Balancer weight (self-adhesive) Black		X	PR:493
(11)	997 361 415 00	Balancer weight (self-adhesive) 15 G.		X	PR:-493
(11)	9P1 601 182	Balancer weight (self-adhesive) Black		X	PR:493
(11)	997 361 420 00	Balancer weight (self-adhesive) 20 G.		X	PR:-493
(11)	9P1 601 183	Balancer weight (self-adhesive) Black		X	PR:493
(11)	997 361 425 00	Balancer weight (self-adhesive) 25 G.		X	PR:-493
(11)	9P1 601 184	Balancer weight (self-adhesive) Black		X	PR:493
(11)	997 361 430 00	Balancer weight (self-adhesive) 30 G.		X	PR:-493
(11)	9P1 601 185	Balancer weight (self-adhesive) Black		X	PR:493
(11)	997 361 435 00	Balancer weight (self-adhesive) 35 G.		X	PR:-493
(11)	9P1 601 186	Balancer weight (self-adhesive) Black		X	PR:493
(11)	997 361 440 00	Balancer weight (self-adhesive) 40 G.		X	PR:-493
(11)	9P1 601 187	Balancer weight (self-adhesive) Black		X	PR:493
(11)	997 361 445 00	Balancer weight (self-adhesive) 45 G.		X	PR:-493
(11)	9P1 601 188	Balancer weight (self-adhesive) Black		X	PR:493

Model: 991G13

Model life 2014>>

Pos	Part Number	Description	Remark	Qty	Model
(11)	997 361 450 00	Balancer weight (self-adhesive) 50 G.		X	PR:-493
(11)	9P1 601 189	Balancer weight (self-adhesive) Black		X	PR:493
(11)	997 361 455 00	Balancer weight (self-adhesive) 55 G.		X	PR:-493
(11)	9P1 601 190	Balancer weight (self-adhesive) Black		X	PR:493
(11)	997 361 460 00	Balancer weight (self-adhesive) 60 G.		X	PR:-493
(11)	9P1 601 191	Balancer weight (self-adhesive) Black		X	PR:493
(11)	997 361 465 00	Balancer weight (self-adhesive) 65 G.		X	PR:-493
(11)	9P1 601 192	Balancer weight (self-adhesive) Black		X	PR:493
(11)	997 361 470 00	Balancer weight (self-adhesive) 70 G.		X	PR:-493
(11)	9P1 601 193	Balancer weight (self-adhesive) Black		X	PR:493
(11)	997 361 475 00	Balancer weight (self-adhesive) 75 G.		X	PR:-493
(11)	9P1 601 194	Balancer weight (self-adhesive) Black		X	PR:493
(11)	997 361 480 00	Balancer weight (self-adhesive) 80 G.		X	PR:-493
(11)	9P1 601 195	Balancer weight (self-adhesive) Black		X	PR:493
(11)	997 361 485 00	Balancer weight (self-adhesive) 85 G.		X	PR:-493
(11)	9P1 601 196	Balancer weight (self-adhesive) Black		X	PR:493
(11)	997 361 490 00	Balancer weight (self-adhesive) 90 G.		X	PR:-493
(11)	9P1 601 197	Balancer weight (self-adhesive) Black		X	PR:493
12	900 265 001 51	Rubber valve Discontinued part		1	PR:447
12	311 601 361	Rubber valve		1	PR:447
13	WHT 006 913	Valve cap for valve unit Black		4	PR:447
14	991 362 021 01	Spare wheel		1	PR:447,478
15	991 362 191 00	Adapter Spare wheel		1	PR:447,478

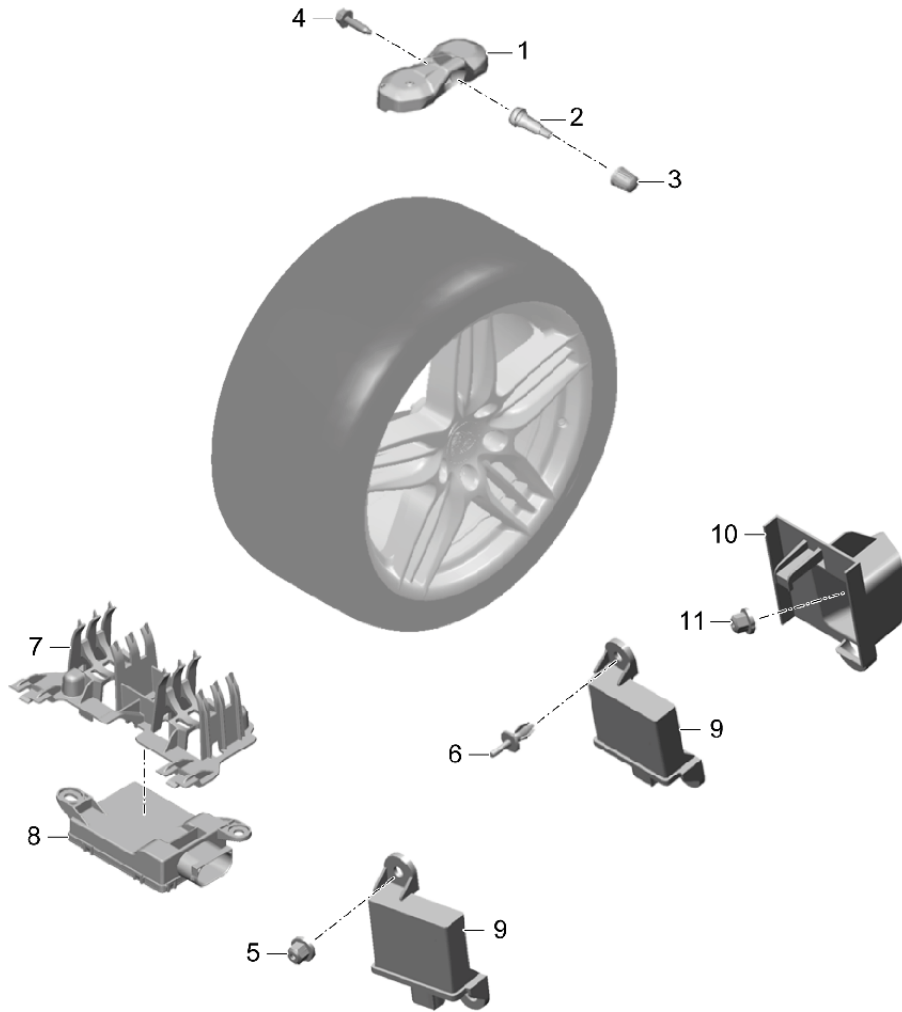
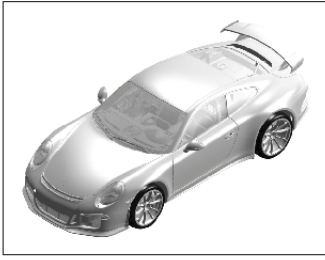
Model: 991G13

Model life 2014>>

Pos	Part Number	Description	Remark	Qty	Model
16	991 361 209 00	Wheel bolt Adapter		5	PR:447,478
17	991 361 181 50	Wheel bolt Central locking Spare wheel		1	PR:447,478
18	991 362 193 00	Shim Front axle		1	PR:447,478
(18)	991 362 195 00	Shim Rear axle		1	PR:447,478
19	9A7 012 619 02	Tyre sealant		1	
20	996 361 521 00	Protective sleeve Spare wheel		1	PR:447
21	997 361 161 00	Extension Spare wheel		1	PR:447,478
22	999 914 001 40	Plastic gloves No longer use the part here		1	PR:447
23	991 361 069 00	Tool for Wheel bolt		1	PR:478
24	991 361 079 00	release tool		1	PR:478
25	9P1 012 615 A	Compressor for Spare wheel		1	
26	991 555 575 04	Bracket for compressor with: Cover		1	
27	991 555 575 04 1E0	Black		1	
	991 555 765 03	Cover			
	991 555 765 03 1E0	Black			

Model: 991G13

Model life 2014>>



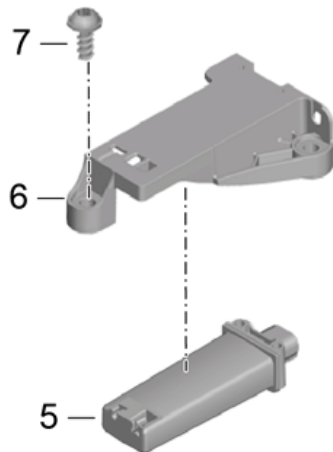
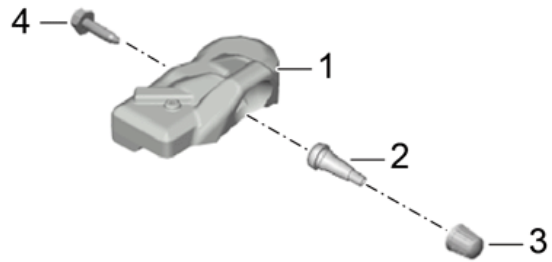
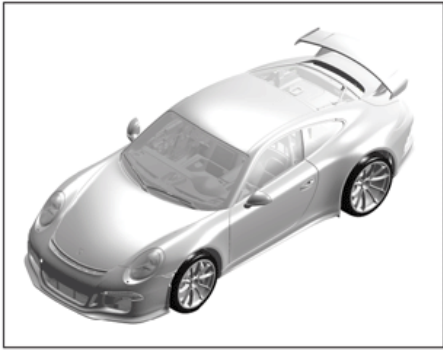
Model: 991G13

Model life 2014>>

Pos	Part Number	Description	Remark	Qty	Model
1	9A7 907 275 02	tyre pressure control system D >> - MJ 2017 Tyre pressure sensor		4	PR:482
(1)	7PP 907 275 F	tyre pressure control system No longer use the part here Tyre pressure sensor		4	PR:482
(1)	9A7 907 275 03	tyre pressure control system Tyre pressure sensor		4	PR:483
(1)	7PP 907 275 G	tyre pressure control system No longer use the part here Tyre pressure sensor		4	PR:483
2	9P1 601 361	tyre pressure control system Valve aluminium Black		4	PR:UX7
(2)	9P1 601 361 A	D >> - MJ 2016 Valve aluminium silver		4	PR:UX6
(2)	9P1 601 361 A	D >> - MJ 2016 Valve aluminium silver		4	PR:UX6
(2)	9P1 601 361 B	Valve aluminium silver		4	PR:UX7
3	N 908 729 01	Valve cap for valve unit silver		4	PR:UX6
(3)	WHT 006 913	Valve cap for valve unit Black		4	PR:UX7
4	4D0 601 365	Hexagon socket head bolt, self-locking		4	
(4)	4D0 601 365	Hexagon socket head bolt, self-locking		4	PR:UX7
5	999 076 081 40	Hexagon plastic collar nut		6	
6	999 507 196 40	Spreader rivet	front	2	
7	991 618 259 00	Retainer for aerial		1	
8	918 618 103 01	Aerial		1	PR:483
(8)	918 618 104 01	Aerial		1	PR:482
9	7PP 907 283	Sender unit		4	PR:482,483
10	991 606 242 00	Holder for sender unit	front	1	PR:482,483
11	999 049 033 40	Plastic nut		4	PR:470

Model: 991G13

Model life 2014>>



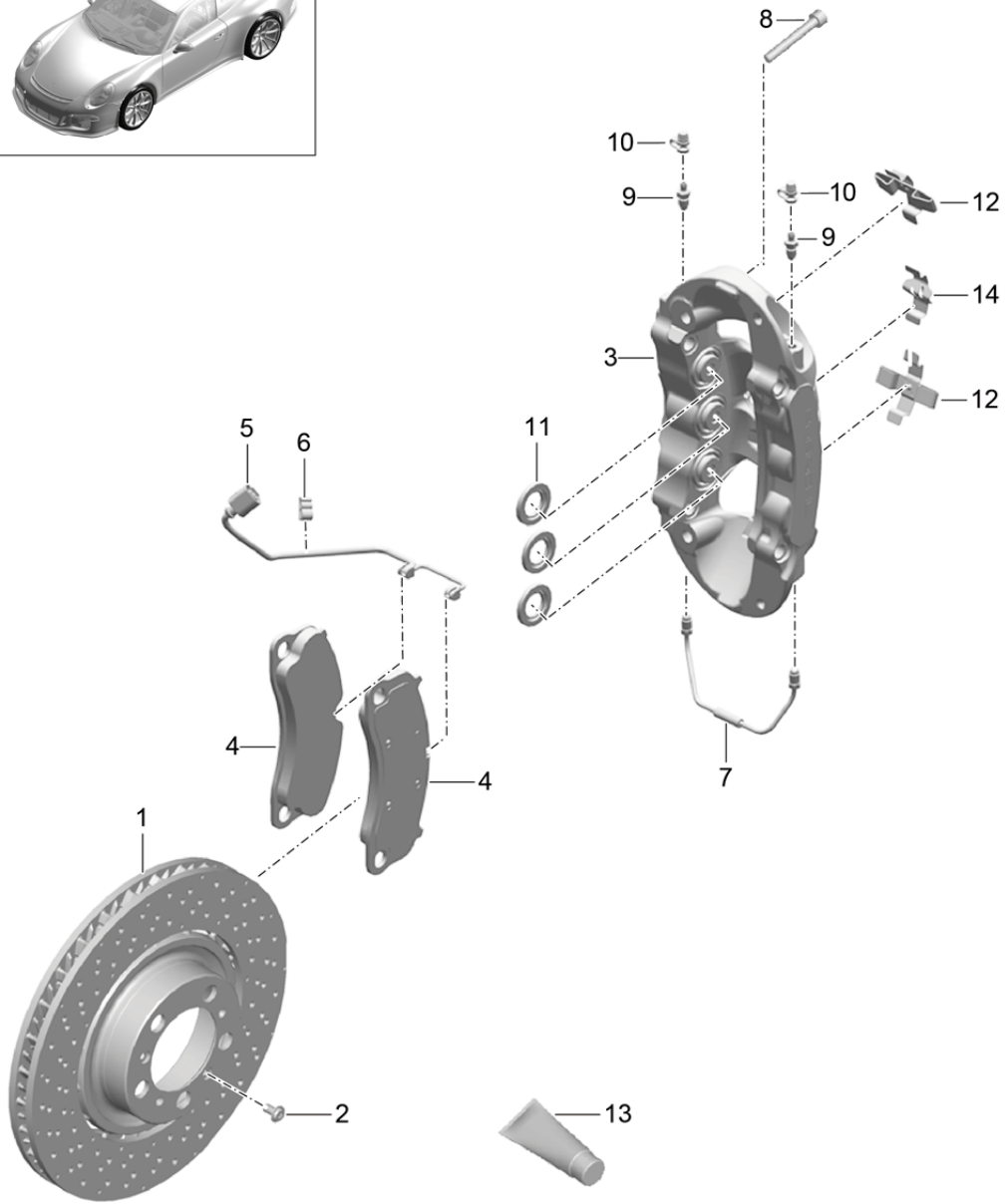
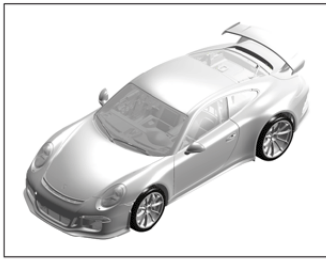
Model: 991G13

Model life 2014>>

Pos	Part Number	Description	Remark	Qty	Model
1	9A7 907 275 02	tyre pressure control system D - MJ 2018>> Tyre pressure sensor		4	PR:482
(1)	9A7 907 275 03	tyre pressure control system Tyre pressure sensor		4	PR:483
2	9P1 601 361 B	tyre pressure control system Valve aluminium Black		4	PR:UX7
(2)	9P1 601 361 C	Valve aluminium silver		4	PR:UX6
3	N 908 729 01	Valve cap for valve unit silver		4	PR:UX6
(3)	WHT 006 913	Valve cap for valve unit Black		4	PR:UX7
4	4D0 601 365	Hexagon socket head bolt, self-locking		4	
5	9P1 907 273	Control unit for tyre pressure control		1	PR:482
(5)	9P1 907 273 A	Control unit for tyre pressure control		1	PR:483
6	991 618 269 01	Bracket		1	
7	999 919 241 01	Oval-head screw M 6 X 15		2	

Model: 991G13

Model life 2014>>



Model: 991G13 Model life 2014>>

Pos	Part Number	Description	Remark	Qty	Model
1	991 351 405 81	Disc brake Front axle D >> - MJ 2017 Brake disc	left front	1	PR:-450
(1)	991 351 406 81	Brake disc use if required:	991 341 905 80 right front	1	PR:-450
(1)	991 351 407 80	Brake disc use if required:	991 341 905 80 left front	1	PR:450
(1)	991 351 407 84	Brake disc use if required:	991 341 905 80 left front	1	PR:450
(1)	991 351 407 85	Brake disc use if required:	991 341 905 80 left front	1	PR:450
(1)	991 351 408 80	Brake disc use if required:	991 341 905 80 right	1	PR:450
(1)	991 351 408 84	Brake disc use if required:	991 341 905 80 right front	1	PR:450
(1)	991 351 408 85	Brake disc use if required:	991 341 905 80 right front	1	PR:450
2	999 015 025 09	Oval-head screw M 6 X 12		4	
3	991 351 427 80	caliper without brake pads also use:	left 999 067 054 09	1 4	PR:-450
(3)	991 351 427 81	Discontinued part caliper without brake pads also use:	left 999 067 054 09	1 4	PR:-450
(3)	991 351 427 83	Discontinued part caliper without brake pads also use:	left 999 067 054 09	1 4	PR:-450
(3)	991 351 427 82	caliper without brake pads also use:	left 999 067 054 09	1 4	PR:-450
(3)	991 351 427 83	Discontinued part caliper without brake pads also use:	left 999 067 054 09	1 4	PR:-450
(3)	991 351 429 80	caliper without brake pads also use:	left 999 067 054 09	1 4	PR:450
(3)	991 351 429 81	Discontinued part caliper without brake pads also use:	left 999 067 054 09	1 4	PR:450
(3)	991 351 429 83	Discontinued part caliper without brake pads also use:	left 999 067 054 09	1 4	PR:450
(3)	991 351 429 83	caliper without brake pads also use:	left 999 067 054 09	1 4	PR:450
(3)	991 351 429 82	caliper without brake pads also use:	left 999 067 054 09	1 4	PR:450
(3)	991 351 429 83	Discontinued part caliper without brake pads also use:	left 999 067 054 09	1 4	PR:450
(3)	991 351 428 80	caliper without brake pads also use:	right 999 067 054 09	1 4	PR:-450
(3)	991 351 428 81	Discontinued part caliper without brake pads also use:	right 999 067 054 09	1 4	PR:-450
(3)	991 351 428 83	Discontinued part caliper without brake pads also use:	right 999 067 054 09	1 4	PR:-450
(3)	991 351 428 82	caliper without brake pads also use:	right 999 067 054 09	1 4	PR:-450
(3)	991 351 428 83	Discontinued part caliper without brake pads also use:	right 999 067 054 09	1 4	PR:-450
(3)	991 351 430 80	caliper without brake pads	right	1	PR:450

Model: 991G13 Model life 2014>>

Pos	Part Number	Description	Remark	Qty	Model
		also use:	999 067 054 09	4	
(3)	991 351 430 81	Discontinued part caliper without brake pads	right	1	PR:450
		also use:	999 067 054 09	4	
(3)	991 351 430 83	Discontinued part caliper without brake pads	right	1	PR:450
		also use:	999 067 054 09	4	
(3)	991 351 430 83	caliper without brake pads	right	1	PR:450
		also use:	999 067 054 09	4	
(3)	991 351 430 82	caliper without brake pads	right	1	PR:450
		also use:	999 067 054 09	4	
(3)	991 351 430 83	Discontinued part caliper without brake pads	right	1	PR:450
		also use:	999 067 054 09	4	
4	991 351 947 81	1 set of brake pads for disk brake	front	1	PR:-450
		also use:	999 067 054 09	4	
		Fasteners	999 067 054 09	4	
		also use:	999 067 054 09	4	
(4)	991 351 947 82	Discontinued part 1 set of brake pads for disk brake	front	1	PR:-450
		also use:	999 067 054 09	4	
		Fasteners	999 067 054 09	4	
		also use:	999 067 054 09	4	
(4)	991 351 949 80	1 set of brake pads for disk brake	front	1	PR:450
		also use:	999 067 054 09	4	
		Discontinued part	999 067 054 09	4	
(4)	991 351 949 81	1 set of brake pads for disk brake	front	1	PR:450
		also use:	999 067 054 09	4	
5	991 609 171 00	sender wire (pad wear indicator) D >> - MJ 2014 No longer use the part here		2	PR:-450
(5)	991 609 181 00	sender wire (pad wear indicator) D - MJ 2015>> No longer use the part here		2	PR:-450
(5)	991 609 181 80	sender wire (pad wear indicator)		2	
		use if required:	9P1 615 133 A		
(5)	991 609 181 80	sender wire (pad wear indicator)		2	
(5)	991 609 181 00	sender wire (pad wear indicator) No longer use the part here		2	PR:450
(5)	991 609 181 80	sender wire (pad wear indicator)		2	
(5)	991 609 181 00	sender wire (pad wear indicator) No longer use the part here		2	PR:450
6	944 612 627 00	Line holder for sender wire (pad wear indicator)		2	
7	991 351 961 00	Connecting line	left	2	
(7)	991 351 962 00	Fixed calliper Connecting line	right	2	

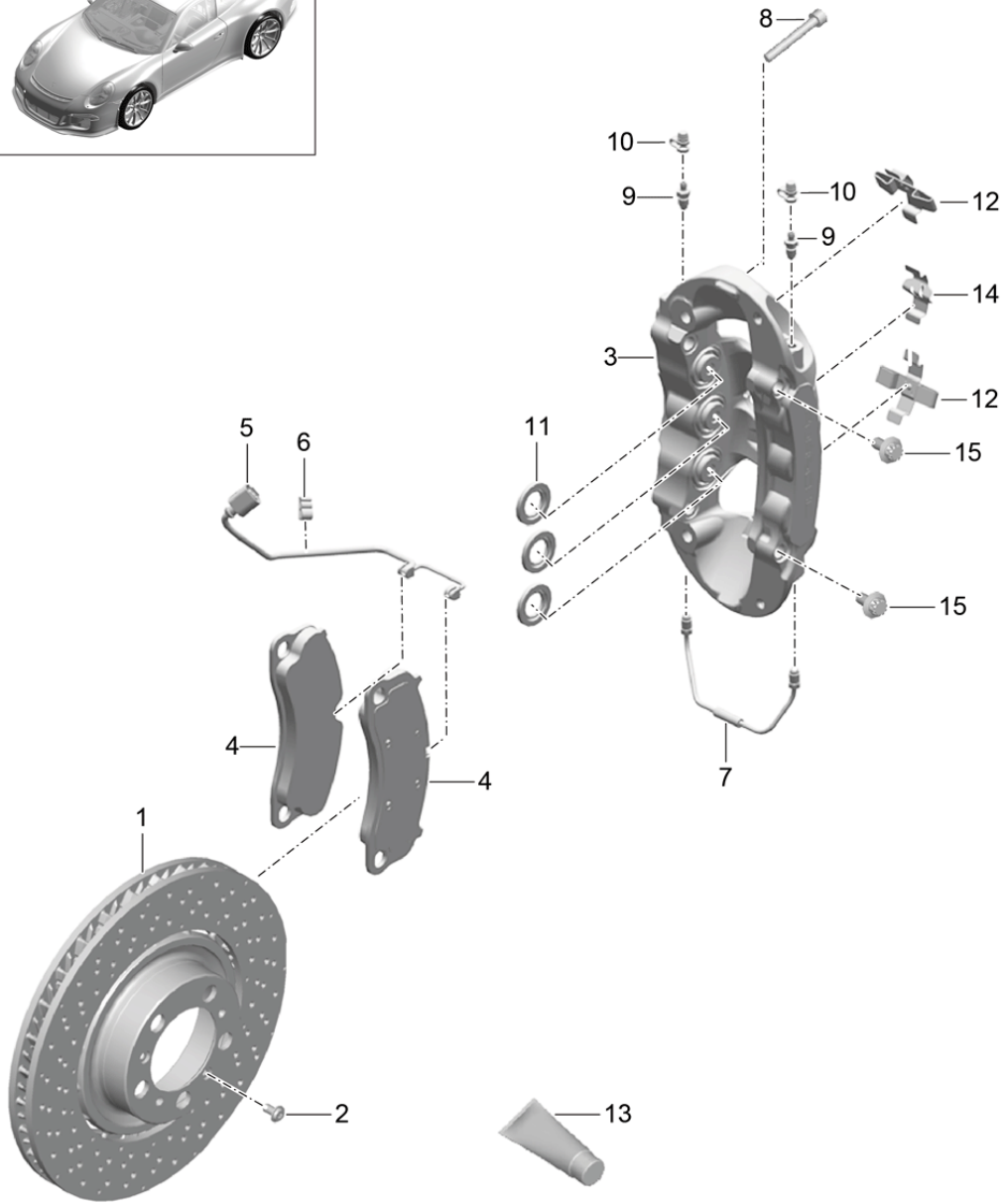
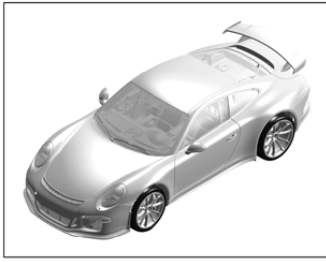
Model: 991G13

Model life 2014>>

Pos	Part Number	Description	Remark	Qty	Model
8	999 067 054 09	Fixed calliper Socket head bolt M 12 X 1,5 X 62		4	
9	8A0 615 273	Breather valve		4	
10	211 611 483	dust cap		4	
11	991 351 913 80	repair set Protection caps 30 MM		X	
12	970 351 959 01	Spring repair set		2	
13	000 043 117 00	brake cylinder paste 50 G		X	
(13)	000 043 020 00	Assembly paste 100 G		X	
14	9P1 615 133 A	Cable holder Warning contact		2	

Model: 991G13

Model life 2014>>

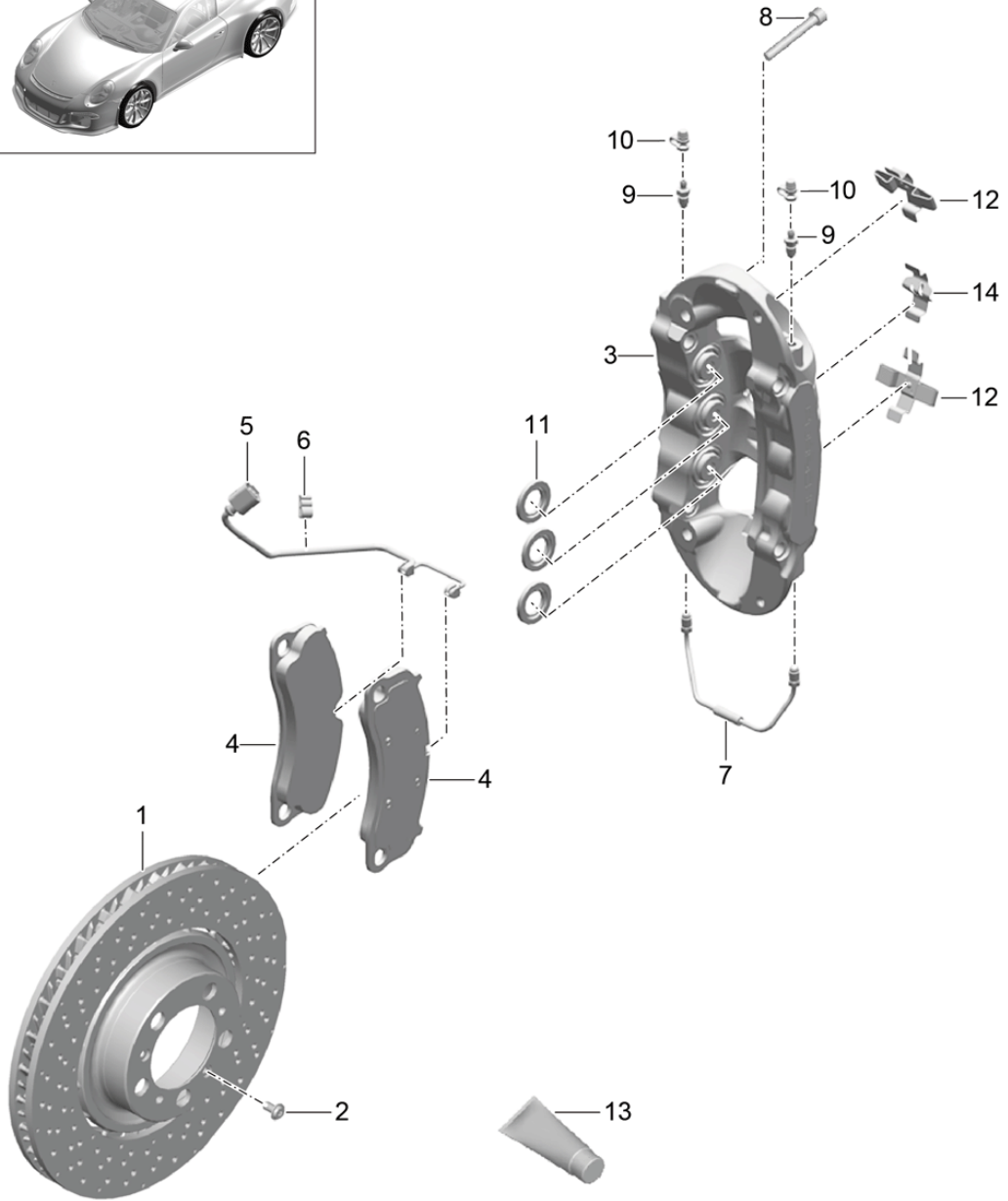
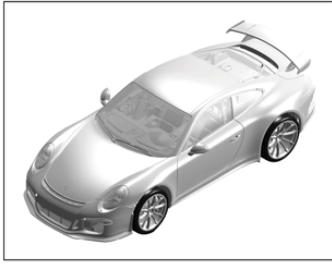


Model: 991G13 Model life 2014>>

Pos	Part Number	Description	Remark	Qty	Model
		Disc brake Front axle D - MJ 2018>>			PR:-450
1	991 351 405 81	Brake disc	left front	1	
		use if required:	991 341 905 80	1	
(1)	991 351 406 81	Brake disc	right front	1	
		use if required:	991 341 905 80	1	
2	999 015 025 09	Oval-head screw M 6 X 12		4	
(2)	999 073 572 01	Oval-head screw	M6X12	4	
3	991 351 427 85	caliper without brake pads	left front	1	
		also use:	999 067 054 09	4	
		D >> - 11.05.2017			
3	991 351 427 86	caliper without brake pads	left front	1	
		also use:	WHT 008 186	4	
		D - 12.05.2017>>			
(3)	991 351 428 85	caliper without brake pads	right front	1	
		also use:	999 067 054 09	4	
		D >> - 11.05.2017			
(3)	991 351 428 86	caliper without brake pads	right	1	
		also use:	WHT 008 186	4	
		D - 12.05.2017>>			
4	991 351 947 82	1 set of brake pads for disk brake	front	1	
		also use:	999 067 054 09	4	
4	991 351 947 83	1 set of brake pads for disk brake	front	1	
		also use:	WHT 008 186	4	
5	991 609 181 80	sender wire (pad wear indicator)	front	2	
		use if required:	9P1 615 133 A		
6	944 612 627 00	Line holder for sender wire (pad wear indicator)		2	
7	991 351 961 01	Connecting line	left	2	
(7)	991 351 962 01	Connecting line	right	2	
8	999 067 054 09	Socket head bolt	M12X1,5X62	4	
		D >> - 03.12.2017			
8	WHT 008 186	Socket head bolt	M12X1,5X62	4	
		D - 04.12.2017>>			
9	8A0 615 273	Breather valve		4	
10	211 611 483	dust cap		4	
11	991 351 913 80	repair set Protective cap 30 MM		X	
12	970 351 959 01	Spring repair set		2	
13	000 043 305 11	brake cylinder paste 50 G		X	
(13)	000 043 305 08	Assembly paste 100 G		X	

Model: 991G13

Model life 2014>>

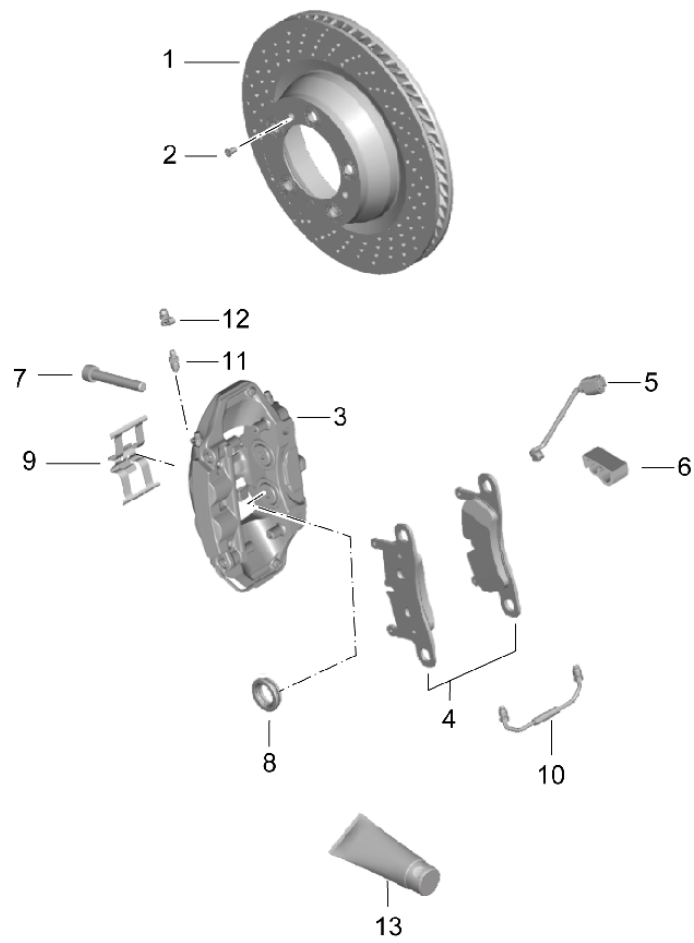
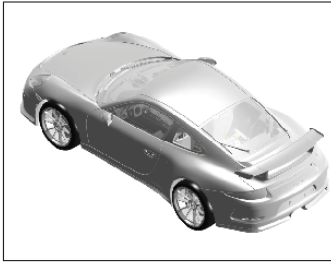


Model: 991G13 Model life 2014>>

Pos	Part Number	Description	Remark	Qty	Model
		Disc brake Front axle PCCB D - MJ 2018>>			PR:450
1	991 351 407 85	Brake disc	left front	1	
		use if required:	991 341 905 80	1	
(1)	991 351 408 85	Brake disc	right front	1	
		use if required:	991 341 905 80	1	
2	999 015 025 09	Oval-head screw M 6 X 12		4	
(2)	999 073 572 01	Oval-head screw	M6X12	4	
3	991 351 429 85	caliper without brake pads	left front	1	
		also use:	999 067 054 09	4	
		D >> - 11.05.2017			
(3)	991 351 429 86	caliper without brake pads	left	1	
		also use:	WHT 008 186	4	
		D - 12.05.2017>>			
(3)	991 351 430 85	caliper without brake pads	right	1	
		also use:	999 067 054 09	4	
		D >> - 11.05.2017			
(3)	991 351 430 86	caliper without brake pads	right	1	
		also use:	WHT 008 186	4	
		D - 12.05.2017>>			
4	991 351 949 81	1 set of brake pads for disk brake	front	1	
		also use:	WHT 008 186	4	
5	991 609 181 80	sender wire (pad wear indicator)		2	
6	944 612 627 00	Line holder for sender wire (pad wear indicator)		2	
7	991 351 961 01	Connecting line	left	2	
(7)	991 351 962 01	Fixed calliper	right	2	
8	999 067 054 09	Socket head bolt	M12X1,5X62	4	
		D >> - 02.12.2017			
8	WHT 008 186	Socket head bolt	M12X1,5X62	4	
		D - 04.12.2017>>			
9	8A0 615 273	Breather valve		4	
10	211 611 483	dust cap		4	
11	991 351 913 80	repair set Protection caps 30 MM		X	
12	970 351 959 01	Spring repair set		2	
13	000 043 305 11	brake cylinder paste 50 G		X	
(13)	000 043 305 08	Assembly paste 100 G		X	
14	9P1 615 133 A	Cable holder Warning contact		2	

Model: 991G13

Model life 2014>>



Model: 991G13 Model life 2014>>

Pos	Part Number	Description	Remark	Qty	Model
1	991 352 407 80	Disc brake Rear axle D >> - MJ 2017	left rear	1	PR:-450
(1)	991 352 409 80	Brake disc use if required:	991 341 905 80 left rear	1	PR:450
(1)	991 352 409 83	Discontinued part Brake disc use if required:	991 341 905 80 left rear	1	PR:450
(1)	991 352 409 85	Brake disc use if required:	991 341 905 80 left rear	1	PR:450
(1)	991 352 409 84	Brake disc use if required:	991 341 905 80 left rear	1	PR:450
(1)	991 352 408 80	Brake disc use if required:	991 341 905 80 right rear	1	PR:-450
(1)	991 352 410 80	Brake disc use if required:	991 341 905 80 right rear	1	PR:450
(1)	991 352 410 83	Discontinued part Brake disc use if required:	991 341 905 80 right rear	1	PR:450
(1)	991 352 410 85	Brake disc use if required:	991 341 905 80 right rear	1	PR:450
(1)	991 352 410 84	Brake disc use if required:	991 341 905 80 right rear	1	PR:450
2	999 015 025 09	Oval-head screw M 6 X 12		4	
3	991 352 427 80	caliper without brake pads also use:	left 999 067 053 09	1 2	PR:-450
(3)	991 352 427 82	caliper without brake pads also use:	left 999 067 053 09	1 2	PR:-450
(3)	991 352 429 80	caliper without brake pads also use:	left 999 067 053 09	1 2	PR:450
(3)	991 352 429 82	caliper without brake pads also use:	left 999 067 053 09	1 2	PR:450
(3)	991 352 428 80	caliper without brake pads also use:	right 999 067 053 09	1 2	PR:-450
(3)	991 352 428 82	caliper without brake pads also use:	right 999 067 053 09	1 2	PR:-450
(3)	991 352 430 80	caliper without brake pads also use:	right 999 067 053 09	1 2	PR:450
(3)	991 352 430 82	caliper without brake pads also use:	right 999 067 053 09	1 2	PR:450
4	991 352 948 80	1 set of brake pads for disk brake also use:	rear 999 067 053 09	1 4	PR:-450
(4)	991 352 948 81	1 set of brake pads for disk brake also use:	rear 999 067 053 09	1 4	PR:-450
(4)	991 352 949 80	1 set of brake pads for disk brake also use:	rear 999 067 053 09	1 4	PR:450
5	991 609 163 00	sender wire (pad wear indicator) D >> - MJ 2015		2	PR:-450,-IY2
5	991 609 183 00	Discontinued part sender wire (pad wear indicator)		2	PR:-450,-IY2
(5)	991 609 185 00	D >> - MJ 2015 sender wire		2	PR:-450,IY2

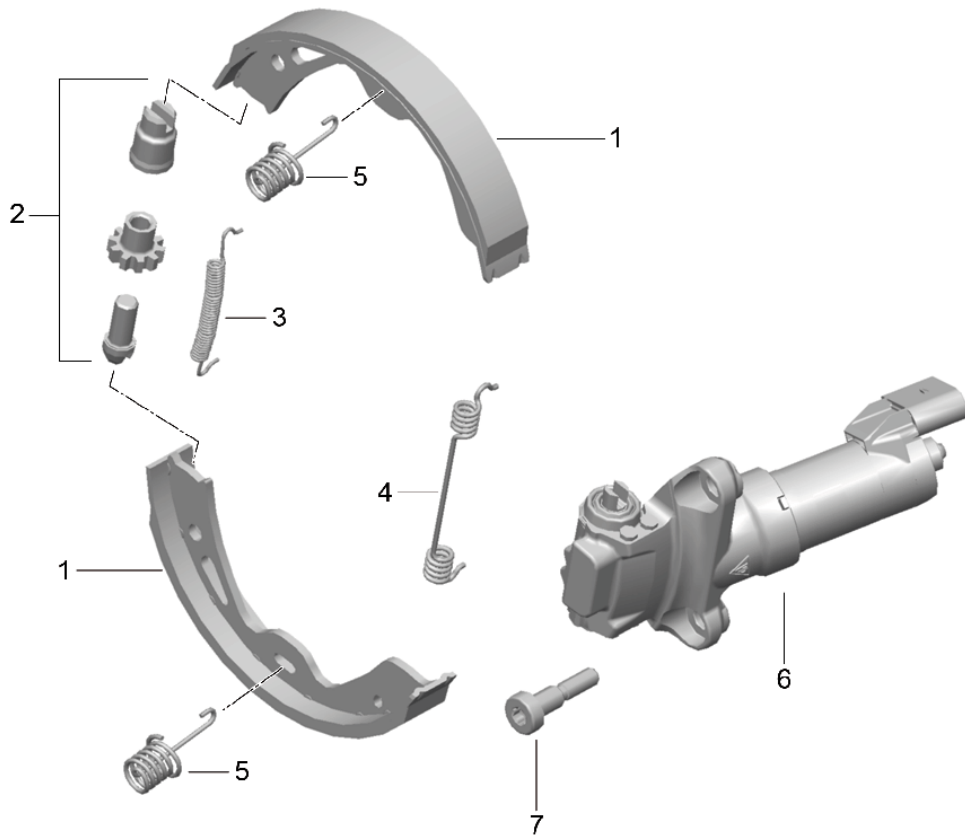
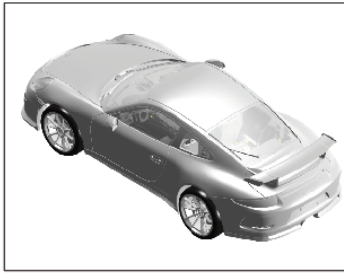
Model: 991G13

Model life 2014>>

Pos	Part Number	Description	Remark	Qty	Model
(5)	991 609 185 00	(pad wear indicator) D - MJ 2015>> sender wire		2	PR:-450
(5)	991 609 185 00	(pad wear indicator) D - MJ 2016>> - MJ 2017 sender wire		2	PR:450,-IY2
(5)	991 609 181 00	(pad wear indicator) D >> - MJ 2015 sender wire		2	PR:450,IY2
(5)	991 609 181 00	(pad wear indicator) D - MJ 2015>> sender wire		2	PR:450
(5)	991 609 181 80	(pad wear indicator) D - MJ 2016>> - MJ 2017 sender wire		2	
6	944 612 627 00	(pad wear indicator) D - MJ 2017>> Line holder for sender wire		2	
7	999 067 053 09	(pad wear indicator) Socket head bolt M 12 X 1,5 X 85		4	
8	991 352 917 80	1 set protective caps (4 pcs) 34 MM		1	
9	991 352 951 00	Repair set for rear axle Spring		2	
10	991 352 961 00	Connecting line		2	
11	997 352 917 00	Breather valve No longer use the part here		4	
11	997 352 919 00	Breather valve		4	
12	211 611 483	dust cap		4	
13	000 043 117 00	brake cylinder paste 50 G		X	
(13)	000 043 020 00	Assembly paste 100 G		X	

Model: 991G13

Model life 2014>>



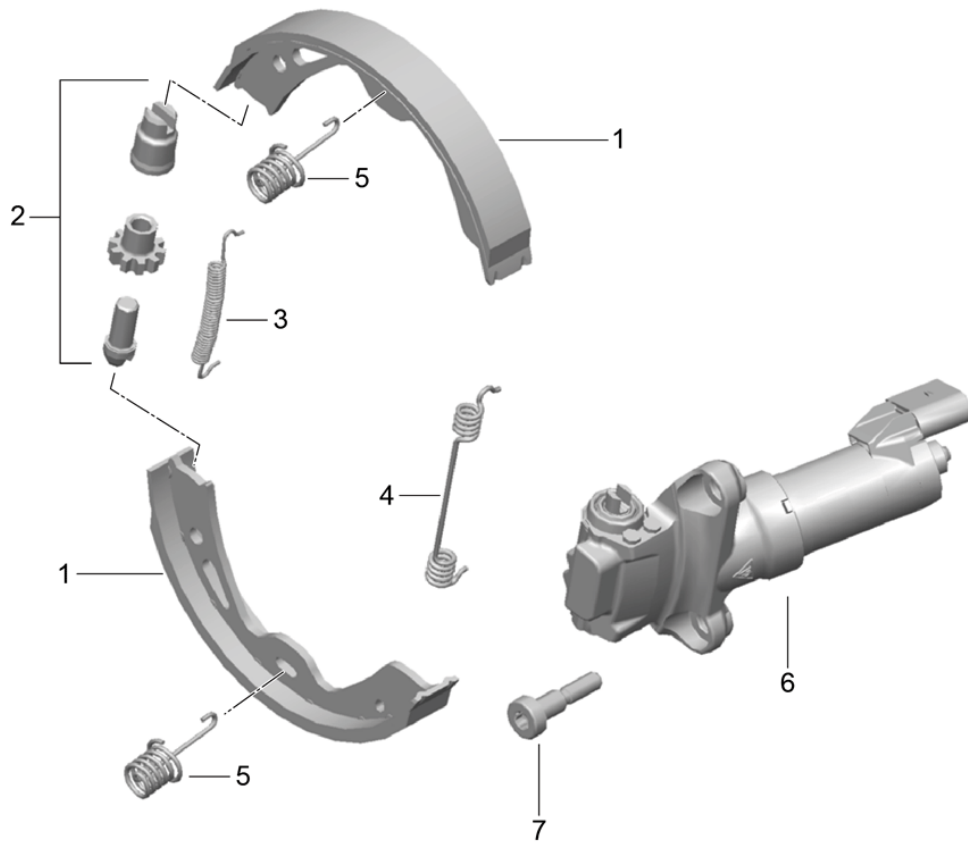
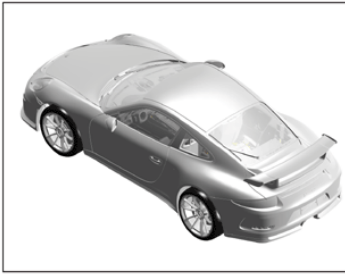
Model: 991G13

Model life 2014>>

Pos	Part Number	Description	Remark	Qty	Model
1	970 352 993 02	Parking brake D >> - MJ 2017 Brake shoe repair set comprising: 4 X Brake shoe also use: Fasteners Discontinued part		1	
1	298 698 533	Brake shoe repair set comprising: Brake shoe also use: Fasteners D >> - 13.05.2016		1 4	
1	971 698 533	Brake shoe repair set comprising: Brake shoe also use: Fasteners D - 16.05.2016>>		1 4	
(1)	298 698 533	Brake shoe repair set comprising: 4 X Brake shoe also use: Fasteners		1	
2	993 352 071 00	adjustment screw		2	
(2)	298 609 723	adjustment screw		2	
3	997 352 721 01	tension spring		2	
(3)	298 609 717	tension spring		2	
4	970 352 723 00	tension spring		2	
(4)	298 609 715	tension spring		2	
5	997 352 741 02	Pressure spring		4	
(5)	298 609 583	Pressure spring		4	
6	970 352 091 05	Servomotor	left	1	
(6)	298 609 403	Servomotor	left	1	
(6)	970 352 092 05	Servomotor	right	1	
(6)	298 609 404	Servomotor	right	1	
7	999 073 452 01	Screw M 8 X 38		4	

Model: 991G13

Model life 2014>>



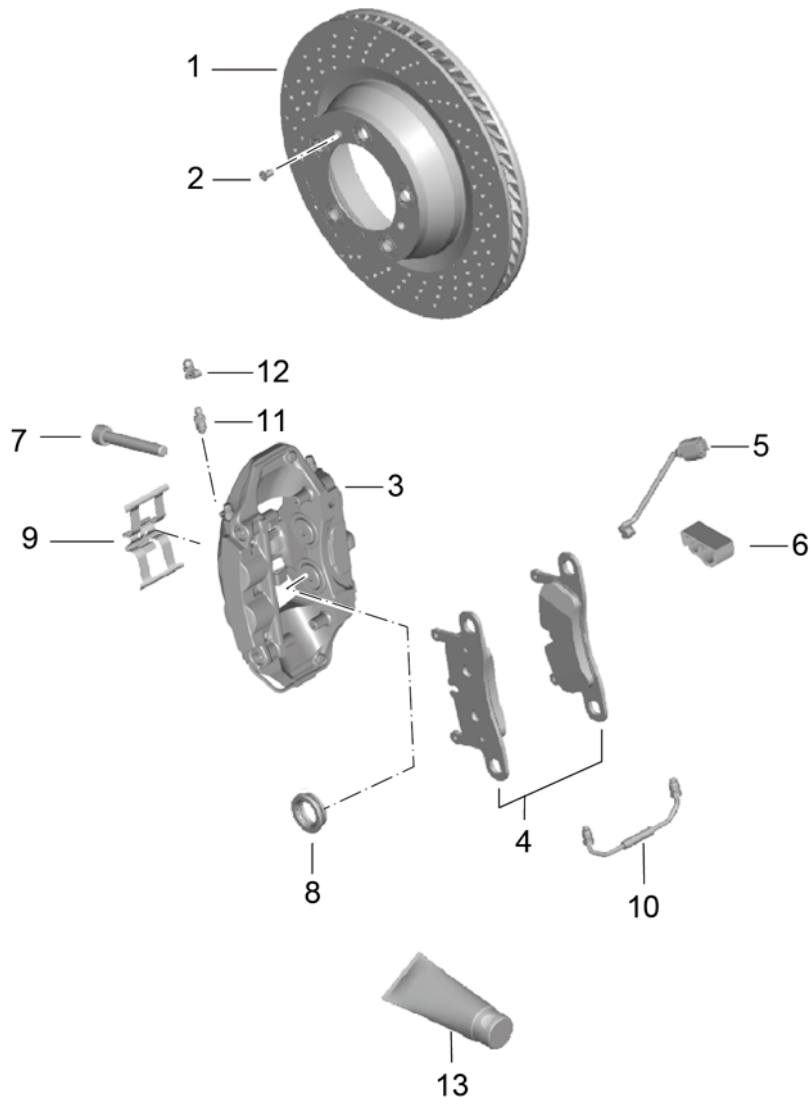
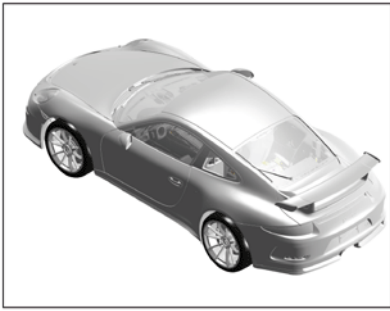
Model: 991G13

Model life 2014>>

Pos	Part Number	Description	Remark	Qty	Model
		Parking brake			
		D - MJ 2018>>			
2	298 609 723	adjustment screw		2	
(3)	298 609 717	tension spring		2	
4	298 609 715	tension spring		2	
5	298 609 583	Pressure spring		4	
6	298 609 403	Servomotor	left	1	
(6)	298 609 404	Servomotor	right	1	
7	999 073 452 01	Screw		4	
		M 8 X 38			

Model: 991G13

Model life 2014>>

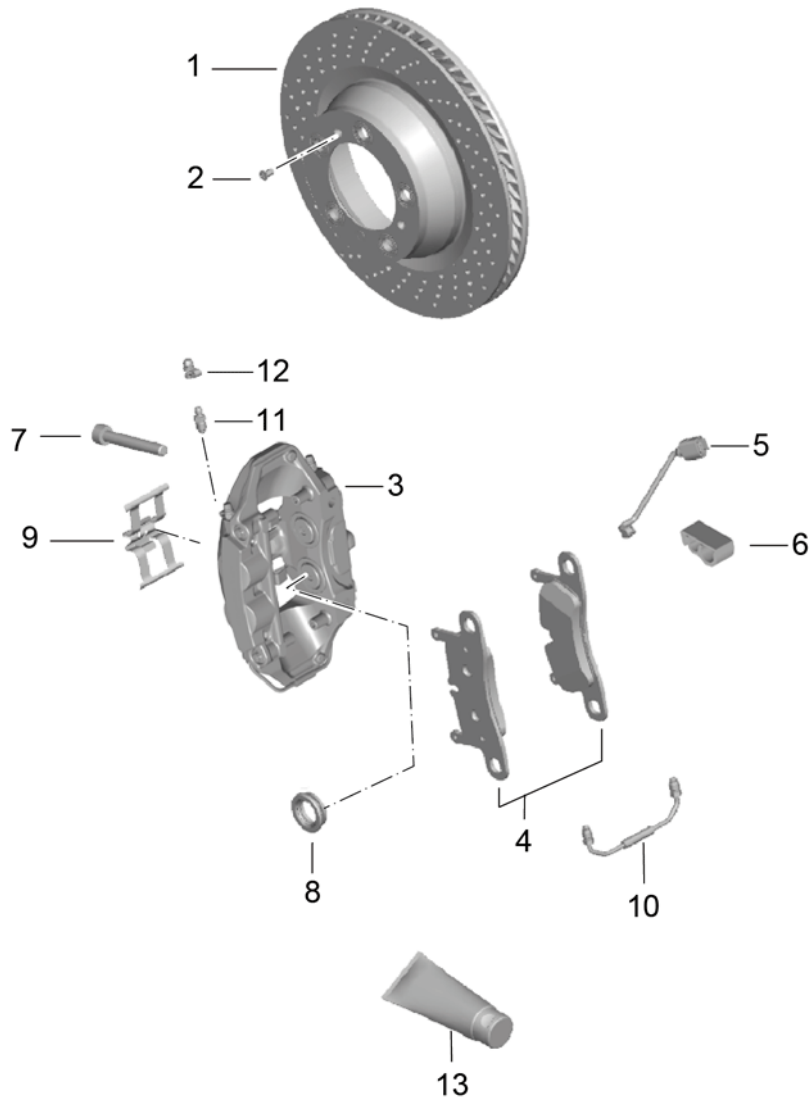
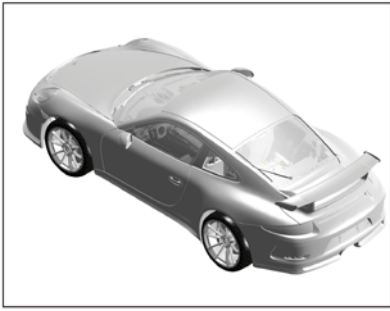


Model: 991G13 Model life 2014>>

Pos	Part Number	Description	Remark	Qty	Model
		Disc brake Rear axle D - MJ 2018>>			PR:-450
1	991 352 407 80	Brake disc	left rear	1	
		use if required:	991 341 905 80		
(1)	991 352 408 80	Brake disc	right rear	1	
		use if required:	991 341 905 80		
2	999 015 025 09	Oval-head screw	M6X12	4	
(2)	999 073 572 01	Oval-head screw	M6X12	4	
3	991 352 427 84	caliper without brake pads	left	1	
		also use:	999 067 053 09	2	
		D >> - 11.05.2017			
(3)	991 352 427 85	caliper without brake pads	left	1	
		also use:	WHT 007 585	2	
		D - 12.05.2018>>			
(3)	991 352 428 84	caliper without brake pads	right	1	
		also use:	999 067 053 09	2	
		D >> - 11.05.2017			
(3)	991 352 428 85	caliper without brake pads	right	1	
		also use:	WHT 007 585	2	
		D - 12.05.2018>>			
4	991 352 948 82	1 set of brake pads for disk brake	rear	1	
		also use:	999 067 053 09	4	
5	991 609 185 00	sender wire (pad wear indicator)		2	
6	944 612 627 00	Line holder for Warning contact		2	
7	999 067 053 09	Socket head bolt M 12 X 1,5 X 85		4	
7	9A7 007 585 00	Socket head bolt	M12X1,5X85	4	
8	991 352 917 80	1 set protective caps (4 pcs) 34 MM		1	
9	991 352 951 00	Repair set for rear axle		2	
9	971 698 995 B	Spring Cup expander spring		2	
		Spring repair set			
10	991 352 961 00	Spring Connecting line		2	
		In conjunction:	991.352.427.84 991.352.427.85		
10	971 615 701 A	Connecting line		2	
		In conjunction:	991.352.428.84 991.352.428.85		
11	8A0 615 273	Breather valve		4	
12	211 611 483	dust cap		4	
13	000 043 305 11	brake cylinder paste 50 G		X	
(13)	000 043 305 08	Assembly paste 100 G		X	

Model: 991G13

Model life 2014>>

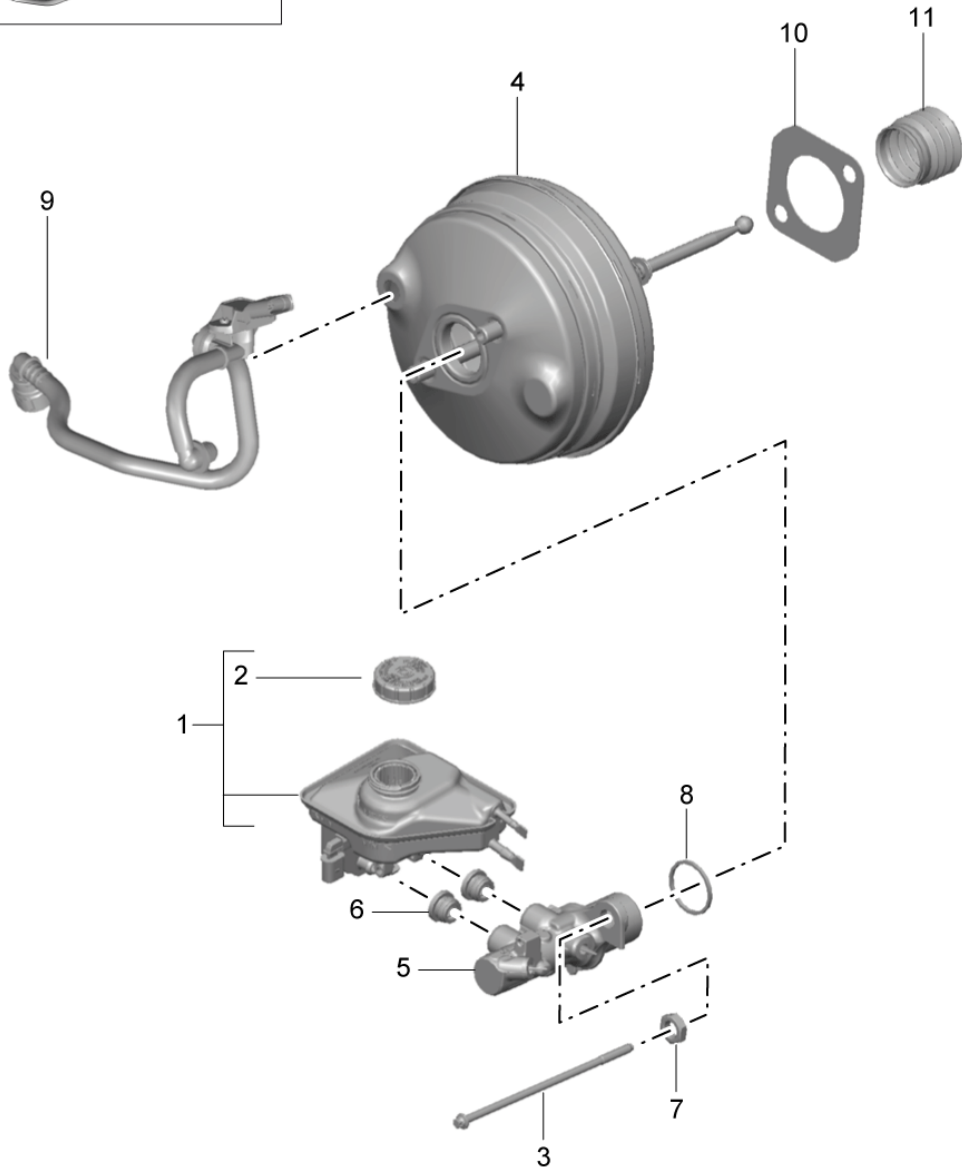
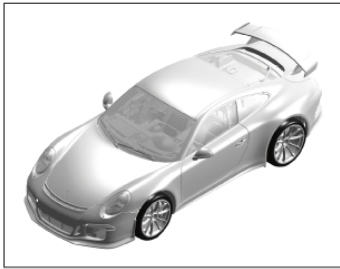


Model: 991G13 Model life 2014>>

Pos	Part Number	Description	Remark	Qty	Model
		Disc brake Rear axle PCCB D - MJ 2018>>			PR:450
1	991 352 409 85	Brake disc	left rear	1	
		use if required:	991 341 905 80		
(1)	991 352 410 85	Brake disc	right rear	1	
		use if required:	991 341 905 80		
2	999 015 025 09	Oval-head screw M 6 X 12		4	
(2)	999 073 572 01	Oval-head screw	M6X12	4	
(3)	991 352 429 84	caliper without brake pads	left	1	
		also use:	999 067 053 09	2	
(3)	991 352 429 85	D >> - 11.05.2017 caliper without brake pads	left	1	
		also use:	999 067 053 09	2	
(3)	991 352 430 84	D - 12.05.2017>> caliper without brake pads	right	1	
		also use:	999 067 053 09	2	
(3)	991 352 430 85	D >> - 11.05.2017 caliper without brake pads	right	1	
		also use:	999 067 053 09	2	
4	991 352 949 80	D - 12.05.2017>> 1 set of brake pads for disk brake	rear	1	
		also use:	999 067 053 09	4	
5	991 609 185 00	sender wire (pad wear indicator)		2	
6	944 612 627 00	Line holder for		2	
7	999 067 053 09	Warning contact Socket head bolt		4	
		M 12 X 1,5 X 85			
(7)	9A7 007 585 00	Socket head bolt	M12X1,5X85	4	
8	991 352 917 80	1 set protective caps (4 pcs) 34 MM		1	
9	991 352 951 00	Repair set for rear axle		2	
9	971 698 995 B	Spring Cup expander spring		2	
		Spring repair set			
10	991 352 961 00	Spring Connecting line		2	
10	971 615 701 A	Connecting line		2	
12	211 611 483	dust cap		4	
13	000 043 305 11	brake cylinder paste 50 G		X	
(13)	000 043 305 08	Assembly paste 100 G		X	

Model: 991G13

Model life 2014>>

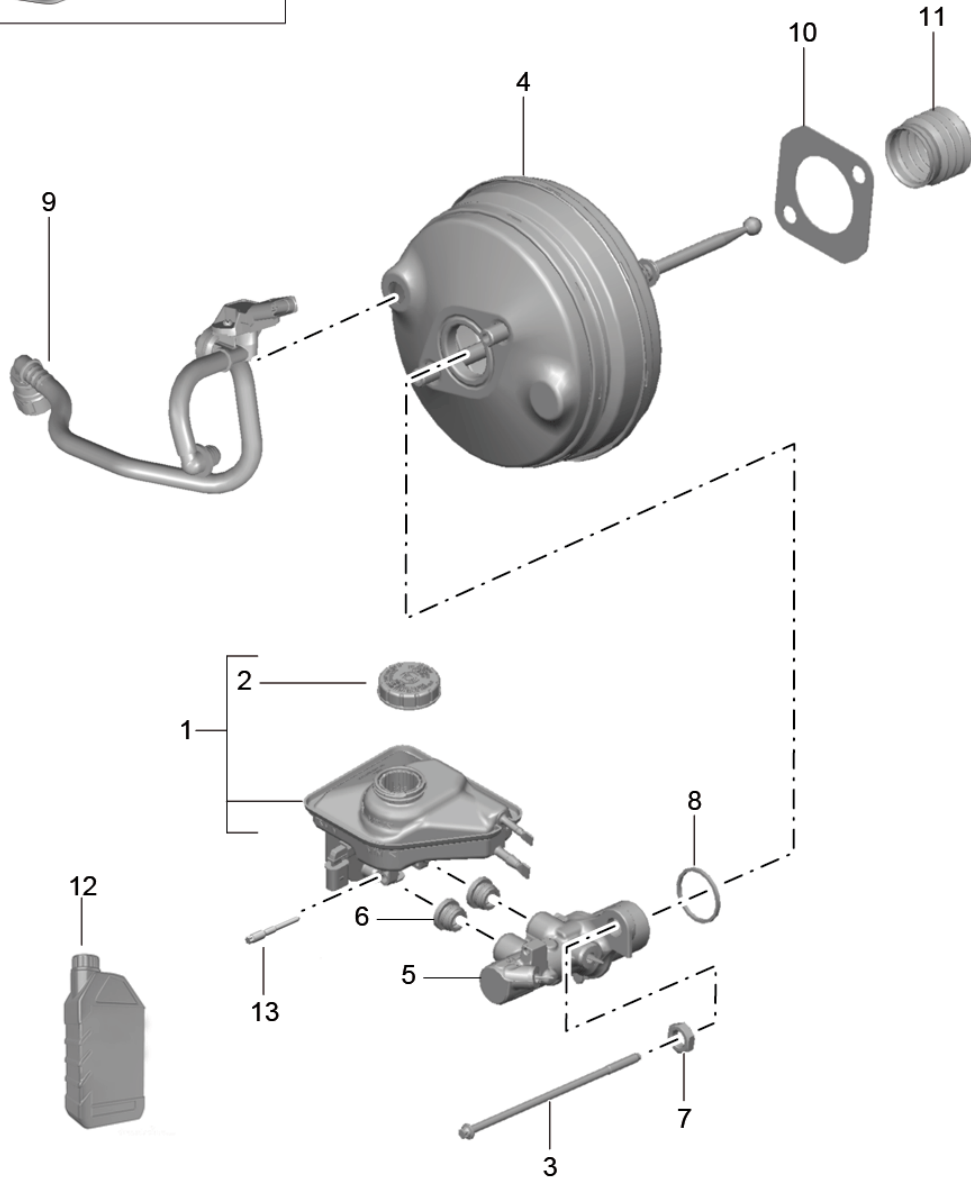
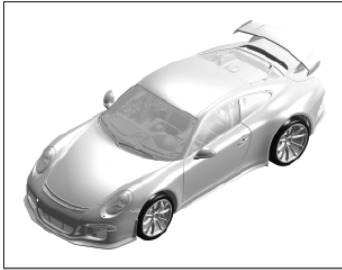


Model: 991G13 Model life 2014>>

Pos	Part Number	Description	Remark	Qty	Model
		Brake master cylinder			
		Brake servo			
		D >> - MJ 2017			
-	000 043 210 82	brake fluid	1.0 Ltr.	X	
-	000 043 210 86	brake fluid	30ltr.	X	
1	991 355 013 01	Reservoir		1	
-	WHT 005 308	stud with shoulder		1	
		M 5 X 51			
2	958 355 351 00	End cap		1	
		Discontinued part			
2	5Q0 611 349 A	cap for		1	"USA"
		expansion tank			
(2)	5Q0 611 349 B	cap for		1	-"USA"
		expansion tank			
3	991 355 929 00	Socket head bolt		2	
4	991 355 125 81	Brake servo		1	
		for			
		Pedals			
		with:			
		switch - brake light			
(4)	991 355 125 82	D >> - 14.03.2014		1	
		Brake servo			
		for			
		Brake booster			
		with:			
		switch - brake light			
		Integrated			
(4)	991 355 125 82	D - 17.03.2014>>		1	
5	991 355 130 80	Brake servo		1	
		Brake master cylinder			
		for			
		Pedals			
		with:			
		switch - brake light			
(5)	991 355 130 81	D >> - 14.03.2014		1	
		Brake master cylinder			
		for			
		Brake booster			
		with:			
		switch - brake light			
(5)	991 355 130 81	D - 17.03.2014>>		1	
6	970 355 922 00	Brake master cylinder		2	
7	970 355 925 00	Seal		2	
		Nut			
		M 16 X 8			
8	993 355 212 00	Seal		1	
9	991 355 577 05	Vacuum line		1	PR:098
(9)	991 355 577 04	Vacuum line		1	PR:098
(9)	991 355 578 03	Vacuum line		1	PR:099
(9)	991 355 578 02	Vacuum line		1	PR:099
10	991 355 901 01	Seal		1	
		Brake servo			
		filler plate			
11	970 355 969 00	Bellows		1	

Model: 991G13

Model life 2014>>



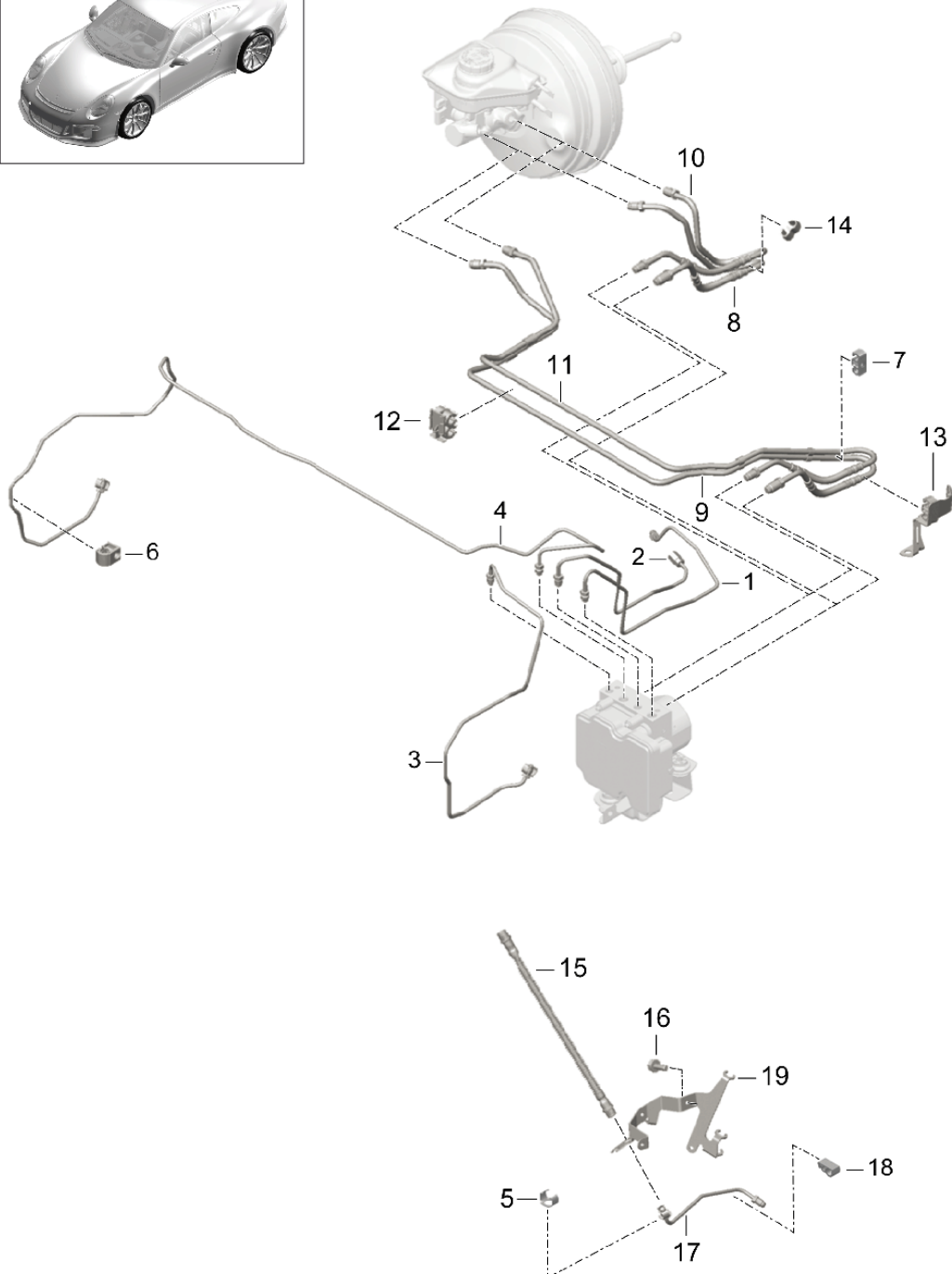
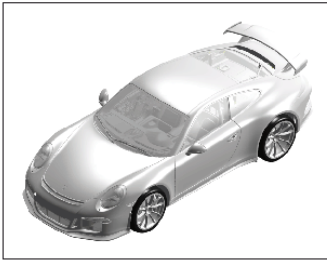
Model: 991G13

Model life 2014>>

Pos	Part Number	Description	Remark	Qty	Model
		Brake master cylinder			
		Brake servo			
		D - MJ 2018>>			
1	991 355 013 02	Reservoir		1	
2	5Q0 611 349 A	cap for expansion tank		1	PR:484
(2)	5Q0 611 349 B	cap for expansion tank		1	PR:-484
3	991 355 929 00	Socket head bolt		2	
4	991 355 125 82	Brake servo		1	
5	991 355 130 81	Brake master cylinder		1	
6	970 355 922 00	Seal		2	
7	970 355 925 00	Nut M 16 X 8		2	
8	993 355 212 00	Seal		1	
9	991 355 577 10	Vacuum line		1	PR:098
(9)	991 355 578 10	Vacuum line		1	PR:099
10	991 355 901 01	Seal		1	
		Brake servo filler plate			
11	970 355 969 00	Bellows		1	
12	000 043 210 82	brake fluid	1.0 Ltr.	X	
12	000 043 210 86	brake fluid	30ltr.	X	
13	WHT 005 308	stud with shoulder M 5 X 51		1	

Model: 991G13

Model life 2014>>



Model: 991G13 Model life 2014>>

Pos	Part Number	Description	Remark	Qty	Model
		Brake lines Front end	front		
1	991 355 316 05	D >> - MJ 2017 Brake line		1	
(1)	991 355 316 10	D >> - 08.01.2014 Brake line		1	
(1)	991 355 316 12	D - 09.01.2014>> - 20.10.2014 Brake line		1	
(1)	991 355 316 12	D - 21.10.2014>> Brake line		1	
(2)	991 355 315 05	Brake line		1	
(2)	991 355 315 07	D >> - 20.10.2014 Brake line		1	
(2)	991 355 315 07	D - 21.10.2014>> Brake line		1	
3	991 355 175 03	Brake line		1	
		D >> - 20.10.2014 F >> 99-FS182 481 F >> A9-FS183 478 Discontinued part			
(3)	991 355 175 04	Brake line		1	
		D >> - 20.10.2014 F >> 99-FS182 481 F >> A9-FS183 478			
(3)	991 355 175 05	Brake line		1	
		D - 21.10.2014>>			
(3)	991 355 175 05	Brake line		1	
4	991 355 176 04	Brake line		1	
		D >> - 20.10.2014 Discontinued part			
(4)	991 355 176 05	Brake line		1	
		D >> - 20.10.2014 F >> 99-FS182 481 F >> A9-FS183 478			
(4)	991 355 176 06	Brake line		1	
		D - 21.10.2014>>			
(4)	991 355 176 06	Brake line		1	
5	997 355 331 00	retaining spring		6	
		Brake line			
6	999 651 409 40	Cable holder		11	
		4,75-6,0			
(6)	95B 611 797	Clip		11	
		4,75-6,0			
(6)	95B 611 797	Clip		11	
		4,75-6,0			
7	8K0 611 797 D	Clip		2	
		D >> - MJ 2016			
7	8K0 611 797 G	Brake line bracket		2	
		D - MJ 2017>>			
8	991 355 311 27	Brake line for Pedals		1	PR:098
		with: switch - brake light			
		D >> - 20.01.2014			
(8)	991 355 311 28	Brake line for Brake booster		1	PR:098
		with: switch - brake light Integrated			
		D - 21.01.2014>> - 20.10.2014			
(8)	991 355 311 30	Brake line		1	PR:098

Model: 991G13

Model life 2014>>

Pos	Part Number	Description	Remark	Qty	Model
(8)	991 355 311 30	D - 21.10.2014>> Brake line		1	PR:098
9	991 355 312 03	Brake line for Pedals		1	PR:099
		with: switch - brake light			
(9)	991 355 312 04	D >> - 20.01.2014 Brake line for Brake booster		1	PR:099
		with: switch - brake light Integrated			
(9)	991 355 312 06	D - 21.01.2014>> - 20.10.2014 Brake line		1	PR:099
(9)	991 355 312 06	D - 21.10.2014>> Brake line		1	PR:099
10	991 355 313 80	Brake line for Pedals		1	PR:098
		with: switch - brake light			
(10)	991 355 313 27	D >> - 14.03.2014 Brake line for Brake booster		1	PR:098
		with: switch - brake light Integrated			
(10)	991 355 313 29	D - 17.03.2014>> - 20.10.2014 Brake line		1	PR:098
(10)	991 355 313 29	D - 21.10.2014>> Brake line		1	PR:098
11	991 355 314 02	Brake line for Pedals		1	PR:099
		with: switch - brake light			
(11)	991 355 314 03	D >> - 14.03.2014 Brake line for Brake booster		1	PR:099
		with: switch - brake light Integrated			
(11)	991 355 314 05	D - 17.03.2014>> - 20.10.2014 Brake line		1	PR:099
(11)	991 355 314 05	D - 21.10.2014>> Brake line		1	PR:099
12	991 355 508 01	Bracket		2	PR:099
13	991 355 509 01	Bracket		1	PR:099
14	999 591 897 40	Bracket 8,00/ 8,00		3	
15	991 355 137 01	Brake hose		2	
16	999 217 116 09	Hexagon bolt M 6 X 16		2	
17	991 355 581 80	Brake line	left	1	PR:-450
(17)	991 355 581 81	Brake line	left	1	PR:450
(17)	991 355 582 80	Brake line	right	1	PR:-450
(17)	991 355 582 81	Brake line	right	1	PR:450
18	944 612 627 00	Line holder		2	
19	991 355 501 80	Bracket	left	1	

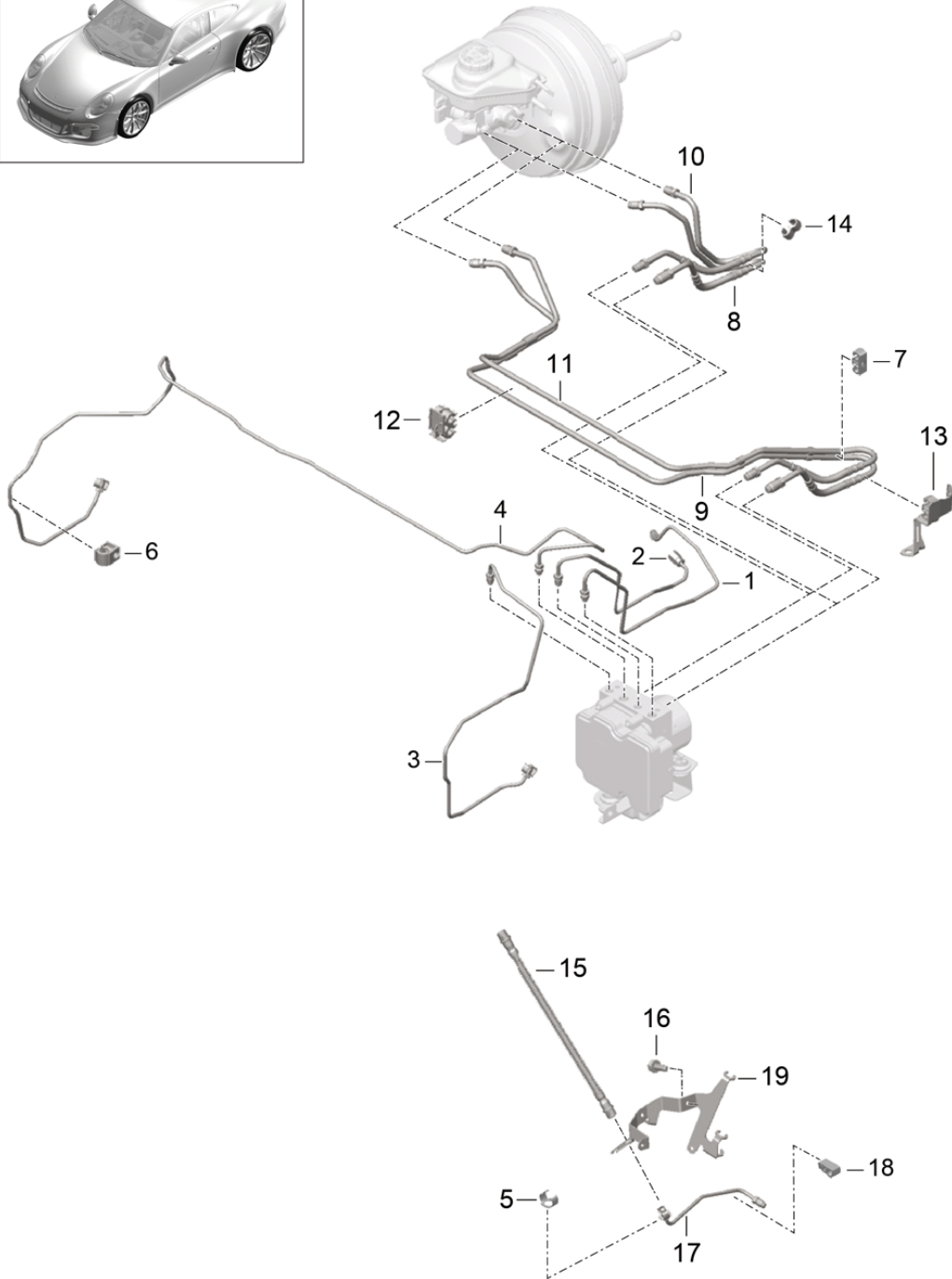
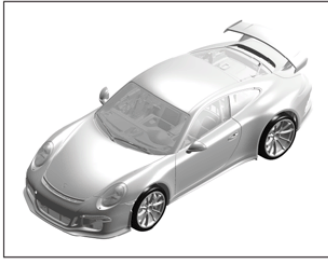
Model: 991G13

Model life 2014>>

Pos	Part Number	Description	Remark	Qty	Model
(19)	991 355 502 80	Brake hose Bracket Brake hose	right	1	

Model: 991G13

Model life 2014>>



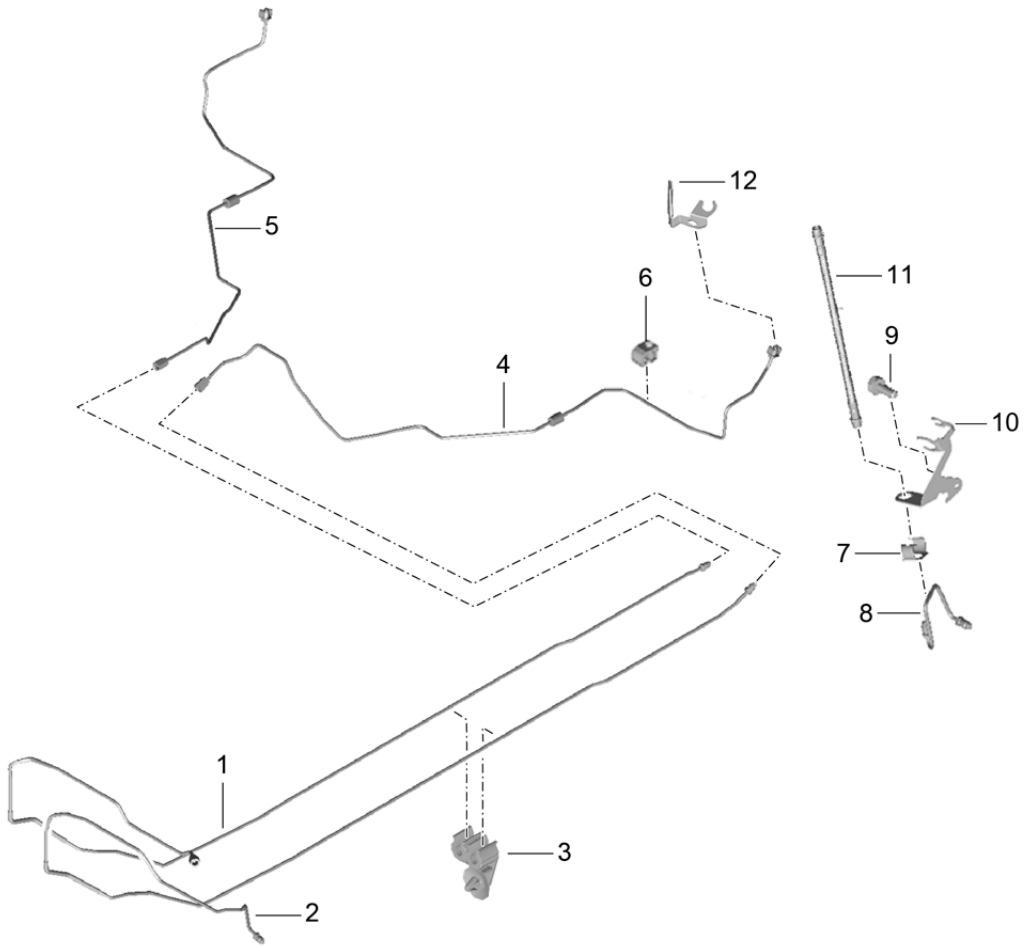
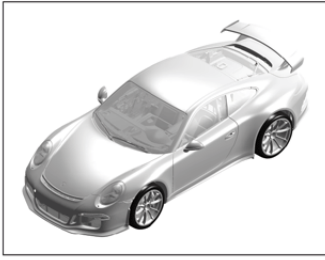
Model: 991G13

Model life 2014>>

Pos	Part Number	Description	Remark	Qty	Model
		Brake line Front end D - MJ 2018>>	front		
1	991 355 316 12	Brake line		1	
2	991 355 315 07	Brake line		1	
3	991 355 175 05	Brake line		1	
4	991 355 176 06	Brake line		1	
5	997 355 331 00	retaining spring		2	
		Brake line			
6	95B 611 797	Clip 4,75-6,0		11	
7	8K0 611 797 G	Brake line bracket		2	
8	991 355 311 30	Brake line		1	PR:098
9	991 355 312 06	Brake line		1	PR:099
10	991 355 313 29	Brake line		1	PR:098
11	991 355 314 05	Brake line		1	PR:099
12	991 355 508 01	Bracket		2	PR:099
13	991 355 509 10	Bracket		1	PR:099
14	999 591 897 40	Bracket 8,00/ 8,00		1	PR:098
(14)	999 591 897 40	Bracket 8,00/ 8,00		3	PR:099
15	991 355 137 01	Brake hose		2	
16	999 217 116 01	Hexagon bolt M 6 X 16		2	
17	991 355 581 80	Brake line	left	1	PR:-450
(17)	991 355 581 81	Brake line	left	1	PR:450
(17)	991 355 582 80	Brake line	right	1	PR:-450
(17)	991 355 582 81	Brake line	right	1	PR:450
18	944 612 627 00	Line holder		2	
19	991 355 501 80	Bracket	left	1	
		Brake hose			
(19)	991 355 502 80	Bracket	right	1	
		Brake hose			

Model: 991G13

Model life 2014>>



Model: 991G13 Model life 2014>>

Pos	Part Number	Description	Remark	Qty	Model
		Brake lines Underbody	center rear		
1	991 355 179 80	D >> - MJ 2017 Brake line		1	
(1)	991 355 179 81	D >> - 08.01.2014 Brake line		1	
(1)	991 355 179 82	D - 09.01.2014>> - 20.10.2014 Brake line		1	
(1)	991 355 179 82	D - 21.10.2014>> Brake line		1	
2	991 355 177 80	Brake line		1	
		D >> - 08.01.2014 Discontinued part			
(2)	991 355 177 81	Brake line		1	
		D >> - 08.01.2014			
(2)	991 355 177 82	Brake line		1	
		D - 09.01.2014>> - 20.10.2014			
(2)	991 355 177 83	Brake line		1	
		D - 21.10.2014>>			
(2)	991 355 177 83	Brake line		1	
3	991 355 510 02	Bracket		2	
4	991 355 189 80	Brake line	left	1	
		D >> - 20.10.2014			
(4)	991 355 189 81	Brake line	left	1	
		D - 21.10.2014>>			
(4)	991 355 189 81	Brake line	left	1	
5	991 355 190 80	Brake line	right	1	
		D >> - 20.10.2014 Discontinued part			
(5)	991 355 190 81	Brake line	right	1	
		D >> - 20.10.2014			
(5)	991 355 190 06	Brake line	right	1	
		D - 21.10.2014>>			
6	999 651 409 40	Cable holder 4,75 - 6,00		11	
(6)	95B 611 797	Clip 4,75-6,0		4	
7	997 355 331 00	retaining spring		2	
8	991 355 585 02	Brake line	left	1	PR:-450
(8)	991 355 586 02	Brake line	right	1	PR:-450
(8)	991 355 585 03	Brake line	left	1	PR:450
(8)	991 355 586 03	Brake line	right	1	PR:450
9	999 217 116 01	Hexagon bolt M 6 X 16		2	
10	991 355 503 80	Retainer for brake hose No longer use the part here	left	1	PR:-450
10	991 355 503 82	Retainer for brake hose Wheel carrier	left	1	PR:-450
(10)	991 355 503 81	Retainer for brake hose No longer use the part here	left	1	PR:450
(10)	991 355 503 83	Retainer for brake hose Wheel carrier	left	1	PR:450
(10)	991 355 504 80	Retainer for brake hose No longer use the part here	right	1	PR:-450
(10)	991 355 504 82	Bracket Brake hose Wheel carrier	right	1	PR:-450
(10)	991 355 504 81	Retainer for brake hose No longer use the part here	right	1	PR:450
(10)	991 355 504 83	Retainer for brake hose Wheel carrier	right	1	PR:450
11	991 355 137 01	Brake hose		2	
12	991 355 505 80	Bracket	left	1	

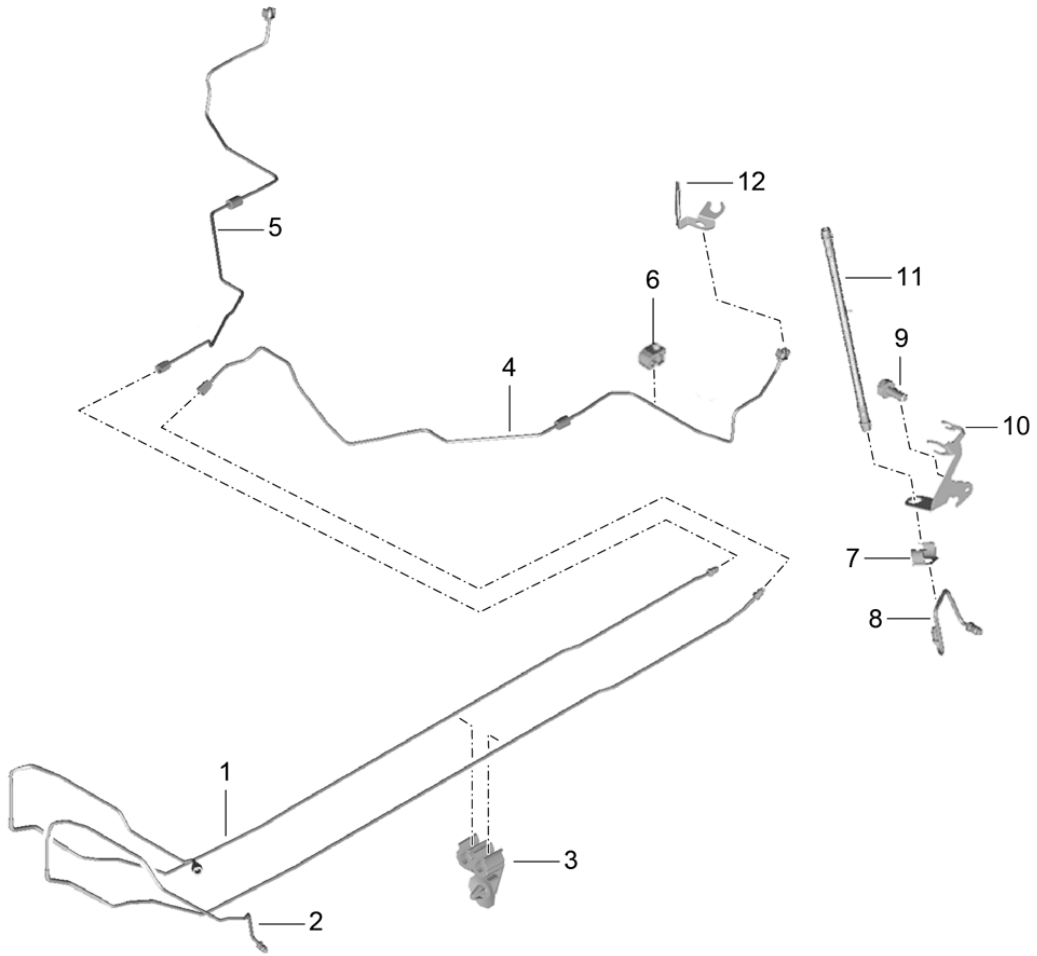
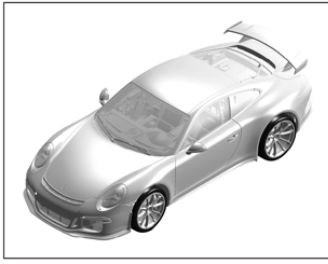
Model: 991G13

Model life 2014>>

Pos	Part Number	Description	Remark	Qty	Model
(12)	991 355 506 80	Brake hose Wheel housing Bracket Brake hose Wheel housing	right	1	

Model: 991G13

Model life 2014>>



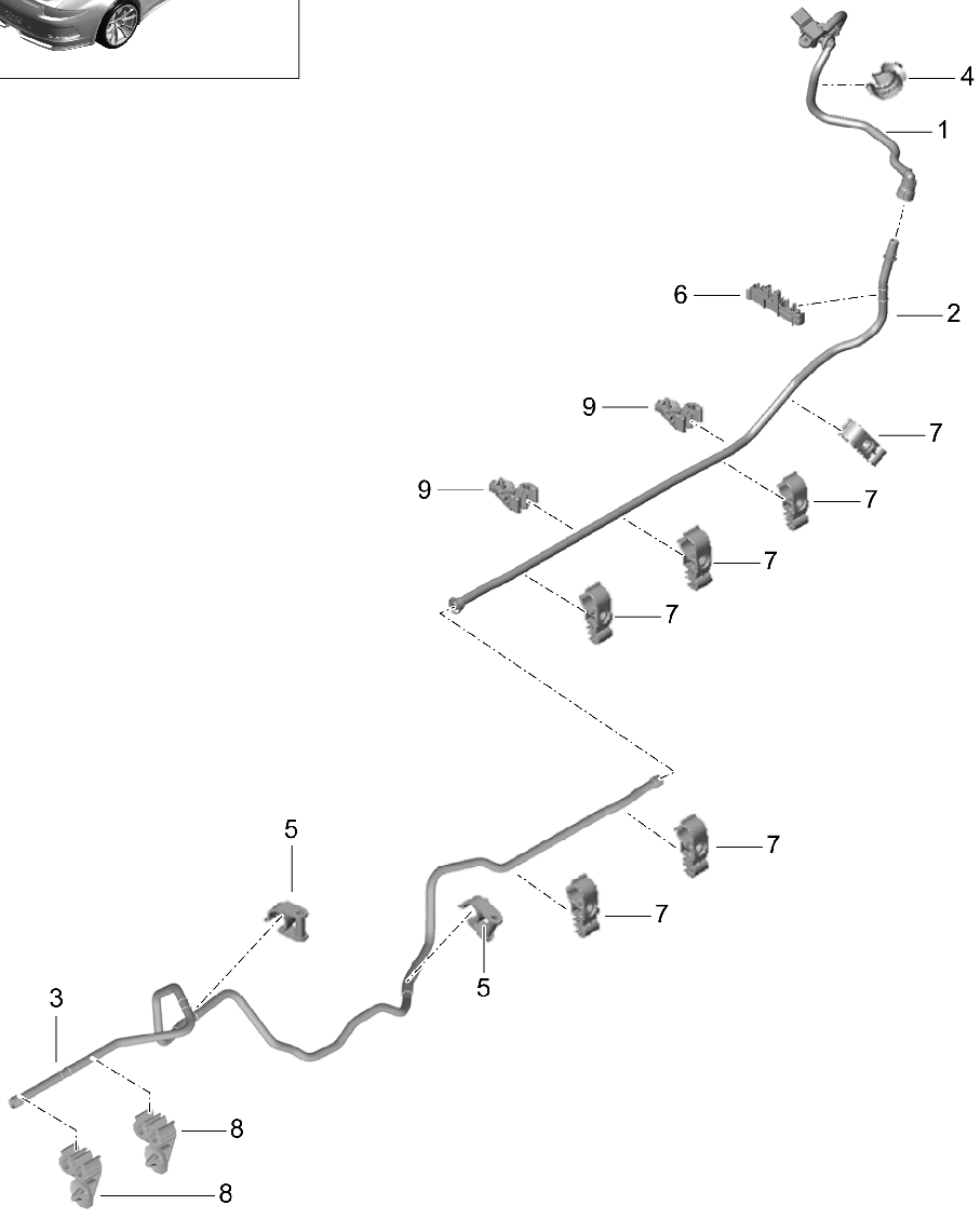
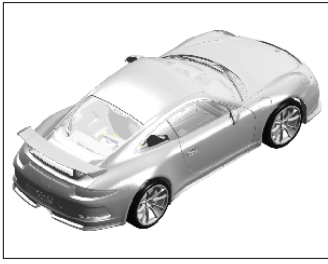
Model: 991G13

Model life 2014>>

Pos	Part Number	Description	Remark	Qty	Model
		Brake line	center		
		Underbody	rear		
		D - MJ 2018>>			
1	991 355 179 82	Brake line		1	
2	991 355 177 83	Brake line		1	
3	991 355 510 02	Bracket		2	
4	991 355 189 81	Brake line	left	1	
5	991 355 190 06	Brake line	right	1	
6	95B 611 797	Clip		4	
		4,75-6,0			
7	997 355 331 00	retaining spring		2	
8	991 355 585 02	Brake line	left	1	PR:-450
(8)	991 355 586 02	Brake line	right	1	PR:-450
(8)	991 355 585 03	Brake line	left	1	PR:450
(8)	991 355 586 03	Brake line	right	1	PR:450
9	999 217 116 01	Hexagon bolt	M6X16	2	
10	991 355 503 84	Retainer for brake hose	left	1	PR:-450
		Wheel carrier			
11	991 355 137 01	Brake hose		2	
12	991 355 505 80	Bracket	left	1	
		Brake hose			
		Wheel housing			
(12)	991 355 506 80	Bracket	right	1	
		Brake hose			
		Wheel housing			

Model: 991G13

Model life 2014>>



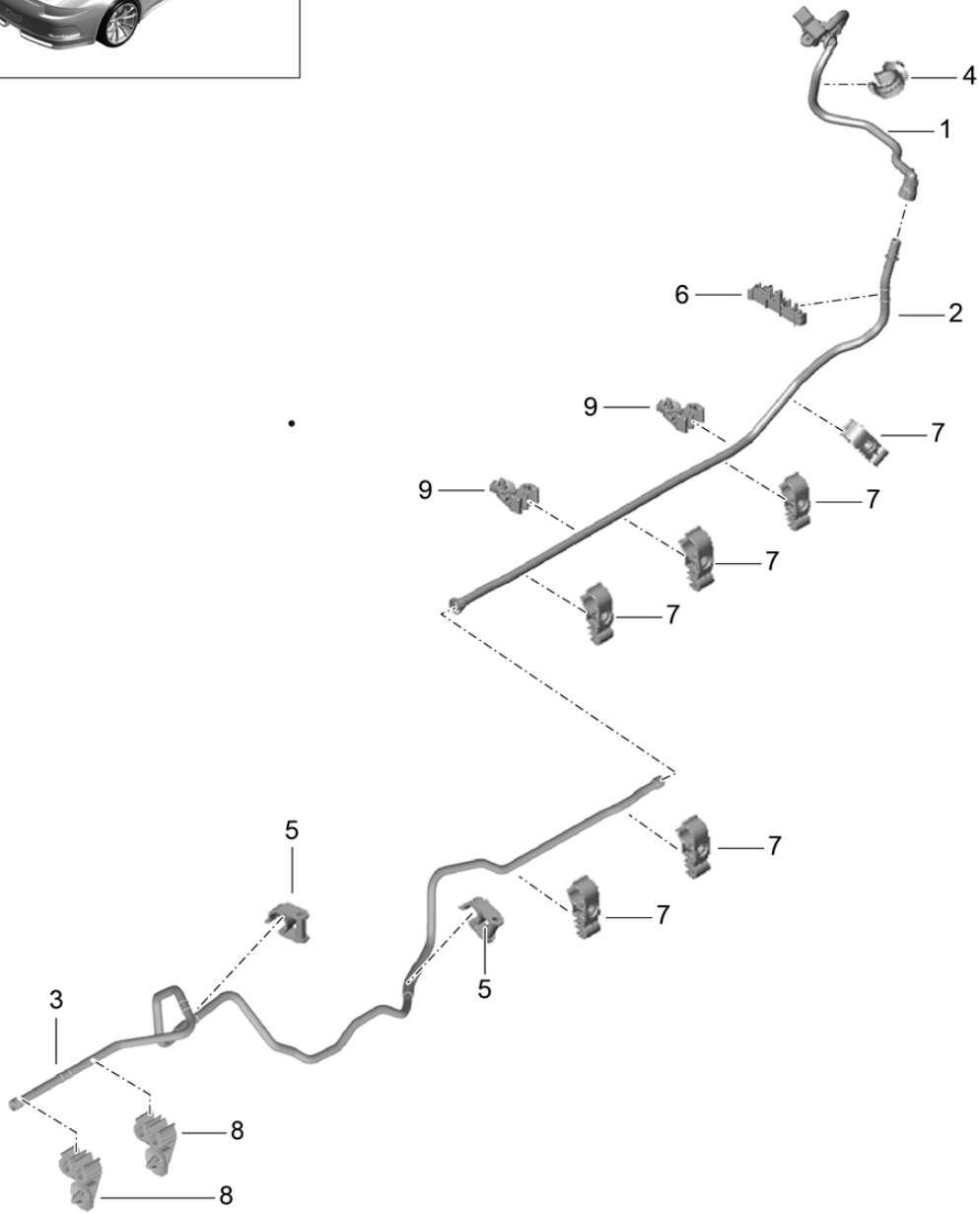
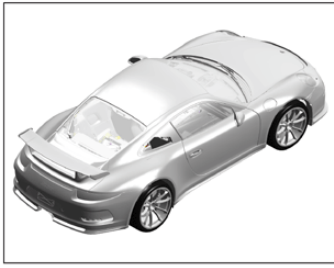
Model: 991G13

Model life 2014>>

Pos	Part Number	Description	Remark	Qty	Model
		Vacuum line			
		D >> - MJ 2017			
1	991 355 577 05	Vacuum line		1	PR:098
(1)	991 355 577 04	Vacuum line		1	991R PR:098
(1)	991 355 578 03	Vacuum line		1	PR:099
(1)	991 355 578 02	Vacuum line		1	991R PR:099
2	991 355 571 03	Vacuum line		1	
(2)	991 355 571 02	Vacuum line		1	991R
3	991 355 575 80	Vacuum line	rear	1	
4	999 507 968 41	Clip 15,0		1	
5	999 591 964 40	Bracket 15,0		2	
6	991 355 507 01	Bracket		1	
(6)	991 355 507 50	Bracket		1	991R
(6)	991 355 508 01	Bracket		2	991R PR:099
7	991 355 512 01	Bracket		6	
(7)	991 355 512 02	Bracket		6	991R
8	991 355 510 02	Bracket		2	
9	991 355 875 80	Bracket		1	

Model: 991G13

Model life 2014>>



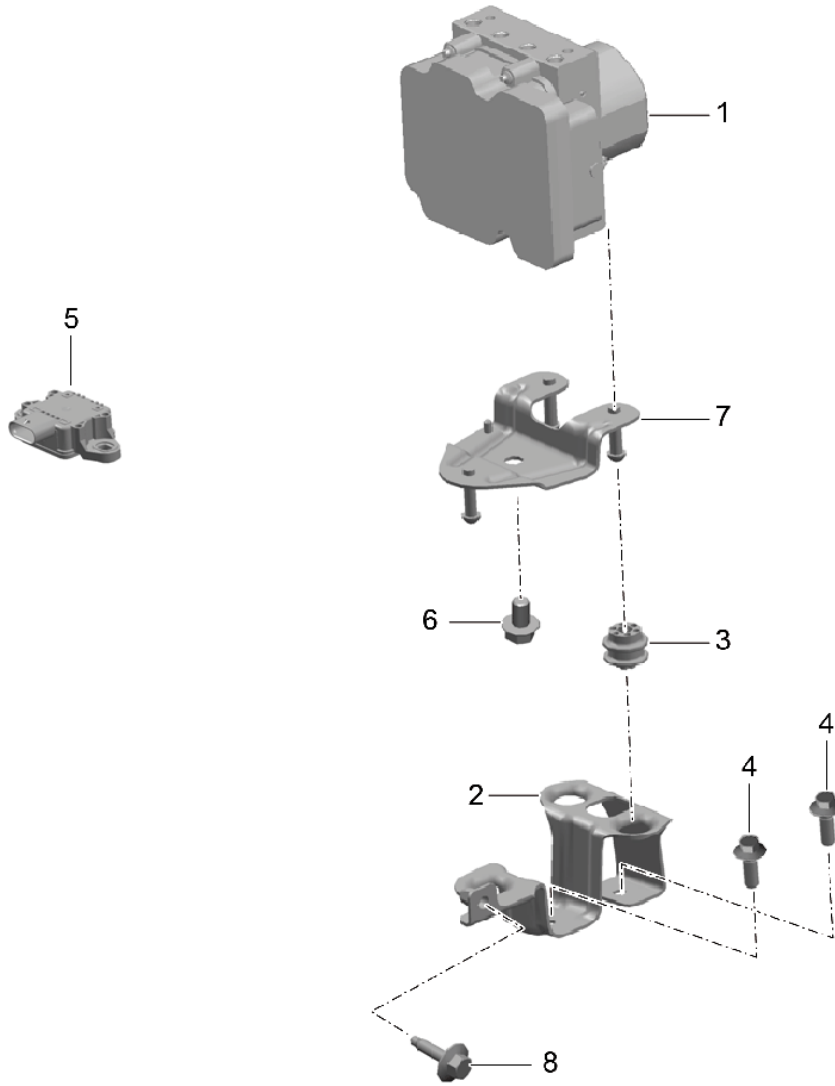
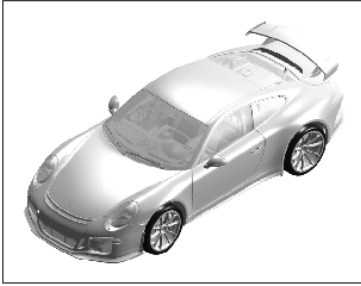
Model: 991G13

Model life 2014>>

Pos	Part Number	Description	Remark	Qty	Model
		Vacuum line			
		D - MJ 2018>>			
1	991 355 577 10	Vacuum line		1	PR:098
(1)	991 355 578 10	Vacuum line		1	PR:099
2	991 355 571 02	Vacuum line		1	
3	991 355 575 80	Vacuum line	rear	1	
4	999 507 968 41	Clip 15,0		1	
5	999 591 964 40	Bracket 15,0		2	
6	991 355 507 50	Bracket		1	
(6)	991 355 508 01	Bracket		2	PR:099
7	991 355 512 02	Bracket		6	
8	991 355 510 02	Bracket		2	
9	991 355 875 80	Bracket		1	

Model: 991G13

Model life 2014>>



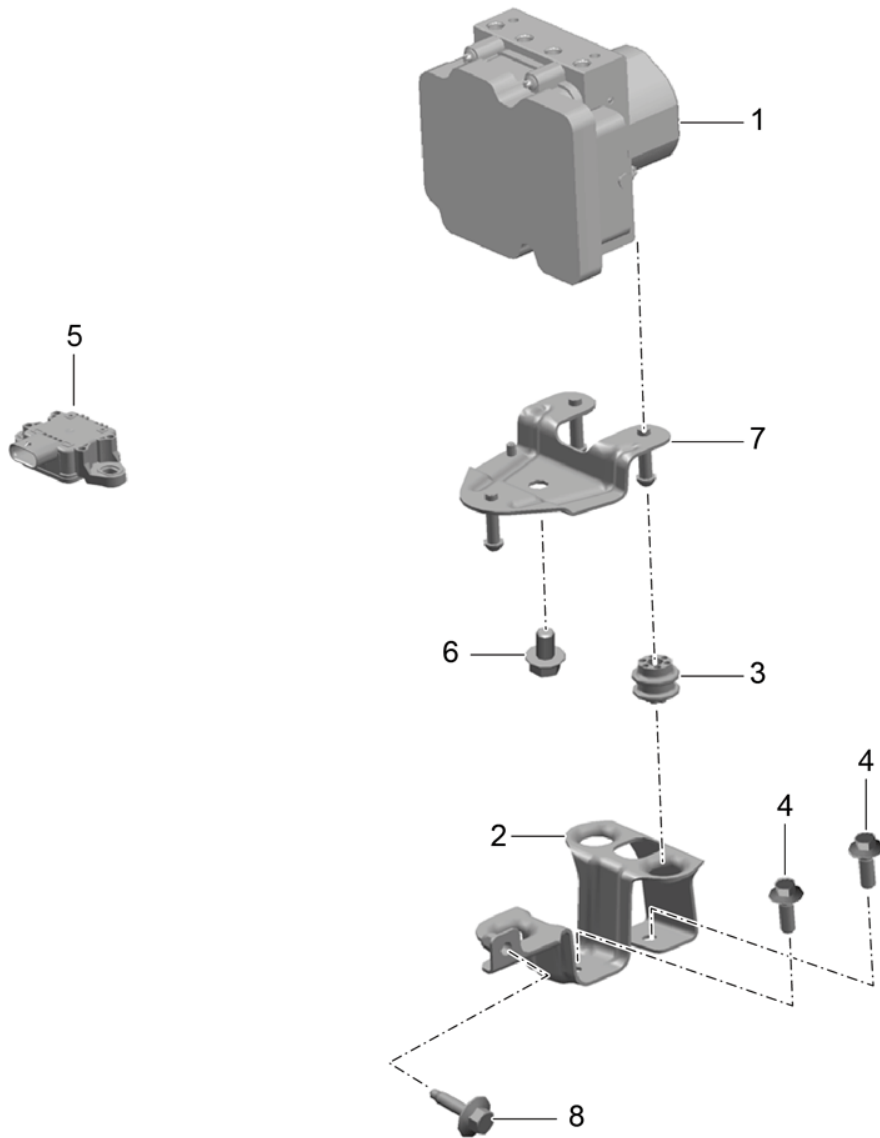
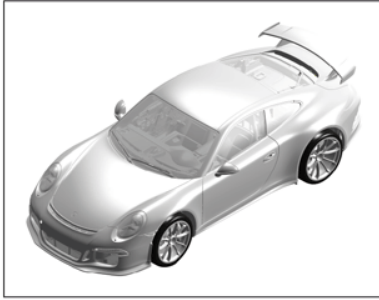
Model: 991G13

Model life 2014>>

Pos	Part Number	Description	Remark	Qty	Model
		Hydraulic unit anti-locking brake syst. -abs- Control D >> - MJ 2017			
1	991 355 955 81	Hydraulic unit		1	
(1)	991 355 955 89	Hydraulic unit		1	
(1)	991 355 955 85	Hydraulic unit		1	
2	991 355 033 01	Bracket		1	
3	958 355 177 10	Stop buffer		3	
4	999 073 556 01	Hexagon bolt M 8 X 30		2	
5	991 606 145 03	Sensor		1	
6	900 378 346 01	Hexagon bolt M 10 X 1 X 16		1	
7	991 355 135 01	Retainer, upper part	upper	1	
8	N 909 995 02	Hex collared bolt AM 6 X 25		1	

Model: 991G13

Model life 2014>>



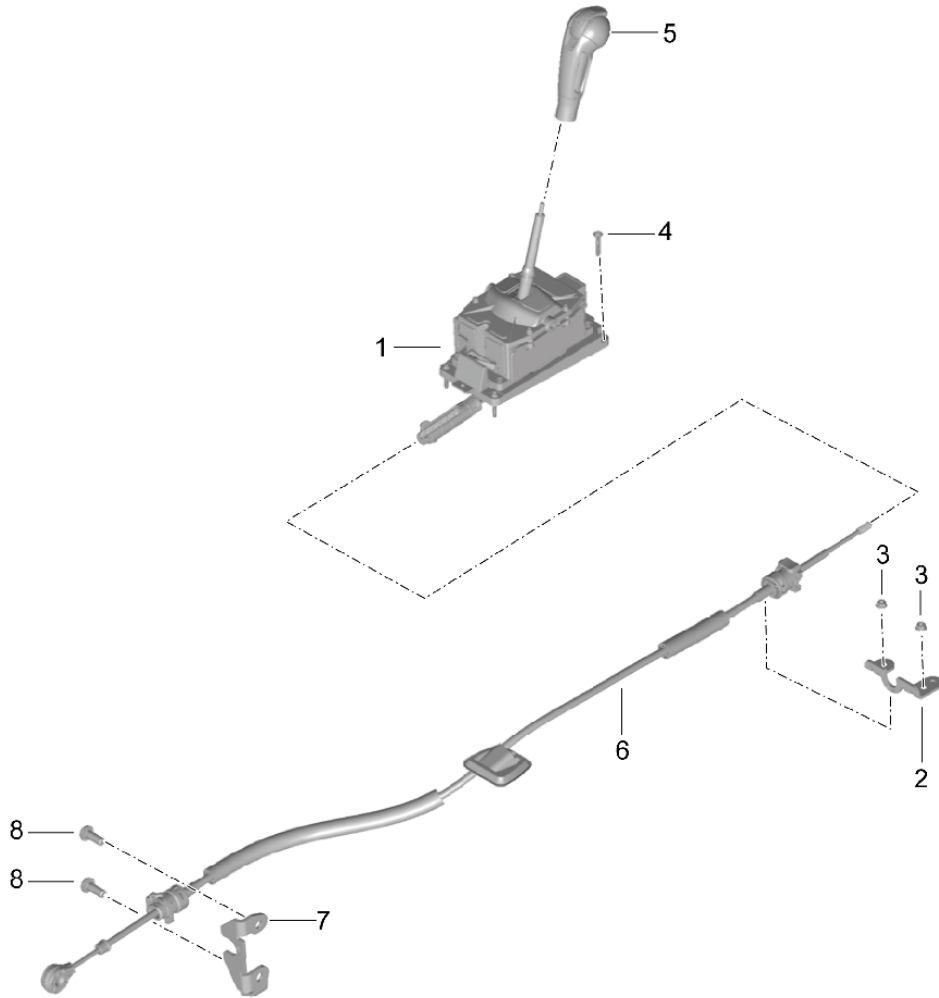
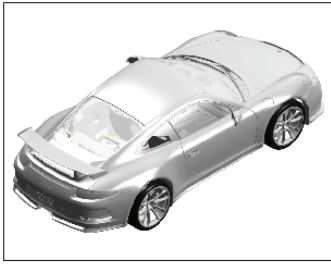
Model: 991G13

Model life 2014>>

Pos	Part Number	Description	Remark	Qty	Model
		Hydraulic unit anti-locking brake syst. -abs- Control D - MJ 2018>>			
1	991 355 955 96	Hydraulic unit		1	
1	991 355 955 1E	Hydraulic unit		1	PR:004
2	991 355 033 01	Bracket		1	
3	958 355 177 10	Stop buffer		3	
4	9A7 008 433 00	Bolt with washer	BM8X30	2	
5	991 606 145 03	Sensor		1	
6	900 378 346 01	Hexagon bolt	M10X1X16	1	
7	991 355 135 01	Retainer, upper part	upper	1	
8	N 909 995 02	Hex collared bolt	AM6X25	1	

Model: 991G13

Model life 2014>>



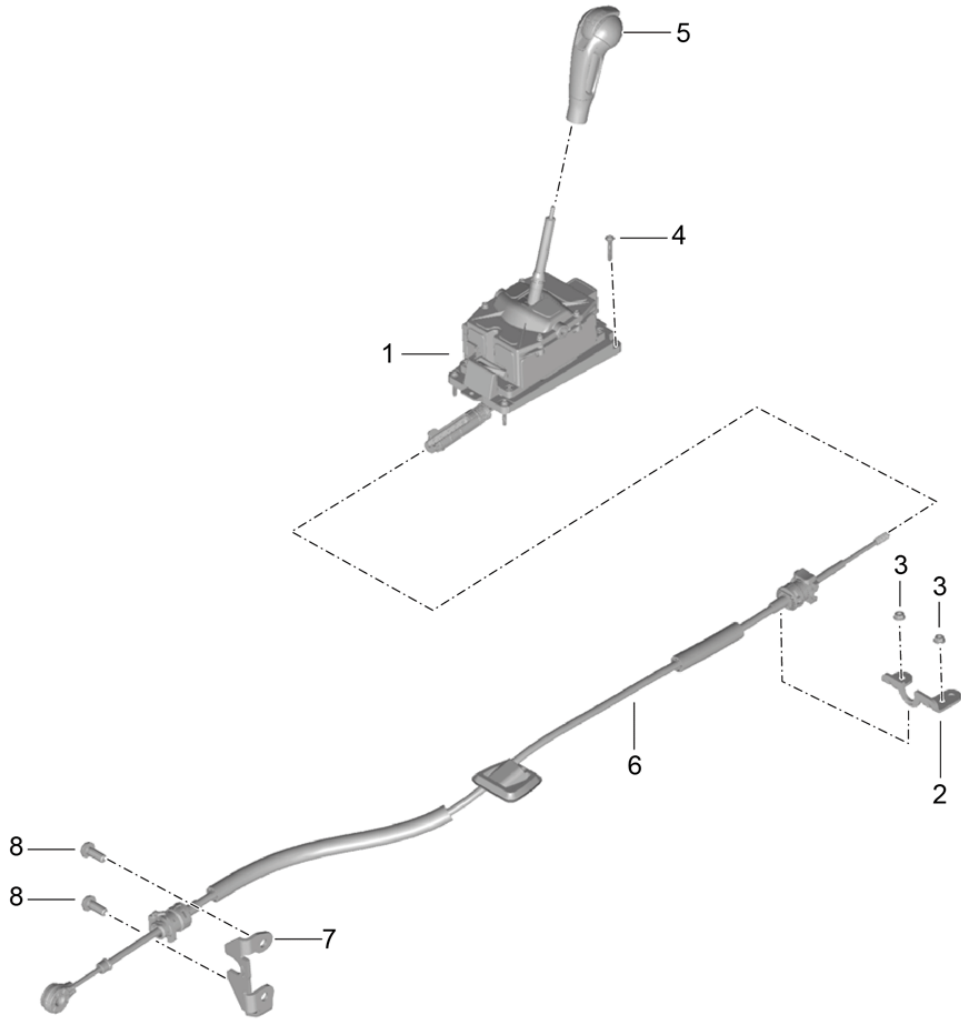
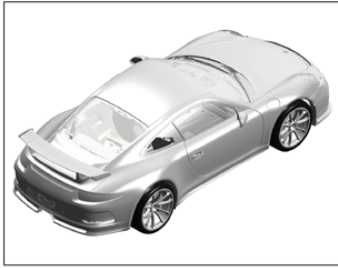
Model: 991G13

Model life 2014>>

Pos	Part Number	Description	Remark	Qty	Model
1	9G1 426 011 90	selector lever - PDK - D >> - MJ 2017 Bracket with:		1	PR:250
2	9G1 426 209 00	housing Bracket		1	
3	999 084 629 01	Hexagon nut M 6 SB		2	
4	999 919 281 01	fillister hd. bolt 5 X 30		4	
5	9G1 426 069 90	Selector knob Alcantara		1	PR:308
	9G1 426 069 90 2W0	Black D >> - 05.03.2015			
(5)	9G1 426 069 91	selector lever Alcantara		1	PR:308
	9G1 426 069 91 2W0	Black D - 06.03.2015>>			
(5)	9G1 426 069 95	selector lever Leather		1	PR:-308
	9G1 426 069 95 8YR	Black			
6	9G1 426 033 10	Cable		1	
7	9G1 426 211 05	Bracket		1	
8	9G1 426 801 00	flat round head bolt M 8 X 20		2	

Model: 991G13

Model life 2014>>



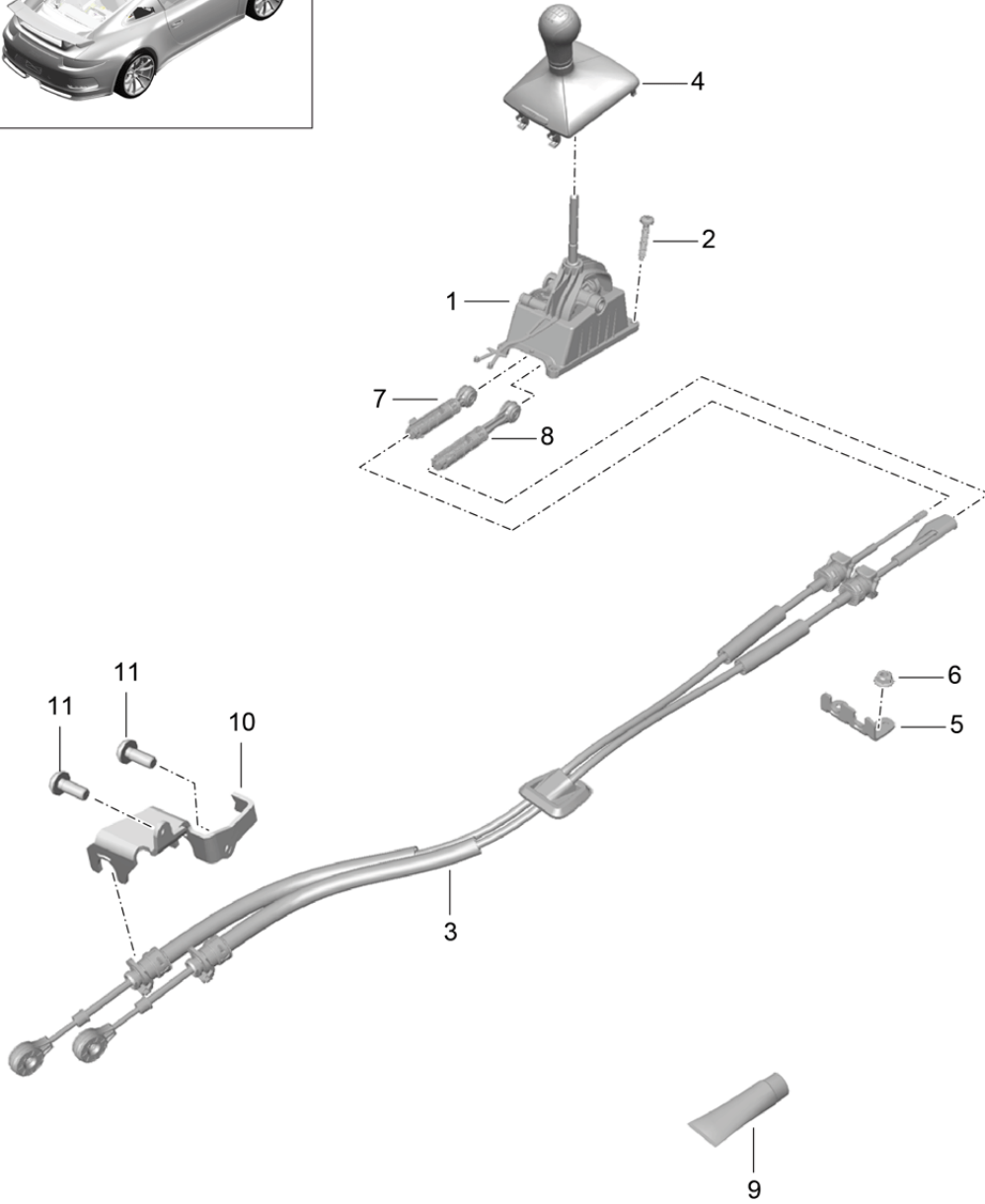
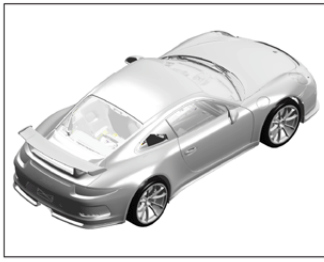
Model: 991G13

Model life 2014>>

Pos	Part Number	Description	Remark	Qty	Model
1	9G1 426 011 90	selector lever - PDK - D - MJ 2018>> Bracket with: housing		1	PR:250
2	9G1 426 209 00	Bracket		1	
3	999 084 629 01	Hexagon nut M 6		2	
4	999 919 281 01	fillister hd. bolt 5 X 30		4	
5	9G1 426 069 91	selector lever Alcantara		1	PR:308
	9G1 426 069 91 2W0	Black			
(5)	9G1 426 069 95	selector lever Leather		1	PR:309
	9G1 426 069 95 8YR	Black			
6	9G1 426 033 10	Cable		1	
7	9G1 426 211 05	Bracket		1	
8	9G1 426 801 00	flat round head bolt M 8 X 20		2	

Model: 991G13

Model life 2014>>



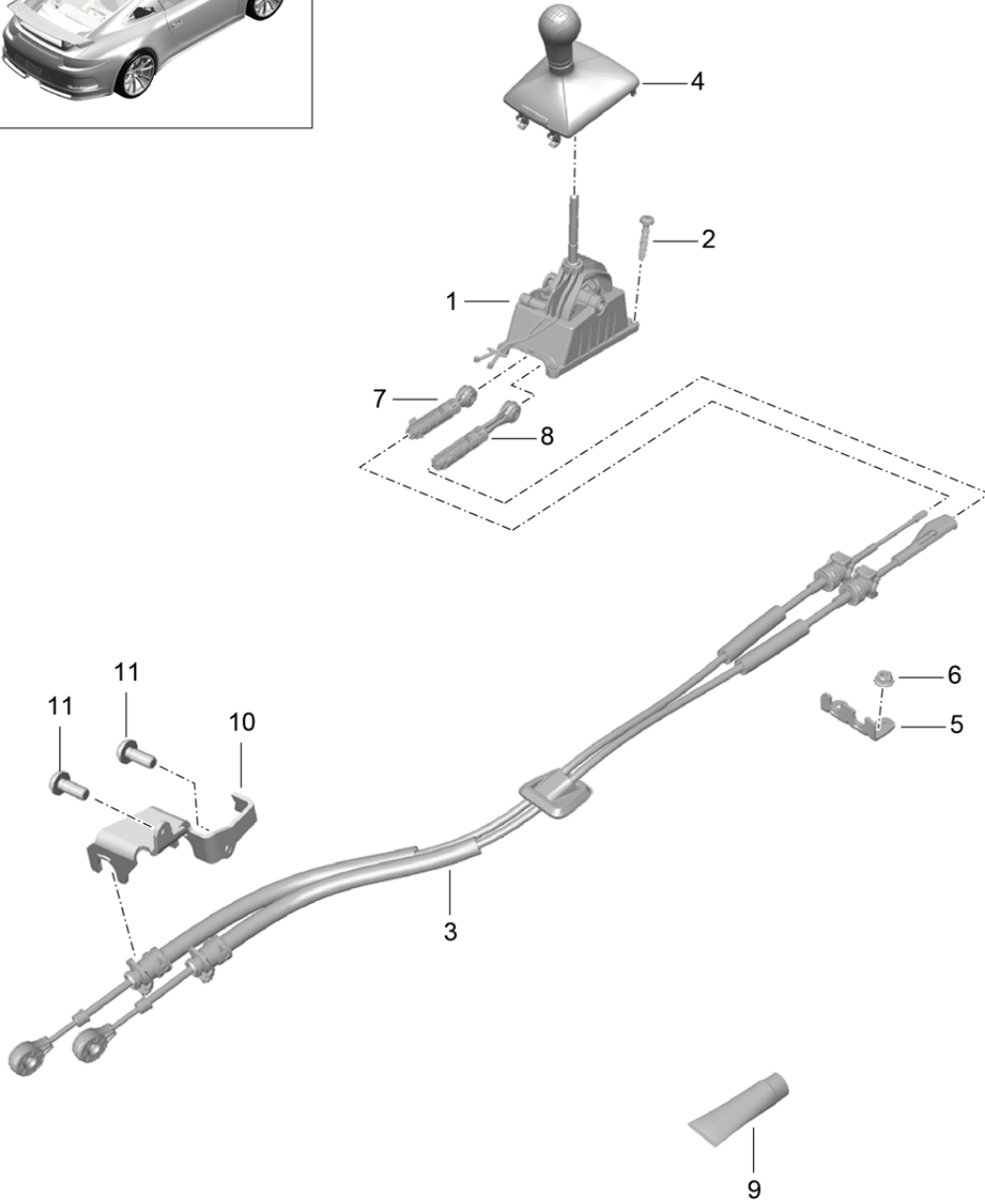
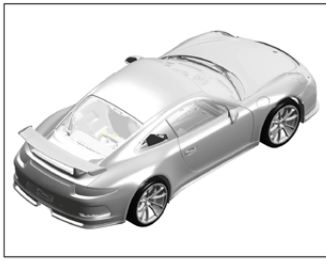
Model: 991G13

Model life 2014>>

Pos	Part Number	Description	Remark	Qty	Model
		Transmission control Manual gearbox			PR:486
1	981 424 010 20	ball housing - gearshift lever		1	
2	999 919 281 01	fillister hd. bolt 5 X 30		4	
3	991 424 041 05	cable for shift mechanism		1	
4	991 424 075 05	Transmission control gearstick knob (leather)		1	
	991 424 075 05 DSZ	black/silver			
5	991 424 163 00	Bracket		1	
6	999 084 629 01	Hexagon nut M 6		2	
7	991 424 145 00	Securing element for Cable		1	
8	991 424 147 00	Adjustable Securing element for Cable		1	
9	000 043 305 39	Adjustable Grease 1 100-gramme tube		1	
10	991 424 211 00	Bracket		1	
11	9G1 307 802 00	Torx screw M8X15		2	

Model: 991G13

Model life 2014>>



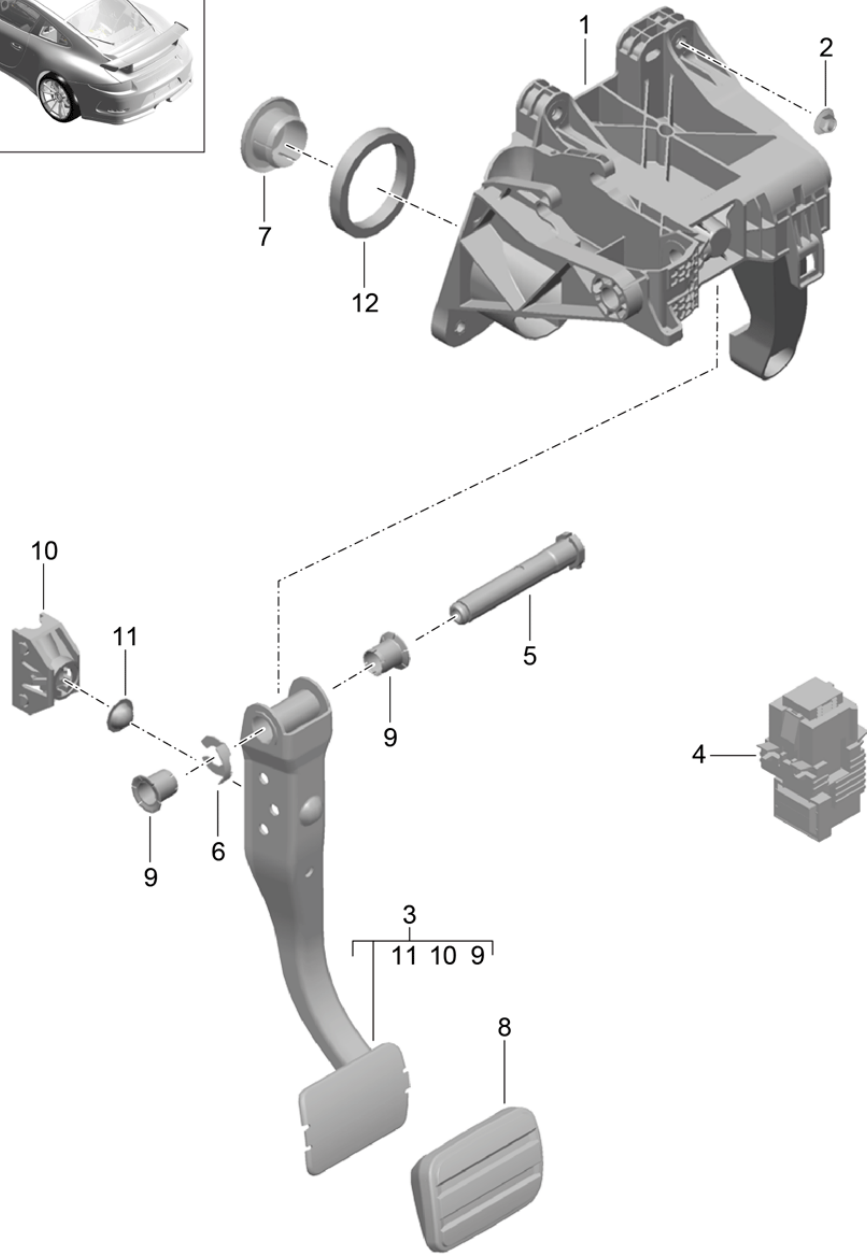
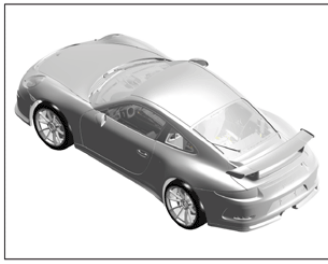
Model: 991G13

Model life 2014>>

Pos	Part Number	Description	Remark	Qty	Model
		Transmission control Manual gearbox D - MJ 2018>>			PR:486
1	981 424 010 20	ball housing - gearshift lever		1	
2	999 919 281 01	fillister hd. bolt 5 X 30		4	
3	991 424 041 05	cable for shift mechanism		1	
4	981 424 075 20	Transmission control gearstick knob		1	PR:306
	981 424 075 20 DRL	Black/Platinum Grey	-24,78		
	981 424 075 20 DRM	Black/Guards Red	-34,68		
	981 424 075 20 8YR	Black	-14,39		
4	981 424 980 20	gearstick knob (leather) gearstick knob (alcantara) Manual gearbox		1	PR:305
	981 424 980 20 RAG	Black/Platinum Grey	-28,78		
	981 424 980 20 RAH	Black/Guards Red	-68		
5	991 424 163 00	Bracket		1	
6	999 084 629 01	Hexagon nut M 6		2	
7	991 424 145 00	Securing element for Cable Adjustable		1	
8	991 424 147 00	Securing element for Cable Adjustable		1	
9	000 043 305 39	Grease 1 100-gramme tube		1	
10	991 424 211 00	Bracket		1	
11	9G1 307 802 00	Torx screw M 8 X 15		2	

Model: 991G13

Model life 2014>>



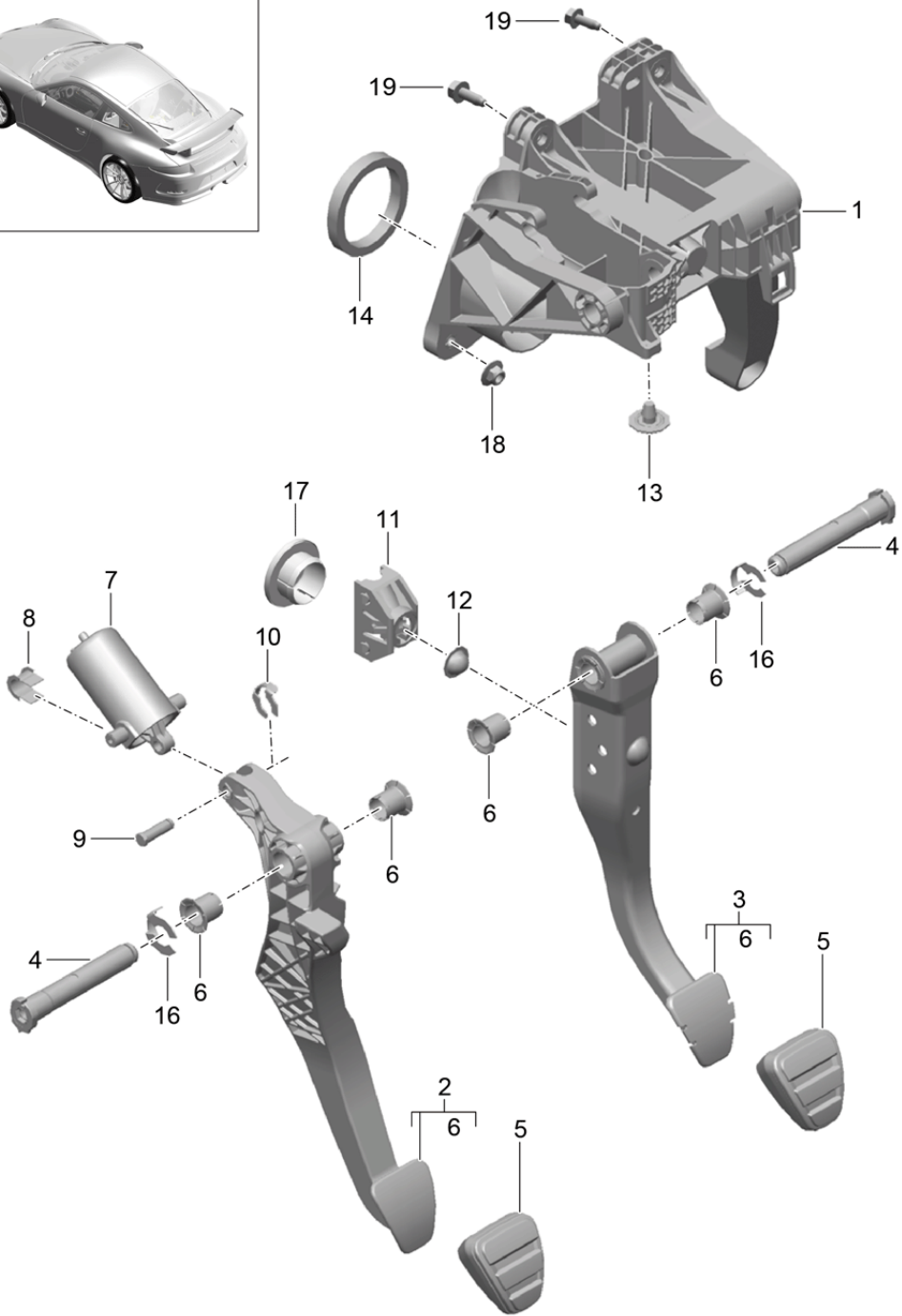
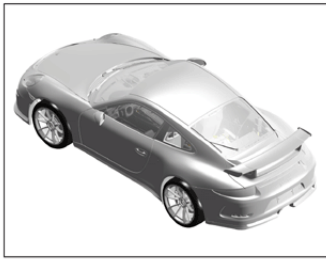
Model: 991G13

Model life 2014>>

Pos	Part Number	Description	Remark	Qty	Model
		Pedals			
		D >> - MJ 2017			
1	991 423 065 00	Bracket		1	PR:098
1	991 423 065 01	Bracket		1	PR:098
(1)	991 423 066 00	Bracket		1	PR:099
2	N 907 611 03	Hexagon collar nut self-locking M 8		1	
3	991 423 041 20	brake pedal No longer use the part here		1	PR:098,-XXV
(3)	991 423 041 21	brake pedal		1	PR:098,-XXV
(3)	991 423 042 20	brake pedal No longer use the part here		1	PR:099,-XXV
(3)	991 423 042 21	brake pedal		1	PR:099,-XXV
4	970 606 451 00	Sensor brake pedal		1	
5	991 423 283 00	bearing pin brake pedal		1	PR:098
(5)	991 423 284 00	bearing pin brake pedal		1	PR:099
6	999 166 092 01	KL-lock KL 16		2	
7	991 423 291 00	Bungs Firewall		1	
8	997 423 912 00	Cap for foot brake pedal		1	PR:-XXV
(8)	991 423 112 00	Pedal cap		1	PR:XXV
9	7PP 721 113	bush		2	PR:487
(9)	7PP 721 113 A	bush		2	PR:487
10	1J0 721 165	Support push rod		1	
11	955 423 341 00	bearing shell Support		1	
12	991 423 275 00	Seal Firewall		1	PR:098
(12)	991 423 276 00	Seal Firewall		1	PR:099
(12)	991 423 276 01	No longer use the part here Seal Firewall		1	PR:099

Model: 991G13

Model life 2014>>



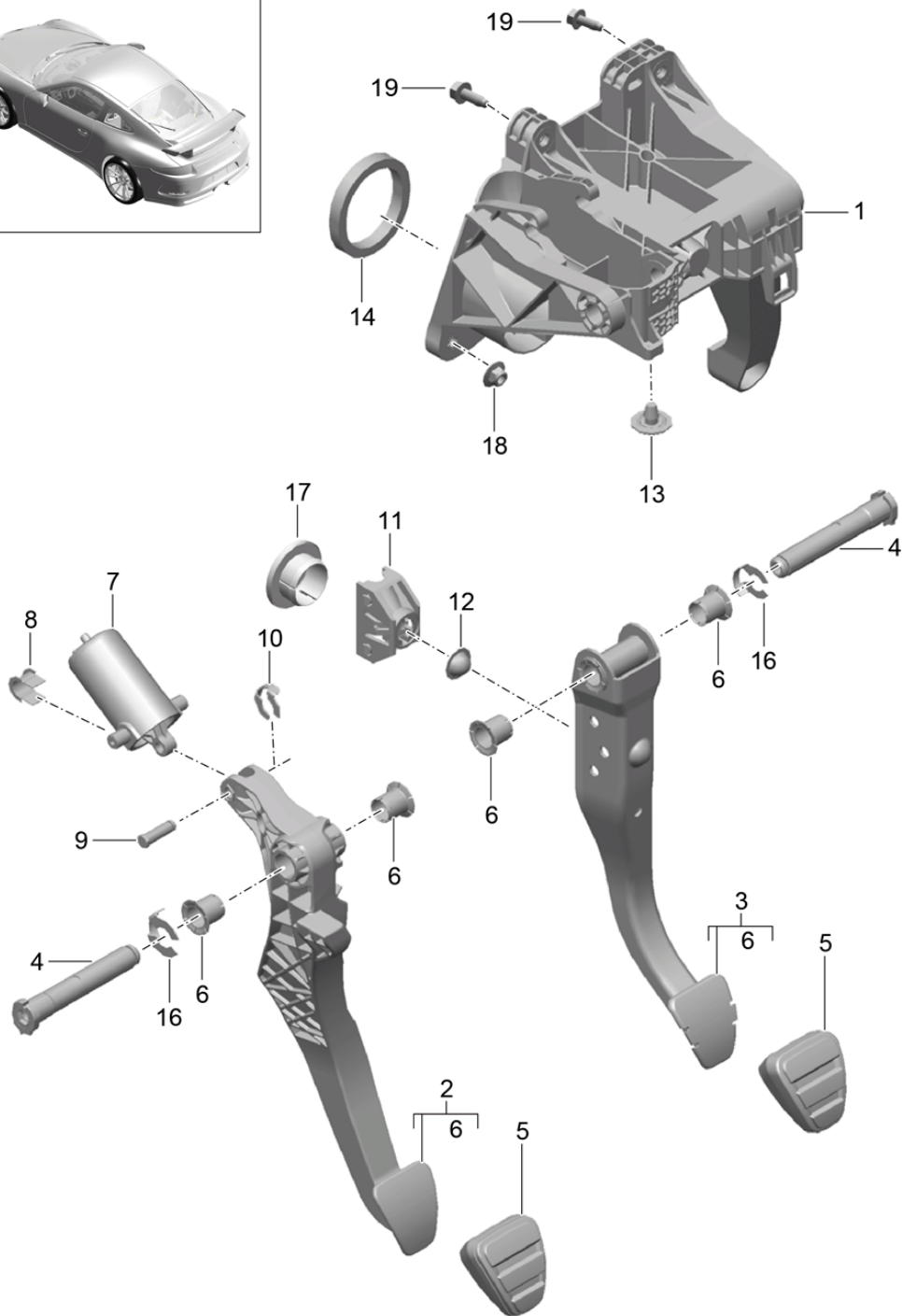
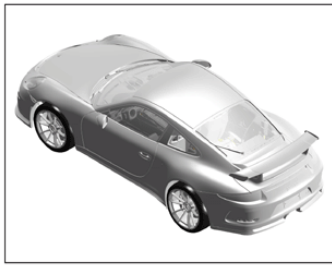
Model: 991G13

Model life 2014>>

Pos	Part Number	Description	Remark	Qty	Model
1	991 423 065 01	Pedals		1	PR:098
(1)	991 423 066 00	Bracket		1	PR:099
2	991 423 039 01	Bracket		1	PR:098
(2)	991 423 040 01	Clutch pedal		1	PR:099
3	991 423 041 01	Clutch pedal		1	PR:098
(3)	991 423 042 01	brake pedal		1	PR:099
4	991 423 283 00	brake pedal		1	PR:098
(4)	991 423 284 00	bearing pin		1	PR:099
		brake pedal			
5	9P1 721 173	bearing pin		2	
6	7PP 721 113 A	Pedal cap		2	
7	991 423 081 11	bush		1	
8	955 423 581 00	Servo spring		2	
9	992 721 737	bearing shell		1	PR:098
10	N 908 874 02	Servo spring		1	
		Pin			
11	1J0 721 165	Kl-lock		1	
		Pin			
12	955 423 341 00	Support		1	
		push rod			
14	991 423 275 00	bearing shell		1	PR:098
(14)	991 423 276 01	Support		1	PR:099
		Seal			
16	999 166 092 01	Firewall		2	
		Firewall			
18	N 907 611 03	Kl-lock		1	
		KL 16			
19	900 378 180 01	Hexagon collar nut		2	
		self-locking			
		M 8			
		Hexagon bolt			
		AM 8 X 25			

Model: 991G13

Model life 2014>>



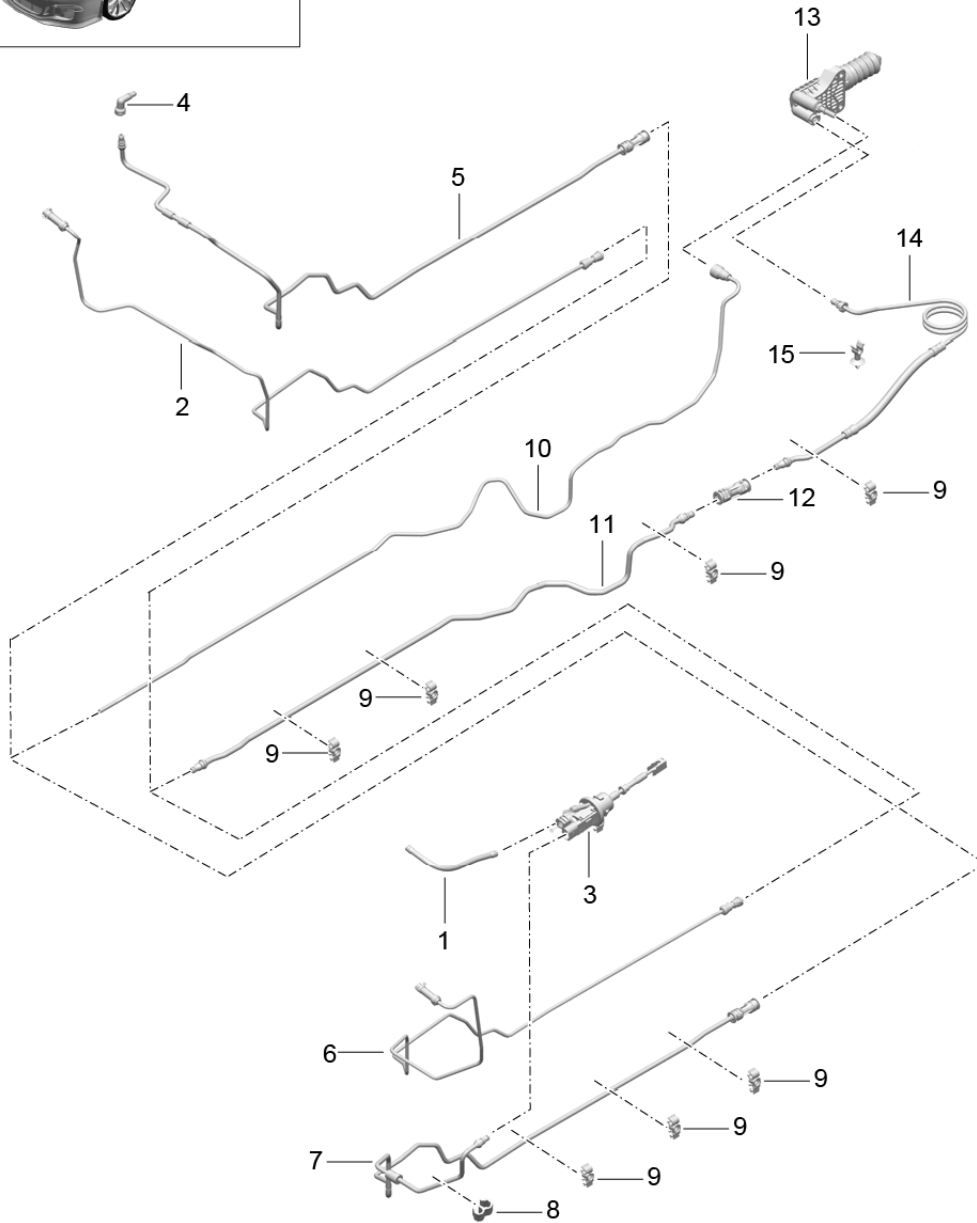
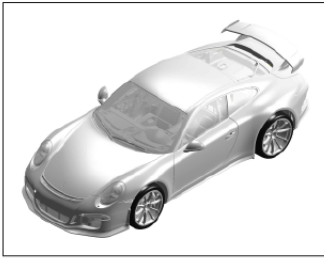
Model: 991G13

Model life 2014>>

Pos	Part Number	Description	Remark	Qty	Model
		Pedals			
		D - MJ 2018>>			
1	991 423 065 01	Bracket		1	PR:098
(1)	991 423 066 00	Bracket		1	PR:099
2	991 423 039 01	Clutch pedal		1	PR:098,486
(2)	991 423 040 01	Clutch pedal		1	PR:099,486
3	991 423 041 01	brake pedal		1	PR:098,486
(3)	991 423 042 01	brake pedal		1	PR:099,486
(3)	991 423 041 21	brake pedal		1	PR:098,250
(3)	991 423 042 21	brake pedal		1	PR:099,250
4	991 423 283 00	bearing pin		1	PR:098
		brake pedal			
(4)	991 423 284 00	bearing pin		1	PR:099
		brake pedal			
5	9P1 721 173	Pedal cap		2	PR:-XXV,486
(5)	991 423 111 01	Pedal cap		2	PR:XXV,486
(5)	9P1 721 173 A	Pedal cap		1	PR:-XXV,250
(5)	991 423 112 00	Pedal cap		1	PR:XXV,250
6	7PP 721 113 A	bush		2	PR:250
7	991 423 081 11	Servo spring		1	PR:486
8	955 423 581 00	bearing shell		2	PR:486
		Servo spring			
9	992 721 737	Pin		1	PR:486
		Servo spring			
10	N 908 874 02	Kl-lock		1	PR:486
		Pin			
11	1J0 721 165	Support		1	
		push rod			
12	955 423 341 00	bearing shell		1	
		Support			
13	955 423 720 00	Stop buffer		2	
14	991 423 275 00	Seal		1	PR:098
		Firewall			
(14)	991 423 276 01	Seal		1	PR:099
		Firewall			
16	9A7 721 431 00	Kl-lock		1	PR:098,250
		KL 16			
(16)	9A7 721 431 00	Kl-lock		1	PR:099
		KL 16			
17	9P1 723 380	Bungs		1	PR:250
		Firewall			
18	N 907 611 03	Hexagon collar nut	M8	2	
		self-locking			
19	900 378 180 01	Hexagon bolt	AM8X25	2	

Model: 991G13

Model life 2014>>



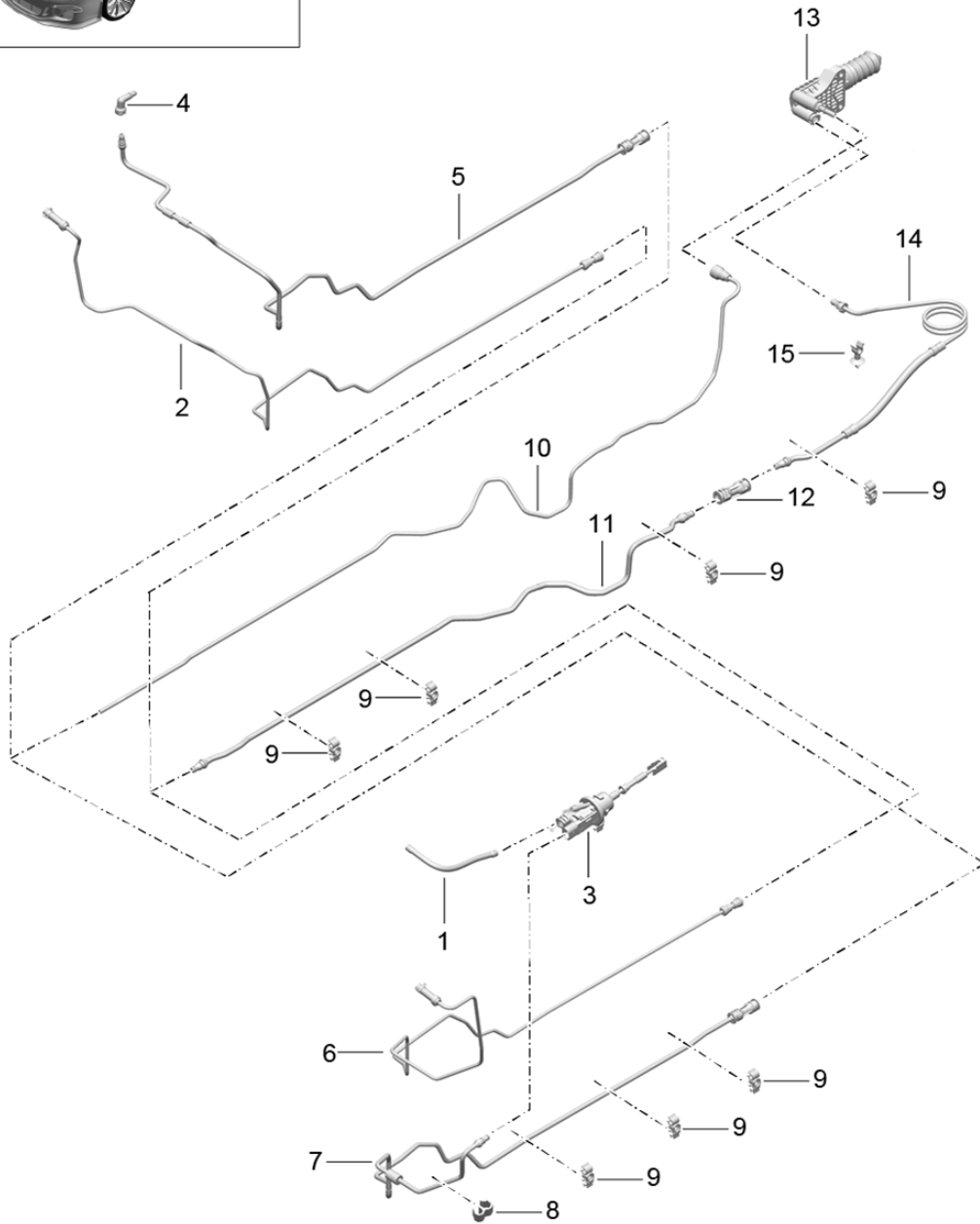
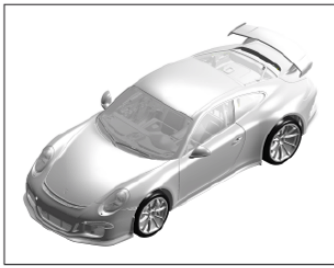
Model: 991G13

Model life 2014>>

Pos	Part Number	Description	Remark	Qty	Model
		clutch actuation Clutch master cylinder Clutch slave cylinder Lines			PR:486
1	991 423 137 03	suction line		1	PR:098
(1)	991 423 138 02	Clutch master cylinder suction line Clutch master cylinder		1	PR:099
2	991 423 190 10	Breather line		1	PR:099
4	991 423 151 00	Elbow fitting		1	PR:099
5	991 423 108 10	Clutch tube		1	PR:099
6	991 423 191 10	Breather line		1	PR:098
7	991 423 107 10	Clutch tube		1	PR:098
8	999 507 567 40	Cable holder		1	PR:098
9	991 423 514 02	Bracket		8	
10	991 423 193 10	return line		1	
11	991 423 113 04	Clutch tube		1	
13	9G1 116 238 01	Clutch slave cylinder		1	
14	991 423 377 10	Clutch hose		1	
15	999 507 286 40	Bracket Clutch hose Gearbox		1	

Model: 991G13

Model life 2014>>



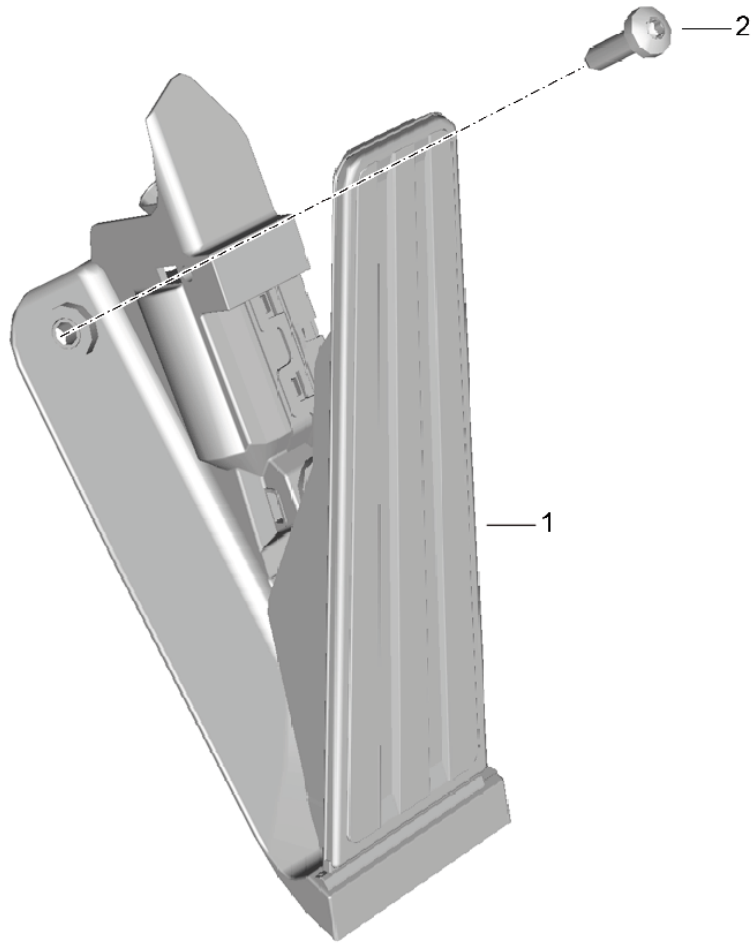
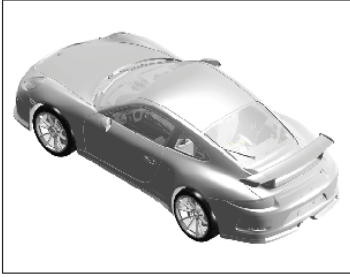
Model: 991G13

Model life 2014>>

Pos	Part Number	Description	Remark	Qty	Model
		clutch actuation Clutch master cylinder Clutch slave cylinder Lines D - MJ 2018>>			PR:486
1	991 423 137 03	suction line		1	PR:098
(1)	991 423 138 02	Clutch master cylinder suction line		1	PR:099
2	991 423 190 10	Clutch master cylinder Breather line		1	PR:099
3	991 423 171 00	Clutch master cylinder		1	
4	991 423 151 00	Elbow fitting		1	PR:099
5	991 423 108 10	Clutch tube		1	PR:099
6	991 423 191 10	Breather line		1	PR:098
7	991 423 107 10	Clutch tube		1	PR:098
8	999 507 567 40	Cable holder		1	
9	991 423 514 02	Bracket		8	
10	991 423 193 10	return line		1	
11	991 423 113 80	Clutch tube		1	
13	9P1 721 263	Clutch slave cylinder		1	
14	991 423 377 10	Clutch hose		1	
15	999 507 286 40	Bracket Clutch hose Gearbox		1	

Model: 991G13

Model life 2014>>



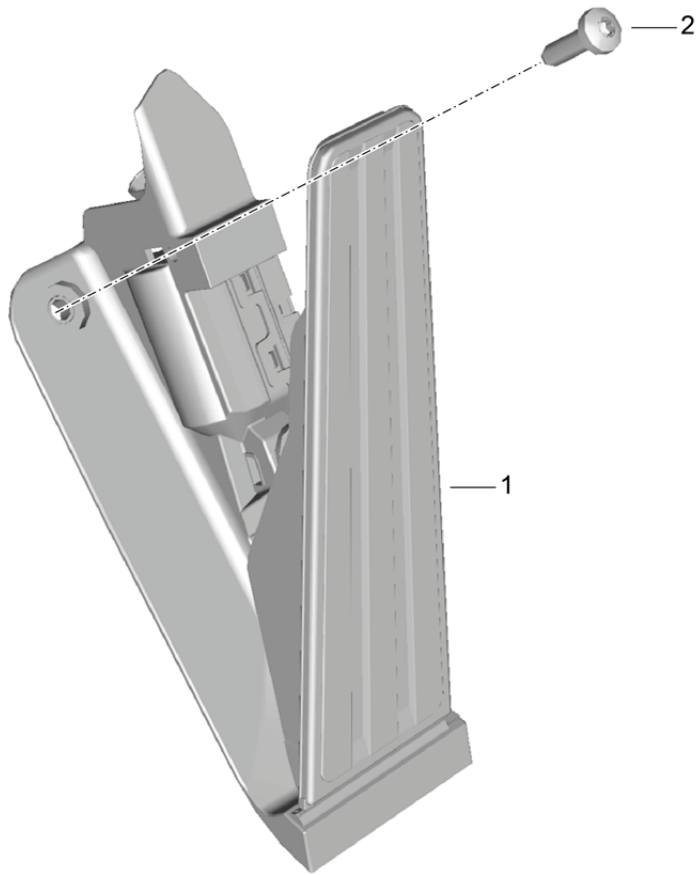
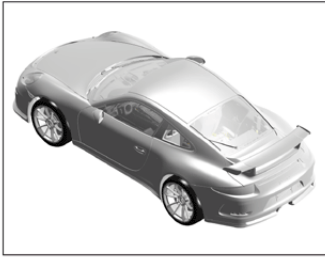
Model: 991G13

Model life 2014>>

Pos	Part Number	Description	Remark	Qty	Model
		Pedals			
		throttle control			
		D >> - MJ 2017			
1	970 423 019 01	throttle control		1	PR:-XXV
(1)	970 423 019 01	throttle control		1	
(1)	991 423 020 01	throttle control		1	PR:XXV
2	N 106 039 01	Hexagon socket oval head bolt (combi) M 6 X 18		1	
		D >> - 25.02.2015			
2	999 073 378 05	flat round head bolt M 6 X 20 D - 26.02.2015>>		1	

Model: 991G13

Model life 2014>>



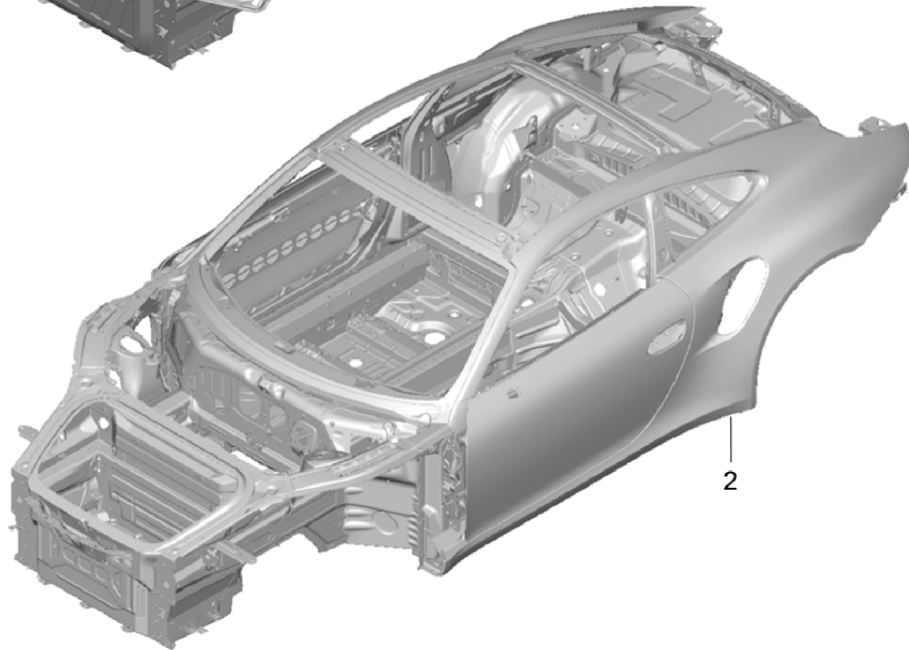
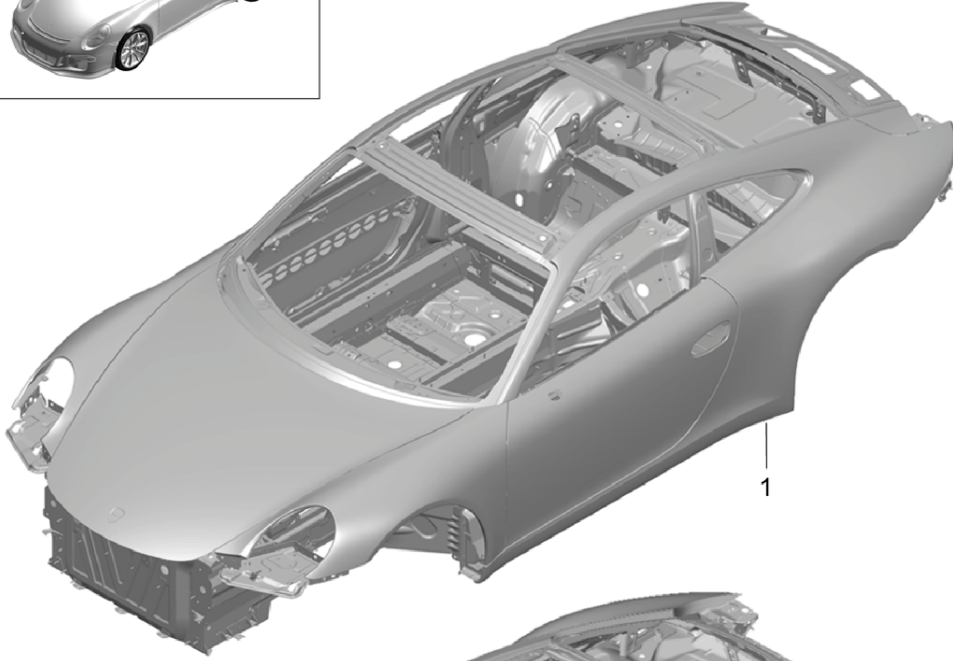
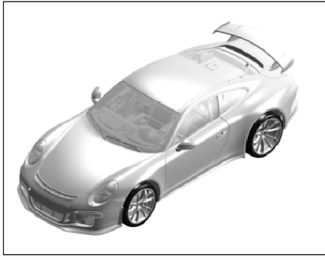
Model: 991G13

Model life 2014>>

Pos	Part Number	Description	Remark	Qty	Model
		Pedals			
		throttle control			
		D - MJ 2018>>			
1	970 423 019 01	throttle control		1	PR: -XXV
(1)	991 423 020 01	throttle control		1	PR: XXV
2	999 073 378 05	flat round head bolt M 6 X 20		1	

Model: 991G13

Model life 2014>>



Model: 991G13 Model life 2014>>

Pos	Part Number	Description	Remark	Qty	Model
-		Car body primed Sealed with: Underbody protection with: or without: Doors/lids/wings Bodyshells can only only available from current Model year available			
-		The data required for your order Can be found on the Vehicle data carrier in Vehicle wallet Please indicate this data in your order			
-		Vehicle data carrier Vehicle Ident. No. Order type Country equipment Optional extras Additional applications Please state the colour			
1	991 500 001 91	Car body	lhd	1	GT3 PR:098,-003
		Accessories primed			
(1)	991 500 001 91 GRV 991 500 001 92	Car body	rhd	1	GT3 PR:099,-003
		Accessories primed			
(1)	991 500 001 92 GRV 991 500 001 93	Car body	lhd	1	911R PR:098
		Accessories primed			
(1)	991 500 001 93 GRV 991 500 001 94	Car body	rhd	1	991R PR:099
		Accessories primed			
2	991 500 001 94 GRV	Car body		1	
		without: Accessories			
2	991 501 001 93	Car body	lhd	1	GT3 RS PR:098,-003
		without: Roof and Carbon Accessories			
(2)	991 501 001 93 GRV 991 501 001 94	Car body	rhd	1	GT3 RS PR:099,-003
		without: Roof and Carbon Accessories			
(2)	991 501 001 94 GRV 991 501 001 95	Car body	lhd	1	GT3 RS PR:098
		without: Roof			

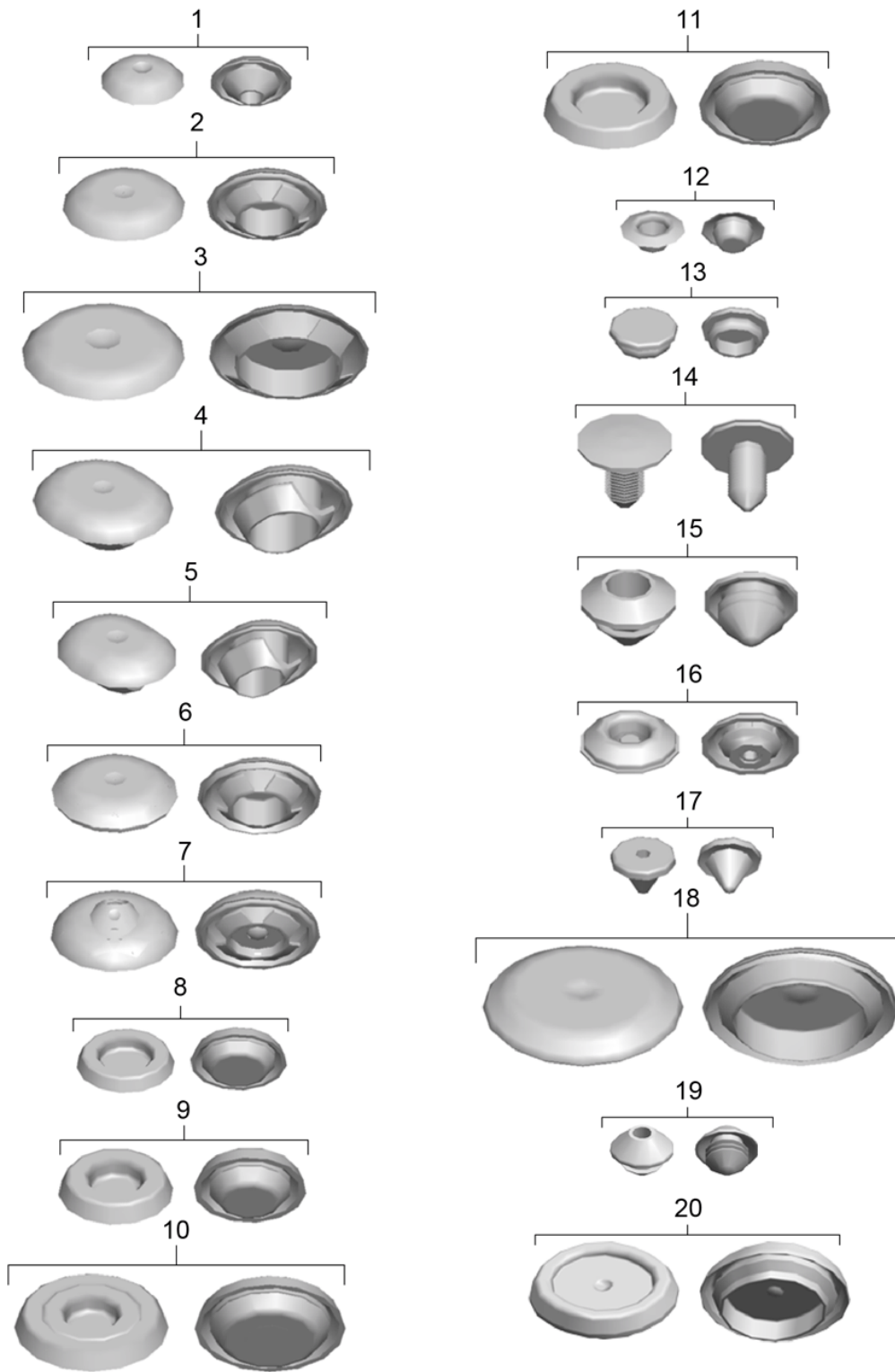
Model: 991G13

Model life 2014>>

Pos	Part Number	Description	Remark	Qty	Model
(2)	991 501 001 95 GRV 991 501 001 96	and Carbon Accessories primed Car body	rhd	1	GT3 RS PR:099
	991 501 001 96 GRV	without: Roof and Carbon Accessories primed			

Model: 991G13

Model life 2014>>



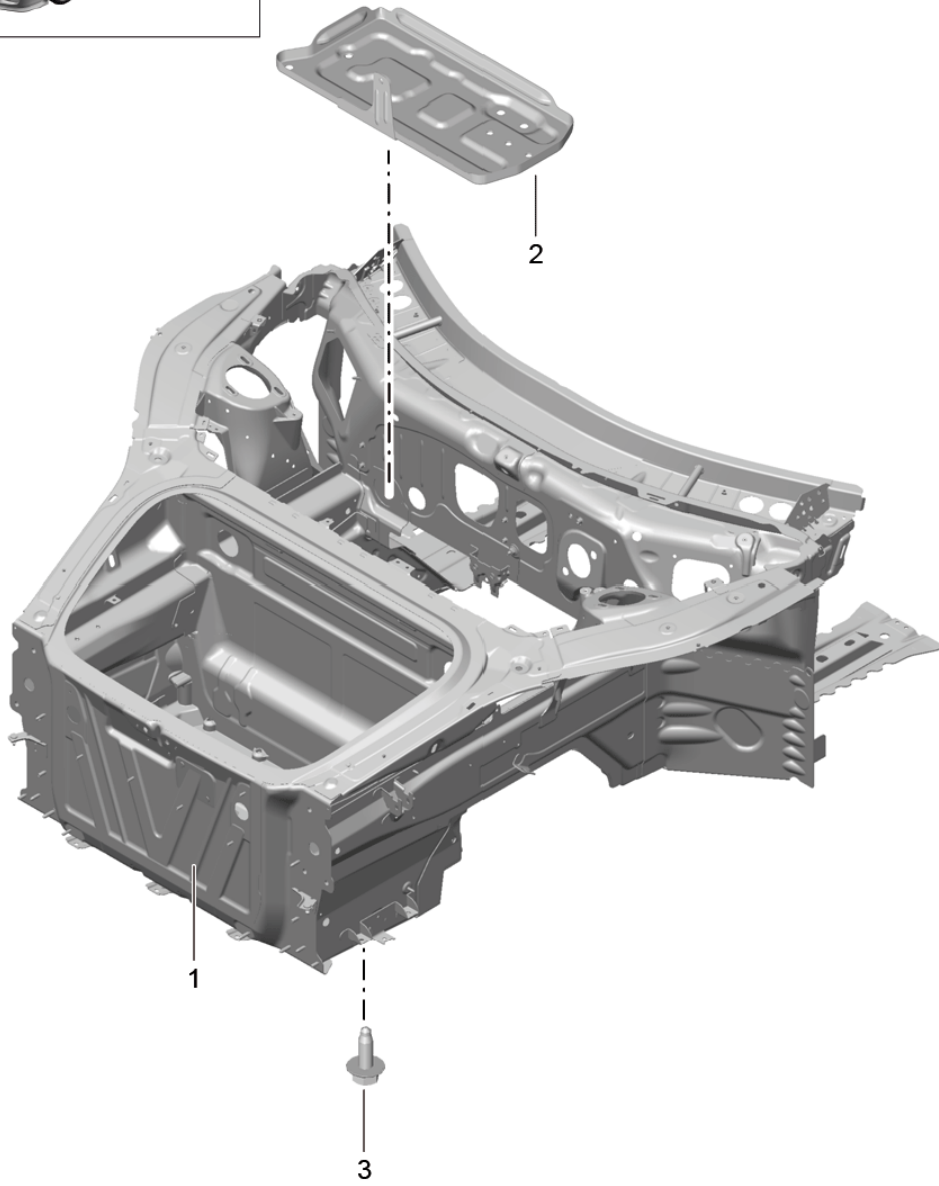
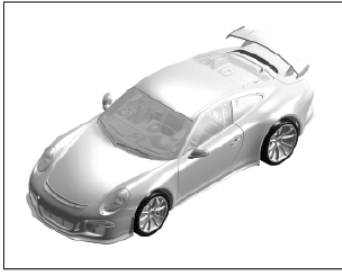
Model: 991G13

Model life 2014>>

Pos	Part Number	Description	Remark	Qty	Model
1	955 504 281 00	Bungs Bungs Hole 10 MM		X	
2	955 504 182 00	Bungs Hole 20 MM		X	
3	955 504 183 00	Bungs Hole 30 MM		X	
4	955 504 184 00	Bungs Hole 20 MM X 25 MM		X	
5	955 504 185 00	Bungs Hole 15 MM X 20 MM		X	
6	955 504 187 00	Bungs Hole 20 MM		X	
7	955 512 188 00	Water drain valve Hole 20 MM		X	
8	955 511 196 00	Bungs Hole 15 MM		X	
9	999 703 196 40	End cap Hole 20 MM		X	
10	999 703 195 40	Rubber grommet Hole 30 MM		X	
11	999 703 543 40	End cap Hole 25 MM		X	
12	999 703 462 40	End cap Hole 10 MM		X	
13	999 703 421 40	Grommet Hole 15 MM		X	
14	999 507 637 40	Bungs Hole 10 MM		X	
15	999 703 466 40	Bungs Hole 15 MM		X	
16	999 703 556 40	End cap Hole 15 MM		X	
17	999 703 105 50	Bungs Hole 10 MM		X	
18	N 909 649 01	Sealing cap Hole 40 MM		X	
19	999 703 198 40	Sealing cap Hole 9,5X16,5 MM		X	
20	999 703 562 40	Sealing cap Hole Oval 30,0X35,0 MM		X	

Model: 991G13

Model life 2014>>



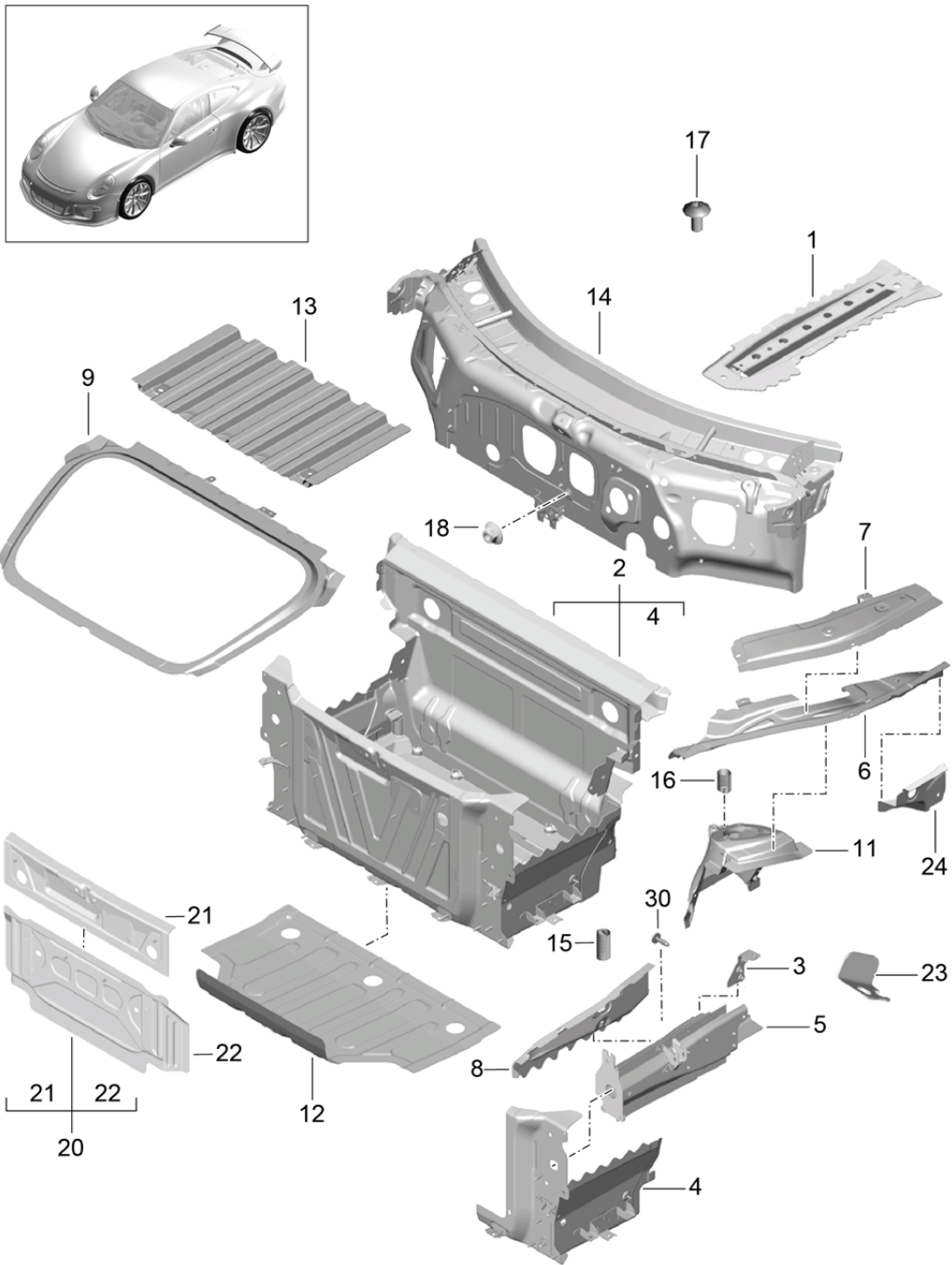
Model: 991G13

Model life 2014>>

Pos	Part Number	Description	Remark	Qty	Model
1	991 501 991 01	Front end (complete)			
	991 501 991 01 GRV	Front end primed	lhd	1	PR:098
(1)	991 501 991 03	Front end	rhd	1	PR:099
	991 501 991 03 GRV	Front end primed			
2	991 504 151 10	Battery console	lhd	1	PR:098
(2)	991 504 151 11	Battery console	rhd	1	PR:099
3	999 072 048 01	Hexagon bolt M8X25		4	
(3)	N 102 400 03	Hex collared bolt M8X32 D - MJ 2016>>		4	

Model: 991G13

Model life 2014>>



Model: 991G13 Model life 2014>>

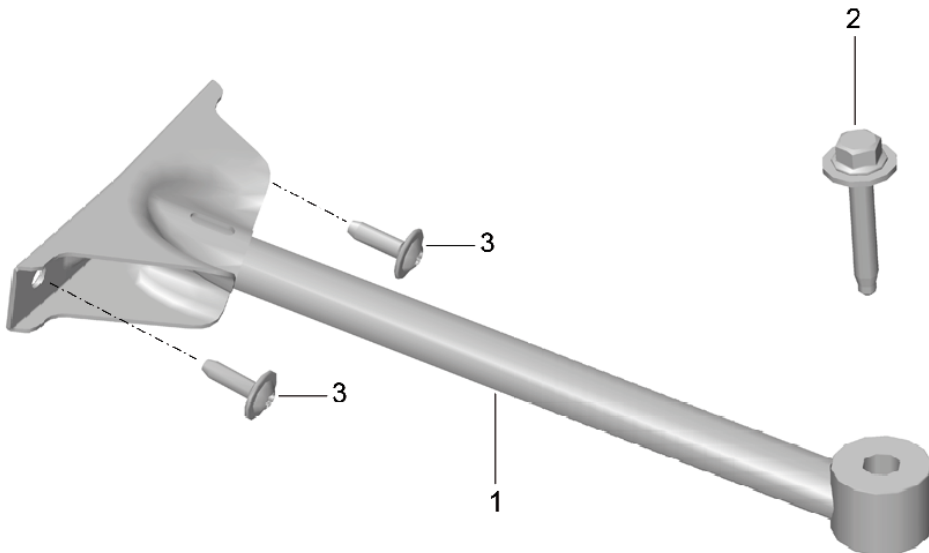
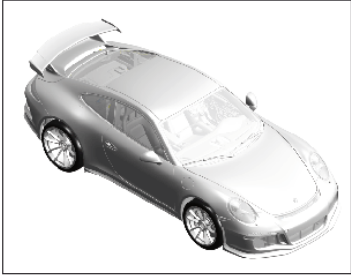
Pos	Part Number	Description	Remark	Qty	Model
1	991 501 125 00	Front end Individual parts Cross panel	left rear	1	
1	991 501 125 00 GRV 991 501 126 00	primed Cross panel	right rear	1	
(2)	991 501 126 00 GRV 991 501 920 01	primed Luggage compartment liner		1	
3	991 501 920 01 GRV 991 501 909 00	primed Adapter	left	1	
(3)	991 501 909 00 GRV 991 501 910 00	primed Adapter Carrier	right inner	1	
(4)	991 501 910 00 GRV 991 501 911 01	primed Side part Luggage compartment	left	1	
(4)	991 501 911 01 GRV 991 501 912 01	primed Side part Luggage compartment	right	1	
5	991 501 912 01 GRV 991 501 913 01	primed Carrier Sub-part	left	1	
(5)	991 501 913 01 GRV 991 501 914 01	primed Carrier Sub-part	right	1	
6	991 501 914 01 GRV 991 501 387 00	primed Side member	left upper outer	1	
(6)	991 501 387 00 GRV 991 501 388 00	primed Side member	right upper outer	1	
7	991 501 388 00 GRV 991 501 397 00	primed Side member	left upper	1	
(7)	991 501 397 00 GRV 991 501 398 00	primed Side member	right upper	1	
8	991 501 398 00 GRV 991 501 535 00	primed Side plate for wheel arch	left	1	
(8)	991 501 535 00 GRV 991 501 536 00	primed Side plate for wheel arch	right	1	
9	991 501 536 00 GRV 991 501 231 02	primed Sealing frame Luggage compartment		1	
11	991 501 231 02 GRV 991 501 477 00	primed Suspension strut mounting	left	1	
(11)	991 501 477 00 GRV 991 501 478 00	primed Suspension strut mounting	right	1	
-	991 501 478 00 GRV 999 190 227 01	primed Pop rivet		X	
12	991 501 479 02 991 501 479 02 GRV	boot floor plate primed		1	
(13)	991 504 303 00 991 504 303 00 GRV	Insert primed		1	
14	991 502 331 00 991 502 331 00 GRV	Firewall primed	upper lhd	1	PR:098
14	991 502 331 01 991 502 331 01 GRV	Firewall primed	upper rhd	1	PR:099

Model: 991G13 Model life 2014>>

Pos	Part Number	Description	Remark	Qty	Model
15	999 504 266 01	threaded insert M12X1,5X28 Cross member Luggage compartment		X	
16	999 504 262 01	threaded insert M8X15 Support Spring strut		X	
17	999 073 549 01	Oval-head screw M 8 X 16		X	
18	N 907 988 05	Hexagon collar nut M8		1	
19	999 703 556 40	End cap 14,5X0,6		1	
20	991 501 431 01	Cross panel Of		1	
21	991 501 431 01 GRV	primed			
	991 501 599 00	Cross panel	upper	1	
	991 501 599 00 GRV	primed			
22	991 501 531 01	Cross panel	lower	1	
	991 501 531 01 GRV	primed			
23	991 501 815 00	Brake line bracket	left	1	
	991 501 815 00 GRV	primed			
(23)	991 501 816 00	Brake line bracket	right	1	
	991 501 816 00 GRV	primed			
24	991 502 547 00	Side member	left	1	
	991 502 547 00 GRV	primed			
(24)	991 502 548 00	Side member	right	1	
	991 502 548 00 GRV	primed			
-		see workshop manual			
-	999 190 227 01	Pop rivet 6,5 X 12,5		X	
-	999 190 228 01	Pop rivet 6,5 X 11,5		X	
-	999 190 229 01	Pop rivet 6,5 X 10,5		X	
-	999 190 230 01	Pop rivet 6,5 X 14,5		X	
-	N 107 608 01	clinch pin		X	
-	000 043 206 29	Adhesive set		1	
30	999 073 577 01	Torx screw		X	

Model: 991G13

Model life 2014>>



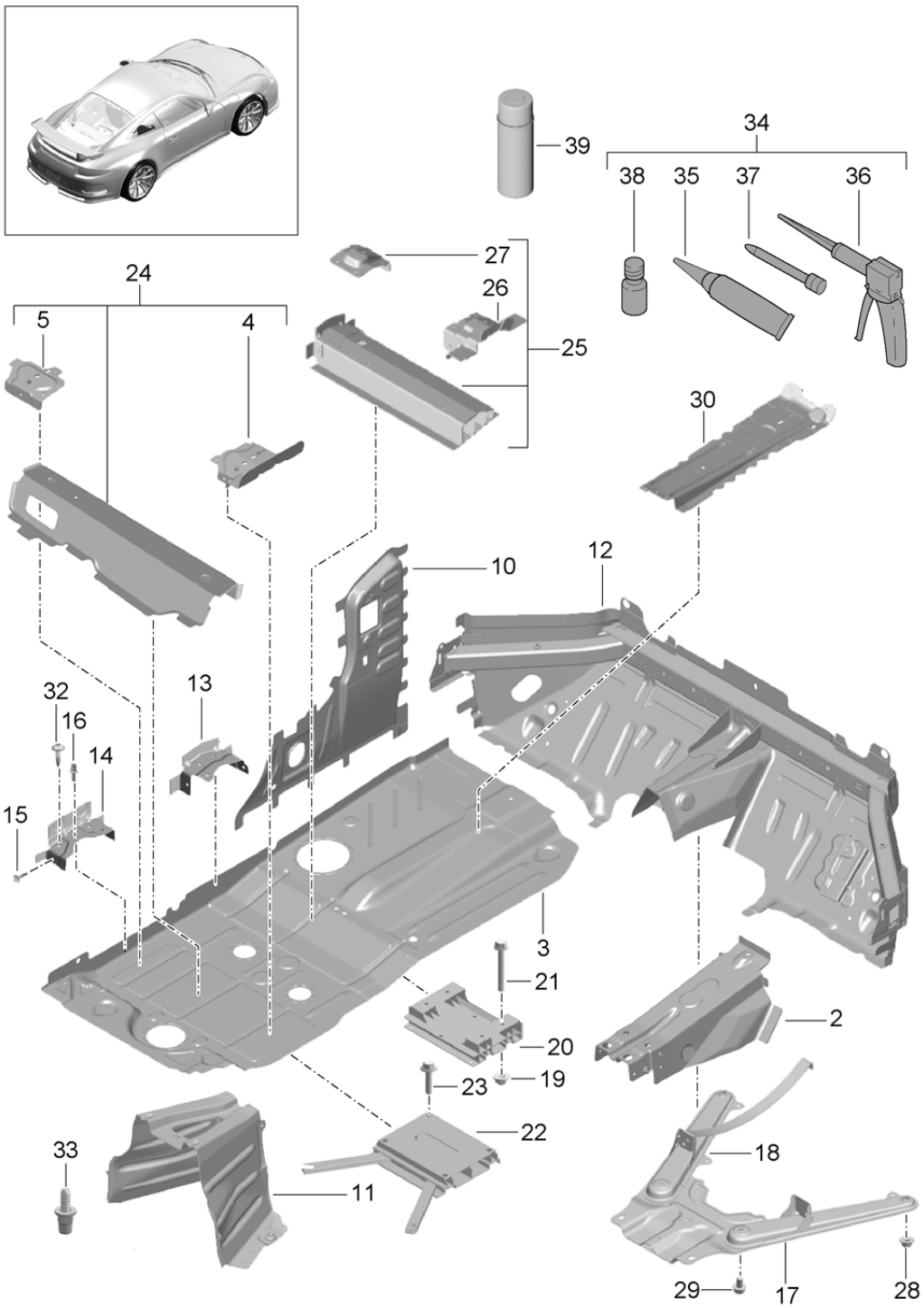
Model: 991G13

Model life 2014>>

Pos	Part Number	Description	Remark	Qty	Model
1	991 504 537 01	Dome strut			
(1)	991 504 538 01	Brace	left	1	
2	N 105 728 02	Brace	right	1	
		bolt,hex.hd.with shoul.(combi)		1	
		M8X50			
3	999 073 322 02	fillister hd. bolt		4	
		M6X20			

Model: 991G13

Model life 2014>>



Model: 991G13 Model life 2014>>

Pos	Part Number	Description	Remark	Qty	Model
2	991 501 309 00	Floor Support	center front	1	
(3)	991 501 309 00 GRV	primed			
	991 501 251 03	Floor	left outer	1	
	991 501 251 03 GRV	primed			
(3)	991 501 252 03	Floor	right outer	1	
	991 501 252 03 GRV	primed			
4	991 501 645 00	Reinforcement Seat support	left rear, inner	1	
	991 501 645 00 GRV	primed			
(4)	991 501 646 00	Reinforcement Seat support	right rear, inner	1	
	991 501 646 00 GRV	primed			
5	991 501 581 00	Reinforcement Seat support	left rear outer	1	
	991 501 581 00 GRV	primed			
(5)	991 501 582 00	Reinforcement Seat support	right rear outer	1	
	991 501 582 00 GRV	primed			
6	991 501 687 00	Reinforcement Seat support	left rear, inner	1	
	991 501 687 00 GRV	primed			
(6)	991 501 688 00	Reinforcement Seat support	right rear, inner	1	
	991 501 688 00 GRV	primed			
7	991 501 583 00	Reinforcement Seat support	front outer	2	
	991 501 583 00 GRV	primed			
8	991 501 157 04	Side member	left	1	
	991 501 157 04 GRV	primed			
10	991 502 639 00	Web plate A-pillar	left	1	
	991 502 639 00 GRV	primed			
(10)	991 502 640 00	Web plate A-pillar	right	1	
	991 502 640 00 GRV	primed			
11	991 501 367 00	Reinforcement	rear	1	
	991 501 367 00 GRV	primed			
12	991 501 951 00	Firewall	lower	1	PR:098
		also use:	WHT 008 419	1	
(12)	991 501 951 00 GRV	primed			
	991 501 951 01	Firewall	lower	1	PR:099
		also use:	WHT 008 419	1	
	991 501 951 01 GRV	primed			
13	991 501 893 00	angle	left front	1	
	991 501 893 00 GRV	primed			
(13)	991 501 894 00	angle	right front	1	
	991 501 894 00 GRV	primed			
14	991 501 891 00	angle	left rear	1	
	991 501 891 00 GRV	primed			
(14)	991 501 892 00	angle	right rear	1	
	991 501 892 00 GRV	primed			
15	999 073 917 01	Oval-head screw M5X20		X	
16	999 190 501 01	Pin		X	

Model: 991G13 Model life 2014>>

Pos	Part Number	Description	Remark	Qty	Model
17	991 504 233 01	T6 Support frame		1	
19	999 084 648 01	Front end Hexagon nut M 10		4	
20	991 504 823 00	Transverse strut tunnel		1	
21	900 378 255 01	Hexagon bolt M 10 X 70		4	
22	991 504 333 00	Brace transmission carrier		1	
23	999 072 063 02	Hexagon bolt M 10 X 40		6	
24	991 501 993 90	Seat support	left rear	1	
(24)	991 501 993 90 GRV	primed			
	991 501 994 90	Seat support	right rear	1	
	991 501 994 90 GRV	primed			
25	991 501 453 00	Seat support	left front	1	
	991 501 453 00 GRV	primed			
(25)	991 501 454 00	Seat support	right front	1	
	991 501 454 00 GRV	primed			
26	991 501 687 00	Reinforcement Seat support	left front inner	1	
	991 501 687 00 GRV	primed			
(26)	991 501 688 00	Reinforcement Seat support	right front inner	1	
	991 501 688 00 GRV	primed			
27	991 501 583 00	Reinforcement Seat support	outer	2	
	991 501 583 00 GRV	primed			
28	999 084 648 01	Hexagon nut M 10		4	
29	900 378 350 01	Hexagon bolt M10X16		1	
30	991 501 297 00	Connecting piece	left	1	
	991 501 297 00 GRV	primed			
(30)	991 501 298 00	Carrier Connecting piece	right	1	
	991 501 298 00 GRV	primed			
31	991 501 891 00	Carrier angle	left rear	1	
	991 501 891 00 GRV	primed			
(31)	991 501 892 00	angle	right rear	1	
	991 501 892 00 GRV	primed			
32	999 073 917 01	Oval-head screw M5X20		X	
33	999 190 501 01	Pin		X	
34	000 043 206 29	T6 Adhesive set Body		X	
		comprising:			
35	000 043 206 30	adhesive		1	
36	000 043 206 31	Double cartridge gun		1	
37	000 043 206 32	emulsion tube		1	
38	000 043 207 70	activator		1	

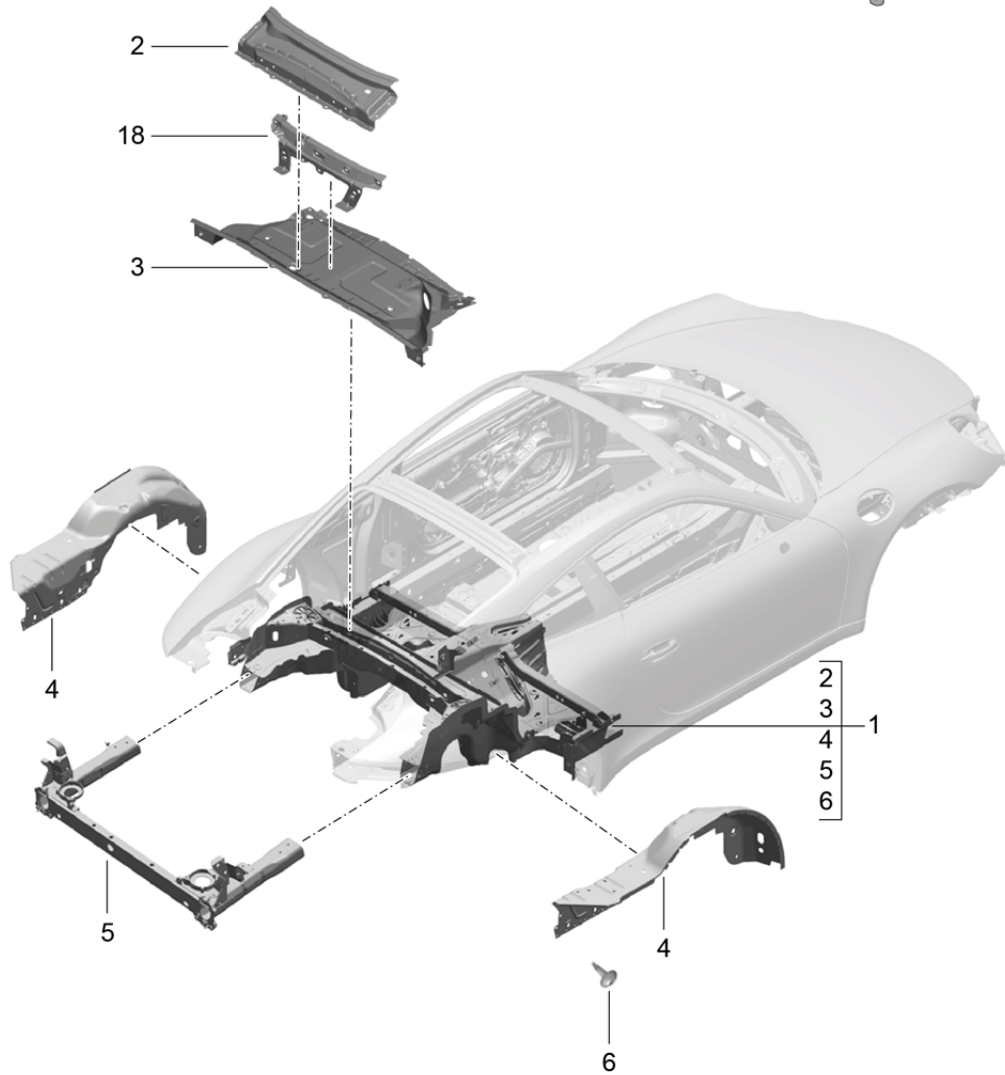
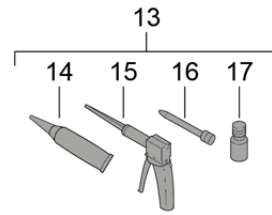
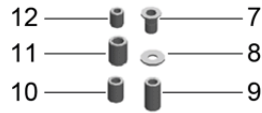
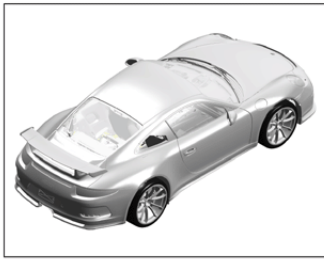
Model: 991G13

Model life 2014>>

Pos	Part Number	Description	Remark	Qty	Model
39	000 043 204 85	cavity preservative agent		1	
40	PAF 008 419	Blind rivet stud		1	

Model: 991G13

Model life 2014>>



Model: 991G13 Model life 2014>>

Pos	Part Number	Description	Remark	Qty	Model
1	991 501 061 90	Rear end Rear end (complete)		1	
			also use: 000 043 206 30	X	
2	991 501 061 90 GRV 991 502 409 00 991 502 409 00 GRV	primed Cross member primed		1	
			also use: 000 043 206 30		
3	991 502 421 00 991 502 421 00 GRV	tray primed		1	
			also use: 000 043 206 30		
(4)	991 501 183 90 991 501 183 90 GRV	Wheel housing (complete) primed	left inner	1	
			also use: 000 043 206 30		
(4)	991 501 973 91 991 501 973 91 GRV	Wheel housing (complete) D - MJ 2014>> primed	left inner	1	
			also use: 000 043 206 30		
(4)	991 501 184 90 991 501 184 90 GRV	Wheel housing (complete) primed	right inner	1	
			also use: 000 043 206 30		
(4)	991 501 974 91 991 501 974 91 GRV	Wheel housing (complete) D - MJ 2014>> primed	right inner	1	
			also use: 000 043 206 30		
5	991 501 903 01 991 501 903 01 GRV	Frame comprising: Cross member engine mounting Carrier primed		1	
			also use: 000 043 206 30		
6	999 073 917 01	Oval-head screw M5X20		X	
7	999 500 196 01	Nut M8		X	
8	999 025 285 31	Washer 8,4X20X1,5		X	
9	999 504 267 01	threaded insert M10X27		X	
10	999 504 268 01	threaded insert M10X20		X	
11	999 504 263 01	threaded insert M12X1,5X22		X	
12	999 504 262 01	threaded insert M8X15		X	
13	000 043 206 29	Adhesive set		1	
14	000 043 206 30	adhesive		1	
15	000 043 206 31	Double cartridge gun		1	
16	000 043 206 32	emulsion tube		1	
17	000 043 207 70	activator		1	
18	991 502 573 00 991 502 573 00 GRV	Cross member for tray primed		1	Coupe

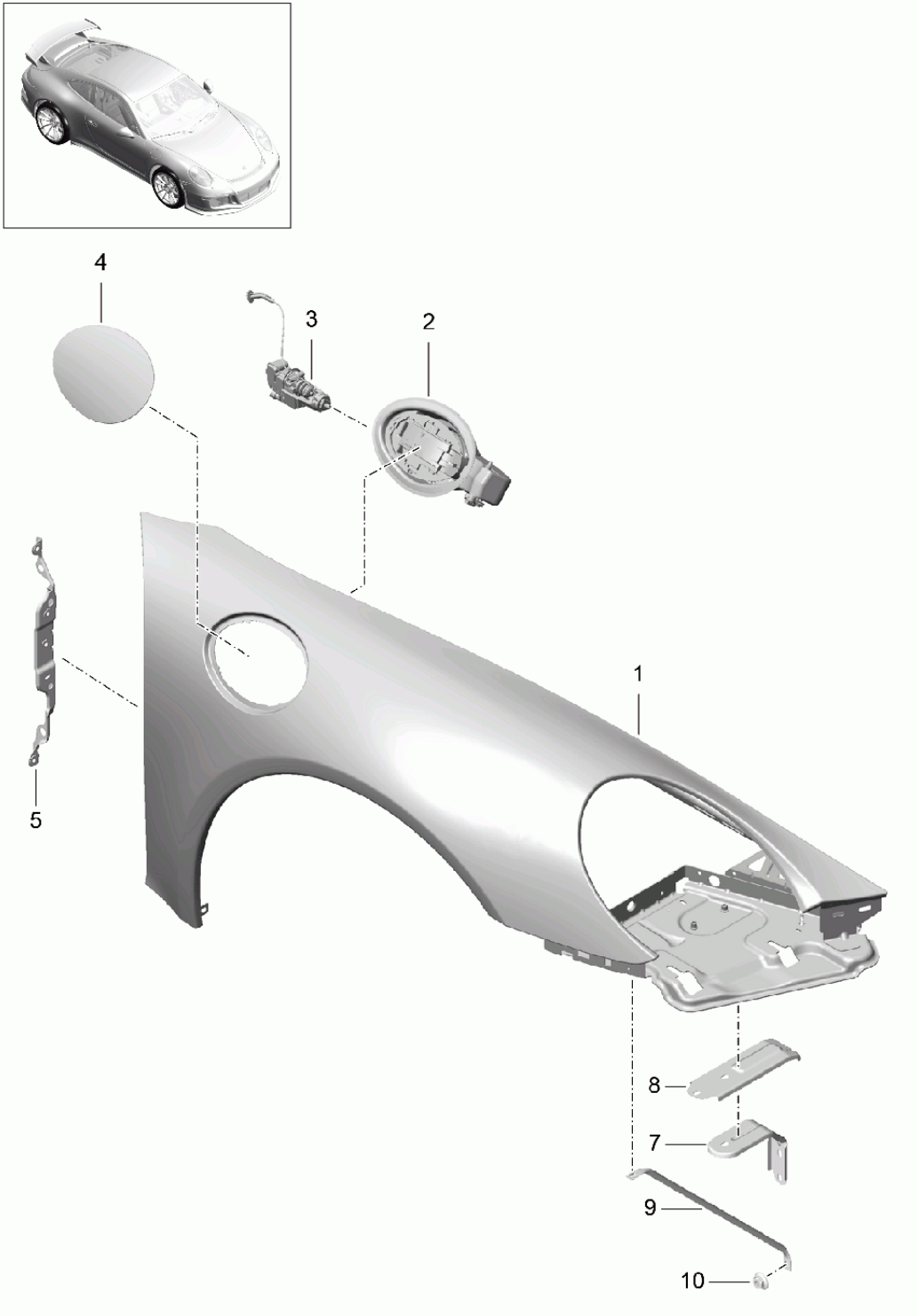
Model: 991G13

Model life 2014>>

Pos	Part Number	Description	Remark	Qty	Model
		also use:	000 043 206 30		

Model: 991G13

Model life 2014>>



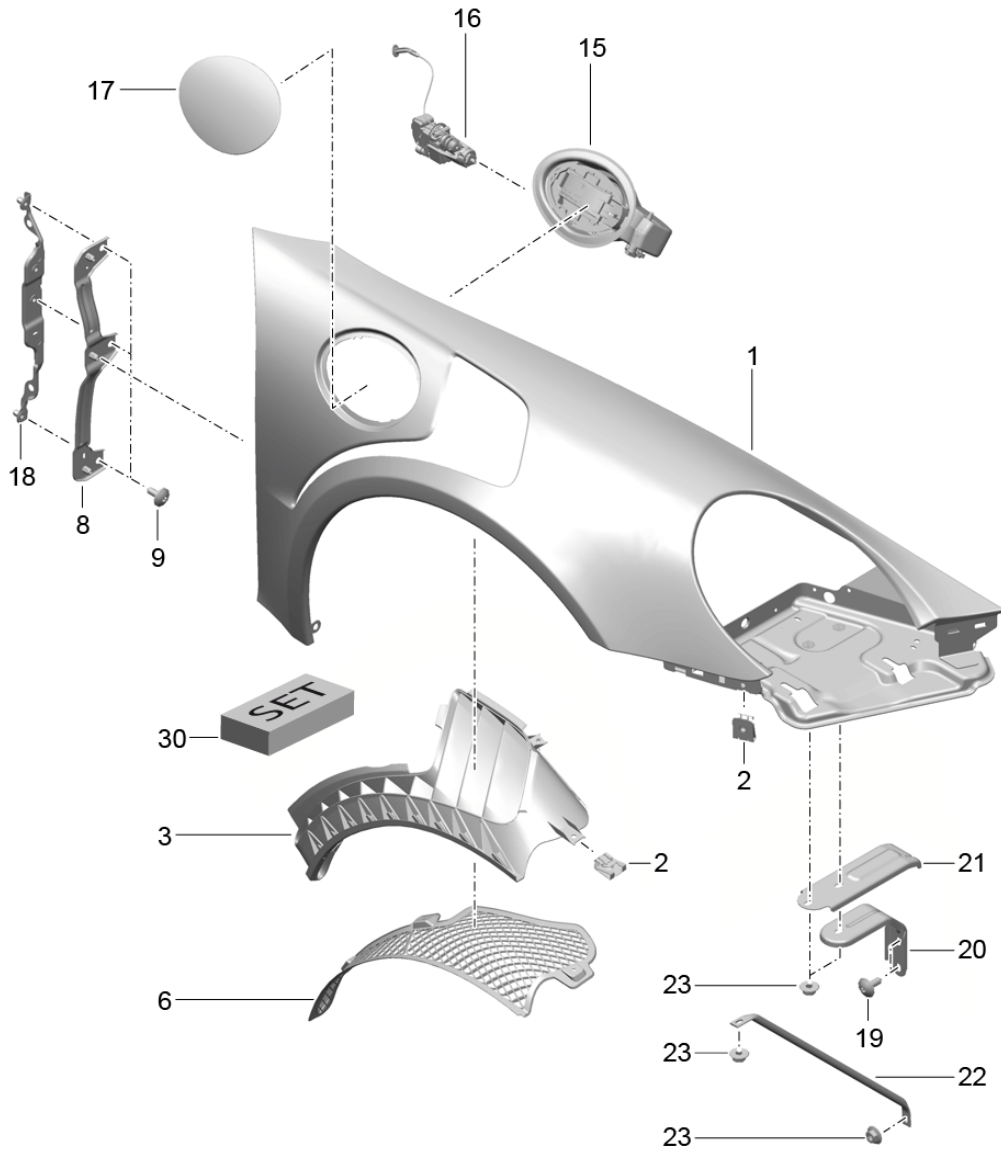
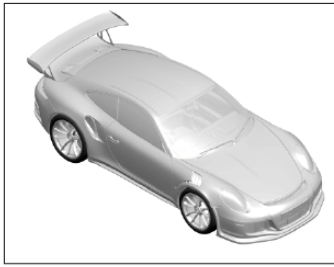
Model: 991G13

Model life 2014>>

Pos	Part Number	Description	Remark	Qty	Model
(1)	991 503 031 00	Wing			GT3
	991 503 031 00 GRV	Wing primed	left	1	
1	991 503 032 00	Wing			
	991 503 032 00 GRV	Wing primed	right	1	
2	991 504 142 03	Cup		1	
		Fuel filler flap			
3	991 504 414 01	throttle control element		1	
		Fuel filler flap			
4	991 503 034 00	Fuel filler flap		1	
	991 503 034 00 GRV	Fuel filler flap primed			
(5)	991 502 347 00	bracket - fender	left	1	
	991 502 347 00 GRV	bracket - fender primed			
5	991 502 348 00	bracket - fender	right	1	
	991 502 348 00 GRV	bracket - fender primed			
6	N 910 423 01	Oval hexagon socket head bolt		X	
		M 6 X 16			
7	991 503 555 00	Console		2	
		Headlight recess			
8	991 503 557 00	Support	left	1	
		Headlight recess			
(8)	991 503 558 00	Support	right	1	
		Headlight recess			
9	991 503 441 01	Brace		2	
		Headlight recess			
10	999 076 066 09	Hexagon nut		X	
		M6			

Model: 991G13

Model life 2014>>

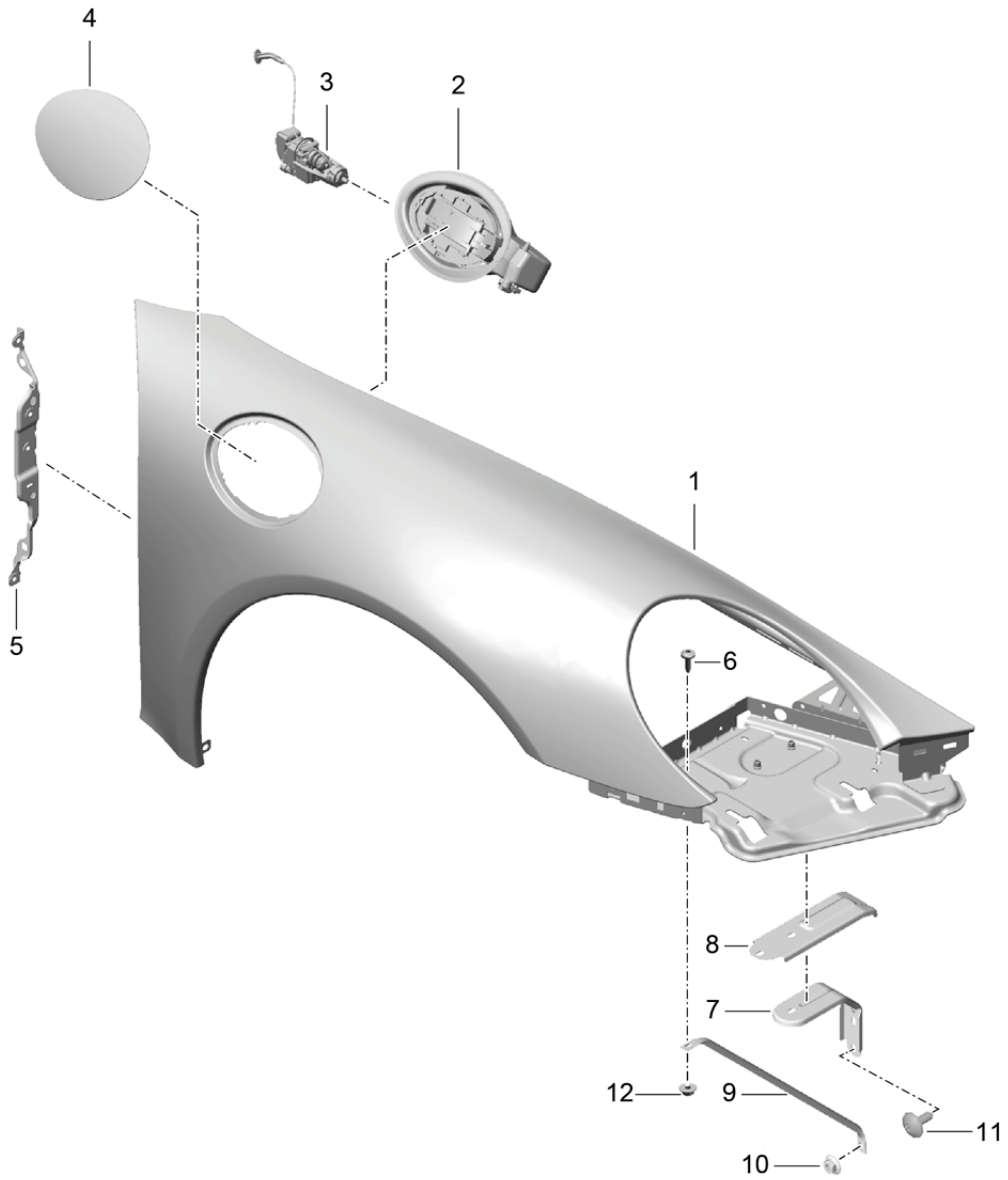
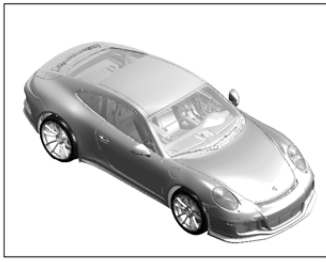


Model: 991G13 Model life 2014>>

Pos	Part Number	Description	Remark	Qty	Model
1	991 503 031 95	Wing Wing primed	left	1	GT3 RS
		also use:	999 915 920 40	1	
			991 503 523 90	1	
(1)	991 503 032 95	Wing primed	right	1	
		also use:	999 915 920 40	1	
			991 503 523 90	1	
2	999 507 795 09	panel nut ST 4,8		X	
3	991 503 523 90	Air exhaust	left	1	
		also use:	999 915 920 40	1	
(3)	991 503 524 90	Air exhaust	right	1	
		also use:	999 915 920 40	1	
6	991 504 787 90	Grille	left	1	
(6)	991 504 788 90	Grille	right	1	
8	991 502 957 90	Adapter Bracket Wing	left	1	
	991 502 957 90 GRV	primed			
(8)	991 502 958 90	Adapter Bracket Wing	right	1	
	991 502 958 90 GRV	primed			
9	N 910 423 01	Oval hexagon socket head bolt M6X16 POS8	right	X	
15	991 504 142 03	Cup		1	
16	991 504 414 03	Fuel filler flap throttle control element		1	
17	991 503 034 00	Fuel filler flap		1	
	991 503 034 00 GRV	primed			
18	991 502 347 00	bracket - fender	left	1	
	991 502 347 00 GRV	primed			
(18)	991 502 348 00	bracket - fender	right	1	
	991 502 348 00 GRV	primed			
19	N 910 423 01	Oval hexagon socket head bolt M 6 X 16		X	
20	991 503 555 00	Console		2	
21	991 503 557 00	Headlight recess Support	left	1	
(21)	991 503 558 00	Headlight recess Support	right	1	
		Headlight recess			
22	991 503 441 01	Brace		2	
23	999 076 066 09	Headlight recess Hexagon nut M6		X	
30	999 915 920 40	Adhesive set Wing		1	

Model: 991G13

Model life 2014>>



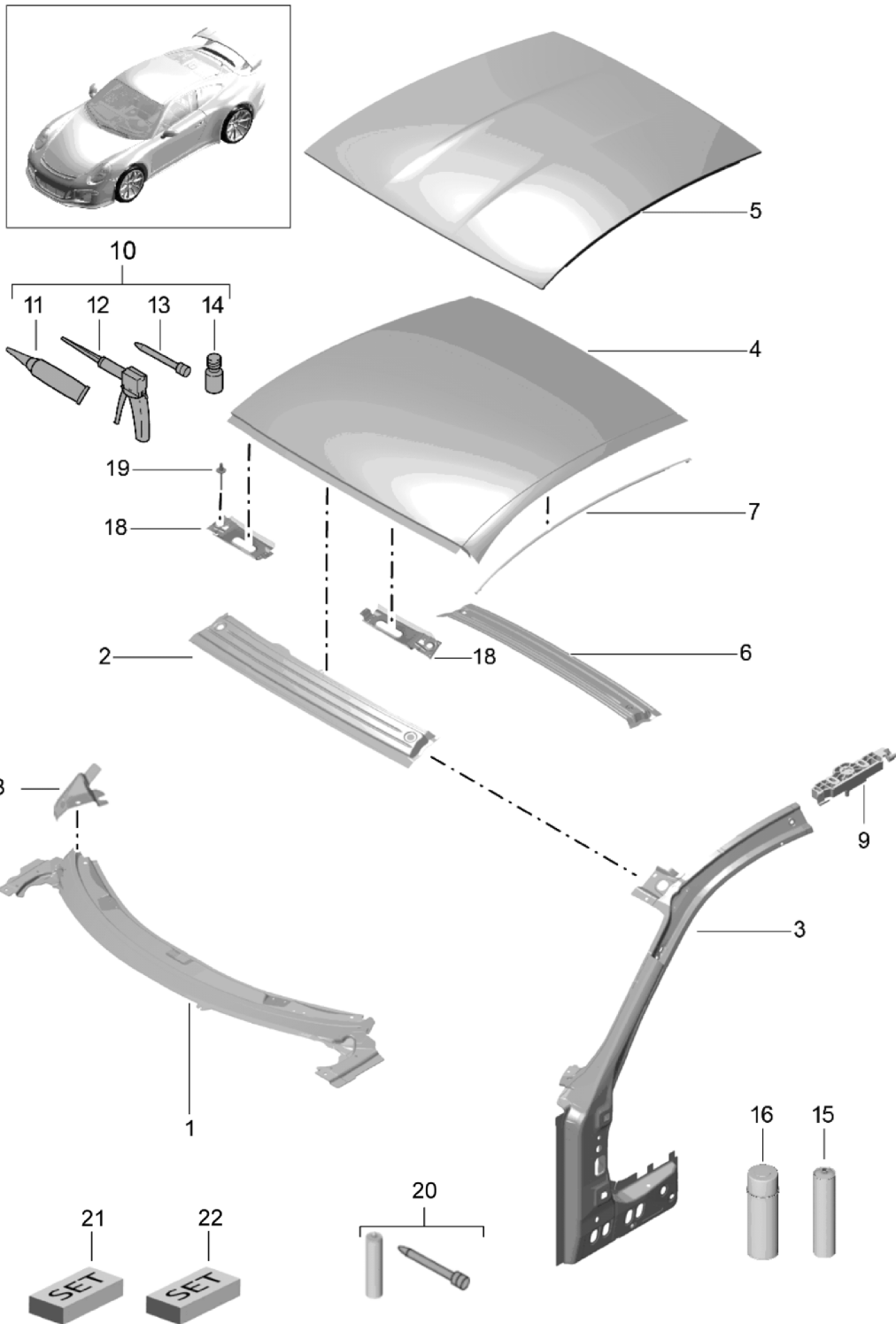
Model: 991G13

Model life 2014>>

Pos	Part Number	Description	Remark	Qty	Model
1	991 503 031 A3	Wing			911 R
	991 503 031 A3 GRV	Wing primed	left	1	
(1)	991 503 032 A3	Wing			
	991 503 032 A3 GRV	Wing primed	right	1	
2	991 504 142 03	Cup		1	
		Fuel filler flap			
3	991 504 414 03	throttle control element		1	
		Fuel filler flap			
4	991 503 034 00	Fuel filler flap		1	
	991 503 034 00 GRV	primed			
5	991 502 347 00	bracket - fender	left	1	
	991 502 347 00 GRV	primed			
(5)	991 502 348 00	bracket - fender	right	1	
	991 502 348 00 GRV	primed			
6	999 073 577 01	Torx screw		X	
		M8X30			
7	991 503 555 00	Console		2	
		Headlight recess			
8	991 503 557 00	Support	left	1	
		Headlight recess			
(8)	991 503 558 00	Support	right	1	
		Headlight recess			
9	991 503 441 01	Brace		2	
		Headlight recess			
10	999 076 066 09	Hexagon nut		X	
		M6			
11	999 073 322 04	fillister hd. bolt		X	
		M6X20			
12	999 507 246 01	panel nut		X	
		M6			

Model: 991G13

Model life 2014>>



Model: 991G13 Model life 2014>>

Pos	Part Number	Description	Remark	Qty	Model
1	991 502 137 00	Scuttle Roof Scuttle	lower outer	1	
	991 502 137 00 GRV	primed			
			also use:		
2	991 502 329 00	Scuttle	000 043 206 30 upper	1	
	991 502 329 00 GRV	primed			
3	991 502 035 00	A-pillar	left inner	1	
	991 502 035 00 GRV	primed			
			also use:		
(3)	991 502 036 00	A-pillar	000 043 206 30 right inner	1	
	991 502 036 00 GRV	primed			
			also use:		
4	991 503 901 00	Outer roof panel		1	GT3
	991 503 901 00 GRV	primed			
			also use:		
(4)	991 503 901 90	Outer roof panel		1	GT3 PR:686,690
	991 503 901 90 GRV	primed			
			also use:		
5	991 503 901 91	Outer roof panel		1	GT3 RS
	991 503 901 91 GRV	primed			
			also use:		
(5)	991 503 901 92	Outer roof panel		1	PR:686,690
	991 503 901 92 GRV	primed			
			also use:		
(5)	991 503 901 92	Outer roof panel		1	991R PR:686,690
	991 503 901 92 GRV	primed			
			also use:		
(5)	991 503 087 80	Outer roof panel clear paint		1	PR:QV0,QV3
			also use:		
			also use:		
(5)	991 503 087 81	Carbon Outer roof panel clear paint		1	PR:QU8
			also use:		
6	991 502 269 00	Carbon roof frame	Carbon painted inner rear	1	
	991 502 269 00 GRV	primed			
7	991 566 901 00	Seal	left	1	Coupé
		Roof module			
(7)	991 566 902 00	Seal	right	1	Coupé
		Roof module			
8	991 502 657 00	Console	left	1	
	991 502 657 00 GRV	primed			
(8)	991 502 658 00	Console	right	1	
	991 502 658 00 GRV	primed			
9	991 504 461 00	basic plate	right	2	
		Roof transport system workshop manual			
		Attention			
(9)	991 504 471 00	basic plate	left	2	
		Roof transport system workshop manual			
		Attention			
10	000 043 206 29	Adhesive set		1	
11	000 043 206 30	adhesive		1	
12	000 043 206 31	Double cartridge gun		1	
13	000 043 206 32	emulsion tube		1	

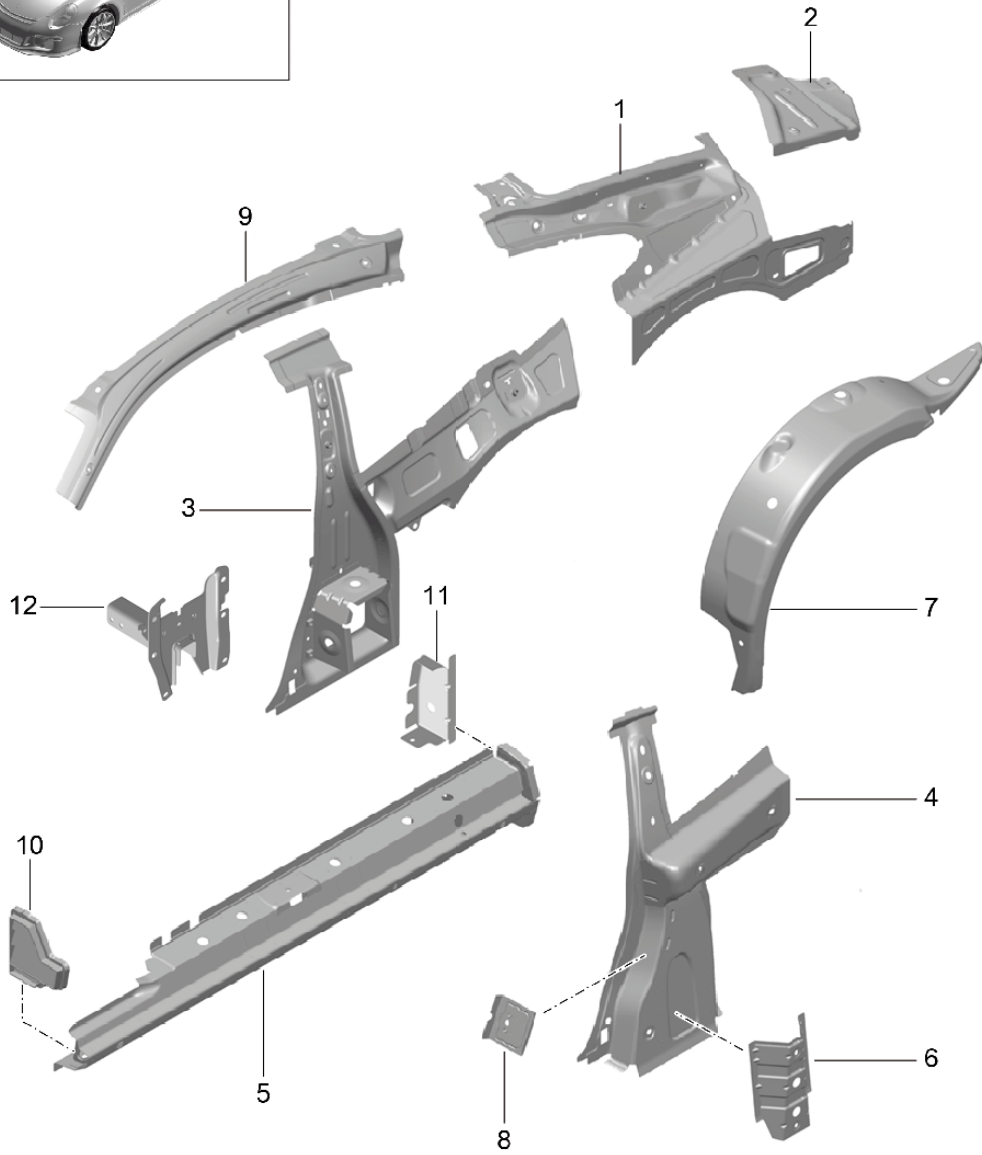
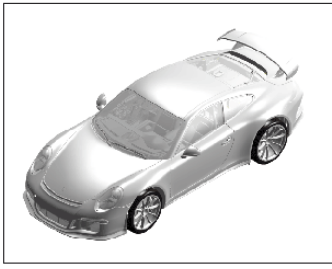
Model: 991G13

Model life 2014>>

Pos	Part Number	Description	Remark	Qty	Model
14	000 043 207 70	activator		1	
15	000 043 305 32	sealant		1	
16	000 043 204 85	cavity preservative agent		1	
17	N 905 708 02	hex. nut with washer		1	
18	991 502 653 02	deformation element	left	1	
		Scuttle	upper		
	991 502 653 02 GRV	primed			
(18)	991 502 654 02	deformation element	right	1	
		Scuttle	upper		
	991 502 654 02 GRV	primed			
19	N 900 978 02	Pop rivet		8	
		4X8			
20	000 043 305 65	Adhesive set		1	
21	000 043 205 37	emulsion tube		1	
22	000 043 305 35	2K pane adhesive set		1	

Model: 991G13

Model life 2014>>



Model: 991G13 Model life 2014>>

Pos	Part Number	Description	Remark	Qty	Model
1	991 502 085 00	Side part Side part	inner left rear	1	
(1)	991 502 085 00 GRV 991 502 086 00	primed Side part	right rear	1	
2	991 502 086 00 GRV 991 502 105 00	primed Side part	left inner rear	1	
(2)	991 502 105 00 GRV 991 502 106 00	primed Side part	right inner rear	1	
3	991 502 106 00 GRV 991 502 391 00	primed B-pillar (complete)	left	1	
(3)	991 502 391 00 GRV 991 502 392 00	primed B-pillar (complete)	right	1	
4	991 502 392 00 GRV 991 502 019 00	primed Side part	left inner	1	
(4)	991 502 019 00 GRV 991 502 020 00	primed Side part	right inner	1	
5	991 502 020 00 GRV 991 502 563 00	primed Reinforcement Sill	left	1	
(5)	991 502 563 00 GRV 991 502 564 00	primed Reinforcement Sill	left	1	
6	991 502 564 00 GRV 991 502 709 00	primed Support B-pillar		2	
7	991 502 709 00 GRV 991 502 515 02	primed Wheel housing	left	1	
7	991 502 515 02 GRV 991 502 315 90	primed Wheel housing	left	1	GT3 RS
(7)	991 502 315 90 GRV 991 502 516 02	primed Wheel housing	right	1	
(7)	991 502 516 02 GRV 991 502 316 90	primed Wheel housing	right	1	GT3 RS
8	991 502 316 90 GRV 991 502 311 01	primed Reinforcement		2	
9	991 502 311 01 GRV 991 502 465 00	primed Reinforcement for A-pillar	left upper	1	
(9)	991 502 465 00 GRV 991 502 466 00	primed Reinforcement for A-pillar	right upper	1	
10	991 502 466 00 GRV 991 572 311 01	primed Water protection cap	left	1	
(10)	991 572 312 01	Water protection cap	right	1	
11	991 501 747 00	Closing plate	left	1	
(11)	991 501 747 00 GRV 991 501 748 00	primed Closing plate	right	1	
-	991 501 748 00 GRV 999 190 342 01	primed Threaded stud T5		X	
12	991 502 413 00	Support	left	1	PR:703
(12)	991 502 413 00 GRV 991 502 414 00	primed Support	right	1	PR:703

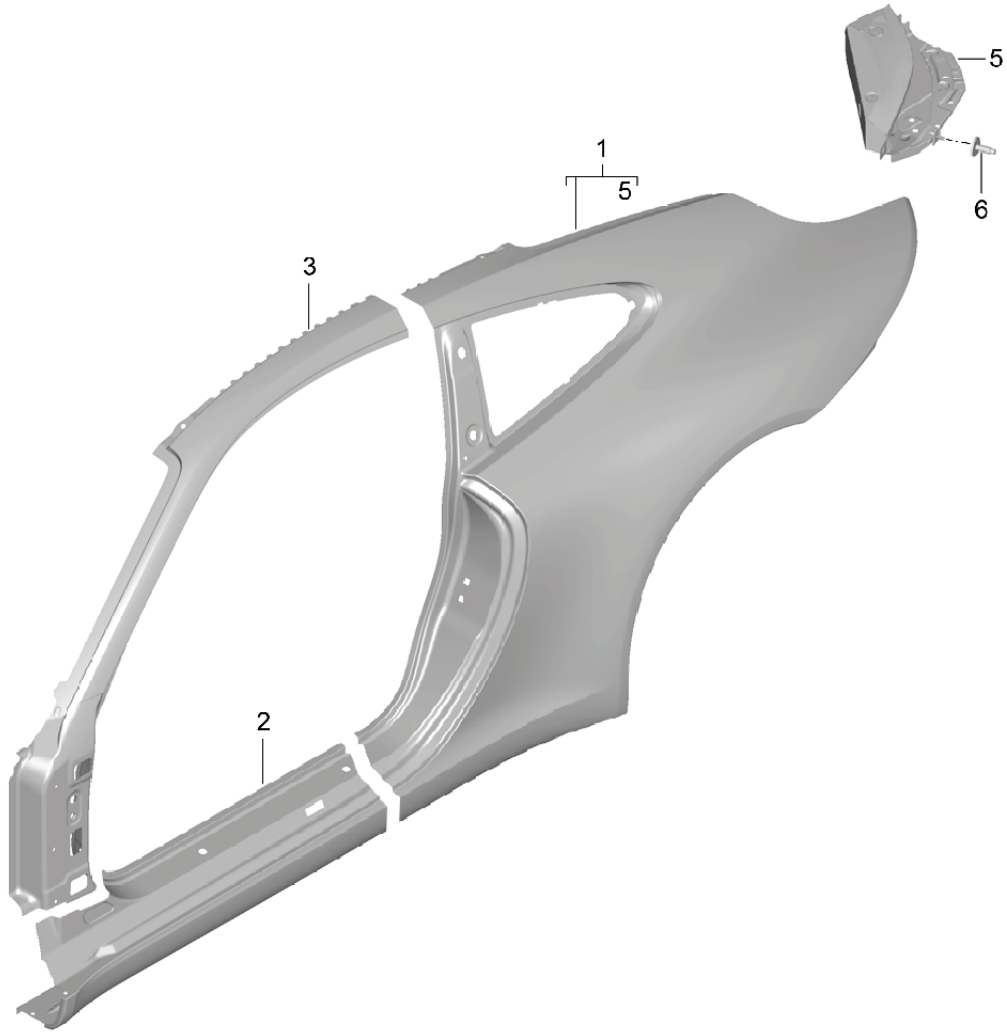
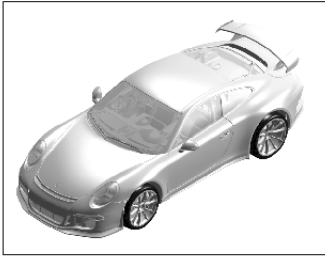
Model: 991G13

Model life 2014>>

Pos	Part Number	Description	Remark	Qty	Model
	991 502 414 00 GRV	primed			

Model: 991G13

Model life 2014>>



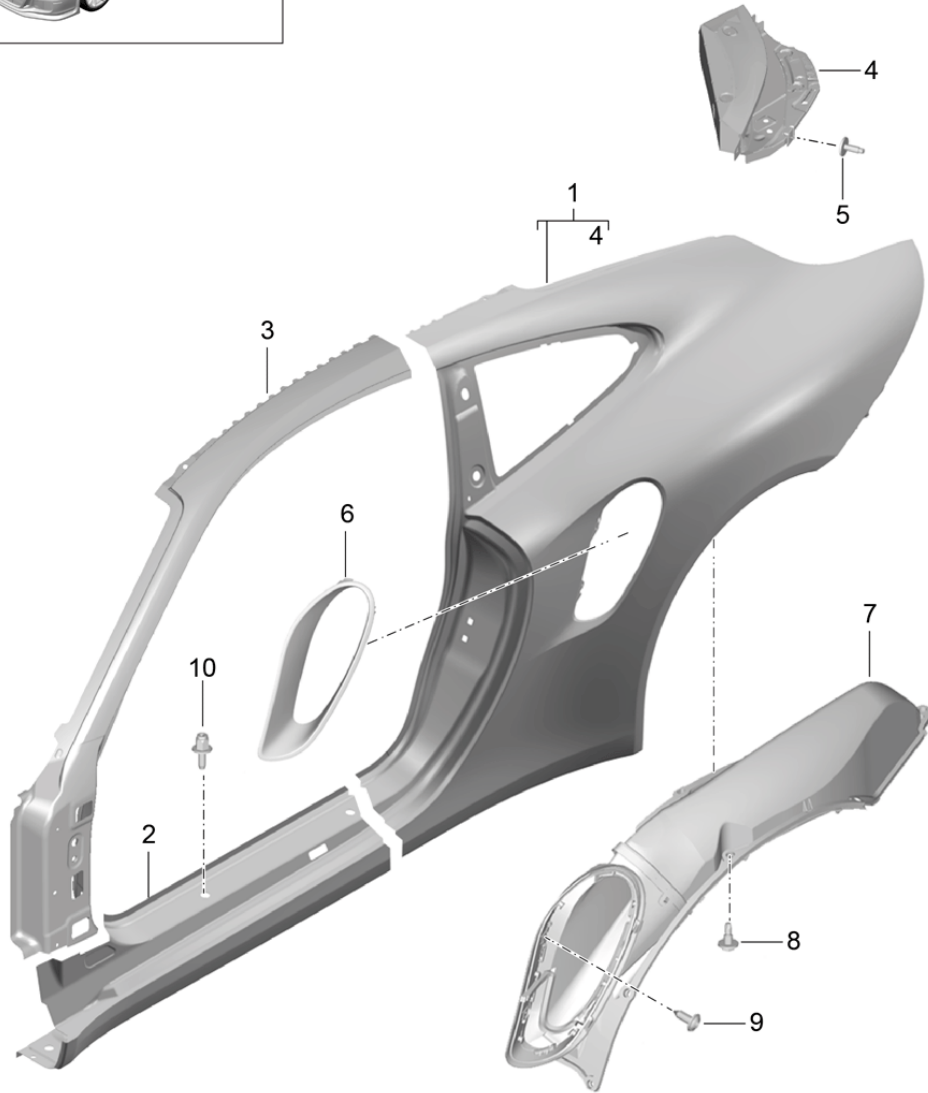
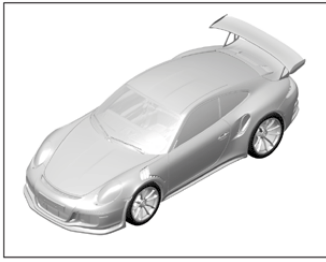
Model: 991G13

Model life 2014>>

Pos	Part Number	Description	Remark	Qty	Model
		Side part	outer		GT3 911 R
1	991 503 961 02	Side part	left	1	
	991 503 961 02 GRV	primed			
(1)	991 503 962 02	Side part	right	1	
	991 503 962 02 GRV	primed			
2	991 503 963 02	Sill	left	1	
	991 503 963 02 GRV	primed			
(2)	991 503 964 02	Sill	right	1	
	991 503 964 02 GRV	primed			
(3)	991 503 965 02	A-pillar	left	1	
	991 503 965 02 GRV	primed			
(3)	991 503 966 02	A-pillar	right	1	
	991 503 966 02 GRV	primed			
5	991 502 361 03	Mounting for tail light	left	1	
	991 502 361 03 GRV	primed			
(5)	991 502 362 03	Mounting for tail light	right	1	
	991 502 362 03 GRV	primed			
6	999 503 533 02	Weld screw		X	
		M6X20			
-	999 080 057 01	Blind rivet stud		X	
		Side part			
		M 6 X 15			

Model: 991G13

Model life 2014>>



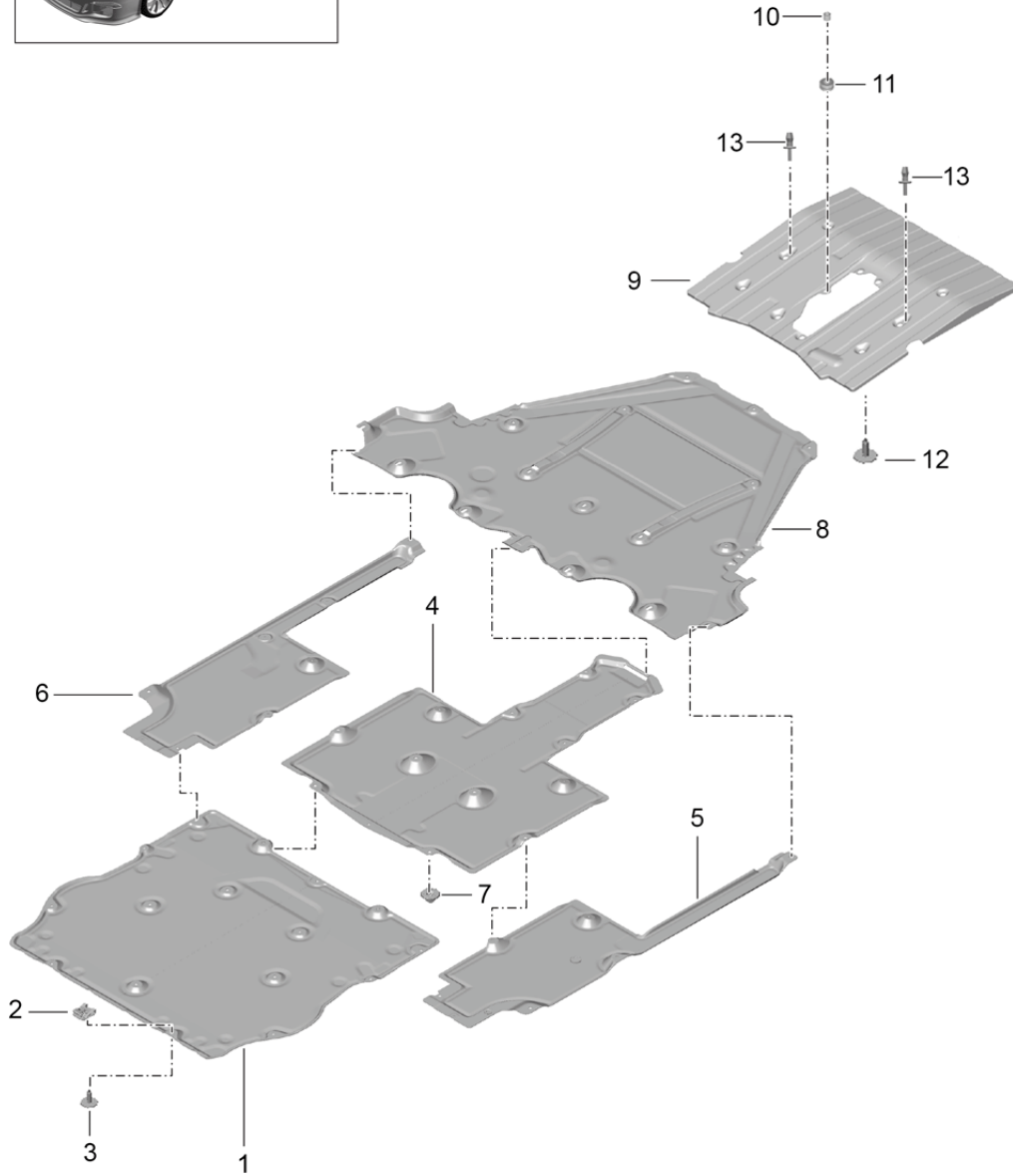
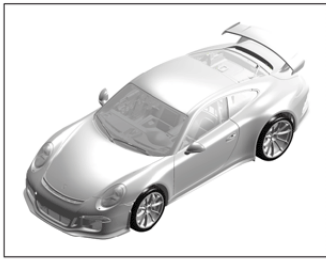
Model: 991G13

Model life 2014>>

Pos	Part Number	Description	Remark	Qty	Model
1	991 503 961 04	Side part	outer		GT3 RS
	991 503 961 04 GRV	Side part primed	left	1	
(1)	991 503 962 04	Side part	right	1	
	991 503 962 04 GRV	Side part primed			
2	991 503 963 04	Sill	left	1	
	991 503 963 04 GRV	Sill primed			
(2)	991 503 964 04	Sill	right	1	
	991 503 964 04 GRV	Sill primed			
3	991 503 965 04	A-pillar	left	1	
	991 503 965 04 GRV	A-pillar primed			
(3)	991 503 966 04	A-pillar	right	1	
	991 503 966 04 GRV	A-pillar primed			
4	991 502 361 02	Frame for light	left	1	
	991 502 361 02 GRV	Frame for light primed			
(4)	991 502 362 02	Frame for light	right	1	
	991 502 362 02 GRV	Frame for light primed			
5	999 503 533 02	Weld screw M6X20		X	
6	991 504 371 00	Air inlet	left	1	
	991 504 371 00 1E0	Air inlet Black			
(6)	991 504 372 00	Air inlet	right	1	
	991 504 372 00 1E0	Air inlet Black			
7	991 504 459 01	Air guide channel	left	1	
	991 504 459 01 1E0	Air guide channel Black			
(7)	991 504 460 01	Air guide channel	right	1	
	991 504 460 01 1E0	Air guide channel Black			
8	999 074 060 09	Hexagon bolt M6X18		22	
9	999 073 155 09	panel screw ST.4,2X13		4	
10	999 080 057 01	Blind rivet stud Side part M 6 X 15		X	

Model: 991G13

Model life 2014>>

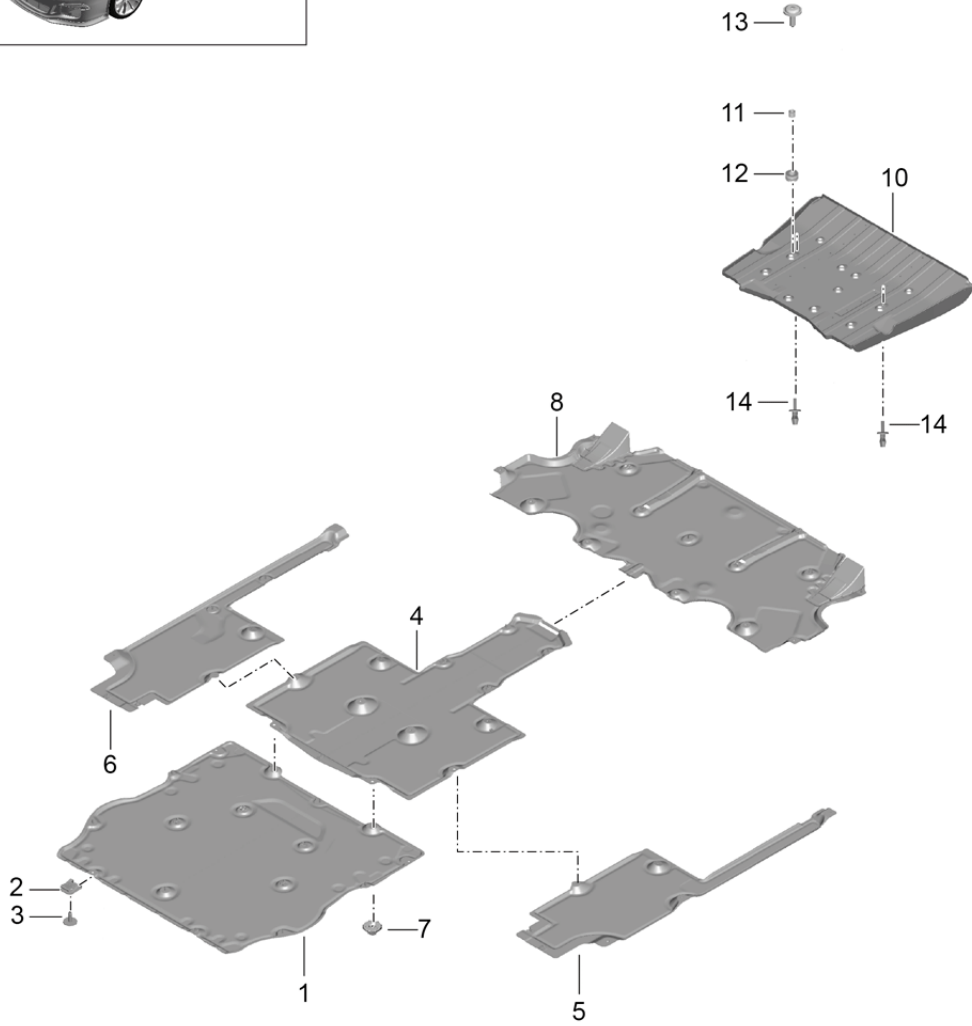
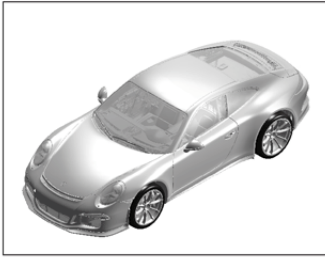


Model: 991G13 Model life 2014>>

Pos	Part Number	Description	Remark	Qty	Model
		Underbody Linings			GT3 / GT3 RS
1	991 504 601 01	Cover D >> - MJ 2017 Discontinued part	front	1	
1	991 504 601 05	Cover D >> - MJ 2017	front	1	
(1)	991 504 601 07	Cover D - MJ 2018>>	front	1	
2	999 507 309 02	panel nut ST 4,8		X	
3	999 073 505 01	panel screw ST 4,8X16		X	
4	991 504 603 00	Cover	center	1	
5	991 504 605 00	Cover	left	1	
6	991 504 606 00	Cover	center right	1	
7	999 049 032 40	Hexagon plastic collar nut T6/22X10,5		X	
8	991 504 609 03	Cover	rear	1	
9	991 504 357 90	Underbody Cover Underbody Engine		1	
(9)	991 504 257 97	D >> - MJ 2017 Cover Underbody Engine		1	
(9)	991 504 257 98	D - 16.01.2017>> - 31.07.2017 Cover Underbody Engine		1	
10	991 504 867 90	D - 18.08.2017>> Sleeve Underbody Engine		X	
11	999 702 319 41	Grommet Underbody Engine		X	
12	999 073 348 09	fillister hd. bolt M6 X 20		11	
13	999 507 196 40	Spreader rivet	rear	X	

Model: 991G13

Model life 2014>>



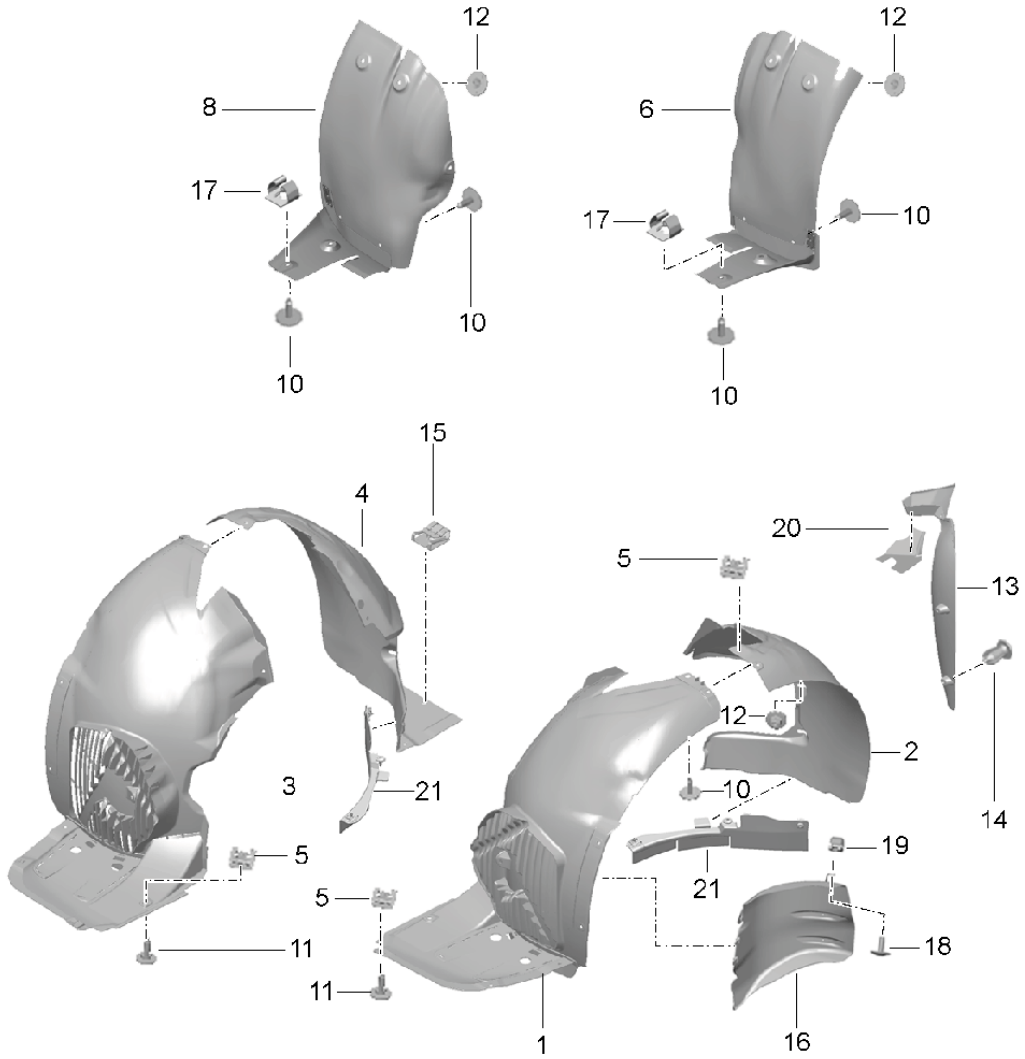
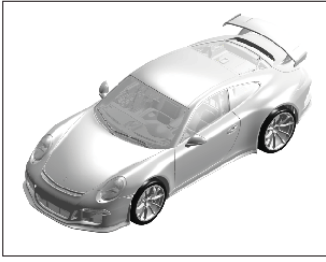
Model: 991G13

Model life 2014>>

Pos	Part Number	Description	Remark	Qty	Model
		Underbody			911 R
		Linings			
1	991 504 601 04	Cover	front	1	
2	999 507 795 09	panel nut		X	
		ST 4,8			
3	999 073 505 01	panel screw		X	
		ST 4,8X16			
4	991 504 603 00	Cover	center	1	
5	991 504 605 00	Cover	left	1	
			center		
6	991 504 606 00	Cover	right	1	
			center		
7	999 049 032 40	Hexagon plastic collar nut		X	
		T6/22X10,5			
8	991 504 609 03	Cover	rear	1	
		Underbody			
10	991 504 257 94	Cover		1	
		Underbody			
		Engine			
11	991 504 867 90	Sleeve		X	
		Underbody			
		Engine			
12	999 702 319 41	Grommet		X	
		Underbody			
		Engine			
13	999 073 348 09	fillister hd. bolt		X	
		M6 X 20			
14	999 507 196 40	Spreader rivet	rear	2	

Model: 991G13

Model life 2014>>



Model: 991G13

Model life 2014>>

Pos	Part Number	Description	Remark	Qty	Model
		Wheel housing liner Linings			GT3
1	991 504 501 94	Wheel housing liner	left front	1	
		with:			
(1)	991 504 501 80	Grille D >> - MJ 2017 Wheel housing liner	left front	1	
		with:			
(1)	991 504 501 81	Grille D - MJ 2018>> Wheel housing liner	front left	1	
		with:			
2	991 504 503 01	Grille D - MJ 2019>> Wheel housing liner	left front rear	1	
(2)	991 504 503 06	D >> - MJ 2017 Wheel housing liner	left front rear	1	
		D - MJ 2018>>			
3	991 504 502 94	Wheel housing liner	right front	1	
		with:			
3	991 504 502 80	Grille D >> - MJ 2017 Wheel housing liner	right front	1	
		with:			
3	991 504 502 81	Grille D - MJ 2018>> Wheel housing liner	front right	1	
		with:			
4	991 504 504 01	Grille D - MJ 2019>> Wheel housing liner	right front rear	1	
(4)	991 504 504 03	D >> - MJ 2017 Wheel housing liner	right front rear	1	
		D - MJ 2018>>			
5	999 507 795 09	panel nut ST 4,8		X	
6	991 504 305 90	Wheel housing liner	left rear front	1	
8	991 504 306 90	Wheel housing liner	right rear front	1	
10	999 073 505 01	panel screw ST 4,8X16		X	
11	999 073 227 09	panel screw ST 4,8X19		4	
12	999 049 032 40	Hexagon plastic collar nut T6/22X10,5		X	
13	991 504 641 00	trim for a-pillar	left	1	
	991 504 641 00 1E0	Black			

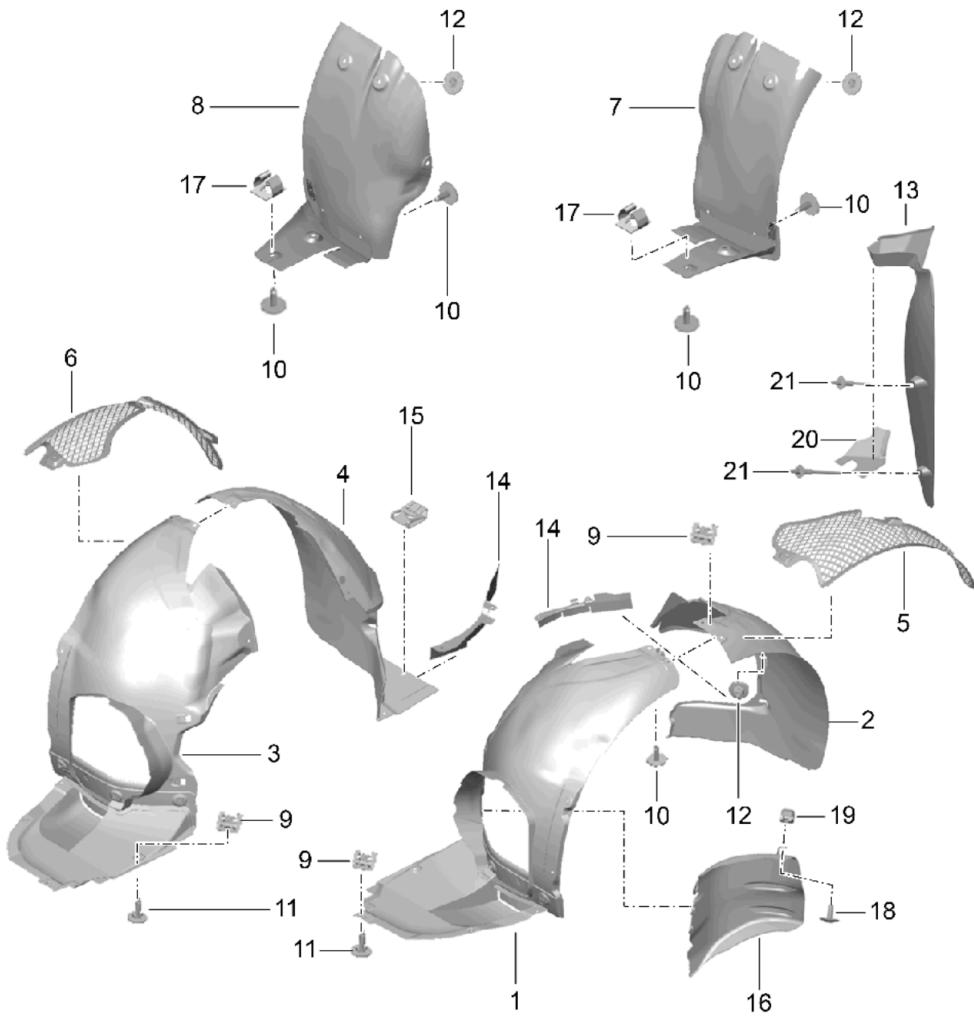
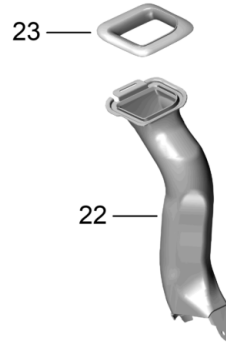
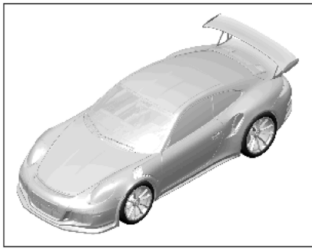
Model: 991G13

Model life 2014>>

Pos	Part Number	Description	Remark	Qty	Model
(13)	991 504 642 00	trim for a-pillar	right	1	
	991 504 642 00 1E0	Black			
14	999 591 712 40	Spreader rivet 6,0X12,0		6	
15	999 507 309 02	panel nut ST 4,8		X	
16	991 575 131 81	Air guide Wheel housing liner	left front	1	
(16)	991 575 132 81	Air guide Wheel housing liner	right front	1	
17	999 591 855 01	panel nut ST 4,8		X	
18	999 073 519 01	panel screw		X	
19	999 591 855 01	Air guide panel nut		X	
20	991 555 747 00	Trim A-pillar Wing	left	1 1 1	
	991 555 747 00 1E0	Black			
(20)	991 555 748 00	Trim A-pillar Wing	right	1 1 1	
	991 555 748 00 1E0	Black			
21	991 504 455 81	1 set of spoilers Underbody		1	PR:-039

Model: 991G13

Model life 2014>>



Model: 991G13 Model life 2014>>

Pos	Part Number	Description	Remark	Qty	Model
		Wheel housing liner Linings			GT3 RS
1	991 504 501 93	Wheel housing liner	left front	1	
		with:			
2	991 504 503 91	Grille Wheel housing liner	left front rear	1	
2	991 504 503 92	D >> - 15.12.2016 Wheel housing liner	left front rear	1	
		use if required:	999 190 499 01		
3	991 504 502 93	D - 16.12.2017>> Wheel housing liner	right front	1	
		with:			
4	991 504 504 91	Grille Wheel housing liner	right front rear	1	
4	991 504 504 92	D >> - 15.12.2017 Wheel housing liner	right front rear	1	
		use if required:	999 190 499 01		
		D - 16.12.2017>>			
5	991 504 787 90	Grille Wheel housing liner	left front	1	
6	991 504 788 90	Grille Wheel housing liner	right front	1	
7	991 504 305 91	Wheel housing liner	left rear front	1	
8	991 504 306 91	Wheel housing liner	right rear front	1	
9	999 507 795 09	panel nut ST 4,8		X	
10	999 073 505 01	panel screw ST 4,8X16		X	
11	999 073 227 09	panel screw ST 4,8X19		X	
12	999 049 032 40	Hexagon plastic collar nut T6/22X10,5		X	
13	991 504 641 00	trim for a-pillar	left	1	
	991 504 641 00 1E0	Black			
(13)	991 504 642 00	trim for a-pillar	right	1	
	991 504 642 00 1E0	Black			
15	999 507 309 02	panel nut ST 4,8		X	
16	991 575 131 81	Air guide Wheel housing liner	left front	1	
(16)	991 575 132 81	Air guide Wheel housing liner	right front	1	
17	999 591 855 01	panel nut ST 4,8		X	
18	999 073 519 01	panel screw Air guide		X	
19	999 591 855 01	panel nut Air guide		X	
20	991 555 747 00	Trim	left	1	

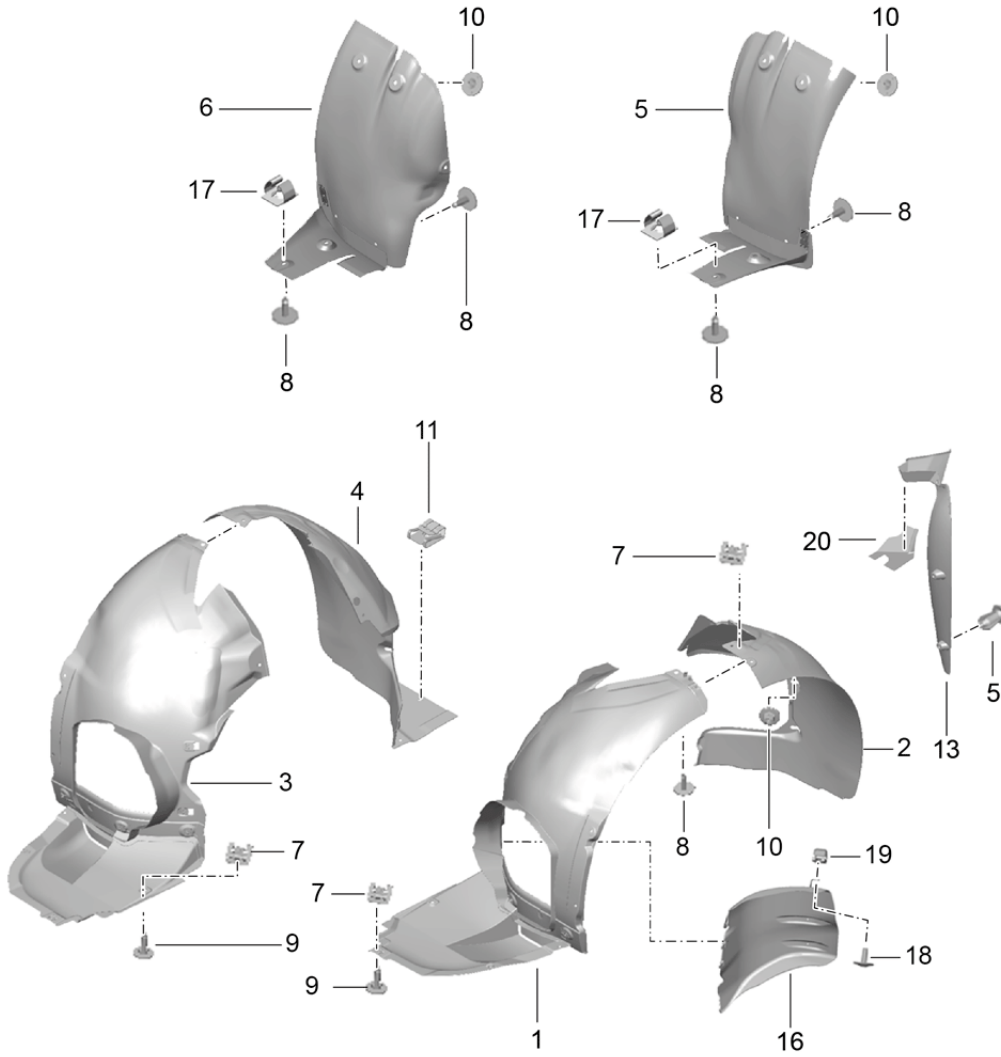
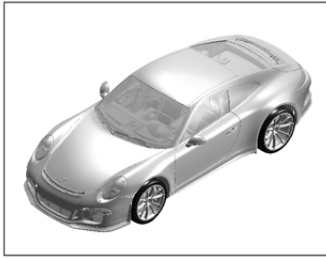
Model: 991G13

Model life 2014>>

Pos	Part Number	Description	Remark	Qty	Model
		A-pillar		1	
		Wing		1	
	991 555 747 00 1E0	Black			
(20)	991 555 748 00	Trim	right	1	
		A-pillar		1	
		Wing		1	
	991 555 748 00 1E0	Black			
21	999 190 499 01	Blind rivet stud		2	

Model: 991G13

Model life 2014>>



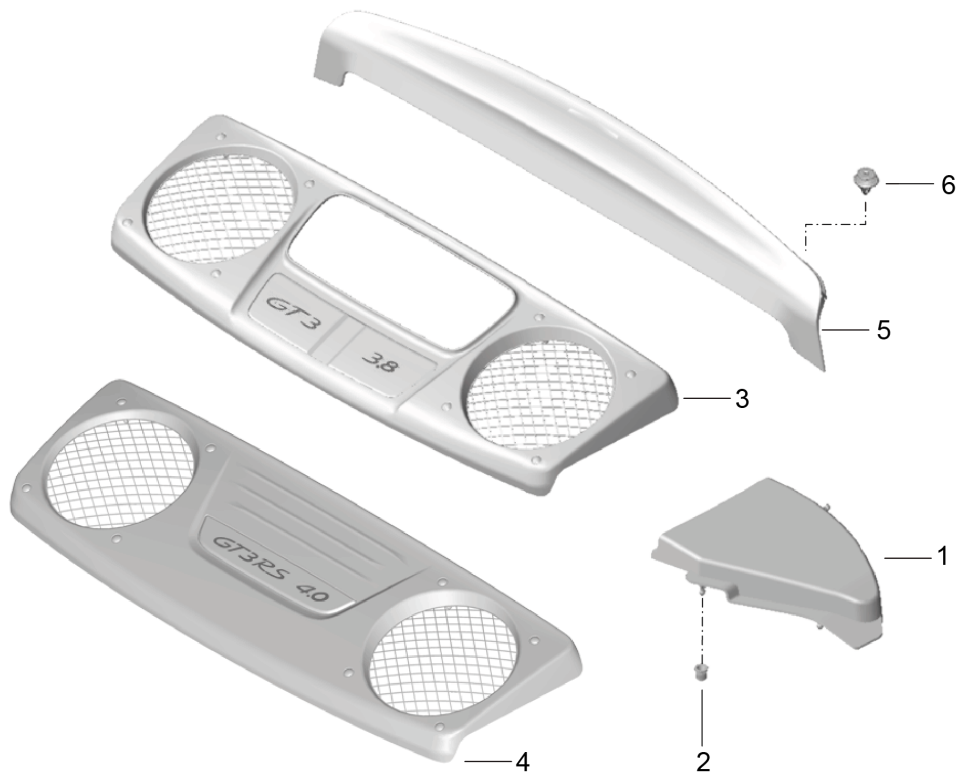
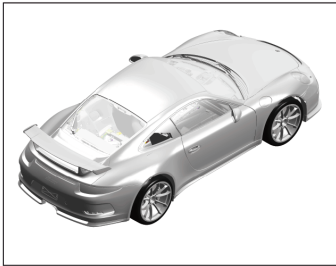
Model: 991G13

Model life 2014>>

Pos	Part Number	Description	Remark	Qty	Model
		Wheel housing liner Linings			911 R
1	991 504 501 95	Wheel housing liner	left front	1	
		with:			
2	991 504 503 04	Grille Wheel housing liner	left front rear	1	
3	991 504 502 95	Wheel housing liner	right front	1	
		with:			
4	991 504 504 01	Grille Wheel housing liner	right front rear	1	
5	991 504 305 90	Wheel housing liner	left rear front	1	
6	991 504 306 90	Wheel housing liner	right rear front	1	
7	999 507 795 09	panel nut ST 4,8		X	
8	999 073 505 01	panel screw ST 4,8X16		X	
9	999 073 227 09	panel screw ST 4,8X19		X	
10	999 049 032 40	Hexagon plastic collar nut T6/22X10,5		X	
11	999 507 309 02	panel nut ST 4,8		X	
13	991 504 641 00	trim for a-pillar	left	1	
	991 504 641 00 1E0	Black			
(13)	991 504 642 00	trim for a-pillar	right	1	
	991 504 642 00 1E0	Black			
16	991 575 131 81	Air guide	left	1	
		Wheel housing liner	front		
(16)	991 575 132 81	Air guide	right	1	
		Wheel housing liner	front		
17	999 591 855 01	panel nut ST 4,8		X	
18	999 073 519 01	panel screw		X	
		Air guide			
19	999 591 855 01	panel nut Air guide		X	
20	991 555 747 00	Trim	left	1	
		A-pillar		1	
		Wing		1	
	991 555 747 00 1E0	Black			
(20)	991 555 748 00	Trim	right	1	
		A-pillar		1	
		Wing		1	
	991 555 748 00 1E0	Black			

Model: 991G13

Model life 2014>>



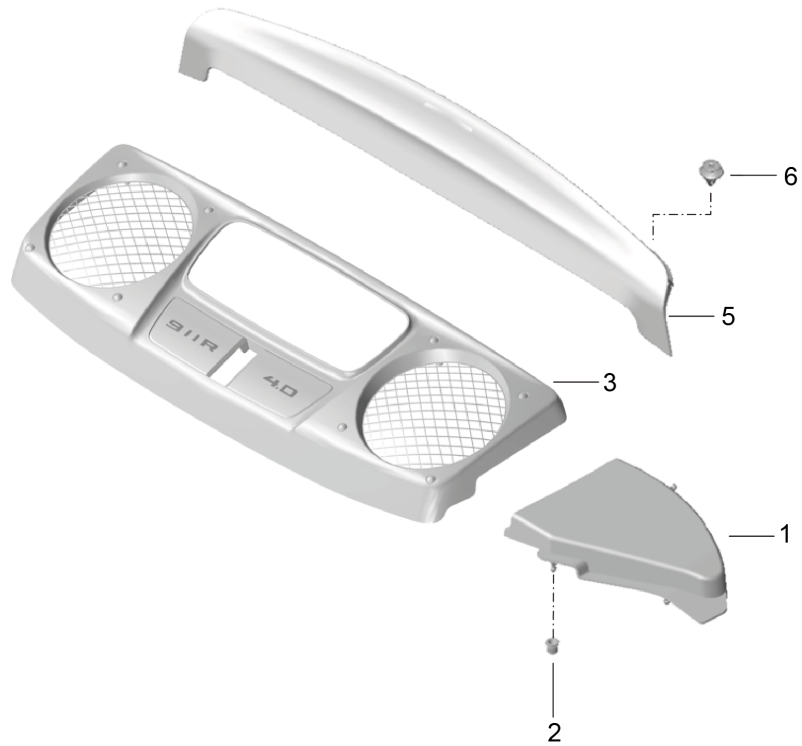
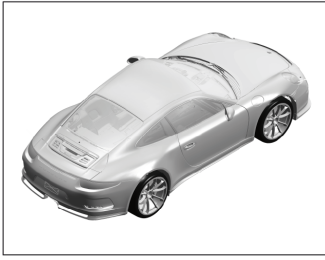
Model: 991G13

Model life 2014>>

Pos	Part Number	Description	Remark	Qty	Model
		Trim			GT3 / GT3 RS
		Engine compartment			
1	991 504 566 01	cover for engine compartment	side	1	
	991 504 566 01 1E0	Black			
2	997 110 239 00	Support		X	
3	991 504 583 90	cover for engine compartment		1	
	991 504 583 90 1E0	Black			
4	991 504 583 91	cover for engine compartment		1	
	991 504 583 91 1E0	Black			
(4)	991 504 583 82	cover for engine compartment		1	PR-039
	991 504 583 82 OK1	Matt black			
5	991 504 585 00	Cover		1	
		Cross member			
	991 504 585 00 1E0	Black			
6	999 507 999 40	Retaining clip		5	
		8,1 X 2,00			
7	991 504 583 80	cover for engine compartment		1	
	991 504 583 80 OK1	Matt black			
		D - 01.04.2017>>			
8	997 110 239 00	Support		1	
		Air filter			
		D - 01.04.2017>>			

Model: 991G13

Model life 2014>>



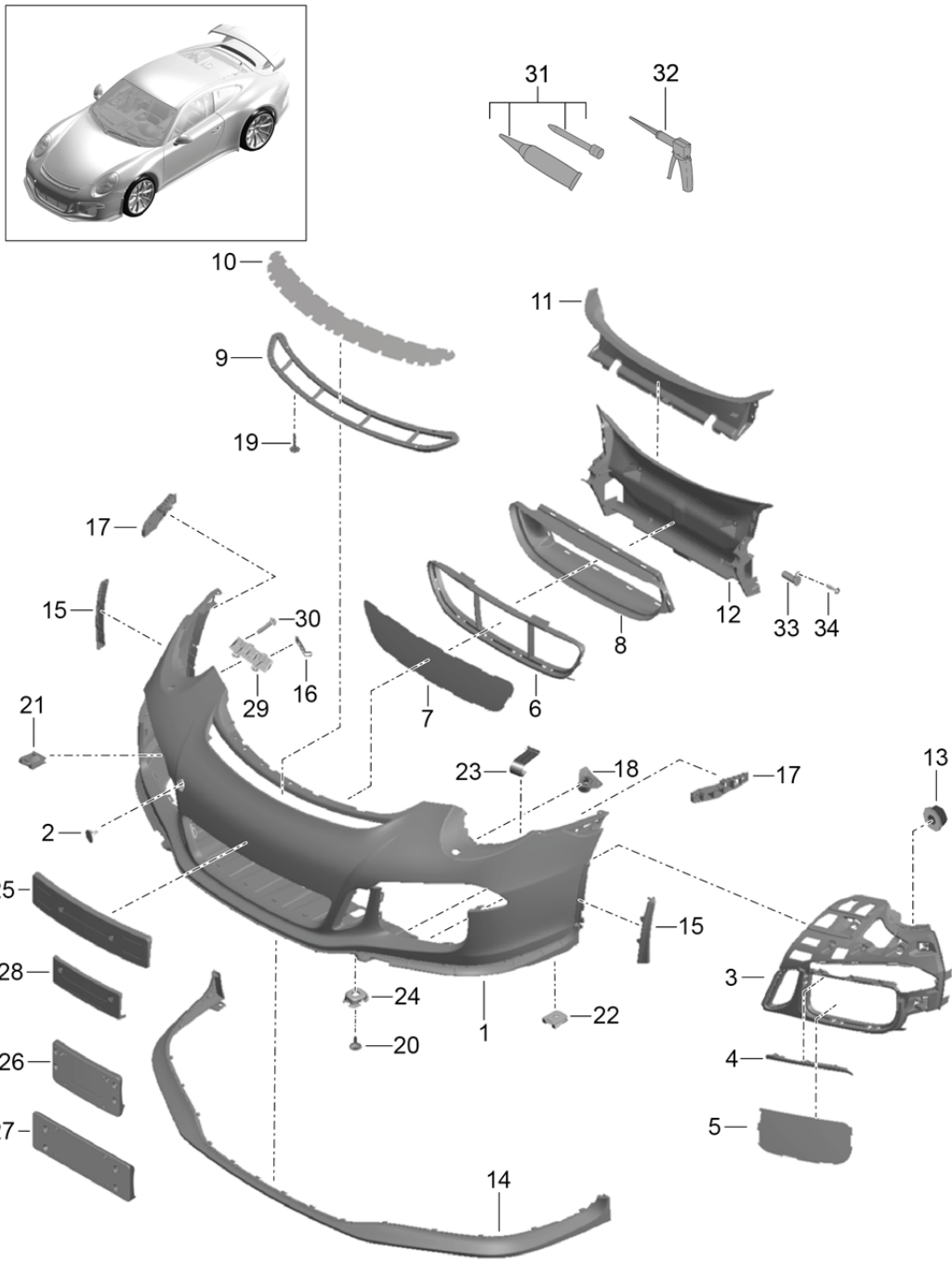
Model: 991G13

Model life 2014>>

Pos	Part Number	Description	Remark	Qty	Model
		Trim			911 R
1	991 504 566 01	Engine compartment cover for engine compartment	side	1	
	991 504 566 01 1E0	Black			
2	997 110 239 00	Support		X	
3	991 504 583 93	cover for engine compartment		1	
	991 504 583 93 1E0	Black			
5	991 504 585 00	Cover		1	
		Cross member			
	991 504 585 00 1E0	Black			
6	999 507 999 40	Retaining clip		5	
		8,1 X 2,00			

Model: 991G13

Model life 2014>>



Model: 991G13 Model life 2014>>

Pos	Part Number	Description	Remark	Qty	Model
		bumper Spoiler D >> - MJ 2017	front		GT3
1	991 505 191 90	Trim	front	1	
			also use: 991 505 703 91		
2	991 505 703 91	cover for towing eye primed		1	
3	991 505 563 90	Retaining frame	left side	1	
	991 505 563 90 1E0	Black			
(3)	991 505 564 90	Retaining frame	right side	1	
	991 505 564 90 1E0	Black			
4	991 505 715 90	Trim	left	1	
	991 505 715 90 1E0	Black			
(4)	991 505 716 90	Trim	right	1	
	991 505 716 90 1E0	Black			
5	991 505 713 91	Ventilation grille	left side	1	
(5)	991 505 714 91	Ventilation grille	right side	1	
6	991 505 569 90	Retaining frame	center	1	
	991 505 569 90 1E0	Black			
7	991 505 711 91	Ventilation grille	center	1	PR:153
8	991 575 141 90	Air guide	center	1	PR:153
	991 575 141 90 1E0	Black			
9	991 505 567 90	Retaining frame	upper	1	
	991 505 567 90 1E0	Black			
10	991 505 717 91	Grille Air inlet	upper	1	PR:153
11	991 504 489 90	Air guide		1	
	991 504 489 90 1E0	Black			
12	991 504 487 91	Frame for coolant radiator		1	
	991 504 487 91 1E0	Black			
		also use:	991 504 587 90 999 919 133 09		
13	999 084 638 01	Hexagon nut M 6-SB		4	
14	991 505 525 90	Spoiler	front	1	PR:475
	991 505 525 90 1E0	Black			
15	991 505 527 90	Spoiler	left side	1	PR:475
	991 505 527 90 1E0	Black			
(15)	991 505 528 90	Spoiler	right side	1	PR:475
	991 505 528 90 1E0	Black			
16	997 505 719 00	Fixing		2	
17	991 505 535 00	retaining strip	left side	1	
(17)	991 505 536 00	retaining strip	right side	1	
18	991 505 761 00	Retaining plate Headlight washer system	left	1	
		also use:	000 043 300 47		
(18)	991 505 762 00	Retaining plate Headlight washer system	right	1	
		also use:	000 043 300 47		
19	999 919 268 01	fillister hd. bolt 3,0X13		X	
20	999 073 227 09	panel screw ST4,8X19		X	
21	999 507 104 01	panel nut ST 2,9		6	

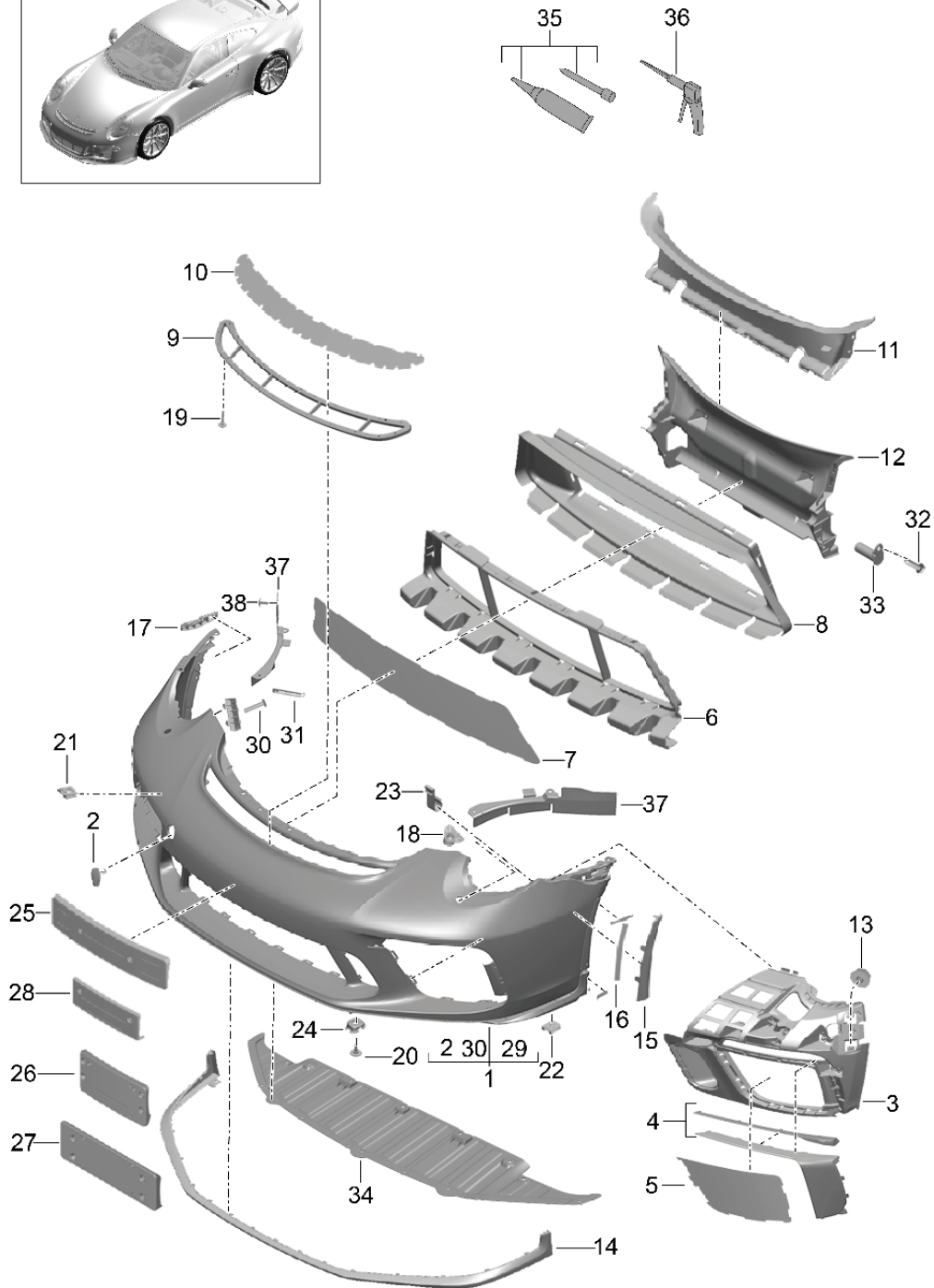
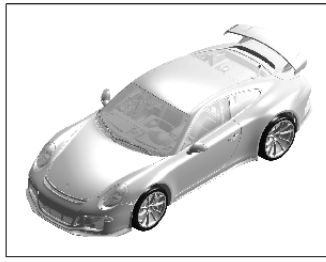
Model: 991G13

Model life 2014>>

Pos	Part Number	Description	Remark	Qty	Model
22	999 507 795 09	panel nut ST 4,8		X	
23	999 507 164 01	Cable fastener		7	
24	991 505 313 90	headlight washer system repair set		1	
25	991 701 051 90	threaded union Assembly kit		1	PR:211
		Licence plate holder			
	991 701 051 90 1E0	Black			
26	991 701 051 92	Assembly kit		1	PR:209
		Licence plate holder			
	991 701 051 92 1E0	Black			
27	991 701 051 94	Assembly kit		1	PR:075,211
		Licence plate holder			
	991 701 051 94 1E0	Black			
28	991 701 051 93	Assembly kit		1	PR:210
		Licence plate holder			
	991 701 051 93 1E0	Black			
29	991 505 317 00	Retaining plate	left	1	
		Trim			
(29)	991 505 318 00	Retaining plate	right	1	
		Trim			
30	999 190 191 30	Pop rivet		2	
		A 3,2X17,0			
31	000 043 300 47	Adhesive set		1	
		adhesive			
		with:			
		5-fold			
		emulsion tube			
		Bracket			
		Headlight washer system			
-		use if required:			
32	000 043 300 48	Tool set		1	
		for			
		adhesive			
33	991 504 587 90	bearing pin		2	
		Radiator			
34	999 919 133 09	Hexagon bolt		2	
		6,0X20,0-H			

Model: 991G13

Model life 2014>>



Model: 991G13 Model life 2014>>

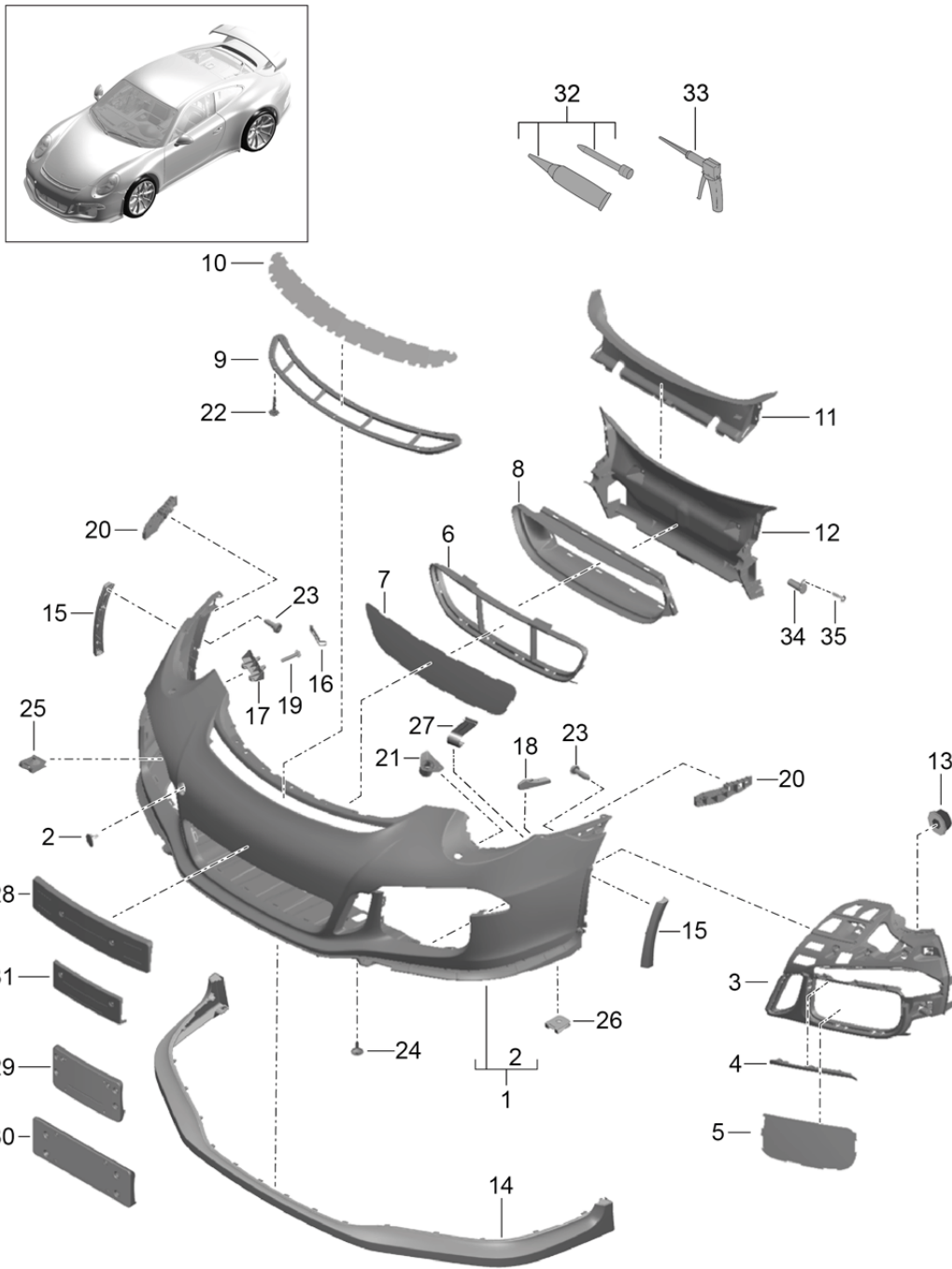
Pos	Part Number	Description	Remark	Qty	Model
		bumper Spoiler D - MJ 2018>>	front 2nd generation		GT3
1	991 505 313 80	Trim	front	1	
2	991 505 703 81	cover for towing eye primed		1	
3	991 505 563 80	Retaining frame	left side	1	
(3)	991 505 563 80 OK1	Matt black			
	991 505 564 80	Retaining frame	right side	1	
4	991 505 564 80 OK1	Matt black			
	991 505 767 80	Trim	left	1	
(4)	991 505 767 80 OK1	Matt black			
	991 505 768 80	Trim Retaining frame	right side front	1	
5	991 505 768 80 OK1	Matt black			
	991 505 713 80	Air guide grille	left side	1	
(5)	991 505 714 80	Air guide grille	right side	1	
6	991 505 569 80	Retaining frame	center	1	
	991 505 569 80 OK1	Matt black			
7	991 505 711 80	Air guide grille	center	1	PR:153
8	991 575 141 80	Air guide	center	1	PR:153
	991 575 141 80 OK1	Black			
9	991 505 567 90	Retaining frame	upper	1	
	991 505 567 90 1E0	Black			
10	991 505 717 92	Grille Air inlet	upper	1	PR:153
11	991 504 489 90	Air guide		1	
	991 504 489 90 1E0	Black			
12	991 504 487 91	Frame for coolant radiator		1	
	991 504 487 91 1E0	Black			
		also use:	991 504 587 90 999 919 133 09		
13	999 084 638 01	Hexagon nut M 6-SB		4	
14	991 505 525 80	Spoiler	front	1	PR:554
	991 505 525 80 OK1	Black			
15	991 505 527 80	Spoiler	left side	1	PR:475
	991 505 527 80 OK1	Black			
(15)	991 505 528 80	Spoiler	right side	1	PR:475
	991 505 528 80 OK1	Black			
16	991 505 627 80	Adhesive film Spoiler	left side	1	PR:475
	991 505 628 80	Adhesive film Spoiler	right side	1	PR:475
17	991 505 535 01	retaining strip	left side	1	
(17)	991 505 536 01	retaining strip	right side	1	
18	991 505 761 02	Retaining plate headlight washer system	left	1	
(18)	991 505 762 02	Retaining plate headlight washer system	right	1	
		also use:	000 043 300 47		
		also use:	000 043 300 47		

Model: 991G13 Model life 2014>>

Pos	Part Number	Description	Remark	Qty	Model
19	999 919 268 01	fillister hd. bolt 3,0X13		X	
20	9A7 007 517 00	panel screw ST4,8X19		X	
21	999 507 104 01	panel nut ST 2,9		6	
22	999 507 309 02	panel nut ST 4,8		X	
23	999 507 164 01	Cable fastener headlight washer system		7	
24	991 505 313 90	repair set threaded union		1	
25	991 701 051 80	Assembly kit Licence plate holder		1	PR:211
	991 701 051 80 OK1	Matt black			
26	991 701 051 82	Assembly kit Licence plate holder		1	PR:209
	991 701 051 82 OK1	Matt black			
27	991 701 051 84	Assembly kit Licence plate holder		1	PR:214
	991 701 051 84 OK1	Matt black			
28	991 701 051 83	Assembly kit Licence plate holder		1	PR:210
	991 701 051 83 OK1	Matt black			
29	991 505 317 00	Retaining plate Trim	left	1	
(29)	991 505 318 00	Retaining plate Trim	right	1	
30	999 190 191 30	Pop rivet A 3,2X17,0		2	
31	997 505 719 00	Fixing		2	
32	999 919 133 09	Hexagon bolt 6,0X20,0-H		2	
33	991 504 587 90	bearing pin Radiator		2	
34	991 505 601 80	Underbody trim	front	1	
	991 505 601 80 OK1	Matt black			
35	000 043 305 77	Adhesive set adhesive		1	
		with: 5-fold emulsion tube			
-		use if required:			
36	000 043 300 48	Tool set for adhesive		1	
37	991 504 455 81	1 set of spoilers Underbody		1	PR:-039
38	999 073 505 01	panel screw ST4,8X16-C		4	

Model: 991G13

Model life 2014>>



Model: 991G13 Model life 2014>>

Pos	Part Number	Description	Remark	Qty	Model
		bumper	front		GT3 RS
1	991 505 191 92	Spoiler			
		Trim	front	1	
2	991 505 703 91	primed			
		cover for towing eye		1	
		primed			
3	991 505 563 90	Retaining frame	left side	1	
	991 505 563 90 1E0	Black			
(3)	991 505 564 90	Retaining frame	right side	1	
	991 505 564 90 1E0	Black			
4	991 505 715 90	Trim	left	1	
	991 505 715 90 1E0	Black			
(4)	991 505 716 90	Trim	right	1	
	991 505 716 90 1E0	Black			
5	991 505 713 91	Ventilation grille	left side	1	
(5)	991 505 714 91	Ventilation grille	right side	1	
			side		
6	991 505 569 90	Retaining frame	center	1	
	991 505 569 90 1E0	Black			
7	991 505 711 91	Ventilation grille	center	1	PR:153
8	991 575 141 90	Air guide	center	1	PR:153
	991 575 141 90 1E0	Black			
9	991 505 567 90	Retaining frame	upper	1	
	991 505 567 90 1E0	Black			
10	991 505 717 91	Grille	upper	1	PR:153
		Air inlet			
11	991 504 489 90	Air guide		1	
	991 504 489 90 1E0	Black			
12	991 504 487 91	Frame for coolant radiator		1	
	991 504 487 91 1E0	Black			
		also use:	991 504 587 90		
			999 919 133 09		
13	999 084 638 01	Hexagon nut		4	
		M 6-SB			
14	991 505 525 91	Spoiler	front	1	PR:475
	991 505 525 91 1E0	Black			
15	991 505 527 91	Spoiler	left side	1	PR:475
	991 505 527 91 1E0	Black			
(15)	991 505 528 91	Spoiler	right side	1	PR:475
	991 505 528 91 1E0	Black			
16	997 505 719 00	Fixing		2	
17	991 505 317 00	Retaining plate	left	1	
		Trim			
(17)	991 505 318 00	Retaining plate	right	1	
		Trim			
18	991 505 573 00	corner part	left	1	
		Trim			
(18)	991 505 574 00	corner part	right	1	
		Trim			
19	999 190 191 30	Pop rivet		2	
		A 3,2X17,0			
20	991 505 535 00	retaining strip	left side	1	
(20)	991 505 536 00	retaining strip	right side	1	
			side		
21	991 505 761 00	Retaining plate	left	1	
		Headlight washer system			
		also use:	000 043 300 47		

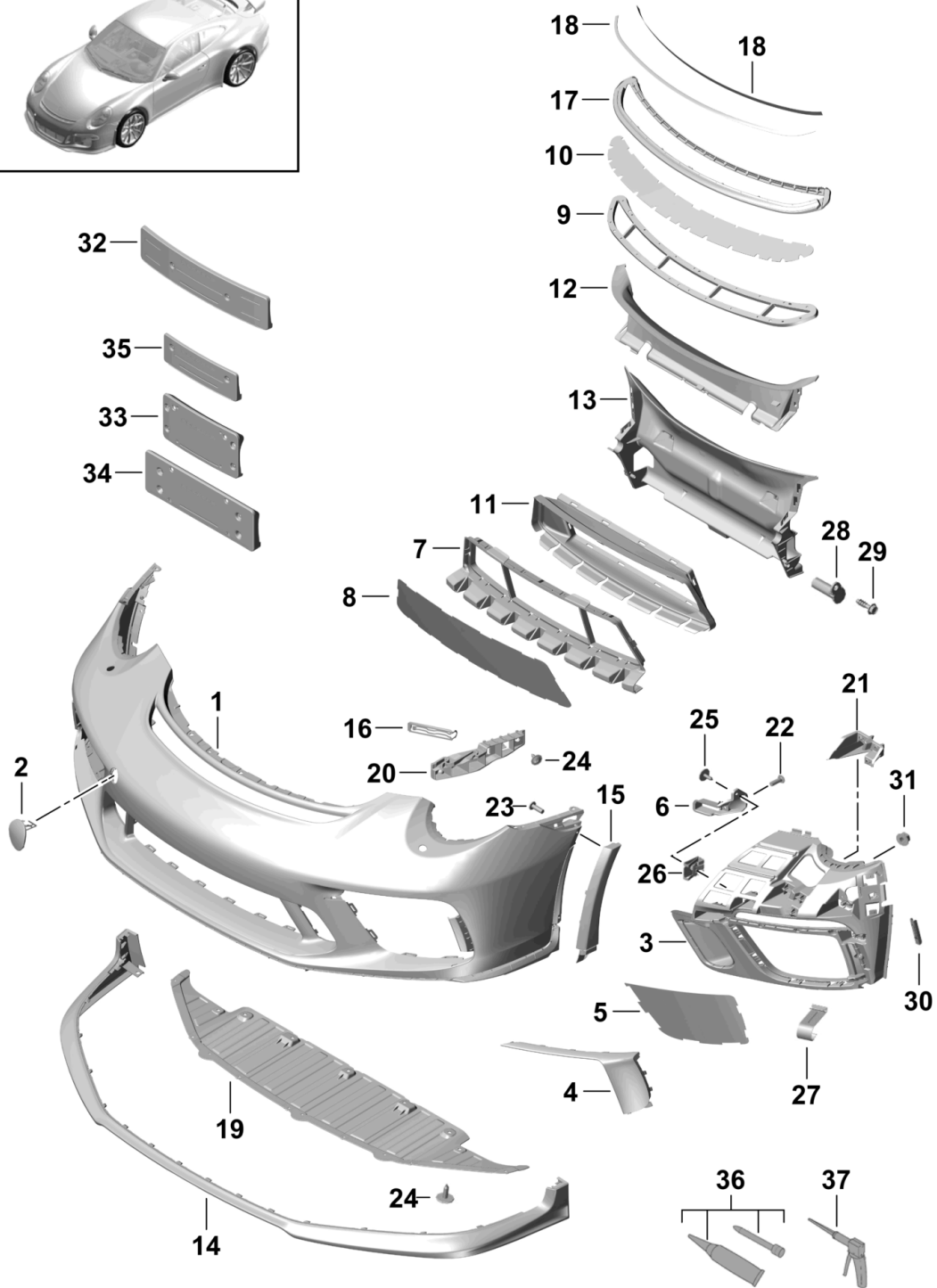
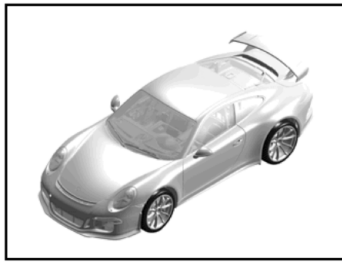
Model: 991G13

Model life 2014>>

Pos	Part Number	Description	Remark	Qty	Model
(21)	991 505 762 00	Retaining plate Headlight washer system	right	1	
		also use:	000 043 300 47		
22	999 919 268 01	fillister hd. bolt 3,0X13		X	
23	999 919 121 09	fillister hd. bolt 5,0X16		4	
24	999 073 227 09	panel screw ST4,8X19		X	
25	999 507 104 01	panel nut ST 2,9		6	
26	999 507 795 09	panel nut ST 4,8		X	
27	999 507 164 01	Cable fastener Headlight washer system		7	
28	991 701 051 90	Assembly kit Bracket Number plate		1	PR:211
	991 701 051 90 1E0	Black			
29	991 701 051 92	Assembly kit Bracket Number plate		1	PR:209
	991 701 051 92 1E0	Black			
30	991 701 051 94	Assembly kit Bracket Number plate		1	PR:075,211
	991 701 051 94 1E0	Black			
31	991 701 051 93	Assembly kit Bracket Number plate		1	PR:210
	991 701 051 93 1E0	Black			
32	000 043 300 47	Adhesive set adhesive		1	
		with:			
		5-fold emulsion tube Bracket Headlight washer system			
-		use if required:			
33	000 043 300 48	Tool set for adhesive		1	
34	991 504 587 90	bearing pin Radiator		2	
35	999 919 133 09	Hexagon bolt 6,0X20,0-H		2	

Model: 991G13

Model life 2014>>



Model: 991G13 Model life 2014>>

Pos	Part Number	Description	Remark	Qty	Model
		bumper Spoiler 2. GENERATION	front		GT3 II RS
1	991 505 313 81	Trim primed	front	1	
2	991 505 703 81	cover for towing eye primed		1	
3	991 505 563 80	Retaining frame	side left	1	
(3)	991 505 563 80 OK1 991 505 564 80	Matt black Retaining frame	side right	1	
4	991 505 564 80 OK1 991 505 767 80	Matt black Trim Retaining frame	side front	1	
(4)	991 505 767 80 OK1 991 505 768 80	Matt black Trim Retaining frame	side front	1	
5	991 505 768 80 OK1 991 505 713 80	Matt black Air guide grille	side left	1	
(5)	991 505 714 80	Air guide grille	side right	1	
6	991 505 343 80	Cover Trim	left	1	
(6)	991 505 344 80	Cover Trim	right	1	
7	991 505 569 80 991 505 569 80 OK1	Retaining frame Matt black	center	1	PR:153
8	991 505 711 80	Air guide grille	center	1	PR:153
9	991 505 567 90	Retaining frame	upper	1	
10	991 505 567 90 1E0 991 505 717 92	Black Grille	upper	1	PR:153
11	991 575 141 80 991 575 141 80 OK1	Trim for air inlet Air guide Black	center	1	
12	991 504 489 90 991 504 489 90 1E0	Air guide Black		1	
13	991 504 487 91 991 504 487 91 1E0	Frame for coolant radiator Black		1	
14	991 505 557 81	Front spoiler		1	
15	991 505 327 81 991 505 327 81 OK1	Spoiler Matt black	side left	1	
(15)	991 505 328 81 991 505 328 81 OK1	Spoiler Matt black	side right	1	
16	997 505 719 00	Fixing		2	
17	991 505 731 80	retaining strip	upper front	1	
18	991 505 625 80	Adhesive film retaining strip	upper front	1	
19	991 505 601 80 991 505 601 80 OK1	Underbody trim Matt black	front	1	
20	991 505 535 01	retaining strip	side left	1	
(20)	991 505 536 01	retaining strip	side right	1	
21	991 505 163 80	Bracket for pop-up cylinder in the headlight washer system	left	1	
(21)	991 505 164 80	Bracket for pop-up cylinder in the headlight washer system	right	1	
22	999 919 268 01	fillister hd. bolt 3,0X13		X	

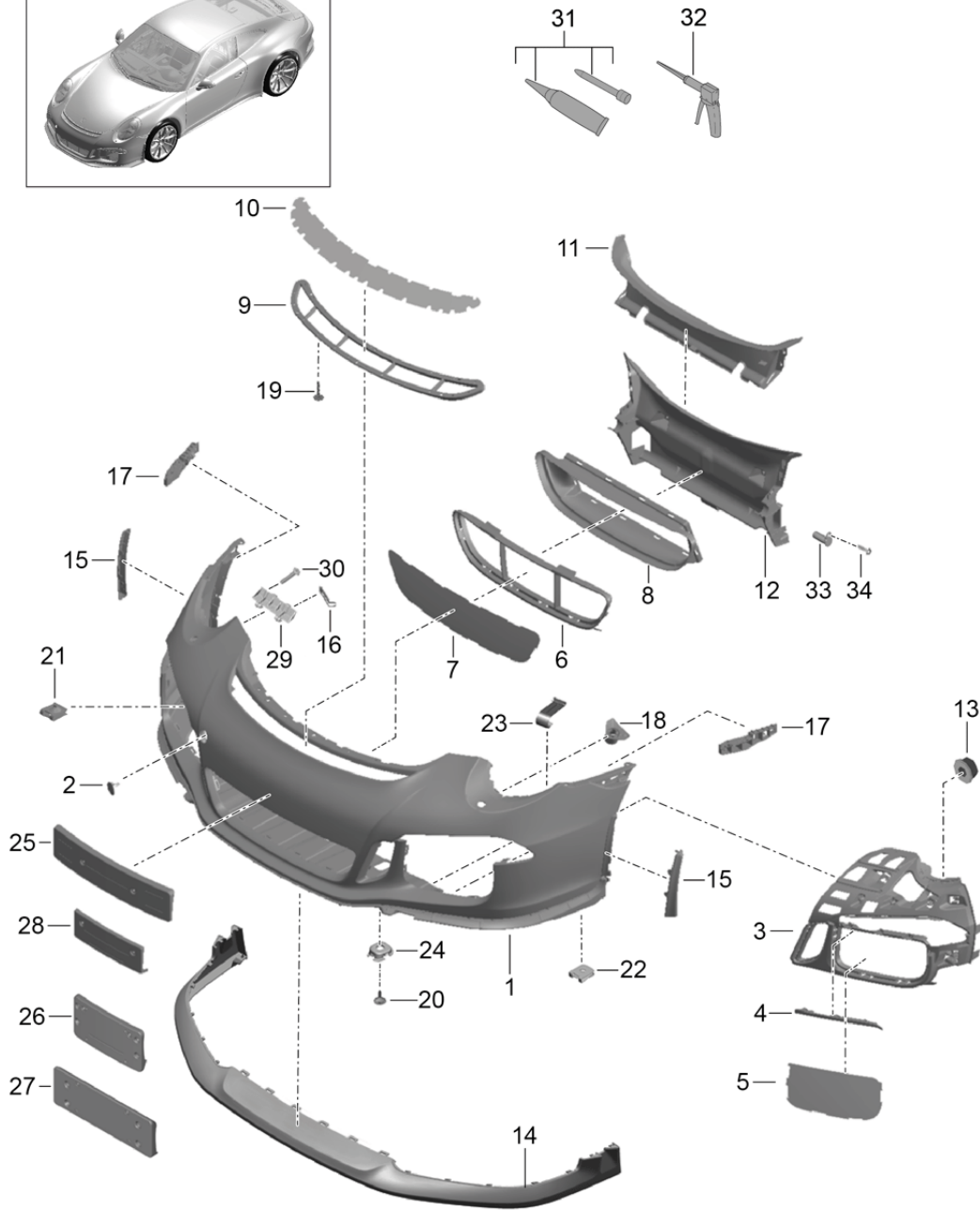
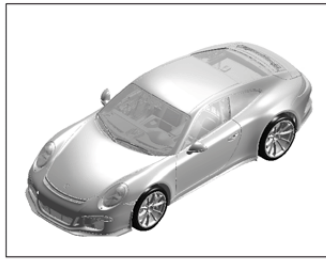
Model: 991G13

Model life 2014>>

Pos	Part Number	Description	Remark	Qty	Model
23	999 919 246 01	fillister hd. bolt 6,0X18	6,0X18,0-Q	4	
24	9A7 007 517 00	panel screw ST4,8X19		X	
25	999 073 231 09	panel screw ST4,8X16	ST4,8X16	X	
26	999 507 309 02	panel nut ST 4,8		X	
27	999 507 164 01	Cable fastener headlight washer system		7	
28	991 504 587 90	bearing pin for coolant regulator		2	
29	999 919 133 09	Hexagon bolt 6,0X20,0-H		2	
30	999 507 696 00	U-clip	1,20-1,70	12	
31	999 084 638 01	Hexagon nut M 6-SB		4	
32	991 701 051 80	Assembly kit Licence plate holder		1	PR:211
	991 701 051 80 OK1	Matt black			
33	991 701 051 82	Assembly kit Licence plate holder		1	PR:209
	991 701 051 82 OK1	Matt black			
34	991 701 051 84	Assembly kit Licence plate holder		1	PR:214
	991 701 051 84 OK1	Matt black			
35	991 701 051 83	Assembly kit Licence plate holder		1	PR:210
	991 701 051 83 OK1	Matt black			
36	000 043 305 77	Adhesive set adhesive		1	
		with: emulsion tube			
-		use if required:			
37	000 043 300 48	Tool set for adhesive		1	

Model: 991G13

Model life 2014>>



Model: 991G13 Model life 2014>>

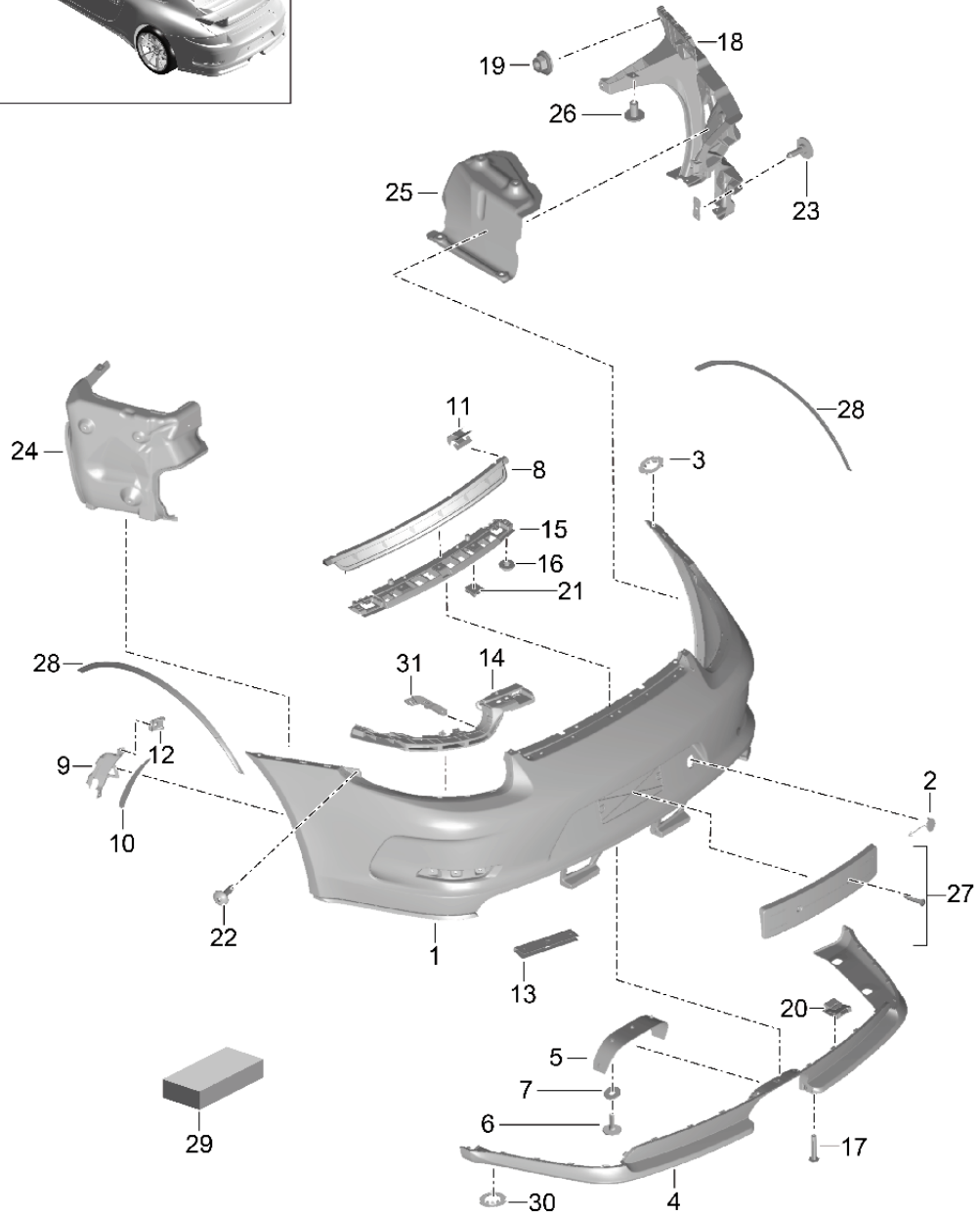
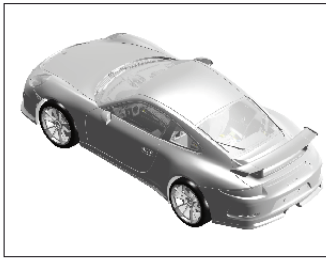
Pos	Part Number	Description	Remark	Qty	Model
1	991 505 191 90	bumper Spoiler Trim primed	front front	1	911 R
2	991 505 703 91	cover for towing eye primed	also use: 991 505 703 91	1	
3	991 505 563 90	Retaining frame	left side	1	
(3)	991 505 563 90 1E0 991 505 564 90	Black Retaining frame	right side	1	
4	991 505 564 90 1E0 991 505 715 90	Black Trim	left	1	
(4)	991 505 715 90 1E0 991 505 716 90	Black Trim	right	1	
5	991 505 716 90 1E0 991 505 713 91	Black Ventilation grille	left side	1	
(5)	991 505 714 91	Ventilation grille	right side	1	
6	991 505 569 90	Retaining frame	center	1	
7	991 505 569 90 1E0	Black			
8	991 505 711 91	Ventilation grille	center	1	PR:153
8	991 575 141 90	Air guide	center	1	PR:153
9	991 575 141 90 1E0	Black			
9	991 505 567 90	Retaining frame	upper	1	
10	991 505 567 90 1E0 991 505 717 91	Black Grille	upper	1	PR:153
11	991 504 489 90	Air inlet Air guide		1	
12	991 504 489 90 1E0 991 504 487 91	Black Frame for coolant radiator		1	
12	991 504 487 91 1E0	Black	also use: 991 504 587 90 999 919 133 09		
13	999 084 638 01	Hexagon nut M 6-SB		4	
14	991 505 325 92	Spoiler Assembly kit	front	1	
15	991 505 527 90	Spoiler	left side	1	PR:475
(15)	991 505 527 90 1E0 991 505 528 90	Black Spoiler	right side	1	PR:475
16	991 505 528 90 1E0	Black			
16	997 505 719 00	Fixing		2	
17	991 505 535 00	retaining strip	left side	1	
(17)	991 505 536 00	retaining strip	right side	1	
18	991 505 761 00	Retaining plate Headlight washer system	left	1	
(18)	991 505 762 00	Retaining plate Headlight washer system	also use: 000 043 300 47 right	1	
19	999 919 268 01	fillister hd. bolt 3,0X13	also use: 000 043 300 47	X	
20	999 073 227 09	panel screw ST4,8X19		X	
21	999 507 104 01	panel nut ST 2,9		6	

Model: 991G13 Model life 2014>>

Pos	Part Number	Description	Remark	Qty	Model
22	999 507 795 09	panel nut ST 4,8		X	
23	999 507 164 01	Cable fastener		7	
24	991 505 313 90	Headlight washer system repair set		1	
25	991 701 051 90	threaded union Assembly kit		1	PR:211
		Bracket			
		Number plate			
	991 701 051 90 1E0	Black			
26	991 701 051 92	Assembly kit		1	PR:209
		Bracket			
		Number plate			
	991 701 051 92 1E0	Black			
27	991 701 051 94	Assembly kit		1	PR:075,211
		Bracket			
		Number plate			
	991 701 051 94 1E0	Black			
28	991 701 051 93	Assembly kit		1	PR:210
		Bracket			
		Number plate			
	991 701 051 93 1E0	Black			
29	991 505 317 00	Retaining plate	left	1	
		Trim			
(29)	991 505 318 00	Retaining plate	right	1	
		Trim			
30	999 190 191 30	Pop rivet		2	
		A 3,2X17,0			
31	000 043 300 47	Adhesive set		1	
		adhesive			
		with:			
		5-fold			
		emulsion tube			
		Bracket			
		Headlight washer system			
(31)	000 043 305 77	Adhesive set		1	
		adhesive			
		with:			
		5-fold			
		emulsion tube			
-		use if required:			
32	000 043 300 48	Tool set		1	
		for			
		adhesive			
33	991 504 587 90	bearing pin		2	
		Radiator			
34	999 919 133 09	Hexagon bolt		2	
		6,0X20,0-H			

Model: 991G13

Model life 2014>>



Model: 991G13 Model life 2014>>

Pos	Part Number	Description	Remark	Qty	Model
		bumper	rear		GT3
		D >> - MJ 2017			
1	991 505 291 90	Trim		1	
		primed			
2	991 505 803 00	Cover cap		1	
		Tow hitch			
	991 505 803 00 G2L	orange			
3	999 507 181 01	Reinforcement		8	
		Insert			
		10,6X12,6			
4	991 505 811 90	Trim	rear lower	1	
	991 505 811 90 1E0	Black			
5	991 505 651 90	Panel for exhaust pipe		1	
	991 505 651 90 1E0	Black			
6	999 919 264 01	fillister hd. bolt		5	
		3,0X8,0			
7	900 151 028 01	Washer		5	
		4			
8	991 505 871 90	Grille frame	upper	1	
		Air exhaust			
	991 505 871 90 1E0	Black			
9	991 505 875 90	Retaining frame	left side	1	
		Air exhaust			
	991 505 875 90 1E0	Black			
(9)	991 505 876 90	Retaining frame	right side	1	
		Air exhaust			
	991 505 876 90 1E0	Black			
10	991 505 817 91	Grille	left side	1	
		Air exhaust			
(10)	991 505 818 91	Grille	right side	1	
		Air exhaust			
11	N 107 297 01	U-clip		2	
		4,0-5,0			
12	999 591 699 01	panel nut		4	
		ST 4,8			
13	991 505 837 90	retaining rail	lower	1	
14	991 505 835 06	retaining strip	left rear	1	
(14)	991 505 836 06	retaining strip	right rear center	1	
15	991 505 839 00	retaining strip		1	
16	999 076 056 01	Hexagon nut		5	
		M5-U			
17	999 190 191 30	Pop rivet		2	
		A 3,2X17,0			
18	991 505 631 90	Bracket	left side	1	
(18)	991 505 632 90	Bracket	right side	1	
19	999 076 042 01	Hexagon nut		10	
		M6-S-SC			
20	999 507 795 09	panel nut		X	
		ST 4,8			
21	999 507 309 02	panel nut		4	
		ST 4,8			
22	999 073 131 02	fillister hd. bolt		4	
		M6X25			
23	999 073 227 09	panel screw		X	
		ST 4,8X19			
24	991 505 479 90	Heat insulation	left outer	1	
(24)	991 505 480 90	Heat insulation	right	1	

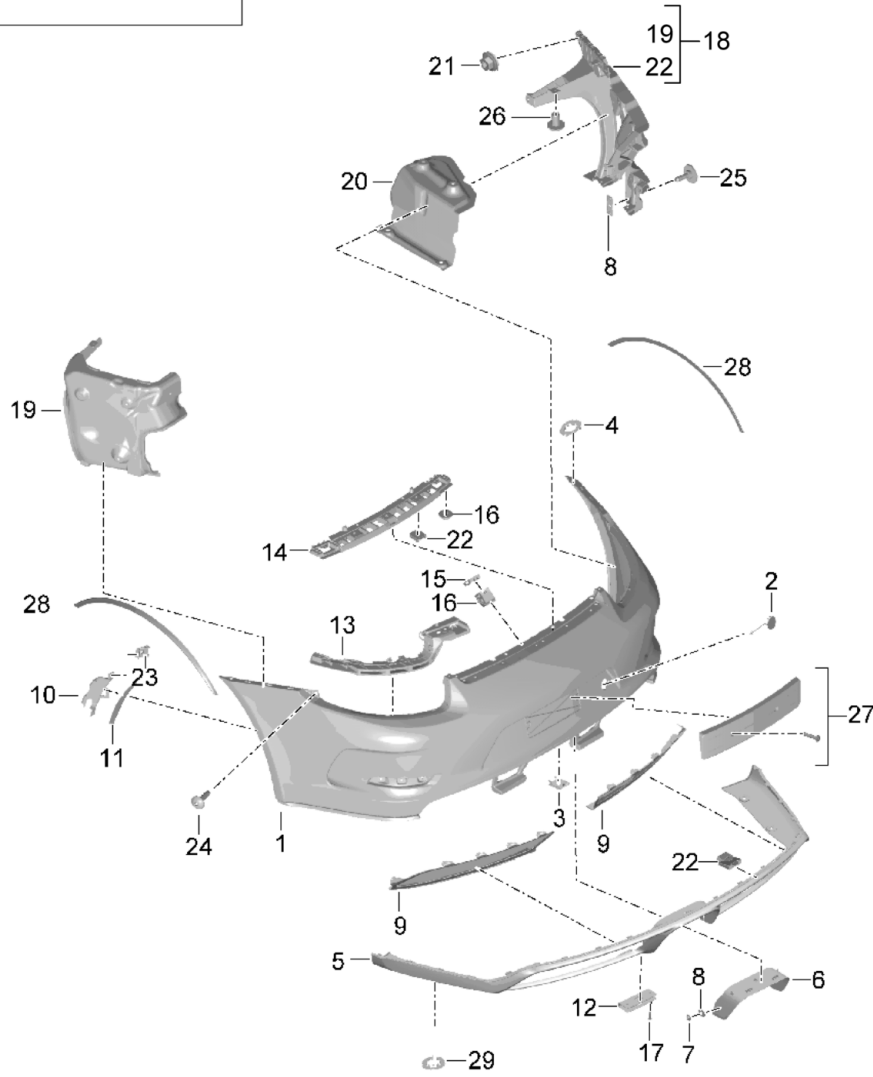
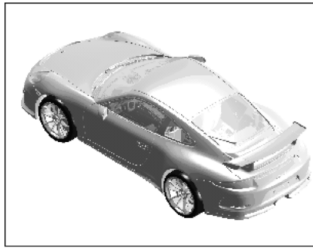
Model: 991G13

Model life 2014>>

Pos	Part Number	Description	Remark	Qty	Model
25	991 505 477 90	Heat insulation Carrier	outer left inner	1	
(25)	991 505 478 90	Heat insulation Carrier	right inner	1	
26	999 190 115 30	Pop rivet A 6,4X10,0		10	
27		Assembly kit Number plate		1	
28	991 505 629 90	see illustration: Set Cover primed	802-000 front and rear	1	
29	991 505 413 90	1 set securing bolts Trim	lower	1	
30	999 507 181 01	Reinforcement		4	
31	9P1 937 540	Bracket Wire set		1	

Model: 991G13

Model life 2014>>



Model: 991G13 Model life 2014>>

Pos	Part Number	Description	Remark	Qty	Model
		bumper 2nd GENERATION D - MJ 2018>>	rear		GT3 II
1	991 505 291 80	Trim primed		1	PR:7X9
1	991 505 291 B0	Trim primed		1	PR:039,7X9
1	991 505 291 82	Trim primed		1	PR:-7X9
1	991 505 291 B2	Trim primed		1	PR:039,-7X9
2	991 505 803 81	Cover cap Tow hitch primed		1	
3	991 505 515 81	Cover cap Reversing camera primed		1	
4	999 507 181 01	Reinforcement Insert 10,6X12,6		8	
5	991 505 811 80	Trim lower section		1	
6	991 505 651 80	Trim for exhaust tail pipe Exhaust pipe Matt black		1	
7	999 919 264 01	fillister hd. bolt 3,0X8,0		5	
8	900 151 028 01	Washer 4		5	
9	991 505 833 80	Grille Trim	left rear	1	
(9)	991 505 834 80	Grille Trim	right rear	1	
10	991 505 875 80	Retaining frame Air exhaust	left side	1	
(10)	991 505 876 80	Retaining frame Air exhaust	right side	1	
11	991 505 817 80	Grille Air exhaust	left side	1	
(11)	991 505 818 80	Grille Air exhaust	right side	1	
12	991 505 837 80	retaining rail	lower	1	
13	991 505 835 82	retaining strip	left side	1	
(13)	991 505 836 82	retaining strip	right side	1	
14	991 505 839 82	retaining strip	center	1	
15	991 505 901 00	arm Reversing camera		1	PR:638
16	991 505 899 01	Bracket Reversing camera		1	PR:638
16	991 505 899 01 OK1	Matt black			
16	999 076 056 01	Hexagon nut M5-U		5	
17	999 190 191 30	Pop rivet A 3,2X17,0		2	
18	991 505 631 80	Bracket	left side	1	
(18)	991 505 632 80	Bracket	right side	1	
19	991 505 479 80	Heat insulation	left outer	1	
(19)	991 505 480 80	Heat insulation	right	1	

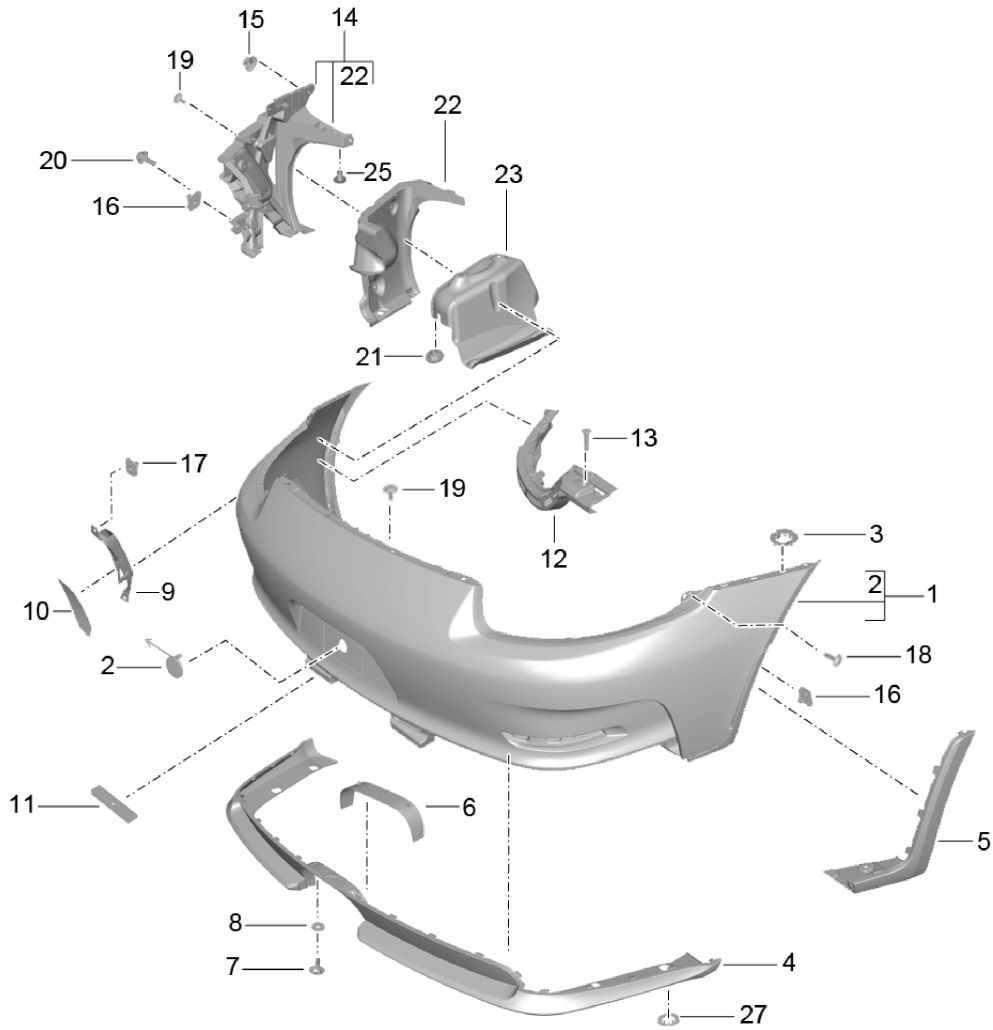
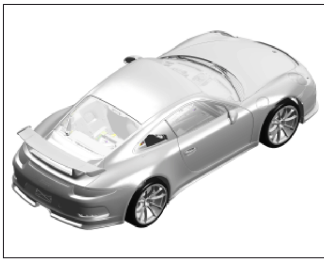
Model: 991G13

Model life 2014>>

Pos	Part Number	Description	Remark	Qty	Model
20	991 505 477 92	Heat insulation Carrier	outer left inner	1	
(20)	991 505 478 92	Heat insulation Carrier	right inner	1	
21	9A7 007 462 00	Hexagon nut M6-S-SC		10	
22	999 507 309 02	panel nut ST 4,8		4	
23	999 591 699 01	panel nut ST 4,8		8	
24	999 073 131 02	fillister hd. bolt M6X25		4	
25	9A7 007 517 00	panel screw ST 4,8X19		X	
26	999 190 115 30	Pop rivet A 6,4X10,0		10	
27		Assembly kit Number plate		1	
28	991 505 629 90	Set Cover primed	see illustration: 802-000 front and rear	1	
29	999 507 181 01	Reinforcement Insert		8	

Model: 991G13

Model life 2014>>



Model: 991G13 Model life 2014>>

Pos	Part Number	Description	Remark	Qty	Model
1	991 505 291 92	bumper Bumper cover primed	rear	1	GT3 RS
2	991 505 803 00	Cover cap Tow hitch		1	
3	991 505 803 00 G2L 999 507 181 01	orange Reinforcement Insert 10,6X12,6		8	
4	991 505 811 91	Trim	rear lower	1	
5	991 505 811 91 1E0 991 505 813 90	Black Trim	left side	1	
(5)	991 505 813 90 1E0 991 505 814 90	Black Trim	right side	1	
6	991 505 814 90 1E0 991 505 651 90	Black Panel for exhaust pipe		1	
7	991 505 651 90 1E0 999 919 264 01	Black fillister hd. bolt 3,0X8,0		5	
8	900 151 028 01	Washer 4		5	
9	991 505 875 91	Retaining frame Air exhaust	left side	1	
(9)	991 505 876 91	Retaining frame Air exhaust	right side	1	
10	991 505 817 92	Grille Air exhaust	left side	1	
(10)	991 505 818 92	Grille Air exhaust	right side	1	
11	991 505 837 90	retaining rail	lower	1	
12	991 505 835 02	retaining strip	left rear	1	
(12)	991 505 836 02	retaining strip	right rear	1	
13	999 190 191 30	Pop rivet A 3,2X17,0		8	
14	991 505 631 91	Bracket	left side	1	
(14)	991 505 632 91	Heat protection Bracket	right side	1	
15	999 076 042 01	Heat protection Hexagon nut M6-S-SC		6	
16	999 507 795 09	panel nut ST 4,8		X	
17	999 591 699 01	panel nut ST 4,8		6	
18	999 073 131 02	fillister hd. bolt M6X25		2	
19	999 073 227 09	panel screw ST 4,8X19		X	
20	999 143 101 01	Bolt with washer M6X22		2	
21	999 049 039 01	Hexagon nut T6		13	
22	991 505 479 91	Heat insulation	left outer	1	

Model: 991G13

Model life 2014>>

Pos	Part Number	Description	Remark	Qty	Model
(22)	991 505 480 91	Heat insulation	right outer	1	
23	991 505 477 91	Heat insulation	left inner	1	
(23)	991 505 478 91	Carrier Heat insulation	right inner	1	
25	999 190 115 30	Carrier Pop rivet A 6,4X10,0		10	
26		Assembly kit Number plate		1	
27	999 507 181 01	see illustration: Reinforcement	802-002	4	

Model: 991G13 Model life 2014>>

Pos	Part Number	Description	Remark	Qty	Model
1	991 505 291 C0	bumper Bumper cover	rear rear	1	GT3 II RS
2	991 505 803 83	primed cover for towing eye		1	
3	991 505 515 81	primed Cover cap		1	
4	991 505 811 81	Reversing camera primed Trim lower section	rear left lower	1	
(4)	991 505 811 81 OK1	Matt black			
	991 505 812 81	Trim lower section	rear right lower	1	
	991 505 812 81 OK1	Matt black			
5	991 505 833 81	protective grille Trim lower section	rear left lower	1	
(5)	991 505 834 81	protective grille Trim lower section	rear right lower	1	
6	991 505 651 81	Trim for exhaust tail pipe		1	
	991 505 651 81 OK1	Matt black			
7	991 505 875 81	Retaining frame	side	1	
	991 505 875 81 OK1	Matt black	left		
(7)	991 505 876 81	Retaining frame	side	1	
	991 505 876 81 OK1	Matt black	right		
8	991 505 817 81	protective grille	side	1	
(8)	991 505 818 81	protective grille	left rear side right rear	1	
9	991 505 807 80	Clamping frame	left	1	
	991 505 807 80 OK1	Matt black			
(9)	991 505 808 80	Clamping frame	right	1	
	991 505 808 80 OK1	Matt black			
10	991 505 835 C0	retaining strip	left rear	1	
(10)	991 505 836 C0	retaining strip	right rear	1	
11	991 505 839 70	retaining strip	center	1	
12	991 505 631 81	Bracket	side left	1	
		with:			
(12)	991 505 632 81	Heat shield Bracket	side right	1	
		with:			
13	991 505 479 81	Heat shield	left outer	1	
(13)	991 505 480 81	Heat insulation	right outer	1	
14	991 505 477 91	Heat insulation	left inner	1	
(14)	991 505 478 91	Carrier Heat insulation	right inner	1	
15	991 505 899 01	Bracket Camera		1	
	991 505 899 01 OK1	Matt black			
16	991 505 901 01	arm Camera		1	
17	9A7 007 462 00	Hexagon nut		6	
18	999 507 309 02	M6-S-SC panel nut	ST4,8	X	
19	999 073 131 02	ST 4,8 fillister hd. bolt		2	
20	9A7 007 517 00	M6X25 panel screw		X	
21	999 143 101 01	ST 4,8X19 Bolt with washer		2	
22	999 049 039 01	M6X22 Hexagon nut		13	

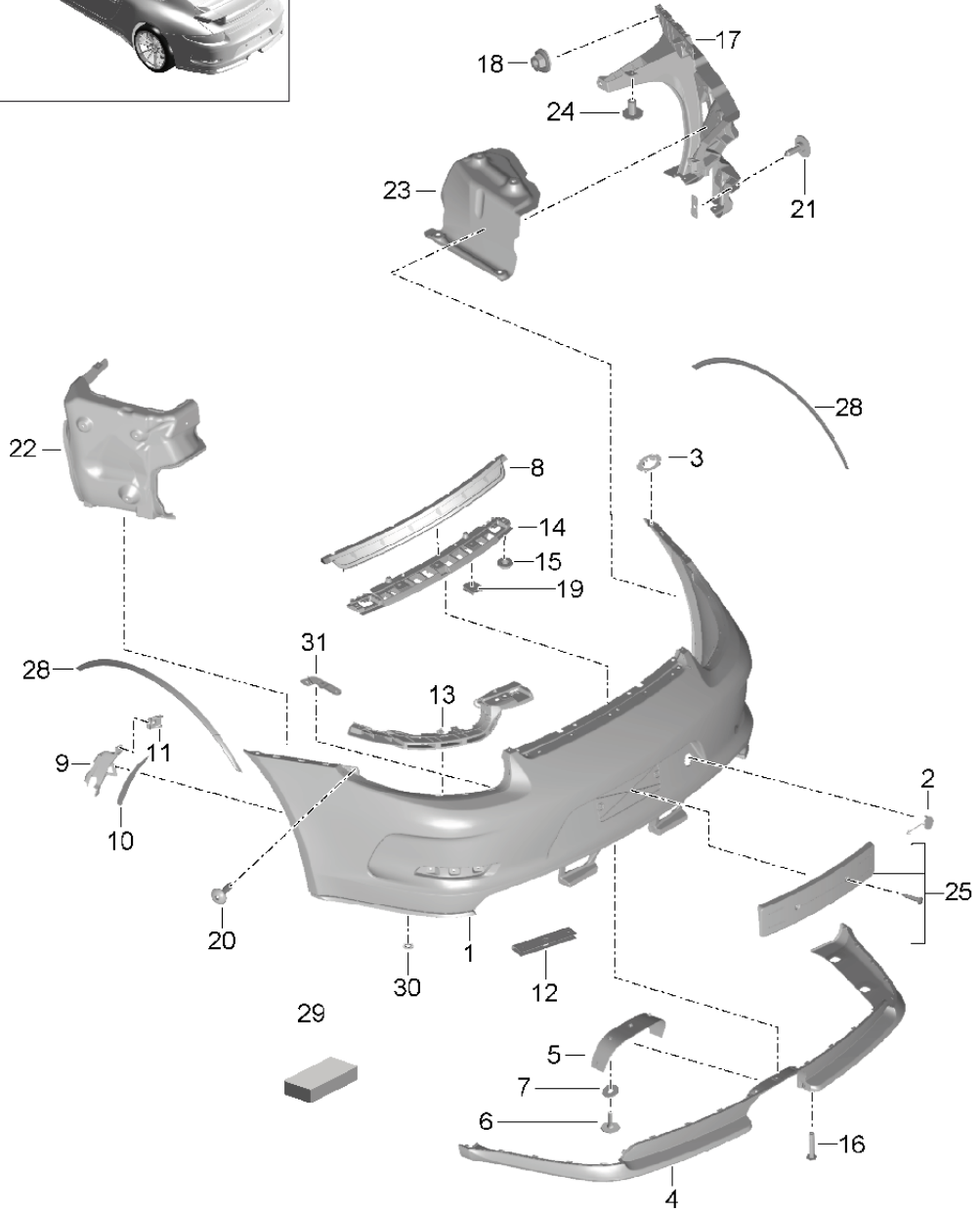
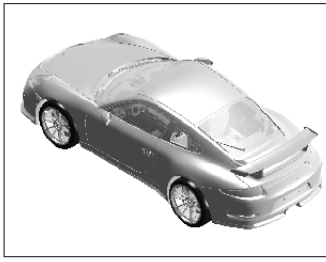
Model: 991G13

Model life 2014>>

Pos	Part Number	Description	Remark	Qty	Model
23	999 190 115 30	T6 Pop rivet A 6,4X10,0		10	
24	999 190 191 30	Pop rivet A 3,2X17,0		8	
25	999 507 181 01	Reinforcement Insert 10,6X12,6		4	
26	999 507 696 00	U-clip	1,20-1,70	X	
27	999 919 264 01	fillister hd. bolt 3,0X8,0		5	
28	900 151 028 01	Washer 4		5	
30		Assembly kit Licence plate holder see illustration:	802-002	1	

Model: 991G13

Model life 2014>>



Model: 991G13 Model life 2014>>

Pos	Part Number	Description	Remark	Qty	Model
1	991 505 291 A1	bumper Trim primed	rear	1	911 R
		also use:	991 505 803 00 (G2L)		
2	991 505 803 00	Cover cap Tow hitch		1	
	991 505 803 00 G2L	orange			
3	999 507 181 01	Reinforcement Insert 10,6X12,6		8	
4	991 505 811 90	Trim	rear lower	1	
	991 505 811 90 1E0	Black			
5	991 505 651 90	Panel for exhaust pipe		1	
	991 505 651 90 1E0	Black			
6	999 919 264 01	fillister hd. bolt 3,0X8,0		5	
7	900 151 028 01	Washer 4		5	
8	991 505 871 91	Grille frame Air exhaust	upper	1	
	991 505 871 91 1E0	Black			
9	991 505 875 90	Retaining frame Air exhaust	left side	1	
	991 505 875 90 1E0	Black			
(9)	991 505 876 90	Retaining frame Air exhaust	right side	1	
	991 505 876 90 1E0	Black			
10	991 505 817 91	Grille Air exhaust	left side	1	
(10)	991 505 818 91	Grille Air exhaust	right side	1	
11	999 591 699 01	panel nut ST 4,8		4	
12	991 505 837 90	retaining rail	lower	1	
13	991 505 835 01	retaining strip	left rear	1	
(13)	991 505 836 01	retaining strip	right rear	1	
14	991 505 839 00	retaining strip	center	1	
15	999 076 056 01	Hexagon nut M5-U		5	
16	999 190 191 30	Pop rivet A 3,2X17,0		2	
17	991 505 631 90	Bracket	left side	1	
(17)	991 505 632 90	Bracket	right side	1	
18	999 076 042 01	Hexagon nut M6-S-SC		10	
19	999 507 309 02	panel nut ST 4,8		4	
20	999 073 131 02	fillister hd. bolt M6X25		4	
21	999 073 227 09	panel screw ST 4,8X19		X	
22	991 505 479 90	Heat insulation	left outer	1	
(22)	991 505 480 90	Heat insulation	right outer	1	
23	991 505 477 92	Heat insulation	left inner	1	

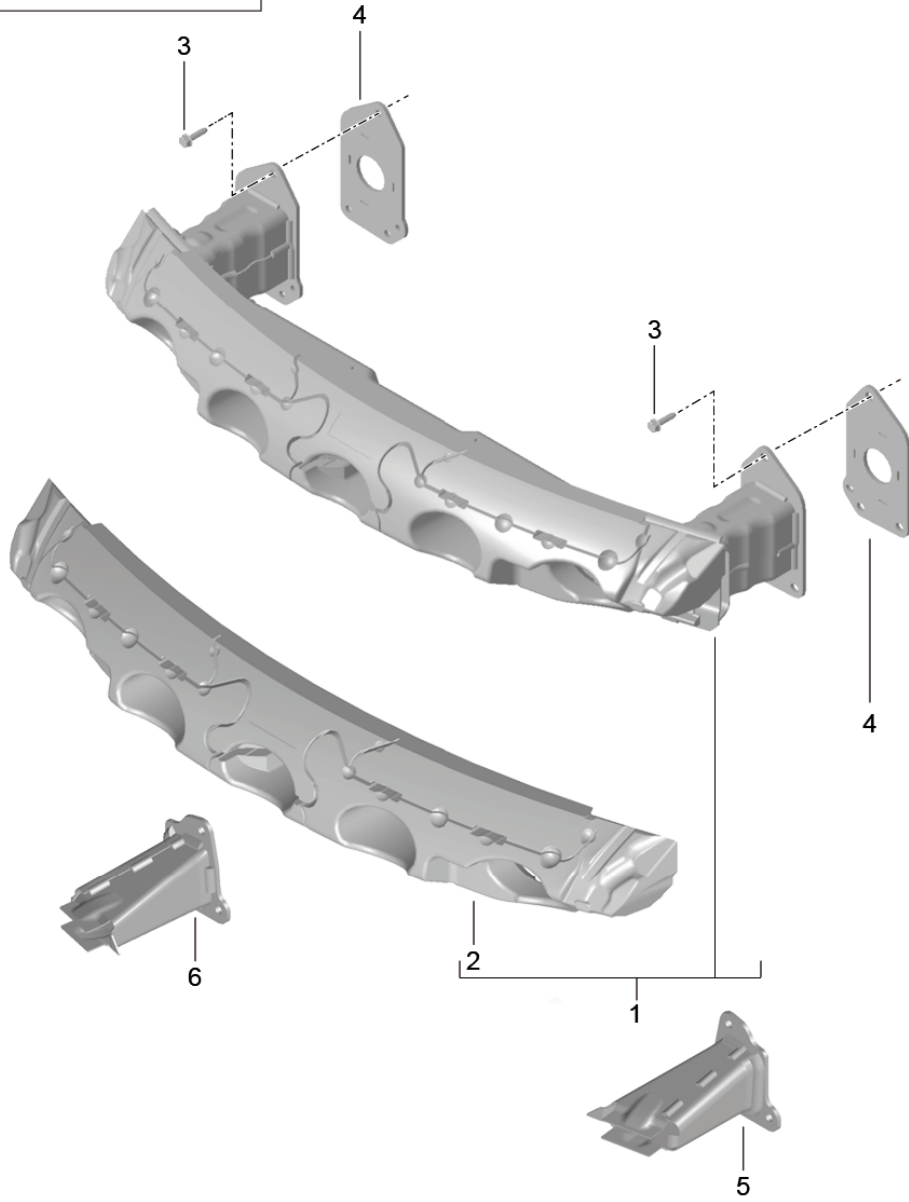
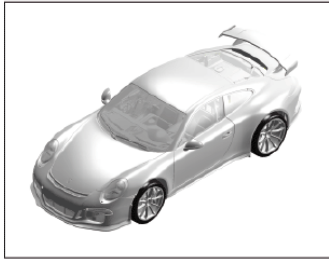
Model: 991G13

Model life 2014>>

Pos	Part Number	Description	Remark	Qty	Model
(23)	991 505 478 92	Carrier Heat insulation	right inner	1	
24	999 190 115 30	Carrier Pop rivet		10	
25		A 6,4X10,0 Assembly kit Number plate		1	
28	991 505 629 90	Set Cover primed see illustration:	802-000 front and rear	1	PR:193
29	991 505 413 90	1 set securing bolts Trim	lower	1	
30	999 507 181 01	Reinforcement		4	
31	9P1 937 540	Bracket Wire set		1	

Model: 991G13

Model life 2014>>



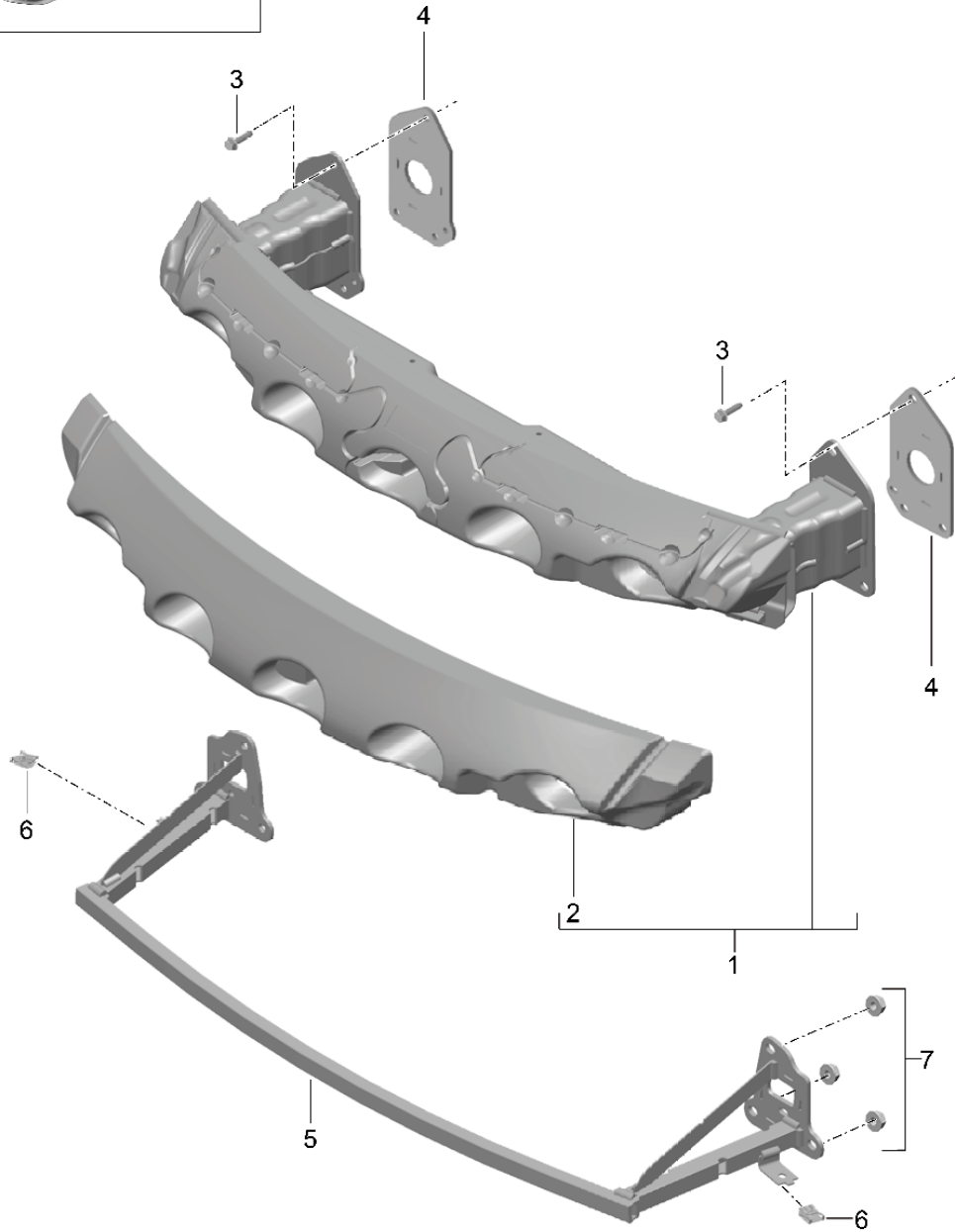
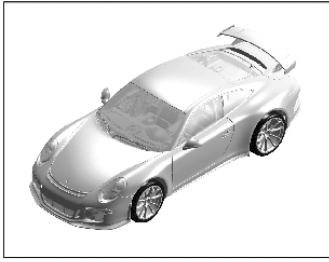
Model: 991G13

Model life 2014>>

Pos	Part Number	Description	Remark	Qty	Model
1	991 505 121 90	Bumper carrier D >> - MJ 2017 Bumper carrier (complete) with:	front front	1	
2	991 505 777 90	Foam part Insert		1	
3	900 378 351 01	Pedestrian protection Hexagon bolt		6	
4	991 505 771 00	M 8 X 30 Seal		2	
5	991 505 533 90	Shock absorber Crash protection	left	1	
6	991 505 534 90	Crash protection	right	1	

Model: 991G13

Model life 2014>>



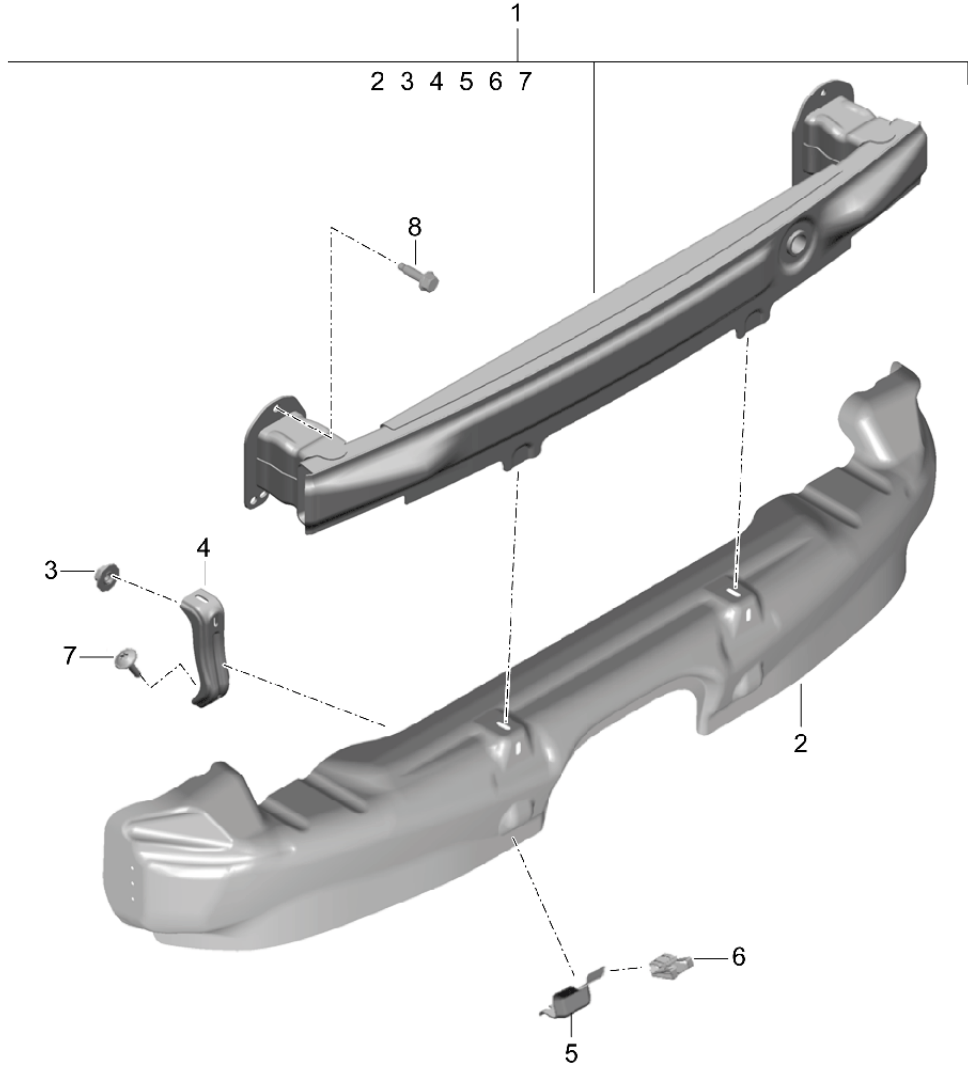
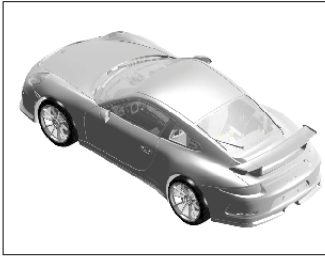
Model: 991G13

Model life 2014>>

Pos	Part Number	Description	Remark	Qty	Model
1	991 505 121 81	Bumper carrier D - MJ 2018>> Bumper carrier (complete)	front front	1	
		with:			
2	991 505 777 84	Foam part Insert		1	
3	900 378 351 01	Foam part Hexagon bolt		6	
4	991 505 771 00	M 8 X 30 Seal		2	
5	991 505 531 80	Shock absorber Carrier		1	
6	999 507 309 02	Pedestrian protection panel nut		2	
7	N 106 092 04	ST 4,8 Hexagon collar nut M 8		6	

Model: 991G13

Model life 2014>>



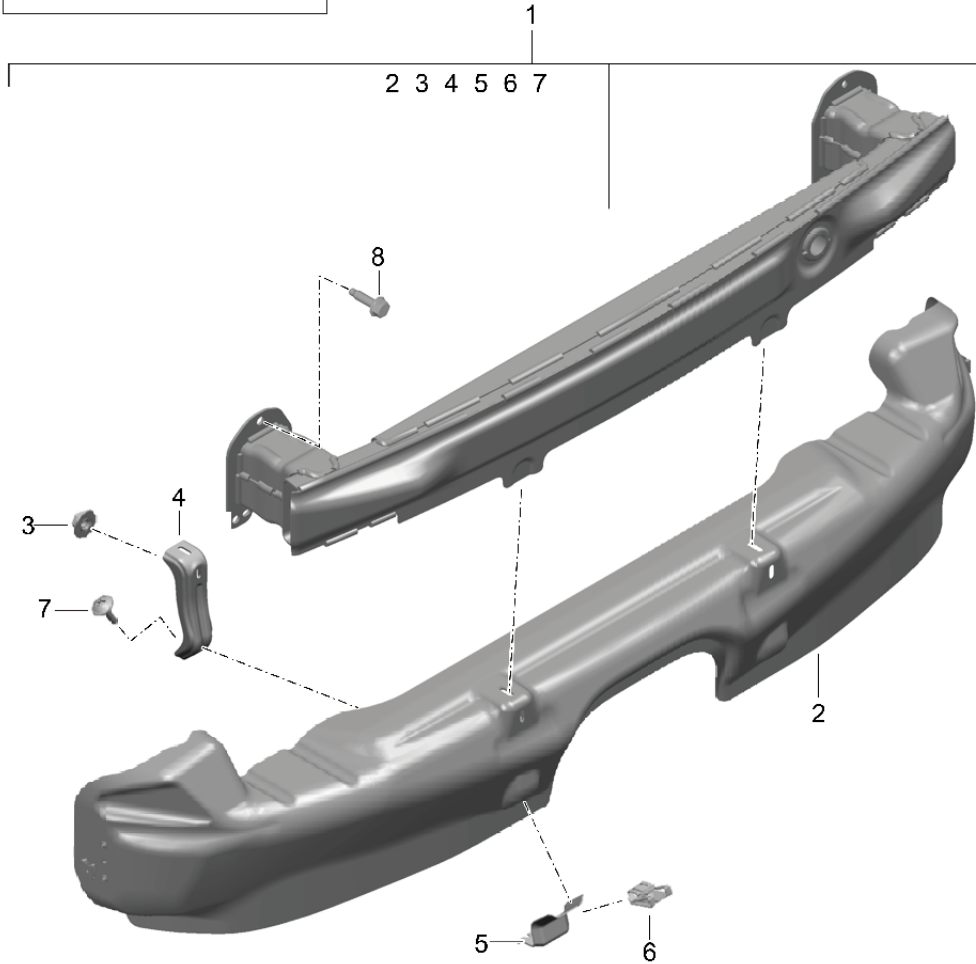
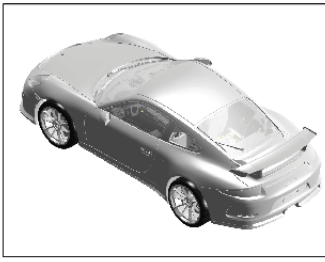
Model: 991G13

Model life 2014>>

Pos	Part Number	Description	Remark	Qty	Model
1	991 505 141 90	Bumper carrier D >> - MJ 2017 Bumper carrier with: Heat protection D >> - MJ 2017	rear rear	1	PR: -553
2	991 505 475 90	Heat insulation	center	1	
3	999 076 091 01	Hexagon nut M6-S		4	
4	991 505 639 00	Rear support		2	
5	991 505 649 90	angle		2	
6	999 507 309 02	panel nut ST 4,8		4	
7	999 073 418 01	panel screw 4,8X19		2	
8	900 378 351 01	Hexagon bolt M 8X30-PA		6	

Model: 991G13

Model life 2014>>



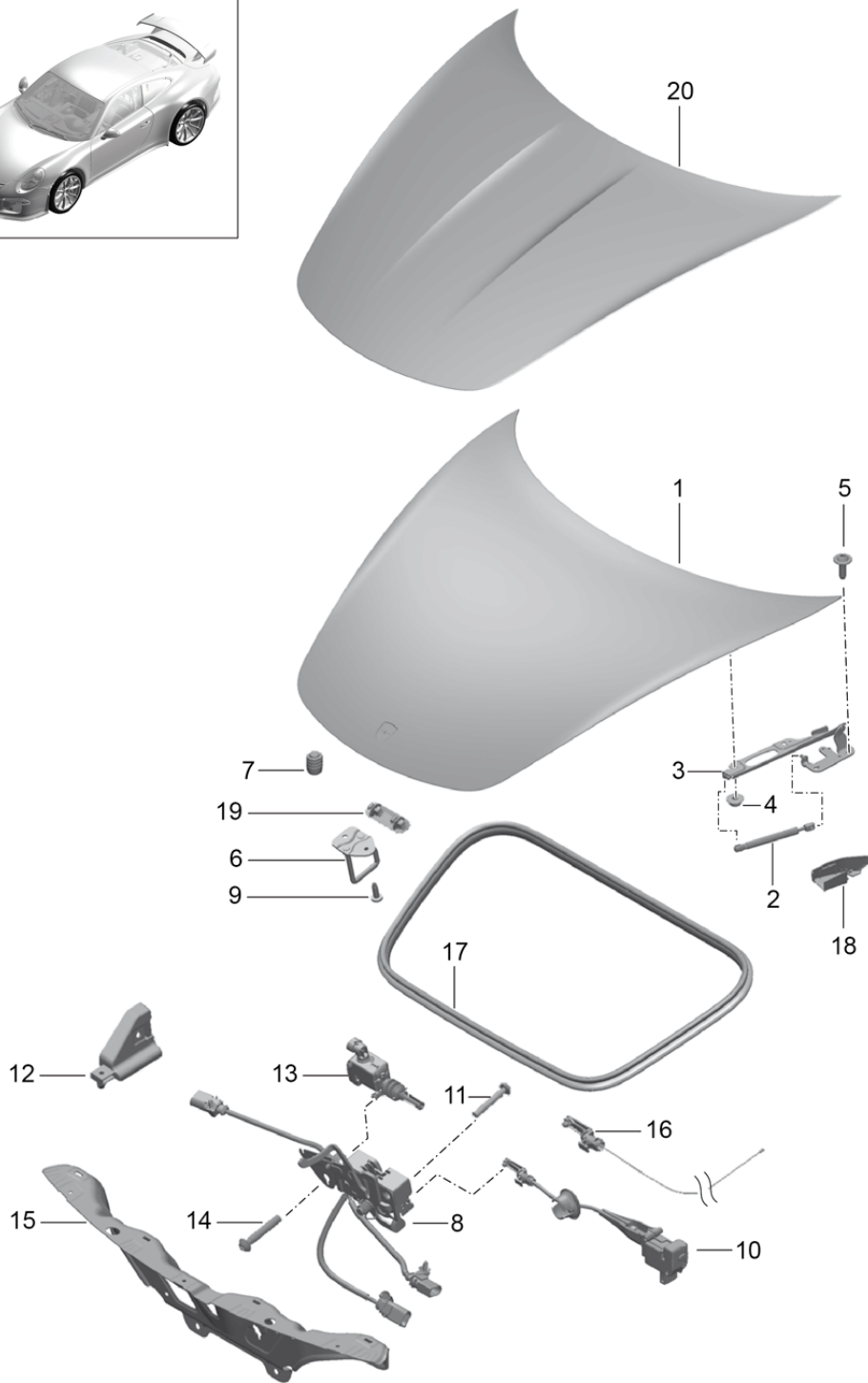
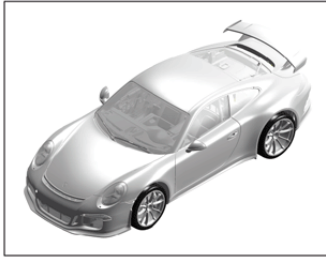
Model: 991G13

Model life 2014>>

Pos	Part Number	Description	Remark	Qty	Model
1	991 505 141 80	Bumper carrier D - MJ 2018>> Bumper carrier	rear rear	1	PR: -553
		with:			
2	991 505 475 81	Heat protection		1	
3	999 076 091 01	Heat insulation	center	1	
		Hexagon nut		4	
		M6-S			
4	991 505 639 00	Rear support		2	
5	991 505 649 80	angle		2	
6	999 507 309 02	panel nut		4	
		ST 4,8			
7	999 073 418 01	panel screw		2	
		4,8X19			
8	900 378 351 01	Hexagon bolt		6	
		M 8X30-PA			

Model: 991G13

Model life 2014>>

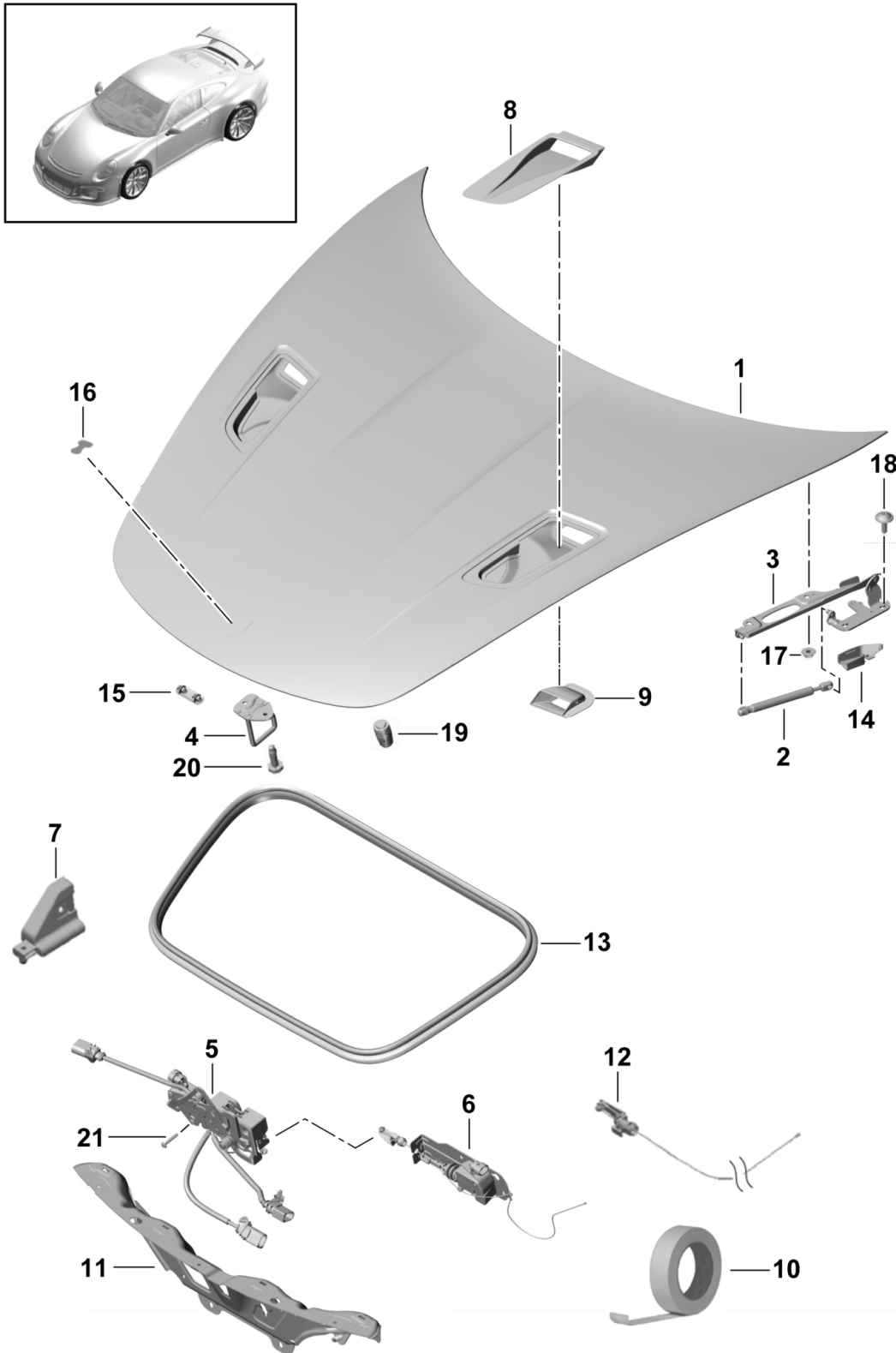


Model: 991G13 Model life 2014>>

Pos	Part Number	Description	Remark	Qty	Model
1	991 511 011 04	Cover	front	1	
	991 511 011 04 GRV	Cover primed			
2	991 511 551 00	Gas filled strut		2	
3	991 511 151 03	Hinge	left	1	
(3)	991 511 152 03	Hinge	right	1	
4	999 076 066 09	Hexagon nut		4	
		M6			
5	N 911 883 02	Hexagon socket head bolt		4	
		M6 X 20			
6	991 511 051 00	Lock upper part		1	
7	999 703 140 41	Rubber buffer		2	
8	991 511 033 04	Lock lower part		1	
9	999 073 378 02	flat round head bolt		2	
		M6 X 20			
10	991 504 117 80	throttle control element		1	
11	999 919 717 01	fillister hd. bolt		2	
		5,0X27			
15	9P1 806 620	Bracket		1	
16	991 511 217 01	Cable		1	
		Emergency operation			
17	991 511 611 03	Seal		1	
		Cover			
18	991 511 651 01	Hose bracket	left	1	
	991 511 651 01 1E0	Black			
(18)	991 511 652 01	Hose bracket	right	1	
	991 511 652 01 1E0	Black			
19	991 511 649 00	Protective cap		1	
20	991 511 011 95	Cover		1	
	991 511 011 95 GRV	primed			
21	999 911 756 41	Adhesive film		1	
		D - MJ 2015>>			

Model: 991G13

Model life 2014>>



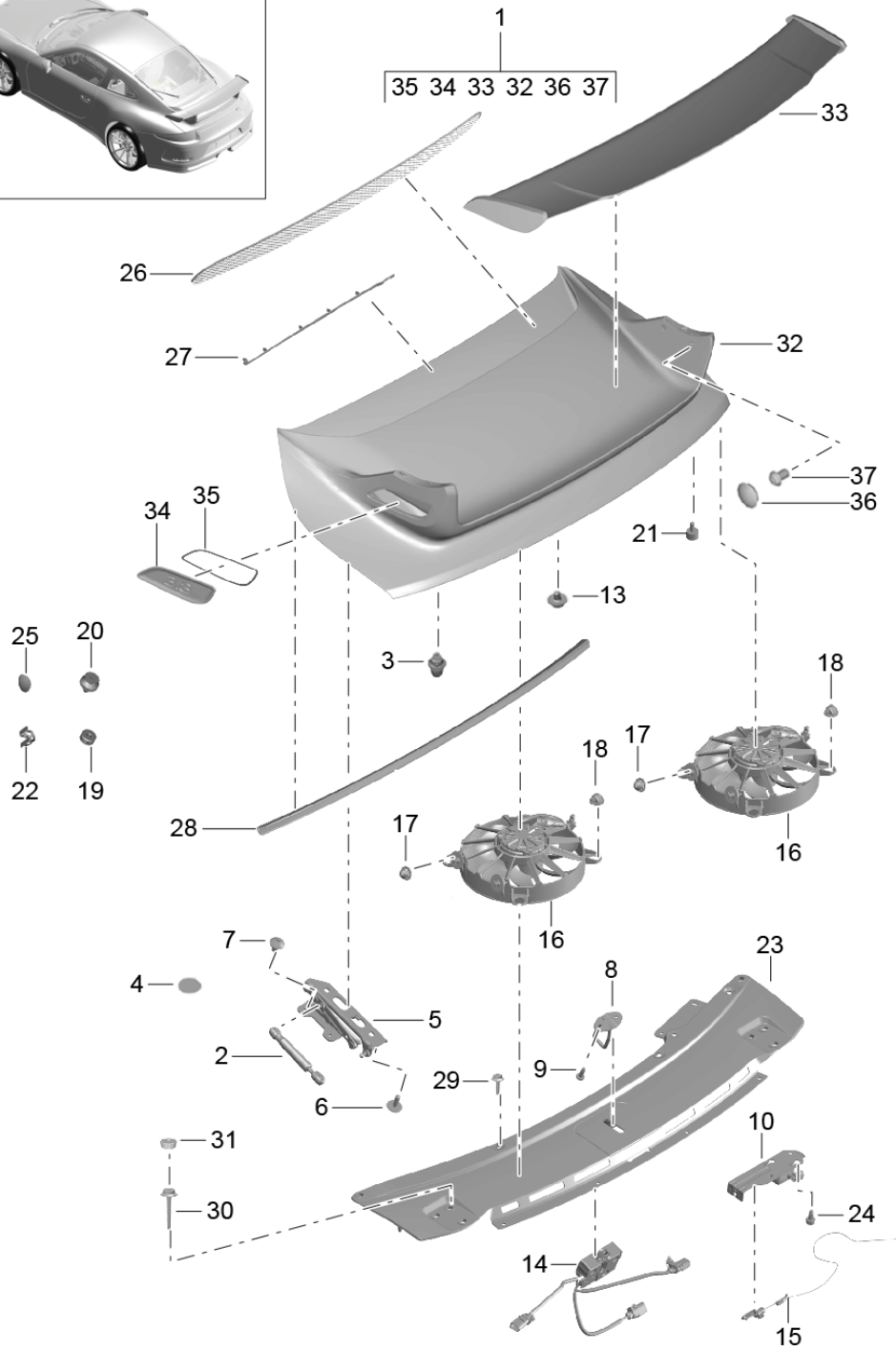
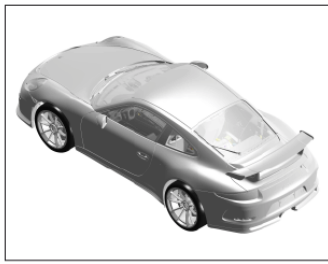
Model: 991G13

Model life 2014>>

Pos	Part Number	Description	Remark	Qty	Model
1	991 511 011 B4	Bonnet	front		GT3 II RS
	991 511 011 B4 G2X	Cover primed	front	1	
(1)	991 511 011 B3	Cover	front	1	
	991 511 011 B3 A3G	Carbon Gloss Black			
2	991 511 551 01	Gas filled strut		2	
3	991 511 151 03	Hinge	left	1	
(3)	991 511 152 03	Hinge	right	1	
4	9P1 823 085	Lock upper part		1	
5	991 511 033 05	Lock lower part		1	
6	991 504 117 01	throttle control element		1	
7	991 624 119 02	throttle control element		1	
8	991 511 511 B1	Trim for air inlet	left	1	
	991 511 511 B1 OK1	Matt black			
(8)	991 511 512 B1	Trim for air inlet	right	1	
	991 511 512 B1 OK1	Matt black			
9	991 511 417 B1	Air guide	left	1	
	991 511 417 B1 OK1	Cover Matt black			
(9)	991 511 418 B1	Air guide	right	1	
	991 511 418 B1 OK1	Cover Matt black			
10	000 043 302 78	Adhesive tape for Air guide		1	
	9P1 806 620	Cover			
11	9P1 806 620 GRV	Bracket primed		1	
12	991 511 217 01	Cable		1	
	991 511 611 03	Emergency operation Seal		1	
13	991 511 611 03	Cover		1	
14	991 511 651 02	Hose bracket	left	1	
	991 511 651 02 1E0	Black			
(14)	991 511 652 02	Hose bracket	right	1	
	991 511 652 02 1E0	Black			
15	9P1 823 603	Protective cap		1	
16	999 911 756 41	Adhesive film		1	
17	999 076 066 09	Hexagon nut		4	
	N 911 883 02	M6 Hexagon socket head bolt		4	
18	991 511 651 02	M6 X 20		4	
19	9P1 823 499	Rubber buffer		2	
20	999 073 378 02	flat round head bolt		2	
	999 919 717 01	M6 X 20 fillister hd. bolt		2	
21	999 919 717 01	5,0 X 27		2	

Model: 991G13

Model life 2014>>



Model: 991G13

Model life 2014>>

Pos	Part Number	Description	Remark	Qty	Model
		Rear spoiler	rear		GT3
		D >> - MJ 2017			
1	991 512 025 83	Spoiler lid primed		1	
2	991 512 551 80	Gas filled strut		2	
3	996 512 987 00	adjusting screw		2	
		Rubber buffer			
		Rear lid			
4	991 512 819 00	Protective film		2	
5	991 512 151 80	Hinge	left	1	
5	991 512 151 81	Hinge	left	1	
		D - MJ 2018>>			
(5)	991 512 152 80	Hinge	right	1	
(5)	991 512 152 82	Hinge	right	1	
		D - MJ 2018>>			
6	N 911 883 01	Hexagon socket head bolt		4	
		M6 X 20			
7	N 910 966 01	Hexagon socket flat head bolt		4	
		M6 X 12			
8	981 512 051 00	Striker		1	
9	999 073 378 02	flat round head bolt		2	
		M6 X 20			
10	991 504 117 80	throttle control element		1	
14	991 504 053 80	Lock lower part		1	
15	991 504 553 80	Bowden cable		1	
16	991 624 050 05	Fan		2	
17	991 624 353 00	Grommet		4	
18	958 110 673 00	Grommet		X	
21	991 512 971 80	Stop buffer		X	
		Cover			
22	999 507 584 01	Clamp		2	
		8,0X10,2/2,0			
23	991 504 221 80	Assembly frame	center	1	
24	900 075 487 01	Bolt with washer		2	
		M6X16-PA			
25	999 703 278 40	End cap		4	
		22MM			
26	991 512 625 80	Grille		1	
		Rear lid			
27	991 512 635 80	retaining strip	left	1	
(27)	991 512 636 80	retaining strip	right	1	
28	991 512 711 00	Seal		1	
		Rear lid			
29	999 073 555 01	Socket head bolt		4	
		M 8 X 35			
		to use for:			
		Assembly frame			
30	999 073 554 01	Socket head bolt		4	
		M 5 X 45			
		to use for:			
		Assembly frame			
31	991 504 675 80	Cover cap		2	
		Socket head bolt			
		Assembly frame			
32	991 512 225 81	Cover		1	
		primed			
33	991 512 995 00	Spoiler		1	
		primed			
34	991 512 565 81	Trim	left	1	
		primed			
(34)	991 512 566 81	Trim	right	1	

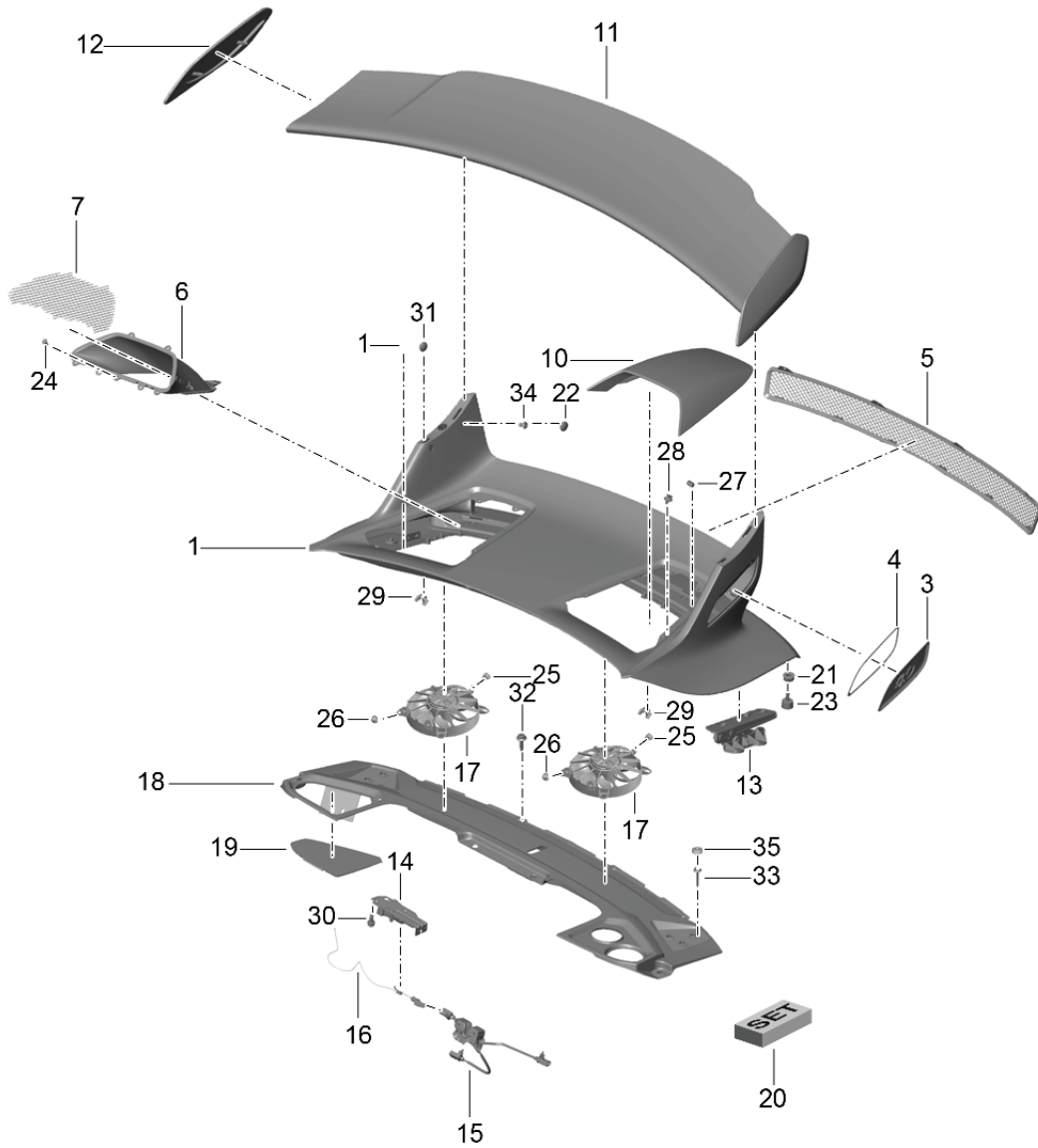
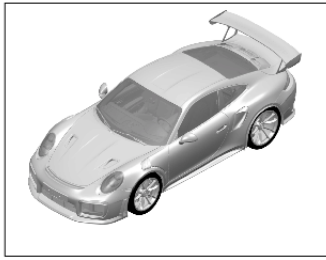
Model: 991G13

Model life 2014>>

Pos	Part Number	Description	Remark	Qty	Model
35	991 512 567 80	primed Adhesive tape		2	
36	999 703 278 40	Trim End cap		2	
37	999 073 576 01	15,5X22,0 flat round head bolt M8X12 to use for: Spoiler		2	

Model: 991G13

Model life 2014>>



Model: 991G13 Model life 2014>>

Pos	Part Number	Description	Remark	Qty	Model
		Rear lid Rear spoiler D - MJ 2018>>			GT3
1	991 512 225 87	Spoiler lid		1	
	991 512 225 87 G2X	primed			
3	991 512 565 84	trim with inscription	left	1	
	991 512 565 84 G2X	primed			
3	991 512 566 84	trim with inscription	right	1	
	991 512 566 84 G2X	primed			
4	991 512 567 81	Adhesive tape for Trim		2	
5	991 512 645 80	Ventilation grille	outer	1	PR:-039
6	991 512 677 80	Air guide	left	1	PR:-039
			inner		
(6)	991 512 678 80	Air guide	right	1	PR:-039
			inner		
7	991 512 625 82	intake grille	left	1	PR:-039
			inner		
(7)	991 512 626 82	intake grille	right	1	PR:-039
			inner		
8	991 512 335 80	Inner shell Cover		1	PR:-039
9	999 073 268 01	fillister hd. bolt M5X12		X	
10	991 512 409 80	Air inlet	left	1	
			with:		
	991 512 409 80 OK1	Fastening screw Matt black			
(10)	991 512 410 80	Air inlet	right	1	
			with:		
	991 512 410 80 OK1	Fastening screw Matt black			
11	991 512 265 81	Spoiler primed		1	
12	991 512 463 82	Wing plate for rear spoiler	left	1	
	991 512 463 82 OK1	primed			
(12)	991 512 464 82	Wing plate for rear spoiler	right	1	
	991 512 464 82 OK1	primed			
13	991 512 151 81	Hinge	left	1	
(13)	991 512 152 82	Hinge	right	1	
14	991 504 117 80	throttle control element		1	
15	991 504 053 81	Lock lower part		1	PR:-039
16	991 504 553 80	Bowden cable		1	
18	991 504 221 84	Assembly frame	center	1	PR:-039
19	991 504 475 80	Cover		1	
		Engine brackets Wire set			
20	991 512 952 82	repair set Bonnet hinge	right	1	
-		Fasteners			
21	900 377 015 01	Hexagon nut M8		2	
22	999 703 278 40	End cap 15,5X22,0		4	
23	991 512 971 80	Stop buffer		2	
24	N 912 564 01	Pop rivet 4,8X7,1		10	
25	9P1 959 841	Grommet		4	
26	958 110 673 00	Grommet		X	
27	997 512 671 00	clamping nut		4	
28	999 507 897 40	Retaining clip 7,8X1,6		7	

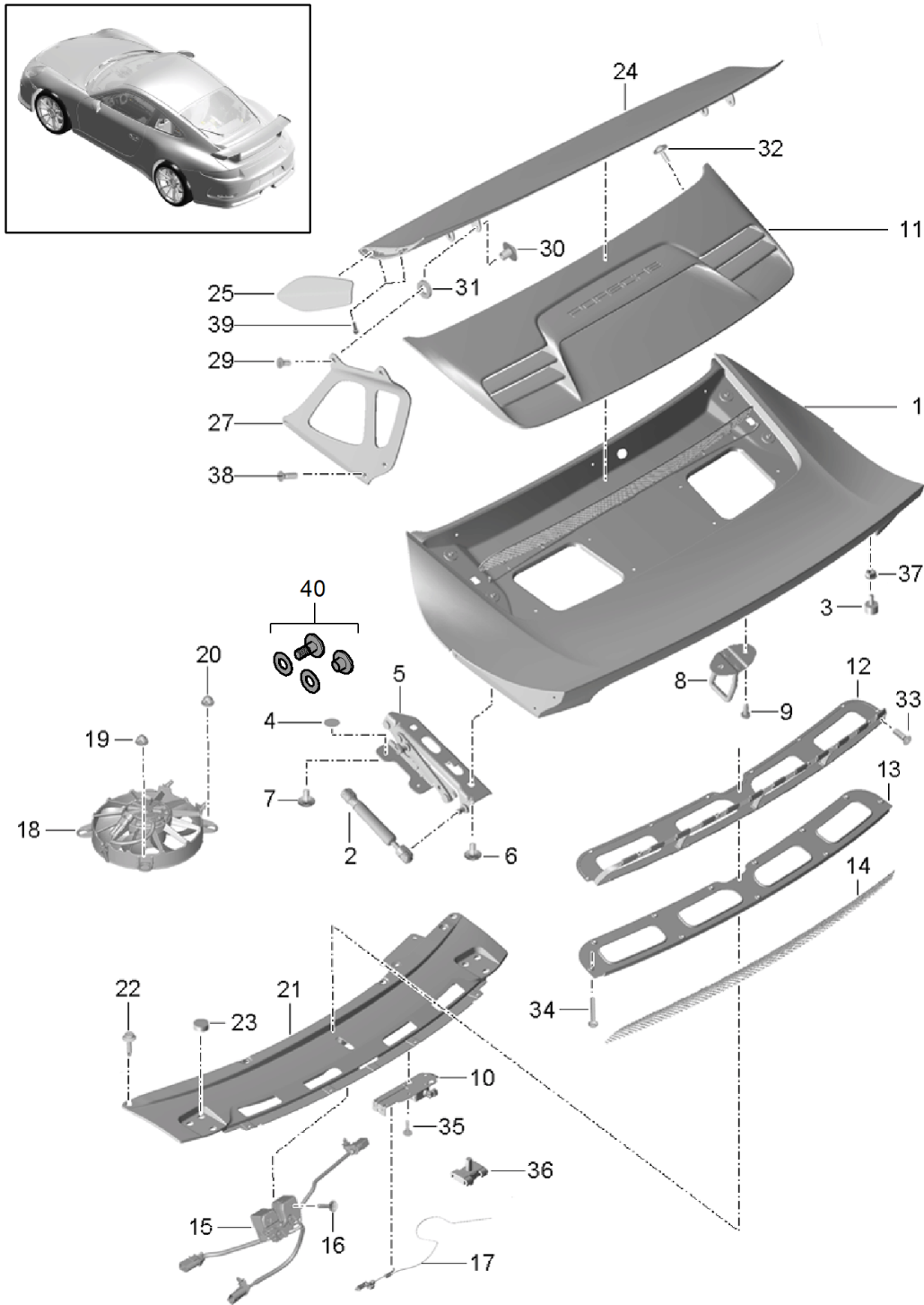
Model: 991G13

Model life 2014>>

Pos	Part Number	Description	Remark	Qty	Model
29	999 507 584 01	Clamp 8,0X10,2/2,0		2	
30	900 075 487 01	Bolt with washer M6X16-PA		2	
31	999 703 278 40	End cap 22MM		4	
32	999 073 555 01	Socket head bolt M 8 X 35 Mount Assembly frame		4	
33	999 073 554 01	Socket head bolt M 5 X 45 Mount Assembly frame		4	
34	999 073 576 01	flat round head bolt M8X12 Mount Spoiler		4	
35	991 504 675 80	Cover cap Socket head bolt Assembly frame		2	

Model: 991G13

Model life 2014>>



Model: 991G13

Model life 2014>>

Pos	Part Number	Description	Remark	Qty	Model
		Rear spoiler D >> - MJ 2017	rear		GT3 RS 1 GENERATION
1	991 512 227 92	Cover primed		1	
2	991 512 551 90	Gas filled strut		2	
3	991 512 971 80	Stop buffer	adjustable	2	
4	991 512 819 00	Protective film		2	
5	991 512 151 80	Hinge	left	1	
(5)	991 512 152 80	Hinge	right	1	
6	N 911 883 01	Hexagon socket head bolt M6 X 20		4	
7	N 910 966 01	Hexagon socket flat head bolt M6 X 12		4	
8	981 512 051 00	Striker		1	
9	999 073 378 02	flat round head bolt M6 X 20		2	
10	991 504 117 80	throttle control element		1	
11	991 512 331 90	Ventilation grille Black		1	
12	991 512 441 90	Retaining frame		1	
13	991 512 445 90	Air exhaust Trim		1	
14	991 512 443 90	Air exhaust Grille		1	
15	991 504 053 90	Air exhaust Lid lock		1	
16	900 075 504 01	Bolt with washer M6X45-TC		2	
17	991 504 553 80	Bowden cable		1	
18	991 624 050 06	Fan		2	
19	958 110 673 00	Grommet		X	
20	991 624 353 00	Grommet		2	
21	991 504 221 90	Mounting bracket	center	1	
22	999 073 555 01	Socket head bolt M8X35-PA-SC		4	
23	991 504 675 80	Cover cap Socket head bolt		2	
24	991 512 265 95	Assembly frame Spoiler primed		1	
25	991 512 463 91	Wing plate for rear spoiler Matt black	left	1	
(25)	991 512 464 91	Wing plate for rear spoiler Matt black	right	1	
27	991 512 681 90	Wing strut for rear spoiler Black	left Anodised	1	
(27)	991 512 682 90	Wing strut for rear spoiler Black	right Anodised	1	
(27)	991 512 681 91	Wing strut for rear spoiler Aluminium White	left Anodised	1	
(27)	991 512 682 91	Wing strut for rear spoiler Aluminium White	right Anodised	1	
28	N 911 883 01	Hexagon socket head bolt M6X20		4	
29	999 073 509 01	countersunk bolt M 6X12-MK Micro-self-locking silver		4	
(29)	999 073 509 02	countersunk bolt		4	

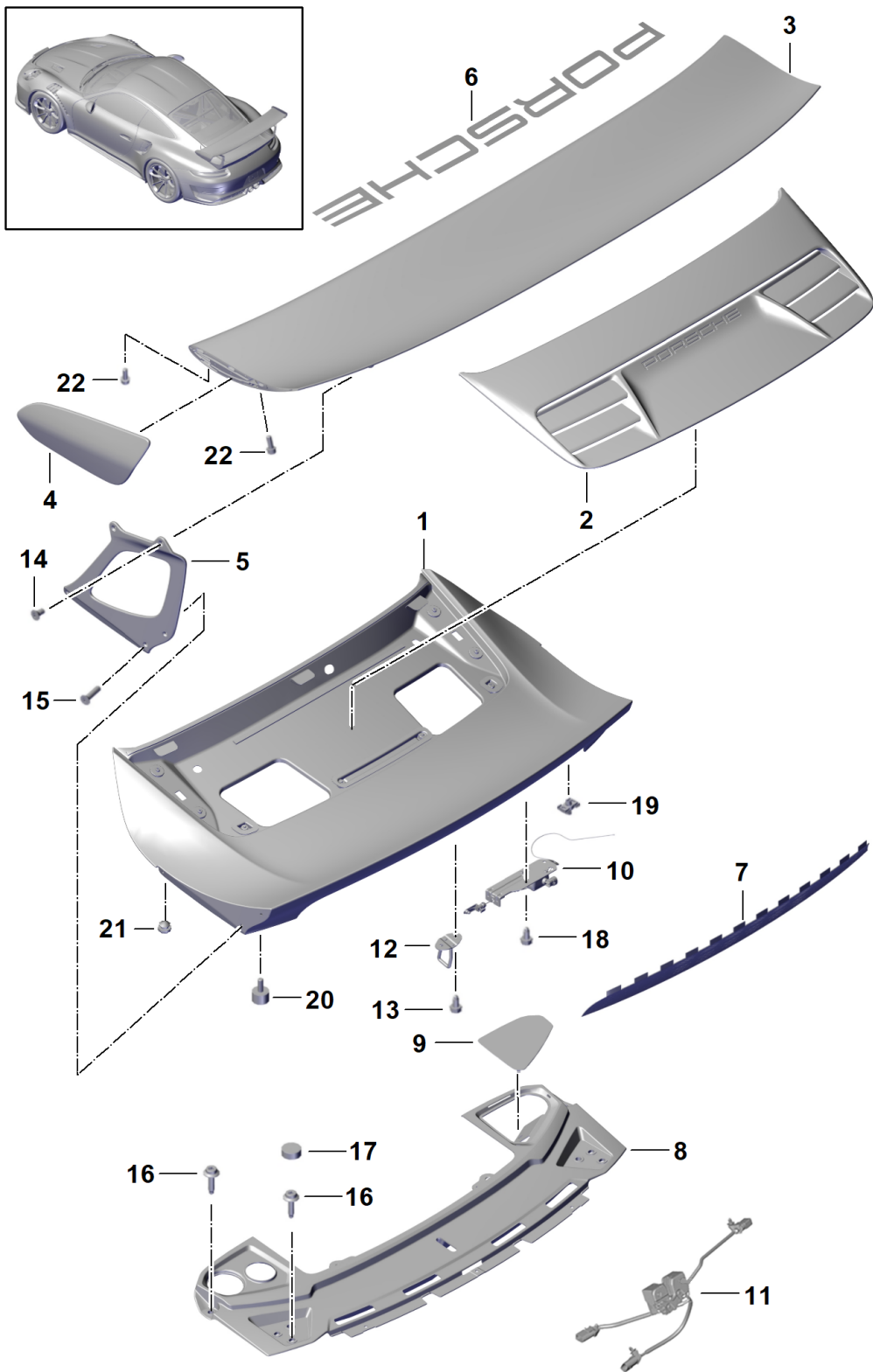
Model: 991G13

Model life 2014>>

Pos	Part Number	Description	Remark	Qty	Model
30	999 085 051 02	M 6X12-MK Micro-self-locking Black Hexagon nut M6 silver		4	
(30)	999 085 051 03	Socket head nut M6 Black		4	
31	997 512 783 91	Shim		4	
32	999 073 446 A1	fillister hd. bolt M5X16		9	
33	999 073 386 A1	countersunk bolt M5X16		11	
34	999 073 268 01	fillister hd. bolt M5X12		4	
35	900 075 487 01	Bolt with washer M6X16-PA		2	
36	999 505 419 40	Retaining clip 6,0		2	
37	900 377 015 01	Hexagon nut M 8		2	
38	999 073 510 01	countersunk bolt M 6X25-MK silver		6	
(38)	999 073 510 02	countersunk bolt M 6X25-MK Black		6	
39	999 073 709 01	Bolt with washer M 5X 16		4	
40	991 512 952 82	repair set Bonnet hinge	right	1	

Model: 991G13

Model life 2014>>

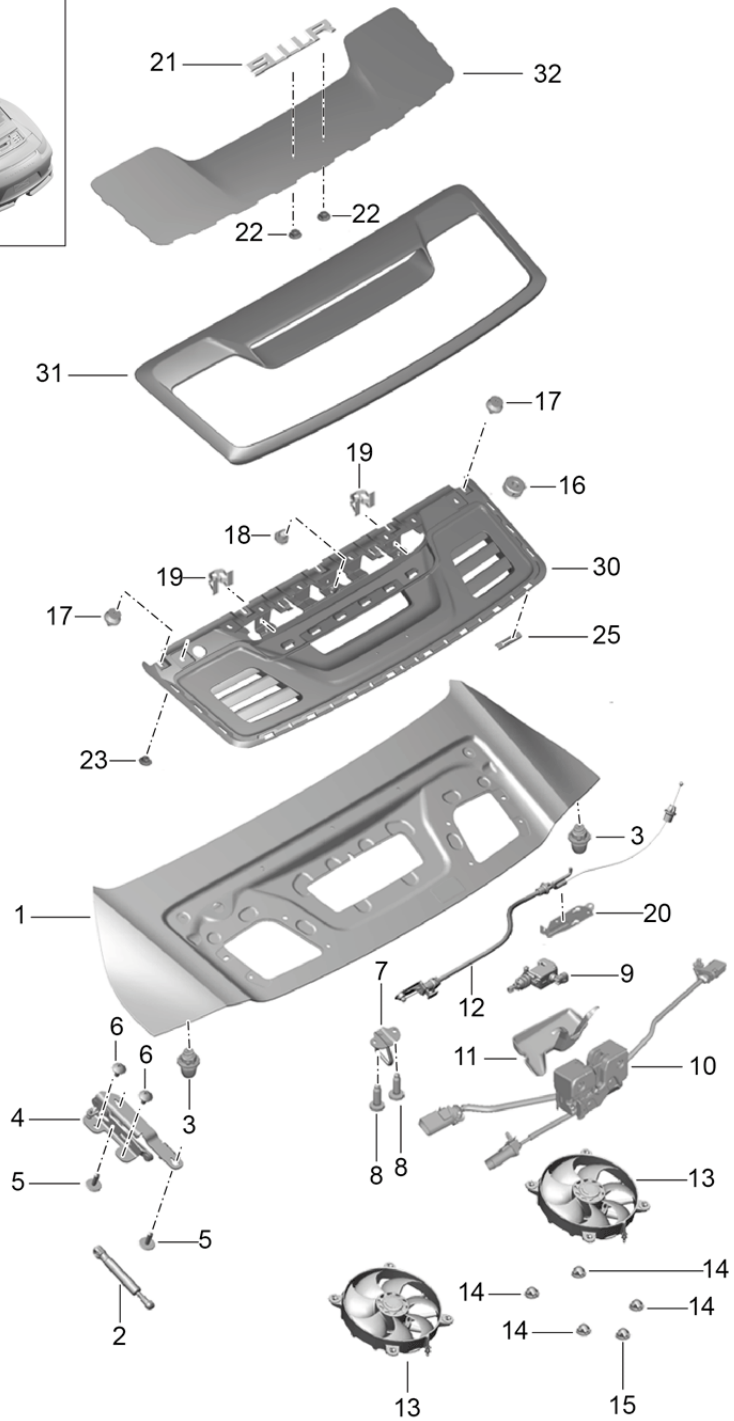
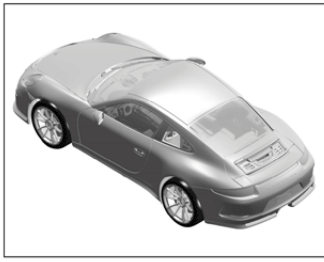


Model: 991G13 Model life 2014>>

Pos	Part Number	Description	Remark	Qty	Model
		Rear lid Rear spoiler Accessories D - MJ 2018>>			GT3 RS 2 GENERATION
1	991 512 227 95	Cover		1	
	991 512 227 95 G2X	primed			
2	991 512 331 91	Ventilation grille		1	
	991 512 331 91 OK1	Matt black			
3	991 512 265 98	Rear spoiler		1	
	991 512 265 98 G2X	primed			
4	991 512 463 92	Wing plate for rear spoiler	left	1	
	991 512 463 92 OK1	Matt black			
(4)	991 512 464 92	Wing plate for rear spoiler	right	1	
	991 512 464 92 OK1	Matt black			
5	991 512 681 71	Wing strut for rear spoiler	left	1	
		Black			
(5)	991 512 682 71	Wing strut for rear spoiler	right	1	
		Black			
6	991 559 251 70	inscription Porsche rear spoiler		1	
7	991 512 443 90	Grille Air guide		1	
8	991 504 221 85	Mounting bracket		1	
9	991 504 475 80	Cover Mounting bracket		1	
10	991 504 117 80	throttle control element Lid lock		1	
11	991 504 053 91	Lid lock		1	
12	981 512 051 00	Striker		1	
-		Fasteners			
13	999 073 378 02	flat round head bolt		2	
14	999 073 509 01	countersunk bolt 6X12		4	
15	999 073 510 02	countersunk bolt M6X25		6	
16	999 073 555 01	Socket head bolt M8X35		4	
17	991 504 675 80	Cover cap Socket head bolt Mounting bracket		2	
18	900 075 487 01	Bolt with washer M6X16		1	
19	999 505 419 40	Retaining clip 6,0		2	
20	991 512 971 80	Stop buffer		2	
21	999 703 203 40	Rubber buffer 5,8 X 9,5		2	PR: XAF, XAV
22	999 073 709 01	Bolt with washer Wing plate for rear spoiler Spoiler	M5X16 rear	4	
23	991 512 151 81	Hinge	left	1	
(23)	991 512 152 82	Hinge	right	1	
24	991 512 952 82	repair set Bonnet hinge	right	1	

Model: 991G13

Model life 2014>>



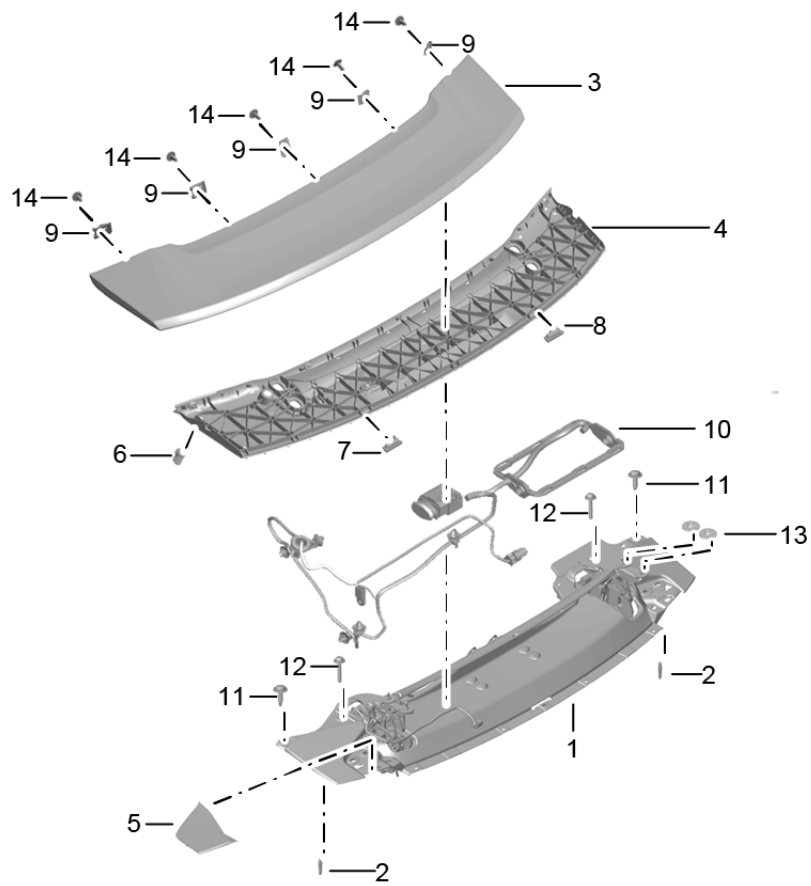
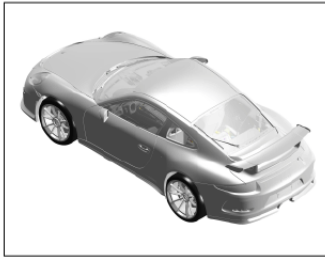
Model: 991G13

Model life 2014>>

Pos	Part Number	Description	Remark	Qty	Model
1	991 512 011 02	Cover	rear	1	911 R
(1)	991 512 011 02 GRV	Cover primed		1	PR:686,690
	991 512 011 03	Cover		1	
	991 512 011 03 GRV	Cover primed		1	
2	991 512 551 80	Gas filled strut		2	
3	987 512 987 00	throttle control element Adjustable		2	
4	991 512 151 02	Hinge	left	1	
(4)	991 512 152 02	Hinge	right	1	
5	N 911 883 01	Hexagon socket head bolt M6 X 20		4	
6	N 910 966 01	Hexagon socket flat head bolt M6 X 12		4	
7	991 512 213 02	Lock upper part		1	
8	999 073 378 02	flat round head bolt M6 X 20		2	
9	991 504 117 01	throttle control element		1	
		with:			
10	991 504 053 00	Bowden cable Lid lock		1	
11	991 504 683 00	Water guide housing for Lid lock	rear	1	
12	991 504 553 01	Bowden cable		1	
13	991 624 050 06	Fan		2	
14	991 624 353 00	Grommet		4	
15	958 110 673 00	Grommet		X	
16	997 512 671 00	clamping nut		4	
17	999 507 897 40	Retaining clip 7,8X1,6		7	
18	999 703 270 40	Stop buffer 5,5X9X8,6		11	
19	999 507 584 01	Clamp 8,0X10,2/2,0		2	
20	991 504 563 02	bracket f.throttle contr.elem.		1	
21	991 559 221 80	inscription 911 R		1	
22	999 591 423 03	Tapping nut		2	
23	N 906 636 03	hex. nut with washer M 5		6	
25	999 507 696 00	U-clip		14	
30	991 512 661 80	Trim Ventilation grille		1	
31	991 512 661 80 OK1	Matt black			
	991 512 597 80	Frame Ventilation grille		1	
	991 512 597 80 OK1	Matt black			
32	991 512 571 80	Ventilation grille		1	

Model: 991G13

Model life 2014>>



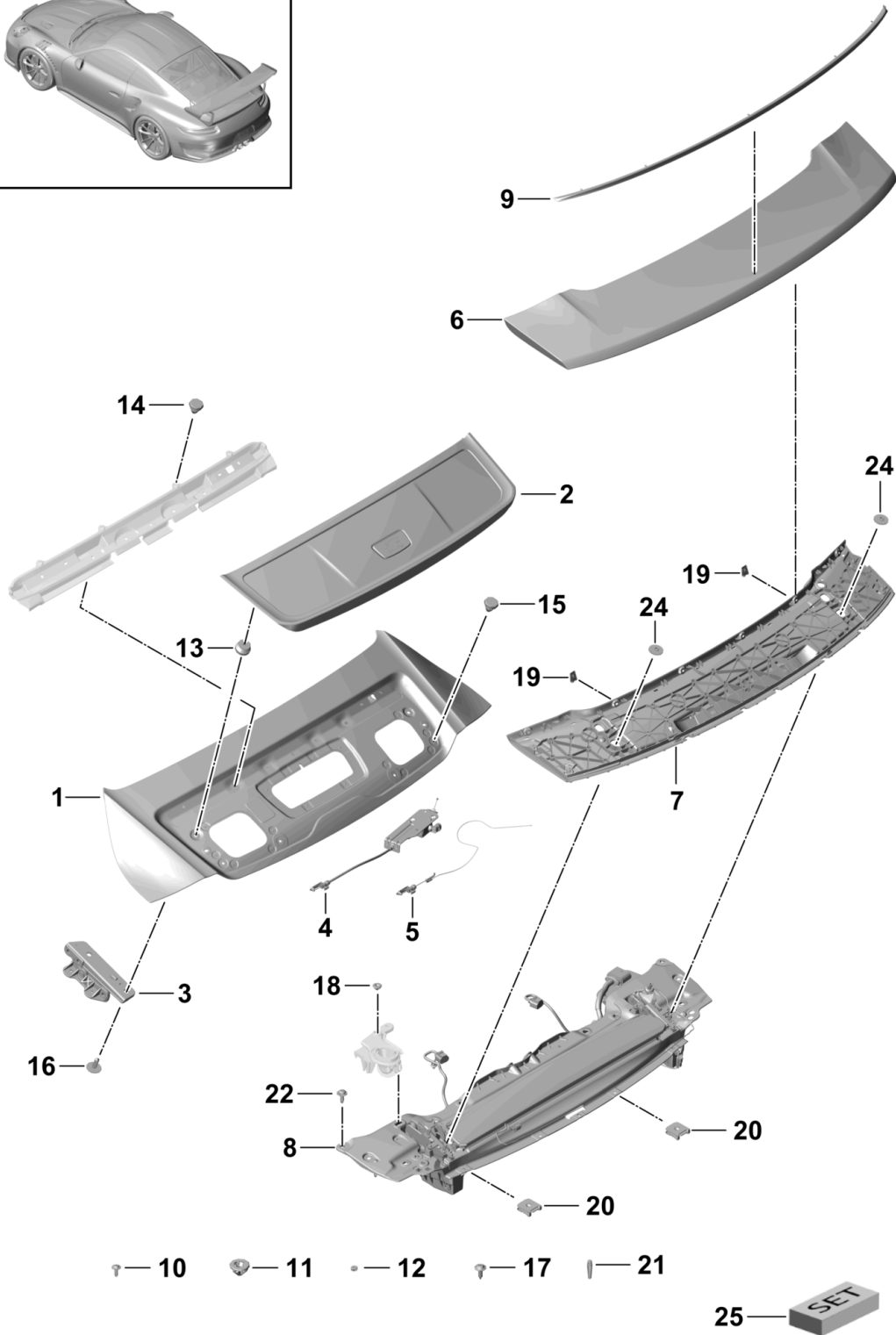
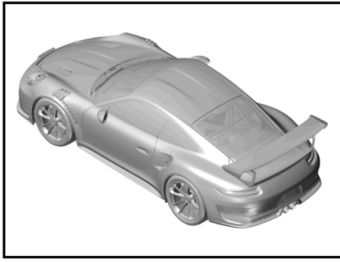
Model: 991G13

Model life 2014>>

Pos	Part Number	Description	Remark	Qty	Model
1	991 504 041 03	Rear spoiler Driving mechanism		1	911R
2	991 504 621 00	Rear spoiler (complete) Centring journal Carrier		2	
3	991 504 241 03	Spoiler primed Upper part		1	
4	991 504 205 03	Spoiler Lower part		1	
5	991 504 661 01	Cover	left	1	
(5)	991 504 662 01	Cover	right	1	
6	999 703 885 40	Stop buffer 6X14,5X20		4	
7	999 703 276 40	Rubber bush 19X5X2		2	
9	999 507 785 01	panel nut ST 4,2		X	
10	991 612 881 00	Wire set Rear spoiler		1	
11	999 073 534 01	Bolt with washer M8X30		X	
12	N 911 657 01	Hex socket head bolt (combi) M6X35		X	
13	991 504 367 00	throttle control element Driving mechanism Rear spoiler		4	
14	N 909 868 03	Hexagon socket head panel bolt ST 4,2 X13 Mount Spoiler Lower part		5	

Model: 991G13

Model life 2014>>



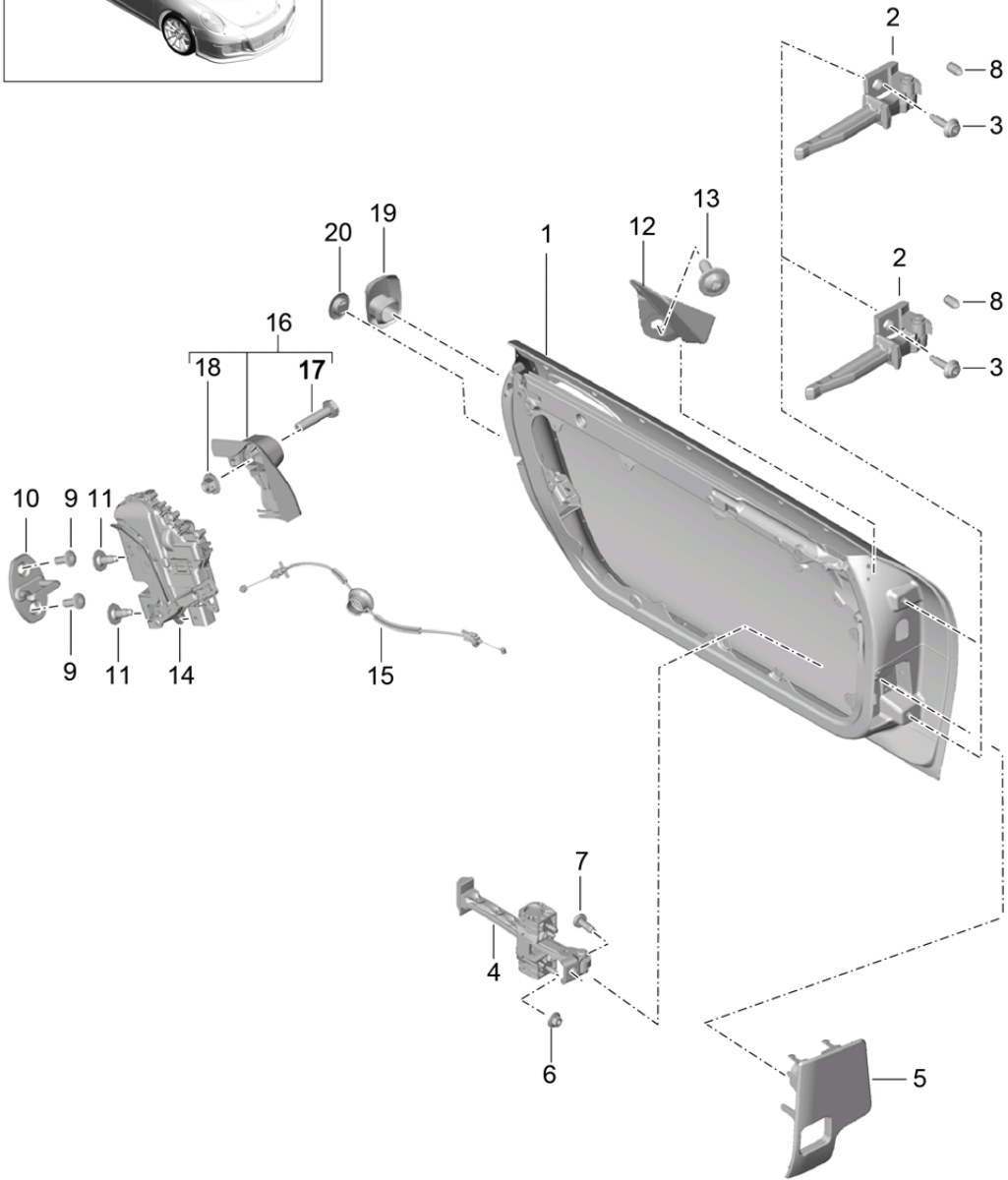
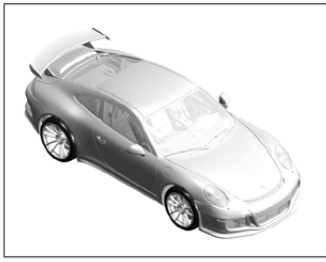
Model: 991G13

Model life 2014>>

Pos	Part Number	Description	Remark	Qty	Model
1	991 512 011 24	Cover	rear	1	991 TOURING
	991 512 011 24 GRV	Cover primed	rear		
2	991 512 331 81	Ventilation grille	rear	1	PR:039
	991 512 331 81 OK1	Matt black			
3	991 512 151 21	Hinge	left	1	
(3)	991 512 152 21	Hinge	right	1	
4	991 504 117 20	throttle control element		1	
		with:			
5	991 504 553 20	Bowden cable		1	
6	991 504 241 27	Bowden cable		1	
		Rear spoiler			
		Upper part			
7	991 504 241 27 G2X	primed		1	
	991 504 205 25	Spoiler			
		trim - lower part			
8	991 504 041 80	Drive unit for rear spoiler (complete)		1	
9	991 504 281 82	Tear-off edge for rear spoiler		1	
	991 504 281 82 G2X	primed			
-		Fasteners			
10	999 073 322 02	fillister hd. bolt	M6X20	1	
11	958 110 673 00	Grommet		X	
12	997 512 671 00	clamping nut		4	
13	999 507 897 40	Retaining clip		7	
		7,8X1,6			
14	999 703 270 40	Stop buffer		11	
		5,5X9X8,6			
15	999 703 270 40	Stop buffer		11	
		5,5X9X8,6			
16	N 911 883 01	Hexagon socket head bolt		4	
		M6 X 20			
17	N 909 868 03	Hexagon socket head panel bolt	ST4.2X13	1	
		flat round head bolt			
18	999 703 885 40	Stop buffer		4	
19	999 507 785 01	panel nut	ST4,2	X	
20	999 507 309 02	panel nut	ST4,8	6	
21	991 504 621 00	Centring journal		1	
		Carrier			
22	999 073 534 01	Bolt with washer		1	
24	991 504 367 00	throttle control element		1	
		Drive unit			
		Rear spoiler			
25	991 504 903 80	1 set of fixing parts for rear spoiler		1	
		Mechanical			

Model: 991G13

Model life 2014>>



Model: 991G13 Model life 2014>>

Pos	Part Number	Description	Remark	Qty	Model
		Door shell Installation parts			GT3 / GT3 RS
1	991 531 911 01	Door lock Door shell D >> - MJ 2017	left	1	
1	991 531 911 01 GRV 9P1 831 051 B	primed Door shell D - MJ 2018>>	left	1	
(1)	9P1 831 051 B GRV 991 531 912 01	primed Door shell D >> - MJ 2017	right	1	
(1)	991 531 912 01 GRV 9P1 831 052 B	primed Door shell D - MJ 2018>>	right	1	
2	991 531 319 00	Hinge	left	2	
(2)	991 531 320 00	Hinge	right	2	
3	999 073 192 01	Socket head bolt M 8 X 33		2	
4	991 537 151 00	Door catch		2	
5	991 537 631 00	Cover Door catch	left	1	
(5)	991 537 631 00 1E0 991 537 632 00	Black Cover Door catch	right	1	
6	991 537 632 00 1E0 999 076 042 01	Black Hexagon nut M 6		4	
7	999 073 138 01	flat round head bolt M 8 X 25		2	
8	958 537 947 00	Cover cap Hinge		4	
9	N 910 174 01	countersunk multi-point socket head bolt M 8 X 22		4	
10	3C0 837 767 A	Striker		2	
11	WHT 003 688	fillister head bolt (combi.) M 8 X 16		4	
12	991 537 831 00	Support Wing	left	1	
(12)	991 537 831 00 1E0 991 537 832 00	Black Support Wing	right	1	
13	991 537 832 00 1E0 999 073 322 02	Black fillister hd. bolt M6X20-SC		1	
14	8J1 837 015 C	Door lock D >> - MJ 2015	left lhd	1	PR:-IY2,098
(14)	8J1 837 015 E	Door lock D - MJ 2015>>	left lhd	1	PR:IY2,098
(14)	8J1 837 015 D	Door lock	left	1	
(14)	8J1 837 016 C	Door lock	right lhd	1	PR:098
(14)	8J1 837 016 D	Door lock	right	1	
(14)	8J2 837 015 C	Door lock	left rhd	1	PR:099
(14)	8J2 837 016 C	Door lock	right rhd	1	PR:099
15	991 537 319 00	Bowden cable Door lock		2	
16	991 537 045 01	door lock cover (drivers side)	lhd	1	PR:098
(16)	991 537 046 01	door lock cover (drivers side)	rhd	1	PR:099
17	N 010 218 13	Hexagon bolt M 6 X 25		1	

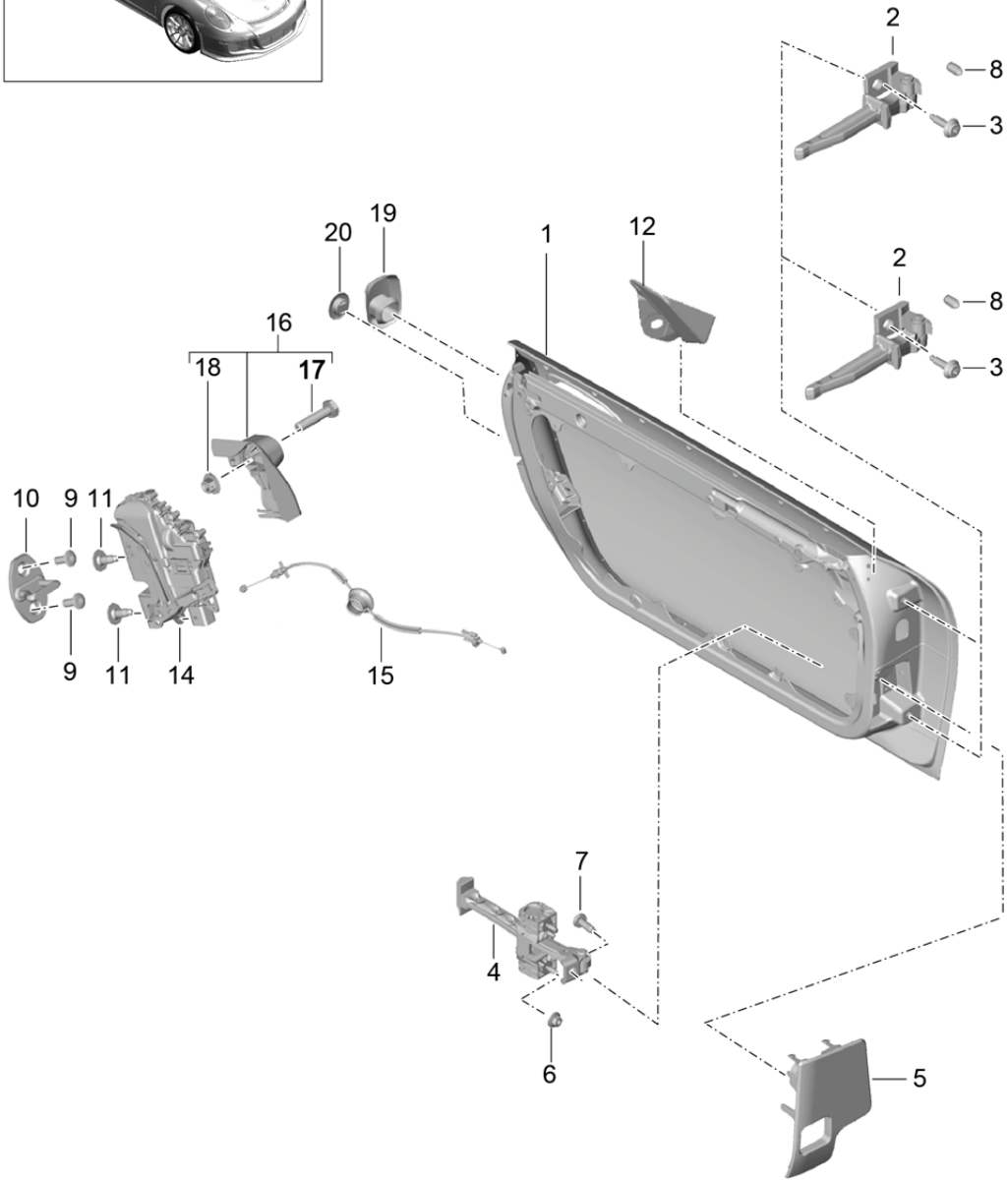
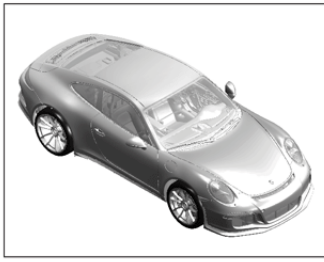
Model: 991G13

Model life 2014>>

Pos	Part Number	Description	Remark	Qty	Model
18	999 084 212 03	Hexagon nut M 6		1	
19	9P1 837 111	Cover Door frame		1	
20	9P1 837 111 1E0	Black		1	
	9P1 837 111 A	Cover Emergency operation Door frame			
	9P1 837 111 A 1E0	Black			

Model: 991G13

Model life 2014>>

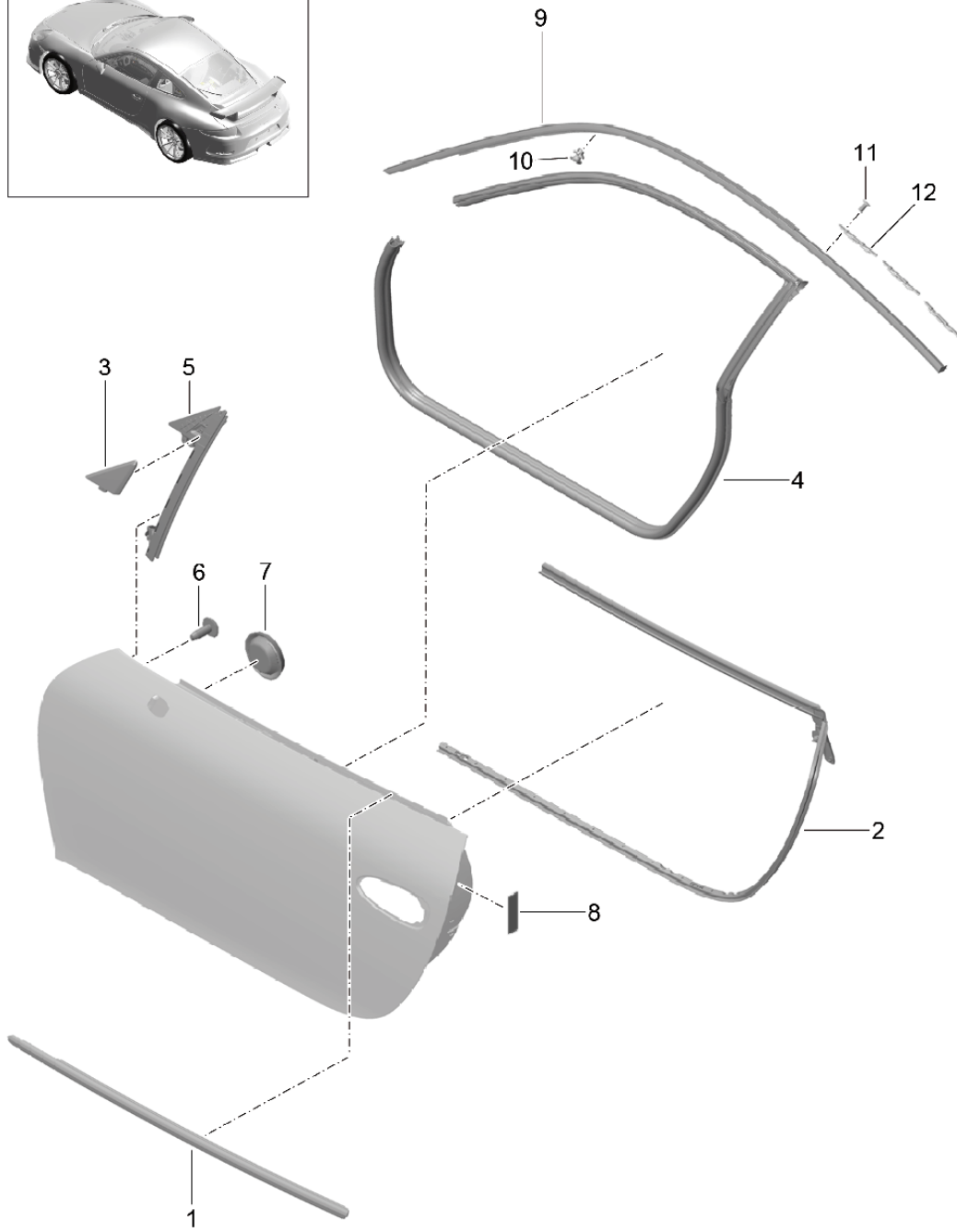
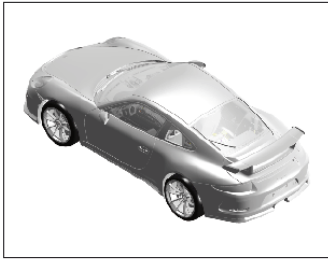


Model: 991G13 Model life 2014>>

Pos	Part Number	Description	Remark	Qty	Model
		Door shell Installation parts			911 R
1	991 531 011 06	Door lock	left	1	
	991 531 011 06 GRV	Door primed			
(1)	991 531 011 06	Door lock	right	1	
	991 531 011 06 GRV	Door primed			
2	991 531 319 00	Hinge	left	2	
(2)	991 531 320 00	Hinge	right	2	
3	999 073 192 01	Socket head bolt M 8 X 33		2	
4	991 537 151 00	Door catch		2	
6	999 076 042 01	Hexagon nut M 6		4	
7	999 073 138 01	flat round head bolt M 8 X 25		2	
8	958 537 947 00	Cover cap Hinge		4	
9	N 910 174 01	countersunk multi-point socket head bolt M 8 X 22		4	
10	3C0 837 767 A	Striker		2	
11	WHT 003 688	fillister head bolt (combi.) M 8 X 16		4	
12	991 537 831 00	Support Wing	left	1	
	991 537 831 00 1E0	Black			
(12)	991 537 832 00	Support Wing	right	1	
	991 537 832 00 1E0	Black			
(14)	8J1 837 015 E	Door lock	left lhd	1	PR:098
(14)	8J1 837 016 E	Door lock	right lhd	1	PR:098
(14)	8J2 837 015 E	Door lock	left rhd	1	PR:099
(14)	8J2 837 016 E	Door lock	right rhd	1	PR:099
15	991 537 319 00	Bowden cable Door lock		2	
16	991 537 045 01	door lock cover (drivers side)	lhd	1	PR:098
(16)	991 537 046 01	door lock cover (drivers side)	rhd	1	PR:099
17	N 010 218 13	Hexagon bolt M 6 X 25		1	
18	999 084 212 03	Hexagon nut M 6		1	
19	9P1 837 111	Cover Door frame		1	
	9P1 837 111 1E0	Black			
20	9P1 837 111 A	Cover Emergency operation Door frame		1	
	9P1 837 111 A 1E0	Black			

Model: 991G13

Model life 2014>>

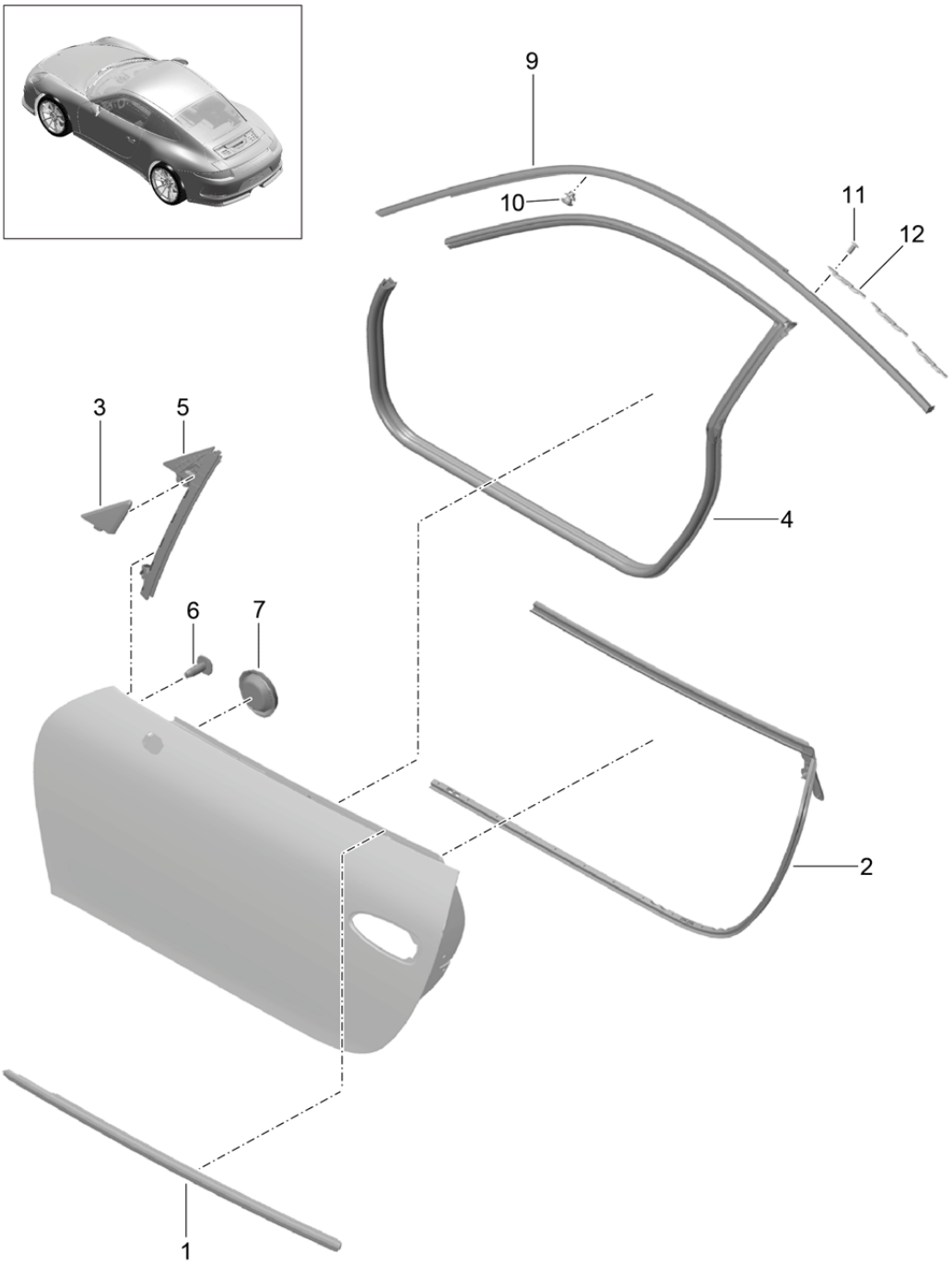


Model: 991G13 Model life 2014>>

Pos	Part Number	Description	Remark	Qty	Model
		Door seal and Trim			GT3 / GT3 RS
1	991 537 085 01	Seal	left	1	
		Door channel	outer		
(1)	991 537 085 01 03C	Rally black			
	991 537 086 01	Seal	right	1	
		Door channel	outer		
	991 537 086 01 03C	Rally black			
2	991 537 377 00	Seal	left	1	
		Door channel	inner		
(2)	991 537 378 00	Seal	right	1	
		Door channel	inner		
-	999 911 201 40	sealing tape 1000 X 10 X 3 MM		1	
3	991 537 551 03	Cover	left	1	
			outer		
		D - MJ 2014>>			
(3)	991 537 551 03 1E0	Black			
	991 537 552 03	Cover	right	1	
			outer		
		D - MJ 2014>>			
	991 537 552 03 1E0	Black			
4	991 537 075 04	Door seal	left	1	
			inner		
(4)	991 537 076 04	Door seal	right	1	
			inner		
5	991 537 431 02	Window guide	left	1	
(5)	991 537 432 02	Window guide	right	1	
6	999 073 333 09	fillister hd. bolt M6X16-SC		6	
7	999 703 543 40	End cap 25,0X35,0		1	
8	996 537 337 00	protective foil for door		4	
9	991 537 481 02	Trim	left	1	
		roof frame	side		
(9)	991 537 481 02 03C	Rally black			
	991 537 481 03	Trim	left	1	
		roof frame	side		
(9)	991 537 481 03 V09	Alushine			
	991 537 482 02	Trim	right	1	
		roof frame	side		
(9)	991 537 482 02 03C	Rally black			
	991 537 482 03	Trim	right	1	
		roof frame	side		
	991 537 482 03 V09	Alushine			
10	991 537 671 00	Clip		16	
11	N 907 878 02	cup rivet AK3,2X6,5		12	
12	3D5 853 707 B	Retaining clip Water deflector strip		6	

Model: 991G13

Model life 2014>>



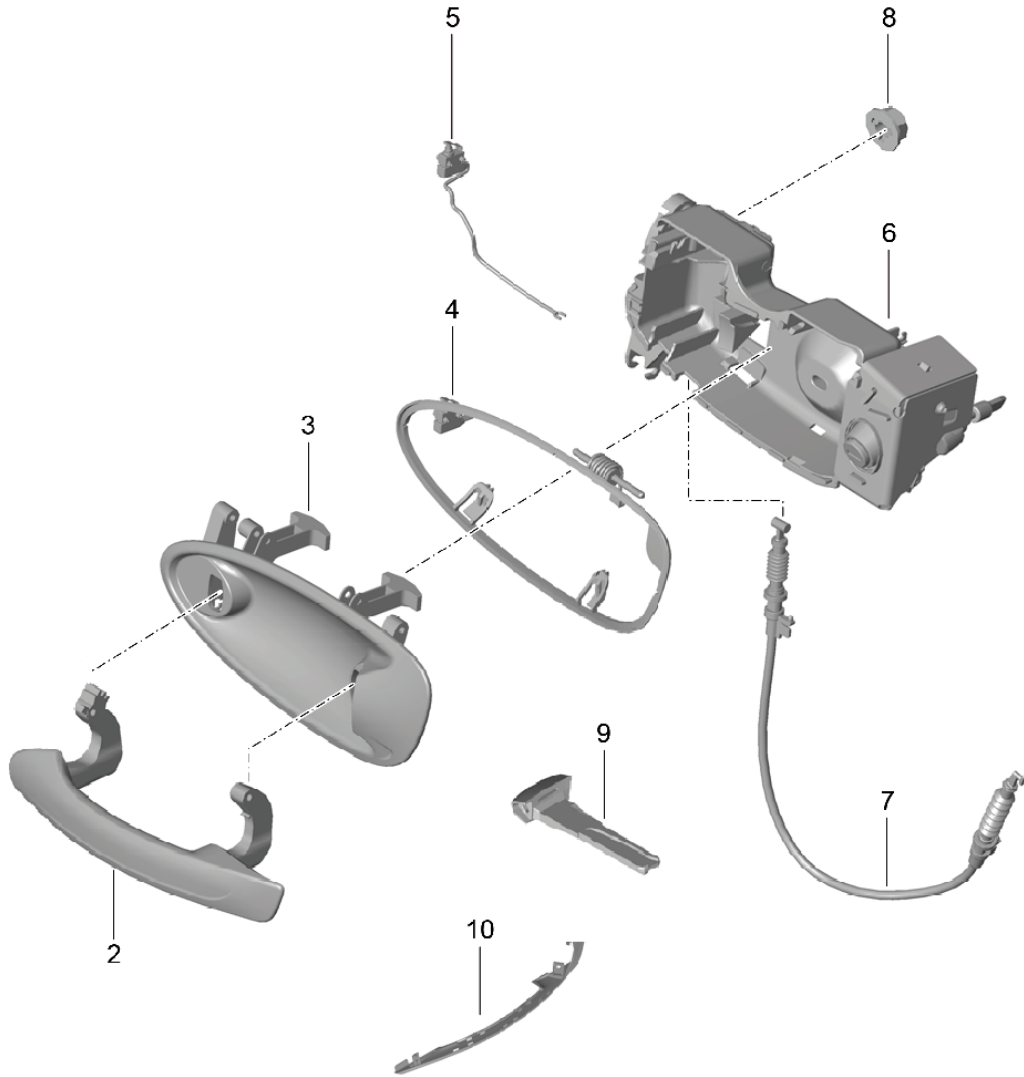
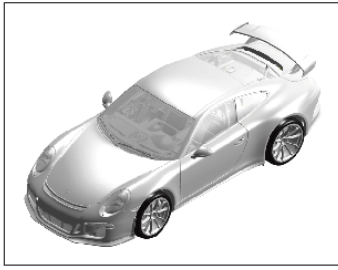
Model: 991G13

Model life 2014>>

Pos	Part Number	Description	Remark	Qty	Model
		Door seal and Trim			911 R
1	991 537 085 01	Seal	left	1	PR:-559
		Door channel	outer		
(1)	991 537 085 01 03C	Rally black			
	991 537 085 02	Seal	left	1	PR:559
		Door channel	outer		
(1)	991 537 085 02 V09	Alushine			
	991 537 086 01	Seal	right	1	PR:-559
		Door channel	outer		
(1)	991 537 086 01 03C	Rally black			
	991 537 086 02	Seal	right	1	PR:559
		Door channel	outer		
	991 537 086 02 V09	Alushine			
2	991 537 377 00	Seal	left	1	
		Door channel	inner		
(2)	991 537 378 00	Seal	right	1	
		Door channel	inner		
-	999 911 201 40	sealing tape 1000 X 10 X 3 MM		1	
3	991 537 551 03	Cover	left	1	
			outer		
(3)	991 537 551 03 1E0	Black			
	991 537 552 03	Cover	right	1	
			outer		
	991 537 552 03 1E0	Black			
4	991 537 075 04	Door seal	left	1	
			inner		
(4)	991 537 076 04	Door seal	right	1	
			inner		
5	991 537 431 04	Window guide	left	1	
(5)	991 537 432 04	Window guide	right	1	
6	999 073 333 09	fillister hd. bolt M6X16-SC		6	
7	999 703 543 40	End cap 25,0X35,0		1	
9	991 537 481 02	Trim roof frame	left	1	PR:-559
			side		
(9)	991 537 481 02 03C	Rally black			
	991 537 481 03	Trim roof frame	left	1	PR:559
			side		
(9)	991 537 481 03 V09	Alushine			
	991 537 482 02	Trim roof frame	right	1	PR:-559
			side		
(9)	991 537 482 02 03C	Rally black			
	991 537 482 03	Trim roof frame	right	1	PR:559
			side		
	991 537 482 03 V09	Alushine			
10	991 537 671 00	Clip		16	
11	N 907 878 02	cup rivet AK3,2X6,5		12	
12	3D5 853 707 B	Retaining clip Water deflector strip		6	

Model: 991G13

Model life 2014>>

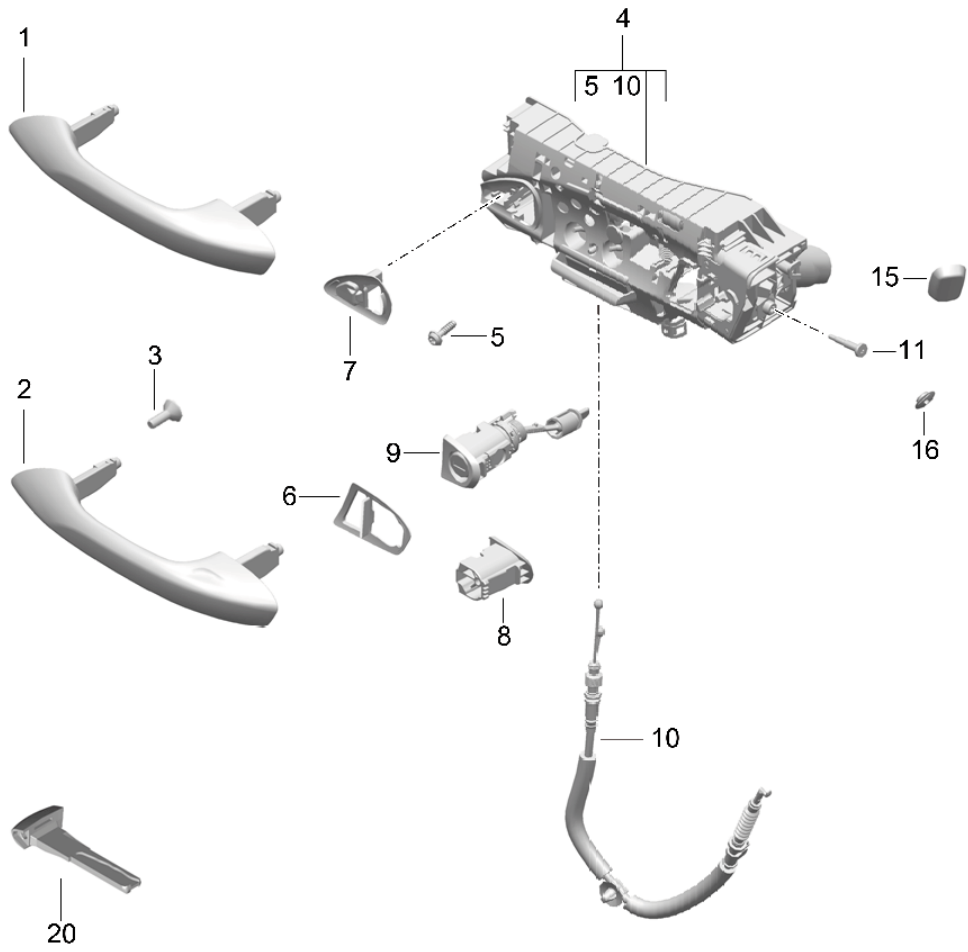
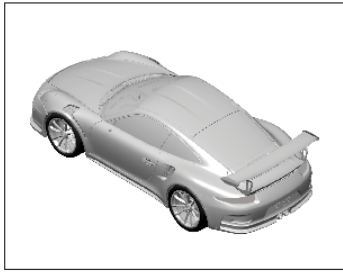


Model: 991G13 Model life 2014>>

Pos	Part Number	Description	Remark	Qty	Model
2	991 537 613 02	Door handle D >> - MJ 2017 Door handle	left basic	1	
(2)	991 537 614 02	primed Door handle	right basic	1	
3	991 537 645 05	primed Handle liner	left	1	
(3)	991 537 646 05	primed Handle liner	right	1	
4	991 537 445 01	primed Assembly kit	left	1	
4	991 537 445 02	Discontinued part Assembly kit	left	1	
(4)	991 537 446 01	Discontinued part Assembly kit	right	1	
(4)	991 537 446 02	Discontinued part Assembly kit	right	1	
5	991 613 171 00	Micro switch	basic	1	
6	991 538 911 04	Bracket Door handle, exterior	left lhd	1	PR:098
		with:			
(6)	991 537 064 05	Lock cylinders Vehicle Ident. No. Indicate Bracket	right lhd	1	PR:098
(6)	991 538 912 04	Door handle, exterior Without lock cylinder Bracket	right rhd	1	PR:099
		with:			
(6)	991 537 063 05	Lock cylinders Vehicle Ident. No. Indicate Bracket	left rhd	1	PR:099
7	991 537 419 01	Door handle, exterior Without lock cylinder Bowden cable		2	
8	999 084 629 01	Door handle, exterior Hexagon nut		4	
9	958 538 916 00	M 6-SB emergency key with stipulated lock number State lock number		X	

Model: 991G13

Model life 2014>>



Model: 991G13 Model life 2014>>

Pos	Part Number	Description	Remark	Qty	Model
		Door handle D - MJ 2018>>			GT3II u.RSII
1	9P1 837 165 Y	Door handle primed	left basic	1	PR:-625
(1)	9P1 837 166 Y	Door handle primed	right basic	1	PR:-625
2	9P1 837 165 AY	Door handle 'Keyless Entry (KESSY)' primed	left	1	PR:625
(2)	9P1 837 166 AY	Door handle 'Keyless Entry (KESSY)' primed	right	1	PR:625
3	900 144 183 01	panel screw ST2.9X5.4		1	
4	9P1 837 885 B	Mounting bar	left lhd	1	PR:098
(4)	9P1 837 886 B	Mounting bar	right lhd	1	PR:098
(4)	9P1 837 885 C	Mounting bar	left rhd	1	PR:099
(4)	9P1 837 886 C	Mounting bar	right rhd	1	PR:099
5	999 919 311 01	fillister hd. bolt 5.0X18.0		3	
6	9P1 837 209	Underlay	left	1	
(6)	9P1 837 210	Underlay	right	1	
7	9P1 837 161	Bracket	left	1	
(7)	9P1 837 162	Bracket	right	1	
8	9P1 837 469	Bracket	left rhd	1	PR:099
(8)	9P1 837 470	Bracket	right lhd	1	PR:098
9	9P1 800 375 B	Set of locks with stipulated lock number comprising: Lock cylinders emergency key Key fob Vehicle Ident. No. and State lock number	lhd	1	PR:098
(9)	9P1 800 375 C	Set of locks with stipulated lock number comprising: Lock cylinders emergency key Key fob Vehicle Ident. No. and State lock number	rhd	1	PR:099
10	9P1 837 017	Bowden cable		1	
11	WHT 002 684	Mounting bar Locating bolt M 4GFX5X29		1	
15	9P1 837 111	Cover		1	
	9P1 837 111 1E0	Door frame Black			

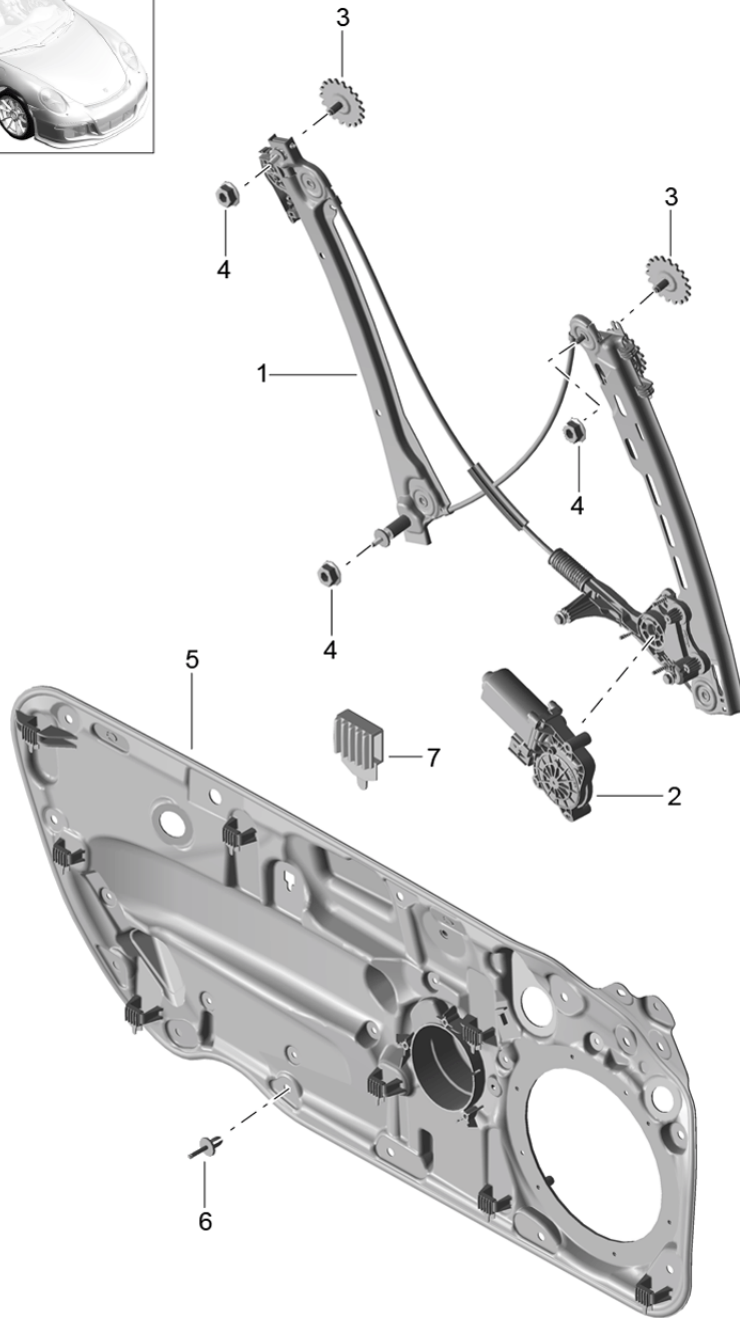
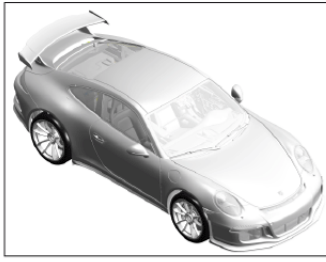
Model: 991G13

Model life 2014>>

Pos	Part Number	Description	Remark	Qty	Model
16	9P1 837 111 A	Cover Emergency operation		1	
	9P1 837 111 A 1E0	Black			
20	958 538 916 00	emergency key with stipulated lock number State lock number		X	

Model: 991G13

Model life 2014>>



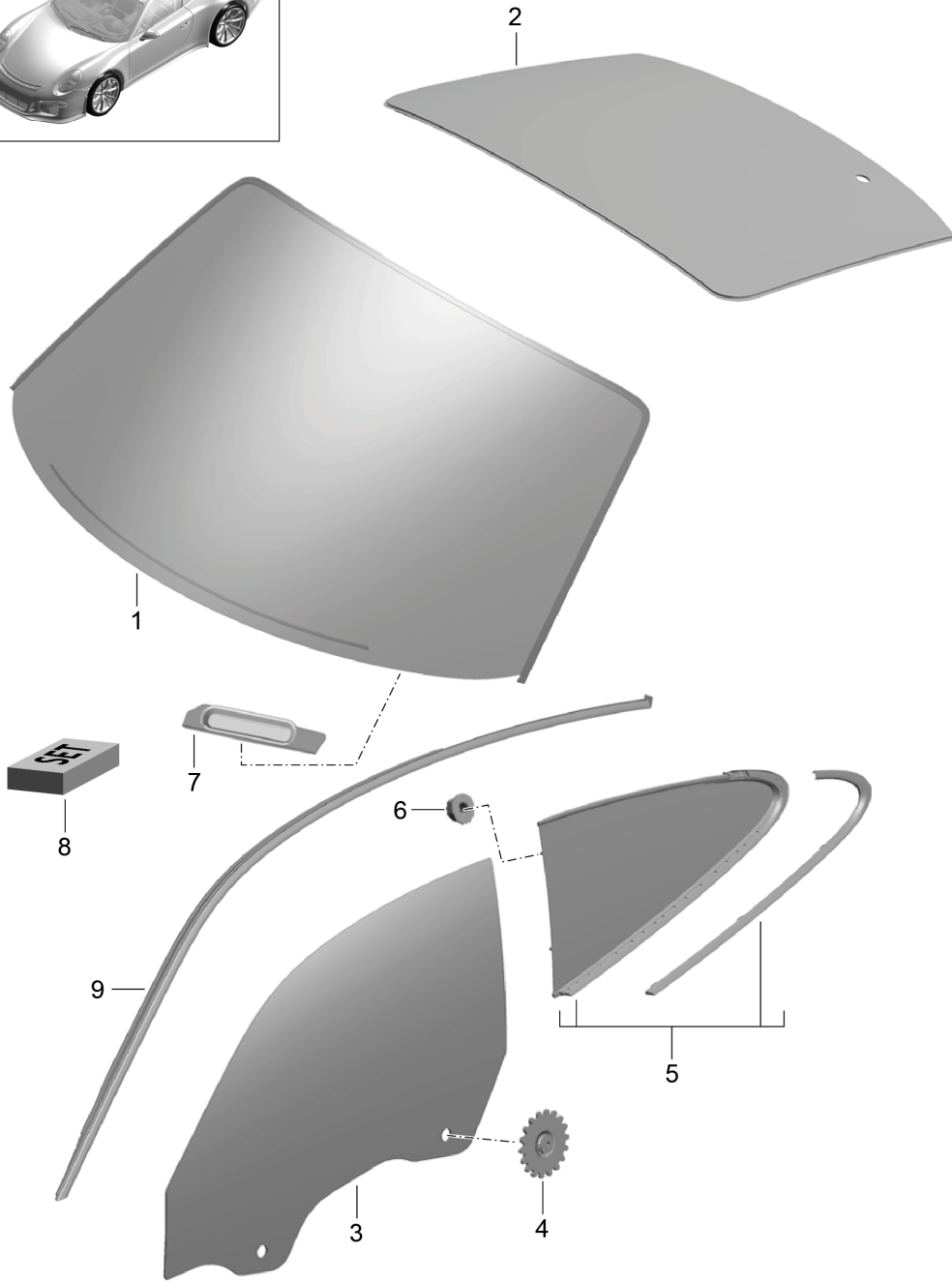
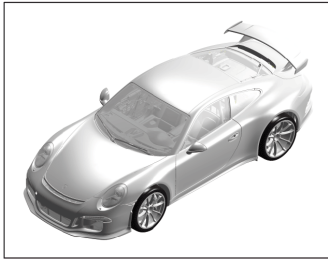
Model: 991G13

Model life 2014>>

Pos	Part Number	Description	Remark	Qty	Model
1	991 542 975 00	Window regulator Window regulator without motor Electric motor D >> - MJ 2014 Discontinued part	left	1	
1	991 542 975 01	Window regulator without motor Electric motor D - MJ 2015>>	left	1	
(1)	991 542 976 00	Window regulator without motor Electric motor D >> - MJ 2014 Discontinued part	right	1	
(1)	991 542 976 01	Window regulator without motor Electric motor D - MJ 2015>>	right	1	
2	991 624 101 02	Electric motor Window regulator	left	1	
(2)	991 624 102 02	Electric motor Window regulator	right	1	
3	991 542 551 02	Mount Window regulator		2	
4	900 377 018 09	Hexagon nut M 6		3	
5	991 537 221 01	Assembly frame	left	1	
(5)	991 537 222 01	Assembly frame	right	1	
6	999 591 525 40	Spreader rivet 7,0X14,2		13	
7	991 537 557 00	Rubber ply		8	

Model: 991G13

Model life 2014>>



Model: 991G13 Model life 2014>>

Pos	Part Number	Description	Remark	Qty	Model
1	991 541 911 00	window glazing Windscreen		1	PR:568,-440
(1)	991 541 911 02	Windscreen	also use: 000 043 305 35	1	PR:567,-440
(1)	991 541 911 04	Windscreen	also use: 000 043 305 35	1	PR:440,-567
(1)	991 541 911 06	Windscreen	also use: 000 043 305 35	1	PR:440,567
2	991 545 911 00	Rear window Glass		1	PR:426,-XPL, -XPR
(2)	991 545 911 03	Rear window Glass	also use: 000 043 305 35	1	PR:426,XPL, XPR
(2)	991 545 911 03	Rear window Glass	also use: 000 043 305 35	1	PR:426,553, 075
(2)	991 545 111 90	Rear window plastic	also use: 000 043 305 35	1	PR:426,-075, -553
3		Side window doors			
3	991 542 511 00	Door window No longer use the part here	left	1	
(3)	991 542 511 03	Door window	left	1	
(3)	991 542 512 00	Door window No longer use the part here	right	1	
(3)	991 542 512 03	Door window	right	1	
4	991 542 551 02	Mount		1	
5		Door window			
5		Side window	left		
5	991 543 111 00	Side window	right	1	PR:-XPL
(5)	991 543 111 00 03C	Black	left	1	PR:553
(5)	991 543 111 08	Side window	left	1	PR:032,-XPL
(6)	991 543 111 08 03C	Rally black	left	1	PR:-XPL
(5)	991 543 111 09	Side window	right	1	PR:553
(5)	991 543 111 09 V09	Alushine	right	1	PR:XPL
(5)	991 543 112 00	Side window	left	1	PR:XPL
(5)	991 543 112 00 03C	Black	right	1	PR:032,-XPL
(5)	991 543 112 08	Side window	right	1	PR:-553
(5)	991 543 112 08 03C	Rally black	right	1	PR:-553
(5)	991 543 111 03	Side window	left	1	
(5)	991 543 111 03 03C	Rally black	right	1	
(5)	991 543 112 03	Side window	right	1	
(5)	991 543 112 03 03C	Rally black	right	1	
(6)	991 543 112 09	Side window	right	1	
(5)	991 543 112 09 V09	Alushine	left	1	
(5)	991 543 111 91	Side window	left	1	
(5)	991 543 111 91 03C	Rally black plastic	right	1	
(5)	991 543 112 91	Side window		1	
(5)	991 543 112 91 03C	Rally black plastic		1	
6	N 015 082 10	Hexagon collar nut M6 Mount		2	
7	991 552 571 00	Side window Bracket		1	
8	000 043 301 14	Chassis number Adhesive set Discontinued part		1	

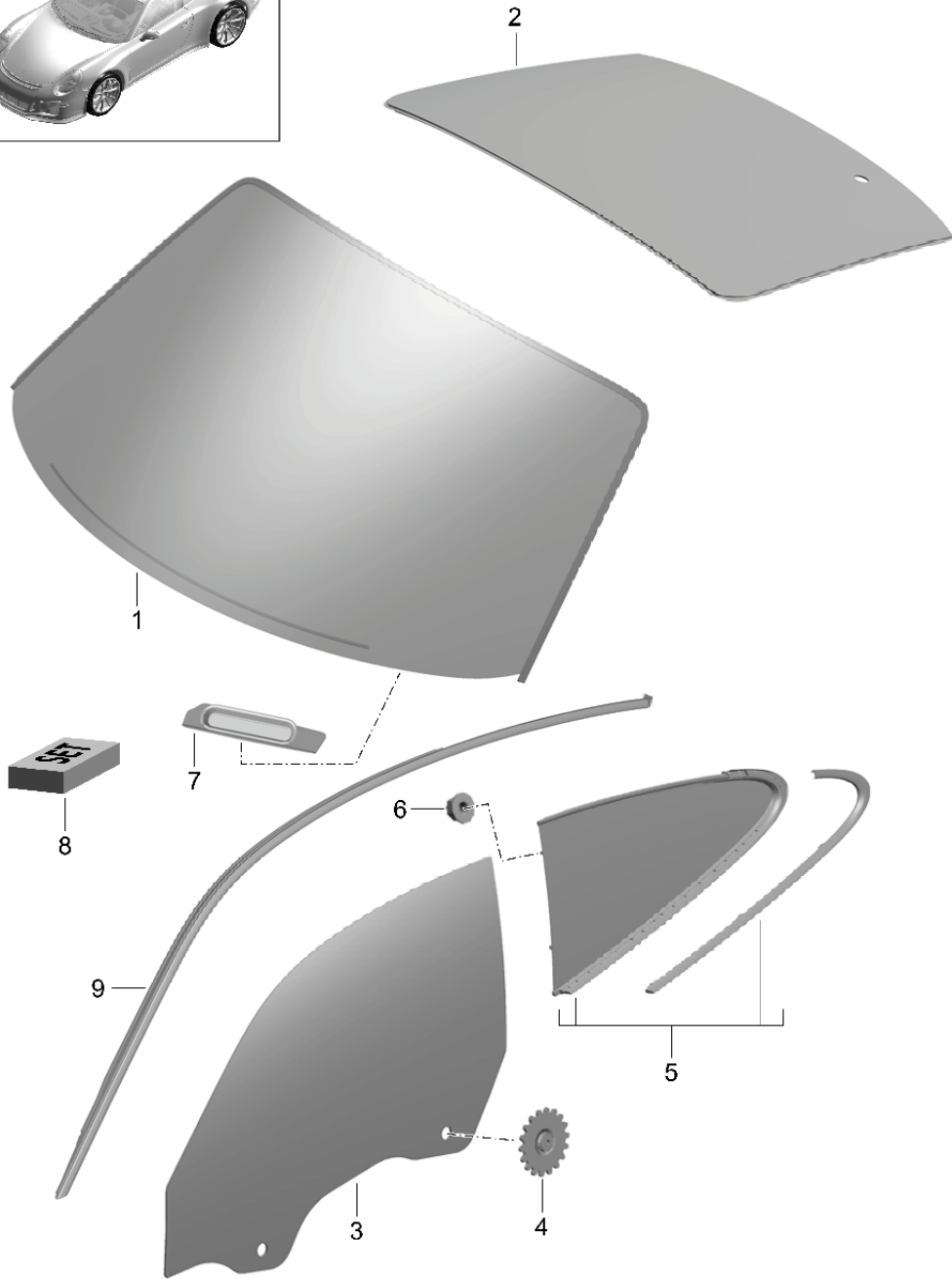
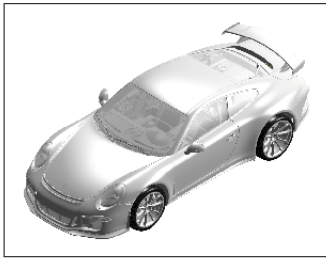
Model: 991G13

Model life 2014>>

Pos	Part Number	Description	Remark	Qty	Model
(8) 9	000 043 303 19	Adhesive set window glazing Trim see illustration:	804-010	1	

Model: 991G13

Model life 2014>>



Model: 991G13 Model life 2014>>

Pos	Part Number	Description	Remark	Qty	Model
1	9P1 845 011	window glazing D - MJ 2017>> Windscreen		1	COUPE PR:568,QU8, QV0,-ER5
		without: Camera			
(1)	9P1 845 011 A	Windscreen	also use: 000 043 305 35	1	COUPE PR:567,QU8, QV0,-ER5
		without: Camera			
(1)	9P1 845 011 B	Windscreen	also use: 000 043 305 35	1	COUPE PR:567,QU1, QV1,QV3,-ER5
		without: Camera			
(1)	9P1 845 011 C	Windscreen	also use: 000 043 305 35	1	COUPE PR:568,QU1, QV1,QV3,ER5
		without: Camera			
(1)	9P1 845 011 D	Windscreen	also use: 000 043 305 35	1	COUPE PR:567,QU1, QV1,QV3,ER5
		without: Camera			
2		Rear window		1	
2	991 545 911 00	Rear window Glass		1	PR:426,-XPL, -XPR
		also use:	000 043 305 35	1	
(2)	991 545 911 03	Rear window Glass		1	PR:426,XPL, XPR
		also use:	000 043 305 35	1	
(2)	991 545 911 03	Rear window Glass		1	PR:426,553, 075
		also use:	000 043 305 35	1	
(2)	991 545 111 90	Rear window plastic		1	PR:426,-075, -553
		also use:	000 043 305 35		
3		Side window doors			
3	991 542 511 03	Door window	left	1	
(3)	991 542 512 03	Door window	right	1	
4	991 542 551 04	Mount		2	
5		Window regulator			
5		Side window	left		
			right		
5	991 543 111 08	Side window	left	1	PR:-XPL
	991 543 111 08 03C	Rally black			
(5)	991 543 111 08	Side window	left	1	PR:553
	991 543 111 08 03C	Rally black			
(5)	991 543 112 08	Side window	right	1	PR:-XPL
	991 543 112 08 03C	Rally black			
(5)	991 543 112 08	Side window	right	1	PR:553
	991 543 112 08 03C	Rally black			
(5)	991 543 111 10	Side window	left	1	PR:XPL
	991 543 111 10 03C	Rally black			
(5)	991 543 112 10	Side window	right	1	PR:XPL
	991 543 112 10 03C	Rally black			
(5)	991 543 111 91	Side window	left	1	PR:-553
	991 543 111 91 03C	Rally black plastic			
(5)	991 543 112 91	Side window	right	1	PR:-553
	991 543 112 91 03C	Rally black plastic			
6	N 015 082 10	Hexagon collar nut M6		2	

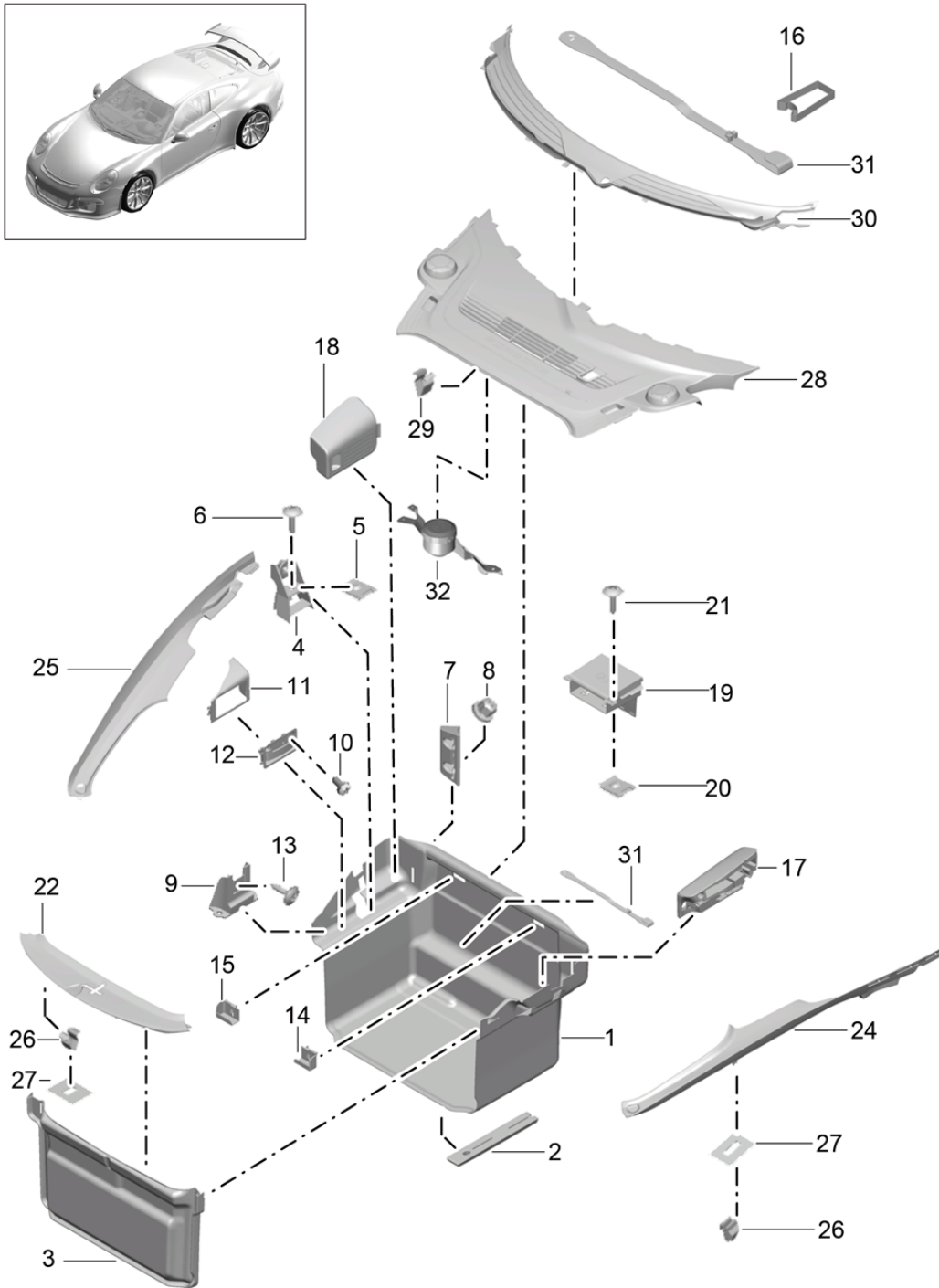
Model: 991G13

Model life 2014>>

Pos	Part Number	Description	Remark	Qty	Model
7	991 552 571 00	Mount Side window Bracket		1	
8	000 043 305 35	Chassis number 2K pane adhesive set		1	
9		Trim see illustration:	804-010		

Model: 991G13

Model life 2014>>



Model: 991G13 Model life 2014>>

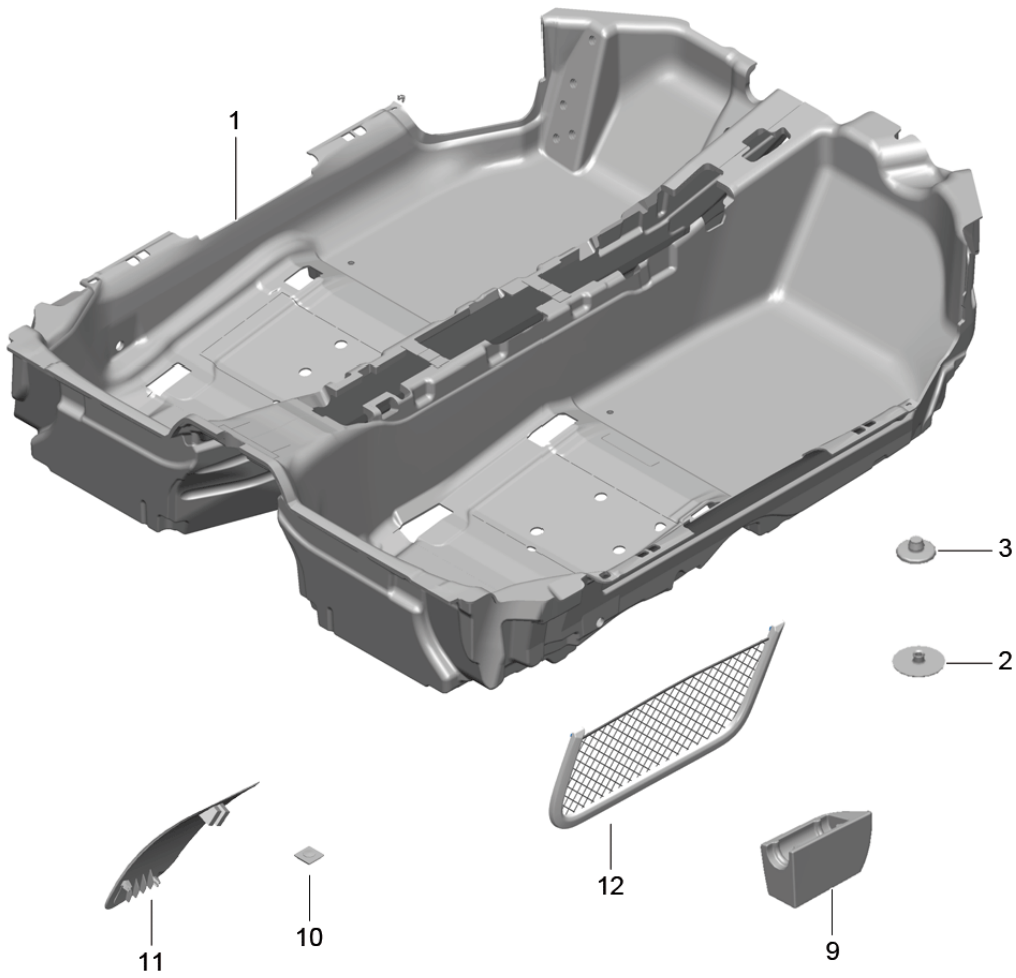
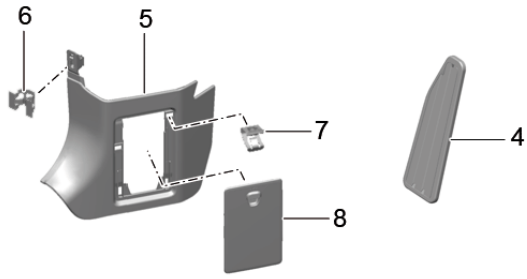
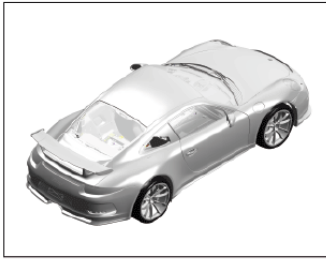
Pos	Part Number	Description	Remark	Qty	Model
1	991 551 045 15	Luggage compartment Trim Trim Luggage compartment liner Carpet		1	
(1)	991 551 045 15 A31	Black		1	PR:193
	991 551 045 17	Trim Luggage compartment liner Carpet		1	
	991 551 045 17 A31	Black		1	
2	991 551 420 01	Foam part		5	
3	991 551 051 01	Luggage compartment liner Luggage compartment trim Carpet	front	1	
	991 551 051 01 A31	Black		1	
4	991 551 825 00	Bracket Cover	front	2	
		with:			
5	999 591 348 01	Rubber grommet panel nut ST 4,8		2	
6	999 073 418 01	panel screw 4,8 X 19		2	
7	991 551 823 00	Bracket Cover	rear	2	
8	999 049 033 40	Plastic nut T6 22 X 10,5		4	
14	991 551 801 00	retaining strap for warning triangle	left	1	
	991 551 801 00 1E0	Black		1	
15	991 551 802 00	retaining strap for warning triangle	right	1	
	991 551 802 00 1E0	Black		1	
(15)	999 507 294 40	Fastening screw Clip Bracket warning triangle		2	
16	997 551 741 00	retaining strap for first aid kit		1	
17	991 551 421 04	Cover Tool		1	
	991 551 421 04 1E0	Black		1	
18	991 551 422 02	Cover Compressed air bottle		1	PR:553
	991 551 422 02 1E0	Black		1	
18	991 551 422 08	Cover Compressed air bottle		1	PR:-553
	991 551 422 08 1E0	Black		1	
19	991 555 575 02	Bracket for compressor		1	
	991 555 575 02 1E0	Black		1	
20	999 591 348 01	panel nut ST 4,8		2	
21	999 073 418 01	panel screw 4,8 X 19		2	
22	991 555 411 00	Trim lock carrier		1	
	991 555 411 00 1E0	Black		1	
24	991 555 465 03	Cover Wing strut	left	1	
	991 555 465 03 1E0	Black		1	
25	991 555 466 03	Cover Wing strut	right	1	
	991 555 466 03 1E0	Black		1	

Model: 991G13 Model life 2014>>

Pos	Part Number	Description	Remark	Qty	Model
26	999 507 047 01	Clip Trim		5	
27	999 209 084 40	Distance piece 20 X 25 X 05		5	
28	991 555 367 06	Cover Technology	lhd	1	PR:098
	991 555 367 06 1E0	Black D >> - 28.02.2018			
(28)	991 555 367 07	Cover TECKNIK	rhd	1	PR:099
	991 555 367 07 1E0	Black D >> - 28.02.2018			
(28)	991 555 367 70	Cover luggage boot trims D - 01.03.2018>>		1	PR-098
	991 555 367 70 1E0	Black			
(28)	991 555 367 71	Cover luggage boot trims D - 01.03.2018>>		1	PR-099
	991 555 367 71 1E0	Black			
29	999 507 839 01	Clip Cover		2	
30	991 555 563 06	Cover Scuttle	lhd	1	PR:098
	991 555 563 06 1E0	Black			
(30)	991 555 563 07	Cover Scuttle	rhd	1	PR:099
	991 555 563 07 1E0	Black			
31	991 555 539 00	Holding strap Cover Technology		1	
32	991 551 645 00	Support Central locking		1	
	991 551 645 00 1E0	Black			

Model: 991G13

Model life 2014>>



Model: 991G13 Model life 2014>>

Pos	Part Number	Description	Remark	Qty	Model
1	991 551 011 06	Flooring Linings Flooring (carpet)	lhd	1	PR:098,703
(1)	991 551 011 06 GDE	Black			
(1)	991 551 011 07	Flooring (carpet)	rhd	1	PR:099,703
(1)	991 551 011 07 GDE	Black			
(1)	991 551 011 14	Flooring (carpet)	lhd	1	PR:098,581,703
(1)	991 551 011 14 GDE	Black			
(1)	991 551 011 15	Flooring (carpet)	rhd	1	PR:099,581,703
(1)	991 551 011 15 GDE	Black			
(1)	991 551 011 18	Flooring (carpet)	lhd	1	PR:098,581,703,389,388
(1)	991 551 011 18 GDE	Black			
(1)	991 551 011 19	Flooring (carpet)	rhd	1	PR:099,581,703,389,388
(1)	991 551 011 19 GDE	Black			
(1)	991 551 011 22	Flooring (carpet)	lhd	1	PR:098,703,389,388
(1)	991 551 011 22 GDE	Black			
(1)	991 551 011 23	Flooring (carpet)	rhd	1	PR:099,703,389,388
(1)	991 551 011 23 GDE	Black			
2	955 551 227 02	Bracket		4	
3	955 551 229 02	Flooring Cover cap Flooring		4	
4	955 551 229 02 1E0	Black			
4	991 551 611 01	Cover for footrest	lhd	1	PR:098
(4)	991 551 611 01 1E0	Black			
(4)	991 551 612 01	Cover for footrest	rhd	1	PR:099
(4)	991 551 612 01 1E0	Black			
5	991 555 101 01	Trim Fuse box	left	1	
(5)	991 555 101 01 A75	Black			
(5)	991 555 102 01	Trim Fuse box	right	1	
(5)	991 555 102 01 A75	Black			
6	999 507 533 02	Clamp		2	
7	999 507 552 01	8,0 X 10,0 Spring clip		4	
8	991 555 621 02	9,0 X 13,0 Cover trim Fuse box	left	1	
(8)	991 555 621 02 1E0	Black			
(8)	991 555 622 02	Cover trim Fuse box	right	1	
(8)	991 555 622 02 1E0	Black			
9	991 555 718 00	Bracket Warning light		1	PR:193
10	999 902 059 40	Holding strap Fuse box		2	
(11)	991 551 173 80	A-pillar Cover Mount	rear	1	
(11)	991 551 174 80	Seat belt Cover Mount	rear	1	
12	981 551 547 00	Seat belt Luggage net tunnel		1	
	981 551 547 00 1E0	Black			

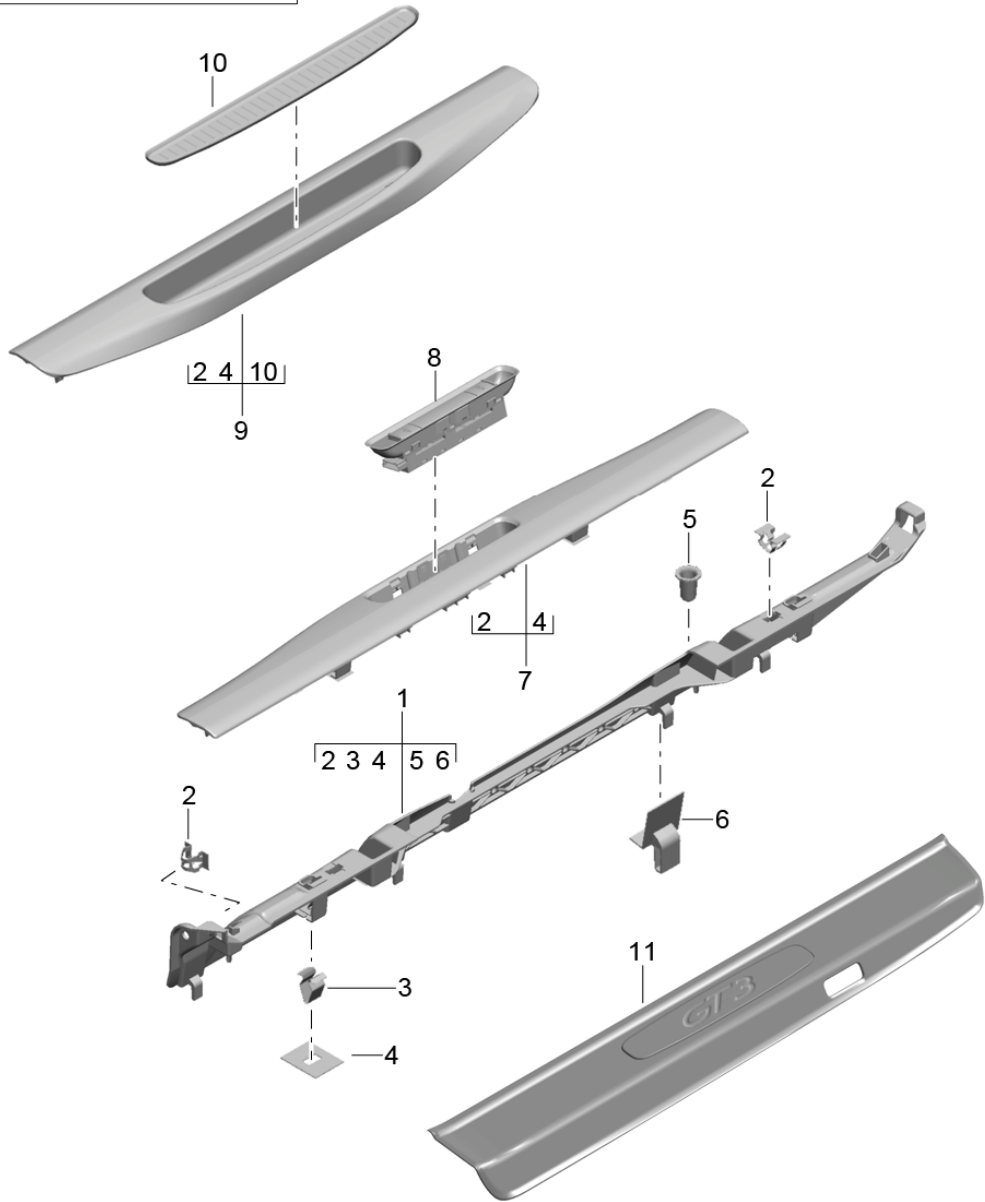
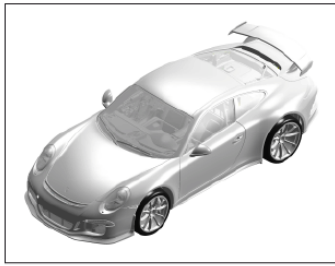
Model: 991G13

Model life 2014>>

Pos	Part Number	Description	Remark	Qty	Model
(12)	981 551 548 00	Luggage net tunnel		1	
		D - MJ 2014>>			
-	981 551 548 00 1E0	Black		1	PR:003
	991 722 115 80	Fire extinguishers	with:		

Model: 991G13

Model life 2014>>



Model: 991G13 Model life 2014>>

Pos	Part Number	Description	Remark	Qty	Model
1	991 555 619 03	Trim Sill Support	left	1	
(1)	991 555 620 03	Sill Support	right	1	
2	999 507 533 02	Clamp 8,0 X 10		6	
3	999 507 839 01	Clip 3,5		X	
4	999 209 084 40	Distance piece 20 X 25 X 0,5		X	
5	997 555 857 00	Grommet Clip		4	
6	991 555 889 01	Grommet		8	
7	991 555 119 04	Trim Sill (drivers side)		1	PR:098
	991 555 119 04 1E0	Black			
(7)	991 555 019 04	Trim Sill Completed	lhd	1	PR:098
	991 555 019 04 1E0	Black			
(7)	991 555 020 03	Trim Sill Completed	-28,68,78 rhd	1	PR:099
	991 555 020 03 1E0	Black			
(7)	991 555 985 01	Trim Sill (drivers side) Leather	-28,68,78 lhd inner	1	PR:XTG,098, 981
	991 555 985 01 DPE	Black/Platinum Grey	-78		
	991 555 985 01 DRK	Black/Guards Red	-68		
	991 555 985 01 DPI	Black/Racing Yellow	-58		
(7)	991 555 986 01	Trim Sill (drivers side) Leather	rhd inner	1	PR:XTG,099, 981
	991 555 986 01 DPE	Black/Platinum Grey	-78		
	991 555 986 01 DRK	Black/Guards Red	-68		
	991 555 986 01 DPI	Black/Racing Yellow	-58		
8		Tip switch		1	
		see illustration:	903-005		
9	991 555 122 04	Trim Sill (passenger side)	lhd	1	PR:098,-XTG
		with:			
	991 555 122 04 1E0	Clip Black			
(9)	991 555 121 00	Trim Sill (passenger side)	rhd	1	PR:099,-XTG
		with:			
	991 555 121 00 1E0	Insert and Clip Black			
(9)	991 555 988 01	Trim Sill (passenger side) Leather	lhd inner	1	PR:XTG,098, 981
	991 555 988 01 DPE	Black/Platinum Grey	-78		
	991 555 988 01 DRK	Black/Guards Red	-68		

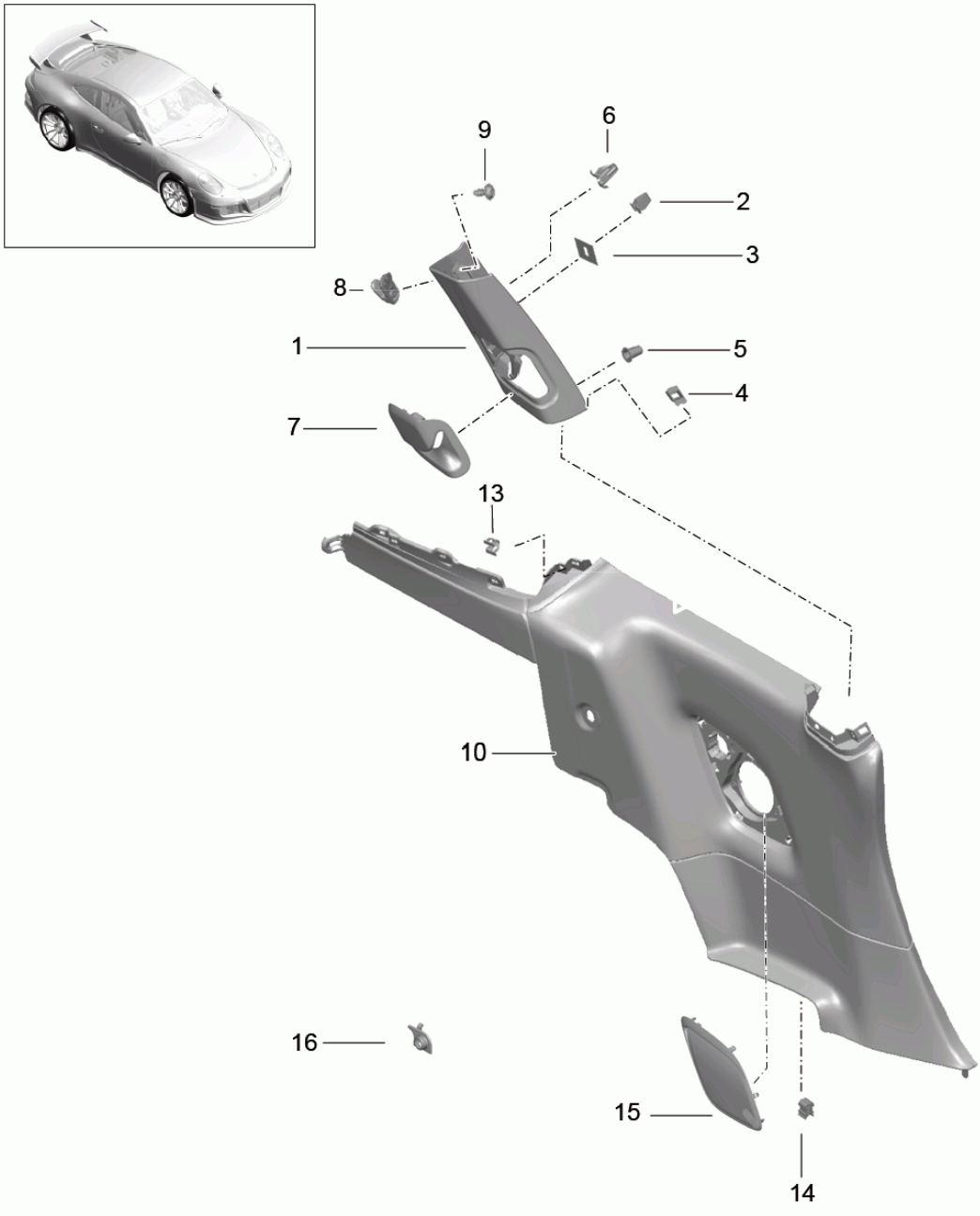
Model: 991G13

Model life 2014>>

Pos	Part Number	Description	Remark	Qty	Model
(9)	991 555 988 01 DPI 991 555 987 01	Black/Racing Yellow Trim Sill (passenger side) Leather	-58 inner rhd	1	PR:XTG,099, 981
10	991 555 987 01 DPE 991 555 987 01 DRK 991 555 987 01 DPI 991 555 613 00	Black/Platinum Grey Black/Guards Red Black/Racing Yellow Insert Trim Sill	-78 -68 -58	1	
11		Sill trim strip Sill see illustration:	807-055	1	

Model: 991G13

Model life 2014>>



Model: 991G13 Model life 2014>>

Pos	Part Number	Description	Remark	Qty	Model
		Side panel trim B-pillar D >> - MJ 2017			
1	991 555 183 09	B-pillar trim	left	1	
	991 555 183 09 DK4	Black			
(1)	991 555 183 10	B-pillar trim (Alcantara)	left	1	
	991 555 183 10 2W0	Black			
(1)	991 555 184 09	B-pillar trim	right	1	
	991 555 184 09 DK4	Black			
(1)	991 555 184 10	B-pillar trim (Alcantara)	right	1	
	991 555 184 10 2W0	Black			
2	999 507 839 01	Clip 3,5		1	
3	999 209 084 40	Distance piece 25 X 20 X 5		1	
4	991 555 883 00	Grommet		1	
5	997 555 857 00	Grommet		3	
6	5N0 880 385	Clip Airbag		1	
7	991 555 527 00	Rosette Seat belt B-pillar	left	1	
	991 555 527 00 1E0	Black			
(7)	991 555 528 00	Rosette Seat belt B-pillar	right	1	
	991 555 528 00 1E0	Black			
8	958 555 635 01	Coat hook		2	
	958 555 635 01 82V	Titan black			
9	999 919 286 01	fillister hd. bolt 5,0 X 10,0		2	
10	991 555 071 24	Side panel trim	left	1	
	991 555 071 24 DK4	Black			
(10)	991 555 072 24	Side panel trim	right	1	
	991 555 072 24 DK4	Black			
(10)	991 555 071 22	Side panel trim	left	1	PR:981
	991 555 071 22 DPE	Black/Platinum Grey			
	991 555 071 22 DRK	Black/Guards Red			
	991 555 071 22 DSL	black/silver			
	991 555 071 22 RAW	Black/Lava Orange			
(10)	991 555 072 22	Side panel trim	right	1	PR:981
	991 555 072 22 DPE	Black/Platinum Grey			
	991 555 072 22 DRK	Black/Guards Red			
	991 555 072 22 DSL	black/silver			
	991 555 072 22 RAW	Black/Lava Orange			
(10)	991 555 071 23	Side panel trim	left	1	PR:595,582, 587
	991 555 071 23 DK4	Black			
(10)	991 555 072 23	Side panel trim	right	1	PR:595,582, 587
	991 555 072 23 DK4	Black			
13	999 507 533 02	Clamp 8,0 X 10,0		3	
14	991 555 875 00	Rubber ply		8	
15	991 555 049 00	Loudspeaker trim	left	1	
	991 555 049 00 1E0	Black			
(15)	991 555 050 00	Loudspeaker trim	right	1	
	991 555 050 00 1E0	Black			
16	991 555 701 02	Rosette Bracket backrest	left	1	

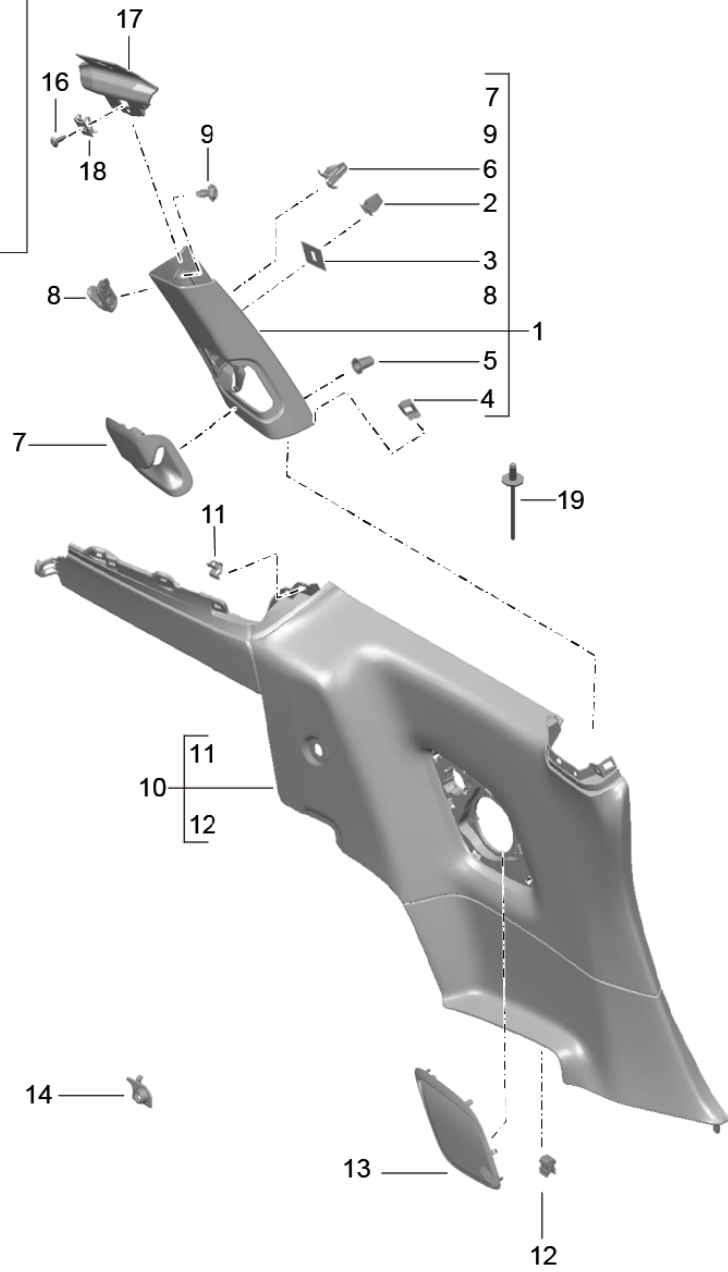
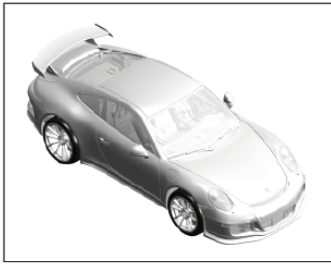
Model: 991G13

Model life 2014>>

Pos	Part Number	Description	Remark	Qty	Model
(16)	991 555 701 02 1E0 991 555 702 02 991 555 702 02 1E0	Black Rosette Bracket backrest Black	right	1	

Model: 991G13

Model life 2014>>



Model: 991G13 Model life 2014>>

Pos	Part Number	Description	Remark	Qty	Model
(1)	9P1 867 243 B	Side panel trim B-pillar D - MJ 2018>> B-pillar trim	left	1	PR:-981,-553
		also use:			
		Position			
		21			
(1)	9P1 867 243 B DK4	Black			
(1)	9P1 867 244 B	B-pillar trim	right	1	PR:-981,-553
		also use:			
		Position			
		21			
		Black			
(1)	9P1 867 244 B DK4	B-pillar trim	left	1	PR:-553,981
(1)	9P1 867 243 C	(Alcantara)			
		also use:			
		Position			
		Black			
(1)	9P1 867 243 C 2W0	B-pillar trim	right	1	PR:-553,981
(1)	9P1 867 244 C	(Alcantara)			
		also use:			
		Position			
		Black			
2	9P1 867 244 C 2W0	Clip		2	
	999 507 839 01	3,5			
3	9A7 007 207 00	Distance piece		2	
		25 X 20 X 0,5			
4	991 555 883 00	Grommet	left	1	
(4)	991 555 884 00	Grommet	right	1	
5	997 555 857 00	Grommet		6	
6	5N0 880 385	Clip		1	
7	991 555 527 00	Airbag Rosette	left	1	
		Seat belt			
		B-pillar			
	991 555 527 00 1E0	Black			
(7)	991 555 528 00	Rosette	right	1	
		Seat belt			
		B-pillar			
	991 555 528 00 1E0	Black			
8	958 555 635 01	Coat hook		2	
	958 555 635 01 82V	Titan black			
9	999 919 286 01	fillister hd. bolt		2	
		5,0 X 10,0			
10	991 555 071 24	Side panel trim	left	1	
	991 555 071 24 DK4	Black			
(10)	991 555 072 24	Side panel trim	right	1	
	991 555 072 24 DK4	Black			
(10)	991 555 071 22	Side panel trim	left	1	PR:981
	991 555 071 22 A11	Black	-39		
	991 555 071 22 DPE	Black/Platinum Grey	-78		
	991 555 071 22 DRK	Black/Guards Red	-68,34		
	991 555 071 22 DSL	black/silver	-79		
(10)	991 555 072 22	Side panel trim	right	1	PR:981
	991 555 072 22 A11	Black	-39		
	991 555 072 22 DPE	Black/Platinum Grey	-78		
	991 555 072 22 DRK	Black/Guards Red	-68,34		
	991 555 072 22 DSL	black/silver	-79		
(10)	991 555 071 23	Side panel trim	left	1	PR:595,582, 587
	991 555 071 23 DK4	Black			
(10)	991 555 072 23	Side panel trim	right	1	PR:595,582, 587

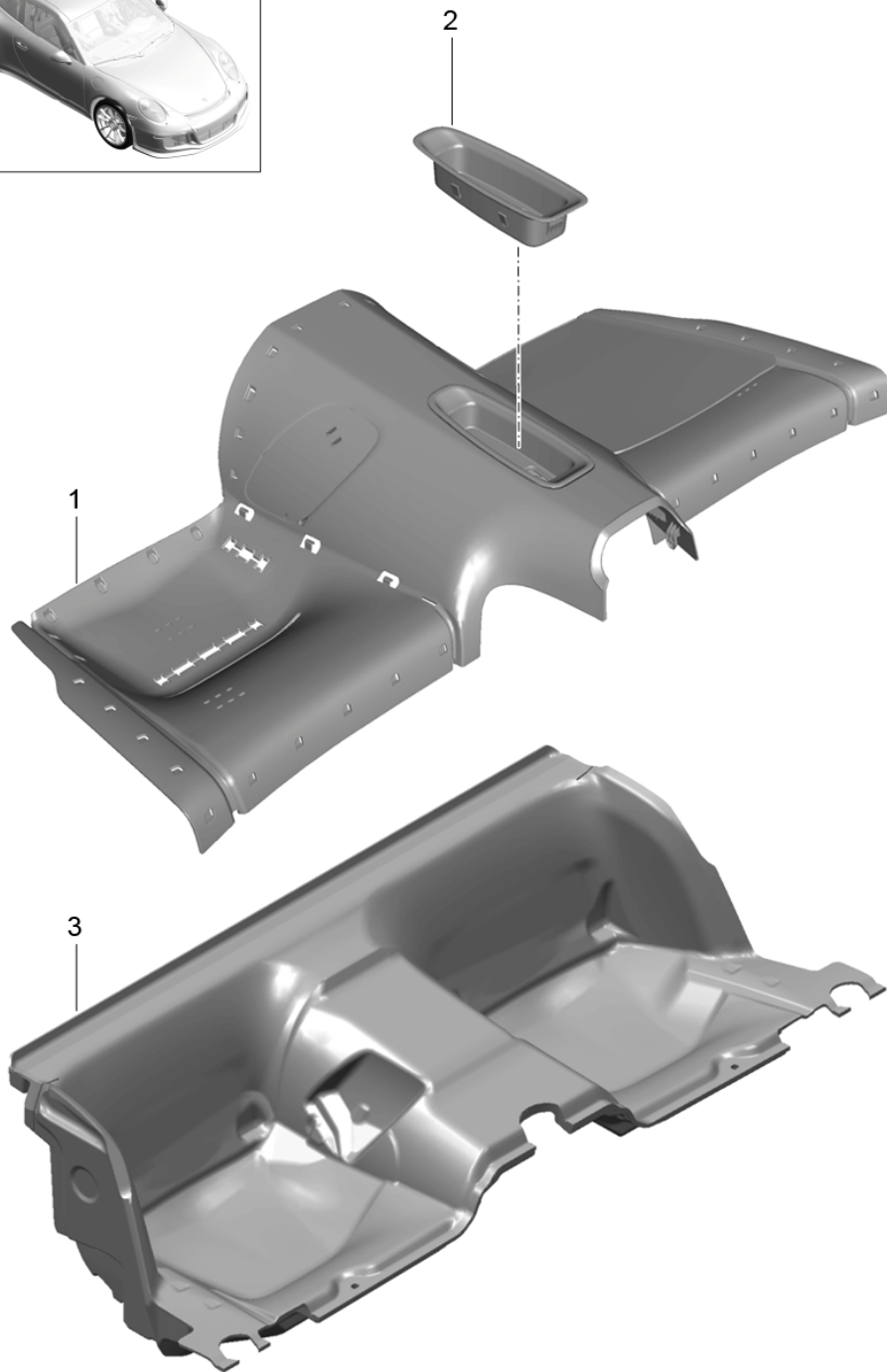
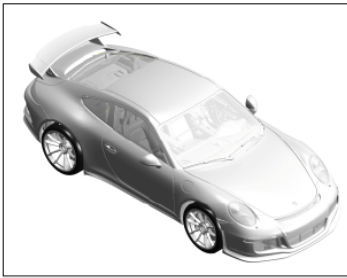
Model: 991G13

Model life 2014>>

Pos	Part Number	Description	Remark	Qty	Model
11	991 555 072 23 DK4 999 507 533 02	Black Clamp 8,0 X 10,0		6	
12	991 555 875 00	Rubber ply		4	
13	991 555 049 00	Loudspeaker trim	left	1	
	991 555 049 00 1E0	Black			
(13)	991 555 050 00	Loudspeaker trim	right	1	
	991 555 050 00 1E0	Black			
14	9P1 867 109	Rosette Bracket backrest	left	1	PR:685
	9P1 867 109 1E0	Black			
(14)	9P1 867 110	Rosette Bracket backrest	right	1	PR:685
	9P1 867 110 1E0	Black			
15	9P1 867 329	Dummy cover		1	PR:-553
	9P1 867 329 1E0	Black			
16	999 073 459 01	fillister hd. bolt M5X16		2	
17	9P1 868 785	Bracket	left	1	
(17)	9P1 868 786	Bracket	right	1	
18	999 507 702 01	panel nut M5		1	
19	N 900 978 02	Pop rivet A 4,0X6,0		1	

Model: 991G13

Model life 2014>>



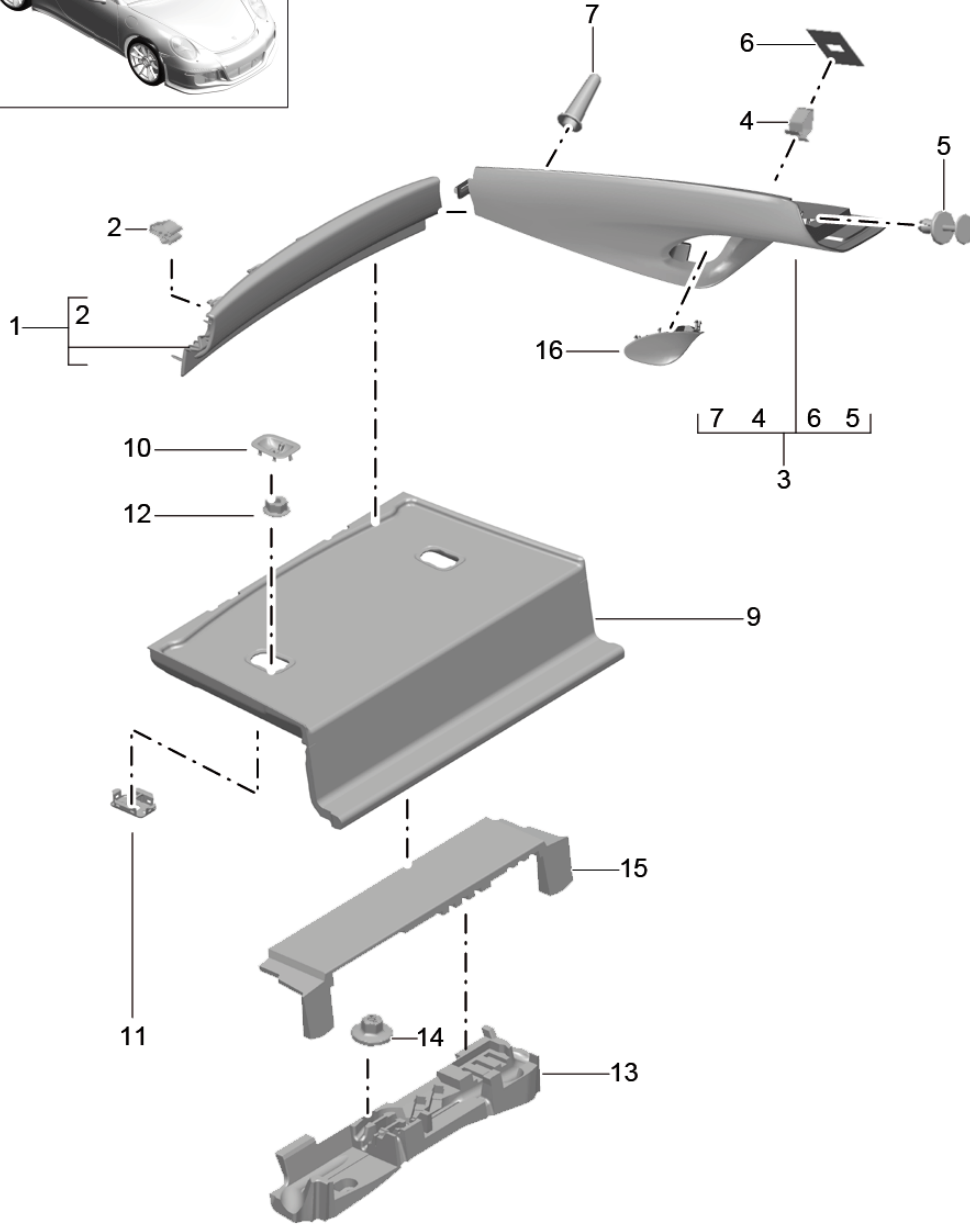
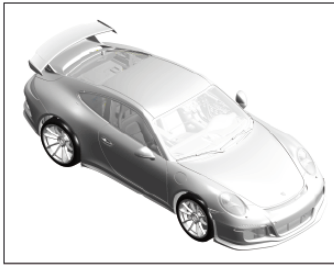
Model: 991G13

Model life 2014>>

Pos	Part Number	Description	Remark	Qty	Model
1	991 551 055 80	Cover	rear	1	PR:703
		Seat well			
	991 551 055 80 RAO	Cover	rear		
		Seat well			
	(1) 991 551 055 80 RAP	Black/Platinum Grey	-28,78		
		Black/Guards Red	-68		
	(1) 991 551 055 81	Cover	rear		
		Seat well			
	(1) 991 551 055 81 RAO	Black/Platinum Grey	-28,78		
		Black/Guards Red	-68		
(1) 991 551 055 82	Cover	rear			
	Seat well				
(1) 991 551 055 82 RAV	black/silver	-29,79,59			
	Black/Lava Orange	-18,69,49			
(1) 991 551 055 83	Cover	rear			
	Seat well				
(1) 991 551 055 83 RAV	black/silver	-29,79,59			
	Black/Lava Orange	-18,69,49			
2	991 551 055 84 A75	Cover	rear	1	PR:003
		Seat well			
3	991 551 055 84	Black		1	PR:703,003
		Stowage compartment			
3	991 551 247 80 1E0	Seat well		1	PR:703,003
		Black			
3	991 551 017 81	Carpet		1	PR:703,003
		Seat well			
	991 551 017 81 A75	Black			

Model: 991G13

Model life 2014>>



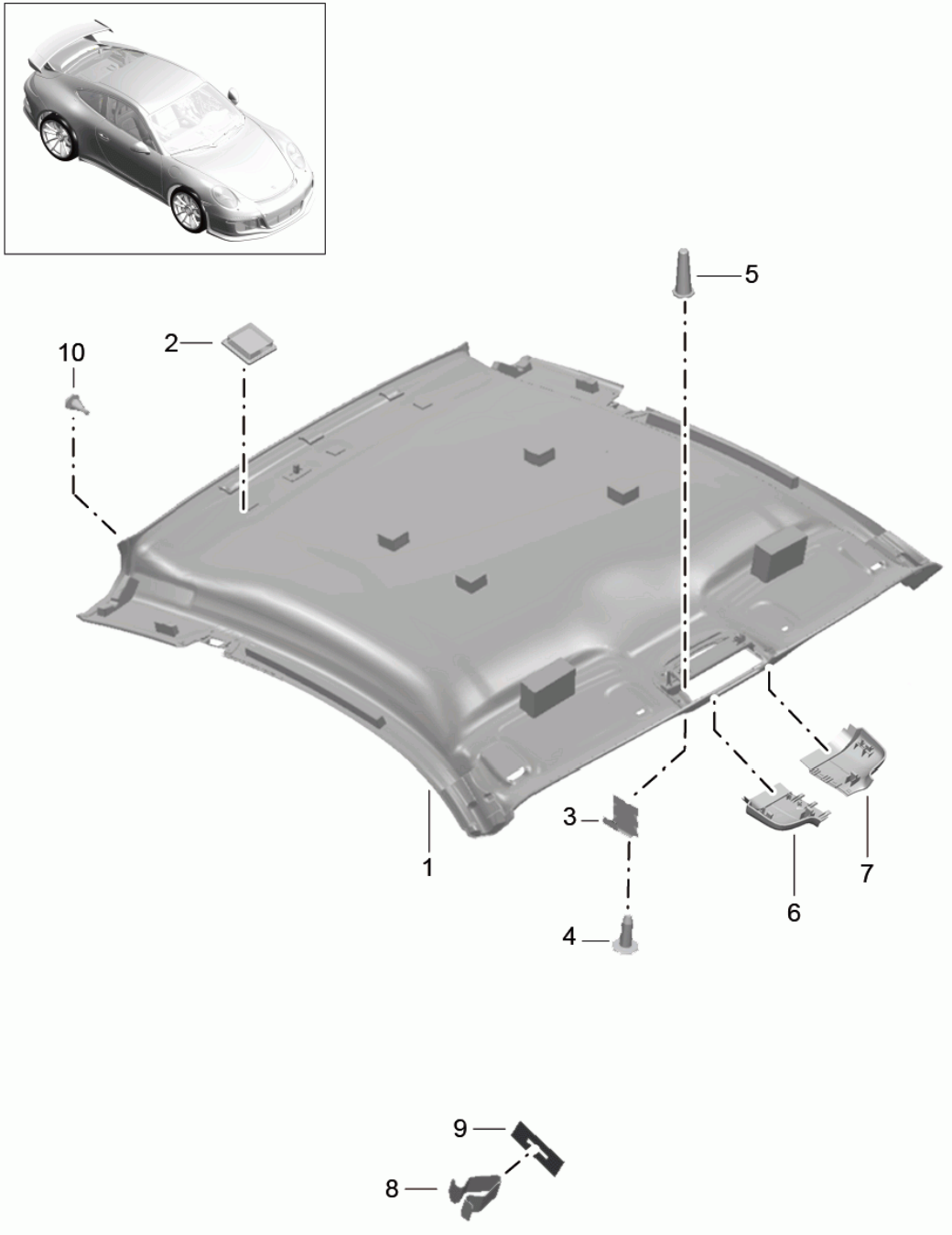
Model: 991G13

Model life 2014>>

Pos	Part Number	Description	Remark	Qty	Model
1	991 555 093 04	Linings c-pillar Rear panel trim	rear	1	PR:426
	991 555 093 04 A75	Carpet Black			
2	999 507 130 01	U-clip		7	
3	991 555 187 03	C-pillar trim (Alcantara)	left	1	PR:594
	991 555 187 03 2W0	Black			
(3)	991 555 188 03	C-pillar trim (Alcantara)	right	1	PR:594
	991 555 188 03 2W0	Black			
4	999 507 839 01	Clip 3,5		2	
5	N 107 009 01	Spreader rivet		1	
6	999 209 084 40	Distance piece 25 X 20 X 25		2	
7	996 555 857 00	Grommet		3	
9	991 551 031 02	Trim Carpet	rear	1	PR:703
	991 551 031 02 A75	Black			
(9)	991 551 031 82	Trim Carpet	rear	1	PR:003
	991 551 031 82 A75	Black			
10	991 551 587 02	Trim Trim		2	
	991 551 587 02 1E0	Black			
	991 551 587 02 6L0	Platinum Grey			
11	991 551 585 02	Retainer for trim		2	
12	N 015 082 13	Hexagon collar nut M 6		4	
13	991 551 581 01	Foam part Control units		1	
14	999 049 032 40	Hexagon plastic collar nut T6 /22 X 10,5		2	
15	991 551 583 01	Cover Foam part		1	
16	991 555 565 01	Cover panel Trim	left	1	
	991 555 565 01 1E0	c-pillar Black			
(16)	991 555 566 01	Cover panel Trim	right	1	
	991 555 566 01 1E0	c-pillar Black			

Model: 991G13

Model life 2014>>

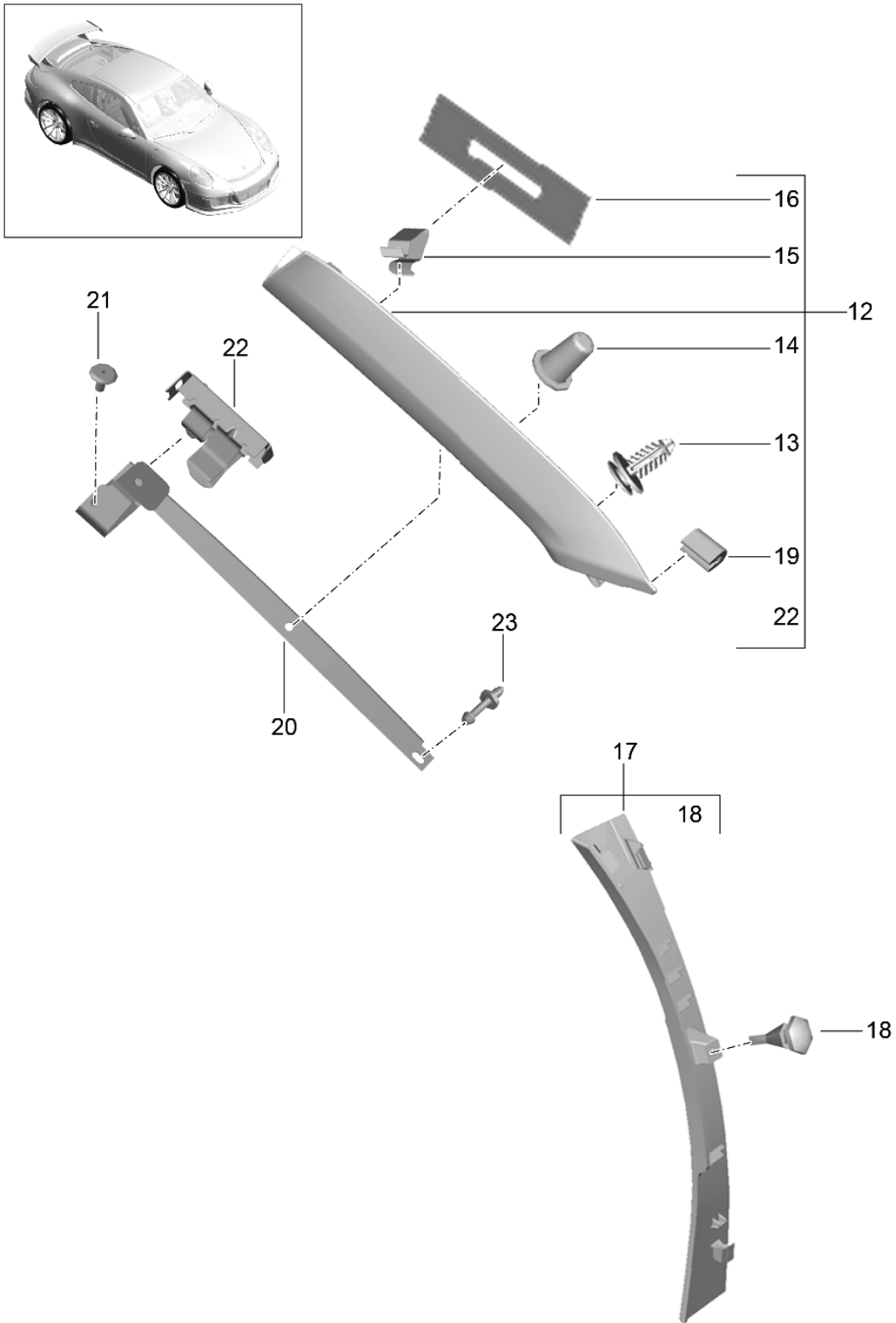


Model: 991G13 Model life 2014>>

Pos	Part Number	Description	Remark	Qty	Model
1	991 555 091 12	roof trim roof trim Alcantara without: elevated roof D >> - MJ 2017		1	PR:594,652
1	991 555 091 12 2W0 991 555 091 20	Black roof trim Alcantara without: elevated roof D >> - MJ 2017		1	PR:594,652
1	991 555 091 20 2W0 9P1 867 501	Black roof trim Alcantara without: elevated roof D - MJ 2018>>		1	PR:594,652
2	9P1 867 501 2W0 7PP 867 300	Black Clip		3	
3	958 731 633 00	Clamp		2	
4	999 073 339 09	panel screw ST 4,2 X 13		2	
5	996 555 857 00	Grommet		X	
6	991 555 525 00	Cover GPS-ANTENNE	left	1	
7	991 555 525 00 1E0 991 555 526 00	Black Cover GPS-ANTENNE	right	1	
8	991 555 526 00 1E0 999 507 839 01	Black Clip 3,5		X	
9	999 209 084 40	Distance piece 25 X 20 X 0,5		X	
10	999 703 041 40	Rubber buffer 4 X 6 X 9,3		X	
11	999 073 322 04	fillister hd. bolt M6X20		X	
12	9P1 867 729 A	Bracket for moulded headliner	left front	1	
(12)	9P1 867 730 A	Bracket for moulded headliner	right front	1	
13	9P1 867 737 A	Bracket for moulded headliner	left rear	1	
(13)	9P1 867 738 A	Bracket for moulded headliner	right rear	1	
14	N 900 978 02	Pop rivet	4X8	1	
15	9A7 867 276	Clip		1	

Model: 991G13

Model life 2014>>

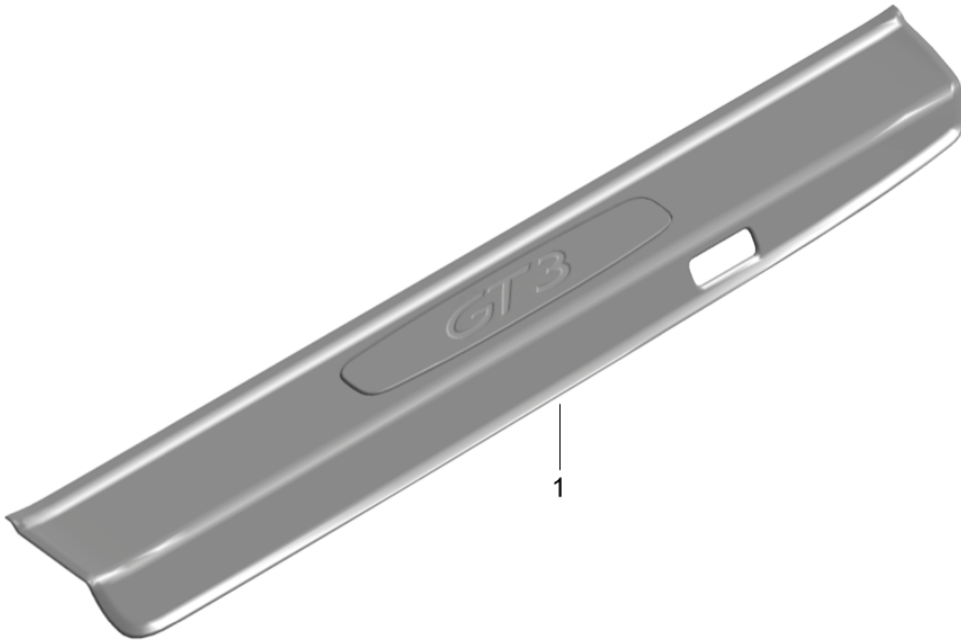
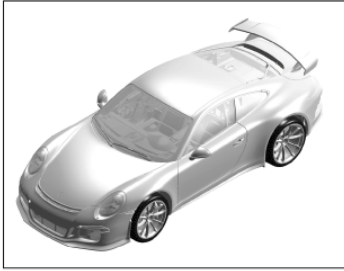


Model: 991G13 Model life 2014>>

Pos	Part Number	Description	Remark	Qty	Model
12	991 555 181 09	A-pillar Linings A-pillar trim slush technology D >> - MJ 2017	left	1	PR:-981
12	991 555 181 09 DK4 9P1 867 233 B	Black A-pillar trim slush technology D - MJ 2018>>	left	1	PR:-981
(12)	9P1 867 233 B DK4 991 555 182 09	Black A-pillar trim slush technology D >> - MJ 2017	right	1	PR:-981
(12)	991 555 182 09 DK4 9P1 867 234 B	Black A-pillar trim slush technology D - MJ 2018>>	right	1	PR:-981
(12)	9P1 867 234 B DK4 991 555 182 08	Black A-pillar trim (Alcantara) D >> - MJ 2017	right	1	PR:981
(12)	991 555 182 08 2W0 9P1 867 233 C	Black A-pillar trim (Alcantara) D - MJ 2018>>	right	1	PR:981
(12)	9P1 867 233 C 2W0 991 555 181 08	Black A-pillar trim (Alcantara) D >> - MJ 2017	left	1	PR:981
(12)	991 555 181 08 2W0 9P1 867 234 C	Black A-pillar trim (Alcantara) D - MJ 2018>>	left	1	PR:981
13	999 507 195 40	Black Cup expander spring 10,7 X 26,4		2	
14	997 555 857 00	Grommet		2	
15	999 507 839 01	Clip 3,5		4	
16	999 209 084 40	Distance piece 25 X 20 X 0,5		4	
17	991 555 185 01	A-pillar trim	left lower	1	
(17)	991 555 185 01 1E0 991 555 186 01	Black A-pillar trim	right lower	1	
18	991 555 186 01 1E0 999 703 041 40	Black Rubber buffer 4 X 6 X 9,3		2	
19	999 911 443 40	Tread		3	
20	9P1 880 671 A	deformation element A-pillar D - MJ 2018>>	left	1	
(20)	9P1 880 672 A	deformation element A-pillar D - MJ 2018>>	right	1	
21	N 900 978 02	Pop rivet D - MJ 2018>>		4	
22	9A7 867 276 00	Clip D - MJ 2018>>		1	
23	9A7 007 506 00	Screw bolt D - MJ 2018>>		1	

Model: 991G13

Model life 2014>>



Model: 991G13

Model life 2014>>

Pos	Part Number	Description	Remark	Qty	Model
-		Sill trim strip Sill Trim Sill			
1	991 555 303 29	see illustration: Sill trim strip Sill inscription GT3	807-015 left	1	PR:-XXB, -XXD,-X69
(1)	991 555 303 29 1E0 991 555 303 38	Black Sill trim strip Sill inscription Black GT3	left	1	PR:039,-XXB, -XXD,-X69
(1)	991 555 303 38 1E0 991 555 981 49	Black Sill trim strip Sill stainless steel Lighting inscription GT3	left	1	PR:XXB
(1)	991 555 981 49 1E0 991 555 981 90	D >> - MJ 2014 Black Sill trim strip Sill stainless steel Lighting inscription GT3	left	1	PR:XXB
(1)	991 555 981 90 1E0 991 555 981 92	D - MJ 2015>> Black Sill trim strip Sill stainless steel Lighting inscription GT3	left	1	PR:XXB
(1)	991 555 981 92 1E0 991 555 981 51	Black Sill trim strip Sill Carbon, fine high-gloss Lighting inscription GT3	left	1	PR:XXD
(1)	991 555 981 51 1E0 991 555 981 91	D >> - MJ 2014 Black Sill trim strip Sill Carbon, fine high-gloss Lighting inscription GT3	left	1	PR:XXD
(1)	991 555 981 91 1E0 991 555 981 93	D - MJ 2015>> Black Sill trim strip Sill Carbon, fine high-gloss Lighting inscription GT3	left	1	PR:XXD
(1)	991 555 981 93 1E0 991 555 981 50	GT3 RS Black Sill trim strip	left	1	PR:X69

Model: 991G13 Model life 2014>>

Pos	Part Number	Description	Remark	Qty	Model
(1)	991 555 981 50 1E0 991 555 981 52	Sill Carbon, fine high-gloss inscription GT3 Black Sill trim strip	left	1	PR:X69
(1)	991 555 981 52 1E0 991 555 304 29	Sill Carbon, fine high-gloss inscription GT3 RS Black Sill trim strip	right	1	PR:-XXB, -XXD,-X69
(1)	991 555 304 29 1E0 991 555 304 38	Sill Carbon, fine high-gloss inscription GT3 Black Sill trim strip	right	1	PR:039,-XXB, -XXD,-X69
(1)	991 555 304 38 1E0 991 555 982 49	Sill Carbon, fine high-gloss inscription GT3 Black Sill trim strip	right	1	PR:XXB
(1)	991 555 982 49 1E0 991 555 982 90	Sill Carbon, fine high-gloss inscription GT3 D >> - MJ 2014 Black Sill trim strip	right	1	PR:XXB
(1)	991 555 982 90 1E0 991 555 982 92	Sill Carbon, fine high-gloss inscription GT3 D - MJ 2015>> Black Sill trim strip	right	1	PR:XXB
(1)	991 555 982 92 1E0 991 555 982 51	Sill Carbon, fine high-gloss inscription GT3 RS Black Sill trim strip	right	1	PR:XXD
(1)	991 555 982 51 1E0 991 555 982 91	Sill Carbon, fine high-gloss inscription GT3 D >> - MJ 2014 Black Sill trim strip	right	1	PR:XXD
(1)	991 555 982 91 1E0 991 555 982 93	Sill Carbon, fine high-gloss inscription GT3 D - MJ 2015>> Black Sill trim strip	right	1	PR:XXD
		Sill Carbon, fine high-gloss Lighting inscription			

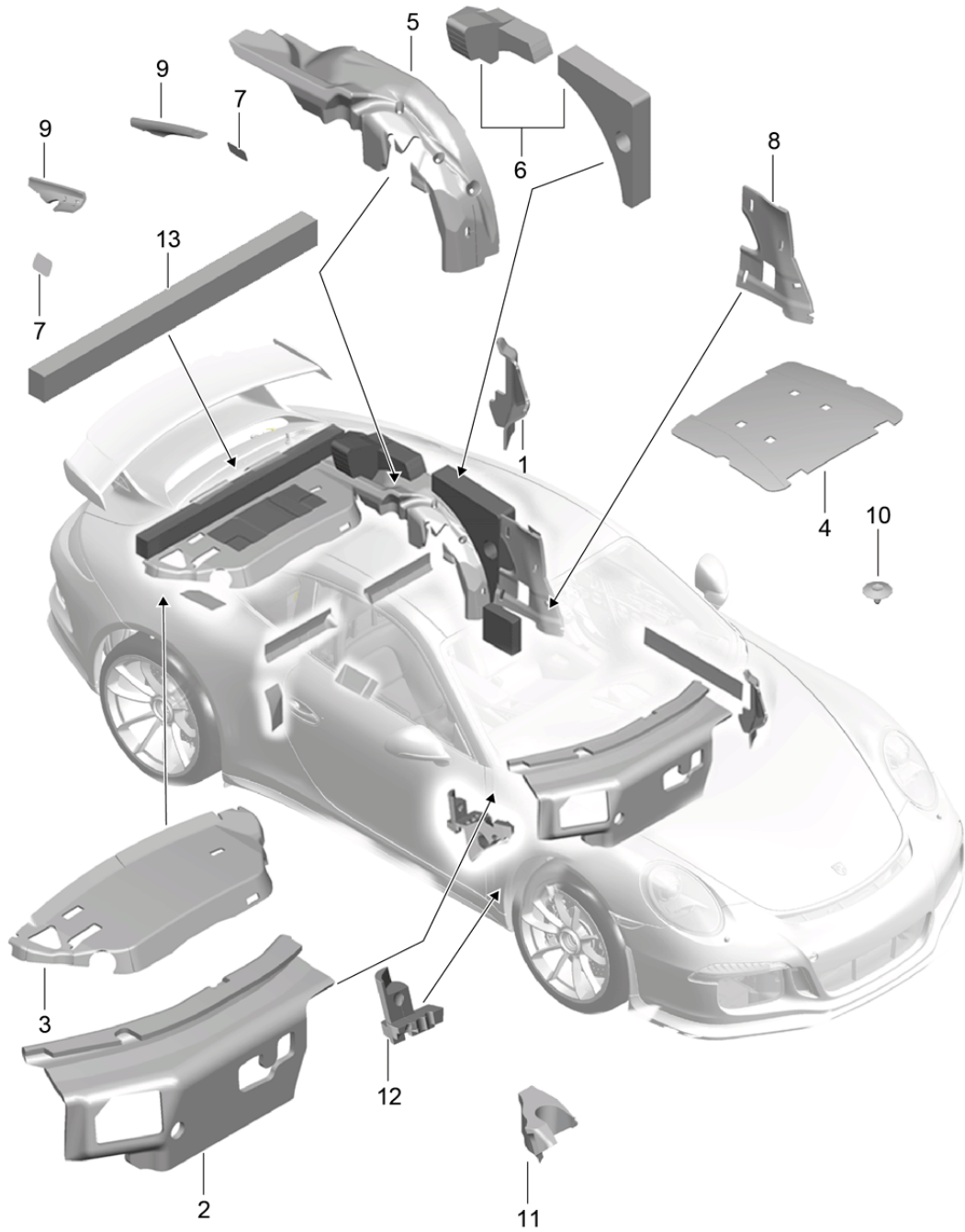
Model: 991G13

Model life 2014>>

Pos	Part Number	Description	Remark	Qty	Model
(1)	991 555 982 93 1E0 991 555 982 50	inscription GT3 RS Black Sill trim strip Sill Carbon, fine high-gloss inscription GT3	right	1	PR:X69
(1)	991 555 982 50 1E0 991 555 982 52	Black Sill trim strip Sill Carbon, fine high-gloss inscription GT3 RS	right	1	PR:X69
(1)	991 555 982 52 1E0 991 555 981 99	Black Sill trim strip Sill Carbon, fine high-gloss inscription 911 R	left	1	PR:-XXD
(1)	991 555 981 99 1E0 991 555 981 A0	Black Sill trim strip Sill Carbon, fine high-gloss Lighting inscription 911 R	left	1	PR:XXD
(1)	991 555 981 A0 1E0 991 555 982 99	Black Sill trim strip Sill Carbon, fine high-gloss inscription 911 R	right	1	PR:-XXD
(1)	991 555 982 99 1E0 991 555 982 A0	Black Sill trim strip Sill Carbon, fine high-gloss Lighting inscription 911 R	right	1	PR:XXD
	991 555 982 A0 1E0	Black			

Model: 991G13

Model life 2014>>



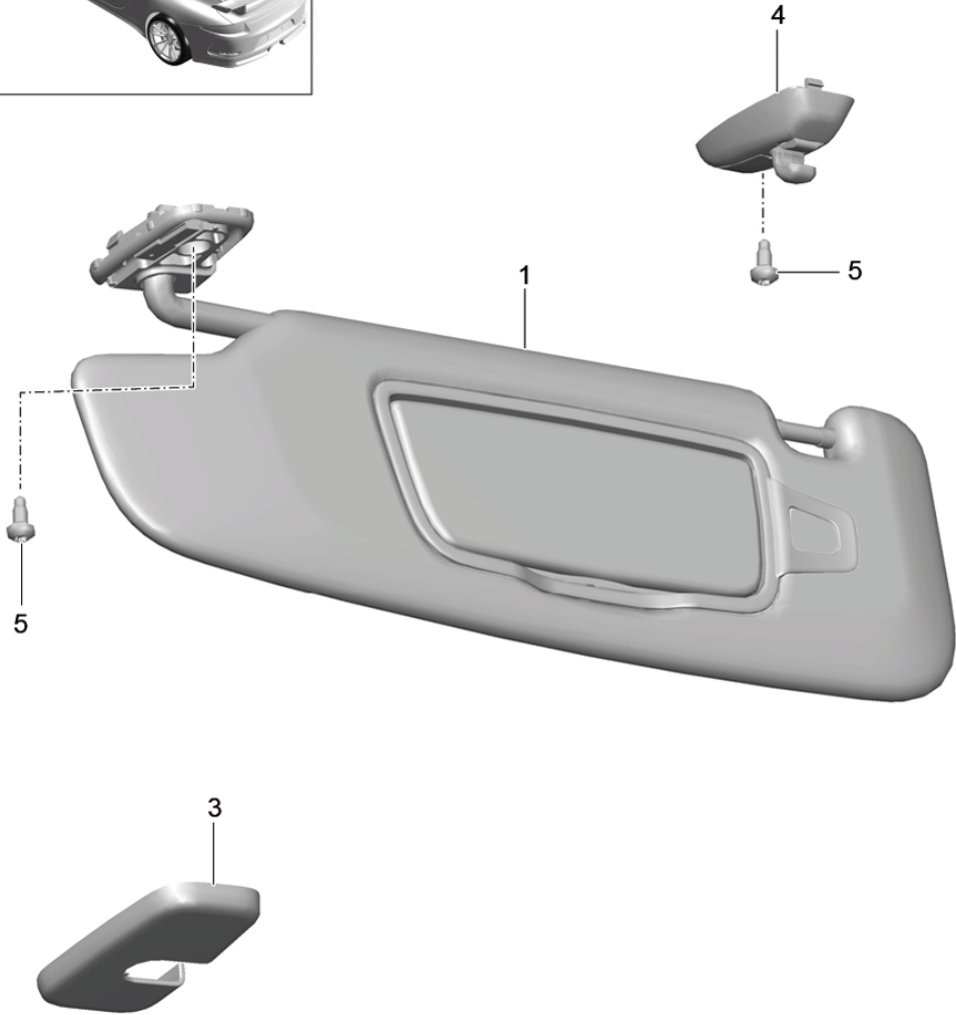
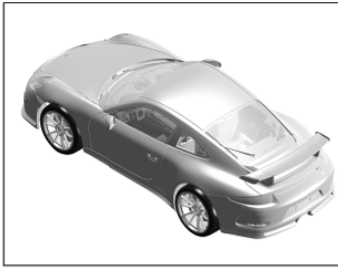
Model: 991G13

Model life 2014>>

Pos	Part Number	Description	Remark	Qty	Model
1	991 556 605 01	Body Sound proofing 1 Sound absorber	left	1	
(1)	991 556 606 00	Wheel housing Sound absorber	front right	1	
2	991 556 723 00	Wheel housing Sound absorber Firewall	front lhd	1	PR:098
(2)	991 556 724 00	Sound absorber Firewall	rhd	1	PR:099
3	991 556 711 01	Sound absorber Engine bay		1	
4	991 556 647 00	Sound absorber Roof		1	PR:652
5	991 556 657 00	Sound absorber Wheel housing liner	left rear	1	
(5)	991 556 658 00	Sound absorber Wheel housing liner	right rear	1	
6	991 556 571 01	Sound absorber Side panel trim		2	
7	991 556 805 00	Sound absorber 120 X 90 Cross panel		1	
8	991 556 513 02	Rear end Sound absorber B-pillar		2	
9	991 556 531 00	Sound absorber c-pillar		1	
10	1H0 819 943	round hd. screw Cold air Protective plate		2	
11	991 572 513 01	Air conditioning Foam part		1	PR:099
12	991 572 512 00	Water reservoir Foam part		1	PR:098
13	991 556 719 01	Tank filler neck Sound absorber Bleeding		1	

Model: 991G13

Model life 2014>>



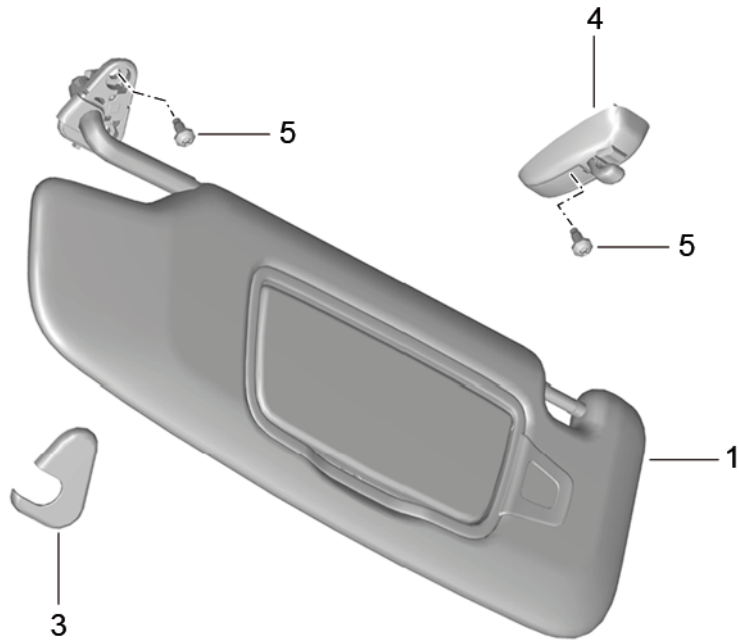
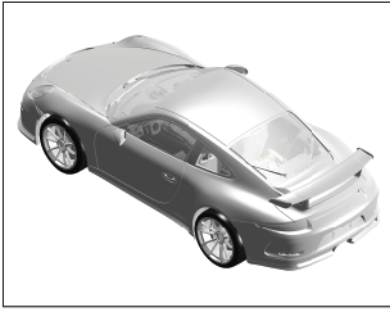
Model: 991G13

Model life 2014>>

Pos	Part Number	Description	Remark	Qty	Model
		sun vizors			
		D >> - MJ 2014			
1	991 731 031 16	Sun visor	left	1	
	991 731 031 16 OF7	Black			
(1)	991 731 032 16	Sun visor	right	1	
	991 731 032 16 OF7	Black			
3	991 731 831 03	Cover	left	1	
	991 731 831 03 1E0	Black			
(3)	991 731 832 03	Cover	right	1	
	991 731 832 03 1E0	Black			
4	991 731 341 03	Support		2	
		Sun visor			
	991 731 341 03 1E0	Black			
5	N 104 857 03	Hexagon socket flat head bolt M5 X 12		X	

Model: 991G13

Model life 2014>>



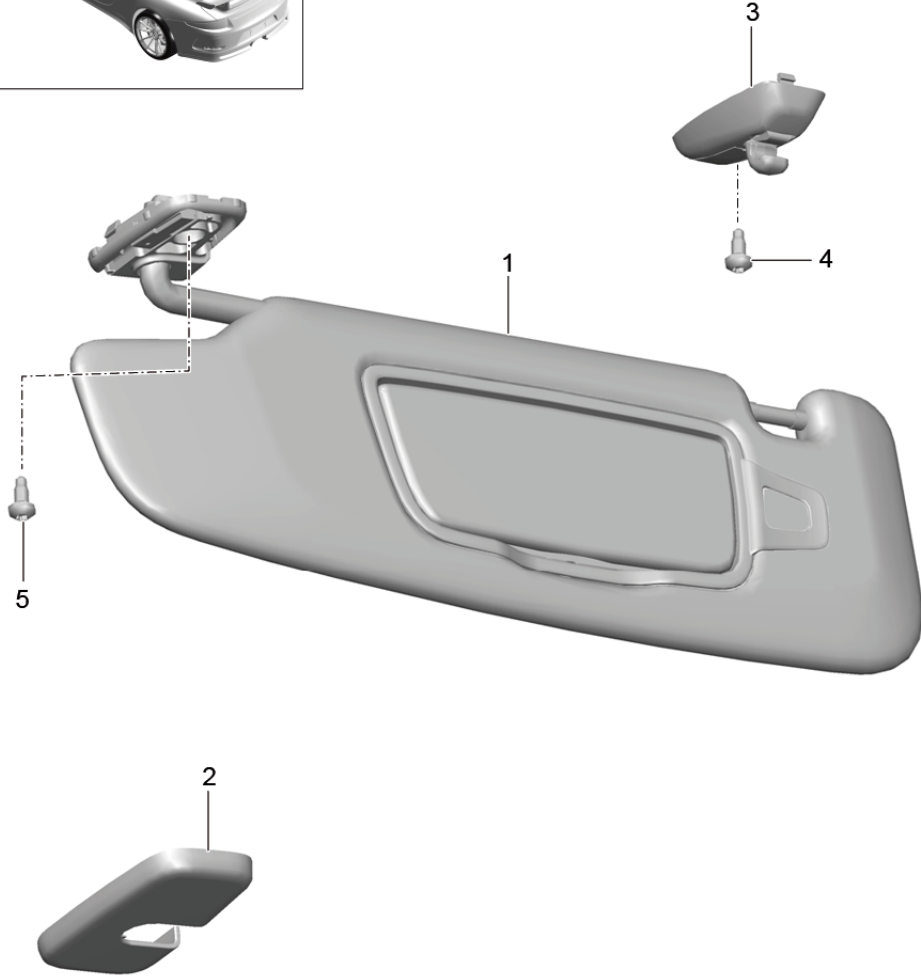
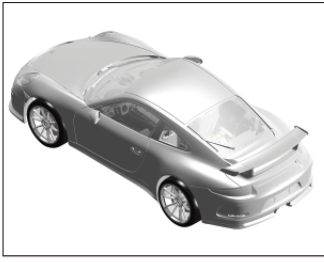
Model: 991G13

Model life 2014>>

Pos	Part Number	Description	Remark	Qty	Model
1	991 731 031 20	sun vizors D - MJ 2015>> Sun visor	left	1	PR:086,098, -553
(1)	991 731 031 20 OF7 991 731 032 20	Black Sun visor	right	1	PR:086,098, 099,-553
(1)	991 731 032 20 OF7 991 731 031 24	Black Sun visor	left	1	PR:099,-553
(1)	991 731 031 24 OF7 991 731 032 24	Black Sun visor	right	1	PR:098,-086, -553
3	991 731 032 24 OF7 991 731 831 03	Black Cover	left	1	
(3)	991 731 831 03 1E0 991 731 832 03	Black Cover	right	1	
4	991 731 832 03 1E0 991 731 341 03	Black Support Sun visor		2	
5	991 731 341 03 1E0 N 104 857 03	Black Hexagon socket flat head bolt M5 X 12		X	

Model: 991G13

Model life 2014>>

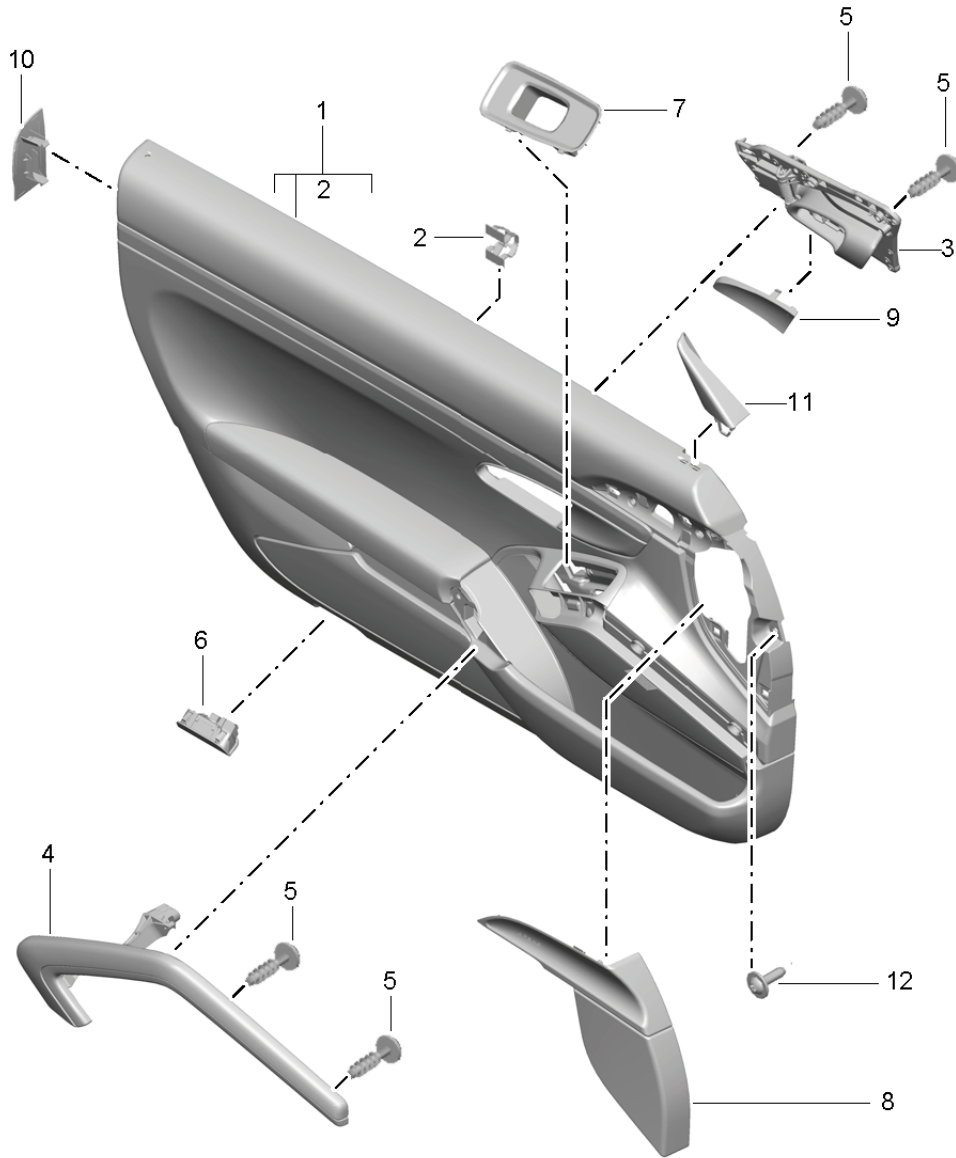
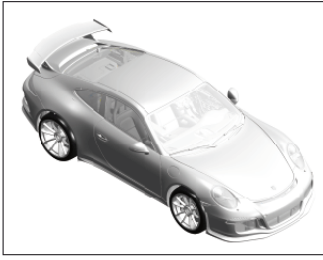


Model: 991G13 Model life 2014>>

Pos	Part Number	Description	Remark	Qty	Model
(1)	991 731 981 23	sun vizors Sun visor	left	1	PR: XLU, XMP COUPE PR: 098, XLU
(1)	991 731 981 23 2W0 991 731 982 23	Black Sun visor	right	1	COUPE PR: 098, 074, XLU
(1)	991 731 982 23 2W0 991 731 982 23	Black Sun visor	right	1	COUPE PR: 099, XLU
(1)	991 731 982 23 2W0 991 731 982 24	Black Sun visor	right	1	COUPE PR: 098, -074, XLU
(1)	991 731 982 24 2W0 991 731 981 24	Black Sun visor	left	1	COUPE PR: 099, XLU
(1)	991 731 981 24 2W0 9P1 857 551 F	Black Sun visor	left	1	COUPE PR: XMP, 098
(1)	9P1 857 551 F All 9P1 857 552 H	Black Sun visor	right	1	COUPE PR: XMP, 098, 074
(1)	9P1 857 552 H All 9P1 857 552 H	Black Sun visor	right	1	COUPE PR: XMP, 099
(1)	9P1 857 552 H All 9P1 857 551 P	Black Sun visor	left	1	COUPE PR: XMP, 099
(1)	9P1 857 551 P All 9P1 857 552 R	Black Sun visor	right	1	COUPE PR: XMP, 098, -074
2	9P1 857 552 R All 991 731 831 03	Black Cover	left	1	COUPE
(2)	991 731 831 03 1E0 991 731 832 03	Black Cover	right	1	COUPE
3	991 731 832 03 1E0 991 731 341 04	Black Support Sun visor		2	
4	991 731 341 04 1E0 N 104 857 03	Black Hexagon socket flat head bolt M5 X 12		X	
5	N 104 857 03	Hexagon socket flat head bolt M5 X 12		2	COUPE

Model: 991G13

Model life 2014>>



Model: 991G13 Model life 2014>>

Pos	Part Number	Description	Remark	Qty	Model
1	991 555 903 24	door panel Accessories GT3 D >> - MJ 2016 Door trim (leatherette)	left	1	PR:441,490, 811,975,-981
(1)	991 555 903 24 DUJ	Armrest Alcantara Black/Platinum Grey	-28		
(1)	991 555 903 25	Door panel trim (leather)	left	1	PR:441,490, 814,975,981
(1)	991 555 903 25 RAI	Alcantara Black/Platinum Grey	-78		
(1)	991 555 903 25 RAJ	Black/Guards Red	-68		
(1)	991 555 913 61	door panel Leather Alcantara Trim	left	1	PR:XWE,441, 490,975,981
(1)	991 555 913 61 RAI	Black/Platinum Grey	left painted -78		
(1)	991 555 913 61 RAJ	Black/Guards Red	-68		
(1)	991 555 913 62	molding for door trim panel Leather Alcantara Carbon	left	1	PR:XWC,441, 490,975,981
(1)	991 555 913 62 RAI	Black/Platinum Grey	-78		
(1)	991 555 913 62 RAJ	Black/Guards Red	-68		
(1)	991 555 913 63	door panel Leather Alcantara Trim Aluminium, brushed	left	1	PR:XWD,441, 490,975,981
(1)	991 555 913 63 RAI	Black/Platinum Grey	-78		
(1)	991 555 913 63 RAJ	Black/Guards Red	-68		
(1)	991 555 913 64	door panel Leather Alcantara Trim Leather	left	1	PR:XWA,441, 490,975,981
(1)	991 555 913 64 RAI	Black/Platinum Grey	-78		
(1)	991 555 913 64 RAJ	Black/Guards Red	-68		
(1)	991 555 904 24	Door trim (leatherette)	right	1	PR:441,490, 811,975,-981
(1)	991 555 904 24 DUJ	Armrest Alcantara Black/Platinum Grey	-28		
(1)	991 555 904 25	Door panel trim (leather)	right	1	PR:441,490, 814,981,975
(1)	991 555 904 25 RAI	Black/Platinum Grey	-78		
(1)	991 555 904 25 RAJ	Black/Guards Red	-68		
(1)	991 555 914 61	door panel Leather Alcantara Trim	right	1	PR:XWE,441, 490,975,981
(1)	991 555 914 61 RAI	Black/Platinum Grey	right painted -78		
(1)	991 555 914 61 RAJ	Black/Guards Red	-68		
(1)	991 555 914 62	molding for door trim panel Leather Alcantara Carbon	right	1	PR:XWC,441, 490,975,981

Model: 991G13

Model life 2014>>

Pos	Part Number	Description	Remark	Qty	Model
(1)	991 555 914 62 RAI	Black/Platinum Grey	-78	1	PR:XWD,441, 490,975,981
	991 555 914 62 RAJ	Black/Guards Red	-68		
	991 555 914 63	door panel Leather Alcantara Trim Aluminium, brushed	right		
(1)	991 555 914 63 RAI	Black/Platinum Grey	-78	1	PR:XWA,441, 490,975,981
	991 555 914 63 RAJ	Black/Guards Red	-68		
	991 555 914 64	door panel Leather Alcantara Trim Leather	right		
2	991 555 914 64 RAI	Black/Platinum Grey	-78	4	
	991 555 914 64 RAJ	Black/Guards Red	-68		
	999 507 533 02	Clamp 8,0 X 10,0 /2,5			
3	991 555 521 02	Inner actuator	left	1	
	991 555 521 02 V08	Galvano silver			
(3)	991 555 522 02	Inner actuator	right	1	
	991 555 522 02 V08	Galvano silver			
4	991 555 533 01	Pull handle Alcantara	left	1	
	991 555 533 01 RAG	Black/Platinum Grey	-28,78		
(4)	991 555 533 01 RAH	Black/Guards Red	-68	1	
	991 555 534 01	Pull handle Alcantara	right		
	991 555 534 01 RAG	Black/Platinum Grey	-28,78		
5	991 555 534 01 RAH	Black/Guards Red	-68	9	
	999 919 262 01	fillister hd. bolt 4,0 X 16,0			
6	970 632 135 00	Door warning light		2	
7	991 555 723 01	Mounting frame Switch		1	
	991 555 723 01 1E0	Black			
8	991 555 721 00	Cover	left front	1	
	991 555 721 00 1E0	Black			
(8)	991 555 722 00	Cover	right front	1	
	991 555 722 00 1E0	Black			
9	7PP 837 247	Cover panel Inner actuator	left	1	
	7PP 837 247 1E0	Black			
(9)	7PP 837 247	Cover panel Inner actuator	right	1	
	7PP 837 247 1E0	Black			
10	991 555 683 00	cover for airbag	left	1	
	991 555 683 00 1E0	Black			
(10)	991 555 683 01	cover for airbag D - MJ 2015>>	left	1	
	991 555 683 01 5Q0	Black			
(10)	991 555 684 00	cover for airbag	right	1	
	991 555 684 00 1E0	Black			
(10)	991 555 684 01	cover for airbag	right	1	
	991 555 684 01 5Q0	Black			
11	991 555 741 00	Cover panel window frame	left	1	
	991 555 741 00 1E0	Black			
(11)	991 555 742 00	Cover panel window frame	right	1	
	991 555 742 00 1E0	Black			

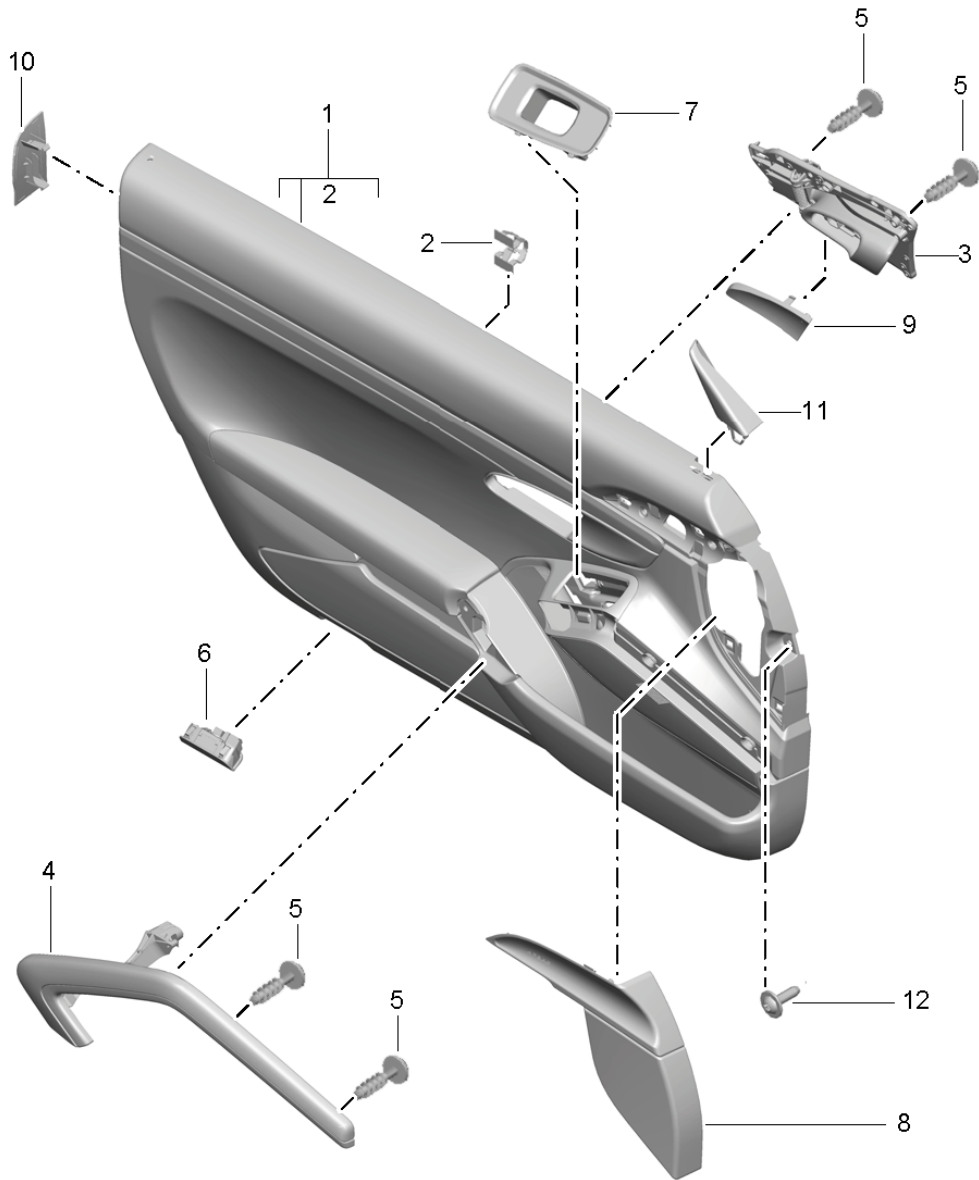
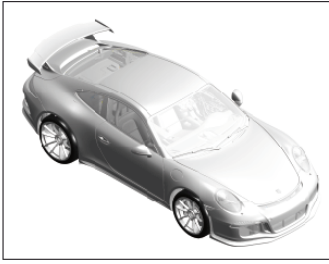
Model: 991G13

Model life 2014>>

Pos	Part Number	Description	Remark	Qty	Model
12	999 073 322 02	fillister hd. bolt M 6 X 20		8	

Model: 991G13

Model life 2014>>



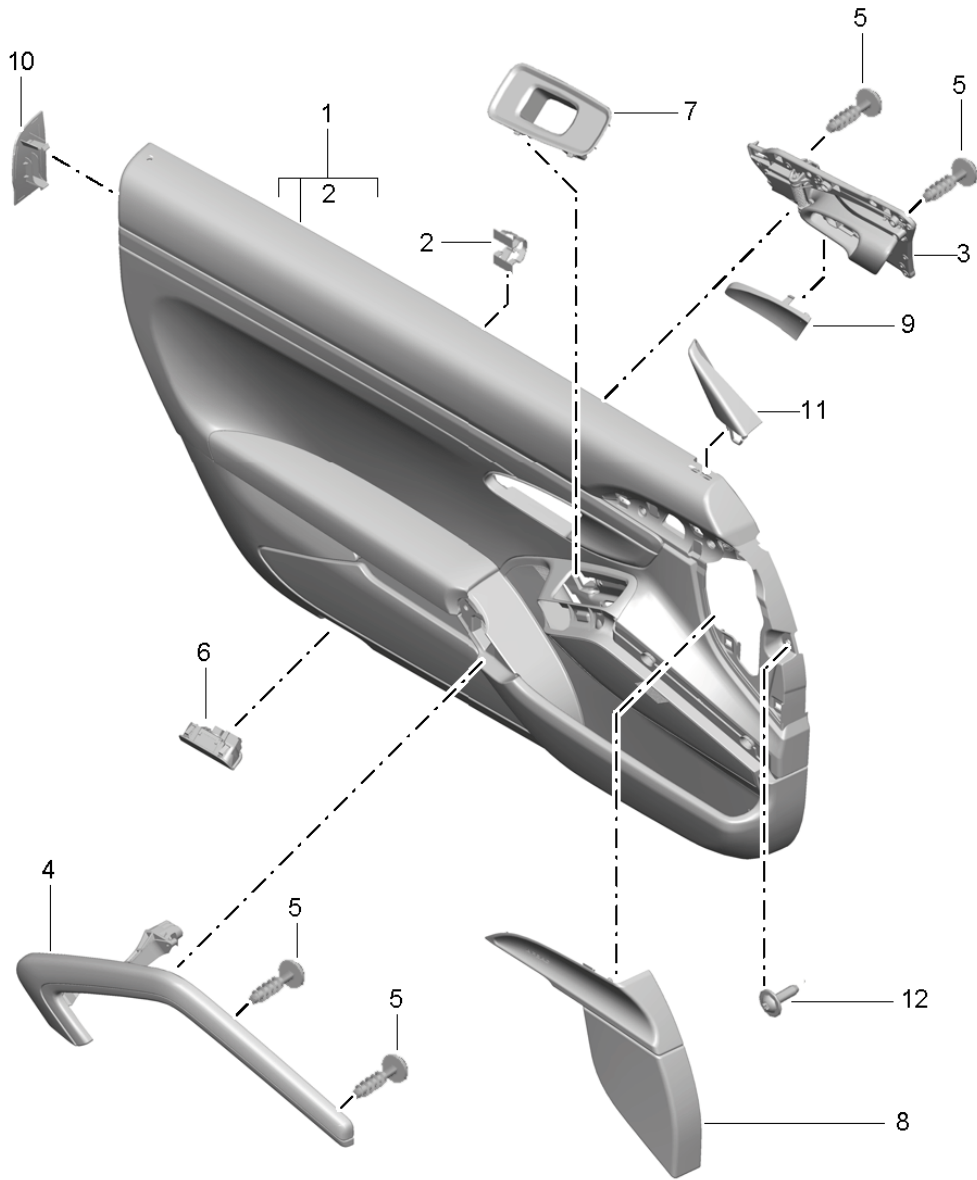
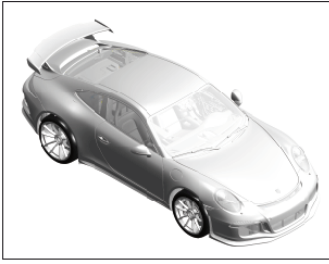
Model: 991G13

Model life 2014>>

Pos	Part Number	Description	Remark	Qty	Model
		door panel Accessories Leatherette GT3 2nd GENERATION D - MJ 2018>>			PR:811,975, -981
1	991 555 203 24	Door trim (leatherette) Armrest Alcantara	left	1	PR:8AA,9VK
	991 555 203 24 DUJ	Black/Platinum Grey	-28		
1	991 555 203 63	door panel Leatherette Armrest Alcantara	left	1	PR:9VL
	991 555 203 63 DUJ	Black/Platinum Grey	-28		
1	991 555 204 24	Door trim (leatherette) Armrest Alcantara	right	1	PR:8AA,9VK, 975
	991 555 204 24 DUJ	Black/Platinum Grey	-28		
1	991 555 204 63	door panel Leatherette Armrest Alcantara	right	1	PR:9VL,975
	991 555 204 63 DUJ	Black/Platinum Grey	-28		
2	999 507 533 02	Clamp 8,0 X 10,0 /2,5		4	
3	991 555 521 02	Inner actuator	left	1	
	991 555 521 02 V08	Galvano silver			
(3)	991 555 522 02	Inner actuator	right	1	
	991 555 522 02 V08	Galvano silver			
4	991 555 533 01	Pull handle Alcantara	left	1	
	991 555 533 01 RAG	Black/Platinum Grey	-28		
(4)	991 555 534 01	Pull handle Alcantara	right	1	
	991 555 534 01 RAG	Black/Platinum Grey	-28		
5	999 919 262 01	fillister hd. bolt 4,0 X 16,0		9	
6	970 632 135 00	Door warning light		2	
7	991 555 723 01	Mounting frame Switch		1	
	991 555 723 01 1E0	Black			
8	991 555 721 01	Cover	left front	1	
	991 555 721 01 1E0	Black			
9	7PP 837 247	Cover panel Inner actuator	left	1	
	7PP 837 247 1E0	Black			
10	991 555 683 00	cover for airbag	left	1	
	991 555 683 00 1E0	Black			
(10)	991 555 684 00	cover for airbag	right	1	
	991 555 684 00 1E0	Black			
11	991 555 741 00	Cover panel window frame	left	1	
	991 555 741 00 1E0	Black			
(11)	991 555 742 00	Cover panel window frame	right	1	
	991 555 742 00 1E0	Black			
12	999 073 322 02	fillister hd. bolt M 6 X 20		8	
13	999 919 167 09	fillister hd. bolt M 3 X 10		10	

Model: 991G13

Model life 2014>>



Model: 991G13 Model life 2014>>

Pos	Part Number	Description	Remark	Qty	Model
		door panel Accessories Leather Alcantara GT3 2nd GENERATION D >> - MJ 2018			PR:981,975
1	991 555 203 25	Door trim (Alcantara) Leather Trim Aluminium/Anthracite	left	1	PR:814,8AA, 9VK
	991 555 203 25 RAI	Black/Platinum Grey	-78		
	991 555 203 25 RAJ	Black/Guards Red	-68		
(1)	991 555 203 H3	Door trim (Alcantara) Leather Trim Aluminium/Anthracite	left	1	PR:814,9VL
	991 555 203 H3 RAI	Black/Platinum Grey	-78		
	991 555 203 H3 RAJ	Black/Guards Red	-68		
(1)	991 555 993 64	Door trim (Alcantara) Leather Trim Leather Black	left	1	PR:XWA,8AA, 9VK
	991 555 993 64 RAI	Black/Platinum Grey	-78		
	991 555 993 64 RAJ	Black/Guards Red	-68		
(1)	981 555 993 A9	Door trim (Alcantara) Leather Trim Leather Black	left	1	PR:XWA,9VL
	981 555 993 A9 RAI	Black/Platinum Grey	-78		
	981 555 993 A9 RAJ	Black/Guards Red	-68		
(1)	991 555 993 62	molding for door trim panel Leather Alcantara Carbon	left	1	PR:XWC,8AA, 9VK
	991 555 993 62 RAI	Black/Platinum Grey	-78		
	991 555 993 62 RAJ	Black/Guards Red	-68		
(1)	991 555 203 39	molding for door trim panel Leather Alcantara Carbon	left	1	PR:XWC,9VL
	991 555 203 39 RAI	Black/Platinum Grey	-78		
	991 555 203 39 RAJ	Black/Guards Red	-68		
(1)	991 555 993 63	door panel Leather Alcantara Trim Aluminium, brushed	left	1	PR:XWD,8AA, 9VK
	991 555 993 63 RAI	Black/Platinum Grey	-78		
	991 555 993 63 RAJ	Black/Guards Red	-68		
(1)	981 555 993 C1	Door trim (Alcantara) Leather Trim Aluminium, brushed	left	1	PR:XWD,9VL
	981 555 993 C1 RAI	Black/Platinum Grey	-78		
	981 555 993 C1 RAJ	Black/Guards Red	-68		
(1)	991 555 993 61	door panel Leather	left	1	PR:XWE,8AA, 9VK

Model: 991G13 Model life 2014>>

Pos	Part Number	Description	Remark	Qty	Model
(1)	991 555 993 61 RAI 991 555 993 61 RAJ 981 555 993 97	Alcantara Trim Exterior colour Black/Platinum Grey Black/Guards Red Door trim (Alcantara) Leather Trim	Painted -78 -68 left	1	PR:XWE,9VL
-	981 555 993 97 RAI 981 555 993 97 RAJ	Exterior colour Black/Platinum Grey Black/Guards Red	Painted -78 -68		
(1)	991 555 204 25	in your order Vehicle Ident. No. and Please state the colour Door panel trim (leather)	right	1	PR:814,8AA, 9VK
(1)	991 555 204 25 RAI 991 555 204 25 RAJ 991 555 204 G8	Alcantara Trim Aluminium/Anthracite Black/Platinum Grey Black/Guards Red Door panel trim (leather)	-78 -68 right	1	PR:814,9VL
(1)	991 555 204 G8 RAI 991 555 204 G8 RAJ 991 555 994 64	Alcantara Trim Aluminium/Anthracite Black/Platinum Grey Black/Guards Red door panel	-78 -68 right	1	PR:XWA,8AA, 9VK
(1)	991 555 994 64 RAI 991 555 994 64 RAJ 981 555 994 A9	Leather Alcantara Trim Leather Black Black/Platinum Grey Black/Guards Red Door trim (Alcantara)	-78 -68 right	1	PR:XWA,9VL
(1)	981 555 994 A9 RAI 981 555 994 A9 RAJ 991 555 994 62	Leather Alcantara Carbon Black/Platinum Grey Black/Guards Red molding for door trim panel	-78 -68 right	1	PR:XWC,8AA, 9VK
(1)	991 555 994 62 RAI 991 555 994 62 RAJ 991 555 204 39	Leather Alcantara Carbon Black/Platinum Grey Black/Guards Red molding for door trim panel	-78 -68 right	1	PR:XWC,9VL
(1)	991 555 204 39 RAI 991 555 204 39 RAJ 991 555 994 63	Leather Alcantara Carbon Black/Platinum Grey Black/Guards Red door panel	-78 -68 right	1	PR:XWD,8AA, 9VK
		Leather Alcantara Trim Aluminium, brushed			

Model: 991G13 Model life 2014>>

Pos	Part Number	Description	Remark	Qty	Model
(1)	991 555 994 63 RAI	Black/Platinum Grey	-78	1	PR: XWD, 9VL
	991 555 994 63 RAJ	Black/Guards Red	-68		
	981 555 994 C1	Door trim (Alcantara) Leather Trim Aluminium, brushed	right		
(1)	981 555 994 C1 RAI	Black/Platinum Grey	-78	1	PR: XWE, 8AA, 9VK
	981 555 994 C1 RAJ	Black/Guards Red	-68		
	991 555 994 61	door panel Leather Alcantara Trim Exterior colour	right painted		
(1)	991 555 994 61 RAI	Black/Platinum Grey	-78	1	PR: XWE, 9VL
	991 555 994 61 RAJ	Black/Guards Red	-68		
	981 555 994 97	Door trim (Alcantara) Leather Trim Exterior colour	right painted		
2	981 555 994 97 RAI	Black/Platinum Grey	-78	4	
	981 555 994 97 RAJ	Black/Guards Red	-68		
3	999 507 533 02	Clamp 8,0 X 10,0 /2,5		1	
	991 555 521 02	Inner actuator	left		
(3)	991 555 521 02 V08	Galvano silver		1	
	991 555 522 02	Inner actuator	right		
4	991 555 522 02 V08	Galvano silver		1	
	991 555 533 01	Pull handle Alcantara	left		
(4)	991 555 533 01 RAG	Black/Platinum Grey	-78	1	
	991 555 533 01 RAH	Black/Guards Red	-68		
	991 555 534 01	Pull handle Alcantara	right		
5	991 555 534 01 RAG	Black/Platinum Grey	-78	9	
	991 555 534 01 RAH	Black/Guards Red	-68		
6	999 919 262 01	fillister hd. bolt 4,0 X 16,0		2	
7	970 632 135 00	Door warning light		1	
8	991 555 723 01	Mounting frame Switch		1	
	991 555 723 01 1E0	Black			
(8)	991 555 721 01	Cover	left front	1	
	991 555 721 01 1E0	Black			
9	991 555 722 01	Cover	right front	1	
	991 555 722 01 1E0	Black			
(9)	7PP 837 247	Cover panel Inner actuator	left	1	
	7PP 837 247 1E0	Black			
10	7PP 837 247	Cover panel Inner actuator	right	1	
	7PP 837 247 1E0	Black			
(10)	991 555 683 01	cover for airbag	left	1	
	991 555 683 01 5Q0	Black			
11	991 555 684 01	cover for airbag	right	1	
	991 555 684 01 5Q0	Black			
(11)	991 555 741 00	Cover panel window frame	left	1	
	991 555 741 00 1E0	Black			
(11)	991 555 742 00	Cover panel window frame	right	1	
	991 555 742 00 1E0	Black			

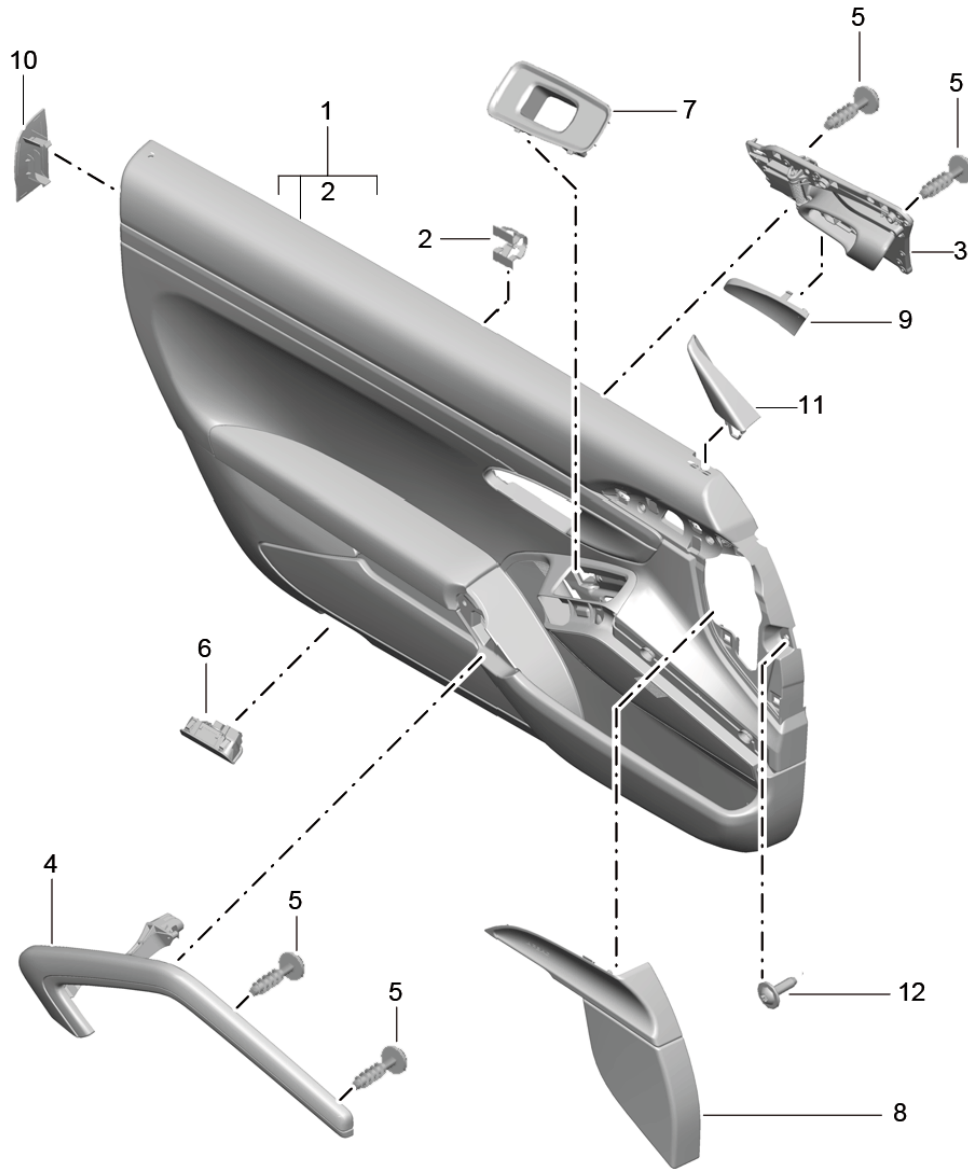
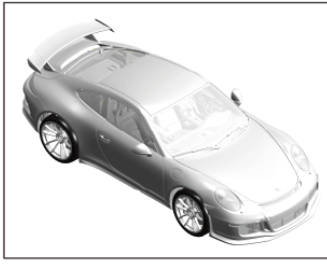
Model: 991G13

Model life 2014>>

Pos	Part Number	Description	Remark	Qty	Model
12	999 073 322 02	fillister hd. bolt M 6 X 20		8	

Model: 991G13

Model life 2014>>



Model: 991G13 Model life 2014>>

Pos	Part Number	Description	Remark	Qty	Model
		door panel Accessories TOURING PAKET GT3 2nd GENERATION D - MJ 2018>>			PR:039
1	991 555 203 00	door panel Leatherette	left	1	PR:811,8AA, 9VK,-981, -553
	991 555 203 00 DK4	Black	-14		
(1)	991 555 203 01	door panel Leatherette	left	1	PR:811,9VL, -981,-553
	991 555 203 01 DK4	Black	-14		
(1)	991 555 203 74	Door panel trim (leather)	left	1	PR:815,8AA, 9VK,981
	991 555 203 74 A11	Black	-39		
	991 555 203 74 DRK	Black/Guards Red	-34		
(1)	991 555 203 75	Door panel trim (leather)	left	1	PR:815,9VL, 981
	991 555 203 75 A11	Black	-39		
	991 555 203 75 DRK	Black/Guards Red	-34		
(1)	991 555 204 00	door panel Leatherette	right	1	PR:039,8AA, 9VK,-981
	991 555 204 00 DK4	Black	-14		
(1)	991 555 204 01	door panel Leatherette	right	1	PR:039,9VL, -981
	991 555 204 01 DK4	Black	-14		
(1)	991 555 204 74	Door panel trim (leather)	right	1	PR:815,8AA, 9VK,981
	991 555 204 74 A11	Black	-39		
	991 555 204 74 DRK	Black/Guards Red	-34		
(1)	991 555 204 75	Door panel trim (leather)	right	1	PR:815,9VL, 981
	991 555 204 75 A11	Black	-39		
	991 555 204 75 DRK	Black/Guards Red	-34		
2	999 507 533 02	Clamp 8,0 X 10,0 /2,5		4	
3	991 555 521 02	Inner actuator	left	1	
	991 555 521 02 V08	Galvano silver			
(3)	991 555 522 02	Inner actuator	right	1	
	991 555 522 02 V08	Galvano silver			
4	991 555 533 00	Pull handle Leather	left	1	
	991 555 533 00 A11	Black	-14		+39
	991 555 533 00 DRK	Black/Guards Red	-34		
(4)	991 555 534 00	Pull handle (leather)	right	1	
	991 555 534 00 A11	Black	-14		+39
	991 555 534 00 DRK	Black/Guards Red	-34		
5	999 919 262 01	fillister hd. bolt 4,0 X 16,0		9	
6	970 632 135 00	Door warning light		2	
7	991 555 723 01	Mounting frame Switch		1	
	991 555 723 01 1E0	Black			
8	991 555 721 01	Cover	left front	1	
	991 555 721 01 1E0	Black			
(8)	991 555 722 01	Cover	right front	1	
	991 555 722 01 1E0	Black			
9	7PP 837 247	Cover panel Inner actuator	left	1	
	7PP 837 247 1E0	Black			

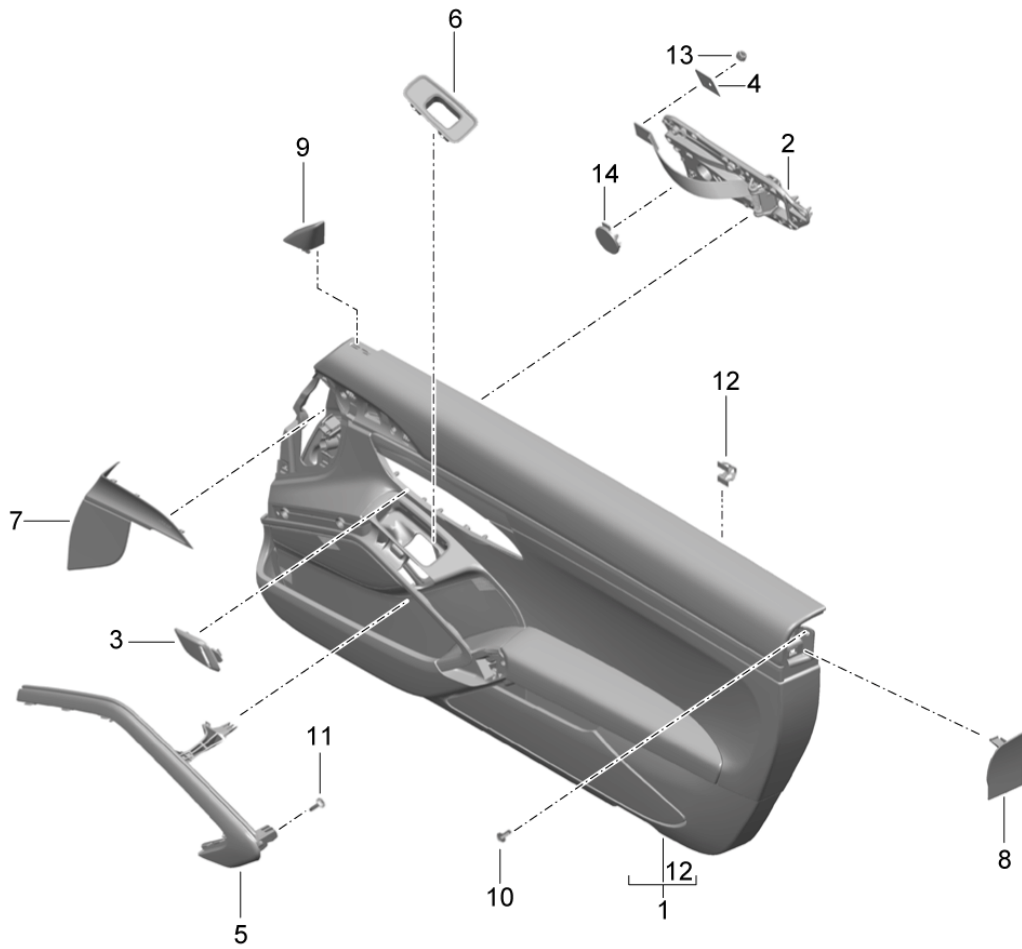
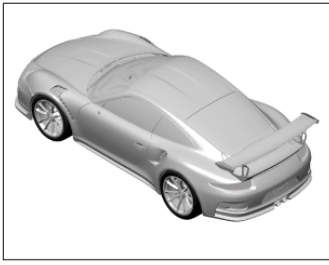
Model: 991G13

Model life 2014>>

Pos	Part Number	Description	Remark	Qty	Model
(9)	7PP 837 247	Cover panel Inner actuator	right	1	
	7PP 837 247 1E0	Black			
10	991 555 683 01	cover for airbag	left	1	
	991 555 683 01 5Q0	Black			
(10)	991 555 684 01	cover for airbag	right	1	
	991 555 684 01 5Q0	Black			
11	991 555 741 00	Cover panel window frame	left	1	
	991 555 741 00 1E0	Black			
(11)	991 555 742 00	Cover panel window frame	right	1	
	991 555 742 00 1E0	Black			
12	999 073 322 02	fillister hd. bolt M 6 X 20		8	

Model: 991G13

Model life 2014>>



Model: 991G13 Model life 2014>>

Pos	Part Number	Description	Remark	Qty	Model
1	991 555 203 62	door panel Accessories GT3 RS	left	1	PR:441,490, 811,975,-981
(1)	991 555 203 62 DK4	Black	-29,18		
(1)	991 555 203 62	door panel Leatherette	left	1	PR:609,811, 975,-981
(1)	991 555 203 62 DK4	Black	-29,18		
(1)	991 555 993 65	Door trim (Alcantara) Leather	left	1	PR:XWC,441, 490,609,975, 981
		Trim Carbon			
(1)	991 555 993 65 DSX	black/silver	-79		
	991 555 993 65 RAX	Black/Lava Orange	-69		
(1)	991 555 993 65	Door trim (Alcantara) Leather	left	1	PR:XWC,441, 490,609,975, 981
		Trim Carbon Cover Armrest Coloured			
(1)	991 555 993 65 RBE	Black/Lava Orange	-49		
	991 555 993 65 RBF	Black/GT Silver	-59		
(1)	991 555 993 66	Door trim (Alcantara) Leather	left	1	PR:XWD,441, 490,609,975, 981
		Trim Aluminium, brushed			
(1)	991 555 993 66 DSX	black/silver	-79		
	991 555 993 66 RAX	Black/Lava Orange	-69		
(1)	991 555 993 66	Door trim (Alcantara) Leather	left	1	PR:XWD,441, 490,609,975, 981
		Trim Aluminium, brushed Cover Armrest Coloured			
(1)	991 555 993 66 RBE	Black/Lava Orange	-49		
	991 555 993 66 RBF	Black/GT Silver	-59		
(1)	991 555 993 67	Door trim (Alcantara) Leather	left	1	PR:XWE,441, 490,609,975, 981
		Trim Lacquered			
(1)	991 555 993 67 DSX	black/silver	-79		
	991 555 993 67 RAX	Black/Lava Orange	-69		
(1)	991 555 993 67	Door trim (Alcantara) Leather	left	1	PR:XWE,441, 490,609,975, 981
		Trim Lacquered Cover Armrest Coloured			
(1)	991 555 993 67 RBE	Black/Lava Orange	-49		
	991 555 993 67 RBF	Black/GT Silver	-59		
(1)	991 555 204 62	door panel Leatherette	right	1	PR:441,490, 811,975,-981
	991 555 204 62 DK4	Black	-29,18		

Model: 991G13 Model life 2014>>

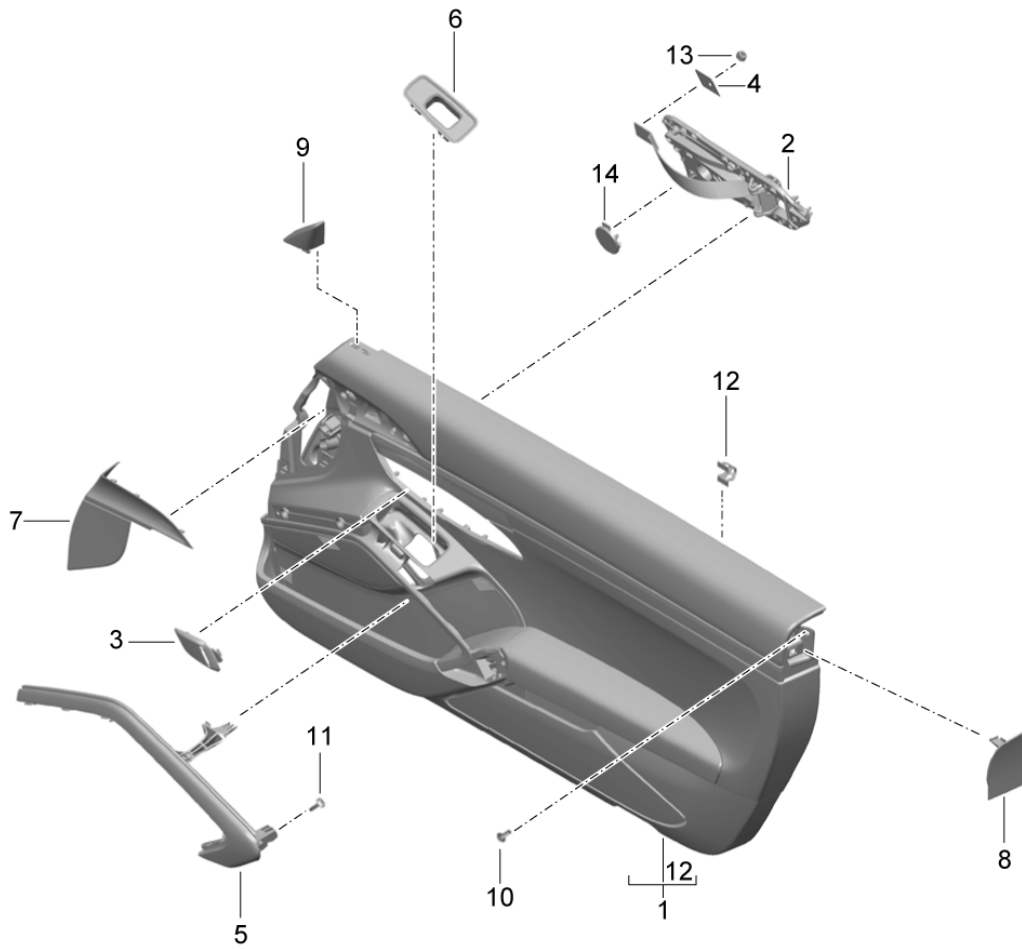
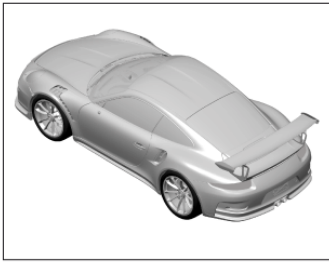
Pos	Part Number	Description	Remark	Qty	Model
(1)	991 555 204 62	door panel Leatherette	right	1	PR:609,811, 975,-981
	991 555 204 62 DK4	Black	-29,18		
(1)	991 555 994 65	Door trim (Alcantara) Leather	right	1	PR:XWC,441, 490,609,975, 981
		Trim Carbon			
	991 555 994 65 DSX	black/silver	-79		
	991 555 994 65 RAX	Black/Lava Orange	-69		
(1)	991 555 994 65	Door trim (Alcantara) Leather	right	1	PR:XWC,441, 490,609,975, 981
		Trim Carbon Cover Armrest Coloured			
	991 555 994 65 RBE	Black/Lava Orange	-49		
	991 555 994 65 RBF	Black/GT Silver	-59		
(1)	991 555 994 66	Door trim (Alcantara) Leather	right	1	PR:XWD,441, 490,609,975, 981
		Trim Aluminium, brushed			
	991 555 994 66 DSX	black/silver	-79		
	991 555 994 66 RAX	Black/Lava Orange	-69		
(1)	991 555 994 66	Door trim (Alcantara) Leather	right	1	PR:XWD,441, 490,609,975, 981
		Trim Aluminium, brushed Cover Armrest Coloured			
	991 555 994 66 RBE	Black/Lava Orange	-49		
	991 555 994 66 RBF	Black/GT Silver	-59		
(1)	991 555 994 67	Door trim (Alcantara) Leather	right	1	PR:XWE,441, 490,609,975, 981
		Trim Lacquered			
	991 555 994 67 DSX	black/silver	-79		
	991 555 994 67 RAX	Black/Lava Orange	-69		
-		in your order Vehicle Ident. No. and Please state the colour			
(1)	991 555 994 67	Door trim (Alcantara) Leather	right	1	PR:XWE,441, 490,609,975, 981
		Trim Lacquered Cover Armrest Coloured			
	991 555 994 67 RBE	Black/Lava Orange	-49		
	991 555 994 67 RBF	Black/GT Silver	-59		
-		in your order Vehicle Ident. No. and Please state the colour			
2	991 555 521 06	Inner actuator	left	1	

Model: 991G13 Model life 2014>>

Pos	Part Number	Description	Remark	Qty	Model
	991 555 521 06 M2A	Lava Orange			
	991 555 521 06 U01	silver			
(2)	991 555 522 06	Inner actuator	right	1	
	991 555 522 06 M2A	Lava Orange			
	991 555 522 06 U01	silver			
3	991 555 589 00	Trim	left	1	
		Door loop			
	991 555 589 00 5Q0	Black			
(3)	991 555 590 00	Trim	right	1	
		Door loop			
	991 555 590 00 5Q0	Black			
4	991 555 615 00	clamping piece	left	1	
		Threaded joint			
		Door loop			
(4)	991 555 616 00	clamping piece	right	1	
		Threaded joint			
		Door loop			
5	991 555 533 03	Pull handle	left	1	
		Alcantara			
	991 555 533 03 2W0	Black			
(5)	991 555 534 03	Pull handle	right	1	
		Alcantara			
	991 555 534 03 2W0	Black			
6	991 555 723 02	Mounting frame		1	
		Window regulator			
		(passenger side)			
	991 555 723 02 1E0	Black			
7	991 555 721 02	Cover	left	1	
			front		
	991 555 721 02 5Q0	Black			
(7)	991 555 722 02	Cover	right	1	
			front		
	991 555 722 02 5Q0	Black			
8	991 555 683 01	cover for airbag	left	1	
	991 555 683 01 5Q0	Black			
(8)	991 555 684 01	cover for airbag	right	1	
	991 555 684 01 5Q0	Black			
9	991 555 741 00	Cover panel	left	1	
		window frame			
	991 555 741 00 1E0	Black			
(9)	991 555 742 00	Cover panel	right	1	
		window frame			
	991 555 742 00 1E0	Black			
10	999 073 322 02	fillister hd. bolt		4	
		M 6 X 20			
11	N 907 321 03	Hexagon socket oval head		9	
		bolt			
		TP4,0X16,0-Q			
12	999 507 533 02	Clamp		X	
		8,0 X 10,0 /2,5			
13	N 101 181 04	Hexagon nut		1	
		M5			
14	991 555 579 00	Cover cap		1	
		Inner actuator			
	991 555 579 00 5Q0	Black			

Model: 991G13

Model life 2014>>



Model: 991G13 Model life 2014>>

Pos	Part Number	Description	Remark	Qty	Model
		door panel	GT3 II RS		
		Accessories			
1	991 555 203 H9	Door trim (leatherette)	left	1	PR:811,8AA
	991 555 203 H9 RCK	black/silver	29		975,9VK
(1)	991 555 203 H7	Door trim (leatherette)	left	1	PR:811,9VL
	991 555 203 H7 RCK	black/silver	29		975
(1)	991 555 204 J2	Door trim (leatherette)	right	1	PR:811,8AA
	991 555 204 J2 RCK	black/silver	29		975,9VK
(1)	991 555 204 H9	Door trim (leatherette)	right	1	PR:811,9VL
	991 555 204 H9 RCK	black/silver	29		975
(1)	991 555 993 H6	Door trim	left	1	PR:XWA,8AA,
		(leather/alcantara)			9VK,975,981
	991 555 993 H6 DSO	black/silver	79		
	991 555 993 H6 RCJ	Black/lizard green	77		
(1)	991 555 993 J1	Door trim	left	1	PR:XWA,9VL,
		(leather/alcantara)			975,981
	991 555 993 J1 DSO	black/silver	79		
	991 555 993 J1 RCJ	Black/lizard green	77		
(1)	991 555 993 J7	Door trim	left	1	PR:XWC,8AA,
		(leather/alcantara)			9VK,975,981
	991 555 993 J7 DSO	black/silver	79		
	991 555 993 J7 RCJ	Black/lizard green	77		
(1)	991 555 993 J3	Door trim	left	1	PR:XWC,9VL,
		(leather/alcantara)			975,981
	991 555 993 J3 DSO	black/silver	79		
	991 555 993 J3 RCJ	Black/lizard green	77		
(1)	991 555 993 J8	Door trim	left	1	PR:XWE,8AA,
		(leather/alcantara)			9VK,975,981
	991 555 993 J8 DSO	black/silver	79		
	991 555 993 J8 RCJ	Black/lizard green	77		
(1)	991 555 993 J5	Door trim	left	1	PR:XWE,9VL,
		(leather/alcantara)			975,981
	991 555 993 J5 DSO	black/silver	79		
	991 555 993 J5 RCJ	Black/lizard green	77		
(1)	991 555 994 K8	Door trim	right	1	PR:XWA,8AA,
		(leather/alcantara)			9VK,975,981
	991 555 994 K8 DSO	black/silver	79		
	991 555 994 K8 RCJ	Black/lizard green	77		
(1)	991 555 994 M4	Door trim	right	1	PR:XWA,9VL,
		(leather/alcantara)			975,981
	991 555 994 M4 DSO	black/silver	79		
	991 555 994 M4 RCJ	Black/lizard green	77		
(1)	991 555 994 M9	Door trim	right	1	PR:XWC,8AA,
		(leather/alcantara)			9VK,975,981
	991 555 994 M9 DSO	black/silver	79		
	991 555 994 M9 RCJ	Black/lizard green	77		
(1)	991 555 994 K9	Door trim	right	1	PR:XWC,9VL,
		(leather/alcantara)			975,981
	991 555 994 K9 DSO	black/silver	79		
	991 555 994 K9 RCJ	Black/lizard green	77		
(1)	991 555 994 N1	Door trim	right	1	PR:XWE,8AA,
		(leather/alcantara)			9VK,975,981
	991 555 994 N1 DSO	black/silver	79		
	991 555 994 N1 RCJ	Black/lizard green	77		
(1)	991 555 994 M7	Door trim	right	1	PR:XWC,9VL,
		(leather/alcantara)			975,981
	991 555 994 M7 DSO	black/silver	79		
	991 555 994 M7 RCJ	Black/lizard green	77		
2	991 555 521 06	Inner actuator	left	1	
		Pull loop			
	991 555 521 06 U01	silver	29,79		
	991 555 521 06 M6B	Lizard green	77		
(2)	991 555 522 06	Inner actuator	right	1	

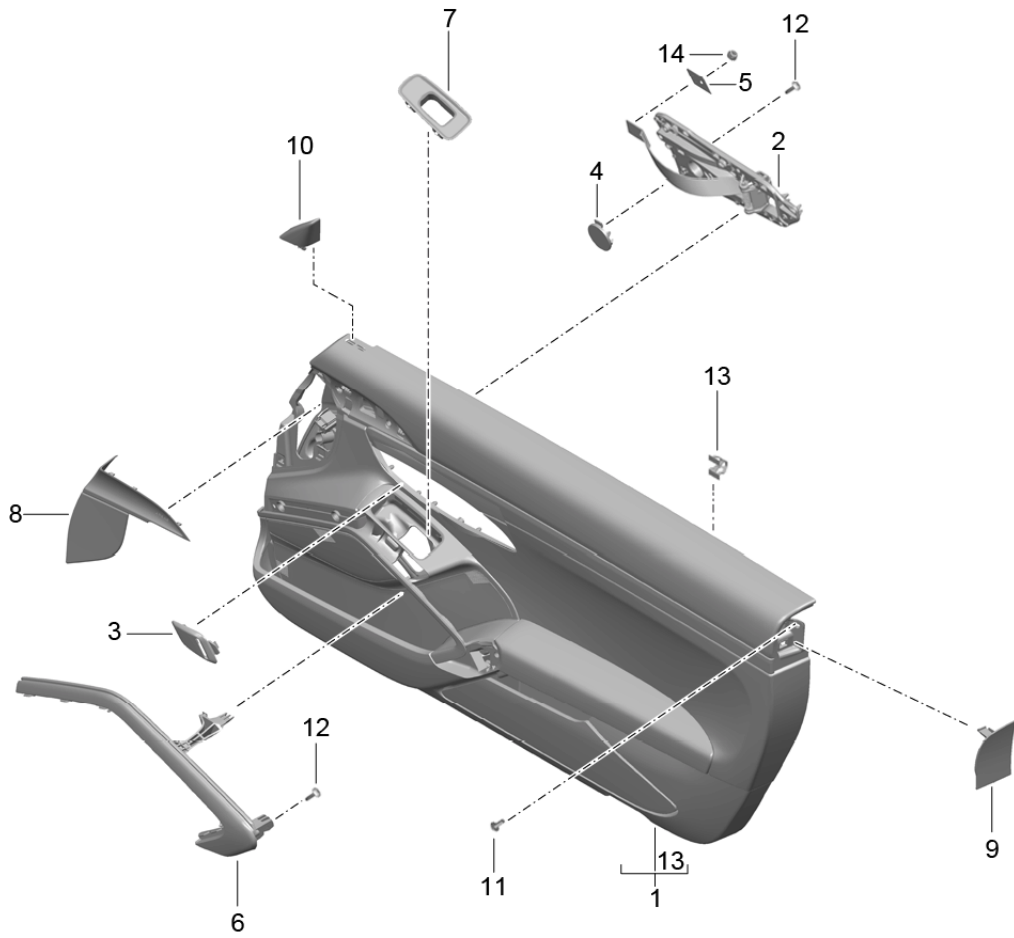
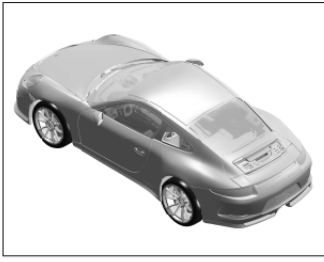
Model: 991G13

Model life 2014>>

Pos	Part Number	Description	Remark	Qty	Model
3	991 555 522 06 U01	Pull loop silver	29,79	1	
	991 555 522 06 M6B	Lizard green	77		
	991 555 589 00	Trim	left		
(3)	991 555 589 00 5Q0	Pull loop Black	right	1	
	991 555 590 00	Trim			
4	991 555 590 00 5Q0	Pull loop Black	left	1	
	991 555 615 00	clamping piece			
(4)	991 555 616 00	Pull loop clamping piece	right	1	
		Pull loop			
5	991 555 533 03	Pull handle Alcantara	left	1	
		991 555 533 03 RBB	black/silver	29,79	
(5)	991 555 533 03 RCL	Black/lizard green	77	1	
	991 555 534 03	Pull handle Alcantara	right		
	991 555 534 03 RBB	black/silver	29,79		
6	991 555 534 03 RCL	Black/lizard green	77	1	
	991 555 723 02	Mounting frame Switch			
7	991 555 723 02 1E0	Black	front left	1	
	991 555 721 03	Cover			
(7)	991 555 721 03 5Q0	Black	front right	1	
	991 555 722 03	Cover			
8	991 555 722 03 5Q0	Black	left	1	
	991 555 683 01	cover for airbag			
(8)	991 555 683 01 5Q0	Black	right	1	
	991 555 684 01	cover for airbag			
9	991 555 684 01 5Q0	Black	left	1	
	991 555 741 00	Cover panel Trim for door window frame			
(9)	991 555 741 00 1E0	Black	right	1	
	991 555 742 00	Cover panel Trim for door window frame			
10	991 555 742 00 1E0	Black			
10	999 073 322 02	fillister hd. bolt	M6X20	1	
11	N 907 321 03	Hexagon socket oval head bolt	4X16	1	
12	999 507 533 02	fillister hd. bolt		X	
		Clamp 8,0 X 10,0 /2,5			
13	N 101 181 04	Hexagon nut	M5	1	
14	991 555 579 00	Cover cap		1	
		Pull loop			
	991 555 579 00 5Q0	Black			

Model: 991G13

Model life 2014>>



Model: 991G13 Model life 2014>>

Pos	Part Number	Description	Remark	Qty	Model
		door panel			PR:811,-981
		Accessories			
		Leather package			
		911 R			
1	991 555 203 86	Door trim (leatherette)	left	1	PR:680,-984
	991 555 203 86 DK4	Black	-12		
(1)	991 555 204 86	Door trim (leatherette)	right	1	PR:680,-984
	991 555 204 86 DK4	Black	-12		
(1)	991 555 203 87	Door trim (leatherette)	left	1	PR:490,-984
	991 555 203 87 DK4	Black	-12		
(1)	991 555 204 87	Door trim (leatherette)	right	1	PR:490,-984
	991 555 204 87 DK4	Black	-12		
(1)	991 555 203 88	Door trim (leatherette)	left	1	PR:609,-984
	991 555 203 88 DK4	Black	-12		
(1)	991 555 204 88	Door trim (leatherette)	right	1	PR:609,-984
	991 555 204 88 DK4	Black	-12		
(1)	991 555 203 89	Door trim (leather/leatherette)	left	1	PR:680,984
		Leatherette/leather			
	991 555 203 89 JHK	Black/Tarpan Brown	-16		
(1)	991 555 204 89	Door trim (leather/leatherette)	right	1	PR:680,984
		Leatherette/leather			
	991 555 204 89 JHK	Black/Tarpan Brown	-16		
(1)	991 555 203 90	Door trim (leather/leatherette)	left	1	PR:490,984
		Leatherette/leather			
	991 555 203 90 JHK	Black/Tarpan Brown	-16		
(1)	991 555 204 90	Door trim (leather/leatherette)	right	1	PR:490,984
		Leatherette/leather			
	991 555 204 90 JHK	Black/Tarpan Brown	-16		
(1)	991 555 203 91	Door trim (leather/leatherette)	left	1	PR:609,984
		Leatherette/leather			
	991 555 203 91 JHK	Black/Tarpan Brown	-16		
(1)	991 555 204 91	Door trim (leather/leatherette)	right	1	PR:609,984
		Leatherette/leather			
	991 555 204 91 JHK	Black/Tarpan Brown	-16		
2	991 555 521 06	Inner actuator	left	1	
		with:			
	991 555 521 06 U01	Door loop silver			
(2)	991 555 522 06	Inner actuator	right	1	
		with:			
	991 555 522 06 U01	Door loop silver			
3	991 555 589 00	Trim	left	1	
		Door loop			
	991 555 589 00 5Q0	Black			
(3)	991 555 590 00	Trim	right	1	
		Door loop			
	991 555 590 00 5Q0	Black			
4	991 555 579 00	Cover cap		1	
		Inner actuator			
	991 555 579 00 5Q0	Black			
5	991 555 615 00	clamping piece	left	1	
		Threaded joint			
		Door loop			
(5)	991 555 616 00	clamping piece	right	1	
		Threaded joint			
		Door loop			
6	991 555 533 04	Pull handle (leather)	left	1	
	991 555 533 04 DSL	black/silver			

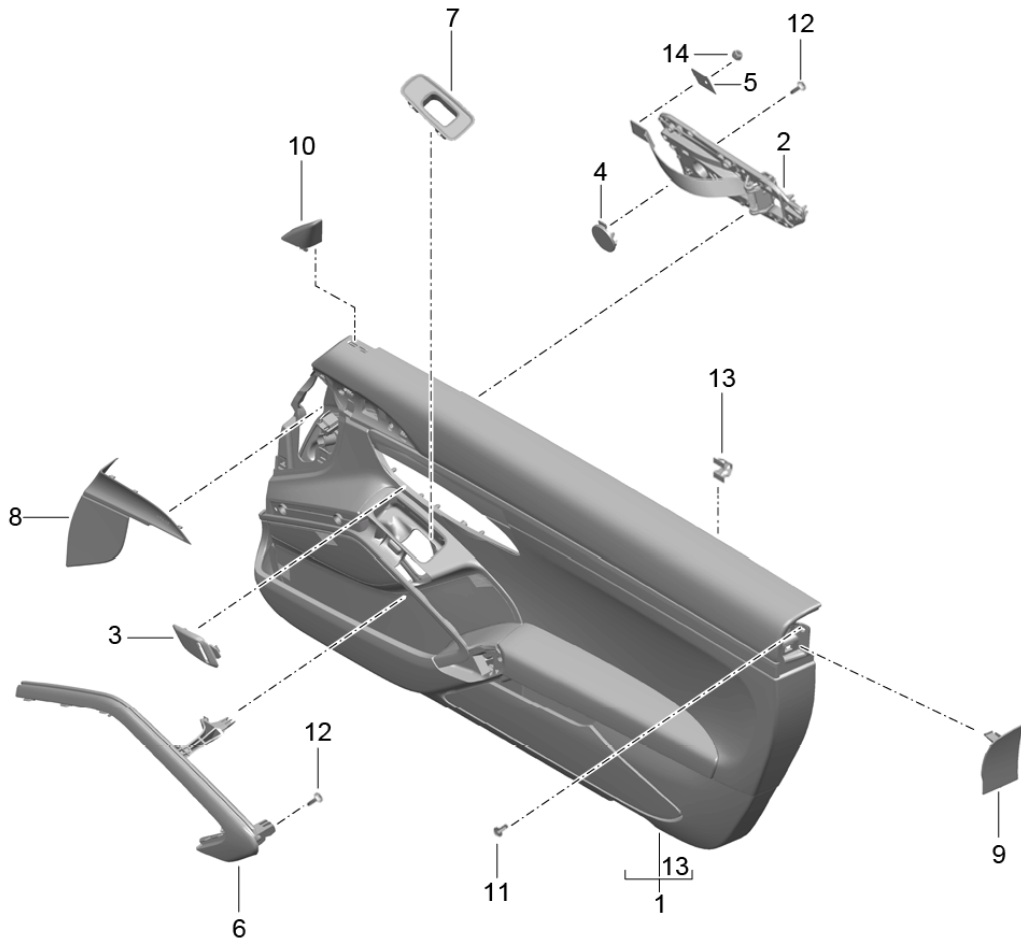
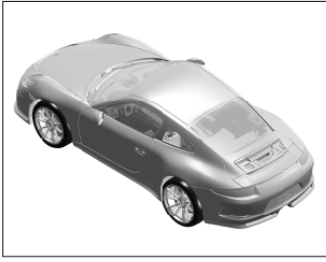
Model: 991G13

Model life 2014>>

Pos	Part Number	Description	Remark	Qty	Model
(6)	991 555 534 04	Pull handle (leather)	right	1	
	991 555 534 04 DSL	black/silver			
7	991 555 723 02	Mounting frame Window regulator (passenger side)		1	
	991 555 723 02 1E0	Black			
8	991 555 721 02	Cover	left front	1	
	991 555 721 02 5Q0	Black			
(8)	991 555 722 02	Cover	right front	1	
	991 555 722 02 5Q0	Black			
9	991 555 683 01	cover for airbag	left	1	
	991 555 683 01 5Q0	Black			
(9)	991 555 684 01	cover for airbag	right	1	
	991 555 684 01 5Q0	Black			
10	991 555 741 00	Cover panel window frame	left	1	
	991 555 741 00 1E0	Black			
(10)	991 555 742 00	Cover panel window frame	right	1	
	991 555 742 00 1E0	Black			
11	999 073 322 02	fillister hd. bolt M 6 X 20		4	
12	N 907 321 03	Hexagon socket oval head bolt TP4,0X16,0-Q		9	
13	999 507 533 02	Clamp 8,0 X 10,0 /2,5		X	
13	N 101 181 04	Hexagon nut M5		1	

Model: 991G13

Model life 2014>>



Model: 991G13 Model life 2014>>

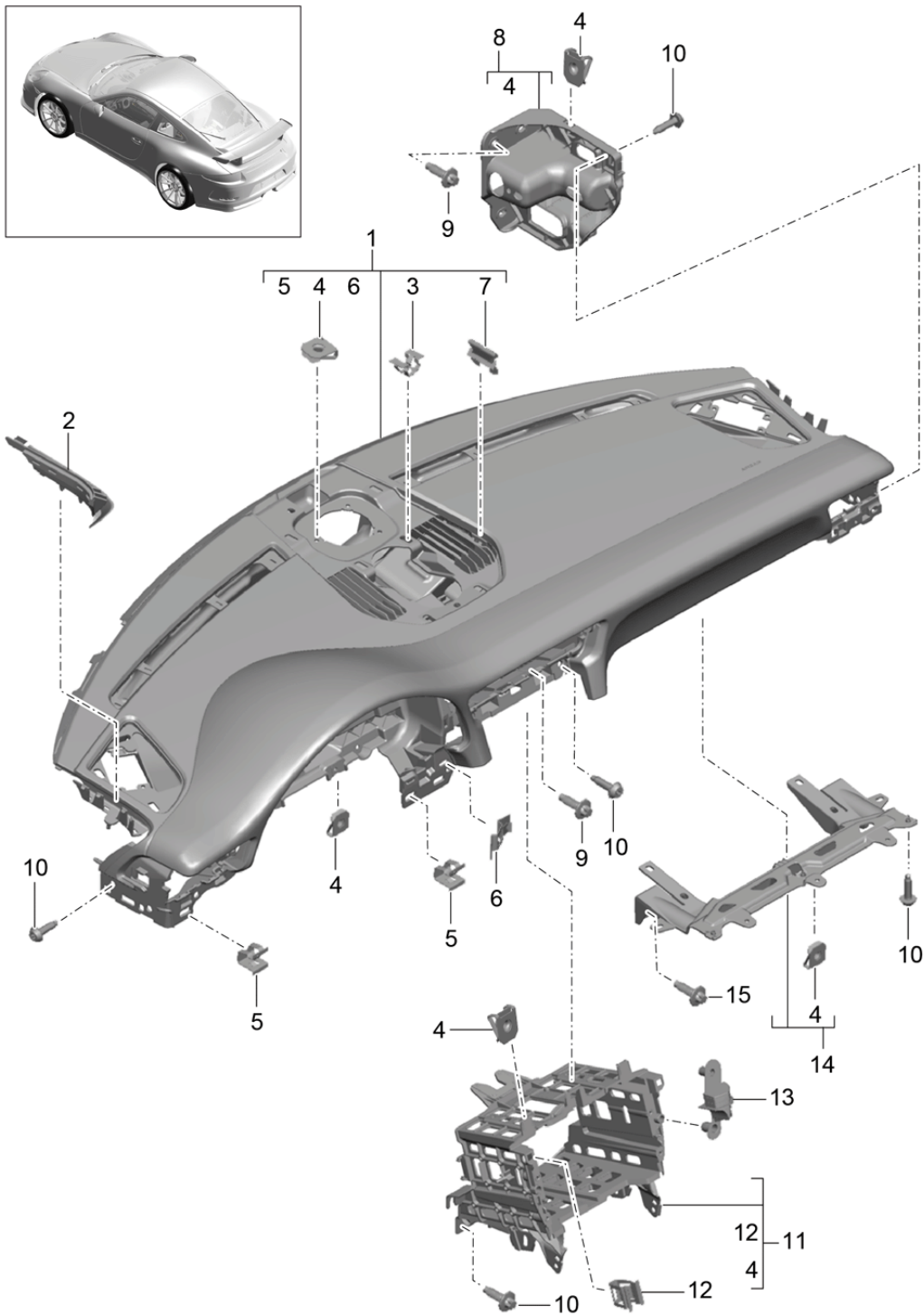
Pos	Part Number	Description	Remark	Qty	Model
		door panel Accessories Leather 911 R			PR:XWC,981
1	991 555 993 13	Door panel trim (leather) Trim Carbon	left rhd	1	PR:099,680, -984
(1)	991 555 993 13 DSL 991 555 994 13	black/silver Door panel trim (leather) Trim Carbon	-22 right rhd	1	PR:099,680, -984
(1)	991 555 994 13 DSL 991 555 993 68	black/silver Door panel trim (leather) Trim Carbon	-22 left	1	PR:490,-984
(1)	991 555 993 68 DSL 991 555 994 68	black/silver Door panel trim (leather) Trim Carbon	-22 right	1	PR:490,-984
(1)	991 555 994 68 DSL 991 555 993 69	black/silver Door panel trim (leather) Trim Carbon	-22 left lhd	1	PR:098,680, -984
(1)	991 555 993 69 DSL 991 555 994 69	black/silver Door panel trim (leather) Trim Carbon	-22 right lhd	1	PR:098,680, -984
(1)	991 555 994 69 DSL 991 555 993 70	black/silver Door panel trim (leather) Trim Carbon	-22 left	1	PR:609,-984
(1)	991 555 993 70 DSL 991 555 994 70	black/silver molding for door trim panel Leather Carbon	-22 right	1	PR:609,-984
(1)	991 555 994 70 DSL 991 555 993 71	black/silver molding for door trim panel Leather Carbon	-22 left	1	PR:609,984
(1)	991 555 993 71 JHU 991 555 994 71	Tarpan Brown/Black/Silver molding for door trim panel Leather Carbon	-26 right	1	PR:609,984
(1)	991 555 994 71 JHU 991 555 993 72	Tarpan Brown/Black/Silver molding for door trim panel Leather Carbon	-26 left	1	PR:490,984
(1)	991 555 993 72 JHU 991 555 994 72	Tarpan Brown/Black/Silver molding for door trim panel Leather Carbon	-26 right	1	PR:490,984
(1)	991 555 994 72 JHU 991 555 993 73	Tarpan Brown/Black/Silver molding for door trim panel Leather Carbon	-26 left	1	PR:680,984
(1)	991 555 993 73 JHU 991 555 994 73	Tarpan Brown/Black/Silver molding for door trim panel Leather Carbon	-26 right	1	PR:680,984

Model: 991G13 Model life 2014>>

Pos	Part Number	Description	Remark	Qty	Model
		panel Leather Carbon			
2	991 555 994 73 JHU 991 555 521 06	Tarpan Brown/Black/Silver Inner actuator	-26 left	1	
		with:			
(2)	991 555 521 06 U01 991 555 522 06	Door loop silver Inner actuator	right	1	
		with:			
3	991 555 522 06 U01 991 555 589 00	Door loop silver Trim	left	1	
(3)	991 555 589 00 5Q0 991 555 590 00	Door loop Black Trim	right	1	
		with:			
4	991 555 590 00 5Q0 991 555 579 00	Door loop Black Cover cap		1	
5	991 555 579 00 5Q0 991 555 615 00	Inner actuator Black clamping piece	left	1	
(5)	991 555 616 00	Threaded joint Door loop clamping piece	right	1	
		with:			
6	991 555 533 04 991 555 533 04 DSL	Door loop Pull handle (leather) black/silver	left	1	
(6)	991 555 534 04 991 555 534 04 DSL	Pull handle (leather) black/silver	right	1	
7	991 555 723 02	Mounting frame Window regulator (passenger side)		1	
8	991 555 723 02 1E0 991 555 721 02	Black Cover	left front	1	
(8)	991 555 721 02 5Q0 991 555 722 02	Black Cover	right front	1	
9	991 555 722 02 5Q0 991 555 683 01	Black cover for airbag	left	1	
(9)	991 555 683 01 5Q0 991 555 684 01	Black cover for airbag	right	1	
10	991 555 684 01 5Q0 991 555 741 00	Black Cover panel	left	1	
(10)	991 555 741 00 1E0 991 555 742 00	Black Cover panel	right	1	
		with:			
11	991 555 742 00 1E0 999 073 322 02	Black fillister hd. bolt		4	
12	N 907 321 03	M 6 X 20 Hexagon socket oval head bolt		9	
13	999 507 533 02	TP4,0X16,0-Q Clamp		X	
13	N 101 181 04	8,0 X 10,0 /2,5 Hexagon nut M5		1	

Model: 991G13

Model life 2014>>



Model: 991G13 Model life 2014>>

Pos	Part Number	Description	Remark	Qty	Model
		Instrument panel trim Upper part			
		with:			
1	991 552 101 06	Fasteners Instrument panel trim Upper part Leatherette	lhd	1	PR:098
	991 552 101 06 DK4	Black	-28,14,29		
(1)	991 552 102 04	Instrument panel trim Upper part Leatherette	rhd	1	PR:099
	991 552 102 04 DK4	Black	-28,14,29		
(1)	991 552 101 07	Instrument panel trim Upper part	lhd	1	PR:098,981
	991 552 101 07 DPE	Black/Platinum Grey	-78		
	991 552 101 07 DRK	Black/Guards Red	-68		
	991 552 101 07 DSL	black/silver	-59,79		
	991 552 101 07 RAW	Black/Lava Orange	-49,69		
(1)	991 552 101 13	Instrument panel trim Upper part	lhd	1	PR:098,981
	991 552 101 13 RCI	Black/lizard green	-77		
	991 552 101 13 A11	Black	-39		
	991 552 101 13 DRK	Black/Guards Red	-68,34		
	991 552 101 13 DSL	black/silver	-22,79		
(1)	991 552 102 05	Instrument panel trim Upper part	rhd	1	PR:099,981
	991 552 102 05 DPE	Black/Platinum Grey	-78		
	991 552 102 05 DRK	Black/Guards Red	-68		
	991 552 102 05 DSL	black/silver	-59,79		
	991 552 102 05 RAW	Black/Lava Orange	-49,69		
(1)	991 552 102 11	Instrument panel trim Upper part	rhd	1	PR:099,981
	991 552 102 11 RCI	Black/lizard green	-77		
	991 552 102 11 A11	Black	-39		
	991 552 102 11 DRK	Black/Guards Red	-68,34		
	991 552 102 11 DSL	black/silver	-22		
2	991 552 581 00	Insert A-pillar	left	1	
(2)	991 552 582 00	Insert A-pillar	right	1	
3	999 507 533 02	Clamp Mount		14	
4	999 507 556 01	Defroster trim panel nut M5		X	
5	8E0 853 107	Clip		4	
6	955 552 107 00	Retaining clip		2	
7	999 591 547 01	U-clip		2	
8	991 552 620 00	Retainer for support frame	right	1	
(8)	991 552 619 00	Retainer for support frame	left	1	
9	999 919 278 01	Hexagon head bolt M6 X 20		X	
10	999 073 498 01	fillister hd. bolt M5X20		X	
11	991 552 111 01	Mounting frame PCM		1	
(11)	991 552 111 02	D >> - MJ 2016 Mounting frame PCM		1	
		D - MJ 2017>>			
12	8T0 853 107	Clip		2	
13	991 552 825 01	Connecting piece	upper	1	PR:981
	991 552 825 01 1E0	Black			

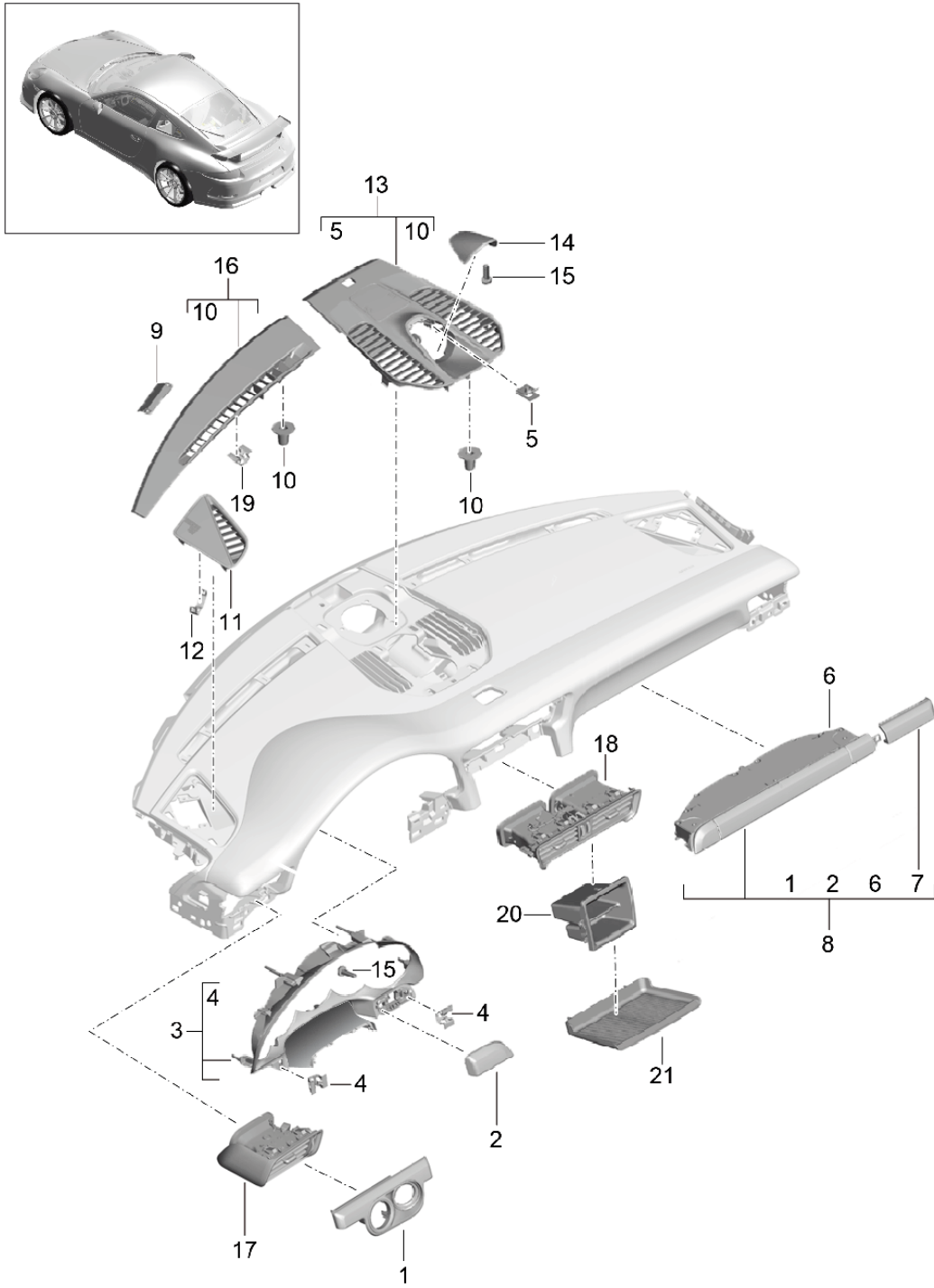
Model: 991G13

Model life 2014>>

Pos	Part Number	Description	Remark	Qty	Model
(13)	991 552 826 01	Connecting piece	lower	1	PR:981
	991 552 826 01 1E0	Black			
14	991 552 360 02	bracket for airbag (passenger side)		1	

Model: 991G13

Model life 2014>>



Model: 991G13 Model life 2014>>

Pos	Part Number	Description	Remark	Qty	Model
1	991 552 381 90	Accessories Instrument panel trim Upper part Trim (drivers side)	lhd	1	PR:098
		with:			
	991 552 381 90 B3T	Lighting No longer use the part here			
(1)	991 552 382 90	Aluminium/Anthracite Trim (drivers side)	rhd	1	PR:099
		with:			
	991 552 382 90 B3T	Lighting No longer use the part here			
(1)		Aluminium/Anthracite Position 8			PR:820
		Order			
2	991 552 383 90	Trim (drivers side)	lhd	1	PR:098
		No longer use the part here			
	991 552 383 90 B3T	Aluminium/Anthracite			
(2)	991 552 384 90	Trim (drivers side)	rhd	1	PR:099
		No longer use the part here			
	991 552 384 90 B3T	Aluminium/Anthracite			
(2)		Position 8			PR:820
		Order			
3	991 552 525 00	Trim Combi-instrument	lhd	1	PR:098
	991 552 525 00 1E0	Black			
(3)	991 552 526 00	Trim Combi-instrument	rhd	1	PR:099
	991 552 526 00 1E0	Black			
(3)	991 552 978 00	Leather panel Combi-instrument	lhd	1	PR:098,XNG
	991 552 978 00 A11	Black			
(3)	991 552 979 00	Leather panel Combi-instrument	rhd	1	PR:099,XNG
	991 552 979 00 A11	Black			
4	999 507 533 02	Clamp		X	
5	999 507 971 01	panel nut		2	
6	991 552 194 90	Drinks holder	lhd	1	PR:098
		No longer use the part here			
	991 552 194 90 B3T	Aluminium/Anthracite			
(6)	991 552 193 90	Drinks holder	rhd	1	PR:099
		No longer use the part here			
	991 552 193 90 B3T	Aluminium/Anthracite			
(6)		Position 8			PR:820
		Order			
7	991 552 388 90	Trim (passenger side)	lhd	1	PR:098
		No longer use the part here			
	991 552 388 90 B3T	Aluminium/Anthracite			
(7)	991 552 387 90	Trim (passenger side)	rhd	1	PR:099
		No longer use the part here			
	991 552 387 90 B3T	Aluminium/Anthracite			
(7)		Position 8			PR:820
		Order			

Model: 991G13 Model life 2014>>

Pos	Part Number	Description	Remark	Qty	Model
8	991 552 980 20	1 set trim strips for vehicle interior Trim	lhd	1	PR:XVP,098
		with:			
(8)	991 552 980 20 A11 991 552 281 90	Black 1 set trim strips for vehicle interior Trim	lhd	1	PR:098,820
		with:			
(8)	991 552 281 90 B3T 991 552 282 90	Aluminium/Anthracite 1 set trim strips for vehicle interior Trim	rhd	1	PR:099,820
		with:			
(8)	991 552 282 90 B3T 991 552 981 20	Aluminium/Anthracite 1 set trim strips for vehicle interior Trim	rhd	1	PR:XVP,099
		with:			
(8)	991 552 981 20 A11 991 552 980 21	Black 1 set trim strips for vehicle interior Trim	lhd	1	PR:XGB,098
		with:			
(8)	991 552 980 21 BX3 991 552 981 21	Carbon, fine high-gloss 1 set trim strips for vehicle interior Trim	rhd	1	PR:XGB,099
		with:			
(8)	991 552 981 21 BX3 991 552 980 23	Carbon, fine high-gloss 1 set trim strips for vehicle interior Trim	lhd	1	PR:XYD,098
		with:			
(8)	991 552 980 23 U03 991 552 981 23	Aluminium, brushed 1 set trim strips for vehicle interior Trim	rhd	1	PR:XYD,099
		with:			
(8)	991 552 981 23 U03 991 552 980 26	Aluminium, brushed 1 set trim strips for vehicle interior Trim	lhd	1	911R PR:XGB,098
		with:			
		with:			
(8)	991 552 980 26 BX3 991 552 981 26	Carbon, fine high-gloss 1 set trim strips for vehicle interior Trim	rhd	1	911R PR:XGB,099
		with:			
		with:			
(8)	991 552 981 26 BX3 991 552 980 27	Carbon, fine high-gloss Set Trim	lhd	1	PR:XGB,098, 808
		with:			

Model: 991G13 Model life 2014>>

Pos	Part Number	Description	Remark	Qty	Model
(8)	991 552 980 27 BX3 991 552 981 27	Drinks holder Carbon, fine high-gloss Set Trim	rhd	1	PR:XGB,099, 808
		with:			
(8)	991 552 981 27 BX3 991 552 980 24	Drinks holder Carbon, fine high-gloss 1 set trim strips for vehicle interior Trim	lhd	1	PR:XDM,098
		with:			
	991 552 980 24 041	Black	-A1		
	991 552 980 24 M5C	miami blue	-J5		
	991 552 980 24 84A	guards red (Porsche)	-G1		
	991 552 980 24 M2A	Lava Orange	-H2		
	991 552 980 24 M3C	Carmine red	-OL		
	991 552 980 24 1S1	Racing Yellow	-P3		
	991 552 980 24 C9A	white	-0Q		
	991 552 980 24 M7Z	GT Silver Metallic	-U2		
	991 552 980 24 M7U	Rhodium Silver Metallic	-S2		
	991 552 980 24 S9R	Carrara White metallic	-2Y		
	991 552 980 24 M9A	Chalk	-3H		
	991 552 980 24 M7S	Achat Grey Metallic	-N0		
(8)	991 552 981 24	1 set trim strips for vehicle interior Trim	rhd	1	PR:XDM,099
		with:			
	991 552 981 24 041	Black	-A1		
	991 552 981 24 M5C	miami blue	-J5		
	991 552 981 24 84A	guards red (Porsche)	-G1		
	991 552 981 24 M2A	Lava Orange	-H2		
	991 552 981 24 M3C	Carmine red	-OL		
	991 552 981 24 1S1	Racing Yellow	-P3		
	991 552 981 24 C9A	white	-0Q		
	991 552 981 24 M7Z	GT Silver Metallic	-U2		
	991 552 981 24 M7U	Rhodium Silver Metallic	-S2		
	991 552 981 24 S9R	Carrara White metallic	-2Y		
	991 552 981 24 M9A	Chalk	-3H		
	991 552 981 24 M7S	Achat Grey Metallic	-N0		
9	991 552 711 00	Trim	left	1	
(9)	991 552 712 00	Defroster Trim	right	1	
10	999 702 559 40	Defroster Grommet		X	
11	991 552 575 00	Loudspeaker trim	left	1	PR:8AA,9VK, 9VL
(11)	991 552 575 00 5Q0 991 552 576 00	Black Loudspeaker trim	-29,79,77 right	1	PR:8AA,9VK, 9VL
12	991 552 576 00 5Q0 991 552 775 00	Black Retaining bar Treble speaker	-29,79,77	2	PR:490
13	991 552 151 02	Trim	center	1	PR:639,640
(13)	991 552 151 02 5Q0 991 552 151 00	Black Trim	center	1	
14	991 552 151 00 5Q0 991 552 557 02	Black Top half Stopwatch		1	PR:639,640
(14)	991 552 557 02 5Q0 991 552 557 03	Black Top half Stopwatch		1	PR:639,640, 981
15	991 552 557 03 A11 999 919 167 09	Black fillister hd. bolt		2	

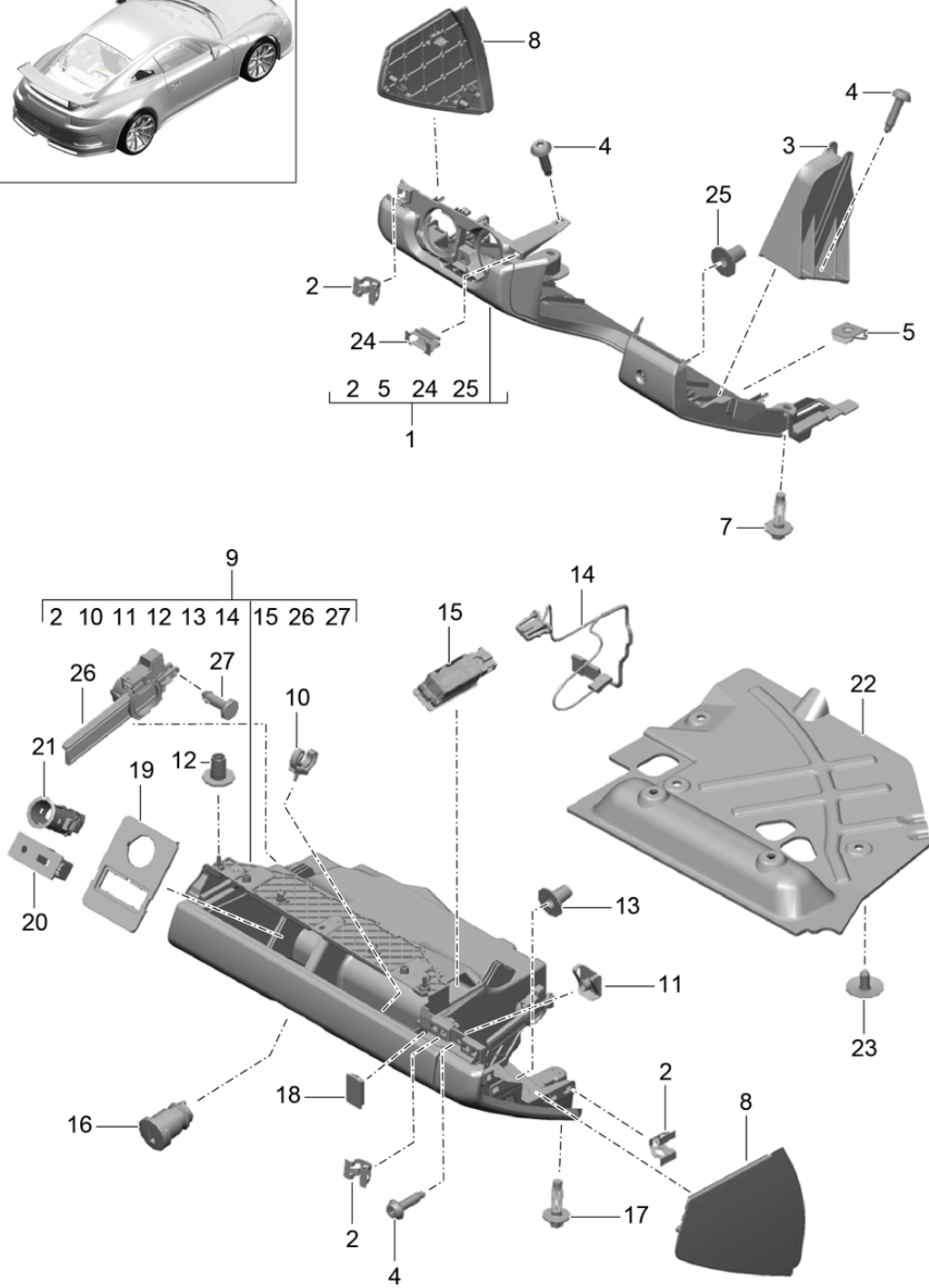
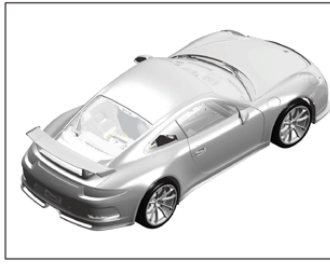
Model: 991G13

Model life 2014>>

Pos	Part Number	Description	Remark	Qty	Model
16	991 552 375 02	3,0 X 10 Mount Top half Defroster trim Leather	left	1	PR:981
(16)	991 552 375 02 5Q0 991 552 376 02	Black Defroster trim Leather	right	1	PR:981
17	991 552 376 02 5Q0 991 552 131 00	Black Vent	left	1	
(17)	991 552 131 00 DAP 991 552 132 00	Galvano silver Vent	right	1	
18	991 552 132 00 DAP 991 552 141 00	Galvano silver Centre nozzle		1	
19	991 552 141 00 DAP 999 507 533 02	Galvano silver Clamp		X	
20	991 552 661 80 991 552 661 80 A05	Defroster trim Stowage compartment Matt black	center	1	PR:609
21	987 553 871 00	insert for stowage compartment		1	PR:609

Model: 991G13

Model life 2014>>



Model: 991G13

Model life 2014>>

Pos	Part Number	Description	Remark	Qty	Model
1	991 552 201 10	Glove box and Trim (drivers side) Instrument panel trim Lower part	lhd	1	PR:098
	991 552 201 10 DK4	Black	-18,29,28		
1	991 552 201 14	Instrument panel trim Lower part	lhd	1	PR:098
	991 552 201 14 DK4	Black	-14		
(1)	991 552 202 10	Instrument panel trim Lower part	rhd	1	PR:099
	991 552 202 10 DK4	Black	-18,29,28,14		
(1)	991 552 201 91	Instrument panel trim Lower part Alcantara	lhd	1	PR:098,981, 975
	991 552 201 91 2W0	Black	-68,78,69,49, 59		
(1)	991 552 202 91	Instrument panel trim Lower part Alcantara	rhd	1	PR:099,981, 975
	991 552 202 91 2W0	Black	-68,78,69,49, 59		
(1)	991 552 201 15	Instrument panel trim Lower part Leather	lhd	1	PR:098,981
	991 552 201 15 A11	Black	-22,26,34,39		
(1)	991 552 202 11	Instrument panel trim Lower part Leather	rhd	1	PR:099,981
	991 552 202 11 A11	Black	-22,26,34,39		
2	999 507 533 02	Clamp		2	
4	999 073 498 01	fillister hd. bolt M5X20		X	
5	999 507 556 01	panel nut M5		2	
7	999 919 278 01	Hexagon head bolt 6X20		2	
8	991 552 405 01	Trim	left	1	
	991 552 405 01 1E0	Black			
(8)	991 552 406 01	Trim	right left	1	
	991 552 406 01 1E0	Black			
9	991 552 204 10	Glove box (complete)	lhd	1	PR:098
	991 552 204 10 DK4	Black	-18,29,28		
9	991 552 204 16	Glove box (complete)	lhd	1	PR:098
	991 552 204 16 DK4	Black	-14		
(9)	991 552 203 10	Glove box (complete)	rhd	1	PR:099
	991 552 203 10 DK4	Black	-18,29,28		
(9)	991 552 203 16	Glove box (complete)	rhd	1	PR:099
	991 552 203 16 DK4	Black	-14		
(9)	991 552 204 92	Glove box (complete) Alcantara	lhd	1	PR:098,981, 975
	991 552 204 92 2W0	Black	-68,78,69,49, 59		
(9)	991 552 203 92	Glove box (complete) Alcantara	rhd	1	PR:099,981, 975

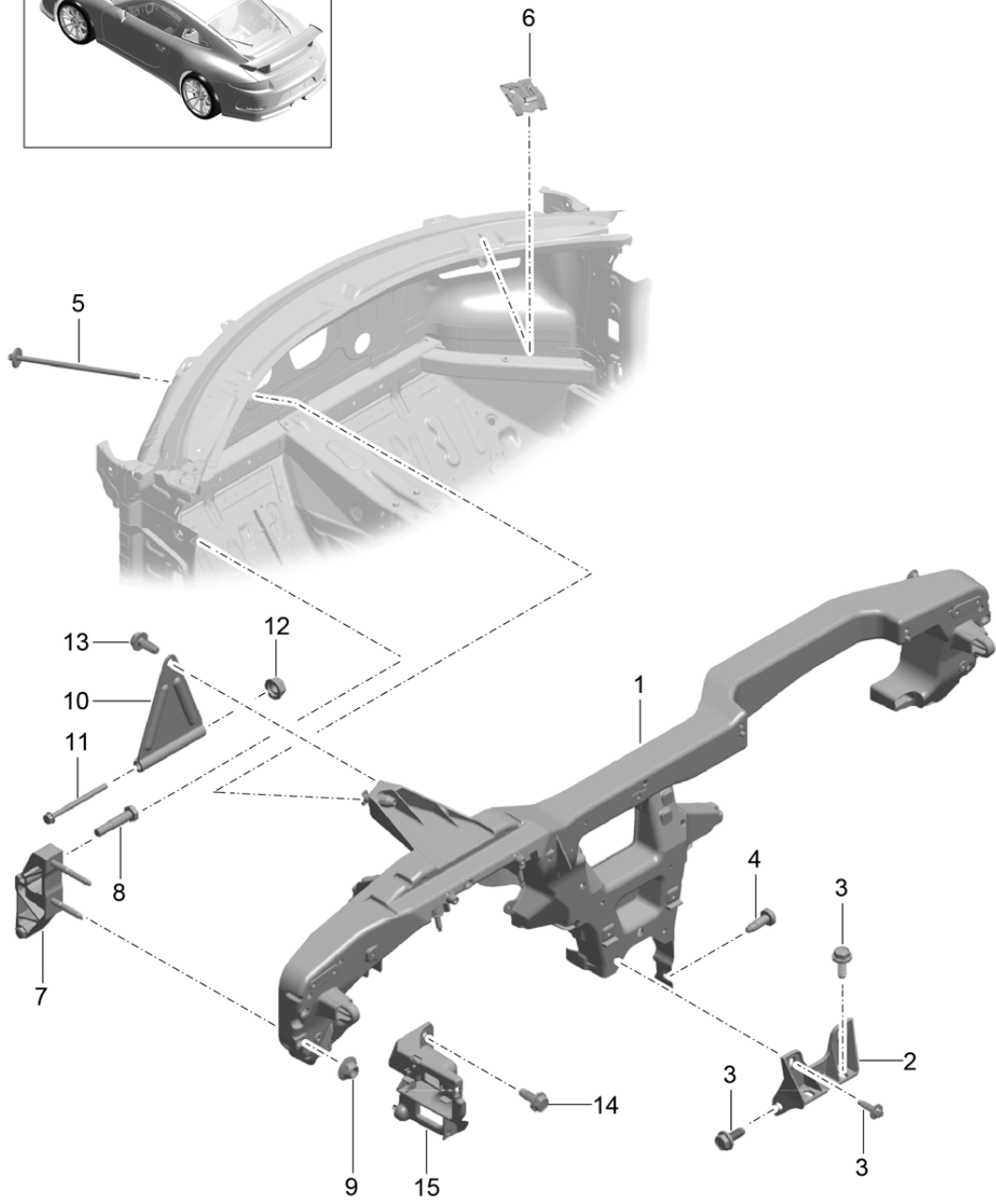
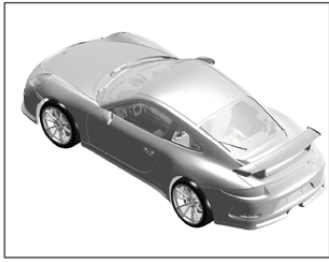
Model: 991G13

Model life 2014>>

Pos	Part Number	Description	Remark	Qty	Model
	991 552 203 92 2W0	Black	-68,78,69,49, 59		
(9)	991 552 204 15	Glove box (complete) Leather	lhd	1	PR:098,981
	991 552 204 15 A11	Black	-22,26,34,39		
(9)	991 552 203 15	Glove box (complete) Leather	rhd	1	PR:099,981
	991 552 203 15 A11	Black	-22,26,34,39		
10	996 552 813 00	Pen holder		2	
11	999 507 556 01	panel nut M5		1	
12	999 702 560 40	Grommet		X	
13	999 702 559 40	Grommet		X	
14		Wire set Glove box		1	
		see illustration:	902-015		
15		Glove box light		1	
		see illustration:	903-004		
16	996 552 915 01	Lock cylinders Glove box Vehicle Ident. No. Indicate		1	
17	999 919 278 01	Hexagon head bolt 6 X 20		2	
18	991 552 705 00	Dummy cover Switch-off Airbag		1	PR:-899
19	991 552 601 00	Trim Multimedia interface		1	
	991 552 601 00 1E0	Black Plug socket		1	PR:870,665, 696
		see illustration:	911-000		PR:870
21		Socket or clamping ring		1	
		see illustration:	903-005		
22	991 552 414 00	Trim Footwell (passenger side)	lhd	1	PR:098
(22)	991 552 413 00	Trim Footwell (passenger side)	rhd	1	PR:099
23	1H0 819 943	round hd. screw Mount Trim Footwell		X	
24	955 552 107 00	Retaining clip		1	
25	999 702 559 40	Grommet		3	
26	991 552 484 00	Damper Glove box	lhd	1	PR:098
(26)	991 552 483 00	Damper Glove box	rhd	1	PR:099
27	991 552 803 00	Pin Mount Damper		1	

Model: 991G13

Model life 2014>>



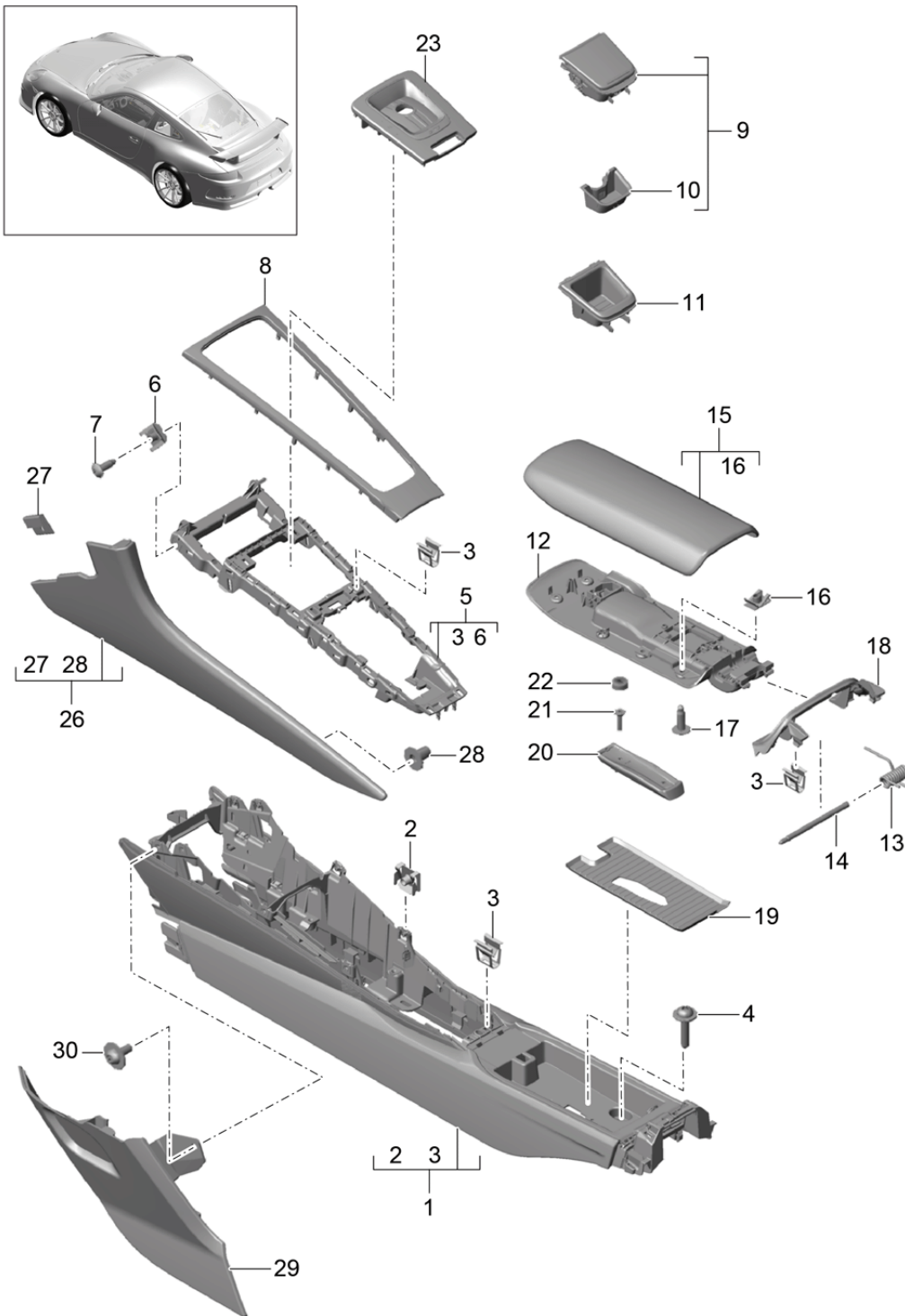
Model: 991G13

Model life 2014>>

Pos	Part Number	Description	Remark	Qty	Model
1	991 504 063 00	retaining frame dashboard		1	PR:098
(1)	991 504 063 01	retaining frame	lhd	1	PR:099
2	991 504 615 00	retaining frame	rhd	1	
		Bracket		1	
		tunnel			
3	999 143 014 01	Hexagon bolt M8X27		5	
4	999 073 138 01	flat round head bolt M8X25		1	
5	999 073 542 01	Bolt with washer M8X195		1	
6	8E0 857 117	Clip dashboard		2	
		Cowl panel			
7	991 504 407 02	Retainer for support frame A-pillar		2	
8	900 919 009 01	Locating bolt M8X45		4	
9	N 907 611 03	Hexagon collar nut self-locking M8		4	
10	991 504 653 01	Support Steering column		1	
11	N 106 366 01	bolt,hex.hd.with shoul.(combi) M8X110X80		1	
12	999 084 630 01	Hexagon nut M8		1	
13	999 143 014 01	Hexagon bolt M8X27		1	
14	999 919 278 01	Hexagon head bolt M6X20		6	
15		Bracket retaining frame		1	
		see illustration:	809-000		

Model: 991G13

Model life 2014>>



Model: 991G13 Model life 2014>>

Pos	Part Number	Description	Remark	Qty	Model
1	991 553 111 01	Centre console D >> - MJ 2017 Carrier		1	
2	991 553 111 01 PT7 999 591 145 01	Centre console Black panel nut		8	
3	8T0 853 107	M 5 Clip		X	
4	N 105 355 02	Hexagon socket head bolt (combi)		6	
5	991 553 263 01	M 6 X 30 Carrier		1	
6	999 507 556 01	Trim panel nut		2	
7	999 073 459 01	M 5 fillister hd. bolt		6	
8	991 553 261 90	M 5 X 16 Trim for centre console		1	PR:816
(8)	991 553 261 90 B3T 991 553 981 00	Aluminium/Anthracite Trim for centre console		1	PR:XYG
	991 553 981 00 041	Black			
	991 553 981 00 84A	guards red (Porsche)			
	991 553 981 00 1S1	Racing Yellow			
	991 553 981 00 C9A	white			
	991 553 981 00 C9Z	Basalt black metallic			
	991 553 981 00 M7S	Achat Grey Metallic			
	991 553 981 00 M8S	Anthracite Brown Metallic			
	991 553 981 00 M5J	Sapphire Blue Metallic			
	991 553 981 00 8L1	Amaranth Red Metallic			
	991 553 981 00 M5X	Dark blue metallic			
	991 553 981 00 M8Y	Mahogany Metallic			
	991 553 981 00 5P1	Lime Gold Metallic			
	991 553 981 00 M7Z	GT Silver Metallic			
	991 553 981 00 M7U	Rhodium Silver Metallic			
	991 553 981 00 M9A	Chalk			
(8)	991 553 981 01	Trim for centre console		1	PR:XHB
	991 553 981 01 A11	Black			
(8)	991 553 981 02	Trim for centre console		1	PR:XHM
	991 553 981 02 BX3	Carbon			
9	991 553 141 02	ashtray		1	PR:583
	991 553 141 02 DML	Matt Black/hi-gloss chrome			
10	991 553 341 01	Ashtray insert		1	PR:583
	991 553 341 01 1E0	Black			
11	991 553 143 00	Stowage compartment		1	
	991 553 143 00 A05	Black			
12	991 553 233 01	Cover	inner	1	
	991 553 233 01 1E0	Black			
13	991 553 439 00	torsion spring Cover		1	
(13)	991 553 439 01	D >> - MJ 2015 torsion spring Cover		1	
14	991 553 447 00	D - MJ 2015>> axle Cover		1	
15	991 553 231 90	Cover Alcantara		1	PR:975
	991 553 231 90 2W0	Alcantara			
	991 553 231 90 M2A	Lava Orange			
	991 553 231 90 M7Z	GT Silver Metallic			
(15)	9P1 857 151	Cover		1	911R
	9P1 857 151 DSL	black/silver	-12,22		
	9P1 857 151 JHU	Tarpan Brown/Black/Silver	-16,26		

Model: 991G13 Model life 2014>>

Pos	Part Number	Description	Remark	Qty	Model
(15)	9P1 857 151 A	Cover Alcantara		1	
	9P1 857 151 A DS0	black/silver	-29,79		
	9P1 857 151 A RCJ	Black/lizard green	-77		
16	999 507 274 01	panel nut M 5		8	
17	999 073 459 01	fillister hd. bolt M 5 X 16		8	
18	991 553 253 00	Cover panel Centre console	rear	1	
	991 553 253 00 1E0	Black			
19	991 553 611 00	Insert Stowage compartment D >> - MJ 2016		1	
(19)	991 553 611 01	Insert Stowage compartment D >> - MJ 2016		1	PR:669
(19)	9P1 857 130	Insert Stowage compartment D - MJ 2017>>		1	PR:9ZK,9ZX
20		Support Telephone		1	PR:669
		see illustration:	911-010		
21		countersunk bolt 3,0 X 10		2	PR:669
		see illustration:	911-010		
22		Bungs		1	PR:669
		see illustration:	911-010		
23	991 553 245 90	Cover - PDK -		1	GT3 PR:250
	991 553 245 90 DRZ	Black/Galvano Silver			
(23)	991 553 245 91	Cover - PDK -		1	GT3RS PR:250
	991 553 245 91 DRZ	Black/Galvano Silver			
26	991 553 131 02	Trim for centre console slush technology	left	1	
	991 553 131 02 DK4	Black	-18,29,28,14		
(26)	991 553 132 02	Trim for centre console slush technology	right	1	
	991 553 132 02 DK4	Black	-18,29,28,14		
(26)	991 553 131 01	Leather panel Centre console	left	1	PR:981
	991 553 131 01 A11	Black	-68,78,69,49, 59,79,34,39		
(26)	991 553 132 01	Leather panel Centre console	right	1	PR:981
	991 553 132 01 A11	Black	-68,78,69,49, 59,79,34,39		
27	991 553 823 00	Rubber ply		2	
28	999 702 299 40	Grommet 6,5 X 8,5 X 1,0		2	
29	991 553 151 04	Cover panel Footwell outlet vent	left lhd	1	PR:098
	991 553 151 04 1E0	Black			
(29)	991 553 152 05	Cover panel Footwell outlet vent	right lhd	1	PR:098
	991 553 152 05 1E0	Black			
(29)	991 553 151 05	Cover panel Footwell outlet vent	left rhd	1	PR:099
	991 553 151 05 1E0	Black			
(29)	991 553 152 04	Cover panel Footwell outlet vent	right rhd	1	PR:099
	991 553 152 04 1E0	Black			

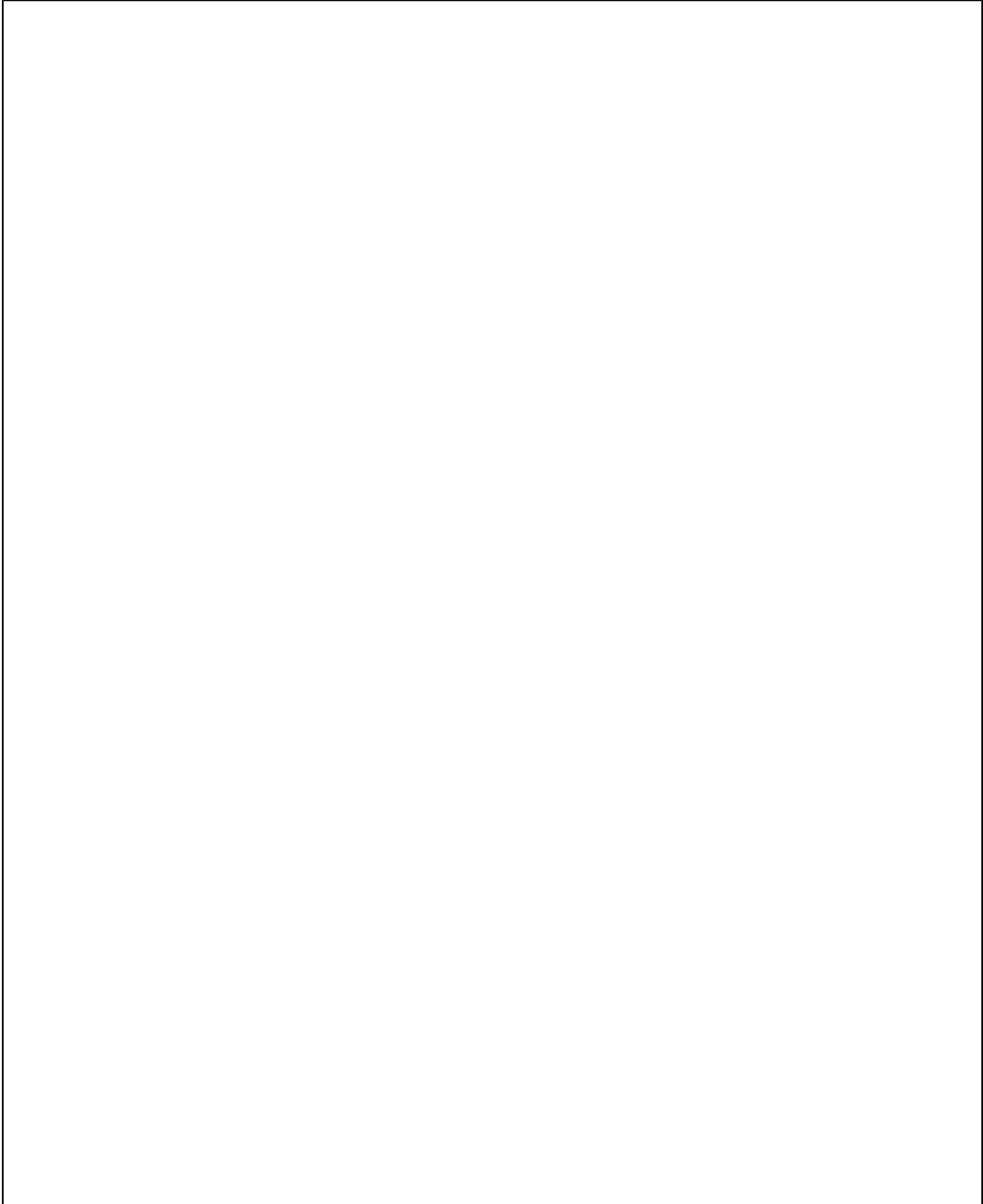
Model: 991G13

Model life 2014>>

Pos	Part Number	Description	Remark	Qty	Model
30	999 073 295 A2	fillister hd. bolt M 5 X 12		2	

Model: 991G13

Model life 2014>>



Model: 991G13 Model life 2014>>

Pos	Part Number	Description	Remark	Qty	Model
1	9P1 858 186	Centre console D - MJ 2018>> Carrier		1	PR:-XZM
(1)	9P1 858 186 PT7 9P1 858 186 A	Centre console Black Carrier		1	PR:XZM
2	9P1 858 186 A A11 999 591 145 01	Centre console Black panel nut M 5		8	
3	8T0 853 107	Clip		X	
4	N 105 355 02	Hexagon socket head bolt (combi) M 6 X 30		6	
5	991 553 263 01	Carrier Trim		1	
6	999 507 556 01	panel nut M 5		2	
7	999 073 459 01	fillister hd. bolt M 5 X 16		6	
8	991 553 261 00	Trim for centre console		1	PR:-XHB, -XHG,-XHM, -XYE,-XYG, -809
(8)	991 553 261 00 V08 991 553 261 90 991 553 261 90 OR2	Galvano silver Trim for centre console Aluminium Black Anodised		1	PR:809
8	991 553 261 90	Trim for centre console		1	PR:816
(8)	991 553 261 90 B3T 991 553 981 00	Aluminium/Anthracite Trim for centre console		1	PR:XYG
	991 553 981 00 041	Black	-A1		
	991 553 981 00 84A	guards red (Porsche)	-G1		
	991 553 981 00 1S1	Racing Yellow	-P3		
	991 553 981 00 C9Z	Basalt black metallic	-0Q		
	991 553 981 00 M7S	Achat Grey Metallic	-N0		
	991 553 981 00 M5J	Sapphire Blue Metallic	-N1		
	991 553 981 00 M7Z	GT Silver Metallic	-U2		
	991 553 981 00 M7U	Rhodium Silver Metallic	-S2		
	991 553 981 00 M9A	Chalk	-3H		
	991 553 981 00 M3C	Carmine red	-0L		
	991 553 981 00 M2A	Lava Orange	-H2		
	991 553 981 00 M5C	miami blue	-J5		
	991 553 981 00 C9X	Jet Black Metallic	-2T		
	991 553 981 00 M5G	Graphite Blue Metallic	-A7		
	991 553 981 00 S9R	Carrara White metallic	-2Y		
(8)	991 553 981 01	Trim for centre console		1	PR:XHB
	991 553 981 01 A11	Black			
(8)	991 553 981 02	Trim for centre console		1	PR:XHM
	991 553 981 02 BX3	Carbon			
(8)	991 553 981 04	Trim for centre console		1	PR:XYE
	991 553 981 04 U03	aluminium			
9	991 553 141 02	ashtray		1	PR:583
	991 553 141 02 DML	Matt Black/hi-gloss chrome			
10	991 553 143 00	Stowage compartment		1	PR:-583
	991 553 143 00 A05	Black			
11	9P1 858 331	Stowage compartment Centre console		6	
	9P1 858 331 1E0	Black			
12	9P1 857 130	Insert Stowage compartment		1	PR:9ZK,9ZX
13	9P1 857 479	Cover for stowage compartment	inner	1	
	9P1 857 479 1E0	Black			

Model: 991G13 Model life 2014>>

Pos	Part Number	Description	Remark	Qty	Model
14	9P1 858 989	torsion spring		1	
		Cover			
15	991 553 447 00	axle		1	
		Cover			
16	9P1 857 151	Cover		1	PR:039
	9P1 857 151 A11	Black	-14,39		
	9P1 857 151 DRK	Black/Guards Red	-34		
(16)	9P1 857 151 A	Cover		1	PR:975
	9P1 857 151 A RAI	Black/Platinum Grey	-28,78		
	9P1 857 151 A RAJ	Black/Guards Red	-68		
16	9P1 857 151 B	Cover		1	PR:XPT
		with:			
		Porsche crest			
		and			
		Decorative stitching			
	9P1 857 151 B A11	Black	-14,39		
	9P1 857 151 B DRK	Black/Guards Red	-34		
(16)	9P1 857 151 C	Cover		1	PR:XLJ
		with:			
		Porsche crest			
		Alcantara			
	9P1 857 151 C RAG	Black/Platinum Grey	-28,78		
	9P1 857 151 C RAH	Black/Guards Red	-68,34		
	9P1 857 151 C 2W0	Black	-14,39		
(16)	9P1 857 151 D	Cover		1	PR:XLG,098
		with:			
		inscription			
		Porsche			
		Alcantara			
	9P1 857 151 D RAG	Black/Platinum Grey	-28,78		
	9P1 857 151 D RAH	Black/Guards Red	-68,34		
	9P1 857 151 D 2W0	Black	-14,39		
(16)	9P1 857 151 E	Cover		1	PR:XLG,099
		with:			
		inscription			
		Porsche			
		Alcantara			
	9P1 857 151 E RAG	Black/Platinum Grey	-28,78		
	9P1 857 151 E RAH	Black/Guards Red	-68,34		
	9P1 857 151 E 2W0	Black	-14,39		
17	999 073 459 01	fillister hd. bolt		8	
		M5 X 16			
18	999 507 274 02	panel nut		8	
		M 5			
19	991 553 253 00	Cover panel	rear	1	
		Centre console			
	991 553 253 00 1E0	Black			
20	991 553 245 90	Cover		1	GT3
		- PDK -			PR:250
	991 553 245 90 DRZ	Black/Galvano Silver			
(20)	991 553 245 91	Cover		1	GT3RS
		- PDK -			PR:250
	991 553 245 91 DRZ	Black/Galvano Silver			
21	991 553 651 01	trim with inscription		1	PR:486
	991 553 651 01 A05	Matt black			
22	991 553 131 02	Trim for centre console	left	1	PR:-981
		slush technology			
	991 553 131 02 DK4	Black			
(22)	991 553 132 02	Trim for centre console	right	1	PR:-981
		slush technology			
	991 553 132 02 DK4	Black			
(22)	991 553 131 03	Leather panel	left	1	PR:981
		Centre console			

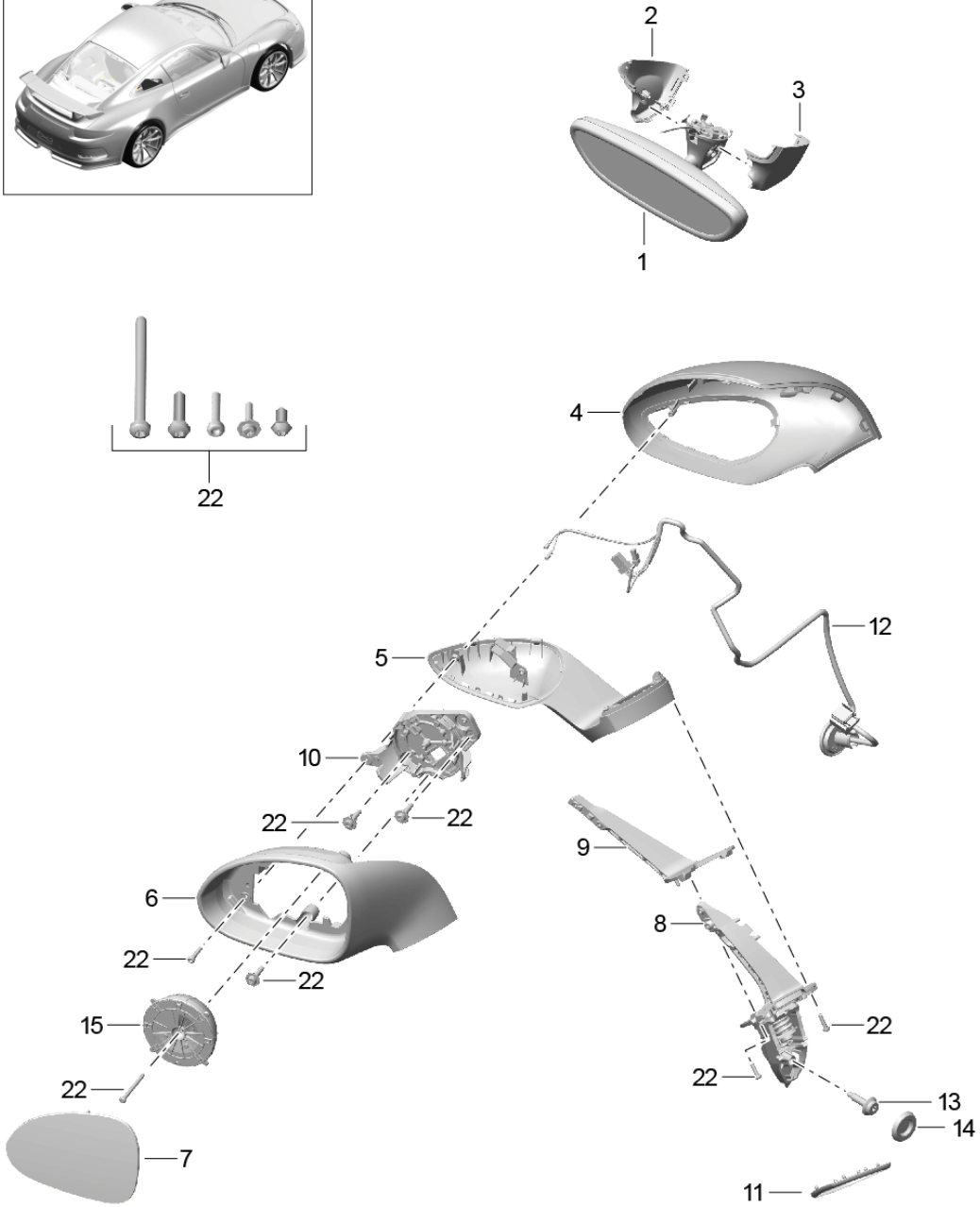
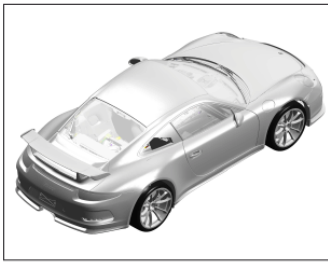
Model: 991G13

Model life 2014>>

Pos	Part Number	Description	Remark	Qty	Model
(22)	991 553 131 03 A11	Black			
	991 553 132 03	Leather panel	right	1	PR:981
		Centre console			
	991 553 132 03 A11	Black			
23	991 553 823 00	Rubber ply		2	
24	999 702 299 40	Grommet		2	
		6,5 X 8,5 X 1,0			
25	991 553 151 04	Cover panel	left	1	PR:098
		Footwell outlet vent			
	991 553 151 04 1E0	Black			
(25)	991 553 152 05	Cover panel	right	1	PR:098
		Footwell outlet vent			
	991 553 152 05 1E0	Black			
(25)	991 553 151 05	Cover panel	left	1	PR:099
		Footwell outlet vent			
	991 553 151 05 1E0	Black			
(25)	991 553 152 04	Cover panel	right	1	PR:099
		Footwell outlet vent			
	991 553 152 04 1E0	Black			
26	999 073 295 A2	fillister hd. bolt		2	
		M 5 X 12			
27	991 553 625 00	Insert		1	PR:-583
		Stowage compartment			
28	991 553 341 01	Ashtray insert		1	PR:583
	991 553 341 01 1E0	Black			

Model: 991G13

Model life 2014>>



Model: 991G13 Model life 2014>>

Pos	Part Number	Description	Remark	Qty	Model
1	991 731 511 01	Interior mirror		1	PR:275
	991 731 511 01 1E0	Exterior mirror			
	991 731 511 01 1E0	Interior mirror			
(1)	991 731 511 02	Black		1	PR:276
	991 731 511 02 1E0	Interior mirror			
	991 731 511 02 1E0	Black			
2	991 731 811 01	Cover	left	1	
		Interior mirror			
		Mirror base			
	991 731 811 01 1E0	Black			
3	991 731 812 01	Cover	right	1	
		Interior mirror			
		Mirror base			
	991 731 812 01 1E0	Black			
4	991 731 629 00	Housing upper part	left lhd	1	PR:098
		Exterior mirror			
	991 731 629 00 G2L	primed			
(4)	991 731 630 00	Housing upper part	right lhd	1	PR:098
		Exterior mirror			
	991 731 630 00 G2L	primed			
(4)	991 731 629 01	Housing upper part	left rhd	1	PR:099
		Exterior mirror			
	991 731 629 01 G2L	primed			
(4)	991 731 630 01	Housing upper part	right rhd	1	PR:099
		Exterior mirror			
	991 731 630 01 G2L	primed			
(4)	991 731 629 06	Housing upper part	left	1	PR:098,XJW, 789
		Exterior mirror			
	991 731 629 06 A3G	Carbon Gloss Black			
(4)	991 731 630 06	Housing upper part	right	1	PR:098,XJW, 789
		Exterior mirror			
	991 731 630 06 A3G	Carbon Gloss Black			
(4)	991 731 629 07	Housing upper part	left	1	PR:099,XJW, 789
		Exterior mirror			
	991 731 629 07 A3G	Carbon Gloss Black			
(4)	991 731 630 07	Housing upper part	right	1	PR:099,XJW, 789
		Exterior mirror			
	991 731 630 07 A3G	Carbon Gloss Black			
5	991 731 729 00	Trim	left	1	
	991 731 729 00 G2L	primed			
(5)	991 731 729 00	Trim	left	1	PR:XCS
	991 731 729 00 G2L	primed			
(5)	991 731 729 00	Trim	left	1	PR:-XCS,-789
	991 731 729 00 OK1	Matt black			
(5)	991 731 730 00	Trim	right	1	
	991 731 730 00 G2L	primed			
(5)	991 731 730 00	Trim	right	1	PR:XCS
	991 731 730 00 G2L	primed			
(5)	991 731 730 00	Trim	right	1	PR:-XCS,-789
	991 731 730 00 OK1	Matt black			
6	991 731 631 00	housing	left lhd	1	PR:098
		Frame			
	991 731 631 00 G2L	primed			
(6)	991 731 632 00	housing	right lhd	1	PR:098
		Frame			
	991 731 632 00 G2L	primed			
(6)	991 731 631 01	housing	left rhd	1	PR:099
		Frame			
	991 731 631 01 G2L	primed			
(6)	991 731 632 01	housing	right rhd	1	PR:099
		Frame			
	991 731 632 01 G2L	primed			
7	991 731 045 00	Mirror glass (flat)	left lhd	1	PR:254,263,

Model: 991G13 Model life 2014>>

Pos	Part Number	Description	Remark	Qty	Model
(7)	991 731 045 01	Mirror (aspherical) Aspherical	left lhd	1	529,098 PR:254,265, 529,098
(7)	991 731 045 02	Mirror glass (flat)	left lhd	1	PR:256,263, 529,098
(7)	991 731 045 03	Mirror (aspherical) Aspherical	left lhd	1	PR:256,265, 529,098
(7)	991 731 046 00	Mirror (aspherical) Aspherical	right rhd	1	PR:254,285, 529,099
(7)	991 731 046 01	Mirror (aspherical) Aspherical	right rhd	1	PR:256,285, 529,099
(7)	991 731 047 00	Mirror glass (convex)	left rhd	1	PR:254,264, 529,099
(7)	991 731 047 01	Mirror glass (convex)	left rhd	1	PR:256,264, 529,099
(7)	991 731 048 00	Mirror glass (convex)	right lhd	1	PR:254,284, 098
(7)	991 731 048 02	Mirror glass (convex)	right lhd	1	PR:215,254, 284,098
(7)	991 731 048 03	Mirror glass (convex)	right lhd	1	PR:256,257, 284,098
(7)	991 731 048 05	Mirror glass (convex)	right lhd	1	PR:215,256, 284,098
8	991 731 229 00	Mirror base Manually adjustable	left lhd	1	PR:098
(8)	991 731 230 00	Mirror base Manually adjustable	right lhd	1	PR:098
(8)	991 731 229 01	Mirror base Manually adjustable	left rhd	1	PR:099
(8)	991 731 230 01	Mirror base Manually adjustable	right rhd	1	PR:099
9	991 731 221 00	Carrier	left lhd	1	PR:098
(9)	991 731 222 00	Carrier	right lhd	1	PR:098
(9)	991 731 221 01	Carrier	left rhd	1	PR:099
(9)	991 731 222 01	Carrier	right rhd	1	PR:099
10	991 731 519 00	plate Reinforcement	left lhd	1	PR:098
(10)	991 731 520 00	plate Reinforcement	right lhd	1	PR:098
(10)	991 731 519 01	plate Reinforcement	left rhd	1	PR:099
(10)	991 731 520 01	plate Reinforcement	right rhd	1	PR:099
11	991 731 833 00	Seal	left lower	1	
(11)	991 731 834 00	Seal	right lower	1	
12	991 622 711 00	Wire set Exterior mirror		1	PR:254
(12)	991 622 713 00	Wire set Exterior mirror		1	PR:256
13	999 073 192 01	Socket head bolt M8X33		1	
14	999 703 543 40	End cap Screw 25,0X35,0		1	
15	7PP 959 578 D	Adjusting motor		2	
22	991 731 919 00	1 set securing bolts comprising:		1	

Model: 991G13

Model life 2014>>

Pos	Part Number	Description	Remark	Qty	Model
		3X14		4	
		3X12		2	
		3X16		1	
		3X10		3	
		3X38		1	

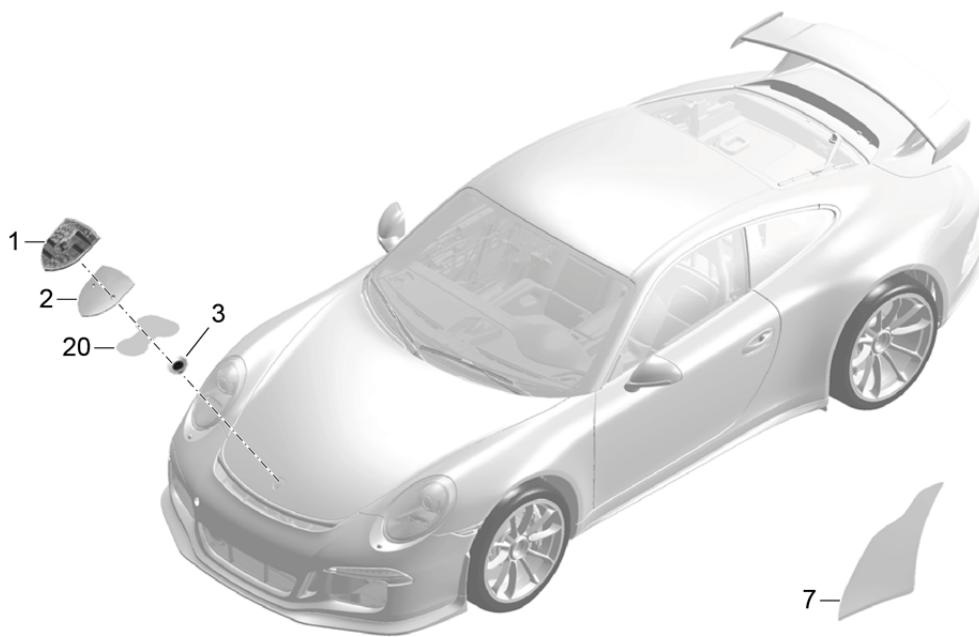
Model: 991G13

Model life 2014>>

4— P O R S C H E

5— *GT3*

6— *GT3RS*

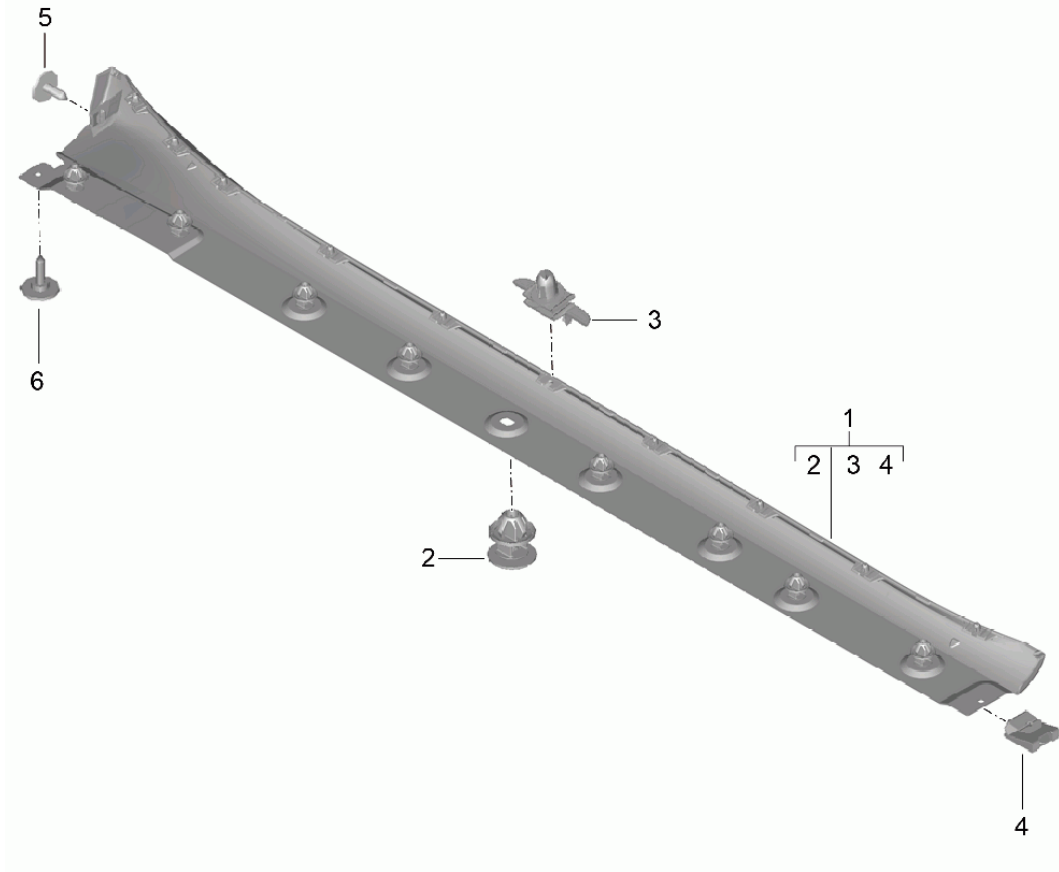


Model: 991G13 Model life 2014>>

Pos	Part Number	Description	Remark	Qty	Model
		inscriptions/lettering Decorative fittings Stone guard film			
1	991 559 211 00	Porsche crest	front	1	
(1)	996 559 211 90	Porsche crest	front	1	
2	991 559 215 02	Underlay		1	
3	999 591 423 03	Tapping nut 3,0		2	
4	991 559 235 90	inscription *PORSCHE*		1	
5	991 559 251 90	Black inscription *GT3*		1	
6	991 559 251 91	Black inscription *GT3 RS*		1	
	991 559 251 91 OK1	Matt black			
(6)	991 559 251 91	inscription *GT3 RS*		1	
	991 559 251 91 OM9	Aluminium White			
7	991 504 835 01	Stone guard film Side part	left	1	
7	991 504 835 02	Stone guard film Side part	left	1	
(7)	991 504 836 01	Stone guard film Side part	right	1	
(7)	991 504 836 02	Stone guard film Side part	right	1	
20	999 911 756 41	Adhesive film D - MJ 2015>>		1	

Model: 991G13

Model life 2014>>



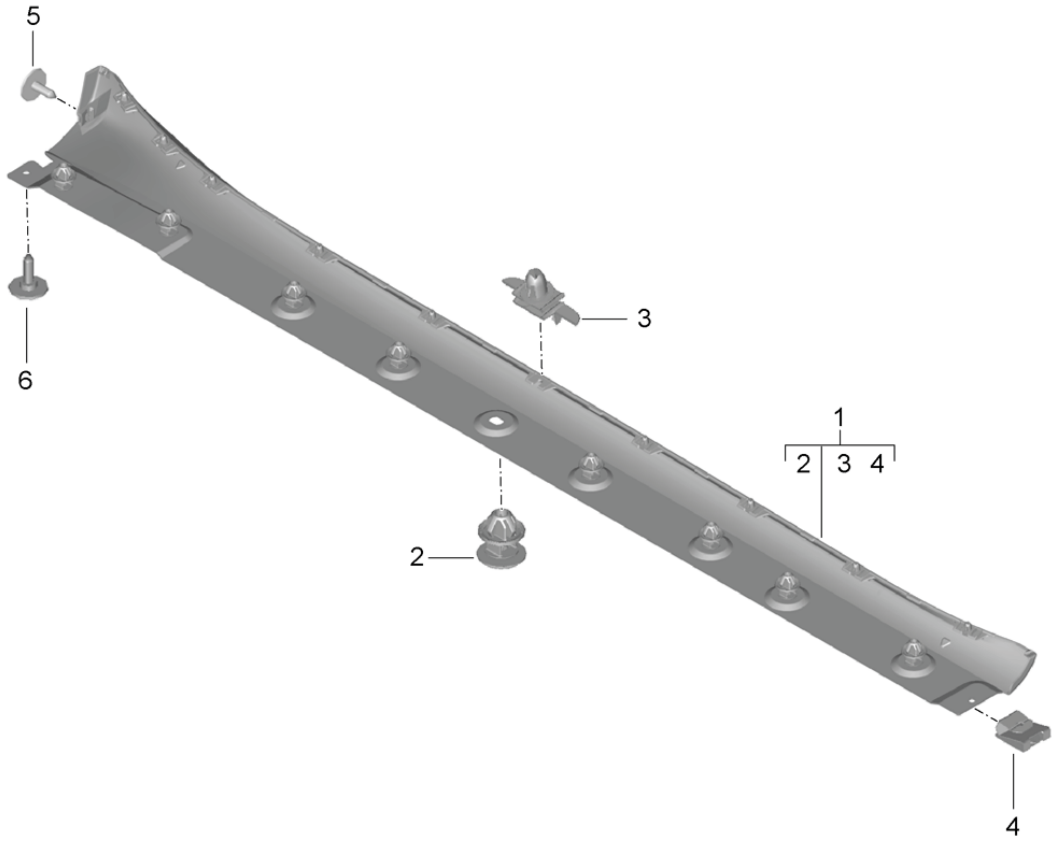
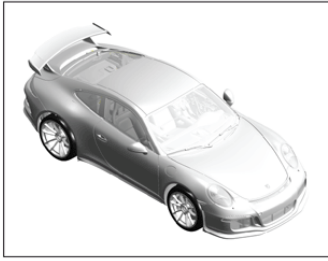
Model: 991G13

Model life 2014>>

Pos	Part Number	Description	Remark	Qty	Model
1	991 504 595 02	Side member trim			GT3
		Side member trim	left	1	
	991 504 595 02 1E0	Black			
(1)	991 504 953 01	Side member trim	left	1	PR:XAJ
		primed			
(1)	991 504 596 02	Side member trim	right	1	
	991 504 596 02 1E0	Black			
(1)	991 504 954 01	Side member trim	right	1	PR:XAJ
		primed			
2	981 504 597 00	Fasteners		9	
		Cover			
3	999 507 986 40	Retaining clip		10	
		Side member trim			
		9,0X1,5			
4	999 507 795 09	panel nut		2	
		ST 4,8			
5	999 073 505 01	panel screw		X	
		ST4,8X16-C			
6	999 073 227 09	panel screw		X	
		ST4,8X19-C			

Model: 991G13

Model life 2014>>



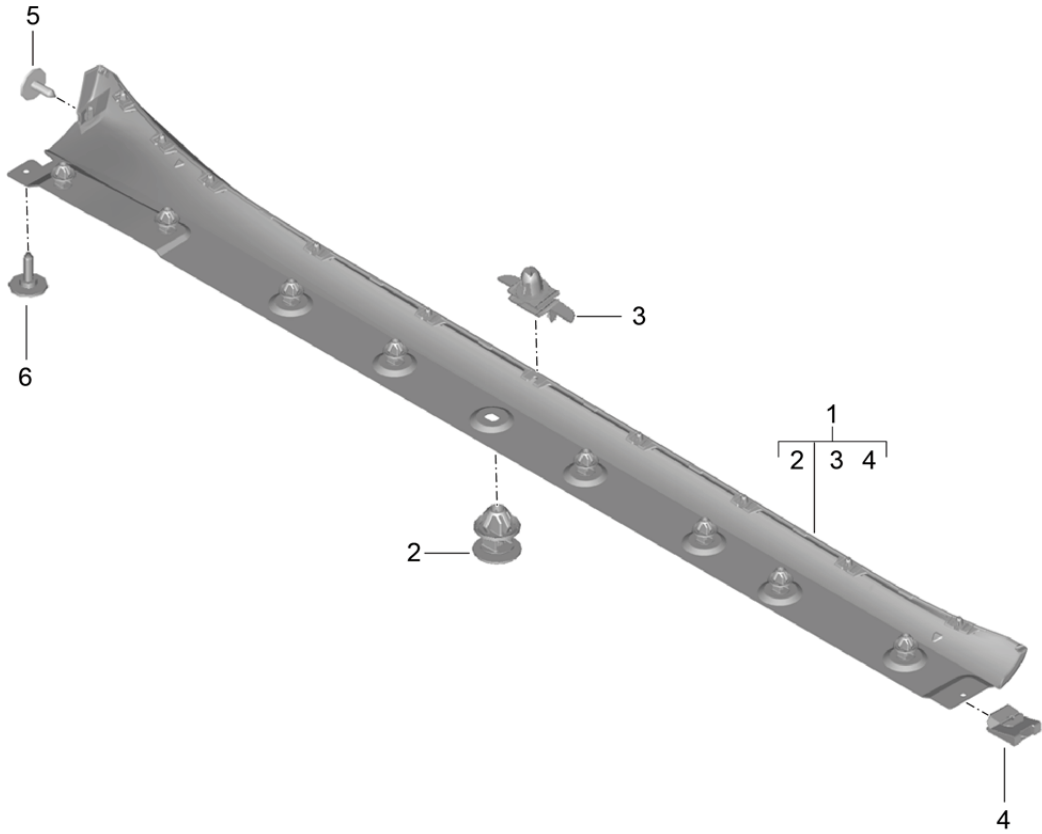
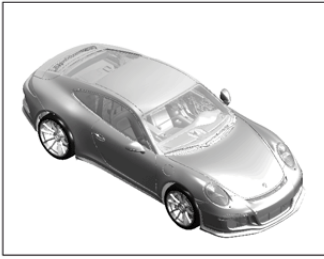
Model: 991G13

Model life 2014>>

Pos	Part Number	Description	Remark	Qty	Model
1	991 504 595 90	Side member trim Side member trim D >> - MJ 2017	left	1	GT3RS
1	991 504 595 90 1E0 991 504 595 86	Black Side member trim D - MJ 2018>>	left	1	
(1)	991 504 595 86 OK1 991 504 596 90	Matt black Side member trim D >> - MJ 2017	right	1	
(1)	991 504 596 90 1E0 991 504 596 86	Black Side member trim D - MJ 2018>>	right	1	
2	991 504 596 86 OK1 981 504 597 00	Matt black Fasteners Cover		9	
3	999 507 986 40	Retaining clip Side member trim 9,0X1,5		10	
4	999 507 795 09	panel nut ST 4,8		2	
5	999 073 505 01	panel screw ST4,8X16-C		X	
6	999 073 227 09	panel screw ST4,8X19-C		X	

Model: 991G13

Model life 2014>>



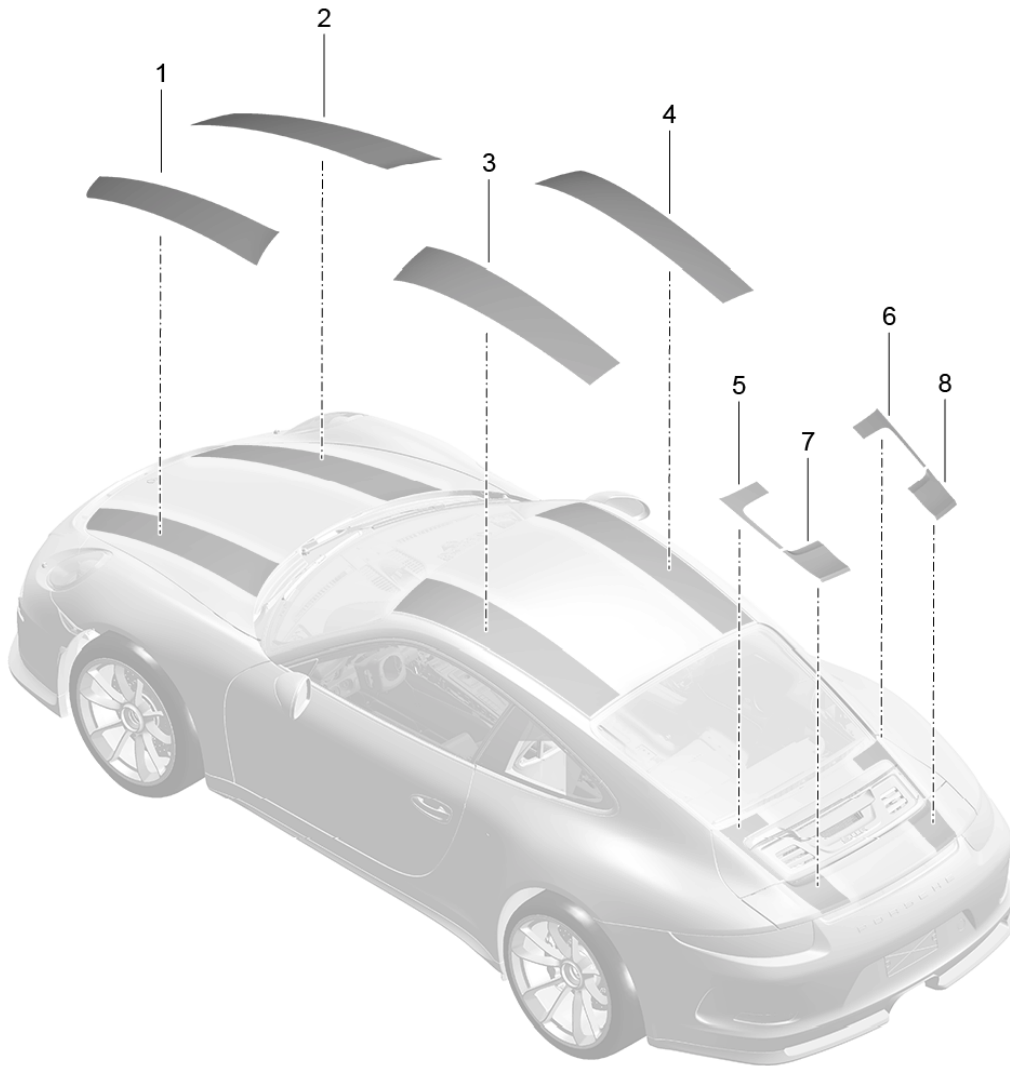
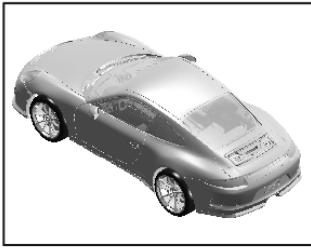
Model: 991G13

Model life 2014>>

Pos	Part Number	Description	Remark	Qty	Model
1	991 504 595 03	Side member trim			911 R
	991 504 595 03 1E0	Side member trim	left	1	PR:-XAJ
	991 504 595 03 1E0	Black			
(1)	991 504 953 01	Side member trim	left	1	PR:XAJ
		primed			
1	991 504 596 03	Side member trim	right	1	PR:-XAJ
	991 504 596 03 1E0	Black			
(1)	991 504 954 01	Side member trim	right	1	PR:XAJ
		primed			
2	981 504 597 00	Fasteners		9	
		Cover			
3	999 507 986 40	Retaining clip		10	
		Side member trim			
		9,0X1,5			
4	999 507 795 09	panel nut		2	
		ST 4,8			
5	999 073 505 01	panel screw		X	
		ST4,8X16-C			
6	999 073 227 09	panel screw		X	
		ST4,8X19-C			

Model: 991G13

Model life 2014>>



Model: 991G13 Model life 2014>>

Pos	Part Number	Description	Remark	Qty	Model
		Decorative film 911 R			911 R
1	991 559 365 80	Decorative film Cover	left front	1	PR:903
	991 559 365 80 OJ6	red			
		also use:	991 559 366 80 (OJ6)		
(1)	991 559 365 80	Decorative film Cover	left front	1	PR:904
	991 559 365 80 OK7	green			
		also use:	991 559 366 80 (OK7)		
2	991 559 366 80	Decorative film Cover	right front	1	PR:903
	991 559 366 80 OJ6	red			
		also use:	991 559 365 80 (OJ6)		
(2)	991 559 366 80	Decorative film Cover	right front	1	PR:904
	991 559 366 80 OK7	green			
		also use:	991 559 365 80 (OK7)		
3	991 559 367 80	Decorative film Roof	left	1	PR:903
	991 559 367 80 OJ6	red			
		also use:	991 559 368 80 (OJ6)		
(3)	991 559 367 80	Decorative film Roof	left	1	PR:904
	991 559 367 80 OK7	green			
		also use:	991 559 368 80 (OK7)		
4	991 559 368 80	Decorative film Roof	right left	1	PR:903
	991 559 368 80 OJ6	red			
		also use:	991 559 367 80 (OJ6)		
(4)	991 559 368 80	Decorative film Roof	right left	1	PR:904
	991 559 368 80 OK7	green			
		also use:	991 559 367 80 (OK7)		
5	991 559 369 80	Decorative film Rear lid	left	1	PR:903
	991 559 369 80 OJ6	red			
		also use:	991 559 370 80 (OJ6)		
(5)	991 559 369 80	Decorative film Rear lid	left	1	PR:904
	991 559 369 80 OK7	green			
		also use:	991 559 370 80 (OK7)		
6	991 559 370 80	Decorative film Rear lid	right left	1	PR:903
	991 559 370 80 OJ6	red			
		also use:	991 559 369 80 (OJ6)		
(6)	991 559 370 80	Decorative film Rear lid	right left	1	PR:904
	991 559 370 80 OK7	green			
		also use:	991 559 369 80 (OK7)		
7	991 559 371 80	Decorative film	left	1	PR:903

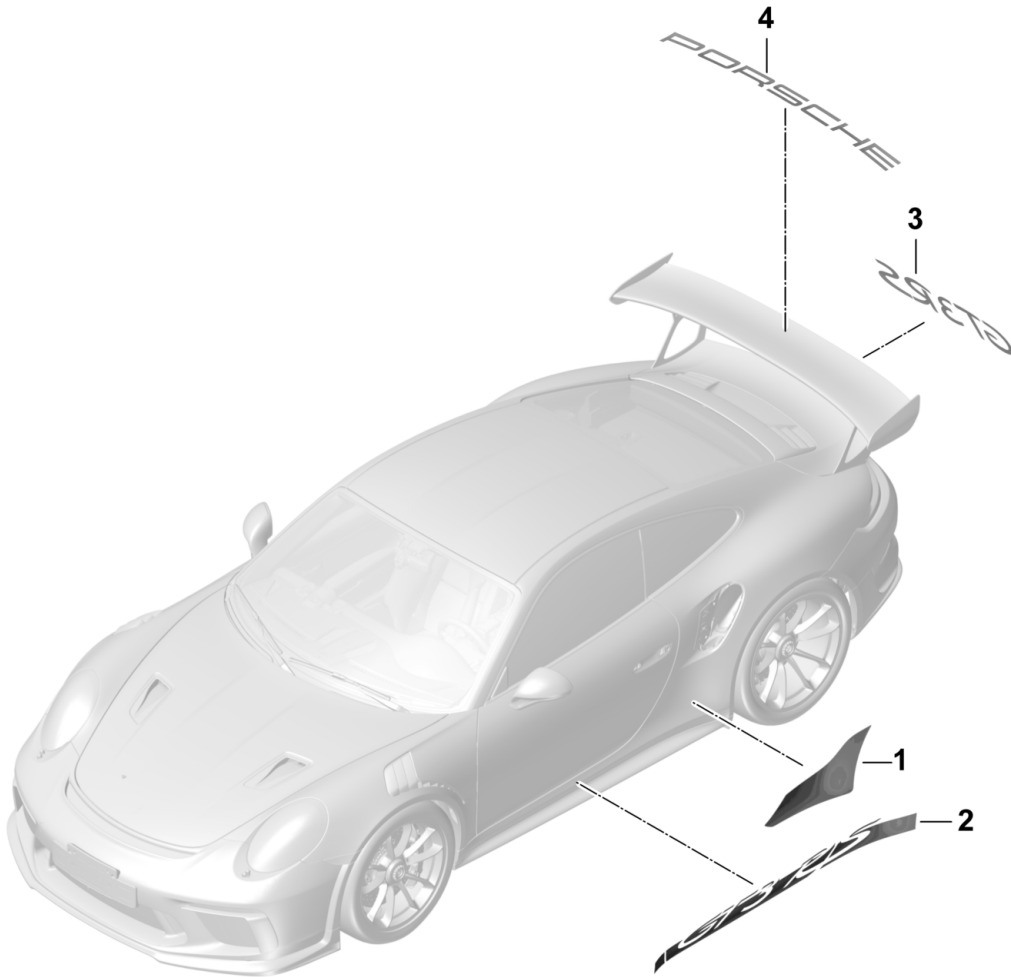
Model: 991G13

Model life 2014>>

Pos	Part Number	Description	Remark	Qty	Model
	991 559 371 80 OJ6	Rear spoiler red			
			also use:		
(7)	991 559 371 80	Decorative film Rear spoiler	991 559 372 80 (OJ6) left	1	PR:904
	991 559 371 80 OK7	green			
			also use:		
8	991 559 372 80	Decorative film Rear spoiler	991 559 372 80 (OK7) right left	1	PR:903
	991 559 372 80 OJ6	red			
			also use:		
(8)	991 559 372 80	Decorative film Rear spoiler	991 559 371 80 (OJ6) right left	1	PR:904
	991 559 372 80 OK7	green			
			also use:		
-		Porsche inscription Tequipment catalogue	991 559 371 80 (OK7)		

Model: 991G13

Model life 2014>>



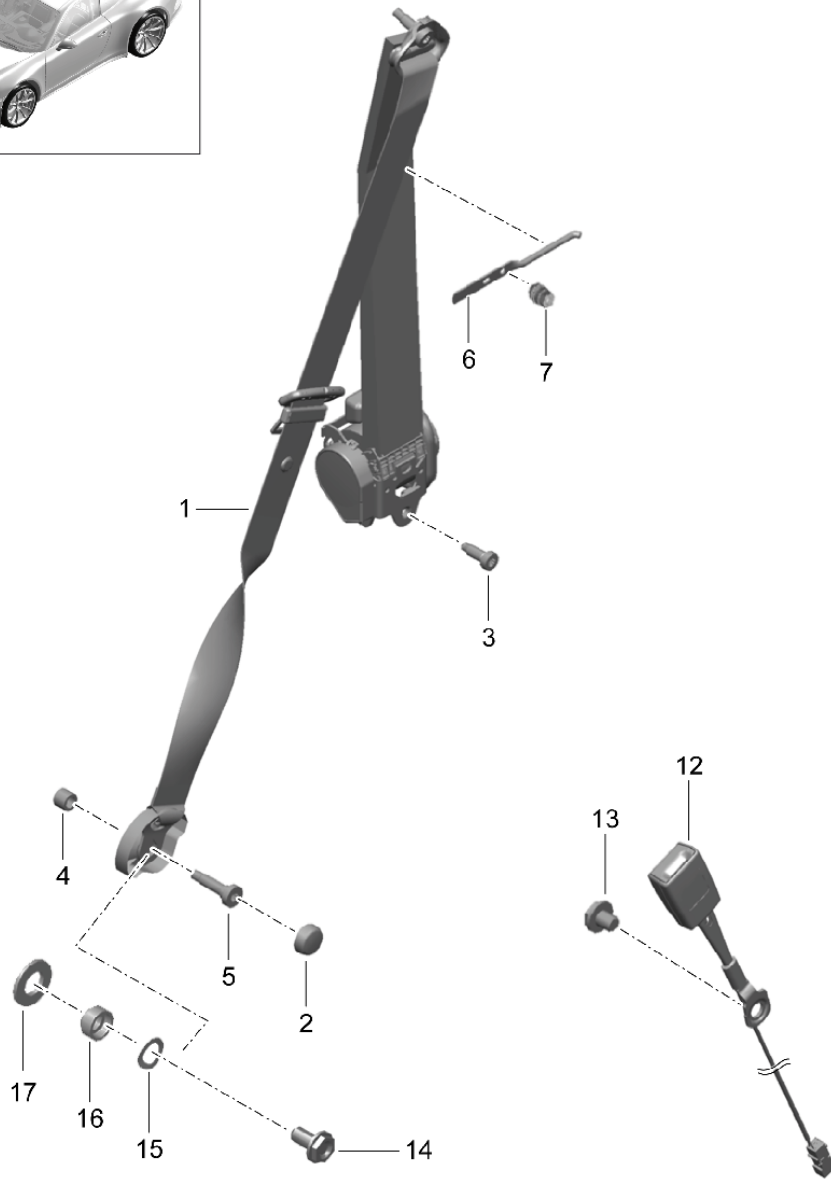
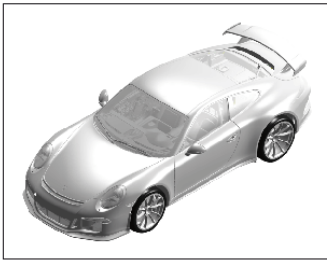
Model: 991G13

Model life 2014>>

Pos	Part Number	Description	Remark	Qty	Model
		Decorative film			
		Stone guard film			
		GT3 RS			
1	991 504 835 80	Stone guard film	left	1	
(1)	991 504 836 80	Stone guard film	right	1	
2	991 559 033 85	1 set of trim foil		1	
		GT3 RS			
	991 559 033 85 OY5	Matt black	-A1,H2,J5,P3, U2,0Q,29,79		
3	991 559 251 91	inscription	rear	1	
		GT3 RS			
		rear spoiler			
	991 559 251 91 OK1	Matt black	-A1,H2,J5,P3, U2,0Q,29,79		
4	991 559 251 70	inscription		1	
		Porsche			
		rear spoiler			

Model: 991G13

Model life 2014>>



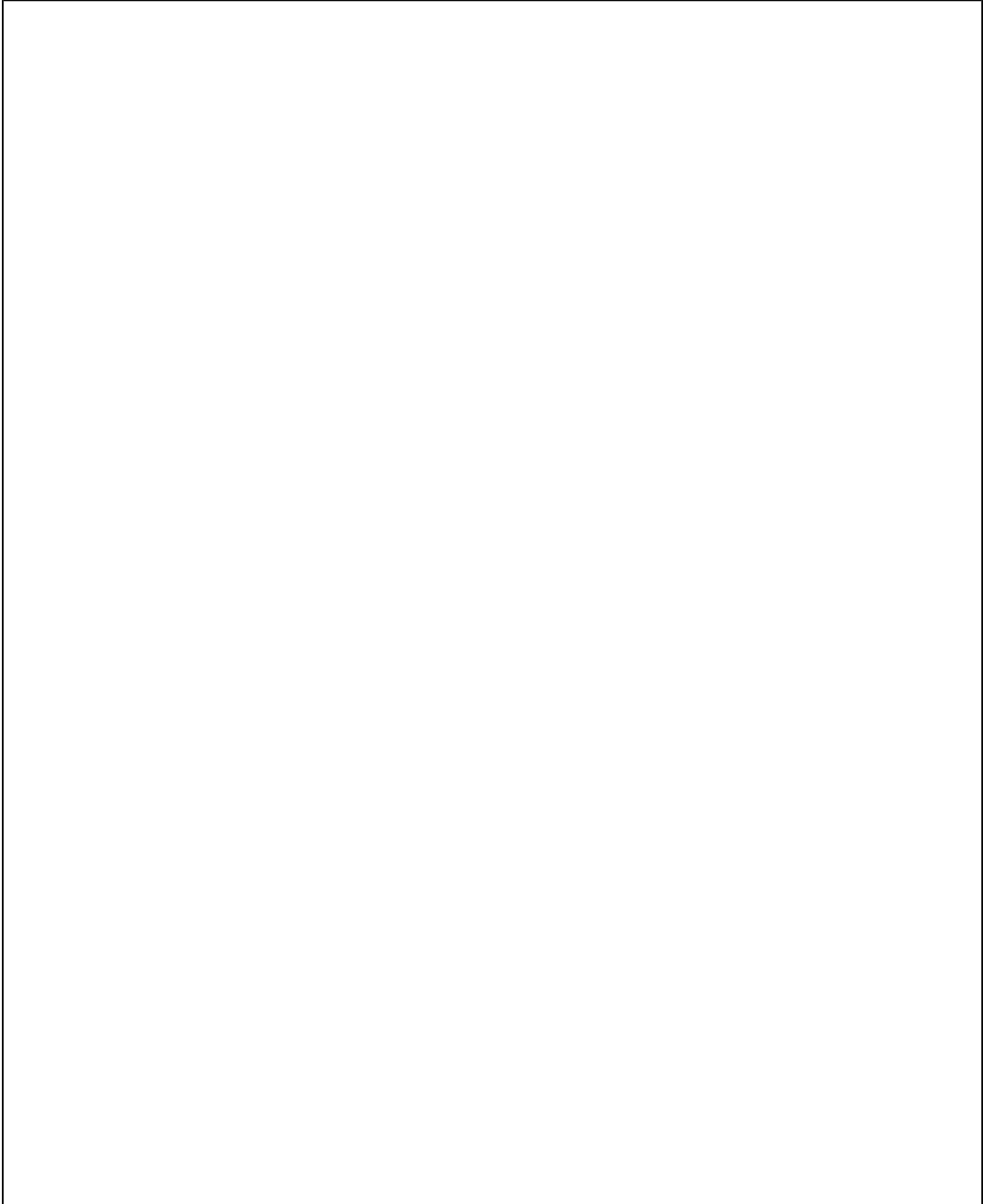
Model: 991G13

Model life 2014>>

Pos	Part Number	Description	Remark	Qty	Model
1	991 803 033 00	Three-point safety belt	front	2	
	991 803 033 00 A23	Three-point safety belt Black			
	991 803 033 00 1S1	Racing Yellow			
	991 803 033 00 62S	Luxor beige			
	991 803 033 00 2L0	yachting blue			
	991 803 033 00 U01	silver			
	991 803 033 00 N13	guards red (Porsche)			
1	991 803 033 04	Three-point safety belt		2	
	991 803 033 04 M6B	Lizard green			
	991 803 033 04 M2A	Lava Orange			
	991 803 033 04 M5C	miami blue			
2	991 803 295 00	Cover cap		2	
3	N 989 261 02	Socket head bolt with inner multipoint head 7/16-20UNF		2	
4	999 924 064 03	spacer bush		2	
5	999 510 048 01	Socket head bolt 7/16-20UNF		2	
6	991 803 825 01	Deflection angle Belt		2	
7	999 516 032 01	Hexagon nut Mount Deflection angle		2	
12	991 803 183 00	Belt latch (drivers side)	lhd	1	PR:098
(12)	991 803 183 05	Belt latch (passenger side)	rhd	1	PR:099
(12)	991 803 184 06	Belt latch (passenger side)	lhd	1	PR:098,-560
(12)	991 803 184 02	Belt latch (drivers side)	rhd	1	PR:099
(12)	997 803 183 11	Belt latch (drivers side)		1	PR:388,389
(12)	997 803 183 05	Belt latch (passenger side)		1	PR:388,389
(12)	918 803 184 00	Belt latch	right	1	PR:374
(12)	918 803 183 00	Belt latch	left	1	PR:373
13	999 218 101 02	Hexagon bolt 7/16-20UNF Mount Belt latch		2	
14	999 075 072 09	Hexagon bolt		2	PR:389,399
15	999 028 022 01	Spring washer		1	PR:389,399
16	997 803 663 00	spacer sleeve		1	PR:389,399
17	999 025 275 09	Washer		2	PR:388,389

Model: 991G13

Model life 2014>>



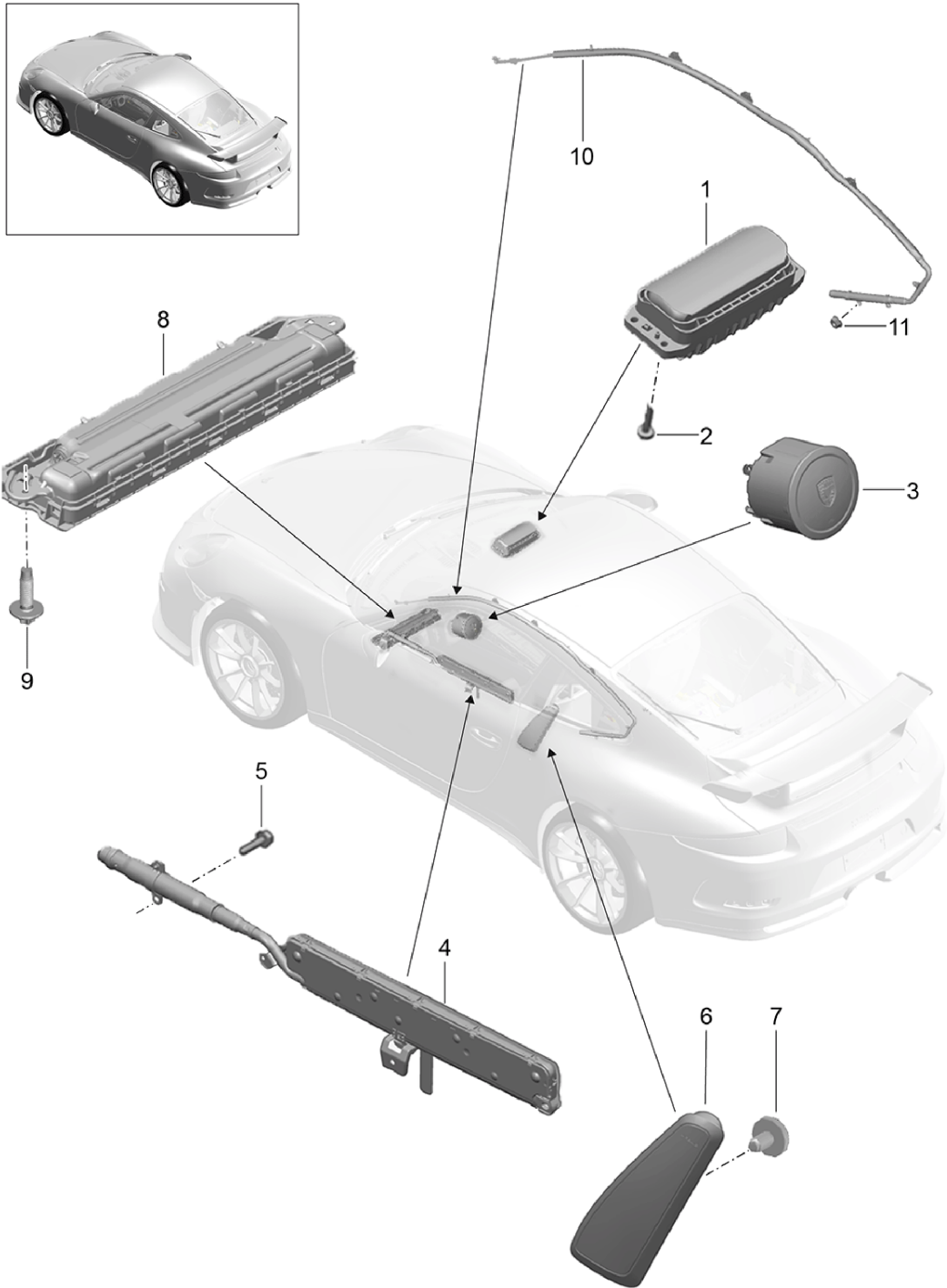
Model: 991G13

Model life 2014>>

Pos	Part Number	Description	Remark	Qty	Model
1	991 803 017 92	Accessories Motor racing Belt Six-point safety belt		1	PR:003,578, 579,595 PR:578,579
2	991 580 103 80	Roll cage	front	1	PR:003
3	991 580 995 90	Assembly kit Roll cage	front	1	PR:582,587, 595

Model: 991G13

Model life 2014>>

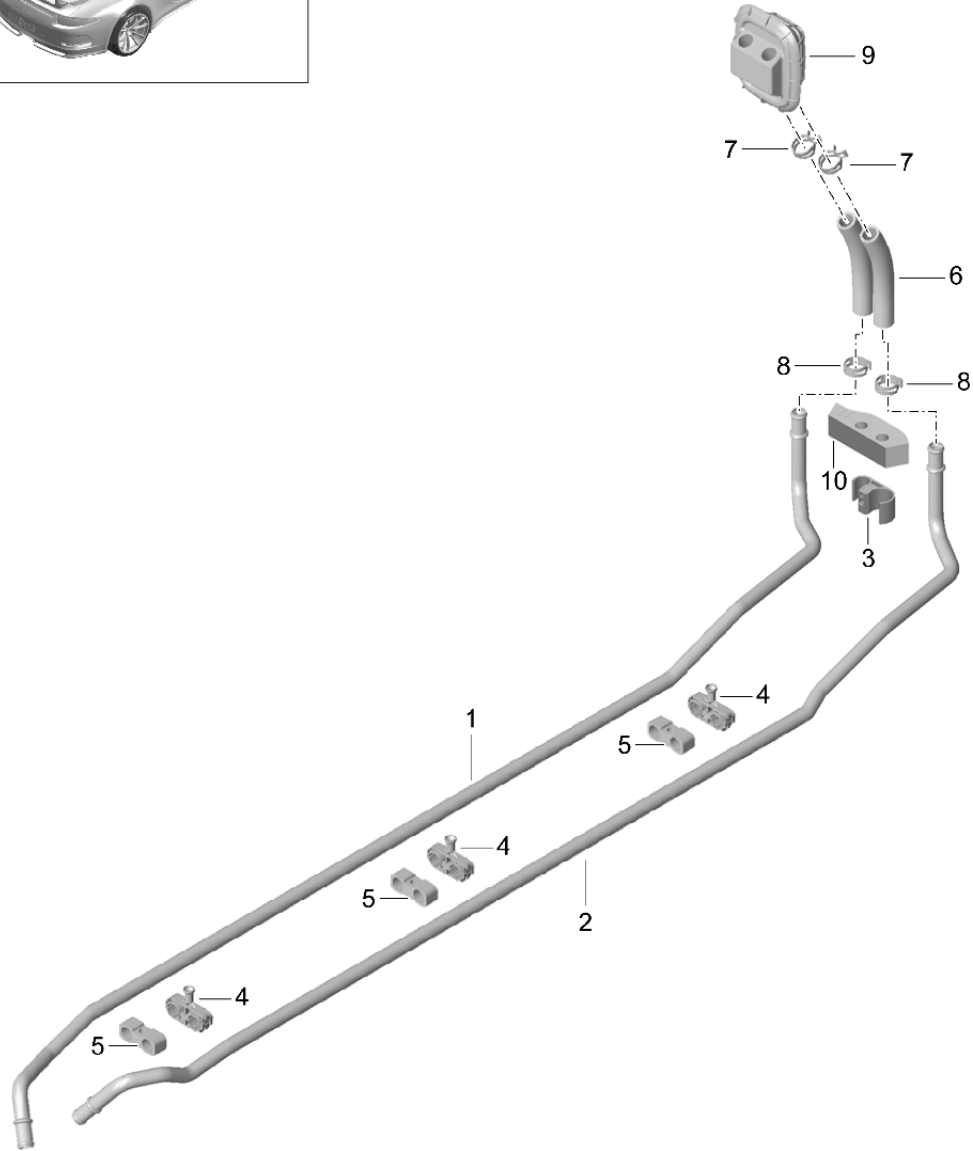
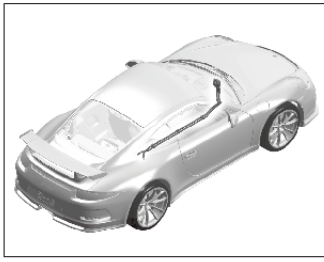


Model: 991G13 Model life 2014>>

Pos	Part Number	Description	Remark	Qty	Model
1	991 803 071 00	Airbag Airbag unit (passenger side)		1	
2	N 911 859 01	Hexagon socket flat head bolt Airbag unit (passenger side)		4	
3	991 803 089 04	Airbag unit (drivers side)		1	PR: -991
	991 803 089 04 5Q0	Black	-28		
(3)	991 803 089 05	Airbag unit (drivers side) Leather D >> - MJ 2016		1	PR:991
	991 803 089 05 A34	Black	-68,78		
(3)	9P1 880 201 R	Airbag unit (drivers side) Leather D - MJ 2017>>		1	PR:991
	9P1 880 201 R A34	Black			
(3)	9P1 880 201 E	Airbag unit (drivers side) Leather D - MJ 2016>>		1	GT3RS PR:991
	9P1 880 201 E A34	Black	-18,29,49,59, 69,79		
4	991 803 091 01	Head airbag unit Door	left	1	
(4)	991 803 092 01	Head airbag unit Door	right	1	
5	N 911 087 01	Hexagon collared bolt with multi-point socket head (duo) M6X25		4	
6	991 803 081 01	Side airbag unit Seat	left	1	
	991 803 081 01 5Q0	Black			
	991 803 081 01 D20	silver grey metallic			
(6)	991 803 082 01	Side airbag unit Seat	right	1	
	991 803 082 01 5Q0	Black			
	991 803 082 01 D20	silver grey metallic			
(6)		Side airbag unit Seat see illustration, item:	817-001,1		PR:373,374
7	999 073 306 09	Screw Side airbag unit Seat M6X10		4	

Model: 991G13

Model life 2014>>



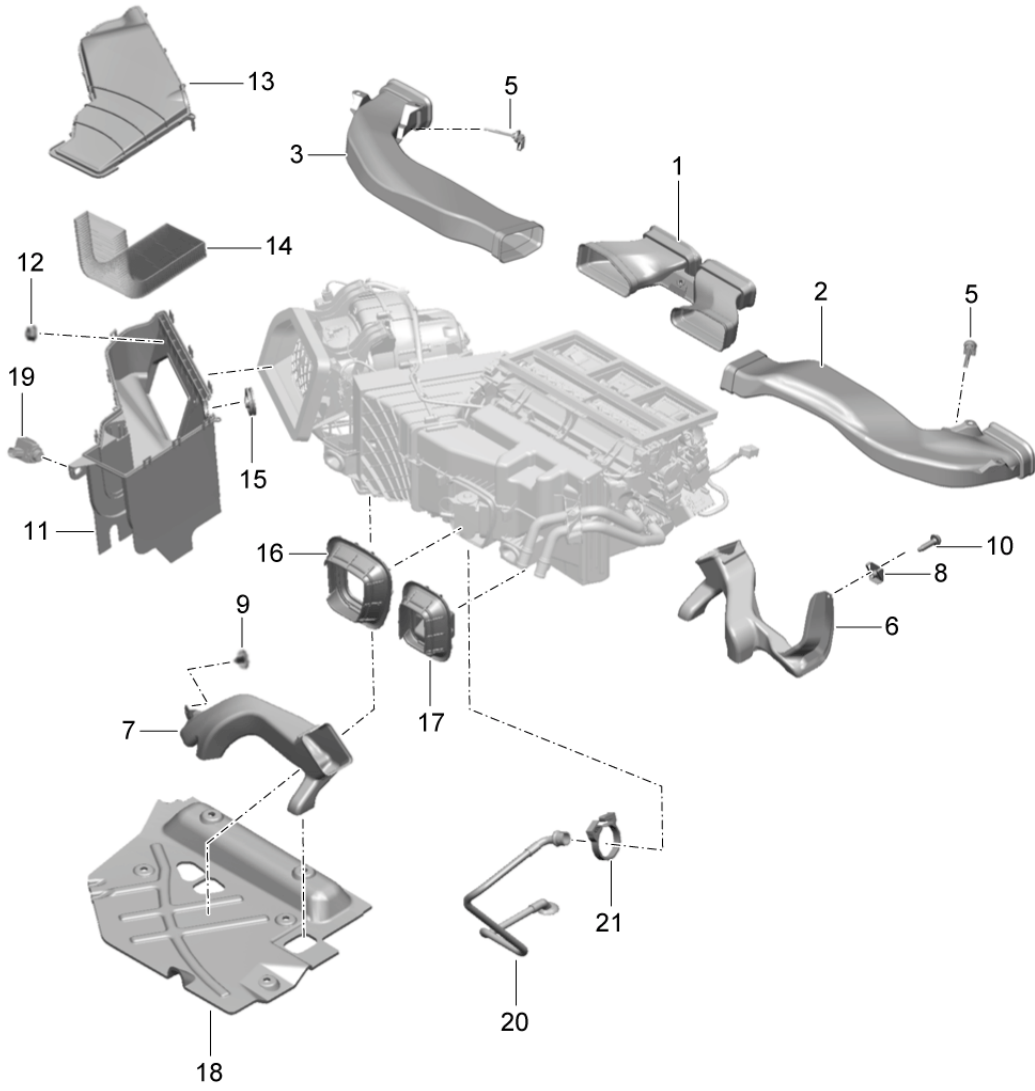
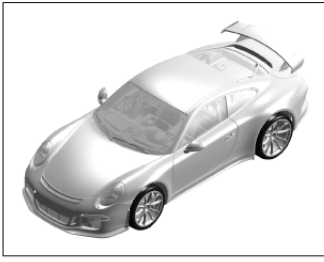
Model: 991G13

Model life 2014>>

Pos	Part Number	Description	Remark	Qty	Model
1	991 572 681 03	heater Feed line return line Heater pipeline	feed	1	
2	991 572 683 03	Heater pipeline	return	1	
3	991 572 825 01	Bracket		1	
4	991 572 823 00	Bracket		3	
5	999 511 232 41	Rubber bush		3	
6	991 572 585 01	Heating hose		2	
7	999 512 603 09	Hose clamp		2	
8	999 512 657 09	Hose clamp A26X12 B26X12		2	
9	991 572 263 01	Seal Cross panel		1	
10	991 572 553 00	Heater pipeline Foam part Hot air line		1	

Model: 991G13

Model life 2014>>

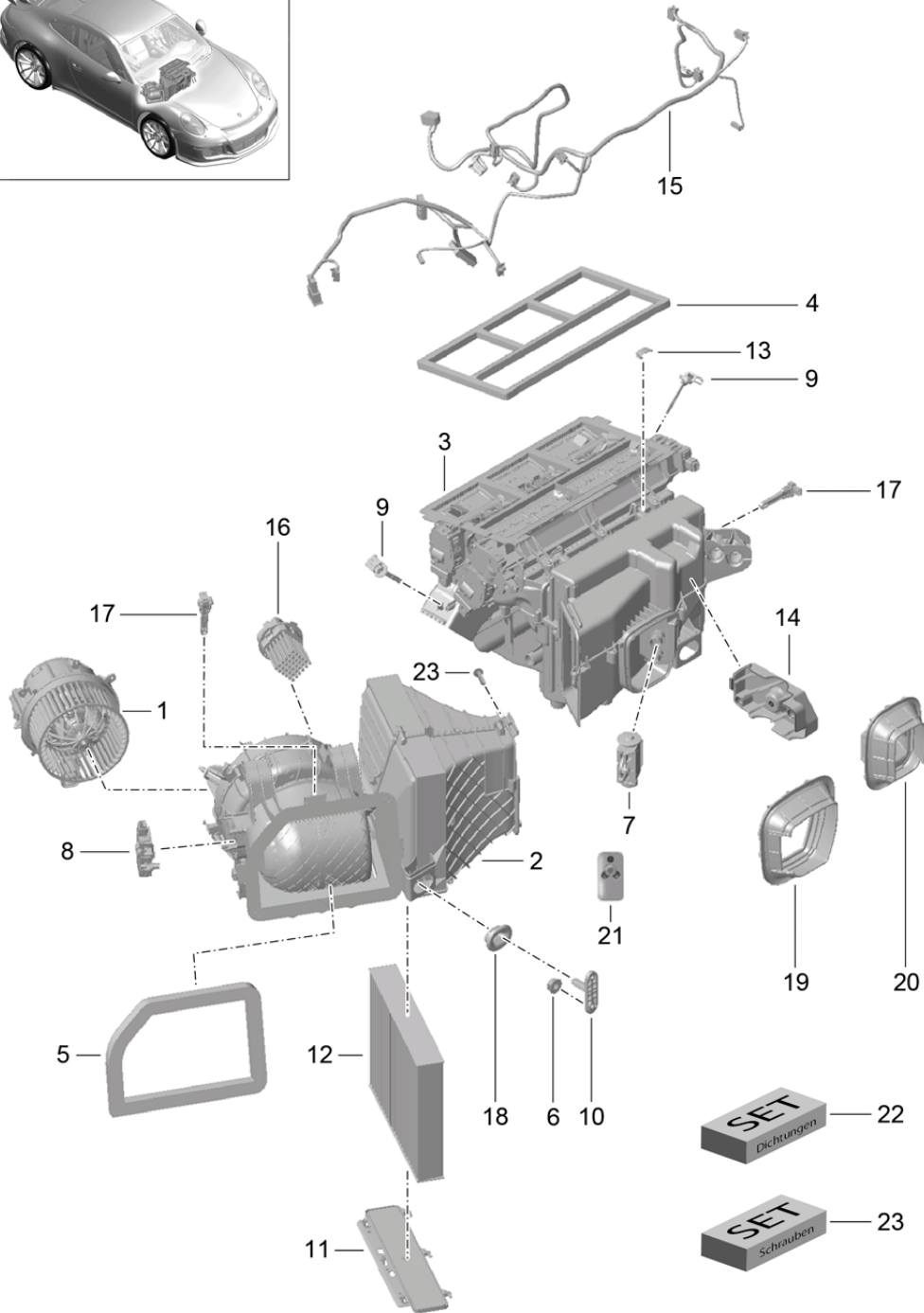
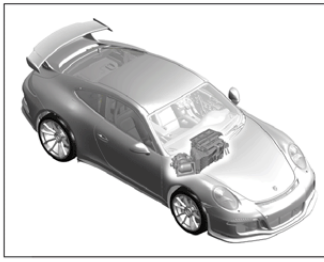


Model: 991G13 Model life 2014>>

Pos	Part Number	Description	Remark	Qty	Model
1	991 572 769 01	Air guide	center	1	
2	991 572 463 02	Air distributor Air guide	left lhd	1	PR:098
(2)	991 572 463 03	Air guide	side left rhd	1	PR:099
3	991 572 464 02	Air guide	side right lhd	1	PR:098
(3)	991 572 464 03	Air guide	side right rhd	1	PR:099
4	999 703 462 40	End cap 10,0X65		2	PR:572
5	970 653 253 00	Temperature sensor		2	PR:573
6	991 572 693 00	Footwell outlet vent (drivers side)	lhd	1	PR:098
(6)	991 572 694 00	Footwell outlet vent (drivers side)	rhd	1	PR:099
7	991 572 793 02	Footwell outlet vent (passenger side)	rhd	1	PR:099
(7)	991 572 794 02	Footwell outlet vent (passenger side)	lhd	1	PR:098
8	999 507 556 01	panel nut M 5		1	
9	1H0 819 943	round hd. screw (passenger side)		1	
10	999 073 459 01	fillister hd. bolt M5X16 (drivers side)		1	
11	991 572 072 01	Lower part Air intake	lhd	1	PR:098
(11)	991 572 071 00	Lower part Air intake	rhd	1	PR:099
12	900 377 018 09	Hexagon nut M6		2	
13	991 572 272 01	Cover Air intake	lhd	1	PR:098
(13)	991 572 271 00	Cover Air intake	rhd	1	PR:099
14	991 572 371 00	Air filter Air intake		1	
15	991 572 471 01	Grommet Air intake		1	
16	991 573 769 01	Grommet Firewall Expansion valve		1	PR:572,573
17	991 572 263 01	Seal Cross panel Heater pipeline		1	
18		Trim Cold air Cover		1	
19	7PP 907 659	see illustration: Sensor	809-010	1	
20	991 573 794 00	water drain pipe		1	PR:572,573
21	999 512 418 40	Hose clamp 22,7-24,7		1	PR:572,573

Model: 991G13

Model life 2014>>



Model: 991G13 Model life 2014>>

Pos	Part Number	Description	Remark	Qty	Model
1	991 573 922 00	Air conditioner and Individual parts			
(1)	991 573 922 01	Fan	lhd	1	PR:098
2	991 573 912 04	Fan	rhd	1	PR:099
		blower housing (complete)	lhd	1	PR:098
		with:			
(2)	991 573 912 06	Two stepping motors and ventilation flap blower housing (complete)	lhd	1	PR:098
		with:			
(2)	991 573 912 05	One stepping motor without: ventilation flap blower housing (complete)	rhd	1	PR:099
		with:			
(2)	991 573 912 07	Two stepping motors and ventilation flap blower housing (complete)	rhd	1	PR:099
		with:			
		One stepping motor without:			
3	991 573 914 04	ventilation flap Junction	lhd	1	PR:098
		with:			
(3)	991 573 914 06	ventilation flap Junction	lhd	1	PR:098
		without:			
(3)	991 573 914 01	ventilation flap Junction	rhd	1	PR:099
		with:			
(3)	991 573 914 07	ventilation flap Junction	rhd	1	PR:099
		without:			
5	991 573 850 00	ventilation flap Seal	lhd	1	PR:098
(5)	991 573 849 00	Fan Seal	rhd	1	PR:099
6	900 377 018 09	Fan Hexagon nut M6		X	
7	991 573 921 00	Expansion valve		1	
		also use:			
8	991 624 425 02	POS. 22 Servomotor 1 zone		X	
(8)	991 624 425 01	Servomotor 2-zone		X	
9	970 653 253 00	Temperature sensor Blower outlet sensor		2	
10	991 572 481 00	Temperature sensor Bracket		1	
11	991 573 916 00	Air conditioner Cover for Filter		1	
12	991 573 623 00	Passenger compart. filter		1	

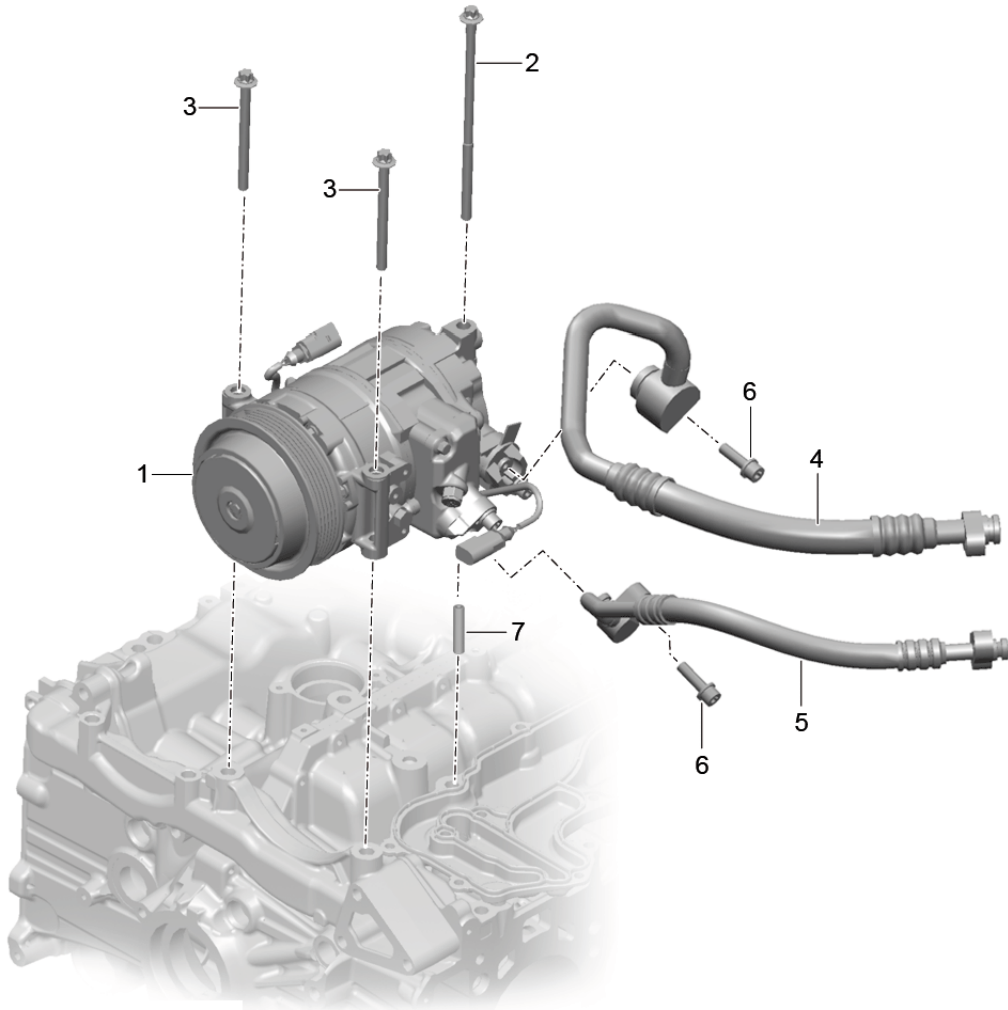
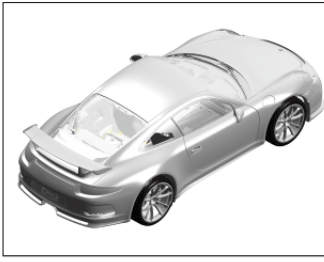
Model: 991G13

Model life 2014>>

Pos	Part Number	Description	Remark	Qty	Model
13	970 573 857 00	Tensioning spring blower housing		X	
14	991 573 913 00	pipe holder	rhd	1	PR:099
15	991 612 725 00	Wire set	lhd	1	PR:098,573
		with:			
(15)	9P3 971 565	ventilation flap Wire set	lhd	1	PR:098,573
		without:			
(15)	9P4 971 565	ventilation flap Wire set	rhd	1	PR:099,573
		without:			
(15)	991 612 726 00	ventilation flap Wire set	rhd	1	PR:099,573
		with:			
16	991 624 423 00	ventilation flap governor for Fan		1	PR:573
17	970 653 257 00	Discontinued part Temperature sensor for evaporator		2	PR:573
18	991 572 875 00	Grommet Air conditioner		2	
19	991 573 769 01	Grommet Firewall Expansion valve		1	PR:573
20	991 572 263 01	Seal Firewall Heater pipeline		1	
21	991 573 935 90	Bungs		1	PR:574
22	8K0 820 261	Gasket set		1	
23	8K0 898 540	Expansion valve 1 set securing bolts		1	

Model: 991G13

Model life 2014>>



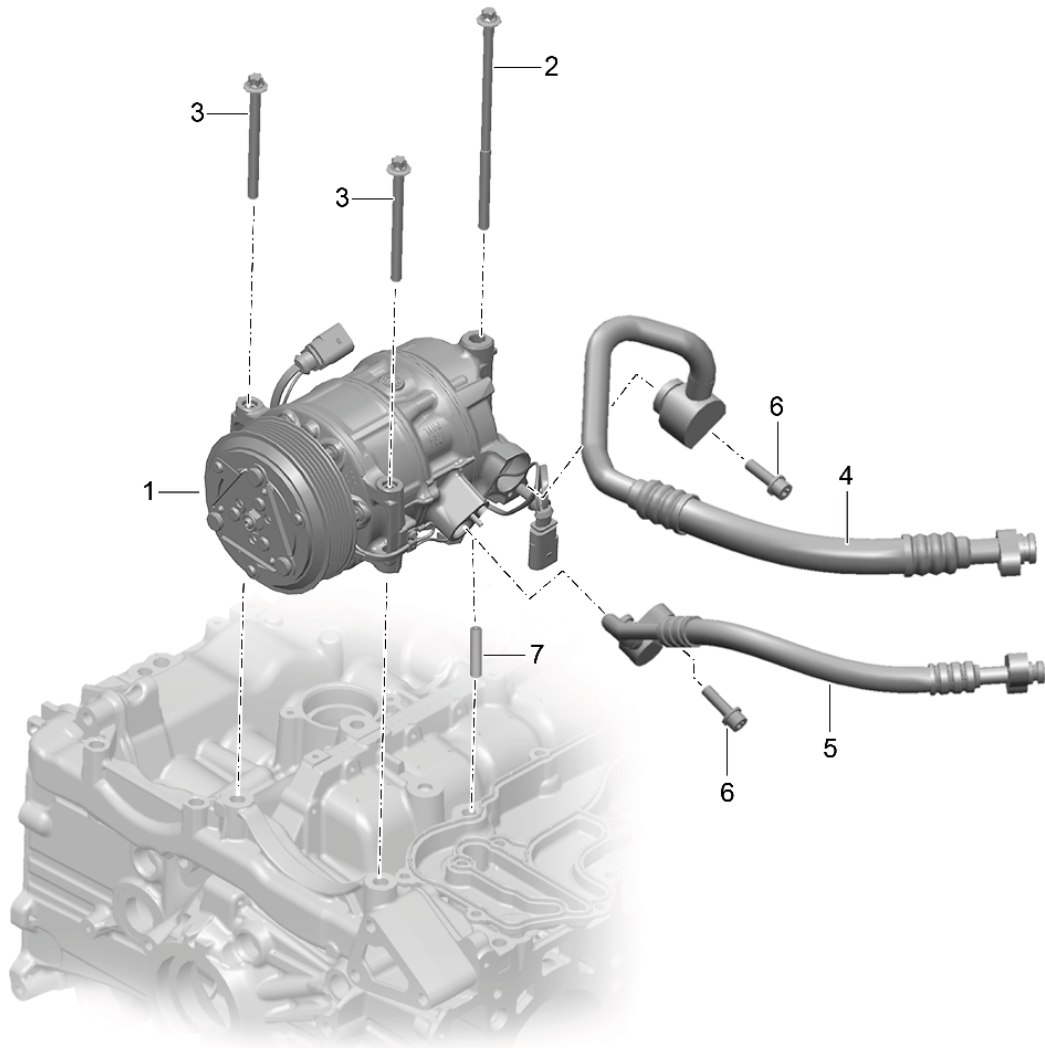
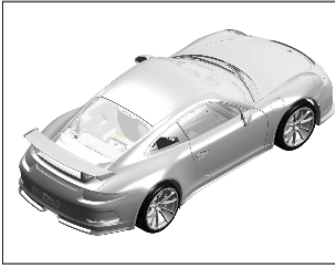
Model: 991G13

Model life 2014>>

Pos	Part Number	Description	Remark	Qty	Model
		Compressor Air conditioning D >> - MJ 2017			PR:573
1	9A1 126 011 05	Compressor		1	
1	9A1 126 011 AX	Compressor		1	
		Replacement parts			
2	900 385 134 01	Hexagon head bolt M8X170		1	
3	900 385 102 01	Torx screw M8X90		2	
4		suction line		1	
		see illustration, item:	813-025,4		
5		Pressure line		1	
		see illustration, item:	813-025,5		
6	N 104 144 02	Socket head bolt with hexagon socket head M 8X28-U		2	
7	9A1 126 537 80	Sleeve		1	
-	000 043 200 04	Compressor oil 250 ML		1	

Model: 991G13

Model life 2014>>



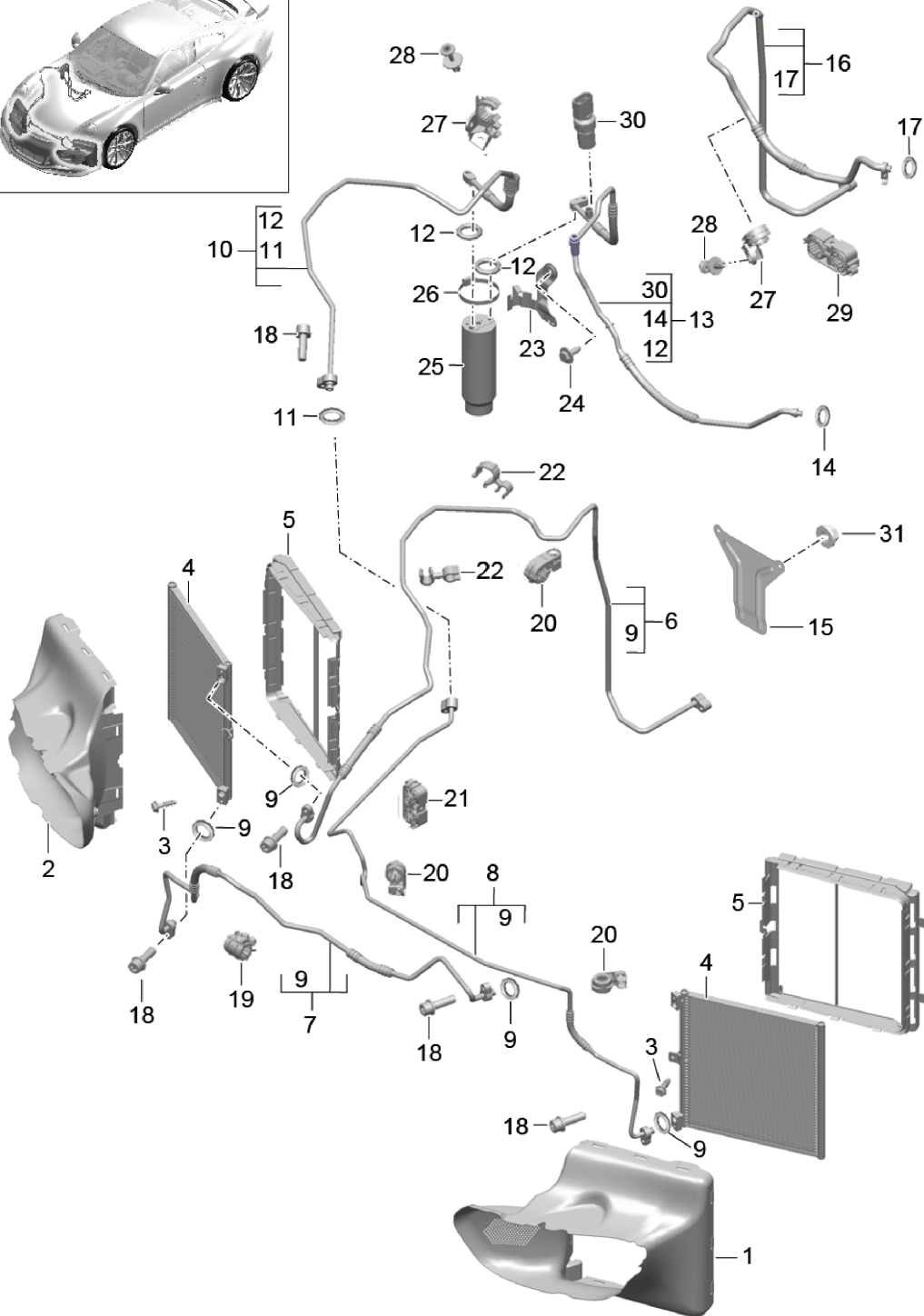
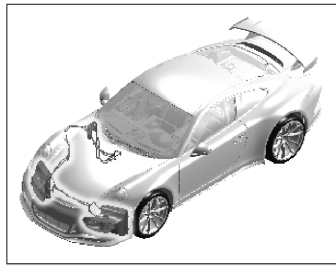
Model: 991G13

Model life 2014>>

Pos	Part Number	Description	Remark	Qty	Model
		Compressor Air conditioning D - MJ 2018>>			PR:573
1	9P1 820 803 D	Compressor		1	
1	9P1 820 803 DX	Compressor		1	
		Replacement parts			
2	900 385 134 01	Hexagon head bolt M8X170		1	
3	900 385 102 01	Torx screw M8X90		2	
4		suction line		1	
		see illustration, item:	813-025,4		
5		Pressure line		1	
		see illustration, item:	813-025,5		
6	N 104 144 02	Socket head bolt with hexagon socket head M 8X28-U		2	
7	9A1 126 537 80	Sleeve		1	
-	000 043 200 04	Compressor oil 250 ML		1	

Model: 991G13

Model life 2014>>



Model: 991G13 Model life 2014>>

Pos	Part Number	Description	Remark	Qty	Model
		refrigerant circuit D >> - MJ 2017	front		PR:573
1	991 575 321 90	Air guide	left side	1	
2	991 575 321 90 1E0 991 575 322 90	Black Air guide	right side	1	
3	991 575 322 90 1E0 900 075 340 01	Black Bolt with washer M6X22		2	
4	991 573 111 04	Condenser		2	
5	991 573 711 04	Sealing frame		2	
6	991 573 094 01	Pressure line Underbody for Condenser	front	1	
(6)	991 573 094 91	Pressure line Underbody for Condenser	front	1	
7	991 573 103 80	Pressure line Between Condenser		1	
8	991 573 105 80	Pressure line Condenser Wheel housing	left	1	
9	999 707 557 41	O-ring		1	
10	991 573 108 01	Pressure line Drier for Expansion valve Wheel housing panel		1	
(10)	991 573 108 91	Pressure line Drier for Expansion valve Wheel housing panel		1	
11	999 707 556 41	O-ring		1	
12	999 707 660 40	O-ring		1	
13	991 573 109 06	Pressure line Drier	lhd	1	PR:098
(13)	991 573 109 07	Pressure line Drier	rhd	1	PR:099
14	999 707 652 40	O-ring		1	
15	991 573 303 80	bracket for pressure line		1	
16	991 573 093 00	suction line Expansion valve for Underbody	lhd	1	PR:098
(16)	991 573 093 02	suction line Expansion valve for Underbody	rhd	1	PR:099
17	999 707 558 41	O-ring		1	
18	N 104 144 02	Socket head bolt with hexagon socket head M 8X28		5	
19	991 573 839 01	Bracket		2	
20	991 573 837 00	Bracket		6	PR:099
21	991 573 841 00	Bracket		1	
22	999 507 969 40	Hose bracket 12,0/12,0		2	
23	991 573 451 01	bracket for drier		1	

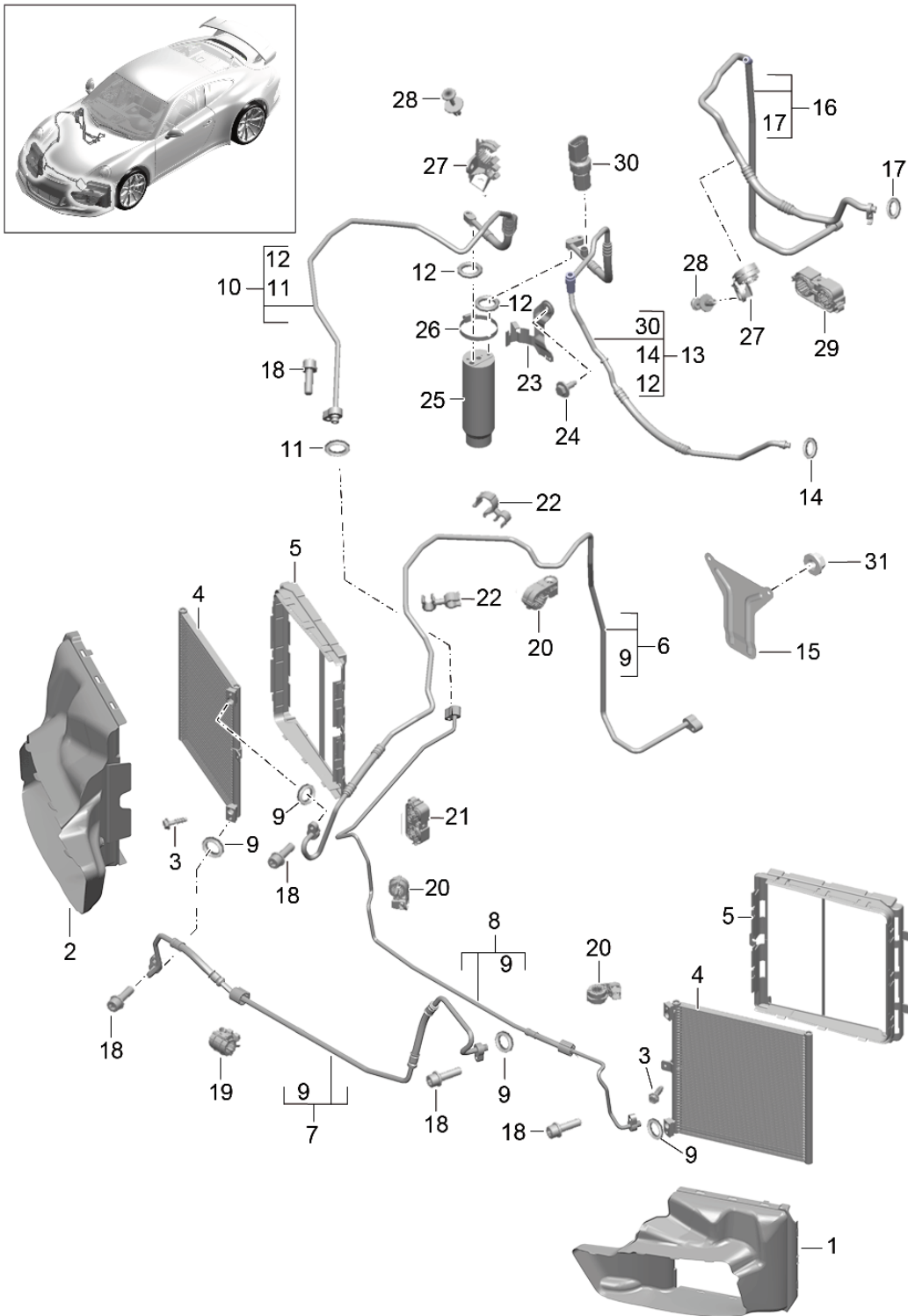
Model: 991G13

Model life 2014>>

Pos	Part Number	Description	Remark	Qty	Model
24	900 075 510 01	Bolt with washer M6X20		1	
25	944 573 143 01	Drier		1	
26	999 512 349 01	Hose clamp A 50-70/ 9		1	
27	991 573 827 01	Bracket		2	
28	999 507 497 40	Spreader rivet 8,0X14,0		2	
29	991 573 843 00	Bracket		1	
30	955 613 137 03	Pressure sensor		1	
31	999 084 222 01	Hexagon nut M6-S		X	

Model: 991G13

Model life 2014>>



Model: 991G13 Model life 2014>>

Pos	Part Number	Description	Remark	Qty	Model
		refrigerant circuit	front		PR:573
		D - MJ 2018>>			
1	991 575 321 80	Air guide	left side	1	
	991 575 321 80 OK1	Matt black			
2	991 575 322 80	Air guide	right side	1	
	991 575 322 80 OK1	Matt black			
3	900 075 340 01	Bolt with washer		2	
		M6X22			
4	9P1 820 411	A/C condenser		2	
5	991 573 711 04	Sealing frame		2	
6	991 573 094 04	Pressure line	front	1	
		Underbody			
		for			
		Condenser			
7	991 573 103 82	Pressure line		1	
		Between			
		Condenser			
8	991 573 105 82	Pressure line	left	1	
		Condenser			
		Wheel housing			
9	955 573 749 01	O-ring		1	
10	991 573 108 03	Pressure line		1	
		Drier			
		for			
		Expansion valve			
		Wheel housing panel			
11	955 573 749 00	O-ring		1	
12	999 707 660 40	O-ring		1	
13	991 573 109 06	Pressure line	lhd	1	PR:098
		Drier			
(13)	991 573 109 07	Pressure line	rhd	1	PR:099
		Drier			
14	999 707 652 40	O-ring		1	
15	991 573 303 80	bracket for pressure line		1	
16	991 573 093 00	suction line	lhd	1	PR:098
		Expansion valve			
		for			
		Underbody			
(16)	991 573 093 02	suction line	rhd	1	PR:099
		Expansion valve			
		for			
		Underbody			
17	999 707 558 41	O-ring		1	
18	N 104 144 02	Socket head bolt with		5	
		hexagon socket head			
		M 8X28			
19	991 573 839 01	Bracket		2	
(20)	971 260 197	bracket for refrigerant pipe		6	
		Refrigerant line			
21	991 573 841 00	Bracket		1	
22	999 507 969 40	Hose bracket		2	
		12,0/12,0			
23	991 573 451 01	bracket for drier		1	
24	900 075 510 01	Bolt with washer		1	
		M6X20			
25	944 573 143 01	Drier		1	
26	999 512 349 01	Hose clamp		1	
		A 50-70/ 9			
27	991 573 827 01	Bracket		2	
28	999 507 497 40	Spreader rivet		2	
		8,0X14,0			

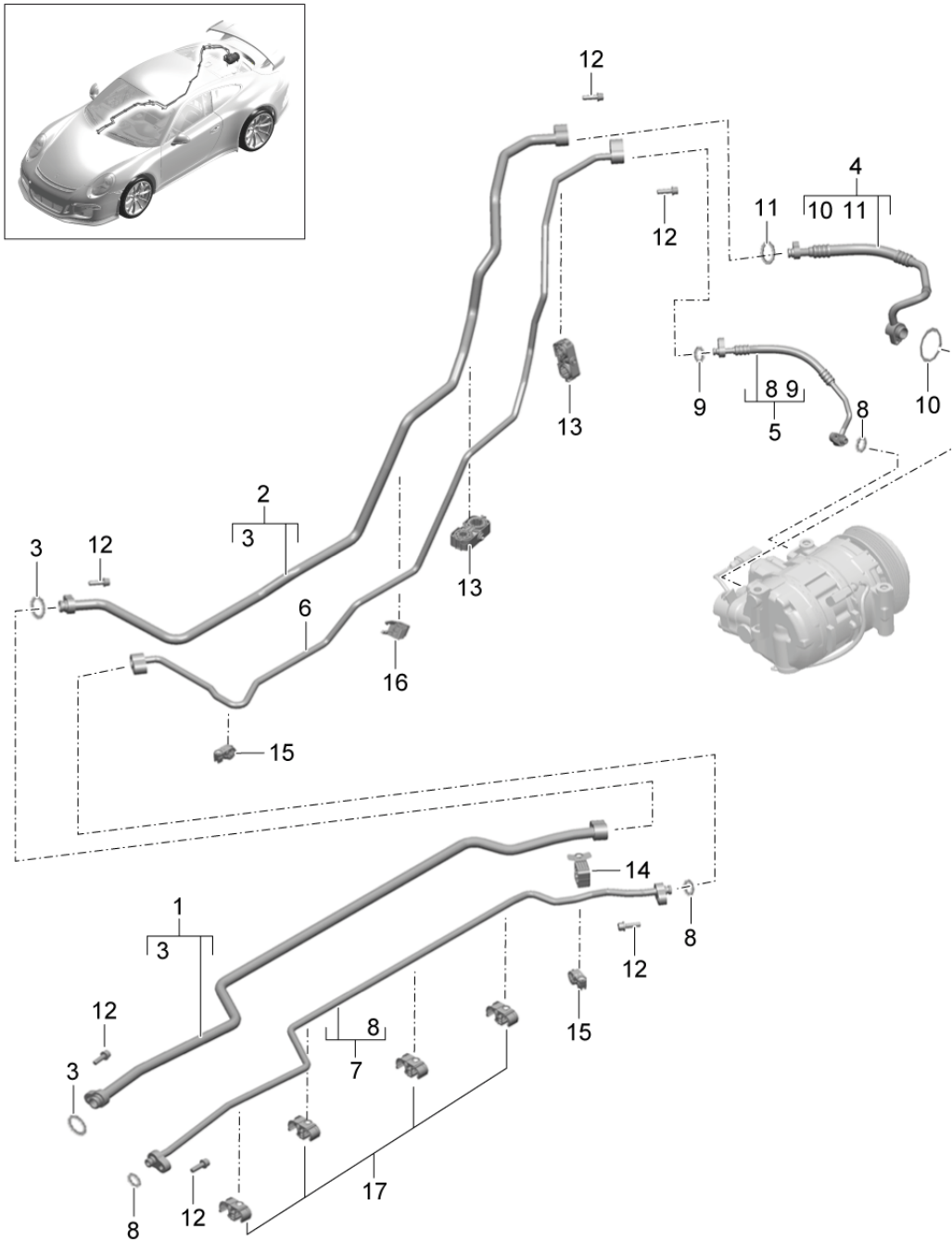
Model: 991G13

Model life 2014>>

Pos	Part Number	Description	Remark	Qty	Model
29	991 573 843 00	Bracket		1	
30	955 613 137 03	Pressure sensor		1	
31	999 084 222 01	Hexagon nut M6-S		X	

Model: 991G13

Model life 2014>>



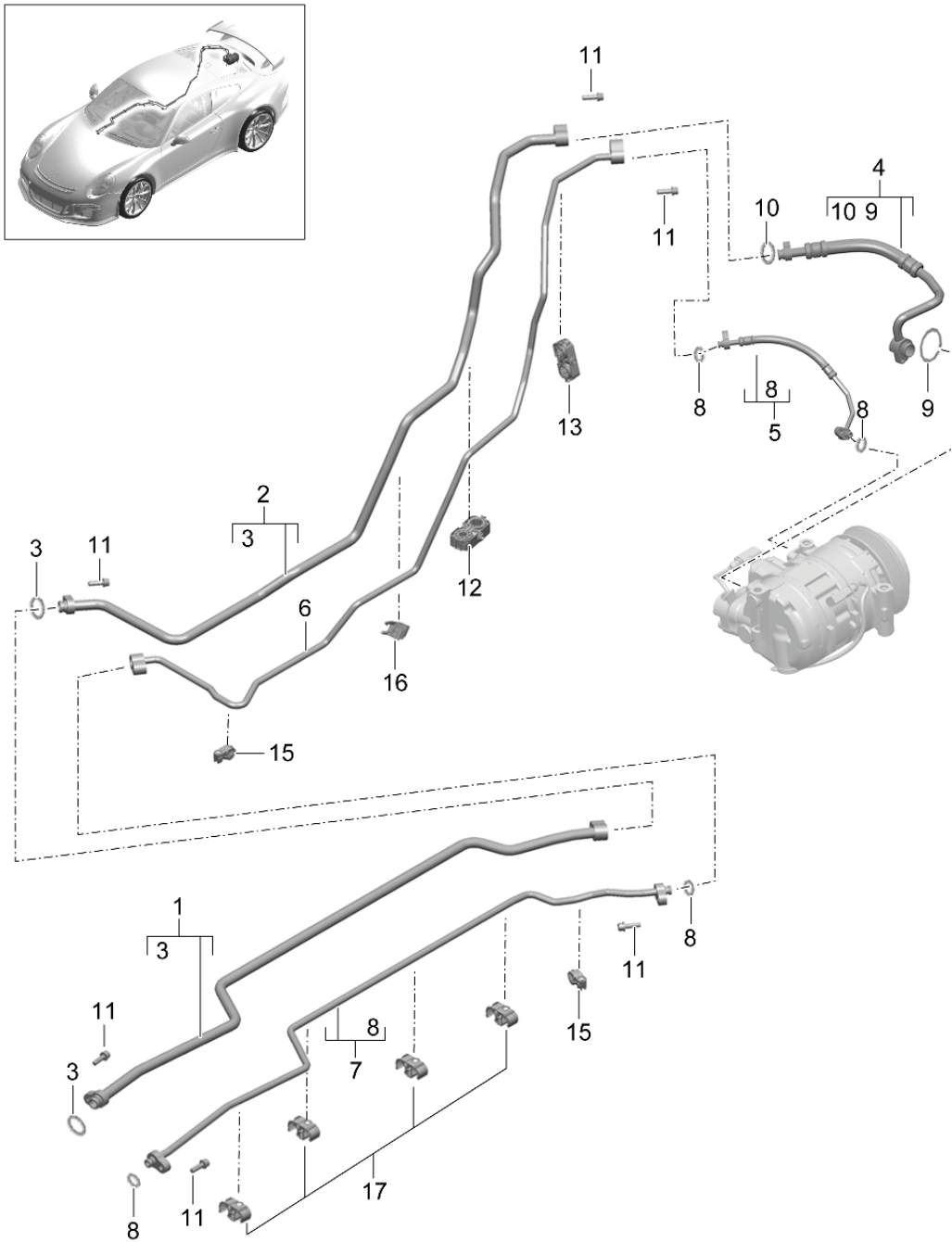
Model: 991G13

Model life 2014>>

Pos	Part Number	Description	Remark	Qty	Model
		refrigerant circuit Underbody and Rear end D >> - MJ 2017			PR:573
1	991 573 091 01	suction line Wheel housing for Underbody	front	1	
2	991 573 095 04	suction line Wheel housing for Compressor		1	
3	999 707 653 40	O-ring 16,70X2,50		2	
4	9A1 573 099 07	suction line Compressor		1	
5	9A1 573 097 05	Pressure line Compressor		1	
6	991 573 096 04	Pressure line Engine bay Compressor for Carrier		1	
7	991 573 092 01	Pressure line Underbody for Wheel housing	front	1	
8	999 707 557 41	O-ring 11.00X2.50		3	
9	999 707 434 41	O-ring 10.6X2.00		1	
10	999 707 439 41	O-ring 23.80X2.40		1	
11	999 707 653 40	O-ring 16.70X2.50		1	
12	N 104 144 02	Socket head bolt with hexagon socket head M 8X28		6	
13	991 573 843 00	Bracket		3	
14	991 573 837 00	Bracket		2	
15	991 573 835 00	Bracket for coolant line		1	
16	991 573 829 01	Bracket for coolant line		1	
17	991 573 825 01	Bracket for coolant line		X	

Model: 991G13

Model life 2014>>



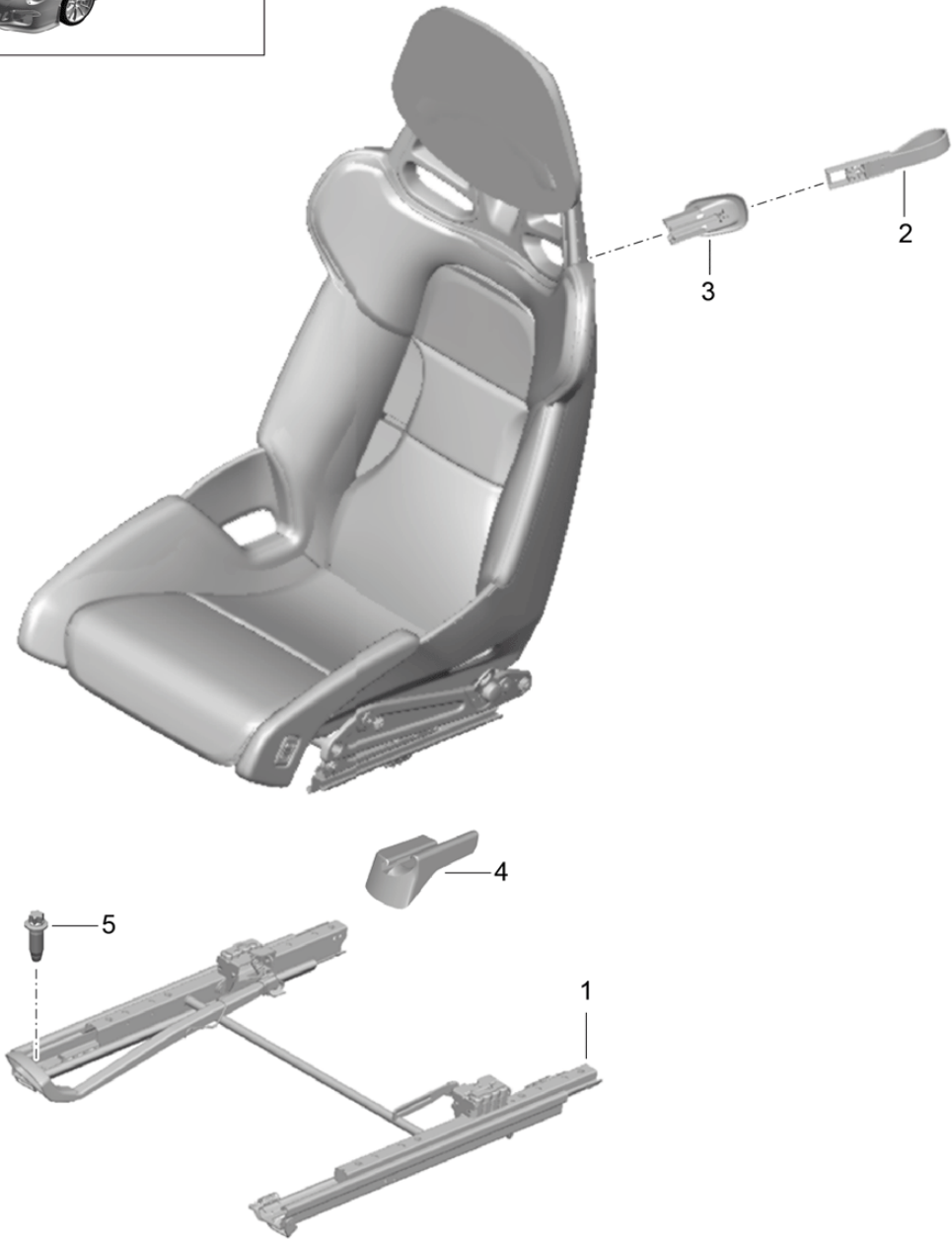
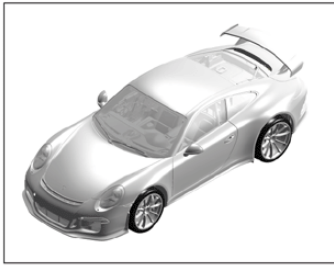
Model: 991G13

Model life 2014>>

Pos	Part Number	Description	Remark	Qty	Model
		refrigerant circuit Underbody and Rear end D - MJ 2018>>			PR:573
1	991 573 091 80	suction line Wheel housing for Underbody	front	1	
2	991 573 095 03	suction line Wheel housing for Compressor		1	
3	999 707 653 40	O-ring 16,70X2,50		2	
4	9A2 573 069 00	suction line Compressor		1	
5	9A2 573 067 00	Pressure line Compressor		1	
6	991 573 096 03	Pressure line Engine bay Compressor for Carrier		1	
7	991 573 092 02	Pressure line Underbody for Wheel housing	front	1	
8	999 707 557 41	O-ring 11.00X2.50		3	
9	999 707 439 41	O-ring 23.80X2.40		1	
10	9A7 573 749 03	O-ring 16.25X2.50		1	
11	N 104 144 02	Socket head bolt with hexagon socket head M 8X28		6	
12	991 573 841 00	Bracket		1	
13	991 573 843 00	Bracket		3	
15	991 573 835 00	Bracket for coolant line Discontinued part		1	
16	991 573 829 01	Bracket for coolant line		1	
17	991 573 825 01	Bracket for coolant line		X	

Model: 991G13

Model life 2014>>

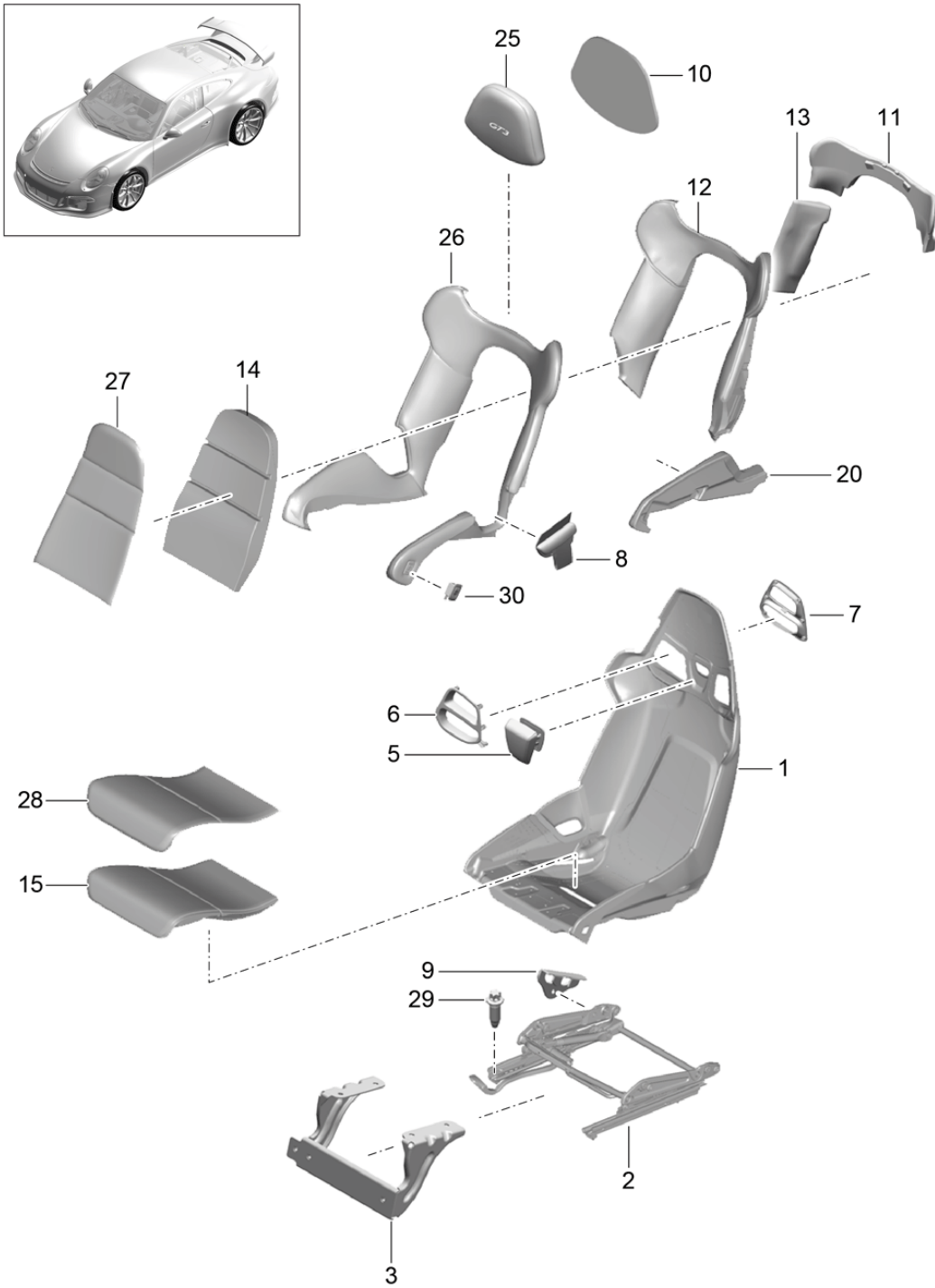


Model: 991G13 Model life 2014>>

Pos	Part Number	Description	Remark	Qty	Model
1	997 521 429 01	bucket seat Collapsible (complete) Not available 1 set of seat rails (drivers side)	left	1	PR:388
(1)	991 521 913 90	repair set Seat frame	left	1	
(1)	918 521 202 01	bucket seat Seat frame	right	1	PR:374
(1)	918 521 904 01	bucket seat 918 Spyder repair set Seat frame	right	1	
(1)	997 521 430 02	Electrically adjustable 1 set of seat rails Seat rail (drivers side)	right	1	PR:389
2	991 521 541 00	Pull loop Backrest frame	left	1	PR:388
(2)	991 521 541 00 A80	Black			
(2)	991 521 542 00	Pull loop Backrest frame	right	1	PR:389
(2)	991 521 542 00 A80	Black			
3	997 521 538 00	Rosette Pull loop Backrest frame	right	1	PR:389
(3)	997 521 538 00 01C	Satin black			
(3)	997 521 537 00	Rosette Pull loop Backrest frame	left	1	PR:388
(3)	997 521 537 00 01C	Satin black			
4	997 521 359 01	Rail Seat rail Manually	left	1	PR:388
(4)	997 521 359 01 01C	Satin black			
(4)	997 521 360 01	Rail Seat rail Manually	right	1	PR:389
(4)	997 521 360 01 01C	Satin black			
(4)	997 521 361 00	Rail Seat rail	left	1	PR:388
(4)	997 521 361 00 01C	Satin black			
5	WHT 007 691	Outer hexagon round screw Mount		4	
6	918 613 201 01	Seat rail Switch		1	PR:373,374
6	918 613 201 01 5Q0	Black			

Model: 991G13

Model life 2014>>



Model: 991G13 Model life 2014>>

Pos	Part Number	Description	Remark	Qty	Model
		bucket seat Seat frame Cover Foam part bucket seat			PR:373,374
1	991 521 401 90	with: Airbag unit	left	1	
(1)	991 521 401 90 A3G	Carbon Gloss Black			
	991 521 402 90	with: Airbag unit	right	1	
	991 521 402 90 A3G	Carbon Gloss Black			
2	991 521 201 90	Seat frame	left	1	
3	918 521 513 00	Holder for fire extinguisher		1	PR:509
6	991 521 921 90	repair set		1	
		Trim Belt Guide			
6	991 521 341 90	Trim	left front	1	
		No longer use the part here			
(6)	991 521 341 90 5Q0	Black	-28,68,78		
	991 521 342 90	Trim	right front	1	
		No longer use the part here			
	991 521 342 90 5Q0	Black	-28,68,78		
7	991 521 321 90	Trim	left rear	1	
		No longer use the part here			
(7)	991 521 321 90 5Q0	Black	-28,68,78,29, 79,77		
	991 521 322 90	Trim	right rear	1	
		No longer use the part here			
	991 521 322 90 5Q0	Black	-28,68,78,29, 79,77		
8	918 521 301 00	Seat	left	1	PR:373
	918 521 301 00 8YR	Black	-28,68,78,77, 79,29		
(8)	918 521 301 01	Seat	left	1	PR:373
	918 521 301 01 S91	Tarpan Brown	-16,26		
(8)	918 521 302 00	Seat	right	1	PR:374
	918 521 302 00 8YR	Black	-28,68,78,77, 79,29		
(8)	918 521 302 01	Seat	right	1	PR:374
	918 521 302 01 S91	Tarpan Brown	-16,26		
9	918 521 561 00	Cable guide		1	
		Belt latch			
10	918 521 551 00	Foam part		1	
(10)	918 521 463 00	Head restraint		1	
		Foam part			
		Head restraint			
11	918 521 459 00	Foam part		1	
		backrest			
		SCHULTER			
12	918 521 531 00	Foam part		1	
		backrest			
		Outer part			
13	918 521 465 00	Foam part	left	1	PR:373,-374
		backrest			
		Outer part			
(13)	918 521 466 00	Foam part	right	1	PR:374,-373
		backrest			
		Outer part			
14	991 521 581 90	Foam part		1	
		backrest			
		Centre part			

Model: 991G13 Model life 2014>>

Pos	Part Number	Description	Remark	Qty	Model
15	918 521 571 00	Foam part Seat cushion	center	1	PR:-560
20	918 521 535 00	Foam part Seat cushion	left outer	1	
(20)	918 521 536 00	Foam part Seat cushion	right outer	1	
25	991 521 181 91	Head restraint cover		1	PR:951
	991 521 181 91 DRL	Black/Platinum Grey	-28,78		
	991 521 181 91 DRM	Black/Guards Red	-68		
(25)	991 521 181 92	Head restraint cover		1	PR:948,-984
	991 521 181 92 JHE	black/silver	-12,22		
(25)	991 521 181 A0	Head restraint cover		1	PR:948,984
	991 521 181 A0 JHF	Tarpan Brown/Silver	-16,26		
(25)	991 521 181 90	Head restraint cover		1	PR:951
	991 521 181 90 DSZ	black/silver	-29,79,59		
	991 521 181 90 RAR	Black/Lava Orange	-18,69,49		
(25)	991 521 181 93	Head restraint cover		1	PR:951,373, 374
		with:			
	991 521 181 93 DRL	Porsche crest Black/Platinum Grey	-28,78		
	991 521 181 93 DRM	Black/Guards Red	-68,34		
	991 521 181 93 GDC	Black	-14,39		
26	991 521 141 90	Backrest cover	left	1	PR:373,951, 948,-984
		Outer part			
	991 521 141 90 DRL	Black/Platinum Grey	-28,78		
	991 521 141 90 RAR	Black/Lava Orange	-18,69,49		
	991 521 141 90 DSZ	black/silver	-29,79,59,12, 22		
	991 521 141 90 DRM	Black/Guards Red	-68,34		
	991 521 141 90 GDC	Black	-14,39		
(26)	991 521 141 A0	Backrest cover		1	PR:948,984
		Outer part			
(26)	991 521 141 A0 JHV	Tarpan Brown/Silver	-16,26		
(26)	991 521 142 90	Backrest cover	right	1	PR:374,951, 948,-984
		Outer part			
	991 521 142 90 DRL	Black/Platinum Grey	-28,78		
	991 521 142 90 RAR	Black/Lava Orange	-18,69,49		
	991 521 142 90 DSZ	black/silver	-29,79,59,12, 22		
	991 521 142 90 DRM	Black/Guards Red	-68,34		
	991 521 142 90 GDC	Black	-14,39		
(26)	991 521 142 A0	Backrest cover		1	PR:948,984
		Outer part			
	991 521 142 A0 JHV	Tarpan Brown/Silver	-16,26		
27	991 521 151 90	Backrest centre part w. cover		1	PR:951
	991 521 151 90 2W0	Black	-18,29,69,79		
	991 521 151 90 M2A	Lava Orange	-49		
	991 521 151 90 M7Z	GT Silver Metallic	-59		
(27)	991 521 151 91	Backrest centre part w. cover		1	PR:948
	991 521 151 91 9Q7	Black/Dark Silver	-12,16,22,26		
(27)	991 521 151 92	Backrest centre part w. cover		1	PR:373,374, 951,-039
	991 521 151 92 RBR	Black/Platinum Grey	-28,78		
	991 521 151 92 RBT	Black/Guards Red	-68		
(27)	991 521 151 93	Backrest centre part w. cover GT3-II TOURING		1	PR:373,374, 948,039
	991 521 151 93 OZ8	Carbon Matt Black	-14,34,39		
28	918 521 161 12	Cover Seat cushion		1	PR:373,374, 951

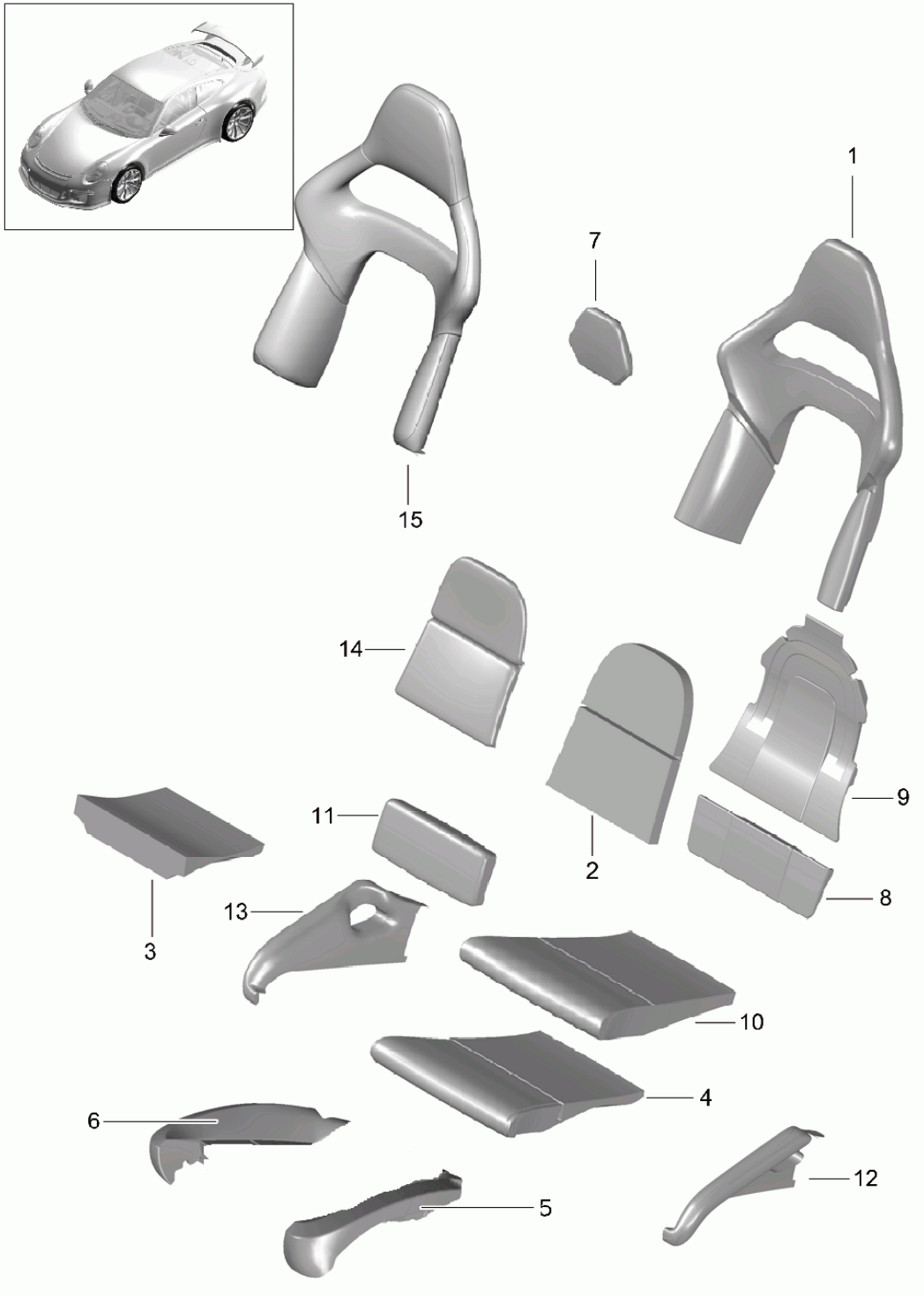
Model: 991G13

Model life 2014>>

Pos	Part Number	Description	Remark	Qty	Model
(28)	918 521 161 12 2W0	Black	-18,29,69,79	1	PR:948,-560
	918 521 161 12 M2A	Lava Orange	-49		
	918 521 161 12 M7Z	GT Silver Metallic	-59		
(28)	991 521 161 92	Cover Seat cushion		1	PR:948,560
	991 521 161 92 9Q7	Black/Dark Silver	-12,16,22,26		
	991 521 161 93	Cover Seat cushion			
(28)	991 521 161 93 9Q7	Black/Dark Silver	-12,16,22,26	1	PR-373,374, 951,-560
	918 521 161 96	seat cover (alcantara)			
	918 521 161 96 2W0	Black	-29,79		
(28)	918 521 161 96 001	Lizard green/black	-77	1	PR:374,-560, 951,373,-039
	918 521 161 90	Cover Seat cushion			
	918 521 161 90 RBR	Black/Platinum Grey	-28,78		
29	918 521 161 90 RBT	Black/Guards Red	-68	1	
	9A7 007 483 00	Outer hexagon round screw M10X28			
30	918 613 201 01	Switch		1	
31	918 613 201 01 5Q0	Black	-28,68,78	1	
	918 521 907 00	repair set Seat			

Model: 991G13

Model life 2014>>



Model: 991G13 Model life 2014>>

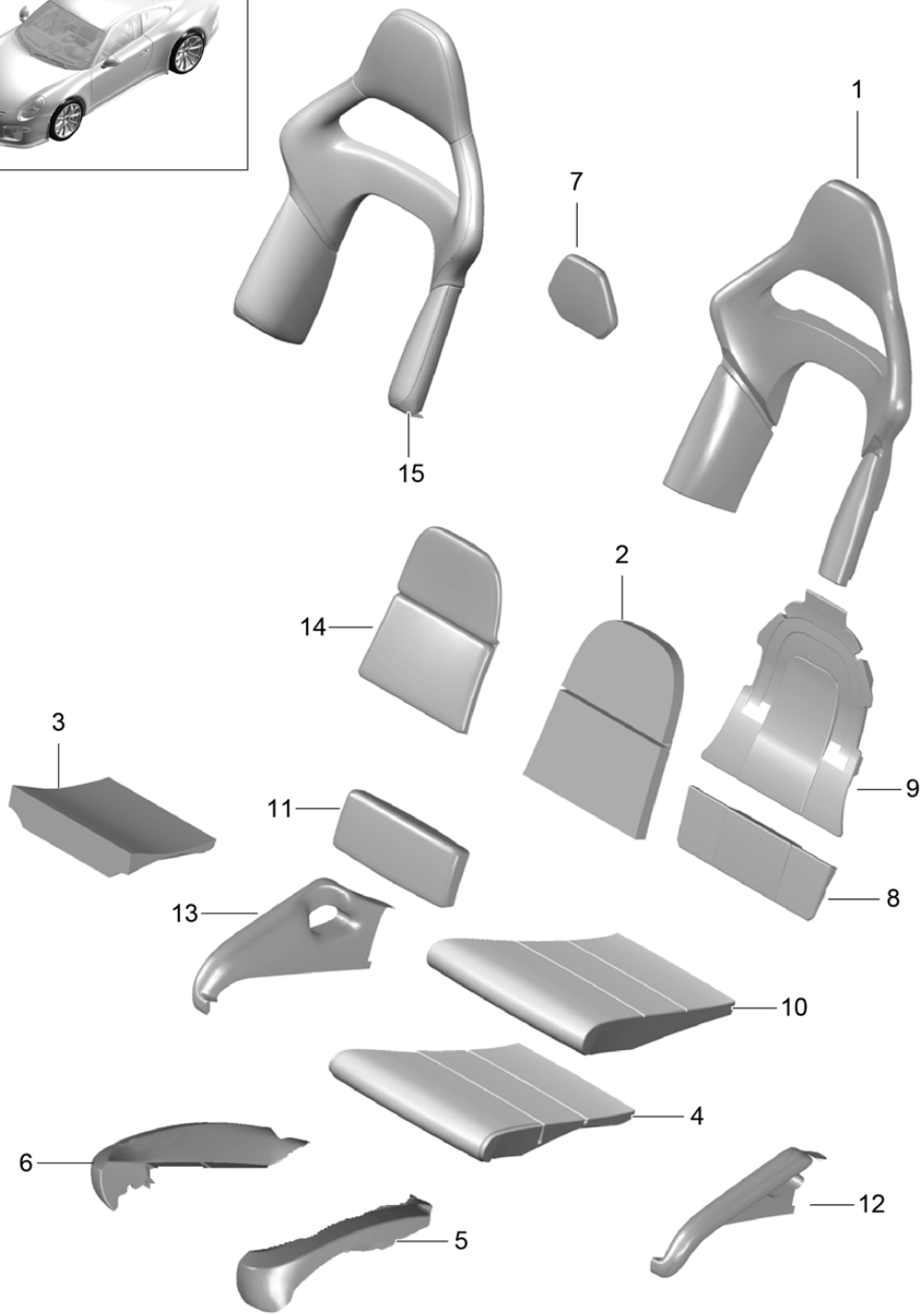
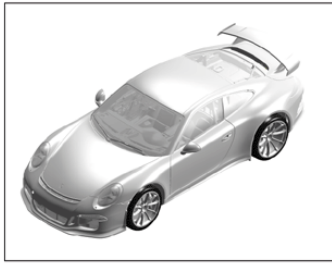
Pos	Part Number	Description	Remark	Qty	Model
1	997 521 447 00	Foam part Cover Seat and backrest surface bucket seat Collapsible		2	PR:388,389
2	997 521 448 00	Foam part backrest Outer part		2	PR:388,389
3	997 521 441 00	Foam part Seat cushion	rear	2	PR:388,389
4	991 521 440 00	Foam part Seat cushion	front	2	PR:388,389
5	997 521 443 00	Foam part Seat cushion	left side outer	1	PR:388
(5)	997 521 445 00	Foam part Seat cushion	right side inner	1	PR:389
6	997 521 444 00	Foam part Seat cushion	left side inner	1	PR:388
(6)	997 521 446 00	Foam part Seat cushion	right side outer	1	PR:389
7	997 521 458 00	Foam part Head restraint		2	PR:388,389
8	997 521 456 00	Foam part Seat cushion	rear	1	PR:388,389
9	997 521 457 00	Foam part backrest		1	PR:388,389
10	991 521 380 02	Seat cover	front	1	PR:388,389, 951
(10)	991 521 380 02 2W0	Black	-28,68,78		
	991 521 380 06	Seat cover	front	1	PR:388,389, 948
	991 521 380 06 9Q7	Black/Dark Silver	-12,16,22,26		
11	997 521 381 01	Seat cover	rear	1	PR:388,389, 951
(11)	997 521 381 01 2W0	Black	-28,68,78		
	991 521 381 01	Seat cover	rear	1	PR:388,389, 948
	991 521 381 01 9Q7	Black/Dark Silver	-12,16,22,26		
12	991 521 383 01	Cover	left side outer	1	PR:388,951
(12)	991 521 383 01 DRL	Black/Platinum Grey	-28,78		
	991 521 383 01 DRM	Black/Guards Red	-68		
	991 521 383 01	Cover	left side outer	1	PR:388,948, -984
(12)	991 521 383 01 DSZ	black/silver	-12,22		
	991 521 383 90	Cover	left side outer	1	PR:388,948, 984
(12)	991 521 383 90 JHV	Tarpan Brown/Silver	-16,26		
	991 521 385 01	Cover	right side inner	1	PR:389,951
	991 521 385 01 DRL	Black/Platinum Grey	-28,78		
	991 521 385 01 DRM	Black/Guards Red	-68		

Model: 991G13 Model life 2014>>

Pos	Part Number	Description	Remark	Qty	Model
(12)	991 521 385 01	Cover	right side inner	1	PR:389,948, -984
(12)	991 521 385 01 DSZ 991 521 385 90	black/silver Cover	-12,22 right side inner	1	PR:389,948, 984
13	991 521 385 90 JHV 991 521 384 01	Tarpan Brown/Silver Cover	-16,26 left side inner	1	PR:388,951
(13)	991 521 384 01 DRL 991 521 384 01 DRM 991 521 384 01	Black/Platinum Grey Black/Guards Red Cover	-28,78 -68 left side inner	1	PR:388,948, -984
(13)	991 521 384 01 DSZ 991 521 384 90	black/silver Cover	-12,22 left side inner	1	PR:388,948, 984
(13)	991 521 384 90 JHV 991 521 386 01	Tarpan Brown/Silver Cover	-16,26 right side outer	1	PR:389,951
(13)	991 521 386 01 DRL 991 521 386 01 DRM 991 521 386 01	Black/Platinum Grey Black/Guards Red Cover	-28,78 -68 right side outer	1	PR:389,948, -984
(13)	991 521 386 01 DSZ 991 521 386 90	black/silver Cover	-12,22 right side outer	1	PR:389,948, 984
14	991 521 386 90 JHV 997 521 387 01	Tarpan Brown/Silver Backrest centre part w. cover	-16,26	1	PR:388,389, 951
(14)	997 521 387 01 2W0 991 521 387 02	Black Backrest centre part w. cover	-28,68,78	1	PR:388,389, 948
15	991 521 387 02 9Q7 991 521 388 02	Black/Dark Silver Backrest cover Outer part	-12,16,22,26	1	PR:388,389, 951
(15)	991 521 388 02 DRL 991 521 388 02 DRM 991 521 388 91	Black/Platinum Grey Black/Guards Red Backrest cover backrest	-28,78 -68 GT3 II	1	
(15)	991 521 388 91 DRL 991 521 388 07	Black/Platinum Grey Backrest cover Outer part		1	PR:388,389, 948, -984
(15)	991 521 388 07 JHE 991 521 388 90	black/silver Backrest cover Outer part	-12,22	1	PR:388,389, 948,984
	991 521 388 90 JHF	Tarpan Brown/Silver	-16,26		

Model: 991G13

Model life 2014>>



Model: 991G13 Model life 2014>>

Pos	Part Number	Description	Remark	Qty	Model
1	997 521 447 00	Foam part Cover Seat and backrest surface bucket seat Collapsible		2	PR:388,389
2	991 521 448 00	Foam part backrest Outer part		2	PR:388,389
3	997 521 441 00	Foam part Seat cushion	rear	2	PR:388,389
4	991 521 440 01	Foam part Seat cushion	front	2	PR:388,389
5	997 521 443 00	Foam part Seat cushion	left side outer	1	PR:388
(5)	997 521 445 00	Foam part Seat cushion	right side inner	1	PR:389
6	997 521 444 00	Foam part Seat cushion	left side inner	1	PR:388
(6)	997 521 446 00	Foam part Seat cushion	right side outer	1	PR:389
7	997 521 458 00	Foam part Head restraint		2	PR:388,389
8	997 521 456 00	Foam part Seat cushion	rear	1	PR:388,389
9	997 521 457 00	Foam part backrest		1	PR:388,389
10	991 521 380 05	Seat cover	front	1	PR:388,389, 951
	991 521 380 05 2W0	Black	-28,68,78,18, 29,69,79		
	991 521 380 05 M2A	Lava Orange	-49		
	991 521 380 05 M7Z	GT Silver Metallic	-59		
11	997 521 381 01	Seat cover	rear	1	PR:388,389, 951
	997 521 381 01 2W0	Black	-28,68,78,18, 29,69,79		
	997 521 381 01 M2A	Lava Orange	-49		
	997 521 381 01 M7Z	GT Silver Metallic	-59		
12	991 521 383 01	Cover	left side outer	1	PR:388,951
	991 521 383 01 DSZ	black/silver	-29,59,79		
	991 521 383 01 RAR	Black/Lava Orange	-18,49,69		
(12)	991 521 385 01	Cover	right side inner	1	PR:389,951
	991 521 385 01 DSZ	black/silver	-29,59,79		
	991 521 385 01 RAR	Black/Lava Orange	-18,49,69		
13	991 521 384 01	Cover	left side inner	1	PR:388,951
	991 521 384 01 DSZ	black/silver	-29,59,79		
	991 521 384 01 RAR	Black/Lava Orange	-18,49,69		
(13)	991 521 386 01	Cover	right side outer	1	PR:389,951

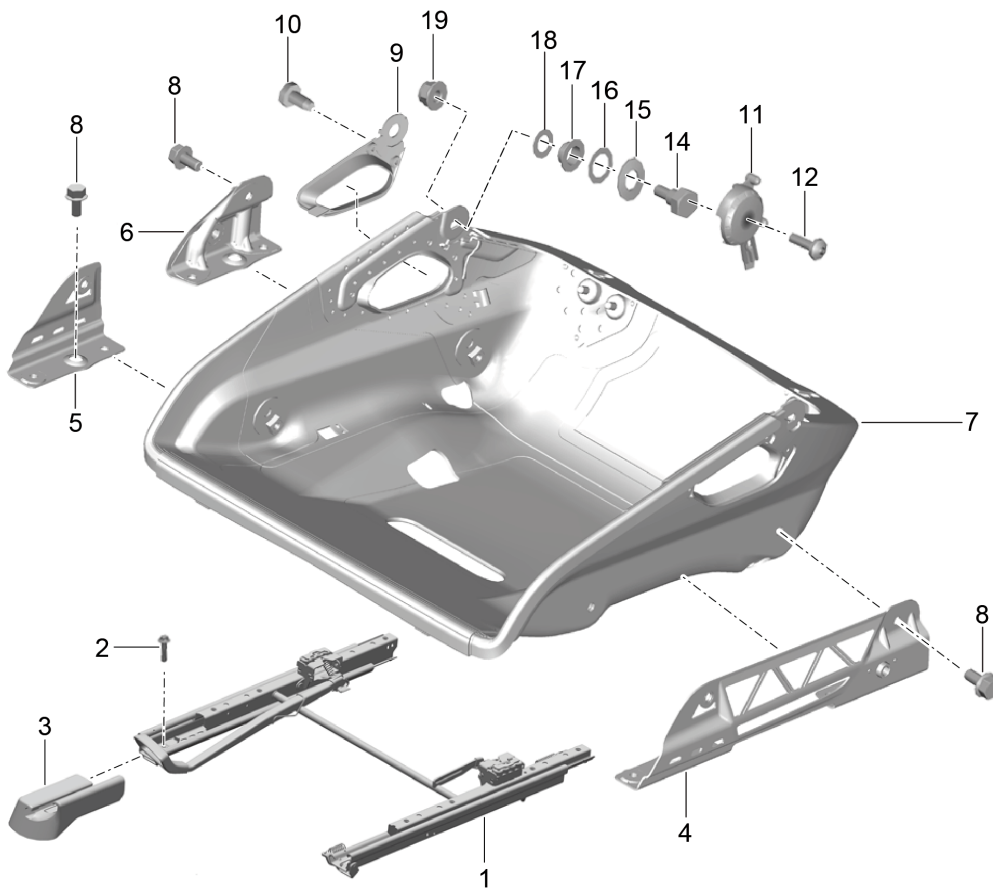
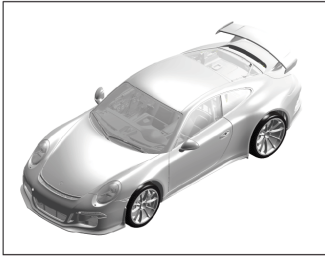
Model: 991G13

Model life 2014>>

Pos	Part Number	Description	Remark	Qty	Model
14	991 521 386 01 DSZ	black/silver	-29,59,79	1	PR:388,389, 951
	991 521 386 01 RAR	Black/Lava Orange	-18,49,69		
	997 521 387 01	Backrest centre part w. cover			
	997 521 387 01 2W0	Black	-28,68,78,18, 29,69,79		
15	997 521 387 01 M2A	Lava Orange	-49	1	PR:388,389, 951
	997 521 387 01 M7Z	GT Silver Metallic	-59		
	991 521 388 04	Backrest cover Outer part			
16	991 521 388 04 DSZ	black/silver	-29,59,79	6	
	991 521 388 04 RAR	Black/Lava Orange	-18,49,69		
	999 073 455 01	Screw			

Model: 991G13

Model life 2014>>



Model: 991G13 Model life 2014>>

Pos	Part Number	Description	Remark	Qty	Model
		bucket seat Collapsible Seat frame Accessories			PR:388,389
1	997 521 429 01	1 set of seat rails	left	1	
(1)	997 521 430 02	1 set of seat rails	right	1	
2	9A7 007 483 00	Seat rail			
3	991 521 359 00	Outer hexagon round screw		8	
		Rail	left	1	
		Seat rail			
(3)	991 521 359 00 1E0	Black			
	991 521 362 00	Rail	right	1	
		Seat rail			
(3)	991 521 362 00 1E0	Black			
	991 521 361 00	Rail	left	1	
		Seat rail			
(3)	991 521 361 00 1E0	Black			
	991 521 360 00	Rail	right	1	
		Seat rail			
(3)	991 521 360 00 1E0	Black			
4	997 521 433 00	Adapter	left	1	
		bucket seat	outer		
(4)	997 521 434 00	Discontinued part			
		Adapter	right	1	
		bucket seat	outer		
		Discontinued part			
5	997 521 435 00	Adapter	left	1	
		bucket seat	front, inner		
(5)	997 521 436 00	Discontinued part			
		Adapter	right	1	
		bucket seat	front, inner		
		Discontinued part			
6	997 521 437 00	Adapter	left	1	
		bucket seat	rear, inner		
(6)	997 521 438 00	Discontinued part			
		Adapter	right	1	
		bucket seat	rear, inner		
		Discontinued part			
7	997 521 281 00	Cup		2	PR:388,389
		Seat frame			
		without:			
8	999 217 168 01	seat occupied recognition		16	
		Hexagon bolt			
		Adapter			
		Seat rail			
9	997 521 561 00	Trim	left	1	
		Seat belt	lower		
(9)	997 521 561 00 01C	Satin black			
	997 521 562 00	Trim	right	1	
		Seat belt	lower		
	997 521 562 00 01C	Satin black			
10	999 141 049 01	Oval-head screw		3	
		M5 X 10			
		Mount			
		Trim			
11	997 521 563 00	Trim	left	1	
		Hinge	inner		
(11)	997 521 563 00 01C	Satin black			
	997 521 564 00	Trim	right	1	
		Hinge	inner		
	997 521 564 00 01C	Satin black			
12	999 073 456 01	flat round head bolt		4	
		M4 X 12			

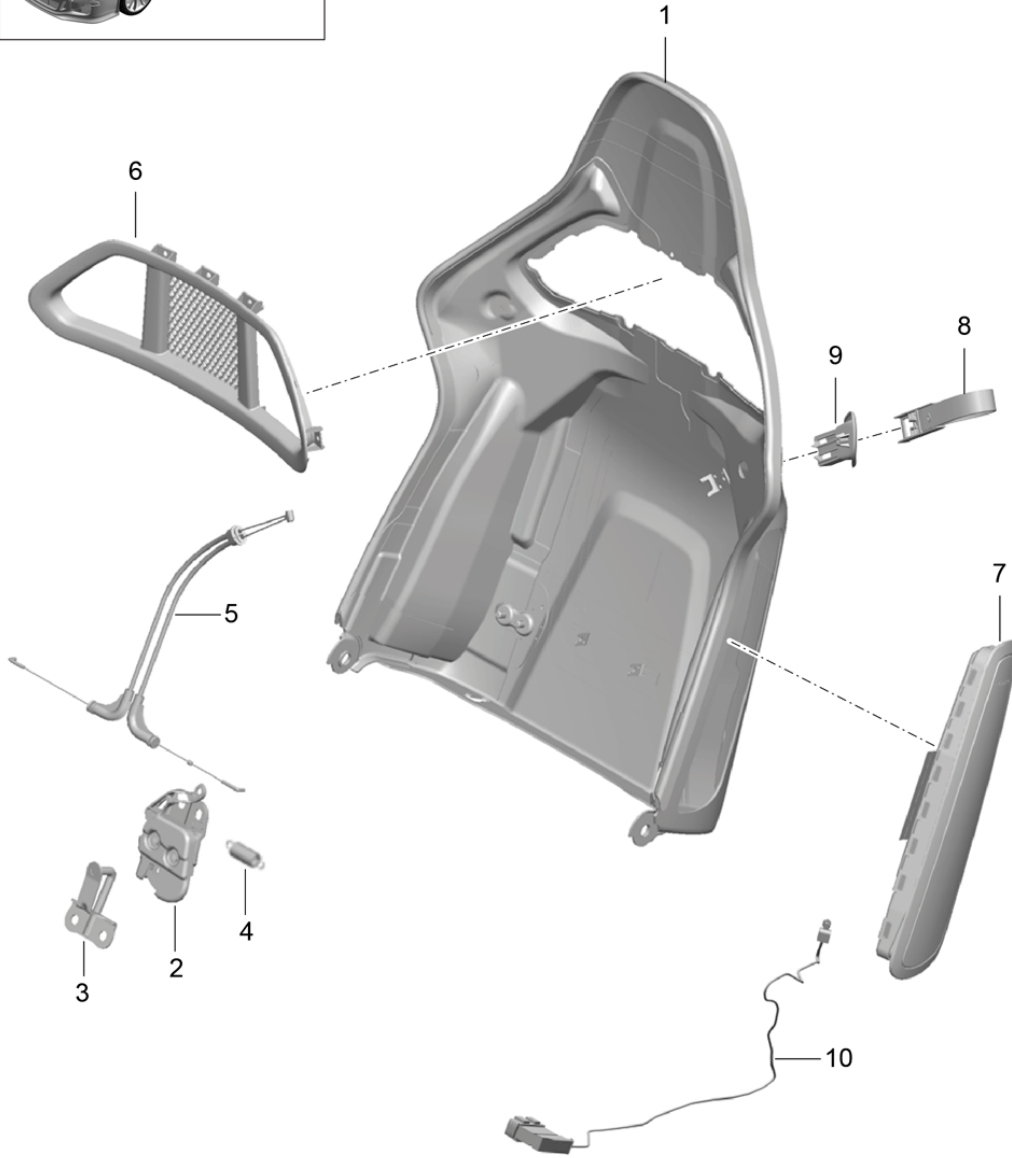
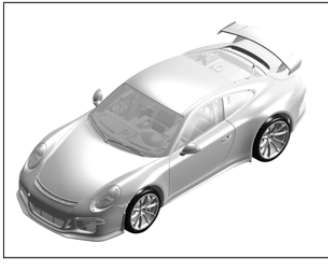
Model: 991G13

Model life 2014>>

Pos	Part Number	Description	Remark	Qty	Model
14	997 521 690 00	bearing pin Backrest shell Cup	lower	2	
15	999 523 019 01	Belleville spring A25		2	
16	999 234 034 00	fitted washer 12 X 18 X 0,2		2	
17	999 924 136 40	Plain bearing F12 X 5 X 14		2	
18	999 025 122 40	thrust washer 20 X 12 X 0,5		2	
19	900 380 024 01	Outer hexagon round nut M8		2	

Model: 991G13

Model life 2014>>

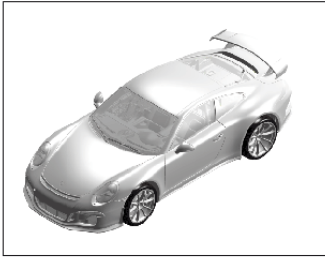


Model: 991G13 Model life 2014>>

Pos	Part Number	Description	Remark	Qty	Model
		Backrest shell bucket seat Collapsible Accessories			PR:388,389
1	997 521 271 00	Backrest shell bucket seat Collapsible	left	1	
(1)	997 521 272 00	Backrest shell bucket seat Collapsible	right	1	
2	997 521 651 00	backrest lock	left	1	
(2)	997 521 652 00	backrest lock	right	1	
3	997 521 660 00	Closing element lock		2	
4	997 521 650 00	Backrest shell tension spring lock		2	
5	997 521 640 01	backrest Bowden cable Release		1	
6	997 521 330 00	backrest Trim	front	1	
	997 521 330 00 01C	Seat belt Satin black			
(6)	997 521 531 00	Trim Seat belt	rear	1	
	997 521 531 00 01C	Satin black			
7	997 803 081 01	Side airbag unit Front seat	left	1	
	997 803 081 01 A03	Black			
(7)	997 803 082 01	Side airbag unit Front seat	right	1	
	997 803 082 01 A03	Black			
8	991 521 541 00	Pull loop Backrest frame	left	2	
	991 521 541 00 A80	Black			
(8)	991 521 542 00	Pull loop Backrest frame	right	2	
	991 521 542 00 A80	Black			
9	997 521 537 00	Rosette Pull loop	left	2	
	997 521 537 00 01C	Satin black			
(9)	997 521 538 00	Rosette Pull loop	right	2	
	997 521 538 00 01C	Satin black			
10	997 612 785 10	Wire set Side airbag unit		2	
11	999 507 147 40	Clip Bowden cable		1	PR-388,389

Model: 991G13

Model life 2014>>



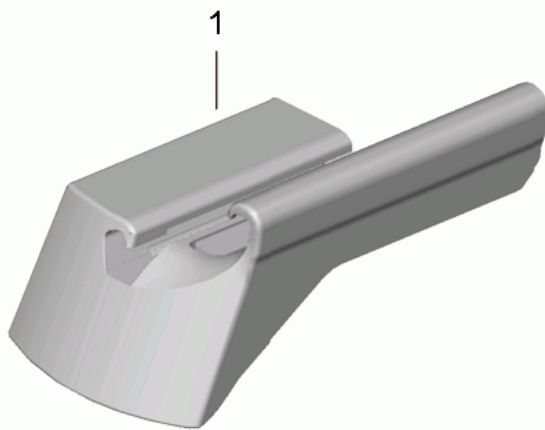
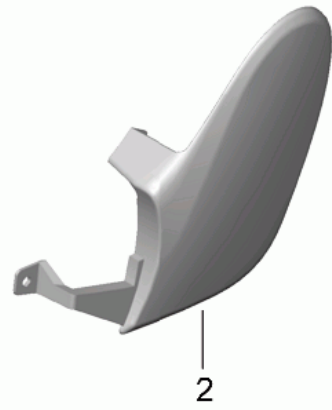
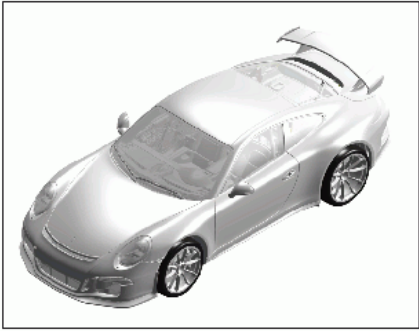
Model: 991G13

Model life 2014>>

Pos	Part Number	Description	Remark	Qty	Model
		Heating element Backrest side bolster Centre part Seat surface			PR:342
1	991 653 127 02	Heating element Backrest side bolster	left	2	
(1)	991 653 126 02	Heating element Backrest side bolster	right	2	
2	991 653 106 02	Heating element Centre part backrest		2	
3	991 653 135 03	Heating element Seat cushion Adjustable Deep		2	

Model: 991G13

Model life 2014>>



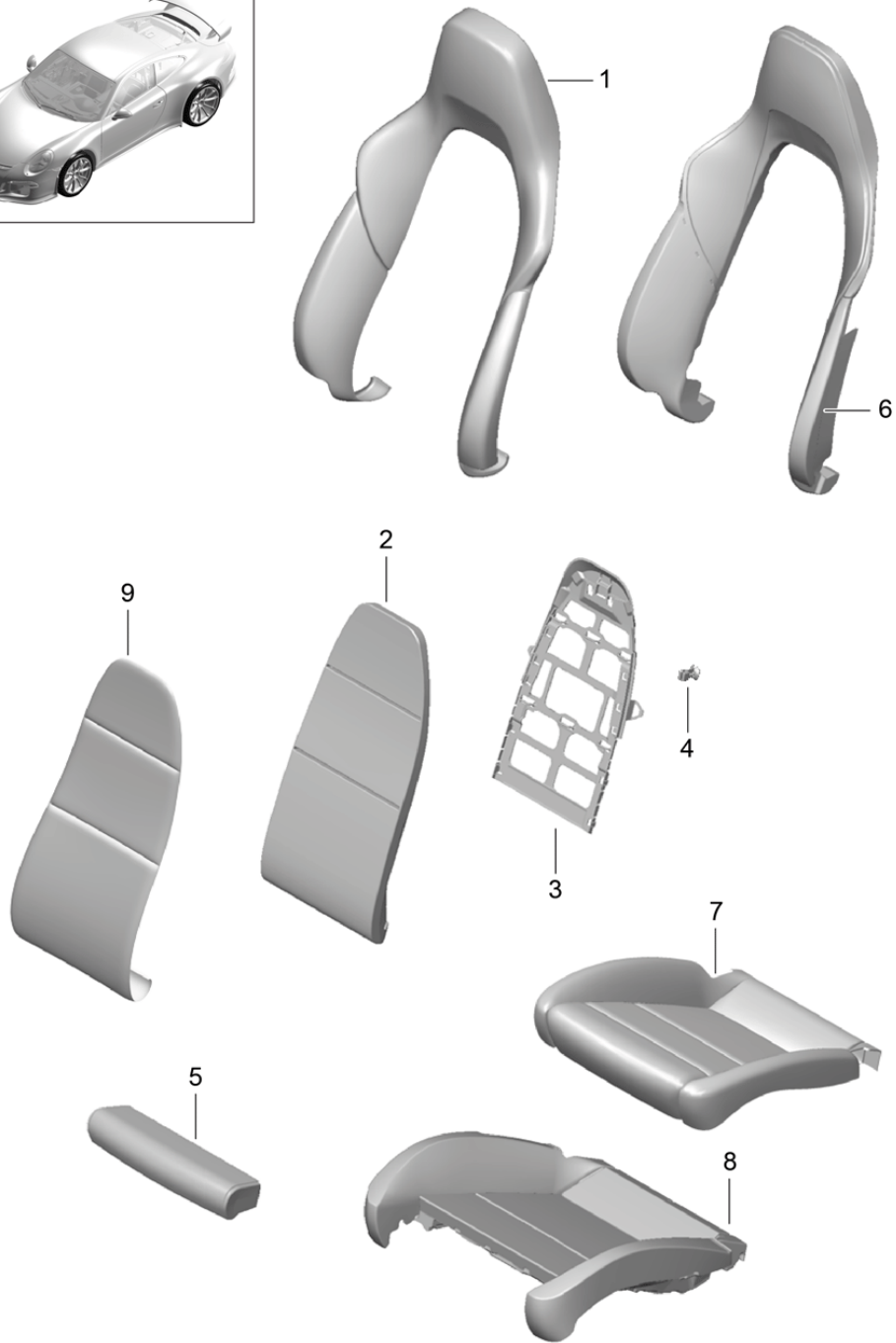
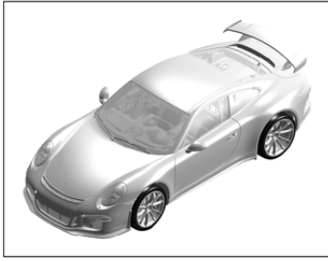
Model: 991G13

Model life 2014>>

Pos	Part Number	Description	Remark	Qty	Model
1	991 521 359 00	Sports seat Plus (complete) Not available Trim Rail Front seat Rail		1	PR:388
(1)	991 521 359 00 1E0	Black Sport version			
(1)	991 521 360 00	Rail Front seat Black Sport version		1	PR:389
(1)	991 521 361 00	Rail Front seat Black Sport version	left	1	PR:323,324, 389
(1)	991 521 362 00	Rail Front seat Black Sport version	right	1	PR:323,324, 388
2	991 521 315 00	Cover panel Mounting component Front seat	left	1	PR:319,323
(2)	991 521 315 00 D20	silver grey metallic Sport version			
(2)	991 521 316 00	Cover panel Mounting component Front seat	right	1	PR:322,324
	991 521 316 00 D20	silver grey metallic Sport version			

Model: 991G13

Model life 2014>>



Model: 991G13 Model life 2014>>

Pos	Part Number	Description	Remark	Qty	Model
1	991 521 141 20	Foam part Cover Sports seat Plus Backrest cover	left a. right	1	PR:319,320, 323,324,951
	991 521 141 20 DRL	Sports seat Plus Black/Platinum Grey	-28,78		
	991 521 141 20 DRM	Black/Guards Red	-68		
(1)	991 521 141 91	Backrest cover Sports seat Plus	left a. right	1	PR:323,324, 983
	991 521 141 91 JHE	black/silver	-12,16,22,26		
(1)	991 521 141 04	Backrest cover Sports seat Plus	left a. right	1	PR:319,320, 323,324,XCS, 039,948
	991 521 141 04 GDC	Black	-14,39		
	991 521 141 04 DRM	Black/Guards Red	-34		
(1)	991 521 141 21	Seat cover backrest	GT3 RS	1	PR-323,324, 951,-808
	991 521 141 21 RAR	Black/Lava Orange	-18,69,49		
	991 521 141 21 DSZ	black/silver	-29,79,59		
2	991 521 581 00	Foam part backrest	center	1	PR:323,324
3	991 521 551 00	Backrest-padding support part		1	PR:323,324
4	991 521 899 00	Clip Cushioning backrest		1	PR:323,324
5	991 521 539 00	Foam part Seat cushion backrest Deep Adjustable		1	PR:323,324
(6)	991 521 535 04	Foam part backrest Outer part	left a. right	1	PR:323,324
7	991 521 161 48	Seat cover	left	1	PR:951,319
	991 521 161 48 RAD	Black/Platinum Grey	-28,78		
	991 521 161 48 RAE	Black/Guards Red	-68		
(7)	991 521 161 49	Seat cover	left	1	PR:951,323
	991 521 161 49 RAD	Black/Platinum Grey	-28,78		
	991 521 161 49 RAE	Black/Guards Red	-68		
	991 521 161 49 RAS	Black/Lava Orange	-49		
(7)	991 521 161 42	Seat cover	left	1	PR:983,323
	991 521 161 42 DSZ	black/silver	-12,16,22,26		
(7)	991 521 162 48	Seat cover	right	1	PR:951,320
	991 521 162 48 RAD	Black/Platinum Grey	-28,78		
	991 521 162 48 RAE	Black/Guards Red	-68		
(7)	991 521 162 49	Seat cover	right	1	PR:951,324
	991 521 162 49 RAD	Black/Platinum Grey	-28,78		
	991 521 162 49 RAE	Black/Guards Red	-68		
	991 521 162 49 RAS	Black/Lava Orange	-49		
(7)	991 521 162 42	Seat cover	right	1	PR:983,324
	991 521 162 42 DSZ	black/silver	-12,16,22,26		
(7)	991 521 161 53	Seat cover (fabric/leather)	left	1	PR-039,323, 948
	991 521 161 53 RP0	Black	-14,39		
	991 521 161 53 RR0	Black/Guards Red	-34		
(7)	991 521 162 59	Seat cover (fabric/leather)	right	1	PR-039,324, 948
	991 521 162 59 RP0	Black	-14,39		
	991 521 162 59 RR0	Black/Guards Red	-34		
(8)	991 521 571 06	Foam part Seat cushion Deep Adjustable	left	1	PR:323

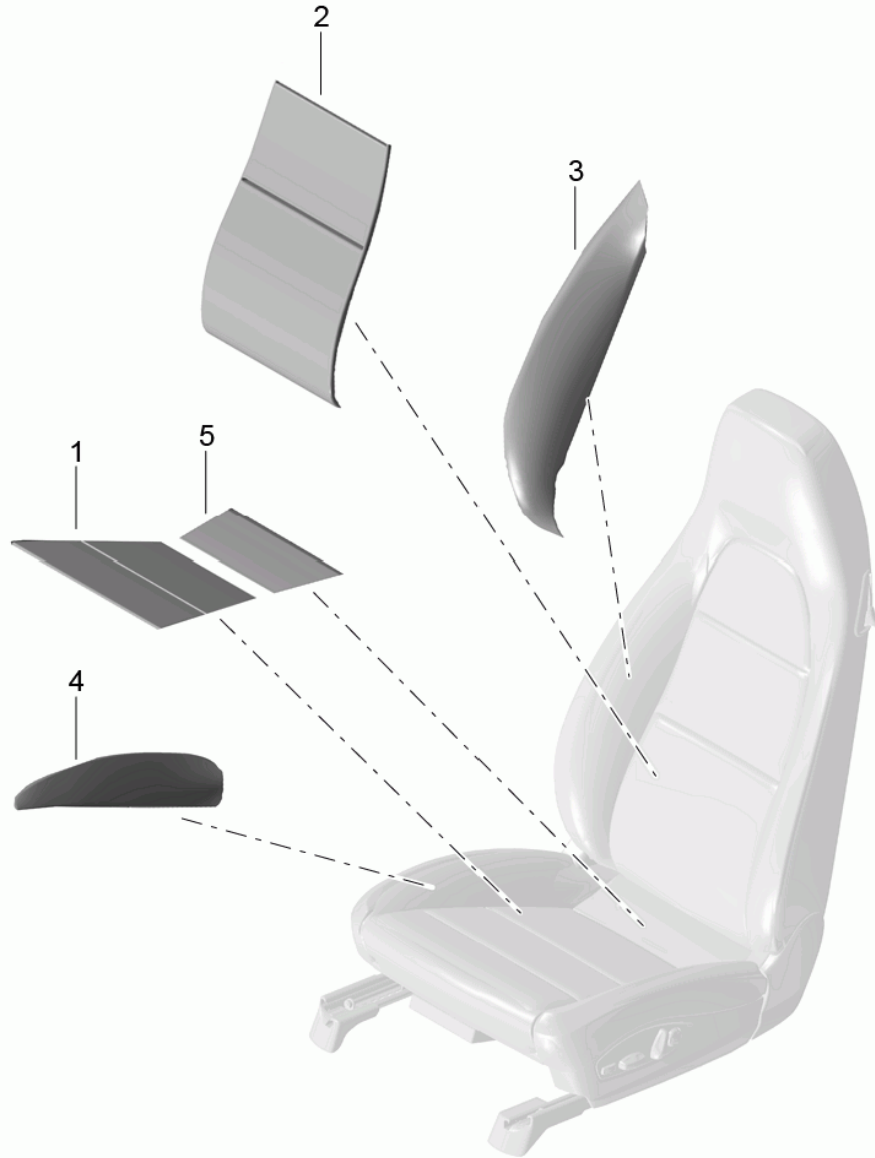
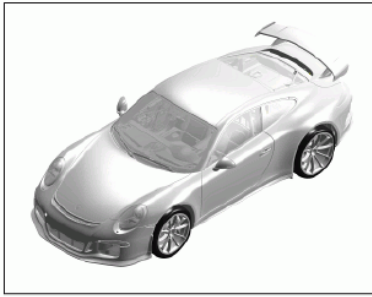
Model: 991G13

Model life 2014>>

Pos	Part Number	Description	Remark	Qty	Model
(8)	991 521 572 14	Foam part Seat cushion Sports seat Plus Adjustable	right	1	PR-324
9	981 521 151 00	Backrest cushion cover Centre part Sports seat Plus	left a. right	1	PR:319,320, 323,324,951
	981 521 151 00 2W0	Black	-28,78,68		
9	981 521 151 01	Backrest cushion cover Centre part Sports seat Plus Discontinued part	left a. right	1	PR:323,324, 983
	981 521 151 01 8YR	Black	-12,16,22,26		
9	991 521 151 01	Backrest cushion cover Centre part Sports seat Plus	left a. right	1	PR:323,324, 983
	991 521 151 01 8YR	Black	-12,16,22,26		

Model: 991G13

Model life 2014>>



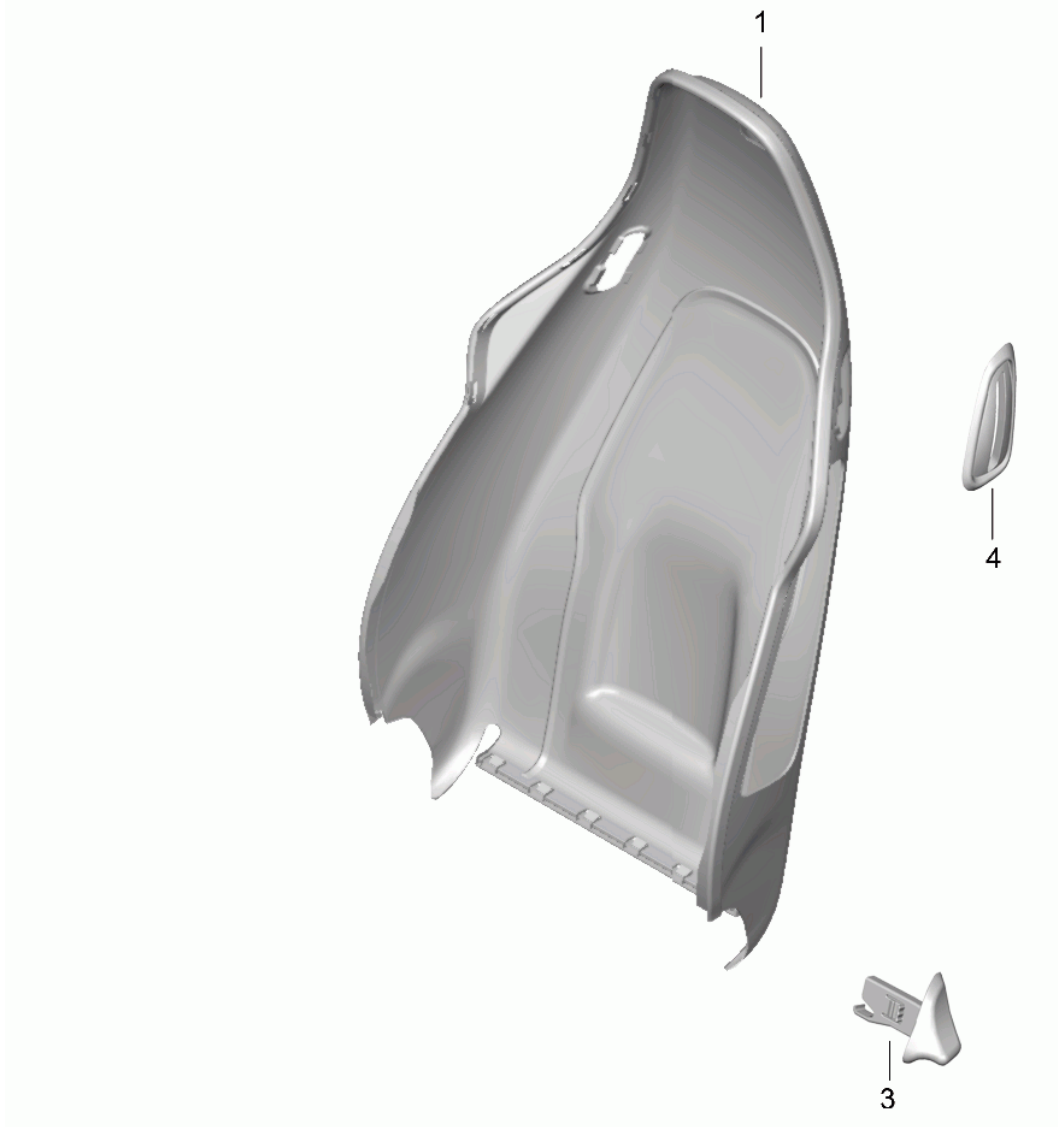
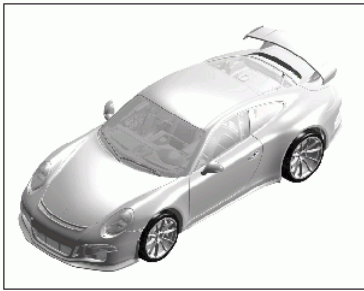
Model: 991G13

Model life 2014>>

Pos	Part Number	Description	Remark	Qty	Model
		Heating element sports seat bucket seat Collapsible			PR:342
1	991 653 155 01	Heating element Seat cushion		1	
2	991 653 156 00	Heating element backrest Centre part		1	
3	991 653 157 01	Heating element backrest Outer part		1	
(3)	991 653 158 01	Heating element backrest Outer part		1	
4	991 653 159 02	Heating element Seat side bolster		1	
(4)	991 653 160 02	Heating element Seat side bolster		1	
5	991 653 161 00	Heating element Seat cushion	rear	1	

Model: 991G13

Model life 2014>>



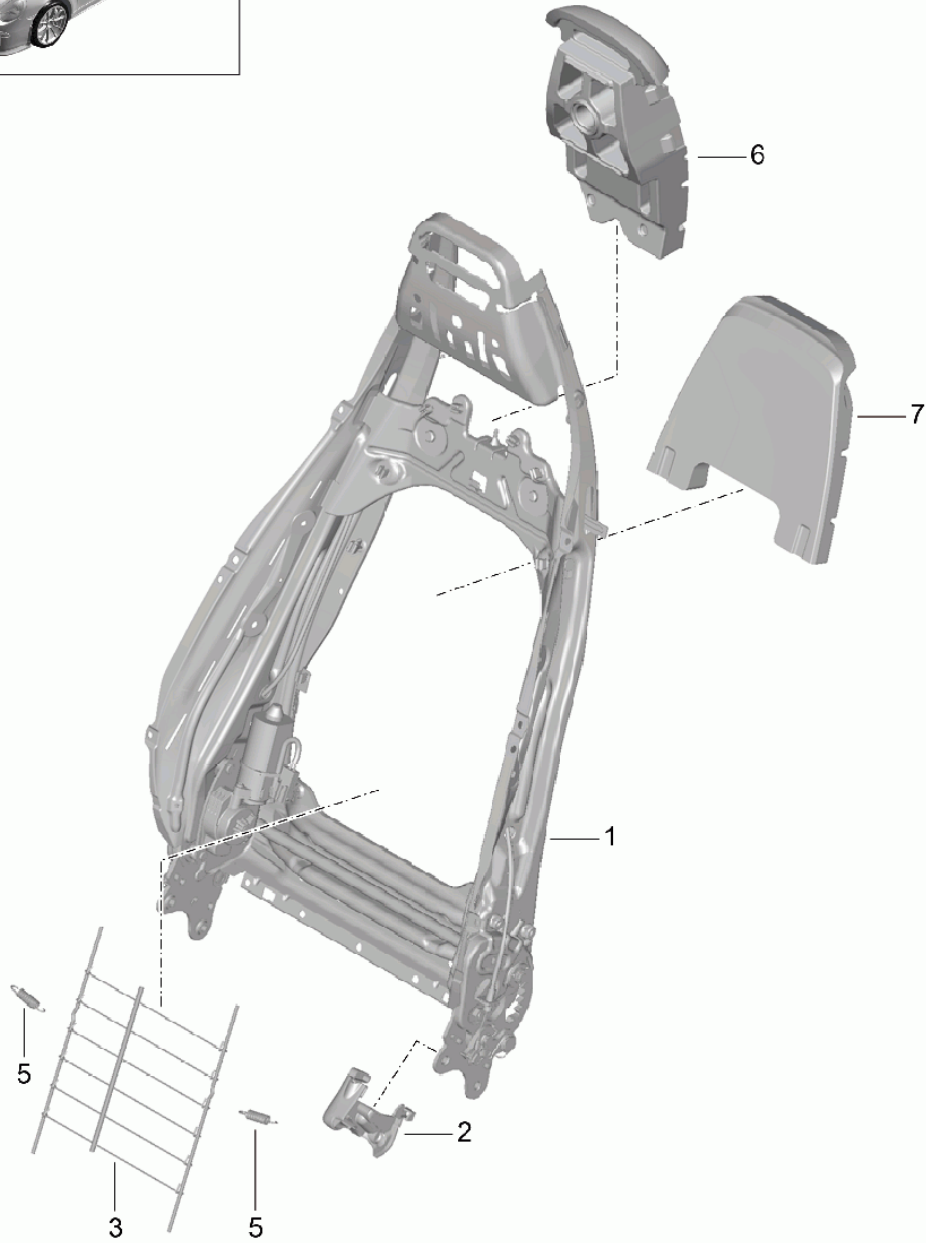
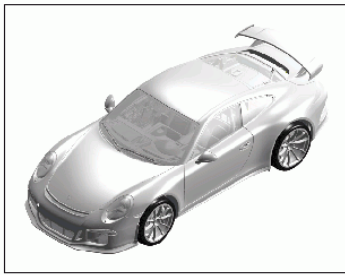
Model: 991G13

Model life 2014>>

Pos	Part Number	Description	Remark	Qty	Model
1	991 521 303 03	Backrest shell Sports seat Plus Accessories	left	1	
	991 521 303 03 D20	Backrest shell Sports seat Plus silver grey metallic	-28,68,78,18, 29,49,59,69, 79		
(1)	991 521 304 03	Backrest shell Sport version	right	1	
	991 521 304 03 D20	Backrest shell Sport version silver grey metallic	-28,68,78,18, 29,49,59,69, 79		
(1)	991 521 985 01	Backrest shell Sports seat Plus	left	1	PR:XWK,951
	991 521 985 01 DPE	Black/Platinum Grey	-28,78		
	991 521 985 01 DRK	Black/Guards Red	-68		
(1)	991 521 986 01	Backrest shell Sports seat Plus	right	1	PR:XWK,951
	991 521 986 01 DPE	Black/Platinum Grey	-28,78		
	991 521 986 01 DRK	Black/Guards Red	-68		
3	991 521 623 00	Actuator button lever for folding backrest Sport version	left	1	
	991 521 623 00 V08	Galvano silver			
(3)	991 521 624 00	Actuator button lever for folding backrest Sport version	right	1	
	991 521 624 00 V08	Galvano silver			
4	991 521 621 01	Rosette Actuator button Sport version lever for folding backrest	left	1	
	991 521 621 01 D20	silver grey metallic			
(4)	991 521 622 01	Rosette Actuator button Sport version lever for folding backrest	right	1	
	991 521 622 01 D20	silver grey metallic			
(4)	991 521 987 01	Rosette Actuator button lever for folding backrest	left	1	PR:XWK
	991 521 987 01 5Q0	Black			
(4)	991 521 988 01	Rosette Actuator button lever for folding backrest	right	1	PR:XWK
	991 521 988 01 5Q0	Black			

Model: 991G13

Model life 2014>>



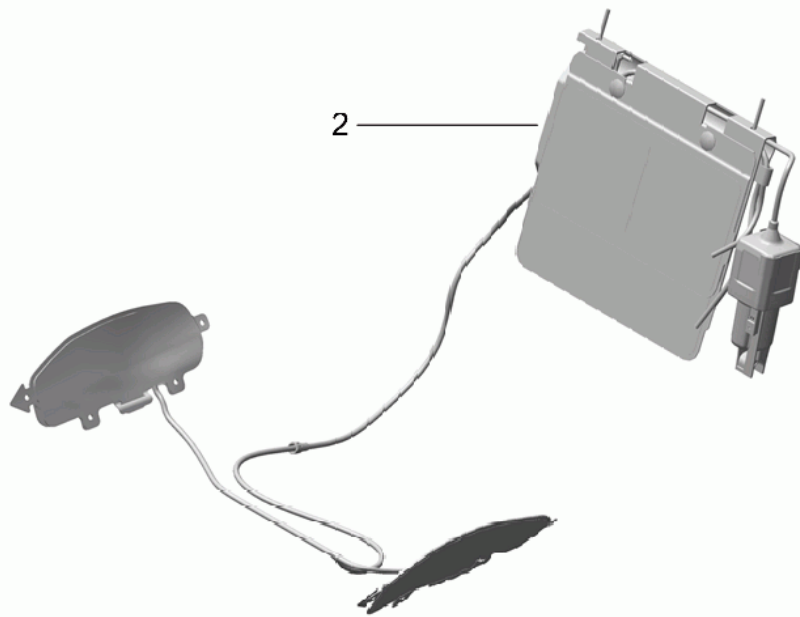
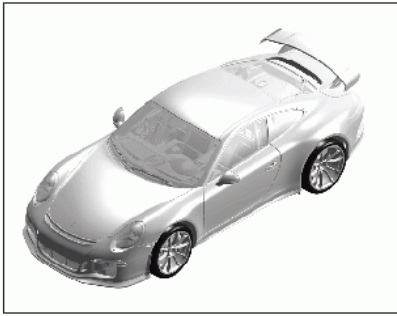
Model: 991G13

Model life 2014>>

Pos	Part Number	Description	Remark	Qty	Model
1	991 521 329 01	Backrest frame Sports seat Plus Accessories backrest frame Sport version With memory function		1	
2	991 521 335 00	Trim Mounting component Seat Door Sport version	left inner	1	PR:317,319, 323
(2)	991 521 335 00 D20 991 521 336 00	silver grey metallic Trim Mounting component Seat Door Sport version	right inner	1	PR:318,320, 324
(2)	991 521 336 00 D20 991 521 337 01	silver grey metallic Cover panel Mounting component Seat tunnel Sport version	left inner	1	PR:317,319, 323
(2)	991 521 337 01 D20 991 521 338 01	silver grey metallic Cover panel Mounting component Seat tunnel Sport version	right inner	1	PR:318,320, 324
3	991 521 338 01 D20 991 521 855 00	silver grey metallic Grille Backrest frame		1	
5	991 521 893 00	tension spring Grille Backrest frame	left a. right	1	
6	991 521 887 02	Foam part Head restraint Backrest frame		1	
7	991 521 897 01	Sport version Foam part backrest Backrest frame		1	
-	991 521 902 00	Sport version repair set backrest Fasteners		1	

Model: 991G13

Model life 2014>>



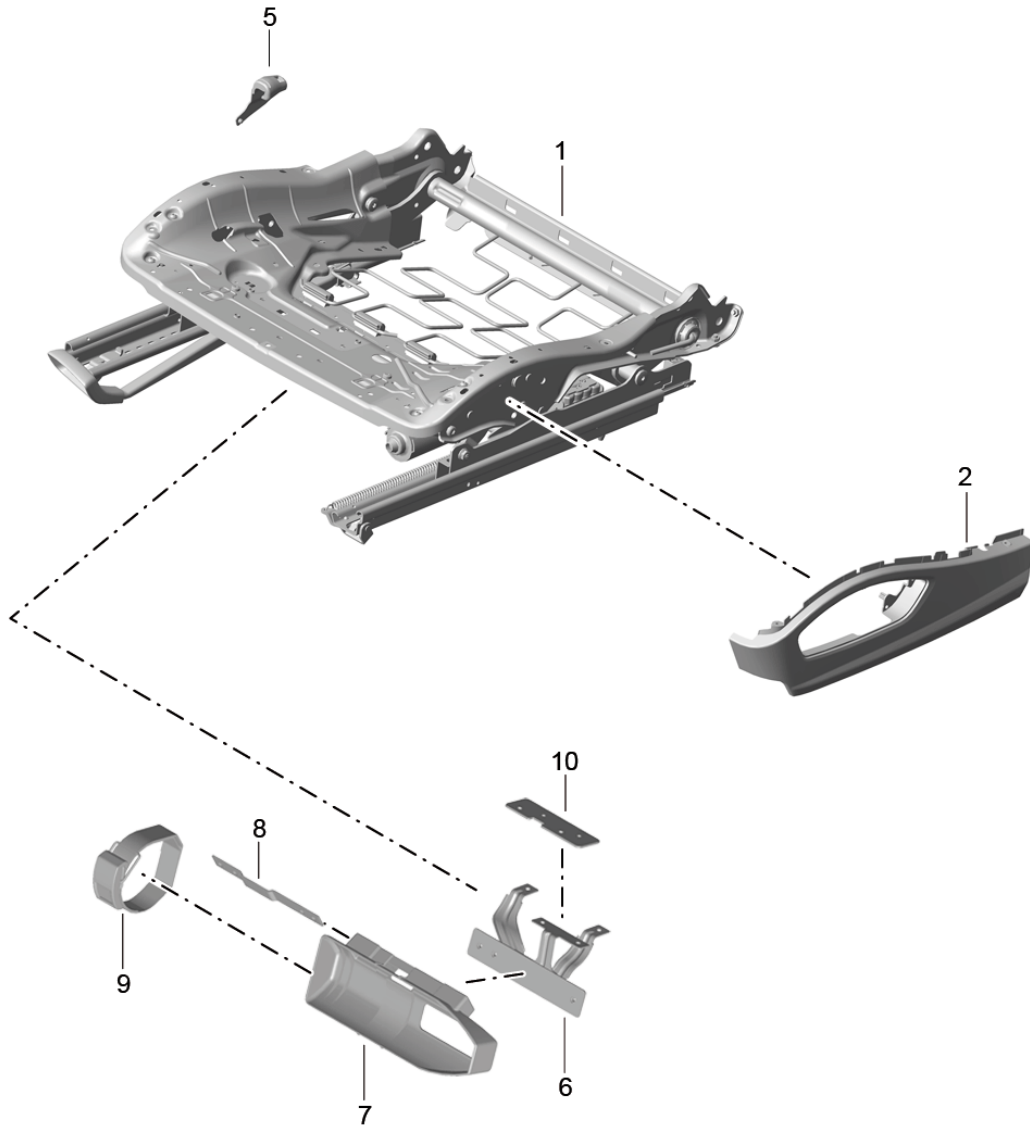
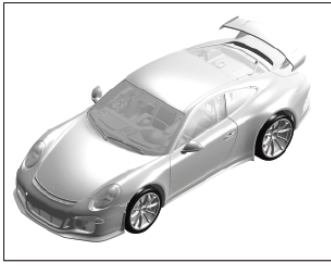
Model: 991G13

Model life 2014>>

Pos	Part Number	Description	Remark	Qty	Model
2	991 521 394 01	Lumbar support Accessories Lumbar support Units		1	
(2)	991 521 393 01	No memory function Lumbar support Units With memory function		1	

Model: 991G13

Model life 2014>>



Model: 991G13 Model life 2014>>

Pos	Part Number	Description	Remark	Qty	Model
1	991 521 201 00	Seat frame Sports seat Plus Accessories Trim for switch	left	1	PR:319
1	9P1 881 105 F	Seat frame Sports seat Plus D >> - MJ 2014	left	1	PR:319
1	991 521 202 00	Seat frame Sports seat Plus D >> - MJ 2014	right	1	PR:320
(1)	9P1 881 106 F	Seat frame Sports seat Plus D - MJ 2015>>	right	1	PR:320
1	991 521 201 01	Seat frame Sports seat Plus Electric With memory function D >> - MJ 2015	left	1	PR:323,-IY2
1	9P1 881 105 G	Seat frame (electrically adjustable) sports seat Electric With memory function D - MJ 2015>>	left	1	PR:323,IY2
(1)	991 521 202 01	Seat frame Sports seat Plus Electric With memory function D >> - MJ 2015	right	1	PR:324,-IY2
(1)	9P1 881 106 G	Seat frame (electrically adjustable) sports seat Electric With memory function D - MJ 2015>>	right	1	PR:324,IY2
2	991 521 325 00	Trim for switch Sports seat Plus	left	1	PR:319,323
(2)	991 521 325 00 D20	silver grey metallic			
(2)	991 521 326 00	Trim for switch Sports seat Plus	right	1	PR:320,324
(2)	991 521 326 00 D20	silver grey metallic			
(2)	991 521 989 01	Trim for switch Sports seat Plus	left	1	PR:XWK,319,323
(2)	991 521 989 01 A11	Black			
(2)	991 521 990 01	Trim for switch Sports seat Plus	right	1	PR:XWK,320,324
5	991 521 990 01 A11	Black			
5	991 521 612 00	Protective plate Belt latch Seat frame		1	PR:324,560
-	991 521 901 00	Front seat repair set Seat frame		1	
6	997 521 251 00	Set of fastening parts		1	PR:509,099
(6)	997 521 252 00	Holder for fire extinguisher		1	PR:509,098
7	7PP 882 650	Cup		1	PR:509
8	7PP 882 649	Fire extinguishers Insert Cup		1	PR:509

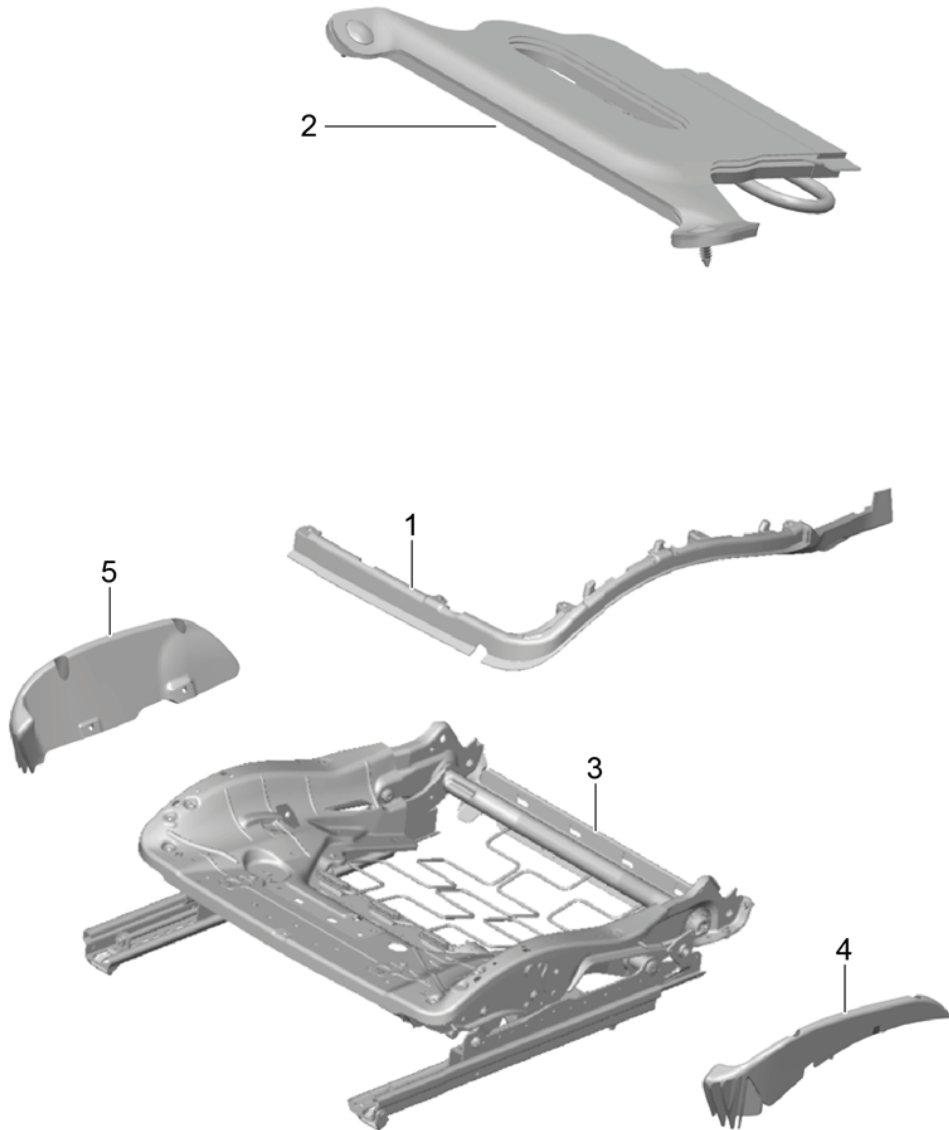
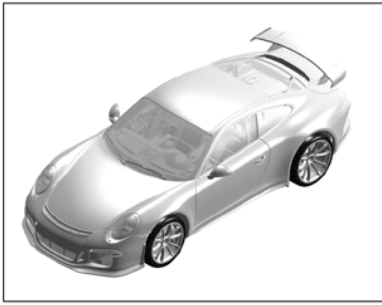
Model: 991G13

Model life 2014>>

Pos	Part Number	Description	Remark	Qty	Model
9	7PP 882 645	Fire extinguishers tensioning strap		1	PR:509
10	997 521 841 00	Fire extinguishers Reinforcement Bracket	front	1	PR:509
(10)	997 521 843 00	Fire extinguishers Reinforcement Bracket Fire extinguishers	rear	1	PR:509

Model: 991G13

Model life 2014>>



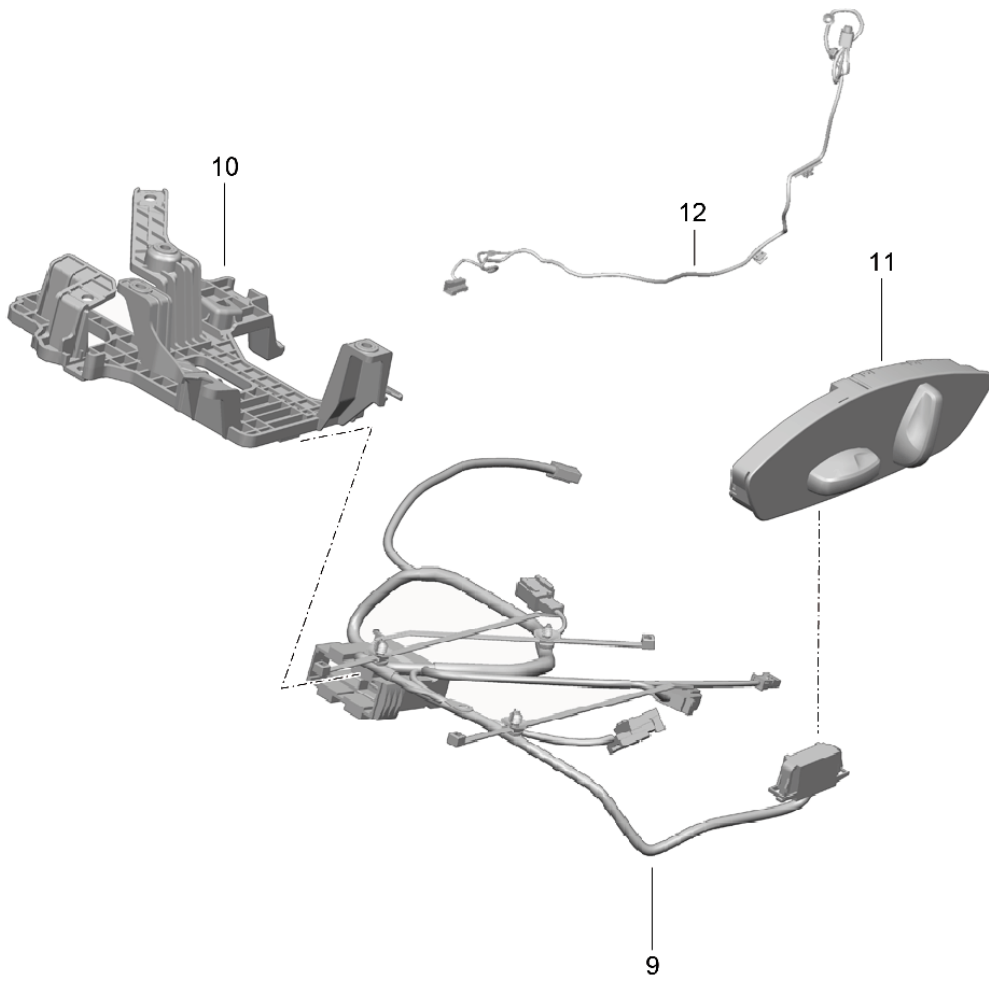
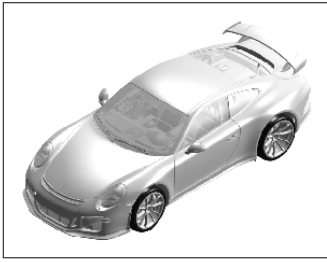
Model: 991G13

Model life 2014>>

Pos	Part Number	Description	Remark	Qty	Model
1	991 521 547 00	Cushion carrier Frame Seat surface Sports seat Plus	left inner	1	
(1)	991 521 548 00	Frame Cushion carrier Seat surface Sports seat Plus	right inner	1	
(1)	991 521 545 00	Frame Cushion carrier Seat surface Sports seat Plus	left outer	1	
(1)	991 521 546 00	Frame Cushion carrier Seat surface Sports seat Plus	right outer	1	
4	970 521 519 00	Support plate	left	1	
5	970 521 520 00	Support plate	right	1	

Model: 991G13

Model life 2014>>

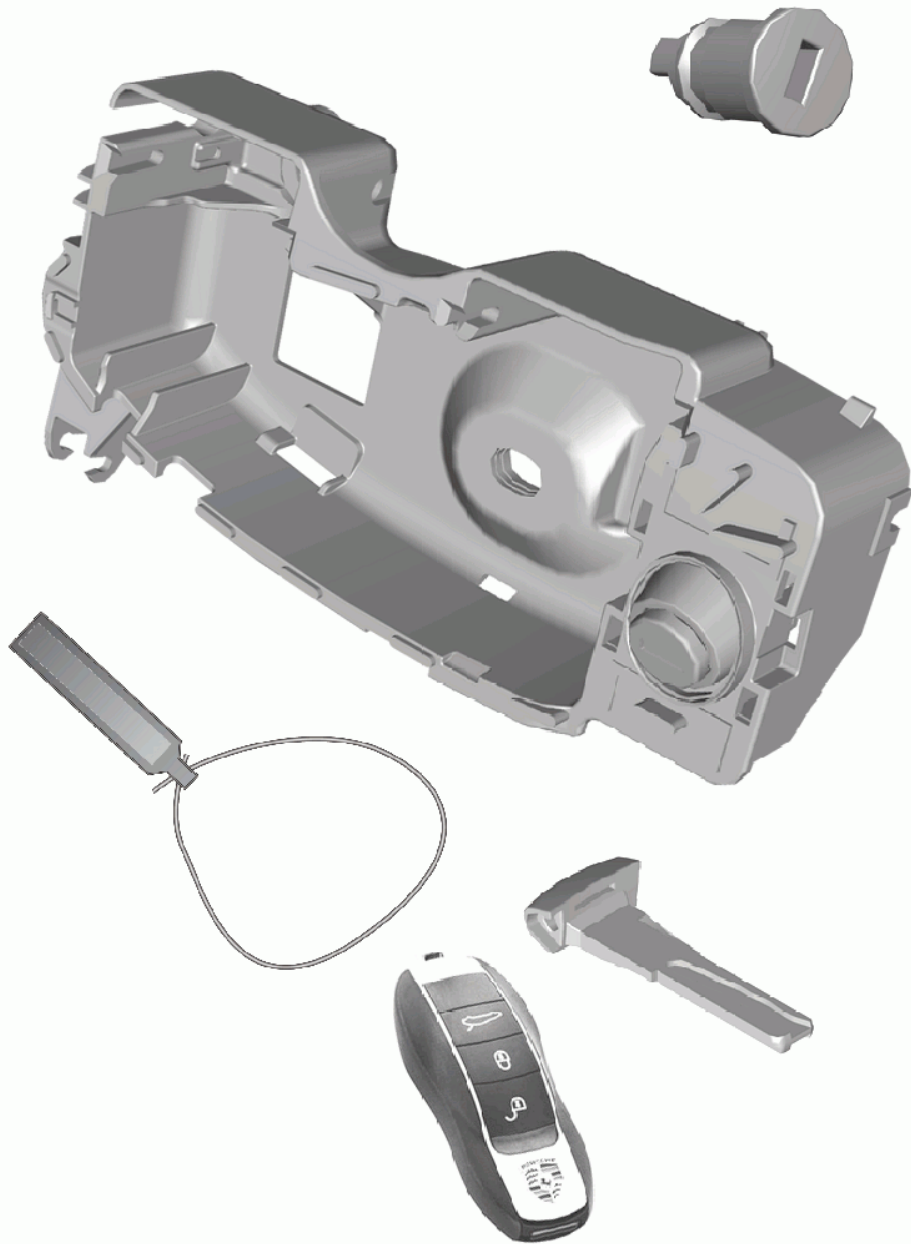
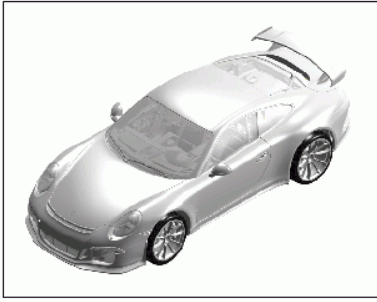


Model: 991G13 Model life 2014>>

Pos	Part Number	Description	Remark	Qty	Model
		Wiring looms Switch Control units Electric motor Sports seat Plus			
9	991 622 763 01	Wire set	left	1	PR:319
		Seat adjuster			
9	991 622 764 01	Wire set	right	1	PR:316,320
		Seat adjuster			
(9)	991 622 771 01	Wire set	left	1	PR:319,560
		Seat adjuster			
(9)	991 622 772 01	Wire set	right	1	PR:316,320, 560
		Seat adjuster			
(9)	991 622 777 01	Wire set	left	1	PR:319,342
		Seat adjuster			
(9)	991 622 778 01	Wire set	right	1	PR:320,342
		Seat adjuster			
(9)	991 622 783 01	Wire set	left	1	PR:319,342, 560
		Seat adjuster			
(9)	991 622 784 01	Wire set	right	1	PR:320,342, 560
		Seat adjuster			
(9)	918 612 765 01	Wire set	left	1	PR:373,560
		Seat adjuster			
(9)	991 622 754 01	Wire set	right	1	PR:374,560
		Seat adjuster			
10	991 521 643 02	Bracket		1	PR:323,324
		Electronic component Control units Seat frame Sports seat Plus			
11	991 613 713 01	switch for seat adjustment	left	1	PR:319
	991 613 713 01 DMN	Galvano silver			
(11)	991 613 714 01	switch for seat adjustment	right	1	PR:320
	991 613 714 01 DMN	Galvano silver			
-	970 618 537 11	Control unit		1	PR:323,324
		Seat frame			
12	991 622 795 00	Wire set	left	1	PR:323
		Airbag Seat			
		D >> - 22.06.2015			
(12)	9P1 972 171 A	Wire set	left	1	PR:323
		Airbag Seat			
		D - 23.06.2015>>			
(12)	991 622 796 00	Wire set	right	1	PR:324
		Airbag Seat			
		D >> - 22.06.2015			
(12)	9P1 972 173	Wire set	right	1	PR:324
		Airbag Seat			
		D - 23.06.2015>> - 03.11.2016			
(12)	9P1 972 173 A	Wire set	right	1	PR:324
		Airbag Seat			
		D - 04.11.2016>>			

Model: 991G13

Model life 2014>>

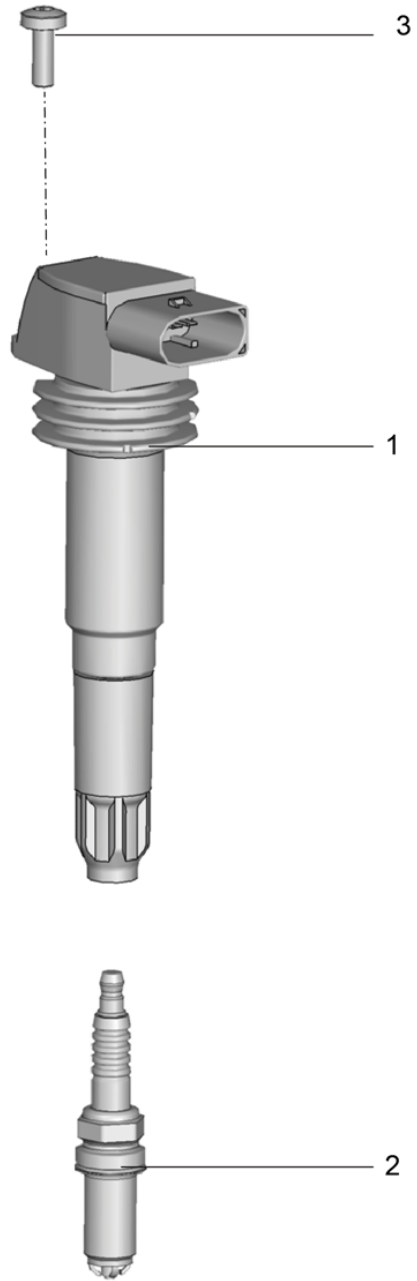


Model: 991G13 Model life 2014>>

Pos	Part Number	Description	Remark	Qty	Model
-		repair set Set of locks comprising: Halter Door handle, exterior emergency key Key fob Glove compartment lock Key cover		1 2 1 1 2	
-	991 538 901 31	Set of locks 3 buttons D >> - MJ 2017	lhd	1	PR:524,098
-	9P1 800 375 AF	Set of locks 3 buttons D - MJ 2018>>	lhd	1	PR:524,098
-	991 538 901 32	Set of locks 3 buttons D >> - MJ 2017	rhd	1	PR:524,099
-	9P1 800 375 AG	Set of locks 3 buttons D - MJ 2018>>	rhd	1	PR:524,099
-	991 538 901 33	Set of locks 3 buttons D >> - MJ 2017	lhd	1	PR:523,098
-	9P1 800 375 AH	Set of locks 3 buttons D - MJ 2018>>	lhd	1	PR:523,098
-	991 538 901 34	Set of locks 3 buttons D >> - MJ 2017	rhd	1	PR:523,099
-	9P1 800 375 AJ	Set of locks 3 buttons D - MJ 2018>>	rhd	1	PR:523,099
-	991 538 901 37	Set of locks 3 buttons D >> - MJ 2017	lhd	1	(J) PR:525,098
-	9P1 800 375 AM	Set of locks 3 buttons D - MJ 2018>>	lhd	1	(J) PR:525,-072, 098
-	991 538 901 38	Set of locks 3 buttons D >> - MJ 2017	rhd	1	(J) PR:525,099
-	9P1 800 375 AN	Set of locks 3 buttons D - MJ 2018>>	rhd	1	(J) PR:525,074, 099

Model: 991G13

Model life 2014>>



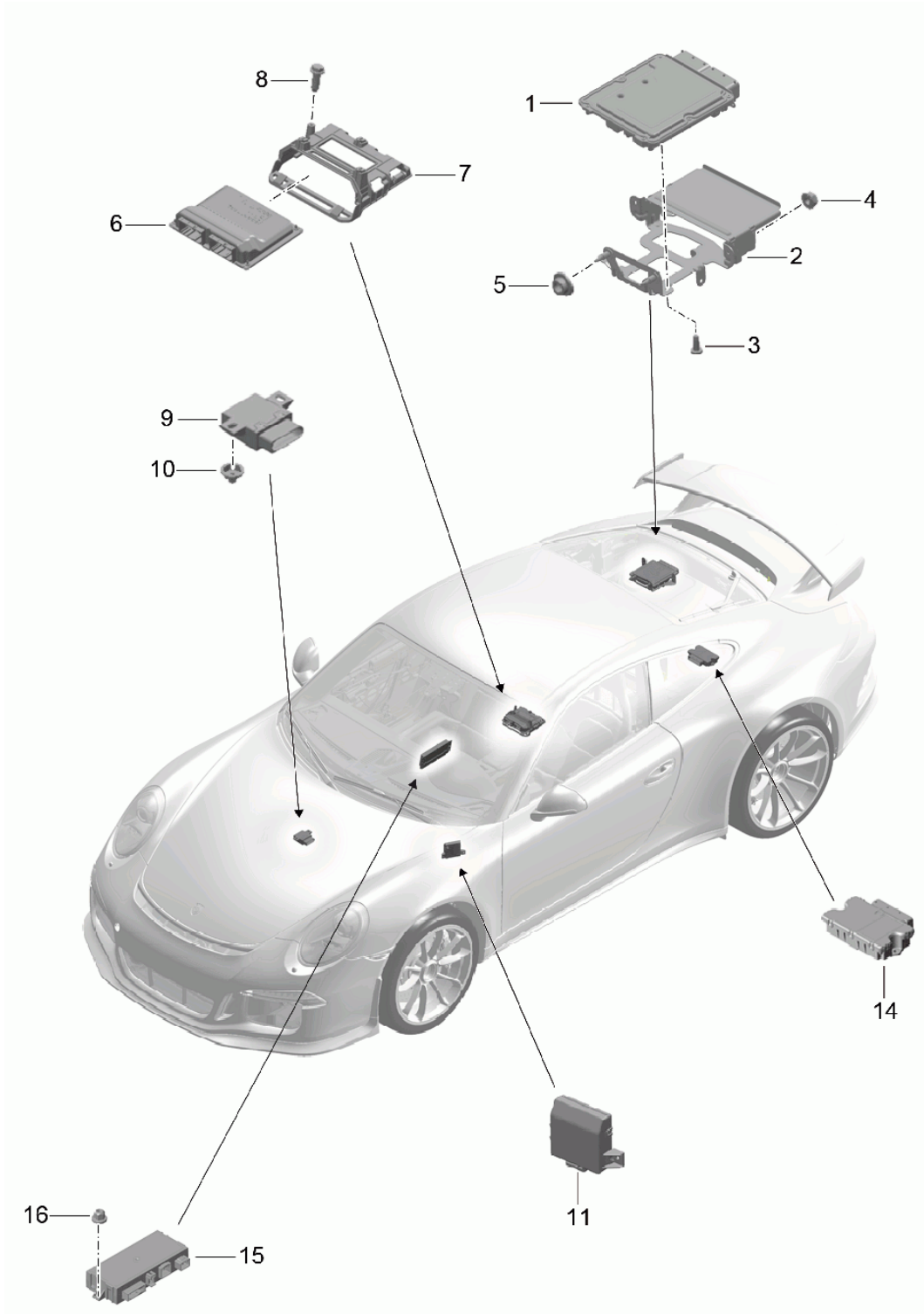
Model: 991G13

Model life 2014>>

Pos	Part Number	Description	Remark	Qty	Model
1	9A1 602 104 05	Ignition system Ignition coil Discontinued part		6	
1	9A1 602 104 06	Ignition coil D >> - MJ 2017		6	
1	9A1 602 104 07	Ignition coil D - MJ 2018>>		6	
2	999 170 153 90	Spark plug ZGR5 NQE D >> - MJ 2017		6	
2	999 170 153 91	Spark plug ZGR5 NQE D - MJ 2018>>		6	
3	999 073 103 01	flat round head bolt M 6 X 16		6	

Model: 991G13

Model life 2014>>

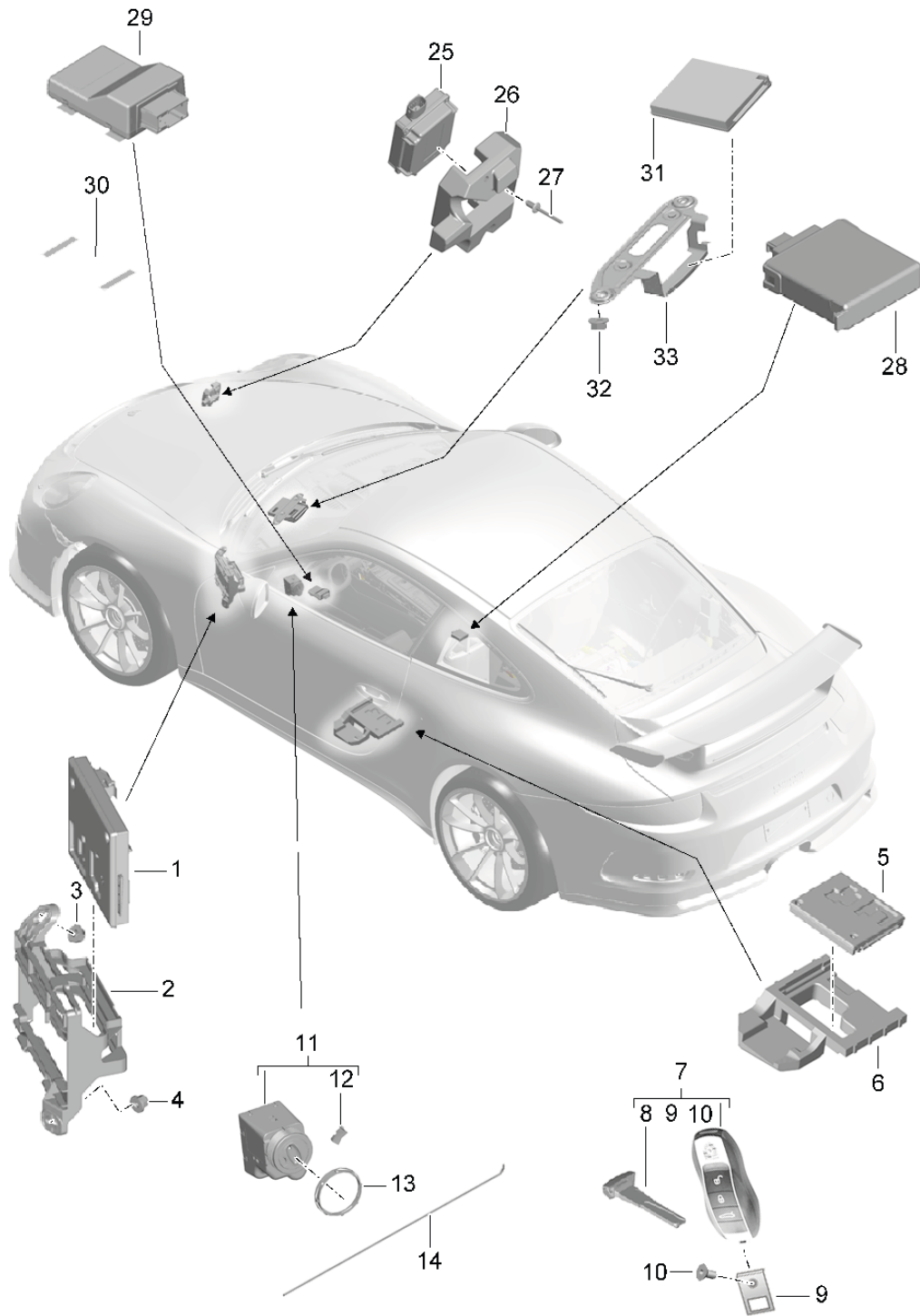


Model: 991G13 Model life 2014>>

Pos	Part Number	Description	Remark	Qty	Model
1	991 618 603 00	Control units Control unit - DME - D >> - MJ 2017		1	
(1)	991 618 603 01	Control unit - DME - D - MJ 2018>>		1	
2	991 618 149 01	Retainer for control units - DME -		1	
3	999 141 044 09	fillister hd. bolt M 6 X 16		6	
4	999 084 638 01	Hexagon nut M 6		2	
5	999 703 496 40	Rubber bush		2	
5	N 106 695 01	fillister head bolt with multi-point socket head M6 X 16 TC		4	
6	991 618 270 12	Control unit - PDK - D >> - MJ 2017		1	
(6)	991 618 272 08	Control unit - PDK - D - MJ 2018>>		1	
7	991 618 255 00	Retainer for control units - PDK -		1	
8	999 919 130 09	Hexagon bolt 6,0 X 18,0		1	PR:250
9	991 618 025 01	Control unit for fuel pump		1	PR:-553
10	999 049 025 09	Collar nut T 5		2	
11	7PP 907 530 S	Control unit for gateway D >> - MJ 2016		1	
(11)	95B 907 530 G	Control unit for gateway D - MJ 2017>> - MJ 2017		1	
(11)	95B 907 530 J	Control unit for gateway Gateway D - MJ 2018>>		1	
14	991 618 145 03	Control unit Electric parking brake		1	
15	991 618 151 83	Control unit Level adjustment Discontinued part		1	PR:474
15	991 618 151 84	Control unit Level adjustment Discontinued part		1	PR:474
15	991 618 151 85	Control unit Level adjustment Discontinued part		1	PR:474
15	991 618 151 87	Control unit Level adjustment		1	PR:474
16	999 049 033 40	Plastic nut		1	PR:474
-		Control unit Headlight range control see illustration:	905-003	1	PR:602

Model: 991G13

Model life 2014>>



Model: 991G13 Model life 2014>>

Pos	Part Number	Description	Remark	Qty	Model
		Control units Electronics Front end Rear end Handheld transmitter Ignition/starter switch Aerial Garage door opener Sensor Interior monitoring			
1	7PP 907 064 HC	Control unit Electronics Front end		1	PR:523
1	9A7 907 064 00	D >> - MJ 2017 Control unit Electronics Front end		1	PR:523
1	7PP 907 064 HD	D - MJ 2018>> Control unit Electronics Front end		1	PR:524
1	7PP 907 064 HK	Discontinued part Control unit Electronics Front end		1	PR:524
1	9A7 907 064 01	D >> - MJ 2017 Control unit Electronics Front end		1	PR:524
1	7PP 907 064 HE	D - MJ 2018>> Control unit Electronics Front end		1	PR:525
1	9A7 907 064 02	D >> - MJ 2017 Control unit (BCM) for conv. system & OB power supply Front end		1	PR:525
2	991 610 111 00	Retainer for control units		1	PR:098
(2)	991 610 113 00	Retainer for control units		1	PR:099
3	999 084 638 01	Hexagon nut M 6		1	
4	999 076 081 40	Hexagon plastic collar nut T 5		1	
5	7PP 907 279 BD	Control unit Electronics Rear end D - MJ 2014>>		1	PR:-IY2
5	7PP 907 279 BF	Control unit Electronics Rear end D - MJ 2014>> - MJ 2014		1	PR:IY2
5	7PP 907 279 BF	Control unit Electronics Rear end D - MJ 2015>>		1	
5	9A7 907 279 00	Control unit Electronics Rear end D - MJ 2016>>		1	
6	991 618 325 00	Retainer for control units		1	
7	991 637 950 03	Handheld transmitter Key cover Vehicle Ident. No.		1	PR:524

Model: 991G13

Model life 2014>>

Pos	Part Number	Description	Remark	Qty	Model
7	991 637 963 03	Indicate See technical information Service Group 5 Document 5708 31/12 Handheld transmitter Key cover Vehicle Ident. No.		1	PR:523
(7)	991 637 951 03	Indicate See technical information Service Group 5 Document 5708 31/12 Handheld transmitter Key cover Vehicle Ident. No.		1	PR:525
(7)	991 637 952 03	Indicate See technical information Service Group 5 Document 5708 31/12 Handheld transmitter Key cover Vehicle Ident. No.		1	PR:525,-072, -553
8	958 538 916 00	Indicate See technical information Service Group 5 Document 5708 31/12 emergency key with stipulated lock number Vehicle Ident. No.		1	
-	999 611 108 00	Battery for hand sender		1	
9	991 637 301 00	Eye		1	
10	991 637 303 00	countersunk bolt		1	
11	7PP 905 865 F	Control unit		1	
12	970 618 959 00	Ignition/starter switch Cover Release		1	
13	7PP 911 094	Handheld transmitter		1	
14	7PP 907 256	Nut Emergency operation Release		1	
25	8K0 907 410	Ignition/starter switch Control unit for opening garage door		1	PR:608
(25)	8K0 907 410 C	Control unit for opening garage door		1	PR:607
26	991 618 277 00	Bracket		1	PR:607,608
27	999 190 310 30	Pop rivet		1	PR:607,608
28	991 618 210 05	Sensor for interior monitoring		1	PR:534,-193
(28)	991 618 209 01	Sensor for interior monitoring		1	PR:534,193
-		Alarm horn			
29	9P1 919 653 A	see illustration: Control unit Racing	903-000	1	PR:639,640, 643

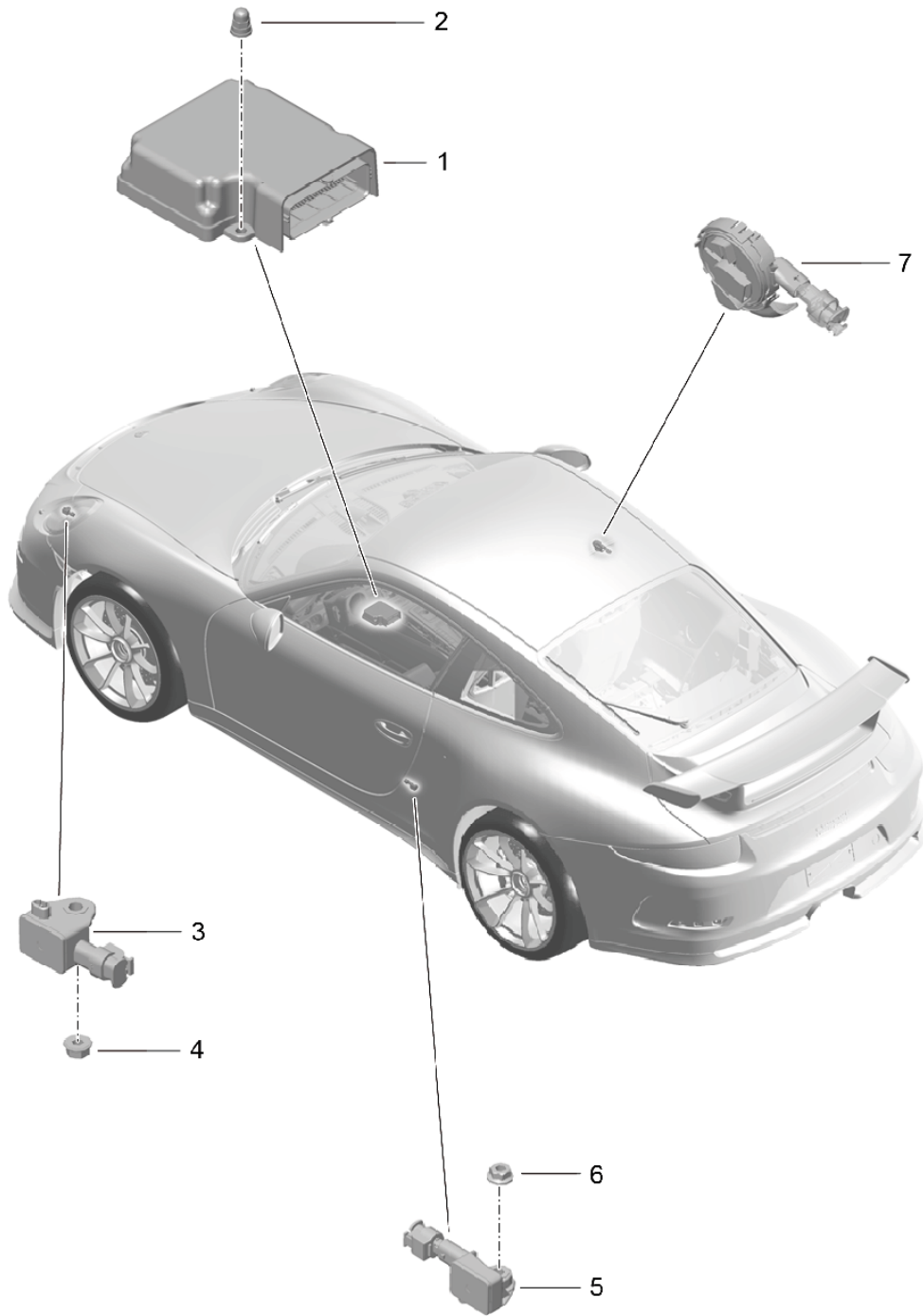
Model: 991G13

Model life 2014>>

Pos	Part Number	Description	Remark	Qty	Model
30	991 618 753 80	Additional function Velcro		1	PR:639,640
31	9A7 637 620 00	Control unit Telematics control unit		1	PR:7G9,7I0, 7I2
32	900 377 010 01	Hexagon nut		2	PR:7G9
33	9P1 035 317	Retainer for control units VTS vehicle tracking		1	PR:7G9
34	7PP 862 077	Driver Card VTS vehicle tracking		1	PR:7I2

Model: 991G13

Model life 2014>>



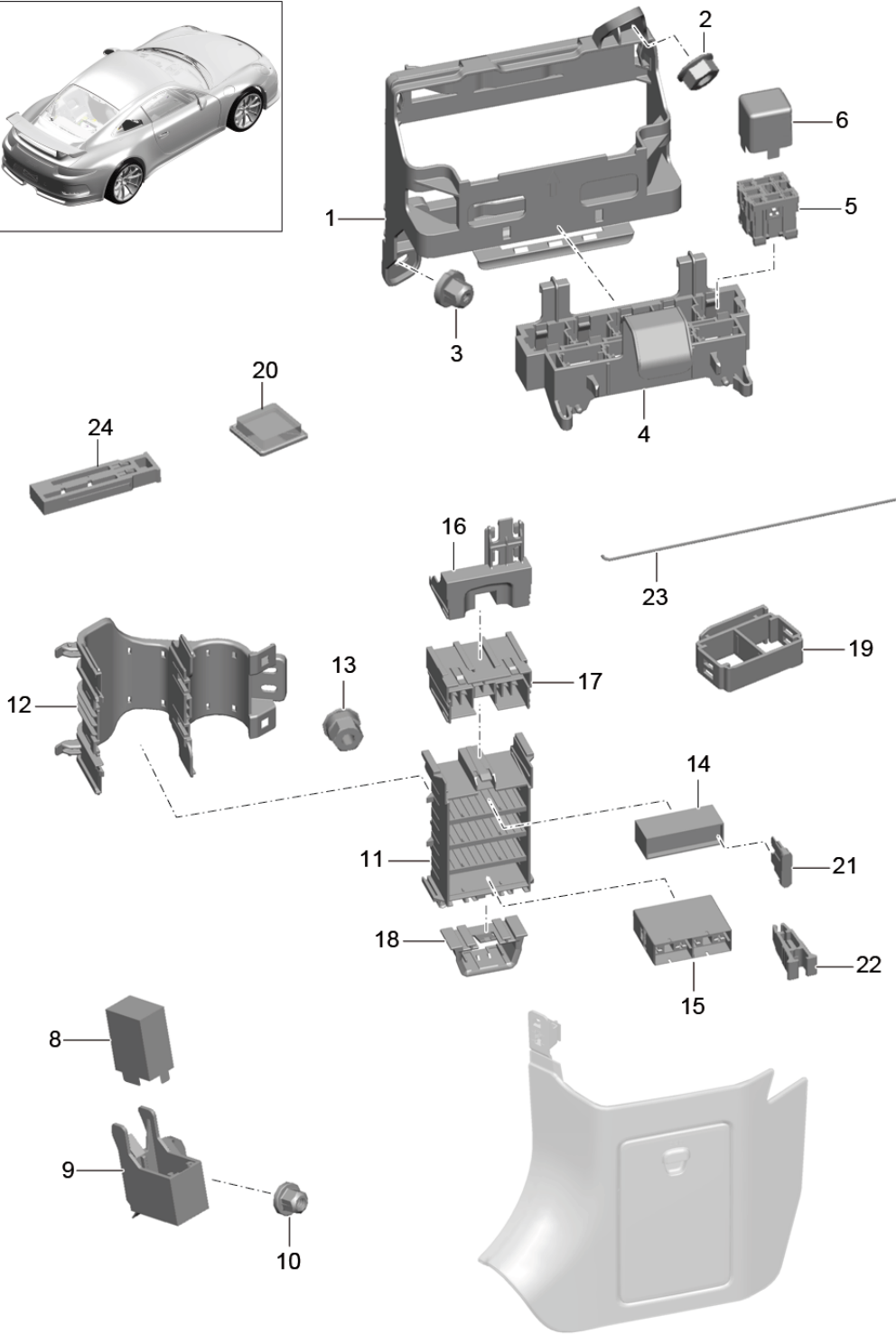
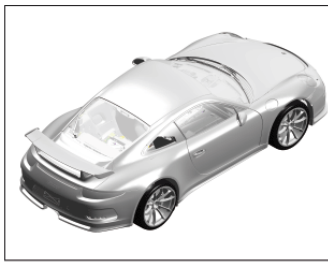
Model: 991G13

Model life 2014>>

Pos	Part Number	Description	Remark	Qty	Model
-		Control unit Sensor Airbag Airbag unit			
-		see illustration:	812-050		
-		Switch Airbag			
		see illustration:	903-005		
1	991 618 201 04	Control unit for airbag D - MJ 2014		1	
1	991 618 201 08	Control unit for airbag D - MJ 2015>> - MJ 2016		1	
1	991 618 201 10	Control unit for airbag D - MJ 2017>>		1	
2	999 070 015 02	domed cap nut M 6		3	
3	991 618 223 01	Front sensor		2	
4	999 084 638 01	Hexagon nut M 6		2	
5	991 618 221 01	Sensor Side airbag unit		2	
6	999 084 629 01	Hexagon nut M 6		2	
7	9P1 959 354	Pressure sensor doors		2	

Model: 991G13

Model life 2014>>



Model: 991G13

Model life 2014>>

Pos	Part Number	Description	Remark	Qty	Model
		central electrics dashboard			
1	991 610 111 00	Retainer for control units	lhd	1	PR:098
(1)	991 610 113 00	Retainer for control units	rhd	1	PR:099
2	999 084 638 01	Hexagon nut M 6		1	
3	999 076 081 40	Hexagon plastic collar nut T 5		1	
4	991 610 105 00	Mounting frame		1	
5	443 937 527	relay plate		X	
		for Relay K 3,K 4,K 5			
(5)	999 650 538 40	relay plate		X	
		for Relay K 6			
6		Relay			
(6)	999 657 016 90	Relay Emergency operation Cover		1	
		relay location/code no.:	K3		
(6)	958 615 029 00	Relay Radiator fan 1	left	1	
		relay location/code no.:	K4		
(6)	958 615 029 00	Relay Radiator fan 2	right	1	
		relay location/code no.:	K5		
(6)	958 615 010 00	Relay Fanfare		1	
		relay location/code no.:	K6		
8	4H0 951 253 C	Relay Fuel pump		1	
9	991 610 151 00	Luggage compartment Relay holder		1	
10	999 049 033 40	Fuel pump Plastic nut T 6		1	
11	991 610 101 00	Carrier		2	
12	991 610 103 00	Cover		2	
13	999 516 032 01	Hexagon nut M 6		2	
14	999 650 209 40	fuse holder		6	
15	999 650 750 40	fuse holder		2	
16	991 610 104 00	Cover	right	1	
17	991 610 102 00	Bracket fuse	left	1	
18	991 610 120 00	mounting for diagnosis plug		1	
19	991 610 127 00	Bracket Connection point		5	
20	7PP 867 300	Clip		4	
21	999 607 082 00	fuse		X	
		5 A			
(21)	999 607 083 00	fuse		X	
		7 , 5 A			
(21)	999 607 084 00	fuse		X	
		10 A			
(21)	999 607 085 00	fuse		X	
		15 A			
(21)	999 607 086 00	fuse		X	
		20 A			
(21)	999 607 087 00	fuse		X	

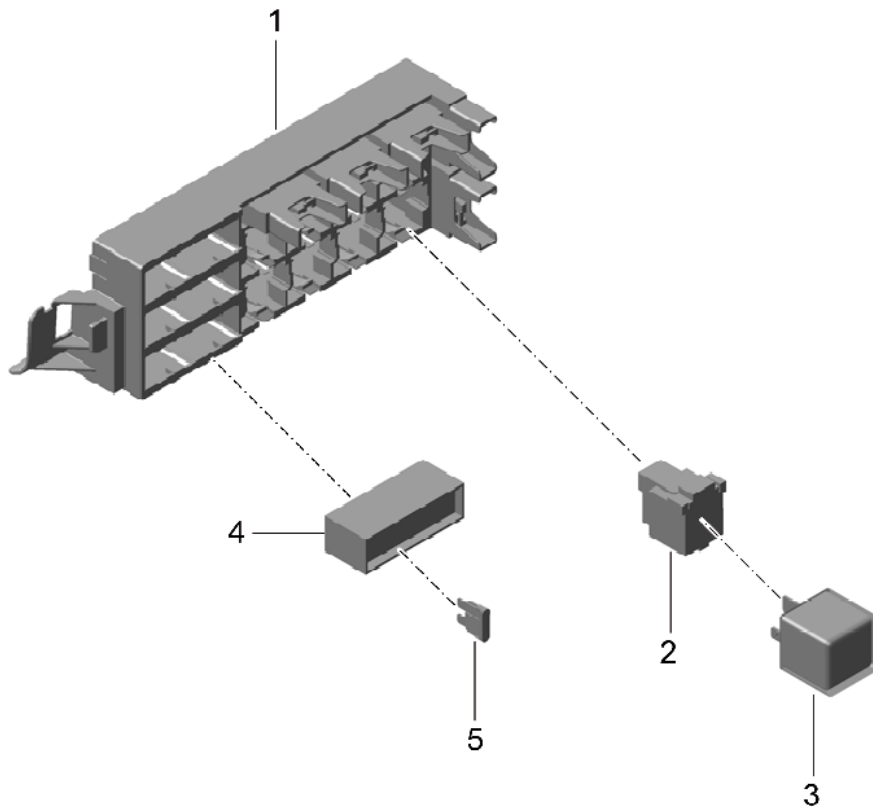
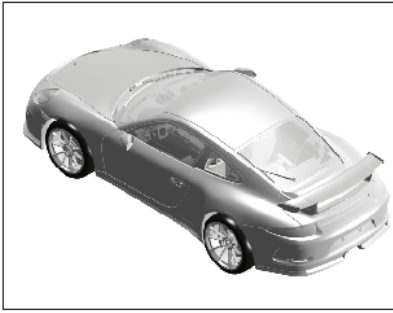
Model: 991G13

Model life 2014>>

Pos	Part Number	Description	Remark	Qty	Model
(21)	999 607 088 00	25 A fuse		X	
(21)	999 607 089 00	30 A fuse		X	
(21)	999 607 111 00	40 A fuse		X	
(21)	999 607 072 00	25 A fuse	Large	X	
(21)	999 607 073 00	30 A fuse	Large	X	
(21)	999 607 019 00	40 A fuse	Large	X	
22	999 107 300 40	50 A Tool	Large	X	
23	7PP 907 256	Emergency operation Release		1	
24	991 610 340 00	Ignition/starter switch Terminal clamp		1	
-		Emergency operation Cover		X	
		Cover for housing fuse			
		see illustration:	807-010		

Model: 991G13

Model life 2014>>



Model: 991G13 Model life 2014>>

Pos	Part Number	Description	Remark	Qty	Model
1	991 610 107 00	central electrics Rear end Mounting frame		1	
2	955 610 307 00	relay plate		X	
(2)	443 937 527	for Relay K 1,K 3 relay plate		X	
(2)	999 656 311 40	for Relay K 2,K 4,K 8 relay plate		X	
3		for Relay K 6,K 7			
(3)	955 615 025 10	Relay - DME - relay location/code no.:	K1	1	
(3)	958 615 008 01	D >> - MJ 2017 Relay - DME - relay location/code no.:	K1	1	
(3)	999 657 013 90	D - MJ 2018>> Relay		1	
(3)	955 615 029 00	Fan Engine bay relay location/code no.:	K2	1	
(3)	955 615 027 00	D >> - MJ 2017 Relay Fan Engine bay relay location/code no.:	K2	1	
(3)	999 657 016 90	D - MJ 2018>> Relay Starter relay location/code no.:	K3	1	
(3)	958 615 008 01	Relay Spoiler relay location/code no.:	K4	1	
(3)	999 657 014 90	Relay Secondary pump relay location/code no.:	K5	2	
(3)	999 657 015 90	D - MJ 2018>> Relay Fan Engine bay relay location/code no.:	K6	1	
(3)	958 615 010 00	Relay Rear window heating relay location/code no.:	K7	1	
(3)	999 657 016 90	D >> - MJ 2017 Relay Rear window heating relay location/code no.:	K7	1	
4	999 650 209 40	D - MJ 2018>> Relay Spoiler relay location/code no.:	K8	3	
5	999 607 082 00	fuse holder fuse 5 A		X	

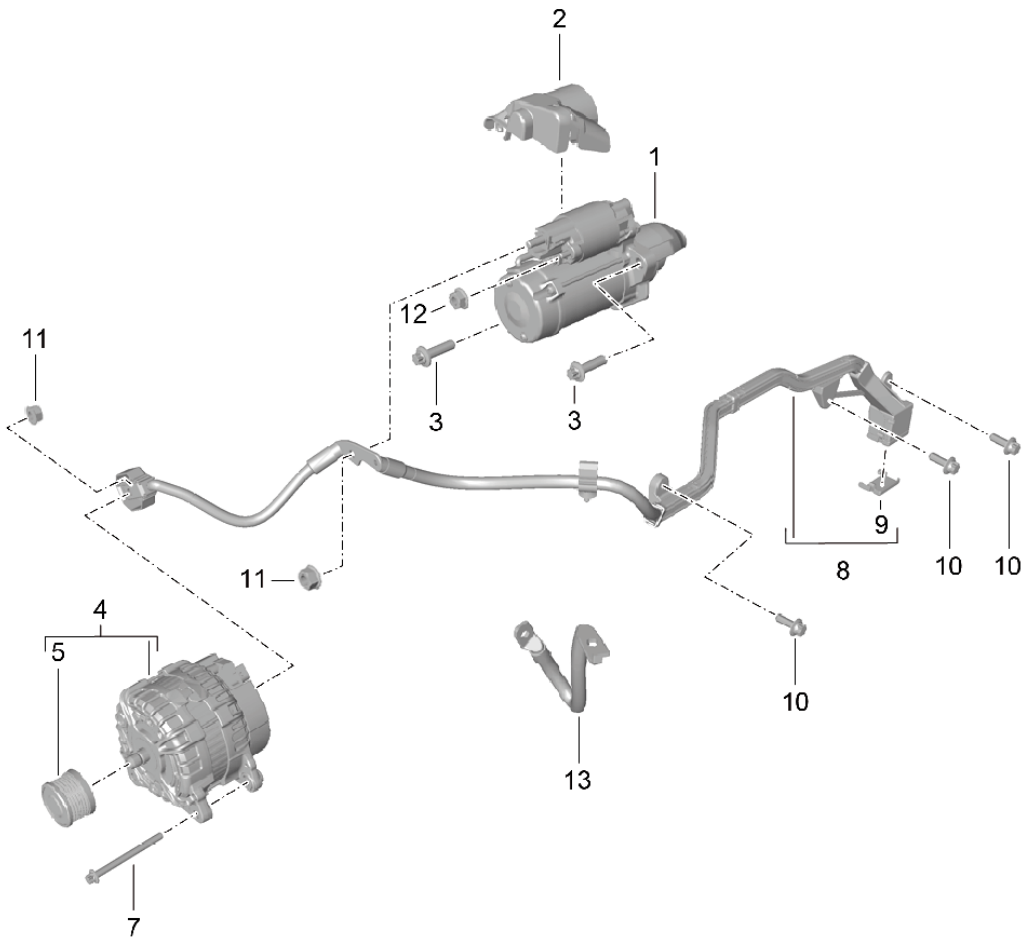
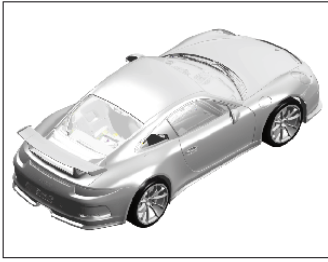
Model: 991G13

Model life 2014>>

Pos	Part Number	Description	Remark	Qty	Model
(5)	999 607 084 00	fuse 10 A		X	
(5)	999 607 085 00	fuse 15 A		X	
(5)	999 607 086 00	fuse 20 A		X	
(5)	999 607 087 00	fuse 25 A		X	
(5)	999 607 088 00	fuse 30 A		X	
(5)	999 607 073 00	fuse 40 A	Large	X	

Model: 991G13

Model life 2014>>

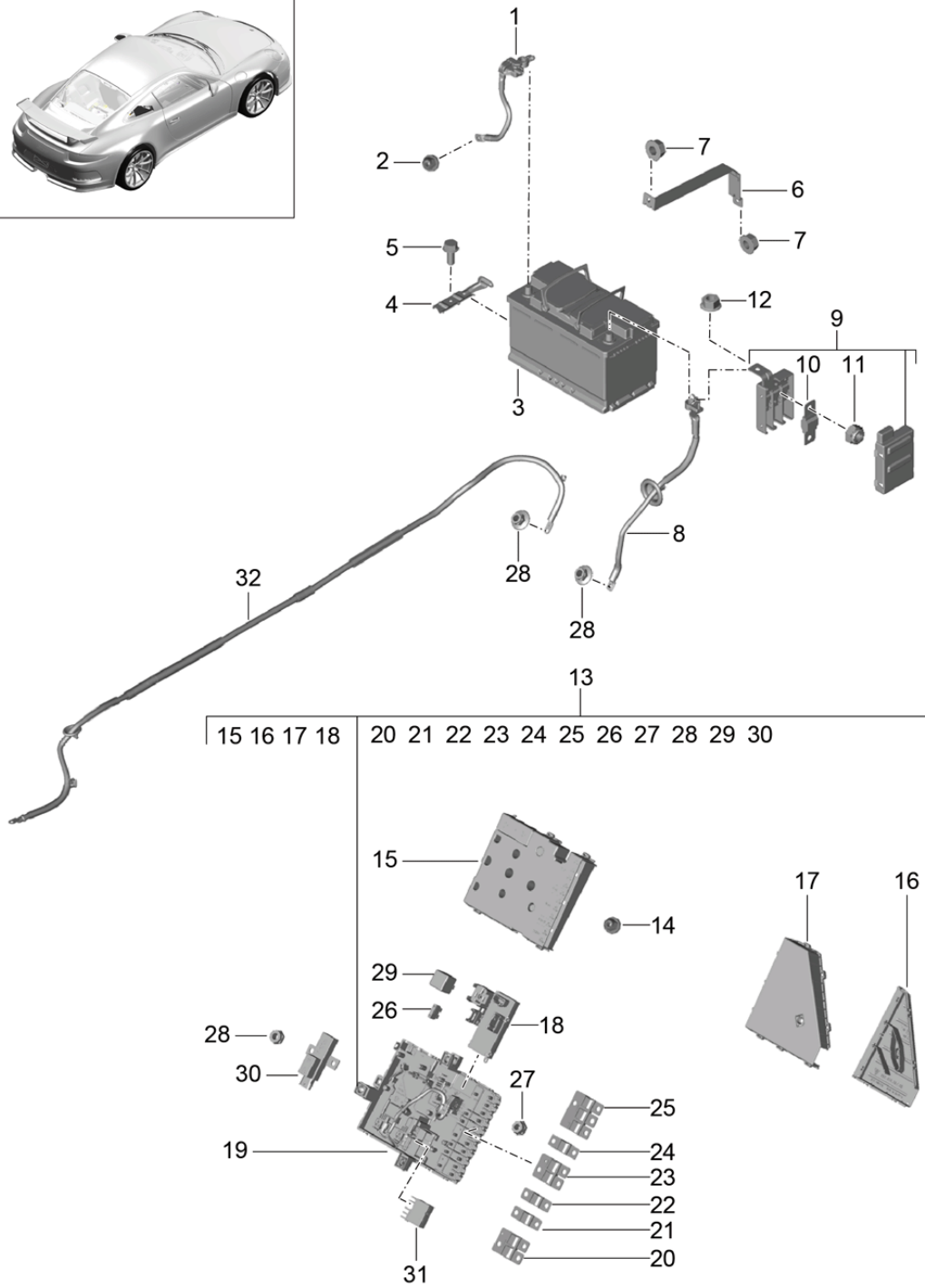
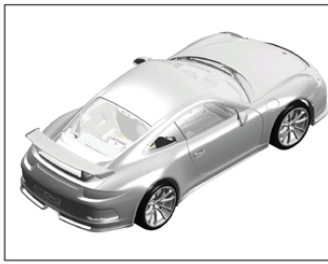


Model: 991G13 Model life 2014>>

Pos	Part Number	Description	Remark	Qty	Model
		Starter			
		Alternator			
		Ground cable			
1	9A1 604 104 00	Starter		1	
1	9A1 604 104 X	Starter		1	
2	9A1 607 212 00	Protective cap		1	
		Starter			
2	9A1 607 211 00	Protective cap		1	
		Starter			
3	900 385 097 01	Torx screw		2	
		BM 10 X 35			
4	9A1 603 018 01	Alternator		1	
		D >> - MJ 2017			
4	9A1 603 018 AX	Alternator		1	
		D >> - MJ 2017			
(4)	9A2 603 018 00	Alternator		1	
		D - MJ 2018>>			
(4)	9A2 603 018 X	Alternator		1	
		D - MJ 2018>>			
5	9A1 603 016 00	Alternator		1	
		pulley			
		D >> - MJ 2017			
-		Cover			
		Alternator			
		see illustration:	101-010		
7	900 385 102 01	Torx screw		2	
		BM 8 X 90			
8	9A1 607 075 00	Wire set		1	
		with:			
		Connection point			
		Alternator			
		Starter			
9	9A1 607 261 00	Cover		1	
		Connection point			
10	900 385 009 01	Torx screw		3	
		BM 6 X 16			
11	900 377 003 01	Hexagon nut		2	
		M 8			
12	900 377 010 02	Hexagon nut		1	
		M 6			
13	9A1 607 058 00	Earth line		1	
		Engine			
		Body			
-	900 385 001 03	Torx screw		2	
		BM 8 X 20			
		Ground cable			
		Body			

Model: 991G13

Model life 2014>>



Model: 991G13

Model life 2014>>

Pos	Part Number	Description	Remark	Qty	Model
1	991 611 043 01	Battery Power distributor			
(1)	991 611 044 01	Earth line	lhd	1	PR:098
2	999 084 447 01	Earth line	rhd	1	PR:099
		Hexagon nut M 8		1	
3	999 611 070 12	Battery 70 AH		1	PR:195 -"BR."
(3)	999 611 080 12	Battery 80 AH		1	PR:196 -"BR."
(3)	999 611 095 11	Battery 95 AH		1	PR:200 -"BR."
(3)	991 611 040 52	Battery 40 AH		1	PR:192
		D >> - MJ 2017			
4	991 611 209 01	Rail	lhd	1	PR:098
(4)	991 611 210 01	Battery Rail	rhd	1	PR:099
		Battery Hexagon bolt M 8 X 20		1	
6	991 611 212 00	Retainer for battery		1	
7	900 377 003 03	Hexagon nut M 8		2	
8	991 611 013 01	Battery cable	lhd	1	PR:098
(8)	991 611 014 01	Power distributor Battery cable	rhd	1	PR:099
		Power distributor Fuse socket		1	
9	991 610 321 00	Battery fuse		1	
10	999 607 095 00	80 A		1	
(10)	999 607 092 00	fuse 60 A		2	
11	900 084 122 02	Hexagon nut M 5		6	
12	900 377 001 00	Hexagon nut M 6		1	
13	991 610 351 00	Power distributor (complete)		1	
		use if required:			
14	999 049 033 40	POS. 14 Plastic nut T 6		3	
15	991 610 305 00	Cover		1	
16	991 610 307 00	Cable guide Lower part		1	
17	991 610 309 00	Cable guide - upper part		1	
18	991 618 075 01	Control unit		1	
19	991 610 303 00	Lower part Power distributor		1	
20	999 607 054 00	fuse 100 A		1	
		60 A			
21	999 607 099 00	fuse 40 A		1	
22	999 607 095 00	fuse 80 A		1	
23	999 607 055 00	fuse 100 A		1	
		40 A			
24	999 607 092 00	fuse 60 A		1	

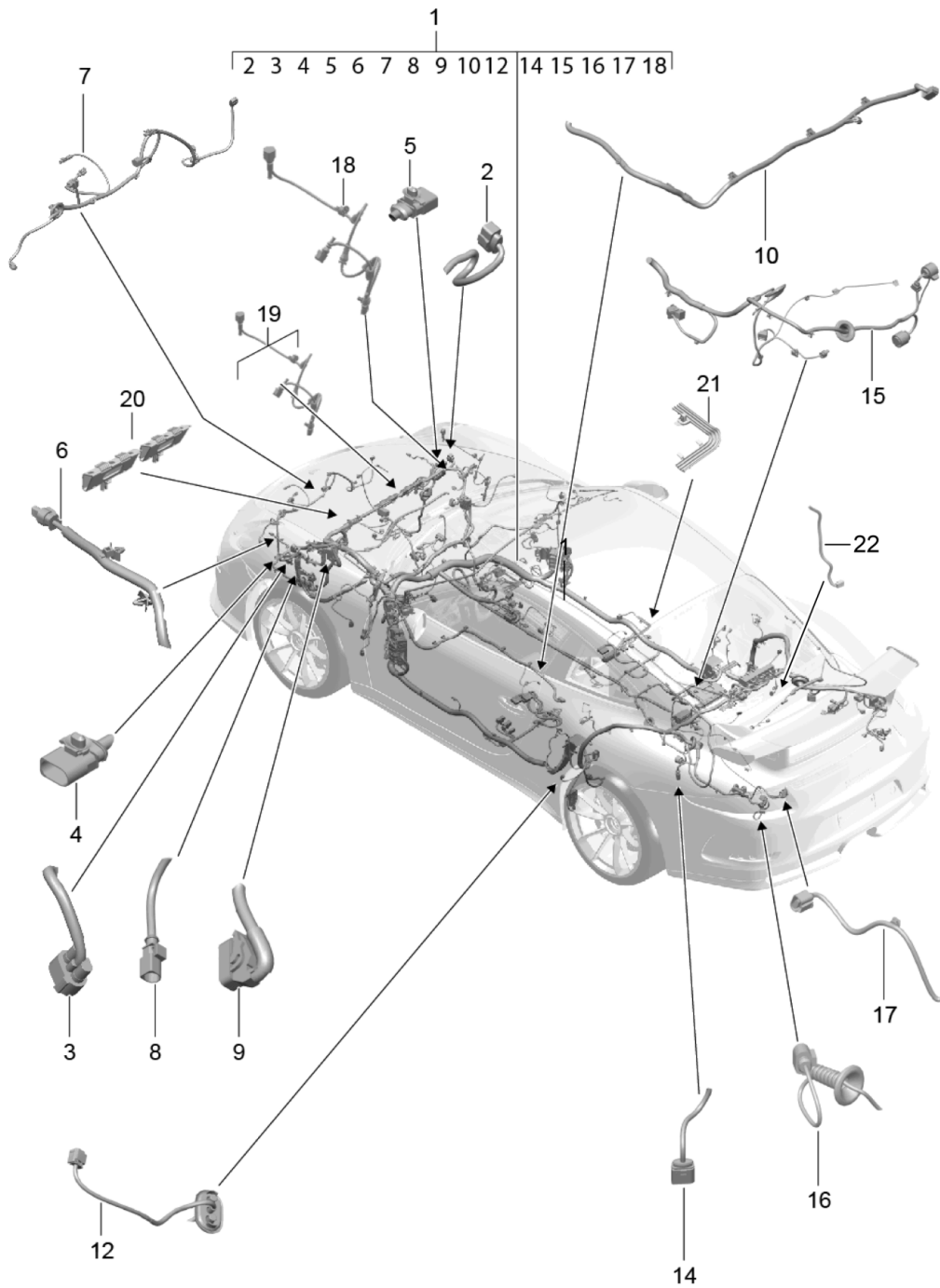
Model: 991G13

Model life 2014>>

Pos	Part Number	Description	Remark	Qty	Model
25	999 607 053 00	fuse 100 A 80 A 100 A D		1	
(25)	9A7 607 059 00	fuse 100 A 60 A 100 A D - 01.10.2014>>		1	
26	999 607 082 00	fuse 5 A		1	
27	900 084 122 02	Hexagon nut M 5		6	
28	900 084 123 02	Hexagon nut M 8		3	
30	999 657 020 90	Relay		2	
31	999 657 021 90	Relay		1	
32	991 611 015 00	Cable Power distributor Connection point	lhd	1	PR:098
(32)	991 611 016 00	Cable Power distributor Connection point	rhd	1	PR:099

Model: 991G13

Model life 2014>>



Model: 991G13 Model life 2014>>

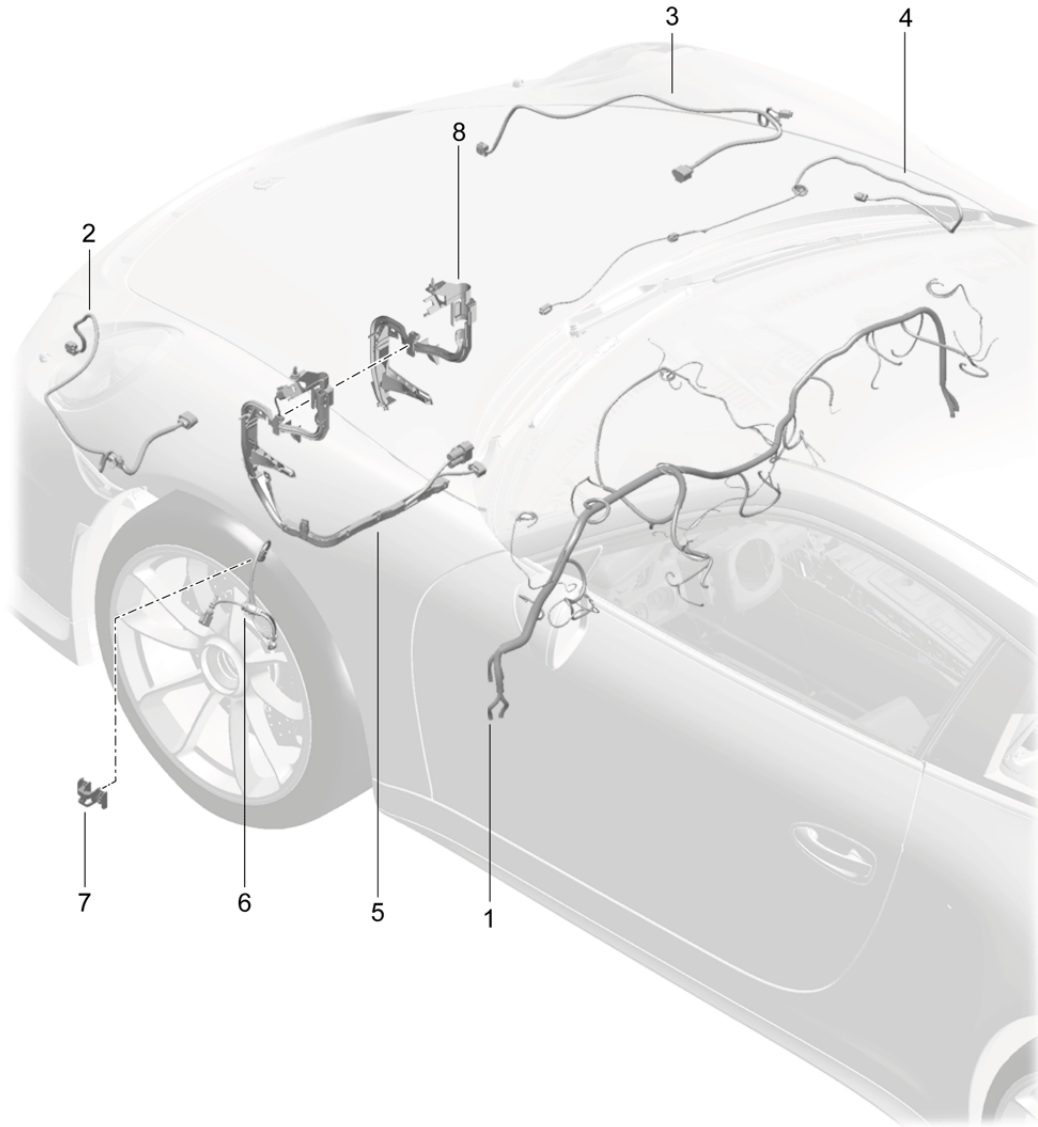
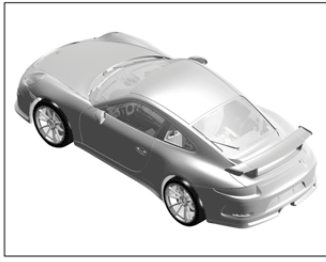
Pos	Part Number	Description	Remark	Qty	Model
1	991 612 901 00	Wiring looms Passenger compartment and part section wiring harness D >> - MJ 2017 Wire set Passenger compartment * Part number must be ordered * manually by indicating * vehicle ID number.		1	
2	991 612 920 00	Wire set part section wiring harness Headlights modify in workshop	left right	1	
3	991 612 921 00	Wire set part section wiring harness Fan Radiator modify in workshop	left right	1	
4	991 612 922 00	Wire set part section wiring harness Connection point Trim modify in workshop	left front	1	PR:-625
5	991 612 937 00	Wire set part section wiring harness Connection point Trim modify in workshop	right front	1	
6	991 612 923 00	Wire set part section wiring harness Sensor Airbag modify in workshop	front left right	1	
7	991 612 924 00	Wire set part section wiring harness Front end modify in workshop	lhd	1	PR:098,-456
(7)	991 612 938 00	Wire set part section wiring harness Front end modify in workshop	rhd	1	PR:099,-456
8	991 612 926 10	Wire set part section wiring harness Connection point Front axle modify in workshop	left right	2	
9	991 612 940 00	Wire set part section wiring harness Control unit Hydraulic unit modify in workshop		1	
10	991 612 925 00	Wire set part section wiring harness Control unit tyre pressure control system modify in workshop		1	PR:482,483
12	991 612 928 00	Wire set part section wiring harness Aerial tyre pressure control system Wheel housing and	rear left right	1	PR:482,483

Model: 991G13 Model life 2014>>

Pos	Part Number	Description	Remark	Qty	Model
14	991 612 930 00	modify in workshop Wire set part section wiring harness Connection point Rear axle and	left right	1	
15	991 612 936 00	modify in workshop Wire set part section wiring harness - PDK - Gearbox		1	PR:250
		with: Connector Control unit			
15	991 612 958 00	modify in workshop Wire set part section wiring harness Manual gearbox		1	PR:487
		with: Connector Control unit			
15	991 612 958 10	modify in workshop Wire set part section wiring harness Manual gearbox		1	PR:474,486
		with: Connector Control unit			
16	991 612 931 00	modify in workshop Wire set part section wiring harness Rear light and	lhd left right	1	PR:098
(16)	991 612 933 00	modify in workshop Wire set part section wiring harness Rear light and	rhd left right	1	PR:099
17	991 612 934 00	modify in workshop Wire set part section wiring harness Connection point Trim	rear	1	PR:338,-635, -636
18	991 609 131 80	modify in workshop Wire set Front axle		1	
19	991 610 233 01	Cable guide filler plate		2	
20	991 610 234 01	Cable guide filler plate		1	
21	991 610 221 00	Cable guide Roofliner		1	
22	991 612 941 03	Wire set sub-parts Steering Rear axle	rear	1	PR:470

Model: 991G13

Model life 2014>>

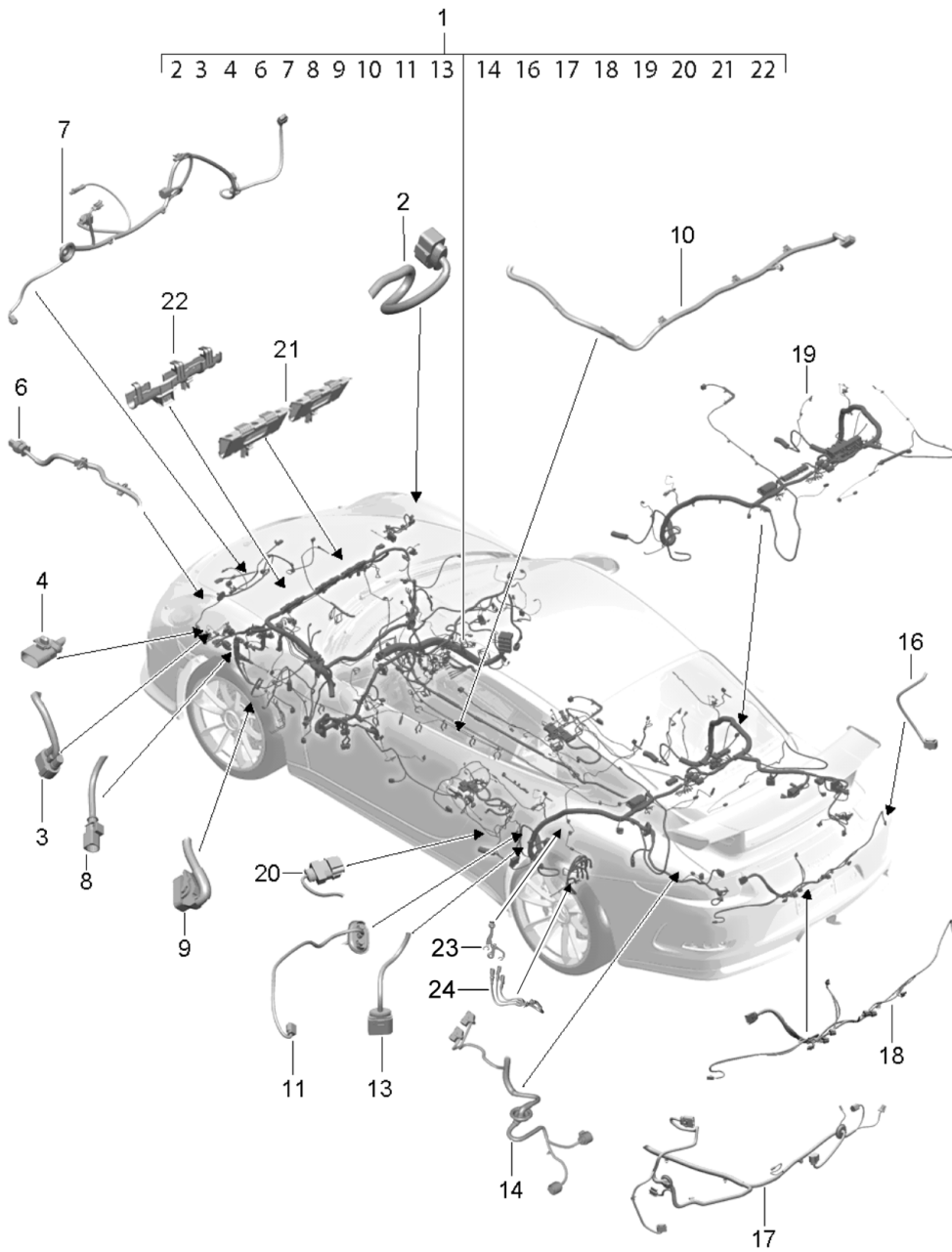


Model: 991G13 Model life 2014>>

Pos	Part Number	Description	Remark	Qty	Model
1	991 612 902 00	Wire set dashboard Trim Cover Steering Front axle	front	1	
2	991 612 591 03	Wire set Trim D >> - MJ 2016	front left	1	PR:605
(2)	982 972 155	Wire set Trim D - MJ 2017>>	front left	1	PR:-636
(2)	982 972 155 G	Wire set Trim D - MJ 2017>>	front left	1	PR:636
3	991 612 592 03	Wire set Trim D >> - MJ 2016	front right	1	PR:605
(3)	982 972 156 A	Wire set Trim D - MJ 2017>>	front right	1	PR:-636
(3)	982 972 156 C	Wire set Trim D - MJ 2017>>	front right	1	PR:636
4	991 612 599 01	Wire set Cover D >> - MJ 2016	front	1	
5	991 612 830 03	Wire set Steering D >> - MJ 2016	lhd	1	PR:098
5	9P3 971 111	Wire set Steering D - MJ 2017>>	lhd	1	PR:098
(5)	991 612 830 54	Wire set Steering D >> - MJ 2016	rhd	1	PR:099
(5)	9P4 971 111	Wire set Steering D - MJ 2017>>	rhd	1	PR:099
6	991 609 131 82	Wire set Front axle		2	
7	991 610 133 00	Bracket Connection point		1	
8	991 610 121 01	Wire set Front axle Bracket Wire set Steering		1	
-		Wire set Rear axle see illustration:	902-020		

Model: 991G13

Model life 2014>>



Model: 991G13

Model life 2014>>

Pos	Part Number	Description	Remark	Qty	Model
1	991 612 901 00	Wiring looms Passenger compartment and part section wiring harness D - MJ 2018>> Wire set Passenger compartment * Part number must be ordered * manually by indicating * vehicle ID number.		1	
2	991 612 920 03	Wire set part section wiring harness Headlights and modify in workshop	left right	1	PR:601,603
(2)	991 612 920 11	Wire set part section wiring harness Headlights and modify in workshop	left right	1	PR:602,XEY
3	991 612 921 01	Wire set part section wiring harness Fan Radiator and modify in workshop	left right	1	
4	991 612 922 03	Wire set part section wiring harness Connection point Trim modify in workshop	left front	1	
6	991 612 923 01	Wire set part section wiring harness Sensor Airbag and modify in workshop	front left right	1	
7	991 612 924 11	Wire set part section wiring harness Front end modify in workshop		1	PR:098,454
(7)	991 612 938 11	Wire set part section wiring harness Front end modify in workshop		1	PR:099,454
8	991 612 926 10	Wire set part section wiring harness Connection point Front axle and modify in workshop	left right	2	
9	991 612 940 02	Wire set part section wiring harness Control unit Hydraulic unit modify in workshop		1	
10	991 612 925 03	Wire set part section wiring harness Control unit tyre pressure control system modify in workshop		1	PR:482
(10)	991 612 925 11	Wire set part section wiring harness		1	PR:483

Model: 991G13

Model life 2014>>

Pos	Part Number	Description	Remark	Qty	Model
11	991 612 928 00	Control unit tyre pressure control system modify in workshop Wire set part section wiring harness Aerial Wheel housing and modify in workshop	rear left right	1	
13	991 612 930 01	Wire set part section wiring harness Connection point Rear axle and modify in workshop	left right	1	
14	991 612 936 11	Wire set part section wiring harness - PDK - Gearbox with:		1	PR:250
16	991 612 933 10	Connector Control unit modify in workshop Wire set part section wiring harness Rear light modify in workshop	right	1	
17	981 612 934 03	Wire set part section wiring harness Rear light and Trim Rear end modify in workshop	left	1	
18	991 612 934 03	Wire set part section wiring harness Trim Rear end and Rear spoiler modify in workshop	left	1	
19	991 612 951 02	Wire set part section wiring harness Rear end Electronics		1	
20	991 612 956 01	Wire set part section wiring harness Control unit VTS vehicle tracking modify in workshop		1	PR:7G9,7I0, 7I2
21	991 610 233 01	Cable guide filler plate		2	
22	991 610 234 01	Cable guide filler plate		1	
23	991 609 141 02	bracket for connector housing Connection cable Cable set for axle wiring	left	1	
(23)	991 609 142 02	bracket for connector housing Connection cable Cable set for axle wiring	right	1	
24	991 612 941 03	Wire set	rear	1	PR:470

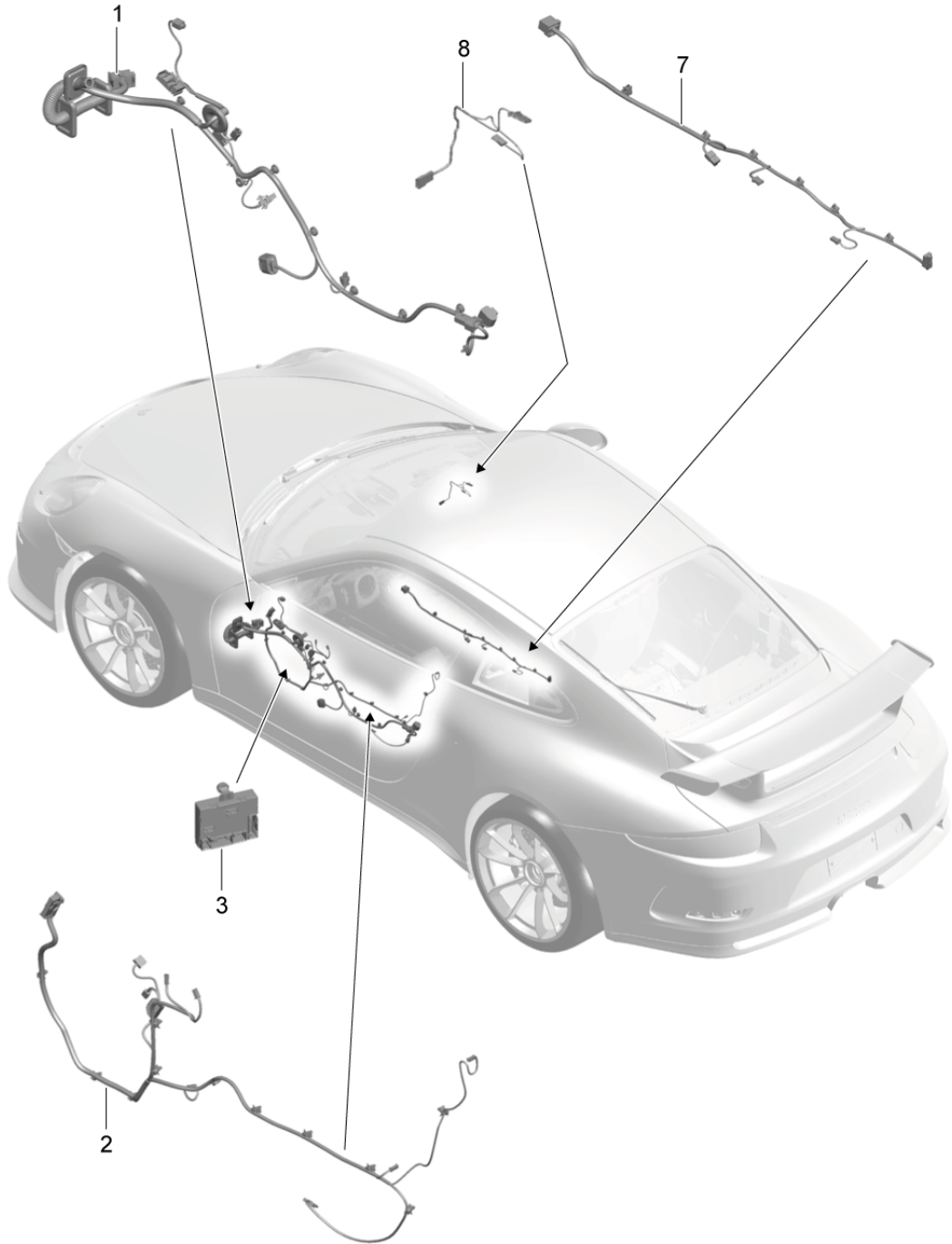
Model: 991G13

Model life 2014>>

Pos	Part Number	Description	Remark	Qty	Model
		sub-parts Steering Rear axle			

Model: 991G13

Model life 2014>>



Model: 991G13 Model life 2014>>

Pos	Part Number	Description	Remark	Qty	Model
1	991 612 601 06	Wiring looms doors Centre console Glove box Control units doors D >> - MJ 2017 Wire set Assembly frame Driver's door Engine Window regulator 2-pole	lhd	1	PR:098,441
1	991 612 601 56	Wire set Assembly frame Driver's door Engine Window regulator 2-pole	rhd	1	PR:099,441
1	991 612 603 06	Wire set Assembly frame Driver's door Engine Window regulator 2-pole	lhd	1	PR:098,490
1	991 612 603 56	Wire set Assembly frame Driver's door Engine Window regulator 2-pole	rhd	1	PR:099,490
1	991 612 602 06	Wire set Assembly frame Passenger's door Engine Window regulator 2-pole	lhd	1	PR:098,441
1	991 612 602 56	Wire set Assembly frame Passenger's door Engine Window regulator 2-pole	rhd	1	PR:099,441
1	991 612 604 06	Wire set Assembly frame Passenger's door Engine Window regulator 2-pole	lhd	1	PR:098,490
1	991 612 604 56	Wire set Assembly frame Passenger's door Engine Window regulator 2-pole	rhd	1	PR:099,490
2	991 612 681 06	Wire set door panel Driver's door		1	
(2)	991 612 674 06	Wire set door panel Passenger's door		1	
3	4H0 959 793 P	Door control unit Driver's door		1	

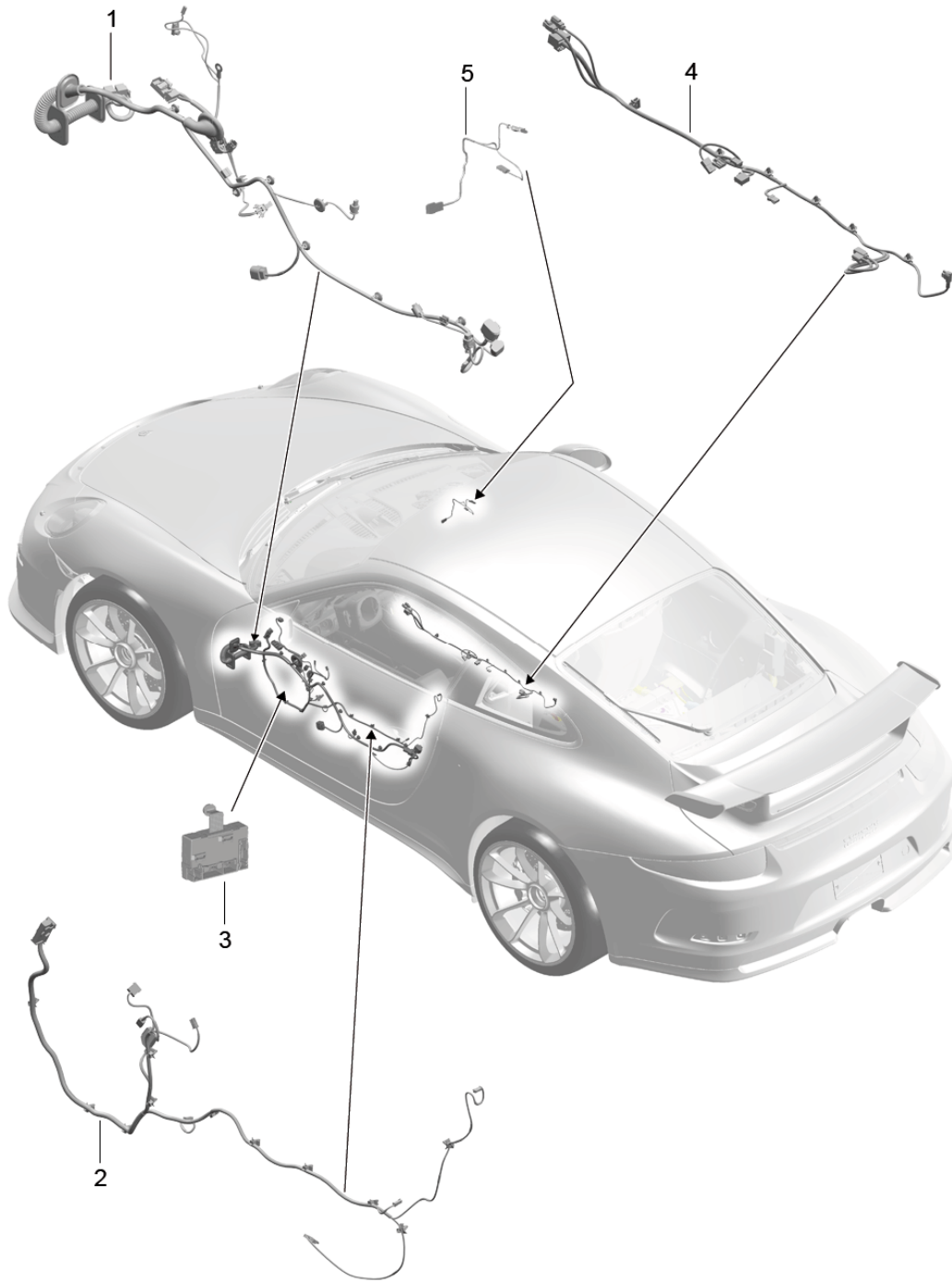
Model: 991G13

Model life 2014>>

Pos	Part Number	Description	Remark	Qty	Model
(3)	4H0 959 792 M	Door control unit Passenger's door		1	
7	991 612 757 01	Wire set Centre console		1	
8	991 612 701 00	Wire set Glove box		1	

Model: 991G13

Model life 2014>>



Model: 991G13

Model life 2014>>

Pos	Part Number	Description	Remark	Qty	Model
		Wiring looms doors Centre console Control unit doors Convertible top control D - MJ 2018>>			
1	9P3 971 029 F	Wire set Assembly frame Driver's door	lhd	1	PR:098,250, 8AA
1	9P3 971 029 F	Wire set Assembly frame Driver's door	lhd	1	PR:098,250, 9VK
1	9P3 971 029 G	Wire set Assembly frame Driver's door	lhd	1	PR:098,250, 9VL
1	9P3 971 029	Wire set Assembly frame Driver's door	lhd	1	PR:098,486, 8AA
1	9P3 971 029	Wire set Assembly frame Driver's door	lhd	1	PR:098,486, 9VK
1	9P3 971 029 A	Wire set Assembly frame Driver's door	lhd	1	PR:098,486, 9VL
1	9P3 971 687	Wire set Assembly frame Passenger's door	lhd	1	PR:098,8AA
1	9P3 971 687	Wire set Assembly frame Passenger's door	lhd	1	PR:098,9VK
1	9P3 971 687 A	Wire set Assembly frame Passenger's door	lhd	1	PR:098,9VL
1	9P4 971 030 F	Wire set Assembly frame Driver's door	rhd	1	PR:099,250, 8AA
1	9P4 971 030 F	Wire set Assembly frame Driver's door	rhd	1	PR:099,250, 9VK
1	9P4 971 030 G	Wire set Assembly frame Driver's door	rhd	1	PR:099,250, 9VL
1	9P4 971 030	Wire set Assembly frame Driver's door	rhd	1	PR:099,486, 8AA
1	9P4 971 030	Wire set Assembly frame Driver's door	rhd	1	PR:099,486, 9VK
1	9P4 971 030 A	Wire set Assembly frame Driver's door	rhd	1	PR:099,486, 9VL
1	9P4 971 688	Wire set Assembly frame Passenger's door	rhd	1	PR:099,8AA
1	9P4 971 688	Wire set Assembly frame Passenger's door	rhd	1	PR:099,9VK
1	9P4 971 688 A	Wire set Assembly frame Passenger's door	rhd	1	PR:099,9VL
2	9P1 971 035 G	Wire set door panel		1	

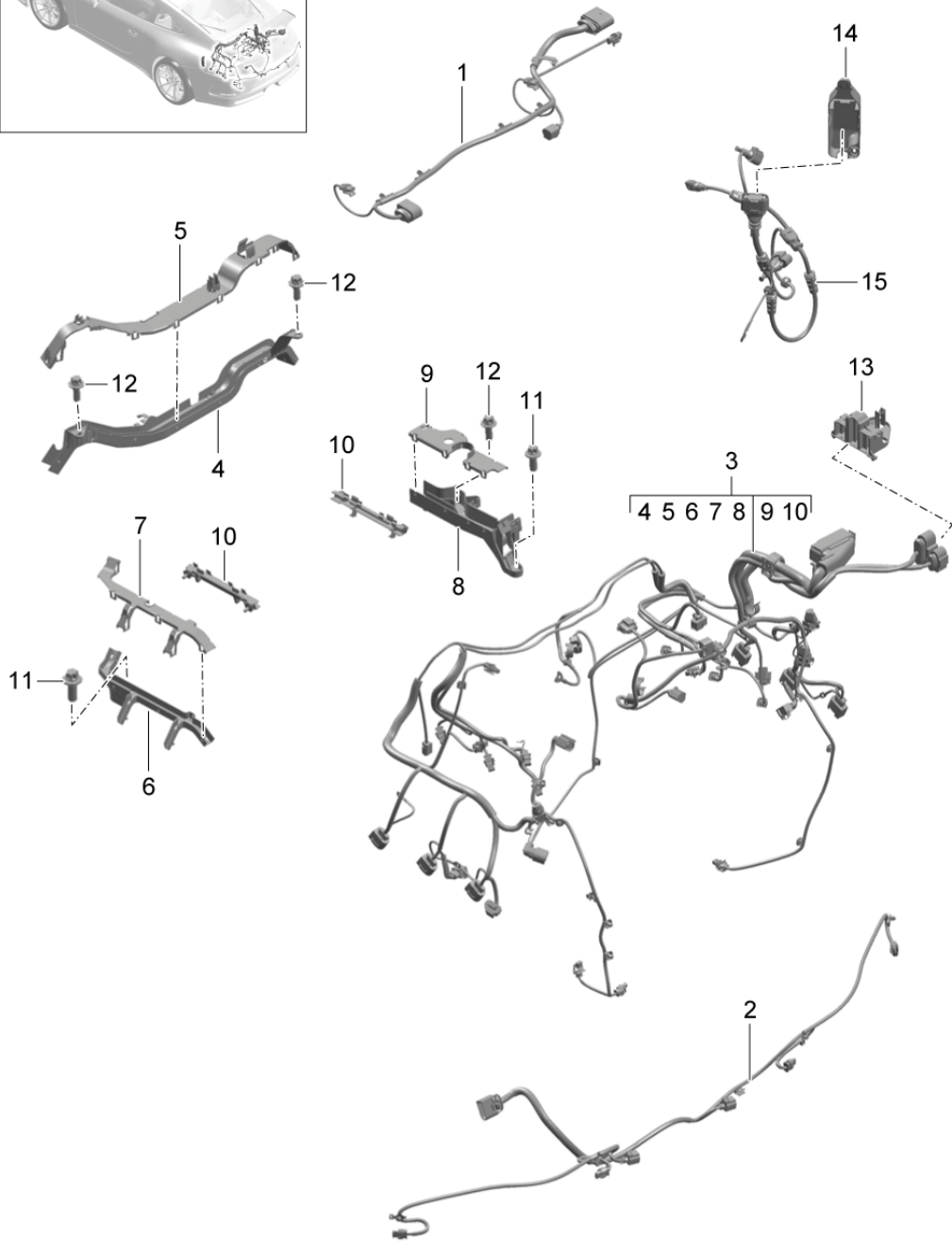
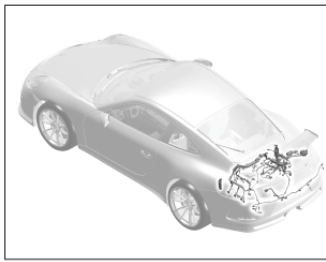
Model: 991G13

Model life 2014>>

Pos	Part Number	Description	Remark	Qty	Model
(2)	9P1 971 036 C	Driver's door Wire set door panel		1	
3	4H0 959 793 AC	Passenger's door Door control unit (drivers side)	front	1	
(3)	4H0 959 792 S	Door control unit Passenger's door		1	
4	9P1 971 641 C	Wire set Centre console		1	PR:-NZ3
(4)	9P1 971 641 E	Wire set Centre console		1	PR:NZ3
5	991 612 701 00	Wire set Glove box		1	

Model: 991G13

Model life 2014>>



Model: 991G13 Model life 2014>>

Pos	Part Number	Description	Remark	Qty	Model
		Wiring looms	rear		
		Assembly frame			
		Additional brake light			
		Trim			
		Engine			
		Rear axle			
1	991 612 884 80	Wire set		1	
		Assembly frame			
		D >> - MJ 2017			
1	9P1 971 587 B	Wire set		1	
		Assembly frame			
		D - MJ 2018>>			
(1)	991 612 888 82	Wire set		1	
		Additional brake light			
		D >> - MJ 2017			
(1)	9P1 971 182	Wire set		1	
		Additional brake light			
		D - MJ 2018>>			
2	991 612 895 03	Wire set	rear	1	PR:-635,-636
		Trim			
		D >> - MJ 2017			
(2)	9P1 971 174 F	Wire set	rear	1	
		Trim			
		D - MJ 2018>>			
(2)	9P1 971 174 H	Wire set	rear	1	
		Trim			
		D - MJ 2018>>			
3	9A1 607 014 81	Wire set		1	
		Engine			
		D >> - MJ 2013			
3	9A1 607 014 81	Wire set		1	PR:IY1
		Engine			
		D - MJ 2014>> - MJ 2014			
(3)	9A1 607 014 82	Wire set		1	PR:IY2
		Engine			
		D - MJ 2014>> - MJ 2014			
(3)	9A1 607 014 82	Wire set		1	
		Engine			
		D - MJ 2015>> - MJ 2017			
(3)	9A1 607 014 84	Wire set		1	
		Engine			
		D - MJ 2015>> - MJ 2017			
(3)	9A1 607 014 83	Wire set		1	
		Engine			
		D - MJ 2018>>			
6	9A1 607 111 80	Cable guide		1	
			cylinders 1-3		
(6)	9A1 607 411 80	Cable holder		1	
			cylinders 1-3		
(6)	9A1 607 418 80	Cable holder		2	
			cylinders 1-3		
11	900 385 001 03	Torx screw		2	
		BM 8 X 20			
12	900 385 009 01	Torx screw		3	
		BM 6 X 16			
13	991 610 139 00	Bracket		1	
		Connection point			
		Wire set			
		Engine			
14	991 610 135 00	Cover		2	
		Connection point			
		Wire set			
		Rear axle			

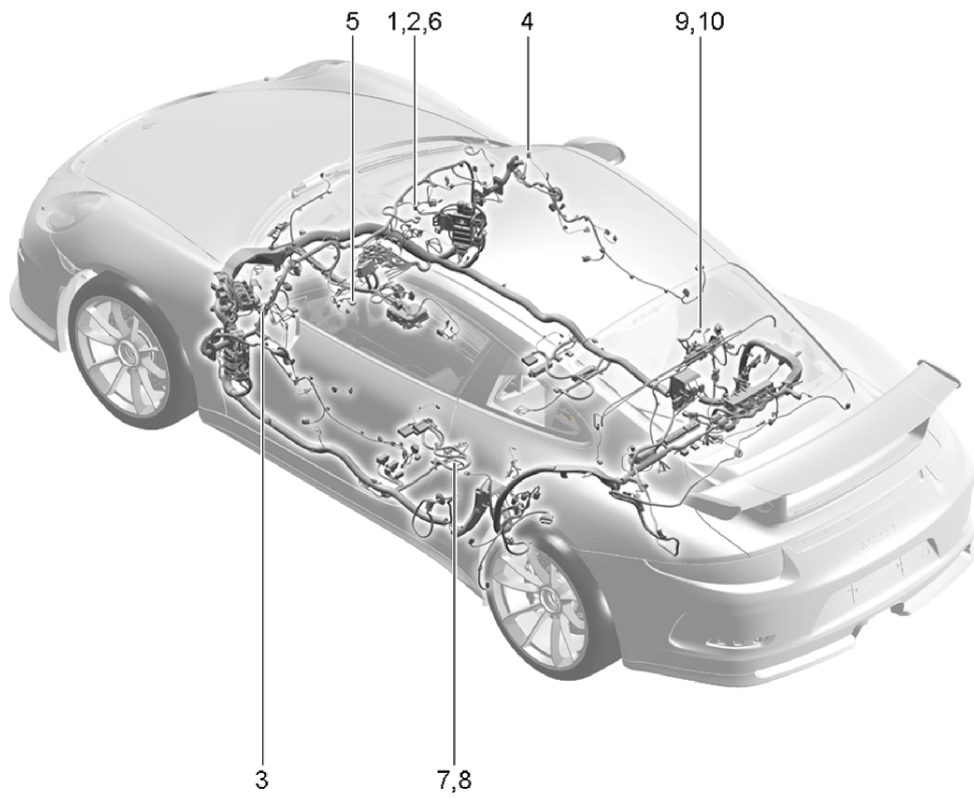
Model: 991G13

Model life 2014>>

Pos	Part Number	Description	Remark	Qty	Model
-	999 049 033 40	Plastic nut T 6		4	
15	991 609 133 80	Wire set Rear axle		2	PR:475
-		Wire set Front axle see illustration:	902-010		

Model: 991G13

Model life 2014>>



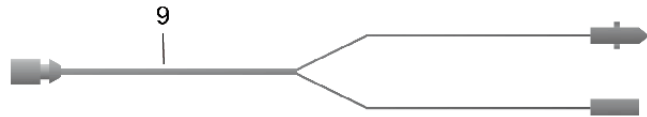
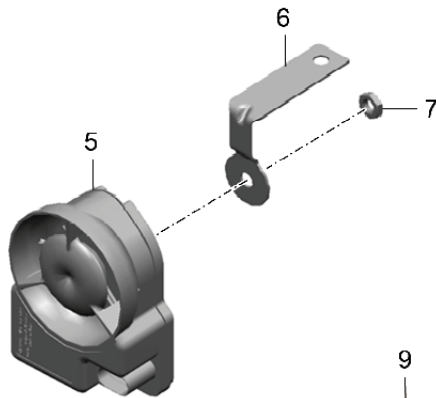
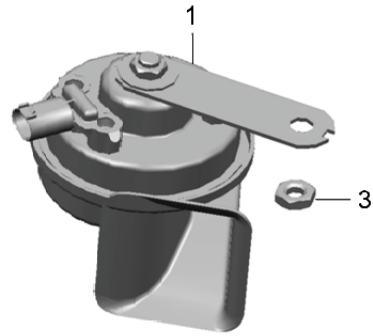
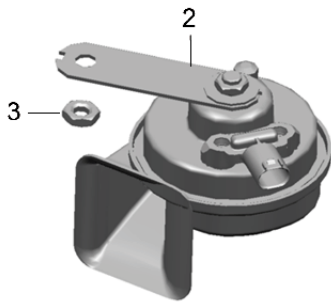
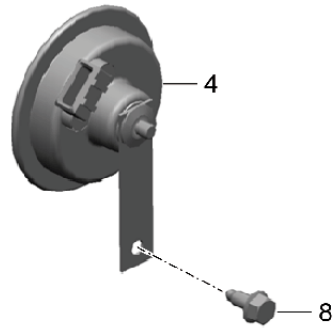
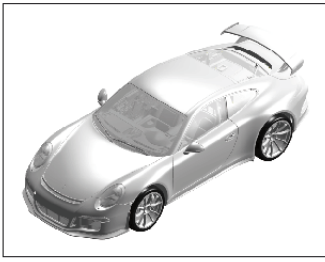
Model: 991G13

Model life 2014>>

Pos	Part Number	Description	Remark	Qty	Model
1	991 612 082 00	Wiring looms Airbag Seat belt Wire set Airbag unit (passenger side) Setting 1 To Connection point dashboard Connector Light green		1	
2	991 612 083 00	Wire set Airbag unit (passenger side) Setting2 To Connection point dashboard Connector yellow		1	
3	991 612 090 00	Wire set Airbag unit Driver's door To Connection point Door		1	
4	991 612 091 00	Wire set Airbag unit Passenger's door To Connection point Door		1	
7	991 612 084 01	Wire set Seat belt tensioner (drivers side) To Control unit Airbag Connector yellow		1	
9	991 612 085 51	Wire set Seat belt tensioner (passenger side) To Control unit Airbag Connector yellow		1	

Model: 991G13

Model life 2014>>



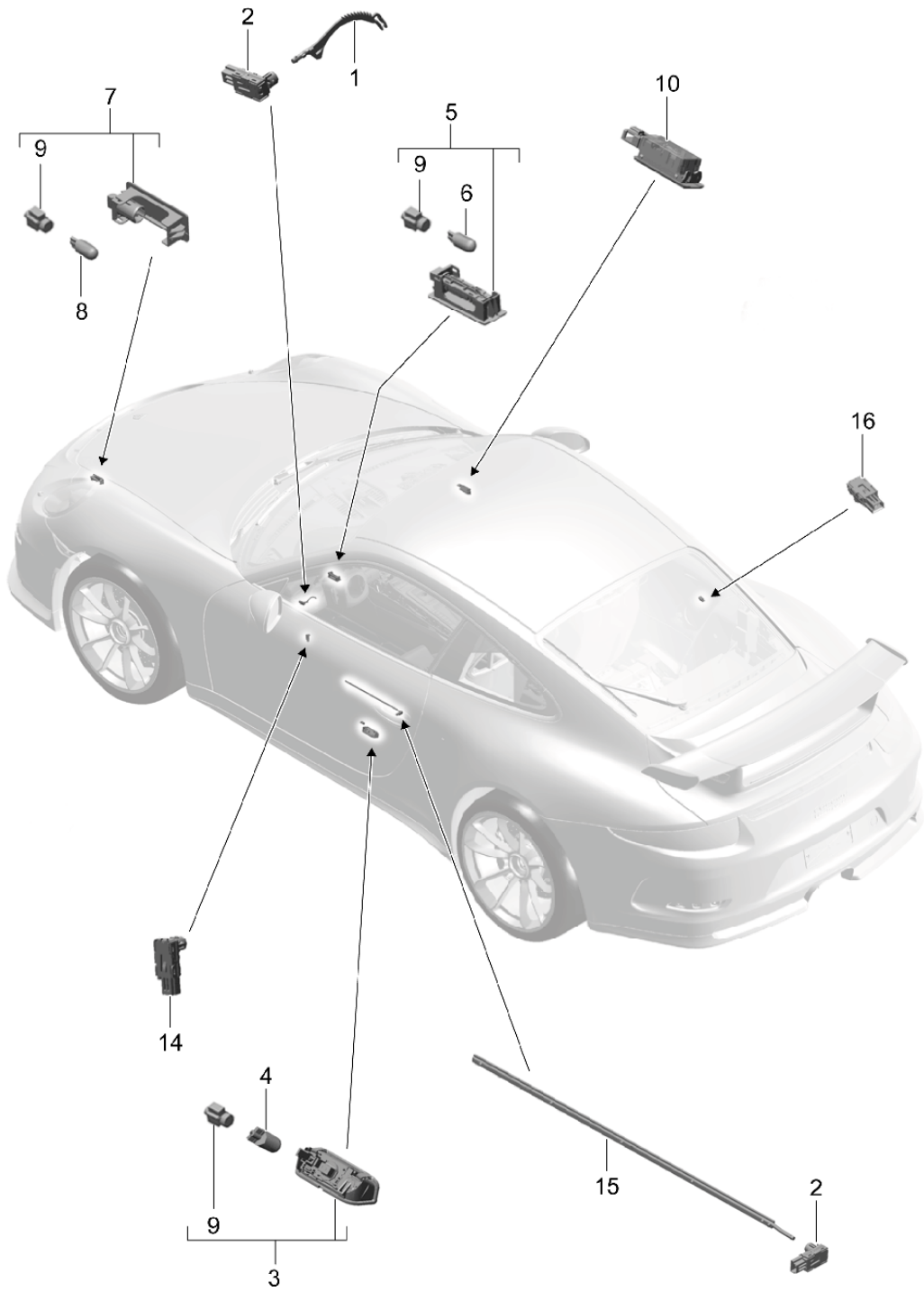
Model: 991G13

Model life 2014>>

Pos	Part Number	Description	Remark	Qty	Model
1	991 635 149 80	Fanfare Signal horn alarm system Fanfare with:	high tone	1	
1	991 635 149 81	Bracket D >> - MJ 2014 Fanfare with:	high tone	1	
2	991 635 150 80	Bracket D - MJ 2015>> Fanfare with:	low tone	1	
2	991 635 150 81	Bracket D >> - MJ 2014 Fanfare with:	low tone	1	
3	N 106 092 04	Bracket D - MJ 2015>> Hexagon collar nut M 8		2	
4	9P1 951 101	Signal horn for alarm system use if required:	9P1 998 003 A	1	PR:534
5	1K8 951 605 B	Alarm horn		1	PR:536
6	991 637 419 01	Bracket		1	PR:536
7	N 902 955 02	Hexagon collar nut M 8		1	PR:536
8	900 378 176 01	Hexagon bolt M 8 X 20		1	PR:534
9	9P1 998 003 A	Wire set Modification kit Signal horn		1	PR:534

Model: 991G13

Model life 2014>>



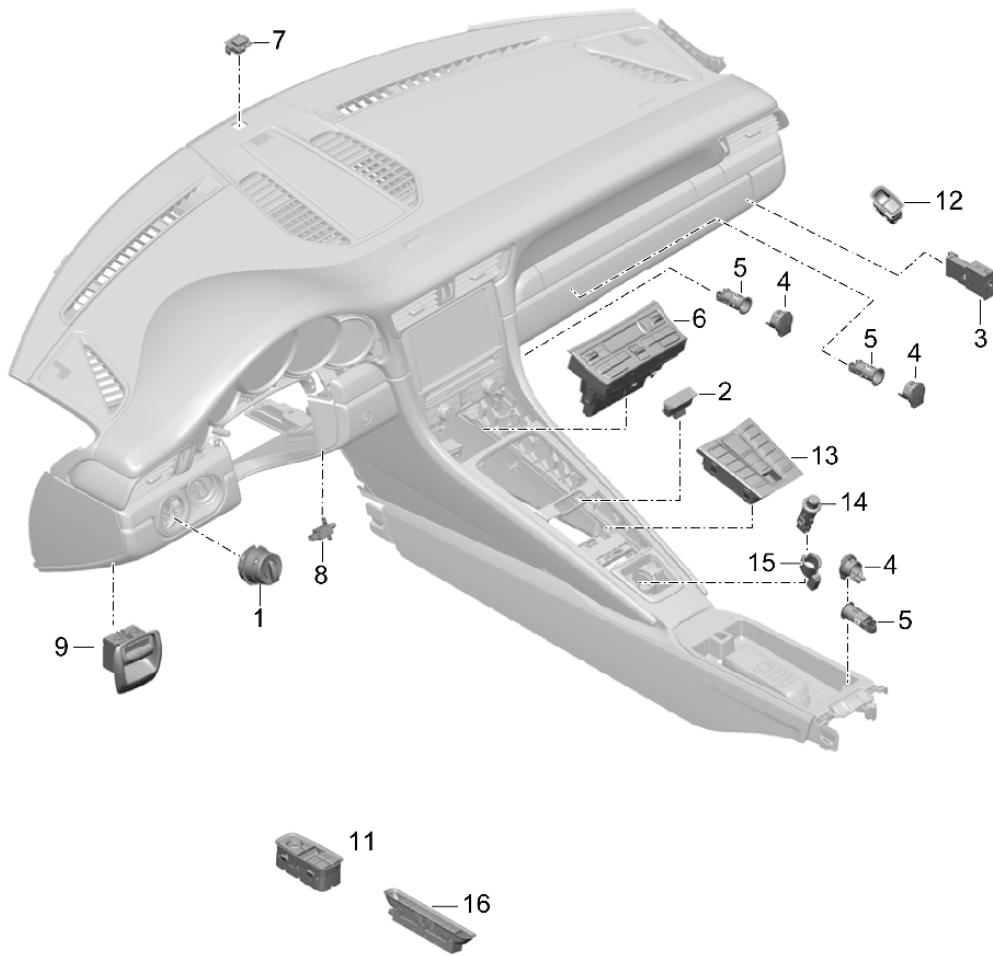
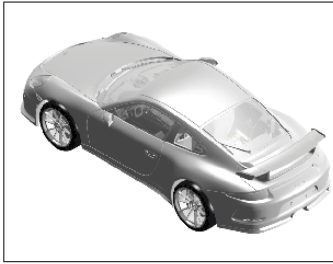
Model: 991G13

Model life 2014>>

Pos	Part Number	Description	Remark	Qty	Model
-		Interior lights Door warning light Footwell light Luggage compartment lamp Glove box light Light Exterior mirror interior light			
1	991 632 131 00	fibres optic conductor	903-006 lhd	1	PR:098
(1)	991 632 132 00	Ignition/starter switch fibres optic conductor	903-006 rhd	1	PR:099
2	7PP 947 101	Light		4	
3	970 632 135 01	Door warning light		2	
4	999 631 032 90	bulb 5 W		2	
5	991 632 024 00	Footwell light		2	PR:-630
(5)	991 632 133 00	Footwell light Included LED module		2	PR:630
6	999 631 040 90	bulb 5 W		2	PR:-630
7	991 632 020 00	Light		1	PR:-630
(7)	991 632 137 00	Luggage compartment Light Included LED module		1	PR:630
8	999 631 134 90	Luggage compartment bulb X6 W		1	PR:-630
9	970 632 187 00	Bulb holder		5	PR:-630
10	991 632 071 00	Glove box light		1	
14	991 632 085 00	Door handle light	left	1	PR:630
(14)	991 632 086 00	Door handle light	right	1	PR:630
15	991 632 189 00	fibres optic conductor	left	1	PR:630
(15)	991 632 190 00	Stowage compartment fibres optic conductor	right	1	PR:630
16	991 632 075 00	Stowage compartment Light Trim	rear	2	PR:630

Model: 991G13

Model life 2014>>



Model: 991G13 Model life 2014>>

Pos	Part Number	Description	Remark	Qty	Model
1	970 613 533 07	Switch Control panel		1	
	970 613 533 07 DML	Air conditioning switch for lighting			
2	991 613 332 00	Matt Black/hi-gloss chrome Combined switch		1	
		Hazard warning light sw. Central locking system			
3	991 613 332 00 A05	Matt black		1	PR:899
	958 613 165 00	Switch			
4	997 652 104 00	Airbag clamping ring		3	
		with:			
5	970 652 105 00	Cover		3	
6	991 653 201 15	Socket		1	PR:573,-342
		Control panel			
		Air conditioning			
		D >> - MJ 2014			
6	991 653 201 15 DML	Matt Black/hi-gloss chrome		1	PR:573,-342, IY1
	991 653 201 15	Control panel			
		Air conditioning			
		D - MJ 2015>> - MJ 2015			
6	991 653 201 15 DML	Matt Black/hi-gloss chrome		1	PR:573,-342, IY2
	991 653 201 17	Control panel			
		Air conditioning			
		D - MJ 2015>> - MJ 2015			
6	991 653 201 17 DML	Matt Black/hi-gloss chrome		1	PR:573,-342
	991 653 201 17	Control panel			
		Air conditioning			
		D - MJ 2016>> - MJ 2017			
(6)	991 653 201 17 DML	Matt Black/hi-gloss chrome		1	PR:573,-342
	9P1 907 039 AB	Control panel			
		Air conditioning			
		D - MJ 2018>>			
(6)	991 653 203 15	Matt Black/hi-gloss chrome		1	PR:342,573
	9P1 907 039 AB DML	Control panel			
		Air conditioning			
		D >> - MJ 2014			
(6)	991 653 203 15 DML	Matt Black/hi-gloss chrome		1	PR:342,573, IY1
	991 653 203 15	Control panel			
		Air conditioning			
		D - MJ 2015>> - MJ 2015			
(6)	991 653 203 15 DML	Matt Black/hi-gloss chrome		1	PR:342,573, IY2
	991 653 203 17	Control panel			
		Air conditioning			
		D - MJ 2015>> - MJ 2015			
(6)	991 653 203 17 DML	Matt Black/hi-gloss chrome		1	PR:342,573
	991 653 203 17	Control panel			
		Air conditioning			
		D - MJ 2016>> - MJ 2017			
(6)	991 653 203 17 DML	Matt Black/hi-gloss chrome		1	PR:342,573
	9P1 907 039 AC	Control panel			
		Air conditioning			
		D - MJ 2018>>			
(6)	991 653 201 81	Matt Black/hi-gloss chrome		1	PR:-342,574, IY2
	991 653 201 81	Control panel			
		Air conditioning			
		D - MJ 2015>> - MJ 2015			
(6)	991 653 201 81 DML	Matt Black/hi-gloss chrome		1	PR:-342,574
	991 653 201 81	Control panel			
		Air conditioning			
		D - MJ 2016>>			
	991 653 201 81 DML	Matt Black/hi-gloss chrome			

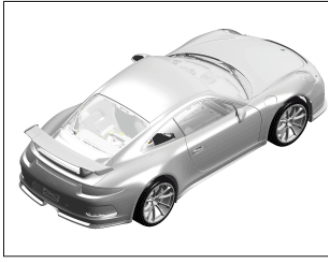
Model: 991G13

Model life 2014>>

Pos	Part Number	Description	Remark	Qty	Model
7	991 653 243 00	Sun sensor Air conditioning		1	PR:573
8	991 653 241 02	Temperature sensor	inner	1	PR:573
-	999 919 167 09	fillister hd. bolt 3,0 X 10,0		2	PR:573
9	991 613 251 00	Switch Electric parking brake		1	
	991 613 251 00 1E0	Black			
11	991 613 151 02	Switch for electric window regulator		1	PR:254,256
		Exterior mirror (drivers side)			
	991 613 151 02 DML	Matt Black/hi-gloss chrome			
12	7PP 959 855 E	Switch for electric window regulator		1	
		(passenger side)			
	7PP 959 855 E DML	Matt Black/hi-gloss chrome			
13	991 613 965 05	Combined switch Centre console repair set		1	
		D >> - MJ 2016			
	991 613 965 05 DML	Matt Black/hi-gloss chrome			
(13)	991 613 965 50	Combined switch Centre console repair set		1	
		D - MJ 2017>>			
	991 613 965 50 DML	Matt Black/hi-gloss chrome			
14	970 652 101 00	Cigarette lighter		1	PR:583
	970 652 101 00 A05	Matt black			
15	7PP 919 341	Spring pin Headlight unit		1	PR:583
16	991 613 105 01	Switch Cover	front and rear	1	
	991 613 105 01 A05	Matt black			

Model: 991G13

Model life 2014>>



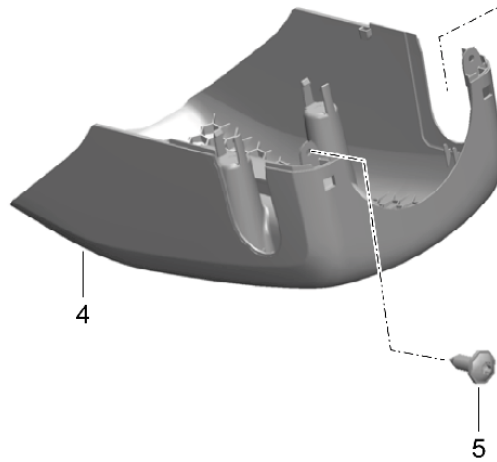
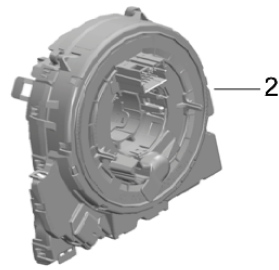
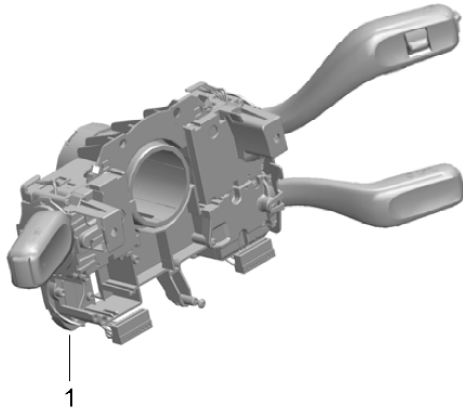
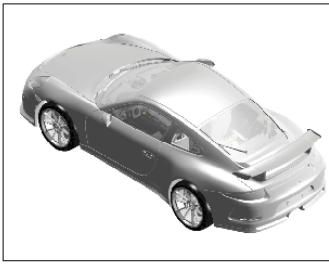
Model: 991G13

Model life 2014>>

Pos	Part Number	Description	Remark	Qty	Model
1	991 613 123 07	Console Roof Roof console		1	PR: -607, -608, -630
1	991 613 123 07 1E0 991 613 124 07	Black Roof console		1	PR: 607, 608, -630
1	991 613 124 07 1E0 991 613 223 07	Black Roof console		1	PR: 630, -607, -608
1	991 613 223 07 1E0 991 613 224 07	Black Roof console		1	PR: 607, 608, 630
	991 613 224 07 1E0	Black			

Model: 991G13

Model life 2014>>



Model: 991G13 Model life 2014>>

Pos	Part Number	Description	Remark	Qty	Model
1	991 613 043 50	Steering column switch Steering column switch		1	PR:288,840, 841,-454, -671,-456
1	991 613 043 50 1E0 970 613 043 50	Black Steering column switch		1	PR:288,454, 840,841,-671
(1)	970 613 043 50 1E0 991 613 051 50	Black Steering column switch		1	PR:288,426, 454,671,840, 843
(1)	991 613 051 50 1E0 970 613 051 50	Black Steering column switch		1	PR:288,426, 454
(1)	970 613 051 50 1E0 991 613 011 50	Black Steering column switch		1	PR:840,841, -288,-454, -671,-456
(1)	991 613 011 50 1E0 970 613 011 50	Black Steering column switch		1	PR:454,840, 841,-288, -671
(1)	970 613 011 50 1E0 991 613 019 50	Black Steering column switch		1	PR:671,840, 841,-288, -454,-456
(1)	991 613 019 50 1E0 970 613 019 50	Black Steering column switch		1	PR:454,671, 840,841,-288
2	970 613 019 50 1E0 958 652 568 03	Black Control unit Steering column switch		1	
		with: Spring steering sensor D >> - MJ 2016			
2	9A7 953 568 00	Control unit Steering column switch		1	
		with: Spring steering sensor D - MJ 2017>>			
4	991 552 475 00	Switch housing	lower	1	PR:647,655, -XNS
4	991 552 475 00 1E0 991 552 983 00	Black Switch housing	lower	1	PR:XNS,647, 655,454,456
		Leather Black Platinum Grey Luxor beige yachting blue agate grey Espresso Carrera Red Umber black/silver			
(4)	991 552 983 00 A11 991 552 983 00 9B0 991 552 983 00 7J0 991 552 983 00 6A0 991 552 983 00 OA1 991 552 983 00 6J0 991 552 983 00 N12 991 552 983 00 DE1 991 552 983 00 DSL 991 552 983 02	Switch housing	lower	1	PR:XNS,647, 655,-454, -456
		Leather Black Platinum Grey Luxor beige			

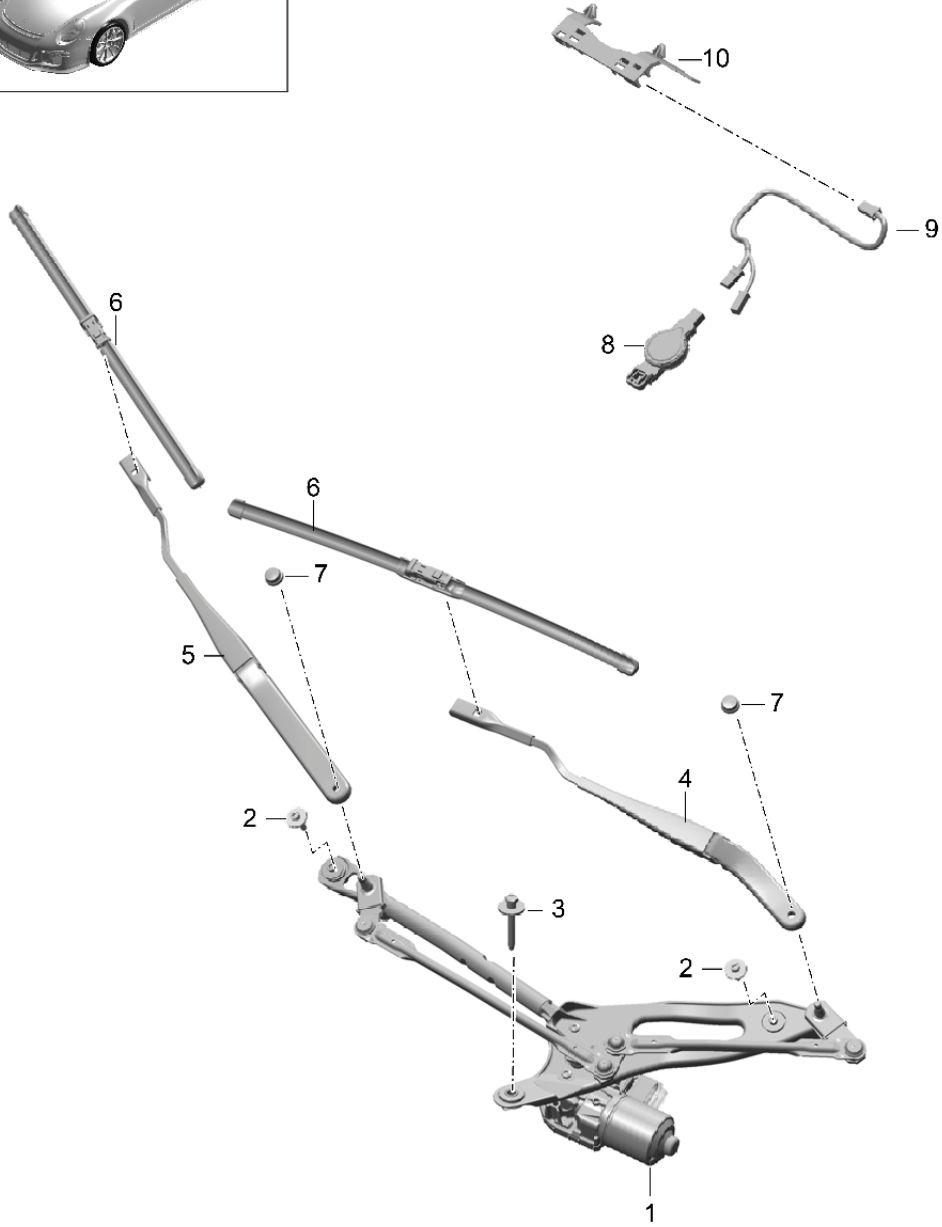
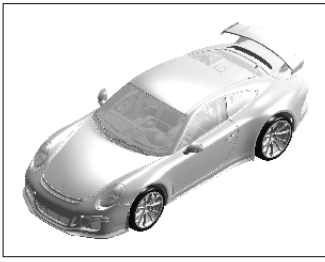
Model: 991G13

Model life 2014>>

Pos	Part Number	Description	Remark	Qty	Model
	991 552 983 02 6A0	yachting blue			
	991 552 983 02 OA1	agate grey			
	991 552 983 02 6J0	Espresso			
	991 552 983 02 N12	Carrera Red			
	991 552 983 02 DE1	Umber			
	991 552 983 02 DSL	black/silver			
5	999 073 155 09	panel screw ST 4,2 X 13		4	
7	991 552 473 01	Switch housing	upper	1	PR: -XNS
	991 552 473 01 1E0	Black			
7	991 552 984 00	Switch housing	upper	1	PR: XNS
		Leather			
	991 552 984 00 A11	Black			
	991 552 984 00 9B0	Platinum Grey			
	991 552 984 00 7J0	Luxor beige			
	991 552 984 00 6A0	yachting blue			
	991 552 984 00 OA1	agate grey			
	991 552 984 00 6J0	Espresso			
	991 552 984 00 N12	Carrera Red			
	991 552 984 00 DSL	black/silver			

Model: 991G13

Model life 2014>>



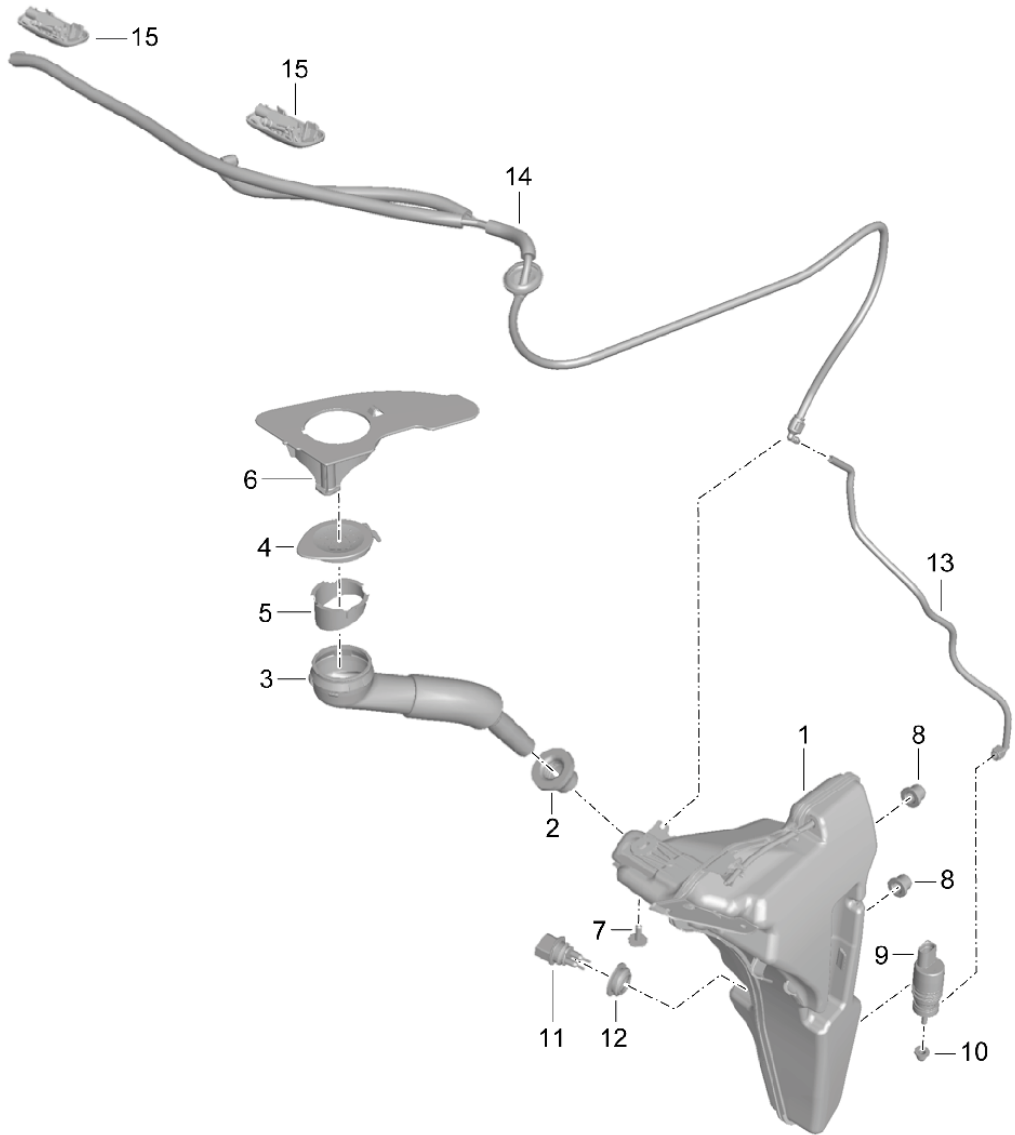
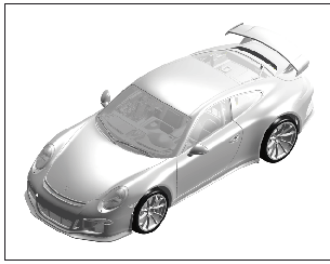
Model: 991G13

Model life 2014>>

Pos	Part Number	Description	Remark	Qty	Model
1	991 628 035 06	Windscreen wiper system, compl Rain sensor Wiper motor	lhd	1	PR:098
		with:			
1	991 628 036 06	Crank drive Wiper motor	rhd	1	PR:099
		with:			
2	900 387 017 02	Crank drive Bolt with washer M 6 X 25 SC		2	
3	999 141 302 02	Bolt with washer M 8 X 60		1	
4	991 628 121 01	Wiper arm (drivers side)	lhd	1	PR:098
(4)	991 628 131 02	Wiper arm (passenger side)	rhd	1	PR:099
5	991 628 122 02	Wiper arm (passenger side)	lhd	1	PR:098
(5)	991 628 132 01	Wiper arm (drivers side)	rhd	1	PR:099
6	991 628 901 00	1 set: wiper blades (drivers side) (passenger side)	front LHD	1	PR:098
(6)	991 628 903 00	1 set: wiper blades (drivers side) (passenger side)	front RHD	1	PR:099,-631, -632,-852
7	991 628 305 00	cap for wiper arm		2	
(7)	N 106 092 04	Hexagon collar nut Mount Wiper arm		2	
8	991 615 108 01	Rain sensor		1	
-	4E0 955 609	Gel foil for rain sensor (self-adhesive)		1	
9	991 612 691 00	Rain sensor Wire set		1	
10	991 610 119 00	Rain sensor Bracket Wire set Rain sensor		1	

Model: 991G13

Model life 2014>>



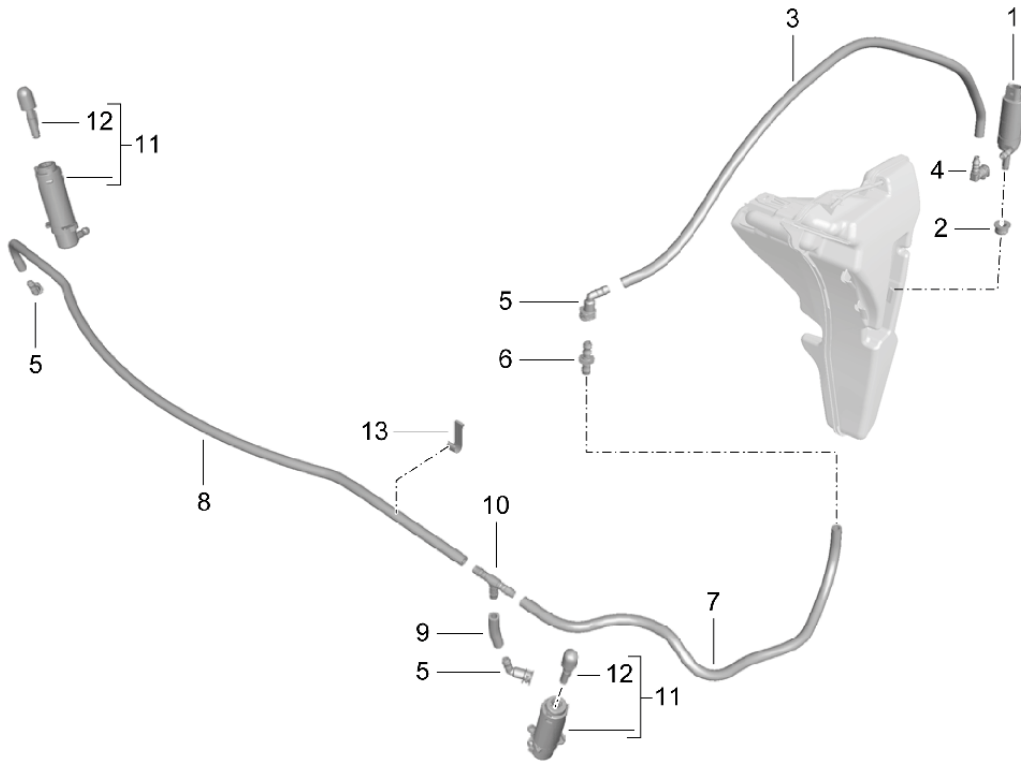
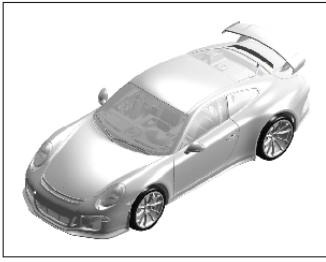
Model: 991G13

Model life 2014>>

Pos	Part Number	Description	Remark	Qty	Model
(1)	991 528 701 00	Windscreen washer system Water reservoir		1	PR:-288
(1)	991 528 705 90	Water reservoir		1	PR:288
2	955 528 711 01	Seal		1	
3	991 528 403 00	fuel filler neck		1	
4	991 528 413 00	Cover		1	
5	8Z0 955 485	strainer		1	
6	991 528 503 01	Bracket for filler neck		1	
7	N 911 883 01	Hexagon socket head bolt M 6 X 20		1	
8	999 702 221 40	Grommet		2	
9	1K5 955 651	Windscreen washer system pump		1	
10	958 628 712 00	Seal		1	
11	955 628 105 00	Water level switch		1	
12	955 528 721 00	Seal		1	
13	991 628 669 00	Hose line for washer water Pump		1	
		also use:	991 511 65102 (1E0)	1	
			991 511 65202 (1E0)	1	
14	991 628 667 03	Line Connection point jet Discontinued part		1	
14	991 628 667 04	Line Connection point jet Discontinued part		1	
14	991 628 667 05	Line Connection point jet		1	
15	991 628 073 00	jet D >> - MJ 2017		2	
(15)	991 628 075 00	jet D - MJ 2018>>		2	
-	999 901 017 42	Window cleaning solution 250 ML Summer		X	
-	999 901 033 40	Window cleaning solution 1000 ML Winter		X	

Model: 991G13

Model life 2014>>



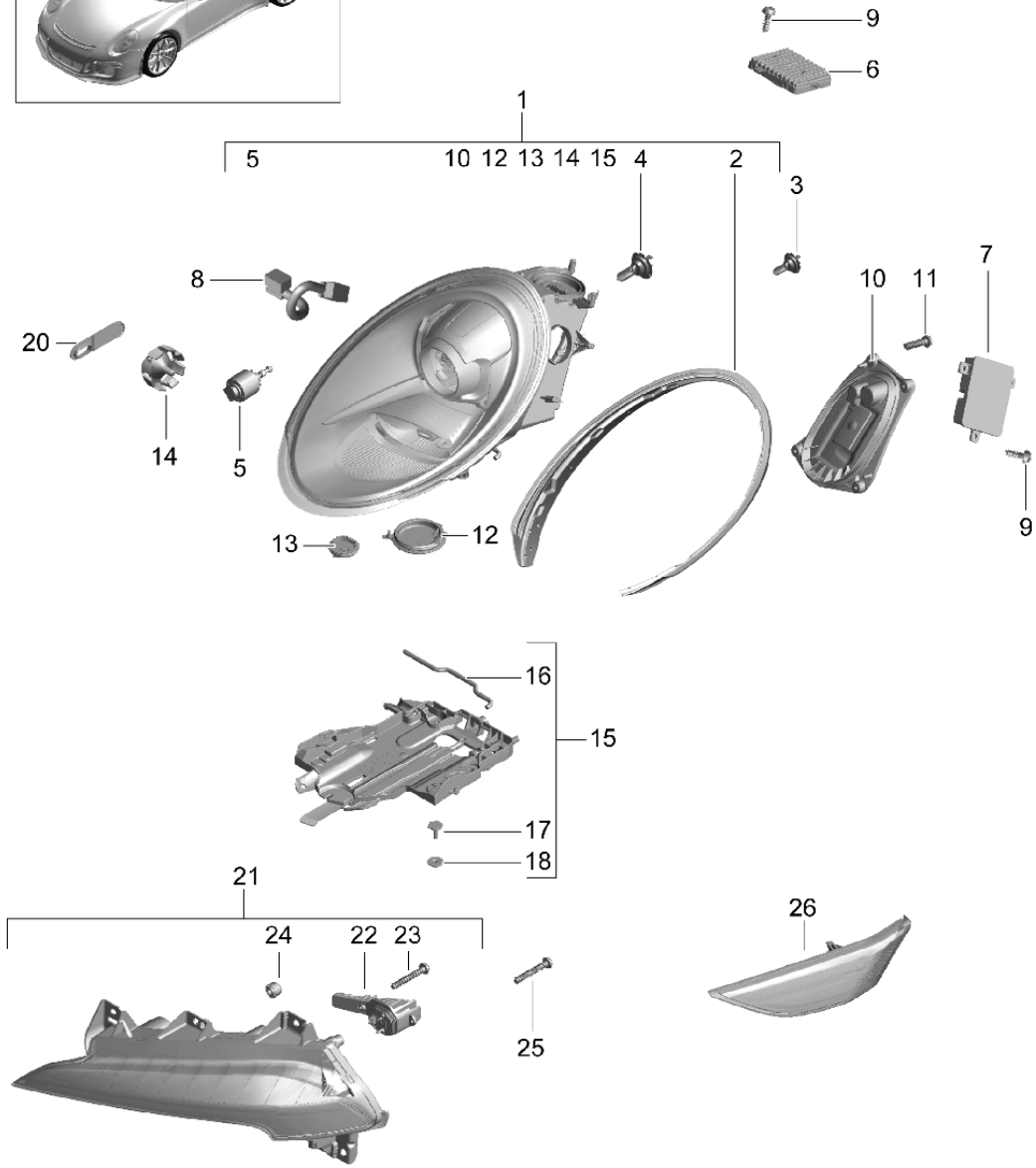
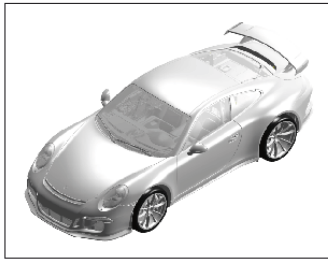
Model: 991G13

Model life 2014>>

Pos	Part Number	Description	Remark	Qty	Model
1	958 624 502 00	Headlight washer system Pump for headlight- washer system		1	PR:288
2	431 955 465 A	Seal		1	
-	000 043 204 79	Hose 8 X 3		*	
3			shorten to: 905 MM	1	
4	8E0 955 665	Elbow fitting		1	
5	997 628 205 00	Coupling		3	
6	991 628 208 01	Hose connector		1	
-	000 043 204 79	Hose 8 X 3		*	
7			shorten to: 620 MM	1	
8			shorten to: 1225 MM	1	
9			shorten to: 65 MM	1	
10	113 955 975 B	t-piece		1	
11	997 628 163 01	jet chromed		2	PR:-011
			with:		
(11)	991 628 167 00	Nozzle head jet Matt black		2	PR:011
			with:		
12	997 628 263 00	Nozzle head Nozzle head chromed		2	PR:-011
(12)	991 628 265 00	Nozzle head Matt black		2	PR:011
13	999 507 164 01	Cable fastener		7	
-	997 628 981 02	Cap primed for POS 11 + 12		2	PR:XUB

Model: 991G13

Model life 2014>>



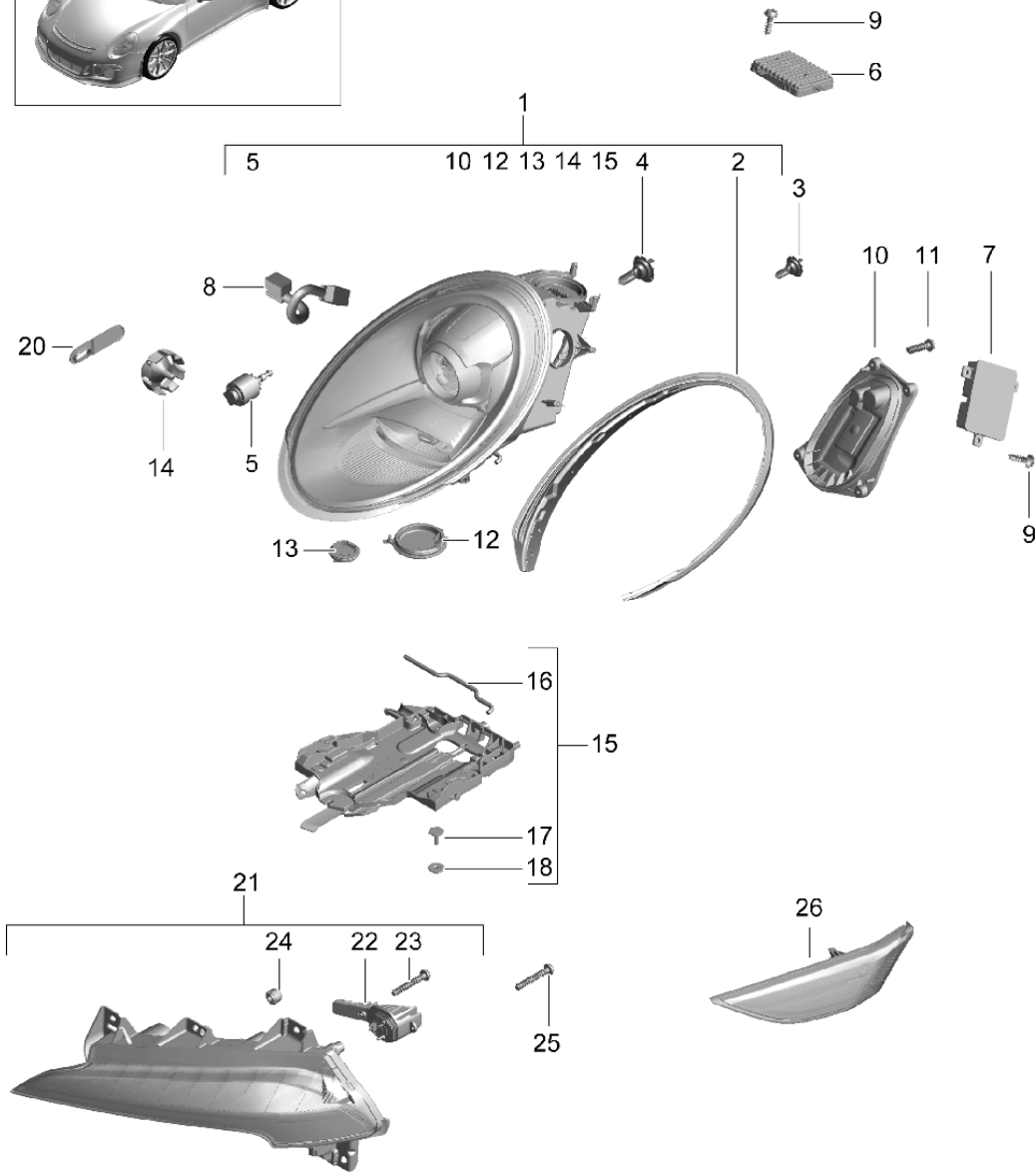
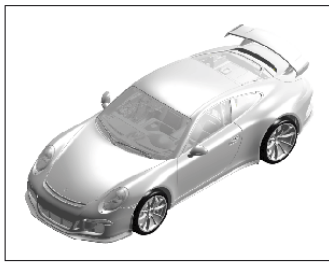
Model: 991G13

Model life 2014>>

Pos	Part Number	Description	Remark	Qty	Model
-		Headlights Additional headlight Turn signal indicator side marker light Turn signal repeater D >> - MJ 2017 Headlights without: Control unit and bulb XENON			PR:601
1	991 631 221 05	Headlights	left	1	
(1)	991 631 222 05	Headlights	right	1	
1	991 631 223 05	Headlights	left	1	PR:492
(1)	991 631 224 05	Headlights	right	1	PR:492
2	991 631 315 02	Seal	left	1	
(2)	991 631 316 02	Seal	right	1	
3	999 631 070 90	Gas discharge lamp D3S		2	
4	999 631 133 91	Halogen bulb H 7		2	
5	991 631 327 03	Servomotor		2	
6	991 618 327 17	Headlight range control Control unit Headlight range control		2	
7	991 618 323 03	Control unit		2	
8	991 631 323 00	Connecting line		2	
9	999 919 159 09	fillister hd. bolt 4,0 X 12,0		12	
10	991 631 311 00	Protective hood	left	1	
(10)	991 631 312 00	Protective hood	right	1	
11	991 631 377 00	Screw		8	
12	991 631 313 00	Protective hood High beam ventilation valve		2	
13	997 631 267 01	ventilation valve		2	
15	991 631 201 01	Mounting for main beam headl.	left	1	
(15)	991 631 202 01	Mounting for main beam headl.	right	1	
16	991 631 401 00	Retainer bracket		2	
17	991 631 373 00	Screw		4	
18	991 631 371 00	Locknut		4	
20	991 631 101 00	Bungs		6	
-		Additional headlight			
21	991 631 151 80	Additional headlight	left	1	
(21)	991 631 152 80	Additional headlight	right	1	
22	991 631 251 01	LED module Position light		2	
23	997 631 297 00	Screw		4	
24	987 631 291 00	Cover cap		2	
25	999 919 246 01	fillister hd. bolt 6,0 X 18,0		6	
26	991 631 255 03	Turn signal repeater	left	1	PR:-075
(26)	991 631 256 03	Turn signal repeater	right	1	PR:-075
(26)	991 631 255 81	Turn signal repeater	left	1	
(26)	991 631 256 81	Turn signal repeater	right	1	

Model: 991G13

Model life 2014>>



Model: 991G13

Model life 2014>>

Pos	Part Number	Description	Remark	Qty	Model
-		Headlights Additional headlight Turn signal indicator side marker light Turn signal repeater D >> - MJ 2017 Headlights Control unit and bulb XENON without:			PR:603
1	991 631 231 05	Headlights	left	1	PR:-XEX
1	991 631 993 50	Headlights	left	1	PR:XEX
(1)	991 631 232 05	Headlights	right	1	PR:-XEX
(1)	991 631 232 06	Headlights	right	1	PR:-XEX
(1)	991 631 994 50	Headlights	right	1	PR:XEX
1	991 631 233 05	Headlights	left	1	PR:492,-XEX
1	991 631 233 06	Headlights	left	1	PR:492,-XEX
1	991 631 995 50	Headlights	left	1	PR:XEX,492
(1)	991 631 234 05	Headlights	right	1	PR:492,-XEX
(1)	991 631 234 06	Headlights	right	1	PR:492,-XEX
(1)	991 631 996 50	Headlights	right	1	PR:XEX,492
2	991 631 315 02	Seal	left	1	
(2)	991 631 316 02	Seal	right	1	
3	999 631 070 90	Gas discharge lamp D3S		2	
4	999 631 133 91	Halogen bulb H 7		2	
5	991 631 327 03	Servomotor Headlight range control		2	
6	991 618 321 17	Control unit Headlight range control		2	
7	991 618 323 03	Control unit		2	
8	991 631 323 00	Connecting line		2	
9	999 919 159 09	fillister hd. bolt 4,0 X 12,0		12	
10	991 631 311 00	Protective hood	left	1	
(10)	991 631 312 00	Protective hood	right	1	
11	991 631 377 00	Screw		8	
12	991 631 313 00	Protective hood High beam ventilation valve		2	
13	997 631 267 01	ventilation valve		2	
15	991 631 201 01	Mounting for main beam headl.	left	1	
(15)	991 631 202 01	Mounting for main beam headl.	right	1	
16	991 631 401 00	Retainer bracket		2	
17	991 631 373 00	Screw		4	
18	991 631 371 00	Locknut		4	
20	991 631 101 00	Bungs		6	
-		Additional headlight			
21	991 631 151 80	Additional headlight	left	1	
(21)	991 631 152 80	Additional headlight	right	1	
22	991 631 251 01	LED module Position light		2	
23	997 631 297 00	Screw		4	
24	987 631 291 00	Cover cap		2	
25	999 919 246 01	fillister hd. bolt 6,0 X 18,0		6	
26	991 631 255 03	Turn signal repeater	left	1	PR:-075
26	991 631 255 04	Turn signal repeater	left	1	
(26)	991 631 256 03	Turn signal repeater	right	1	PR:-075
(26)	991 631 256 04	Turn signal repeater	right	1	
(26)	991 631 255 81	Turn signal repeater	left	1	

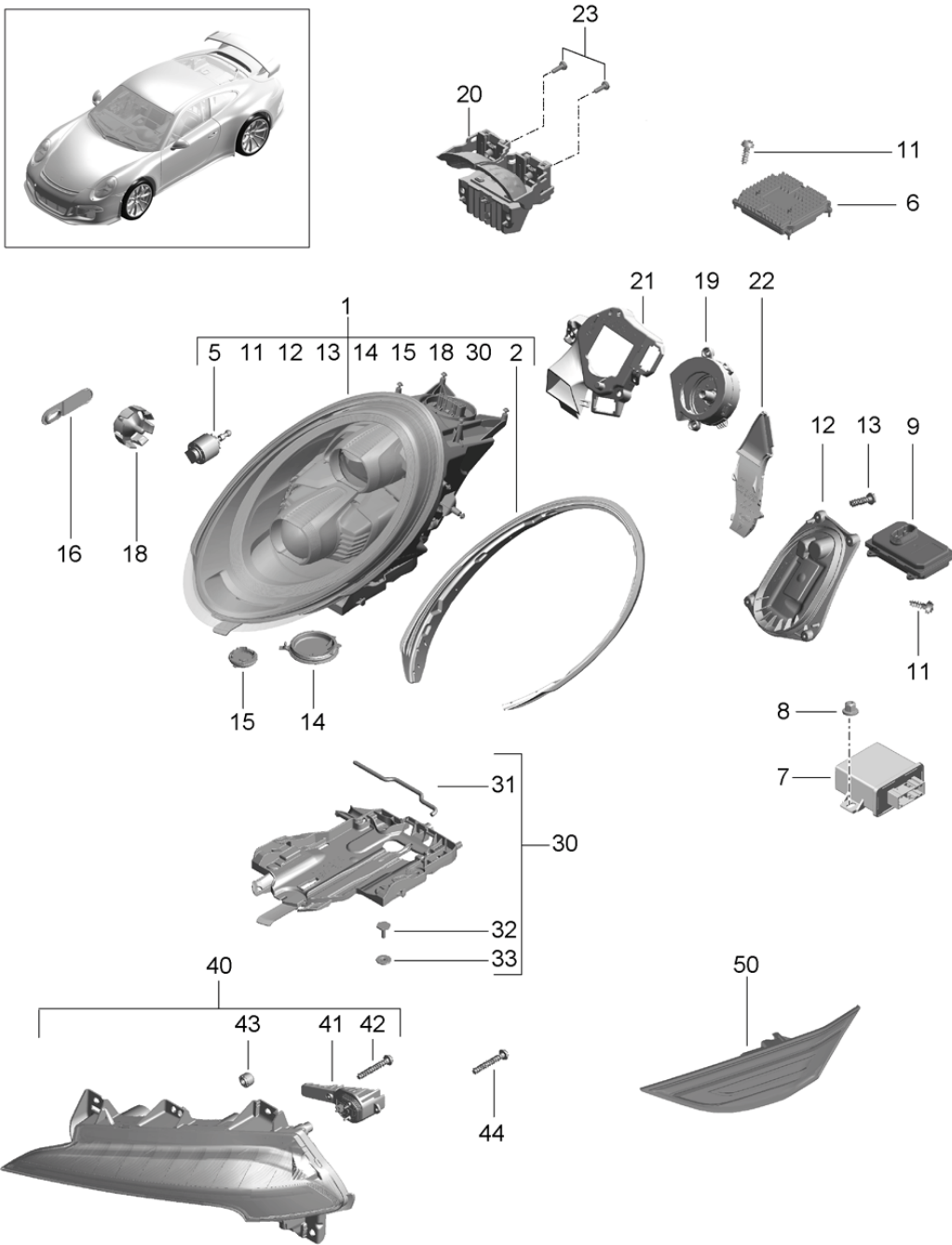
Model: 991G13

Model life 2014>>

Pos	Part Number	Description	Remark	Qty	Model
(26)	991 631 256 81	Turn signal repeater	right	1	

Model: 991G13

Model life 2014>>



Model: 991G13

Model life 2014>>

Pos	Part Number	Description	Remark	Qty	Model
-		LED headlight Additional headlight Turn signal indicator side marker light Turn signal repeater D >> - MJ 2017 Headlights without: Control unit and bulb LED			PR:602,XEY
1	991 631 271 03	LED headlight D >> - 09.12.2013	left	1	PR:-IY2, -492,-XEY
1	991 631 271 04	LED headlight D - 10.12.2013>> - 24.02.2014	left	1	PR:IY2,-492, -XEY
1	991 631 271 10	LED headlight D - 25.02.2014>> - 08.12.2014	left	1	PR:-492,-XEY
1	991 631 271 11	LED headlight D - 09.12.2014>> - 31.12.2016	left	1	PR:-492,-XEY
1	991 631 271 22	LED headlight D - 04.01.2017>>	left	1	PR:-492,-XEY
(1)	991 631 272 03	LED headlight D - 10.12.2013>> - 24.02.2014	right	1	PR:-IY2, -492,-XEY
(1)	991 631 272 04	LED headlight D - 10.12.2013>> - 24.02.2014	right	1	PR:IY2,-492, -XEY
(1)	991 631 272 10	LED headlight D - 10.12.2013>> - 24.02.2014	right	1	PR:-492,-XEY
(1)	991 631 272 11	LED headlight D - 09.12.2014>> - 31.12.2016	right	1	PR:-492,-XEY
(1)	991 631 272 22	LED headlight D - 04.01.2017>>	right	1	PR:-492,-XEY
1	991 631 273 03	LED headlight D >> - 09.12.2013	left	1	PR:-IY2,492, -XEY
1	991 631 273 04	LED headlight D - 10.12.2013>> - 24.02.2014	left	1	PR:IY2,492, -XEY
1	991 631 273 10	LED headlight D - 25.02.2014>> - 08.12.2014	left	1	PR:492,-XEY
1	991 631 273 11	LED headlight D - 09.12.2014>> - 31.12.2016	left	1	PR:492,-XEY
1	991 631 273 22	LED headlight D - 04.01.2017>>	left	1	PR:492,-XEY
(1)	991 631 274 03	LED headlight D >> - 09.12.2013	right	1	PR:-IY2,492, -XEY
(1)	991 631 274 04	LED headlight D - 10.12.2013>> - 24.02.2014	right	1	PR:IY2,492, -XEY
(1)	991 631 274 10	LED headlight D - 25.02.2014>> - 08.12.2014	right	1	PR:492,-XEY
(1)	991 631 274 11	LED headlight D - 09.12.2014>> - 31.12.2016	right	1	PR:492,-XEY
(1)	991 631 274 22	LED headlight D - 04.01.2017>>	right	1	PR:492,-XEY
1	991 631 963 50	LED headlight D >> - MJ 2016	left	1	PR:-492,
1	991 631 963 62	LED headlight D - MJ 2017>>	left	1	PR:-492, -553,XEY
(1)	991 631 964 50	LED headlight D >> - MJ 2016	right	1	PR:-492,
(1)	991 631 964 62	LED headlight D - MJ 2017>>	right	1	PR:-492, -553,XEY
1	991 631 965 50	LED headlight	left	1	PR:492,XEY

Model: 991G13

Model life 2014>>

Pos	Part Number	Description	Remark	Qty	Model
1	991 631 965 62	D >> - MJ 2016 LED headlight	left	1	PR:492,XEY
(1)	991 631 966 50	D - MJ 2017>> LED headlight	right	1	PR:492,XEY
(1)	991 631 966 62	D >> - MJ 2016 LED headlight	right	1	PR:492,XEY
2	991 631 315 02	Seal	left	1	
(2)	991 631 316 02	Seal	right	1	
5	991 631 327 03	Servomotor		2	
6	7PP 941 472 G	Headlight range control Power module for dipped beam LED module F A9-ES183 576>> F 99-ES181 562>>		2	
6	7PP 941 572 B	Control unit LED module F >> 99-ES181 540 F >> A9-ES183 576 F >> 99-ES181 562		2	
7	7PP 907 357 D	Control unit Headlight range control		2	
8	999 049 033 40	Plastic nut T6X16		2	
9	7PP 941 329 N	Control unit for LED headlight		2	
11	999 919 159 09	fillister hd. bolt 4,0 X 12,0		14	
12	991 631 317 00	Protective hood	left	1	
(12)	991 631 318 00	Protective hood	right	1	
13	991 631 377 00	Screw		8	
14	991 631 313 00	Protective hood		2	
15	997 631 267 01	High beam ventilation valve Additional headlight		2	
16	991 631 101 00	Bungs		6	
19	991 631 391 00	Fan		2	
20	991 631 397 00	LED module		2	
21	991 631 395 00	Bracket	left	1	
(21)	991 631 396 00	Fan Bracket	right	1	
22	991 631 393 00	Fan Air guide channel	left	1	
(22)	991 631 394 00	LED Air guide channel	right	1	
23	991 631 309 00	LED Oval-head screw 40X12 for LED module		4	
30	991 631 201 01	Mounting for main beam headl.	left	1	
(30)	991 631 202 01	Mounting for main beam headl.	right	1	
31	991 631 401 00	Retainer bracket		2	
32	991 631 373 00	Screw		4	
33	991 631 371 00	Locknut		4	
-		Additional headlight			
40	991 631 151 80	Additional headlight	left	1	
(40)	991 631 152 80	Additional headlight	right	1	
41	991 631 251 01	LED module Position light		2	
42	997 631 297 00	Screw		4	
43	987 631 291 00	Cover cap		2	

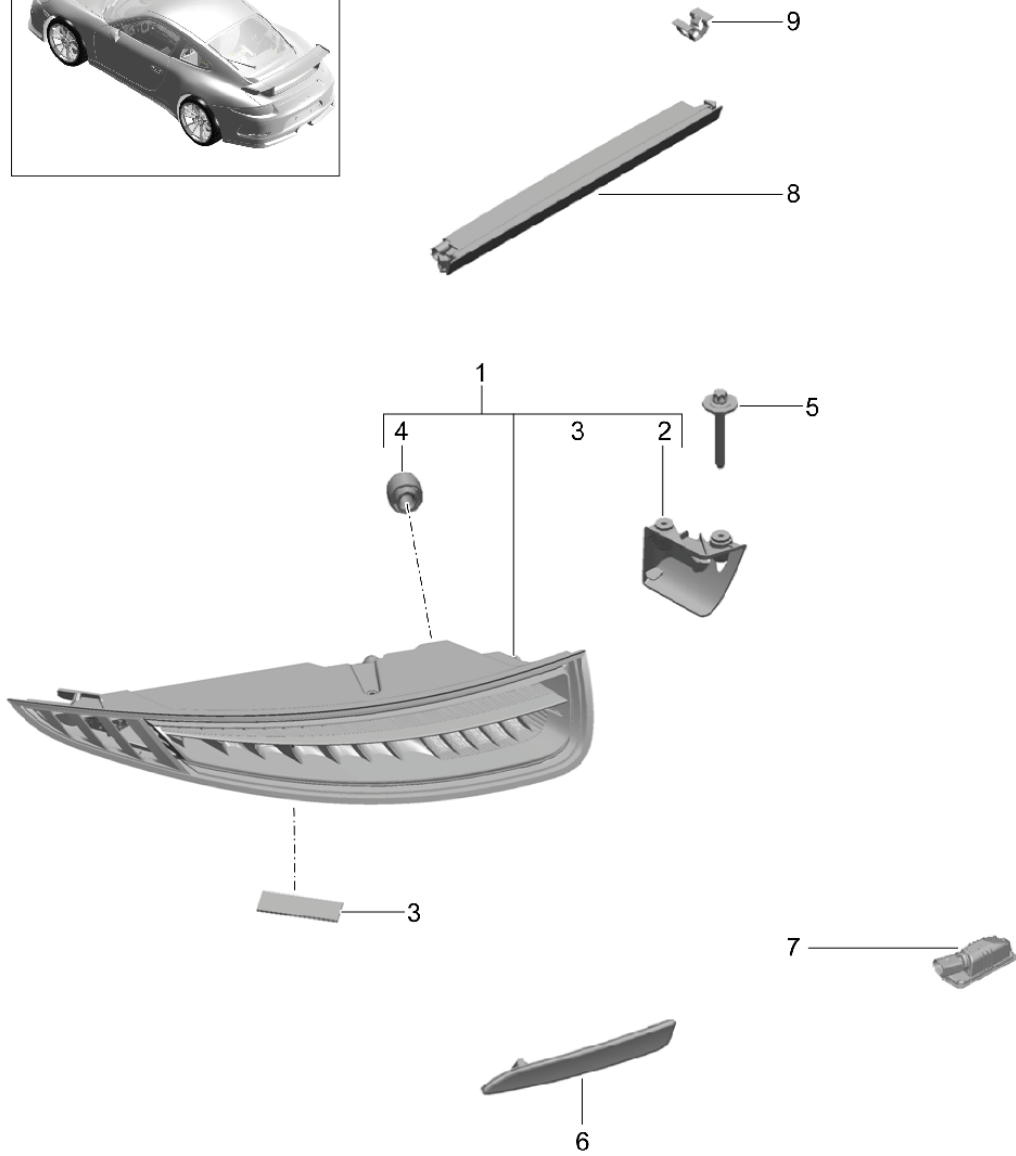
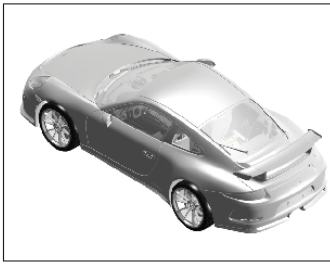
Model: 991G13

Model life 2014>>

Pos	Part Number	Description	Remark	Qty	Model
44	999 919 246 01	fillister hd. bolt 6,0 X 18,0		6	
(50)	991 631 255 03	Turn signal repeater	left	1	- "CN. "
(50)	991 631 255 04	Turn signal repeater	left	1	
(50)	991 631 255 05	Turn signal repeater	left	1	
(50)	991 631 256 03	Turn signal repeater	right	1	- "CN. "
(50)	991 631 256 04	Turn signal repeater	right	1	
(50)	991 631 256 05	Turn signal repeater	right	1	
(50)	991 631 255 81	Turn signal repeater	left	1	
(50)	991 631 256 81	Turn signal repeater	right	1	
(50)	991 631 256 81	Turn signal repeater	right	1	

Model: 991G13

Model life 2014>>

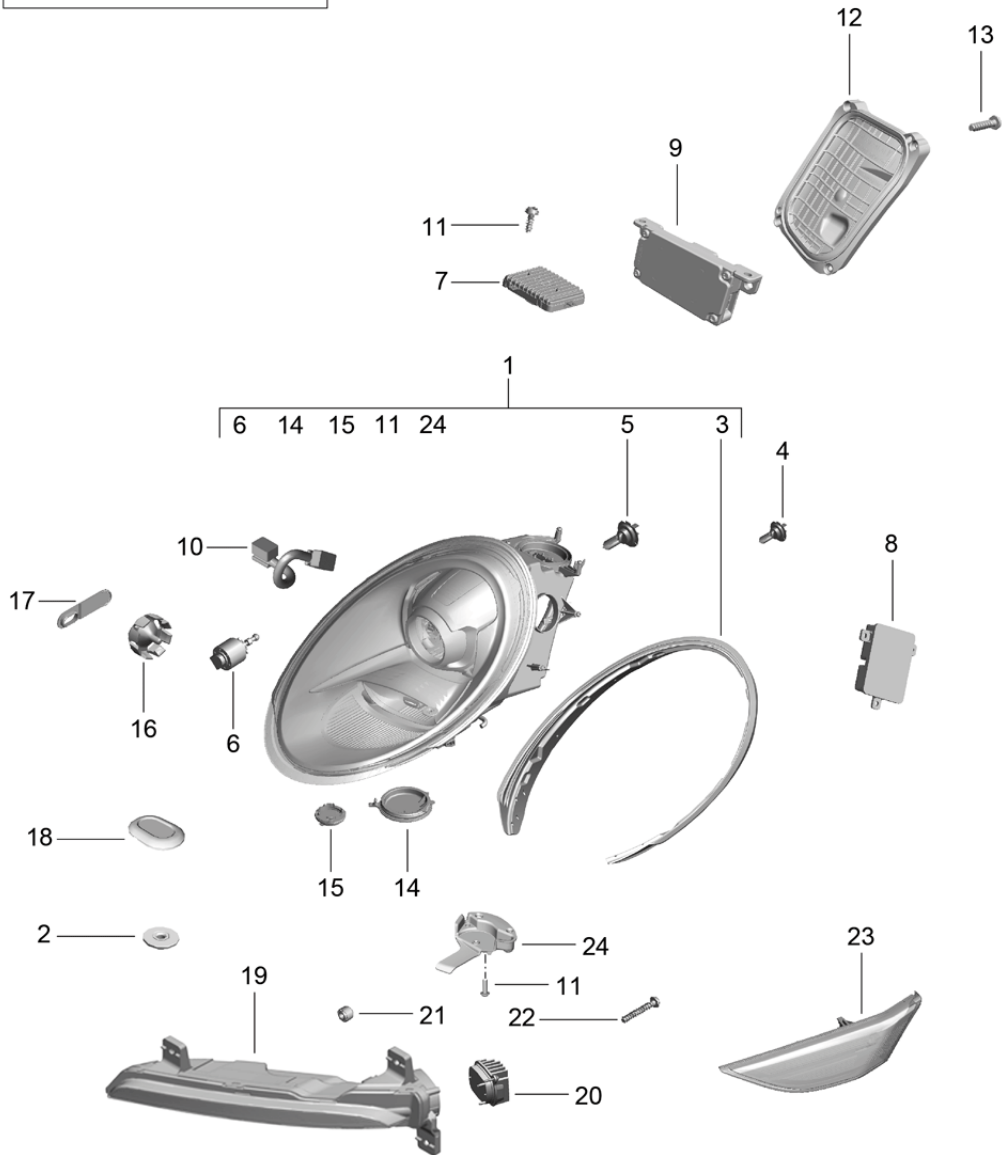
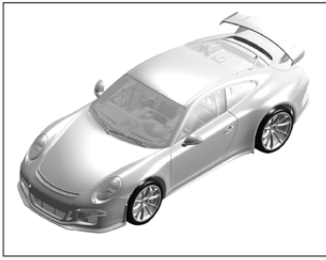


Model: 991G13 Model life 2014>>

Pos	Part Number	Description	Remark	Qty	Model
		Rear light Licence plate light Additional brake light D >> - MJ 2017			
1	991 631 141 12	Rear light D >> - MJ 2016	left	1	PR:465,-XXG
1	991 631 165 05	Rear light D - MJ 2017>>	left lhd	1	PR:465,098
1	991 631 983 00	Rear light D >> - MJ 2016	left	1	PR:XXG,465
1	991 631 143 12	Rear light D >> - MJ 2016	left	1	PR:-465,-XXG
1	991 631 167 05	Rear light D - MJ 2017>>	right lhd	1	PR:-465,098
1	991 631 985 00	Rear light D >> - MJ 2016	left	1	PR:XXG,-465
(1)	991 631 142 12	Rear light D >> - MJ 2016	right	1	PR:-466,-XXG
1	991 631 166 05	Rear light D - MJ 2017>>	right lhd	1	PR:-466,098
(1)	991 631 984 00	Rear light D >> - MJ 2016	right	1	PR:XXG,-466
(1)	991 631 144 12	Rear light D >> - MJ 2016	right	1	PR:466,-XXG
(1)	991 631 986 00	Rear light D >> - MJ 2016	right	1	PR:XXG,466
1	991 631 141 82	Rear light	left	1	PR:465,-XXG
1	991 631 983 02	Rear light	left	1	PR:XXG,465
1	991 631 143 82	Rear light	left	1	PR:-465,-XXG
1	991 631 985 02	Rear light	left	1	PR:XXG,-465
(1)	991 631 142 82	Rear light	right	1	PR:-466,-XXG
(1)	991 631 984 02	Rear light	right	1	PR:XXG,-466
(1)	991 631 144 82	Rear light	right	1	PR:466,-XXG
(1)	991 631 986 02	Rear light	right	1	PR:XXG,466
2	991 631 925 00	repair set Bracket comprising: Bracket Screw Ventilation component	left	1	
(2)	991 631 926 00	repair set Bracket comprising: Bracket Screw Ventilation component	right	1	
3	991 631 481 05	Stop buffer		4	
4	987 631 291 00	Cover cap		6	
5	999 073 554 01	Socket head bolt M 5 X 45		4	
6	991 631 495 80	rear light reflector	left	1	
(6)	991 631 496 80	rear light reflector	right	1	
7	1K8 943 021 C	LED licence plate light		2	
8	991 631 181 81	Additional brake light		1	
(8)	991 631 191 01	Additional brake light		1	
9	999 073 269 09	fillister hd. bolt M5X16 8.8 26D1		2	

Model: 991G13

Model life 2014>>



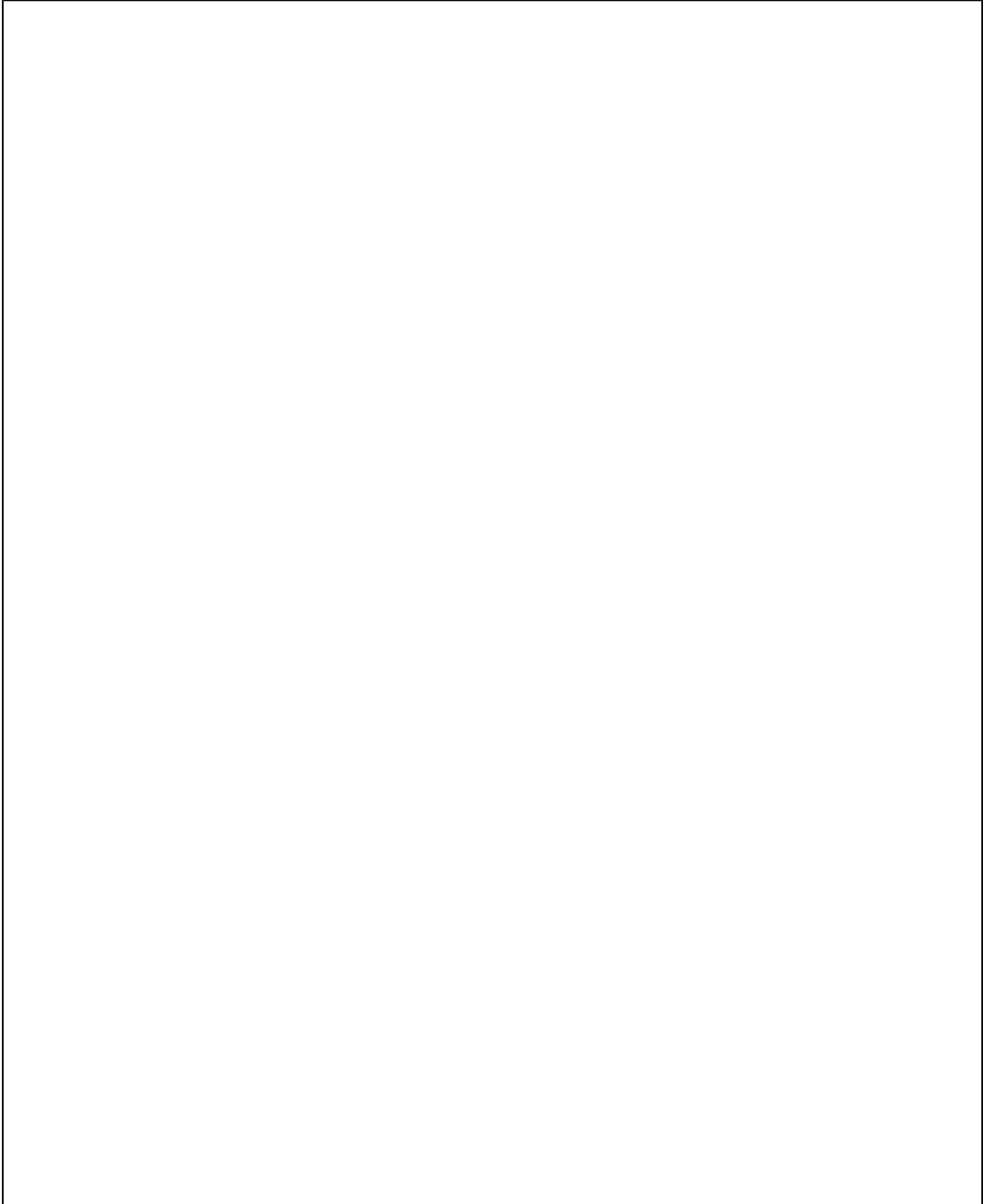
Model: 991G13

Model life 2014>>

Pos	Part Number	Description	Remark	Qty	Model
-		Headlights Additional headlight Turn signal indicator side marker light Turn signal repeater D - MJ 2018>> Headlights			PR:601
		without:			
		Control unit and bulb XENON			
1	991 631 211 02	Headlights	left	1	PR:-492
(1)	991 631 212 02	Headlights	right	1	PR:-492
(1)	991 631 213 02	Headlights	left	1	PR:492
(1)	991 631 214 02	Headlights	right	1	PR:492
2	991 631 371 01	Locknut		4	
3	991 631 315 02	Seal	left	1	
(3)	991 631 316 02	Seal	right	1	
4	999 631 070 90	Gas discharge lamp D3S		2	
5	999 631 133 91	Halogen bulb H 7		2	
6	991 631 327 03	Servomotor Headlight range control		2	
7	991 618 327 33	Control unit Headlight range control		2	
8	991 618 323 03	Control unit XENON		2	
(8)	8K0 941 597 E	Control unit for gas discharge lamp XENON		2	
9	7PP 941 597 B	Control unit LED Daytime driving lights		1	
10	991 631 323 00	Connecting line		2	
11	999 919 159 09	fillister hd. bolt 4,0 X 12,0		16	
12	991 631 341 01	Cap	left	1	
(12)	991 631 342 01	Cap	right	1	
13	991 631 377 00	Screw		8	
14	991 631 313 00	Protective hood High beam		2	
15	997 631 267 01	ventilation valve		2	
17	993 631 170 03	Bungs		6	
-		Additional headlight			
19	982 953 351	Additional headlight	left	1	
(19)	982 953 352	Additional headlight	right	1	
20	9P1 953 249	LED module	left	1	
(20)	9P1 953 249 A	LED module	right	1	
21	987 631 291 00	Cover cap		2	
22	999 919 246 01	fillister hd. bolt 6,0 X 18,0		6	
23	991 631 255 05	Turn signal repeater	left	1	
(23)	991 631 256 05	Turn signal repeater	right	1	
(50)	991 631 255 81	Turn signal repeater	left	1	
(50)	991 631 256 81	Turn signal repeater	right	1	
24	991 631 203 00	Retaining bar	left	1	
(24)	991 631 204 00	Retaining bar	right	1	

Model: 991G13

Model life 2014>>

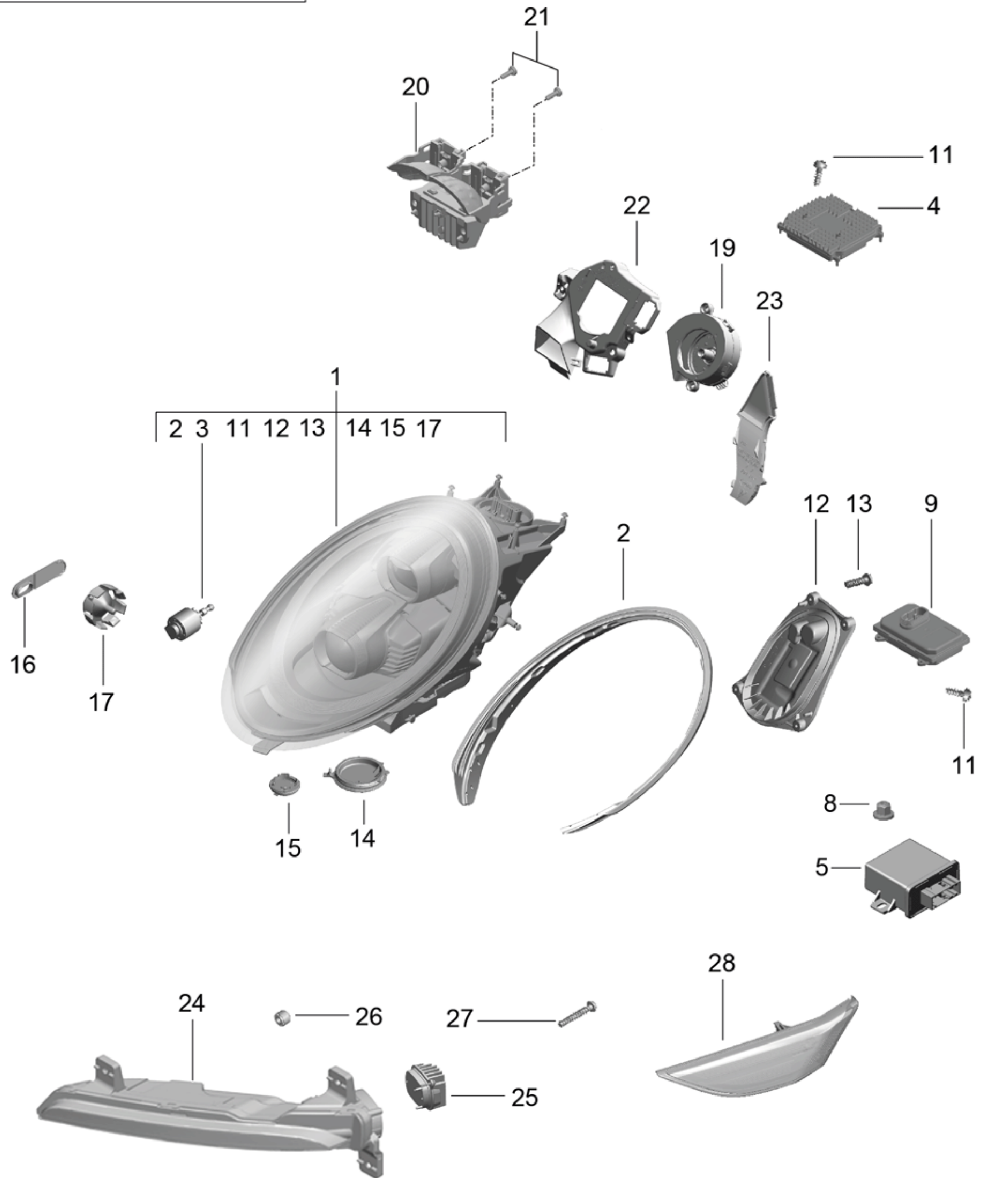
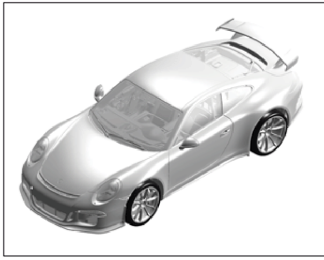


Model: 991G13 Model life 2014>>

Pos	Part Number	Description	Remark	Qty	Model
-		Headlights Additional headlight Turn signal indicator side marker light Turn signal repeater D - MJ 2018>> Headlights without:			PR:603
1	991 631 293 02	Headlights	left	1	PR:-492
(1)	991 631 294 02	Headlights	right	1	PR:-492
(1)	991 631 295 02	Headlights	left	1	PR:492
(1)	991 631 296 02	Headlights	right	1	PR:492
2	991 631 371 01	Locknut		4	
3	991 631 315 02	Seal	left	1	
(3)	991 631 316 02	Seal	right	1	
4	999 631 070 90	Gas discharge lamp D3S		2	
5	999 631 133 91	Halogen bulb H 7		2	
6	991 631 327 03	Servomotor Headlight range control		2	
7	991 618 321 33	Control unit Headlight range control		2	
8	991 618 323 03	Control unit XENON		2	
(8)	8K0 941 597 E	Control unit for gas discharge lamp XENON		2	
9	7PP 941 597 B	Control unit LED Daytime driving lights		1	
10	991 631 323 00	Connecting line		2	
11	999 919 159 09	fillister hd. bolt 4,0 X 12,0		16	
12	991 631 341 01	Cap	left	1	
(12)	991 631 342 01	Cap	right	1	
13	991 631 377 00	Screw		8	
14	991 631 313 00	Protective hood High beam		2	
15	997 631 267 01	ventilation valve		2	
17	993 631 170 03	Bungs		6	
-		Additional headlight			
19	982 953 351	Additional headlight	left	1	
(19)	982 953 352	Additional headlight	right	1	
20	9P1 953 249	LED module	left	1	
(20)	9P1 953 249 A	LED module	right	1	
21	987 631 291 00	Cover cap		2	
22	999 919 246 01	fillister hd. bolt 6,0 X 18,0		6	
23	991 631 255 05	Turn signal repeater	left	1	
(23)	991 631 256 05	Turn signal repeater	right	1	
24	991 631 203 00	Retaining bar	left	1	
(24)	991 631 204 00	Retaining bar	right	1	

Model: 991G13

Model life 2014>>



Model: 991G13 Model life 2014>>

Pos	Part Number	Description	Remark	Qty	Model
-		Headlights Additional headlight Turn signal indicator side marker light Turn signal repeater D - MJ 2018>> Headlights without:			PR:602,XEY
1	991 631 271 23	LED headlight	left	1	PR:-XEY,-492
(1)	991 631 272 23	LED headlight	right	1	PR:-XEY,-492
(1)	991 631 273 23	LED headlight	left	1	PR:-XEY,492
(1)	991 631 274 23	LED headlight	right	1	PR:-XEY,492
(1)	991 631 963 63	LED headlight	left	1	PR:XEY,-492
(1)	991 631 964 63	LED headlight	right	1	PR:XEY,-492
(1)	991 631 965 63	LED headlight	left	1	PR:XEY,492
(1)	991 631 966 63	LED headlight	right	1	PR:XEY,492
2	991 631 315 02	Seal	left	1	
(2)	991 631 316 02	Seal	right	1	
3	991 631 327 03	Servomotor		2	
4	7PP 941 572 BB	Headlight range control Control unit LED module		2	
5	7PP 907 357 J	Control unit Headlight range control		1	
8	999 049 033 40	Plastic nut T6X16		2	
9	7PP 941 329 T	Control unit for LED headlight		2	
11	999 919 159 09	fillister hd. bolt 4,0 X 12,0		14	
12	991 631 317 00	Protective hood	left	1	
(12)	991 631 318 00	Protective hood	right	1	
13	991 631 377 00	Screw		8	
14	991 631 313 00	Protective hood High beam ventilation valve		2	
15	997 631 267 01	ventilation valve		2	
16	991 631 101 00	Bungs		6	
19	991 631 391 00	Fan		2	
20	991 631 397 01	LED module		2	
21	991 631 309 00	Oval-head screw 40X12 for LED module		4	
22	991 631 395 01	Bracket Fan	left	1	
(22)	991 631 396 00	Bracket Fan	right	1	
23	991 631 393 00	Air guide channel LED	left	1	
(23)	991 631 394 00	Air guide channel LED	right	1	
-		Additional headlight			
24	982 953 351	Additional headlight	left	1	
(24)	982 953 352	Additional headlight	right	1	
25	9P1 953 249	LED module	left	1	
(25)	9P1 953 249 A	LED module	right	1	
26	987 631 291 00	Cover cap		2	
27	999 919 246 01	fillister hd. bolt 6,0 X 18,0		6	

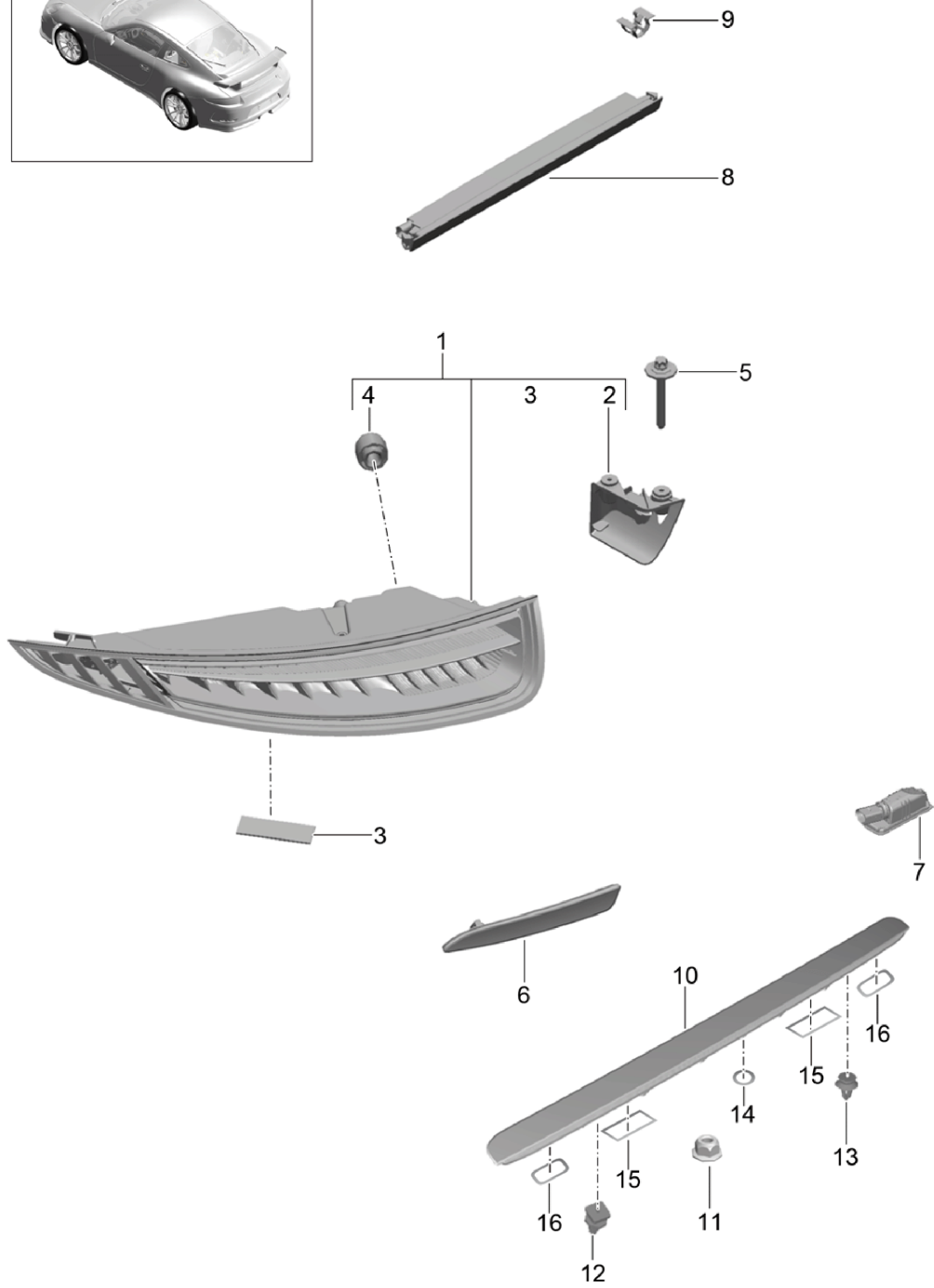
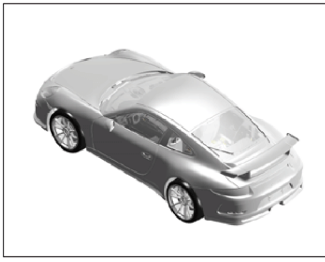
Model: 991G13

Model life 2014>>

Pos	Part Number	Description	Remark	Qty	Model
28	991 631 255 05	Turn signal repeater	left	1	
(28)	991 631 256 05	Turn signal repeater	right	1	

Model: 991G13

Model life 2014>>



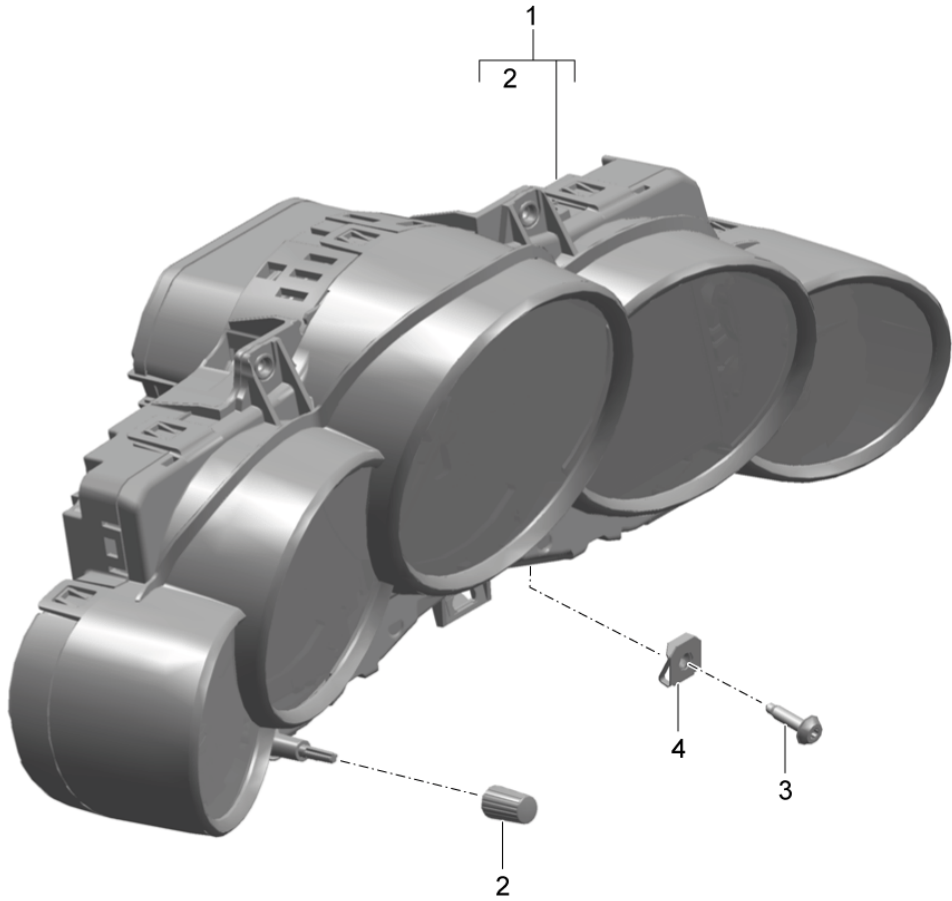
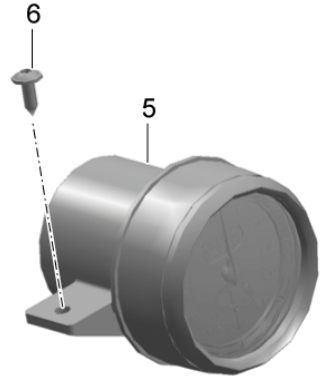
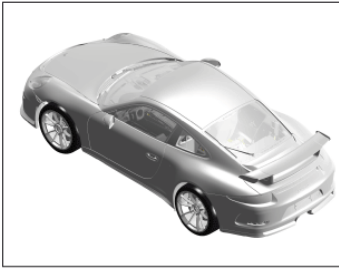
Model: 991G13

Model life 2014>>

Pos	Part Number	Description	Remark	Qty	Model
		Rear light Licence plate light Additional brake light D - MJ 2018>>			
(1)	991 631 973 02	Rear light	left	1	PR:465
(1)	991 631 974 02	Rear light	right	1	PR:465
(1)	991 631 975 02	Rear light	left	1	PR:466
(1)	991 631 976 02	Rear light	right	1	PR:466
2	991 631 905 00	repair set Bracket comprising: Bracket Screw Ventilation component	left	1	
(2)	991 631 906 00	repair set Bracket comprising: Bracket Screw Ventilation component	right	1	
3	991 631 481 00	Adhesive film		4	
4	987 631 291 00	Cover cap		6	
5	999 073 554 01	Socket head bolt M 5 X 45		4	
6	991 631 495 80	rear light reflector	left	1	
(6)	991 631 496 80	rear light reflector	right	1	
7	1K8 943 021 C	LED licence plate light		2	
8	991 631 185 01	Additional brake light Spoiler		1	PR:039
(8)	991 631 181 82	Additional brake light		1	PR:-039
9	999 507 584 01	Clamp		2	
10	991 631 187 02	Additional brake light Rear lid		1	
11	900 377 009 01	Hexagon nut		2	
12	991 631 287 00	square head bolt		2	
13	999 507 897 40	Retaining clip		4	
14	991 631 389 01	Seal Foam part		1	
15	991 631 388 01	Seal Foam part		2	
16	991 631 387 01	Seal Foam part		2	

Model: 991G13

Model life 2014>>

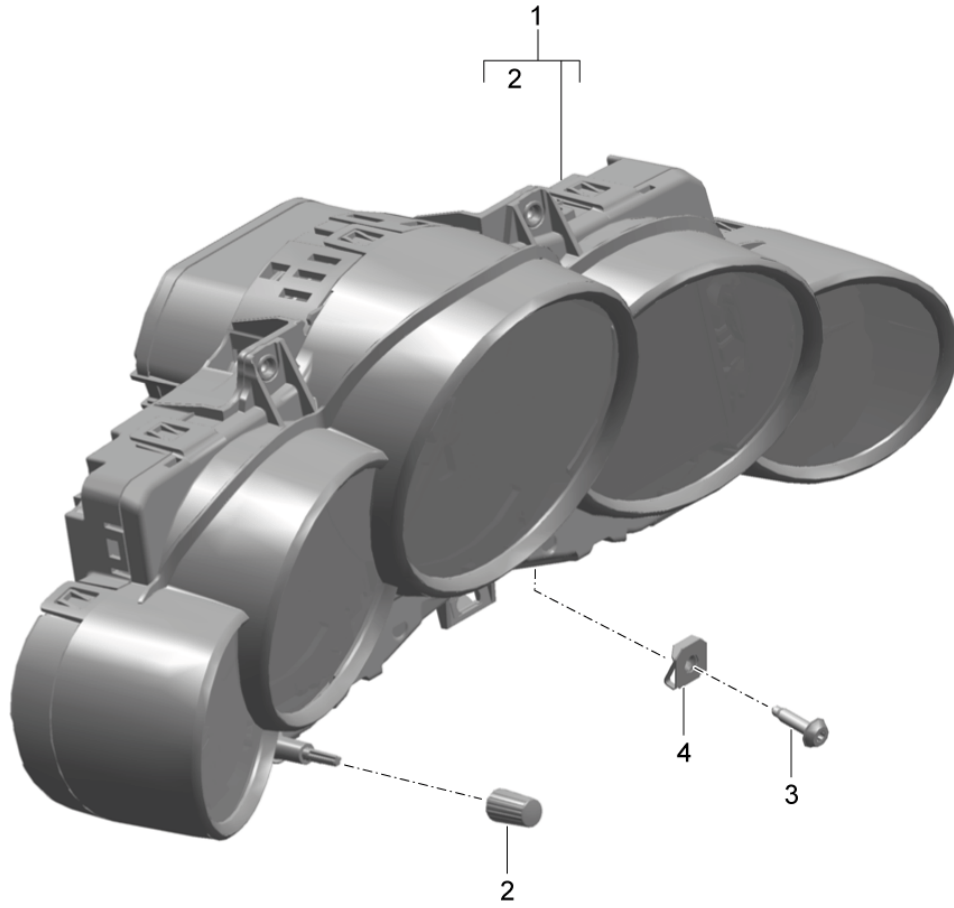
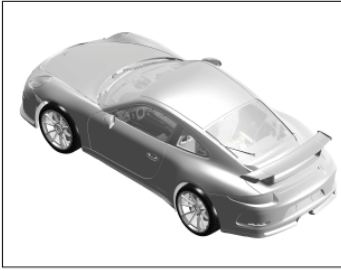


Model: 991G13 Model life 2014>>

Pos	Part Number	Description	Remark	Qty	Model
1	991 641 144 92	Combi-instrument Stopwatch D >> - MJ 2017		1	PR:022,250, -061,-484
1	991 641 144 92 A05 991 641 148 92	Matt black Combi-instrument (complete)		1	PR:022,061, 250 "GB."
(1)	991 641 148 92 A05 991 641 134 94	Matt black Combi-instrument (complete)		1	PR:022,250
(1)	991 641 134 94 A05 991 641 138 94	D - MJ 2015>> Matt black Combi-instrument (complete)		1	PR:022,250
(1)	991 641 138 94 A05 991 641 213 01	D - MJ 2015>> Matt black Combi-instrument (complete)		1	- "GB."
(1)	991 641 213 01 A05 991 641 217 01	Matt black Combi-instrument (complete)		1	"GB."
2	991 641 217 01 A05 991 641 911 00	Matt black Setting knob for daily distance recorder (kilometres or miles) throttle control element		1	
3	999 073 498 01	fillister hd. bolt M 5 X 20		4	
4	999 507 556 01	panel nut		4	
-		Stopwatch			
5	991 641 301 91	Stopwatch		1	PR:025,639, 640
6	991 641 301 91 A05 999 073 155 09	Matt black panel screw ST 4,2 X 13		2	

Model: 991G13

Model life 2014>>



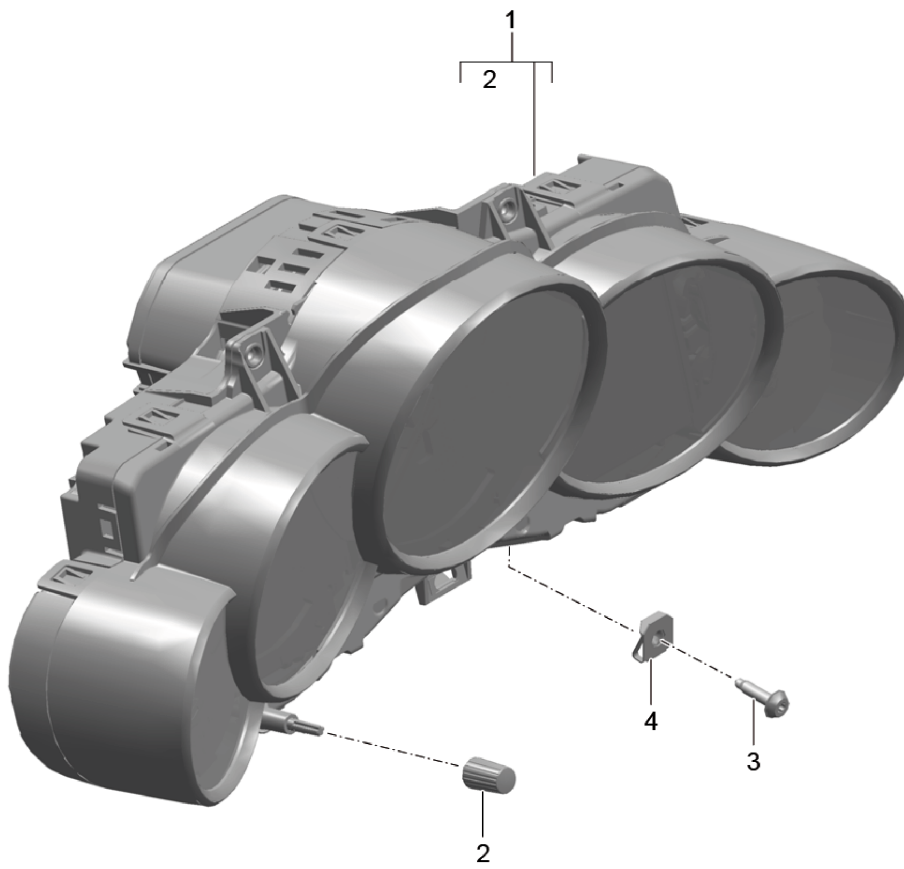
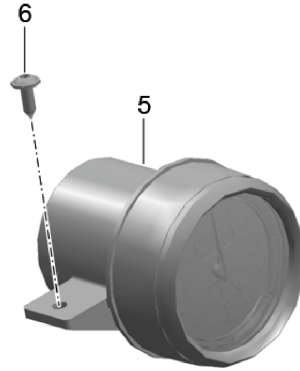
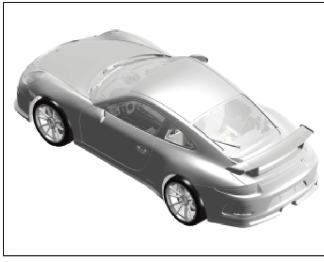
Model: 991G13

Model life 2014>>

Pos	Part Number	Description	Remark	Qty	Model
1	991 641 990 04	Combi-instrument Dial D >> - MJ 2017 Combi-instrument (complete)		1	PR:250,-061, -484,XFR, XFJ,XFG PR:XFG PR:XFJ PR:XFR
	991 641 990 04 84A	guards red (Porsche)			PR:250,061, XFG,XFJ,XFR "GB."
	991 641 990 04 C9A	white			
	991 641 990 04 1S1	Racing Yellow			
1	991 641 990 08	Combi-instrument (complete)		1	PR:250,061, XFG,XFJ,XFR "GB."
	991 641 990 08 84A	guards red (Porsche)			
	991 641 990 08 C9A	white			
	991 641 990 08 1S1	Racing Yellow			
(1)	991 641 991 44	Combi-instrument (complete)		1	PR:250 -"GB."
	991 641 991 44 84A	guards red (Porsche)			
	991 641 991 44 C9A	white			
(1)	991 641 991 48	Combi-instrument (complete)		1	PR:250 "GB."
	991 641 991 48 84A	guards red (Porsche)			
	991 641 991 48 C9A	white			
2	991 641 911 00	Setting knob for daily distance recorder (kilometres or miles) throttle control element		1	
3	999 073 498 01	fillister hd. bolt M 5 X 20		4	
4	999 507 556 01	panel nut		4	

Model: 991G13

Model life 2014>>



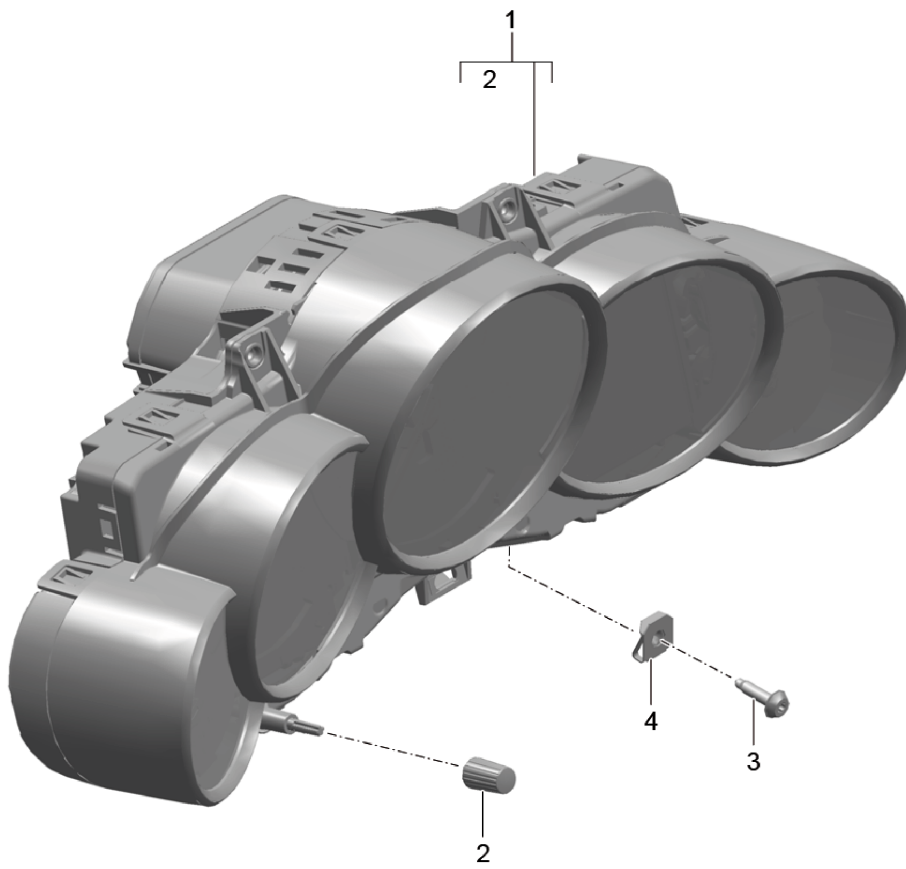
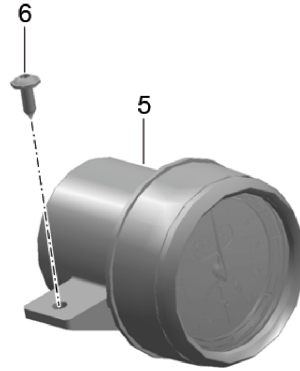
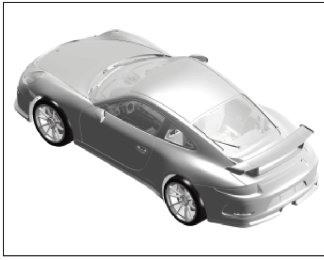
Model: 991G13

Model life 2014>>

Pos	Part Number	Description	Remark	Qty	Model
1	9P1 920 700 A	Combi-instrument Stopwatch D - MJ 2018>>	GT3	1	PR:022,486 -"GB."
	9P1 920 700 A A05	Matt black A05			
1	9P1 920 710 A	Combi-instrument (complete)	GT3	1	PR:022,250 -"GB."
	9P1 920 710 A A05	Matt black			
1	9P1 920 740 A	Combi-instrument (complete)	GT3	1	PR:022,486 "GB."
	9P1 920 740 A A05	Matt black			
1	9P1 920 750 A	Combi-instrument (complete)	GT3	1	PR:022,250 "GB."
	9P1 920 750 A A05	Matt black			
1	9P1 920 711 A	Combi-instrument	GT3RS	1	PR:022,250,- 061,-484
	9P1 920 711 A A05	Black			
1	9P1 920 751 A	Combi-instrument	GT3RS	1	PR:022,250, 061
	9P1 920 751 A A05	Black			
2	991 641 911 00	Setting knob for daily distance recorder (kilometres or miles)		1	
3	999 073 498 01	fillister hd. bolt M 5 X 20		4	
4	999 507 556 01	panel nut		4	
5	9P1 919 203 B	Stopwatch		1	
	9P1 919 203 B A05	Matt black A05			
6	999 073 155 09	panel screw ST 4,2 X 13		2	

Model: 991G13

Model life 2014>>

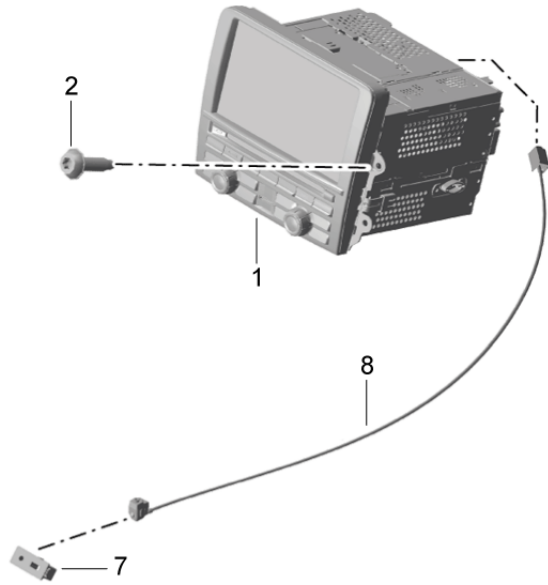
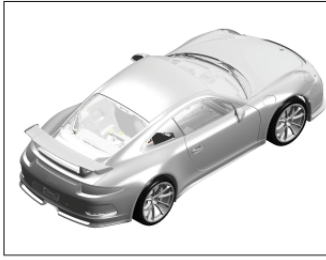


Model: 991G13 Model life 2014>>

Pos	Part Number	Description	Remark	Qty	Model
1	9P3 920 700 B	Combi-instrument Stopwatch D - MJ 2018>> Combi-instrument (complete)		1	PR:486 -"GB."
	9P3 920 700 B 84A	guards red (Porsche)			PR:XFG
	9P3 920 700 B C9A	white			PR:XFJ
1	9P3 920 710 B	Combi-instrument (complete)		1	PR:250 -"GB."
	9P3 920 710 B 84A	guards red (Porsche)			PR:XFG
	9P3 920 710 B C9A	white			PR:XFJ
1	9P3 920 740 B	Combi-instrument (complete)		1	PR:486 "GB."
	9P3 920 740 B 84A	guards red (Porsche)			PR:XFG
	9P3 920 740 B C9A	white			PR:XFJ
1	9P3 920 750 B	Combi-instrument (complete)		1	PR:250 "GB."
	9P3 920 750 B 84A	guards red (Porsche)			PR:XFG
	9P3 920 750 B C9A	white			PR:XFJ
1	9P3 920 711 A	Combi-instrument	GT3RS	1	PR:250,- 061,-484
	9P3 920 711 A C9A	white			PR:XFJ
	9P3 920 711 A 84A	guards red (Porsche)			PR:XFG
1	9P3 920 751 A	Combi-instrument	GT3RS	1	PR:250, 061
	9P3 920 751 A C9A	white			PR:XFJ
	9P3 920 751 A 84A	guards red (Porsche)			PR:XFG
2	991 641 911 00	Setting knob for daily distance recorder (kilometres or miles)		1	
3	999 073 498 01	fillister hd. bolt M 5 X 20		4	
4	999 507 556 01	panel nut		4	
5	9P1 919 203 B	Stopwatch		1	
	9P1 919 203 B A05	Matt black A05			
6	999 073 155 09	panel screw ST 4,2 X 13		2	

Model: 991G13

Model life 2014>>



Model: 991G13

Model life 2014>>

Pos	Part Number	Description	Remark	Qty	Model
-		Control panel Navigation system Radio unit Receiving part TV microphone D >> - MJ 2017			
1	991 642 970 LX	Control panel Only in exchange Control panel D - MJ 2014>> - MJ 2014		1	PR:665,672, -075,-215, -686,-688, -690,-693, IY1
	991 642 970 LX DML	Matt Black/hi-gloss chrome We take back: 991.642.970.11.DML			
1	991 642 970 MX	Control panel D - MJ 2014>> - MJ 2014		1	PR:665,672, -075,-215, -686,-688, -690,-693, IY2
	991 642 970 MX DML	Matt Black/hi-gloss chrome We take back: 991.642.970.12.DML			
1	991 642 970 NX	Control panel D - MJ 2015>> - MJ 2015		1	PR:665,672, -075,-215, -686,-688, -690,-693, IY1
	991 642 970 NX DML	Matt Black/hi-gloss chrome We take back: 991.642.970.13.DML			
1	991 642 970 PX	Control panel D - MJ 2015>> - MJ 2015		1	PR:665,672, -075,-215, -686,-688, -690,-693, IY2
	991 642 970 PX DML	Matt Black/hi-gloss chrome We take back: 991.642.970.14.DML			
1	991 642 970 QX	Control panel D - MJ 2016>>		1	PR:665,672, -075,-215, -686,-688, -690,-693
	991 642 970 QX DML	Matt Black/hi-gloss chrome We take back: 991.642.970.15.DML			
1	991 642 972 LX	Control panel D - MJ 2014>> - MJ 2014		1	PR:665,672, -075,-215, -686,-690, -688,693, -691,IY1
	991 642 972 LX DML	Matt Black/hi-gloss chrome We take back: 991.642.972.11.DML			
1	991 642 972 MX	Control panel D - MJ 2014>> - MJ 2014		1	PR:665,672, -075,-215, -686,-690, -688,693, -691,IY2
	991 642 972 MX DML	Matt Black/hi-gloss chrome We take back:			

Model: 991G13 Model life 2014>>

Pos	Part Number	Description	Remark	Qty	Model
1	991 642 972 NX	991.642.972.12.DML Control panel D - MJ 2015>> - MJ 2015		1	PR:665,672, -075,-215, -686,-690, -688,693, -691,IY1
	991 642 972 NX DML	Matt Black/hi-gloss chrome We take back:			
1	991 642 972 PX	991.642.972.13.DML Control panel D - MJ 2015>> - MJ 2015		1	PR:665,672, -075,-215, -686,-690, -688,693, -691,IY2
	991 642 972 PX DML	Matt Black/hi-gloss chrome We take back:			
1	991 642 972 QX	991.642.972.14.DML Control panel D - MJ 2016>>		1	PR:665,672, -075,-215, -686,-690, -688,693, -691
	991 642 972 QX DML	Matt Black/hi-gloss chrome We take back:			
1	991 642 974 LX	991.642.972.15.DML Control panel D - MJ 2014>> - MJ 2014		1	PR:075,665, 672,-693,IY1
	991 642 974 LX DML	Matt Black/hi-gloss chrome We take back:			
1	991 642 974 MX	991.642.974.11.DML Control panel D - MJ 2014>> - MJ 2014		1	PR:075,665, 672,-693,IY2
	991 642 974 MX DML	Matt Black/hi-gloss chrome We take back:			
1	991 642 974 NX	991.642.974.12.DML Control panel D - MJ 2015>> - MJ 2015		1	PR:075,665, 672,-693,IY1
	991 642 974 NX DML	Matt Black/hi-gloss chrome We take back:			
1	991 642 974 PX	991.642.974.13.DML Control panel D - MJ 2015>> - MJ 2015		1	PR:075,665, 672,-693,IY2
	991 642 974 PX DML	Matt Black/hi-gloss chrome We take back:			
1	991 642 974 QX	991.642.974.14.DML Control panel D - MJ 2016>>		1	PR:075,665, 672,-693
	991 642 974 QX DML	Matt Black/hi-gloss chrome We take back:			
1	991 642 975 LX	991.642.974.15.DML Control panel D - MJ 2014>> - MJ 2014		1	PR:075,665, 672,693,IY1
	991 642 975 LX DML	Matt Black/hi-gloss chrome We take back:			
1	991 642 975 MX	991.642.975.11.DML Control panel D - MJ 2014>> - MJ 2014		1	PR:075,665, 672,693,IY2
	991 642 975 MX DML	Matt Black/hi-gloss chrome We take back:			
1	991 642 975 NX	991.642.975.12.DML Control panel D - MJ 2015>> - MJ 2015		1	PR:075,665, 672,693,IY1
	991 642 975 NX DML	Matt Black/hi-gloss chrome			

Model: 991G13 Model life 2014>>

Pos	Part Number	Description	Remark	Qty	Model
1	991 642 975 PX	We take back: 991.642.975.13.DML Control panel D - MJ 2015>> - MJ 2015		1	PR:075,665, 672,693,IY2
	991 642 975 PX DML	Matt Black/hi-gloss chrome We take back: 991.642.975.14.DML			
1	991 642 975 QX	Control panel D - MJ 2016>>		1	PR:075,665, 672,693
	991 642 975 QX DML	Matt Black/hi-gloss chrome We take back: 991.642.975.15.DML			
1	991 642 976 LX	Control panel D - MJ 2014>> - MJ 2014		1	PR:215,665, 672,-693,IY1
	991 642 976 LX DML	Matt Black/hi-gloss chrome We take back: 991.642.976.11.DML			
1	991 642 976 MX	Control panel D - MJ 2014>> - MJ 2014		1	PR:215,665, 672,-693,IY2
	991 642 976 MX DML	Matt Black/hi-gloss chrome We take back: 991.642.976.12.DML			
1	991 642 976 NX	Control panel D - MJ 2015>> - MJ 2015		1	PR:215,665, 672,-693,IY1
	991 642 976 NX DML	Matt Black/hi-gloss chrome We take back: 991.642.976.13.DML			
1	991 642 976 PX	Control panel D - MJ 2015>> - MJ 2015		1	PR:215,665, 672,-693,IY2
	991 642 976 PX DML	Matt Black/hi-gloss chrome We take back: 991.642.976.14.DML			
1	991 642 976 QX	Control panel D - MJ 2016>>		1	PR:215,665, 672,-693
	991 642 976 QX DML	Matt Black/hi-gloss chrome We take back: 991.642.976.15.DML			
1	991 642 977 LX	Control panel D - MJ 2014>> - MJ 2014		1	PR:215,665, 672,693,IY1
	991 642 977 LX DML	Matt Black/hi-gloss chrome We take back: 991.642.977.11.DML			
1	991 642 977 MX	Control panel D - MJ 2014>> - MJ 2014		1	PR:215,665, 672,693,IY2
	991 642 977 MX DML	Matt Black/hi-gloss chrome We take back: 991.642.977.12.DML			
1	991 642 977 NX	Control panel D - MJ 2015>> - MJ 2015		1	PR:215,665, 672,693,IY1
	991 642 977 NX DML	Matt Black/hi-gloss chrome We take back: 991.642.977.13.DML			
1	991 642 977 PX	Control panel D - MJ 2015>> - MJ 2015		1	PR:215,665, 672,693,IY2
	991 642 977 PX DML	Matt Black/hi-gloss chrome We take back: 991.642.977.14.DML			
1	991 642 977 QX	Control panel D - MJ 2016>>		1	PR:215,665, 672,693
	991 642 977 QX DML	Matt Black/hi-gloss chrome We take back: 991.642.977.15.DML			
1	991 642 950 X	Control panel		1	PR:665,672,

Model: 991G13 Model life 2014>>

Pos	Part Number	Description	Remark	Qty	Model
	991 642 950 X DML	D - MJ 2014>> - MJ 2014 Matt Black/hi-gloss chrome We take back: 991.642.950.00.DML			691,-693,IY1
1	991 642 950 AX	Control panel		1	PR:665,672, 691,-693,IY2
	991 642 950 AX DML	D - MJ 2014>> - MJ 2014 Matt Black/hi-gloss chrome We take back: 991.642.950.01.DML			
1	991 642 950 BX	Control panel		1	PR:665,672, 691,-693,IY1
	991 642 950 BX DML	D - MJ 2015>> - MJ 2015 Matt Black/hi-gloss chrome We take back: 991.642.950.02.DML			
1	991 642 950 CX	Control panel		1	PR:665,672, 691,-693,IY2
	991 642 950 CX DML	D - MJ 2015>> - MJ 2015 Matt Black/hi-gloss chrome We take back: 991.642.950.03.DML			
1	991 642 950 DX	Control panel		1	PR:665,672, 691,-693
	991 642 950 DX DML	D - MJ 2016>> Matt Black/hi-gloss chrome We take back: 991.642.950.04.DML			
1	991 642 951 X	Control panel		1	PR:665,672, 691,693,IY1
	991 642 951 X DML	D - MJ 2014>> - MJ 2014 Matt Black/hi-gloss chrome We take back: 991.642.951.00.DML			
1	991 642 951 AX	Control panel		1	PR:665,672, 691,693,IY2
	991 642 951 AX DML	D - MJ 2014>> - MJ 2014 Matt Black/hi-gloss chrome We take back: 991.642.951.01.DML			
1	991 642 951 BX	Control panel		1	PR:665,672, 691,693,IY1
	991 642 951 BX DML	D - MJ 2015>> - MJ 2015 Matt Black/hi-gloss chrome We take back: 991.642.951.02.DML			
1	991 642 951 CX	Control panel		1	PR:665,672, 691,693,IY2
	991 642 951 CX DML	D - MJ 2015>> - MJ 2015 Matt Black/hi-gloss chrome We take back: 991.642.951.03.DML			
1	991 642 951 DX	Control panel		1	PR:665,672, 691,693
	991 642 951 DX DML	D - MJ 2016>> Matt Black/hi-gloss chrome We take back: 991.642.951.04.DML			
1	991 642 952 AX	Control panel		1	PR:665,691, -672,-693
	991 642 952 AX DML	D - MJ 2014>> - MJ 2014 Matt Black/hi-gloss chrome We take back: 991.642.952.01.DML			
1	991 642 952 BX	Control panel		1	PR:665,691, -672,-693, IY1
	991 642 952 BX DML	D - MJ 2015>> - MJ 2015 Matt Black/hi-gloss chrome We take back: 991.642.952.02.DML			
1	991 642 952 CX	Control panel		1	PR:665,691, -672,-693, IY2
		D - MJ 2015>> - MJ 2015			

Model: 991G13 Model life 2014>>

Pos	Part Number	Description	Remark	Qty	Model
1	991 642 952 CX DML	Matt Black/hi-gloss chrome We take back: 991.642.952.03.DML		1	PR:665,691, -672,-693
	991 642 952 DX	Control panel D - MJ 2016>>			
	991 642 952 DX DML	Matt Black/hi-gloss chrome We take back: 991.642.952.04.DML		1	PR:669,691, 693,-672
1	991 642 953 AX	Control panel D - MJ 2014>> - MJ 2014		1	PR:669,691, 693,-672
	991 642 953 AX DML	Matt Black/hi-gloss chrome We take back: 991.642.953.01.DML		1	PR:669,691, 693,-672,IY1
1	991 642 953 BX	Control panel D - MJ 2015>> - MJ 2015		1	PR:669,691, 693,-672,IY1
	991 642 953 BX DML	Matt Black/hi-gloss chrome We take back: 991.642.953.02.DML		1	PR:669,691, 693,-672,IY2
1	991 642 953 CX	Control panel D - MJ 2015>> - MJ 2015		1	PR:669,691, 693,-672,IY2
	991 642 953 CX DML	Matt Black/hi-gloss chrome We take back: 991.642.953.03.DML		1	PR:669,691, 693,-672
1	991 642 953 DX	Control panel D - MJ 2016>>		1	PR:669,691, 693,-672
	991 642 953 DX DML	Matt Black/hi-gloss chrome We take back: 991.642.953.04.DML		1	PR:669,691, 693,-672
1	991 642 954 AX	Control panel D - MJ 2014>> - MJ 2014		1	PR:665,690, -672,-693
	991 642 954 AX DML	Matt Black/hi-gloss chrome We take back: 991.642.954.01.DML		1	PR:665,690, -672,-693, IY1
1	991 642 954 BX	Control panel D - MJ 2015>> - MJ 2015		1	PR:665,690, -672,-693, IY1
	991 642 954 BX DML	Matt Black/hi-gloss chrome We take back: 991.642.954.02.DML		1	PR:665,690, -672,-693, IY2
1	991 642 954 CX	Control panel D - MJ 2015>> - MJ 2015		1	PR:665,690, -672,-693, IY2
	991 642 954 CX DML	Matt Black/hi-gloss chrome We take back: 991.642.954.03.DML		1	PR:665,690, -672,-693
1	991 642 954 DX	Control panel D - MJ 2016>>		1	PR:665,690, -672,-693
	991 642 954 DX DML	Matt Black/hi-gloss chrome We take back: 991.642.954.04.DML		1	PR:665,690, 693,-672
1	991 642 955 AX	Control panel D - MJ 2014>> - MJ 2014		1	PR:665,690, 693,-672
	991 642 955 AX DML	Matt Black/hi-gloss chrome We take back: 991.642.955.01.DML		1	PR:665,690, 693,-672,IY1
1	991 642 955 BX	Control panel D - MJ 2015>> - MJ 2015		1	PR:665,690, 693,-672,IY1
	991 642 955 BX DML	Matt Black/hi-gloss chrome We take back: 991.642.955.02.DML		1	PR:665,690, 693,-672,IY2
1	991 642 955 CX	Control panel D - MJ 2015>> - MJ 2015		1	PR:665,690, 693,-672,IY2
	991 642 955 CX DML	Matt Black/hi-gloss chrome			

Model: 991G13 Model life 2014>>

Pos	Part Number	Description	Remark	Qty	Model
1	991 642 955 DX	We take back: 991.642.955.03.DML Control panel D - MJ 2016>>		1	PR:665,690, 693,-672
	991 642 955 DX DML	Matt Black/hi-gloss chrome We take back: 991.642.955.04.DML			
-		Control unit Telephone see illustration:	911-010		
-	970 642 929 01	Rot. knob for Control panel	left	1	PR:665
-	970 642 930 01	Rot. knob for Control panel	right	1	PR:665
(1)	991 645 130 03	radio CDR 31 D >> - MJ 2014		1	PR:696,-619, -686,-692
(1)	991 645 130 03 DML	Matt Black/hi-gloss chrome			
(1)	991 645 130 CX	radio CDR 31 D >> - MJ 2014		1	PR:696,-619, -686,-692
	991 645 130 CX DML	Matt Black/hi-gloss chrome We take back: 991.645.130.03.DML			
(1)	991 645 130 04	radio CDR 31 D - MJ 2015>>		1	PR:696,-619, -686,-692
(1)	991 645 130 04 DML	Matt Black/hi-gloss chrome			
(1)	991 645 130 DX	radio CDR 31 D - MJ 2015>>		1	PR:696,-619, -686,-692
	991 645 130 DX DML	Matt Black/hi-gloss chrome We take back: 991.645.130.04.DML			
(1)	991 645 132 03	radio CDR 31 D >> - MJ 2014		1	PR:696,692, -619,-686
(1)	991 645 132 03 DML	Matt Black/hi-gloss chrome			
(1)	991 645 132 CX	radio CDR 31 D >> - MJ 2014		1	PR:696,692, -619,-686
	991 645 132 CX DML	Matt Black/hi-gloss chrome We take back: 991.645.132.03.DML			
(1)	991 645 132 04	radio CDR 31 D - MJ 2015>>		1	PR:696,692, -619,-686
(1)	991 645 132 04 DML	Matt Black/hi-gloss chrome			
(1)	991 645 132 DX	radio CDR 31 D - MJ 2015>>		1	PR:696,692, -619,-686
	991 645 132 DX DML	Matt Black/hi-gloss chrome We take back: 991.645.132.04.DML			
(1)	991 645 134 03	radio CDR 31 D >> - MJ 2014		1	PR:696,619, -686,-692
(1)	991 645 134 03 DML	Matt Black/hi-gloss chrome			
(1)	991 645 134 CX	radio CDR 31 D >> - MJ 2014		1	PR:696,619, -686,-692

Model: 991G13 Model life 2014>>

Pos	Part Number	Description	Remark	Qty	Model
(1)	991 645 134 04	Matt Black/hi-gloss chrome We take back: 991.645.134.03.DML radio CDR 31 D - MJ 2015>>		1	PR:696,619, -686,-692
(1)	991 645 134 04 DML 991 645 134 DX	Matt Black/hi-gloss chrome radio CDR 31 D - MJ 2015>>		1	PR:696,619, -686,-692
(1)	991 645 134 DX DML 991 645 136 03	Matt Black/hi-gloss chrome We take back: 991.645.134.04.DML radio CDR 31 D >> - MJ 2014		1	PR:696,619, 692,-686
(1)	991 645 136 03 DML 991 645 136 CX	Matt Black/hi-gloss chrome radio CDR 31 D >> - MJ 2014		1	PR:696,619, 692,-686
(1)	991 645 136 04	Matt Black/hi-gloss chrome We take back: 991.645.136.03.DML radio CDR 31 D - MJ 2015>>		1	PR:696,619, 692,-686
(1)	991 645 136 04 DML 991 645 136 DX	Matt Black/hi-gloss chrome radio CDR 31 D - MJ 2015>>		1	PR:696,619, 692,-686
-	991 645 136 DX DML	Matt Black/hi-gloss chrome We take back: 991.645.136.04.DML		1	PR:696
-	970 645 929 00	Rot. knob for Radio unit CDR 31	left	1	PR:696
-	970 645 930 00	Rot. knob for Radio unit CDR 31	right	1	PR:696
2	999 073 498 01	fillister hd. bolt M 5 X 20		4	
-	7PP 919 855	CD-ROM for electronic driver's logbook		1	PR:641
-	997 642 271 56	DVD-ROM for navigation system for Software D - MJ 2014>>		1	PR:610
-	997 642 271 57	DVD-ROM for navigation system for Software D - MJ 2015>>		1	PR:610
-	997 642 271 58	DVD-ROM for navigation system for Software D - MJ 2016>>		1	PR:610
-	997 642 271 59	DVD-ROM for navigation system for		1	PR:610

Model: 991G13

Model life 2014>>

Pos	Part Number	Description	Remark	Qty	Model
-	997 642 275 56	Software D - MJ 2016>> DVD-ROM for navigation system for Software		1	PR:611
-	997 642 275 57	Software D - MJ 2014>> DVD-ROM for navigation system for Software		1	PR:611
-	997 642 275 58	Software D - MJ 2015>> DVD-ROM for navigation system for Software		1	PR:611
-	991 642 287 52	Software D - MJ 2016>> DVD-ROM for navigation system for Software		1	PR:612
-	991 642 287 57	Software D - MJ 2014>> DVD-ROM for navigation system for Software		1	PR:612
-	991 642 287 58	Software D - MJ 2015>> DVD-ROM for navigation system for Software		1	PR:612
-	997 642 279 56	Software D - MJ 2016>> DVD-ROM for navigation system for Software		1	PR:613
-	997 642 279 57	Software D - MJ 2014>> DVD-ROM for navigation system for Software		1	PR:613
-	997 642 279 58	Software D - MJ 2015>> DVD-ROM for navigation system for Software		1	PR:613
-	997 642 281 56	Software D - MJ 2016>> DVD-ROM for navigation system for Software		1	PR:614
-	997 642 281 57	Software D - MJ 2014>> DVD-ROM for navigation system for Software		1	PR:614
-	997 642 281 58	Software D - MJ 2015>> DVD-ROM for navigation system for Software		1	PR:614
-	997 642 283 56	Software D - MJ 2016>> DVD-ROM for navigation		1	PR:616

Model: 991G13 Model life 2014>>

Pos	Part Number	Description	Remark	Qty	Model
-	997 642 283 58	system for Software DVD-ROM for navigation system		1	PR:616
-	970 642 285 57	for Software D - MJ 2016>> DVD-ROM for navigation system		1	PR:617
-	970 642 285 58	for Software D - MJ 2015>> DVD-ROM for navigation system		1	
-	991 642 288 56	for Software D - MJ 2016>> DVD-ROM for navigation system		1	PR:77J
-	991 642 288 57	for Software D - MJ 2014>> DVD-ROM for navigation system		1	PR:77J
-	991 642 288 58	for Software D - MJ 2015>> DVD-ROM for navigation system		1	PR:77J
-	991 642 289 56	for Software D - MJ 2016>> DVD-ROM for navigation system		1	PR:77K
-	991 642 289 58	for Software D - MJ 2014>> DVD-ROM for navigation system		1	PR:77K
(5)	991 646 307 02	microphone	left	1	PR:490,619
(5)	991 646 307 02	microphone	left	1	PR:490,666
(5)	991 646 307 02	microphone	left	1	PR:490,671, -619,-666
6	991 646 313 02	microphone	right	1	PR:619,665
(6)	991 646 313 02	microphone	right	1	PR:666
(6)	991 646 313 02	microphone	right	1	PR:671,-619, -666
7	7PP 035 724 D	bush Multimedia interface		1	PR:665,870
(7)	7PP 035 724 C	Glove box Plug socket Multimedia interface		1	PR:696,870
8	991 642 122 01	Glove box Connecting line Multimedia interface		1	PR:665,870
(8)	991 642 123 01	Control panel - USB - Connecting line Multimedia interface		1	PR:665,870, 696

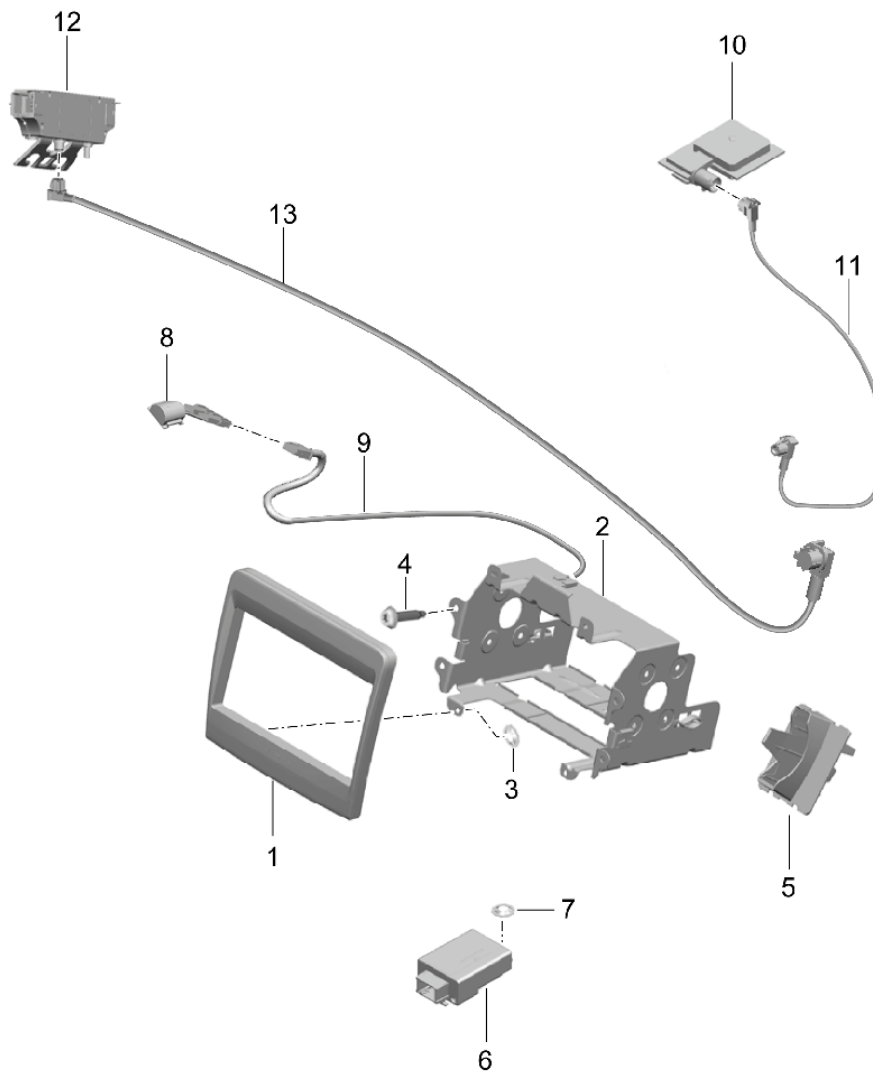
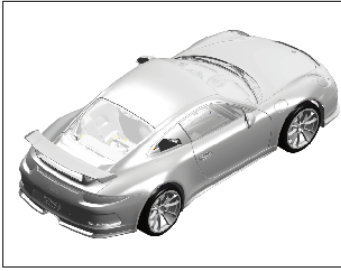
Model: 991G13

Model life 2014>>

Pos	Part Number	Description	Remark	Qty	Model
(8)	958 612 642 10	Control panel - AUX - Connecting line Control panel Combi-instrument		1	

Model: 991G13

Model life 2014>>

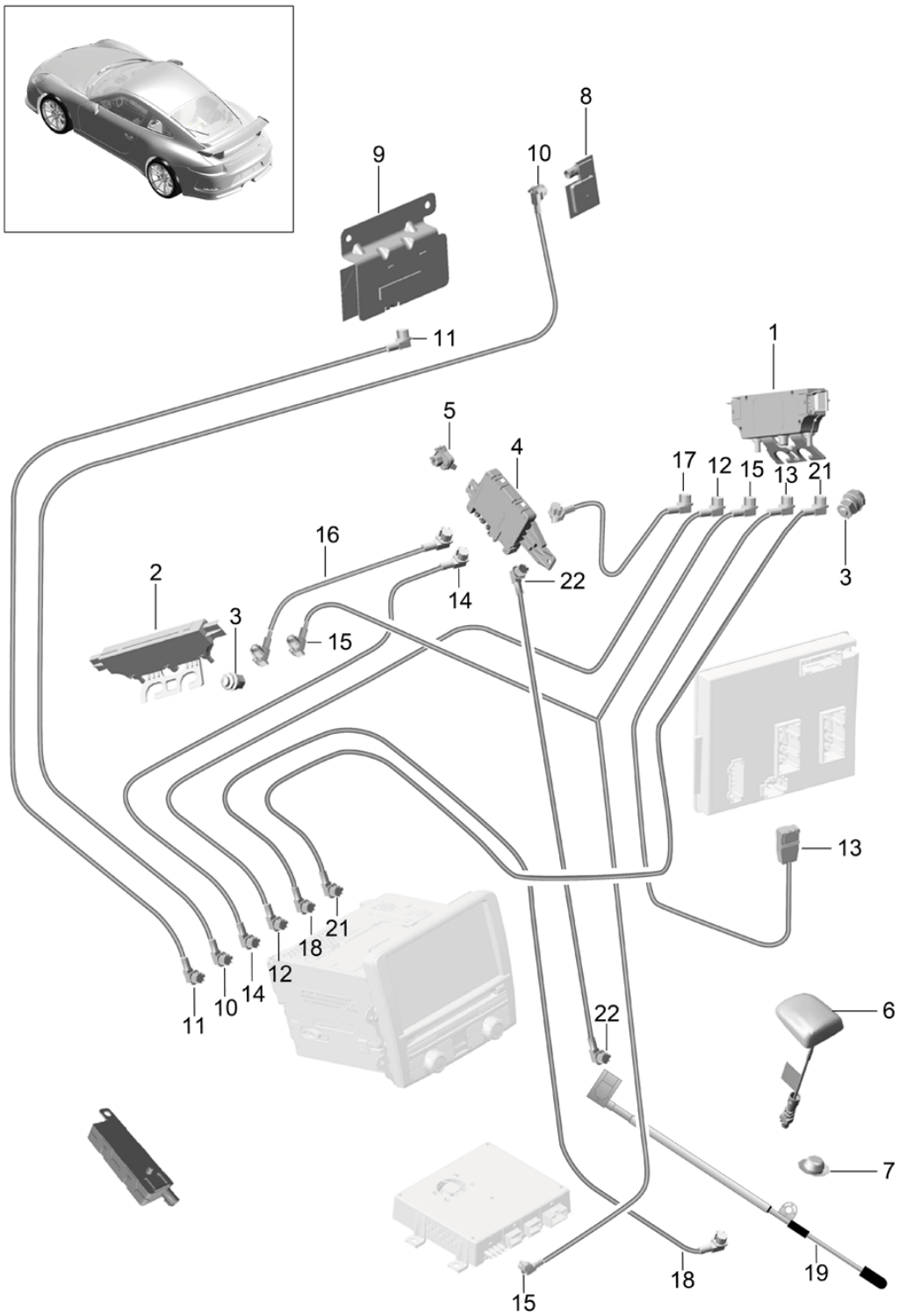


Model: 991G13 Model life 2014>>

Pos	Part Number	Description	Remark	Qty	Model
		Preparation Navigation system Japan D >> - MJ 2017			PR:675
1	991 642 323 00	Front frame		1	PR:675
	991 642 323 00 A05	Matt black			
2	991 642 327 00	Retaining frame		1	PR:675
3	999 591 243 01	Clamping washer		4	PR:675
4	999 073 498 01	fillister hd. bolt M 5 X 20		4	PR:675
5	991 642 329 00	Bracket D >> - MJ 2014		1	PR:675
	991 642 329 00 1E0	Black Card reader Glove box			
5	991 642 333 00	Bracket D - MJ 2015>>		1	PR:675
	991 642 333 00 1E0	Black Card reader Glove box			
-	7PP 035 500	Aerial ETC D >> - MJ 2014		1	PR:675
-	5C5 919 853	'DSRC' antenna S DRC D - MJ 2015>>		1	PR:675
6	7PP 971 324 B	Adapter cable for CAN bus - CAN -		1	PR:675
7	999 591 946 03	Clamping washer		1	PR:675
8	991 646 311 02	microphone		1	PR:675
9	991 612 067 50	Connecting line microphone Control panel		1	PR:675
10	7PP 035 504 A	Aerial Navigation system		1	PR:675
11	991 612 066 50	Aerial connection line Navigation system Control panel		1	PR:675
12	991 647 109 01	Aerial amplifier A-pillar	left	1	PR:675
(12)	991 647 110 01	Aerial amplifier A-pillar	right	1	PR:675
13	991 612 065 00	Connecting line Aerial amplifier Control panel Radio unit	right	1	PR:675
(13)	991 612 062 50	Connecting line Aerial amplifier Control panel	left	1	PR:675
(13)	991 612 063 50	TV Connecting line Aerial amplifier Control panel	left	1	PR:675
(13)	991 612 064 00	TV Connecting line Aerial amplifier Control panel	right	1	PR:675
(13)	997 612 047 25	TV Aerial connection line - VICS BEACON - Control panel		1	PR:675

Model: 991G13

Model life 2014>>



Model: 991G13

Model life 2014>>

Pos	Part Number	Description	Remark	Qty	Model
1	991 647 106 00	Aerial amplifier Aerial Connecting line D >> - MJ 2017	right	1	PR:692,-440
(1)	991 647 118 00	Aerial amplifier A-pillar	right	1	PR:440,665, -676
2	991 647 117 00	Aerial amplifier A-pillar	left	1	PR:440,665, -676
(2)	991 647 127 00	Aerial amplifier A-pillar	left	1	PR:440,665, 691
3	999 516 032 01	Hexagon nut		4	
4	991 618 122 00	Control unit		1	PR:440
5	991 647 318 00	Clamp		2	PR:440
8	7PP 035 504 A	Aerial GPS		1	PR:672
(8)	991 647 053 01	Aerial GPS		1	PR:674
9	991 647 125 00	Telephone aerial		1	PR:666
(9)	991 647 063 01	Telephone aerial		1	PR:674
10	991 612 022 50	Aerial connection line GPS To Control panel Navigation system		1	PR:672
10	991 612 037 50	Aerial connection line GPS To Control panel Navigation system		1	PR:674
11	991 612 023 50	Connecting line Aerial Telephone To Control panel Navigation system		1	PR:666
12	991 612 033 00	Connecting line Radio unit To Aerial amplifier A-pillar	right	1	PR:696,-440
13	991 612 013 00	Connecting line Control unit Electronics Front end To Aerial amplifier A-pillar	right lhd	1	PR:098,524, 525
(13)	991 612 013 50	Connecting line Control unit Electronics Front end To Aerial amplifier A-pillar	right rhd	1	PR:099,524, 525
14	991 612 016 00	Connecting line Control unit To Control panel Navigation system		1	PR:440,665
15	991 612 027 00	Connecting line Receiving part	right lhd	1	PR:098,676

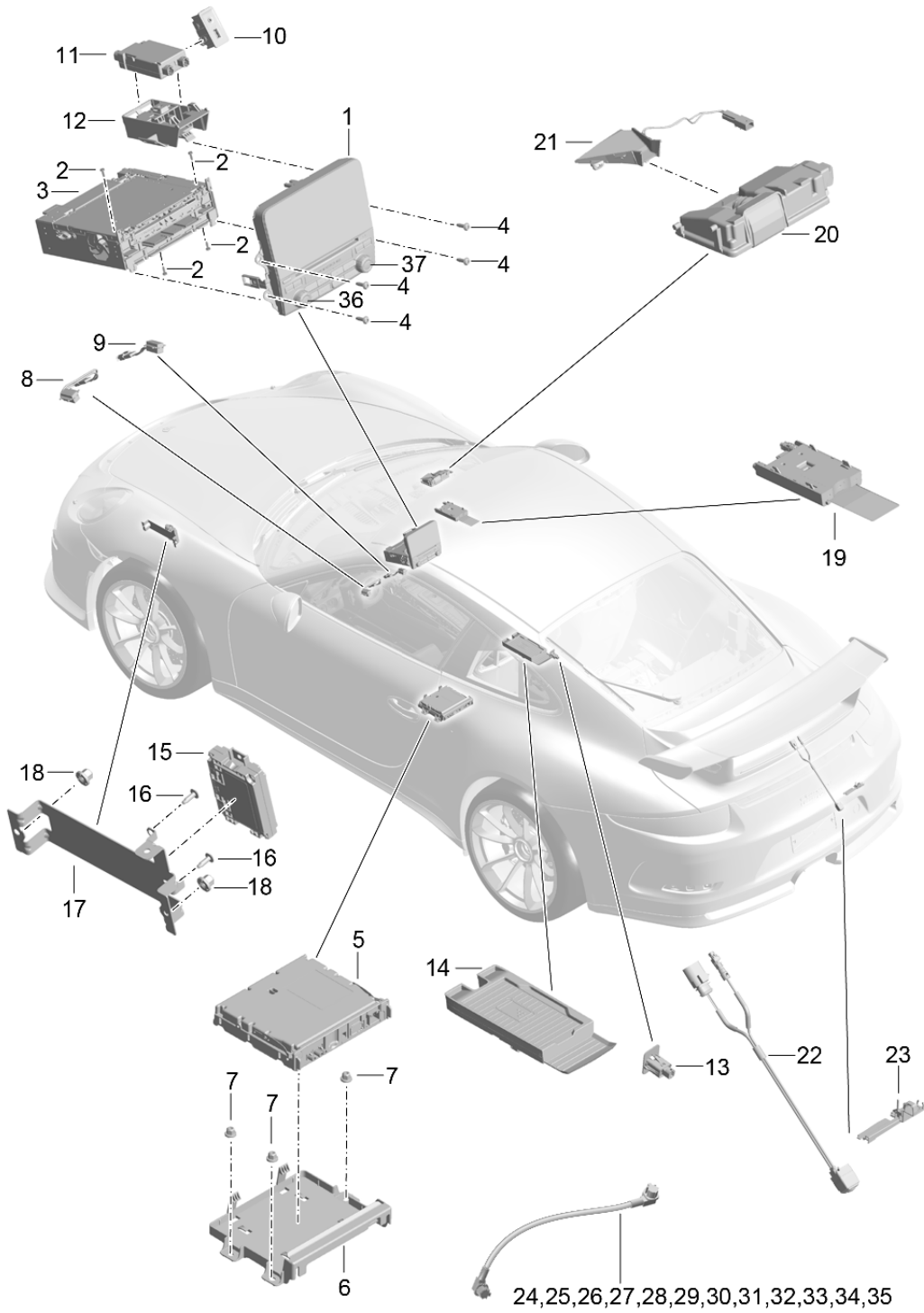
Model: 991G13

Model life 2014>>

Pos	Part Number	Description	Remark	Qty	Model
(15)	991 612 027 50	TV To Aerial amplifier A-pillar and Connecting line Receiving part	left right rhd left	1	PR:099,676
16	991 612 014 00	TV To Aerial amplifier A-pillar and Connecting line Aerial amplifier A-pillar	left left lhd	1	PR:098,440
(16)	991 612 014 50	To Control unit Connecting line Aerial amplifier A-pillar	left rhd	1	PR:099,440
17	991 612 015 00	To Control unit Connecting line Aerial amplifier A-pillar	right lhd	1	PR:098,440
(17)	991 612 015 50	To Control unit Connecting line Aerial amplifier A-pillar	right rhd	1	PR:099,440
21	991 612 073 50	To Control unit Connecting line Aerial amplifier Digital Radio unit		1	PR:691
22	991 612 038 00	To Control panel PCM Connecting line Aerial GSM To Control unit VTS vehicle tracking		1	

Model: 991G13

Model life 2014>>



Model: 991G13

Model life 2014>>

Pos	Part Number	Description	Remark	Qty	Model
(1)	9P1 919 607 E	Screen Central computer Navigation TV microphone Multimedia interface Coupler box Camera Connecting line D - MJ 2018>> display		1	PR:I8L,9ZE, 9ZX
(1)	9P1 919 607 E DML 9P1 919 607 CX	Matt Black/hi-gloss chrome display		1	PR:I8L,9ZE, 9ZX
2	9P1 919 607 CX DML 9A7 008 064 00	Matt Black/hi-gloss chrome flat round head bolt M 2,5 X 10		4	
(3)	9P1 035 035 L	Central computer		1	PR:ER1,QU1, QV3,9ZC,9ZK, QV0,QV1
(3)	9P1 035 035 CX	Central computer		1	PR:ER1,QU1, QV3,9ZC,9ZK, QV0,QV1
(3)	9P1 035 037 L	Central computer		1	PR:ER1,QU1, QV3,9ZE,9ZX, QV0,QV1
(3)	9P1 035 037 CX	Central computer		1	PR:ER1,QU1, QV3,9ZE,9ZX, QV0,QV1
(3)	9P1 035 041 L	Central computer		1	PR:ER2,QU1, QV3,9ZC,9ZK, QV0,QV1
(3)	9P1 035 041 CX	Central computer		1	PR:ER2,QU1, QV3,9ZC,9ZK, QV0,QV1
(3)	9P1 035 868 L	Central computer		1	PR:ER2,QU1, QV3,9ZE,9ZX, QV0,QV1
(3)	9P1 035 868 CX	Central computer		1	PR:ER2,QU1, QV3,9ZE,9ZX, QV0,QV1
(3)	9P1 035 890 L	Central computer		1	PR:ER3,9ZC, 9ZK
(3)	9P1 035 890 CX	Central computer		1	PR:ER3,9ZC, 9ZK
(3)	9P1 035 892 L	Central computer		1	PR:ER3,9ZE, 9ZX
(3)	9P1 035 892 CX	Central computer		1	PR:ER3,9ZE, 9ZX
(3)	9P1 035 893 L	Central computer		1	PR:ER4,QV0
(3)	9P1 035 893 CX	Central computer		1	PR:ER4,QV0
(3)	9P1 035 894 H	Central computer		1	PR:ER6,9ZC, 9ZK
(3)	9P1 035 894 DX	Central computer		1	PR:ER6,9ZC, 9ZK
(3)	9P1 035 895 H	Central computer		1	PR:ER6,9ZE, 9ZX
(3)	9P1 035 895 DX	Central computer		1	PR:ER6,9ZE, 9ZX
(3)	9P1 035 896 H	Central computer		1	PR:ER8,9ZE, 9ZX
(3)	9P1 035 896 DX	Central computer		1	PR:ER8,9ZE, 9ZX

Model: 991G13 Model life 2014>>

Pos	Part Number	Description	Remark	Qty	Model
(3)	9P1 035 897 H	Central computer		1	9ZX PR:ER5,9ZC, 9ZK
(3)	9P1 035 897 DX	Central computer		1	PR:ER5,9ZC, 9ZK
(3)	9P1 035 898 H	Central computer		1	PR:ER5,9ZE, 9ZX
(3)	9P1 035 898 DX	Central computer		1	PR:ER5,9ZE, 9ZX
(3)	9P1 035 899 H	Central computer		1	PR:ER7,9ZE, 9ZX
(3)	9P1 035 899 DX	Central computer		1	PR:ER7,9ZE, 9ZX
4	999 073 498 01	fillister hd. bolt M5X20		4	
5	9A7 919 191 01	TV tuner TV		1	PR:ER1,ER2, ER8,QU1,QV1
(5)	9A7 919 192 01	TV tuner TV		1	PR:ER6,QU1, QV1
(5)	9A7 919 146 01	TV tuner TV		1	PR:ER7,QU1, QV1
(5)	9A7 919 129 01	TV tuner TV		1	PR:ER5,QU1, QV1
6	9P1 919 159	Bracket Receiving part TV		1	PR:QU1,QV1
7	999 049 033 40	Plastic nut		3	
8	991 646 309 02	microphone	left	1	PR:9VJ,9VL, 9ZC,9ZE,9ZK, 9ZX
9	991 646 313 02	microphone	right	1	PR:I8L
11	9A7 642 222 00	Connection for USB and AUX-IN		1	PR:UI2,-ER5
11	9A7 642 222 00	Connection for USB and AUX-IN		1	PR:UI4,ER5
(11)	9A7 642 222 20	Multimedia interface Connection for USB and AUX-IN		1	PR:UI4-ER5
(10)	9P1 035 222 B	USB connector		1	PR:UI2
11	9A7 642 953 00	USB hub		1	PR:UI2,ER1, ER9
(11)	9A7 642 953 02	USB distributor		1	PR:UI2,ER5
12	9P1 035 925 A	Bracket for USB hub		1	PR:UI2,ER1, ER2,ER3,ER4, ER9
13	9P1 035 222	USB connector		1	PR:UI2
14	9P1 035 502 A	Coupler box		1	PR:9ZC
	9P1 035 502 A 1E0	Black			
15	9A7 646 456 00	Amplifiers Mobile		1	PR:9ZC,9ZE
16	999 073 459 01	fillister hd. bolt		2	
17	9P1 035 205	Cellphone holder Amplifiers		1	PR:9ZC
18	999 049 033 40	Plastic nut		2	
19	9A7 919 813 00	chip card reader for road toll system D >> - 15.01.2018		1	PR:ER5
19	9A7 919 813 A	chip card reader for road toll system use also for retrofitting:	9A7 035 504	1	PR:ER5
20	7PP 980 653 D	Camera Windscreen		1	PR:631,632, 852
21	991 555 715 00	Trim heater with:		1	PR:631,632, 852

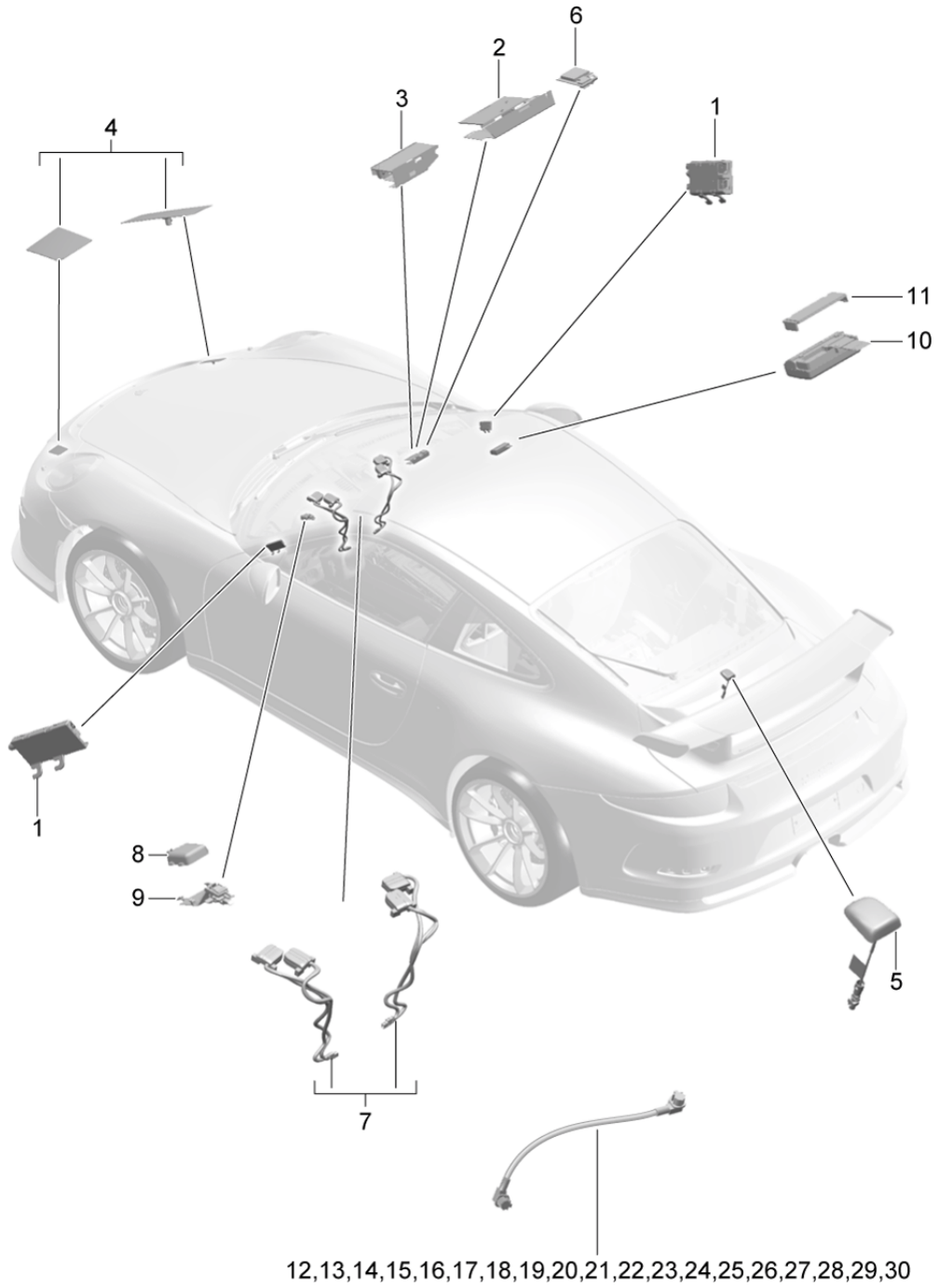
Model: 991G13

Model life 2014>>

Pos	Part Number	Description	Remark	Qty	Model
22	95B 980 551 K	Reversing camera		1	PR:7X9
23	991 642 222 00	Support for reversing camera Connector		1	PR:638
24	9P1 979 001	Connecting line Coupler box Centre console 800 MM		1	PR:9ZC
25	9P1 979 002	Connecting line USB adapter Centre console 1025 MM		1	PR:UI2
26	9P1 979 018	Connecting line USB adapter Centre console 600 MM		1	PR:UI2
27	9P3 979 001	Connecting line Combi-instrument Centre console 730 MM		1	/LL PR:UI2,098
28	9P4 979 001	Connecting line Combi-instrument Centre console 1100 MM		1	/RL PR:UI2,099
29	9P1 979 008	Connecting line Reversing camera 1350 MM		1	PR:638
30	9P1 979 016	Connecting line Reversing camera 4100 MM		1	PR:638
31	9P1 979 022	Connecting line Reversing camera Trim 950 MM	rear	1	PR:638
32	9P1 979 004	Connecting line USB adapter USB distributor 850 MM		1	PR:ER1,ER2, ER3,ER4,ER6, ER7,ER8,I8L, UI2
33	9P1 979 005	Connecting line USB adapter Central computer 890 MM		1	PR:ER5
34	9P1 970 295	Connecting line (Central computer > USB hub)		1	PR:ER1,ER2, ER3,ER4,ER6, ER7,ER8,I8L, UI2
35	9P1 970 349	Connecting line Screen Central computer 250 MM		1	
36	9P1 919 069	Rot. knob Screen	left	1	
37	9P1 919 070	Rot. knob Screen	right	1	

Model: 991G13

Model life 2014>>



Model: 991G13 Model life 2014>>

Pos	Part Number	Description	Remark	Qty	Model
1	9P1 035 225	Aerial Lines D - MJ 2018>> Aerial amplifier A-pillar	right	1	/R PR:ER1,ER2, ER3,ER4,ER6, ER7,ER8,QU8, QV0,QV3
(1)	9P1 035 225 A	Aerial amplifier A-pillar	right	1	/R PR:ER5,QV0
(1)	9P1 035 225 C	Aerial amplifier A-pillar	right	1	/R PR:ER1,ER2, ER3,ER4,ER6, ER7,ER8,QU1, QV1
1	9P1 035 225 B	Aerial amplifier A-pillar	left	1	/L PR:ER1,ER2, ER3,ER4,ER6, ER7,ER8,QU8, QV0,QV3
2	971 035 503	Telephone aerial		1	PR:9ZC,9ZK, -631,-632,
3	971 035 503 A	Telephone aerial		1	PR:9ZC,9ZK, 631,632,852
4	971 035 510 B	Data Telephone aerial		2	PR:9ZC,-XAS, -XAT
(4)	971 035 510 B	Front apron Telephone aerial		1	PR:9ZK,-XAS, -XAT
5	9P1 035 510	Front apron Aerial		1	PR:QU8,789
6	7PP 035 504 A	Digital Radio unit Aerial		1	PR:7UG
7	991 647 053 01	Navigation Aerial		1	PR:7G9,7I0, 7I2
8	9A7 647 504 00	VTS vehicle tracking Aerial		1	PR:ER5
9	9P1 035 755	ETC Retainer for aerial		1	PR:ER5
10	9A7 647 504 10	ETC Aerial		1	PR:ER5
10	9A7 035 504	VICS D >> - 15.01.2018		1	PR:ER5
11	9A7 647 720 00	use also for retrofitting: D - 16.01.2018>> Retainer for aerial	9A7.919.813.A	1	PR:ER5
12	9P4 979 002	VICS Single wire Aerial		1	PR:ER5
13	9P3 979 008	ETC Single wire Aerial		1	PR:ER5,I8L, QV0
(13)	9P3 979 009	Single wire Aerial	right	1	/R PR:ER5,I8L, QV1
(13)	9P3 979 013	Single wire Aerial	left	1	/L PR:ER5,I8L, QV1

Model: 991G13 Model life 2014>>

Pos	Part Number	Description	Remark	Qty	Model
14	9P3 979 023	Single wire Aerial		1	PR:7G9,7I0, 7I2
15	9P4 979 005	GSM Single wire Aerial		1	PR:7UG
16	9P4 979 006	GPS Single wire Aerial		1	PR:7G9,7I0, 7I2
17	9P3 979 007	VTS vehicle tracking Single wire Aerial		1	PR:7G9,7I0, 7I2
18	9P3 979 018	GSM VTS vehicle tracking Single wire Aerial		1	PR:9ZC,9ZK, -631,-632, -852
19	9P3 979 019	GSM Single wire Aerial		1	PR:9ZC,9ZK, 631,632,852
20	9P1 979 010	GSM Single wire Aerial		1	PR:QU8
21	9P1 979 015	Digital Radio unit Single wire Aerial		1	PR:7G9,7I0, 7I2
22	9P3 979 010	Centre console VTS vehicle tracking Single wire Aerial		1	PR:ER1,ER2, ER3,ER4,ER6, ER7,ER8,I8L, QU8,QV0,QV3
23	9P3 979 011	Single wire Aerial		1	PR:ER1,ER2, ER3,ER4,ER6, ER8,I8L,QU1, QV1
24	9P3 979 012	Single wire Aerial		1	PR:ER1,ER2, ER3,ER4,ER6, ER8,I8L,QU1
25	9P3 979 014	Single wire Aerial	lhd	1	PR:QV3
25	9P4 979 014	DAB Single wire Aerial	rhd	1	PR:QV3
26	9P3 979 015	DAB Single wire Aerial		1	PR:ER1,ER2, ER3,ER4,ER6, ER8,I8L,QV1
27	9P3 979 016	DAB Single wire Aerial		1	PR:9ZC
28	9P3 979 017	FRONT luggage compartment Single wire Aerial		1	PR:9ZC
29	9P1 979 021	Centre console Amplifiers Single wire Aerial		1	PR:9ZC
30	9P1 979 020	Telephone Front apron Single wire Aerial		1	PR:9ZC,9ZK
		without:			

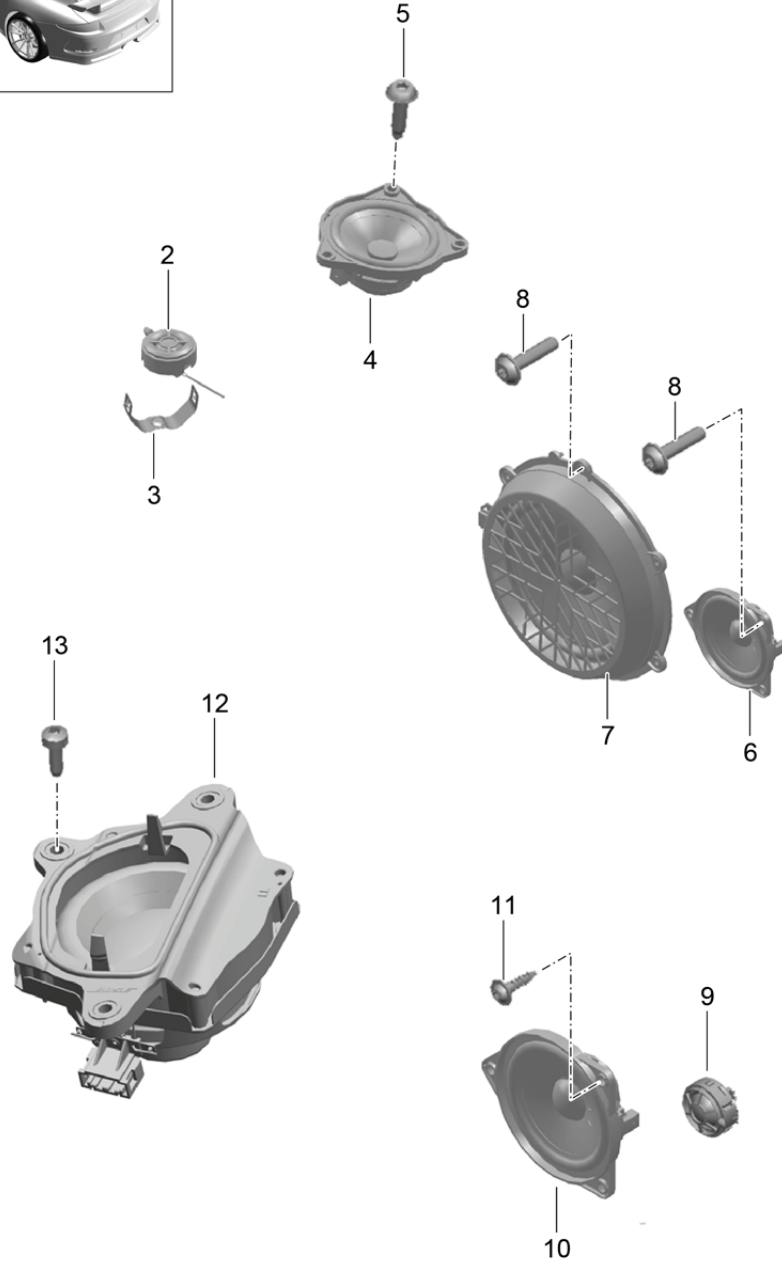
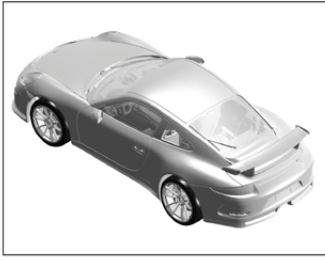
Model: 991G13

Model life 2014>>

Pos	Part Number	Description	Remark	Qty	Model
		Front apron			

Model: 991G13

Model life 2014>>



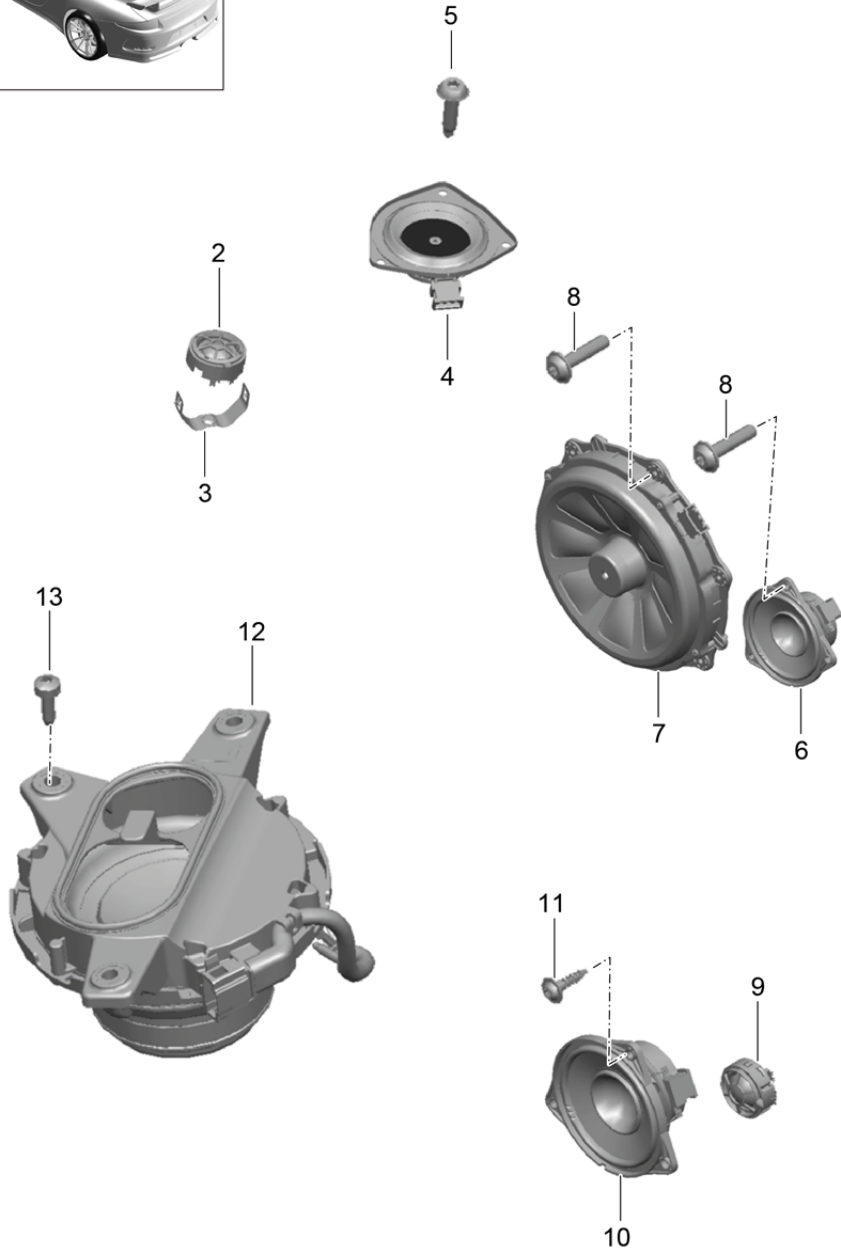
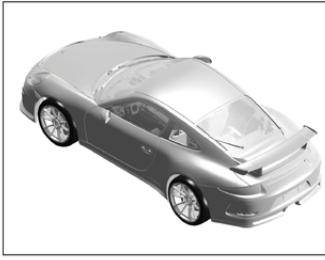
Model: 991G13

Model life 2014>>

Pos	Part Number	Description	Remark	Qty	Model
2	7PP 035 411	Loudspeaker D >> - MJ 2017 Treble speaker dashboard		2	PR:490
(2)	7PP 035 411 D	Treble speaker dashboard		2	PR:680
3	991 552 775 00	Retaining bar Treble speaker		2	PR:490,680
4	7PP 035 828 C	Loudspeaker dashboard	center	1	PR:490
(4)	7PP 035 828 D	Loudspeaker dashboard	center	1	PR:680
5	999 073 557 01	fillister hd. bolt M 5 X 20		7	
6	7PP 035 415 E	Mid tone speaker Door		2	PR:490
(6)	7PP 035 415 F	Mid tone speaker Door		2	PR:680
7	7PP 035 454 J	Bass loudspeaker Door		2	PR:490,IY1
(7)	7PP 035 454 L	D >> - MJ 2014 Bass loudspeaker Door		2	PR:490,IY2
(7)	7PP 035 454 L	D - MJ 2014>> - MJ 2014 Bass loudspeaker Door		2	PR:490
(7)	970 645 551 02	D - MJ 2015>> Bass loudspeaker Door		2	PR:441
(7)	7PP 035 454 P	Bass loudspeaker Door		2	PR:680
8	999 919 209 09	fillister hd. bolt 5,0 X 22,0		12	
9	7PP 035 411	Treble speaker	rear	2	PR:490
(9)	7PP 035 411 D	Treble speaker	rear	2	PR:680
10	7PP 035 415 E	Mid tone speaker	rear	2	PR:490
(10)	7PP 035 415 F	Mid tone speaker	rear	2	PR:680
11	999 919 250 01	Oval-head screw 4,0 X 16,0		6	
12	991 645 565 00	Subwoofer		1	PR:680,098
(12)	991 645 566 00	Subwoofer		1	PR:680,099
13	999 073 382 01	Bolt with washer M 6 X 20		1	PR:680

Model: 991G13

Model life 2014>>



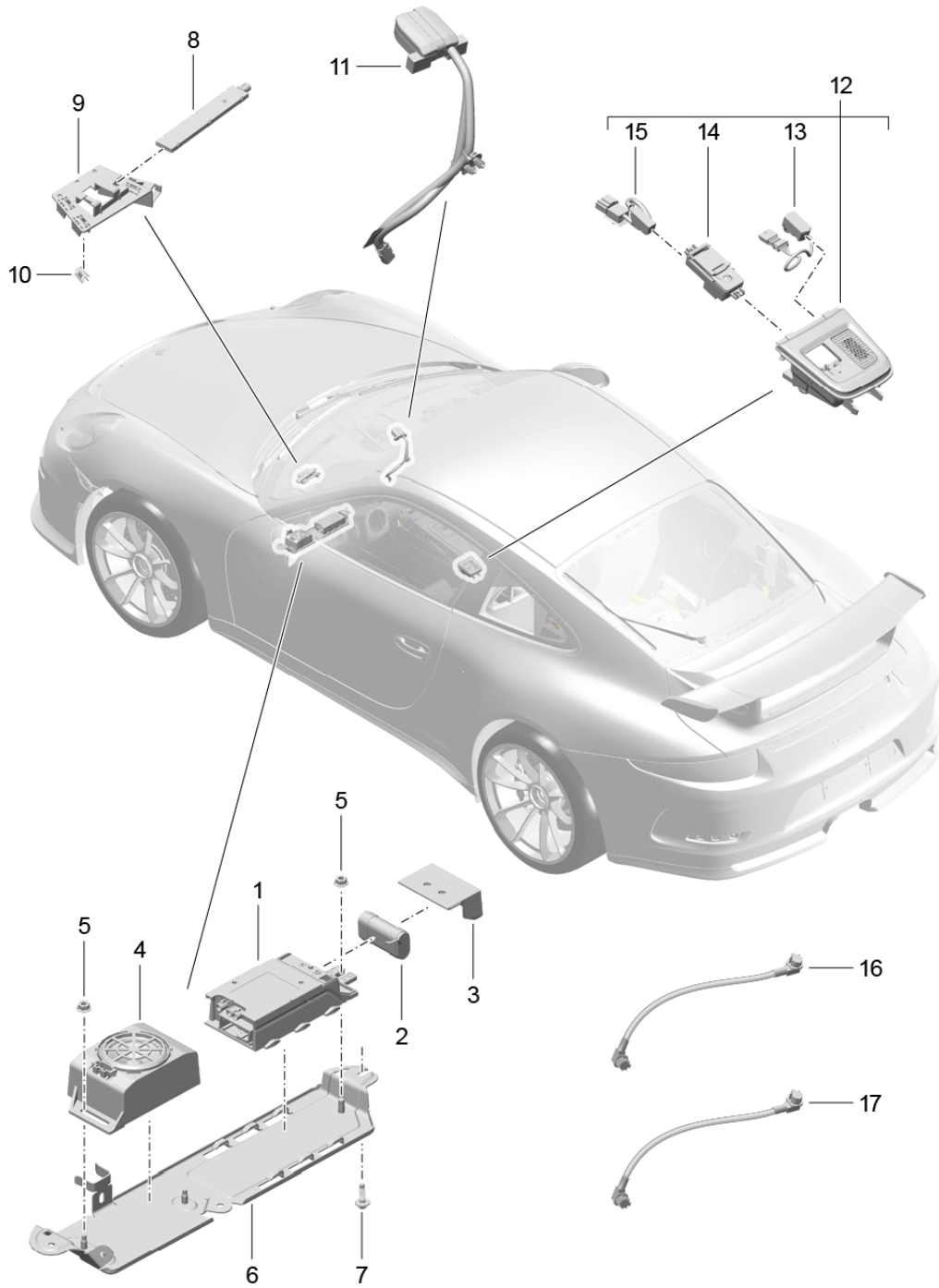
Model: 991G13

Model life 2014>>

Pos	Part Number	Description	Remark	Qty	Model
2	7PP 035 411 D	Loudspeaker D - MJ 2018>> Treble speaker dashboard		2	PR:9VL
(2)	7PP 035 411	Treble speaker dashboard		2	PR:9VK
3	991 552 775 00	Retaining bar Treble speaker		2	PR:9VK,9VL
(4)	7PP 035 828 D	Loudspeaker dashboard	center	1	PR:9VL
5	999 073 498 01	fillister hd. bolt M 5 X 20		9	
(6)	7PP 035 415 F	Mid tone speaker Door		2	PR:9VL
(6)	7PP 035 415 J	Mid tone speaker Door		2	PR:9VK
(7)	9A7 645 555 14	Bass loudspeaker Door		2	PR:9VL
(7)	7PP 035 454 L	Bass loudspeaker Door		2	PR:9VK
8	999 919 209 09	fillister hd. bolt 5,0 X 22,0		12	
(9)	7PP 035 411 D	Treble speaker	rear	2	PR:9VL
9	7PP 035 411	Treble speaker	rear	2	PR:9VK
(10)	7PP 035 415 F	Mid tone speaker	rear	2	PR:9VL
(10)	7PP 035 415 J	Mid tone speaker	rear	2	PR:9VK
11	999 919 250 01	Oval-head screw 4,0 X 16,0		6	
(12)	991 645 565 00	Subwoofer	lhd	1	PR:098,9VL
(12)	991 645 566 00	Subwoofer	rhd	1	PR:099,9VL
13	999 073 382 01	Bolt with washer M 6 X 20		3	PR:9VL

Model: 991G13

Model life 2014>>



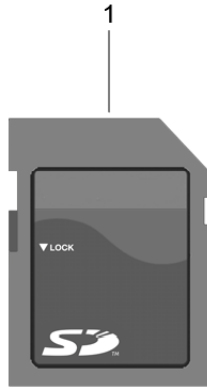
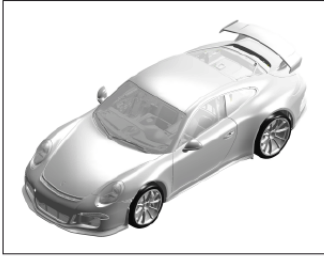
Model: 991G13

Model life 2014>>

Pos	Part Number	Description	Remark	Qty	Model
1	9P1 035 284	Emergency call system control box		1	PR:NZ3
2	9P1 915 611	Communication Box Battery for		1	
3	9P1 035 215	Communication Box Cover for		1	
4	7PP 035 709 A	Communication Box Loudspeaker		1	
5	900 377 010 01	Hexagon nut		4	
6	9P1 035 206	Bracket		4	
7	999 919 278 01	Hexagon head bolt		2	
8	9A7 035 504 00	Aerial GSM		1	
9	9P1 035 525	Retainer for aerial		1	
10	N 107 297 01	U-clip		3	
11	9P1 035 504	Bracket Aerial		1	
12	982 857 200 982 857 200 A05	GPS Trim for centre console Black		1	PR:-583
13	9P1 035 712	microphone	with:	1	
14	9P1 959 511	Switch		1	
15	9P1 959 511 6N3	Black		1	
16	9P1 971 659	Adapter Line		1	
17	9P1 979 023	Single wire for Aerial GSM 1250 MM Connector housing Black and Connector housing violet		1	
	9P1 979 024	Single wire for Aerial GPS 1300 MM Connector housing blue and Connector housing Black		1	

Model: 991G13

Model life 2014>>



Model: 991G13

Model life 2014>>

Pos	Part Number	Description	Remark	Qty	Model
1	9P1 909 000 G	SD card For navigation system update D - MJ 2017>> SD memory card for updating the navigation data		1	PR:ER1
1	9P1 909 000 T	D >> - MJ 2017 SD memory card for updating the navigation data		1	PR:ER1
1	9P1 909 000 H	D - MJ 2018>> SD memory card for updating the navigation data		1	PR:ER3,ER4
1	9P1 909 000 AA	D >> - MJ 2017 SD memory card for updating the navigation data		1	PR:ER3,ER4
1	9P1 909 000 J	D - MJ 2018>> SD memory card for updating the navigation data		1	PR:ER2
1	9P1 909 000 AB	D >> - MJ 2017 SD memory card for updating the navigation data		1	PR:ER2
1	9P1 909 000 L	D - MJ 2018>> SD memory card for updating the navigation data		1	PR:ER5
1	9P1 909 000 AD	D >> - MJ 2017 SD memory card for updating the navigation data		1	PR:ER5,IY1
1	9P1 909 000 AH	D - MJ 2018>> - MJ 2018 SD memory card for updating the navigation data		1	PR:ER5,IY2
1	9P1 909 000 N	D - MJ 2018>> - MJ 2018 SD memory card for updating the navigation data		1	PR:ER8
1	9P1 909 000 AF	D >> - MJ 2017 SD memory card for updating the navigation data		1	PR:ER8,IY1
1	9P1 909 000 AK	D - MJ 2018>> - MJ 2018 SD memory card for updating the navigation data		1	PR:ER8,IY2
1	9P1 906 961	D - MJ 2018>> - MJ 2018 SD card Software Central computer		1	PR:ER1,ER2
1	9P1 906 961 A	D >> - MJ 2017 SD card Software Central computer		1	PR:ER3,ER4
1	9P1 906 961 B	D >> - MJ 2017 SD card Software Central computer		1	PR:ER6
1	9P1 919 360	D >> - 08.11.2016 SD card Software Central computer		1	PR:ER6
1	9P1 919 360 A	D - 09.11.2016>> D >> - MJ 2017 SD card Software Central computer		1	PR:ER5
1	9P1 919 360 E	D >> - MJ 2017 SD card Software Central computer		1	PR:ER5

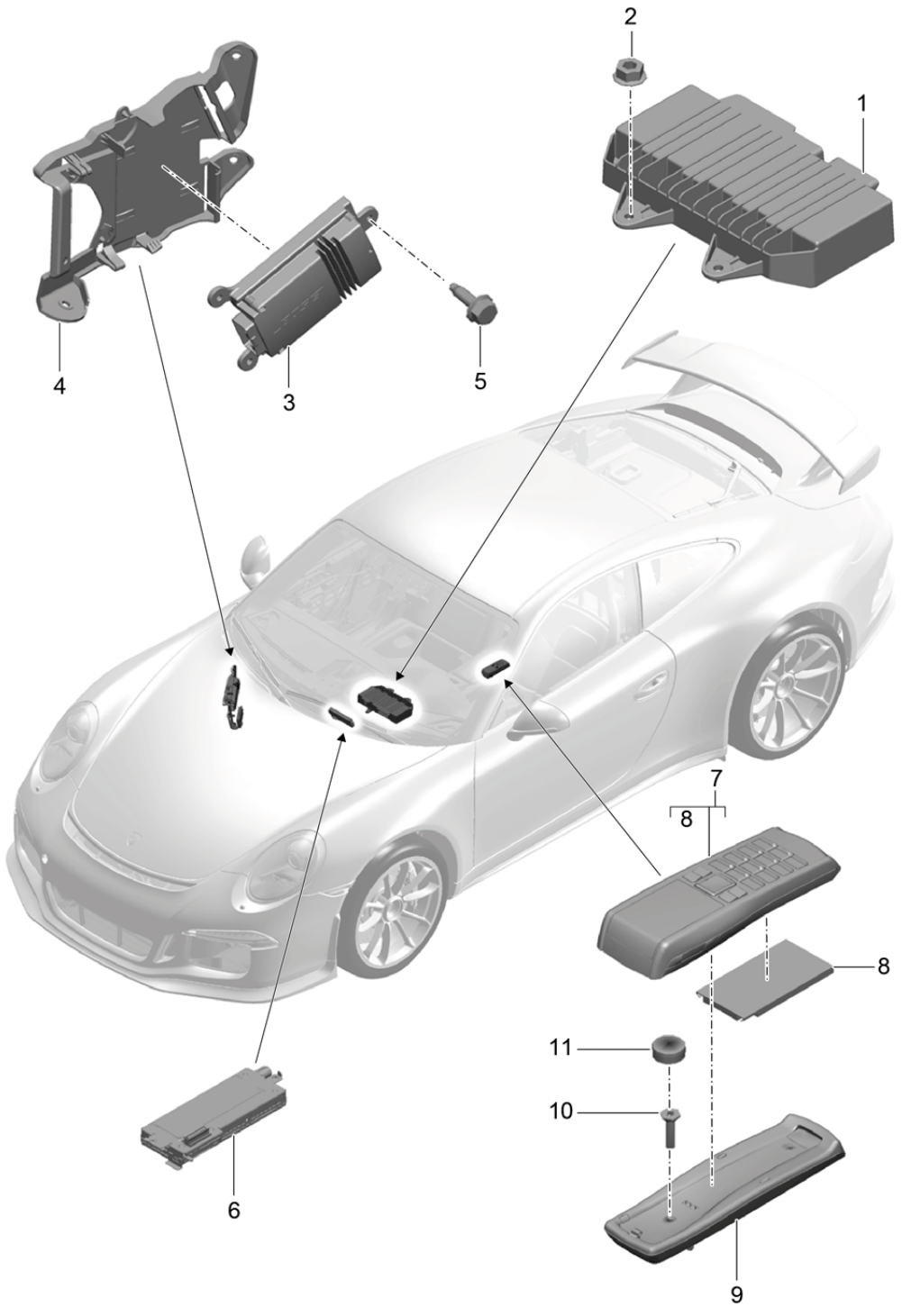
Model: 991G13

Model life 2014>>

Pos	Part Number	Description	Remark	Qty	Model
1	9P1 906 961 D	D - MJ 2018>> SD card Software Central computer		1	PR:ER8
1	9P1 906 961 E	D >> - MJ 2017 SD card Software Central computer D >> - MJ 2017		1	PR:ER7

Model: 991G13

Model life 2014>>

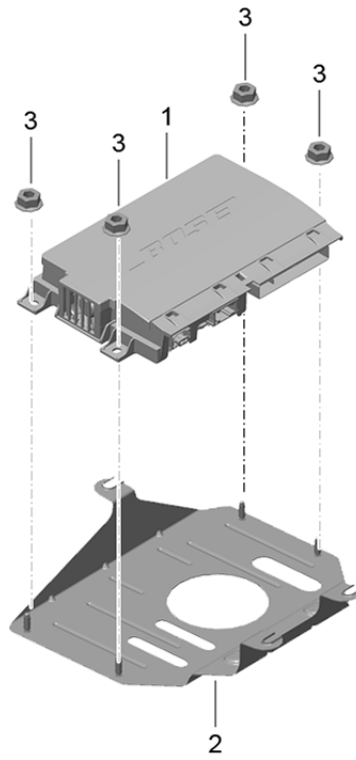
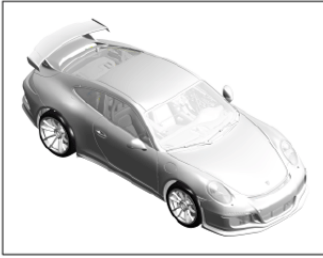


Model: 991G13 Model life 2014>>

Pos	Part Number	Description	Remark	Qty	Model
1	991 645 441 03	Amplifiers Telephone D >> - MJ 2017		1	PR:490,IY1
(1)	991 645 441 04	Amplifiers D >> - MJ 2014		1	PR:490,IY2
(1)	991 645 441 04	Amplifiers D - MJ 2014>> - MJ 2014		1	PR:490
(1)	7PP 035 223 AA	Amplifiers D - MJ 2015>>		1	PR:680
(1)	991 645 480 00	Amplifiers		1	PR:680,675
2	999 084 638 01	Hexagon nut M 6		3	
3	9P1 035 465	Additional amplifier Subwoofer		1	PR:680
4	991 645 521 00	Bracket for subwoofer Additional amplifier		1	PR:680,098
4	991 645 522 00	Bracket for subwoofer Additional amplifier		1	PR:680,099
5	900 378 317 01	Hexagon bolt M 6 X 25		1	PR:680
6	7PP 035 730 B	Control unit for telephone microphone		1	PR:666
-		see illustration:	911-000		
7	7PP 035 725 C	Telephone controls/receiver		1	PR:669
8	997 646 916 00	Battery		1	PR:669
9	955 646 214 00	Support for cellphone receiver		1	PR:669
10	999 919 230 00	countersunk bolt 3,0 X 10		2	PR:669
11	955 646 311 00	Bungs		2	PR:669

Model: 991G13

Model life 2014>>



Model: 991G13

Model life 2014>>

Pos	Part Number	Description	Remark	Qty	Model
		Amplifiers			
		D - MJ 2018>>			
1	9A7 645 443 11	Amplifiers		1	PR:9VL
2	9P1 035 251 B	Holder for amplifier		1	PR:9VL
3	999 084 638 01	Hexagon nut		4	PR:9VL
-		microphone			
		see illustration:	911-000		