

Model: 971-17

Model life 2017>>

Model Overview Sales Type

Sales term	Description	Mounting time	Remark
97AAA1	Panamera	05/16	
97ABA1	Panamera 4	05/16	
97ABC1	Panamera Diesel (221KW)	05/17	
97ABE1	Panamera 4 Hybrid	05/16	
97ABJ1	Panamera Diesel (155KW)	05/17	
97ABK1	Panamera Diesel (190KW)	05/17	
97ABL1	Panamera Diesel (184KW)	05/17	
97ADB1	Panamera 4S	05/16	
97ADD1	Panamera 4S Diesel	05/16	
97AFF1	Panamera Turbo	05/16	
97AFH1	Panamera Turbo S Hybrid	05/17	
97BAA1	Panamera Executive	05/17	
97BBA1	Panamera 4 Long	05/16	
97BBE1	Panamera 4 Hybrid Long	05/16	
97BDB1	Panamera 4 Long	05/16	
97BFF1	Panamera Turbo Long	05/16	
97BFH1	Panamera Turbo S Hybrid Executive	05/17	
97CBA1	Panamera Sport Turismo	05/17	
97CBC1	Panamera Diesel Sport Turismo (221KW)	05/17	
97CBE1	Panamera Hybrid Sport Turismo	05/17	
97CBJ1	Panamera Diesel Sport Turismo (155KW)	05/17	
97CBK1	Panamera Diesel Sport Turismo (190KW)	05/17	
97CBL1	Panamera Diesel Sport Turismo (184KW)	05/17	
97CDB1	Panamera S Sport Turismo	05/17	
97CDD1	Panamera S Diesel Sport Turismo	05/17	
97CFF1	Panamera Turbo Sport Turismo	05/17	
97CFH1	Panamera Turbo S Hybrid Sport Turismo	05/17	

Model: 971-17

Model life 2017>>

Model Overview EC

EC	Sales term	LTR	KW	Hp	Cyl	Mounting time	Remark
CSZ		2,90	324	440	6	05/16-05/17	
CSZA		2,90	324	440	6	05/16	
CVD		4,00	404	549	8	05/17	
CVDA		4,00	404	549	8	05/16	
CXT		3,00	243	330	6	05/16-05/17	
CXTA		3,00	243	330	6	05/16	
DBUC		4,00	310	421	8	05/16	TDI CR
DBUC		4,00	404	549	8	05/17	
DEPA		3,00	221	300	6	05/17	
DEPB		3,00	184	250	6	05/17	
DERA		3,00	190	258	6	05/17	
DERC		3,00	155	210	6	05/17	
DGP		2,90	243	330	6	05/16-05/17	
DGPA		2,90	243	330	6	05/16	

Model: 971-17

Model life 2017>>

Model Overview TC

TC	Sales term	Type	Mounting time	Remark
C0DS5		8C	05/17	
C0DS1		8C	05/16	
C0DS2		8C	05/16	
C0DS3		8C	05/17	
C0DS4		8C	05/16	
C0DSA		8C	05/16	
C0DSB		8C	05/16	

Model: 971-17

Model life 2017>>

VIN-Numbers Overview

Model	year	Date	VIN	Remark
2017		01.06.2016	97-HL100061	>97-HL110000 Panamera / Panamera 4
2017		01.06.2016	97-HL160061	>97-HL175000 Panamera 4 Executive
2017		01.06.2016	97-HL120061	>97-HL130000 Panamera 4S
2017		01.06.2016	97-HL130061	>97-HL135000 Panamera 4S Diesel
2017		01.06.2016	97-HL180061	>97-HL185000 Panamera 4S Executive
2017		01.06.2016	97-HL150061	>97-HL155000 Panamera Turbo
2017		01.06.2016	97-HL187061	>97-HL189000 Panamera Turbo Executive
2017		01.06.2016	97-HL150061	>97-HL155000 Panamera Turbo (CN, MEX, BR, KOR)
2017		01.06.2016	A7-HL150061	>A7-HL155000 Panamera Turbo (USA, CDN)
2017		01.06.2016	97-HL100061	>97-HL110000 Panamera / Panamera 4 (CN, MEX, BR, KOR)
2017		01.06.2016	A7-HL100061	>A7-HL110000 Panamera / Panamera 4 (USA, CDN)
2017		01.06.2016	97-HL120061	>97-HL130000 Panamera 4S (CN, MEX, BR, KOR)
2017		01.06.2016	A7-HL120061	>A7-HL130000 Panamera 4S (USA, CDN)
2017		01.06.2016	97-HL130061	>97-HL135000 Panamera 4S Diesel (CN, MEX, BR, KOR)
2017		01.06.2016	A7-HL130061	>A7-HL135000 Panamera 4S Diesel (USA, CDN)
2017		01.06.2016	97-HL160061	>97-HL175000 Panamera 4 Executive (CN, MEX, BR, KOR)
2017		01.06.2016	A7-HL160061	>A7-HL175000 Panamera 4 Executive (USA, CDN)
2017		01.06.2016	97-HL180061	>97-HL185000 Panamera 4S Executive (CN, MEX, BR, KOR)
2017		01.06.2016	A7-HL180061	>A7-HL185000 Panamera 4S Executive (USA, CDN)
2017		01.06.2016	97-HL187061	>97-HL189000 Panamera Turbo Executive (CN, MEX, BR, KOR)
2017		01.06.2016	A7-HL187061	>A7-HL189000 Panamera Turbo Executive (USA, CDN)
2018		01.06.2017	97-JL100061	>97-JL120000 Panamera / Panamera 4
2018		01.06.2017	97-JL150061	>97-JL160000 Panamera 4 Executive
2018		01.06.2017	97-JL131061	>97-JL137000 Panamera 4S
2018		01.06.2017	97-JL137061	>97-JL140000 Panamera 4S Diesel
2018		01.06.2017	97-JL165061	>97-JL170000 Panamera 4S Executive
2018		01.06.2017	97-JL127061	>97-JL131000 Panamera Hybrid
2018		01.06.2017	97-JL140061	>97-JL144000 Panamera Turbo
2018		01.06.2017	97-JL120061	>97-JL127000 Panamera Diesel
2018		01.06.2017	97-JL170061	>97-JL172000 Panamera Turbo Executive
2018		01.06.2017	97-JL198061	>97-JL199000 Panamera Turbo S Gybrid Sport Turiamo (CN, MEX, BR, KOR)
2018		01.06.2017	A7-JL140061	>A7-JL144000 Panamera Turbo (USA, CDN)
2018		01.06.2017	97-JL100061	>97-JL120000 Panamera / Panamera 4

Model: 971-17 **Model life 2017>>**

2018	01.06.2017	A7-JL100061	>A7-JL120000	(CN, MEX, BR, KOR) Panamera / Panamera 4 (USA, CDN)
2018	01.06.2017	97-JL131061	>97-JL137000	Panamera 4S (CN, MEX, BR, KOR)
2018	01.06.2017	A7-JL131061	>A7-JL137000	Panamera 4S (USA, CDN)
2018	01.06.2017	97-JL137061	>97-JL140000	Panamera 4S Diesel (CN, MEX, BR, KOR)
2018	01.06.2017	A7-JL137061	>A7-JL140000	Panamera 4S Diesel (USA, CDN)
2018	01.06.2017	97-JL150061	>97-JL160000	Panamera 4 Executive (CN, MEX, BR, KOR)
2018	01.06.2017	A7-JL150061	>A7-JL160000	Panamera 4 Executive (USA, CDN)
2018	01.06.2017	97-JL160061	>97-JL165000	Panamera 4 Hybrid Executive
2018	01.06.2017	A7-JL160061	>A7-JL165000	Panamera 4 Hybrid Executive (USA, CDN)
2018	01.06.2017	97-JL165061	>97-JL170000	Panamera 4S Executive (CN, MEX, BR, KOR)
2018	01.06.2017	A7-JL165061	>A7-JL170000	Panamera 4S Executive (USA, CDN)
2018	01.06.2017	A7-JL170061	>A7-JL172000	Panamera Turbo Executive (USA, CDN)
2018	01.06.2017	97-JL144061	>97-JL147000	Panamera Turbo S Hybrid
2018	01.06.2017	97-JL172061	>97-JL174000	Panamera Turbo S Hybrid Executive
2018	01.06.2017	97-JL192061	>97-JL195000	Panamera S Diesel Sport Turismo
2018	01.06.2017	97-JL198061	>97-JL199000	Panamera Turbo S Hybrid Sport Turismo
2018	01.06.2017	97-JL120061	>97-JL127000	Panamera Diesel (CN, MEX, BR, KOR)
2018	01.06.2017	97-JL127061	>97-JL131000	Panamera hybrid (CN, MEX, BR, KOR)
2018	01.06.2017	A7-JL127061	>A7-JL131000	Panamera Hybrid (USA, CDN)
2018	01.06.2017	97-JL140061	>97-JL144000	Panamera Turbo (CN, MEX, BR, KOR)
2018	01.06.2017	97-JL144061	>97-JL147000	Panamera Turbo S Hybrid (CN, MEX, BR, KOR)
2018	01.06.2017	A7-JL144061	>A7-JL147000	Panamera Turbo S Hybrid (USA, CDN)
2018	01.06.2017	97-JL160061	>97-JL165000	Panamera 4 Hybrid Executive (CN, MEX, BR, KOR)
2018	01.06.2017	97-JL170061	>97-JL172000	Panamera Turbo Executive (CN, MEX, BR, KOR)
2018	01.06.2017	97-JL172061	>97-JL174000	Panamera Turbo S Hybrid Executive (CN, MEX, BR, KOR)
2018	01.06.2017	A7-JL172061	>A7-JL174000	Panamera Turbo S

Model: 971-17 Model life 2017>>

2018	01.06.2017	97-JL180061	>97-JL183000	Hybrid Executive (USA,CDN)
2018	01.06.2017	97-JL180061	>97-JL183000	Panamera 4 Sport Turismo
2018	01.06.2017	97-JL180061	>97-JL183000	Panamera 4 Sport Turismo (CN,MEX,BR,KOR)
2018	01.06.2017	A7-JL180061	>A7-JL183000	Panamera 4 Sport Turismo (USA,CDN)
2018	01.06.2017	97-JL183061	>97-JL188000	Panamera Diesel Sport Turismo
2018	01.06.2017	97-JL183061	>97-JL188000	Panamera Diesel Sport Turismo (CN,MEX,BR,KOR)
2018	01.06.2017	A7-JL183061	>A7-JL188000	Panamera Diesel Sport Turismo (USA,CDN)
2018	01.06.2017	97-JL188061	>97-JL190000	Panamera Hybrid Sport Turismo
2018	01.06.2017	97-JL188061	>97-JL190000	Panamera Hybrid Sport Turismo (CN,MEX,BR,KOR)
2018	01.06.2017	A7-JL188061	>A7-JL190000	Panamera Hybrid Sport Turismo (USA,CDN)
2018	01.06.2017	97-JL190061	>97-JL192000	Panamera S Sport Turismo
2018	01.06.2017	97-JL190061	>97-JL192000	Panamera S Sport Turismo (CN,MEX,BR,KOR)
2018	01.06.2017	A7-JL190061	>A7-JL192000	Panamera S Sport Turismo (USA,CDN)
2018	01.06.2017	97-JL192061	>97-JL195000	Panamera S Diesel Sport Turismo (CN,MEX,BR,KOR)
2018	01.06.2017	A7-JL192061	>A7-JL195000	Panamera S Diesel Sport Turismo USA,CDN)
2018	01.06.2017	97-JL195061	>97-JL198000	Panamera Turbo Sport Turismo
2018	01.06.2017	97-JL195061	>97-JL198000	Panamera Turbo Sport Turismo (CN,MEX,BR,KOR)
2018	01.06.2017	A7-JL195061	>A7-JL198000	Panamera Turbo Sport Turismo (USA,CDN)
2018	01.06.2017	A7-JL198061	>A7-JL199000	Panamera Turbo S Hybrid Sport Turismo (USA,CDN)

Model: 971-17

Model life 2017>>

Engine Numbers

Engine number	Model year	Vehicle type	Engine type
CSZ 0001>999999	2017	PANAMERA V6 Bi Turbo C33	CSZ
CSZ 0001>999999	2017	PANAMERA V6 Bi Turbo	CSZA
CVD 0001>999999	2017	PANAMERA V8 Bi TURBO 0K0	CVDA
CXT 0001>999999	2017	PANAMERA V6 Turbo C33	CXT
CXT 0001>999999	2017	PANAMERA V6 Turbo	CXTA
DBU 0001>999999	2017	PANAMERA V8 DIESEL	DBUC
DGP 0001>999999	2017	PANAMERA PHEV C33	DGP
DGP 0001>999999	2017	PANAMERA PHEV	DGPA
CSZ 0001>999999	2018	PANAMERA V6 Bi Turbo	CSZA
CVD 0001>999999	2018	PANAMERA PHEV V8 Bi TURBO 0K3	CVD
CVD 0001>999999	2018	PANAMERA PHEV V8 Bi TURBO 0K3	CVDA
CVD 0001>999999	2018	PANAMERA V8 Bi TURBO 0K0	CVDA
CXT 0001>999999	2018	PANAMERA V6 Turbo	CXTA
DBU 0001>999999	2018	PANAMERA V8 DIESEL	DBUC
DEP 0001>999999	2018	PANAMERA Diesel	DEPA
DEP 0001>999999	2018	PANAMERA Diesel	DEPB
DEP 0001>999999	2018	PANAMERA Diesel	DERA
DEP 0001>999999	2018	PANAMERA Diesel	DERC
DGP 0001>999999	2018	PANAMERA PHEV	DGPA

Model: 971-17**Model life 2017>>**

Transmission Numbers

Transmission Number	Model year	Vehicle type	Gearbox type
C7100 1 002001>999999	2017	PANAMERA Basis	CODSA
C7110 1 002001>999999	2017	PANAMERA Diesel	CODSB
C7130 1 002001>999999	2017	PANAMERA 4/S4	CODS1
C7150 1 002001>999999	2017	PANAMERA Turbo/S Diesel	CODS2
C7140 1 002001>999999	2017	PANAMERA V6D/GTS	CODS4
C7100 1 002001>999999	2018	PANAMERA Basis	CODSA
C7110 1 002001>999999	2018	PANAMERA Diesel	CODSB
C7130 1 002001>999999	2018	PANAMERA 4/S4	CODS1
C7150 1 002001>999999	2018	PANAMERA Turbo/S Diesel	CODS2
C7160 1 002001>999999	2018	PANAMERA PHEV/TS PHEV	CODS3
C7140 1 002001>999999	2018	PANAMERA V6D/GTS	CODS4
C7170 1 002001>999999	2018	PANAMERA V6 BT PHEV	CODS5

Model: 971-17

Model life 2017>>

NR	Description
002	China Panamera, basic, long
017	base equipment level
021	Instrument cluster dials in Black/Silver
022	Black-coloured instrument dials, instrument cluster
023	Silver -coloured instrument dials, instrument cluster
024	Version for Greece
025	Black-coloured instrument dials, stopwatch
026	Silver-coloured instrument dials, stopwatch
029	Standard chassis
030	Sports suspension
032	Touring suspension
033	Panamera Edition
034	Version for Italy
058	Impact absorbers, front and rear
060	Turkey version
061	Version for Great Britain
062	sweden version
063	Version Luxemburg
064	Version for Netherlands
065	Version for Denmark
066	Version for Norway
067	Version for Finland
068	PAP right-hand drive version
069	Other country version
071	EU country version
072	Version for Mexico
073	Version for Russia
074	PAP left-hand drive version
075	Chinese version
080	Fuel tank, 80-litre
081	Fuel tank, 100-litre
086	Korea version
111	Version for Austria
113	Version for Canada
114	Version for Taiwan
119	Version for Spain
124	Version for France
126	Control and indications in French lettering
127	Control and indications in Swedish lettering
130	Control and indications in English lettering
159	Curbed engine, 155 kW/211 bhp
160	Emissions concept EU 4 w/o OBD
161	Emissions concept EU 4 with OBD
162	Emissions concept LEV-2
164	Emissions concept ULEV 2
165	Emissions concept EU 5

Model: 971-17

Model life 2017>>

NR	Description
167	Emissions concept EU4, ethanol
168	Emissions concept EU5, Japan (hybrid)
170	Acoustic package RoW
171	Acoustic package USA
172	Acoustic package PAP, China, Korea
176	Sports exhaust system
182	Hot country
186	Tailpipes, sports exhaust system Turbo S
193	japan version
194	Battery, 60 Ah
195	Battery, 70 Ah
196	Battery, 80 Ah
197	Stronger battery
198	Enhanced starter motor (1.7 kW)
199	Battery disconnection switch
200	95 Ah battery
201	105 Ah battery
206	Electrically extendable trailer hitch
209	Licence plate holder version 1
210	Licence plate holder version 2
211	Licence plate holder version 3
215	Version for Saudi Arabia
218	Licence plate holder version 4
219	Differential
220	Locking differential 40 %
221	PTV Plus, el. controlled rear-diff. lock
225	Version for Belgium
230	Tyres ZR 18" (245/50, 275/45)
231	Tyres ZR 19" (255/45, 285/40)
232	Tyres ZR 20" (255/40, 295/35)
234	All-season ZR 20 Rolling resistance optimised
235	All Season tyres, ZR 19" (255/45, 285/40)
236	All-season tyres R19 (255/45, 285/40)
237	All-season tyres ZR 19"
250	PDK transmission (dual clutch)
255	Manually retractable exterior mirrors with memory
257	Manually retractable exterior mirrors, with automatic dimming and memory
258	Electrically retractable exterior mirrors
259	Electrically retractable ext. mirrors with memory
260	Electrically retractable exterior mirrors with automatic dimming
261	Electrically retractable exterior mirrors with automatic dimming and

Model: 971-17

Model life 2017>>

NR	Description
	memory
263	Left exterior mirror glass, flat
264	Left exterior mirror glass, convex
265	Left exterior mirror glass, aspherical
266	Automatic anti-dazzle door mirror
267	Automatically dimmable interior and door mirrors
268	Rain sensor
270	Door mirrors -flat - driver's side, electrically adjustable and heatable
271	Door mirrors -aspherical- driver's side, electrically adjustable and heatable
273	Door mirrors, electrically adjustable and heatable
274	Vanity mirror, illuminated
275	Manual anti-dazzle interior mirror
276	Automatic anti-dazzle interior mirror
277	Swiss version
284	Right exterior mirror glass, convex
285	Right exterior mirror glass, aspherical
288	Headlamp washer
301	Transmission ratio long
325	Version for South Africa/New Zealand
335	Automatic seat belt, 3-point, rear
338	Rear-wheel drive
339	All-wheel drive
340	Wheel rims painted in basic colour
342	Seat heating, left/right seat
343	Adjustable heated seats, front and rear
345	Heated steering wheel
350	Air suspension
351	Air suspension with PDCC
352	Electronic damper control for PASM and PDCC
354	Air suspension and PASM Comfort
355	Air suspension and PASM, PDCC Comfort
367	Standard seat, left, 8-way
368	Standard seat, right, 8-way
369	Standard seat, left
370	Standard seat, right
375	Sports seat, backrest shell, left
376	Sports seat, backrest shell, right
377	Sports seat, backrest shell, left, electrically adjustable
378	Sports seat, backrest shell, right, electrically adjustable

Model: 971-17

Model life 2017>>

NR	Description
379	Power seat, left, 14-way
380	Power seat, right, 14-way
381	Seat upholstery, standard
382	Vertical seat adjustment, left
383	Vertical seat adjustment, right
388	Sports bucket seat, left
389	Sports bucket seat, right
390	Sports seat, left, 18-way
391	Sports seat, right, 18-way
402	Carrera 3 wheel 18-inch
403	Carrera S wheel 19-inch
404	19" Turbo-1 wheel
405	Carrera Classic wheel 19-inch
406	Carrera GT wheel 19-inch/20-inch
407	SportDesign wheel 19-inch
410	18" Turbo-2/Panamera wheel
411	18-inch Carrera wheel -->2005 19-inch Carrera wheel 2012-->
413	Panamera S wheel, 18"
414	Carrera S Facelift 18" wheel
415	Panamera Turbo wheel, 19"
416	Panamera Design wheel, 19"
417	RS Spyder Design wheel, 20"
418	911 Turbo 2 wheel, 20"
419	Carrera S Facelift 19" wheel
421	Turbo 2 wheel, 19"
424	CD storage unit
425	Rear window wiper
426	Without rear window wiper
429	20" 911 Turbo III wheel
431	Multi-function steering wheel, touch + feel
432	19" Carrera wheel (6)
436	Panamera Sport Design wheel, 19"
437	Comfort seat, left, electrically adjustable
438	Comfort seat, right, electrically adjustable
440	Antenna diversity
444	Anti-theft lock, wheel bolts "THATCHAM"
446	Concave wheel centers with full-colour Porsche Crest
447	Emergency wheel
448	Brake pad; sport version
450	Ceramic brake (PCCB)
451	Multi-function steering wheel, Makassar Ebony, touch + feel
452	Multi-function steering wheel, Sycamore,

Model: 971-17

Model life 2017>>

NR	Description
	touch + feel
453	Multi-function steering wheel, Carbon, touch + feel
454	Automatic speed control
456	Automatic distance control (ACC)
457	Lane change assist
458	Lane departure warning
459	3-spoke airbag steering wheel, touch + feel
460	20" RS Spyder Design wheel
461	External antenna
462	Comfort air pressure, 270 km/h
463	Comfort air pressure, 100 mph
464	Komfortluftdruck Lowspeed USA
465	Rear fog light, left
466	Rear fog light, right
471	19" Panamera Turbo II wheel
472	19" Panamera Design II wheel
475	"PASM" electronic damper control
476	Porsche Stability Management (PSM)
479	Version for Australia
480	6-speed manual transmission
482	Tire Pressure Monitoring TPM, 433 MHz
483	315-MHz TPM, Tire Pressure Monitoring
484	Version for USA
488	Inscriptions in German language
490	Sound system "ASK"
492	Headlights for left-hand traffic
498	Deletion of model designation on rear end
499	Version for Germany
501	Car cover
509	Fire extinguishers
513	Lumbar support, right seat
516	Rear spoiler in Black
519	Rear spoiler in Silver
521	Tilt sensor
523	Immobiliser, 434 MHz
524	Immobilizer, central locking, 433 MHz
525	Immobilizer, central locking, 315 MHz
532	Alarm system remote control omitted
534	Theft security system, 433 MHz
535	Theft security system, 315 MHz
536	-07 Alarm siren and tilt sensor
	08- Alarm siren
537	Seat position control for comfort seat, left
538	Seat position control for comfort seat, right
539	Mechanical seat height adjustment, left

Model: 971-17

Model life 2017>>

NR	Description
540	Mechanical seat height adjustment, right
541	Active seat ventilation (incl. heated seats)
542	Active seat ventilation, front and rear (incl. heated seats)
544	Anti-theft protection without infrared monitoring, 433 MHz
545	Anti-theft protection without infrared monitoring, 315 MHz
549	Roof Transport System
553	Version for USA, Canada
555	Black seat belts
556	Seat belts in basic colours
560	Advanced airbag
562	Airbag, driver's side and front passenger's side
563	Side airbag
565	Thorax airbag in rear seat backrest
566	Front fog lights, white
567	Windscreen tinted, upper part darker coloured
568	Windscreen without shade band
569	Standard sill covers, painted
571	Activated charcoal filter
572	Manual air-conditioning system
573	Air conditioner
574	No air conditioning
575	Luggage compartment cooling system
576	4-zone air conditioning system
581	Centre console, front
585	Cupholder
586	Lumbar support, left seat
592	Standard rooflining, fabric
594	Alcantara rooflining
597	Door sill trims, brushed aluminium
598	Door entry guards, brushed aluminium
600	Bi-Xenon
601	Xenon lighting system
602	LED headlights with dynamic cornering light Plus (PDLs Plus)
603	Xenon plus dynamic cornering light
604	Bi-Xenon top and dynamic cornering light
605	LED daytime driving lights
606	Daytime driving lights
607	Garage door opener "Homelink", 315 MHz
608	Garage door opener "Homelink" 433 MHz
610	DVD navigation, "Europe package"
611	DVD navigation South Africa

Model: 971-17

Model life 2017>>

NR	Description
612	DVD navigation middle east
613	DVD navigation australia
614	DVD navigation asia-pacific
615	DVD navigation system, North America
616	DVD, Navigation Russia
617	DVD Navigation China
618	Phone preparation
619	Mobile phone preparation (BLUETOOTH) without console
620	Bi-Xenon plus dynamic cornering light, Black
621	12-V socket, passenger's side, footwell
625	"KESSY" Porsche Entry and Drive
626	Charging tray in rear
627	Bi-Xenon/static AHBA
630	Interior light package
631	Traffic sign recognition
632	PDLs+ dynamic high beam
633	ParkAssist (front and rear) plus real Topview
634	ParkAssist (front and rear) with camera (LOW)
635	Park distance control
636	Park distance control in front and rear
637	Rear ParkAssist and reversing camera
638	ParkAssist, front, rear and reversing camera
639	Sport Chrono package
640	Sport Chrono Plus package
641	electronic log book
642	Start/Stop function
644	Central locking button in rear
645	Master control button in rear (seat adjustment)
647	Steering column, mechanically reach/height-adjustable, without ELV
648	Steering column, electrically reach/height-adjustable, without ELV
650	Electrical sliding roof
651	Electric window opener
652	Without sliding/tilting roof
655	Steering column with mech. reach/height adjustment
656	Steering column with electric reach/ height adjustment and memory
657	Power steering
658	Servotronic
659	on-board computer
660	Obd 2

Model: 971-17

Model life 2017>>

NR	Description
661	Stricter emission-control concept
663	Fuel pump activation
664	Orvr
665	-2008 PCM 2, 2009- PCM 3 basic module incl. radio
666	-2008 PCM 2, 2009- PCM 3 telephone (GSM)
669	PCM 3 - Telephone handset (BLUETOOTH)
671	Voice control system
672	-2008 PCM 2, 2009- PCM 3 Offroad navigation
673	Navigation system preparation, China
674	"Vehicle Tracking System" preparation
675	Without radio preparation (Japan navigation system)
676	TV tuner
677	"Driver card" antenna
678	Alarm system connection
679	Restart inhibitor
680	BOSE sound package
682	Top Premium sound system
685	Rear seats, split
686	SAT radio reception XM (SDARS)
688	HD radio reception
689	Preperation for CD autochanger
690	CD radio "Porsche Online Pro"
691	Digital radio reception DAB
692	CD autochanger "Porsche"
693	Integrated CD/DVD autochanger
694	CD radio "PORSCHE CDR 24"
695	CD radio, Porsche CDR 30
696	CD radio, Porsche CDR 31
697	CD radio "Porsche CDR-23"
701	Springs of the next lowest weight group
750	Model year A -(2010) vehicle with technical design status Electric Model year B (2011)-
789	Colour to sample
796	Full leather trim natural leather
798	Full leather trim special leather
799	Full leather trim by choice
801	Makassar Ebony wood package, dark (matt satin finish)
802	Sycamore package, light (matt satin finish)
803	Carbon package
805	Lifestyle package
806	Aluminium package, Black (Blackline)
810	foot mats
817	Decorative inlays in Piano Black
818	Aluminium decorative inlays
819	Carbon decorative inlays

Model: 971-17

Model life 2017>>

NR	Description
821	Decorative inlays in Dark Walnut
822	Tineo decorative inlays
823	Decorative inlays in Anthracite Birch
824	Decorative inlays in Olive
826	Decorative inlays in American Walnut
827	Decorative inlays in American Walnut/Piano Black
830	Basic rear seats (40/60), Comfort
831	Basic rear seats (40/60), Sport
832	Premium rear seats (40/20/40), Comfort
833	Premium rear seats (40/20/40), Sport
834	Premium rear seats (40/20/40), Comfort electric
835	Premium rear seats (40/20/40), Sport electric
836	Premium rear seats (40/40), Business
837	Multi-function steering wheel in Walnut
838	Business package
840	Sports steering wheel (for PDK with paddle)
841	Basic steering wheel Smooth leather
842	Multi-function steering wheel, Dark Walnut
843	Sports steering wheel in Alcantara
844	Multi-function steering wheel Smooth leather
845	Multi-function steering wheel Carbon
847	Multi-function steering wheel Makassar
848	Multi-function steering wheel, Anthracite Birch
849	Multi-function steering wheel, Tineo
850	Auxiliary/additional heater w/o remote control
851	Auxiliary/additional heater with remote control
852	PDLs+ High beam assist
856	5-mm wheel spacers, rear
861	Electric roll-up blind, rear side windows
862	Electric roll-up blind on rear window
863	Tinted heat-insulating glass
864	"Privacy" heat-insulating glass
865	"Clear" heat-insulating glass
866	"Privacy" heat-insulating glass
867	Trunk lid power closing
868	Roll-up blind for luggage compartment cover
869	Rear shelf (fixed luggage cover)
870	Universal multimedia interface
874	Horns for extreme driving situations
885	Softclose (closing aid for doors)

Model: 971-17

Model life 2017>>

NR	Description
890	Folding table, left
891	Folding table, right
899	Isofix child-seat restraint on front passenger side
911	Model designation 911
912	without identification plate
932	Rear seat covers in Alcantara/leather
936	Seat covers, rear, leather
937	Seat covers, rear, leatherette
938	Seat covers rear, leather/leather/leatherette Partially embossed
939	Seat covers, rear, draped leather
940	Seat covers rear, ruff.leather/leather/leatherette Soft ruffled leather, embossed
941	Seat covers rear, ruffled leather/leather/leather Soft ruffled leather, smooth finish
943	Seat covers rear, leather/leather/leather Full-leather, smooth finish
946	Seat covers, front, leather/leather/leatherette
947	Seat covers fr., ruff.leather/leather/leatherette Soft ruffled leather, embossed
950	Alcantara seat covers, front
951	Seat covers front, Alcantara/leather/leather
970	Two-tone interior
971	"TORO" embossed leather
975	Alcantara interior
980	Leather package
981	Leather equipment, without seat covers
982	Seat covers, front, draped leather/leather/leather
983	Seat covers, front, leather
985	Seat covers, leather/leather/leatherette, 2
990	Seat covers, front, cloth/cloth/leatherette
991	Steering wheel airbag module in leather
998	Leather, natural
999	Passenger compartment monitoring sensor for leather colour of choice
A8C	"Standard" equipment
A8F	"S" equipment
A8H	"Turbo" equipment
B0E	Component set for Canada
B0L	Component set for Japan
B0N	Component set for Great Britain
B0R	Component set for Australia
B0T	Component set for USA

Model: 971-17

Model life 2017>>

NR	Description
B1C	Component set for Mexico
B1D	Component set for Brazil
B1P	Component set for China
B2A	Component set PAP LHD
B2H	Component set for Korea
CJ1	Cayene wheel 7.5x17, wheel offset 53
DC4	6-cylinder biturbo engine, 2.9 l 316 kW
DD7	6-cylinder diesel engine 3.0 l/190 kW TDI
DJ4	8-cylinder diesel engine, 4.0 l 300 kW
DJ5	6-Zylinder-Dieselmotor 3,0 L/220 kW TDI
DJ7	8-cylinder diesel engine, 4.0 l 310 kW
DT4	8-cylinder biturbo engine, 4.0 l 390 kW
DT6	8-cylinder biturbo engine, 4.0 l 427 kW
DT8	8-cylinder bi-turbo 4.0/338 kW
DW4	8-cylinder biturbo engine, 4.0 l 404 kW
D0D	6-cylinder biturbo engine, 2.9 l 243 kW
D09	6-cylinder turbo engine, 3.0 l 235 kW
D1I	6-cylinder turbo engine, 3.0 l 243 kW
D1V	6-cylinder diesel engine 3.0/155 kW TDI
D29	6-cylinder biturbo engine, 2.9 l 324 kW
D51	6-Zylinder-Dieselmotor 3,0 L/184 kW TDI
EH1	Length of charging cable: standard
EH2	Charging cable length: 7.5 metres
ER1	Regional code "ECE" for radio
ER2	Regional code "RdW" for radio
ER3	Region code "USA" for radio
ER4	Region code "Mexico/NAR2" for radio
ER5	Region code Japan for radio
ER6	Regional code "China" for radio
ER7	Regional code "Korea" for radio
ER8	Regional code "Taiwan" for radio
ER9	Regional code "Rest of Asia" for radio
ES1	Charging socket, AC type 1, mode 2-3 (NAR/Japan)
ES3	Charging socket, AC type 2, mode 2-3 (EU)
ES4	Charging socket AC (China)
E0A	No campaign version, basic equipment
E0W	GTS version
E8A	Turbo S version
FI6	Seat belts in Bordeaux Red
FI8	Seat belts in Chalk
FZ0	Standard seat belts (G colour)
GB1	Compensator, EU/ROW
GB2	Compensator, NAR
GB3	Compensator, China
GH1	Without rear differential lock
GH3	PTV Plus (controlled rear-diff. lock)
GJ0	Without Traffic Jam Assist

Model: 971-17

Model life 2017>>

NR	Description
GJ1	Traffic jam assist
GZ0	Without closing aid for doors
GZ2	Closing aid for doors
IY1	Model year period from week 22 to week 45
IY2	Model year period from week 45 to week 22
I88	Reifen ZR21 (275/35,325/30)
J0B	Battery (92 Ah)Battery (92 Ah)
KB1	Charger, 3.6 kW
KB2	Charger, 7.2 kW
KK1	Refrigerant R134a
KK3	Refrigerant R1234yf
KQ1	Porsche logo in Silver
KQ2	Porsche logo in High-Gloss Black
K8D	Sport Turismo
K8S	Sports sedan
L0L	Left-hand drive version
L0R	Right-hand drive version
NZ0	without emergency call control unit
NZ3	ERA/GLONASS (emergency call)
N0K	Partial leather seat covering, embossed for A/C seat
N0Q	Seat covers in leather, smooth-finish for A/C seats
N1A	Seat covers in natural leather for A/C seats
N1P	Full-leather seat coverings, natural leather
N1V	Full-leather seat coverings, club leather for A/C seat
N1W	Full-leather seat coverings, club leather
N1X	Part-leather seat covers, grained
N5U	Full-leather seat coverings, smooth-finish
OK3	Hybrid propulsion system PHEV
QE0	W/o storage comp. package / box
QE1	Tray areas package
QG1	LongLife Service Regime
QJ2	Aluminium package
QJ4	Aluminium package, Black
QJ5	Aluminium package, Matt Black (Blackline)
QQ0	Interior lights, standard
QQ1	Interior lights, standard + ambient
QQ2	Interior lights, standard + ambient + rear orientation
QR0	without compass/Sport Chrono/analogue clock
QR3	Analog clock on dashboard
QR5	Sport Chrono Package Plus
QU1	TV reception + digital radio reception (DAB) MIB
QU8	SAT radio reception, USA
QV0	Without TV/SAT/DAB reception
QV1	With TV reception/TV tuner
QV3	Digital radio reception (DAB)

Model: 971-17

Model life 2017>>

NR	Description
Q01	Reifen ZR19 (265/45, 295/40)
Q02	Ganzjahresreifen R21 (275/35, 315/30)
Q03	Reifen ZR20 (275/40, 315/35)
Q04	Ganzjahresreifen R20 (275/40, 315/35)
Q05	Ganzjahresreifen R20 (275/40, 315/35) SEAL
Q06	Reifen ZR21 (275/35,325/30)
Q1G	Standard front seats, 6/8-way
Q1J	Sports seats, front, 18-way
Q2J	Convenience seat
UE4	AUX-IN + USB electric interface
UI2	2 X USB/IPOD interface
UI4	AUX-IN and USB/IPOD electric interface
UP1	Sport Chrono / compass, Black
UX5	Standard valve
UX6	TPM valve, Silver
UX7	TPM valve, Black
U5A	Instrument insert, km/h indication, RoW
U5C	Instrument insert, mph indication, USA
U5D	Instrument insert, km/h indication, Canada
VC0	Ohne Garagentoröffner
VC1	Garage door opener, 433 MHz
VC2	Garage door opener, 315 MHz
VH0	Without 48 V island vehicle electrical system
VH2	48 V island vehicle electrical system
VL0	Pedestrian protection, standard
VL2	Pedestrian protection, enhanced
VM0	Sport Design Paket für Sportpaket
VR4	Sill covers (Sport Design package)
VT2	Door entry guards, aluminium, illuminated
VW5	Insulating glass in rear
VW6	Insulating glass, privacy from B-pillar, rear
V57	19" Panamera standard wheel (9/10, 5X19)
V58	19" Panamera S wheel (9/10, 5X19)
XAF	Turbo aerokit
XAJ	Painted sill covers
XAP	Sport Design Package (Aerokit)
XAR	Sill covers
XCA	Dashboard trim strip (3-part) sports seats
XCB	Instrument surround sports seats
XCC	Side air vents sports seats
XCD	Center air vent bracket sports seats
XCE	Rear center console sports seats
XCG	Sports seat backrest in Aluminium Look finish
XCH	Side/centre air vent slats, sports seats
XCK	Rear center console in Galvano Silver
XCL	Instrument surround in Galvano Silver
XCN	Side air vents in Aluminium Look finish (997)

Model: 971-17

Model life 2017>>

NR	Description
XCY	Center air vent in Aluminium Look finish
XCZ	Short shifter
XDG	Rims painted in high-gloss Black
XDS	Ignition lock surround in leather
XDV	Dashboard end-trim in leather
XDZ	Selector lever cover in leather
XD9	Wheel painted in body colour
XEA	Passive handset in leather
XEP	Preparation for "Rear Seat Entertainment"
XES	Preparation, illuminated door entry guard
XET	Preparation for coolbox in rear
XEX	Headlights, Black
XEY	LED headlights, dynamic Cornering light
XE8	Gear lever knob aluminium/dark burr maple/leather
XE9	Handbrake lever aluminium/dark burr maple/leather
XFD	Instrument dials in Sand Beige
XFE	Instrument dials in Terracotta
XFF	Instrument dials in Brown/Natural
XFG	Instrument dials in Guards Red
XFH	Instrument dials in Speed Yellow
XFJ	Instrument dials in Carrara White
XFL	Instrument dials painted in Luxor Beige
XFY	20" Panamera Sport wheel, Platin.
XGB	Decorative dashboard trim, carbon
XGC	Dashboard carbon/Alcantara
XGE	Handle recess insert, carbon
XHA	Decorative inlays, leather
XJL	Makassar Ebony side air vent
XJM	Sycamore side air vent
XJN	Makassar Ebony center air vent
XJP	Sycamore center air vent
XJR	Makassar Ebony windscreen defroster panel
XJS	Sycamore windscreen defroster panel
XJT	Makassar Ebony rear center console
XJU	Sycamore rear center console
XJ4	Leather cover for ignition lock surround
XKB	Side air vent in light burr maple
XKC	Side air vent in dark burr maple
XKD	Side air vent in Carbon
XKG	"Defroster trim in light burr maple; leather"
XKH	"Defroster trim in dark burr maple; leather"
XKJ	Defroster trim in Carbon/leather
XKL	Leather speaker covers
XKM	Speaker covers in light burr maple
XKN	Speaker covers in dark burr maple
XKP	Carbon speaker covers

Model: 971-17

Model life 2017>>

NR	Description
XKR	Center air vent bracket in light burr maple
XKS	Center air vent bracket in dark burr maple
XLF	Sports exhaust system
XLG	Centre console storage bin cover in Alcantara, with logo
XLP	Sports tailpipes, Black
XLR	Sports tailpipes, Panamera
XMA	Rooflining in leather
XME	Rear section of centre console painted
XMF	Front center console including 2 storage bins, leather
XMJ	Rear section of centre console in Carbon
XML	Rear center console in light burr maple
XMP	Leather sun visor, 2 illuminated vanity mirrors *
XMR	Sun visor in leather, 2 illuminated vanity mirrors,
XMZ	Rear section of centre console in leather
XNB	Rear center console in dark burr maple
XNG	Instrument surround in leather
XNN	Center air vent bracket in leather
XNR	Carbon center air vent bracket
XNS	Leather steering column trim, 4-part
XNU	Leather trim strip (dashboard)
XNV	Trim strip (dashboard) in light burr maple
XNW	Trim strip (dashboard) in dark burr maple
XNX	Carbon trim strip (dashboard)
XN3	Dashboard side air vent in leather
XPA	3-spoke sports steering wheel in leather interior co
XPB	3-spoke sports steering wheel, light burr maple, leather
XPC	3-spoke sports steering wheel, dark burr maple, leather
XPD	3-spoke sports steering wheel, Carbon/leather
XPG	3-spoke sports steering wheel, sports seats
XPT	Centre console storage bin lid with crest
XPU	Multi-function steering wheel Galvano Silver, new generation
XPV	Multi-function steering wheel, Galvano Silver
XPW	Instrument surround in light burr maple
XPX	Instrument surround in dark burr maple *
XPY	Carbon instrument surround
XRB	18-inch Sport Classic II wheel
XRC	18-inch SportTechno wheel
XRL	18-inch SportDesign wheel
XRN	17-mm spacers, rear
XRP	5-mm spacers, front/rear

Model: 971-17

Model life 2017>>

NR	Description
XRR	19-in. Carrera Sport wheel
XRU	20" Sport Classic wheel
XRW	Panamera Sport wheel, 20"
XRX	Panamera Sport wheel 20" in body colour
XRY	Panamera Sport wheel 20" in Black
XRZ	20" Sport Classic wheel, Black
XSC	Porsche Crest embossed in headrest
XSD	Front seat controls in leather
XSH	Silver seat belts
XST	Seat belts in Sand Beige
XSU	Upholstered seat
XSW	Seat belts in Maritime Blue
XSX	Seat belts in Guards Red
XSY	Seat belts in Speed Yellow
XTG	Inner door sills in leather
XTJ	Door panel parts in light burr maple
XTK	Door panel parts in dark burr maple
XTL	Door panel parts in Carbon
XTR	Door panel parts in Aluminium Look finish
XTT	Makassar Ebony door panel parts
XTU	Sycamore door panel parts
XTV	Leather door panel parts
XTW	Door panel parts in Galvano Silver
XUB	Cover on headlight cleaning system, painted
XUF	SportDesign rear apron
XUL	SportDesign rear apron, painted Black *
XUV	Centre console storage bin lid with logo
XVM	Leather center air vent
XVP	Trim strip including cupholder cover in leather
XVR	Side/centre air vent in leather
XV1	Defroster trim in leather
XWR	PDK gate frame in Aluminium Look
XWS	PDK gate frame painted
XWT	PDK gate frame painted Black
XWU	PDK gate frame in leather
XXB	Door entry guards, stainless steel, illuminated
XXC	Door entry guards, aluminium, illuminated
XXD	Door entry guards, carbon, illuminated
XXF	Red tail lights
XXP	Tail lights, darkened
XXV	Sports-look pedals
XXZ	Footrest
XX1	Floor mats, logo, leather border
XX2	footwell light

Model: 971-17

Model life 2017>>

NR	Description
XYA	PDK selector lever (EXC)
XYB	Fuel tank cap in Aluminium Look
XYR	Porsche Crest on armrest front
XYS	Model logo on armrest front
XYT	Porsche Crest on armrest front and rear
XYU	Model logo on armrest front and rear
XYV	Porsche Crest on front headrest
XYW	Porsche Crest on front and rear headrests
XZB	Carbon centre air vent
XZD	Interior light surround in leather
XZY	Decorative inlays in Mahogany Yachting
XZZ	Multi-function steering wheel, Mahogany Yachting
X45	Instrument dial in interior color
X47	Gear lever knob in Carbon/leather
X54	Stainless steel tailpipes
X69	Door entry guards in Carbon with logo
X70	Door entry guards in stainless steel with logo
X71	Instrument dial painted/Aluminium Look finish
X72	Gear lever knob aluminium/light burr maple/leather
X73	Turbo sports suspension
X74	Sports suspension (exclusive)
X75	Differential lock (exclusive)
X76	Inner door sill guard, left/right
X80	Panamera Turbo power kit
X97	Gear lever knob in aluminium/leather
X99	Natural leather
0E1	Shorter wheelbase
0E2	Long wheelbase
0F5	Fuel system for diesel engine
0GG	Emissions compliance EU 4
0JA	Weight class 1, front axle - 1170-1210 kg
0JB	Weight class 2, front axle - 1211-1226 kg
0JC	Weight class 3, front axle - 1227-1251 kg
0JD	Weight class 4, front axle - 1252-1276 kg
0JE	Weight class 5, front axle - 1277-1292 kg
0JF	Weight class 6, front axle - 1293-1328 kg
0JG	Weight class 7, front axle - 1329-1428 kg
0J2	Load group 1 FA/1 RA
0J3	Load group 1 FA/2 RA
0J5	Load group 2 FA/2 RA
0J8	Load group 2 FA/1 RA
0K0	Without alternative drive system
0K3	Hybrid propulsion system PHEV

Model: 971-17

Model life 2017>>

NR	Description
0M2	Fuel tank, 75 l
0M4	Fuel tank, 90 l
0N1	Without rear axle steering
0N5	Rear axle steering
0P0	Standard tailpipe
0P3	Sport tailpipe covers, Silver
0P6	Sports tailpipe covers, Black
0P8	Sports exhaust system
0P9	Sports exhaust system, Black tailpipe
0RC	With electric steering column lock
0RZ	Without electric steering column lock
0YA	Weight class 1, rear axle - 1039-1074 kg
0YB	Weight class 2, rear axle - 1075-1128 kg
0YC	Weight class 3, rear axle - 1129-1159 kg
0YD	Weight class 4, rear axle - 1160-1215 kg
0YE	Weight class 5, rear axle - 1216-1244 kg
0Y1	Standard climatic zone
0Y2	Tropical climatic zone
0Y3	Cold climatic zone
0Y5	Cold and tropical climate zone
05A	Without supplier definition
05B	Supplier 1
05C	Supplier 2
05D	Supplier 3
1A2	Petrol direct fuel injection (DFI)
1A5	Engine variant with reduced compression
1BH	Suspension/dampers, standard 2 PASM
1BK	Air suspension with levelling system and height adjustment (PASM)
1D0	without tow bar
1D3	Trailer hitch, electrically retractable, ECE R55
1D7	Preparation for detachable trailer coupling
1E1	Active charcoal container
1E9	without activated carbon canister with SCR
1G6	Spare wheel, space-saving - 20 inch
1G8	Tire Fit, tyre repair set
1KA	Rear disc brakes, disc diameter 19 inches, brake calliper painted Green
1KB	Rear disc brakes, disc diameter 19 inches, Black brake callipers, (NAR)
1KC	20" rear disc brakes, Red, NAR (Short Wheel Base)
1KF	Rear brake discs, disc diameter 18 inches,

Model: 971-17

Model life 2017>>

NR	Description
1KG	Black brake callipers, (NAR) 20" rear disc brakes, Red, Long Wheel Base USA
1KJ	Rear disc brakes, disc diameter 19 inches, brake calliper painted Green
1KQ	20" rear disc brakes, Yellow (PCCB)
1KU	Rear brake discs, Disc diameter 19", Black brake callipers,
1KW	Rear disc brakes - disc diameter 17 inches, brake calliper painted black
1KZ	Rear disc brakes, 18-inch disc diameter, brake calliper painted black
1LC	Front disc brake, disc diameter 19 inches, brake calliper painted Silver
1LD	Front disc brake, 18-inch disc diameter, brake calliper painted silver, North America
1LH	Rear disc brake - disc diameter 19 inches, brake calliper painted red
1LI	Front disc brake, disc diameter 19 inches, brake calliper painted Silver
1LJ	20" front disc brakes, RED, RoW
1LK	Front disc brake, disc diameter 19 inches, brake calliper painted Green
1LL	Front disc brake, disc diameter 19 inches, brake calliper painted Green
1LM	Front disc brake, disc diameter 19 inches, brake calliper painted Black
1LN	Front disc brake - 18-inch disc diameter, brake calliper painted Black
1LP	Front disc brakes, disc diameter 19 inches, brake calliper painted Black
1LU	Front disc brake - 18-inch disc diameter, brake calliper in anodised silver
1LV	Front disc brake - 20-inch disc diameter plus brake calliper painted Yellow (PCCB)
1LW	20" front disc brakes, Red (USA)
1NE	Wheel centres STANDARD
1NP	Wheel centres with full-colour Porsche Crest (concave)
1N1	Power steering
1N3	Speed-dependent power-assisted steering (servotronic)
1PC	Wheel bolts with theft protection
1PE	Wheel bolts with theft protection (Thatcham)
1P0	Standard suspension

Model: 971-17

Model life 2017>>

NR	Description
1P7	PDCC/eAWS
1U0	Without folding table
1U1	Rear retractable folding table
1XE	3-spoke multi-function steering wheel, wood, Anthracite Birch with radio controls
1XG	Multi-function steering wheel, American Walnut, Brown, heated
1X1	All-wheel drive
1X2	Rear-wheel drive
1ZL	Front disc brake, 19-inch disc diameter, brake calliper painted red, North America
1ZQ	Front disc brake, disc diameter 20 inches, brake calliper painted Acid Green, PCCB
1ZT	Front disc brake, 18-inch disc diameter, brake calliper painted black, North America
2C4	Steering column, reach + height adjustable with memory
2C5	Steering column, reach + height adjustable, mechanical
2D0	Without Sport Design package
2D1	SportDesign package
2D4	Sport Design package, exterior colour
2D5	Sport Design package, Black
2EA	19" rear disc brakes, Silver
2ED	Rear brake discs, disc diameter 20 inches, brake calliper painted Acid Green
2EE	Rear disc brakes - 18-inch disc diameter, brake calliper in anodised silver
2EF	Rear disc brakes, disc diameter 19 inches, Silver brake callipers, (NAR)
2EG	20" rear disc brakes, Red, Short Wheel Base
2EH	Rear disc brakes - disc diameter 19 inch Brake calliper painted yellow (PCCB)
2EJ	Rear disc brakes, disc diameter 18 inches, Silver brake callipers (NAR)
2EM	20" rear disc brakes, Red, Long Wheel Base
2EN	Rear brake discs, disc diameter 19-inches, Brake callipers, Red
2FF	Multi-function steering wheel, Red Gum, heated
2FG	Multi-function steering wheel, Paldao, heated

Model: 971-17

Model life 2017>>

NR	Description
2FX	3-spoke multi-function steering wheel, carbon, heated
2G0	Without insert for fuelling with diesel
2G1	Insert for fuelling with unleaded petrol
2G4	Insert for fuelling with unleaded petrol (CARB Diagnosis)
2HB	Interior sound measures (shaker)
2V1	Without ioniser
2V4	Ioniser
2ZH	3-spoke multi-function steering wheel, heated
2ZM	3-spoke multi-function steering wheel
3D1	Centre console STANDARD (PVC)
3D5	Centre console Alcantara
3D8	Centre console Leather, smooth
3FA	Without roof insert
3FU	Porsche large roof system
3GA	without cargo management
3GD	Plane rear cargo area
3GN	Cargo management
3I1	Centre console in club leather
3J4	Front headrests, standard
3KG	Standard rear seats (40/60), Comfort
3KH	Standard rear seats (40/60), Sport
3KI	Premium rear seats (40/20/40), Comfort
3KJ	Premium rear seats (40/20/40), Sport
3KK	Premium rear seats (40/20/40), Comfort, electric
3KL	Premium rear seats (40/20/40), Sport, electric
3KN	Rear seat lumbar area (40/40) Comfort, electric
3KR	Rear seat lumbar area (40/20/40), standard, electric
3LD	Door & side trim panel - standard - PAG
3LH	Door trim and side wall - all leather -- pillars/ rooflining in Alcantara - PAG
3LM	Door panel/side trim panel in natural leather
3LT	Door, side trim panel in two-colour natural leather
3L4	Front seat adjustment, electric, Driver's seat, memory (left)
3L5	Front seat adjustment, electric
3L6	Front seat adjustment, electric, Driver's seat, memory (right)
3PB	Front seat adjustment, left electrical, right manual
3PH	Front seat adjustment, right electrical and memory, left manual
3PN	Front seat adjustment, electric, both

Model: 971-17

Model life 2017>>

NR	Description
	with memory
3U4	Roll-up blind for luggage compartment cover
3U7	Rear shelf (fixed luggage cover)
3V1	ACC High with Innodrive
3X1	Ski bag
3Y0	without roll-up sun screen
3Y2	Roll-up sunblind for rear window, electric
3Y7	Roll-up sun blind, side windows, rear, electric
3Y8	Electric roll-up sunblind for rear side window
3Z6	Without business package
3Z7	Business package
4AA	Door panel/side trim panel in club leather
4AP	Door/side trim panel, standard two-colour
4A0	without seat heater
4A3	Heated seats, front
4A4	Heated seats, front/rear
4D0	Without seat ventilation/massage seat
4D1	Seat ventilation for A/C seat front and rear
4D2	Seat ventilation/massage seats, front and rear
4D3	Seat ventilation (front), a/c seat
4D5	Seat ventilation/massage seats, front
4D7	Massage seat, front
4D9	Seat ventilation/massage seat, front and seat ventilation, rear
4E6	Powerlift tailgate with virtual pedal (Powerliftgate)
4E7	Trunk lid power closing
4F2	Central locking, Keyless Entry, RoW
4F5	Central locking, Keyless Entry, NAR
4F6	Central locking, Keyless Entry, NAR
4GC	Windscreen in heat-insulating glass, with top tint
4GK	Windscreen, insulating glass with top tint
4I6	Central locking, Keyless Go, RoW
4I8	Central locking, Keyless Go, without Safe NAR
4KC	Green heat-insulating glass in rear
4KF	Dark tinted glass in rear
4K0	Central-locking system with key remote and interior operation
4K3	Central locking with remote control, inner release and safe lock system
4M1	Cupholder closed
4M3	Rear cup holder
4N1	Padded dashboard

Model: 971-17

Model life 2017>>

NR	Description
4N5	Dashboard in natural leather
4N6	Dashboard in club leather
4N8	Dashboard in leather
4SV	Vanity mirror in rear left
4TV	Vanity mirror in rear right
4UB	Airbag for NAR
4UE	Driver/passenger airbag
4UF	Driver/passenger airbag (passenger deactivatable)
4X3	Front side airbag with head airbag
4X4	Side-airbag, front and rear with curtain airbag
43S	21" Sport Design wheel (9.5/11.5X21) High-Gloss Black
43T	21" Sport Design wheel (9.5/11.5X21) Gloss Platinum Silver
43U	21" Sport Design wheel (9.5/11.5X21) Jet Black Metallic
43V	Sport Design 21" wheel in exterior colour (9.5/11.5X21)
43W	Panamera G2 21" wheel in exterior colour (9.5/11.5X21)
44A	21" Panamera Exclusive wheel (9.5/11.5X21) High-Gloss Black
44B	21" Panamera Exclusive wheel (9.5/11.5X21) Jet Black
44C	21" Panamera Exclusive wheel (9.5/11.5X21) Platinum
44D	21" Panamera Sport Design wheel (9.5/11.5X 21)
44E	21" Panamera 911 Turbo wheel (9.5/11.5)
44F	21" Panamera Exclusive wheel (9.5/11.5X21) Platinum Silver
44G	20" Panamera Turbo wheel (9.5/11.5X20)
44H	20" Panamera Design wheel (9.5/11.5X20)
5D1	Carrier frequency 433.92 MHz
5D4	Carrier frequency 315 MHz without panic button
5D8	Carrier frequency 434 MHz
5D9	Carrier frequency 433.92 MHz with changed transmission duration
5KA	Rear seats, Comfort (40/20/40)
5KH	Rear seats, Sport (40/20/40)
5MB	Decorative inlay in Swedish Birch Anthracite
5MH	Carbon decorative inlays
5MP	Decorative inlays in American Walnut, Brown
5RQ	Exterior mirror, right, convex
5RR	Door mirror, right, convex (US)
5RT	Door mirror, right, convex (AGCC)
5RV	Door mirror, right, aspherical

Model: 971-17

Model life 2017>>

NR	Description
5SG	Door mirror, left, flat
5SJ	Door mirror, left, convex
5SL	Door mirror, left, aspherical
5TE	Aluminium decorative inlays (satin finish)
5TL	Decorative inlay in Piano Look
5ZF	Front/rear headrests with embossed crest
5ZJ	Front/rear headrests with embossed logo
5ZP	Front head restraint with stamped emblem
6A7	With fire extinguisher
6DQ	Sun visors, mirror (China)
6E1	Centre armrest, standard
6E2	Centre armrest with Porsche Crest
6E3	Centre armrest, front - PVC foam film
6G2	CD/DVD changer (external)
6I0	Without lane keeping system
6I1	Lane keeping system
6NA	Roof lining, Alcantra (NAR)
6NJ	Roof lining, standard fabric (RoW)
6NN	Roof lining, Alcantra (RoW)
6NQ	Roof lining, standard, fabric, USA
6P1	Number-plate holder, rear (ECE)
6P2	Number-plate holder, rear (USA)
6W1	Number-plate holder, front, large (ECE)
6W2	Number-plate holder, front, small (RoW)
6W3	Number-plate holder, front (NAR)
6W4	Front number plate bracket, Japan
6W7	Number plate bracket, front, China
6XP	Door mirrors, electrically retractable, electrically adjustable, separately heated
6XQ	Exterior mirror with memory function, electr. retractable/adjustable, separately heated
6XT	Door mirrors, automatically dimmable, electrically retractable/adjustable, separately heated + memory
6XW	Door mirrors, automatically dimmable, electrically retractable/adjustable, separately heated
6Y2	Komfortluftdruck Highspeed
6Y4	Komfortluftdruck Lowspeed
6Y7	Komfortluftdruck Lowspeed USA
7AA	Electronic immobilizer
7AH	Alarm system, interior surveillance can be deactivated Backup horn
7AK	Alarm system, interior surveillance, Alarm horn, tilt sensor
7AL	Alarm system, interior surveillance, Backup horn, tilt sensor
7A0	Without CD autochanger/player

Model: 971-17

Model life 2017>>

NR	Description
7CA	Emissions concept LEV3/ TIER3 160
7CE	Emissions concept LEV3/ TIER3 70
7CF	Emissions concept EU 6 Korea
7CM	C6B emissions concept without RDE
7CP	Emissions concept EU 6 AG/H/I
7CQ	Emissions concept EU6 AJ/K/L
7CR	Emissions concept C6B with RDE
7CS	Emission standard EU6 BG/H/I
7E0	Without heat accumulator
7E6	Auxiliary heater
7GH	EU4 emissions concept without EOBD
7G0	Without VTS (Vehicle Tracking System) preparation
7G5	Preparation, VTS (Vehicle Tracking System), with driver card, connection to alarm system, re-start inhibitor
7G9	VTS preparation and Porsche Car Connect (pcc)
7I0	VTS security package (incl. PCC) and keypad
7I2	VTS security package (with PCC)
7K3	Tyre pressure monitoring (TPM) 433 MHz
7K4	Tyre pressure monitoring system 315 MHz
7MJ	Emissions concept EU 5J
7MM	EU6 plus exhaust concept
7MU	Emissions concept LEV 3/ TIER 3 125
7MV	Emissions concept EU 6, Japan (Greentax)
7MW	Emissions concept EU 6, Japan (Greentax)
7M3	Door entry guards in carbon
7M4	Preparation for CT door entry guards, illuminated
7M8	Door entry guards in Carbon, illuminated
7M9	Door entry guards in aluminium
7TC	Exclusive decorative inlays, Paldao wood type
7TD	Decorative inlays, Red Gum wood type
7TL	Exclusive decorative inlays, painted
7TM	Exclusive decorative inlays, leather
7UG	Navigation device, High
7V0	Instrument dials in Black
7V2	Instrument dials, Bordeaux Red
7V3	Instrument dials in White
7V4	Instrument dials in Luxor Beige
7V5	Instrument dials in Silver
7V6	Instrument cluster dials in Black/Silver
7X2	Ultrasound parking aid, front and rear
7X8	Ultrasound parking aid and reversing camera
7Y0	No lane change assistant

Model: 971-17

Model life 2017>>

NR	Description
7Y1	Lane change assist
70A	Weight group 1, front axle (-950 kg)
70B	Weight group 2, front axle (951-965 kg)
70C	Weight group 3, front axle (966-980 kg)
70D	Weight group 4, front axle (981-995 kg)
70E	Weight group 5, front axle (996-1025 kg)
70F	Weight group 6, front axle (1026-1055 kg)
70G	Weight group 7, front axle (1056-1070 kg)
70H	Household charging cable, type N Brazil
70L	Household charging cable, type N ZA South Africa
70Q	Household charging cable, type N, Brazil
70R	Household charging cable, type N, South Africa
70S	Household charging cable, type L, Italy
70T	Household charging cable, type E/F (D/F)
70U	Household charging cable, type B (JP)
70V	Household charging cable, type J (CH)
70W	Household charging cable, type G (GB)
70X	Household charging cable, type B (USA)
70Y	Household charging cable, type K, Denmark
70Z	Household charging cable, type I, Australia
71A	Weight group 1, rear axle (-880 kg)
71B	Weight group 2, rear axle (881-905 kg)
71C	Weight group 3, rear axle (906-930 kg)
71D	Weight group 4, rear axle (931-960 kg)
71E	Weight group 5, rear axle (961-990 kg)
71F	Weight group 6, rear axle (991-1020 kg)
71G	Weight group 7, rear axle (1021-1050 kg)
71Z	Without weight group specification Rear axle
73B	Industrial charging cable, NEMA 6-30
73C	Industrial charging cable, NEMA 6-50
73D	Industrial charging cable, type NEMA 14-30
73E	Industrial charging cable, NEMA 14-50

Model: 971-17

Model life 2017>>

NR	Description
73F	Industrial charging cable, Japan 200V
73G	Industrial charging cable, CEE 16A/230V/6H
73H	Industrial charging cable, CEE 32A/230V/6H
73J	Industrial charging cable, CEE 16A/400V/6H
73K	Industrial charging cable, CEE 32A/400V/6H
73L	Infrastructure charging cable, fixed (USA)
73S	Industrial charging cable Japan YP-43
73U	Industrial charging cable, GB1003
77J	Navigation software Argentina
77K	Navigation software Chile
8A4	Ultrasound parking aid with Real Topview
8F2	side-mounted turn signals
8F5	Side-marker lamps and turn signals
8G0	Without high-beam assistant
8G1	PDLs+ High beam assist
8G4	PDLs+ incl. Matrix Beam
8IS	LED headlights, l-h traffic + dyn. cornering light
8IT	LED headlights (standard LED)
8IU	LED headlights, PDLs+
8JU	LED headlight PDLs+ black
8M0	Without rear wiper
8M1	Rear wiper
8SA	side tail light standard design
8SB	side tail light standard design, Black
8SI	side tail light (USA, Canada), Black
8SJ	side tail light (USA, Canada)
8TC	Rear fog light, right-hand traffic
8TD	Rear fog light, left-hand traffic
8T1	cruise control system
8T3	Automatic distance control (ADC)
8T6	Cruise control with speed limiter
8T8	ACC with speed limiter
8X0	Without headlamp washer system
8X1	Headlamp washer system
8Y1	Standard horns
8Y2	Horns for extreme driving situations
9AD	Climatronic, free of CFCs
9AH	4-zone Climatronic, 2 evaporators
9G1	220 A generator
9JA	Non-smoker package
9JB	Smoker version; ashtrays at front and rear
9M0	Without auxiliary heater/parking heater

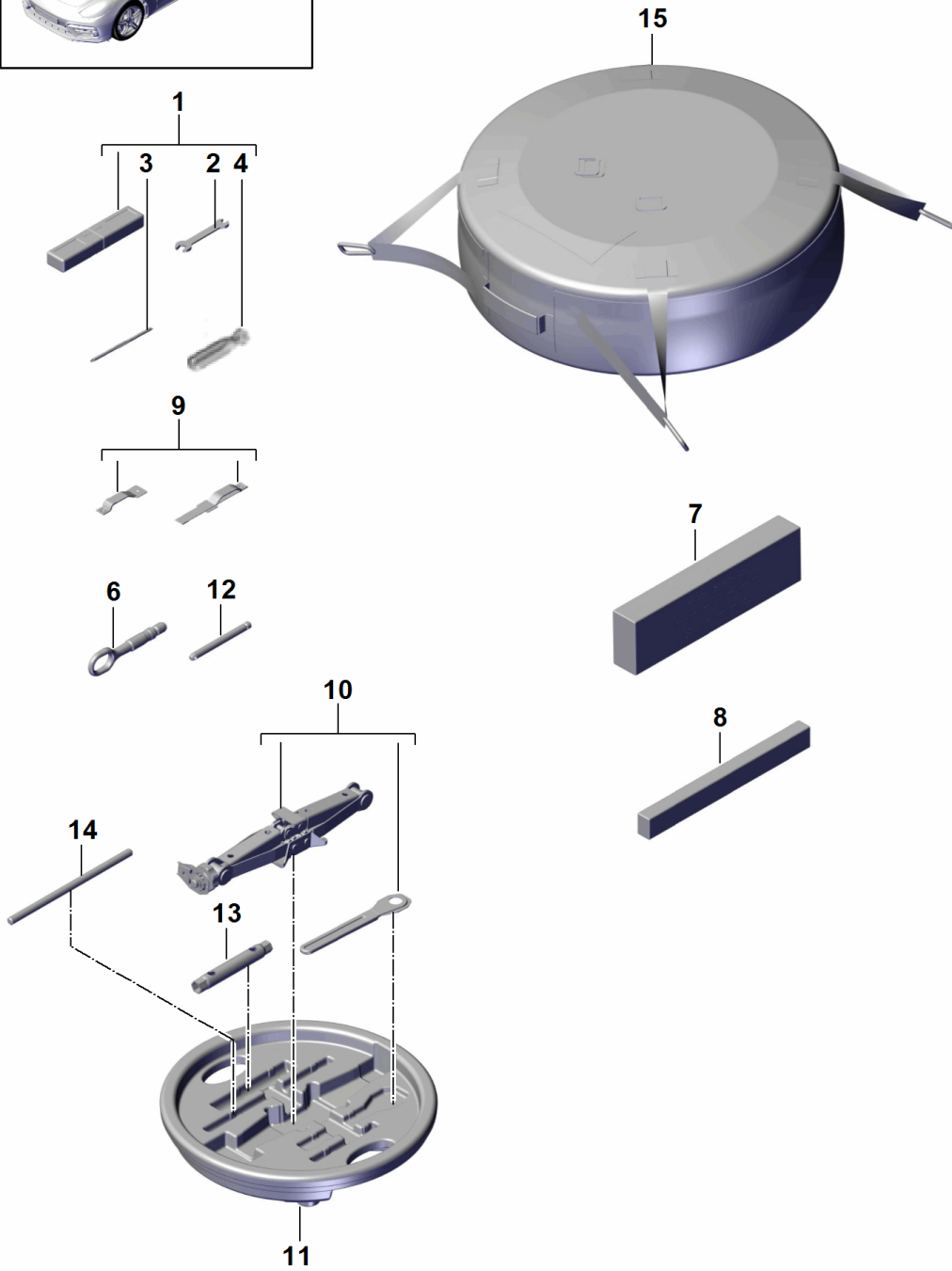
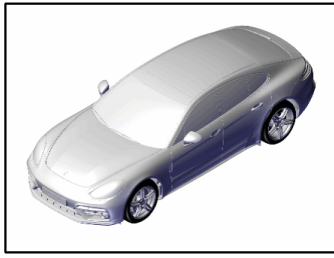
Model: 971-17

Model life 2017>>

NR	Description
9M1	Water heater with timer
9M5	Preheater for diesel
9M9	Auxiliary water heater with timer and remote control
9P3	Belt control, visual and acoustic for driver and passenger
9P7	Belt control, visual and acoustic only for driver
9Q1	without road sign recognition
9Q6	Traffic sign recognition
9R0	Without night vision
9R1	Night vision system
9VJ	Burmester High-End sound system
9VK	Sound package 1/sound package
9VL	Bose Premium sound system
9WM	Preparation for "Rear Seat Entertainment"
9WT	MIRRORLINK (CARPLAY/NLB)
9WU	MIRRORLINK + RSE PREPARATION
9WY	MirrorLink with Smart RSE
9ZC	Telephone module with connection box
9ZE	Mobile-phone preparation with connection box
9ZK	Telephone module
9ZX	Mobile phone preparation
9Z0	Operating voltage 12 V without autochanger
9Z2	Plug socket, 115 V/60 HZ
9Z3	Plug socket, 230 V/50 HZ
9Z4	Plug socket, 100 V/50 HZ

Model: 971-17

Model life 2017>>



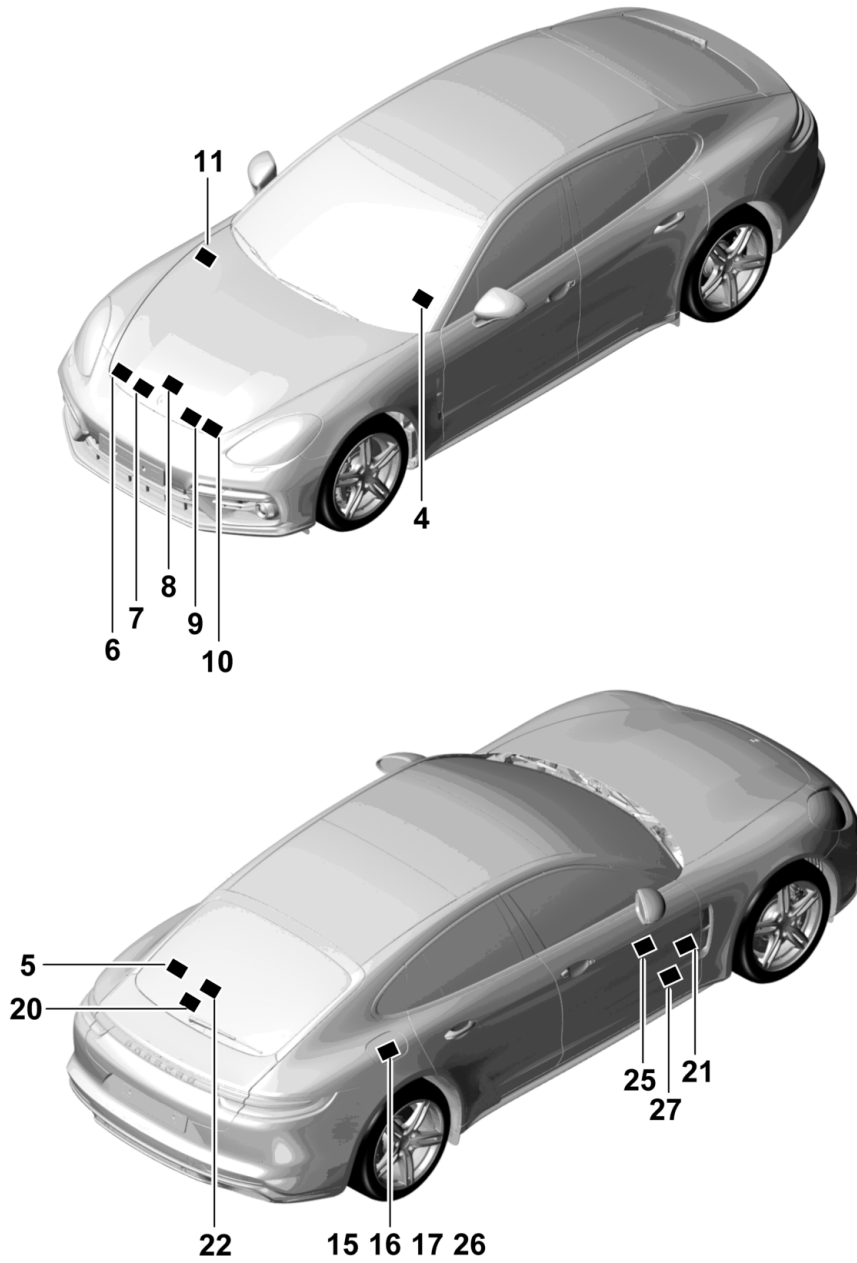
Model: 971-17

Model life 2017>>

Pos	Part Number	Description	Remark	Qty	Model
1	971 012 011	Tool jack Toolbox with contents comprising:		1	
2	971 012 383	Double open-ended spanner 10 X 13		1	
3	971 012 256	screwdriver		1	
4	111 012 287	handle for screwdriver		1	
6	9A7 805 615 00	Tow hitch		1	
7	971 860 258	first aid kit		1	
8	971 860 251	warning triangle Included Cover		1	- "ROK"
(8)	8K0 860 251	warning triangle Included Cover		1	"ROK"
9	971 860 274	Holding strap Tool		1	
10	971 011 031	Scissors type jack		1	PR:1G6
11	971 012 044	Insert Scissors type jack Pocket Spare wheel		1	PR:1G6
12	9A7 007 733 00	Threaded stud for Assembly Wheels		1	PR:1G6
13	971 012 219	Rim wrench		1	PR:1G6
14	9A7 007 844 00	operating rod for Rim wrench		1	PR:1G6
15	971 860 829	Bag for emergency wheel Belt	with:	1	PR:1G6

Model: 971-17

Model life 2017>>



Model: 971-17 Model life 2017>>

Pos	Part Number	Description	Remark	Qty	Model
4	7PP 010 831 D	Signs/notices Notice for maximum speed 240 KM/H		1	
(4)	7PP 010 831 E	Notice for maximum speed 240 KM/H / 150MPH		1	
(4)	7PP 010 831 G	Notice for maximum speed 150 MPH / 240 KM/H		1	"CN."
5	7PP 010 006	sticker for spare wheel Spare wheel		1	
-		Signs/notices Engine compartment			
6	9A7 010 001 00	Sticker High voltage		1	
7	7PP 010 786 T	Sticker engine oil - MOBIL 1 -		1	
10	955 006 675 00	Sticker Motor fan		1	"J.."
11	955 701 675 00	Sticker Reservoir		1	"J.."
-		Signs/notices Type of fuel			
15	971 010 001	Sticker 98 ROZ Unleaded		1	
(15)	971 010 001 C	Sticker 95/97 ROZ		1	"CH."
(15)	971 010 001 B	Sticker 96 ROZ		1	"AUS"
(15)	971 010 001 D	Sticker 95 ROZ Unleaded		1	"J.."
(15)	971 010 001 E	Sticker Diesel		1	
16	955 701 676 15	sticker for fuel filler neck		1	"J.."
-		Signs/notices General			
20	955 701 673 00	Sticker Battery		1	"J.."
21	971 010 036	Sticker Recycling		1	"J.."
22	955 701 675 15	Sticker Import Japan		1	"J.."
-		Signs/notices Airbag			
25	955 701 435 10	Warning sign Airbag		1	
(25)	955 701 435 20	Warning sign Airbag		1	PR:215
(25)	955 701 435 30	Warning sign Airbag		1	PR:479
26	971 010 534	Sticker Charging socket		1	PR:0K3
26	971 010 013 B	Sticker Charging socket		1	PR-B0A,B0E, B0R,B0T,0K3, 0SC,0SH,0SJ, 0SK
26	971 010 013 C	Sticker		1	PR-0K3,0SW

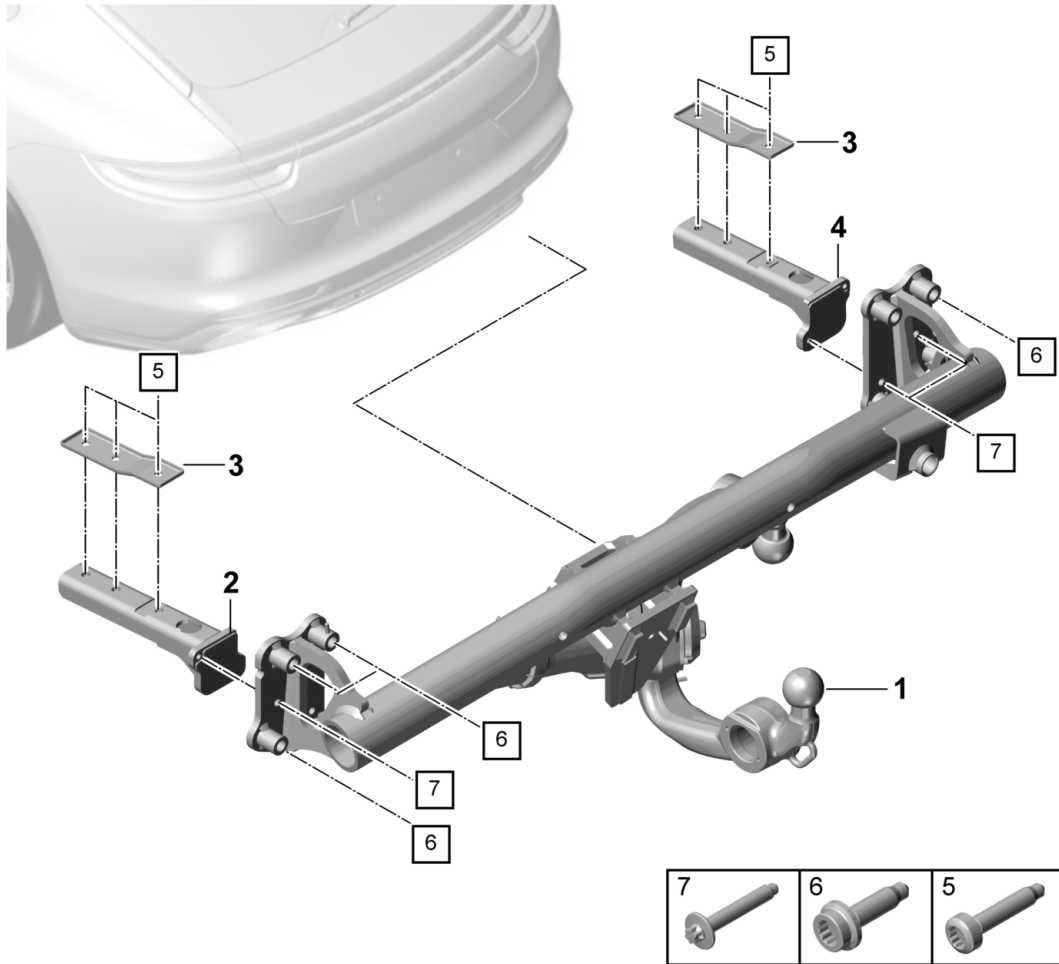
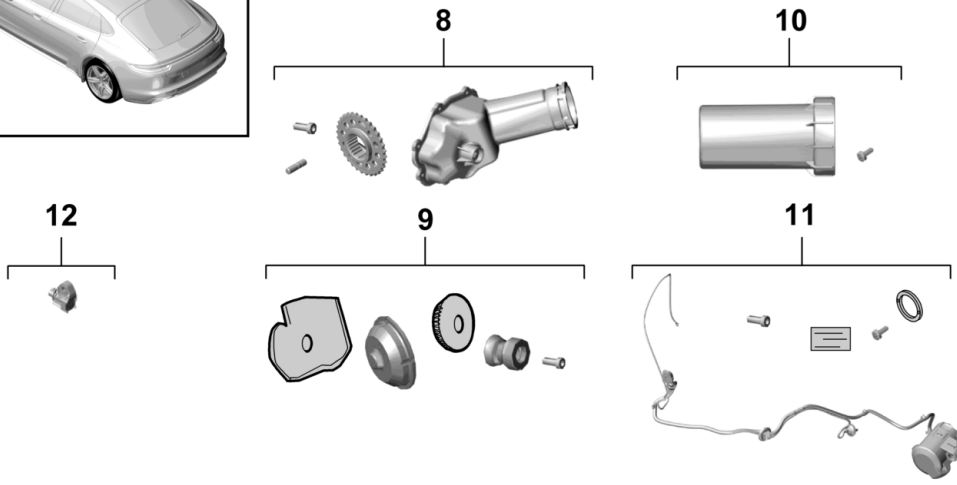
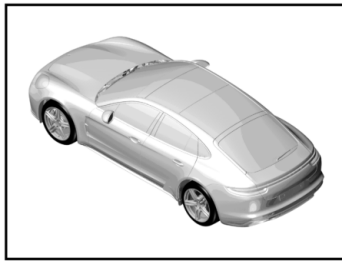
Model: 971-17

Model life 2017>>

Pos	Part Number	Description	Remark	Qty	Model
26	971 010 013 D	Charging socket Sticker		1	PR-0K3,0SB, 0SQ
26	971 010 013 E	Charging socket Sticker		1	PR-0K3,0SM
26	971 010 013 F	Charging socket Sticker		1	PR-0K3,0SL
26	971 010 013 G	Charging socket Sticker		1	PR-0K3,0SG
26	971 010 013 H	Charging socket Sticker		1	PR-0K3,B3D,
27	971 010 026 A	Charging socket Sticker		1	PR:B1P,KK1, OK0
(27)	971 010 026 C	Air conditioning Sticker		1	PR:B0L,KK1, OK0
(27)	971 010 026 D	Air conditioning Sticker		1	PR:B0E,B0T, KK3,OK0
(27)	971 010 026 H	Air conditioning Sticker		1	PR:B1P,KK1, OK3
(27)	971 010 026 J	Air conditioning Sticker		1	PR:B0E,B0T, KK3,OK3
(27)	971 010 026 K	Air conditioning Sticker		1	PR:B0L,KK1, OK3

Model: 971-17

Model life 2017>>



Model: 971-17

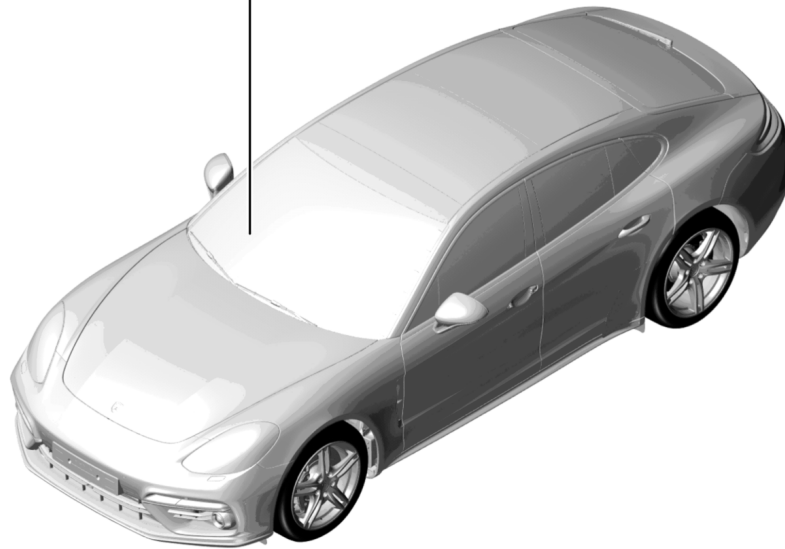
Model life 2017>>

Pos	Part Number	Description	Remark	Qty	Model
1	971 803 879 B	Tow hitch Tow hitch (complete)		1	PR:1D3 PR:1D3
2	971 803 315	Reinforcement	left	1	PR:1D3
3	971 803 315 A	Reinforcement	outer left a. right	2	PR:1D3
4	971 803 316	Reinforcement	inner right	1	PR:1D3
5	N 107 436 01	Oval hexagon socket head bolt M8X42	outer	6	PR:1D3
6	N 106 447 01	Socket head collared bolt with inner multipoint head M8X30		4	PR:1D3
7	9A7 007 444 00	Outer hexagon round screw M10X65		4	PR:1D3
(7)	N 105 607 02	No longer use the part here Hex collared bolt M 10 X 70		4	
8	971 898 255	Electric motor Tow hitch		1	
9	971 898 225	Assembly kit Electric motor Tow hitch		1	
10	971 898 226	Assembly kit housing Electric motor		1	
11	971 898 220	Wire set Tow hitch Included		1	
12	971 898 209	Socket Micro switch Tow hitch		1	

Model: 971-17

Model life 2017>>

PROD. NUMBER PROD. NUMBER	888 C815
FIN VIN	WP1ZZZ12345678912
TYP TYPE	9PAAG1
MOTORKB./GETR.KB ENG. CODE/TRANS. CODE	M5502/C7050
VERTRIEBSFARBCODE SALESNO.	G1
AUSSTATTUNGSCODE INTERIOR CODE	AT
FARBCODE COLOR CODE	EB8



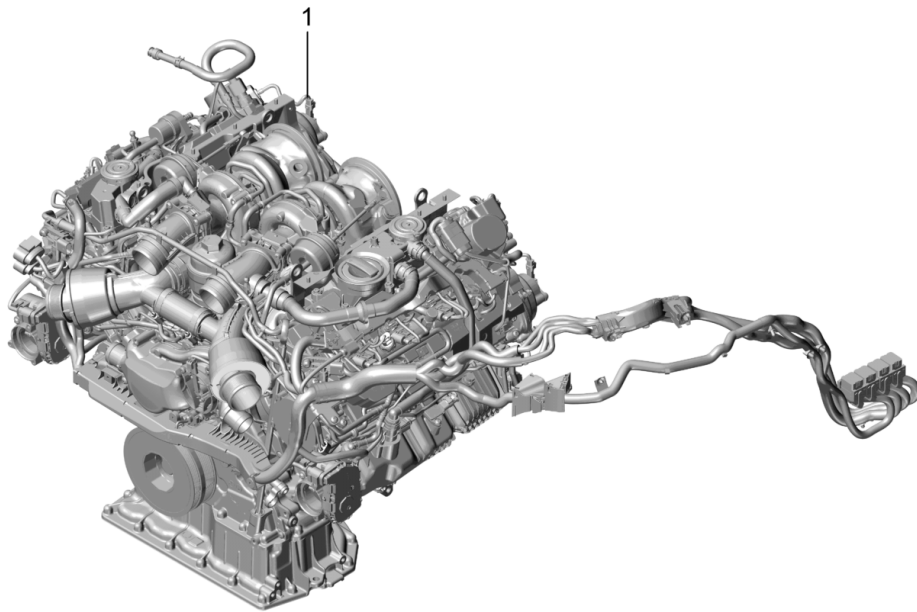
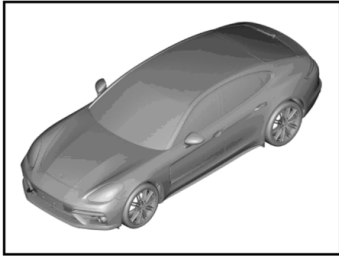
Model: 971-17

Model life 2017>>

Pos	Part Number	Description	Remark	Qty	Model
-		paint touch-up applicator Paints Paint identification label see Vehicle wallet Vehicle data carrier			
1	911 095 932 21	paint touch-up applicator		X	
	911 095 932 21 041	Black			A 1
	911 095 932 21 M3C	Carmine red			0 L
	911 095 932 21 C9A	white			0 Q
	911 095 932 21 M9A	Chalk			3 H
2	911 095 933 21	Paint pen set Set comprising: Primer clear paint		X	
	911 095 933 21 C9X	Jet Black Metallic			2 T
	911 095 933 21 M7R	Volcano Grey Metallic			2 H
	911 095 933 21 M5J	Sapphire Blue Metallic			N 1
	911 095 933 21 M5F	Midnight Blue Metallic			N 5
	911 095 933 21 M7S	Achat Grey Metallic			N 0
	911 095 933 21 M8Y	Mahogany Metallic			Y 8
	911 095 933 21 M4Z	Amethyst metallic			N 6
	911 095 933 21 M7Z	GT Silver Metallic			U 2
	911 095 933 21 C1Y	Palladium Metallic			D 2
	911 095 933 21 M7U	Rhodium Silver Metallic			S 2
	911 095 933 21 M8R	Ristretto Brown Metallic			3 L
	911 095 933 21 M3S	Burgundy Red Metallic			W 5
	911 095 933 21 M9A	Chalk			3 H
3	911 095 933 31	Paint pen set Set comprising: Primer filler Primer clear paint		X	
	911 095 933 31 S9R	Carrara White metallic			2 Y

Model: 971-17

Model life 2017>>



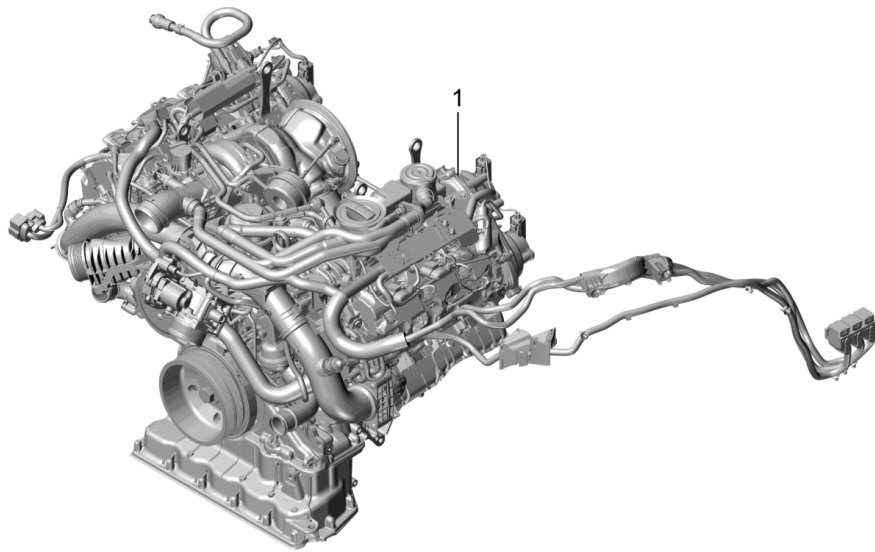
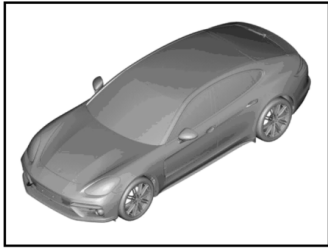
Model: 971-17

Model life 2017>>

Pos	Part Number	Description	Remark	Qty	Model
		Replacement engine without: Compressor Air conditioning			CVDA, CVD
1	9A7 100 021 00	Replacement engine Not Ready for installation M >> CVD 002 300		1	PR:0K0
(1)	9A7 100 021 X	Replacement engine Not Ready for installation M >> CVD 002 300		1	PR:0K0
(1)	9A7 100 021 01	Replacement engine Not Ready for installation M CVD 002 301>>		1	PR:0K0
(1)	9A7 100 021 AX	Replacement engine Not Ready for installation M CVD 002 301>>		1	PR:0K0
(1)	9A7 100 021 02	Replacement engine Not Ready for installation		1	PR:0K3
(1)	9A7 100 021 BX	Replacement engine Not Ready for installation		1	PR:0K3

Model: 971-17

Model life 2017>>



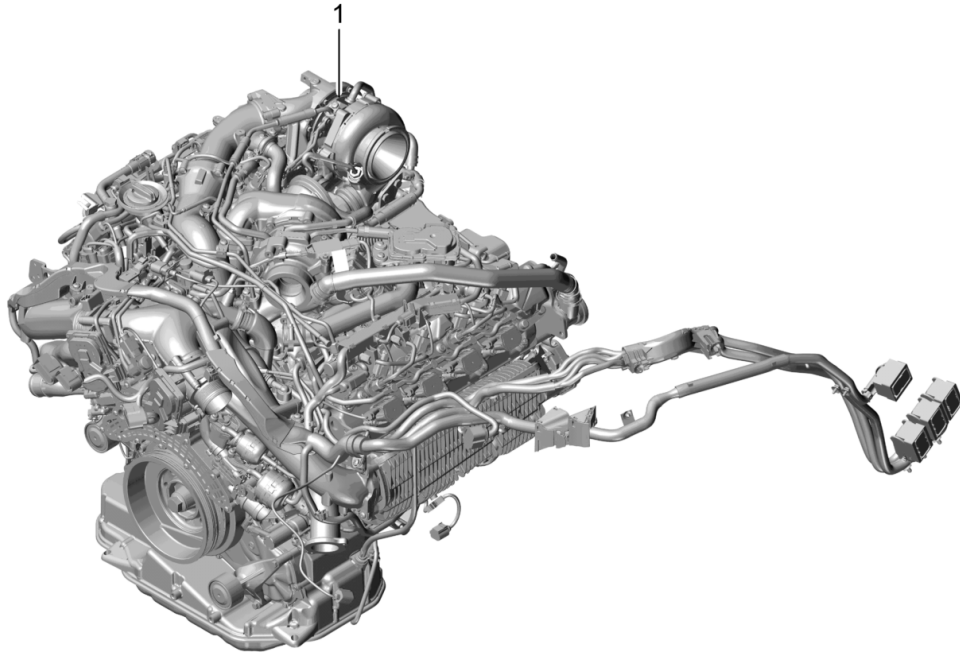
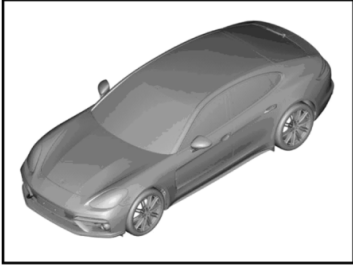
Model: 971-17

Model life 2017>>

Pos	Part Number	Description	Remark	Qty	Model
1	9A7 100 022 00	Replacement engine without: Compressor Air conditioning Replacement engine Not ready for installation		1	CSZA,CSZ, CXTA,CXT, DGPA,DGP
(1)	9A7 100 022 X	Replacement engine Not ready for installation		1	CSZA,CSZ+ PR:0Y1,0Y2, 0Y3
(1)	9A7 100 022 01	Replacement engine Not ready for installation		1	CSZA,CSZ+ PR:0Y5
(1)	9A7 100 022 AX	Replacement engine Not ready for installation		1	CSZA,CSZ+ PR:0Y5
(1)	9A7 100 022 02	Replacement engine Not ready for installation		1	CXTA,CXT+ PR:0Y1,0Y2, 0Y3
(1)	9A7 100 022 BX	Replacement engine Not ready for installation		1	CXTA,CXT+ PR:0Y1,0Y2, 0Y3
(1)	9A7 100 022 03	Replacement engine Not ready for installation		1	CXTA,CXT+ PR:0Y5
(1)	9A7 100 022 CX	Replacement engine Not ready for installation		1	CXTA,CXT+ PR:0Y5
(1)	9A7 100 022 04	Replacement engine Not ready for installation		1	DGPA,DGP+ PR:0Y1,0Y2, 0Y3
(1)	9A7 100 022 DX	Replacement engine Not ready for installation		1	DGPA,DGP+ PR:0Y1,0Y2, 0Y3
(1)	PAC 100 021 E	Replacement engine Not ready for installation		1	DGPA,DGP+ PR:0Y5
(1)	PAC 100 021 EX	Replacement engine Not ready for installation		1	DGPA,DGP+ PR:0Y5

Model: 971-17

Model life 2017>>



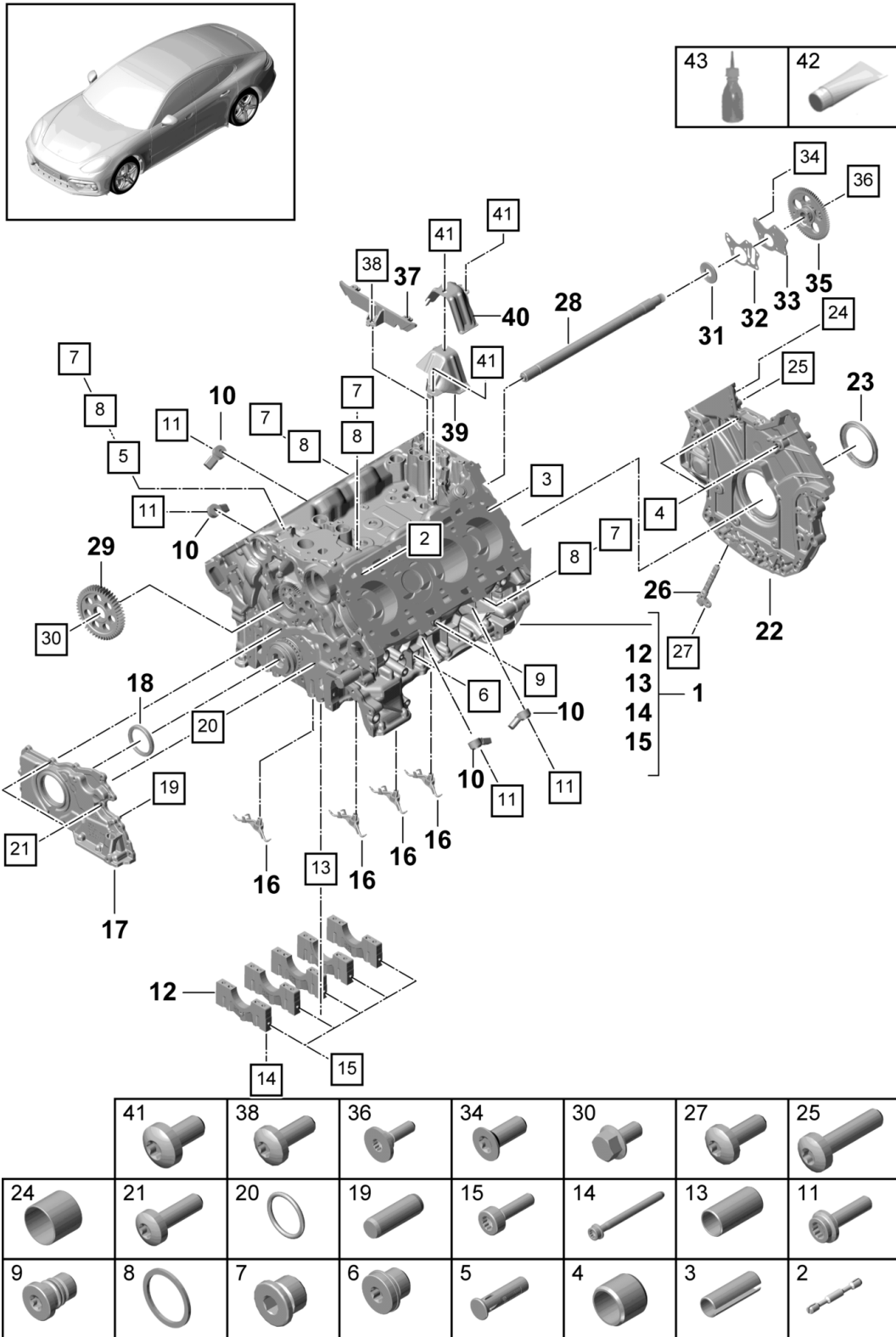
Model: 971-17

Model life 2017>>

Pos	Part Number	Description	Remark	Qty	Model
1	9A7 100 023 00	Replacement engine without: Compressor Air conditioning		1	DBUC
(1)	9A7 100 023 X	Replacement engine Not Ready for installation		1	

Model: 971-17

Model life 2017>>



Model: 971-17

Model life 2017>>

Pos	Part Number	Description	Remark	Qty	Model
		Crankcase housing Individual parts Crankcase housing		1	CVDA, CVD
1		* single parts no available *		1	
2	9A7 103 271 00	choke		4	
		Pin			
3	955 102 277 00	spring pin	6,2X22	4	
4	955 101 139 01	dowel sleeve	16X13,5	4	
		Sealing flange	rear		
5	9A7 103 035 00	Bungs		1	
6	N 911 806 01	Seal bolt (combination)	M14X1,5X12	1	
7	9A7 005 804 00	sealing plug	M22X1,5	4	
		also use:	N 013 827 2	1	
8	N 013 827 2	seal ring	22X27	4	
9	9A7 008 060 00	sealing plug	M14X1,5X19	1	
		also use:	958 107 444 00		
10	955 606 125 00	Knock sensor		4	
11	N 911 572 02	Socket head collared bolt with inner multipoint head	M8X30	4	
12		Bearing cover * single parts no available *		5	
13	9A7 115 143 00	Centre sleeve		10	
14	9A7 008 091 00	Socket head bolt	M10X111	20	
15	9A7 008 054 00	Socket head bolt	M8X30	10	
16	9A7 103 158 00	Water jet		4	
(16)	PAC 103 158	oil spray jet		4	
17	9A7 103 151 00	Sealing flange	front	1	
		also use:	9A7 103 051 00	1	
			N 106 930 01	2	
			9A7 007 840 00	1	
			000 043 305 10	1	
			000 043 209 93	1	
17	9A7 103 153 02	No longer use the part here Sealing flange	front	1	
		also use:	9A7 103 051 00	1	
			N 106 930 01	2	
			9A7 007 840 00	1	
			000 043 305 10	1	
			000 043 209 93	1	
18	9A7 103 051 00	Shaft oil seal	55X8X70	1	
			front		
19	N 106 930 01	Cylinder pin	6M6X18	2	
20	9A7 007 840 00	O-ring	26X3	1	
21	N 101 243 06	Oval hexagon socket head bolt	M6X20	10	
22	9A7 103 171 10	Sealing flange	rear	1	
		also use:	958 101 153 20	1	
			9A7 301 153 00	2	
			955 101 139 01	2	
			000 043 300 39	1	
			000 043 209 93	1	
22	9A7 103 173 00	No longer use the part here Sealing flange	rear	1	
		also use:	958 101 153 20	1	
			9A7 301 153 00	2	
			955 101 139 01	2	
			000 043 300 39	1	
			000 043 209 93	1	
23	958 101 153 20	Shaft oil seal	85X8,8X105	1	
			rear		
24	9A7 301 153 00	dowel sleeve		2	
25	N 104 134 05	Hexagon socket flat head bolt	M6X25	19	

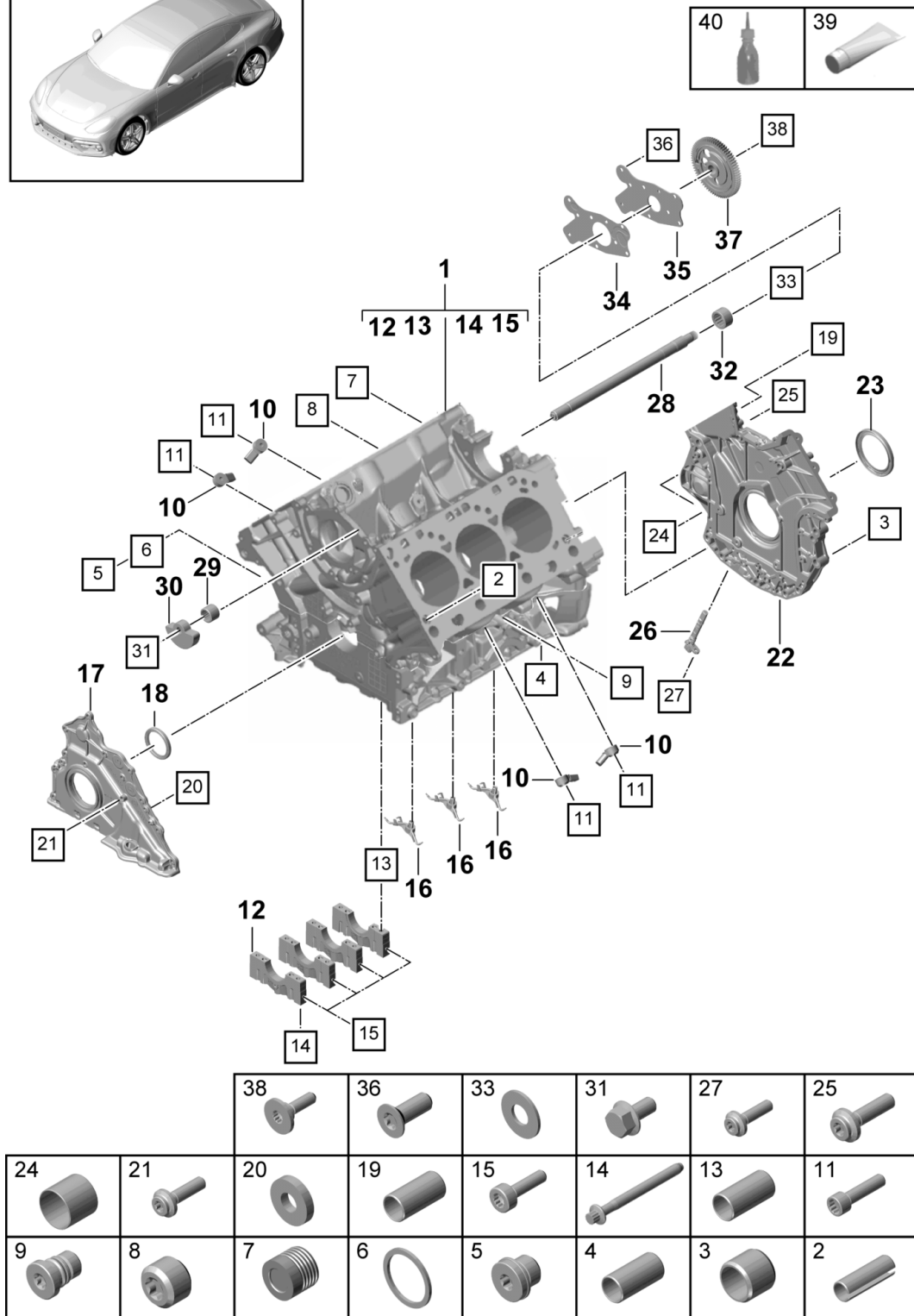
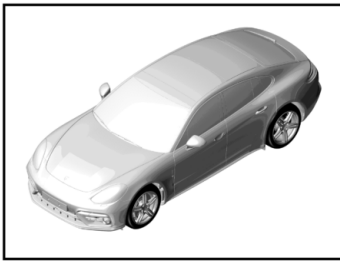
Model: 971-17

Model life 2017>>

Pos	Part Number	Description	Remark	Qty	Model
26	9A7 906 433 00	impulse sender		1	
27	N 911 266 01	Oval hexagon socket head bolt	M6X16	1	
28	9A7 103 567 00	Intermediate shaft		1	
29	9A7 103 813 00	gear		1	
30	N 107 682 01	fitted bolt, hexagon head	M10X20	1	
31	9A7 103 323 00	Mounting		1	
32	9A7 103 147 00	Seal		1	
33	9A7 103 407 00	End cap		1	
34	N 104 485 06	countersunk bolt	M6X16	8	
35	9A7 103 293 10	gear		1	
		No longer use the part here			
(35)	PAB 103 293	gear		1	
36	9A7 103 448 10	Securing element		1	
37	9A7 119 607 01	Heat insulation		1	
38	N 911 266 01	Oval hexagon socket head bolt	M6X16	1	
39	9A7 119 529 01	Guard plate		1	
40	9A7 119 229 02	Guard plate	rear	1	
41	N 103 352 06	Hexagon socket flat head bolt	M6X12	3	
42	000 043 305 10	sealant	50ml	X	
43	000 043 209 93	Cleaning solution	100ml	1	

Model: 971-17

Model life 2017>>



Model: 971-17 Model life 2017>>

Pos	Part Number	Description	Remark	Qty	Model
		Crankcase housing Individual parts			CSZA,CSZ, CXTA,CXT, DGPA,DGP
1		Crankcase housing * single parts no available *		1	
2	955 102 277 00	spring pin	6,2X22	4	
3	955 101 139 01	dowel sleeve	16X13,5	4	
4	9A7 115 143 00	Centre sleeve		4	
5	9A7 005 804 00	sealing plug	M22X1,5	1	
		also use:	N 013 827 2	1	
6	N 013 827 2	seal ring		1	
7	958 105 591 00	Sealing cap		1	
8	N 108 224 01	sealing plug	M14X1,5	1	
9	9A7 008 060 00	sealing plug	M14X1,5	1	
		also use:	958 107 444 00		
		No longer use the part here			
(9)	PAB 008 883 00	sealing plug	M14X1,5X22	1	
10	955 606 125 00	Knock sensor		2	
11	N 106 886 01	Socket head bolt with inner multipoint head	M8X32	2	
12		Bearing cover * single parts no available *		4	
13	9A7 115 143 00	Centre sleeve		8	
14	9A7 007 693 00	12-point head bolt	M10X105	8	
15	9A7 007 932 00	Screw with int. serrations	M8X45	8	
16	9A7 103 158 00	Water jet		3	
17	9A7 103 151 04	Sealing flange	front	1	
		also use:			
			9A7 103 051 00	1	
			9A7 103 121 00	2	
			000 043 300 39	1	
			000 043 209 93	1	
18	9A7 103 051 00	Shaft oil seal	55X8X70 front	1	
19	9A7 115 143 00	Centre sleeve to use for: Sealing flange Crankcase housing		2	
20	9A7 103 121 00	Seal		2	
21	N 911 736 02	Hexalobular flange screw	M6X22	11	
22	9A7 103 171 10	Sealing flange	rear	1	
		also use:			
			958 101 153 20	1	
			9A7 301 153 00	2	
			955 101 139 01	2	
			000 043 300 39	1	
			000 043 209 93	1	
23	958 101 153 20	Shaft oil seal	85X8,8X105 rear	1	
24	9A7 301 153 00	dowel sleeve		2	
25	N 911 279 02	Hexagon socket flat head bolt	M6X25	19	
26	9A7 906 433 00	impulse sender		1	
27	N 911 687 02	Hex socket head collared bolt	M6X18	1	
28	9A7 103 303 00	balancer shaft		1	
29	9A7 103 869 00	needle bearing -	front	1	
30	9A7 103 332 00	Balancer weight		1	
31	N 107 682 01	fitted bolt, hexagon head	M10X20	1	
32	9A7 103 869 01	needle bearing -	rear	1	
33	9A7 103 323 08	Mounting		1	
34	9A7 103 147 10	Seal		1	
35	9A7 103 407 10	End cap		1	
36	N 104 485 06	countersunk bolt	M6X16	7	
37	9A7 103 293 01	gear		1	

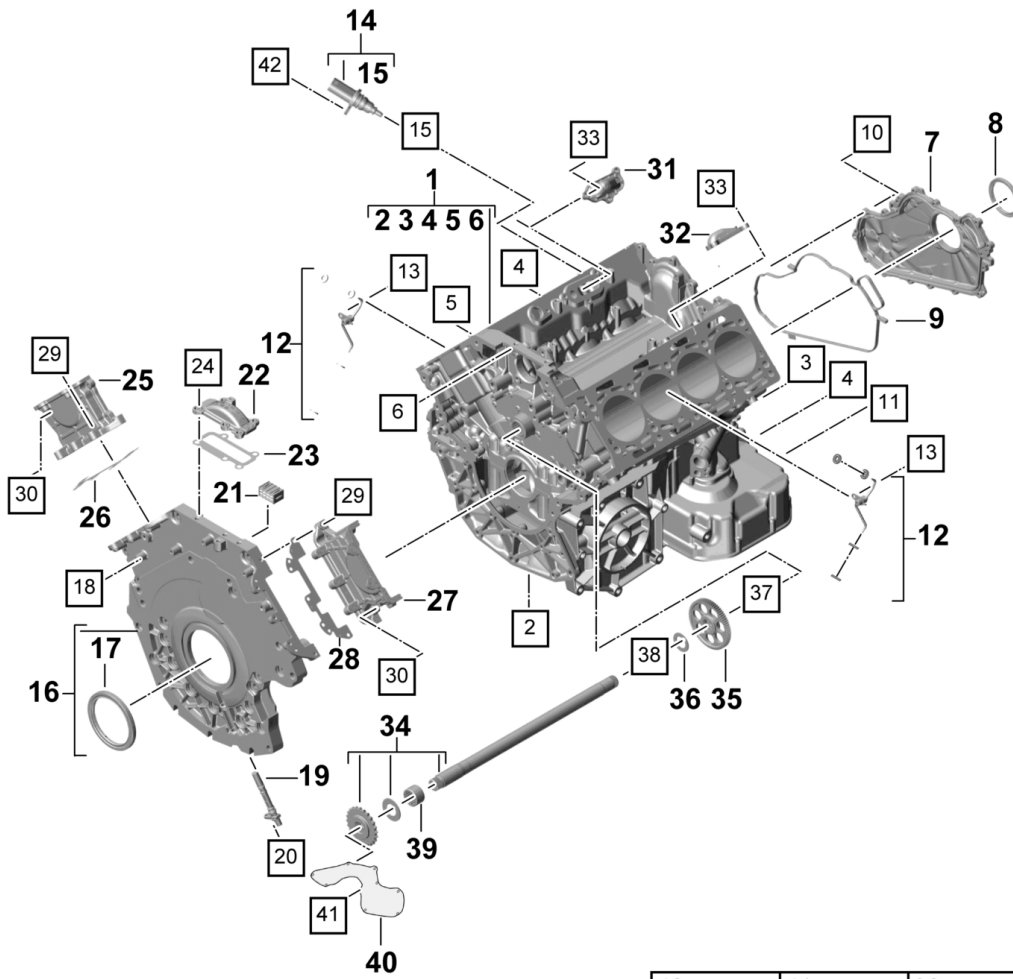
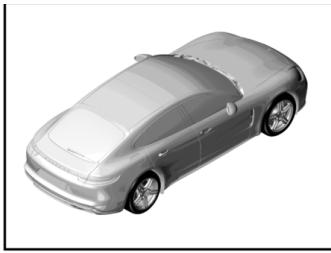
Model: 971-17

Model life 2017>>

Pos	Part Number	Description	Remark	Qty	Model
38	9A7 103 448 10	Securing element		1	
39	000 043 300 39	sealant	50ml	X	
40	000 043 209 93	Cleaning solution	100ml	1	

Model: 971-17

Model life 2017>>



					42	41	38
37	33	30	29	24	20	18	15
13	11	10	6	5	4	3	2

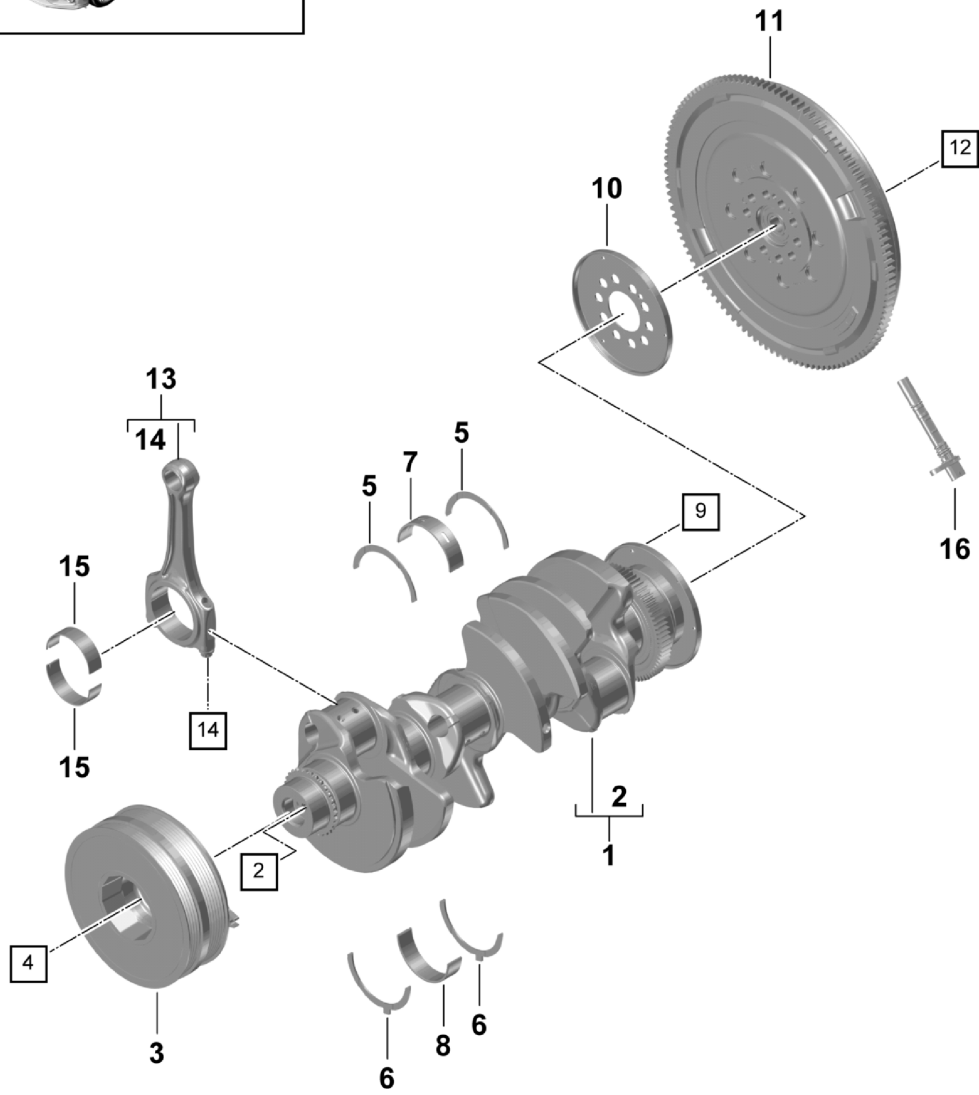
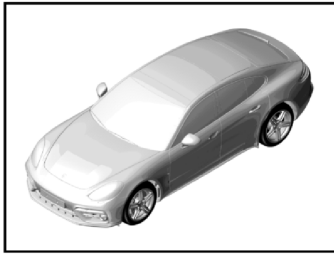
Model: 971-17






Model life 2017>>

Pos	Part Number	Description	Remark	Qty	Model
1		Crankcase housing Individual parts Crankcase housing * single parts no available *			DBUC
2	WHT 003 959	Hexagon head bolt	M11X1,5X107	20	
3	N 011 903 4	End cap	16MM	1	
4	N 011 904 7	End cap	18MM	4	
5	N 011 914 9	End cap	24MM	1	
6	955 101 139 01	dowel sleeve	6,2X22	2	
7	9A7 103 150 02	Sealing flange		1	
		also use:	955 101 052 00	1	
			9A7 103 161 07	1	
8	955 101 052 00	Shaft oil seal		1	
9	9A7 103 161 07	Seal		1	
10	N 101 961 03	fillister head bolt with multi-point socket head	M6X18	14	
11	955 102 277 00	spring pin	6,2X22	2	
12	958 101 017 40	Water jet		4	
13	N 910 547 01	Hex socket head locating bolt	M6X6X12	4	
14	9A7 919 525 30	Temperature sensor Cooling system cylinder block		1	
15	WHT 002 287 B	O-ring	5,6X2	1	
16	9A7 103 171 00	Sealing flange		1	
17	958 101 153 01	Shaft oil seal	85X105X8	1	
18	N 107 453 01	Oval hexagon socket head bolt	M8X30	18	
19	9A7 906 433 00	impulse sender		1	
20	N 104 056 04	Oval hexagon socket head bolt	M6X14	1	
21	955 101 147 00	Seal		1	
22	9A7 103 708 03	Cover		1	
23	9A7 103 147 40	Seal		1	
24	N 910 215 02	round hd. screw	M8X25	4	
25	9A7 109 129 00	Cover	Cylinder 5-8	1	
26	9A7 109 091 05	Seal		1	
27	9A7 109 130 00	Cover	Cylinders 1-4	1	
28	9A7 109 092 05	Seal		1	
29	N 101 562 06	Oval hexagon socket head bolt	M6X30	6	
30	N 101 243 06	Oval hexagon socket head bolt	M6X20	8	
31	9A7 121 483 00	Cover With seal	Cylinder 5-8	1	
32	9A7 121 484 00	Cover With seal	Cylinders 1-4	1	
33	N 101 961 03	fillister head bolt with multi-point socket head	M6X18	6	
34	9A7 105 225 06	balancer shaft		1	
35	9A7 105 223 01	Chain sprocket No longer use the part here for this use:	PAB 105 223	1	
(35)	PAB 105 223	Chain sprocket use only in conjunction with:	PAB 121 008	1	
36	9A7 103 323 04	thrust washer	22X36X1,5	1	
37	N 908 932 02	fitted bolt, hexagon head	M10X20	1	
38	958 101 869 40	needle bearing -		1	
39	955 101 869 10	needle bearing -		1	
40	9A7 103 627 03	End cap		1	
41	N 107 393 01	fillister hd. bolt	M6X10	10	
42	N 101 703 02	round hd. screw	M6X10	1	
43	000 043 300 39	sealant	50ml	X	
44	000 043 209 93	Cleaning solution	100ml	1	

Model: 971-17

Model life 2017>>



				
-------------------------------------------------------------------------------------	-------------------------------------------------------------------------------------	--------------------------------------------------------------------------------------	---------------------------------------------------------------------------------------	---------------------------------------------------------------------------------------

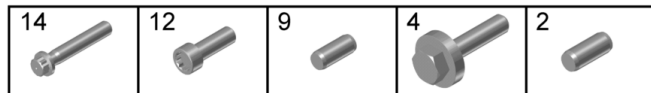
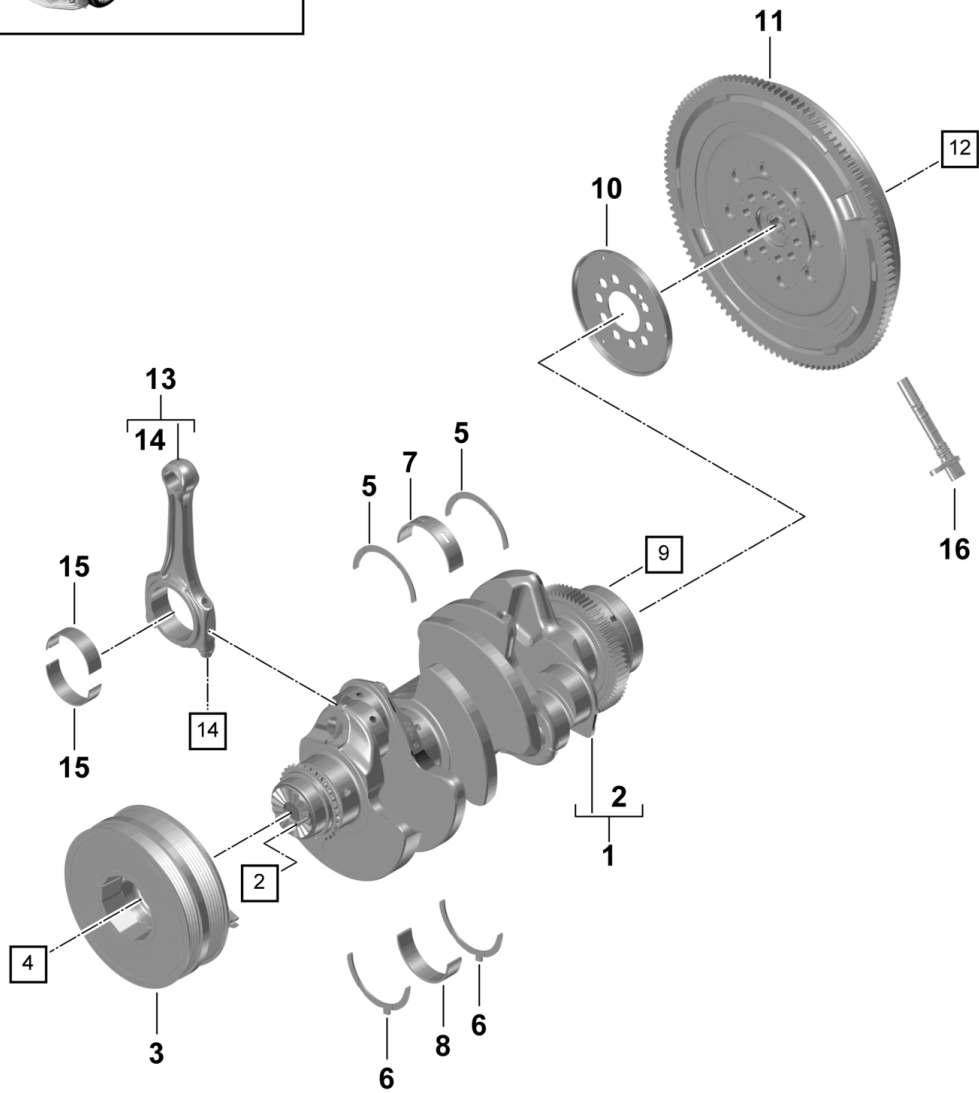
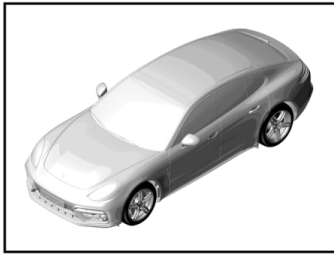
Model: 971-17

Model life 2017>>

Pos	Part Number	Description	Remark	Qty	Model
		Crankshaft conrod Dual-mass flywheel			CVDA, CVD
1	9A7 105 019 02	Crankshaft		1	
2	N 107 163 01	Cylinder pin	6X14	1	
3	9A7 105 251 00	vibration damper		1	
		also use:	N 107 740 02	1	
4	N 907 740 02	hexagon head bolt (combi)	M16X1,5X75	1	
5	9A7 007 637 00	thrust washer	upper	2	
6	9A7 007 638 00	thrust washer	lower	2	
7	9A7 105 561 00	crankshaft bearing shell	upper	5	
		Identification: >> >>	red		
(7)	9A7 105 561 01	crankshaft bearing shell	upper	5	
		Identification: >> >>	black		
(7)	9A7 105 561 02	crankshaft bearing shell	upper	5	
		Identification: >> >>	yellow		
(7)	9A7 105 561 03	crankshaft bearing shell	upper	5	
		KENNZEICHNUNG: >> >>	green		
(7)	9A7 105 561 04	crankshaft bearing shell	upper	5	
		Identification: >> >>	blue		
8	9A7 105 591 00	crankshaft bearing shell	lower	5	
		Identification: >> >>	red		
(8)	9A7 105 591 01	crankshaft bearing shell	lower	5	
		Identification: >> >>	black		
(8)	9A7 105 591 02	crankshaft bearing shell	lower	5	
		Identification: >> >>	yellow		
(8)	9A7 105 591 03	crankshaft bearing shell	lower	5	
		Identification: >> >>	green		
(8)	9A7 105 591 04	crankshaft bearing shell	lower	5	
		Identification: >> >>	blue		
9	N 013 199 1	Cylinder pin	6X14	1	
10	958 102 189 00	Clutch plate		1	
11	9A7 105 264 30	Dual-mass flywheel		1	PR:0K0
		also use:	N 906 651 01	10	
(11)	9A7 105 266 10	Dual-mass flywheel		1	PR:0K3
		also use:	N 906 651 01	10	
12	N 906 651 01	Socket head bolt with inner multipoint head	M10X1X29	10	
13	9A7 105 401 00	conrod		8	
14	WHT 003 466	bolt - connecting rod	M9X1,25X49	16	
15	9A7 105 702 00	connecting rod bearing shell		16	
		Identification: >> >>	blue		
(15)	9A7 105 702 10	connecting rod bearing shell		16	
		Identification: >> >>	yellow		
(15)	9A7 105 702 20	connecting rod bearing shell		16	
		Identification: >> >>	red		
16		impulse sender see illustration, item:	101-040,26		

Model: 971-17

Model life 2017>>



Model: 971-17

Model life 2017>>

Pos	Part Number	Description	Remark	Qty	Model
1	9A7 105 019 10	Crankshaft conrod Dual-mass flywheel Crankshaft		1	CSZA, CSZ, CXTA, CXT, DGPA, DGP
(1)	9A7 105 019 15	Crankshaft		1	CSZA, CSZ, DGPA, DGP
2	N 107 386 01	spring pin	4X20	1	CXTA, CXT
3	9A7 105 251 10	vibration damper		1	CSZA, CSZ, DGPA, DGP
(3)	9A7 105 251 30	vibration damper	also use: N 107 740 02	1	CXTA, CXT
4	N 907 740 02	hexagon head bolt (combi)	also use: N 107 740 02	1	
5	9A7 007 637 00	thrust washer	M16X1,5X75	1	
6	9A7 007 638 00	thrust washer	upper	2	
7	9A7 105 561 10	crankshaft bearing shell	lower	2	
(7)	9A7 105 561 00	crankshaft bearing shell Identification: >> >>	upper red	4	CSZA, CSZ, DGPA, DGP
(7)	9A7 105 561 11	crankshaft bearing shell Identification: >> >>	upper red	4	CXTA, CXT
(7)	9A7 105 561 01	crankshaft bearing shell Identification: >> >>	upper black	4	CSZA, CSZ, DGPA, DGP
(7)	9A7 105 561 12	crankshaft bearing shell Identification: >> >>	upper black	4	CXTA, CXT
(7)	9A7 105 561 02	crankshaft bearing shell Identification: >> >>	upper yellow	4	CSZA, CSZ, DGPA, DGP
(7)	9A7 105 561 13	crankshaft bearing shell Identification: >> >>	upper yellow	4	CXTA, CXT
(7)	9A7 105 561 03	crankshaft bearing shell Identification: >> >>	upper green	4	CSZA, CSZ, DGPA, DGP
(7)	9A7 105 561 14	crankshaft bearing shell Identification: >> >>	upper green	4	CXTA, CXT
(7)	9A7 105 561 04	crankshaft bearing shell Identification: >> >>	upper blue	4	CSZA, CSZ, DGPA, DGP
8	9A7 105 591 10	crankshaft bearing shell Identification: >> >>	upper blue	4	CXTA, CXT
(8)	9A7 105 591 00	crankshaft bearing shell Identification: >> >>	lower red	4	CSZA, CSZ, DGPA, DGP
(8)	9A7 105 591 11	crankshaft bearing shell Identification: >> >>	lower red	4	CXTA, CXT
(8)	9A7 105 591 01	crankshaft bearing shell Identification: >> >>	lower black	4	CSZA, CSZ, DGPA, DGP
(8)	9A7 105 591 12	crankshaft bearing shell Identification: >> >>	lower black	4	CXTA, CXT
(8)	9A7 105 591 02	crankshaft bearing shell Identification: >> >>	lower yellow	4	CSZA, CSZ, DGPA, DGP
(8)	9A7 105 591 13	crankshaft bearing shell Identification: >> >>	lower yellow	4	CXTA, CXT
(8)	9A7 105 591 03	crankshaft bearing shell Identification: >> >>	lower green	4	CSZA, CSZ, DGPA, DGP
(8)	9A7 105 591 14	crankshaft bearing shell Identification: >> >>	lower green	4	CXTA, CXT
(8)	9A7 105 591 04	crankshaft bearing shell Identification: >> >>	lower blue	4	CSZA, CSZ, DGPA, DGP
9	N 013 199 1	Cylinder pin	6M6X12	1	
10	958 102 189 00	Clutch plate		1	
11	9A7 105 264 10	Dual-mass flywheel		1	CSZA, CSZ, CXTA, CXT
(11)	9A7 105 266 00	Dual-mass flywheel	also use: N 906 651 01	10	DGPA, DGP
12	N 906 651 01	Socket head bolt with inner multipoint head	also use: N 906 651 01	10	
13	9A7 105 401 00	conrod	M10X1X29	10	

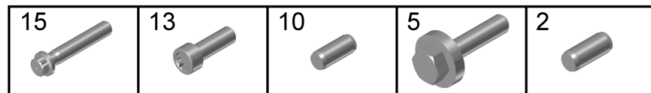
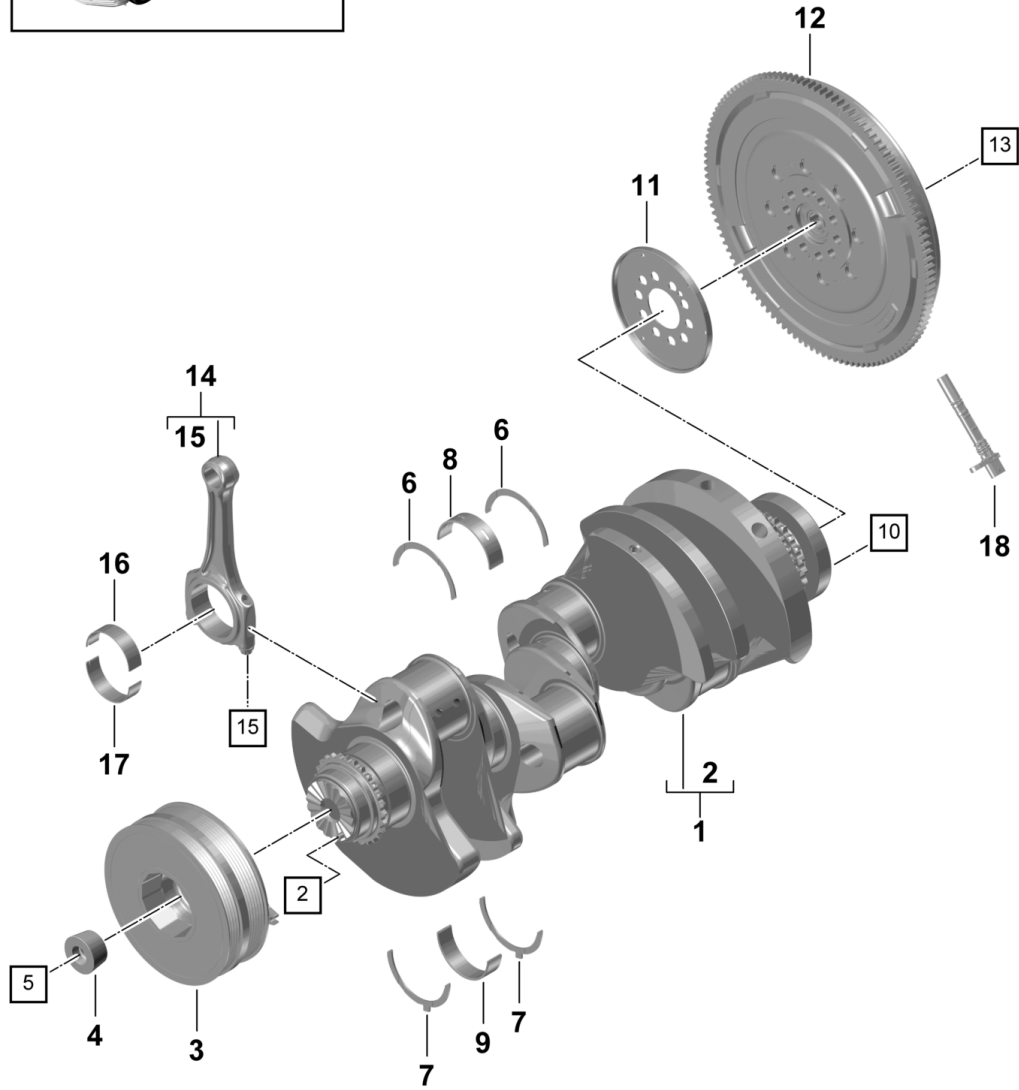
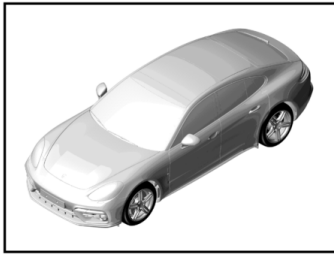
Model: 971-17

Model life 2017>>

Pos	Part Number	Description	Remark	Qty	Model
(13)	9A7 105 401 01	conrod		6	CXTA, CXT
14	WHT 003 466	bolt - connecting rod	M9X49	12	DGPA, DGP
15	9A7 105 702 00	connecting rod bearing shell		12	
		Identification: >> >>	blue		
(15)	9A7 105 702 10	connecting rod bearing shell		12	
		Identification: >> >>	yellow		
(15)	9A7 105 702 20	connecting rod bearing shell		12	
		Identification: >> >>	red		
16		impulse sender			
		see illustration, item:	101-045,26		

Model: 971-17

Model life 2017>>



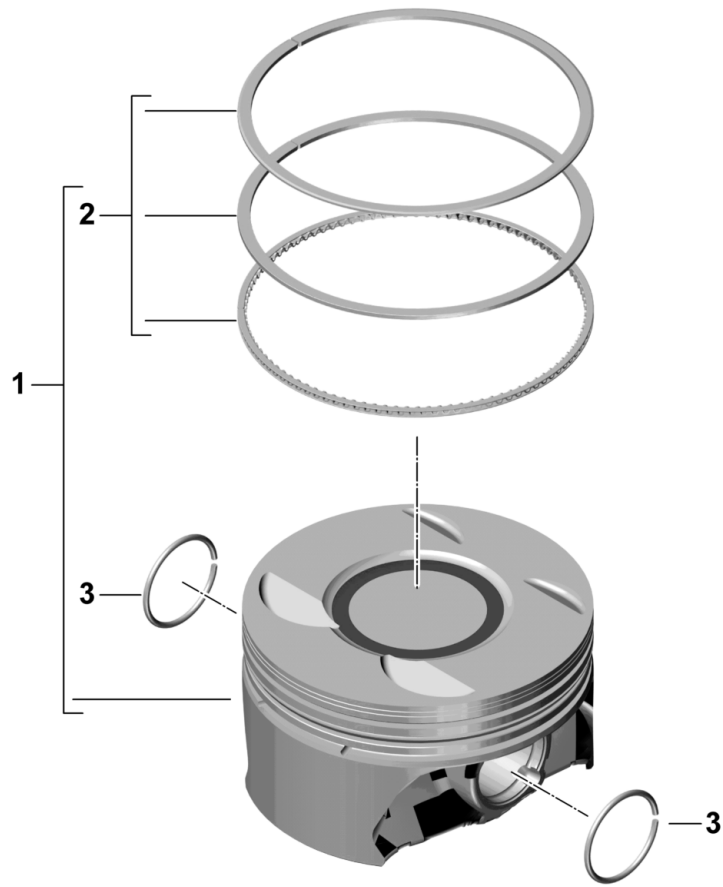
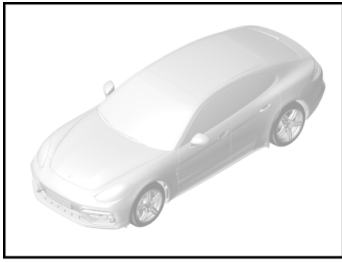
Model: 971-17

Model life 2017>>

Pos	Part Number	Description	Remark	Qty	Model
		Crankshaft conrod Dual-mass flywheel			DBUC
1	9A7 105 019 20	Crankshaft		1	
2	N 023 255 1	spring pin	4X12	1	
3	9A7 105 251 20	vibration damper		1	
4	9A7 105 159 03	spacer bush		1	
5	9A7 007 570 00	flat round head bolt	M16X1,5X75	1	
6	9A7 105 637 00	thrust washer	upper	2	
7	9A7 105 635 00	thrust washer	lower	2	
8	9A7 105 561 20	crankshaft bearing shell	upper	5	
		Identification: >> >>	red		
(8)	9A7 105 561 21	crankshaft bearing shell	upper	5	
		Identification: >> >>	yellow		
(8)	9A7 105 561 22	crankshaft bearing shell	upper	5	
		Identification: >> >>	blue		
9	9A7 105 591 20	crankshaft bearing shell	lower	5	
		Identification: >> >>	red		
(9)	9A7 105 591 21	crankshaft bearing shell	lower	5	
		Identification: >> >>	yellow		
(9)	9A7 105 591 22	crankshaft bearing shell	lower	5	
		Identification: >> >>	blue		
10	N 013 199 1	Cylinder pin	6M6X12	1	
11	958 102 189 00	Clutch plate		1	
12	9A7 105 264 20	Dual-mass flywheel		1	
		also use:	N 906 651 01	10	
13	N 906 651 01	Socket head bolt with inner multipoint head	M10X1X29	10	
14	9A7 105 401 10	conrod		8	
15	9A7 105 425 00	bolt - connecting rod	M8X1X50	16	
		No longer use the part here			
(15)	WHT 006 219	bolt - connecting rod	M8X1X50	16	
16	9A7 105 701 00	connecting rod bearing shell	upper	8	
		Identification: >> >>	blue		
(16)	9A7 105 701 01	connecting rod bearing shell	upper	8	
		Identification: >> >>	yellow		
(16)	9A7 105 701 02	connecting rod bearing shell	upper	8	
		Identification: >> >>	red		
17	9A7 105 701 10	connecting rod bearing shell	lower	8	
		Identification: >> >>	blue		
(17)	9A7 105 701 11	connecting rod bearing shell	lower	8	
		Identification: >> >>	yellow		
(17)	9A7 105 701 12	connecting rod bearing shell	lower	8	
		Identification: >> >>	red		
18		impulse sender see illustration, item:	101-050,19		

Model: 971-17

Model life 2017>>



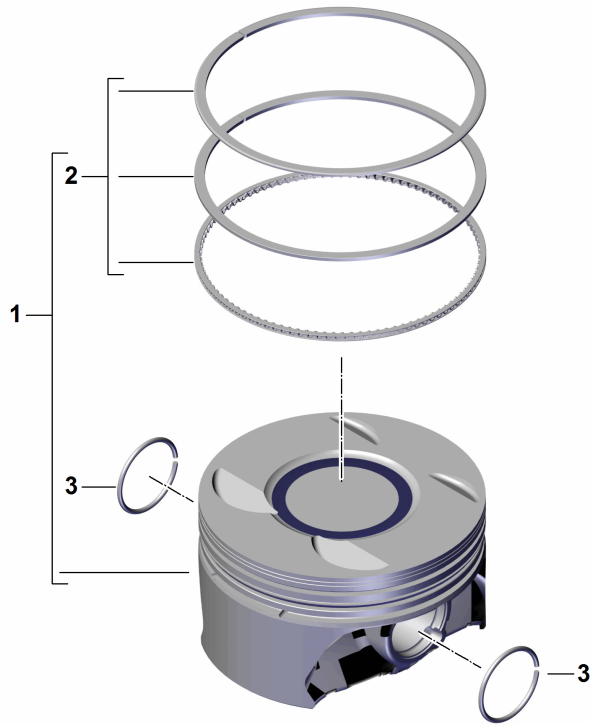
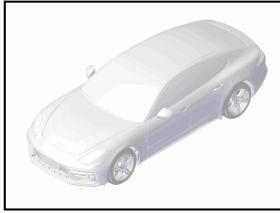
Model: 971-17

Model life 2017>>

Pos	Part Number	Description	Remark	Qty	Model
1	9A7 107 066 00	piston piston ring	Cylinders 1-4	4	CVDA, CVD
(1)	9A7 107 065 00	piston piston complete	Cylinder 5-8	4	
2		piston 1 set: piston rings		8	
3	N 012 278 1	* single parts no available * snap ring	22X1,5	16	

Model: 971-17

Model life 2017>>



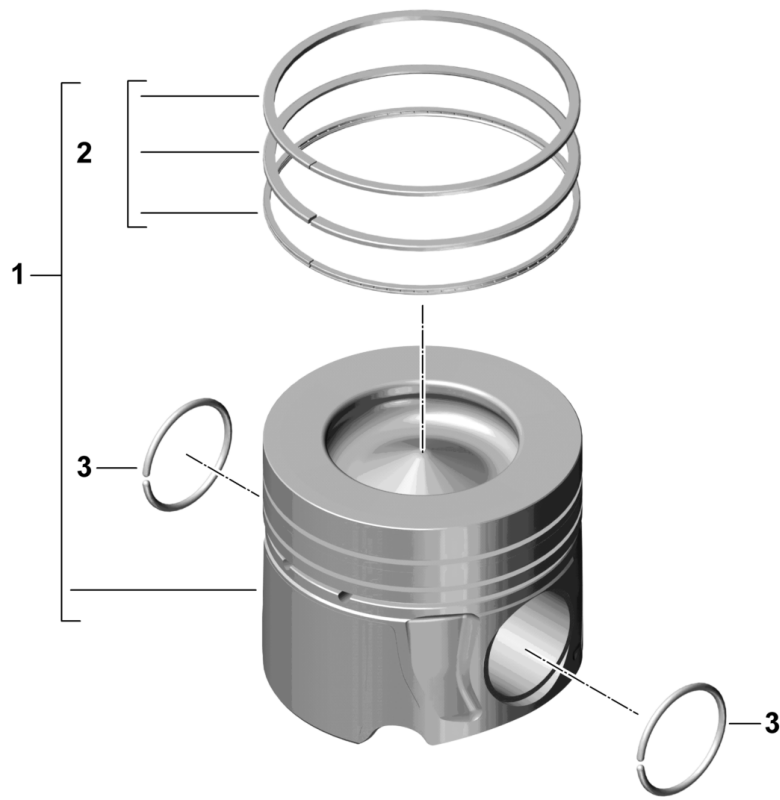
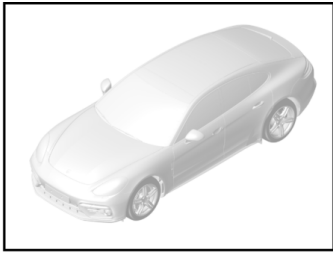
Model: 971-17

Model life 2017>>

Pos	Part Number	Description	Remark	Qty	Model
		piston			CSZA, CSZ, CXTA, CXT, DGPA, DGP
1	9A7 107 066 10	piston piston complete	cylinders 1-3	3	CSZA, CSZ, DGPA, DGP
(1)	9A7 107 066 30	piston piston complete	cylinders 1-3	3	CXTA, CXT
(1)	9A7 107 065 10	piston piston complete	cylinders 4-6	3	CSZA, CSZ, DGPA, DGP
(1)	9A7 107 065 30	piston piston complete	cylinders 4-6	3	CXTA, CXT
2		1 set: piston rings * single parts no available *		6	
3	N 012 278 1	snap ring	22X1,5	12	

Model: 971-17

Model life 2017>>



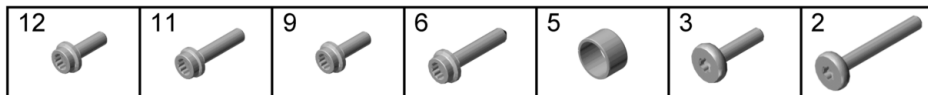
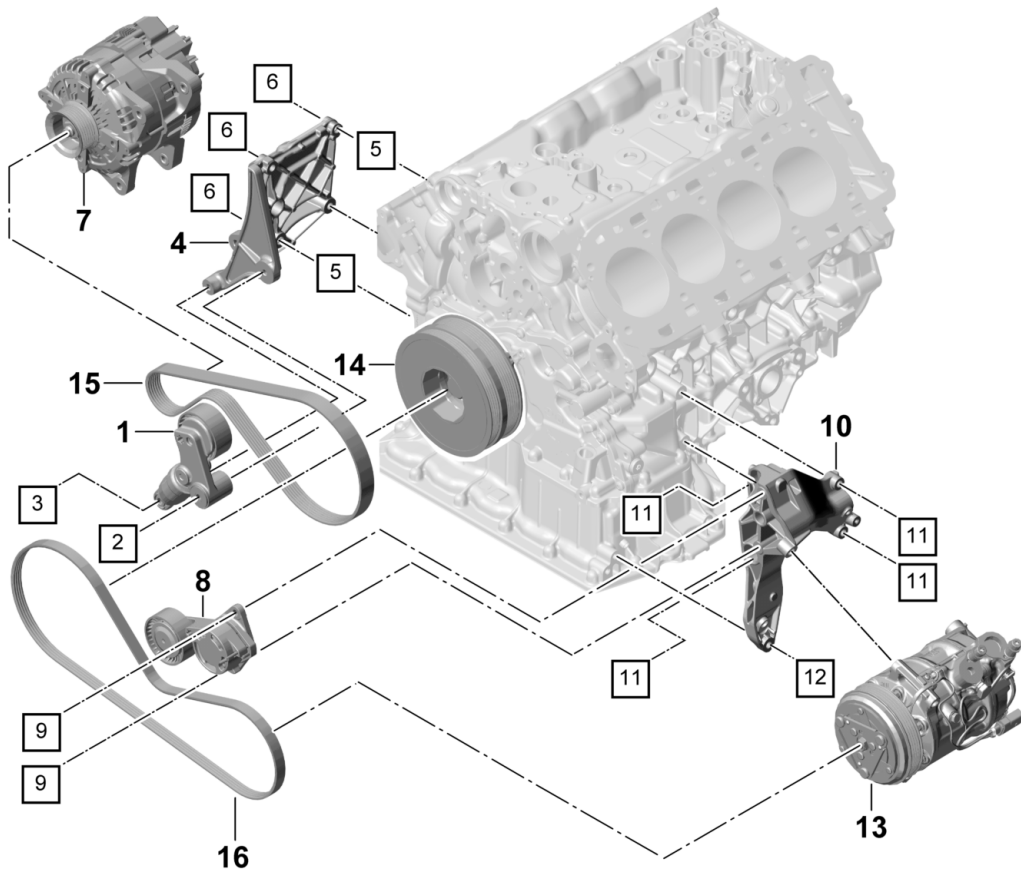
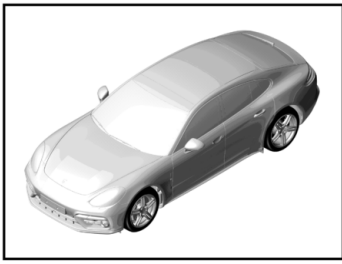
Model: 971-17

Model life 2017>>

Pos	Part Number	Description	Remark	Qty	Model
1	PAB 107 065	piston			DBUC
2		piston complete	83,010	8	
		1 set: piston rings		8	
		* single parts no available *			
3	955 103 441 00	Securing ring		16	
		C 30 X 2			

Model: 971-17

Model life 2017>>



Model: 971-17

Model life 2017>>

Pos	Part Number	Description	Remark	Qty	Model
1	9A7 903 133 00	Poly-V-belt Belt tensioner damper Belt tensioner damper D >> - 14.02.2018 only in conj. with:	9A7 260 938 01 9A7 903 137 00	1 1 1	CVDA, CVD+ PR:OK0
(1)	9A7 903 133 01	Belt tensioner damper D - 15.02.2018>> only in conj. with:	PAB 260 938 00 PAB 903 137 00	1 1	
2	999 073 411 01	Hexagon socket flat head bolt	M8X60	1	
(2)	9A7 008 035 00	Hexagon socket flat head bolt	M8X60	1	
3	999 073 246 02	Hexagon socket head bolt	M8X33	1	
4	9A7 903 143 00	bracket for alternator		1	
5	958 147 501 00	Centre sleeve	11,15X6,5	2	
6	N 106 730 01	Socket head bolt with inner multipoint head (Kombi)	M8X40	4	
7		Alternator see illustration, item:	902-005,6	1	
8	9A7 260 938 01	Belt tensioner damper D >> - 14.02.2018 only in conj. with:	9A7 903 133 00 9A7 903 137 00	1 1	
(8)	PAB 260 938 00	Belt tensioner damper D - 15.02.2018>> only in conj. with:	9A7 903 133 01 PAB 903 137 00	1 1	
9	N 106 893 02	Socket head bolt with inner multipoint head D >> - 12.12.2016	M8X25	2	
(9)	N 106 893 02	Socket head bolt with inner multipoint head D - 12.12.2016>>	M8X25	2	
10	9A7 260 885 00	Console Compressor Air conditioning D >> - 12.12.2016		1	
(10)	9A7 260 885 04	Console Compressor Air conditioning D - 12.12.2016>>		1	
11	N 911 046 01	Socket head bolt with inner multipoint head D >> - 12.12.2016	M8X35	4	
(11)	N 911 572 02	Socket head collared bolt with inner multipoint head D - 12.12.2016>>	M8X30	4	
12	N 106 893 02	Socket head bolt with inner multipoint head D >> - 12.12.2016	M8X25	1	
(12)	N 911 572 02	Socket head collared bolt with inner multipoint head D - 12.12.2016>>	M8X30	1	
13		Compressor Air conditioning see illustration, item:	814-010,1	1	
14		vibration damper see illustration, item:	102-000,3	1	
15	9A7 903 137 00	Poly-V-belt Alternator D >> - 14.02.2018		1	

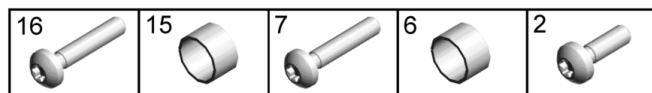
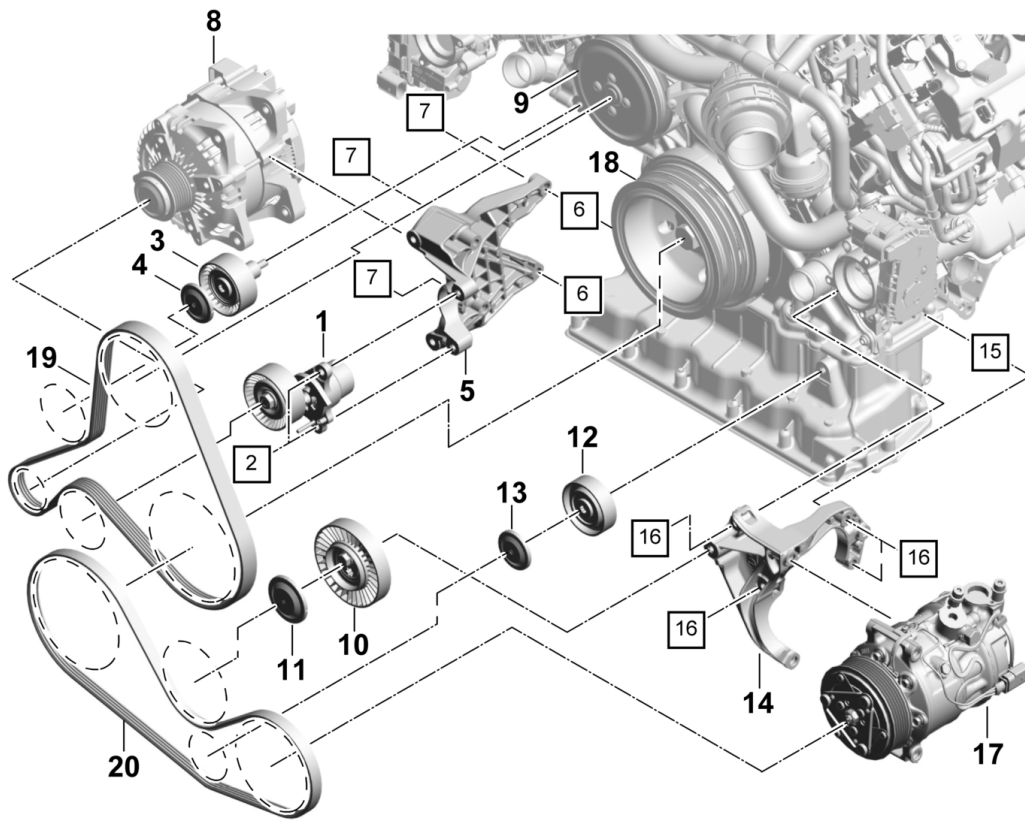
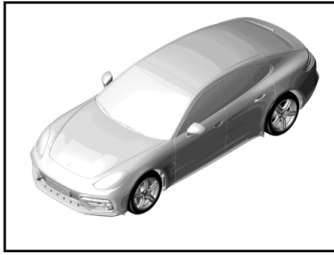
Model: 971-17

Model life 2017>>

Pos	Part Number	Description	Remark	Qty	Model
(15)	PAB 903 137 00	only in conj. with: Poly-V-belt Alternator D - 15.02.2018>>	9A7 260 938 01 9A7 903 133 00	1 1 1	
16	9A7 260 849 00	only in conj. with: Poly-V-belt Compressor Air conditioning	PAB 260 938 00 9A7 903 133 01	1 1 1	

Model: 971-17

Model life 2017>>



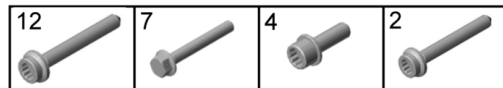
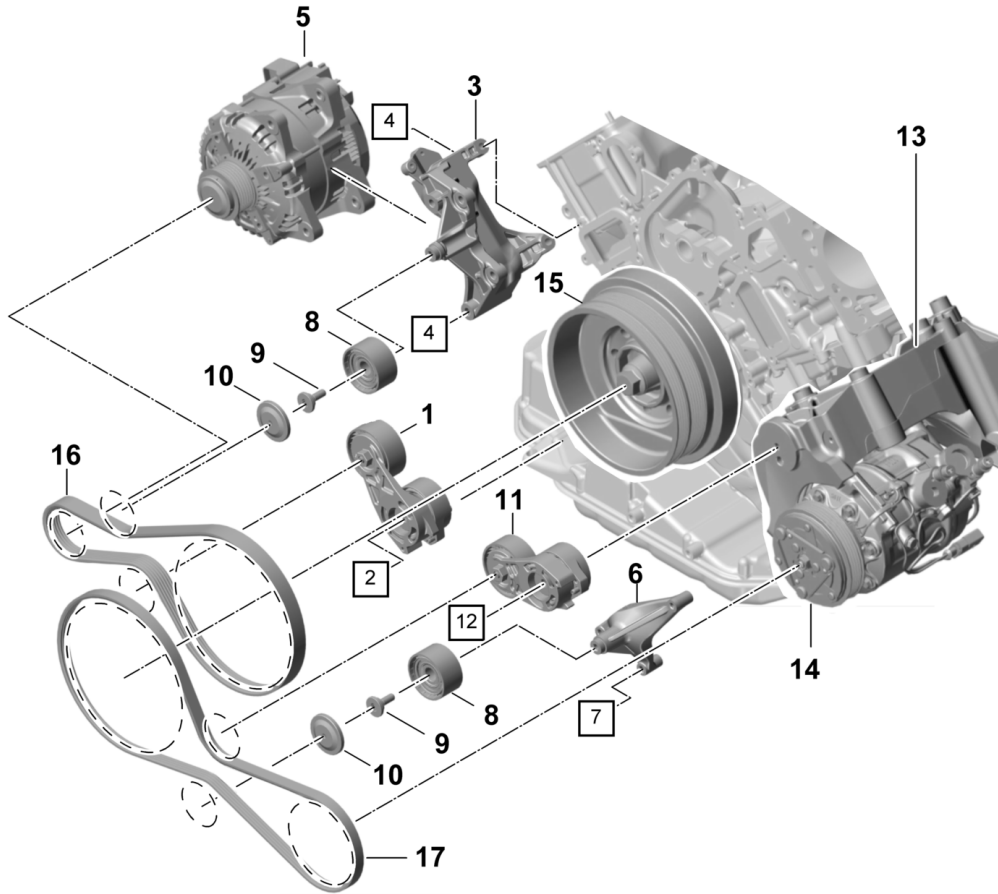
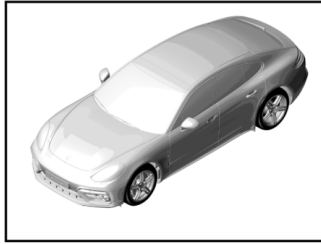
Model: 971-17

Model life 2017>>

Pos	Part Number	Description	Remark	Qty	Model
1	9A7 903 133 10	Poly-V-belt Belt tensioner damper Belt tensioner damper		1	CSZA, CSZ, CXTA, CXT
2	N 107 427 02	also use: Oval hexagon socket head bolt	N 107 427 02 M8X25 aluminium	2	
3	9A7 903 341 04	idler pulley		1	
4	955 102 839 01	Protective cap		1	
5	9A7 903 143 10	bracket for alternator		1	
6	958 147 501 00	also use: Centre sleeve	N 108 264 01 11,15X6,5	4	
7	N 108 264 01	Hexagon socket flat head bolt	M8X40 aluminium	2	
8		Alternator		4	
9		see illustration, item: pulley	902-005,6	1	
10	9A7 903 315 05	Coolant pump		1	
11	9A7 903 343 00	see illustration, item: tensioner	105-005,4	1	
12	9A7 260 938 05	Protective cap		1	
13	9A7 260 938 05	idler pulley with bolt		1	
14	955 102 839 01	Protective cap		1	
15	9A7 260 885 10	Console Compressor Air conditioning		1	
16	958 147 501 00	also use: Centre sleeve	N 108 264 01 11,15X6,5	4	
17	N 108 264 01	Hexagon socket flat head bolt	M8X40 aluminium	2	
18		Compressor Air conditioning		4	
19		see illustration, item: vibration damper	814-010,1	1	
20		see illustration: Poly-V-belt Alternator	102-005	1	
21	9A7 903 137 10	Poly-V-belt		1	
22	9A7 260 849 10	Alternator Poly-V-belt Compressor Air conditioning		1	

Model: 971-17

Model life 2017>>



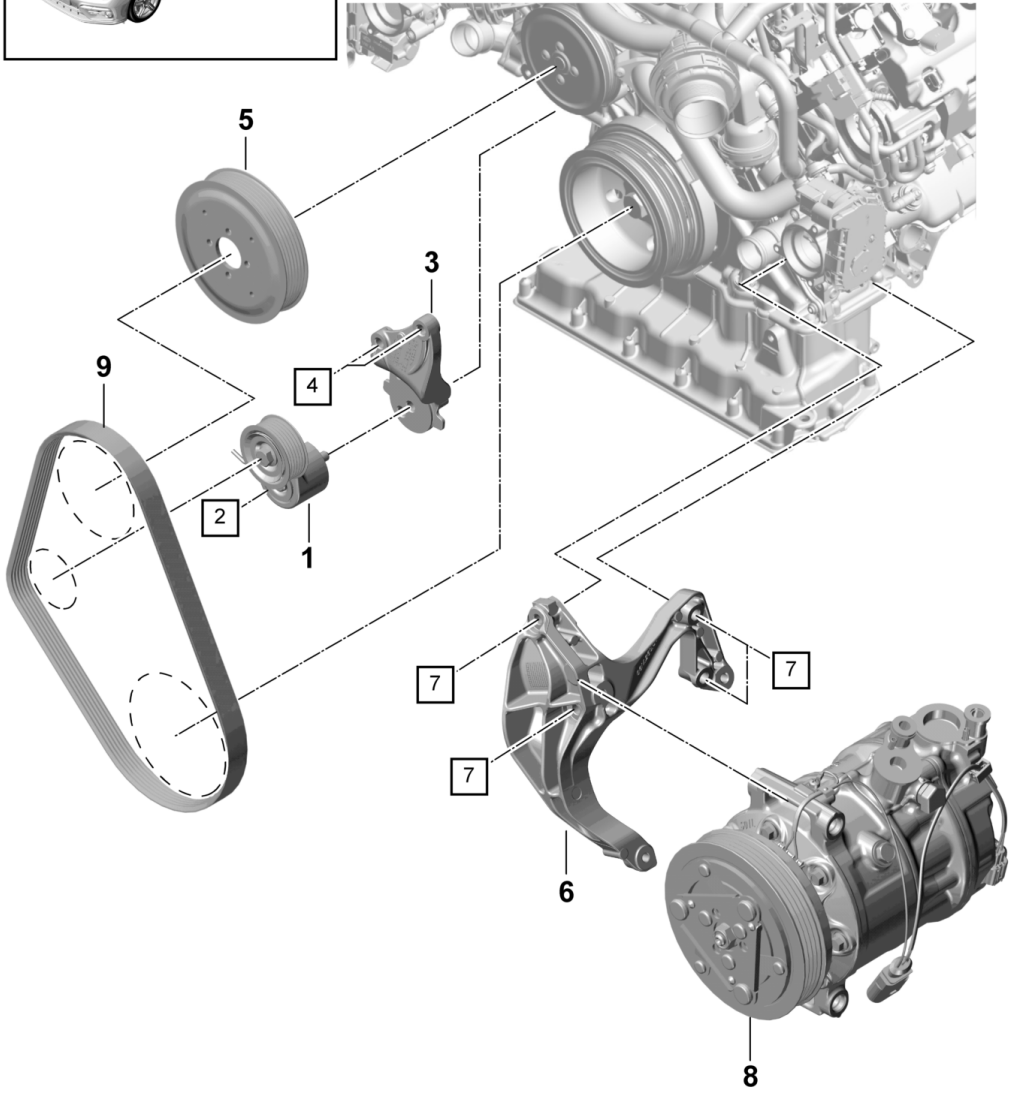
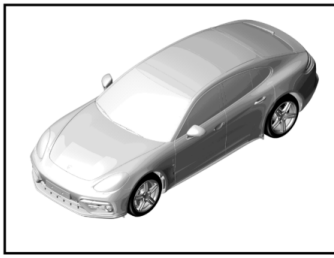
Model: 971-17

Model life 2017>>

Pos	Part Number	Description	Remark	Qty	Model
		Poly-V-belt			DBUC
1	9A7 903 133 20	Belt tensioner damper		1	
2	N 106 651 01	Belt tensioner damper		1	
		Socket head bolt with inner multipoint head	M8X60	1	
3	9A7 903 143 20	bracket for alternator		1	
4	N 106 389 01	Socket head bolt with inner multipoint head (Kombi)	M8X25	4	
5		Alternator		1	
		see illustration, item:	902-005,6		
6	9A7 903 417 06	BRACKET FOR idler pulley		1	
7	N 107 390 02	Hexagon flange screw	M6X45	3	
8	9A7 903 341 10	idler pulley		2	
9	N 912 397 01	Locating bolt	M8X16,5X25	2	
10	955 102 839 01	Protective cap		2	
11	9A7 903 133 30	Belt tensioner damper		1	
12	N 106 651 01	Socket head bolt with inner multipoint head	M8X60	1	
13		Console for engine mounting		1	
		see illustration, item:	109-030,1		
14		A/C compressor connecting and mounting parts for compressor		1	
		see illustration, item:	814-010,1		
15		vibration damper		1	
		see illustration:	102-010		
16	9A7 903 137 20	Poly-V-belt		1	
		Alternator			
17	9A7 903 137 30	Poly-V-belt		1	
		Compressor			
		Air conditioning			

Model: 971-17

Model life 2017>>



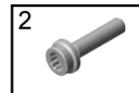
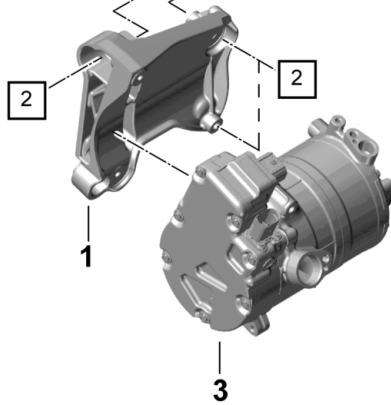
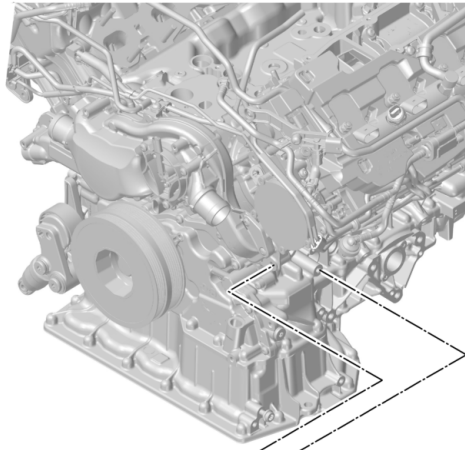
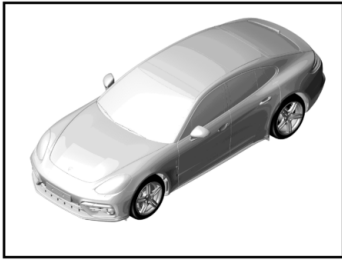
Model: 971-17

Model life 2017>>

Pos	Part Number	Description	Remark	Qty	Model
		Poly-V-belt			DGPA, DGP
1	9A7 903 133 40	Belt tensioner damper		1	
		Belt tensioner damper		1	
		also use:	N 911 894 01	1	
2	N 911 894 01	Flat head multi-point socket bolt	M10X60	1	
3	9A7 903 417 07	BRACKET FOR idler pulley		1	
4	N 107 427 02	Oval hexagon socket head bolt	M8X25	2	
			aluminium		
5		pulley		1	
		Coolant pump			
		see illustration, item:	105-005,4		
6	9A7 260 885 20	Console		1	
		Compressor			
		Air conditioning			
		also use:	N 108 264 01	4	
7	N 108 264 01	Hexagon socket flat head bolt	M8X40	4	
			aluminium		
8		Compressor		1	
		Air conditioning			
		see illustration, item:	815-055,1		
9	9A7 903 137 40	Poly-V-belt		1	
		Coolant pump			

Model: 971-17

Model life 2017>>



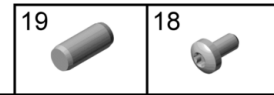
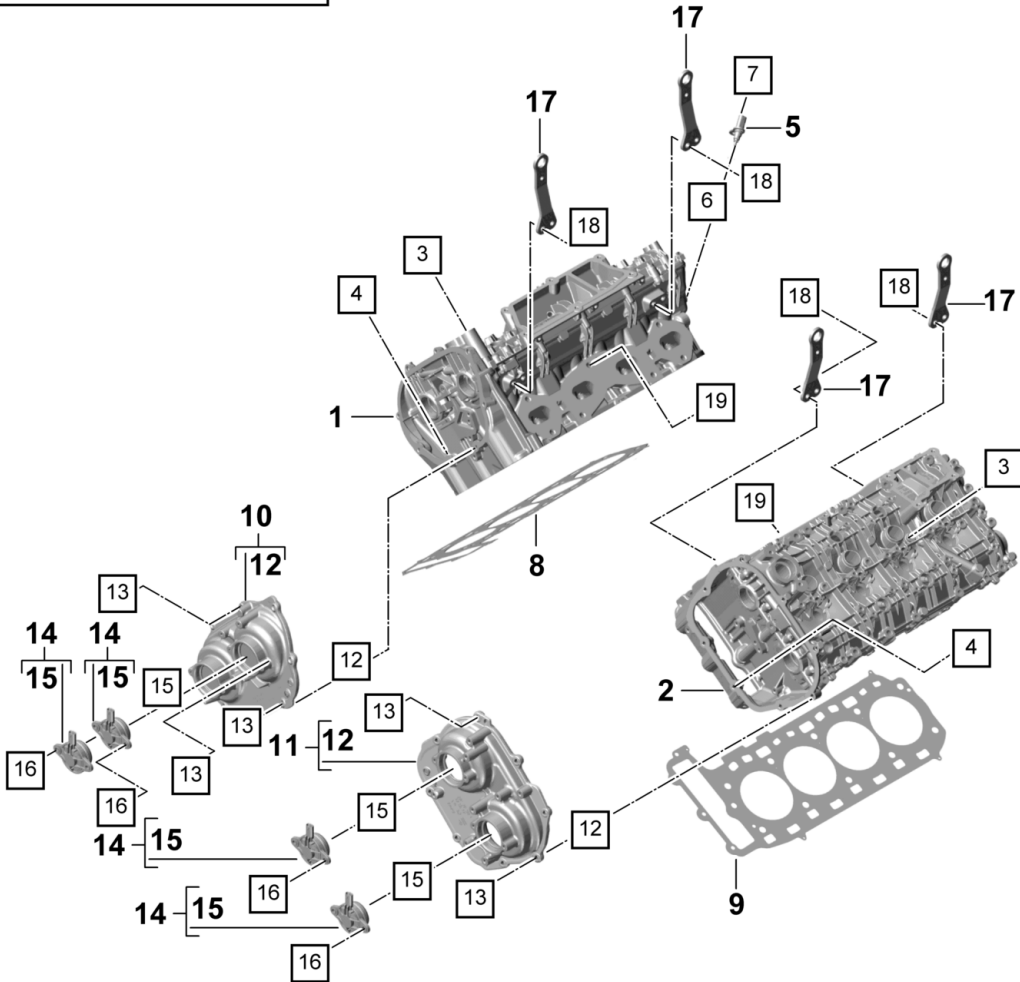
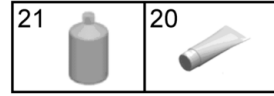
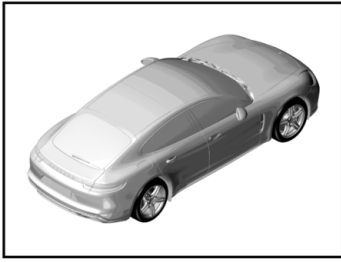
Model: 971-17

Model life 2017>>

Pos	Part Number	Description	Remark	Qty	Model
1	9A7 260 885 40	Poly-V-belt Fasteners Console Compressor Air conditioning		1	CVDA, CVD+ PR:OK3
2	N 911 046 01	Socket head bolt with inner multipoint head	M8X35	3	
3		Compressor Air conditioning see illustration:	815-050		

Model: 971-17

Model life 2017>>



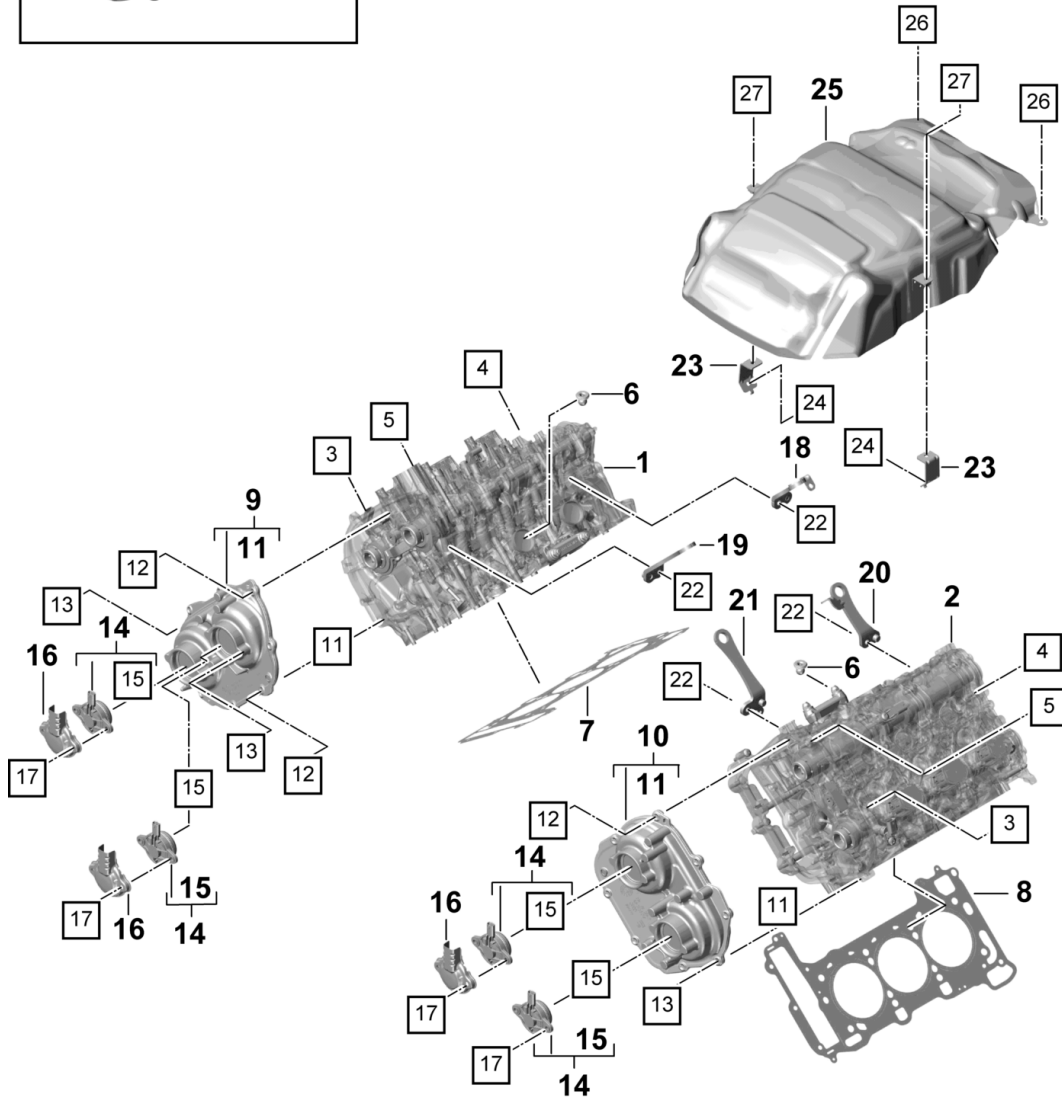
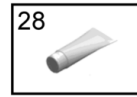
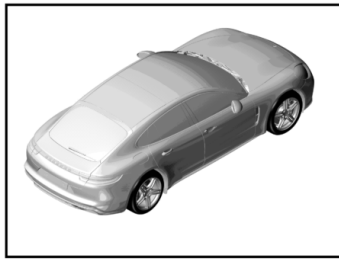
Model: 971-17

Model life 2017>>

Pos	Part Number	Description	Remark	Qty	Model
1	9A7 103 061 00	Cylinder head Complete cylinder head but without:	Cylinder 5-8 Camshaft	1	CVDA, CVD
2	9A7 103 062 00	Complete cylinder head but without:	Cylinders 1-4 Camshaft	1	
3	9A7 008 395 00	12-point head bolt	M10X170X120	20	
4	N 105 540 05	round hd. screw	M6X35	8	
5	958 606 623 20	Temperature sensor		1	
		also use:	WHT 002 287 B	1	
6	WHT 002 287 B	O-ring	5,6X2	1	
7	N 911 266 01	Oval hexagon socket head bolt	M6X16	1	
8	9A7 103 383 00	Cylinder head gasket	Cylinder 5-8	1	
9	9A7 103 383 01	Cylinder head gasket	Cylinders 1-4	1	
10	9A7 109 285 06	Cover timing case	Cylinder 5-8	1	
		also use:	000 043 300 39	1	
			000 043 209 93	1	
11	9A7 109 286 06	Cover timing case	Cylinders 1-4	1	
		also use:	000 043 300 39	1	
			000 043 209 93	1	
12	958 101 139 00	dowel sleeve	8,2X6,5	4	
13	N 101 243 06	Oval hexagon socket head bolt	M6X22	16	
14	9A7 109 259 00	Solenoid valve		4	
15	9A7 906 145 00	seal ring		4	
16	N 911 266 01	Oval hexagon socket head bolt	M6X16	8	
17	9A7 103 392 00	Transportation shackle		4	
18	N 106 648 01	Socket head collared bolt with inner multipoint head	M8X20	8	
19	9A7 008 107 00	Threaded stud	MFS8X58	20	
		No longer use the part here			
(19)	9A7 008 950 00	Threaded stud	MFS8X60	20	
20	000 043 300 39	sealant	50ml	X	
		discontinued part			
(20)	000 043 305 10	sealant	50ml	X	
		LOCTITE			
		5970			
(20)	000 043 210 83	grease	20GR	1	
		MOLYCOTE G5008			
		for			
21	000 043 209 93	Ignition coil Cleaning solution Anti-corrosion agent LOCTITE 7515	100ml	1	

Model: 971-17

Model life 2017>>



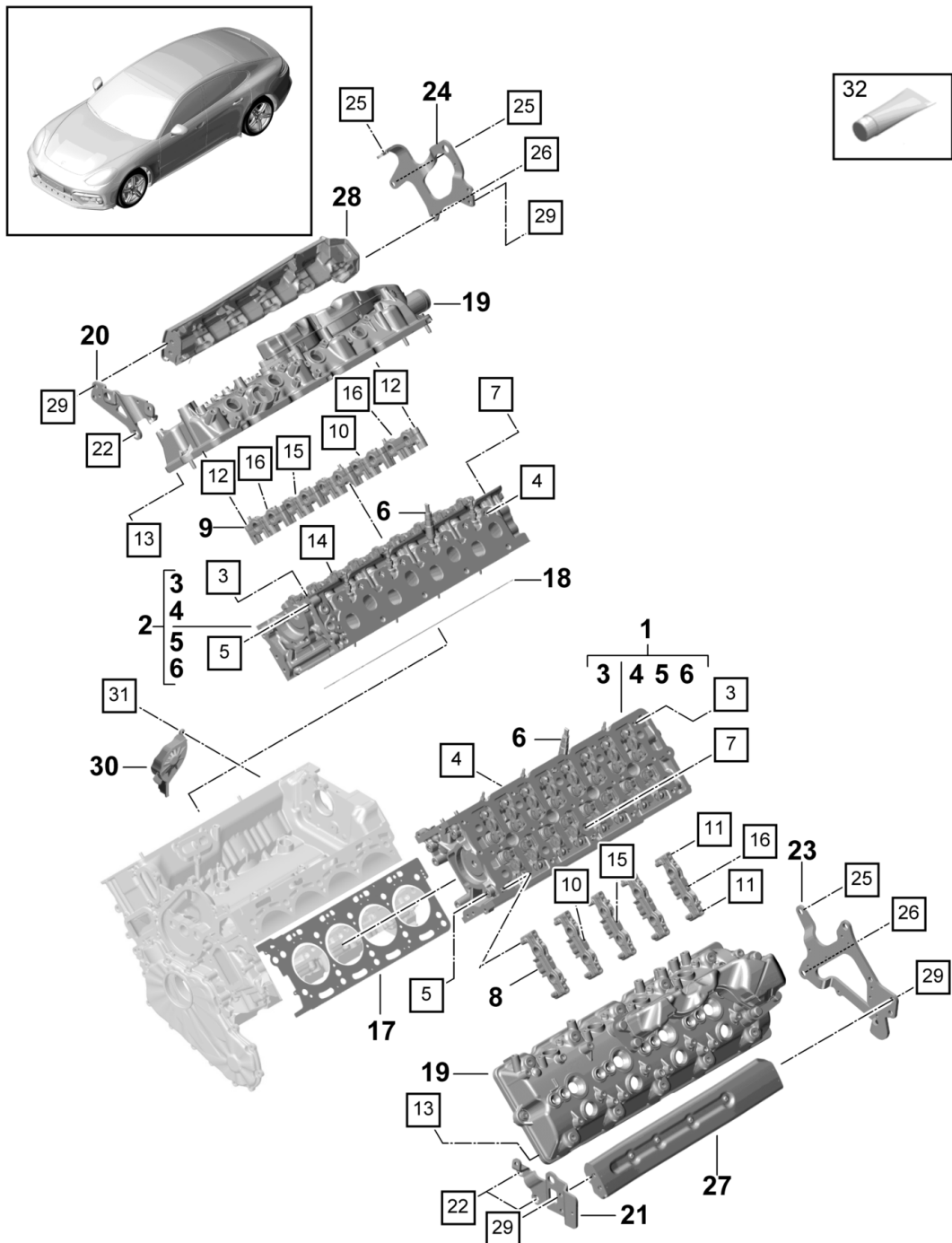
				27	26	24	22
17	15	13	12	11	5	4	3

Model: 971-17 Model life 2017>>

Pos	Part Number	Description	Remark	Qty	Model
		Cylinder head			CSZA,CSZ , CXTA,CXT , DGPA,DGP
1	9A7 103 061 10	Complete cylinder head but without:	cylinders 4-6 Camshaft	1	CSZA,CSZ , CXTA,CXT
(1)	9A7 103 061 20	Complete cylinder head but without:	cylinders 4-6 Camshaft	1	DGPA,DGP
2	9A7 103 062 10	Complete cylinder head but without:	cylinders 1-3 Camshaft	1	CSZA,CSZ , CXTA,CXT
(2)	9A7 103 062 20	Complete cylinder head but without:	cylinders 1-3 Camshaft	1	DGPA,DGP
3	WHT 005 739	Socket head bolt with inner multipoint head	M10X70	16	
4	N 911 276 02	Hexagon socket flat head bolt	M6X35	11	
5	N 909 035 02	Socket head bolt with inner multipoint head	M8X35	3	
6	9A7 121 349 01	Non-return valve		2	
7	9A7 103 149 00	Cylinder head gasket	cylinders 4-6	1	
8	9A7 103 148 00	Cylinder head gasket	cylinders 1-3	1	
9	9A7 109 285 06	Cover timing case	cylinders 4-6	1	
			also use:		
10	9A7 109 286 06	Cover timing case	000 043 300 39 cylinders 1-3	1 1	
			also use:		
11	958 101 139 00	dowel sleeve	000 043 300 39 8,2X6,5	1 4	
12	N 101 243 06	Oval hexagon socket head bolt	M6X22	13	
13	N 910 048 02	double stud with hexagon drive	M6X22/M6X12	3	
14	9A7 109 259 00	Solenoid valve		4	
15	9A7 906 145 00	seal ring		4	
16	9A7 103 555 03	Guard plate		3	
17	N 101 961 03	fillister head bolt with multi-point socket head	M6X18	8	
18	9A7 103 392 04	Transportation shackle	left front	1	
19	9A7 103 390 00	Transportation shackle	left rear	1	
20	9A7 103 392 03	Transportation shackle	right front	1	
21	9A7 103 390 01	Transportation shackle	right rear	1	
22	N 910 488 02	Screw with int. serrations	M8X20	4	
23	9A7 119 186 00	Bracket		2	
24	N 103 352 06	Hexagon socket flat head bolt	M6X12	2	
25	9A7 119 607 00	Heat insulation No longer use the part here		1	CSZA,CSZ , DGPA,DGP
(25)	9A7 119 607 02	Heat insulation No longer use the part here		1	CSZA,CSZ , DGPA,DGP
(25)	9A7 119 607 03	Heat insulation		1	CSZA,CSZ , DGPA,DGP
(25)	971 119 607 B	Heat insulation No longer use the part here		1	CXTA,CXT
(25)	971 119 607 D	Heat insulation No longer use the part here		1	CXTA,CXT
(25)	971 119 607 F	Heat insulation No longer use the part here		1	CXTA,CXT
26	N 103 210 03	bolt, hexagon head self-locking	M6X16	2	
27	WHT 002 378	Ball screw		2	
28	000 043 300 39	sealant discontinued part	50ml	X	
(28)	000 043 305 10	sealant LOCTITE 5970	50ml	X	

Model: 971-17

Model life 2017>>



31	29	26	25	22	16	15	14
13	12	11	10	7	5	4	3

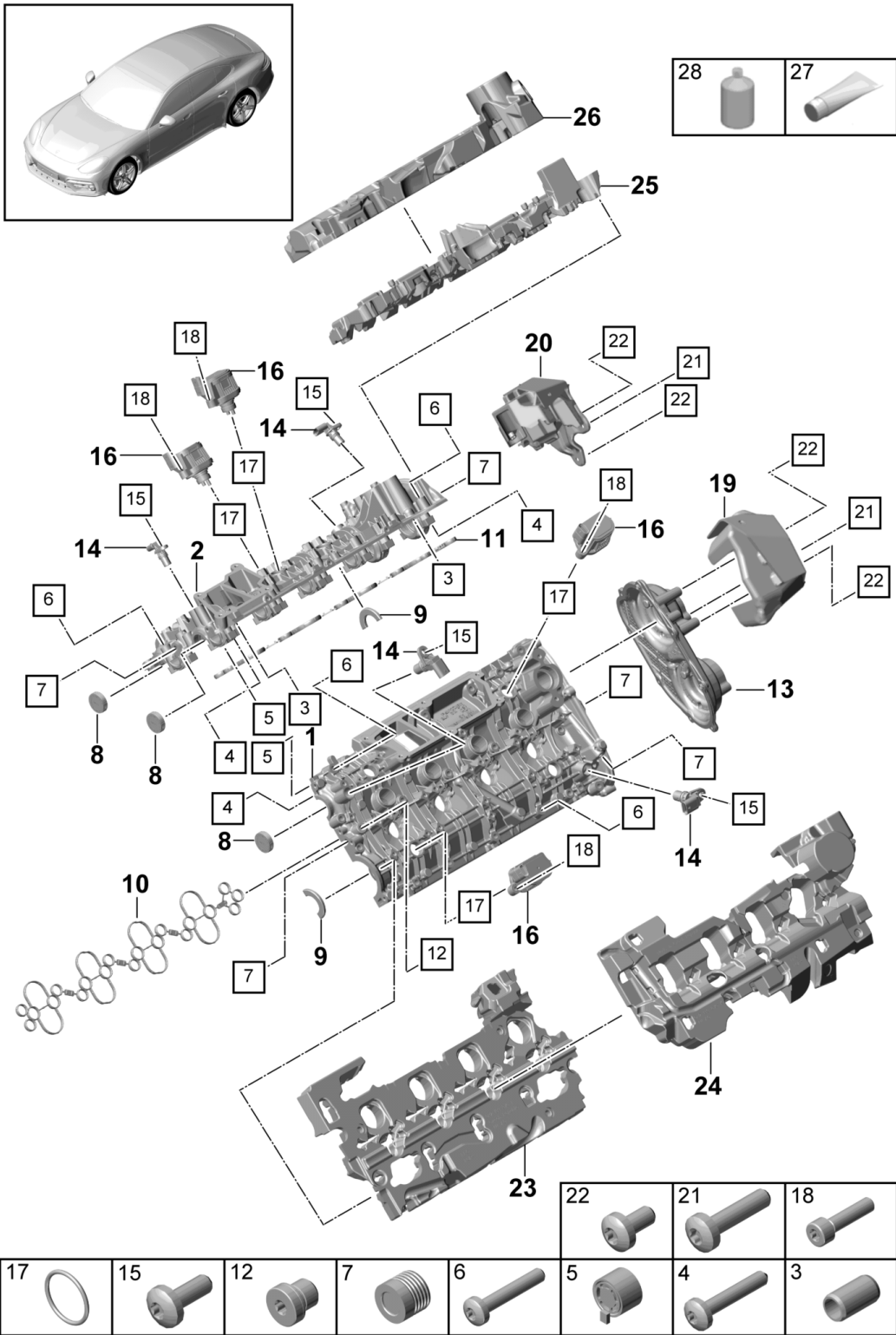
Model: 971-17

Model life 2017>>

Pos	Part Number	Description	Remark	Qty	Model
					DBUC
1	9A7 103 063 00	Cylinder head Complete cylinder head	Cylinder 5-8	1	
2	9A7 103 064 00	but without: Complete cylinder head	Camshaft Cylinders 1-4	1	
3	958 104 429 10	but without: dowel sleeve	Camshaft 8X9	6	
4	N 044 441 5	Threaded pin	M8X40	16	
5	N 102 833 04	sealing plug	M8X1	2	
6	9A7 963 319 00	Glow plug		8	
7	WHT 005 262 A	Cylinder screw with washer	M12X1,5X177	20	
8	9A7 103 959 00	Bearing cover	Cylinder 5-8	1	
9	9A7 103 960 00	Bearing cover	Cylinders 1-4	1	
10	N 013 199 1	Cylinder pin	6M6X12	6	
11	9A7 008 070 00	12-point socket head bolt (combi)	Cylinder 5-8	10	
12	9A7 008 070 00	12-point socket head bolt (combi)	Cylinders 1-4	10	
13	9A7 103 196 01	seal ring	9X2	20	
14	958 104 564 10	ball head Bearing cover	Cylinders 1-4 M6X12	1	
15	9A7 103 164 00	Ball screw Bearing cover	M6X53	7	
16	N 101 161 03	hexagon head bolt (combi)	M6X55	3	
17	9A7 103 383 33	Cylinder head gasket	Cylinder 5-8 1,60MM 1 hole	1	
(17)	9A7 103 383 34	Cylinder head gasket	Cylinder 5-8 1,65MM 2 holes	1	
(17)	9A7 103 383 35	Cylinder head gasket	Cylinder 5-8 1,70MM 3 holes	1	
18	9A7 103 383 30	Cylinder head gasket	Cylinders 1-4 1,60MM 1 hole	1	
(18)	9A7 103 383 31	Cylinder head gasket	Cylinders 1-4 1,65MM 2 holes	1	
(18)	9A7 103 383 32	Cylinder head gasket	Cylinders 1-4 1,70MM 3 holes	1	
19		Valve cover see illustration:	103-030		
20	9A7 103 075 04	Transportation shackle	right front	1	
21	9A7 103 392 11	Transportation shackle	left front	1	
22	N 105 860 01	countersunk multi-point socket head bolt	M8X18	4	
23	9A7 103 073 04	Transportation shackle	left rear	1	
24	9A7 103 390 07	Transportation shackle	right rear	1	
25	N 105 860 01	countersunk multi-point socket head bolt	M8X18	4	
26	N 911 650 01	Hexagon socket flat head bolt	M6X52	2	
27	9A7 133 685 02	Cover plate	Cylinder 5-8	1	
28	9A7 133 685 03	Cover plate	Cylinders 1-4	1	
29	N 106 649 01	Socket head collared bolt with inner multipoint head	M8X16	16	
30	971 103 565 A	Cover		1	
31	N 104 514 05	Oval hexagon socket head bolt	M6X16	1	
32	000 043 300 39	sealant 50 ML	50ml	X	

Model: 971-17

Model life 2017>>



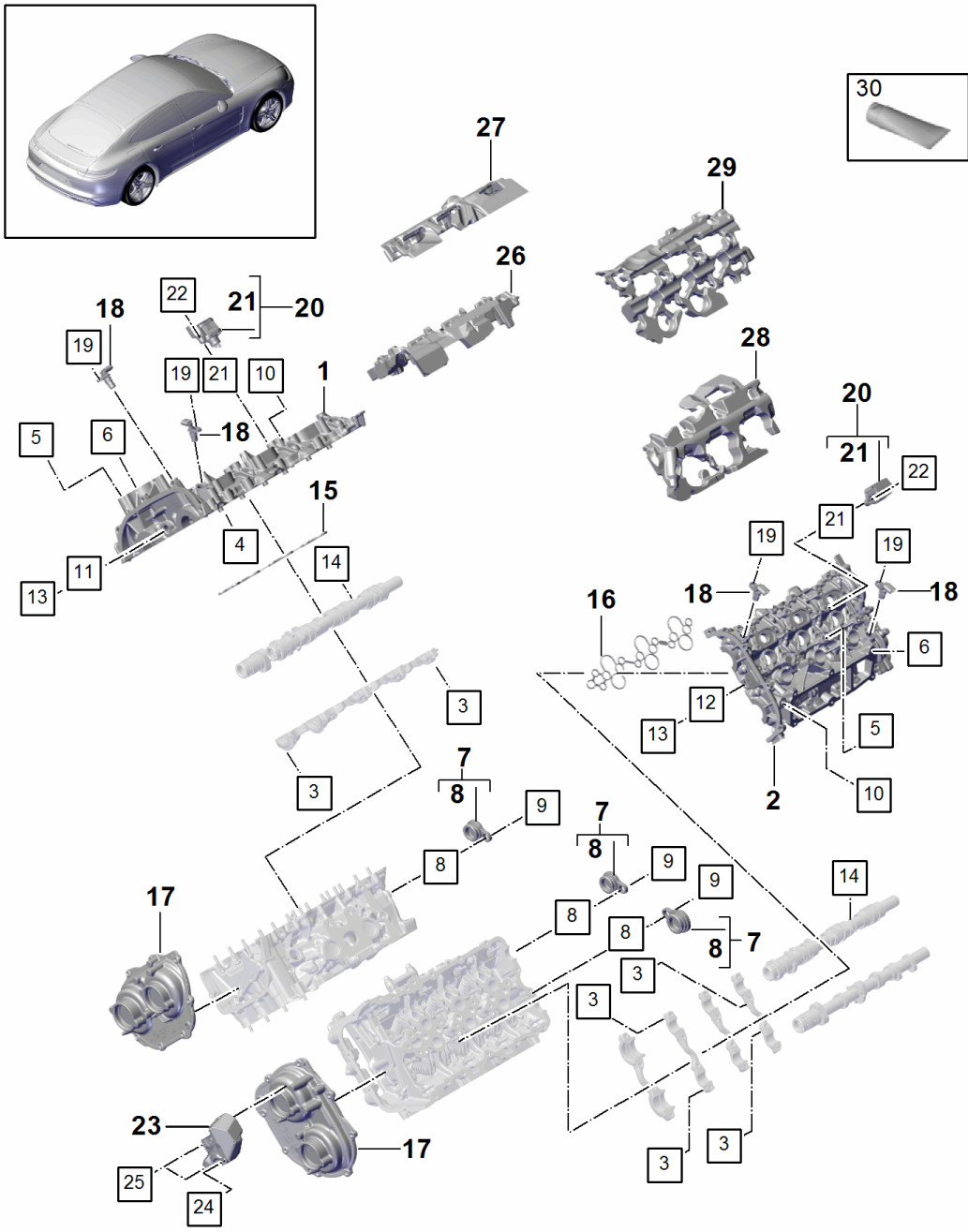
Model: 971-17

Model life 2017>>

Pos	Part Number	Description	Remark	Qty	Model
		cylinder head cover Noise insulation Individual parts			CVDA, CVD
1		cylinder head cover No replacement part	Cylinder 5-8		
		for this use:			
2		Complete cylinder head cylinder head cover No replacement part	Cylinders 1-4		
		for this use:			
3	9A7 008 178 00	Complete cylinder head dowel sleeve		4	
4	N 910 972 02	round hd. screw	M6X35	40	
5	9A7 103 201 04	Valve strainer		2	
6	N 105 540 05	round hd. screw	M6X35	48	
7	958 105 591 00	Sealing cap		8	
8	9A7 103 113 01	End cap		3	
		also use:	000 043 300 39	1	
			000 043 209 93	1	
9	9A7 109 307 05	axial bearing		4	
10	9A7 103 649 00	Seal	Cylinder 5-8	1	
		Valve cover			
11	9A7 103 650 00	Seal	Cylinders 1-4	1	
		Valve cover			
12	N 911 034 01	Seal bolt with sealing ring	M10X1X10	1	
13		Cover			
		see illustration:	103-000		
14	9A7 907 601 00	impulse sender With seal Camshaft		4	
15	N 911 266 01	Oval hexagon socket head bolt	M6X16	4	
16	9A7 906 048 00	camshaft adjuster unit compl.		8	PR:OK0
(16)	9A7 109 152 00	Sealing cap		8	PR:OK3
17	9A7 008 638 00	O-ring	17,5X1,5	8	PR:OK0
(17)	N 908 091 03	seal ring	16X2	8	PR:OK3
18	N 106 706 01	Hexagon socket head bolt	M5X20	16	
19	9A7 133 919 05	Cover	left	1	
20	9A7 133 919 06	Cover	right	1	
21	N 104 134 05	Hexagon socket flat head bolt	M6X25	2	
22	N 103 352 06	Hexagon socket flat head bolt	M6X12	4	
23	9A7 133 875 00	Noise insulation	Cylinder 5-8 lower	1	
24	9A7 133 875 05	Noise insulation	Cylinder 5-8 upper	1	
25	9A7 133 876 00	Noise insulation	Cylinders 1-4 lower	1	
26	9A7 133 876 05	Noise insulation	Cylinders 1-4 upper	1	
27	000 043 300 39	sealant discontinued part	50ml	X	
(27)	000 043 305 10	sealant LOCTITE 5970	50ml	X	
28	000 043 209 93	Cleaning solution Anti-corrosion agent LOCTITE 7515	100ml	1	

Model: 971-17

Model life 2017>>



25	24	22	21	19	14	13	12
11	10	9	8	6	5	4	3

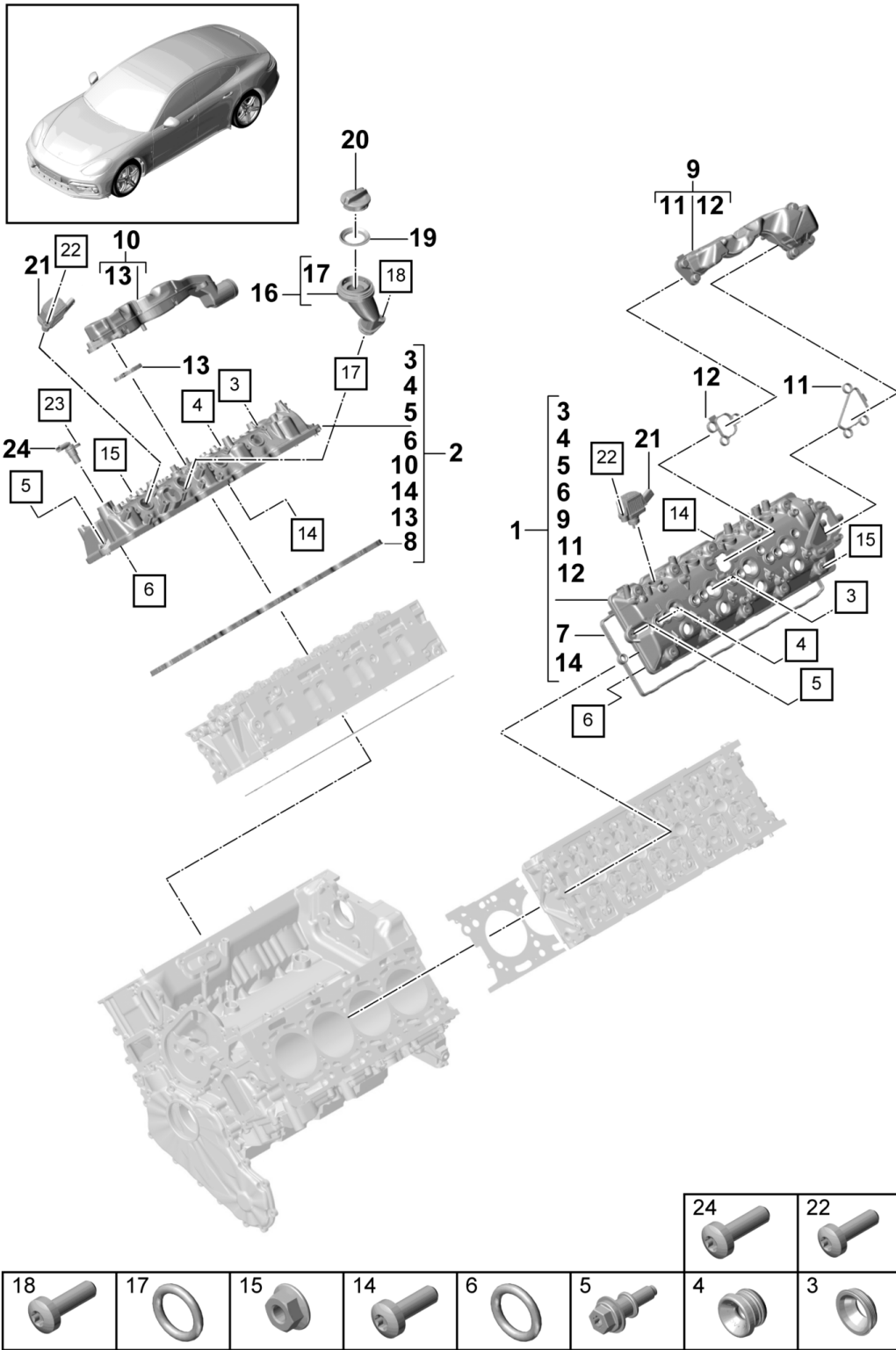
Model: 971-17

Model life 2017>>

Pos	Part Number	Description	Remark	Qty	Model
1		cylinder head cover Noise insulation Individual parts cylinder head cover No replacement part for this use:	cylinders 4-6		CSZA,CSZ, CXTA,CXT, DGPA,DGP
2		Complete cylinder head cylinder head cover No replacement part for this use:	cylinders 1-3		
3	N 911 276 02	Hexagon socket flat head bolt	M6X35	32	
4	9A7 103 201 04	Valve strainer		1	
5	N 911 276 02	Hexagon socket flat head bolt	M6X35	32	
6	N 911 848 01	12-point socket head bolt (combi)	M6X28-M6X10	7	
7	9A7 145 420 01	End cap		3	
8	N 028 222 2	seal ring	20X3,15	3	
9	N 104 514 05	Oval hexagon socket head bolt	M6X16	3	
10	N 911 315 01	sealing plug	M10X1	3	
11	9A7 103 271 03	choke		1	
12	9A7 103 271 02	choke		1	
13	N 911 679 01	sealing plug	M14X1,5	2	
14	9A7 109 307 05	axial bearing		2	
15	9A7 103 649 10	Seal		1	
16	9A7 103 650 10	Seal		1	
17		Cover			
18	9A7 907 601 00	see illustration: impulse sender With seal Camshaft	103-005	4	
19	N 101 961 03	fillister head bolt with multi-point socket head	M6X18	4	
20	9A7 906 048 00	camshaft adjuster unit compl.		6	
21	9A7 008 638 00	O-ring	17,5X1,5	6	
22	N 106 706 01	Hexagon socket head bolt	M5X20	12	
23	9A7 133 919 04	Cover	right	1	
24	N 104 134 05	Hexagon socket flat head bolt	M6X25	1	
25	N 103 352 06	Hexagon socket flat head bolt	M6X12	2	
26	9A7 133 875 20	Noise insulation	cylinders 4-6 lower	1	
27	9A7 133 875 25	Noise insulation	cylinders 4-6 upper	1	
28	9A7 133 876 10	Noise insulation	cylinders 1-3 lower	1	
29	9A7 133 876 15	Noise insulation	cylinders 1-3 upper	1	
30	000 043 300 39	sealant discontinued part	50ml	X	
(30)	000 043 305 10	sealant LOCTITE 5970	50ml	X	

Model: 971-17

Model life 2017>>



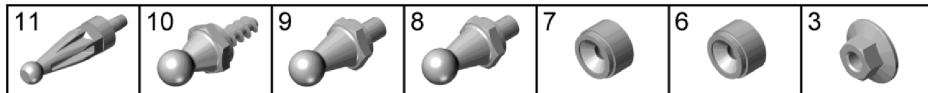
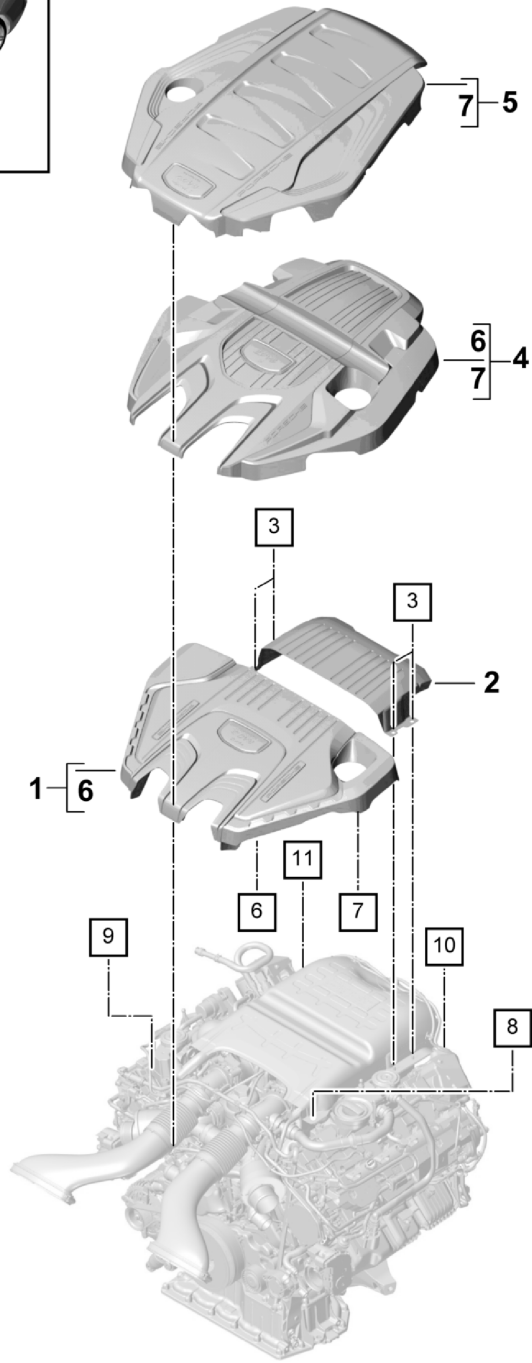
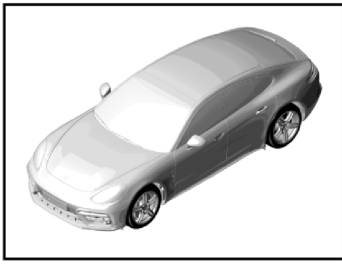
Model: 971-17

Model life 2017>>

Pos	Part Number	Description	Remark	Qty	Model
		Valve cover Individual parts			DBUC
1	9A7 103 469 00	Valve cover	Cylinder 5-8	1	
2	9A7 103 470 00	Valve cover	Cylinders 1-4	1	
3	958 105 585 00	Shaft oil seal		8	
4	9A7 103 631 00	Grommet		16	
5	9A7 103 831 00	Securing element		6	
6	9A7 103 196 01	seal ring		20	
7	9A7 103 483 00	Seal	Cylinder 5-8	1	
		Valve cover			
8	9A7 103 484 00	Seal	Cylinders 1-4	1	
		Valve cover			
9	9A7 103 547 02	Ventilation for cylinder block	Cylinder 5-8	1	
10	9A7 103 566 02	Ventilation for cylinder block	Cylinders 1-4	1	
11	9A7 103 737 03	Seal	Cylinder 5-8	1	
		Ventilation for cylinder block			
12	9A7 103 737 02	Seal	Cylinder 5-8	1	
		Ventilation for cylinder block			
13	9A7 103 738 01	Seal	Cylinders 1-4	1	
		Ventilation for cylinder block			
14	N 101 961 03	fillister head bolt with multi-point socket head	M6X18	11	
15	N 015 082 13	Hexagon collar nut	M6	20	
16	9A7 103 482 00	Pipe union		1	
17	N 903 084 02	O-ring	25X2,5	1	
18	N 101 243 06	Oval hexagon socket head bolt	M6X20	1	
19	9A7 133 287 03	seal ring		1	
20	958 103 485 00	End cap with seal		1	
21	9A7 906 048 05	Switch		16	
22	N 107 877 01	round hd. screw	M5X18	32	
23	958 907 601 00	impulse sender		1	
24	N 101 961 03	fillister head bolt with multi-point socket head	M6X18	1	

Model: 971-17

Model life 2017>>



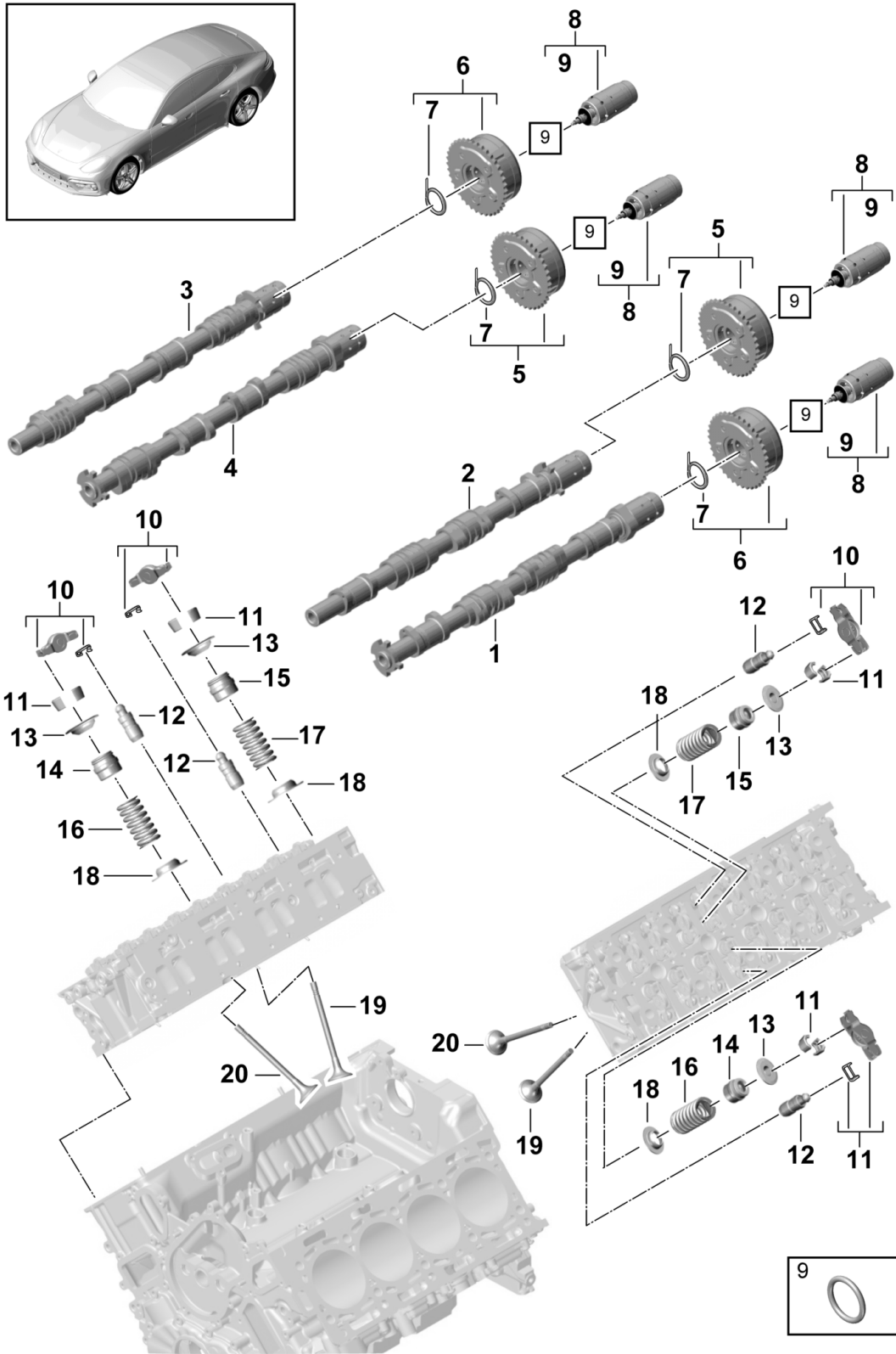
Model: 971-17

Model life 2017>>

Pos	Part Number	Description	Remark	Qty	Model
1	971 119 361 C	Engine cover	front	1	CVDA, CVD+ PR:0K0
(1)	971 119 361 F	Engine cover	front	1	CVDA, CVD+ PR:0K3
2	971 119 261	Engine cover	rear	1	CVDA, CVD
3		Hexagon nut see illustration, item:	M6 202-095,5	4	CVDA, CVD
4	971 103 925 A	Engine cover		1	CSZA, CSZ
(4)	971 103 925	Engine cover		1	CXTA, CXT
(4)	971 103 925 B	Engine cover		1	DGPA, DGP
5	971 103 925 H	Engine cover		1	DBUC
(5)	971 103 925 K	No longer use the part here Engine cover		1	DBUC
(5)	971 103 925 Q	No longer use the part here Engine cover		1	DBUC
(6)	971 103 226	ball socket	front and rear	4	CVDA, CVD
6	971 103 226	ball socket	front	2	CSZA, CSZ CXTA, CXT, DGPA, DGP
7	PAB 103 226	push-on connector	rear	2	CSZA, CSZ CXTA, CXT, DGPA, DGP
(7)	PAB 103 226	push-on connector	front and rear	4	DBUC
8	9A7 000 341 00	Ball pin	left front	1	CSZA, CSZ, CXTA, CXT, DGPA, DGP
(8)	WHT 000 351	Ball pin	left front	1	DBUC
9	9A7 000 341 00	Ball pin	right front	1	CSZA, CSZ, CXTA, CXT, DGPA, DGP
(9)	WHT 002 378	Ball screw	right front	1	DBUC
10	WHT 005 593	Ball pin	left	1	CVDA, CVD
(10)	WHT 002 378	Ball screw	left	1	CSZA, CSZ, CXTA, CXT, DGPA, DGP
(10)	WHT 000 351	Ball pin	left	1	DBUC
11	WHT 005 404	Ball pin	right	1	CVDA, CVD
(11)	WHT 002 378	No longer use the part here Ball screw	right	1	CSZA, CSZ, CXTA, CXT, DGPA, DGP
(11)	WHT 000 351	Ball pin	right	1	DBUC

Model: 971-17

Model life 2017>>



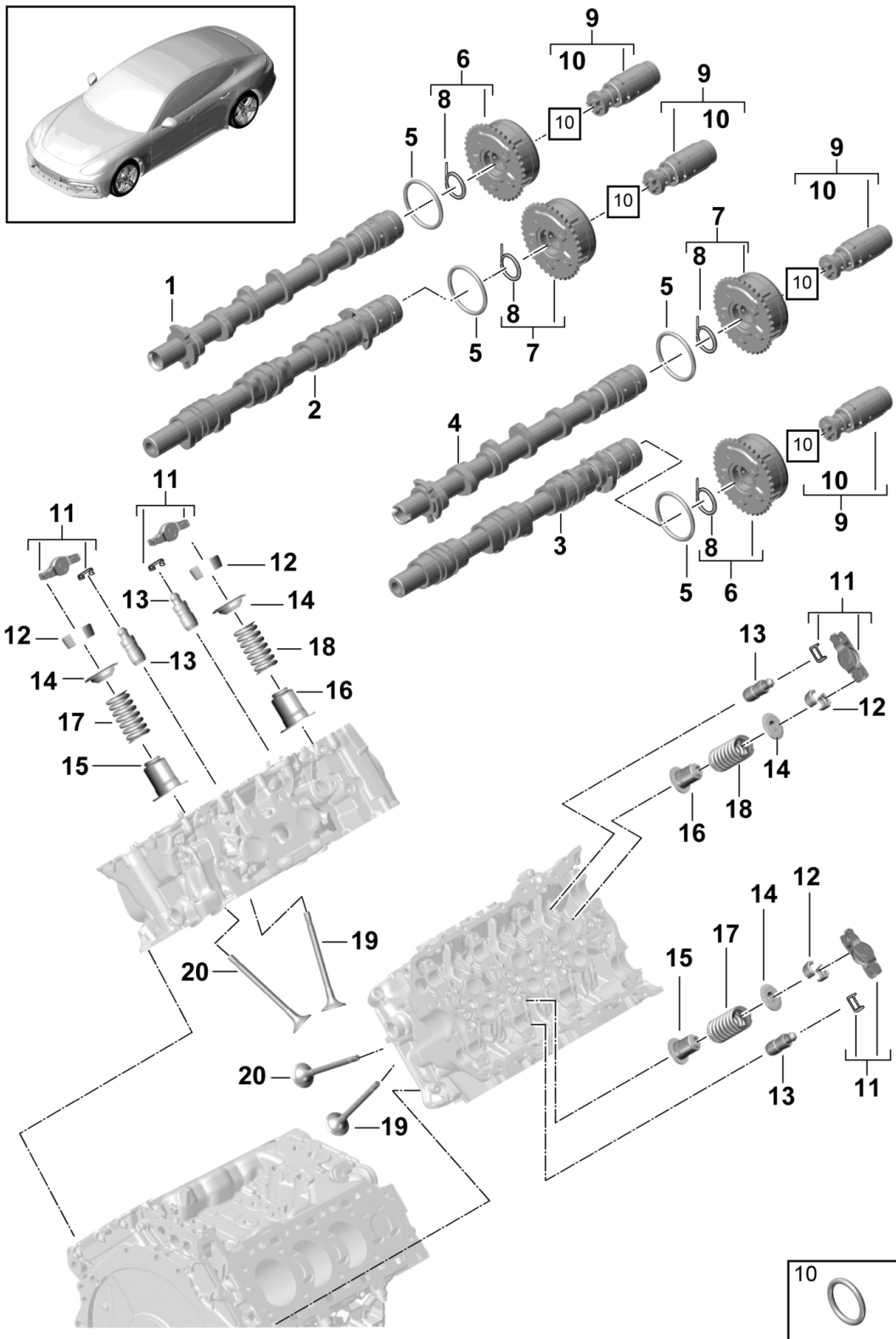
Model: 971-17

Model life 2017>>

Pos	Part Number	Description	Remark	Qty	Model
1	9A7 109 003 02	camshaft, valves Camshaft	Inlet Cylinder 5-8	1	CVDA, CVD
2	9A7 109 003 03	Camshaft	Outlet Cylinder 5-8	1	
3	9A7 109 003 00	Camshaft	Inlet Cylinders 1-4	1	
4	9A7 109 003 01	Camshaft	Outlet Cylinders 1-4	1	
5	9A7 109 088 00	camshaft adjuster unit	Outlet	2	
6	9A7 109 087 00	camshaft adjuster unit	Inlet	2	
7	9A7 094 930 00	plate		4	
8	9A7 109 257 00	control valve		4	
9	9A7 109 235 00	seal ring		4	
10	9A7 109 417 00	roller rocker arm		32	
11	955 105 651 10	cotter, split		64	
12	9A7 109 423 00	Differential housing		32	
13	958 105 641 00	spring disc		32	
14	955 105 115 10	Valve stem seal	Inlet	16	
15	955 105 675 20	Valve stem seal	Outlet	16	
16	9A7 109 623 00	Valve spring	Inlet	16	
17	9A7 109 623 10	Valve spring	Outlet	16	
18	9A7 109 629 00	shelf Valve spring		32	
19	9A7 109 601 00	Inlet valve		16	
20	9A7 109 611 00	exhaust valve		16	

Model: 971-17

Model life 2017>>



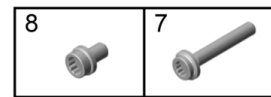
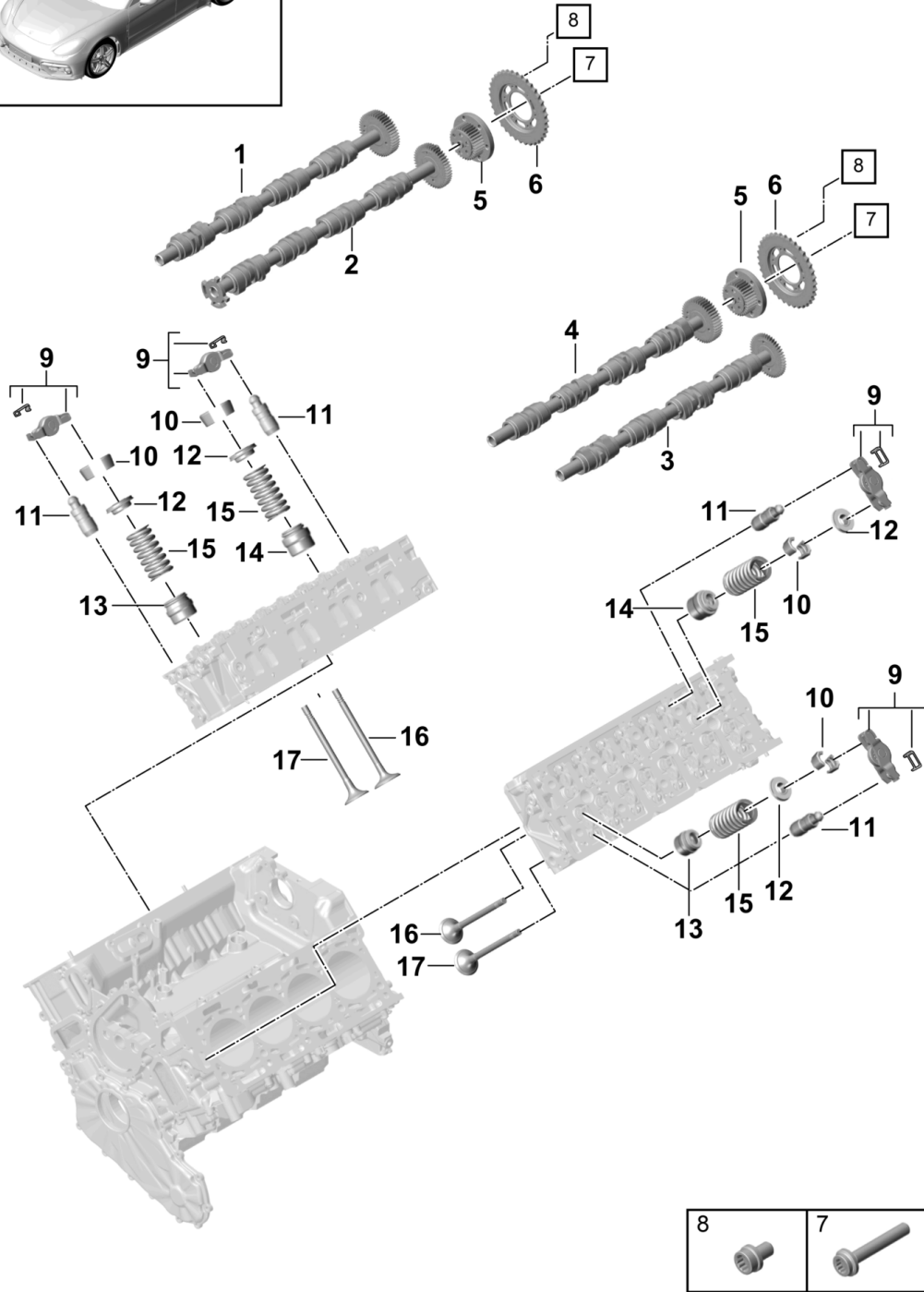
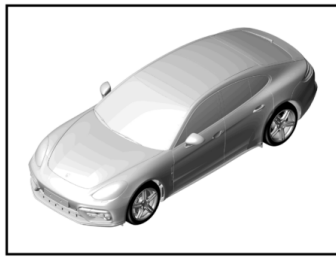
Model: 971-17

Model life 2017>>

Pos	Part Number	Description	Remark	Qty	Model
		camshaft, valves			CSZA, CSZ, DGPA, DGP, CXTA, CXT
1	9A7 109 003 10	Camshaft	Inlet cylinders 1-3	1	
			also use:		
2	9A7 109 102 00	Camshaft	9A7 109 345 00 Outlet cylinders 1-3	2 1	CSZA, CSZ, DGPA, DGP
			also use:		
(2)	9A7 109 102 01	Camshaft	9A7 109 345 00 Outlet cylinders 1-3	2 1	CXTA, CXT
			also use:		
3	9A7 109 003 11	Camshaft	9A7 109 345 00 Inlet cylinders 4-6	2 1	
			also use:		
4	9A7 109 102 02	Camshaft	9A7 109 345 00 Outlet cylinders 4-6	2 1	CSZA, CSZ, DGPA, DGP
			also use:		
(4)	9A7 109 102 03	Camshaft	9A7 109 345 00 Outlet cylinders 4-6	2 1	CXTA, CXT
			also use:		
5	9A7 109 345 00	Seal		8	
6	9A7 109 087 00	camshaft adjuster unit	Inlet	2	
7	9A7 109 088 00	camshaft adjuster unit	Outlet	2	
8	9A7 094 930 00	plate		4	
9	9A7 109 257 00	control valve With seal		4	
10	9A7 109 235 00	seal ring		4	
11	9A7 109 417 10	roller rocker arm		24	
12	955 105 651 10	cotter, split		24	
13	9A7 109 423 00	Differential housing		24	
14	958 105 641 00	spring disc		24	
15	955 105 675 00	Valve stem seal	Inlet	12	
16	9A7 109 675 10	Valve stem seal	Outlet	12	
17	9A7 109 623 30	Valve spring	Inlet	12	
18	9A7 109 623 10	Valve spring	Outlet	12	
19	9A7 109 601 00	Inlet valve		12	
20	9A7 109 611 10	exhaust valve		12	CSZA, CSZ, DGPA, DGP, CXTA, CXT
(20)	9A7 109 611 11	exhaust valve		12	

Model: 971-17

Model life 2017>>



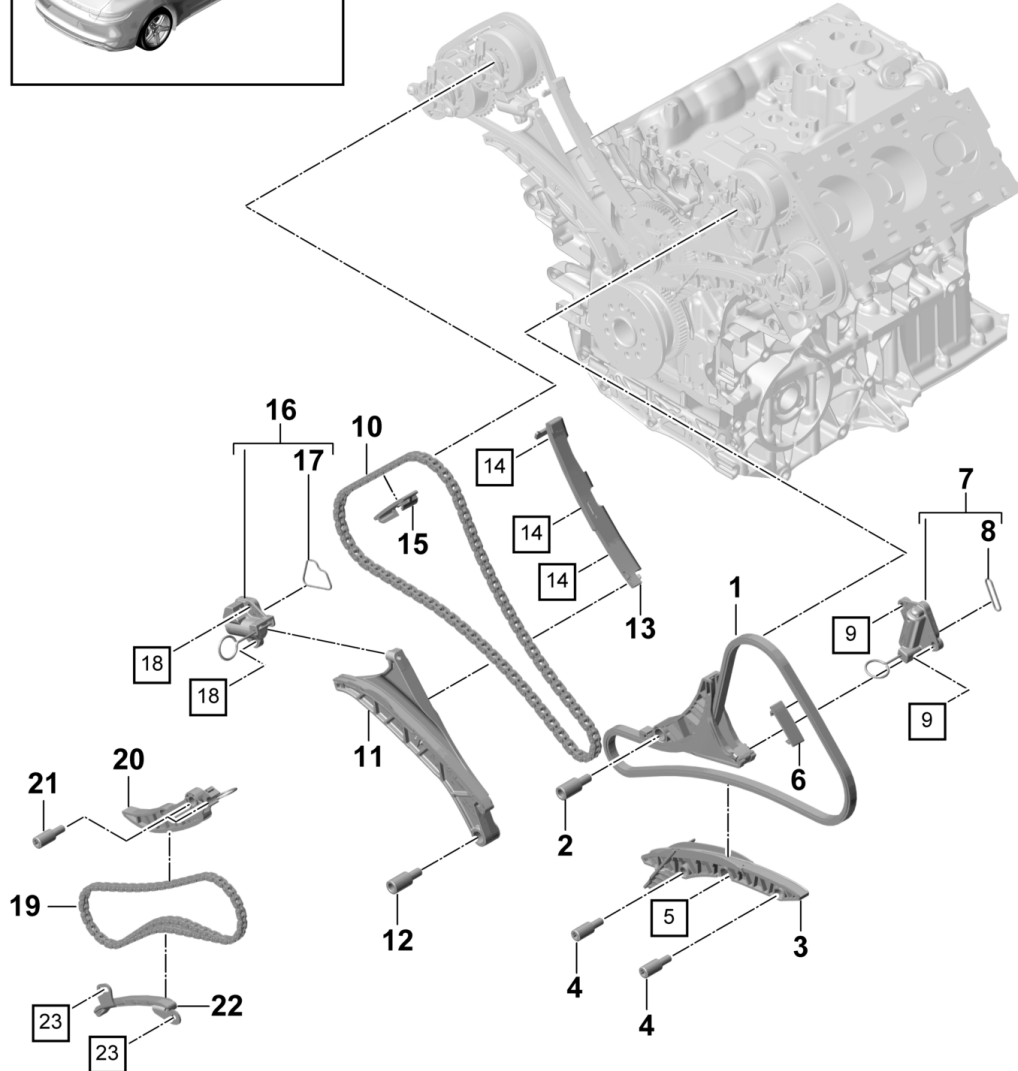
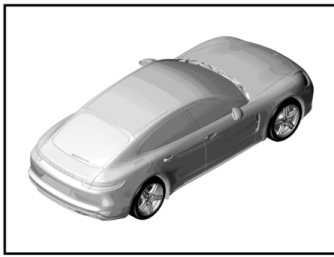
Model: 971-17

Model life 2017>>

Pos	Part Number	Description	Remark	Qty	Model
1	9A7 109 007 00	camshaft, valves Camshaft	Inlet Cylinders 1-4	1	DBUC
2	9A7 109 008 00	Camshaft	Outlet Cylinders 1-4	1	
3	9A7 109 007 01	Camshaft	Inlet Cylinder 5-8	1	
4	9A7 109 008 01	Camshaft	Outlet Cylinder 5-8	1	
5	9A7 109 171 00	Intermediate shaft		2	
6	9A7 109 116 00	Chain sprocket	Inlet	2	
7	N 106 720 01	Socket head bolt with inner multipoint head	M8X50	2	
8	N 910 522 01	Hexagon socket head bolt	M8X12	12	
9	9A7 109 417 20	roller rocker arm		32	
10	955 105 651 10	cotter, split		64	
11	958 105 423 10	Differential housing		32	
12	955 105 641 10	spring disc		32	
13	955 105 675 00	Valve stem seal	Inlet	32	
14	955 105 675 20	Valve stem seal	Outlet	32	
15	955 105 119 10	Valve spring		32	
16	9A7 109 601 20	Inlet valve		16	
17	9A7 109 611 20	exhaust valve		16	

Model: 971-17

Model life 2017>>



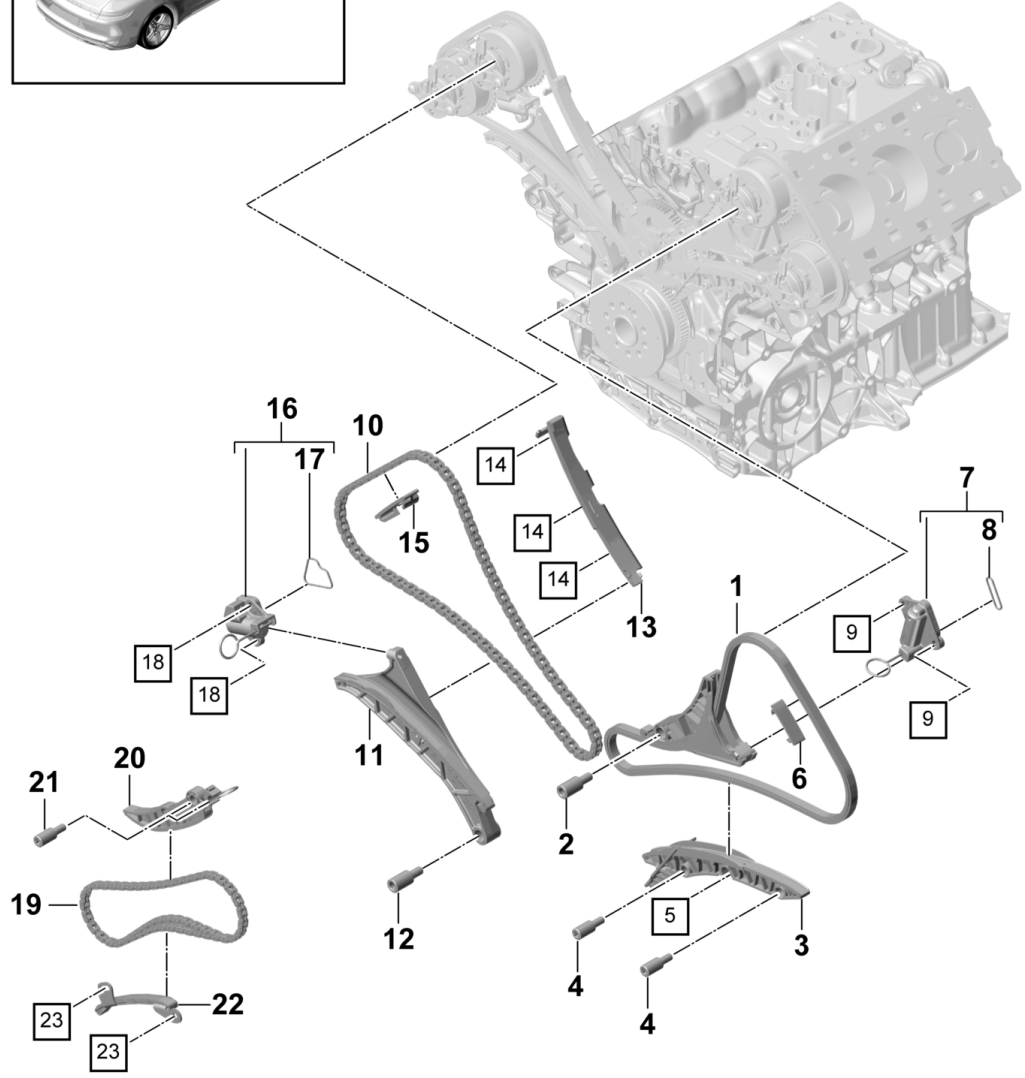
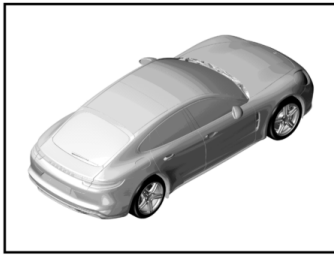
Model: 971-17

Model life 2017>>

Pos	Part Number	Description	Remark	Qty	Model
		timing chain			CVDA, CVD
		slide rail			
1	9A7 109 450 00	Timing chain w/ tension rail		1	
2	9A7 109 426 00	axle	M8	1	
		slide rail			
3	9A7 109 514 00	slide rail		1	
4	9A7 109 426 10	axle	M6	2	
		slide rail			
5	N 912 385 01	Hex socket head locating bolt	M6X12X25	1	
6	958 105 470 00	slide rail		1	
		chain tensioner			
7	9A7 109 218 00	chain tensioner		1	
		No longer use the part here			
		for this use:			
			PAB 109 218	1	
(7)	PAB 109 218	chain tensioner		1	
8	958 105 139 00	Seal		1	
9	N 101 243 06	Oval hexagon socket head bolt	M6X20	2	
10	9A7 109 229 00	timing chain		1	
11	9A7 109 509 00	slide rail		1	
12	9A7 109 426 00	axle	M8	1	
13	9A7 109 513 00	slide rail		1	
14	N 911 266 01	Oval hexagon socket head bolt	M6X16	3	
15	958 105 470 00	slide rail		1	
16	9A7 109 217 00	chain tensioner		1	
17	9A7 109 139 00	Seal		1	
18	N 101 243 06	Oval hexagon socket head bolt	M6X20	2	
19	9A7 109 229 10	Drive chain		1	
		oil pump			
20	9A7 109 507 00	chain tensioner		1	
		oil pump			
21	9A7 109 426 10	axle	M6	2	
22	9A7 109 469 00	slide rail		1	
23	N 911 266 01	Oval hexagon socket head bolt	M6X16	2	

Model: 971-17

Model life 2017>>



23	18	14	9	5
----	----	----	---	---

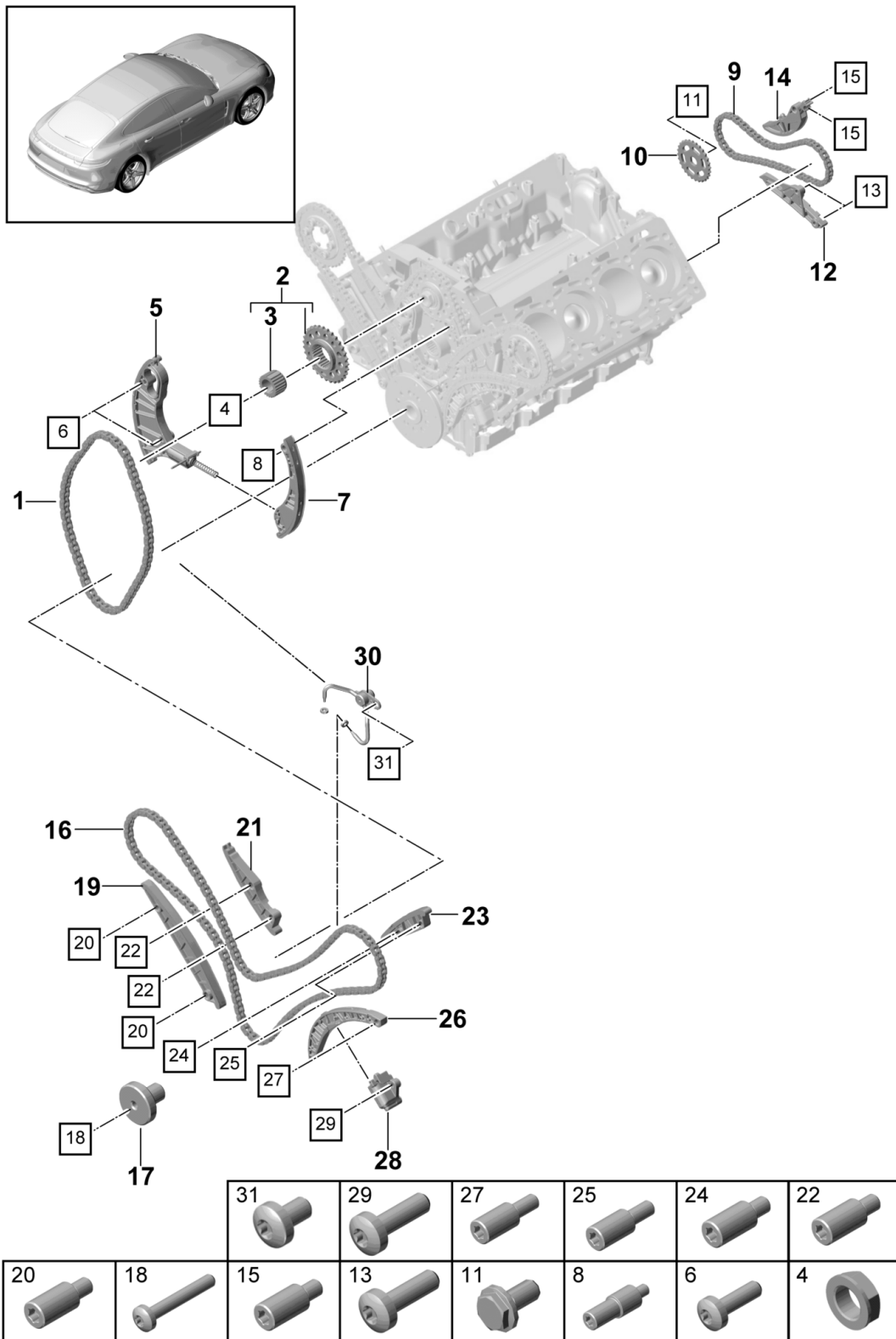
Model: 971-17

Model life 2017>>

Pos	Part Number	Description	Remark	Qty	Model
		timing chain slide rail			CSZA,CSZ, CXTA,CXT, DGPA,DGP
1	9A7 109 450 00	Timing chain w/ tension rail		1	
2	9A7 109 426 00	axle	M8	1	
3	9A7 109 514 00	slide rail		1	
4	9A7 109 426 10	axle slide rail	M6	2	
5	N 912 385 01	Hex socket head locating bolt	M6X12X25	1	
6	958 105 470 00	slide rail chain tensioner		1	
7	9A7 109 218 00	chain tensioner		1	
8	958 105 139 00	Seal		1	
9	N 101 243 06	Oval hexagon socket head bolt No longer use the part here Use the part number	M6X20	2	
		when ordering:	N 101 243 04	1	
(9)	N 101 243 04	Oval hexagon socket head bolt	M6X20	2	
10	9A7 109 229 00	timing chain		1	
11	9A7 109 509 10	slide rail		1	
12	9A7 109 426 00	axle	M8	1	
13	9A7 109 513 00	slide rail		1	
14	N 104 514 05	Oval hexagon socket head bolt	M6X16	3	
15	958 105 470 00	slide rail		1	
16	9A7 109 217 00	chain tensioner		1	
17	9A7 109 139 00	Seal		1	
18	N 101 243 06	Oval hexagon socket head bolt No longer use the part here Use the part number	M6X20	2	
		when ordering:	N 101 243 04	1	
(18)	N 101 243 04	Oval hexagon socket head bolt	M6X20	2	
19	9A7 109 229 20	Drive chain oil pump		1	
20	9A7 109 507 00	chain tensioner oil pump		1	
21	9A7 109 426 10	axle	M6	2	
22	9A7 109 469 00	slide rail		1	
23	N 104 056 04	Oval hexagon socket head bolt	M6X14	2	

Model: 971-17

Model life 2017>>

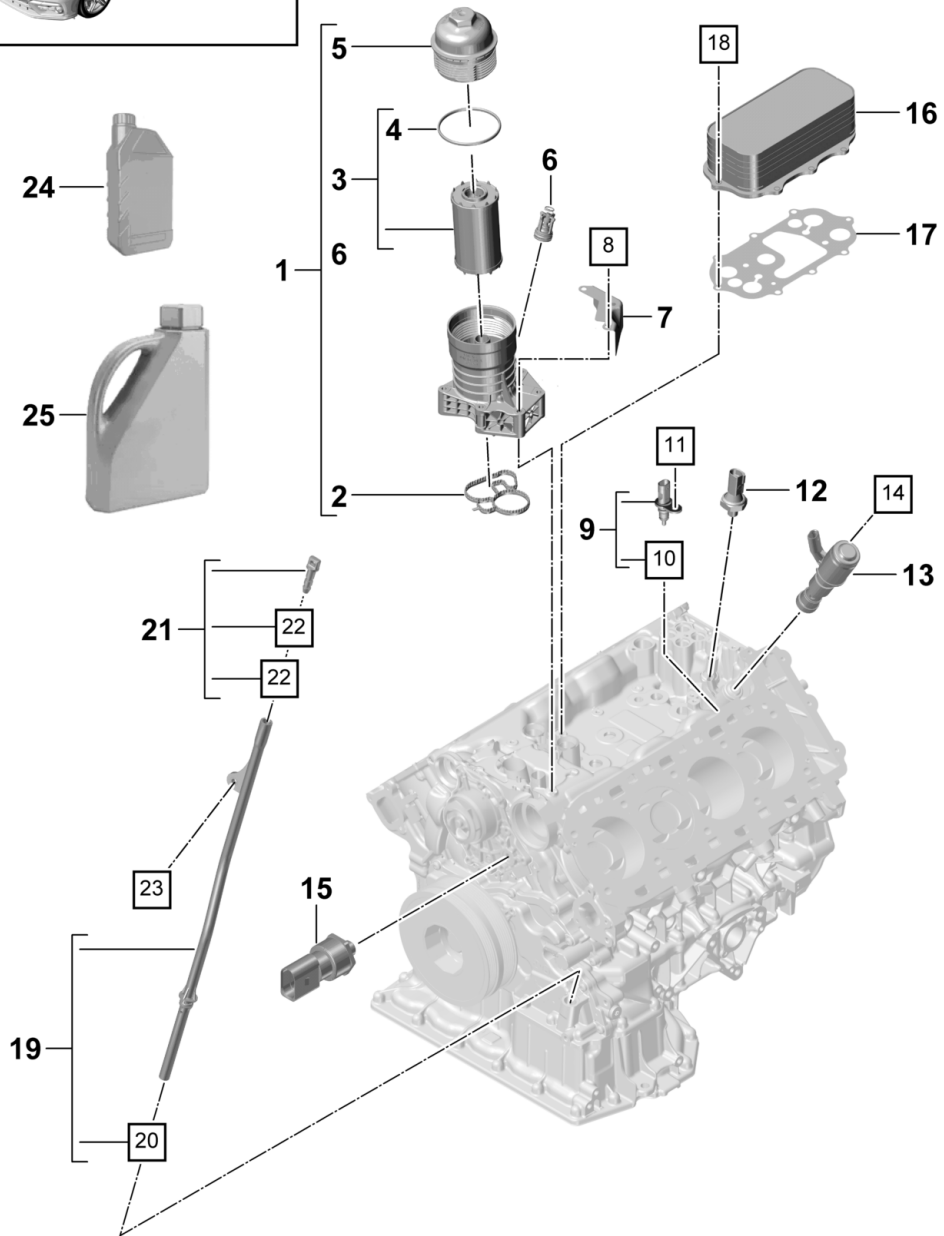
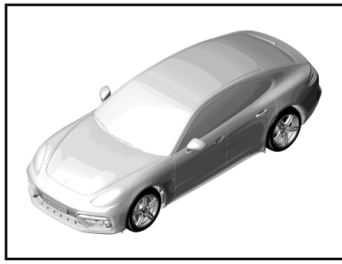


Model: 971-17 Model life 2017>>

Pos	Part Number	Description	Remark	Qty	Model
		timing chain slide rail			DBUC
1	9A7 109 252 02	timing chain		1	
2	9A7 109 085 00	high pressure pump Chain sprocket		1	
(2)	9A7 109 569 04	Chain sprocket high pressure pump No longer use the part here Use the part number when ordering:	also use: WHT 002 244	1	
(2)	9A7 109 569 06	Chain sprocket high pressure pump No longer use the part here Use the part number when ordering:	9A7 109 085 00	1	
3	958 110 541 10	flange Chain sprocket No longer use the part here Use the part number when ordering:	9A7 109 085 00	1	
(3)	9A7 130 141 00	flange Chain sprocket No longer use the part here Use the part number when ordering:	9A7 109 085 00	1	
4	WHT 002 244	Hexagon collar nut	9A7 109 085 00 M18X1,5	1	
5	9A7 109 507 05	chain tensioner		1	
6	N 910 680 01	Hexagon socket flat head bolt	M6X28	3	
7	9A7 109 509 04	slide rail		1	
8	9A7 109 426 01	axle		1	
9	9A7 109 106 02	timing chain oil pump		1	
10	9A7 109 590 00	Chain sprocket		1	
11	N 908 932 02	fitted bolt, hexagon head		1	
12	9A7 109 538 03	slide rail		1	
13	N 101 243 06	Oval hexagon socket head bolt	M6X20	2	
14	9A7 109 467 07	chain tensioner		1	
15	9A7 109 426 20	axle		2	
16	9A7 109 229 30	timing chain		1	
17	9A7 109 135 03	spacer bush		1	
18	N 105 821 03	oval head countersunk bolt with multi-point socket head	M6X40	1	
19	9A7 109 469 12	slide rail		1	
20	9A7 109 426 20	axle		2	
21	9A7 109 513 10	slide rail		1	
22	9A7 109 426 20	axle		2	
23	9A7 109 514 10	slide rail		1	
24	9A7 109 426 20	axle		1	
25	9A7 109 426 10	axle		1	
26	9A7 109 510 00	slide rail		1	
27	9A7 109 426 10	axle		1	
28	9A7 109 467 00	chain tensioner		1	
29	N 101 243 06	Oval hexagon socket head bolt	M6X20	2	
30	9A7 109 429 04	oil spray jet timing chain		2	
31	N 101 703 02	round hd. screw	M6X10	1	

Model: 971-17

Model life 2017>>



23	22	20	18	14	11	10	8
----	----	----	----	----	----	----	---

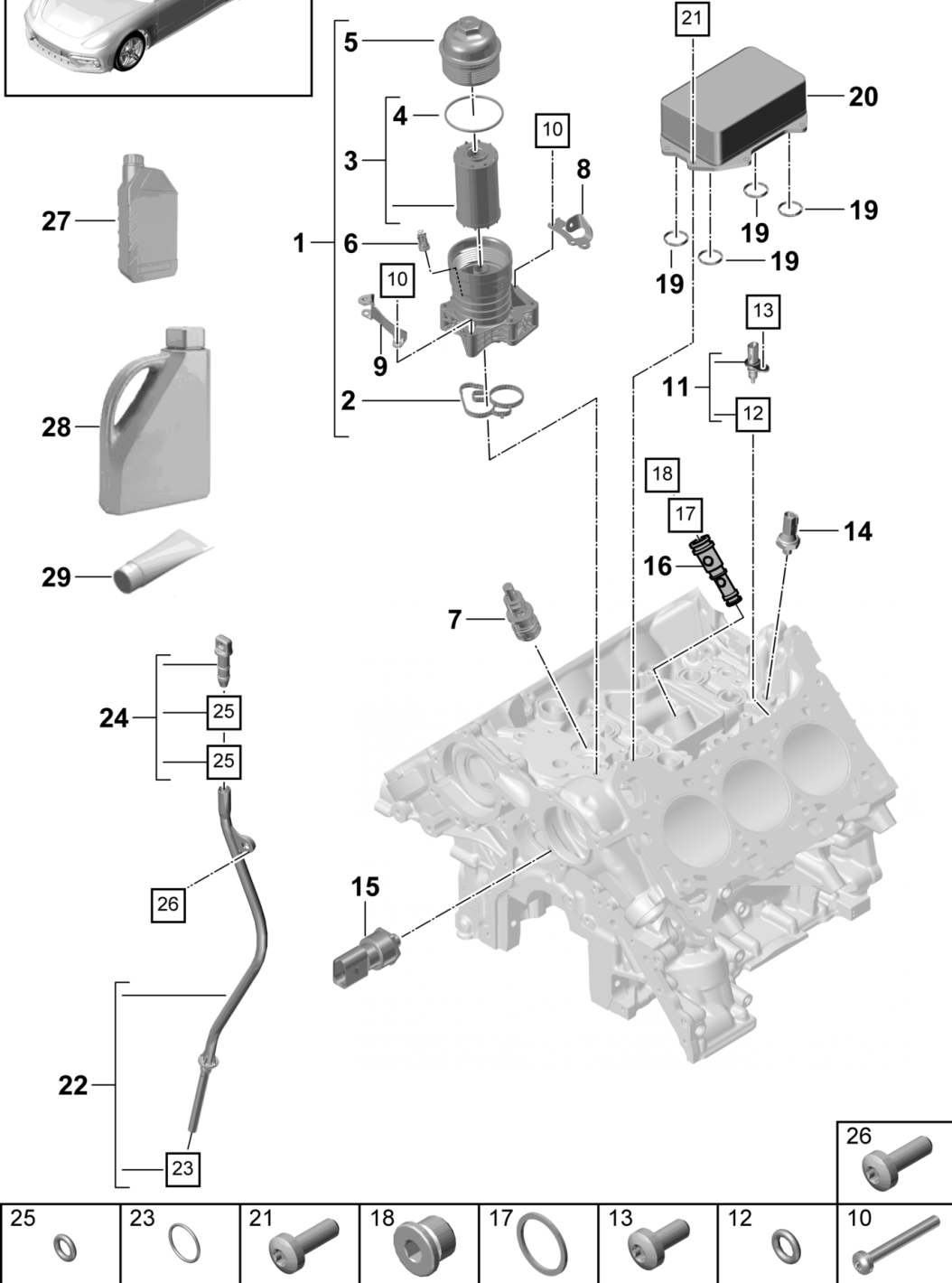
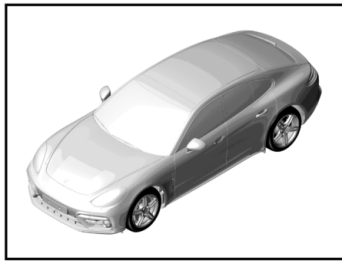
Model: 971-17

Model life 2017>>

Pos	Part Number	Description	Remark	Qty	Model
		oil filter Console Oil cooler			CVDA, CVD
1	9A7 115 401 00	oil filter Filter housing No longer use the part here Use the part number		1	
(1)	9A7 115 401 05	when ordering: oil filter Filter housing	9A7 115 401 05	1 1	
2	9A7 115 441 00	Seal		1	
3	9A7 198 405 00	Oil filter insert With seal		1	
4	9A7 115 331 00	seal ring	72X3,9	1	
5	9A7 115 311 00	End cap		1	
6	9A7 103 175 00	Non-return valve		1	
7	9A7 119 275 00	Guard plate		1	
8	N 104 707 03	round hd. screw	AM6X50	6	
9	9A7 919 525 10	Temperature sensor engine oil		1	
10	WHT 002 287 C	O-ring	5,6X2	1	
11	N 102 855 05	Socket head bolt with inner hex round head	M6X12	1	
12	9A7 919 081 10	Oil pressure switch		1	
13	9A7 115 243 01	control valve oil spray jet No longer use the part here Use the part number		1	
(13)	9A7 115 243 02	when ordering: control valve oil spray jet No longer use the part here Use the part number	9A7 115 243 03	1 1	
(13)	9A7 115 243 03	when ordering: control valve oil spray jet	9A7 115 243 03	1 1	
14	N 102 855 05	Socket head bolt with inner hex round head	M6X12	1	
15	9A7 906 054 07	Oil pressure sender		1	
16	9A7 117 015 00	Oil cooler		1	
17	9A7 103 161 01	Seal	also use: 9A7 103 161 01	1	
18	N 101 243 06	Oval hexagon socket head bolt	M6X20	8	
19	9A7 115 609 02	guide tube		1	
20	955 107 427 00	O-ring	12X2	1	
21	958 107 168 10	Sealing cap		1	
22	9A7 115 757 00	O-ring	5X1,9	2	
23	N 911 266 01	Oval hexagon socket head bolt	M6X16	1	
24	000 043 305 21	engine oil EXXON MOBIL 1 0W-40	1.0 ltr.	X	
25	000 043 305 22	engine oil EXXON MOBIL 1 0W-40	20ltr.	X	

Model: 971-17

Model life 2017>>



Model: 971-17

Model life 2017>>

Pos	Part Number	Description	Remark	Qty	Model
1	9A7 115 401 10	oil filter Console Oil cooler oil filter Filter housing No longer use the part here		1	CSZA,CSZ, CXTA,CXT, DGPA,DGP
(1)	9A7 115 401 05	oil filter Filter housing		1	
2	9A7 115 441 00	Seal		1	
3	9A7 198 405 00	Oil filter insert With seal		1	
4	9A7 115 331 00	seal ring	72X3,9	1	
5	9A7 115 311 00	End cap		1	
6	9A7 103 175 00	Non-return valve		1	
7	9A7 115 201 00	thermostat engine oil		1	
8	9A7 103 320 00	Bracket		1	CSZA,CSZ, DGPA,DGP
(8)	9A7 103 320 10	Bracket		1	CXTA,CXT
9	9A7 133 034 00	Bracket		1	CXTA,CXT
10	N 104 707 03	round hd. screw	M6X50	6	
11	9A7 919 525 10	Temperature sensor engine oil		1	
12	WHT 002 287 C	O-ring	5,6X2	1	
13	N 104 056 04	Oval hexagon socket head bolt	M6X14	1	
14	9A7 919 081 10	Oil pressure switch		1	
15	9A7 906 054 07	Oil pressure sender		1	
16	9A7 103 208 00	control valve		1	
17	900 123 118 30	seal ring	A22X27	1	
18	9A7 005 804 00	sealing plug	M22X1,5	1	
19	9A7 121 070 00	Seal		4	
		also use:	000 043 300 39	1	
			000 043 209 93	1	
20	9A7 117 015 10	Oil cooler		1	CSZA,CSZ, DGPA,DGP
		also use:	9A7 121 070 00	4	
			000 043 300 39	1	
			000 043 209 93	1	
(20)	9A7 117 015 30	Oil cooler		1	CXTA,CXT
		also use:	9A7 121 070 00	4	
			000 043 300 39	1	
			000 043 209 93	1	
21	N 101 961 03	fillister head bolt with multi-point socket head	M6X18	8	
22	9A7 115 609 10	guide tube		1	
23	955 107 427 00	O-ring	12X2	1	
24	958 107 168 10	Sealing cap		1	
25	9A7 115 757 00	O-ring	5X1,19	2	
26	N 101 961 03	fillister head bolt with multi-point socket head	M6X18	1	
27	000 043 305 19	engine oil EXXON MOBIL 1 ESP	1.0 Ltr.	X	-"CN."
(27)	000 043 210 46	engine oil EXXON MOBIL 1 ESP 0W-20	1.0 Ltr.	X	
(27)	000 043 305 21	engine oil EXXON MOBIL 1 0W-40 1 LITER	1.0 Ltr.	X	CXTA,CXT -"CN." "CN."
28	000 043 301 17	engine oil EXXON MOBIL 1 ESP FORMULA 5W-30	20ltr.	X	-"CN."

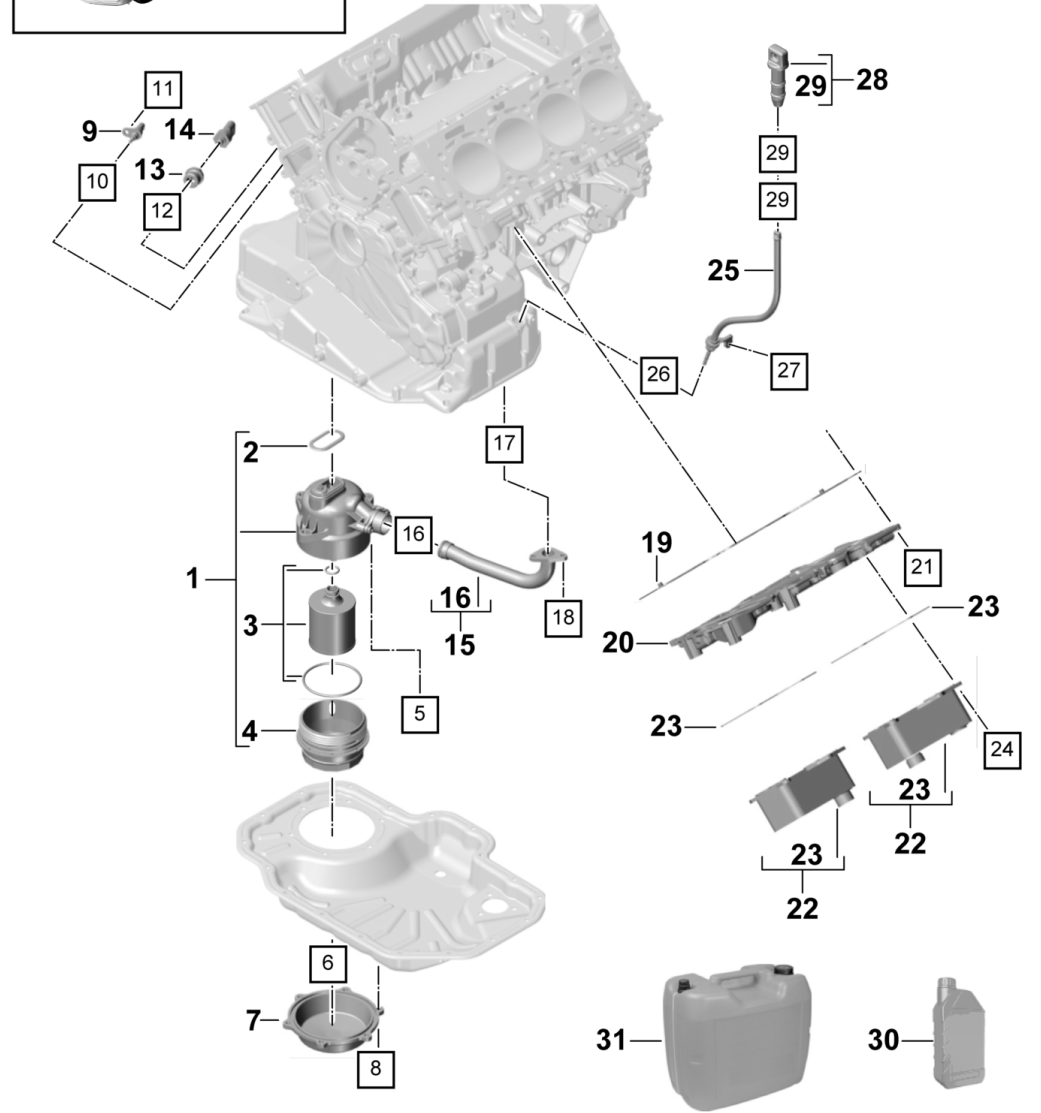
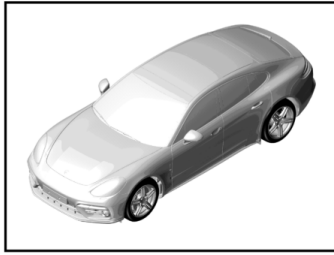
Model: 971-17

Model life 2017>>

Pos	Part Number	Description	Remark	Qty	Model
(28)	000 043 305 20	engine oil EXXON MOBIL 1 ESP FORMULA 5W-30	20ltr.	X	- "CN."
(28)	000 043 305 22	engine oil EXXON MOBIL 1 0W-40	20ltr.	X	"CN."
29	000 043 300 39	sealant	50ml	X	

Model: 971-17

Model life 2017>>



		29	27	26	24	21	18
17	16	12	11	10	8	6	5

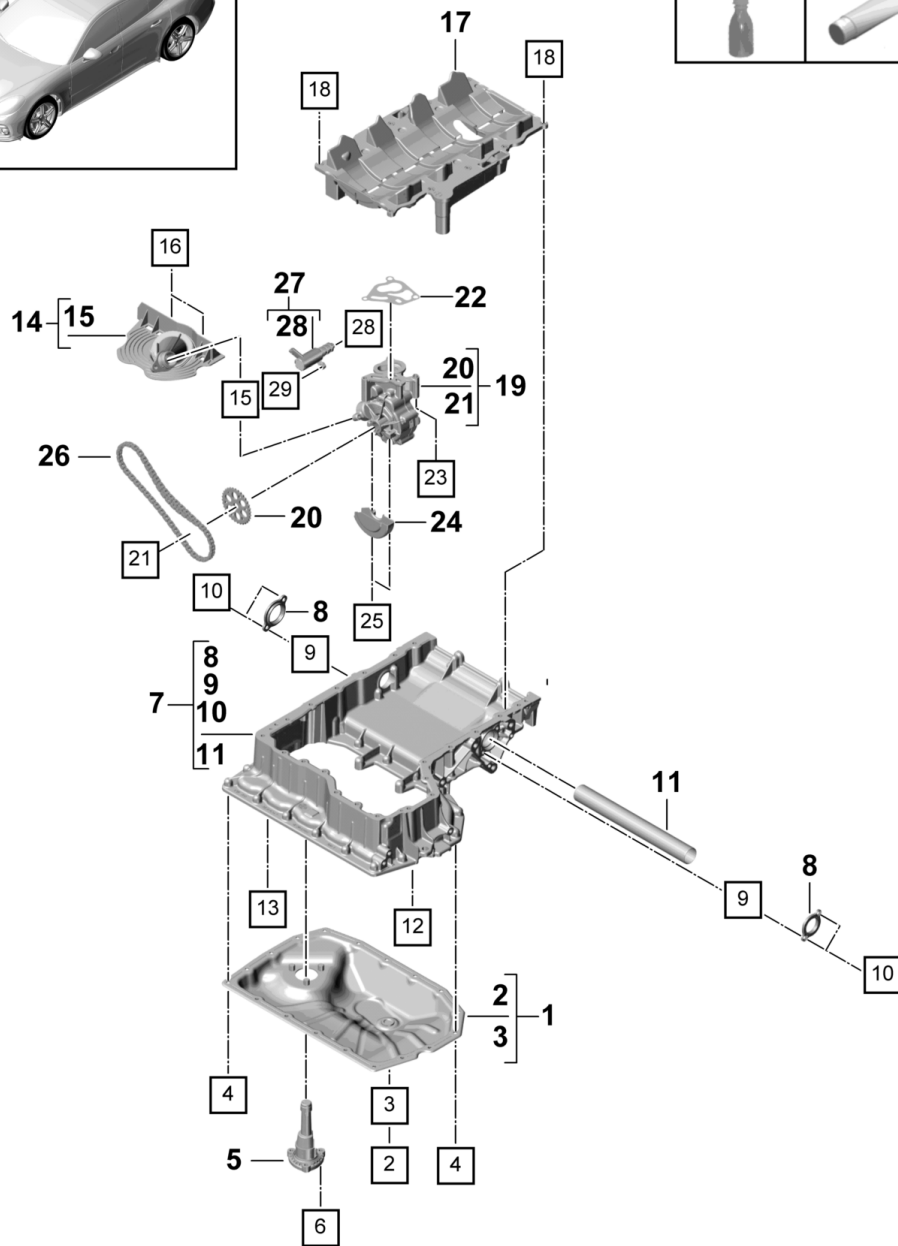
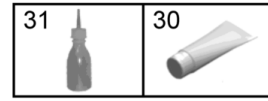
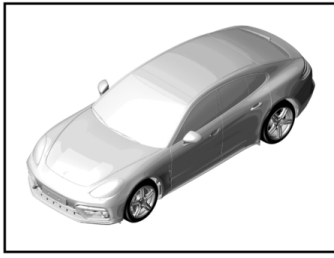
Model: 971-17

Model life 2017>>

Pos	Part Number	Description	Remark	Qty	Model
		oil filter Console Oil cooler oil filter Filter housing		1	DBUC
1	9A7 115 389 03			1	
			also use: 9A7 103 632 00	1	
2	9A7 115 446 04	Seal		1	
3	9A7 198 405 10	Oil filter insert With seal		1	
			also use: 9A7 103 632 00	1	
4	9A7 115 433 05	End cap		1	
5	N 107 453 01	Oval hexagon socket head bolt	M8X30	3	
6	9A7 103 632 00	Seal		1	
7	9A7 103 707 00	Cover		1	
8	N 101 243 06	Oval hexagon socket head bolt	M6X20	6	
9	958 606 623 20	Temperature sensor		1	
			also use: WHT 002 287 C	1	
10	WHT 002 287 C	O-ring	5,6X2	1	
11	N 104 514 08	Oval hexagon socket head bolt	M6X16	1	
12	N 043 809 2	seal ring	24X2X29 aluminium	1	
13	9A7 115 406 03	Connector union		1	
14	9A7 906 054 07	Oil pressure sender		1	
15	9A7 115 228 04	Oil pipe		1	
16	N 904 650 04	O-ring	23X2,6	1	
17	9A7 115 685 00	Seal		1	
18	N 101 961 03	fillister head bolt with multi-point socket head	M6X18	2	
19	9A7 117 201 03	Seal		1	
20	9A7 117 187 02	Carrier plate		1	
21	N 104 514 05	Oval hexagon socket head bolt	M6X16	15	
22	9A7 117 015 20	Oil cooler		2	
23	9A7 117 070 00	Seal		2	
24	N 101 961 03	fillister head bolt with multi-point socket head	M6X18	12	
25	9A7 115 630 00	guide tube		1	
26	955 107 427 00	O-ring	12X2	1	
27	N 104 514 08	Oval hexagon socket head bolt	M6X16	1	
28	958 107 168 10	Sealing cap		1	
		No longer use the part here			
(28)	971 115 418	Sealing cap		1	
29	9A7 115 757 00	O-ring	5X1,9	2	
		No longer use the part here			
(29)	N 908 138 02	O-ring	5X1,9	2	
30	000 043 301 16	engine oil EXXON MOBIL 1 ESP FORMULA 5W-30	1.0 Ltr.	X	
31	000 043 301 17	engine oil EXXON MOBIL 1 ESP FORMULA 5W-30	20ltr.	X	

Model: 971-17

Model life 2017>>



29	28	25	23	21	18	16	15
13	12	10	9	6	4	3	2

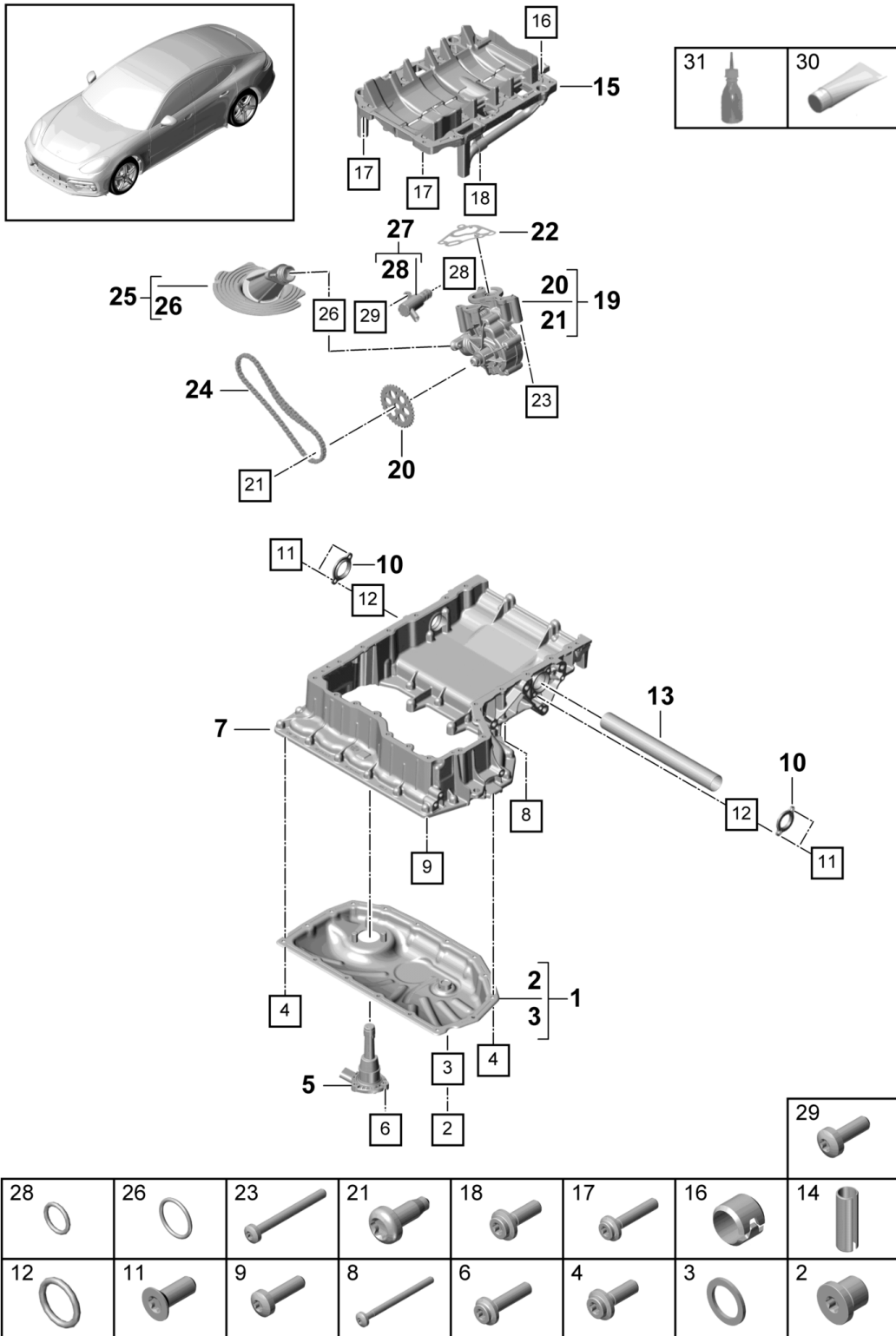
Model: 971-17

Model life 2017>>

Pos	Part Number	Description	Remark	Qty	Model
		Oil-conducting housing oil pump oil sump oil sump comprising: oil sump sealing plug seal ring		1	CVDA, CVD
1	9A7 103 602 00			1	
		also use:		1	
			000 043 300 39	1	
			000 043 209 93	1	
2	N 911 679 01	sealing plug		1	
		also use:		1	
			N 013 849 4	1	
3	N 013 849 4	seal ring	14X1,5X20	1	
4	N 101 243 06	Oval hexagon socket head bolt	M6X20	18	
5	9A7 907 660 10	oil level sensor		1	
6	N 104 134 05	Hexagon socket flat head bolt	M6X25	3	
7	9A7 103 603 00	oil sump-upper part		1	
		also use:		1	
			000 043 300 39	1	
			000 043 209 93	1	
8	9A7 103 708 10	Cover		2	
		Pipe			
9	N 907 132 03	O-ring	31X3	2	
10	N 104 485 04	Hex socket countersunk bolt	M6X16	4	
11	9A7 103 689 00	Pipe		1	
		Output shaft			
12	N 911 310 01	Hexagon socket head bolt	M6X80	7	
13	N 101 243 06	Oval hexagon socket head bolt	M6X20	14	
14	9A7 115 155 00	intake manifold		1	
		oil pump			
15	N 910 697 01	O-ring	26X2,5	1	
16	N 101 243 06	Oval hexagon socket head bolt	M6X20	2	
17	9A7 115 289 00	Oil baffle plate		1	
18	N 101 243 06	Oval hexagon socket head bolt	M6X20	10	
19	9A7 115 103 20	oil pump		1	
(19)	PAB 115 103 00	oil pump		1	
20	9A7 115 121 00	Chain sprocket		1	
21	9A7 008 061 00	Oval-head screw	M8X22	1	
22	9A7 103 161 00	Seal for oil pump		1	
23	N 105 626 03	round hd. screw	M6X60	3	
24	9A7 115 132 00	Protective plate		1	
		Chain sprocket			
25	N 101 243 06	Oval hexagon socket head bolt	M6X20	2	
26		Drive chain		1	
		see illustration:	103-065		
27	9A7 115 393 00	control valve		1	
		oil pump			
28	9A7 115 475 00	O-ring	14X2	1	
29	N 101 961 03	fillister head bolt with multi-point socket head	M6X18	1	
30	000 043 300 39	sealant	50ml	X	
31	000 043 209 93	Cleaning solution	100ml	X	

Model: 971-17

Model life 2017>>



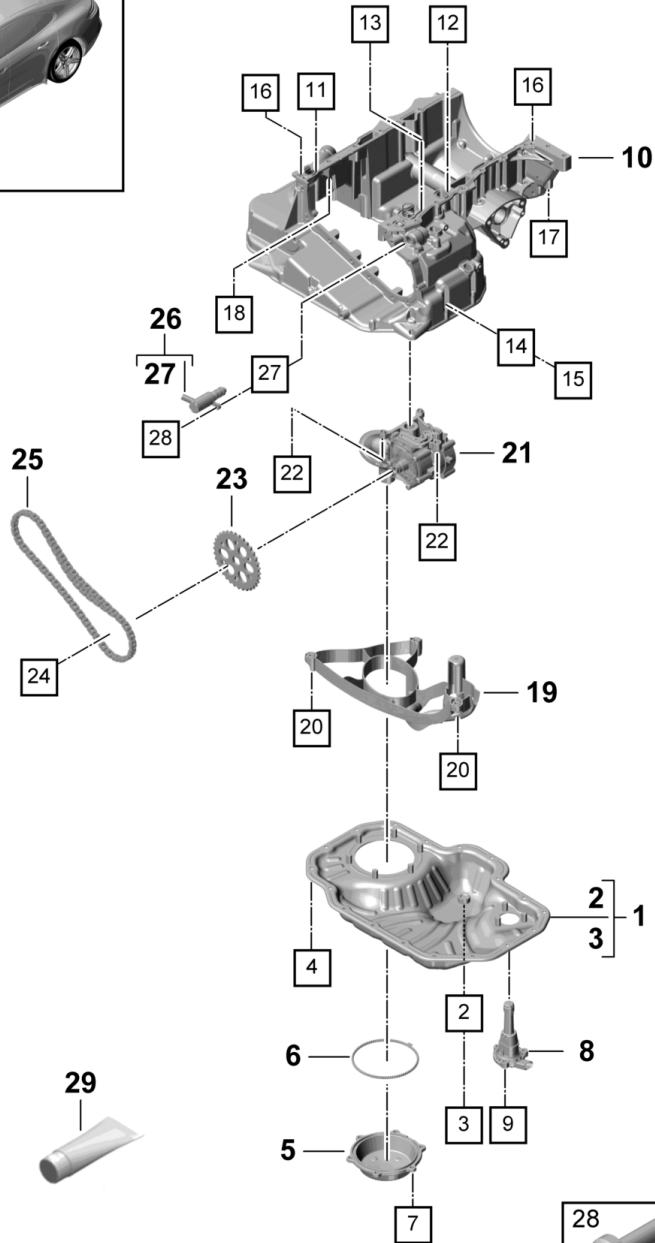
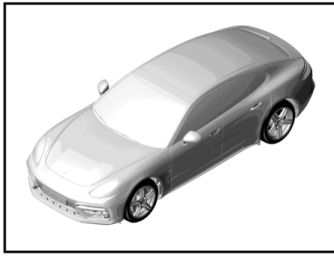
Model: 971-17

Model life 2017>>

Pos	Part Number	Description	Remark	Qty	Model
1	9A7 103 602 10	Oil-conducting housing oil pump oil sump oil sump comprising: oil sump sealing plug seal ring		1	CSZA, CSZ, CXTA, CXT, DGPA, DGP
		also use:	000 043 300 39	1	
			N 911 687 02	1	
				1	
				16	
2	N 911 679 01	sealing plug		1	
		also use:	N 013 849 8	1	
3	N 013 849 4	seal ring	14X1,5X20	1	
		No longer use the part here			
(3)	N 013 849 8	seal ring	14X1,5X20	1	
4	N 911 687 02	Hex socket head collared bolt aluminium	M6X18	16	
5	9A7 907 660 10	oil level sensor		1	
6	N 911 279 02	Hexagon socket flat head bolt	M6X25	3	
7	9A7 103 603 10	oil sump-upper part		1	
		also use:	000 043 300 39	1	
8	N 911 310 01	Hexagon socket head bolt	M6X80	7	
9	N 107 002 01	round hd. screw	M6X22	12	
10	9A7 103 708 10	Cover Pipe		2	
11	N 104 485 04	Hex socket countersunk bolt	M6X16	4	
12	N 907 132 02	seal ring	31X3	2	
13	9A7 103 689 00	Pipe Output shaft		1	
14	9A7 115 143 00	Centre sleeve		2	
15	9A7 115 287 10	Oil baffle plate		1	
		also use:	N 910 436 02	13	
			N 911 687 02	3	
16	958 101 139 00	dowel sleeve	8,2X6,5	2	
17	N 910 436 02	Hex socket head bolt (combi)	M6X30	13	
			aluminium		
18	N 911 687 02	Hex socket head collared bolt	M6X18	3	
			aluminium		
19	9A7 115 103 30	oil pump		1	
20	9A7 115 121 10	Chain sprocket		1	
21	9A7 008 061 00	Oval-head screw	M8X22	1	
22	9A7 103 161 10	Seal for oil pump		1	
23	N 105 626 02	round hd. screw	M6X60	3	
24		Drive chain		1	
		see illustration:	103-070		
25	9A7 115 155 10	intake manifold oil pump		1	
26	N 910 697 01	O-ring	26X2,5	1	
27	9A7 115 393 00	control valve oil pump		1	
28	9A7 115 475 00	O-ring	14X2	1	
29	N 101 961 03	fillister head bolt with multi-point socket head	M6X18	1	
30	000 043 300 39	sealant	50ml	X	
31	000 043 209 93	Cleaning solution	100ml	1	

Model: 971-17

Model life 2017>>



						28	27
24	22	20	18	17	16	15	14
13	12	11	9	7	4	3	2

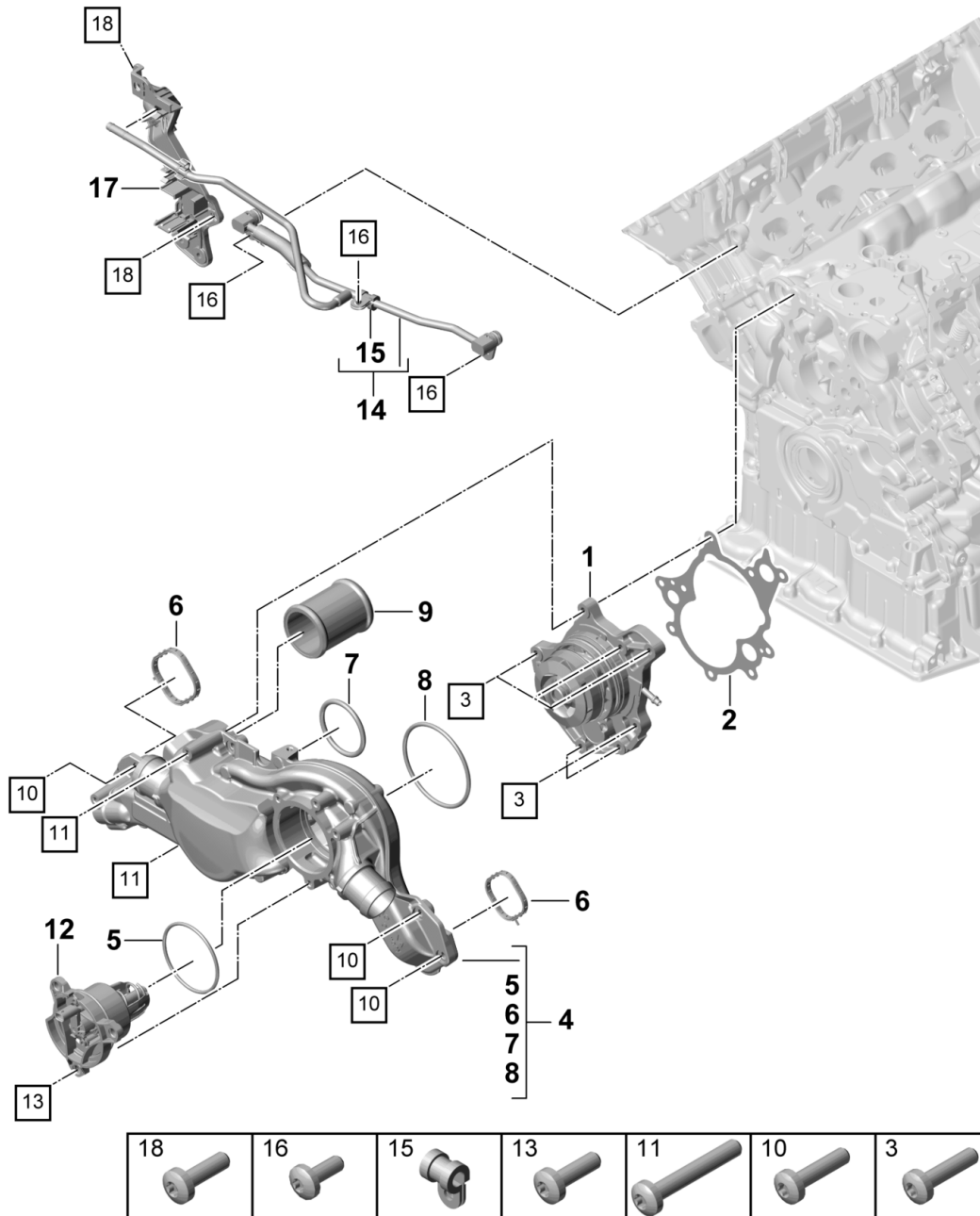
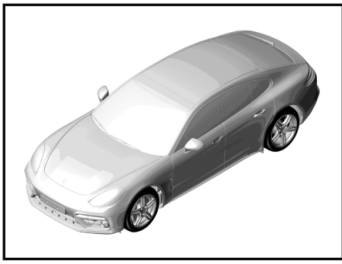
Model: 971-17

Model life 2017>>

Pos	Part Number	Description	Remark	Qty	Model
		Oil-conducting housing			DBUC
1	9A7 103 602 20	oil pump oil sump oil sump comprising: oil sump sealing plug seal ring		1	
			also use: 000 043 300 39	1	
2	N 911 679 01	sealing plug	M14X1,5	1	
			also use: N 013 849 4	1	
3	N 013 849 4	seal ring	14X1,5X20	1	
4	N 107 451 01	Hexagon socket flat head bolt	M6X20	18	
5	9A7 103 707 00	Cover		1	
			also use: 9A7 103 632 00		
6	9A7 103 632 00	Seal Cover		1	
7	N 101 243 06	Oval hexagon socket head bolt	M6X20	6	
8	9A7 907 660 10	oil level sensor		1	
9	N 911 279 02	Hexagon socket flat head bolt	M6X25	3	
10	9A7 103 601 30	Oil-conducting housing		1	
			also use: 000 043 300 39	1	
11	9A7 103 611 10	Seal		1	
12	9A7 103 610 30	Seal		1	
13	9A7 103 609 40	Seal		1	
14	N 013 832 6	seal ring	18X22	1	
15	N 911 965 01	sealing plug	M18X1,5X16	1	
16	955 102 277 00	spring pin	6, 2X22	2	
17	WHT 004 873	fillister head bolt with multi-point socket head	M7X40	7	
18	WHT 004 874	fillister head bolt with multi-point socket head	M7X105X39	9	
19	9A7 103 138 00	Insert		1	
20	N 107 451 01	Hexagon socket flat head bolt	M6X20	3	
21	9A7 115 105 00	oil pump		1	
22	N 107 453 01	Oval hexagon socket head bolt	M8X30	3	
23	9A7 109 590 00	Chain sprocket		1	
24	N 908 932 02	fitted bolt, hexagon head	M10X20	1	
25		Drive chain see illustration:	103-075		
26	9A7 115 393 00	control valve		1	
27	9A7 115 475 00	O-ring	14X2	1	
28	N 101 961 03	fillister head bolt with multi-point socket head	M6X18	1	
29	000 043 300 39	sealant	50ml	1	

Model: 971-17

Model life 2017>>



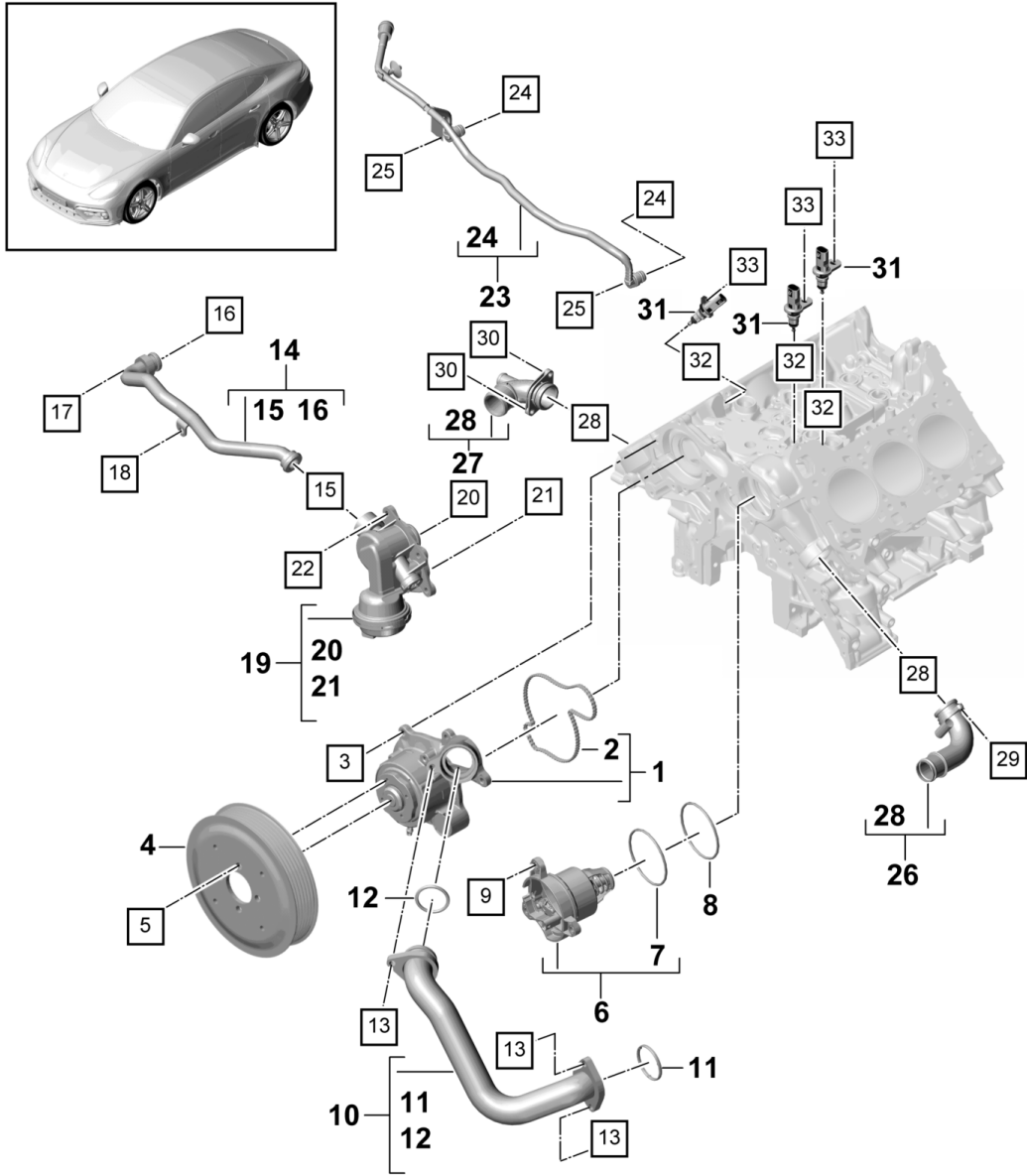
Model: 971-17

Model life 2017>>

Pos	Part Number	Description	Remark	Qty	Model
		Coolant pump thermostat housing Breather line			CVDA, CVD
1	9A7 121 014 02	Coolant pump		1	
2	9A7 121 228 01	Seal		1	
3	N 104 134 05	Hexagon socket flat head bolt	M6X25	7	
4	9A7 121 406 02	Coolant regulator housing Coolant regulator housing		1	
5	9A7 121 688 00	seal ring		1	
6	9A7 121 139 00	Seal		2	
7	9A7 007 809 00	O-ring	80X4	1	
8	9A7 007 814 00	O-ring	55X5,33	1	
9	9A7 121 237 00	Connecting pipe		1	
10	N 104 134 05	Hexagon socket flat head bolt	M6X25	6	
11	N 105 821 03	oval head countersunk bolt with multi-point socket head thermostat	M6X40	3	
12	9A7 121 115 00	thermostat		1	
13	N 101 243 06	Oval hexagon socket head bolt	M6X20	3	
14	9A7 121 455 04	Breather line		1	
15	N 020 609 6	Clamp	18X15	1	
16	N 911 266 01	Oval hexagon socket head bolt	M6X16	3	
17	9A7 133 169 04	Bracket		1	
18	N 101 243 06	Oval hexagon socket head bolt	M6X20	2	

Model: 971-17

Model life 2017>>



						33	32
30	29	28	25	24	22	21	20
18	17	16	15	13	9	5	3

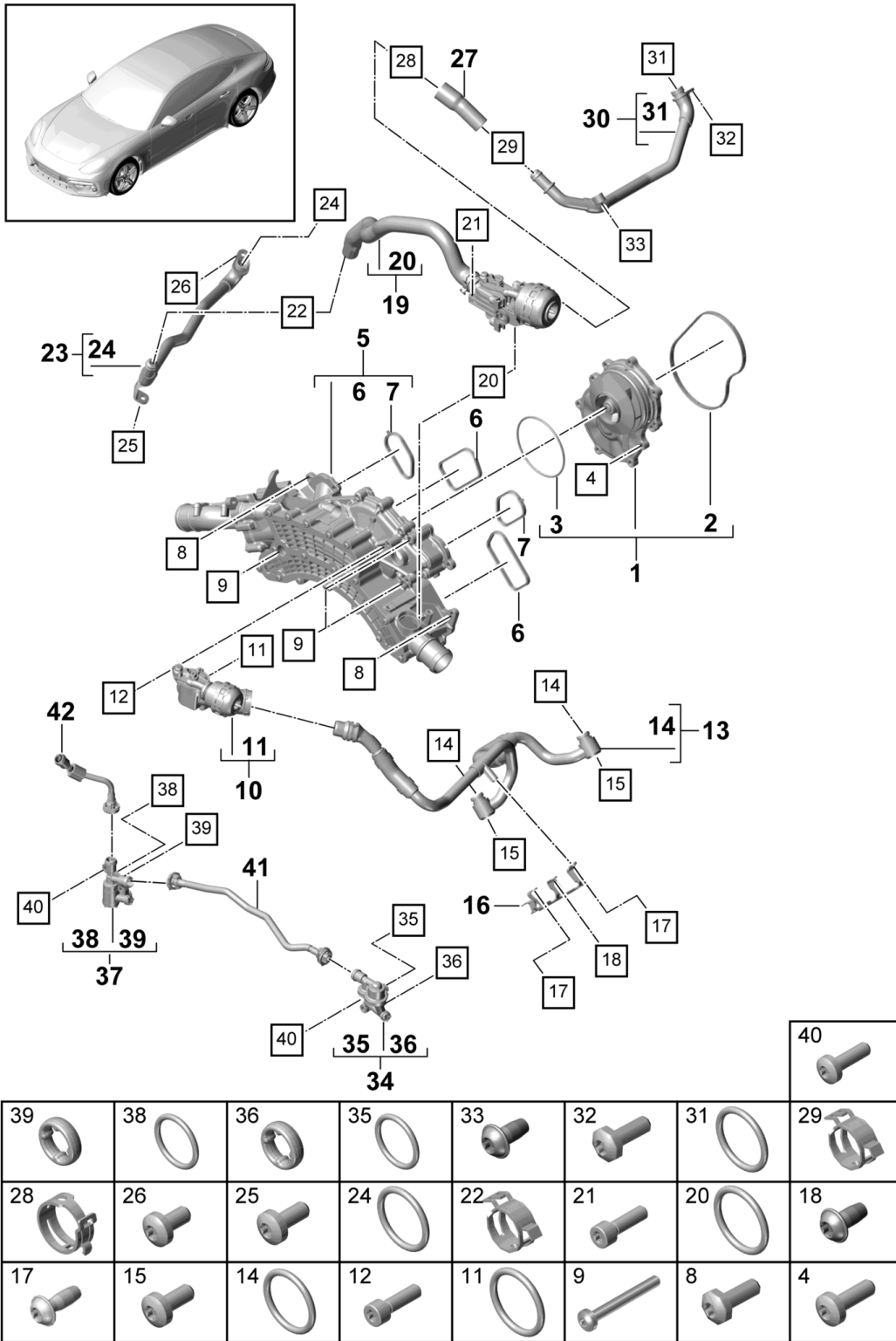
Model: 971-17

Model life 2017>>

Pos	Part Number	Description	Remark	Qty	Model
		Coolant pump thermostat housing Coolant pipe Breather line			CSZA, CSZ, CXTA, CXT, DGPA, DGP
1	9A7 121 013 03	Coolant pump		1	
2	9A7 121 119 03	Seal		1	
3	N 101 243 06	Oval hexagon socket head bolt	M6X20	7	
4	9A7 121 031 04	pulley		1	
		also use:	N 108 325 01	4	
5	N 108 325 01	Oval hexagon socket head bolt	M6X10	4	
6	9A7 121 115 10	thermostat housing		1	
7	9A7 008 508 00	O-ring		1	
8	9A7 121 688 00	seal ring		1	
9	N 101 243 06	Oval hexagon socket head bolt	M6X20	3	
10	9A7 121 481 00	Coolant pipe		1	CSZA, CSZ
(10)	9A7 121 481 01	Coolant pipe		1	CXTA, CXT, DGPA, DGP
11	9A7 121 437 12	seal ring	41,8X1,85	1	
12	9A7 007 920 00	O-ring	31,34X3,53-N	1	
13	N 101 243 06	Oval hexagon socket head bolt	M6X20	3	
14	9A7 121 083 00	Coolant pipe		1	
15	9A7 121 171 00	seal ring		1	
16	9A7 005 652 00	O-ring	17X3	1	
17	N 101 243 06	Oval hexagon socket head bolt	M6X20	1	
18	N 104 056 04	Oval hexagon socket head bolt	M6X14	1	
19	9A7 121 678 00	Valve		1	
20	9A7 008 175 00	O-ring	27,5X3	1	
21	9A7 121 139 10	Seal		1	
22	N 101 243 06	Oval hexagon socket head bolt	M6X20	4	
23	9A7 121 692 01	Breather line		1	
24	9A7 007 689 00	O-ring	9,7X2	2	
25	N 104 514 08	Oval hexagon socket head bolt	M6X16	2	
26	9A7 121 137 00	Connector union	feed	1	
27	9A7 121 132 01	Connector union	return	1	
28	N 907 469 01	seal ring	36X3,15	2	
		No longer use the part here			
(28)	958 008 722 00	O-ring	35X3,2	2	
29	N 101 961 03	fillister head bolt with multi-point socket head	M6X18	2	
30	N 101 243 06	Oval hexagon socket head bolt	M6X20	2	
31	958 606 623 20	Temperature sensor		3	
		also use:	WHT 002 287 B	1	
32	WHT 002 287 B	O-ring	5,6X2	3	
33	N 104 056 04	Oval hexagon socket head bolt	M6X14	3	

Model: 971-17

Model life 2017>>



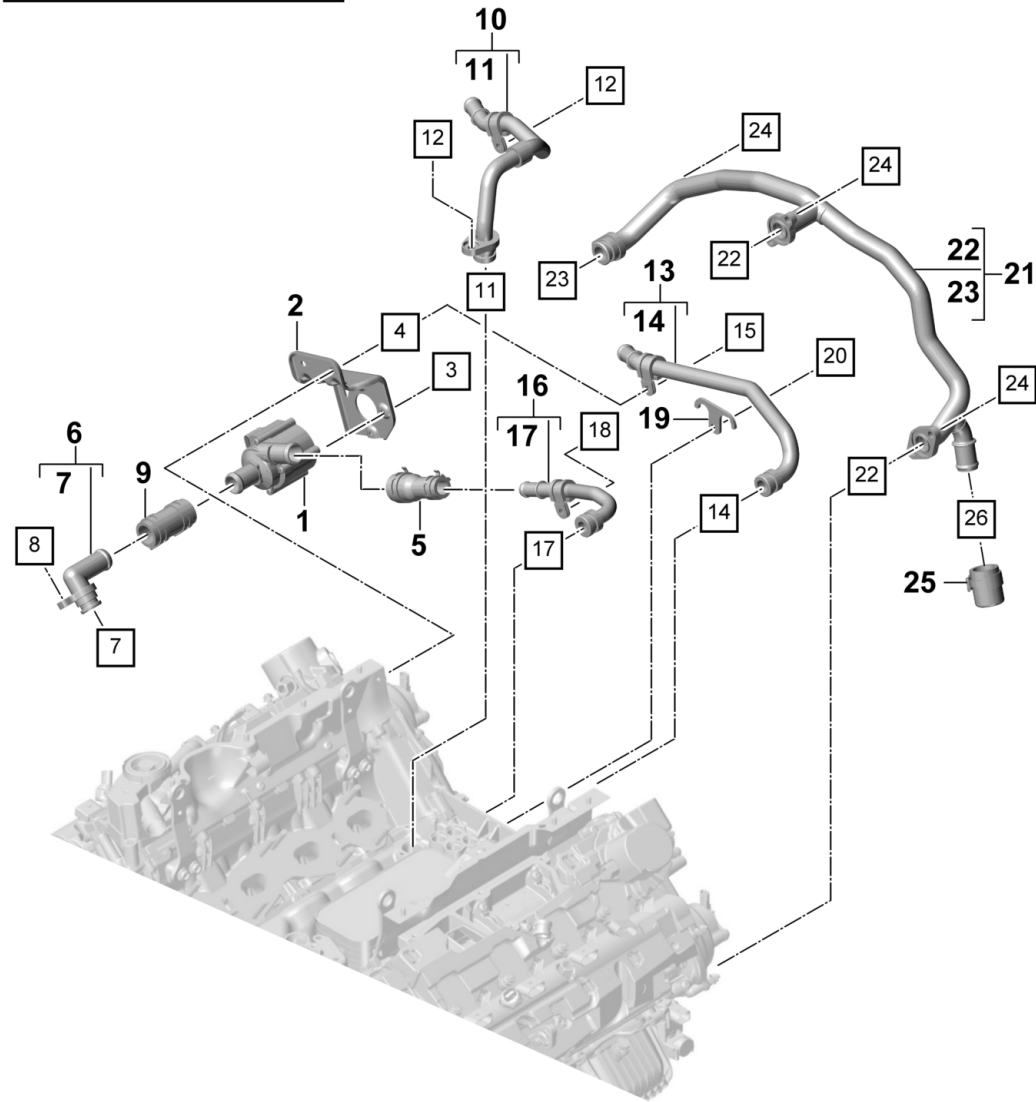
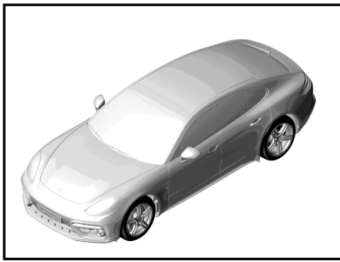
Model: 971-17

Model life 2017>>

Pos	Part Number	Description	Remark	Qty	Model
		Coolant pump thermostat housing Coolant pipe Breather line			DBUC
1	9A7 121 008 00	Coolant pump		1	
		No longer use the part here for this use:	PAB 121 008	1	
(1)	PAB 121 008	Coolant pump with sealing ring use only in conjunction with:		1	
			PAB 105 223	1	
2	9A7 121 228 10	Seal		1	
3	9A7 121 119 10	O-ring	90X3	1	
4	N 101 961 03	fillister head bolt with multi-point socket head	M6X18	9	
5	9A7 121 111 00	thermostat housing		1	
6	9A7 121 488 00	Seal		2	
7	9A7 121 327 00	Seal		2	
8	N 104 514 05	Oval hexagon socket head bolt	M6X16	10	
9	N 104 707 03	round hd. screw	M6X50	3	
10	9A7 121 689 00	regulating valve		1	
		No longer use the part here			
(10)	9A7 121 689 01	regulating valve		1	
11	9A7 121 669 00	seal ring	20X2,5	1	
12	N 106 536 03	Socket head bolt with hexagon socket head	M6X20	2	
13	9A7 121 444 00	Coolant pipe		1	
14	9A7 121 437 06	seal ring		2	
15	N 104 056 04	Oval hexagon socket head bolt	M6X14	2	
16	9A7 121 241 00	Bracket		1	
17	N 107 214 01	oval hd. self-tapp fitt. screw	TP6X16	2	
18	N 106 839 01	Oval socket head bolt with hex drive	6X12	1	
19	9A7 121 737 00	regulating valve		1	PR: 7MV, 7MJ
20	9A7 121 091 00	O-ring	27X2,5	1	
21	N 106 536 03	Socket head bolt with hexagon socket head	M6X20	2	
22	N 906 869 01	Spring band clamp	23X12	1	
23	9A7 121 610 00	Coolant pipe		1	
24	9A7 121 437 06	seal ring	16X2	1	
25	N 104 056 04	Oval hexagon socket head bolt	M6X14	1	
26	N 103 352 06	Hexagon socket flat head bolt	M6X12	1	
27	9A7 121 637 00	Hose		1	
28	N 906 870 01	Spring band clamp	27X12	1	
29	N 906 869 01	Spring band clamp B 23 X 12	23X12	1	
30	9A7 121 609 00	Coolant pipe		1	
31	9A7 121 437 01	O-ring	16X1,5	1	
32	N 104 514 05	Oval hexagon socket head bolt	M6X16	1	
33	N 106 839 01	Oval socket head bolt with hex drive	TP6X12	1	
34	9A7 121 671 20	Bleed valve	left	1	
35	9A7 121 437 16	O-ring		1	
36	9A7 121 043 06	seal ring		1	
37	9A7 121 670 00	Bleed valve	right	1	
38	9A7 121 437 16	O-ring		1	
39	9A7 121 043 06	seal ring		1	
40	N 101 243 06	Oval hexagon socket head bolt	M6X20	4	
41	9A7 121 081 00	Breather line		1	
42	9A7 121 439 00	Vent hose		1	

Model: 971-17

Model life 2017>>



	26	24	23	22	20	18	17
15		14	12	11	8	7	4

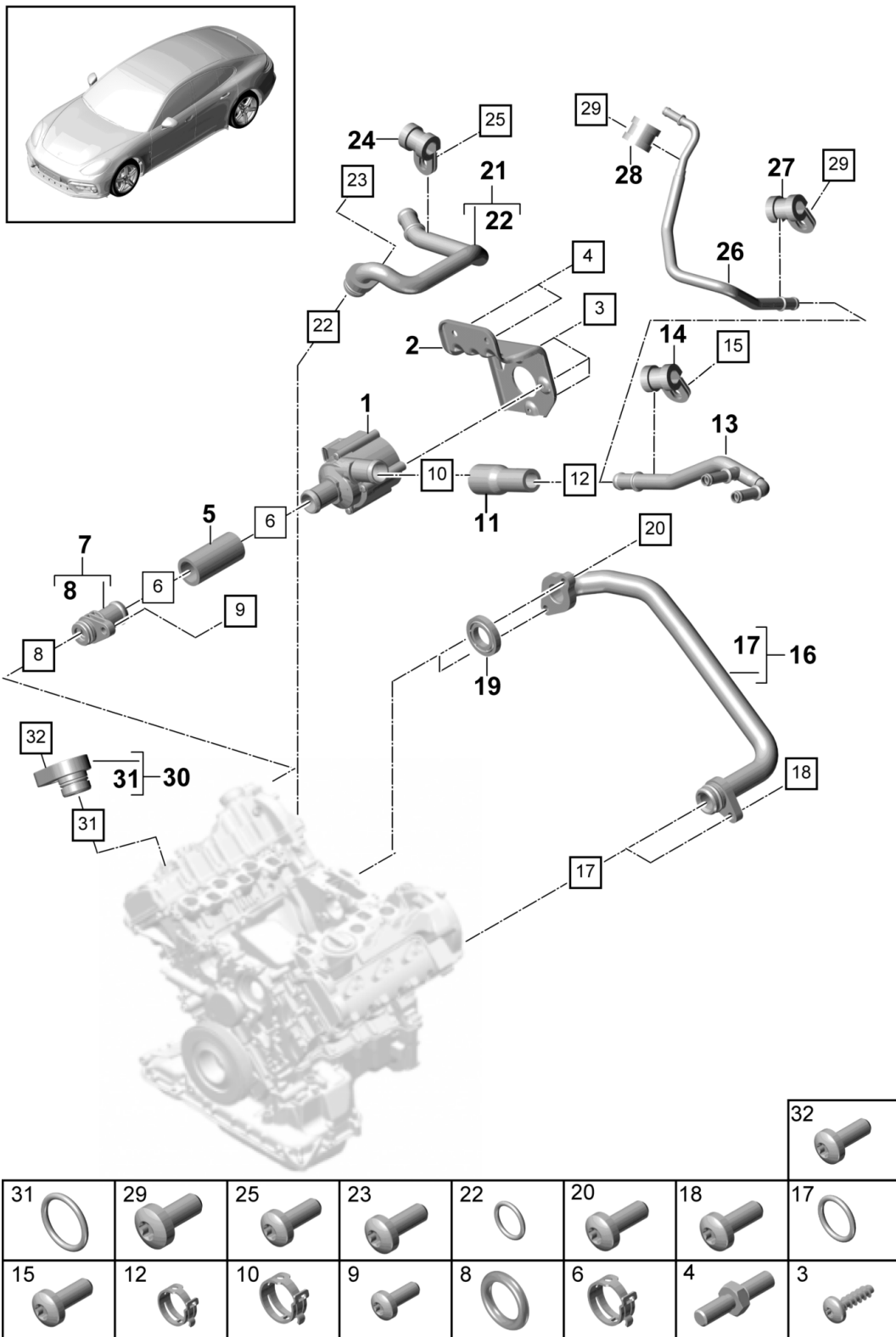
Model: 971-17

Model life 2017>>

Pos	Part Number	Description	Remark	Qty	Model
1	9A7 121 601 00	Water cooling 2 Coolant pump Electric		1	CVDA, CVD
2	9A7 121 093 00	Bracket		1	
(2)	9A7 121 093 01	No longer use the part here Bracket		1	
		with:			
3	WHT 002 306	Heat insulation self-tapping screw TP 3,5 X 12		3	
4	N 910 448 01	double stud with hexagon drive M 6 X 14 - M 6 X 14		2	
5	9A7 121 054 00	Hose		1	
6	9A7 121 089 00	connection piece Supply		1	
7	N 909 250 01	O-ring 17 X 3 N		1	
8	N 101 243 06	Oval hexagon socket head bolt M 6 X20		1	
9	9A7 121 052 00	Hose		1	
10	9A7 121 075 00	Coolant pipe Supply		1	
11	N 909 250 01	O-ring 17 X 3 N		1	
12	N 911 266 01	Oval hexagon socket head bolt M 6 X 16		2	
13	9A7 121 193 00	Coolant pipe		1	
14	N 909 250 01	O-ring 17 X 3 N		1	
15	N 022 148 12	hexagon nut, self-locking M 6		1	
16	9A7 121 164 00	Coolant pipe Supply		1	
17	N 909 250 01	O-ring 17 X 3 N		1	
18	N 911 266 01	Oval hexagon socket head bolt M 6 X 16		1	
19	9A7 121 077 00	Bracket Coolant pipe		1	
20	N 911 266 01	Oval hexagon socket head bolt M 6 X 16		1	
21	9A7 121 071 00	Cross tube		1	
22	999 707 517 41	O-ring 22 X 3		2	
23	N 903 653 04	O-ring 20 X 3		1	
24	N 101 243 06	Oval hexagon socket head bolt M 6 X 20		5	
25	9A7 121 324 00	Cap closure		1	PR:OKO
26	N 906 870 01	Spring band clamp B 27 X 12 X 1,7		1	PR:OKO

Model: 971-17

Model life 2017>>



Model: 971-17 Model life 2017>>

Pos	Part Number	Description	Remark	Qty	Model
1	9A7 121 601 00	Water cooling 2 Coolant pump Electric		1	CSZA,CSZ,
2	9A7 121 093 00	Bracket		1	
(2)	9A7 121 093 02	No longer use the part here Bracket		1	
3	WHT 002 306	Heat insulation self-tapping screw TP 3,5 X 12 To Use for Bracket	with:	3	
(3)	9A7 003 361 00	9A7.121.093.00 flat round head bolt TP 3,5 X 20 To Use for Bracket		3	
4	N 910 448 01	9A7.121.093.02 double stud with hexagon drive M 6 X 14 - M 6 X 14		2	
5	9A7 121 052 10	Hose		1	
6	N 906 870 01	Spring band clamp B 27 X 12 X 1,7		2	
7	9A7 121 159 00	connection piece		1	
8	9A7 005 652 00	O-ring 17 X 3		1	
9	N 101 243 06	Oval hexagon socket head bolt M 6 X 20		1	
10	N 906 870 01	Spring band clamp B 27 X 12 X 1,7		1	
11	9A7 121 054 10	Coolant hose		1	
12	958 106 517 10	Hose clamp B 21 X 12		1	
13	9A7 121 085 00	Coolant pipe		1	CSZA,CSZ, DGPA,DGP
14	N 102 599 03	Clamp D 1 - 14 X 15		1	CSZA,CSZ, DGPA,DGP
15	N 104 056 04	Oval hexagon socket head bolt M 6 X 14		1	CSZA,CSZ, DGPA,DGP
16	9A7 121 071 10	Coolant pipe		1	CSZA,CSZ
(16)	9A7 121 071 20	No longer use the part here Coolant pipe		1	CSZA,CSZ
		also use:	9A7 121 324 00 N 906 870 01	1 1	
(16)	9A7 121 071 20	To Assembly Use Coolant pipe		1	CXTA,CXT, DGPA,DGP
17	N 903 653 02	O-ring 20 X 3		1	
18	N 101 243 06	Oval hexagon socket head bolt M 6 X 20		1	
19	9A7 121 070 00	Seal		1	
20	N 101 243 06	Oval hexagon socket head bolt M 6 X 20		2	
21	9A7 121 075 10	Coolant pipe		1	
22	9A7 005 652 00	O-ring 17 X 3		1	

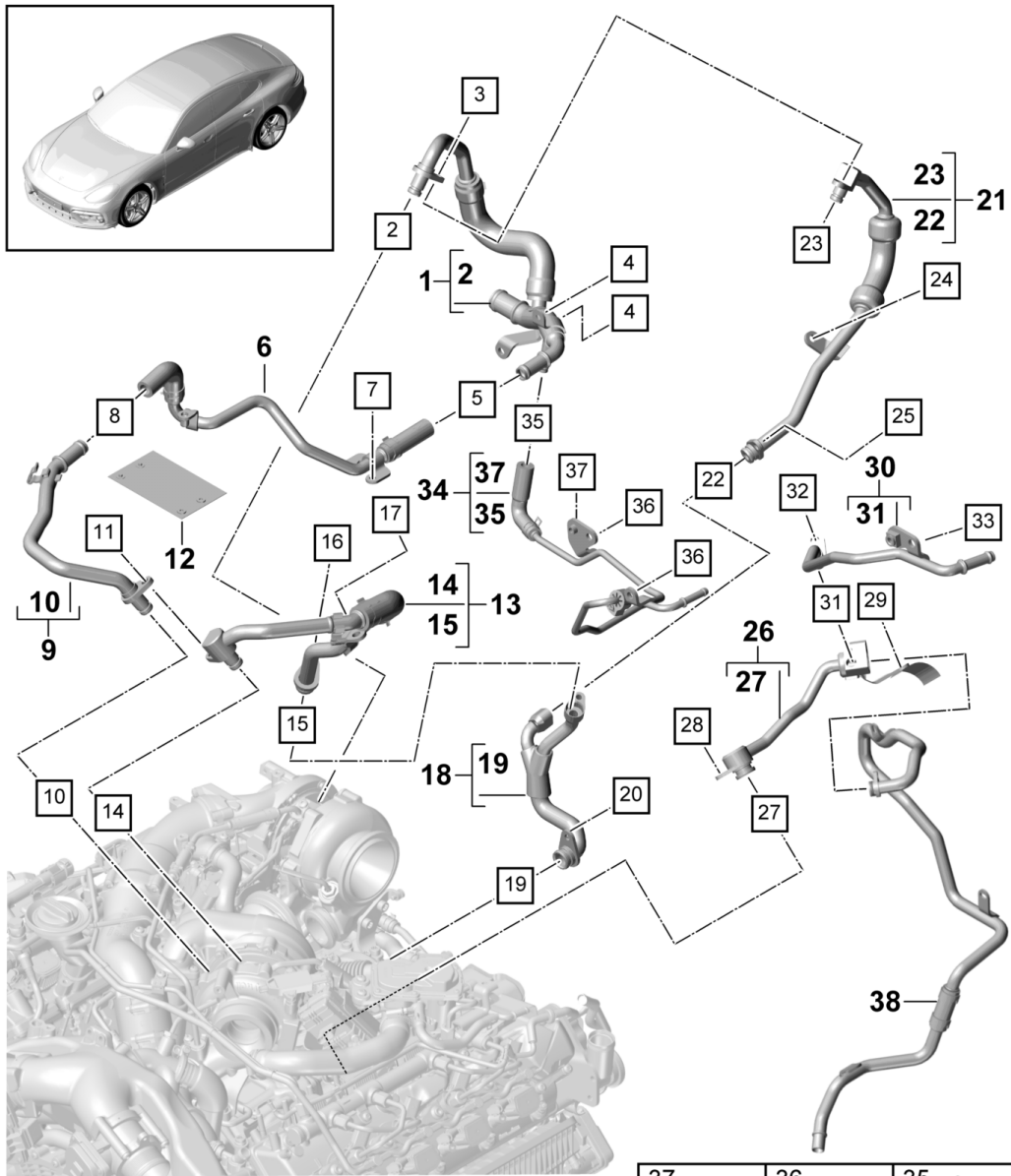
Model: 971-17

Model life 2017>>

Pos	Part Number	Description	Remark	Qty	Model
23	N 101 243 06	Oval hexagon socket head bolt M 6 X 20		1	
24	N 020 626 7	Clamp D 1 - 16 X 15		1	
25	N 104 056 04	Oval hexagon socket head bolt M 6 X 14		1	
26	9A7 121 085 10	Coolant pipe		1	CXTA, CXT
27	N 108 452 01	Clamp D1-14 X 15		1	CXTA, CXT
28	N 020 651 10	Clamp		1	CXTA, CXT
29	N 104 056 04	Oval hexagon socket head bolt M 6 X 14		2	CXTA, CXT
30	9A7 121 418 00	Sealing cap		1	
31	9A7 001 011 00	O-ring 12,2 X 1,65		1	
32	N 104 514 08	Oval hexagon socket head bolt M 6 X 16		1	

Model: 971-17

Model life 2017>>



						37	36	35
33	32	31	29	28	27			
23	22	20	19	17	16	15	14	
11	10	8	7	5	4	3	2	

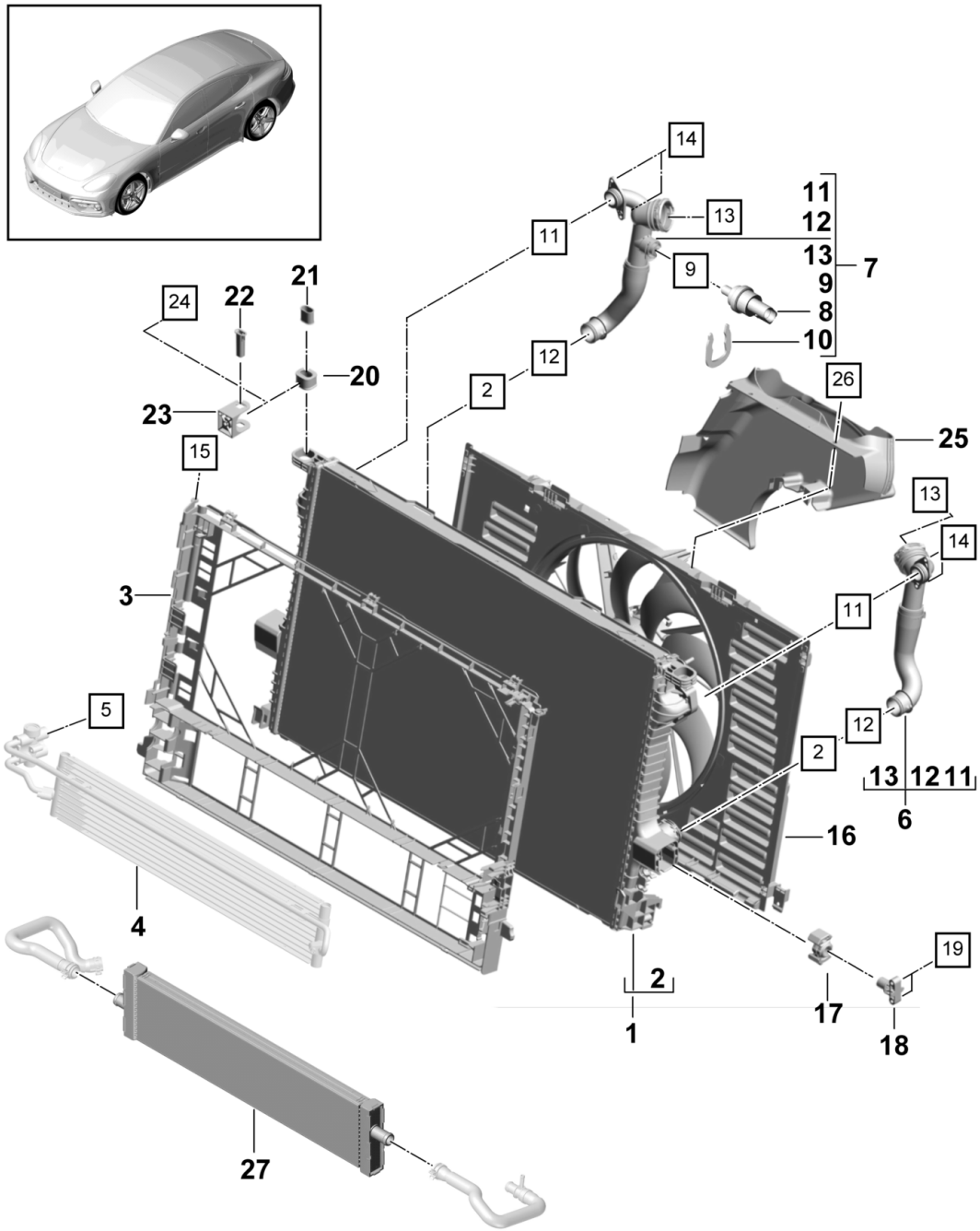
Model: 971-17

Model life 2017>>

Pos	Part Number	Description	Remark	Qty	Model
		Coolant cooling system	2		DBUC
1	9A7 121 065 00	Coolant pipe		1	
2	9A7 121 437 00	seal ring	9,1X1,5	1	
3	N 105 464 02	Hexagon socket head bolt	M6X16	1	
4	N 104 056 04	Oval hexagon socket head bolt	M6X14	2	
5	N 909 264 01	Spring band clamp	19X12	1	
6	9A7 121 661 00	Coolant pipe		1	
7	N 103 352 06	Hexagon socket flat head bolt	M6X12	1	
8	N 909 264 01	Spring band clamp	19X12	1	
9	9A7 121 498 00	Coolant pipe	return	1	
10	9A7 121 437 00	seal ring	9,1X1,5	1	
11	N 105 464 02	Hexagon socket head bolt	M6X16	1	
12	9A7 121 651 00	Heat insulation		1	
13	9A7 121 044 00	Coolant pipe	feed	1	
14	9A7 121 437 00	seal ring	9,1X1,5	1	
15	9A7 121 437 05	seal ring	13,1X1,5	1	
16	N 105 464 02	Hexagon socket head bolt	M6X16	1	
17	N 106 803 02	Hexagon socket flat head bolt	M6X8	1	
18	9A7 121 194 00	Coolant pipe		1	
19	9A7 121 437 06	seal ring	16X2	1	
20	N 104 056 04	Oval hexagon socket head bolt	M6X14	1	
21	9A7 121 667 00	Coolant pipe		1	
22	9A7 121 437 05	seal ring	13,1X1,5	1	
23	9A7 121 437 00	seal ring	9,1X1,5	1	
24	N 104 056 04	Oval hexagon socket head bolt	M6X14	1	
25	N 105 464 02	Hexagon socket head bolt	M6X16	1	
26	9A7 121 597 00	Coolant pipe	feed	1	
27	9A7 121 437 02	seal ring	17X3	1	
28	N 103 352 06	Hexagon socket flat head bolt	M6X12	1	
29	N 106 803 02	Hexagon socket flat head bolt	M6X8	1	
30	9A7 121 662 00	Coolant pipe		1	
31	9A7 121 437 15	seal ring	6,75X1,78	1	
32	N 101 703 02	round hd. screw	M6X10	1	
33	N 104 056 04	Oval hexagon socket head bolt	M6X14	1	
34	9A7 121 491 00	Coolant pipe	return	1	
35	N 909 865 01	Spring band clamp	B14,5X12	1	
36	N 104 056 04	Oval hexagon socket head bolt	M6X14	2	
(36)	N 103 352 06	No longer use the part here Hexagon socket flat head bolt	M6X12	2	
37	N 105 823 01	Clip	D5,5X9,2X0,3	1	
38		Coolant pipe see illustration:	105-055	1	

Model: 971-17

Model life 2017>>



15	14	13	12	11	9	5	2
26	24	19					

Model: 971-17

Model life 2017>>

Pos	Part Number	Description	Remark	Qty	Model
		Coolant cooling system	3		
		Cooler for coolant			
1	9A7 121 253 00	Cooler for coolant		1	PR:A8F,A8H
(1)	9A7 121 253 00	Cooler for coolant		1	PR:A8C,OK3
(1)	9A7 121 253 10	Cooler for coolant		1	PR:A8C,OK0
3	9A7 121 068 30	Retaining frame		1	PR:A8F,A8H, OK0
(3)	9A7 121 068 10	Retaining frame		1	PR:A8C,OK0
(3)	9A7 121 068 11	Retaining frame		1	PR:A8C,OK0
(3)	9A7 121 068 00	Retaining frame		1	PR:OK3
(3)	9A7 121 068 01	Retaining frame		1	PR:OK3
4		Gear oil cooler			
		see illustration, item:	360-000,1		
5	N 106 533 02	Hex collared bolt	M6X20	1	
6	9A7 121 438 00	Distributor for coolant	left	1	
7	9A7 121 438 10	Distributor for coolant	right	1	
8	955 106 125 01	Temperature sensor		1	
9	N 903 168 01	O-ring	19,6X3,65	1	
10	955 106 143 00	retaining spring		1	
14	N 104 734 02	round hd. screw	TP6X20	4	
15	N 104 420 03	self-tapping screw	TP5X16	2	
16	9A7 121 203 01	Radiator fan with fan ring and control unit		1	PR:A8H,OK0
(16)	9A7 121 203 01	Radiator fan with fan ring and control unit		1	PR:A8C,OK0, 1A2,1D3,1D7
(16)	9A7 121 203 01	Radiator fan with fan ring and control unit		1	PR:A8C,OK3, 1A2 -"CN."
(16)	9A7 121 203 02	Radiator fan with fan ring and control unit		1	PR:A8C,OK3, B1P "CN."
(16)	9A7 121 203 11	Radiator fan with fan ring and control unit		1	PR:A8F
(16)	9A7 121 203 11	Radiator fan with fan ring and control unit		1	PR:A8C,OK0, 1D0
(16)	9A7 121 203 20	Radiator fan with fan ring and control unit		1	PR:A8H,OK3 -"CN."
(16)	9A7 121 203 21	Radiator fan with fan ring and control unit		1	PR:A8H,OK3 "CN."
17	7P0 121 275	Rubber bush		2	
18	9A7 121 233 00	Bracket	lower	2	
19	N 106 229 01	Flat head bolt with hexagon socket head, thread forming	M6X30	4	
20	958 106 651 00	Rubber buffer		2	
21	958 106 665 00	Bearing sleeve		2	
22	958 106 667 00	Securing clip		2	
23	9A7 121 079 10	Bracket	upper	2	
24	N 107 254 01	Hexagon socket head collared bolt, thread forming	M6X20	2	
25	9A7 119 363 00	Air guide		1	PR:A8H,1A2
(25)	9A7 119 363 11	Air guide		1	PR:A8F,1A2
(25)	9A7 119 363 11	Air guide		1	PR:A8C,OK3, 1A2
(25)	9A7 119 363 20	Air guide		1	PR:A8F,0F5
(25)	9A7 119 363 31	Air guide		1	PR:A8C,1A2
(25)	9A7 119 363 40	Air guide		1	PR:A8H,OK3, 1A2
26	WHT 004 750	Spreader rivet	8,1X13	2	PR:A8H,A8F
(26)	WHT 004 750	Spreader rivet	8,1X13	2	PR:A8C,OK3, 1A2
(26)	WHT 004 750	Spreader rivet	8,1X13	1	PR:A8C,1A2
27	958 106 212 10	Cooler for coolant For vehicles with		1	PR:A8C,A8H, OK3

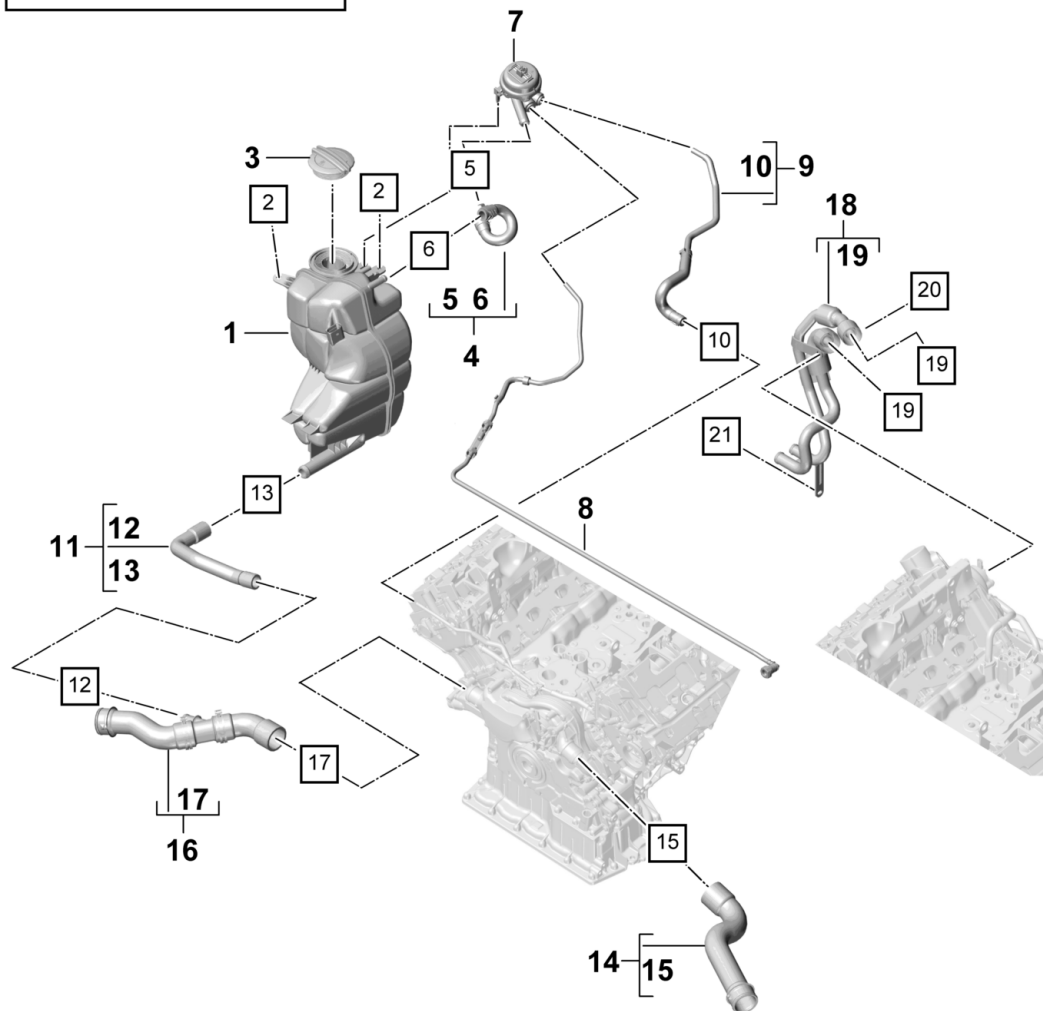
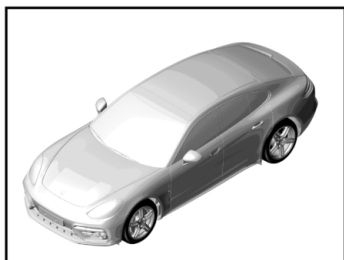
Model: 971-17

Model life 2017>>

Pos	Part Number	Description	Remark	Qty	Model
		hybrid drive			

Model: 971-17

Model life 2017>>



					21	20	19
17	15	13	12	10	6	5	2

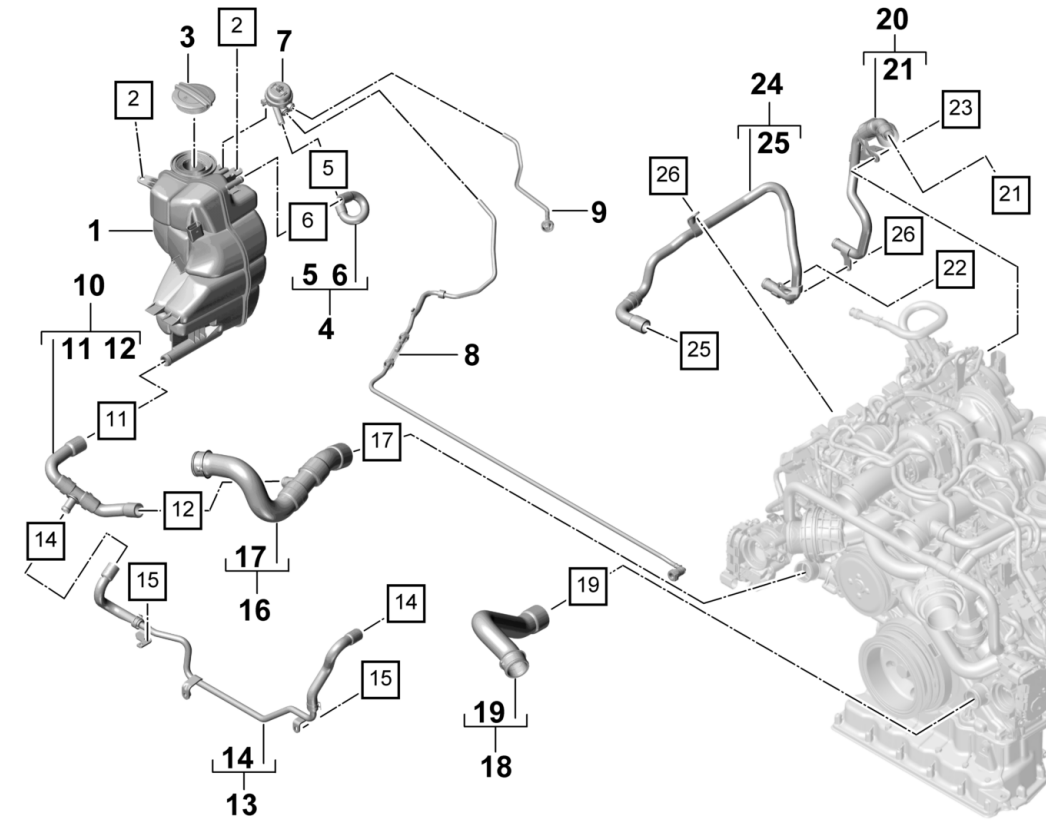
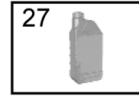
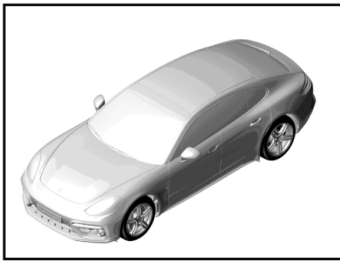
Model: 971-17

Model life 2017>>

Pos	Part Number	Description	Remark	Qty	Model
		Coolant cooling system			CVDA, CVD+
		Coolant expansion tank			PR:OK0
		Breather line			
1	9A7 121 407 00	Coolant expansion tank		1	
2	N 911 883 01	Hexagon socket head bolt	M6X20	2	
3	958 106 447 00	Cover		1	
		Coolant expansion tank			
4	9A7 121 447 00	Coolant hose		1	
5	N 912 104 01	Spring band clamp	19X12	1	
6	N 909 264 01	Spring band clamp	19X12	1	
7	9A7 121 671 00	Bleed valve		1	
		Coolant cooling system			
8	9A7 122 447 00	Breather line		1	
		Coolant expansion tank			
9	9A7 122 447 30	Breather line		1	
		Coolant expansion tank			
10	N 906 867 01	Spring band clamp	14X12	1	
11	9A7 122 109 00	Coolant hose	lower	1	
		Coolant expansion tank			
12	N 906 870 01	Spring band clamp	27X12	1	
13	955 512 405 00	Clamp	29X12	1	
14	9A7 122 101 00	Coolant pipe	left	1	
15	9A7 121 530 00	Hose clamp	46X12	1	
16	9A7 122 051 00	Coolant pipe	right	1	
17	9A7 121 530 00	Hose clamp	46X12	1	
18	9A7 122 073 00	Coolant pipe		1	
19	N 906 869 01	Spring band clamp	23X12	2	
20	N 023 002 13	hexagon nut, self-locking	M6	1	
21	N 106 320 03	Oval socket head bolt with hex drive	M6X16	1	
22	000 043 305 15	Coolant additive	1.0 Ltr.	X	
(22)	000 043 305 16	Coolant additive	20ltr.	X	
(22)	000 043 305 64	Cleaning solution	20ltr.	X	

Model: 971-17

Model life 2017>>



		26	25	23	22	21	19
17	15	14	12	11	6	5	2

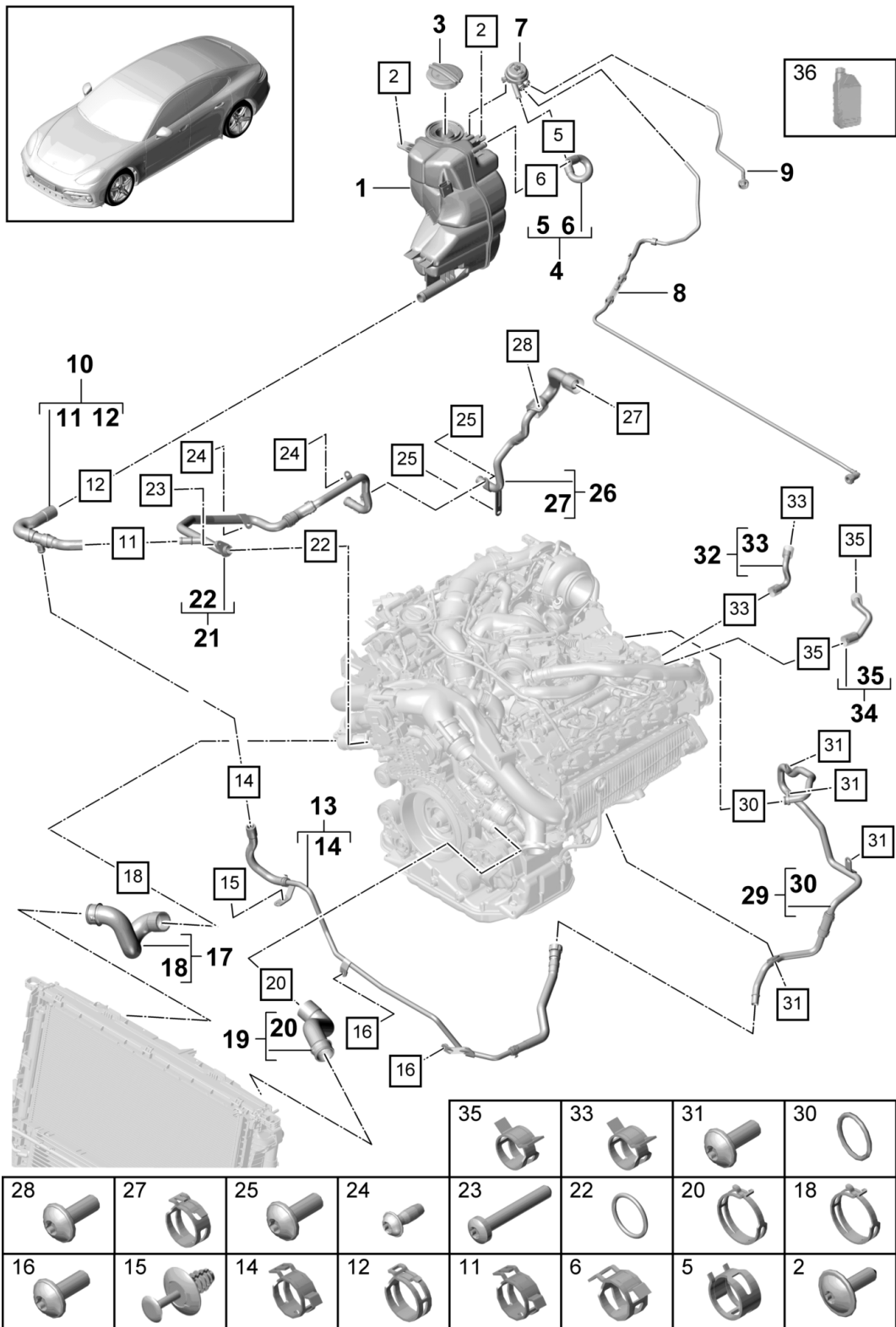
Model: 971-17

Model life 2017>>

Pos	Part Number	Description	Remark	Qty	Model
		Coolant cooling system Coolant expansion tank Breather line			CSZA, CSZ
1	9A7 121 407 00	Coolant expansion tank		1	
2	N 911 883 01	Hexagon socket head bolt	M6X20	2	
3	958 106 447 00	Cover Coolant expansion tank		1	
4	9A7 121 447 00	Coolant hose		1	
5	N 912 104 01	Spring band clamp	19X12	1	
6	N 909 264 01	Spring band clamp	19X12	1	
7	9A7 121 671 00	Bleed valve Coolant cooling system		1	
8	9A7 122 447 00	Breather line Coolant expansion tank		1	
9	9A7 122 447 10	Breather line Reservoir		1	
10	9A7 122 109 10	Coolant hose Reservoir	lower	1	
11	955 512 405 00	Clamp	29X12	1	
12	N 906 870 01	Spring band clamp	27X12	1	
13	9A7 121 050 00	Coolant pipe with coolant hose		1	
14	N 906 869 01	Spring band clamp	23X12	2	
15	N 106 320 03	Oval socket head bolt with hex drive	M6X16	2	
16	9A7 122 051 11	Coolant pipe		1	
17	9A7 121 530 00	Hose clamp	46X12	1	
18	9A7 122 101 10	Coolant pipe Cooler for coolant		1	
19	9A7 121 530 00	Hose clamp	B46X12	1	
20	9A7 122 073 10	Coolant pipe with coolant hose and Retaining bar		1	
21	N 906 869 01	Spring band clamp	B23X12	1	
22	N 106 320 03	Oval socket head bolt with hex drive	M6X16	1	
23	N 015 082 10	Hexagon collar nut	M6	1	
24	9A7 122 073 20	Coolant pipe with coolant hose and Retaining bar		1	
25	N 906 870 01	Spring band clamp	27X12	1	
26	N 106 320 03	Oval socket head bolt with hex drive	M6X16	2	
27	000 043 305 15	Coolant additive	1.0 Ltr.	X	
(27)	000 043 305 16	Coolant additive	20ltr.	X	
(27)	000 043 305 64	Cleaning solution	20ltr.	X	

Model: 971-17

Model life 2017>>



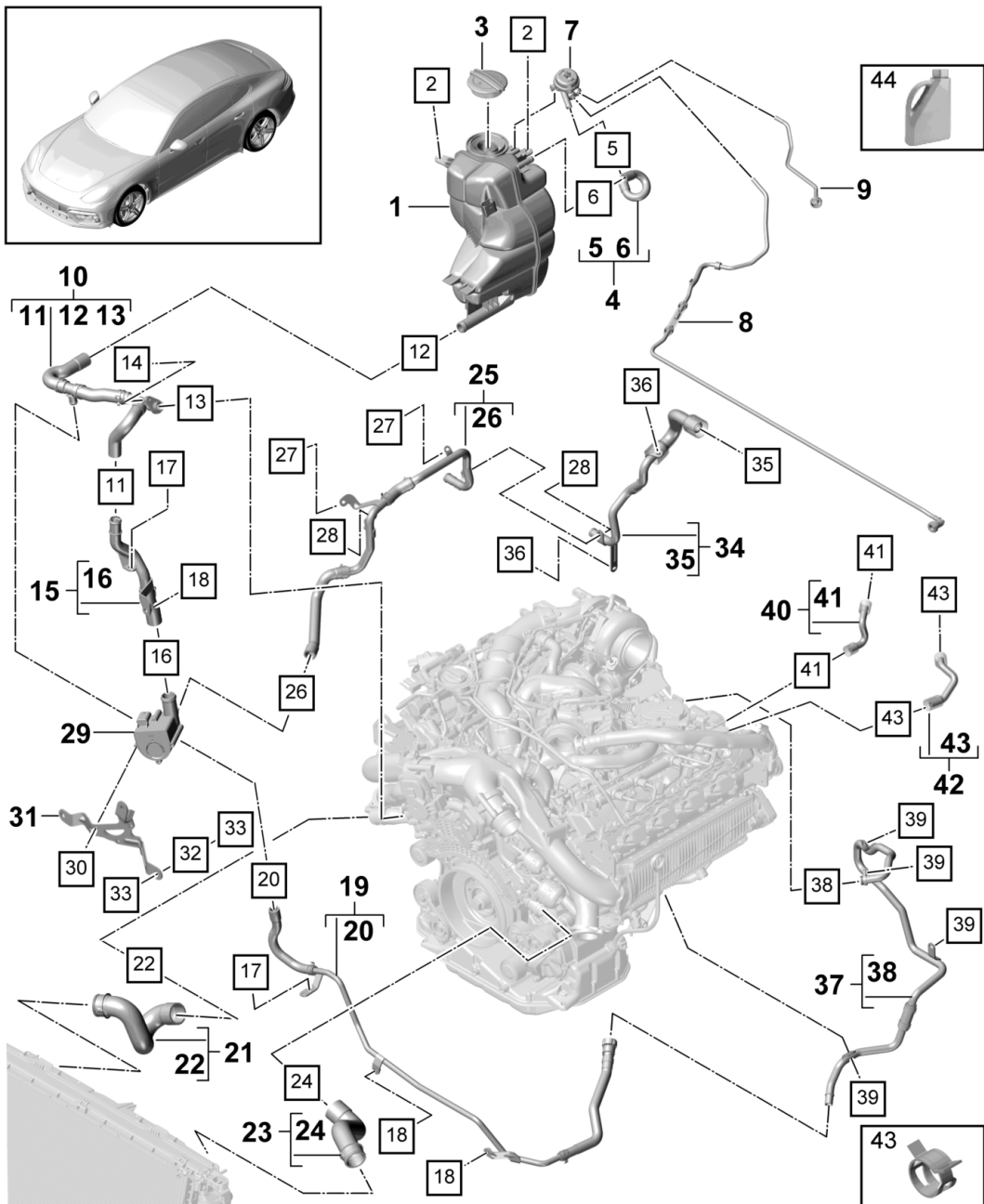
Model: 971-17

Model life 2017>>

Pos	Part Number	Description	Remark	Qty	Model
		Coolant cooling system Coolant expansion tank Breather line for models without auxiliary heater			DBUC+ PR:9M0
1	9A7 121 407 00	Coolant expansion tank		1	
2	N 911 883 01	Hexagon socket head bolt	M6X20	2	
3	958 106 447 00	Cover Coolant expansion tank		1	
4	9A7 121 447 00	Coolant hose		1	
5	N 912 104 01	Spring band clamp	19X12	1	
6	N 909 264 01	Spring band clamp	19X12	1	
7	9A7 121 671 10	Bleed valve Coolant cooling system		1	
8	9A7 122 447 00	Breather line Coolant expansion tank		1	
9	9A7 122 447 20	Breather line Coolant expansion tank		1	
10	9A7 122 109 10	Coolant hose Reservoir	lower	1	
11	N 906 869 01	Spring band clamp	23X12	1	
12	955 512 405 00	Clamp	29X12	1	
13	9A7 121 050 10	Coolant pipe with coolant hose		1	
14	N 906 869 01	Spring band clamp	23X12	1	
15	N 911 585 01	Spreader rivet	6,5X12,3	1	
16	N 106 320 03	Oval socket head bolt with hex drive	M6X16	2	
17	9A7 122 051 20	Coolant pipe		1	
18	9A7 121 530 00	Hose clamp	46X12	1	
19	9A7 122 101 20	Coolant pipe		1	
20	9A7 121 530 00	Hose clamp	46X12	1	
21	9A7 121 064 00	Coolant pipe with coolant hose and Retaining bar		1	
22	N 909 031 02	O-ring	18X2	1	
23	N 105 821 03	oval head countersunk bolt with multi-point socket head	M6X40	1	
24	N 107 214 01	oval hd. self-tapp fitt. screw	TP6X16	2	
25	N 106 320 03	Oval socket head bolt with hex drive	M6X16	2	
26	9A7 122 073 30	Coolant pipe with coolant hose	feed	1	
27	955 512 407 00	Clamp	25X12	1	
28	N 106 320 03	Oval socket head bolt with hex drive	M6X16	1	
29	9A7 121 050 20	Coolant pipe with coolant hose		1	
30	N 908 091 02	O-ring	16X2	1	
31	N 106 320 03	Oval socket head bolt with hex drive	M6X16	4	
32	9A7 122 096 10	Coolant hose		1	
33	N 107 160 01	Spring band clamp	12,5X8,4	2	
34	9A7 122 096 00	Coolant hose		1	
35	N 107 160 01	Spring band clamp	12,5X8,4	2	
36	000 043 305 15	Coolant additive	1.0 Ltr.	X	
(36)	000 043 305 16	Coolant additive	20ltr.	X	
(36)	000 043 305 64	Cleaning solution	20ltr.	X	

Model: 971-17

Model life 2017>>



41	39	38	36	35	33	32	30
28	27	26	24	22	20	18	17
16	14	13	12	11	6	5	2

Model: 971-17

Model life 2017>>

Pos	Part Number	Description	Remark	Qty	Model
		Coolant cooling system Coolant expansion tank Breather line for models with supplementary heater			DBUC+ PR:9M9
1	9A7 121 407 00	Coolant expansion tank		1	
2	N 911 883 01	Hexagon socket head bolt	M6X20	2	
3	958 106 447 00	Cover Coolant expansion tank		1	
4	9A7 121 447 00	Coolant hose		1	
5	N 912 104 01	Spring band clamp	19X12	1	
6	N 909 264 01	Spring band clamp	19X12	1	
7	9A7 121 671 10	Bleed valve Coolant cooling system		1	
8	9A7 122 447 00	Breather line Coolant expansion tank		1	
9	9A7 122 447 20	Breather line Reservoir		1	
10	9A7 122 073 40	Coolant pipe Reservoir	lower	1	
11	N 906 870 01	Spring band clamp	27X12	1	
12	955 512 405 00	Clamp	29X12	1	
13	N 909 031 02	O-ring	18X2	1	
14	N 105 821 03	oval head countersunk bolt with multi-point socket head	M6X40	1	
15	9A7 121 050 30	Coolant hose		1	
16	N 906 870 01	Spring band clamp	27X12	1	
17	N 911 585 01	Spreader rivet	6,5X12,3	2	
18	N 106 320 03	Oval socket head bolt with hex drive	M6X16	3	
19	9A7 121 050 10	Coolant pipe with coolant hose		1	
20	N 906 869 01	Spring band clamp	23X12	1	
21	9A7 122 051 20	Coolant pipe		1	
22	9A7 121 530 00	Hose clamp	46X12	1	
23	9A7 122 101 20	Coolant pipe		1	
24	9A7 121 530 00	Hose clamp	46X12	1	
25	9A7 121 064 01	Coolant pipe with coolant hose and Retaining bar		1	
26	N 906 870 01	Spring band clamp	27X12	1	
27	N 107 214 01	oval hd. self-tapp fitt. screw	TP6X16	2	
28	N 106 320 03	Oval socket head bolt with hex drive	M6X16	2	
29	9A7 121 601 20	Coolant pump Electric		1	
30	WHT 002 306	self-tapping screw	TP3,5X12	3	
31	971 121 224	Bracket		1	
32	7L0 819 083	Bonded rubber bush		3	
(32)	9A7 145 115 00	No longer use the part here Stop buffer		3	
33	N 015 082 10	Hexagon collar nut	M6	6	
34	9A7 122 073 30	Coolant pipe with coolant hose	feed	1	
35	955 512 407 00	Clamp	25X12	1	
36	N 106 320 03	Oval socket head bolt with hex drive	M6X16	2	
37	9A7 121 050 20	Coolant pipe with coolant hose		1	
38	N 908 091 02	O-ring	16X2	1	
39	N 106 320 03	Oval socket head bolt	M6X16	4	

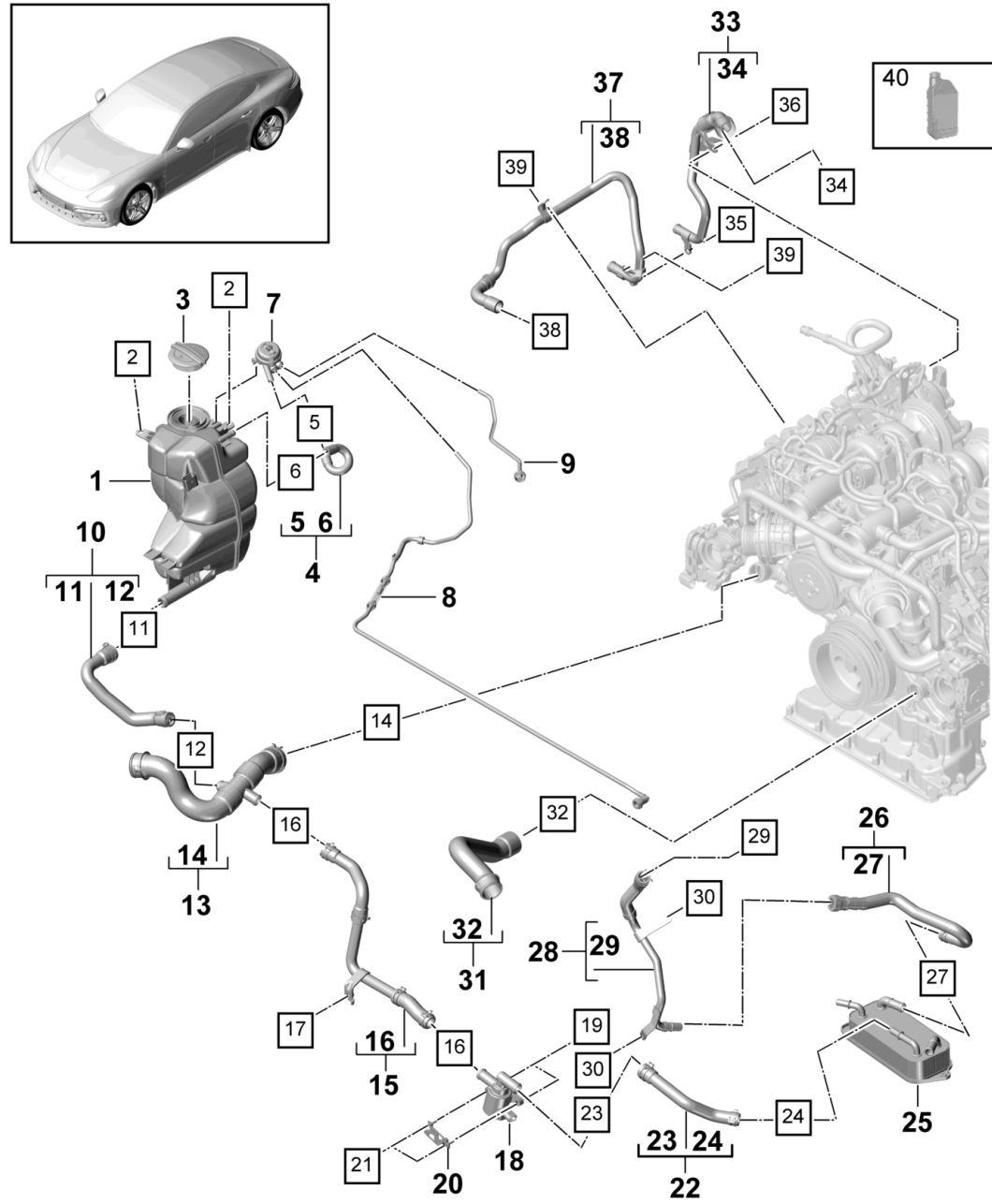
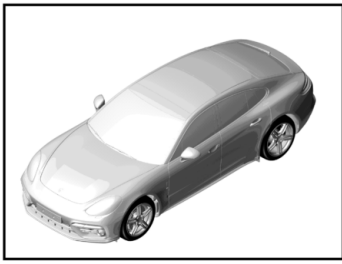
Model: 971-17

Model life 2017>>

Pos	Part Number	Description	Remark	Qty	Model
40	9A7 122 096 10	with hex drive Coolant hose		1	
41	N 107 160 01	Spring band clamp	12,5X8,4	2	
42	9A7 122 096 00	Coolant hose		1	
43	N 107 160 01	Spring band clamp	12,5X8,4	2	
44	000 043 305 15	Coolant additive	1.0 Ltr.	X	
(44)	000 043 305 16	Coolant additive	20ltr.	X	
(44)	000 043 305 64	Cleaning solution	20ltr.	X	

Model: 971-17

Model life 2017>>



			39	38	36	35	34	
32	30	29	27	24	23	21	19	
17	16	14	12	11	6	5	2	

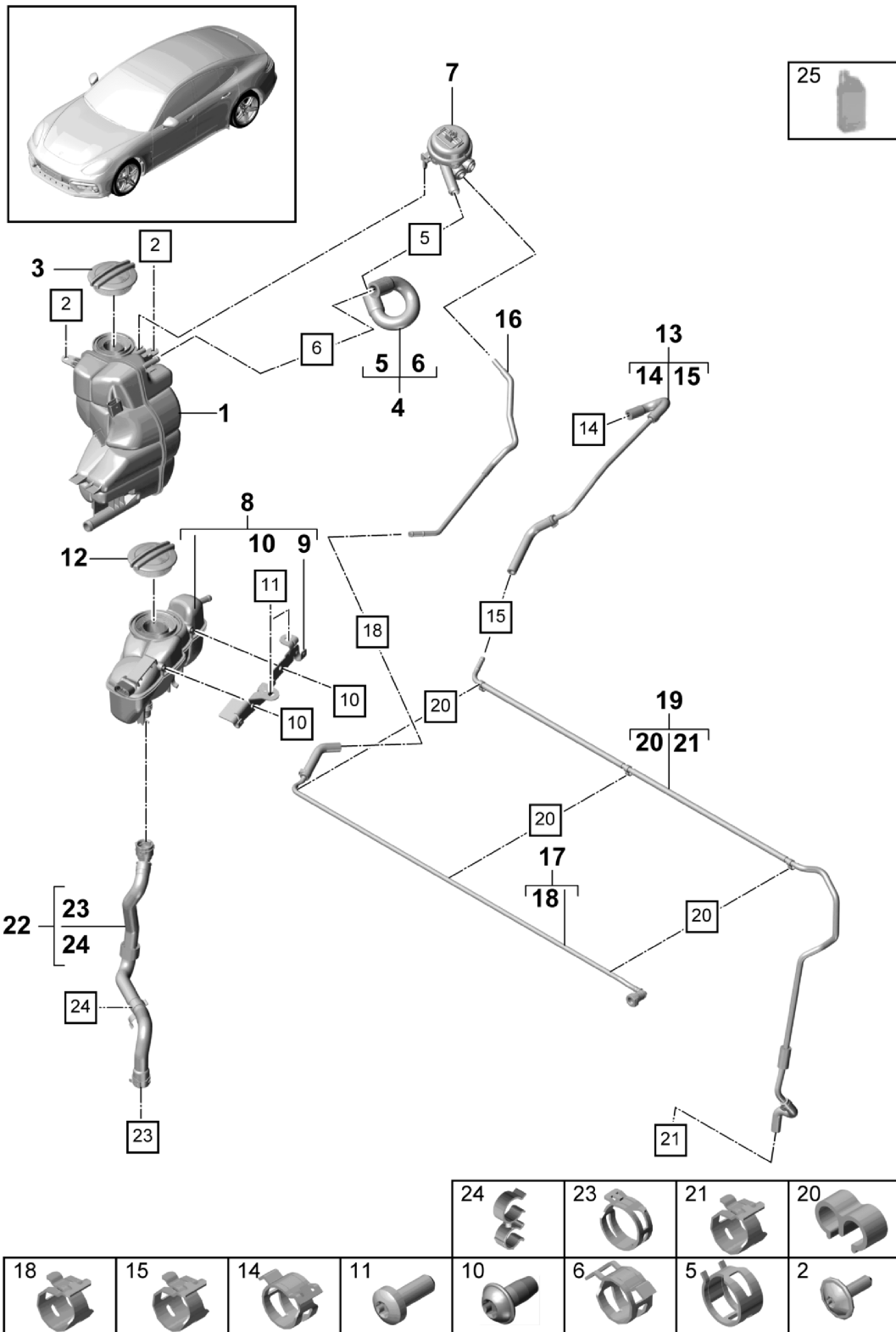
Model: 971-17

Model life 2017>>

Pos	Part Number	Description	Remark	Qty	Model
		Coolant cooling system Coolant expansion tank Breather line			CXTA, CXT
1	9A7 121 407 00	Coolant expansion tank		1	
2	N 911 883 01	Hexagon socket head bolt	M6X20	2	
3	958 106 447 00	Cover		1	
		Coolant expansion tank			
4	9A7 121 447 00	Coolant hose		1	
5	N 912 104 01	Spring band clamp	19X12	1	
6	N 909 264 01	Spring band clamp	19X12	1	
7	9A7 121 671 00	Bleed valve		1	
		Coolant cooling system Breather line			
8	9A7 122 447 00	Coolant expansion tank		1	
		Breather line			
9	9A7 122 447 10	Coolant expansion tank		1	
		Breather line			
10	971 122 109 E	Coolant hose Reservoir	lower	1	
11	955 512 405 00	Clamp	29X12	1	
12	N 906 870 01	Spring band clamp	27X12	1	
13	971 122 051 M	Coolant pipe		1	
14	9A7 121 530 00	Hose clamp	46X12	1	
15	971 121 050 N	Coolant pipe		1	
16	N 906 870 01	Spring band clamp	27X12	2	
17	N 106 320 03	Oval socket head bolt with hex drive	M6X16	1	
18	9A7 906 457 02	throttle control element		1	
19	N 015 082 10	Hexagon collar nut	M6	2	
20	971 121 660	bracket f.throttle contr.elem.		1	
21	N 104 056 04	Oval hexagon socket head bolt	M6X14	2	
22	971 121 050 G	Coolant hose		1	
23	N 906 870 01	Spring band clamp	27X12	1	
24	N 906 869 01	Spring band clamp	23X12	1	
25		Oil cooler		1	
		see illustration, item:	360-010,1		
26	971 121 036 H	Coolant hose		1	
27	N 906 869 01	Spring band clamp	23X12	1	
28	971 121 036 A	Coolant pipe		1	
29	N 906 870 01	Spring band clamp	27X12	1	
30	N 106 320 03	Oval socket head bolt with hex drive	M6X16	2	
31	9A7 122 101 10	Coolant pipe		1	
32	9A7 121 530 00	Hose clamp	46X12	1	
33	9A7 122 073 10	Coolant pipe with coolant hose and Retaining bar		1	
34	N 906 869 01	Spring band clamp	23X12	1	
35	N 106 320 03	Oval socket head bolt with hex drive	M6X16	1	
36	N 015 082 10	Hexagon collar nut	M6	1	
37	9A7 122 073 20	Coolant pipe with coolant hose and Retaining bar		1	
38	N 906 870 01	Spring band clamp	27X12	1	
39	N 106 320 03	Oval socket head bolt with hex drive	M6X16	2	
40	000 043 305 15	Coolant additive	1.0 Ltr.	X	
(40)	000 043 305 16	Coolant additive	20ltr.	X	
(40)	000 043 305 64	Cleaning solution	20ltr.	X	

Model: 971-17

Model life 2017>>



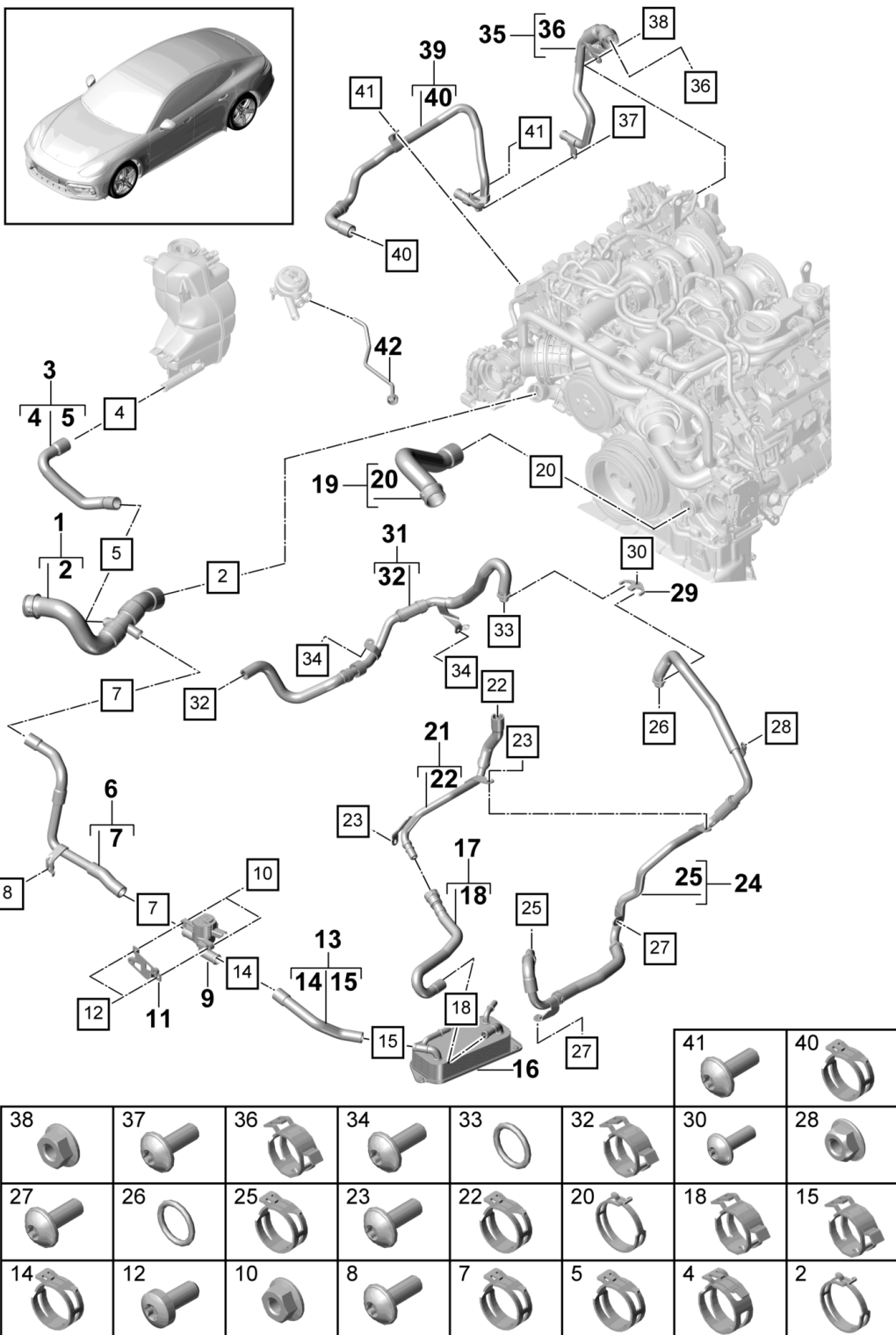
Model: 971-17

Model life 2017>>

Pos	Part Number	Description	Remark	Qty	Model
		Coolant cooling system Coolant expansion tank Breather line			DGPA, DGP
1	9A7 121 407 00	Coolant expansion tank		1	
2	N 911 883 01	Hexagon socket head bolt	M6X20	2	
3	958 106 447 00	Cover		1	
		Coolant expansion tank			
4	9A7 121 447 00	Coolant hose		1	
5	N 912 104 01	Spring band clamp	19X12	1	
6	N 909 264 01	Spring band clamp	19X12	1	
7	9A7 121 671 00	Bleed valve		1	
8	9A7 121 405 10	Coolant cooling system Reservoir		1	
		Coolant cooling system For vehicles with hybrid drive			
9		Bracket Reservoir * single parts no available *		1	
		Reservoir alternatively, you can use:	9A7 121 405 10		
10	N 106 839 01	Oval socket head bolt with hex drive	TP6X12	2	
11	N 104 514 05	Oval hexagon socket head bolt	M6X16	2	
12	958 106 447 00	Cover		1	
		Reservoir			
13	971 122 447 AA	Breather line		1	
		Coolant cooling system			
14	N 907 702 01	Spring band clamp	17X12	1	
15	N 906 867 01	Spring band clamp	14X12	1	
16	9A7 122 447 40	Breather line		1	
		Coolant expansion tank			
		also use:	N 906 867 01	1	
17	9A7 122 447 07	Breather line		1	
		Coolant expansion tank			
18	N 906 867 01	Spring band clamp	14X12	1	
19	9A7 122 447 06	Breather line		1	
		Coolant expansion tank			
		also use:	N 906 867 01	1	
20	N 105 887 01	Spacer holder	8X8	3	
21	N 906 867 01	Spring band clamp	14X12	1	
22	9A7 121 109 00	Coolant hose		1	
23	N 906 870 01	Spring band clamp	27X12	1	
24	N 104 421 01	Bracket	18X22	1	
25	000 043 305 15	Coolant additive	1.0 Ltr.	X	
(25)	000 043 305 16	Coolant additive	20ltr.	X	
(25)	000 043 305 64	Cleaning solution	20ltr.	X	

Model: 971-17

Model life 2017>>



Model: 971-17

Model life 2017>>

Pos	Part Number	Description	Remark	Qty	Model
		Coolant cooling system For vehicles with hybrid drive			DGPA,DGP
1	9A7 122 051 30	Coolant hose		1	
2	9A7 121 530 00	Hose clamp	46X12	1	
3	971 122 109 E	Coolant hose		1	
4	955 512 405 00	Clamp	29X12	1	
5	N 906 870 01	Spring band clamp	27X12	1	
6	971 121 050 N	Coolant pipe		1	
7	N 906 870 01	Spring band clamp	27X12	2	
8	N 106 320 03	Oval socket head bolt with hex drive	M6X16	1	
9	9A7 906 457 02	throttle control element		1	
		also use:	N 906 870 01	2	
10	N 015 082 10	Hexagon collar nut	M6	2	
11	971 121 660	bracket f.throttle contr.elem.		1	
12	N 104 056 04	Oval hexagon socket head bolt	M6X14	2	
13	971 121 050 G	Coolant hose		1	
14	N 906 870 01	Spring band clamp	27X12	1	
15	N 906 869 01	Spring band clamp	23X12	1	
16		Oil cooler		1	
		see illustration:	360-010		
17	971 121 036 H	Coolant hose		1	
18	N 906 869 01	Spring band clamp	23X12	1	
19	9A7 122 101 10	Coolant pipe		1	
20	9A7 121 530 00	Hose clamp	46X12	1	
21	971 121 036 A	Coolant pipe		1	
22	N 906 870 01	Spring band clamp	27X12	1	
23	N 106 320 03	Oval socket head bolt with hex drive	M6X16	2	
24	9A7 121 034 04	Coolant pipe with coolant hose		1	PR:9M0
(24)	971 121 034 J	Coolant pipe with coolant hose		1	PR:9M7
25	N 906 870 01	Spring band clamp	27X12	1	
26	N 909 816 01	O-ring	15,8X2,4	1	
27	N 106 320 03	Oval socket head bolt with hex drive	M6X16	2	
28	N 023 002 13	hexagon nut, self-locking	M6	1	
29	9A7 121 214 00	Bracket		1	
30	N 107 148 01	fillister head bolt with multi-point socket head	M6X18	1	
31	9A7 121 034 05	Coolant pipe with coolant hose		1	
32	N 906 869 01	Spring band clamp	23X12	1	
33	N 909 816 01	O-ring	15,8X2,4	1	
34	N 106 320 03	Oval socket head bolt with hex drive	M6X16	2	
35	9A7 122 073 10	Coolant pipe with coolant hose and Retaining bar		1	
36	N 906 869 01	Spring band clamp	23X12	1	
37	N 106 320 03	Oval socket head bolt with hex drive	M6X16	1	
38	N 015 082 10	Hexagon collar nut	M6	1	
39	9A7 122 073 20	Coolant pipe with coolant hose and Retaining bar		1	
40	N 906 870 01	Spring band clamp	27X12	1	
41	N 106 320 03	Oval socket head bolt with hex drive	M6X16	2	

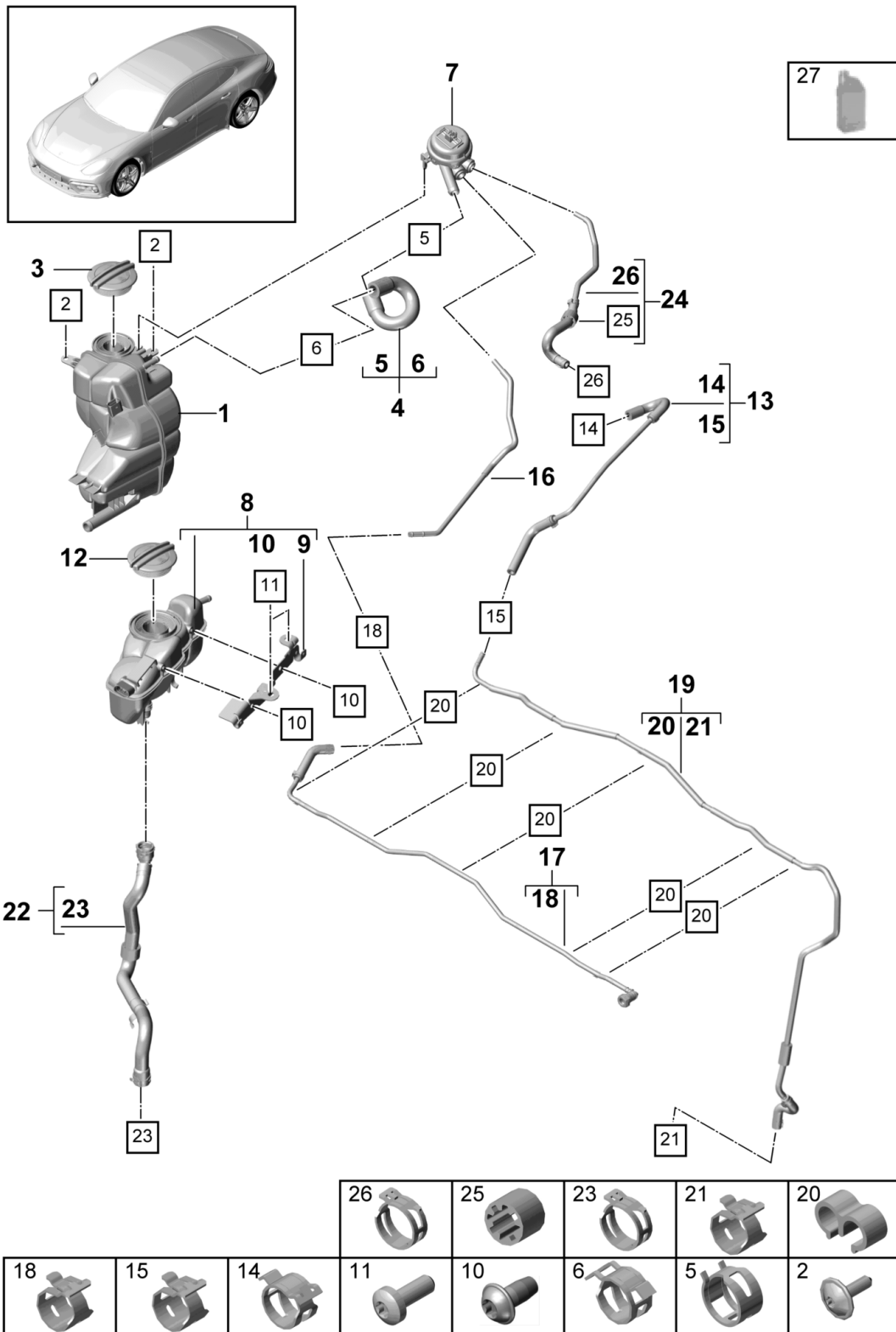
Model: 971-17

Model life 2017>>

Pos	Part Number	Description	Remark	Qty	Model
42	9A7 122 447 10	Breather line		1	

Model: 971-17

Model life 2017>>



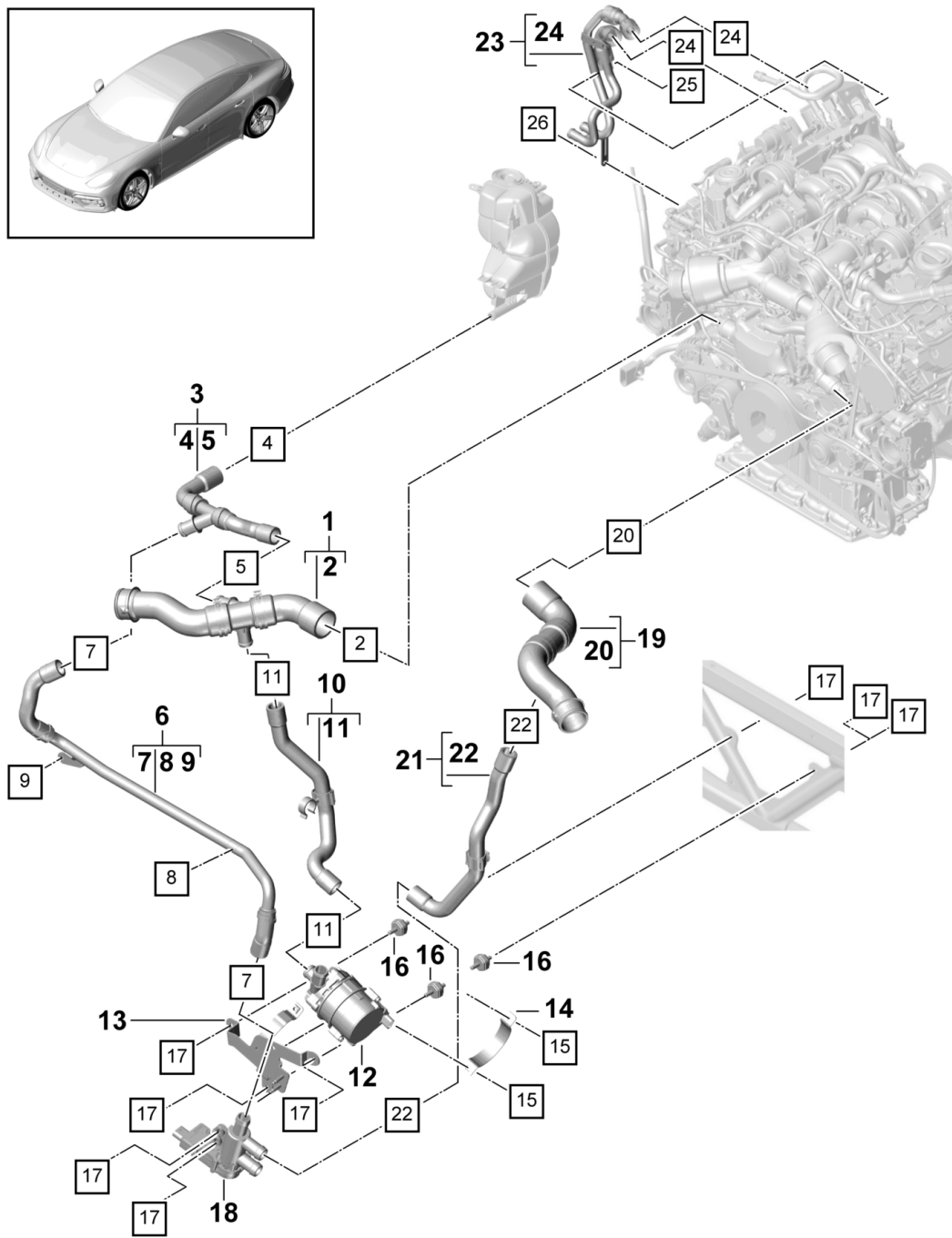
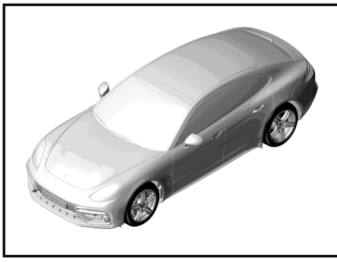
Model: 971-17

Model life 2017>>

Pos	Part Number	Description	Remark	Qty	Model
		Coolant cooling system For vehicles with hybrid drive			CVDA, CVD+ PR:OK3
1	9A7 121 407 00	Coolant expansion tank		1	
2	N 911 883 01	Coolant cooling system Hexagon socket head bolt	M6X20	2	
3	958 106 447 00	Cover Reservoir		1	
4	9A7 121 447 00	Coolant hose		1	
5	N 912 104 01	Spring band clamp	19X12	1	
6	N 909 264 01	Spring band clamp	19X12	1	
7	9A7 121 671 00	Bleed valve		1	
8	9A7 121 405 10	Coolant cooling system Reservoir		1	
9		Coolant cooling system For vehicles with hybrid drive Bracket Reservoir		1	
10	N 106 839 01	* single parts no available * Oval socket head bolt with hex drive	TP6X12	2	
11	N 104 514 05	Oval hexagon socket head bolt	M6X16	2	
12	958 106 447 00	Cover Reservoir		1	
13	971 122 447 AA	Breather line Coolant cooling system		1	
14	N 907 702 01	Spring band clamp	17X12	1	
15	N 906 867 01	Spring band clamp	14X12	1	
16	9A7 122 447 40	Breather line Reservoir		1	
17	9A7 122 447 45	Breather line Reservoir	also use: N 906 867 01	1 1	
18	N 906 867 01	Spring band clamp	14X12	1	
19	9A7 122 447 46	Breather line Reservoir		1	
20	N 105 887 01	Spacer holder	also use: N 906 867 01 8X8	1 5	
21	N 906 867 01	Spring band clamp	14X12	1	
22	9A7 121 109 01	Coolant hose		1	
23	N 906 870 01	Spring band clamp	27X12	1	
24	9A7 122 447 41	Breather line		1	
25	N 105 195 01	Spacer ring		1	
26	N 906 867 01	Spring band clamp	14X12	1	
27	000 043 305 15	Coolant additive	1.0 Ltr.	X	
(27)	000 043 305 16	Coolant additive	20ltr.	X	
(27)	000 043 305 64	Cleaning solution	20ltr.	X	

Model: 971-17

Model life 2017>>



		26	25	24	22	20	17
15	11	9	8	7	5	4	2

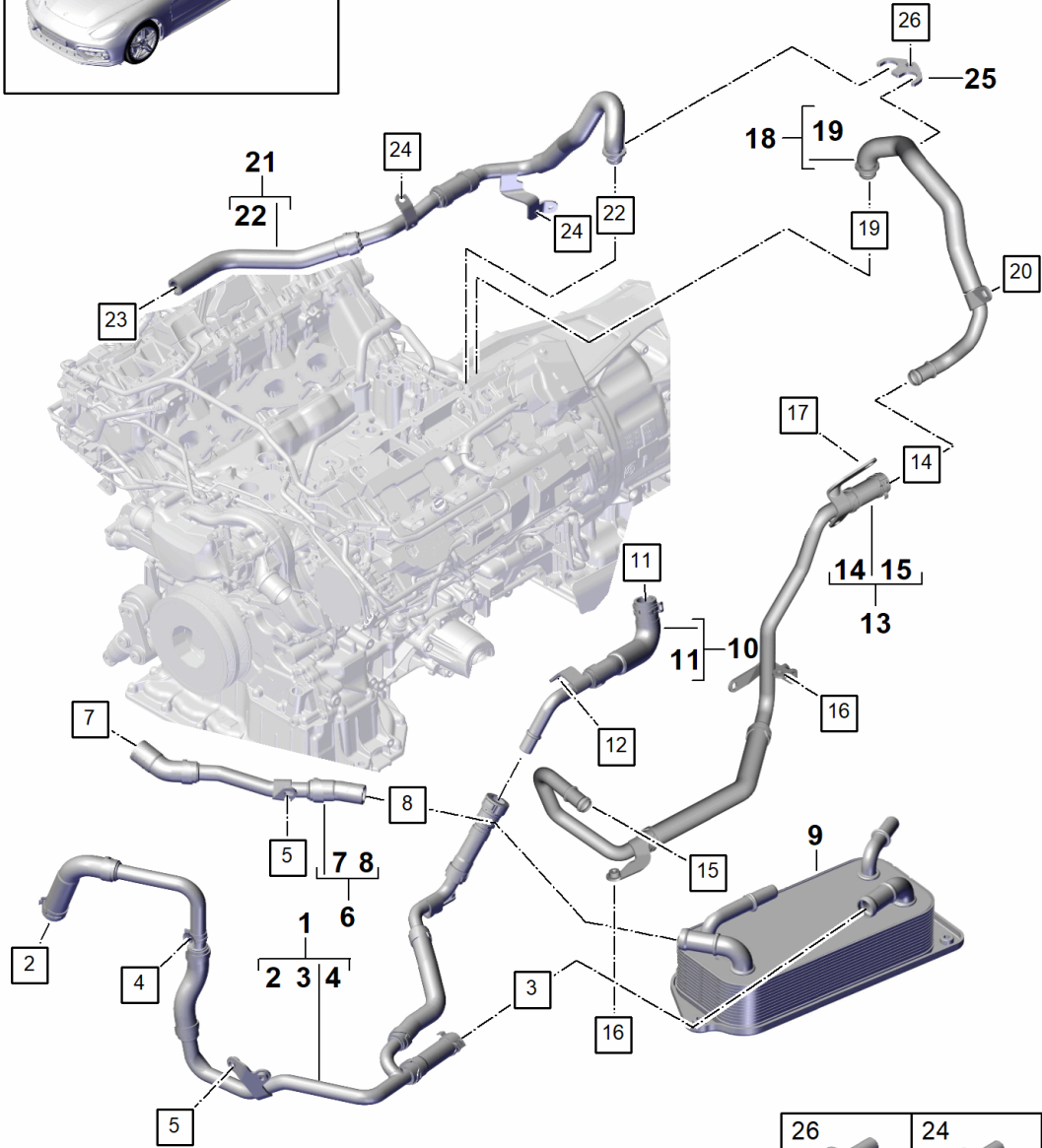
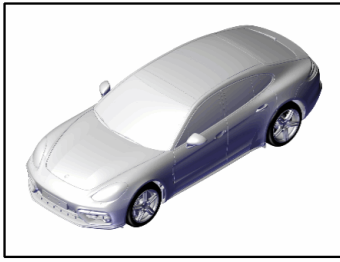
Model: 971-17

Model life 2017>>

Pos	Part Number	Description	Remark	Qty	Model
		Coolant cooling system For vehicles with hybrid drive			CVDA, CVD+ PR:0K3
1	9A7 122 051 40	Coolant pipe		1	
2	9A7 121 530 00	Hose clamp	46X12	1	
3	971 122 109 F	Coolant hose		1	
4	955 512 405 00	Clamp	29X12	1	
5	N 906 870 01	Spring band clamp	27X12	1	
6	9A7 121 086 00	Coolant pipe with coolant hose		1	
7	N 906 870 01	Spring band clamp	27X12	2	
8	N 106 491 01	Hose bracket	17,5	1	
9	N 911 585 01	Spreader rivet		1	
10	9A7 121 081 40	Coolant hose		1	
11	N 906 870 01	Spring band clamp	27X12	2	
12	9A7 965 567 40	Coolant pump Electric		1	
13	9A7 121 232 40	Bracket Coolant pump		1	
14	9A7 121 084 40	Counterhold		1	
15	N 103 352 06	Hexagon socket flat head bolt	M6X12	1	
16	7L0 819 083	Bonded rubber bush		3	
17	N 015 082 10	Hexagon collar nut	M6	8	
18	9A7 819 809 00	Valve		1	
19	9A7 122 101 40	Coolant pipe		1	
20	9A7 121 530 00	Hose clamp	46X12	1	
21	9A7 121 086 02	Coolant hose		1	PR:9M0
(21)	971 121 086 E	Coolant hose		1	PR:9M7
22	N 906 870 01	Spring band clamp	27X12	2	
23	9A7 122 073 00	Coolant pipe		1	
		with:			
24	N 906 869 01	Retaining bar Spring band clamp	23X12	2	
25	N 023 002 13	hexagon nut, self-locking	M6	1	
26	N 106 320 03	Oval socket head bolt with hex drive	M6X16	1	

Model: 971-17

Model life 2017>>



						26	24
23	22	20	19	17	16	15	14
12	11	8	7	5	4	3	2

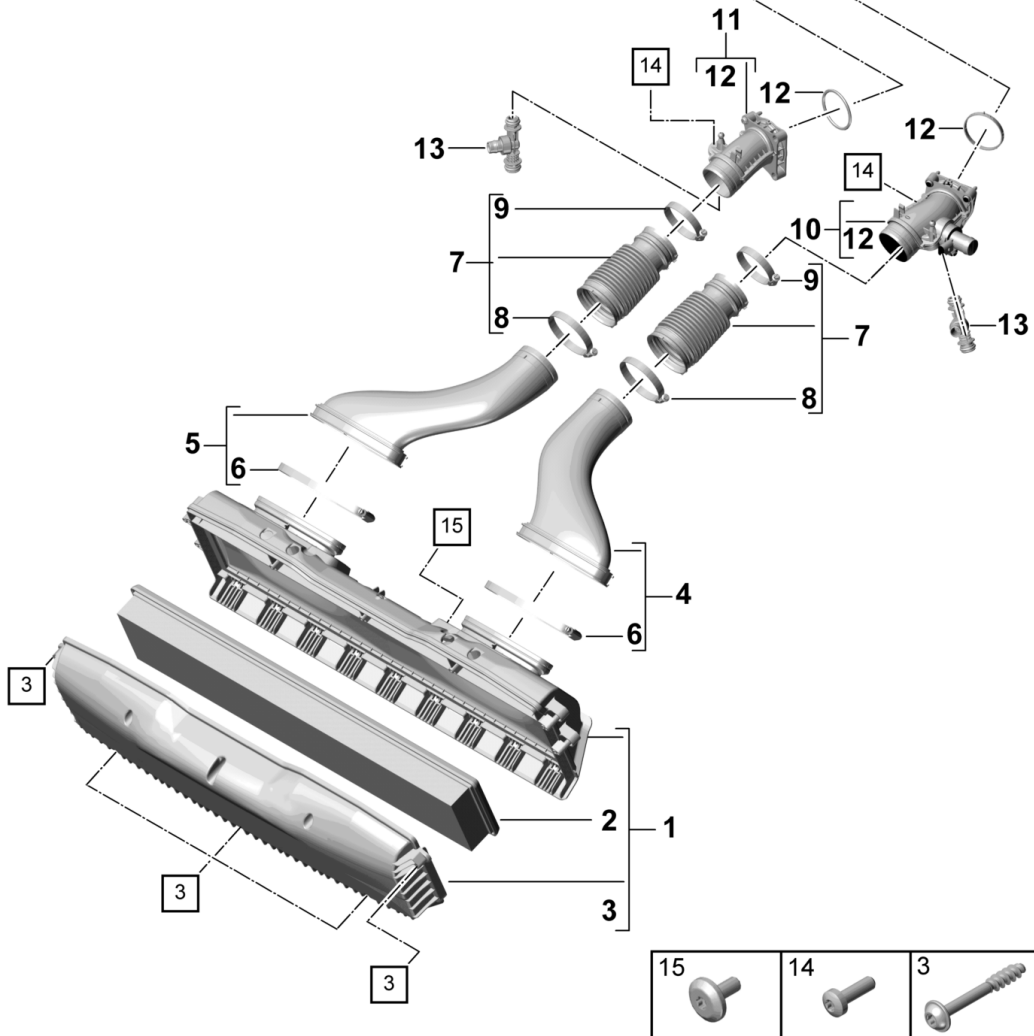
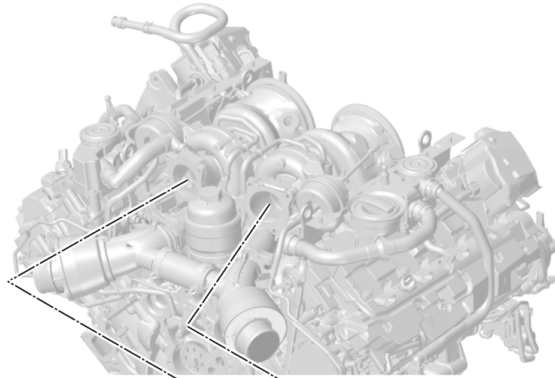
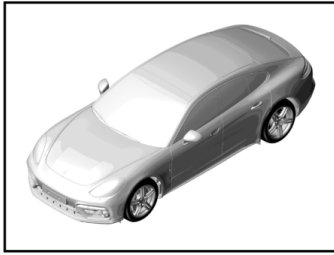
Model: 971-17

Model life 2017>>

Pos	Part Number	Description	Remark	Qty	Model
		Coolant cooling system For vehicles with hybrid drive			CVDA, CVD+ PR:0K3
1	9A7 121 081 07	Coolant pipe with coolant hose		1	PR:9M0
(1)	971 121 081 H	Coolant pipe with coolant hose		1	PR:9M7
2	N 906 870 01	Spring band clamp	27X12	1	
3	N 906 869 01	Spring band clamp	23X12	1	
4	N 106 491 01	Hose bracket		1	PR:9M0
(4)	N 911 585 01	Spreader rivet		1	PR:9M7
6	9A7 121 086 04	Coolant pipe		1	
7	N 906 870 01	Spring band clamp	27X12	1	
8	N 906 869 01	Spring band clamp	23X12	1	
9		Oil cooler see illustration:	360-010	1	
10	9A7 121 036 01	Coolant pipe		1	
11	N 906 870 01	Spring band clamp		1	
12	N 106 320 03	Oval socket head bolt with hex drive	M6X16	1	
13	9A7 121 034 07	Coolant pipe with coolant hose		1	PR:9M0
(13)	971 121 034 N	Coolant pipe with coolant hose		1	PR:9M7
14	955 512 407 00	Clamp	25X12	1	
15	N 906 870 01	Spring band clamp	27X12	1	
16	N 106 320 03	Oval socket head bolt with hex drive	M6X16	3	
17	N 909 292 02	Flat head multi-point socket bolt	M10X20	1	
18	971 121 034 P	Coolant pipe with coolant hose		1	
19	N 909 816 01	O-ring	15,8X2,4	1	
20	N 106 320 03	Oval socket head bolt with hex drive	M6X16	1	
21	9A7 121 034 06	Coolant pipe with coolant hose		1	
22	N 909 816 01	O-ring	15,8X2,4	1	
23	N 906 869 01	Spring band clamp	23X12	1	
24	N 106 320 03	Oval socket head bolt with hex drive	M6X16	2	
25	9A7 121 214 00	Bracket		1	
26	N 107 148 01	fillister head bolt with multi-point socket head	M6X18	1	

Model: 971-17

Model life 2017>>



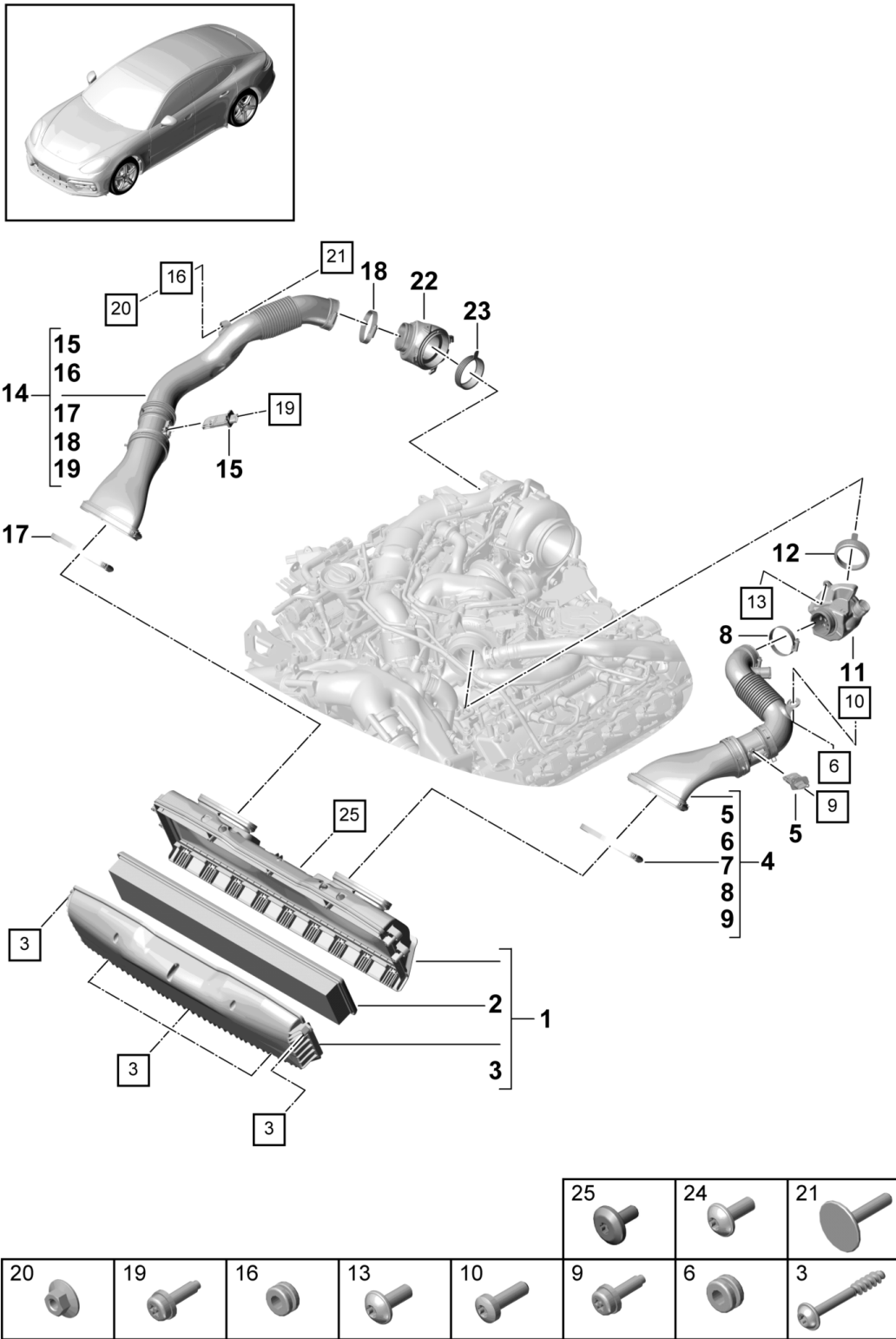
Model: 971-17

Model life 2017>>

Pos	Part Number	Description	Remark	Qty	Model
		Air cleaner system			CVDA, CVD,
		intake hose			CSZA, CSZ,
		intake manifold			DGPA, DGP
1	971 128 607 B	Air filter		1	
2	971 129 620	Air filter element		1	
3	9A7 008 577 00	Oval-head screw	TP5X34	5	
4	971 128 533	intake hose	left	1	
5	971 129 533	intake hose	right	1	
7	971 129 627	intake hose		2	
10	9A7 129 609 00	intake manifold	left	1	CVDA, CVD
(10)	9A7 129 665 00	intake manifold	left	1	CSZA, CSZ,
					DGPA, DGP
11	9A7 129 606 00	intake manifold	right	1	CVDA, CVD
(11)	9A7 129 666 00	intake manifold	right	1	CSZA, CSZ,
					DGPA, DGP
12	9A7 129 056 00	Seal		2	CVDA, CVD
(12)	9A7 133 026 00	Seal		2	CSZA, CSZ,
					DGPA, DGP
13		Valve		2	CVDA, CVD
		suction jet pump			
		see illustration:	107-055		
14	N 101 243 06	Oval hexagon socket head bolt	M6X20	2	CVDA, CVD
15	9A7 007 931 00	fillister hd. bolt	M6X14	4	
			aluminium		

Model: 971-17

Model life 2017>>



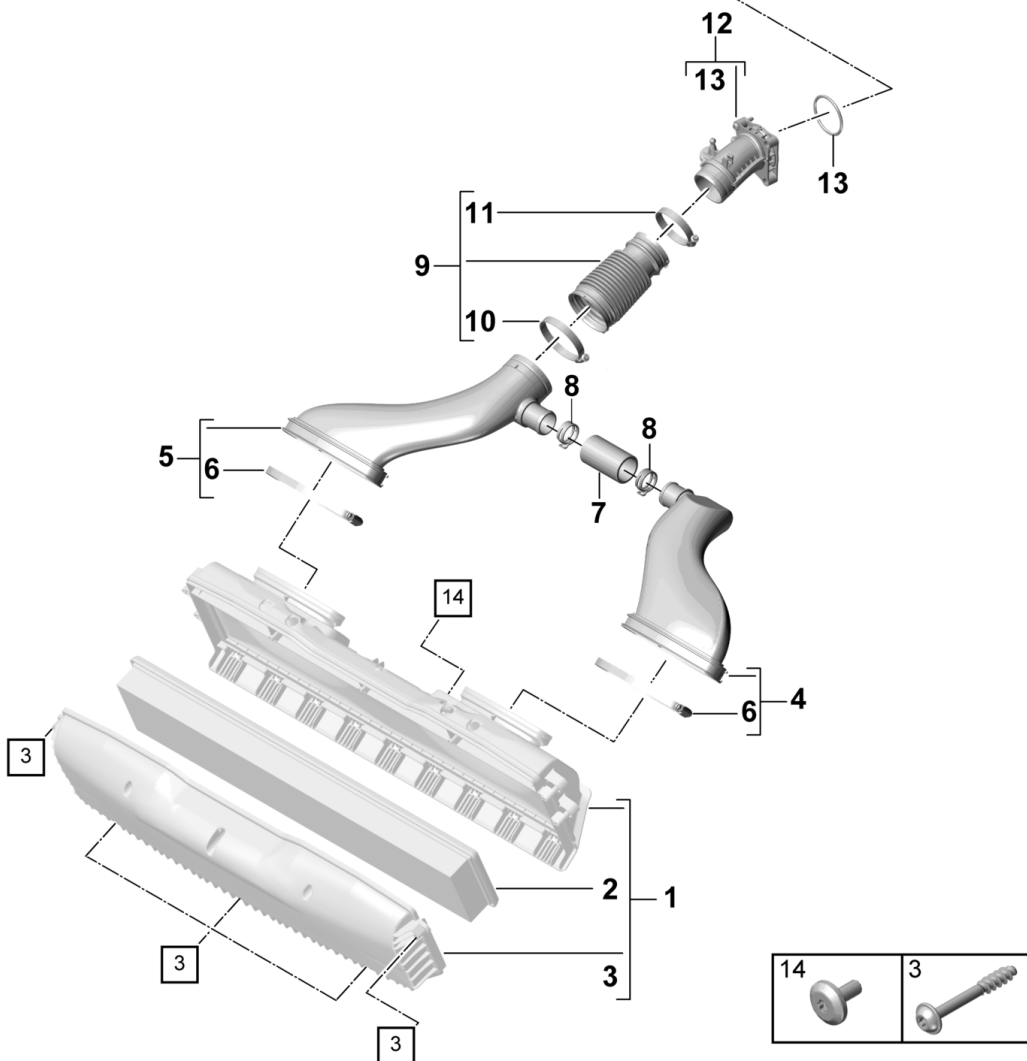
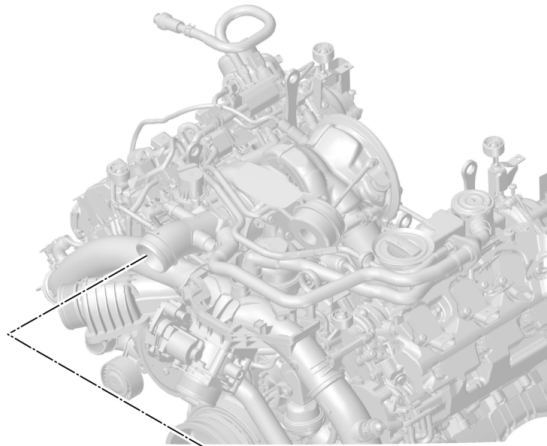
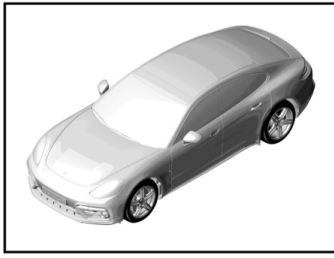
Model: 971-17

Model life 2017>>

Pos	Part Number	Description	Remark	Qty	Model
		Air cleaner system intake hose			DBUC
1	971 128 607 A	Air filter		1	
2	971 129 620	Air filter element		1	
3	9A7 008 577 00	Oval-head screw	TP5X34	5	
4	971 128 532 B	intake hose	left	1	
5	9A7 133 471 00	Air mass meter		1	
6	955 110 669 00	Grommet		1	
10	N 101 243 06	Oval hexagon socket head bolt	M6X20	1	
11	971 128 684 B	Connecting pipe for intake hose	left	1	
12	9A7 129 213 00	Seal		1	
13	N 106 320 03	Oval socket head bolt with hex drive	M6X16	1	
14	971 129 532	intake hose	right	1	
15	9A7 133 471 00	Air mass meter		1	
16	955 110 669 00	Grommet		1	
20	N 911 893 03	Hexagon nut		1	
21	971 129 139	Bracket suction line	right	1	
22	971 129 684	Connecting pipe for intake hose	right	1	
23	9A7 129 213 00	Seal		1	
24	N 106 320 03	Oval socket head bolt with hex drive	M6X16	1	
25	9A7 007 931 00	fillister hd. bolt	M6X14 aluminium	4	

Model: 971-17

Model life 2017>>



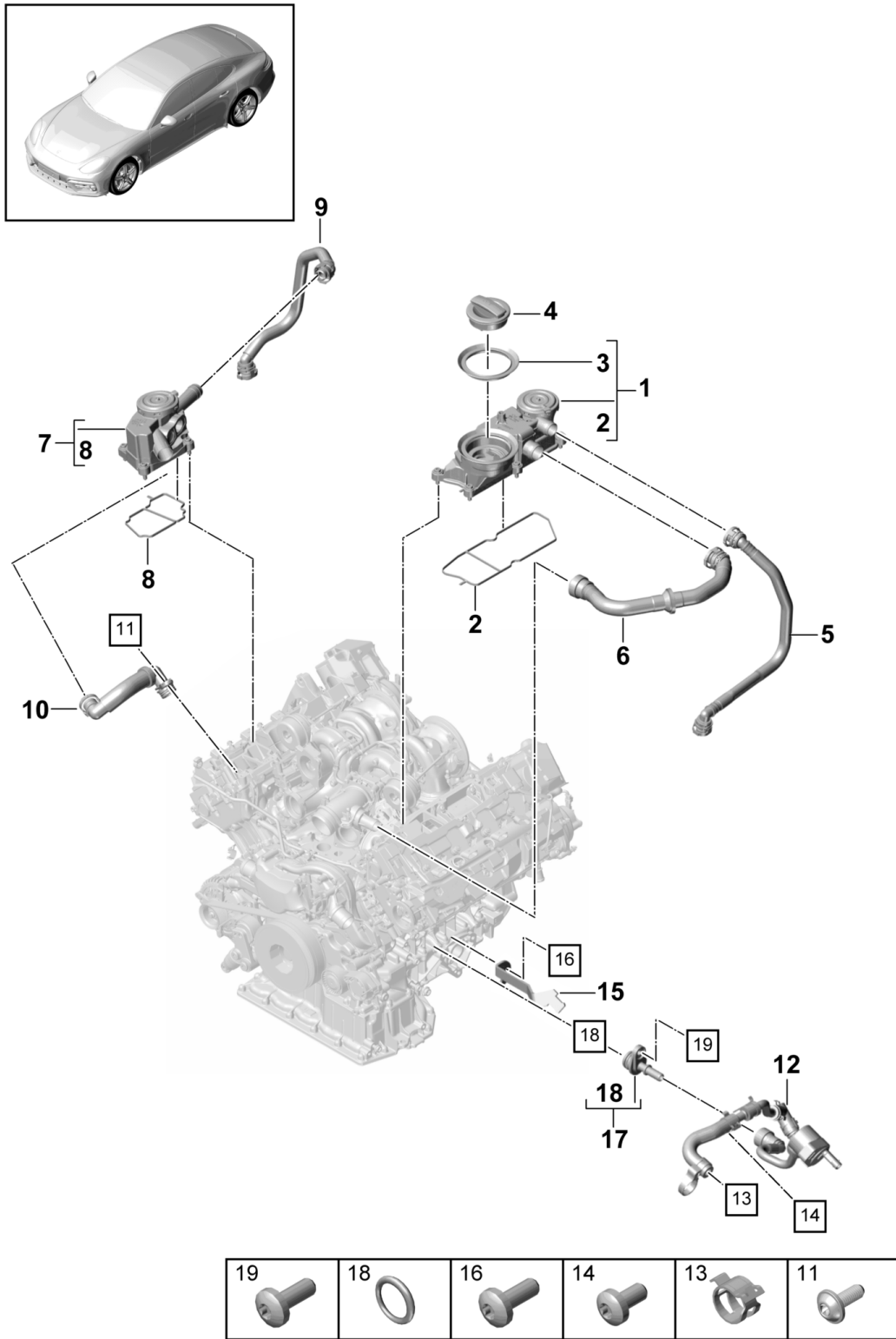
Model: 971-17

Model life 2017>>

Pos	Part Number	Description	Remark	Qty	Model
		Air cleaner system intake hose			CXTA, CXT
1	971 128 607 B	Air filter		1	
2	971 129 620	Air filter element		1	
3	9A7 008 577 00	Oval-head screw	TP5X34	5	
4	971 128 629	Resonance tube	left	1	
5	971 129 533 C	intake hose	right	1	
7	971 128 107	Connecting piece		1	
			also use:		
8	9A7 121 326 04	Clamp	9A7 121 326 04	2	
9	971 129 627	intake hose		1	
12	9A7 129 665 10	intake manifold		1	
13	9A7 133 026 01	Seal		1	
14	9A7 007 931 00	fillister hd. bolt	M6X14 aluminium	4	

Model: 971-17

Model life 2017>>



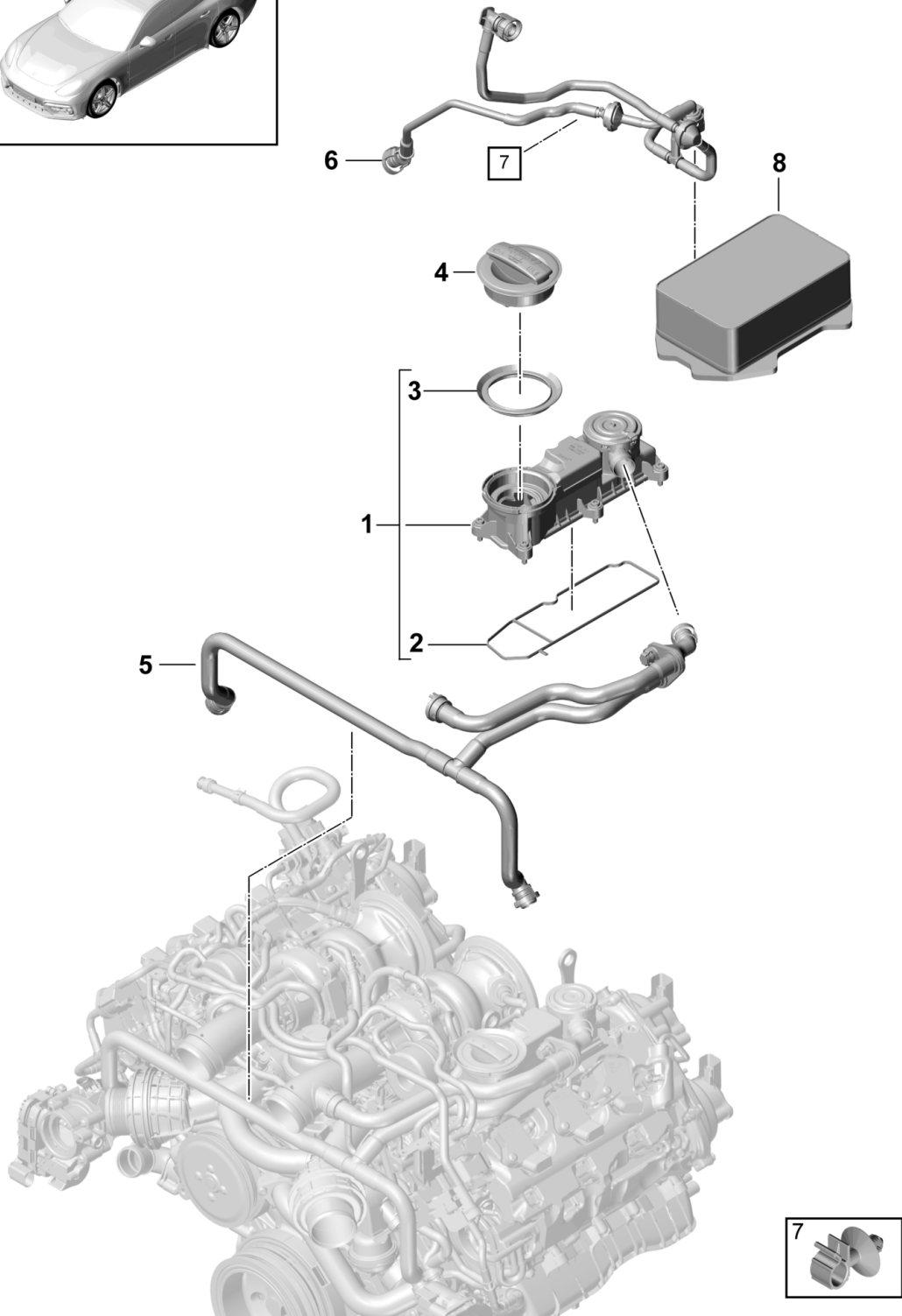
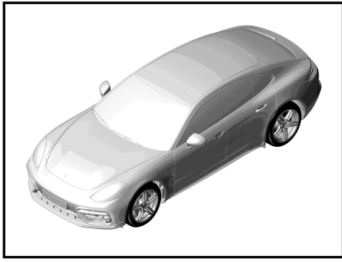
Model: 971-17

Model life 2017>>

Pos	Part Number	Description	Remark	Qty	Model
		Ventilation for cylinder block oil separator			CVDA, CVD
1	9A7 103 495 01	oil separator	left	1	
2	9A7 103 517 00	Seal	left	1	
3	9A7 103 727 00	Seal		1	
4	958 104 485 10	End cap		1	
		No longer use the part here			
(4)	9A7 103 485 00	End cap engine oil		1	
5	9A7 103 282 00	Breather line		1	
6	9A7 103 210 00	Breather line		1	
		also use:	9A7 129 609 00	1	
7	9A7 103 464 01	oil separator	right	1	
8	9A7 103 484 10	Seal	right	1	
9	9A7 103 283 02	Breather line		1	
10	9A7 103 211 00	Breather line		1	
		also use:	9A7 103 448 00	1	
11	9A7 103 448 00	Securing element for Breather line		1	
12	9A7 103 217 00	Breather line		1	
13	N 907 702 01	Spring band clamp	17X12	1	
14	N 103 352 06	Hexagon socket flat head bolt	M6X12	1	
15	9A7 103 370 00	Bracket		1	
16	N 911 266 01	Oval hexagon socket head bolt	M6X16	1	
17	9A7 103 220 00	connection piece		1	
18	N 909 250 02	O-ring	17X3	1	
19	N 911 266 01	Oval hexagon socket head bolt	M6X16	1	

Model: 971-17

Model life 2017>>



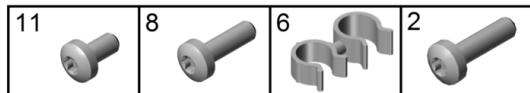
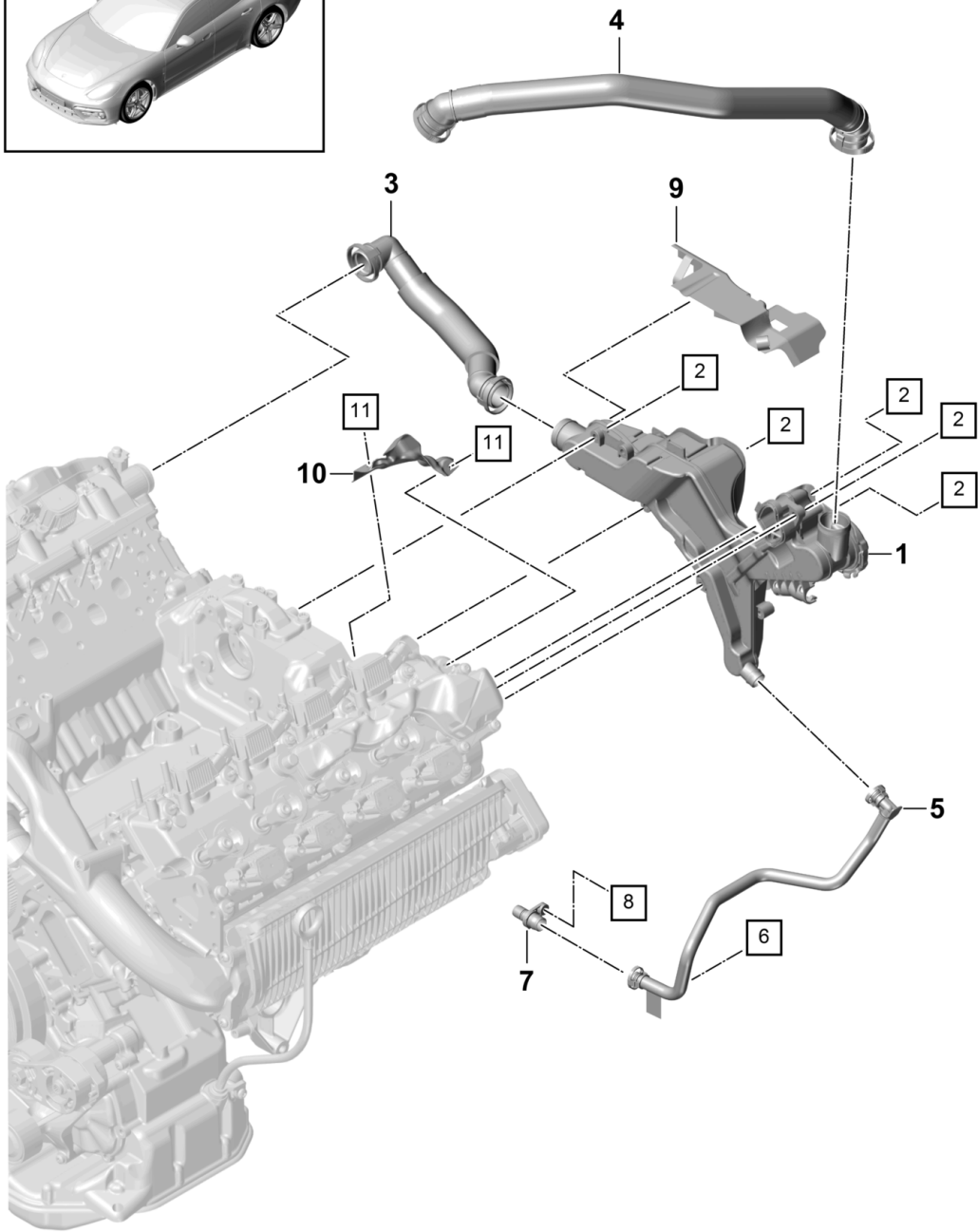
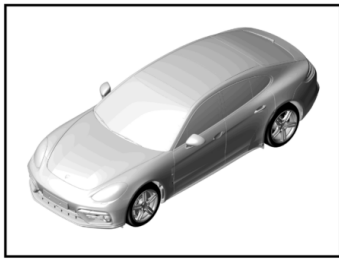
Model: 971-17

Model life 2017>>

Pos	Part Number	Description	Remark	Qty	Model
		Crankcase housing ventilation			CSZA,CSZ, DGPA,DGP
1	9A7 103 495 10	oil separator		1	
2	9A7 103 517 10	Seal		1	
3	9A7 103 727 00	Seal		1	
4	958 104 485 10	End cap engine oil		1	
(4)	9A7 103 485 00	No longer use the part here End cap engine oil		1	
5	9A7 103 210 10	Breather line		1	
		also use:	9A7 129 665 00	1	
		No longer use the part here for this use:	PAC 103 210 B	1	
(5)	PAC 103 210	Breather line		1	
		also use:	9A7 129 665 00	1	
		No longer use the part here for this use:	PAC 103 210 B	1	
(5)	PAC 103 210 B	Breather line		1	
		also use:	9A7 129 665 00	1	
6	9A7 103 217 10	Breather line		1	
		also use:	9A7 117 015 10	1	
			000 043 300 39	1	
			9A7 121 070 00	4	
7	PAC 103 732	Retaining clip		1	
8		Oil cooler see illustration, item:	104-005,20		

Model: 971-17

Model life 2017>>



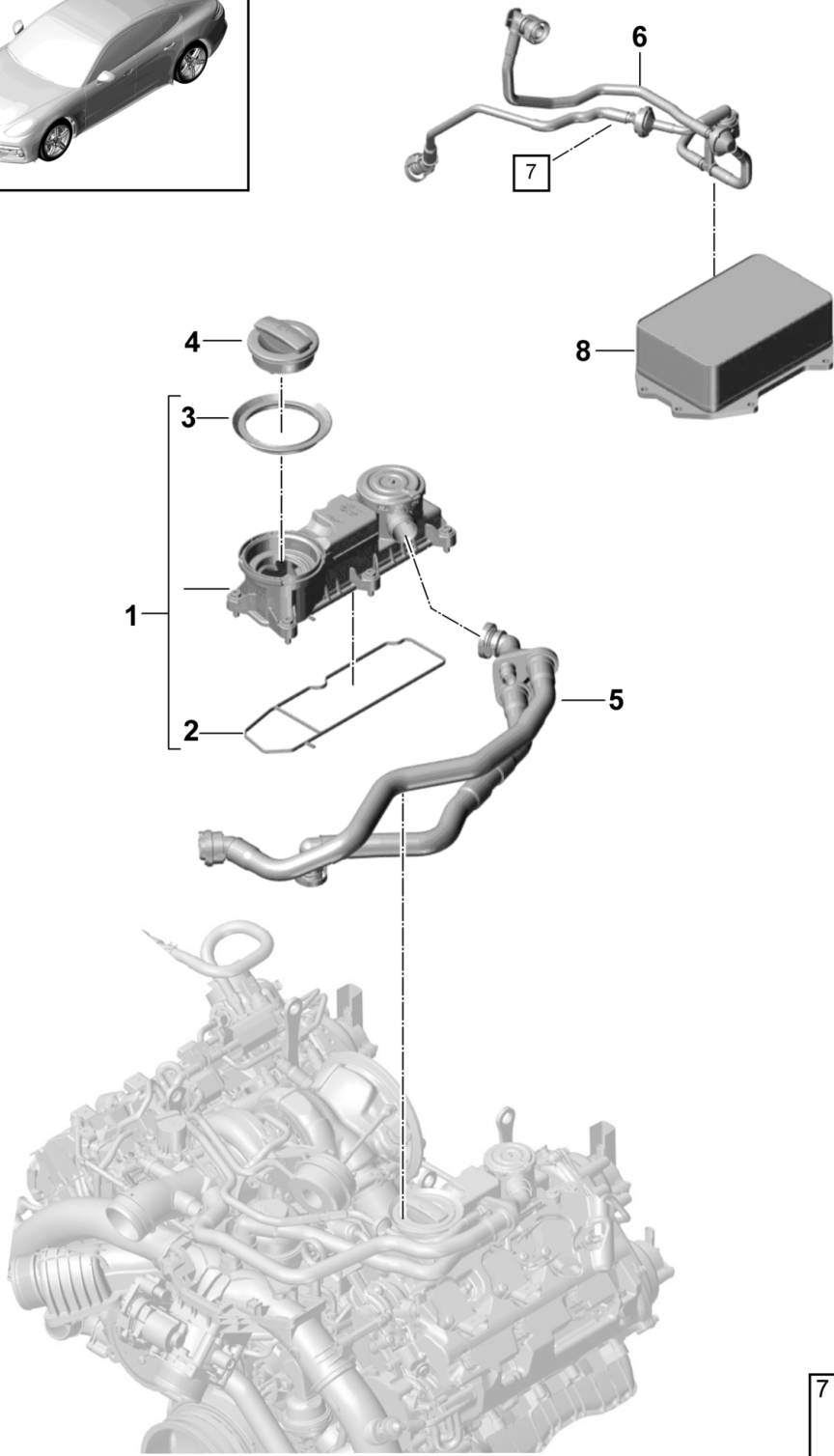
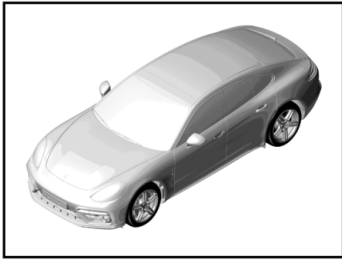
Model: 971-17

Model life 2017>>

Pos	Part Number	Description	Remark	Qty	Model
1	9A7 103 772 00	Crankcase housing ventilation oil separator		1	DBUC
		with:			
2	N 107 002 01	Crankcase housing ventilation round hd. screw	M6X22	5	
3	9A7 103 211 30	Breather line		1	
4	9A7 103 209 00	Breather line		1	
5	9A7 145 734 10	Oil return line		1	
6	N 105 212 03	Combination holder A 01-15 X C01-16		1	
7	9A7 409 079 00	connection piece		1	
8	N 101 243 06	Oval hexagon socket head bolt	M6X20	1	
9	9A7 131 991 07	Heat insulation		1	
10	9A7 103 555 00	Guard plate		1	
11	N 103 352 06	Hexagon socket flat head bolt	M6X12	2	

Model: 971-17

Model life 2017>>



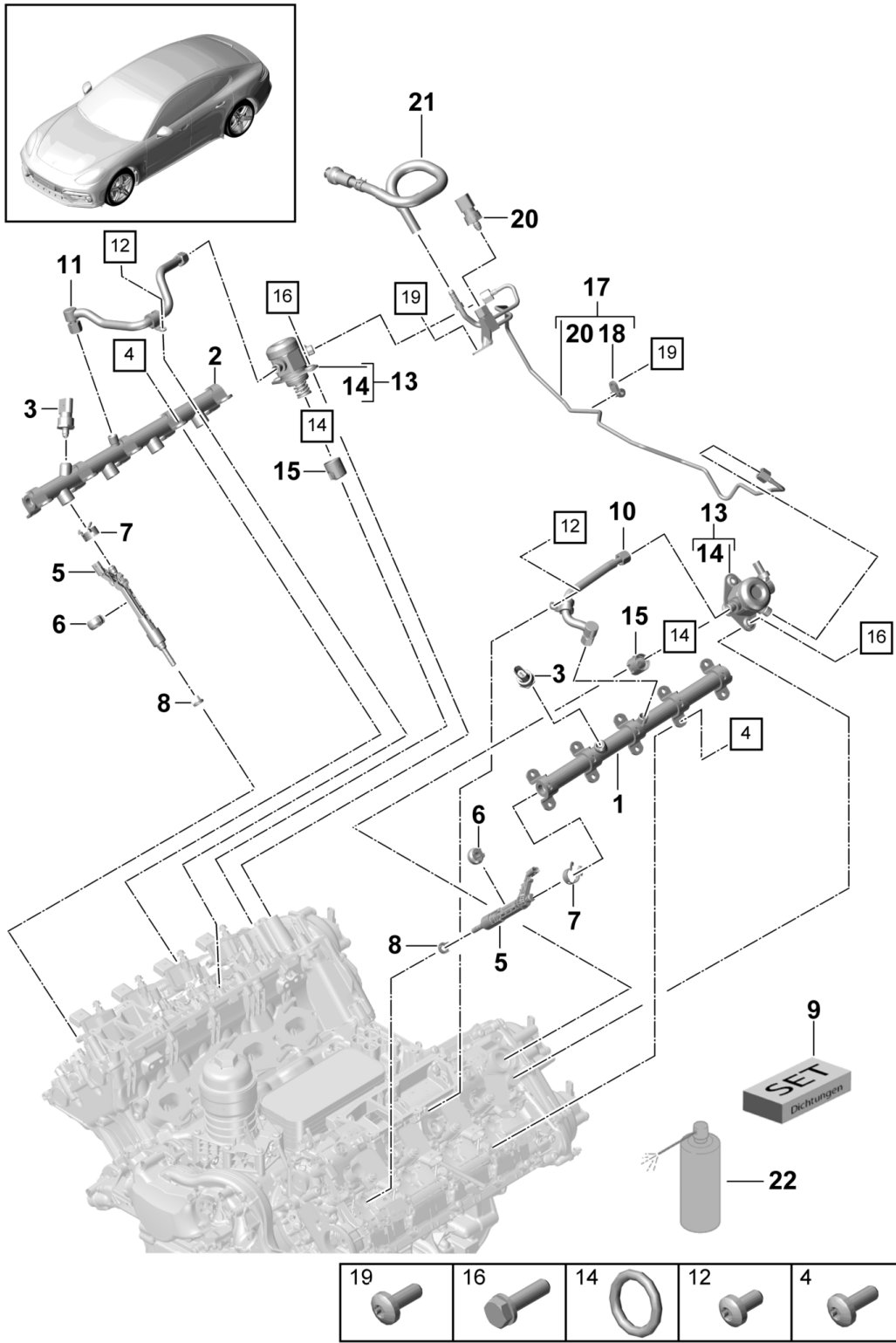
Model: 971-17

Model life 2017>>

Pos	Part Number	Description	Remark	Qty	Model
1	9A7 103 495 10	Crankcase housing ventilation oil separator		1	CXTA,CXT
2	9A7 103 517 10	Seal		1	
3	9A7 103 727 00	Seal		1	
4	958 104 485 10	End cap engine oil		1	
(4)	9A7 103 485 00	No longer use the part here End cap engine oil		1	
5	9A7 103 210 20	Breather line		1	
		also use:	9A7 129 665 10	1	
		No longer use the part here			
		for this use:	PAC 103 210 C	1	
(5)	PAC 103 210 A	Breather line		1	
		also use:	9A7 129 665 10	1	
		No longer use the part here			
		for this use:	PAC 103 210 C	1	
(5)	PAC 103 210 C	Breather line		1	
		also use:	9A7 129 665 10	1	
6	9A7 103 217 20	Breather line		1	
		also use:	9A7 117 015 30	1	
			000 043 300 39	1	
			9A7 121 070 00	4	
7	PAC 103 732	Retaining clip		1	
8		Oil cooler			
		see illustration, item:	104-005,20		

Model: 971-17

Model life 2017>>



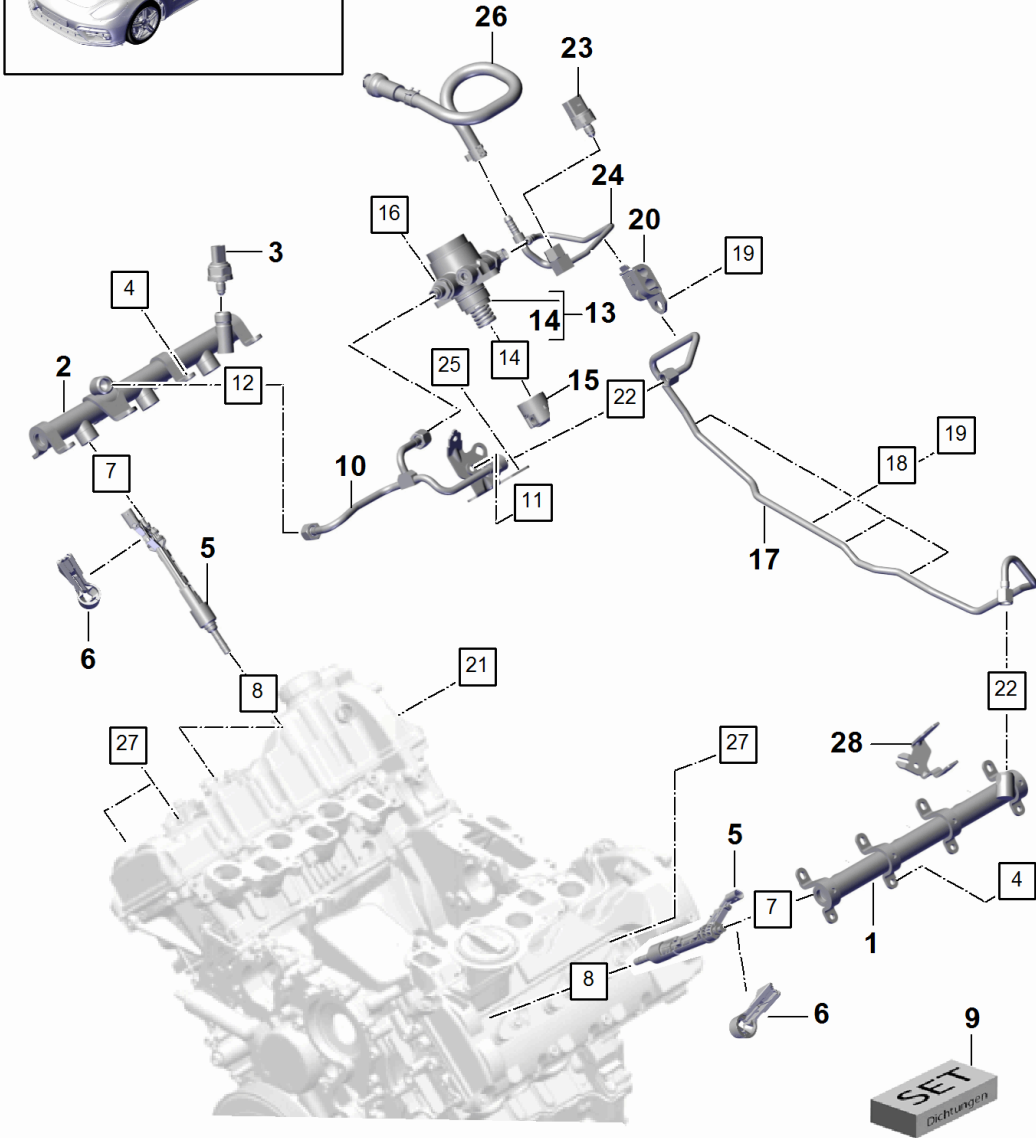
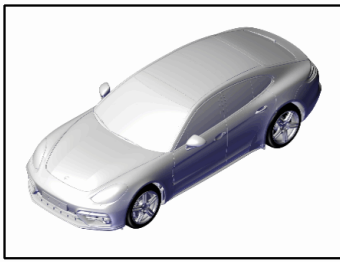
Model: 971-17

Model life 2017>>

Pos	Part Number	Description	Remark	Qty	Model
		Fuel collection pipe high-pressure injector high pressure pump			CVDA, CVD
1	9A7 133 315 00	Fuel collection pipe	Cylinder 5-8	1	
2	9A7 133 316 00	Fuel collection pipe	Cylinders 1-4	1	
3	9A7 906 054 00	Pressure sensor		2	
4	N 911 266 01	Oval hexagon socket head bolt	M6X16	20	
5	9A7 906 036 00	high-pressure injector		8	
6	9A7 133 875 10	Noise insulation No longer use the part here		8	
6	9A7 133 875 11	Noise insulation		8	
7	9A7 133 036 00	Support plate		8	
8	9A7 906 189 00	Intermediate ring		8	
9	9A7 998 907 00	repair set for high-pressure injector comprising: O-ring seal ring support washer		8	
10	9A7 127 507 00	Pressure line	left	1	
11	9A7 127 507 10	Pressure line	right	1	
12	N 103 352 06	Hexagon socket flat head bolt	M6X12	2	
13	9A7 127 026 00	high pressure pump		2	
14	9A7 007 821 00	O-ring high pressure pump	also use: 9A7 109 311 00	1 2	
15	9A7 109 311 00	Tappets		2	
16	N 104 582 02	Hexagon bolt	M6X22	4	
17	9A7 127 503 00	Fuel line		1	
18	9A7 127 233 00	Retainer for fuel line	also use: 9A7 133 986 00	1	
19	N 911 266 01	Oval hexagon socket head bolt	M6X16	5 6	
20	9A7 906 054 10	Pressure sensor		1	
21	9A7 133 986 00	Fuel line		1	
22	000 043 209 35	special lubricant MICROGLEIT DF 977 S for Fuel line	Spray can 400ml	1	

Model: 971-17

Model life 2017>>



			27	25	22	21	18
19	16	14	12	11	8	7	4

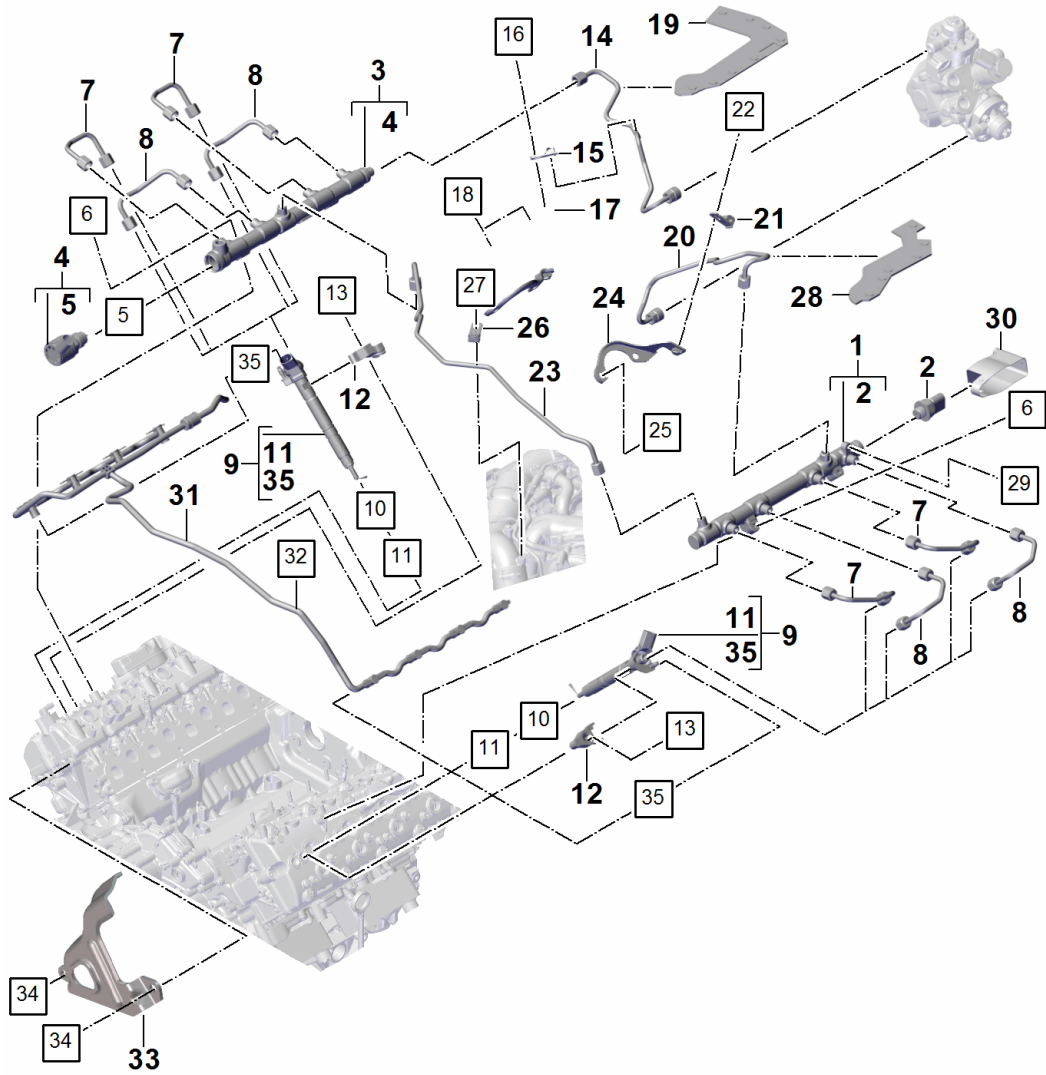
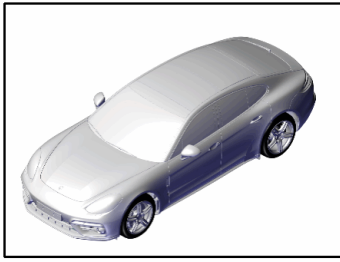
Model: 971-17

Model life 2017>>

Pos	Part Number	Description	Remark	Qty	Model
		Fuel collection pipe high-pressure injector high pressure pump			CSZA, CSZ, CXTA, CXT, DGPA, DGP
1	9A7 133 315 10	Fuel collection pipe	cylinders 4-6	1	
2	9A7 133 316 10	Fuel collection pipe	cylinders 1-3	1	
3	9A7 906 054 00	Pressure sensor		1	
(3)	PAC 906 054 E	High-pressure sensor		1	
4	N 104 514 08	Oval hexagon socket head bolt	M6X16	16	
5	9A7 906 036 00	high-pressure injector		6	CSZA, CSZ,
(5)	9A7 906 036 10	high-pressure injector		6	CXTA, CXT
6	9A7 133 875 30	Sound absorber		6	CSZA, CSZ, DGPA, DGP
7	9A7 133 036 00	Support plate		6	
8	9A7 906 189 00	Intermediate ring		6	
9	9A7 998 907 00	repair set for high-pressure injector comprising: O-ring seal ring support washer		6	
10	9A7 127 507 20	Fuel line		1	
11	N 103 352 06	Hexagon socket flat head bolt	M6X12	1	
12	958 110 368 02	Adapter		1	
13	9A7 127 026 10	high pressure pump		1	PR: 7CE, 7GH, 7MM, 0GG, 7MW
(13)	9A7 127 026 11	high pressure pump		1	PR: 7CM, 7CQ, 7CR
14	WHT 005 184	O-ring high pressure pump		1	
15	9A7 109 311 10	Tappets		1	
16	N 910 842 01	Socket head bolt with inner multipoint head (Kombi)	M8X25	2	
17	9A7 127 507 30	Fuel line		1	
18	N 907 542 02	Clamp	8X15	4	
19	N 104 514 08	Oval hexagon socket head bolt	M6X16	4	
20	9A7 127 411 00	Bracket Fuel line		1	
21	N 910 448 01	double stud with hexagon drive	M6X14/M6X14	1	
22	958 110 368 02	Adapter		1	
23	9A7 906 054 10	Pressure sensor Low-pressure switch		1	
(23)	PAB 906 054	Low-pressure sensor		1	
24	9A7 127 503 10	Fuel line with: Bracket		1	
25	N 015 082 13	Hexagon collar nut	also use: 9A7 133 986 00 M6	2	
26	9A7 133 986 00	Fuel line		1	
27	9A7 000 695 10	Ball pin	M6X12	3	
28	9A7 971 502 10	Bracket		1	

Model: 971-17

Model life 2017>>



		35	34	32	29	27	25
22	18	16	13	11	10	6	5

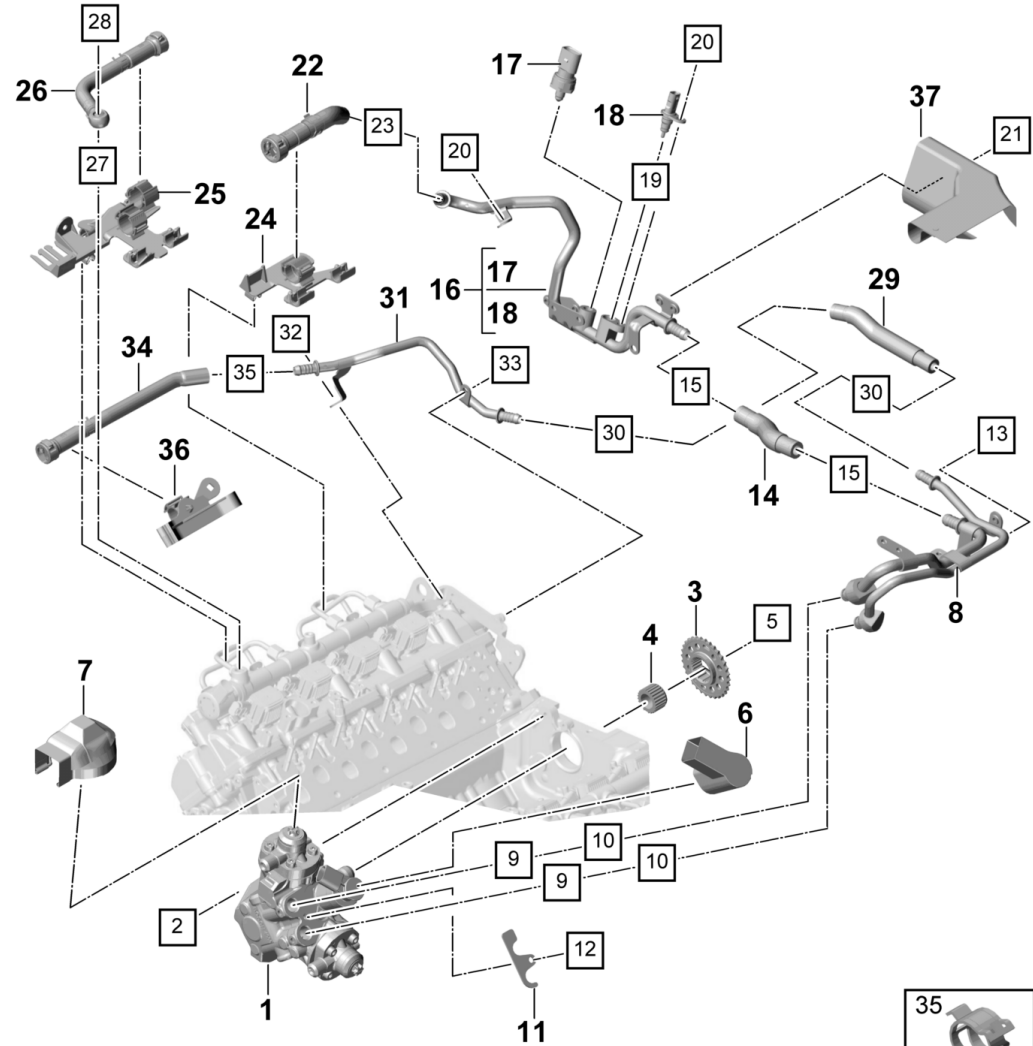
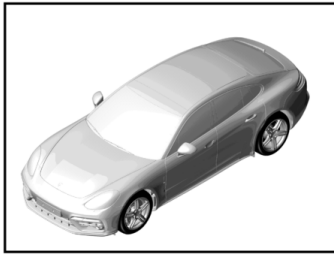
Model: 971-17

Model life 2017>>

Pos	Part Number	Description	Remark	Qty	Model
		Fuel collection pipe high-pressure injector Fuel line			DBUC
1	9A7 130 089 00	Fuel collection pipe Injection system	Cylinder 5-8	1	
2	9A7 906 054 20	Pressure sensor		1	
3	9A7 130 090 00	Fuel collection pipe Injection system	Cylinders 1-4	1	
4	9A7 130 764 00	pressure regulator Fuel collection pipe		1	
5	955 110 319 00	O-ring		1	
6	N 105 540 05	round hd. screw	M6X35	4	
7	9A7 130 241 00	Fuel line cylinder 1 / 3 / 6 / 8		4	
8	9A7 130 241 10	Fuel line cylinder 2 / 4 / 5 / 7		4	
9	9A7 130 277 00	high-pressure injector		8	
		also use:	WHT 000 884	1	
10	WHT 000 884	O-ring		8	
11	958 110 519 01	seal ring		8	
12	958 110 216 01	tensioning plate		8	
13	WHT 004 923 B	Hexagon socket head bolt (combi)	M6X93X18	8	
14	9A7 130 312 00	Fuel line		1	
15	9A7 130 401 10	Bracket		1	
16	N 104 056 04	Oval hexagon socket head bolt	M6X14	1	
17	9A7 130 381 00	Bracket		1	
18	N 104 056 04	Oval hexagon socket head bolt	M6X14	2	
19	9A7 131 991 00	Heat insulation		1	
20	9A7 130 309 00	Fuel line		1	
21	9A7 130 401 10	Bracket		1	
22	N 104 056 04	Oval hexagon socket head bolt	M6X14	1	
23	9A7 130 310 00	Fuel line		1	
24	9A7 130 381 10	Bracket		1	
25	N 104 056 04	Oval hexagon socket head bolt	M6X14	2	
26	9A7 130 401 00	Bracket		1	
27	N 104 056 04	Oval hexagon socket head bolt	M6X14	1	
28	9A7 131 991 10	Heat insulation		1	
29	N 104 056 04	Oval hexagon socket head bolt	M6X14	2	
30	9A7 131 991 20	Heat insulation		1	
31	9A7 130 218 00	Fuel hose		1	
		also use:	958 007 480 10	8	
32	955 111 694 10	Clip		2	
33	971 133 436	Cover plate Fuel line		1	
34	N 103 352 06	Hexagon socket flat head bolt	M6X12	2	
35	958 007 480 10	O-ring	2,8X1,5	8	

Model: 971-17

Model life 2017>>



33	32	30	28	27	23	21	20
19	15	13	12	10	9	5	2

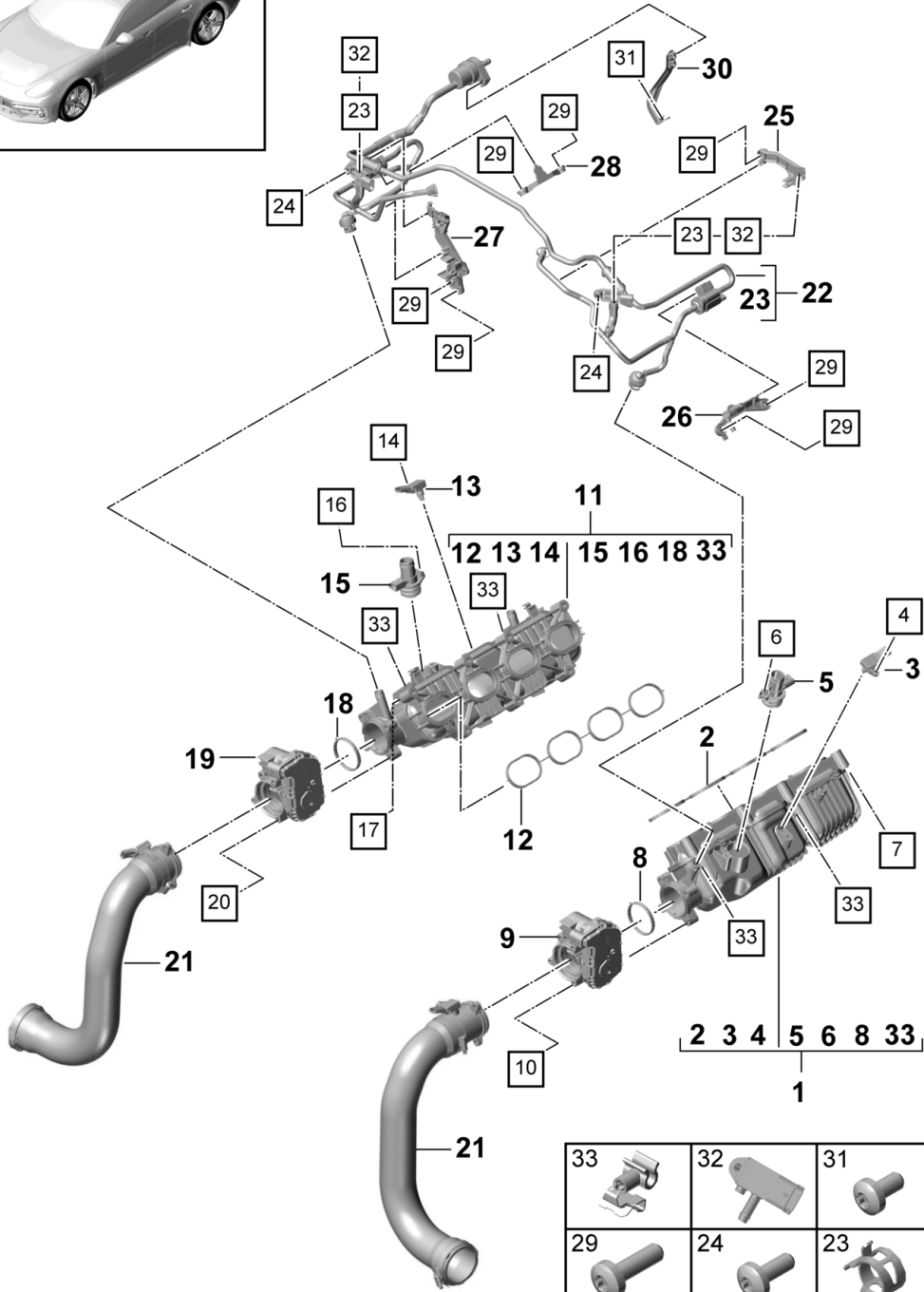
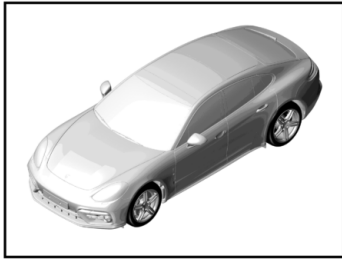
Model: 971-17

Model life 2017>>

Pos	Part Number	Description	Remark	Qty	Model
		high pressure pump			DBUC
		Fuel line			
1	9A7 130 755 00	high pressure pump		1	
2	N 911 873 01	Hexagon socket head bolt	M8X30	3	
3		Chain sprocket		1	
		see illustration:	103-075		
4		flange		1	
		see illustration:	103-075		
5		Hexagon nut		1	
		see illustration:	103-075		
6	9A7 131 991 60	Heat insulation		1	
7	9A7 131 991 70	Heat insulation		1	
8	9A7 130 300 00	high pressure pump		1	
		Fuel line		1	
		also use:	9A7 006 974 00	2	
			9A7 006 974 10	2	
9	9A7 006 974 00	O-ring		2	
10	9A7 006 974 10	O-ring		2	
11	9A7 130 319 00	Bracket		1	
12	N 104 056 04	Oval hexagon socket head bolt	M6X14	1	
13	N 107 002 01	round hd. screw	M6X22	1	
14	9A7 130 313 00	Fuel hose		1	
		also use:	N 909 264 01	2	
15	N 909 264 01	Spring band clamp	19X12	2	
16	9A7 130 299 10	Fuel line		1	
17	9A7 906 054 10	Pressure sensor		1	
		Low-pressure switch			
18	958 606 623 00	Coolant temperature sender		1	
		also use:	WHT 002 287 C	1	
			N 104 056 04	1	
19	WHT 002 287 C	O-ring		1	
20	N 104 056 04	Oval hexagon socket head bolt	M6X14	3	
21	N 106 803 02	Hexagon socket flat head bolt	M6X8	2	
22	9A7 130 299 00	Fuel line	feed	1	
23	N 909 264 01	Spring band clamp	19X12	1	
24	9A7 130 131 00	Bracket		1	
25	9A7 130 131 20	Bracket		1	
26	9A7 130 296 00	Fuel line	return	1	
		also use:	9A7 130 120 00		
27	9A7 130 120 00	seal ring	12X17	1	
28	N 021 071 7	Banjo bolt		1	
		No longer use the part here			
		for this use:	PAF 021 071	1	
(28)	PAF 021 071	Banjo bolt	M12X1,5X24	1	
29	9A7 130 314 00	Fuel hose		1	
30	N 907 702 01	Spring band clamp	17X12	2	
31	9A7 130 297 00	Fuel line	return	1	
32	N 104 056 04	Oval hexagon socket head bolt	M6X14	1	
33	N 106 803 02	Hexagon socket flat head bolt	M6X8	1	
34	9A7 130 297 10	Fuel hose	return	1	
35	N 907 702 01	Spring band clamp	17X12	1	
36	9A7 130 131 10	Bracket		1	
37	9A7 131 991 80	Heat insulation		1	

Model: 971-17

Model life 2017>>



20	17	16	14	10	7	6	4

33	32	31
29	24	23

Model: 971-17

Model life 2017>>

Pos	Part Number	Description	Remark	Qty	Model
		Intake manifold ventilation for fuel tank			CVDA, CVD
1	9A7 129 711 00	Intake manifold	Cylinder 5-8	1	
		No longer use the part here			
(1)	9A7 129 711 01	Intake manifold	Cylinder 5-8	1	
2	9A7 129 049 00	Seal	Cylinder 5-8	1	
3	9A7 906 051 10	Pressure sensor		1	
4	N 104 734 02	round hd. screw	TP6X20	1	
5	9A7 103 202 00	connection piece (heated)		1	
6	N 104 734 02	round hd. screw	TP6X20	1	
7	N 104 057 02	Hexagon socket head bolt	M6X45	7	
8	9A7 133 073 00	Seal		1	
		Throttle valve			
9	9A7 133 062 10	throttle valve adapter		1	
		also use:	9A7 133 073 00	1	
10	N 106 261 01	Hexagon socket flat head bolt	M6X45	4	
11	9A7 129 712 00	Intake manifold	Cylinders 1-4	1	
12	9A7 129 049 00	Seal	Cylinders 1-4	1	
13	9A7 906 051 10	Pressure sensor		1	
14	N 104 734 02	round hd. screw	TP6X20	1	
15	9A7 103 202 00	connection piece (heated)		1	
16	N 104 734 02	round hd. screw	TP6X20	1	
17	N 104 057 02	Hexagon socket head bolt	M6X45	7	
18	9A7 133 073 00	Seal		1	
		Throttle valve			
19	9A7 133 062 10	throttle valve adapter		1	
		also use:	9A7 133 073 00	1	
20	N 106 261 01	Hexagon socket flat head bolt	M6X45	4	
21		pressure pipe			
		see illustration:	107-055		
22	9A7 133 240 01	POS.18 / 19 Breather line ventilation for fuel tank		1	
		No longer use the part here			
(22)	9A7 133 240 02	Breather line ventilation for fuel tank		1	
		No longer use the part here			
(22)	9A7 133 240 03	Breather line ventilation for fuel tank		1	
23	999 512 651 09	Hose clamp	B15X12	2	
24	N 911 266 01	Oval hexagon socket head bolt	M6X16	2	
25	9A7 133 193 00	Bracket		1	
26	9A7 133 167 00	Retainer for valve		1	
27	9A7 133 169 04	Bracket		1	
28	9A7 133 519 00	Retainer for valve		1	
29	N 101 243 06	Oval hexagon socket head bolt	M6X20	8	
30	9A7 133 239 00	Bracket		1	
31	N 103 352 06	Hexagon socket flat head bolt	M6X12	1	
32	7P5 906 051	Pressure sensor		2	PR: 7MU
(32)	7P5 906 051	Pressure sensor		2	PR: 7CR
(32)	9A7 906 094 10	Sealing cap		2	PR: 7GH, 7MV, 7MM

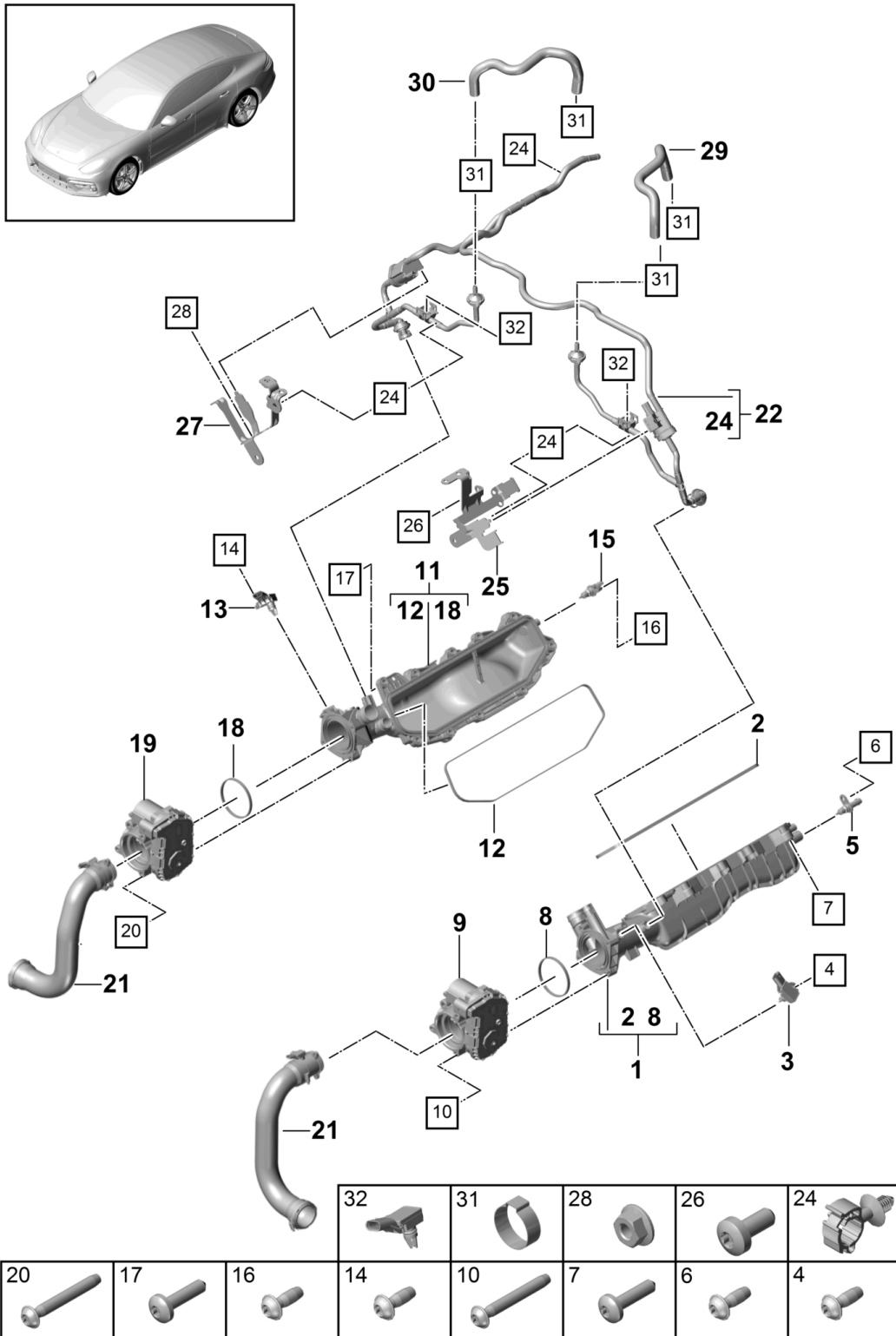
Model: 971-17

Model life 2017>>

Pos	Part Number	Description	Remark	Qty	Model
(32)	9A7 906 094 10	Sealing cap		2	PR:0GG
(32)	9A7 906 094 10	Sealing cap		2	PR:7CQ,7CS
33	9A7 129 667 00	Clip		4	

Model: 971-17

Model life 2017>>



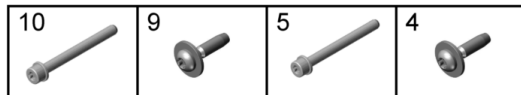
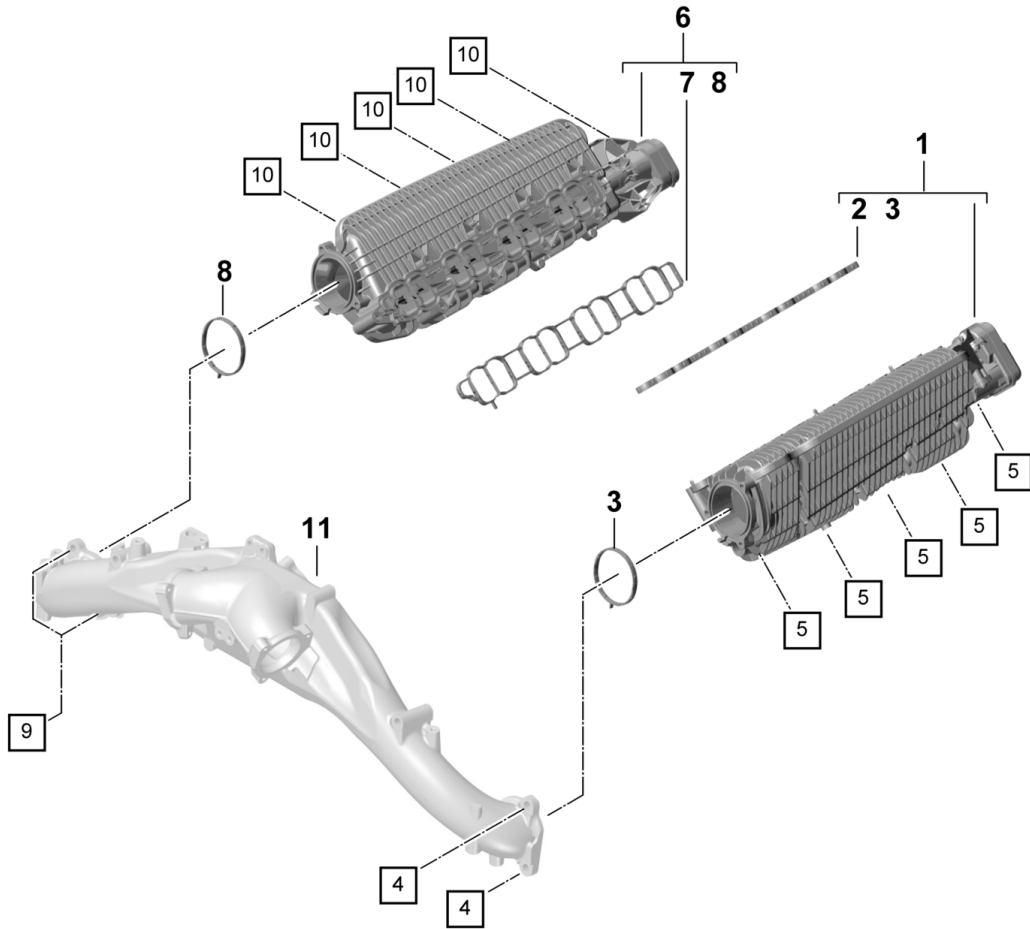
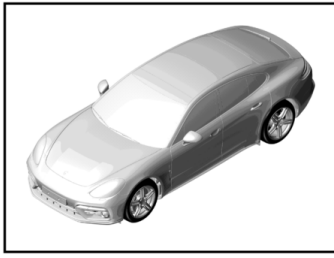
Model: 971-17

Model life 2017>>

Pos	Part Number	Description	Remark	Qty	Model
		Intake manifold ventilation for fuel tank			CSZA, CSZ, DGPA, DGP
1	9A7 133 267 00	Intake manifold	cylinders 4-6	1	
2	9A7 133 198 02	Seal	cylinders 4-6	1	
3	9A7 906 051 10	Pressure sensor		1	
4	N 107 214 01	oval hd. self-tapp fitt. screw	TP6X16	1	
5	9A7 919 501 00	Temperature sensor		1	
6	N 107 214 01	oval hd. self-tapp fitt. screw	TP6X16	1	
7	N 911 482 01	flat round head bolt	M6X25	10	
8	9A7 133 237 01	Seal		1	
9	9A7 133 062 20	Throttle valve throttle valve adapter		1	
		also use:	9A7 133 237 01	1	
10	N 106 261 01	Hexagon socket flat head bolt	M6X45	4	
11	9A7 133 268 00	Intake manifold	cylinders 1-3	1	
12	9A7 133 198 02	Seal	cylinders 1-3	1	
13	9A7 906 051 10	Pressure sensor		1	
14	N 107 214 01	oval hd. self-tapp fitt. screw		1	
15	9A7 919 501 00	Temperature sensor		1	
16	N 107 214 01	oval hd. self-tapp fitt. screw	TP6X16	1	
17	N 911 482 01	flat round head bolt	M6X25	10	
18	9A7 133 237 01	Seal		1	
19	9A7 133 062 20	Throttle valve throttle valve adapter		1	
		also use:	9A7 133 237 01	1	
20	N 106 261 01	Hexagon socket flat head bolt	M6X45	4	
21		pressure pipe			
		see illustration:	107-055 POS.18 / 19		
22	9A7 133 240 10	Breather line ventilation for fuel tank		1	
24	N 107 969 01	Clip	A22-12.5X13-6.5X12.75	3	
25	9A7 130 407 00	Bracket		1	
(25)	PAC 130 407	Bracket		1	
26	N 104 056 04	Oval hexagon socket head bolt	M6X14	3	
27	9A7 130 407 10	Bracket		1	
28	N 015 082 13	Hexagon collar nut	M6	2	
29	9A7 133 394 05	Hose		1	
30	9A7 133 394 06	Hose		1	
31	N 101 083 01	Ear crimp hose clamp		4	
32	9A7 906 094 00	Sealing cap		2	PR: 7GH, 7MJ, 7MV, 7MM
(32)	9A7 906 094 00	Sealing cap		2	PR: 0GG, -B2H
(32)	9A7 906 052 00	Pressure sensor		2	PR: 7CE, 7MU, B0E, B0T
(32)	9A7 906 052 01	Pressure sensor		2	PR: , 7CE, 7MU B0E, B0T
(32)	9A7 906 052 00	Pressure sensor		2	PR: 0GG, B0E, B0T
(32)	9A7 906 052 01	Pressure sensor		2	PR: 0GG, B0E, B0T
(32)	9A7 906 052 01	Pressure sensor		2	PR: , 7CE, 7MU, B2H
(32)	9A7 906 052 01	Pressure sensor		2	PR: B2H, 0GG, OK3
(32)	9A7 906 052 01	Pressure sensor		2	PR: 7CR

Model: 971-17

Model life 2017>>



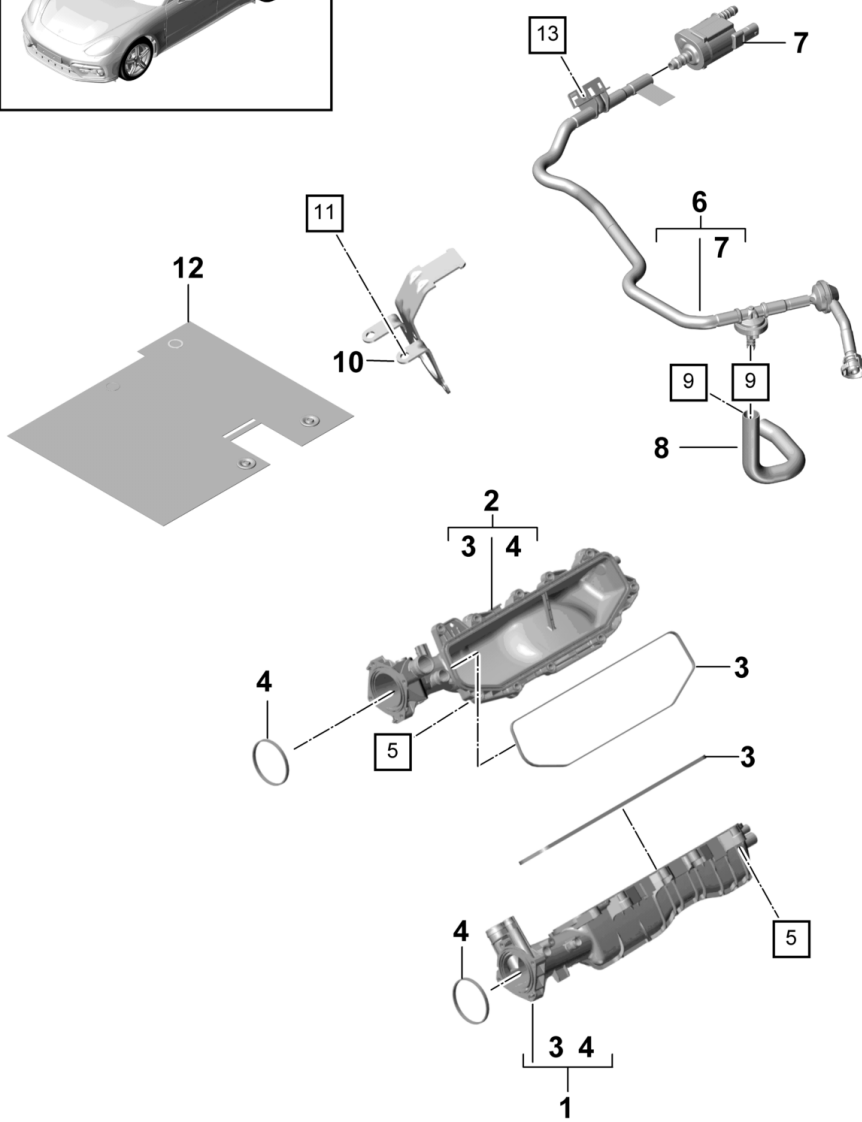
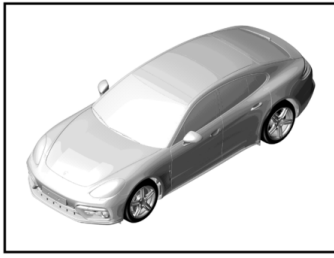
Model: 971-17

Model life 2017>>

Pos	Part Number	Description	Remark	Qty	Model
		Intake manifold			DBUC
1	9A7 129 711 30	Intake manifold	Cylinder 5-8	1	
2	9A7 129 707 00	Seal		1	
		Intake manifold			
3	9A7 145 215 00	Seal		1	
4	N 105 622 02	Hexagon socket head panel bolt	TP6X25	3	
5	N 106 980 01	Socket head bolt with inner hex round head	M6X60	7	
6	9A7 129 712 30	Intake manifold	Cylinders 1-4	1	
7	9A7 129 707 00	Seal		1	
		Intake manifold			
8	9A7 145 215 00	Seal		1	
9	N 105 622 02	Hexagon socket head panel bolt	TP6X25	3	
10	N 106 980 01	Socket head bolt with inner hex round head	M6X60	7	
11		pressure pipe see illustration:	107-065		

Model: 971-17

Model life 2017>>



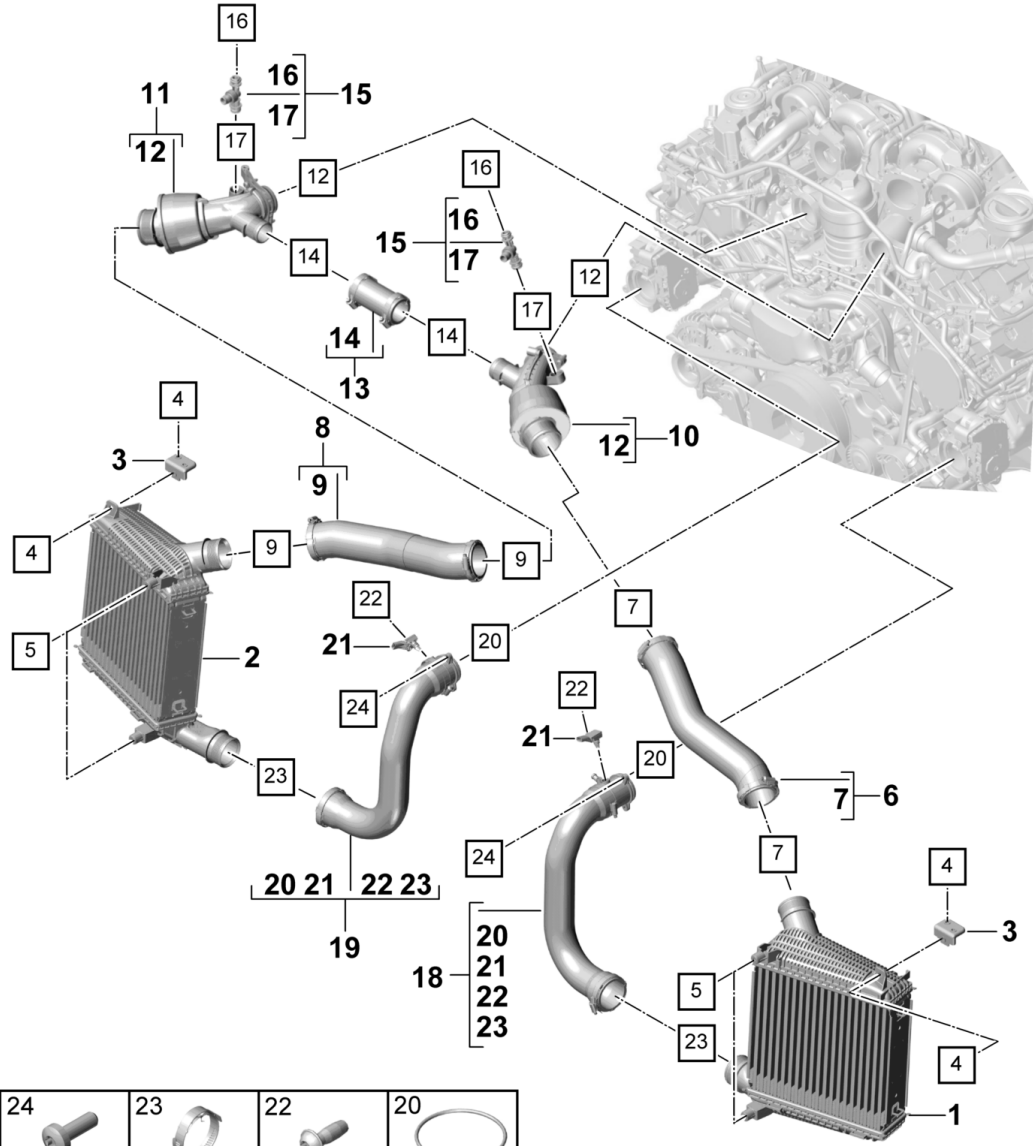
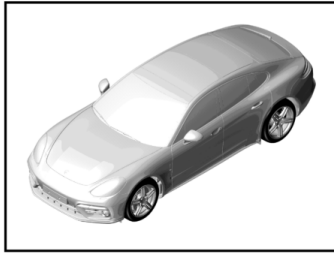
Model: 971-17

Model life 2017>>

Pos	Part Number	Description	Remark	Qty	Model
		Intake manifold ventilation for fuel tank			CXTA, CXT
1	9A7 133 267 10	Intake manifold	cylinders 4-6	1	
2	9A7 133 268 10	Intake manifold	cylinders 1-3	1	
3	9A7 133 198 02	Seal		1	
4	9A7 133 026 01	Intake manifold Seal		2	
5	N 911 482 01	flat round head bolt	M6X25	20	
6	9A7 133 240 20	Breather line ventilation for fuel tank		1	
7	9A7 906 517 01	Valve ventilation for fuel tank		1	
8	9A7 133 394 00	Hose ventilation for fuel tank		1	
			N 101 083 01	2	
		also use:			
9	N 101 083 01	Ear crimp hose clamp		2	
10	9A7 130 407 10	Bracket		1	
11	N 015 082 13	Hexagon collar nut	M6	2	
12	9A7 133 105 02	Heat insulation		1	
13	9A7 906 094 00	Sealing cap		1	PR: 7GH, 7MJ, 7MV, 7MM
(13)	9A7 906 052 00	Pressure sensor		1	PR: 7CE, 7MU, B0E, B0T
(13)	9A7 906 052 01	Pressure sensor		1	PR: 7CE, 7MU, B0E, B0T
(13)	9A7 906 052 01	Pressure sensor		1	PR: 7CE, 7MU, B2H
(13)	9A7 906 052 01	Pressure sensor		1	PR: 7CM

Model: 971-17

Model life 2017>>



24	23	22	20
17	16	14	12
9	7	5	4

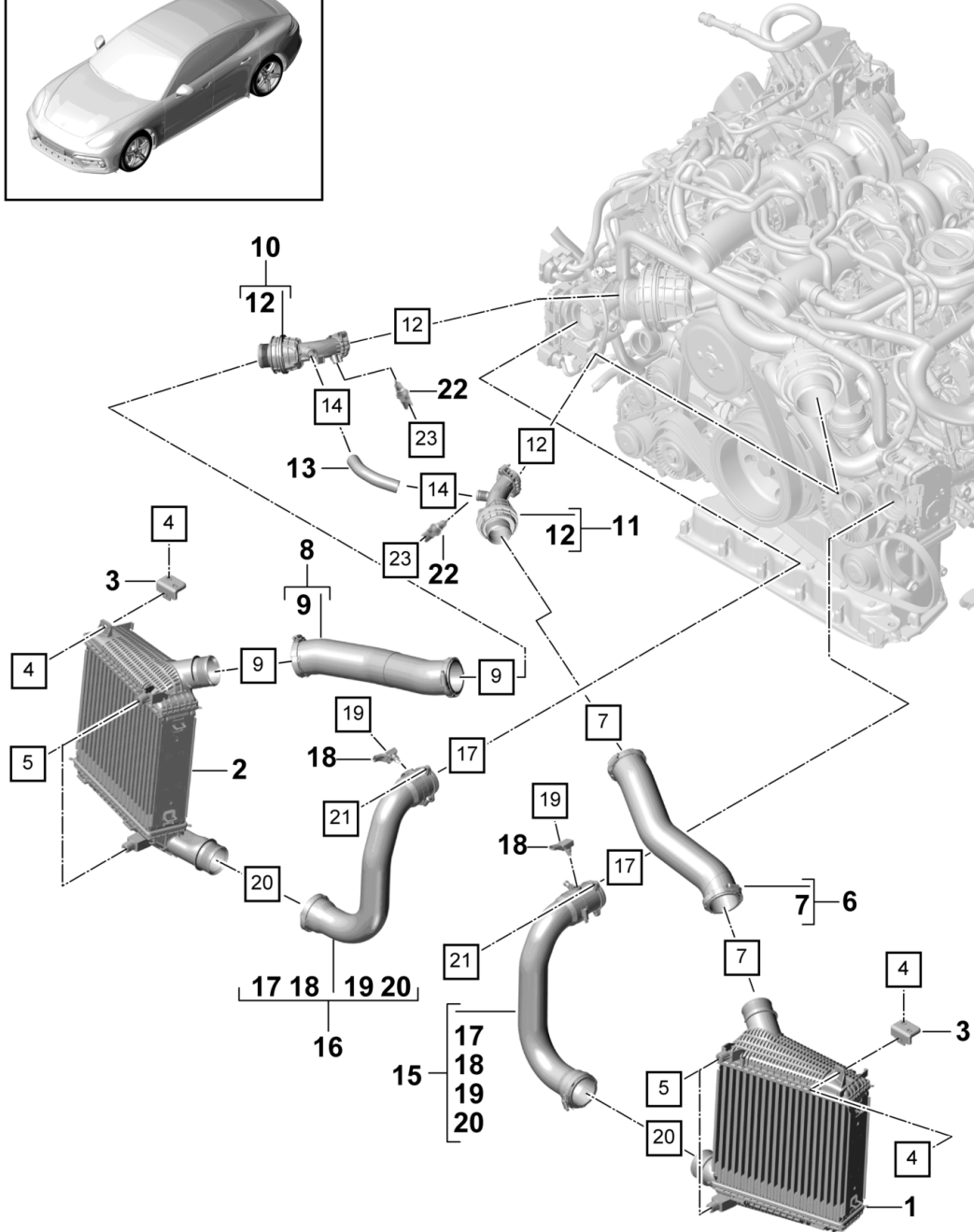
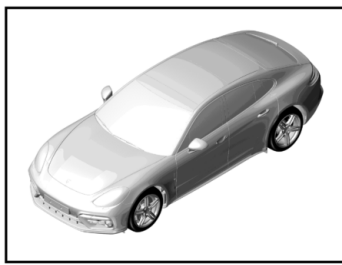
Model: 971-17

Model life 2017>>

Pos	Part Number	Description	Remark	Qty	Model
		Charge air cooler pressure pipe			CVDA, CVD
1	971 145 803	Charge air cooler	left	1	
2	971 145 804	Charge air cooler	right	1	
3	971 145 842	Bracket for charge air cooler		2	
4	N 107 188 01	bolt,hex.hd.with shoul.(combi)	M6X16	6	
5	9A7 007 931 00	fillister hd. bolt	M6X14	4	
6	971 145 709 A	Pressure hose	left upper	1	
8	971 145 708 N	Pressure hose	right upper	1	
10	9A7 145 673 00	pressure pipe	left	1	
		with:			
11	9A7 145 674 00	Securing element pressure pipe	right	1	
		with:			
12	N 903 445 01	Securing element O-ring	45X3	2	
13	9A7 145 405 00	Connecting pipe		1	
15	9A7 133 434 00	Valve suction jet pump		2	
16	9A7 008 729 00	O-ring	14X3	2	
17	9A7 008 730 00	O-ring	12X3	2	
18	971 145 709 L	Pressure hose	left lower	1	
19	971 145 708 S	Pressure hose	right lower	1	
20	N 905 216 04	O-ring	55X3	2	
21	9A7 906 051 10	Pressure sensor		2	
22	N 107 214 01	oval hd. self-tapp fitt. screw	TP6X16	2	
24	N 101 961 03	fillister head bolt with multi-point socket head	M6X18	6	

Model: 971-17

Model life 2017>>



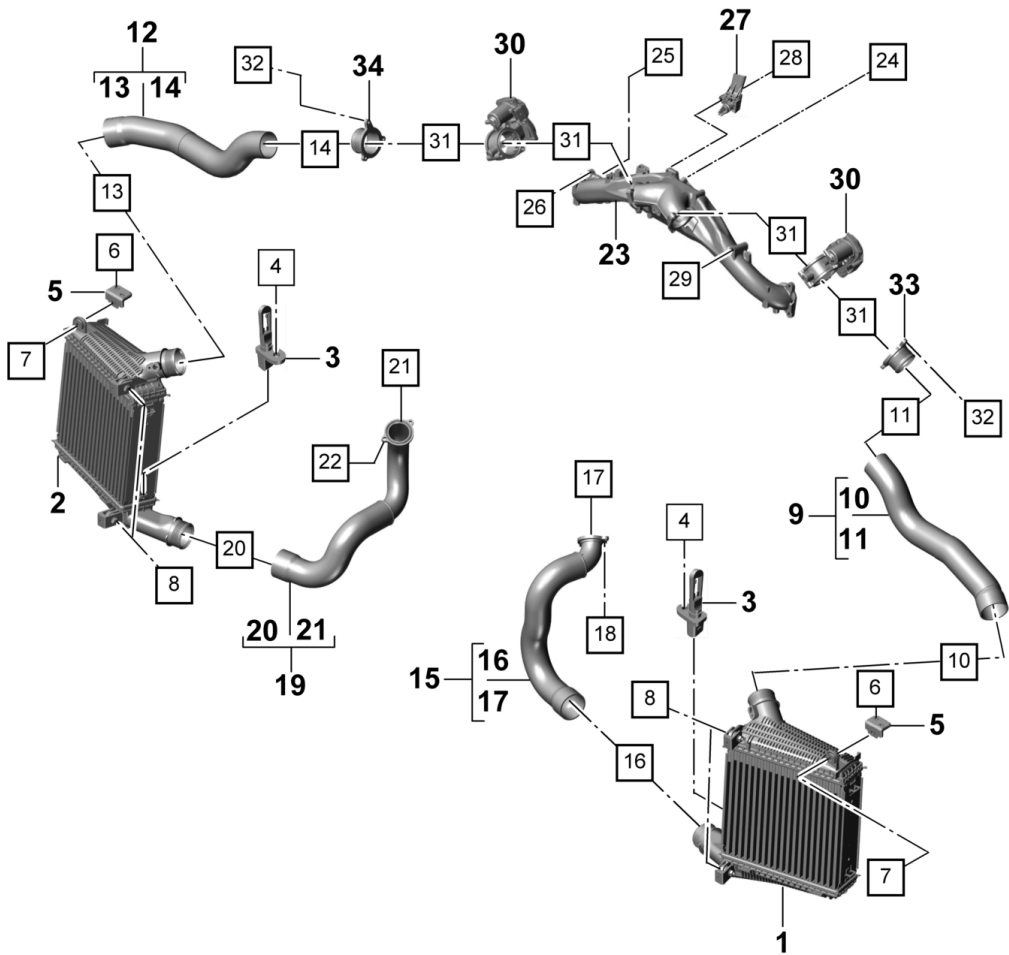
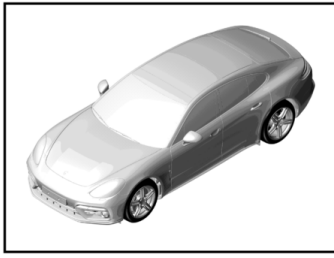
Model: 971-17

Model life 2017>>

Pos	Part Number	Description	Remark	Qty	Model
		Charge air cooler pressure pipe			CSZA, CSZ, DGPA, DGP
1	971 145 803 C	Charge air cooler	left	1	
2	971 145 804 C	Charge air cooler	right	1	
3	971 145 842	Bracket for charge air cooler		2	
4	N 107 188 01	bolt, hex. hd. with shoul. (combi)	M6X16	6	
5	9A7 007 931 00	fillister hd. bolt	M6X14	4	
6	971 145 709	Pressure hose	left upper	1	
8	971 145 708	Pressure hose	right upper	1	
10	9A7 145 673 10	pressure pipe	left	1	
		with:			
11	9A7 145 674 10	Set of fastening parts pressure pipe	right	1	
		with:			
		Set of fastening parts			
12	9A7 133 594 00	Seal		2	
13	9A7 145 405 10	Connecting pipe pressure pipe		1	
14	N 912 554 01	Hose clamp	A23X35X12X0,8	2	
15	971 145 709 K	Pressure hose	left lower	1	
16	971 145 708 R	Pressure hose	right lower	1	
17	N 910 191 01	O-ring	50X3	2	
18	9A7 906 051 10	Pressure sensor		2	
19	N 107 214 01	oval hd. self-tapp fitt. screw	TP6X16	2	
21	N 101 961 03	fillister head bolt with multi-point socket head	M6X18	6	
22	9A7 919 501 00	Temperature sensor		2	
23	N 107 214 01	oval hd. self-tapp fitt. screw fillister hd. bolt	TP6X16	2	

Model: 971-17

Model life 2017>>



			32	31	29	28	26
25	24	22	21	20	18	17	16
14	13	11	10	8	7	6	4

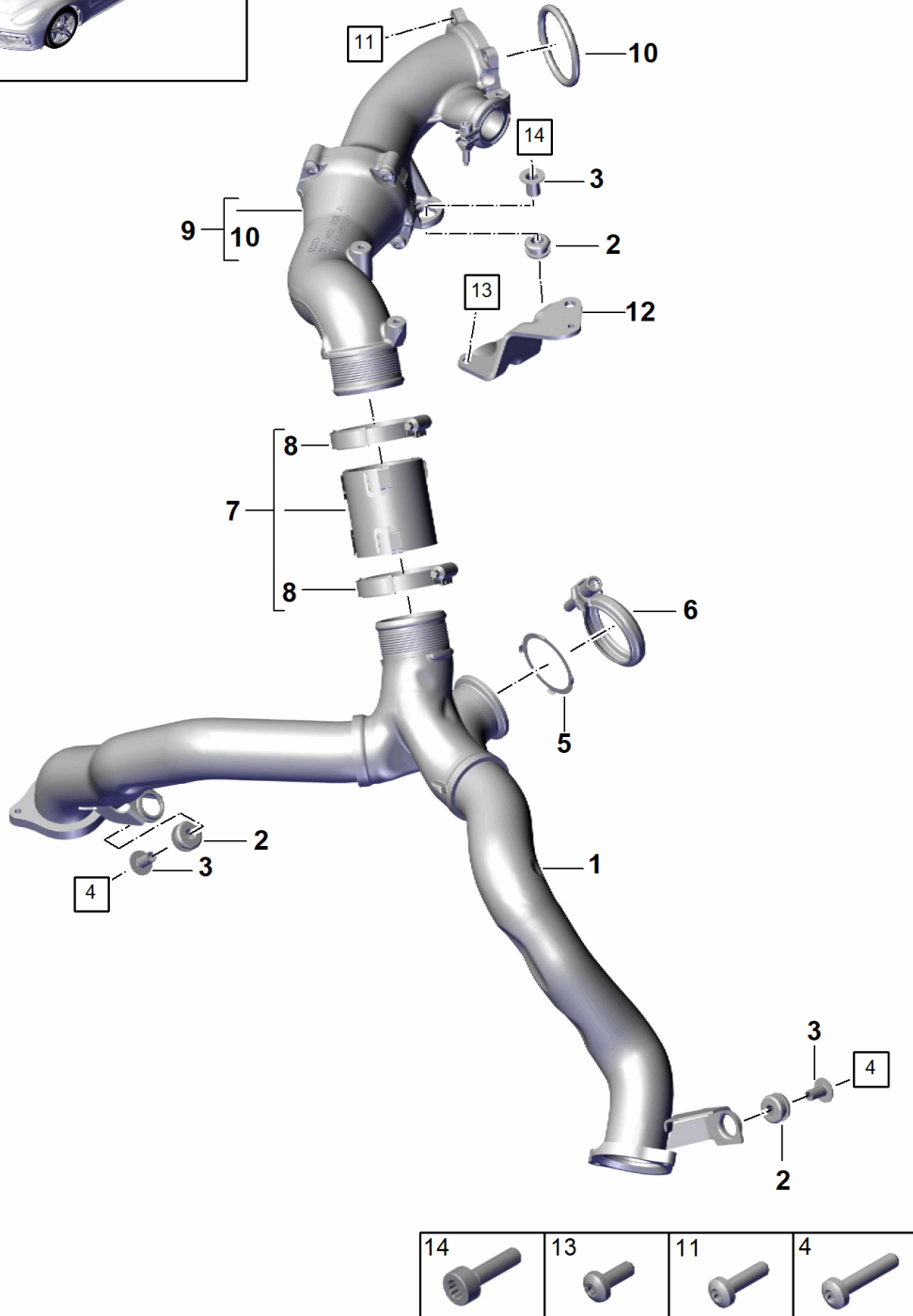
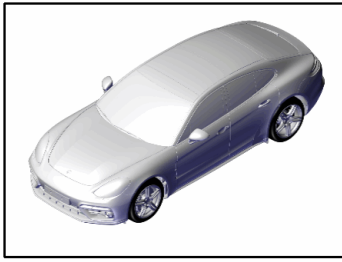
Model: 971-17

Model life 2017>>

Pos	Part Number	Description	Remark	Qty	Model
		Charge air cooler pressure pipe			DBUC
1	971 145 803 A	Charge air cooler	left	1	
2	971 145 804 A	Charge air cooler	right	1	
3	9A7 905 379 00	Temperature sensor		2	
4	N 106 839 01	Oval socket head bolt with hex drive	6X12	2	
5	971 145 842	Bracket for charge air cooler		2	
6	N 107 188 01	bolt,hex.hd.with shoul.(combi)	M6X16	4	
7	N 107 956 02	Hexagon bolt	M6X30	2	
8	9A7 007 931 00	fillister hd. bolt	M6X14	4	
9	971 145 709 E	Pressure hose	left	1	
12	971 145 708 M	Pressure hose	upper right	1	
15	971 145 709 B	Pressure hose	upper left lower	1	
17	9A7 145 865 00	seal ring		1	
18	N 101 243 06	Oval hexagon socket head bolt	M6X20	2	
19	971 145 708 Q	Pressure hose	right lower	1	
21	9A7 145 865 00	seal ring		1	
22	N 101 243 06	Oval hexagon socket head bolt	M6X20	2	
23	9A7 145 770 00	intake air distributor		1	
24	9A7 131 815 00	Seal		1	
25	9A7 145 215 00	Seal		2	
		intake air distributor			
26	N 105 622 02	Hexagon socket head panel bolt	6X25	6	
27	9A7 906 051 20	Pressure sensor		1	
28	N 104 514 08	Oval hexagon socket head bolt	M6X16	1	
29	N 910 455 02	Socket head bolt with inner multipoint head	M8X65	2	
30	9A7 145 950 00	throttle valve adapter		2	
31	9A7 145 417 00	Seal		4	
32	N 104 382 02	Oval hexagon socket head bolt	M6X65	6	
33	9A7 145 957 00	pressure pipe		1	
34	9A7 145 958 00	pressure pipe		1	

Model: 971-17

Model life 2017>>



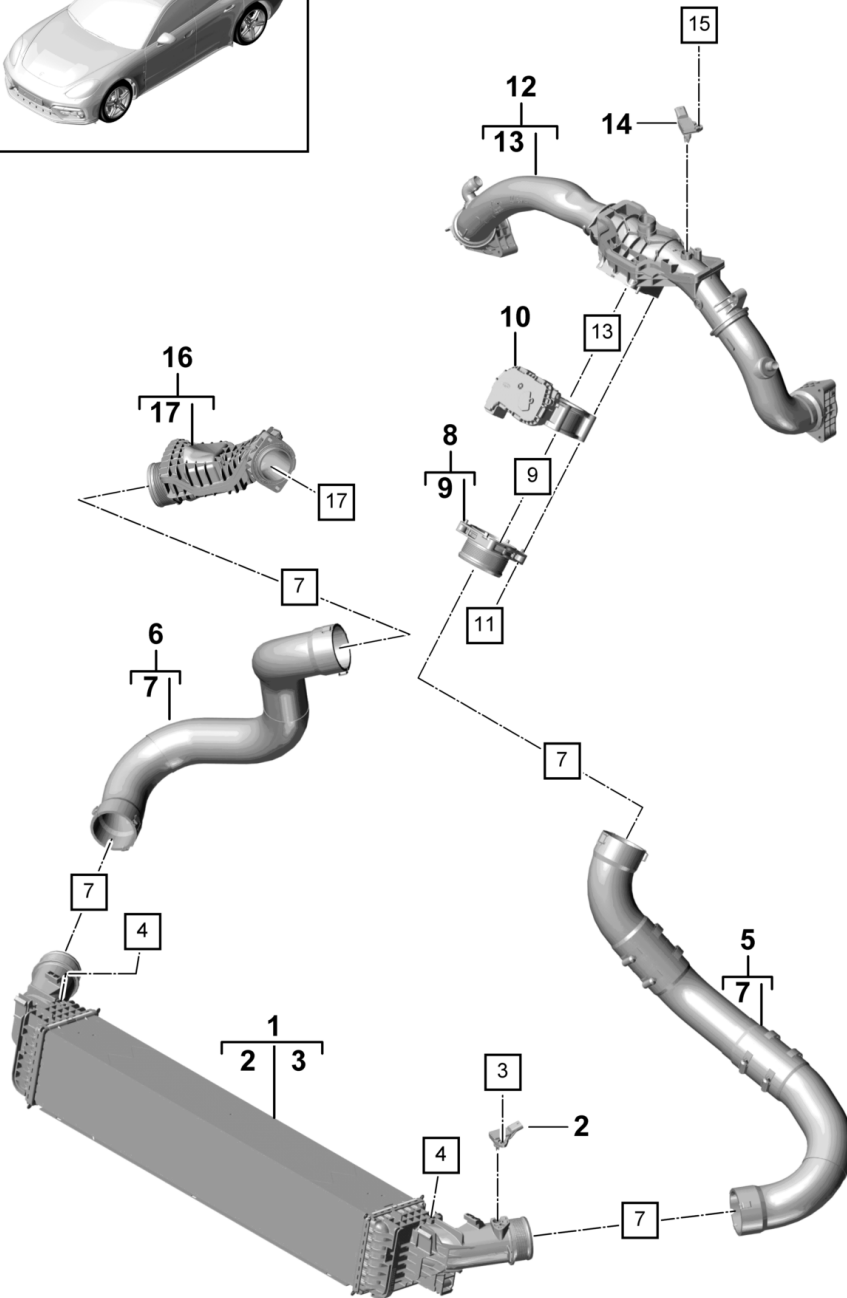
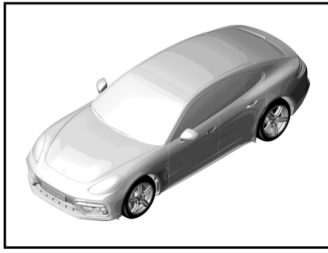
Model: 971-17

Model life 2017>>

Pos	Part Number	Description	Remark	Qty	Model
		Charge air cooler			DBUC
1	9A7 145 673 20	pressure pipe		1	
2	9A7 131 887 00	pressure pipe		3	
3	9A7 129 734 03	Mounting		3	
4	9A7 129 734 03	Distance piece		3	
4	N 101 562 06	Oval hexagon socket head bolt	M6X30	2	
5	9A7 145 113 00	Seal		1	
6	9A7 253 139 10	clamp		1	
7	9A7 145 555 00	Pressure hose		1	
8	N 106 198 01	Hose clamp	45-65X12	2	
9	9A7 145 901 00	Bypass valve		1	
10	PAB 145 818	Seal		1	
11	N 107 002 01	round hd. screw	M6X22	3	
12	9A7 145 283 00	Bracket		1	
13	N 104 514 08	Oval hexagon socket head bolt	M6X16	2	
14	N 911 873 01	Hexagon socket head bolt	M8X30	1	

Model: 971-17

Model life 2017>>



17	15	13	11	9	7	4	3

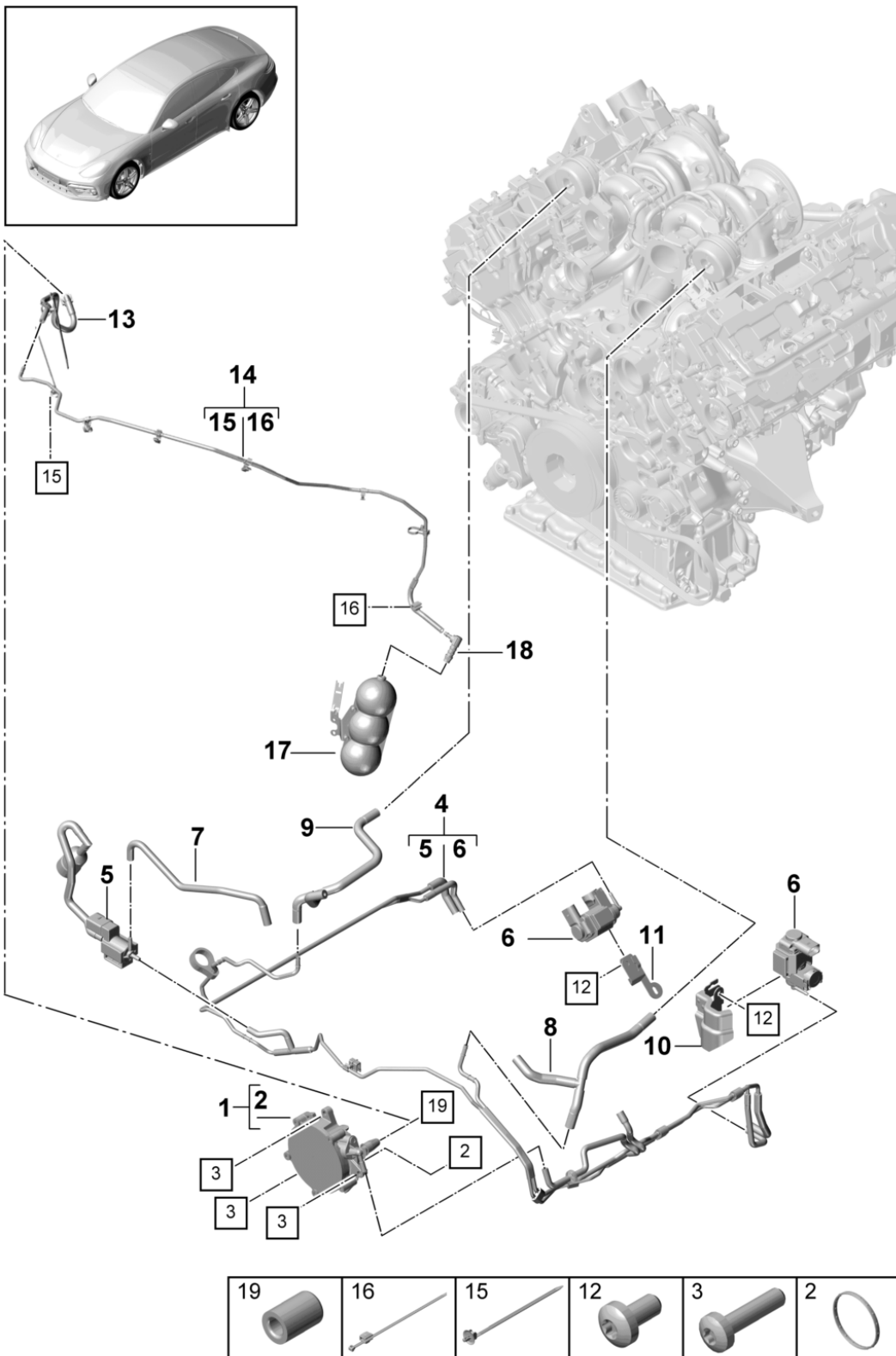
Model: 971-17

Model life 2017>>

Pos	Part Number	Description	Remark	Qty	Model
		Charge air cooler pressure pipe			CXTA, CXT
1	971 145 805 B	Charge air cooler		1	
2	9A7 906 051 10	Pressure sensor		1	
3	N 104 420 03	self-tapping screw	TP5X16	1	
4	N 908 170 03	Hexagon socket head panel bolt	TP6X17	2	
5	971 145 708 AH	Pressure hose	left	1	
6	971 145 708 AF	Pressure hose	right	1	
8	9A7 145 674 40	pressure pipe		1	
9	9A7 133 237 01	Seal		1	
10	9A7 133 062 08	throttle valve adapter		1	
11	N 912 487 01	Hexagon socket oval head plastic bolt	TP6X75	4	
12	9A7 145 674 30	pressure pipe		1	
13	9A7 133 237 01	Seal		1	
14	9A7 906 051 10	Pressure sensor		1	
15	N 107 214 01	oval hd. self-tapp fitt. screw		1	
16	9A7 145 673 40	pressure pipe		1	
17	9A7 133 026 01	Seal		1	

Model: 971-17

Model life 2017>>



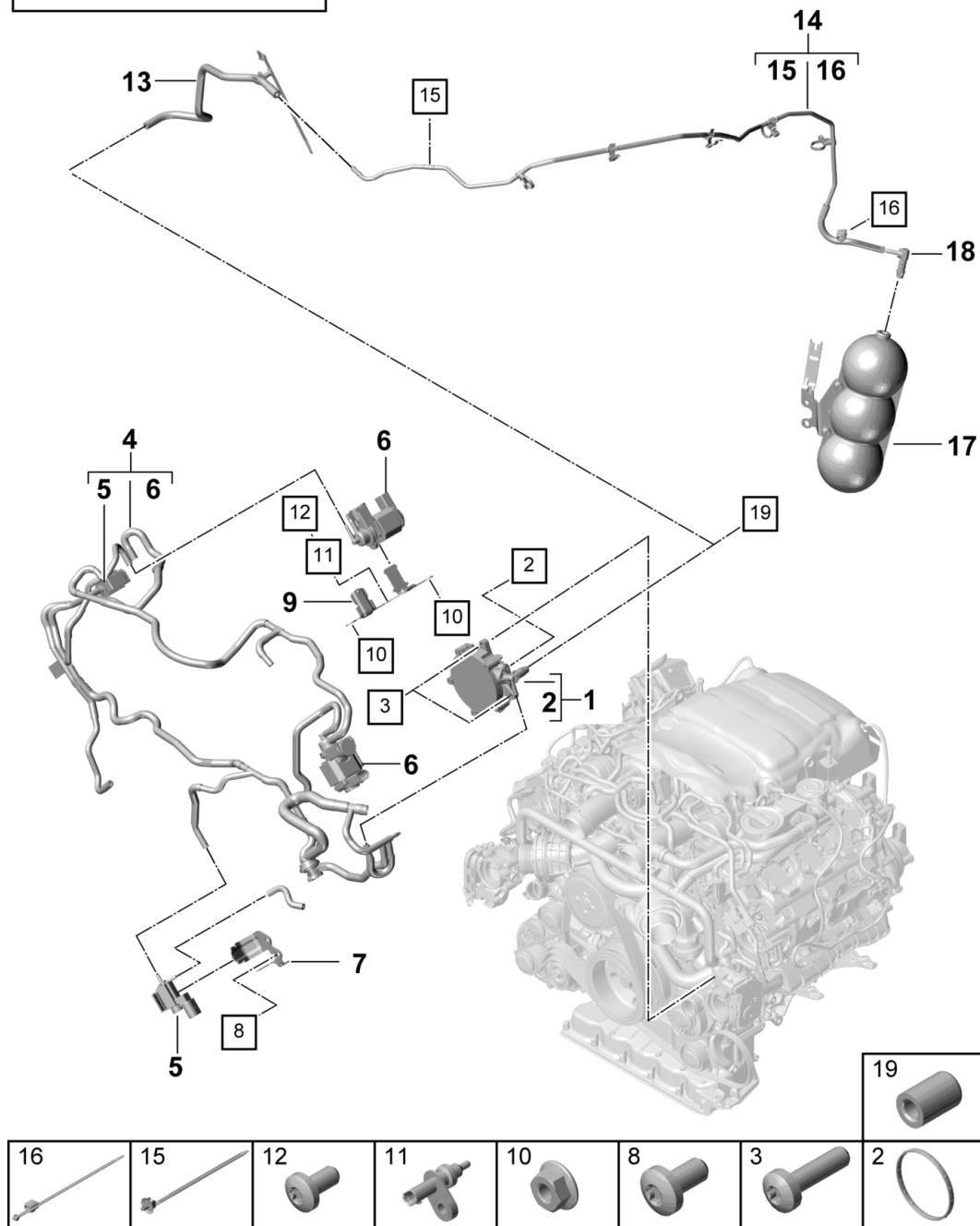
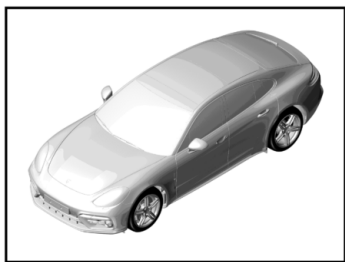
Model: 971-17

Model life 2017>>

Pos	Part Number	Description	Remark	Qty	Model
		vacuum system			CVDA, CVD
		Vacuum pump			
1	9A7 145 100 08	Vacuum pump		1	
2	9A7 145 113 20	Seal		1	
3	N 104 134 05	Hexagon socket flat head bolt	M6X25	3	
4	9A7 131 055 00	Vacuum line		1	
5	06H 906 283 B	Solenoid valve		1	
6	9A7 906 609 00	Pressure converter		2	
7	9A7 131 057 00	Vacuum line		1	
8	9A7 131 611 00	Vacuum hose for Vacuum unit Exhaust gas turbocharger		1	
9	9A7 131 612 00	Vacuum hose for Vacuum unit Exhaust gas turbocharger		1	
10	9A7 130 405 00	Bracket		1	
11	9A7 130 407 30	Bracket		1	
12	N 103 352 06	Hexagon socket flat head bolt	M6X12	3	
13	9A7 145 739 03	Vacuum line		1	PR:0K0
(13)	9A7 145 739 07	Vacuum line		1	PR:0K3
14	9A7 145 739 00	Vacuum line		1	PR:0P0,0P3,
(14)	9A7 145 739 02	Vacuum line		1	PR:0P8,0P9,
(14)	9A7 145 739 04	Vacuum line		1	PR:0P0,0P3,
(14)	971 145 739 K	Vacuum line		1	PR:0P0,0P3, 0P6,0K3
(14)	9A7 145 739 05	Vacuum line without:	PAB 133 382	1	PR:0P8,0P9,
15	9A7 971 850 00	Cable fastener		1	
16	9A7 971 838 01	Cable ties		1	
17	971 145 160 A	vacuum reservoir		1	
18	PAB 133 382	Elbow fitting		1	
19	9A7 133 369 00	Sealing cap		1	PR:0K3

Model: 971-17

Model life 2017>>



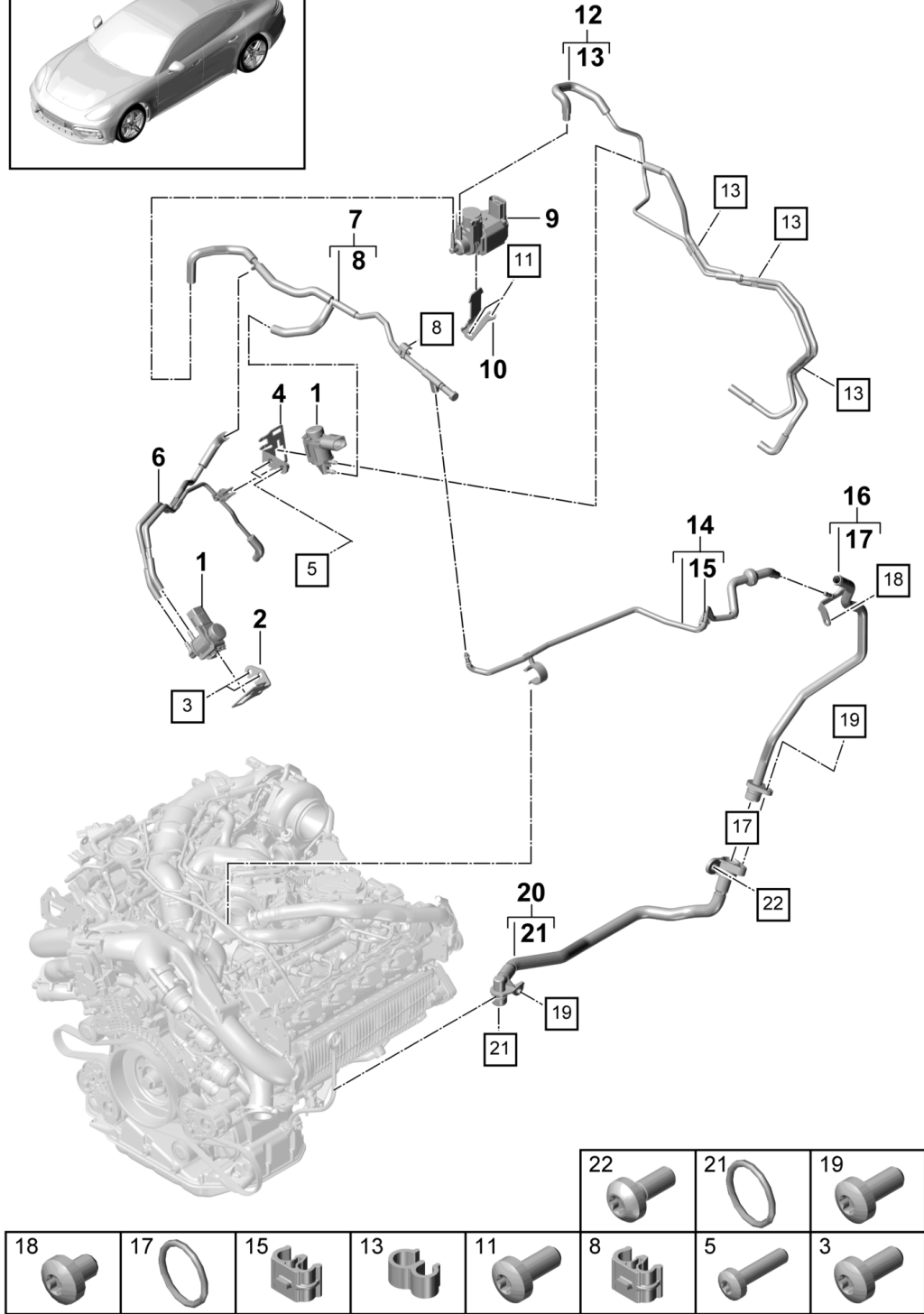
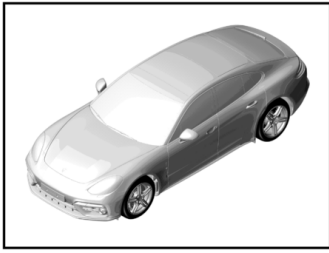
Model: 971-17

Model life 2017>>

Pos	Part Number	Description	Remark	Qty	Model
		vacuum system			CSZA, CSZ , DGPA, DGP
1	9A7 145 100 08	Vacuum pump		1	
2	9A7 145 113 20	Vacuum pump		1	
3	N 107 002 01	Seal		1	
4	9A7 131 055 10	round hd. screw	M6X22	3	
5	955 605 123 30	Vacuum line		1	
		Change-over valve		2	
		Electric			
6	9A7 906 609 00	Pressure converter		2	
7	9A7 131 087 05	Bracket		1	
		for			
		Connector housing	6 pin		
		D >> - 04.09.2017			
(7)	9A7 131 087 06	Bracket		1	
		for			
		Connector housing	10 pin		
		D - 04.09.2017>>			
8	N 906 381 04	Oval-head screw	M6X12	2	
9	9A7 130 407 20	Bracket		1	
10	N 015 082 13	Hexagon collar nut	M6	3	
11	9A7 919 501 10	Temperature sensor		1	
12	N 103 352 06	Hexagon socket flat	M6X12	1	
		head bolt			
		flat round head bolt			
13	971 145 739 A	Vacuum line		1	CSZA, CSZ
(13)	971 145 739 F	Vacuum line		1	DGPA, DGP
14	9A7 145 739 00	Vacuum line		1	CSZA, CSZ
(14)	9A7 145 739 04	Vacuum line		1	DGPA, DGP
(14)	971 145 739 K	Vacuum line		1	DGPA, DGP
15	9A7 971 850 00	Cable fastener		1	
16	9A7 971 838 01	Cable ties		1	
17	971 145 160 A	vacuum reservoir		1	
18	PAB 133 382	Elbow fitting		1	
19	9A7 133 369 00	Sealing cap		1	DGPA, DGP

Model: 971-17

Model life 2017>>



18	17	15	13	11	8	5	3	22	21	19

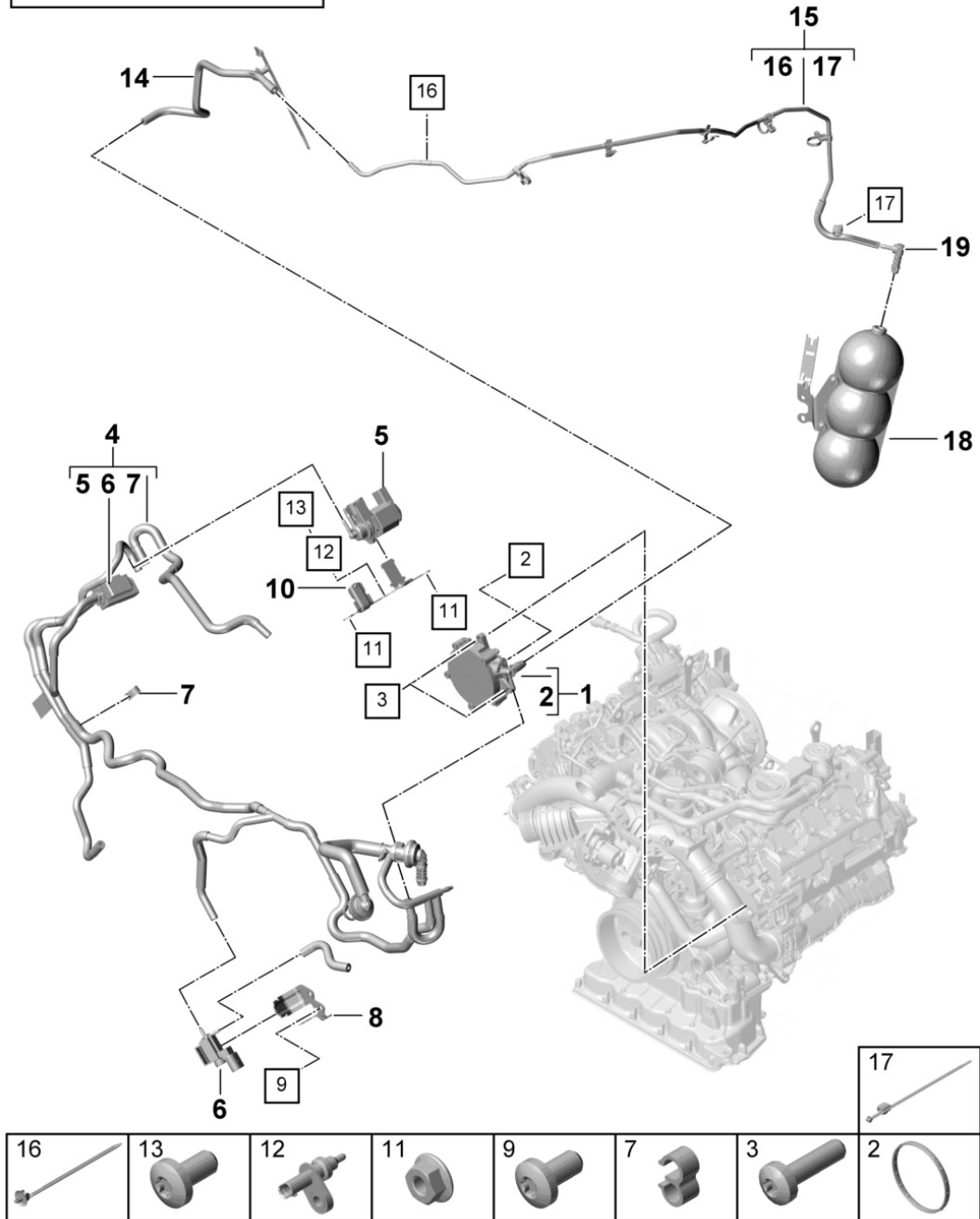
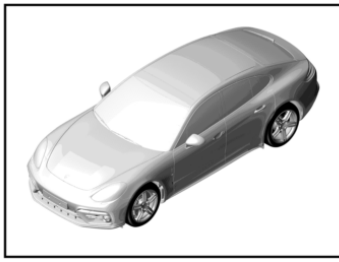
Model: 971-17

Model life 2017>>

Pos	Part Number	Description	Remark	Qty	Model
		vacuum system			DBUC
		Exhaust gas recirculation			
1	955 605 283 10	Change-over valve		2	
2	9A7 131 340 07	Bracket		1	
3	N 104 056 04	Oval hexagon socket head bolt	M6X14	2	
4	9A7 131 338 04	Bracket		1	
5	N 104 134 05	Hexagon socket flat head bolt	M6X25	2	
6	9A7 131 377 00	Vacuum line		1	
7	9A7 131 493 00	Vacuum line		1	
8	955 111 694 00	Clip		1	
9	9A7 906 609 04	Pressure converter		1	
10	9A7 131 087 00	Bracket		1	
11	N 104 056 04	Oval hexagon socket head bolt	M6X14	2	
12	9A7 131 386 03	Control line		1	
13	9A7 131 694 08	Line holder		3	
14	9A7 131 375 00	Vacuum line		1	
15	955 111 694 00	Clip		1	
16	9A7 131 058 00	Vacuum line		1	
		Brake servo			
17	N 908 091 02	O-ring	16X2	1	
18	N 106 803 02	Hexagon socket flat head bolt	M6X8	1	
19	N 104 056 04	Oval hexagon socket head bolt	M6X14	2	
20	9A7 131 057 07	Vacuum line		1	
		Brake servo			
21	N 908 091 02	O-ring	16X2	1	
22	N 107 663 01	Socket head bolt with inner multipoint head	M8X20	1	

Model: 971-17

Model life 2017>>



16	13	12	11	9	7	3	2	17

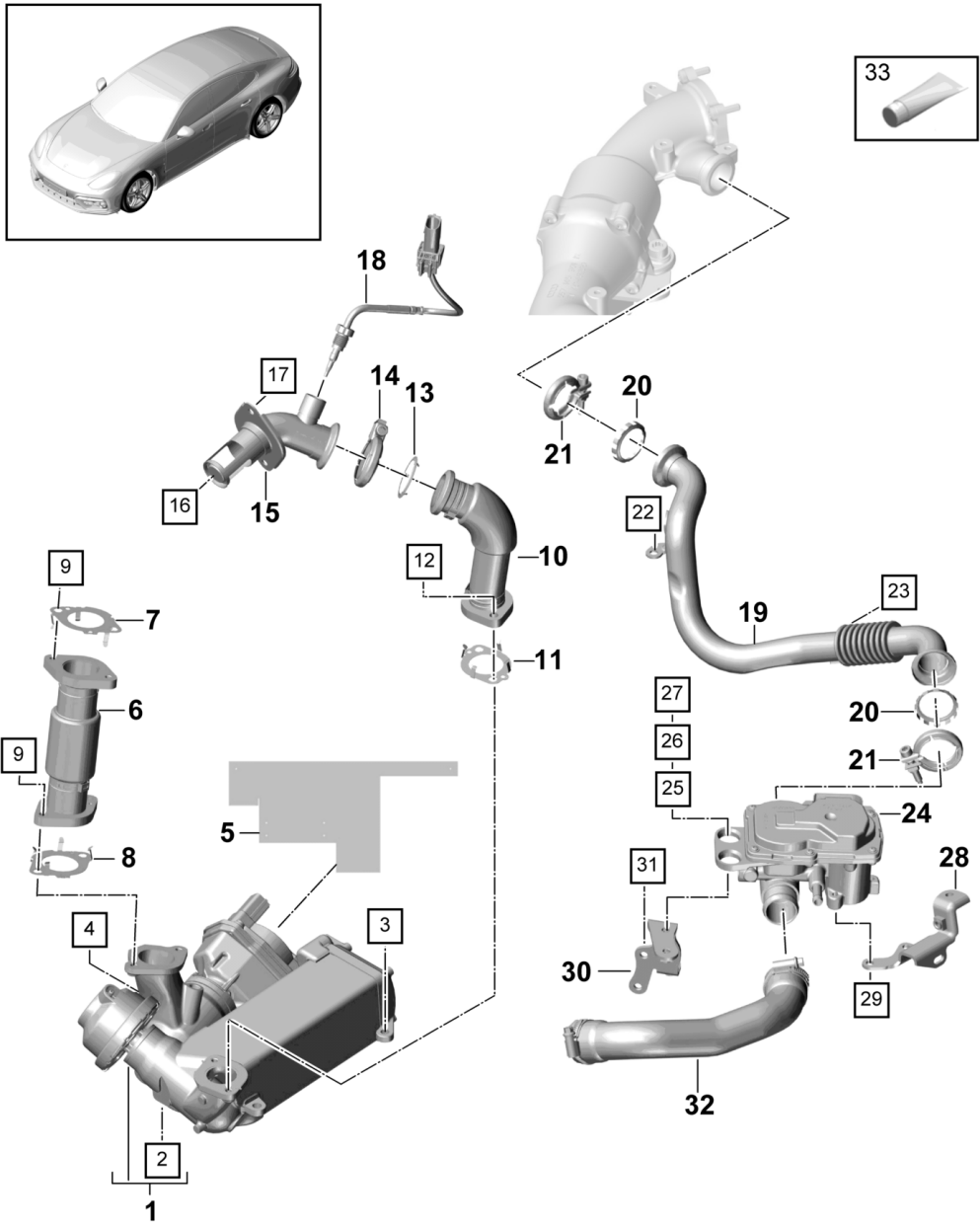
Model: 971-17

Model life 2017>>

Pos	Part Number	Description	Remark	Qty	Model
		vacuum system			CXTA, CXT
		Vacuum pump			
1	9A7 145 100 08	Vacuum pump		1	
2	9A7 145 113 20	Seal		1	
3	N 107 002 01	round hd. screw	M6X22	3	
4	9A7 131 055 20	Vacuum line		1	
5	9A7 906 609 00	Pressure converter		1	
6	955 605 123 30	Change-over valve		2	
7	N 105 887 01	Spacer holder		1	
8	9A7 131 087 05	Bracket		1	
		for			
		Connector housing	6 pin		
		D >> - 18.09.2017			
(8)	9A7 131 087 06	Bracket		1	
		for			
		Connector housing	10 pin		
		D - 18.09.2017>>			
9	N 906 381 04	Oval-head screw	M6X12	2	
10	9A7 130 407 20	Bracket		1	
11	N 015 082 13	Hexagon collar nut	M6	3	
12	9A7 919 501 10	Temperature sensor		1	
13	N 104 056 04	Oval hexagon socket head bolt	M6X14	1	
14	971 145 739 A	Vacuum line		1	
15	9A7 145 739 00	Vacuum line		1	
16	9A7 971 850 00	Cable fastener		1	
17	9A7 971 838 01	Cable ties		1	
18	971 145 160 A	vacuum reservoir		1	
19	PAB 133 382	Elbow fitting		1	

Model: 971-17

Model life 2017>>



		31	29	27	26	25	23
22	17	16	12	9	4	3	2

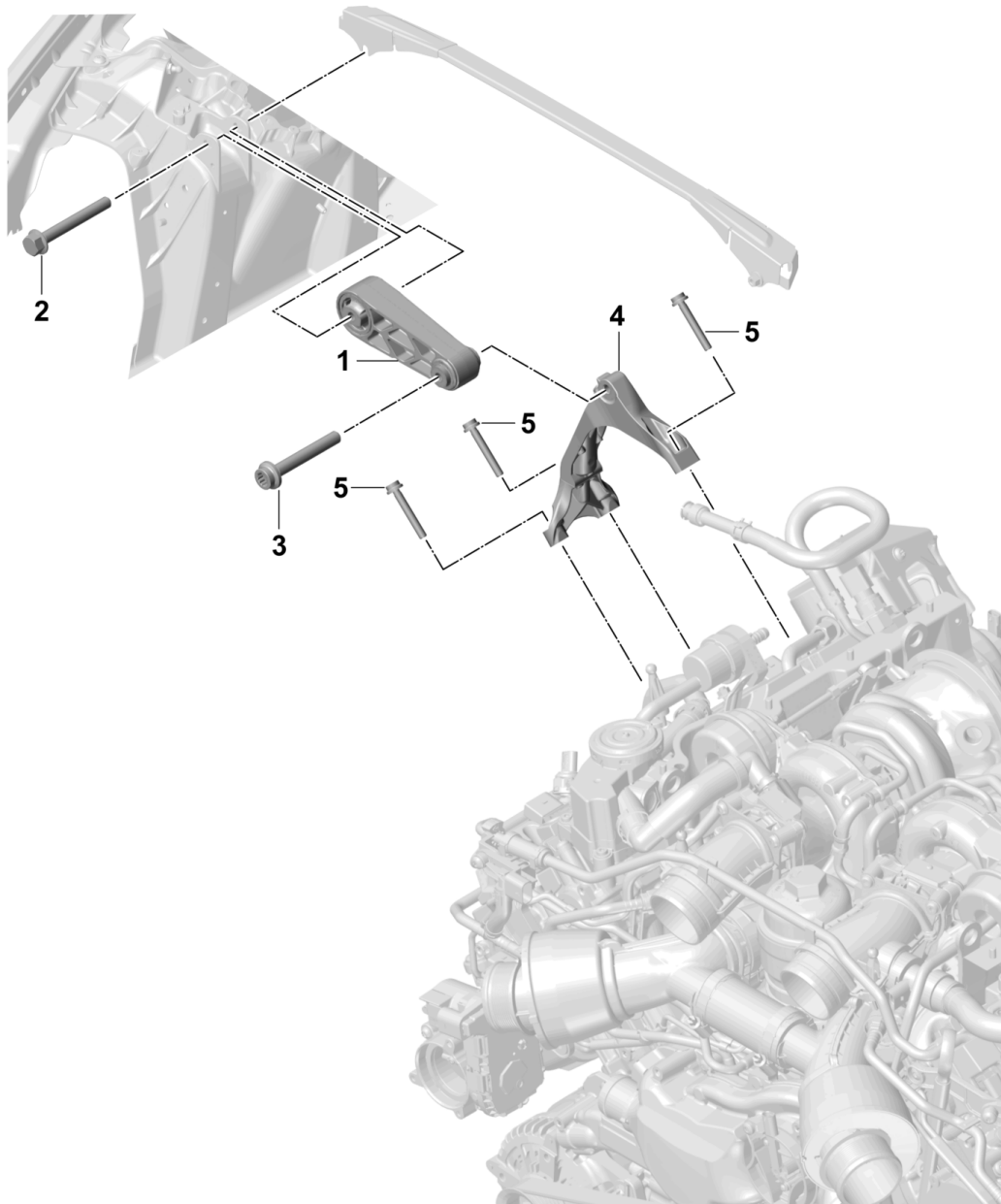
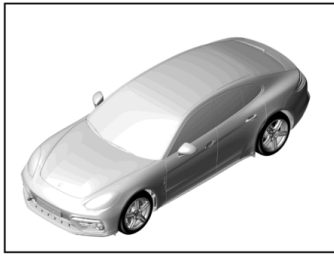
Model: 971-17

Model life 2017>>

Pos	Part Number	Description	Remark	Qty	Model
		Exhaust gas recirculation vacuum system			DBUC
1	9A7 131 511 00	Cooling unit for Exhaust gas recirculation		1	PR: 7MV, 7MJ
2	N 908 091 02	O-ring	16X2	1	
3	N 104 514 08	Oval hexagon socket head bolt	M6X16	2	
4	N 107 876 01	Hexagon socket flat head bolt	M6X42	1	
5	9A7 131 531 00	Heat insulation		1	
6	9A7 131 525 00	Connecting pipe		1	
7	9A7 131 358 00	Seal		1	
8	9A7 131 816 00	Seal		1	
9	N 911 962 01	Hexagon socket head bolt		4	
10	9A7 131 530 00	Connecting pipe		1	
11	9A7 131 599 00	Seal		1	
12	N 104 514 08	Oval hexagon socket head bolt	M6X16	2	
13	958 111 547 10	Seal		1	
14	958 111 725 00	Clamp		1	
15	9A7 131 534 00	Exhaust line		1	
16	9A7 131 815 00	Seal		1	
17	N 104 056 04	Oval hexagon socket head bolt	M6X14	2	
18	9A7 906 088 10	Temperature sensor		1	
19	9A7 145 741 00	Exhaust pipe		1	
20	9A7 145 625 00	Seal		2	
21	958 111 548 03	Clamp		2	
22	N 104 514 05	Oval hexagon socket head bolt	M6X16	1	
23	N 101 703 02	round hd. screw	M6X10	1	
24	9A7 145 829 00	control valve		1	
25	9A7 131 887 00	Mounting		2	
26	9A7 129 734 00	Distance piece		2	
27	N 107 002 01	round hd. screw	M6X22	2	
28	9A7 145 263 00	Bracket		1	
29	N 104 056 04	Oval hexagon socket head bolt	M6X14	3	
30	9A7 145 383 00	Bracket		1	
31	N 104 514 08	Oval hexagon socket head bolt	M6X16	2	
32	9A7 145 738 03	Pressure hose		1	
		with:			
33	000 043 306 18	Hose clamp hot-bolt-paste 1 tube 170 G		1	

Model: 971-17

Model life 2017>>



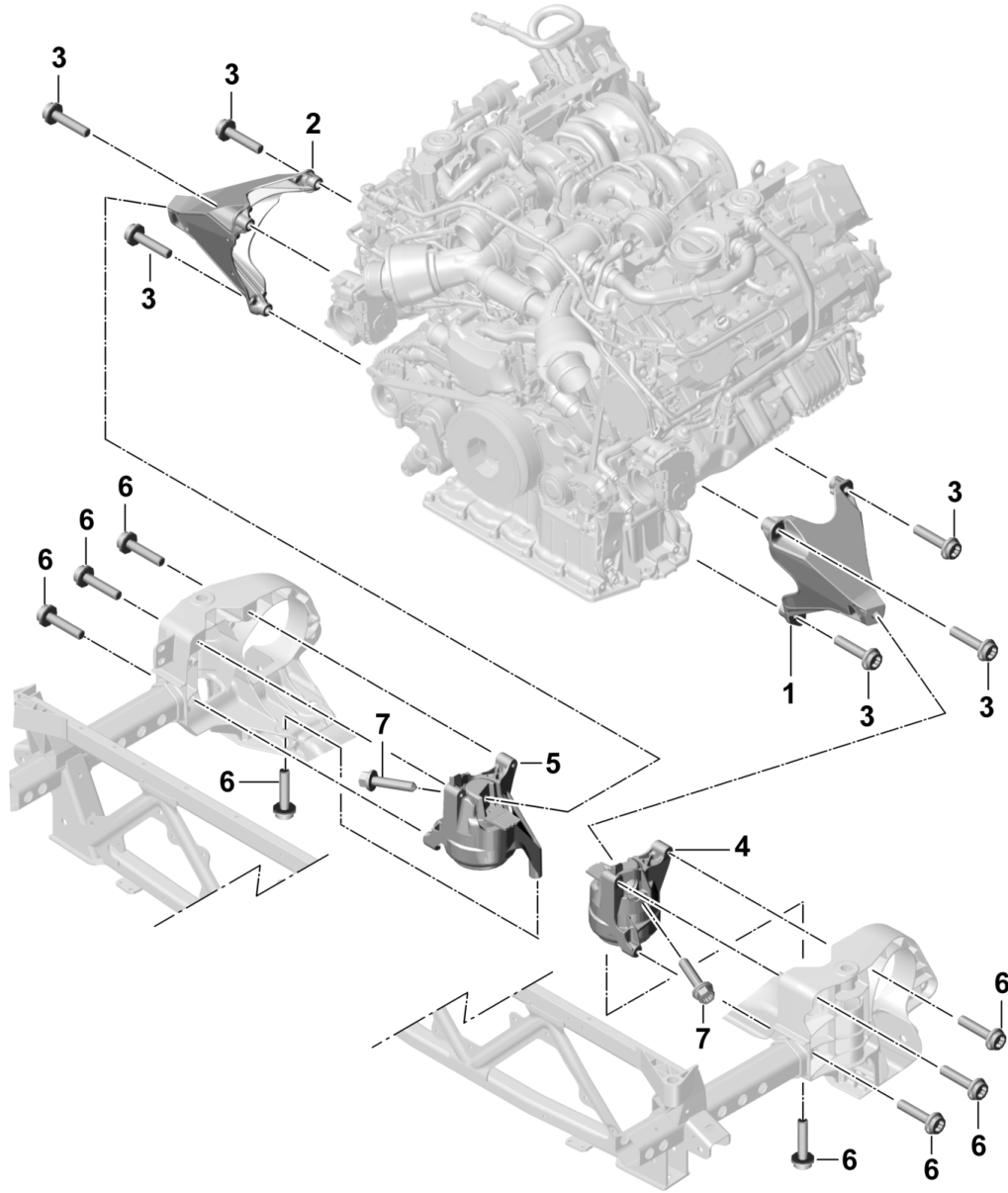
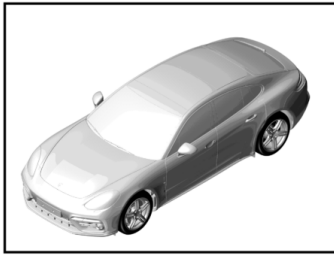
Model: 971-17

Model life 2017>>

Pos	Part Number	Description	Remark	Qty	Model
		Engine suspension Engine support			CVDA, CVD, CSZA, CSZ, CXTA, CXT, DGPA, DGP
1	9A7 199 331 00	Engine support	upper	1	
(2)	WHT 008 539	Hexagon collared bolt with multi-point socket head (duo) M 10 X 80		1	
3	N 106 259 01	Socket head collared bolt with inner multipoint head M 10 X 70		1	
4	9A7 199 352 10	Console		1	CVDA, CVD
(4)	9A7 199 352 00	Console		1	CSZA, CSZ, CXTA, CXT, DGPA, DGP
5	N 107 418 01	Socket head bolt with inner multipoint head M 8 X 55		3	CVDA, CVD
(5)	N 107 805 01	Socket head bolt with inner multipoint head M 8 X 45		3	CSZA, CSZ, CXTA, CXT, DGPA, DGP

Model: 971-17

Model life 2017>>



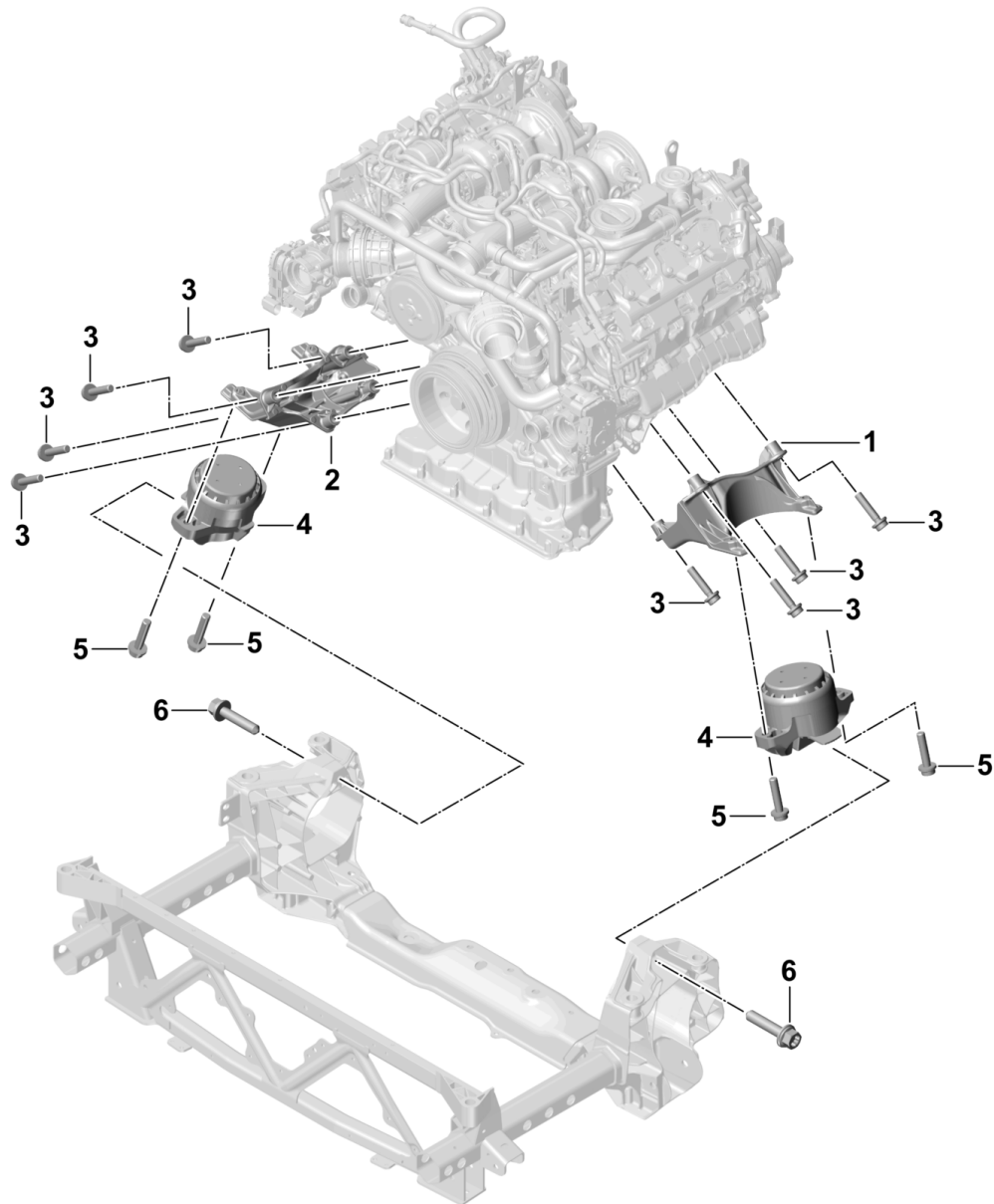
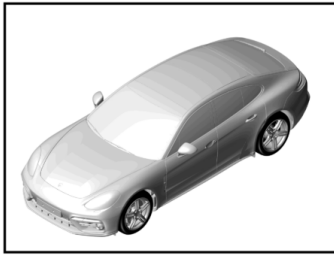
Model: 971-17

Model life 2017>>

Pos	Part Number	Description	Remark	Qty	Model
		Engine lifting tackle			CVDA, CVD
		Console for engine mounting			
		engine mounting			
1	9A7 199 307 00	Engine support	Cylinder 5-8	1	
2	9A7 199 308 00	Engine support	Cylinders 1-4	1	
3	N 106 872 01	Socket head bolt with inner multipoint head (Kombi)	M10X45	6	
4	9A7 199 383 00	engine mounting	Cylinder 5-8	1	
5	9A7 199 384 00	engine mounting	Cylinders 1-4	1	
6	N 911 744 01	Socket head bolt with inner multipoint head	M8X35	8	
7	N 911 489 01	multi-point socket head bolt with collar	M12X1,5X60	2	

Model: 971-17

Model life 2017>>



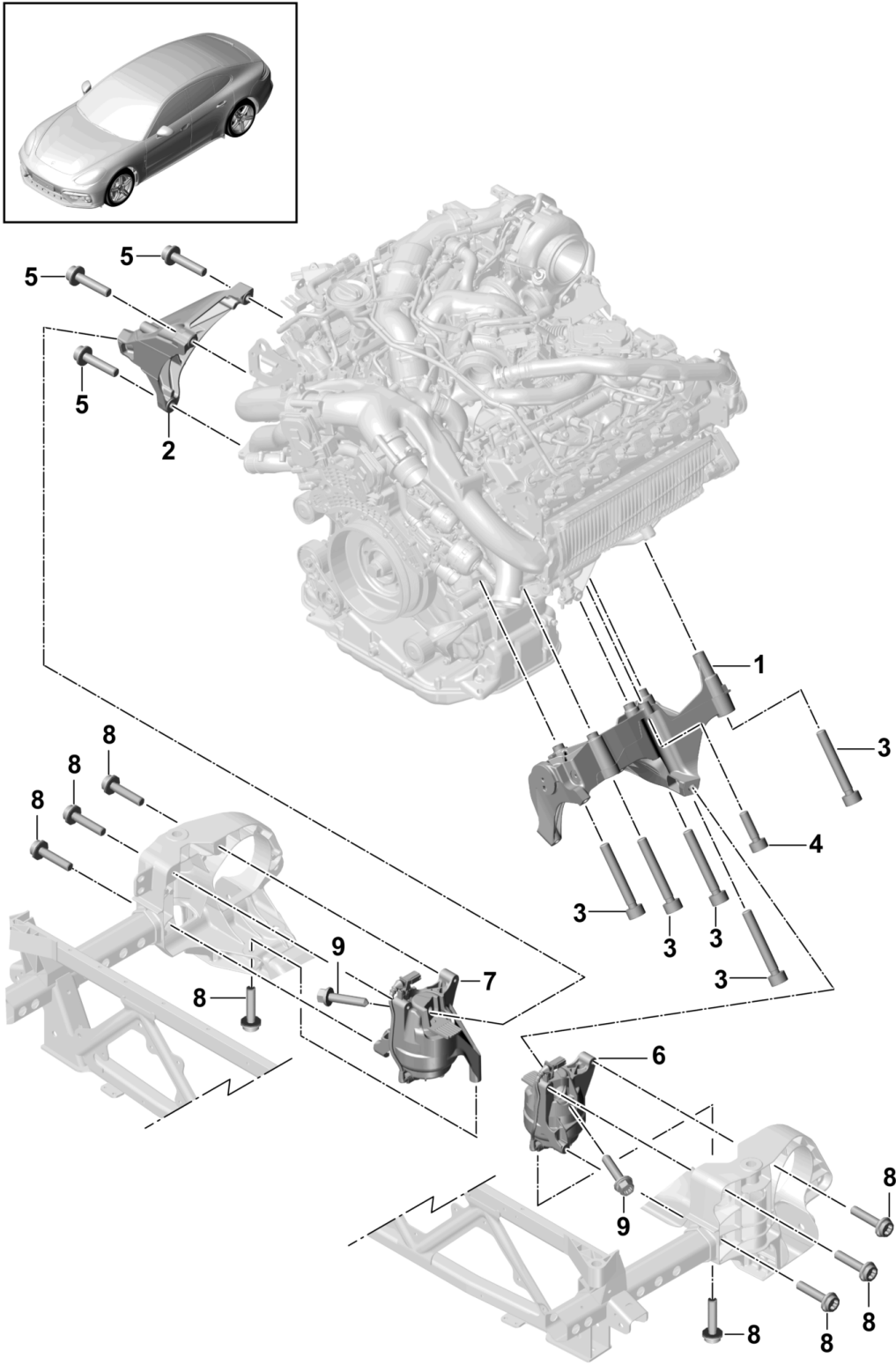
Model: 971-17

Model life 2017>>

Pos	Part Number	Description	Remark	Qty	Model
		Engine lifting tackle Console for engine mounting engine mounting			CSZA,CSZ, CXTA,CXT, DGPA,DGP
1	9A7 199 307 10	Engine support	cylinders 4-6	1	
2	9A7 199 308 10	Engine support	cylinders 1-3	1	
3	N 106 872 01	Socket head bolt with inner multipoint head (Kombi)	M10X45	8	
4	9A7 199 383 10	engine mounting		2	
5	N 106 872 01	Socket head bolt with inner multipoint head (Kombi)	M10X45	4	
6	N 911 489 01	multi-point socket head bolt with collar	M12X1,5X60	2	

Model: 971-17

Model life 2017>>



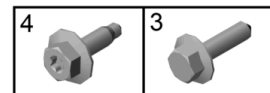
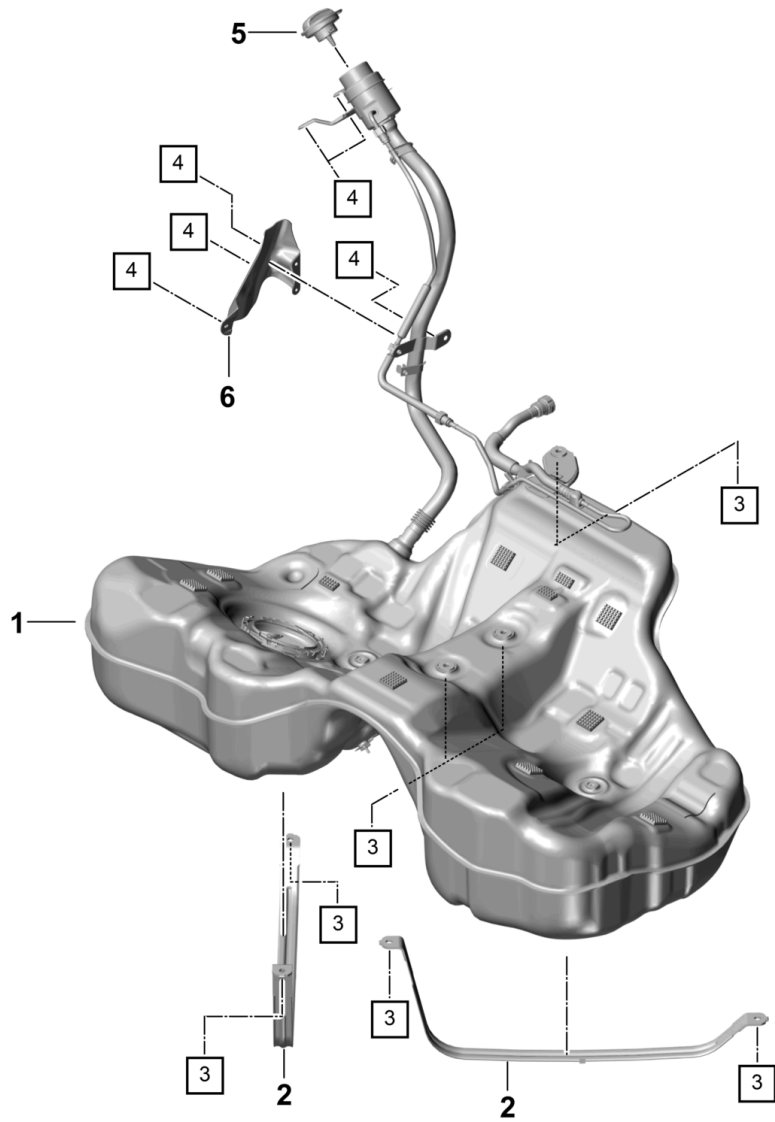
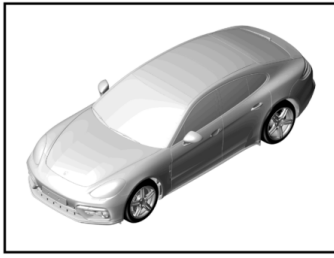
Model: 971-17

Model life 2017>>

Pos	Part Number	Description	Remark	Qty	Model
		Engine lifting tackle			DBUC
		Console for engine mounting			
		Engine brackets			
1	9A7 199 307 20	Engine support	Cylinder 5-8	1	
2	9A7 199 308 20	Engine support	Cylinders 1-4	1	
3	N 909 901 02	Socket head bolt with inner multipoint head	M10X70 Cylinder 5-8	5	
4	N 910 214 03	Socket head bolt with inner multipoint head	M10X35 Cylinder 5-8	1	
5	N 106 872 01	Socket head bolt with inner multipoint head (Kombi)	M10X45 Cylinders 1-4	3	
6	971 199 383 E	engine mounting	Cylinder 5-8	1	
7	971 199 384 E	engine mounting	Cylinders 1-4	1	
8	N 911 744 01	Socket head bolt with inner multipoint head	M8X35	8	
9	N 911 489 01	multi-point socket head bolt with collar	M12X1,5X60	2	

Model: 971-17

Model life 2017>>



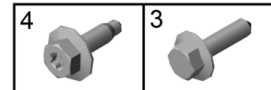
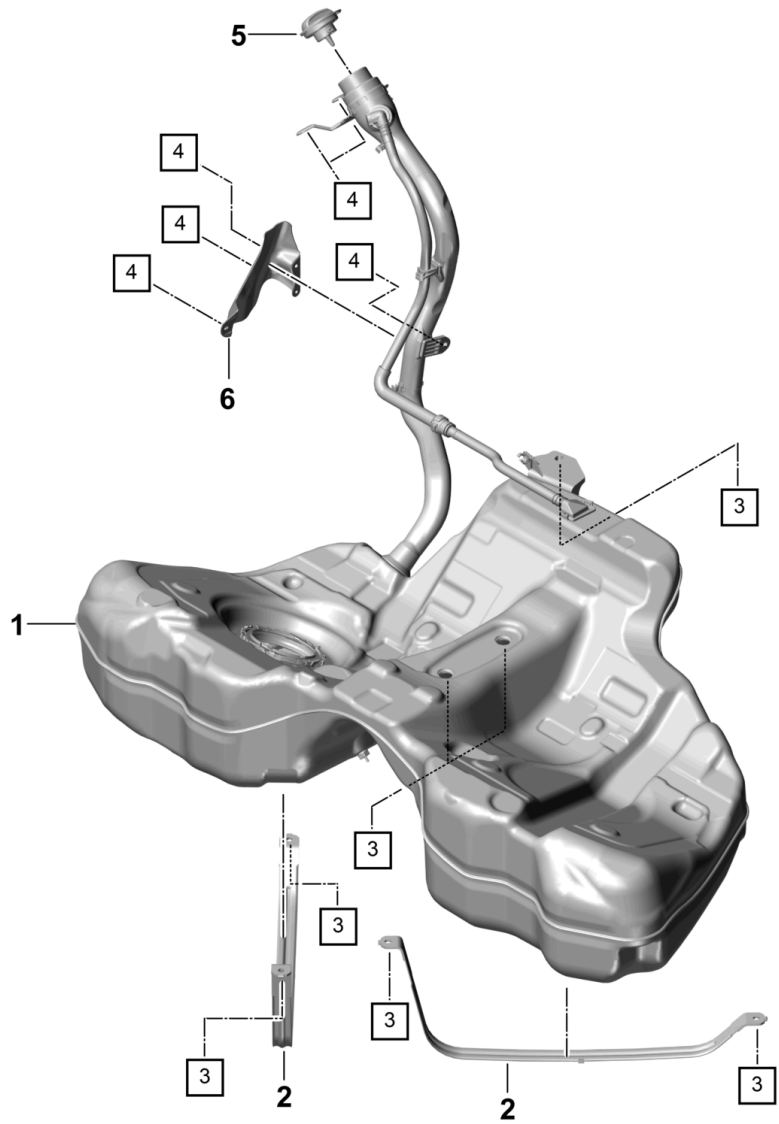
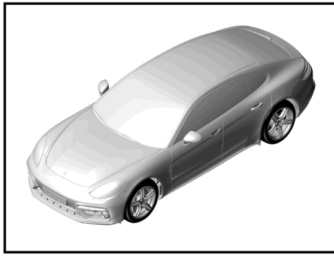
Model: 971-17

Model life 2017>>

Pos	Part Number	Description	Remark	Qty	Model
		fuel tank with attachments			PR: 2G1, 2G4,
1	971 201 022	Fuel tank		1	PR: 0M2, 2G1
(1)	971 201 022 A	Fuel tank		1	PR: 0M4, 2G1
(1)	971 201 022 B	Fuel tank		1	PR: 0M2, 2G4
(1)	971 201 022 C	Fuel tank		1	PR: 0M4, 2G4
2	9A7 201 392 00	tensioning strap		2	
3	N 106 266 02	Hex collared bolt	M8X30	7	
4	N 910 799 01	Hex collared bolt	M6X20	7	
5	9A7 201 550 00	cap with retaining strap for fuel tank		1	PR: 2G1
(5)	9A7 201 550 01	Discontinued part cap with retaining strap for fuel tank		1	PR: 2G1
(5)	9A7 201 550 10	Discontinued part cap with retaining strap for fuel tank		1	PR: 2G4
(5)	9A7 201 550 11	Discontinued part cap with retaining strap for fuel tank		1	PR: 2G4
6	971 201 399 A	Protective plate		1	
7	000 043 209 02	Multi-purpose additive for Otto engine fuels TEILWEISE F.EU		X	

Model: 971-17

Model life 2017>>



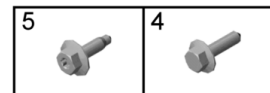
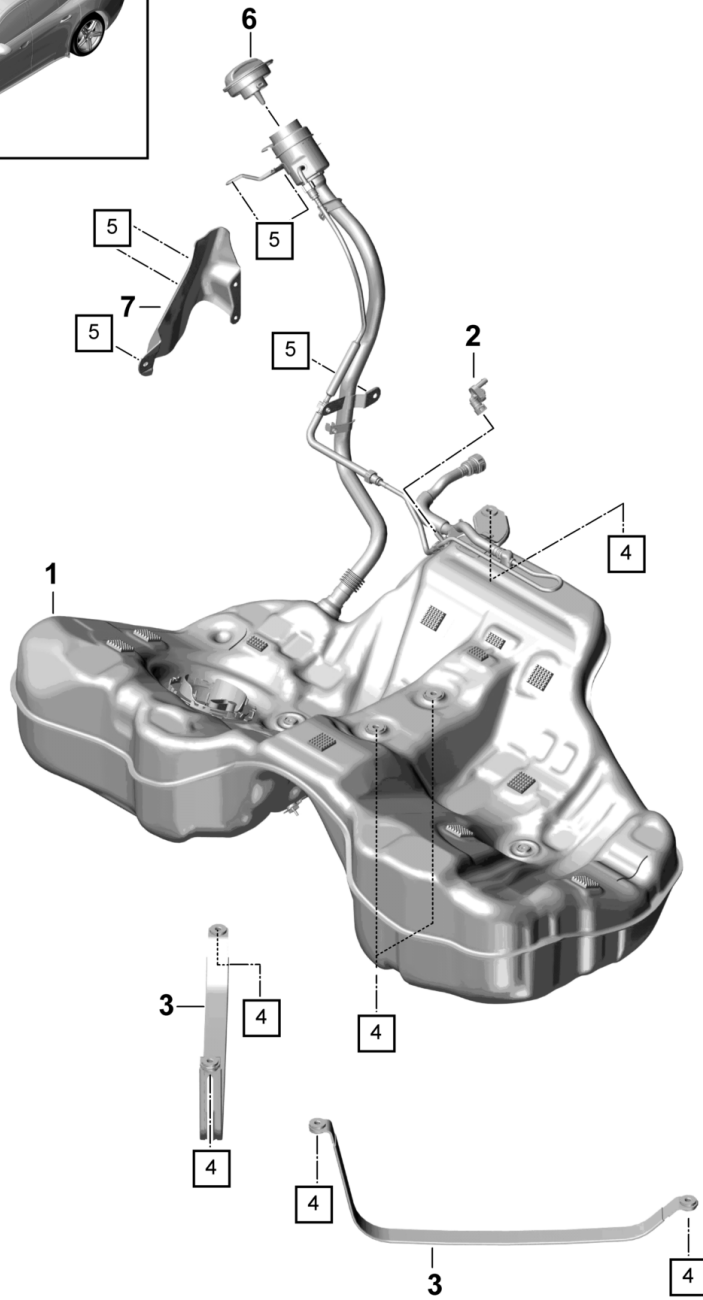
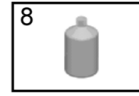
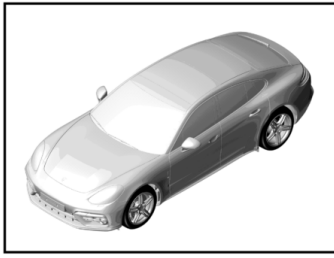
Model: 971-17

Model life 2017>>

Pos	Part Number	Description	Remark	Qty	Model
		fuel tank with attachments			PR:2G0
1	971 201 022 D	Fuel tank		1	PR:0M2
(1)	971 201 022 E	Fuel tank		1	PR:0M4
2	9A7 201 392 00	tensioning strap		2	
3	N 106 266 02	Hex collared bolt	M8X30	7	
4	N 910 799 01	Hex collared bolt	M6X20	7	
5	9A7 201 550 20	cap with retaining strap for fuel tank		1	
6	971 201 399 A	Protective plate		1	

Model: 971-17

Model life 2017>>



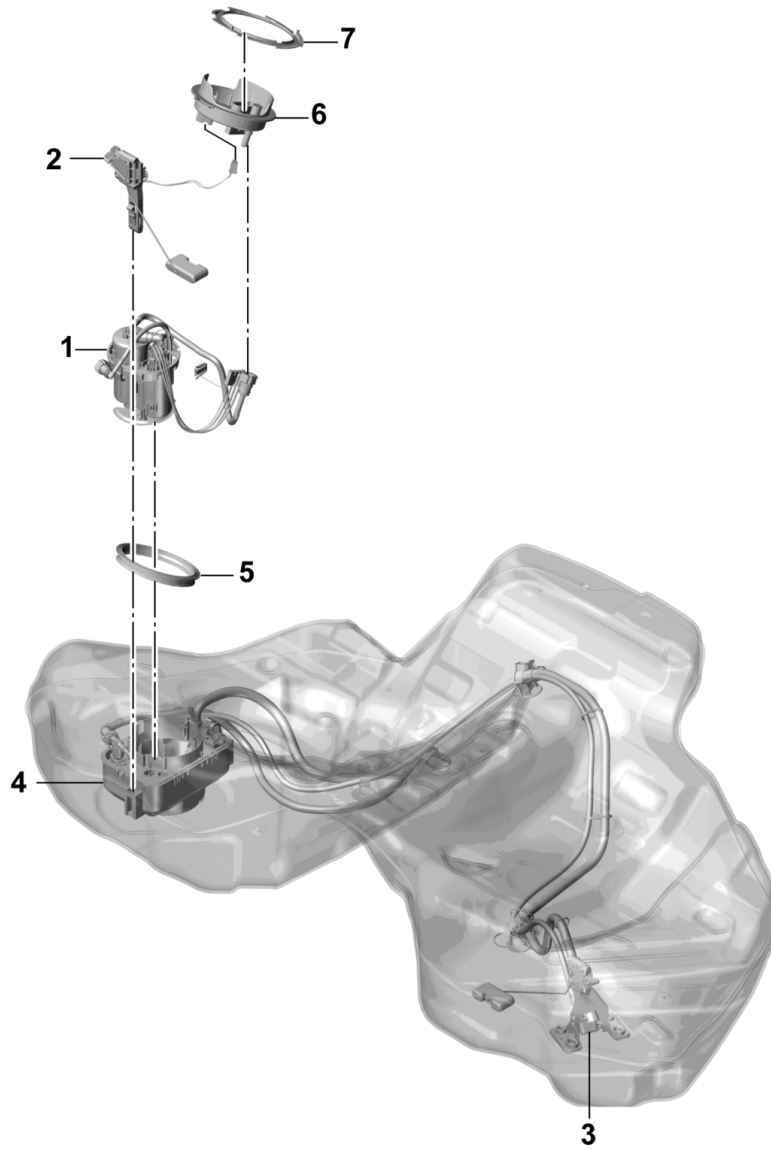
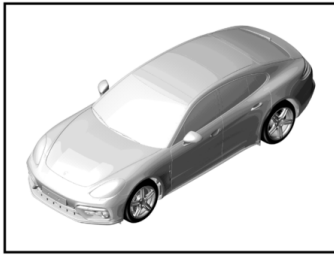
Model: 971-17

Model life 2017>>

Pos	Part Number	Description	Remark	Qty	Model
1	971 201 022 F	fuel tank with attachments		1	PR: 2G1, 2G4, 0K3
(1)	971 201 022 R	Fuel tank		1	PR: 2G1
(1)	971 201 022 T	Fuel tank		1	PR: 2G1, 7CF, 7CS, 7GH, 7MM
(1)	971 201 022 G	Fuel tank		1	PR: 2G1, 7CM, 7CR
2	9A7 201 733 00	Pressure sensor		1	PR: 2G4
3	9A7 201 392 10	tensioning strap		2	
4	N 106 266 02	Hex collared bolt	M8X30	7	
5	N 910 799 01	Hex collared bolt	M6X20	7	
6	9A7 201 550 31	cap with retaining strap for fuel tank		1	
7	971 201 399 A	Protective plate		1	
8	000 043 209 02	Multi-purpose additive for Otto engine fuels	100ml	X	

Model: 971-17

Model life 2017>>



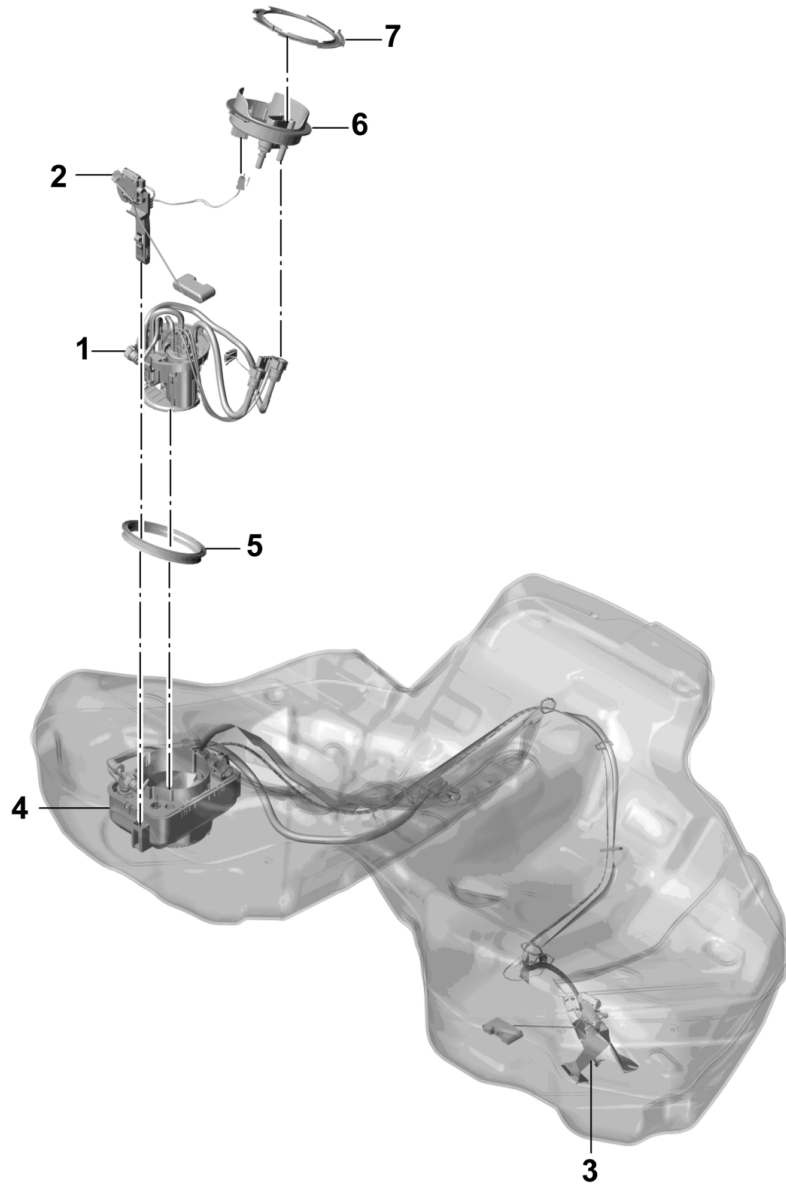
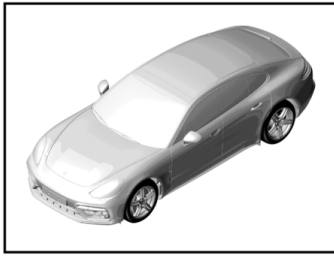
Model: 971-17

Model life 2017>>

Pos	Part Number	Description	Remark	Qty	Model
1	9A7 919 088 00	Fuel pump suction jet pump		1	PR: 2G1, 2G4, OK0
(1)	9A7 919 088 10	Fuel pump		1	PR: 9M0
2	9A7 919 673 00	Transmitter unit for fuel gauge	right	1	PR: 9M1, 9M9
3		suction jet pump and Tank gauge	left	1	
		Not available			
4		Fuel tank Use Pot		1	
		Fuel pump Not available			
5	9A7 919 133 40	Fuel tank Use Seal		1	PR: 2G1
(5)	9A7 919 133 20	Seal		1	PR: 2G4
6	9A7 919 679 20	flange		1	PR: 9M0
(6)	9A7 919 679 30	flange		1	PR: 9M1, 9M9
7	955 201 623 01	Union nut		2	

Model: 971-17

Model life 2017>>



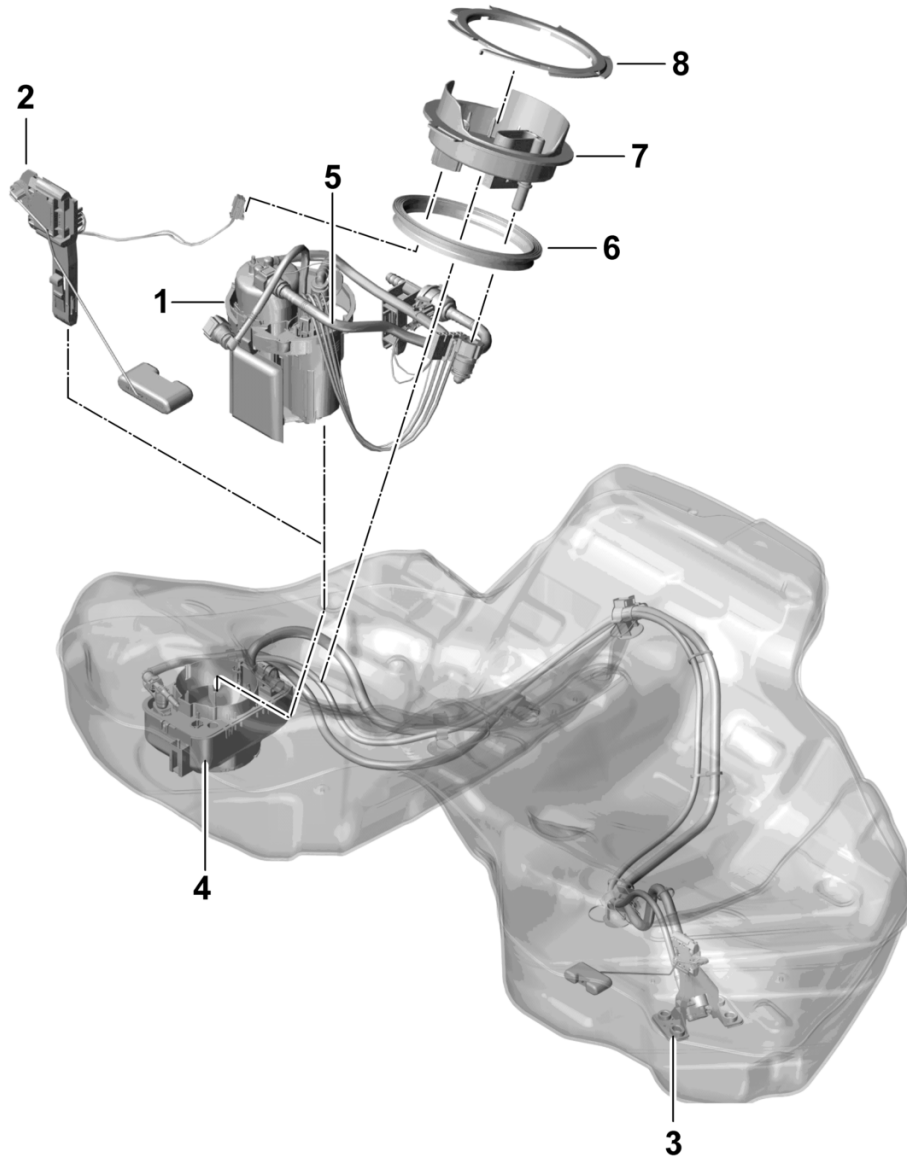
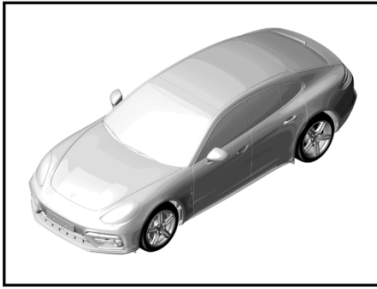
Model: 971-17

Model life 2017>>

Pos	Part Number	Description	Remark	Qty	Model
		Fuel pump suction jet pump			PR: 2G0
1	9A7 919 087 00	Fuel pump		1	PR: 9M0
(1)	9A7 919 087 10	Fuel pump		1	PR: 9M1, 9M5, 9M9
2	9A7 919 673 00	Transmitter unit for fuel gauge	right	1	
3		suction jet pump and Tank gauge	left	1	
		Not available			
		Fuel tank			
		Use			
4		Pot		1	
		Fuel pump			
		Not available			
		Fuel tank			
		Use			
5	9A7 919 133 40	Seal		1	
6	9A7 919 679 00	flange		1	PR: 9M0
(6)	9A7 919 679 10	flange		1	PR: 9M1, 9M5, 9M9
7	955 201 623 01	Union nut		2	

Model: 971-17

Model life 2017>>



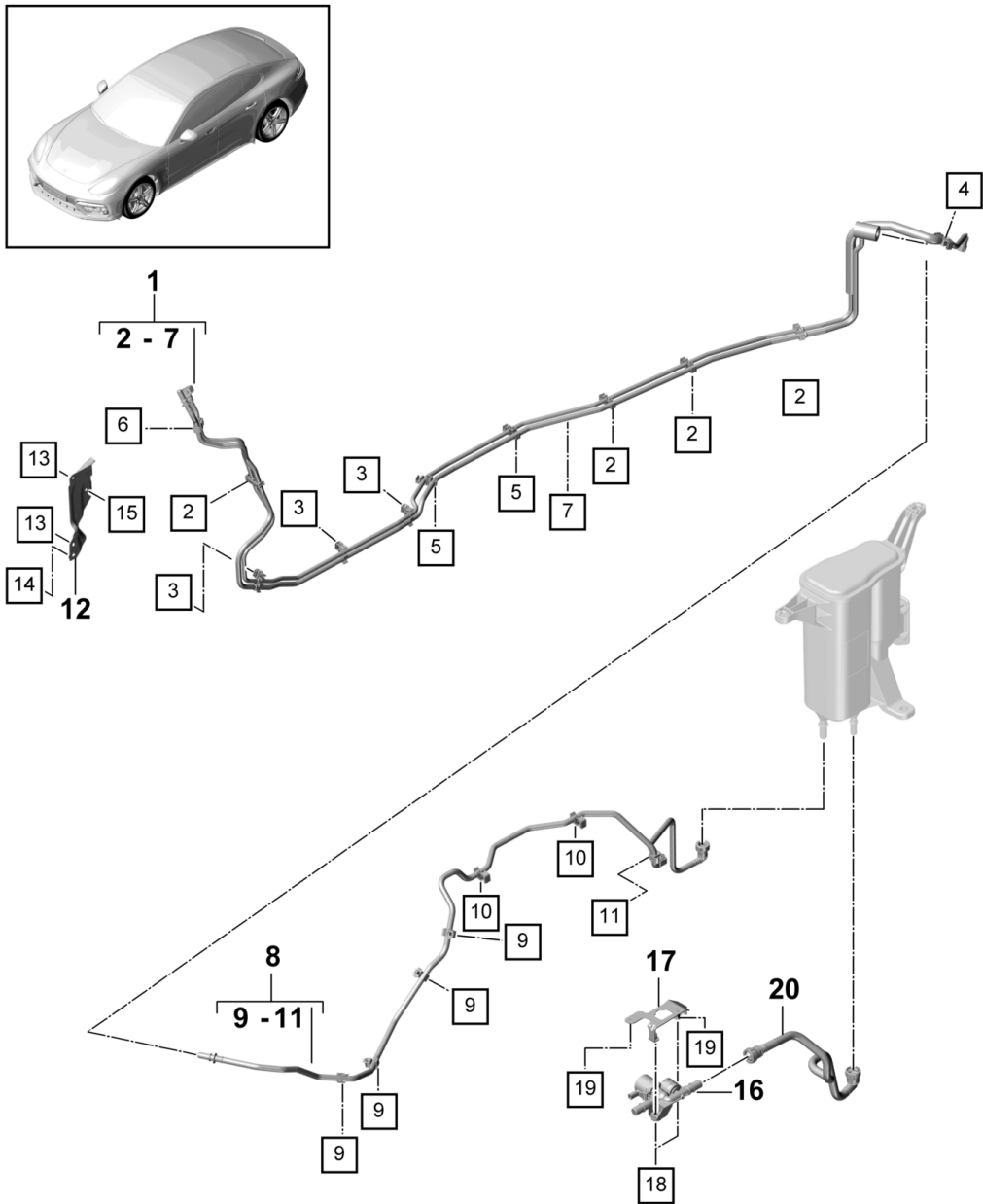
Model: 971-17

Model life 2017>>

Pos	Part Number	Description	Remark	Qty	Model
1	9A7 919 088 20	Fuel pump suction jet pump		1	PR: 2G1, 2G4, OK3
2	9A7 919 673 00	Fuel pump Transmitter unit for fuel gauge	right	1	
3		suction jet pump and Transmitter unit for fuel gauge * single parts no available *	left	1	
4		for this use: Pot Fuel pump * single parts no available *	Fuel	1	
5	9A7 919 845 00	Valve	Fuel	1	
6	9A7 919 133 20	Seal		1	
7	9A7 919 679 20	flange		1	
8	955 201 623 01	Union nut		1	

Model: 971-17

Model life 2017>>



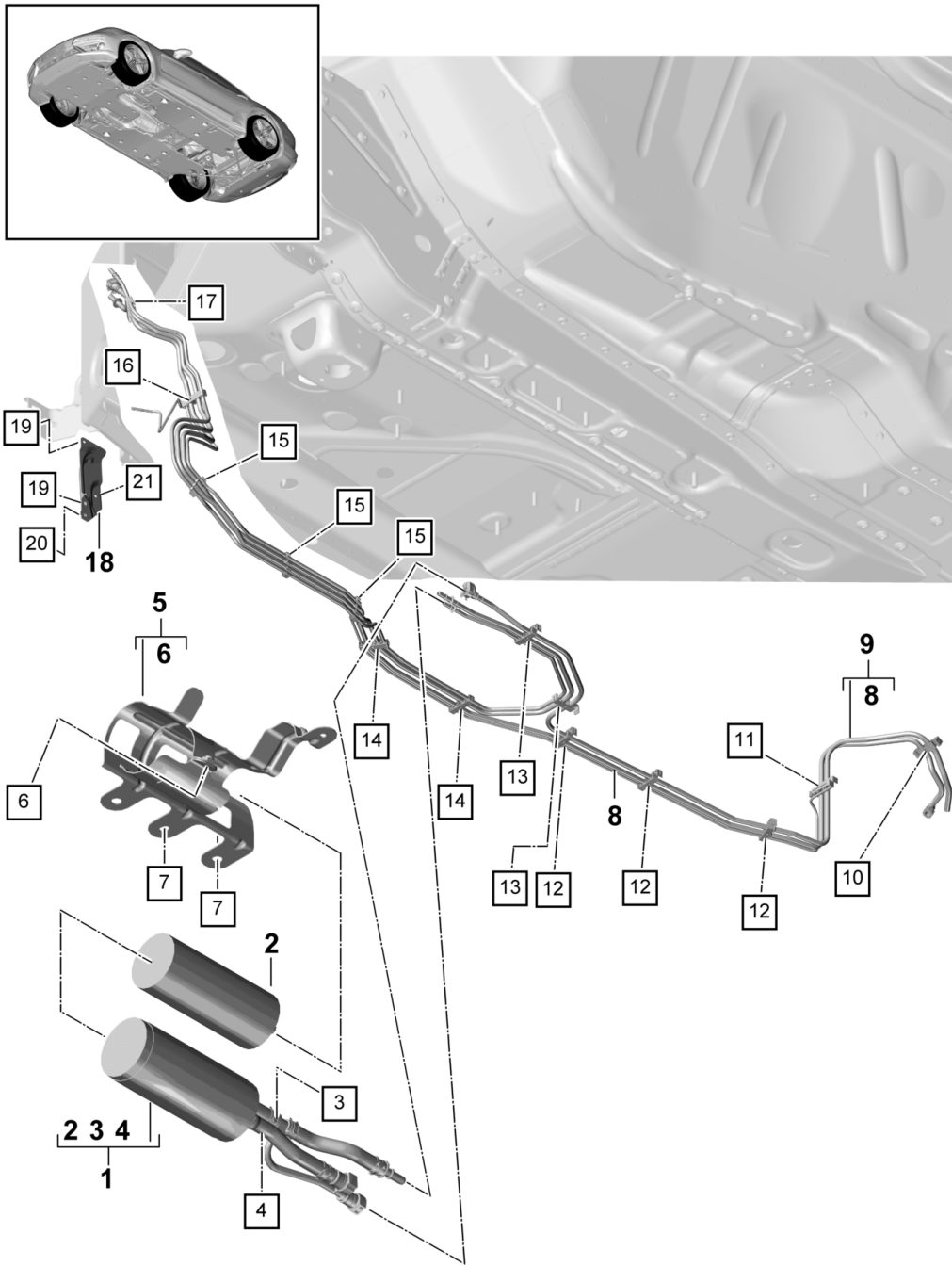
Model: 971-17

Model life 2017>>

Pos	Part Number	Description	Remark	Qty	Model
		Fuel line Underbody			PR:2G1,2G4
1	971 201 080 M	1 set of fuel lines		1	PR:0E1,9M0
(1)	971 201 080 N	1 set of fuel lines		1	PR:0E2,9M0
(1)	971 201 080 R	1 set of fuel lines		1	PR:0E1,9M1, 9M5,9M9
(1)	971 201 080 S	1 set of fuel lines		1	PR:0E2,9M1, 9M5,9M9
2	9A7 201 171 00	Retainer for fuel line		4	PR:0E1
(2)	9A7 201 171 00	Retainer for fuel line		5	PR:0E2
3	9A7 201 171 05	Retainer for fuel line		3	
4	9A7 201 171 10	Retainer for fuel line		1	
5	9A7 201 171 15	Retainer for fuel line		2	
6	9A7 201 171 20	Retainer for fuel line		1	
7	9A7 201 171 25	Retainer for fuel line		1	PR:9M1,9M5, 9M9
8	971 201 851 C	Purge-air line		1	PR:2G1,0K0
(8)	971 201 851 E	Purge-air line		1	PR:0K3
9	9A7 201 171 30	Line holder		4	
10	9A7 201 171 35	Line holder		2	PR:2G1,0K0
(10)	9A7 201 171 30	Line holder		2	PR:0K3
11	9A7 201 171 40	Line holder		1	PR:2G1,0K0
(11)	9A7 201 171 55	Line holder		1	PR:0K3
12	971 201 546 A	Protective plate		1	
13	N 910 968 01	Hexagon socket flat head bolt	M6X20	3	
14	N 908 173 02	rivetted cap nut	M6/0,5-3	1	
15	N 901 686 04	Speed nut	M6X23,4X16	1	
16	958 201 559 00	pressure regulator		1	PR:0K3
17	9A7 201 292 01	Bracket		1	PR:0K3
18	N 909 747 01	Hexagon socket head panel bolt	TP5X16	2	PR:0K3
19	N 911 406 01	Hexagon socket oval head bolt (combi)	M6X30	2	PR:0K3
20	9A7 201 123 01	Breather line		1	PR:0K3

Model: 971-17

Model life 2017>>



21	20	19	17	16	15	14
13	12	11	10	7	6	4
3						

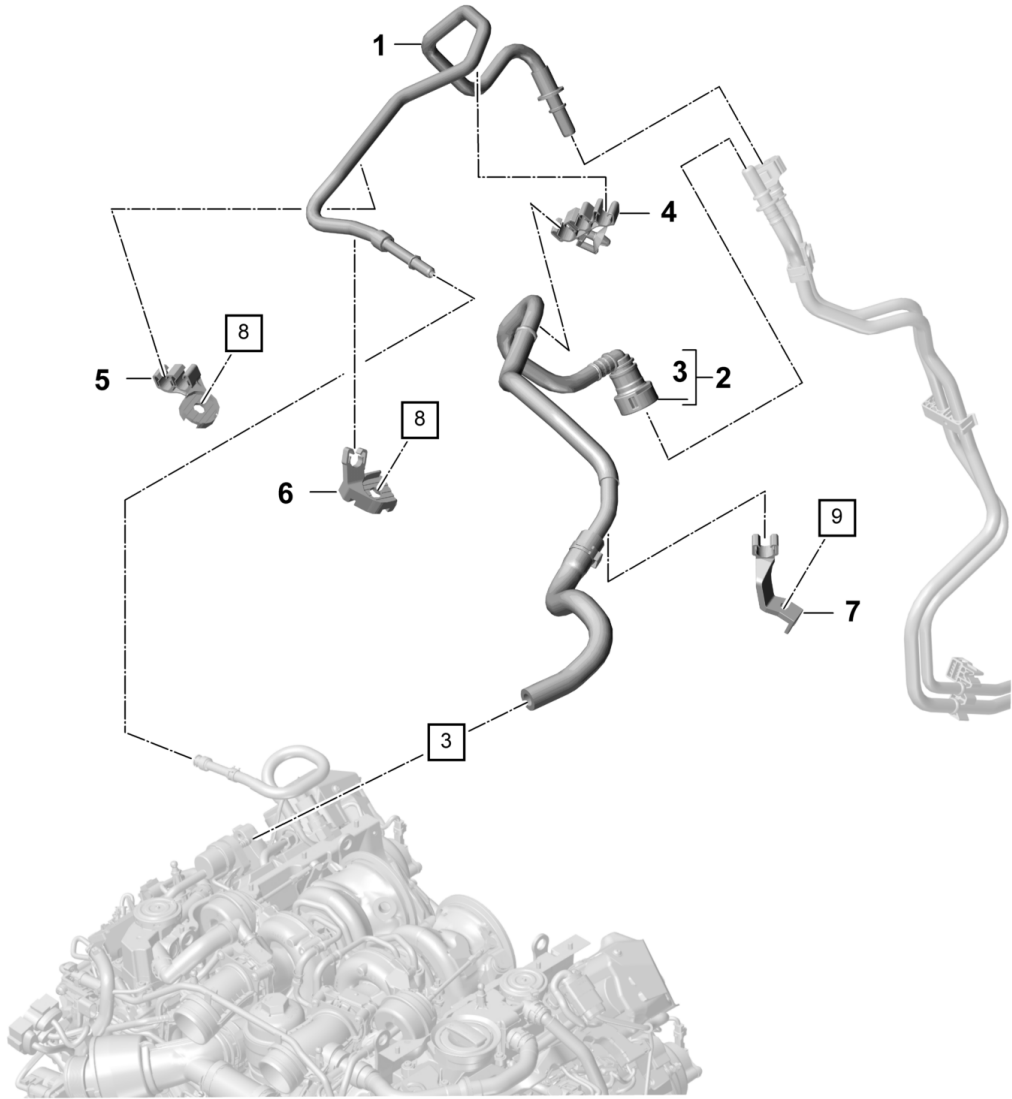
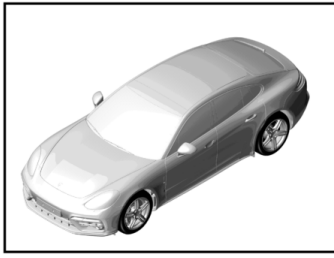
Model: 971-17

Model life 2017>>

Pos	Part Number	Description	Remark	Qty	Model
		Fuel system			DBUC
		Fuel line			
		Underbody			
1	971 127 400 B	Fuel filter		1	
		with:			
		Lines			
2	971 127 401 A	Fuel filter		1	
3	N 909 264 01	Spring band clamp	19X12	1	
4	9A7 422 379 00	Hose clamp	16X12	1	
5	971 127 421	Bracket		1	
		KRAFTSTOFFFILTER			
6	N 104 514 05	Oval hexagon socket head bolt	M6X16	1	
7	N 912 428 01	hex. nut with washer		2	
		C 6			
		No longer use the part here			
(7)	999 049 032 40	Hexagon plastic collar nut		2	
		C 6			
8	971 201 082 G	1 set of fuel lines		1	PR:9M0
9	971 201 082 H	1 set of fuel lines		1	PR:9M9
10	9A7 201 171 07	Retainer for fuel line		1	PR:2G0
11	9A7 201 171 25	Retainer for fuel line		1	
12	9A7 201 171 06	Retainer for fuel line		3	PR:0E1
13	9A7 201 171 60	Retainer for fuel line		2	
14	9A7 201 171 11	Retainer for fuel line		2	
15	9A7 201 171 04	Retainer for fuel line		3	
16	9A7 201 171 03	Retainer for fuel line		1	
17	9A7 201 171 65	Retainer for fuel line		1	
18	971 201 546 A	Protective plate		1	
19	N 910 968 01	Hexagon socket flat head bolt	M6X20	3	
20	N 908 173 02	riveted cap nut	M6/0,5-3	1	
21	N 901 686 04	Speed nut	M6X23,4X16	1	

Model: 971-17

Model life 2017>>



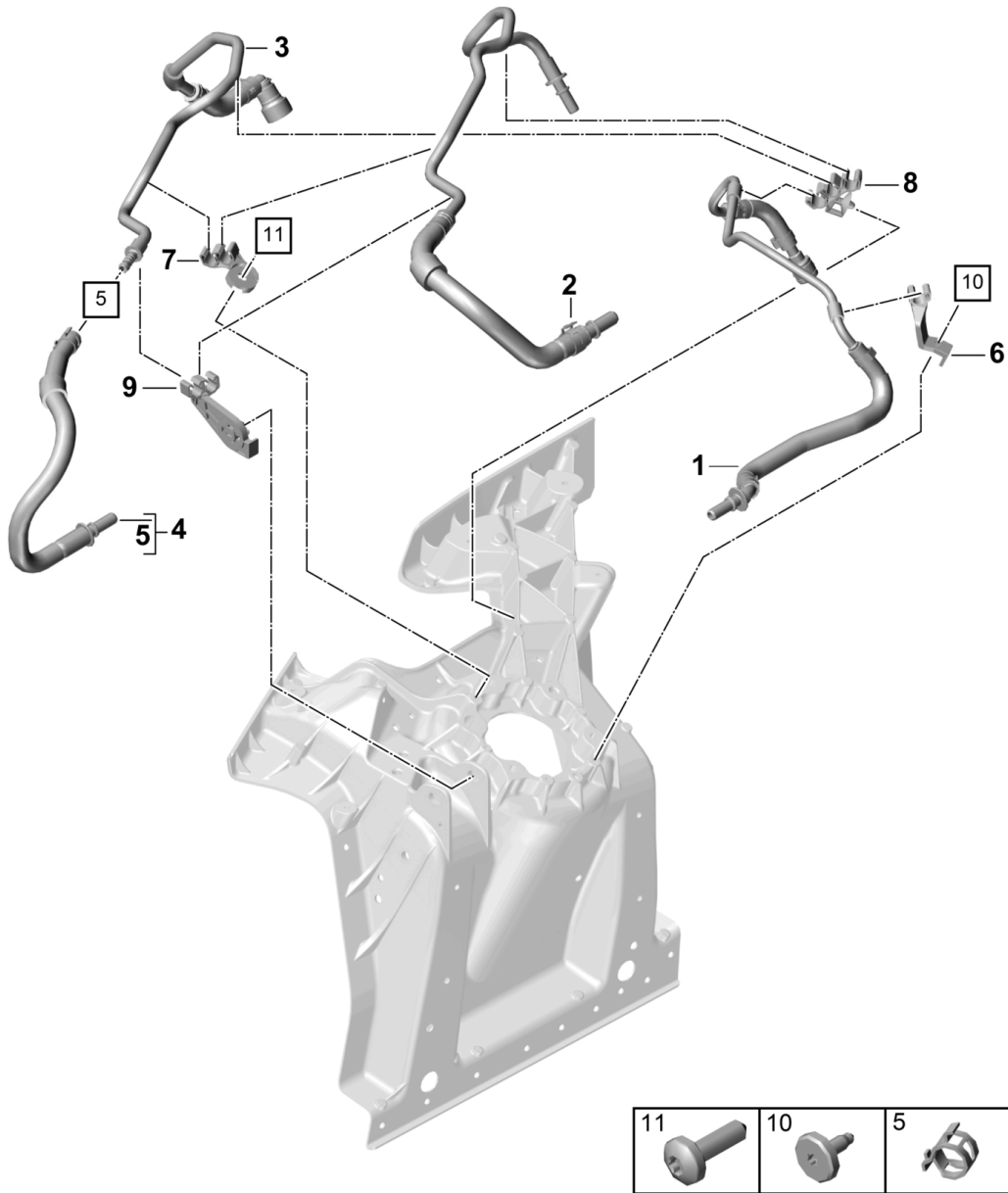
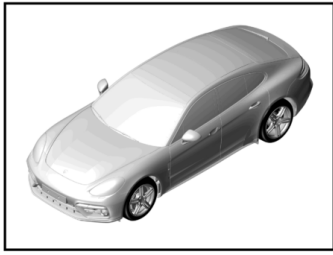
Model: 971-17

Model life 2017>>

Pos	Part Number	Description	Remark	Qty	Model
		Fuel line			PR:2G1,2G4
		Engine bay			
1	9A7 130 296 10	Fuel line		1	
2	9A7 133 366 01	Breather line		1	PR:A8H
(2)	9A7 133 366 10	Breather line		1	PR:A8F
(2)	9A7 133 366 10	Breather line		1	PR:A8C,0K3
(2)	9A7 133 366 21	Breather line		1	PR:A8C,0K0
3	955 201 479 00	Hose clamp	16X12	1	PR:A8H,A8F
(3)	955 201 479 00	Hose clamp	16X12	1	PR:A8C,0K3
(3)	N 909 865 01	Spring band clamp	14,5X12	1	PR:A8C,0K0
4	9A7 130 170 01	Retainer for fuel line		1	
5	9A7 130 163 01	Retainer for fuel line		1	
6	9A7 130 179 01	Retainer for fuel line		1	
7	9A7 130 389 00	Retainer for fuel line		1	PR:A8F,A8H
(7)	9A7 130 389 00	Retainer for fuel line		1	PR:A8C,0K3
(7)	9A7 130 389 01	Retainer for fuel line		1	PR:A8C,0K0
8	9A7 007 730 00	flat round head bolt	M6X8X17,8	2	
9	N 910 968 01	Hexagon socket flat head bolt	M6X20	1	

Model: 971-17

Model life 2017>>



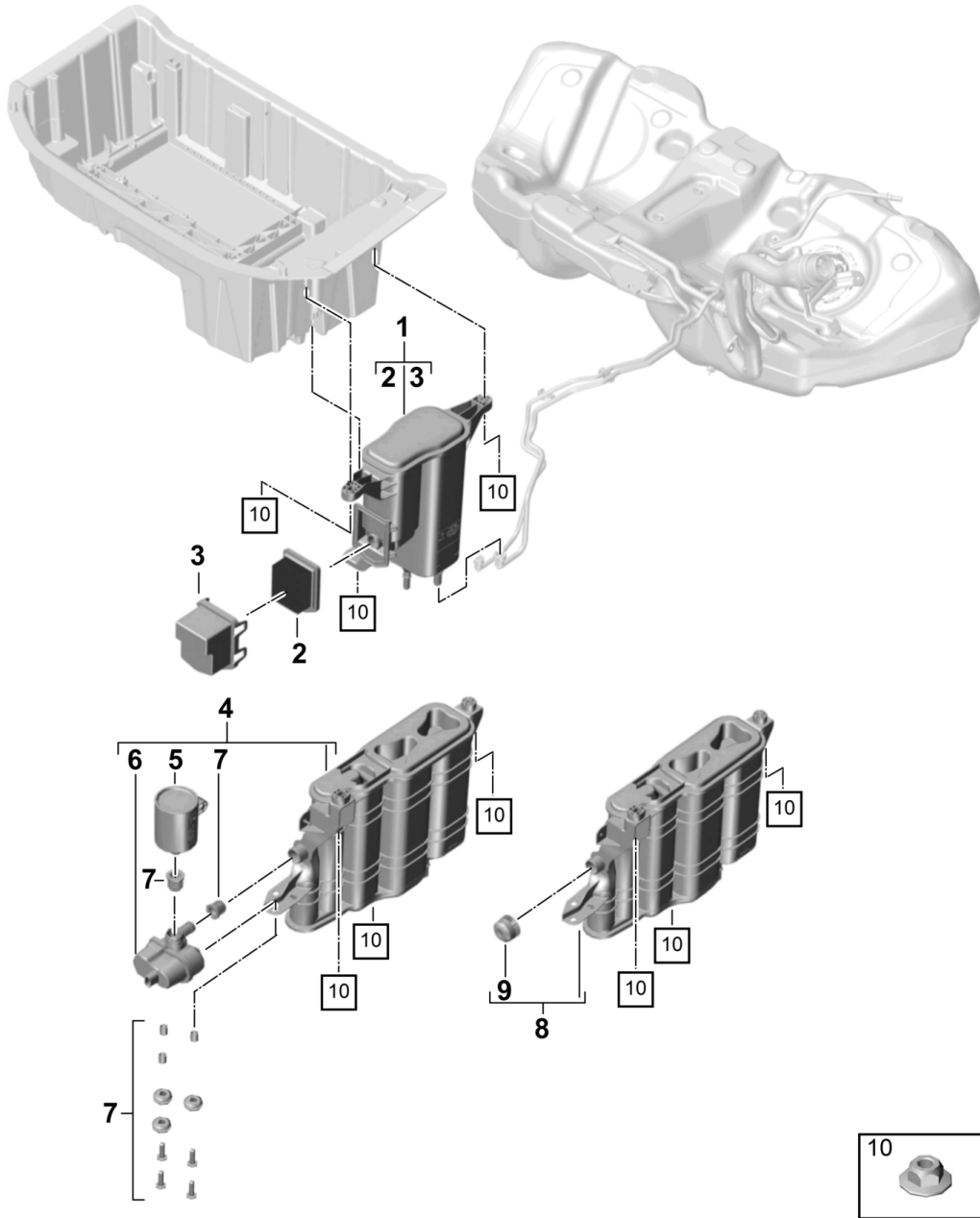
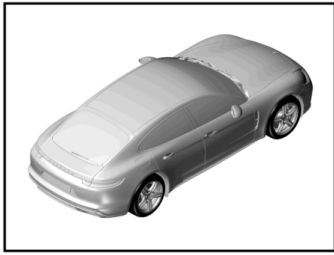
Model: 971-17

Model life 2017>>

Pos	Part Number	Description	Remark	Qty	Model
		Fuel line			DBUC+
		Engine bay			PR: 2G0
1	971 130 307 A	Fuel line		1	
2	971 130 295 A	Fuel line		1	
3	971 130 300 A	Fuel line		1	
4	971 130 300 C	Fuel line		1	
5	N 909 865 01	Spring band clamp	14,5X12	1	
6	9A7 130 389 00	Retainer for fuel line		1	
7	9A7 130 163 01	Retainer for fuel line		1	
8	9A7 130 170 01	Retainer for fuel line		1	
9	9A7 130 181 00	Retainer for fuel line		1	
10	N 910 968 01	Hexagon socket flat head bolt	M6X20	1	
11	9A7 007 730 00	flat round head bolt	M6X8X17,8	1	

Model: 971-17

Model life 2017>>



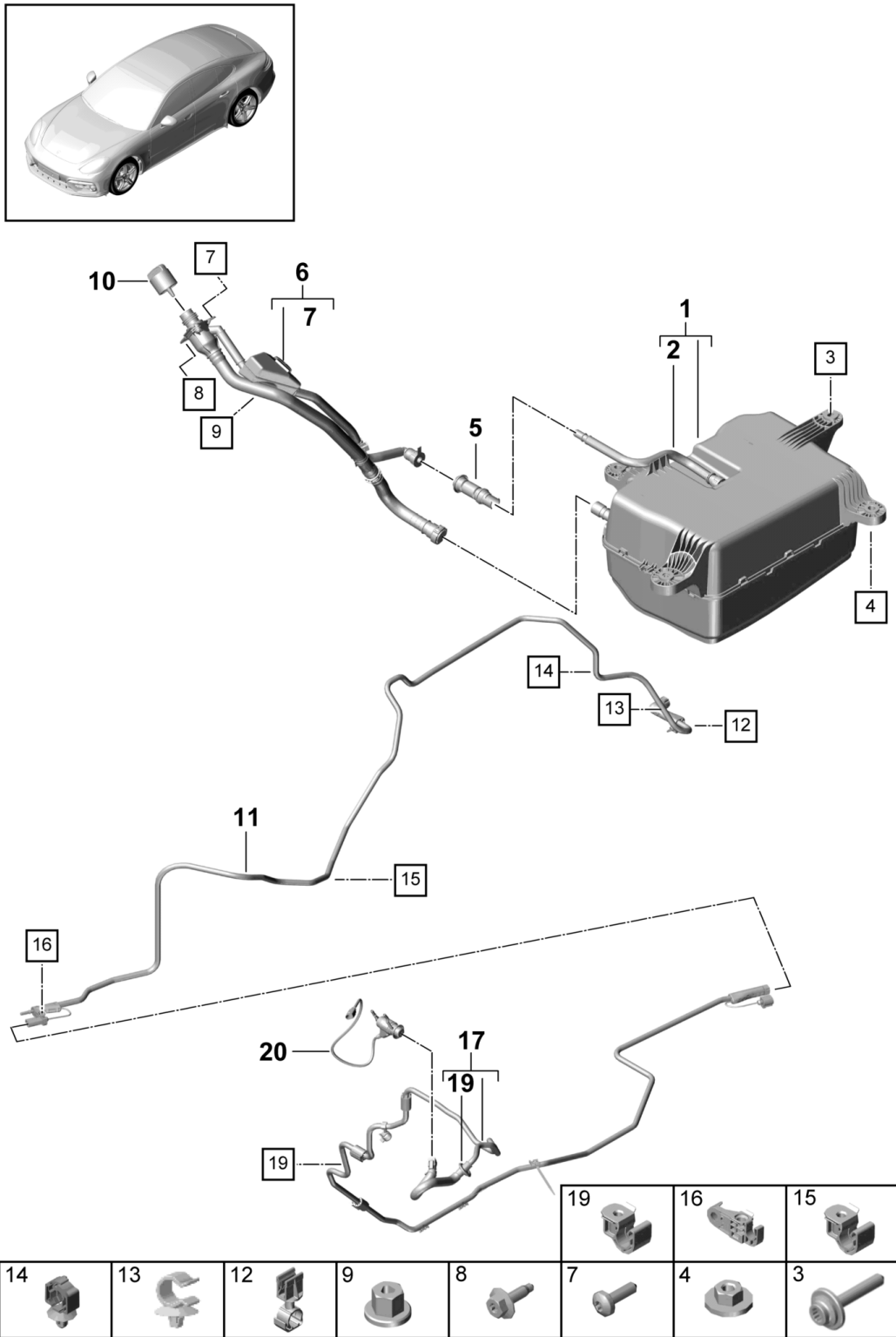
Model: 971-17

Model life 2017>>

Pos	Part Number	Description	Remark	Qty	Model
		Activated charcoal container			PR:1E1,2G1,2G4
1	9A7 201 801 00	Activated charcoal container		1	PR:2G1,0K0
2	9A7 201 370 00	filter element		1	PR:2G1,0K0
3	9A7 201 164 00	Cover		1	PR:2G1,0K0
8	9A7 201 801 30	Activated charcoal container		1	PR:2G1,0K3
9	9A7 201 469 00	Protective cap		1	PR:2G1,0K3
10	N 908 877 03	Hexagon flange nut, self-locking	M6	3	

Model: 971-17

Model life 2017>>



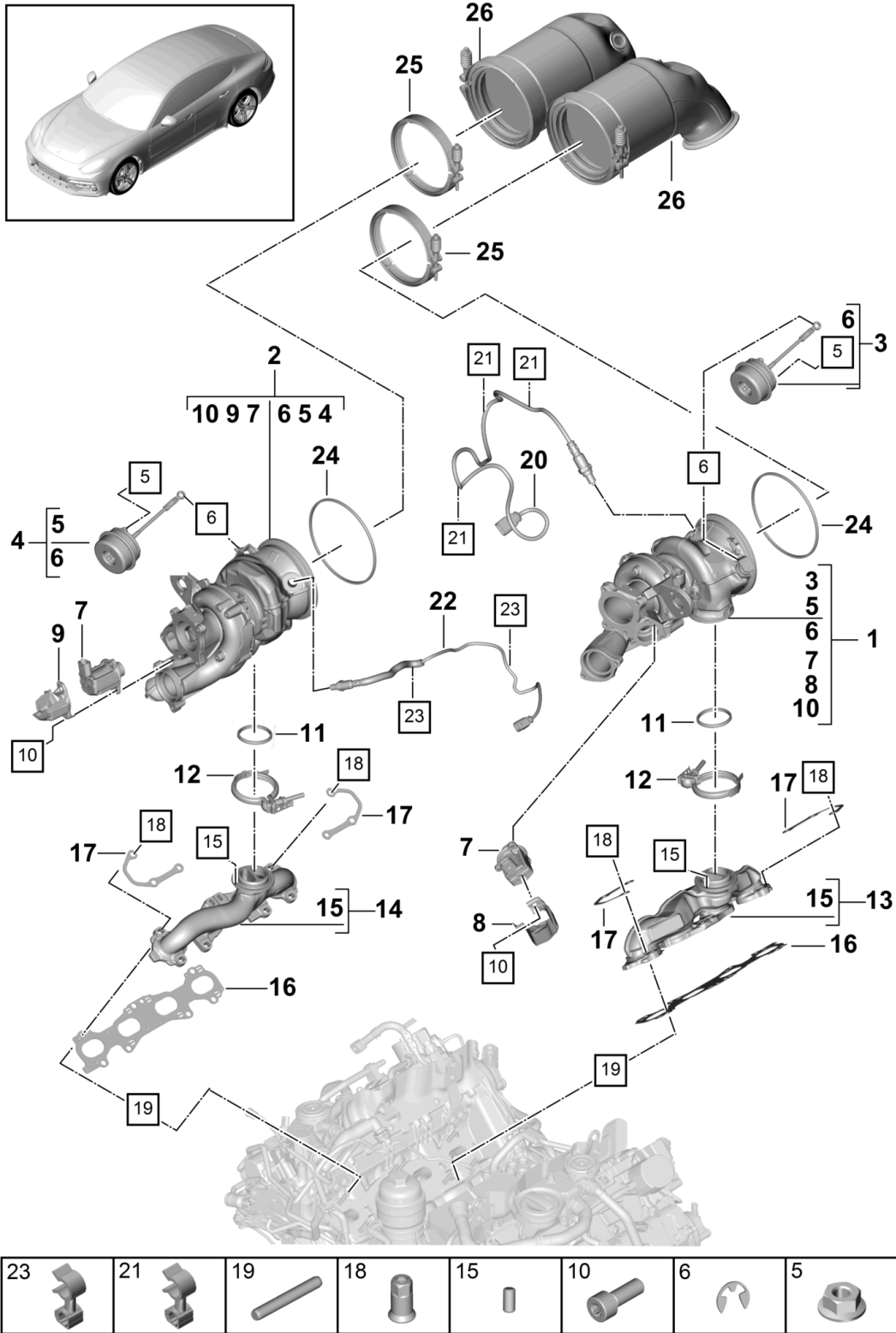
Model: 971-17

Model life 2017>>

Pos	Part Number	Description	Remark	Qty	Model
1	971 131 877 A	Emission control container		1	DBUC
2	971 131 964	Urea solution AdBlue Line		1	
3	N 912 473 01	Int. serration flange screw (combi-instrument)	M8X50	3	
4	N 905 115 05	Hexagon collar nut self-locking	M8	1	
5	971 131 962 A	Line		1	
6	971 131 955 A	fuel filler neck		1	
7	N 910 423 01	Urea solution AdBlue		1	
8	N 910 799 01	Oval hexagon socket head bolt	M6X16	1	
9	N 100 151 01	Hex collared bolt	M6X20	2	
10	9A7 131 980 02	Hexagon nut	A5	1	
11	971 131 960 A	End cap		1	
		supply pipe		1	
		Urea solution AdBlue		1	
12	971 201 171 AC	Bracket		1	
13	9A7 067 813 00	Bracket		1	
14	971 201 171 AB	Bracket		1	
15	971 131 087	Bracket		6	
16	971 201 171 M	Bracket		1	
17	971 131 911 B	Line		1	
		Urea solution AdBlue		1	
		No longer use the part here			
17	971 131 911 F	Line		1	
		Urea solution AdBlue		1	
19	971 131 087	Bracket		3	
20		Injection valve			
		Urea solution AdBlue			
		see illustration:	202-065		

Model: 971-17

Model life 2017>>



Model: 971-17

Model life 2017>>

Pos	Part Number	Description	Remark	Qty	Model
		Exhaust gas turbocharger Exhaust manifolds Lambda probe			CVDA, CVD
1	9A7 145 703 00	Exhaust gas turbocharger also use:	Cylinder 5-8 9A7 145 039 00 9A7 253 725 01 9A7 253 115 01	1 1 1 1	
2	9A7 145 704 00	Exhaust gas turbocharger also use:	Cylinders 1-4 9A7 253 039 00 9A7 253 725 01 9A7 253 115 01	1 1 1 1	
3	PAB 145 461 A	Vacuum unit for exhaust gas turbocharger also use:	left N 015 082 10 N 012 437 1	1 2 1	
4	PAB 145 462 A	Vacuum unit for exhaust gas turbocharger also use:	right N 015 082 10 N 012 437 1	1 2 1	
5	N 015 082 10	Hexagon collar nut	M6	4	
6	N 012 437 1	Retaining washer		2	
7	PAB 145 710	cut-off valve also use:	N 105 464 03	2 3	
8	PAB 145 325 A	Guard plate also use:	left N 105 464 03	1 3	
9	PAB 145 326 A	Guard plate also use:	right N 105 464 03	1 3	
10	N 105 464 03	Hexagon socket head bolt	M6X16	6	
11	9A7 145 039 00	Seal also use:		2 2	
12	9A7 253 725 01	Clamp also use:	9A7 253 725 01 9A7 253 039 00	2 2	
13	9A7 253 033 00	Exhaust manifolds also use:	left 9A7 253 039 00 9A7 253 111 01	1 1 8	
14	9A7 253 034 00	Exhaust manifolds also use:	right 9A7 253 039 00 9A7 253 111 01	1 1 8	
15	PAF 013 203 2	Cylinder pin	3M6X6	2	
16	9A7 253 039 00	Seal Exhaust manifolds also use:		2 16	
(16)	9A7 253 039 01	No longer use the part here Seal Exhaust manifolds also use:		2 16	
17	9A7 253 276 00	Spacer		4	
18	9A7 253 111 00	Threaded bush No longer use the part here	M8	16	
(18)	9A7 253 111 01	Threaded bush	M8	16	
19	9A7 008 950 00	Threaded stud	MFS8X60	16	
20	9A7 906 265 10	Lambda probe (Before starter catalyst) Cable colour:	left brown	1	
21	N 104 630 01	Double hose holder No longer use the part here	left	3	
(21)	N 104 630 02	Holder for lambda probe	left	3	
22	9A7 906 265 00	Lambda probe (Before starter catalyst) Cable colour:	right black	1	
23	N 104 630 01	Double hose holder No longer use the part here		2	

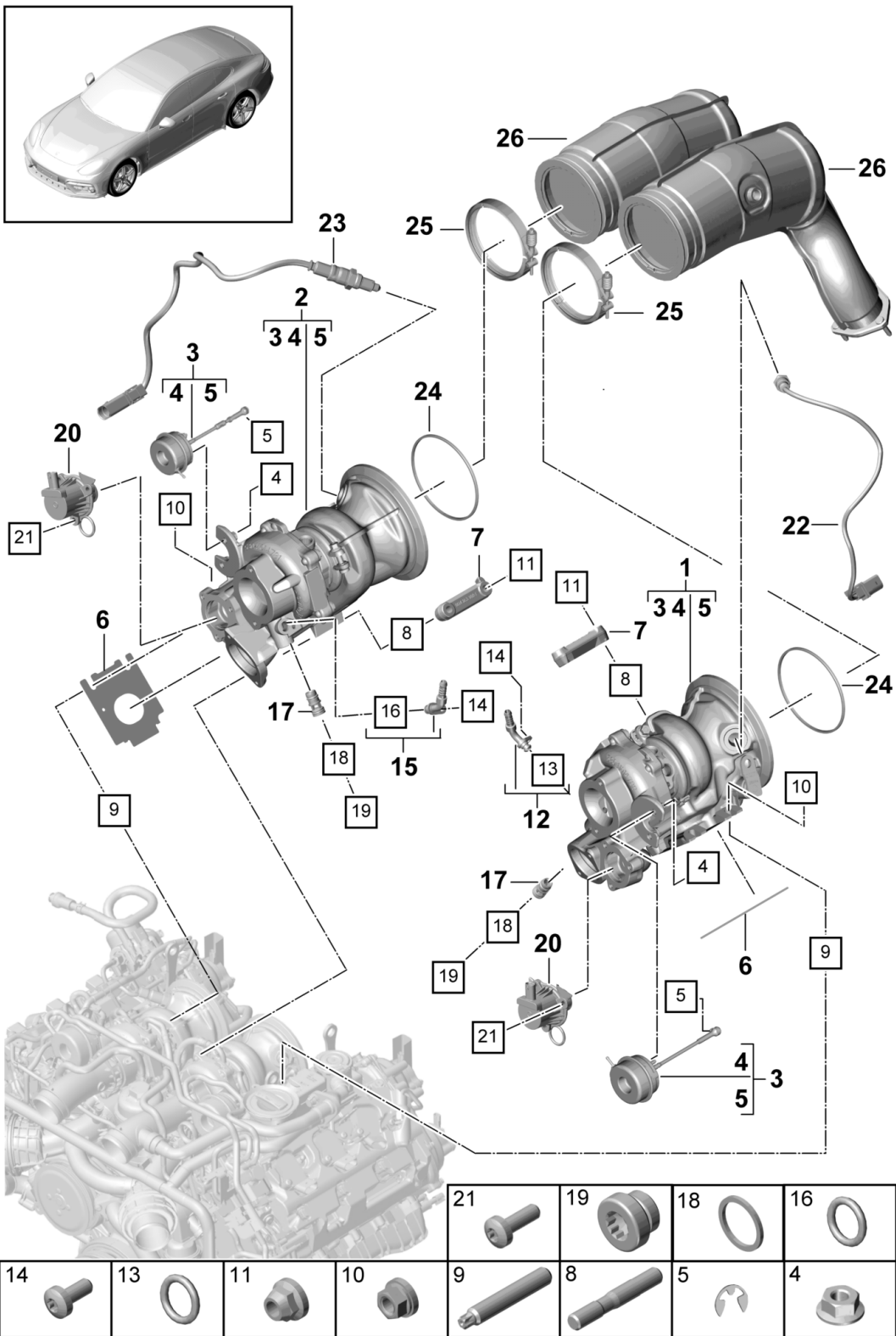
Model: 971-17

Model life 2017>>

Pos	Part Number	Description	Remark	Qty	Model
(23)	N 104 630 02	Holder for lambda probe		2	
24	9A7 253 115 01	Seal		2	
25	9A7 253 725 00	Clamp		2	
26		Catalytic converter see illustration:	202-055		

Model: 971-17

Model life 2017>>



Model: 971-17

Model life 2017>>

Pos	Part Number	Description	Remark	Qty	Model
		Exhaust gas turbocharger Exhaust manifolds Lambda probe			CSZA,CSZ, DGPA,DGP
1	9A7 145 701 00	Exhaust gas turbocharger also use:	cylinders 4-6 9A7 253 039 10 9A7 004 982 00 N 908 946 01 9A7 133 554 00 900 123 131 30 9A7 007 941 00	1 1 2 2 1 1 1	
2	9A7 145 702 00	Exhaust gas turbocharger also use:	cylinders 1-3 9A7 253 039 10 9A7 004 982 00 N 908 946 01 9A7 133 554 00 900 123 131 30 9A7 007 941 00	1 1 2 2 1 1 1	
3	PAB 145 462 00	Vacuum unit with: Fasteners		2	
4	N 015 082 10	Hexagon collar nut also use:	PAB 145 635 00 M6	2 4	
5	PAB 145 635 00	securing spring		2	
6	9A7 253 039 10	Seal also use:	9A7 004 982 00 N 908 946 01	2 2	
7	9A7 253 709 00	angled bracket		2	
8	9A7 001 258 00	Threaded stud	M8FOX39	4	
9	9A7 007 611 00	Threaded pin No longer use the part here	M8X50	4	
9	N 108 465 01	Threaded pin	M8AX48	4	
10	WHT 007 210	Hexagon collar nut self-locking No longer use the part here	M8	4	
10	9A7 004 982 00	shouldered nut with multipoint socket head	M8	4	
11	N 908 946 01	hexagon nut, self-locking M 8	M8	4	
12	9A7 133 383 00	Connecting pipe	cylinders 4-6	1	
13	9A7 007 923 00	O-ring	7,65X1,78	1	
14	N 104 056 04	Oval hexagon socket head bolt	M6X14	2	
15	9A7 133 382 00	Connecting pipe	cylinders 1-3	1	
16	9A7 007 923 00	O-ring	7,65X1,78	1	
17	9A7 133 554 00	jet also use:	900 123 131 30 9A7 007 941 00	2 2	
18	900 123 131 30	seal ring	A16X20	2	
19	9A7 007 941 00	sealing plug also use:	M16X1X7,5 900 123 131 30	2 2	
20	9A7 145 710 00	cut-off valve also use:	N 101 961 03	2 6	
(20)	PAC 145 710	No longer use the part here cut-off valve also use:	N 101 961 03	2 6	
21	N 101 961 03	fillister head bolt with multi-point socket head	M6X18	6	
22	9A7 906 265 30	Lambda probe (Before starter catalyst)	left	1	
23	9A7 906 265 20	Lambda probe (Before starter catalyst)	right	1	
24	9A7 253 115 01	Seal		2	
25	9A7 253 725 00	Clamp		2	
26		Catalytic converter			

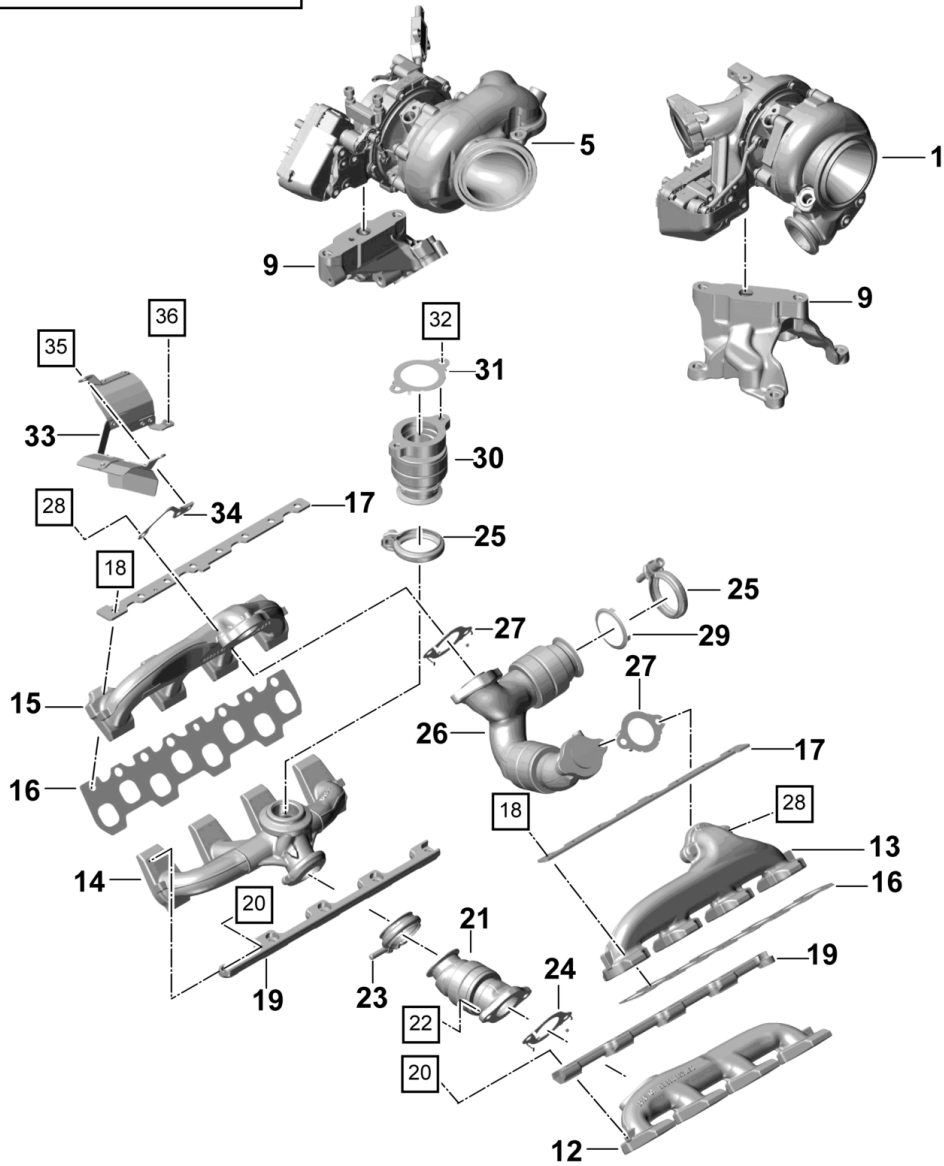
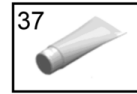
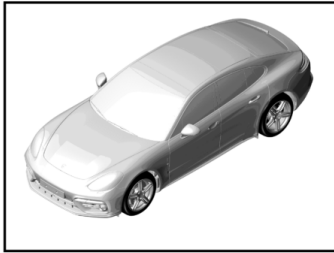
Model: 971-17

Model life 2017>>

Pos	Part Number	Description	Remark	Qty	Model
		see illustration:	202-055		

Model: 971-17

Model life 2017>>



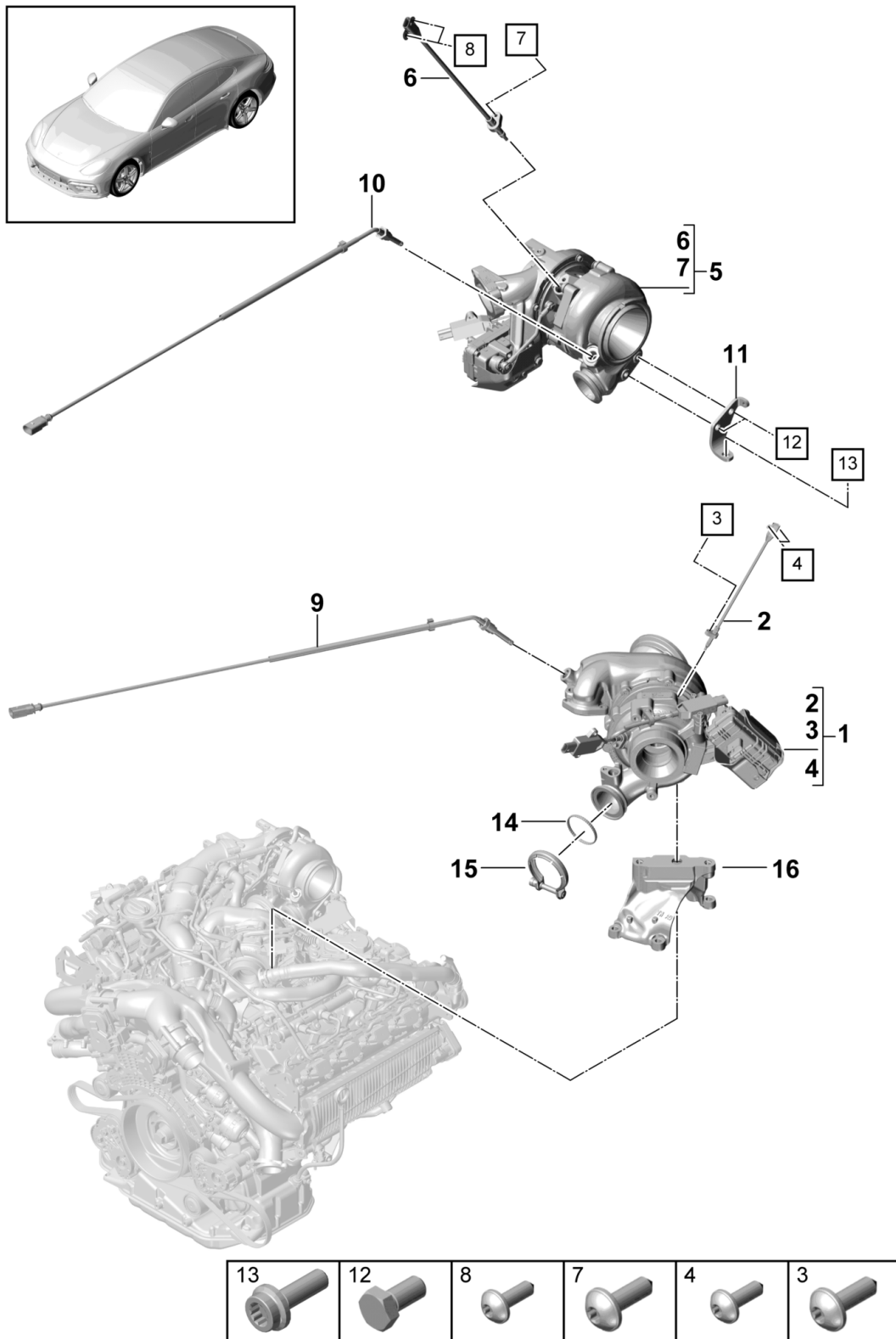
Model: 971-17

Model life 2017>>

Pos	Part Number	Description	Remark	Qty	Model
		Exhaust gas turbocharger Exhaust manifolds			DBUC
1		Exhaust gas turbocharger see illustration:	202-015	1	
5		Exhaust gas turbocharger see illustration:	202-015	1	
9		Bracket with: Oil duct for Exhaust gas turbocharger see illustration:	202-040		
12	9A7 253 033 10	Exhaust manifolds	Cylinder 5-8	1	
13	9A7 253 171 00	Exhaust manifolds	Cylinder 5-8	1	
14	9A7 253 034 10	Exhaust manifolds	Cylinders 1-4	1	
15	9A7 253 172 00	Exhaust manifolds	Cylinders 1-4	1	
16	9A7 253 039 20	Seal Exhaust manifolds		2	
17	9A7 253 099 00	Bracket		2	
18	9A7 007 505 00	clamping nut	M8	16	
19	PAB 253 709	angled bracket		2	
20	9A7 007 499 00	Locating bolt	M9X10X26	10	
21	9A7 253 357 00	Exhaust pipe		1	
22	N 910 461 01	Socket head collared bolt with inner multipoint head	M8X22	2	
23	9A7 253 139 00	clamp		1	
24	9A7 253 539 00	Seal		1	
25	9A7 253 139 10	clamp		2	
26	9A7 253 358 00	Exhaust pipe		1	
27	9A7 253 117 00	Seal		2	
28	N 910 461 01	Socket head collared bolt with inner multipoint head	M8X22	4	
29	9A7 253 232 10	Seal		1	
30	9A7 253 487 00	Exhaust pipe		1	
31	9A7 253 115 10	Seal		1	
32	N 910 461 01	Socket head collared bolt with inner multipoint head	M8X22	2	
33	9A7 253 220 00	Guard plate		1	
34	9A7 253 198 00	Bracket		1	
35	N 106 803 03	Hexagon socket flat head bolt	M6X8	2	
36	N 104 056 04	Oval hexagon socket head bolt	M6X14	1	
37	000 043 306 18	hot-bolt-paste 170G		1	

Model: 971-17

Model life 2017>>



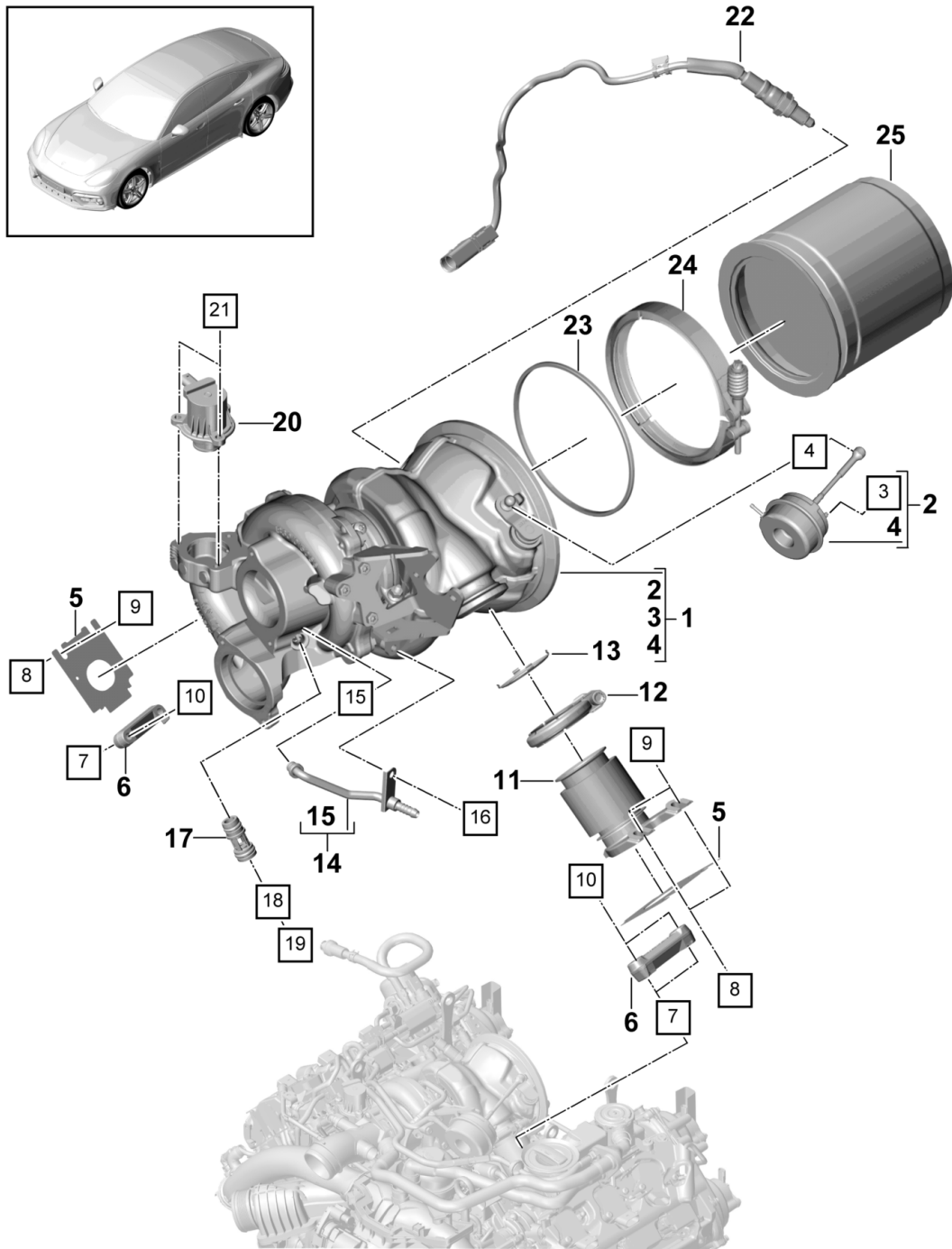
Model: 971-17












Model life 2017>>

Pos	Part Number	Description	Remark	Qty	Model
		Exhaust gas turbocharger Temperature sensor			DBUC
1	9A7 145 653 00	Exhaust gas turbocharger		1	
2	9A7 906 341 00	speed sensor		1	
3		Exhaust gas turbocharger 1 set securing bolts * single parts no available *		1	
4	N 910 742 01	Hexagon socket head bolt	M5X16	2	
5	9A7 145 654 00	Exhaust gas turbocharger		1	
6	9A7 906 341 10	speed sensor		1	
7		Exhaust gas turbocharger 1 set securing bolts * single parts no available *		1	
8	N 910 742 01	Hexagon socket head bolt	M5X16	2	
9	9A7 906 088 18	Temperature sensor	2 pin brown	1	
10	9A7 906 088 19	Temperature sensor	2 pin black	1	
11	9A7 145 195 00	Bracket		1	
12	N 010 293 19	Hexagon bolt	M8X16	2	
13	N 106 893 01	Socket head bolt with inner multipoint head	M8X25	1	
14	9A7 145 113 00	Seal		1	
15	9A7 253 139 10	clamp		1	
16		Bracket			
		with:			
		Oil duct for Exhaust gas turbocharger see illustration:	202-040		

Model: 971-17

Model life 2017>>



					21	19	18
							
16	15	10	9	8	7	4	3
							

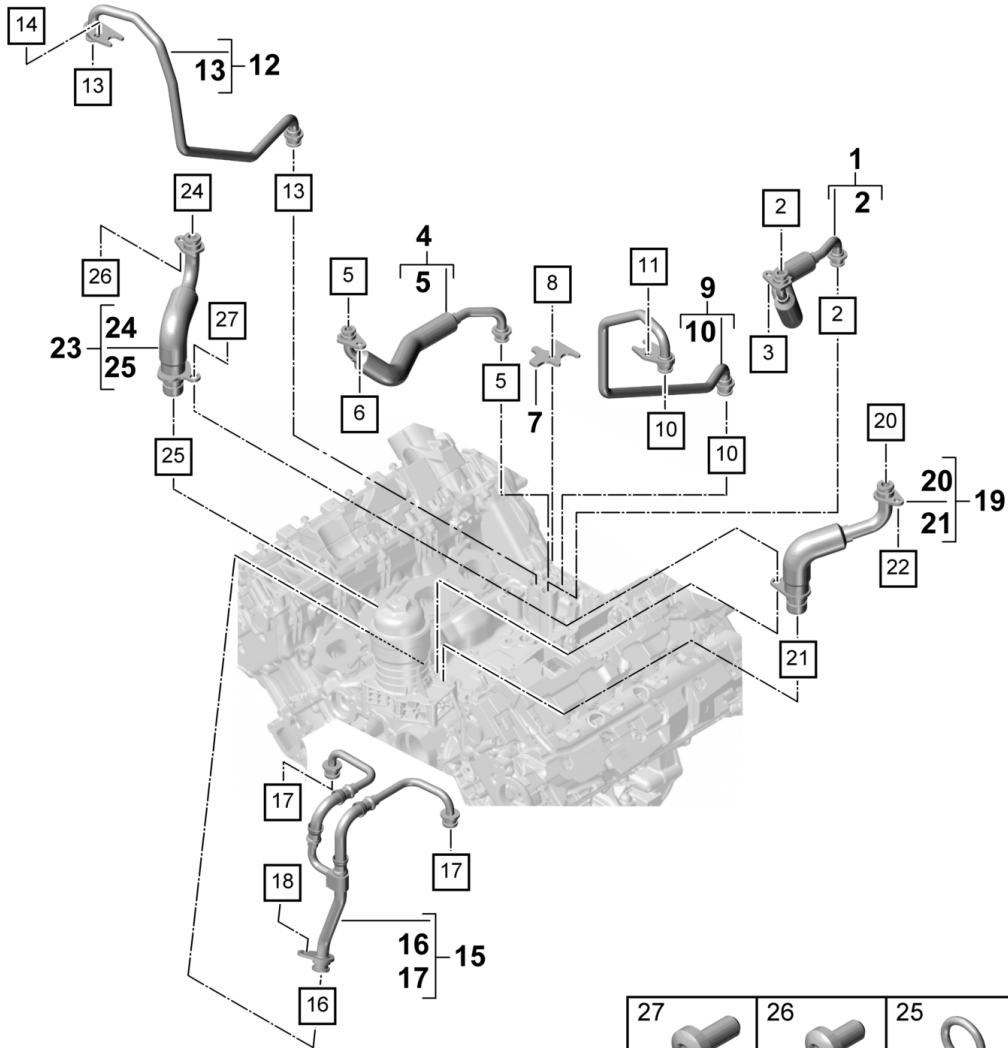
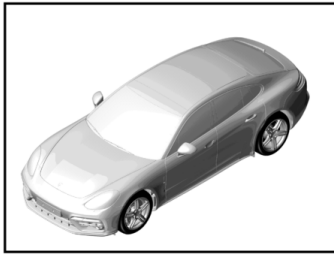
Model: 971-17

Model life 2017>>

Pos	Part Number	Description	Remark	Qty	Model
		Exhaust gas turbocharger Exhaust manifolds Lambda probe			CXTA, CXT
1	9A7 145 689 00	Exhaust gas turbocharger		1	
		also use:	9A7 253 039 10	1	
			9A7 004 982 00	2	
			N 908 946 01	2	
			9A7 253 139 10	1	
			9A7 253 232 10	1	
			9A7 133 554 00	1	
			900 123 131 30	1	
			9A7 007 941 00	1	
2	PAB 145 461 00	Vacuum unit		1	
3	N 015 082 10	Hexagon collar nut	M6	2	
4	PAB 145 635 00	securing spring		1	
5	9A7 253 039 10	Seal		2	
		also use:	9A7 004 982 00	2	
			N 908 946 01	2	
6	9A7 253 709 00	angled bracket		2	
7	9A7 001 258 00	Threaded stud		4	
8	9A7 007 611 00	Threaded pin	M8X50	4	
		No longer use the part here			
(8)	N 108 465 01	Threaded pin	M8AX48	4	
9	WHT 007 210	Hexagon collar nut self-locking	M8	4	
		No longer use the part here			
(9)	9A7 004 982 00	shouldered nut with multipoint socket head	M8	4	
10	N 908 946 01	hexagon nut, self-locking	M8	4	
11	9A7 253 082 00	Exhaust pipe		1	
12	9A7 253 139 10	clamp		1	
		also use:	9A7 253 232 10		
13	9A7 253 232 10	Seal		1	
14	9A7 133 380 01	Connecting pipe		1	
15	9A7 007 923 00	O-ring	7,65X1,78	1	
16	N 104 056 04	Oval hexagon socket head bolt	M6X14	1	
17	9A7 133 554 00	jet		1	
		also use:	900 123 131 30	1	
			9A7 007 941 00	1	
18	900 123 131 30	seal ring	A16X20	1	
19	9A7 007 941 00	sealing plug	M16X1X7,5	1	
		also use:	900 123 131 30	1	
20	9A7 145 710 00	cut-off valve		1	
		also use:	N 101 961 03	3	
		No longer use the part here			
(20)	PAC 145 710	cut-off valve		1	
		also use:	N 101 961 03	3	
21	N 101 961 03	fillister head bolt with multi-point socket head	M6X18	3	
22	9A7 906 265 20	Lambda probe in front of Catalytic converter		1	
23	9A7 253 115 00	Seal		2	
24	9A7 253 725 10	Clamp		2	
25		Catalytic converter see illustration:	202-055		

Model: 971-17

Model life 2017>>



27		26		25	
24		22		21	
23		20		18	
13		17		16	
		11		15	
		10		14	
		8		3	
		6		2	
		5			
		3			
		2			

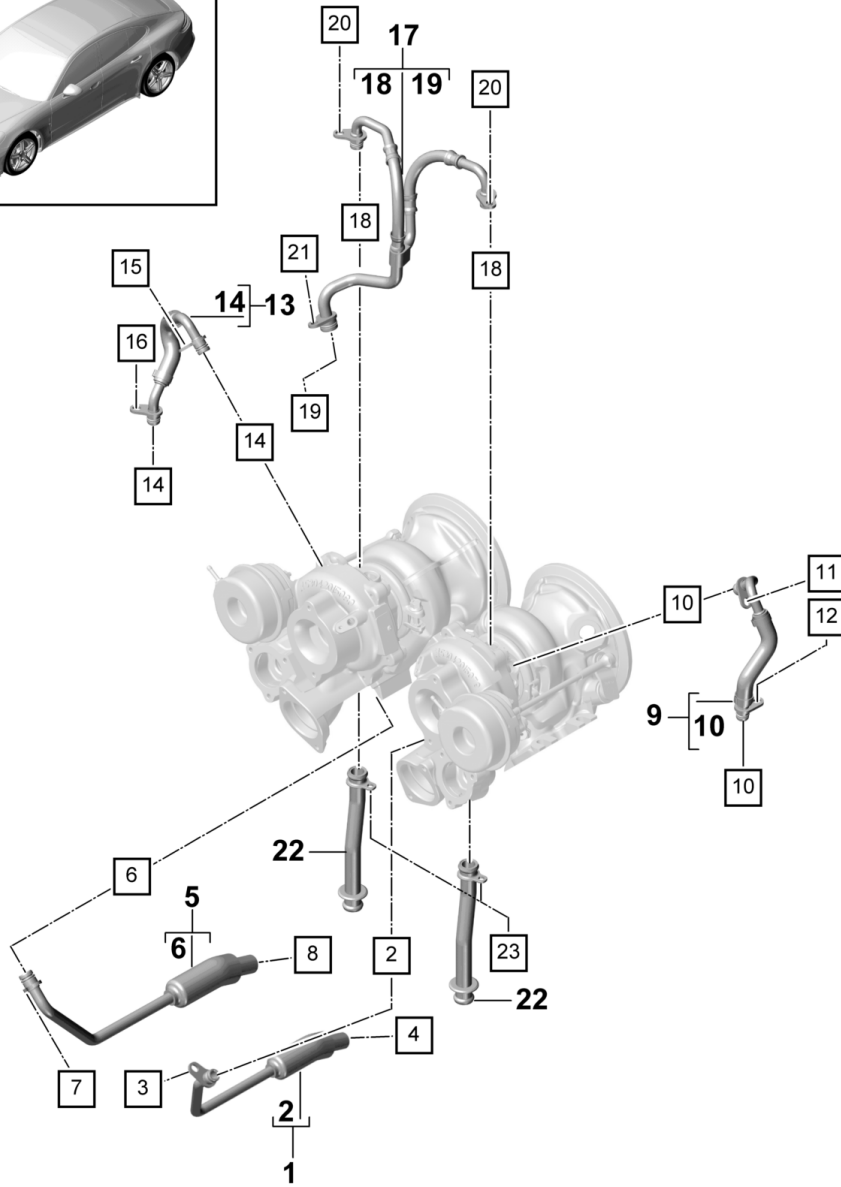
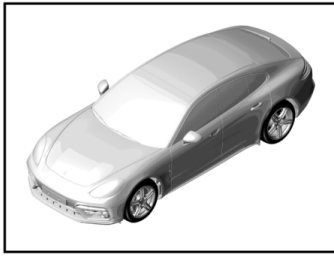
Model: 971-17

Model life 2017>>

Pos	Part Number	Description	Remark	Qty	Model
		Coolant cooling system for turbocharger Oil pressure line for Exhaust gas turbocharger			CVDA, CVD
1	9A7 145 909 00	Coolant pipe	feed	1	
2	9A7 006 537 00	O-ring	11X2,8	2	
3	N 103 352 06	Hexagon socket flat head bolt	M6X12	1	
4	9A7 145 910 00	Coolant pipe	feed	1	
5	9A7 006 537 00	O-ring	11X2,8	2	
6	N 103 352 06	Hexagon socket flat head bolt	M6X12	1	
7	9A7 145 337 00	Bracket		1	
8	N 911 266 01	Oval hexagon socket head bolt	M6X16	1	
		No longer use the part here			
(8)	N 103 352 06	Hexagon socket flat head bolt	M6X12	1	
9	9A7 145 947 00	Coolant pipe	return	1	
10	9A7 006 537 00	O-ring	11X2,8	2	
11	N 103 352 06	Hexagon socket flat head bolt	M6X12	1	
12	9A7 145 948 00	Coolant pipe	return	1	
13	9A7 006 537 00	O-ring	11X2,8	2	
14	N 103 352 06	Hexagon socket flat head bolt	M6X12	1	
15	9A7 145 140 00	Oil pressure line	feed	1	
		No longer use the part here			
(15)	9A7 145 140 01	Oil pressure line	feed	1	
16	N 910 079 01	O-ring	13X3	1	
		No longer use the part here for this use:			
(16)	9A7 008 755 00	O-ring	9A7 008 755 00 13,00X3,00-N	1	
17	9A7 006 537 00	O-ring	11X2,8	2	
18	N 911 266 01	Oval hexagon socket head bolt	M6X16	1	
19	9A7 145 771 00	Oil return line		1	
20	N 910 079 01	O-ring	13X3	1	
		No longer use the part here			
(20)	9A7 008 755 00	O-ring	13,00X3,00-N	1	
21	N 909 250 02	O-ring	17X3	1	
22	N 103 352 06	Hexagon socket flat head bolt	M6X12	1	
23	9A7 145 772 00	Oil return line		1	
24	999 707 567 40	O-ring		1	
		No longer use the part here			
(24)	9A7 008 755 00	O-ring	13,00X3,00-N	1	
25	999 707 582 41	O-ring		1	
		No longer use the part here			
(25)	N 909 250 01	O-ring	17X3	1	
26	N 103 352 06	Hexagon socket flat head bolt	M6X12	1	
27	N 911 266 01	Oval hexagon socket head bolt	M6X16	1	

Model: 971-17

Model life 2017>>



								23
21	20	19	18	16	15	14	12	
11	10	8	7	6	4	3	2	

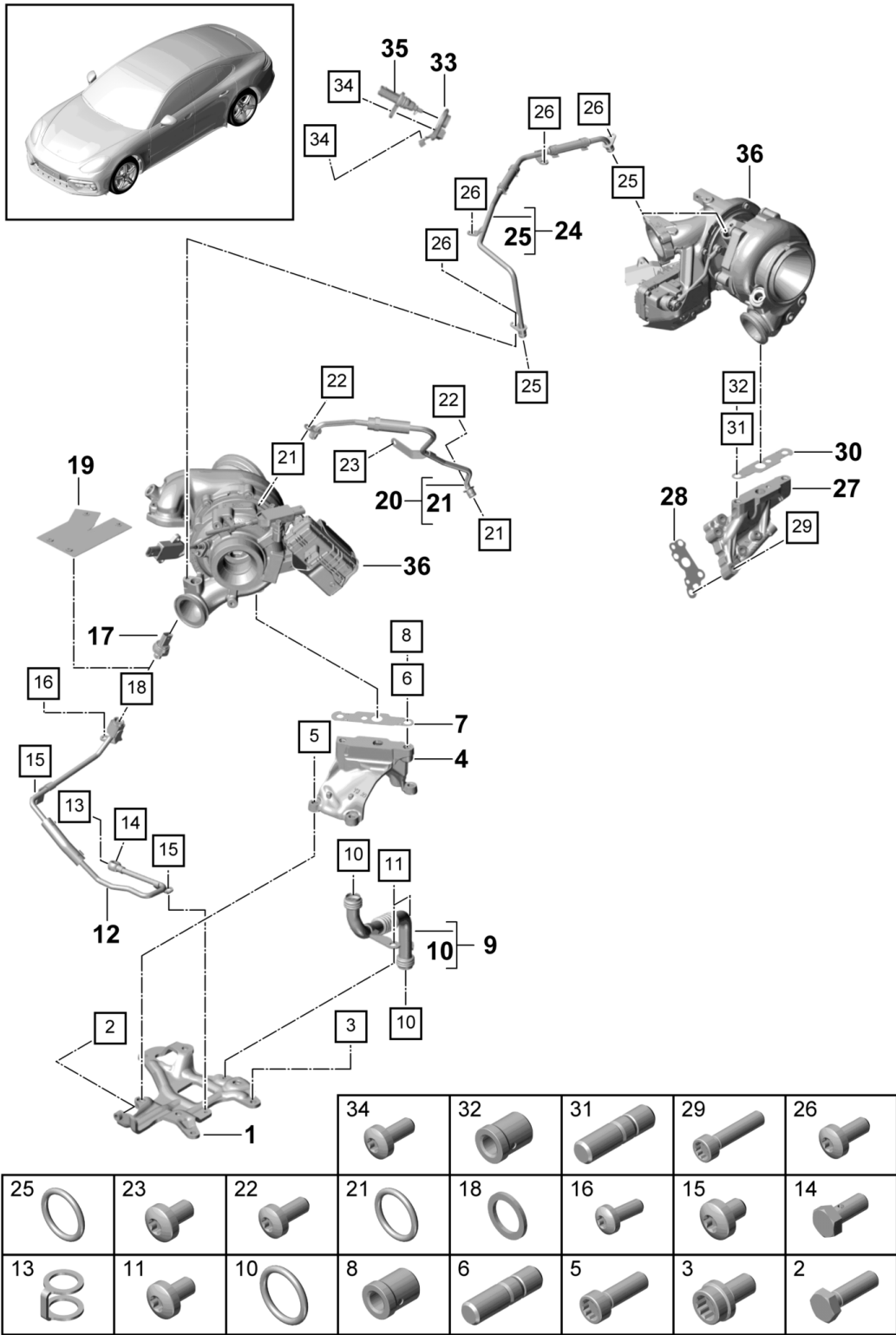
Model: 971-17

Model life 2017>>

Pos	Part Number	Description	Remark	Qty	Model
		Coolant cooling system for turbocharger Oil pressure line for Exhaust gas turbocharger			CSZA,CSZ, DGPA,DGP
1	9A7 145 909 10	Coolant pipe	left feed	1	
			also use:		
2	9A7 007 689 00	O-ring	9A7 422 379 00	1	
3	N 103 352 06	Hexagon socket flat head bolt	9,7X2 M6X12	1	
4	9A7 422 379 00	Hose clamp	15,7X12	1	
5	9A7 145 910 10	Coolant pipe	right feed	1	
			also use:		
6	9A7 007 689 00	O-ring	9A7 422 379 00	1	
7	N 103 352 06	Hexagon socket flat head bolt	9,7X2 M6X12	1	
8	9A7 422 379 00	Hose clamp	15,7X12	1	
9	9A7 145 947 10	Coolant pipe	left return	1	
10	9A7 007 689 00	O-ring	9,7X2	2	
11	N 103 352 06	Hexagon socket flat head bolt	M6X12	1	
12	N 104 514 08	Oval hexagon socket head bolt	M6X16	1	
13	9A7 145 948 10	Coolant pipe	right return	1	
14	9A7 007 689 00	O-ring	9,7X2	2	
15	N 103 352 06	Hexagon socket flat head bolt	M6X12	1	
16	N 104 514 08	Oval hexagon socket head bolt	M6X16	1	
17	9A7 145 140 10	Oil pressure line	feed	1	
18	9A7 007 689 00	O-ring	9,7X2	2	
19	9A7 006 901 00	O-ring	14,5X2	1	
20	N 103 352 06	Hexagon socket flat head bolt	M6X12	2	
21	N 104 514 08	Oval hexagon socket head bolt	M6X16	1	
22	9A7 145 734 00	return line Exhaust gas turbocharger		2	
			also use:		
23	9A7 145 263 00	Bracket	9A7 145 263 00	2	

Model: 971-17

Model life 2017>>



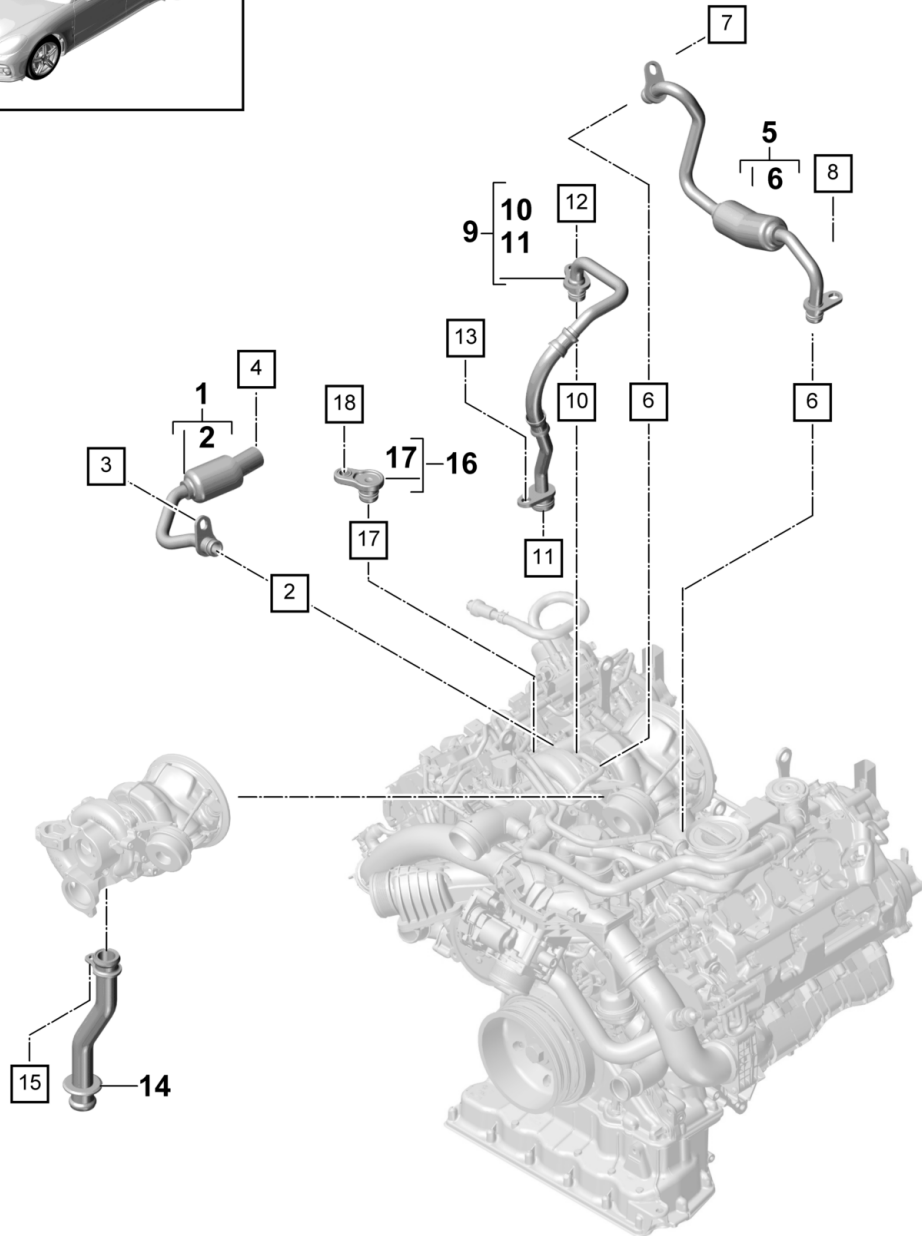
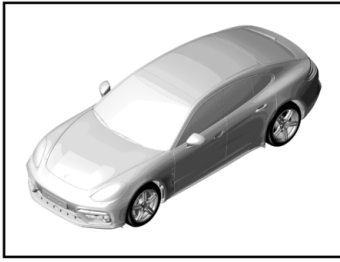
Model: 971-17

Model life 2017>>

Pos	Part Number	Description	Remark	Qty	Model
		Coolant cooling system for turbocharger			DBUC
1	9A7 145 191 00	Oil pressure line for Exhaust gas turbocharger Bracket		1	
2	N 010 217 23	Exhaust gas turbocharger Hexagon bolt	M6X20	1	
3	N 911 361 01	Socket head bolt with inner multipoint head	M8X14	3	
4	9A7 145 093 00	Bracket Exhaust gas turbocharger		1	
5	N 910 215 02	round hd. screw	M8X25	4	
6	N 044 517 8	Threaded pin	M10X25	2	
7	9A7 145 774 03	Seal		1	
8	9A7 007 402 00	Securing element	M10	2	
9	9A7 145 735 00	Oil return line		1	
10	9A7 145 117 00	O-ring	15X2,5	2	
11	N 101 703 02	round hd. screw	M6X10	2	
12	9A7 145 826 00	Connecting pipe		1	
13	9A7 145 119 00	Seal		1	
14	9A7 007 566 00	Banjo bolt	M10X1	1	
15	N 106 803 02	Hexagon socket flat head bolt	M6X8	2	
16	N 104 514 08	Oval hexagon socket head bolt	M6X16	1	
17	958 111 526 11	Pressure sensor		1	
18	N 013 813 2	seal ring	12X17X1,5	1	
19	9A7 131 991 01	Heat insulation		1	
20	9A7 145 771 10	oil pipe		1	
21	9A7 145 119 10	O-ring	9,1X1,6	2	
22	N 104 056 04	Oval hexagon socket head bolt	M6X14	2	
23	N 101 703 02	round hd. screw	M6X10	1	
24	9A7 145 825 00	Oil pressure line		1	
25	9A7 145 119 10	O-ring	9,1X1,6	2	
26	N 104 056 04	Oval hexagon socket head bolt	M6X14	4	
27	9A7 145 094 03	Bracket Exhaust gas turbocharger		1	
28	9A7 103 147 30	Seal		1	
29	N 909 035 02	Socket head bolt with inner multipoint head	M8X35	4	
30	9A7 145 774 03	Seal		1	
31	N 044 517 8	Threaded pin	M10X25	2	
32	9A7 007 402 00	Securing element	M10	2	
33	9A7 145 268 03	Bracket		1	
34	N 104 056 04	Oval hexagon socket head bolt	M6X14	2	
35	958 606 623 00	Coolant temperature sender		1	
36		Exhaust gas turbocharger see illustration:	202-015		

Model: 971-17

Model life 2017>>



			18	17	15	13	12
11	10	8	7	6	4	3	2

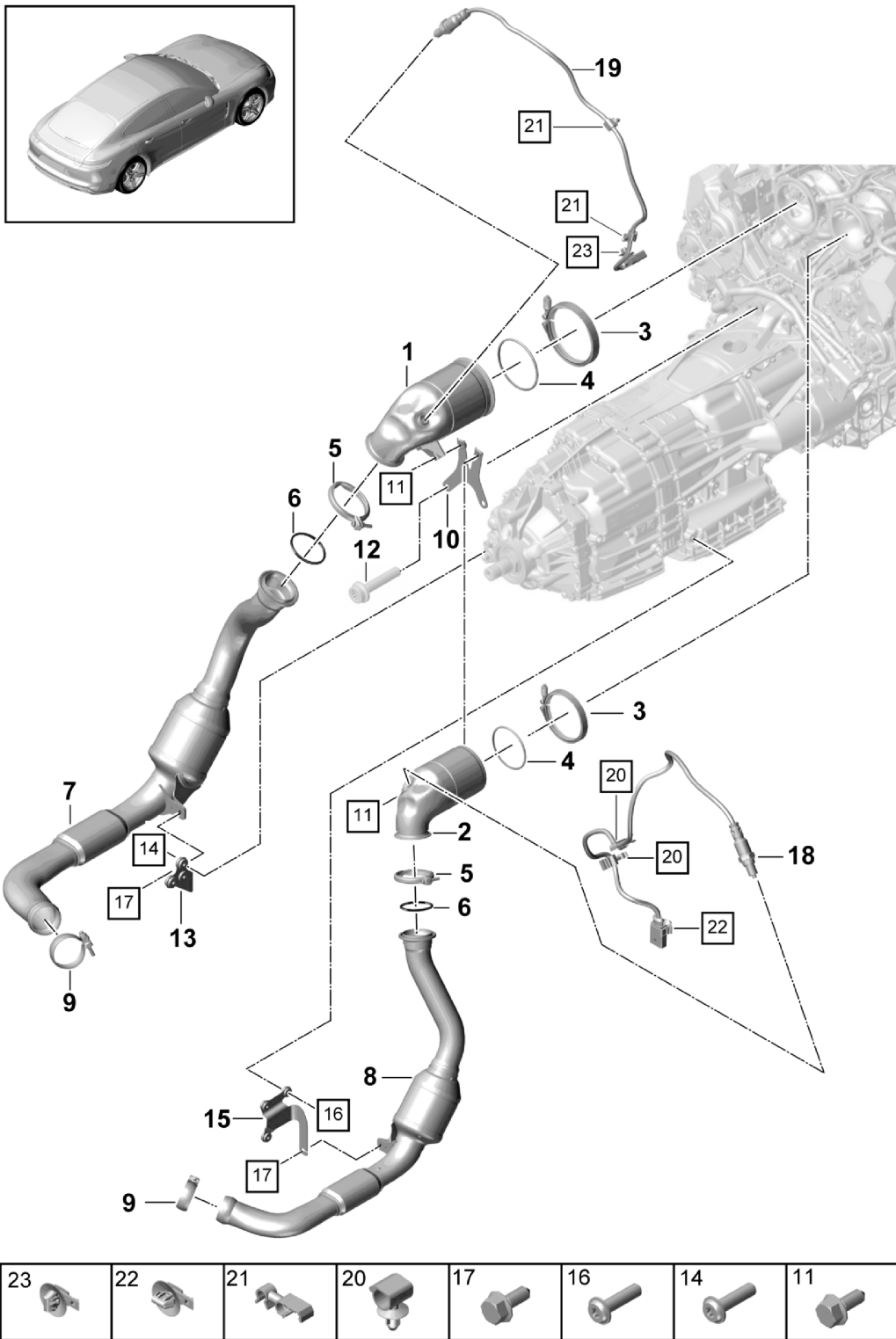
Model: 971-17

Model life 2017>>

Pos	Part Number	Description	Remark	Qty	Model
		Coolant cooling system for turbocharger			CXTA,CXT
1	9A7 145 920 00	Oil pressure line for Exhaust gas turbocharger Coolant pipe	feed	1	
			also use:		
2	9A7 007 689 00	O-ring	9A7 422 379 00	1	
3	N 103 352 06	Hexagon socket flat head bolt	9,7X2	1	
4	9A7 422 379 00	Hose clamp	M6X12	1	
5	9A7 145 963 05	Coolant pipe	15,7X12	1	
6	9A7 007 689 00	O-ring	return	1	
7	N 103 352 06	Hexagon socket flat head bolt	9,7X2	2	
8	N 104 514 08	Oval hexagon socket head bolt	M6X12	1	
9	9A7 145 144 05	Oil pressure line	M6X16	1	
10	9A7 007 689 00	O-ring	feed	1	
11	9A7 006 901 00	O-ring	9,7X2	1	
12	N 103 352 06	Hexagon socket flat head bolt	14,5X2	1	
13	N 104 514 08	Oval hexagon socket head bolt	M6X12	1	
14	9A7 145 736 05	return line Exhaust gas turbocharger		1	
			also use:		
15	9A7 145 263 00	Bracket	9A7 145 263 00	1	
16	9A7 145 040 01	catch		2	
17	9A7 007 689 00	O-ring		1	
18	N 104 514 08	Oval hexagon socket head bolt	9,7X2	1	
			M6X16	1	

Model: 971-17

Model life 2017>>



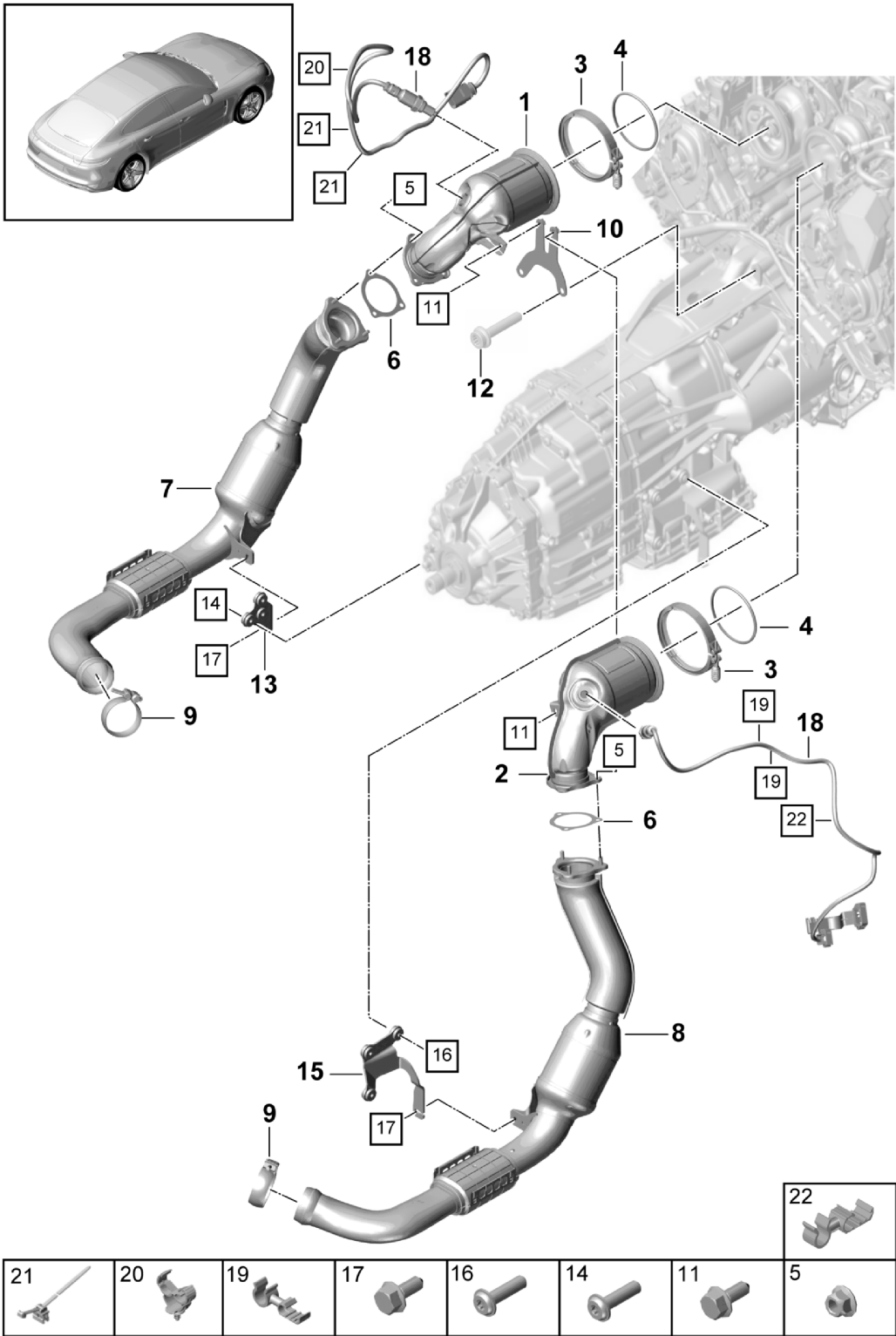
Model: 971-17

Model life 2017>>

Pos	Part Number	Description	Remark	Qty	Model
		exhaust system			CVDA, CVD
		Catalytic converter			
		Lambda probe			
1	9A7 254 300 00	Exhaust pipe with catalyst	left upper	1	
(1)	9A7 254 300 X	Exhaust pipe with catalyst	left upper	1	
2	9A7 254 350 00	Exhaust pipe with catalyst	right upper	1	
(2)	9A7 254 350 X	Exhaust pipe with catalyst	right upper	1	
3	9A7 253 725 00	Clamp		2	
		also use:	9A7 253 115 00	1	
4	9A7 253 115 00	Seal		2	
		No longer use the part here			
(4)	9A7 253 115 01	Seal		2	
5	5Q0 253 725 C	Clamp		2	
6	5Q0 253 115 B	Seal		2	
7	9A7 254 400 00	Exhaust pipe with catalyst	lower	1	
			left		
(7)	9A7 254 400 X	Exhaust pipe with catalyst	lower	1	
			left		
8	9A7 254 450 00	Exhaust pipe with catalyst	lower	1	
			right		
(8)	9A7 254 450 X	Exhaust pipe with catalyst	lower	1	
			right		
9	955 111 108 30	clamp		2	
10	9A7 253 047 00	Support		1	
		also use:	9A7 008 396 00	2	
11	N 106 531 02	Hexagon bolt	M8X20	2	
12		Hexagon bolt	M12X100X30	2	
		see illustration:	306-000		
13	9A7 253 250 00	Bracket	left	1	
14	9A7 007 959 00	flat round head bolt	M8X30	3	
15	9A7 253 251 00	Bracket	right	1	
16	9A7 007 959 00	flat round head bolt	M8X30	3	
17	N 106 531 02	Hexagon bolt	M8X20	2	
18	9A7 906 265 50	Lambda probe		1	PR:0K0
		(behind the pre-catalyst)			
(18)	9A7 906 265 52	Lambda probe		1	PR:0K3
		(behind the pre-catalyst)			
19	9A7 906 265 60	Lambda probe		1	PR:0K0
		(behind the pre-catalyst)			
(19)	9A7 906 265 53	Lambda probe		1	PR:0K3
		(behind the pre-catalyst)			
20	N 906 814 01	Corrugated tube clip		2	
21	N 104 593 01	Cable holder		2	
		No longer use the part here			
(21)	N 104 593 02	Cable holder		2	
22	958 572 830 00	Clip		1	
		Lambda probe			
		No longer use the part here			
(22)	9A7 008 664 00	Clip		1	
		Lambda probe			
23	9A7 971 830 00	bracket for connector housing		1	
		Lambda probe			

Model: 971-17

Model life 2017>>



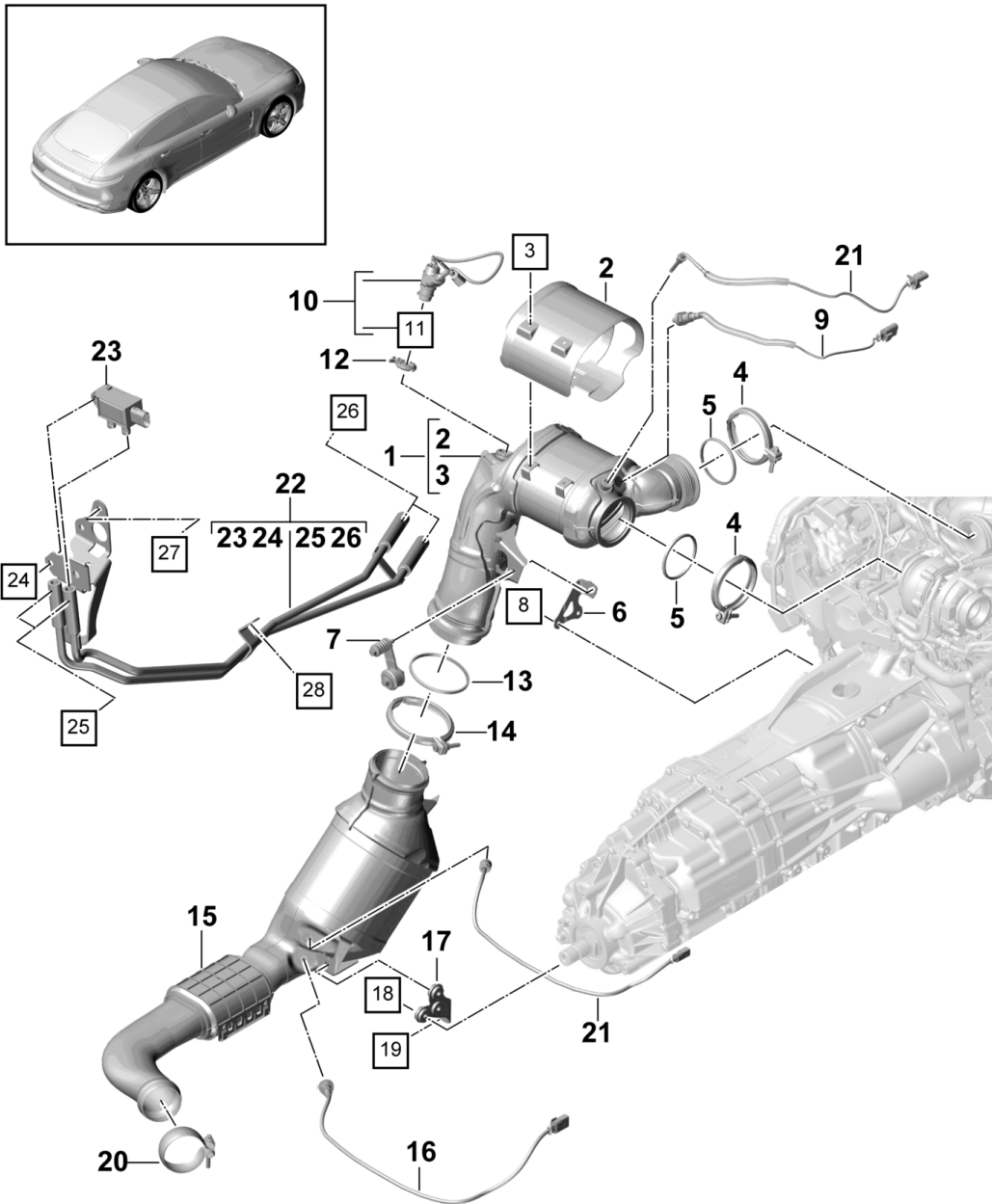
Model: 971-17

Model life 2017>>

Pos	Part Number	Description	Remark	Qty	Model
		exhaust system Catalytic converter Lambda probe			CSZA,CSZ, DGPA,DGP
1	971 254 300 K	Exhaust pipe with catalyst	left upper	1	
(1)	971 254 300 KX	Exhaust pipe with catalyst	left upper	1	
2	971 254 350 K	Exhaust pipe with catalyst	right upper	1	
(2)	971 254 350 KX	Exhaust pipe with catalyst	right upper	1	
3	9A7 253 725 00	Clamp		2	
		also use:	9A7 253 115 00	1	
4	9A7 253 115 00	Seal		2	
		No longer use the part here			
(4)	9A7 253 115 01	Seal		2	
5	N 911 308 01	Hexagon collar nut self-locking	M8	6	
6	958 111 113 00	Seal		2	
7	971 254 400 G	Exhaust pipe with catalyst	lower left	1	
(7)	971 254 400 GX	Exhaust pipe with catalyst	lower left	1	
8	971 254 450 G	Exhaust pipe with catalyst	lower right	1	
(8)	971 254 450 GX	Exhaust pipe with catalyst	lower right	1	
9	955 111 108 30	clamp		2	
10	9A7 253 047 10	Support		1	
		also use:	9A7 008 396 00	2	
11	N 106 531 02	Hexagon bolt	M8X20	2	
12		Hexagon bolt	M12X100X30	2	
		see illustration:	306-000		
13	9A7 253 250 00	Bracket	left	1	
14	9A7 007 959 00	flat round head bolt	M8X30	3	
15	9A7 253 251 00	Bracket	right	1	
16	9A7 007 959 00	flat round head bolt	M8X30	3	
17	N 106 531 02	Hexagon bolt	M8X20	2	
18	9A7 906 265 50	Lambda probe (behind the pre-catalyst) No longer use the part here		2	CSZA,CSZ
		for this use:	9A7 906 265 51		
18	9A7 906 265 51	Lambda probe (behind the pre-catalyst)		2	CSZA,CSZ
(18)	9A7 906 265 52	Lambda probe (behind the pre-catalyst) No longer use the part here		2	DGPA,DGP
		for this use:	9A7 906 265 54		
(18)	9A7 906 265 54	Lambda probe (behind the pre-catalyst)		2	DGPA,DGP
19	N 104 630 01	Double hose holder No longer use the part here		2	
		for this use:	N 104 630 02		
(19)	N 105 213 01	Holder for lambda probe No longer use the part here		2	
		for this use:	N 104 630 02		
(19)	N 104 630 02	Holder for lambda probe		2	
20	8E0 201 449 R	Cable holder		1	
21	958 606 838 10	Cable ties	L-4.6X193MM	2	
22	N 104 364 02	Retainer, swivel		1	

Model: 971-17

Model life 2017>>



26	25	24	19	18	11	28	27
						8	3

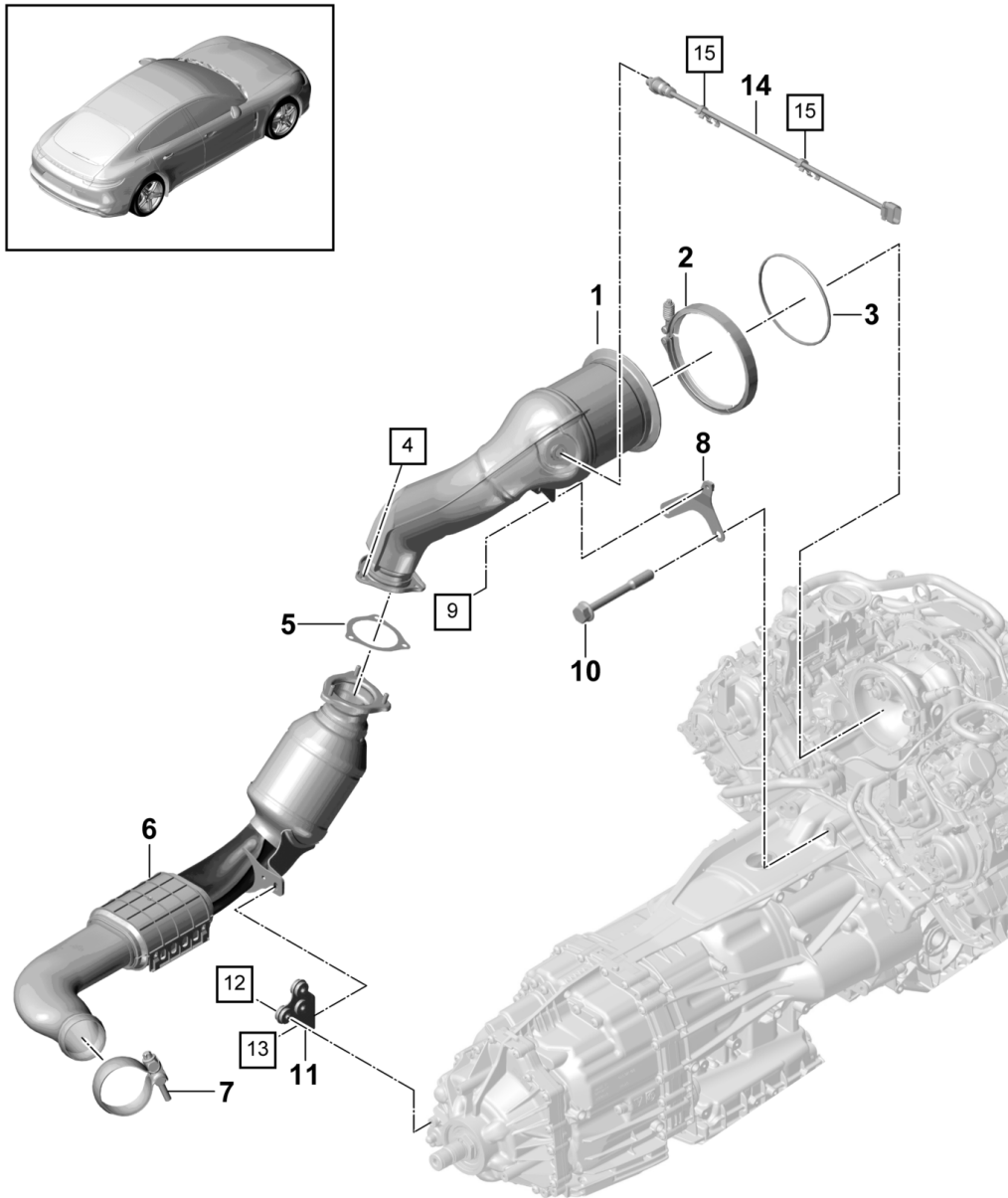
Model: 971-17

Model life 2017>>

Pos	Part Number	Description	Remark	Qty	Model
		exhaust system Catalytic converter Diesel particulate filter Lambda probe			DBUC
1	971 254 300 D	Exhaust pipe with catalyst		1	
(1)	971 254 300 DX	Exhaust pipe with catalyst		1	
2	9A7 253 233 00	Guard plate		1	
3	N 106 803 03	Hexagon socket flat head bolt	M6X8	3	
4	5Q0 253 725 C	Clamp		2	
5	5Q0 253 115 B	Seal		2	
6	9A7 253 250 03	Bracket		1	
7	9A7 253 230 00	Bracket		1	
8	N 106 531 02	Hexagon bolt	M8X20	2	
9	9A7 906 262 00	Lambda probe		1	
10	9A7 131 113 00	Injection valve		1	
		Exhaust gas treatment system			
(10)	9A7 131 113 02	Injection valve		1	
		Exhaust gas treatment system			
11	04L 253 115	Seal		1	
12	958 111 625 10	Clamp		1	
13	9A7 253 115 30	Seal		1	
14	9A7 253 725 20	Clamp		1	
15	971 254 800 D	Particulate filter		1	
(15)	971 254 800 DX	Particulate filter		1	
16	9A7 906 262 10	Lambda probe (After particulate filter)		1	
		also use:	958 606 838 10	4	
17	9A7 253 250 10	Bracket		1	
18	9A7 007 959 00	flat round head bolt	M8X30	3	
19	N 106 531 02	Hexagon bolt	M8X20	1	
20	9A7 253 139 40	Clamp		1	
21		Sensors			
		see illustration:	202-085		
22	9A7 131 552 04	Control line for Particulate filter		1	
23	9A7 906 051 30	Pressure difference sender		1	
24	N 104 134 05	Hexagon socket flat head bolt	M6X25	1	
25	N 107 694 01	Spring band clamp	13,5X8,4	2	
26	958 111 483 10	clamp	13,5X12	2	
27	N 104 514 05	Oval hexagon socket head bolt	M6X16	2	
28	N 106 839 01	Oval socket head bolt with hex drive	TP6X12	1	

Model: 971-17

Model life 2017>>



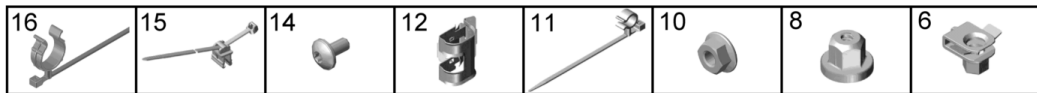
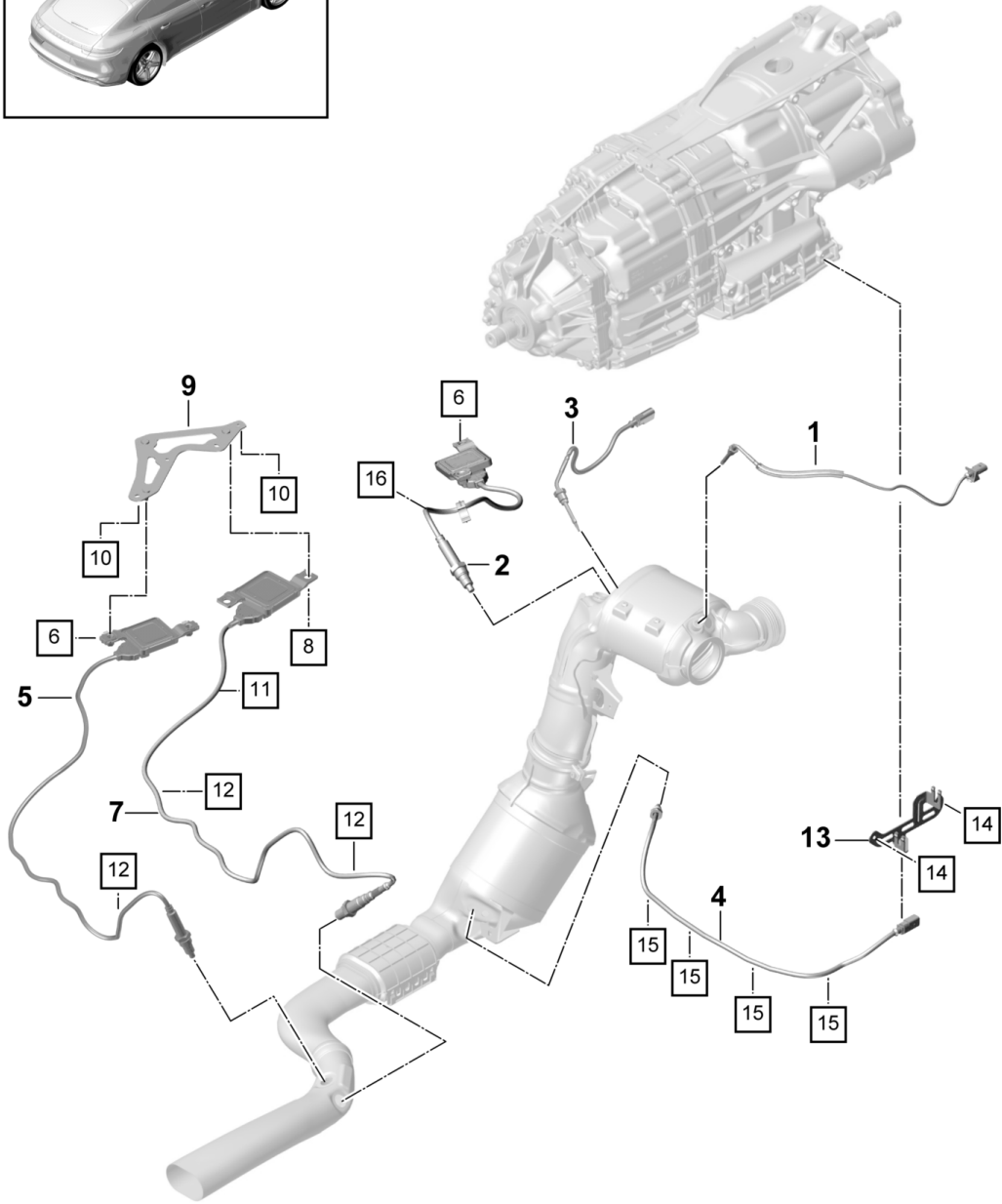
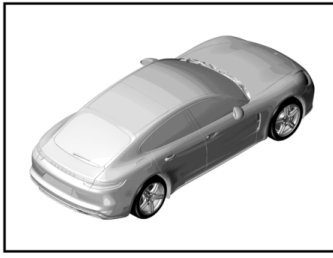
Model: 971-17

Model life 2017>>

Pos	Part Number	Description	Remark	Qty	Model
		exhaust system Catalytic converter			CXTA, CXT
1	9A7 254 300 05	Exhaust pipe with catalyst	upper	1	
(1)	9A7 254 300 EX	Exhaust pipe with catalyst	left upper	1	
2	9A7 253 725 10	Clamp		1	
		also use:	9A7 253 115 07	1	
3	9A7 253 115 07	Seal		1	
4	N 911 308 01	Hexagon collar nut self-locking	M8	3	
5	958 111 113 00	Seal		1	
6	9A7 254 400 05	Exhaust pipe with catalyst	left lower	1	
(6)	9A7 254 400 EX	Exhaust pipe with catalyst	left lower	1	
7	955 111 108 30	clamp		1	
8	9A7 253 047 20	Support		1	
		also use:	9A7 008 396 00	2	
9	N 106 531 02	Hexagon bolt	M8X20	1	
10		Hexagon bolt	M12X100X30	2	
		see illustration:	306-000		
11	9A7 253 250 00	Bracket		1	
12	9A7 007 959 00	flat round head bolt	M8X30	3	
13	N 106 531 02	Hexagon bolt	M8X20	1	
14	9A7 906 265 50	Lambda probe (behind the pre-catalyst) No longer use the part here		1	
		for this use:	9A7.906.265.51		
(14)	9A7 906 265 51	Lambda probe (behind the pre-catalyst)		1	
15	N 104 630 01	Double hose holder No longer use the part here		2	
(15)	N 104 364 02	Retainer, swivel		4	

Model: 971-17

Model life 2017>>



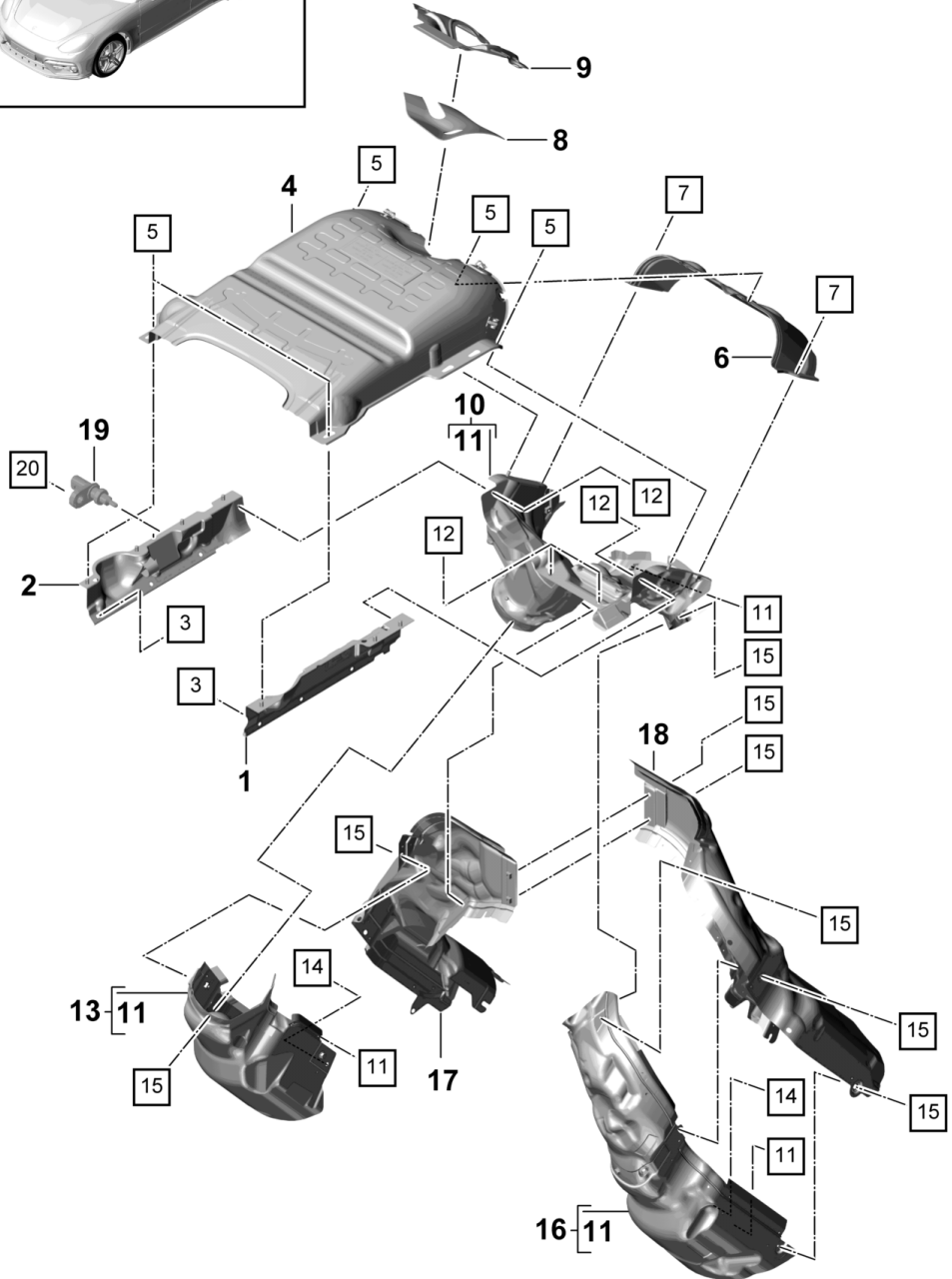
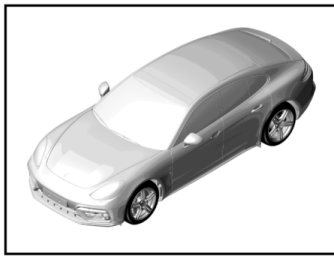
Model: 971-17

Model life 2017>>

Pos	Part Number	Description	Remark	Qty	Model
		exhaust system Exhaust gas treatment system Sensors			DBUC
1	9A7 906 088 24	Temperature sensor		1	
2	9A7 907 807 00	NOx-Sensor for emissions control (before particulate filter)	958 606 407 00	2	
		also use:			
3	971 906 088 A	Temperature sensor		1	
4	9A7 906 088 00	Temperature sensor		1	
		also use:	958 606 838 10	4	
5	9A7 907 807 10	NOx-Sensor for emissions control (After particulate filter)	958 606 407 00	2	
		also use:			
6	958 606 407 00	Retainer for control units		4	
7	9A7 906 261 00	Particle sensor Particulate filter		1	
		also use:	999 076 081 40	2	
8	999 076 081 40	Hexagon plastic collar nut	T5/16X11,2	2	
9	971 971 453 D	Bracket		1	
10	N 015 082 10	Hexagon collar nut	M6	2	
11	N 107 800 01	Cable tie with hose retainer	4,5X140MM	1	
12	9A7 971 848 03	cable terminal		3	
13	971 971 453 C	Bracket		1	
14	N 910 733 01	Hexagon socket flat head bolt	M6X12	2	
15	958 606 838 10	Cable ties	L-4.6X193MM	4	
16	N 107 723 01	Cable tie with hose retainer		1	

Model: 971-17

Model life 2017>>



20	15	14	12	11	7	5	3

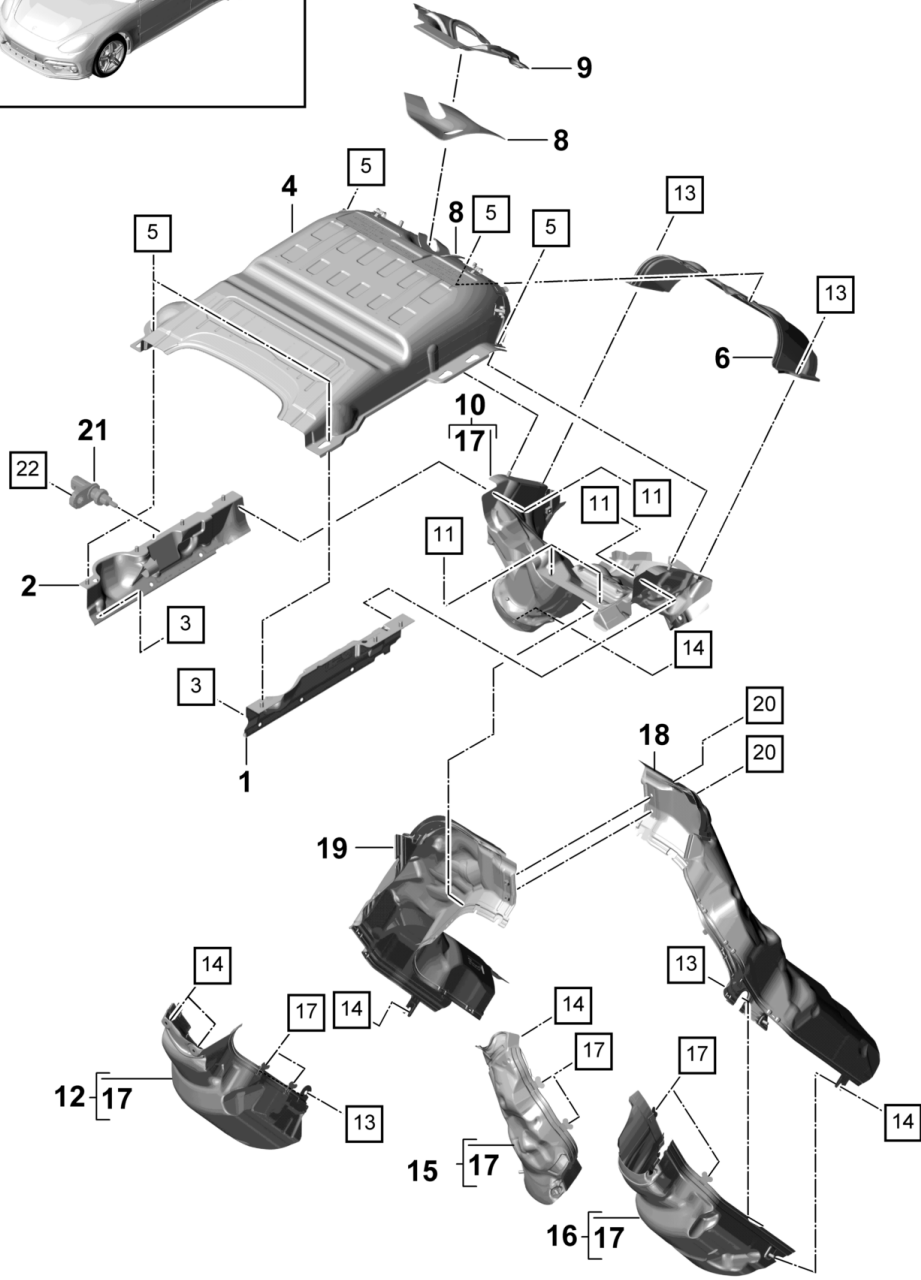
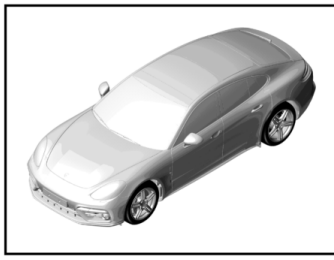
Model: 971-17

Model life 2017>>

Pos	Part Number	Description	Remark	Qty	Model
		exhaust system Heat insulation Air duct Supplier FA.THERMAMAX TMX M >> CVD 002 300			CVDA, CVD
1	9A7 119 363 03	Guard plate	left	1	
2	9A7 119 364 03	Guard plate	right	1	
3	N 103 352 07	Hexagon socket flat head bolt, self-locking	M6X12	6	
4	9A7 119 369 01	Air guide	upper	1	
5	N 911 893 03	Hexagon nut	M6	13	
6	9A7 119 368 01	Air guide	rear	1	
7	N 107 591 01	Hex collared bolt	M6X12	2	
8	9A7 119 520 00	Seal		2	
9	9A7 119 471 00	Cover		1	
10	9A7 119 213 00	Air guide channel	lower	1	
11	N 106 884 02	Hex collared bolt	M6X8	6	
12	N 910 966 01	Hexagon socket flat head bolt	M6X12	4	
13	9A7 119 213 10	Air guide channel	right lower	1	
14	N 910 793 01	Hex collared bolt	M8X16	2	
15	N 107 591 01	Hex collared bolt	M6X12	19	
16	9A7 119 213 20	Air guide channel	left lower	1	
17	9A7 119 364 00	Air guide	right upper	1	
18	9A7 119 364 10	Air guide	left upper	1	
19	9A7 919 501 10	Temperature sensor		1	
20	N 103 352 06	Hexagon socket flat head bolt	M6X12	1	

Model: 971-17

Model life 2017>>



22	20	17	14	13	11	5	3

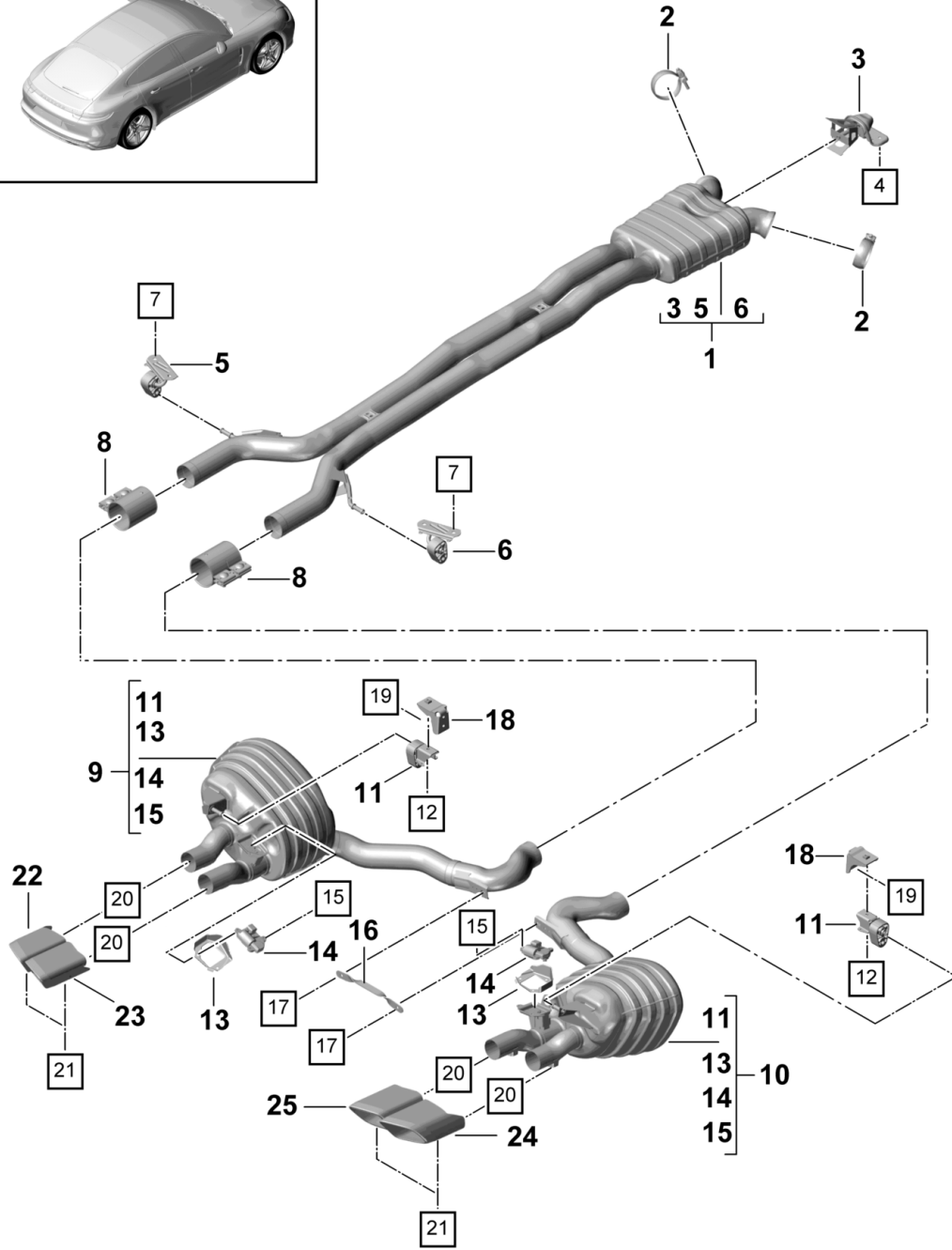
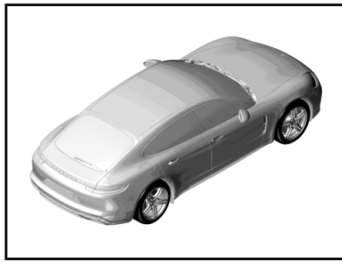
Model: 971-17

Model life 2017>>

Pos	Part Number	Description	Remark	Qty	Model
		exhaust system Heat insulation Air guide channel Supplier FA. ISOLITE GHJ M CVD 002 301>>			CVDA, CVD
1	9A7 119 363 04	Guard plate	left	1	
2	9A7 119 364 04	Guard plate	right	1	
3	N 103 352 07	Hexagon socket flat head bolt, self-locking	M6X12	6	
4	9A7 119 369 02	Air guide	upper	1	
5	N 911 893 03	Hexagon nut	M6	11	
6	9A7 119 368 02	Air guide	rear	1	
8	9A7 119 520 01	Seal		2	
9	9A7 119 471 01	Cover		1	
10	9A7 119 213 01	Air guide channel	lower	1	
11	N 910 966 01	Hexagon socket flat head bolt	M6X12	4	
12	9A7 119 213 11	Air guide channel	right lower	1	
13	N 910 793 01	Hex collared bolt	M8X16	2	
14	N 015 082 15	Hexagon collar nut	M6	12	
(14)	N 904 880 04	F >> 97-HL153 006 hex. nut with washer	M6	12	
(14)	N 908 877 03	F >> 97-HL153 006 Hexagon flange nut, self-locking	M6 upper centre	3	
(14)	N 015 082 15	F 97-HL153 007>> 97-HL153 425 Screw set Gearbox			
(14)	N 015 082 15	Hexagon collar nut	M6	9	
(14)	N 904 880 04	F 97-HL153 007>> 97-HL153 425 hex. nut with washer	M6	9	
(14)	N 015 082 15	F 97-HL153 007>> 97-HL153 425 Hexagon collar nut	M6	12	
(14)	N 904 880 04	F 97-HL153 426>> hex. nut with washer	M6	12	
15	9A7 119 364 20	Air guide channel	left lower	1	
16	9A7 119 364 30	Air guide channel	left lower	1	
17	9A7 119 643 00	terminal		14	
18	9A7 119 364 11	Air guide	left upper	1	
19	9A7 119 364 01	Air guide	right upper	1	
20	N 107 591 01	Hex collared bolt	M6X12	2	
21	9A7 919 501 10	Temperature sensor		1	
22	N 103 352 06	Hexagon socket flat head bolt	M6X12	1	

Model: 971-17

Model life 2017>>



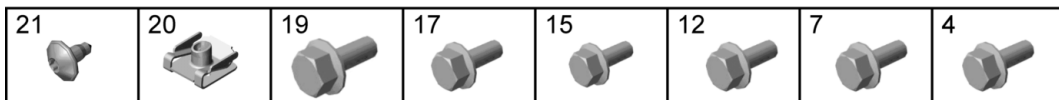
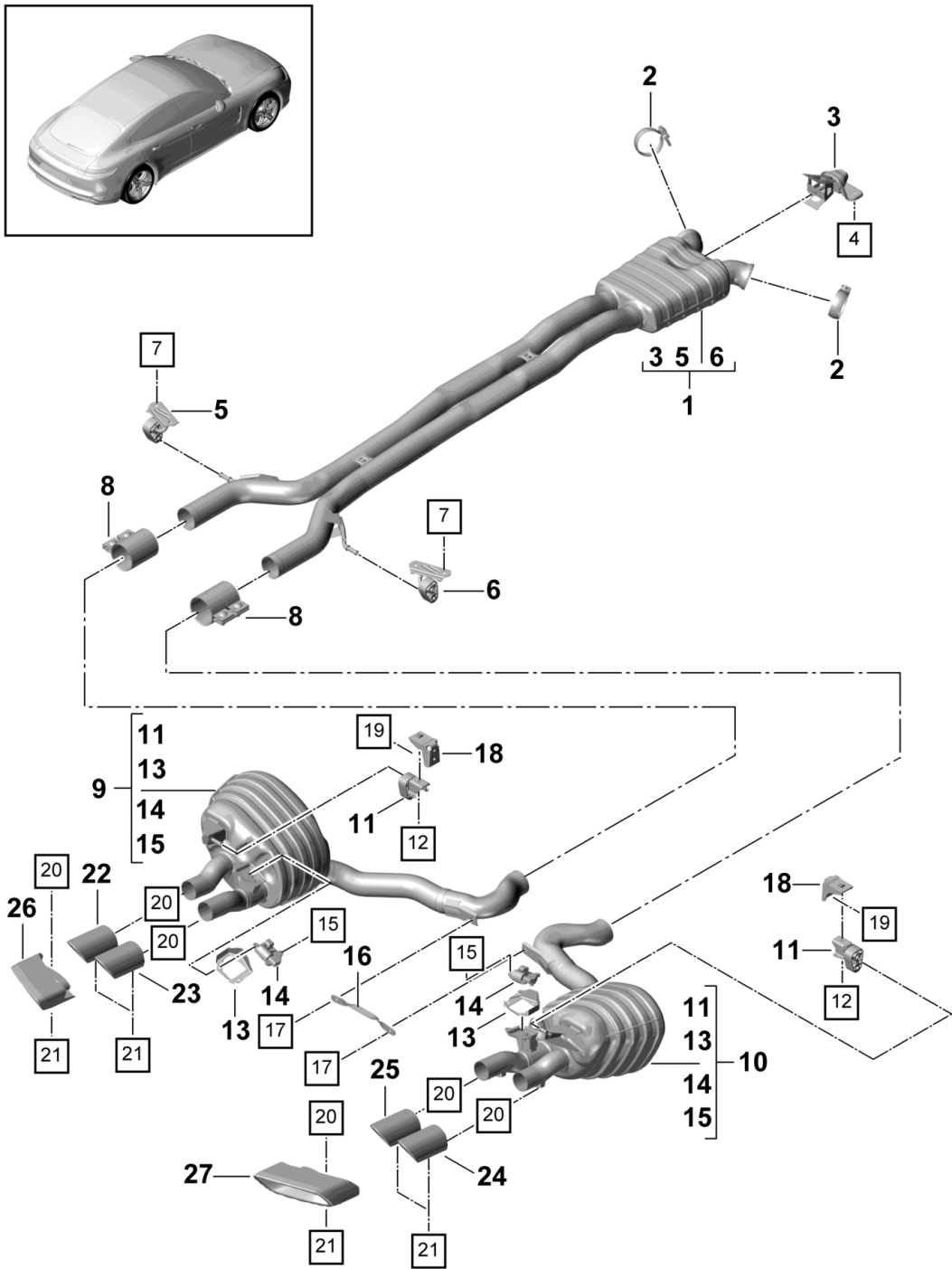
21	20	19	17	15	12	7	4

Model: 971-17 Model life 2017>>

Pos	Part Number	Description	Remark	Qty	Model
		exhaust system			CVDA, CVD+
		Front silencer			PR:0P0, 0P3,
		Rear silencer			0P6
		Tailpipe			
1	971 253 209 BY	Front silencer		1	PR:0E1
(1)	971 253 209 KY	Front silencer		1	PR:0E2
2	955 111 108 30	clamp		2	
3	9A7 253 144 00	Bracket		1	
4	N 910 793 01	Hex collared bolt	M8X16	2	
5	9A7 253 245 00	Retainer for exhaust system	left	1	
		with:			
		Rubber bush			
6	9A7 253 246 00	Retainer for exhaust system	right	1	
7	N 910 793 01	Hex collared bolt	M8X16	4	
8	9A7 253 141 00	Clamping sleeve	70X79MM	2	
9	971 253 607 BY	Rear silencer	left	1	
10	971 253 608 BY	Rear silencer	right	1	
11	9A7 253 245 10	Retainer for exhaust system		2	
12	N 910 793 01	Hex collared bolt	M8X16	2	
13	971 253 235 A	Guard plate		2	
14	9A7 133 246 00	Servomotor for exhaust flap		2	
		No longer use the part here			
(14)	9A7 133 246 05	Servomotor for exhaust flap		2	
15	PAF 106 532 02	Hexagon bolt	M6X16	6	
16	9A7 253 521 00	Brace		1	
17	N 910 793 01	Hex collared bolt	M8X16	2	
18	9A7 253 277 00	Support		2	
19	N 909 210 02	Hexagon bolt	M8X22	4	
20	N 903 425 02	Speed nut	M6X19,5X18	4	
21	9A7 008 019 00	flat round head bolt	M6X12	4	
22	9A7 253 823 00	Tailpipe	left	1	PR:0P0
			outer		
(22)	9A7 253 823 30	Tailpipe	left	1	PR:0P3
			outer		
(22)	9A7 253 823 40	Tailpipe	left	1	PR:0P6
			outer		
23	9A7 253 823 05	Tailpipe	left	1	PR:0P0
			inner		
(23)	9A7 253 823 35	Tailpipe	left	1	PR:0P3
			inner		
(23)	9A7 253 823 45	Tailpipe	left	1	PR:0P6
			inner		
24	9A7 253 824 00	Tailpipe	right	1	PR:0P0
			outer		
(24)	9A7 253 824 30	Tailpipe	right	1	PR:0P3
			outer		
(24)	9A7 253 824 40	Tailpipe	right	1	PR:0P6
			outer		
25	9A7 253 824 05	Tailpipe	right	1	PR:0P0
			inner		
(25)	9A7 253 824 35	Tailpipe	right	1	PR:0P3
			inner		
(25)	9A7 253 824 45	Tailpipe	right	1	PR:0P6
			inner		

Model: 971-17

Model life 2017>>



Model: 971-17 Model life 2017>>

Pos	Part Number	Description	Remark	Qty	Model
		exhaust system			CSZA,CSZ,
		Front silencer			DGPA,DGP+
		Rear silencer			PR:0P0,0P3,
		Tailpipe			0P6
1	971 253 209 AY	Front silencer		1	PR:0E1
(1)	971 253 209 JY	Front silencer		1	PR:0E2
2	955 111 108 30	clamp		2	
3	9A7 253 144 00	Bracket		1	
4	N 910 793 01	Hex collared bolt	M8X16	2	
5	9A7 253 245 00	Retainer for exhaust system	left	1	
6	9A7 253 246 00	Retainer for exhaust system	right	1	
7	N 910 793 01	Hex collared bolt	M8X16	4	
8	958 111 220 10	Clamping sleeve	65X88MM	2	
9	971 253 607 AY	Rear silencer	left	1	PR:A8F,1A2
(9)	971 253 607 KY	Rear silencer	left	1	PR:A8C,0K3,
					0P0
(9)	971 253 607 AY	Rear silencer	left	1	PR:A8C,0K3,
					0P3,0P6
10	971 253 608 AY	Rear silencer	right	1	PR:A8F,1A2
(10)	971 253 608 KY	Rear silencer	right	1	PR:A8C,0K3,
					0P0
(10)	971 253 608 AY	Rear silencer	right	1	PR:A8C,0K3,
					0P3,0P6
11	9A7 253 245 10	Retainer for exhaust system		2	
12	N 910 793 01	Hex collared bolt	M8X16	2	
13	971 253 235 A	Guard plate		2	
14	9A7 133 246 00	Servomotor for exhaust flap		2	
		No longer use the part here			
(14)	9A7 133 246 05	Servomotor for exhaust flap		2	
15	PAF 106 532 02	Hexagon bolt	M6X16	6	
16	9A7 253 521 00	Brace		1	
17	N 910 793 01	Hex collared bolt	M8X16	2	
18	9A7 253 277 00	Support		2	
19	N 909 210 02	Hexagon bolt	M8X22	4	
20	N 903 425 02	Speed nut	M6X19,5X18	4	PR:A8F
(20)	N 903 425 02	Speed nut	M6X19,5X18	4	PR:A8C,0P3,
					0P6,0K3
(20)	N 903 425 02	Speed nut	M6X19,5X18	2	PR:A8C,0P0,
					0K3
21	9A7 008 019 00	flat round head bolt	M6X12	4	PR:A8F
(21)	9A7 008 019 00	flat round head bolt	M6X12	4	PR:A8C,0P3,
					0P6,0K3
(21)	9A7 008 019 00	flat round head bolt	M6X12	2	PR:A8C,0P0,
					0K3
22	9A7 253 823 10	Tailpipe	left	1	PR:A8F,0P0
			outer		
(22)	9A7 253 823 30	Tailpipe	left	1	PR:0P3
			outer		
(22)	9A7 253 823 40	Tailpipe	left	1	PR:0P6
			outer		
23	9A7 253 823 10	Tailpipe	left	1	PR:A8F,0P0
			inner		
(23)	9A7 253 823 35	Tailpipe	left	1	PR:0P3
			inner		
(23)	9A7 253 823 45	Tailpipe	left	1	PR:0P6
			inner		
24	9A7 253 823 10	Tailpipe	right	1	PR:A8F,0P0
			outer		
(24)	9A7 253 824 30	Tailpipe	right	1	PR:0P3
			outer		
(24)	9A7 253 824 40	Tailpipe	right	1	PR:0P6
			outer		
25	9A7 253 823 10	Tailpipe	right	1	PR:A8F,0P0

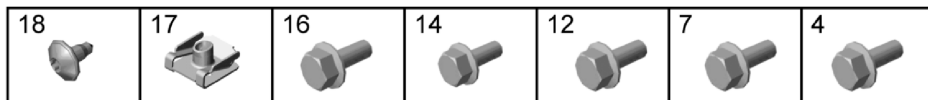
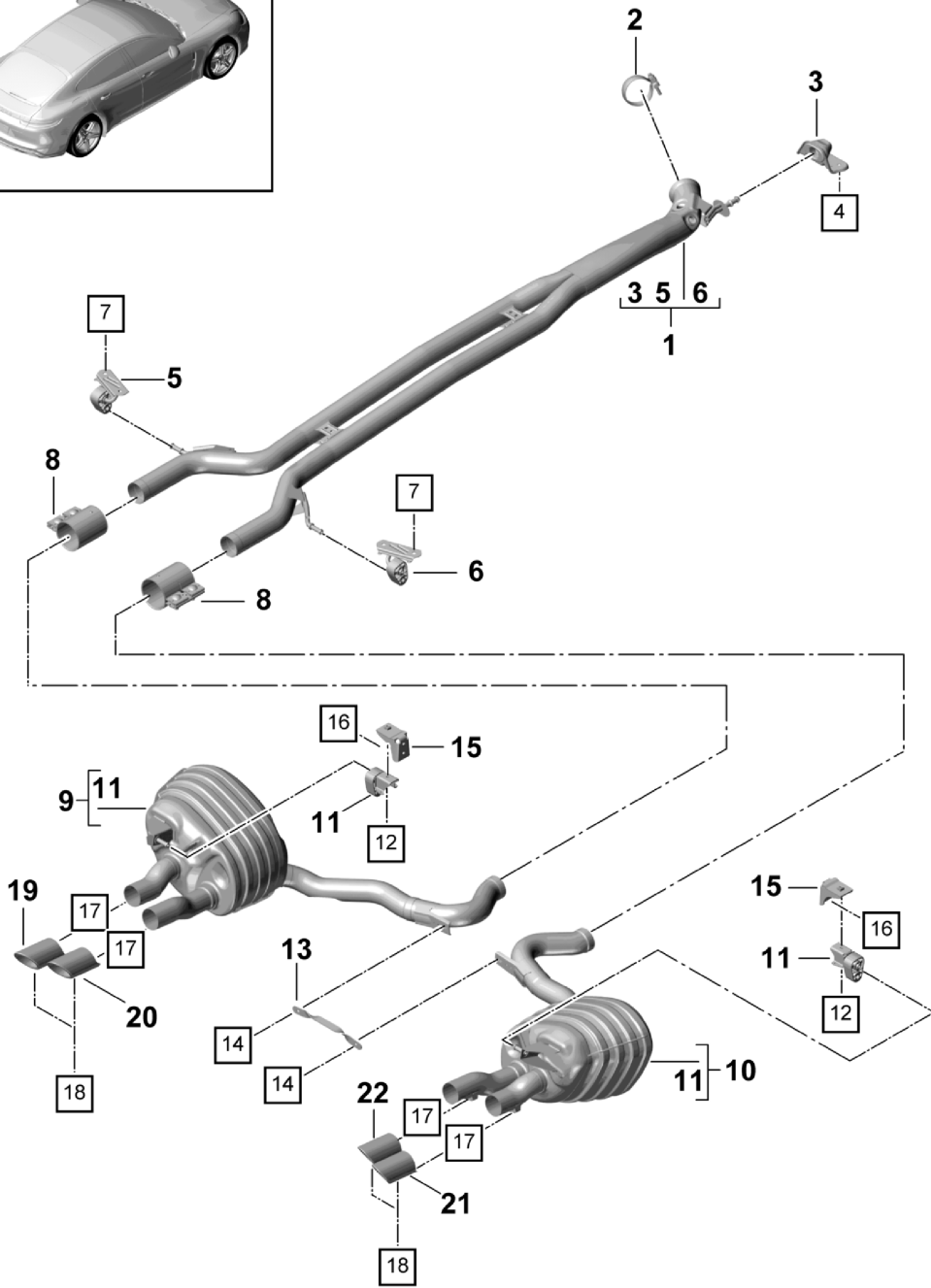
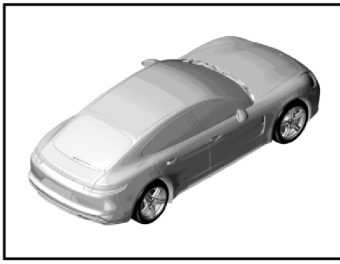
Model: 971-17

Model life 2017>>

Pos	Part Number	Description	Remark	Qty	Model
(25)	9A7 253 824 35	Tailpipe	inner right	1	PR:0P3
(25)	9A7 253 824 45	Tailpipe	inner right	1	PR:0P6
26	9A7 253 823 50	Tailpipe	inner left	1	PR:A8C,0P0, OK3
27	9A7 253 824 50	Tailpipe	right	1	PR:A8C,0P0, OK3

Model: 971-17

Model life 2017>>



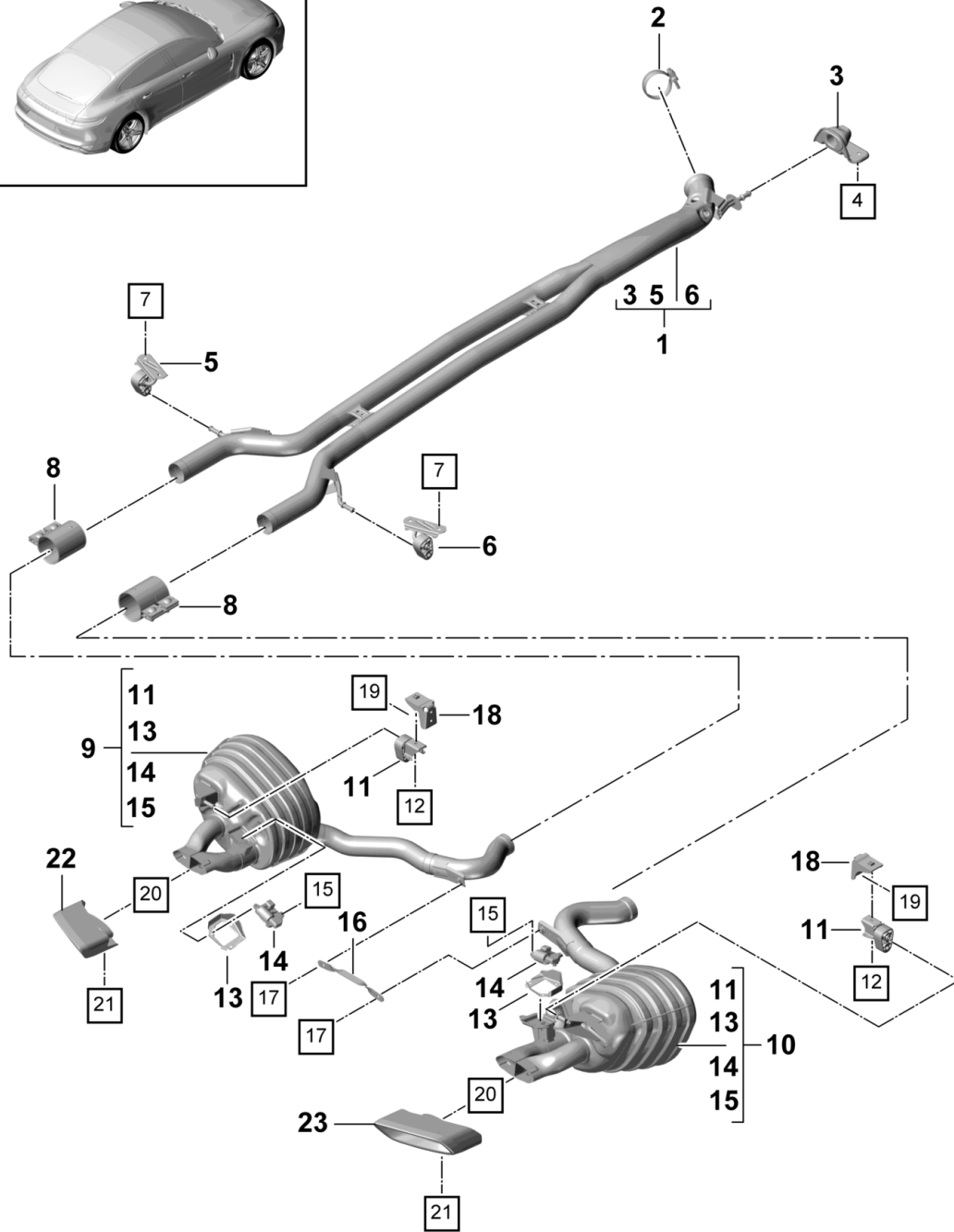
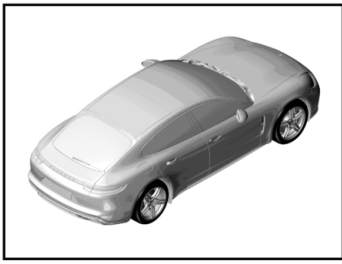
Model: 971-17

Model life 2017>>

Pos	Part Number	Description	Remark	Qty	Model
		exhaust system			DBUC+
		Front silencer			PR:0P0,0P3,
		Rear silencer			0P6
		Tailpipe			
1	971 253 096 AY	Front silencer		1	
2	9A7 253 139 40	Clamp		1	
3	9A7 253 144 00	Bracket		1	
4	N 910 793 01	Hex collared bolt	M8X16	2	
5	9A7 253 245 00	Retainer for exhaust system	left	1	
6	9A7 253 246 00	Retainer for exhaust system	right	1	
7	N 910 793 01	Hex collared bolt	M8X16	4	
8	958 111 220 00	Clamping sleeve	60X88MM	2	
9	971 253 607 DY	Rear silencer	left	1	
10	971 253 608 DY	Rear silencer	right	1	
11	9A7 253 245 10	Retainer for exhaust system		2	
12	N 910 793 01	Hex collared bolt	M8X16	2	
13	9A7 253 521 00	Brace		1	
14	N 910 793 01	Hex collared bolt	M8X16	2	
15	9A7 253 277 00	Support		2	
16	N 909 210 02	Hexagon bolt	M8X22	4	
17	N 903 425 02	Speed nut	M6X19,5X18	4	
18	9A7 008 019 00	flat round head bolt	M6X12	4	
19	9A7 253 823 10	Tailpipe	left	1	PR:0P0
			outer		
(19)	9A7 253 823 30	Tailpipe	left	1	PR:0P3
			outer		
(19)	9A7 253 823 40	Tailpipe	left	1	PR:0P6
			outer		
20	9A7 253 823 10	Tailpipe	left	1	PR:0P0
			inner		
(20)	9A7 253 823 35	Tailpipe	left	1	PR:0P3
			inner		
(20)	9A7 253 823 45	Tailpipe	left	1	PR:0P6
			inner		
21	9A7 253 823 10	Tailpipe	right	1	PR:0P0
			outer		
(21)	9A7 253 824 30	Tailpipe	right	1	PR:0P3
			outer		
(21)	9A7 253 824 40	Tailpipe	right	1	PR:0P6
			outer		
22	9A7 253 823 10	Tailpipe	right	1	PR:0P0
			inner		
(22)	9A7 253 824 35	Tailpipe	right	1	PR:0P3
			inner		
(22)	9A7 253 824 45	Tailpipe	right	1	PR:0P6
			inner		

Model: 971-17

Model life 2017>>



21	20	19	17	15	12	7	4

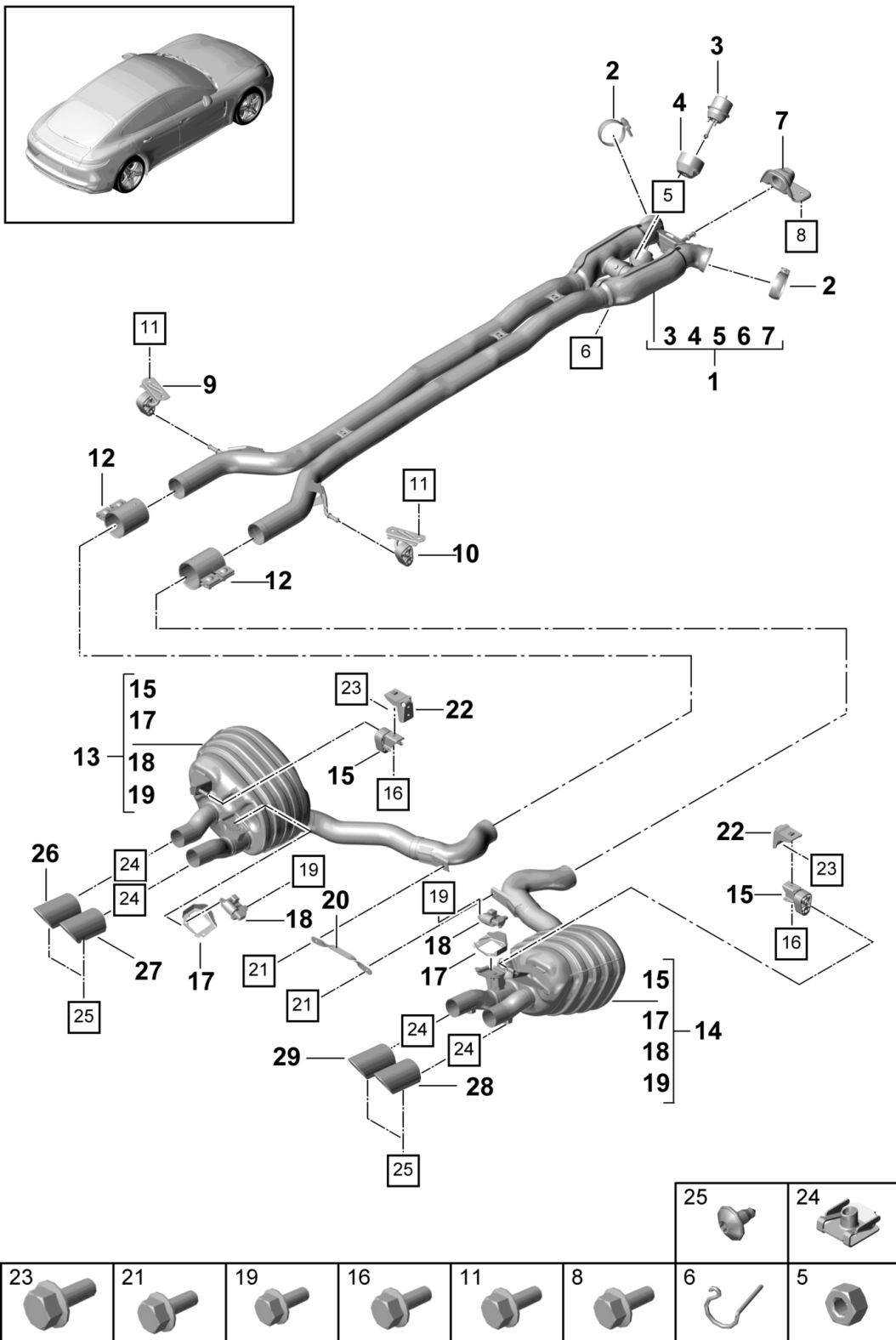
Model: 971-17

Model life 2017>>

Pos	Part Number	Description	Remark	Qty	Model
		exhaust system			CXTA, CXT
		Front silencer			
		Rear silencer			
		Tailpipe			
1	971 253 209 Y	Front silencer		1	PR:0E1
(1)	971 253 209 HY	Front silencer		1	PR:0E2
2	955 111 108 30	clamp		1	
3	9A7 253 144 00	Bracket		1	
4	N 910 793 01	Hex collared bolt	M8X16	2	
5	9A7 253 245 00	Retainer for exhaust system	left	1	
6	9A7 253 246 00	Retainer for exhaust system	right	1	
7	N 910 793 01	Hex collared bolt	M8X16	4	
8	958 111 220 00	Clamping sleeve	60X88MM	2	
9	971 253 607 Y	Rear silencer	left	1	PR:0P0
10	971 253 608 Y	Rear silencer	right	1	PR:0P0
11	9A7 253 245 10	Retainer for exhaust system		2	
12	N 910 793 01	Hex collared bolt	M8X16	2	
13	971 253 235 A	Guard plate		2	
14	9A7 133 246 00	Servomotor for exhaust flap		2	
		No longer use the part here			
(14)	9A7 133 246 05	Servomotor for exhaust flap		2	
15	PAF 106 532 02	Hexagon bolt	M6X16	6	
16	9A7 253 521 00	Brace		1	
17	N 910 793 01	Hex collared bolt	M8X16	2	
18	9A7 253 277 00	Support		2	
19	N 909 210 02	Hexagon bolt	M8X22	4	
20	N 903 425 02	Speed nut	M6X19,5X18	2	
21	9A7 008 019 00	flat round head bolt	M6X12	2	
22	9A7 253 823 50	Tailpipe	left	1	PR:0P0
23	9A7 253 824 50	Tailpipe	right	1	PR:0P0

Model: 971-17

Model life 2017>>

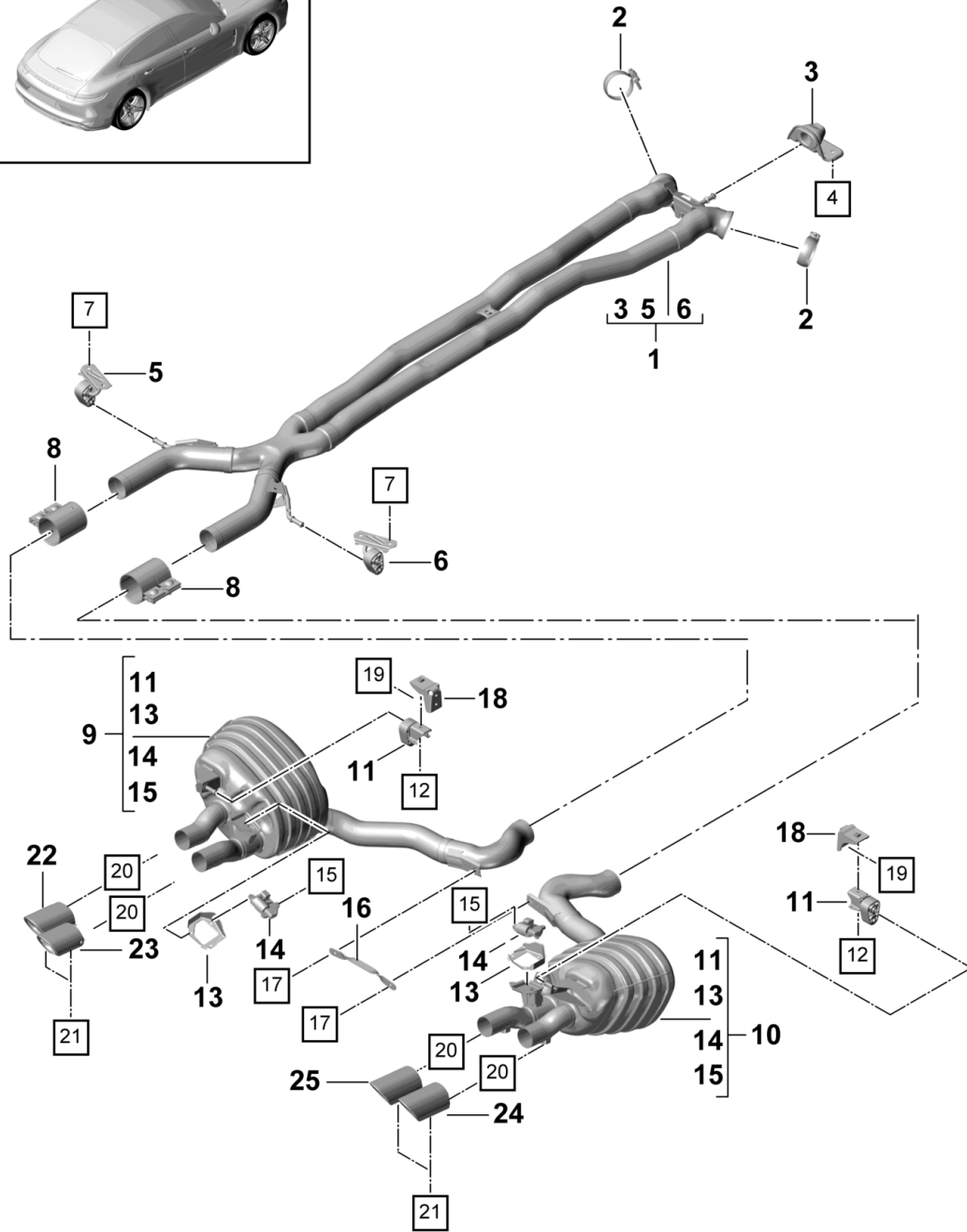
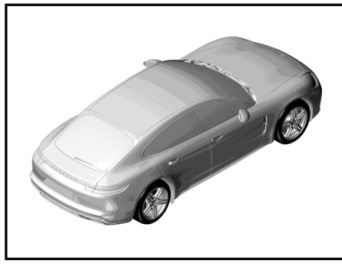


Model: 971-17 Model life 2017>>

Pos	Part Number	Description	Remark	Qty	Model
		exhaust system Sport version Front silencer Rear silencer Tailpipe			CVDA, CVD+ PR:0P8, 0P9
1	971 253 209 GY	Front silencer Sport version		1	PR:0E1
(1)	971 253 209 LY	Front silencer Sport version		1	PR:0E2
2	955 111 108 30	clamp		2	
3	9A7 253 837 00	Vacuum unit		1	
		also use:	N 011 005 18	3	
			PAF 015 526 30	1	
4	9A7 253 235 00	Guard plate		1	
5	N 011 005 18	Hexagon nut	M5	1	
6	PAF 015 526 30	Securing bars		1	
7	9A7 253 144 00	Bracket		1	
8	N 910 793 01	Hex collared bolt	M8X16	2	
9	9A7 253 245 00	Retainer for exhaust system	left	1	
10	9A7 253 246 00	Retainer for exhaust system	right	1	
11	N 910 793 01	Hex collared bolt	M8X16	4	
12	9A7 253 141 00	Clamping sleeve	70X79MM	2	
13	971 253 607 BY	Rear silencer	left	1	
14	971 253 608 BY	Rear silencer	right	1	
15	9A7 253 245 10	Retainer for exhaust system		2	
16	N 910 793 01	Hex collared bolt	M8X16	2	
17	971 253 235 A	Guard plate		2	
18	9A7 133 246 00	Servomotor for exhaust flap No longer use the part here		2	
(18)	9A7 133 246 05	Servomotor for exhaust flap		2	
19	PAF 106 532 02	Hexagon bolt	M6X16	6	
20	9A7 253 521 00	Brace		1	
21	N 910 793 01	Hex collared bolt	M8X16	2	
22	9A7 253 277 00	Support		2	
23	N 909 210 02	Hexagon bolt	M8X22	4	
24	N 903 425 02	Speed nut	M6X19,5X18	4	
25	9A7 008 019 00	flat round head bolt	M6X12	4	
26	9A7 253 823 20	Tailpipe	left	1	PR:0P8
			outer		
(26)	9A7 253 823 40	Tailpipe	left	1	PR:0P9
			outer		
27	9A7 253 823 25	Tailpipe	left	1	PR:0P8
			inner		
(27)	9A7 253 823 45	Tailpipe	left	1	PR:0P9
			inner		
28	9A7 253 824 20	Tailpipe	right	1	PR:0P8
			outer		
(28)	9A7 253 824 40	Tailpipe	right	1	PR:0P9
			outer		
29	9A7 253 824 25	Tailpipe	right	1	PR:0P8
			inner		
(29)	9A7 253 824 45	Tailpipe	right	1	PR:0P9
			inner		

Model: 971-17

Model life 2017>>



21	20	19	17	15	12	7	4
----	----	----	----	----	----	---	---

Model: 971-17 Model life 2017>>

Pos	Part Number	Description	Remark	Qty	Model
		exhaust system Sport version Front silencer Rear silencer Tailpipe			CSZA, CSZ, DGPA, DGP+ PR:0P8, 0P9
1	971 253 209 FY	Front silencer Sport version		1	PR:0E1
(1)	971 253 209 JY	Front silencer Sport version		1	CSZA, CSZ+ PR:0E2
(1)	971 253 209 CA	Front silencer Sport version		1	DGPA, DGP+ PR:0E2
2	955 111 108 30	clamp		2	
3	9A7 253 144 00	Bracket		1	
4	N 910 793 01	Hex collared bolt M 8 X 16		2	
5	9A7 253 245 00	Retainer for exhaust system with:	left	1	
6	9A7 253 246 00	Rubber Retainer for exhaust system with:	right	1	
7	N 910 793 01	Rubber Hex collared bolt M 8 X 16		4	
8	958 111 220 10	Clamping sleeve 65 X 88		2	
9	971 253 607 AY	Rear silencer	left	1	
10	971 253 608 AY	Rear silencer	right	1	
11	9A7 253 245 10	Retainer for exhaust system with:		2	
12	N 910 793 01	Rubber Hex collared bolt M 8 X 16		2	
13	971 253 235 A	Guard plate		2	
14	9A7 133 246 00	Servomotor for exhaust flap No longer use the part here		2	
(14)	9A7 133 246 05	Servomotor for exhaust flap		2	
15	PAF 106 532 02	Hexagon bolt M 6 X 16		6	
16	9A7 253 521 00	Brace		1	
17	N 910 793 01	Hex collared bolt M 8 X 16		2	
18	9A7 253 277 00	Support		2	
19	N 909 210 02	Hexagon bolt M 8 X 22		4	
20	N 903 425 02	Speed nut M 6 X 19,5 X 18		4	
21	9A7 008 019 00	flat round head bolt M 6 X 12		4	
22	9A7 253 823 20	Tailpipe	left outer	1	PR:0P8
(22)	9A7 253 823 40	Tailpipe	left outer	1	PR:0P9
23	9A7 253 823 25	Tailpipe	left inner	1	PR:0P8
(23)	9A7 253 823 45	Tailpipe	left inner	1	PR:0P9
24	9A7 253 824 20	Tailpipe	right outer	1	PR:0P8
(24)	9A7 253 824 40	Tailpipe	right outer	1	PR:0P9
25	9A7 253 824 25	Tailpipe	right inner	1	PR:0P8
(25)	9A7 253 824 45	Tailpipe	right inner	1	PR:0P9

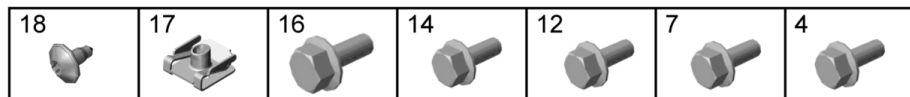
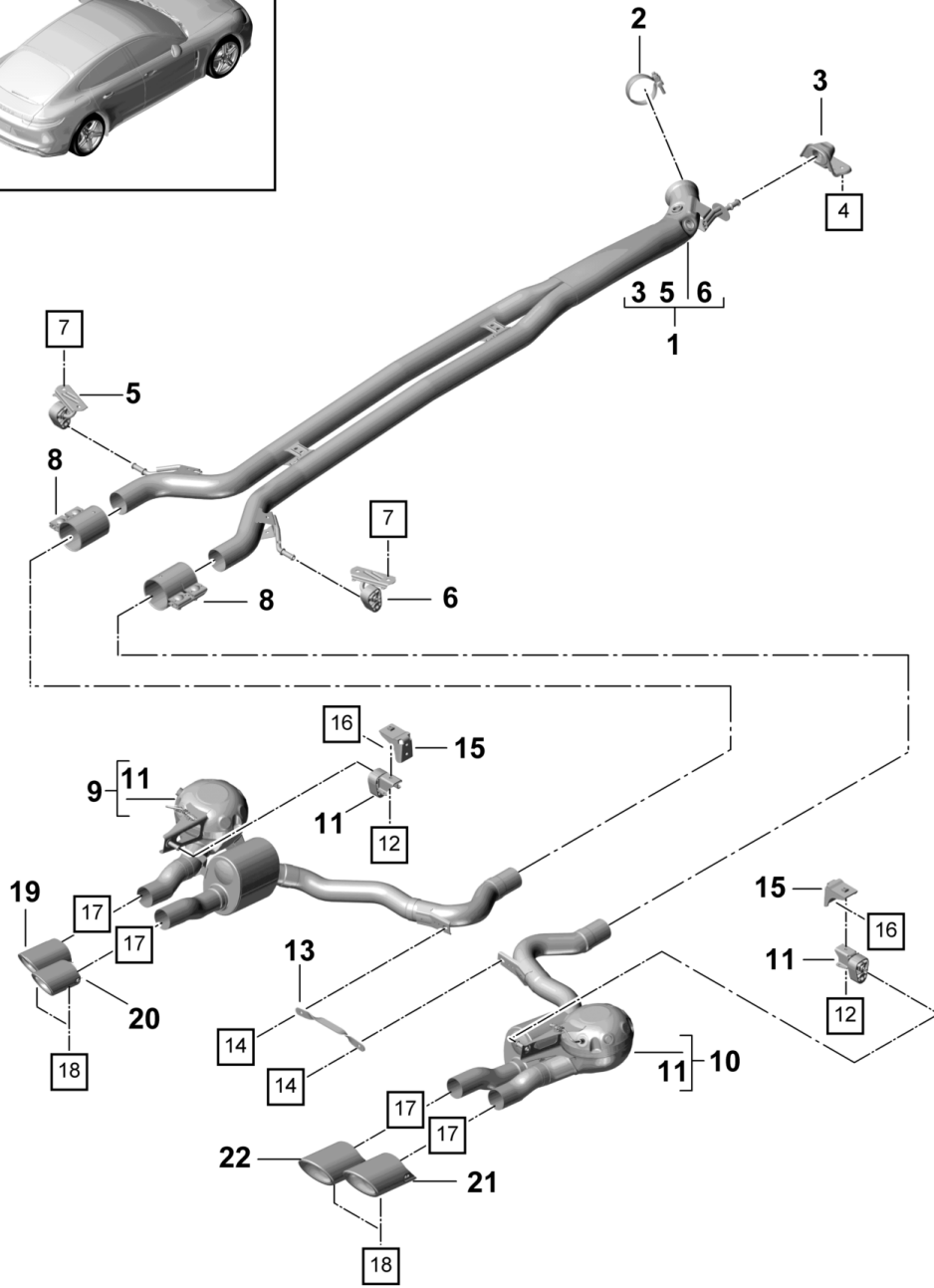
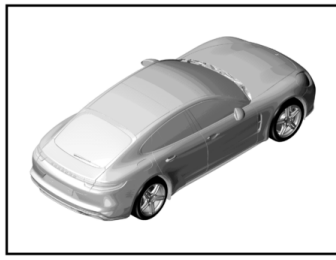
Model: 971-17

Model life 2017>>

Pos	Part Number	Description	Remark	Qty	Model
			inner		

Model: 971-17

Model life 2017>>

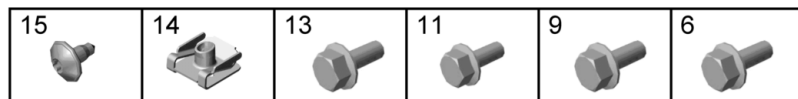
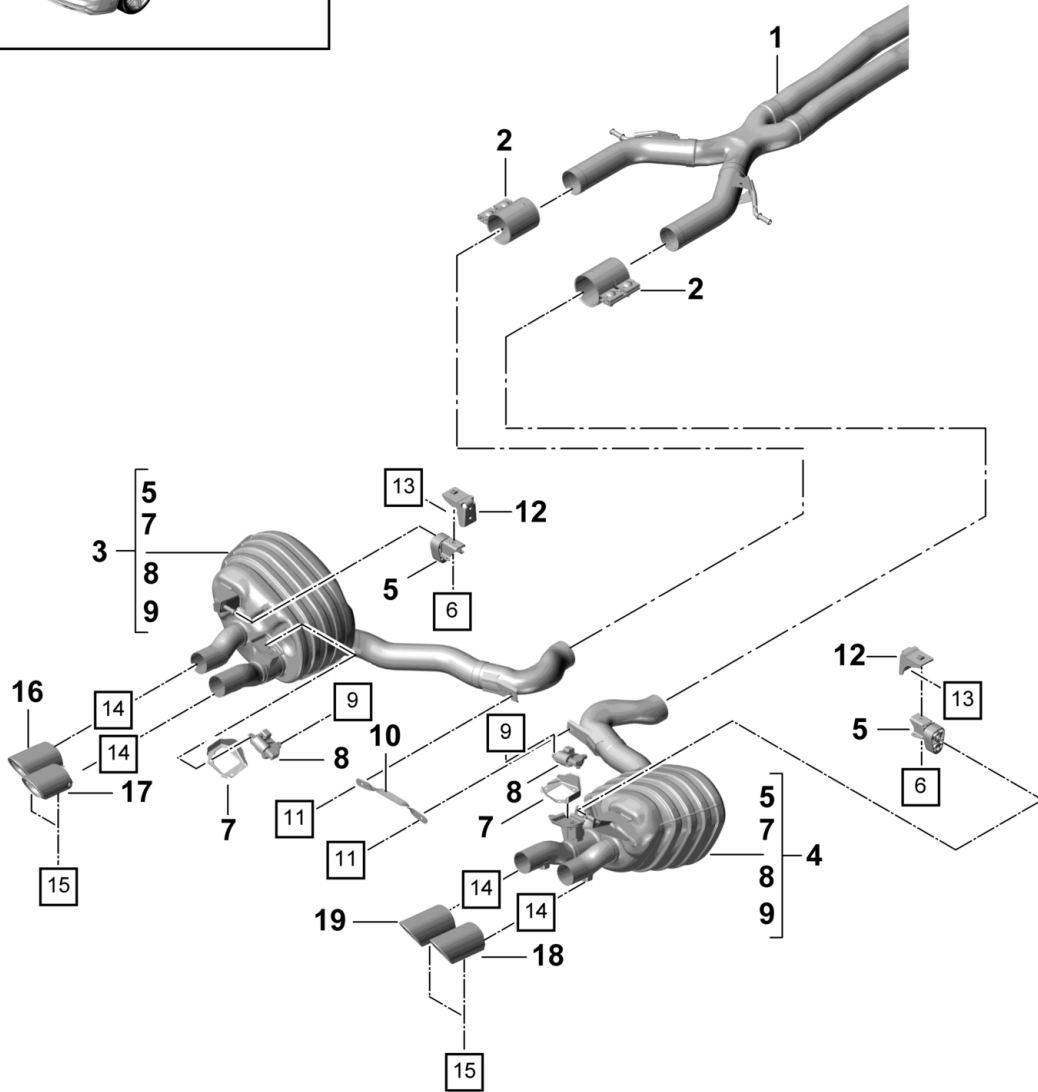
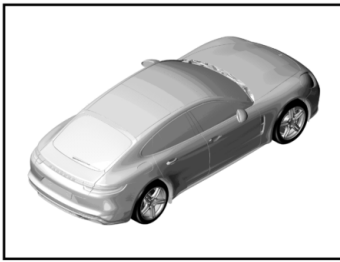


Model: 971-17 Model life 2017>>

Pos	Part Number	Description	Remark	Qty	Model
		exhaust system Sport version Front silencer Rear silencer Tailpipe			DBUC+ PR:0P8,0P9
1	971 253 096 AY	Front silencer		1	
2	9A7 253 139 40	Clamp		1	
3	9A7 253 144 00	Bracket		1	
4	N 910 793 01	Hex collared bolt	M8X16	2	
5	9A7 253 245 00	Retainer for exhaust system	left	1	
6	9A7 253 246 00	Retainer for exhaust system	right	1	
7	N 910 793 01	Hex collared bolt	M8X16	4	
8	958 111 220 00	Clamping sleeve	60X88MM	2	
9	971 253 607 MY	Rear silencer Sport version	left	1	
10	971 253 608 MY	Rear silencer Sport version	right	1	
11	9A7 253 245 10	Retainer for exhaust system		2	
12	N 910 793 01	Hex collared bolt	M8X16	2	
13	9A7 253 521 00	Brace		1	
14	N 910 793 01	Hex collared bolt	M8X16	2	
15	9A7 253 277 00	Support		2	
16	N 909 210 02	Hexagon bolt	M8X22	4	
17	N 903 425 02	Speed nut	M6X19,5X18	4	
18	9A7 008 019 00	flat round head bolt	M6X12	4	
19	9A7 253 823 20	Tailpipe	left outer	1	PR:0P8
(19)	9A7 253 823 40	Tailpipe	left outer	1	PR:0P9
20	9A7 253 823 25	Tailpipe	left inner	1	PR:0P8
(20)	9A7 253 823 45	Tailpipe	left inner	1	PR:0P9
21	9A7 253 824 20	Tailpipe	right outer	1	PR:0P8
(21)	9A7 253 824 40	Tailpipe	right outer	1	PR:0P9
22	9A7 253 824 25	Tailpipe	right inner	1	PR:0P8
(22)	9A7 253 824 45	Tailpipe	right inner	1	PR:0P9

Model: 971-17

Model life 2017>>



Model: 971-17 Model life 2017>>

Pos	Part Number	Description	Remark	Qty	Model
1		exhaust system Sport version and Rear silencer Exclusive Tailpipe Front silencer see illustration:	203-015	1	CXTA,CXT+ PR:0P3,0P6, 0P8,0P9
2	958 111 220 00	Clamping sleeve	60X88MM	2	
3	971 253 607 EY	Rear silencer Sport version	left	1	PR:0P8,0P9
(3)	971 253 607 JY	Rear silencer for Sports tailpipe	left	1	PR:0P3,0P6
4	971 253 608 EY	Rear silencer Sport version	right	1	PR:0P8,0P9
(4)	971 253 608 JY	Rear silencer for Sports tailpipe	right	1	PR:0P3,0P6
5	9A7 253 245 10	Retainer for exhaust system		2	
6	N 910 793 01	Hex collared bolt	M8X16	2	
7	971 253 235 A	Guard plate		2	
8	9A7 133 246 00	Servomotor for exhaust flap No longer use the part here		2	
(8)	9A7 133 246 05	Servomotor for exhaust flap		2	
9	PAF 106 532 02	Hexagon bolt	M6X16	6	
10	9A7 253 521 00	Brace		1	
11	N 910 793 01	Hex collared bolt	M8X16	2	
13	N 909 210 02	Hexagon bolt	M8X22	4	
14	N 903 425 02	Speed nut	M6X19,5X18	4	
15	9A7 008 019 00	flat round head bolt	M6X12	4	
16	9A7 253 823 30	Tailpipe	left outer	1	PR:0P3
(16)	9A7 253 823 40	Tailpipe	left outer	1	PR:0P6
(16)	9A7 253 823 20	Tailpipe	left outer	1	PR:0P8
(16)	9A7 253 823 40	Tailpipe	left outer	1	PR:0P9
17	9A7 253 823 35	Tailpipe	left inner	1	PR:0P3
(17)	9A7 253 823 45	Tailpipe	left inner	1	PR:0P6
(17)	9A7 253 823 25	Tailpipe	left inner	1	PR:0P8
(17)	9A7 253 823 45	Tailpipe	left inner	1	PR:0P9
18	9A7 253 824 30	Tailpipe	right outer	1	PR:0P3
(18)	9A7 253 824 40	Tailpipe	right outer	1	PR:0P6
(18)	9A7 253 824 20	Tailpipe	right outer	1	PR:0P8
(18)	9A7 253 824 40	Tailpipe	right outer	1	PR:0P9
19	9A7 253 824 35	Tailpipe	right inner	1	PR:0P3
(19)	9A7 253 824 45	Tailpipe	right inner	1	PR:0P6
(19)	9A7 253 824 25	Tailpipe	right inner	1	PR:0P8
(19)	9A7 253 824 45	Tailpipe	right inner	1	PR:0P9

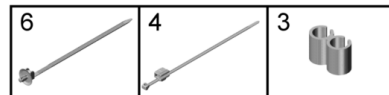
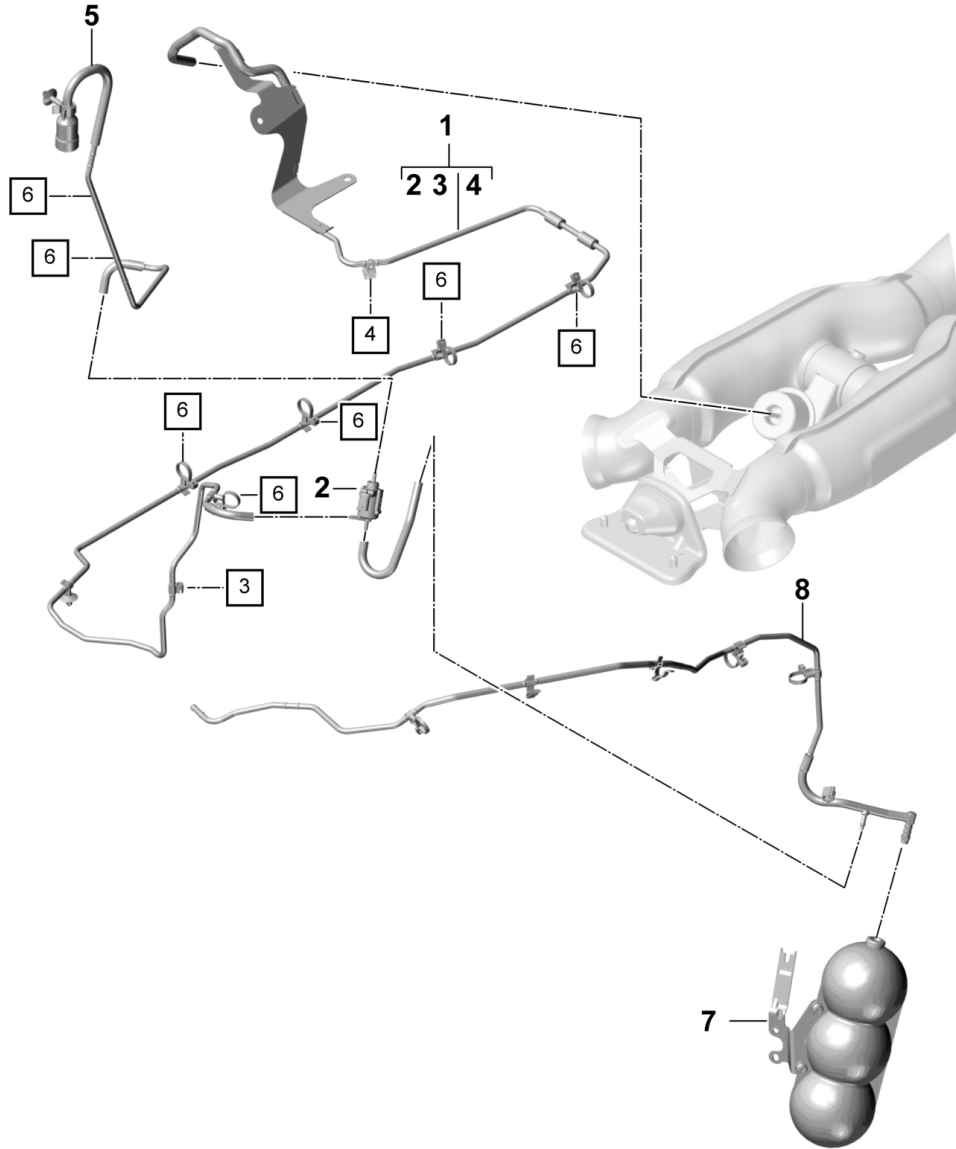
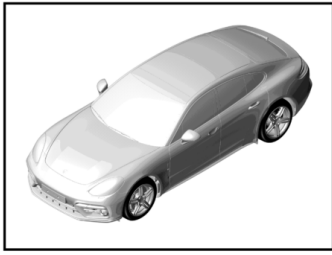
Model: 971-17

Model life 2017>>

Pos	Part Number	Description	Remark	Qty	Model
			inner		

Model: 971-17

Model life 2017>>



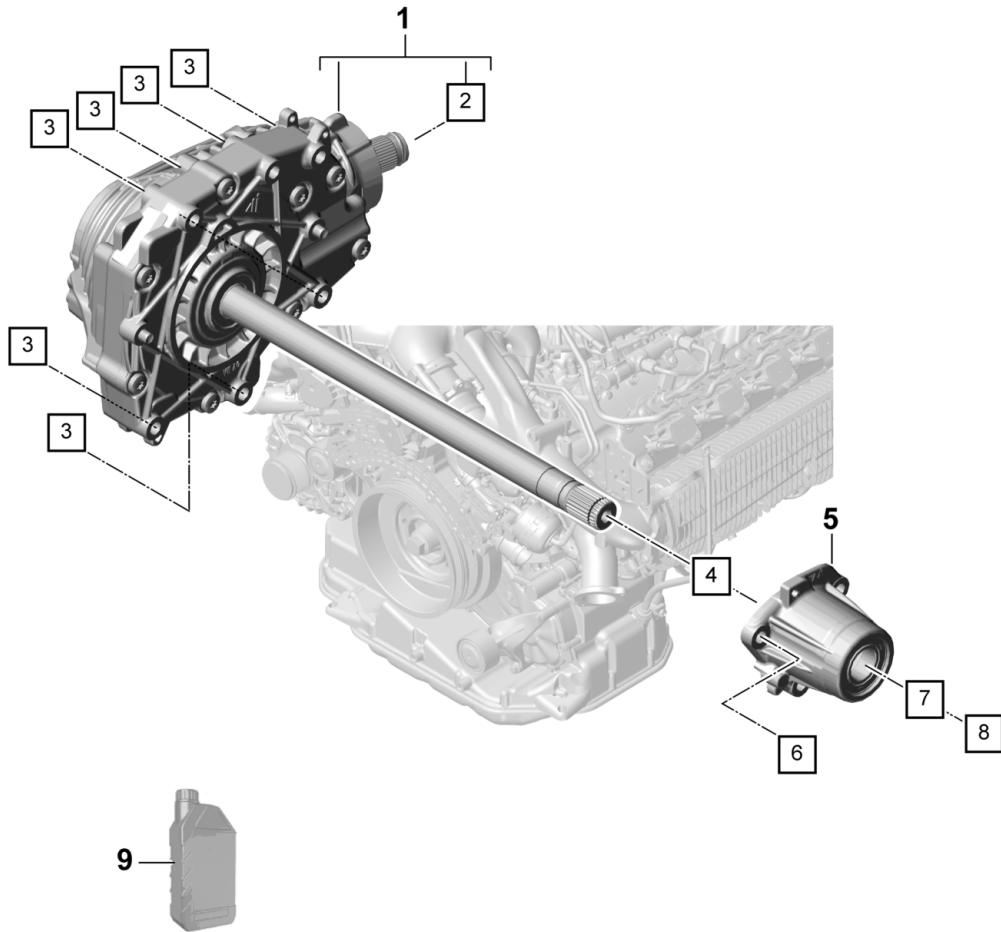
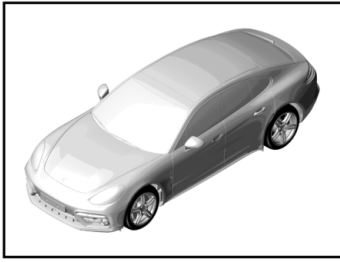
Model: 971-17

Model life 2017>>

Pos	Part Number	Description	Remark	Qty	Model
		vacuum system			CVDA, CVD+
		exhaust system			PR:0P8, 0P9
1	971 253 760 B	Vacuum line		1	PR:0K0
(1)	971 253 760 E	Vacuum line		1	PR:0K3
2	7PP 906 283 F	Change-over valve		1	
3	955 358 547 00	Bracket		1	
4	9A7 971 838 01	Cable ties		1	
5	971 253 760 A	Vacuum line		1	
6	9A7 971 850 00	Cable fastener		2	
7		vacuum reservoir		1	
		see illustration:	108-000		
8		Vacuum line		1	
		see illustration:	108-000		

Model: 971-17

Model life 2017>>



8	7	6	4	3	2

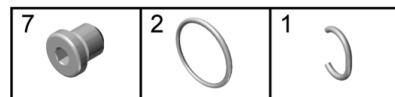
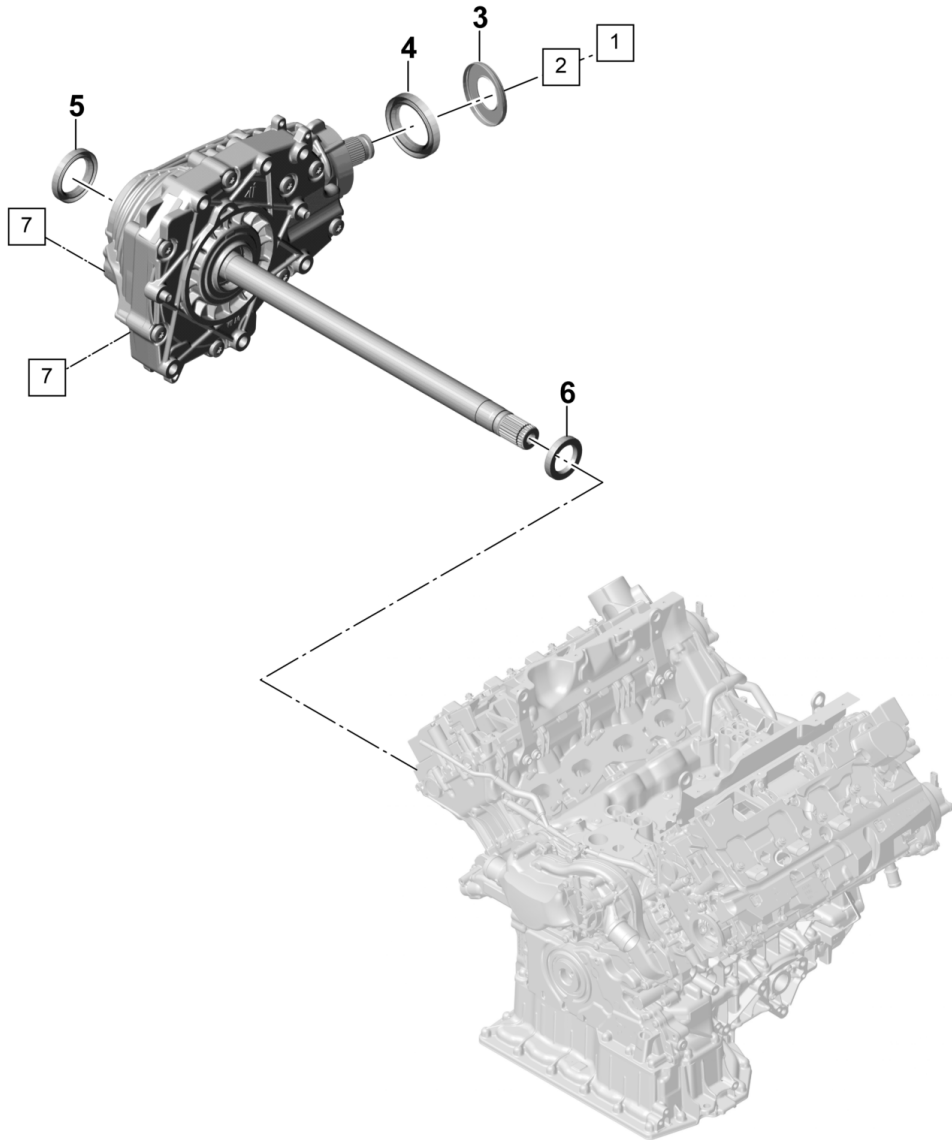
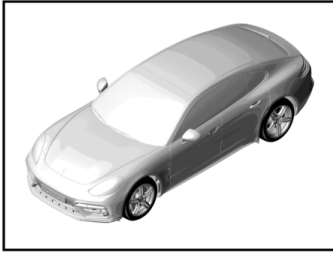
Model: 971-17

Model life 2017>>

Pos	Part Number	Description	Remark	Qty	Model
		Front axle differential Console Ready for installation			PR:1X1
1	9A7 409 505 00	Front axle differential also use:	N 012 374 1 WHT 005 157 9A7 407 635 00	1 1 1	PR:A8C,A8F, 1A2
(1)	9A7 409 505 X	Front axle differential also use:	N 012 374 1 WHT 005 157 9A7 407 635 00	1 1 1	PR:A8C,A8F, 1A2
(1)	9A7 409 505 10	Front axle differential also use:	N 012 374 1 WHT 005 157 9A7 407 635 00	1 1 1	PR:A8H,1A2
(1)	9A7 409 505 KX	Front axle differential also use:	N 012 374 1 WHT 005 157 9A7 407 635 00	1 1 1	PR:A8H,1A2
(1)	9A7 409 505 10	Front axle differential also use:	N 012 374 1 WHT 005 157 9A7 407 635 00	1 1 1	PR:A8F,0F5
(1)	9A7 409 505 KX	Front axle differential also use:	N 012 374 1 WHT 005 157 9A7 407 635 00	1 1 1	PR:A8F,0F5
2	012 409 413	snap ring		1	
3	N 106 259 01	Socket head collared bolt with inner multipoint head	M10X70	6	
4	N 012 374 1	Securing ring	28X1,5	1	
5	9A7 409 019 01	Console also use:	N 012 374 1 WHT 005 157 9A7 407 635 00	1 1 1	
6	N 107 642 01	Socket head collared bolt with inner multipoint head	M10X32	3	
7	WHT 005 157	O-ring	23,52X1,78-S	1	
8	9A7 407 635 00	snap ring	23,5X1,6	1	
9	000 043 305 34	Transmission fluid Front axle differential	1.0 ltr.	X	

Model: 971-17

Model life 2017>>



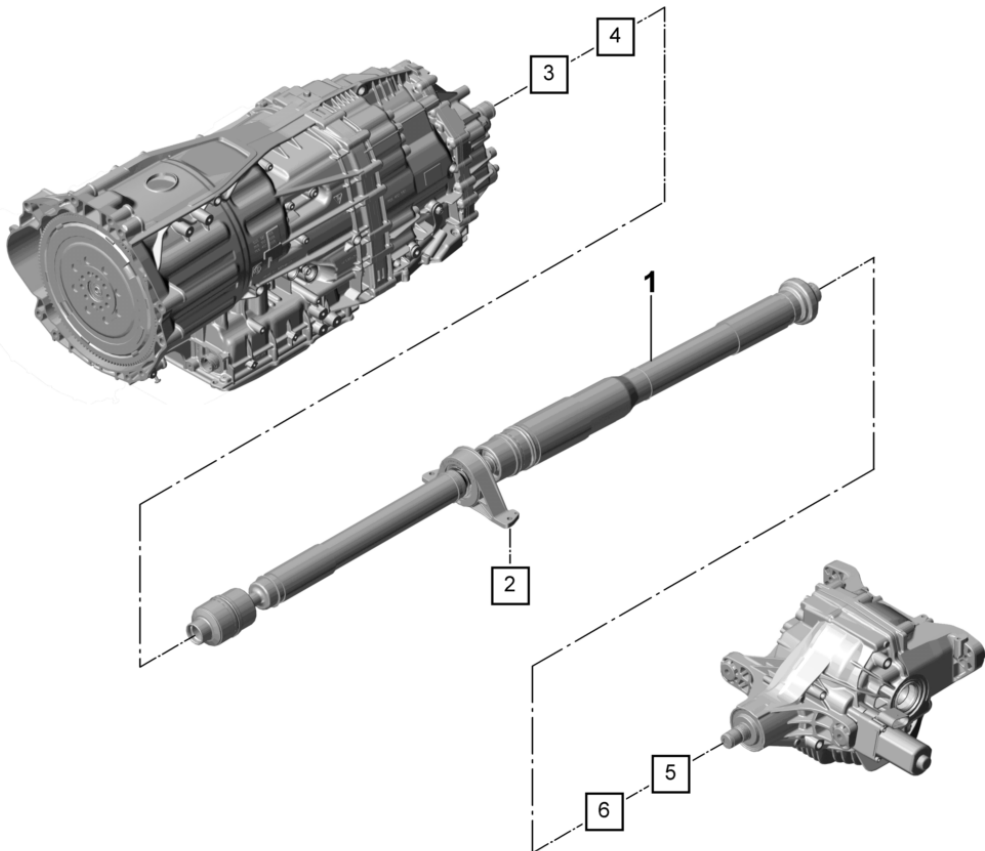
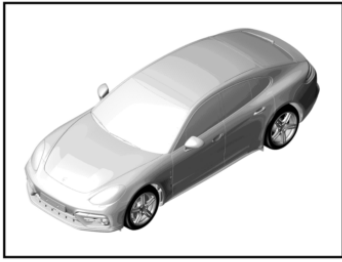
Model: 971-17

Model life 2017>>

Pos	Part Number	Description	Remark	Qty	Model
		Front axle differential Individual parts			PR:1X1
1	012 409 413	snap ring		1	
2	9A7 008 236 00	O-ring	26,3X1,9	1	
3	9A7 409 491 00	protective ring		1	
4	9A7 409 189 00	Shaft oil seal	30X68X8	1	
5	9A7 409 399 10	Shaft oil seal	40X58,35X8	1	
6	9A7 409 528 00	Shaft oil seal	30X47,3X8	1	
7	N 902 818 02	Seal bolt (combination) With seal	M10X1X10	2	

Model: 971-17

Model life 2017>>



Model: 971-17 Model life 2017>>

Pos	Part Number	Description	Remark	Qty	Model
1	971 521 101 AA	Cardan shaft Cardan shaft		1	PR:0E1,1X1
		also use:	9A7 004 894 00	1	PR:A8F,A8C
			9A7 525 722 02	1	
			WHT 005 156	1	
			9A7 507 301 00	1	
(1)	971 521 101 AE	Discontinued part Cardan shaft		1	PR:0E1,1X1
		also use:	9A7 004 894 00	1	PR:A8F,A8C
			9A7 525 722 02	1	
			WHT 005 156	1	
			9A7 507 301 00	1	
(1)	971 521 101 AH	Cardan shaft		1	PR:0E1, 1X1,
		also use:	9A7 004 894 00		PR:A8H,0K0
			9A7.525.722.02		
			WHT 005 156		
			9A7 507 301 00		
(1)	971 521 101 AH	Cardan shaft		1	PR:0E1,1X1,
		also use:	9A7 004 894 00	1	PR:A8H,0K3
			9A7 525 722 02	1	
			WHT 005 156	1	
			9A7 507 301 00	1	
(1)	971 521 101 T	Cardan shaft		1	PR:0E1,1X2
		also use:	9A7 004 894 00	1	PR:A8C
			9A7 525 722 02	1	
			WHT 005 156	1	
			9A7 507 301 00	1	
(1)	971 521 101 AD	Discontinued part Cardan shaft		1	PR:0E1,1X2
		also use:	9A7 004 894 00	1	PR:A8C
			9A7 525 722 02	1	
			WHT 005 156	1	
			9A7 507 301 00	1	
(1)	971 521 101 AC	Cardan shaft		1	PR:0E2,1X1
		also use:	9A7 004 894 00	1	PR:A8F,A8C
			9A7 525 722 02	1	
			WHT 005 156	1	
			9A7 507 301 00	1	
(1)	971 521 101 AG	Discontinued part Cardan shaft		1	PR:0E2,1X1
		also use:	9A7 004 894 00	1	PR:A8F,A8C
			9A7 525 722 02	1	
			WHT 005 156	1	
			9A7 507 301 00	1	
(1)	971 521 101 AJ	Cardan shaft		1	PR:0E2,1X1
		also use:	9A7 004 894 00	1	A8H, 0K0
			9A7 525 722 02	1	
			WHT 005 156	1	
			9A7 005 301 00	1	
(1)	971 521 101 AJ	Cardan shaft		1	PR:0E2,1X1,
		also use:	9A7 004 894 00	1	PR:A8H,0K3
			9A7 525 722 02	1	
			WHT 005 156	1	
			9A7 507 301 00	1	
(1)	971 521 101 AB	Cardan shaft		1	PR:0E2,1X2
		also use:	9A7 004 894 00	1	PR:A8C
			9A7 525 722 02	1	
			WHT 005 156	1	
			9A7 507 301 00	1	
(1)	971 521 101 AF	Discontinued part Cardan shaft		1	PR:0E2,1X2
		also use:	9A7 004 894 00	1	PR:A8C

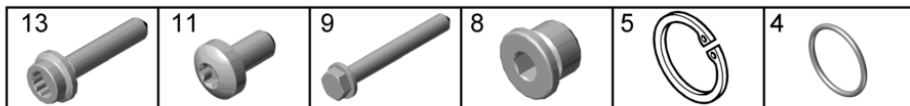
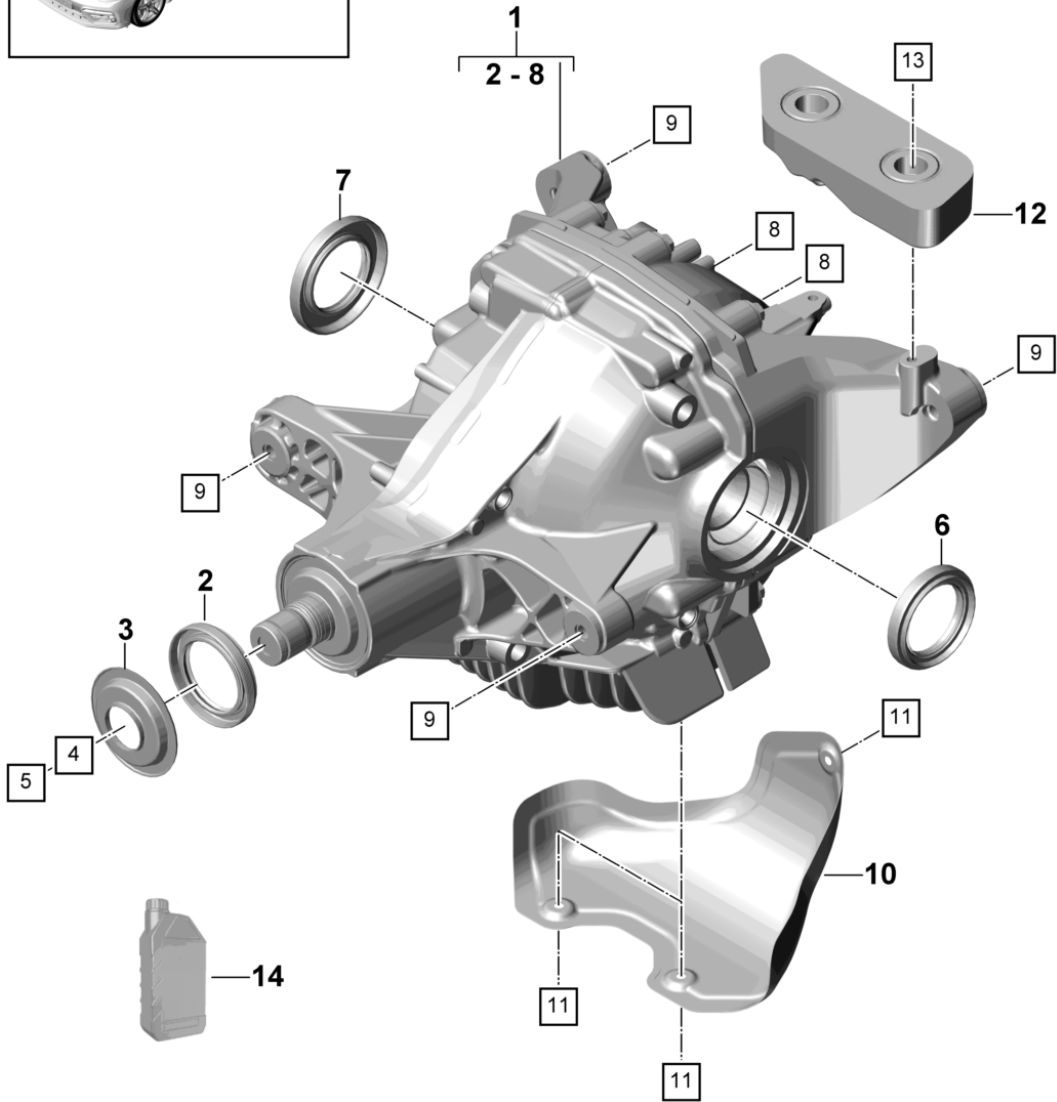
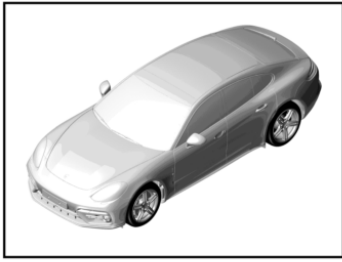
Model: 971-17

Model life 2017>>

Pos	Part Number	Description	Remark	Qty	Model
			9A7 525 722 02	1	
			WHT 005 156	1	
			9A7 507 301 00	1	
2	N 908 706 02	Socket head collared bolt with inner multipoint head	M8X35	2	
3	9A7 004 894 00	O-ring	31,42X2,62	1	
4	9A7 525 722 02	Securing ring		1	
5	WHT 005 156	O-ring	28X2	1	
6	9A7 507 301 00	Securing ring	31,5	1	

Model: 971-17

Model life 2017>>



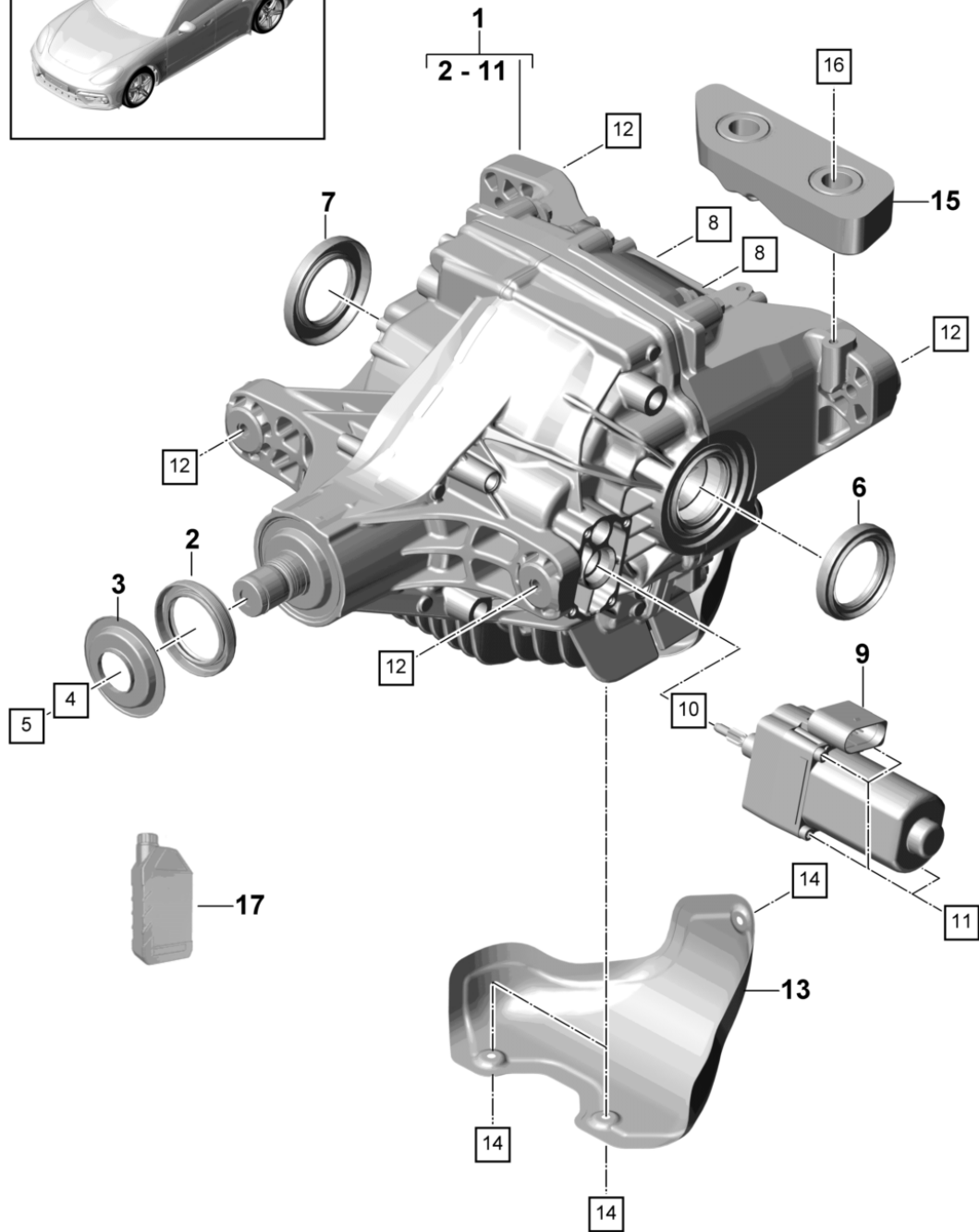
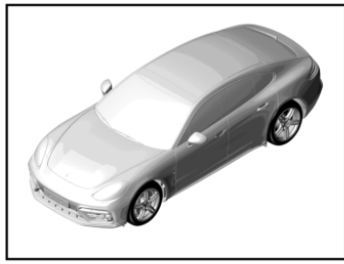
Model: 971-17

Model life 2017>>

Pos	Part Number	Description	Remark	Qty	Model
1	9A7 507 021 00	rear axle differential		1	PR:GH1
(1)	9A7 507 021 X	rear axle differential		1	PR:A8C,A8F, OK0,1A2
(1)	9A7 507 021 05	rear axle differential		1	PR:A8H
(1)	9A7 507 021 EX	rear axle differential		1	PR:A8H
(1)	9A7 507 021 05	rear axle differential		1	PR:A8F,0F5
(1)	9A7 507 021 EX	rear axle differential		1	PR:A8F,0F5
(1)	9A7 507 021 10	rear axle differential		1	PR:A8C,OK3
(1)	9A7 507 021 KX	rear axle differential		1	PR:A8C,OK3
2	958 349 189 40	Shaft oil seal		1	
3	958 332 375 60	protective ring		1	
4	WHT 005 156	O-ring	28X2	1	
5	9A7 507 301 00	Securing ring	31,5	1	
6	955 332 596 10	Shaft oil seal	50X72X9	1	
7	955 332 596 00	Shaft oil seal	50X82X9	1	
8	955 332 057 00	sealing plug	M16X1,5	2	
9	N 102 722 02	hexagon head bolt (combi)	M12X1,5X95	4	
10	971 507 133	Heat shield		1	
11	N 103 352 06	Hexagon socket flat head bolt	M6X12	3	
12	971 507 633 A	vibration damper		1	PR:A8F,0F5
13	N 106 730 01	Socket head bolt with inner multipoint head (Kombi)	M8X40	2	PR:A8F,0F5
14	000 043 305 04	Transmission fluid 75 W 90	1.0 Ltr.	X	

Model: 971-17

Model life 2017>>



16	14	12	11	10	8	5	4

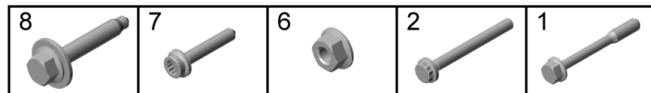
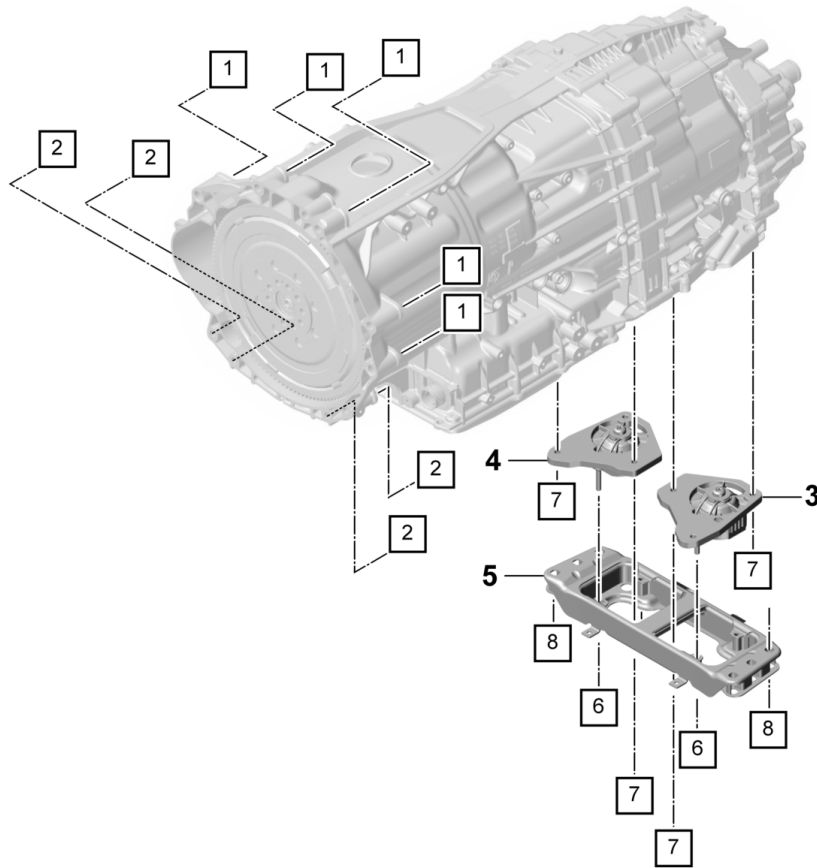
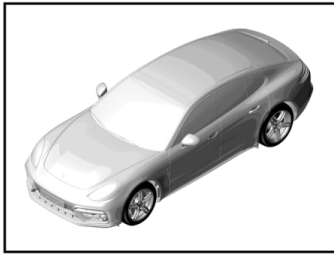
Model: 971-17

Model life 2017>>

Pos	Part Number	Description	Remark	Qty	Model
1	9A7 507 041 00	rear axle differential		1	PR:GH3
(1)	9A7 507 041 X	rear axle differential		1	PR:A8F,1A2
(1)	9A7 507 041 05	rear axle differential		1	PR:A8F,1A2
(1)	9A7 507 041 EX	rear axle differential		1	PR:A8H
(1)	9A7 507 041 05	rear axle differential		1	PR:A8H
(1)	9A7 507 041 05	rear axle differential		1	PR:A8F,0F5
(1)	9A7 507 041 EX	rear axle differential		1	PR:A8F,0F5
2	958 349 189 40	Shaft oil seal		1	
3	958 332 375 60	protective ring		1	
4	WHT 005 156	O-ring	28X2	1	
5	9A7 507 301 00	Securing ring	31,5	1	
6	955 332 596 10	Shaft oil seal	50X82X9	1	
7	955 332 596 00	Shaft oil seal	50X82X9	1	
8	955 332 057 00	sealing plug	M16X1,5	2	
9	95B 341 601	Servomotor		1	
		limited slip differential			
		also use:	955 332 649 00	1	
10	955 332 649 00	O-ring	25X2	1	
11	N 106 869 01	round hd. screw	M6X70	4	
12	N 102 722 02	hexagon head bolt (combi)	M12X1,5X95	4	
13	971 507 133	Heat shield		1	
14	N 103 352 06	Hexagon socket flat head bolt	M6X12	3	
15	971 507 633 A	vibration damper		1	PR:A8F,0F5
16	N 106 730 01	Socket head bolt with inner multipoint head (Kombi)	M8X40	2	PR:A8F,0F5
17	000 043 210 48	Transmission fluid 75 W 90	1.0 Ltr.	X	

Model: 971-17

Model life 2017>>



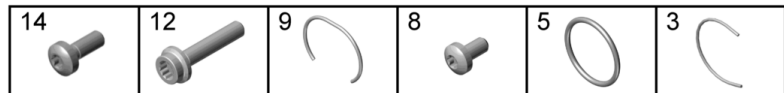
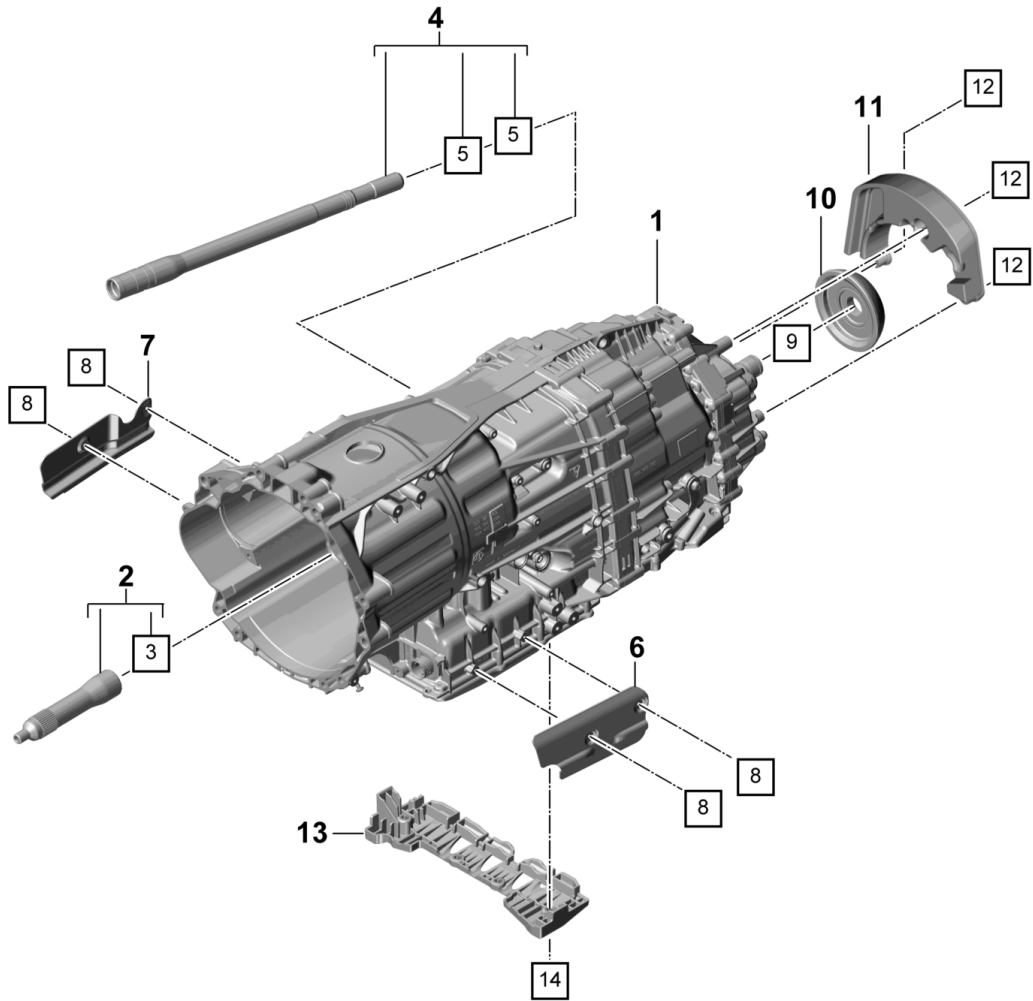
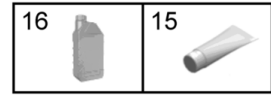
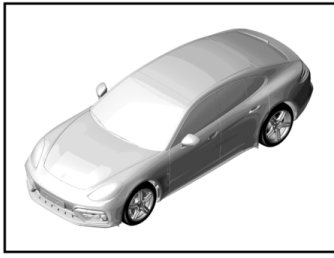
Model: 971-17

Model life 2017>>

Pos	Part Number	Description	Remark	Qty	Model
		mounting parts for engine and transmission			
1	9A7 008 396 00	transmission carrier			
2	N 911 532 02	Hexagon bolt	M12X100X30	5	
		12-point head bolt	AM10X95	4	
			aluminium		
3	9A7 399 151 03	gearbox mounting	left	1	
4	9A7 399 152 03	gearbox mounting	right	1	
5	9A7 399 227 01	transmission carrier		1	
6	N 106 092 01	Hexagon collar nut	M8	4	
7	N 908 706 02	Socket head collared bolt with inner multipoint head	M8X35	6	
8	N 912 513 01	Hexagon flange screw	M10X60	6	

Model: 971-17

Model life 2017>>



Model: 971-17

Model life 2017>>

Pos	Part Number	Description	Remark	Qty	Model
1	9A7 300 020 00	8-speed dual clutch gearbox - PDK -		1	CODS1
(1)	9A7 300 020 X	8-speed dual clutch gearbox No longer use the part here		1	CODS1
(1)	9A7 300 020 01	8-speed dual clutch gearbox No longer use the part here		1	CODS1
(1)	9A7 300 020 AX	8-speed dual clutch gearbox workshop manual Group 3 Document 373455 Attention		1	CODS1
(1)	9A7 300 021 00	8-speed dual clutch gearbox No longer use the part here		1	CODS2
(1)	9A7 300 021 X	8-speed dual clutch gearbox No longer use the part here		1	CODS2
(1)	9A7 300 021 01	8-speed dual clutch gearbox workshop manual Group 3 Document 373455 Attention		1	CODS2
(1)	9A7 300 021 AX	8-speed dual clutch gearbox workshop manual Group 3 Document 373455 Attention		1	CODS2
(1)	9A7 300 023 00	8-speed dual clutch gearbox No longer use the part here		1	CODSA
(1)	9A7 300 023 X	8-speed dual clutch gearbox No longer use the part here		1	CODSA
(1)	9A7 300 023 01	8-speed dual clutch gearbox		1	CODSA
(1)	9A7 300 023 AX	8-speed dual clutch gearbox		1	CODSA
(1)	9A7 300 022 02	8-speed dual clutch gearbox For vehicles with hybrid drive Module		1	CODS5
(1)	9A7 300 022 BX	8-speed dual clutch gearbox For vehicles with hybrid drive Module		1	CODS5
(1)	9A7 300 024 01	8-speed dual clutch gearbox For vehicles with hybrid drive Module		1	CODS3
(1)	9A7 300 024 AX	8-speed dual clutch gearbox For vehicles with hybrid drive Module		1	CODS3
2	9A7 307 309 00	shaft with:		1	
3	9A7 311 321 00	Securing ring		1	
4	9A7 307 203 00	Connecting shaft		1	
5	N 905 765 01	O-ring	23X2	2	
6	9A7 321 129 00	Guard plate	left	1	PR:A8C,A8F

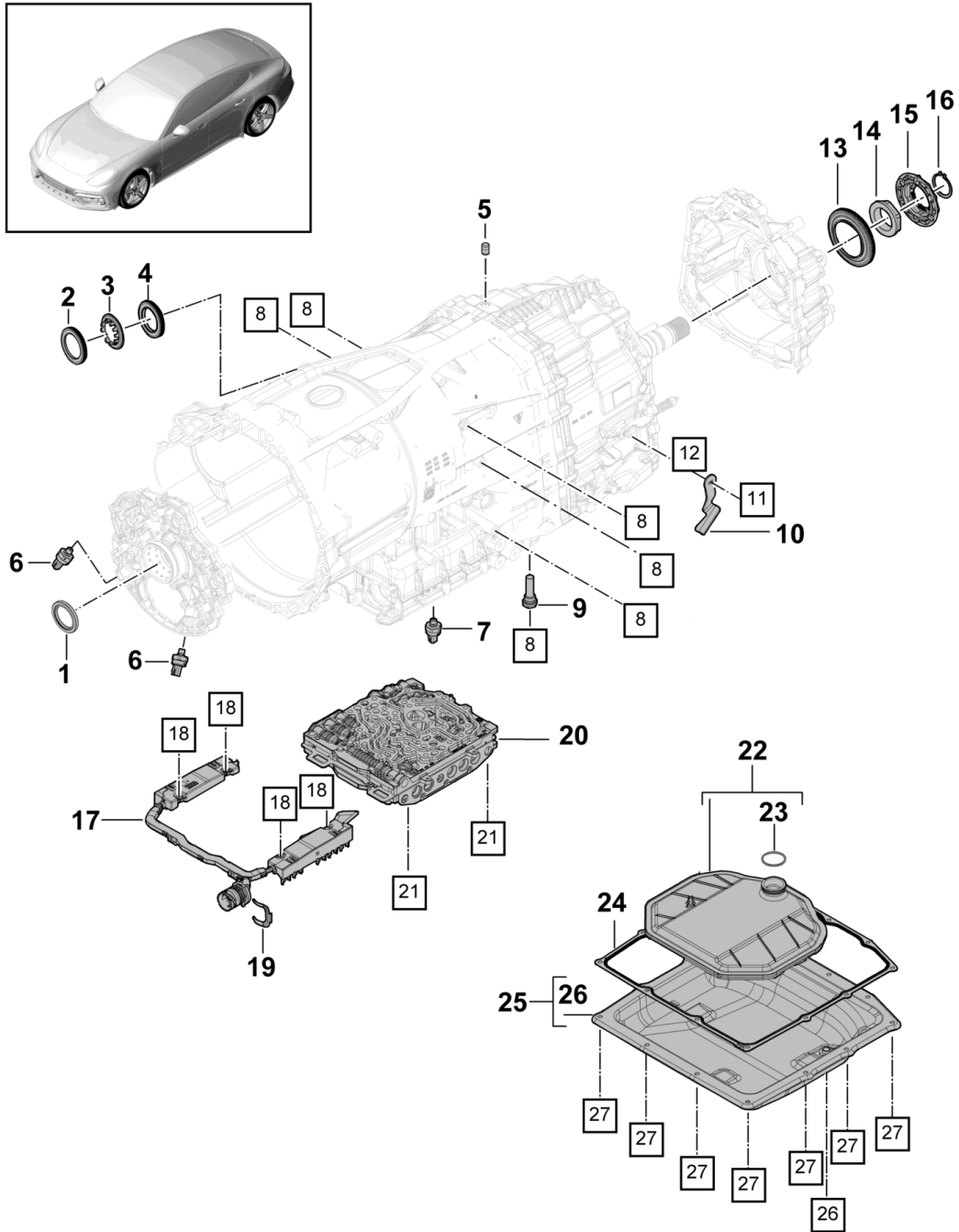
Model: 971-17

Model life 2017>>

Pos	Part Number	Description	Remark	Qty	Model
7	9A7 321 129 10	Guard plate	right	1	PR:A8F,1A2
(7)	9A7 321 129 10	Guard plate	right	1	PR:A8C,0K3
8	N 103 352 06	Hexagon socket flat head bolt	M6X12	4	
9	9A7 525 722 02	Securing ring	35,5X1,6	1	
10	9A7 311 727 00	vibration damper		1	PR:A8F,0F5
11	9A7 301 307 01	vibration damper		1	PR:0F5
12	N 106 617 01	Socket head bolt with inner multipoint head	M8X40	3	PR:0F5
13	9A7 399 193 00	Protective plate		1	
14	N 107 500 01	Hexagon socket flat head bolt	also use: N 107 500 01 M6X16	4	
15	000 043 301 22	Assembly paste Metering gun 10 GR. WEICON ANTI SEIZE AS 040 P for Connecting shaft POS.4 and shaft POS.2	aluminium	X	
16	000 043 210 44	Transmission fluid PENTOSIN	1.0 Ltr.	X	

Model: 971-17

Model life 2017>>



27	26	21	18	12	11	8
----	----	----	----	----	----	---

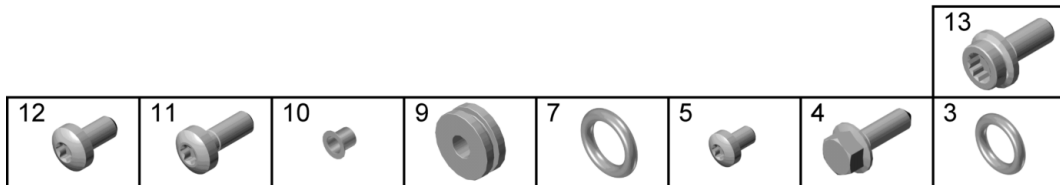
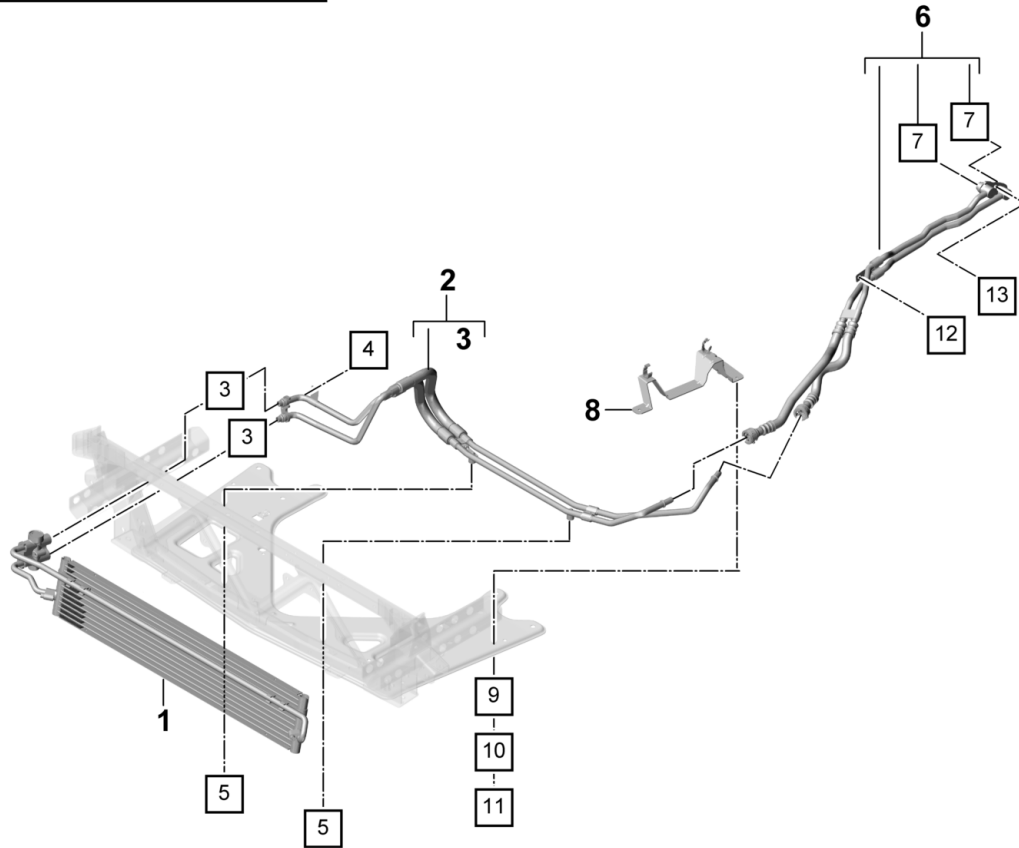
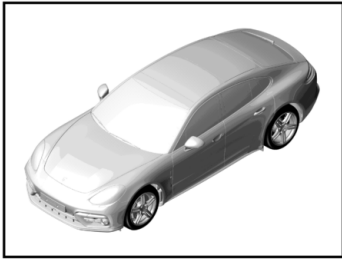
Model: 971-17

Model life 2017>>

Pos	Part Number	Description	Remark	Qty	Model
		- PDK - Gearbox Individual parts			
1	9A7 142 426 00	Shaft oil seal		1	
2	9A7 321 073 00	Cap closure		1	CODSA
3	9A7 008 519 00	Cover ring		1	CODS1,CODS2,
4	9A7 301 457 00	Shaft oil seal		1	CODS1,CODS2,
5	9A7 321 211 00	Breather line		1	
6	9A7 906 277 00	Pressure sensor		2	
		with: seal ring			
7	9A7 906 277 00	Pressure sensor		1	CODS1,CODS2, CODS3,CODS5
		with: seal ring			
8	9A7 008 526 00	sealing plug M 10 X 1		7	
9	9A7 321 475 00	oil pipe		1	CODS1,CODS2,
(9)	9A7 321 475 01	oil pipe		1	CODSA
10	9A7 301 243 00	gearshift lever		1	
11	9A7 008 530 00	Hexagon nut M 8 X 1		1	
12	9A7 008 518 00	Shaft oil seal D 10 X 18 X 5		1	
13	9A7 301 227 10	Shaft oil seal		1	
14	9A7 008 532 00	Hexagon nut M 39 X 1		1	
15	9A7 008 632 00	ring		1	
16	9A7 307 158 00	Securing ring		1	
17	9A7 907 998 00	Wire set		1	CODS1,CODS2,
(17)	9A7 907 998 01	Wire set		1	CODSA
18	9A7 008 523 00	flat round head bolt M 5 X 16		4	
19	9A7 035 321 00	Retaining clip		1	
20	9A7 325 101 00	mechatronic with software		1	CODS1,CODS2,
(20)	9A7 325 101 01	mechatronic with software		1	CODSA
21	9A7 008 521 00	flat round head bolt M 6 X 65		22	
22	9A7 317 189 00	oil filter		1	
23	9A7 317 100 00	seal ring		1	
24	9A7 317 070 00	gasket for oil sump		1	
25	9A7 317 165 00	Transmission oil sump		1	
		also use:	9A7 317 070 00	1	
26	9A7 008 534 00	sealing plug M 10 X 1 X 10		1	
		with: O-ring			
27	9A7 008 552 00	flat round head bolt M 6 X 16		13	

Model: 971-17

Model life 2017>>



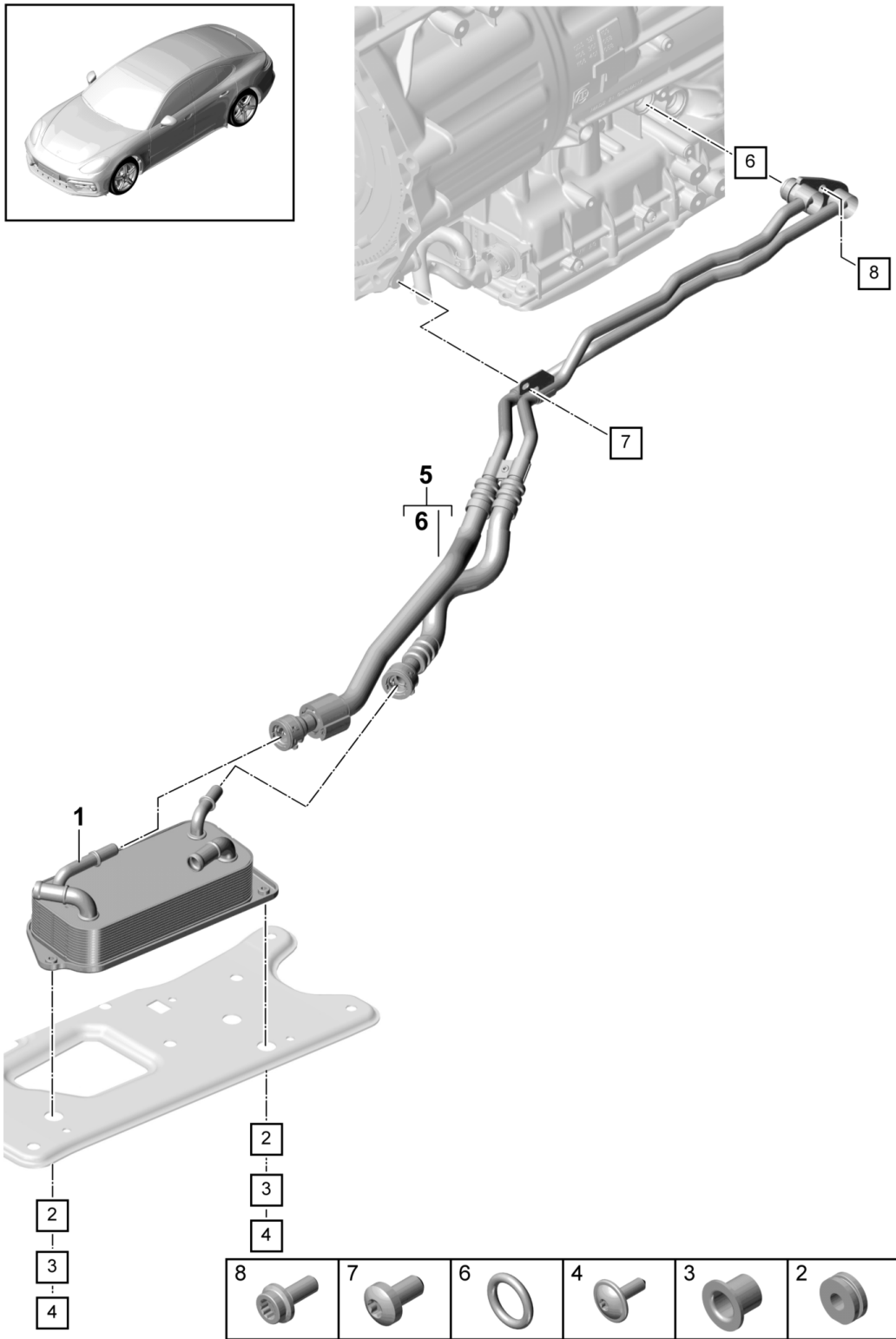
Model: 971-17

Model life 2017>>

Pos	Part Number	Description	Remark	Qty	Model
		Gear oil cooler Oil pipe - PDK - Gearbox			CVDA, CVD, CSZA, CSZ, DBUC+ PR:OK0
1	971 317 020 B	Gear oil cooler		1	
2	0DS 317 801 B	oil pressure line for gearbox oil cooling (complete)		1	
3	N 906 660 03	O-ring	11,5X3	2	
4	N 106 533 01	Hex collared bolt	M6X20	1	
5	N 104 066 04	Oval hexagon socket head bolt	M5X8	2	
6	0DS 317 760	oil pressure line for gearbox oil cooling (complete)		1	
7	9A7 008 198 00	O-ring	15X3,6	2	
8	971 317 051	Bracket		1	
9	9A7 117 257 00	Rubber grommet		3	
10	N 912 684 01	tubular rivet		3	
11	N 911 883 01	Hexagon socket head bolt	M6X20	3	
12	N 103 352 06	Hexagon socket flat head bolt	M6X12	1	
13	N 106 648 01	Socket head collared bolt with inner multipoint head	M8X20	1	

Model: 971-17

Model life 2017>>



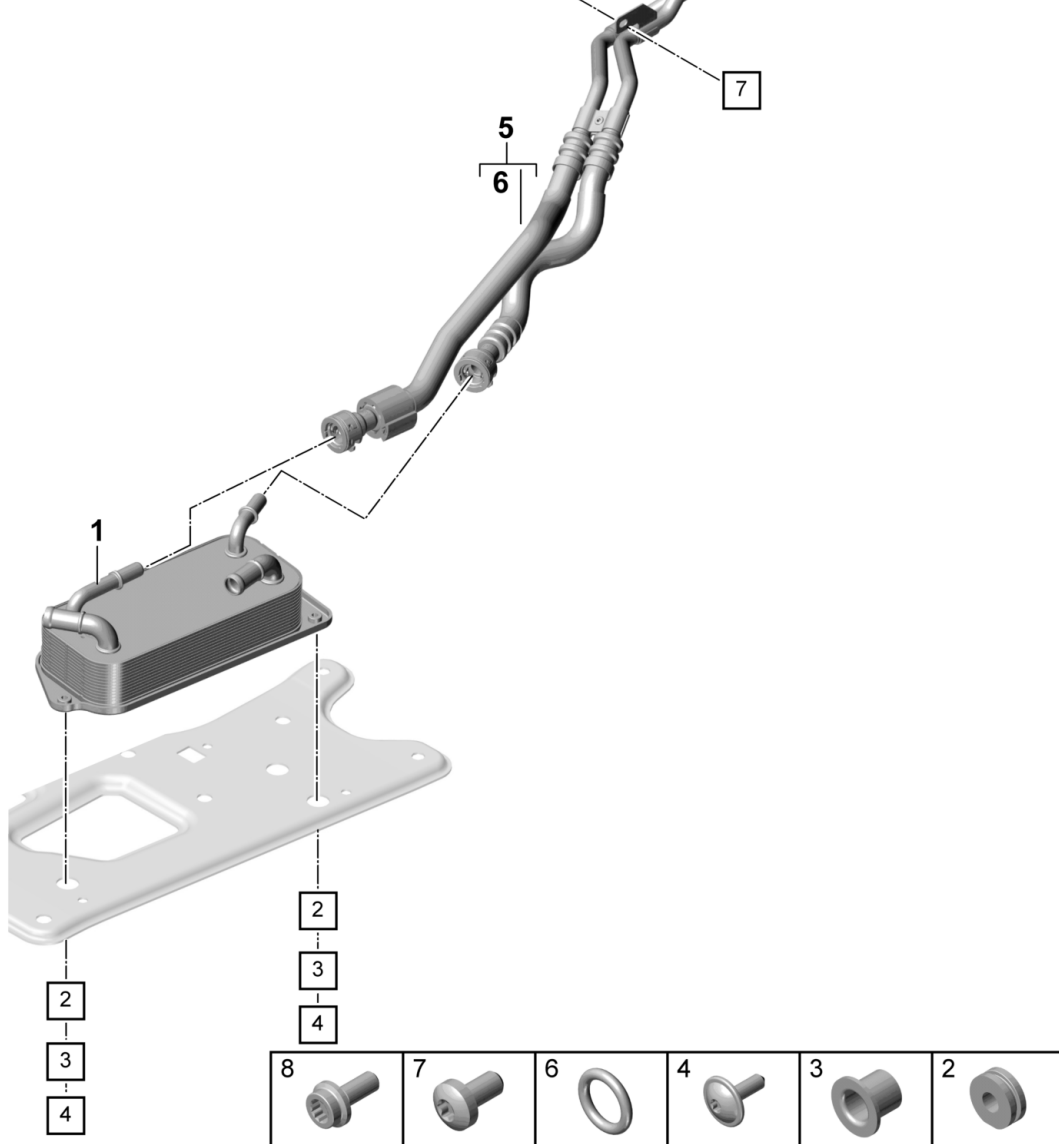
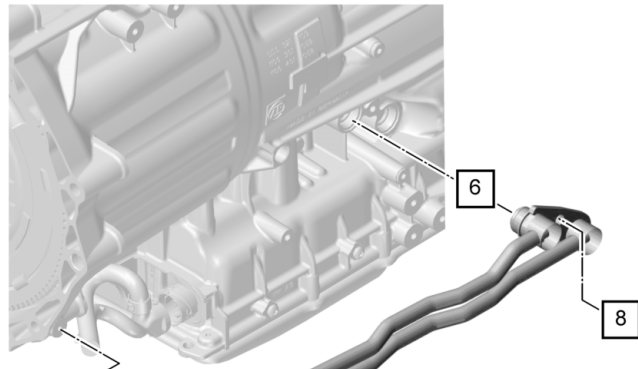
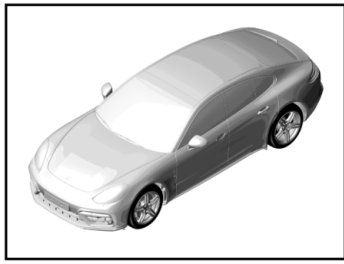
Model: 971-17

Model life 2017>>

Pos	Part Number	Description	Remark	Qty	Model
		Gear oil cooler oil pressure line for gearbox oil cooling - PDK - Gearbox			CXTA,CXT, DGPA,DGP
1	9A7 317 023 01	Gear oil cooler		1	
2	9A7 117 257 00	Rubber grommet		3	
3	N 912 684 01	tubular rivet	A9X1X8,5	3	
4	N 911 883 01	Hexagon socket head bolt	M6X20	3	
5	ODS 317 760	oil pressure line for gearbox oil cooling (complete)		1	CXTA,CXT
(5)	ODS 317 760 A	oil pressure line for gearbox oil cooling (complete)		1	DGPA,DGP
6	9A7 008 198 00	O-ring	15X3,6	2	
7	N 103 352 06	Hexagon socket flat head bolt	M6X12	1	
8	N 106 648 01	Socket head collared bolt with inner multipoint head	M8X20	1	

Model: 971-17

Model life 2017>>



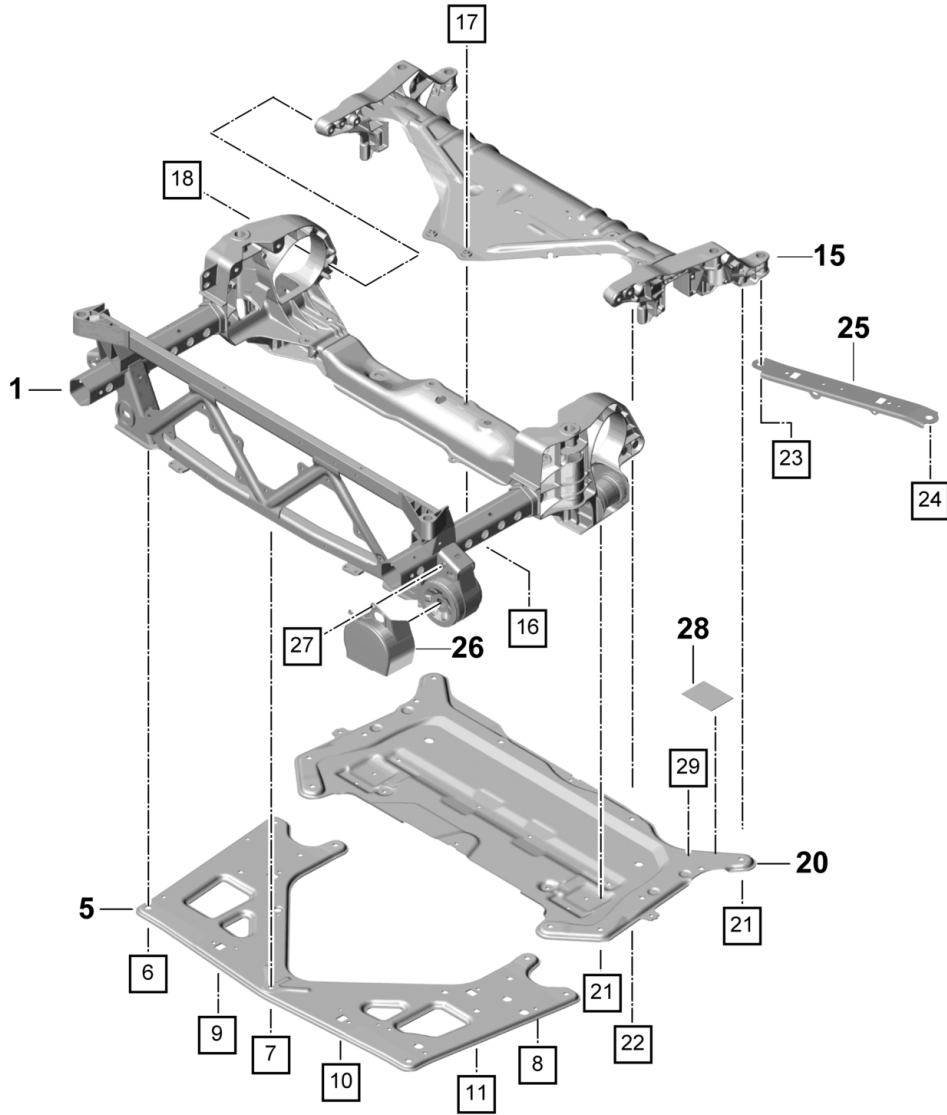
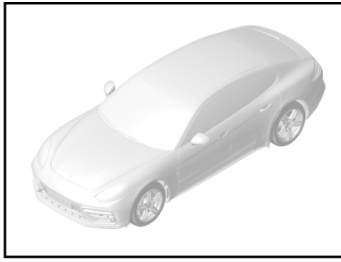
Model: 971-17

Model life 2017>>

Pos	Part Number	Description	Remark	Qty	Model
		Gear oil cooler			CVDA, CVD+
		Oil pipe			PR:OK3
		- PDK -			
		Gearbox			
1	9A7 317 023 01	Gear oil cooler		1	
2	9A7 117 257 00	Rubber grommet		3	
3	N 912 684 01	tubular rivet	A9X1X8,5	3	
4	N 911 883 01	Hexagon socket head bolt	M6X20	3	
5	0DS 317 760 A	oil pressure line for gearbox oil cooling (complete)		1	
(5)	0DS 317 760 B	Oil pipe	rear	1	
		also use:	0DS 317 760 C	1	
(5)	0DS 317 760 C	D - 25.09.2017>> Oil pipe	front	1	
		Short			
		D - 25.09.2017>>			
6	9A7 008 198 00	O-ring	15X3,6	2	
7	N 103 352 06	Hexagon socket flat head bolt	M6X12	1	
8	N 106 648 01	Socket head collared bolt with inner multipoint head	M8X20	1	

Model: 971-17

Model life 2017>>



	29	27	24	23	22	21	18
17	16	11	10	9	8	7	6

Model: 971-17 Model life 2017>>

Pos	Part Number	Description	Remark	Qty	Model
		Support frame			
		Cross member			
		Guard plate			
(1)	971 400 048 AG	Support frame		1	PR:A8H
(1)	971 400 048 AG	Support frame		1	PR:A8F,E0A,0F5
(1)	971 400 048 AH	Support frame		1	PR:A8F,E0A,1A2
(1)	971 400 048 AH	Support frame		1	PR:A8C
5	971 407 129 N	Reinforcement	front	1	
6	N 909 588 03	hexagon head bolt (combi) M 10 X 40		2	
7	N 912 437 01	Hexagon collared bolt with hexagon socket head (duo) M 8 X 30		5	
9	WHT 007 380	clamping nut		4	
10	N 104 066 04	Oval hexagon socket head bolt M 5 X 8		2	
11	N 103 352 06	Hexagon socket flat head bolt M 6 X 12		3	
15	971 407 487 H	Reinforcement for cross member also use:	N 912 598 01 N 106 092 07	1 2 2	PR:A8H,A8C
(15)	971 407 487 H	D >> - 28.10.2016 Reinforcement for cross member D - 31.10.2016>>		1	PR:A8H,A8C
(15)	971 407 487 H	Reinforcement for cross member also use:	N 912 598 01 N 106 092 07	1 2 2	PR:A8F,1A2
(15)	971 407 487 H	D >> - 28.10.2016 Reinforcement for cross member D - 31.10.2016>>		1	PR:A8F,1A2
(15)	971 407 487 J	Reinforcement for cross member also use:	N 912 598 01 N 106 092 07	1 2 2	PR:A8F,0F5
(15)	971 407 487 J	D >> - 28.10.2016 Reinforcement for cross member D - 31.10.2016>>		1	PR:A8F,0F5
16	N 912 598 01	flat round head bolt M 8 X 20		2	
17	N 106 092 07	Hexagon collar nut		2	
18	N 106 296 02	Hex collared bolt M 10 X 35		4	
20	971 407 129 J	Reinforcement plate	rear	1	PR:A8H,A8C
(20)	971 407 129 J	Reinforcement plate	rear	1	PR:A8F,1A2
(20)	971 407 129 J	Reinforcement plate	rear	1	PR:A8F,0F5,1P0
(20)	971 407 129 J	Reinforcement plate	rear	1	PR:A8F,0F5,1P7,L0R
(20)	971 407 129 K	Reinforcement	rear	1	PR:A8F,0F5,1P7,L0L
21	N 912 437 01	Hexagon collared bolt with hexagon socket head (duo) M 8 X 30		10	
22	N 912 442 01	12-point head bolt M 8 X 20		2	
23	N 912 443 01	Hexagon collared bolt with hexagon socket head (duo) M 12 X 1,5 X 90		8	
24	N 912 604 01	Hexagon collared bolt with hexagon socket head (duo) M 10 X 45		2	PR:A8C

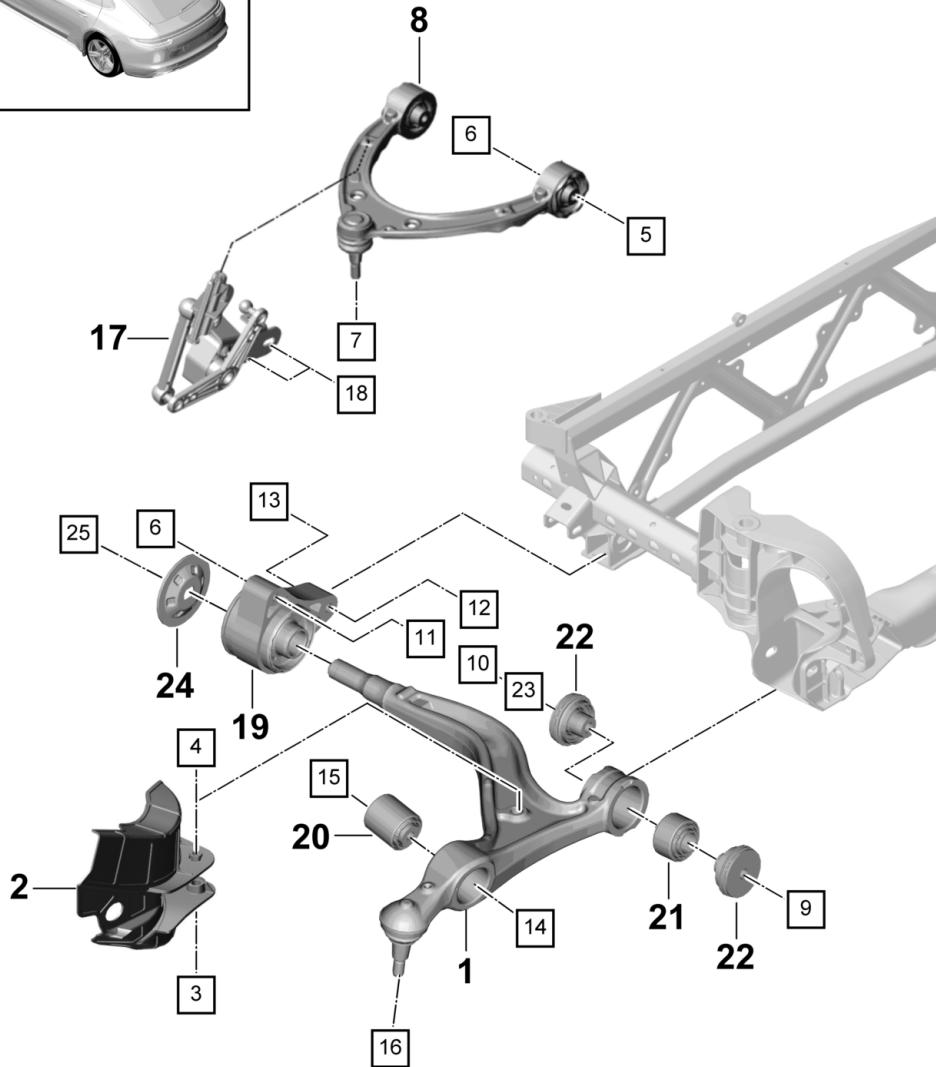
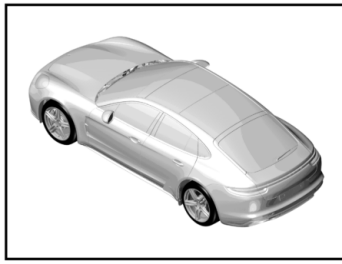
Model: 971-17

Model life 2017>>

Pos	Part Number	Description	Remark	Qty	Model
(24)	N 912 604 01	Hexagon collared bolt with hexagon socket head (duo) M 10 X 45		2	PR:A8F,1A2
25		Brace Sill		2	
26	971 825 611	Heat shield Support frame	801-015 left	1	
(26)	971 825 611 A	Heat shield Support frame	right	1	
27	N 038 501 2	Spreader rivet		2	
28	971 863 900	Damping for Reinforcement plate		4	PR:A8C,0F5
(28)	971 863 900	Damping for Reinforcement plate		4	PR:A8F,0F5, 1P0
(28)	971 863 900	Damping for Reinforcement plate		4	PR:A8F,0F5, 1P7,L0R
(28)	971 863 900	Damping for Reinforcement plate		2	PR:A8F,0F5, 1P7,L0L
29	N 104 581 01	Bump stop buffer (self-adhesive)		2	PR:0F5

Model: 971-17

Model life 2017>>



	25	23	16	15	14	13	12
11	10	9	7	6	5	4	3

Model: 971-17

Model life 2017>>

Pos	Part Number	Description	Remark	Qty	Model
1	971 407 151 H	Wishbone Front axle track control arm, complete	left lower	1	PR:0J2,0J3
(1)	971 407 151 J	Wishbone (complete)	left lower	1	PR:0J5,0J8
(1)	971 407 152 H	track control arm, complete	right lower	1	PR:0J2,0J3
(1)	971 407 152 J	Wishbone (complete)	right lower	1	PR:0J5,0J8
2	971 407 125 A	Spoiler	left lower	1	
(2)	971 407 126 A	Spoiler Wishbone	right lower	1	
3	N 107 458 01	Hexagon collar bolt with socket head Spoiler		2	
4	N 015 082 10	Wishbone Hexagon collar nut Spoiler		2	
5	N 106 802 01	Wishbone Hexagon collared bolt with multi-point socket head (duo)	upper	4	
6	N 102 861 10	Wishbone Hexagon collar nut self-locking Screw	upper	4	
7	WHT 005 819	Wishbone Hexagon collar nut self-locking	upper	1	
8	971 407 021 B	Wishbone (complete)	upper	2	
(8)	971 407 021 C	D >> - 13.11.2016 Wishbone (complete) D - 14.11.2016>>	upper	2	
9	N 912 531 01	Screw Wishbone		1	
9	9A7 008 425 00	No longer use the part here Bolt with washer AM 14 X 1,5 X 105		2	
10	N 103 353 04	Hexagon nut Screw		2	
11	N 912 533 01	Hexagon collared bolt with hexagon socket head (duo) Wishbone		1	
12	N 104 029 04	Hexagon nut Wishbone		1	
13	N 912 534 01	Hexagon collared bolt with hexagon socket head (duo) Wishbone		1	
14	N 106 283 01	Hex collared bolt Wishbone		1	
15	N 104 029 04	Hexagon nut Wishbone		1	
16	WHT 005 633	12 point socket shouldered nut self-locking M 14 X 1,5		2	
17	971 616 213 A	Level sensor	left	1	
(17)	971 616 214 A	Level sensor	right	1	

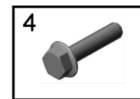
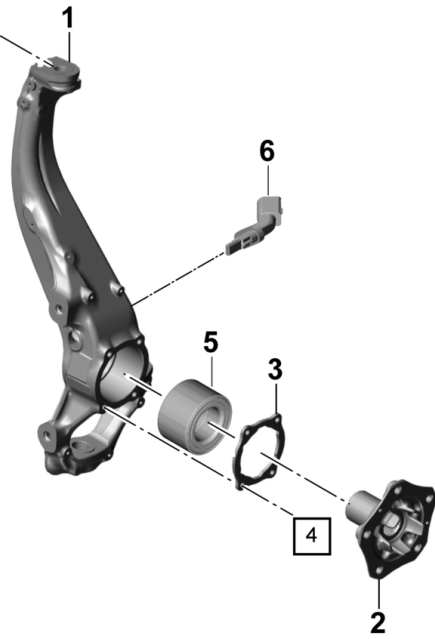
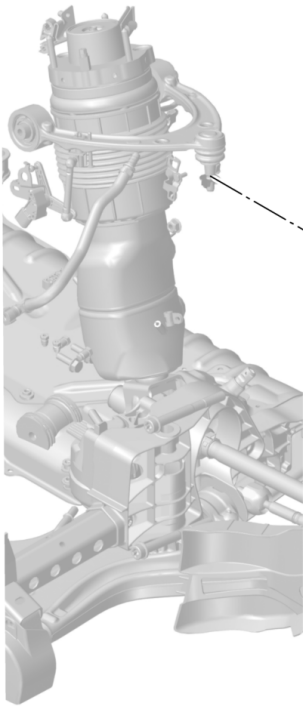
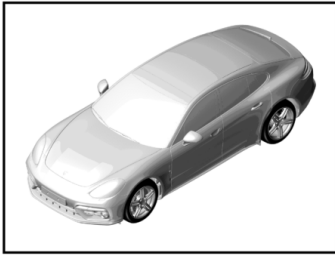
Model: 971-17

Model life 2017>>

Pos	Part Number	Description	Remark	Qty	Model
18	N 911 733 01	hex. nut with washer M 6		2	
19	971 407 183 B	hydro-mounting	left	1	
(19)	971 407 182 B	hydro-mounting	right	1	
20	971 407 516	suspension strut bearing		2	
23	9A7 008 423 00	Washer 30 X 41,6 X 3		2	
24	971 407 441 A	stop washer		2	
25	9A7 008 424 00	12-point head bolt M 12 X 1,5 X 35		2	

Model: 971-17

Model life 2017>>



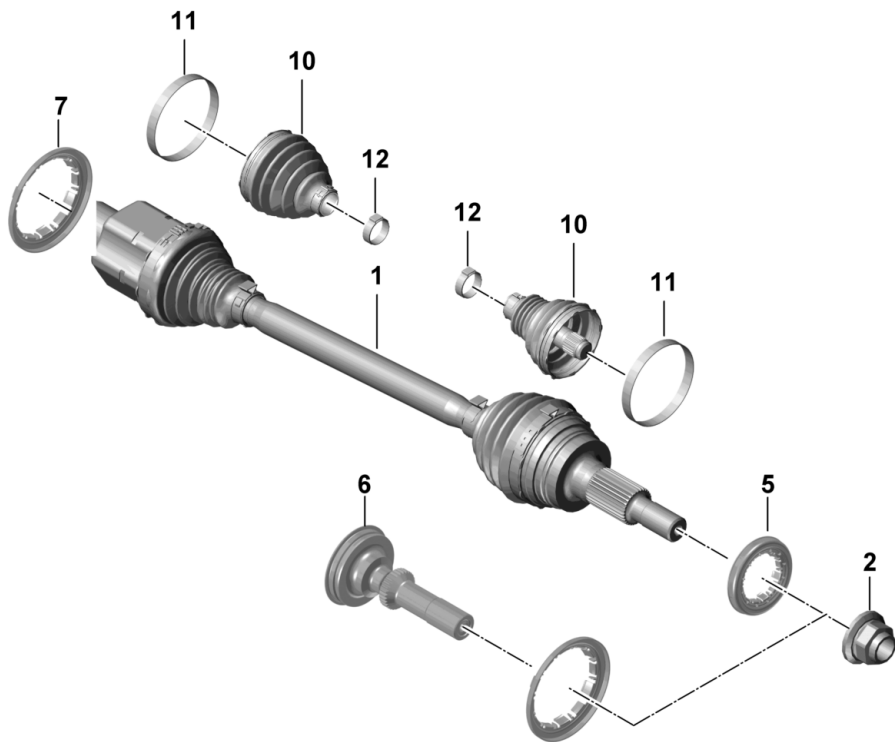
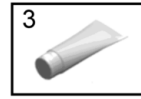
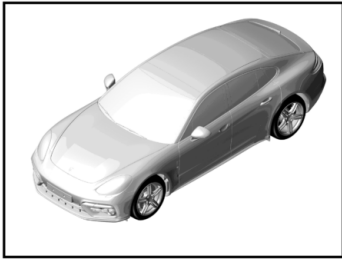
Model: 971-17

Model life 2017>>

Pos	Part Number	Description	Remark	Qty	Model
1	971 407 245 H	Wheel carrier Swivel mounting Wheel hub Swivel mounting (complete)	left	1	PR:0J2,0J3
1	971 407 245 J	Wheel bearing housing (complete)	left	1	PR:0J5,0J8
(1)	971 407 246 H	Swivel mounting (complete)	right	1	PR:0J2,0J3
(1)	971 407 246 J	Wheel bearing housing (complete)	right	1	PR:0J5,0J8
2	9P1 407 616	Wheel hub Front axle		2	PR:0J2,0J3
(2)	971 407 615 B	Wheel hub Front axle		2	PR:0J5,0J8
3	971 501 375	plate Wheel hub		2	PR:0J2,0J3
(3)	971 501 375 A	plate Wheel hub		2	PR:0J5,0J8
4	N 108 063 01	Hex collared bolt plate Wheel hub Front axle		8	
5	971 407 621	angular ball bearing		2	PR:0J2,0J3
(5)	971 501 287 B	angular ball bearing		2	PR:0J5,0J8
6	971 927 807	speed sensor Sensor anti-locking brake syst. -abs-		1	

Model: 971-17

Model life 2017>>



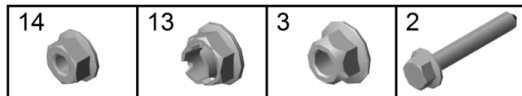
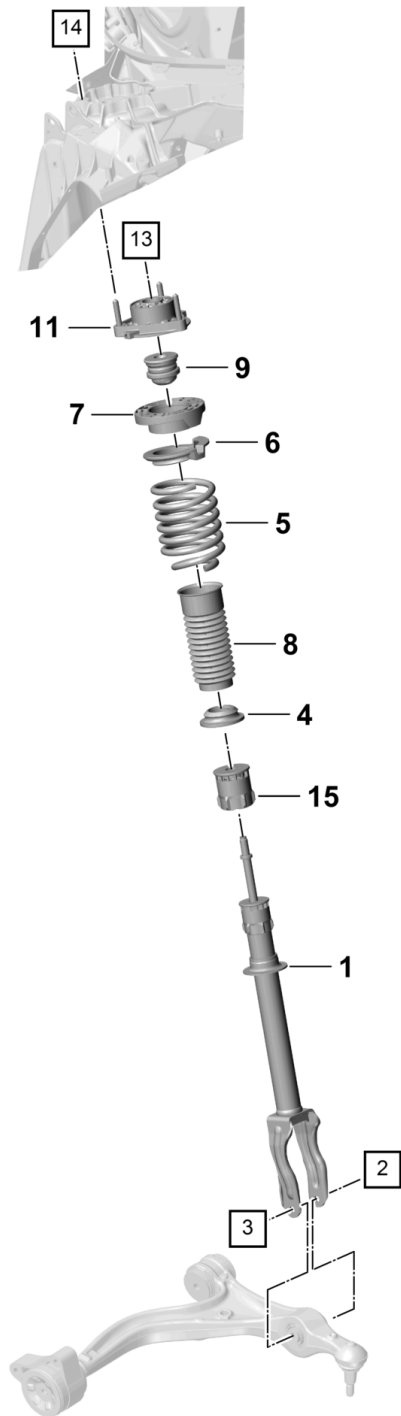
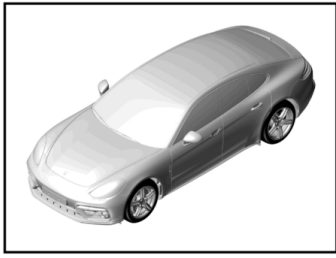
Model: 971-17

Model life 2017>>

Pos	Part Number	Description	Remark	Qty	Model
1	9A7 407 271 D	Drive shaft Front axle	left	1	PR:0J2,0J3
(1)	9A7 407 271 E	Drive shaft Front axle	right	1	PR:0J2,0J3
(1)	9A7 407 271 F	Drive shaft Front axle	left	1	PR:0J5,0J8
(1)	9A7 407 271 G	Drive shaft Front axle	right	1	PR:0J5,0J8
2	WHT 007 021	hex. nut, self-locking with washer		1	
3	000 043 305 08	Drive shaft Front axle Assembly paste		1	
4	9A7 407 635 00	Drive shaft snap ring	right	1	
5	298 407 475	Drive shaft protective ring		2	PR:0J2,0J3, 1X2
(5)	298 407 475 A	protective ring		2	PR:0J2,0J3, 1X1
6	298 407 313	retaining bolt		2	PR:0J2,0J3, 1X2
7	971 407 623	Deflector ring	left	1	PR:1X1
(7)	971 407 624	Deflector ring	right	1	PR:1X1
10	971 407 285	Bellows	RADSEITIG	1	
10	971 407 283	Bellows	GETRIEBESEITIG	1	
11	N 108 392 01	Drive shaft Hose clip Bellows		2	
12	N 107 845 01	Drive shaft clamp Bellows Drive shaft		2	

Model: 971-17

Model life 2017>>



Model: 971-17 Model life 2017>>

Pos	Part Number	Description	Remark	Qty	Model
		suspension			PR:1BH
1	971 413 031 E	Shock absorber strut Suspension strut, complete		2	
		also use:	971 413 047 C	2	
2	N 106 283 01	Hex collared bolt M12 X 1,5 X 90		2	
3	N 104 029 04	Hexagon nut M12 X 1,5		2	
4	971 411 189	Spring support	lower	2	
5	971 411 105	Coil spring		1	PR:0JA
	971 411 105 504	1 pair of springs Identification: >> >> orange blue			
(5)	971 411 105 A	Coil spring		1	PR:0JB
	971 411 105 A 504	1 pair of springs Identification: >> >> orange green			
(5)	971 411 105 B	Coil spring		1	PR:0JC
	971 411 105 B 504	1 pair of springs Identification: >> >> orange pink			
(5)	971 411 105 C	Coil spring		1	PR:0JD
	971 411 105 C 504	1 pair of springs Identification: >> >> orange yellow			
(5)	971 411 105 D	Coil spring		1	PR:0JE
	971 411 105 D 504	1 pair of springs Identification: >> >> orange Opal Green			
(5)	971 411 105 E	Coil spring		1	PR:0JF
	971 411 105 E 504	1 pair of springs Identification: >> >> orange brown			
(5)	971 411 105 F	Coil spring		1	PR:0JG
	971 411 105 F 504	1 pair of springs Identification: >> >> orange violet			
6	971 412 149	Spring support	upper	2	
7	971 411 177	Insert Tolerance range beige	upper	2	
(7)	971 411 177 A	Insert Tolerance range Black	upper	2	
(7)	971 411 177 B	Insert Tolerance range Grey	upper	2	
8	971 412 137	Bellows		2	
9	971 412 303	Stop buffer		2	
11	971 412 321 C	Bearing plate	left	1	
(11)	971 412 322	Bearing plate	right	1	
13	WHT 004 985	hex. nut M 14 X 1,5		2	
14	N 102 613 11	Hexagon nut M10		6	
15	971 413 047 C	Cap		2	

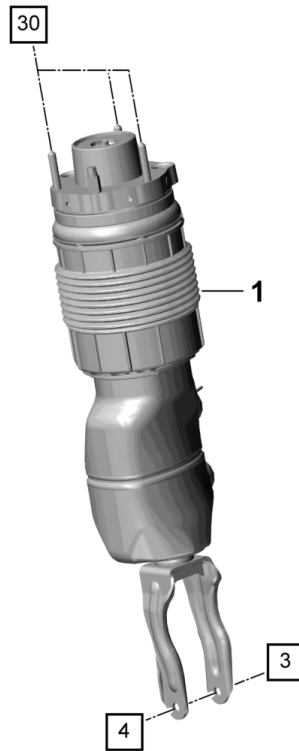
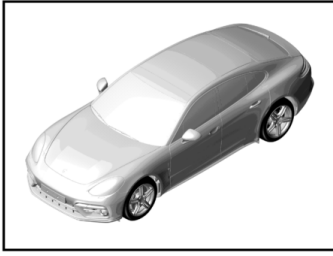
Model: 971-17

Model life 2017>>

Pos	Part Number	Description	Remark	Qty	Model
		Shock absorber strut			

Model: 971-17

Model life 2017>>



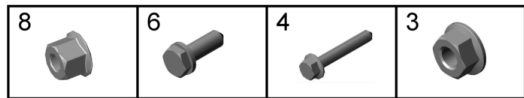
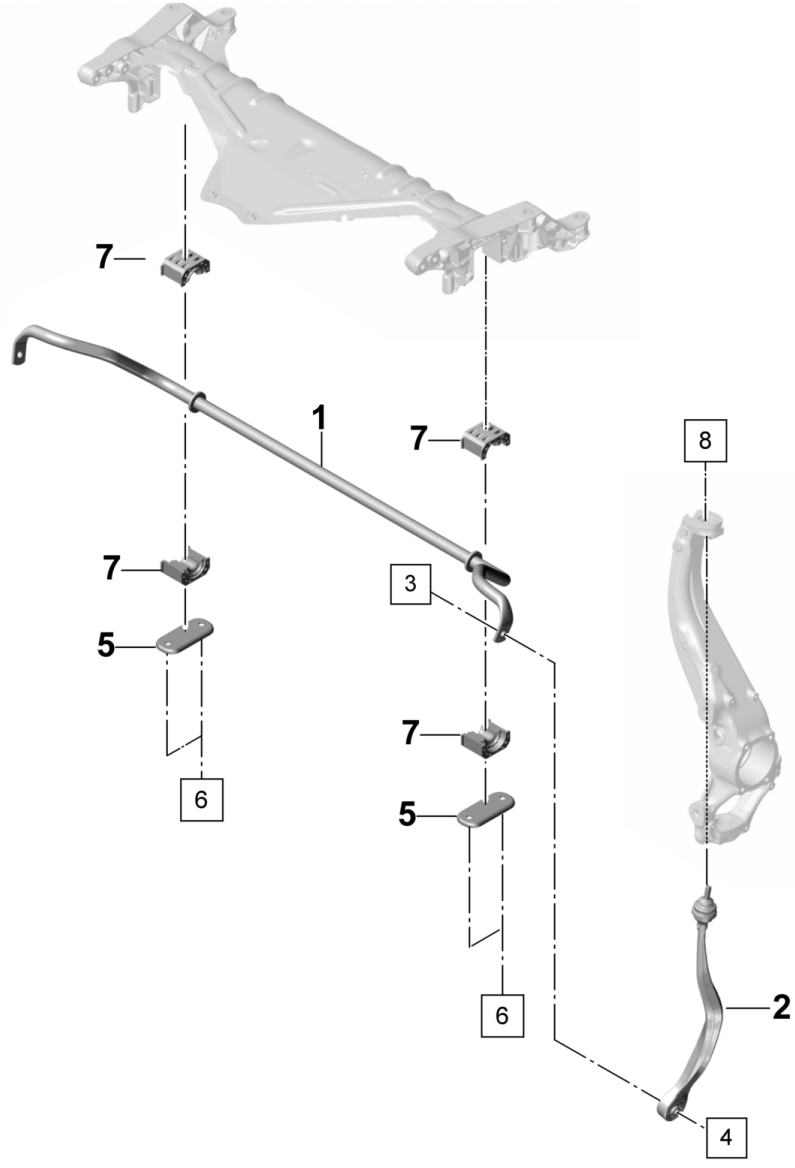
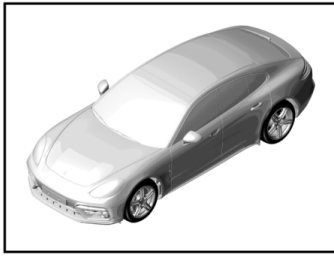
Model: 971-17

Model life 2017>>

Pos	Part Number	Description	Remark	Qty	Model
(1)	971 616 037 G	air spring suspension strut complete	left	1	PR:1BK
(1)	971 616 038 G	suspension strut complete	right	1	
3	N 106 283 01	Hex collared bolt M12 X 1,5 X 90		2	
4	N 104 029 04	Hexagon nut M12 X 1,5		2	
30	N 102 613 11	Hexagon nut M10		6	

Model: 971-17

Model life 2017>>



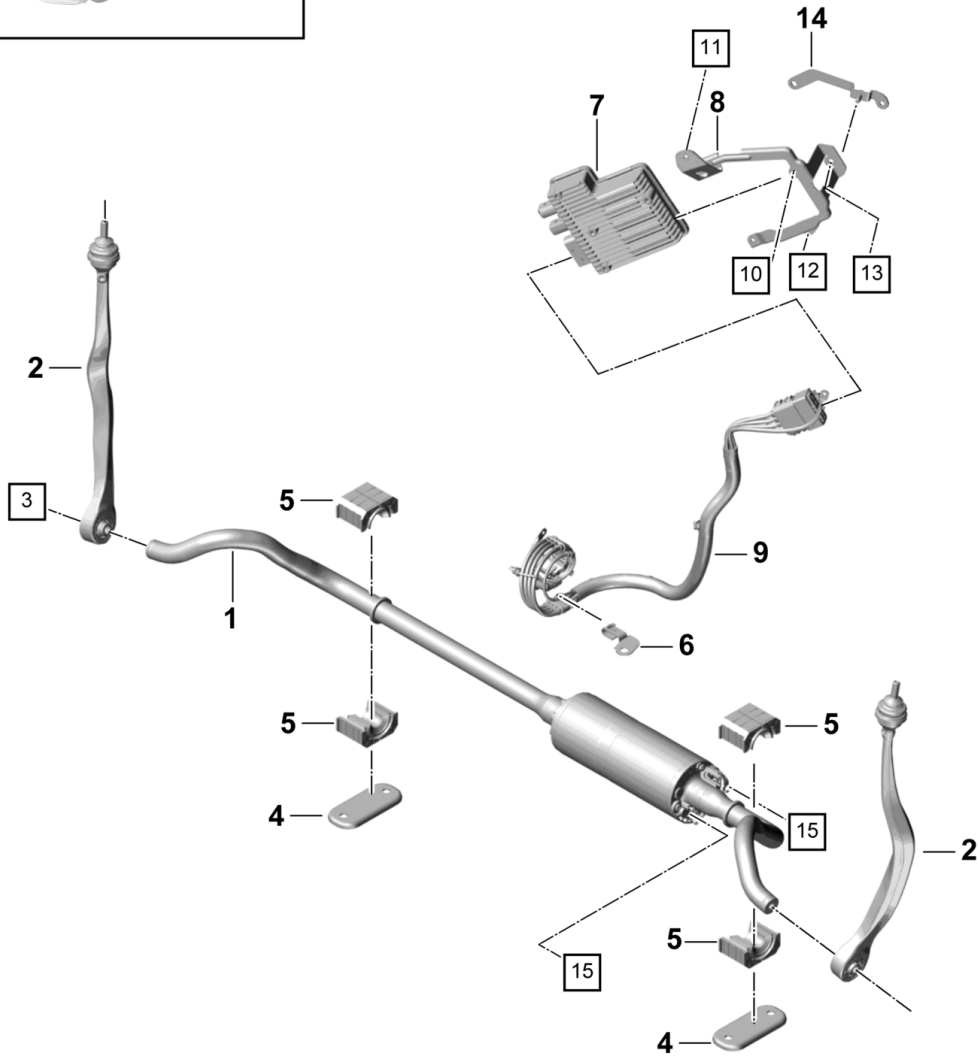
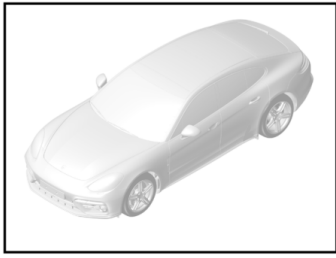
Model: 971-17

Model life 2017>>

Pos	Part Number	Description	Remark	Qty	Model
		Anti-roll bar Front axle			PR:1P0
1	971 411 025 K	Anti-roll bar		1	PR:1BH
(1)	971 411 025 J	Anti-roll bar		1	PR:1BK
(1)	971 411 025 J	Anti-roll bar		1	PR:1BH
(1)	971 411 025 H	Anti-roll bar		1	PR:1BK
(1)	971 411 025 J	Anti-roll bar		1	PR:1BH
(1)	971 411 025 H	Anti-roll bar		1	PR:1BK
(1)	971 411 025 K	Anti-roll bar		1	PR:1BK
(1)	971 411 025 J	Anti-roll bar		1	PR:1BH
2	971 411 317	Coupling rod	left	1	
(2)	971 411 318	Coupling rod	right	1	
3	N 015 081 8	Hexagon collar nut M 12 X 1,5		2	
4	N 107 936 03	Hex collared bolt M 12 X 1,5 X 60		2	
5	971 411 055 A	Clamp		2	
6	N 910 062 02	hexagon head bolt (combi) M 10 X 32		4	
7	971 411 313 G	anti-roll bar bearing bracket		4	PR:1BH
(7)	971 411 313 G	anti-roll bar bearing bracket		4	PR:1BK
(7)	971 411 313 G	anti-roll bar bearing bracket		4	PR:1BH
(7)	971 411 313 E	Rubber bush		4	PR:1BK
(7)	971 411 313 G	anti-roll bar bearing bracket		4	PR:1BH
(7)	971 411 313 E	Rubber bush		4	PR:1BK
(7)	971 411 313 G	anti-roll bar bearing bracket		4	PR:1BK
(7)	971 411 313 G	anti-roll bar bearing bracket		4	PR:1BH
8	N 102 723 02	Hexagon collar nut self-locking M 10		2	

Model: 971-17

Model life 2017>>



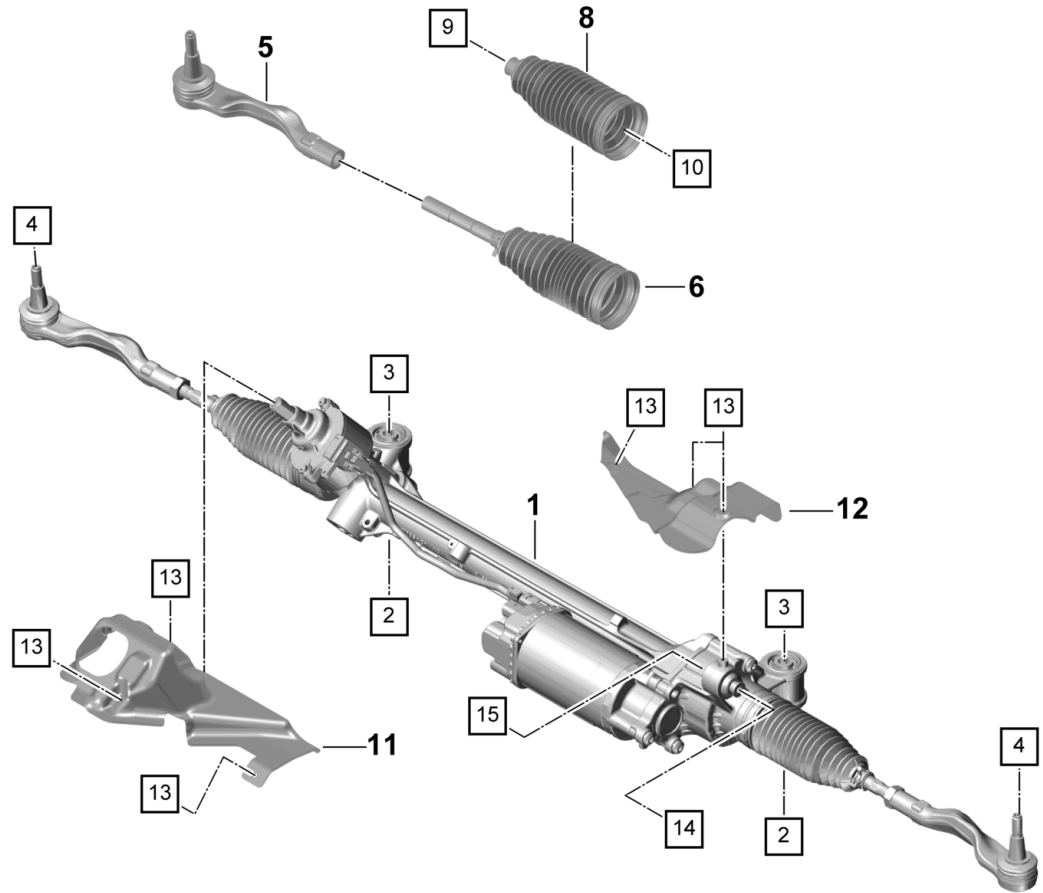
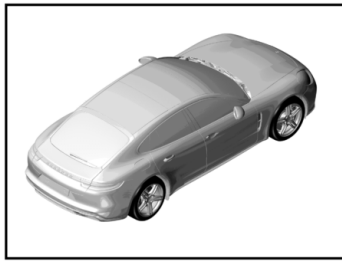
Model: 971-17

Model life 2017>>

Pos	Part Number	Description	Remark	Qty	Model
		Anti-roll bar Roll stabilisation			PR:1P7
1	971 411 023 C	Anti-roll bar		1	PR:A8F,1A2, L0L
(1)	971 411 103 C	Anti-roll bar		1	PR:A8F,0F5, L0L
(1)	971 411 023 C	Anti-roll bar		1	PR:A8H,L0L
(1)	971 411 023 E	Anti-roll bar		1	PR:A8H,0K3, L0L
(1)	971 411 024 C	Anti-roll bar		1	PR:L0R
2	971 616 215	Coupling rod	left	1	
		D >> - 20.11.2016			
(2)	971 411 317	Coupling rod	left	1	
		D - 21.11.2016>>			
(2)	971 616 216	Coupling rod	right	1	
		D >> - 20.11.2016			
(2)	971 411 318	Coupling rod	right	1	
		D - 21.11.2016>>			
3	N 107 023 02	Hexagon bolt		2	
		M 12 X 1,5 X 50			
4	971 411 055 A	Clamp		2	
5	971 411 313 F	Anti-roll bar Rubber bush		4	
5	971 411 313 J	No longer use the part here anti-roll bar bearing bracket		4	PR:-A8H,-0K3
5	971 411 313 K	Rubber bush		4	PR:A8H,0K3
6	971 616 811	Bracket		1	PR:L0L
		Stabiliser mounting			
(6)	971 616 812	Bracket		1	PR:L0R
		Stabiliser mounting			
7	971 907 156 K	Control unit for active roll stabilisation		2	
8	971 907 113	Bracket		1	
		Control unit			
		Roll stabilisation			
10	N 106 695 01	fillister head bolt with multi-point socket head		4	
		M 5 X 12			
11	N 106 532 01	Hex collared bolt		1	
12	N 015 082 10	Hexagon collar nut		1	
		M 6			
13	N 100 151 01	Hexagon nut		1	
		T 5			
14	971 907 492	Bracket		1	
		Control unit			
		Roll stabilisation			
15	N 104 134 05	Hexagon socket flat head bolt	right	2	PR:L0R
		M 6 X 25			

Model: 971-17

Model life 2017>>



14	13	10	9	7	4	3	2	15

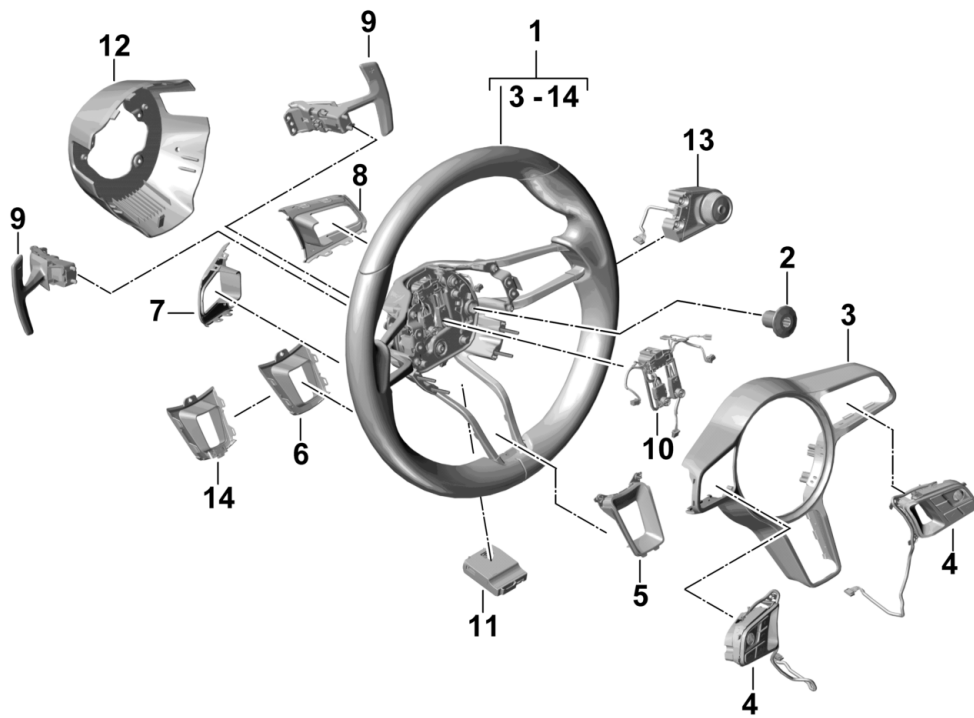
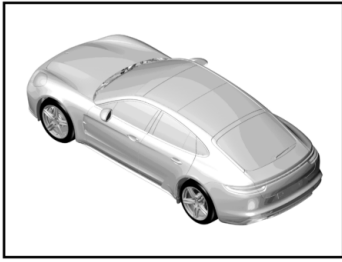
Model: 971-17

Model life 2017>>

Pos	Part Number	Description	Remark	Qty	Model
1	971 423 051 AM	Steering gear Front axle		1	PR:L0L,0N1
(1)	971 423 051 BP	Steering gear with track rods		1	PR:L0L,0N1
(1)	971 423 051 AN	Steering gear		1	PR:L0R,0N1
(1)	971 423 051 CB	Steering gear with track rods		1	PR:L0R,0N1
		Steering gear Front axle			
(1)	971 423 051 AP	Steering gear		1	PR:L0L,0N5
(1)	971 423 051 AQ	Steering gear		1	PR:L0R,0N5
(1)	971 423 051 CC	Steering gear		1	PR:L0R,0N5
		Front axle			
2	N 107 847 02	Hexagon flange screw		2	
		Steering Front axle			
3	N 104 029 04	Hexagon nut		2	
		Steering Front axle			
4	9A7 004 995 00	Hexagon nut		2	
		M 12 X 1,5			
5	971 423 811 B	Steering track rod	left	1	
(5)	971 423 812 B	Steering track rod	right	1	
6	971 423 810	Track rod		2	
7	9A7 008 571 00	Hexagon nut		2	
		M 16 X 1,5			
8	971 423 815	Gaiter		2	
9	N 912 022 01	Spring band clamp		2	
		Discontinued part			
(9)	999 512 686 09	Hose clamp		2	
10	N 105 752 01	clamp		2	
11	971 423 981 B	Heat shield	left	1	PR:0K0,L0L
(11)	971 423 981 C	Heat insulation	left	1	PR:0K3,L0L
(11)	971 423 982 B	Heat shield	left	1	PR:0K0,L0R
		D >> - 28.05.2017			
(11)	971 423 982 D	Heat insulation	left	1	PR:0K0,L0R
		D - 29.05.2017>>			
(11)	971 423 982 C	Heat insulation	left	1	PR:0K3,L0R
		D >> - 28.05.2017			
(11)	971 423 982 E	Heat insulation	left	1	PR:0K3,L0R
		D - 29.05.2017>>			
12	971 423 983 A	Heat shield	right	1	PR:L0L
(12)	971 423 984 A	Heat shield	right	1	PR:L0R
		D >> - 28.05.2017			
(12)	971 423 984 B	Heat insulation	right	1	PR:L0R
		D - 29.05.2017>>			
13	N 104 857 03	Hexagon socket flat head bolt		6	
		M 5 X 12			
14	N 912 578 01	Hexagon bolt		1	
		M 8 X 80			
15	N 104 355 06	Hexagon collar nut self-locking		1	
		M 8			

Model: 971-17

Model life 2017>>



Model: 971-17

Model life 2017>>

Pos	Part Number	Description	Remark	Qty	Model
1	971 419 091 BJ	Steering wheels steering wheel Leather D >> - 29.01.2017		1	PR:QR5,0K0 PR:2ZM
	971 419 091 BJ A34	Black	-PK,BS,BK,BB		AB,+AC
	971 419 091 BJ OE5	agate grey	-DL		DG,
	971 419 091 BJ 9J9	Luxor beige	-UC		UB,
	971 419 091 BJ OK6	saddle brown	-BP		SB,
	971 419 091 BJ 8U7	Marsala Red	-PC,BE		
(1)	971 419 091 DA	steering wheel (leather) D - 30.01.2017>>		1	PR:2ZM
	971 419 091 DA A34	Black	-PK,BS,BK,BB, PL		AB,+AC
	971 419 091 DA OE5	agate grey	-DL		DG,
	971 419 091 DA 9J9	Luxor beige	-UC		UB,
	971 419 091 DA OK6	saddle brown	-BP		SB,
	971 419 091 DA 8U7	Marsala Red	-PC,BE		
	971 419 091 DA OT2	Truffle Brown	-HD		
	971 419 091 DA ON1	Cohiba Brown	-HC		
(1)	971 419 091 BK	steering wheel Leather D >> - 29.01.2017		1	PR:2ZH
	971 419 091 BK A34	Black	-AB,PK,AC,BB, BS,BK		
	971 419 091 BK OE5	agate grey	-DG,DL		
	971 419 091 BK 9J9	Luxor beige	-UB,UC		
	971 419 091 BK OK6	saddle brown	-SB,BP		
	971 419 091 BK 8U7	Marsala Red	-PC,BE		
(1)	971 419 091 DB	steering wheel (leather) D - 30.01.2017>>		1	PR:2ZH
	971 419 091 DB A34	Black	-AB,PK,AC,BB, BS,BK,PL		
	971 419 091 DB OE5	agate grey	-DG,DL		
	971 419 091 DB 9J9	Luxor beige	-UB,UC		
	971 419 091 DB OK6	saddle brown	-SB,BP		
	971 419 091 DB 8U7	Marsala Red	-PC,BE		
	971 419 091 DB OT2	Truffle Brown	-HD		
	971 419 091 DB ON1	Cohiba Brown	-HC		
(1)	971 419 091 BL	steering wheel Carbon D >> - 29.01.2017		1	PR:2FX
	971 419 091 BL A34	Black	-AB,PK,AC,BB, BS,BK		
	971 419 091 BL OE5	agate grey	-DG,DL		
	971 419 091 BL 9J9	Luxor beige	-UB,UC		
	971 419 091 BL OK6	saddle brown	-SB,BP		
	971 419 091 BL 8U7	Marsala Red	-PC,BE		
(1)	971 419 091 DC	steering wheel Carbon D - 30.01.2017>>		1	PR:2FX
	971 419 091 DC A34	Black	-AB,PK,AC,BB, BS,BK,PL		
	971 419 091 DC OE5	agate grey	-DG,DL		
	971 419 091 DC 9J9	Luxor beige	-UB,UC		
	971 419 091 DC OK6	saddle brown	-SB,BP		
	971 419 091 DC 8U7	Marsala Red	-PC,BE		
	971 419 091 DC OT2	Truffle Brown	-HD		
	971 419 091 DC ON1	Cohiba Brown	-HC		
(1)	971 419 091 BM	steering wheel American Walnut D >> - 29.01.2017		1	PR:1XG
	971 419 091 BM A34	Black	-AB,PK,AC,BB, BS,BK		

Model: 971-17 Model life 2017>>

Pos	Part Number	Description	Remark	Qty	Model
(1)	971 419 091 BM OE5	agate grey	-DG,DL	1	PR:1XG
	971 419 091 BM 9J9	Luxor beige	-UB,UC		
	971 419 091 BM OK6	saddle brown	-SB,BP		
	971 419 091 BM 8U7	Marsala Red	-PC,BE		
	971 419 091 DD	steering wheel American Walnut D - 30.01.2017>>			
	971 419 091 DD A34	American walnut root/ black	-AB,PK,AC,BB, BS,BK,PL		
	971 419 091 DD OE5	American walnut root/ agate grey	-DG,DL		
	971 419 091 DD 9J9	American walnut root/ luxor beige	-UB,UC		
	971 419 091 DD OK6	American walnut root/ saddle brown	-SB,BP		
	971 419 091 DD 8U7	Marsala Red	-PC,BE		
(1)	971 419 091 DD OT2	Truffle Brown	-HD	1	PR:1XE
	971 419 091 DD ON1	Cohiba Brown	-HC		
	971 419 091 BN	steering wheel Anthracite Birch D >> - 29.01.2017			
	971 419 091 BN A34	Black	-AB,PK,AC,BB, BS,BK		
	971 419 091 BN OE5	agate grey	-DG,DL		
	971 419 091 BN 9J9	Luxor beige	-UB,UC		
	971 419 091 BN OK6	saddle brown	-SB,PC,BP		
	971 419 091 BN 8U7	Marsala Red	-PC,BE		
	971 419 091 DE	steering wheel Anthracite Birch D - 30.01.2017>>			
	971 419 091 DE A34	Birch anthracite/black	-AB,PK,AC,BB, BS,BK,PL		
(1)	971 419 091 DE OE5	Birch anthracite/agate grey	-DG,DL	1	PR:2FF
	971 419 091 DE 9J9	Birch anthracite/luxor beige	-UB,UC		
	971 419 091 DE OK6	Birch anthracite/saddle brown	-SB,PC,BP		
	971 419 091 DE 8U7	Birch anthracite/marsala red	-PC,BE		
	971 419 091 DE OT2	Truffle Brown	-HD		
	971 419 091 DE ON1	Cohiba Brown	-HC		
	971 419 091 BP	steering wheel Wood D >> - 29.01.2017			
	971 419 091 BP A34	Black	-AB,PK,AC,BB, BS,BK		
	971 419 091 BP OE5	agate grey	-DG,DL		
	971 419 091 BP 9J9	Luxor beige	-UB,UC		
(1)	971 419 091 BP OK6	saddle brown	-SB,BP	1	PR:2FF
	971 419 091 BP 8U7	Marsala Red	-PC,BE		
	971 419 091 DF	steering wheel Wood D - 30.01.2017>>			
	971 419 091 DF A34	Black	-AB,PK,AC,BB, BS,BK,PL		
	971 419 091 DF OE5	agate grey	-DG,DL		
	971 419 091 DF 9J9	Luxor beige	-UB,UC		
	971 419 091 DF OK6	saddle brown	-SB,BP		
	971 419 091 DF 8U7	Marsala Red	-PC,BE		
	971 419 091 DF OT2	Truffle Brown	-HD		
	971 419 091 DF ON1	Cohiba Brown	-HC		
(1)	971 419 091 BQ	steering wheel Wood D >> - 29.01.2017		1	PR:2FG
	971 419 091 BQ A34	Black	-AB,PK,AC,BB, BS,BK		

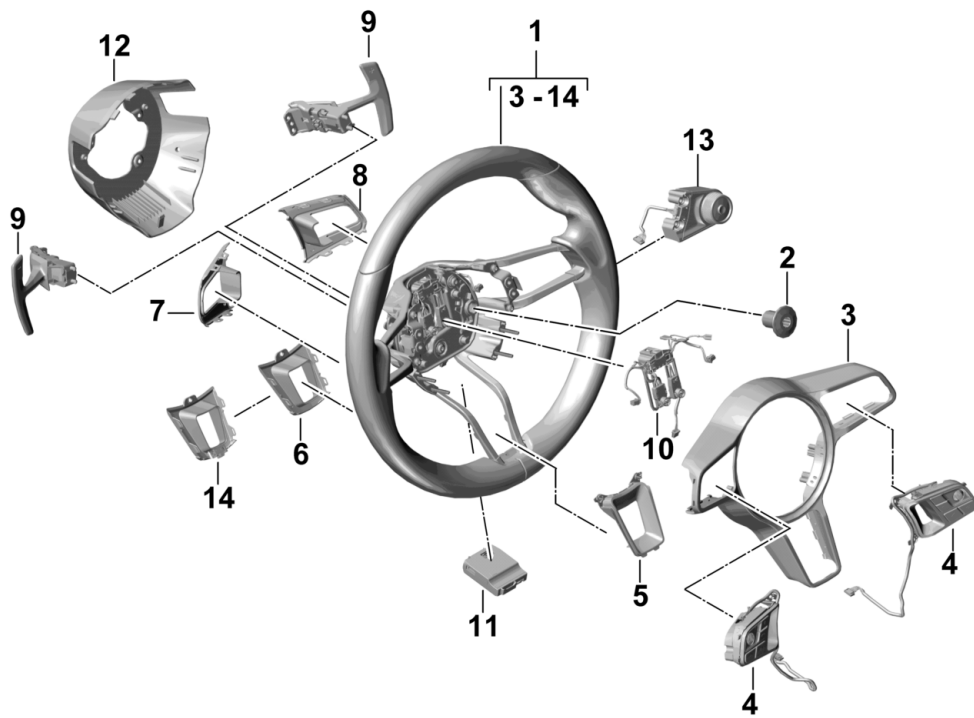
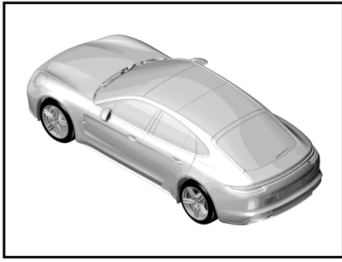
Model: 971-17

Model life 2017>>

Pos	Part Number	Description	Remark	Qty	Model
(1)	971 419 091 BQ OE5	agate grey	-DG,DL	1	PR:2FG
	971 419 091 BQ 9J9	Luxor beige	-UB,UC		
	971 419 091 BQ OK6	saddle brown	-SB,BP		
	971 419 091 BQ 8U7	Marsala Red	-PC,BE		
	971 419 091 DG	steering wheel Wood D - 30.01.2017>>			
	971 419 091 DG A34	Black	-AB,PK,AC,BB, BS,BK,PL		
	971 419 091 DG OE5	agate grey	-DG,DL		
	971 419 091 DG 9J9	Luxor beige	-UB,UC		
	971 419 091 DG OK6	saddle brown	-SB,BP		
	971 419 091 DG 8U7	Marsala Red	-PC,BE		
2	971 419 091 DG OT2	Truffle Brown	-HD	1	
	971 419 091 DG ON1	Cohiba Brown	-HC		
(2)	N 910 207 01	Screw with int. serrations M18 X 1,5 X 26 D >> - 15.01.2017		1	
	N 907 991 02	Pan head bolt w/ multi-point drive, self-locking M18 X 1,5 X 18 D - 16.01.2017>>		1	
	95B 419 732 B	Trim for steering wheel		1	
3	95B 419 732 B		Large	1	
	95B 419 732 B GT8	Galvano silver			
4	971 959 537 Y	Switch Multi-function Set steering wheel		1	
	971 959 537 Y 6N3	Matt black			
5	95B 419 938 H	Trim steering wheel	front	1	
	95B 419 938 H 5Q0	Black			
6	95B 419 938 G	Trim for steering wheel	rear	1	PR:2ZM
	95B 419 938 G 5Q0	Black			
7	971 419 937 A	Trim for steering wheel	rear	1	/L
8	971 419 936 A	Trim for steering wheel	rear	1	/R
9	971 998 540	Shifting paddle Set		1	
	971 998 540 GT8	Galvano silver			
10	971 971 388 A	Wire set steering wheel		1	
11	971 959 256 E	Control unit steering wheel Discontinued part		1	
	971 959 256 G	Control unit steering wheel			
12	95B 419 798 D	Cover steering wheel	rear	1	PR:2ZH,2ZM
	95B 419 798 D 5Q0	Black	-AB,PK,AC,BB, BS,BK,PL		
13	95B 419 798 D OA6	agate grey	-DG,DL	1	
	95B 419 798 D 6W0	Luxor beige	-UB,UC		
	95B 419 798 D OL7	saddle brown	-SB,BP		
	95B 419 798 D 7X0	Marsala Red	-PC,BE		
	95B 419 798 D OS1	Truffle Brown	-HD		
	95B 419 798 D OB8	Cohiba Brown	-HC		
	971 919 680 B	Switch steering wheel			
14	971 919 680 B 6N3	Matt black		1	
	95B 951 527 A	Switch heater			
	95B 951 527 A 1E0	Black			

Model: 971-17

Model life 2017>>



Model: 971-17 Model life 2017>>

Pos	Part Number	Description	Remark	Qty	Model
1	971 419 091 BR	Steering wheels steering wheel Leather D >> - 29.01.2017		1	PR:QR5,0K3 PR:2ZM
	971 419 091 BR A34	Black	-AB,PK,AC,BB, BS,BK		
	971 419 091 BR OE5	agate grey	-DG,DL		
	971 419 091 BR 9J9	Luxor beige	-UB,UC		
	971 419 091 BR OK6	saddle brown	-SB,BP		
	971 419 091 BR 8U7	Marsala Red	-PC,BE		
(1)	971 419 091 DH	steering wheel (leather) D - 30.01.2017>>		1	PR:2ZM
	971 419 091 DH A34	Black	-AB,PK,AC,BB, BS,BK,PL		
	971 419 091 DH OE5	agate grey	-DG,DL		
	971 419 091 DH 9J9	Luxor beige	-UB,UC		
	971 419 091 DH OK6	saddle brown	-SB,BP		
	971 419 091 DH 8U7	Marsala Red	-PC,BE		
	971 419 091 DH OT2	Truffle Brown	-HD		
	971 419 091 DH ON1	Cohiba Brown	-HC		
(1)	971 419 091 BS	steering wheel Leather D >> - 29.01.2017		1	PR:2ZH
	971 419 091 BS A34	Black	-BB,BS,BK		
	971 419 091 BS OE5	agate grey	-DG,DL		
	971 419 091 BS 9J9	Luxor beige	-UB,UC		
	971 419 091 BS OK6	saddle brown	-SB,BP		
	971 419 091 BS 8U7	Marsala Red	-PC,BE		
(1)	971 419 091 DJ	steering wheel (leather) D - 30.01.2017>>		1	PR:2ZH
	971 419 091 DJ A34	Black	-BB,BS,BK,PL		
	971 419 091 DJ OE5	agate grey	-DG,DL		
	971 419 091 DJ 9J9	Luxor beige	-UB,UC		
	971 419 091 DJ OK6	saddle brown	-SB,BP		
	971 419 091 DJ 8U7	Marsala Red	-PC,BE		
	971 419 091 DJ OT2	Truffle Brown	-HD		
	971 419 091 DJ ON1	Cohiba Brown	-HC		
(1)	971 419 091 BT	steering wheel Carbon D >> - 29.01.2017		1	PR:2FX
	971 419 091 BT A34	Black	-AB,PK,AC,BB, BS,BK		
	971 419 091 BT OE5	agate grey	-DG,DL		
	971 419 091 BT 9J9	Luxor beige	-UB,UC		
	971 419 091 BT OK6	saddle brown	-SB,BP		
	971 419 091 BT 8U7	Marsala Red	-PC,BE		
(1)	971 419 091 DK	steering wheel Carbon D - 30.01.2017>>		1	PR:2FX
	971 419 091 DK A34	Black	-AB,PK,AC,BB, BS,BK,PL		
	971 419 091 DK OE5	agate grey	-DG,DL		
	971 419 091 DK 9J9	Luxor beige	-UB,UC		
	971 419 091 DK OK6	saddle brown	-SB,BP		
	971 419 091 DK 8U7	Marsala Red	-PC,BE		
	971 419 091 DK OT2	Truffle Brown	-HD		
	971 419 091 DK ON1	Cohiba Brown	-HC		
(1)	971 419 091 CA	steering wheel American Walnut D >> - 29.01.2017		1	PR:1XG
	971 419 091 CA A34	Black	-AB,PK,AC,BB, BS,BK		
	971 419 091 CA OE5	agate grey	-DG,DL		

Model: 971-17 Model life 2017>>

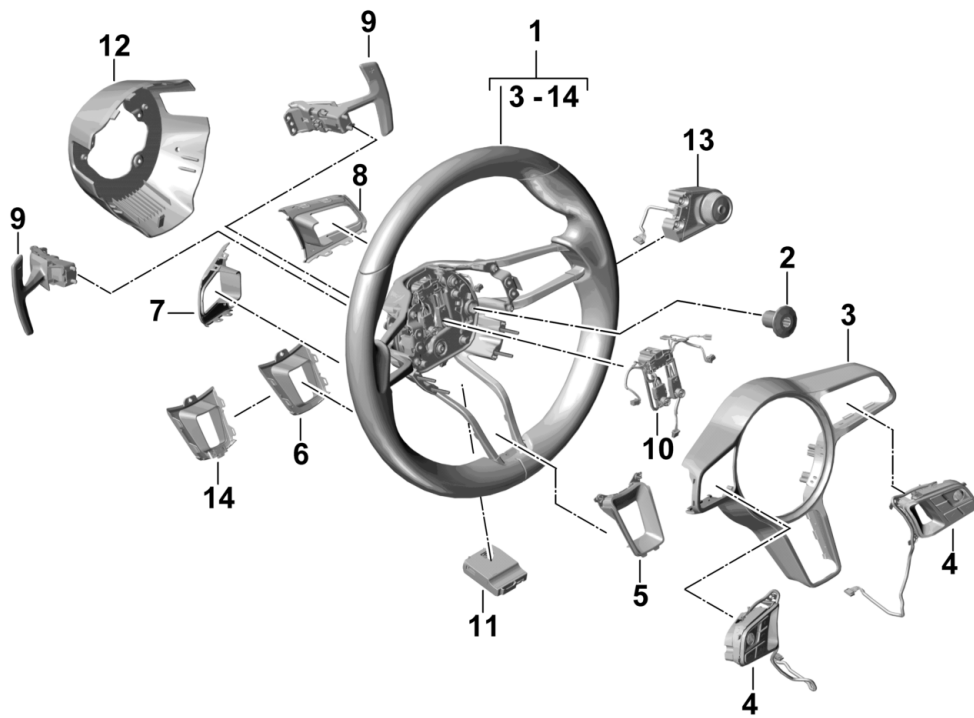
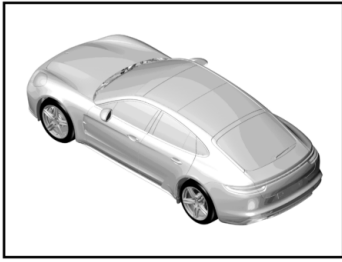
Pos	Part Number	Description	Remark	Qty	Model
(1)	971 419 091 CA 9J9	Luxor beige	-UB,UC	1	PR:1XG
	971 419 091 CA OK6	saddle brown	-SB,BP		
	971 419 091 CA 8U7	Marsala Red	-PC,BE		
	971 419 091 DL	steering wheel American Walnut D - 30.01.2017>>			
	971 419 091 DL A34	American walnut root/ black	-AB,PK,AC,BB, BS,BK,PL		
	971 419 091 DL OE5	American walnut root/ agate grey	-DG,DL		
	971 419 091 DL 9J9	American walnut root/ luxor beige	-UB,UC		
	971 419 091 DL OK6	American walnut root/ saddle brown	-SB,BP		
	971 419 091 DL 8U7	Marsala Red	-PC,BE		
	971 419 091 DL OT2	Truffle Brown	-HD		
(1)	971 419 091 DL ON1	Cohiba Brown	-HC	1	PR:1XE
	971 419 091 CB	steering wheel Anthracite Birch D >> - 29.01.2017			
	971 419 091 CB A34	Black	-AB,PK,AC,BB, BS,BK		
	971 419 091 CB OE5	agate grey	-DG,DL		
	971 419 091 CB 9J9	Luxor beige	-UB,UC		
	971 419 091 CB OK6	saddle brown	-SB,BP		
	971 419 091 CB 8U7	Marsala Red	-PC,BE		
	971 419 091 DM	steering wheel Anthracite Birch D - 30.01.2017>>			
	971 419 091 DM A34	Birch anthracite/black	-AB,PK,AC,BB, BS,BK,PL		
	971 419 091 DM OE5	Birch anthracite/agate grey	-DG,DL		
(1)	971 419 091 DM 9J9	Birch anthracite/luxor beige	-UB,UC	1	PR:2FF
	971 419 091 DM OK6	Birch anthracite/saddle brown	-SB,BP		
	971 419 091 DM 8U7	Birch anthracite/marsala red	-PC,BE		
	971 419 091 DM OT2	Truffle Brown	-HD		
	971 419 091 DM ON1	Cohiba Brown	-HC		
	971 419 091 CC	steering wheel Wood D >> - 29.01.2017			
	971 419 091 CC A34	Black	-AB,PK,AC,BB, BS,BK		
	971 419 091 CC OE5	agate grey	-DG,DL		
	971 419 091 CC 9J9	Luxor beige	-UB,UC		
	971 419 091 CC OK6	saddle brown	-SB,BP		
(1)	971 419 091 CC 8U7	Marsala Red	-PC,BE	1	PR:2FF
	971 419 091 DN	steering wheel Wood D - 30.01.2017>>			
	971 419 091 DN A34	Black	-AB,PK,AC,BB, BS,BK,PL		
	971 419 091 DN OE5	agate grey	-DG,DL		
	971 419 091 DN 9J9	Luxor beige	-UB,UC		
	971 419 091 DN OK6	saddle brown	-SB,BP		
	971 419 091 DN 8U7	Marsala Red	-PC,BE		
	971 419 091 DN OT2	Truffle Brown	-HD		
	971 419 091 DN ON1	Cohiba Brown	-HC		
	971 419 091 CD	steering wheel Wood D >> - 29.01.2017			
(1)	971 419 091 CD A34	Black	-AB,PK,AC,BB, BS,BK	1	PR:2FG
	971 419 091 CD OE5	agate grey	-DG,DL		

Model: 971-17 Model life 2017>>

Pos	Part Number	Description	Remark	Qty	Model
(1)	971 419 091 CD 9J9	Luxor beige	-UB,UC	1	PR:2FG
	971 419 091 CD OK6	saddle brown	-SB,BP		
	971 419 091 CD 8U7	Marsala Red	-PC,BE		
	971 419 091 DP	steering wheel Wood D - 30.01.2017>>			
	971 419 091 DP A34	Black	-AB,PK,AC,BB, BS,BK,PL		
	971 419 091 DP OE5	agate grey	-DG,DL		
	971 419 091 DP 9J9	Luxor beige	-UB,UC		
	971 419 091 DP OK6	saddle brown	-SB,BP		
	971 419 091 DP 8U7	Marsala Red	-PC,BE		
	971 419 091 DP OT2	Truffle Brown	-HD		
971 419 091 DP ON1	Cohiba Brown	-HC			
2	N 910 207 01	Screw with int. serrations M18 X 1,5 X 26 D >> - 15.01.2017		1	
(2)	N 907 991 02	Pan head bolt w/ multi-point drive, self-locking M18 X 1,5 X 18 D - 16.01.2017>>		1	
3	95B 419 732 B	Trim for steering wheel	Large	1	
4	95B 419 732 B GT8	Galvano silver		1	
	971 959 537 Y	Switch Multi-function Set steering wheel			
5	971 959 537 Y 6N3	Matt black		1	
	95B 419 938 H	Trim steering wheel	front		
6	95B 419 938 H 5Q0	Black		1	PR:2ZM
	95B 419 938 G	Trim for steering wheel	rear		
	95B 419 938 G 5Q0	Black			
7	971 419 937 A	Trim for steering wheel	rear	1	/L
8	971 419 936 A	Trim for steering wheel	rear	1	/R
9	971 998 540	Shifting paddle Set		1	
	971 998 540 GT8	Galvano silver			
10	971 971 388 A	Wire set steering wheel		1	
11	971 959 256 E	Control unit steering wheel		1	
	(11)	971 959 256 G	Discontinued part Control unit steering wheel		
12	95B 419 798 D	Cover steering wheel	rear	1	PR:2ZH, 2ZM
	95B 419 798 D 5Q0	Black	-AB,PK,AC,BB, BS,BK,PL		
13	95B 419 798 D OA6	agate grey	-DG,DL	1	
	95B 419 798 D 6W0	Luxor beige	-UB,UC		
	95B 419 798 D OL7	saddle brown	-SB,BP		
	95B 419 798 D 7X0	Marsala Red	-PC,BE		
	95B 419 798 D OS1	Truffle Brown	-HD		
	95B 419 798 D OB8	Cohiba Brown	-HC		
	971 919 680 A	Switch steering wheel			
	971 919 680 A 6N3	Matt black			
14	95B 951 527 A	Switch heater		1	
	95B 951 527 A 1E0	Black			

Model: 971-17

Model life 2017>>



Model: 971-17 Model life 2017>>

Pos	Part Number	Description	Remark	Qty	Model
1	971 419 091 CE	Steering wheels steering wheel Leather D >> - 29.01.2017		1	PR:QR0,QR3 PR:2ZM
	971 419 091 CE A34	Black	-AB,PK,AC,BB, BS,BK		
	971 419 091 CE OE5	agate grey	-DG,DL		
	971 419 091 CE 9J9	Luxor beige	-UB,UC		
	971 419 091 CE OK6	saddle brown	-SB,BP		
	971 419 091 CE 8U7	Marsala Red	-PC,BE		
(1)	971 419 091 CM	steering wheel (leather) D - 30.01.2017>>		1	PR:2ZM
	971 419 091 CM A34	Black	-AB,PK,AC,BB, BS,BK,PL		
	971 419 091 CM OE5	agate grey	-DG,DL		
	971 419 091 CM 9J9	Luxor beige	-UB,UC		
	971 419 091 CM OK6	saddle brown	-SB,BP		
	971 419 091 CM 8U7	Marsala Red	-PC,BE		
	971 419 091 CM OT2	Truffle Brown	-HD		
	971 419 091 CM ON1	Cohiba Brown	-HC		
(1)	971 419 091 CF	steering wheel Leather D >> - 29.01.2017		1	PR:2ZH
	971 419 091 CF A34	Black	-AB,PK,AC,BB, BS,BK		
	971 419 091 CF OE5	agate grey	-DG,DL		
	971 419 091 CF 9J9	Luxor beige	-UB,UC		
	971 419 091 CF OK6	saddle brown	-SB,BP		
	971 419 091 CF 8U7	Marsala Red	-PC,BE		
(1)	971 419 091 CN	steering wheel (leather) D - 30.01.2017>>		1	PR:2ZH
	971 419 091 CN A34	Black	-AB,PK,AC,BB, BS,BK,PL		
	971 419 091 CN OE5	agate grey	-DG,DL		
	971 419 091 CN 9J9	Luxor beige	-UB,UC		
	971 419 091 CN OK6	saddle brown	-SB,BP		
	971 419 091 CN 8U7	Marsala Red	-PC,BE		
	971 419 091 CN OT2	Truffle Brown	-HD		
	971 419 091 CN ON1	Cohiba Brown	-HC		
(1)	971 419 091 CG	steering wheel Carbon D >> - 29.01.2017		1	PR:2FX
	971 419 091 CG A34	Black	-AB,PK,AC,BB, BS,BK		
	971 419 091 CG OE5	agate grey	-DG,DL		
	971 419 091 CG 9J9	Luxor beige	-UB,UC		
	971 419 091 CG OK6	saddle brown	-SB,BP		
	971 419 091 CG 8U7	Marsala Red	-PC,BE		
(1)	971 419 091 CP	steering wheel Carbon D - 30.01.2017>>		1	PR:2FX
	971 419 091 CP A34	Black	-AB,PK,AC,BB, BS,BK,PL		
	971 419 091 CP OE5	agate grey	-DG,DL		
	971 419 091 CP 9J9	Luxor beige	-UB,UC		
	971 419 091 CP OK6	saddle brown	-SB,BP		
	971 419 091 CP 8U7	Marsala Red	-PC,BE		
	971 419 091 CP OT2	Truffle Brown	-HD		
	971 419 091 CP ON1	Cohiba Brown	-HC		
(1)	971 419 091 CH	steering wheel American Walnut D >> - 29.01.2017		1	PR:1XG
	971 419 091 CH A34	Black	-AB,PK,AC,BB,		

Model: 971-17 Model life 2017>>

Pos	Part Number	Description	Remark	Qty	Model
(1)	971 419 091 CH OE5	agate grey	BS, BK -DG, DL	1	PR:1XG
	971 419 091 CH 9J9	Luxor beige	-UB, UC		
	971 419 091 CH OK6	saddle brown	-SB, BP		
	971 419 091 CH 8U7	Marsala Red	-PC, BE		
	971 419 091 CQ	steering wheel American Walnut D - 30.01.2017>>			
	971 419 091 CQ A34	American walnut root/ black	-AB, PK, AC, BB, BS, BK, PL		
	971 419 091 CQ OE5	American walnut root/ agate grey	-DG, DL		
	971 419 091 CQ 9J9	American walnut root/ luxor beige	-UB, UC		
	971 419 091 CQ OK6	American walnut root/ saddle brown	-SB, BP		
	971 419 091 CQ 8U7	Marsala Red	-PC, BE		
(1)	971 419 091 CQ OT2	Truffle Brown	-HD	1	PR:1XE
	971 419 091 CQ ON1	Cohiba Brown	-HC		
	971 419 091 CJ	steering wheel Anthracite Birch D >> - 29.01.2017			
	971 419 091 CJ A34	Black	-AB, PK, AC, BB, BS, BK		
	971 419 091 CJ OE5	agate grey	-DG, DL		
	971 419 091 CJ 9J9	Luxor beige	-UB, UC		
	971 419 091 CJ OK6	saddle brown	-SB, BP		
	971 419 091 CJ 8U7	Marsala Red	-PC, BE		
	971 419 091 CR	steering wheel Anthracite Birch D - 30.01.2017>>			
	971 419 091 CR A34	Birch anthracite/black	-AB, PK, AC, BB, BS, BK, PL		
(1)	971 419 091 CR OE5	Birch anthracite/agate grey	-DG, DL	1	PR:1XE
	971 419 091 CR 9J9	Birch anthracite/luxor beige	-UB, UC		
	971 419 091 CR OK6	Birch anthracite/saddle brown	-SB, BP		
	971 419 091 CR 8U7	Birch anthracite/marsala red	-PC, BE		
	971 419 091 CR OT2	Truffle Brown	-HD		
	971 419 091 CR ON1	Cohiba Brown	-HC		
	971 419 091 CK	steering wheel Wood D >> - 29.01.2017			
	971 419 091 CK A34	Black	-AB, PK, AC, BB, BS, BK		
	971 419 091 CK OE5	agate grey	-DG, DL		
	971 419 091 CK 9J9	Luxor beige	-UB, UC		
(1)	971 419 091 CK OK6	saddle brown	-SB, BP	1	PR:0K0, 2FF
	971 419 091 CK 8U7	Marsala Red	-PC, BE		
	971 419 091 CS	steering wheel Wood D - 30.01.2017>>			
	971 419 091 CS A34	Black	-AB, PK, AC, BB, BS, BK, PL		
	971 419 091 CS OE5	agate grey	-DG, DL		
	971 419 091 CS 9J9	Luxor beige	-UB, UC		
	971 419 091 CS OK6	saddle brown	-SB, BP		
	971 419 091 CS 8U7	Marsala Red	-PC, BE		
	971 419 091 CS OT2	Truffle Brown	-HD		
	971 419 091 CS ON1	Cohiba Brown	-HC		
(1)	971 419 091 CL	steering wheel Wood D >> - 29.01.2017		1	PR:0K0, 2FG
	971 419 091 CL A34	Black	-AB, PK, AC, BB, BS, BK, PL		
	971 419 091 CS OE5	agate grey	-DG, DL		
	971 419 091 CS 9J9	Luxor beige	-UB, UC		
	971 419 091 CS OK6	saddle brown	-SB, BP		
	971 419 091 CS 8U7	Marsala Red	-PC, BE		
	971 419 091 CS OT2	Truffle Brown	-HD		
	971 419 091 CS ON1	Cohiba Brown	-HC		
	971 419 091 CL	steering wheel Wood D >> - 29.01.2017			
	971 419 091 CL A34	Black	-AB, PK, AC, BB,		

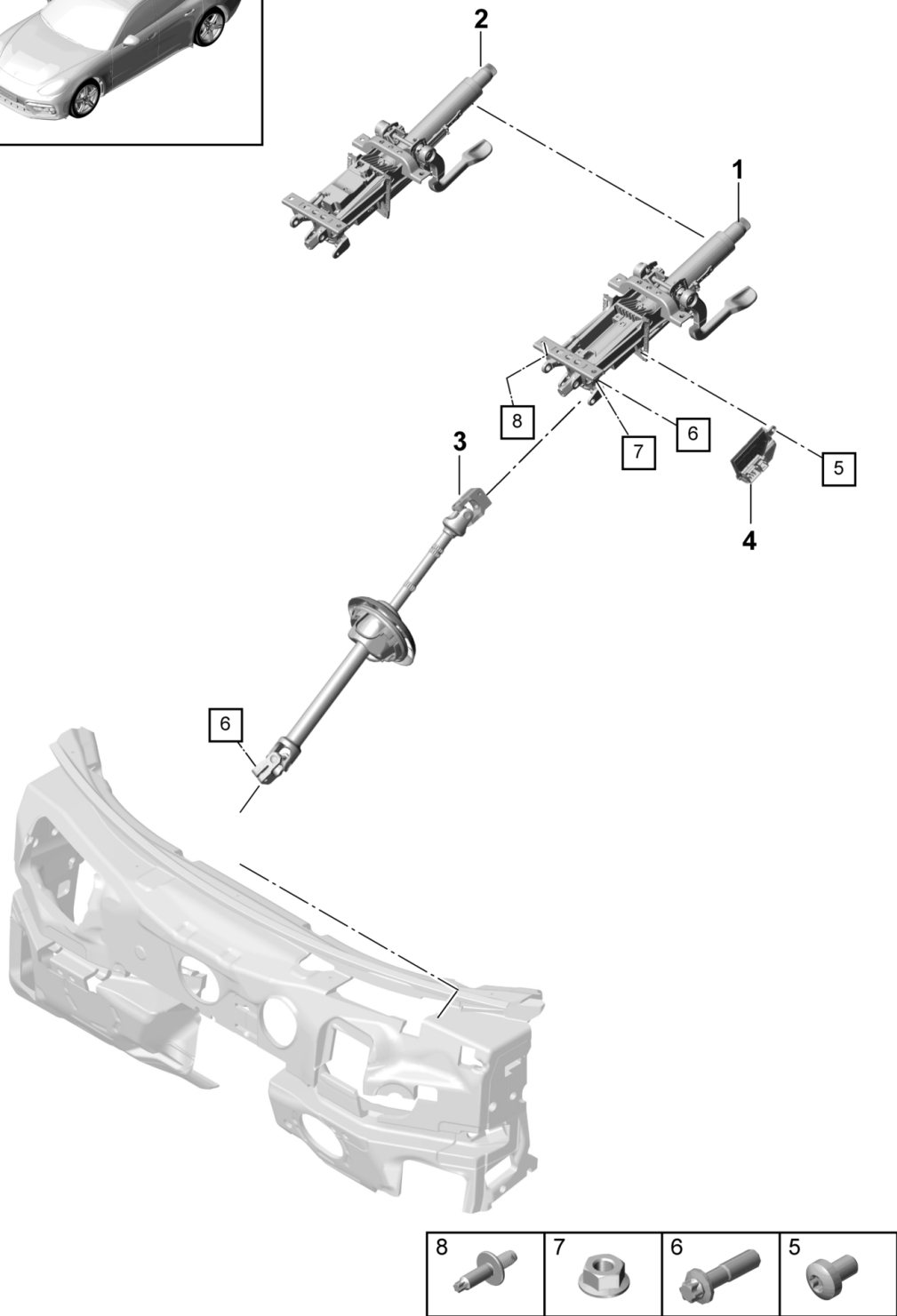
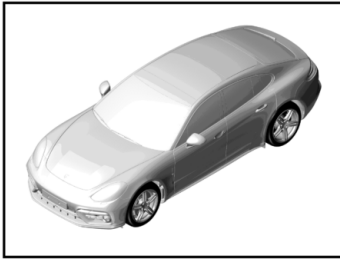
Model: 971-17

Model life 2017>>

Pos	Part Number	Description	Remark	Qty	Model
	971 419 091 CL OE5	agate grey	BS, BK -DG, DL		
	971 419 091 CL 9J9	Luxor beige	-UB, UC		
	971 419 091 CL OK6	saddle brown	-SB, BP		
	971 419 091 CL 8U7	Marsala Red	-PC, BE		
(1)	971 419 091 CT	steering wheel Wood D - 30.01.2017>>		1	PR:0K0, 2FG
	971 419 091 CT A34	Black	-AB, PK, AC, BB, BS, BK, PL		
	971 419 091 CT OE5	agate grey	-DG, DL		
	971 419 091 CT 9J9	Luxor beige	-UB, UC		
	971 419 091 CT OK6	saddle brown	-SB, BP		
	971 419 091 CT 8U7	Marsala Red	-PC, BE		
	971 419 091 CT OT2	Truffle Brown	-HD		
	971 419 091 CT ON1	Cohiba Brown	-HC		
2	N 910 207 01	Screw with int. serrations steering wheel D >> - 15.01.2017		1	
(2)	N 907 991 02	Pan head bolt w/ multi-point drive, self-locking M18 X 1,5 X 18 D - 16.01.2017>>		1	
3	95B 419 732 B	Trim for steering wheel	Large	1	
4	95B 419 732 B GT8 971 959 537 Y	Galvano silver Switch Multi-function Set steering wheel		1	
5	971 959 537 Y 6N3 95B 419 938 H	Matt black Trim steering wheel	front	1	
6	95B 419 938 H 5Q0 95B 419 938 G 95B 419 938 G 5Q0	Black Trim for steering wheel Black	rear	1	PR:2ZM
7	971 419 937 A	Trim for steering wheel	rear	1	/L
8	971 419 936 A	Trim for steering wheel	rear	1	/R
9	971 998 540	Shifting paddle Set		1	
10	971 998 540 GT8 971 971 388 A	Galvano silver Wire set steering wheel		1	
12	95B 419 798 D 95B 419 798 D 5Q0	Cover steering wheel Black	rear	1	PR:2ZH, 2ZM
	95B 419 798 D OA6	agate grey	-AB, PK, AC, BB, BS, BK, PL		
	95B 419 798 D 6W0	Luxor beige	-DG, DL		
	95B 419 798 D OL7	saddle brown	-UB, UC		
	95B 419 798 D 7X0	Marsala Red	-SB, BP		
	95B 419 798 D OS1	Truffle Brown	-PC, BE		
	95B 419 798 D OB8	Cohiba Brown	-HD		
13	971 919 680 A	Switch steering wheel		1	PR:0K3
14	971 919 680 A 6N3 95B 951 527 A 95B 951 527 A 1E0	Matt black Switch heater Black		1	

Model: 971-17

Model life 2017>>



Model: 971-17

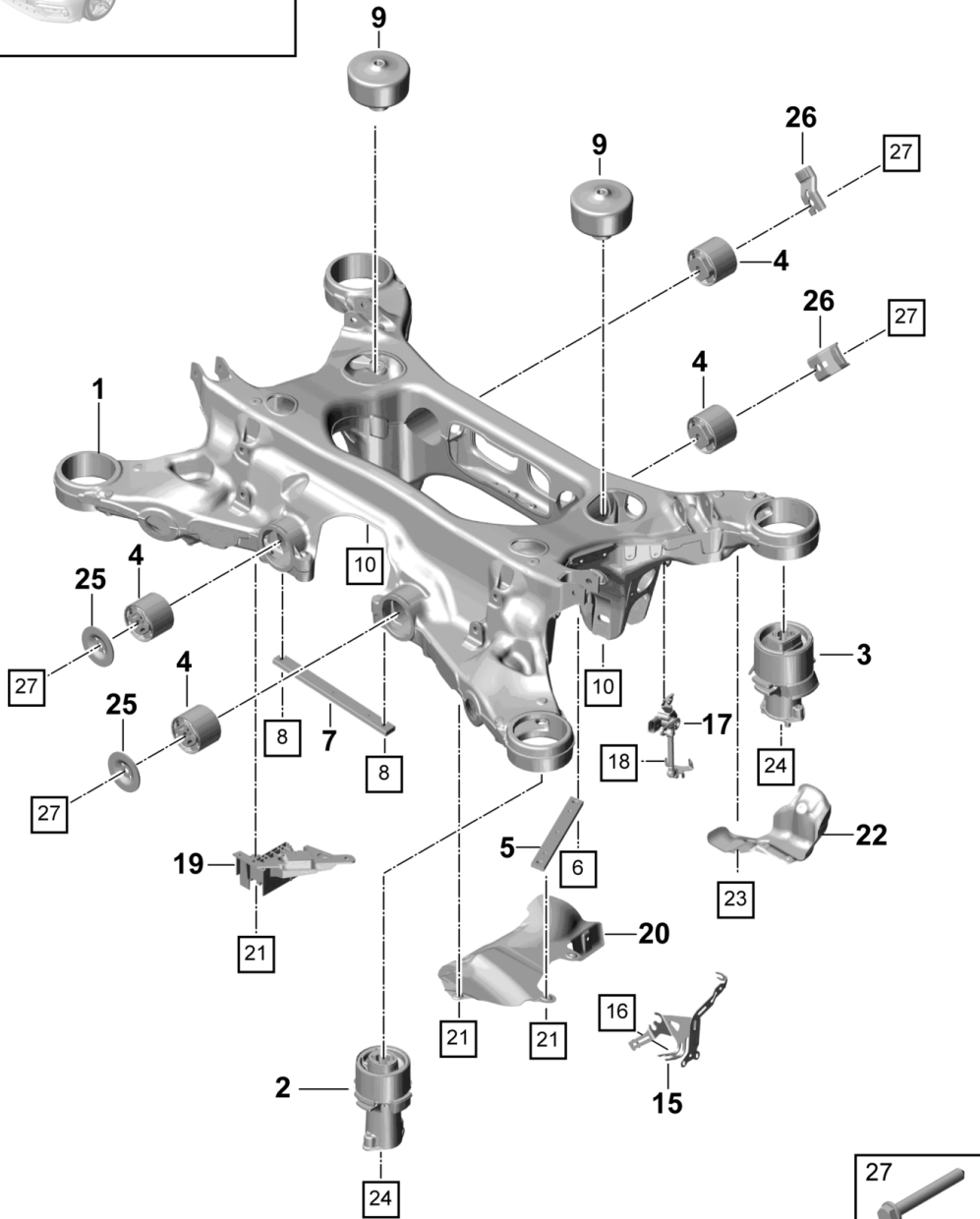
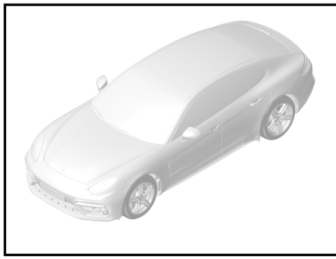
Model life 2017>>

Pos	Part Number	Description	Remark	Qty	Model
1	971 419 506 K	Steering column Intermediate steering shaft		1	PR:0RZ,2C5
(1)	971 419 506 M	Steering column Manually adjustable		1	PR:0RZ,2C4
(1)	971 419 506 P	Steering column Manually adjustable No longer use the part here		1	PR:0RZ,2C4
(1)	971 419 506 AB	Steering column MANUELL VERSTELLBAR		1	
2	971 419 506 J	Steering column Electrically adjustable		1	PR:0RC,2C5
(2)	971 419 506 L	Steering column Electrically adjustable No longer use the part here		1	PR:0RC,2C4
(2)	971 419 506 N	Steering column Electrically adjustable Discontinued part		1	PR:0RC,2C4
(2)	971 419 506 S	Steering column Electrically adjustable		1	PR:0RC,2C4
(2)	971 419 506 AA	Steering column Electrically adjustable		1	
3	971 419 753 B	Intermediate steering shaft		1	PR:L0L
(3)	971 419 753 C	Intermediate steering shaft		1	PR:L0R
4	9A7 607 705 A	Control unit for electrically adjustable steering column		1	PR:2C4
5	N 104 066 04	Oval hexagon socket head bolt Control unit Steering column Electrically adjustable		1	PR:A8F,A8H, OK0
6	WHT 004 955 A	Torx socket head bolt universal joint Steering column		2	
7	N 907 988 05	Hexagon collar nut M 8		4	
8	WHT 007 033	Hex collared bolt Retaining frame Mount Steering column		4	

Model: 971-17

Model life 2017>>

5/01/00



24	23	21	18	16	10	8	6

Model: 971-17 Model life 2017>>

Pos	Part Number	Description	Remark	Qty	Model
		Suspension sub-frame			
1	971 599 030 AA	Accessories Suspension sub-frame		1	PR:0N1,0J2, 0J8
(1)	971 599 030 AB	sub-frame with rubber mounting		1	PR:0N1,0J3, 0J5
(1)	971 599 030 AC	Suspension sub-frame		1	PR:0N5
2	971 505 541 A	Bearing bush	front	2	
3	971 505 543 B	Bearing bush	rear	2	
4	971 599 381 A	Bonded rubber bush Gearbox		4	PR:A8C,A8F
4	971 599 381 A	Bonded rubber bush Gearbox		4	PR:A8H,0K0
4	971 599 381 A	Bonded rubber bush Gearbox		4	PR:A8H,0K3
		also use:	971.599.383	2	
			971.599.383.A	2	
5	971 505 477	Brace Suspension sub-frame		2	
6	N 106 296 02	Hex collared bolt M 10 X 35		4	
7	971 505 447	Cross member Transverse		1	PR:0N5
8	N 106 284 01	Hex collared bolt M 12 X 1,5 X 40		2	PR:0N5
10	9A7 008 258 00	Hexagon bolt M 10 X 30		2	PR:0F5
15	971 971 005 B	Cable holder	left	1	
(15)	971 971 006 B	Cable holder	right	1	
16	N 100 829 13	hexagon head bolt (combi) M 6 X 16		2	
17	971 616 571	Level sensor	left	1	
(17)	971 616 572 A	Level sensor	right	1	
18	N 911 687 01	Hexalobular flange screw M 6 X 18		4	
19		Bracket Control unit tyre pressure control system			
		see illustration:	601-050		
20	971 825 729 F	Heat insulation Drive shaft	left	1	PR:A8C,A8F
20	971 825 729 G	No longer use the part here Heat insulation Drive shaft		1	PR:A8C,A8F
20	971 825 729 D	Heat shield Drive shaft	left left	1	PR:A8H
(20)	971 825 729 C	Heat insulation Drive shaft	right	1	PR:A8C,A8F
(20)	971 825 729 H	No longer use the part here Heat insulation Drive shaft		1	PR:A8C,A8F
(20)	971 825 729 E	Heat shield Drive shaft	right right	1	PR:A8H
21	N 103 352 06	Hexagon socket flat head bolt M 6 X 12		8	
21	N 910 966 01	No longer use the part here Hexagon socket flat head bolt M 6 X 12		8	

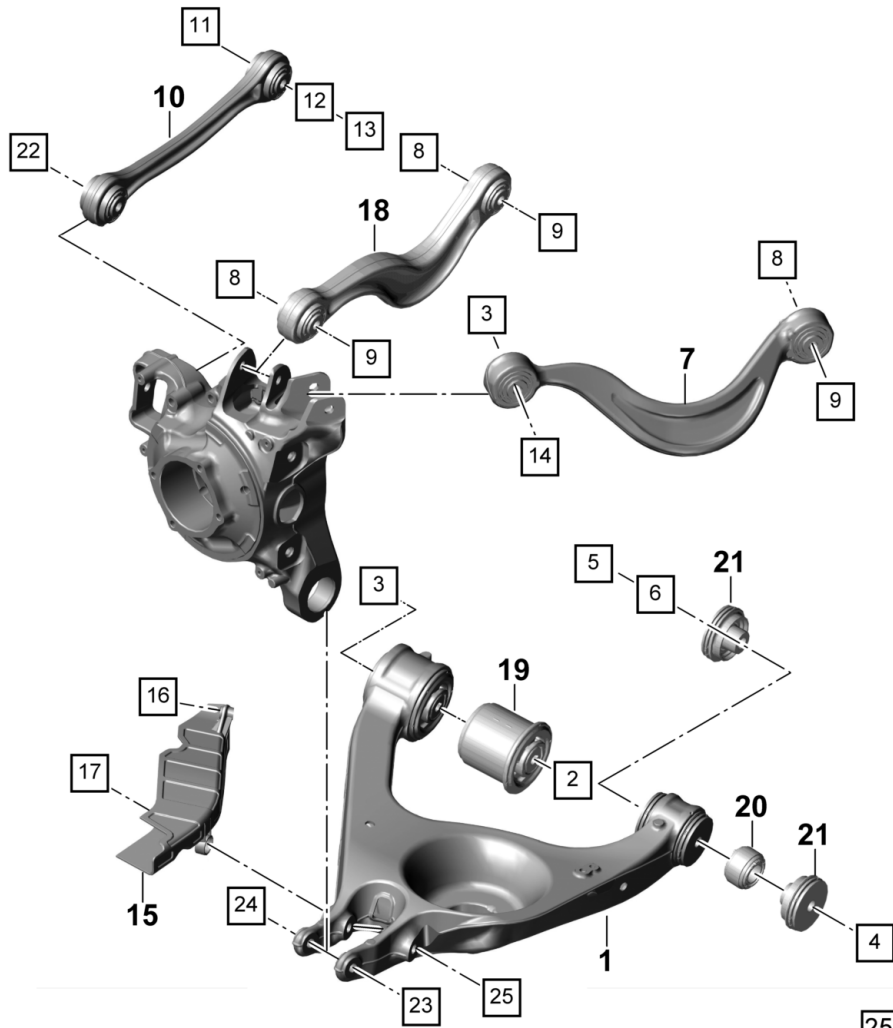
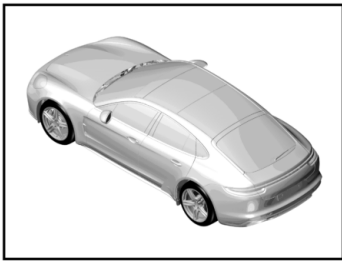
Model: 971-17

Model life 2017>>

Pos	Part Number	Description	Remark	Qty	Model
22	971 825 613	Heat shield Suspension sub-frame Mounting	rear left	1	
(22)	971 825 613 A	Heat shield Suspension sub-frame Mounting	rear right	1	
23	N 106 466 01	Hexagon bolt M 5 X 12		6	
24	N 912 280 01	Hexagon flange screw (combi) BM 14 X 1,5 X 145		4	
25	971 599 383	Stop gearbox mounting	front	2	PR:A8H,0K3
26	971 599 383 A	Stop gearbox mounting	rear	2	PR:A8H,0K3
27	N 102 722 02	hexagon head bolt (combi)	M12X1,5X95	4	

Model: 971-17

Model life 2017>>



24	23	22	17	16	14	13	12
11	9	8	6	5	4	3	2
							25

Model: 971-17 Model life 2017>>

Pos	Part Number	Description	Remark	Qty	Model
1	971 505 311 E	Wishbone Rear axle	left	1	
(1)	971 505 312 E	Wishbone Rear axle	right lower	1	
2	N 106 969 01	Hex collared bolt		1	
3	N 104 029 04	Wishbone Hexagon nut Screw		1	
4	WHT 007 646	Wishbone Eccentric bolt		2	
5	WHT 001 938	Wishbone hexagon nut, self-locking Eccentric bolt		2	
6	WHT 001 796 A	Wishbone eccentric washer clamping nut Eccentric bolt		2	
7	971 505 397	Wishbone track control arm, complete	left rear	1	
(7)	971 505 398	track control arm, complete	upper right rear upper	1	
8	N 106 286 01	Hex collared bolt	rear	1	
9	N 104 029 04	Wishbone Hexagon nut Wishbone	upper rear upper	1	
10	971 501 529 A	track control arm, complete		2	
11	WHT 007 497	Eccentric bolt		1	
12	WHT 007 492	Track rod eccentric washer Eccentric bolt		1	
13	N 104 029 04	Track rod Hexagon nut Eccentric bolt		1	
14	N 106 286 01	Track rod Hex collared bolt Mount		1	
15	971 505 569 A	Wishbone Air guide	left	1	PR:-1KQ,-2ED
(15)	971 505 570 A	Wishbone Air guide	right	1	PR:-1KQ,-2ED
16	N 911 087 01	Wishbone Hexagon collared bolt with multi-point socket head (duo) Mount		1	PR:-1KQ,-2ED
17	N 104 029 04	Air baffle plate Wishbone Hexagon nut Mount		1	
18	971 505 323	Air baffle plate Wishbone track control arm, complete	upper front	2	
19	971 505 544	hydro-mounting		2	
22	N 107 847 02	Hexagon flange screw M 12 X 1,5 X 85		2	
23	N 106 959 01	Hex collared bolt	M12X1,5X105	2	
24	N 104 029 04	Hexagon nut	M12	2	
25	N 107 169 01	Hex collared bolt	M12X1,5X170X90	2	

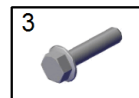
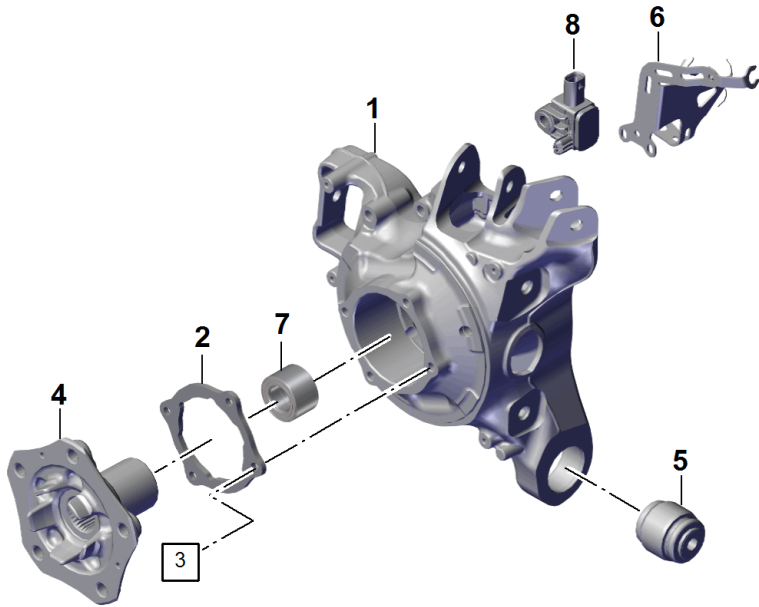
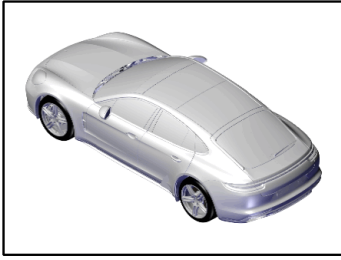
Model: 971-17

Model life 2017>>

Pos	Part Number	Description	Remark	Qty	Model
		Hexagon bolt			

Model: 971-17

Model life 2017>>



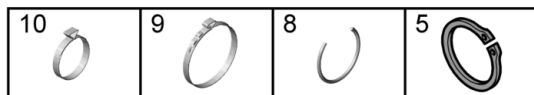
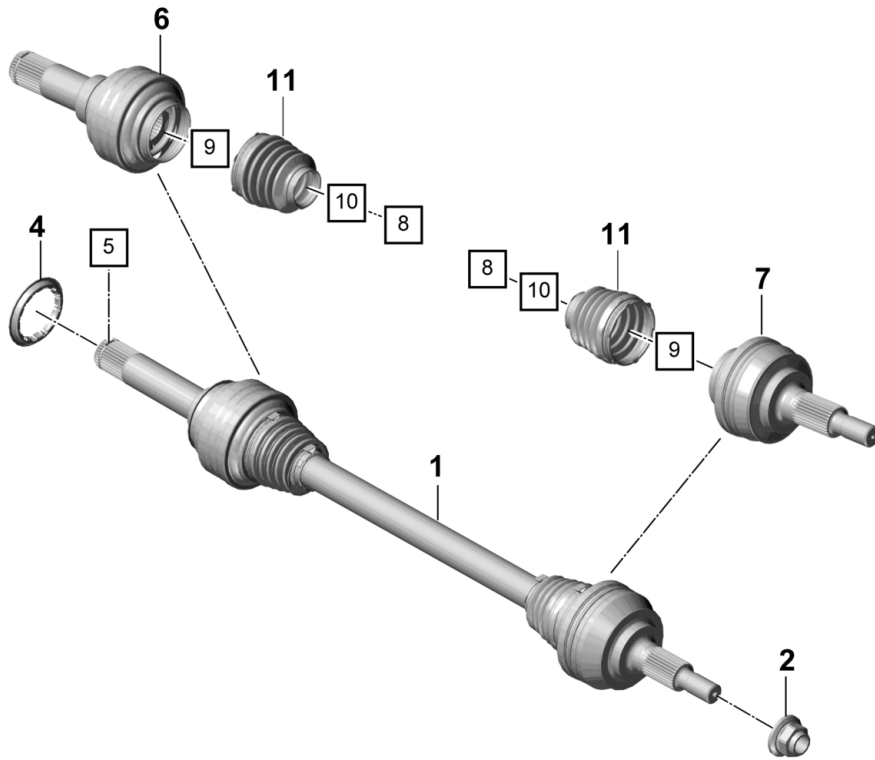
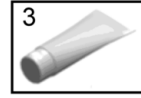
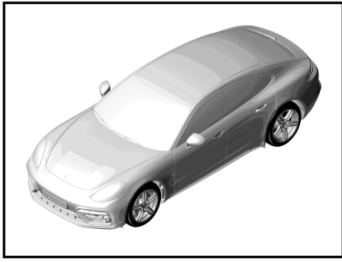
Model: 971-17

Model life 2017>>

Pos	Part Number	Description	Remark	Qty	Model
1	971 505 435 B	Wheel carrier Wheel hub Rear axle	left	1	PR:0J2,0J8
(1)	971 505 435 F	Wheel bearing housing Rear axle	left	1	PR:0J3,0J5
(1)	971 505 436 B	Wheel carrier Rear axle	right	1	PR:0J2,0J8
(1)	971 505 436 F	Wheel bearing housing Rear axle	right	1	PR:0J3,0J5
2	971 501 375	plate Wheel hub		2	PR:0J2,0J8
(2)	971 501 375 A	plate Wheel hub		2	PR:0J3,0J5
3	N 108 063 01	Hex collared bolt plate Mounting		4	
4	9P1 407 616	Wheel carrier Wheel hub		2	PR:0J2,0J8
(4)	971 407 615 B	Wheel carrier Wheel hub		2	PR:0J3,0J5
5	298 501 341	Bearing bush Wheel carrier		2	
6	971 971 005 C	Cable holder Wheel carrier Accelerator sensor Discontinued part	left	1	
6	971 971 005 D	Bracket Wheel carrier Accelerator sensor	left	1	
(6)	971 971 006 C	Cable holder Wheel carrier Accelerator sensor Discontinued part	right	1	
(6)	971 971 006 D	Bracket Wheel carrier Accelerator sensor	right	1	
7	971 407 621	angular ball bearing		2	PR:0J2,0J8
(7)	971 501 287 B	angular ball bearing		2	PR:0J3,0J5
8	971 907 656	Accelerator sensor Wheel carrier		1	

Model: 971-17

Model life 2017>>



Model: 971-17 Model life 2017>>

Pos	Part Number	Description	Remark	Qty	Model
		Drive shaft			PR:E0A
1	971 501 201 F	Rear axle		2	PR:A8C,A8F, GH1,OK0,1A2
(1)	971 501 201 G	Drive shaft		2	PR:A8H,GH1, OK0
(1)	971 501 201 G	Drive shaft		2	PR:0F5,GH1, OK0
(1)	971 501 201 H	Drive shaft		2	PR:GH1,OK3
(1)	971 501 201 J	Drive shaft	left	1	PR:GH3
(1)	971 501 201 K	Drive shaft	right	1	PR:GH3
2	WHT 007 021	hex. nut, self-locking with washer		2	
3	000 043 305 08	Assembly paste		1	
4	7PP 501 811	Drive shaft		1	
		protective ring		1	
5	955 332 125 00	Drive shaft		1	
		Securing ring		1	
6	971 501 342	Drive shaft		1	PR:A8C,A8F, E0A,GH1,OK0, 1A2
		Joint		1	PR:E0A,GH1, 0F5,OK0,E0W
(6)	971 501 342 A	Drive shaft		1	
		* single parts no available *			
		Joint		1	PR:A8C,A8F, GH1,OK0,1A2, E0A
7	971 501 341	Drive shaft		1	PR:A8C,A8F, GH1,OK0,1A2, E0A
		* single parts no available *			
(7)	971 501 341 A	Joint		1	PR:E0A,GH1, 0F5,OK0,E0W
		Drive shaft		1	PR:A8C,A8F, E0A,GH1,OK0, 1A2
8	N 910 924 01	* single parts no available *		1	PR:A8C,A8F, E0A,GH1,OK0, 1A2
		Securing ring		1	PR:GH3,A8H, E0A,GH1,OK0, E0W,A8F
(8)	N 911 812 01	Drive shaft		1	PR:A8C,A8F, E0A,GH1,OK0, 1A2
		* single parts no available *			
9	N 912 713 01	Ear crimp hose clamp		1	PR:GH3,0F5, E0A,GH1,A8F, E0W,OK0
		Drive shaft		1	
		66,5X7X0,8		1	
(9)	N 912 714 01	* single parts no available *		1	PR:GH3,0F5, E0A,GH1,A8F, E0W,OK0
		Ear crimp hose clamp		1	
		Drive shaft		1	
		72,5X7X0,8		1	
10	N 107 534 01	* single parts no available *		1	
		clamp		1	
		Drive shaft		2	PR:A8C,A8F, E0A,GH1,OK0, 1A2
		40,5X7X0,6		2	PR:A8H,E0A, GH1,OK0,1A2
11	971 501 153	* single parts no available *		2	PR:E0A,GH1, OK0,0F5
		Bellows		2	PR:E0A,GH1, OK0,0F5
(11)	971 501 153 A	Drive shaft		2	PR:E0A,GH1, OK0,0F5
		* single parts no available *			
(11)	971 501 153 A	Bellows		2	PR:E0A,GH1, OK0,0F5
		Drive shaft		2	PR:E0A,GH1, OK0,0F5
(11)	971 501 153 A	* single parts no available *		2	PR:E0A,GH1, OK0,0F5
		Bellows		2	PR:E0A,GH1, OK0,0F5
		Drive shaft		2	PR:E0A,GH1, OK0,0F5
		* single parts no available *			

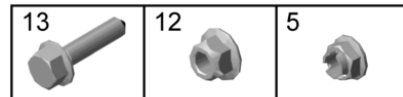
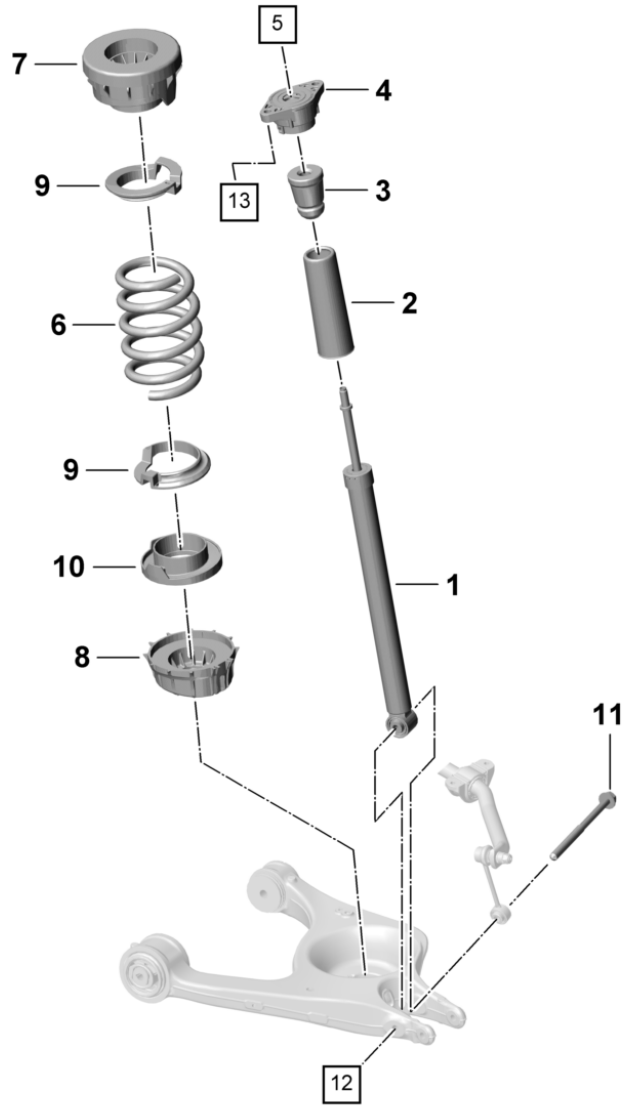
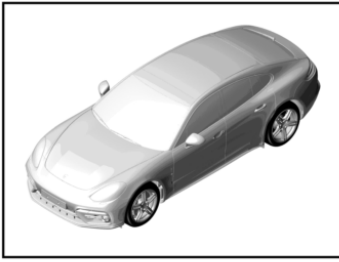
Model: 971-17

Model life 2017>>

Pos	Part Number	Description	Remark	Qty	Model
(11)	971 501 153 A	Bellows Drive shaft * single parts no available *		2	PR:GH3

Model: 971-17

Model life 2017>>



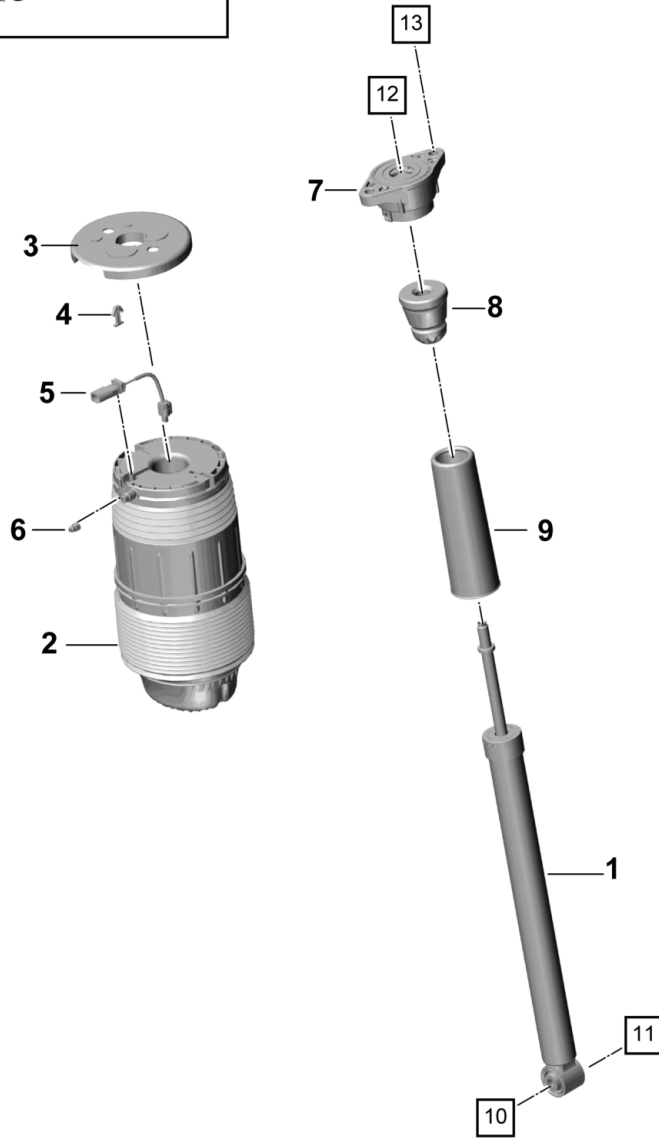
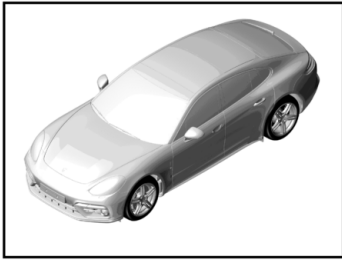
Model: 971-17

Model life 2017>>

Pos	Part Number	Description	Remark	Qty	Model
		suspension			PR:1BH
1	971 513 035 B	Damper		2	
2	971 512 137	Damper		2	
3	971 512 131	Protective sleeve		2	
4	971 513 353	Stop buffer		2	
5	WHT 004 985	Shock absorber mounting	upper	2	
6	971 511 115	hex. nut		2	
		Coil spring		1	PR:0YA
		Set			
		Identification: >> >>			
	971 511 115 504	1 pair of springs			
		blue			
(6)	971 511 115 A	Coil spring		1	PR:0YB
		Set			
		Identification: >> >>			
	971 511 115 A 504	1 pair of springs			
		green			
(6)	971 511 115 B	Coil spring		1	PR:0YC
		Set			
		Identification: >> >>			
	971 511 115 B 504	1 pair of springs			
		violet			
(6)	971 511 115 C	Coil spring		1	PR:0YD
		Set			
		Identification: >> >>			
	971 511 115 C 504	1 pair of springs			
		yellow			
(6)	971 511 115 D	Coil spring		1	PR:0YE
		Set			
		Identification: >> >>			
	971 511 115 D 504	1 pair of springs			
		Opal Green			
7	971 511 177	Insert	upper	2	
8	971 511 178	Insert	lower	2	
9	971 412 149	Spring support		4	
10	971 411 177	Insert		4	
		Tolerance range			
		beige			
11	N 107 169 01	Hex collared bolt	M12X1,5X170X90	2	
12	N 104 029 04	Hexagon nut		2	
		M 12 X 1,5			
13	N 107 285 02	Hex collared bolt		4	
		M 10 X 42			
14	971 411 177	Insert		4	
		Tolerance range			
		beige			
(14)	971 411 177 A	Insert		4	
		Tolerance range			
		Black			
(14)	971 411 177 B	Insert		4	
		Tolerance range			
		Grey			

Model: 971-17

Model life 2017>>



13	12	11	10

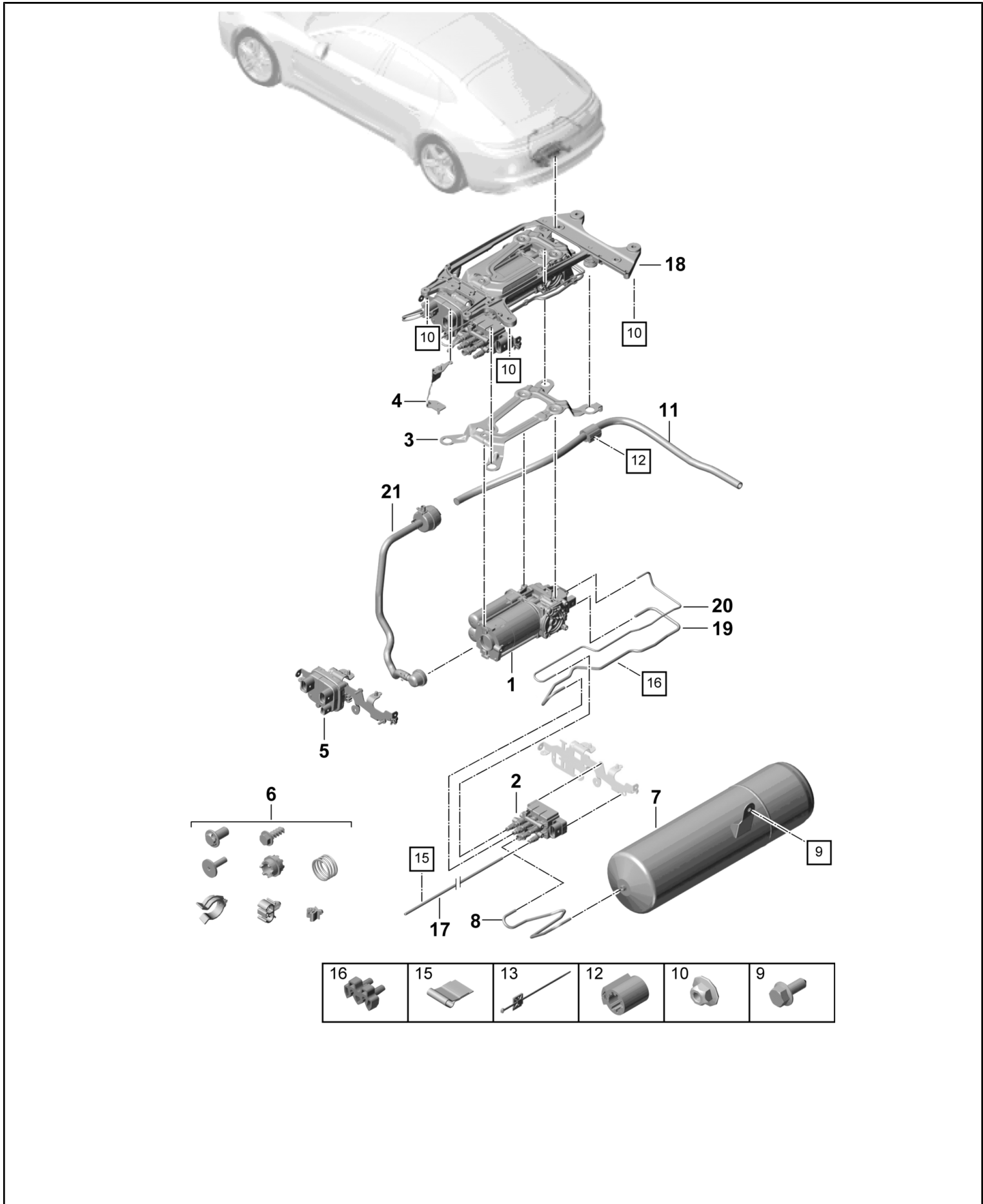
Model: 971-17

Model life 2017>>

Pos	Part Number	Description	Remark	Qty	Model
1	971 513 035 B	air spring Damper		2	PR:1BK
2	971 616 025 C	spring cylinder	left	1	
(2)	971 616 026 C	spring cylinder	right	1	
3	971 616 297 A	Spring support	upper	2	
4	971 616 819	air spring Clip		2	
5	971 972 541	Connection cable Valve		2	
6	971 616 751	air spring Air pressure connection Air line		4	
7	971 513 353	Shock absorber mounting	upper	2	
8	971 512 131 B	Stop buffer		2	PR:-E0W
9	971 512 137	Protective sleeve		2	
10	WHT 004 985	hex. nut		2	
11	N 107 169 01	Hex collared bolt BM 12 X 1,5 X 170		2	
12	N 104 029 04	Hexagon nut M 12 X 1,5		2	
13	N 107 285 02	Hex collared bolt M 10 X 42		4	

Model: 971-17

Model life 2017>>



Model: 971-17

Model life 2017>>

Pos	Part Number	Description	Remark	Qty	Model
		Compressor Pressure accumulator			PR:1BK
1	971 616 007 B	Compressor repair set		1	
2	971 616 056	Valve block		1	
3	971 616 199	Bracket for compressor		1	
4	971 616 199 A	Bracket		1	
5	971 616 591 A	Control mechanism		1	
		with:			
6	971 616 691	Bracket		1	
		Mounting with fixing parts		1	
7	971 616 202	Pressure accumulator		1	PR:0K0
(7)		Pressure accumulator see illustration:	901-040	1	PR:0K3
8	971 616 711	Air line		1	PR:0K0
		Pressure accumulator To			
		Valve block			
(8)	971 616 711 B	Line		1	PR:0K3
		Pressure accumulator To			
		Valve block			
9	N 106 532 01	Hex collared bolt		3	
		M 6 X 16			
10	N 908 877 03	Hexagon flange nut, self-locking		4	
		M 6			
11	971 616 785 B	suction line		1	PR:0K0,0F5
		D >> - 05.02.2017			
(11)	971 616 795 A	Hose		1	PR:0K0,0F5
		D - 06.02.2017>>			
(11)	971 616 785 C	suction line		1	PR:0K0,1A2
		D >> - 05.02.2017			
(11)	971 616 795 B	Hose		1	PR:0K0,1A2
		D - 06.02.2017>>			
(11)	971 616 795	Hose		1	PR:0K3
(11)	971 616 795 C	Hose		1	PR:0K3
		DURCHMESSER 15			
12	N 107 729 01	toothed lock washer		1	PR:0F5
(12)	N 107 729 01	toothed lock washer		4	PR:0K3
15	7L5 827 925	Velcro	rear	2	
		Air line			
		Cross member			
16	1K0 611 853	Bracket	rear	1	
		Air line			
		Cross member			
17	971 616 675 D	Air line	front left	1	PR:0E1
		red 7135 MM			
(17)	971 616 675 E	Air line	front left	1	PR:0E2
		red 7285 MM			
(17)	971 616 715 B	Air line	front right	1	PR:0E1
		green 9695 MM			
(17)	971 616 715 C	Air line	front right	1	PR:0E2
		green 9845 MM			
(17)	971 616 647 A	Air line	rear left	1	
		Black 1305 MM			
(17)	971 616 649 B	Air line	rear right	1	
		blue			

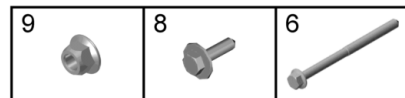
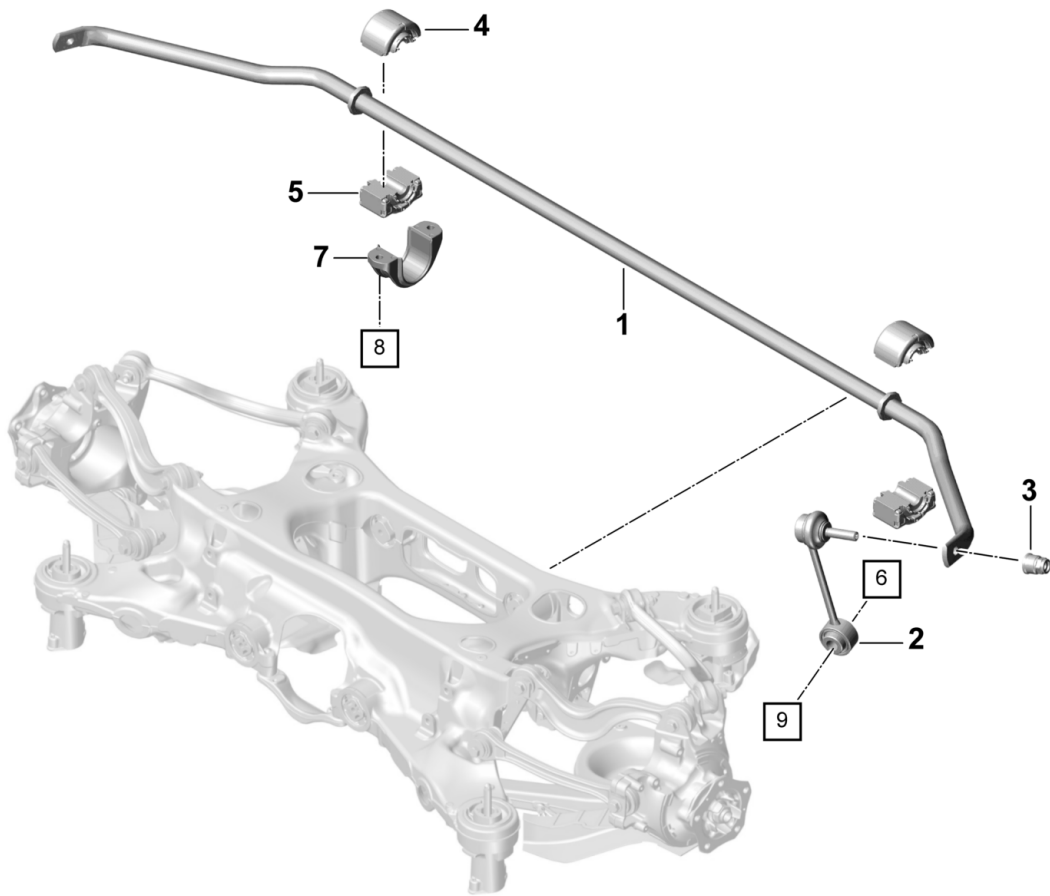
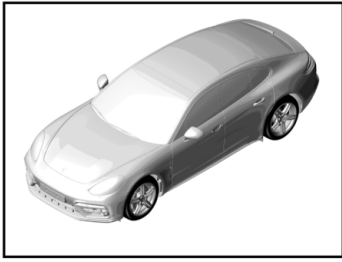
Model: 971-17

Model life 2017>>

Pos	Part Number	Description	Remark	Qty	Model
18	971 616 006 B	2030 MM Compressor (complete)		1	
19	971 616 645	Air line Valve block for adaptive suspension	DIA=6MM	1	
20	971 616 653	Air line Valve block for adaptive suspension	DIA=4MM	1	
21	971 616 785	suction line for compressor		1	

Model: 971-17

Model life 2017>>



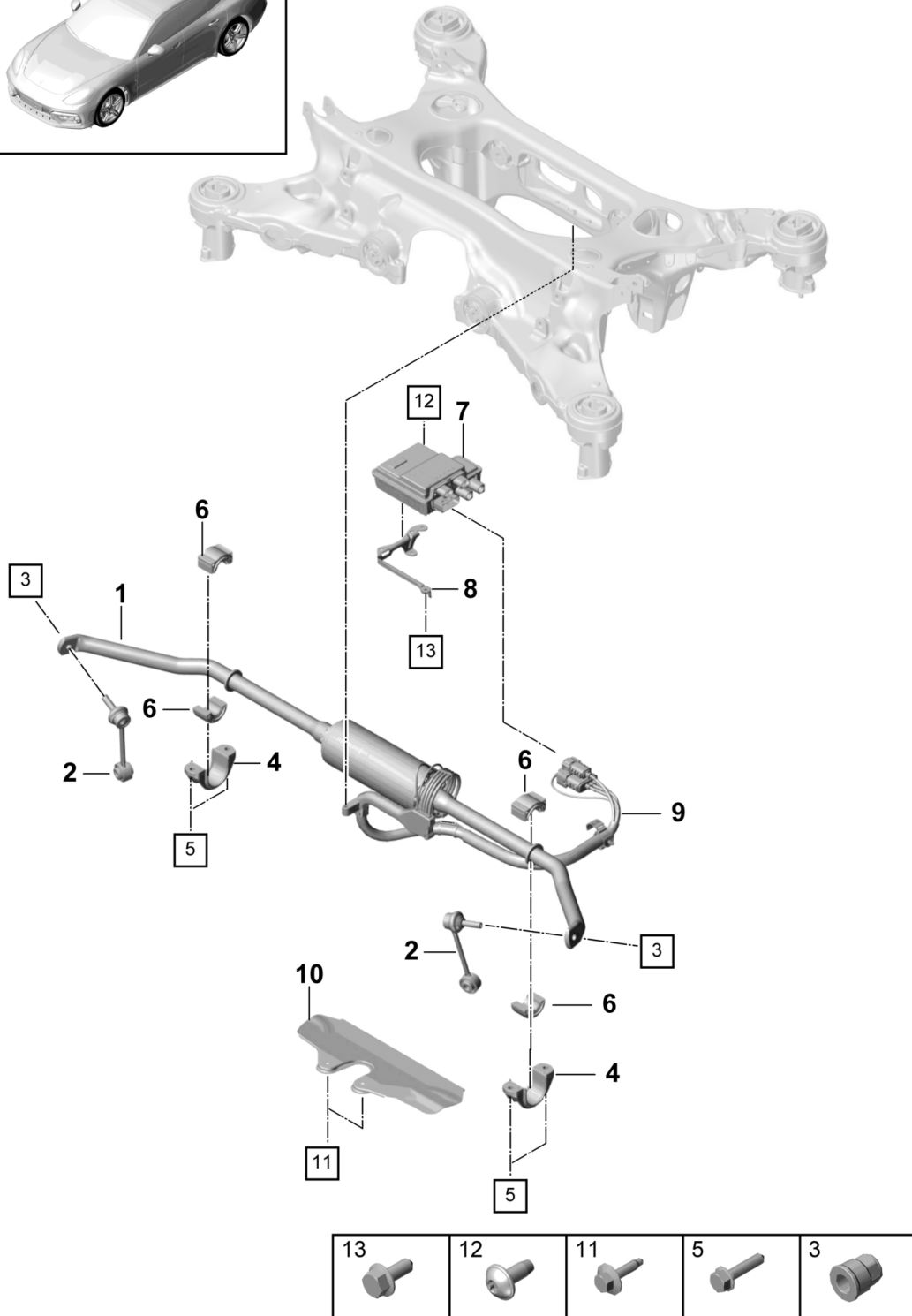
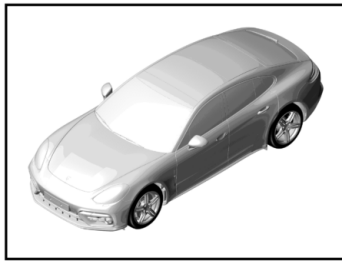
Model: 971-17

Model life 2017>>

Pos	Part Number	Description	Remark	Qty	Model
		Anti-roll bar Rear axle			PR:1P0
1	971 511 025 D	Anti-roll bar		1	PR:1BK
(1)	971 511 025 C	Anti-roll bar		1	PR:1BK
(1)	971 511 025 B	Anti-roll bar		1	
(1)	971 511 025 C	Anti-roll bar		1	PR:1BK
(1)	971 511 025 D	Anti-roll bar		1	PR:1BK
2	971 511 467 B	Coupling rod		1	
3	WHT 007 957	hex. nut M 10		2	
4	971 511 036 E	Rubber bush Top half		1	
5	971 511 035 E	Rubber bush Bottom half		1	
6	N 107 169 01	Hex collared bolt	M12X1,5X170X90	2	
7	971 511 418	Clamp		2	
8	N 106 756 03	shouldered bolt M 8 X 35		4	
9	N 104 029 04	Hexagon nut	M12	2	

Model: 971-17

Model life 2017>>



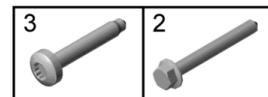
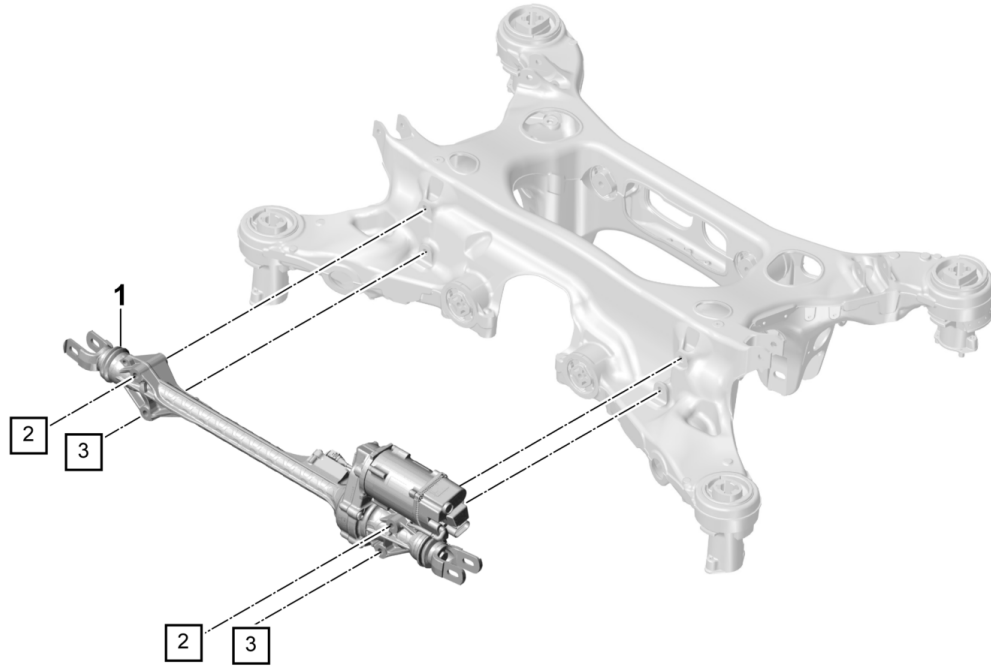
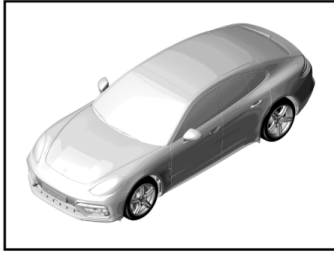
Model: 971-17

Model life 2017>>

Pos	Part Number	Description	Remark	Qty	Model
		Anti-roll bar Roll stabilisation			PR:1P7
1	971 511 023 C	Anti-roll bar		1	
2	971 511 467 C	Coupling rod		2	
3	9A7 007 819 00	Hexagon nut M 12 X 1,5		2	
4	971 511 418	Clamp		2	
5	N 106 756 03	Anti-roll bar shouldered bolt M 8 X 35		4	
6	971 511 035 F	Rubber bush 30MM	lower	2	
(6)	971 511 036 F	Rubber bush 30MM	upper	2	
7	971 907 156 K	Control unit for active roll stabilisation		2	
8	971 907 324 B	Bracket Control unit		1	
10	971 616 113	Heat shield		1	
11	N 909 995 02	Hex collared bolt M 6 X 25		2	
12	N 106 695 01	fillister head bolt with multi-point socket head M 5 X 12		3	
13	N 106 532 01	Hex collared bolt M 6 X 16		3	

Model: 971-17

Model life 2017>>



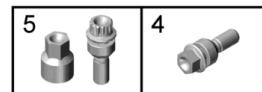
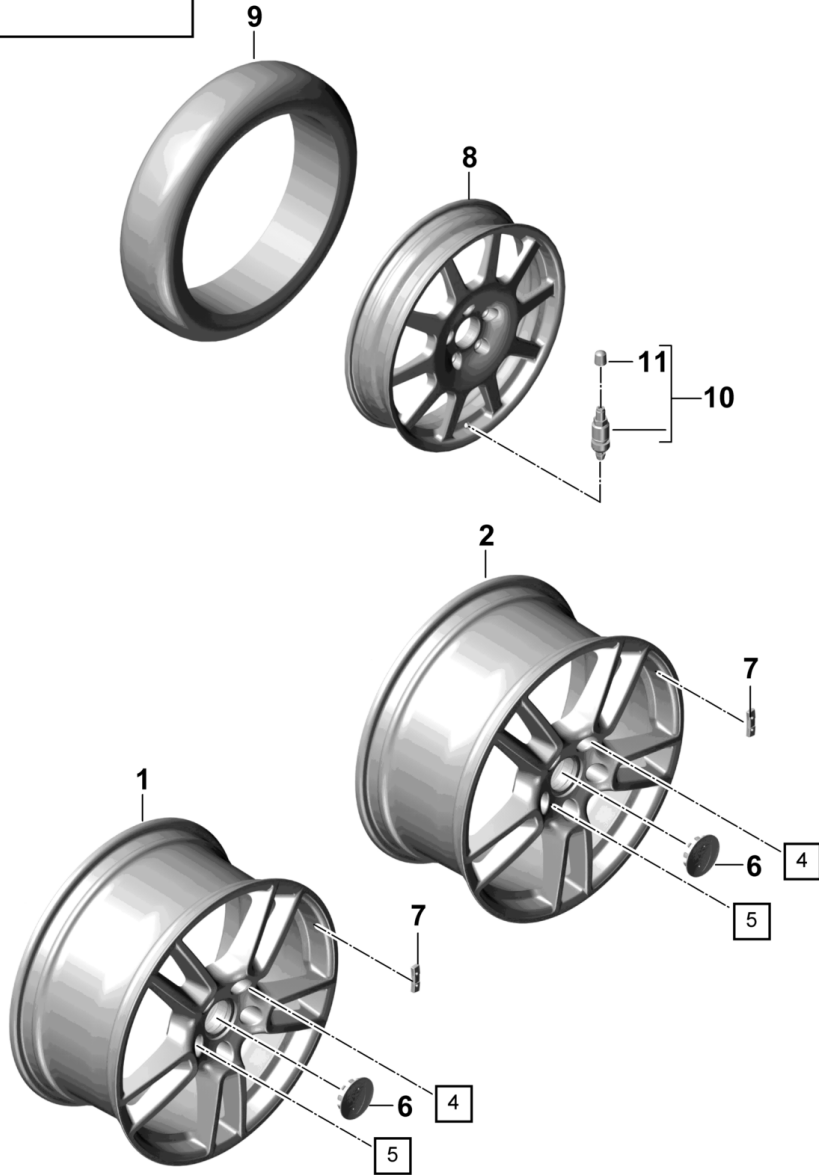
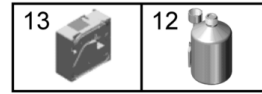
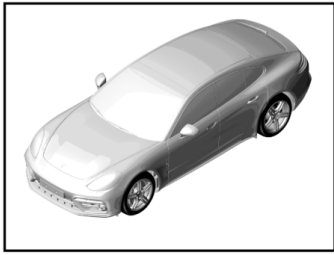
Model: 971-17

Model life 2017>>

Pos	Part Number	Description	Remark	Qty	Model
		Steering			PR:0N5
		Rear axle			
1	971 501 605 G	Steering		1	
2	N 106 403 01	Hex collared bolt		2	
		BM 12 X 1,5 X 100			
3	N 912 565 01	Multiple-tooth screw		2	
		M 12 X 1,5 X 75			

Model: 971-17

Model life 2017>>



Model: 971-17 Model life 2017>>

Pos	Part Number	Description	Remark	Qty	Model
-		Wheels part number Disc wheel without: Hub cap and Wheel bolts			
1	971 601 025	Alloy wheel 9J X 19 ET64	front	2	PR:V57
(1)	971 601 025 8Z8 971 601 025 A	Brilliant Silver Alloy wheel 9J X 19 ET64	front	2	PR:V58
(1)	971 601 025 A 8Z8 971 601 025 B	Brilliant Silver Alloy wheel 9,5J X 20 ET71	front	2	PR:44G
(1)	971 601 025 B 88Z 971 601 025 C	Brilliant chrome finish Alloy wheel 9,5J X 20 ET71	front	2	PR:44H
(1)	971 601 025 C 88Z 971 601 025 D	Brilliant chrome finish Alloy wheel 9,5J X 21 ET71	front	2	PR:44D
(1)	971 601 025 D 88Z 971 601 025 D	Brilliant chrome finish Alloy wheel 9,5J X 21 ET71	front	2	PR:43S, 43T, 43U
(1)	971 601 025 D 041 971 601 025 D OB5 971 601 025 D C9X 971 601 025 D	Black Platinum satin-matt Jet Black Metallic Alloy wheel 9,5J X 21 ET71	front	2	PR:43S PR:43T PR:43U PR:43V
(1)	971 601 025 D 88Z 971 601 025 E	Brilliant chrome finish modify in workshop Alloy wheel 9,5J X 21 ET71	front	2	PR:44E, -05B, -05C
(1)	971 601 025 E OC6 971 601 025 AB	Titanium Alloy wheel 9,5J X 21 ET71	front	2	PR:44E, 05B
(1)	971 601 025 AB OC6 971 601 025 AD	Titanium Alloy wheel 9,5J X 21 ET71	front	2	PR:44E, 05C
(1)	971 601 025 AD OC6 971 601 025 M	Titanium Alloy wheel 9,5J X 21 ET71	front	2	PR:44A, 44C, 44F, 44B
(1)	971 601 025 M 041 971 601 025 M C9X 971 601 025 M OB5 971 601 025 M OU7 971 601 025 M	Black Jet Black Metallic Platinum satin-matt Platinum Silver Metallic Alloy wheel 9,5J X 21 ET71	front	2	PR:44A PR:44B PR:44C PR:44F PR:43W
	971 601 025 M OB5	Paint modify in workshop Platinum satin-matt			PR:43W

Model: 971-17

Model life 2017>>

Pos	Part Number	Description	Remark	Qty	Model
2	971 601 025 F	Alloy wheel 10,5J X 19 ET62	rear	2	PR:V57
	971 601 025 F 8Z8	Brilliant Silver			
(2)	971 601 025 G	Alloy wheel 10,5J X 19 ET62	rear	2	PR:V58
	971 601 025 G 8Z8	Brilliant Silver			
(2)	971 601 025 H	Alloy wheel Summer 11,5J X 20 ET68	rear	2	PR:44G
	971 601 025 H 8Z8	Brilliant chrome finish			
(2)	971 698 025	Alloy wheel Winter 10,5J X 20 ET71	rear	2	PR:44G
	971 698 025 88Z	Brilliant chrome finish			
(2)	971 601 025 J	Alloy wheel 11,5J X 20 ET68	rear	2	PR:44H
	971 601 025 J 88Z	Brilliant chrome finish			
(2)	971 601 025 K	Alloy wheel Summer 11,5J X 21 ET69	rear	2	PR:44D
	971 601 025 K 88Z	Brilliant chrome finish			
(2)	971 698 025 A	Alloy wheel Winter 10,5J X 21 ET71	rear	2	PR:44D
	971 698 025 A 88Z	Brilliant chrome finish			
(2)	971 601 025 K	Alloy wheel 11,5J X 21 ET69	rear	2	PR:43S, 43T, 43U
	971 601 025 K 041	Black			PR:43S
	971 601 025 K OB5	Platinum satin-matt			PR:43T
	971 601 025 K C9X	Jet Black Metallic			PR:43U
(2)	971 601 025 K	Alloy wheel 11,5J X 21 ET69	rear	2	PR:43V
	971 601 025 K 88Z	Brilliant chrome finish modify in workshop			
(2)	971 601 025 L	Alloy wheel 11,5J X 21 ET69	rear	2	PR:44E,-05B, -05C
	971 601 025 L OC6	Titanium			
(2)	971 601 025 AC	Alloy wheel 11,5J X 21 ET69	rear	2	PR:44E,05B
	971 601 025 AC OC6	Titanium			
(2)	971 601 025 AE	Alloy wheel 11,5J X 21 ET69	rear	2	PR:44E,05C
	971 601 025 AE OC6	Titanium			
(2)	971 601 025 N	Alloy wheel 11,5J X 21 ET69	rear	2	PR:44A, 44C, 44F, 44B
	971 601 025 N 041	Black			PR:44A
	971 601 025 N C9X	Jet Black Metallic			PR:44B
	971 601 025 N OB5	Platinum satin-matt			PR:44C
	971 601 025 N OU7	Platinum Silver Metallic			PR:44F
(2)	971 601 025 N	Alloy wheel	rear	2	PR:43W

Model: 971-17

Model life 2017>>

Pos	Part Number	Description	Remark	Qty	Model
		11,5J X 21 ET69 Paint modify in workshop			
4	971 601 025 N OB5 WHT 004 676 A	Platinum satin-matt Wheel bolt		16	PR:43W
5	971 698 030	Set Anti-theft protection		1	PR:1PC
(5)	971 698 030 A	Set Anti-theft protection		1	PR:1PE
6	9P1 601 147	Hub cap	Concave	4	PR:1NE,V57, 44D,44G,44H
	9P1 601 147 8Z8 9P1 601 147 88Z	Brilliant Silver Brilliant chrome finish			PR:V57 PR:44D,44G, 44H
(6)	9P1 601 147 A	Hub cap Porsche crest	Concave Multi-coloured	4	PR:1NP,V57, 44D,44G,44H
	9P1 601 147 A 8Z8 9P1 601 147 A 88Z	Brilliant Silver Brilliant chrome finish			PR:V57 PR:44D,44G, 44H
(6)	9P1 601 149	Hub cap	Convex	4	PR:1NE,V58
	9P1 601 149 8Z8	Brilliant Silver			PR:V58
(6)	9P1 601 149 A	Hub cap Porsche crest	Convex Multi-coloured	4	PR:1NP,V58
	9P1 601 149 A 8Z8	Brilliant Silver			PR:V58
(6)	7L5 601 151	Hub cap Porsche crest	Concave Multi-coloured	4	PR:1NP,44A, 44C,44F
	7L5 601 151 041 7L5 601 151 OU7	Black Platinum Silver Metallic			PR:44A PR:44C,44F
(6)	7L5 601 151	Hub cap Porsche crest	Concave Multi-coloured	4	PR:1NP,43S, 43T
	7L5 601 151 041 7L5 601 151 OB5	Black Platinum satin-matt			PR:43S PR:43T
(6)	9A7 601 151 00	Hub cap Porsche crest	Concave Multi-coloured	4	PR:1NP,43V
	9A7 601 151 00 M7Z	GT Silver Metallic modify in workshop			PR:43W
(6)	9A7 601 151 00	Hub cap Porsche crest	Concave Multi-coloured	4	PR:1NP,43U, 44B
	9A7 601 151 00 C9X	Jet Black Metallic			PR:43U,44B
(6)	7PP 601 149 H	Hub cap		4	PR:1NE,44E
(6)	7PP 601 149 J	Hub cap		4	PR:1NP,44E
7	997 361 405 00	Balancer weight (self-adhesive) silver		X	
(7)	9P1 601 179	Balancer weight (self-adhesive) Black		X	
(7)	997 361 410 00	Balancer weight (self-adhesive) silver		X	
(7)	9P1 601 181	Balancer weight (self-adhesive) Black		X	
(7)	997 361 415 00	Balancer weight (self-adhesive) silver		X	
(7)	9P1 601 182	Balancer weight (self-adhesive) Black		X	
(7)	997 361 420 00	Balancer weight (self-adhesive) silver		X	

Model: 971-17

Model life 2017>>

Pos	Part Number	Description	Remark	Qty	Model
(7)	9P1 601 183	Balancer weight (self-adhesive) Black		X	
(7)	997 361 425 00	Balancer weight (self-adhesive) silver		X	
(7)	9P1 601 184	Balancer weight (self-adhesive) Black		X	
(7)	997 361 430 00	Balancer weight (self-adhesive) silver		X	
(7)	9P1 601 185	Balancer weight (self-adhesive) Black		X	
(7)	997 361 435 00	Balancer weight (self-adhesive) silver		X	
(7)	9P1 601 186	Balancer weight (self-adhesive) Black		X	
(7)	997 361 440 00	Balancer weight (self-adhesive) silver		X	
(7)	9P1 601 187	Balancer weight (self-adhesive) Black		X	
(7)	997 361 445 00	Balancer weight (self-adhesive) silver		X	
(7)	9P1 601 188	Balancer weight (self-adhesive) Black		X	
(7)	997 361 450 00	Balancer weight (self-adhesive) silver		X	
(7)	9P1 601 189	Balancer weight (self-adhesive) Black		X	
(7)	997 361 455 00	Balancer weight (self-adhesive) silver		X	
(7)	9P1 601 190	Balancer weight (self-adhesive) Black		X	
(7)	997 361 460 00	Balancer weight (self-adhesive) silver		X	
(7)	9P1 601 191	Balancer weight (self-adhesive) Black		X	
(7)	997 361 465 00	Balancer weight (self-adhesive) silver		X	
(7)	9P1 601 192	Balancer weight (self-adhesive) Black		X	
(7)	997 361 470 00	Balancer weight (self-adhesive) silver		X	
(7)	9P1 601 193	Balancer weight (self-adhesive) Black		X	

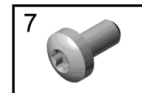
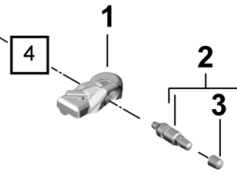
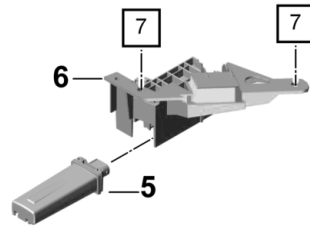
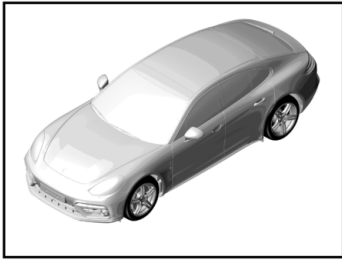
Model: 971-17

Model life 2017>>

Pos	Part Number	Description	Remark	Qty	Model
(7)	997 361 475 00	Balancer weight (self-adhesive) silver		X	
(7)	9P1 601 194	Balancer weight (self-adhesive) Black		X	
(7)	997 361 480 00	Balancer weight (self-adhesive) silver		X	
(7)	9P1 601 195	Balancer weight (self-adhesive) Black		X	
(7)	997 361 485 00	Balancer weight (self-adhesive) silver		X	
(7)	9P1 601 196	Balancer weight (self-adhesive) Black		X	
(7)	997 361 490 00	Balancer weight (self-adhesive) silver		X	
(7)	9P1 601 197	Balancer weight (self-adhesive) Black		X	
8	971 601 017	Spare wheel Tyre 4,5 B X 20 ET7	without:	1	PR:1G6
9	971 601 324	Summer radial tyre for Spare wheel 155/70 R20 115M		1	PR:1G6
10	311 601 361	Rubber valve for Spare wheel		1	PR:1G6
11	955 361 163 00	Cap for Rubber valve		1	PR:1G6
12	4L0 012 619 B	Tyre sealant		1	
13	5N0 012 615 C	Air compressor		1	

Model: 971-17

Model life 2017>>



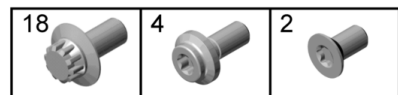
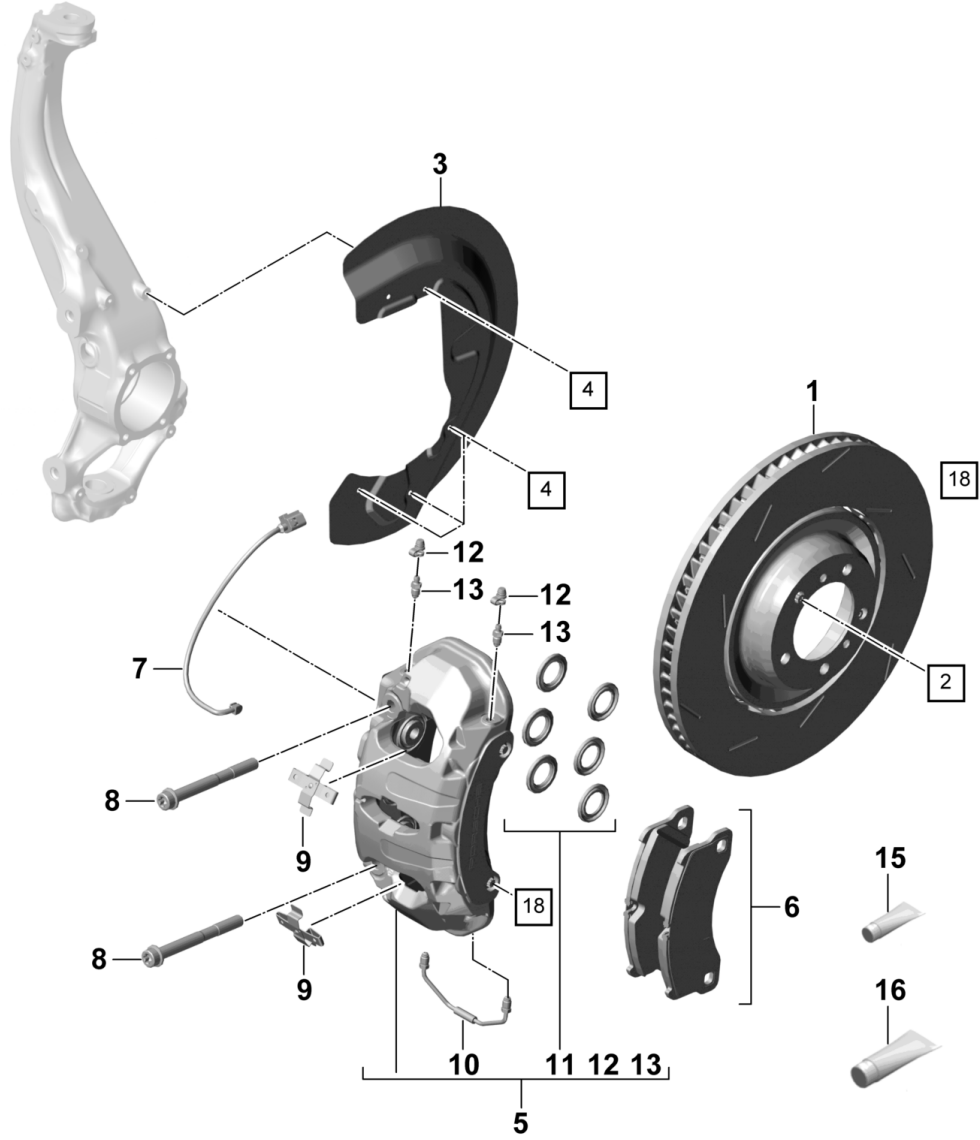
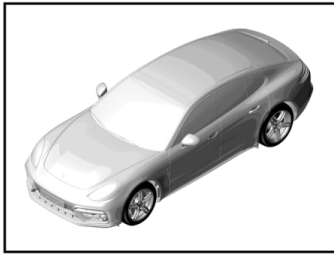
Model: 971-17

Model life 2017>>

Pos	Part Number	Description	Remark	Qty	Model
1	9A7 907 275 02	tyre pressure control system Tyre pressure sensor tyre pressure control system also use: Valve		4	PR:7K3
(1)	9A7 907 275 03	Tyre pressure sensor tyre pressure control system also use: Valve		4	PR:7K4
2	9P1 601 361 B	Valve tyre pressure control system Black		4	PR:UX7
(2)	9P1 601 361 C	Valve tyre pressure control system silver		4	PR:UX6
3	WHT 006 913	Valve cap for valve unit Black		4	PR:UX7
(3)	N 908 729 01	Valve cap for valve unit silver		4	PR:UX6
4	4D0 601 365	Hexagon socket head bolt, self-locking Valve		4	
5	971 907 273 H	Control unit tyre pressure control system		1	PR:7K3
(5)	971 907 273 J	Control unit tyre pressure control system		1	PR:7K4
6	971 907 297 A	Retainer for control units tyre pressure control system		1	
7	N 103 352 06	Hexagon socket flat head bolt M 6 X 12		8	

Model: 971-17

Model life 2017>>



Model: 971-17 Model life 2017>>

Pos	Part Number	Description	Remark	Qty	Model
		Disc brake Front axle			18" PR:1LN,1ZT, 1LU,1LD PR:1LN
1	971 615 301	Brake disc	left front	1	
		also use:	971 615 302	1	
(1)	971 615 302	Brake disc	right front	1	PR:1LN
		also use:	971 615 301	1	
(1)	971 615 301	Brake disc	left front	1	PR:1ZT
		also use:	971 615 302	1	
(1)	971 615 302	Brake disc	right front	1	PR:1ZT
		also use:	971 615 301	1	
(1)	971 615 301 F	Brake disc	left front	1	PR:1LU
		also use:	971 615 302 F	1	
(1)	971 615 302 F	Brake disc	right front	1	PR:1LU
		also use:	971 615 301 F	1	
(1)	971 615 301 F	Brake disc	left front	1	PR:1LD
		also use:	971 615 302 F	1	
(1)	971 615 302 F	Brake disc	right front	1	PR:1LD
		also use:	971 615 301 F	1	
			971 698 151 E	1	
2	N 104 560 04	Hexagon socket head bolt, self-locking M 6 X 12		4	
3	971 615 311 E	Cover plate	left	1	
(3)	971 615 312 E	Cover plate	right	1	
4	N 911 261 02	Hexagon socket flat head bolt M 6 X 14		10	
4	N 100 829 13	No longer use the part here hexagon head bolt (combi)	M6X16	10	
5	9A7 615 149 00	Fixed calliper Black	left	1	PR:1LN,1ZT
5	971 615 123 Q	D >> - 05.02.2017 caliper without brake pads Black	left	1	PR:1LN,1ZT
(5)	9A7 615 150 00	D - 06.02.2017>> Fixed calliper Black	right	1	PR:1LN,1ZT
(5)	971 615 124 Q	D >> - 05.02.2017 caliper without brake pads Black	right	1	PR:1LN,1ZT
(5)	971 615 123 G	D - 06.02.2017>> Fixed calliper silver	left	1	PR:1LU,1LD
(5)	971 615 123 N	D >> - 05.02.2017 Fixed calliper silver	left	1	PR:1LU,1LD
(5)	971 615 124 G	D - 06.02.2017>> Fixed calliper silver	right	1	PR:1LU,1LD
(5)	971 615 124 N	D >> - 05.02.2017 Fixed calliper silver	right	1	PR:1LU,1LD
6	95B 698 151 E	D - 06.02.2017>> 1 set of brake pads for	front	1	PR:1LN

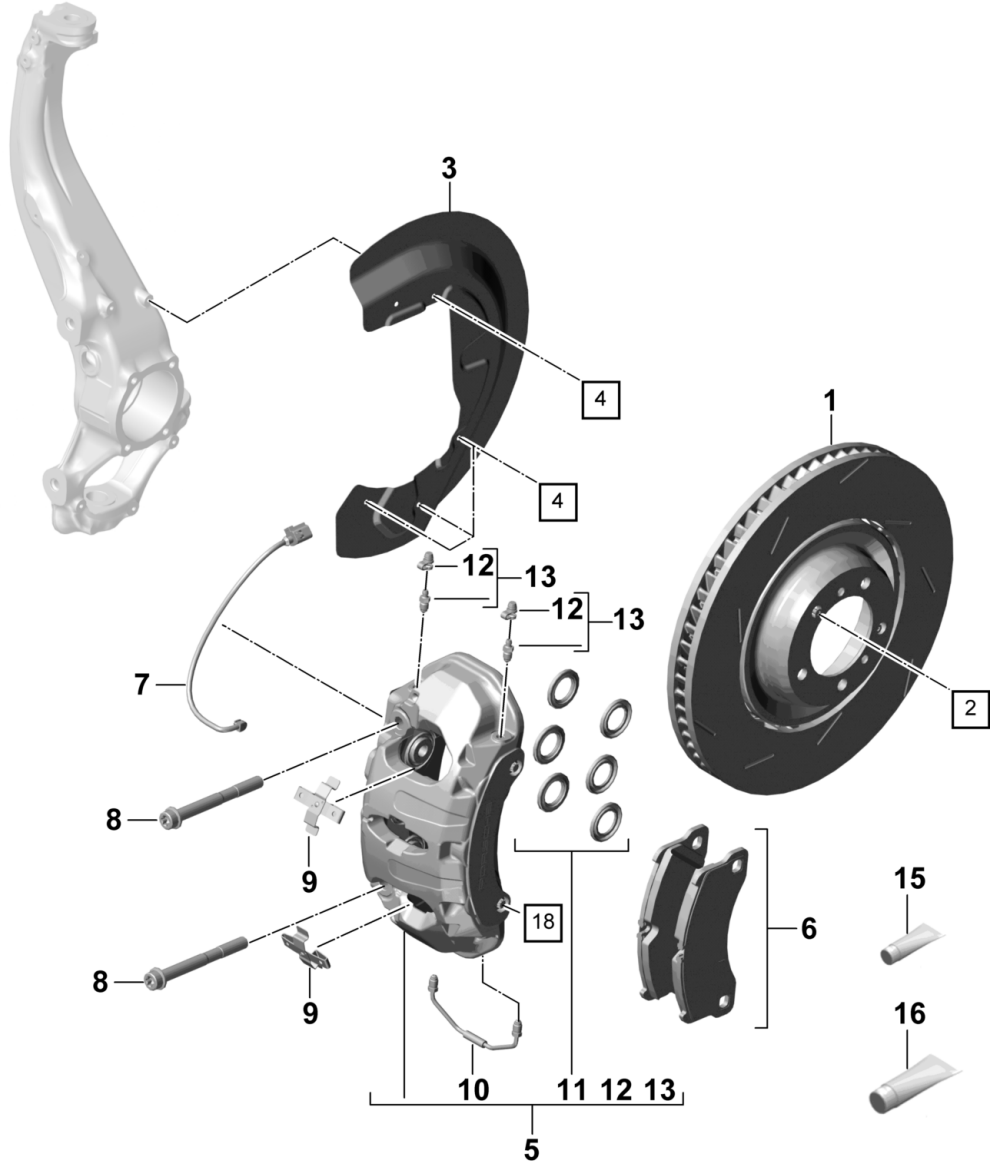
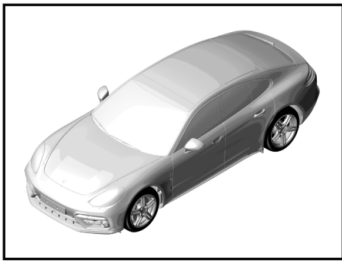
Model: 971-17

Model life 2017>>

Pos	Part Number	Description	Remark	Qty	Model
(6)	95B 698 151 G	disk brake 1 set of brake pads for disk brake	front	1	PR:1ZT
(6)	971 698 151 D	1 set of brake pads for disk brake	front	1	PR:1LU
(6)	971 698 151 E	1 set of brake pads for disk brake	front	1	PR:1LD
7	9A7 907 637 00	sender wire (pad wear indicator)		2	
8	WHT 004 571	Socket head collared bolt with inner multipoint head		4	
9	9A7 698 269 00	Fixed calliper retaining spring		2	
10	9A7 615 701 00	Brake lining	left	1	
(10)	9A7 615 702 00	Connecting line	right	1	
11	9A7 698 471 00	Set Protection caps		2	
12	211 611 483	dust cap		20	
13	8A0 615 273	Breather valve		2	
16	000 043 305 08	Assembly paste 1 100-gramme tube		X	
18	9A7 008 689 00	shouldered bolt M 8 X 16		2	

Model: 971-17

Model life 2017>>

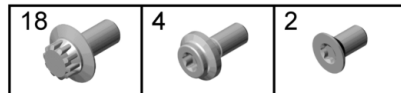
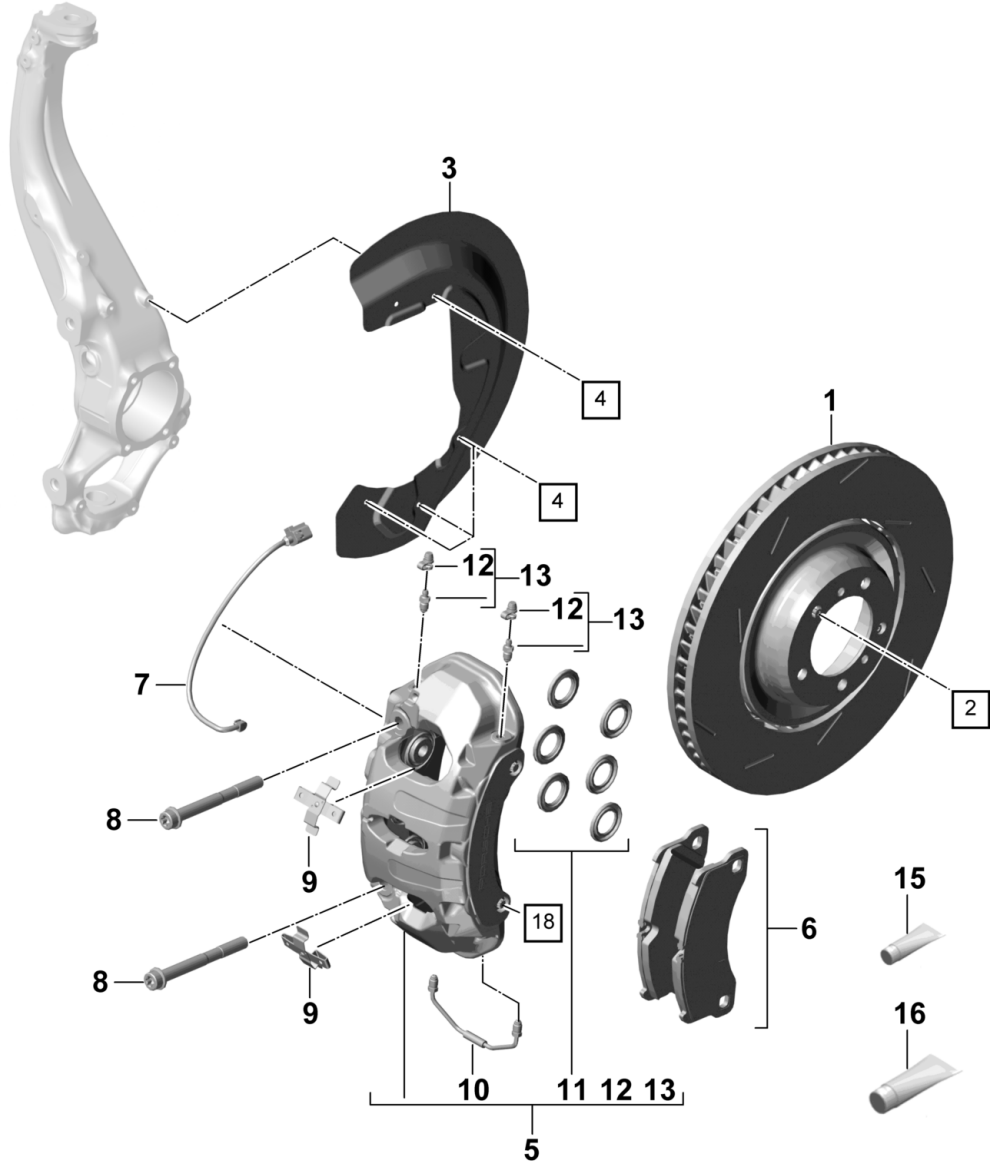
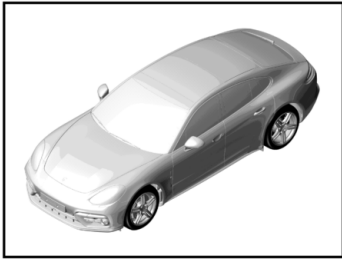


Model: 971-17 Model life 2017>>

Pos	Part Number	Description	Remark	Qty	Model
		Disc brake Front axle			19" PR:1LM,1LP, 1LK,1LL,1LC, 1LI
1	971 615 301 J	Brake disc	left front	1	PR:1LM,1LK, 1LC
			also use:		
			971 615 302 J	1	
(1)	971 615 302 J	Brake disc	right front	1	PR:1LM,1LK, 1LC
			also use:		
			971 615 301 J	1	
(1)	971 615 301 J	Brake disc	left front	1	PR:1LP,1LL, 1LI
			also use:		
			971 615 302 J	1	
(1)	971 615 302 J	Brake disc	right front	1	PR:1LP,1LL, 1LI
			also use:		
			971 615 301 J	1	
			971 698 151 E	1	
2	N 104 560 04	Hexagon socket head bolt, self-locking M 6 X 12		4	
3	971 615 311 F	Cover plate	left	1	
(3)	971 615 312 F	Cover plate	right	1	
4	N 911 261 02	Hexagon socket flat head bolt M 6 X 14		10	
		No longer use the part here			
4	N 100 829 13	hexagon head bolt (combi)	M6X16	10	
5	971 615 123 J	Fixed calliper Black	left	1	PR:1LM,1LP
(5)	971 615 124 J	Fixed calliper Black	right	1	PR:1LM,1LP
(5)	971 615 123 E	Fixed calliper Acid Green	left	1	PR:1LK,1LL
(5)	971 615 124 E	Fixed calliper Acid Green	right	1	PR:1LK,1LL
(5)	971 615 123 P	Fixed calliper silver	left	1	PR:1LC,1LI
(5)	971 615 124 P	Fixed calliper silver	right	1	PR:1LC,1LI
6	971 698 151 D	1 set of brake pads for disk brake	front	1	PR:1LM,1LK, 1LC
(6)	971 698 151 E	1 set of brake pads for disk brake	front	1	PR:1LP,1LL, 1LI
7	9A7 907 637 00	sender wire (pad wear indicator)		2	
8	WHT 004 572	Socket head bolt with inner multipoint head		4	
9	9A7 698 269 00	Fixed calliper retaining spring	front	2	
10	9A7 615 701 20	Brake lining			
(10)	9A7 615 702 20	Connecting line	left	1	
11	9A7 698 471 00	Connecting line	right	1	
12	211 611 483	Set		2	
13	8A0 615 273	Protection caps dust cap		20	
15	000 043 117 00	Breather valve		2	
16	000 043 305 08	brake cylinder paste 1 50-g tube		X	
18	9A7 008 689 00	Assembly paste 1 100-gramme tube		X	
		shouldered bolt M 8 X 16		2	

Model: 971-17

Model life 2017>>



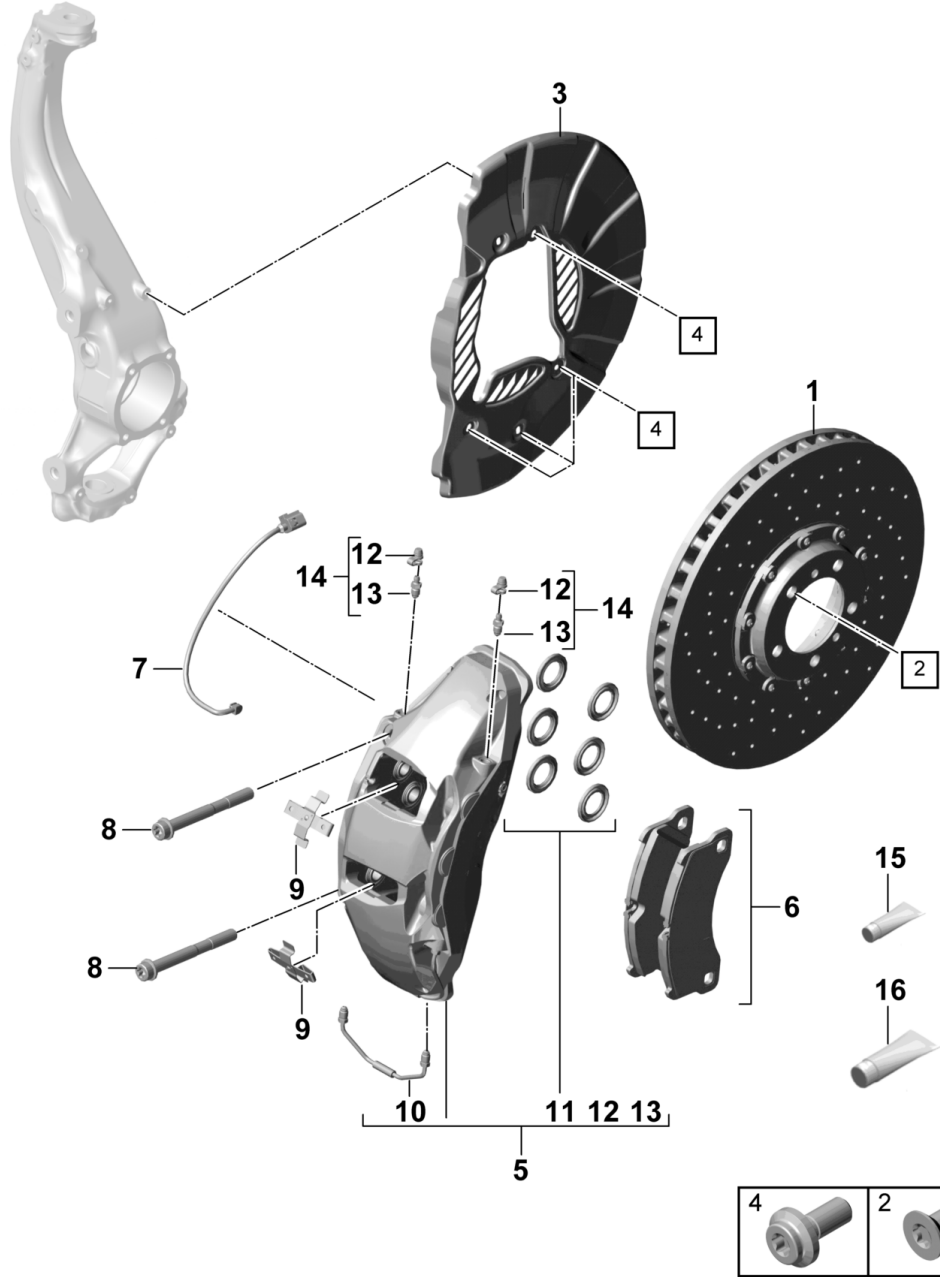
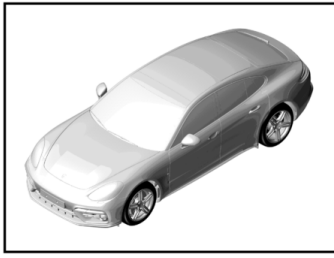
Model: 971-17

Model life 2017>>

Pos	Part Number	Description	Remark	Qty	Model
1	971 615 301 D	Disc brake Front axle Brake disc	left	1	PR:1LJ,1LW 20"
		also use:	971 615 302 D	1	PR:1LJ
(1)	971 615 302 D	Brake disc	right	1	PR:1LJ
		also use:	971 615 301 D	1	
(1)	971 615 301 D	Brake disc	left	1	PR:1LW
		also use:	971 615 302 D	1	
(1)	971 615 302 D	Brake disc	right	1	PR:1LW
		also use:	971 615 301 D	1	
			971 698 151 E	1	
2	N 104 560 04	Hexagon socket head bolt, self-locking M 6 X 12		4	
(3)	971 615 311 F	Cover plate	left	1	
(3)	971 615 312 F	Cover plate	right	1	
4	N 911 261 02	Hexagon socket flat head bolt M 6 X 14		10	
4	N 100 829 13	No longer use the part here hexagon head bolt (combi)	M6X16	10	
(5)	971 615 123 H	Fixed calliper red	left	1	
(5)	971 615 124 H	Fixed calliper red	right	1	
6	971 698 151 D	1 set of brake pads for disk brake		1	PR:1LJ
(6)	971 698 151 E	1 set of brake pads for disk brake		1	PR:1LW
7	9A7 907 637 00	sender wire (pad wear indicator)		2	
8	WHT 004 572	Socket head bolt with inner multipoint head		4	
9	9A7 698 269 00	Fixed calliper retaining spring		2	
10	9A7 615 701 20	Brake lining			
(10)	9A7 615 702 20	Connecting line	left	1	
11	9A7 698 471 00	Connecting line	right	1	
12	211 611 483	Set Protection caps dust cap		2	
13	8A0 615 273	Breather valve		20	
15	000 043 117 00	brake cylinder paste 1 50-g tube		X	
16	000 043 305 08	Assembly paste 1 100-gramme tube		X	
18	9A7 008 689 00	shouldered bolt M 8 X 16		2	

Model: 971-17

Model life 2017>>

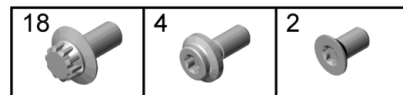
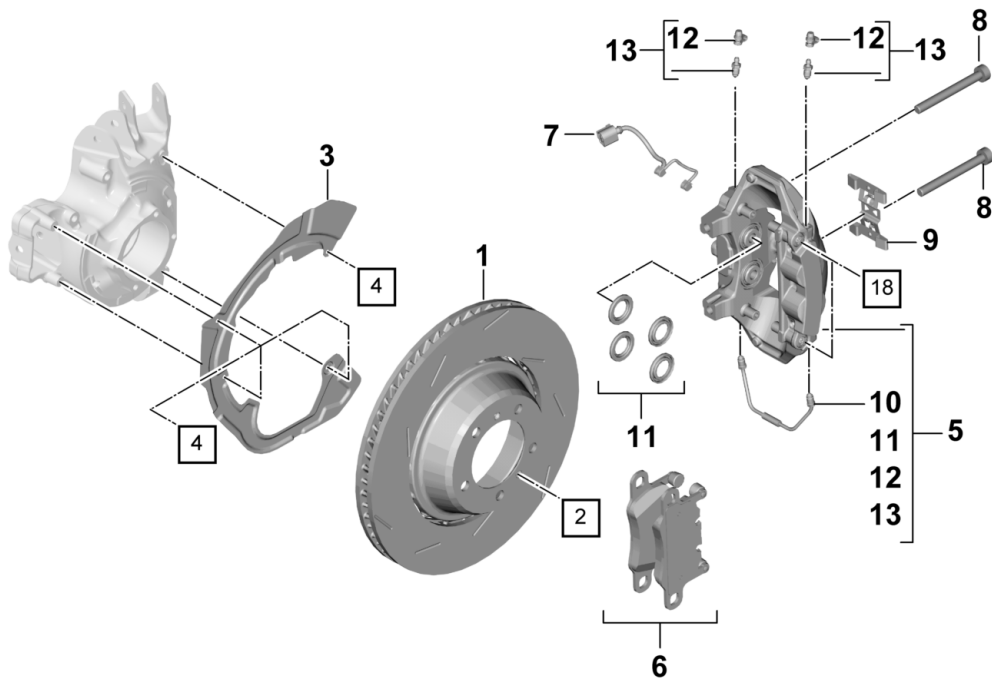
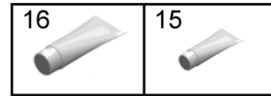
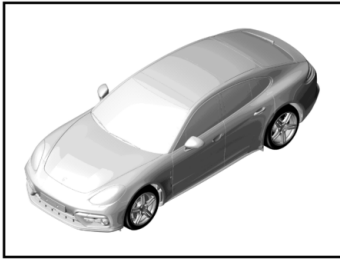


Model: 971-17 Model life 2017>>

Pos	Part Number	Description	Remark	Qty	Model
		Disc brake Front axle PCCB			PR:1LV,1ZQ
1	971 615 301 C	Brake disc	left front	1	20"
		also use:	971 615 302 C	1	
(1)	971 615 302 C	Brake disc	right front	1	
		also use:	971 615 301 C	1	
			971 698 151 C	1	
2	N 104 560 04	Hexagon socket head bolt, self-locking M 6 X 12		4	
3	971 615 311 D	Cover plate	left	1	
(3)	971 615 312 D	Cover plate	right	1	
4	N 911 261 02	Hexagon socket flat head bolt M 6 X 14		10	
4	N 100 829 13	No longer use the part here hexagon head bolt (combi)	M6X16	10	
5	958 351 123 50	caliper without brake pads yellow	left	1	PR:1LV
(5)	971 615 123 L	Discontinued part caliper without brake pads yellow	left	1	PR:1LV
(5)	958 351 124 50	caliper without brake pads yellow	right	1	PR:1LV
(5)	971 615 124 L	Discontinued part caliper without brake pads yellow	right	1	PR:1LV
(5)	971 615 123 M	Fixed calliper Acid Green	left	1	PR:1ZQ
(5)	971 615 124 M	Fixed calliper Acid Green	right	1	PR:1ZQ
6	971 698 151 C	1 set of brake pads for disk brake	front	1	
(7)	7PP 907 637	sender wire (pad wear indicator)		2	
(7)	971 907 637	No longer use the part here sender wire (pad wear indicator)		2	
8	WHT 004 572	Brake lining Socket head bolt with inner multipoint head		4	
9	958 351 231 00	Fixed calliper Spring repair set	front	2	
10	958 351 327 00	Connecting line	left	1	
(10)	958 351 328 00	Connecting line	right	1	
11	958 351 313 00	repair set Protection caps		2	
12	958 351 207 00	dust cap		1	
13	8A0 615 273	Breather valve		2	
14	958 351 121 00	Breather valve Set		1	
		with:			
15	000 043 117 00	dust cap brake cylinder paste 1 50-g tube		X	
16	000 043 305 08	Assembly paste 1 100-gramme tube		X	

Model: 971-17

Model life 2017>>



Model: 971-17

Model life 2017>>

Pos	Part Number	Description	Remark	Qty	Model
		Disc brake Rear axle			18" PR:2EE,2EJ, 1KZ,1KF PR:2EE
1	298 615 601 A	Brake disc	left rear	1	
		also use:	298 615 602 A	1	
(1)	298 615 602 A	Brake disc	right rear	1	PR:2EE
		also use:	298 615 601 A	1	
(1)	298 615 601 A	Brake disc	left rear	1	PR:2EJ
		also use:	298 615 602 A	1	
(1)	298 615 602 A	Brake disc	right rear	1	PR:2EJ
		also use:	298 615 601 A	1	
(1)	971 615 601 F	Brake disc	left rear	1	PR:1KZ,1KF
		also use:	971 615 602 F	1	
(1)	971 615 602 F	Brake disc	right rear	1	PR:1KZ,1KF
		also use:	971 615 601 F	1	
			971 698 451 D	1	
2	N 104 560 04	Hexagon socket head bolt, self-locking M 6 X 12		4	
3	971 615 611 D	Cover plate	left	1	
(3)	971 615 612 D	Cover plate	right	1	
4	N 911 261 02	Hexagon socket flat head bolt M 6 X 14		8	
4	N 100 829 13	No longer use the part here hexagon head bolt (combi)	M6X16	8	
5	971 615 423 F	Fixed calliper silver	left	1	PR:2EE,2EJ
(5)	971 615 424 F	Fixed calliper silver	right	1	PR:2EE,2EJ
(5)	298 615 149 H	Fixed calliper Black	left	1	PR:1KZ,1KF
(5)	298 615 150 H	Fixed calliper Black	right	1	PR:1KZ,1KF
6	971 698 451 A	1 set of brake pads for disk brake	rear	1	PR:2EE
(6)	971 698 451 D	1 set of brake pads for disk brake	rear	1	PR:1KZ,1KF, 2EJ
7	7PP 907 637 A	sender wire (pad wear indicator)		2	
8	9A7 007 585 00	Brake lining Socket head bolt Fixed calliper M 12 X 1,5 X 85		4	
9	971 698 995	Spring		2	
10	971 615 701	repair set		2	
11	9A7 698 671 00	Connecting line Set		2	
12	211 611 483	Protection caps 32 MM		20	
13	8A0 615 273	dust cap		2	
15	000 043 117 00	Breather valve		X	
16	000 043 305 08	brake cylinder paste 1 tube	50 G	X	
		Assembly paste 1 100-gramme tube		X	

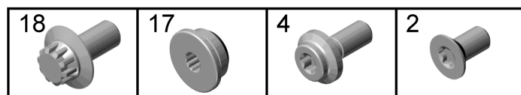
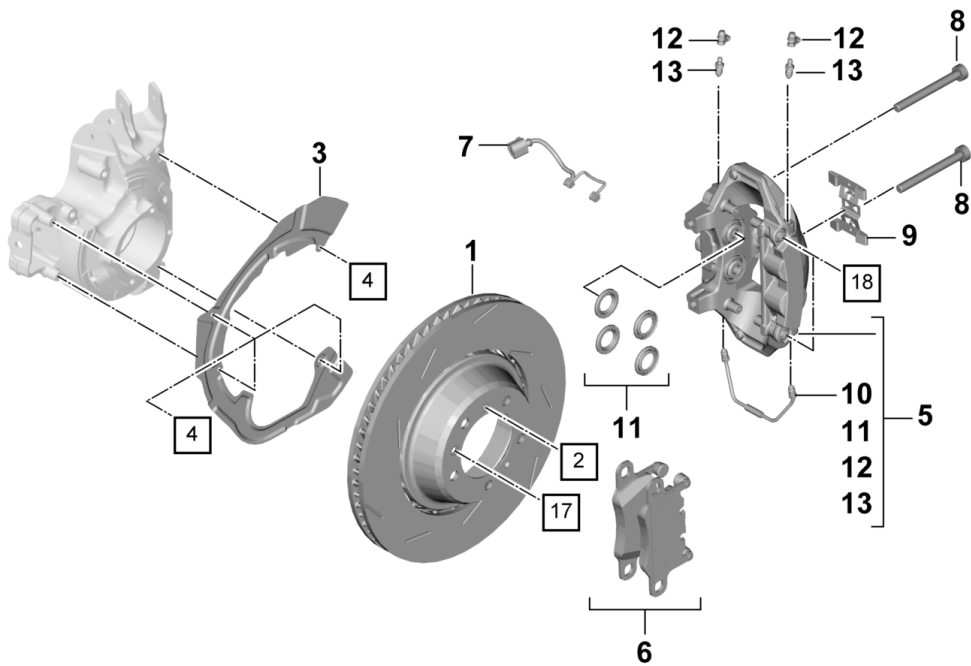
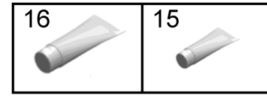
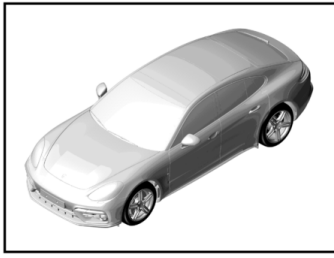
Model: 971-17

Model life 2017>>

Pos	Part Number	Description	Remark	Qty	Model
18	9A7 008 689 00	shouldered bolt M 8 X 16		2	

Model: 971-17

Model life 2017>>



Model: 971-17 Model life 2017>>

Pos	Part Number	Description	Remark	Qty	Model
		Disc brake Rear axle			19" PR:1KJ,1KA, 1KU,1KB,2EA, 2EF
1	971 615 601 J	Brake disc	left rear	1	PR:1KJ,1KU, 2EA
			also use:		
			971 615 602 J	1	
(1)	971 615 602 J	Brake disc	right rear	1	PR:1KJ,1KU, 2EA
			also use:		
			971 615 601 J	1	
(1)	971 615 601 J	Brake disc	left rear	1	PR:1KA,1KB, 2EF
			also use:		
			971 615 602 J	1	
(1)	971 615 602 J	Brake disc	right rear	1	PR:1KA,1KB, 2EF
			also use:		
			971 615 601 J	1	
			971 698 451 D	1	
2	N 104 560 04	Hexagon socket head bolt, self-locking M 6 X 12		4	
3	971 615 611 A	Cover plate for brake disc	left	1	
(3)	971 615 612 A	Cover plate for brake disc	right	1	
4	N 911 261 02	Hexagon socket flat head bolt M 6 X 14		8	
		No longer use the part here			
4	N 100 829 13	hexagon head bolt (combi)	M6X16	8	
5	971 615 423 D	Fixed calliper Acid Green	left	1	PR:1KJ,1KA
(5)	971 615 424 D	Fixed calliper Acid Green	right	1	PR:1KJ,1KA
(5)	971 615 423 S	Fixed calliper Black	left	1	PR:1KU,1KB
(5)	971 615 424 S	Fixed calliper Black	right	1	PR:1KU,1KB
(5)	971 615 423 Q	Fixed calliper silver	left	1	PR:2EA,2EF
(5)	971 615 424 Q	Fixed calliper silver	right	1	PR:2EA,2EF
6	971 698 451 A	1 set of brake pads for disk brake	rear	1	PR:1KJ,1KU, 2EA
(6)	971 698 451 D	1 set of brake pads for disk brake	rear	1	PR:1KA,1KB, 2EF
7	7PP 907 637 A	sender wire (pad wear indicator)		2	
8	N 911 837 01	Brake lining Socket head bolt with inner multipoint head		4	
9	971 698 995	Fixed calliper Spring		2	
10	971 615 701	repair set		2	
11	9A7 698 671 00	Connecting line Set		2	
12	211 611 483	Protection caps 32 MM		20	
13	8A0 615 273	dust cap		2	
15	000 043 117 00	Breather valve brake cylinder paste		X	
16	000 043 305 08	1 50-g tube Assembly paste		X	
17	N 910 380 02	1 100-gramme tube sealing plug		2	

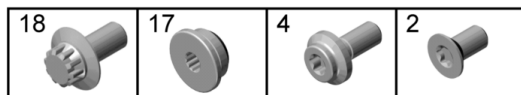
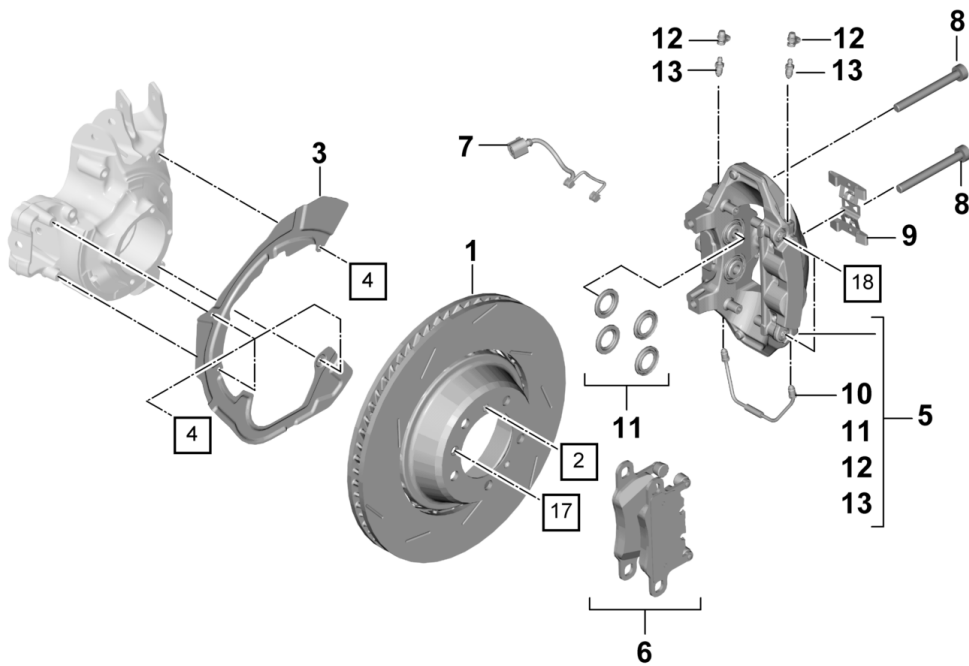
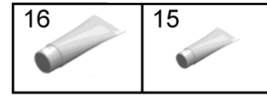
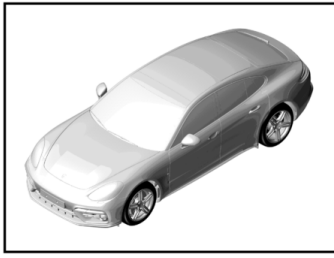
Model: 971-17

Model life 2017>>

Pos	Part Number	Description	Remark	Qty	Model
18	9A7 008 689 00	M 12 X 1,5 X 5 shouldered bolt M 8 X 16		2	

Model: 971-17

Model life 2017>>

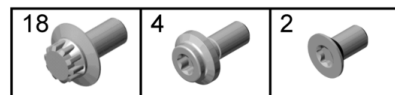
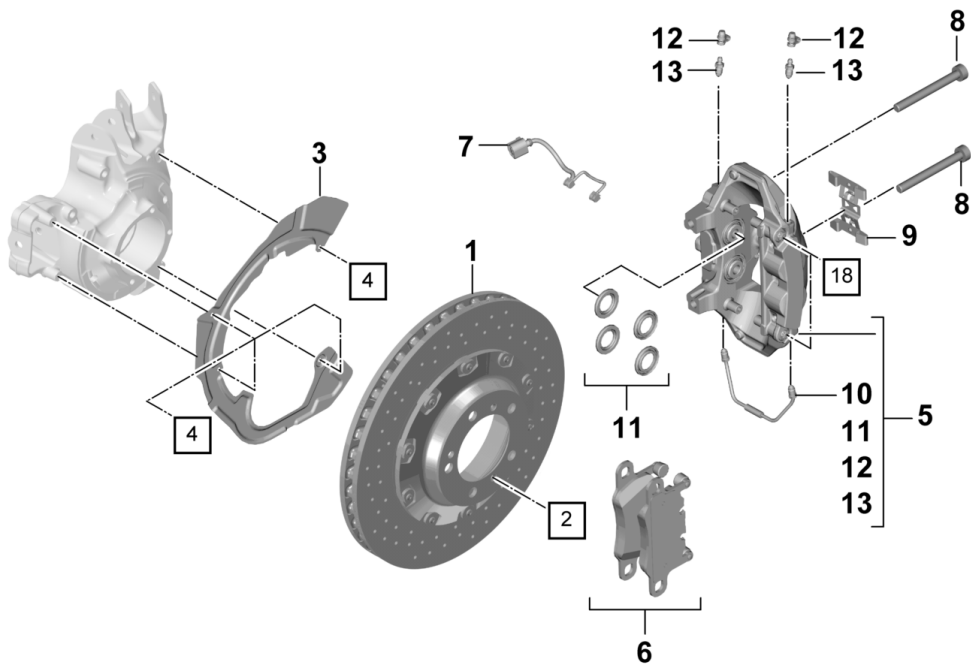
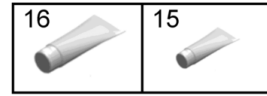
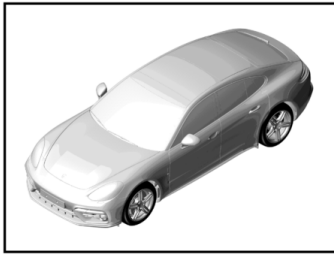


Model: 971-17 Model life 2017>>

Pos	Part Number	Description	Remark	Qty	Model
		Disc brake Rear axle			20" PR:2EG,1KC, 2EM,1KG PR:2EG,1KC
1	971 615 601 G	Brake disc	left	1	
		also use:	971 615 602 G	1	
(1)	971 615 602 G	Brake disc	right	1	PR:2EG,1KC
		also use:	971 615 601 G	1	
(1)	971 615 601	Brake disc	left	1	PR:2EM,1KG
		also use:	971 615 602	1	
(1)	971 615 602	Brake disc	right	1	PR:2EM,1KG
		also use:	971 615 601	1	
			971 698 451 B	1	
2	N 104 560 04	Hexagon socket head bolt, self-locking M 6 X 12		4	
3	971 615 611 D	Cover plate	left	1	PR:2EG,1KC
(3)	971 615 612 D	Cover plate	right	1	PR:2EG,1KC
(3)	971 615 611 A	Cover plate for brake disc	left	1	PR:2EM,1KG
(3)	971 615 612 A	Cover plate for brake disc	right	1	PR:2EM,1KG
4	N 911 261 02	Hexagon socket flat head bolt M 6 X 14		8	
4	N 100 829 13	No longer use the part here hexagon head bolt (combi)	M6X16	8	
5	971 615 423 G	Fixed calliper red	left	1	PR:2EG,2EM
(5)	971 615 424 G	Fixed calliper red	right	1	PR:2EG,2EM
(5)	971 615 423 N	Fixed calliper red	left	1	PR:1KC,1KG
(5)	971 615 424 N	Fixed calliper red	right	1	PR:1KC,1KG
6	971 698 451 B	1 set of brake pads for disk brake		1	
7	7PP 907 637 A	sender wire (pad wear indicator)		2	
8	N 911 837 01	Brake lining Socket head bolt with inner multipoint head		4	
9	971 698 995 A	Fixed calliper Spring repair set		2	
10	971 615 701 A	Connecting line		X	
11	9A7 698 671 00	Set Protection caps 32 MM		2	PR:2EG,2EM
(11)	971 698 671	Set Protection caps 30 MM		2	PR:1KC,1KG
12	211 611 483	dust cap		20	
13	8A0 615 273	Breather valve		2	
15	000 043 117 00	brake cylinder paste 1 50-g tube		X	
16	000 043 305 08	Assembly paste 1 100-gramme tube		X	
17	N 910 380 02	sealing plug M 12 X 1,5 X 5		2	PR:2EM,1KG
18	9A7 008 689 00	shouldered bolt M 8 X 16		2	

Model: 971-17

Model life 2017>>



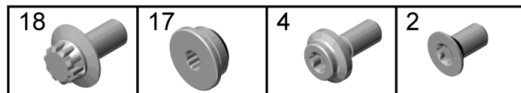
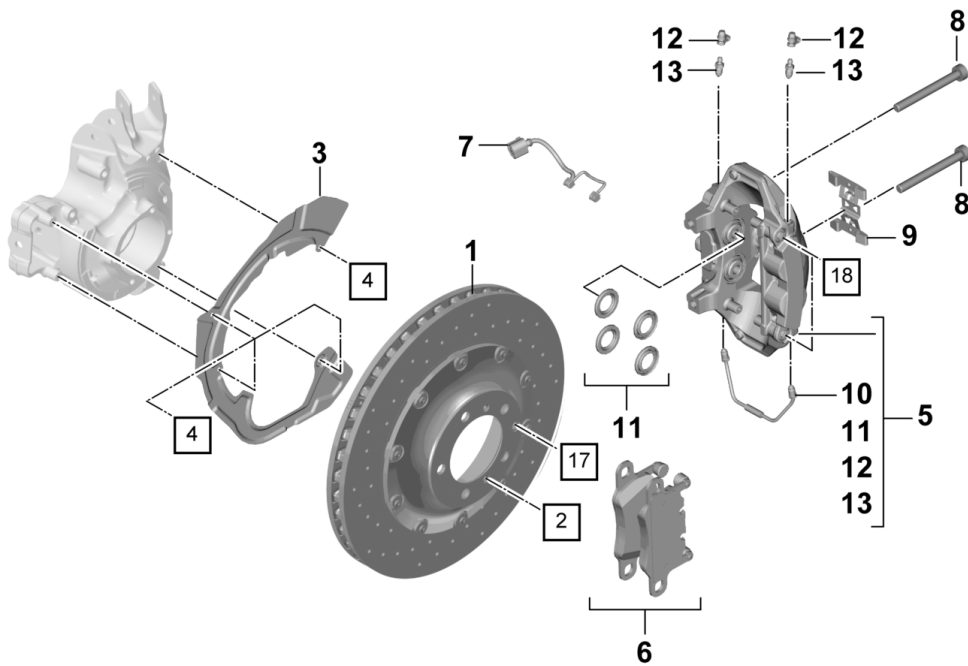
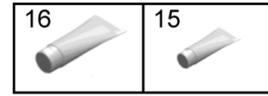
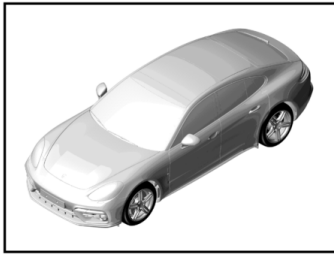
Model: 971-17

Model life 2017>>

Pos	Part Number	Description	Remark	Qty	Model
		Disc brake Rear axle PCCB			PR:2EH
1	971 615 601 C	Brake disc	left	1	19"
		also use:	971 615 602 C	1	
(1)	971 615 602 C	Brake disc	right	1	
		also use:	971 615 601 C	1	
			971 698 451 E	1	
2	N 104 560 04	Hexagon socket head bolt, self-locking M 6 X 12		4	
3	971 615 611 B	Cover plate	left	1	
(3)	971 615 612 B	Cover plate	right	1	
4	N 911 261 02	Hexagon socket flat head bolt M 6 X 14		8	
4	N 100 829 13	No longer use the part here hexagon head bolt (combi)	M6X16	8	
5	971 615 423 J	Fixed calliper yellow	left	1	
(5)	971 615 424 J	Fixed calliper yellow	right	1	
6	971 698 451 E	1 set of brake pads for disk brake		1	
7	7PP 907 637 A	sender wire (pad wear indicator)		2	
8	N 911 837 01	Brake lining Socket head bolt with inner multipoint head		4	
9	971 698 995 A	Fixed calliper Spring		2	
10	971 615 701 A	repair set		X	
11	971 698 671	Connecting line Set		2	
12	211 611 483	Protection caps 30 MM		20	
13	8A0 615 273	dust cap		2	
15	000 043 117 00	Breather valve brake cylinder paste		X	
16	000 043 305 08	1 50-g tube		X	
18	9A7 008 689 00	Assembly paste 1 100-gramme tube shouldered bolt M 8 X 16		2	

Model: 971-17

Model life 2017>>



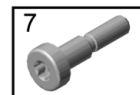
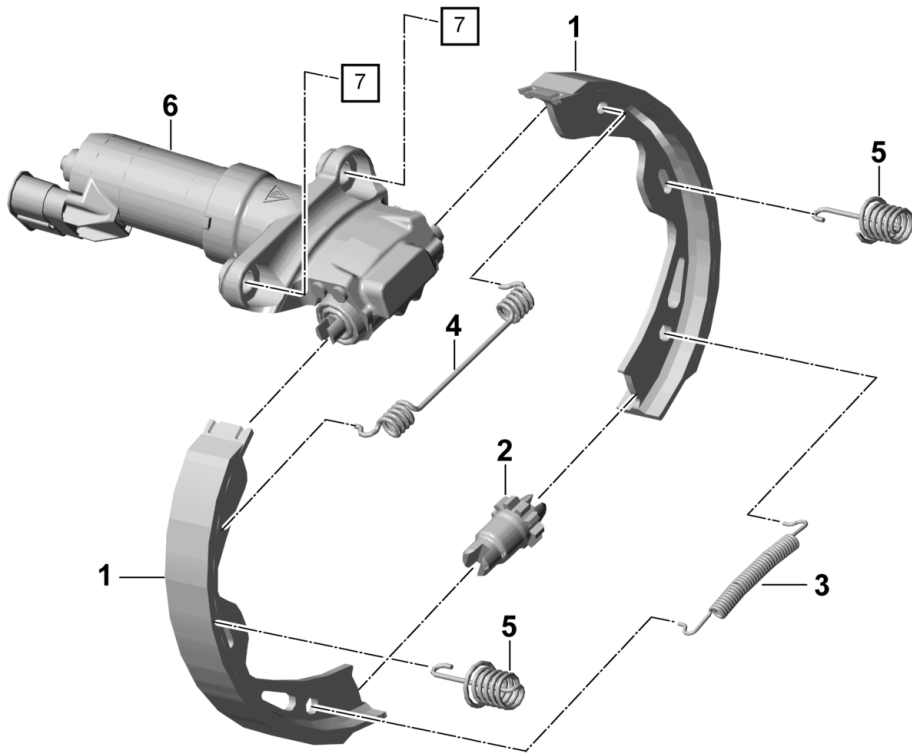
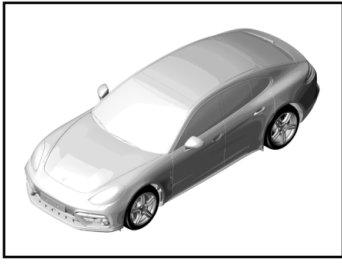
Model: 971-17

Model life 2017>>

Pos	Part Number	Description	Remark	Qty	Model
		Disc brake Rear axle PCCB			PR:1KQ,2ED
1	971 615 601 H	Brake disc	left	1	20"
		also use:	971 615 602 H	1	
(1)	971 615 602 H	Brake disc	right	1	
		also use:	971 615 601 H	1	
			971 698 451 E	1	
2	N 104 560 04	Hexagon socket head bolt, self-locking M 6 X 12		4	
(3)	971 615 611 C	Cover plate	left	1	
(3)	971 615 612 C	Cover plate	right	1	
4	N 911 261 02	Hexagon socket flat head bolt M 6 X 14		8	
4	N 100 829 13	No longer use the part here hexagon head bolt (combi)	M6X16	8	
(5)	971 615 423 L	Fixed calliper Acid Green	left	1	PR:2ED,0K3
(5)	971 615 424 L	Fixed calliper Acid Green	right	1	PR:2ED,0K3
(5)	971 615 423 K	Fixed calliper yellow	left	1	PR:1KQ,0K0
(5)	971 615 424 K	Fixed calliper yellow	right	1	PR:1KQ,0K0
(6)	971 698 451 E	1 set of brake pads for disk brake		1	
7	7PP 907 637 A	sender wire (pad wear indicator)		2	
(8)	N 912 522 01	Brake lining Multiple-tooth screw Fixed calliper BM 12 X 1,5 X 130		4	
9	971 698 995 A	Spring repair set		2	
10	971 615 701 A	Connecting line		X	
(11)	971 698 671	Set Protection caps 30 MM		2	
12	211 611 483	dust cap		20	
13	8A0 615 273	Breather valve		2	
15	000 043 117 00	brake cylinder paste 1 50-g tube		X	
16	000 043 305 08	Assembly paste 1 100-gramme tube		X	
17	N 910 380 02	sealing plug M 12 X 1,5 X 5		2	

Model: 971-17

Model life 2017>>



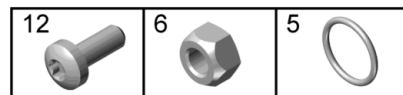
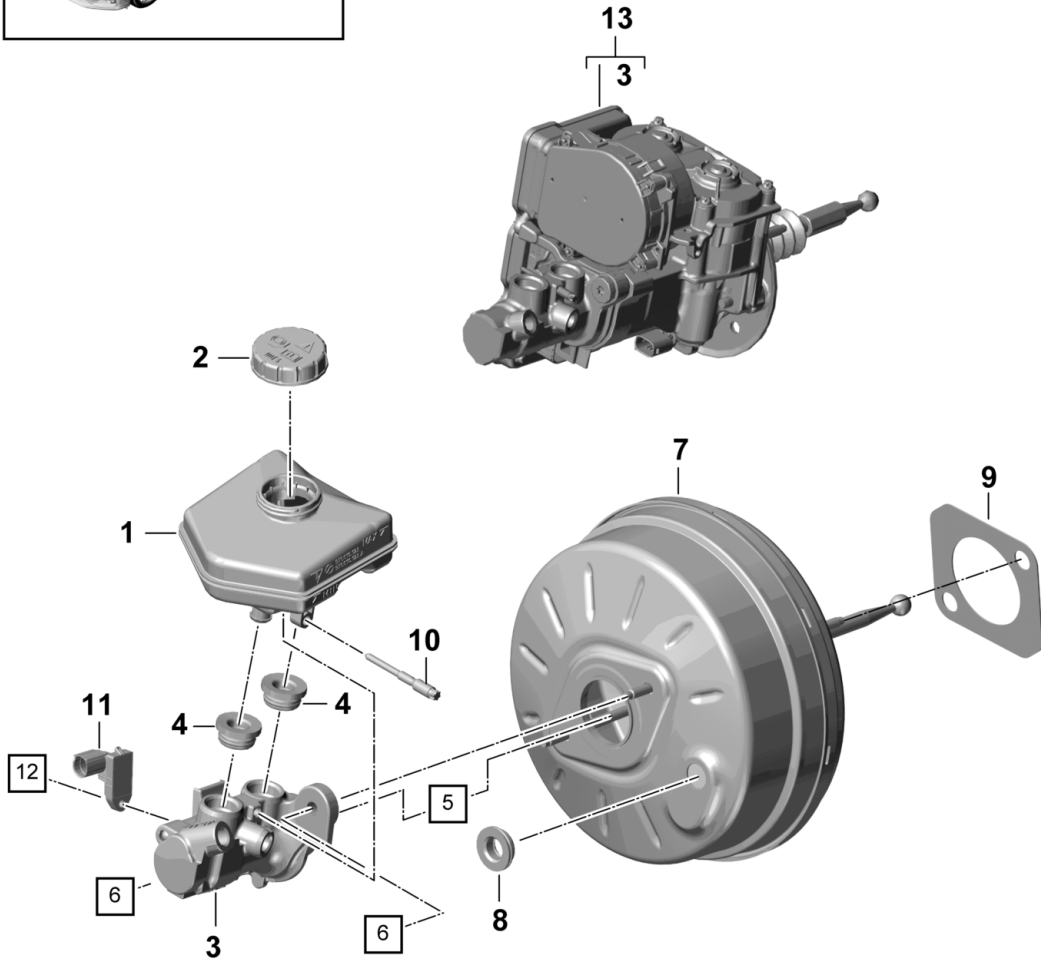
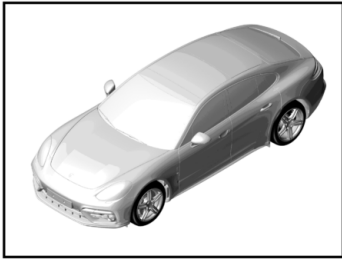
Model: 971-17

Model life 2017>>

Pos	Part Number	Description	Remark	Qty	Model
1	971 698 533	Parking brake Rear axle 1 set: brake shoes with linings		1	PR:0J2,0J8, 0J3,0J5 PR:0J2,0J8
(1)	971 698 533 A	1 set: brake shoes with linings repair set		1	PR:0J3,0J5
2	298 609 723	adjustment screw		2	
3	298 609 717	tension spring		2	
4	298 609 715	tension spring		2	PR:0J2,0J8
(4)	971 609 715	tension spring		2	PR:0J3,0J5
5	298 609 583	Pressure spring		4	
6	298 609 403	Servomotor	left	1	PR:0J2,0J8
(6)	298 609 404	Servomotor	right	1	PR:0J2,0J8
(6)	958 352 091 04	Servomotor Discontinued part	left	1	PR:0J3,0J5
(6)	9A7 907 615 00	Servomotor	left	1	PR:0J3,0J5
(6)	958 352 092 04	Servomotor Discontinued part	right	1	PR:0J3,0J5
(6)	9A7 907 616 00	Servomotor	right	1	PR:0J3,0J5
7	9A7 007 044 00	Locating bolt M 8 X 38		4	PR:0J2,0J8
(7)	WHT 005 378	Cylinder fitting screw with inner multipoint head M 10 X 40		4	PR:0J3,0J5

Model: 971-17

Model life 2017>>



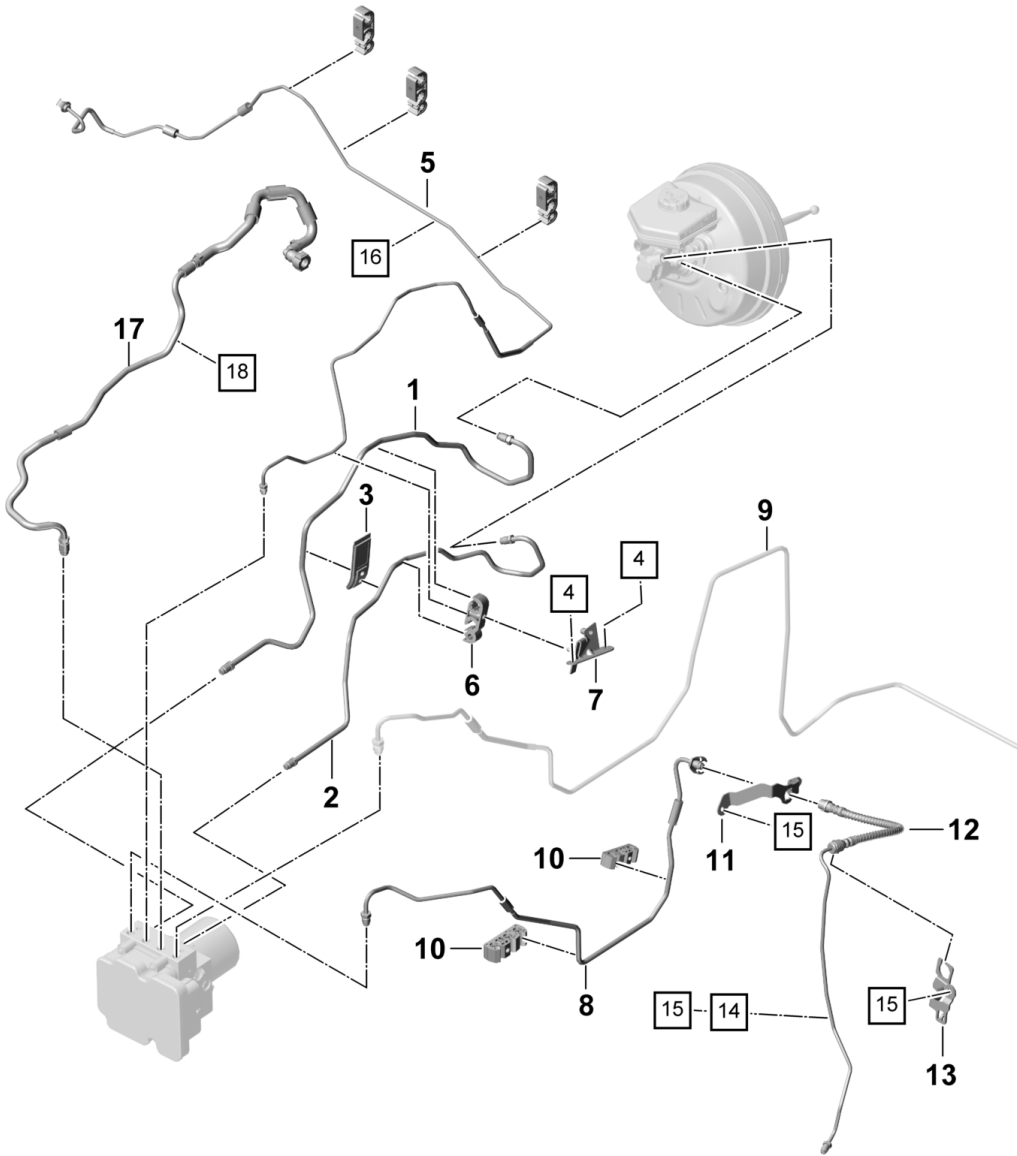
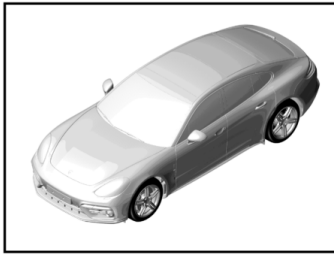
Model: 971-17

Model life 2017>>

Pos	Part Number	Description	Remark	Qty	Model
1	971 616 123	Brake master cylinder Brake servo		1	PR:OK0
(1)	971 616 123 A	Reservoir for brake fluid		1	PR:OK3
2	5Q0 611 349 B	Reservoir cap for expansion tank		1	PR:-BOT
(2)	5Q0 611 349 A	cap for expansion tank		1	PR:BOT
3	971 614 019 D	Brake master cylinder		1	PR:OK0
(3)	971 614 019 E	Brake master cylinder		1	PR:OK3
4	958 355 922 00	Rubber seal Reservoir To		2	
7	971 614 106	Brake master cylinder Brake servo		1	PR:OK0,-1LV
(7)	971 614 106 C	Brake servo		1	PR:OK0,1LV
10	9A7 007 916 00	Outer hexagon round screw M 5 X 51,2		1	
11	9A7 945 459 00	Sensor switch - brake light		1	
13	971 614 106 B	Brake servo		1	PR:OK3
		with:			
20	000 043 210 82	Brake master cylinder brake fluid	1.0 Ltr.	X	
20	000 043 210 86	brake fluid	30ltr.	X	

Model: 971-17

Model life 2017>>



19	18	16	15	14	4
----	----	----	----	----	---

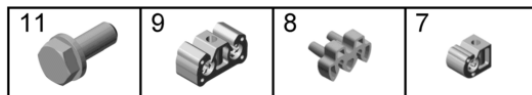
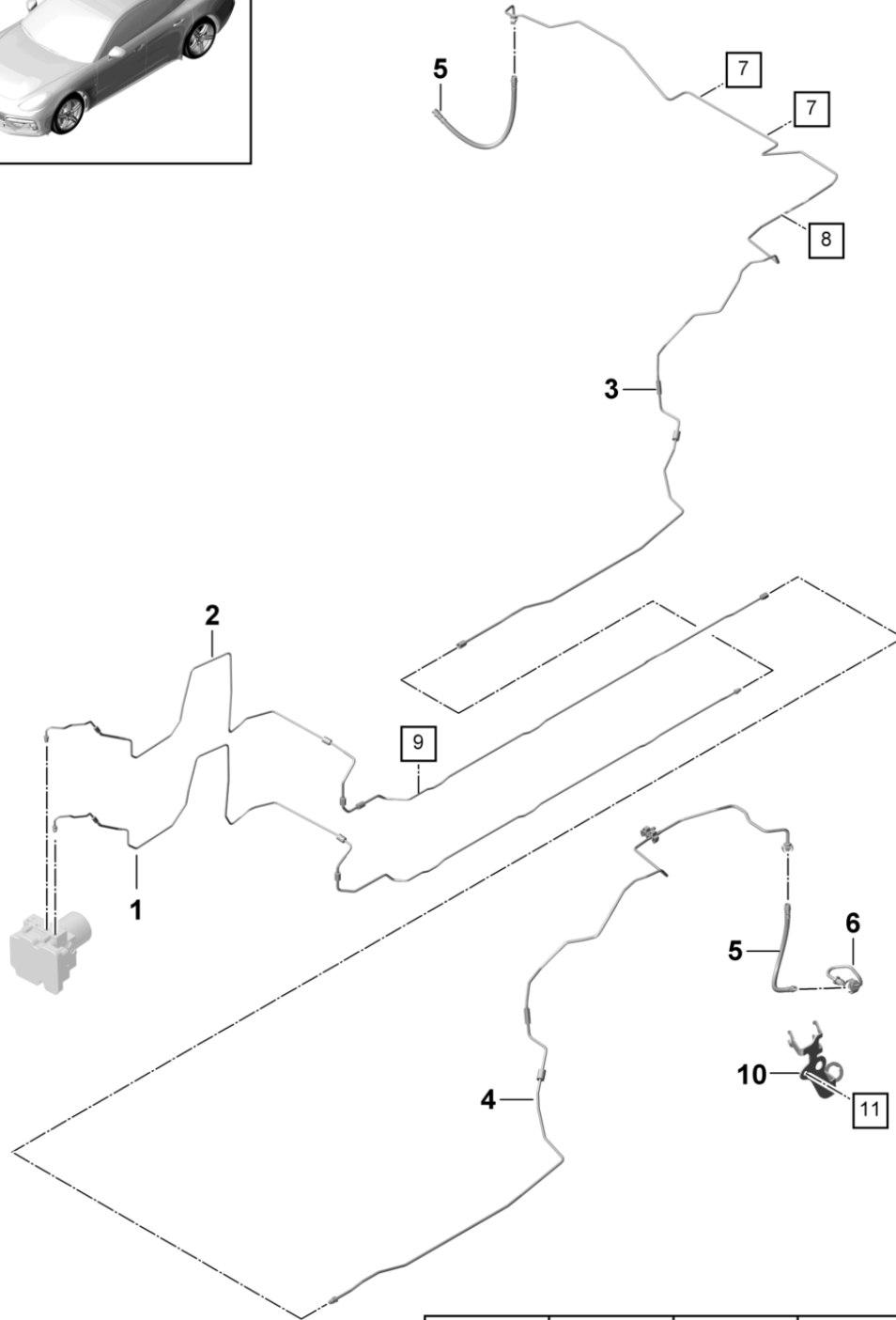
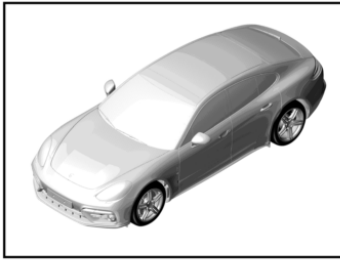
Model: 971-17

Model life 2017>>

Pos	Part Number	Description	Remark	Qty	Model
1	971 614 727	Brake lines Front end Brake pipe from brake master cylinder to hydraulics		1	PR:L0L,0K0
(1)	971 614 727 C	Brake line		1	PR:L0L,0K3
(1)	971 614 729 E	Brake pipe from brake master cylinder to hydraulics		1	PR:L0R,0K0
(1)	971 614 729 F	Brake line		1	PR:L0R,0K3
2	971 614 739 E	Brake pipe from brake master cylinder to hydraulics		1	PR:L0L,0K0
(2)	971 614 739 F	Brake line		1	PR:L0L,0K3
(2)	971 614 741 G	Brake pipe from brake master cylinder to hydraulics		1	PR:L0R,0K0
(2)	971 614 741 H	Brake line		1	PR:L0R,0K3
3	971 614 769 A	Grommet		1	
4	N 108 140 01	Hex collared bolt M 6 X 12		2	
5	971 614 721 B	Brake line		1	
6	4E0 611 797	Line holder		3	PR:L0L
(6)	4E0 611 797	Line holder		2	PR:L0R
7	971 614 514 A	Bracket		1	
8	971 614 717 A	Brake pipe from hydraulics to brake hose		1	
9		Brake lines see illustration:	604-020		
10	8K0 611 797 F	Brake line bracket		2	
11	971 611 845 B	Retainer for brake hose	left	1	
(11)	971 611 846 B	Retainer for brake hose	right	1	
12	971 611 707	Brake hose	left	1	PR:1LD,1LU, 1LN,1ZT
(12)	971 611 707 A	Brake hose	left	1	PR:1LJ,1LW, 1LK,1LL,1LM, 1LP
(12)	971 611 707 E	Brake hose	left	1	PR:1LV,1ZQ
(12)	971 611 708	Brake hose	right	1	PR:1LD,1LU, 1LN,1ZT
(12)	971 611 708 A	Brake hose	right	1	PR:1LJ,1LW, 1LK,1LL,1LM, 1LP
(12)	971 611 708 E	Brake hose	right	1	PR:1LV,1ZQ
13	971 611 845	Retainer for brake hose	left	1	
(13)	971 611 846	Retainer for brake hose	right	1	
14	N 911 711 01	Clamp Brake hose D >> - 20.11.2016		2	
(14)	N 911 711 03	Clamp Brake hose D - 21.11.2016>>		2	
15	958 106 532 00	Hexagon bolt M 6 X 16		4	
16	958 355 797 05	Bracket		1	PR:L0R
17	971 614 724 B	Brake line Hydraulic unit To Reservoir		1	PR:L0L,0K3
(17)	971 614 726 B	Brake line Hydraulic unit To Reservoir		1	PR:L0R,0K3
18	N 105 887 01	Spacer holder		1	PR:0K3
19	N 105 839 01	Hose bracket		1	PR:0K3,L0R

Model: 971-17

Model life 2017>>

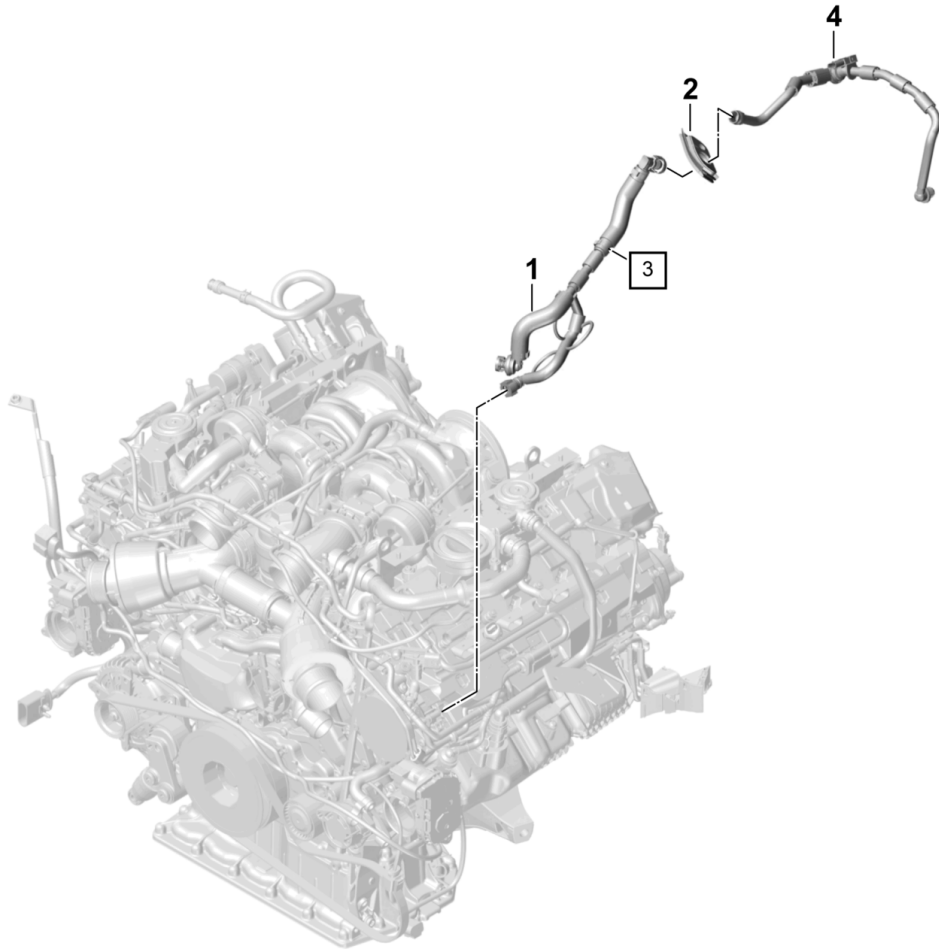
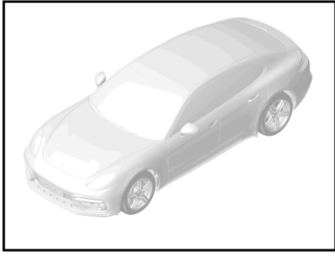


Model: 971-17 Model life 2017>>

Pos	Part Number	Description	Remark	Qty	Model
1	971 614 723 B	Brake line Underbody and Rear axle Brake line	rear right	1	
2	971 614 725 B	Brake line	rear left	1	
3	971 614 763 A	Brake line	rear right	1	PR:0E1
(3)	971 614 771 B	Brake line	rear right	1	PR:0E2
4	971 614 743 A	Brake line	rear left	1	PR:0E1
(4)	971 614 745 A	Brake line	rear left	1	PR:0E2
5	971 611 775	Brake hose D >> - 06.11.2016		2	
(5)	971 611 775 A	Brake hose D - 07.11.2016>>		2	
6	971 614 705	Brake line	left	1	PR:2EE, 2EJ, 1KF, 1KZ
(6)	971 614 705 A	Brake pipe	left	1	PR:1KA, 1KB, 1KC, 1KG, 1KJ, 2EM, 2EA, 2EF, 1KW, 2EN
(6)	971 614 705 D	Brake line	left	1	PR:1KQ, 2ED
(6)	971 614 706	Brake line	right	1	PR:2EE, 2EJ, 1KF, 1KZ
(6)	971 614 706 A	Brake pipe	right	1	PR:1KA, 1KB, 1KC, 1KG, 1KJ, 2EM, 2EA, 2EF, 1KW, 2EN
(6)	971 614 706 D	Brake line	right	1	PR:1KQ, 2ED
7	95B 611 797	Clip		2	
8	1K0 611 853	Bracket		1	
9	8K0 611 797 F	Brake line bracket		2	
(9)	8K0 611 797 G	Brake line bracket		9	
10	971 611 797	Retainer for brake hose	left	1	PR:1KF, 1KZ, 2EE, 2EJ
(10)	971 611 798	Retainer for brake hose	right	1	PR:1KF, 1KZ, 2EE, 2EJ
(10)	971 611 797 A	Retainer for brake hose	left	1	PR:2EA, 2EF, 1KA, 1KB, 1KC, 1KG, 1KJ, 1KU, 2EG, 2EH, 2EM
(10)	971 611 798 A	Retainer for brake hose	right	1	PR:2EA, 2EF, 1KA, 1KB, 1KC, 1KG, 1KJ, 1KU, 2EG, 2EH, 2EM
(10)	971 611 797 D	Retainer for brake hose	left	1	PR:1KQ, 2ED
(10)	971 611 798 D	Retainer for brake hose	right	1	PR:1KQ, 2ED
11	N 100 829 13	hexagon head bolt (combi) M 6 X 16		2	

Model: 971-17

Model life 2017>>



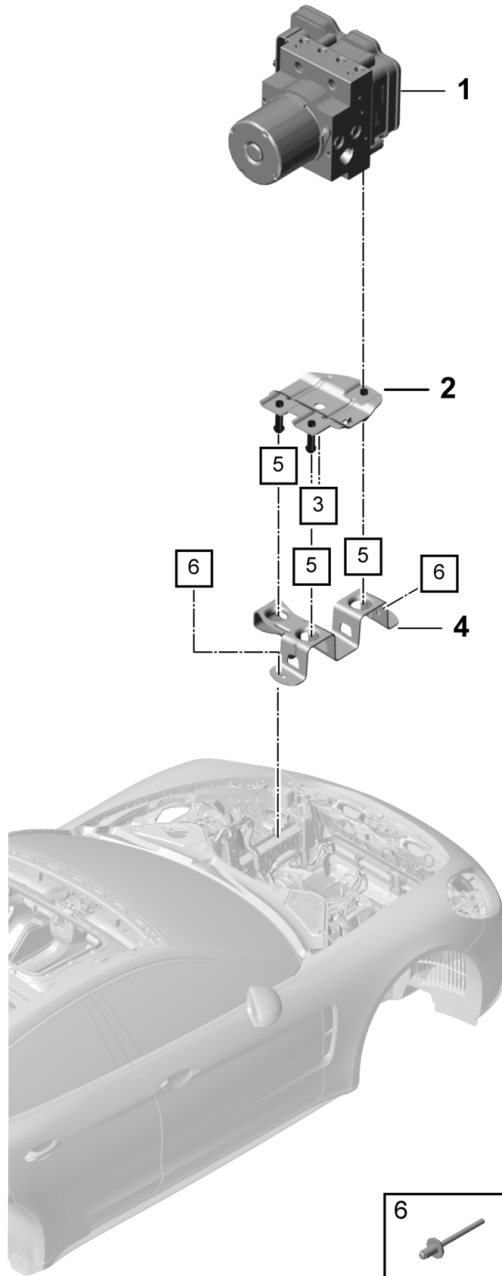
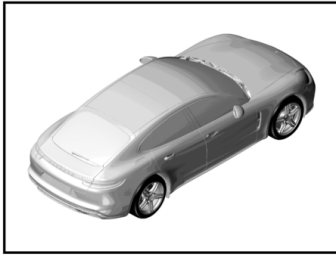
Model: 971-17

Model life 2017>>

Pos	Part Number	Description	Remark	Qty	Model
1	971 612 921	Vacuum line Vacuum hose D >> - 19.02.2017		1	PR:A8C,A8F, 0K0,1A2
(1)	971 612 067 AP	Vacuum line D - 20.02.2017>>		1	PR:A8C,A8F,
(1)	971 612 921 A	Vacuum hose		1	PR:A8C,0F5,
(1)	971 612 921 B	Vacuum hose		1	PR:DJ7
(1)	971 612 067 AK	Vacuum line D >> - 19.02.2017		1	PR:DW4,0K0
(1)	971 612 067 AN	Vacuum line D - 20.02.2017>>		1	PR:DW4,0K0
2	971 820 609 A	Grommet		1	
3	N 103 225 01	Combination holder		1	PR:L0R,0K0
4	971 612 067 AG	Vacuum line water box D >> - 19.02.2017		1	PR:L0L,0K0, D0D,D1I,D29, DW4
4	971 612 067 AM	Vacuum line water box D - 20.02.2017>>		1	PR:L0L,0K0, D0D,D1I,D29, DW4
(4)	971 612 067 AJ	Vacuum line water box		1	PR:L0L,DJ7, DD7,DJ5,D1V, D51
(4)	971 612 067 N	Vacuum line water box D >> - 19.02.2017		1	PR:L0R,0K0, D0D,D1I,D29, DW4
(4)	971 612 067 AL	Vacuum line water box D - 20.02.2017>>		1	PR:L0R,0K0, D0D,D1I,D29, DW4
(4)	971 612 067 L	Vacuum line water box D >> - 19.02.2017		1	PR:L0R,DJ7, DD7,DJ5,D1V, D51
(4)	971 612 067 AQ	Vacuum line water box D - 20.02.2017>>		1	PR:L0R,DJ7, DD7,DJ5,D1V, D51

Model: 971-17

Model life 2017>>



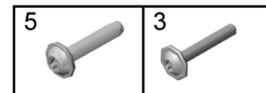
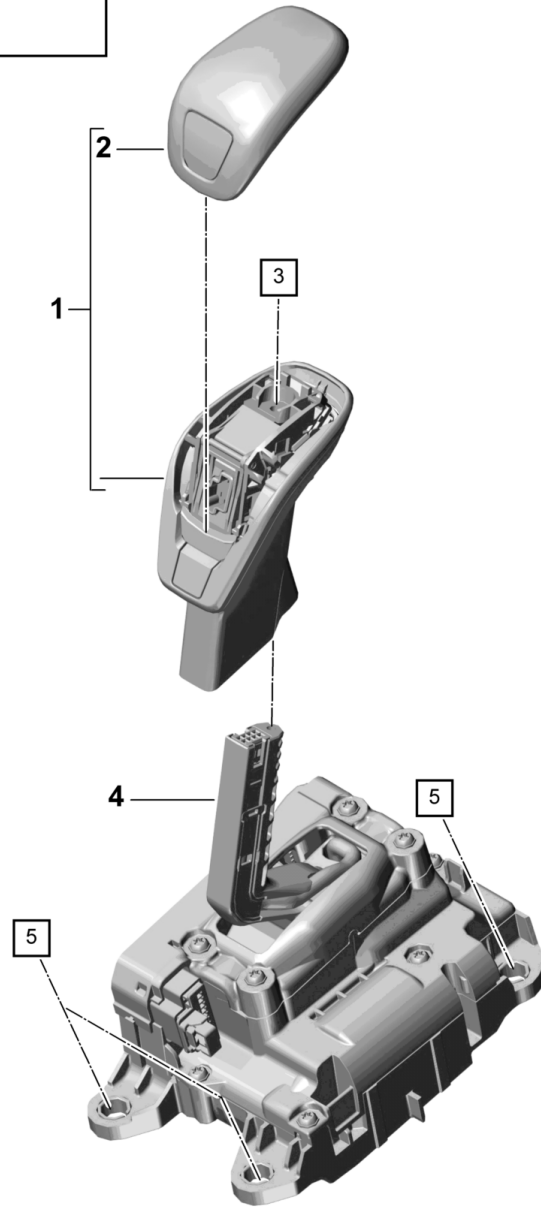
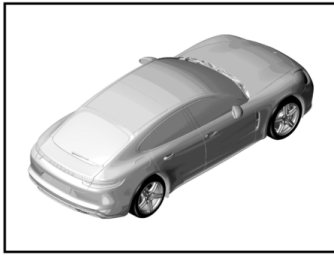
Model: 971-17

Model life 2017>>

Pos	Part Number	Description	Remark	Qty	Model
1	971 614 111 B	Hydraulic unit anti-locking brake syst. -abs- Control Hydraulic unit D >> - 28.05.2017 Discontinued part		1	PR:0K0
1	971 614 111 E	Hydraulic unit D >> - 28.05.2017		1	PR:0K0
1	971 614 111 G	Hydraulic unit D - 29.05.2017>>		1	PR:0K0
1	971 614 111 F	Hydraulic unit		1	PR:0K3
2	971 614 513	Bracket Hydraulic unit Upper part		1	
3	N 906 916 01	Socket head bolt with hexagon socket head (combination) M 10 X 1 X 17		1	
4	971 614 335	Bracket for ABS unit Hydraulic unit Lower part		1	
5	958 355 177 10	Stop buffer		3	
6	N 902 876 01	Pop rivet		4	

Model: 971-17

Model life 2017>>



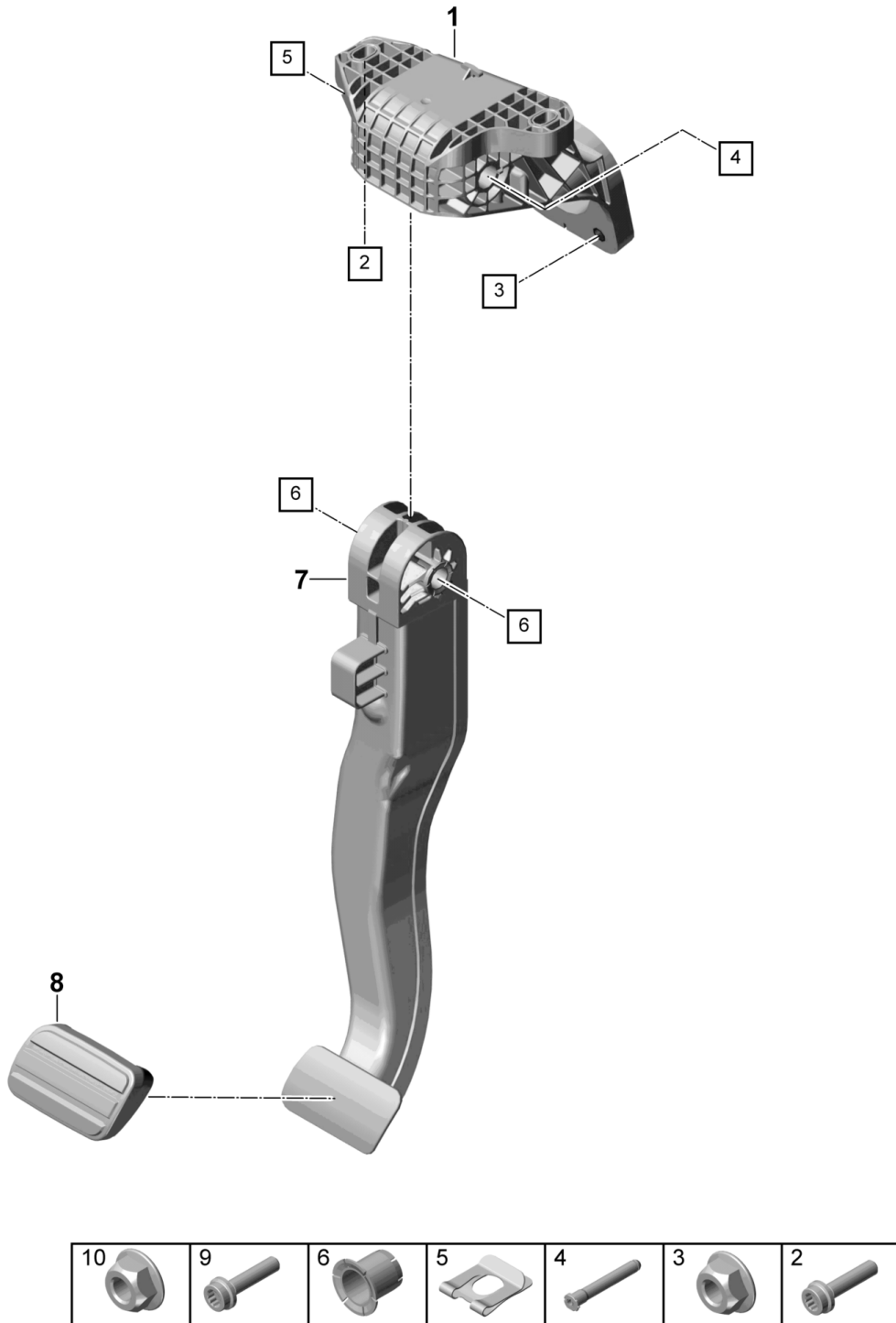
Model: 971-17

Model life 2017>>

Pos	Part Number	Description	Remark	Qty	Model
1	971 713 120	selector lever selector lever (complete)		1	
	971 713 120 8YR	Black	also use: N 910 796 02	1	
	971 713 120 PL1	agate grey	-AB,AC,PK,BB, BS,BK		
	971 713 120 9H6	Luxor beige	-DG,DL		
	971 713 120 OK6	saddle brown	-UB,UC		
	971 713 120 8M8	Marsala Red	-SB,BP		
	971 713 120 OT2	Truffle Brown	-PC,BE		
	971 713 120 ON1	Cohiba Brown	-HD		
2	971 713 139	Selector lever handle, upper		1	
	971 713 139 8YR	Black	-AB,AC,PK,BB, BS,BK		
	971 713 139 PL1	agate grey	-DG,DL		
	971 713 139 9H6	Luxor beige	-UB,UC		
	971 713 139 OK6	saddle brown	-SB,BP		
	971 713 139 8M8	Marsala Red	-PC,BE		
	971 713 139 OT2	Truffle Brown	-HD		
	971 713 139 ON1	Cohiba Brown	-HC		
3	N 910 796 02	Hexagon socket flat head bolt M 4 X 25		1	
4	971 713 033	ball housing - gearshift lever D >> - 22.01.2017		1	
(4)	971 713 033 A	ball housing - gearshift lever D - 23.01.2017>>		1	
5	9A7 007 463 00	flat round head bolt M 6 X 30		4	

Model: 971-17

Model life 2017>>



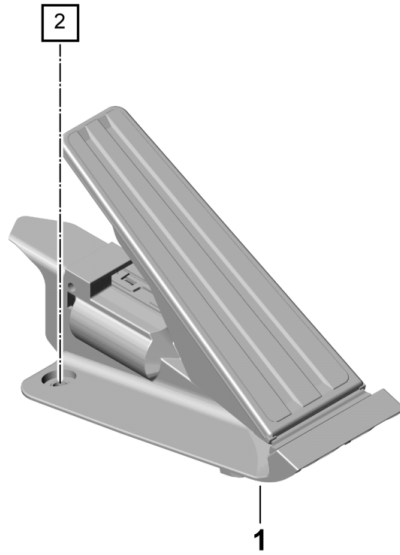
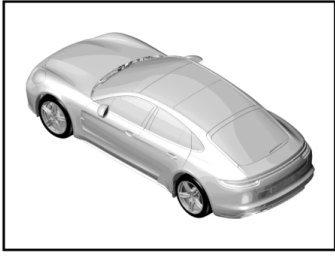
Model: 971-17

Model life 2017>>

Pos	Part Number	Description	Remark	Qty	Model
1	971 721 115 B	Pedals - PDK - Bracket		1	PR:L0L
(1)	971 721 115 C	Bracket		1	PR:L0R
2	N 911 046 01	Socket head bolt with inner multipoint head M 8 X 35		2	
3	N 023 003 14	hexagon nut, self-locking M 8		2	
4	971 721 325 A	bearing pin		1	
5	N 108 428 01	Retaining washer		1	
6	7PP 721 113 A	bush		2	
7	971 721 141 B	brake pedal		1	PR:L0L
(7)	971 721 141 C	brake pedal		1	PR:L0R
8	9P1 721 647 C	Cap for foot brake pedal		1	PR:A8C
(8)	9P1 721 173 A	Pedal cap		1	PR:A8F,A8H
9	N 911 046 01	Socket head bolt with inner multipoint head M 8 X 35		2	
10	N 023 003 14	hexagon nut, self-locking M 8		2	

Model: 971-17

Model life 2017>>



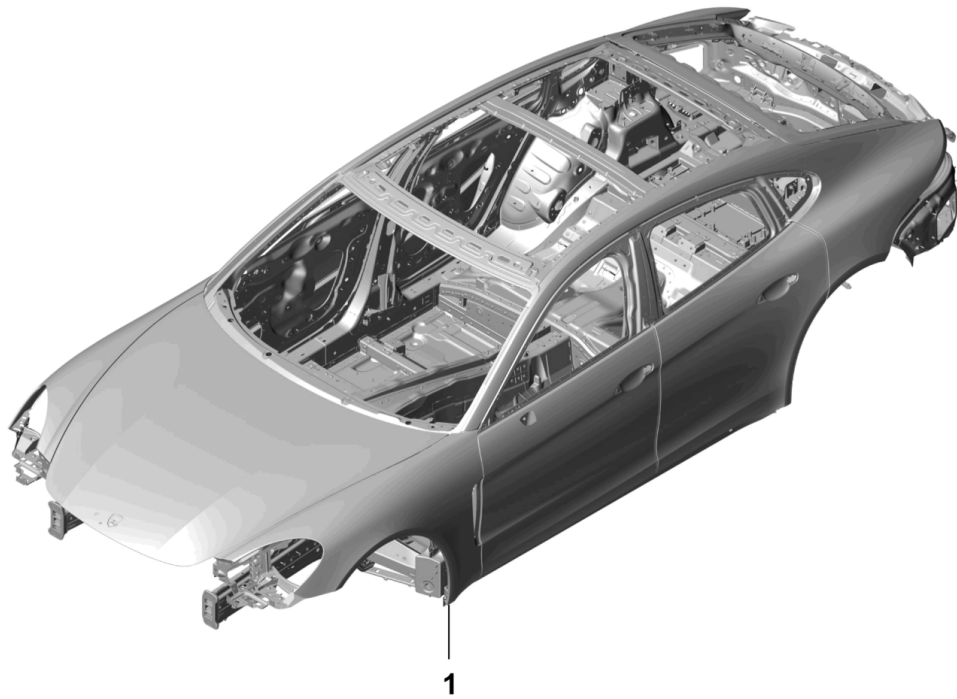
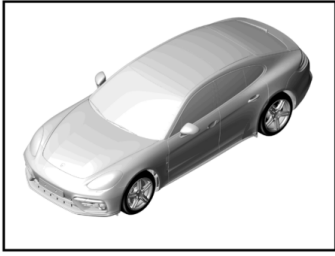
Model: 971-17

Model life 2017>>

Pos	Part Number	Description	Remark	Qty	Model
1	298 721 507 K	Pedals throttle control throttle control		1	PR:A8F,A8H, -OK3
(1)	971 723 507 A	throttle control		1	PR:OK3
(1)	982 723 507 A	throttle control		1	PR:A8C,OK0
2	N 107 148 01	fillister head bolt with multi-point socket head M 6 X 18		1	

Model: 971-17

Model life 2017>>



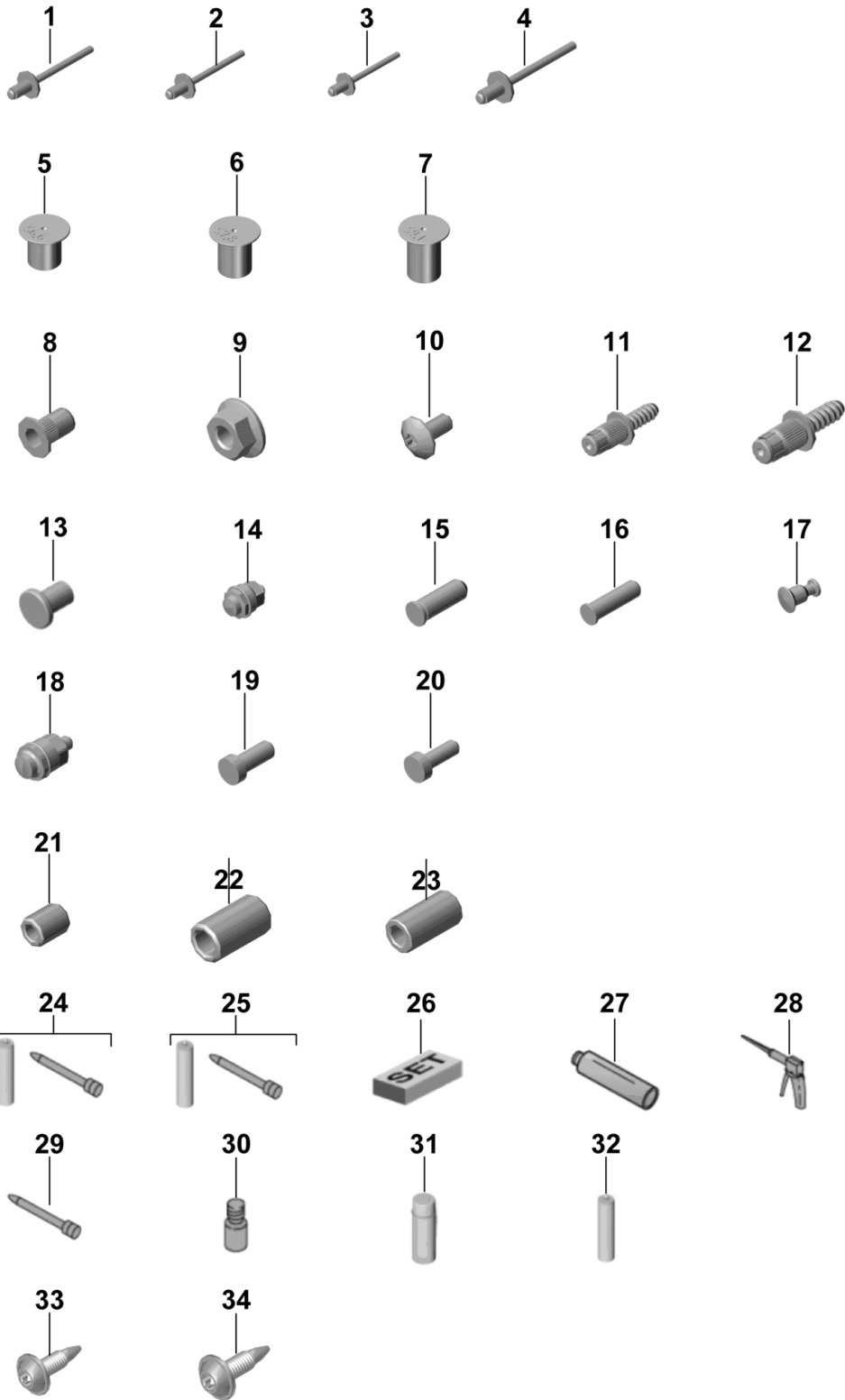
Model: 971-17

Model life 2017>>

Pos	Part Number	Description	Remark	Qty	Model
-		Car body primed Sealed with: Underbody protection with: Doors/lids/wings			
-		Bodies can only be delivered from the current model year			
-		The data that is required for the order, such as the VIN, order type, country equipment, optional equipment and amendments can be found in the vehicle's data medium and specified when placing the order			
-		Please state the colour			
1	971 800 701 Y 971 800 701 Y GRV	Car body primed		1	

Model: 971-17

Model life 2017>>



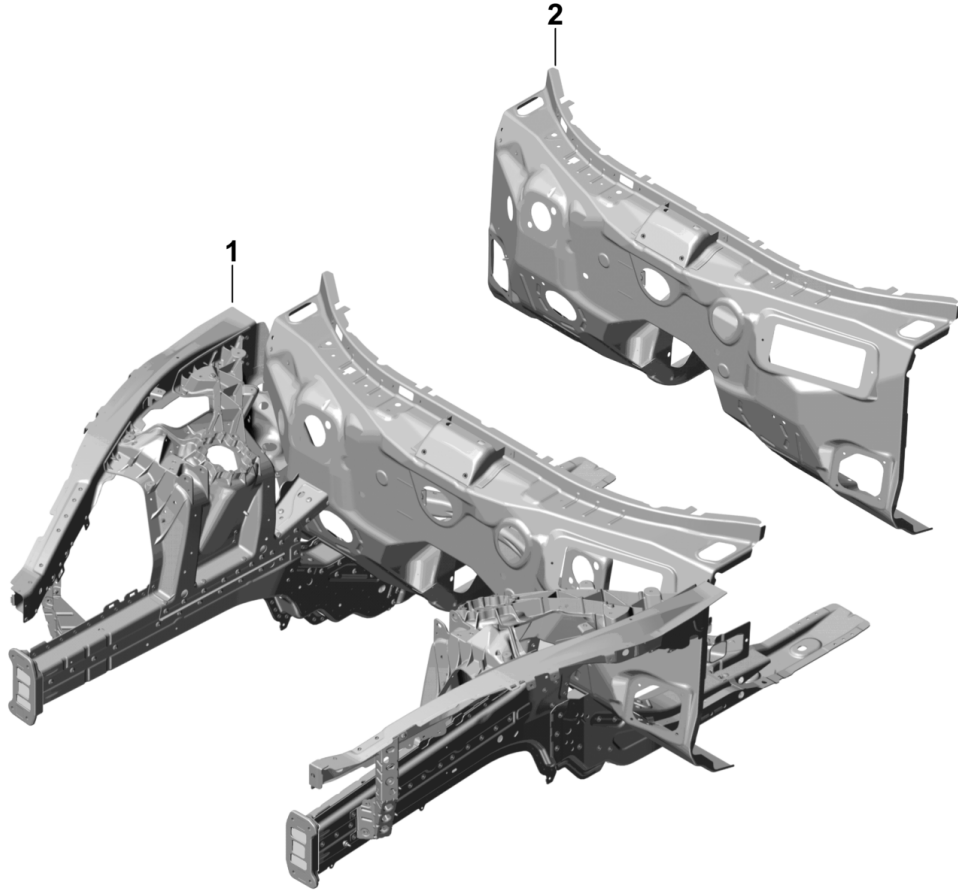
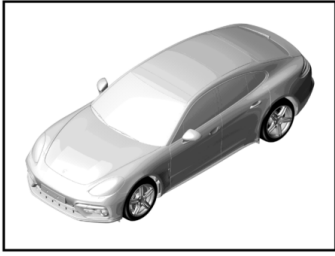
Model: 971-17

Model life 2017>>

Pos	Part Number	Description	Remark	Qty	Model
		Fasteners			
		Car body			
1	999 190 227 01	Pop rivet	6,5X12,5	X	
2	999 190 228 01	Pop rivet	6,5X11,5	X	
3	999 190 229 01	Pop rivet	6,5X10,5	X	
4	999 190 230 01	Pop rivet	6,5X14,5	X	
5	9A7 008 473 00	Rivet	S 6.6	X	
6	9A7 008 606 00	Rivet	S 7.8	X	
7	9A7 008 607 00	Rivet	S 9.1	X	
8	999 500 196 01	Nut	M8	X	
		for			
		Earth line			
9	900 377 003 01	Hexagon nut	M8	X	
		for			
		Earth line			
10	999 073 549 01	Oval-head screw	M8X16	X	
		for			
		Earth line			
11	999 190 342 01	Threaded stud	T5	X	
12	999 190 501 01	Pin	T6	X	
13	N 014 032 5	t-bolt		X	
14	999 516 032 01	Hexagon nut	M6X13	X	
		Earth line			
15	N 108 101 01	welded pin	T6	X	
		For steel body components			
16	N 902 466 01	welded pin	T5	X	
		For steel body components			
17	9A7 003 680 00	locking segment		X	
		aluminium			
18	9A7 004 062 00	Weld screw	M8X19	X	
		Earth line			
		For aluminium			
		body components			
19	N 912 527 01	Weld screw	T6	X	
		For aluminium			
		body components			
20	N 912 530 01	Weld screw	T5	X	
		For aluminium			
		body components			
21	999 504 262 01	threaded insert	M8X15	X	
22	999 504 266 01	threaded insert	M12X1,5X28	X	
23	999 504 267 01	threaded insert	M10X27	X	
24	000 043 305 65	Adhesive set		X	
		Outer roof panel			
25	000 043 305 35	2K pane adhesive set		X	
		Transverse strut	inner		
		Outer roof panel			
26	000 043 206 29	Adhesive set		1	
27	000 043 206 30	adhesive		1	
28	000 043 206 31	Double cartridge gun		1	
29	000 043 206 32	emulsion tube		1	
30	000 043 206 33	activator		1	
31	000 043 305 51	cavity preservative agent	400ml	1	
32	000 043 207 67	sealant	300ml	1	
		for sealing body			
		parts			
33	999 073 917 01	Oval-head screw	M5X20	X	
34	999 073 541 01	Torx screw	M6X20	X	
35	000 043 305 59	sealant		1	
		2 pk fill foam			
36	000 043 305 87	adhesive		1	
		2 pk fill foam			

Model: 971-17

Model life 2017>>



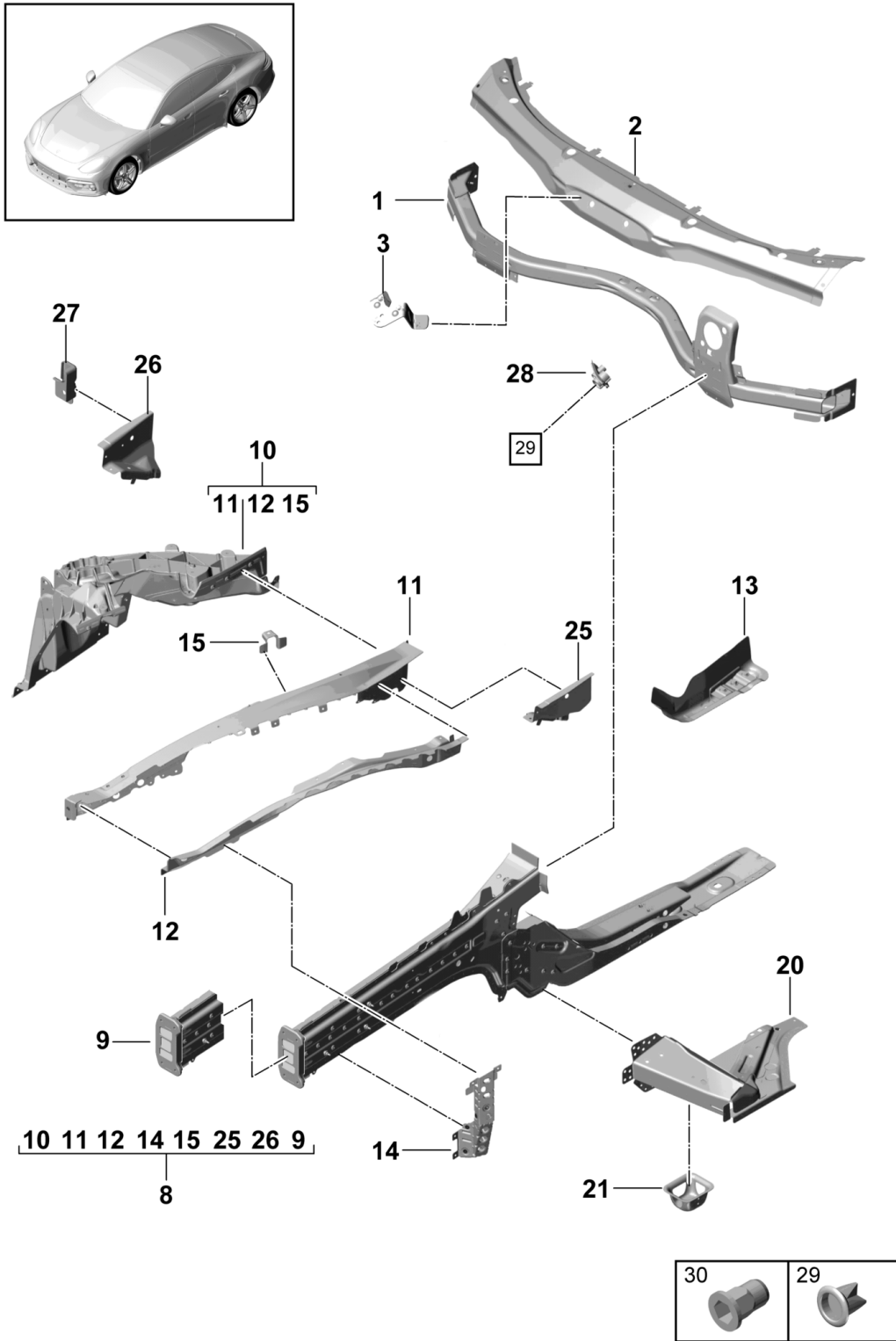
Model: 971-17

Model life 2017>>

Pos	Part Number	Description	Remark	Qty	Model
-		Front end Fasteners			
		see illustration:	801-001		
1	971 805 011 Y	Front end		1	PR:L0L
	971 805 011 Y GRV	primed			
(1)	971 805 011 AY	Front end		1	PR:L0R
	971 805 011 AY GRV	primed			
2	9A7 806 430 Y	Firewall		1	PR:L0L
	9A7 806 430 Y GRV	primed			
(2)	9A7 806 430 AY	Firewall		1	PR:L0R
	9A7 806 430 AY GRV	primed			

Model: 971-17

Model life 2017>>



Model: 971-17 Model life 2017>>

Pos	Part Number	Description	Remark	Qty	Model
-		Front end Individual parts Fasteners			
		see illustration:	801-001		
1	9A7 805 253 00	Cross member Firewall		1	PR:L0L
		also use:	000 043 305 51 000 043 305 32	1 1	
(1)	9A7 805 253 00 GRV 9A7 805 253 01	primed Cross member Firewall		1	PR:L0R
		also use:	000 043 305 51 000 043 305 32	1 1	
2	9A7 805 253 01 GRV 971 806 713 Y	primed Scuttle Cross member		1	
		also use:	000 043 305 51 000 043 305 32	1 1	
3	971 806 713 Y GRV 971 805 201 Y	primed Bracket Cross member		1	PR:L0R
(3)	971 805 201 Y GRV 971 805 202 Y	primed Bracket Cross member		1	PR:L0L
8	971 805 202 Y GRV 971 803 091 Y	primed Side member	left front	1	
		(complete)			
		also use:	000 043 305 51 000 043 305 32	1 1	
(8)	971 803 091 Y GRV 971 803 092 Y	primed Side member	right front	1	
		(complete)			
		also use:	000 043 305 51 000 043 305 32	1 1	
9	971 803 092 Y GRV 971 803 819 Y	primed Sectional part - side member	left front	1	
		also use:	000 043 305 51 000 043 305 32	1 1	
(9)	971 803 819 Y GRV 971 803 820 Y	primed Sectional part - side member	right front	1	
		also use:	000 043 305 51 000 043 305 32	1 1	
10	971 803 820 Y GRV 971 803 441 Y	primed Suspension strut mounting	left	1	
		also use:			
		also use:	000 043 305 51 000 043 305 32	1 1	
(10)	971 803 441 Y GRV 971 803 442 Y	primed Suspension strut mounting	right	1	
		also use:	000 043 305 51 000 043 305 32	1 1	
11	971 803 442 Y GRV 971 805 171 Y	primed Sectional part - side member	left front upper	1	
		also use:	000 043 305 51	1	
(11)	971 805 171 Y GRV 971 805 172 Y	primed Sectional part - side member	right front	1	

Model: 971-17 Model life 2017>>

Pos	Part Number	Description	Remark	Qty	Model
			upper		
		also use:	000 043 305 51	1	
12	971 805 172 Y GRV	primed			
	971 805 161 Y	Side member	left	1	
		(complete)	front		
		also use:	000 043 305 51	1	
			000 043 305 32	1	
(12)	971 805 161 Y GRV	primed			
	971 805 162 Y	Side member	right	1	
		(complete)	front		
		also use:	000 043 305 51	1	
			000 043 305 32	1	
13	971 805 162 Y GRV	primed			
	9A7 801 771 02	mounting bracket for transm.	left	1	
			also use:		
			000 043 305 51	1	
			000 043 305 32	1	
(13)	9A7 801 771 02 GRV	primed			
	9A7 801 772 02	mounting bracket for transm.	right	1	
			also use:		
			000 043 305 51	1	
			000 043 305 32	1	
14	9A7 801 772 02 GRV	primed			
	971 804 221 Y	Support	left	1	
		Wing			
(14)	971 804 221 Y GRV	primed			
	971 804 222 Y	Support	right	1	
		Wing			
15	971 804 222 Y GRV	primed			
	971 803 041 Y	bracket - fender	left	1	
(15)	971 803 041 Y GRV	primed			
	971 803 042 Y	bracket - fender	right	1	
	971 803 042 Y GRV	primed			
20	9A7 804 087 01	Junction plate	left	1	
			also use:		
			000 043 305 51	1	
			000 043 305 32	2	
			971 802 772 Y		
			(GRV)		
(20)	9A7 804 087 01 GRV	primed			
	9A7 804 088 01	Junction plate	right	1	
			also use:		
			000 043 305 51	1	
			000 043 305 32	2	
			971 802 772 Y		
			(GRV)		
21	9A7 804 088 01 GRV	primed			
	971 802 772 Y	socket - jack		4	
			also use:		
			000 043 305 51	1	
25	971 802 772 Y GRV	primed			
	971 805 143 Y	Closing element	left	1	
		Reinforcement			
			also use:		
			000 043 305 51	1	
			000 043 305 32	1	
26	971 805 143 Y GRV	primed			
	971 809 770 Y	Closing element	right	1	
		Reinforcement			
			also use:		
			000 043 305 51	1	
			000 043 305 32	1	
27	971 809 770 Y GRV	primed			
	971 819 545 Y	Bracket	right	1	
			upper		
28	971 819 545 Y GRV	primed			
	971 820 609 A	Grommet		1	
29	958 572 419 00	Water drain valve		1	

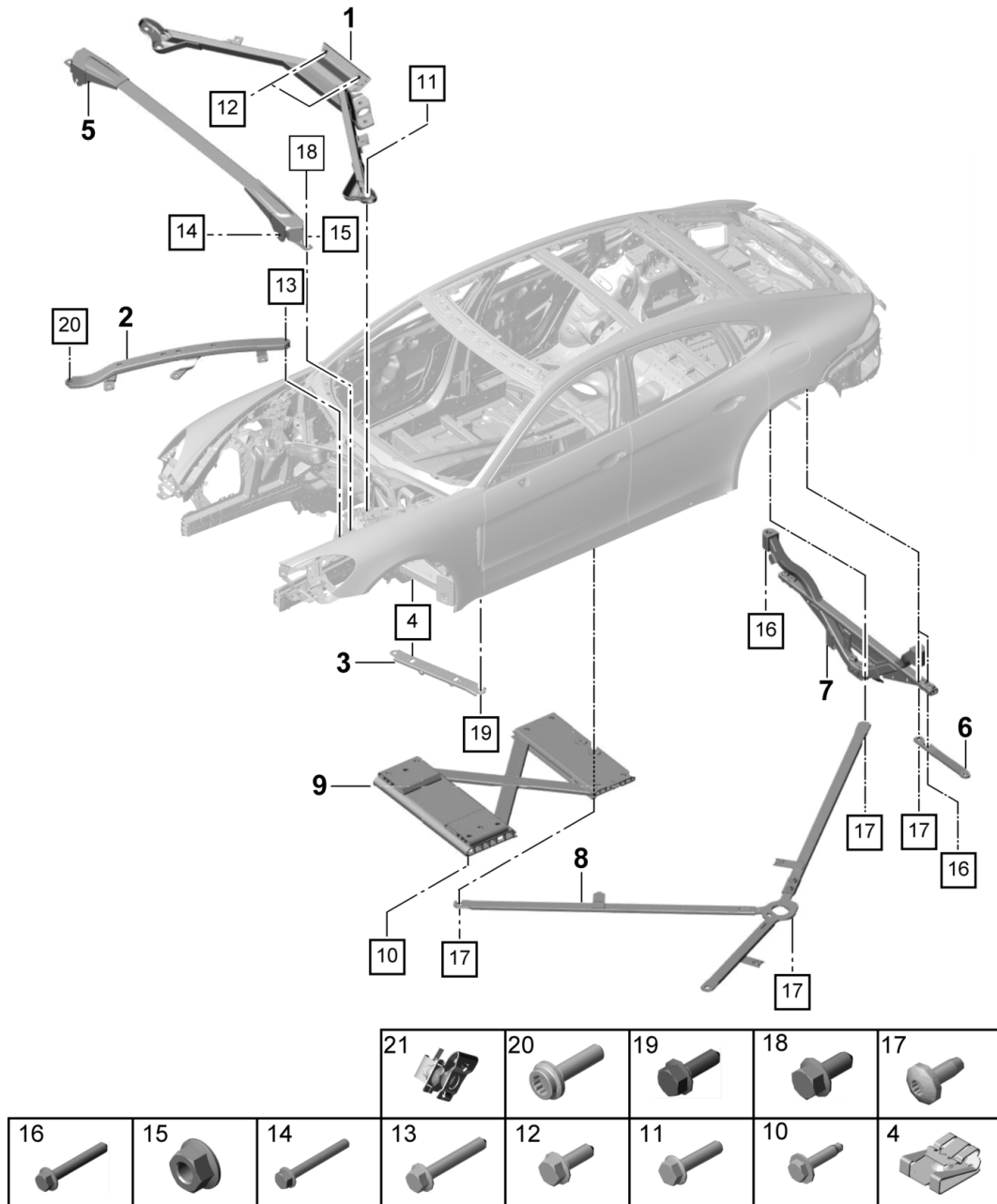
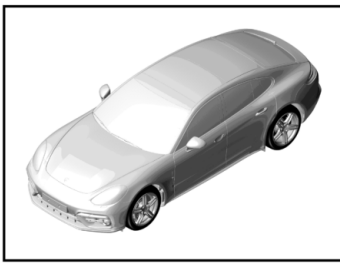
Model: 971-17

Model life 2017>>

Pos	Part Number	Description	Remark	Qty	Model
30	N 106 185 01	rivetted cap nut		5	

Model: 971-17

Model life 2017>>



Model: 971-17

Model life 2017>>

Pos	Part Number	Description	Remark	Qty	Model
-		Dome strut Fasteners see illustration:	801-001		
1	9A7 805 475 00	Dome strut		1	PR:L0L
(1)	9A7 805 475 01	Dome strut		1	PR:L0R
2	9A7 805 477 01	Reinforcement	left	1	
			front		
(2)	9A7 805 478 01	Reinforcement	right	1	
			front		
3	9A7 801 223 00	Brace	left	1	
		Sill			
(3)	9A7 801 224 00	Brace	right	1	
		Sill			
4	WHT 007 380	clamping nut		4	
5	9A7 806 303 01	Brace		1	
6	9A7 803 227 00	Brace	left	1	PR:0K0
		Rear end			
(6)	9A7 803 228 00	Brace	right	1	PR:0K0
		Rear end			
(6)	9A7 803 227 01	Brace	left	1	PR:0K3
		Rear end			
(6)	9A7 803 228 01	Brace	right	1	PR:0K3
		Rear end			
7	9A7 814 667 00	Brace		1	
8	9A7 814 587 01	Brace	left	1	
		Rear end			
(8)	9A7 814 588 01	Brace	right	1	
		Rear end			
9	971 802 019	tunnel		1	PR:0E1
		Bridge			
(9)	971 802 019 A	tunnel		1	PR:0E2
		Bridge			
10	N 912 490 01	Hexagon bolt with washer M10X45		10	
11	N 904 400 03	hexagon head bolt (combi) M8X35		2	
12	N 105 519 01	Hex collared bolt M10X30		2	
13	N 106 645 03	Hex collared bolt M8X45		2	
14	WHT 008 539	Hexagon collared bolt with multi-point socket head (duo) M10X80		2	
15	N 102 613 11	Hexagon nut M10		2	
16	N 107 847 01	Hex collared bolt M12X85		2	
17	N 019 530 7	Hex collared bolt M8X25		2	
18	N 912 351 01	Oval head locating bolt with multi-point socket head M8X20		8	
19	N 912 443 01	Hexagon collared bolt with hexagon socket head (duo) M12X90		2	
20	N 911 572 02	Socket head collared bolt with inner multipoint head M8X30		2	
21	971 825 259 A	Air guide for	left	1	
		Brake ventilation			
(21)	971 825 260 A	Air guide for	right	1	

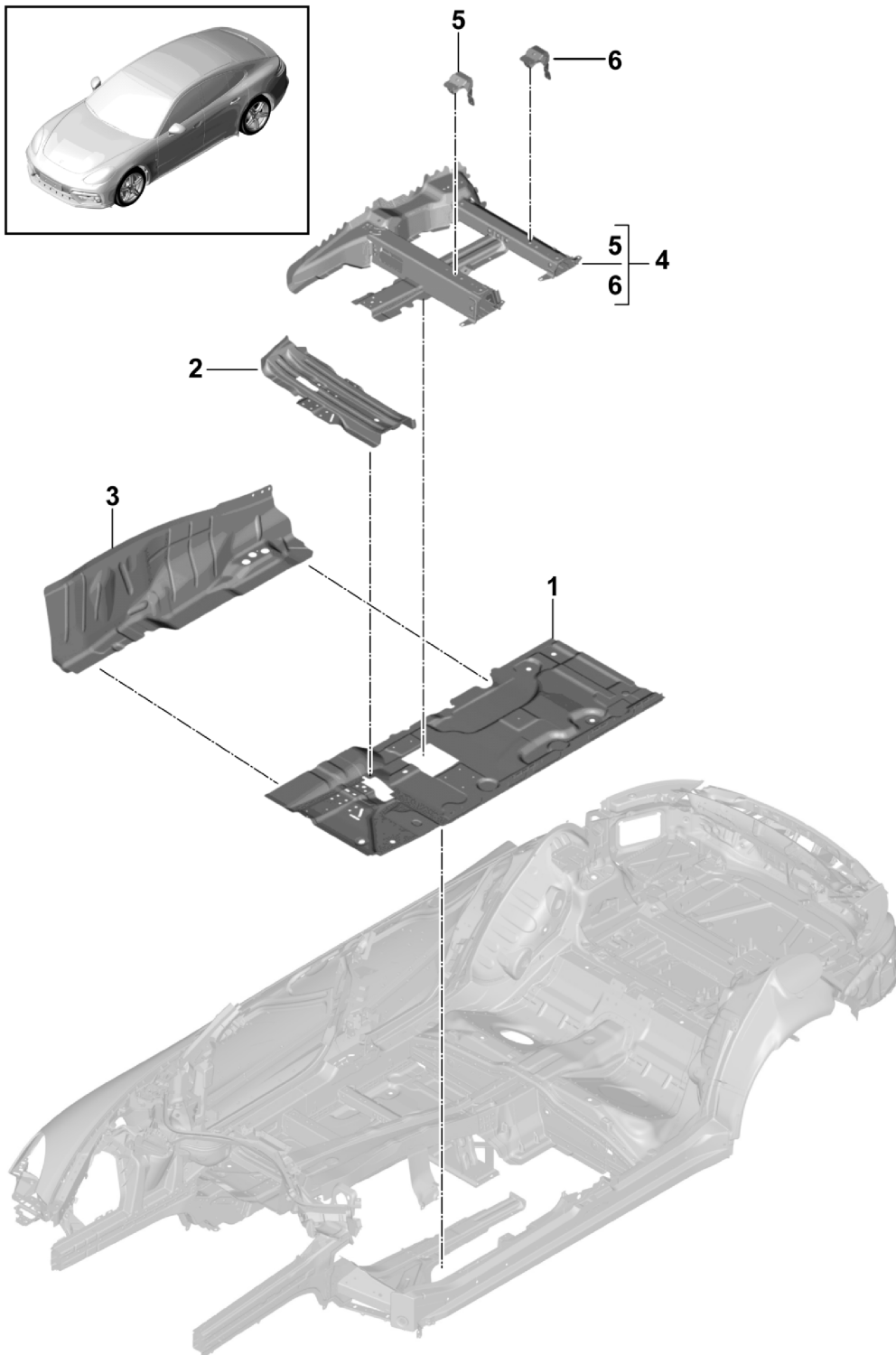
Model: 971-17

Model life 2017>>

Pos	Part Number	Description	Remark	Qty	Model
		Brake ventilation			

Model: 971-17

Model life 2017>>

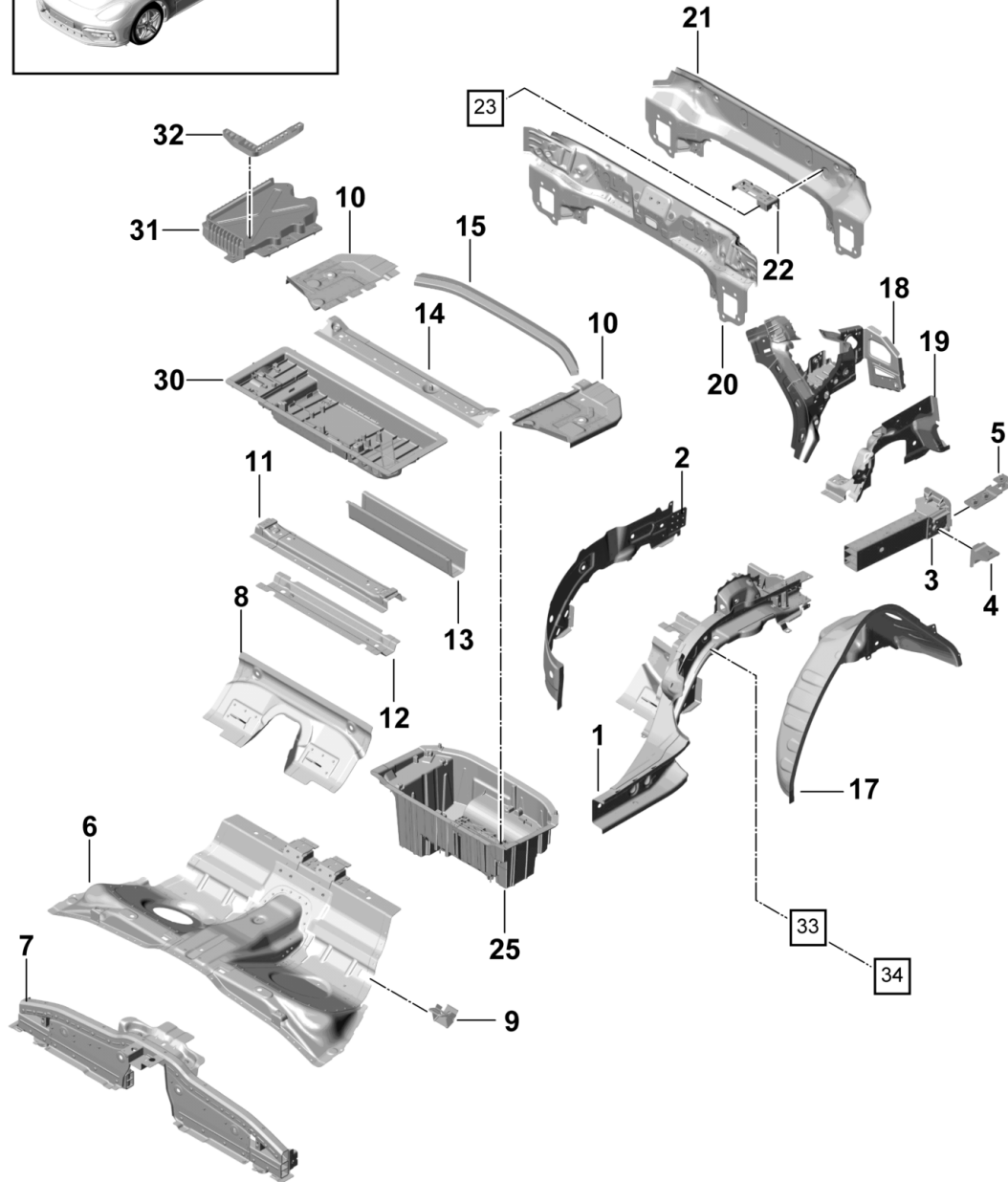
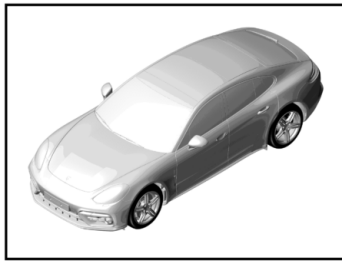


Model: 971-17 Model life 2017>>

Pos	Part Number	Description	Remark	Qty	Model
-		Floor Seat Fasteners	center		
1	971 802 205 Y	see illustration: Floor section	801-001 left front	1	PR:0E1
			also use:		
(1)	971 802 205 Y GRV	primed	000 043 207 67	1	
	971 802 206 Y	Floor section	right front	1	PR:0E1
			also use:		
(1)	971 802 206 Y GRV	primed	000 043 207 67	1	
	9A7 802 205 01	Floor section	left front	1	PR:0E2
			also use:		
(1)	9A7 802 205 01 GRV	primed	000 043 207 67	1	
	9A7 802 206 01	Floor section	right front	1	PR:0E2
			also use:		
2	9A7 802 206 01 GRV	primed	000 043 207 67	1	
	9A7 802 443 00	Reinforcement Floor	left front	1	
			also use:		
(2)	9A7 802 443 00 GRV	primed	000 043 207 67	1	
	9A7 802 444 00	Reinforcement Floor	right front	1	
			also use:		
3	9A7 802 444 00 GRV	primed	000 043 207 67	1	
	9A7 803 299 00	tunnel	left side	1	
			also use:		
(3)	9A7 803 299 00 GRV	primed	000 043 207 67	1	
	9A7 803 300 00	tunnel	right side	1	
			also use:		
4	9A7 803 300 00 GRV	primed	000 043 207 67	1	
	971 802 225 Y	Support Seat	left	1	
			also use:		
(4)	971 802 225 Y GRV	primed	000 043 207 67	1	
	971 802 226 Y	Support Seat	right	1	
			also use:		
5	971 802 226 Y GRV	primed	000 043 207 67	1	
	971 804 865 Y	Support Seat	front	1	
6	971 804 865 Y GRV	primed			
	971 802 569 Y	Support Seat	rear	1	
	971 802 569 Y GRV	primed			

Model: 971-17

Model life 2017>>



Model: 971-17 Model life 2017>>

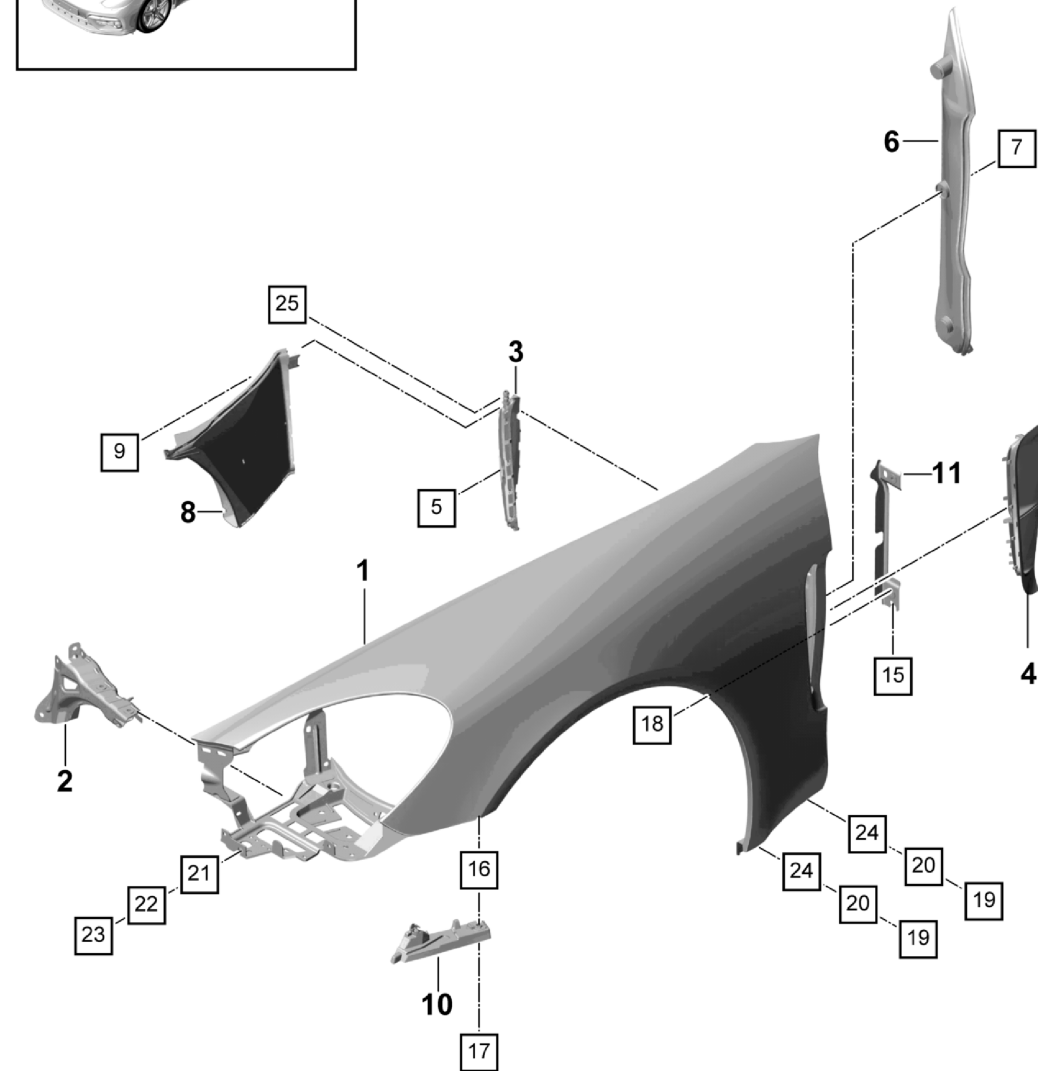
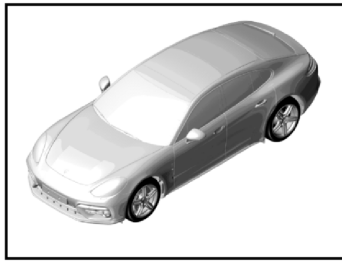
Pos	Part Number	Description	Remark	Qty	Model
-		Rear end Side member Fasteners			
1	971 813 077 Y	Side member (complete)	801-001 left	1	
		see illustration:			
		also use:	000 043 207 67	1	
(1)	971 813 077 Y GRV	primed			
	971 813 078 Y	Side member (complete)	right	1	
		also use:	000 043 207 67	1	
2	971 813 078 Y GRV	primed			
	971 814 257 Y	Closing element Closing element	left	1	
		also use:	000 043 305 51 000 043 207 67	1 1	
(2)	971 814 257 Y GRV	primed			
	971 814 258 Y	Closing element Closing element	right	1	
		also use:	000 043 305 51 000 043 207 67	1 1	
3	971 814 258 Y GRV	primed			
	9A7 814 907 00	Side member extension	left	1	
		also use:	000 043 305 51 000 043 207 67	1 1	
(3)	9A7 814 907 00 GRV	primed			
	9A7 814 908 00	Side member extension	right	1	
		also use:	000 043 305 51 000 043 207 67	1 1	
4	9A7 814 908 00 GRV	primed			
5	9A7 253 277 00	Support		2	
6	971 814 341	Reinforcement plate		2	PR:0K3
7	971 802 215 Y	Bottom plate	rear	1	
		also use:	000 043 207 67	2	
	971 802 215 Y GRV	primed			
8	971 813 149 Y	Cross member	rear	1	
		also use:	000 043 207 67	2	
	971 813 149 Y GRV	primed			
9	971 813 518 Y	Cross member ISO FIX	rear	1	
		also use:	000 043 207 67	1	
	971 813 518 Y GRV	primed			
10	971 813 987 Y	Bracket for cross member ISO FIX		1	PR:0E2
		also use:	000 043 207 67	1	
	971 813 987 Y GRV	primed			
(10)	971 802 091 Y	Bottom plate	left side	1	
		also use:	000 043 207 67	1	
	971 802 091 Y GRV	primed			
11	971 802 092 Y	Floor section	right side	1	
		also use:	000 043 207 67	1	
	971 802 092 Y GRV	primed			
12	971 803 181 Y	Cross member	rear upper	1	
		also use:	000 043 207 67	1	
	971 803 181 Y GRV	primed			
13	971 803 291 Y	Cross member	rear	1	
		also use:	000 043 207 67	1	
	971 803 291 Y GRV	primed			
13	971 803 173 Y	Cross member for spare wheel well	lower	1	

Model: 971-17 Model life 2017>>

Pos	Part Number	Description	Remark	Qty	Model
			also use: 000 043 207 67	1	
14	971 803 173 Y GRV 971 814 150 Y	primed Cross member Spare wheel well	upper	1	
			also use: 000 043 207 67	1	
15	971 814 150 Y GRV 9A7 814 161 00	primed Cross member Rear end		1	
			also use: 000 043 207 67	1	
17	9A7 814 161 00 GRV 971 813 791 Y	primed Wheel housing	left rear inner	1	
			also use: 000 043 207 67	1	
(17)	971 813 791 Y GRV 971 813 792 Y	primed Wheel housing	right rear inner	1	
			also use: 000 043 207 67	1	
18	971 813 792 Y GRV 971 810 417 Y	primed Reinforcement Side part	left	1	
			also use: 000 043 207 67	1	
(18)	971 810 417 Y GRV 971 810 418 Y	primed Reinforcement Side part	right	1	
			also use: 000 043 207 67	1	
19	971 810 418 Y GRV 971 803 151 Y	primed Console c-pillar	left	1	
			also use: 000 043 305 51 000 043 207 67	1 1	
(19)	971 803 151 Y GRV 971 803 152 Y	primed Console c-pillar	right	1	
			also use: 000 043 305 51 000 043 207 67	1 1	
20	971 803 152 Y GRV 971 813 295 Y	primed Cross panel	inner	1	
			also use: 000 043 207 67	1	
21	971 813 295 Y GRV 971 813 303 Y	primed Cross panel	outer	1	
			also use: 000 043 207 67	1	
22	971 813 303 Y GRV 971 813 549	primed Bracket Cross panel		2	
23	N 911 883 01	Hexagon socket head bolt		3	
25	9A7 804 825 03	Luggage compartment liner Battery		1	PR:0K0,1A2
(25)	9A7 804 825 04	Luggage compartment liner Battery		1	PR:0K0,0F5
(25)	9A7 804 825 02	Luggage compartment liner Battery		1	PR:0K3
30	9A7 813 105 10	luggage comp. floor covering Floor		1	
31	971 813 930 Y	Mounting		1	PR:0K3
32	971 915 731 Y	Clamping piece Bracket		1	PR:0K3
33	971 813 160 Y 971 813 160 Y GRV	guide tube primed		2	
34	N 909 210 02	Hexagon bolt		2	

Model: 971-17

Model life 2017>>



		25	24	23	22	21	20
19	18	17	16	15	9	7	5

Model: 971-17 Model life 2017>>

Pos	Part Number	Description	Remark	Qty	Model
1	971 821 101 Y	Wing Wing	left also use: 9A7 007 866 00 9A7 007 865 00 N 912 509 01	1 1 1 1	
(1)	971 821 101 Y GRV 971 821 102 Y	primed Wing	right also use: 9A7 007 866 00 9A7 007 865 00 N 912 509 01	1 1 1 1	
2	971 821 102 Y GRV 971 805 373 Y	primed Console Wing	left	1	
(2)	971 805 373 Y GRV 971 805 374 Y	primed Console Wing	right	1	
3	971 805 374 Y GRV 971 854 895	primed Closing element Trim	left inner	1	CVDA, CVD, CSZA, CSZ, CXTA, CXT, DGPA, DGP+ PR: -9M1, -9M5, -9M9
(3)	971 854 895 OK1 971 854 896	Matt black Closing element Trim	right inner	1	CVDA, CVD, CSZA, CSZ, CXTA, CXT, DGPA, DGP+ PR: -9M1, -9M5, -9M9
(3)	971 854 896 OK1 971 854 895 A	Matt black Closing element Trim	left inner also use: 971 854 933	1 1 1	CVDA, CVD, CSZA, CSZ, CXTA, CXT, DGPA, DGP+ PR: 9M1, 9M5, 9M9
(3)	971 854 895 A OK1 971 854 896 A	Matt black Closing element Trim	right inner also use: 971 854 933	1 1 1	CVDA, CVD, CSZA, CSZ, CXTA, CXT, DGPA, DGP+ PR: 9M1, 9M5, 9M9
(3)	971 854 896 A OK1 971 854 895 A	Matt black Closing element Trim	left inner also use: 971 854 933	1 1 1	DBUC
(3)	971 854 895 A OK1 971 854 896 A	Matt black Closing element Trim	right inner also use: 971 854 933	1 1 1	DBUC
4	971 854 896 A OK1 971 854 775 A	Matt black Trim Wing	left	1	
(4)	971 854 775 A G2X 971 854 776 A	primed Trim Wing	right	1	
(4)	971 854 776 A G2X 971 854 775 B	primed Trim Wing	left	1	
(4)	971 854 775 B V09 971 854 776 B	Alushine Trim	right	1	

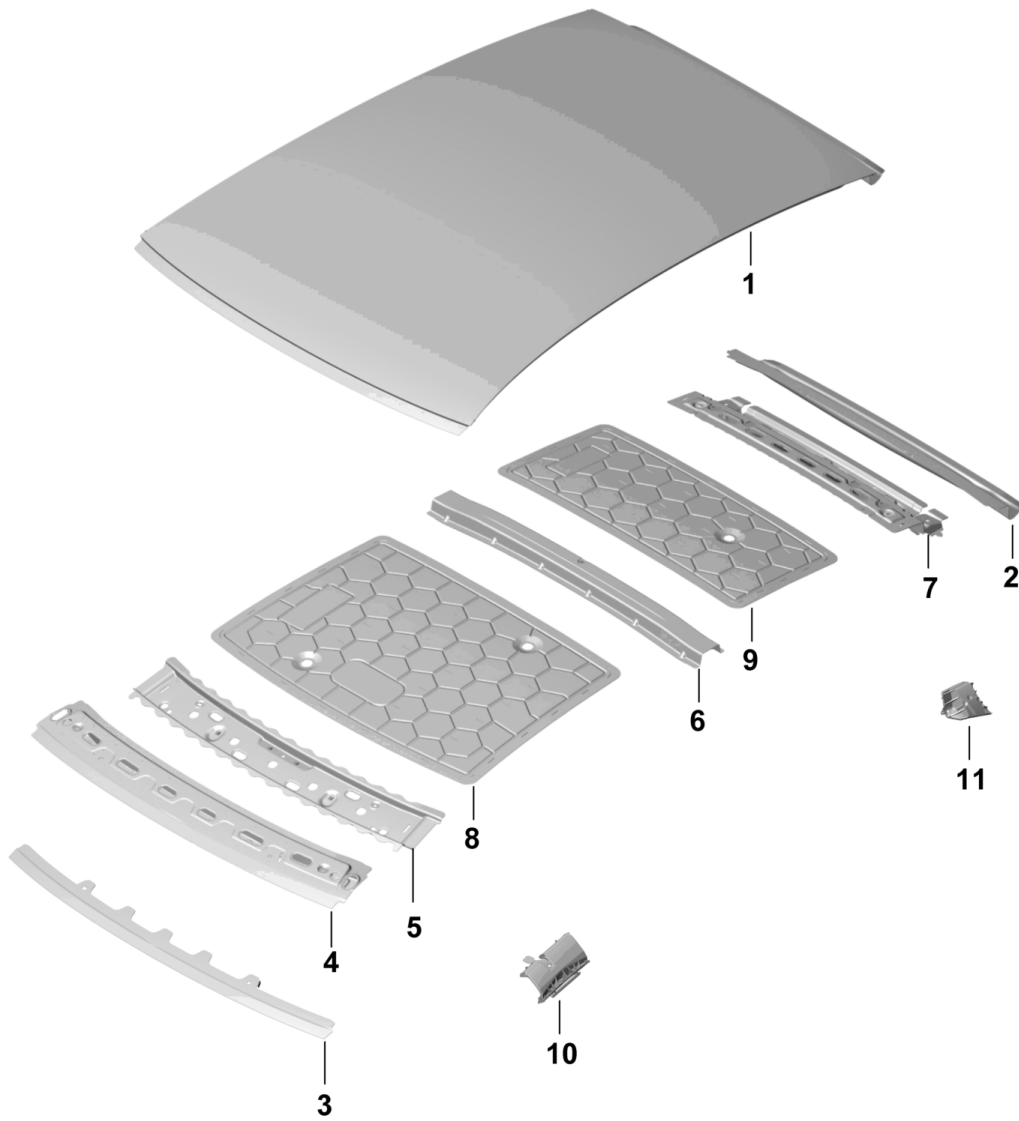
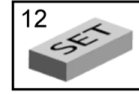
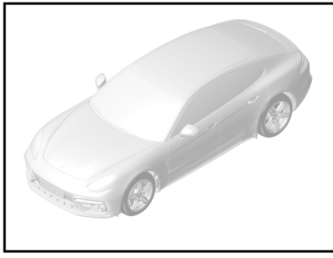
Model: 971-17

Model life 2017>>

Pos	Part Number	Description	Remark	Qty	Model
	971 854 776 B V09	Wing Alushine			
5	N 911 329 01	Hexagon socket head panel bolt		2	
6	971 854 777	trim for a-pillar	left	1	
	971 854 777 OK1	Matt black			
(6)	971 854 778	trim for a-pillar	right	1	
	971 854 778 OK1	Matt black			
7	N 038 549 4	Spreader rivet		3	
8	971 809 963	Air guide Wheel housing	left	1	CVDA, CVD, CSZA, CSZ, CXTA, CXT, DGPA, DGP+ PR: 9M0
(8)	971 809 964	Air guide Wheel housing	right	1	CVDA, CVD, CSZA, CSZ, CXTA, CXT, DGPA, DGP+ PR: 9M0
9	N 038 501 2	Spreader rivet		2	
10	971 807 283	Guide rail	left	1	
(10)	971 807 284	Guide rail	right	1	
11	971 809 573 Y	Rail	left	1	
	971 809 573 Y GRV	primed			
(11)	971 809 574 Y	Rail	right	1	
	971 809 574 Y GRV	primed			
15	WHT 007 380	clamping nut		3	
16	WHT 004 935	expanding nut		4	
17	N 907 750 01	Hexagon socket head panel bolt		3	
18	N 910 423 02	Oval hexagon socket head bolt		13	
19	N 015 082 10	Hexagon collar nut		2	
21	9A7 007 866 00	riveted cap nut		1	
22	9A7 007 865 00	Adjusting nut		1	
23	N 912 509 01	Outer hexagon round screw		1	
24	N 107 711 01	12-point collared bolt		2	
25	971 854 933	Closing element Sleeve		1	

Model: 971-17

Model life 2017>>



Model: 971-17 Model life 2017>>

Pos	Part Number	Description	Remark	Qty	Model
-		Roof Scuttle Fasteners			
		see illustration:	801-001		
1	971 817 111 EY 971 817 111 EY GRV	Outer roof panel primed		1	PR:3FA,-K8D
		also use:	000 043 305 65 000 043 305 35		
1	974 817 111 CY 974 817 111 CY GRV	Outer roof panel primed		1	PR:3FA,K8D
		also use:	000 043 305 65 000 043 305 35		
2	971 817 111 BY 971 817 111 BY GRV	Roof Outer part primed		1	PR:3FU,-K8D
		also use:	000 043 305 41		
(2)	974 817 111 DY 974 817 111 DY GRV	Roof Outer part primed	rear	1	PR:3FU,K8D
		also use:	000 043 305 41		
3	971 817 113 AY 971 817 113 AY GRV	Outer roof panel Discontinued part primed		1	PR:3FU
		also use:	000 043 305 41		
3	971 817 113 CY 971 817 113 CY GRV	Roof Outer part primed	front	1	PR:3FU
		also use:	000 043 305 41		
4	971 817 121 BY 971 817 121 BY GRV	Roof cross member Upper part primed	front	1	PR:3FA
(4)	971 817 121 CY 971 817 121 CY GRV	Roof cross member Upper part primed	front	1	PR:3FU
5	971 817 122 BY 971 817 122 BY GRV	Roof cross member Lower part primed	front	1	
6	971 817 161 Y 971 817 161 Y GRV	Roof cross member primed	rear	1	PR:3FA,-K8D
6	974 817 161 Y 974 817 161 Y GRV	Roof cross member primed	rear	1	PR:3FA,K8D
(6)	971 817 161 AY 971 817 161 AY GRV	Roof cross member primed	rear	1	PR:3FU,-K8D
(6)	974 817 161 AY 974 817 161 AY GRV	Roof cross member primed	rear	1	PR:3FU,K8D
7	971 817 287 Y 971 817 287 Y GRV	roof frame Cross member primed	rear	1	PR:3FA,-K8D
7	974 817 287 Y 974 817 287 Y GRV	roof frame Cross member primed	rear	1	PR:3FA,K8D
(7)	971 817 287 AY 971 817 287 AY GRV	roof frame Cross member primed	rear	1	PR:3FU,-K8D
(7)	974 817 287 AY 974 817 287 AY GRV	roof frame Cross member primed	rear	1	PR:3FU,K8D
8	971 817 285	Roof reinforcement	front	1	PR:3FA
9	971 817 120	Roof reinforcement	rear	1	PR:3FA
10	974 810 825 A	Reinforcement	left	1	PR:K8D
(10)	974 810 826 A	Roof rack Reinforcement Roof rack	front right front	1	PR:K8D

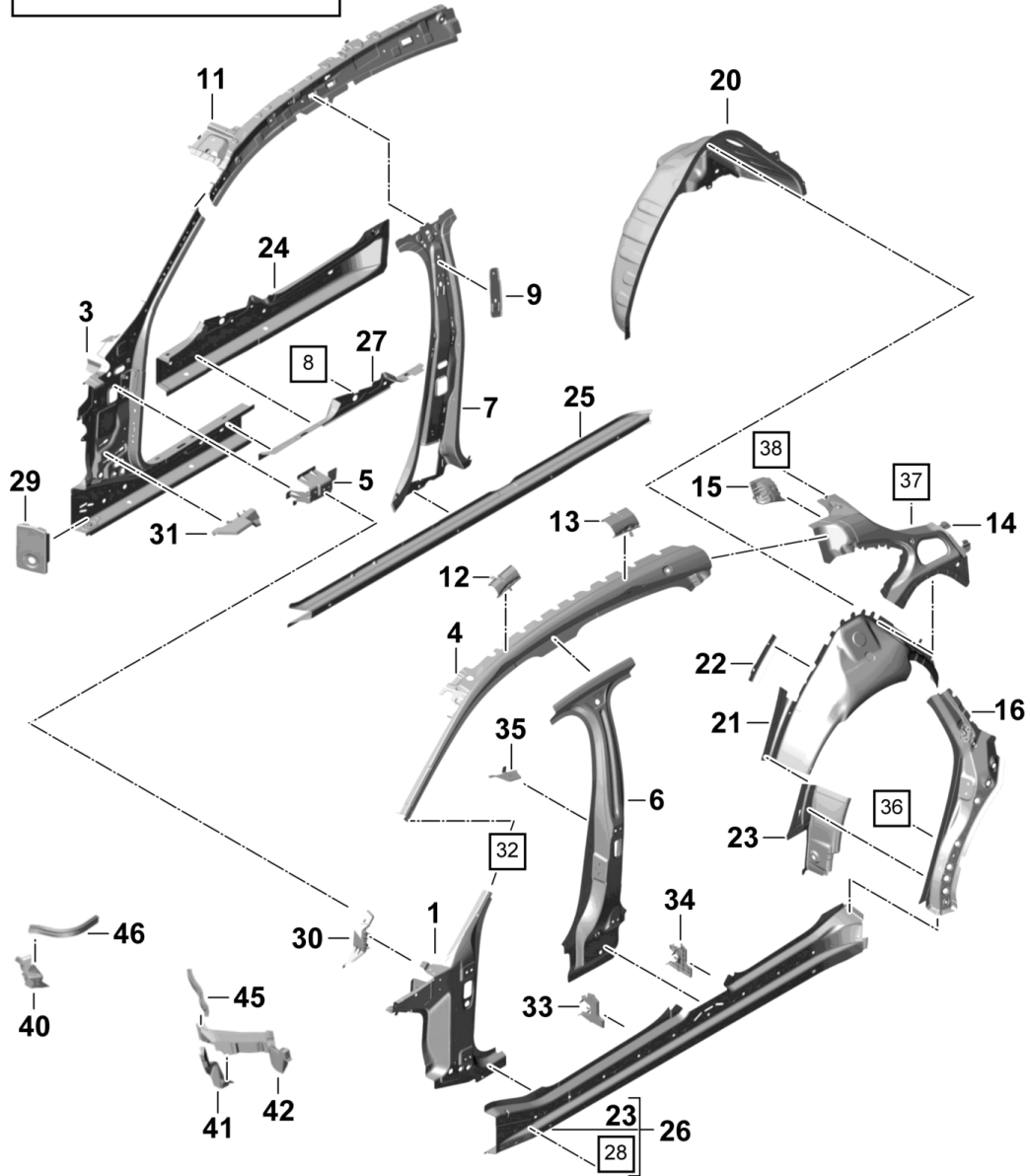
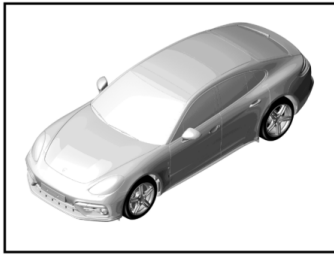
Model: 971-17

Model life 2017>>

Pos	Part Number	Description	Remark	Qty	Model
(10)	974 810 827	Reinforcement Roof rack	left rear	1	PR:K8D
(10)	974 810 828	Reinforcement Roof rack	right rear	1	PR:K8D
11	974 810 605	Reinforcement bracket c-pillar	left	1	PR:K8D
(11)	974 810 606	Reinforcement bracket c-pillar	right	1	PR:K8D
12	000 043 305 35	2K pane adhesive set for Reinforcement POS 8+9		1	

Model: 971-17

Model life 2017>>



38	37	36	32	28	8
----	----	----	----	----	---

Model: 971-17 Model life 2017>>

Pos	Part Number	Description	Remark	Qty	Model
-		Side part Fasteners	inner		
1	971 809 203 Y	see illustration: Reinforcement for A-pillar	801-001 left	1	
		also use:	000 043 207 67	1	
	971 809 203 Y GRV	primed			
(1)	971 809 204 Y	Reinforcement for A-pillar	right	1	
		also use:	000 043 207 67	1	
	971 809 204 Y GRV	primed			
3	971 810 007 Y	Reinforcement for A-pillar	left	1	
		Sill			
		also use:	000 043 207 67	1	
	971 810 007 Y GRV	primed			
(3)	971 810 008 Y	Reinforcement for A-pillar	right	1	
		Sill			
		also use:	000 043 207 67	1	
	971 810 008 Y GRV	primed			
4	971 809 199 CY	Reinforcement for A-pillar	left	1	PR:0E1
		also use:	000 043 207 67	1	
	971 809 199 CY GRV	primed			
(4)	971 809 200 CY	Reinforcement for A-pillar	right	1	PR:0E1
		also use:	000 043 207 67	1	
	971 809 200 CY GRV	primed			
(4)	971 809 199 DY	Reinforcement for A-pillar	left	1	PR:0E2
		also use:	000 043 207 67	1	
	971 809 199 DY GRV	primed			
(4)	971 809 200 DY	Reinforcement for A-pillar	right	1	PR:0E2
		also use:	000 043 207 67	1	
	971 809 200 DY GRV	primed			
(4)	974 809 199 Y	Reinforcement for A-pillar	left	1	PR:K8D
		also use:	000 043 207 67	1	
	974 809 199 Y GRV	primed			
(4)	974 809 200 Y	Reinforcement for A-pillar	left	1	PR:K8D
		also use:	000 043 207 67	1	
	974 809 200 Y GRV	primed			
5	971 809 627 AY	Hinge reinforcement	left	1	
		Reinforcement	upper		
	971 809 627 AY GRV	primed			
(5)	971 809 628 AY	Hinge reinforcement	right	1	
		Reinforcement	upper		
	971 809 628 AY GRV	primed			
6	971 809 607 Y	Reinforcement plate	left	1	
		B-pillar	outer		
		also use:	000 043 305 51	1	
			000 043 207 67	1	
	971 809 607 Y GRV	primed			
(6)	971 809 608 Y	Reinforcement plate	right	1	
		B-pillar	outer		
		also use:	000 043 305 51	1	
			000 043 207 67	1	
	971 809 608 Y GRV	primed			
7	971 809 223 Y	Reinforcement plate	left	1	
		B-pillar	inner		
		also use:	000 043 207 67	1	
	971 809 223 Y GRV	primed			
(7)	971 809 224 Y	Reinforcement plate	right	1	
		B-pillar	inner		
		also use:	000 043 207 67	1	
	971 809 224 Y GRV	primed			
8	971 809 565 Y	Bracket	inner	2	
		B-pillar			
	971 809 565 Y GRV	primed			
9	971 809 525 Y	Reinforcement		4	

Model: 971-17 Model life 2017>>

Pos	Part Number	Description	Remark	Qty	Model
11	971 809 525 Y GRV 971 817 361 Y	Belt primed roof frame	left inner also use: 000 043 207 67	1 1	PR:0E1
(11)	971 817 361 Y GRV 971 817 362 Y	primed roof frame	right inner also use: 000 043 207 67	1 1	PR:0E1
(11)	971 817 362 Y GRV 971 817 361 AY	primed roof frame	left inner also use: 000 043 207 67	1 1	PR:0E2
(11)	971 817 361 AY GRV 971 817 362 AY	primed roof frame	right inner also use: 000 043 207 67	1 1	PR:0E2
(11)	971 817 362 AY GRV 974 817 361 Y	primed roof frame	left inner also use: 000 043 207 67	1 1	PR:K8D
(11)	974 817 361 Y GRV 974 817 362 Y	primed roof frame	right inner also use: 000 043 207 67	1 1	PR:K8D
12	974 817 362 Y GRV 971 810 825	primed Reinforcement	left	1	PR:0E1
(12)	971 810 826	Roof carrier Reinforcement	front right	1	PR:0E1
13	971 810 827	Roof carrier Reinforcement	front left	1	PR:0E1
(13)	971 810 828	Roof carrier Reinforcement	rear right	1	PR:0E1
14	971 809 263 Y	Roof carrier Reinforcement plate c-pillar	rear left also use: 000 043 305 51 000 043 207 67	1 1	
(14)	971 809 263 Y GRV 971 809 264 Y	primed Reinforcement plate c-pillar	right also use: 000 043 305 51 000 043 207 67	1 1	
(14)	971 809 264 Y GRV 974 809 263 Y	primed Reinforcement plate c-pillar	left also use: 000 043 305 51 000 043 207 67	1 1	PR:K8D
(14)	974 809 263 Y GRV 974 809 264 Y	primed Reinforcement plate c-pillar	right also use: 000 043 305 51 000 043 207 67	1 1	PR:K8D
15	974 809 264 Y GRV 971 810 605	primed Reinforcement bracket c-pillar	left	1	
(15)	971 810 606	Reinforcement bracket c-pillar	right	1	
16	971 810 521 Y	Reinforcement plate Door	left rear also use: 000 043 305 51 000 043 207 67	1 1	
	971 810 521 Y GRV	primed		1	

Model: 971-17 Model life 2017>>

Pos	Part Number	Description	Remark	Qty	Model
(16)	971 810 522 Y	Reinforcement plate Door	right rear	1	
		also use:	000 043 305 51	1	
			000 043 207 67	1	
(16)	971 810 522 Y GRV 974 810 521 Y	primed Reinforcement plate Door	left rear	1	PR:K8D
		also use:	000 043 305 51	1	
			000 043 207 67	1	
(16)	974 810 521 Y GRV 974 810 522 Y	primed Reinforcement plate Door	right rear	1	PR:K8D
		also use:	000 043 305 51	1	
			000 043 207 67	1	
20	974 810 522 Y GRV 971 813 791 Y	primed Wheel housing	left inner	1	
		also use:	000 043 207 67	1	
(20)	971 813 791 Y GRV 971 813 792 Y	primed Wheel housing	right inner	1	
		also use:	000 043 207 67	1	
21	971 813 792 Y GRV 971 809 411 Y	primed Wheel housing	left outer	1	PR:0K0
		also use:	000 043 207 67	1	
(21)	971 809 411 Y GRV 971 809 313 Y	primed Wheel housing	right outer	1	
		also use:	000 043 207 67	1	
(21)	971 809 313 Y GRV 971 809 156 Y	primed Wheel housing	left outer Hybrid	1	PR:0K3
		also use:	000 043 207 67	1	
22	971 809 156 Y GRV 971 810 005 Y	primed Connecting piece Wheel housing	left	1	
(22)	971 810 005 Y GRV 971 810 006 Y	primed Connecting piece Wheel housing	right	1	
23	971 810 006 Y GRV 971 809 553 Y	primed Connecting piece Wheel housing	left lower	1	
		also use:	000 043 305 51	2	
			000 043 207 67	2	
(23)	971 809 553 Y GRV 971 809 554 Y	primed Connecting piece Wheel housing	right lower	1	
		also use:	000 043 305 51	2	
			000 043 207 67	2	
24	971 809 554 Y GRV 971 809 529 Y	primed Sill Inner part	left	1	PR:0E1
		also use:	000 043 305 51	1	
			000 043 207 67	1	
(24)	971 809 529 Y GRV 971 809 530 Y	primed Sill Inner part	right	1	PR:0E1
		also use:	000 043 305 51	1	
			000 043 207 67	1	
(24)	971 809 530 Y GRV 971 809 529 AY	primed Sill	left	1	PR:0E2

Model: 971-17 Model life 2017>>

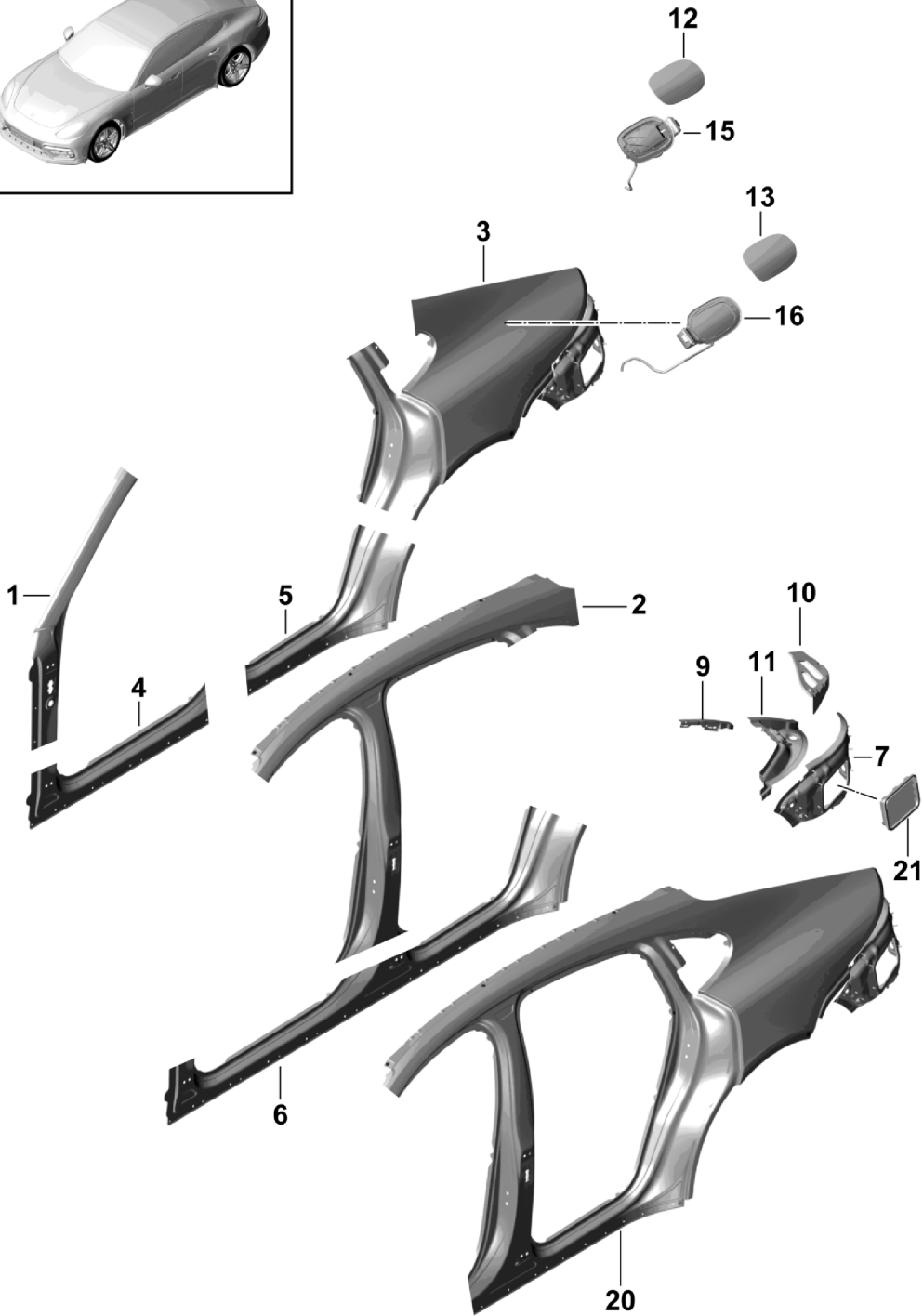
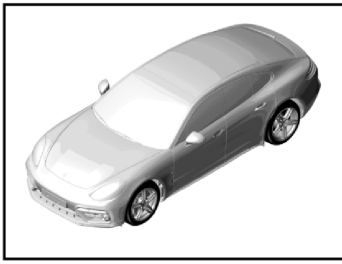
Pos	Part Number	Description	Remark	Qty	Model
		Inner part			
			also use:		
			000 043 305 51	1	
			000 043 207 67	1	
(24)	971 809 529 AY GRV	primed			
	971 809 530 AY	Sill	right	1	PR:0E2
		Inner part			
			also use:		
			000 043 305 51	1	
			000 043 207 67	1	
25	971 809 530 AY GRV	primed			
	971 809 629 Y	Web plate	left	1	PR:0E1
		Sill			
		Reinforcement			
		Inner part			
			also use:		
			000 043 207 67	1	
(25)	971 809 629 Y GRV	primed			
	971 809 630 Y	Web plate	right	1	PR:0E1
		Sill		1	
		Reinforcement			
		Inner part			
			also use:		
			000 043 207 67	1	
(25)	971 809 630 Y GRV	primed			
	971 809 629 AY	Web plate	left	1	PR:0E2
		Sill			
		Reinforcement			
		Inner part			
			also use:		
			000 043 207 67	1	
(25)	971 809 629 AY GRV	primed			
	971 809 630 AY	Web plate	right	1	PR:0E2
		Sill		1	
		Reinforcement			
		Inner part			
			also use:		
			000 043 207 67	1	
26	971 809 630 AY GRV	primed			
	971 809 751 Y	Reinforcement	left	1	PR:0E1
		Sill	outer		
			also use:		
			000 043 207 67	1	
(26)	971 809 751 Y GRV	primed			
	971 809 752 Y	Reinforcement	right	1	PR:0E1
		Sill	outer		
			also use:		
			000 043 207 67	1	
(26)	971 809 752 Y GRV	primed			
	971 809 751 AY	Reinforcement	left	1	PR:0E2
		Sill	outer		
			also use:		
			000 043 207 67	1	
(26)	971 809 751 AY GRV	primed			
	971 809 752 AY	Reinforcement	right	1	PR:0E2
		Sill	outer		
			also use:		
			000 043 207 67	1	
27	971 809 752 AY GRV	primed			
	971 810 105 Y	Support plate	left	1	
		Sill			
			also use:		
			000 043 207 67	1	
(27)	971 810 105 Y GRV	primed			
	971 810 106 Y	Support plate	right	1	
		Sill			
			also use:		
			000 043 207 67	1	
28	971 810 106 Y GRV	primed			
	971 810 679 Y	bracket - fender	left	1	
	971 810 679 Y GRV	primed			
(28)	971 810 680 Y	bracket - fender	right	1	
	971 810 680 Y GRV	primed			
29	971 809 341 Y	Closing element	left	1	
			front		

Model: 971-17 Model life 2017>>

Pos	Part Number	Description	Remark	Qty	Model
			also use:	000 043 207 67	1
(29)	971 809 341 Y GRV 971 809 342 Y	primed Closing element	right front	1	
			also use:	000 043 207 67	1
30	971 809 342 Y GRV 971 810 241	primed filler plate A-pillar	left center	1	
(30)	971 810 242	filler plate A-pillar	right center	1	
31	971 810 719	filler plate A-pillar	left lower	1	
(31)	971 810 720	filler plate A-pillar	right lower	1	
32	971 810 715	filler plate A-pillar	left upper	1	
(32)	971 810 716	filler plate A-pillar	right upper	1	
33	971 810 331	filler plate Sill	left front	1	
(33)	971 810 332	filler plate Sill	right front	1	
34	971 810 729	filler plate Sill	left rear	1	
(34)	971 810 730	filler plate Sill	right rear	1	
35	971 810 261	filler plate B-pillar	left center	1	
(35)	971 810 262	filler plate B-pillar	right center	1	
36	971 809 647	filler plate Wheel housing panel	left	1	
(36)	971 809 648	filler plate Wheel housing panel	right	1	
37	971 810 375	filler plate d-pillar	left	1	
(37)	971 810 376	filler plate d-pillar	right	1	
38	971 810 847	filler plate Side part	left	1	
(38)	971 810 848	filler plate Side part	right	1	
40	971 819 997	Foam part water box		1	
41	971 819 239 A	Foam part water box		1	
42	971 819 236	Foam part water box		1	
45	971 819 531	seal for water box	left	1	
46	971 819 532	seal for water box	right	1	

Model: 971-17

Model life 2017>>



Model: 971-17 Model life 2017>>

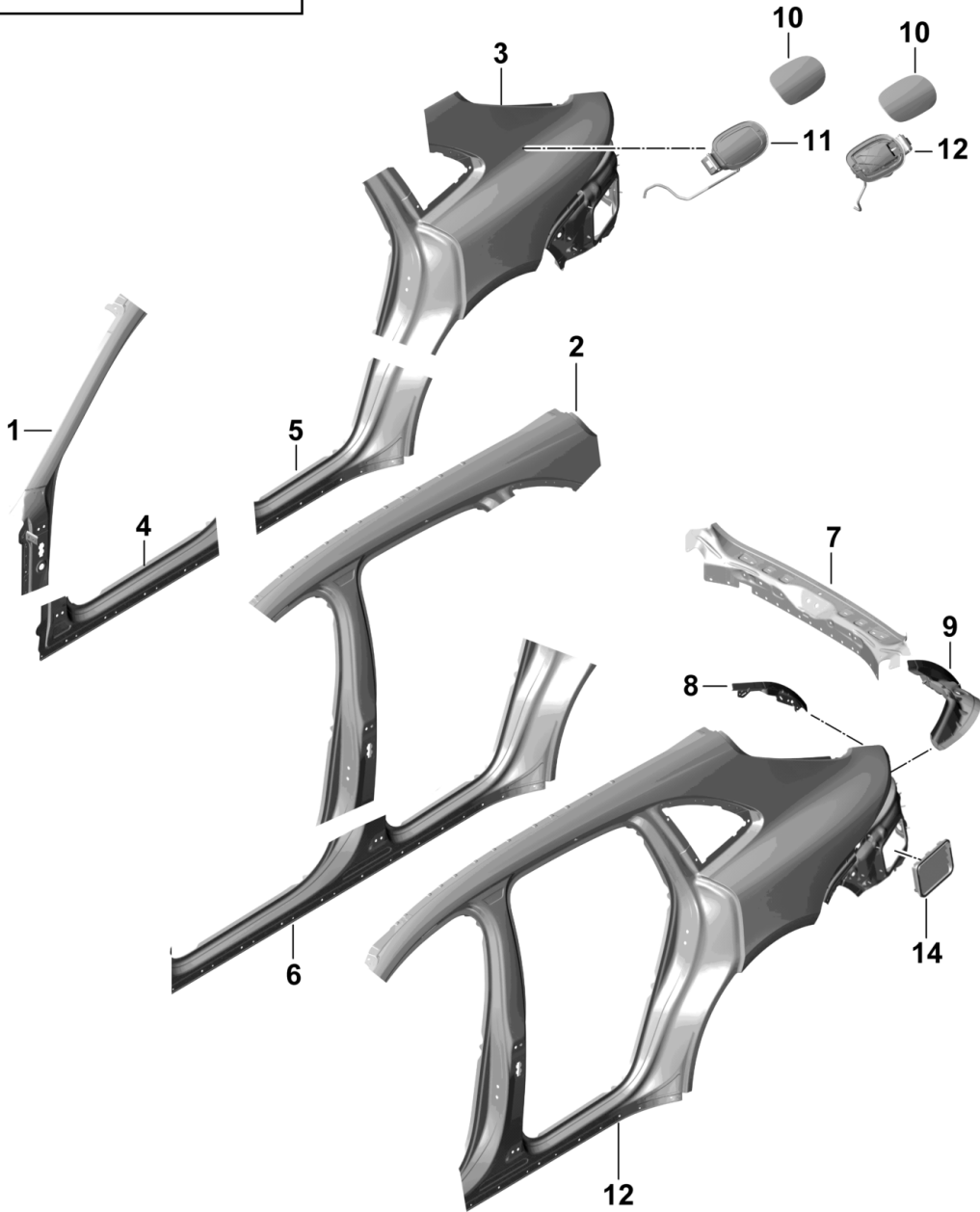
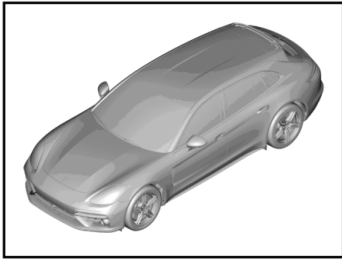
Pos	Part Number	Description	Remark	Qty	Model
-		Side part Fasteners	outer		PR:K8S
1	971 810 047 Y	A-pillar	see illustration: 801-001 left	1	
			also use: 000 043 305 51	1	
(1)	971 810 047 Y GRV	primed			
	971 810 048 Y	A-pillar	right	1	
			also use: 000 043 305 51	1	
	971 810 048 Y GRV	primed			
2	971 809 431 Y	B-pillar	left	1	PR:0E1
			also use: 000 043 305 51	1	
	971 809 431 Y GRV	primed			
(2)	971 809 432 Y	B-pillar	right	1	PR:0E1
			also use: 000 043 305 51	1	
	971 809 432 Y GRV	primed			
(2)	971 809 555 Y	B-pillar	left	1	PR:0E2
			also use: 000 043 305 51	1	
	971 809 555 Y GRV	primed			
(2)	971 809 556 Y	B-pillar	right	1	PR:0E2
			also use: 000 043 305 51	1	
	971 809 556 Y GRV	primed			
3	971 809 405 Y	Sectional part - side panel	left	1	PR:-0K3
			also use: 000 043 305 51	1	
	971 809 405 Y GRV	primed			
(3)	971 809 406 Y	Sectional part - side panel	right	1	
			also use: 000 043 305 51	1	
	971 809 406 Y GRV	primed			
(3)	971 809 405 AY	Sectional part - side panel	left	1	PR:0K3
			also use: 000 043 305 51	1	
	971 809 405 AY GRV	primed			
4	971 809 403 Y	Sill	left front	1	
			also use: 000 043 305 51	1	
	971 809 403 Y GRV	primed			
(4)	971 809 404 Y	Sill	right front	1	
			also use: 000 043 305 51	1	
	971 809 404 Y GRV	primed			
5	971 810 037 Y	Sill	left rear	1	PR:0E1
			also use: 000 043 305 51	1	
	971 810 037 Y GRV	primed			
(5)	971 810 038 Y	Sill	right rear	1	PR:0E1
			also use: 000 043 305 51	1	
	971 810 038 Y GRV	primed			
(5)	971 810 037 AY	Sill	left rear	1	PR:0E2
			also use: 000 043 305 51	1	
	971 810 037 AY GRV	primed			
(5)	971 810 038 AY	Sill	right rear	1	PR:0E2
			also use: 000 043 305 51	1	
	971 810 038 AY GRV	primed			
6	971 809 029 Y	Sill	left	1	PR:0E1
			also use: 000 043 305 51	1	
	971 809 029 Y GRV	primed			
(6)	971 809 030 Y	Sill	right	1	PR:0E1
			also use: 000 043 305 51	1	
	971 809 030 Y GRV	primed			
(6)	971 809 029 AY	Sill	left	1	PR:0E2
			also use: 000 043 305 51	1	
	971 809 029 AY GRV	primed			
(6)	971 809 030 AY	Sill	right	1	PR:0E2
			also use: 000 043 305 51	1	
	971 809 030 AY GRV	primed			
7	971 813 515 Y	Connecting plate for side section - rear cross panel	left	1	

Model: 971-17 Model life 2017>>

Pos	Part Number	Description	Remark	Qty	Model
			000 043 305 32		
		also use:			
(7)	971 813 515 Y GRV 971 813 516 Y	primed Connecting plate for side section - rear cross panel	right	1	
			000 043 305 32		
		also use:			
9	971 813 516 Y GRV 971 813 755 Y	primed Bracket for trim	left	1	
(9)	971 813 755 Y GRV 971 813 756 Y	primed Bracket for trim	right	1	
10	971 813 756 Y GRV 971 809 419 AY	primed Corner reinforcement	left inner	1	
(10)	971 809 419 AY GRV 971 809 420 AY	primed Corner reinforcement	right inner	1	
11	971 809 420 AY GRV 971 813 317 Y	primed Support	left	1	
(11)	971 813 317 Y GRV 971 813 318 Y	primed Support	right	1	
12	971 813 318 Y GRV 971 809 909	primed Fuel filler flap Paint/painting	right	1	
12	971 809 909 AY	with: Plastic primer Fuel filler flap Paint/painting	right	1	
13	971 809 920	with: Plastic primer D >> - 05.07.2018 Fuel filler flap Charging socket Paint/painting	left Hybrid	1	PR:0K3
15	971 809 857	with: Plastic primer Fuel filler flap module	petrol	1	PR:-0K3
(15)	971 809 857 G	also use: Fuel filler flap module	000 043 101 00	1	PR:-0K3
(15)	971 809 857 A	also use: D >> - 05.07.2018 Fuel filler flap module	000 043 101 00 971 809 909 AY Diesel	1	PR:0F5
(15)	971 809 857 B	also use: Fuel filler flap module	000 043 101 00 right	1	
(15)	971 809 857 J	also use: Fuel filler flap module	000 043 101 00	1	PR:0K3
16	971 809 858 A	also use: D >> - 05.07.2018 Fuel filler flap module Charging socket	000 043 101 00 971 809 909 AY Hybrid	1	PR:0K3
20	971 810 027 Y	also use: Side part	000 043 101 00 left	1	
(20)	971 810 027 Y GRV 971 810 028 Y	primed Side part	right	1	
21	971 810 028 Y GRV 9A7 819 181 01	primed Vent trim		2	

Model: 971-17

Model life 2017>>



Model: 971-17 Model life 2017>>

Pos	Part Number	Description	Remark	Qty	Model
-		Side part Fasteners	outer		PR:K8D
		see illustration:	801-001		
1	974 810 047 Y	A-pillar		1	
	974 810 047 Y GRV	primed			
(1)	974 810 048 Y	A-pillar	right	1	
		also use:	000 043 305 51	1	
	974 810 048 Y GRV	primed			
(2)	974 809 431 Y	B-pillar	left	1	
		also use:	000 043 305 51	1	
	974 809 431 Y GRV	primed			
(2)	974 809 432 Y	B-pillar	right	1	
		also use:	000 043 305 51	1	
	974 809 432 Y GRV	primed			
(3)	974 809 405 Y	Sectional part - side panel	rear	1	
	974 809 405 Y GRV	primed	left		
		also use:	000 043 305 51		
(3)	974 809 405 AY	Sectional part - side panel	rear	1	
	974 809 405 AY GRV	primed	left		PR:OK3
		also use:	000 043 305 51		
	974 809 406 Y	Sectional part - side panel	Hybrid		
(3)	974 809 406 Y GRV	primed	rear	1	
		also use:	000 043 305 51		
	971 809 403 Y	Sill	right		
4			left front	1	
		also use:	000 043 305 51	1	
	971 809 403 Y GRV	primed			
(4)	971 809 404 Y	Sill	right front	1	
		also use:	000 043 305 51	1	
	971 809 404 Y GRV	primed			
5	971 810 037 Y	Sill	left rear	1	
		HINTEN TEILST.			
		also use:	000 043 305 51	1	
	971 810 037 Y GRV	primed			
(5)	971 810 038 Y	Sill	right rear	1	
		HINTEN TEILST.			
		also use:	000 043 305 51	1	
	971 810 038 Y GRV	primed			
6	971 809 029 Y	Sill	left	1	
		also use:	000 043 305 51	1	
	971 809 029 Y GRV	primed			
(6)	971 809 030 Y	Sill	right	1	
		also use:	000 043 305 51	1	
	971 809 030 Y GRV	primed			
7	974 813 515 Y	Connecting plate for side section - rear cross panel	left	1	
				1	
		also use:	000 043 305 32		
	974 813 515 Y GRV	primed			
(7)	974 813 516 Y	Connecting plate for side section - rear cross panel	rear	1	
		also use:	000 043 305 32		
	974 813 516 Y GRV	primed	right		
		also use:	000 043 305 32		
8	974 813 755 Y	Bracket for trim		1	
	974 813 755 Y GRV	primed			
(8)	974 813 756 Y	Bracket for trim		1	
	974 813 756 Y GRV	primed			
9	974 813 317 AY	Support	rear	1	
		Rear light			
	974 813 317 AY GRV	primed			
(9)	974 813 318 AY	Support	rear	1	

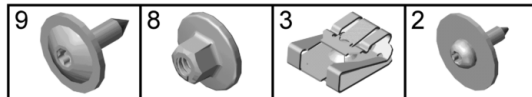
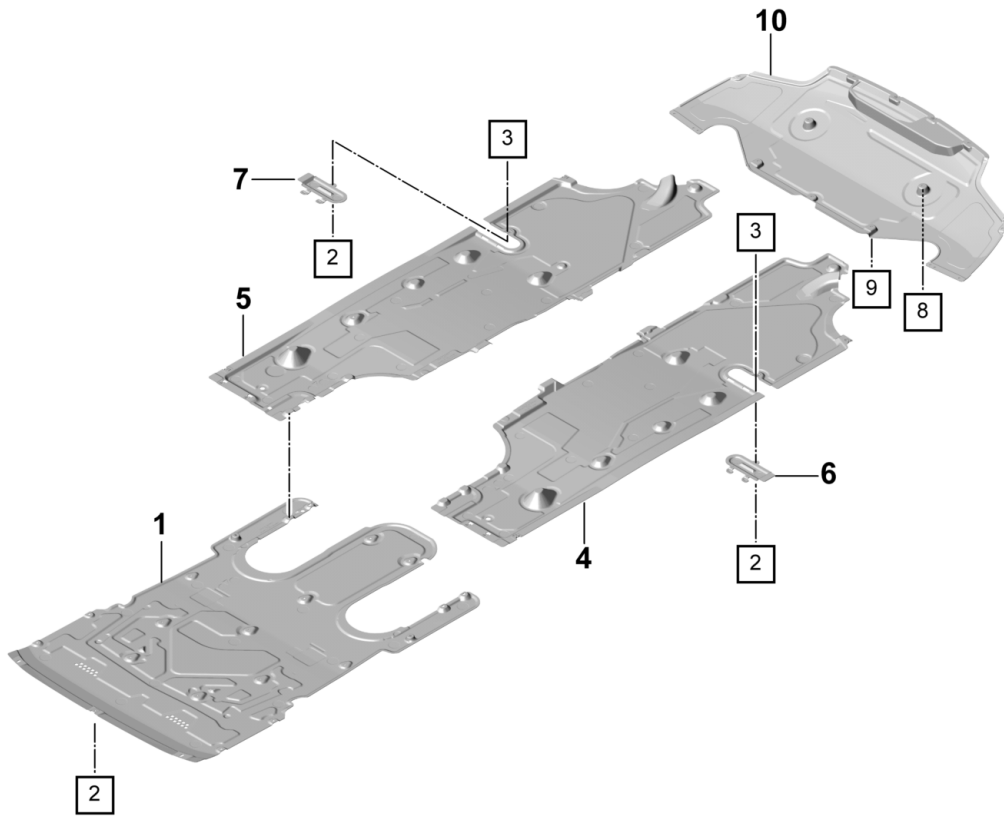
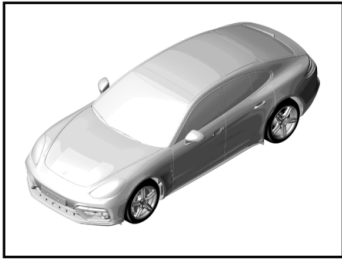
Model: 971-17

Model life 2017>>

Pos	Part Number	Description	Remark	Qty	Model
		Rear light primed			
10	974 813 318 AY GRV				
	974 809 909 Y	Fuel filler flap	right	1	
(10)	974 809 920 Y	Fuel filler flap	left	1	PR:0K3
11	974 809 857	Fuel filler flap module	petrol	1	PR:1A2
		also use:	000 043 101 00		
(11)	974 809 857 A	Fuel filler flap module	Diesel	1	PR:0F5
		also use:	000 043 101 00		
(11)	974 809 857 B	Fuel filler flap module	Hybrid	1	PR:0K3
		also use:	000 043 101 00		
12	974 809 858	Fuel filler flap module	left	1	PR:0K3
		Charging socket	Hybrid		
		also use:	000 043 101 00		
13	974 810 027 Y	Side part	left	1	
	974 810 027 Y GRV	primed			
(13)	974 810 028 Y	Side part	right	1	
	974 810 028 Y GRV	primed			
14	9A7 819 181 01	Vent trim		2	
15	974 810 027 Y	Side part	left	1	
	974 810 027 Y GRV	primed			
(15)	974 810 028 Y	Side part	right	1	
	974 810 028 Y GRV	primed			
16	9A7 819 181 01	Vent trim		2	

Model: 971-17

Model life 2017>>



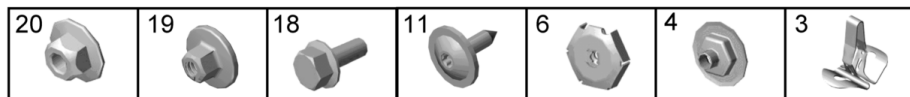
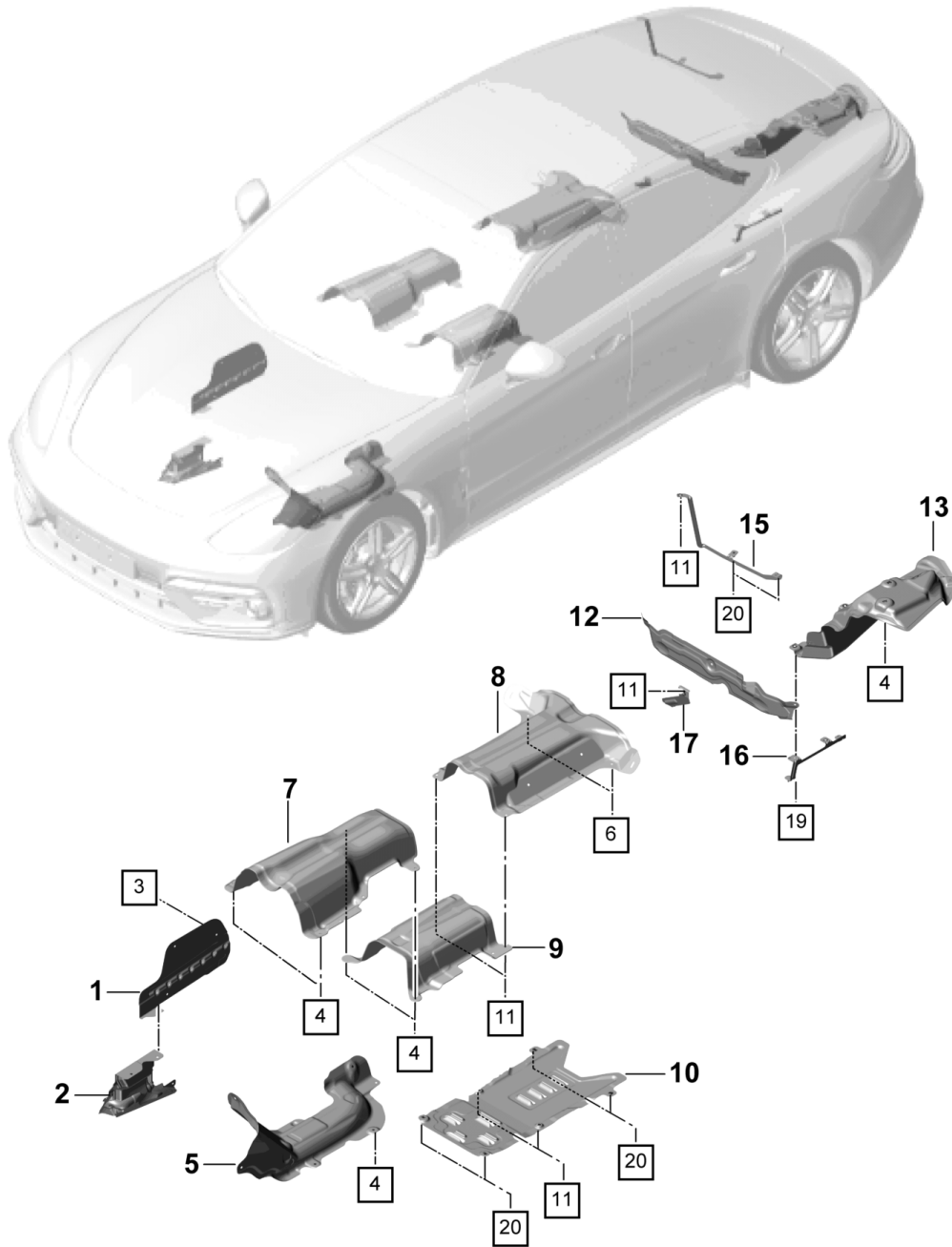
Model: 971-17

Model life 2017>>

Pos	Part Number	Description	Remark	Qty	Model
1	971 825 311 F	Trim Underbody Underbody trim	front	1	CVDA, CVD, CSZA, CSZ, DGPA, DGP
(1)	971 825 311 J	Underbody trim	front	1	DBUC
(1)	971 825 311 K	Underbody trim	front	1	CXTA, CXT
2	9A7 912 516 01	panel screw ST 4,8X18		X	
3	9A7 007 380 00	panel nut ST 4,8		X	
4	971 825 521 C	Underbody trim	left	1	PR:0E1,0K0
(4)	971 825 521 E	Underbody trim	left	1	PR:0E1,0K3
(4)	971 825 521 D	Underbody trim	left	1	PR:0E2
5	971 825 522 F	Underbody trim	right	1	PR:0E1,0K0, 9M0
(5)	971 825 522 G	Underbody trim	right	1	PR:0E2,0K0, 9M0
(5)	971 825 522 H	Underbody trim	right	1	PR:0E1,9M1, 9M5,9M9
(5)	971 825 522 J	Underbody trim	right	1	PR:0E2,9M1, 9M5,9M9
(5)	971 825 522 K	Underbody trim	right	1	PR:0E1,0K3
(5)	971 825 522 L	Underbody trim	right	1	PR:0E2,0K3
6	971 825 357	Cover	left	1	
7	971 825 358	Cover	right	1	
8	999 049 032 40	Hexagon plastic collar nut		X	
9	9A7 007 698 00	panel screw ST4,8X16		X	
10	971 825 505	Underbody trim		1	PR:-1D3
		also use:	999 049 032 40	4	
(10)	971 825 505 A	Underbody trim		1	PR:1D3
		also use:	999 049 032 40	4	

Model: 971-17

Model life 2017>>

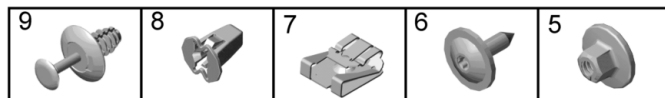
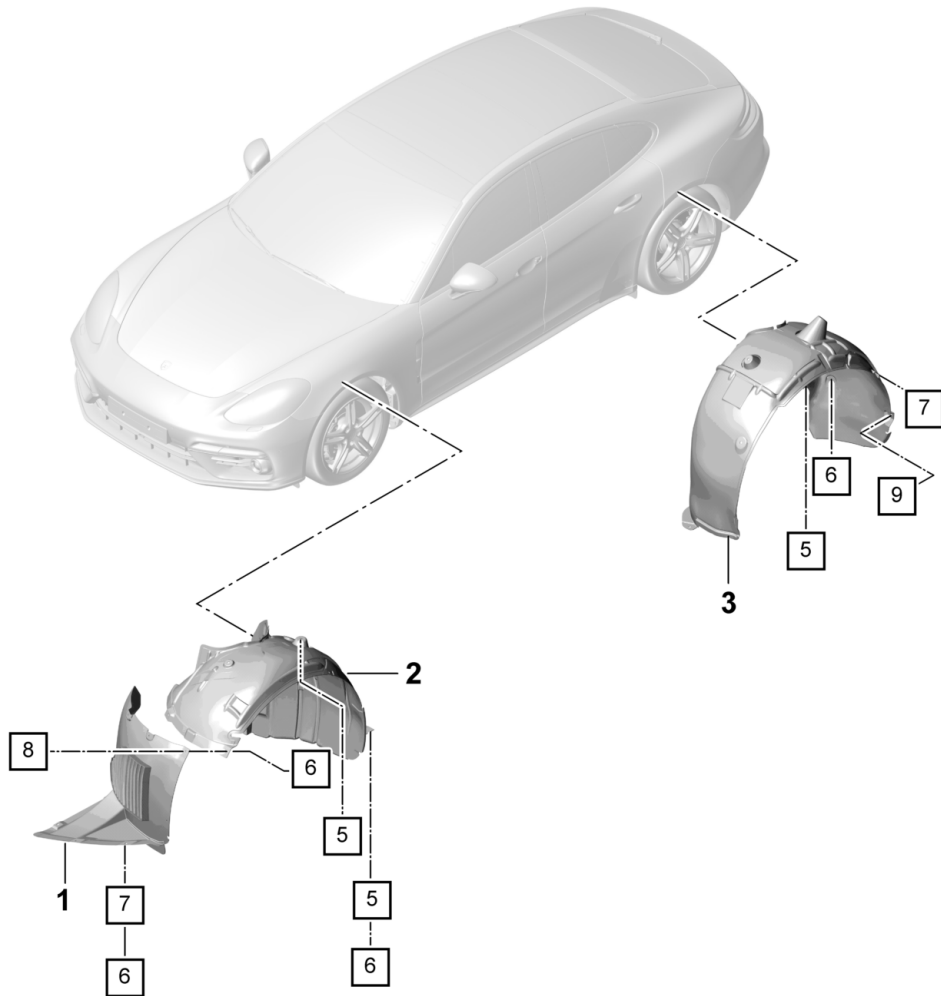
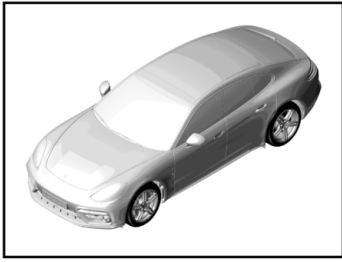


Model: 971-17 Model life 2017>>

Pos	Part Number	Description	Remark	Qty	Model
1	971 804 171 A	Linings Heat protection Underbody Heat shield for side member	left	1	DBUC
(1)	971 804 172 A	Heat shield for side member	upper right	1	DBUC
2	971 804 173 B	Heat shield for side member	upper left	1	DBUC
(2)	971 804 174	Heat shield for side member	lower right	1	DBUC
3	8K0 863 203	Clip	lower	3	
4	N 912 475 01	speed nut		X	
5	971 804 161 A	Guard plate tunnel	left front	1	DBUC
(5)	971 804 161 B	Guard plate tunnel	left front	1	CVDA, CVD
(5)	971 804 162 B	Guard plate tunnel	right front	1	CVDA, CVD
6	N 906 431 01	speed nut		X	
7	971 804 163	Guard plate tunnel	center	1	
8	971 804 164	Guard plate tunnel		1	PR:0E1
(8)	971 804 164 A	Cardan shaft Guard plate tunnel		1	PR:0E2
9	971 804 165	Cardan shaft Heat shield for fuel tank tunnel	rear	1	
10	971 804 166	Guard plate tunnel	rear	1	PR:0E1
(10)	971 804 166 A	Guard plate tunnel	rear	1	PR:0E2
11	9A7 007 698 00	panel screw ST4,8X16		X	
12	9A7 804 167 02	Guard plate	Luggage comp. center	1	PR:-0K3
(12)	9A7 804 167 03	Guard plate	Luggage comp. center	1	PR:0K3
13	971 804 169	Guard plate	Luggage comp. left	1	PR:0K0
(13)	971 804 170	Guard plate	Luggage comp. right	1	PR:0K0
(13)	971 804 169 C	Guard plate	Luggage comp. left	1	PR:0K3
(13)	971 804 158 A	Guard plate	Luggage comp. right	1	PR:0K3
15	971 804 674 B	Bracket	rear	1	DBUC
16	971 804 593 A	Bracket	right front	1	DBUC
17	971 804 594	Bracket	right front	1	DBUC
18	N 107 188 01	bolt,hex.hd.with shoul.(combi) M6X16	right	X	
19	999 049 032 40	Hexagon plastic collar nut		X	
20	N 908 877 03	Hexagon flange nut, self-locking		X	

Model: 971-17

Model life 2017>>



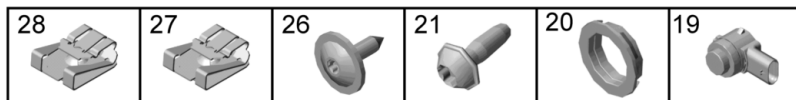
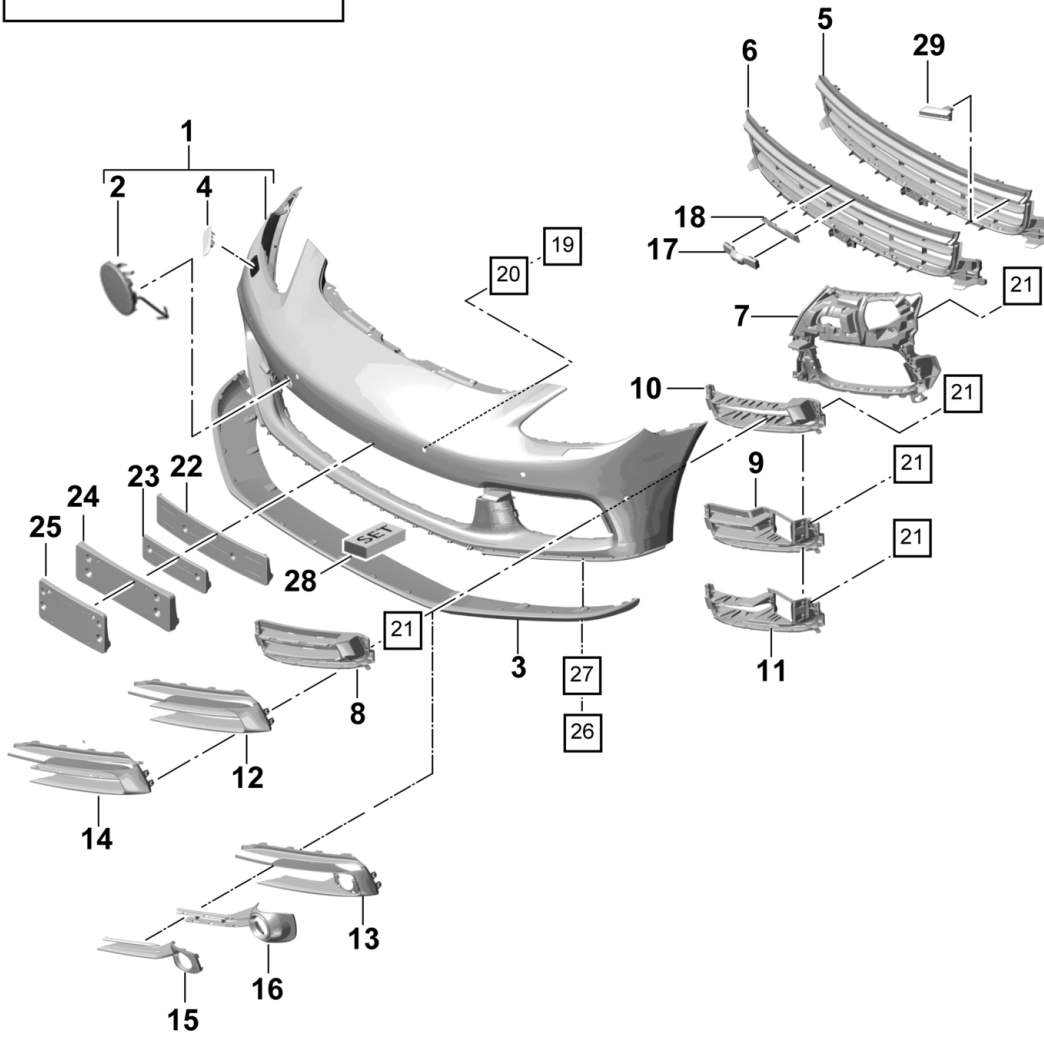
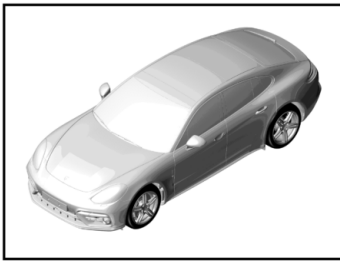
Model: 971-17

Model life 2017>>

Pos	Part Number	Description	Remark	Qty	Model
1	971 809 957	Trim Wheel housing liner Wheel housing liner	left front	1	PR:D09,D1I
(1)	971 809 958	Wheel housing liner	right front	1	PR:D09,D1I
(1)	971 809 957 A	Wheel housing liner	left front	1	PR:-D09,-D1I
(1)	971 809 958 A	Wheel housing liner	right front	1	PR:-D09,-D1I
2	971 810 907	Wheel housing liner	left rear front	1	PR:0E1,1A2
(2)	971 810 908	Wheel housing liner	right rear front	1	PR:0E1,1A2
(2)	971 810 907 A	Wheel housing liner	left rear front	1	PR:0E1,0F5
(2)	971 810 908 A	Wheel housing liner	right rear front	1	PR:0E1,0F5
(2)	971 810 907 B	Wheel housing liner	left rear front	1	PR:0E2,9M0, 1A2
(2)	971 810 908 B	Wheel housing liner	right rear front	1	PR:0E2,9M0, 1A2
(2)	971 810 907 C	Wheel housing liner	left rear front	1	PR:0E2,0F5, 9M1,9M5,9M9
(2)	971 810 908 C	Wheel housing liner	right rear front	1	PR:0E2,0F5, 9M1,9M5,9M9
3	971 810 971	Wheel housing liner	left rear	1	
(3)	971 810 972	Wheel housing liner	right rear	1	
5	999 049 032 40	Hexagon plastic collar nut		X	
6	9A7 007 698 00	panel screw ST4,8X16		X	
7	9A7 007 380 00	panel nut		X	
8	WHT 004 935	expanding nut		X	
9	WHT 004 750	Spreader rivet		X	

Model: 971-17

Model life 2017>>



Model: 971-17 Model life 2017>>

Pos	Part Number	Description	Remark	Qty	Model
		bumper	front		PR:DJ7,D0D, D1I,D29,DD7, DJ5,2D0
1	971 898 010	Bumper cover	basic	1	PR:-8X1
			also use:		
(1)	971 898 010 A	Bumper cover	front	1	PR:8X1
			also use:		
2	971 807 155	Cover cap	971 807 155	1	
		Tow hitch	(G2X)		
	971 807 155 G2X	primed	front	1	
3	971 807 541	Spoiler	(G2X)		
			front	1	
			lower		
4	971 807 541 OK1	Matt black	left	1	PR:8X1
	971 807 753	Cover			
		for headlight washer system			
	971 807 753 G2X	primed			
(4)	971 807 754	Cover	right	1	PR:8X1
		for headlight washer system			
	971 807 754 G2X	primed			
5	971 807 683	Grille	center	1	PR:7X2,7X8
	971 807 683 OK1	Matt black			
6	971 807 683 B	Grille	center	1	PR:8A4
		Real Top View			
	971 807 683 B OK1	Matt black			
7	971 807 681	Grille	left	1	
	971 807 681 OK1	Matt black			
(7)	971 807 682	Grille	right	1	
	971 807 682 OK1	Matt black			
8	971 807 485	Insert	left	1	PR:8T1
		Trim			
	971 807 485 OK1	Matt black			
(8)	971 807 486	Insert	right	1	PR:8T1
		Trim			
	971 807 486 OK1	Matt black			
9	971 807 485 A	Insert	left	1	PR:3V1,8T3
		Trim			
		ACC			
	971 807 485 A OK1	Matt black			
(9)	971 807 486 A	Insert	right	1	PR:3V1,8T3
		Trim			
		ACC			
	971 807 486 A OK1	Matt black			
10	971 807 985	Support	left	1	PR:8T1
		Disc			
	971 807 985 OK1	Matt black			
(10)	971 807 986	Support	right	1	PR:8T1
		Disc			
	971 807 986 OK1	Matt black			
11	971 807 985 B	Support	left	1	PR:3V1,8T3
		Disc			
		ACC			
	971 807 985 B OK1	Matt black			
(11)	971 807 986 B	Support	right	1	PR:3V1,8T3
		Disc			
		ACC			
	971 807 986 B OK1	Matt black			
12	971 807 877	Disc	left	1	PR:8T1
	971 807 877 OK1	Matt black			
(12)	971 807 878	Disc	right	1	PR:8T1
	971 807 878 OK1	Matt black			
13	971 807 877 B	Disc	left	1	PR:3V1,8T3

Model: 971-17 Model life 2017>>

Pos	Part Number	Description	Remark	Qty	Model
(13)	971 807 877 B OK1 971 807 878 B	ACC Matt black Disc	right	1	PR:3V1,8T3
14	971 807 878 B OK1 971 807 413	ACC Matt black Disc	left	1	PR:0E2,8T1
		with: Trim			
(14)	971 807 413 OK1 971 807 414	Matt black Disc	right	1	PR:0E2,8T1
		with: Trim			
15	971 807 414 OK1 971 807 833	Matt black Trim	left	1	PR:3V1,8T3
		ACC			
(15)	971 807 833 OK1 971 807 834	Matt black Trim	right	1	PR:3V1,8T3
		ACC			
16	971 807 834 OK1 971 807 579	Matt black Trim	left	1	PR:0E2,3V1,8T3
		ACC			
		with: Trim			
(16)	971 807 579 OK1 971 807 580	Executive Matt black Trim	right	1	PR:0E2,3V1,8T3
		ACC			
		with: Trim			
17	971 807 580 OK1 971 807 762	Executive Matt black housing		1	PR:8A4
		Camera			
18	971 807 762 OK1 971 807 997	Matt black Bracket		1	PR:8A4
		Camera			
19	5Q0 919 275 B	Sensor		6	
		Parking aid			
20	5Q0 919 275 B G2X 5Q0 919 133	primed seal ring		6	
		Sensor			
21	5Q0 919 133 9B9 N 104 734 02	Satin black round hd. screw		X	
		TP6X20-Q			
22	971 807 999	Assembly kit		1	ECE PR:6W1
		Licence plate holder			
23	971 807 999 OK1 971 807 999 B	Matt black Assembly kit		1	RDW PR:6W2
		Licence plate holder			
24	971 807 999 B OK1 971 807 999 D	Matt black Assembly kit		1	China PR:6W7 "CN."
		Licence plate holder			
(25)	971 807 999 D OK1 971 807 999 C	Matt black Assembly kit		1	Japan PR:6W4 "J.."
		Licence plate holder			
26	971 807 999 C OK1 9A7 007 698 00	Matt black panel screw		X	
		ST4,8X16			
27	9A7 007 380 00	panel nut		X	
		ST 4,8			
28	971 898 031	repair set		1	

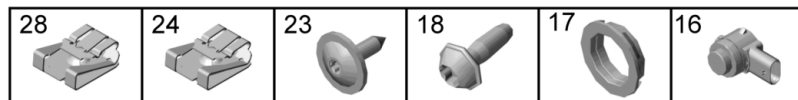
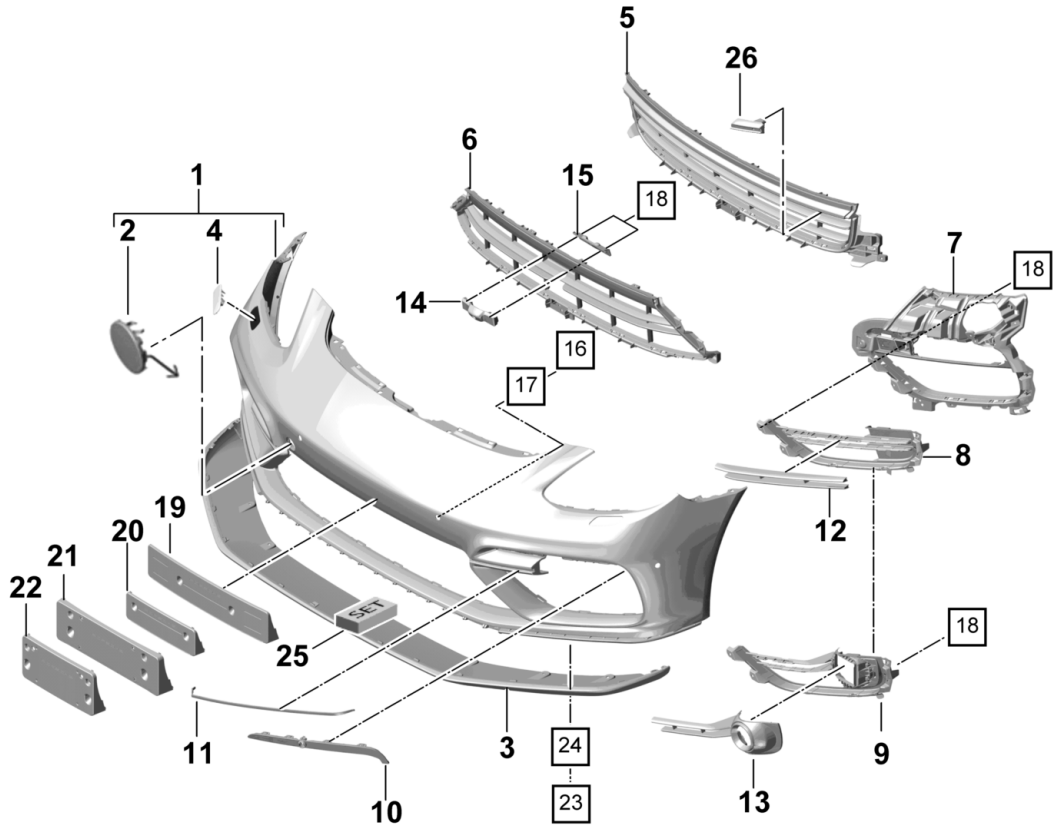
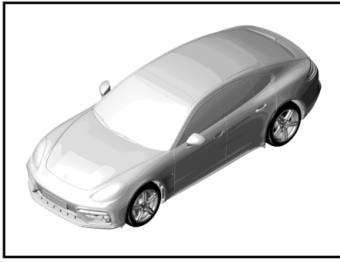
Model: 971-17

Model life 2017>>

Pos	Part Number	Description	Remark	Qty	Model
29	971 807 251	Securing clip		1	
(29)	971 807 252	Foam part	left	1	
		Foam part	right	1	

Model: 971-17

Model life 2017>>



Model: 971-17 Model life 2017>>

Pos	Part Number	Description	Remark	Qty	Model
		bumper	front		V8 PR:DW4,2D0
1	971 898 010 D	Top Bumper cover primed	front	1	
2	971 807 155 A	Cover cap Tow hitch		1	
3	971 807 155 A G2X 971 807 541 A	primed Spoiler	front lower	1	
4	971 807 541 A OK1 971 807 753	Matt black Cover	left	1	
(4)	971 807 753 G2X 971 807 754	headlight washer system primed Cover	right	1	
5	971 807 754 G2X 971 807 683 A	headlight washer system primed Grille	center	1	PR:7X2,7X8, 9R0
(5)	971 807 683 A OK1 971 807 683 C	Matt black Grille	center	1	PR:8A4,9R0
6	971 807 683 C OK1 971 807 683 D	Real Top View Matt black Grille	center	1	PR:7X2,7X8, 9R1
(6)	971 807 683 D OK1 971 807 683 E	for vehicles with night vision system Matt black Grille	center	1	PR:8A4,9R1
7	971 807 683 E OK1 971 807 681 A	Real Top View for vehicles with night vision system Matt black Grille	left	1	
(7)	971 807 681 A OK1 971 807 682 A	Matt black Grille	right	1	
8	971 807 682 A OK1 971 807 985 A	Matt black Support Disc	left	1	PR:8T1
(8)	971 807 985 A OK1 971 807 986 A	Matt black Support Disc	right	1	PR:8T1
(8)	971 807 986 A OK1 971 807 985 G	Matt black Support Disc	left	1	PR:0E2,8T1
(8)	971 807 985 G OK1 971 807 986 G	Executive Matt black Support Disc	right	1	PR:0E2,8T1
9	971 807 986 G OK1 971 807 985 C	Executive Matt black Support Disc	left	1	PR:0E1,3V1, 8T3
(9)	971 807 985 C OK1 971 807 986 C	ACC Matt black Support Disc	right	1	PR:0E1,3V1, 8T3
(9)	971 807 986 C OK1 971 807 985 H	ACC Matt black Support Disc	left	1	PR:0E2,3V1, 8T3
		Executive ACC			

Model: 971-17

Model life 2017>>

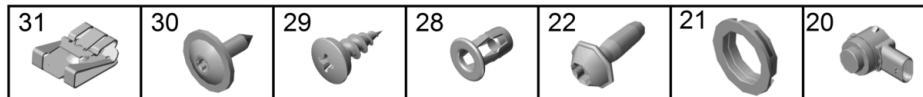
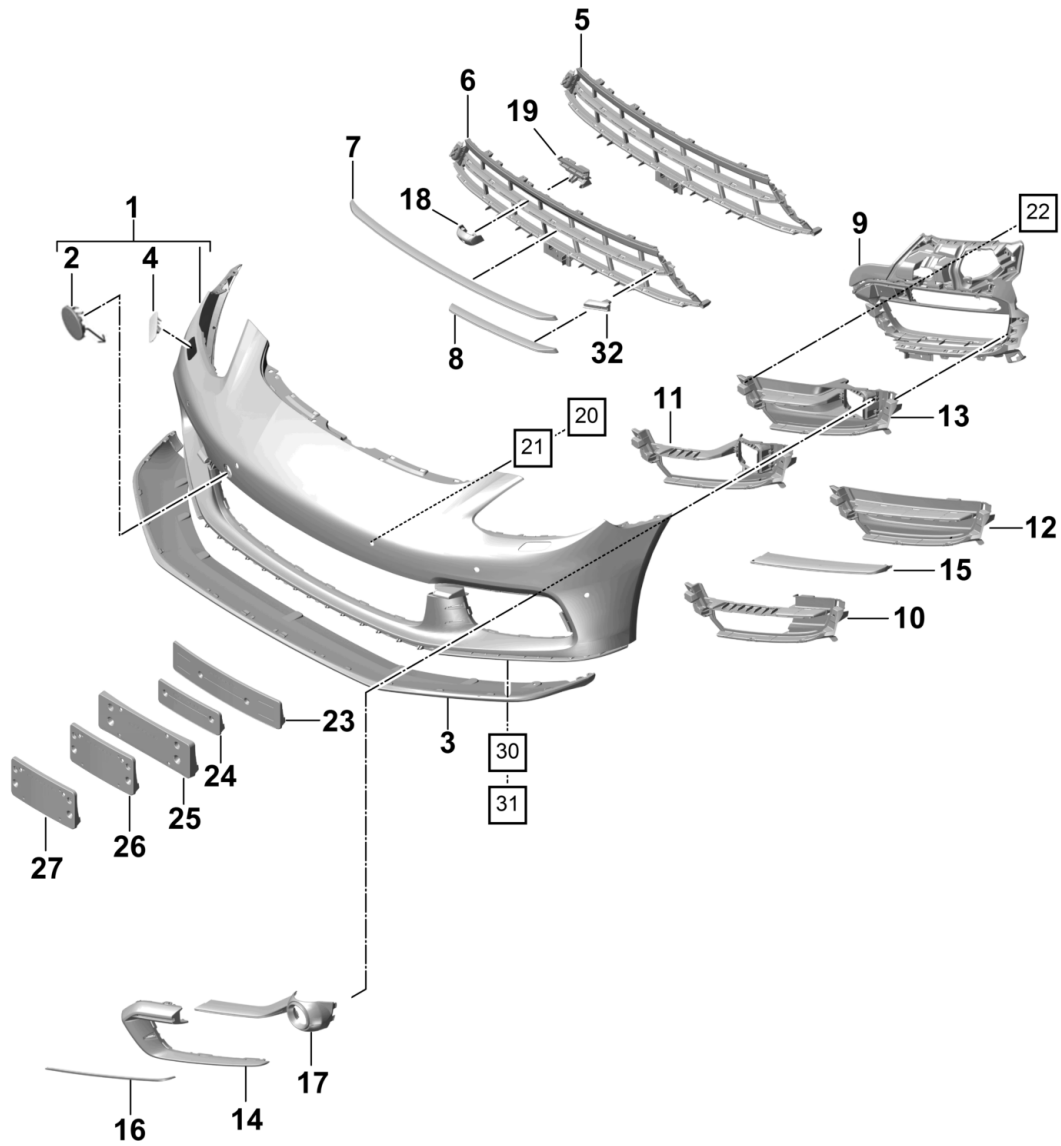
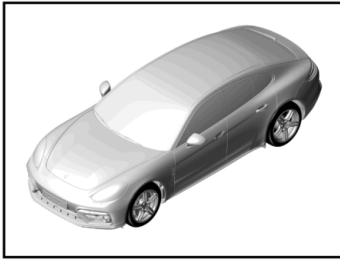
Pos	Part Number	Description	Remark	Qty	Model
(9)	971 807 985 H OK1 971 807 986 H	Matt black Support Disc Executive ACC	right	1	PR:0E2,3V1, 8T3
10	971 807 986 H OK1 971 807 485 B	Matt black Insert Trim ACC	left	1	
(10)	971 807 485 B OK1 971 807 486 B	Matt black Insert Trim ACC	right	1	
11	971 807 486 B OK1 971 853 323	Matt black Trim	left	1	
(11)	971 853 323 OK1 971 853 324	Matt black Trim	right	1	
12	971 853 324 OK1 971 807 877 A	Matt black Disc	left	1	PR:0E1,8T1
(12)	971 807 877 A OK1 971 807 878 A	Matt black Disc	right	1	PR:0E1,8T1
(12)	971 807 878 A OK1 971 807 413 A	Matt black Disc Executive	left	1	PR:0E2,8T1
(12)	971 807 413 A OK1 971 807 414 A	Matt black Disc Executive	right	1	PR:0E2,8T1
13	971 807 414 A OK1 971 807 877 C	Matt black Disc ACC	left	1	PR:0E1,3V1, 8T3
(13)	971 807 877 C OK1 971 807 878 C	Matt black Disc ACC	right	1	PR:0E1,3V1, 8T3
(13)	971 807 878 C OK1 971 807 579 A	Matt black Trim Disc Executive ACC	left	1	PR:0E2,3V1, 8T3
(13)	971 807 579 A OK1 971 807 580 A	Matt black Trim Disc Executive ACC	right	1	PR:0E2,3V1, 8T3
14	971 807 580 A OK1 971 807 762 A	Matt black Cover Camera		1	PR:8A4
15	971 807 762 A OK1 971 807 997 A	Matt black Bracket Camera		1	PR:8A4
16	5Q0 919 275 B	Sensor Parking aid		4	
(16)	5Q0 919 275 B G2X 5Q0 919 275 C	primed Sensor Parking aid		2	
17	5Q0 919 275 C G2X 5Q0 919 133	primed seal ring Sensor		6	
18	5Q0 919 133 9B9 N 104 734 02	Satin black round hd. screw TP6X20-Q		X	
19	971 807 999 E 971 807 999 E OK1	Assembly kit Licence plate holder Matt black		1	ECE PR:6W1

Model: 971-17 Model life 2017>>

Pos	Part Number	Description	Remark	Qty	Model
20	971 807 999 G	Assembly kit Licence plate holder		1	RDW PR:6W2
	971 807 999 G OK1	Matt black			
21	971 807 999 J	Assembly kit Licence plate holder		1	China PR:6W7 "CN."
	971 807 999 J OK1	Matt black			
(22)	971 807 999 H	Assembly kit Licence plate holder		1	Japan PR:6W4 "J.."
	971 807 999 H OK1	Matt black			
23	9A7 007 698 00	panel screw ST4,8X16		X	
24	9A7 007 380 00	panel nut ST 4,8		X	
25	971 898 031	repair set Securing clip		1	
26	971 807 251	Foam part	left	1	
(26)	971 807 252	Foam part	right	1	

Model: 971-17

Model life 2017>>



Model: 971-17

Model life 2017>>

Pos	Part Number	Description	Remark	Qty	Model
1	971 807 079 Y	bumper Sport Design package Bumper cover	front front	1	PR:2D1,2D5 PR:7X2,7X8, 8A4,8X0
(1)	971 807 079 AY	primed Bumper cover	also use: 971 807 155 B front	1	PR:7X2,7X8, 8A4,8X1
2	971 807 155 B	primed Cover cap Tow hitch	also use: 971 807 155 B	1	
3	971 807 155 B G2X 971 807 541 B	primed Spoiler	front lower	1	
4	971 807 541 B G2X 971 807 753	primed Cover headlight washer system	left	1	PR:8X1
(4)	971 807 753 G2X 971 807 754	primed Cover headlight washer system	right	1	PR:8X1
5	971 807 754 G2X 971 807 683 F	primed Grille	center	1	PR:7X2,7X8, 9R0,2D1
(5)	971 807 683 F OK1 971 807 683 F	Matt black Grille	center	1	PR:7X2,7X8, 9R0,2D5
(5)	971 807 683 F 041 971 807 683 G	Black Grille	center	1	PR:7X2,7X8, 9R1,2D1
(5)	971 807 683 G OK1 971 807 683 G	for vehicles with night vision system Matt black Grille	center	1	PR:7X2,7X8, 9R1,2D5
6	971 807 683 G 041 971 807 683 H	for vehicles with night vision system Black Grille	center	1	PR:8A4,9R0, 2D1
(6)	971 807 683 H OK1 971 807 683 H	Real Top View Matt black Grille	center	1	PR:8A4,9R0, 2D5
(6)	971 807 683 H 041 971 807 683 J	Real Top View Black Grille	center	1	PR:8A4,9R1, 2D1
(6)	971 807 683 J OK1 971 807 683 J	for vehicles with night vision system Real Top View Matt black Grille	center	1	PR:8A4,9R1, 2D5
7	971 807 683 J 041 971 807 686	for vehicles with night vision system Real Top View Black Louvred grille	center	1	PR:7X2,7X8, 2D1,9R0
(7)	971 807 686 OK1 971 807 686	Matt black Louvred grille	center	1	PR:7X2,7X8, 2D5,9R0

Model: 971-17

Model life 2017>>

Pos	Part Number	Description	Remark	Qty	Model
8	971 807 686 041 971 807 973	Black Louvred grille	left center	1	PR:8A4,2D1, 9R1
(8)	971 807 973 OK1 971 807 973	Matt black Louvred grille	left center	1	PR:8A4,2D5, 9R1
(8)	971 807 973 041 971 807 974	Black Louvred grille	right center	1	PR:8A4,2D1, 9R1
(8)	971 807 974 OK1 971 807 974	Matt black Louvred grille	right center	1	PR:8A4,2D5, 9R1
9	971 807 974 041 971 807 681 C	Black Grille	left	1	PR:2D1
(9)	971 807 681 C OK1 971 807 681 C	Matt black Grille	left	1	PR:2D5
(9)	971 807 681 C 041 971 807 682 C	Black Grille	right	1	PR:2D1
(9)	971 807 682 C OK1 971 807 682 C	Matt black Grille	right	1	PR:2D5
10	971 807 682 C 041 971 807 985 E	Black Support Disc	left	1	PR:8T1
(10)	971 807 985 E OK1 971 807 986 E	Matt black Support Disc	right	1	PR:8T1
11	971 807 986 E OK1 971 807 985 F	Matt black Support Disc ACC	left	1	PR:3V1,8T3
(11)	971 807 985 F OK1 971 807 986 F	Matt black Support Disc ACC	right	1	PR:3V1,8T3
12	971 807 986 F OK1 971 807 485 C	Matt black Insert Trim	left	1	PR:8T1
(12)	971 807 485 C OK1 971 807 486 C	Matt black Insert Trim	right	1	PR:8T1
13	971 807 486 C OK1 971 807 485 D	Matt black Insert Trim ACC	left	1	PR:8T3,3V1
(13)	971 807 485 D OK1 971 807 486 D	Matt black Insert Trim ACC	right	1	PR:8T3,3V1
14	971 807 486 D OK1 971 807 877 E	Matt black Disc	left side	1	PR:2D1
(14)	971 807 877 E OK1 971 807 877 E	Matt black Disc	left side	1	PR:2D5
(14)	971 807 877 E 041 971 807 878 E	Black Disc	right side	1	PR:2D1
(14)	971 807 878 E OK1 971 807 878 E	Matt black Disc	right side	1	PR:2D5
15	971 807 878 E 041 971 807 877 F	Black Disc	left side	1	PR:8T1,2D1

Model: 971-17 Model life 2017>>

Pos	Part Number	Description	Remark	Qty	Model
(15)	971 807 877 F OK1 971 807 877 F	Matt black Disc	left side	1	PR:8T1,2D5
(15)	971 807 877 F 041 971 807 878 F	Black Disc	right side	1	PR:8T1,2D1
(15)	971 807 878 F OK1 971 807 878 F	Matt black Disc	right side	1	PR:8T1,2D5
16	971 807 878 F 041 971 853 323 A	Black Trim	left	1	PR:2D1
16	971 853 323 A OK1 971 853 323 A	Matt black Trim	left	1	PR:2D5
(16)	971 853 323 A 041 971 853 324 A	Black Trim	right	1	PR:2D1
(16)	971 853 324 A OK1 971 853 324 A	Matt black Trim	right	1	PR:2D5
17	971 853 324 A 041 971 807 833 A	Black Trim	left	1	PR:8T3,3V1, 2D1
17	971 807 833 A OK1 971 807 833 A	Matt black Trim ACC	left	1	PR:8T3,3V1, 2D5
(17)	971 807 833 A 041 971 807 834 A	Black Trim ACC	right	1	PR:8T3,3V1, 2D1
(17)	971 807 834 A OK1 971 807 834 A	Matt black Trim ACC	right	1	PR:8T3,3V1, 2D5
18	971 807 834 A 041 971 807 762 B	Black Cover Camera		1	PR:8A4,2D1
18	971 807 762 B OK1 971 807 762 B	Matt black Cover Camera		1	PR:8A4,2D5
19	971 807 762 B 041 971 807 997 B	Black Bracket Camera		1	PR:8A4
20	5Q0 919 275 B	Sensor Parking aid		6	
21	5Q0 919 275 B G2X 5Q0 919 133	primed seal ring Sensor		6	
22	5Q0 919 133 9B9 N 104 734 02	Satin black round hd. screw TP6X20-Q		X	
23	971 807 287 L	Licence plate holder Carrier		1	ECE PR:6W1
24	971 807 287 L G2X 971 807 999 Q	primed Assembly kit Licence plate holder	also use: 9A7 007 882	4	
25	971 807 999 Q G2X 971 807 287 P	primed Licence plate holder		1	RDW PR:6W2
27	971 807 287 P G2X 971 807 287 N	primed Licence plate holder Carrier	also use: 9A7 008 442 9A7 007 882	4 4	China PR:6W7 "CN."
				1	Japan PR:6W4 "J.."

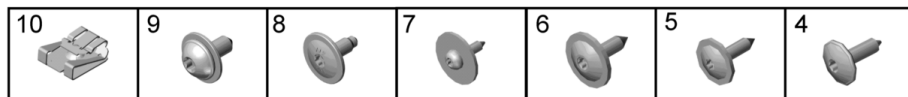
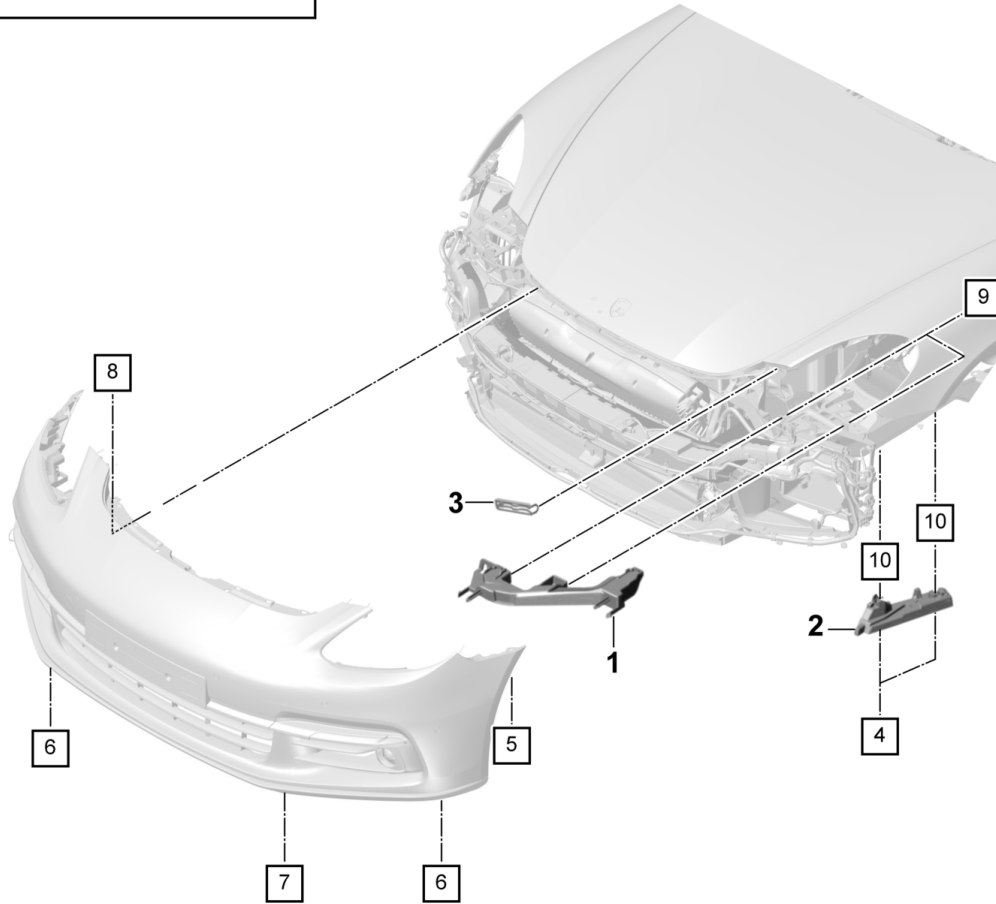
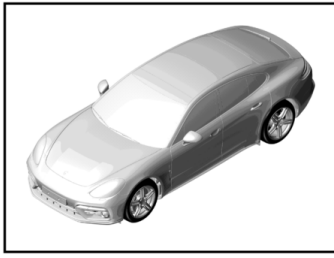
Model: 971-17

Model life 2017>>

Pos	Part Number	Description	Remark	Qty	Model
			also use:		
			9A7 008 442	4	
			9A7 007 882	4	
28	971 807 287 N G2X 9A7 008 442 00	primed rivetted cap nut M6		1	
29	9A7 007 882 00	Oval-head screw M5X16		1	
30	9A7 007 698 00	panel screw ST4,8X16		X	
31	9A7 007 380 00	panel nut ST 4,8		X	
32	971 807 251	Foam part	left	1	
(32)	971 807 252	Foam part	right	1	
33	971 898 031	repair set Securing clip		1	

Model: 971-17

Model life 2017>>



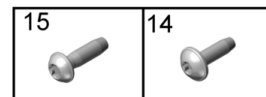
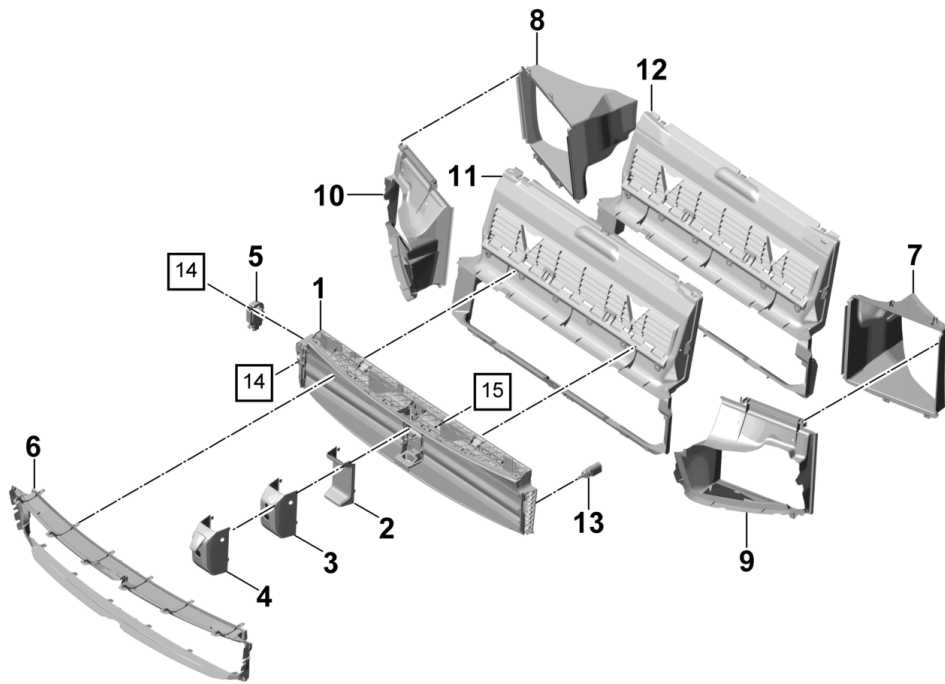
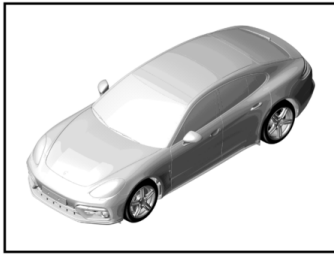
Model: 971-17

Model life 2017>>

Pos	Part Number	Description	Remark	Qty	Model
		Fasteners	front		
1	971 807 347	bumper			
		Bracket for trim	left	1	
(1)	971 807 348	Headlights			
		Bracket for trim	right	1	
		Headlights			
2	971 807 283	Guide rail	left	1	
			front		
(2)	971 807 284	Guide rail	right	1	
			front		
3	971 807 180	Clip		2	
		Fixing			
		bumper			
4	N 907 750 01	Hexagon socket head panel bolt		4	
		ST 4,8*16			
5	999 073 241 09	panel screw		2	
		ST4,8X19-C			
6	999 073 505 01	panel screw		8	
		ST4,8X16-C			
7	9A7 912 516 01	panel screw		3	
		ST4,8X18			
8	999 073 448 01	Outer hexagon round screw		4	
		M6X15.8			
9	9A7 911 669 01	Hexagon socket head bolt		4	
		M6X14-TC			
10	999 507 309 02	panel nut		10	
		ST 4,8			

Model: 971-17

Model life 2017>>



Model: 971-17 Model life 2017>>

Pos	Part Number	Description	Remark	Qty	Model
1	971 121 257 B	Air guide and Disc carrier	center	1	
	971 121 257 B OK1	Disc carrier			
2	971 805 699	Matt black		1	PR:9R0
	971 805 699 OK1	Cover			
	971 805 699 C	Not for: for vehicles with night vision system			
3	971 805 699 C OK1	Matt black		1	PR:2D0,9R1
	971 805 699 C	Cover			
	971 805 699 C OK1	for vehicles with night vision system			
(3)	971 805 699 C	Matt black		1	PR:2D1,2D5, 8A4,9R1
	971 805 699 C OK1	Cover			
	971 805 699 C OK1	for vehicles with night vision system			
4	971 805 503	Matt black		1	PR:2D1,2D4, 2D5,7X2,7X8, 9R1
	971 805 503 OK1	Cover			
	971 805 503 OK1	Sport Design package			
5	95B 965 501 H	Matt black		1	
	95B 965 501 H	Servomotor			
6	971 121 710	Disc carrier	front	1	PR:DC4,DJ4, D09
	971 121 710 F	Air guide	basic		
(6)	971 121 710 F	Top	front	1	PR:DW4
(6)	971 121 710 G	Air guide	front	1	PR:2D1,2D5
	971 121 673	Sport Design package			
7	971 121 673	Air guide	left	1	PR:D0D,D29
7	971 121 673 E	Air guide	left	1	PR:DJ7,DW4
	971 121 674	ABLUF			
8	971 121 674	Air guide	right	1	PR:D0D,D29
	971 121 674 E	ABLUF			
(8)	971 121 674 E	Air guide	right	1	PR:DJ7,DW4
	971 121 333	ABLUF			
9	971 121 333	Air guide	left side	1	PR:DJ7,D0D, D29,2D0
	971 121 333 A	Air guide	basic		
(9)	971 121 333 A	Top	left side	1	PR:DW4,2D0
	971 121 333 B	Air guide	left side	1	PR:DJ7,DW4, D0D,D29,2D1, 2D4,2D5
	971 121 334	Sport Design package			
10	971 121 334	Air guide	right side	1	PR:DJ7,D0D, D29,2D0
	971 121 334 A	Air guide	basic		
(10)	971 121 334 A	Top	right side	1	PR:DW4,2D0
	971 121 334 B	Air guide	right side	1	PR:DJ7,DW4, D0D,D29,2D1, 2D4,2D5
	971 121 707	Sport Design package			
11	971 121 707	Air guide	center	1	PR:D1I
	971 121 707 A	Air guide	rear		
12	971 121 707 A	Air guide	center	1	PR:DJ7,DW4, D29,OK0
	971 121 707 B	Air guide	rear		
(12)	971 121 707 B	Air guide	center	1	PR:DJ7,DW4, D0D,OK3
			rear		

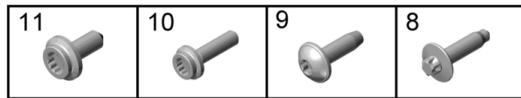
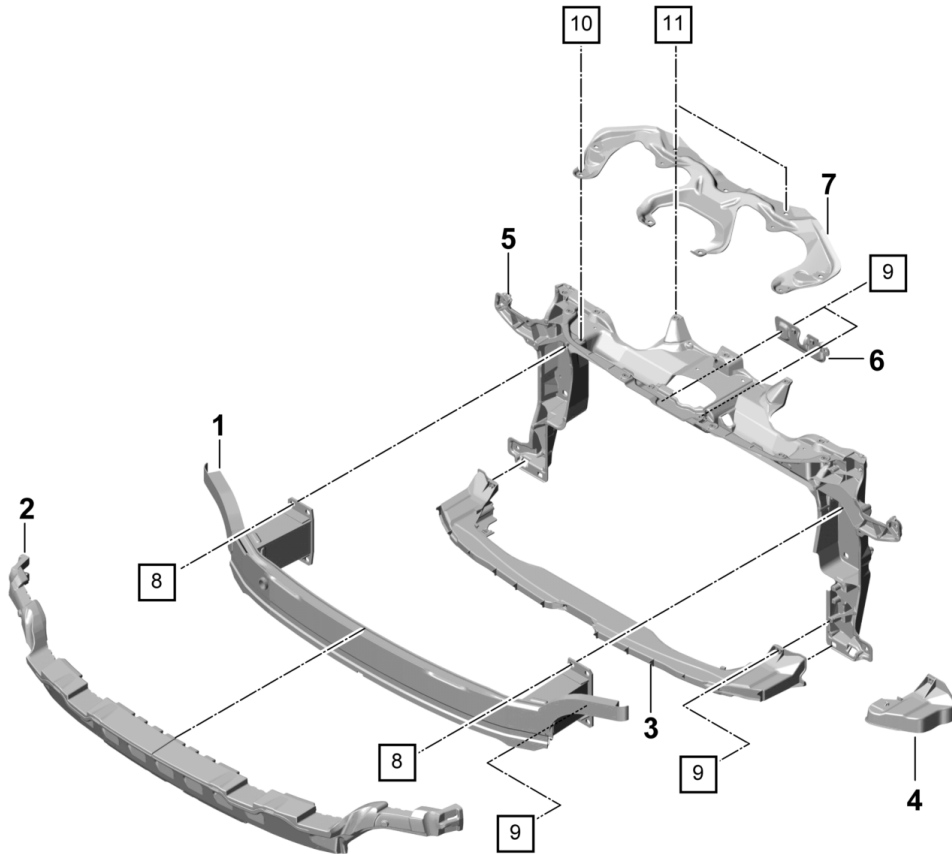
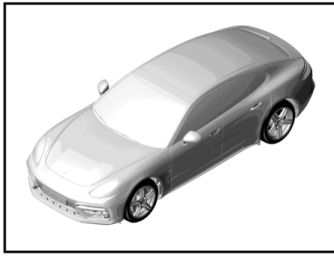
Model: 971-17

Model life 2017>>

Pos	Part Number	Description	Remark	Qty	Model
13	8Z0 820 535 A	External temperature sensor		1	
14	N 105 263 02	self-tapping screw 4,0X14,0-Q		4	
15	N 107 254 01	Hexagon socket head collared bolt, thread forming M6GFX20		4	

Model: 971-17

Model life 2017>>



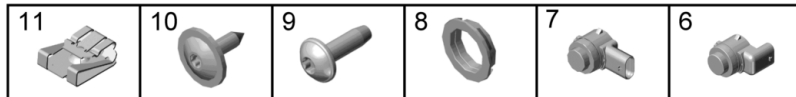
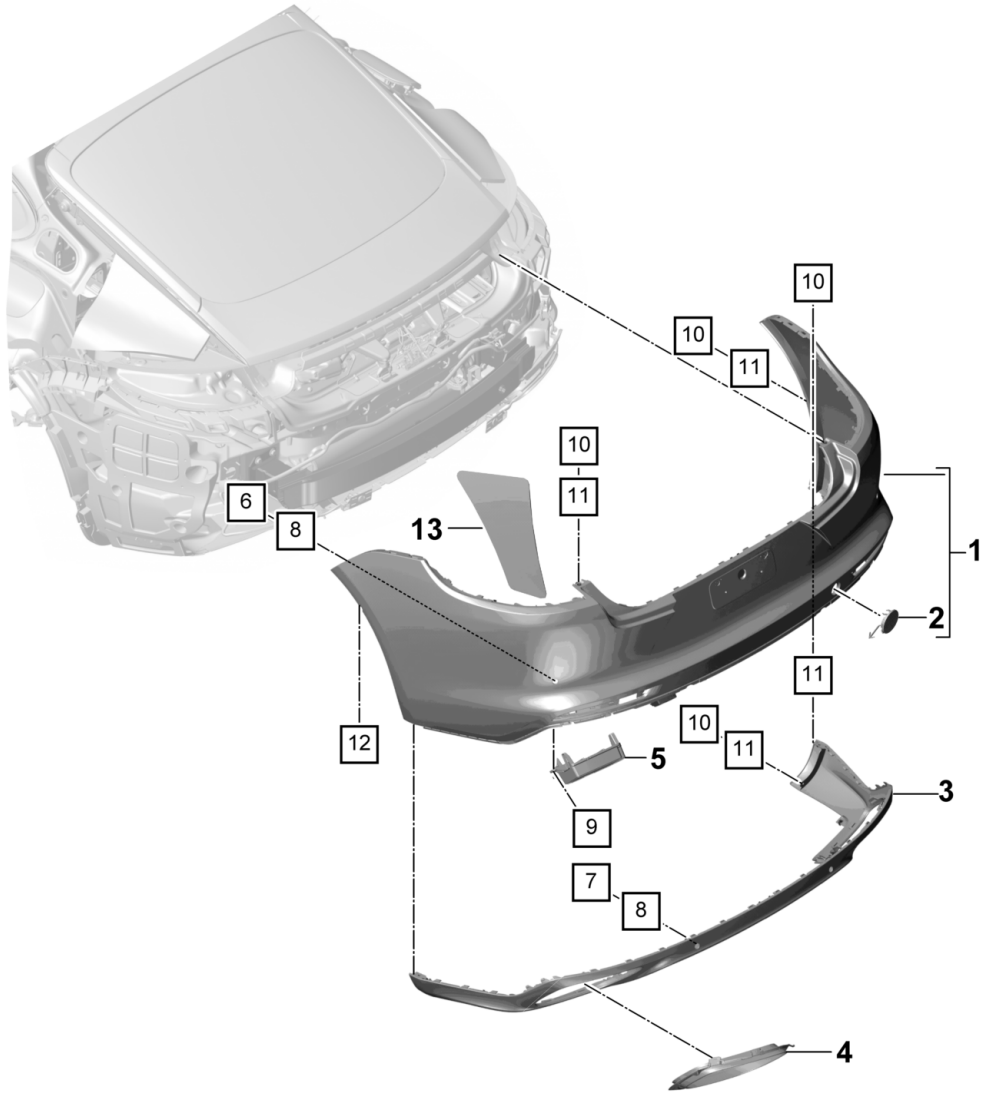
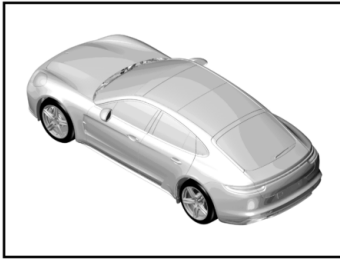
Model: 971-17

Model life 2017>>

Pos	Part Number	Description	Remark	Qty	Model
		Bumper carrier and Mounting bracket	front		
1	971 805 241 B	Bumper carrier	front	1	PR:VL2
(1)	971 805 241 C	Bumper carrier	front	1	PR:VL0
2	971 807 549 C	Plastic foam strip Pedestrian protection		1	PR:DJ7,D0D, D1I,D29,VL2, 2D0
(2)	971 807 549 D	Plastic foam strip Pedestrian protection Top	basic	1	PR:DW4,VL2, 2D0
(2)	971 807 549 E	Plastic foam strip Pedestrian protection Sport Design package		1	PR:VL2,2D1, 2D5
(2)	971 807 550	Plastic foam strip		1	PR:VL0
3	971 803 821	Support		1	PR:VL2
(3)	971 803 821 B	Support		1	PR:VL0
4	971 807 771	Bracket Front apron	left	1	PR:VL0
(4)	971 807 772	Bracket Front apron	right	1	PR:VL0
5	971 805 931	Bracket Discontinued part		1	
(5)	971 805 931 A	Bracket		1	
6	971 805 360	Reinforcement Lid lock		1	
7	971 805 561	Reinforcement		1	
8	9A7 007 443 00	Outer hexagon round screw M10X40-PA		8	
9	N 107 254 01	Hexagon socket head collared bolt, thread forming M6GFX20		4	
10	N 911 572 02	Socket head collared bolt with inner multipoint head IN-VI-ZA-FLSH-SHR M8X30		2	
11	9A7 911 946 02	Socket head bolt M 8X20-MKL		7	

Model: 971-17

Model life 2017>>



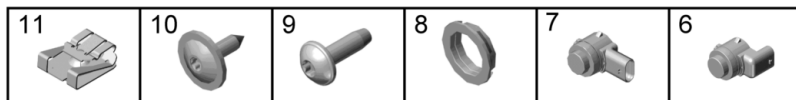
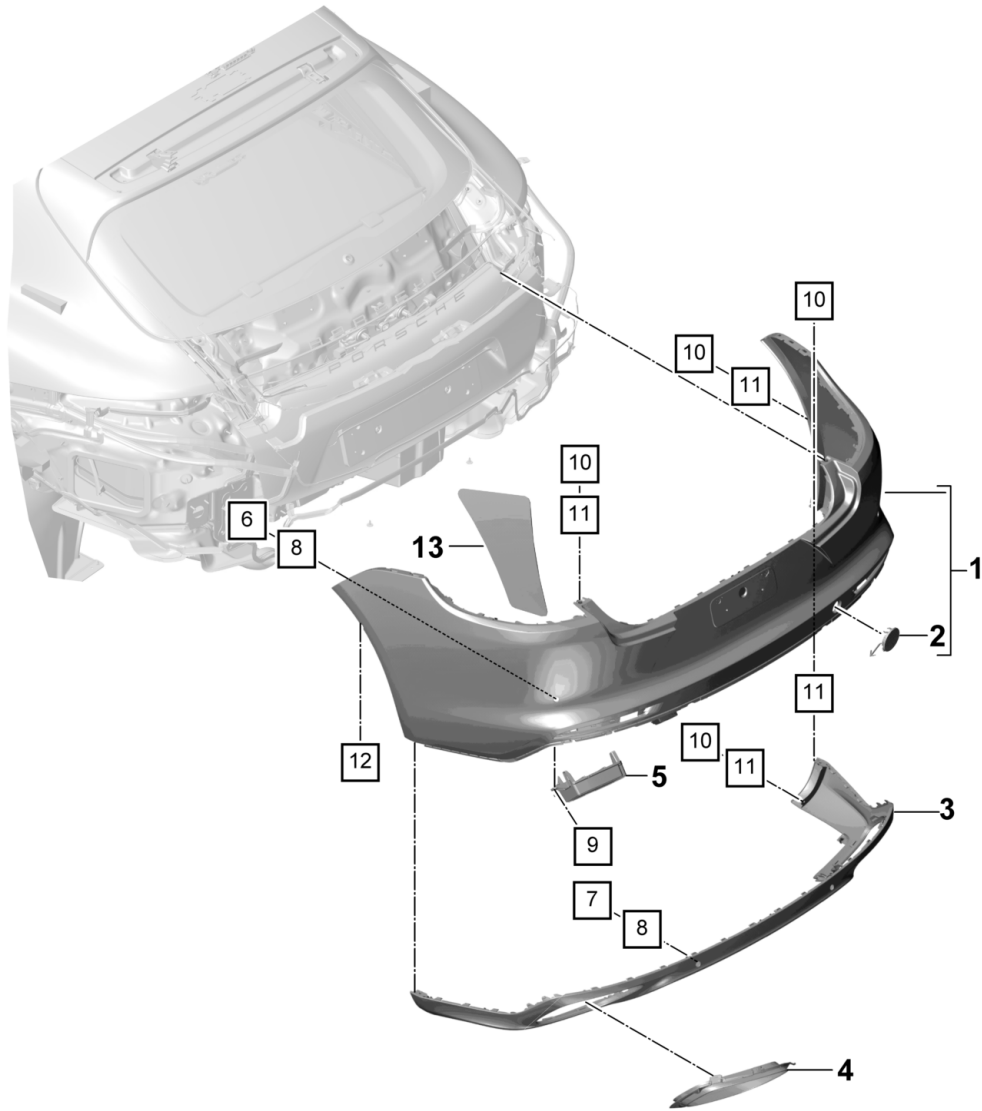
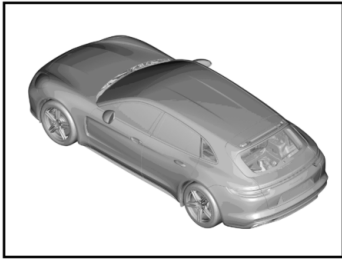
Model: 971-17

Model life 2017>>

Pos	Part Number	Description	Remark	Qty	Model
1	971 807 983 Y	bumper Trim	rear rear	1	PR:2D0 PR:K8S
(1)	971 807 983 AY	primed Trim	rear	1	PR:K8S "J.."
(1)	971 807 983 BY	primed Trim	rear	1	PR:K8S "CN."
2	971 807 442	primed cover for towing eye		1	PR:K8S
	971 807 442 G2X	primed			
3	971 807 514 Y	Spoiler	rear lower	1	
4	971 807 951	Matt black Trim	left	1	
	971 807 951 OK1	exhaust system Matt black			
(4)	971 807 952	Trim	right	1	
	971 807 952 OK1	exhaust system Matt black			
5	971 807 773	Bracket KOMFORTÖFFNER		1	PR:4E6
6	5Q0 919 275 B	Rear lid Sensor	outer	2	
	5Q0 919 275 B G2X	Parking aid primed			
7	5Q0 919 275 C	Sensor	inner	2	
	5Q0 919 275 C G2X	Parking aid primed			
8	5Q0 919 133	seal ring		4	
	5Q0 919 133 9B9	Sensor			
9	N 104 420 03	Satin black self-tapping screw		2	
		TP5X16-Q			
10	9A7 007 517 00	panel screw		2	
		ST4,8X19-C			
11	999 507 309 02	panel nut		2	
		ST 4,8			
12	N 911 883 01	Hexagon socket head bolt		2	
		M6X20			
13	971 825 477	Sound absorber	left	1	
		Acoustics			
13	971 825 478	Sound absorber	right	1	
		Acoustics			

Model: 971-17

Model life 2017>>

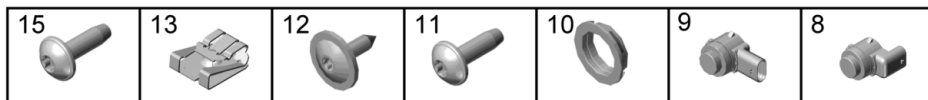
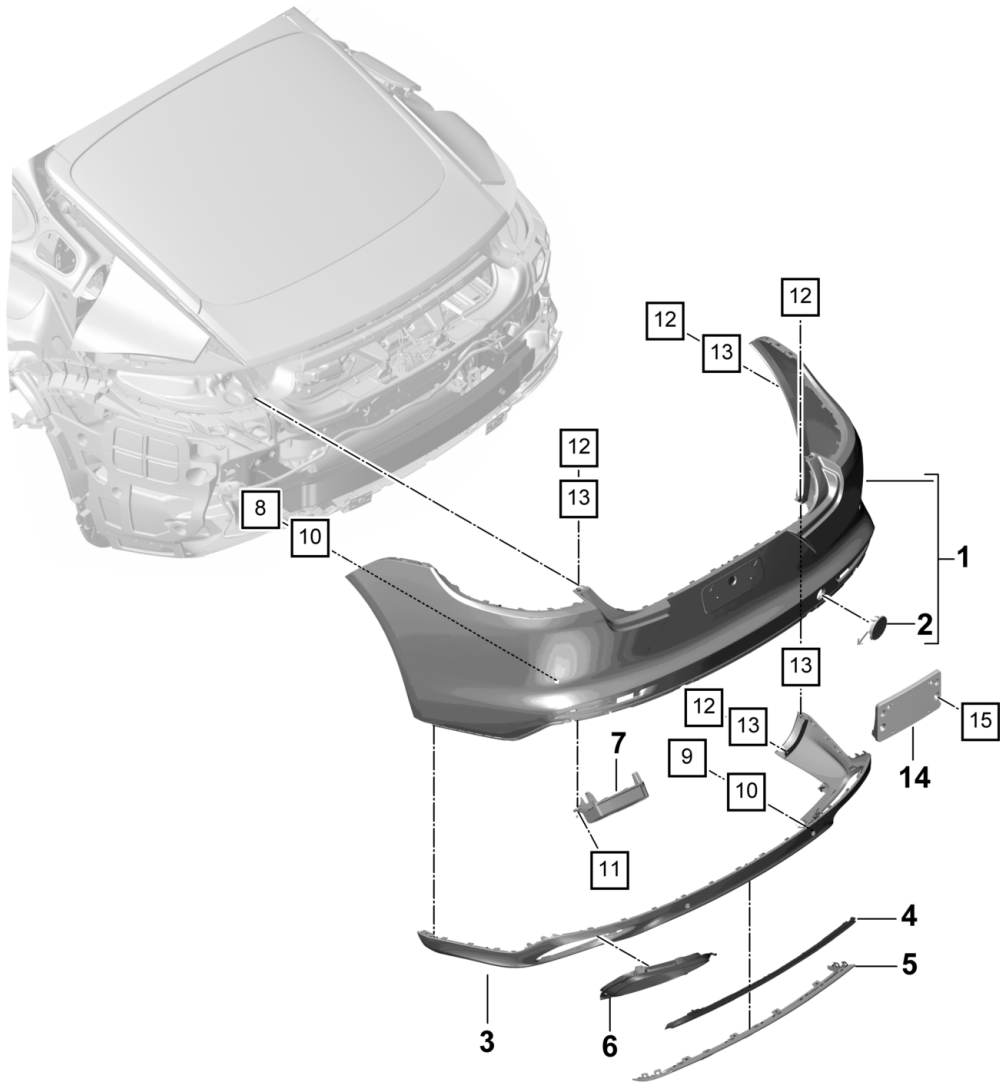
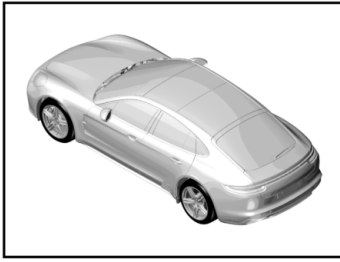


Model: 971-17 Model life 2017>>

Pos	Part Number	Description	Remark	Qty	Model
1	974 807 983 Y	bumper Trim	rear rear	1	PR:K8D
2	971 807 442 971 807 442 G2X	primed cover for towing eye primed		1	PR:K8S
3	971 807 514 Y	Spoiler	rear lower	1	
4	971 807 951	Matt black Trim exhaust system	left	1	
(4)	971 807 951 OK1 971 807 952	Matt black Trim exhaust system	right	1	
5	971 807 952 OK1 971 807 773	Matt black Bracket KOMFORTÖFFNER Rear lid		1	PR:4E6
6	5Q0 919 275 B	Sensor Parking aid	outer	2	
7	5Q0 919 275 B G2X 5Q0 919 275 C	primed Sensor Parking aid	inner	2	
8	5Q0 919 275 C G2X 5Q0 919 133	primed seal ring Sensor		4	
9	5Q0 919 133 9B9 N 104 420 03	Satin black self-tapping screw TP5X16-Q		2	
10	9A7 007 517 00	panel screw ST4,8X19-C		2	
11	999 507 309 02	panel nut ST 4,8		2	
12	N 911 883 01	Hexagon socket head bolt M6X20		2	
13	971 825 477	Sound absorber Acoustic mat	left	1	
13	971 825 478	Sound absorber Acoustic mat	right	1	
(14)	974 827 113 B 974 827 113 B OK1	Licence plate holder Matt black	rear ECE	1	6P1

Model: 971-17

Model life 2017>>

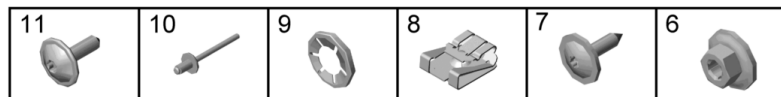
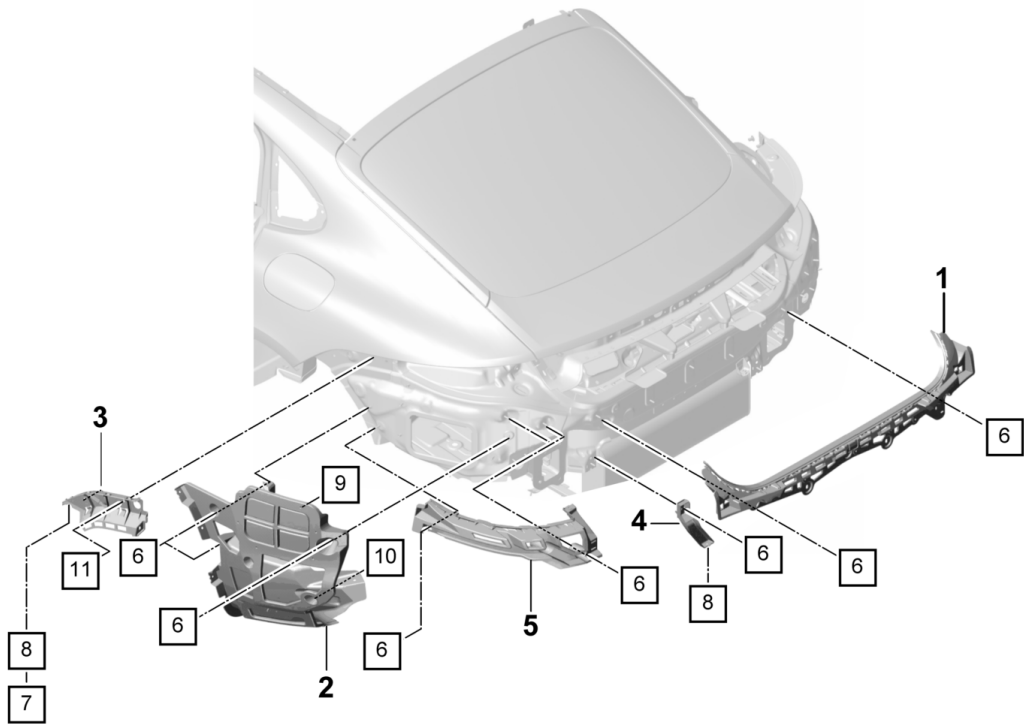
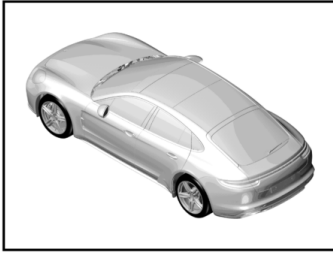


Model: 971-17 Model life 2017>>

Pos	Part Number	Description	Remark	Qty	Model
		bumper	rear		PR:2D1,2D4,2D5
1	971 807 983 Y	Sport Design package Trim	rear	1	PR:K8S
(1)	971 807 983 AY	primed Trim	rear	1	PR:K8S "J.."
(1)	971 807 983 BY	primed Trim	rear	1	PR:K8S "CN."
(1)	974 807 983 Y	primed Trim	rear	1	
2	971 807 442	primed cover for towing eye		1	PR:K8S
	971 807 442 G2X	primed			
3	971 807 521 A	Spoiler	rear lower	1	
	971 807 521 A G2X	primed			
4	971 807 684	Grille	center rear	1	
	971 807 684 OK1	Matt black			
5	971 807 568	Diffusor	lower	1	PR:2D1
	971 807 568 OK1	Matt black			
5	971 807 568	Diffusor	lower	1	PR:2D4,2D5
	971 807 568 041	Black			
6	971 807 951 A	Trim	left	1	
		exhaust system			
	971 807 951 A OK1	Matt black			
(6)	971 807 952 A	Trim	right	1	
		exhaust system			
	971 807 952 A OK1	Matt black			
7	971 807 773 A	Bracket KOMFORTÖFFNER		1	
		Rear lid			
8	5Q0 919 275 B	Sensor	outer	2	
		Parking aid			
	5Q0 919 275 B G2X	primed			
9	5Q0 919 275 C	Sensor	inner	2	
		Parking aid			
	5Q0 919 275 C G2X	primed			
10	5Q0 919 133	seal ring		4	
		Sensor			
	5Q0 919 133 9B9	Satin black			
11	N 104 420 03	self-tapping screw		2	
		TP5X16-Q			
12	9A7 007 517 00	panel screw		2	
		ST4,8X19-C			
13	999 507 309 02	panel nut		2	
		ST 4,8			
14	971 807 287 K	Licence plate holder		1	PR:6P1
		also use:	999 919 243 01	2	
	971 807 287 K OK1	Matt black			
15	999 919 243 01	Screw		2	
		Bracket			
		Licence plate holder			
		5,0X13			

Model: 971-17

Model life 2017>>



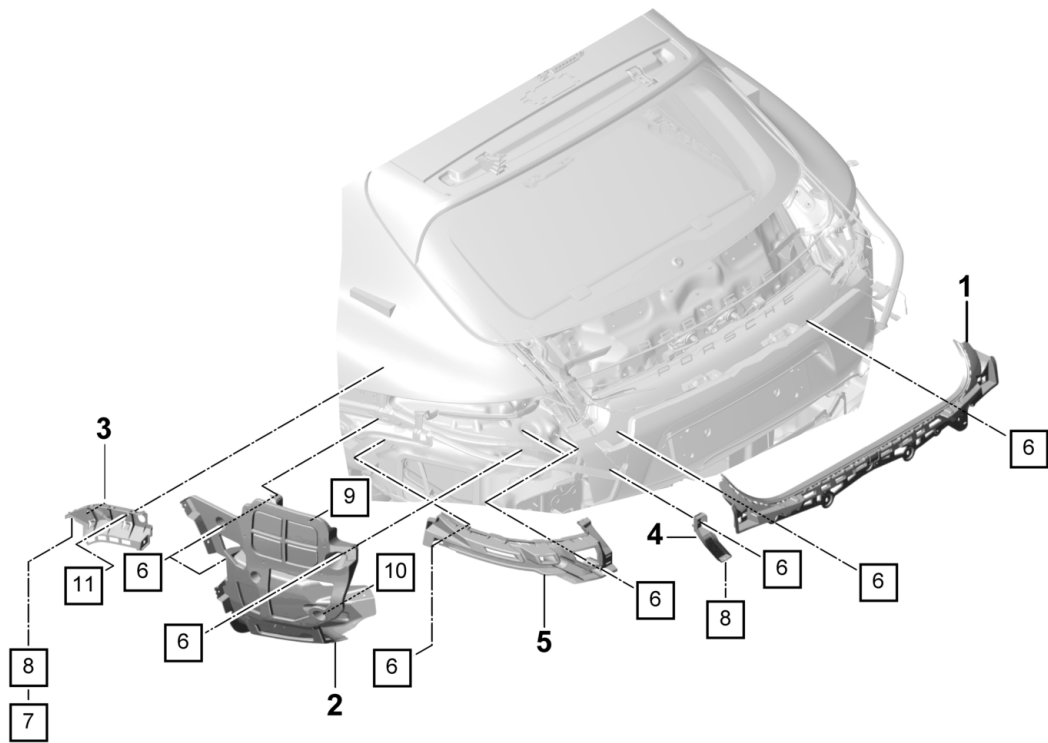
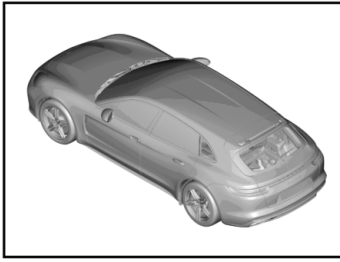
Model: 971-17

Model life 2017>>

Pos	Part Number	Description	Remark	Qty	Model
		Fasteners	rear		
1	971 807 863	bumper			
		Securing strip	center	1	
2	971 807 331	Retainer for bumper	left	1	
			side		
		with:			
(2)	971 807 332	Sound absorber			
		Retainer for bumper	right	1	
			side		
		with:			
3	971 807 253	Sound absorber			
		Guide piece	left	1	PR:0E1
3	971 807 253 A	bumper			
		Guide piece	left	1	PR:0E2
		bumper			
(3)	971 807 254	Guide piece	right	1	PR:0E1
		bumper			
(3)	971 807 254 A	Guide piece	right	1	PR:0E2
		bumper			
4	971 825 199	Bracket	left	1	
		Underbody protection			
(4)	971 825 200	Bracket	left	1	
		Underbody protection			
5	971 807 125	Bracket	left	1	
		Rear light			
(5)	971 807 126	Bracket	right	1	
		Rear light			
6	999 076 042 01	Hexagon nut		X	
		M6			
7	9A7 007 517 00	panel screw		X	
		ST4,8X19-C			
8	999 507 309 02	panel nut		10	
		ST 4,8			
9	9A7 107 308 01	Clamping washer		12	
		8,0			
10	9A7 911 603 01	Pop rivet		12	
		A6.4X10.0			
11	N 911 883 01	Hexagon socket head		4	
		bolt			
		M6X20			

Model: 971-17

Model life 2017>>



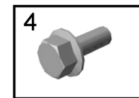
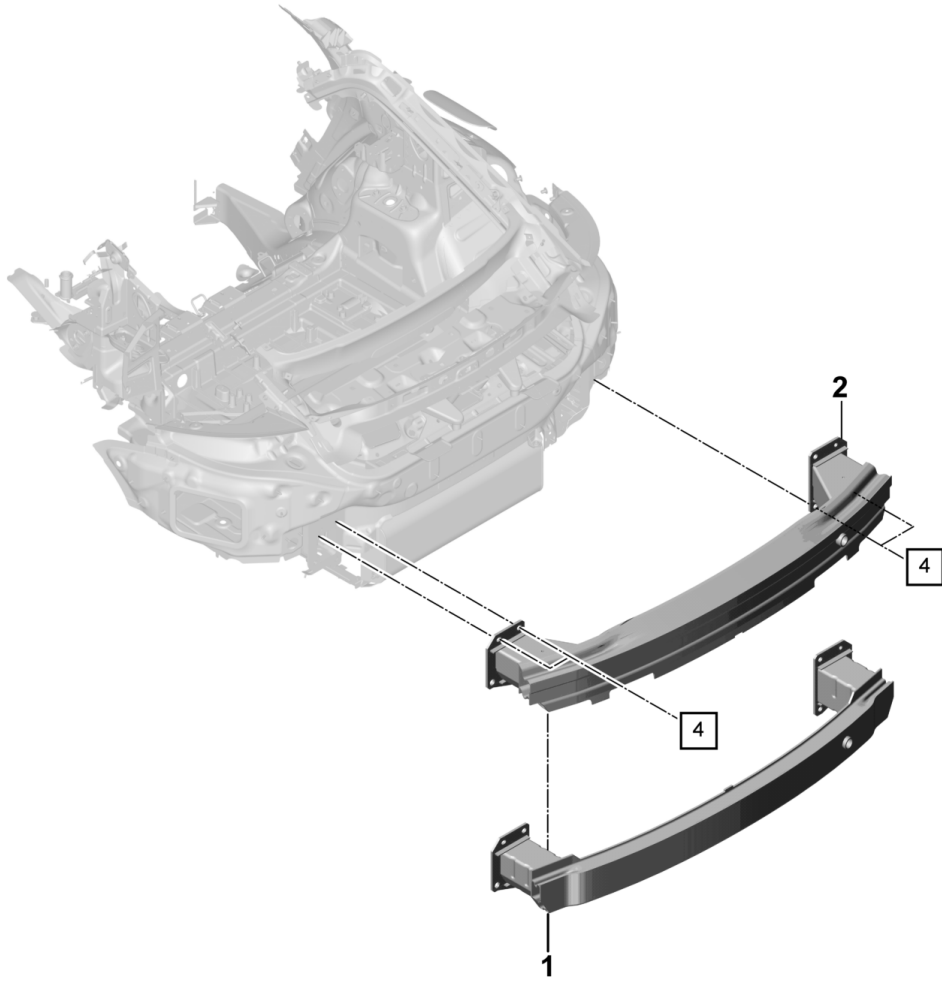
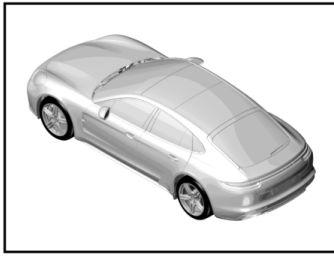
11	10	9	8	7	6

Model: 971-17 Model life 2017>>

Pos	Part Number	Description	Remark	Qty	Model
		Fasteners	rear		PR:K8D
1	974 807 863	bumper	center	1	
2	971 807 331	Securing strip	left	1	
		Retainer for bumper	side		
		with:			
(2)	971 807 332	Sound absorber	right	1	
		Retainer for bumper	side		
		with:			
3	974 807 253	Sound absorber	left	1	
(3)	974 807 254	Guide piece	right	1	
		bumper			
4	971 825 199	Bracket	left	1	
(4)	971 825 200	Underbody protection	left	1	
		Bracket			
		Underbody protection			
5	974 807 125	Bracket	left	1	
(5)	974 807 126	Rear light	right	1	
		Bracket			
		Rear light			
6	999 076 042 01	Hexagon nut		X	
		M6			
7	9A7 007 517 00	panel screw		X	
		ST4,8X19-C			
8	999 507 309 02	panel nut		10	
		ST 4,8			
9	9A7 107 308 01	Clamping washer		12	
		8,0			
10	9A7 911 603 01	Pop rivet		12	
		A6.4X10.0			
11	N 911 883 01	Hexagon socket head		4	
		bolt			
		M6X20			

Model: 971-17

Model life 2017>>



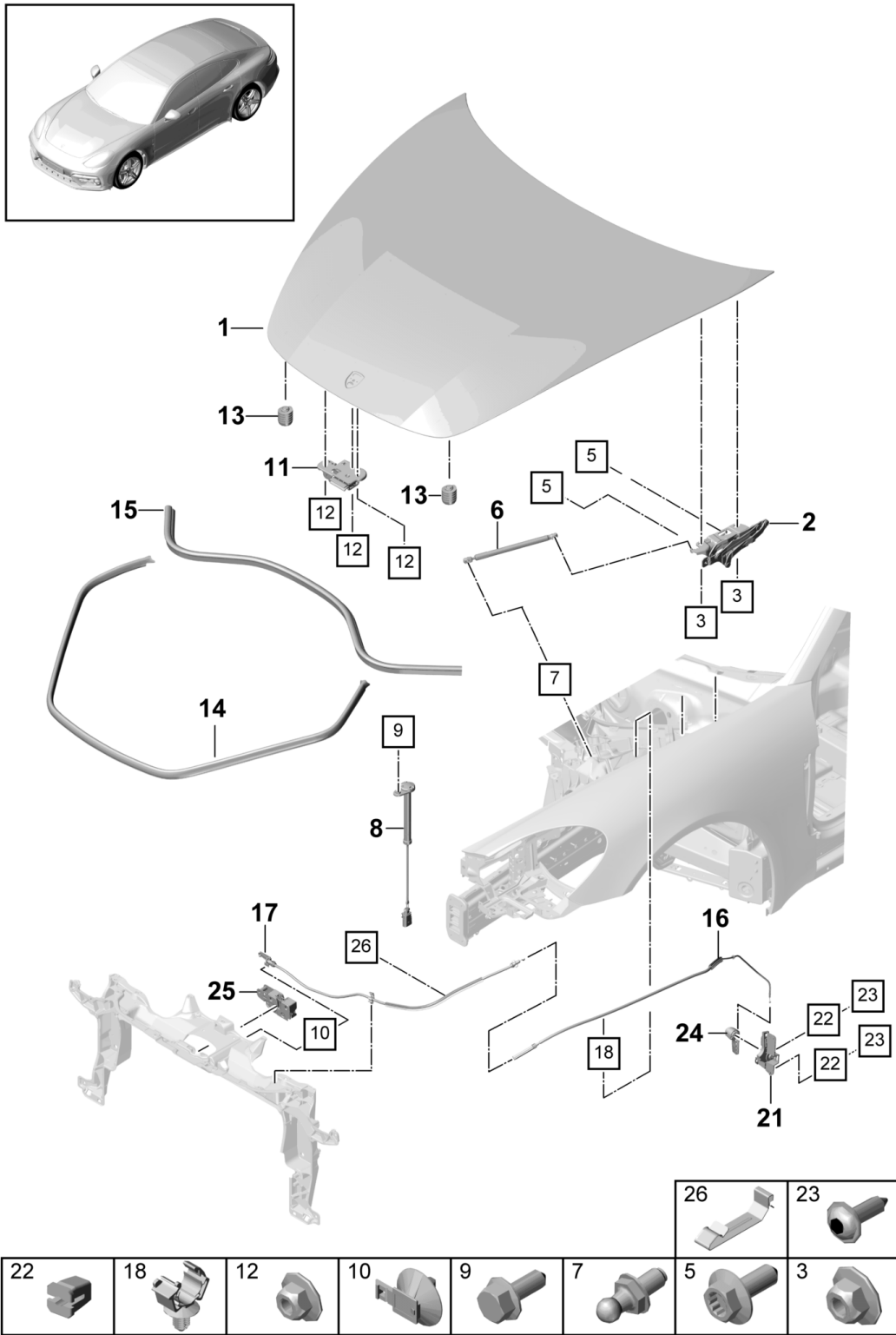
Model: 971-17

Model life 2017>>

Pos	Part Number	Description	Remark	Qty	Model
1	971 803 184	Bumper carrier Bumper carrier	rear rear	1	PR:0K0,1D0, 1D7
2	971 803 184 B	Bumper carrier	rear	1	Hybrid PR:0K3,1D0
4	9A7 911 964 02	Hexagon bolt M10X35		8	

Model: 971-17

Model life 2017>>



Model: 971-17 Model life 2017>>

Pos	Part Number	Description	Remark	Qty	Model
1	971 823 031 BY	Cover Cover	front	1	
		also use:	WHT 004 974	2	
			000 043 305 51	1	
2	971 823 031 BY GRV	primed			
	971 823 295 Y	Hinge	left	1	
	971 823 295 Y GRV	primed			
(2)	971 823 296 Y	Hinge	right	1	
	971 823 296 Y GRV	primed			
3	N 907 611 03	Hexagon collar nut self-locking M 8		4	
5	N 912 056 01	Hexagon bolt M 8		8	
6	298 823 359	Gas filled strut	left a. right	2	
7	9A7 827 439	Ball stud	left a. right	2	
8	971 823 823 A	throttle control element Actuator	left a. right	2	
9	N 106 532 01	Hex collared bolt M6X16	left a. right	2	
10	9A7 971 830 00	bracket for connector housing 12,20X6,20	left a. right	2	
11	1T0 823 480 B	Catch hook		1	
12	N 908 877 03	Hexagon flange nut, self-locking		3	
13	971 823 499	Rubber buffer		2	
14	971 823 727	Seal Engine bay		1	
15	971 823 737	seal for water box		1	
16	971 823 531	Lid-release cable	lhd	1	PR:LOL
(16)	971 823 532	Lid-release cable	rhd	1	PR:LOR
17	971 823 535 A	Bowden cable	lhd	1	PR:LOL
(17)	971 823 536 A	Bowden cable	rhd	1	PR:LOR
18	N 105 079 01	Cable holder		X	
21	971 823 633	Bracket Lid-release cable	lhd	1	PR:LOL
21	971 823 633 A	Bracket Lid-release cable	rhd	1	PR:LOR
22	N 909 946 01	expanding nut Bracket		2	
23	N 106 795 01	4,8X10 oval head panel screw		2	
24	971 823 533	release lever	lhd	1	PR:LOL
	971 823 533 1E0	Black	-AB,AC		
	971 823 533 OP1	agate grey	-DG,DL		
	971 823 533 4H0	Luxor beige	-UB,PK,BP,UC		
	971 823 533 OM8	saddle brown	-SB,BS		
	971 823 533 3G0	Marsala Red	-PC		
	971 823 533 OG6	Bordeaux red	-BB		
	971 823 533 OL8	Chalk	-BK		
	971 823 533 5J0	Cream	-BE		
(24)	971 823 533 A	Actuating lever	rhd	1	PR:LOR
	971 823 533 A 1E0	Black	-AB,AC		
	971 823 533 A OP1	agate grey	-DG,DL		
	971 823 533 A 4H0	Luxor beige	-UB,PK,BP,UC		
	971 823 533 A OM8	saddle brown	-SB,BS		
	971 823 533 A 3G0	Marsala Red	-PC		
	971 823 533 A OG6	Bordeaux red	-BB		
	971 823 533 A OL8	Chalk	-BK		
	971 823 533 A 5J0	Cream	-BE		
25	1K1 823 509 E	bonnet lock-lower part		1	
26	999 507 903 01	Cable fastener		1	

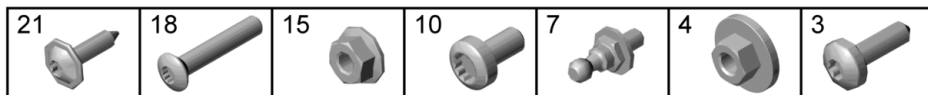
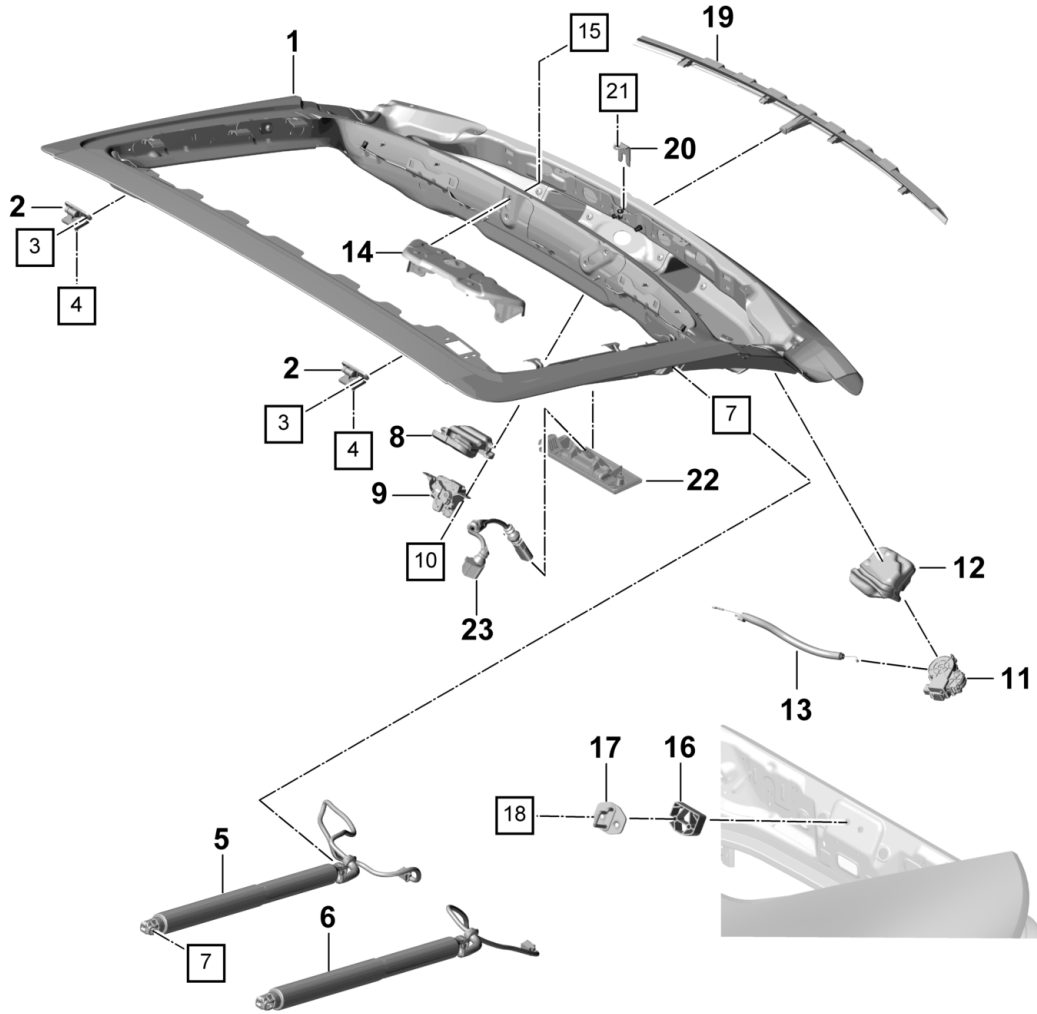
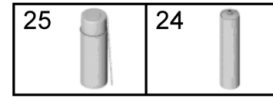
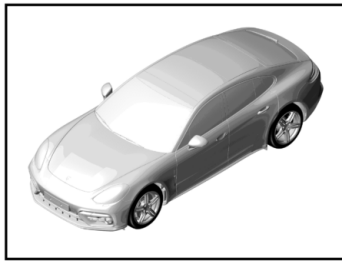
Model: 971-17

Model life 2017>>

Pos	Part Number	Description	Remark	Qty	Model
		Lid-release cable			

Model: 971-17

Model life 2017>>



Model: 971-17 Model life 2017>>

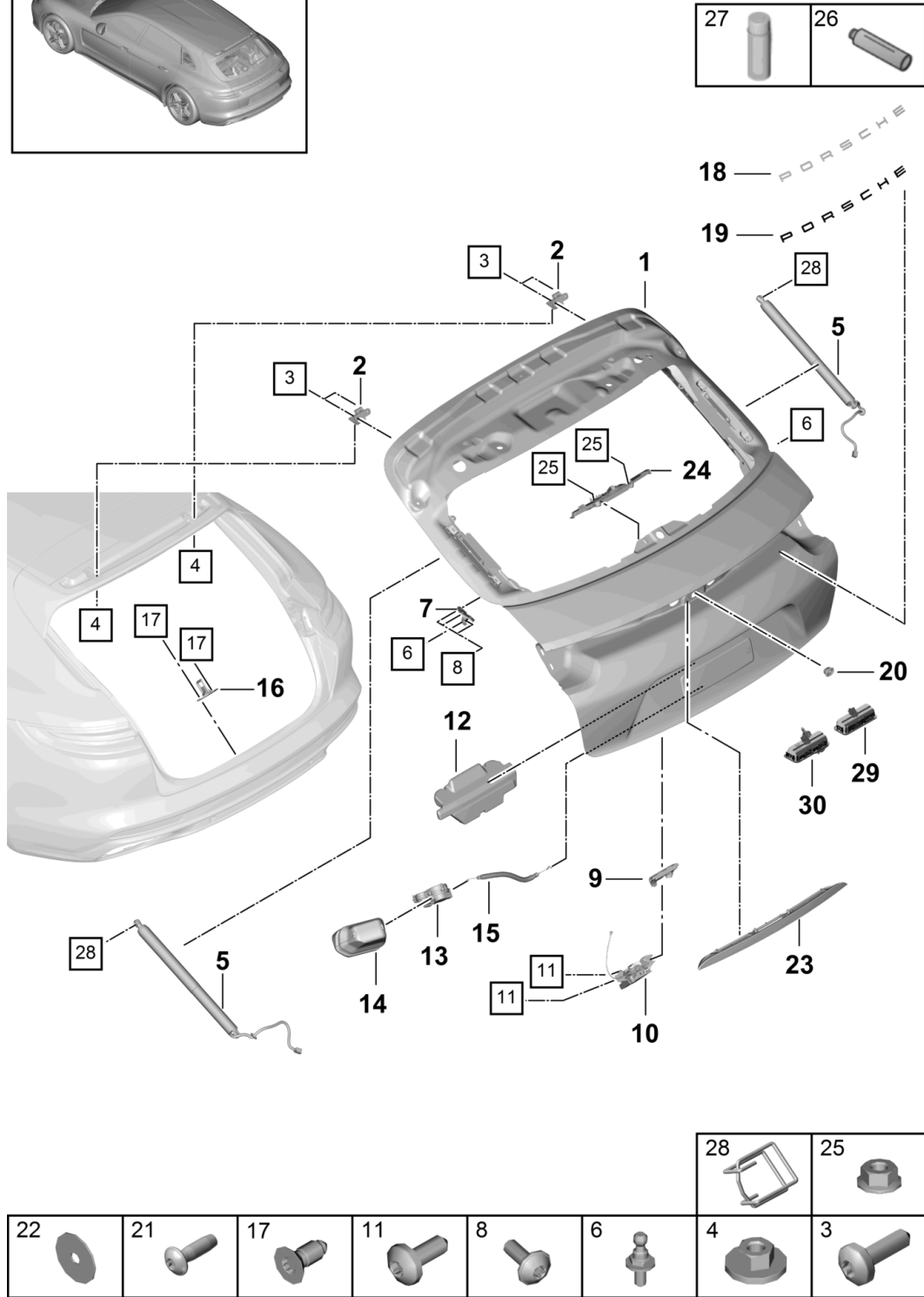
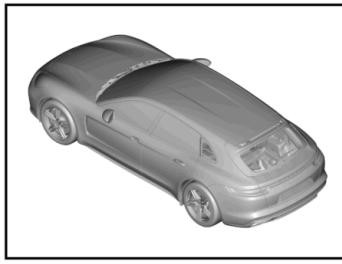
Pos	Part Number	Description	Remark	Qty	Model
1	971 827 025 Y	Rear lid Cover Rear lid		1	PR:K8S PR:K8S
		also use:	971 853 041	1	
			971 854 327 A	1	
			9A7 007 983	7	
			971 827 459	1	
			971 827 460	1	
			000 043 305 51	1	
			000 043 305 32	1	
2	971 827 025 Y GRV	primed			
2	971 827 299	Hinge		2	
3	N 910 968 01	Hexagon socket flat head bolt M 8 X 20		4	
4	N 905 115 05	Hexagon collar nut self-locking M 8		4	
5	971 827 851	throttle control element Damper		2	PR:A8C,A8F
6	971 827 851 A	throttle control element Damper		2	PR:A8H
7	9A7 827 850	Ball pin		X	
8	971 827 379	Damping lock		1	
9	971 827 447	lock		1	
10	N 909 624 01	Socket head bolt with inner multipoint head M8X16		2	
11	971 827 888	Driving mechanism Closing aid		1	
12	971 827 227	Protective cap Closing aid		1	
13	971 827 535	Bowden cable Closing aid		1	
14	971 827 055 A	bracket for wiper motor		1	
15	N 015 082 10	Hexagon collar nut M 6		4	
16	971 813 499 A	Adapter Striker		1	
17	971 827 517 A	Striker		1	
18	N 106 585 01	oval head countersunk bolt M 8 X 45		4	
19	971 827 044 A	Tailgate panel Black		1	
18	971 827 044 B	Tailgate panel Black trim with inscription	also use: 971 827 649	1	
19	971 827 044 B 041	chromed	also use: 971 827 649		
19	971 827 044 C	Tailgate panel Black trim with inscription		1	
20	971 827 044 C 041	Black	also use: 971 827 649		
20	971 827 649	Clip Anti-theft protection		1	
21	N 909 747 01	Hexagon socket head panel bolt TP 5 X 16		4	
22	971 959 539	Frame Tip switch Rear lid	outer	1	PR:7X2

Model: 971-17 Model life 2017>>

Pos	Part Number	Description	Remark	Qty	Model
(22)	971 959 539 1E0 971 959 539 A	Black Frame Tip switch Rear lid	outer	1	PR:7X8
	971 959 539 A 1E0	Black without: Water jet D			
(22)	971 959 539 C	Frame Tip switch Rear lid	outer	1	PR:8A4
	971 959 539 C 1E0	Black without: Water jet D			
(22)	971 959 539 D	Frame Tip switch Rear lid	outer	1	PR:7X8
	971 959 539 D 1E0	Black with: Water jet			
(22)	971 959 539 E	Frame Tip switch Rear lid	outer	1	PR:8A4
	971 959 539 E 1E0	Black with: Water jet			
23	000 043 990 17	Adapter cable Tip switch Rear lid See technical information		1	
24	000 043 305 32	SY 4316 sealant 300 ML		1	
25	000 043 305 51	cavity preservative agent Spraying can 400 ML		X	

Model: 971-17

Model life 2017>>



Model: 971-17 Model life 2017>>

Pos	Part Number	Description	Remark	Qty	Model
1	974 827 025 AY	Rear lid Cover Rear lid	rear	1	PR:K8D
		also use:	000 043 305 32	7	
			000 043 305 51	1	
		D >> - 25.04.2018			
(1)	974 827 025 AY GRV	primed		1	
	974 827 025 BY	Cover Rear lid		1	
		also use:	000 043 305 32	7	
			000 043 305 51	1	
		D - 25.04.2018>>			
	974 827 025 BY GRV	primed		1	
2	974 827 299	Hinge		2	
3	N 910 968 01	Hexagon socket flat head bolt M 8 X 20		4	
4	N 905 115 05	Hexagon collar nut self-locking M 8		4	
5	974 827 851 B	throttle control element Damper		2	PR:1P0
(5)	974 827 851 C	throttle control element Drive unit Electric		2	PR:1P7
6	971 827 850	Ball pin		2	
7	974 827 477	Reinforcement Ball pin	left	1	
(7)	974 827 478	Reinforcement Ball pin	right	1	
8	N 907 809 01	Oval hexagon socket head bolt M6X16		6	
9	974 827 379	Damping lock		1	
10	974 827 503 A	lock		1	
11	N 910 967 03	Oval hexagon socket head bolt M8X16		2	
12	974 827 380	Damping	center	1	
13	971 827 888 A	Driving mechanism Closing aid		1	
14	974 827 227	Protective cap Closing aid		1	
15	971 827 535 A	Bowden cable Closing aid		1	
16	974 827 517	Striker		1	
17	N 907 448 05	countersunk multi-point socket head bolt M 8 X 20		2	
18	971 827 044 B	Tailgate panel Black trim with inscription		1	
		also use:	971 827 649		
	971 827 044 B 041	chromed		1	
19	971 827 044 C	Tailgate panel Black trim with inscription		1	
		also use:	971 827 649		
	971 827 044 C 041	Black		1	
20	974 827 866 A	Grommet Anti-theft protection		1	
21	N 104 420 03	self-tapping screw TP 5X16		1	
22	N 904 835 02	Washer		4	

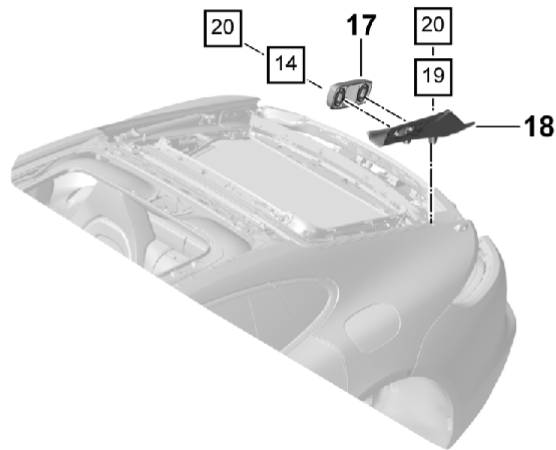
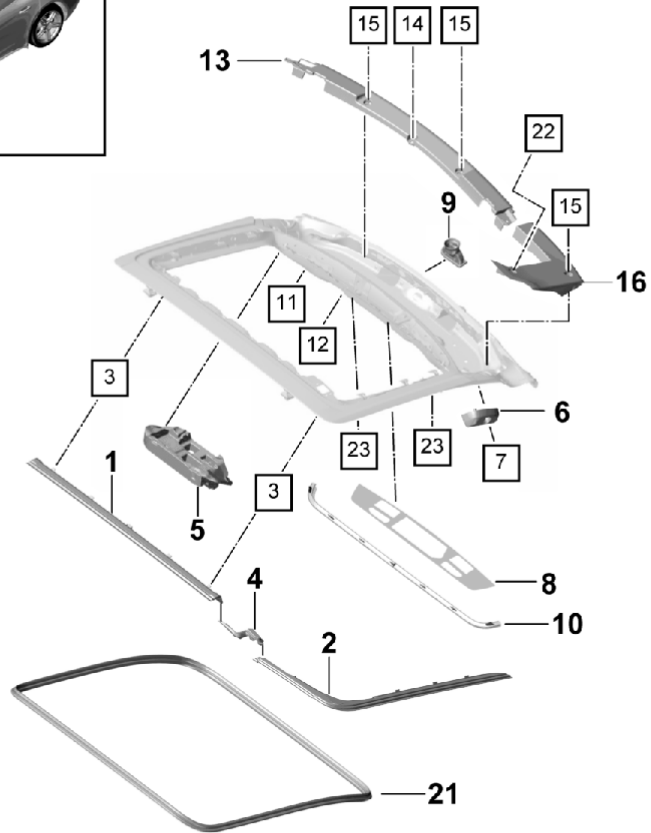
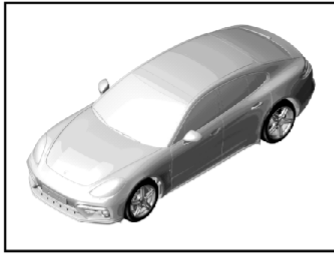
Model: 971-17

Model life 2017>>

Pos	Part Number	Description	Remark	Qty	Model
23	974 827 576 AY	6,4X28X1 handle strip		1	
24	974 827 576 AY G2X 974 827 129	primed Cover for handle strip	inner	1	
25	N 015 082 10	Hexagon collar nut M6		2	
26	000 043 305 32	sealant 300 ML		1	
27	000 043 305 51	cavity preservative agent Spraying can 400 ML		X	
28	PAB 854 719	Clip		X	
29	PAB 827 566	Push button for electric lid lock actuator		1	PR:7X2
30	PAB 827 566 B	Pushbutton for electric lid lock actuator with camera		1	PR:7X8
(30)	PAB 827 566 C	Pushbutton for electric lid lock actuator with camera Real Top View		1	PR:8A4

Model: 971-17

Model life 2017>>



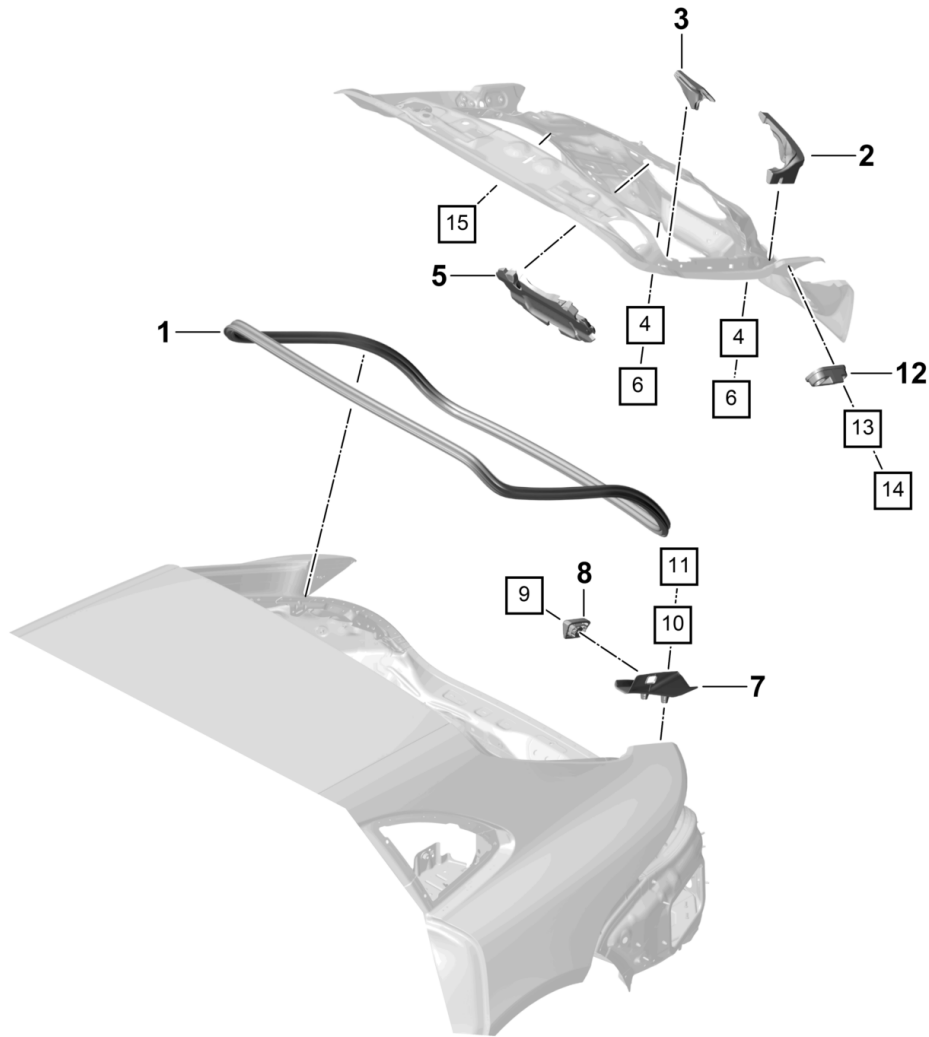
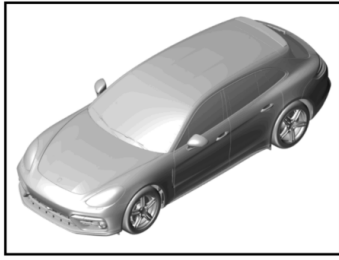
20	19	15	14	12	11	23	22
						7	3

Model: 971-17 Model life 2017>>

Pos	Part Number	Description	Remark	Qty	Model
1	971 827 594	Gaskets Sound absorber Rear lid Seal	center upper	1	
2	971 827 459 A	Seal	left	1	
(2)	971 827 460 A	Seal	right	1	
3	9A7 007 983	Bungs 6,0X13,7		X	
4	971 827 785	sound absorber piece	left	1	
(4)	971 827 786	sound absorber piece	right	1	
5	971 827 715	sound absorber piece		1	
6	971 827 683	Guide piece	left	1	
(6)	971 827 684	Guide piece	right	1	
7	N 104 514 12	Screw M6X16		X	
8	971 853 041 A 971 853 041 A OK1	Decorative film Matt black		1	
9	9A7 512 267 00	drain tube	left	1	
(9)	9A7 512 268 00	drain tube	right	1	
10	971 854 327 A	Water deflector strip	center	1	
11	971 827 069	Bungs Bungs		2	
12	298 805 822	Support		2	
13	971 827 344	Cover Rear lid	center	1	
14	N 910 540 01	Semi round bolt (combi) with hexagon socket head M6X22		1	
15	N 911 585 01	Spreader rivet 6,5X12,3		X	
16	971 827 339 A	Cover	left	1	
(16)	971 827 340 A	Cover	right	1	
17	971 827 679 A	Guide wedge	right	1	
(17)	971 827 679 B	Guide wedge		2	
18	971 827 597 A	Cover	side left	1	
(18)	971 827 597 B	D >> - 09.01.2017 Cover	side left	1	
(18)	971 827 598 A	D - 10.01.2017>> Cover	side right	1	
(18)	971 827 598 B	D >> - 09.01.2017 Cover D - 10.01.2017>>	side right	1	
19	N 104 056 04	Oval hexagon socket head bolt M6X14		4	
20	971 827 751	Cover M6X14		4	
(20)	971 827 751 A	Cover		2	
21	971 827 705 A	Seal Rear lid		1	
22	N 910 742 01	Hexagon socket head bolt M6X14		2	
23	298 804 676	locking segment Rubber buffer		2	

Model: 971-17

Model life 2017>>



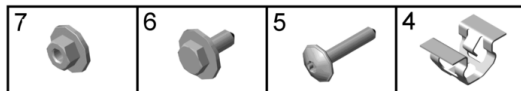
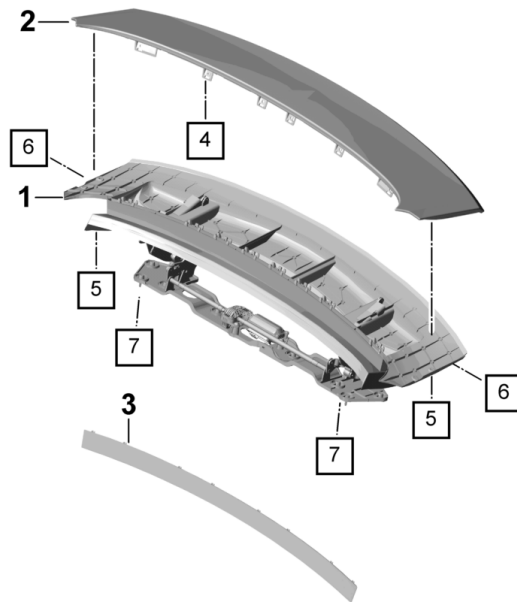
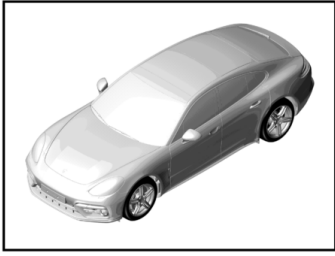
Model: 971-17

Model life 2017>>

Pos	Part Number	Description	Remark	Qty	Model
		Gaskets Noise insulation Rear lid			PR:K8D
1	974 827 705 AY	Seal		1	
2	974 827 508 B	Cover sound absorber piece	left	1	
(2)	974 827 508 C	sound absorber piece	lower right	1	
3	974 827 785	sound absorber piece	lower left	1	
(3)	974 827 786	sound absorber piece	right	1	
4	298 805 822	Support		2	
5	974 827 715	sound absorber piece		1	
6	298 804 676	locking segment		2	
7	974 827 597 A	Stop buffer Cover	left	1	
(7)	974 827 598 A	Cover	right	1	
8	974 827 683 B	Guide wedge		2	
9	N 104 514 12	Screw M6X16		X	
10	N 104 056 04	Oval hexagon socket head bolt M6X14		4	
11	971 827 261	Cover cap		4	
12	974 827 679	Guide wedge		2	
13	N 106 610 02	Hex socket oval head collared M6X20		X	
14	95B 827 751	Cover		4	
15	974 827 069	Damping Bungs		1	

Model: 971-17

Model life 2017>>



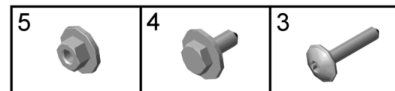
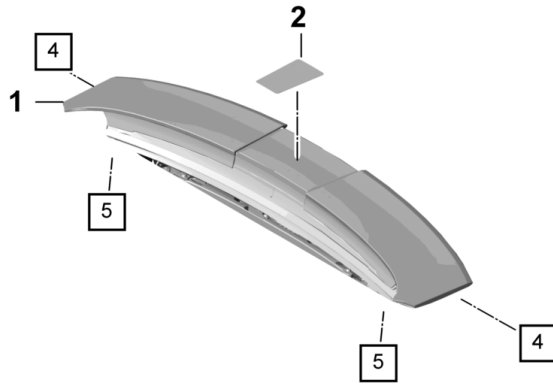
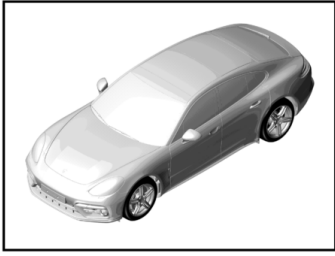
Model: 971-17

Model life 2017>>

Pos	Part Number	Description	Remark	Qty	Model
1	971 827 677	Rear spoiler Rear spoiler (complete) Driving mechanism Upper part Upper part primed	with: without:	1	PR:A8C,A8F PR:A8C,A8F
2	971 827 933 Y 971 827 933 Y G2X	Cover panel		1	PR:A8C,A8F
3	971 827 257 B	Clip		1	PR:A8C,A8F
4	958 555 190 00	Clip for Cover panel		8	
5	N 911 821 01	Hexagon socket flat head bolt M6X 32		2	
6	N 103 210 03	bolt, hexagon head self-locking M6X16		7	
7	N 911 733 01	hex. nut with washer M6		2	
13	971 827 599 A	Seal trim - lower part		1	

Model: 971-17

Model life 2017>>

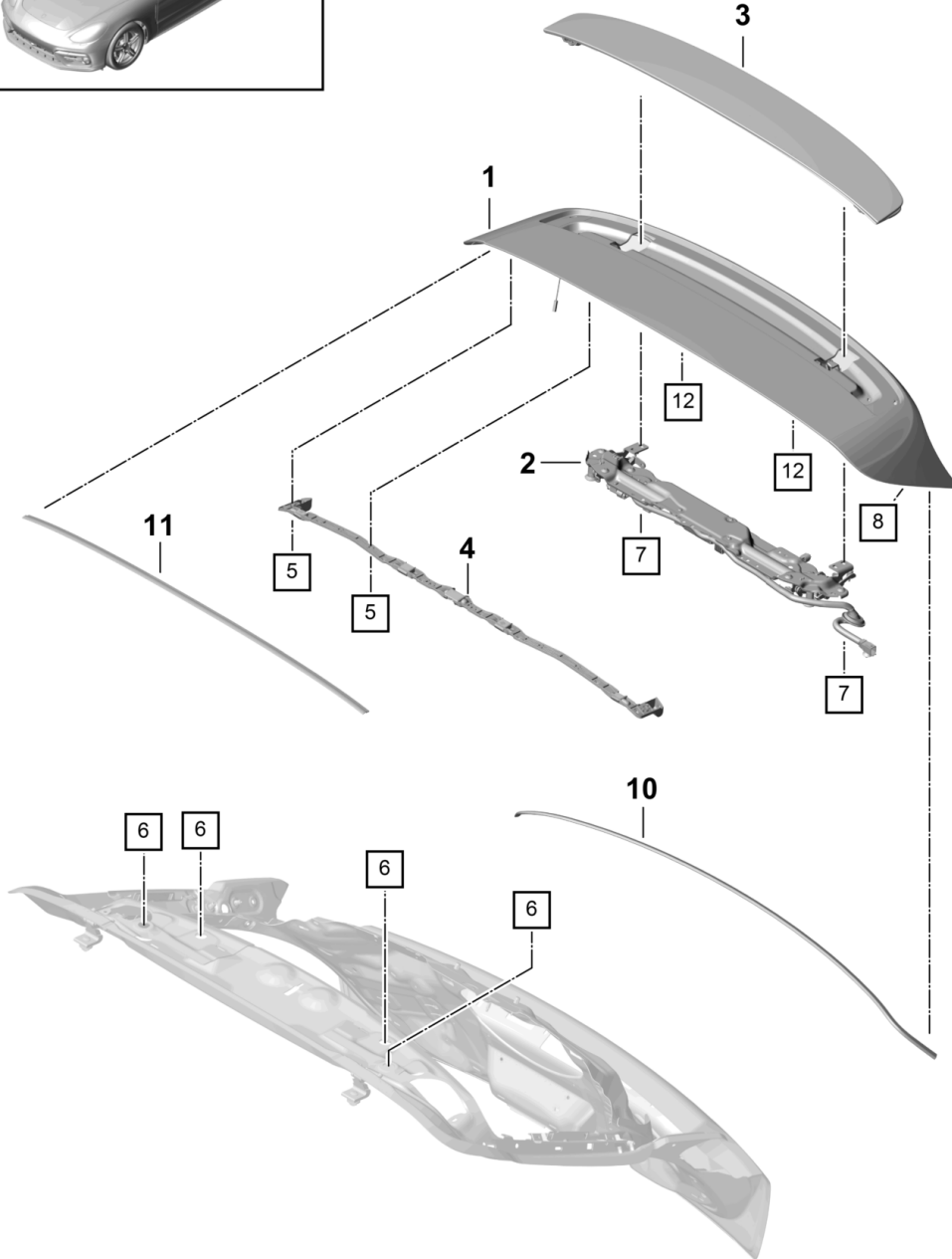
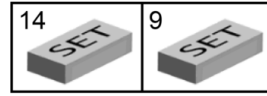
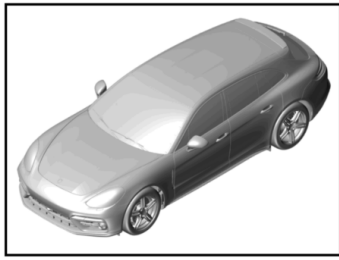


Model: 971-17 Model life 2017>>

Pos	Part Number	Description	Remark	Qty	Model
1	971 827 678 AY	Rear spoiler 2D+ SPOILER Rear spoiler (complete)		1	PR:A8H
		with:			
2	971 827 678 AY G2X 971 853 405 Y	Accessories primed Protective film for Centre part	upper	1	PR:A8H
3	N 911 821 01	Hexagon socket flat head bolt		2	
4	N 103 210 03	M6X 32 bolt, hexagon head self-locking		7	
5	N 911 733 01	M6X16 hex. nut with washer		2	
6	971 827 933 CY	M6 Rear spoiler Upper part		1	PR:A8H
		with:			
8	971 827 933 CY G2X 971 827 599	Driving mechanism primed Seal		1	PR:A8H
9	971 827 257 A	Cover panel		1	PR:A8H
10	N 906 986 06	Hexagon socket head panel bolt M4,2X16		1	
11	971 827 511	Closing element		1	PR:A8H
12	971 827 204 E	Driving mechanism		1	PR:A8H
		with:			
13	971 898 012	Wire set 1 set attachment parts HAUPTANTREIB		1	
14	971 827 847 Y 971 827 847 Y G2X	spoiler, primed primed	left	1	PR:A8H
(14)	971 827 848 Y 971 827 848 Y G2X	spoiler, primed primed	right	1	PR:A8H
15	971 853 809	Rubber buffer		8	

Model: 971-17

Model life 2017>>



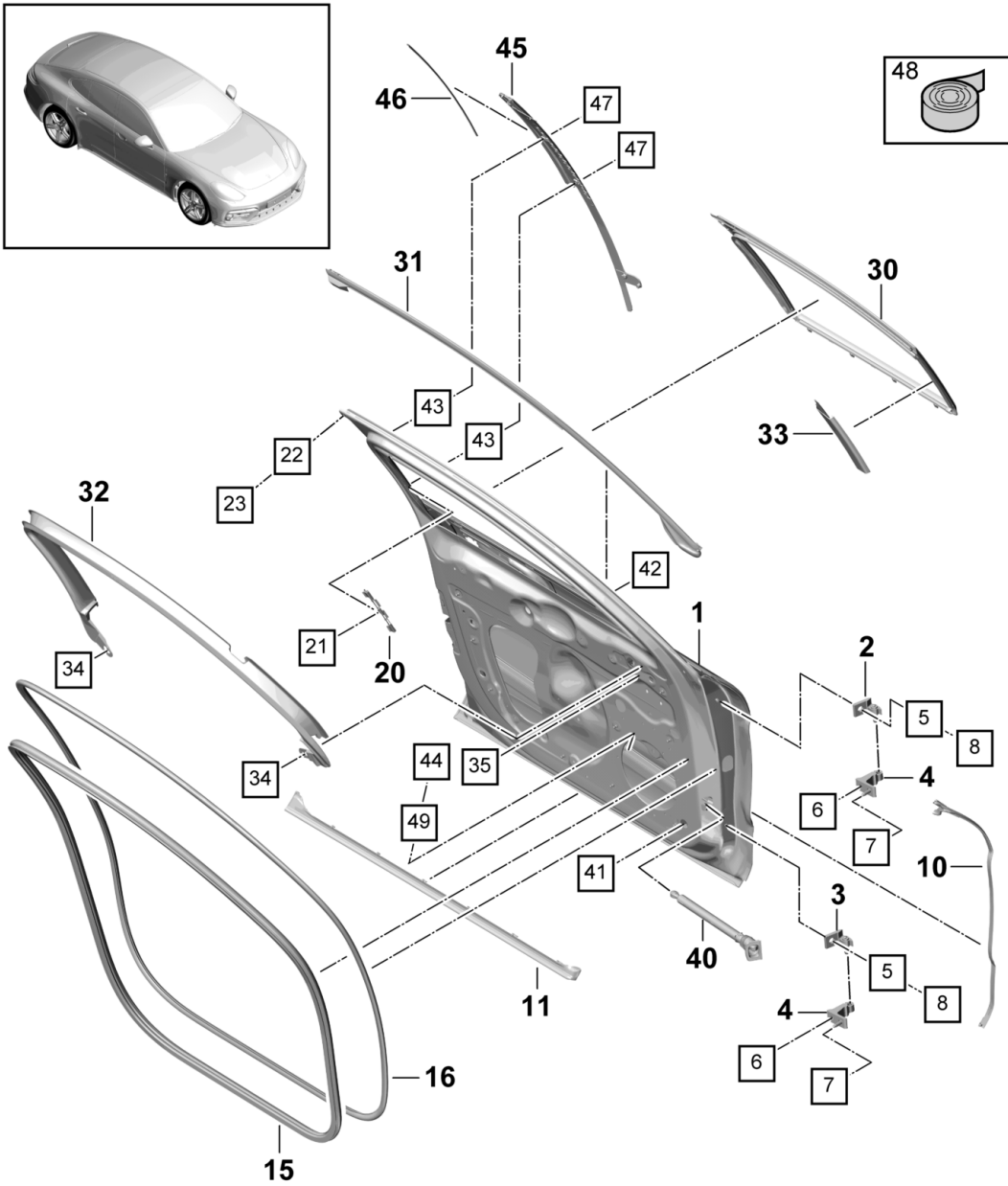
Model: 971-17

Model life 2017>>

Pos	Part Number	Description	Remark	Qty	Model
1	974 827 933 CY	Rear spoiler		1	PR:K8D
	974 827 933 CY G2X	Rear spoiler primed			
2	974 827 204 D	Driving mechanism		1	
3	974 827 847 CY	Rear spoiler		1	
		Spoiler Sheet			
	974 827 847 CY GRV	primed			
4	974 827 933 B	retaining strip		1	
5	N 016 206 1	cup rivet		8	
		4,0X9,5			
6	974 827 911 B	Bungs		4	
		Damping			
7	9Y0 827 657 A	shouldered bolt		4	
		M6X30			
8	N 910 967 01	Oval hexagon socket head bolt		2	
		M6X16TC			
9	974 898 035	1 set protective film		1	
10	974 827 634	Seal for rear window		1	
		Spoiler			
11	974 827 669	Seal		1	
		Spoiler Sheet			
12	974 827 589	Stop buffer		4	
		12X4,7			
14	974 898 037	1 set of spoilers		1	
		Fasteners			
		Sheet			

Model: 971-17

Model life 2017>>



	49	47	44	43	42	41	35
34	23	22	21	8	7	6	5

Model: 971-17 Model life 2017>>

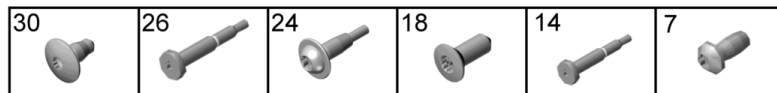
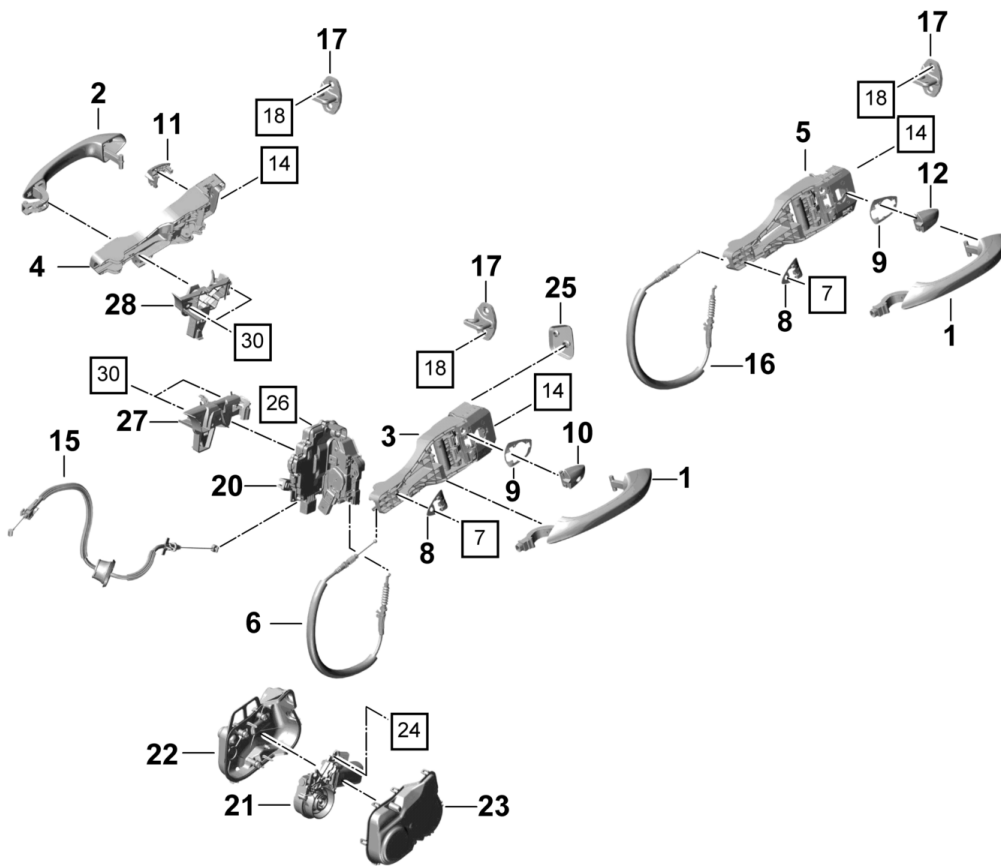
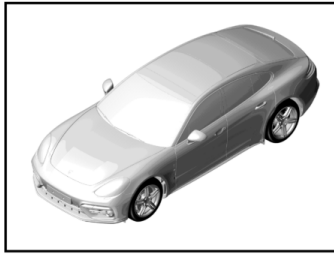
Pos	Part Number	Description	Remark	Qty	Model
1	971 831 021 Y	Seal Door shell Door	front left front also use: N 906 531 01 N 910 167 02 N 912 336 01 971 837 911 971 837 773 000 043 305 51 958 537 437 40	1 1 1 1 1 1 1	
(1)	971 831 021 Y GRV 971 831 022 Y	primed Door	right front also use: N 906 531 01 N 910 167 02 N 912 336 01 971 837 911 971 837 774 000 043 305 51 958 537 437 40	1 1 1 1 1 1 1	
2	971 831 022 Y GRV 9A7 833 407 01	primed Door hinge	left	2	
(2)	9A7 833 408 01	Door hinge	upper right	2	
3	9A7 833 405 01	Door hinge	upper left	2	
(3)	9A7 833 406 01	Door hinge	lower right	2	
4	9A7 831 403 00	Hinge	lower	2	
(4)	9A7 831 404 00	Hinge Bodyshell	left right	2	
5	9A7 831 701 00	Screw		8	
6	9A7 001 234 00	M 10 X 34 Hexagon bolt		4	
7	9A7 004 869 00	M 10 X 34 Combined nut		4	
8	958 537 947 00	Cover cap		4	
10	971 837 773	Door seal		1	
(10)	971 837 774	Door seal	left front right	1	
11	971 837 511	Door seal	front left	1	
(11)	971 837 512	Door seal	lower right	1	
15	971 831 721 A	Door seal	lower left	1	
(15)	971 831 722 A	Door seal	inner right	1	
16	971 837 911	Door seal	inner outer	1	
20	971 837 073	Clip		2	
21	N 906 531 01	cup rivet		2	
22	N 910 167 02	rivetted cap nut		4	
23	N 107 760 01	fillister head bolt with allen key head		6	
30	971 837 431	Window guide	left	1	
(30)	971 837 432	Door Window guide	front right	1	
31	971 837 119 A	Door seal on molding	front left	1	

Model: 971-17 Model life 2017>>

Pos	Part Number	Description	Remark	Qty	Model
(31)	971 837 120 A	seal on molding	outer right	1	
32	971 867 321	Trim for window frame	outer left	1	
	971 867 321 1E0	Black			
(32)	971 867 322	Trim for window frame	right	1	
	971 867 322 1E0	Black			
33	971 867 587	Trim for window frame	left	1	
	971 867 587 1E0	Black			
(33)	971 867 588	Trim for window frame	right	1	
	971 867 588 1E0	Black			
(34)	N 905 417 01	Clip		2	
35	9A7 860 385 00	Stop		1	
40	971 837 179	Door catch	left	1	
(40)	971 837 180	Door catch	right	1	
41	9A7 007 989 00	flat round head bolt		1	
42	N 910 167 02	rivetted cap nut		1	
		M5			
43	N 912 336 01	rivetted cap nut		2	
		M5			
44	9A7 007 864 00	Ball stud		1	
		M8			
45	971 853 183	trim for pillar b	left	1	
(45)	971 853 184	trim for pillar b	right	1	
46	971 837 565	Door seal	left	1	
		B-pillar			
(46)	971 837 566	Door seal	right	1	
		B-pillar			
47	N 106 847 01	Oval hexagon socket head bolt		6	
48	958 537 437 40	Adhesive tape		1	
49	N 906 312 02	rivetted cap nut		1	
		M8			

Model: 971-17

Model life 2017>>



Model: 971-17

Model life 2017>>

Pos	Part Number	Description	Remark	Qty	Model
1	971 837 205	Door handle Door lock Door handle	front and rear left	1	PR:-QJ2, -QJ4,-QJ5, -4F2,-4F6
(1)	971 837 205 G2X 971 837 205 AY	primed Door handle	left	1	PR:QJ2,QJ5, 4F2,4F6
(1)	971 837 205 AY G2X 971 837 205 BY	primed Door handle	left	1	PR:QJ4,4F2, 4F6
2	971 837 205 BY G2X 971 837 206	primed Door handle	right	1	PR:-QJ2, -QJ4,-QJ5, -4F2,-4F6
(2)	971 837 206 G2X 971 837 206 AY	primed Door handle	right	1	PR:QJ2,QJ5, 4F2,4F6
(2)	971 837 206 AY G2X 971 837 206 BY	primed Door handle	right	1	PR:QJ4,4F2, 4F6
3	971 837 206 BY G2X 971 800 375 DY	primed Set of locks Mounting bar with stipulated lock number with lock cylinder with keys * Part number must be ordered * manually by indicating * vehicle ID number.		1	PR:L0L,4I6, 4I8
(3)	971 800 375 FY	Set of locks Mounting bar with stipulated lock number with lock cylinder with keys * Part number must be ordered * manually by indicating * vehicle ID number.		1	PR:L0L,4F2, 4F6
(3)	971 800 375 EY	Set of locks Mounting bar with stipulated lock number with lock cylinder with keys * Part number must be ordered * manually by indicating * vehicle ID number.		1	PR:L0R,4I6, 4I8
(3)	971 800 375 GY	Set of locks Mounting bar with stipulated lock number with lock cylinder with keys * Part number must be ordered * manually by indicating * vehicle ID number.		1	PR:L0R,4F2, 4F6
4	971 839 886 B	Mounting bar		1	PR:4I6,4I8,

Model: 971-17

Model life 2017>>

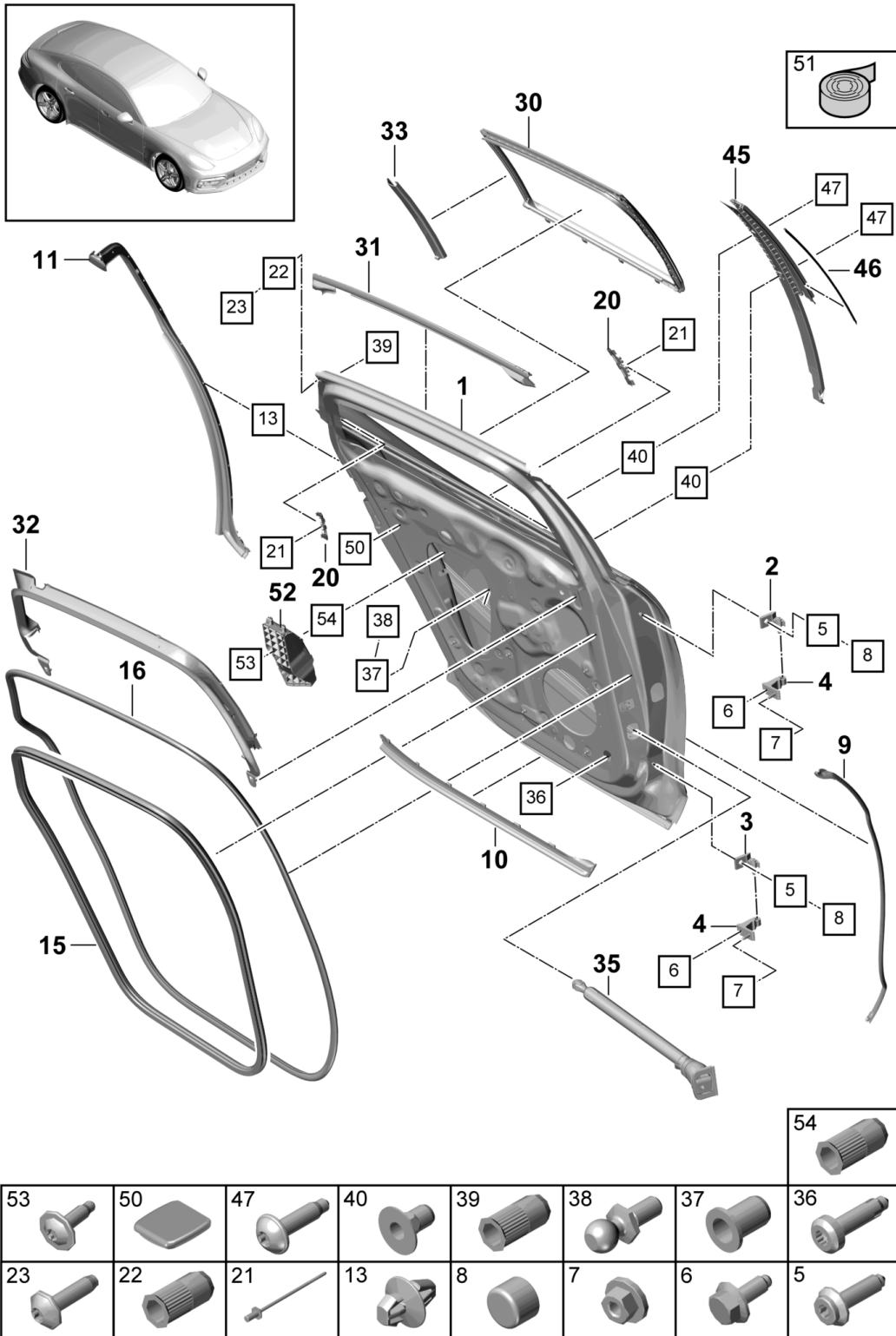
Pos	Part Number	Description	Remark	Qty	Model
(4)	971 839 885 B	(passenger side) Mounting bar		1	L0L PR:4I6,4I8,
4	971 839 885 D	(passenger side) Mounting bar		1	L0R PR:4I6,4I8,
(4)	971 839 886 C	(passenger side) Mounting bar		1	L0R PR:4F2,4F6,
(4)	971 839 886 E	(passenger side) Mounting bar		1	L0L PR:4F2,4F6,
(4)	971 839 885 C	(passenger side) Mounting bar		1	L0L PR:4F2,4F6,
(4)	971 839 885 E	(passenger side) Mounting bar		1	L0R PR:4F2,4F6,
5	971 839 885 B	Mounting bar	left	1	PR:4I6,4I8
(5)	971 839 886 B	Mounting bar	rear	1	
(5)	971 839 885 C	Mounting bar	right	1	PR:4I6,4I8
(5)	971 839 886 C	Mounting bar	rear	1	
6	971 837 017	Bowden cable	left	1	
7	N 911 768 01	Mounting bar	front	2	
8	971 837 209	Hexagon socket flat head bolt	right	2	
(8)	971 837 210	Underlay	front	2	
9	971 837 277	Underlay	rear	2	
(9)	971 837 278	Underlay	left	2	
10	971 837 329	Protective cap	right	2	
(10)	971 837 330	Door lock (drivers side)	rear	1	PR:L0L
11	971 839 329	Protective cap	left	1	PR:L0R
(11)	971 839 330	Door lock (passenger side)	right	1	PR:L0L
12	971 839 329	Protective cap	left	1	PR:L0R
(12)	971 839 330	Door lock (passenger side)	right	1	
14	WHT 003 688	Protective cap	rear	8	
15	971 837 085	Door lock	front	2	
16	971 839 085	filllister head bolt (combi.)	rear	2	PR:0E1
(16)	971 839 085 A	Bowden cable	rear	2	PR:0E2
17	9A7 837 033 00	Bowden cable		4	
18	N 910 174 02	Striker		8	
20	9A7 837 315 00	countersunk multi-point socket head bolt	front	1	PR:L0L,GZ0, 4F2,4I6,3V1, 8T3
(20)	9A7 837 215 05	D >> - 03.07.2016 Door lock (drivers side)	front	1	PR:L0L,GZ0, 4F6,4I8, -3V1,-8T3

Model: 971-17 Model life 2017>>

Pos	Part Number	Description	Remark	Qty	Model
(20)	971 837 015 C	D - 04.07.2016>> Door lock (drivers side)	front	1	PR:L0L,GZ2, 4F2,4I6
(20)	9A7 837 216 05	Door lock (passenger side)	front	1	PR:L0L,GZ0, 4F2,4I6
(20)	971 837 016 C	Door lock (passenger side)	front	1	PR:L0L,GZ2, 4F2,4I6
(20)	9A7 839 115 06	Door lock (drivers side)	rear	1	PR:L0L,GZ0, 4F2,4I6
(20)	971 839 015 B	Door lock (drivers side)	rear	1	PR:L0L,GZ2, 4F2,4I6
(20)	9A7 839 116 06	Door lock (passenger side)	rear	1	PR:L0L,GZ0, 4F2,4I6
(20)	971 839 016 B	Door lock (passenger side)	rear	1	PR:L0L,GZ2, 4F2,4I6
(20)	9A7 837 616 00	Door lock (drivers side)	front	1	PR:L0R,GZ0, 4F2,4I6,3V1, 8T3
(20)	9A7 837 416 05	D >> - 03.07.2016 Door lock (drivers side)	front	1	PR:L0R,GZ0, 4F2,4I6, -3V1,-8T3
(20)	971 837 016 D	D - 04.07.2016>> Door lock (drivers side)	front	1	PR:L0R,GZ2, 4F2,4I6
(20)	9A7 837 415 05	Door lock (passenger side)	front	1	PR:L0R,GZ0, 4F2,4I6
(20)	971 837 015 D	Door lock (passenger side)	front	1	PR:L0R,GZ2, 4F2,4I6
(20)	9A7 839 116 06	Door lock (drivers side)	rear	1	PR:L0R,GZ0, 4F2,4I6
(20)	971 839 016 B	Door lock (drivers side)	rear	1	PR:L0R,GZ2, 4F2,4I6
(20)	9A7 839 115 06	Door lock (passenger side)	rear	1	PR:L0R,GZ0, 4F2,4I6
(20)	971 839 015 B	Door lock (passenger side)	rear	1	PR:L0R,GZ2, 4F2,4I6
21	4F0 837 059	Drive unit	left	1	PR:GZ2
(21)	4F0 837 060	Drive unit	right	1	PR:GZ2
22	971 837 101	basic plate	left	1	PR:GZ2
(22)	971 837 102	basic plate	right	1	PR:GZ2
23	971 837 877	Cover basic plate	left	1	PR:GZ2
(23)	971 837 878	Cover basic plate	right	1	PR:GZ2
24	N 908 170 03	Hexagon socket head panel bolt		6	PR:GZ2
25	971 837 111	Cover cap Door latch	left	1	
(25)	971 837 112	Cover cap Door latch	right	1	
26	9A7 004 084 00	Bolt with washer Door handle (drivers side)		1	
27	971 837 895 A	Retainer for trim	left	1	
28	971 837 896 A	Retainer for trim	right	1	
30	WHT 003 688	fillister head bolt (combi.)		2	

Model: 971-17

Model life 2017>>



Model: 971-17 Model life 2017>>

Pos	Part Number	Description	Remark	Qty	Model
1	971 833 021 Y	Seal Door shell Door	rear left rear	1	PR:0E1,-K8D
			also use:		
			N 906 531 01	2	
			N 910 167 02	1	
			N 912 336 01	2	
			971 839 911	1	
			971 853 823	1	
			971 839 773	1	
			000 043 305 51	1	
			958 537 437 40	1	
			N .1 05. 97	3	
(1)	971 833 021 Y GRV 971 833 022 Y	primed Door	right rear	1	PR:0E1,-K8D
			also use:		
			N 906 531 01	2	
			N 910 167 02	1	
			N 912 336 01	2	
			971 839 911	1	
			971 853 824	1	
			971 839 774	1	
			000 043 305 51	1	
			958 537 437 40	1	
			N .1 05. 97	3	
(1)	971 833 022 Y GRV 971 833 021 AY	primed Door	left rear	1	PR:0E2,-K8D
			also use:		
			N 906 531 01	2	
			N 910 167 02	1	
			N 912 336 01	2	
			971 839 911 A	1	
			971 853 823	1	
			971 839 773	1	
			000 043 305 51	1	
			958 537 437 40	1	
			N .1 05. 97	3	
(1)	971 833 021 AY GRV 971 833 022 AY	primed Door	right rear	1	PR:0E2,-K8D
			also use:		
			N 906 531 01	2	
			N 910 167 02	1	
			N 912 336 01	2	
			971 839 911 A	1	
			971 853 824	1	
			971 839 774	1	
			000 043 305 51	1	
			958 537 437 40	1	
			N .1 05. 97	3	
1	971 833 022 AY GRV 974 833 021 Y	primed Door	left rear	1	PR:K8D
			also use:		
			N 906 531 01	2	
			N 910 167 02	1	
			N 912 336 01	2	
			974 839 911	1	
			971 853 823	1	
			971 839 773	1	
			000 043 305 51	1	
			958 537 437 40	1	
			N .1 05. 97	3	
(1)	974 833 021 Y GRV 974 833 022 Y	primed Door	right	1	PR:K8D

Model: 971-17 Model life 2017>>

Pos	Part Number	Description	Remark	Qty	Model
			rear		
		also use:	N 906 531 01	2	
			N 910 167 02	1	
			N 912 336 01	2	
			974 839 911	1	
			971 853 824	1	
			971 839 774	1	
			000 043 305 51	1	
			958 537 437 40	1	
			N .1 05. 97	3	
2	974 833 022 Y GRV 9A7 833 407 01	primed Door hinge	left	2	
(2)	9A7 833 408 01	Door hinge	upper right	2	
3	9A7 833 405 01	Door hinge	upper left	2	
(3)	9A7 833 406 01	Door hinge	lower right	2	
4	9A7 831 403 00	Hinge	lower left	2	
(4)	9A7 831 404 00	Bodyshell Hinge	right	2	
5	9A7 831 701 00	Bodyshell Screw		8	
6	9A7 001 234 00	M 10 X 34 Hexagon bolt		4	
7	9A7 004 869 00	M 8 X 20 Combined nut		4	
8	958 537 947 00	Cover cap		8	
9	971 839 773	Door seal	left	1	
(9)	971 839 774	Door seal	front right	1	
10	971 839 863	Door seal	front left	1	PR:0E1
(10)	971 839 864	Door seal	lower right	1	PR:0E1
(10)	971 839 863 A	Door seal	lower left	1	PR:0E2
(10)	971 839 864 A	Door seal	right lower	1	PR:0E2
(11)	971 839 775	Door seal	left	1	PR:K8S
(11)	971 839 776	Door seal	rear right	1	PR:K8S
(11)	974 839 775	Door seal	rear left	1	PR:K8D
(11)	974 839 776	Door seal	rear right	1	PR:K8D
13	971 839 199	Clip		X	
15	971 833 721 A	Door seal	left	1	PR:0E1
(15)	971 833 722 A	Door seal	inner right	1	PR:0E1
15	971 833 721 C	Door seal	inner left	1	PR:0E2
(15)	971 833 722 C	Door seal	right inner	1	PR:0E2
16	971 839 911	Door seal	outer	1	PR:0E1
(16)	971 839 911 A	Door seal	outer	1	PR:0E2
(16)	974 839 911	Door seal	outer	1	PR:K8D
20	971 837 073	Clip		2	
21	N 906 531 01	cup rivet		2	

Model: 971-17 Model life 2017>>

Pos	Part Number	Description	Remark	Qty	Model
22	N 910 167 02	rivetted cap nut		4	
23	N 107 760 01	fillister head bolt with allen key head		6	
30	971 839 431	Window guide	left	1	PR:0E1
(30)	971 839 432	Window guide	right	1	PR:0E1
(30)	971 839 431 A	Window guide	left	1	PR:0E2
(30)	971 839 432 A	Window guide	right	1	PR:0E2
(30)	974 839 431 A	Window guide	left	1	PR:K8D
(30)	974 839 432 A	Window guide	right	1	PR:K8D
31	971 839 119 B	seal on molding	left	1	PR:0E1
(31)	971 839 120 B	seal on molding	upper right	1	PR:0E1
(31)	971 839 119 C	seal on molding	left upper	1	PR:0E2
(31)	971 839 120 C	seal on molding	right upper	1	PR:0E2
32	971 867 455	Trim for door window frame	left	1	PR:0E1
(32)	971 867 455 1E0	Black			
(32)	971 867 456	Trim for door window frame	right	1	PR:0E1
(32)	971 867 456 1E0	Black			
(32)	971 867 455 A	Trim for door window frame	left	1	PR:0E2
(32)	971 867 455 A 1E0	Black			
(32)	971 867 456 A	Trim for door window frame	right	1	PR:0E2
(32)	971 867 456 A 1E0	Black			
(32)	974 867 455	Trim for door window frame	left	1	PR:K8D
(32)	974 867 455 1E0	Black			
(32)	974 867 456	Trim for door window frame	right	1	PR:K8D
(32)	974 867 456 1E0	Black			
33	971 867 603	Trim for window frame	left	1	PR:0E1
(33)	971 867 603 1E0	Black			
(33)	971 867 604	Trim for window frame	right	1	PR:0E1
(33)	971 867 604 1E0	Black			
(33)	971 867 603 A	Trim for window frame	left	1	PR:0E2,-3Y7,-3Y8
(33)	971 867 603 A 1E0	Black			
(33)	971 867 604 A	Trim for window frame	right	1	PR:0E2,-3Y7,-3Y8
(33)	971 867 604 A 1E0	Black			
33	971 867 603 B	Trim for window frame	left	1	PR:0E2,3Y7,3Y8
(33)	971 867 603 B 1E0	Black			
33	971 867 604 B	Trim for window frame	right	1	PR:0E2,3Y7,3Y8
(33)	971 867 604 B 1E0	Black			
35	971 839 179 A	Door catch	left	1	
(35)	971 839 180 A	Door catch	right	1	
36	WHT 007 989	flat round head bolt		1	
37	N 906 312 02	rivetted cap nut M8		1	
38	9A7 007 864 00	Ball stud M8		1	
39	N 910 167 02	rivetted cap nut M5		1	
40	N 912 336 01	rivetted cap nut M5		2	
45	971 853 289	trim for pillar b	left	1	

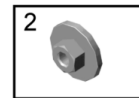
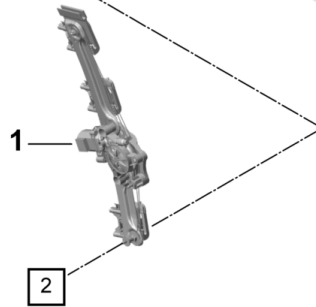
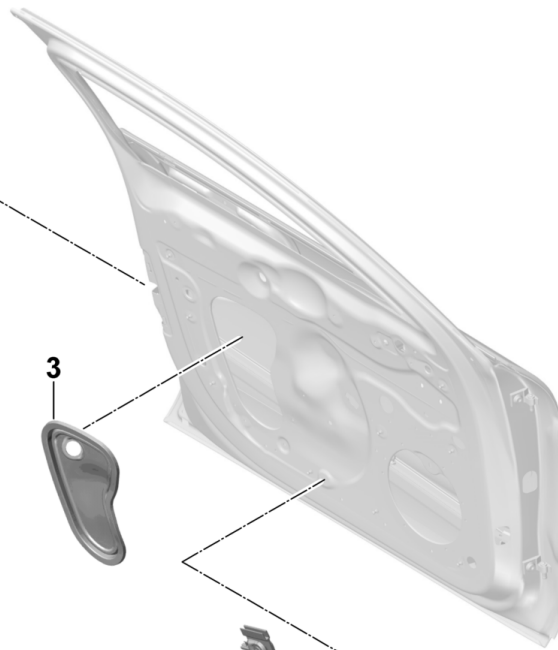
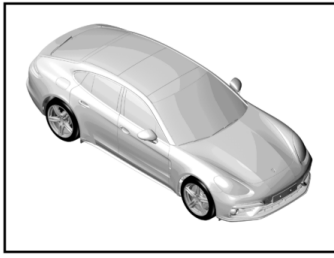
Model: 971-17

Model life 2017>>

Pos	Part Number	Description	Remark	Qty	Model
(45)	971 853 290	trim for pillar b	right	1	
46	971 839 671	Door seal B-pillar	left	1	
(46)	971 839 672	Door seal B-pillar	right	1	
47	N 106 847 01	Oval hexagon socket head bolt		6	
50	971 839 111	Grommet		1	
51	958 537 437 40	Adhesive tape		1	
52	971 839 793 A	Reinforcement	left	1	PR:0E1
(52)	971 839 794 A	Reinforcement	right	1	PR:0E1
(52)	971 839 793 B	Reinforcement	left	1	PR:0E2
(52)	971 839 794 B	Reinforcement	right	1	PR:0E2
53	N 909 101 02	fillister head bolt with allen key head	right	3	
54	N 105 977 01	rivetted cap nut		3	

Model: 971-17

Model life 2017>>



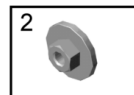
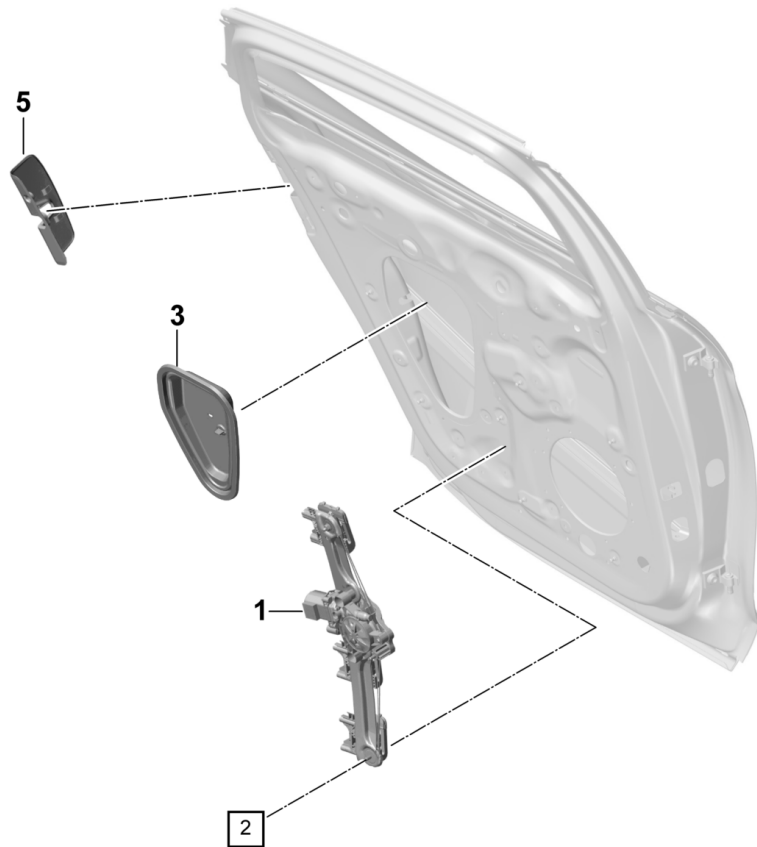
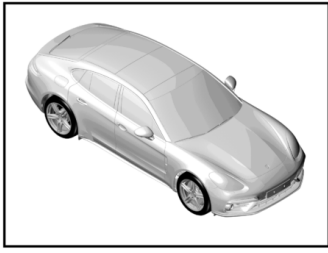
Model: 971-17

Model life 2017>>

Pos	Part Number	Description	Remark	Qty	Model
		Window regulator	front		
		Door			
1	971 837 401	Window regulator	left	1	
(1)	971 837 402	Window regulator	right	1	
2	N 905 708 02	hex. nut with washer		4	
3	971 837 915	cover for door	left	1	
(3)	971 837 916	cover for door	right	1	
4	958 537 437 40	Adhesive tape 40 X 4000 MM Black		1	
5	971 837 349	cover - lock Door lock	left	1	
(5)	971 837 350	cover - lock Door lock	right	1	

Model: 971-17

Model life 2017>>



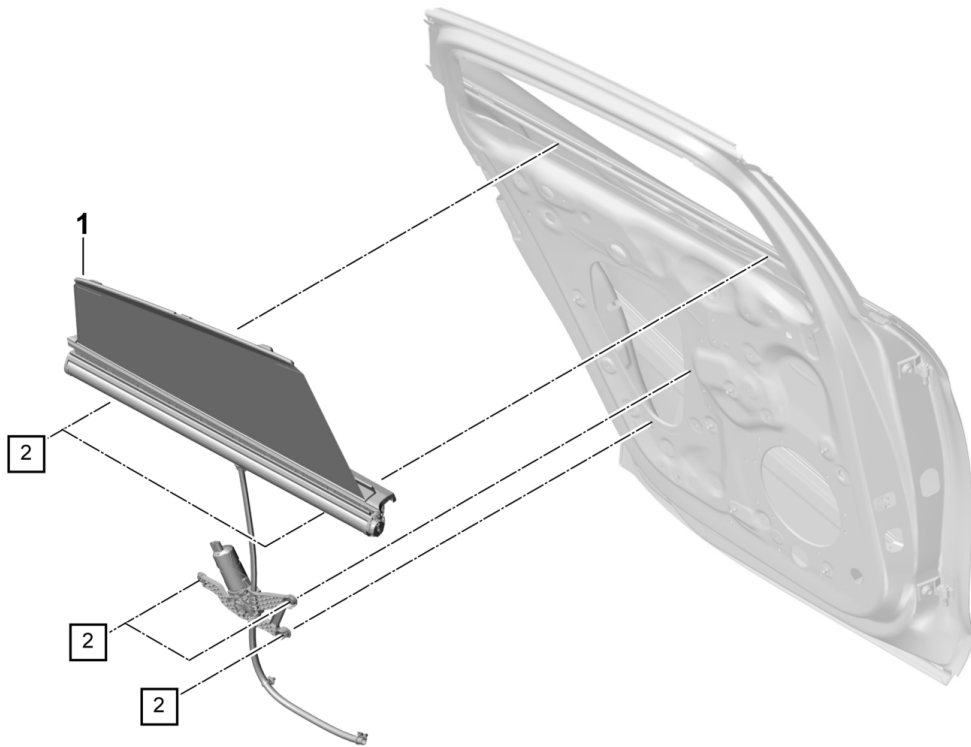
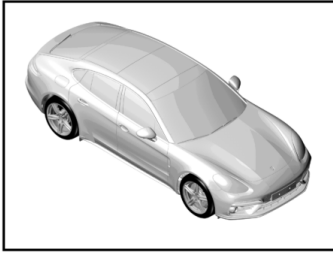
Model: 971-17

Model life 2017>>

Pos	Part Number	Description	Remark	Qty	Model
		Window regulator Door	rear		
1	971 839 401	Window regulator	left	1	
(1)	971 839 402	Window regulator	right	1	
2	N 905 708 02	hex. nut with washer		4	
3	971 839 915	cover for door	left	1	
(3)	971 839 916	cover for door	right	1	
4	958 537 437 40	Adhesive tape 40 X 4000 MM Black		1	
5	971 839 349	cover - lock Door	left	1	PR:GZ2
(5)	971 839 350	cover - lock Door	right	1	PR:GZ2
(5)	971 839 349 A	cover - lock Door	left	1	PR:GZ0
(5)	971 839 350 A	cover - lock Door	right	1	PR:GZ0

Model: 971-17

Model life 2017>>



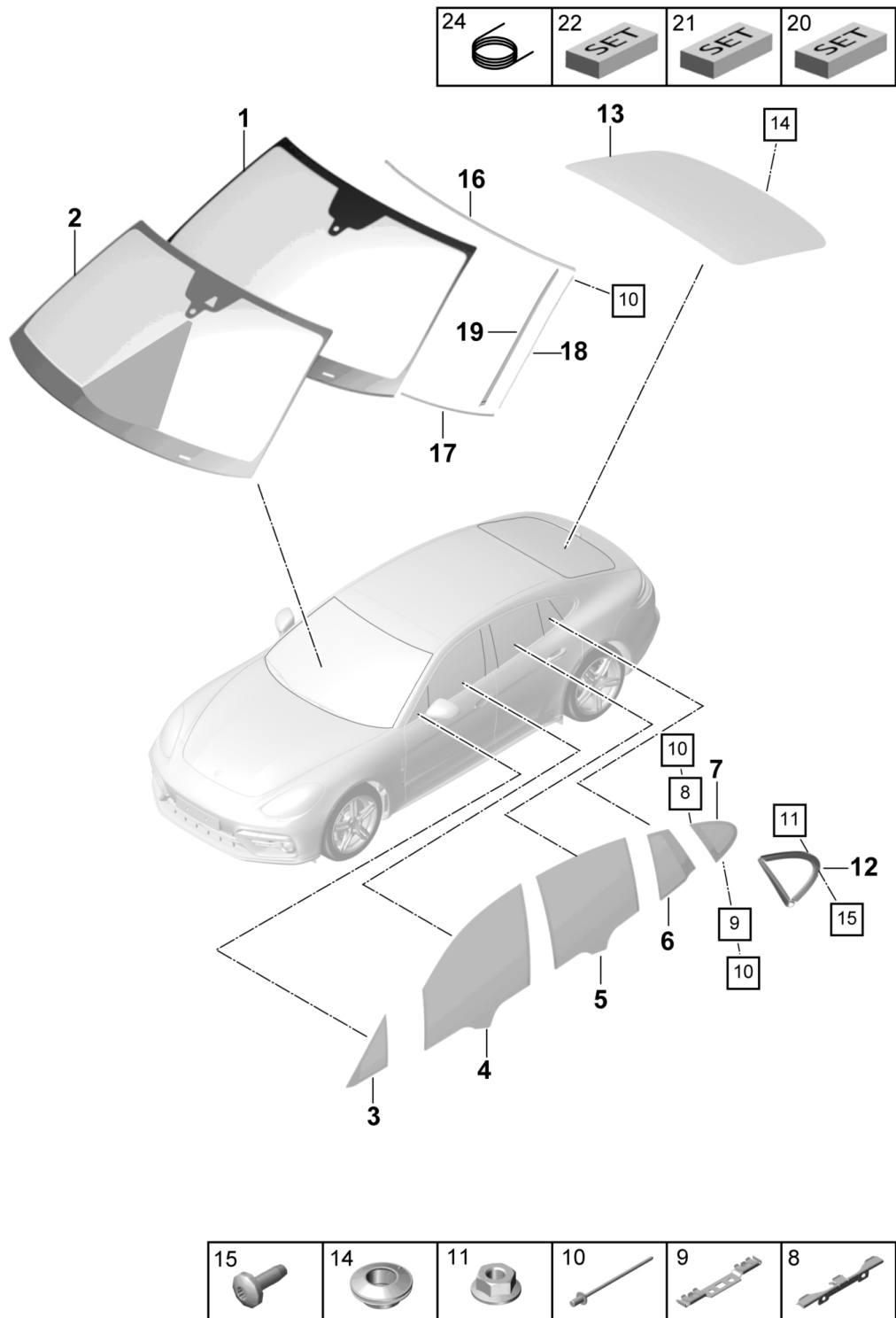
Model: 971-17

Model life 2017>>

Pos	Part Number	Description	Remark	Qty	Model
		roller blind			PR:3Y7,3Y8
1	971 861 333 B	Door window	rear	1	
		roller blind	left		PR:0E1
		Door window	rear		
	971 861 333 B OB8	Cohiba Brown	-HC		
	971 861 333 B OS1	Truffle Brown	-HD		
	971 861 333 B 5Q0	Black	-AB,PK,AC,BB, BS,PL,BK		
	971 861 333 B OA6	agate grey	-DG,DL		
	971 861 333 B 6W0	Luxor beige	-UC		
	971 861 333 B OL7	saddle brown	-SB,BP		
	971 861 333 B 7X0	Marsala Red	-PC,BE		
(1)	971 861 334 B	roller blind	right	1	PR:0E1
		Door window	rear		
	971 861 334 B OB8	Cohiba Brown	-HC		
	971 861 334 B OS1	Truffle Brown	-HD		
	971 861 334 B 5Q0	Black	-AB,PK,AC,BB, BS,PL,BK		
	971 861 334 B OA6	agate grey	-DG,DL		
	971 861 334 B 6W0	Luxor beige	-UC		
	971 861 334 B OL7	saddle brown	-SB,BP		
	971 861 334 B 7X0	Marsala Red	-PC,BE		
(1)	971 861 333 A	roller blind	left	1	PR:0E2
		Door window	rear		
	971 861 333 A OB8	Cohiba Brown	-HC		
	971 861 333 A OS1	Truffle Brown	-HD		
	971 861 333 A 5Q0	Black	-AB,PK,AC,BB, BS,PL,BK		
	971 861 333 A OA6	agate grey	-DG,DL		
	971 861 333 A 6W0	Luxor beige	-UC		
	971 861 333 A OL7	saddle brown	-SB,BP		
	971 861 333 A 7X0	Marsala Red	-PC,BE		
(1)	971 861 334 A	roller blind	right	1	PR:0E2
		Door window	rear		
	971 861 334 A OB8	Cohiba Brown	-HC		
	971 861 334 A OS1	Truffle Brown	-HD		
	971 861 334 A 5Q0	Black	-AB,PK,AC,BB, BS,PL,BK		
	971 861 334 A OA6	agate grey	-DG,DL		
	971 861 334 A 6W0	Luxor beige	-UC		
	971 861 334 A OL7	saddle brown	-SB,BP		
	971 861 334 A 7X0	Marsala Red	-PC,BE		
2	N 911 809 01	Flat head multi-point socket bolt M5X20		5	

Model: 971-17

Model life 2017>>



Model: 971-17 Model life 2017>>

Pos	Part Number	Description	Remark	Qty	Model
1		window glazing Windscreen			
		without:			
1	971 845 099 R	Camera Windscreen		1	PR:4GC,-3VI,-3V1,-6I1,-8G1,-8G4,-9Q6,-CJ1,-
		without:			
		Camera			
(1)	971 845 099 S	Windscreen	also use: 000 043 305 35	1	PR:4GK,-3VI,-3V1,-6I1,-8G1,-8G4,-9Q6,-CJ1,-
		without:		1	
		Camera			
2		Windscreen	also use: 000 043 305 35	1	
		with:			
		Camera			
2	971 845 099 T	Windscreen		1	PR:4GC
		with:			
		Camera			
(2)	971 845 099 AA	Windscreen	also use: 000 043 305 35	1	PR:4GK
		with:		1	
		Camera			
(2)	971 845 099 AB	Windscreen	also use: 000 043 305 35	1	PR:4GK,B0L
		with:		1	
		Camera			
3		Triangular plate	also use: 000 043 305 35	1	
		Door	front		
3	971 845 113	Door window (fixed)	left	1	PR:4KC,4KF
		Door	front		
(3)	971 845 114	Door window (fixed)	right	1	PR:4KC,4KF
		Door	front		
3	971 845 113 A	Door window (fixed)	left	1	PR:VW5,VW6
		Door	front		
(3)	971 845 114 A	Door window (fixed)	right	1	PR:VW5,VW6
		Door	front		
4		Side window doors	front		
4	971 845 019	Door window	left	1	PR:4KC,4KF
(4)	971 845 020	Door window	right	1	PR:4KC,4KF
4	971 845 019 A	Door window	left	1	PR:VW5,VW6
(4)	971 845 020 A	Door window	right	1	PR:VW5,VW6
5		Side window doors	rear		
5	971 845 317	Door window	left	1	PR:0E1,4KC
5	971 845 318	Door window	right	1	PR:0E1,4KC
5	971 845 317 A	Door window	left	1	PR:0E1,VW5
5	971 845 318 A	Door window	right	1	PR:0E1,VW5
5	971 845 317 B	Door window	left	1	PR:0E1,VW6
5	971 845 317 K	Door window	left	1	PR:0E1,VW6
		D - 05.07.2018>>			
5	971 845 318 B	Door window	right	1	PR:0E1,VW6
5	971 845 318 K	Door window	right	1	PR:0E1,VW6
		D - 05.07.2018>>			
5	971 845 317 C	Door window	left	1	PR:0E1,4KF
5	971 845 318 C	Door window	right	1	PR:0E1,4KF
5	971 845 317 D	Door window	left	1	PR:0E2,4KC
5	971 845 318 D	Door window	right	1	PR:0E2,4KC
5	971 845 317 E	Door window	left	1	PR:0E2,VW5
5	971 845 318 E	Door window	right	1	PR:0E2,VW5
5	971 845 317 J	Door window	left	1	PR:0E2,VW6
		D >> - 04.07.2018			

Model: 971-17

Model life 2017>>

Pos	Part Number	Description	Remark	Qty	Model
5	971 845 317 L	Door window D - 05.07.2018>>	left	1	PR:0E2,VW6
5	971 845 318 J	Door window D >> - 04.07.2018	right	1	PR:0E2,VW6
5	971 845 318 L	Door window D - 05.07.2018>>	right	1	PR:0E2,VW6
5	971 845 317 G	Door window	left	1	PR:0E2,4KF
5	971 845 318 G	Door window	right	1	PR:0E2,4KF
6		Triangular plate Door	rear		
6	971 845 025	Side window Door	left rear	1	PR:0E1,4KC
6	971 845 026	Side window Door	right rear	1	PR:0E1,4KC
6	971 845 025 A	Side window Door	left rear	1	PR:0E1,VW5
6	971 845 026 A	Side window Door	right rear	1	PR:0E1,VW5
6	971 845 025 B	Side window Door	left rear	1	PR:0E1,VW6
6	971 845 025 AD	Side window Door D - 05.07.2018>>	left rear	1	PR:0E1,VW6
6	971 845 026 B	Side window Door	right rear	1	PR:0E1,VW6
6	971 845 026 AD	Side window Door D - 05.07.2018>>	right rear	1	PR:0E1,VW6
6	971 845 025 C	Side window Door	left rear	1	PR:0E1,4KF
6	971 845 026 C	Side window Door	right rear	1	PR:0E1,4KF
6	971 845 025 D	Side window Door	left rear	1	PR:0E2,4KC
6	971 845 026 D	Side window Door	right rear	1	PR:0E2,4KC
6	971 845 025 E	Side window Door	left rear	1	PR:0E2,VW5
6	971 845 026 E	Side window Door	right rear	1	PR:0E2,VW5
6	971 845 025 J	Side window Door D >> - 04.07.2018	left rear	1	PR:0E2,VW6
6	971 845 025 AE	Side window Door Door D - 05.07.2018>>	left rear	1	PR:0E2,VW6
6	971 845 026 J	Side window Door D >> - 04.07.2018	right rear	1	PR:0E2,VW6
6	971 845 026 AE	Side window Door Door D - 05.07.2018>>	right rear	1	PR:0E2,VW6
6	971 845 025 G	Side window Door	left rear	1	PR:0E2,4KF
6	971 845 026 G	Side window Door	right rear	1	PR:0E2,4KF
7		Side window	left		
7	971 845 297 D	Side window	left	1	PR:4KC
(7)	971 845 298 D	Side window	right	1	PR:4KC
(7)	971 845 297 E	Side window	left	1	PR:VW5

Model: 971-17 Model life 2017>>

Pos	Part Number	Description	Remark	Qty	Model
(7)	971 845 298 E	Side window	right	1	PR:VW5
(7)	971 845 297 H	Side window	left	1	PR:VW6
		D >> - 04.07.2018			
(7)	971 845 298 H	Side window	right	1	PR:VW6
		D >> - 04.07.2018			
(7)	971 845 297 N	Side window	left	1	PR:VW6
		D - 05.07.2018>>			
(7)	971 845 298 N	Side window	right	1	PR:VW6
		D - 05.07.2018>>			
(7)	971 845 297 G	Side window	left	1	PR:4KF
(7)	971 845 298 G	Side window	right	1	PR:4KF
8	971 853 910	Clip	upper	4	
9	971 853 730	Clip	lower	4	
10	N 906 531 01	cup rivet		X	
		A 3,2 X 6,5			
11	N 015 082 10	Hexagon collar nut		X	
		M6			
12	971 854 699	Cover trim	left	1	PR:QJ2
	971 854 699 V09	High gloss			
		Anodised			
(12)	971 854 700	Cover trim	right	1	PR:QJ2
	971 854 700 V09	High gloss			
		Anodised			
(12)	971 854 699 A	Cover trim	left	1	PR:QJ5
	971 854 699 A 03C	Matt black			
		Matte			
(12)	971 854 700 A	Cover trim	right	1	PR:QJ5
	971 854 700 A 03C	Matt black			
		Matte			
(12)	971 854 699 B	Cover trim	left	1	PR:QJ4
	971 854 699 B 041	High-Gloss Black			
(12)	971 854 700 B	Cover trim	right	1	PR:QJ4
	971 854 700 B 041	High-Gloss Black			
13		Rear window			
13	971 845 051 H	Rear window		1	PR:4KC,8M0
		also use:	000 043 305 35	1	
(13)	971 845 051 J	Rear window		1	PR:4KC,8M1
		also use:	000 043 305 35	1	
(13)	971 845 051 K	Rear window		1	PR:4KF,8M0
		also use:	000 043 305 35	1	
(13)	971 845 051 L	Rear window		1	PR:4KF,8M1
		also use:	000 043 305 35	1	
(13)	971 845 051 M	Rear window		1	PR:VW5,8M0
		also use:	000 043 305 35	1	
(13)	971 845 051 N	Rear window		1	PR:VW5,8M1
		also use:	000 043 305 35	1	
(13)	971 845 051 P	Rear window		1	PR:VW6,8M0
		also use:	000 043 305 35	1	
(13)	971 845 051 Q	Rear window		1	PR:VW6,8M1
		also use:	000 043 305 35	1	
14	971 955 754	Grommet		1	
		Rear window wiper			
15	N 106 847 01	Oval hexagon socket head bolt		X	
		M5X18			
16	971 845 521	Seal for front	upper	1	
		window			
17	971 845 522	Frame		1	
		Surround			
		Windscreen			
18	971 845 453 A	Clamp strip	left	1	
		Windscreen			
(18)	971 845 454 A	Clamp strip	right	1	
		Windscreen			

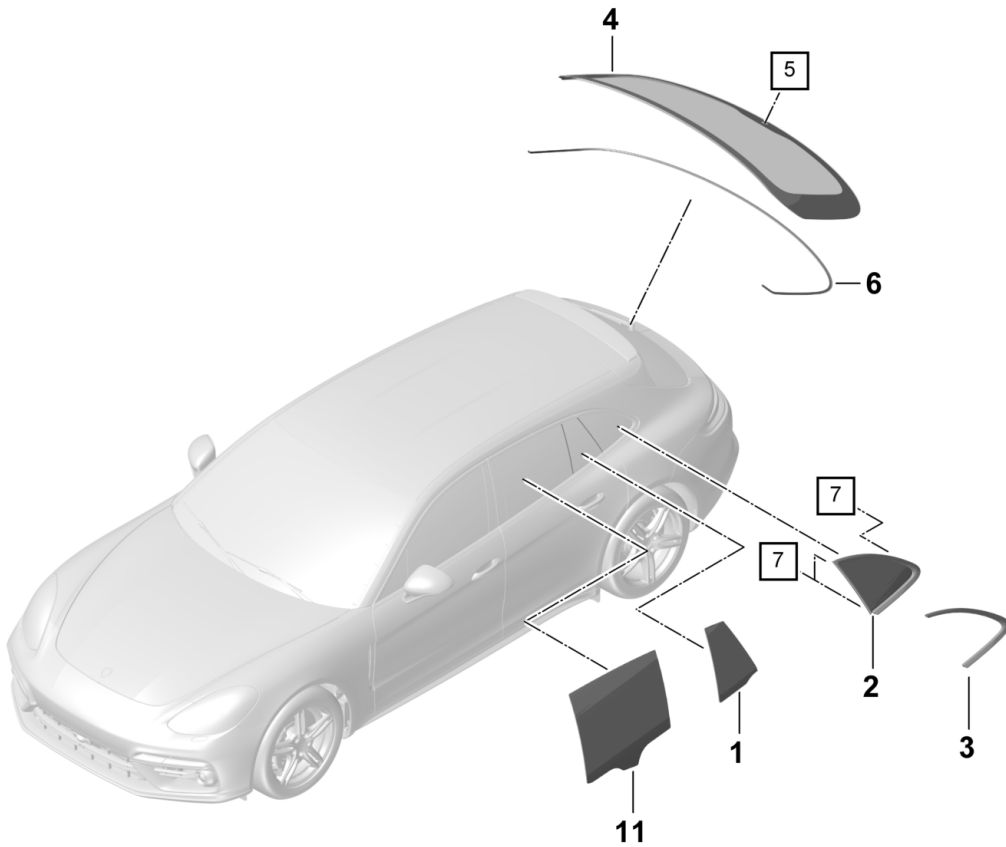
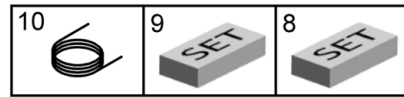
Model: 971-17

Model life 2017>>

Pos	Part Number	Description	Remark	Qty	Model
19	971 854 335 B	Water deflector strip	left	1	
(19)	971 854 336 B	Water deflector strip	right	1	
20	000 043 305 35	2K pane adhesive set		1	
21	000 043 205 37	emulsion tube		X	
		Supplement set			
22	000 043 206 47	Car care set		X	
		Side window			
		See technical manual			
24	000 043 303 32	cutting wire for removing windows		1	

Model: 971-17

Model life 2017>>



Model: 971-17 Model life 2017>>

Pos	Part Number	Description	Remark	Qty	Model
1		window glazing Triangular plate	rear		PR:K8D PR:K8D
1	974 845 025	Door Side window	left	1	PR:4KC
(1)	974 845 026	Door Side window	rear right	1	PR:4KC
(1)	974 845 025 A	Door Side window	rear left	1	PR:VW5
(1)	974 845 026 A	Door Side window	rear right	1	PR:VW5
(1)	974 845 025 B	Door Side window	rear left	1	PR:VW6
(1)	974 845 025 H	D >> - 04.07.2018 Side window	rear left	1	PR:VW6
(1)	974 845 026 B	Door Side window	D - 05.07.2018>> right	1	PR:VW6
(1)	974 845 026 H	Door Side window	rear right	1	PR:VW6
(1)	974 845 025 C	Door Side window	D - 05.07.2018>> left	1	PR:4KF
(1)	974 845 026 C	Door Side window	rear right	1	PR:4KF
2		Door Side window	left right		
2	974 845 297 D	Side window	left	1	PR:4KC
(2)	974 845 298 D	Side window	right	1	PR:4KC
(2)	974 845 297 E	Side window	left	1	PR:VW5
(2)	974 845 298 E	Side window	right	1	PR:VW5
(2)	974 845 297 F	Side window	left	1	PR:VW6
(2)	974 845 297 H	D >> - 04.07.2018 Side window	left	1	PR:VW6
(2)	974 845 298 F	D - 05.07.2018>> Side window	right	1	PR:VW6
(2)	974 845 298 H	D >> - 04.07.2018 Side window	right	1	PR:VW6
(2)	974 845 297 G	D - 05.07.2018>> Side window	left	1	PR:4KF
(2)	974 845 298 G	Side window	right	1	PR:4KF
3		Cover trim Side window			
3	974 853 995	Cover trim	left	1	PR:QJ2
(3)	974 853 995 V09	High gloss Cover trim	right	1	PR:QJ2
(3)	974 853 996 V09	High gloss Cover trim	left	1	PR:QJ5
(3)	974 853 995 A	Matt black Cover trim	right	1	PR:QJ5
(3)	974 853 995 A 03C	Matt black Cover trim	left	1	PR:QJ4
(3)	974 853 996 A	Black Cover trim	right	1	PR:QJ4
(3)	974 853 996 A 03C	Black Cover trim	left	1	PR:QJ4
(3)	974 853 995 B	Black Cover trim	right	1	PR:QJ4
(3)	974 853 995 B 041	Black Cover trim	left	1	PR:QJ4
(3)	974 853 996 B	Black Cover trim	right	1	PR:QJ4
(3)	974 853 996 B 041	Black Cover trim	left	1	PR:QJ4
4		Rear window			
4	974 845 051 M	Rear window		1	PR:4KC
(4)	974 845 051 N	also use: Rear window	000 043 305 35	1	PR:4KF

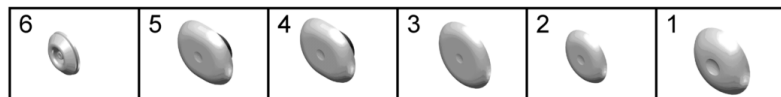
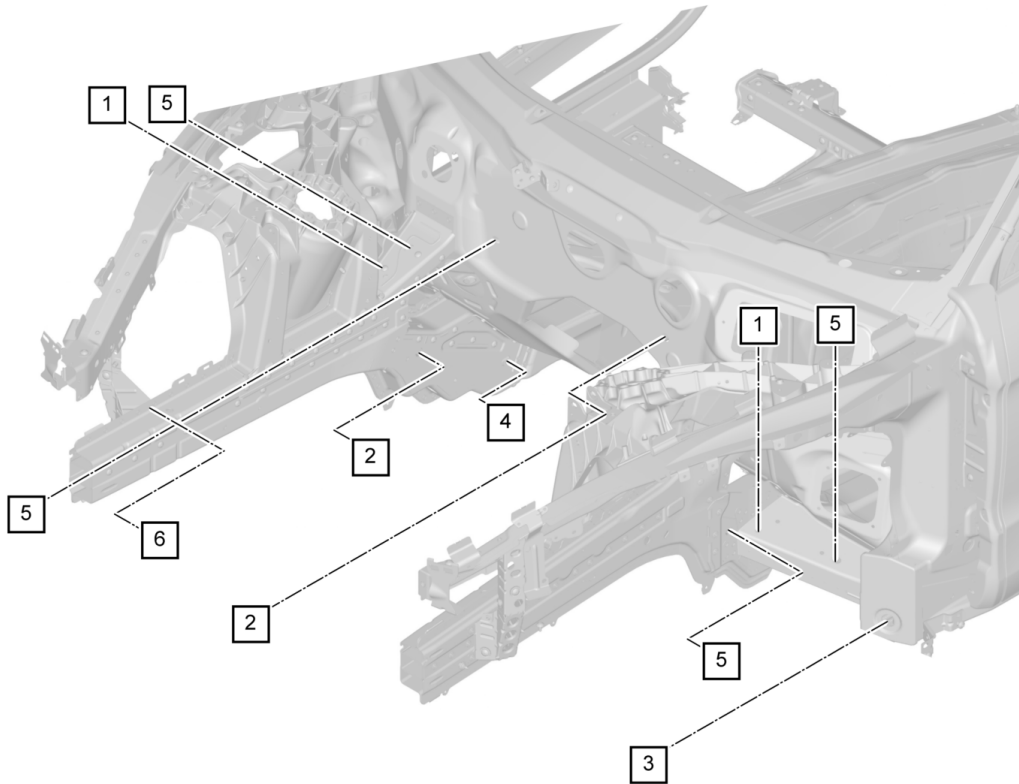
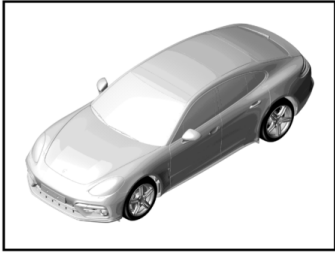
Model: 971-17

Model life 2017>>

Pos	Part Number	Description	Remark	Qty	Model
(4)	974 845 051 P	Rear window	also use: 000 043 305 35	1	PR: 4KF, VW5
(4)	974 845 051 Q	Rear window	also use: 000 043 305 35	1	PR: 4KF, VW6
5	971 955 754	Grommet	also use: 000 043 305 35	1	PR: 4KF, 4KC
(5)	9Y0 955 758 A	Rear window wiper		1	PR: VW5, VW6
6	974 845 571	Grommet		1	PR: 4KC, 4KF
(6)	974 845 571 A	Rear window wiper		1	PR: VW5, VW6
7	N 015 082 10	Seal for rear window		3	
8	000 043 305 35	Seal for rear window		X	
9	000 043 205 37	Hexagon collar nut		X	
10	000 043 303 32	2K pane adhesive set		1	
11		window glazing emulsion tube			
11	974 845 317	Supplement set			
(11)	974 845 318	cutting wire for removing windows			
11	974 845 317 A	Side window doors	rear		
(11)	974 845 318 A	Door window	left	1	PR: 4KC
11	974 845 317 B	Door window	right	1	PR: 4KC
(11)	974 845 318 B	Door window	left	1	PR: VW5
11	974 845 317 C	Door window	right	1	PR: VW5
(11)	974 845 318 C	Door window	left	1	PR: VW6
11	974 845 317 D	Door window	right	1	PR: VW6
(11)	974 845 318 D	Door window	left	1	PR: VW6
11	974 845 317 E	Door window	right	1	PR: VW6
(11)	974 845 318 E	Door window	left	1	PR: 4KF
11	974 845 317 F	Door window	right	1	PR: 4KF
(11)	974 845 318 F	Door window	left	1	PR: 4KF

Model: 971-17

Model life 2017>>



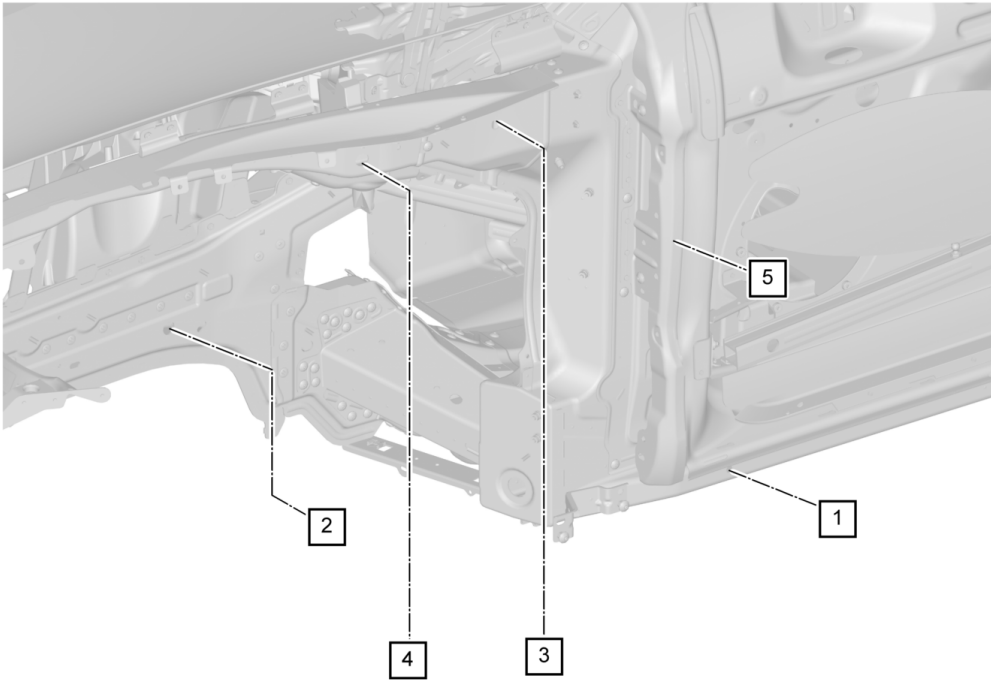
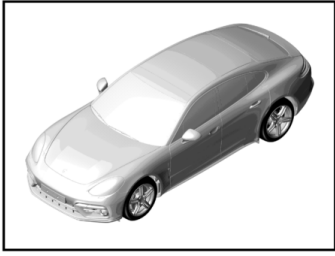
Model: 971-17

Model life 2017>>

Pos	Part Number	Description	Remark	Qty	Model
1	955 504 281 00	Bungs Front end		X	
2	955 504 182 00	Bungs D10		X	
3	955 504 183 01	Bungs D20		X	
4	955 504 184 00	Bungs D30		X	
5	955 504 185 00	Bungs D20X25		X	
6	9A7 899 182 10	Bungs D15X20 Sealing cap D15		X	

Model: 971-17

Model life 2017>>



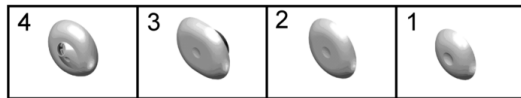
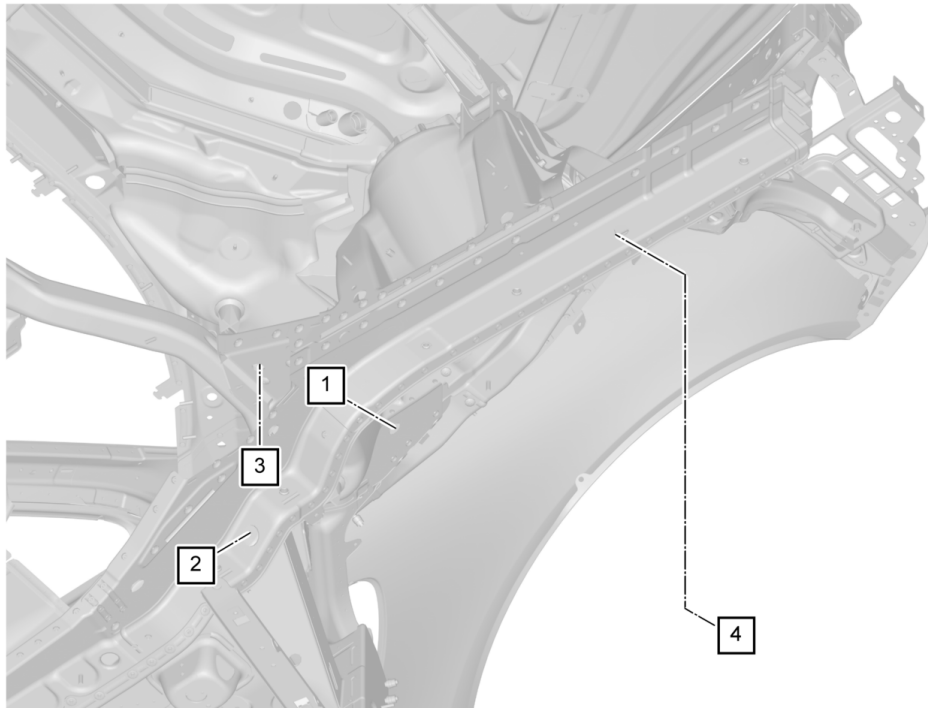
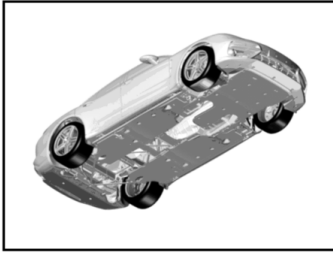
Model: 971-17

Model life 2017>>

Pos	Part Number	Description	Remark	Qty	Model
1	955 504 281 00	Bungs Front end	side	X	
2	955 504 182 00	Bungs D10		X	
3	9A7 899 182 10	Bungs D20		X	
4	955 504 187 00	Sealing cap D15		X	
5	N 105 151 01	Bungs D15 D25		X	

Model: 971-17

Model life 2017>>



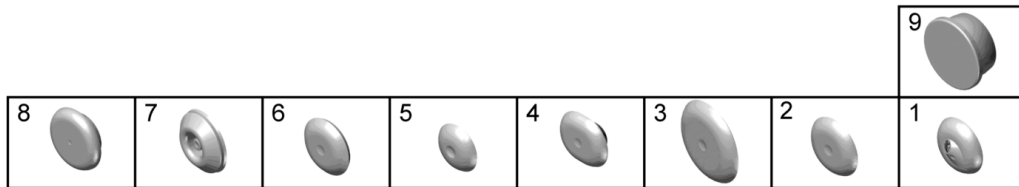
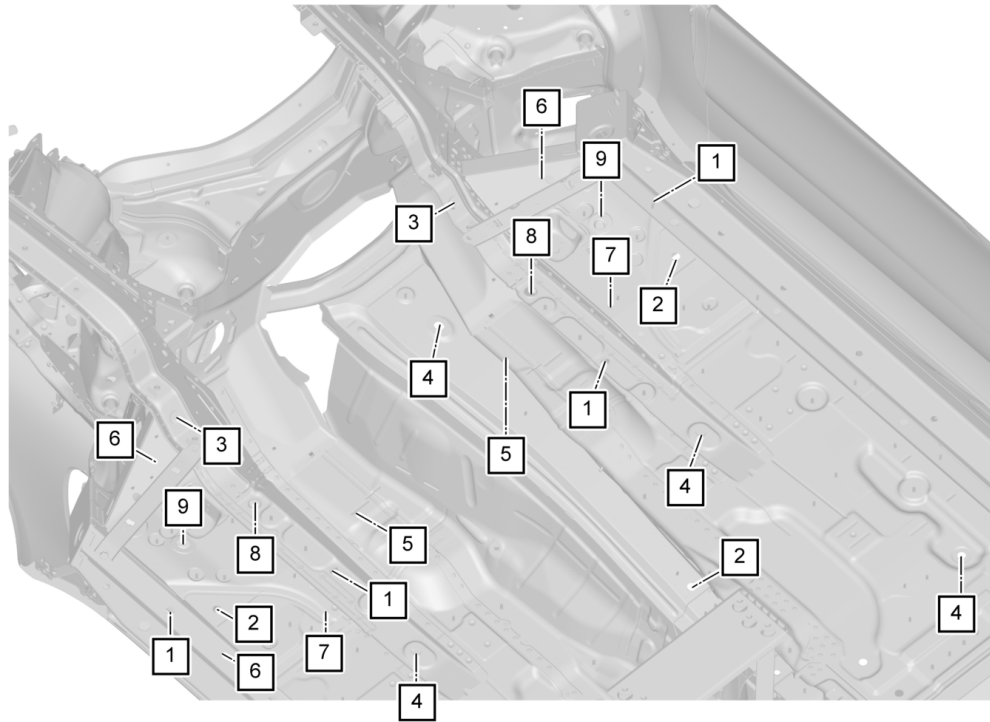
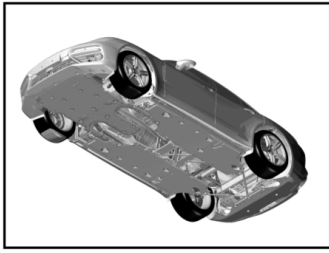
Model: 971-17

Model life 2017>>

Pos	Part Number	Description	Remark	Qty	Model
1	955 504 182 00	Bungs Front end	inner	X	
2	955 504 183 01	Bungs D10		X	
3	955 504 185 00	Bungs D30		X	
4	955 512 188 00	Bungs D15X20 Water drain valve D15		X	

Model: 971-17

Model life 2017>>



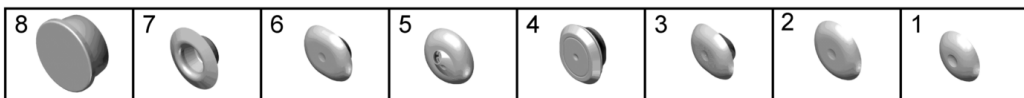
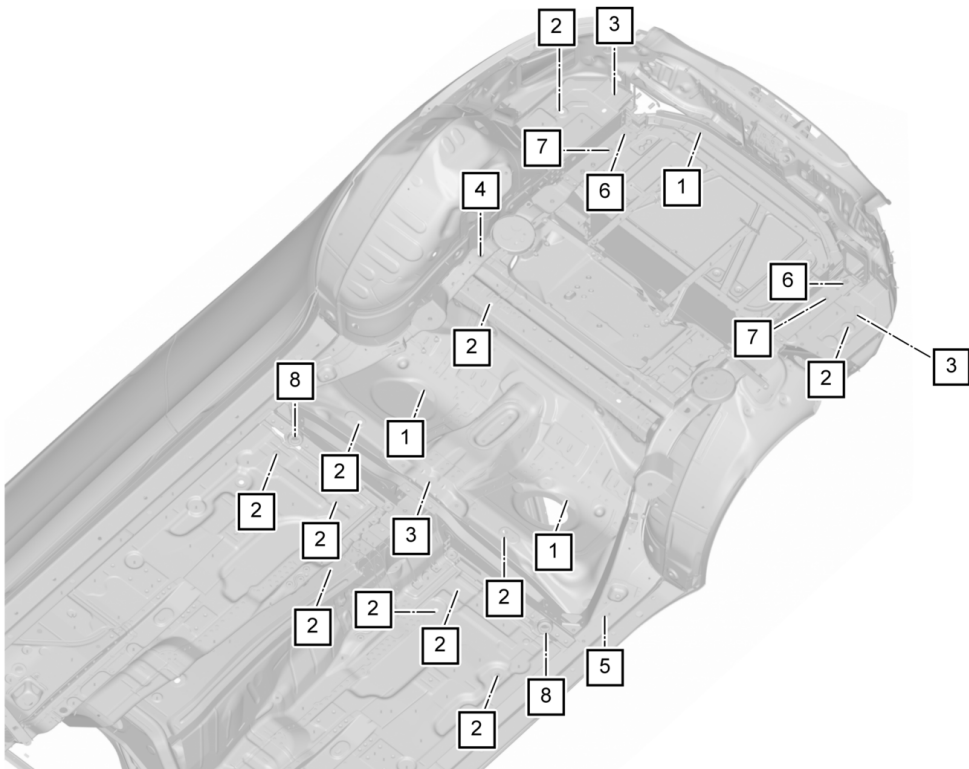
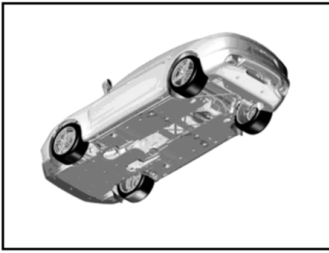
Model: 971-17

Model life 2017>>

Pos	Part Number	Description	Remark	Qty	Model
		Bungs Underbody	front		
1	955 512 188 00	Water drain valve D15		X	
2	955 504 182 00	Bungs D20		X	
3	955 504 183 01	Bungs D30		X	
4	955 504 184 00	Bungs D20X25		X	
5	955 504 281 00	Bungs D10		X	
6	955 504 187 00	Bungs D15		X	
7	9A7 899 182 10	Sealing cap D15		X	
8	N 105 151 01	Bungs D25		X	
9	N 100 411 01	End cap D30		X	

Model: 971-17

Model life 2017>>



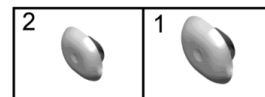
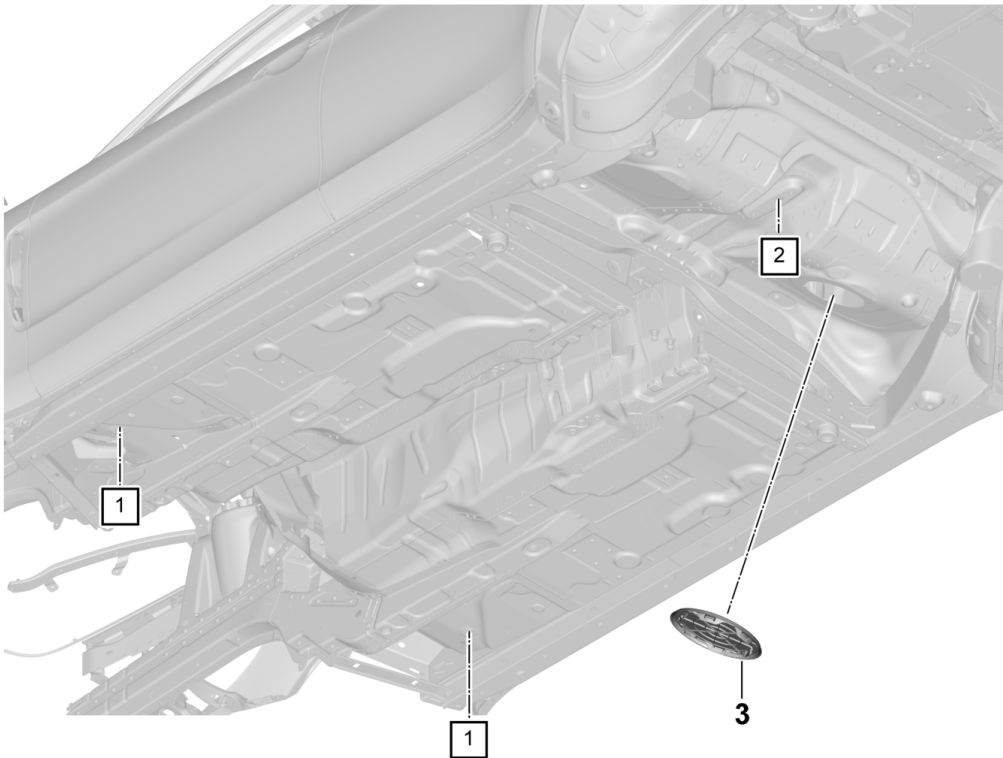
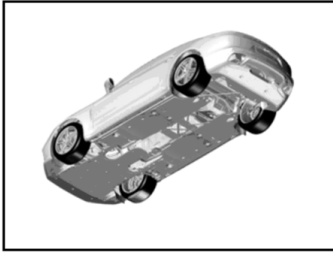
Model: 971-17

Model life 2017>>

Pos	Part Number	Description	Remark	Qty	Model
		Bungs Underbody	rear		
1	955 504 281 00	Bungs D10		X	
2	955 504 182 00	Bungs D20		X	
3	955 504 185 00	Bungs D15X20		X	
4	9A7 008 121 00	End cap D25X30		X	
5	955 512 188 00	Water drain valve D15		X	
6	955 504 184 00	Bungs D20X25		X	
7	9A7 007 758 00	Sealing cap D25X30		X	
8	N 100 411 01	End cap D30		X	

Model: 971-17

Model life 2017>>



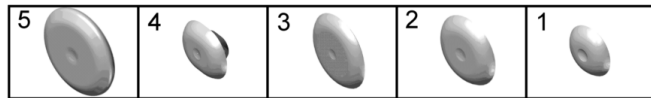
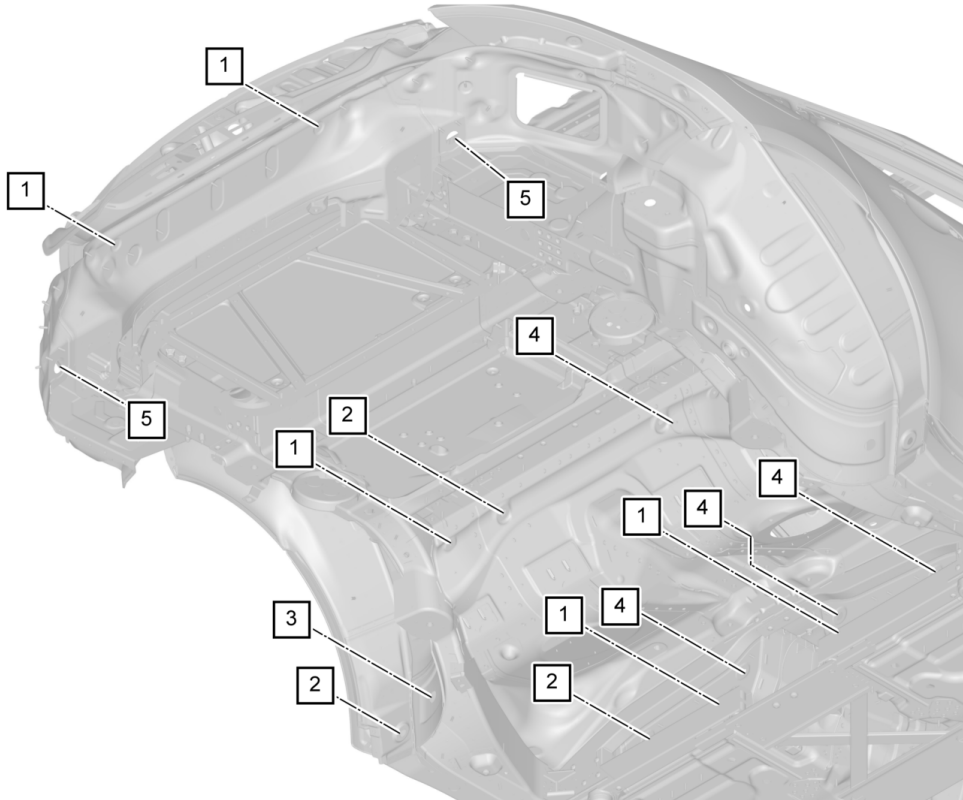
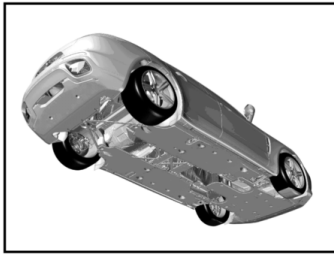
Model: 971-17

Model life 2017>>

Pos	Part Number	Description	Remark	Qty	Model
1	955 504 184 00	Bungs Vehicle	inner	X	
2	955 504 185 00	Bungs D20X25		X	
3	298 201 063	Bungs D15X20 Cover		X	

Model: 971-17

Model life 2017>>



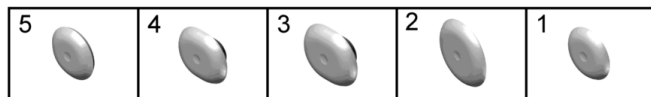
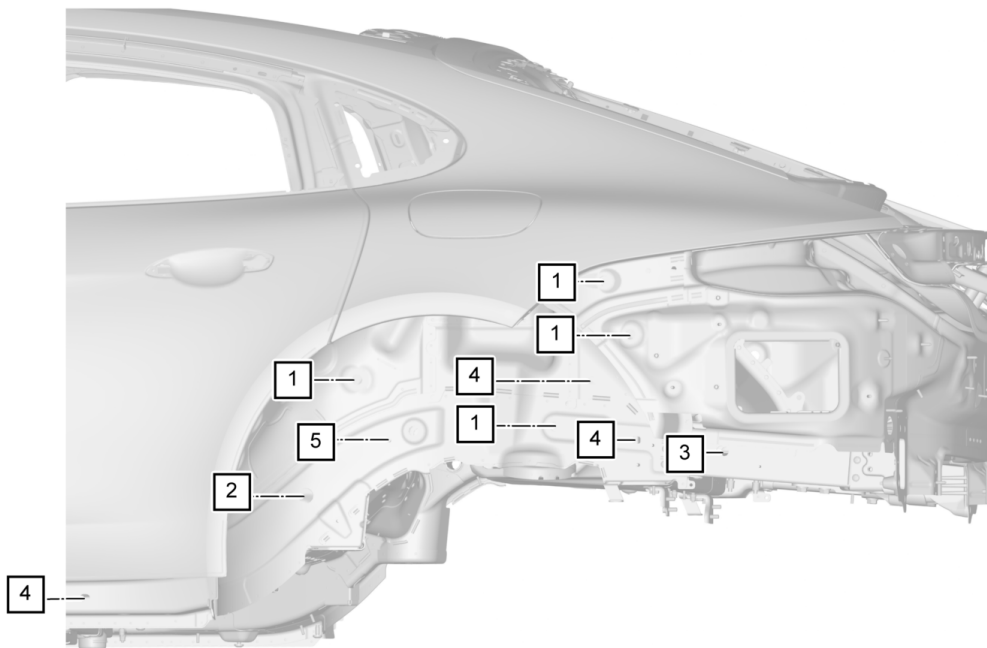
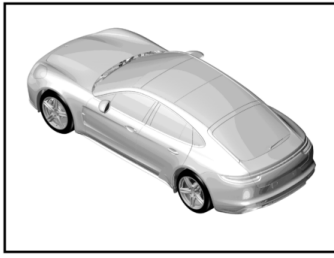
Model: 971-17

Model life 2017>>

Pos	Part Number	Description	Remark	Qty	Model
1	955 504 281 00	Bungs Rear end		X	
2	955 504 182 00	Bungs D10		X	
3	955 504 183 01	Bungs D20		X	
4	955 504 185 00	Bungs D30		X	
5	9A7 899 191 00	Bungs D15X20 End cap D40		X	

Model: 971-17

Model life 2017>>



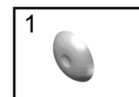
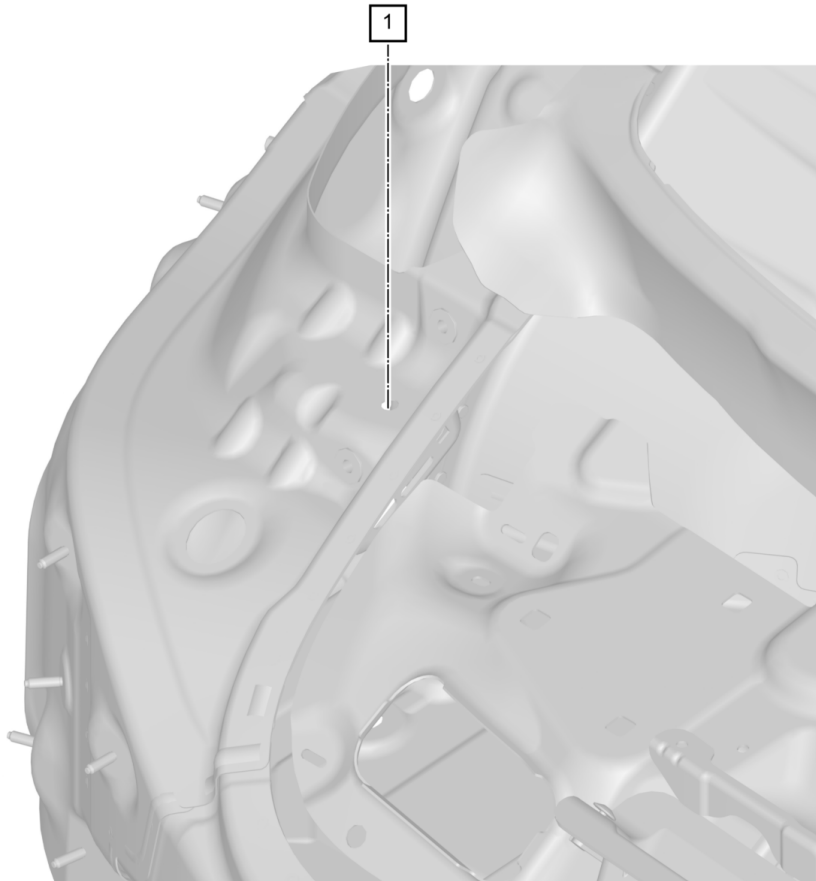
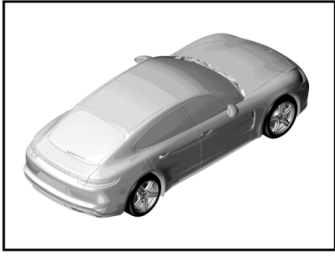
Model: 971-17

Model life 2017>>

Pos	Part Number	Description	Remark	Qty	Model
1	955 504 182 00	Bungs Front end		X	
2	955 504 183 01	Bungs D20		X	
3	955 504 184 00	Bungs D30		X	
4	955 504 185 00	Bungs D20X25		X	
5	955 504 187 00	Bungs D15X20		X	
		Bungs D15			

Model: 971-17

Model life 2017>>



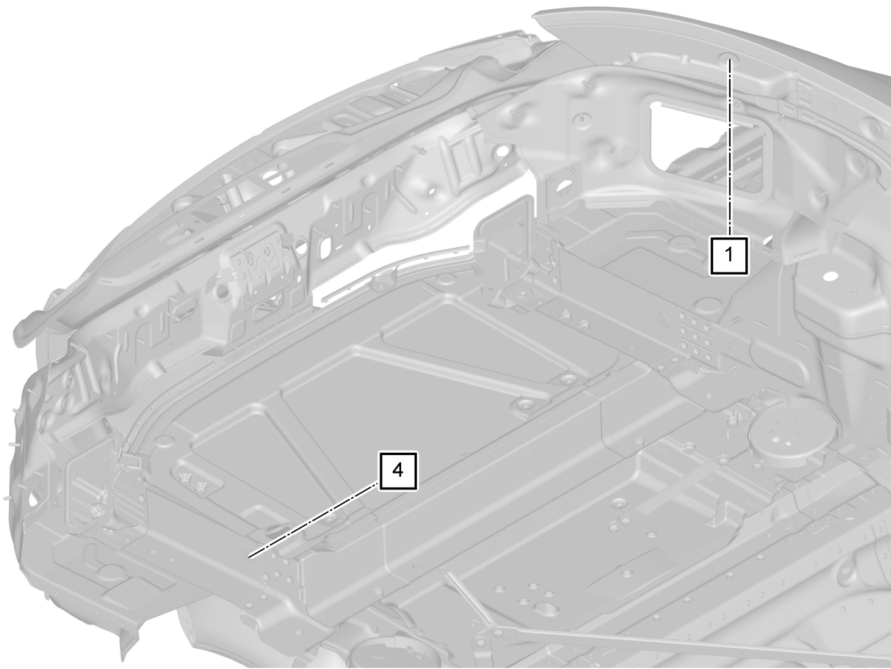
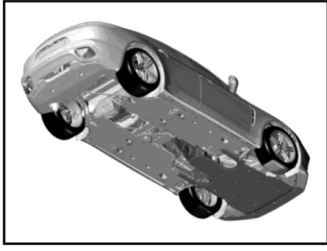
Model: 971-17

Model life 2017>>

Pos	Part Number	Description	Remark	Qty	Model
1	955 504 281 00	Bungs Rear end Bungs D10	upper	x	

Model: 971-17

Model life 2017>>



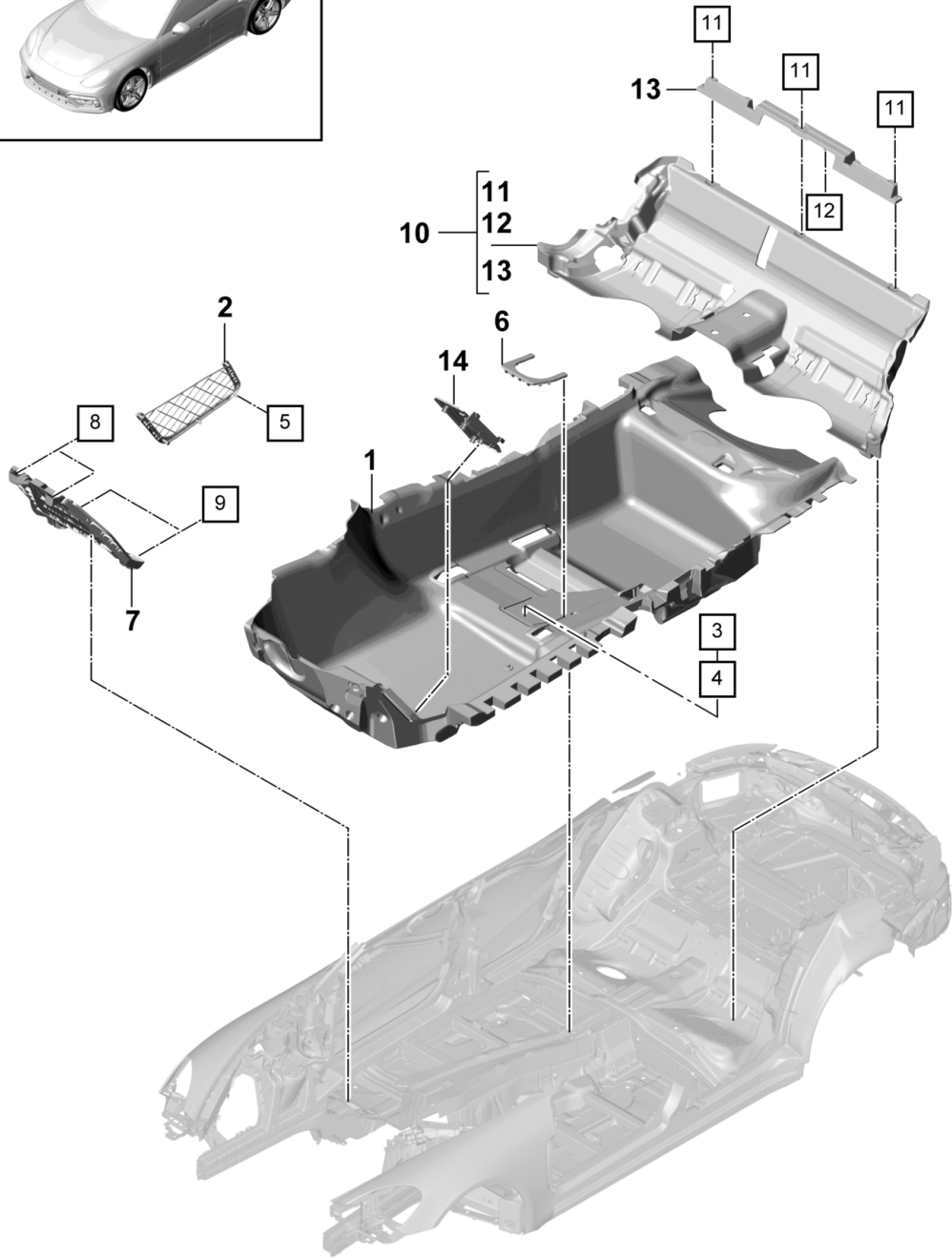
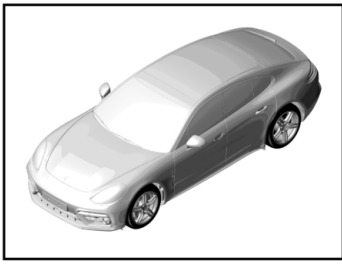
Model: 971-17

Model life 2017>>

Pos	Part Number	Description	Remark	Qty	Model
1	955 504 281 00	Bungs Rear end	upper	X	
4	955 504 184 00	Bungs D10		X	
		Bungs D20X25			

Model: 971-17

Model life 2017>>



Model: 971-17

Model life 2017>>

Pos	Part Number	Description	Remark	Qty	Model
1	971 863 101 T	Flooring	left lhd	1	PR:L0L,0E1,0K0,1A2
	971 863 101 T 9M0	Black	left -AB,PK,AC,BB,BS,BK		
	971 863 101 T OK2	agate grey	-DG,DL		
	971 863 101 T 3E0	Luxor beige	-UB,UC		
	971 863 101 T BP1	saddle brown	-SB,BP		
	971 863 101 T 2D0	Marsala Red	-PC,BE		
1	971 863 101 AT	Flooring	left	1	PR-K8S,L0L,0E1,0K0,1A2
	971 863 101 AT OK4	Truffle Brown	-HD		
	971 863 101 AT OW9	Cohiba Brown	-HC		
(1)	971 863 102 AM	Flooring	right lhd right	1	PR:L0L,QE0,0E1,0K0,1A2
		without:			
		Net			
	971 863 102 AM 9M0	Black	-AB,PK,AC,BB,BS,BK		
	971 863 102 AM OK2	agate grey	-DG,DL		
	971 863 102 AM 3E0	Luxor beige	-UB,UC		
	971 863 102 AM BP1	saddle brown	-SB,BP		
	971 863 102 AM 2D0	Marsala Red	-PC,BE		
(1)	971 863 102 AR	Flooring	right lhd right	1	PR:L0L,QE1,0E1,0K0,1A2
		with:			
		Net			
	971 863 102 AR 9M0	Black	-AB,PK,AC,BB,BS,BK		
	971 863 102 AR OK2	agate grey	-DG,DL		
	971 863 102 AR 3E0	Luxor beige	-UB,UC		
	971 863 102 AR BP1	saddle brown	-SB,BP		
	971 863 102 AR 2D0	Marsala Red	-PC,BE		
(1)	971 863 102 CD	Flooring	right lhd right	1	PR:L0L,QE1,0E1,0K0,1A2
	971 863 102 CD OK4	Truffle Brown	-HD		
	971 863 102 CD OW9	Cohiba Brown	-HC		
(1)	971 863 101 AB	Flooring	left lhd left	1	PR:L0L,0E1,0F5,0K3
	971 863 101 AB 9M0	Black	-AB,PK,AC,BB,BS,BK		
	971 863 101 AB OK2	agate grey	-DG,DL		
	971 863 101 AB 3E0	Luxor beige	-UB,UC		
	971 863 101 AB BP1	saddle brown	-SB,BP		
	971 863 101 AB 2D0	Marsala Red	-PC,BE		
(1)	971 863 102 AP	Flooring	right lhd right	1	PR:L0L,QE0,0E1,0F5,0K3
		without:			
		Net			
	971 863 102 AP 9M0	Black	-AB,PK,AC,BB,BS,BK		
	971 863 102 AP OK2	agate grey	-DG,DL		
	971 863 102 AP 3E0	Luxor beige	-UB,UC		
	971 863 102 AP BP1	saddle brown	-SB,BP		
	971 863 102 AP 2D0	Marsala Red	-PC,BE		
(1)	971 863 102 AS	Flooring	right lhd right	1	PR:L0L,QE1,0E1
		with:			
		Net			
	971 863 102 AS 9M0	Black	-AB,PK,AC,BB,BS,BK		
	971 863 102 AS OK2	agate grey	-DG,DL		
	971 863 102 AS 3E0	Luxor beige	-UB,UC		

Model: 971-17 Model life 2017>>

Pos	Part Number	Description	Remark	Qty	Model
(1)	971 863 102 AS BP1	saddle brown	-SB,BP	1	PR:L0R,0E1, 0K0,1A2
	971 863 102 AS 2D0	Marsala Red	-PC,BE		
	971 863 102 AN	Flooring	right rhd		
	971 863 102 AN 9M0	Black	right -AB,PK,AC,BB, BS,BK		
	971 863 102 AN OK2	agate grey	-DG,DL		
(1)	971 863 102 AN 3E0	Luxor beige	-UB,UC	1	PR:L0R,QE0, 0E1,0K0,1A2
	971 863 102 AN BP1	saddle brown	-SB,BP		
	971 863 102 AN 2D0	Marsala Red	-PC,BE		
	971 863 101 AA	Flooring	left rhd left		
	971 863 101 AA 9M0	Black	without: Net Black -AB,PK,AC,BB, BS,BK		
(1)	971 863 101 AA OK2	agate grey	-DG,DL	1	PR:L0R,QE1, 0E1,1A2
	971 863 101 AA 3E0	Luxor beige	-UB,UC		
	971 863 101 AA BP1	saddle brown	-SB,BP		
	971 863 101 AA 2D0	Marsala Red	-PC,BE		
	971 863 101 AD	Flooring	left rhd left		
(1)	971 863 101 AD 9M0	Black	with: Net Black -AB,PK,AC,BB, BS,BK	1	PR:L0R,0E1, 0F5
	971 863 101 AD OK2	agate grey	-DG,DL		
	971 863 101 AD 3E0	Luxor beige	-UB,UC		
	971 863 101 AD BP1	saddle brown	-SB,BP		
	971 863 101 AD 2D0	Marsala Red	-PC,BE		
(1)	971 863 102 AQ	Flooring	right rhd right	1	PR:L0R,0E1, 0F5
	971 863 102 AQ 9M0	Black	-AB,PK,AC,BB, BS,BK		
	971 863 102 AQ OK2	agate grey	-DG,DL		
	971 863 102 AQ 3E0	Luxor beige	-UB,UC		
	971 863 102 AQ BP1	saddle brown	-SB,BP		
(1)	971 863 102 AQ 2D0	Marsala Red	-PC,BE	1	PR:L0R,QE0, 0E1
	971 863 101 AC	Flooring	left rhd left		
	971 863 101 AC 9M0	Black	without: Net Black -AB,PK,AC,BB, BS,BK		
	971 863 101 AC OK2	agate grey	-DG,DL		
	971 863 101 AC 3E0	Luxor beige	-UB,UC		
(1)	971 863 101 AC BP1	saddle brown	-SB,BP	1	PR:L0R,QE1, 0E1,0F5
	971 863 101 AC 2D0	Marsala Red	-PC,BE		
	971 863 101 AE	Flooring	left rhd left		
	971 863 101 AE 9M0	Black	with: Net Black -AB,PK,AC,BB, BS,BK		
	971 863 101 AE OK2	agate grey	-DG,DL		
(1)	971 863 101 AE 3E0	Luxor beige	-UB,UC	1	PR:L0L,0E2
	971 863 101 AE BP1	saddle brown	-SB,BP		
	971 863 101 AE 2D0	Marsala Red	-PC,BE		
	971 863 101 AM	Flooring	left lhd left		
	971 863 101 AM 9M0	Black	-AB,PK,AC,BB, BS,BK		
(1)	971 863 101 AM OK2	agate grey	-DG,DL		

Model: 971-17 Model life 2017>>

Pos	Part Number	Description	Remark	Qty	Model
(1)	971 863 101 AM 3E0	Luxor beige	-UB,UC	1	PR-K8S,L0L,OE2
	971 863 101 AM BP1	saddle brown	-SB,BP		
	971 863 101 AM 2D0	Marsala Red	-PC,BE		
	971 863 101 BJ	Flooring	left		
(1)	971 863 101 BJ OK4	Truffle Brown	-HD	1	PR:L0L,QE0,OE2
	971 863 101 BJ OW9	Cohiba Brown	-HC		
	971 863 102 BK	Flooring	right lhd right		
		without:			
	971 863 102 BK 9M0	Net Black	-AB,PK,AC,BB, BS,BK		
	971 863 102 BK OK2	agate grey	-DG,DL		
	971 863 102 BK 3E0	Luxor beige	-UB,UC		
	971 863 102 BK BP1	saddle brown	-SB,BP		
(1)	971 863 102 BK 2D0	Marsala Red	-PC,BE	1	PR:L0L,QE1,OE2
	971 863 102 BM	Flooring	right lhd right		
		with:			
	971 863 102 BM 9M0	Net Black	-AB,PK,AC,BB, BS,BK		
	971 863 102 BM OK2	agate grey	-DG,DL		
	971 863 102 BM 3E0	Luxor beige	-UB,UC		
	971 863 102 BM BP1	saddle brown	-SB,BP		
(1)	971 863 102 BM 2D0	Marsala Red	-PC,BE	1	PR:L0R,OE2
	971 863 102 BL	Flooring	right rhd right		
	971 863 102 BL 9M0	Black	-AB,PK,AC,BB, BS,BK		
	971 863 102 BL OK2	agate grey	-DG,DL		
	971 863 102 BL 3E0	Luxor beige	-UB,UC		
	971 863 102 BL BP1	saddle brown	-SB,BP		
(1)	971 863 102 BL 2D0	Marsala Red	-PC,BE	1	PR:L0R,QE0,OE2
	971 863 101 AN	Flooring	left rhd left		
		without:			
	971 863 101 AN 9M0	Net Black	-AB,PK,AC,BB, BS,BK		
	971 863 101 AN OK2	agate grey	-DG,DL		
	971 863 101 AN 3E0	Luxor beige	-UB,UC		
	971 863 101 AN BP1	saddle brown	-SB,BP		
(1)	971 863 101 AN 2D0	Marsala Red	-PC,BE	1	PR:L0R,QE1,OE2
	971 863 101 AP	Flooring	left rhd left		
		with:			
	971 863 101 AP 9M0	Net Black	-AB,PK,AC,BB, BS,BK		
	971 863 101 AP OK2	agate grey	-DG,DL		
	971 863 101 AP 3E0	Luxor beige	-UB,UC		
	971 863 101 AP BP1	saddle brown	-SB,BP		
2	971 863 101 AP 2D0	Marsala Red	-PC,BE	1	PR:L0L,QE1
	971 861 690	Luggage net	lhd		
	971 861 690 6B0	Black	-AB,PK,AC,BB, BS,BK		
	971 861 690 9C0	agate grey	-DG,DL,BB		
	971 861 690 7K0	Luxor beige	-UB,UC		
	971 861 690 BW3	saddle brown	-SB,BP		
(2)	971 861 690 7G0	Marsala Red	-PC,BE	1	PR:L0R,QE1
	971 861 690 A	Luggage net	rhd		

Model: 971-17 Model life 2017>>

Pos	Part Number	Description	Remark	Qty	Model
	971 861 690 A 6B0	Black	-AB,PK,AC,BB, BS,BK		
	971 861 690 A 9C0	agate grey	-DG,DL,BB		
	971 861 690 A 7K0	Luxor beige	-UB,UC		
	971 861 690 A BW3	saddle brown	-SB,BP		
	971 861 690 A 7G0	Marsala Red	-PC,BE		
3	955 551 227 02	Bracket Flooring		2	PR:QE1
4	955 551 229 02	Cover cap Flooring		2	PR:QE1
	955 551 229 02 1E0	Black	-AB,PK,AC,BB, BS,BK		
	955 551 229 02 OP1	agate grey	-DG,DL		
	955 551 229 02 4H0	Luxor beige	-UB,UC		
	955 551 229 02 OM8	saddle brown	-SB,BP,PC,BE		
	955 551 229 02 OS1	Truffle Brown	-HD		
(4)	8E0 864 229	Cover cap Flooring		2	PR:QE1
	8E0 864 229 3G0	Marsala Red	-PC,BE		
5	9A7 107 264 01	Clamping washer Luggage net		5	
6	9A7 863 751 00	Cover relay plate	left	1	
	9A7 863 751 00 1E0	Black	-AB,PK,AC,BB, BS,BK		
	9A7 863 751 00 OP1	agate grey	-DG,DL		
	9A7 863 751 00 4H0	Luxor beige	-UB,UC		
	9A7 863 751 00 OM8	saddle brown	-SB,BP		
	9A7 863 751 00 3G0	Marsala Red	-PC,BE		
(6)	9A7 863 752 00	Cover relay plate	right	1	
	9A7 863 752 00 1E0	Black	-AB,PK,AC,BB, BS,BK		
	9A7 863 752 00 OP1	agate grey	-DG,DL		
	9A7 863 752 00 4H0	Luxor beige	-UB,UC		
	9A7 863 752 00 OM8	saddle brown	-SB,BP		
	9A7 863 752 00 3G0	Marsala Red	-PC,BE		
7	971 861 411 D	base plate Footwell (passenger side)	lhd	1	PR:L0L,9VK
(7)	971 861 411 E	base plate Footwell (passenger side)	lhd	1	PR:L0L,9VJ, 9VL
(7)	971 861 411 A	base plate Footwell (passenger side)	rhd	1	PR:L0R,9VK
(7)	971 861 411 C	base plate Footwell (passenger side)	rhd	1	PR:9VJ,9VL, L0R
8	9A7 912 613 01	Hexagon socket head bolt Mount		2	
9	N 907 579 01	base plate Hexagon collar nut T5 22 X 11		2	
10	971 863 007 B	Trim Seat well Carpet		1	PR:VH0,3KG, 3KH,3KI,3KJ, 3KK,3KL,3Z6
	971 863 007 B 9M0	Black	-AB,PK,AC,BB, BS,BK		
	971 863 007 B OK2	agate grey	-DG,DL		
	971 863 007 B 3E0	Luxor beige	-UB,UC		
	971 863 007 B BP1	saddle brown	-SB,BP		
	971 863 007 B 2D0	Marsala Red	-BE		

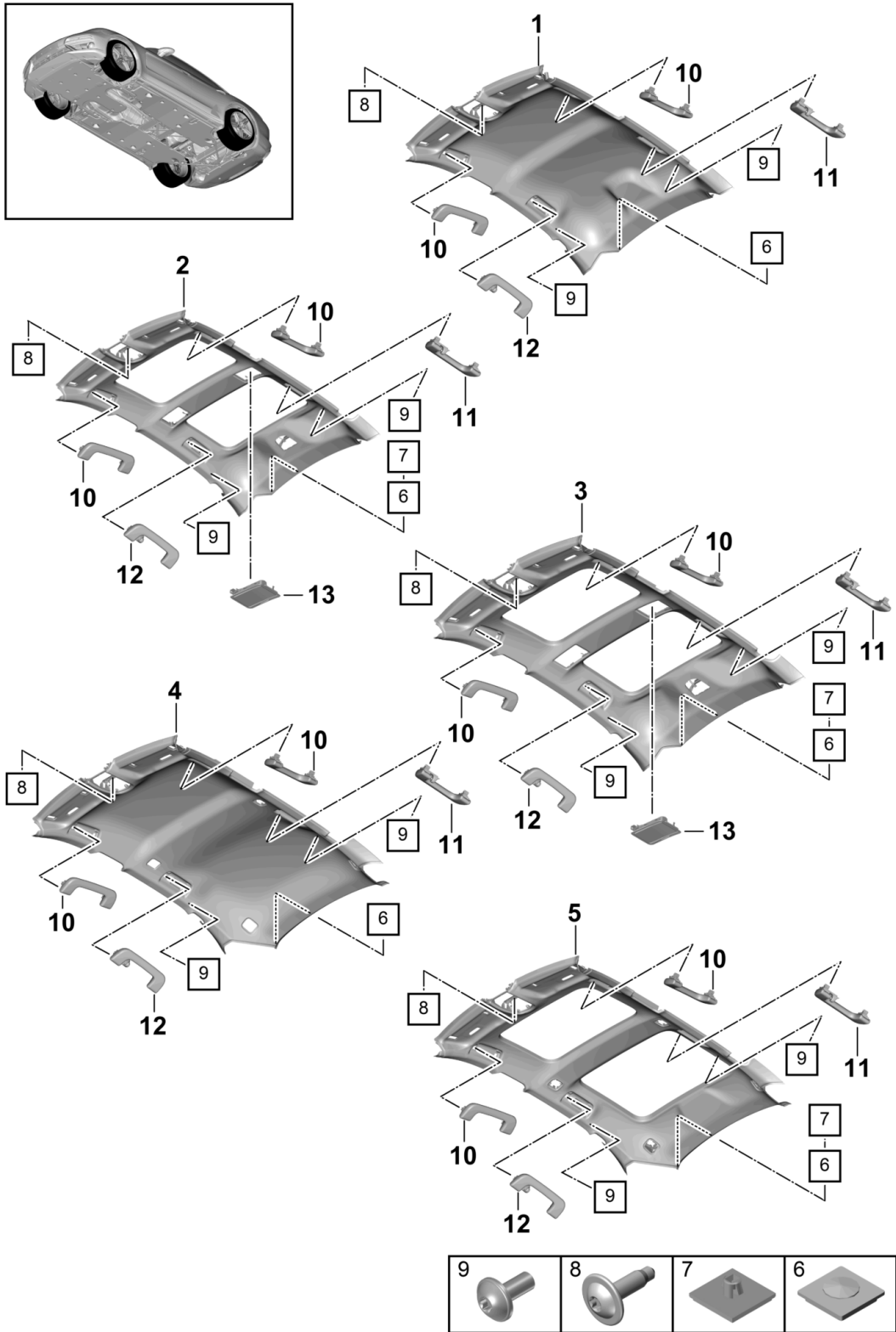
Model: 971-17

Model life 2017>>

Pos	Part Number	Description	Remark	Qty	Model
(10)	971 863 007 C	Trim Seat well Carpet		1	PR:VH0,3Z7
	971 863 007 C 9M0	Black	-AB,PK,AC,BB, BS,BK		
	971 863 007 C OK2	agate grey	-DG,DL		
	971 863 007 C 3E0	Luxor beige	-UB,UC		
	971 863 007 C BP1	saddle brown	-SB,BP		
	971 863 007 C 2D0	Marsala Red	-BE		
(10)	971 863 007 D	Trim Seat well Carpet		1	PR:VH2,3KG, 3KH,3KI,3KJ, 3KK,3KL,3Z6
	971 863 007 D 9M0	Black	-AB,PK,AC,BB, BS,BK		
	971 863 007 D OK2	agate grey	-DG,DL		
	971 863 007 D 3E0	Luxor beige	-UB,UC		
	971 863 007 D BP1	saddle brown	-SB,BP		
	971 863 007 D 2D0	Marsala Red	-BE		
(10)	971 863 007 E	Trim Seat well Carpet		1	PR:VH2,3Z7
	971 863 007 E 9M0	Black	-AB,PK,AC,BB, BS,BK		
	971 863 007 E OK2	agate grey	-DG,DL		
	971 863 007 E 3E0	Luxor beige	-UB,UC		
	971 863 007 E BP1	saddle brown	-SB,BP		
	971 863 007 E 2D0	Marsala Red	-BE		
11	9A7 007 013 00	Fastening plug 5,8X14		4	
12	9A7 006 988 00	Bungs 9,5X15,5		4	
13	971 863 377	Bracket		1	PR:3Z6
(13)	971 863 377 A	Bracket		1	PR:3Z7
(13)	971 863 377 B	Bracket		1	PR:3Z6,VH2
14	9A7 864 777 00	Cover for footrest	lhd	1	PR:L0L
	9A7 864 777 00 1E0	Black			
14	9A7 864 778 00	Cover for footrest	rhd	1	PR:L0R
	9A7 864 778 00 1E0	Black			

Model: 971-17

Model life 2017>>



Model: 971-17 Model life 2017>>

Pos	Part Number	Description	Remark	Qty	Model
-		roof trim			
		Accessories			
1	971 867 501 BD	roof trim		1	PR:QQ0,QQ1, 3FA,6NJ,0E1
	971 867 501 BD OL4	Black	-AB,AC,SB,PC, BB,BS		
	971 867 501 BD OM5	agate grey	-DG,DL		
	971 867 501 BD ON6	Luxor beige	-PK,UC,PL,BP		
	971 867 501 BD OP7	Cream	-BE		
	971 867 501 BD OL8	Chalk	-BK		
(1)	971 867 501 BF	roof trim		1	PR:QQ2,3FA,
	971 867 501 BF OL4	Black	-AB,AC,SB,PC, BB,BS		
	971 867 501 BF OM5	agate grey	-DG,DL		
	971 867 501 BF ON6	Luxor beige	-PK,UC,PL,BP		
	971 867 501 BF OP7	Cream	-BE		
	971 867 501 BF OL8	Chalk	-BK		
(1)	971 867 501 BE	roof trim		1	PR:QQ0,QQ1,
	971 867 501 BE 2W0	Black	-AB,AC,SB,PC, BB,BS		
	971 867 501 BE OU5	agate grey	-DG,DL		
	971 867 501 BE 9U1	Luxor beige	-PK,UC,PL,BP		
	971 867 501 BE OL8	Chalk	-BK		
	971 867 501 BE 8U9	Cream	-BE		
(1)	971 867 501 BG	roof trim		1	PR:QQ2,3FA,
	971 867 501 BG 2W0	Black	-AB,AC,SB,PC, BB,BS		
	971 867 501 BG OU5	agate grey	-DG,DL		
	971 867 501 BG 9U1	Luxor beige	-PK,UC,PL,BP		
	971 867 501 BG OL8	Chalk	-BK		
	971 867 501 BG 8U9	Cream	-BE		
2	971 867 501 BH	roof trim		1	PR:QQ0,QQ1,
	971 867 501 BH OL4	Black	-AB,AC,SB,PC, BB,BS		
	971 867 501 BH OM5	agate grey	-DG,DL		
	971 867 501 BH ON6	Luxor beige	-PK,UC,PL,BP		
	971 867 501 BH OP7	Cream	-BE		
	971 867 501 BH OL8	Chalk	-BK		
(2)	971 867 501 BM	roof trim		1	PR:QQ2,3FU,
	971 867 501 BM OL4	Black	-AB,AC,SB,PC, BB,BS		
	971 867 501 BM OM5	agate grey	-DG,DL		
	971 867 501 BM ON6	Luxor beige	-PK,UC,PL,BP		
	971 867 501 BM OP7	Cream	-BE		
	971 867 501 BM OL8	Chalk	-BK		
(2)	971 867 501 BJ	roof trim		1	PR:QQ0,QQ1,
	971 867 501 BJ 2W0	Black	-AB,AC,SB,PC, BB,BS		
	971 867 501 BJ OU5	agate grey	-DG,DL		
	971 867 501 BJ 9U1	Luxor beige	-PK,UC,PL,BP		
	971 867 501 BJ OL8	Chalk	-BK		
	971 867 501 BJ 8U9	Cream	-BE		
(2)	971 867 501 BN	roof trim		1	PR:QQ2,3FU,
	971 867 501 BN 2W0	Black	-AB,AC,SB,PC, BB,BS		
	971 867 501 BN OU5	agate grey	-DG,DL		
	971 867 501 BN 9U1	Luxor beige	-PK,UC,PL,BP		
	971 867 501 BN OL8	Chalk	-BK		
	971 867 501 BN 8U9	Cream	-BE		
3	971 867 505 D	roof trim		1	PR:QQ2,3FU,
	971 867 505 D OL4	Black	-AB,AC,SB,PC, BB,BS		
	971 867 505 D OM5	agate grey	-DG,DL		

Model: 971-17 Model life 2017>>

Pos	Part Number	Description	Remark	Qty	Model
(3)	971 867 505 D ON6	Luxor beige	-PK,UC,PL,BP	1	PR:QQ0,QQ1,
	971 867 505 D OP7	Cream	-BE		
	971 867 505 D OL8	Chalk	-BK		
	971 867 505	roof trim			
	971 867 505 OL4	Black	-AB,AC,SB,PC, BB,BS		
(3)	971 867 505 OM5	agate grey	-DG,DL	1	PR:QQ2,3FU,
	971 867 505 ON6	Luxor beige	-PK,UC,PL,BP		
	971 867 505 OP7	Cream	-BE		
	971 867 505 OL8	Chalk	-BK		
	971 867 505 E	roof trim			
(3)	971 867 505 E 2W0	Black	-AB,AC,SB,PC, BB,BS	1	PR:QQ0,QQ1,
	971 867 505 E OU5	agate grey	-DG,DL		
	971 867 505 E 9U1	Luxor beige	-PK,UC,PL,BP		
	971 867 505 E OL8	Chalk	-BK		
	971 867 505 E 8U9	Cream	-BE		
(3)	971 867 505 A	roof trim		1	PR:QQ0,QQ1,
	971 867 505 A 2W0	Black	-AB,AC,SB,PC, BB,BS		
	971 867 505 A OU5	agate grey	-DG,DL		
	971 867 505 A 9U1	Luxor beige	-PK,UC,PL,BP		
	971 867 505 A OL8	Chalk	-BK		
(3)	971 867 505 A 8U9	Cream	-BE	1	PR:QQ0,QQ1,
	971 867 505 C	roof trim			
	971 867 505 C 2W0	Black	-AB,AC,SB,PC, BB,BS		
	971 867 505 C OU5	agate grey	-DG,DL		
	971 867 505 C 9U1	Luxor beige	-PK,UC,PL,BP		
4	971 867 505 C OL8	Chalk	-BK	1	PR:K8D,3FA, 6NJ
	971 867 505 C 8U9	Cream	-BE		
	974 867 501 K	roof trim			
	974 867 501 K OL4	Black	-AB,AC,SB,PC, BB,BS		
	974 867 501 K OM5	agate grey	-DG,DL		
(4)	974 867 501 K ON6	Luxor beige	-PK,UC,PL,BP	1	PR:K8D,3FA, 6NN
	974 867 501 K OP7	Cream	-BE		
	974 867 501 K OL8	Chalk	-BK		
	974 867 501 K OS1	Truffle Brown	-HD		
	974 867 501 K OB8	Cohiba Brown	-HC		
5	974 867 501 L	roof trim		1	PR:K8D,3FU, 6NQ,6NJ
	974 867 501 L 2W0	Black	-AB,AC,SB,PC, BB,BS		
	974 867 501 L OU5	agate grey	-DG,DL		
	974 867 501 L 9U1	Luxor beige	-PK,UC,PL,BP		
	974 867 501 L 8U9	Cream	-BE		
(5)	974 867 501 L OL8	Chalk	-BK	1	PR:K8D,3FU, 6NN,6NA
	974 867 501 L OS1	Truffle Brown	-HD		
	974 867 501 L OB8	Cohiba Brown	-HC		
	974 867 501 R	roof trim			
	974 867 501 R OL4	Black	-AB,AC,SB,PC, BB,BS		
(5)	974 867 501 R OM5	agate grey	-DG,DL	1	PR:K8D,3FU, 6NN,6NA
	974 867 501 R ON6	Luxor beige	-PK,UC,PL,BP		
	974 867 501 R OP7	Cream	-BE		
	974 867 501 R OL8	Chalk	-BK		
	974 867 501 R OS1	Truffle Brown	-HD		
(5)	974 867 501 R OB8	Cohiba Brown	-HC	1	PR:K8D,3FU, 6NN,6NA
	974 867 501 S	roof trim			

Model: 971-17 Model life 2017>>

Pos	Part Number	Description	Remark	Qty	Model
	974 867 501 S 2W0	Black	-AB,AC,SB,PC, BB,BS		
	974 867 501 S OU5	agate grey	-DG,DL		
	974 867 501 S 9U1	Luxor beige	-PK,UC,PL,BP		
	974 867 501 S 8U9	Cream	-BE		
	974 867 501 S OL8	Chalk	-BK		
	974 867 501 S OS1	Truffle Brown	-HD		
	974 867 501 S OB8	Cohiba Brown	-HC		
6	971 867 300	Clip		3	
7	971 867 300 A	Clip		3	
8	N 909 101 02	fillister head bolt with allen key head		2	
9	N 907 378 03	Hexagon socket flat head bolt		4	
10	9A7 857 607 00	Grab handle	left a. right front	2	
	9A7 857 607 00 1E0	Black	-SB,PC,BB,BS		
	9A7 857 607 00 OP1	agate grey	-DG		
	9A7 857 607 00 4H0	Luxor beige	-UC,PL,BP		
	9A7 857 607 00 OL8	Chalk	-BK		
	9A7 857 607 00 5J0	Cream	-BE		
	9A7 857 607 00 OS1	Truffle Brown	-HD		
	9A7 857 607 00 OB8	Cohiba Brown	-HC		
11	9A7 857 607 01	Grab handle	left rear	2	
	9A7 857 607 01 1E0	Black	-SB,PC,BB,BS		
	9A7 857 607 01 OP1	agate grey	-DG		
	9A7 857 607 01 4H0	Luxor beige	-UC,PL,BP		
	9A7 857 607 01 OL8	Chalk	-BK		
	9A7 857 607 01 5J0	Cream	-BE		
	9A7 857 607 01 OS1	Truffle Brown	-HD		
	9A7 857 607 01 OB8	Cohiba Brown	-HC		
12	9A7 857 608 00	Grab handle	right rear	2	
	9A7 857 608 00 1E0	Black	-SB,PC,BB,BS		
	9A7 857 608 00 OP1	agate grey	-DG		
	9A7 857 608 00 4H0	Luxor beige	-UC,PL,BP		
	9A7 857 608 00 OL8	Chalk	-BK		
	9A7 857 608 00 5J0	Cream	-BE		
	9A7 857 608 00 OS1	Truffle Brown	-HD		
	9A7 857 608 00 OB8	Cohiba Brown	-HC		
13	971 858 563	Vanity mirror	left	1	
	971 858 563 5Q0	Black	-AB,AC,PC,BB, BS		
	971 858 563 OA6	agate grey	-DG,DL		
	971 858 563 6W0	Luxor beige	-PK,SB,UC,OL, BP		
	971 858 563 OL8	Chalk	-BK		
	971 858 563 5V0	Cream	-BE		
(13)	971 858 564	Vanity mirror	right	1	
	971 858 564 5Q0	Black	-AB,AC,PC,BB, BS		
	971 858 564 OA6	agate grey	-DG,DL		
	971 858 564 6W0	Luxor beige	-PK,SB,UC,OL, BP		
	971 858 564 OL8	Chalk	-BK		
	971 858 564 5V0	Cream	-BE		
(13)	971 858 564 A	Make-up mirror, illuminated roof trim	rear	1	
	971 858 564 A OA6	agate grey	-DG,DL		
	971 858 564 A OL8	Chalk	-BK		
	971 858 564 A 5Q0	Black	-AB,AC,PC,BB, BS		

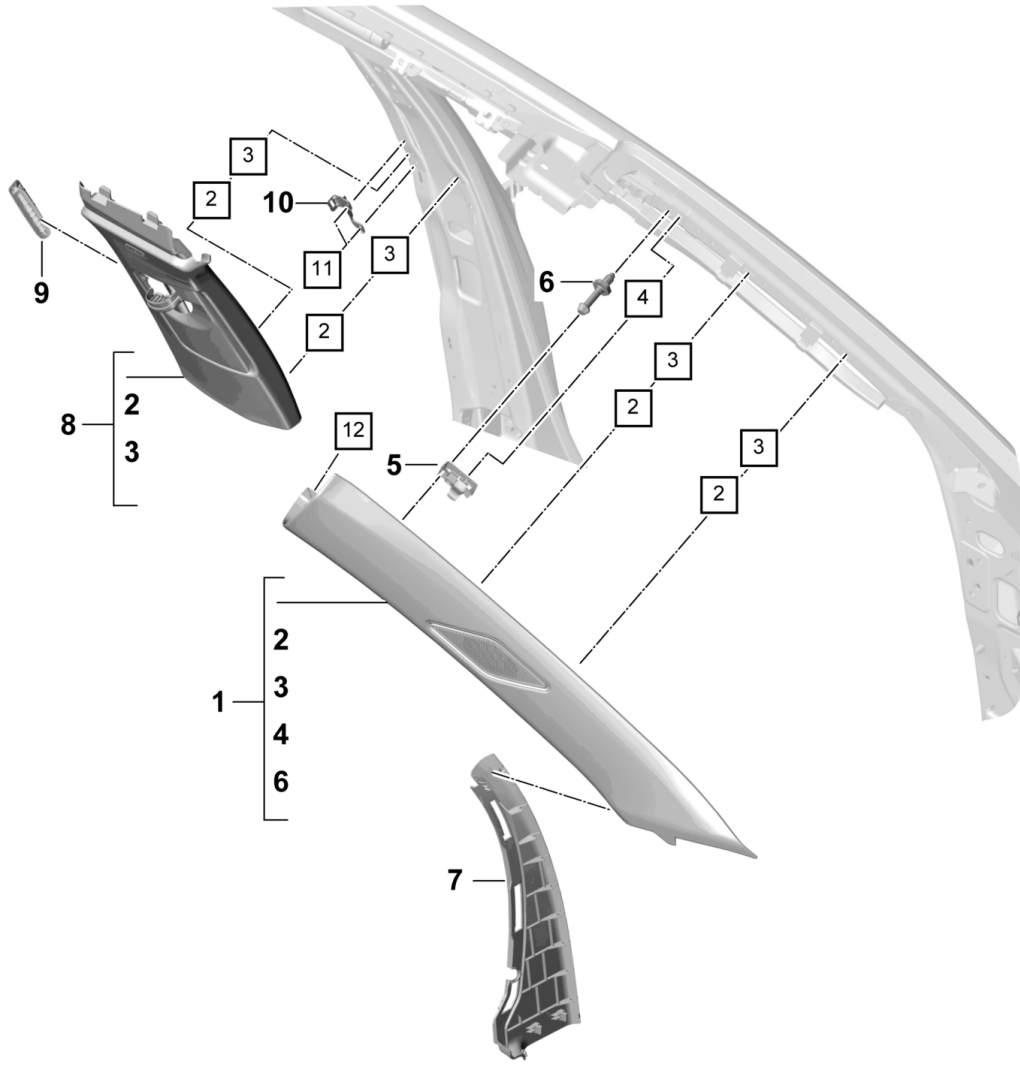
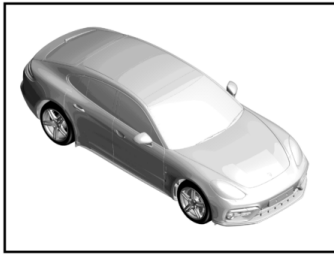
Model: 971-17

Model life 2017>>

Pos	Part Number	Description	Remark	Qty	Model
14	971 858 564 A 5V0	Cream	-BE	1	
	971 858 564 A 6W0	Luxor beige	-PK,SB,UC,OL, BP		
	9A7 867 289	Clip			

Model: 971-17

Model life 2017>>



Model: 971-17 Model life 2017>>

Pos	Part Number	Description	Remark	Qty	Model
1	971 867 233 P	Trim A-pillar B-pillar A-pillar trim	upper left	1	PR: 6NJ, 6NQ, 9VJ
	971 867 233 P OL4	Fabric D >> - MJ 2017 Black	-AB, AC, SB, PC, BB, BS		
	971 867 233 P OM5	agate grey	-DG, DL		
	971 867 233 P ON6	Luxor beige	-UB, PK, UC, BP		
	971 867 233 P OL8	Chalk	-BK		
	971 867 233 P OP7	Cream	-BE		
1	971 867 233 AM	A-pillar trim	left	1	PR: 6NJ, 6NQ, 9VJ
	971 867 233 AM OL4	Fabric D - MJ 2018>> Black	-AB, AC, SB, PC, BB, BS		
	971 867 233 AM OM5	agate grey	-DG, DL		
	971 867 233 AM ON6	Luxor beige	-UB, PK, UC, BP, PL		
	971 867 233 AM OL8	Chalk	-BK		
	971 867 233 AM OP7	Cream	-BE		
	971 867 233 AM OS1	Truffle Brown	-HD		
	971 867 233 AM OB8	Cohiba Brown	-HC		
(1)	971 867 234 P	A-pillar trim	right	1	PR: 6NJ, 6NQ, 9VJ
	971 867 234 P OL4	Fabric D >> - MJ 2017 Black	-AB, AC, SB, PC, BB, BS		
	971 867 234 P OM5	agate grey	-DG, DL		
	971 867 234 P ON6	Luxor beige	-UB, PK, UC, BP		
	971 867 234 P OL8	Chalk	-BK		
	971 867 234 P OP7	Cream	-BE		
(1)	971 867 234 AM	A-pillar trim	right	1	PR: 6NJ, 6NQ, 9VJ
	971 867 234 AM OL4	Fabric D - MJ 2018>> Black	-AB, AC, SB, PC, BB, BS		
	971 867 234 AM OM5	agate grey	-DG, DL		
	971 867 234 AM ON6	Luxor beige	-UB, PK, UC, BP, PL		
	971 867 234 AM OL8	Chalk	-BK		
	971 867 234 AM OP7	Cream	-BE		
	971 867 234 AM OS1	Truffle Brown	-HD		
	971 867 234 AM OB8	Cohiba Brown	-HC		
(1)	971 867 233 Q	A-pillar trim (Alcantara)	left	1	PR: 6NA, 6NN, 9VJ
	971 867 233 Q 2W0	Black	-AB, AC, SB, PC, BB, BS		
	971 867 233 Q OU5	agate grey	-DG, DL		
	971 867 233 Q 9U1	Luxor beige	-UB, PK, UC, BP		
	971 867 233 Q OL8	Chalk	-BK		
	971 867 233 Q 8U9	Cream	-BE		
(1)	971 867 234 Q	A-pillar trim (Alcantara)	right	1	PR: 6NA, 6NN, 9VJ
	971 867 234 Q 2W0	Black	-AB, AC, SB, PC, BB, BS		
	971 867 234 Q OU5	agate grey	-DG, DL		
	971 867 234 Q 9U1	Luxor beige	-UB, PK, UC, BP		

Model: 971-17 Model life 2017>>

Pos	Part Number	Description	Remark	Qty	Model
(1)	971 867 234 Q OL8	Chalk	-BK	1	PR: 6NJ, 6NQ, 9VK, 9VL
	971 867 234 Q 8U9	Cream	-BE		
	971 867 233 M	A-pillar trim	left		
		Fabric			
	971 867 233 M OL4	Black	-AB, AC, SB, PC, BB, BS		
	971 867 233 M OM5	agate grey	-DG, DL		
	971 867 233 M ON6	Luxor beige	-UB, PK, UC, BP		
	971 867 233 M OL8	Chalk	-BK		
	971 867 233 M OP7	Cream	-BE		
(1)	971 867 234 M	A-pillar trim	right	1	PR: 6NJ, 6NQ, 9VK, 9VL
		Fabric			
	971 867 234 M OL4	Black	-AB, AC, SB, PC, BB, BS		
	971 867 234 M OM5	agate grey	-DG, DL		
	971 867 234 M ON6	Luxor beige	-UB, PK, UC, BP		
	971 867 234 M OL8	Chalk	-BK		
	971 867 234 M OP7	Cream	-BE		
(1)	971 867 233 N	A-pillar trim (Alcantara)	left	1	PR: 6NA, 6NN, 9VK, 9VL
	971 867 233 N 2W0	Black	-AB, AC, SB, PC, BB, BS		
	971 867 233 N OU5	agate grey	-DG, DL		
	971 867 233 N 9U1	Luxor beige	-UB, PK, UC, BP		
	971 867 233 N OL8	Chalk	-BK		
	971 867 233 N 8U9	Cream	-BE		
(1)	971 867 234 N	A-pillar trim (Alcantara)	right	1	PR: 6NA, 6NN, 9VK, 9VL
	971 867 234 N 2W0	Black	-AB, AC, SB, PC, BB, BS		
	971 867 234 N OU5	agate grey	-DG, DL		
	971 867 234 N 9U1	Luxor beige	-UB, PK, UC, BP		
	971 867 234 N OL8	Chalk	-BK		
	971 867 234 N 8U9	Cream	-BE		
2	955 555 279 00	Retaining clip		X	
3	9A7 007 207 00	Distance piece		2	
4	9A7 006 988 00	Bungs		1	
5	9A7 867 276 00	Clip		1	
6	9A7 007 506 00	Screw bolt		1	
7	971 868 239	A-pillar trim	left	1	
			center		
	971 868 239 1E0	Black	-AB, AC		
	971 868 239 OP1	agate grey	-DG, DL		
	971 868 239 4H0	Luxor beige	-UB, PK, UC, BP, PL		
	971 868 239 OM8	saddle brown	-SB, BS		
	971 868 239 3G0	Marsala Red	-PC		
	971 868 239 OG6	Bordeaux red	-BB		
	971 868 239 OL8	Chalk	-BK		
	971 868 239 5J0	Cream	-BE		
	971 868 239 OS1	Truffle Brown	-HD		
	971 868 239 OB8	Cohiba Brown	-HC		
(7)	971 868 240	A-pillar trim	right	1	
			center		
	971 868 240 1E0	Black	-AB, AC		
	971 868 240 OP1	agate grey	-DG, DL		
	971 868 240 4H0	Luxor beige	-UB, PK, UC, BP, PL		
	971 868 240 OM8	saddle brown	-SB, BS		
	971 868 240 3G0	Marsala Red	-PC		
	971 868 240 OG6	Bordeaux red	-BB		

Model: 971-17 Model life 2017>>

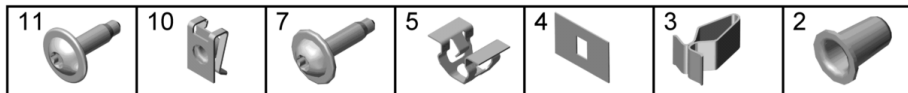
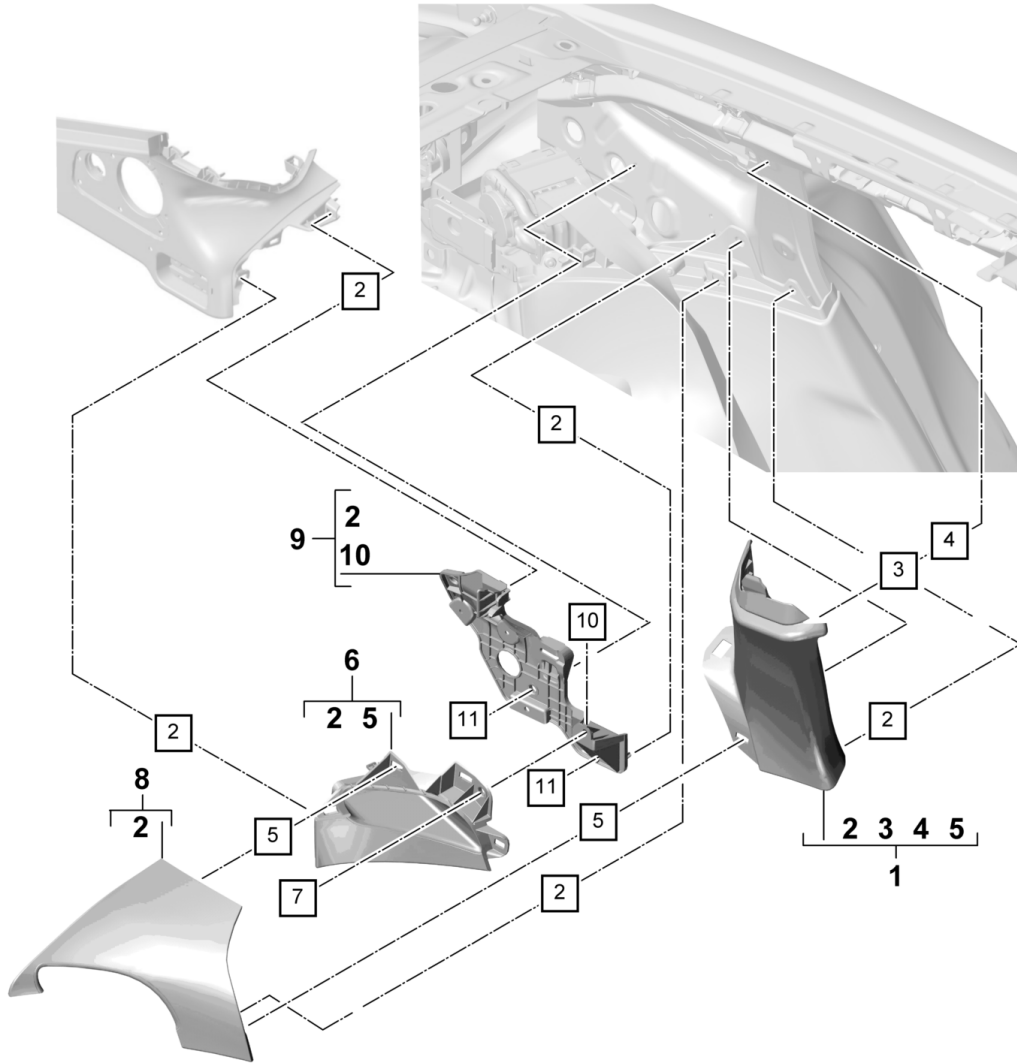
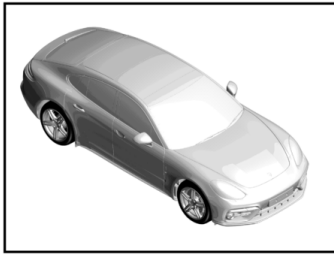
Pos	Part Number	Description	Remark	Qty	Model
8	971 868 240 OL8	Chalk	-BK	1	PR:6NJ,6NQ
	971 868 240 5J0	Cream	-BE		
	971 868 240 OS1	Truffle Brown	-HD		
	971 868 240 OB8	Cohiba Brown	-HC		
	971 867 243 B	B-pillar trim	left upper		
		Fabric			
		D >> - MJ 2017			
	971 867 243 B OL4	Black	-AB,AC,SB,PC, BB,BS		
	971 867 243 B OM5	agate grey	-DG,DL		
	971 867 243 B ON6	Luxor beige	-UB,PK,UC,BP		
8	971 867 243 B OL8	Chalk	-BK	1	PR:6NJ,6NQ
	971 867 243 B OP7	Cream	-BE		
	971 867 243 D	B-pillar trim	left upper		
		Fabric			
		D - MJ 2018>>			
	971 867 243 D OL4	Black	-AB,AC,SB,PC, BB,BS		
	971 867 243 D OM5	agate grey	-DG,DL		
	971 867 243 D ON6	Luxor beige	-UB,PK,UC,BP, PL		
	971 867 243 D OL8	Chalk	-BK		
	971 867 243 D OP7	Cream	-BE		
(8)	971 867 243 D OS1	Truffle Brown	-HD	1	PR:6NJ,6NQ
	971 867 243 D OB8	Cohiba Brown	-HC		
	971 867 244 B	B-pillar trim	right upper		
		Fabric			
		D >> - MJ 2017			
	971 867 244 B OL4	Black	-AB,AC,SB,PC, BB,BS		
	971 867 244 B OM5	agate grey	-DG,DL		
	971 867 244 B ON6	Luxor beige	-UB,PK,UC,BP		
	971 867 244 B OL8	Chalk	-BK		
	971 867 244 B OP7	Cream	-BE		
(8)	971 867 244 D	B-pillar trim	right upper	1	PR:6NJ,6NQ
		Fabric			
		D - MJ 2018>>			
	971 867 244 D OL4	Black	-AB,AC,SB,PC, BB,BS		
	971 867 244 D OM5	agate grey	-DG,DL		
	971 867 244 D ON6	Luxor beige	-UB,PK,UC,BP, PL		
	971 867 244 D OL8	Chalk	-BK		
	971 867 244 D OP7	Cream	-BE		
	971 867 244 D OS1	Truffle Brown	-HD		
	971 867 244 D OB8	Cohiba Brown	-HC		
(8)	971 867 243 C	B-pillar trim (Alcantara)	left	1	PR:6NA,6NN
	971 867 243 C 2W0	Black	-AB,AC,SB,PC, BB,BS		
	971 867 243 C OU5	agate grey	-DG,DL		
	971 867 243 C 9U1	Luxor beige	-UB,PK,UC,BP		
	971 867 243 C OL8	Chalk	-BK		
	971 867 243 C 8U9	Cream	-BE		
	971 867 244 C	B-pillar trim (Alcantara)	right		
	971 867 244 C 2W0	Black	-AB,AC,SB,PC, BB,BS		
	971 867 244 C OU5	agate grey	-DG,DL		

Model: 971-17 Model life 2017>>

Pos	Part Number	Description	Remark	Qty	Model
9	971 867 244 C 9U1	Luxor beige	-UB,PK,UC,BP	1	
	971 867 244 C OL8	Chalk	-BK		
	971 867 244 C 8U9	Cream	-BE		
	9A7 868 903 00	Air vent	left		
		B-pillar	upper		
	9A7 868 903 00 5Q0	Black	-AB,AC,SB,PC, BB,BS		
	9A7 868 903 00 OA6	agate grey	-DG,DL		
	9A7 868 903 00 6W0	Luxor beige	-UB,PK,UC,BP, PL		
	9A7 868 903 00 OL8	Chalk	-BK		
	9A7 868 903 00 5V0	Cream	-BE		
	9A7 868 903 00 OS1	Truffle Brown	-HD		
	9A7 868 903 00 OB8	Cohiba Brown	-HC		
	(9) 9A7 868 904 00	Air vent	right		
		B-pillar	upper		
9A7 868 904 00 5Q0	Black	-AB,AC,SB,PC, BB,BS			
9A7 868 904 00 OA6	agate grey	-DG,DL			
9A7 868 904 00 6W0	Luxor beige	-UB,PK,UC,BP, PL			
9A7 868 904 00 OL8	Chalk	-BK			
9A7 868 904 00 5V0	Cream	-BE			
9A7 868 904 00 OS1	Truffle Brown	-HD			
9A7 868 904 00 OB8	Cohiba Brown	-HC			
10	971 867 191	Bracket for Trim B-pillar	left upper	1	
(10)	971 867 192	Bracket for Trim B-pillar	right upper	1	
11	N 909 101 02	fillister head bolt with allen key head		2	
12	N 107 009 01	Spreader rivet		1	

Model: 971-17

Model life 2017>>



Model: 971-17 Model life 2017>>

Pos	Part Number	Description	Remark	Qty	Model
1	971 867 287	Trim c-pillar C-pillar trim	left	1	PR: 6NJ, 6NQ, K8S
	971 867 287 OL4	Fabric Black	-AB, AC, SB, PC, BB, BS		
	971 867 287 OM5	agate grey	-DG, DL		
	971 867 287 ON6	Luxor beige	-UB, PK, UC, BP, PL		
	971 867 287 OL8	Chalk	-BK		
	971 867 287 OP7	Cream	-BE		
	971 867 287 OS1	Truffle Brown	-HD		
	971 867 287 OB8	Cohiba Brown	-HC		
(1)	974 867 287 D	C-pillar trim	left	1	PR: 6NJ, 6NQ, K8D
	974 867 287 D OL4	Fabric Black	-AB, AC, SB, PC, BB, BS		
	974 867 287 D OM5	agate grey	-DG, DL		
	974 867 287 D ON6	Luxor beige	-PK, UC, BP, PL		
	974 867 287 D OL8	Chalk	-BK		
	974 867 287 D OP7	Cream	-BE		
	974 867 287 D OS1	Truffle Brown	-HD		
	974 867 287 D OB8	Cohiba Brown	-HC		
(1)	971 867 288	C-pillar trim	right	1	PR: 6NJ, 6NQ, K8S
	971 867 288 OL4	Fabric Black	-AB, AC, SB, PC, BB, BS		
	971 867 288 OM5	agate grey	-DG, DL		
	971 867 288 ON6	Luxor beige	-UB, PK, UC, BP, PL		
	971 867 288 OL8	Chalk	-BK		
	971 867 288 OP7	Cream	-BE		
	971 867 288 OS1	Truffle Brown	-HD		
	971 867 288 OB8	Cohiba Brown	-HC		
(1)	974 867 288 D	C-pillar trim	right	1	PR: 6NJ, 6NQ, K8D
	974 867 288 D OL4	Fabric Black	-AB, AC, SB, PC, BB, BS		
	974 867 288 D OM5	agate grey	-DG, DL		
	974 867 288 D ON6	Luxor beige	-PK, UC, BP, PL		
	974 867 288 D OL8	Chalk	-BK		
	974 867 288 D OP7	Cream	-BE		
	974 867 288 D OS1	Truffle Brown	-HD		
	974 867 288 D OB8	Cohiba Brown	-HC		
(1)	971 867 287 A	C-pillar trim (Alcantara)	left	1	PR: 6NA, 6NN, K8S
	971 867 287 A 2W0	Black	-AB, AC, SB, PC, BB, BS		
	971 867 287 A OU5	agate grey	-DG, DL		
	971 867 287 A 9U1	Luxor beige	-UB, PK, UC, BP, PL		
	971 867 287 A OL8	Chalk	-BK		
	971 867 287 A 8U9	Cream	-BE		
	971 867 287 A OS1	Truffle Brown	-HD		
	971 867 287 A OB8	Cohiba Brown	-HC		
(1)	974 867 287 E	C-pillar trim (Alcantara)	left	1	PR: 6NA, 6NN, K8D
	974 867 287 E 2W0	Black	-AB, AC, SB, PC, BB, BS		

Model: 971-17

Model life 2017>>

Pos	Part Number	Description	Remark	Qty	Model
	974 867 287 E OU5	agate grey	-DG,DL		
	974 867 287 E 9U1	Luxor beige	-UB,PK,UC,BP, PL		
	974 867 287 E OL8	Chalk	-BK		
	974 867 287 E 8U9	Cream	-BE		
	974 867 287 E OS1	Truffle Brown	-HD		
	974 867 287 E OB8	Cohiba Brown	-HC		
(1)	971 867 288 A	C-pillar trim (Alcantara)	right	1	PR:6NA,6NN, K8S
	971 867 288 A 2W0	Black	-AB,AC,SB,PC, BB,BS		
	971 867 288 A OU5	agate grey	-DG,DL		
	971 867 288 A 9U1	Luxor beige	-UB,PK,UC,BP, PL		
	971 867 288 A OL8	Chalk	-BK		
	971 867 288 A 8U9	Cream	-BE		
	971 867 288 A OS1	Truffle Brown	-HD		
	971 867 288 A OB8	Cohiba Brown	-HC		
(1)	974 867 288 E	C-pillar trim (Alcantara)	right	1	PR:6NA,6NN, K8D
	974 867 288 E 2W0	Black	-AB,AC,SB,PC, BB,BS		
	974 867 288 E OU5	agate grey	-DG,DL		
	974 867 288 E 9U1	Luxor beige	-UB,PK,UC,BP, PL		
	974 867 288 E OL8	Chalk	-BK		
	974 867 288 E 8U9	Cream	-BE		
	974 867 288 E OS1	Truffle Brown	-HD		
	974 867 288 E OB8	Cohiba Brown	-HC		
2	9A7 006 988 00	Bungs		X	
3	999 507 681 01	Clip		2	
4	9A7 007 207 00	Distance piece		2	
5	958 555 190 00	Clip		2	
6	971 867 261	Rosette Belt	left	1	PR:K8S
	971 867 261 1E0	Black	-AB,PK,AC,BB, BS,BK,PL		
	971 867 261 OP1	agate grey	-DG,DL		
	971 867 261 4H0	Luxor beige	-UB,UC		
	971 867 261 OM8	saddle brown	-SB,BP		
	971 867 261 3G0	Marsala Red	-PC,BE		
	971 867 261 OS1	Truffle Brown	-HD		
	971 867 261 OB8	Cohiba Brown	-HC		
(6)	974 867 261	Rosette Belt	left	1	PR:K8D
	974 867 261 1E0	Black	-AB,PK,AC,BB, BS,BK,PL		
	974 867 261 OP1	agate grey	-DG,DL		
	974 867 261 4H0	Luxor beige	-UC		
	974 867 261 OM8	saddle brown	-SB,BP		
	974 867 261 3G0	Marsala Red	-PC,BE		
	974 867 261 OS1	Truffle Brown	-HD		
	974 867 261 OB8	Cohiba Brown	-HC		
(6)	971 867 262	Rosette Belt	right	1	PR:K8S
	971 867 262 1E0	Black	-AB,PK,AC,BB, BS,BK,PL		
	971 867 262 OP1	agate grey	-DG,DL		
	971 867 262 4H0	Luxor beige	-UB,UC		
	971 867 262 OM8	saddle brown	-SB,BP		
	971 867 262 3G0	Marsala Red	-PC,BE		
	971 867 262 OS1	Truffle Brown	-HD		
	971 867 262 OB8	Cohiba Brown	-HC		

Model: 971-17 Model life 2017>>

Pos	Part Number	Description	Remark	Qty	Model
(6)	974 867 262	Rosette	right	1	PR:K8D
	974 867 262 1E0	Belt Black	-AB,PK,AC,BB, BS,BK,PL		
	974 867 262 OP1	agate grey	-DG,DL		
	974 867 262 4H0	Luxor beige	-UB,UC		
	974 867 262 OM8	saddle brown	-SB,BP		
	974 867 262 3G0	Marsala Red	-PC,BE		
	974 867 262 OS1	Truffle Brown	-HD		
	974 867 262 OB8	Cohiba Brown	-HC		
7	N 911 809 01	Flat head multi-point socket bolt M5X20		1	
8	971 867 403	Trim	left	1	PR:K8S
	971 867 403 1E0	Black	-AB,PK,AC,BB, BS,BK,PL		
	971 867 403 OP1	agate grey	-DG,DL		
	971 867 403 4H0	Luxor beige	-UB,UC		
	971 867 403 OM8	saddle brown	-SB,BP		
	971 867 403 3G0	Marsala Red	-PC,BE		
	971 867 403 OS1	Truffle Brown	-HD		
	971 867 403 OB8	Cohiba Brown	-HC		
(8)	974 867 403	Trim	left	1	PR:K8D
	974 867 403 1E0	Black	-AB,PK,AC,BB, BS,BK,PL		
	974 867 403 OP1	agate grey	-DG,DL		
	974 867 403 4H0	Luxor beige	-UB,UC		
	974 867 403 OM8	saddle brown	-SB,BP		
	974 867 403 3G0	Marsala Red	-PC,BE		
	974 867 403 OS1	Truffle Brown	-HD		
	974 867 403 OB8	Cohiba Brown	-HC		
(8)	971 867 404	Trim	right	1	PR:K8S
	971 867 404 1E0	Black	-AB,PK,AC,BB, BS,BK,PL		
	971 867 404 OP1	agate grey	-DG,DL		
	971 867 404 4H0	Luxor beige	-UB,UC		
	971 867 404 OM8	saddle brown	-SB,BP		
	971 867 404 3G0	Marsala Red	-PC,BE		
	971 867 404 OS1	Truffle Brown	-HD		
	971 867 404 OB8	Cohiba Brown	-HC		
(8)	974 867 404	Trim	right	1	PR:K8D
	974 867 404 1E0	Black	-AB,PK,AC,BB, BS,BK,PL		
	974 867 404 OP1	agate grey	-DG,DL		
	974 867 404 4H0	Luxor beige	-UB,UC		
	974 867 404 OM8	saddle brown	-SB,BP		
	974 867 404 3G0	Marsala Red	-PC,BE		
	974 867 404 OS1	Truffle Brown	-HD		
	974 867 404 OB8	Cohiba Brown	-HC		
9	971 868 973	Bracket Rosette Belt	left	1	PR:K8S
(9)	974 868 973	Bracket Rosette Belt	left	1	PR:K8D
(9)	971 868 974	Bracket Rosette Belt	right	1	PR:K8S
(9)	974 868 974	Bracket Rosette Belt	right	1	PR:K8D
10	9A7 007 624 00	Speed nut		1	
11	N 909 101 02	fillister head bolt with		3	

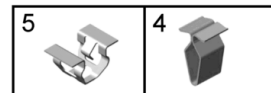
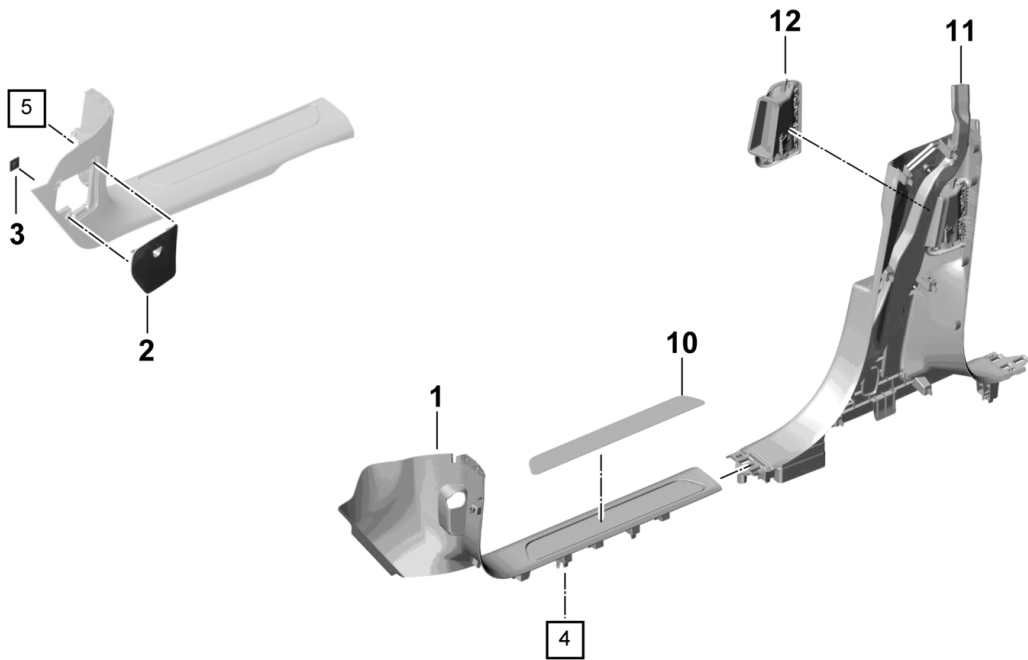
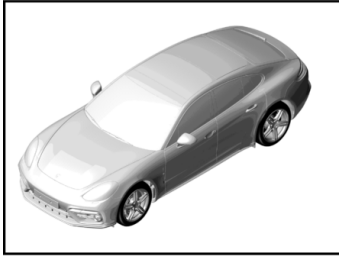
Model: 971-17

Model life 2017>>

Pos	Part Number	Description	Remark	Qty	Model
		allen key head M5X18			

Model: 971-17

Model life 2017>>



Model: 971-17 Model life 2017>>

Pos	Part Number	Description	Remark	Qty	Model
1	971 863 483 C	Tread trim Insert A-pillar trim	front left lower	1	PR:L0L
	971 863 483 C 1E0	Black	-AB,AC,BB		
	971 863 483 C OP1	agate grey	-DG,DL		
	971 863 483 C 4H0	Luxor beige	-PK,UC,PL,BP		
	971 863 483 C OM8	saddle brown	-SB,BS		
	971 863 483 C 3G0	Marsala Red	-PC		
	971 863 483 C OG6	Bordeaux red	-BB		
	971 863 483 C OL8	saddle brown	-BK		
	971 863 483 C 5J0	Cream	-BE		
(1)	971 863 484 C	A-pillar trim	right lower	1	PR:L0L
	971 863 484 C 1E0	Black	-AB,AC,BB		
	971 863 484 C OP1	agate grey	-DG,DL		
	971 863 484 C 4H0	Luxor beige	-PK,UC,PL,BP		
	971 863 484 C OM8	saddle brown	-SB,BS		
	971 863 484 C 3G0	Marsala Red	-PC		
	971 863 484 C OG6	Bordeaux red	-BB		
	971 863 484 C OL8	saddle brown	-BK		
	971 863 484 C 5J0	Cream	-BE		
(1)	971 863 483 B	A-pillar trim	left lower	1	PR:L0R
	971 863 483 B 1E0	Black	-AB,AC,BB		
	971 863 483 B OP1	agate grey	-DG,DL		
	971 863 483 B 4H0	Luxor beige	-PK,UC,PL,BP		
	971 863 483 B OM8	saddle brown	-SB,BS		
	971 863 483 B 3G0	Marsala Red	-PC		
	971 863 483 B OG6	Bordeaux red	-BB		
	971 863 483 B OL8	Chalk	-BK		
	971 863 483 B 5J0	Cream	-BE		
(1)	971 863 484 B	A-pillar trim	right lower	1	PR:L0R
	971 863 484 B 1E0	Black	-AB,AC,BB		
	971 863 484 B OP1	agate grey	-DG,DL		
	971 863 484 B 4H0	Luxor beige	-PK,UC,PL,BP		
	971 863 484 B OM8	saddle brown	-SB,BS		
	971 863 484 B 3G0	Marsala Red	-PC		
	971 863 484 B OG6	Bordeaux red	-BB		
	971 863 484 B OL8	saddle brown	-BK		
	971 863 484 B 5J0	Cream	-BE		
2	971 863 565	Cover A-pillar	lower	1	
	971 863 565 1E0	Black	-AB,AC,BB		
	971 863 565 OP1	agate grey	-DG,DL		
	971 863 565 4H0	Luxor beige	-PK,UC,PL,BP		
	971 863 565 OM8	saddle brown	-SB,BS		
	971 863 565 3G0	Marsala Red	-PC		
	971 863 565 OG6	Bordeaux red	-BB		
	971 863 565 OL8	saddle brown	-BK		
	971 863 565 5J0	Cream	-BE		
3	971 867 300 A	Clip		X	
4	955 551 276 00	Retaining clip		X	
5	958 555 190 01	Clip		1	
10	971 853 467	Sill trim strip aluminium		X	PR:0E1,A8C, 7M9,1X2
(10)	971 853 467 A	Panamera Sill trim strip aluminium		X	PR:0E1,A8C, 7M9,1X1
(10)	971 853 467 C	PANAMERA 4 Sill trim strip aluminium		X	PR:0E1,A8F, 7M9,1X1

Model: 971-17 Model life 2017>>

Pos	Part Number	Description	Remark	Qty	Model
(10)	971 853 467 E	PANAMERA 4S Sill trim strip aluminium		X	PR:0E1,A8H, 7M9,E0A,1X1
(10)	971 853 467 F	PANAMERA TURBO Sill trim strip aluminium		X	PR:0E1,A8H, 7M9,E8A,1X1
(10)	971 853 467 H	PANAMERA TURBO S Sill trim strip Carbon		X	PR:0E1,A8C, 7M3,1X2
(10)	971 853 467 J	Panamera Sill trim strip Carbon		X	PR:0E1,A8C, 7M3,1X1
(10)	971 853 467 K	PANAMERA 4 Sill trim strip Carbon		X	PR:0E1,A8F, 7M3,1X1
(10)	971 853 467 M	PANAMERA 4S Sill trim strip Carbon		X	PR:0E1,A8H, 7M3,E0A,1X1
(10)	971 853 467 N	PANAMERA TURBO Sill trim strip Carbon		X	PR:0E1,A8H, 7M3,E8A,1X1
(10)	971 853 467 P	PANAMERA TURBO S Sill trim strip Carbon		X	PR:0E1,A8C, 7M8,1X2
(10)	971 853 467 Q	Lighting Panamera Sill trim strip Carbon		X	PR:0E1,A8C, 7M8,1X1
(10)	971 853 467 S	PANAMERA 4 Sill trim strip Carbon		X	PR:0E1,A8F, 7M8
(10)	971 853 467 AA	Lighting PANAMERA 4S Sill trim strip Carbon		X	PR:0E1,A8H, 7M8,E0A,1X1
(10)	971 853 467 AC	PANAMERA TURBO Sill trim strip aluminium		X	PR:0E1,A8C, VT2,1X2
(10)	971 853 467 AD	Lighting Panamera Sill trim strip aluminium		X	PR:0E1,A8C, VT2,1X1
(10)	971 853 467 AF	Lighting PANAMERA 4 Sill trim strip aluminium		X	PR:0E1,A8F, VT2,1X1
(10)	971 853 467 AH	Lighting PANAMERA 4S Sill trim strip aluminium		X	PR:0E1,A8H, VT2,E0A,1X1
(10)	971 853 467 G	Lighting PANAMERA TURBO Sill trim strip aluminium		X	PR:0E2,7M9
(10)	971 853 467 AK	EXECUTIVE Sill trim strip Carbon		X	PR:0E2,7M3
(10)	971 853 467 AN	EXECUTIVE Sill trim strip aluminium		X	PR:0E2,VT2, OK0
		Lighting			

Model: 971-17 Model life 2017>>

Pos	Part Number	Description	Remark	Qty	Model
(10)	971 853 467 AP	EXECUTIVE Sill trim strip aluminium Lighting		X	PR:0E2,VT2, OK3
(10)	971 853 467 AL	EXECUTIVE Sill trim strip Carbon		X	PR:0E2,7M8, OK0
(10)	971 853 467 AM	EXECUTIVE Sill trim strip Carbon		X	PR:0E2,7M8, OK3
(10)	971 853 467 AE	EXECUTIVE Sill trim strip aluminium Lighting Acid Green		X	PR:A8C,VT2, OK3
(10)	971 853 467 AJ	PANAMERA 4 Sill trim strip aluminium Lighting Acid Green		X	PR:A8H,E8A, VT2,OK3
(10)	971 853 467 R	PANAMERA TURBO S Sill trim strip Carbon Lighting Acid Green		X	PR:A8C,7M8, OK3
(10)	971 853 467 AB	PANAMERA 4 Sill trim strip Carbon Lighting Acid Green		X	PR:A8H,E8A, 7M8,OK3
11	971 867 239 B	PANAMERA TURBO S B-pillar trim	left lower	1	PR:-7AH
	971 867 239 B OS1	Truffle Brown	-HD		
	971 867 239 B 1E0	Black	-AB,AC,BB		
	971 867 239 B OP1	agate grey	-DG,DL		
	971 867 239 B 4H0	Luxor beige	-PK,UC,PL,BP		
	971 867 239 B OM8	saddle brown	-SB,BS		
	971 867 239 B 3G0	Marsala Red	-PC		
	971 867 239 B OG6	Bordeaux red	-BB		
	971 867 239 B OL8	Chalk	-BK		
	971 867 239 B 5J0	Cream	-BE		
(11)	971 867 239 C	PANAMERA TURBO S B-pillar trim	left lower	1	PR:7AH
	971 867 239 C 1E0	Black	-AB,AC,BB		
	971 867 239 C OP1	agate grey	-DG,DL		
	971 867 239 C 4H0	Luxor beige	-PK,UC,PL,BP		
	971 867 239 C OM8	saddle brown	-SB,BS		
	971 867 239 C 3G0	Marsala Red	-PC		
	971 867 239 C OG6	Bordeaux red	-BB		
	971 867 239 C OL8	Chalk	-BK		
	971 867 239 C 5J0	Cream	-BE		
(11)	971 867 240 A	PANAMERA TURBO S B-pillar trim	right lower	1	
	971 867 240 A 1E0	Black	-AB,AC,BB		
	971 867 240 A OP1	agate grey	-DG,DL		
	971 867 240 A 4H0	Luxor beige	-PK,UC,PL,BP		
	971 867 240 A OM8	saddle brown	-SB,BS		
	971 867 240 A 3G0	Marsala Red	-PC		
	971 867 240 A OG6	Bordeaux red	-BB		
	971 867 240 A OL8	Chalk	-BK		
	971 867 240 A 5J0	Cream	-BE		
12	971 819 203 C	Air vent	left	1	

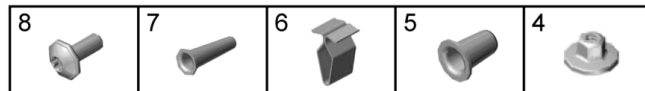
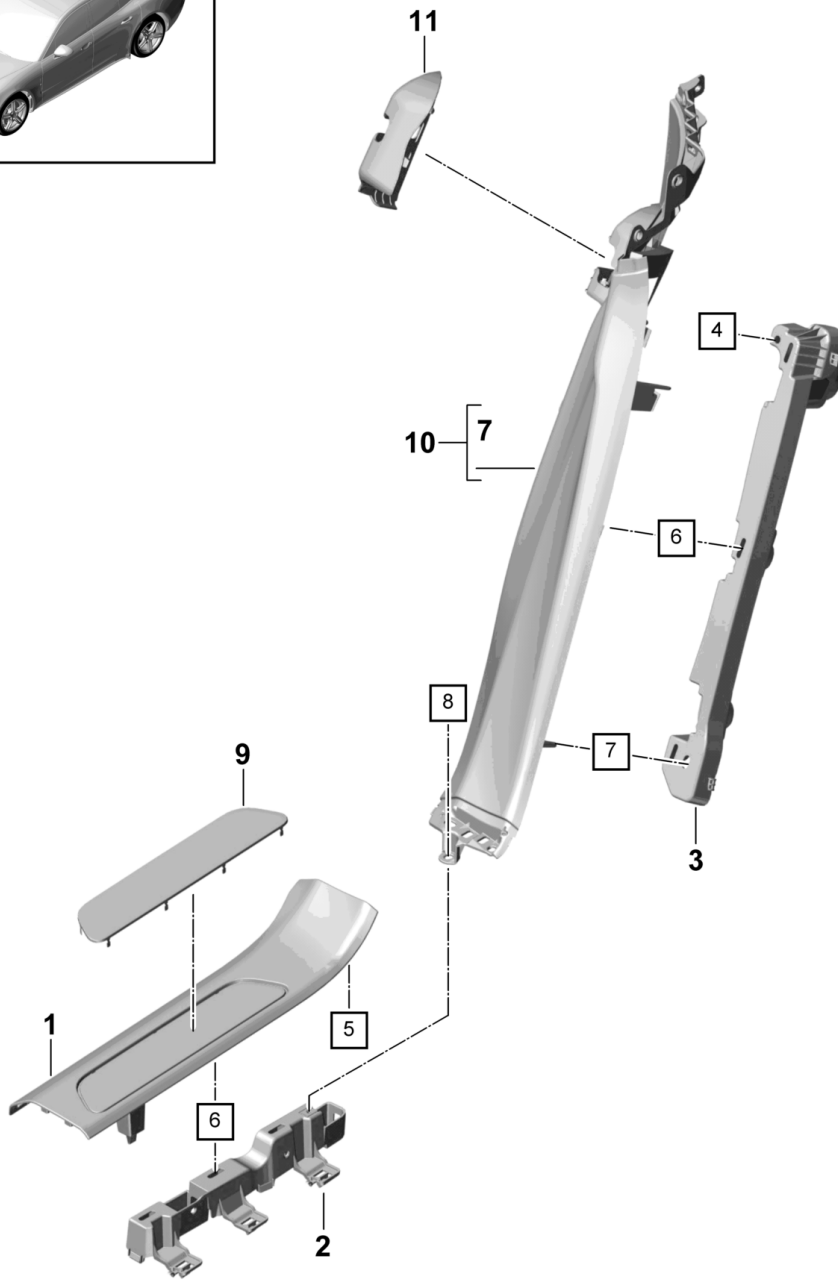
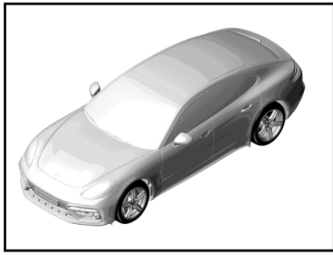
Model: 971-17

Model life 2017>>

Pos	Part Number	Description	Remark	Qty	Model
(12)	971 819 203 C DAP	B-pillar Galvano silver	lower	1	
	971 819 204 C	Air vent	right		
		B-pillar	lower		
	971 819 204 C DAP	Galvano silver			

Model: 971-17

Model life 2017>>



Model: 971-17

Model life 2017>>

Pos	Part Number	Description	Remark	Qty	Model
1	971 863 405 B	Tread trim Sill trim strip Trim	rear left lower	1	PR:0E1
	971 863 405 B OB8	Cohiba Brown	-HC		
	971 863 405 B OS1	Truffle Brown	-HD		
	971 863 405 B 1E0	Black	-AB,AC,BB		
	971 863 405 B OP1	agate grey	-DG,DL		
	971 863 405 B 4H0	Luxor beige	-PK,UC,PL,BP		
	971 863 405 B OM8	saddle brown	-SB,BS		
	971 863 405 B 3G0	Marsala Red	-PC		
	971 863 405 B OG6	Bordeaux red	-UV		
	971 863 405 B OL8	Chalk	-BK		
	971 863 405 B 5J0	Cream	-BE		
(1)	971 863 406 B	Trim	right lower	1	PR:0E1
	971 863 406 B OB8	Cohiba Brown	-HC		
	971 863 406 B OS1	Truffle Brown	-HD		
	971 863 406 B 1E0	Black	-AB,AC,BB		
	971 863 406 B OP1	agate grey	-DG,DL		
	971 863 406 B 4H0	Luxor beige	-PK,UC,PL,BP		
	971 863 406 B OM8	saddle brown	-SB,BS		
	971 863 406 B 3G0	Marsala Red	-PC		
	971 863 406 B OG6	Bordeaux red	-UV		
	971 863 406 B OL8	Chalk	-BK		
	971 863 406 B 5J0	Cream	-BE		
(1)	971 863 405 C	Trim	left lower	1	PR:0E2
	971 863 405 C OB8	Cohiba Brown	-HC		
	971 863 405 C OS1	Truffle Brown	-HD		
	971 863 405 C 1E0	Black	-AB,AC,BB		
	971 863 405 C OP1	agate grey	-DG,DL		
	971 863 405 C 4H0	Luxor beige	-PK,UC,PL,BP		
	971 863 405 C OM8	saddle brown	-SB,BS		
	971 863 405 C 3G0	Marsala Red	-PC		
	971 863 405 C OG6	Bordeaux red	-UV		
	971 863 405 C OL8	Chalk	-BK		
	971 863 405 C 5J0	Cream	-BE		
(1)	971 863 406 C	Trim	right lower	1	PR:0E2
	971 863 406 C OB8	Cohiba Brown	-HC		
	971 863 406 C OS1	Truffle Brown	-HD		
	971 863 406 C 1E0	Black	-AB,AC,BB		
	971 863 406 C OP1	agate grey	-DG,DL		
	971 863 406 C 4H0	Luxor beige	-PK,UC,PL,BP		
	971 863 406 C OM8	saddle brown	-SB,BS		
	971 863 406 C 3G0	Marsala Red	-PC		
	971 863 406 C OG6	Bordeaux red	-UV		
	971 863 406 C OL8	Chalk	-BK		
	971 863 406 C 5J0	Cream	-BE		
2	971 868 553	Bracket for trim	left	1	
(2)	971 868 554	Bracket for trim	right	1	
3	971 867 729 A	Bracket for trim	left	1	
(3)	971 867 730 A	Bracket for trim	right	1	
4	N 912 428 01	hex. nut with washer		X	
5	9A7 006 988 00	Bungs		X	
6	9A7 867 267 01	Bungs		X	
7	996 555 857 00	Grommet		X	
8	N 909 446 04	Oval hexagon socket head bolt		X	
9	971 853 173 A	Sill trim strip Carbon	rear	X	PR:0E1,7M8, 7M3
(9)	971 853 173 B	Sill trim strip Aluminium, brushed	rear	X	PR:0E1,VT2

Model: 971-17 Model life 2017>>

Pos	Part Number	Description	Remark	Qty	Model
(9)	971 853 173	Sill trim strip Aluminium, brushed	rear	X	PR:0E1,7M9
(9)	971 853 467 AK	Sill trim strip Carbon Executive		1	PR:0E2,7M3
(9)	971 853 467 AL	Sill trim strip Carbon, fine high-gloss Executive		1	PR:0E2,7M8, OK0
(9)	971 853 467 AN	Sill trim strip aluminium Lighting Executive		1	PR:0E2,VT2, OK0
(9)	971 853 467 AM	Sill trim strip Carbon, fine high-gloss Lighting green Executive		1	PR:0E2,7M8, OK3
(9)	971 853 467 AP	Sill trim strip aluminium Lighting green Executive		1	PR:0E2,VT2, OK3
10	971 867 765 C	Wheel housing trim	left	1	PR:4AP,3LD
	971 867 765 C 7P8	Black	-AB		
	971 867 765 C OK2	agate grey	-DG		
	971 867 765 C 8ED	Luxor beige	-UB		+PK
(10)	971 867 766 C	Wheel housing trim	right	1	PR:4AP,3LD
	971 867 766 C 7P8	Black	-AB		
	971 867 766 C OK2	agate grey	-DG		
	971 867 766 C 8ED	Luxor beige	-UB		+PK
(10)	971 867 765 D	Wheel housing trim	left	1	PR:3LH,3LT
	971 867 765 D A11	Leather Black	-AC		
	971 867 765 D OA1	agate grey	-DL		
	971 867 765 D OK6	saddle brown	-SB		
	971 867 765 D 7J0	Luxor beige	-UC,BP		
	971 867 765 D 7H0	Marsala Red	-PC		
	971 867 765 D OG6	Bordeaux red	-BB		
	971 867 765 D OK6	saddle brown	-BS		
	971 867 765 D OL8	Chalk	-BK		
	971 867 765 D 8D0	Cream	-BE		
(10)	971 867 766 D	Wheel housing trim	right	1	PR:3LH,3LT
	971 867 766 D A11	Leather Black	-AC		
	971 867 766 D OA1	agate grey	-DL		
	971 867 766 D OK6	saddle brown	-SB		
	971 867 766 D 7J0	Luxor beige	-UC,BP		
	971 867 766 D 7H0	Marsala Red	-PC		
	971 867 766 D OG6	Bordeaux red	-BB		
	971 867 766 D OK6	saddle brown	-BS		
	971 867 766 D OL8	Chalk	-BK		
	971 867 766 D 8D0	Cream	-BE		
11	971 867 347 A	Cover	left	1	
	971 867 347 A 1E0	Striker Black	rear -AB,AC,BB		
	971 867 347 A OP1	agate grey	-DG,DL		
	971 867 347 A 4H0	Luxor beige	-PK,KC,PL,BP		
	971 867 347 A OM8	saddle brown	-SB,BS		
	971 867 347 A 3G0	Marsala Red	-PC		
	971 867 347 A OG6	Bordeaux red	-UV		
	971 867 347 A OL8	Chalk	-BK		
	971 867 347 A 5J0	Cream	-BE		
(11)	971 867 348 A	Cover	right	1	

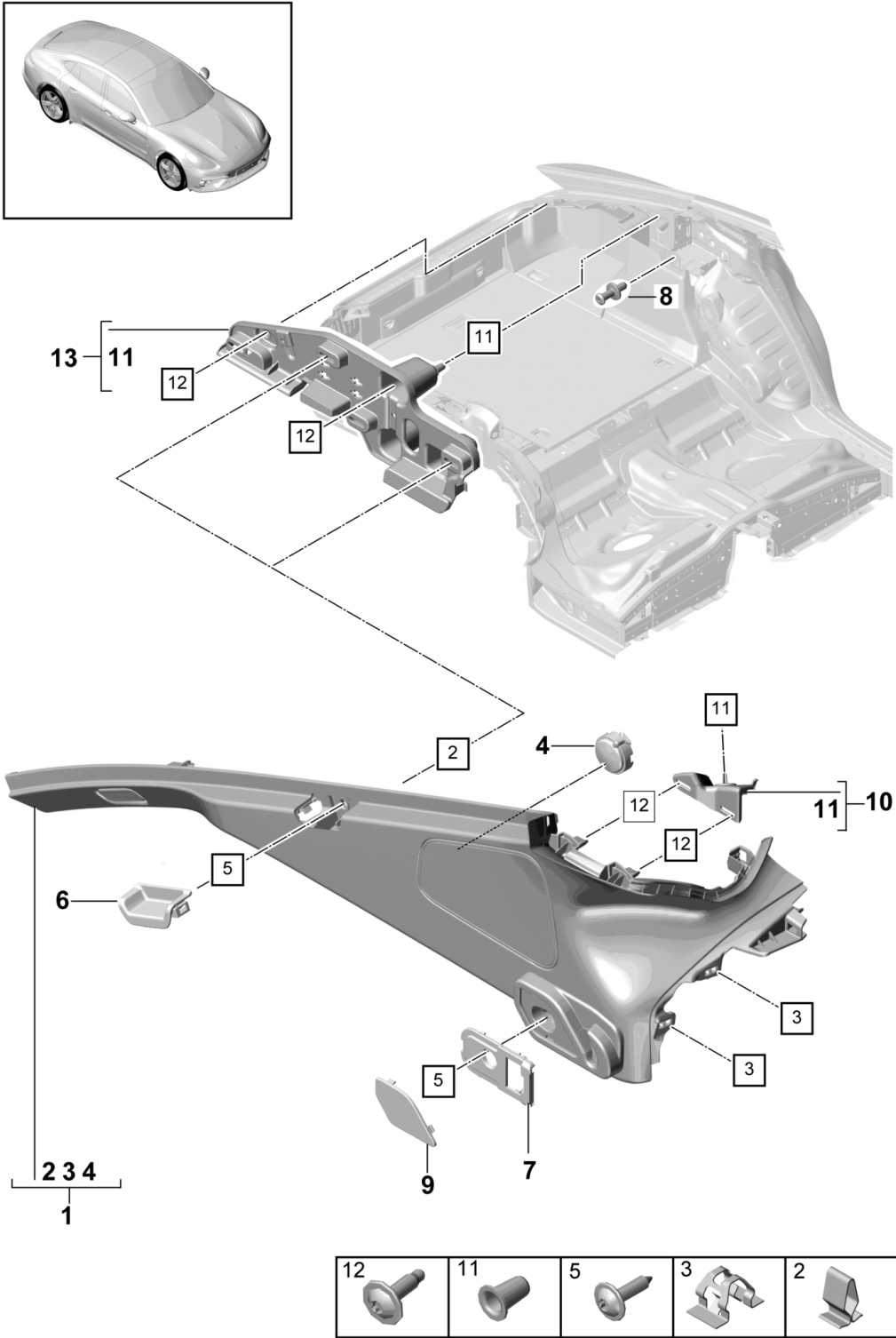
Model: 971-17

Model life 2017>>

Pos	Part Number	Description	Remark	Qty	Model
	971 867 348 A 1E0	Striker Black	rear -AB,AC,BB		
	971 867 348 A OP1	agate grey	-DG,DL		
	971 867 348 A 4H0	Luxor beige	-PK,KC,PL,BP		
	971 867 348 A OM8	saddle brown	-SB,SB		
	971 867 348 A 3G0	Marsala Red	-PC		
	971 867 348 A OG6	Bordeaux red	-UV		
	971 867 348 A OL8	Chalk	-BK		
	971 867 348 A 5J0	Cream	-BE		

Model: 971-17

Model life 2017>>



Model: 971-17 Model life 2017>>

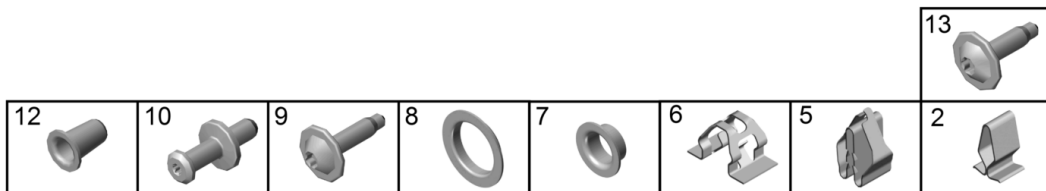
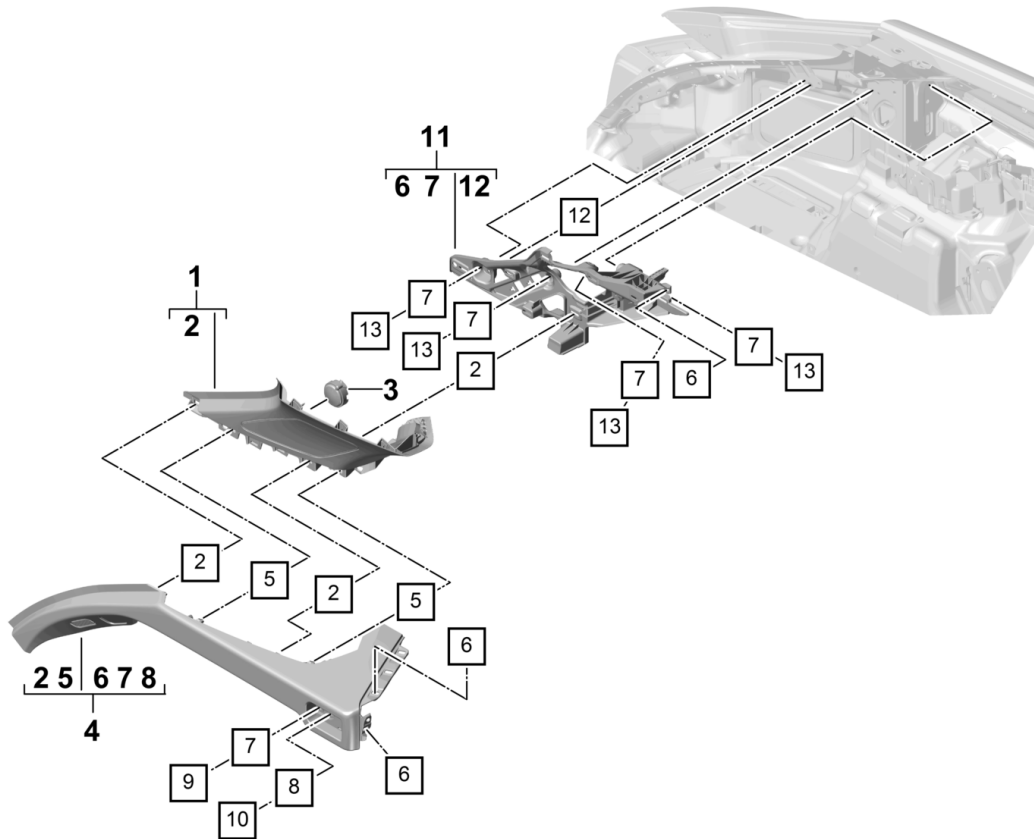
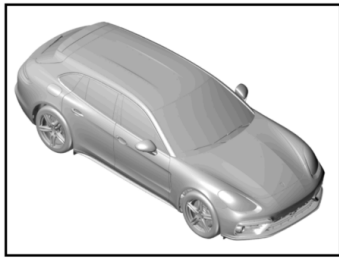
Pos	Part Number	Description	Remark	Qty	Model
		Linings	side		PR:K8S
		d-pillar			
		Luggage compartment			
1	971 867 245	D-pillar trim	left	1	PR:K8S,3U7, 3Y0,3Y7
	971 867 245 1E0	Black	-AB,PK,AC,BB, BS,BK		
	971 867 245 OP1	agate grey	-DG,DL		
	971 867 245 4H0	Luxor beige	-UB,UC		
	971 867 245 OM8	saddle brown	-SB,BP		
	971 867 245 3G0	Marsala Red	-PC,BE		
(1)	971 867 246	D-pillar trim	right	1	PR:K8S,3U7, 3Y0,3Y7
	971 867 246 1E0	Black	-AB,PK,AC,BB, BS,BK		
	971 867 246 OP1	agate grey	-DG,DL		
	971 867 246 4H0	Luxor beige	-UB,UC		
	971 867 246 OM8	saddle brown	-SB,BP		
	971 867 246 3G0	Marsala Red	-PC,BE		
(1)	971 867 245 C	D-pillar trim	left	1	PR:K8S,3U4
	971 867 245 C 1E0	Black	-AB,PK,AC,BB, BS,BK		
	971 867 245 C OP1	agate grey	-DG,DL		
	971 867 245 C 4H0	Luxor beige	-UB,UC		
	971 867 245 C OM8	saddle brown	-SB,BP		
	971 867 245 C 3G0	Marsala Red	-PC,BE		
(1)	971 867 246 C	D-pillar trim	right	1	PR:K8S,3U4
	971 867 246 C 1E0	Black	-AB,PK,AC,BB, BS,BK		
	971 867 246 C OP1	agate grey	-DG,DL		
	971 867 246 C 4H0	Luxor beige	-UB,UC		
	971 867 246 C OM8	saddle brown	-SB,BP		
	971 867 246 C 3G0	Marsala Red	-PC,BE		
(1)	971 867 245 F	D-pillar trim	left	1	PR:K8S,3U7, 3Y2,3Y8
	971 867 245 F 1E0	Black	-AB,PK,AC,BB, BS,BK		
	971 867 245 F OP1	agate grey	-DG,DL		
	971 867 245 F 4H0	Luxor beige	-UB,UC		
	971 867 245 F OM8	saddle brown	-SB,BP		
	971 867 245 F 3G0	Marsala Red	-PC,BE		
(1)	971 867 246 F	D-pillar trim	right	1	PR:K8S,3U7, 3Y2,3Y8
	971 867 246 F 1E0	Black	-AB,PK,AC,BB, BS,BK		
	971 867 246 F OP1	agate grey	-DG,DL		
	971 867 246 F 4H0	Luxor beige	-UB,UC		
	971 867 246 F OM8	saddle brown	-SB,BP		
	971 867 246 F 3G0	Marsala Red	-PC,BE		
2	999 507 681 01	Clip		9	
3	958 555 190 00	Clip		2	
4	971 867 597	Bungs		1	PR:9VL
5	N 911 809 01	Flat head multi-point socket bolt M5X20		2	
6	971 867 763	shelf tray Hat		2	PR:K8S,3U7
	971 867 763 1E0	Black	-AB,PK,AC,BB, BS,BK		
	971 867 763 OP1	agate grey	-DG,DL		
	971 867 763 4H0	Luxor beige	-UB,UC		
	971 867 763 OM8	saddle brown	-SB,BP		

Model: 971-17 Model life 2017>>

Pos	Part Number	Description	Remark	Qty	Model
7	971 867 763 3G0	Marsala Red	-PC, BE	1	PR: 3U4, 3U7, 3Y2, 3Y8
	971 867 393	Cover	left		
	971 867 393 1E0	Support			
		Black	-AB, PK, AC, BB, BS, BK		
	971 867 393 OP1	agate grey	-DG, DL		
	971 867 393 4H0	Luxor beige	-UB, UC		
	971 867 393 OM8	saddle brown	-SB, BP		
	971 867 393 3G0	Marsala Red	-PC, BE		
	(7) 971 867 393 A	Cover	left		
		Support			
	971 867 393 A 1E0	Black	-AB, PK, AC, BB, BS, BK	1	PR: 3U4, 3Y0, 3Y7
	971 867 393 A OP1	agate grey	-DG, DL		
	971 867 393 A 4H0	Luxor beige	-UB, UC		
	971 867 393 A OM8	saddle brown	-SB, BP		
	971 867 393 A 3G0	Marsala Red	-PC, BE		
(7) 971 867 394	Cover	right			
	Support				
	971 867 394 1E0	Black	-AB, PK, AC, BB, BS, BK		
	971 867 394 OP1	agate grey	-DG, DL		
	971 867 394 4H0	Luxor beige	-UB, UC		
	971 867 394 OM8	saddle brown	-SB, BP		
	971 867 394 3G0	Marsala Red	-PC, BE		
8	9A7 007 942 00	bearing pin		2	PR: 3U4, 3Y0, 3Y2, 3Y8
9	971 868 965	Trim	left	1	PR: K8S, 3U7, 3Y0, 3Y7
		Support			
	971 868 965 1E0	Black	-AB, PK, AC, BB, BS, BK		
	971 868 965 OP1	agate grey	-DG, DL		
	971 868 965 4H0	Luxor beige	-UB, UC		
	971 868 965 OM8	saddle brown	-SB, BP		
	971 868 965 3G0	Marsala Red	-PC, BE		
	(9) 971 868 966	Trim	right		
		Support			
		971 868 966 1E0	Black		
	971 868 966 OP1	agate grey	-DG, DL		
	971 868 966 4H0	Luxor beige	-UB, UC		
	971 868 966 OM8	saddle brown	-SB, BP		
	971 868 966 3G0	Marsala Red	-PC, BE		
10	971 867 891	Bracket	left	1	PR: K8S
(10)	971 867 892	Bracket	right	1	PR: K8S
11	9A7 006 988 00	Bungs		1	
12	N 909 101 02	fillister head bolt with allen key head		2	
		M5X18			
13	971 868 891	Bracket	left	1	PR: K8S, 0E1
			rear		
(13)	971 868 892	Bracket	right	1	PR: K8S, 0E1
			rear		

Model: 971-17

Model life 2017>>



Model: 971-17

Model life 2017>>

Pos	Part Number	Description	Remark	Qty	Model
		Linings d-pillar Luggage compartment D-pillar trim	side		PR:K8D
1	974 867 245 F		upper left	1	
	974 867 245 F 1E0	Black	-AB,PK,AC,BB, BS,BK,PL		
	974 867 245 F OP1	agate grey	-DG,DL		
	974 867 245 F 4H0	Luxor beige	-UB,UC		
	974 867 245 F OM8	saddle brown	-SB,BP		
	974 867 245 F 3G0	Marsala Red	-PC,BE		
	974 867 245 F OS1	Truffle Brown	-HD		
	974 867 245 F OB8	Cohiba Brown	-HC		
(1)	974 867 246 F	D-pillar trim	upper left	1	
	974 867 246 F 1E0	Black	-AB,PK,AC,BB, BS,BK,PL		
	974 867 246 F OP1	agate grey	-DG,DL		
	974 867 246 F 4H0	Luxor beige	-UB,UC		
	974 867 246 F OM8	saddle brown	-SB,BP		
	974 867 246 F 3G0	Marsala Red	-PC,BE		
	974 867 246 F OS1	Truffle Brown	-HD		
	974 867 246 F OB8	Cohiba Brown	-HC		
2	955 555 279 00	Retaining clip		7	
3	971 867 597	Bungs		1	PR:9VL
4	974 867 627	D-pillar trim	lower left	1	PR:3KK,3KL
	974 867 627 1E0	Black	-AB,PK,AC,BB, BS,BK,PL		
	974 867 627 OP1	agate grey	-DG,DL		
	974 867 627 4H0	Luxor beige	-UB,UC		
	974 867 627 OM8	saddle brown	-SB,BP		
	974 867 627 3G0	Marsala Red	-PC,BE		
	974 867 627 OS1	Truffle Brown	-HD		
	974 867 627 OB8	Cohiba Brown	-HC		
(4)	974 867 627 A	D-pillar trim	lower left	1	PR:5KA
	974 867 627 A 1E0	Black	-AB,PK,AC,BB, BS,BK,PL		
	974 867 627 A OP1	agate grey	-DG,DL		
	974 867 627 A 4H0	Luxor beige	-UB,UC		
	974 867 627 A OM8	saddle brown	-SB,BP		
	974 867 627 A 3G0	Marsala Red	-PC,BE		
	974 867 627 A OS1	Truffle Brown	-HD		
	974 867 627 A OB8	Cohiba Brown	-HC		
(4)	974 867 628	D-pillar trim	lower right	1	PR:3KK,3KL
	974 867 628 1E0	Black	-AB,PK,AC,BB, BS,BK,PL		
	974 867 628 OP1	agate grey	-DG,DL		
	974 867 628 4H0	Luxor beige	-UB,UC		
	974 867 628 OM8	saddle brown	-SB,BP		
	974 867 628 3G0	Marsala Red	-PC,BE		
	974 867 628 OS1	Truffle Brown	-HD		
	974 867 628 OB8	Cohiba Brown	-HC		
(4)	974 867 628 A	D-pillar trim	lower right	1	PR:5KA
	974 867 628 A 1E0	Black	-AB,PK,AC,BB, BS,BK,PL		
	974 867 628 A OP1	agate grey	-DG,DL		
	974 867 628 A 4H0	Luxor beige	-UB,UC		
	974 867 628 A OM8	saddle brown	-SB,BP		
	974 867 628 A 3G0	Marsala Red	-PC,BE		

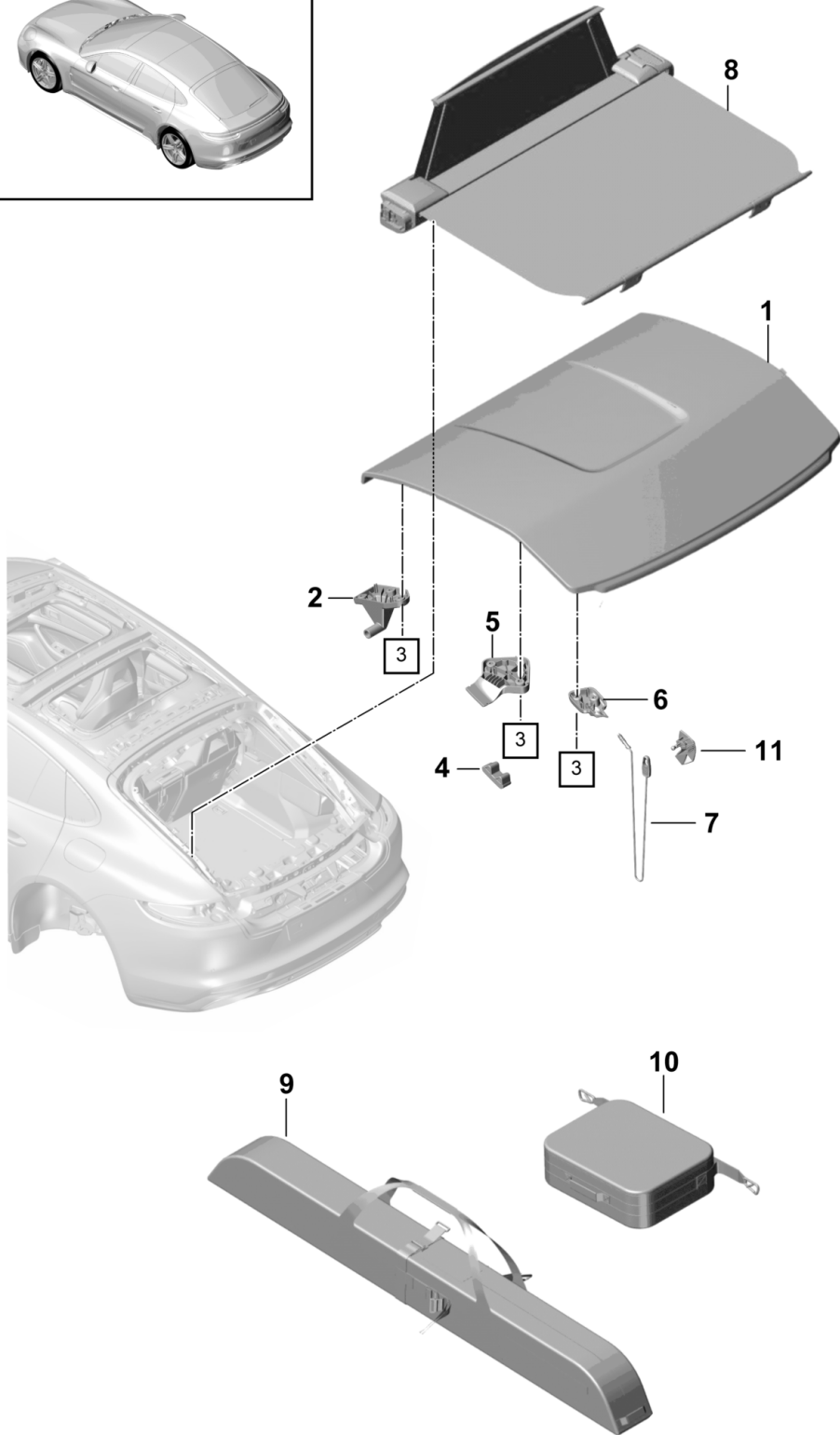
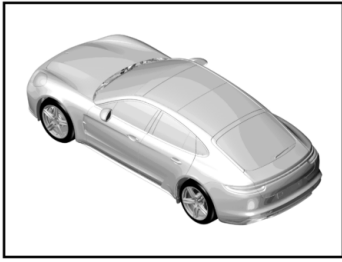
Model: 971-17

Model life 2017>>

Pos	Part Number	Description	Remark	Qty	Model
	974 867 628 A OS1	Truffle Brown	-HD		
	974 867 628 A OB8	Cohiba Brown	-HC		
5	9A7 864 215 00	U-clip		3	
6	958 555 190 00	Clip		X	
7	9A7 007 617 00	cup spacer		X	
8	9A7 007 798 00	cup spacer		1	
9	N 911 809 01	Flat head multi-point socket bolt		1	
10	9A7 007 942 00	bearing pin		1	
11	974 868 891 A	Bracket	left	1	
			rear		
(11)	974 868 892 A	Bracket	right	1	
			rear		
12	9A7 006 988 00	Bungs		2	
13	N 909 101 02	fillister head bolt with allen key head		5	

Model: 971-17

Model life 2017>>



Model: 971-17 Model life 2017>>

Pos	Part Number	Description	Remark	Qty	Model
1	971 867 360 B	Cover tray Hat roller blind tray Hat		1	PR: 3KG, 3KH, 3KI, 3KJ, 3U7, 3Y0, 3Y7
	971 867 360 B OL4	roller blind Black	without: -AB, PK, AC, BB, BS, BK		
	971 867 360 B OM5	agate grey	-DG, DL		
	971 867 360 B ON6	Luxor beige	-UB, UC		
	971 867 360 B OJ2	saddle brown	-BP, SB		
	971 867 360 B OK3	Marsala Red	-BC, BE		
(1)	971 867 360 C	tray Hat		1	PR: 3KG, 3KH, 3KI, 3KJ, 3KK, 3KL, 3KN, 3KR, 3Y2, 3Y8
	971 867 360 C OL4	roller blind Black	with: -AB, PK, AC, BB, BS, BK		
	971 867 360 C OM5	agate grey	-DG, DL		
	971 867 360 C ON6	Luxor beige	-UB, UC		
	971 867 360 C OJ2	saddle brown	-BP, SB		
	971 867 360 C OK3	Marsala Red	-BC, BE		
(1)	974 861 957 A	Cover blind for luggage compartment		1	PR-K8D, 3U4, 3Y0, 3Y7
	974 861 957 A 5Q0	Black	-AB, PK, AC, BB, BS, PL, BK		
	974 861 957 A BP1	saddle brown	-SB, BP		
	974 861 957 A OK2	agate grey	-DG, DL		
	974 861 957 A 6W0	Luxor beige	-UC		
	974 861 957 A 7X0	Marsala Red	-PC, BE		
	974 861 957 A OB8	Cohiba Brown	-HC		
	974 861 957 A OS1	Truffle Brown	-HD		
2	971 867 777	Hinge	left	1	PR: 3U7, 3Y0
	971 867 777 1E0	Black			
(2)	971 867 777 A	Hinge	left	1	PR: 3U7, 3Y2, 3Y8
	971 867 777 A 1E0	Black			
(2)	971 867 778	Hinge	right	1	PR: 3U7, 3Y0
	971 867 778 1E0	Black			
(2)	971 867 778 A	Hinge	right	1	PR: 3U7, 3Y7, 3Y8
	971 867 778 A 1E0	Black			
3	N 911 768 01	Hexagon socket flat head bolt		16	
4	971 867 815	Stop buffer		2	
5	971 868 253	shelf	left	1	
	971 868 253 1E0	Black			
(5)	971 868 254	shelf	right	1	
	971 868 254 1E0	Black			
(6)	971 867 785	Cord Mount	left	1	PR: 3U7
	971 867 785 1E0	Black			
(6)	971 867 786	Cord Mount	right	1	PR: 3U7
	971 867 786 1E0	Black			
7	971 864 057	Cord	left	1	PR: 3U7
	971 864 057 1E0	Black			
(7)	971 864 058	Cord	right	1	PR: 3U7
	971 864 058 1E0	Black			
8	971 861 313 C	Cover blind for luggage compartment		1	PR: 3KG, 3KH,

Model: 971-17

Model life 2017>>

Pos	Part Number	Description	Remark	Qty	Model
					3U7, 3Y2, 3Y8
		without:			
	971 861 313 C 5Q0	Electric Black	-AB, PK, AC, BB, BS, BK		
	971 861 313 C OK2	agate grey	-DG, DL		
	971 861 313 C 6W0	Luxor beige	-UB, UC		
	971 861 313 C BP1	saddle brown	-SB, BP		
	971 861 313 C 7X0	Marsala Red	-PC, BE		
(8)	971 861 313 D	cover for luggage boot		1	PR: 3KI, 3KJ,
		with:			
		Cover blind for luggage compartment			3KK, 3KL, 3KN, 3KR, 3U7, 3Y2, 3Y8
	971 861 313 D 5Q0	Electric Black	-AB, PK, AC, BB, BS, BK		
	971 861 313 D OK2	agate grey	-DG, DL		
	971 861 313 D 6W0	Luxor beige	-UB, UC		
	971 861 313 D BP1	saddle brown	-SB, BP		
	971 861 313 D 7X0	Marsala Red	-PC, BE		
(8)	971 861 317 C	cover for luggage boot		1	PR: 3KG, 3KH,
		with:			
		Cover blind for luggage compartment			3U4, 3Y2, 3Y8
	971 861 317 C 5Q0	Electric Black	-AB, PK, AC, BB, BS, BK		
	971 861 317 C OK2	agate grey	-DG, DL		
	971 861 317 C 6W0	Luxor beige	-UB, UC		
	971 861 317 C BP1	saddle brown	-SB, BP		
	971 861 317 C 7X0	Marsala Red	-PC, BE		
(8)	971 861 317 D	cover for luggage boot		1	PR: 3KI, 3KJ,
		with:			
		Cover blind for luggage compartment			3KK, 3KL, 3KN, 3KR, 3U4, 3Y2, 3Y8
	971 861 317 D 5Q0	Electric Black	-AB, PK, AC, BB, BS, BK		
	971 861 317 D OK2	agate grey	-DG, DL		
	971 861 317 D 6W0	Luxor beige	-UB, UC		
	971 861 317 D BP1	saddle brown	-SB, BP		
	971 861 317 D 7X0	Marsala Red	-PC, BE		
(8)	971 861 957 A	cover for luggage boot		1	PR-K8S, 3KG, 3KH, 3KI, 3KJ, 3U4, 3Y0, 3Y7
	971 861 957 A 5Q0	Black	-AB, PK, AC, BB, BS, BK		
	971 861 957 A OK2	agate grey	-DG, DL		
	971 861 957 A 6W0	Luxor beige	-UB, UC		
	971 861 957 A BP1	saddle brown	-SB, BP		
	971 861 957 A 7X0	Marsala Red	-PC, BE		
9	971 860 837	Ski bag		1	PR: 3X1
		with:			
10	9A7 860 811 00	Carrier bag Pocket		1	PR: 0K3
11	971 868 995	Connection line Adapter	left	1	PR: 3U7
	971 868 995 1E0	Cord Black	-AB, PK, AC, BB, BS, PL, BK		
	971 868 995 OP1	agate grey	-DG, DL		

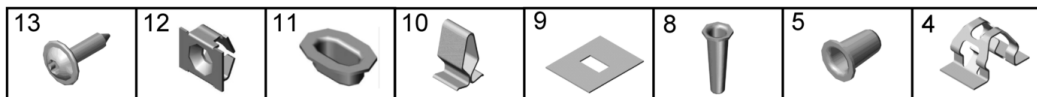
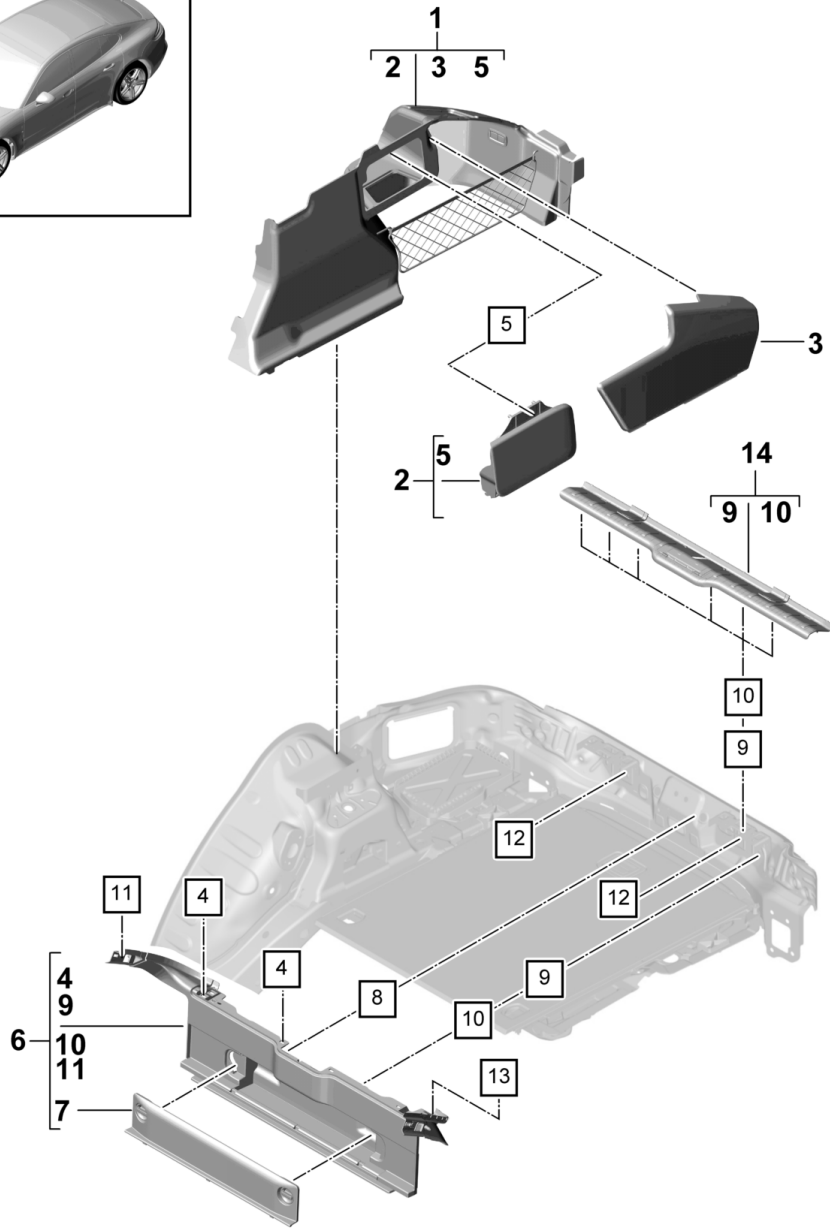
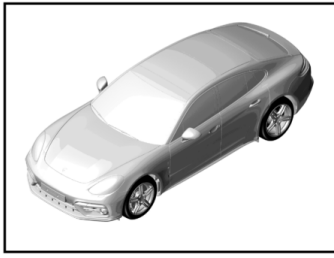
Model: 971-17

Model life 2017>>

Pos	Part Number	Description	Remark	Qty	Model
(11)	971 868 995 OM8	saddle brown	-SB,BP	1	PR:3U7
	971 868 995 4H0	Luxor beige	-UC		
	971 868 995 3G0	Marsala Red	-PC,BE		
	971 868 995 OS1	Truffle Brown	-HD		
	971 868 995 OB8	Cohiba Brown	-HC		
	971 868 996	Adapter Cord	right		
	971 868 996 1E0	Black	-AB,PK,AC,BB, BS,PL,BK		
	971 868 996 OP1	agate grey	-DG,DL		
	971 868 996 OM8	saddle brown	-SB,BP		
	971 868 996 4H0	Luxor beige	-UC		
	971 868 996 3G0	Marsala Red	-PC,BE		
	971 868 996 OS1	Truffle Brown	-HD		
	971 868 996 OB8	Cohiba Brown	-HC		

Model: 971-17

Model life 2017>>



Model: 971-17

Model life 2017>>

Pos	Part Number	Description	Remark	Qty	Model
1	971 868 224 E	Luggage compartment trim Trim	side right	1	PR:K8S PR:QE1,0K0, 1D3,6G2
	971 868 224 E 6B0	Black	-AB,PK,AC,BB, BS,BK,PL		
	971 868 224 E 9C0	agate grey	-DG,DL		
	971 868 224 E 7K0	Luxor beige	-UB,UC		
	971 868 224 E BW3	saddle brown	-SB,BP		
	971 868 224 E 7G0	Marsala Red	-PC,BE		
	971 868 224 E OS1	Truffle Brown	-HD		
	971 868 224 E OB8	Cohiba Brown	-HC		
(1)	971 868 224	Trim	right	1	PR:QE1,QV0, QU8,QV3,0K0, 1D0,7A0,1D7
	971 868 224 6B0	Black	-AB,PK,AC,BB, BS,BK,PL		
	971 868 224 9C0	agate grey	-DG,DL		
	971 868 224 7K0	Luxor beige	-UB,UC		
	971 868 224 BW3	saddle brown	-SB,BP		
	971 868 224 7G0	Marsala Red	-PC,BE		
	971 868 224 OS1	Truffle Brown	-HD		
	971 868 224 OB8	Cohiba Brown	-HC		
(1)	971 868 224 A	Trim	right	1	PR:0K3,7A0
	971 868 224 A 6B0	Black	-AB,PK,AC,BB, BS,BK,PL		
	971 868 224 A 9C0	agate grey	-DG,DL		
	971 868 224 A 7K0	Luxor beige	-UB,UC		
	971 868 224 A BW3	saddle brown	-SB,BP		
	971 868 224 A 7G0	Marsala Red	-PC,BE		
	971 868 224 A OS1	Truffle Brown	-HD		
	971 868 224 A OB8	Cohiba Brown	-HC		
(1)	971 868 224 B	Trim	right	1	PR:QE1,0K0, 1D0,6G2,1D7
	971 868 224 B 6B0	Black	-AB,PK,AC,BB, BS,BK,PL		
	971 868 224 B 9C0	agate grey	-DG,DL		
	971 868 224 B 7K0	Luxor beige	-UB,UC		
	971 868 224 B BW3	saddle brown	-SB,BP		
	971 868 224 B 7G0	Marsala Red	-PC,BE		
	971 868 224 B OS1	Truffle Brown	-HD		
	971 868 224 B OB8	Cohiba Brown	-HC		
(1)	971 868 224 C	Trim	right	1	PR:0K3,6G2
	971 868 224 C 6B0	Black	-AB,PK,AC,BB, BS,BK,PL		
	971 868 224 C 9C0	agate grey	-DG,DL		
	971 868 224 C 7K0	Luxor beige	-UB,UC		
	971 868 224 C BW3	saddle brown	-SB,BP		
	971 868 224 C 7G0	Marsala Red	-PC,BE		
	971 868 224 C OS1	Truffle Brown	-HD		
	971 868 224 C OB8	Cohiba Brown	-HC		
(1)	971 868 224 D	Trim	right	1	PR:QE1,QV0, QU8,QV3,0K0, 1D3,7A0
	971 868 224 D 6B0	Black	-AB,PK,AC,BB, BS,BK,PL		
	971 868 224 D 9C0	agate grey	-DG,DL		
	971 868 224 D 7K0	Luxor beige	-UB,UC		
	971 868 224 D BW3	saddle brown	-SB,BP		
	971 868 224 D 7G0	Marsala Red	-PC,BE		
	971 868 224 D OS1	Truffle Brown	-HD		
	971 868 224 D OB8	Cohiba Brown	-HC		
(1)	971 868 224 F	Trim	right	1	PR:QE1,QU1, QV1,0K0,1D0,

Model: 971-17 Model life 2017>>

Pos	Part Number	Description	Remark	Qty	Model
	971 868 224 F 6B0	Black	-AB,PK,AC,BB, BS,BK,PL		7A0,1D7
	971 868 224 F 9C0	agate grey	-DG,DL		
	971 868 224 F 7K0	Luxor beige	-UB,UC		
	971 868 224 F BW3	saddle brown	-SB,BP		
	971 868 224 F 7G0	Marsala Red	-PC,BE		
	971 868 224 F OS1	Truffle Brown	-HD		
	971 868 224 F OB8	Cohiba Brown	-HC		
(1)	971 868 224 G	Trim	right	1	PR:QE1,QU1, QV1,OK0,1D3
	971 868 224 G 6B0	Black	-AB,PK,AC,BB, BS,BK,PL		
	971 868 224 G 9C0	agate grey	-DG,DL		
	971 868 224 G 7K0	Luxor beige	-UB,UC		
	971 868 224 G BW3	saddle brown	-SB,BP		
	971 868 224 G 7G0	Marsala Red	-PC,BE		
	971 868 224 G OS1	Truffle Brown	-HD		
	971 868 224 G OB8	Cohiba Brown	-HC		
(1)	971 868 224 H	Trim	right	1	PR:QE0,QU8, QV0,QV3,OK0, 1D0,1D7,7A0
	971 868 224 H 6B0	Black	-AB,PK,AC,BB, BS,BK,PL		
	971 868 224 H 9C0	agate grey	-DG,DL		
	971 868 224 H 7K0	Luxor beige	-UB,UC		
	971 868 224 H BW3	saddle brown	-SB,BP		
	971 868 224 H 7G0	Marsala Red	-PC,BE		
	971 868 224 H OS1	Truffle Brown	-HD		
	971 868 224 H OB8	Cohiba Brown	-HC		
(1)	971 868 224 J	Trim	right	1	PR:QE0,OK0, 1D0,1D7,6G2
	971 868 224 J 6B0	Black	-AB,PK,AC,BB, BS,BK,PL		
	971 868 224 J 9C0	agate grey	-DG,DL		
	971 868 224 J 7K0	Luxor beige	-UB,UC		
	971 868 224 J BW3	saddle brown	-SB,BP		
	971 868 224 J 7G0	Marsala Red	-PC,BE		
	971 868 224 J OS1	Truffle Brown	-HD		
	971 868 224 J OB8	Cohiba Brown	-HC		
(1)	971 868 224 K	Trim	right	1	PR:QE0,QU8, QV0,QV3,OK0, 1D3,7A0
	971 868 224 K 6B0	Black	-AB,PK,AC,BB, BS,BK,PL		
	971 868 224 K 9C0	agate grey	-DG,DL		
	971 868 224 K 7K0	Luxor beige	-UB,UC		
	971 868 224 K BW3	saddle brown	-SB,BP		
	971 868 224 K 7G0	Marsala Red	-PC,BE		
	971 868 224 K OS1	Truffle Brown	-HD		
	971 868 224 K OB8	Cohiba Brown	-HC		
(1)	971 868 224 L	Trim	right	1	PR:QE0,OK0, 1D3,6G2
	971 868 224 L 6B0	Black	-AB,PK,AC,BB, BS,BK,PL		
	971 868 224 L 9C0	agate grey	-DG,DL		
	971 868 224 L 7K0	Luxor beige	-UB,UC		
	971 868 224 L BW3	saddle brown	-SB,BP		
	971 868 224 L 7G0	Marsala Red	-PC,BE		
	971 868 224 L OS1	Truffle Brown	-HD		
	971 868 224 L OB8	Cohiba Brown	-HC		
(1)	971 868 224 M	Trim	right	1	PR:QE0,QU1, QV1,OK0,1D0,

Model: 971-17 Model life 2017>>

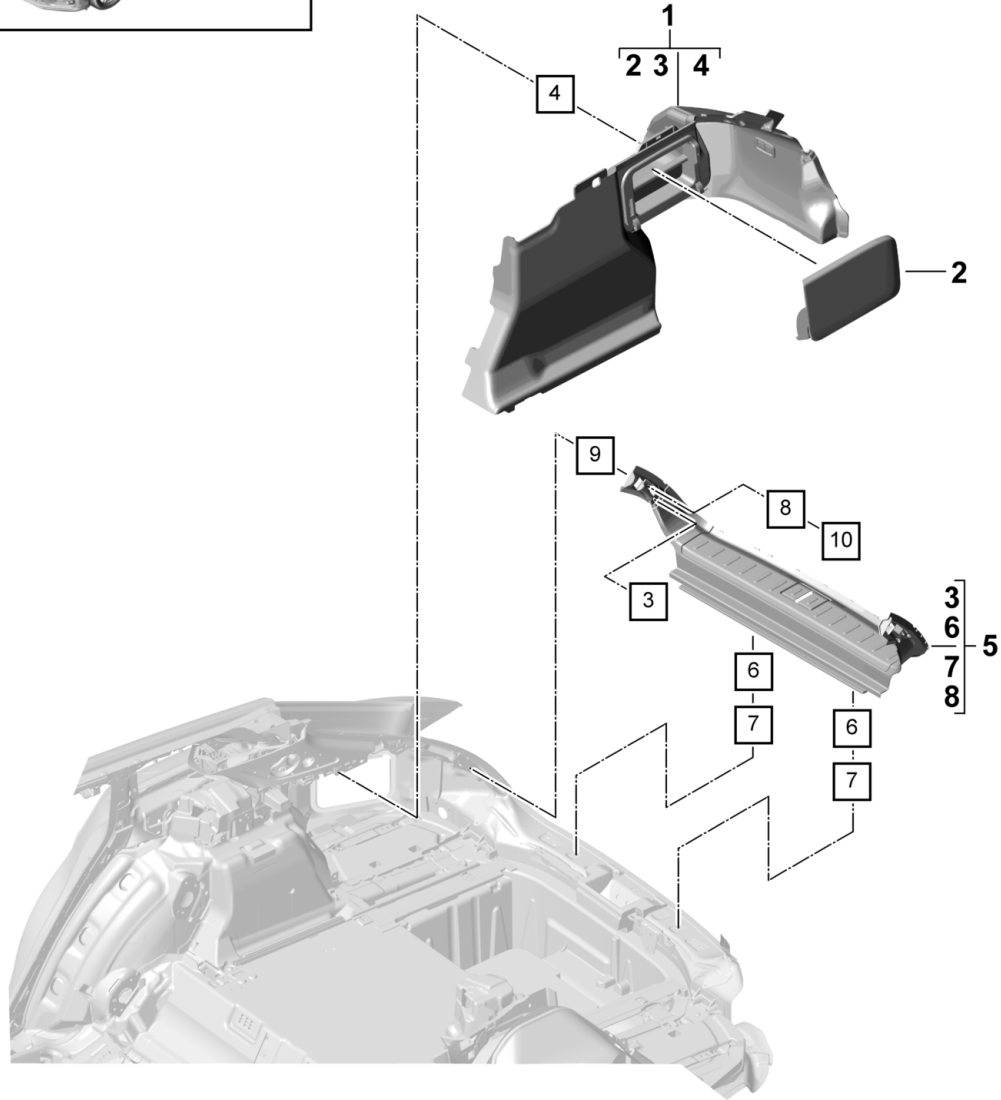
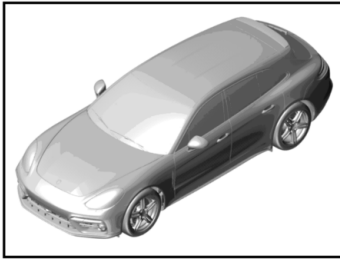
Pos	Part Number	Description	Remark	Qty	Model
	971 868 224 M 6B0	Black	-AB,PK,AC,BB, BS,BK,PL		1D7,7A0
	971 868 224 M 9C0	agate grey	-DG,DL		
	971 868 224 M 7K0	Luxor beige	-UB,UC		
	971 868 224 M BW3	saddle brown	-SB,BP		
	971 868 224 M 7G0	Marsala Red	-PC,BE		
	971 868 224 M OS1	Truffle Brown	-HD		
	971 868 224 M OB8	Cohiba Brown	-HC		
(1)	971 868 224 N	Trim	right	1	PR:QE0,QU1, QV1,OK0,1D3, 7A0
	971 868 224 N 6B0	Black	-AB,PK,AC,BB, BS,BK,PL		
	971 868 224 N 9C0	agate grey	-DG,DL		
	971 868 224 N 7K0	Luxor beige	-UB,UC		
	971 868 224 N BW3	saddle brown	-SB,BP		
	971 868 224 N 7G0	Marsala Red	-PC,BE		
	971 868 224 N OS1	Truffle Brown	-HD		
	971 868 224 N OB8	Cohiba Brown	-HC		
(1)	971 868 223	Trim	left	1	PR:QE1,0F5, OK0,9VK,1A2
	971 868 223 6B0	Black	-AB,PK,AC,BB, BS,BK,PL		
	971 868 223 9C0	agate grey	-DG,DL		
	971 868 223 7K0	Luxor beige	-UB,UC		
	971 868 223 BW3	saddle brown	-SB,BP		
	971 868 223 7G0	Marsala Red	-PC,BE		
	971 868 223 OS1	Truffle Brown	-HD		
	971 868 223 OB8	Cohiba Brown	-HC		
(1)	971 868 223	Trim	left	1	PR:QE1,OK0, 1A2
	971 868 223 6B0	Black	-AB,PK,AC,BB, BS,BK,PL		
	971 868 223 9C0	agate grey	-DG,DL		
	971 868 223 7K0	Luxor beige	-UB,UC		
	971 868 223 BW3	saddle brown	-SB,BP		
	971 868 223 7G0	Marsala Red	-PC,BE		
	971 868 223 OS1	Truffle Brown	-HD		
	971 868 223 OB8	Cohiba Brown	-HC		
(1)	971 868 223 A	Trim	left	1	PR:QE1,0F5, OK3,9VJ,9VL
	971 868 223 A 6B0	Black	-AB,PK,AC,BB, BS,BK,PL		
	971 868 223 A 9C0	agate grey	-DG,DL		
	971 868 223 A 7K0	Luxor beige	-UB,UC		
	971 868 223 A BW3	saddle brown	-SB,BP		
	971 868 223 A 7G0	Marsala Red	-PC,BE		
	971 868 223 A OS1	Truffle Brown	-HD		
	971 868 223 A OB8	Cohiba Brown	-HC		
(1)	971 868 223 B	Trim	left	1	PR:QE0,0F5, OK0,9VK,1A2
	971 868 223 B 6B0	Black	-AB,PK,AC,BB, BS,BK,PL		
	971 868 223 B 9C0	agate grey	-DG,DL		
	971 868 223 B 7K0	Luxor beige	-UB,UC		
	971 868 223 B BW3	saddle brown	-SB,BP		
	971 868 223 B 7G0	Marsala Red	-PC,BE		
	971 868 223 B OS1	Truffle Brown	-HD		
	971 868 223 B OB8	Cohiba Brown	-HC		
(1)	971 868 223 C	Trim	left	1	PR:QE0,0F5, OK3,9VJ,9VL
	971 868 223 C 6B0	Black	-AB,PK,AC,BB, BS,BK,PL		

Model: 971-17 Model life 2017>>

Pos	Part Number	Description	Remark	Qty	Model
	971 868 223 C 9C0	agate grey	BS, BK, PL		
	971 868 223 C 7K0	Luxor beige	-DG, DL		
	971 868 223 C BW3	saddle brown	-UB, UC		
	971 868 223 C 7G0	Marsala Red	-SB, BP		
	971 868 223 C OS1	Truffle Brown	-PC, BE		
	971 868 223 C OB8	Cohiba Brown	-HD		
2	971 868 828	Cover	-HC	1	PR:6G2
	971 868 828 1E0	Black	right		
			-AB, PK, AC, BB,		
			BS, BK, PL		
	971 868 828 OP1	agate grey	-DG, DL		
	971 868 828 4H0	Luxor beige	-UB, UC		
	971 868 828 OM8	saddle brown	-SB, BP		
	971 868 828 3G0	Marsala Red	-PC, BE		
	971 868 828 OS1	Truffle Brown	-HD		
	971 868 828 OB8	Cohiba Brown	-HC		
3	971 868 886	Cover	right	1	PR:0K3
	971 868 886 6B0	Black	-AB, PK, AC, BB,		
			BS, BK, PL		
	971 868 886 9C0	agate grey	-DG, DL		
	971 868 886 7K0	Luxor beige	-UB, UC		
	971 868 886 BW3	saddle brown	-SB, BP		
	971 868 886 7G0	Marsala Red	-PC, BE		
	971 868 886 OS1	Truffle Brown	-HD		
	971 868 886 OB8	Cohiba Brown	-HC		
4	958 555 190 00	Clip		X	
5	9A7 006 988 00	Bungs		2	
6	971 867 707	Trim	rear	1	
		lock	lower		
	971 867 707 1E0	Black	-AB, PK, AC, BB,		
			BS, BK, PL		
	971 867 707 OP1	agate grey	-DG, DL		
	971 867 707 4H0	Luxor beige	-UB, UC		
	971 867 707 OM8	saddle brown	-SB, BP		
	971 867 707 3G0	Marsala Red	-PC, BE		
	971 867 707 OS1	Truffle Brown	-HD		
	971 867 707 OB8	Cohiba Brown	-HC		
7	971 863 761	Cover		1	
		warning triangle			
	971 863 761 1E0	Black	-AB, PK, AC, BB,		
			BS, BK, PL		
	971 863 761 OP1	agate grey	-DG, DL		
	971 863 761 4H0	Luxor beige	-UB, UC		
	971 863 761 OM8	saddle brown	-SB, BP		
	971 863 761 3G0	Marsala Red	-PC, BE		
	971 863 761 OS1	Truffle Brown	-HD		
	971 863 761 OB8	Cohiba Brown	-HC		
8	971 867 972	Grommet		1	
9	9A7 007 207 00	Distance piece		X	
10	999 507 681 01	Clip		X	
11	9A7 006 995 00	cup spacer		4	
12	N 910 384 01	speed nut		2	
13	N 906 986 05	Hexagon socket head panel bolt		4	
14	971 864 483 A	Trim	upper	1	PR:K8S
		Reinforcement			
	971 864 483 A 5R5	stainless steel			

Model: 971-17

Model life 2017>>



Model: 971-17

Model life 2017>>

Pos	Part Number	Description	Remark	Qty	Model
1	974 868 224 E	Luggage compartment trim Trim	side	1	PR:K8D /R PR:K8D,QE1, OK0,1D3,6G2
	974 868 224 E 6B0	Black	-AB,PK,AC,BB, BS,PL,BK		
	974 868 224 E 9C0	agate grey	-DG,DL		
	974 868 224 E BW3	saddle brown	-SB,BP		
	974 868 224 E 7K0	Luxor beige	-UC		
	974 868 224 E 7G0	Marsala Red	-PC,BE		
	974 868 224 E OS1	Truffle Brown	-HD		
	974 868 224 E OB8	Cohiba Brown	-HC		
(1)	974 868 224	Trim		1	/R PR:K8D,QE1, QU8,QV0,QV3, OK0,1D0,1D7, 7A0
	974 868 224 6B0	Black	-AB,PK,AC,BB, BS,PL,BK		
	974 868 224 9C0	agate grey	-DG,DL		
	974 868 224 BW3	saddle brown	-SB,BP		
	974 868 224 7K0	Luxor beige	-UC		
	974 868 224 7G0	Marsala Red	-PC,BE		
	974 868 224 OS1	Truffle Brown	-HD		
	974 868 224 OB8	Cohiba Brown	-HC		
(1)	974 868 224 A	Trim		1	/R PR:K8D,OK3, 7A0
	974 868 224 A 6B0	Black	-AB,PK,AC,BB, BS,PL,BK		
	974 868 224 A 9C0	agate grey	-DG,DL		
	974 868 224 A BW3	saddle brown	-SB,BP		
	974 868 224 A 7K0	Luxor beige	-UC		
	974 868 224 A 7G0	Marsala Red	-PC,BE		
	974 868 224 A OS1	Truffle Brown	-HD		
	974 868 224 A OB8	Cohiba Brown	-HC		
(1)	974 868 224 B	Trim		1	/R PR:K8D,QE1, OK0,1D0,1D7, 6G2
	974 868 224 B 6B0	Black	-AB,PK,AC,BB, BS,PL,BK		
	974 868 224 B 9C0	agate grey	-DG,DL		
	974 868 224 B BW3	saddle brown	-SB,BP		
	974 868 224 B 7K0	Luxor beige	-UC		
	974 868 224 B 7G0	Marsala Red	-PC,BE		
	974 868 224 B OS1	Truffle Brown	-HD		
	974 868 224 B OB8	Cohiba Brown	-HC		
(1)	974 868 224 C	Trim		1	/R PR:K8D,OK3, 6G2
	974 868 224 C 6B0	Black	-AB,PK,AC,BB, BS,PL,BK		
	974 868 224 C 9C0	agate grey	-DG,DL		
	974 868 224 C BW3	saddle brown	-SB,BP		
	974 868 224 C 7K0	Luxor beige	-UC		
	974 868 224 C 7G0	Marsala Red	-PC,BE		
	974 868 224 C OS1	Truffle Brown	-HD		
	974 868 224 C OB8	Cohiba Brown	-HC		
(1)	974 868 224 D	Trim		1	/R PR:K8D,QE1, QU8,QV0,QV3, OK0,1D3,7A0

Model: 971-17 Model life 2017>>

Pos	Part Number	Description	Remark	Qty	Model
	974 868 224 D 6B0	Black	-AB, PK, AC, BB, BS, PL, BK		
	974 868 224 D 9C0	agate grey	-DG, DL		
	974 868 224 D BW3	saddle brown	-SB, BP		
	974 868 224 D 7K0	Luxor beige	-UC		
	974 868 224 D 7G0	Marsala Red	-PC, BE		
	974 868 224 D OS1	Truffle Brown	-HD		
	974 868 224 D OB8	Cohiba Brown	-HC		
(1)	974 868 224 H	Trim		1	/R PR:K8D, QE0, QU8, QV0, QV3, OK0, 1D0, 1D7, 7A0
	974 868 224 H 6B0	Black	-AB, PK, AC, BB, BS, PL, BK		
	974 868 224 H 9C0	agate grey	-DG, DL		
	974 868 224 H BW3	saddle brown	-SB, BP		
	974 868 224 H 7K0	Luxor beige	-UC		
	974 868 224 H 7G0	Marsala Red	-PC, BE		
	974 868 224 H OS1	Truffle Brown	-HD		
	974 868 224 H OB8	Cohiba Brown	-HC		
(1)	974 868 224 J	Trim		1	/R PR:K8D, QE0, OK0, 1D0, 1D7, 6G2
	974 868 224 J 6B0	Black	-AB, PK, AC, BB, BS, PL, BK		
	974 868 224 J 9C0	agate grey	-DG, DL		
	974 868 224 J BW3	saddle brown	-SB, BP		
	974 868 224 J 7K0	Luxor beige	-UC		
	974 868 224 J 7G0	Marsala Red	-PC, BE		
	974 868 224 J OS1	Truffle Brown	-HD		
	974 868 224 J OB8	Cohiba Brown	-HC		
(1)	974 868 224 K	Trim		1	/R PR:K8D, QE0, QU8, QV0, QV3, OK0, 1D3, 7A0
	974 868 224 K 6B0	Black	-AB, PK, AC, BB, BS, PL, BK		
	974 868 224 K 9C0	agate grey	-DG, DL		
	974 868 224 K BW3	saddle brown	-SB, BP		
	974 868 224 K 7K0	Luxor beige	-UC		
	974 868 224 K 7G0	Marsala Red	-PC, BE		
	974 868 224 K OS1	Truffle Brown	-HD		
	974 868 224 K OB8	Cohiba Brown	-HC		
(1)	974 868 224 L	Trim		1	/R PR:K8D, QE0, OK0, 1D3, 6G2
	974 868 224 L 6B0	Black	-AB, PK, AC, BB, BS, PL, BK		
	974 868 224 L 9C0	agate grey	-DG, DL		
	974 868 224 L BW3	saddle brown	-SB, BP		
	974 868 224 L 7K0	Luxor beige	-UC		
	974 868 224 L 7G0	Marsala Red	-PC, BE		
	974 868 224 L OS1	Truffle Brown	-HD		
	974 868 224 L OB8	Cohiba Brown	-HC		
(1)	974 868 224 M	Trim		1	/R PR:K8D, QE0, QU1, QV1, OK0, 1D0, 1D7, 7A0
	974 868 224 M 6B0	Black	-AB, PK, AC, BB, BS, PL, BK		
	974 868 224 M 9C0	agate grey	-DG, DL		

Model: 971-17 Model life 2017>>

Pos	Part Number	Description	Remark	Qty	Model
(1)	974 868 224 M BW3	saddle brown	-SB,BP	1	/R PR:K8D,QE0, QU1,QV1,0K0, 1D3,7A0
	974 868 224 M 7K0	Luxor beige	-UC		
	974 868 224 M 7G0	Marsala Red	-PC,BE		
	974 868 224 M OS1	Truffle Brown	-HD		
	974 868 224 M OB8	Cohiba Brown	-HC		
	974 868 224 N	Trim			
	974 868 224 N 6B0	Black	-AB,PK,AC,BB, BS,PL,BK		
	974 868 224 N 9C0	agate grey	-DG,DL		
	974 868 224 N BW3	saddle brown	-SB,BP		
	974 868 224 N 7K0	Luxor beige	-UC		
(1)	974 868 224 N 7G0	Marsala Red	-PC,BE	1	/L PR:K8D,QE1, 0F5,0K0,9VK, 1A2,9Z0
	974 868 224 N OS1	Truffle Brown	-HD		
	974 868 224 N OB8	Cohiba Brown	-HC		
	974 868 223	Trim			
	974 868 223 6B0	Black	-AB,PK,AC,BB, BS,PL,BK		
	974 868 223 9C0	agate grey	-DG,DL		
	974 868 223 BW3	saddle brown	-SB,BP		
	974 868 223 7K0	Luxor beige	-UC		
	974 868 223 7G0	Marsala Red	-PC,BE		
	974 868 223 OS1	Truffle Brown	-HD		
(1)	974 868 223 OB8	Cohiba Brown	-HC	1	/L PR:K8D,QE1, 0F5,0K3,9VJ, 9VL,9Z0
	974 868 223 A	Trim			
	974 868 223 A 6B0	Black	-AB,PK,AC,BB, BS,PL,BK		
	974 868 223 A 9C0	agate grey	-DG,DL		
	974 868 223 A BW3	saddle brown	-SB,BP		
	974 868 223 A 7K0	Luxor beige	-UC		
	974 868 223 A 7G0	Marsala Red	-PC,BE		
	974 868 223 A OS1	Truffle Brown	-HD		
	974 868 223 A OB8	Cohiba Brown	-HC		
	974 868 223 B	Trim			
(1)	974 868 223 B 6B0	Black	-AB,PK,AC,BB, BS,PL,BK	1	/L PR:K8D,QE0, 0F5,0K0,9VK, 1A2,9Z0
	974 868 223 B 9C0	agate grey	-DG,DL		
	974 868 223 B BW3	saddle brown	-SB,BP		
	974 868 223 B 7K0	Luxor beige	-UC		
	974 868 223 B 7G0	Marsala Red	-PC,BE		
	974 868 223 B OS1	Truffle Brown	-HD		
	974 868 223 B OB8	Cohiba Brown	-HC		
	974 868 223 C	Trim			
	974 868 223 C 6B0	Black	-AB,PK,AC,BB, BS,PL,BK		
	974 868 223 C 9C0	agate grey	-DG,DL		
974 868 223 C BW3	saddle brown	-SB,BP			
974 868 223 C 7K0	Luxor beige	-UC			
974 868 223 C 7G0	Marsala Red	-PC,BE			

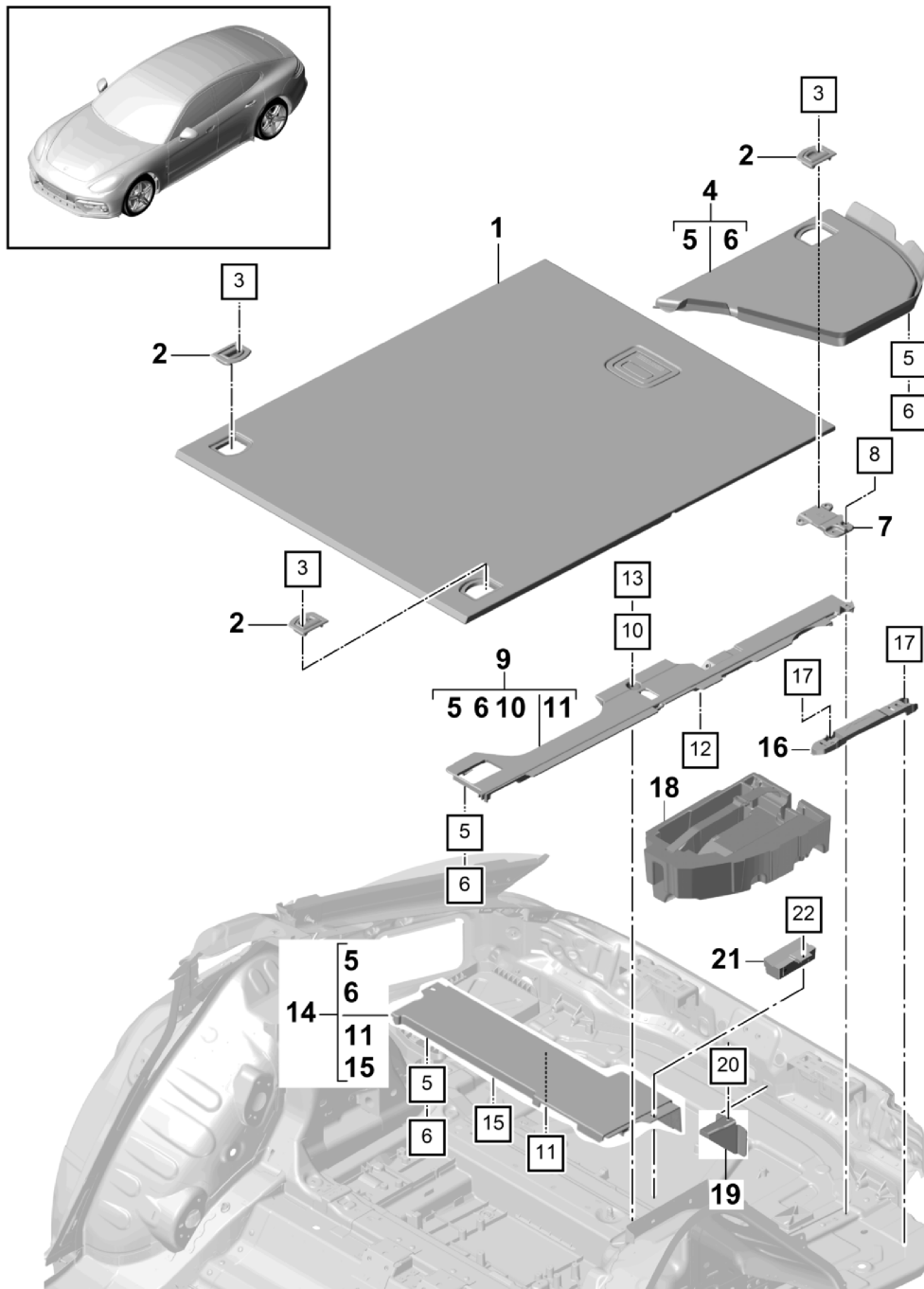
Model: 971-17

Model life 2017>>

Pos	Part Number	Description	Remark	Qty	Model
2	974 868 223 C OS1	Truffle Brown	-HD	1	PR:K8D, 0K3
	974 868 223 C OB8	Cohiba Brown	-HC		
	974 868 886	Cover			
	974 868 886 6B0	Black	-AB, PK, AC, BB, BS, PL, BK		
	974 868 886 9C0	agate grey	-DG, DL		
	974 868 886 BW3	saddle brown	-SB, BP		
	974 868 886 7K0	Luxor beige	-UC		
	974 868 886 7G0	Marsala Red	-PC, BE		
	974 868 886 OS1	Truffle Brown	-HD		
	974 868 886 OB8	Cohiba Brown	-HC		
3	958 555 190 00	Clip		3	PR:0K3
4	N 909 113 01	Clip		1	
5	974 867 707	Trim	rear	1	PR:K8D
		lock			
	974 867 707 1E0	Black	-AB, PK, AC, BB, BS, PL, BK		
	974 867 707 OP1	agate grey	-DG, DL		
	974 867 707 OM8	saddle brown	-SB, BP		
	974 867 707 4H0	Luxor beige	-UC		
	974 867 707 3G0	Marsala Red	-PC, BE		
	974 867 707 OS1	Truffle Brown	-HD		
	974 867 707 OB8	Cohiba Brown	-HC		
	6	9A7 007 207 00	Distance piece		
7	955 555 279 00	Retaining clip		10	
8	9A7 006 995 00	cup spacer		2	
9	N 910 384 01	speed nut		1	
10	N 906 986 05	Hexagon socket head panel bolt		1	

Model: 971-17

Model life 2017>>



13	12	11	10	8	6	5	3
22	20	17	15				

Model: 971-17 Model life 2017>>

Pos	Part Number	Description	Remark	Qty	Model
1	971 861 531	Linings Luggage compartment Floor Trim	center	1	PR:3GA
	971 861 531 6B0	Black	-AB,PK,AC,BB, BS,BK		
	971 861 531 9C0	agate grey	-DG,DL		
	971 861 531 7K0	Luxor beige	-UB,UC		
	971 861 531 BW3	saddle brown	-SB,BP		
	971 861 531 7G0	Marsala Red	-PC,BE		
2	9A7 864 203 00	Eye		4	
	9A7 864 203 00 2ZZ	chrome			
3	N 107 115 01	Countersunk oval bolt with hexagon socket head		8	
4	971 867 427	Trim	left	1	PR:QE1
	971 867 427 6B0	Black	-AB,PK,AC,BB, BS,BK		
	971 867 427 9C0	agate grey	-DG,DL		
	971 867 427 7K0	Luxor beige	-UB,UC		
	971 867 427 BW3	saddle brown	-SB,BP		
	971 867 427 7G0	Marsala Red	-PC,BE		
(4)	971 867 428	Trim	right	1	PR:QE1
	971 867 428 6B0	Black	-AB,PK,AC,BB, BS,BK		
	971 867 428 9C0	agate grey	-DG,DL		
	971 867 428 7K0	Luxor beige	-UB,UC		
	971 867 428 BW3	saddle brown	-SB,BP		
	971 867 428 7G0	Marsala Red	-PC,BE		
(4)	971 867 427 A	Trim	left	1	PR:QE0
	971 867 427 A 6B0	Black	-AB,PK,AC,BB, BS,BK		
	971 867 427 A 9C0	agate grey	-DG,DL		
	971 867 427 A 7K0	Luxor beige	-UB,UC		
	971 867 427 A BW3	saddle brown	-SB,BP		
	971 867 427 A 7G0	Marsala Red	-PC,BE		
(4)	971 867 428 A	Trim	right	1	PR:QE0
	971 867 428 A 6B0	Black	-AB,PK,AC,BB, BS,BK		
	971 867 428 A 9C0	agate grey	-DG,DL		
	971 867 428 A 7K0	Luxor beige	-UB,UC		
	971 867 428 A BW3	saddle brown	-SB,BP		
	971 867 428 A 7G0	Marsala Red	-PC,BE		
5	999 507 681 01	Clip		X	
6	9A7 007 207 00	Distance piece		X	
7	971 868 741 B	Bracket	left	1	PR:0F5,1A2, OK0
		Eye			
		D >> - 12.12.2017			
(7)	971 868 741 D	Bracket	left	1	PR:3GA
		Eye			
		D >> - 12.12.2017			
(7)	971 868 741 E	Bracket	left	1	PR:3GA
		Eye			
		D - 13.12.2017>>			
(7)	971 868 742 B	Bracket	right	1	PR:0F5,1A2, OK0
		Eye			
		D >> - 12.12.2017			
(7)	971 868 742 D	Bracket	right	1	PR:3GA
		Eye			
		D >> - 12.12.2017			
(7)	971 868 742 E	Bracket	right	1	PR:3GA
		Eye			
		D - 13.12.2017>>			

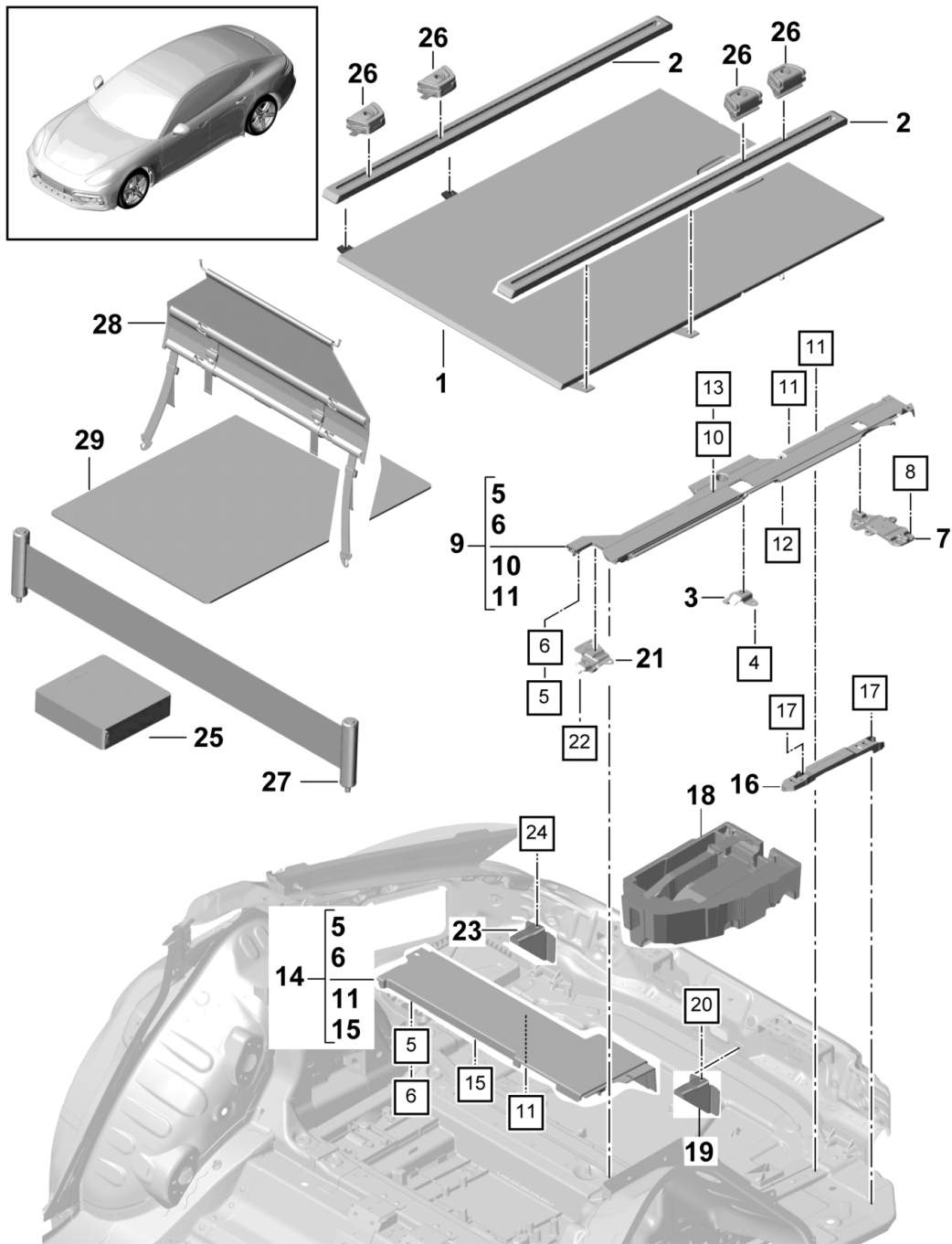
Model: 971-17

Model life 2017>>

Pos	Part Number	Description	Remark	Qty	Model
8	N 107 555 01	Hexagon bolt	M6X30	4	
9	971 864 595 B	retaining strip	left	1	PR:0K0,0K3, 3GA
	971 864 595 B 1E0	Black			
(9)	971 864 596 B	retaining strip	right	1	PR:3GA
	971 864 596 B 1E0	Black			
10	9A7 006 993 00	cup spacer		2	
11	958 555 190 00	Clip		2	PR:0K0
12	N 910 384 01	speed nut		1	
13	N 906 986 05	Hexagon socket head panel bolt		2	
14	971 864 599 A	retaining strip	center	1	PR:0K3
	971 864 599 A 1E0	Black			
(14)	971 864 599 B	retaining strip	center	1	PR:0K0
	971 864 599 B 1E0	Black			
15	9A7 006 988 00	Bungs		3	
16	971 867 159	Bracket		2	PR:0K0,1A2, 0F5,9VK,9VJ, 9VL
17	N 910 189 01	Hexagon plastic collar nut		X	PR:0K0,1A2, 0F5,9VK,9VJ, 9VL
18	971 864 475 B	Foam part		1	PR:0K0
19	971 861 350	Bracket		1	PR:0K0
20	N 106 795 01	oval head panel screw ST 4.2X16		1	
21	971 864 445	Foam part		1	PR:J0B
22	958 106 532 00	Hexagon bolt	M6X16	1	PR:0K0

Model: 971-17

Model life 2017>>



13	12	11	10	8	6	5	4
24	22	20	17	15	14	11	11

Model: 971-17 Model life 2017>>

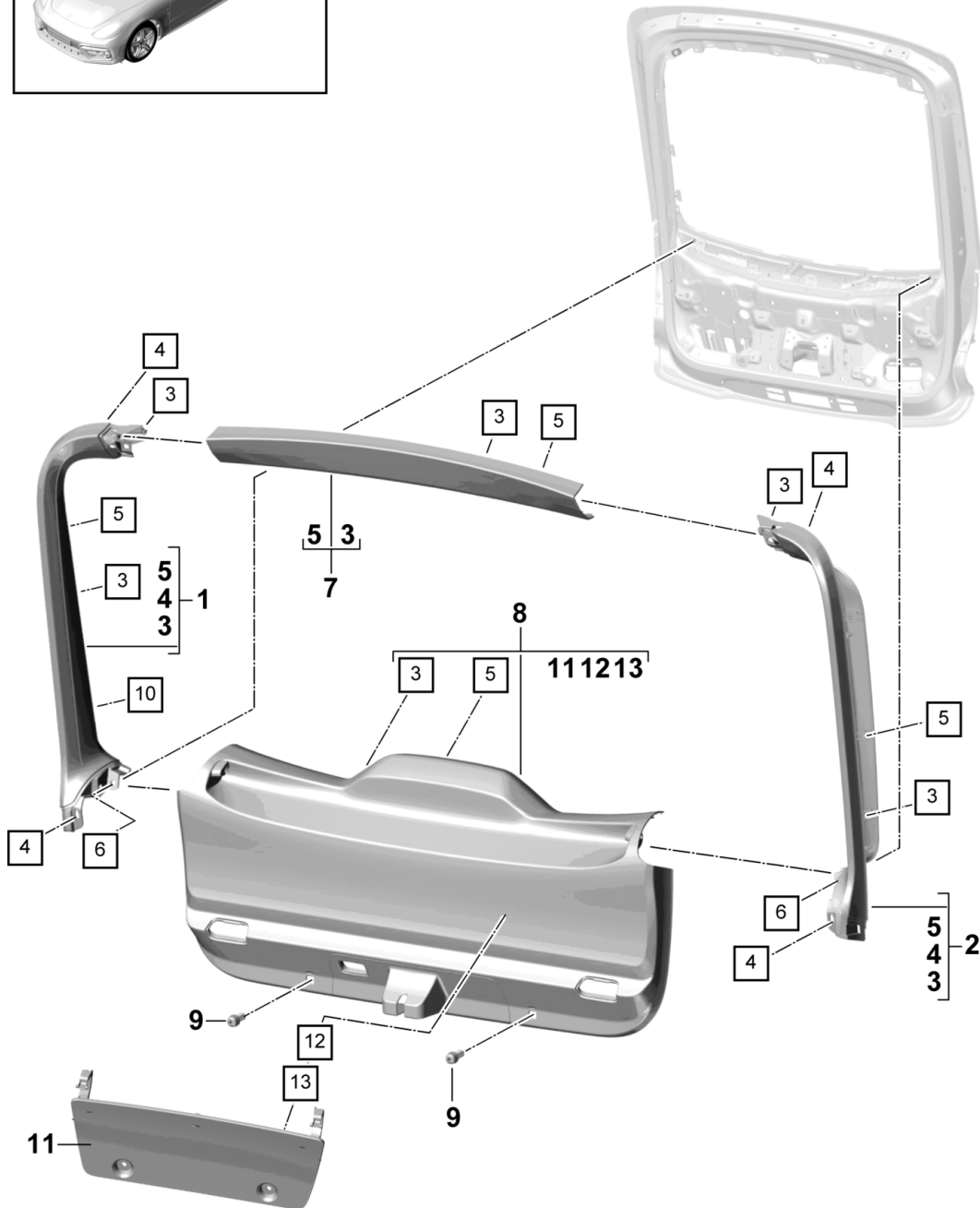
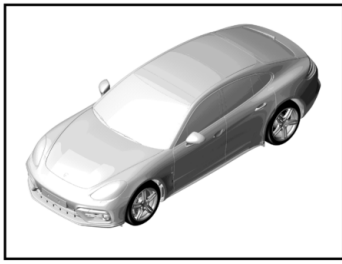
Pos	Part Number	Description	Remark	Qty	Model
		Linings Luggage compartment Floor Loadspace system D - MJ 2018>>			PR:3GN
1	974 861 531	Trim	center	1	
	974 861 531 6B0	Floor Black	-AB,PK,AC,BB, BS,BK,PL		
	974 861 531 9C0	agate grey	-DG,DL		
	974 861 531 7K0	Luxor beige	-UB,UC		
	974 861 531 BW3	saddle brown	-SB,BP		
	974 861 531 7G0	Marsala Red	-PC,BE		
	974 861 531 OS1	Truffle Brown	-HD		
	974 861 531 OB8	Cohiba Brown	-HC		
2	974 867 775	Sliding rail	left	1	
		with:			
(2)	974 867 776	Screw Sliding rail	right	3 1	
		with:			
3	974 861 839	Screw Bracket	left	3 1	
(3)	974 861 840	Rail Bracket	center right	1	
4	N 911 883 01	Rail Hexagon socket head bolt M6X20	center	X	
5	999 507 681 01	Clip		X	
6	9A7 007 207 00	Distance piece		X	
7	974 868 741	Bracket	left	1	
		Rail D >> - 12.12.2017			
(7)	974 868 741 C	Bracket	left	1	
		Rail D - 13.12.2017>>			
(7)	974 868 742	Bracket	right	1	
		Rail D >> - 12.12.2017			
(7)	974 868 742 C	Bracket	right	1	
		Rail D - 13.12.2017>>			
8	N 106 533 01	Hex collared bolt	M6X20	4	
		Hexagon bolt D >> - 12.12.2017			
(8)	N 107 555 01	Hexagon bolt	M6X30	4	
		D - 13.12.2017>>			
9	974 864 595	retaining strip	left	1	PR:0K0
	974 864 595 1E0	Black			
9	974 864 595 B	retaining strip	left	1	PR-0K0,3GN
	974 864 595 B 1E0	Black			
9	974 864 595 C	retaining strip	left	1	PR-0K3,3GN
	974 864 595 C 1E0	Black			
(9)	974 864 596	retaining strip	right	1	
	974 864 596 1E0	Black			
10	9A7 006 993 00	cup spacer		2	
11	958 555 190 00	Clip		2	
12	N 910 384 01	speed nut		1	
13	N 906 986 05	Hexagon socket head panel bolt		2	
14	971 864 599 A	retaining strip	center	1	PR:0K3
	971 864 599 A 1E0	Black			
(14)	971 864 599 B	retaining strip	center	1	PR:0K0
	971 864 599 B 1E0	Black			

Model: 971-17 Model life 2017>>

Pos	Part Number	Description	Remark	Qty	Model
15	9A7 006 988 00	Bungs		3	
16	971 867 159	Bracket		2	PR:OK0,1A2, 0F5,9VK,9VJ, 9VL
17	N 910 189 01	Hexagon plastic collar nut		X	PR:OK0,1A2, 0F5,9VK,9VJ, 9VL
18	971 864 475 B	Foam part		1	PR:OK0
19	971 861 350	Bracket		1	PR:OK0
20	N 106 795 01	oval head panel screw ST 4.2X16		1	
21	974 861 821	Bracket	left	1	
		Rail	front		
(21)	974 861 822	Bracket	right	1	
		Rail	front		
22	N 908 173 02	riveted cap nut M6		2	
23	971 861 350	Bracket		1	PR:OK0
24	N 106 795 01	oval head panel screw ST 4.2X16		1	
25	974 860 099	Pocket Loadspace system (complete)		1	
26	9A7 863 539 00	Eye		4	
	9A7 863 539 00 4PK	Soul			
27	9A7 860 378 00	Fixing		1	
	9A7 860 378 00 4PK	Soul			
28	974 861 691 A	Net partition		1	PR:K8D,3GN
			with:		
		Pocket			
	974 861 691 A AY1	Black			
29	971 864 769	Underlay mat for lugg. comp.		1	PR-3GN
	971 864 769 BP1	saddle brown	-SB,BP		
	971 864 769 OK2	agate grey	-DG,DL		
	971 864 769 OK4	Truffle Brown	-HD		
	971 864 769 OW9	Cohiba Brown	-HC		
	971 864 769 2D0	Marsala Red	-PC,BE		
	971 864 769 3E0	Luxor beige	-UC		
	971 864 769 9M0	Black	-AB,PK,AC,BB, BS,PL,BK		

Model: 971-17

Model life 2017>>



Model: 971-17 Model life 2017>>

Pos	Part Number	Description	Remark	Qty	Model			
1	971 867 602	Linings	inner	1	PR:K8S			
	971 867 602 1E0	Rear lid						
		Trim	right					
		Black	-AB,PK,AC,BB, BS,BK,PL					
		agate grey	-DG,DL					
		Luxor beige	-UB,UC					
		saddle brown	-SB,BP					
		Marsala Red	-PC,BE					
		Truffle Brown	-HD					
		Cohiba Brown	-HC					
(1)	974 867 602 A	Trim	right	1	PR:K8D			
	974 867 602 A 1E0	Black	-AB,PK,AC,BB, BS,BK,PL					
		agate grey	-DG,DL					
		Luxor beige	-UB,UC					
		saddle brown	-SB,BP					
		Marsala Red	-PC,BE					
		Truffle Brown	-HD					
		Cohiba Brown	-HC					
	2	971 867 601	Trim			left	1	PR:K8S
		971 867 601 1E0	Black			-AB,PK,AC,BB, BS,BK,PL		
		agate grey	-DG,DL					
		Luxor beige	-UB,UC					
		saddle brown	-SB,BP					
		Marsala Red	-PC,BE					
		Truffle Brown	-HD					
		Cohiba Brown	-HC					
(2)		974 867 601 A	Trim	left	1	PR:K8D		
		974 867 601 A 1E0	Black	-AB,PK,AC,BB, BS,BK,PL				
		agate grey	-DG,DL					
		Luxor beige	-UB,UC					
		saddle brown	-SB,BP					
		Marsala Red	-PC,BE					
		Truffle Brown	-HD					
		Cohiba Brown	-HC					
	3	8X0 867 276 A	Clip				X	
	4	955 552 208 00	Clamp				X	
5	971 867 816	Stop buffer		X				
6	N 910 968 01	Hexagon socket flat head bolt M6X20		2				
7	971 867 973	Trim	upper	1	PR:K8S			
	971 867 973 1E0	Black	-AB,PK,AC,BB, BS,BK,PL					
		agate grey	-DG,DL					
		Luxor beige	-UB,UC					
		saddle brown	-SB,BP					
		Marsala Red	-PC,BE					
		Truffle Brown	-HD					
		Cohiba Brown	-HC					
	(7)	974 867 973	Trim			upper	1	PR:K8D
		974 867 973 1E0	Black			-AB,PK,AC,BB, BS,BK,PL		
		agate grey	-DG,DL					
		Luxor beige	-UB,UC					
		saddle brown	-SB,BP					
		Marsala Red	-PC,BE					
		Truffle Brown	-HD					
8	971 867 605	Trim	lower	1	PR:K8S,8M0			

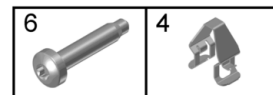
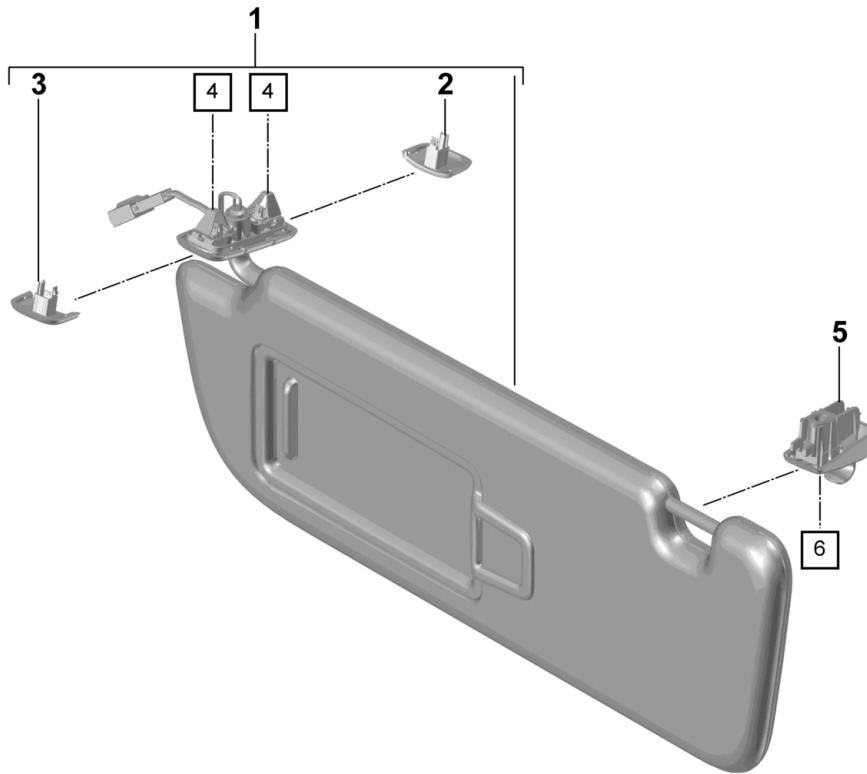
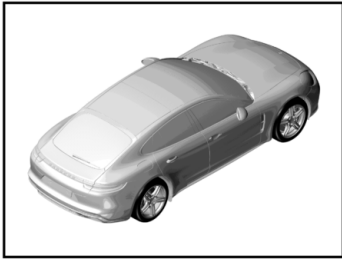
Model: 971-17

Model life 2017>>

Pos	Part Number	Description	Remark	Qty	Model
	971 867 605 1E0	Black	-AB,PK,AC,BB, BS,BK,PL		
	971 867 605 OP1	agate grey	-DG,DL		
	971 867 605 4H0	Luxor beige	-UB,UC		
	971 867 605 OM8	saddle brown	-SB,BP		
	971 867 605 3G0	Marsala Red	-PC,BE		
	971 867 605 OS1	Truffle Brown	-HD		
	971 867 605 OB8	Cohiba Brown	-HC		
(8)	971 867 605 A	Trim	lower	1	PR:K8S,8M1
	971 867 605 A 1E0	Black	-AB,PK,AC,BB, BS,BK,PL		
	971 867 605 A OP1	agate grey	-DG,DL		
	971 867 605 A 4H0	Luxor beige	-UB,UC		
	971 867 605 A OM8	saddle brown	-SB,BP		
	971 867 605 A 3G0	Marsala Red	-PC,BE		
	971 867 605 A OS1	Truffle Brown	-HD		
	971 867 605 A OB8	Cohiba Brown	-HC		
(8)	974 867 605	Trim	lower	1	PR:K8D
	974 867 605 1E0	Black	-AB,PK,AC,BB, BS,BK,PL		
	974 867 605 OP1	agate grey	-DG,DL		
	974 867 605 4H0	Luxor beige	-UB,UC		
	974 867 605 OM8	saddle brown	-SB,BP		
	974 867 605 3G0	Marsala Red	-PC,BE		
	974 867 605 OS1	Truffle Brown	-HD		
	974 867 605 OB8	Cohiba Brown	-HC		
9		Buffer		2	
		see illustration:	803-010		
10	974 867 159	Bracket		4	PR:K8D
		Trim			
11	974 863 761	Cover		1	PR:K8D
	974 863 761 1E0	Black	-AB,PK,AC,BB, BS,BK,PL		
	974 863 761 OP1	agate grey	-DG,DL		
	974 863 761 4H0	Luxor beige	-UB,UC		
	974 863 761 OM8	saddle brown	-SB,BP		
	974 863 761 3G0	Marsala Red	-PC,BE		
	974 863 761 OS1	Truffle Brown	-HD		
	974 863 761 OB8	Cohiba Brown	-HC		
12	958 731 633 00	Clamp		2	
13	N 909 868 03	Hexagon socket head panel bolt		2	

Model: 971-17

Model life 2017>>



Model: 971-17 Model life 2017>>

Pos	Part Number	Description	Remark	Qty	Model
1	971 857 551 D	sun vizors Sun visor	left lhd left	1	PR:L0L,6NJ
		D >> - MJ 2017			
	971 857 551 D OL4	Black	-AB,AC,SB,PC, BB,BS		
	971 857 551 D OM5	agate grey	-DG,DL		
	971 857 551 D ON6	Luxor beige	-UB,PK,UC,BP		
	971 857 551 D OL8	Chalk	-BK		
	971 857 551 D OP7	Cream	-BE		
1	971 857 551 T	Sun visor	left lhd left	1	PR:L0L,6NJ
		D - MJ 2018>>			
	971 857 551 T OL4	Black	-AB,AC,SB,PC, BB,BS		
	971 857 551 T OM5	agate grey	-DG,DL		
	971 857 551 T ON6	Luxor beige	-UB,PK,UC,BP, PL		
	971 857 551 T OL8	Chalk	-BK		
	971 857 551 T OP7	Cream	-BE		
	971 857 551 T OS1	Truffle Brown	-HD		
	971 857 551 T OB8	Cohiba Brown	-HC		
(1)	971 857 552	Sun visor	right lhd right	1	PR:L0L,6NJ
		D >> - MJ 2017			
	971 857 552 OL4	Black	-AB,AC,SB,PC, BB,BS		
	971 857 552 OM5	agate grey	-DG,DL		
	971 857 552 ON6	Luxor beige	-UB,PK,UC,BP		
	971 857 552 OL8	Chalk	-BK		
	971 857 552 OP7	Cream	-BE		
(1)	971 857 552 T	Sun visor	right lhd right	1	PR:L0L,6NJ
		D - MJ 2018>>			
	971 857 552 T OL4	Black	-AB,AC,SB,PC, BB,BS		
	971 857 552 T OM5	agate grey	-DG,DL		
	971 857 552 T ON6	Luxor beige	-UB,PK,UC,BP, PL		
	971 857 552 T OL8	Chalk	-BK		
	971 857 552 T OP7	Cream	-BE		
	971 857 552 T OS1	Truffle Brown	-HD		
	971 857 552 T OB8	Cohiba Brown	-HC		
(1)	971 857 552 F	Sun visor	right	1	PR:6DQ,6NJ "CH."
		D >> - MJ 2017			
	971 857 552 F OL4	Black	-AB,AC,SB,PC, BB,BS		
	971 857 552 F OM5	agate grey	-DG,DL		
	971 857 552 F ON6	Luxor beige	-UB,PK,UC,BP		
	971 857 552 F OL8	Chalk	-BK		
	971 857 552 F OP7	Cream	-BE		
(1)	971 857 552 AF	Sun visor	right	1	PR:6DQ,6NJ "CH."
		D - MJ 2018>>			
	971 857 552 AF OL4	Black	-AB,AC,SB,PC, BB,BS		
	971 857 552 AF OM5	agate grey	-DG,DL		
	971 857 552 AF ON6	Luxor beige	-UB,PK,UC,BP, PL		
	971 857 552 AF OL8	Chalk	-BK		
	971 857 552 AF OP7	Cream	-BE		
	971 857 552 AF OS1	Truffle Brown	-HD		

Model: 971-17 Model life 2017>>

Pos	Part Number	Description	Remark	Qty	Model
(1)	971 857 552 AF OB8 971 857 551	Cohiba Brown Sun visor	-HC left rhd left	1	PR:L0R,6NJ
		D >> - MJ 2017			
	971 857 551 OL4	Black	-AB,AC,SB,PC, BB,BS		
	971 857 551 OM5	agate grey	-DG,DL		
	971 857 551 ON6	Luxor beige	-UB,PK,UC,BP		
	971 857 551 OL8	Chalk	-BK		
	971 857 551 OP7	Cream	-BE		
(1)	971 857 551 P	Sun visor	left rhd left	1	PR:L0R,6NJ
		D - MJ 2018>>			
	971 857 551 P OL4	Black	-AB,AC,SB,PC, BB,BS		
	971 857 551 P OM5	agate grey	-DG,DL		
	971 857 551 P ON6	Luxor beige	-UB,PK,UC,BP, PL		
	971 857 551 P OL8	Chalk	-BK		
	971 857 551 P OP7	Cream	-BE		
	971 857 551 P OS1	Truffle Brown	-HD		
	971 857 551 P OB8	Cohiba Brown	-HC		
(1)	971 857 552 D	Sun visor	right rhd right	1	PR:L0R,6NJ
		D >> - MJ 2017			
	971 857 552 D OL4	Black	-AB,AC,SB,PC, BB,BS		
	971 857 552 D OM5	agate grey	-DG,DL		
	971 857 552 D ON6	Luxor beige	-UB,PK,UC,BP		
	971 857 552 D OL8	Chalk	-BK		
	971 857 552 D OP7	Cream	-BE		
(1)	971 857 552 AD	Sun visor	right rhd right	1	PR:L0R,6NJ
		D - MJ 2018>>			
	971 857 552 AD OL4	Black	-AB,AC,SB,PC, BB,BS		
	971 857 552 AD OM5	agate grey	-DG,DL		
	971 857 552 AD ON6	Luxor beige	-UB,PK,UC,BP, PL		
	971 857 552 AD OL8	Chalk	-BK		
	971 857 552 AD OP7	Cream	-BE		
	971 857 552 AD OS1	Truffle Brown	-HD		
	971 857 552 AD OB8	Cohiba Brown	-HC		
(1)	971 857 551 E	Sun visor	left lhd left	1	PR:L0L,6NN
		Alcantara			
	971 857 551 E 2W0	Black	-AB,AC,SB,PC, BB,BS		
	971 857 551 E OU5	agate grey	-DG,DL		
	971 857 551 E 9U1	Luxor beige	-UB,PK,UC,BP		
	971 857 551 E OL8	Chalk	-BK		
	971 857 551 E 8U9	Cream	-BE		
(1)	971 857 551 AA	Sun visor	left lhd left	1	PR:L0L,6NN
		Alcantara			
		D - MJ 2018>>			
	971 857 551 AA 2W0	Black	-AB,AC,SB,PC, BB,BS		
	971 857 551 AA OU5	agate grey	-DG,DL		
	971 857 551 AA 9U1	Luxor beige	-UB,PK,UC,BP, PL		
	971 857 551 AA OL8	Chalk	-BK		
	971 857 551 AA 8U9	Cream	-BE		
	971 857 551 AA OS1	Truffle Brown	-HD		
	971 857 551 AA OB8	Cohiba Brown	-HC		

Model: 971-17 Model life 2017>>

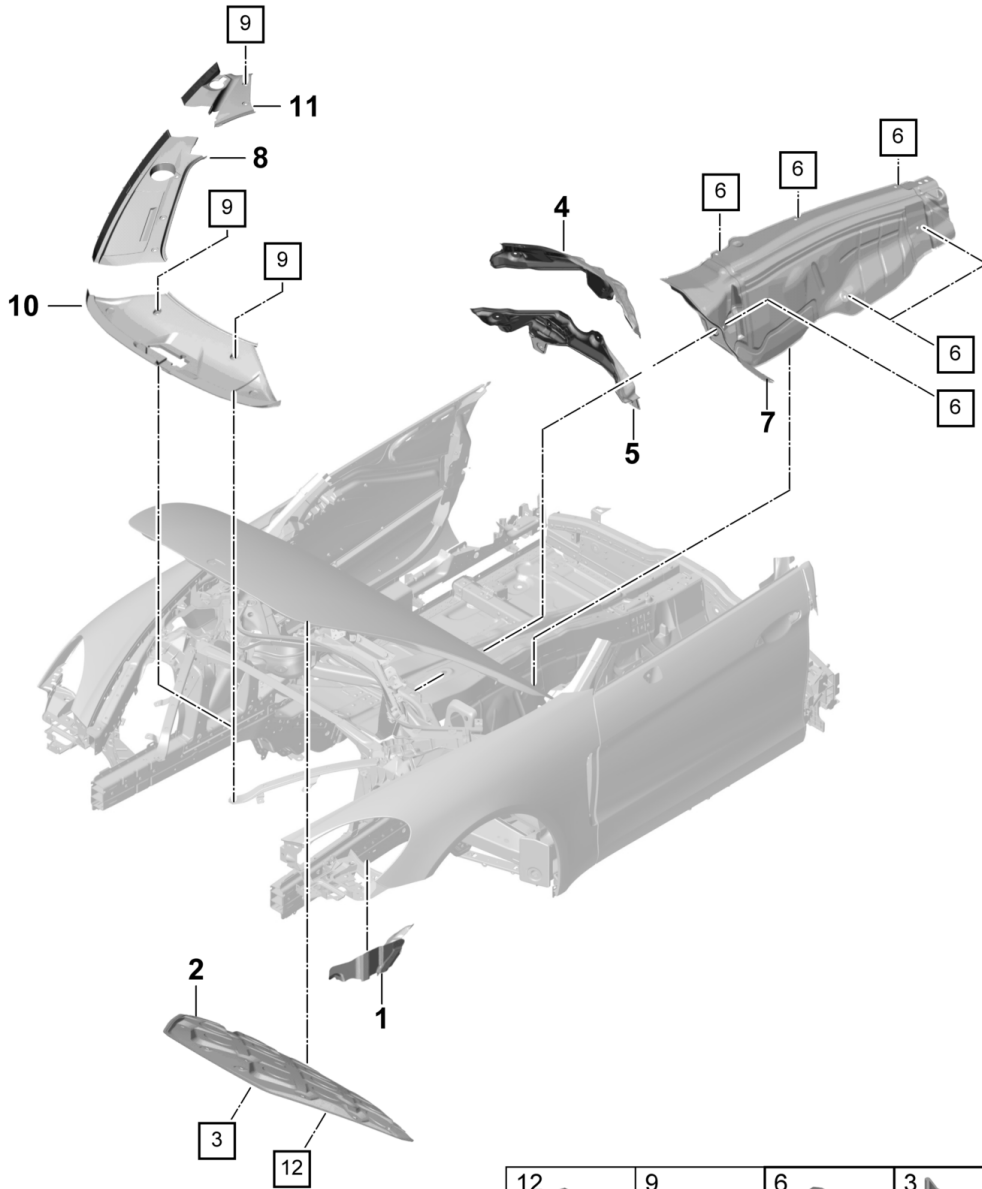
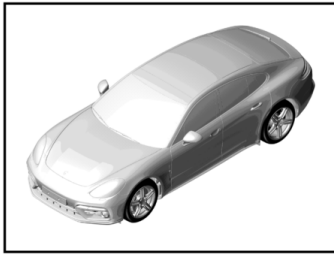
Pos	Part Number	Description	Remark	Qty	Model
(1)	971 857 552 A	Sun visor Alcantara D >> - MJ 2017	right lhd right	1	PR:L0L,6NN
	971 857 552 A 2W0	Black	-AB,AC,SB,PC, BB,BS		
	971 857 552 A OU5	agate grey	-DG,DL		
	971 857 552 A 9U1	Luxor beige	-UB,PK,UC,BP		
	971 857 552 A OL8	Chalk	-BK		
	971 857 552 A 8U9	Cream	-BE		
(1)	971 857 552 AA	Sun visor Alcantara D - MJ 2018>>	right lhd right	1	PR:L0L,6NN
	971 857 552 AA 2W0	Black	-AB,AC,SB,PC, BB,BS		
	971 857 552 AA OU5	agate grey	-DG,DL		
	971 857 552 AA 9U1	Luxor beige	-UB,PK,UC,BP, PL		
	971 857 552 AA OL8	Chalk	-BK		
	971 857 552 AA 8U9	Cream	-BE		
	971 857 552 AA OS1	Truffle Brown	-HD		
	971 857 552 AA OB8	Cohiba Brown	-HC		
(1)	971 857 552 G	Sun visor Alcantara D >> - MJ 2017	right	1	PR:6DQ,6NN "CH."
	971 857 552 G 2W0	Black	-AB,AC,SB,PC, BB,BS		
	971 857 552 G OU5	agate grey	-DG,DL		
	971 857 552 G 9U1	Luxor beige	-UB,PK,UC,BP		
	971 857 552 G OL8	Chalk	-BK		
	971 857 552 G 8U9	Cream	-BE		
(1)	971 857 552 AG	Sun visor Alcantara D - MJ 2018>>	right	1	PR:6DQ,6NN "CH."
	971 857 552 AG 2W0	Black	-AB,AC,SB,PC, BB,BS		
	971 857 552 AG OU5	agate grey	-DG,DL		
	971 857 552 AG 9U1	Luxor beige	-UB,PK,UC,BP, PL		
	971 857 552 AG OL8	Chalk	-BK		
	971 857 552 AG 8U9	Cream	-BE		
	971 857 552 AG OS1	Truffle Brown	-HD		
	971 857 552 AG OB8	Cohiba Brown	-HC		
(1)	971 857 551 A	Sun visor Alcantara D >> - MJ 2017	left rhd left	1	PR:L0R,6NN
	971 857 551 A 2W0	Black	-AB,AC,SB,PC, BB,BS		
	971 857 551 A OU5	agate grey	-DG,DL		
	971 857 551 A 9U1	Luxor beige	-UB,PK,UC,BP		
	971 857 551 A OL8	Chalk	-BK		
	971 857 551 A 8U9	Cream	-BE		
(1)	971 857 551 Q	Sun visor Alcantara	left rhd left	1	PR:L0R,6NN
	971 857 551 Q OB8	Cohiba Brown	-HC		
	971 857 551 Q OS1	Truffle Brown	-HD		
(1)	971 857 552 E	Sun visor Alcantara D >> - MJ 2017	right rhd right	1	PR:L0R,6NN
	971 857 552 E 2W0	Black	-AB,AC,SB,PC, BB,BS		
	971 857 552 E OU5	agate grey	-DG,DL		
	971 857 552 E 9U1	Luxor beige	-UB,PK,UC,BP		
	971 857 552 E OL8	Chalk	-BK		

Model: 971-17 Model life 2017>>

Pos	Part Number	Description	Remark	Qty	Model			
(1)	971 857 552 E 8U9	Cream	-BE	1	PR:LOR,6NN			
	971 857 552 AE	Sun visor	right rhd					
		Alcantara	right					
		D - MJ 2018>>						
	971 857 552 AE 2W0	Black	-AB,AC,SB,PC, BB,BS					
	971 857 552 AE OU5	agate grey	-DG,DL					
	971 857 552 AE 9U1	Luxor beige	-UB,PK,UC,BP, PL					
	971 857 552 AE OL8	Chalk	-BK					
	971 857 552 AE 8U9	Cream	-BE					
	971 857 552 AE OS1	Truffle Brown	-HD					
2	971 857 552 AE OB8	Cohiba Brown	-HC	2				
	971 858 133	Cover cap						
	971 858 133 1E0	Black	-AB,AC,SB,PC, BB,BS					
	971 858 133 OP1	agate grey	-DG,DL					
	971 858 133 4H0	Luxor beige	-UB,PK,UC,BP, PL					
	971 858 133 OL8	Chalk	-BK					
	971 858 133 5J0	Cream	-BE					
	971 858 133 OS1	Truffle Brown	-HD					
	971 858 133 OB8	Cohiba Brown	-HC					
	971 858 633	Cover cap						
3	971 858 633 1E0	Black	-AB,AC,SB,PC, BB,BS	2				
	971 858 633 OP1	agate grey	-DG,DL					
	971 858 633 4H0	Luxor beige	-UB,PK,UC,BP, PL					
	971 858 633 OL8	Chalk	-BK					
	971 858 633 5J0	Cream	-BE					
	971 858 633 OS1	Truffle Brown	-HD					
	971 858 633 OB8	Cohiba Brown	-HC					
	9A7 867 633 01	Clip						
	4	971 857 561	Mounting			inner	2	
		971 857 561 1E0	Black			-AB,AC,SB,PC, BB,BS		
971 857 561 OP1		agate grey	-DG,DL					
971 857 561 4H0		Luxor beige	-UB,PK,UC,BP, PL					
971 857 561 OL8		Chalk	-BK					
971 857 561 5J0		Cream	-BE					
971 857 561 OS1		Truffle Brown	-HD					
971 857 561 OB8		Cohiba Brown	-HC					
5		N 105 963 02	Oval hexagon socket head bolt M5X25		2			

Model: 971-17

Model life 2017>>



12	9	6	3
----	---	---	---

Model: 971-17

Model life 2017>>

Pos	Part Number	Description	Remark	Qty	Model
1	971 864 587	Sound absorber Front end Cover panel sound absorb.for wheel housing	left front	1	PR:0F5
(1)	971 864 588	sound absorb.for wheel housing	right front	1	PR:0F5
(1)	971 863 943 A	sound absorb.for wheel housing	rear left	1	
(1)	971 863 944 A	sound absorb.for wheel housing	rear right	1	
2	971 863 650	sound abs. for engine bonnet with:		1	
3	9A7 007 766 00	Clip Securing clip		3	
4	971 863 829 A	Sound absorber water box Engine bay	upper	1	PR:0K0,1A2
(4)	971 863 829 B	Sound absorber water box Engine bay	upper	1	PR:0F5,0K3
5	971 863 830 C	Sound absorber water box Engine bay	lower	1	PR:0K0,1A2
(5)	971 863 830 D	sound absorber for front panel water box Engine bay	lower	1	PR:0F5,0K3
6	N 903 350 05	Clamping washer Sound absorber water box		11	
7	971 863 979 C	Sound absorber Engine bay tunnel	left	1	
(7)	971 863 980 B	Sound absorber Engine bay tunnel	right	1	
(8)	971 806 583	Cover panel Wing flange	left	1	
8	971 806 583 OK1 971 806 441	Matt black Cover panel Wing flange	right	1	
9	971 806 441 OK1 WHT 004 750	Matt black Spreader rivet Wing		12	
10	971 805 806	cover - lock Engine bay		1	PR:DW4,D0D, D29
(10)	971 805 806 OK1 971 805 806 A	Matt black cover - lock Engine bay		1	PR:DJ7
(10)	971 805 806 A OK1 971 805 806 B	Matt black cover - lock Engine bay		1	PR:D1I
(10)	971 805 806 B OK1 971 805 806 C	Matt black cover - lock Engine bay		1	PR:DD7,DJ5
(11)	971 805 806 C OK1 971 805 283	Matt black cover for engine compartment Wishbone	left	1	
11	971 805 283 OK1 971 805 284	Black cover for engine compartment	right	1	

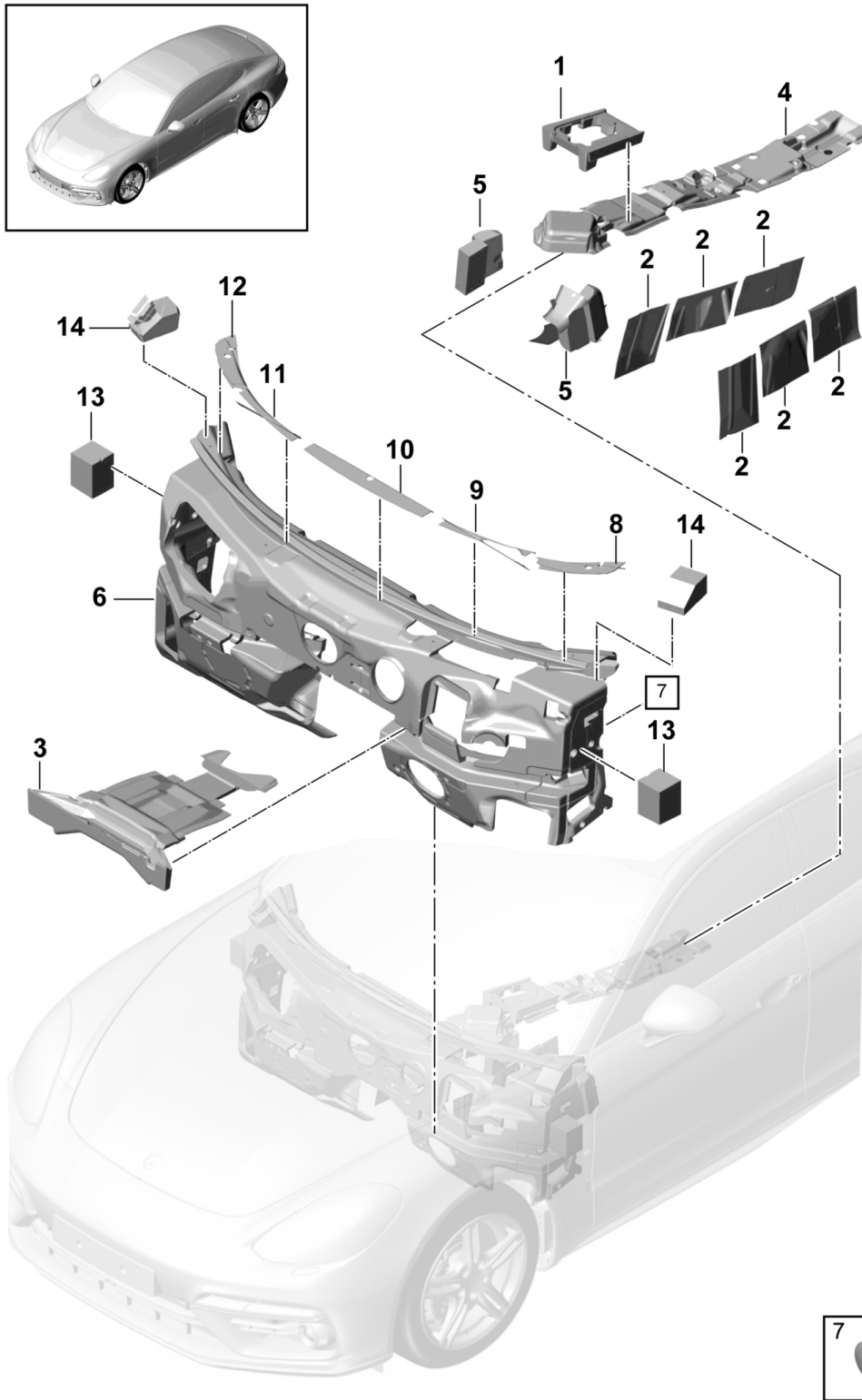
Model: 971-17

Model life 2017>>

Pos	Part Number	Description	Remark	Qty	Model
	971 805 284 OK1	Wishbone Black			
12	971 863 336	sound absorber for water box		1	PR-L0L
(12)	971 863 336 A	sound absorber for water box		1	PR-L0R
13	PAF 908 899	Bungs		1	
14	N 909 113 01	Clip	6,5X18,19X20,1	1	

Model: 971-17

Model life 2017>>



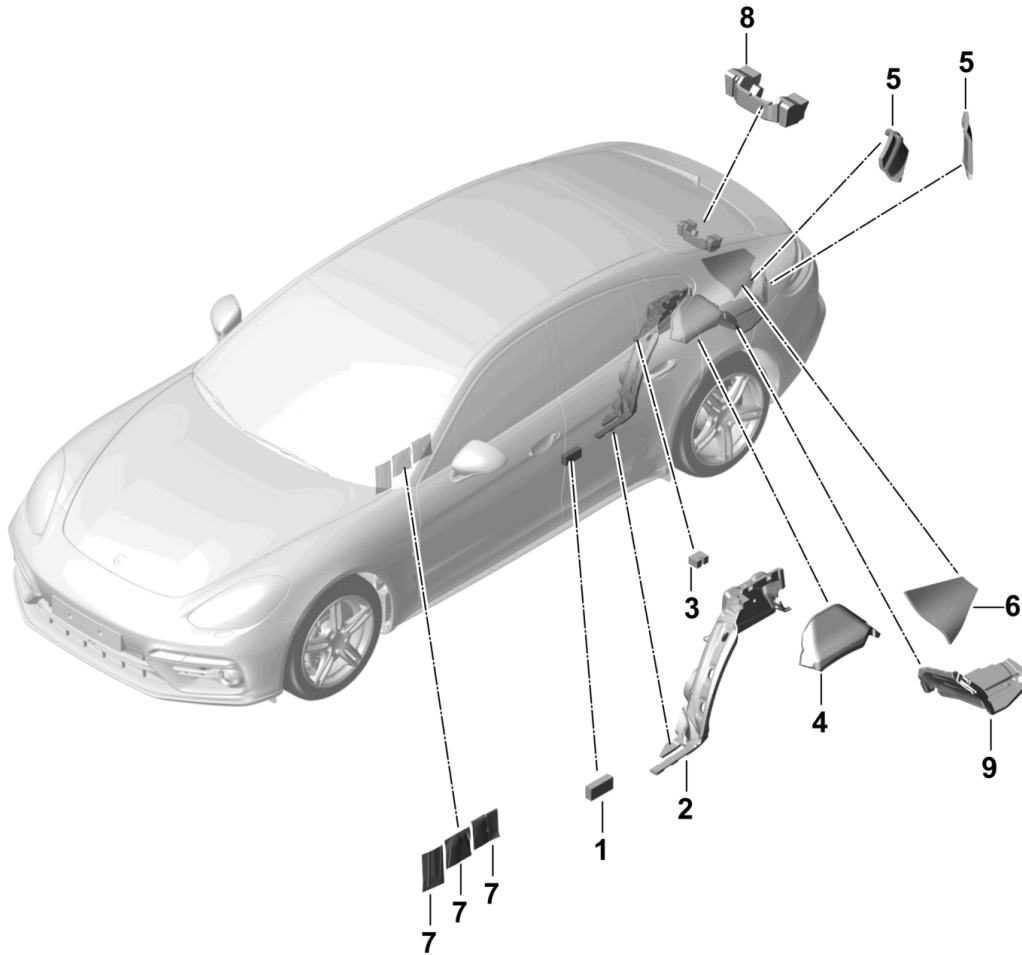
Model: 971-17

Model life 2017>>

Pos	Part Number	Description	Remark	Qty	Model
		Sound absorber Passenger compartment Front end Underbody			
1	971 863 807	Sound absorber ball housing - gearshift lever		1	
2	971 863 815	Damper for tunnel		6	
3	9A7 864 825 00	Sound absorber Firewall	inner	1	
4	971 863 873 B	Sound absorber tunnel	inner short	1	PR:0E1
(4)	971 863 873 A	Sound absorber tunnel	inner short	1	PR:0E2
6	971 863 947 D	Sound absorber Firewall	lhd	1	PR:L0L
(6)	971 863 947 C	Sound absorber Firewall	rhd	1	PR:L0R
7	N 902 016 01	Bungs Sound absorber Firewall		5	
8	971 863 839	Damping for cowl	left outer	1	
9	971 863 855	Damping for cowl	left	1	
10	971 863 840	Damping for cowl	center	1	
11	971 863 856	Damping for cowl	right	1	
12	971 863 838	Damping for cowl	right outer	1	
13	971 864 616	Sound absorber A-pillar		2	
14	971 864 826	Sound absorber Firewall		2	

Model: 971-17

Model life 2017>>



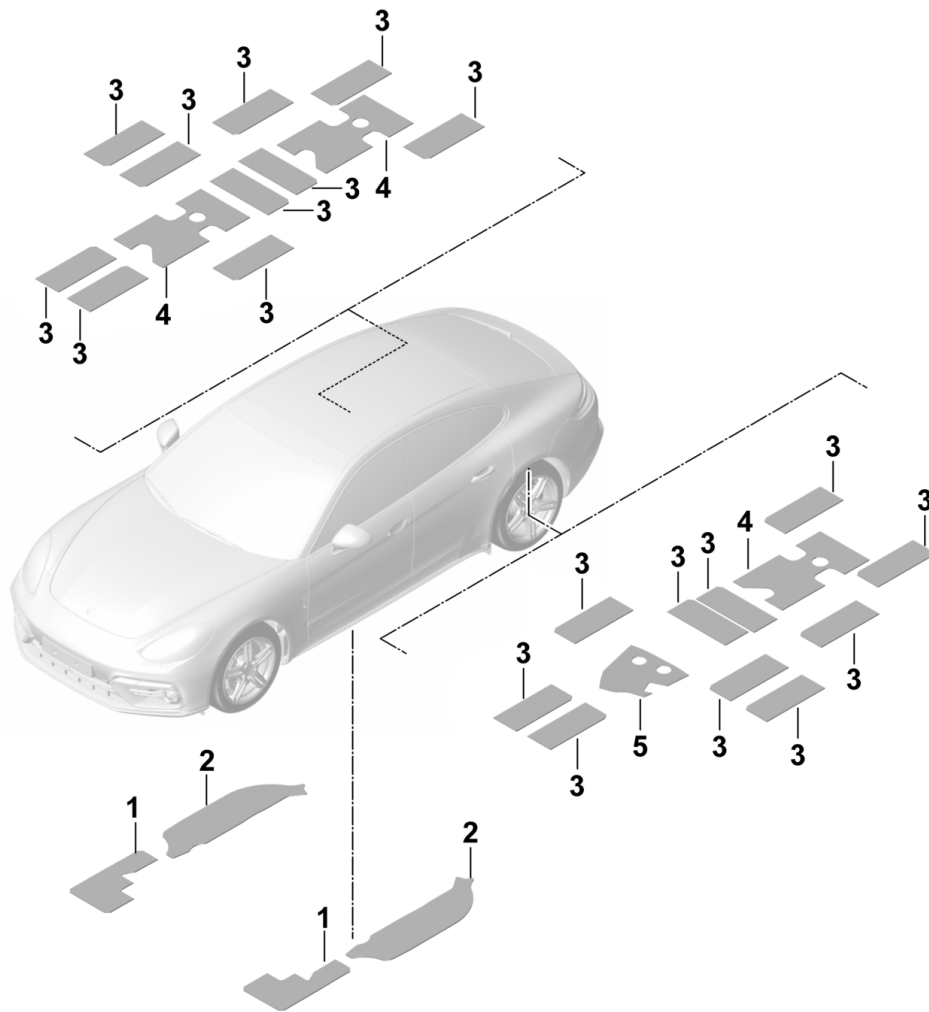
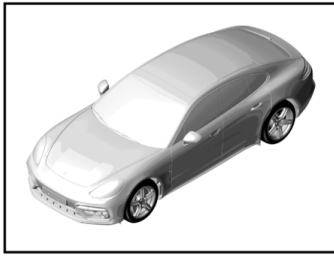
Model: 971-17

Model life 2017>>

Pos	Part Number	Description	Remark	Qty	Model
1	971 864 406	Sound absorber Side panel trim Luggage compartment	rear	2	PR:0K0
2	971 864 929	Sound absorber Seat belt	left	1	
(2)	971 864 930	Wheel housing Sound absorber	rear right	1	
3	971 863 559	Wheel housing Bungs	rear left a. right	2	
4	971 864 773	Sound absorber Wheel housing	left rear	1	PR:0F5,1A2, OK0
(4)	971 864 773 A	Sound absorber Wheel housing	left rear	1	PR:0K3
(4)	971 864 774	Sound absorber Wheel housing	right rear	1	
5	971 863 861	Fuel filler flap sound absorber for side panel	left a. right rear	4	
6	971 863 837	Damping corner part	left a. right	2	
7	971 863 815	Damper for tunnel Side panel trim	left a. right upper	2	
8	971 864 799 A	Sound absorber lock carrier	rear	1	
9	971 864 785	Sound absorber boot floor plate	left rear	1	PR:0K0,1A2, 0F5,9VK
(9)	971 864 786	Sound absorber boot floor plate	right rear	1	PR:0K0
(9)	971 864 785 A	Sound absorber boot floor plate	left rear	1	PR:0K3,9VJ, 9VL,0F5
(9)	971 864 786 A	Sound absorber boot floor plate	right rear	1	PR:0K3

Model: 971-17

Model life 2017>>



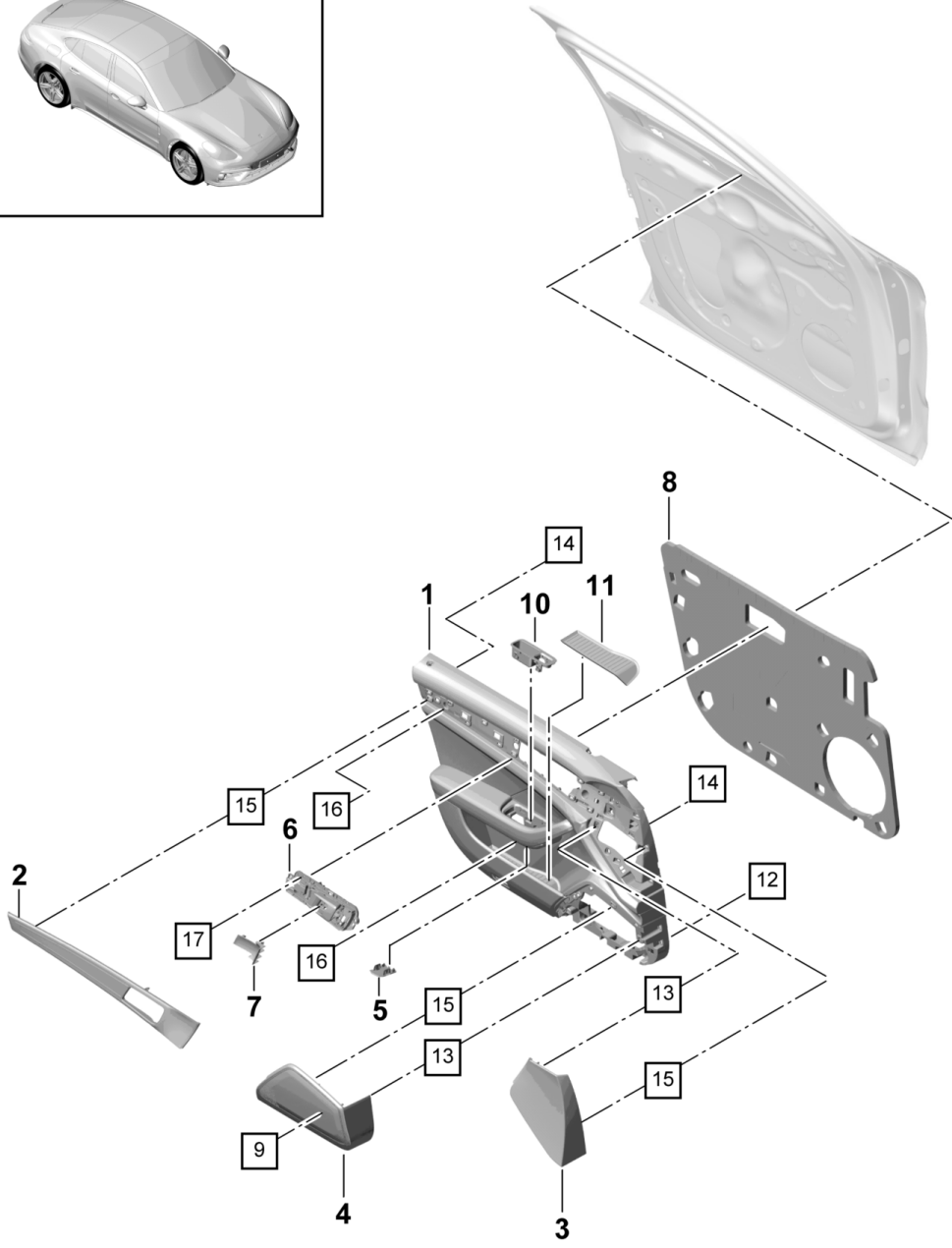
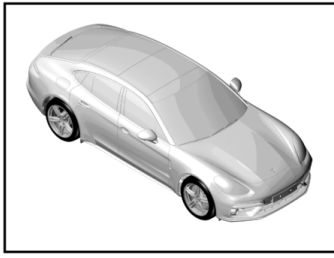
Model: 971-17

Model life 2017>>

Pos	Part Number	Description	Remark	Qty	Model
1	971 863 777	Sound absorber Sticky pad Damping Sill Underbody	outer left	1	PR:0E2
(1)	971 863 778	Damping Sill Underbody	right	1	PR:0E2
2	971 863 983	Damping Underbody	left	1	PR:0E2
(2)	971 863 984	Tunnel transmission Damping Underbody Tunnel transmission	right	1	PR:0E2
3	971 863 827	sound absorb.for wheel housing	rear	14	
4	971 863 826	sound absorb.for wheel housing	rear	4	
5	971 863 828	sound absorb.for wheel housing	right rear	4	

Model: 971-17

Model life 2017>>



Model: 971-17

Model life 2017>>

Pos	Part Number	Description	Remark	Qty	Model
		door panel leatherette	front		PR: 3LD, 4AP
1	971 867 011	Door trim (leatherette)	left	1	PR: 3LD
	971 867 011 7P8	Black	-AB		
	971 867 011 OK2	agate grey	-DG		
	971 867 011 8ED	Luxor beige	-UB		
(1)	971 867 011 D	Door trim (leatherette) two-colour	left	1	PR: 4AP
	971 867 011 D DQZ	Black/Luxor Beige	-PK		
(1)	971 867 012	Door trim (leatherette)	right	1	PR: 3LD
	971 867 012 7P8	Black	-AB		
	971 867 012 OK2	agate grey	-DG		
	971 867 012 8ED	Luxor beige	-UB		
(1)	971 867 012 D	Door trim (leatherette) two-colour	right	1	PR: 4AP
	971 867 012 D DQZ	Black/Luxor Beige	-PK		
2	971 867 061 K	molding for door trim panel	left	1	PR: 5TL
	971 867 061 K OV3	High-Gloss Black			
(2)	971 867 062 K	molding for door trim panel	right	1	PR: 5TL
	971 867 062 K OV3	High-Gloss Black			
(2)	971 867 061 L	molding for door trim panel	left	1	PR: 5MB
	971 867 061 L CK6	Swedish birch/anthracite			
(2)	971 867 062 L	molding for door trim panel	right	1	PR: 5MB
	971 867 062 L CK6	Swedish birch/anthracite			
(2)	971 867 061 M	molding for door trim panel	left	1	PR: 5MP
	971 867 061 M OE9	American walnut root/ brown			
(2)	971 867 062 M	molding for door trim panel	right	1	PR: 5MP
	971 867 062 M OE9	American walnut root/ brown			
(2)	971 867 061 N	molding for door trim panel	left	1	PR: 5TE
	971 867 061 N U03	Aluminium, brushed			
(2)	971 867 062 N	molding for door trim panel	right	1	PR: 5TE
	971 867 062 N U03	Aluminium, brushed			
(2)	971 867 061 J	molding for door trim panel	left	1	PR: 5MH
	971 867 061 J BX3	Carbon, fine high-gloss			
(2)	971 867 062 J	molding for door trim panel	right	1	PR: 5MH
	971 867 062 J BX3	Carbon, fine high-gloss			
(2)	971 867 061 Q	molding for door trim panel	left	1	PR: 7TD
	971 867 061 Q OF4	Red Gum			
(2)	971 867 062 Q	molding for door trim panel	right	1	PR: 7TD
	971 867 062 Q OF4	Red Gum			
(2)	971 867 061 R	molding for door trim panel	left	1	PR: 7TC
	971 867 061 R OK5	Light Paldao			
(2)	971 867 062 R	molding for door trim panel	right	1	PR: 7TC
	971 867 062 R OK5	Light Paldao			
(2)	971 867 061 S	molding for door trim panel	left	1	PR: 7TL
	971 867 061 S C1Y	Palladium Metallic			

Model: 971-17

Model life 2017>>

Pos	Part Number	Description	Remark	Qty	Model
	971 867 061 S C9A	white			
	971 867 061 S C9X	Jet Black Metallic			
	971 867 061 S M3C	Carmine red			
	971 867 061 S M3S	Burgundy Red Metallic			
	971 867 061 S M4Z	Amethyst metallic			
	971 867 061 S M5F	Midnight Blue Metallic			
	971 867 061 S M5J	Sapphire Blue Metallic			
	971 867 061 S M6S	Mamba green metallic			
	971 867 061 S M7P	Dolomite silver metallic			
	971 867 061 S M7R	Volcano Grey Metallic			
	971 867 061 S M7S	Achat Grey Metallic			
	971 867 061 S M7U	Rhodium Silver Metallic			
	971 867 061 S M7Z	GT Silver Metallic			
	971 867 061 S M8R	Ristretto Brown Metallic			
	971 867 061 S M9A	Chalk			
	971 867 061 S S9R	Carrara White metallic			
	971 867 061 S 041	Black			
(2)	971 867 062 S	molding for door trim panel	right	1	PR:7TL
	971 867 062 S C1Y	Palladium Metallic			
	971 867 062 S C9A	white			
	971 867 062 S C9X	Jet Black Metallic			
	971 867 062 S M3C	Carmine red			
	971 867 062 S M3S	Burgundy Red Metallic			
	971 867 062 S M4Z	Amethyst metallic			
	971 867 062 S M5F	Midnight Blue Metallic			
	971 867 062 S M5J	Sapphire Blue Metallic			
	971 867 062 S M6S	Mamba green metallic			
	971 867 062 S M7P	Dolomite silver metallic			
	971 867 062 S M7R	Volcano Grey Metallic			
	971 867 062 S M7S	Achat Grey Metallic			
	971 867 062 S M7U	Rhodium Silver Metallic			
	971 867 062 S M7Z	GT Silver Metallic			
	971 867 062 S M8R	Ristretto Brown Metallic			
	971 867 062 S M9A	Chalk			
	971 867 062 S S9R	Carrara White metallic			
	971 867 062 S 041	Black			
(2)	971 867 061 T	molding for door trim panel	left	1	PR:7TM
		Leather			
	971 867 061 T A11	Black	-AB,PK		
	971 867 061 T OA1	agate grey	-DG		
	971 867 061 T 7J0	Luxor beige	-UB		
(2)	971 867 062 T	molding for door trim panel	right	1	PR:7TM
		Leather			
	971 867 062 T A11	Black	-AB,PK		
	971 867 062 T OA1	agate grey	-DG		
	971 867 062 T 7J0	Luxor beige	-UB		
3	971 868 019	Cover	left	1	
	971 868 019 5Q0	Black	-AB		
	971 868 019 OA6	agate grey	-DG		
	971 868 019 6W0	Luxor beige	-PK		
(3)	971 868 020	Cover	right	1	
	971 868 020 5Q0	Black	-AB		
	971 868 020 OA6	agate grey	-DG		
	971 868 020 6W0	Luxor beige	-PK		
4	971 035 419	Loudspeaker trim	left basic	1	PR:QQ0,9VK,9VL
	971 035 419 5Q0	Black	-AB		
	971 035 419 OA6	agate grey	-DG		
	971 035 419 6W0	Luxor beige	-PK		
(4)	971 035 420	Loudspeaker trim	right	1	PR:QQ0,9VK,

Model: 971-17 Model life 2017>>

Pos	Part Number	Description	Remark	Qty	Model
	971 035 420 5Q0	Black	basic		9VL
	971 035 420 OA6	agate grey	-AB		
	971 035 420 6W0	Luxor beige	-DG		
(4)	971 035 143 D	Loudspeaker trim Burmester	-PK	1	PR:9VJ
		with:			
		fibre optic conductor			
	971 035 143 D 5Q0	Black	-AC		
	971 035 143 D OA6	agate grey	-DL		
	971 035 143 D 6W0	Luxor beige	-PK		
(4)	971 035 144 D	Loudspeaker trim BURMESTER		1	PR:9VJ
		with:			
		fibre optic conductor			
	971 035 144 D 5Q0	Black	-AB		
	971 035 144 D OA6	agate grey	-DG		
	971 035 144 D 6W0	Luxor beige	-PK		
(4)	971 035 143 C	Loudspeaker trim Ambient light	left	1	PR:QQ1,QQ2, 9VK,9VL
		with:			
		fibre optic conductor			
	971 035 143 C 5Q0	Black	-AB		
	971 035 143 C OA6	agate grey	-DG		
	971 035 143 C 6W0	Luxor beige	-PK		
(4)	971 035 144 C	Loudspeaker trim Ambient light	right	1	PR:QQ1,QQ2, 9VK,9VL
		with:			
		fibre optic conductor			
	971 035 144 C 5Q0	Black	-AB		
	971 035 144 C OA6	agate grey	-DG		
	971 035 144 C 6W0	Luxor beige	-PK		
5	971 867 585	Trim for armrest	left	1	
		front			
	971 867 585 5Q0	Black	-AB		
	971 867 585 OA6	agate grey	-DG		
	971 867 585 6W0	Luxor beige	-PK		
6	971 837 019	Inner actuator	left	1	
	971 837 019 CZO	Galvano silver			
(6)	971 837 020	Inner actuator	right	1	
	971 837 020 CZO	Galvano silver			
7	971 837 307	Cover	left	1	PR:3L5,3L6, L0L
		Inner actuator			
	971 837 307 6N3	Matt black			
(7)	971 837 308	Cover	right	1	PR:3L4,3L5, L0L
		Inner actuator			
	971 837 308 6N3	Matt black			
(7)	971 837 307 A	Cover	left	1	PR:3L4,3PN, L0R
		Inner actuator			
	971 837 307 A 6N3	Matt black			
(7)	971 837 308 A	Cover	right	1	PR:3L6,3PN, L0R
		Inner actuator			
	971 837 308 A 6N3	Matt black			
8	971 863 981	Damping		1	
9	971 945 699	inscription		1	PR:9VL
		Bose			
10	971 868 355	Switch housing (passenger side)		1	
	971 868 355 6N3	Matt black			
11	971 858 165	Insert	left	1	
		Mat			
(11)	971 858 166	Insert	right	1	
		Mat			
12	95B 867 084	Stop buffer Distance piece		4	

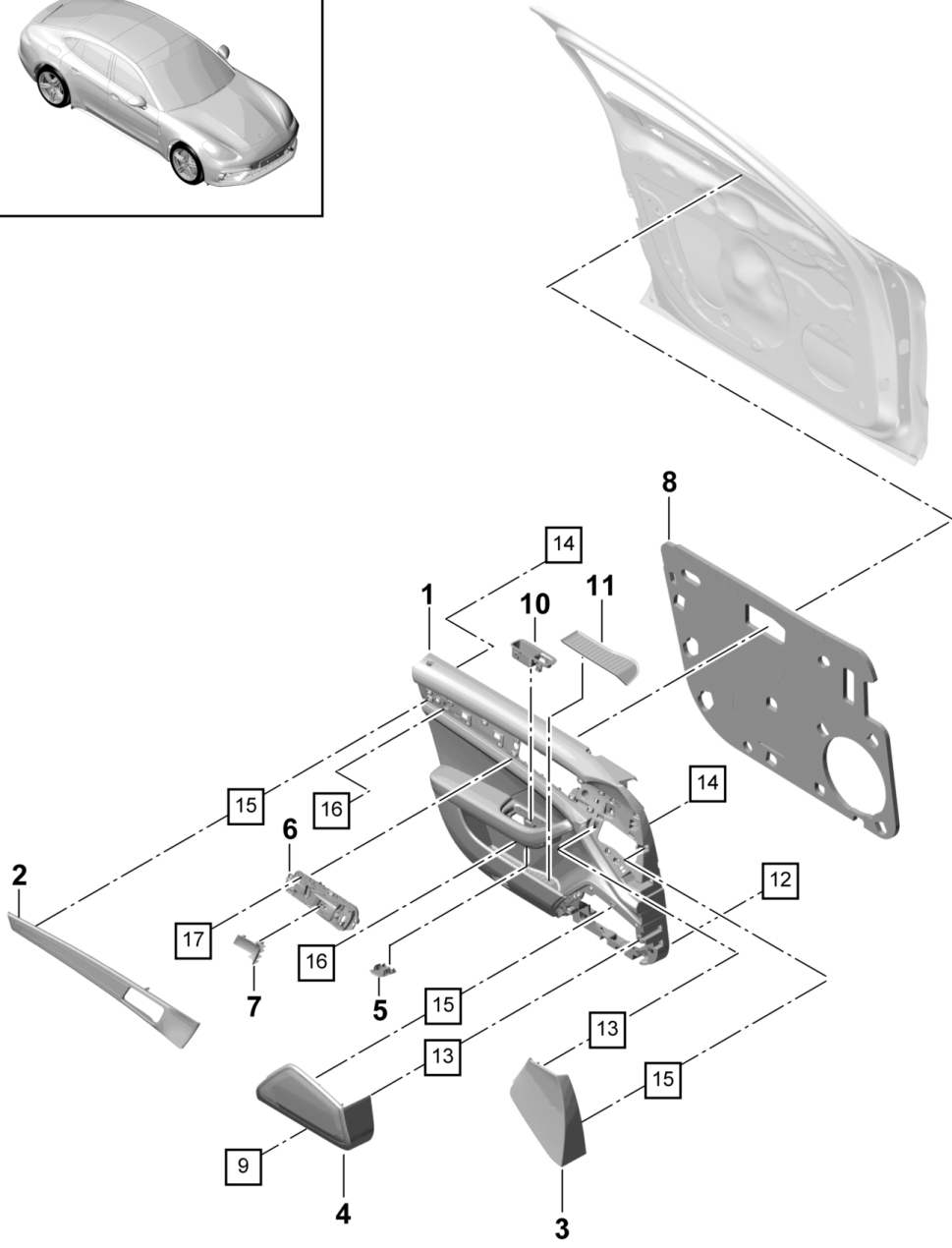
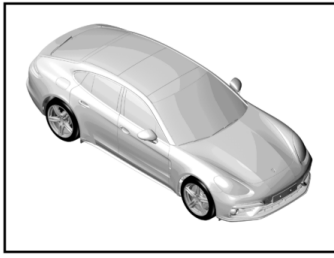
Model: 971-17

Model life 2017>>

Pos	Part Number	Description	Remark	Qty	Model
13	958 552 900 00	Grommet		4	
14	9A7 868 243 00	Retaining clip		9	
15	955 552 107 00	Retaining clip		29	
16	N 911 809 01	Flat head multi-point socket bolt M5X20-W		4	
17	N 104 718 02	Oval hexagon socket head bolt 5,0X12,0-Q		6	

Model: 971-17

Model life 2017>>



Model: 971-17 Model life 2017>>

Pos	Part Number	Description	Remark	Qty	Model
1	971 867 011 A	door panel Leather	front		PR:3LH,3LT, 3LM
	971 867 011 A A11	Door panel trim (leather)	left	1	PR:3LH
	971 867 011 A OA1	Black	-AC		
	971 867 011 A OK6	agate grey	-DL		
	971 867 011 A 7J0	saddle brown	-SB		
	971 867 011 A 7H0	Luxor beige	-UC		
		D >> - MJ 2017			
1	971 867 011 A 7H0	Marsala Red	-PC		
	971 867 011 B	door panel	left	1	PR:3LM
	971 867 011 B OT2	Truffle Brown	-HD		
	971 867 011 B ON1	Cohiba Brown	-HC		
(1)	971 867 011 C	Door panel trim (leather)	left	1	PR:3LT
		two-colour			
		D - MJ 2018>>			
	971 867 011 C GUG	Black/Bordeaux Red	-BB		
	971 867 011 C HAD	Black/Saddle Tan	-BS		
	971 867 011 C GUH	Black/Chalk	-BK		
	971 867 011 C HAF	Saddle Tan/Luxor Beige	-BP		
	971 867 011 C DMJ	Marsala Red/Cream	-BE		
	971 867 011 C DTO	Black/Luxor Beige	-PL		
(1)	971 867 012 A	Door panel trim (leather)	right	1	PR:3LH
	971 867 012 A A11	Black	-AC		
	971 867 012 A OA1	agate grey	-DL		
	971 867 012 A OK6	saddle brown	-SB		
	971 867 012 A 7J0	Luxor beige	-UC		
		D >> - MJ 2017			
	971 867 012 A 7H0	Marsala Red	-PC		
1	971 867 012 B	door panel	right	1	PR:3LM
	971 867 012 B OT2	Truffle Brown	-HD		
	971 867 012 B ON1	Cohiba Brown	-HC		
(1)	971 867 012 C	Door panel trim (leather)	right	1	PR:3LT
		two-colour			
		D - MJ 2018>>			
	971 867 012 C GUG	Black/Bordeaux Red	-BB		
	971 867 012 C HAD	Black/Saddle Tan	-BS		
	971 867 012 C GUH	Black/Chalk	-BK		
	971 867 012 C HAF	Saddle Tan/Luxor Beige	-BP		
	971 867 012 C DMJ	Marsala Red/Cream	-BE		
	971 867 012 C DTO	Black/Luxor Beige	-PL		
2	971 867 061 K	molding for door trim panel	left	1	PR:5TL
(2)	971 867 061 K OV3	High-Gloss Black			
(2)	971 867 062 K	molding for door trim panel	right	1	PR:5TL
	971 867 062 K OV3	High-Gloss Black			
(2)	971 867 061 L	molding for door trim panel	left	1	PR:5MB
	971 867 061 L CK6	Swedish birch/anthracite			
(2)	971 867 062 L	molding for door trim panel	right	1	PR:5MB
	971 867 062 L CK6	Swedish birch/anthracite			
(2)	971 867 061 M	molding for door trim panel	left	1	PR:5MP
	971 867 061 M OE9	American walnut root/ brown			
(2)	971 867 062 M	molding for door trim panel	right	1	PR:5MP
	971 867 062 M OE9	American walnut root/ brown			
(2)	971 867 061 N	molding for door trim panel	left	1	PR:5TE
	971 867 061 N U03	Aluminium, brushed			

Model: 971-17

Model life 2017>>

Pos	Part Number	Description	Remark	Qty	Model
(2)	971 867 062 N	molding for door trim panel	right	1	PR:5TE
(2)	971 867 062 N U03 971 867 061 J	Aluminium, brushed molding for door trim panel	left	1	PR:5MH
(2)	971 867 061 J BX3 971 867 062 J	Carbon, fine high-gloss molding for door trim panel	right	1	PR:5MH
(2)	971 867 062 J BX3 971 867 061 Q	Carbon, fine high-gloss molding for door trim panel	left	1	PR:7TD
(2)	971 867 061 Q OF4 971 867 062 Q	Red Gum molding for door trim panel	right	1	PR:7TD
(2)	971 867 062 Q OF4 971 867 061 R	Red Gum molding for door trim panel	left	1	PR:7TC
(2)	971 867 061 R OK5 971 867 062 R	Light Paldao molding for door trim panel	right	1	PR:7TC
(2)	971 867 062 R OK5 971 867 061 S	Light Paldao molding for door trim panel	left	1	PR:7TL
	971 867 061 S C1Y	Palladium Metallic			
	971 867 061 S C9A	white			
	971 867 061 S C9X	Jet Black Metallic			
	971 867 061 S M3C	Carmine red			
	971 867 061 S M3S	Burgundy Red Metallic			
	971 867 061 S M4Z	Amethyst metallic			
	971 867 061 S M5F	Midnight Blue Metallic			
	971 867 061 S M5J	Sapphire Blue Metallic			
	971 867 061 S M6S	Mamba green metallic			
	971 867 061 S M7P	Dolomite silver metallic			
	971 867 061 S M7R	Volcano Grey Metallic			
	971 867 061 S M7S	Achat Grey Metallic			
	971 867 061 S M7U	Rhodium Silver Metallic			
	971 867 061 S M7Z	GT Silver Metallic			
	971 867 061 S M8R	Ristretto Brown Metallic			
	971 867 061 S M9A	Chalk			
	971 867 061 S S9R	Carrara White metallic			
	971 867 061 S 041	Black			
(2)	971 867 062 S	molding for door trim panel	right	1	PR:7TL
	971 867 062 S C1Y	Palladium Metallic			
	971 867 062 S C9A	white			
	971 867 062 S C9X	Jet Black Metallic			
	971 867 062 S M3C	Carmine red			
	971 867 062 S M3S	Burgundy Red Metallic			
	971 867 062 S M4Z	Amethyst metallic			
	971 867 062 S M5F	Midnight Blue Metallic			
	971 867 062 S M5J	Sapphire Blue Metallic			
	971 867 062 S M6S	Mamba green metallic			
	971 867 062 S M7P	Dolomite silver metallic			
	971 867 062 S M7R	Volcano Grey Metallic			
	971 867 062 S M7S	Achat Grey Metallic			
	971 867 062 S M7U	Rhodium Silver Metallic			
	971 867 062 S M7Z	GT Silver Metallic			
	971 867 062 S M8R	Ristretto Brown Metallic			
	971 867 062 S M9A	Chalk			
	971 867 062 S S9R	Carrara White metallic			
	971 867 062 S 041	Black			
(2)	971 867 061 T	molding for door trim panel	left	1	PR:7TM

Model: 971-17 Model life 2017>>

Pos	Part Number	Description	Remark	Qty	Model
(2)	971 867 061 T A11	Leather Black	-AC, BB, BS, BK	1	PR:7TM
	971 867 061 T OA1	agate grey	-DL		
	971 867 061 T 7J0	Luxor beige	-UC		
	971 867 061 T OK6	saddle brown	-SB, BP		
	971 867 061 T 7H0	Marsala Red	-PC, BE		
	971 867 062 T	molding for door trim panel	right		
		Leather Black	-AC, BB, BS, BK		
		agate grey	-DL		
		Luxor beige	-UC		
		saddle brown	-SB, BP		
3	971 867 062 T A11	Black	-AC, BB, BS, BK	1	0
	971 867 062 T OA1	agate grey	-DL		
	971 867 062 T 7J0	Luxor beige	-UC		
	971 867 062 T OK6	saddle brown	-SB, BP		
	971 867 062 T 7H0	Marsala Red	-PC, BE		
	971 868 019	Cover	left		
	971 868 019 5Q0	Black	-AB		
	971 868 019 OA6	agate grey	-DG		
	971 868 019 OL7	saddle brown	-SB, BS		
	971 868 019 6W0	Luxor beige	-UB, PK		
(3)	971 868 019 7X0	Marsala Red	-PC	1	0
	971 868 019 OG6	Bordeaux red	-BB		
	971 868 019 OL8	Chalk	-BK		
	971 868 019 5V0	Cream	-5V		
	971 868 020	Cover	right		
	971 868 020 5Q0	Black	-AC		
	971 868 020 OA6	agate grey	-DL		
	971 868 020 OL7	saddle brown	-SB, BS		
	971 868 020 6W0	Luxor beige	-UC, BP		
	971 868 020 7X0	Marsala Red	-PC		
4	971 868 020 OG6	Bordeaux red	-BB	1	0 PR:QQ0, 9VK, 9VL
	971 868 020 OL8	Chalk	-BK		
	971 868 020 5V0	Cream	-5V		
	971 035 419	Loudspeaker trim	left basic		
		Black	-AC		
		agate grey	-DL		
		saddle brown	-SB, BS		
		Luxor beige	-UC, BP		
		Marsala Red	-PC		
		Bordeaux red	-BB		
(4)	971 035 419 OL8	Chalk	-BK	1	0 PR:QQ0, 9VK, 9VL
	971 035 419 5V0	Cream	-5V		
	971 035 420	Loudspeaker trim	right		
		Black	-AC		
		agate grey	-DL		
		saddle brown	-SB, BS		
		Luxor beige	-UC, BP		
		Marsala Red	-PC		
		Bordeaux red	-BB		
		Chalk	-BK		
(4)	971 035 420 5V0	Cream	-BE	1	0 PR:9VJ
	971 035 143 B	Loudspeaker trim Burmester	left		
		with: fibre optic conductor			
		Black	-AC		
		agate grey	-DL		
		saddle brown	-SB, BS		
		Luxor beige	-UC, BP		
		Marsala Red	-PC		
		Bordeaux red	-BB		
		Chalk	-BK		

Model: 971-17 Model life 2017>>

Pos	Part Number	Description	Remark	Qty	Model
(4)	971 035 143 B 5V0	Cream	-BE	1	0 PR:9VJ
	971 035 143 D	Loudspeaker trim Burmester			
		with:			
		fibre optic conductor			
	971 035 143 D 5Q0	Black	-AC		
	971 035 143 D OA6	agate grey	-DL		
	971 035 143 D OG6	Bordeaux red	-BB		
	971 035 143 D OL7	saddle brown	-SB,BS		
	971 035 143 D OL8	Chalk	-BK		
	971 035 143 D 5V0	Cream	-BE		
(4)	971 035 143 D 6W0	Luxor beige	-UC,BP	1	PR:9VJ
	971 035 143 D 7X0	Marsala Red	-PC		
	971 035 144 D	Loudspeaker trim BURMESTER			
		with:			
		fibre optic conductor			
	971 035 144 D 5Q0	Black	-AC		
	971 035 144 D OA6	agate grey	-DL		
	971 035 144 D 6W0	Luxor beige	-UC,BP		
	971 035 144 D OG6	Bordeaux red	-BB		
	971 035 144 D OL7	saddle brown	-SB,BS		
(4)	971 035 144 D OL8	Chalk	-BK	1	PR:QQ1,QQ2, 9VK,9VL
	971 035 144 D 5V0	Cream	-BE		
	971 035 144 D 7X0	Marsala Red	-PC		
	971 035 143 C	Loudspeaker trim Ambient light	left		
			basic		
	971 035 143 C 5Q0	Black	-AC		
	971 035 143 C OA6	agate grey	-DL		
	971 035 143 C OL7	saddle brown	-SB,BS		
	971 035 143 C 6W0	Luxor beige	-UC,BP		
	971 035 143 C 7X0	Marsala Red	-PC		
(4)	971 035 143 C OG6	Bordeaux red	-BB	1	0 PR:QQ1,QQ2, 9VK,9VL
	971 035 143 C OL8	Chalk	-BK		
	971 035 143 C 5V0	Cream	-5V		
	971 035 144 C	Loudspeaker trim Ambient light	right		
			basic		
	971 035 144 C 5Q0	Black	-AC		
	971 035 144 C OA6	agate grey	-DL		
	971 035 144 C OL7	saddle brown	-SB,BS		
	971 035 144 C 6W0	Luxor beige	-UC,BP		
	971 035 144 C 7X0	Marsala Red	-PC		
5	971 035 144 C OG6	Bordeaux red	-BB	1	0
	971 035 144 C OL8	Chalk	-BK		
	971 035 144 C 5V0	Cream	-5V		
	971 867 585	Trim for armrest	left		
6			front	1	
	971 867 585 5Q0	Black	-AB		
	971 867 585 OA6	agate grey	-DG		
	971 867 585 6W0	Luxor beige	-UB		
(6)	971 837 019	Inner actuator	left	1	
	971 837 019 CZO	Galvano silver			
	971 837 020	Inner actuator	right		
7	971 837 020 CZO	Galvano silver		1	PR:3L5,3L6, L0L
	971 837 307	Cover	left lhd		
(7)	971 837 307 6N3	Matt black		1	PR:3L4,3L5, L0L
	971 837 308	Cover	right lhd		
(7)	971 837 308 6N3	Matt black		1	PR:3L4,3PN, L0R
	971 837 307 A	Cover	left rhd		
		Inner actuator			

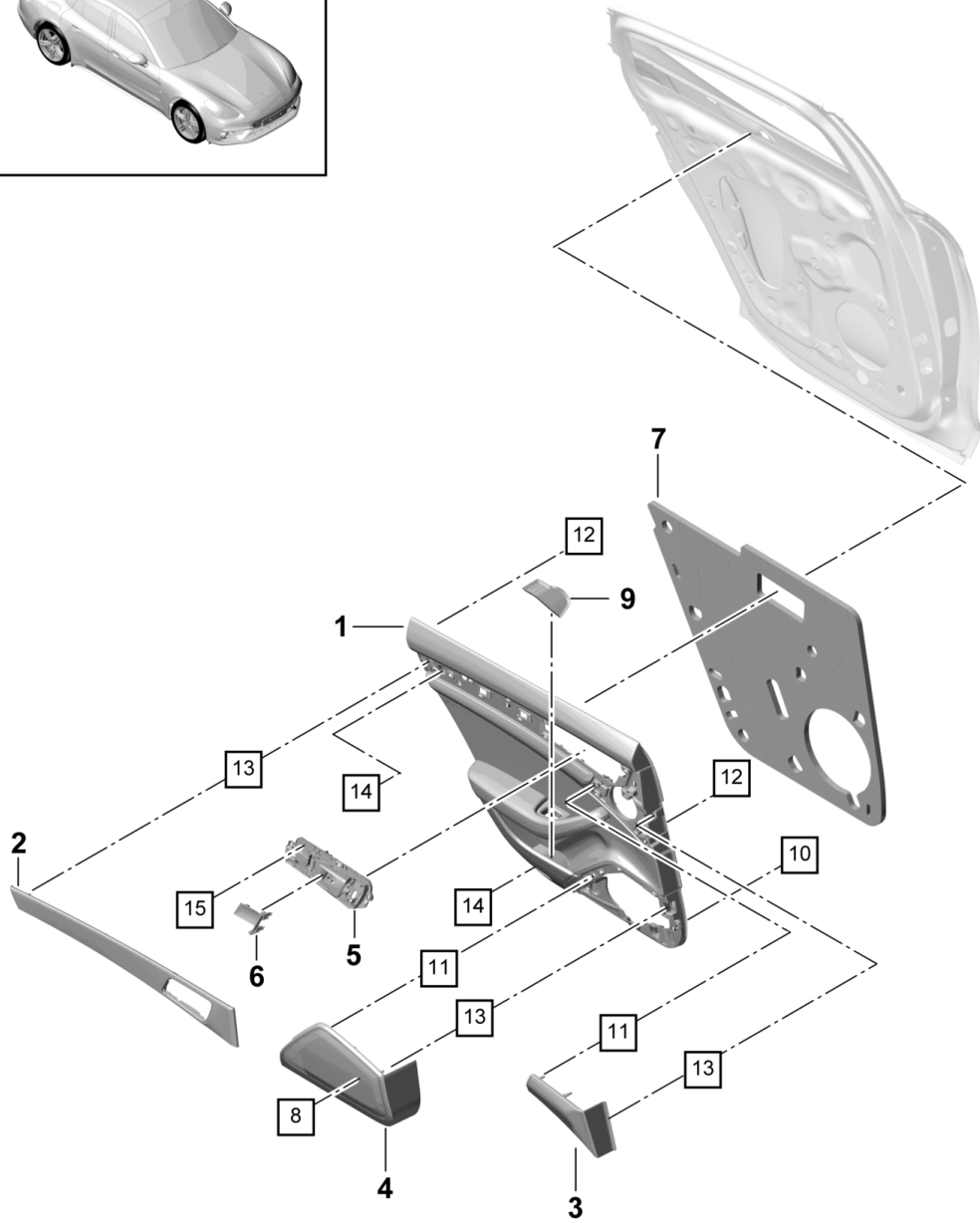
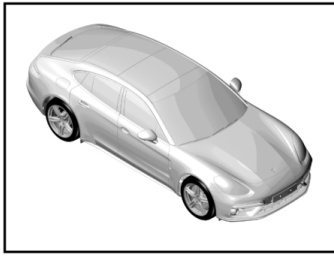
Model: 971-17

Model life 2017>>

Pos	Part Number	Description	Remark	Qty	Model
(7)	971 837 307 A 6N3 971 837 308 A	Matt black Cover Inner actuator	right rhd	1	PR: 3L6, 3PN, L0R
8	971 837 308 A 6N3 971 863 981	Matt black Damping		1	
9	971 945 699	inscription Bose		1	PR: 9VL
10	971 868 355	Switch housing (passenger side)		1	
11	971 868 355 6N3 971 858 165	Matt black Insert Mat	left	1	
(11)	971 858 166	Insert Mat	right	1	
12	95B 867 084	Stop buffer Distance piece		4	
13	958 552 900 00	Grommet		4	
14	9A7 868 243 00	Retaining clip		9	
15	955 552 107 00	Retaining clip		29	
16	N 911 809 01	Flat head multi-point socket bolt M5X20-W		4	
17	N 104 718 02	Oval hexagon socket head bolt 5,0X12,0-Q		6	

Model: 971-17

Model life 2017>>



Model: 971-17

Model life 2017>>

Pos	Part Number	Description	Remark	Qty	Model
1	971 867 211	door panel Leatherette Door trim (leatherette)	rear left	1	PR:0E1,K8S, 3LD,4AP PR:3Y0,3Y2, 3LD
	971 867 211 7P8	Black	-AB		
	971 867 211 OK2	agate grey	-DG		
	971 867 211 8ED	Luxor beige	-UB		
(1)	971 867 211 D	D >> - MJ 2017 Door trim (leatherette) two-colour	left	1	PR:3Y0,3Y2, 4AP
	971 867 211 D DQZ	Black/Luxor Beige	-PK		
(1)	971 867 211 M	Door trim (leatherette)	left	1	PR:3Y7,3Y8, 3LD
	971 867 211 M 7P8	Black	-AB		
	971 867 211 M OK2	agate grey	-DG		
	971 867 211 M 8ED	Luxor beige	-UB		
(1)	971 867 211 L	D >> - MJ 2017 Door trim (leatherette) two-colour	left	1	PR:3Y7,3Y8, 4AP
	971 867 211 L DQZ	Black/Luxor Beige	-PK		
(1)	971 867 212	Door trim (leatherette)	right	1	PR:3Y0,3Y2, 3LD
	971 867 212 7P8	Black	-AB		
	971 867 212 OK2	agate grey	-DG		
	971 867 212 8ED	Luxor beige	-UB		
(1)	971 867 212 D	D >> - MJ 2017 Door trim (leatherette) two-colour	right	1	PR:3Y0,3Y2, 4AP
	971 867 212 D DQZ	Black/Luxor Beige	-PK		
(1)	971 867 212 M	Door trim (leatherette)	right	1	PR:3Y7,3Y8, 3LD
	971 867 212 M 7P8	Black	-AB		
	971 867 212 M OK2	agate grey	-DG		
	971 867 212 M 8ED	Luxor beige	-UB		
(1)	971 867 212 L	D >> - MJ 2017 Door trim (leatherette) two-colour	right	1	PR:3Y7,3Y8, 4AP
	971 867 212 L DQZ	Black/Luxor Beige	-PK		
2	971 867 067 AB	molding for door trim panel	left	1	PR:5TL
(2)	971 867 067 AB OV3	High-Gloss Black			
(2)	971 867 068 AB	molding for door trim panel	right	1	PR:5TL
	971 867 068 AB OV3	High-Gloss Black			
(2)	971 867 067 AC	molding for door trim panel	left	1	PR:5MB
	971 867 067 AC CK6	Swedish birch/anthracite			
(2)	971 867 068 AC	molding for door trim panel	right	1	PR:5MB
	971 867 068 AC CK6	Swedish birch/anthracite			
(2)	971 867 067 AD	molding for door trim panel	left	1	PR:5MP
	971 867 067 AD OE9	American Walnut			
(2)	971 867 068 AD	molding for door trim panel	right	1	PR:5MP
	971 867 068 AD OE9	American Walnut			
(2)	971 867 067 AE	molding for door trim panel	left	1	PR:5TE
	971 867 067 AE U03	Aluminium, brushed			
(2)	971 867 068 AE	molding for door trim panel	right	1	PR:5TE
	971 867 068 AE U03	Aluminium, brushed			
(2)	971 867 067 AF	molding for door trim	left	1	PR:5MH

Model: 971-17 Model life 2017>>

Pos	Part Number	Description	Remark	Qty	Model
(2)	971 867 067 AF BX3 971 867 068 AF	panel Carbon, fine high-gloss molding for door trim panel	right	1	PR:5MH
(2)	971 867 068 AF BX3 971 867 067 AG	Carbon, fine high-gloss molding for door trim panel	left	1	PR:7TD
(2)	971 867 067 AG OF4 971 867 068 AG	Red Gum molding for door trim panel	right	1	PR:7TD
(2)	971 867 068 AG OF4 971 867 067 AS	Red Gum molding for door trim panel	left	1	PR:7TC
(2)	971 867 067 AS OK5 971 867 068 AS	Light Paldao molding for door trim panel	right	1	PR:7TC
(2)	971 867 068 AS OK5 971 867 067 AT	Light Paldao molding for door trim panel	left	1	PR:7TL
	971 867 067 AT C1Y	Palladium Metallic			
	971 867 067 AT C9A	white			
	971 867 067 AT C9X	Jet Black Metallic			
	971 867 067 AT M3C	Carmine red			
	971 867 067 AT M3S	Burgundy Red Metallic			
	971 867 067 AT M4Z	Amethyst metallic			
	971 867 067 AT M5F	Midnight Blue Metallic			
	971 867 067 AT M5J	Sapphire Blue Metallic			
	971 867 067 AT M6S	Mamba green metallic			
	971 867 067 AT M7P	Dolomite silver metallic			
	971 867 067 AT M7R	Volcano Grey Metallic			
	971 867 067 AT M7S	Achat Grey Metallic			
	971 867 067 AT M7U	Rhodium Silver Metallic			
	971 867 067 AT M7Z	GT Silver Metallic			
	971 867 067 AT M8R	Ristretto Brown Metallic			
	971 867 067 AT M9A	Chalk			
	971 867 067 AT S9R	Carrara White metallic			
(2)	971 867 067 AT 041 971 867 068 AT	Black molding for door trim panel	right	1	PR:7TL
	971 867 068 AT C1Y	Palladium Metallic			
	971 867 068 AT C9A	white			
	971 867 068 AT C9X	Jet Black Metallic			
	971 867 068 AT M3C	Carmine red			
	971 867 068 AT M3S	Burgundy Red Metallic			
	971 867 068 AT M4Z	Amethyst metallic			
	971 867 068 AT M5F	Midnight Blue Metallic			
	971 867 068 AT M5J	Sapphire Blue Metallic			
	971 867 068 AT M6S	Mamba green metallic			
	971 867 068 AT M7P	Dolomite silver metallic			
	971 867 068 AT M7R	Volcano Grey Metallic			
	971 867 068 AT M7S	Achat Grey Metallic			
	971 867 068 AT M7U	Rhodium Silver Metallic			
	971 867 068 AT M7Z	GT Silver Metallic			
	971 867 068 AT M8R	Ristretto Brown Metallic			
	971 867 068 AT M9A	Chalk			
	971 867 068 AT S9R	Carrara White metallic			
(2)	971 867 068 AT 041 971 867 067 BA	Black molding for door trim panel	left	1	PR:7TM
	971 867 067 BA A11	Leather Black	-AB,PK		
	971 867 067 BA OA1	agate grey	-DG		
	971 867 067 BA 7J0	Luxor beige	-UB		

Model: 971-17 Model life 2017>>

Pos	Part Number	Description	Remark	Qty	Model
(2)	971 867 068 BA	molding for door trim panel Leather	right	1	PR:7TM
	971 867 068 BA A11	Black	-AB,PK		
	971 867 068 BA OA1	agate grey	-DG		
	971 867 068 BA 7J0	Luxor beige	-UB		
3	971 035 793	Loudspeaker trim MID-RANGE speaker	left	1	
	971 035 793 5Q0	Black	-AB		
	971 035 793 OA6	agate grey	-DG		
	971 035 793 6W0	Luxor beige	-UB,PK		
(3)	971 035 794	Loudspeaker trim MID-RANGE speaker	right	1	
	971 035 794 5Q0	Black	-AB		
	971 035 794 OA6	agate grey	-DG		
	971 035 794 6W0	Luxor beige	-UB,PK		
4	971 035 435	Loudspeaker trim	left basic	1	PR:QQ0,9VK,9VL
	971 035 435 5Q0	Black	-AB		
	971 035 435 OA6	agate grey	-DG		
	971 035 435 6W0	Luxor beige	-UB,PK		
(4)	971 035 436	Loudspeaker trim	right basic	1	PR:QQ0,9VK,9VL
	971 035 436 5Q0	Black	-AB		
	971 035 436 OA6	agate grey	-DG		
	971 035 436 6W0	Luxor beige	-UB,PK		
(4)	971 035 293 B	Loudspeaker trim Burmester	left	1	PR:9VJ
	971 035 293 B 5Q0	Black	-AB		
	971 035 293 B OA6	agate grey	-DG		
	971 035 293 B 6W0	Luxor beige	-UB,PK		
(4)	971 035 294 B	Loudspeaker trim Burmester	right	1	PR:9VJ
		with: fibre optic conductor			
	971 035 294 B 5Q0	Black	-AB		
	971 035 294 B OA6	agate grey	-DG		
	971 035 294 B 6W0	Luxor beige	-UB,PK		
(4)	971 035 293 C	Loudspeaker trim Ambient light	left basic	1	PR:QQ0,QQ2,9VK,9VL
	971 035 293 C 5Q0	Black	-AB		
	971 035 293 C OA6	agate grey	-DG		
	971 035 293 C 6W0	Luxor beige	-UB,PK		
(4)	971 035 294 C	Loudspeaker trim Ambient light	right basic	1	PR:QQ0,QQ2,9VK,9VL
	971 035 294 C 5Q0	Black	-AB		
	971 035 294 C OA6	agate grey	-DG		
	971 035 294 C 6W0	Luxor beige	-UB,PK		
5	971 837 019	Inner actuator	left	1	
	971 837 019 CZO	Galvano silver			
(5)	971 837 020	Inner actuator	right	1	
	971 837 020 CZO	Galvano silver			
6	971 837 307	Cover Inner actuator	left	1	PR:3KG,3KH,3KI,3KJ
	971 837 307 6N3	Matt black			
(6)	971 837 308	Cover Inner actuator	right	1	PR:3KG,3KH,3KI,3KJ
	971 837 308 6N3	Matt black			
(6)	971 837 307 A	Cover Inner actuator	left	1	PR:3KK,3KL,3KN,3KR
	971 837 307 A 6N3	Matt black			
(6)	971 837 308 A	Cover Inner actuator	right	1	PR:3KK,3KL,3KN,3KR

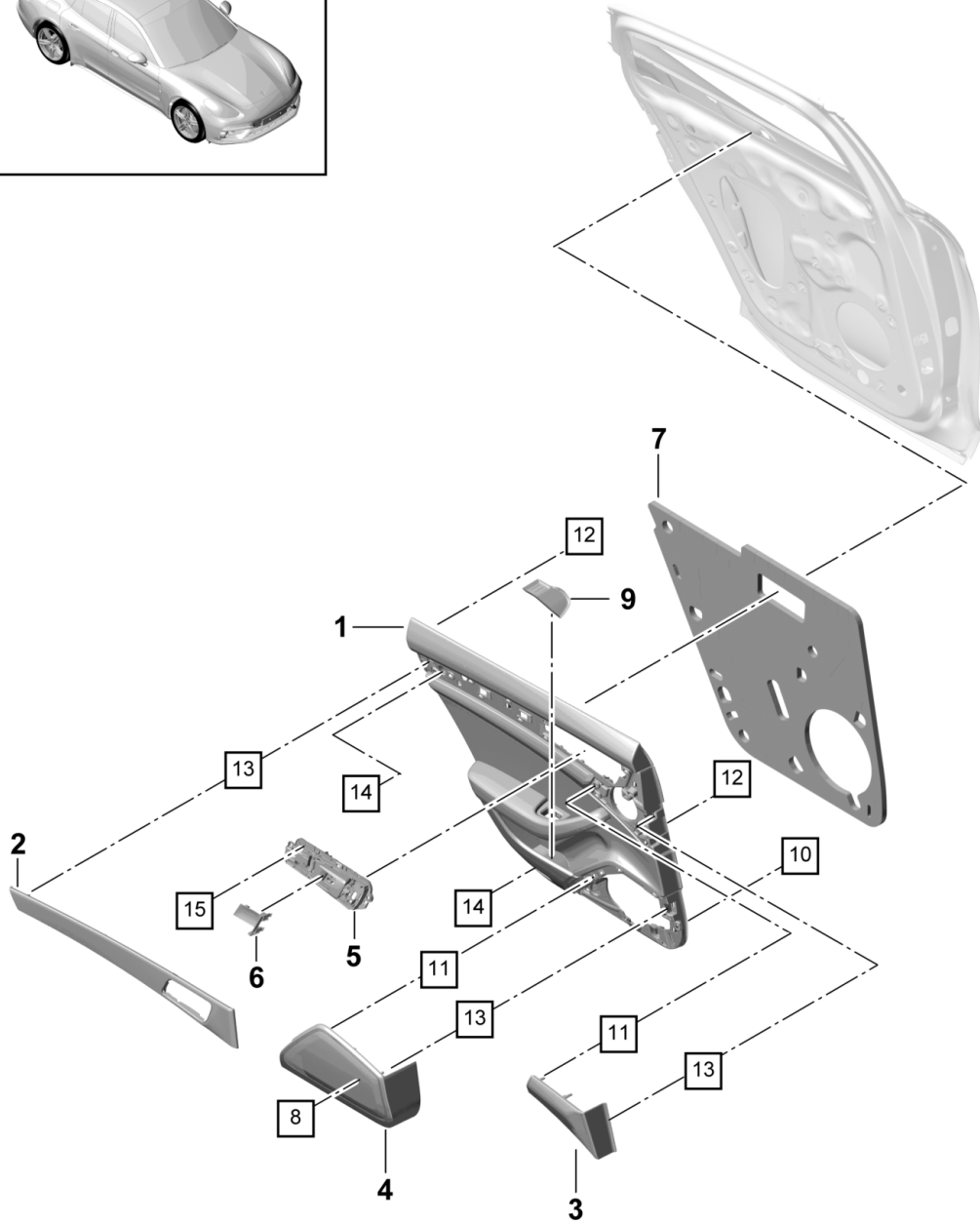
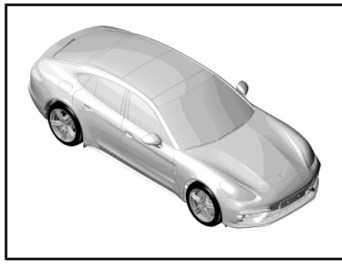
Model: 971-17

Model life 2017>>

Pos	Part Number	Description	Remark	Qty	Model
	971 837 308 A 6N3	Matt black			
7	971 863 935	sound abs. for door trim panel		1	
8	971 945 699	inscription		1	PR:9VL
		Bose			
9	971 858 169	Insert	left	1	
		Mat			
(9)	971 858 170	Insert	right	1	
		Mat			
10	95B 867 084	Stop buffer		5	
		Distance piece			
11	958 552 900 00	Grommet		4	
12	9A7 868 243 00	Retaining clip		9	
13	955 552 107 00	Retaining clip		26	
14	N 911 809 01	Flat head multi-point socket bolt M5X20-W		3	
15	N 104 718 02	Oval hexagon socket head bolt 5,0X12,0-Q		6	

Model: 971-17

Model life 2017>>



Model: 971-17 Model life 2017>>

Pos	Part Number	Description	Remark	Qty	Model
		door panel Leatherette Sport Turismo	rear		PR:0E1,K8D, 3LD,4AP
1	974 867 211	Door trim (leatherette)	left	1	PR:3LD,3Y0, 3Y2
	974 867 211 7P8	Black	-AB		
	974 867 211 OK2	agate grey	-DG		
(1)	974 867 211 H	Door trim (leatherette) two-colour	left	1	PR:4AP,3Y0, 3Y2
	974 867 211 H DQZ	Black/Luxor Beige	-PK		
(1)	974 867 211 D	Door trim (leatherette)	left	1	PR:3LD,3Y7, 3Y8
	974 867 211 D 7P8	Black	-AB		
	974 867 211 D OK2	agate grey	-DG		
(1)	974 867 211 J	Door trim (leatherette) two-colour	left	1	PR:4AP,3Y7, 3Y8
	974 867 211 J DQZ	Black/Luxor Beige	-PK		
(1)	974 867 212	Door trim (leatherette)	right	1	PR:3LD,3Y0, 3Y2
	974 867 212 7P8	Black	-AB		
	974 867 212 OK2	agate grey	-DG		
(1)	974 867 212 H	Door trim (leatherette) two-colour	right	1	PR:4AP,3Y0, 3Y2
	974 867 212 H DQZ	Black/Luxor Beige	-PK		
(1)	974 867 212 D	Door trim (leatherette)	right	1	PR:3LD,3Y7, 3Y8
	974 867 212 D 7P8	Black	-AB		
	974 867 212 D OK2	agate grey	-DG		
(1)	974 867 212 J	Door trim (leatherette) two-colour	right	1	PR:4AP,3Y7, 3Y8
	974 867 212 J DQZ	Black/Luxor Beige	-PK		
2	971 867 067 AB	molding for door trim panel	left	1	PR:5TL
	971 867 067 AB OV3	High-Gloss Black			
(2)	971 867 068 AB	molding for door trim panel	right	1	PR:5TL
	971 867 068 AB OV3	High-Gloss Black			
(2)	971 867 067 AC	molding for door trim panel	left	1	PR:5MB
	971 867 067 AC CK6	Swedish birch/anthracite			
(2)	971 867 068 AC	molding for door trim panel	right	1	PR:5MB
	971 867 068 AC CK6	Swedish birch/anthracite			
(2)	971 867 067 AD	molding for door trim panel	left	1	PR:5MP
	971 867 067 AD OE9	American Walnut			
(2)	971 867 068 AD	molding for door trim panel	right	1	PR:5MP
	971 867 068 AD OE9	American Walnut			
(2)	971 867 067 AE	molding for door trim panel	left	1	PR:5TE
	971 867 067 AE U03	Aluminium, brushed			
(2)	971 867 068 AE	molding for door trim panel	right	1	PR:5TE
	971 867 068 AE U03	Aluminium, brushed			
(2)	971 867 067 AF	molding for door trim panel	left	1	PR:5MH
	971 867 067 AF BX3	Carbon, fine high-gloss			
(2)	971 867 068 AF	molding for door trim panel	right	1	PR:5MH
	971 867 068 AF BX3	Carbon, fine high-gloss			
(2)	971 867 067 AG	molding for door trim panel	left	1	PR:7TD

Model: 971-17 Model life 2017>>

Pos	Part Number	Description	Remark	Qty	Model
(2)	971 867 067 AG OF4 971 867 068 AG	Red Gum molding for door trim panel	right	1	PR:7TD
(2)	971 867 068 AG OF4 971 867 067 AS	Red Gum molding for door trim panel	left	1	PR:7TC
(2)	971 867 067 AS OK5 971 867 068 AS	Light Paldao molding for door trim panel	right	1	PR:7TC
(2)	971 867 068 AS OK5 971 867 067 AT	Light Paldao molding for door trim panel	left	1	PR:7TL
	971 867 067 AT C1Y	Palladium Metallic			
	971 867 067 AT C9A	white			
	971 867 067 AT C9X	Jet Black Metallic			
	971 867 067 AT M3C	Carmine red			
	971 867 067 AT M3S	Burgundy Red Metallic			
	971 867 067 AT M4Z	Amethyst metallic			
	971 867 067 AT M5F	Midnight Blue Metallic			
	971 867 067 AT M5J	Sapphire Blue Metallic			
	971 867 067 AT M6S	Mamba green metallic			
	971 867 067 AT M7P	Dolomite silver metallic			
	971 867 067 AT M7R	Volcano Grey Metallic			
	971 867 067 AT M7S	Achat Grey Metallic			
	971 867 067 AT M7U	Rhodium Silver Metallic			
	971 867 067 AT M7Z	GT Silver Metallic			
	971 867 067 AT M8R	Ristretto Brown Metallic			
	971 867 067 AT M9A	Chalk			
	971 867 067 AT S9R	Carrara White metallic			
(2)	971 867 067 AT 041 971 867 068 AT	Black molding for door trim panel	right	1	PR:7TL
	971 867 068 AT C1Y	Palladium Metallic			
	971 867 068 AT C9A	white			
	971 867 068 AT C9X	Jet Black Metallic			
	971 867 068 AT M3C	Carmine red			
	971 867 068 AT M3S	Burgundy Red Metallic			
	971 867 068 AT M4Z	Amethyst metallic			
	971 867 068 AT M5F	Midnight Blue Metallic			
	971 867 068 AT M5J	Sapphire Blue Metallic			
	971 867 068 AT M6S	Mamba green metallic			
	971 867 068 AT M7P	Dolomite silver metallic			
	971 867 068 AT M7R	Volcano Grey Metallic			
	971 867 068 AT M7S	Achat Grey Metallic			
	971 867 068 AT M7U	Rhodium Silver Metallic			
	971 867 068 AT M7Z	GT Silver Metallic			
	971 867 068 AT M8R	Ristretto Brown Metallic			
	971 867 068 AT M9A	Chalk			
	971 867 068 AT S9R	Carrara White metallic			
(2)	971 867 068 AT 041 971 867 067 BA	Black molding for door trim panel	left	1	PR:7TM
	971 867 067 BA A11	Leather Black			
(2)	971 867 067 BA OA1 971 867 068 BA	agate grey molding for door trim panel	right	1	PR:7TM
	971 867 068 BA A11	Leather Black			
	971 867 068 BA OA1	agate grey			
3	971 035 793	Loudspeaker trim	left	1	
	971 035 793 5Q0	MID-RANGE speaker Black	-AB		

Model: 971-17 Model life 2017>>

Pos	Part Number	Description	Remark	Qty	Model
(3)	971 035 793 OA6	agate grey	-DG	1	
	971 035 793 6W0	Luxor beige	-PK		
	971 035 794	Loudspeaker trim MID-RANGE speaker	right		
4	971 035 794 5Q0	Black	-AB	1	PR:QQ0,9VK, 9VL
	971 035 794 OA6	agate grey	-DG		
	971 035 794 6W0	Luxor beige	-PK		
(4)	971 035 435	Loudspeaker trim	left basic	1	PR:QQ0,9VK, 9VL
	971 035 435 5Q0	Black	-AB		
	971 035 435 OA6	agate grey	-DG		
(4)	971 035 435 6W0	Luxor beige	-PK	1	PR:QQ0,9VK, 9VL
	971 035 436	Loudspeaker trim	right basic		
	971 035 436 5Q0	Black	-AB		
(4)	971 035 436 OA6	agate grey	-DG	1	PR:9VJ
	971 035 436 6W0	Luxor beige	-PK		
	971 035 293 B	Loudspeaker trim Burmester	left		
(4)	971 035 293 B 5Q0	Black	-AB	1	PR:9VJ
	971 035 293 B OA6	agate grey	-DG		
	971 035 293 B 6W0	Luxor beige	-PK		
(4)	971 035 294 B	Loudspeaker trim Burmester	right	1	PR:9VJ
	971 035 294 B 5Q0	Black	-AB		
	971 035 294 B OA6	agate grey	-DG		
(4)	971 035 294 B 6W0	Luxor beige	-PK	1	PR:QQ0,QQ2, 9VK,9VL
	971 035 293 C	Loudspeaker trim Ambient light	left basic		
	971 035 293 C 5Q0	Black	-AB		
(4)	971 035 293 C OA6	agate grey	-DG	1	PR:QQ0,QQ2, 9VK,9VL
	971 035 293 C 6W0	Luxor beige	-PK		
	971 035 294 C	Loudspeaker trim Ambient light	right basic		
5	971 035 294 C 5Q0	Black	-AB	1	
	971 035 294 C OA6	agate grey	-DG		
	971 035 294 C 6W0	Luxor beige	-PK		
(5)	971 837 019	Inner actuator	left	1	
	971 837 019 CZO	Galvano silver			
	971 837 020	Inner actuator	right		
6	971 837 020 CZO	Galvano silver		1	PR:3KG,3KH, 3KI,3KJ,5KA
	971 837 307	Cover	left		
	971 837 307 6N3	Inner actuator Matt black			
(6)	971 837 308	Cover	right	1	PR:3KG,3KH, 3KI,3KJ,5KA
	971 837 308 6N3	Inner actuator Matt black			
	971 837 307 A	Cover	left		
(6)	971 837 307 A 6N3	Inner actuator Matt black		1	PR:3KK,3KL, 3KN,3KR
	971 837 308 A	Cover	right		
	971 837 308 A 6N3	Inner actuator Matt black			
7	971 863 935	sound abs. for door trim panel		1	
8	971 945 699	inscription		1	PR:9VL
(9)	971 858 169	Bose Insert Mat	left	1	
	971 858 170	Insert Mat	right		
	95B 867 084	Stop buffer			

with:

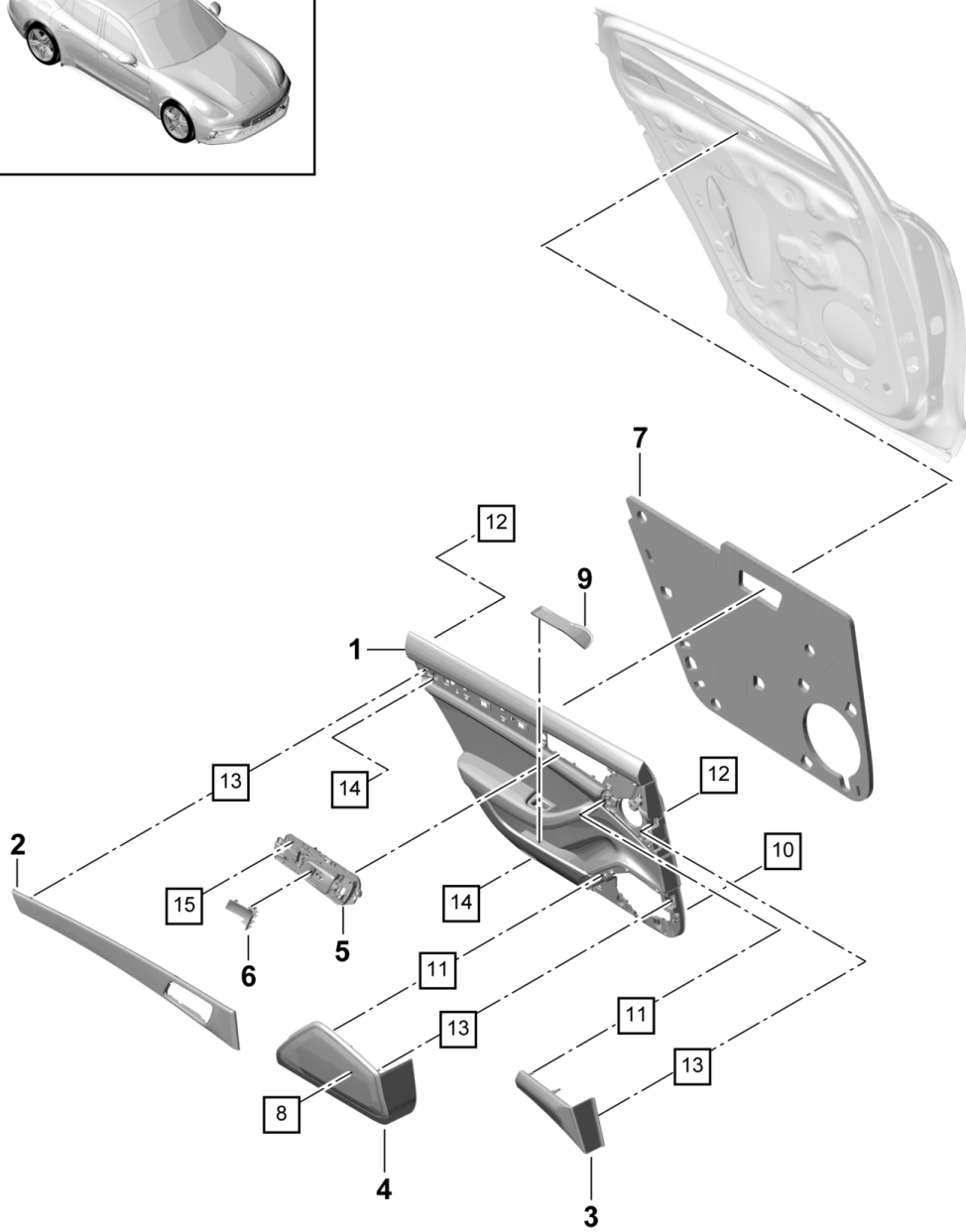
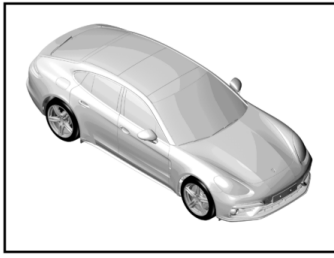
Model: 971-17

Model life 2017>>

Pos	Part Number	Description	Remark	Qty	Model
11	958 552 900 00	Distance piece		4	
		Grommet			
12	9A7 868 243 00	Retaining clip		9	
13	955 552 107 00	Retaining clip		26	
14	N 911 809 01	Flat head multi-point socket bolt M5X20-W		3	
15	N 104 718 02	Oval hexagon socket head bolt 5,0X12,0-Q		6	

Model: 971-17

Model life 2017>>



15	14	13	12	11	10	8

Model: 971-17

Model life 2017>>

Pos	Part Number	Description	Remark	Qty	Model
		door panel	rear		PR:0E2,3LD, 4AP
1	971 867 211 AB	Leatherette			
	971 867 211 AB 7P8	Door trim (leatherette)	left	1	PR:3Y0,3Y2
	971 867 211 AB OK2	Black	-AB		
	971 867 211 AB OK2	agate grey	-DG		
(1)	971 867 211 AF	Door trim (leatherette)	left	1	PR:3Y0,3Y2, 4AP
	971 867 211 AF DQZ	two-colour			
	971 867 211 AF DQZ	Black/Luxor Beige	-PK		
(1)	971 867 211 R	Door trim (leatherette)	left	1	PR:3Y7,3Y8
	971 867 211 R 7P8	Black	-AB		
	971 867 211 R OK2	agate grey	-DG		
(1)	971 867 211 AG	Door trim (leatherette)	left	1	PR:3Y7,3Y8, 4AP
	971 867 211 AG DQZ	two-colour			
	971 867 211 AG DQZ	Black/Luxor Beige	-PK		
(1)	971 867 212 AB	Door trim (leatherette)	right	1	PR:3Y0,3Y2
	971 867 212 AB 7P8	Black	-AB		
	971 867 212 AB OK2	agate grey	-DG		
(1)	971 867 212 AF	Door trim (leatherette)	right	1	PR:3Y0,3Y2, 4AP
	971 867 212 AF DQZ	two-colour			
	971 867 212 AF DQZ	Black/Luxor Beige	-PK		
(1)	971 867 212 R	Door trim (leatherette)	right	1	PR:3Y7,3Y8
	971 867 212 R 7P8	Black	-AB		
	971 867 212 R OK2	agate grey	-DG		
(1)	971 867 212 AG	Door trim (leatherette)	right	1	PR:3Y7,3Y8, 4AP
	971 867 212 AG DQZ	two-colour			
	971 867 212 AG DQZ	Black/Luxor Beige	-PK		
2	971 867 067 AH	molding for door trim	left	1	PR:5TL
	971 867 067 AH	panel			
	971 867 067 AH OV3	High-Gloss Black			
(2)	971 867 068 AH	molding for door trim	right	1	PR:5TL
	971 867 068 AH	panel			
	971 867 068 AH OV3	High-Gloss Black			
(2)	971 867 067 AJ	molding for door trim	left	1	PR:5MB
	971 867 067 AJ	panel			
	971 867 067 AJ CK6	Swedish birch/anthracite			
(2)	971 867 068 AJ	molding for door trim	right	1	PR:5MB
	971 867 068 AJ	panel			
	971 867 068 AJ CK6	Swedish birch/anthracite			
(2)	971 867 067 AK	molding for door trim	left	1	PR:5MP
	971 867 067 AK	panel			
	971 867 067 AK OE9	American Walnut			
(2)	971 867 068 AK	molding for door trim	right	1	PR:5MP
	971 867 068 AK	panel			
	971 867 068 AK OE9	American Walnut			
(2)	971 867 067 AL	molding for door trim	left	1	PR:5TE
	971 867 067 AL	panel			
	971 867 067 AL U03	Aluminium, brushed			
(2)	971 867 068 AL	molding for door trim	right	1	PR:5TE
	971 867 068 AL	panel			
	971 867 068 AL U03	Aluminium, brushed			
(2)	971 867 067 AM	molding for door trim	left	1	PR:5MH
	971 867 067 AM	panel			
	971 867 067 AM BX3	Carbon, fine high-gloss			
(2)	971 867 068 AM	molding for door trim	right	1	PR:5MH
	971 867 068 AM	panel			
	971 867 068 AM BX3	Carbon, fine high-gloss			
(2)	971 867 067 AN	molding for door trim	left	1	PR:7TD
	971 867 067 AN	panel			
	971 867 067 AN OF4	Red Gum			
(2)	971 867 068 AN	molding for door trim	right	1	PR:7TD
	971 867 068 AN	panel			
	971 867 068 AN OF4	Red Gum			
(2)	971 867 067 AP	molding for door trim	left	1	PR:7TC

Model: 971-17 Model life 2017>>

Pos	Part Number	Description	Remark	Qty	Model
(2)	971 867 067 AP OK5 971 867 068 AP	panel Light Paldao molding for door trim panel	right	1	PR:7TC
(2)	971 867 068 AP OK5 971 867 067 AQ	Light Paldao molding for door trim panel	left	1	PR:7TL
	971 867 067 AQ C1Y	Palladium Metallic			
	971 867 067 AQ C9A	white			
	971 867 067 AQ C9X	Jet Black Metallic			
	971 867 067 AQ M3C	Carmine red			
	971 867 067 AQ M3S	Burgundy Red Metallic			
	971 867 067 AQ M4Z	Amethyst metallic			
	971 867 067 AQ M5F	Midnight Blue Metallic			
	971 867 067 AQ M5J	Sapphire Blue Metallic			
	971 867 067 AQ M6S	Mamba green metallic			
	971 867 067 AQ M7P	Dolomite silver metallic			
	971 867 067 AQ M7R	Volcano Grey Metallic			
	971 867 067 AQ M7S	Achat Grey Metallic			
	971 867 067 AQ M7U	Rhodium Silver Metallic			
	971 867 067 AQ M7Z	GT Silver Metallic			
	971 867 067 AQ M8R	Ristretto Brown Metallic			
	971 867 067 AQ M9A	Chalk			
	971 867 067 AQ S9R	Carrara White metallic			
(2)	971 867 067 AQ 041 971 867 068 AQ	Black molding for door trim panel	right	1	PR:7TL
	971 867 068 AQ C1Y	Palladium Metallic			
	971 867 068 AQ C9A	white			
	971 867 068 AQ C9X	Jet Black Metallic			
	971 867 068 AQ M3C	Carmine red			
	971 867 068 AQ M3S	Burgundy Red Metallic			
	971 867 068 AQ M4Z	Amethyst metallic			
	971 867 068 AQ M5F	Midnight Blue Metallic			
	971 867 068 AQ M5J	Sapphire Blue Metallic			
	971 867 068 AQ M6S	Mamba green metallic			
	971 867 068 AQ M7P	Dolomite silver metallic			
	971 867 068 AQ M7R	Volcano Grey Metallic			
	971 867 068 AQ M7S	Achat Grey Metallic			
	971 867 068 AQ M7U	Rhodium Silver Metallic			
	971 867 068 AQ M7Z	GT Silver Metallic			
	971 867 068 AQ M8R	Ristretto Brown Metallic			
	971 867 068 AQ M9A	Chalk			
	971 867 068 AQ S9R	Carrara White metallic			
(2)	971 867 068 AQ 041 971 867 067 AR	Black molding for door trim panel	left	1	PR:7TM
	971 867 067 AR A11	Leather Black	-AB,PK		
(2)	971 867 067 AR OA1 971 867 068 AR	agate grey molding for door trim panel	-DG right	1	PR:7TM
	971 867 068 AR A11	Leather Black	-AB,PK		
	971 867 068 AR OA1	agate grey	-DG		
3	971 035 793 A	Loudspeaker trim MID-RANGE speaker	left	1	
	971 035 793 A 5Q0	Black	-AB		
	971 035 793 A OA6	agate grey	-DG		
	971 035 793 A 6W0	Luxor beige	-UB,PK		
(3)	971 035 794 A	Loudspeaker trim MID-RANGE speaker	right	1	
	971 035 794 A 5Q0	Black	-AB		

Model: 971-17 Model life 2017>>

Pos	Part Number	Description	Remark	Qty	Model
4	971 035 794 A OA6	agate grey	-DG	1	PR:QQ0,9VK, 9VL
	971 035 794 A 6W0	Luxor beige	-UB,PK		
	971 035 435	Loudspeaker trim	left		
(4)	971 035 435 5Q0	Black	-AB	1	PR:QQ0,9VK, 9VL
	971 035 435 OA6	agate grey	-DG		
	971 035 435 6W0	Luxor beige	-UB,PK		
(4)	971 035 435 OL8	Chalk	-BK	1	PR:QQ0,9VK, 9VL
	971 035 436	Loudspeaker trim	right		
	971 035 436 5Q0	Black	-AB		
(4)	971 035 436 OA6	agate grey	-DG	1	PR:9VJ
	971 035 436 6W0	Luxor beige	-UB,PK		
	971 035 436 OL8	Chalk	-BK		
(4)	971 035 293 B	Loudspeaker trim	left	1	PR:9VJ
		Burmester			
		with: fibre optic conductor			
(4)	971 035 293 B 5Q0	Black	-AB	1	PR:9VJ
	971 035 293 B OA6	agate grey	-DG		
	971 035 293 B 6W0	Luxor beige	-UB,PK		
(4)	971 035 294 B	Loudspeaker trim	right	1	PR:9VJ
		Burmester			
		with: fibre optic conductor			
(4)	971 035 294 B 5Q0	Black	-AB	1	PR:QQ0,QQ2, 9VK,9VL
	971 035 294 B OA6	agate grey	-DG		
	971 035 294 B 6W0	Luxor beige	-UB,PK		
(4)	971 035 293 C	Loudspeaker trim	left	1	PR:QQ0,QQ2, 9VK,9VL
		AMBIENTE	basic		
	971 035 293 C 5Q0	Black	-AB		
(4)	971 035 293 C OA6	agate grey	-DG	1	PR:QQ0,QQ2, 9VK,9VL
	971 035 293 C 6W0	Luxor beige	-UB,PK		
	971 035 294 C	Loudspeaker trim	right		
(4)	971 035 294 C 5Q0	Black	-AB	1	PR:QQ0,QQ2, 9VK,9VL
	971 035 294 C OA6	agate grey	-DG		
	971 035 294 C 6W0	Luxor beige	-UB,PK		
5	971 837 019	Inner actuator	left	1	
(5)	971 837 019 CZO	Galvano silver		1	
	971 837 020	Inner actuator	right	1	
6	971 837 020 CZO	Galvano silver		1	
	971 837 307	Cover	left	1	PR:3KG,3KH, 3KI,3KJ
(6)	971 837 307 6N3	Matt black		1	PR:3KG,3KH, 3KI,3KJ
	971 837 308	Cover	right	1	PR:3KG,3KH, 3KI,3KJ
(6)	971 837 308 6N3	Matt black		1	PR:3KK,3KL, 3KN,3KR
	971 837 307 A	Cover	left	1	PR:3KK,3KL, 3KN,3KR
(6)	971 837 307 A 6N3	Matt black		1	PR:3KK,3KL, 3KN,3KR
	971 837 308 A	Cover	right	1	PR:3KK,3KL, 3KN,3KR
7	971 837 308 A 6N3	Matt black		1	
8	971 863 935 A	Damping		1	
9	971 945 699	inscription		1	PR:9VL
		Bose			
(9)	971 858 169 A	Insert	left	1	
		Mat			
(9)	971 858 170 A	Insert	right	1	
		Mat			
10	95B 867 084	Stop buffer		4	
		Distance piece			

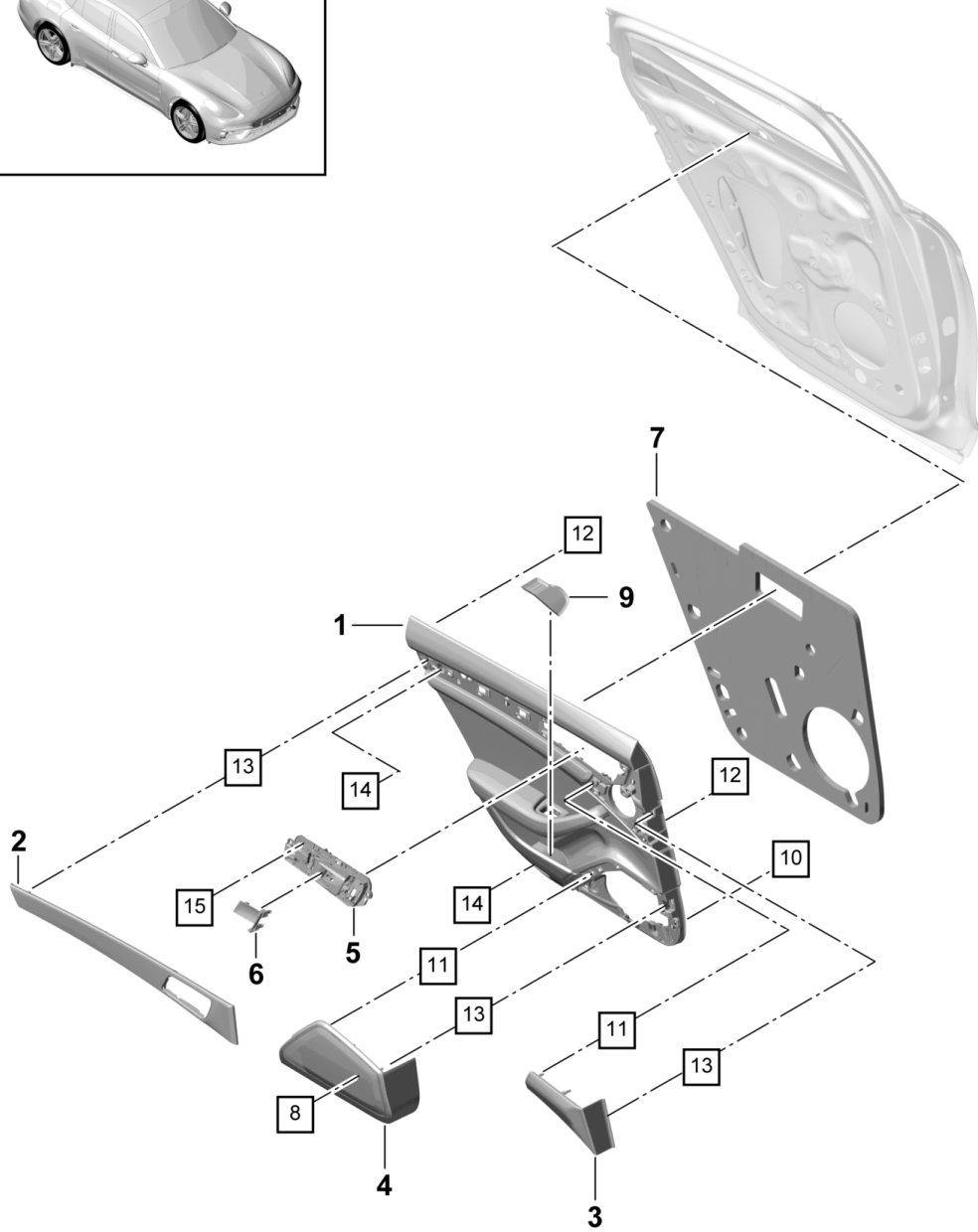
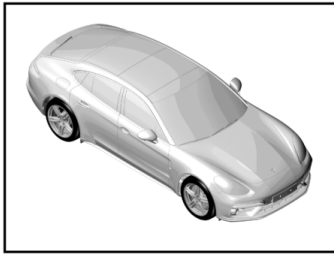
Model: 971-17

Model life 2017>>

Pos	Part Number	Description	Remark	Qty	Model
11	958 552 900 00	Grommet		4	
12	9A7 868 243 00	Retaining clip		7	
13	955 552 107 00	Retaining clip		28	
14	N 911 809 01	Flat head multi-point socket bolt M5X20-W		3	
15	N 104 718 02	Oval hexagon socket head bolt 5,0X12,0-Q		6	

Model: 971-17

Model life 2017>>



Model: 971-17

Model life 2017>>

Pos	Part Number	Description	Remark	Qty	Model
1	971 867 211 A	door panel Leather Door panel trim (leather)	rear left	1	PR:0E1,K8S, 3LH,3LT PR:3LH,3Y0, 3Y2
	971 867 211 A A11	Black	-AC		
	971 867 211 A OA1	agate grey	-DL		
	971 867 211 A OK6	saddle brown	-SB		
	971 867 211 A 7J0	Luxor beige	-UC		
	971 867 211 A 7H0	Marsala Red	-PC		
1	971 867 211 B	door panel	left	1	PR:4AA,3Y0, 3Y2
	971 867 211 B OT2	Truffle Brown	-HD		
	971 867 211 B ON1	Cohiba Brown	-HC		
(1)	971 867 211 C	Door panel trim (leather) two-colour	left	1	PR:3LT,3Y0, 3Y2
	971 867 211 C GUG	Black/Bordeaux Red	-BB		
	971 867 211 C HAD	Black/Saddle Tan	-BS		
	971 867 211 C GUH	Black/Chalk	-BK		
	971 867 211 C HAF	Saddle Tan/Luxor Beige	-BP		
	971 867 211 C DMJ	Marsala Red/Cream	-BE		
	971 867 211 C DTO	Black/Luxor Beige	-PL		
(1)	971 867 211 N	Door panel trim (leather)	left	1	PR:3LH,3Y7, 3Y8
	971 867 211 N A11	Black	-AC		
	971 867 211 N OA1	agate grey	-DL		
	971 867 211 N OK6	saddle brown	-SB		
	971 867 211 N 7J0	Luxor beige	-UC		
	971 867 211 N 7H0	Marsala Red	-PC		
1	971 867 211 P	door panel	left	1	PR:4AA,3Y7, 3Y8
	971 867 211 P OT2	Truffle Brown	-HD		
	971 867 211 P ON1	Cohiba Brown	-HC		
(1)	971 867 211 Q	Door panel trim (leather) two-colour	left	1	PR:3LT,3Y7, 3Y8
	971 867 211 Q GUG	Black/Bordeaux Red	-BB		
	971 867 211 Q HAD	Black/Saddle Tan	-BS		
	971 867 211 Q GUH	Black/Chalk	-BK		
	971 867 211 Q HAF	Saddle Tan/Luxor Beige	-BP		
	971 867 211 Q DMJ	Marsala Red/Cream	-BE		
	971 867 211 Q DTO	Black/Luxor Beige	-PL		
(1)	971 867 212 A	Door panel trim (leather)	right	1	PR:3LH,3Y0, 3Y2
	971 867 212 A A11	Black	-AC		
	971 867 212 A OA1	agate grey	-DL		
	971 867 212 A OK6	saddle brown	-SB		
	971 867 212 A 7J0	Luxor beige	-UC		
	971 867 212 A 7H0	Marsala Red	-PC		
1	971 867 212 B	door panel	left	1	PR:4AA,3Y0, 3Y2
	971 867 212 B OT2	Truffle Brown	-HD		
	971 867 212 B ON1	Cohiba Brown	-HC		
(1)	971 867 212 C	Door panel trim (leather) two-colour	right	1	PR:3LT,3Y0, 3Y2
	971 867 212 C GUG	Black/Bordeaux Red	-BB		
	971 867 212 C HAD	Black/Saddle Tan	-BS		
	971 867 212 C GUH	Black/Chalk	-BK		
	971 867 212 C HAF	Saddle Tan/Luxor Beige	-BP		
	971 867 212 C DMJ	Marsala Red/Cream	-BE		
	971 867 212 C DTO	Black/Luxor Beige	-PL		
(1)	971 867 212 N	Door panel trim (leather)	right	1	PR:3LH,3Y7, 3Y8
	971 867 212 N A11	Black	-AC		
	971 867 212 N OA1	agate grey	-DL		

Model: 971-17

Model life 2017>>

Pos	Part Number	Description	Remark	Qty	Model
1	971 867 212 N OK6	saddle brown	-SB	1	PR: 4AA, 3Y7, 3Y8
	971 867 212 N 7J0	Luxor beige	-UC		
	971 867 212 N 7H0	Marsala Red	-PC		
	971 867 212 P	door panel	left		
(1)	971 867 212 P OT2	Truffle Brown	-HD	1	PR: 3LT, 3Y7, 3Y8
	971 867 212 P ON1	Cohiba Brown	-HC		
	971 867 212 Q	Door panel trim (leather) two-colour	right		
	971 867 212 Q GUG	Black/Bordeaux Red	-BB		
	971 867 212 Q HAD	Black/Saddle Tan	-BS		
	971 867 212 Q GUH	Black/Chalk	-BK		
	971 867 212 Q HAF	Saddle Tan/Luxor Beige	-BP		
	971 867 212 Q DMJ	Marsala Red/Cream	-BE		
	971 867 212 Q DTO	Black/Luxor Beige	-PL		
	2	971 867 067 AB	molding for door trim panel		
(2)	971 867 067 AB OV3	High-Gloss Black	right	1	PR: 5TL
	971 867 068 AB	molding for door trim panel			
(2)	971 867 068 AB OV3	High-Gloss Black	left	1	PR: 5MB
	971 867 067 AC	molding for door trim panel			
(2)	971 867 067 AC CK6	Swedish birch/anthracite	right	1	PR: 5MB
	971 867 068 AC	molding for door trim panel			
(2)	971 867 068 AC CK6	Swedish birch/anthracite	left	1	PR: 5MP
	971 867 067 AD	molding for door trim panel			
(2)	971 867 067 AD OE9	American Walnut	right	1	PR: 5MP
	971 867 068 AD	molding for door trim panel			
(2)	971 867 068 AD OE9	American Walnut	left	1	PR: 5TE
	971 867 067 AE	molding for door trim panel			
(2)	971 867 067 AE U03	Aluminium, brushed	right	1	PR: 5TE
	971 867 068 AE	molding for door trim panel			
(2)	971 867 068 AE U03	Aluminium, brushed	left	1	PR: 5MH
	971 867 067 AF	molding for door trim panel			
(2)	971 867 067 AF BX3	Carbon, fine high-gloss	right	1	PR: 5MH
	971 867 068 AF	molding for door trim panel			
(2)	971 867 068 AF BX3	Carbon, fine high-gloss	left	1	PR: 7TD
	971 867 067 AG	molding for door trim panel			
(2)	971 867 067 AG OF4	Red Gum	right	1	PR: 7TD
	971 867 068 AG	molding for door trim panel			
(2)	971 867 068 AG OF4	Red Gum	left	1	PR: 7TC
	971 867 067 AS	molding for door trim panel			
(2)	971 867 067 AS OK5	Light Paldao	right	1	PR: 7TC
	971 867 068 AS	molding for door trim panel			
(2)	971 867 068 AS OK5	Light Paldao	left	1	PR: 7TL
	971 867 067 AT	molding for door trim panel			
	971 867 067 AT C1Y	Palladium Metallic			
	971 867 067 AT C9A	white			
	971 867 067 AT C9X	Jet Black Metallic			
	971 867 067 AT M3C	Carmine red			

Model: 971-17 Model life 2017>>

Pos	Part Number	Description	Remark	Qty	Model
	971 867 067 AT M3S	Burgundy Red Metallic			
	971 867 067 AT M4Z	Amethyst metallic			
	971 867 067 AT M5F	Midnight Blue Metallic			
	971 867 067 AT M5J	Sapphire Blue Metallic			
	971 867 067 AT M6S	Mamba green metallic			
	971 867 067 AT M7P	Dolomite silver metallic			
	971 867 067 AT M7R	Volcano Grey Metallic			
	971 867 067 AT M7S	Achat Grey Metallic			
	971 867 067 AT M7U	Rhodium Silver Metallic			
	971 867 067 AT M7Z	GT Silver Metallic			
	971 867 067 AT M8R	Ristretto Brown Metallic			
	971 867 067 AT M9A	Chalk			
	971 867 067 AT S9R	Carrara White metallic			
	971 867 067 AT 041	Black			
(2)	971 867 068 AT	molding for door trim panel	right	1	PR:7TL
	971 867 068 AT C1Y	Palladium Metallic			
	971 867 068 AT C9A	white			
	971 867 068 AT C9X	Jet Black Metallic			
	971 867 068 AT M3C	Carmine red			
	971 867 068 AT M3S	Burgundy Red Metallic			
	971 867 068 AT M4Z	Amethyst metallic			
	971 867 068 AT M5F	Midnight Blue Metallic			
	971 867 068 AT M5J	Sapphire Blue Metallic			
	971 867 068 AT M6S	Mamba green metallic			
	971 867 068 AT M7P	Dolomite silver metallic			
	971 867 068 AT M7R	Volcano Grey Metallic			
	971 867 068 AT M7S	Achat Grey Metallic			
	971 867 068 AT M7U	Rhodium Silver Metallic			
	971 867 068 AT M7Z	GT Silver Metallic			
	971 867 068 AT M8R	Ristretto Brown Metallic			
	971 867 068 AT M9A	Chalk			
	971 867 068 AT S9R	Carrara White metallic			
	971 867 068 AT 041	Black			
(2)	971 867 067 BA	molding for door trim panel	left	1	PR:7TM
		Leather			
	971 867 067 BA A11	Black	-AB,PK		
	971 867 067 BA OA1	agate grey	-DG		
	971 867 067 BA 7J0	Luxor beige	-UB		
	971 867 067 BA OK6	saddle brown	-SB		
	971 867 067 BA 7H0	Marsala Red	-PC		
(2)	971 867 068 BA	molding for door trim panel	right	1	PR:7TM
		Leather			
	971 867 068 BA A11	Black	-AB,PK		
	971 867 068 BA OA1	agate grey	-DG		
	971 867 068 BA 7J0	Luxor beige	-UB		
	971 867 068 BA OK6	saddle brown	-SB		
	971 867 068 BA 7H0	Marsala Red	-PC		
3	971 035 793	Loudspeaker trim	left	1	
		MID-RANGE speaker			
	971 035 793 5Q0	Black	-AC		
	971 035 793 OA6	agate grey	-DL		
	971 035 793 OL7	saddle brown	-SB,BS		
	971 035 793 6W0	Luxor beige	-UC,BP		
	971 035 793 7X0	Marsala Red	-PC		
	971 035 793 OG6	Bordeaux red	-BB		
	971 035 793 OL8	Chalk	-BK		
	971 035 793 5V0	Cream	-BE		
(3)	971 035 794	Loudspeaker trim	right	1	
		MID-RANGE speaker			
	971 035 794 5Q0	Black	-AC		

Model: 971-17 Model life 2017>>

Pos	Part Number	Description	Remark	Qty	Model
4	971 035 794 OA6	agate grey	-DL	1	PR:QQ0,9VK, 9VL
	971 035 794 OL7	saddle brown	-SB,BS		
	971 035 794 6W0	Luxor beige	-UC,BP		
	971 035 794 7X0	Marsala Red	-PC		
	971 035 794 OG6	Bordeaux red	-BB		
	971 035 794 OL8	Chalk	-BK		
	971 035 794 5V0	Cream	-BE		
	971 035 435	Loudspeaker trim	basic left		
	971 035 435 5Q0	Black	-AC		
	971 035 435 OA6	agate grey	-DL		
(4)	971 035 435 OL7	saddle brown	-SB,BS	1	PR:QQ0,9VK, 9VL
	971 035 435 6W0	Luxor beige	-UC,BP		
	971 035 435 7X0	Marsala Red	-PC		
	971 035 435 OG6	Bordeaux red	-BB		
	971 035 435 OL8	Chalk	-BK		
	971 035 435 5V0	Cream	-BE		
	971 035 436	Loudspeaker trim	basic right		
	971 035 436 5Q0	Black	-AC		
	971 035 436 OA6	agate grey	-DL		
	971 035 436 OL7	saddle brown	-SB,BS		
(4)	971 035 436 6W0	Luxor beige	-UC,BP	1	PR:QQ0,9VK, 9VL
	971 035 436 7X0	Marsala Red	-PC		
	971 035 436 OG6	Bordeaux red	-BB		
	971 035 436 OL8	Chalk	-BK		
	971 035 436 5V0	Cream	-BE		
	971 035 293 D	Loudspeaker trim BURMESTER			
	971 035 293 D OL8	Chalk	-BK		
	971 035 293 D OA6	agate grey	-DL		
	971 035 293 D OB8	Cohiba Brown	-HC		
	971 035 293 D OG6	Bordeaux red	-BB		
(4)	971 035 293 D OL7	saddle brown	-BS	1	PR:9VJ
	971 035 293 D OS1	Truffle Brown	-HD		
	971 035 293 D 5Q0	Black	-AC		
	971 035 293 D 5V0	Cream	-BE		
	971 035 293 D 6W0	Luxor beige	-PL,BP		
	971 035 293 D 7X0	Marsala Red	-PC		
	971 035 294 D	Loudspeaker trim BURMESTER			
	971 035 294 D 5Q0	Black	-AC		
	971 035 294 D OA6	agate grey	-DL		
	971 035 294 D OB8	Cohiba Brown	-HC		
(4)	971 035 294 D OG6	Bordeaux red	-BB	1	PR:QQ1,QQ2, 9VK,9VL
	971 035 294 D OL7	saddle brown	-BS		
	971 035 294 D OL8	Chalk	-BK		
	971 035 294 D OS1	Truffle Brown	-HD		
	971 035 294 D 5V0	Cream	-BE		
	971 035 294 D 6W0	Luxor beige	-PL,BP		
	971 035 294 D 7X0	Marsala Red	-PC		
	971 035 293 C	Loudspeaker trim For vehicles with ambient lighting	basic left		
	971 035 293 C 5Q0	Black	-AC		
	971 035 293 C OA6	agate grey	-DL		
(4)	971 035 293 C OL7	saddle brown	-SB,BS	1	PR:QQ1,QQ2, 9VK,9VL
	971 035 293 C 6W0	Luxor beige	-UC,BP		
	971 035 293 C 7X0	Marsala Red	-PC		
	971 035 293 C OG6	Bordeaux red	-BB		
	971 035 293 C OL8	Chalk	-BK		
	971 035 293 C 5V0	Cream	-BE		
	971 035 294 C	Loudspeaker trim	basic		

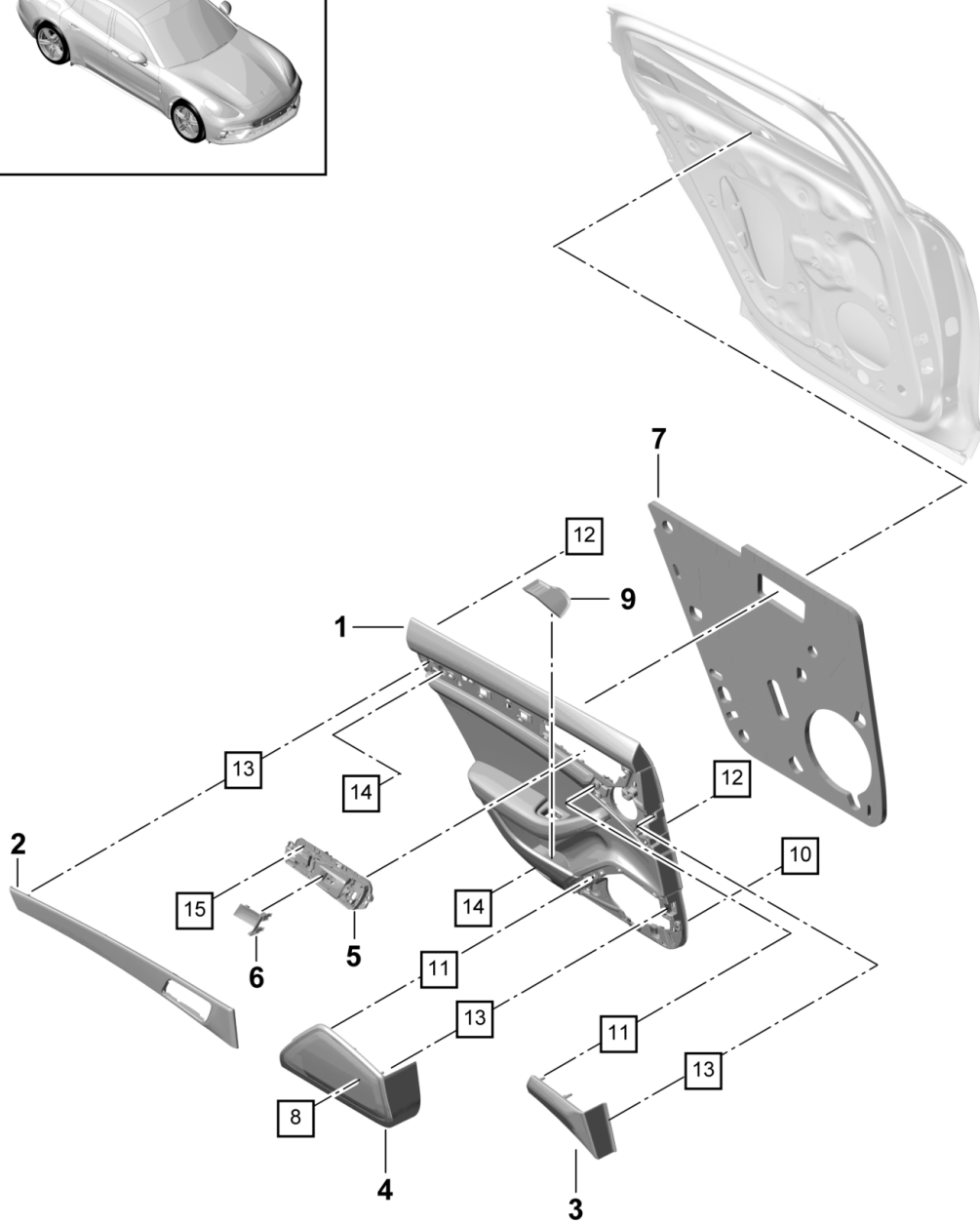
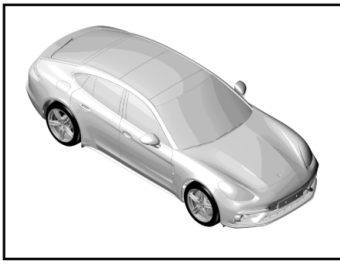
Model: 971-17

Model life 2017>>

Pos	Part Number	Description	Remark	Qty	Model
		For vehicles with ambient lighting	right		9VK,9VL
	971 035 294 C 5Q0	Black	-AC		
	971 035 294 C OA6	agate grey	-DL		
	971 035 294 C OL7	saddle brown	-SB,BS		
	971 035 294 C 6W0	Luxor beige	-UC,BP		
	971 035 294 C 7X0	Marsala Red	-PC		
	971 035 294 C OG6	Bordeaux red	-BB		
	971 035 294 C OL8	Chalk	-BK		
	971 035 294 C 5V0	Cream	-BE		
5	971 837 019	Inner actuator	left	1	
	971 837 019 CZO	Galvano silver			
(5)	971 837 020	Inner actuator	right	1	
	971 837 020 CZO	Galvano silver			
6	971 837 307	Cover	left	1	PR: 3KG, 3KH, 3KI, 3KJ
	971 837 307 6N3	Inner actuator			
(6)	971 837 308	Matt black	right	1	PR: 3KG, 3KH, 3KI, 3KJ
	971 837 308 6N3	Cover			
(6)	971 837 307 A	Inner actuator	left	1	PR: 3KK, 3KL, 3KN, 3KR
	971 837 307 A 6N3	Matt black			
(6)	971 837 308 A	Cover	right	1	PR: 3KK, 3KL, 3KN, 3KR
	971 837 308 A 6N3	Inner actuator			
7	971 863 935	Matt black		1	
8	971 945 699	sound abs. for door trim panel inscription		1	PR: 9VL
		Bose			
9	971 858 165	Insert	left	1	
		Mat			
(9)	971 858 166	Insert	right	1	
		Mat			
10	95B 867 084	Stop buffer		5	
		Distance piece			
11	958 552 900 00	Grommet		4	
12	9A7 868 243 00	Retaining clip		7	
13	955 552 107 00	Retaining clip		26	
14	N 911 809 01	Flat head multi-point socket bolt		3	
		M5X20-W			
15	N 104 718 02	Oval hexagon socket head bolt		6	
		5,0X12,0-Q			

Model: 971-17

Model life 2017>>



15	14	13	12	11	10	8

Model: 971-17 Model life 2017>>

Pos	Part Number	Description	Remark	Qty	Model
		door panel Leather Sport Turismo	rear		PR:0E1,K8D, 3LH,3LT,4AA
1	974 867 211 A	Door panel trim (leather)	left	1	PR:3LH,3Y0, 3Y2
	974 867 211 A A11	Black	-AC		
	974 867 211 A OA1	agate grey	-DL		
	974 867 211 A OK6	saddle brown	-SB		
	974 867 211 A 7J0	Luxor beige	-UC		
	974 867 211 A 7H0	Marsala Red	-PC		
(1)	974 867 211 B	door panel	left	1	PR:4AA,3Y0, 3Y2
	974 867 211 B OT2	Truffle Brown	-HD		
	974 867 211 B ON1	Cohiba Brown	-HC		
(1)	974 867 211 C	Door panel trim (leather) two-colour	left	1	PR:3LT,3Y0, 3Y2
	974 867 211 C GUG	Black/Bordeaux Red	-BB		
	974 867 211 C HAD	Black/Saddle Tan	-BS		
	974 867 211 C GUH	Black/Chalk	-BK		
	974 867 211 C HAF	Saddle Tan/Luxor Beige	-BP		
	974 867 211 C DMJ	Marsala Red/Cream	-BE		
	974 867 211 C DTO	Black/Luxor Beige	-PL		
(1)	974 867 211 E	Door panel trim (leather)	left	1	PR:3LH,3Y7, 3Y8
	974 867 211 E A11	Black	-AC		
	974 867 211 E OA1	agate grey	-DL		
	974 867 211 E OK6	saddle brown	-SB		
	974 867 211 E 7J0	Luxor beige	-UC		
	974 867 211 E 7H0	Marsala Red	-PC		
(1)	974 867 211 F	door panel	left	1	PR:4AA,3Y7, 3Y8
	974 867 211 F OT2	Truffle Brown	-HD		
	974 867 211 F ON1	Cohiba Brown	-HC		
(1)	974 867 211 G	Door panel trim (leather) two-colour	left	1	PR:3LT,3Y7, 3Y8
	974 867 211 G GUG	Black/Bordeaux Red	-BB		
	974 867 211 G HAD	Black/Saddle Tan	-BS		
	974 867 211 G GUH	Black/Chalk	-BK		
	974 867 211 G HAF	Saddle Tan/Luxor Beige	-BP		
	974 867 211 G DMJ	Marsala Red/Cream	-BE		
	974 867 211 G DTO	Black/Luxor Beige	-PL		
(1)	974 867 212 A	Door panel trim (leather)	right	1	PR:3LH,3Y0, 3Y2
	974 867 212 A A11	Black	-AC		
	974 867 212 A OA1	agate grey	-DL		
	974 867 212 A OK6	saddle brown	-SB		
	974 867 212 A 7J0	Luxor beige	-UC		
	974 867 212 A 7H0	Marsala Red	-PC		
(1)	974 867 212 B	door panel	right	1	PR:4AA,3Y0, 3Y2
	974 867 212 B OT2	Truffle Brown	-HD		
	974 867 212 B ON1	Cohiba Brown	-HC		
(1)	974 867 212 C	Door panel trim (leather) two-colour	right	1	PR:3LT,3Y0, 3Y2
	974 867 212 C GUG	Black/Bordeaux Red	-BB		
	974 867 212 C HAD	Black/Saddle Tan	-BS		
	974 867 212 C GUH	Black/Chalk	-BK		
	974 867 212 C HAF	Saddle Tan/Luxor Beige	-BP		
	974 867 212 C DMJ	Marsala Red/Cream	-BE		
	974 867 212 C DTO	Black/Luxor Beige	-PL		
(1)	974 867 212 E	Door panel trim (leather)	right	1	PR:3LH,3Y7, 3Y8
	974 867 212 E A11	Black	-AC		

Model: 971-17

Model life 2017>>

Pos	Part Number	Description	Remark	Qty	Model
	974 867 212 E OA1	agate grey	-DL		
	974 867 212 E OK6	saddle brown	-SB		
	974 867 212 E 7J0	Luxor beige	-UC		
	974 867 212 E 7H0	Marsala Red	-PC		
(1)	974 867 212 F	door panel	left	1	PR:4AA,3Y7, 3Y8
	974 867 212 F OT2	Truffle Brown	-HD		
	974 867 212 F ON1	Cohiba Brown	-HC		
(1)	974 867 212 G	Door panel trim (leather) two-colour	right	1	PR:3LT,3Y7, 3Y8
	974 867 212 G GUG	Black/Bordeaux Red	-BB		
	974 867 212 G HAD	Black/Saddle Tan	-BS		
	974 867 212 G GUH	Black/Chalk	-BK		
	974 867 212 G HAF	Saddle Tan/Luxor Beige	-BP		
	974 867 212 G DMJ	Marsala Red/Cream	-BE		
	974 867 212 G DTO	Black/Luxor Beige	-PL		
2	971 867 067 AB	molding for door trim panel	left	1	PR:5TL
	971 867 067 AB OV3	High-Gloss Black			
(2)	971 867 068 AB	molding for door trim panel	right	1	PR:5TL
	971 867 068 AB OV3	High-Gloss Black			
(2)	971 867 067 AC	molding for door trim panel	left	1	PR:5MB
	971 867 067 AC CK6	Swedish birch/anthracite			
(2)	971 867 068 AC	molding for door trim panel	right	1	PR:5MB
	971 867 068 AC CK6	Swedish birch/anthracite			
(2)	971 867 067 AD	molding for door trim panel	left	1	PR:5MP
	971 867 067 AD OE9	American Walnut			
(2)	971 867 068 AD	molding for door trim panel	right	1	PR:5MP
	971 867 068 AD OE9	American Walnut			
(2)	971 867 067 AE	molding for door trim panel	left	1	PR:5TE
	971 867 067 AE U03	Aluminium, brushed			
(2)	971 867 068 AE	molding for door trim panel	right	1	PR:5TE
	971 867 068 AE U03	Aluminium, brushed			
(2)	971 867 067 AF	molding for door trim panel	left	1	PR:5MH
	971 867 067 AF BX3	Carbon, fine high-gloss			
(2)	971 867 068 AF	molding for door trim panel	right	1	PR:5MH
	971 867 068 AF BX3	Carbon, fine high-gloss			
(2)	971 867 067 AG	molding for door trim panel	left	1	PR:7TD
	971 867 067 AG OF4	Red Gum			
(2)	971 867 068 AG	molding for door trim panel	right	1	PR:7TD
	971 867 068 AG OF4	Red Gum			
(2)	971 867 067 AS	molding for door trim panel	left	1	PR:7TC
	971 867 067 AS OK5	Light Paldao			
(2)	971 867 068 AS	molding for door trim panel	right	1	PR:7TC
	971 867 068 AS OK5	Light Paldao			
(2)	971 867 067 AT	molding for door trim panel	left	1	PR:7TL
	971 867 067 AT C1Y	Palladium Metallic			
	971 867 067 AT C9A	white			
	971 867 067 AT C9X	Jet Black Metallic			

Model: 971-17 Model life 2017>>

Pos	Part Number	Description	Remark	Qty	Model
	971 867 067 AT M3C	Carmine red			
	971 867 067 AT M3S	Burgundy Red Metallic			
	971 867 067 AT M4Z	Amethyst metallic			
	971 867 067 AT M5F	Midnight Blue Metallic			
	971 867 067 AT M5J	Sapphire Blue Metallic			
	971 867 067 AT M6S	Mamba green metallic			
	971 867 067 AT M7P	Dolomite silver metallic			
	971 867 067 AT M7R	Volcano Grey Metallic			
	971 867 067 AT M7S	Achat Grey Metallic			
	971 867 067 AT M7U	Rhodium Silver Metallic			
	971 867 067 AT M7Z	GT Silver Metallic			
	971 867 067 AT M8R	Ristretto Brown Metallic			
	971 867 067 AT M9A	Chalk			
	971 867 067 AT S9R	Carrara White metallic			
	971 867 067 AT 041	Black			
(2)	971 867 068 AT	molding for door trim panel	right	1	PR:7TL
	971 867 068 AT C1Y	Palladium Metallic			
	971 867 068 AT C9A	white			
	971 867 068 AT C9X	Jet Black Metallic			
	971 867 068 AT M3C	Carmine red			
	971 867 068 AT M3S	Burgundy Red Metallic			
	971 867 068 AT M4Z	Amethyst metallic			
	971 867 068 AT M5F	Midnight Blue Metallic			
	971 867 068 AT M5J	Sapphire Blue Metallic			
	971 867 068 AT M6S	Mamba green metallic			
	971 867 068 AT M7P	Dolomite silver metallic			
	971 867 068 AT M7R	Volcano Grey Metallic			
	971 867 068 AT M7S	Achat Grey Metallic			
	971 867 068 AT M7U	Rhodium Silver Metallic			
	971 867 068 AT M7Z	GT Silver Metallic			
	971 867 068 AT M8R	Ristretto Brown Metallic			
	971 867 068 AT M9A	Chalk			
	971 867 068 AT S9R	Carrara White metallic			
	971 867 068 AT 041	Black			
(2)	971 867 067 BA	molding for door trim panel	left	1	PR:7TM
		Leather			
	971 867 067 BA A11	Black	-AB,PK		
	971 867 067 BA OA1	agate grey	-DG		
	971 867 067 BA 7J0	Luxor beige	-UB		
	971 867 067 BA OK6	saddle brown	-SB		
	971 867 067 BA 7H0	Marsala Red	-PC		
(2)	971 867 068 BA	molding for door trim panel	right	1	PR:7TM
		Leather			
	971 867 068 BA A11	Black	-AB,PK		
	971 867 068 BA OA1	agate grey	-DG		
	971 867 068 BA 7J0	Luxor beige	-UB		
	971 867 068 BA OK6	saddle brown	-SB		
	971 867 068 BA 7H0	Marsala Red	-PC		
3	971 035 793	Loudspeaker trim	left	1	
		MID-RANGE speaker			
	971 035 793 5Q0	Black	-AC		
	971 035 793 OA6	agate grey	-DL		
	971 035 793 OL7	saddle brown	-SB,BS		
	971 035 793 6W0	Luxor beige	-UC,BP		
	971 035 793 7X0	Marsala Red	-PC		
	971 035 793 OG6	Bordeaux red	-BB		
	971 035 793 OL8	Chalk	-BK		
	971 035 793 5V0	Cream	-BE		
(3)	971 035 794	Loudspeaker trim	right	1	
		MID-RANGE speaker			

Model: 971-17 Model life 2017>>

Pos	Part Number	Description	Remark	Qty	Model
	971 035 794 5Q0	Black	-AC		
	971 035 794 OA6	agate grey	-DL		
	971 035 794 OL7	saddle brown	-SB,BS		
	971 035 794 6W0	Luxor beige	-UC,BP		
	971 035 794 7X0	Marsala Red	-PC		
	971 035 794 OG6	Bordeaux red	-BB		
	971 035 794 OL8	Chalk	-BK		
	971 035 794 5V0	Cream	-BE		
4	971 035 419	Loudspeaker trim	left	1	PR:QQ0,9VK, 9VL
			basic		
	971 035 419 5Q0	Black	-AC		
	971 035 419 OA6	agate grey	-DL		
	971 035 419 OL7	saddle brown	-SB,BS		
	971 035 419 6W0	Luxor beige	-UC,BP		
	971 035 419 7X0	Marsala Red	-PC		
	971 035 419 OG6	Bordeaux red	-BB		
	971 035 419 OL8	Chalk	-BK		
	971 035 419 5V0	Cream	-BE		
(4)	971 035 420	Loudspeaker trim	right	1	PR:QQ0,9VK, 9VL
			basic		
	971 035 420 5Q0	Black	-AC		
	971 035 420 OA6	agate grey	-DL		
	971 035 420 OL7	saddle brown	-SB,BS		
	971 035 420 6W0	Luxor beige	-UC,BP		
	971 035 420 7X0	Marsala Red	-PC		
	971 035 420 OG6	Bordeaux red	-BB		
	971 035 420 OL8	Chalk	-BK		
	971 035 420 5V0	Cream	-BE		
(4)	971 035 143 D	Loudspeaker trim		1	PR:9VJ
		BURMESTER			
		with:			
		fibre optic conductor			
	971 035 143 D 5Q0	Black	-AC		
	971 035 143 D OA6	agate grey	-DL		
	971 035 143 D OG6	Bordeaux red	-BB		
	971 035 143 D OL7	saddle brown	-SB,BS		
	971 035 143 D OL8	Chalk	-BK		
	971 035 143 D 5V0	Cream	-BE		
	971 035 143 D 6W0	Luxor beige	-UC,BP		
	971 035 143 D 7X0	Marsala Red	-PC		
(4)	971 035 144 D	Loudspeaker trim		1	PR:9VJ
		BURMESTER			
		with:			
		fibre optic conductor			
	971 035 144 D 5Q0	Black	-AC		
	971 035 144 D OA6	agate grey	-DL		
	971 035 144 D 6W0	Luxor beige	-UC,BP		
	971 035 144 D OG6	Bordeaux red	-BB		
	971 035 144 D OL7	saddle brown	-SB,BS		
	971 035 144 D OL8	Chalk	-BK		
	971 035 144 D 5V0	Cream	-BE		
	971 035 144 D 7X0	Marsala Red	-PC		
(4)	971 035 143 C	Loudspeaker trim	left	1	PR:QQ0,QQ2, 9VK,9VL
		Ambient light	basic		
	971 035 143 C 5Q0	Black	-AC		
	971 035 143 C OA6	agate grey	-DL		
	971 035 143 C OL7	saddle brown	-SB,BS		
	971 035 143 C 6W0	Luxor beige	-UC,BP		
	971 035 143 C 7X0	Marsala Red	-PC		
	971 035 143 C OG6	Bordeaux red	-BB		
	971 035 143 C OL8	Chalk	-BK		
	971 035 143 C 5V0	Cream	-BE		
(4)	971 035 144 C	Loudspeaker trim	right	1	PR:QQ0,QQ2,

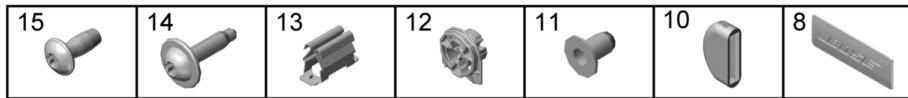
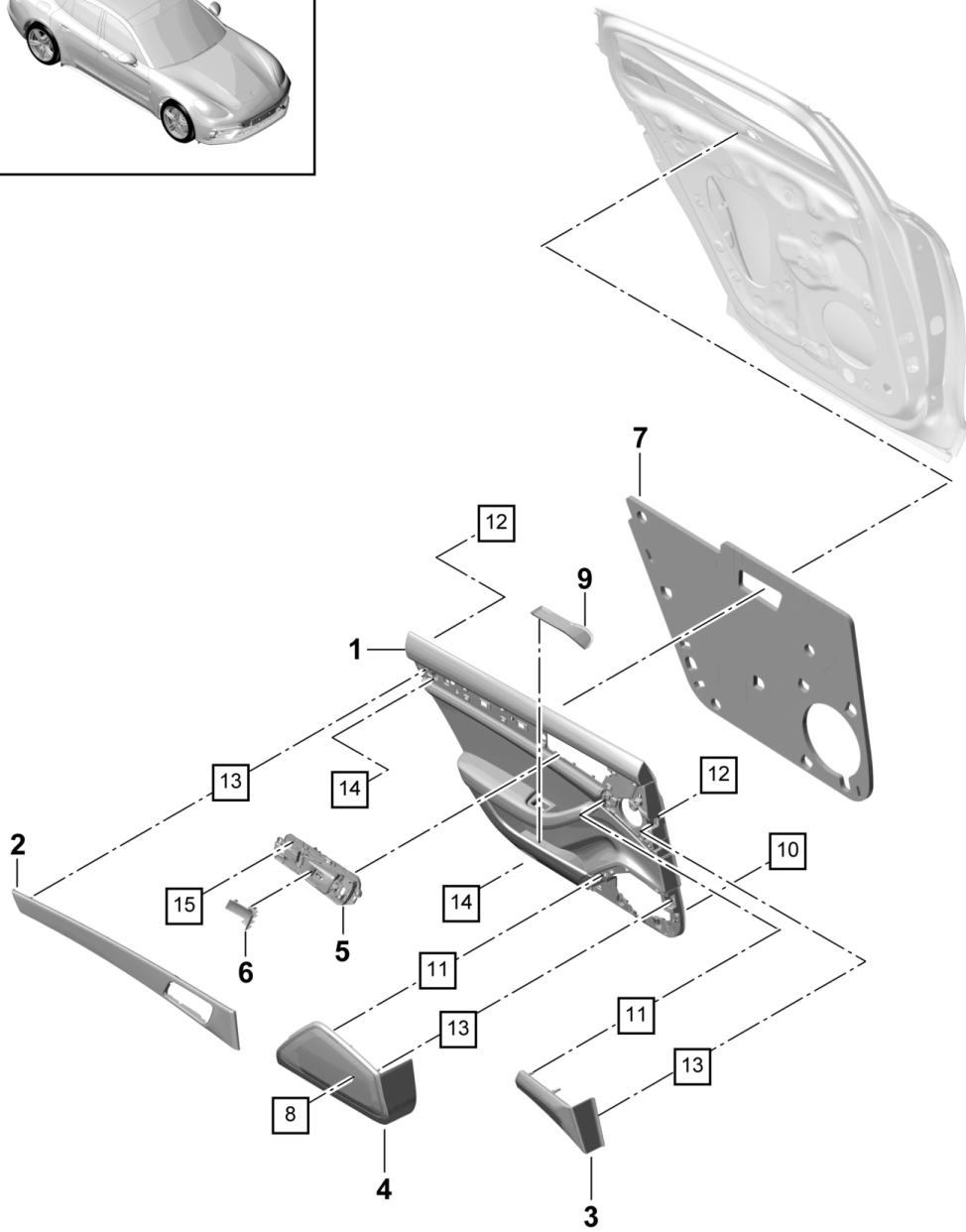
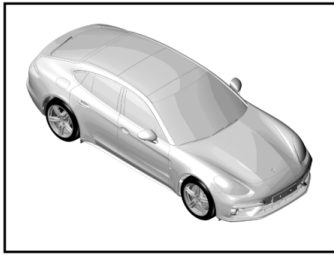
Model: 971-17

Model life 2017>>

Pos	Part Number	Description	Remark	Qty	Model
		Ambient light	basic		9VK, 9VL
	971 035 144 C 5Q0	Black	-AC		
	971 035 144 C OA6	agate grey	-DL		
	971 035 144 C OL7	saddle brown	-SB,BS		
	971 035 144 C 6W0	Luxor beige	-UC,BP		
	971 035 144 C 7X0	Marsala Red	-PC		
	971 035 144 C OG6	Bordeaux red	-BB		
	971 035 144 C OL8	Chalk	-BK		
	971 035 144 C 5V0	Cream	-BE		
5	971 837 019	Inner actuator	left	1	
	971 837 019 CZO	Galvano silver			
(5)	971 837 020	Inner actuator	right	1	
	971 837 020 CZO	Galvano silver			
6	971 837 307	Cover	left	1	PR: 3KG, 3KH, 3KI, 3KJ
	971 837 307 6N3	Inner actuator			
(6)	971 837 308	Matt black	right	1	PR: 3KG, 3KH, 3KI, 3KJ
	971 837 308 6N3	Cover			
(6)	971 837 307 A	Inner actuator	left	1	PR: 3KK, 3KL, 3KN, 3KR
	971 837 307 A 6N3	Cover			
(6)	971 837 308 A	Inner actuator	right	1	PR: 3KK, 3KL, 3KN, 3KR
	971 837 308 A 6N3	Cover			
7	971 863 935	sound abs. for door trim panel		1	
8	971 945 699	inscription		1	PR: 9VL
		Bose			
9	971 858 165	Insert	left	1	
		Mat			
(9)	971 858 166	Insert	right	1	
		Mat			
10	95B 867 084	Stop buffer		5	
		Distance piece			
		Discontinued part			
10	95B 867 084 A	Stop buffer		5	
		Distance piece			
11	958 552 900 00	Grommet		4	
12	9A7 868 243 00	Retaining clip		7	
13	955 552 107 00	Retaining clip		26	
14	N 911 809 01	Flat head multi-point socket bolt		3	
		M5X20-W			
15	N 104 718 02	Oval hexagon socket head bolt 5,0X12,0-Q		6	

Model: 971-17

Model life 2017>>



Model: 971-17 Model life 2017>>

Pos	Part Number	Description	Remark	Qty	Model
1	971 867 211 AC	door panel Leather Door panel trim (leather)	rear left	1	PR:0E2,3LH, 3LT,4AA PR:3LH,3Y0, 3Y2
	971 867 211 AC A11	Black	-AC		
	971 867 211 AC OA1	agate grey	-DL		
	971 867 211 AC OK6	saddle brown	-SB		
	971 867 211 AC 7J0	Luxor beige	-UC		
	971 867 211 AC 7H0	Marsala Red	-PC		
(1)	971 867 211 AD	Door panel trim (leather) two-colour	left	1	PR:3LT,3Y0, 3Y2
	971 867 211 AD GUG	Black/Bordeaux Red	-BB		
	971 867 211 AD HAD	Black/Saddle Tan	-BS		
	971 867 211 AD GUH	Black/Chalk	-BK		
	971 867 211 AD HAF	Black/Luxor Beige	-BP		
	971 867 211 AD DMJ	Marsala Red/Cream	-BE		
	971 867 211 AD DTO	Black/Luxor Beige	-PL		
1	971 867 211 AE	door panel	left	1	PR:4AA,3Y0, 3Y2
	971 867 211 AE OT2	Truffle Brown	-HD		
	971 867 211 AE ON1	Cohiba Brown	-HC		
(1)	971 867 211 S	Door panel trim (leather)	left	1	PR:3LH,3Y7, 3Y8
	971 867 211 S A11	Black	-AC		
	971 867 211 S OA1	agate grey	-DL		
	971 867 211 S OK6	saddle brown	-SB		
	971 867 211 S 7J0	Luxor beige	-UC		
	971 867 211 S 7H0	Marsala Red	-PC		
1	971 867 211 T	door panel	left	1	PR:4AA,3Y7, 3Y8
	971 867 211 T OT2	Truffle Brown	-HD		
	971 867 211 T ON1	Cohiba Brown	-HC		
(1)	971 867 211 AA	Door panel trim (leather) two-colour	left	1	PR:3LT,3Y7, 3Y8
	971 867 211 AA GUG	Black/Bordeaux Red	-BB		
	971 867 211 AA HAD	Black/Saddle Tan	-BS		
	971 867 211 AA GUH	Black/Chalk	-BK		
	971 867 211 AA HAF	Black/Luxor Beige	-BP		
	971 867 211 AA DMJ	Marsala Red/Cream	-BE		
	971 867 211 AA DTO	Black/Luxor Beige	-PL		
(1)	971 867 212 AC	Door panel trim (leather)	right	1	PR:3LH,3Y0, 3Y2
	971 867 212 AC A11	Black	-AC		
	971 867 212 AC OA1	agate grey	-DL		
	971 867 212 AC OK6	saddle brown	-SB		
	971 867 212 AC 7J0	Luxor beige	-UC		
	971 867 212 AC 7H0	Marsala Red	-PC		
(1)	971 867 212 AD	Door panel trim (leather) two-colour	right	1	PR:3LT,3Y0, 3Y2
	971 867 212 AD GUG	Black/Bordeaux Red	-BB		
	971 867 212 AD HAD	Black/Saddle Tan	-BS		
	971 867 212 AD GUH	Black/Chalk	-BK		
	971 867 212 AD HAF	Black/Luxor Beige	-BP		
	971 867 212 AD DMJ	Marsala Red/Cream	-BE		
	971 867 212 AD DTO	Black/Luxor Beige	-PL		
1	971 867 212 AE	door panel	right	1	PR:4AA,3Y0, 3Y2
	971 867 212 AE OT2	Truffle Brown	-HD		
	971 867 212 AE ON1	Cohiba Brown	-HC		
(1)	971 867 212 S	Door panel trim (leather)	right	1	PR:3LH,3Y7, 3Y8
	971 867 212 S A11	Black	-AC		
	971 867 212 S OA1	agate grey	-DL		

Model: 971-17 Model life 2017>>

Pos	Part Number	Description	Remark	Qty	Model
1	971 867 212 S OK6	saddle brown	-SB	1	PR: 4AA, 3Y7, 3Y8
	971 867 212 S 7J0	Luxor beige	-UC		
	971 867 212 S 7H0	Marsala Red	-PC		
	971 867 212 T	door panel	left		
(1)	971 867 212 T OT2	Truffle Brown	-HD	1	PR: 3LT, 3Y7, 3Y8
	971 867 212 T ON1	Cohiba Brown	-HC		
	971 867 212 AA	Door panel trim (leather) two-colour	right		
	971 867 212 AA GUG	Black/Bordeaux Red	-BB		
	971 867 212 AA HAD	Black/Saddle Tan	-BS		
	971 867 212 AA GUH	Black/Chalk	-BK		
	971 867 212 AA HAF	Black/Luxor Beige	-BP		
	971 867 212 AA DMJ	Marsala Red/Cream	-BE		
	971 867 212 AA DTO	Black/Luxor Beige	-PL		
	2	971 867 067 AH	molding for door trim panel		
(2)	971 867 067 AH OV3	High-Gloss Black	right	1	PR: 5TL
	971 867 068 AH	molding for door trim panel			
(2)	971 867 068 AH OV3	High-Gloss Black	left	1	PR: 5MB
	971 867 067 AJ	molding for door trim panel			
(2)	971 867 067 AJ CK6	Swedish birch/anthracite	right	1	PR: 5MB
	971 867 068 AJ	molding for door trim panel			
(2)	971 867 068 AJ CK6	Swedish birch/anthracite	left	1	PR: 5MP
	971 867 067 AK	molding for door trim panel			
(2)	971 867 067 AK OE9	American Walnut	right	1	PR: 5MP
	971 867 068 AK	molding for door trim panel			
(2)	971 867 068 AK OE9	American Walnut	left	1	PR: 5TE
	971 867 067 AL	molding for door trim panel			
(2)	971 867 067 AL U03	Aluminium, brushed	right	1	PR: 5TE
	971 867 068 AL	molding for door trim panel			
(2)	971 867 068 AL U03	Aluminium, brushed	left	1	PR: 5MH
	971 867 067 AM	molding for door trim panel			
(2)	971 867 067 AM BX3	Carbon, fine high-gloss	right	1	PR: 5MH
	971 867 068 AM	molding for door trim panel			
(2)	971 867 068 AM BX3	Carbon, fine high-gloss	left	1	PR: 7TD
	971 867 067 AN	molding for door trim panel			
(2)	971 867 067 AN OF4	Red Gum	right	1	PR: 7TD
	971 867 068 AN	molding for door trim panel			
(2)	971 867 068 AN OF4	Red Gum	left	1	PR: 7TC
	971 867 067 AP	molding for door trim panel			
(2)	971 867 067 AP OK5	Light Paldao	right	1	PR: 7TC
	971 867 068 AP	molding for door trim panel			
(2)	971 867 068 AP OK5	Light Paldao	left	1	PR: 7TL
	971 867 067 AQ	molding for door trim panel			
	971 867 067 AQ C1Y	Palladium Metallic			
	971 867 067 AQ C9A	white			
	971 867 067 AQ C9X	Jet Black Metallic			
	971 867 067 AQ M3C	Carmine red			

Model: 971-17 Model life 2017>>

Pos	Part Number	Description	Remark	Qty	Model
	971 867 067 AQ M3S	Burgundy Red Metallic			
	971 867 067 AQ M4Z	Amethyst metallic			
	971 867 067 AQ M5F	Midnight Blue Metallic			
	971 867 067 AQ M5J	Sapphire Blue Metallic			
	971 867 067 AQ M6S	Mamba green metallic			
	971 867 067 AQ M7P	Dolomite silver metallic			
	971 867 067 AQ M7R	Volcano Grey Metallic			
	971 867 067 AQ M7S	Achat Grey Metallic			
	971 867 067 AQ M7U	Rhodium Silver Metallic			
	971 867 067 AQ M7Z	GT Silver Metallic			
	971 867 067 AQ M8R	Ristretto Brown Metallic			
	971 867 067 AQ M9A	Chalk			
	971 867 067 AQ S9R	Carrara White metallic			
	971 867 067 AQ 041	Black			
(2)	971 867 068 AQ	molding for door trim panel	right	1	PR:7TL
	971 867 068 AQ C1Y	Palladium Metallic			
	971 867 068 AQ C9A	white			
	971 867 068 AQ C9X	Jet Black Metallic			
	971 867 068 AQ M3C	Carmine red			
	971 867 068 AQ M3S	Burgundy Red Metallic			
	971 867 068 AQ M4Z	Amethyst metallic			
	971 867 068 AQ M5F	Midnight Blue Metallic			
	971 867 068 AQ M5J	Sapphire Blue Metallic			
	971 867 068 AQ M6S	Mamba green metallic			
	971 867 068 AQ M7P	Dolomite silver metallic			
	971 867 068 AQ M7R	Volcano Grey Metallic			
	971 867 068 AQ M7S	Achat Grey Metallic			
	971 867 068 AQ M7U	Rhodium Silver Metallic			
	971 867 068 AQ M7Z	GT Silver Metallic			
	971 867 068 AQ M8R	Ristretto Brown Metallic			
	971 867 068 AQ M9A	Chalk			
	971 867 068 AQ S9R	Carrara White metallic			
	971 867 068 AQ 041	Black			
(2)	971 867 067 AR	molding for door trim panel	left	1	PR:7TM
		Leather			
	971 867 067 AR A11	Black	-AC, BB, BS, BK		
	971 867 067 AR OA1	agate grey	-DL		
	971 867 067 AR 7J0	Luxor beige	-UC		
	971 867 067 AR OK6	saddle brown	-SB, BP		
	971 867 067 AR 7H0	Marsala Red	-PC, BE		
(2)	971 867 068 AR	molding for door trim panel	right	1	PR:7TM
		Leather			
	971 867 068 AR A11	Black	-AC, BB, BS, BK		
	971 867 068 AR OA1	agate grey	-DL		
	971 867 068 AR 7J0	Luxor beige	-UC		
	971 867 068 AR OK6	saddle brown	-SB, BP		
	971 867 068 AR 7H0	Marsala Red	-PC, BE		
3	971 035 793 A	Loudspeaker trim	left	1	
		MID-RANGE speaker			
	971 035 793 A 5Q0	Black	-AC		
	971 035 793 A OA6	agate grey	-DL		
	971 035 793 A OL7	saddle brown	-SB, BS		
	971 035 793 A 6W0	Luxor beige	-UC, BP		
	971 035 793 A 7X0	Marsala Red	-PC		
	971 035 793 A OG6	Bordeaux red	-BB		
	971 035 793 A OL8	Chalk	-BK		
	971 035 793 A 5V0	Cream	-BE		
(3)	971 035 794 A	Loudspeaker trim	right	1	
		MID-RANGE speaker			
	971 035 794 A 5Q0	Black	-AC		

Model: 971-17 Model life 2017>>

Pos	Part Number	Description	Remark	Qty	Model
4	971 035 794 A OA6	agate grey	-DL	1	PR:QQ0,9VK, 9VL
	971 035 794 A OL7	saddle brown	-SB,BS		
	971 035 794 A 6W0	Luxor beige	-UC,BP		
	971 035 794 A 7X0	Marsala Red	-PC		
	971 035 794 A OG6	Bordeaux red	-BB		
	971 035 794 A OL8	Chalk	-BK		
	971 035 794 A 5V0	Cream	-BE		
	971 035 419	Loudspeaker trim	left basic		
	971 035 419 5Q0	Black	-AC		
	971 035 419 OA6	agate grey	-DL		
(4)	971 035 419 OL7	saddle brown	-SB,BS	1	PR:QQ0,9VK, 9VL
	971 035 419 6W0	Luxor beige	-UC,BP		
	971 035 419 7X0	Marsala Red	-PC		
	971 035 419 OG6	Bordeaux red	-BB		
	971 035 419 OL8	Chalk	-BK		
	971 035 419 5V0	Cream	-BE		
	971 035 420	Loudspeaker trim	right basic		
	971 035 420 5Q0	Black	-AC		
	971 035 420 OA6	agate grey	-DL		
	971 035 420 OL7	saddle brown	-SB,BS		
(4)	971 035 420 6W0	Luxor beige	-UC,BP	1	PR:9VJ
	971 035 420 7X0	Marsala Red	-PC		
	971 035 420 OG6	Bordeaux red	-BB		
	971 035 420 OL8	Chalk	-BK		
	971 035 420 5V0	Cream	-BE		
	971 035 143 B	Loudspeaker trim Burmester	left		
			with:		
		fibre optic conductor			
	971 035 143 B 5Q0	Black	-AC		
	971 035 143 B OA6	agate grey	-DL		
(4)	971 035 143 B OL7	saddle brown	-SB,BS	1	PR:9VJ
	971 035 143 B 6W0	Luxor beige	-UC,BP		
	971 035 143 B 7X0	Marsala Red	-PC		
	971 035 143 B OG6	Bordeaux red	-BB		
	971 035 143 B OL8	Chalk	-BK		
	971 035 143 B 5V0	Cream	-BE		
	971 035 143 D	Loudspeaker trim BURMESTER			
			with:		
		fibre optic conductor			
	971 035 143 D 5Q0	Black	-AC		
(4)	971 035 143 D OA6	agate grey	-DL-	1	PR:9VJ
	971 035 143 D OG6	Bordeaux red	-BB		
	971 035 143 D OL7	saddle brown	-SB,BS		
	971 035 143 D OL8	Chalk	-BK		
	971 035 143 D 5V0	Cream	-BE		
	971 035 143 D 6W0	Luxor beige	-UC,BP		
	971 035 143 D 7X0	Marsala Red	-PC		
	971 035 144 D	Loudspeaker trim BURMESTER			
			with:		
		fibre optic conductor			
971 035 144 D 5Q0	Black	-AC			
(4)	971 035 144 D OA6	agate grey	-DL	1	PR:9VJ
	971 035 144 D 6W0	Luxor beige	-UC,BP		
	971 035 144 D OG6	Bordeaux red	-BB		
	971 035 144 D OL7	saddle brown	-SB,BS		
	971 035 144 D OL8	Chalk	-BK		
	971 035 144 D 5V0	Cream	-BE		
	971 035 144 D 7X0	Marsala Red	-PC		

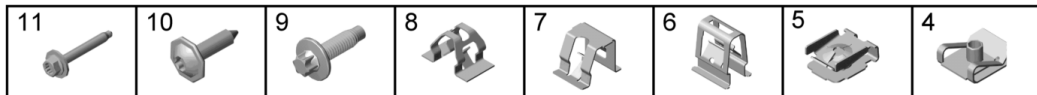
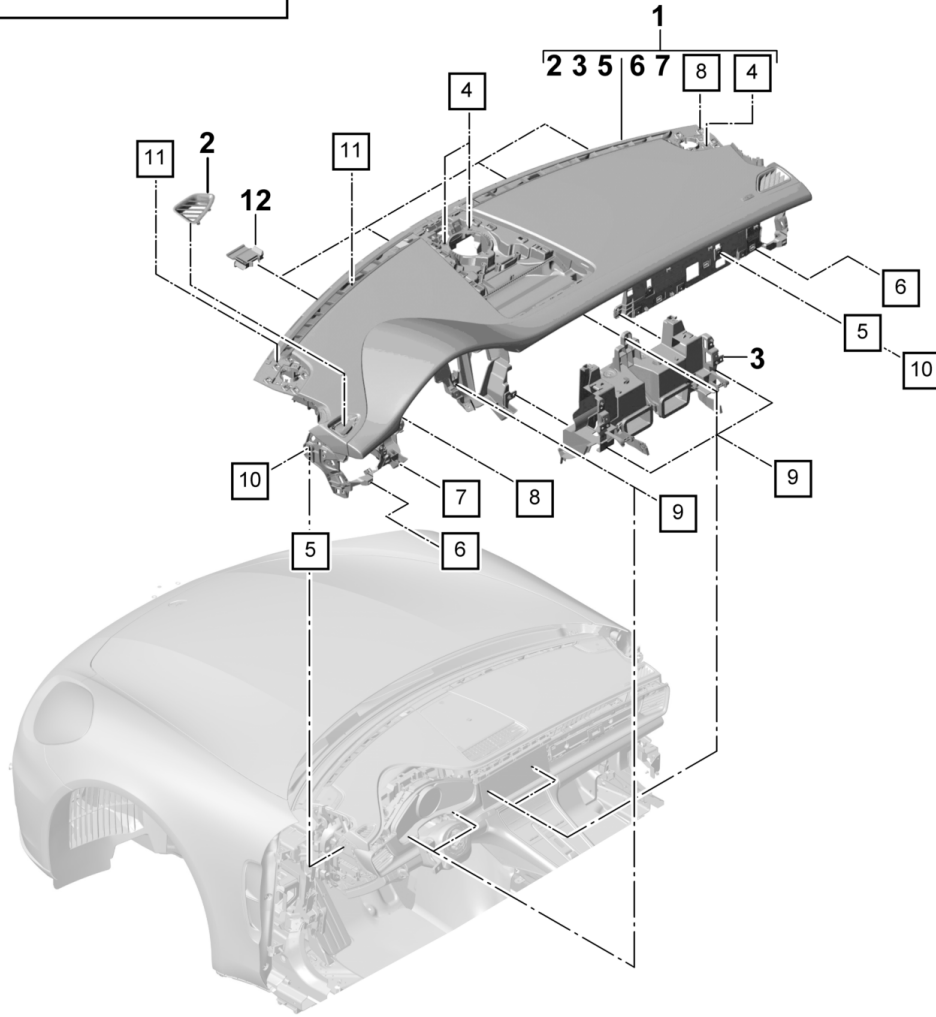
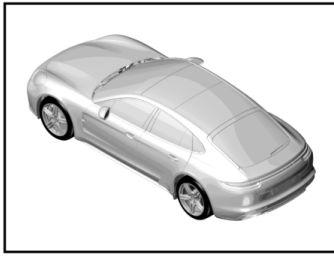
Model: 971-17

Model life 2017>>

Pos	Part Number	Description	Remark	Qty	Model
(4)	971 035 144 C	Loudspeaker trim AMBIENTE	right basic	1	PR:QQ0,QQ2, 9VK,9VL
	971 035 144 C 5Q0	Black	-AC		
	971 035 144 C OA6	agate grey	-DL		
	971 035 144 C OL7	saddle brown	-SB,BS		
	971 035 144 C 6W0	Luxor beige	-UC,BP		
	971 035 144 C 7X0	Marsala Red	-PC		
	971 035 144 C OG6	Bordeaux red	-BB		
	971 035 144 C OL8	Chalk	-BK		
	971 035 144 C 5V0	Cream	-BE		
5	971 837 019	Inner actuator	left	1	
	971 837 019 CZO	Galvano silver			
(5)	971 837 020	Inner actuator	right	1	
	971 837 020 CZO	Galvano silver			
6	971 837 307	Cover	left	1	PR:3KG,3KH, 3KI,3KJ
	971 837 307 6N3	Inner actuator Matt black			
(6)	971 837 308	Cover	right	1	PR:3KG,3KH, 3KI,3KJ
	971 837 308 6N3	Inner actuator Matt black			
(6)	971 837 307 A	Cover	left	1	PR:3KK,3KL, 3KN,3KR
	971 837 307 A 6N3	Inner actuator Matt black			
(6)	971 837 308 A	Cover	right	1	PR:3KK,3KL, 3KN,3KR
	971 837 308 A 6N3	Inner actuator Matt black			
7	971 863 935 A	Damping		1	
8	971 945 699	inscription Bose		1	PR:9VL
9	971 858 169 A	Insert Mat	left	1	
(9)	971 858 170 A	Insert Mat	right	1	
10	95B 867 084	Stop buffer Distance piece		4	
11	958 552 900 00	Grommet		4	
12	9A7 868 243 00	Retaining clip		7	
13	955 552 107 00	Retaining clip		28	
14	N 911 809 01	Flat head multi-point socket bolt M5X20-W		3	
15	N 104 718 02	Oval hexagon socket head bolt 5,0X12,0-Q		6	

Model: 971-17

Model life 2017>>



Model: 971-17 Model life 2017>>

Pos	Part Number	Description	Remark	Qty	Model
		dashboard Upper part			
		with:			
1	971 857 003 K	Fasteners dashboard Upper part	lhd	1	PR:L0L,4N1
	971 857 003 K 7P8	Black	-AB,PK		
	971 857 003 K OK2	agate grey	-DG		
	971 857 003 K 8ED	Luxor beige	-UB		
(1)	971 857 003 S	dashboard Upper part	rhd	1	PR:L0R,4N1
	971 857 003 S 7P8	Black	-AB,PK		
	971 857 003 S OK2	agate grey	-DG		
	971 857 003 S 8ED	Luxor beige	-UB		
(1)	971 857 003 T	dashboard Upper part	lhd	1	PR:L0L,4N8
		Leather			
	971 857 003 T A11	Black	-AC		
	971 857 003 T OA1	agate grey	-DL		
	971 857 003 T OK6	saddle brown	-SB		
	971 857 003 T 7J0	Luxor beige	-UC		
	971 857 003 T 7H0	Marsala Red	-PC		
	971 857 003 T GUF	Black/Bordeaux Red	-BB		
	971 857 003 T DUQ	Black/Saddle Tan	-BS		
	971 857 003 T GUJ	Black/Chalk	-BK		
	971 857 003 T HAU	Saddle Tan/Luxor Beige	-BP		
	971 857 003 T DPH	Marsala Red/Cream	-BE		
	971 857 003 T DTK	Black/Luxor Beige	-PL		
(1)	971 857 003 AA	dashboard Upper part	rhd	1	PR:L0R,4N8
		Leather			
	971 857 003 AA A11	Black	-AC		
	971 857 003 AA OA1	agate grey	-DL		
	971 857 003 AA OK6	saddle brown	-SB		
	971 857 003 AA 7J0	Luxor beige	-UC		
	971 857 003 AA 7H0	Marsala Red	-PC		
	971 857 003 AA GUF	Black/Bordeaux Red	-BB		
	971 857 003 AA DUQ	Black/Saddle Tan	-BS		
	971 857 003 AA GUJ	Black/Chalk	-BK		
	971 857 003 AA HAU	Saddle Tan/Luxor Beige	-BP		
	971 857 003 AA DPH	Marsala Red/Cream	-BE		
	971 857 003 AA DTK	Black/Luxor Beige	-PL		
(1)	971 857 003 AB	dashboard Upper part	lhd	1	PR:L0L,4N6
		Club leather			
	971 857 003 AB OT2	Truffle Brown	-HD		
	971 857 003 AB ON1	Cohiba Brown	-HC		
(1)	971 857 003 AC	dashboard Upper part	rhd	1	PR:L0R,4N6
		Club leather			
	971 857 003 AC OT2	Truffle Brown	-HD		
	971 857 003 AC ON1	Cohiba Brown	-HC		
2	971 819 705	Vent	lhd	1	PR:L0L
			left		
	971 819 705 5Q0	Black	-AB,PK,AC,BB, BS,BK,PL		
	971 819 705 OA6	agate grey	-DG,DL		
	971 819 705 6W0	Luxor beige	-UB,UC		
	971 819 705 OL7	saddle brown	-SB,BP		
	971 819 705 7X0	Marsala Red	-PC,BE		
	971 819 705 OS1	Truffle Brown	-HD		
	971 819 705 OB8	Cohiba Brown	-HC		
(2)	971 819 706	Vent	lhd	1	PR:L0L

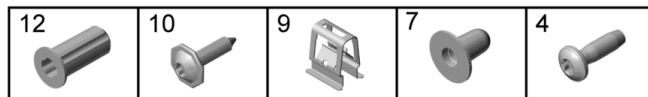
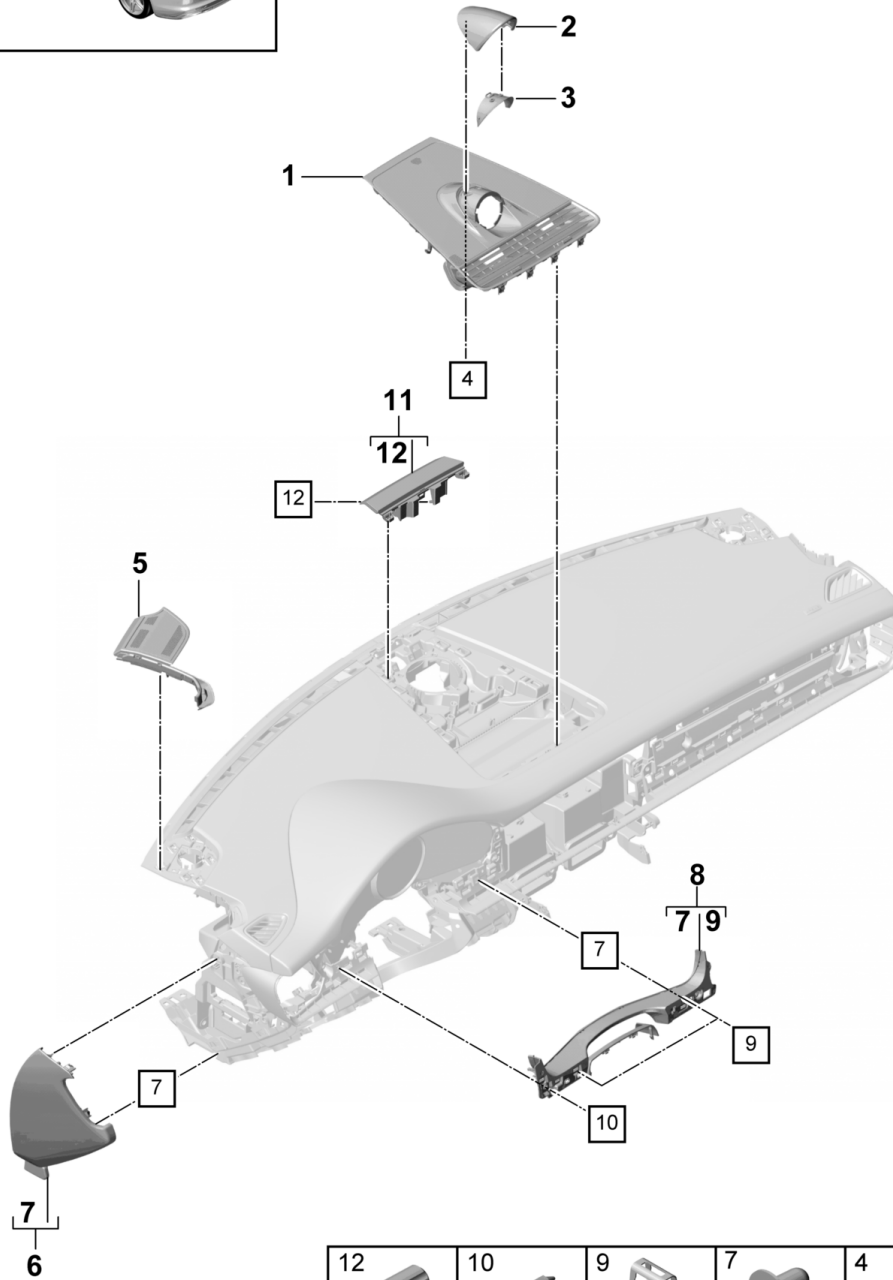
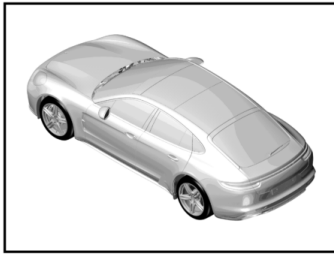
Model: 971-17

Model life 2017>>

Pos	Part Number	Description	Remark	Qty	Model
	971 819 706 5Q0	Black	right -AB,PK,AC,BB, BS,BK,PL		
	971 819 706 OA6	agate grey	-DG,DL		
	971 819 706 6W0	Luxor beige	-UB,UC		
	971 819 706 OL7	saddle brown	-SB,BP		
	971 819 706 7X0	Marsala Red	-PC,BE		
	971 819 706 OS1	Truffle Brown	-HD		
	971 819 706 OB8	Cohiba Brown	-HC		
(2)	971 819 705 A	Vent	rhd	1	PR:LOR
	971 819 705 A 5Q0	Black	left -AB,PK,AC,BB, BS,BK,PL		
	971 819 705 A OA6	agate grey	-DG,DL		
	971 819 705 A 6W0	Luxor beige	-UB,UC		
	971 819 705 A OL7	saddle brown	-SB,BP		
	971 819 705 A 7X0	Marsala Red	-PC,BE		
	971 819 705 A OS1	Truffle Brown	-HD		
	971 819 705 A OB8	Cohiba Brown	-HC		
(2)	971 819 706 A	Vent	rhd	1	PR:LOR
	971 819 706 A 5Q0	Black	right -AB,PK,AC,BB, BS,BK,PL		
	971 819 706 A OA6	agate grey	-DG,DL		
	971 819 706 A 6W0	Luxor beige	-UB,UC		
	971 819 706 A OL7	saddle brown	-SB,BP		
	971 819 706 A 7X0	Marsala Red	-PC,BE		
	971 819 706 A OS1	Truffle Brown	-HD		
	971 819 706 A OB8	Cohiba Brown	-HC		
3	971 857 289	Support Carrier	center	1	
4	N 904 559 02	Speed nut M5		2	
5	N 906 988 01	Speed nut		X	
6	8T0 853 107	Clip		10	
7	8E0 853 107	Clip		2	
8	9A7 008 031 00	Clamp		10	
9	9A7 007 404 00	Screw M6X20		5	
10	N 906 986 06	Hexagon socket head panel bolt ST4,2X16		6	
11	N 108 103 01	Hexagon collared bolt with multi-point socket head (duo) M8X60		X	
12	4D0 857 949 A	Grommet		4	

Model: 971-17

Model life 2017>>



Model: 971-17

Model life 2017>>

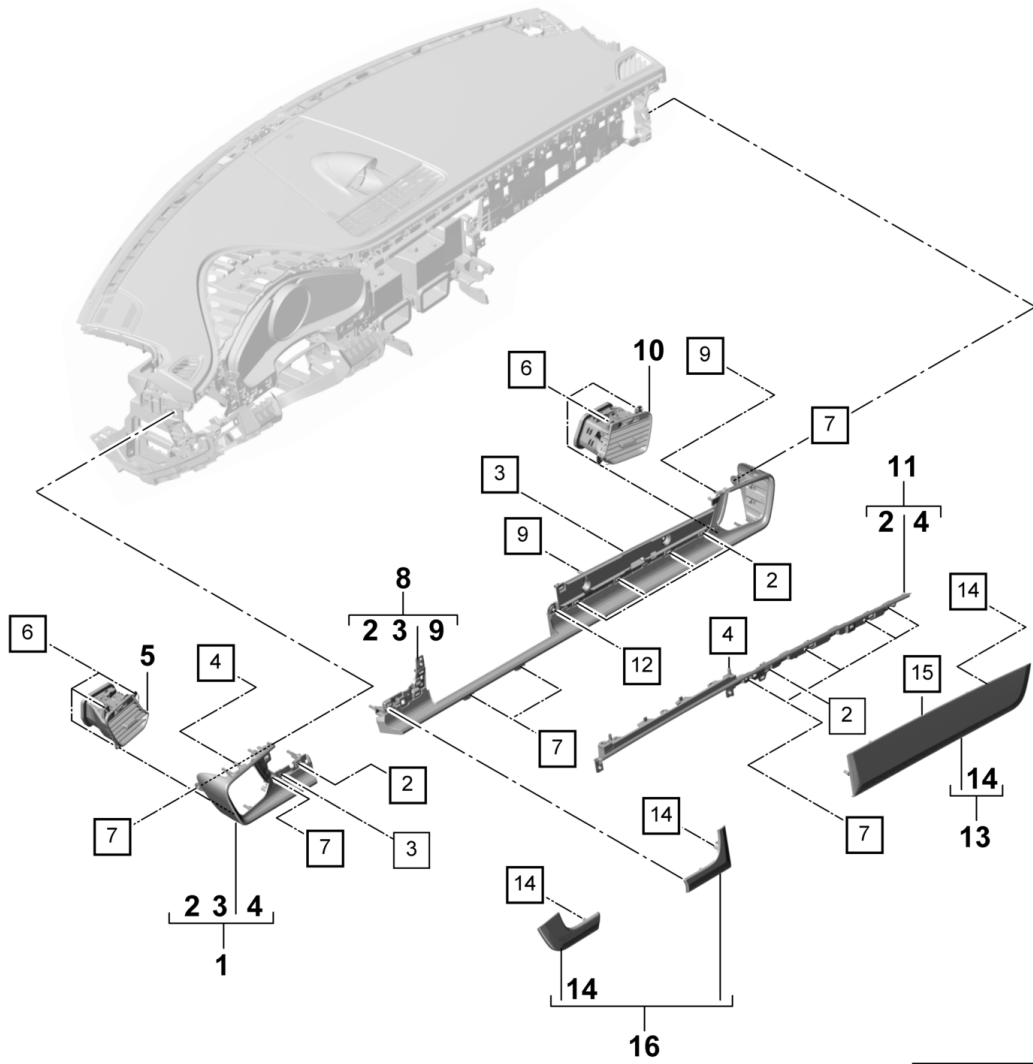
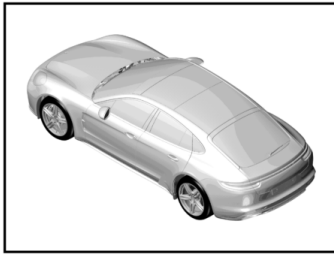
Pos	Part Number	Description	Remark	Qty	Model
1	971 858 122 A	Accessories dashboard	upper	1	PR:QR3,QR5
	971 858 122 A 5Q0	Cover Black	center -AB,PK,AC,BB, BS,BK		
	971 858 122 A OA6	agate grey	-DG,DL		
	971 858 122 A 6W0	Luxor beige	-UB,UC		
	971 858 122 A OL7	saddle brown	-SB,BP		
	971 858 122 A 7X0	Marsala Red	-PC,BE		
1	971 858 122 E	Cover	center	1	PR:QR3,QR5
	971 858 122 E 5Q0	Black	-AB,PK,AC,BB, BS,BK,PL		
	971 858 122 E OS1	Truffle Brown	-HD		
	971 858 122 E OB8	Cohiba Brown	-HC		
(1)	971 858 122 D	Cover	center	1	PR:QR0
	971 858 122 D 5Q0	Black	-AB,PK,AC,BB, BS,BK,PL		
	971 858 122 D OA6	agate grey	-DG,DL		
	971 858 122 D 6W0	Luxor beige	-UB,UC		
	971 858 122 D OL7	saddle brown	-SB,BP		
	971 858 122 D 7X0	Marsala Red	-PC,BE		
	971 858 122 D OS1	Truffle Brown	-HD		
	971 858 122 D OB8	Cohiba Brown	-HC		
2	971 857 303	Air guide Stopwatch		1	PR:QR3,QR5, 4N1
	971 857 303 5Q0	Black	-AB,PK		
	971 857 303 OA6	agate grey	-DG		
	971 857 303 6W0	Luxor beige	-UB		
(2)	971 857 303 A	Air guide Stopwatch Leather		1	PR:QR3,QR5, 4N8
	971 857 303 A A11	Black	-AC,BB,BS,BK, PL		
	971 857 303 A OA6	agate grey	-DL		
	971 857 303 A OK6	saddle brown	-SB,BP		
	971 857 303 A 7J0	Luxor beige	-UC		
	971 857 303 A 7H0	Marsala Red	-PC,BE		
(2)	971 857 303 B	Air guide Stopwatch Club leather		1	PR:QR3,QR5, 4N5,4N6
	971 857 303 B OT2	Truffle Brown	-HD		
	971 857 303 B ON1	Cohiba Brown	-HC		
3	971 857 602	Trim	inner	1	PR:QR3,QR5
	971 857 602 5Q0	Black	-AB,PK,AC,BB, BS,BK,PL		
	971 857 602 OA6	agate grey	-DG,DL		
	971 857 602 6W0	Luxor beige	-UB,UC		
	971 857 602 OL7	saddle brown	-SB,BP		
	971 857 602 7X0	Marsala Red	-PC,BE		
	971 857 602 OS1	Truffle Brown	-HD		
	971 857 602 OB8	Cohiba Brown	-HC		
4	N 106 258 02	Hexagon socket flat head bolt		2	
5	971 868 147	Loudspeaker trim	left	1	PR:9VK,9VL
	971 868 147 5Q0	Black	-AB,PK,AC,BB, BS,BK,PL		
	971 868 147 OA6	agate grey	-DG,DL		
	971 868 147 6W0	Luxor beige	-UB,UC		
	971 868 147 OL7	saddle brown	-SB,BP		
	971 868 147 7X0	Marsala Red	-PC,BE		
	971 868 147 OS1	Truffle Brown	-HD		
	971 868 147 OB8	Cohiba Brown	-HC		
(5)	971 868 148	Loudspeaker trim	right	1	PR:9VK,9VL

Model: 971-17 Model life 2017>>

Pos	Part Number	Description	Remark	Qty	Model
	971 868 148 5Q0	Black	-AB,PK,AC,BB, BS,BK,PL		
	971 868 148 OA6	agate grey	-DG,DL		
	971 868 148 6W0	Luxor beige	-UB,UC		
	971 868 148 OL7	saddle brown	-SB,BP		
	971 868 148 7X0	Marsala Red	-PC,BE		
	971 868 148 OS1	Truffle Brown	-HD		
	971 868 148 OB8	Cohiba Brown	-HC		
(5)	971 868 817	Loudspeaker trim	left	1	PR:9VJ
	971 868 817 5Q0	Black	-AB,PK,AC,BB, BS,BK,PL		
	971 868 817 OA6	agate grey	-DG,DL		
	971 868 817 6W0	Luxor beige	-UB,UC		
	971 868 817 OL7	saddle brown	-SB,BP		
	971 868 817 7X0	Marsala Red	-PC,BE		
	971 868 817 OS1	Truffle Brown	-HD		
	971 868 817 OB8	Cohiba Brown	-HC		
(5)	971 868 818	Loudspeaker trim	right	1	PR:9VJ
	971 868 818 5Q0	Black	-AB,PK,AC,BB, BS,BK,PL		
	971 868 818 OA6	agate grey	-DG,DL		
	971 868 818 6W0	Luxor beige	-UB,UC		
	971 868 818 OL7	saddle brown	-SB,BP		
	971 868 818 7X0	Marsala Red	-PC,BE		
	971 868 818 OS1	Truffle Brown	-HD		
	971 868 818 OB8	Cohiba Brown	-HC		
6	971 857 175	Closing element	left	1	
	971 857 175 5Q0	Black	-AB,AC		
	971 857 175 OA6	agate grey	-DG,DL		
	971 857 175 6W0	Luxor beige	-UB,PK,UC,BP, PL		
	971 857 175 OL7	saddle brown	-SB,BP		
	971 857 175 7X0	Marsala Red	-PC,BE		
	971 857 175 OL7	saddle brown	-BS		
	971 857 175 OG6	Bordeaux red	-BB		
	971 857 175 OL8	Chalk	-BK		
	971 857 175 5V0	Cream	-BE		
	971 857 175 OS1	Truffle Brown	-HD		
	971 857 175 OB8	Cohiba Brown	-HC		
(6)	971 857 176	Closing element	right	1	
	971 857 176 5Q0	Black	-AB,AC		
	971 857 176 OA6	agate grey	-DG,DL		
	971 857 176 6W0	Luxor beige	-UB,PK,UC,BP, PL		
	971 857 176 OL7	saddle brown	-SB,BP		
	971 857 176 7X0	Marsala Red	-PC,BE		
	971 857 176 OL7	saddle brown	-BS		
	971 857 176 OG6	Bordeaux red	-BB		
	971 857 176 OL8	Chalk	-BK		
	971 857 176 5V0	Cream	-BE		
	971 857 176 OS1	Truffle Brown	-HD		
	971 857 176 OB8	Cohiba Brown	-HC		
7	9A7 007 831 00	Bungs		3	
8	971 857 054	Trim for instruments	lhd	1	PR:L0L
	971 857 054 5Q0	Black			
(8)	971 857 054 A	Trim for instruments	rhd	1	PR:L0R
	971 857 054 A 5Q0	Black			
9	8T0 853 107	Clip		4	
10	N 906 986 06	Hexagon socket head panel bolt		2	
		ST4,2 X 16			
11	971 857 346	Support		1	
		Sensor			
12	9A7 007 849 00	Grommet		4	

Model: 971-17

Model life 2017>>



14	12	9	7	6	4	3	15
2							1

Model: 971-17 Model life 2017>>

Pos	Part Number	Description	Remark	Qty	Model
		Accessories dashboard Trim	front		
1	971 857 715 D	Bracket (complete)		1	PR:L0L
	971 857 715 D V08	Galvano silver			
(1)	971 857 715 E	Bracket		1	PR:L0R
	971 857 715 E V08	Galvano silver			
2	8T0 853 107	Clip		2	
3	N 906 988 01	Speed nut		1	
4	9A7 007 849 01	Grommet		X	
5	971 819 701 B	Vent	left	1	
	971 819 701 B 6N3	Matt black			
6	N 106 021 01	Hexagon socket flat head bolt plastic		4	
7	N 906 986 06	Hexagon socket head panel bolt ST4,2X16		X	
8	971 857 716 F	Bracket (passenger side)		1	PR:L0L
	971 857 716 F V08	Galvano silver			
(8)	971 857 716 G	Bracket (passenger side)		1	PR:L0R
	971 857 716 G V08	Galvano silver			
9	9A7 007 849 01	Grommet		4	
10	971 819 702 B	Vent	right	1	
	971 819 702 B 6N3	Matt black			
11	971 858 860 B	Carrier strip		1	PR:L0L
(11)	971 858 860 C	Carrier strip		1	PR:L0R
12	N 912 519 01	Hexagon socket head panel bolt ST4,2X19		2	
13	971 854 377 A	Trim		1	PR:L0L,5TL
	971 854 377 A OV3	High-Gloss Black			
(13)	971 854 378 A	Trim		1	PR:L0R,5TL
	971 854 378 A OV3	High-Gloss Black			
(13)	971 854 377 B	Trim		1	PR:L0L,5MH
	971 854 377 B BX3	Carbon, fine high-gloss			
(13)	971 854 378 B	Trim		1	PR:L0R,5MH
	971 854 378 B BX3	Carbon, fine high-gloss			
(13)	971 854 377 C	Trim		1	PR:L0L,5MP
	971 854 377 C OE9	American Walnut			
(13)	971 854 378 C	Trim		1	PR:L0R,5MP
	971 854 378 C OE9	American Walnut			
(13)	971 854 377 D	Trim		1	PR:L0L,5MB
	971 854 377 D CK6	Swedish Birch			
(13)	971 854 378 D	Trim		1	PR:L0R,5MB
	971 854 378 D CK6	Swedish Birch			
(13)	971 854 377 E	Trim		1	PR:L0L,5TE
	971 854 377 E U03	Aluminium, brushed			
(13)	971 854 378 E	Trim		1	PR:L0R,5TE
	971 854 378 E U03	Aluminium, brushed			
(13)	971 854 377 F	Trim		1	PR:L0L,7TC
	971 854 377 F OK5	Light Paldao			
(13)	971 854 378 F	Trim		1	PR:L0R,7TC
	971 854 378 F OK5	Light Paldao			
(13)	971 854 377 G	Trim		1	PR:L0L,7TD
	971 854 377 G OF4	Red Gum			
(13)	971 854 378 G	Trim		1	PR:L0R,7TD
	971 854 378 G OF4	Red Gum			
(13)	971 854 377 H	Trim		1	PR:L0L,7TL
	971 854 377 H G2X	primed			

Model: 971-17

Model life 2017>>

Pos	Part Number	Description	Remark	Qty	Model
(13)	971 854 378 H	Trim		1	PR:L0R,7TL
	971 854 378 H G2X	primed			
(13)	971 854 377 J	Trim		1	PR:L0L,7TM
	971 854 377 J A11	Leather	-AB,PK,AC,BB, BS,BK		
	971 854 377 J OA1	agate grey	-DG,DL		
	971 854 377 J 7J0	Luxor beige	-UB,UC		
	971 854 377 J OK6	saddle brown	-SB,BP		
	971 854 377 J 7H0	Marsala Red	-PC,BE		
(13)	971 854 378 J	Trim		1	PR:L0R,7TM
	971 854 378 J A11	Leather	-AB,PK,AC,BB, BS,BK		
	971 854 378 J OA1	agate grey	-DG,DL		
	971 854 378 J 7J0	Luxor beige	-UB,UC		
	971 854 378 J OK6	saddle brown	-SB,BP		
	971 854 378 J 7H0	Marsala Red	-PC,BE		
14	9A7 007 849 01	Grommet		1	
15	N 107 120 01	oval head panel screw		1	
		ST 4,2 X 32 R			
16	971 898 405	Trim		1	PR:L0L,5TL
		Set			
	971 898 405 OV3	High-Gloss Black			
(16)	971 898 406	Trim		1	PR:L0R,5TL
		Set			
	971 898 406 OV3	High-Gloss Black			
(16)	971 898 405 A	Trim		1	PR:L0L,5MH
		Set			
	971 898 405 A BX3	Carbon, fine high-gloss			
(16)	971 898 406 A	Trim		1	PR:L0R,5MH
		Set			
	971 898 406 A BX3	Carbon, fine high-gloss			
(16)	971 898 405 B	Trim		1	PR:L0L,5MP
		Set			
	971 898 405 B OE9	American Walnut			
(16)	971 898 406 B	Trim		1	PR:L0R,5MP
		Set			
	971 898 406 B OE9	American Walnut			
(16)	971 898 405 C	Trim		1	PR:L0L,5MB
		Set			
	971 898 405 C CK6	Swedish Birch			
(16)	971 898 406 C	Trim		1	PR:L0R,5MB
		Set			
	971 898 406 C CK6	Swedish Birch			
(16)	971 898 405 D	Trim		1	PR:L0L,5TE
		Set			
	971 898 405 D U03	Aluminium, brushed			
(16)	971 898 406 D	Trim		1	PR:L0R,5TE
		Set			
	971 898 406 D U03	Aluminium, brushed			
(16)	971 898 405 E	Trim		1	PR:L0L,7TC
		Set			
	971 898 405 E OK5	Light Paldao			
(16)	971 898 406 E	Trim		1	PR:L0R,7TC
		Set			
	971 898 406 E OK5	Light Paldao			
(16)	971 898 405 F	Trim		1	PR:L0L,7TD
		Set			
	971 898 405 F OF4	Red Gum			
(16)	971 898 406 F	Trim		1	PR:L0R,7TD
		Set			
	971 898 406 F OF4	Red Gum			
(16)	971 898 405 G	Trim		1	PR:L0L,7TL
		Set			

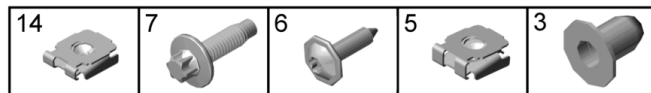
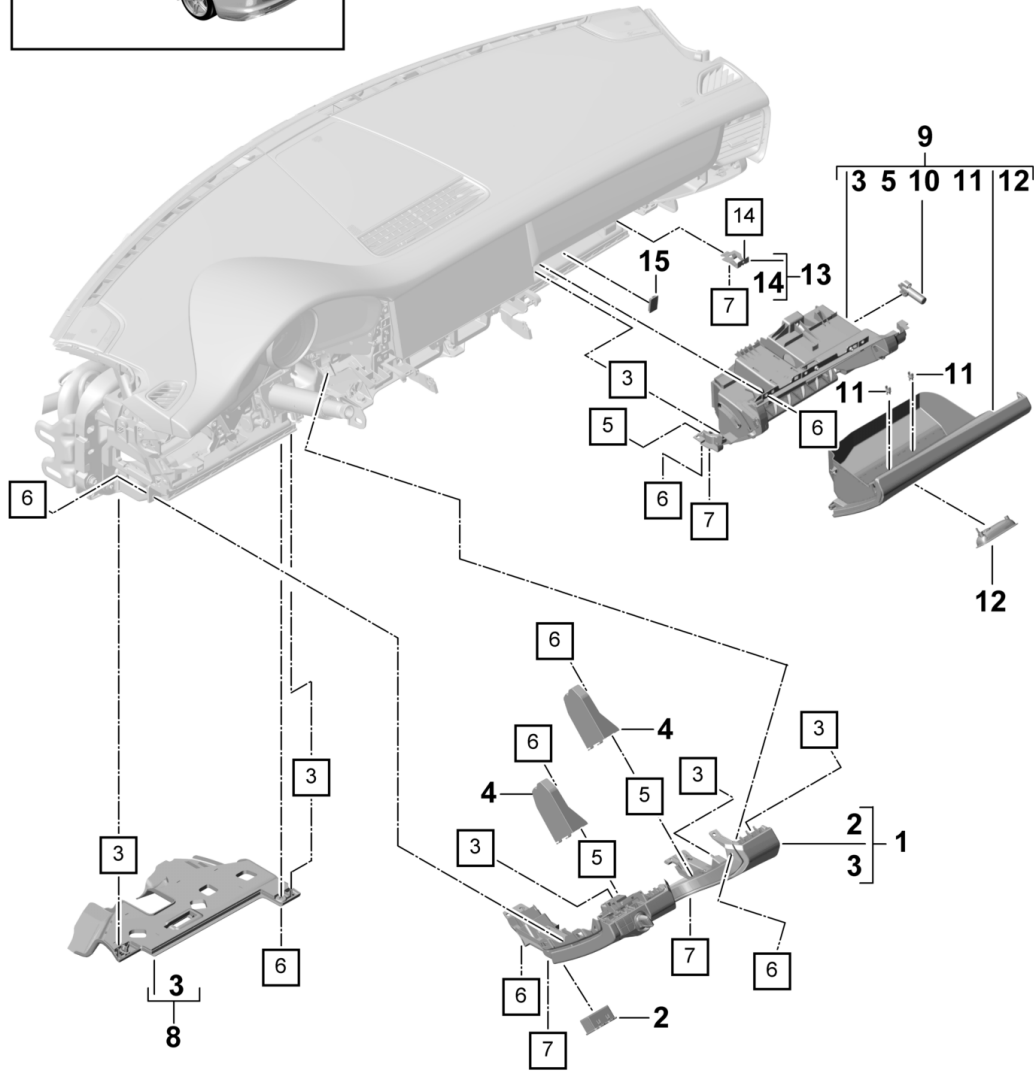
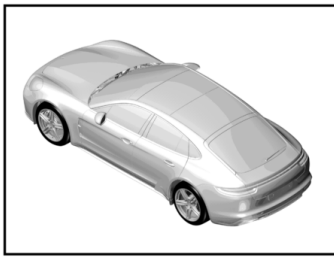
Model: 971-17

Model life 2017>>

Pos	Part Number	Description	Remark	Qty	Model
(16)	971 898 405 G G2X 971 898 406 G	primed Trim Set		1	PR:L0R,7TL
(16)	971 898 406 G G2X 971 898 405 H	primed Trim Set		1	PR:L0L,7TM
	971 898 405 H A11	Black	-AB,PK,AC,BB, BS,BK		
	971 898 405 H OA1	agate grey	-DG,DL		
	971 898 405 H 7J0	Luxor beige	-UB,UC		
	971 898 405 H OK6	saddle brown	-SB,BP		
	971 898 405 H 7H0	Marsala Red	-PC,BE		
(16)	971 898 406 H	Trim Set		1	PR:L0R,7TM
	971 898 406 H A11	Black	-AB,PK,AC,BB, BS,BK		
	971 898 406 H OA1	agate grey	-DG,DL		
	971 898 406 H 7J0	Luxor beige	-UB,UC		
	971 898 406 H OK6	saddle brown	-SB,BP		
	971 898 406 H 7H0	Marsala Red	-PC,BE		

Model: 971-17

Model life 2017>>



Model: 971-17 Model life 2017>>

Pos	Part Number	Description	Remark	Qty	Model
1	971 858 903 M	Accessories Instrument panel trim Trim (drivers side)	lower lhd	1	PR:L0L,4N1
	971 858 903 M 7P8	Black	-AB,PK		
	971 858 903 M OK2	agate grey	-DG		
	971 858 903 M 8ED	Luxor beige	-UB		
(1)	971 858 903 N	Trim (drivers side)	rhd	1	PR:L0R,4N1
	971 858 903 N 7P8	Black	-AB,PK		
	971 858 903 N OK2	agate grey	-DG		
	971 858 903 N 8ED	Luxor beige	-UB		
(1)	971 858 903 P	Trim (drivers side)	lhd	1	PR:L0L,4N8
	971 858 903 P A11	Black	lower -AC		
	971 858 903 P OA1	agate grey	-DL		
	971 858 903 P OK6	saddle brown	-SB		
	971 858 903 P 7J0	Luxor beige	-UC,BP,PL		
	971 858 903 P 7H0	Marsala Red	-PC		
	971 858 903 P OG6	Bordeaux red	-BB		
	971 858 903 P OK6	saddle brown	-BS,SB		
	971 858 903 P OL8	Chalk	-BK		
	971 858 903 P 8D0	Cream	-BE		
(1)	971 858 903 Q	Trim (drivers side)	rhd	1	PR:L0R,4N8
	971 858 903 Q A11	Black	lower -AC		
	971 858 903 Q OA1	agate grey	-DL		
	971 858 903 Q OK6	saddle brown	-SB		
	971 858 903 Q 7J0	Luxor beige	-UC,BP,PL		
	971 858 903 Q 7H0	Marsala Red	-PC		
	971 858 903 Q OG6	Bordeaux red	-BB		
	971 858 903 Q OK6	saddle brown	-BS,SB		
	971 858 903 Q OL8	Chalk	-BK		
	971 858 903 Q 8D0	Cream	-BE		
(1)	971 858 903 AD	Trim (drivers side)	lhd	1	PR:L0L,4N6
	971 858 903 AD OT2	Truffle Brown	lower -HD		
	971 858 903 AD ON1	Cohiba Brown	-HC		
(1)	971 858 903 AR	Trim (drivers side)	rhd	1	PR:L0R,4N6
	971 858 903 AR OT2	Truffle Brown	lower -HD		
	971 858 903 AR ON1	Cohiba Brown	-HC		
2	9P1 937 552	Bracket for Socket Diagnostic		1	
3	958 552 900 00	Grommet		3	
6	N 906 986 06	Hexagon socket head panel bolt		X	
7	9A7 007 404 00	Screw M6X20		2	
8	971 815 173 B	Trim Footwell (drivers side)		1	PR:L0L
(8)	971 815 174 B	Trim Footwell (passenger side)		1	PR:L0L
9	971 857 095 F	Glove box	lhd	1	PR:L0L,4N1
	971 857 095 F 7P8	Black	-AB		
	971 857 095 F OK2	agate grey	-DG		
	971 857 095 F 8ED	Luxor beige	-UB,PK		
(9)	971 857 095 G	Glove box	rhd	1	PR:L0R,4N1
	971 857 095 G 7P8	Black	-AB		
	971 857 095 G OK2	agate grey	-DG		

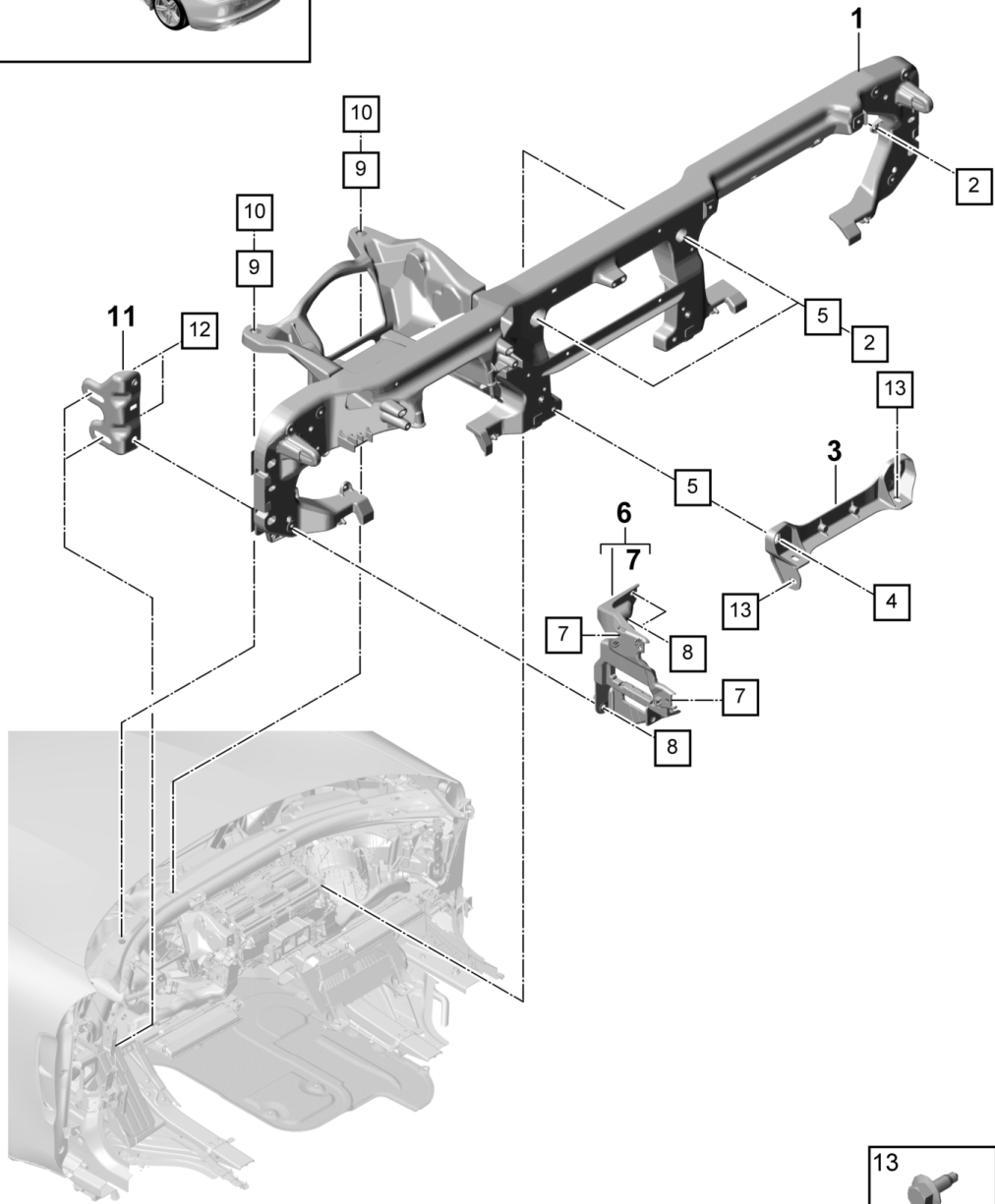
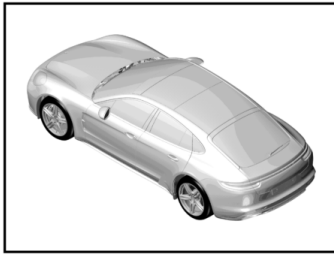
Model: 971-17

Model life 2017>>

Pos	Part Number	Description	Remark	Qty	Model
(9)	971 857 095 G 8ED	Luxor beige	-UB,PK		
	971 857 095 H	Glove box	lhd	1	PR:L0L,4N8
		Leather			
	971 857 095 H A11	Black	-AC		
	971 857 095 H OA1	agate grey	-DL		
	971 857 095 H OK6	saddle brown	-SB		
	971 857 095 H 7J0	Luxor beige	-UC,BP,PL		
	971 857 095 H 7H0	Marsala Red	-PC		
	971 857 095 H OG6	Bordeaux red	-BB		
	971 857 095 H OK6	saddle brown	-BS,SB		
	971 857 095 H OL8	Chalk	-BK		
	971 857 095 H 8D0	Cream	-BE		
(9)	971 857 095 J	Glove box	rhd	1	PR:L0R,4N8
		Leather			
	971 857 095 J A11	Black	-AC		
	971 857 095 J OA1	agate grey	-DL		
	971 857 095 J OK6	saddle brown	-SB		
	971 857 095 J 7J0	Luxor beige	-UC,BP,PL		
	971 857 095 J 7H0	Marsala Red	-PC		
	971 857 095 J OG6	Bordeaux red	-BB		
	971 857 095 J OK6	saddle brown	-BS,SB		
	971 857 095 J OL8	Chalk	-BK		
	971 857 095 J 8D0	Cream	-BE		
(9)	971 857 095 K	Glove box	lhd	1	PR:L0L,4N6
		Club leather			
	971 857 095 K OT2	Truffle Brown	-HD		
	971 857 095 K ON1	Cohiba Brown	-HC		
(9)	971 857 095 L	Glove box	rhd	1	PR:L0R,4N6
		Club leather			
	971 857 095 L OT2	Truffle Brown	-HD		
	971 857 095 L ON1	Cohiba Brown	-HC		
10	95B 880 324	Damper		1	PR:L0L
(10)	95B 880 324 A	Damper		1	PR:L0R
11	958 552 223 00	Pen holder		2	
13	971 857 156	Bracket		1	
		Glove box			
14	N 906 987 03	Speed nut		1	
15	9P1 857 115	Dummy cover		1	PR:4UB,4UE
		Airbag			

Model: 971-17

Model life 2017>>



12	10	9	8	7	5	4	2	13

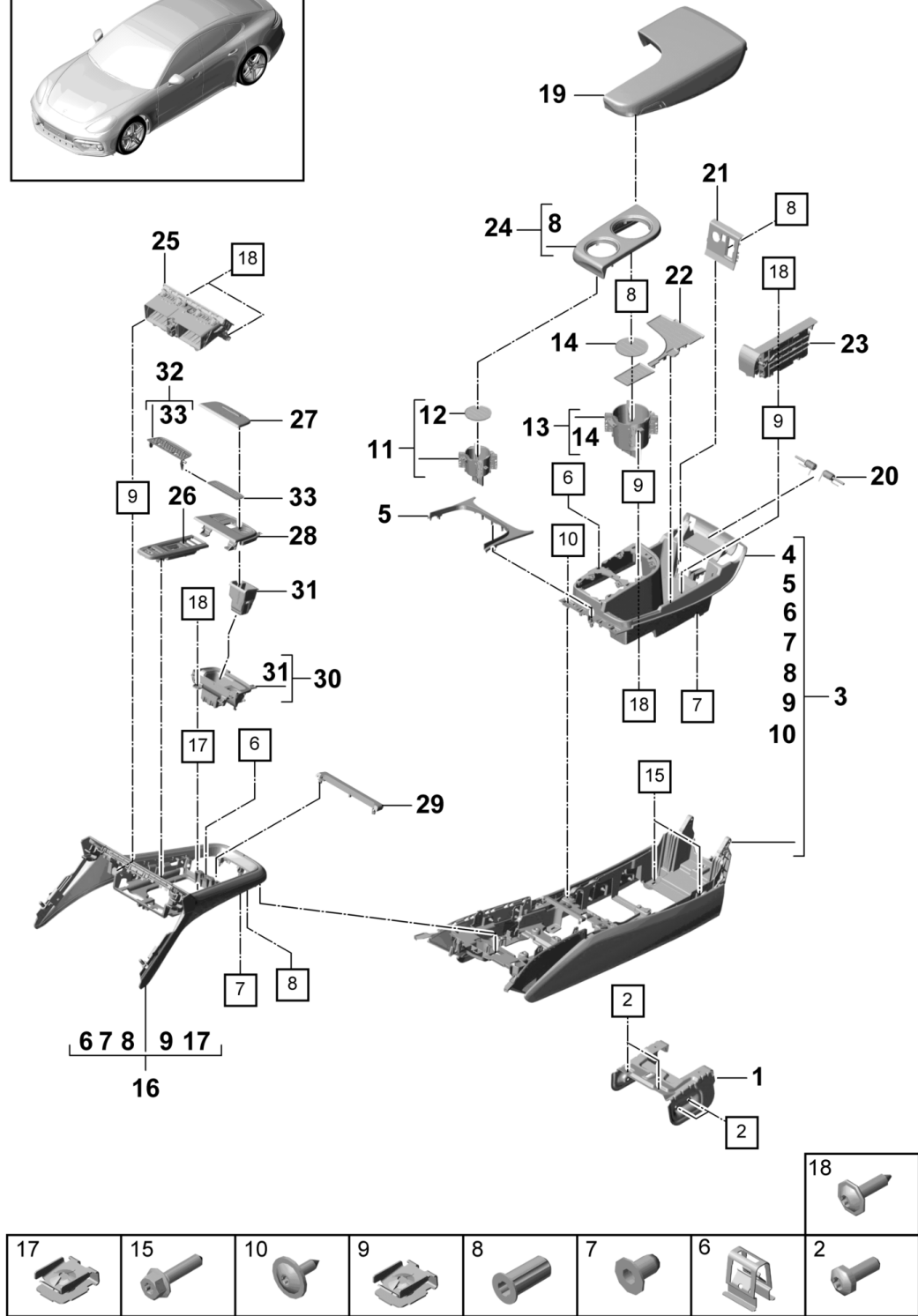
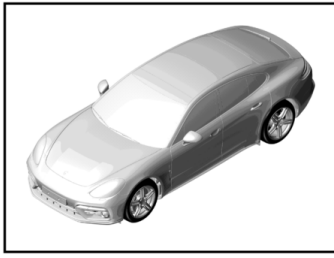
Model: 971-17

Model life 2017>>

Pos	Part Number	Description	Remark	Qty	Model
		Mounting bracket			
		Bracket			
		Instrument panel trim			
1	9A7 857 011 00	Mounting bracket		1	PR:L0L
(1)	9A7 857 011 10	Mounting bracket		1	PR:L0R
2	N 015 082 10	Hexagon collar nut		2	
3	9A7 857 689 20	Bracket	center	1	PR:L0L
(3)	9A7 857 689 10	Bracket	center	1	PR:L0R
4	9A7 007 491 00	Screw		2	
		TP8 X 32			
5	9A7 721 526 10	bush		2	
6	971 857 779	Bracket	left	1	
(6)	971 857 780	Bracket	right	1	
7	N 906 988 01	Speed nut		3	
8	9A7 007 404 00	Screw		3	
		6 X 20			
9	9A7 721 526 10	bush		2	
10	N 108 103 01	Hexagon collared bolt with multi-point socket head (duo)		2	
		M8 X 60			
11	9A7 857 953 00	Bracket	left	1	
			outer		
(11)	9A7 857 954 00	Bracket	right	1	
			outer		
12	N 106 266 02	Hex collared bolt		2	
		M8 X 30			
13	N 100 455 04	Hex collared bolt		3	
		M8 X 22			

Model: 971-17

Model life 2017>>



Model: 971-17 Model life 2017>>

Pos	Part Number	Description	Remark	Qty	Model
1	971 858 522 B	Centre console	front	1	
2	N 104 514 05	Bracket		6	
3	971 863 239 F	Oval hexagon socket head bolt M6X16			
		Centre console	lhd	1	PR:L0L,3D1
	971 863 239 F 7P8	Black	front		
	971 863 239 F OK2	agate grey	-AB		
	971 863 239 F 8ED	Luxor beige	-DG		
(3)	971 863 240 F	Centre console	-UB,PK	1	PR:L0R,3D1
		Centre console	rhd	1	
	971 863 240 F 7P8	Black	front		
	971 863 240 F OK2	agate grey	-AB		
	971 863 240 F 8ED	Luxor beige	-DG		
(3)	971 863 239 G	Centre console	-UB,PK	1	PR:L0L,3D8
		Centre console	lhd	1	
		Leather	front		
		D >> - MJ 2017			
	971 863 239 G A11	Black	-AC		
	971 863 239 G OA1	agate grey	-DL		
	971 863 239 G OK6	saddle brown	-SB,BS		
	971 863 239 G 7J0	Luxor beige	-UC,BP		
	971 863 239 G 7H0	Marsala Red	-PC		
	971 863 239 G OG6	Bordeaux red	-BB		
	971 863 239 G OL8	Chalk	-BK		
	971 863 239 G 8D0	Cream	-BE		
(3)	971 863 239 K	Centre console	lhd	1	PR:L0L,3D8
		Centre console	front		
		Leather			
		D - MJ 2018>>			
	971 863 239 K A11	Black	-AC		
	971 863 239 K OA1	agate grey	-DL		
	971 863 239 K OK6	saddle brown	-SB,BS		
	971 863 239 K 7J0	Luxor beige	-UC,BP,PL		
	971 863 239 K 7H0	Marsala Red	-PC		
	971 863 239 K OG6	Bordeaux red	-BB		
	971 863 239 K OL8	Chalk	-BK		
	971 863 239 K 8D0	Cream	-BE		
(3)	971 863 240 G	Centre console	rhd	1	PR:L0R,3D8
		Centre console	front		
		Leather			
		D >> - MJ 2017			
	971 863 240 G A11	Black	-AC		
	971 863 240 G OA1	agate grey	-DL		
	971 863 240 G OK6	saddle brown	-SB,BS		
	971 863 240 G 7J0	Luxor beige	-UC,BP		
	971 863 240 G 7H0	Marsala Red	-PC		
	971 863 240 G OG6	Bordeaux red	-BB		
	971 863 240 G OL8	Chalk	-BK		
	971 863 240 G 8D0	Cream	-BE		
(3)	971 863 240 K	Centre console	rhd	1	PR:L0R,3D8
		Centre console	front		
		Leather			
		D - MJ 2018>>			
	971 863 240 K A11	Black	-AC		
	971 863 240 K OA1	agate grey	-DL		
	971 863 240 K OK6	saddle brown	-SB,BS		
	971 863 240 K 7J0	Luxor beige	-UC,BP,PL		
	971 863 240 K 7H0	Marsala Red	-PC		
	971 863 240 K OG6	Bordeaux red	-BB		
	971 863 240 K OL8	Chalk	-BK		
	971 863 240 K 8D0	Cream	-BE		
(3)	971 863 239 L	Centre console	lhd	1	PR:L0L,3I1

Model: 971-17 Model life 2017>>

Pos	Part Number	Description	Remark	Qty	Model
(3)	971 863 239 L OT2	Club leather Truffle Brown	front -HD	1	PR:L0R,3I1
	971 863 239 L ON1	Cohiba Brown	-HC		
	971 863 240 L	Centre console	rhd		
4	971 863 240 L OT2	Club leather Truffle Brown	front -HD	1	PR:L0L
	971 863 240 L ON1	Cohiba Brown	-HC		
(4)	971 858 021 A	Stowage box	lhd	1	PR:L0R
	971 858 022 A	Stowage box	rhd	1	
5	971 863 505	Cover	front	1	
6	971 863 505 1E0	Black		8	
7	8T0 853 107	Clip		X	
8	958 552 900 00	Grommet		X	
9	9A7 007 849 00	Grommet 6X8		9	
10	N 906 988 01	Speed nut		2	
11	N 909 868 03	Hexagon socket head panel bolt 4,2X13	side	1	PR:4M3
(11)	971 858 569 E	Drinks holder	front	1	PR:L0L,4M1
	971 858 569 E 1E0	Black			
	971 858 569 C	Drinks holder	front	1	
	971 858 569 C 1E0	Black	-AB,AC		
	971 858 569 C OP1	agate grey	-DG,DL		
	971 858 569 C 4H0	Luxor beige	-UB,PK,UC,BP, PL		
	971 858 569 C OM8	saddle brown	-SB,BS		
	971 858 569 C 3G0	Marsala Red	-PC		
	971 858 569 C OG6	Bordeaux red	-BB		
	971 858 569 C OL8	Chalk	-BK		
	971 858 569 C 5J0	Cream	-BE		
(11)	971 858 569 C OS1	Truffle Brown	-HD	1	PR:L0R,4M1
	971 858 569 C OB8	Cohiba Brown	-HC		
	971 858 569 D	Drinks holder	front		
	971 858 569 D 1E0	Black	-AB,AC		
	971 858 569 D OP1	agate grey	-DG,DL		
	971 858 569 D 4H0	Luxor beige	-UB,PK,UC,BP, PL		
	971 858 569 D OM8	saddle brown	-SB,BS		
	971 858 569 D 3G0	Marsala Red	-PC		
	971 858 569 D OG6	Bordeaux red	-BB		
	971 858 569 D OL8	Chalk	-BK		
	971 858 569 D 5J0	Cream	-BE		
12	971 858 569 D OS1	Truffle Brown	-HD	1	PR:4M3
	971 858 569 D OB8	Cohiba Brown	-HC		
(13)	971 857 531	Insert	front	1	PR:4M3
	971 858 570 E	Drinks holder	rear	1	PR:L0L,4M1
	971 858 570 E 1E0	Black			
	971 858 570 C	Drinks holder	rear	1	
	971 858 570 C 1E0	Black	-AB,AC		
	971 858 570 C OP1	agate grey	-DG,DL		
	971 858 570 C 4H0	Luxor beige	-UB,PK,UC,BP, PL		
	971 858 570 C OM8	saddle brown	-SB,BS		
	971 858 570 C 3G0	Marsala Red	-PC		
	971 858 570 C OG6	Bordeaux red	-BB		
	971 858 570 C OL8	Chalk	-BK		
	971 858 570 C 5J0	Cream	-BE		
	971 858 570 C OS1	Truffle Brown	-HD		
971 858 570 C OB8	Cohiba Brown	-HC			
(13)	971 858 570 D	Drinks holder	rear	1	PR:L0R,4M1
	971 858 570 D 1E0	Black	-AB,AC		

Model: 971-17 Model life 2017>>

Pos	Part Number	Description	Remark	Qty	Model
	971 858 570 D OP1	agate grey	-DG,DL		
	971 858 570 D 4H0	Luxor beige	-UB,PK,UC,BP		
	971 858 570 D OM8	saddle brown	-SB,BS		
	971 858 570 D 3G0	Marsala Red	-PC		
	971 858 570 D OG6	Bordeaux red	-BB		
	971 858 570 D OL8	Chalk	-BK		
	971 858 570 D 5J0	Cream	-BE		
	971 858 570 D OS1	Truffle Brown	-HD		
	971 858 570 D OB8	Cohiba Brown	-HC		
14	971 857 532	Insert	rear	1	PR:4M3
15	N 911 087 01	Hexagon collared bolt with multi-point socket head (duo) M6X25		6	
16	971 863 162 C	Support Centre console	front	1	PR:3D1
	971 863 162 C 7P8	Black	-AB		
	971 863 162 C OK2	agate grey	-DG		
	971 863 162 C 8ED	Luxor beige	-UB,PK		
(16)	971 863 162 D	Support Centre console Leather	front	1	PR:3D8
	971 863 162 D A11	Black	-AC		
	971 863 162 D OA1	agate grey	-DL		
	971 863 162 D OK6	saddle brown	-SB,BS		
	971 863 162 D 7J0	Luxor beige	-UC,BP,PL		
	971 863 162 D 7H0	Marsala Red	-PC		
	971 863 162 D OG6	Bordeaux red	-BB		
	971 863 162 D OL8	Chalk	-BK		
	971 863 162 D 8D0	Cream	-BE		
(16)	971 863 162 E	Support Centre console Club leather	front	1	PR:3I1
	971 863 162 E OT2	Truffle Brown	-HD		
	971 863 162 E ON1	Cohiba Brown	-HC		
17	N 906 988 01	Speed nut		4	
18	N 906 986 06	Hexagon socket head panel bolt		X	
19	971 867 165 AC	Armrest	lhd	1	PR:L0L, 3D1, 6E1
	971 867 165 AC 21U	Black	-AB		
	971 867 165 AC OF6	agate grey	-DG		
	971 867 165 AC 32X	Luxor beige	-UB,PK		
(19)	971 867 166 AC	Armrest	rhd	1	PR:L0R, 3D1, 6E1
	971 867 166 AC 21U	Black	-AB		
	971 867 166 AC OF6	agate grey	-DG		
	971 867 166 AC 32X	Luxor beige	-UB,PK		
(19)	971 867 165 AD	armrest (leather)	lhd	1	PR:L0L, 3D8, 6E1
	971 867 165 AD A11	Black	-AC		
	971 867 165 AD OA1	agate grey	-DL		
	971 867 165 AD OK6	saddle brown	-SB,BS		
	971 867 165 AD 7J0	Luxor beige	-UC,BP,PL		
	971 867 165 AD 7H0	Marsala Red	-PC		
	971 867 165 AD OG6	Bordeaux red	-BB		
	971 867 165 AD OL8	Chalk	-BK		
	971 867 165 AD 8D0	Cream	-BE		
(19)	971 867 166 AD	armrest (leather)	rhd	1	PR:L0R, 3D8, 6E1
	971 867 166 AD A11	Black	-AC		
	971 867 166 AD OA1	agate grey	-DL		
	971 867 166 AD OK6	saddle brown	-SB,BS		
	971 867 166 AD 7J0	Luxor beige	-UC,BP,PL		
	971 867 166 AD 7H0	Marsala Red	-PC		

Model: 971-17 Model life 2017>>

Pos	Part Number	Description	Remark	Qty	Model	
	971 867 166 AD OG6	Bordeaux red	-BB	1	PR:L0L,3I1,6E1	
	971 867 166 AD OL8	Chalk	-BK			
(19)	971 867 166 AD 8D0	Cream	-BE	1	PR:L0R,3I1,6E1	
	971 867 165 AE	Armrest Club leather				
	971 867 165 AE OT2	Truffle Brown	-HD	1	PR:L0R,3I1,6E1	
	971 867 165 AE ON1	Cohiba Brown	-HC			
(19)	971 867 166 AE	Armrest Club leather		1	PR:L0R,3D8,6E3	
	971 867 166 AE OT2	Truffle Brown	-HD			
	971 867 166 AE ON1	Cohiba Brown	-HC	1	PR:L0L,3D8,6E3	
	971 867 166 H	armrest (leather) With lettering:	Panamera			
(19)	971 867 166 H A11	Black	-AC	1	PR:L0L,3D8,6E3	
	971 867 166 H OA1	agate grey	-DL			
	971 867 166 H OG6	Bordeaux red	-BB			
	971 867 166 H OK6	saddle brown	-SB,BS			
	971 867 166 H OL8	Chalk	-BK			
	971 867 166 H 7H0	Marsala Red	-PC			
	971 867 166 H 7J0	Luxor beige	-UC,BP,PL			
	971 867 166 H 8D0	Cream	-BE			
	971 867 165 AB	armrest (leather) With lettering:	Panamera Turbo S			
	971 867 165 AB A11	Black	-AC			
	971 867 165 AB OA1	agate grey	-DL			
	20	971 867 165 AB OG6	Bordeaux red			-BB
971 867 165 AB OK6		saddle brown	-SB,BS			
971 867 165 AB OL8		Chalk	-BK			
971 867 165 AB 7H0		Marsala Red	-PC			
971 867 165 AB 7J0		Luxor beige	-UC,BP,PL			
971 867 165 AB 8D0		Cream	-BE			
971 860 255 A		Assembly kit for Armrest Support				
971 863 797 C		Satin black				
971 863 135 B		Mat				
(22)		971 863 135 C	Mat			
(22)		971 863 136 B	Mat			
(22)		971 863 136 C	Mat			
23	971 863 584 A	Cellphone holder				
(23)	971 863 583 A	Cellphone holder				
(24)	971 863 487 C	Cover Drinks holder		1	PR:L0L,3D8	
	971 863 487 C 21U	Black	-AB			
	971 863 487 C OF6	agate grey	-DG			
	971 863 487 C 32X	Luxor beige	-UB,PK			
	971 863 487 D	Cover Drinks holder				
	971 863 487 D A11	Black	-AC			
	971 863 487 D OA1	agate grey	-DL			
	971 863 487 D OK6	saddle brown	-SB,BS			
	971 863 487 D 7J0	Luxor beige	-UC,BP,PL			
	971 863 487 D 7H0	Marsala Red	-PC			
	971 863 487 D OG6	Bordeaux red	-BB			
	971 863 487 D OL8	Chalk	-BK			
(24)	971 863 487 D 8D0	Cream	-BE	1	PR:L0L,3I1	
	971 863 487 E	Cover Drinks holder				

Model: 971-17 Model life 2017>>

Pos	Part Number	Description	Remark	Qty	Model
(24)	971 863 487 E OT2	Truffle Brown	-HD	1	PR:L0R,3D1
	971 863 487 E ON1	Cohiba Brown	-HC		
	971 863 488 C	Cover			
(24)	971 863 488 C 21U	Drinks holder		1	PR:L0R,3D8
	971 863 488 C OF6	Black	-AB		
	971 863 488 C 32X	agate grey	-DG		
	971 863 488 D	Luxor beige	-UB,PK		
	971 863 488 D A11	Cover			
	971 863 488 D OA1	Drinks holder			
	971 863 488 D OK6	Black	-AC		
	971 863 488 D 7J0	agate grey	-DL		
	971 863 488 D 7H0	saddle brown	-SB,BS		
	971 863 488 D OG6	Luxor beige	-UC,BP,PL		
	971 863 488 D OL8	Marsala Red	-PC		
(24)	971 863 488 D 8D0	Bordeaux red	-BB	1	PR:L0R,3I1
	971 863 488 D OL8	Chalk	-BK		
	971 863 488 D 8D0	Cream	-BE		
25	971 863 488 E	Cover		1	PR:L0R,3I1
	971 863 488 E OT2	Drinks holder			
26	971 863 488 E ON1	Truffle Brown	-HD	1	PR:L0R,3I1
	971 819 110 C	Cohiba Brown	-HC		
27	971 819 110 C	Vent		1	PR:L0R,3I1
	971 819 110 C OV3	(complete)			
27	971 858 401 B	High-Gloss Black		1	PR:NZ0,5TL
	971 858 401 B G0B	Cover	- PDK -		
(27)	971 858 417 AD	Galvano silver		1	PR:NZ0,5TE
	971 858 417 AD OV3	Trim			
(27)	971 858 417 AE	High-Gloss Black		1	PR:NZ0,5MH
	971 858 417 AE U03	Trim			
(27)	971 858 417 AF	Aluminium, brushed		1	PR:NZ0,5MB
	971 858 417 AF BX3	Trim			
(27)	971 858 417 AG	Carbon, fine high-gloss		1	PR:NZ0,5MP
	971 858 417 AG CK6	Trim			
(27)	971 858 417 AH	Swedish Birch		1	PR:NZ0,7TC
	971 858 417 AH OE9	Trim			
(27)	971 858 417 AJ	American Walnut		1	PR:NZ0,7TD
	971 858 417 AJ OK5	Trim			
(27)	971 858 417 AK	Light Paldao		1	PR:NZ0,7TM
	971 858 417 AK OF4	Trim			
28	971 858 417 AM	Red Gum		1	PR:NZ0,7TM
	971 858 417 AM A11	Trim			
29	971 858 417 AM OA1	Black	-AB,PK,AC,BB, BS,BK	1	PR:NZ3
	971 858 417 AM 7J0	agate grey	-DG,DL		
	971 858 417 AM OK6	Luxor beige	-UB,UC		
	971 858 417 AM 7H0	saddle brown	-SB,BP		
	971 858 082	Marsala Red	-PC,BE		
	971 858 082 OV3	Trim			
	971 858 415 R	High-Gloss Black			
	971 858 415 R OV3	Trim			
	971 858 415 S	High-Gloss Black			
	971 858 415 S U03	Trim			
	971 858 415 T	Aluminium, brushed			
(29)	971 858 415 T	Trim		1	PR:NZ0,5MH
	971 858 415 T BX3	Carbon, fine high-gloss			
(29)	971 858 415 AA	Trim		1	PR:NZ0,5MB
	971 858 415 AA CK6	Swedish Birch			
(29)	971 858 415 AB	Trim		1	PR:NZ0,5MP
	971 858 415 AB OE9	American Walnut			
(29)	971 858 415 AC	Trim		1	PR:NZ0,7TC
	971 858 415 AC OK5	Light Paldao			
(29)	971 858 415 AD	Trim		1	PR:NZ0,7TD

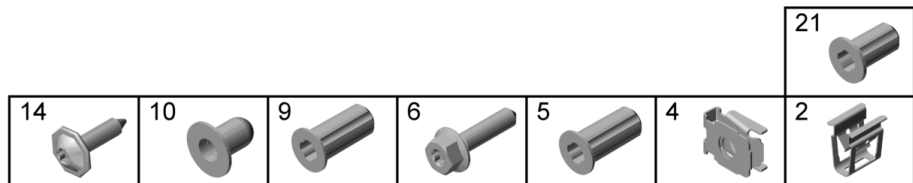
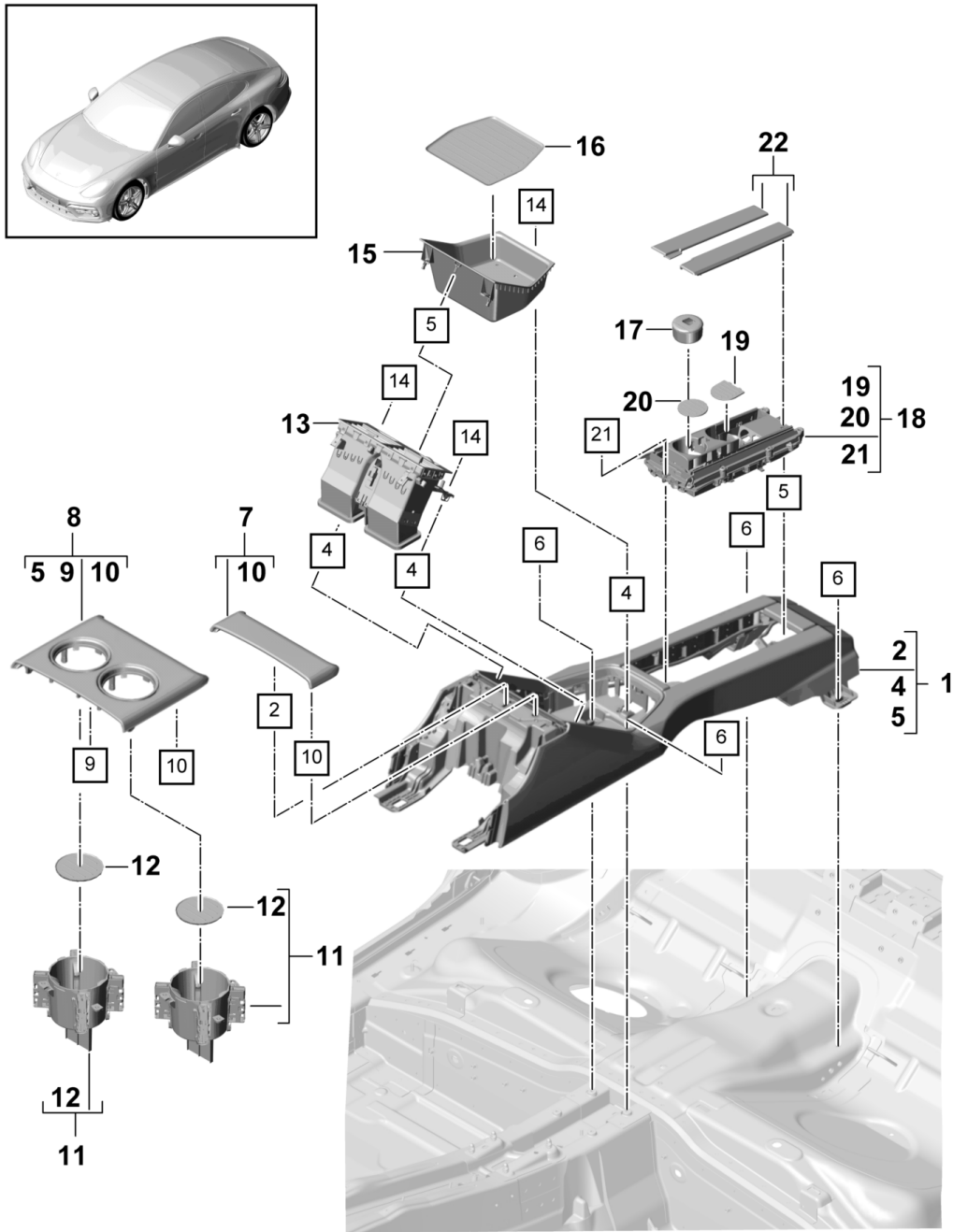
Model: 971-17

Model life 2017>>

Pos	Part Number	Description	Remark	Qty	Model
(29)	971 858 415 AD OF4	Red Gum		1	PR:NZ0,7TM
	971 858 415 AF	Trim			
	971 858 415 AF A11	Black	-AB,PK,AC,BB, BS,BK		
	971 858 415 AF OA1	agate grey	-DG,DL		
	971 858 415 AF 7J0	Luxor beige	-UB,UC		
	971 858 415 AF OK6	saddle brown	-SB,BP		
30	971 858 415 AF 7H0	Marsala Red	-PC,BE	1	PR:NZ0,9JB
	971 857 335 A	Ashtray insert			
31	971 857 335 A 1E0	Black		1	PR:NZ0,9JB
	971 857 459	ashtray Pot			
32	971 858 331 A	Stowage compartment		1	PR:NZ0,9JA
	971 858 331 A 1E0	Black			
33	971 857 494 A	Insert		1	PR:NZ0,9JA
		Stowage compartment			

Model: 971-17

Model life 2017>>



Model: 971-17 Model life 2017>>

Pos	Part Number	Description	Remark	Qty	Model
1	971 863 241 AQ	Centre console Centre console	rear	1	PR:0E1,3D1, 3Z6
	971 863 241 AQ 7P8	Black	-AB		
	971 863 241 AQ OK2	agate grey	-DG		
	971 863 241 AQ 8ED	Luxor beige	-UB,PK		
(1)	971 863 241 AR	Centre console Leather D >> - MJ 2017		1	PR:0E1,3D8, 3Z6
	971 863 241 AR A11	Black	-AC		
	971 863 241 AR OA1	agate grey	-DL		
	971 863 241 AR OK6	saddle brown	-SB,BS		
	971 863 241 AR 7J0	Luxor beige	-UC,BP		
	971 863 241 AR 7H0	Marsala Red	-PC		
	971 863 241 AR OG6	Bordeaux red	-BB		
	971 863 241 AR OL8	Chalk	-BK		
	971 863 241 AR 8D0	Cream	-BE		
(1)	971 863 241 BG	Centre console Leather D - MJ 2018>>		1	PR:0E1,3D8, 3Z6
	971 863 241 BG A11	Black	-AC		
	971 863 241 BG OA1	agate grey	-DL		
	971 863 241 BG OK6	saddle brown	-SB,BS		
	971 863 241 BG 7J0	Luxor beige	-UC,BP,PL		
	971 863 241 BG 7H0	Marsala Red	-PC		
	971 863 241 BG OG6	Bordeaux red	-BB		
	971 863 241 BG OL8	Chalk	-BK		
	971 863 241 BG 8D0	Cream	-BE		
(1)	971 863 241 BH	Centre console Club leather		1	PR:0E1,3I1, 3KG,3KH,3KI, 3KJ,3KK,3KL, 3KR,3Z6
	971 863 241 BH OT2	Truffle Brown	-HD		
	971 863 241 BH ON1	Cohiba Brown	-HC		
(1)	971 863 241 BC	Centre console		1	PR:0E2,3D1, 3Z6
	971 863 241 BC 7P8	Black	-AB		
	971 863 241 BC OK2	agate grey	-DG		
	971 863 241 BC 8ED	Luxor beige	-UB,PK		
(1)	971 863 241 BD	Centre console Leather D >> - MJ 2017		1	PR:0E2,3D8, 3Z6
	971 863 241 BD A11	Black	-AC		
	971 863 241 BD OA1	agate grey	-DL		
	971 863 241 BD OK6	saddle brown	-SB,BS		
	971 863 241 BD 7J0	Luxor beige	-UC,BP		
	971 863 241 BD 7H0	Marsala Red	-PC		
	971 863 241 BD OG6	Bordeaux red	-BB		
	971 863 241 BD OL8	Chalk	-BK		
	971 863 241 BD 8D0	Cream	-BE		
(1)	971 863 241 BN	Centre console Leather D - MJ 2018>>		1	PR:0E2,3D8, 3Z6
	971 863 241 BN A11	Black	-AC		
	971 863 241 BN OA1	agate grey	-DL		
	971 863 241 BN OK6	saddle brown	-SB,BS		
	971 863 241 BN 7J0	Luxor beige	-UC,BP,PL		
	971 863 241 BN 7H0	Marsala Red	-PC		
	971 863 241 BN OG6	Bordeaux red	-BB		
	971 863 241 BN OL8	Chalk	-BK		
	971 863 241 BN 8D0	Cream	-BE		
(1)	971 863 241 BP	Centre console Club leather		1	PR:0E2,3I1, 3Z6

Model: 971-17 Model life 2017>>

Pos	Part Number	Description	Remark	Qty	Model
(1)	971 863 241 BP OT2	Truffle Brown	-HD	1	PR:3D1,3Z7
	971 863 241 BP ON1	Cohiba Brown	-HC		
(1)	971 863 241 AT	Centre console		1	PR:K8S,0E2,3D1,3Z7
	971 863 241 AT 7P8	Black	-AB		
(1)	971 863 241 AT OK2	agate grey	-DG	1	PR:3D8,3Z7, K8S
	971 863 241 AT 8ED	Luxor beige	-UB,PK		
(1)	971 863 241 BJ	Centre console		1	PR:K8S,0E2,3D1,3Z7
	971 863 241 BJ 7P8	Black	-AB		
(1)	971 863 241 BJ OK2	agate grey	-DG	1	PR:3D8,3Z7, K8S
	971 863 241 BJ 8ED	Luxor beige	-UB,PK		
(1)	971 863 241 BA	Centre console		1	PR:K8S,0E2,3I1,3Z7
	971 863 241 BA A11	Leather			
(1)	971 863 241 BA OA1	Black	-AC	1	PR:K8S,0E2,3I1,3Z7
	971 863 241 BA OK6	agate grey	-DL		
(1)	971 863 241 BA 7J0	saddle brown	-SB,BS	1	PR:K8S,0E2,3I1,3Z7
	971 863 241 BA 7H0	Luxor beige	-UC,BP,PL		
(1)	971 863 241 BA OG6	Marsala Red	-PC	1	PR:K8S,0E2,3I1,3Z7
	971 863 241 BA OL8	Bordeaux red	-BB		
(1)	971 863 241 BA 8D0	Chalk	-BK	1	PR:K8S,0E2,3I1,3Z7
	971 863 241 BL	Cream	-BE		
(1)	971 863 241 BL OT2	Centre console		1	PR:K8S,0E2,3I1,3Z7
	971 863 241 BL ON1	Club leather			
(1)	971 863 241 BK	Truffle Brown	-HD	1	PR:K8S,0E2,3D8,3Z7
	971 863 241 BK A11	Cohiba Brown	-HC		
(1)	971 863 241 BK OA1	Centre console		1	PR:K8S,0E2,3D8,3Z7
	971 863 241 BK OK6	Leather			
(1)	971 863 241 BK 7J0	Black	-AC	1	PR:K8S,0E2,3D8,3Z7
	971 863 241 BK 7H0	agate grey	-DL		
(1)	971 863 241 BK OG6	saddle brown	-SB,BS	1	PR:K8S,0E2,3D8,3Z7
	971 863 241 BK OL8	Luxor beige	-UC,BP,PL		
(1)	971 863 241 BK 8D0	Marsala Red	-PC	1	PR:K8S,0E2,3D8,3Z7
	971 863 241 BL	Bordeaux red	-BB		
2	8T0 853 107	Chalk	-BK	X	
4	N 906 988 01	Cream	-BE	3	
5	9A7 007 849 00	Clip		X	
(5)	958 552 900 00	Speed nut		X	PR:3Z6
6	N 911 087 01	Grommet		X	PR:3Z7
7	971 863 289 F	Hexagon collared bolt with multi-point socket head (duo)		X	
	971 863 289 F 7P8	Trim		1	PR:0E1,3D1,3Z6
(7)	971 863 289 F OK2	Black	-AB	1	PR:0E1,3D8,3Z6
	971 863 289 F 8ED	agate grey	-DG		
(7)	971 863 289 G	Luxor beige	-UB,PK	1	PR:0E1,3D1,3Z6
	971 863 289 G A11	Leather panel			
(7)	971 863 289 G OA1	Black	-AC	1	PR:0E1,3D8,3Z6
	971 863 289 G OK6	agate grey	-DL		
(7)	971 863 289 G 7J0	saddle brown	-SB,BS	1	PR:0E1,3D8,3Z6
	971 863 289 G 7H0	Luxor beige	-UC,BP,PL		
(7)	971 863 289 G OG6	Marsala Red	-PC	1	PR:0E1,3D8,3Z6
	971 863 289 G OL8	Bordeaux red	-BB		
(7)	971 863 289 G 8D0	Chalk	-BK	1	PR:0E1,3I1,3Z6
	971 863 289 H	Cream	-BE		
8	971 863 289 H OT2	Trim		1	PR:0E1,3I1,3Z6
	971 863 289 H ON1	Club leather			
8	971 868 361 F	Truffle Brown	-HD	1	PR:0E2,3D1
	971 868 361 F 7P8	Cohiba Brown	-HC		
8	971 868 361 F OK2	Trim		1	PR:0E2,3D1
	971 868 361 F 7P8	Black	-AB		
8	971 868 361 F OK2	agate grey	-DG	1	PR:0E2,3D1
	971 868 361 F OK2	agate grey	-DG		

Model: 971-17 Model life 2017>>

Pos	Part Number	Description	Remark	Qty	Model
(8)	971 868 361 F 8ED	Luxor beige	-UB,PK		
	971 868 361 G	Leather panel		1	PR:0E2,3D8
	971 868 361 G A11	Black	-AC		
	971 868 361 G OA1	agate grey	-DL		
	971 868 361 G OK6	saddle brown	-SB,BS		
	971 868 361 G 7J0	Luxor beige	-UC,BP		
	971 868 361 G 7H0	Marsala Red	-PC		
	971 868 361 G OG6	Bordeaux red	-BB		
	971 868 361 G OL8	Chalk	-BK		
	971 868 361 G 8D0	Cream	-BE		
(8)	971 868 361 L	Trim		1	PR:0E2,3I1
		Club leather			
	971 868 361 L OT2	Truffle Brown	-HD		
	971 868 361 L ON1	Cohiba Brown	-HC		
9	9A7 007 849 00	Grommet		X	
10	958 552 900 00	Grommet		X	
11	971 858 569 E	Drinks holder		2	PR:4M3,0E2
	971 858 569 E 1E0	Black			
(11)	971 858 603 A	Drinks holder	left	1	PR:4M1,0E2
	971 858 603 A 1E0	Black	-AB,AC		
	971 858 603 A OP1	agate grey	-DG,DL		
	971 858 603 A 4H0	Luxor beige	-UB,PK,UC,BP, PL		
	971 858 603 A OM8	saddle brown	-SB,BS		
	971 858 603 A 3G0	Marsala Red	-PC		
	971 858 603 A OG6	Bordeaux red	-BB		
	971 858 603 A OL8	Chalk	-BK		
	971 858 603 A 5J0	Cream	-BE		
	971 858 603 A OS1	Truffle Brown	-HD		
	971 858 603 A OB8	Cohiba Brown	-HC		
(11)	971 858 601 A	Drinks holder	right	1	PR:4M1,0E2
	971 858 601 A 1E0	Black	-AB,AC		
	971 858 601 A OP1	agate grey	-DG,DL		
	971 858 601 A 4H0	Luxor beige	-UB,PK,UC,BP, PL		
	971 858 601 A OM8	saddle brown	-SB,BS		
	971 858 601 A 3G0	Marsala Red	-PC		
	971 858 601 A OG6	Bordeaux red	-BB		
	971 858 601 A OL8	Chalk	-BK		
	971 858 601 A 5J0	Cream	-BE		
	971 858 601 A OS1	Truffle Brown	-HD		
	971 858 601 A OB8	Cohiba Brown	-HC		
12	971 857 531	Insert	front	2	PR:4M3
13	971 819 201 B	Vent		1	PR:9AD
	971 819 201 B 6N3	Matt black			
(13)	971 819 201 F	Vent		1	PR:9AH
	971 819 201 F 6N3	Matt black			
14	N 906 986 06	Hexagon socket head panel bolt		2	
		ST 4,2 X 16			
15	971 864 131 A	Stowage compartment		1	PR:3Z6,9AD
	971 864 131 A 6N3	Matt black			
16	971 863 014	Insert		1	PR:9AD
		Stowage compartment			
17	971 857 311 A	Insert		1	PR:3Z6,9JB
	971 857 311 A HVO	Black/Galvano Silver			
18	971 858 329 E	Stowage compartment		1	PR:UI4,0E1, 3Z6
	971 858 329 E 1E0	Black			
(18)	971 858 329 F	Stowage compartment		1	PR:UI2,0E1, 3Z6
	971 858 329 F 1E0	Black			
(18)	971 858 329 C	Stowage compartment		1	PR:UI4,0E2, 3Z6

Model: 971-17 Model life 2017>>

Pos	Part Number	Description	Remark	Qty	Model
(18)	971 858 329 C 1E0 971 858 329 D	Black Stowage compartment		1	PR:UI2,0E2, 3Z6
19	971 858 329 D 1E0 971 858 857	Black Insert	rear	1	PR:UI2,UI4, 0E1,3Z6
20	971 858 858	Insert	front	1	PR:UI2,UI4, 0E1,3Z6
21	997 553 627 00	Rubber grommet 4 MM		1	PR:0E1
22	971 864 366 Y	Set Trim Stowage compartment		1	PR:3Z6,5TL
(22)	971 864 366 Y OV3 971 864 366 AY	High-Gloss Black Set Trim Stowage compartment		1	PR:3Z6,5TE
(22)	971 864 366 AY U03 971 864 366 BY	Aluminium, brushed Set Trim Stowage compartment		1	PR:3Z6,5MH
(22)	971 864 366 BY BX3 971 864 366 CY	Carbon, fine high-gloss Set Trim Stowage compartment		1	PR:3Z6,5MB
(22)	971 864 366 CY CK6 971 864 366 DY	Swedish Birch Set Trim Stowage compartment		1	PR:3Z6,5MP
(22)	971 864 366 DY OE9 971 864 366 EY	American Walnut Set Trim Stowage compartment		1	PR:3Z6,7TC
(22)	971 864 366 EY OK5 971 864 366 FY	Light Paldao Set Trim Stowage compartment		1	PR:3Z6,7TD
(22)	971 864 366 FY OF4 971 864 366 GY	Red Gum Set Trim Stowage compartment		1	PR:3Z6,7TL
(22)	971 864 366 GY 041 971 864 366 GY M3C 971 864 366 GY M9A 971 864 366 GY C9A 971 864 366 GY C9X 971 864 366 GY M7R 971 864 366 GY M7S 971 864 366 GY M8Y 971 864 366 GY M4Z 971 864 366 GY M5F 971 864 366 GY M5J 971 864 366 GY C1Y 971 864 366 GY M7Z 971 864 366 GY M7U 971 864 366 GY S9R	Black Carmine red Chalk white Jet Black Metallic Volcano Grey Metallic Achat Grey Metallic Mahogany Metallic Amethyst metallic Midnight Blue Metallic Sapphire Blue Metallic Palladium Metallic GT Silver Metallic Rhodium Silver Metallic Carrara White metallic		1	PR:3Z6,7TM
(22)	971 864 366 HY 971 864 366 HY A11 971 864 366 HY OA1 971 864 366 HY 7J0	Set Trim Stowage compartment Black agate grey Luxor beige	-AB,PK,AC,BB, BS,BK -DG,DL -UB,UC		

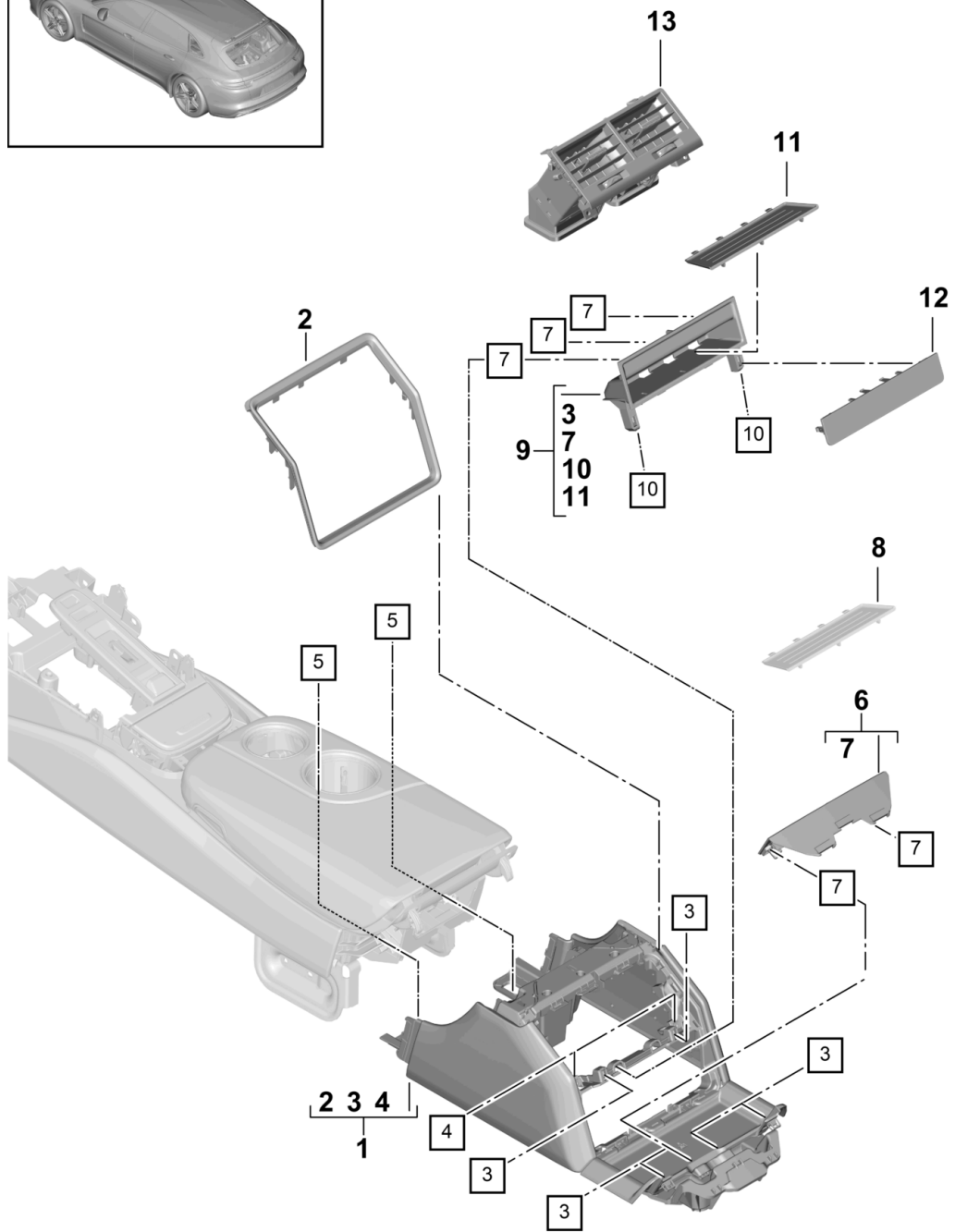
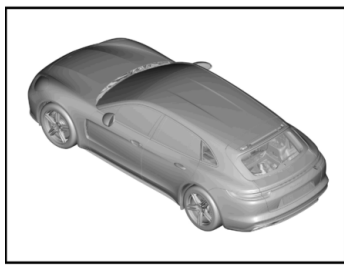
Model: 971-17

Model life 2017>>

Pos	Part Number	Description	Remark	Qty	Model
	971 864 366 HY OK6 971 864 366 HY 7H0	saddle brown Marsala Red	-SB, BP -PC, BE		

Model: 971-17

Model life 2017>>



10	7	5	4	3

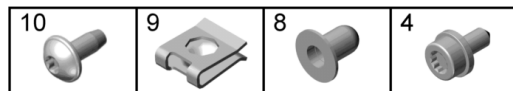
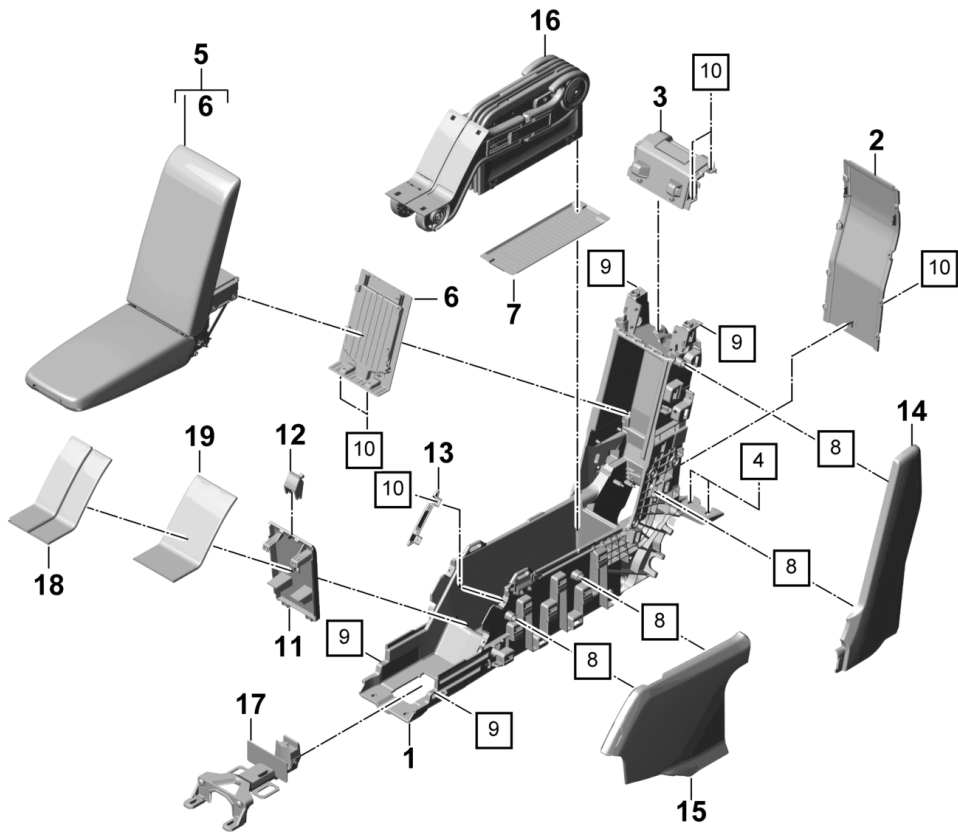
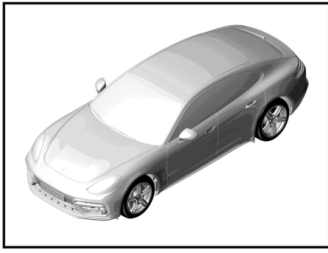
Model: 971-17

Model life 2017>>

Pos	Part Number	Description	Remark	Qty	Model
1	974 863 241	Centre console Centre console	rear	1	PR: 5KA, 5KH PR: 3D1, 5KA, 5KH
	974 863 241 7P8	Black	-AB		
	974 863 241 OK2	agate grey	-DG		
	974 863 241 8ED	Luxor beige	-PK		
(1)	974 863 241 D	Centre console Leather		1	PR: 3D8, 3D5, 5KA, 5KH
	974 863 241 D A11	Black	-AC		
	974 863 241 D OA1	agate grey	-DL		
	974 863 241 D OK6	saddle brown	-SB, BS		
	974 863 241 D 7J0	Luxor beige	-UC, PL, BP		
	974 863 241 D 7H0	Marsala Red	-PC		
	974 863 241 D OG6	Bordeaux red	-BB		
	974 863 241 D OL8	Chalk	-BK		
	974 863 241 D 8D0	Cream	-BE		
(1)	974 863 241 E	Centre console Club leather		1	PR: 3I1, 5KA, 5KH
	974 863 241 E OT2	Truffle Brown	-HD		
	974 863 241 E ON1	Cohiba Brown	-HC		
2	974 864 298	Trim		1	PR: 5KA, 5KH
		No longer use the part here			
	974 864 298 V08	Galvano silver			
2		Together with Position 1		1	
3	8T0 853 107	Clip		X	
4	N 906 968 03	panel nut		2	
5	N 911 087 01	Hexagon collared bolt with multi-point socket head (duo)		2	
6	974 863 276	Cover		1	PR: UI4, 0E1, 5KA, 5KH, 9JA, 9JB
	974 863 276 5Q0	Black			
(6)	974 863 276 A	Cover		1	PR: UI2, 0E1, 5KA, 5KH, 9JA, 9JB
	974 863 276 A 5Q0	Black			
7	9A7 007 849 00	Grommet		X	
8	974 863 014	Insert		1	PR: 5KA, 5KH, 9AD
9	974 864 131	Stowage compartment		1	PR: 5KA, 5KH, 9AD
	974 864 131 6N3	Matt black			
10	958 552 900 00	Grommet		2	
11	974 863 014	Insert		1	PR: 5KA, 5KH, 9AD
12	974 863 324	Trim		1	PR: 3FA, 4A0, 4A3, 5KA, 5KH, 9AD
	974 863 324 6N3	Matt black			
13	971 819 201 E	Vent		1	
	971 819 201 E 6N3	Matt black			

Model: 971-17

Model life 2017>>



Model: 971-17 Model life 2017>>

Pos	Part Number	Description	Remark	Qty	Model
		Centre console Business	rear		PR:3Z7
1	971 864 089 A	Carrier		1	
2	971 864 075	Cover	rear	1	
	971 864 075 6B0	Black	-AB,PK,AC,BB, BS,BK		
	971 864 075 9C0	agate grey	-DG,DL		
	971 864 075 7K0	Luxor beige	-UB,UC		
	971 864 075 BW3	saddle brown	-SB,BP		
	971 864 075 7G0	Marsala Red	-PC,BE		
3	971 863 225	Closing element Business		1	
	971 863 225 5Q0	Black	-AB,AC		
	971 863 225 OA6	agate grey	-DG,DL		
	971 863 225 6W0	Luxor beige	-UB,PK,UC,BP		
	971 863 225 OL7	saddle brown	-SB,BS		
	971 863 225 7X0	Marsala Red	-PC		
	971 863 225 OG6	Bordeaux red	-BB		
	971 863 225 OL8	Chalk	-BK		
	971 863 225 5V0	Cream	-BE		
4	N 910 507 01	Socket head bolt with inner multipoint head (Kombi) M8 X 20		4	
5	971 863 764	Cover		1	PR:3D1,6E1
	971 863 764 21U	Black	-AB		
	971 863 764 OF6	agate grey	-DG		
	971 863 764 32X	Luxor beige	-UB,PK		
(5)	971 863 764 A	Cover (leather)		1	PR:3D8,6E1
	971 863 764 A A11	Black	-AC		
	971 863 764 A OA1	agate grey	-DL		
	971 863 764 A OK6	saddle brown	-SB,BS		
	971 863 764 A 7J0	Luxor beige	-UC,BP		
	971 863 764 A 7H0	Marsala Red	-PC		
	971 863 764 A OG6	Bordeaux red	-BB		
	971 863 764 A OL8	Chalk	-BK		
	971 863 764 A 8D0	Cream	-BE		
(5)	971 863 764 C	Cover		1	PR:3D1,6E2
		with: Porsche crest			
	971 863 764 C 21U	Black	-AB		
	971 863 764 C OF6	agate grey	-DG		
	971 863 764 C 32X	Luxor beige	-UB,PK		
(5)	971 863 764 D	Cover (leather)		1	PR:3D8,6E2
		with: Porsche crest			
	971 863 764 D A11	Black	-AC		
	971 863 764 D OA1	agate grey	-DL		
	971 863 764 D OK6	saddle brown	-SB,BS		
	971 863 764 D 7J0	Luxor beige	-UC,BP		
	971 863 764 D 7H0	Marsala Red	-PC		
	971 863 764 D OG6	Bordeaux red	-BB		
	971 863 764 D OL8	Chalk	-BK		
	971 863 764 D 8D0	Cream	-BE		
(5)	971 863 764 L	Cover (leather) Club leather		1	PR:L0R,3D8, 6E3
		with: inscription			
	971 863 764 L OT2	Truffle Brown	-HC		
	971 863 764 L ON1	Cohiba Brown	-HC		
6	971 864 199	Cellphone holder		1	
7	971 864 477 A	Insert	rear	1	PR:1U1
8	958 552 900 00	Grommet		X	
9	999 591 772 01	panel nut		X	

Model: 971-17 Model life 2017>>

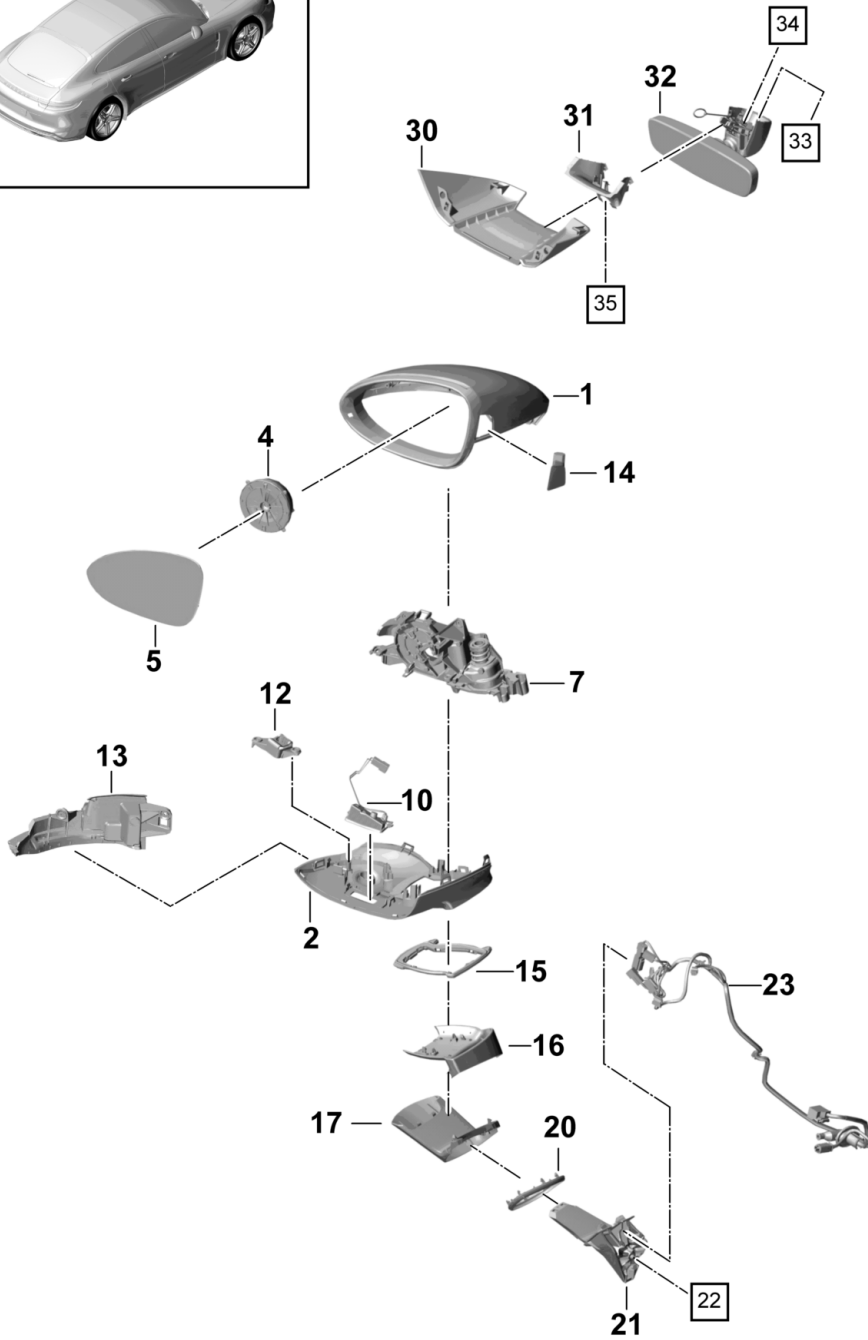
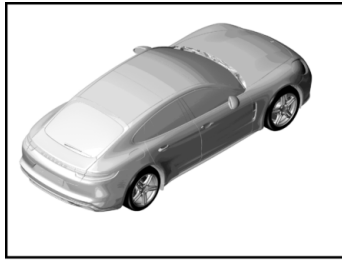
Pos	Part Number	Description	Remark	Qty	Model
10	N 106 695 01	fillister head bolt with multi-point socket head		X	
11	971 858 081	Trim		1	PR:1U0
	971 858 081 1E0	Black			
12	970 553 775 00	Adapter Lighting		1	
13	971 858 987 Y	Set Carrier Trim		1	PR:1U1
14	971 863 305 A	Side part	left	1	
	971 863 305 A 5Q0	Black	-AB,AC		
	971 863 305 A OA6	agate grey	-DG,DL		
	971 863 305 A 6W0	Luxor beige	-UB,PK,UC,BP		
	971 863 305 A OL7	saddle brown	-SB,BS		
	971 863 305 A 7X0	Marsala Red	-PC		
	971 863 305 A OG6	Bordeaux red	-BB		
	971 863 305 A OL8	Chalk	-BK		
	971 863 305 A 5V0	Cream	-BE		
(14)	971 863 306 A	Side part	right	1	
	971 863 306 A 5Q0	Black	-AB,AC		
	971 863 306 A OA6	agate grey	-DG,DL		
	971 863 306 A 6W0	Luxor beige	-UB,PK,UC,BP		
	971 863 306 A OL7	saddle brown	-SB,BS		
	971 863 306 A 7X0	Marsala Red	-PC		
	971 863 306 A OG6	Bordeaux red	-BB		
	971 863 306 A OL8	Chalk	-BK		
	971 863 306 A 5V0	Cream	-BE		
15	971 864 069 C	Side part	left	1	PR:3D1
	971 864 069 C 7P8	Black	-AB		
	971 864 069 C OK2	agate grey	-DG		
	971 864 069 C 8ED	Luxor beige	-UB,PK		
(15)	971 864 069 D	Side part	left	1	PR:3D8
	971 864 069 D A11	Black	-AC		
	971 864 069 D OA1	agate grey	-DL		
	971 864 069 D OK6	saddle brown	-SB,BS		
	971 864 069 D 7J0	Luxor beige	-UC,BP		
	971 864 069 D 7H0	Marsala Red	-PC		
	971 864 069 D OG6	Bordeaux red	-BB		
	971 864 069 D OL8	Chalk	-BK		
	971 864 069 D 8D0	Cream	-BE		
(15)	971 864 070 C	Side part	right	1	PR:3D1
	971 864 070 C 7P8	Black	-AB		
	971 864 070 C OK2	agate grey	-DG		
	971 864 070 C 8ED	Luxor beige	-UB,PK		
(15)	971 864 070 D	Side part	right	1	PR:3D8
	971 864 070 D A11	Black	-AC		
	971 864 070 D OA1	agate grey	-DL		
	971 864 070 D OK6	saddle brown	-SB,BS		
	971 864 070 D 7J0	Luxor beige	-UC,BP		
	971 864 070 D 7H0	Marsala Red	-PC		
	971 864 070 D OG6	Bordeaux red	-BB		
	971 864 070 D OL8	Chalk	-BK		
	971 864 070 D 8D0	Cream	-BE		
16	971 862 851	Folding table		1	PR:1U1
	971 862 851 A11	Black			
17	971 857 099	Mounting bracket Folding table		1	PR:1U1
18	971 858 079 JY	Set Trim Folding table		1	PR:1U1,5TL
(18)	971 858 079 JY OV3	High-Gloss Black			
	971 858 079 KY	Set Trim		1	PR:1U1,5TE

Model: 971-17 Model life 2017>>

Pos	Part Number	Description	Remark	Qty	Model
(18)	971 858 079 KY U03 971 858 079 LY	Folding table Aluminium, brushed Set Trim		1	PR:1U1,5MH
(18)	971 858 079 LY BX3 971 858 079 MY	Folding table Carbon, fine high-gloss Set Trim		1	PR:1U1,5MB
(18)	971 858 079 MY CK6 971 858 079 NY	Folding table Swedish Birch Set Trim		1	PR:1U1,5MP
(18)	971 858 079 NY OE9 971 858 079 PY	Folding table American Walnut Set Trim		1	PR:1U1,7TC
(18)	971 858 079 PY OK5 971 858 079 QY	Folding table Light Paldao Set Trim		1	PR:1U1,7TD
(18)	971 858 079 QY OF4 971 858 079 RY	Folding table Red Gum Set Trim		1	PR:1U1,7TL
(18)	971 858 079 RY G2X 971 858 079 SY	Folding table primed Set Trim		1	PR:1U1,7TM
19	971 858 079 SY A11 971 858 079 SY OA1 971 858 079 SY 7J0 971 858 079 SY OK6 971 858 079 SY 7H0 971 858 079 SY OG6 971 858 079 SY OL8 971 858 079 SY 8D0	Black agate grey Luxor beige saddle brown Marsala Red Bordeaux red Chalk Cream	-AB,AC -DG,DL -UB,PK,UC,BP -SB,BS -PC -BB -BK -BE	1	PR:1U0,5TL
(19)	971 858 357 P 971 858 357 P OV3 971 858 357 Q 971 858 357 Q U03	Trim High-Gloss Black Trim Aluminium, brushed		1	PR:1U0,5TE
(19)	971 858 357 R 971 858 357 R BX3 971 858 357 S 971 858 357 S CK6	Trim Carbon, fine high-gloss Trim Swedish Birch		1	PR:1U0,5MH PR:1U0,5MB
(19)	971 858 357 T 971 858 357 T OE9 971 858 357 AA 971 858 357 AA OK5	Trim American Walnut Trim Light Paldao		1	PR:1U0,5MP PR:1U0,7TC
(19)	971 858 357 AB 971 858 357 AB OF4 971 858 357 AC 971 858 357 AC G2X	Trim Red Gum Trim primed		1	PR:1U0,7TD PR:1U0,7TL
(19)	971 858 357 AD 971 858 357 AD A11 971 858 357 AD OA1 971 858 357 AD 7J0 971 858 357 AD OK6 971 858 357 AD 7H0 971 858 357 AD OG6 971 858 357 AD OL8 971 858 357 AD 8D0	Trim Black agate grey Luxor beige saddle brown Marsala Red Bordeaux red Chalk Cream	-AB,AC -DG,DL -UB,PK,UC,BP -SB,BS -PC -BB -BK -BE	1	PR:1U0,7TM

Model: 971-17

Model life 2017>>



Model: 971-17 Model life 2017>>

Pos	Part Number	Description	Remark	Qty	Model
1	971 857 527	Exterior mirror Rear-view mirror Accessories Mirror housing	left outer	1	PR:L0L,7Y0
(1)	971 857 527 G2X 971 857 528	primed Mirror housing	right outer	1	PR:L0L,7Y0
(1)	971 857 528 G2X 971 857 527 A	primed Mirror housing	left outer	1	PR:L0R,7Y0
(1)	971 857 527 A G2X 971 857 528 A	primed Mirror housing	right outer	1	PR:L0R,7Y0
(1)	971 857 528 A G2X 971 857 527 B	primed Mirror housing	left outer	1	PR:L0L,7Y1
(1)	971 857 527 B G2X 971 857 528 B	primed Mirror housing	right outer	1	PR:L0L,7Y1
(1)	971 857 528 B G2X 971 857 527 C	primed Mirror housing	left outer	1	PR:L0R,7Y1
(1)	971 857 527 C G2X 971 857 528 C	primed Mirror housing	right outer	1	PR:L0R,7Y1
2	971 857 528 C G2X 971 857 185 H	primed Trim	left lower	1	PR:L0L,-8A4
(2)	971 857 185 H 041 971 857 186 H	Black Trim	right lower	1	PR:L0L,-8A4
(2)	971 857 186 H 041 971 857 185 J	Black Trim	left lower	1	PR:L0R,-8A4
(2)	971 857 185 J 041 971 857 186 J	Black Trim	right lower	1	PR:L0R,-8A4
(2)	971 857 186 J 041 971 857 185 K	Black Trim	left lower	1	PR:L0L,8A4
(2)	971 857 185 K 041 971 857 186 K	Black Trim	right lower	1	PR:L0L,8A4
(2)	971 857 186 K 041 971 857 185 L	Black Trim	left lower	1	PR:L0R,8A4
(2)	971 857 185 L 041 971 857 186 L	Black Trim	right lower	1	PR:L0R,8A4
4	971 857 186 L 041 7PP 959 578 D	Black Adjusting motor		2	PR:6XP,6XW
(4)	7PP 959 578 E	Exterior mirror No memory function Adjusting motor		2	PR:6XQ,6XT
5	971 857 521	Exterior mirror With memory function Mirror glass Plane	left lhd	1	PR:L0L,5SG, 6XP,6XQ
(5)	971 857 521 A	Mirror glass Aspherical	left lhd	1	PR:L0L,5SL, 6XP,6XQ
(5)	971 857 521 B	Mirror glass Convex	left rhd	1	PR:L0R,5SJ, 6XP,6XQ

Model: 971-17 Model life 2017>>

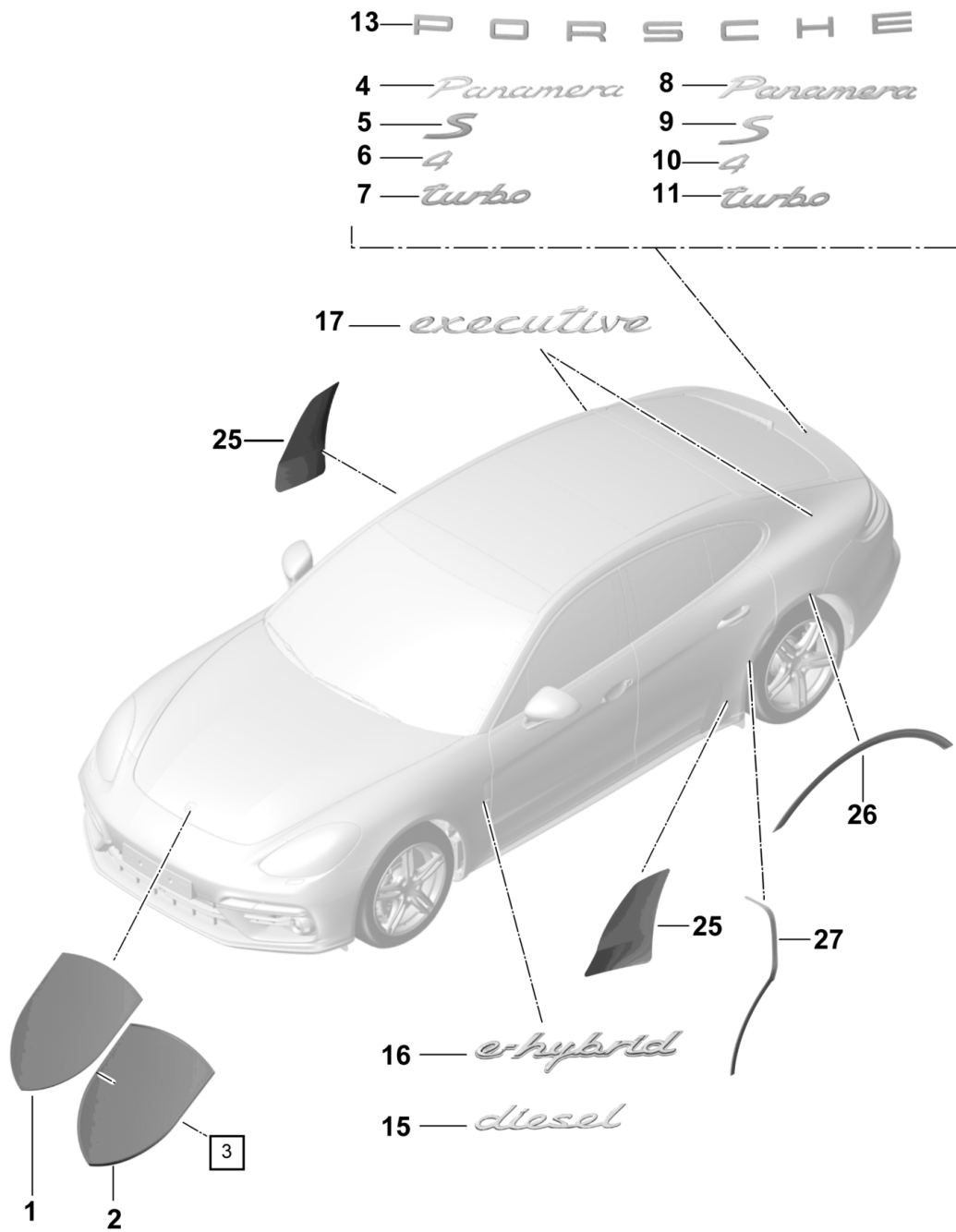
Pos	Part Number	Description	Remark	Qty	Model
(5)	971 857 521 C	Mirror glass Plane	left lhd	1	PR:L0L,5SG, 6XT,6XW
(5)	971 857 521 D	Mirror glass Aspherical	left lhd	1	PR:L0L,5SL, 6XT,6XW
(5)	971 857 521 E	Mirror glass Aspherical	left lhd	1	PR:L0R,5SJ, 6XT,6XW
(5)	971 857 522	Mirror glass Convex	right lhd	1	PR:L0L,5RQ, 6XP,6XQ
(5)	971 857 522 B	Mirror glass Convex	right lhd	1	PR:L0L,5RT, 6XP,6XQ
(5)	971 857 522 C	Mirror glass Convex	right lhd	1	PR:L0L,5RQ, 6XT,6XW
(5)	971 857 522 E	Mirror glass Convex	right lhd	1	PR:L0L,5RT, 6XT,6XW
(5)	971 857 522 F	Mirror glass Aspherical	right rhd	1	PR:L0R,5RV, 6XP,6XQ
(5)	971 857 522 G	Mirror glass Aspherical	right rhd	1	PR:L0R,5RV, 6XT,6XW
6	971 858 689	1 set securing bolts 3X M3X17 1X M3X38 9X M3X12		1	
7	971 857 411	Mirror base Upper part	left	1	PR:L0L
(7)	971 857 412	Mirror base Upper part	right	1	PR:L0L
(7)	971 857 411 A	Mirror base Upper part	left	1	PR:L0R
(7)	971 857 412 A	Mirror base Upper part	right	1	PR:L0R
10	971 949 133	Light Exterior mirror	left	1	
(10)	971 949 134	Light Exterior mirror	right	1	
12	971 857 117	Clip Camera Exterior mirror	left	1	PR:L0L,8A4
(12)	971 857 118	Clip Camera Exterior mirror	right	1	PR:L0L,8A4
(12)	971 857 117 A	Clip Camera Exterior mirror	left	1	PR:L0R,8A4
(12)	971 857 118 A	Clip Camera Exterior mirror	right	1	PR:L0R,8A4
13	971 949 101	Turn signal indicator	left	1	PR:L0L
(13)	971 949 102	Turn signal indicator	right	1	PR:L0L
(13)	971 949 101 A	Turn signal indicator	left	1	PR:L0R
(13)	971 949 102 A	Turn signal indicator	right	1	PR:L0R
14	971 953 039 D	Warning light Lane Change Assistant	left	1	PR:L0L,7Y1
(14)	971 953 040 D	Warning light Lane Change Assistant	right	1	PR:L0L,7Y1
(14)	971 953 039 E	Warning light Lane Change Assistant	left	1	PR:L0R,7Y1
(14)	971 953 040 E	Warning light Lane Change Assistant	right	1	PR:L0R,7Y1
15	971 857 555 A	Seal	left upper	1	
(15)	971 857 556 A	Seal	right upper	1	
16	971 857 085	Cover cap	left	1	

Model: 971-17 Model life 2017>>

Pos	Part Number	Description	Remark	Qty	Model
		Mirror base	inner		
	971 857 085 041	Black			
(16)	971 857 086	Cover cap	right	1	
		Mirror base	inner		
	971 857 086 041	Black			
17	971 857 019	Cover cap	left	1	
		Mirror base	outer		
	971 857 019 041	Black			
(17)	971 857 020	Cover cap	right	1	
		Mirror base	outer		
	971 857 020 041	Black			
20	971 857 679	Seal	left	1	
			lower		
(20)	971 857 680	Seal	right	1	
			lower		
21	971 857 539	Mirror base	left	1	
		Lower part			
(21)	971 857 540	Mirror base	right	1	
		Lower part			
22	N 912 595 01	Socket head collared bolt with inner multipoint head		2	
		Mirror base			
23	971 972 235 AE	Wire set		1	PR:6XW,8A4
		Exterior mirror			
23	971 972 235 S	Wire set		1	PR:6XW,-8A4, 7Y0
		Exterior mirror			
(23)	971 972 235 AA	Wire set		1	PR:6XW,8A4, 7Y1
		Exterior mirror			
(23)	971 972 235 P	Wire set		1	PR:6XT,8A4
		Exterior mirror			
(23)	971 972 235 B	Wire set		1	PR:6XT,-8A4, 7Y0
		Exterior mirror			
(23)	971 972 235 F	Wire set		1	PR:6XT,-8A4, 7Y1
		Exterior mirror			
(23)	971 972 235 N	Wire set		1	PR:6XQ
		Exterior mirror			
(23)	971 972 235 AD	Wire set		1	PR:6XP
		Exterior mirror			
30	971 863 081	Cover		1	
		Aerial			
	971 863 081 4PK	Black			
31	971 857 593	Cover		1	
	971 857 593 4PK	Black			
32	971 857 511	Interior mirror		1	
	971 857 511 HJC	Black			
33	N 106 530 01	Hexagon socket flat head bolt		2	
34	9A7 857 945 00	Spring clip		1	
35	N 107 009 01	Spreader rivet		1	

Model: 971-17

Model life 2017>>



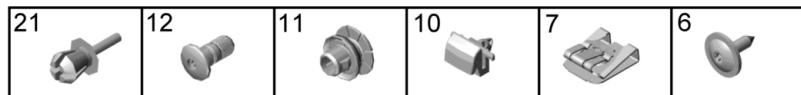
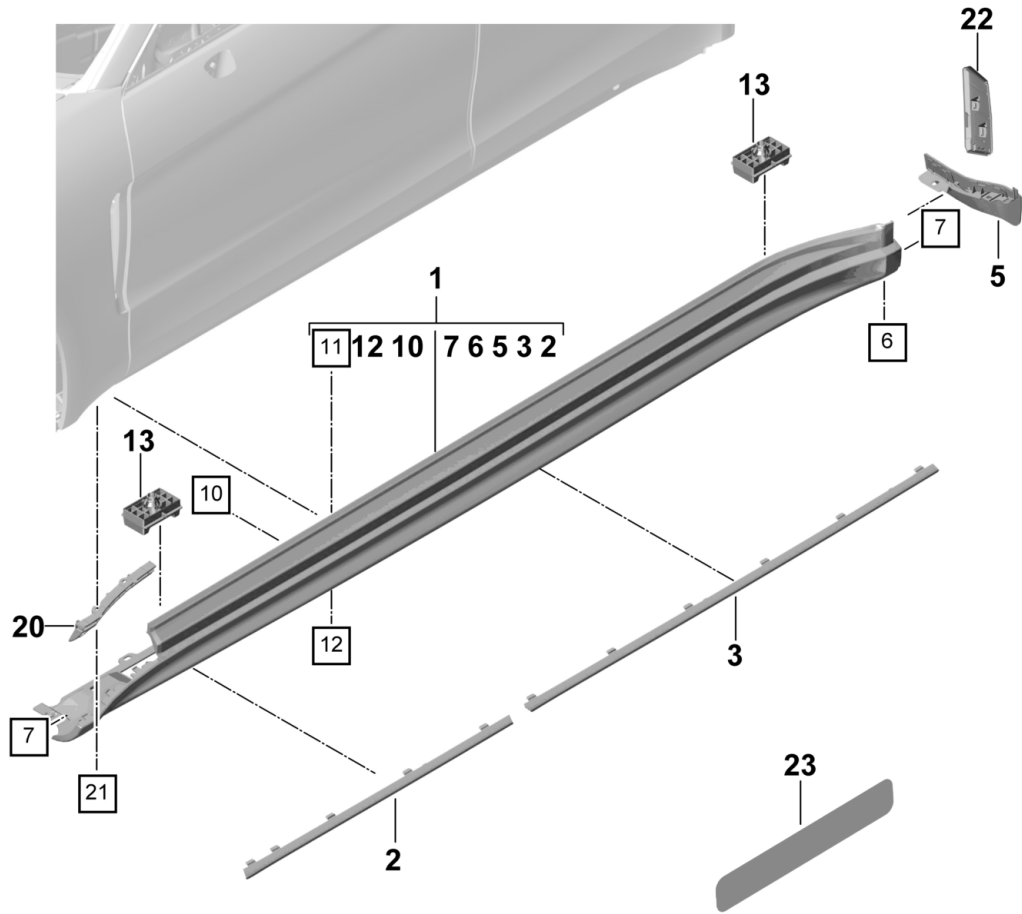
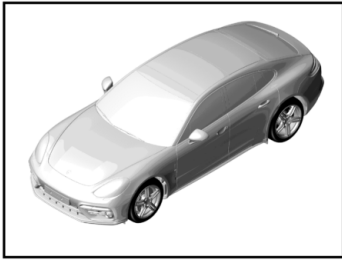
Model: 971-17

Model life 2017>>

Pos	Part Number	Description	Remark	Qty	Model
		inscriptions/lettering			
		Stone guard film			
1	958 559 601 02	Porsche crest		1	
2	958 559 611 00	Underlay		1	
3	WHT 004 974	Nut		2	
4	971 853 675	inscription		1	PR:0K0
		Panamera			
5	971 853 675 A	inscription		1	PR:0K0
		S			
6	971 853 675 B	inscription		1	PR:0K0
		4			
7	971 853 675 C	inscription		1	PR:0K0
		Turbo			
8	971 853 675 D	inscription		1	PR:0K3
		Panamera			
9	971 853 675 E	inscription		1	PR:0K3
		S			
10	971 853 675 F	inscription		1	PR:0K3
		4			
11	971 853 675 G	inscription		1	PR:0K3
		Turbo			
13	971 853 687	inscription		1	
		Porsche			
15	971 854 499	inscription	left	1	DBUC
		Diesel			
(15)	971 854 500	inscription	right	1	DBUC
		Diesel			
16	971 854 499 A	inscription	left	1	PR:0K3
		e-hybrid			
(16)	971 854 500 A	inscription	right	1	PR:0K3
		e-hybrid			
17	971 854 499 B	inscription	left	1	PR:0E2
		EXECUTIVE			
(17)	971 854 500 B	inscription	right	1	PR:0E2
		EXECUTIVE			
25	971 853 823	Stone guard film	left	1	
		Side part			
(25)	971 853 824	Stone guard film	right	1	
		Side part			
26	971 853 025	wheel cover		1	
		Version for japan			
	971 853 025 G2X	primed			
27	971 807 637	Protective film	left	1	
		Side part			
(27)	971 807 638	Protective film	right	1	
		Side part			

Model: 971-17

Model life 2017>>



Model: 971-17 Model life 2017>>

Pos	Part Number	Description	Remark	Qty	Model
1	971 854 883	Side member trim	left	1	PR:0E1,2D0
	971 854 883 OK1	Side member trim			
(1)	971 854 884	Matt black	right	1	PR:0E1,2D0
	971 854 884 OK1	Side member trim			
(1)	971 854 883 A	Matt black	left	1	PR:0E2,2D0
	971 854 883 A OK1	Side member trim			
(1)	971 854 884 A	Matt black	right	1	PR:0E2,2D0
	971 854 884 A OK1	Side member trim			
(1)	971 854 883 B	Matt black	left	1	PR:0E1,VR4,2D1,2D4,2D5
	971 854 883 B G2X	Side member trim			
(1)	971 854 884 B	primed	right	1	PR:0E1,VR4,2D1,2D4,2D5
	971 854 884 B G2X	Side member trim			
(1)	971 854 883 C	primed	left	1	PR:0E2,VR4,2D1,2D4,2D5
	971 854 883 C G2X	Side member trim			
(1)	971 854 884 C	primed	right	1	PR:0E2,VR4,2D1,2D4,2D5
	971 854 884 C G2X	Side member trim			
2	971 853 457	Trim	left front	1	PR:0E2,2D0
	971 853 457 GS1	Side member trim			
(2)	971 853 458	chrome	right front	1	PR:0E2,2D0
	971 853 458 GS1	Trim			
3	971 853 459	Side member trim	left rear	1	PR:0E2,2D0
	971 853 459 GS1	chrome			
(3)	971 853 460	Trim	right rear	1	PR:0E2,2D0
	971 853 460 GS1	Side member trim			
5	971 854 827	chrome	left rear	1	
	971 854 827 OK1	wheel cover			
(5)	971 854 828	Side member trim	right rear	1	
	971 854 828 OK1	Matt black			
6	9A7 007 698 00	panel screw		X	
		ST4,8X16			
7	WHT 007 380	clamping nut		X	
10	971 853 755	Retaining clip	upper	9	
		Side member trim			
11	971 853 802	Spreader rivet	lower	18	
		Side member trim			
12	971 854 297	Bungs	lower	9	
		Side member trim			
13	9A7 802 819 00	socket - jack		4	
20	971 854 943	retaining strip	left front	1	
		Side member trim			
(20)	971 854 944	retaining strip	right front	1	
		Side member trim			
21	N 104 179 01	Spreader rivet		4	
		retaining strip			
22	971 853 609	wheel cover	left rear	1	PR:VR4,2D1,2D4,2D5
	971 853 609 OK1	Side member trim			
(22)	971 853 610	Matt black	right rear	1	PR:VR4,2D1,2D4,2D5
	971 853 610 OK1	wheel cover			
		Side member trim			
		Matt black			

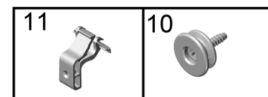
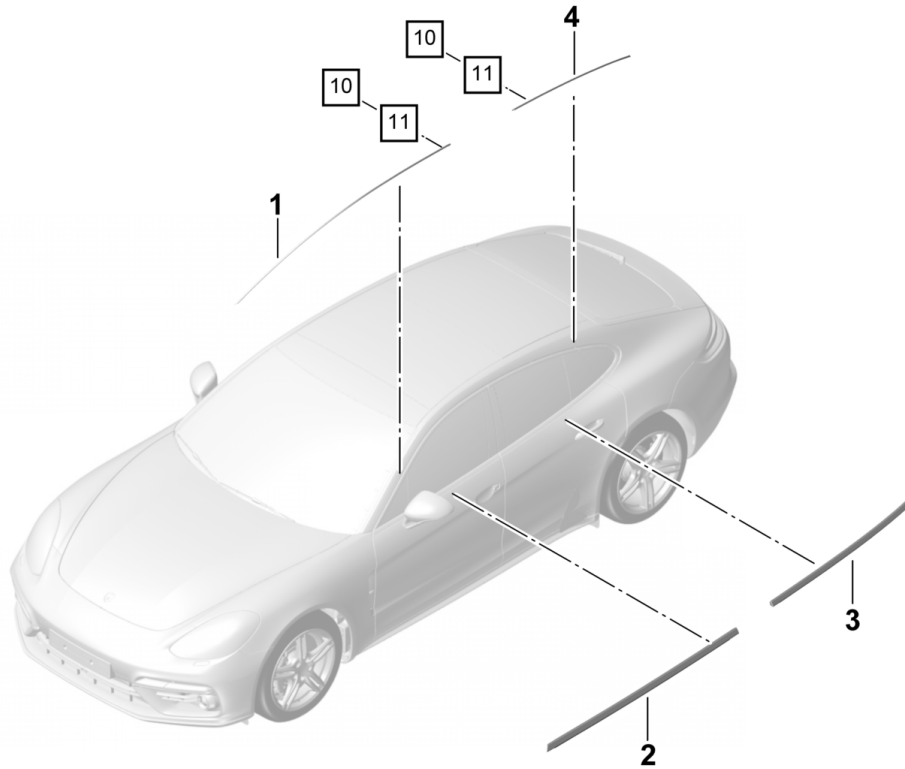
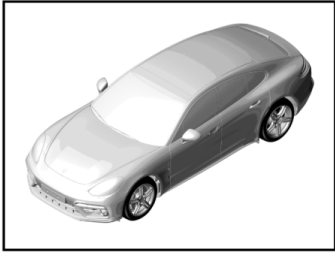
Model: 971-17

Model life 2017>>

Pos	Part Number	Description	Remark	Qty	Model
23	971 854 391	Protective film (self-adhesive)		1	PR:2D1

Model: 971-17

Model life 2017>>



Model: 971-17

Model life 2017>>

Pos	Part Number	Description	Remark	Qty	Model
		Trim	front and rear		
		doors			
1	971 853 101 C	Trim	left	1	PR:QJ2
	971 853 101 C V09	Alushine			
(1)	971 853 101 D	Trim	left	1	PR:QJ5
	971 853 101 D 03C	Rally black			
(1)	971 853 101 E	Trim	left	1	PR:QJ4
	971 853 101 E 041	High-Gloss Black			
(1)	971 853 102 C	Trim	right	1	PR:QJ2
	971 853 102 C V09	Alushine			
(1)	971 853 102 D	Trim	right	1	PR:QJ5
	971 853 102 D 03C	Rally black			
(1)	971 853 102 E	Trim	right	1	PR:QJ4
	971 853 102 E 041	High-Gloss Black			
2	971 837 475	Trim	left	1	PR:QJ2
	971 837 475 V09	Alushine			
(2)	971 837 475 A	Trim	left	1	PR:QJ5
	971 837 475 A 03C	Rally black			
(2)	971 837 475 B	Trim	left	1	PR:QJ4
	971 837 475 B 041	High-Gloss Black			
(2)	971 837 476	Trim	right	1	PR:QJ2
	971 837 476 V09	Alushine			
(2)	971 837 476 A	Trim	right	1	PR:QJ5
	971 837 476 A 03C	Rally black			
(2)	971 837 476 B	Trim	right	1	PR:QJ4
	971 837 476 B 041	High-Gloss Black			
3	971 839 475	Trim	left	1	PR:QJ2,0E1
	971 839 475 V09	Alushine			
(3)	971 839 475 A	Trim	left	1	PR:QJ5,0E1
	971 839 475 A 03C	Matt black			
(3)	971 839 475 B	Trim	left	1	PR:QJ4,0E1
	971 839 475 B 041	High-Gloss Black			
(3)	971 839 476	Trim	right	1	PR:QJ2,0E1
	971 839 476 V09	Alushine			
(3)	971 839 476 A	Trim	right	1	PR:QJ5,0E1
	971 839 476 A 03C	Matt black			
(3)	971 839 476 B	Trim	right	1	PR:QJ4,0E1
	971 839 476 B 041	High-Gloss Black			
(3)	971 839 475 C	Trim	left	1	PR:QJ2,0E2
	971 839 475 C V09	Alushine			
(3)	971 839 475 D	Trim	left	1	PR:QJ5,0E2
	971 839 475 D 03C	Matt black			
(3)	971 839 475 E	Trim	left	1	PR:QJ4,0E2
	971 839 475 E 041	High-Gloss Black			
(3)	971 839 476 C	Trim	right	1	PR:QJ2,0E2
	971 839 476 C V09	Alushine			
(3)	971 839 476 D	Trim	right	1	PR:QJ5,0E2
	971 839 476 D 03C	Matt black			
(3)	971 839 476 E	Trim	left	1	PR:QJ4,0E2
	971 839 476 E 041	High-Gloss Black			
(3)	974 839 475	Trim		1	PR:QJ2,K8D
	974 839 475 V09	Alushine			
(3)	974 839 475 A	Trim		1	PR:QJ5,K8D
	974 839 475 A 03C	Rally black			
(3)	974 839 475 B	Trim		1	PR:QJ4,K8D
	974 839 475 B 041	High-Gloss Black			
(3)	974 839 476	Trim		1	PR:QJ2,K8D
	974 839 476 V09	Alushine			
(3)	974 839 476 A	Trim		1	PR:QJ5,K8D
	974 839 476 A 03C	Rally black			
(3)	974 839 476 B	Trim		1	PR:QJ4,K8D
	974 839 476 B 041	High-Gloss Black			
4	971 853 053 F	Trim	left	1	PR:QJ2,0E1

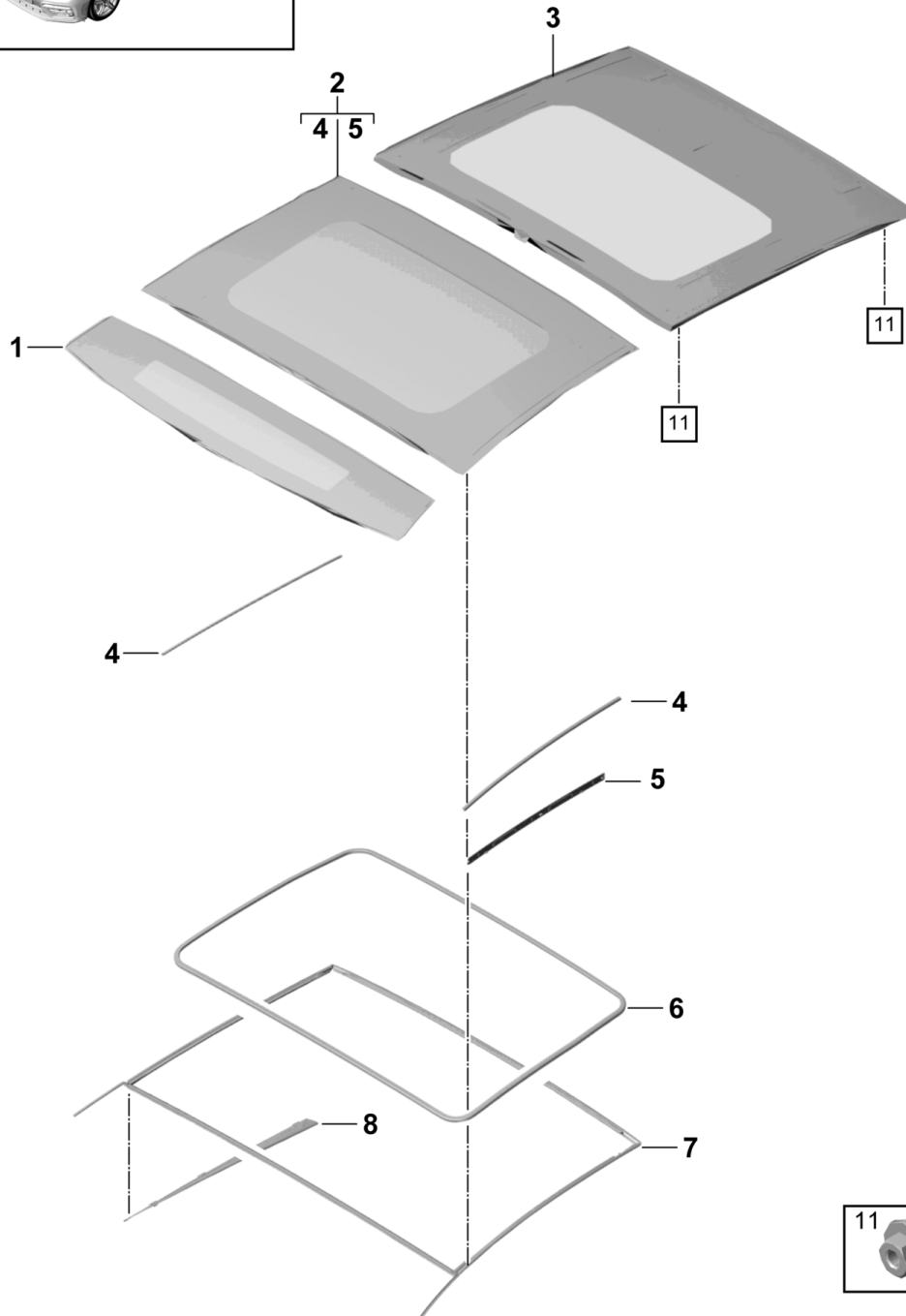
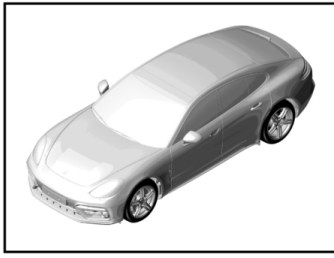
Model: 971-17

Model life 2017>>

Pos	Part Number	Description	Remark	Qty	Model
	971 853 053 F V09	Alushine			
(4)	971 853 053 G	Trim	left	1	PR:QJ5,0E1
	971 853 053 G 03C	Matt black			
(4)	971 853 053 H	Trim	left	1	PR:QJ4,0E1
	971 853 053 H 041	High-Gloss Black			
(4)	971 853 054 F	Trim	right	1	PR:QJ2,0E1
	971 853 054 F V09	Alushine			
(4)	971 853 054 G	Trim	right	1	PR:QJ5,0E1
	971 853 054 G 03C	Matt black			
(4)	971 853 054 H	Trim	right	1	PR:QJ4,0E1
	971 853 054 H 041	High-Gloss Black			
(4)	971 853 053 J	Trim	left	1	PR:QJ2,0E2
	971 853 053 J V09	Alushine			
(4)	971 853 053 K	Trim	left	1	PR:QJ5,0E2
	971 853 053 K 03C	Rally black			
(4)	971 853 053 L	Trim	left	1	PR:QJ4,0E2
	971 853 053 L 041	High-Gloss Black			
(4)	971 853 054 J	Trim	right	1	PR:QJ2,0E2
	971 853 054 J V09	Alushine			
(4)	971 853 054 K	Trim	right	1	PR:QJ5,0E2
	971 853 054 K 03C	Rally black			
(4)	971 853 054 L	Trim	right	1	PR:QJ4,0E2
	971 853 054 L 041	High-Gloss Black			
(4)	974 853 053	Trim		1	PR:QJ2,K8D
	974 853 053 V09	Alushine			
(4)	974 853 053 A	Trim		1	PR:QJ5,K8D
	974 853 053 A 03C	Rally black			
(4)	974 853 053 B	Trim		1	PR:QJ4,K8D
	974 853 053 B 041	High-Gloss Black			
(4)	974 853 054	Trim		1	PR:QJ2,K8D
	974 853 054 V09	Alushine			
(4)	974 853 054 A	Trim		1	PR:QJ5,K8D
	974 853 054 A 03C	Rally black			
(4)	974 853 054 B	Trim		1	PR:QJ4,K8D
	974 853 054 B 041	High-Gloss Black			
10	9A7 007 962 00	Screw		X	
11	971 837 171	Clip		2	
		Trim			

Model: 971-17

Model life 2017>>



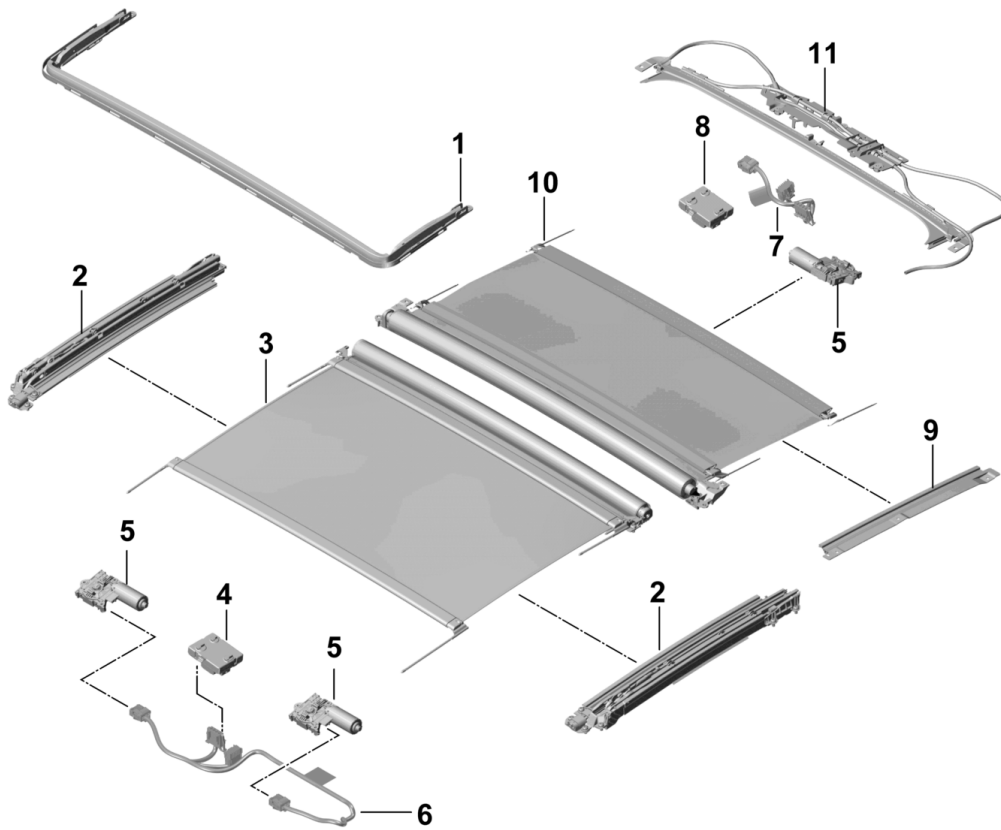
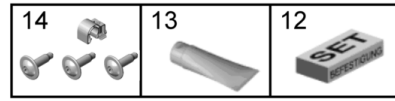
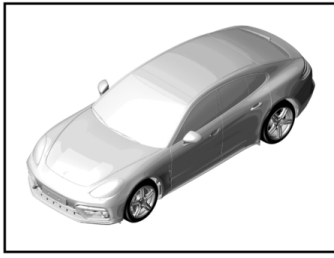
Model: 971-17

Model life 2017>>

Pos	Part Number	Description	Remark	Qty	Model
		Sunroof Accessories			PR:3FU
1	971 877 055	Cover	front	1	
			also use: 000 043 305 35		
2	971 877 056	repair set Cover	center	1	
			with:		
		Gaskets			
			also use: 9A7 898 057 00		
3	971 877 058	Cover	rear	1	PR:0E1,K8S
			also use: 000 043 305 35		
(3)	971 877 058 A	Cover	rear	1	PR:0E2
			also use: 000 043 305 35		
(3)	974 877 058 A	Cover	rear	1	PR:0E1,K8D
			also use: 000 043 305 35		
4	971 877 467	Gasket set Cover	center lower	1	
			also use: 000 043 305 72		
5	971 877 229	Set Cover		1	
6	971 877 223	Seal		1	
7	971 877 439	Seal Frame		1	
			also use: 000 043 305 72		
8	971 877 781	Set Trim		1	
9	000 043 305 72	Primer PRIMER for Mount Seal		1	
10	000 043 305 35	2K pane adhesive set		X	
11	N 911 733 01	hex. nut with washer M6		4	
12	9A7 898 057 00	Set of fastening parts Cover	center	1	

Model: 971-17

Model life 2017>>



Model: 971-17

Model life 2017>>

Pos	Part Number	Description	Remark	Qty	Model
		Sunroof			PR:3FU
1	971 877 651	Accessories wind deflector (complete)		1	
		with:			
2	971 898 021	Fastening screw repair set Guide rail gate guide Holders	front	1	
		with:			
3	971 877 307	Cable for Driving mechanism Cover and roller blind repair set roller blind (complete)	front	1	
	971 877 307 OU1	Black	-AB,AC,SB,PC, BB,BS		
	971 877 307 OW2	agate grey	-DG,DL		
	971 877 307 OS3	Luxor beige	-UB,PK,UC,BP, PL		
	971 877 307 OL8	Chalk	-BK		
	971 877 307 5J0	Cream	-BE		
	971 877 307 OS1	Truffle Brown	-HD		
	971 877 307 OB8	Cohiba Brown	-HC		
4	9A7 907 594 00	Control unit Sunroof	front	1	
5	9A7 959 591 00	Driving mechanism		3	
		also use:	9A7 898 994 00		
6	971 971 642	Wire set	front	1	
7	971 971 648	Wire set	rear	1	
8	9A7 907 594 10	Control unit Sunroof	rear	1	
9	971 898 029	repair set Guide rail	rear	1	PR:0E1,K8S
		with:			
(9)	971 898 029 A	Cable roller blind repair set Guide rail	rear	1	PR:0E2,K8S
		with:			
(9)	974 898 029	Cable roller blind repair set Guide rail	rear	1	PR:0E1,K8D
		with:			
10	971 877 306	Cable roller blind repair set roller blind (complete)	rear	1	PR:K8S
	971 877 306 OU1	Black	-AB,AC,SB,PC, BB,BS		
	971 877 306 OW2	agate grey	-DG,DL		
	971 877 306 OS3	Luxor beige	-UB,PK,UC,BP, PL		
	971 877 306 OL8	Chalk	-BK		
	971 877 306 5J0	Cream	-BE		
	971 877 306 OS1	Truffle Brown	-HD		

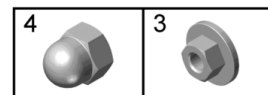
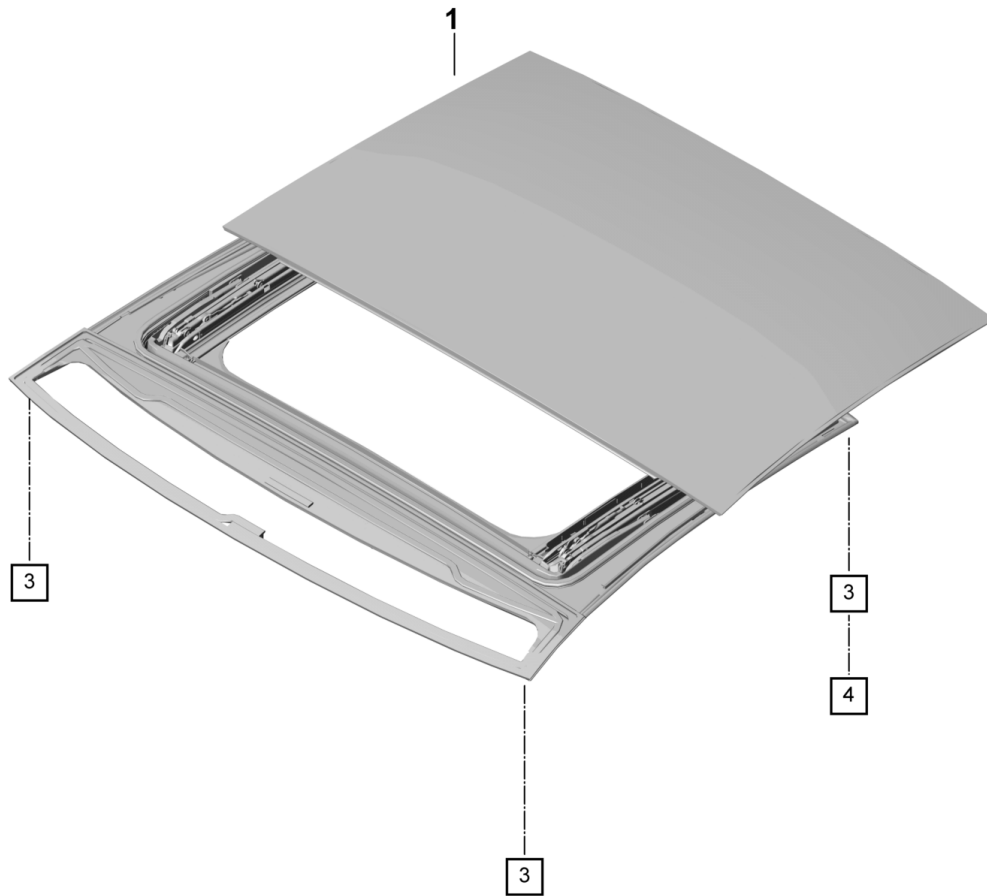
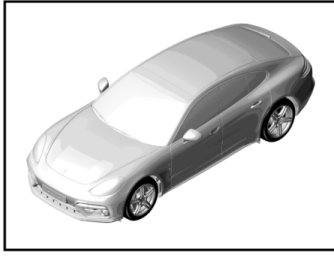
Model: 971-17

Model life 2017>>

Pos	Part Number	Description	Remark	Qty	Model
(10)	971 877 306 OB8 974 877 306	Cohiba Brown repair set roller blind (complete)	-HC rear	1	PR:K8D
	974 877 306 OU1	Black	-AB,AC,SB,PC, BB,BS		
	974 877 306 OW2	agate grey	-DG,DL		
	974 877 306 OS3	Luxor beige	-PK,UC,BP,PL		
	974 877 306 OL8	Chalk	-BK		
	974 877 306 5J0	Cream	-BE		
	974 877 306 OS1	Truffle Brown	-HD		
	974 877 306 OB8	Cohiba Brown	-HC		
11	971 877 991	basic plate		1	PR:0E1,K8S
		with:			
(11)	971 877 991 A	Screw basic plate		1	PR:0E2
		with:			
(11)	974 877 991	Screw basic plate		1	PR:K8D
		with:			
12	971 898 011	Screw Fasteners		1	
13	N 052 567 GB	special lubricant		1	
14	9A7 898 994 00	Set of fastening parts Driving mechanism		1	

Model: 971-17

Model life 2017>>



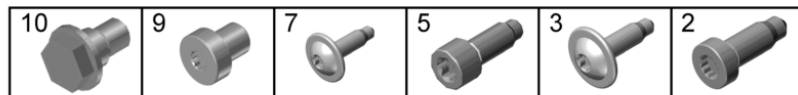
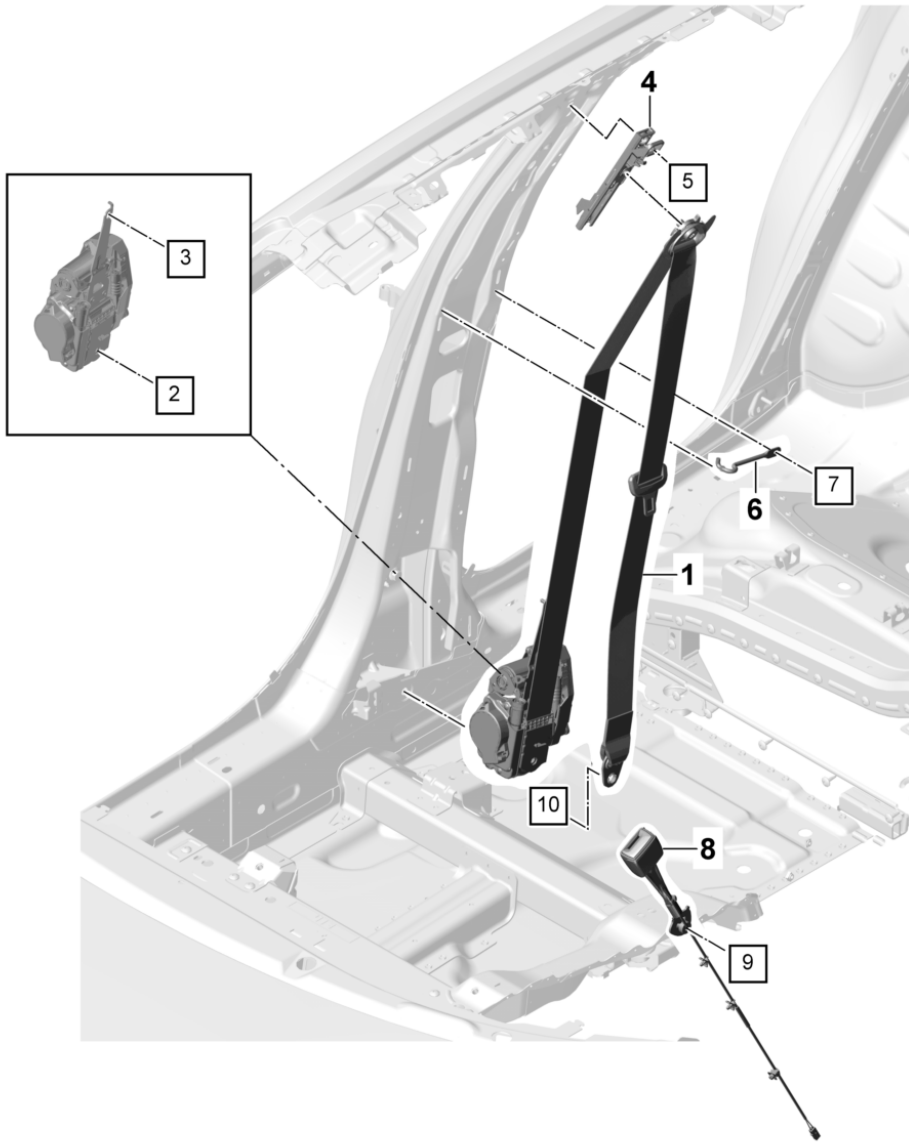
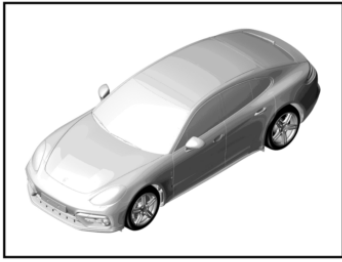
Model: 971-17

Model life 2017>>

Pos	Part Number	Description	Remark	Qty	Model
1	971 877 043 Y	Sunroof Frame (complete) Cover roller blind and Driving mechanism	with: without: also use: 000 043 305 35	1	PR: 3FU
2	000 043 305 35	2K pane adhesive set		X	
3	N 911 733 01	hex. nut with washer M6		X	
4	N 011 121 7	domed cap nut M6		2	

Model: 971-17

Model life 2017>>



Model: 971-17

Model life 2017>>

Pos	Part Number	Description	Remark	Qty	Model
1	971 857 706	Seat belt	front	1	PR:8T1
		Seat belt with	right		
		belt tensioner unit			
	971 857 706 A23	Black			PR:FZ0
	971 857 706 OR1	agate grey			PR:FZ0
	971 857 706 62S	Luxor beige			PR:FZ0
	971 857 706 OP2	saddle brown			PR:FZ0
	971 857 706 3M0	Marsala Red			PR:FZ0
	971 857 706 OS1	Truffle Brown			PR:FZ0
	971 857 706 OB8	Cohiba Brown			PR:FZ0
	971 857 706 OG6	Bordeaux red			PR:FI6
	971 857 706 OL8	Chalk			PR:FI8
(1)	971 857 705	Seat belt with	left	1	PR:8T1
		belt tensioner unit			
	971 857 705 A23	Black			PR:FZ0
	971 857 705 OR1	agate grey			PR:FZ0
	971 857 705 62S	Luxor beige			PR:FZ0
	971 857 705 OP2	saddle brown			PR:FZ0
	971 857 705 3M0	Marsala Red			PR:FZ0
	971 857 705 OS1	Truffle Brown			PR:FZ0
	971 857 705 OB8	Cohiba Brown			PR:FZ0
	971 857 705 OG6	Bordeaux red			PR:FI6
	971 857 705 OL8	Chalk			PR:FI8
(1)	971 857 705 B	Seat belt with	left	1	PR:3V1,8T3
		belt tensioner unit			
	971 857 705 B A23	Black			PR:FZ0
	971 857 705 B OR1	agate grey			PR:FZ0
	971 857 705 B 62S	Luxor beige			PR:FZ0
	971 857 705 B OP2	saddle brown			PR:FZ0
	971 857 705 B 3M0	Marsala Red			PR:FZ0
	971 857 705 B OS1	Truffle Brown			PR:FZ0
	971 857 705 B OB8	Cohiba Brown			PR:FZ0
	971 857 705 B OG6	Bordeaux red			PR:FI6
	971 857 705 B OL8	Chalk			PR:FI8
(1)	971 857 706 B	Seat belt with	right	1	PR:3V1,8T3
		belt tensioner unit			
	971 857 706 B A23	Black			PR:FZ0
	971 857 706 B OR1	agate grey			PR:FZ0
	971 857 706 B 62S	Luxor beige			PR:FZ0
	971 857 706 B OP2	saddle brown			PR:FZ0
	971 857 706 B 3M0	Marsala Red			PR:FZ0
	971 857 706 B OS1	Truffle Brown			PR:FZ0
	971 857 706 B OB8	Cohiba Brown			PR:FZ0
	971 857 706 B OG6	Bordeaux red			PR:FI6
	971 857 706 B OL8	Chalk			PR:FI8
2	N 989 261 02	Socket head bolt with inner		1	
		multipoint head			
3	N 909 101 02	fillister head bolt with		1	PR:3V1,8T3
		allen key head			
4	9A7 857 819 00	Seat belt height adjuster		2	
5	9A7 003 307 00	Socket head bolt		1	
		M8X20,5			
6	971 857 817	arm		2	
7	N 909 101 02	fillister head bolt with		2	
		allen key head			
		M5X18			
8	971 857 755	Belt latch		1	
		(drivers side)			
(8)	971 857 755 A	Belt latch		1	PR:8T1
		(passenger side)			
(8)	971 857 755 B	Belt latch		1	PR:8T3,3V1
		(passenger side)			
9	N 989 237 01	Socket head bolt with inner		2	

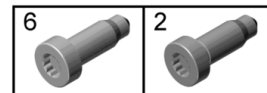
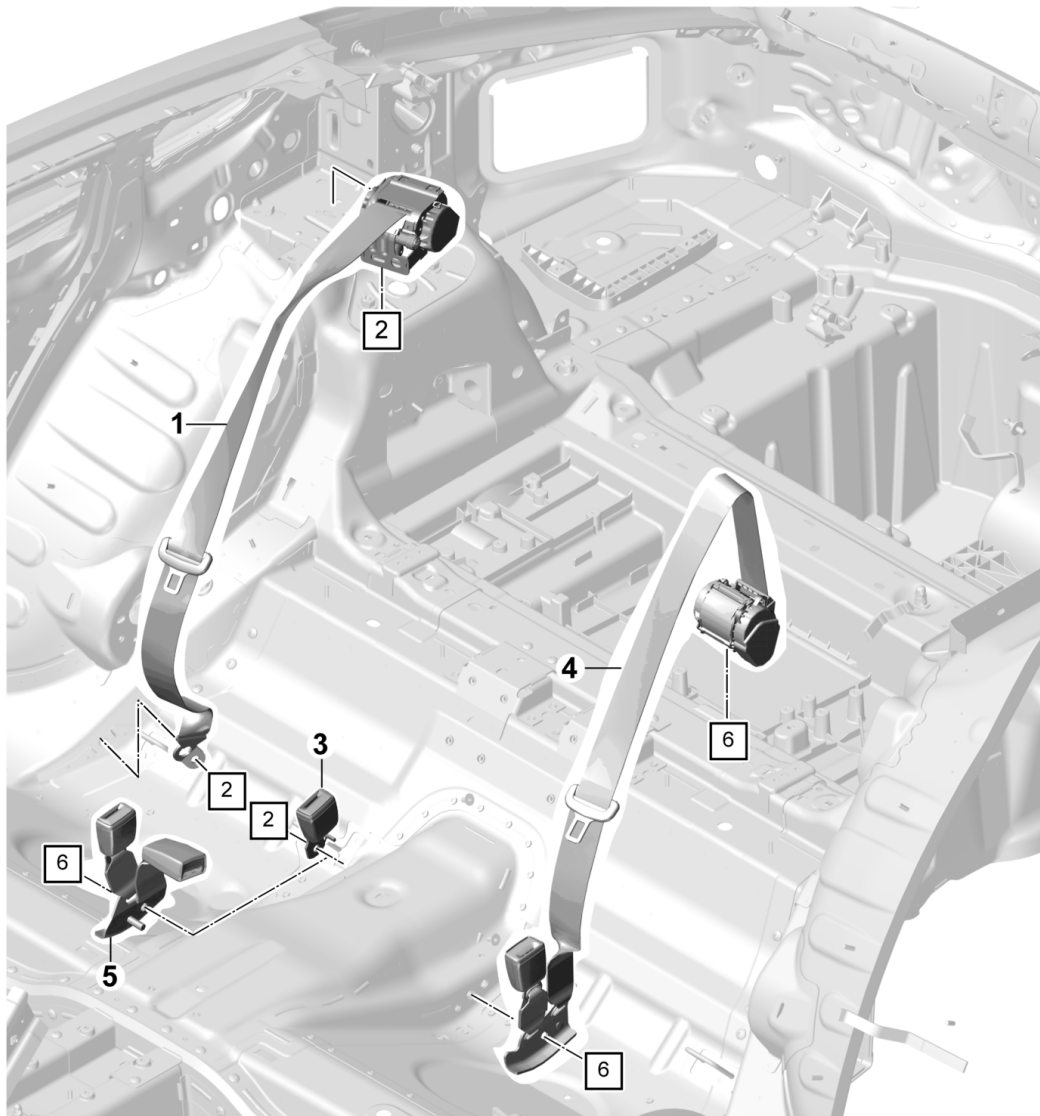
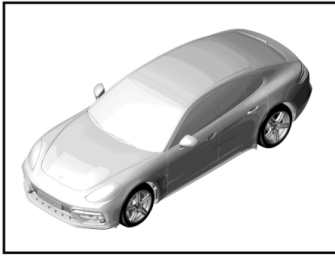
Model: 971-17

Model life 2017>>

Pos	Part Number	Description	Remark	Qty	Model
10	9A7 007 915 00	multipoint head Hexagon bolt		2	

Model: 971-17

Model life 2017>>



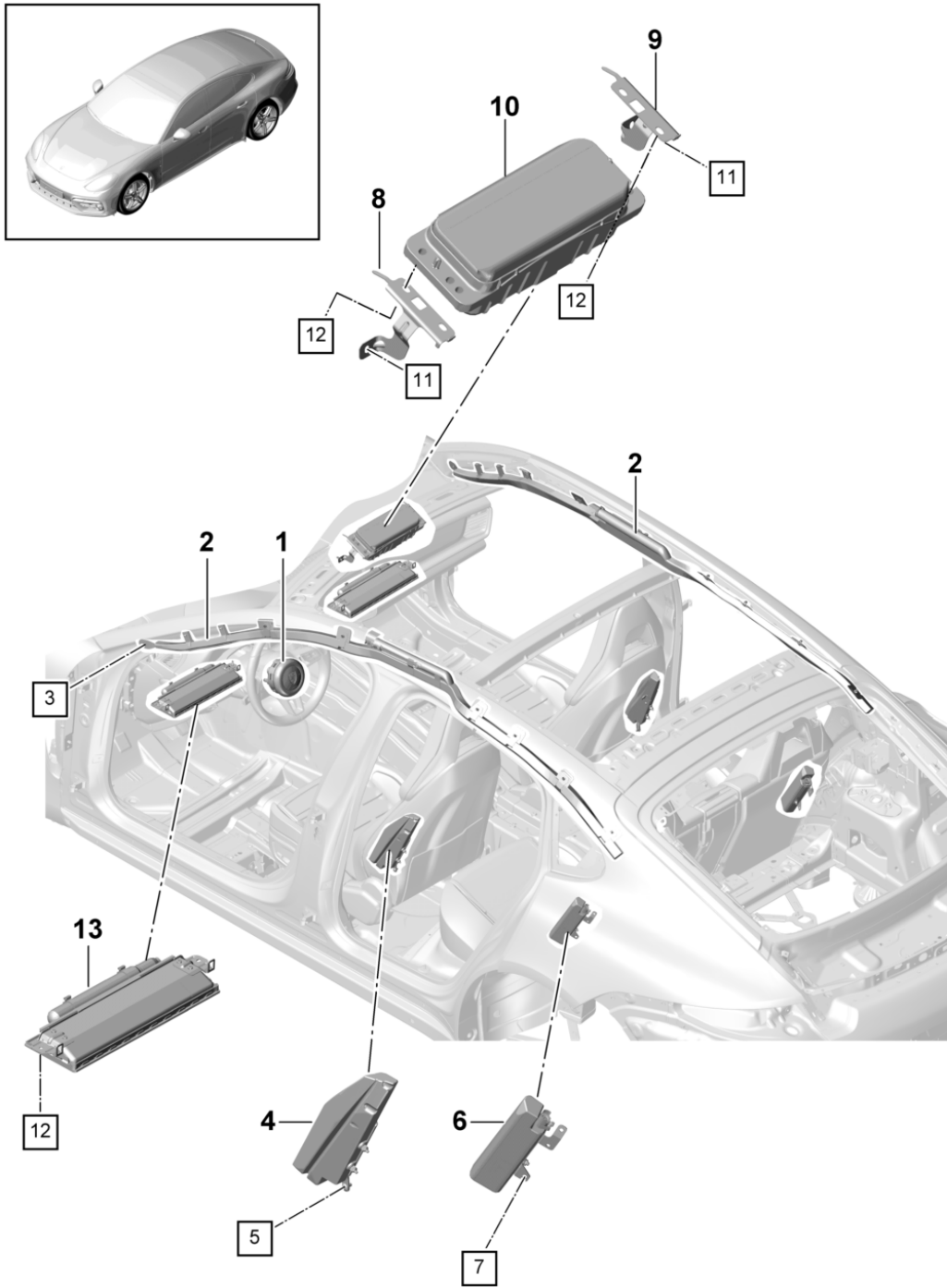
Model: 971-17

Model life 2017>>

Pos	Part Number	Description	Remark	Qty	Model
1	971 857 805	Seat belt	rear	2	
	971 857 805 A23	Seat belt with belt tensioner unit Black			PR:FZ0
	971 857 805 OR1	agate grey			PR:FZ0
	971 857 805 62S	Luxor beige			PR:FZ0
	971 857 805 OP2	saddle brown			PR:FZ0
	971 857 805 3M0	Marsala Red			PR:FZ0
	971 857 805 OS1	Truffle Brown			PR:FZ0
	971 857 805 OB8	Cohiba Brown			PR:FZ0
	971 857 805 OG6	Bordeaux red			PR:FI6
	971 857 805 OL8	Chalk			PR:FI8
2	N 989 261 02	Socket head bolt with inner multipoint head		X	
3	971 857 739	Belt latch		2	PR:0E1
(3)	971 857 753	Belt latch	left	1	PR:0E2
(3)	971 857 754	Belt latch	right	1	PR:0E2
4	974 857 807 B	Seat belt	center	1	PR:5KA,5KH
		with:			
	974 857 807 B A23	Belt latch Black			PR:FZ0
	974 857 807 B OR1	agate grey			PR:FZ0
	974 857 807 B 62S	Luxor beige			PR:FZ0
	974 857 807 B OP2	saddle brown			PR:FZ0
	974 857 807 B 3M0	Marsala Red			PR:FZ0
	974 857 807 B OS1	Truffle Brown			PR:FZ0
	974 857 807 B OB8	Cohiba Brown			PR:FZ0
	974 857 807 B OG6	Bordeaux red			PR:FI6
	974 857 807 B OL8	Chalk			PR:FI8
5	974 857 739 A	Belt latch	center	1	PR:5KA,5KH
6	N 912 695 01	Screw		X	

Model: 971-17

Model life 2017>>



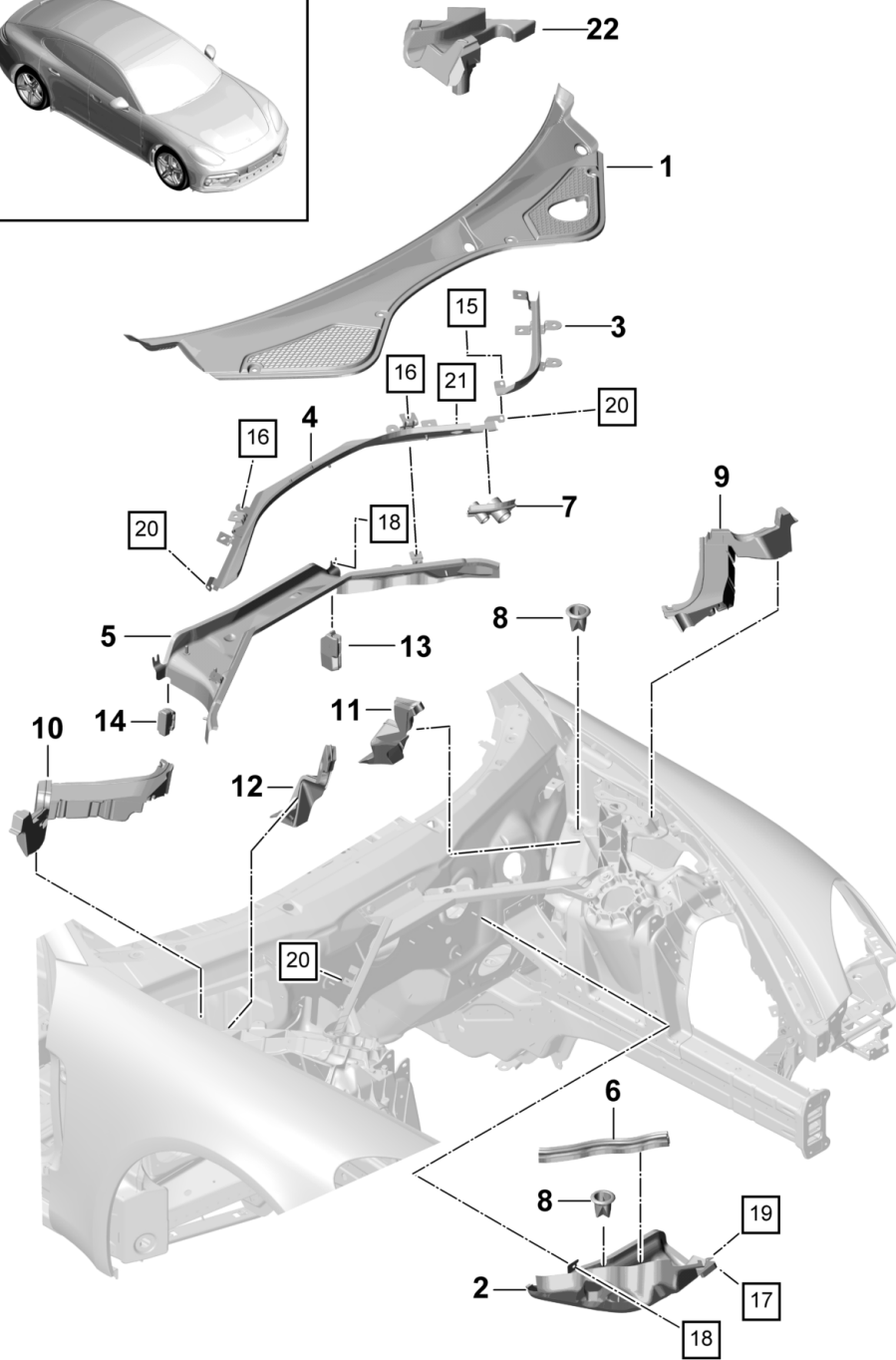
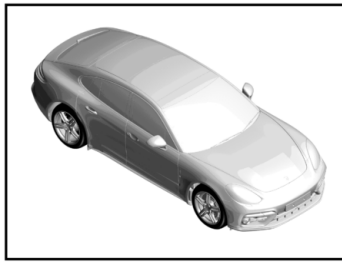
Model: 971-17

Model life 2017>>

Pos	Part Number	Description	Remark	Qty	Model
1	971 880 201 H	Airbag Airbag unit steering wheel		1	PR:4N1
	971 880 201 H 5Q0	Black	-AB,PK		
	971 880 201 H OA6	agate grey	-DG		
	971 880 201 H 6W0	Luxor beige	-UB		
(1)	971 880 201 J	Airbag unit steering wheel Leather		1	PR:4N5,4N8
	971 880 201 J A34	Black	-AC,BB,BS,BK		
	971 880 201 J OE5	agate grey	-DL		
	971 880 201 J OK6	saddle brown	-SB,BP		
	971 880 201 J 9J9	Luxor beige	-UC		
	971 880 201 J 8U7	Marsala Red	-PC,BE		
(1)	971 880 201 N	Airbag unit steering wheel Leather		1	PR:4N5,4N8
	971 880 201 N ON1	Cohiba Brown	-HC		
	971 880 201 N OT2	Truffle Brown	-HD		
2	971 880 741	Head airbag unit	left	1	PR:0E1
(2)	971 880 742	Head airbag unit	right	1	PR:0E1
(2)	971 880 741 A	Head airbag unit	left	1	PR:0E2
(2)	971 880 742 A	Head airbag unit	right	1	PR:0E2
3	N 910 742 01	Hexagon socket head bolt M5X16		4	
4	971 880 241 B	Side airbag unit	left front front	1	
(4)	971 880 242 B	Side airbag unit	left right front front right	1	
5	N 910 733 01	Hexagon socket flat head bolt M6X12		2	
6	971 880 441	Side airbag unit	left rear rear	1	
(6)	971 880 442	Side airbag unit	left right rear rear right	1	
7	N 015 082 10	Hexagon collar nut		4	
8	971 880 571	Bracket	left	1	
9	971 880 572	Bracket	right	1	
10	971 880 204	Airbag unit (passenger side)		1	
11	N 910 935 02	Hexagon socket oval head bolt, self-locking		4	
12	9A7 007 404 00	Screw		X	
13	971 880 841	Knee airbag unit		2	

Model: 971-17

Model life 2017>>



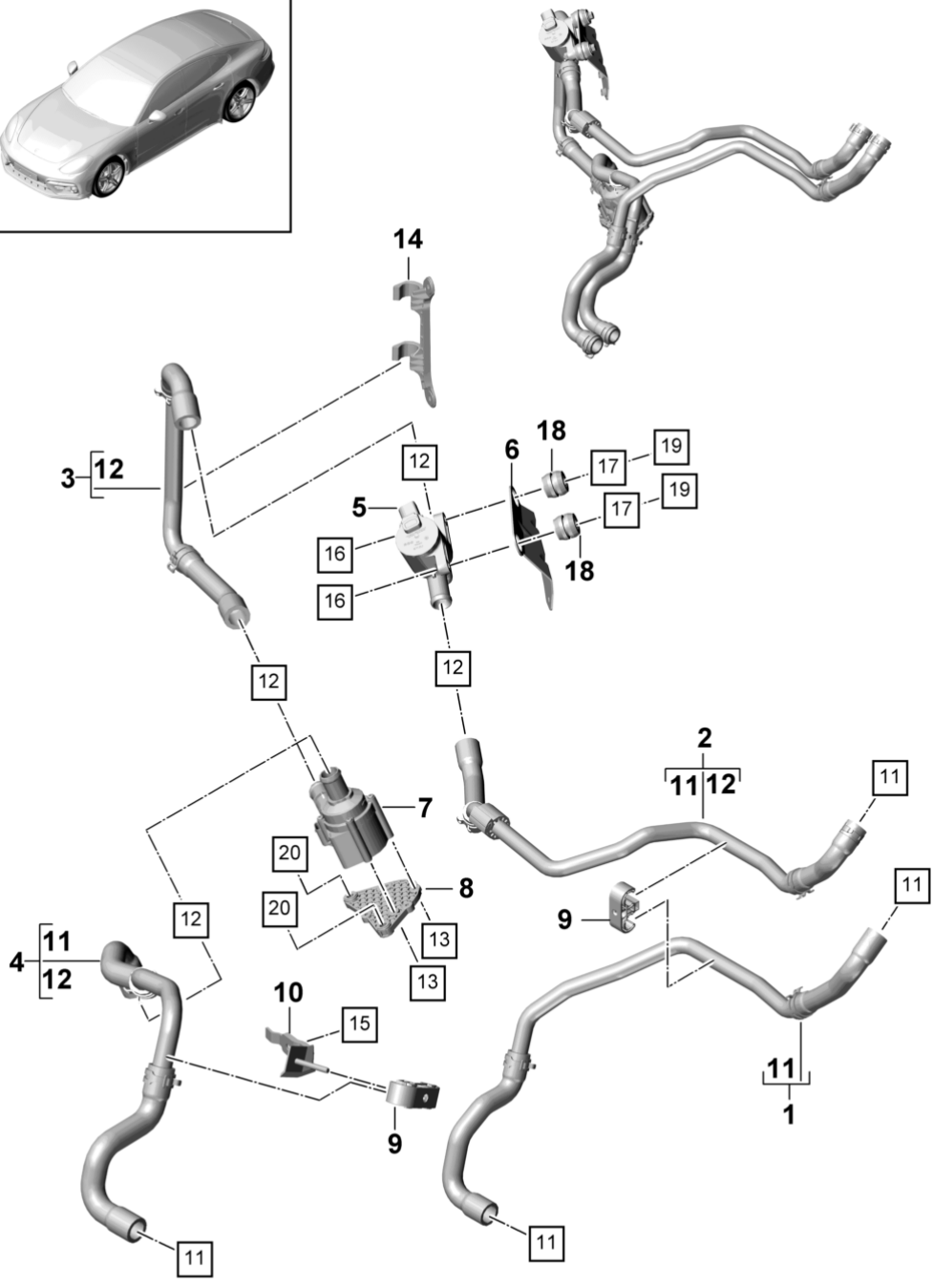
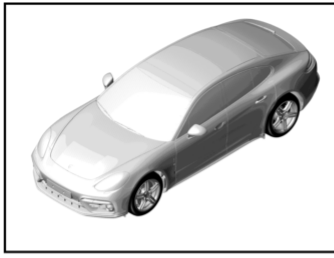
21	20	19	18	17	16	15

Model: 971-17 Model life 2017>>

Pos	Part Number	Description	Remark	Qty	Model
1	971 819 401 B	water box Plenum chamber cover	lhd	1	PR:L0L
	971 819 401 B OK1	Matt black			
(1)	971 819 401 C	Plenum chamber cover	rhd	1	PR:L0R
	971 819 401 C OK1	Matt black			
2	9A7 819 510 00	water box Firewall	left lower	1	
(2)	9A7 819 530 00	water box Firewall	right lower	1	PR:L0L
(2)	9A7 819 530 10	water box Firewall	right lower	1	PR:L0R
3	9A7 819 511 00	water box Firewall	left lower	1	
(3)	9A7 819 512 00	water box Firewall	right lower	1	
4	9A7 815 517 00	water box Firewall	upper	1	
5	9A7 819 523 00	water box Firewall	center	1	
6	9A7 819 531 00	seal for water box	left	1	
(6)	9A7 819 532 00	seal for water box	zu Pos.2 right	1	
7	9A7 820 609 00	Grommet	zu Pos.2	1	
8	958 572 419 00	Refrigerant line		X	
9	971 819 236	Water drain valve		1	
10	971 819 238	Foam part water box		1	
11	9A7 819 239 00	Foam part water box		1	
12	9A7 819 997 00	Foam part water box		1	
13	9A7 815 361 00	Foam part water box		1	
14	9A7 815 362 00	Foam part water box		1	
15	N 104 301 04	Hexagon socket flat head bolt		2	
16	N 910 423 01	M5X16 Oval hexagon socket head bolt		6	
17	N 911 914 01	M6X16 -TC Oval hexagon socket head bolt		2	
18	N 904 953 01	M6X18 -W Hexagon nut		4	
19	N 906 271 02	Plastic nut T5/16,5X11 speed nut, self-locking		4	
20	N 904 759 03	M6X24.5X16.5 Speed nut		2	
21	N 908 572 02	M5X13,6X11,5 Bungs		1	PR:A8C,A8F, A8H,1A2
22	971 863 931	A26 Damping Cover	left	1	
(22)	971 863 932	water box Damping Cover	right left	1	
		water box			

Model: 971-17

Model life 2017>>



20	19	17	16	15	13	12	11

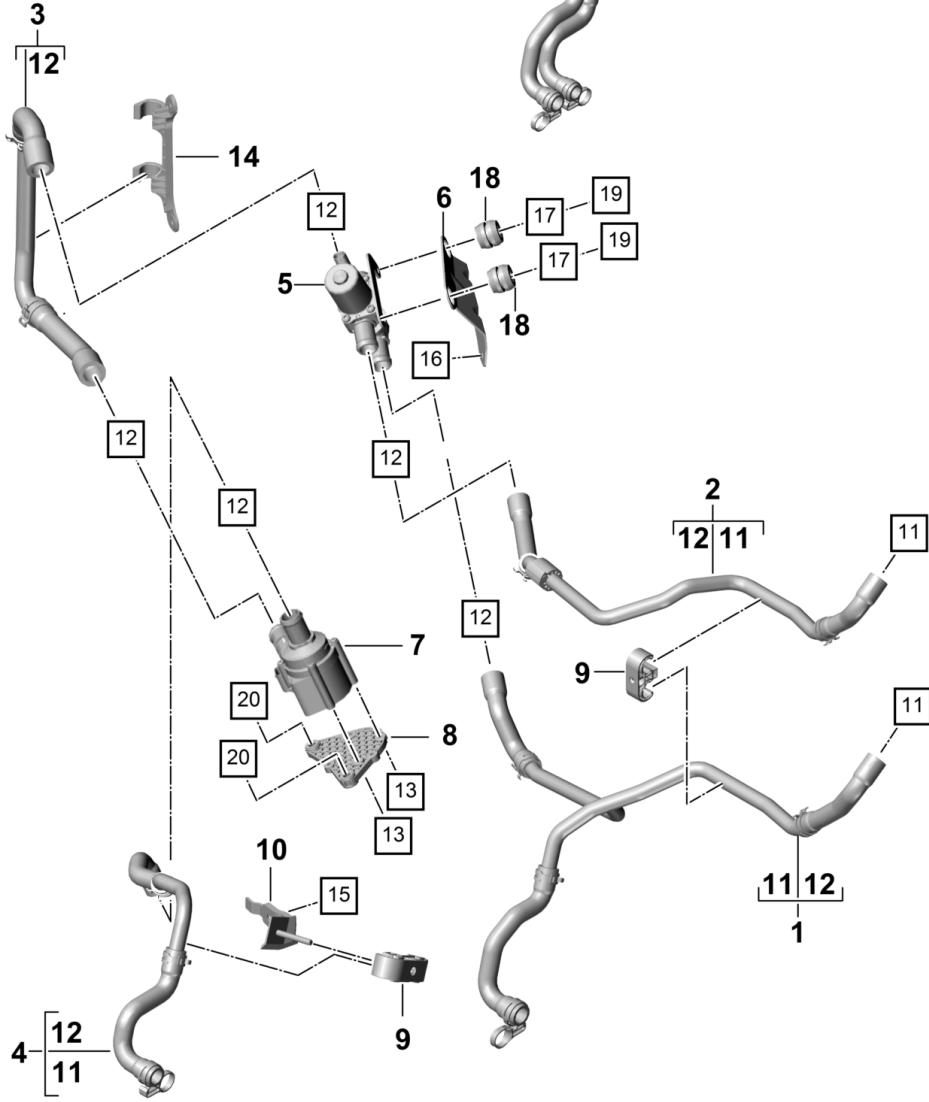
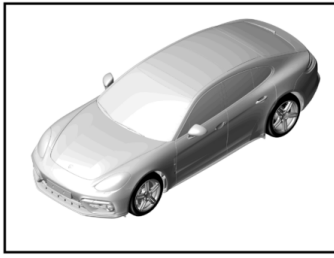
Model: 971-17

Model life 2017>>

Pos	Part Number	Description	Remark	Qty	Model
1	9A7 819 316 00	heater Petrol Heating hose with: Hose clamp Bonded		1	PR:OK0,1A2, 9M0
2	9A7 819 350 00	Heating hose		1	
3	9A7 819 334 00	Heating hose		1	
4	9A7 819 314 00	Heating hose with: Hose clamp Bonded		1	
5	9A7 907 624 00	Discontinued part Solenoid valve		1	
6	9A7 819 134 00	Retainer for valve		1	
7	958 106 313 00	Coolant pump		1	
8	9A7 819 595 01	Bracket Coolant pump		1	
9	955 572 055 03	Clip Heating hose		2	
10	971 819 565 C	Bracket for coolant pipe		1	
11	999 512 656 09	Hose clamp B25X12		X	
12	999 512 658 09	Hose clamp B27X12		X	
13	WHT 002 306	self-tapping screw TP3.5X12.0		3	
14	971 819 259 A	Bracket for coolant pipe heater		1	
15	4F0 857 784	Spreader rivet		1	
16	N 015 082 10	Hexagon collar nut M6		2	
17	N 905 636 02	Washer 6,4X22X1,6		2	
18	4D0 614 177 A	Stop buffer		2	
19	N 106 554 01	Hex collared bolt M 6 X 40		2	
20	N 911 087 01	Hexagon collared bolt with multi-point socket head (duo) M 6 X 25		2	

Model: 971-17

Model life 2017>>



20	19	17	16	15	13	12	11

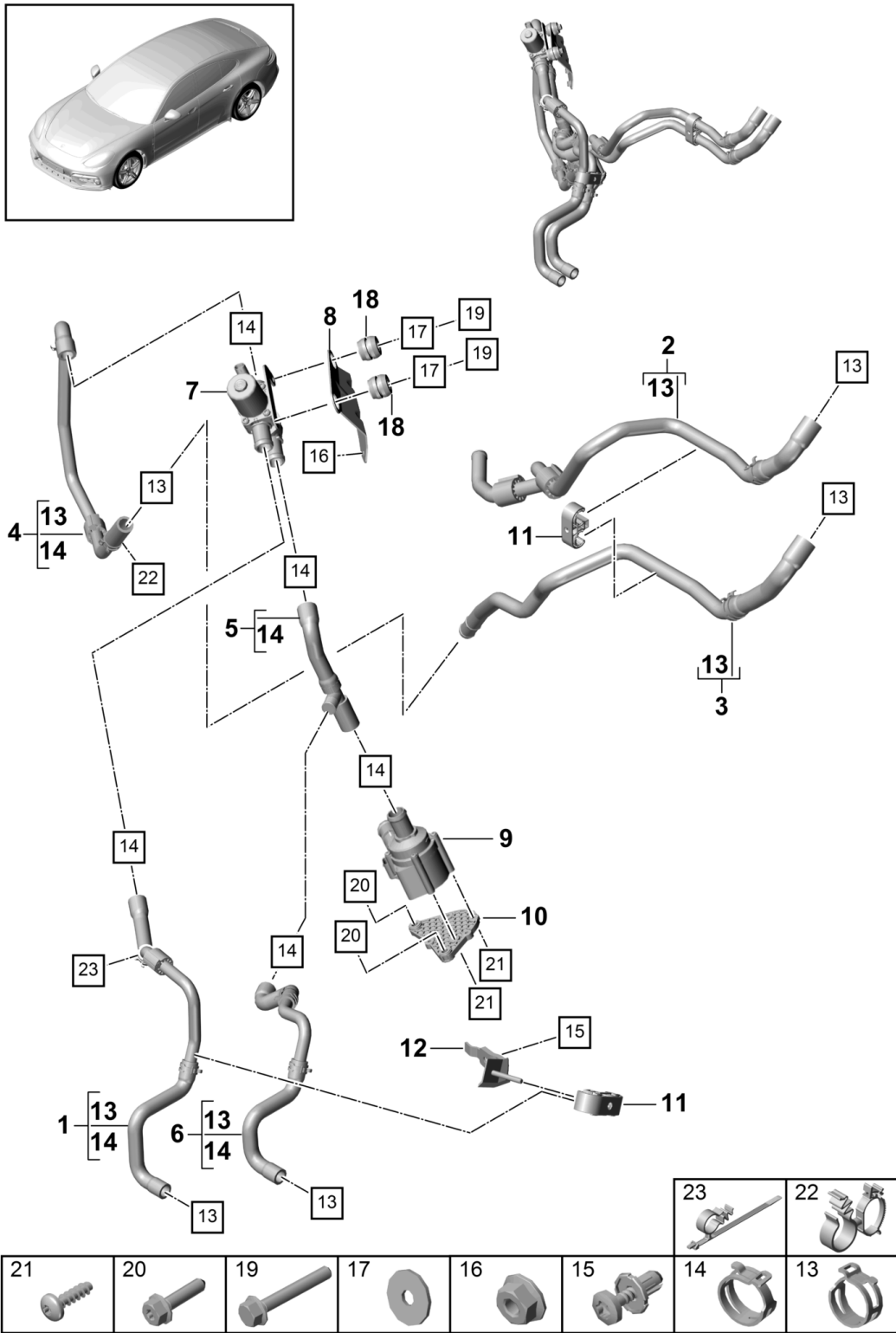
Model: 971-17

Model life 2017>>

Pos	Part Number	Description	Remark	Qty	Model
1	971 819 316 J	heater for models with diesel engine Heating hose		1	PR:OK0,0F5, 9M0
		with:			
2	971 819 350 F	Hose clamp Bonded Heating hose		1	
3	971 819 334 B	Discontinued part Heating hose		1	
4	9A7 819 314 00	Heating hose		1	
		with:			
5	9A7 906 457 10	Hose clamp Bonded Discontinued part Shut-off valve		1	
6	9A7 819 134 00	Retainer for valve		1	
7	9A7 121 601 10	Coolant pump		1	
8	9A7 819 595 10	Bracket Coolant pump		1	
9	955 572 055 03	Clip Heating hose		2	
10	971 819 565 C	Bracket for coolant pipe		1	
11	999 512 656 09	Hose clamp B25X12		X	
12	999 512 658 09	Hose clamp B27X12		X	
13	WHT 002 306	self-tapping screw TP3.5X12.0		3	
14	971 819 259 A	Bracket for coolant pipe heater		1	
15	4F0 857 784	Spreader rivet		1	
16	N 015 082 10	Hexagon collar nut M6		2	
17	N 905 636 02	Washer 6,4X22X1,6		2	
18	4D0 614 177 A	Stop buffer		2	
19	N 106 554 01	Hex collared bolt M 6 X 40		2	
20	N 911 087 01	Hexagon collared bolt with multi-point socket head (duo) M 6 X 25		2	

Model: 971-17

Model life 2017>>



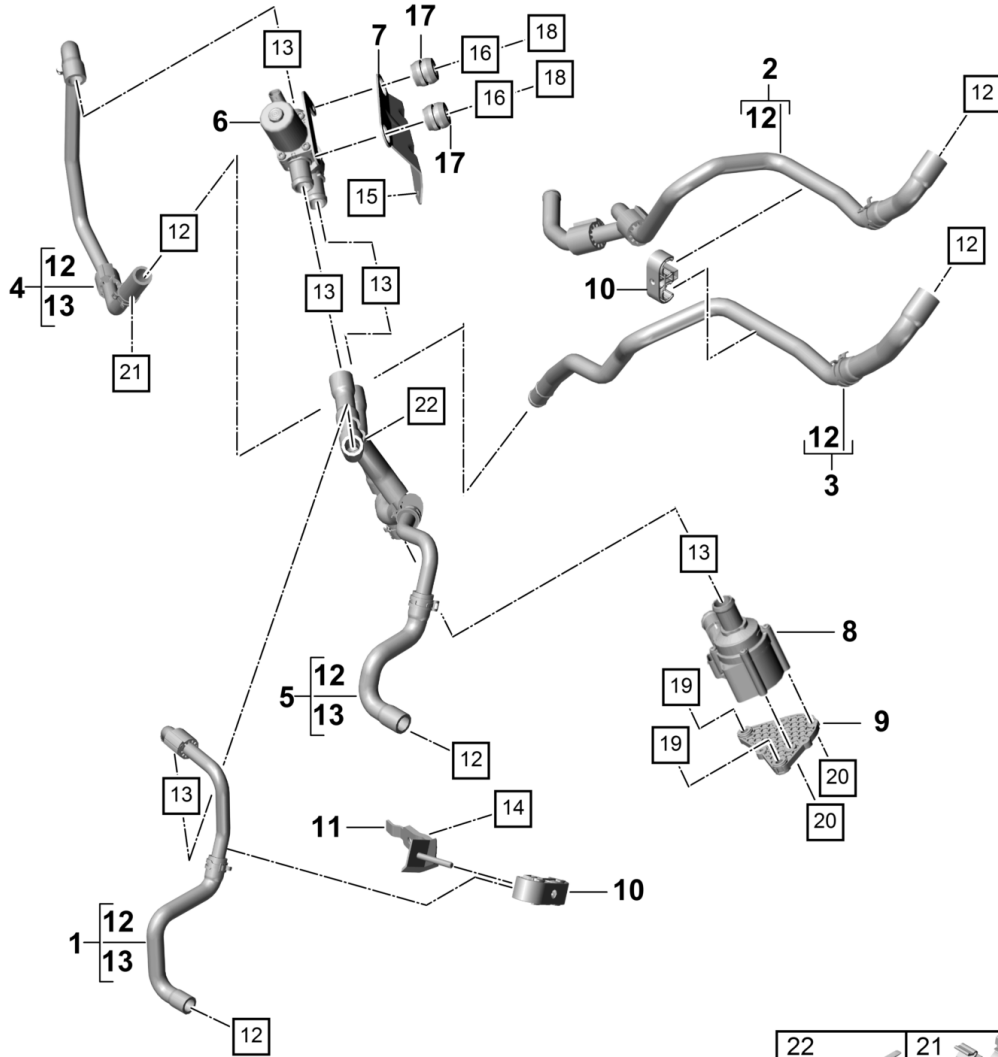
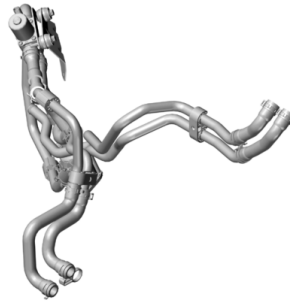
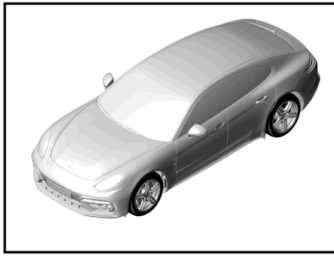
Model: 971-17

Model life 2017>>

Pos	Part Number	Description	Remark	Qty	Model
		heater	petrol		PR:OK0,1A2, 9M1,9M9
1	9A7 819 316 10	Auxiliary heater Heating hose	with:	1	
		Hose clamp Bonded	with:		
2	9A7 815 554 10	Heating hose		1	
3	9A7 819 334 20	Heating hose		1	
4	9A7 815 555 00	Heating hose		1	
		Discontinued part			
5	9A7 819 452 00	Heating hose		1	
6	9A7 819 314 10	Heating hose		1	
		Hose clamp Bonded Discontinued part	with:		
7	9A7 907 624 00	Solenoid valve		1	
8	9A7 819 134 00	Retainer for valve		1	
9	9A7 121 601 10	Coolant pump		1	
10	9A7 819 595 10	Bracket		1	
		Coolant pump			
11	955 572 055 03	Clip		2	
12	971 819 565 C	Heating hose		1	
13	999 512 656 09	Bracket for coolant pipe		X	
		Hose clamp B25X12			
14	999 512 658 09	Hose clamp B27X12		X	
15	4F0 857 784	Spreader rivet		1	
16	N 015 082 10	Hexagon collar nut M6		2	
17	N 905 636 02	Washer 6,4X22X1,6		2	
18	4D0 614 177 A	Stop buffer		2	
19	N 106 554 01	Hex collared bolt M 6 X 40		2	
20	N 911 087 01	Hexagon collared bolt with multi-point socket head (duo) M 6 X 25		2	
21	WHT 002 306	self-tapping screw TP3.5X12.0		3	
22	N 104 508 01	Bracket		1	
		A 12-16 X C 05-22			
23	N 104 782 01	Cable tie with hose retainer A 05-7 X 140 X C 05-22		1	

Model: 971-17

Model life 2017>>



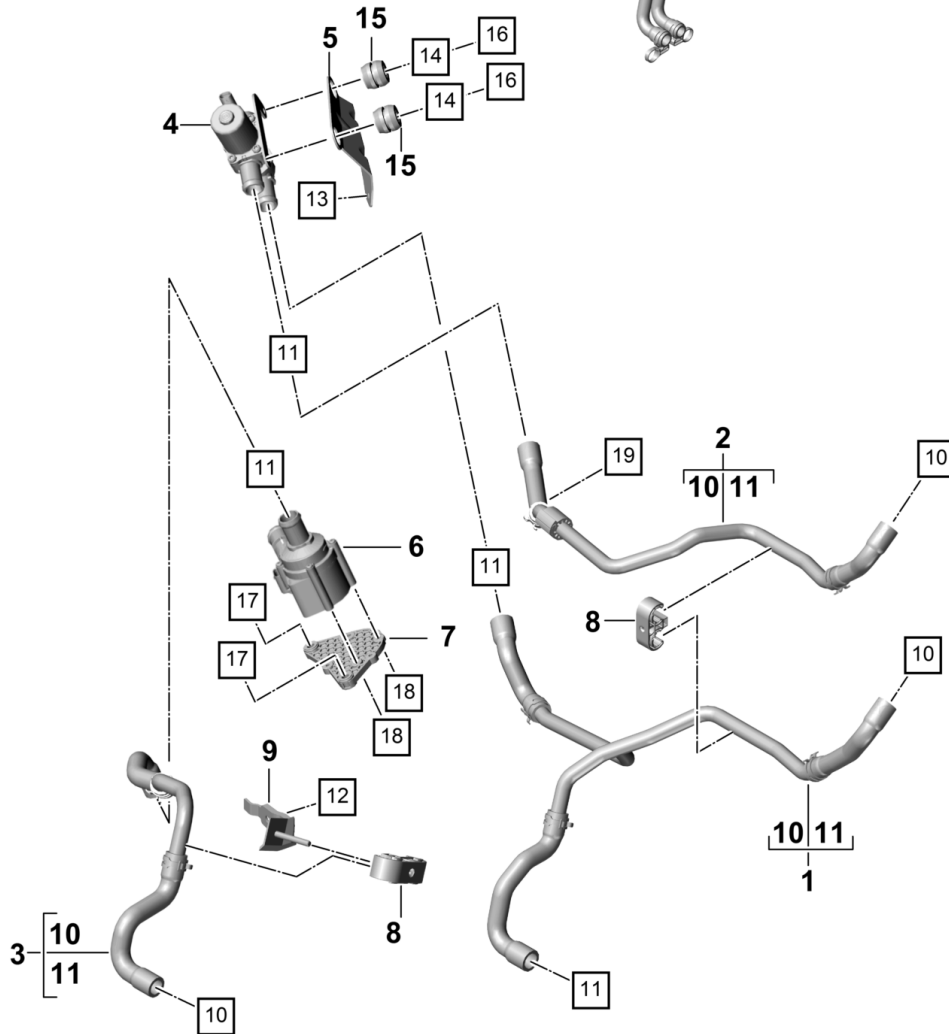
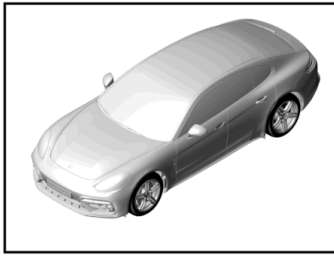
Model: 971-17

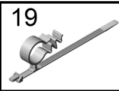








Model life 2017>>

Pos	Part Number	Description	Remark	Qty	Model
		heater Diesel			PR:OK0,0F5, 9M1,9M9
1	9A7 819 316 20	Auxiliary heater Heating hose	with:	1	
		Hose clamp Bonded	with:		
2	9A7 819 350 10	Heating hose		1	
2	9A7 815 554 10	Heating hose		1	
3	9A7 819 334 20	Heating hose		1	
4	9A7 815 555 00	Heating hose		1	
5	971 819 452 B	Discontinued part Heating hose	with:	1	
6	9A7 907 624 00	Non-return valve Solenoid valve		1	
7	9A7 819 134 00	Retainer for valve		1	
8	9A7 121 601 10	Coolant pump		1	
9	9A7 819 595 10	Bracket Coolant pump		1	
10	955 572 055 03	Clip		2	
11	971 819 565 C	Heating hose Bracket for coolant pipe		1	
12	999 512 656 09	Hose clamp B25X12		X	
13	999 512 658 09	Hose clamp B27X12		X	
14	4F0 857 784	Spreader rivet		1	
15	N 015 082 10	Hexagon collar nut M6		2	
16	N 905 636 02	Washer 6,4X22X1,6		2	
17	4D0 614 177 A	Stop buffer		2	
18	N 106 554 01	Hex collared bolt M 6 X 40		2	
19	N 911 087 01	Hexagon collared bolt with multi-point socket head (duo) M 6 X 25		2	
20	WHT 002 306	self-tapping screw TP3.5X12.0		3	
21	N 104 508 01	Bracket		1	
22	N 104 782 01	A 12-16 X C 05-22 Cable tie with hose retainer A 05-7 X 140 X C 05-22		1	

Model: 971-17

Model life 2017>>



								19 
18 	17 	16 	14 	13 	12 	11 	10 	

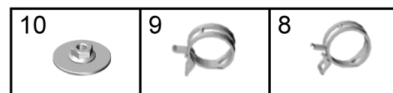
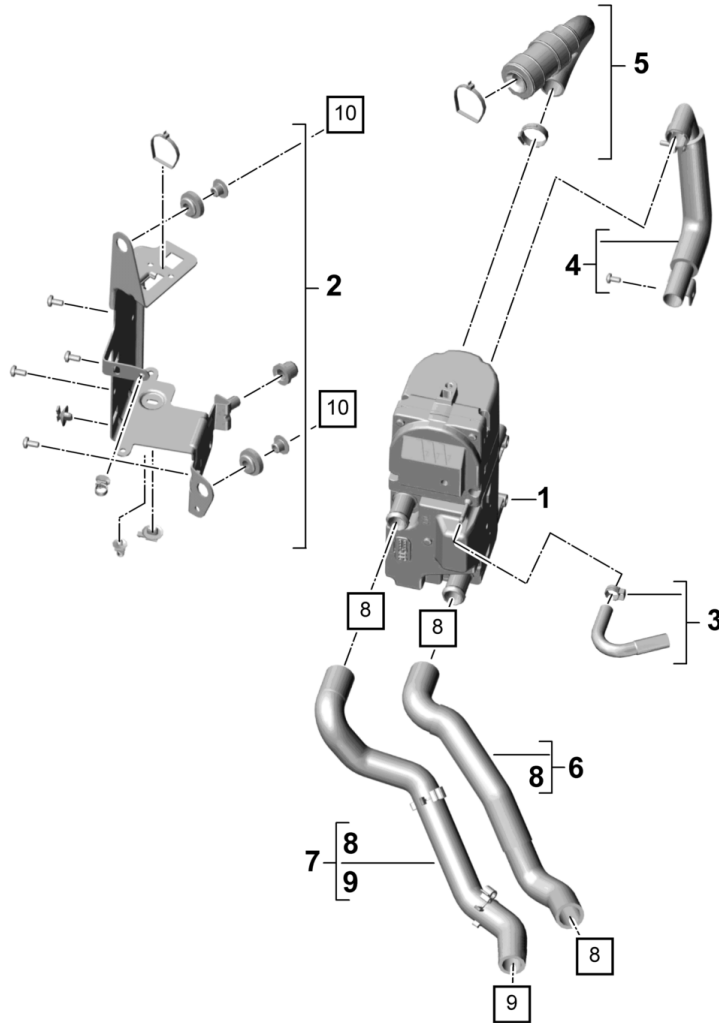
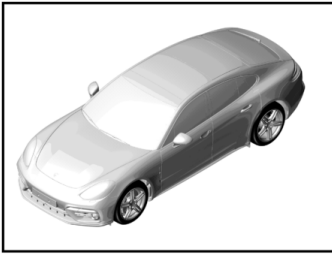
Model: 971-17

Model life 2017>>

Pos	Part Number	Description	Remark	Qty	Model
		heater	Diesel		PR:OK0,0F5, 9M5
1	971 819 316 J	Auxiliary heater Heating hose	with:	1	
		Hose clamp Bonded	with:		
2	971 819 350 F	Heating hose Discontinued part		1	
3	9A7 819 314 00	Heating hose	with:	1	
		Hose clamp Bonded Discontinued part			
4	9A7 907 624 00	Solenoid valve		1	
5	9A7 819 134 00	Retainer for valve		1	
6	9A7 121 601 10	Coolant pump		1	
7	9A7 819 595 10	Bracket Coolant pump		1	
8	955 572 055 03	Clip		2	
9	971 819 565 C	Heating hose Bracket for coolant pipe		1	
10	999 512 656 09	Hose clamp B25X12		X	
11	999 512 658 09	Hose clamp B27X12		X	
12	4F0 857 784	Spreader rivet		1	
13	N 015 082 10	Hexagon collar nut M6		2	
14	N 905 636 02	Washer 6,4X22X1,6		2	
15	4D0 614 177 A	Stop buffer		2	
16	N 106 554 01	Hex collared bolt M 6 X 40		2	
17	N 911 087 01	Hexagon collared bolt with multi-point socket head (duo) M 6 X 25		2	
18	WHT 002 306	self-tapping screw TP3.5X12.0		3	
19	N 104 782 01	Cable tie with hose retainer A 05-7 X 140 X C 05-22		1	

Model: 971-17

Model life 2017>>



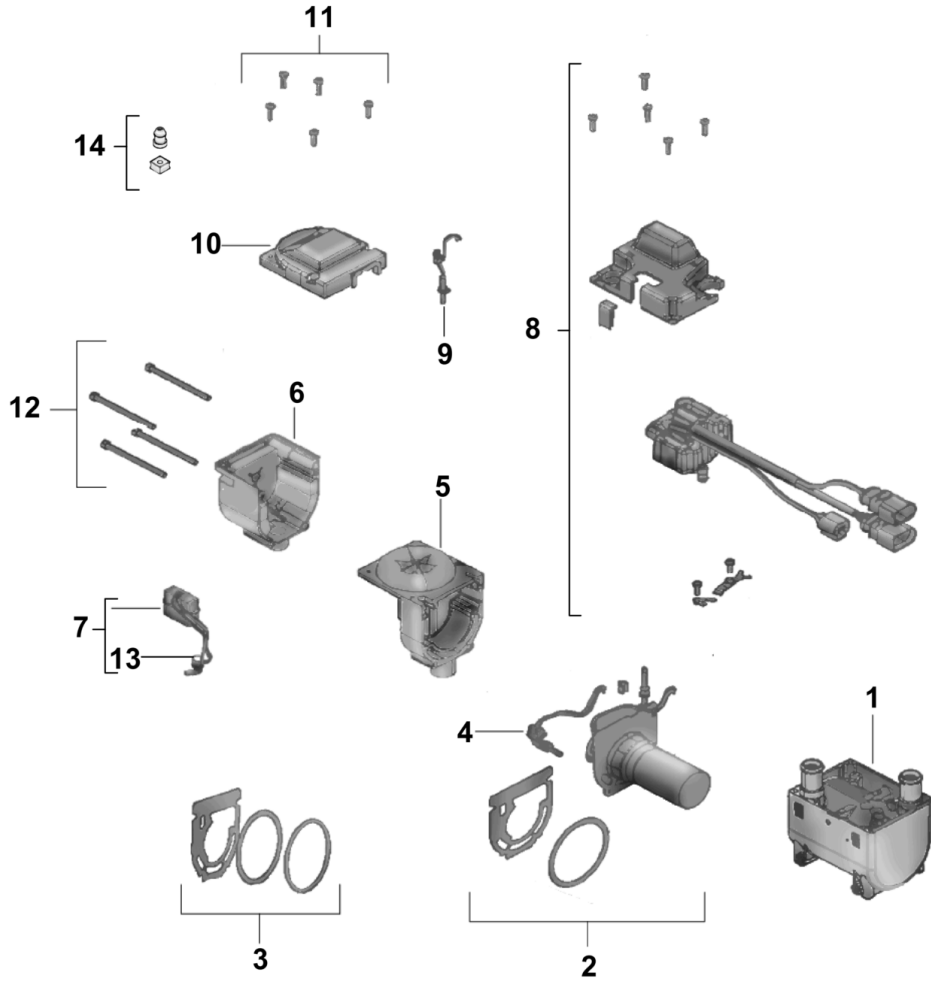
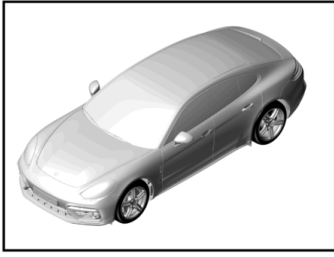
Model: 971-17

Model life 2017>>

Pos	Part Number	Description	Remark	Qty	Model
		Auxiliary heater and Accessories			PR: 9M1, 9M9, 9M5
1	9A7 265 105 00	Auxiliary heater	petrol	1	PR: 1A2
(1)	9A7 265 105 10	Auxiliary heater	Diesel	1	
2	971 898 101	repair set Bracket Auxiliary heater		1	
		with:			
		Bearing bush Screw Clip			
3	971 898 118	repair set Fuel line		1	
		with:			
		Line holder Clamp			
4	971 898 106	repair set Exhaust pipe		1	
5	971 898 105	repair set Air intake		1	
6	971 819 332	Heating hose Set		1	
7	971 819 337 A	Heating hose Set		1	
8	999 512 658 09	Hose clamp B27X12		3	
9	999 512 589 09	Hose clamp A25X12		1	
10	N 911 431 01	hex. nut with washer M 6-S		2	

Model: 971-17

Model life 2017>>



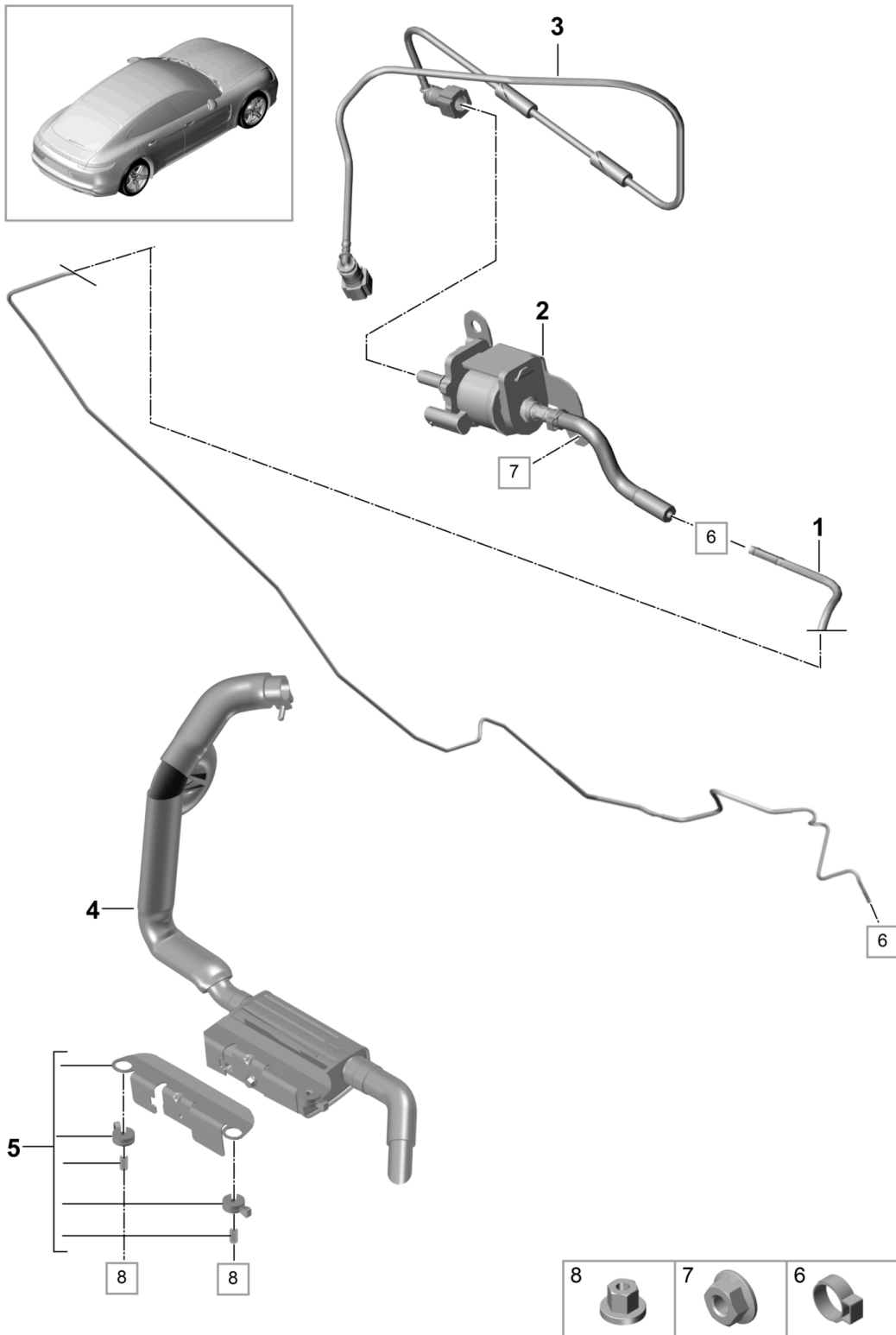
Model: 971-17

Model life 2017>>

Pos	Part Number	Description	Remark	Qty	Model
1	4H0 819 061 A	Auxiliary heater heater unit repair set heat exchanger housing heat exchanger	Diesel	1	PR:9M1,9M9, 9M5
(2)	4H0 898 919 D	combustion chamber insert Combustion chamber Gaskets with:	lhd	1	Benzin CVDA,CVD, CSZA,CSZ, CXTA,CXT, DGPA,DGP+ PR:LOL
3	8K0 898 003	Gasket set Combustion chamber heat exchanger	lhd	1	Diesel DBUC+ PR:LOL
4	4H0 963 319 A	Glow plug		1	
5	4H0 963 031	Fan motor with wheel Engine		1	
6	8K0 815 713	Cover Electric motor		1	
7	4H0 971 411	Adapter cable loom		1	
9	8K0 963 533	fuel cut-off with:		1	
10	8K0 819 915 A	Seal Cover Fan with:		1	
11	4H0 898 919	Seal 1 set attachment parts Screw M4X16		1	
12	8K0 898 919	1 set attachment parts Screw M5X80		1	

Model: 971-17

Model life 2017>>



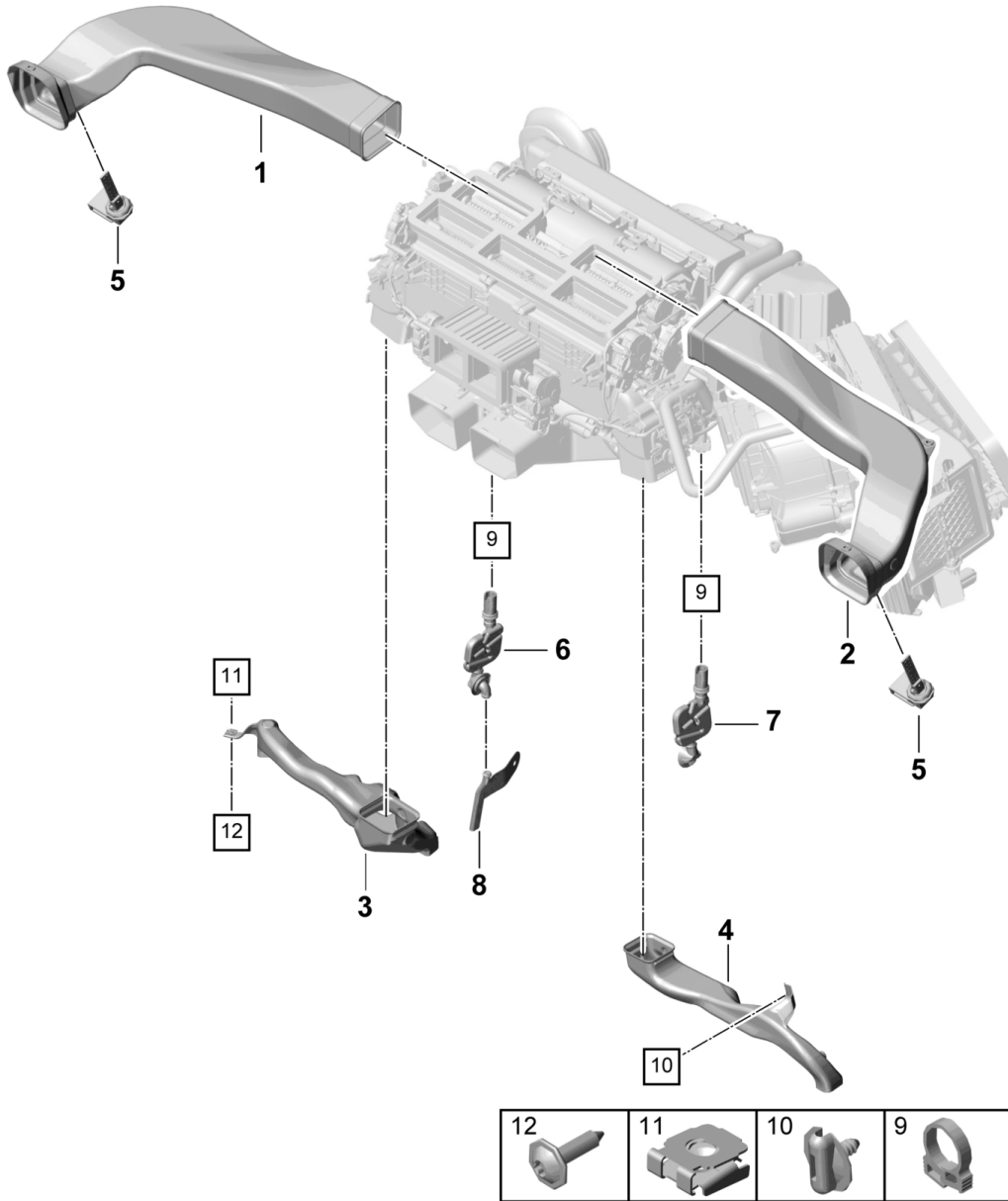
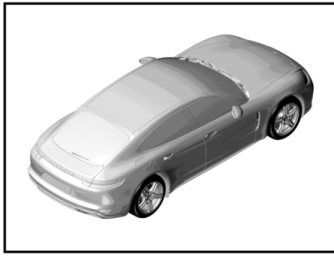
Model: 971-17

Model life 2017>>

Pos	Part Number	Description	Remark	Qty	Model
		Auxiliary heater Fuel system and exhaust system			PR:9M1,9M9, 9M5
1	971 261 191 F	Fuel line Underbody		1	PR:0E1,0K0
(1)	971 261 191 G	Fuel line Underbody		1	PR:0E2,0K0
2	971 261 173 B	Fuel pump		1	
3	9A7 261 490 00	Fuel line Fuel tank cap To Pump		1	
4	971 898 119	repair set Silencer		1	
5	971 898 100	repair set Bracket		1	
6	N 102 035 01	Clamp 11.3X5X0.5		2	
7	N 015 082 10	Hexagon collar nut M6		2	
8	N 904 953 01	Hexagon nut T5		2	

Model: 971-17

Model life 2017>>



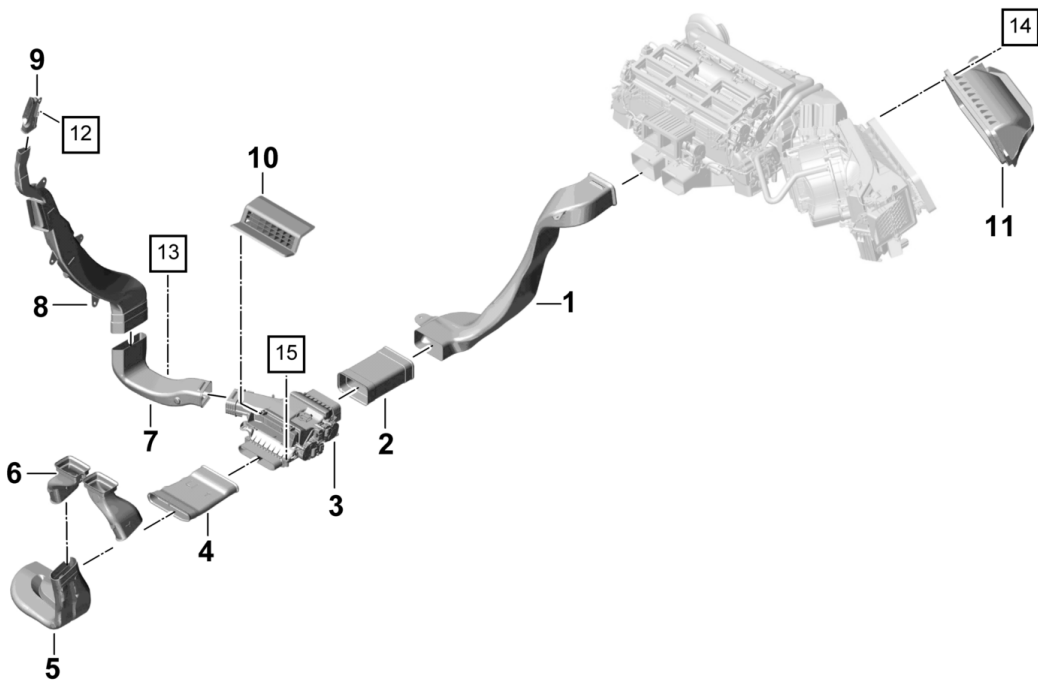
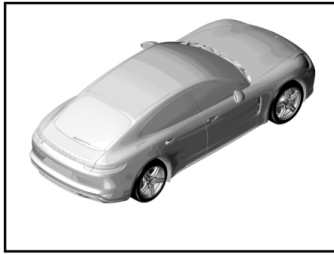
Model: 971-17

Model life 2017>>

Pos	Part Number	Description	Remark	Qty	Model
1	971 820 157 A	Air guide Air conditioning dashboard Air guide (drivers side)	left lhd left upper	1	PR:L0L
(1)	971 820 715 A	Air guide (passenger side)	left rhd left upper	1	PR:L0R
2	971 820 716 A	Air guide (passenger side)	right lhd right upper	1	PR:L0L
(2)	971 820 158 A	Air guide (drivers side)	right rhd right upper	1	PR:L0R
3	9A7 819 151 00	Footwell outlet vent	left lhd	1	PR:L0L
(3)	9A7 819 152 10	Footwell outlet vent	left right rhd	1	PR:L0R
4	9A7 819 152 00	Footwell outlet vent	right lhd	1	PR:L0L
(4)	9A7 819 151 10	Footwell outlet vent	right left rhd	1	PR:L0R
5	958 572 304 00	Temperature sensor	upper	2	
6	9A7 820 637 00	drain tube	left	1	
7	9A7 820 638 00	Air conditioner drain tube	right	1	
8	9A7 820 693 00	Air conditioner Water drainage hose		2	
9	9A7 819 089 00	Hose clamp SNP14		2	
10	WHT 000 155	wing screw		1	
11	N 906 988 01	Speed nut ST 4,2-MR		1	
12	N 906 986 06	Hexagon socket head panel bolt ST4,2X16		1	

Model: 971-17

Model life 2017>>



Model: 971-17 Model life 2017>>

Pos	Part Number	Description	Remark	Qty	Model
1	9A7 815 259 00	Air guide Air conditioning Passenger compartment Air guide	left front	1	
(1)	9A7 815 260 00	Air guide	right front	1	
2	9A7 819 081 00	Intermediate piece	front	2	
3	9A7 815 325 10	Air distributor 2-zone	left	1	PR:9AD
(3)	9A7 815 325 01	Air distributor 4-zone	left	1	PR:9AH
(3)	9A7 815 326 10	Air distributor 2-zone	right left	1	PR:9AD
(3)	9A7 815 326 01	Air distributor 4-zone	right left	1	PR:9AH
4	9A7 819 347 00	Intermediate piece	left rear	1	
(4)	9A7 819 348 00	Intermediate piece	right rear	1	
5	971 815 265	Air guide Centre console	left rear	1	PR:0E1
(5)	971 815 265 A	Air guide Centre console	left rear	1	PR:0E2
(5)	971 815 266	Air guide Centre console	right rear	1	PR:0E1
(5)	971 815 266 A	Air guide Centre console	right rear	1	PR:0E2
6	971 819 902	Air guide Centre console Bridge		1	PR:2V1
(6)	971 819 902 A	Air guide Centre console Bridge		1	PR:2V4
7	9A7 819 633 00	Air guide B-pillar	left lower	1	
(7)	9A7 819 634 00	Air guide B-pillar	right lower	1	
8		Air guide B-pillar see illustration, item:	center 807-030,11	1	
9	971 815 681	Air guide B-pillar	left left upper	1	
(9)	971 815 682	Air guide B-pillar	right left upper	1	
10	9A7 819 923 00	Air exhaust Grille Flooring	left	1	
(10)	9A7 819 924 00	Air exhaust Grille Flooring	right	1	
11	9A7 815 129 00	Air intake		1	
12	9A7 907 658 00	Sensor Air intake		1	
13	N 909 101 02	fillister head bolt with allen key head M5X18		2	
14	N 910 189 01	Hexagon plastic collar nut T6/16,5		2	
15	N 015 082 10	Hexagon collar nut M6		2	

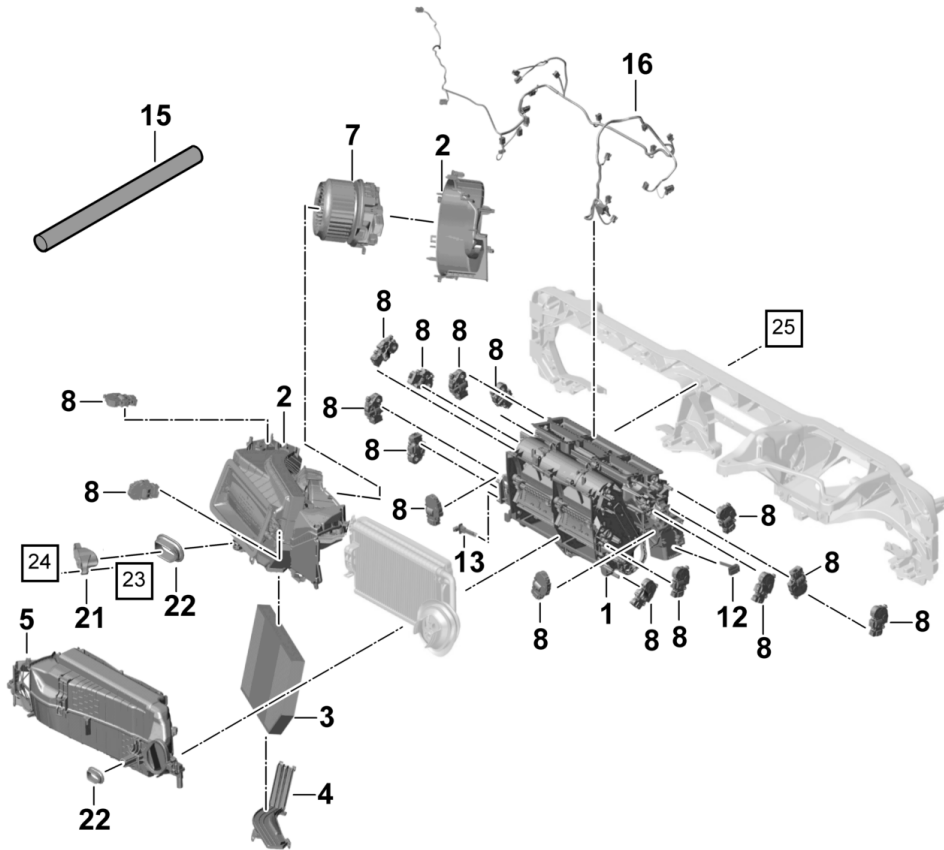
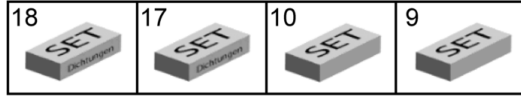
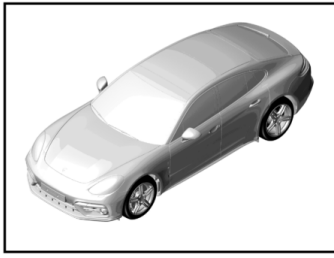
Model: 971-17

Model life 2017>>

Pos	Part Number	Description	Remark	Qty	Model
16	4F0 857 784	Spreader rivet		4	
17	PAB 820 511 00	Servomotor		1	

Model: 971-17

Model life 2017>>



Model: 971-17

Model life 2017>>

Pos	Part Number	Description	Remark	Qty	Model
1	971 819 353	Air conditioner Air distribution housing 2-zone without:	lhd	1	PR:L0L,7E0, 9AD
(1)	971 819 353 A	PTC Air distribution housing 2-zone with:	lhd	1	PR:L0L,7E6, 9AD
(1)	9A7 819 353 00	PTC Air distribution housing 4-zone without:	lhd	1	PR:L0L,7E0, 9AH
(1)	971 819 353 C	PTC Air distribution housing 4-zone with:	lhd	1	PR:L0L,7E6, 9AH
(1)	971 819 353 D	PTC Air distribution housing 2-zone without:	rhd	1	PR:L0R,7E0, 9AD
(1)	971 819 353 E	PTC Air distribution housing 2-zone with:	rhd	1	PR:L0R,7E6, 9AD
(1)	9A7 819 353 10	PTC Air distribution housing 4-zone without:	rhd	1	PR:L0R,7E0, 9AH
(1)	971 819 353 G	PTC Air distribution housing 4-zone with:	rhd	1	PR:L0R,7E6, 9AH
2	971 820 155	PTC blower housing 2-zone without:	lhd	1	PR:L0L
(2)	971 820 155 D	PTC blower housing 2-zone without:	rhd	1	PR:L0R
3	971 819 429	PTC filter element	lhd	1	PR:L0L
(3)	971 819 429 A	filter element	rhd	1	PR:L0R
(3)	9A7 819 429 A	Dust and pollen filter insert		1	PR:L0R
4	9A7 819 422 00	Cover filter element	lhd	1	PR:L0L
(4)	9A7 819 422 00 OK1	Matt black			
(4)	9A7 819 424 00	Cover filter element	rhd	1	PR:L0R
	9A7 819 424 00 OK1	Matt black			
5	9A7 260 122 00	Evaporator housing	lhd	1	PR:L0L
(5)	9A7 260 123 00	Evaporator housing	rhd	1	PR:L0R
6	9A7 816 126 00	Grommet		1	
		Heater pipeline			
7	9A7 907 521 00	Fan motor	lhd	1	PR:L0L

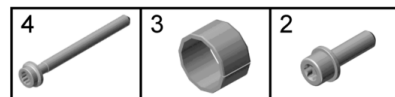
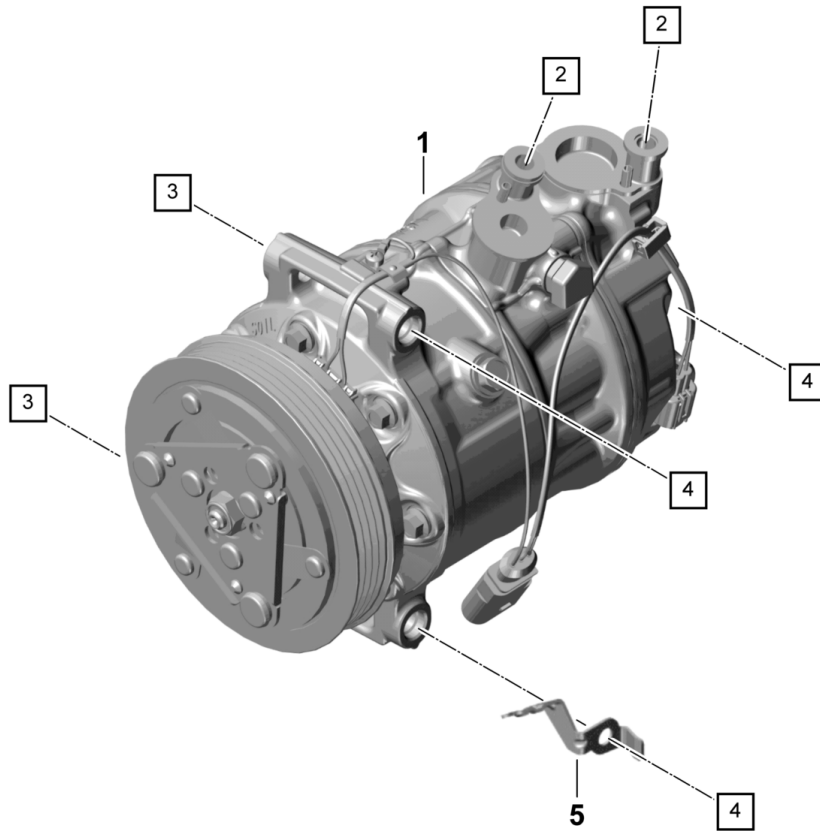
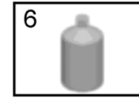
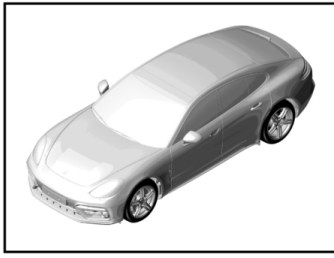
Model: 971-17

Model life 2017>>

Pos	Part Number	Description	Remark	Qty	Model
(7)	9A7 907 521 10	governor Fan motor	rhd	1	PR:L0R
8	9A7 820 511 00	governor Servomotor		X	
9	9A7 820 679 00	Expansion valve Kit		1	
10	9A7 857 291 00	Gasket set Expansion valve		1	
11	9A7 819 011 00	Heater element PTC		1	
12	955 572 311 00	Temperature sensor Air exhaust		1	
13	9A7 907 543 00	Temperature sensor evaporator		1	
14	9A7 963 535 00	Temperature sensor Water cooling HWT		1	
15	9A7 858 609 00	Hose Glove box	lhd	1	PR:L0L
(15)	9A7 858 610 00	Hose Glove box	rhd	1	PR:L0R
16	971 971 565 D	Wire set 2-zone	lhd	1	PR:7E6,9AD, L0L
		with:			
(16)	971 971 565 E	Auxiliary heater Wire set 4-zone	lhd	1	PR:7E6,9AH, L0L
		with:			
(16)	971 971 565 F	Auxiliary heater Wire set 2-zone	rhd	1	PR:7E6,9AD, L0R
		with:			
(16)	971 971 565 G	Auxiliary heater Wire set 4-zone	rhd	1	PR:7E6,9AH, L0R
		with:			
17	9A7 068 117 00	Auxiliary heater Gasket set		1	
19	9A7 857 340 00	Clip		1	
20	9A7 858 283 00	Bracket Pipe assembly		1	
21	9A7 820 769 00	Bracket	lhd	1	PR:L0L
(21)	9A7 820 769 10	Air conditioner Bracket	rhd	1	PR:L0R
22	9A7 820 751 00	Air conditioner Grommet		2	
24	N 911 883 01	Air conditioner Hexagon socket head bolt		2	
25	N 906 271 02	M6X20 speed nut, self-locking		2	
26	N 015 082 10	M6X23.4X16 Hexagon collar nut		3	
27	8K0 898 540	M6 1 set securing bolts M4X16		1	

Model: 971-17

Model life 2017>>



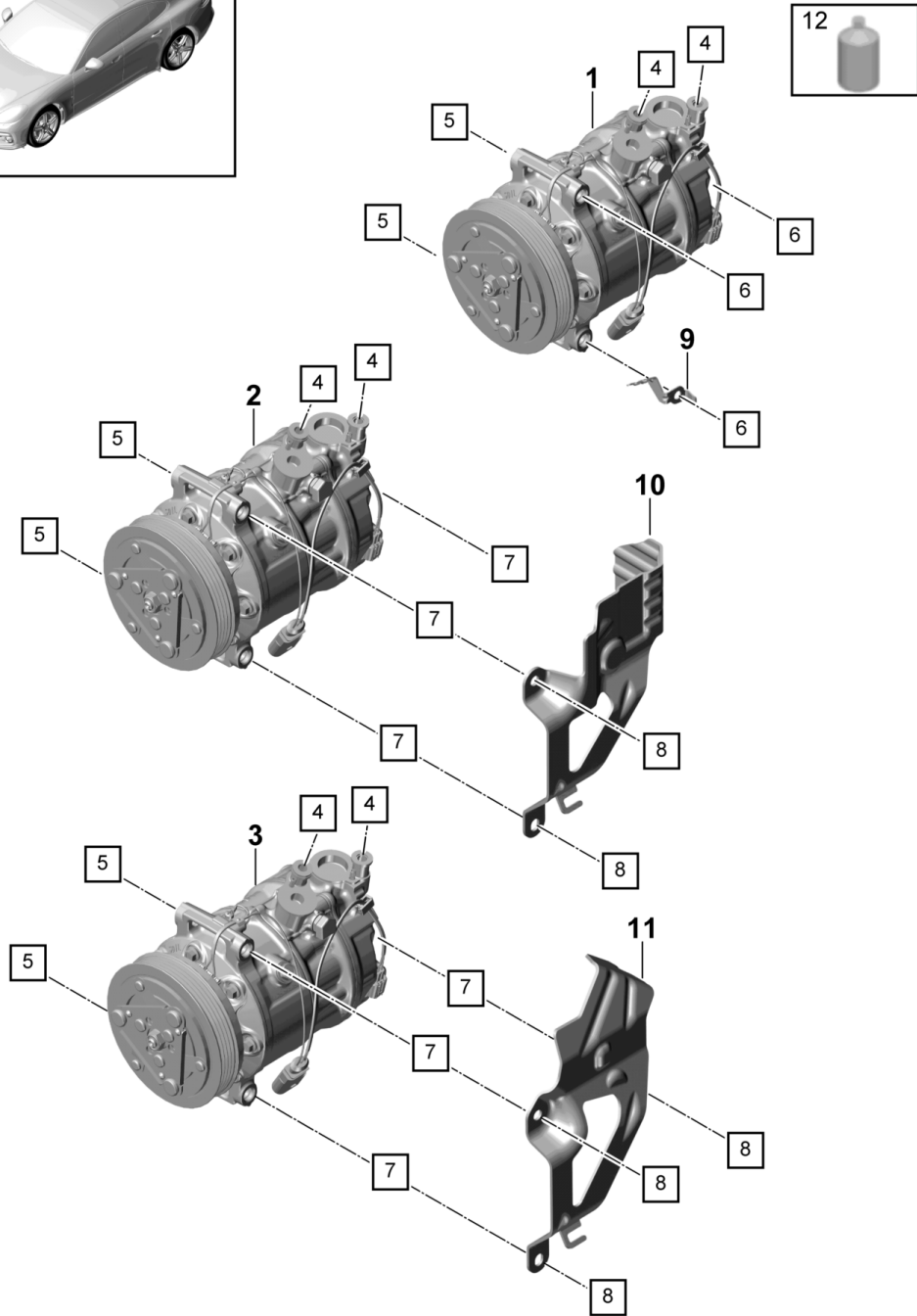
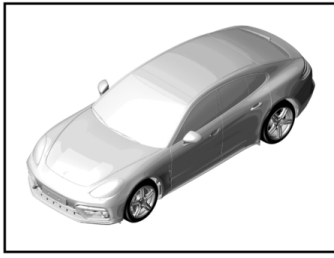
Model: 971-17

Model life 2017>>

Pos	Part Number	Description	Remark	Qty	Model
		Compressor Air conditioning R134A			PR:OK0, KK1
1	971 260 601 H	A/C compressor		1	V6 TURBO PR:D1I, D29
1	971 260 601 HX	Compressor		1	V6 TURBO PR:D1I, D29
(1)	971 260 601 J	Compressor		1	V8 TDI PR:DJ7
(1)	971 260 601 JX	Compressor		1	V8 TDI PR:DJ7
(1)	9A7 260 601 01	Compressor		1	V8 Turbo PR:DW4
(1)	9A7 260 601 X	Compressor		1	V8 Turbo PR:DW4
2	N 104 144 02	Socket head bolt with hexagon socket head M8 X 28		2	
3	958 147 501 00	Centre sleeve 11,15 X 6,5		2	
4	N 107 145 01	Socket head collared bolt with inner multipoint head BM8X90X80		3	
5	9A7 819 567 00	Bracket for compressor		1	
6	000 043 305 79	Compressor oil	250ml	1	

Model: 971-17

Model life 2017>>



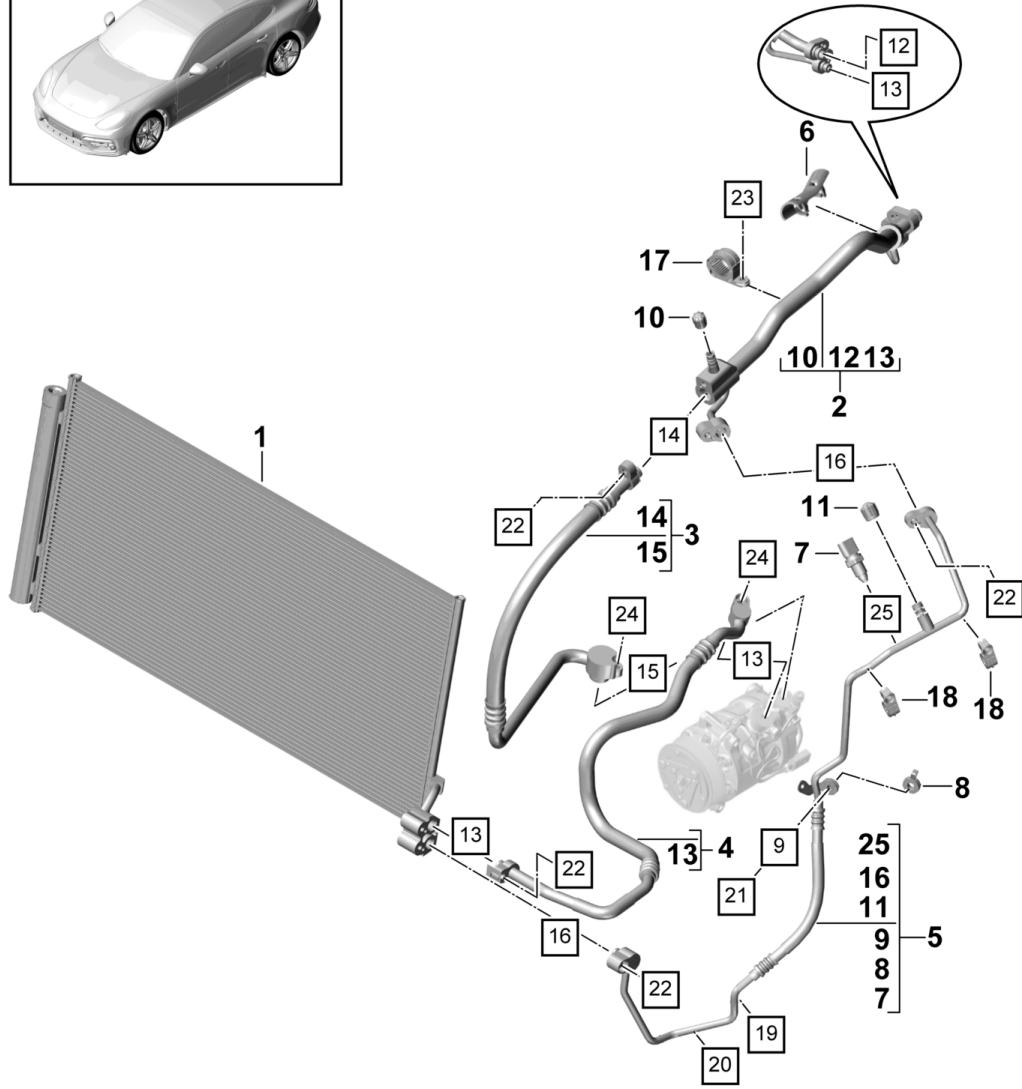
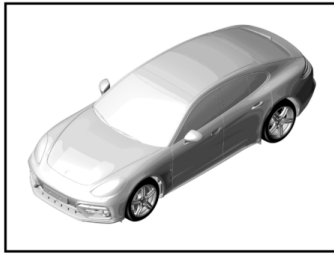
Model: 971-17

Model life 2017>>

Pos	Part Number	Description	Remark	Qty	Model
		Compressor Air conditioning R1234YF			PR:OK0, KK3
1	971 260 601 H	A/C compressor		1	V6 Turbo PR:D1I
1	971 260 601 HX	Compressor		1	V6 Turbo PR:D1I
2	971 260 601 J	Compressor		1	V8 TDI PR:DJ7
2	971 260 601 JX	Compressor		1	V8 TDI PR:DJ7
3	9A7 260 601 01	Compressor		1	V8 Turbo PR:DW4
3	9A7 260 601 X	Compressor		1	V8 Turbo PR:DW4
4	N 104 144 02	Socket head bolt with hexagon socket head M8 X 28		2	
5	958 147 501 00	Centre sleeve 11,15 X 6,5		2	
6	N 107 145 01	Socket head collared bolt with inner multipoint head BM8X90X80		3	
7	N 107 976 01	double stud with hexagon drive AM8X90-M8X12		3	
8	N 023 003 16	Hexagon nut M8		X	
9	9A7 819 567 00	Bracket for compressor		1	
10	9A7 260 199 00	Protective plate		1	PR:KK3, DW4
11	9A7 260 199 10	Protective plate		1	PR:KK3, DJ7
12	9A7 573 900 00	Compressor oil 250 ML		1	
(12)		Refrigerant for R1234YF 5 KG See workshop manual 8X00IN		1	

Model: 971-17

Model life 2017>>



25	24	23	22	21
20	19	16	15	14
13	12	9		

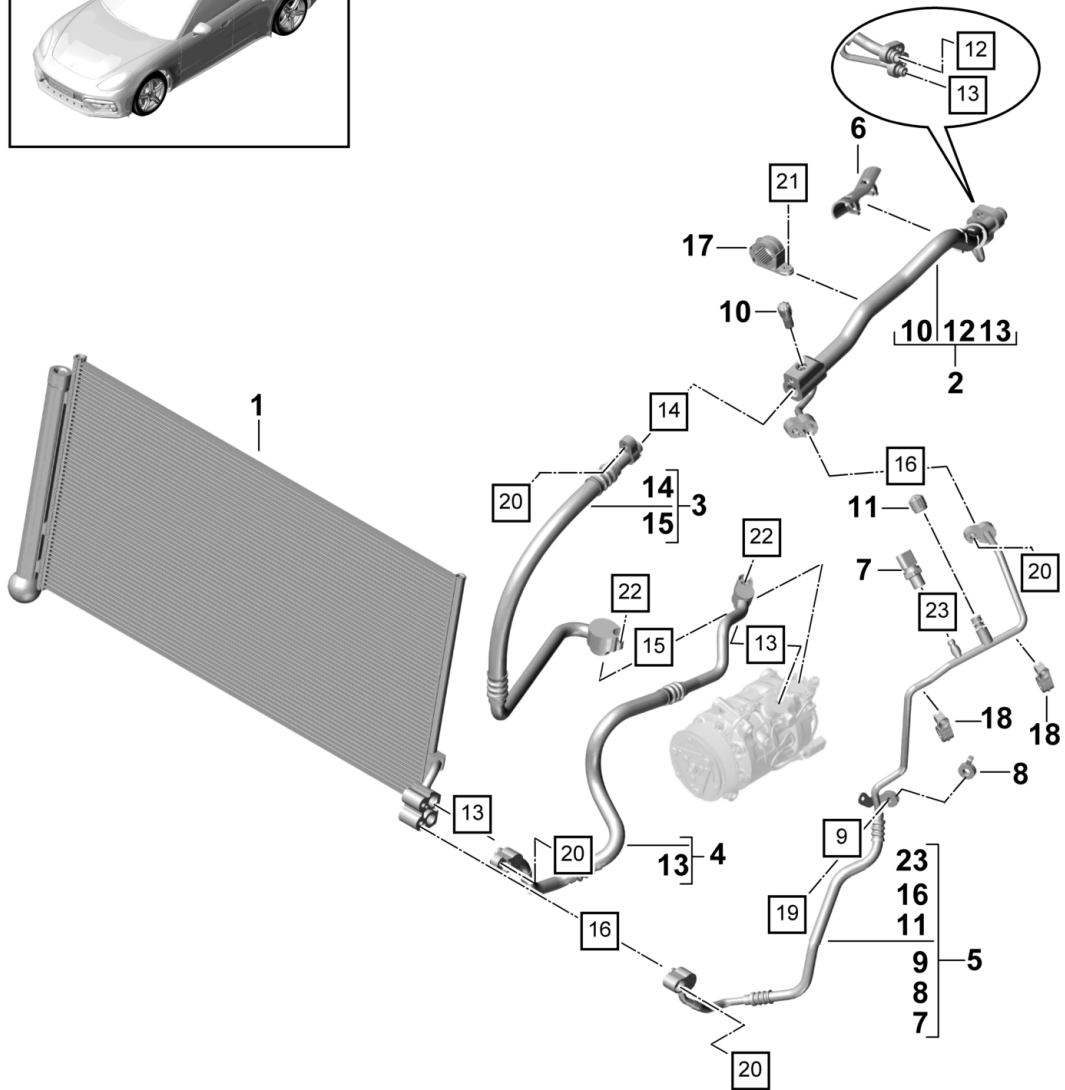
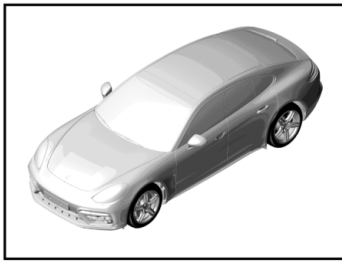
Model: 971-17

Model life 2017>>

Pos	Part Number	Description	Remark	Qty	Model
		refrigerant circuit			PR:KK1, KK3, OK0, D1I
1	9A7 260 399 00	V6 MT		1	
2	9A7 260 704 00	Condenser		1	PR:KK1
(2)	9A7 260 840 00	Refrigerant line heat exchanger		1	PR:KK3
3	971 260 707 M	Refrigerant line suction line		1	PR:KK1, 1A2
(3)	971 260 707 N	Refrigerant line suction line		1	PR:KK3
4	971 260 710	Refrigerant line		1	PR:KK1
(4)	971 260 710 N	Pressure line Refrigerant line		1	PR:KK3
5	971 260 702 F	Pressure line Refrigerant line		1	PR:KK1
(5)	971 260 702 G	Pressure line Refrigerant line		1	PR:KK3
6	9A7 260 689 00	Protective strip Refrigerant line		1	PR:KK3
7	4H0 959 126 B	Pressure sender Air conditioning		1	
8	955 572 828 00	Mounting	also use: 9A7 820 896 00	1	
9	955 572 827 01	Exhaust pipe bush		1	
10	3C0 820 231	Protective cap Valve		1	PR:KK1
(10)	9A7 816 231 00	Cover Valve cap		1	PR:KK3
11	3C0 820 581	Protective cap Valve cap		1	PR:KK1
(11)	9A7 816 581 00	Cover Valve		1	PR:KK3
12	9A7 573 749 03	O-ring 16,25X2,5		1	
13	999 707 557 41	O-ring 11X2.5		3	
14	955 573 749 02	O-ring 13.7X2.5-N		1	
15	955 573 749 03	O-ring 23,8 X 2,4		1	
16	955 573 749 00	O-ring 9,5 X 2,5		X	
17	9A7 260 513 00	Bracket for coolant line		1	
18	971 260 197	bracket for refrigerant pipe Refrigerant line		2	
19	9A7 971 847 00	cable terminal		1	
20	9A7 121 191 00	Clip		1	
21	N 911 930 03	Hex socket head bolt (combi) M6X28-S11		3	
22	N 107 209 01	Socket head bolt with inner multipoint head (Kombi) M8X28-S13-S		4	
23	N 910 967 01	Oval hexagon socket head bolt M 6 X 16		1	
24	N 104 144 02	Socket head bolt with hexagon socket head M8 X 28		2	
25	9A7 820 896 00	O-ring 7.6X1.82-N		1	

Model: 971-17

Model life 2017>>



						23	22	21
20	19	16	15	14	13	12	9	

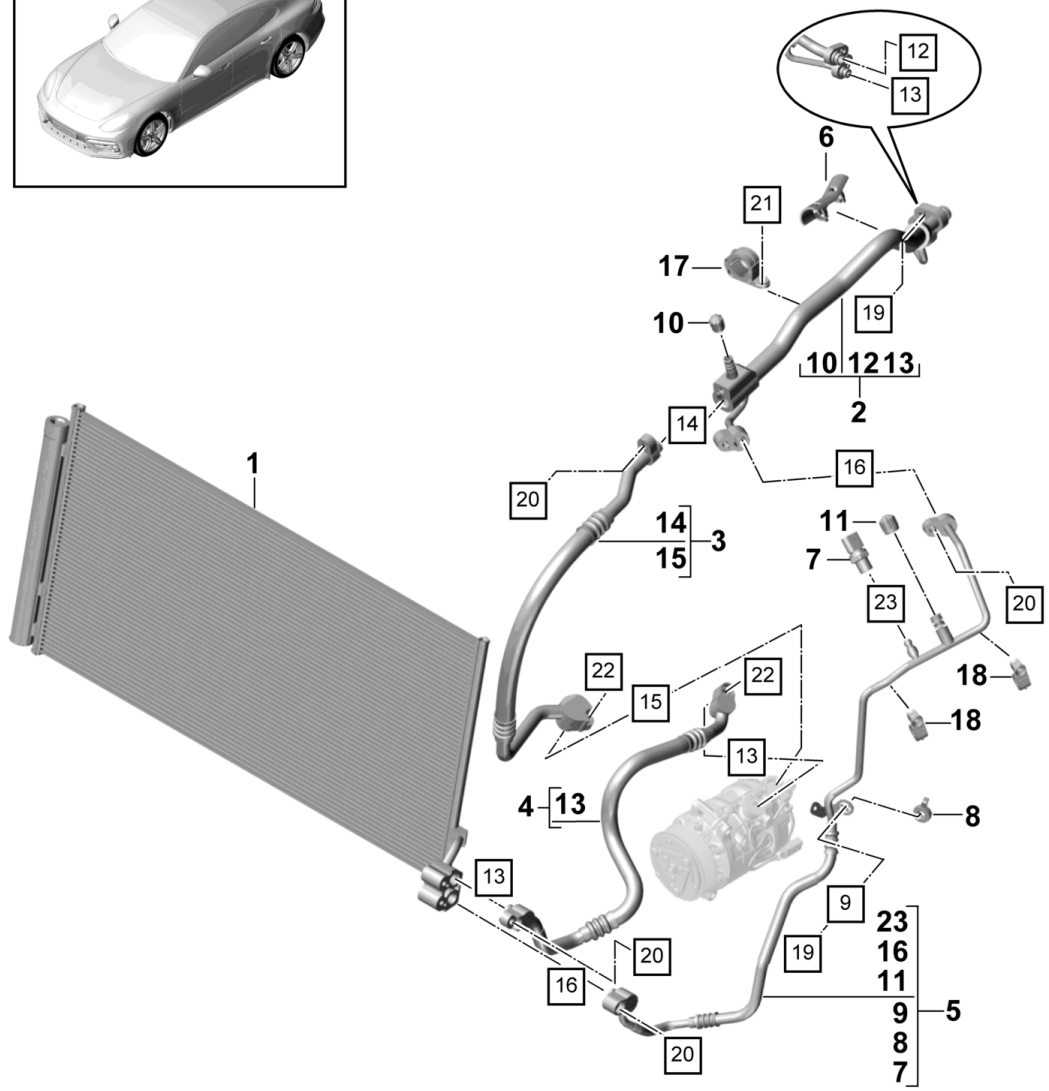
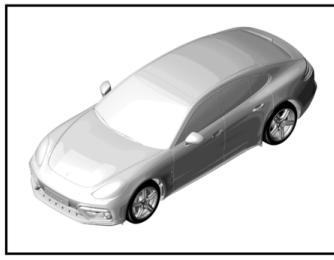
Model: 971-17

Model life 2017>>

Pos	Part Number	Description	Remark	Qty	Model
		refrigerant circuit			PR:KK1, KK3, OK0, D29
1	9A7 260 399 00	V6 BT		1	
2	9A7 260 704 00	Condenser		1	PR:KK1
(2)	9A7 260 840 00	Refrigerant line heat exchanger		1	PR:KK3
3	971 260 707 M	Refrigerant line suction line		1	PR:KK1, 1A2
(3)	971 260 707 N	Refrigerant line suction line		1	PR:KK3
4	971 260 710 A	Refrigerant line		1	PR:KK1
(4)	971 260 710 G	Pressure line		1	PR:KK3
5	971 260 702 D	Refrigerant line		1	PR:KK1
(5)	971 260 702 E	Pressure line		1	PR:KK3
6	9A7 260 689 00	Refrigerant line		1	PR:KK3
7	4H0 959 126 B	Protective strip Refrigerant line Pressure sender Air conditioning		1	
8	955 572 828 00	Mounting	also use: 9A7 820 896 00	1	
9	955 572 827 01	Exhaust pipe		1	
10	3C0 820 231	bush		1	PR:KK1
(10)	3C0 820 581	Protective cap Valve Protective cap Valve cap		1	PR:KK1
11	9A7 816 581 00	Cover		1	PR:KK3
11	9A7 816 231 00	Valve Cover Valve cap		1	PR:KK3
12	9A7 573 749 03	O-ring		3	
13	999 707 557 41	16,25X2,5		4	
14	955 573 749 02	O-ring		1	
15	955 573 749 03	11X2.5		1	
16	955 573 749 00	O-ring		X	
17	9A7 260 513 00	13.7X2.5-N		1	
18	971 260 197	O-ring		X	
19	N 911 930 03	23,8 X 2,4		1	
20	N 107 209 01	9,5 X 2,5		1	
21	N 910 967 01	Bracket for coolant line		1	
22	N 104 144 02	bracket for refrigerant pipe Refrigerant line		2	
23	9A7 820 896 00	Hex socket head bolt (combi) M6X28-S11		3	
		Socket head bolt with inner multipoint head (Kombi) M8X28-S13-S		4	
		Oval hexagon socket head bolt M 6 X 16		1	
		Socket head bolt with hexagon socket head M8 X 28		2	
		O-ring		1	
		7.6X1.82-N		1	

Model: 971-17

Model life 2017>>



20	19	16	15	14	23	22	21
					13	12	9

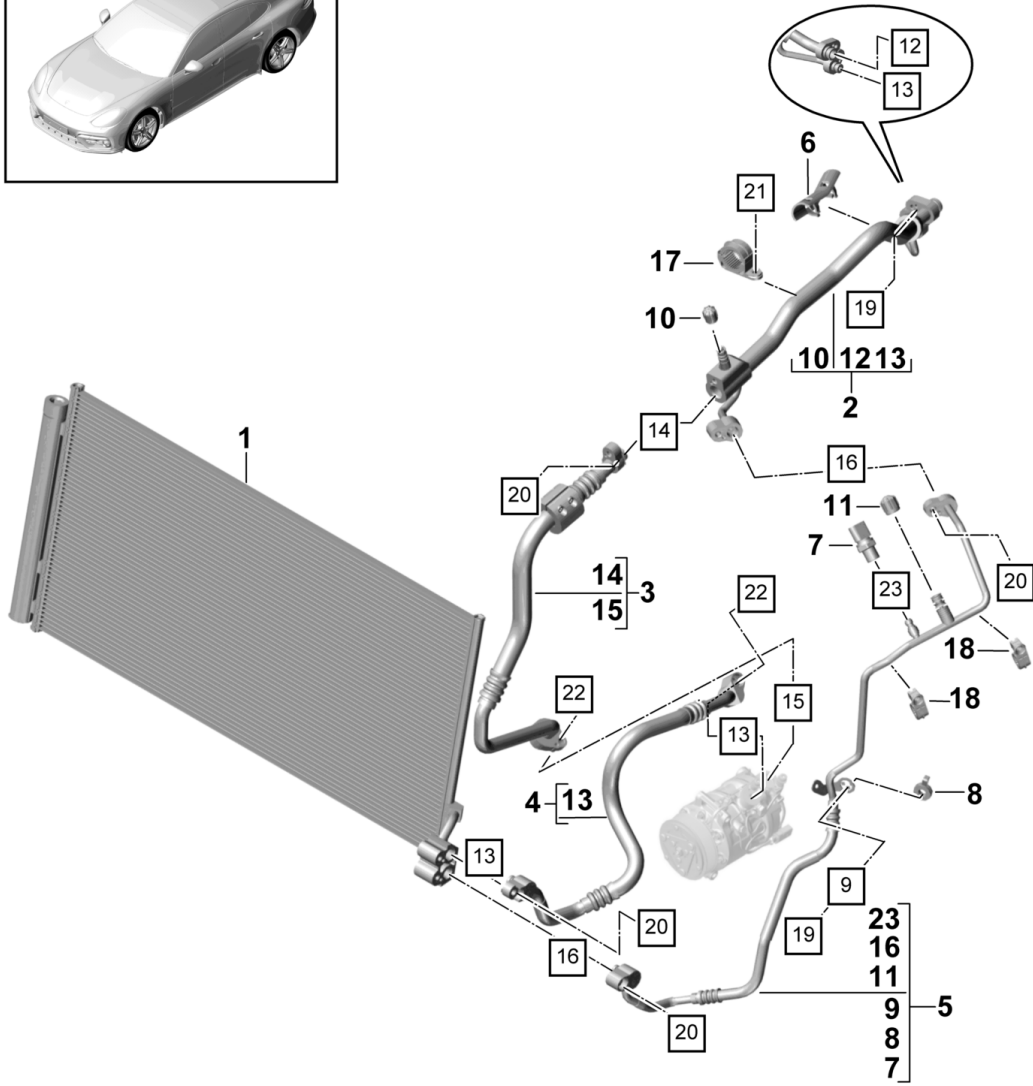
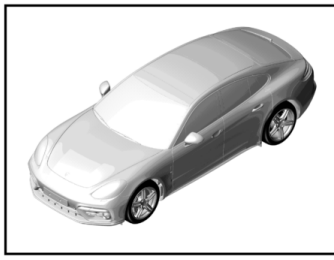
Model: 971-17

Model life 2017>>

Pos	Part Number	Description	Remark	Qty	Model
		refrigerant circuit V8 BT			PR:KK1, KK3, OK0, DW4
1	9A7 260 399 00	Condenser		1	
2	9A7 260 704 00	Refrigerant line heat exchanger		1	PR:KK1
(2)	9A7 260 840 00	Refrigerant line heat exchanger		1	PR:KK3
3	9A7 260 707 00	Refrigerant line suction line		1	PR:KK1
(3)	9A7 260 707 10	Refrigerant line suction line		1	PR:KK3
4	971 260 710 B	Refrigerant line Pressure line		1	PR:KK1
(4)	971 260 710 H	Refrigerant line Pressure line		1	PR:KK3
5	971 260 702 D	Refrigerant line Pressure line		1	PR:KK1
(5)	971 260 702 E	Refrigerant line Pressure line		1	PR:KK3
6	9A7 260 689 00	Protective strip Refrigerant line		1	PR:KK3
7	4H0 959 126 B	Pressure sender Air conditioning		1	
		also use:			
			9A7 820 896 00		
8	955 572 828 00	Mounting		1	
9	955 572 827 01	bush		1	
10	3C0 820 231	Protective cap Valve		1	PR:KK1
(10)	9A7 816 231 00	Cover Valve cap		1	PR:KK3
11	3C0 820 581	Protective cap Valve cap		1	PR:KK1
(11)	9A7 816 581 00	Cover Valve		1	PR:KK3
12	9A7 573 749 03	O-ring 16,25X2,5		3	
13	999 707 557 41	O-ring 11X2.5		4	
14	955 573 749 02	O-ring 13.7X2.5-N		1	
15	955 573 749 03	O-ring 23,8 X 2,4		1	
16	955 573 749 00	O-ring 9,5 X 2,5		X	
17	9A7 260 513 00	Bracket for coolant line		1	
18	971 260 197	bracket for refrigerant pipe Refrigerant line		2	
19	N 911 930 03	Hex socket head bolt (combi) M6X28-S11		3	
20	N 107 209 01	Socket head bolt with inner multipoint head (Kombi) M8X28-S13-S		4	
21	N 910 967 01	Oval hexagon socket head bolt M 6 X 16		1	
22	N 104 144 02	Socket head bolt with hexagon socket head M8 X 28		2	
23	9A7 820 896 00	O-ring 7.6X1.82-N		1	

Model: 971-17

Model life 2017>>



20	19	16	15	14	23	22	21
					13	12	9

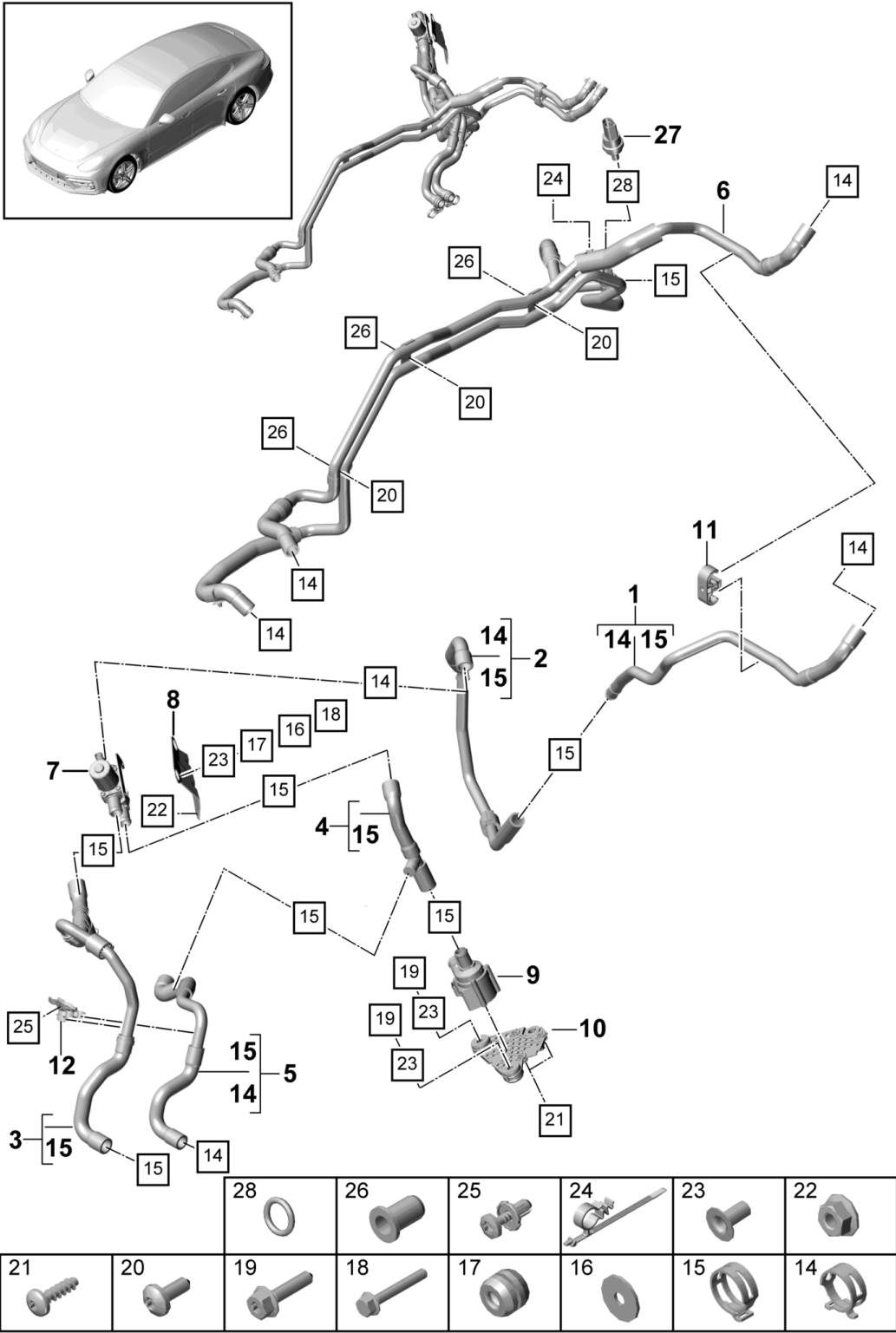
Model: 971-17

Model life 2017>>

Pos	Part Number	Description	Remark	Qty	Model
		refrigerant circuit V8 TDI			PR:KK1, KK3, OK0, DJ7
1	9A7 260 399 00	Condenser		1	
2	9A7 260 704 00	Refrigerant line heat exchanger		1	PR:KK1
(2)	9A7 260 840 00	Refrigerant line heat exchanger		1	PR:KK3
3	971 260 707 R	Refrigerant line suction line		1	PR:KK1
(3)	971 260 707 S	Refrigerant line suction line		1	PR:KK3
4	971 260 710 D	Refrigerant line Pressure line		1	PR:KK1
(4)	971 260 710 J	Refrigerant line Pressure line		1	PR:KK3
5	971 260 702 D	Refrigerant line Pressure line		1	PR:KK1
(5)	971 260 702 E	Refrigerant line Pressure line		1	PR:KK3
6	9A7 260 689 00	Protective strip Refrigerant line		1	PR:KK3
7	4H0 959 126 B	Pressure sender Air conditioning		1	
8	955 572 828 00	Mounting	also use: 9A7 820 896 00	1	
9	955 572 827 01	bush		1	
10	3C0 820 231	Protective cap Valve		1	PR:KK1
(10)	9A7 816 231 00	Cover Valve cap		1	PR:KK3
11	3C0 820 581	Protective cap Valve cap		1	PR:KK1
(11)	9A7 816 581 00	Cover Valve		1	PR:KK3
12	9A7 573 749 03	O-ring 16,25X2,5		3	
13	999 707 557 41	O-ring 11X2.5		4	
14	955 573 749 02	O-ring 13.7X2.5-N		1	
15	955 573 749 03	O-ring 23,8 X 2,4		1	
16	955 573 749 00	O-ring 9,5 X 2,5		X	
17	9A7 260 513 00	Bracket for coolant line		1	
18	971 260 197	bracket for refrigerant pipe Refrigerant line		2	
19	N 911 930 03	Hex socket head bolt (combi) M6X28-S11		3	
20	N 107 209 01	Socket head bolt with inner multipoint head (Kombi) M8X28-S13-S		4	
21	N 910 967 01	Oval hexagon socket head bolt M 6 X 16		1	
22	N 104 144 02	Socket head bolt with hexagon socket head M8 X 28		2	
23	9A7 820 896 00	O-ring 7.6X1.82-N		1	

Model: 971-17

Model life 2017>>



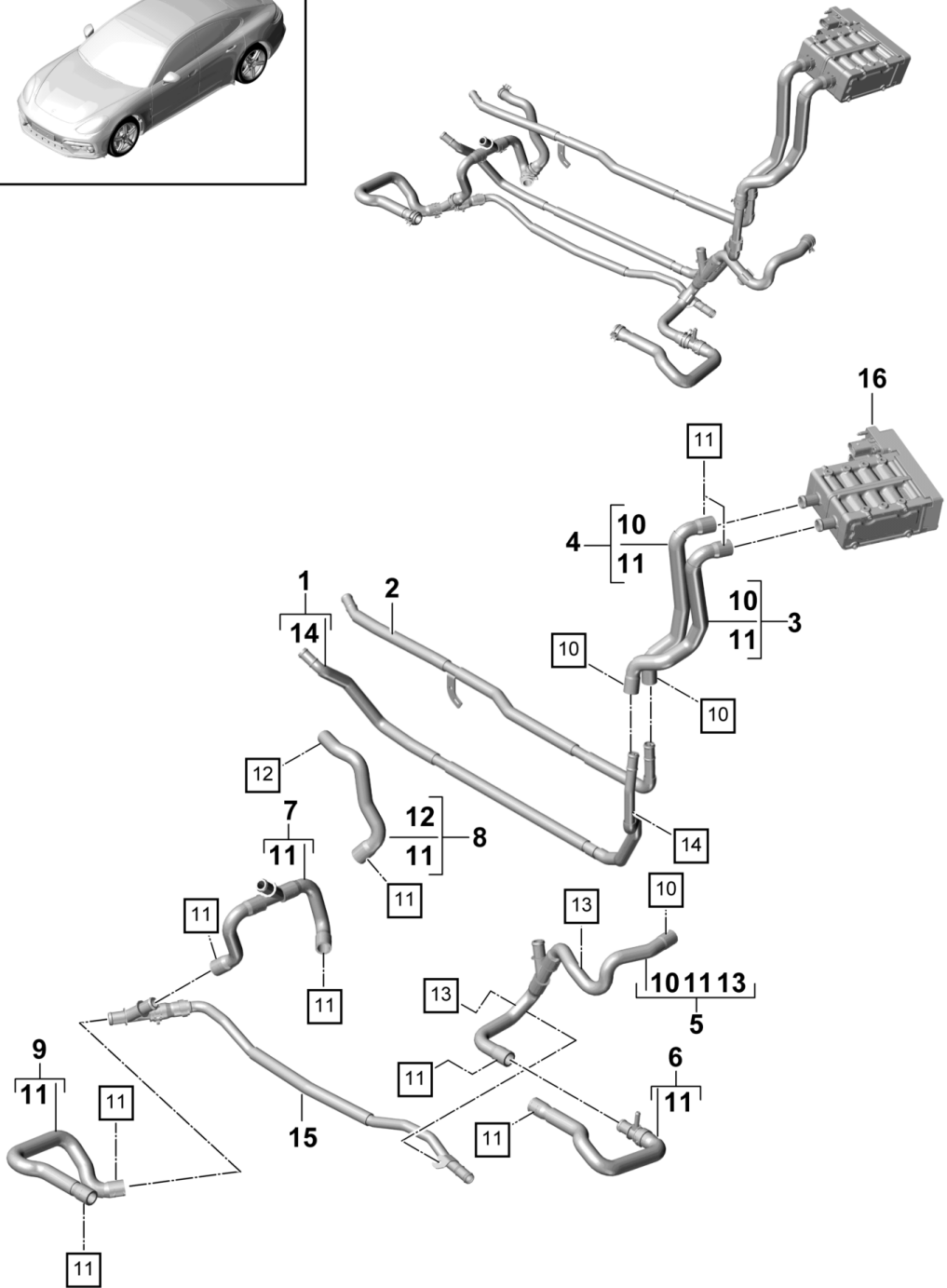
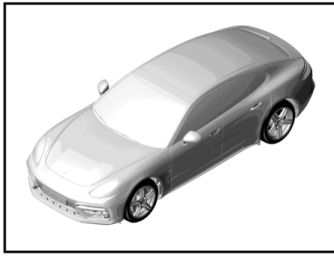
Model: 971-17

Model life 2017>>

Pos	Part Number	Description	Remark	Qty	Model
		heater	right		PR:OK3,9M0,
		Side member	Hybrid		1A2
1	9A7 819 334 20	Heating hose		1	
2	9A7 815 555 00	Heating hose		1	
		Discontinued part			
3	971 819 375 D	Heating hose		1	
		with:			
		Temperature sensor			
4	9A7 819 452 00	Heating hose		1	
5	9A7 819 314 10	Heating hose		1	
		Discontinued part			
6	971 815 553 B	heater pipe		1	
		Wire set			
		with:			
		Temperature sensor			
7	9A7 906 457 10	Shut-off valve		1	
8	9A7 819 134 00	Retainer for valve		1	
9	9A7 121 601 10	Coolant pump		1	
10	9A7 819 595 10	Bracket		1	
		Coolant pump			
11	955 572 055 03	Clip		2	
		Heating hose			
12	971 819 565 C	Bracket for coolant pipe		1	
14	999 512 656 09	Hose clamp		X	
		B25X12			
15	999 512 658 09	Hose clamp		X	
		B27X12			
16	N 905 636 02	Washer		2	
		6,4X22X1,6			
17	4D0 614 177 A	Stop buffer		2	
18	N 106 554 01	Hex collared bolt		2	
		M 6 X 40			
19	N 911 087 01	Hexagon collared bolt with multi-point socket head (duo)		2	
		M 6 X 25			
20	N 910 967 01	Oval hexagon socket head bolt		3	
		M 6 X 16 -TC			
21	WHT 002 306	self-tapping screw		3	
		TP3.5X12.0			
22	N 015 082 10	Hexagon collar nut		2	
		M6			
23	4D0 614 173 B	Bearing bush		2	
24	N 104 782 01	Cable tie with hose retainer		1	
		A 05-7 X 140 X C 05-22			
25	4F0 857 784	Spreader rivet		1	
26	N 906 313 03	rivetted cap nut		3	
		M 6/0,5-3			
27	955 106 125 01	Temperature sensor		2	
28	N 903 168 01	O-ring		2	
		19,6 X 3,65			

Model: 971-17

Model life 2017>>



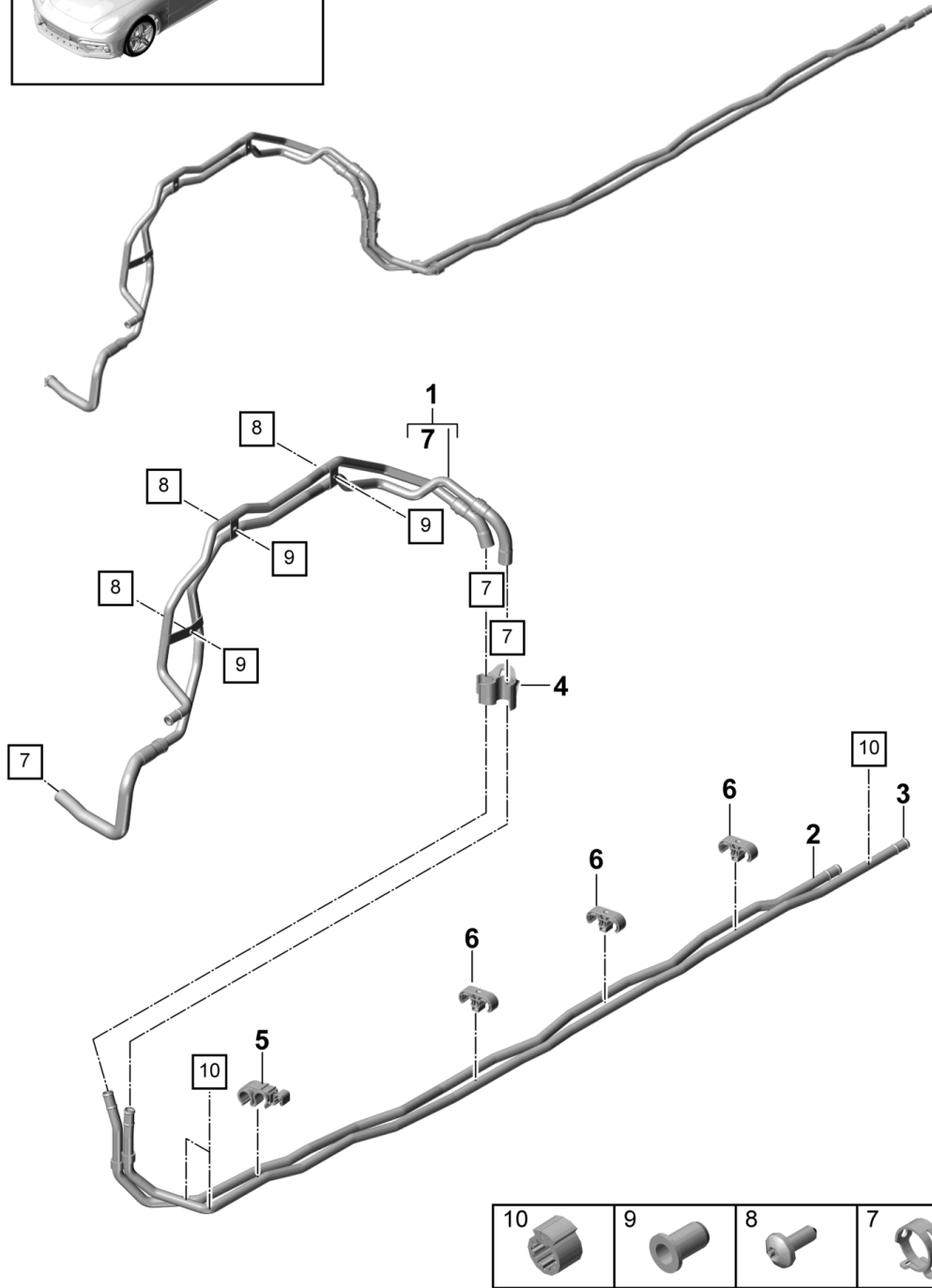
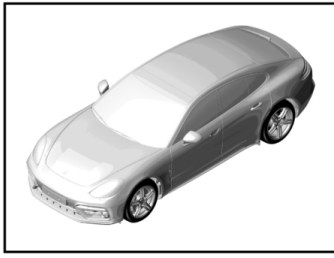
Model: 971-17

Model life 2017>>

Pos	Part Number	Description	Remark	Qty	Model
		Hybrid heater	front		PR:0K3
1	9A7 815 551 00	Hot air line		1	
2	9A7 815 552 00	Hot air line		1	
3	9A7 820 525 00	Heating hose HV-PTC		1	
4	9A7 820 527 00	Heating hose		1	
5	9A7 820 590 00	Coolant hose		1	
5	971 820 590 C	Coolant hose		1	
6	9A7 820 589 00	Coolant hose		1	
		with:			
		Hose clamp Bonded			
6	971 820 589 A	Coolant hose		1	
7	9A7 820 596 00	Coolant hose		1	
		with:			
		Hose clamp Bonded			
8	9A7 820 595 00	Coolant hose		1	
		with:			
		Hose clamp Bonded			
9	9A7 820 556 00	Coolant hose		1	
		with:			
		Hose clamp Bonded			
10	999 512 656 09	Hose clamp B25X12		X	
11	999 512 658 09	Hose clamp B27X12		X	
12	999 512 601 09	Hose clamp 23 X 12		1	
13	999 507 793 40	Hose bracket 23,0-C		1	
14	N 107 278 01	Distance piece		1	
15	9A7 820 444 00	Hot air line		1	
16		heat exchanger		1	
		see illustration:	901-035		

Model: 971-17

Model life 2017>>



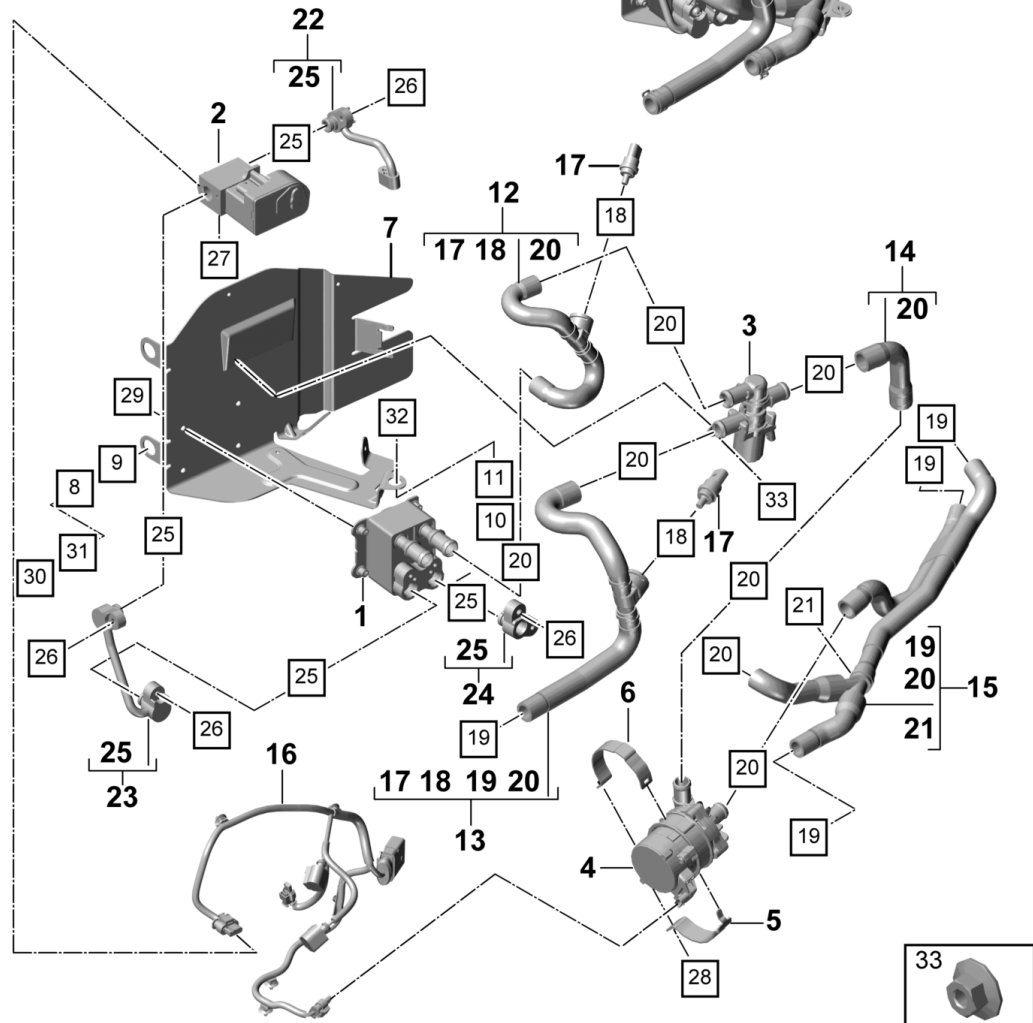
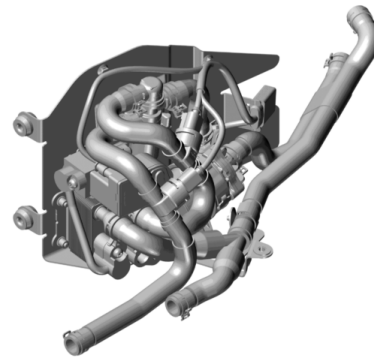
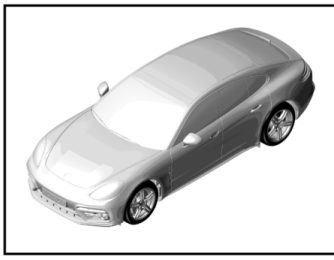
Model: 971-17

Model life 2017>>

Pos	Part Number	Description	Remark	Qty	Model
1	9A7 820 443 00	Hot air line Side member and Underbody Water line Side member	left Hybrid	1	PR:0K3
		with:			
2	971 820 028	Non-return valve Water line Underbody	inner	1	PR:0E1
(2)	971 820 028 A	Water line Underbody	inner	1	PR:0E2
3	971 820 029	Water line Underbody	outer	1	PR:0E1
(3)	971 820 029 A	Water line Underbody	outer	1	PR:0E2
4	9A7 820 761 00	Bracket Water line		1	
5	9A7 820 056 00	Clip		1	
6	955 572 055 03	Clip		3	
7	999 512 656 09	Hose clamp 25 X 12		3	
8	N 910 967 01	Oval hexagon socket head bolt M 6 X 16 -TC		3	
9	N 906 313 03	rivetted cap nut M 6/0,5-3		3	
10	N 107 278 01	Distance piece		1	

Model: 971-17

Model life 2017>>



32	31	30	29	28	27	26	25
21	20	19	18	11	10	9	8

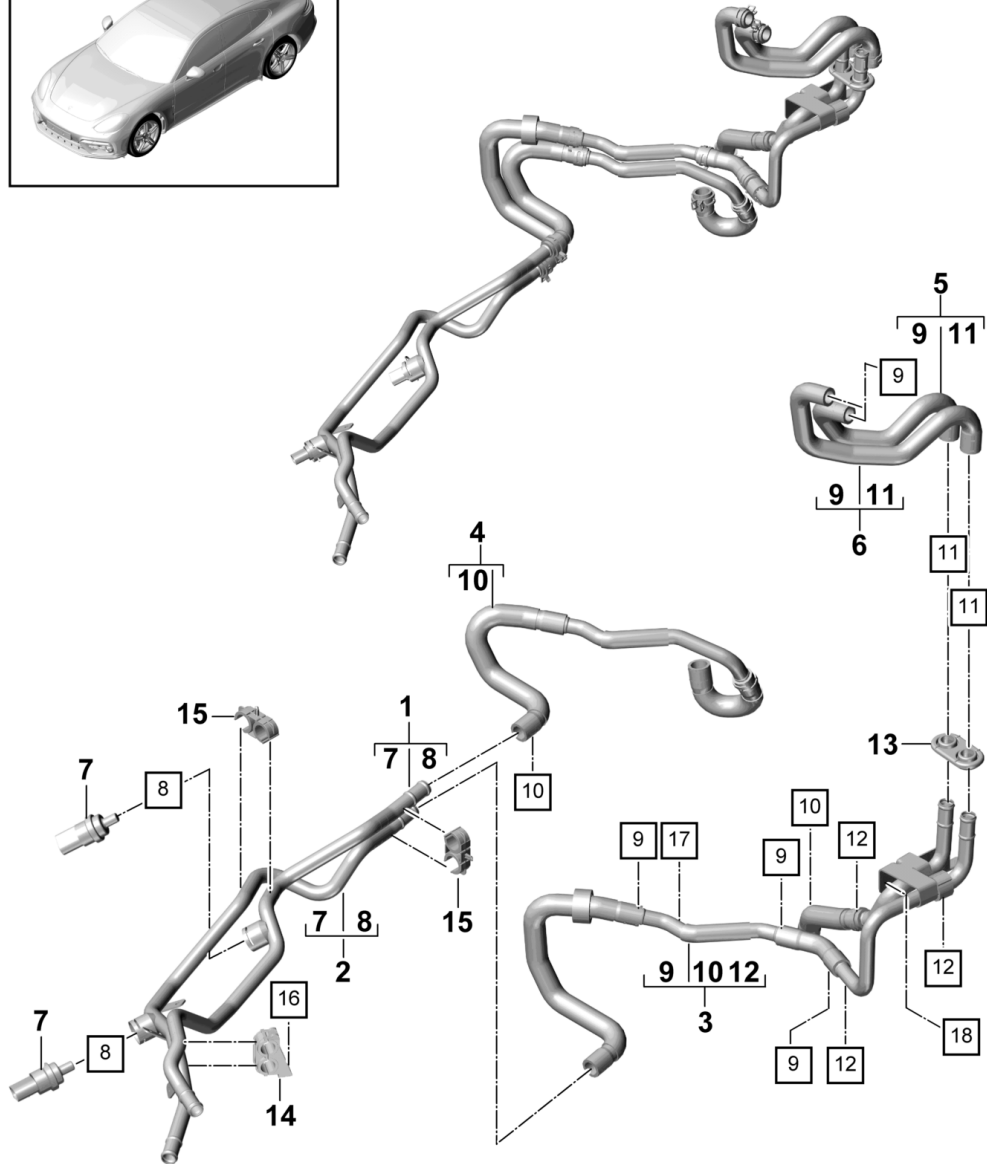
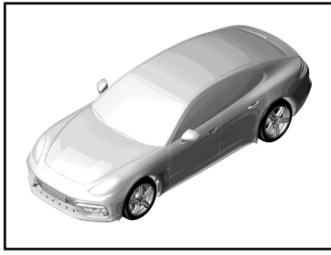
Model: 971-17

Model life 2017>>

Pos	Part Number	Description	Remark	Qty	Model
1	9A7 816 115 00	evaporator Battery Cooling heat exchanger	Hybrid	1	PR:0K3
		with:			
2	9A7 816 682 00	flange Expansion valve		1	
3	9A7 906 457 10	Shut-off valve		1	
4	9A7 965 567 10	Coolant pump Electric		1	
5	9A7 260 420 00	Retaining bar		1	
6	9A7 260 419 00	Bracket Clamp		1	
7	9A7 260 089 00	Bracket for evaporator		1	PR:A8C,A8F, A8H,1A2
8	4D0 614 173 B	Bearing bush		2	
9	4D0 614 177 A	Stop buffer		2	
10	955 572 121 00	bush		1	
11	955 572 095 00	Rubber grommet		1	
12	971 820 928 B	Coolant hose with temperature sender		1	
13	971 820 452 C	Coolant hose with temperature sender		1	
14	9A7 820 930 00	Water hose		1	
15	9A7 820 450 00	Water hose Double line		1	
16	971 971 033	Wire set		1	
17	955 106 125 01	Temperature sensor		2	
18	N 903 168 01	O-ring 19,6 X 3,65		2	
19	999 512 656 09	Hose clamp B25X12		X	
20	999 512 658 09	Hose clamp B27X12		X	
21	999 507 793 40	Hose bracket 23,0-C		1	
22	9A7 260 714 00	Refrigerant line		1	
23	9A7 260 335 00	Refrigerant line Pressure line		1	
24	9A7 260 752 00	Refrigerant line		1	
25	955 573 749 02	O-ring 13,7 X 2,5		4	
26	N 103 472 04	Hexagon socket head bolt, self-locking		4	
27	N 103 352 06	Hexagon socket flat head bolt M 6 X 12		2	
28	N 910 967 01	Oval hexagon socket head bolt M 6 X 16 -TC		3	
29	N 107 148 01	fillister head bolt with multi-point socket head M 6 X 18		4	
30	N 010 221 7	Hexagon bolt M 6X35		2	
31	N 905 436 02	Washer 6.4X22X3		2	
32	N 904 953 01	Hexagon nut Plastic nut T5/16,5X11		1	
33	N 911 893 02	Hexagon nut		2	

Model: 971-17

Model life 2017>>



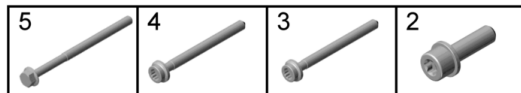
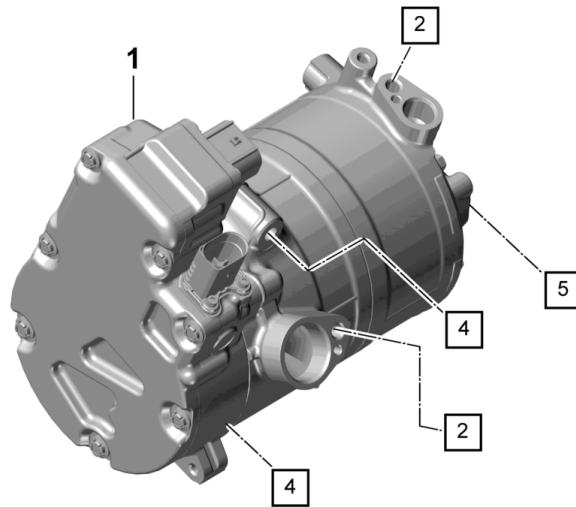
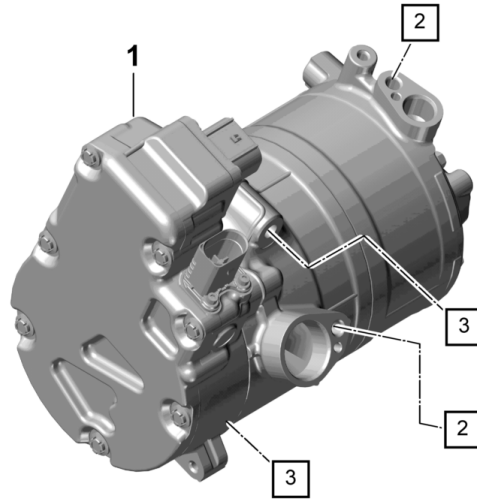
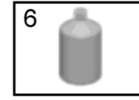
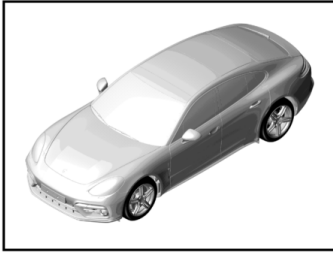
Model: 971-17

Model life 2017>>

Pos	Part Number	Description	Remark	Qty	Model
		Battery Cooling Refrigerant line	Hybrid		PR:OK3
1	9A7 820 440 00	with:		1	
1	971 820 440 A	Temperature sensor Refrigerant line	with:	1	
2	971 820 442 A	Temperature sensor Refrigerant line	with:	1	
3	9A7 820 823 00	Temperature sensor Water hose		1	
4	9A7 820 824 00	Double line		1	
5	971 820 453 B	Water hose		1	
6	971 820 454 B	Water hose		1	
7	955 106 125 01	Temperature sensor		2	
8	N 903 168 01	O-ring 19,6 X 3,65		2	
9	999 512 656 09	Hose clamp B25X12		X	
10	999 512 658 09	Hose clamp B27X12		X	
11	999 512 683 09	Hose clamp 23 X 12		2	
12	N 107 278 01	Distance piece		1	
13	9A7 816 182 00	Grommet		1	
14	9A7 816 570 00	Bracket		1	
15	9A7 820 055 00	Clip		2	
16	N 100 829 13	hexagon head bolt (combi) M 6 X 16		1	
17	N 101 181 04	Hexagon nut M5		1	
18	N 904 953 01	Hexagon nut Plastic nut T5/16,5X11		1	

Model: 971-17

Model life 2017>>



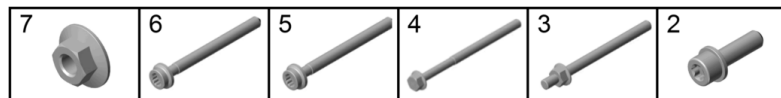
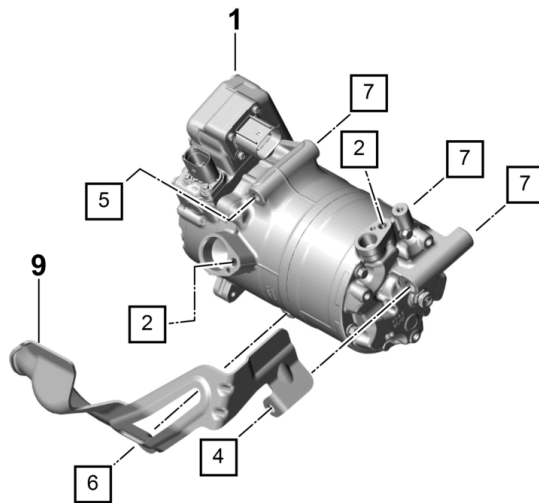
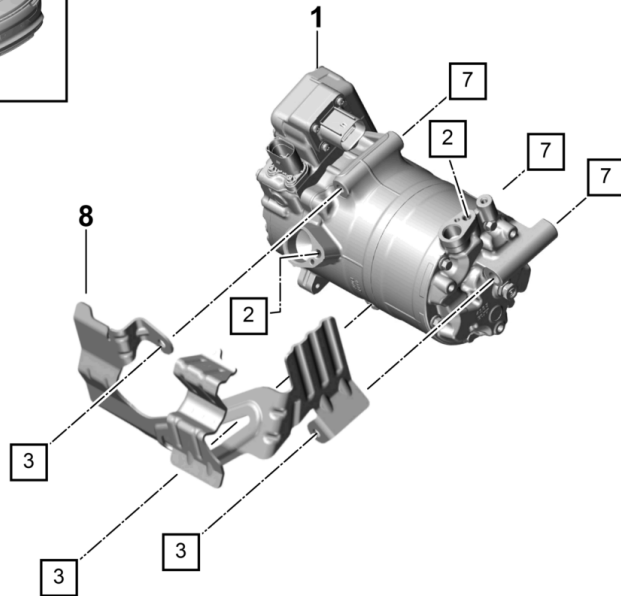
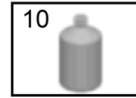
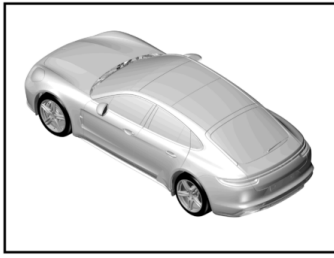
Model: 971-17

Model life 2017>>

Pos	Part Number	Description	Remark	Qty	Model
		Air conditioning Compressor R134A	Hybrid		PR:OK3,KK1
1	9A7 816 797 00	Compressor Electric		1	
2	N 104 144 02	Socket head bolt with hexagon socket head M8 X 28		2	
3	N 107 145 01	Socket head collared bolt with inner multipoint head BM8X90X80		3	PR:D0D
4	N 107 145 01	Socket head collared bolt with inner multipoint head BM8X90X80		2	PR:DW4
5	N 107 094 01	hexagon head bolt (combi) BM8X120X80		1	PR:DW4
6	9A7 573 900 00	Compressor oil 250 ML		1	

Model: 971-17

Model life 2017>>



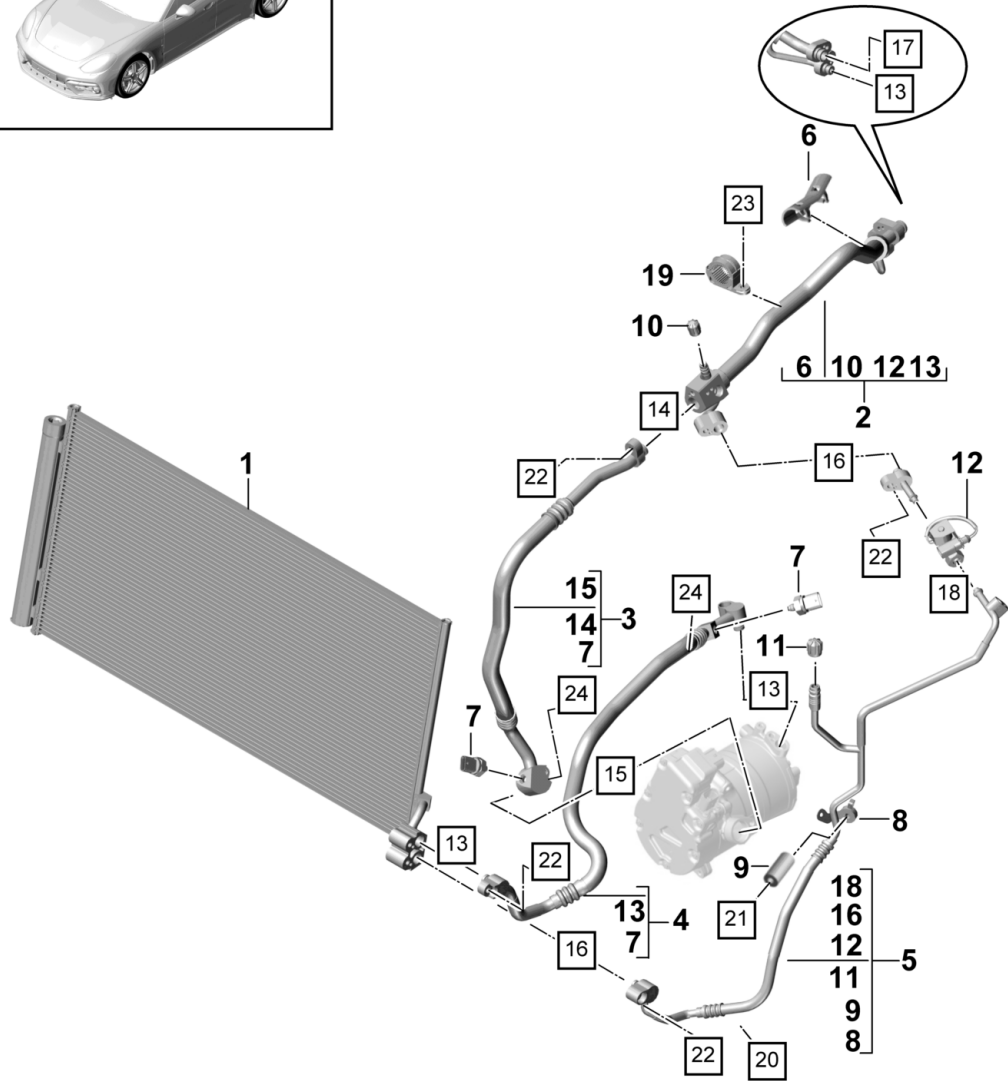
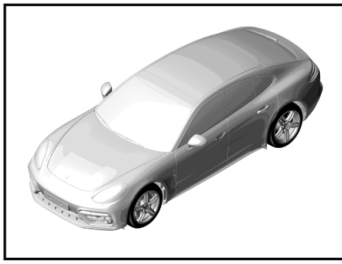
Model: 971-17

Model life 2017>>

Pos	Part Number	Description	Remark	Qty	Model
		Air conditioning Compressor R1234YF	Hybrid		PR:OK3, KK3
1	9A7 816 797 00	Compressor		1	
2	N 104 144 02	Socket head bolt with hexagon socket head M8 X 28		2	
3	N 107 976 01	double stud with hexagon drive AM8X90-M8X12		3	PR:D0D
4	N 107 094 01	hexagon head bolt (combi) BM8X120X80		1	PR:DW4
5	N 107 145 01	Socket head collared bolt with inner multipoint head BM8X90X80		3	PR:DW4
6	N 107 976 01	double stud with hexagon drive AM8X90-M8X12		3	PR:DW4
7	N 023 003 16	Hexagon nut M8		X	
8	9A7 260 199 20	Protective plate		1	PR:KK3, D0D
9	9A7 260 199 30	Protective plate		1	PR:KK3, DW4
10	9A7 573 900 00	Compressor oil 250 ML		1	
(10)		Refrigerant for R1234YF 5 KG See workshop manual 8X00IN		1	

Model: 971-17

Model life 2017>>



					24	23	22
21	20	18	17	16	15	14	13

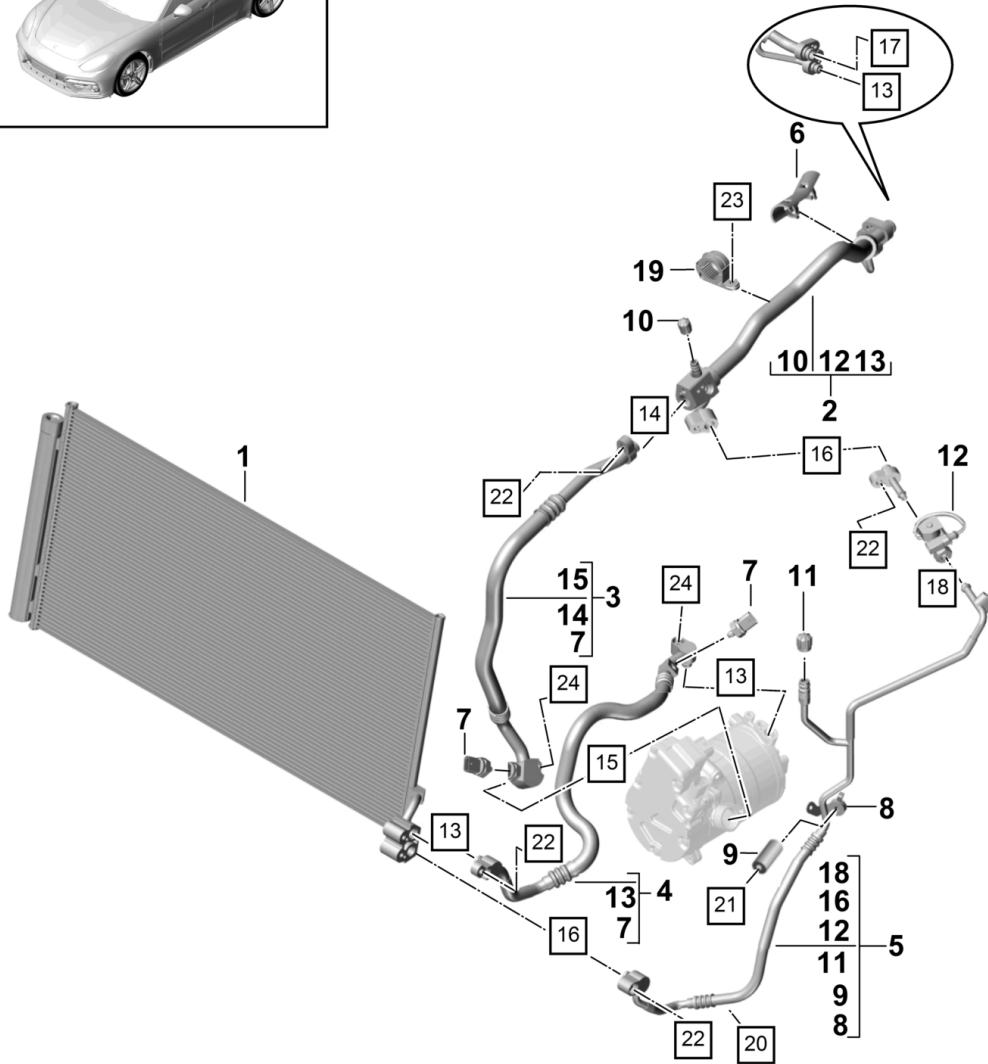
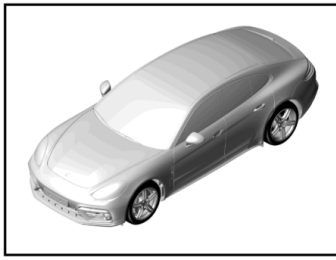
Model: 971-17

Model life 2017>>

Pos	Part Number	Description	Remark	Qty	Model
		refrigerant circuit V6 2,9L TURBO	front Hybrid		PR:OK3,D0D
1	9A7 260 399 00	Condenser		1	
2	9A7 260 701 00	Refrigerant line		1	PR:KK1
(2)	9A7 260 855 00	Refrigerant line		1	PR:KK3
3	9A7 260 758 00	Refrigerant line		1	PR:KK1,A8C
(3)	9A7 260 758 10	Refrigerant line		1	PR:KK3,A8C
4	9A7 260 841 00	Refrigerant line		1	PR:KK1,A8C
(4)	9A7 260 841 10	Refrigerant line		1	PR:KK3,A8C
5	971 260 757 C	Refrigerant line		1	PR:KK1
(5)	971 260 757 D	Refrigerant line		1	PR:KK3
6	9A7 260 689 00	Protective strip Refrigerant line		1	PR:KK3
7	9A7 959 603 00	Pressure sensor Air conditioning		1	
8	955 572 828 00	Mounting		1	
9	955 572 827 01	bush		1	
10	3C0 820 231	Protective cap Valve cap		1	PR:KK1
(10)	9A7 816 231 00	Cover Valve cap		1	PR:KK3
11	3C0 820 581	Protective cap Valve cap		1	PR:KK1
(11)	9A7 816 581 00	Cover Valve		1	PR:KK3
12	9A7 260 696 00	cut-off valve		1	
13	999 707 557 41	O-ring 11X2.5		4	
14	955 573 749 02	O-ring 13.7X2.5-N		1	
15	955 573 749 03	O-ring 23,8 X 2,4		1	
16	955 573 749 00	O-ring 9,5 X 2,5		2	
17	9A7 573 749 03	O-ring 16,25X2,5		3	
18	9A7 820 896 00	O-ring 7.6X1.82-N		2	
19	9A7 260 513 00	Bracket for coolant line		1	
20	9A7 816 579 00	Bracket Refrigerant line		1	
21	N 911 930 03	Hex socket head bolt (combi) M6X28-S11		3	
22	N 107 209 01	Socket head bolt with inner multipoint head (Kombi) M8X28-S13-S		4	
23	N 910 967 01	Oval hexagon socket head bolt M 6 X 16		1	
24	N 104 144 02	Socket head bolt with hexagon socket head M8 X 28		2	

Model: 971-17

Model life 2017>>



21	20	18	17	16	24	23	22
					15	14	13

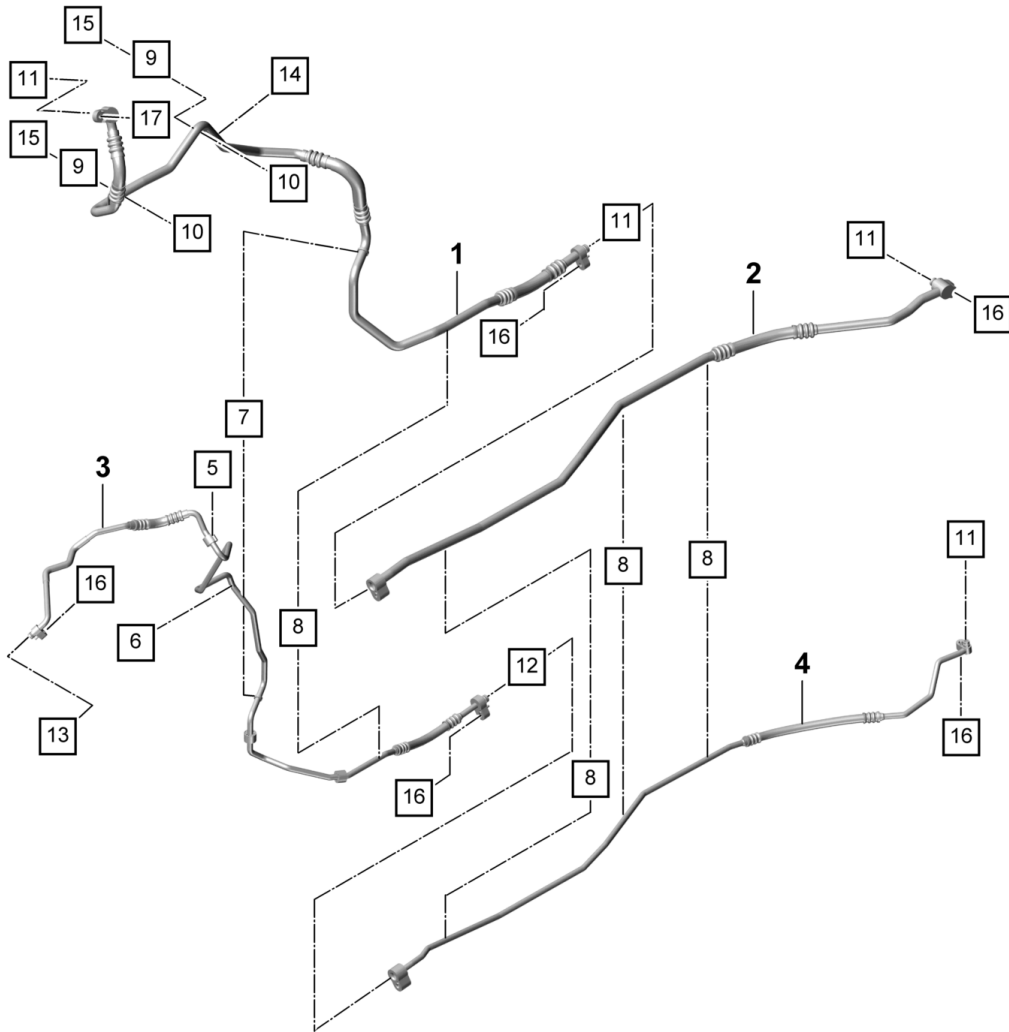
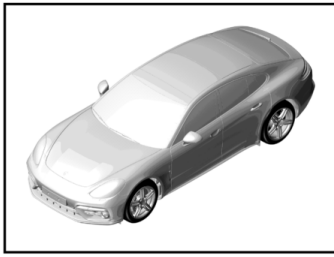
Model: 971-17

Model life 2017>>

Pos	Part Number	Description	Remark	Qty	Model
		refrigerant circuit	front		PR:OK3,DW4
		V8 4,0L BT	Hybrid		
1	9A7 260 399 00	Condenser		1	
2	9A7 260 701 00	Refrigerant line		1	PR:KK1
(2)	9A7 260 701 10	Refrigerant line		1	PR:KK3
3	9A7 260 758 20	Refrigerant line		1	PR:KK1,A8H
		suction line			
(3)	9A7 260 758 30	Refrigerant line		1	PR:KK3,A8H
		suction line			
4	9A7 260 841 20	Refrigerant line		1	PR:A8H,KK1
(4)	9A7 260 841 30	Refrigerant line		1	PR:A8H,KK3
(5)	971 260 757 C	Refrigerant line		1	PR:KK1
(5)	971 260 757 D	Refrigerant line		1	PR:KK3
6	9A7 260 689 00	Protective strip		1	PR:KK3
		Refrigerant line			
7	9A7 959 603 00	Pressure sensor		1	
		Air conditioning			
8	955 572 828 00	Mounting		1	
9	955 572 827 01	bush		1	
10	3C0 820 231	Protective cap		1	PR:KK1
		Valve			
(10)	9A7 816 231 00	Cover		1	PR:KK3
		Valve cap			
11	3C0 820 581	Protective cap		1	PR:KK1
		Valve cap			
(11)	9A7 816 581 00	Cover		1	PR:KK3
		Valve			
12	9A7 260 696 00	cut-off valve		1	
13	999 707 557 41	O-ring		4	
		11X2.5			
14	955 573 749 02	O-ring		1	
		13.7X2.5-N			
15	955 573 749 03	O-ring		1	
		23,8 X 2,4			
16	955 573 749 00	O-ring		X	2
		9,5 X 2,5			
17	9A7 573 749 03	O-ring		3	
		16,25X2,5			
18	9A7 820 896 00	O-ring		2	2
		7.6X1.82-N			
19	9A7 260 513 00	Bracket for coolant		1	
		line			
20	9A7 816 579 00	Bracket		1	
		Refrigerant line			
21	N 911 930 03	Hex socket head bolt (combi)		3	
		M6X28-S11			
22	N 107 209 01	Socket head bolt with inner		4	
		multipoint head (Kombi)			
		M8X28-S13-S			
23	N 910 967 01	Oval hexagon socket head bolt		1	
		M 6 X 16			
24	N 104 144 02	Socket head bolt with		2	
		hexagon socket head			
		M8 X 28			
25	971 971 300 B	Wire set		1	
		Pressure sensor			
		Refrigerant line			
(25)	971 971 300 C	Wire set		1	

Model: 971-17

Model life 2017>>



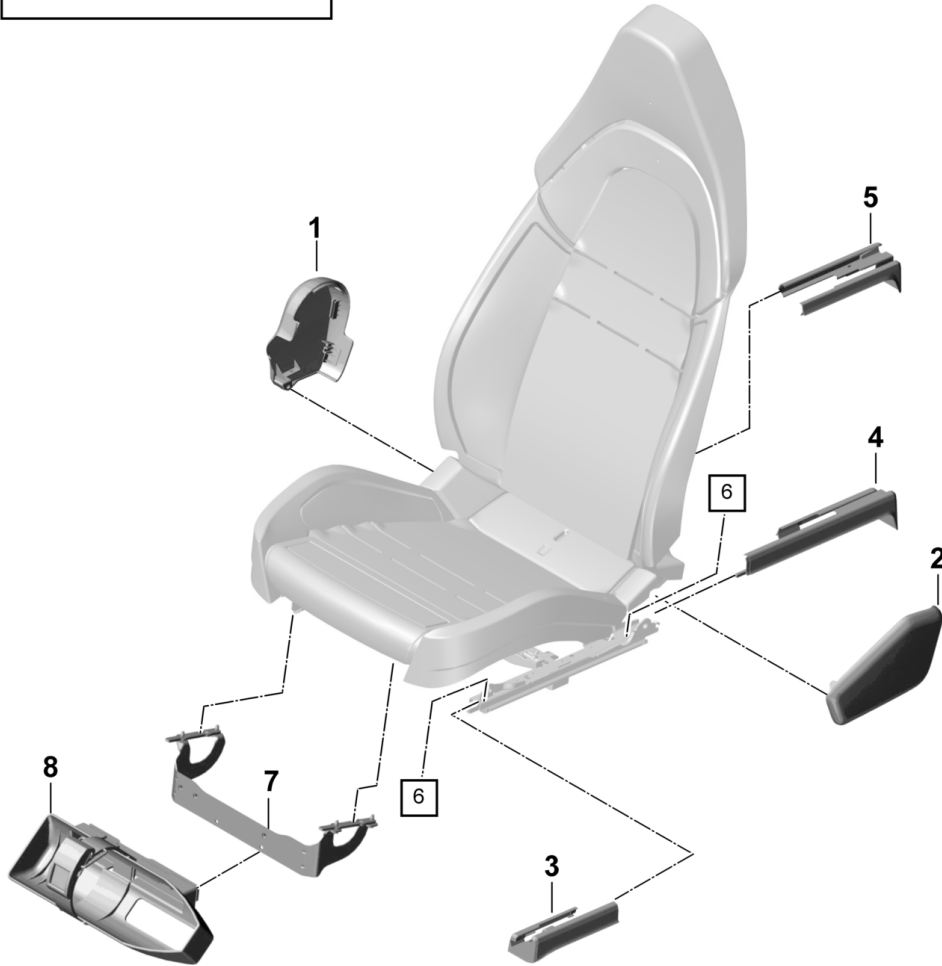
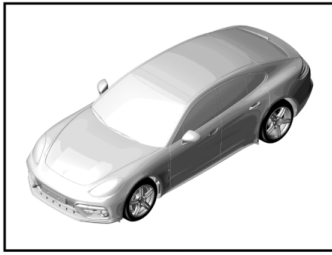
			17	16	15	14	13
12	11	10	9	8	7	6	5

Model: 971-17 Model life 2017>>

Pos	Part Number	Description	Remark	Qty	Model
		refrigerant circuit	Hybrid		PR:0K3
1	9A7 260 349 01	Underbody for evaporator Refrigerant line suction line Front		1	
(2)	971 260 709 D	Refrigerant line suction line Underbody		1	PR:0E1
(2)	971 260 709 E	Refrigerant line suction line Underbody		1	PR:0E2
(3)	9A7 260 336 01	Refrigerant line Front		1	
(4)	971 260 705 D	Refrigerant line Underbody		1	PR:0E1
(4)	971 260 705 E	Refrigerant line Underbody		1	PR:0E2
5	N 105 840 01	Retaining clip		1	
6	971 260 197	bracket for refrigerant pipe Refrigerant line		1	
7	971 260 761	Bracket		2	
8	9A7 260 759 00	Bracket		8	
9	1T0 805 179 A	Sleeve 7,5X1,5-A		4	
10	955 572 095 00	Rubber grommet		4	
11	999 707 557 41	O-ring 11X2.5		3	
12	955 573 749 00	O-ring 9,5 X 2,5		1	2
13	999 707 531 41	O-ring 7,50X2,00		1	
14	N 020 626 7	Clamp D1 15 X 16		2	
15	N 904 953 01	Hexagon nut T5 X 16,5 X 11		2	
16	N 911 930 03	Hex socket head bolt (combi) M6X28-S11		5	
17	N 910 540 01	Semi round bolt (combi) with hexagon socket head M 6 X 22		1	

Model: 971-17

Model life 2017>>



Model: 971-17 Model life 2017>>

Pos	Part Number	Description	Remark	Qty	Model
		Front seat (complete) Not available Standard seat			PR:Q1G
1	971 881 327	Cover panel	left	1	
		Mounting component	inner		
	971 881 327 5Q0	Black	-AB,AC		
	971 881 327 OA6	agate grey	-DG,DL		
	971 881 327 6W0	Luxor beige	-UB,PK,UC,BP		
	971 881 327 OL7	saddle brown	-SB,BS		
	971 881 327 7X0	Marsala Red	-PC		
	971 881 327 OG6	Bordeaux red	-BB		
	971 881 327 OL8	Chalk	-BK		
	971 881 327 5V0	Cream	-BE		
	971 881 327 OS1	Truffle Brown			
(1)	971 881 328	Cover panel	right	1	
		Mounting component	inner		
	971 881 328 5Q0	Black	-AB,AC		
	971 881 328 OA6	agate grey	-DG,DL		
	971 881 328 6W0	Luxor beige	-UB,PK,UC,BP		
	971 881 328 OL7	saddle brown	-SB,BS		
	971 881 328 7X0	Marsala Red	-PC		
	971 881 328 OG6	Bordeaux red	-BB		
	971 881 328 OL8	Chalk	-BK		
	971 881 328 5V0	Cream	-BE		
	971 881 328 OS1	Truffle Brown	-HD		
(1)	971 881 317 B	Cover panel	left	1	
		Mounting component	outer		
	971 881 317 B 5Q0	Black	-AB,AC		
	971 881 317 B OA6	agate grey	-DG,DL		
	971 881 317 B 6W0	Luxor beige	-UB,PK,UC,BP		
	971 881 317 B OL7	saddle brown	-SB,BS		
	971 881 317 B 7X0	Marsala Red	-PC		
	971 881 317 B OG6	Bordeaux red	-BB		
	971 881 317 B OL8	Chalk	-BK		
	971 881 317 B 5V0	Cream	-BE		
	971 881 317 B OS1	Truffle Brown	-HD		
(1)	971 881 317 C	Cover panel	outer	1	
		Trim	left		
	971 881 317 C OB8	Cohiba Brown	-HC		
(1)	971 881 318 B	Cover panel	right	1	
		Mounting component	outer		
	971 881 318 B 5Q0	Black	-AB,AC		
	971 881 318 B OA6	agate grey	-DG,DL		
	971 881 318 B 6W0	Luxor beige	-UB,PK,UC,BP		
	971 881 318 B OL7	saddle brown	-SB,BS		
	971 881 318 B 7X0	Marsala Red	-PC		
	971 881 318 B OG6	Bordeaux red	-BB		
	971 881 318 B OL8	Chalk	-BK		
	971 881 318 B 5V0	Cream	-BE		
	971 881 318 B OS1	Truffle Brown	-HD		
2	971 881 793	Cover panel	left	1	
		Mounting component			
	971 881 793 5Q0	Black	-AB,AC		
	971 881 793 OA6	agate grey	-DG,DL		
	971 881 793 6W0	Luxor beige	-UB,PK,UC,BP		
	971 881 793 OL7	saddle brown	-SB,BS		
	971 881 793 7X0	Marsala Red	-PC		
	971 881 793 OG6	Bordeaux red	-BB		
	971 881 793 OL8	Chalk	-BK		
	971 881 793 5V0	Cream	-BE		
	971 881 793 OS1	Truffle Brown	-HD		
(2)	971 881 794	Cover panel	right	1	

Model: 971-17 Model life 2017>>

Pos	Part Number	Description	Remark	Qty	Model
		Mounting component			
	971 881 794 5Q0	Black	-AB,AC		
	971 881 794 OA6	agate grey	-DG,DL		
	971 881 794 6W0	Luxor beige	-UB,PK,UC,BP		
	971 881 794 OL7	saddle brown	-SB,BS		
	971 881 794 7X0	Marsala Red	-PC		
	971 881 794 OG6	Bordeaux red	-BB		
	971 881 794 OL8	Chalk	-BK		
	971 881 794 5V0	Cream	-BE		
	971 881 794 OS1	Truffle Brown	-HD		
3	971 881 477 A	Rail	left	1	
		Seat rail	front		
	971 881 477 A 1E0	Black	-AB,PK,AC,BB, BS,BK		
	971 881 477 A OP1	agate grey	-DG,DL		
	971 881 477 A 4H0	Luxor beige	-UB,UC		
	971 881 477 A OM8	saddle brown	-SB,BP		
	971 881 477 A 3G0	Marsala Red	-PC,BE		
	971 881 477 A OB8	Cohiba Brown	-HC		
	971 881 477 A OS1	Truffle Brown	-HD		
(3)	971 881 478 A	Rail	right	1	
		Seat rail	front		
	971 881 478 A 1E0	Black	-AB,PK,AC,BB, BS,BK		
	971 881 478 A OP1	agate grey	-DG,DL		
	971 881 478 A 4H0	Luxor beige	-UB,UC		
	971 881 478 A OM8	saddle brown	-SB,BP		
	971 881 478 A 3G0	Marsala Red	-PC,BE		
4	971 881 479 A	Rail	left	1	
		Seat rail	rear		
			outer		
	971 881 479 A 1E0	Black	-AB,PK,AC,BB, BS,BK		
	971 881 479 A OP1	agate grey	-DG,DL		
	971 881 479 A 4H0	Luxor beige	-UB,UC		
	971 881 479 A OM8	saddle brown	-SB,BP		
	971 881 479 A 3G0	Marsala Red	-PC,BE		
	971 881 479 A OB8	Cohiba Brown	-HC		
	971 881 479 A OS1	Truffle Brown	-HD		
(4)	971 881 480 A	Rail	right	1	
		Seat rail	rear		
			outer		
	971 881 480 A 1E0	Black	-AB,PK,AC,BB, BS,BK		
	971 881 480 A OP1	agate grey	-DG,DL		
	971 881 480 A 4H0	Luxor beige	-UB,UC		
	971 881 480 A OM8	saddle brown	-SB,BP		
	971 881 480 A 3G0	Marsala Red	-PC,BE		
	971 881 480 A OB8	Cohiba Brown	-HC		
	971 881 480 A OS1	Truffle Brown	-HD		
5	971 881 171 A	Rail	left	1	
		Seat rail	rear		
			inner		
	971 881 171 A 1E0	Black	-AB,PK,AC,BB, BS,BK		
	971 881 171 A OP1	agate grey	-DG,DL		
	971 881 171 A 4H0	Luxor beige	-UB,UC		
	971 881 171 A OM8	saddle brown	-SB,BP		
	971 881 171 A 3G0	Marsala Red	-PC,BE		
	971 881 171 A OB8	Cohiba Brown	-HC		
	971 881 171 A OS1	Truffle Brown	-HD		
(5)	971 881 172 A	Rail	right	1	
		Seat rail	rear		

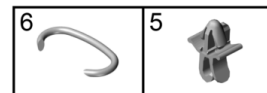
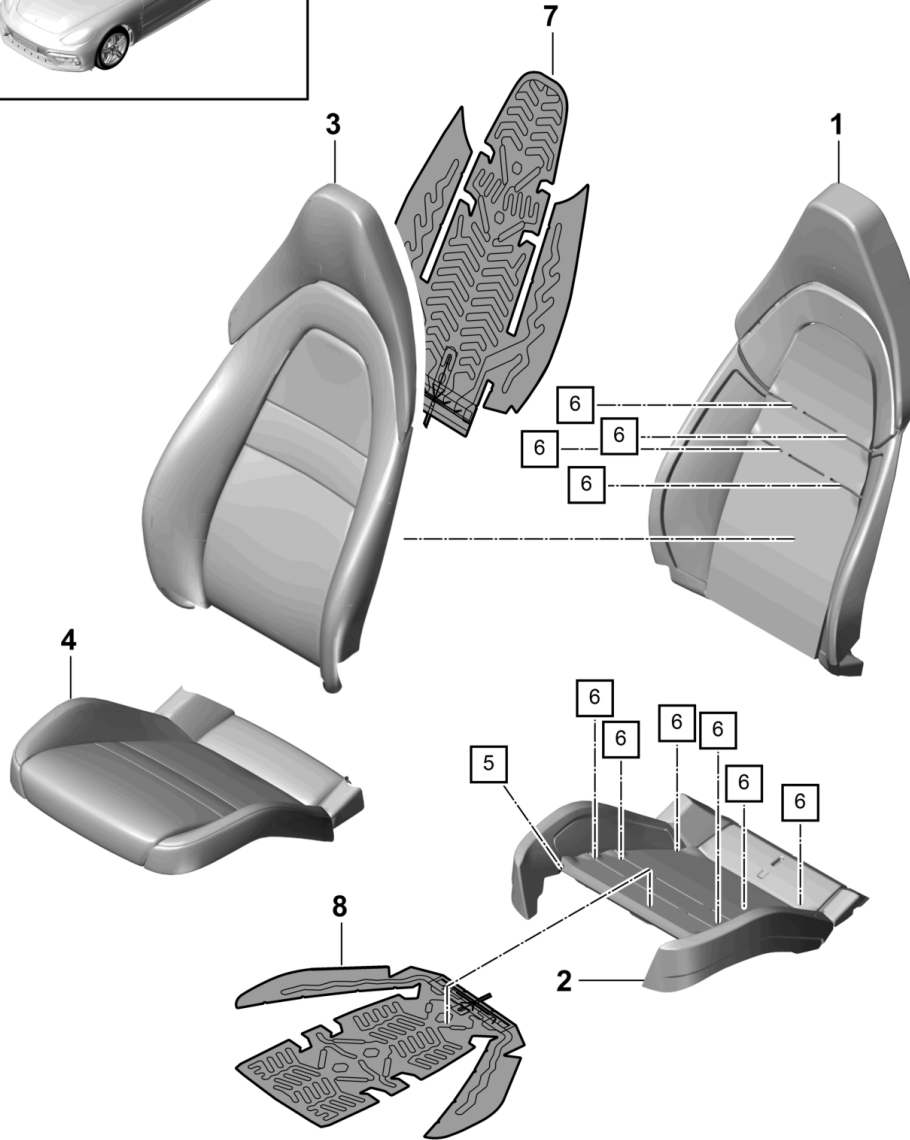
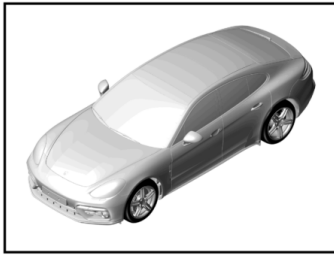
Model: 971-17

Model life 2017>>

Pos	Part Number	Description	Remark	Qty	Model
	971 881 172 A 1E0	Black	inner -AB,PK,AC,BB, BS,BK		
	971 881 172 A OP1	agate grey	-DG,DL		
	971 881 172 A 4H0	Luxor beige	-UB,UC		
	971 881 172 A OM8	saddala brown	-SB,BP		
	971 881 172 A 3G0	Marsala Red	-PC,BE		
	971 881 172 A OB8	Cohiba Brown	-HC		
	971 881 172 A OS1	Truffle Brown	-HD		
6	WHT 007 691	Outer hexagon round screw Mount Seat rail		4	
7	971 881 146	Mount Set Fire extinguishers		1	PR:L0L,6A7, L0R
8	971 881 150	Holder for fire extinguisher Set		1	PR:6A7

Model: 971-17

Model life 2017>>



Model: 971-17 Model life 2017>>

Pos	Part Number	Description	Remark	Qty	Model
1	971 881 551 G	Foam part Cover Standard seat		1	PR:Q1G,4D0
2	971 881 375 F	Foam part backrest		1	
3	971 881 805 AQ	Foam part Seat cushion Backrest cover	left	1	PR:N1X,3J4
		without:			
	971 881 805 AQ GDB	Porsche crest Black	-AB		
	971 881 805 AQ GHB	agate grey	-DG		
	971 881 805 AQ GFB	Luxor beige	-UB		
	971 881 805 AQ DWF	Luxor Beige/Black	-PK		
		D >> - 12.02.2017			
(3)	971 881 806 AQ	Backrest cover	right	1	PR:N1X,3J4
		without:			
	971 881 806 AQ GDB	Porsche crest Black	-AB		
	971 881 806 AQ GHB	agate grey	-DG		
	971 881 806 AQ GFB	Luxor beige	-UB		
	971 881 806 AQ DWF	Luxor Beige/Black	-PK		
		D >> - 12.02.2017			
(3)	971 881 805 BB	Backrest cover	left	1	PR:N5U,3J4
		without:			
	971 881 805 BB GDC	Porsche crest Black	-AC		
	971 881 805 BB GHC	agate grey	-DL		
	971 881 805 BB DUE	saddle brown	-SB		
	971 881 805 BB GFC	Luxor beige	-UC		
	971 881 805 BB DAK	Marsala Red	-PC		
	971 881 805 BB DWA	Black/Bordeaux Red	-BB		
	971 881 805 BB DWB	Saddle Tan/Black	-BS		
	971 881 805 BB DWC	Black/Chalk	-BK		
	971 881 805 BB DWD	Luxor Beige/Saddle Tan	-BP		
	971 881 805 BB DWE	Marsala Red/Cream	-BE		
		D >> - 12.02.2017			
(3)	971 881 806 BB	Backrest cover	right	1	PR:N5U,3J4
		without:			
	971 881 806 BB GDC	Porsche crest Black	-AC		
	971 881 806 BB GHC	agate grey	-DL		
	971 881 806 BB DUE	saddle brown	-SB		
	971 881 806 BB GFC	Luxor beige	-UC		
	971 881 806 BB DAK	Marsala Red	-PC		
	971 881 806 BB DWA	Black/Bordeaux Red	-BB		
	971 881 806 BB DWB	Saddle Tan/Black	-BS		
	971 881 806 BB DWC	Black/Chalk	-BK		
	971 881 806 BB DWD	Luxor Beige/Saddle Tan	-BP		
	971 881 806 BB DWE	Marsala Red/Cream	-BE		
		D >> - 12.02.2017			
(3)	971 881 805 BQ	Backrest cover	left	1	PR:N1X,5ZF
		with:			
	971 881 805 BQ GDB	Porsche crest Black	-AB		
	971 881 805 BQ GHB	agate grey	-DG		
	971 881 805 BQ GFB	Luxor beige	-UB		
	971 881 805 BQ DWF	Luxor Beige/Black	-PK		
		D >> - 12.02.2017			
(3)	971 881 806 BQ	Backrest cover	right	1	PR:N1X,5ZF
		with:			
	971 881 806 BQ GDB	Porsche crest Black	-AB		

Model: 971-17 Model life 2017>>

Pos	Part Number	Description	Remark	Qty	Model
	971 881 806 BQ GHB	agate grey	-DG		
	971 881 806 BQ GFB	Luxor beige	-UB		
	971 881 806 BQ DWF	Luxor Beige/Black	-PK		
(3)	971 881 805 BN	D >> - 12.02.2017 Backrest cover	left	1	PR:N5U,5ZF
		with:			
	971 881 805 BN GDC	Porsche crest Black	-AC		
	971 881 805 BN GHC	agate grey	-DL		
	971 881 805 BN DUE	saddle brown	-SB		
	971 881 805 BN GFC	Luxor beige	-UC		
	971 881 805 BN DAK	Marsala Red	-PC		
	971 881 805 BN DWA	Black/Bordeaux Red	-BB		
	971 881 805 BN DWB	Saddle Tan/Black	-BS		
	971 881 805 BN DWC	Black/Chalk	-BK		
	971 881 805 BN DWD	Luxor Beige/Saddle Tan	-BP		
	971 881 805 BN DWE	Marsala Red/Cream	-BE		
(3)	971 881 806 BN	D >> - 12.02.2017 Backrest cover	right	1	PR:N5U,5ZF
		with:			
	971 881 806 BN GDC	Porsche crest Black	-AC		
	971 881 806 BN GHC	agate grey	-DL		
	971 881 806 BN DUE	saddle brown	-SB		
	971 881 806 BN GFC	Luxor beige	-UC		
	971 881 806 BN DAK	Marsala Red	-PC		
	971 881 806 BN DWA	Black/Bordeaux Red	-BB		
	971 881 806 BN DWB	Saddle Tan/Black	-BS		
	971 881 806 BN DWC	Black/Chalk	-BK		
	971 881 806 BN DWD	Luxor Beige/Saddle Tan	-BP		
	971 881 806 BN DWE	Marsala Red/Cream	-BE		
4	971 881 405 AS	D >> - 12.02.2017 Seat cover	left	1	PR:N1X
	971 881 405 AS GDB	Black	-AB		
	971 881 405 AS GHB	agate grey	-DG		
	971 881 405 AS GFB	Luxor beige	-UB,PK		
(4)	971 881 406 AS	Seat cover	right	1	PR:N1X
	971 881 406 AS GDB	Black	-AB		
	971 881 406 AS GHB	agate grey	-DG		
	971 881 406 AS GFB	Luxor beige	-UB,PK		
(4)	971 881 405 BN	Seat cover	left	1	PR:N5U
	971 881 405 BN GDC	Black	-AC		
	971 881 405 BN GHC	agate grey	-DL		
	971 881 405 BN DUE	saddle brown	-SB,BS		
	971 881 405 BN GFC	Luxor beige	-UC,BP		
	971 881 405 BN DAK	Marsala Red	-PC		
	971 881 405 BN GUC	Bordeaux red	-BB		
	971 881 405 BN GVC	Chalk	-BK		
	971 881 405 BN DAL	Cream	-BE		
(4)	971 881 406 BN	Seat cover	right	1	PR:N5U
	971 881 406 BN GDC	Black	-AC		
	971 881 406 BN GHC	agate grey	-DL		
	971 881 406 BN DUE	saddle brown	-SB,BS		
	971 881 406 BN GFC	Luxor beige	-UC,BP		
	971 881 406 BN DAK	Marsala Red	-PC		
	971 881 406 BN GUC	Bordeaux red	-BB		
	971 881 406 BN GVC	Chalk	-BK		
	971 881 406 BN DAL	Cream	-BE		
(4)	971 881 405 CA	Seat cover	left	1	PR-N1W
	971 881 405 CA GT0	Truffle Brown	-HD		
	971 881 405 CA GC0	Cohiba Brown	-HC		
(4)	971 881 406 CA	Seat cover	right	1	PR-N1W
	971 881 406 CA GT0	Truffle Brown	-HD		

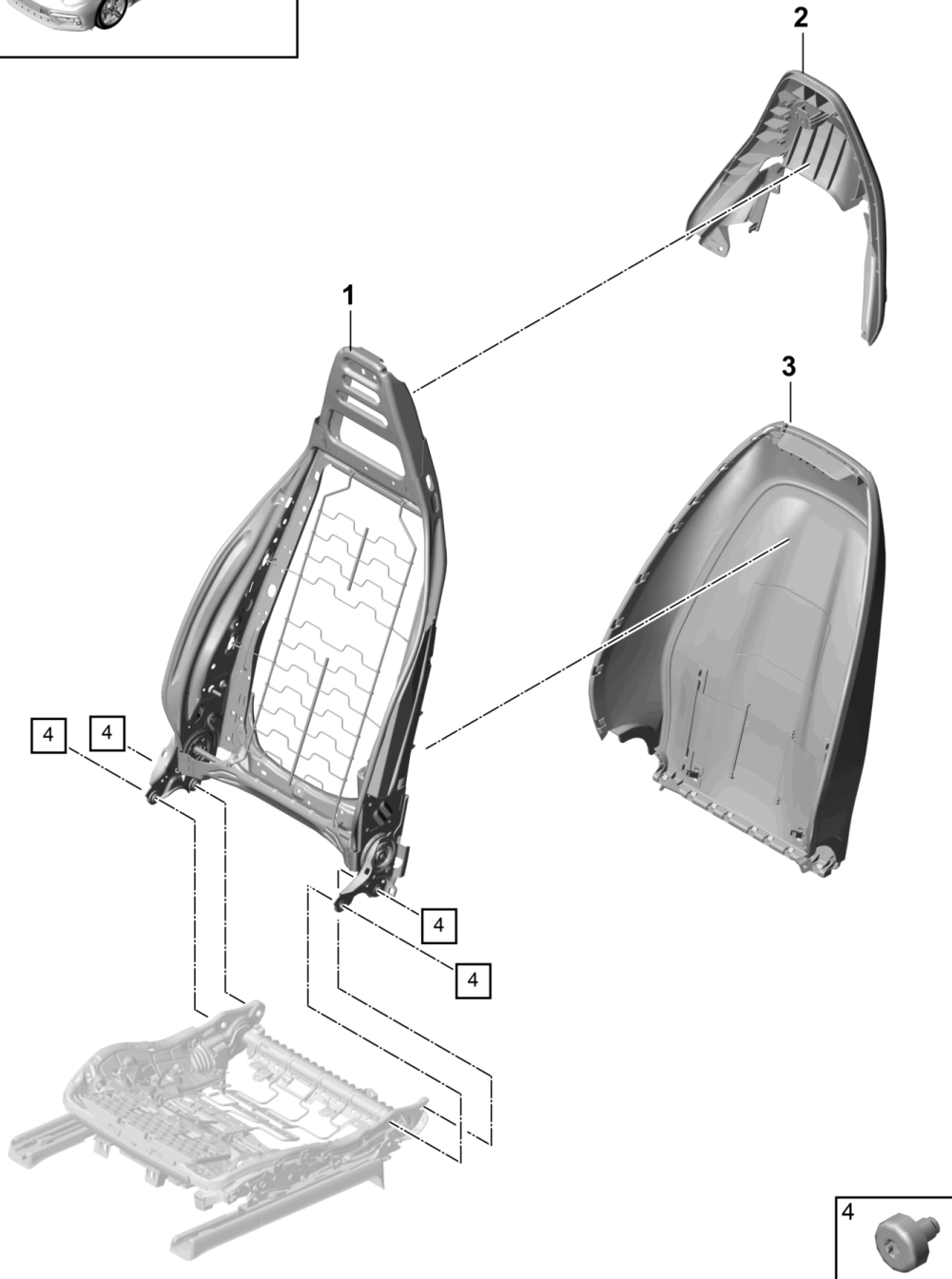
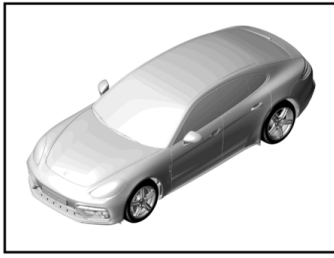
Model: 971-17

Model life 2017>>

Pos	Part Number	Description	Remark	Qty	Model
	971 881 406 CA GC0	Cohiba Brown	-HC		
5	971 881 280	Clip		1	
6	N 015 261 2	Clip Mount Seat cover		16	
7	971 963 557 B	seat and backrest heater element	left a. right	1	PR:4A3,4A4
8	971 963 555 C	Heater element Seat	left a. right	1	PR:4A3,4A4
9	971 898 054	Seat surface Sundry parts set		1	

Model: 971-17

Model life 2017>>

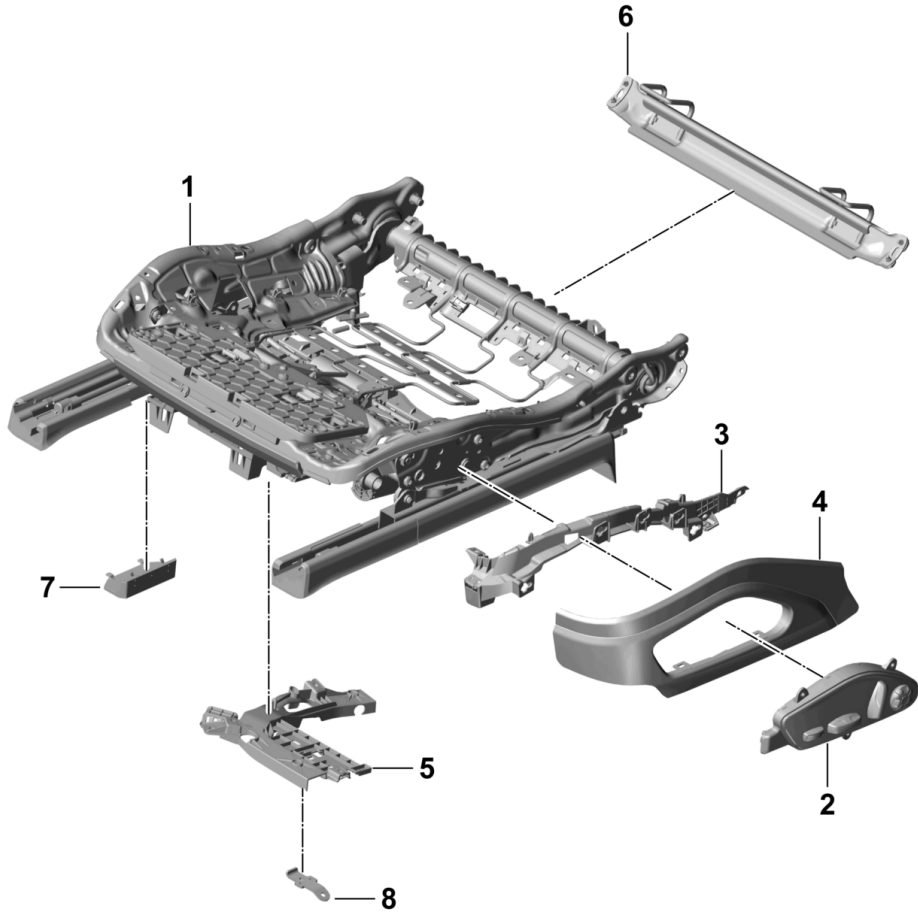
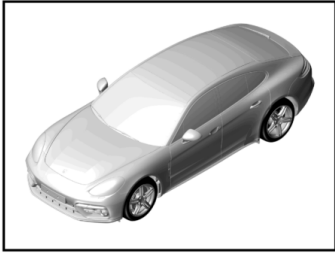


Model: 971-17 Model life 2017>>

Pos	Part Number	Description	Remark	Qty	Model
		Backrest frame			PR:Q1G
		Backrest shell			
		Standard seat			
1	971 898 039	backrest frame	left	1	
1	971 898 039 A	backrest frame	right	1	
2	971 882 774 B	Padded surface	left a. right	1	
		Upper part			
3	971 881 971 R	Backrest shell	left a. right	1	PR:N0Q,N1A, N1P,N5U,9WT
		Lower part			
		Leather			
	971 881 971 R A80	Black	-AC		
	971 881 971 R C85	agate grey	-DL		
	971 881 971 R OK6	saddle brown	-SB,BS		
	971 881 971 R Q80	Luxor beige	-UC,BP		
	971 881 971 R P80	Marsala Red	-PC		
	971 881 971 R OG6	Bordeaux red	-BB		
	971 881 971 R OL8	Chalk	-BK		
	971 881 971 R V80	Cream	-BE		
3	971 881 971 T	Backrest shell	left a. right	1	PR:N0Q,N1A, N1P,N5U,9WM
		Lower part			
		Leather			
		Rear seat entertainment system			
	971 881 971 T A80	Black	-AC		
	971 881 971 T C85	agate grey	-DL		
	971 881 971 T OK6	saddle brown	-SB,BS		
	971 881 971 T Q80	Luxor beige	-UC,BP		
	971 881 971 T P80	Marsala Red	-PC		
	971 881 971 T OG6	Bordeaux red	-BB		
	971 881 971 T OL8	Chalk	-BK		
	971 881 971 T V80	Cream	-BE		
(3)	971 881 971 S	Backrest shell	left a. right	1	PR:N0K,N1X, 9WT
		Lower part			
		Leatherette			
	971 881 971 S 1D0	Black	-AB		
	971 881 971 S OW7	agate grey	-DG		
	971 881 971 S 2E0	Luxor beige	-UB,PK		
(3)	971 881 971 AA	Backrest shell	left a. right	1	PR:N0K,N1X, 9WU
		Lower part			
		Leatherette			
		Rear seat entertainment system			
	971 881 971 AA 1D0	Black	-AB		
	971 881 971 AA OW7	agate grey	-DG		
	971 881 971 AA 2E0	Luxor beige	-UB,PK		
4	9A7 007 867	Hexagon socket head bolt		4	
		backrest			

Model: 971-17

Model life 2017>>



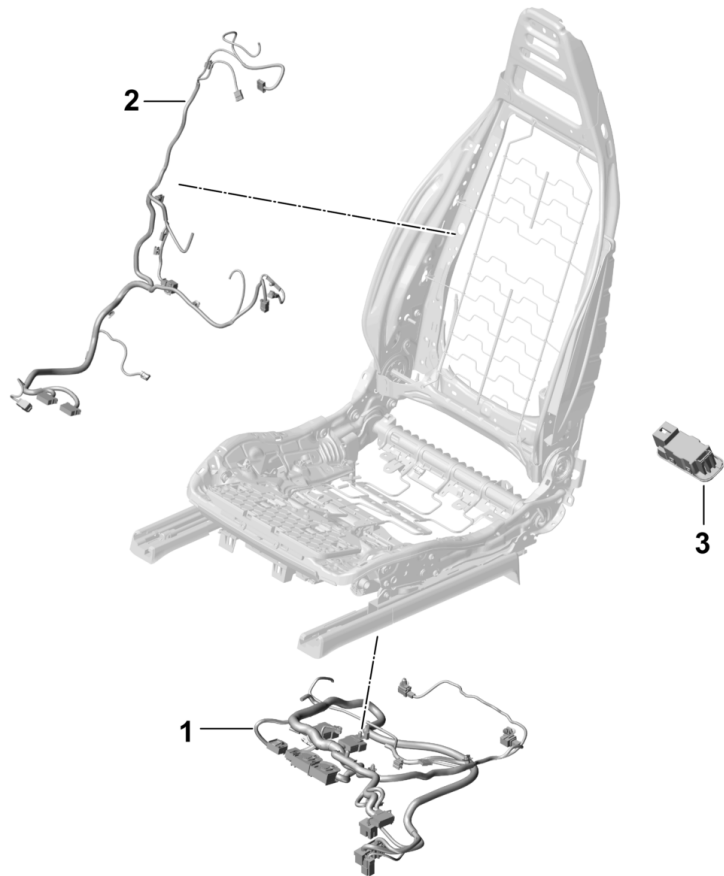
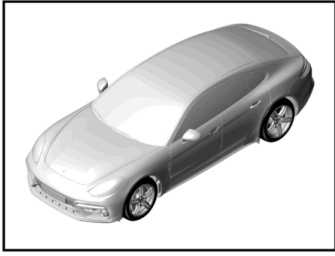
Model: 971-17

Model life 2017>>

Pos	Part Number	Description	Remark	Qty	Model
		Seat frame Standard seat			PR:Q1G
1	971 881 105 F	Seat frame	left	1	
(1)	971 881 106 F	Seat frame	right	1	
2	971 959 747 Q	Switch insert	left	1	PR:3L5,3L6
	971 959 747 Q HVO	Black/Galvano Silver			
(2)	971 959 748 Q	Switch insert	right	1	PR:3L4,3L5
	971 959 748 Q HVO	Black/Galvano Silver			
(2)	971 959 747 R	Switch insert	left	1	PR:3L4,3PN
	971 959 747 R HVO	Black/Galvano Silver			
(2)	971 959 748 R	Switch insert	right	1	PR:3L6,3PN
	971 959 748 R HVO	Black/Galvano Silver			
3	971 881 507	Bracket	left	1	
		Trim for switch			
(3)	971 881 508	Bracket	right	1	
		Trim for switch			
4	971 881 317	Trim for switch	left	1	
	971 881 317 5Q0	Black	-AB,AC		
	971 881 317 OA6	agate grey	-DG,DL		
	971 881 317 6W0	Luxor beige	-UB,PK,UC,BP		
	971 881 317 OL7	saddle brown	-SB,BS		
	971 881 317 7X0	Marsala Red	-PC		
	971 881 317 OG6	Bordeaux red	-BB		
	971 881 317 OL8	Chalk	-BK		
	971 881 317 5V0	Cream	-BE		
(4)	971 881 318	Trim for switch	right	1	
	971 881 318 5Q0	Black	-AB,AC		
	971 881 318 OA6	agate grey	-DG,DL		
	971 881 318 6W0	Luxor beige	-UB,PK,UC,BP		
	971 881 318 OL7	saddle brown	-SB,BS		
	971 881 318 7X0	Marsala Red	-PC		
	971 881 318 OG6	Bordeaux red	-BB		
	971 881 318 OL8	Chalk	-BK		
	971 881 318 5V0	Cream	-BE		
5	971 881 744	Cable guide		1	
6	971 881 545 B	Retainer plate		1	
		child seat			
7	9A7 959 994 00	Counterplate		1	
8	971 881 561	Cable guide		1	

Model: 971-17

Model life 2017>>

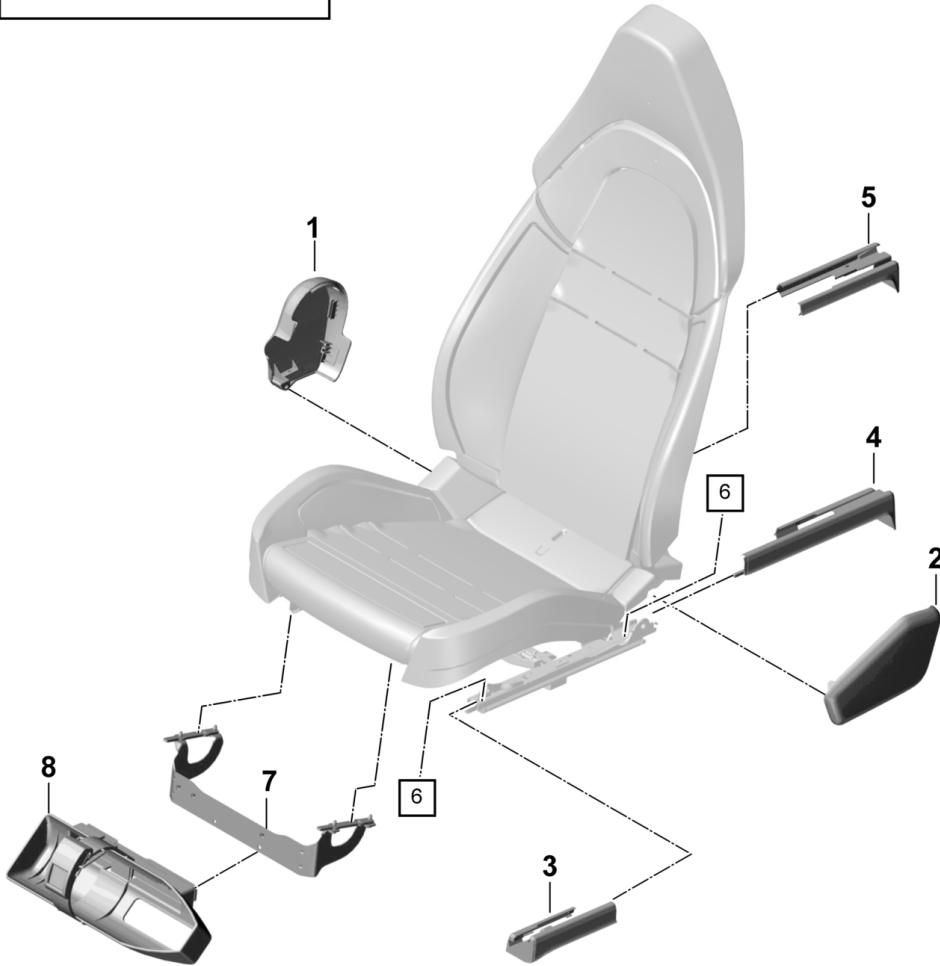
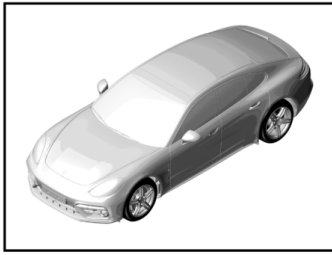


Model: 971-17 Model life 2017>>

Pos	Part Number	Description	Remark	Qty	Model
		Wiring looms			PR:Q1G
1	971 971 365 S	Seat backrest	basic left	1	PR:-3L4
(1)	971 971 365 AA	modify in workshop Wire set Seat	basic left	1	PR:3L4
(1)	971 971 366 AG	modify in workshop Wire set Seat	basic right	1	PR:-3L6,9P3
(1)	971 971 366 AL	modify in workshop Wire set Seat	basic right	1	PR:-3L6,9P7
(1)	971 971 366 AJ	modify in workshop Wire set Seat	basic right	1	PR:3L6
2	971 971 399 EF	modify in workshop Wire set backrest	basic left	1	
(2)	971 974 369 CQ	modify in workshop Wire set backrest	basic right	1	
3	9A7 947 415 10	modify in workshop Light	basic left rear	1	PR:QQ2
(3)	9A7 947 415 20	Footwell Light Footwell	basic right rear	1	PR:QQ2

Model: 971-17

Model life 2017>>



Model: 971-17 Model life 2017>>

Pos	Part Number	Description	Remark	Qty	Model
		Front seat (complete) Not available Comfort seat			PR:Q2J
1	971 881 327	Cover panel	left	1	
		Mounting component	inner		
	971 881 327 5Q0	Black	-AB,AC		
	971 881 327 OA6	agate grey	-DG,DL		
	971 881 327 6W0	Luxor beige	-UB,PK,UC,BP		
	971 881 327 OL7	saddle brown	-SB,BS		
	971 881 327 7X0	Marsala Red	-PC		
	971 881 327 OG6	Bordeaux red	-BB		
	971 881 327 OL8	Chalk	-BK		
	971 881 327 5V0	Cream	-BE		
	971 881 327 OS1	Truffle Brown	-HD		
(1)	971 881 328	Cover panel	right	1	
		Mounting component	inner		
	971 881 328 5Q0	Black	-AB,AC		
	971 881 328 OA6	agate grey	-DG,DL		
	971 881 328 6W0	Luxor beige	-UB,PK,UC,BP		
	971 881 328 OL7	saddle brown	-SB,BS		
	971 881 328 7X0	Marsala Red	-PC		
	971 881 328 OG6	Bordeaux red	-BB		
	971 881 328 OL8	Chalk	-BK		
	971 881 328 5V0	Cream	-BE		
	971 881 328 OS1	Truffle Brown	-HD		
(1)	971 881 317 B	Cover panel	left	1	
		Mounting component	outer		
	971 881 317 B 5Q0	Black	-AB,AC		
	971 881 317 B OA6	agate grey	-DG,DL		
	971 881 317 B 6W0	Luxor beige	-UB,PK,UC,BP		
	971 881 317 B OL7	saddle brown	-SB,BS		
	971 881 317 B 7X0	Marsala Red	-PC		
	971 881 317 B OG6	Bordeaux red	-BB		
	971 881 317 B OL8	Chalk	-BK		
	971 881 317 B 5V0	Cream	-BE		
	971 881 317 B OS1	Truffle Brown	-HD		
(1)	971 881 317 C	Cover panel	left	1	
		Trim	outer		
	971 881 317 C OB8	Cohiba Brown	-HC		
(1)	971 881 318 B	Cover panel	right	1	
		Mounting component	outer		
	971 881 318 B 5Q0	Black	-AB,AC		
	971 881 318 B OA6	agate grey	-DG,DL		
	971 881 318 B 6W0	Luxor beige	-UB,PK,UC,BP		
	971 881 318 B OL7	saddle brown	-SB,BS		
	971 881 318 B 7X0	Marsala Red	-PC		
	971 881 318 B OG6	Bordeaux red	-BB		
	971 881 318 B OL8	Chalk	-BK		
	971 881 318 B 5V0	Cream	-BE		
	971 881 318 B OS1	Truffle Brown	-HD		
2	971 881 793	Cover panel	left	1	
		Mounting component			
	971 881 793 5Q0	Black	-AB,AC		
	971 881 793 OA6	agate grey	-DG,DL		
	971 881 793 6W0	Luxor beige	-UB,PK,UC,BP		
	971 881 793 OL7	saddle brown	-SB,BS		
	971 881 793 7X0	Marsala Red	-PC		
	971 881 793 OG6	Bordeaux red	-BB		
	971 881 793 OL8	Chalk	-BK		
	971 881 793 5V0	Cream	-BE		
	971 881 793 OS1	Truffle Brown	-HD		
(2)	971 881 794	Cover panel	right	1	

Model: 971-17 Model life 2017>>

Pos	Part Number	Description	Remark	Qty	Model
		Mounting component			
	971 881 794 5Q0	Black	-AB,AC		
	971 881 794 OA6	agate grey	-DG,DL		
	971 881 794 6W0	Luxor beige	-UB,PK,UC,BP		
	971 881 794 OL7	saddle brown	-SB,BS		
	971 881 794 7X0	Marsala Red	-PC		
	971 881 794 OG6	Bordeaux red	-BB		
	971 881 794 OL8	Chalk	-BK		
	971 881 794 5V0	Cream	-BE		
	971 881 794 OS1	Truffle Brown	-HD		
3	971 881 477 A	Rail	left	1	
		Seat rail	front		
	971 881 477 A 1E0	Black	-AB,PK,AC,BB, BS,BK		
	971 881 477 A OP1	agate grey	-DG,DL		
	971 881 477 A 4H0	Luxor beige	-UB,UC		
	971 881 477 A OM8	saddle brown	-SB,BP		
	971 881 477 A 3G0	Marsala Red	-PC,BE		
	971 881 477 A OB8	Cohiba Brown	-HC		
	971 881 477 A OS1	Truffle Brown	-HD		
(3)	971 881 478 A	Rail	right	1	
		Seat rail	front		
	971 881 478 A 1E0	Black	-AB,PK,AC,BB, BS,BK		
	971 881 478 A OP1	agate grey	-DG,DL		
	971 881 478 A 4H0	Luxor beige	-UB,UC		
	971 881 478 A OM8	saddle brown	-SB,BP		
	971 881 478 A 3G0	Marsala Red	-PC,BE		
	971 881 478 A OB8	Cohiba Brown	-HC		
	971 881 478 A OS1	Truffle Brown	-HD		
4	971 881 479 A	Rail	left	1	
		Seat rail	rear		
			outer		
	971 881 479 A 1E0	Black	-AB,PK,AC,BB, BS,BK		
	971 881 479 A OP1	agate grey	-DG,DL		
	971 881 479 A 4H0	Luxor beige	-UB,UC		
	971 881 479 A OM8	saddle brown	-SB,BP		
	971 881 479 A 3G0	Marsala Red	-PC,BE		
	971 881 479 A OB8	Cohiba Brown	-HC		
	971 881 479 A OS1	Truffle Brown	-HD		
(4)	971 881 480 A	Rail	right	1	
		Seat rail	rear		
			outer		
	971 881 480 A 1E0	Black	-AB,PK,AC,BB, BS,BK		
	971 881 480 A OP1	agate grey	-DG,DL		
	971 881 480 A 4H0	Luxor beige	-UB,UC		
	971 881 480 A OM8	saddle brown	-SB,BP		
	971 881 480 A 3G0	Marsala Red	-PC,BE		
	971 881 480 A OB8	Cohiba Brown	-HC		
	971 881 480 A OS1	Truffle Brown	-HD		
5	971 881 171 A	Rail	left	1	
		Seat rail	rear		
			inner		
	971 881 171 A 1E0	Black	-AB,PK,AC,BB, BS,BK		
	971 881 171 A OP1	agate grey	-DG,DL		
	971 881 171 A 4H0	Luxor beige	-UB,UC		
	971 881 171 A OM8	saddle brown	-SB,BP		
	971 881 171 A 3G0	Marsala Red	-PC,BE		
	971 881 171 A OB8	Cohiba Brown	-HC		
	971 881 171 A OS1	Truffle Brown	-HD		

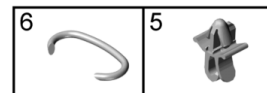
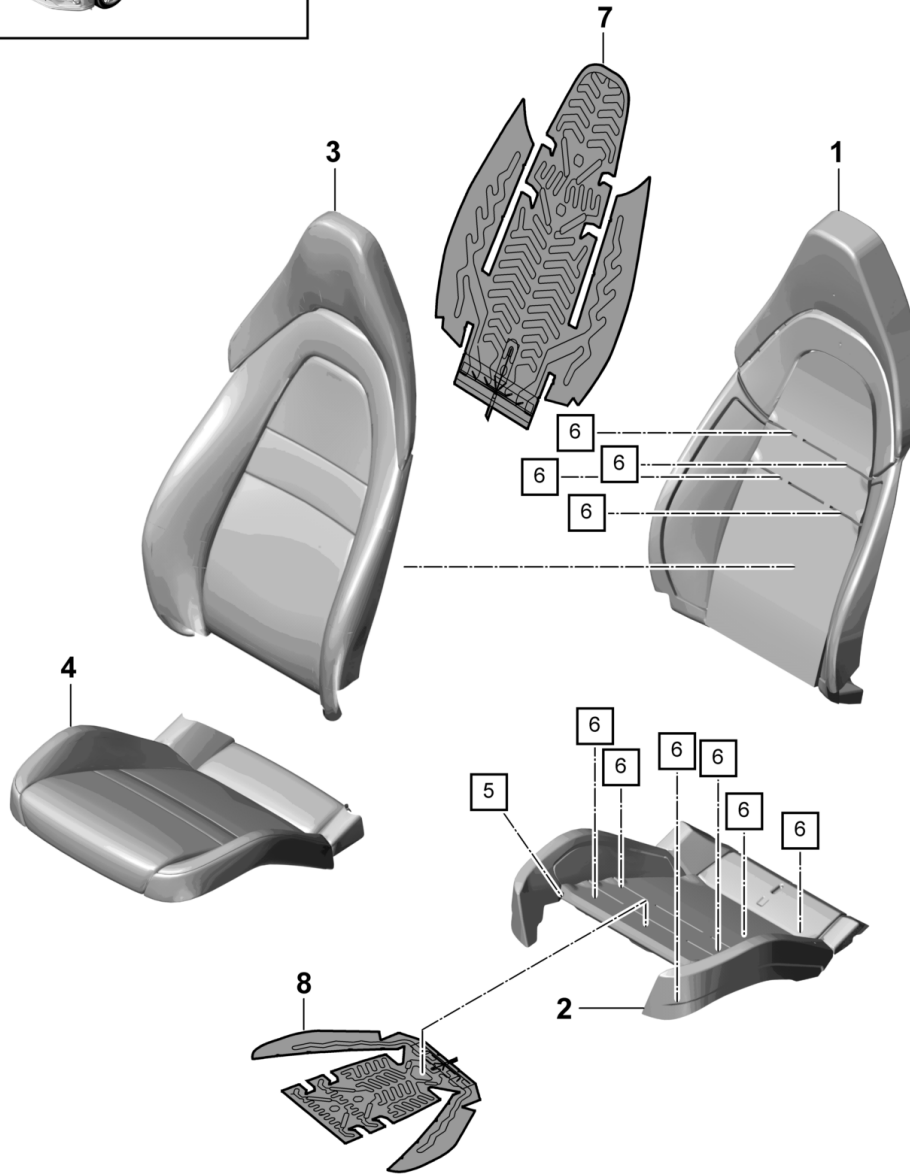
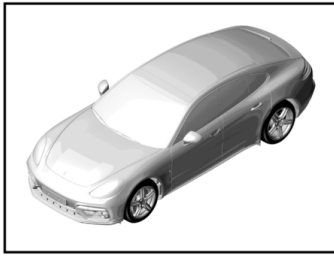
Model: 971-17

Model life 2017>>

Pos	Part Number	Description	Remark	Qty	Model
(5)	971 881 172 A	Rail Seat rail	right rear inner	1	
	971 881 172 A 1E0	Black	-AB,PK,AC,BB, BS,BK		
	971 881 172 A OP1	agate grey	-DG,DL		
	971 881 172 A 4H0	Luxor beige	-UB,UC		
	971 881 172 A OM8	saddle brown	-SB,BP		
	971 881 172 A 3G0	Marsala Red	-PC,BE		
	971 881 172 A OB8	Cohiba Brown	-HC		
	971 881 172 A OS1	Truffle Brown	-HD		
6	WHT 007 691	Outer hexagon round screw Mount Seat rail		4	
7	971 881 146	Mount Set Fire extinguishers		1	PR:L0L,6A7, L0R
8	971 881 150	Holder for fire extinguisher Set		1	

Model: 971-17

Model life 2017>>



Model: 971-17 Model life 2017>>

Pos	Part Number	Description	Remark	Qty	Model
1	971 881 551 H	Seat For comfort seat Foam part		1	PR:Q2J,4D0, 4D7
2	971 881 375 G	backrest Foam part Seat cushion		1	
3	971 881 805 AR	Backrest cover without:	left	1	PR:N1X,3J4
	971 881 805 AR GDB	Porsche crest Black	-AB		
	971 881 805 AR GHB	agate grey	-DG		
	971 881 805 AR GFB	Luxor beige	-UB		
	971 881 805 AR DWF	Luxor Beige/Black	-PK		
		D >> - 12.02.2017			
3	971 881 806 AR	Backrest cover without:	right	1	PR:N1X,3J4
	971 881 806 AR GDB	Porsche crest Black	-AB		
	971 881 806 AR GHB	agate grey	-DG		
	971 881 806 AR GFB	Luxor beige	-UB		
	971 881 806 AR DWF	Luxor Beige/Black	-PK		
		D >> - 12.02.2017			
(3)	971 881 805 BC	Backrest cover without:	left	1	PR:N5U,3J4
	971 881 805 BC GDC	Porsche crest Black	-AC		
	971 881 805 BC GHC	agate grey	-DL		
	971 881 805 BC DUE	saddle brown	-SB		
	971 881 805 BC GFC	Luxor beige	-UC		
	971 881 805 BC DAK	Marsala Red	-PC		
	971 881 805 BC DWA	Black/Bordeaux Red	-BB		
	971 881 805 BC DWB	Saddle Tan/Black	-BS		
	971 881 805 BC DWC	Black/Chalk	-BK		
	971 881 805 BC DWD	Luxor Beige/Saddle Tan	-BP		
	971 881 805 BC DWE	Marsala Red/Cream	-BE		
		D >> - 12.02.2017			
(3)	971 881 806 BC	Backrest cover without:	right	1	PR:N5U,3J4
	971 881 806 BC GDC	Porsche crest Black	-AC		
	971 881 806 BC GHC	agate grey	-DL		
	971 881 806 BC DUE	saddle brown	-SB		
	971 881 806 BC GFC	Luxor beige	-UC		
	971 881 806 BC DAK	Marsala Red	-PC		
	971 881 806 BC DWA	Black/Bordeaux Red	-BB		
	971 881 806 BC DWB	Saddle Tan/Black	-BS		
	971 881 806 BC DWC	Black/Chalk	-BK		
	971 881 806 BC DWD	Luxor Beige/Saddle Tan	-BP		
	971 881 806 BC DWE	Marsala Red/Cream	-BE		
		D >> - 12.02.2017			
(3)	971 881 805 BM	Backrest cover with:	left	1	PR:N1X,5ZF
	971 881 805 BM GDB	Porsche crest Black	-AB		
	971 881 805 BM GHB	agate grey	-DG		
	971 881 805 BM GFB	Luxor beige	-UB		
	971 881 805 BM DWF	Luxor Beige/Black	-PK		
		D >> - 12.02.2017			
(3)	971 881 806 BM	Backrest cover with:	right	1	PR:N1X,5ZF
	971 881 806 BM GDB	Porsche crest Black	-AB		
	971 881 806 BM GHB	agate grey	-DG		

Model: 971-17 Model life 2017>>

Pos	Part Number	Description	Remark	Qty	Model
	971 881 806 BM GFB	Luxor beige	-UB		
	971 881 806 BM DWF	Luxor Beige/Black	-PK		
(3)	971 881 805 BS	D >> - 12.02.2017 Backrest cover	left	1	PR:N5U,5ZF
		with:			
	971 881 805 BS GDC	Porsche crest Black	-AC		
	971 881 805 BS GHC	agate grey	-DL		
	971 881 805 BS DUE	saddle brown	-SB		
	971 881 805 BS GFC	Luxor beige	-UC		
	971 881 805 BS DAK	Marsala Red	-PC		
	971 881 805 BS DWA	Black/Bordeaux Red	-BB		
	971 881 805 BS DWB	Saddle Tan/Black	-BS		
	971 881 805 BS DWC	Black/Chalk	-BK		
	971 881 805 BS DWD	Luxor Beige/Saddle Tan	-BP		
(3)	971 881 805 BS DWE	Marsala Red/Cream	-BE		
	971 881 806 BS	Backrest cover	right	1	PR:N5U,5ZF
		with:			
	971 881 806 BS GDC	Porsche crest Black	-AC		
	971 881 806 BS GHC	agate grey	-DL		
	971 881 806 BS DUE	saddle brown	-SB		
	971 881 806 BS GFC	Luxor beige	-UC		
	971 881 806 BS DAK	Marsala Red	-PC		
	971 881 806 BS DWA	Black/Bordeaux Red	-BB		
	971 881 806 BS DWB	Saddle Tan/Black	-BS		
	971 881 806 BS DWC	Black/Chalk	-BK		
	971 881 806 BS DWD	Luxor Beige/Saddle Tan	-BP		
(3)	971 881 806 BS DWE	Marsala Red/Cream	-BE		
	971 881 805 CJ	Backrest cover	left	1	PR-A8H,E0A, N5U,Q2J,4D0, 4D7,5ZJ,5ZP
		inscription	TURBO		
	971 881 805 CJ GDC	Black	-AC		
	971 881 805 CJ DAK	Marsala Red	-PC		
	971 881 805 CJ DUE	saddle brown	-SB		
	971 881 805 CJ DWA	Black/Bordeaux Red	-BB		
	971 881 805 CJ DWB	Saddle Tan/Black	-BS		
	971 881 805 CJ GFC	Luxor beige	-UC		
	971 881 805 CJ GHC	agate grey	-DL		
(3)	971 881 806 CJ	Backrest cover	right	1	PR-A8H,E0A, N5U,Q2J,4D0, 4D7,5ZJ,5ZP
		inscription	TURBO		
	971 881 806 CJ GDC	Black	-AC		
	971 881 806 CJ DAK	Marsala Red	-PC		
	971 881 806 CJ DUE	saddle brown	-SB		
	971 881 806 CJ DWA	Black/Bordeaux Red	-BB		
	971 881 806 CJ DWB	Saddle Tan/Black	-BS		
	971 881 806 CJ GFC	Luxor beige	-UC		
	971 881 806 CJ GHC	agate grey	-DL		
	971 881 806 CJ DWC	Black/Chalk	-BK		
4	971 881 405 AT	Seat cover	left	1	PR:N1X
	971 881 405 AT GDB	Black	-AB		
	971 881 405 AT GHB	agate grey	-DG		
	971 881 405 AT GFB	Luxor beige	-UB,PK		
(4)	971 881 406 AT	Seat cover	right	1	PR:N1X
	971 881 406 AT GDB	Black	-AB		
	971 881 406 AT GHB	agate grey	-DG		
	971 881 406 AT GFB	Luxor beige	-UB,PK		
(4)	971 881 405 BD	Seat cover	left	1	PR:N5U
	971 881 405 BD GDC	Black	-AC		
	971 881 405 BD GHC	agate grey	-DL		
	971 881 405 BD DUE	saddle brown	-SB,BS		
	971 881 405 BD GFC	Luxor beige	-UC,BP		

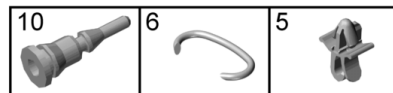
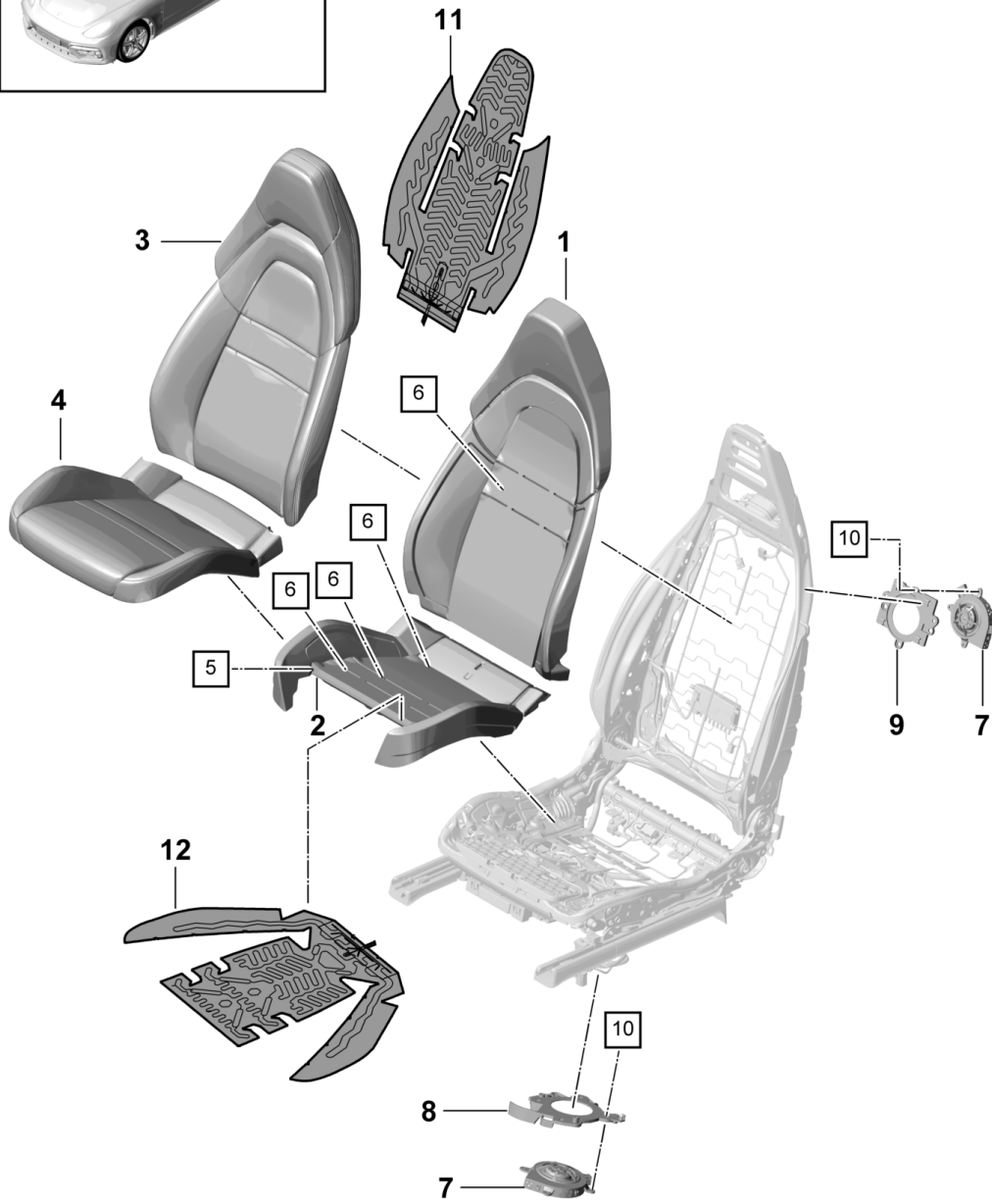
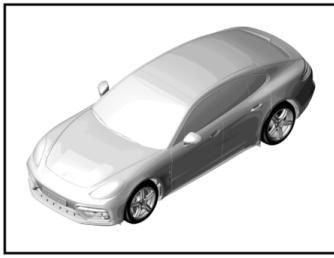
Model: 971-17

Model life 2017>>

Pos	Part Number	Description	Remark	Qty	Model
(4)	971 881 405 BD DAK	Marsala Red	-PC	1	PR:N5U
	971 881 405 BD GUC	Bordeaux red	-BB		
	971 881 405 BD GVC	Chalk	-BK		
	971 881 405 BD DAL	Cream	-BE		
	971 881 406 BD	Seat cover	right		
	971 881 406 BD GDC	Black	-AC		
	971 881 406 BD GHC	agate grey	-DL		
	971 881 406 BD DUE	saddle brown	-SB,BS		
	971 881 406 BD GFC	Luxor beige	-UC,BP		
	971 881 406 BD DAK	Marsala Red	-PC		
	971 881 406 BD GUC	Bordeaux red	-BB		
	971 881 406 BD GVC	Chalk	-BK		
	971 881 406 BD DAL	Cream	-BE		
5	971 881 280	Clip		1	
6	N 015 261 2	Clip		16	
		Mount			
7	971 963 557 B	Seat cover		1	PR:4A3,4A4
		seat and backrest heater element	left a. right		
8	971 963 555 D	Heater element		1	PR:4A3,4A4
		Seat	left a. right		
9	971 898 054	Seat surface		1	
		Sundry parts set			

Model: 971-17

Model life 2017>>



Model: 971-17 Model life 2017>>

Pos	Part Number	Description	Remark	Qty	Model
1	971 881 551 J	Foam part Cover Comfort seat Ventilation component		1	PR:Q2J,4D1, 4D2,4D3,4D5, 4D9
2	971 881 375 H	Foam part backrest		1	
3	971 881 805 BA	Foam part Seat cushion Backrest cover	left	1	PR:N0K,3J4
		without:			
		Porsche crest			
	971 881 805 BA GDB	Black	-AB		
	971 881 805 BA GHB	agate grey	-DG		
	971 881 805 BA GFB	Luxor beige	-UB		
	971 881 805 BA DWF	Luxor Beige/Black	-PK		
		D >> - 12.02.2017			
(3)	971 881 806 BA	Backrest cover	right	1	PR:N0K,3J4
		without:			
		Porsche crest			
	971 881 806 BA GDB	Black	-AB		
	971 881 806 BA GHB	agate grey	-DG		
	971 881 806 BA GFB	Luxor beige	-UB		
	971 881 806 BA DWF	Luxor Beige/Black	-PK		
		D >> - 12.02.2017			
(3)	971 881 805 BF	Backrest cover	left	1	PR:NOQ,3J4
		without:			
		Porsche crest			
	971 881 805 BF GDC	Black	-AC		
	971 881 805 BF GHC	agate grey	-DL		
	971 881 805 BF DUE	saddle brown	-SB		
	971 881 805 BF GFC	Luxor beige	-UC		
	971 881 805 BF DAK	Marsala Red	-PC		
	971 881 805 BF DWA	Black/Bordeaux Red	-BB		
	971 881 805 BF DWB	Saddle Tan/Black	-BS		
	971 881 805 BF DWC	Black/Chalk	-BK		
	971 881 805 BF DWD	Luxor Beige/Saddle Tan	-BP		
	971 881 805 BF DWE	Marsala Red/Cream	-BE		
		D >> - 12.02.2017			
(3)	971 881 806 BF	Backrest cover	right	1	PR:NOQ,3J4
		without:			
		Porsche crest			
	971 881 806 BF GDC	Black	-AC		
	971 881 806 BF GHC	agate grey	-DL		
	971 881 806 BF DUE	saddle brown	-SB		
	971 881 806 BF GFC	Luxor beige	-UC		
	971 881 806 BF DAK	Marsala Red	-PC		
	971 881 806 BF DWA	Black/Bordeaux Red	-BB		
	971 881 806 BF DWB	Saddle Tan/Black	-BS		
	971 881 806 BF DWC	Black/Chalk	-BK		
	971 881 806 BF DWD	Luxor Beige/Saddle Tan	-BP		
	971 881 806 BF DWE	Marsala Red/Cream	-BE		
		D >> - 12.02.2017			
(3)	971 881 805 BR	Backrest cover	left	1	PR:N0K,5ZF
		with:			
		Porsche crest			
		D >> - 12.02.2017			
	971 881 805 BR GDB	Black	-AB		
	971 881 805 BR GHB	agate grey	-DG		
	971 881 805 BR GFB	Luxor beige	-UB		
	971 881 805 BR DWF	Luxor Beige/Black	-PK		
(3)	971 881 806 BR	Backrest cover	right	1	PR:N0K,5ZF
		with:			
		Porsche crest			

Model: 971-17 Model life 2017>>

Pos	Part Number	Description	Remark	Qty	Model
		D >> - 12.02.2017			
	971 881 806 BR GDB	Black	-AB		
	971 881 806 BR GHB	agate grey	-DG		
	971 881 806 BR GFB	Luxor beige	-UB		
	971 881 806 BR DWF	Luxor Beige/Black	-PK		
(3)	971 881 805 DF	Backrest cover	left	1	PR:N0K,5ZF
		with:			
		Porsche crest			
		Head restraint			
		D - 13.02.2017>>			
	971 881 805 DF GDB	Black	-AB		
	971 881 805 DF GHB	agate grey	-DG		
	971 881 805 DF GFB	Luxor beige	-UB		
	971 881 805 DF DWF	Luxor Beige/Black	-PK		
(3)	971 881 806 DF	Backrest cover	right	1	PR:N0K,5ZF
		with:			
		Porsche crest			
		Head restraint			
		D - 13.02.2017>>			
	971 881 806 DF GDB	Black	-AB		
	971 881 806 DF GHB	agate grey	-DG		
	971 881 806 DF GFB	Luxor beige	-UB		
	971 881 806 DF DWF	Luxor Beige/Black	-PK		
(3)	971 881 805 BT	Backrest cover	left	1	PR:N0Q,5ZF
		with:			
		Porsche crest			
	971 881 805 BT GDC	Black	-AC		
	971 881 805 BT GHC	agate grey	-DL		
	971 881 805 BT DUE	saddle brown	-SB		
	971 881 805 BT GFC	Luxor beige	-UC		
	971 881 805 BT DAK	Marsala Red	-PC		
	971 881 805 BT DWA	Black/Bordeaux Red	-BB		
	971 881 805 BT DWB	Saddle Tan/Black	-BS		
	971 881 805 BT DWC	Black/Chalk	-BK		
	971 881 805 BT DWD	Luxor Beige/Saddle Tan	-BP		
	971 881 805 BT DWE	Marsala Red/Cream	-BE		
		D >> - 12.02.2017			
(3)	971 881 806 BT	Backrest cover	right	1	PR:N0Q,5ZF
		with:			
		Porsche crest			
	971 881 806 BT GDC	Black	-AC		
	971 881 806 BT GHC	agate grey	-DL		
	971 881 806 BT DUE	saddle brown	-SB		
	971 881 806 BT GFC	Luxor beige	-UC		
	971 881 806 BT DAK	Marsala Red	-PC		
	971 881 806 BT DWA	Black/Bordeaux Red	-BB		
	971 881 806 BT DWB	Saddle Tan/Black	-BS		
	971 881 806 BT DWC	Black/Chalk	-BK		
	971 881 806 BT DWD	Luxor Beige/Saddle Tan	-BP		
	971 881 806 BT DWE	Marsala Red/Cream	-BE		
		D >> - 12.02.2017			
(3)	971 881 805 CB	Backrest cover	left	1	PR-N1V,Q2J, 4D1,4D2,4D3, 4D5,4D9,5ZF
		Porsche crest			
	971 881 805 CB GT0	Truffle Brown	-HD		
	971 881 805 CB GC0	Cohiba Brown	-HC		
(3)	971 881 806 CB	Backrest cover	right	1	PR-N1V,Q2J, 4D1,4D2,4D3, 4D5,4D9,5ZF
		Porsche crest			
	971 881 806 CB GT0	Truffle Brown	-HD		
	971 881 806 CB GC0	Cohiba Brown	-HC		
(3)	971 881 805 CK	Backrest cover	left	1	PR-A8H,E0A, N0Q,Q2J,4D1,
		with:			

Model: 971-17

Model life 2017>>

Pos	Part Number	Description	Remark	Qty	Model
		inscription			4D2, 4D3, 4D5, 4D9, 5ZJ, 5ZP
	971 881 805 CK GDC	Black	-AC		
	971 881 805 CK DAK	Marsala Red	-PC		
	971 881 805 CK DUE	saddle brown	-SB		
	971 881 805 CK DWA	Black/Bordeaux Red	-BB		
	971 881 805 CK DWB	Saddle Tan/Black	-BS		
	971 881 805 CK DWC	Chalk/black	-BK		
	971 881 805 CK DWD	Luxor Beige/Saddle Tan	-BP		
	971 881 805 CK DWE	Marsala Red/Cream	-BE		
	971 881 805 CK GFC	Luxor beige	-UC		
	971 881 805 CK GHC	agate grey	-DL		
(3)	971 881 806 CK	Backrest cover	right	1	PR-A8H, E0A, N0Q, Q2J, 4D1, 4D2, 4D3, 4D5, 4D9, 5ZJ, 5ZP
		with:			
		inscription			
	971 881 806 CK GDC	Black	-AC		
	971 881 806 CK DAK	Marsala Red	-PC		
	971 881 806 CK DUE	saddle brown	-SB		
	971 881 806 CK DWA	Black/Bordeaux Red	-BB		
	971 881 806 CK DWB	Saddle Tan/Black	-BS		
	971 881 806 CK DWC	Chalk/black	-BK		
	971 881 806 CK DWD	Luxor Beige/Saddle Tan	-BP		
	971 881 806 CK DWE	Marsala Red/Cream	-BE		
	971 881 806 CK GFC	Luxor beige	-UC		
	971 881 806 CK GHC	agate grey	-DL		
4	971 881 405 BA	Seat cover	left	1	PR:N0K
	971 881 405 BA GDB	Black	-AB		
	971 881 405 BA GHB	agate grey	-DG		
	971 881 405 BA GFB	Luxor beige	-UB,PK		
(4)	971 881 406 BA	Seat cover	right	1	PR:N0K
	971 881 406 BA GDB	Black	-AB		
	971 881 406 BA GHB	agate grey	-DG		
	971 881 406 BA GFB	Luxor beige	-UB,PK		
(4)	971 881 405 BE	Seat cover	left	1	PR:NOQ
	971 881 405 BE GDC	Black	-AC		
	971 881 405 BE GHC	agate grey	-DL		
	971 881 405 BE DUE	saddle brown	-SB,BS		
	971 881 405 BE GFC	Luxor beige	-UC,BP		
	971 881 405 BE DAK	Marsala Red	-PC		
	971 881 405 BE GUC	Bordeaux red	-BB		
	971 881 405 BE GVC	Chalk	-BK		
	971 881 405 BE DAL	Cream	-BE		
(4)	971 881 406 BE	Seat cover	right	1	PR:NOQ
	971 881 406 BE GDC	Black	-AC		
	971 881 406 BE GHC	agate grey	-DL		
	971 881 406 BE DUE	saddle brown	-SB,BS		
	971 881 406 BE GFC	Luxor beige	-UC,BP		
	971 881 406 BE DAK	Marsala Red	-PC		
	971 881 406 BE GUC	Bordeaux red	-BB		
	971 881 406 BE GVC	Chalk	-BK		
	971 881 406 BE DAL	Cream	-BE		
5	971 881 280	Clip		1	
6	N 015 261 2	Clip		16	
		Mount			
		Seat cover			
7	9A7 963 575 00	Fan		2	
		Ventilation component			
8	971 881 538	Bracket		1	
		Fan			
		Cushion			
9	971 881 537	Bracket		1	
		Fan			

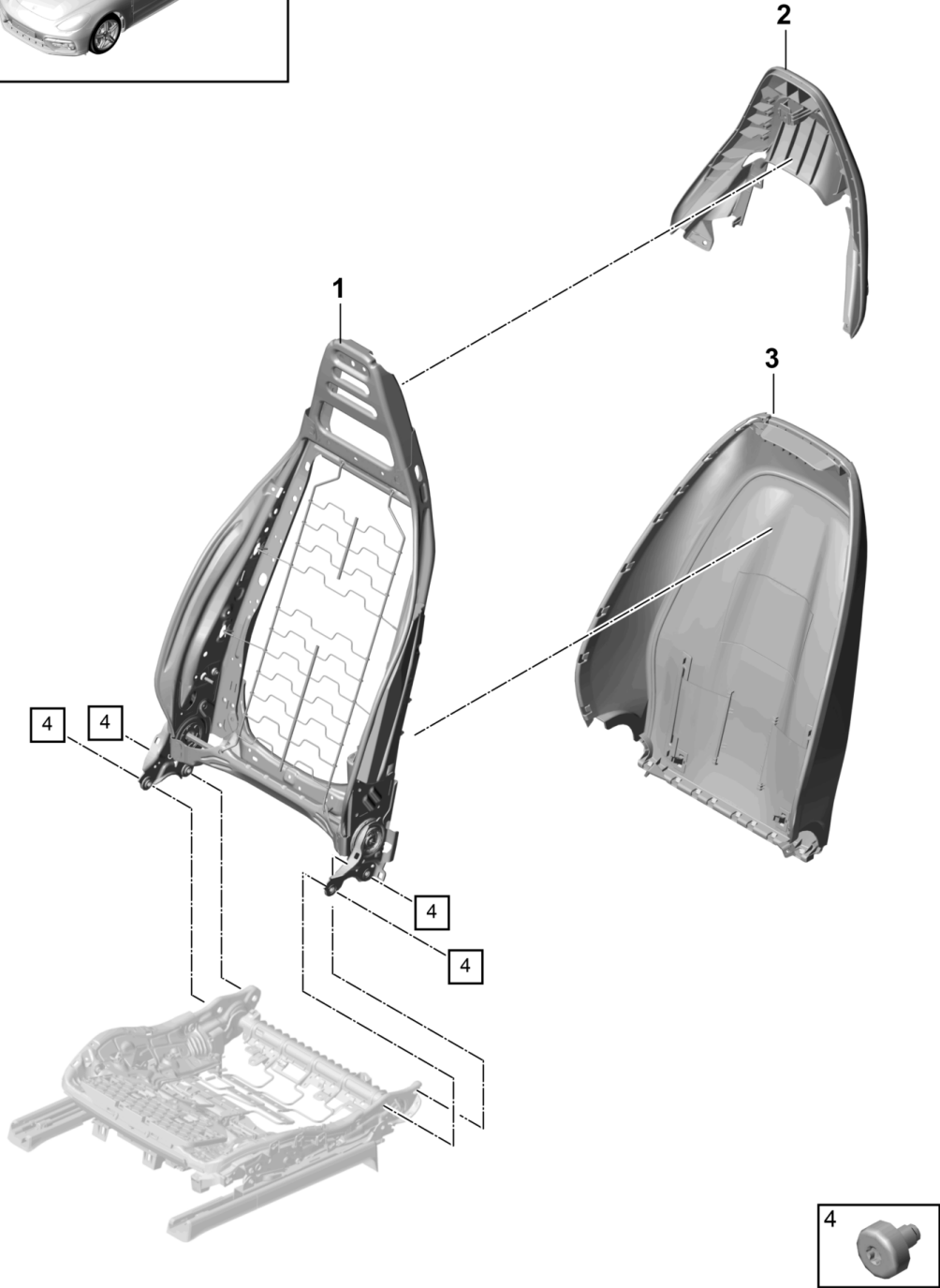
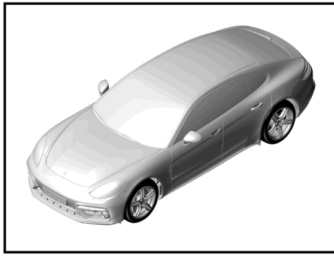
Model: 971-17

Model life 2017>>

Pos	Part Number	Description	Remark	Qty	Model
10	PAB 941 117	backrest Securing element		8	
11	971 963 557 B	seat and backrest heater element	left a. right	1	PR: 4A3, 4A4
12	971 963 555 D	Heater element Seat	left a. right	1	PR: 4A3, 4A4
13	971 898 054	Seat surface Sundry parts set		1	

Model: 971-17

Model life 2017>>



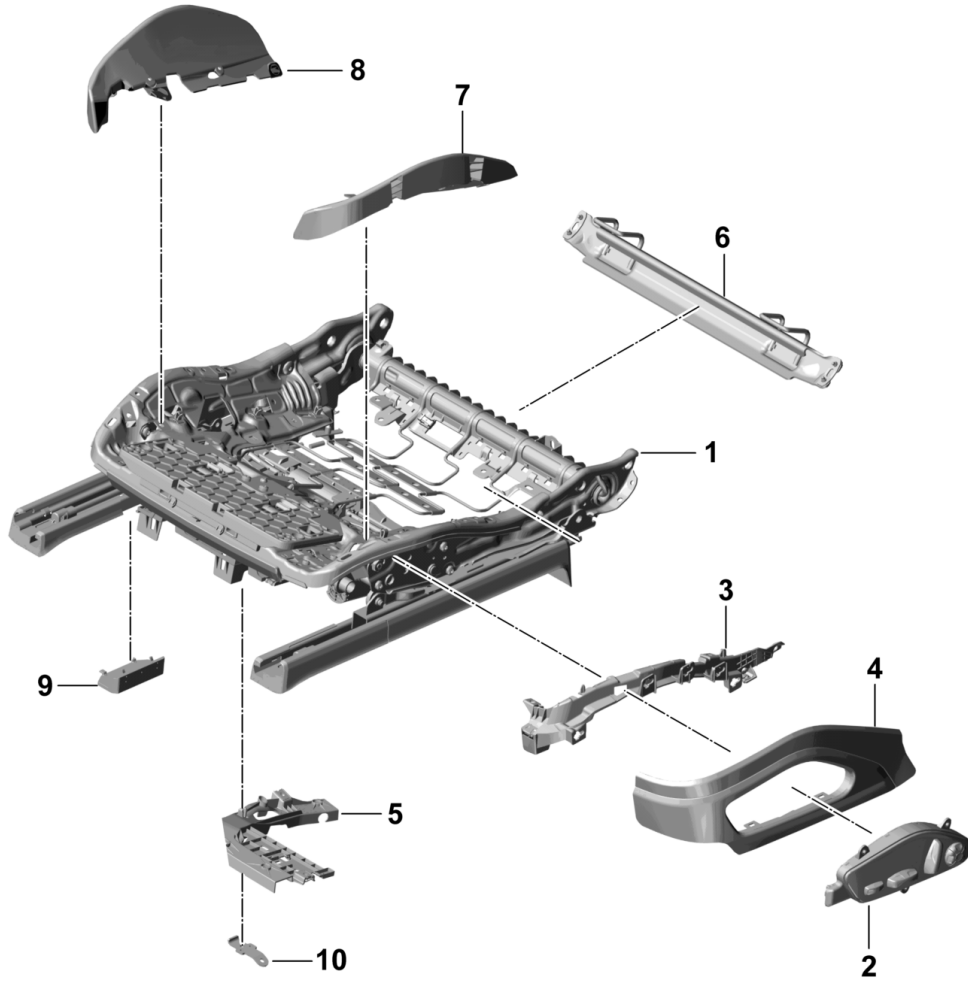
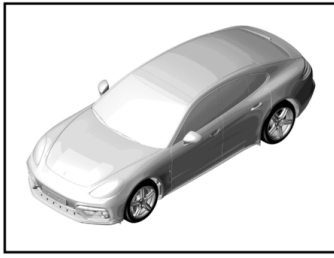
Model: 971-17

Model life 2017>>

Pos	Part Number	Description	Remark	Qty	Model
		backrest Backrest shell Comfort seat			PR:Q2J
1	971 898 039	backrest frame	left	1	
1	971 898 039 A	backrest frame	right	1	
2	971 882 774 B	Padded surface Upper part	left a. right	1	
3	971 881 971 A	Backrest shell Lower part Leatherette	left a. right	1	PR:N0K,N1X, 9WT
	971 881 971 A 1D0	Black	-AB		
	971 881 971 A OW7	agate grey	-DG		
	971 881 971 A 2E0	Luxor beige	-UB,PK		
(3)	971 881 971	Backrest shell Lower part Leather	left a. right	1	PR:N0Q,N5U, 9WT
	971 881 971 A80	Black	-AC		
	971 881 971 C85	agate grey	-DL		
	971 881 971 OK6	saddle brown	-SB,BS		
	971 881 971 Q80	Luxor beige	-UC,BP		
	971 881 971 P80	Marsala Red	-PC		
	971 881 971 OG6	Bordeaux red	-BB		
	971 881 971 OL8	Chalk	-BK		
	971 881 971 V80	Cream	-BE		
(3)	971 881 971 B	Backrest shell Leather		1	PR-N0Q,N5U, 9WU,9WY
	971 881 971 B A80	Black	-AC		
	971 881 971 B C85	agate grey	-DL		
	971 881 971 B OK6	saddle brown	-SB,BS		
	971 881 971 B Q80	Luxor beige	-UC,BP		
	971 881 971 B P80	Marsala Red	-PC		
	971 881 971 B OG6	Bordeaux red	-BB		
	971 881 971 B OL8	Chalk	-BK		
	971 881 971 B V80	Cream	-BE		
(3)	971 881 971 C	Backrest shell Lower part Leatherette Rear seat entertainment system	left a. right	1	PR:N0K,N1X, 9WU,9WY
	971 881 971 C 1D0	Black	-AB		
	971 881 971 C OW7	agate grey	-DG		
	971 881 971 C 2E0	Luxor beige	-UB,PK		
4	9A7 007 867	Hexagon socket head bolt backrest		4	

Model: 971-17

Model life 2017>>



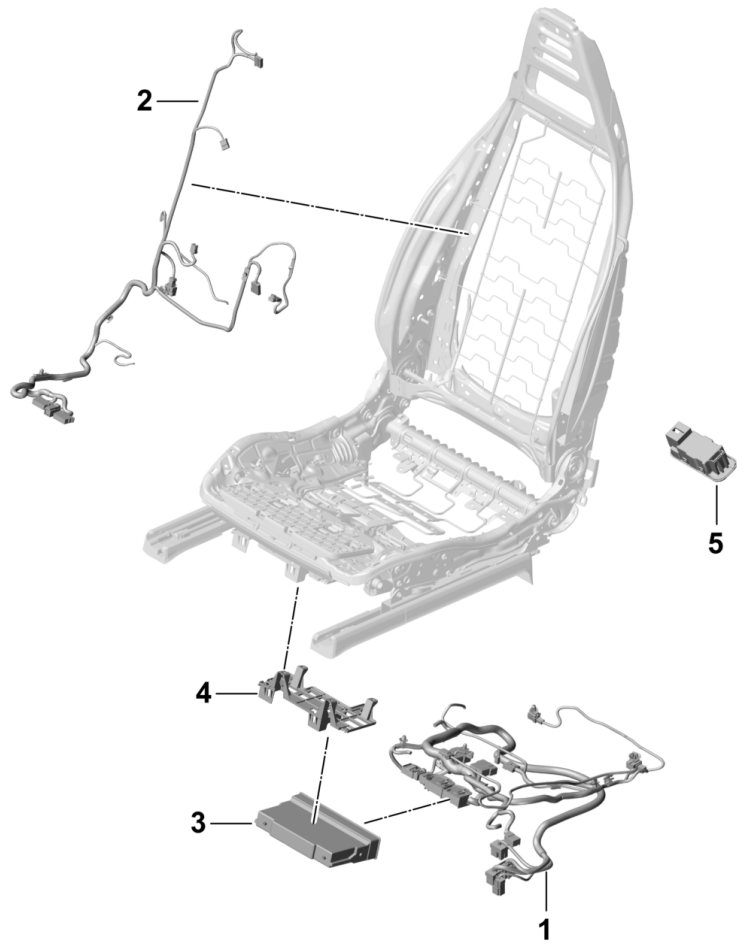
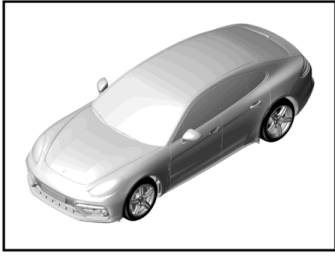
Model: 971-17

Model life 2017>>

Pos	Part Number	Description	Remark	Qty	Model
		Seat frame Comfort seat			PR:Q2J
1	971 881 105 G	Seat frame	left	1	
(1)	971 881 106 G	Seat frame	right	1	
2	971 959 747 S	Switch insert	left	1	PR:4D0,4D1, 4D3
	971 959 747 S HVO	Black/Galvano Silver			
(2)	971 959 748 S	Switch insert	right	1	PR:4D0,4D1, 4D3
	971 959 748 S HVO	Black/Galvano Silver			
(2)	971 959 747 T	Switch insert	left	1	PR:4D2,4D5, 4D7,4D9
	971 959 747 T HVO	Black/Galvano Silver			
(2)	971 959 748 T	Switch insert	right	1	PR:4D2,4D5, 4D7,4D9
	971 959 748 T HVO	Black/Galvano Silver			
3	971 881 507	Bracket	left	1	
		Trim for switch			
(3)	971 881 508	Bracket	right	1	
		Trim for switch			
4	971 881 317	Trim for switch	left	1	
	971 881 317 5Q0	Black	-AB,AC		
	971 881 317 OA6	agate grey	-DG,DL		
	971 881 317 6W0	Luxor beige	-UB,PK,UC,BP		
	971 881 317 OL7	saddle brown	-SB,BS		
	971 881 317 7X0	Marsala Red	-PC		
	971 881 317 OG6	Bordeaux red	-BB		
	971 881 317 OL8	Chalk	-BK		
	971 881 317 5V0	Cream	-BE		
(4)	971 881 318	Trim for switch	right	1	
	971 881 318 5Q0	Black	-AB,AC		
	971 881 318 OA6	agate grey	-DG,DL		
	971 881 318 6W0	Luxor beige	-UB,PK,UC,BP		
	971 881 318 OL7	saddle brown	-SB,BS		
	971 881 318 7X0	Marsala Red	-PC		
	971 881 318 OG6	Bordeaux red	-BB		
	971 881 318 OL8	Chalk	-BK		
	971 881 318 5V0	Cream	-BE		
5	971 881 744	Cable guide		1	
6	971 881 545 B	Retainer plate child seat		1	
7	971 882 349 A	Support plate	left	1	
		Seat cushion			
8	971 882 350 A	Support plate	right	1	
		Seat cushion			
9	9A7 959 994 00	Counterplate		1	
10	971 881 561	Cable guide		1	
11	971 882 645	tensioning strap		2	
		Seat surface			
		Deep			
		with:			
		Spring			

Model: 971-17

Model life 2017>>



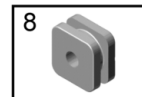
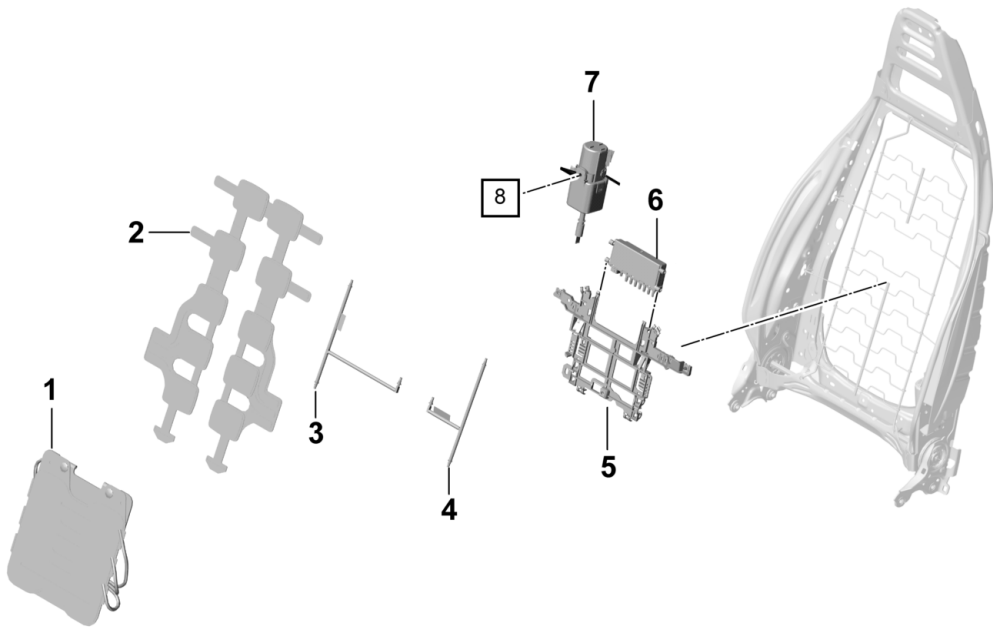
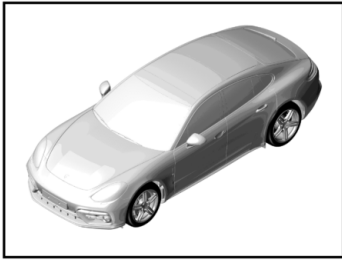
Model: 971-17

Model life 2017>>

Pos	Part Number	Description	Remark	Qty	Model
		Wiring looms			PR:Q2J
1	971 974 415 CE	Seat backrest Comfort seat Wire set	left	1	PR:-4D1,-4D3
1	971 974 415 CS	Seat Comfort seat modify in workshop Wire set	left	1	PR:4D1,4D3
(1)	971 974 416 CL	Seat Comfort seat modify in workshop Wire set	right	1	PR:9P7
(1)	971 974 416 DE	Seat Comfort seat modify in workshop Wire set	right	1	PR:-9P3,-9P7
(1)	971 974 416 DS	Seat Comfort seat modify in workshop Wire set	right	1	PR:9P3
(2)	971 971 399 EE	Seat Comfort seat modify in workshop Wire set	left	1	PR:4D1,4D3
(2)	971 971 399 EF	backrest Comfort seat modify in workshop Wire set	left	1	PR:4D2,4D5, 4D7,4D9
(2)	971 974 369 CP	backrest Comfort seat modify in workshop Wire set	right	1	PR:4D0,4D1, 4D3
(2)	971 974 369 CQ	backrest Comfort seat modify in workshop Wire set	right	1	PR:-4D0, -4D1,-4D3
3	9A7 959 760 00	Control unit With memory function Seat adjuster	front	1	PR:3PN
4	971 959 729	Comfort seat Retainer for control units Front seat		1	PR:3PN
5	9A7 947 415 10	Comfort seat Light	left rear	1	PR:QQ2
(5)	9A7 947 415 20	Footwell Light Footwell	right rear	1	PR:QQ2

Model: 971-17

Model life 2017>>



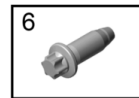
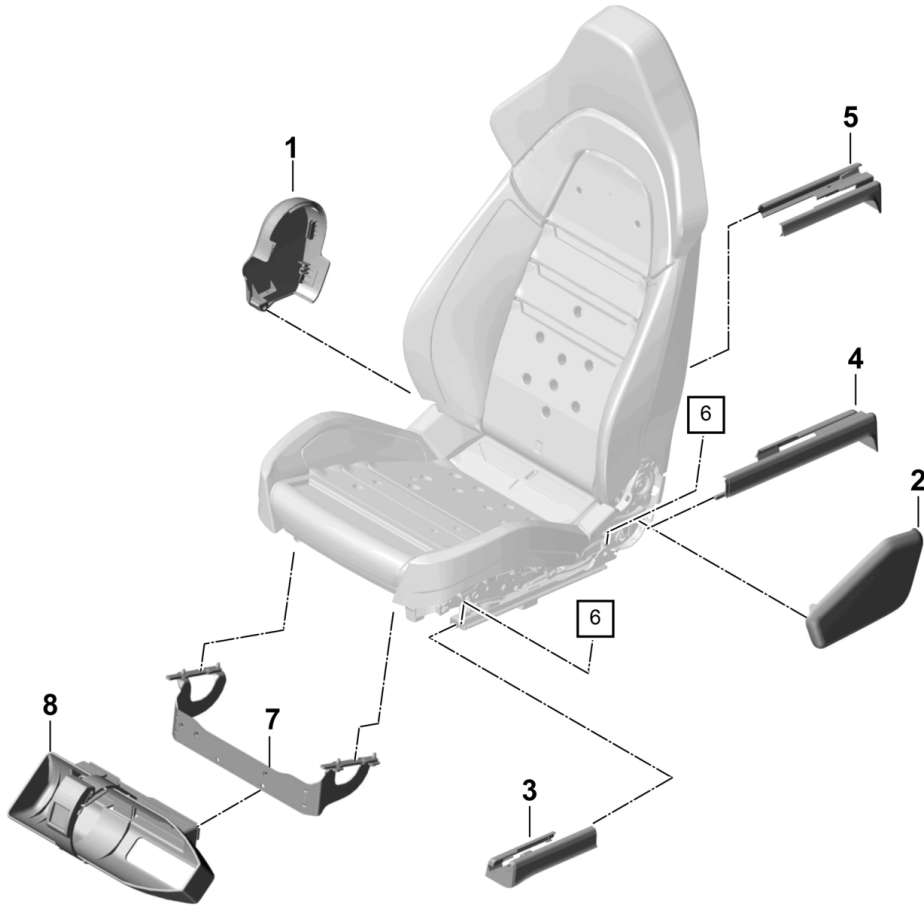
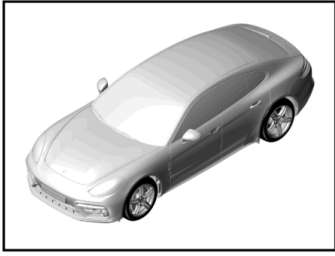
Model: 971-17

Model life 2017>>

Pos	Part Number	Description	Remark	Qty	Model
		Lumbar Massage mat Front seats Comfort seat			PR:Q2J
1	971 898 038	Repair set for massage lumbar support	Control unit	2	
2	971 898 038 B	repair kit for seat		2	
		Massage mat			
3	971 886 751	air hose		2	PR-4D2
		Massage mat			
4	971 886 752	air hose		2	PR-4D2
		Massage mat			
5	971 882 607	Bracket		2	
		Valve block			
6	9A7 907 182 00	Control unit		2	PR-Q2J, 4D2, 4D5, 4D7, 4D9
		Valve block			
		Massage mat			
7	971 881 073	Compressor		1	
8	971 881 867	Stop buffer		4	
		Compressor			

Model: 971-17

Model life 2017>>



Model: 971-17 Model life 2017>>

Pos	Part Number	Description	Remark	Qty	Model
		Front seat (complete) Not available sports seat			PR:Q1J
1	971 881 327	Cover panel	left	1	
		Mounting component	inner		
	971 881 327 5Q0	Black	-AB,AC		
	971 881 327 OA6	agate grey	-DG,DL		
	971 881 327 6W0	Luxor beige	-UB,PK,UC,BP		
	971 881 327 OL7	saddle brown	-SB,BS		
	971 881 327 7X0	Marsala Red	-PC		
	971 881 327 OG6	Bordeaux red	-BB		
	971 881 327 OL8	Chalk	-BK		
	971 881 327 5V0	Cream	-BE		
	971 881 327 OS1	Truffle Brown			
(1)	971 881 328	Cover panel	right	1	
		Mounting component	inner		
	971 881 328 5Q0	Black	-AB,AC		
	971 881 328 OA6	agate grey	-DG,DL		
	971 881 328 6W0	Luxor beige	-UB,PK,UC,BP		
	971 881 328 OL7	saddle brown	-SB,BS		
	971 881 328 7X0	Marsala Red	-PC		
	971 881 328 OG6	Bordeaux red	-BB		
	971 881 328 OL8	Chalk	-BK		
	971 881 328 5V0	Cream	-BE		
	971 881 328 OS1	Truffle Brown	-HD		
(1)	971 881 317 B	Cover panel	left	1	
		Mounting component	outer		
	971 881 317 B 5Q0	Black	-AB,AC		
	971 881 317 B OA6	agate grey	-DG,DL		
	971 881 317 B 6W0	Luxor beige	-UB,PK,UC,BP		
	971 881 317 B OL7	saddle brown	-SB,BS		
	971 881 317 B 7X0	Marsala Red	-PC		
	971 881 317 B OG6	Bordeaux red	-BB		
	971 881 317 B OL8	Chalk	-BK		
	971 881 317 B 5V0	Cream	-BE		
	971 881 317 B OS1	Truffle Brown	-HD		
(1)	971 881 317 C	Cover panel	left	1	
		Trim	outer		
	971 881 317 C OB8	Cohiba Brown	-HC		
(1)	971 881 318 B	Cover panel	right	1	
		Mounting component	outer		
	971 881 318 B 5Q0	Black	-AB,AC		
	971 881 318 B OA6	agate grey	-DG,DL		
	971 881 318 B 6W0	Luxor beige	-UB,PK,UC,BP		
	971 881 318 B OL7	saddle brown	-SB,BS		
	971 881 318 B 7X0	Marsala Red	-PC		
	971 881 318 B OG6	Bordeaux red	-BB		
	971 881 318 B OL8	Chalk	-BK		
	971 881 318 B 5V0	Cream	-BE		
	971 881 318 B OS1	Truffle Brown	-HD		
2	971 881 793	Cover panel	left	1	
		Mounting component			
	971 881 793 5Q0	Black	-AB,AC		
	971 881 793 OA6	agate grey	-DG,DL		
	971 881 793 6W0	Luxor beige	-UB,PK,UC,BP		
	971 881 793 OL7	saddle brown	-SB,BS		
	971 881 793 7X0	Marsala Red	-PC		
	971 881 793 OG6	Bordeaux red	-BB		
	971 881 793 OL8	Chalk	-BK		
	971 881 793 5V0	Cream	-BE		
	971 881 793 OS1	Truffle Brown	-HD		
(2)	971 881 794	Cover panel	right	1	

Model: 971-17 Model life 2017>>

Pos	Part Number	Description	Remark	Qty	Model
		Mounting component			
	971 881 794 5Q0	Black	-AB,AC		
	971 881 794 OA6	agate grey	-DG,DL		
	971 881 794 6W0	Luxor beige	-UB,PK,UC,BP		
	971 881 794 OL7	saddle brown	-SB,BS		
	971 881 794 7X0	Marsala Red	-PC		
	971 881 794 OG6	Bordeaux red	-BB		
	971 881 794 OL8	Chalk	-BK		
	971 881 794 5V0	Cream	-BE		
	971 881 794 OS1	Truffle Brown	-HD		
3	971 881 477 A	Rail	left	1	
		Seat rail	front		
	971 881 477 A 1E0	Black	-AB,PK,AC,BB, BS,BK		
	971 881 477 A OP1	agate grey	-DG,DL		
	971 881 477 A 4H0	Luxor beige	-UB,UC		
	971 881 477 A OM8	saddle brown	-SB,BP		
	971 881 477 A 3G0	Marsala Red	-PC,BE		
	971 881 477 A OB8	Cohiba Brown	-HC		
	971 881 477 A OS1	Truffle Brown	-HD		
(3)	971 881 478 A	Rail	right	1	
		Seat rail	front		
	971 881 478 A 1E0	Black	-AB,PK,AC,BB, BS,BK		
	971 881 478 A OP1	agate grey	-DG,DL		
	971 881 478 A 4H0	Luxor beige	-UB,UC		
	971 881 478 A OM8	saddle brown	-SB,BP		
	971 881 478 A 3G0	Marsala Red	-PC,BE		
	971 881 478 A OB8	Cohiba Brown	-HC		
	971 881 478 A OS1	Truffle Brown	-HD		
4	971 881 479 A	Rail	left	1	
		Seat rail	rear		
			outer		
	971 881 479 A 1E0	Black	-AB,PK,AC,BB, BS,BK		
	971 881 479 A OP1	agate grey	-DG,DL		
	971 881 479 A 4H0	Luxor beige	-UB,UC		
	971 881 479 A OM8	saddle brown	-SB,BP		
	971 881 479 A 3G0	Marsala Red	-PC,BE		
	971 881 479 A OB8	Cohiba Brown	-HC		
	971 881 479 A OS1	Truffle Brown	-HD		
(4)	971 881 480 A	Rail	right	1	
		Seat rail	rear		
			outer		
	971 881 480 A 1E0	Black	-AB,PK,AC,BB, BS,BK		
	971 881 480 A OP1	agate grey	-DG,DL		
	971 881 480 A 4H0	Luxor beige	-UB,UC		
	971 881 480 A OM8	saddle brown	-SB,BP		
	971 881 480 A 3G0	Marsala Red	-PC,BE		
	971 881 480 A OB8	Cohiba Brown	-HC		
	971 881 480 A OS1	Truffle Brown	-HD		
5	971 881 171 A	Rail	left	1	
		Seat rail	rear		
			inner		
	971 881 171 A 1E0	Black	-AB,PK,AC,BB, BS,BK		
	971 881 171 A OP1	agate grey	-DG,DL		
	971 881 171 A 4H0	Luxor beige	-UB,UC		
	971 881 171 A OM8	saddle brown	-SB,BP		
	971 881 171 A 3G0	Marsala Red	-PC,BE		
	971 881 171 A OB8	Cohiba Brown	-HC		
	971 881 171 A OS1	Truffle Brown	-HD		

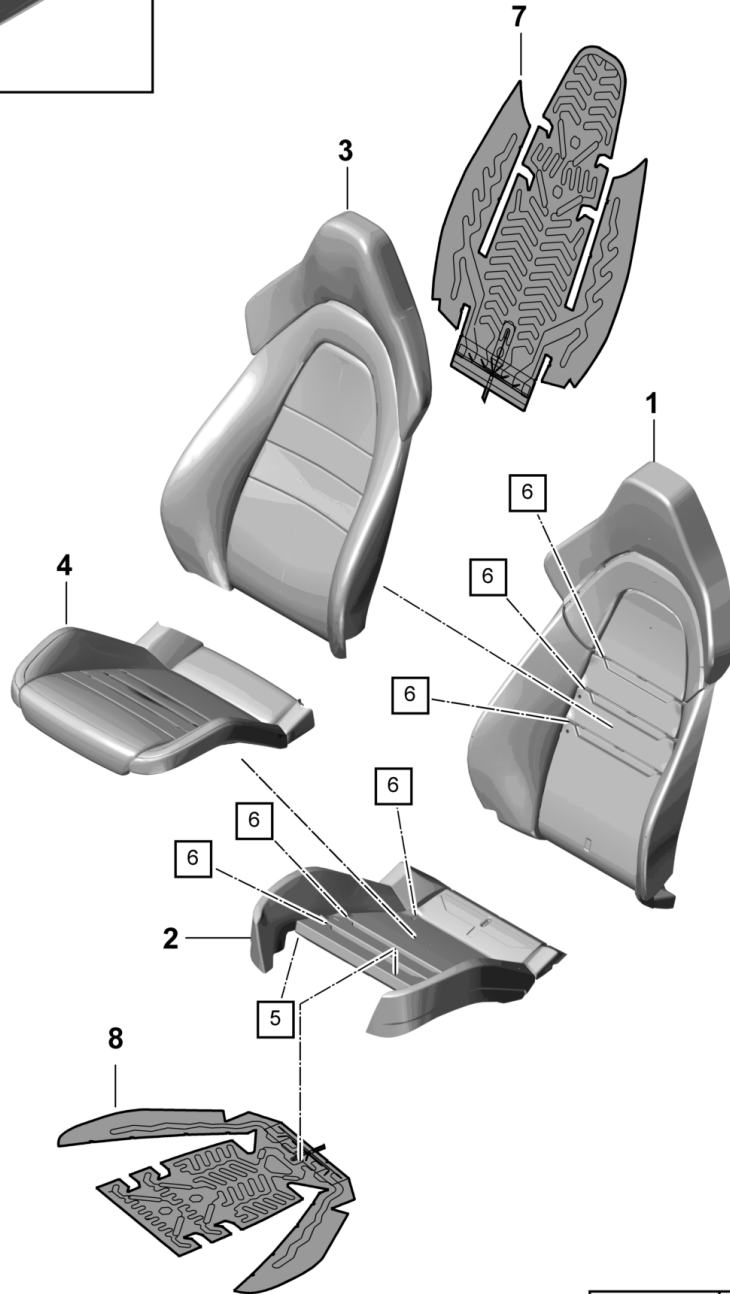
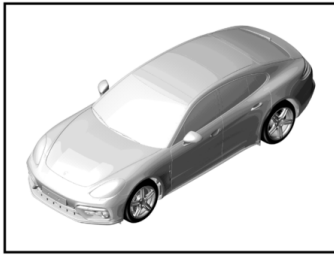
Model: 971-17

Model life 2017>>

Pos	Part Number	Description	Remark	Qty	Model
(5)	971 881 172 A	Rail Seat rail	right rear inner	1	
	971 881 172 A 1E0	Black	-AB,PK,AC,BB, BS,BK		
	971 881 172 A OP1	agate grey	-DG,DL		
	971 881 172 A 4H0	Luxor beige	-UB,UC		
	971 881 172 A OM8	saddle brown	-SB,BP		
	971 881 172 A 3G0	Marsala Red	-PC,BE		
	971 881 172 A OB8	Cohiba Brown	-HC		
	971 881 172 A OS1	Truffle Brown	-HD		
6	WHT 007 691	Outer hexagon round screw Mount Seat rail		4	
7	971 881 146	Mount Set Fire extinguishers		1	PR:L0L,6A7, L0R
8	971 881 150	Holder for fire extinguisher Set		1	

Model: 971-17

Model life 2017>>



Model: 971-17 Model life 2017>>

Pos	Part Number	Description	Remark	Qty	Model
		Foam part Cover sports seat without: Ventilation component			PR:Q1J,4D0
1	971 881 551 K	Foam part backrest		1	
2	971 881 375 J	Foam part Seat cushion		1	
3	971 881 805 AS	Backrest cover without: Porsche crest	left	1	PR:N1X,3J4
	971 881 805 AS GDB	Black	-AB		
	971 881 805 AS GHB	agate grey	-DG		
	971 881 805 AS GFB	Luxor beige	-UB		
	971 881 805 AS DWF	Luxor Beige/Black D >> - 12.02.2017	-PK		
(3)	971 881 806 AS	Backrest cover without: Porsche crest	right	1	PR:N1X,3J4
	971 881 806 AS GDB	Black	-AB		
	971 881 806 AS GHB	agate grey	-DG		
	971 881 806 AS GFB	Luxor beige	-UB		
	971 881 806 AS DWF	Luxor Beige/Black D >> - 12.02.2017	-PK		
(3)	971 881 805 BD	Backrest cover without: Porsche crest	left	1	PR:N5U,3J4
	971 881 805 BD GDC	Black	-AC		
	971 881 805 BD GHC	agate grey	-DL		
	971 881 805 BD DUE	saddle brown	-SB		
	971 881 805 BD GFC	Luxor beige	-UC		
	971 881 805 BD DAK	Marsala Red	-PC		
	971 881 805 BD DWA	Black/Bordeaux Red	-BB		
	971 881 805 BD DWB	Saddle Tan/Black	-BS		
	971 881 805 BD DWC	Black/Chalk	-BK		
	971 881 805 BD DWD	Luxor Beige/Saddle Tan	-BP		
	971 881 805 BD DWE	Marsala Red/Cream D >> - 12.02.2017	-BE		
(3)	971 881 806 BD	Backrest cover without: Porsche crest	right	1	PR:N5U,3J4
	971 881 806 BD GDC	Black	-AC		
	971 881 806 BD GHC	agate grey	-DL		
	971 881 806 BD DUE	saddle brown	-SB		
	971 881 806 BD GFC	Luxor beige	-UC		
	971 881 806 BD DAK	Marsala Red	-PC		
	971 881 806 BD DWA	Black/Bordeaux Red	-BB		
	971 881 806 BD DWB	Saddle Tan/Black	-BS		
	971 881 806 BD DWC	Black/Chalk	-BK		
	971 881 806 BD DWD	Luxor Beige/Saddle Tan	-BP		
	971 881 806 BD DWE	Marsala Red/Cream D >> - 12.02.2017	-BE		
(3)	971 881 805 CC	Backrest cover with: Porsche crest	left	1	PR:N1X,5ZF
	971 881 805 CC GDB	Black	-AB		
	971 881 805 CC GHB	agate grey	-DG		
	971 881 805 CC GFB	Luxor beige	-UB		
	971 881 805 CC DWF	Luxor Beige/Black D >> - 12.02.2017	-PK		
(3)	971 881 806 CC	Backrest cover with:	right	1	PR:N1X,5ZF

Model: 971-17 Model life 2017>>

Pos	Part Number	Description	Remark	Qty	Model
	971 881 806 CC GDB	Porsche crest Black	-AB		
	971 881 806 CC GHB	agate grey	-DG		
	971 881 806 CC GFB	Luxor beige	-UB		
	971 881 806 CC DWF	Luxor Beige/Black	-PK		
(3)	971 881 805 CE	D >> - 12.02.2017 Backrest cover	left	1	PR:N5U,5ZF
		with:			
	971 881 805 CE GDC	Porsche crest Black	-AC		
	971 881 805 CE GHC	agate grey	-DL		
	971 881 805 CE DUE	saddle brown	-SB		
	971 881 805 CE GFC	Luxor beige	-UC		
	971 881 805 CE DAK	Marsala Red	-PC		
	971 881 805 CE DWA	Black/Bordeaux Red	-BB		
	971 881 805 CE DWB	Saddle Tan/Black	-BS		
	971 881 805 CE DWC	Black/Chalk	-BK		
	971 881 805 CE DWD	Luxor Beige/Saddle Tan	-BP		
	971 881 805 CE DWE	Marsala Red/Cream	-BE		
(3)	971 881 806 CE	D >> - 12.02.2017 Backrest cover	right	1	PR:N5U,5ZF
		with:			
	971 881 806 CE GDC	Porsche crest Black	-AC		
	971 881 806 CE GHC	agate grey	-DL		
	971 881 806 CE DUE	saddle brown	-SB		
	971 881 806 CE GFC	Luxor beige	-UC		
	971 881 806 CE DAK	Marsala Red	-PC		
	971 881 806 CE DWA	Black/Bordeaux Red	-BB		
	971 881 806 CE DWB	Saddle Tan/Black	-BS		
	971 881 806 CE DWC	Black/Chalk	-BK		
	971 881 806 CE DWD	Luxor Beige/Saddle Tan	-BP		
	971 881 806 CE DWE	Marsala Red/Cream	-BE		
(3)	971 881 805 CL	D >> - 12.02.2017 Backrest cover	left	1	PR:N5U,5ZJ, A8H
		with:			
		Turbo inscription			
	971 881 805 CL GDC	Black	-AC		
	971 881 805 CL GHC	agate grey	-DL		
	971 881 805 CL DUE	saddle brown	-SB		
	971 881 805 CL GFC	Luxor beige	-UC		
	971 881 805 CL DAK	Marsala Red	-PC		
	971 881 805 CL DWA	Black/Bordeaux Red	-BB		
	971 881 805 CL DWB	Saddle Tan/Black	-BS		
	971 881 805 CL DWC	Black/Chalk	-BK		
	971 881 805 CL DWD	Luxor Beige/Saddle Tan	-BP		
	971 881 805 CL DWE	Marsala Red/Cream	-BE		
(3)	971 881 806 CL	Backrest cover	right	1	PR:N5U,5ZJ, A8H
		with:			
		Turbo inscription			
	971 881 806 CL GDC	Black	-AC		
	971 881 806 CL GHC	agate grey	-DL		
	971 881 806 CL DUE	saddle brown	-SB		
	971 881 806 CL GFC	Luxor beige	-UC		
	971 881 806 CL DAK	Marsala Red	-PC		
	971 881 806 CL DWA	Black/Bordeaux Red	-BB		
	971 881 806 CL DWB	Saddle Tan/Black	-BS		
	971 881 806 CL DWC	Black/Chalk	-BK		
	971 881 806 CL DWD	Luxor Beige/Saddle Tan	-BP		
	971 881 806 CL DWE	Marsala Red/Cream	-BE		
4	971 881 405 BB	Seat cover	left	1	PR:N1X

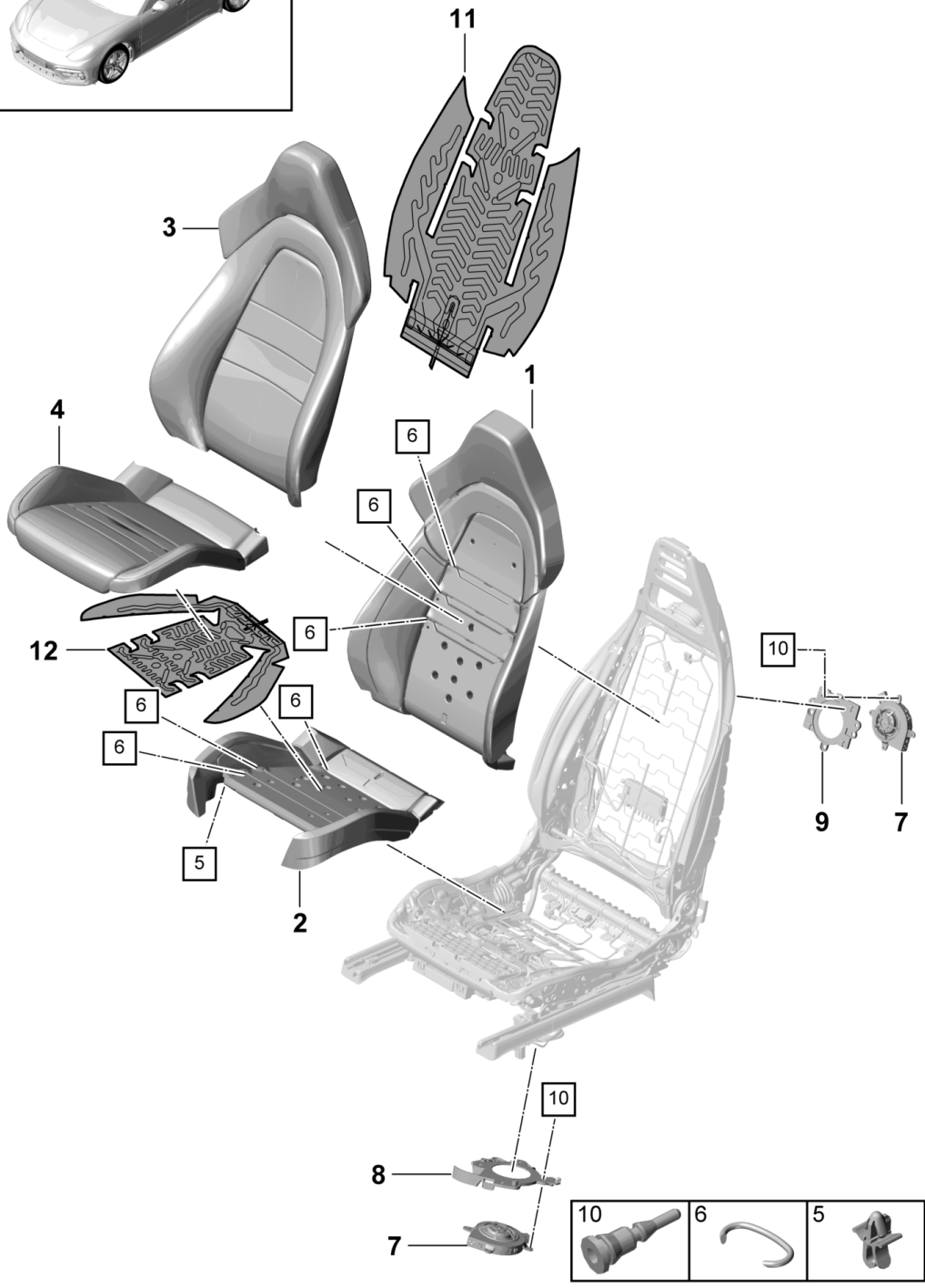
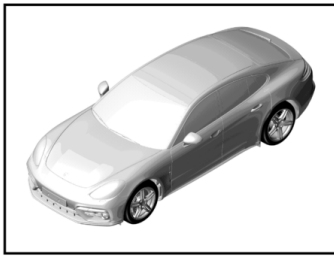
Model: 971-17

Model life 2017>>

Pos	Part Number	Description	Remark	Qty	Model
	971 881 405 BB GDB	Black	-AB		
	971 881 405 BB GHB	agate grey	-DG		
	971 881 405 BB GFB	Luxor beige	-UB,PK		
(4)	971 881 406 BB	Seat cover	right	1	PR:N1X
	971 881 406 BB GDB	Black	-AB		
	971 881 406 BB GHB	agate grey	-DG		
	971 881 406 BB GFB	Luxor beige	-UB,PK		
(4)	971 881 405 BF	Seat cover	left	1	PR:N5U
		Left seat			
	971 881 405 BF GDC	Black	-AC		
	971 881 405 BF GHC	agate grey	-DL		
	971 881 405 BF DUE	saddle brown	-SB,BS		
	971 881 405 BF GFC	Luxor beige	-UC,BP		
	971 881 405 BF DAK	Marsala Red	-PC		
	971 881 405 BF GUC	Bordeaux red	-BB		
	971 881 405 BF GVC	Chalk	-BK		
	971 881 405 BF DAL	Cream	-BE		
(4)	971 881 406 BF	Seat cover	right	1	PR:N5U
	971 881 406 BF GDC	Black	-AC		
	971 881 406 BF GHC	agate grey	-DL		
	971 881 406 BF DUE	saddle brown	-SB,BS		
	971 881 406 BF GFC	Luxor beige	-UC,BP		
	971 881 406 BF DAK	Marsala Red	-PC		
	971 881 406 BF GUC	Bordeaux red	-BB		
	971 881 406 BF GVC	Chalk	-BK		
	971 881 406 BF DAL	Cream	-BE		
5	971 881 280	Clip		1	
6	N 015 261 2	Clip		16	
		Mount			
		Seat cover			
7	971 963 557 C	seat and backrest heater element	left a. right	1	PR:4A3,4A4
8	971 963 555 E	Heater element	left a. right	1	PR:4A3,4A4
		Seat			
		Seat surface			
9	971 898 054	Sundry parts set		1	

Model: 971-17

Model life 2017>>



Model: 971-17 Model life 2017>>

Pos	Part Number	Description	Remark	Qty	Model
1	971 881 551 L	Foam part Cover sports seat Ventilation component		1	PR:Q1J,4D1,4D3
2	971 881 375 K	Foam part backrest		1	
3	971 881 805 AT	Foam part Seat cushion Backrest cover	left	1	PR:N0K,3J4
		without:			
		Porsche crest			
	971 881 805 AT GDB	Black	-AB		
	971 881 805 AT GHB	agate grey	-DG		
	971 881 805 AT GFB	Luxor beige	-UB		
	971 881 805 AT DWF	Luxor Beige/Black	-PK		
		D >> - 12.02.2017			
(3)	971 881 806 AT	Backrest cover	right	1	PR:N0K,3J4
		without:			
		Porsche crest			
	971 881 806 AT GDB	Black	-AB		
	971 881 806 AT GHB	agate grey	-DG		
	971 881 806 AT GFB	Luxor beige	-UB		
	971 881 806 AT DWF	Luxor Beige/Black	-PK		
		D >> - 12.02.2017			
(3)	971 881 805 BE	Backrest cover	left	1	PR:NOQ,3J4
		without:			
		Porsche crest			
	971 881 805 BE GDC	Black	-AC		
	971 881 805 BE GHC	agate grey	-DL		
	971 881 805 BE DUE	saddle brown	-SB		
	971 881 805 BE GFC	Luxor beige	-UC		
	971 881 805 BE DAK	Marsala Red	-PC		
	971 881 805 BE DWA	Black/Bordeaux Red	-BB		
	971 881 805 BE DWB	Saddle Tan/Black	-BS		
	971 881 805 BE DWC	Black/Chalk	-BK		
	971 881 805 BE DWD	Luxor Beige/Saddle Tan	-BP		
	971 881 805 BE DWE	Marsala Red/Cream	-BE		
		D >> - 12.02.2017			
(3)	971 881 806 BE	Backrest cover	right	1	PR:NOQ,3J4
		without:			
		Porsche crest			
	971 881 806 BE GDC	Black	-AC		
	971 881 806 BE GHC	agate grey	-DL		
	971 881 806 BE DUE	saddle brown	-SB		
	971 881 806 BE GFC	Luxor beige	-UC		
	971 881 806 BE DAK	Marsala Red	-PC		
	971 881 806 BE DWA	Black/Bordeaux Red	-BB		
	971 881 806 BE DWB	Saddle Tan/Black	-BS		
	971 881 806 BE DWC	Black/Chalk	-BK		
	971 881 806 BE DWD	Luxor Beige/Saddle Tan	-BP		
	971 881 806 BE DWE	Marsala Red/Cream	-BE		
		D >> - 12.02.2017			
(3)	971 881 805 CD	Backrest cover	left	1	PR:N0K,5ZF
		with:			
		Porsche crest			
	971 881 805 CD GDB	Black	-AB		
	971 881 805 CD GHB	agate grey	-DG		
	971 881 805 CD GFB	Luxor beige	-UB		
	971 881 805 CD DWF	Luxor Beige/Black	-PK		
		D >> - 12.02.2017			
(3)	971 881 806 CD	Backrest cover	right	1	PR:N0K,5ZF
		with:			
		Porsche crest			

Model: 971-17 Model life 2017>>

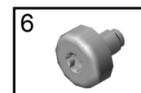
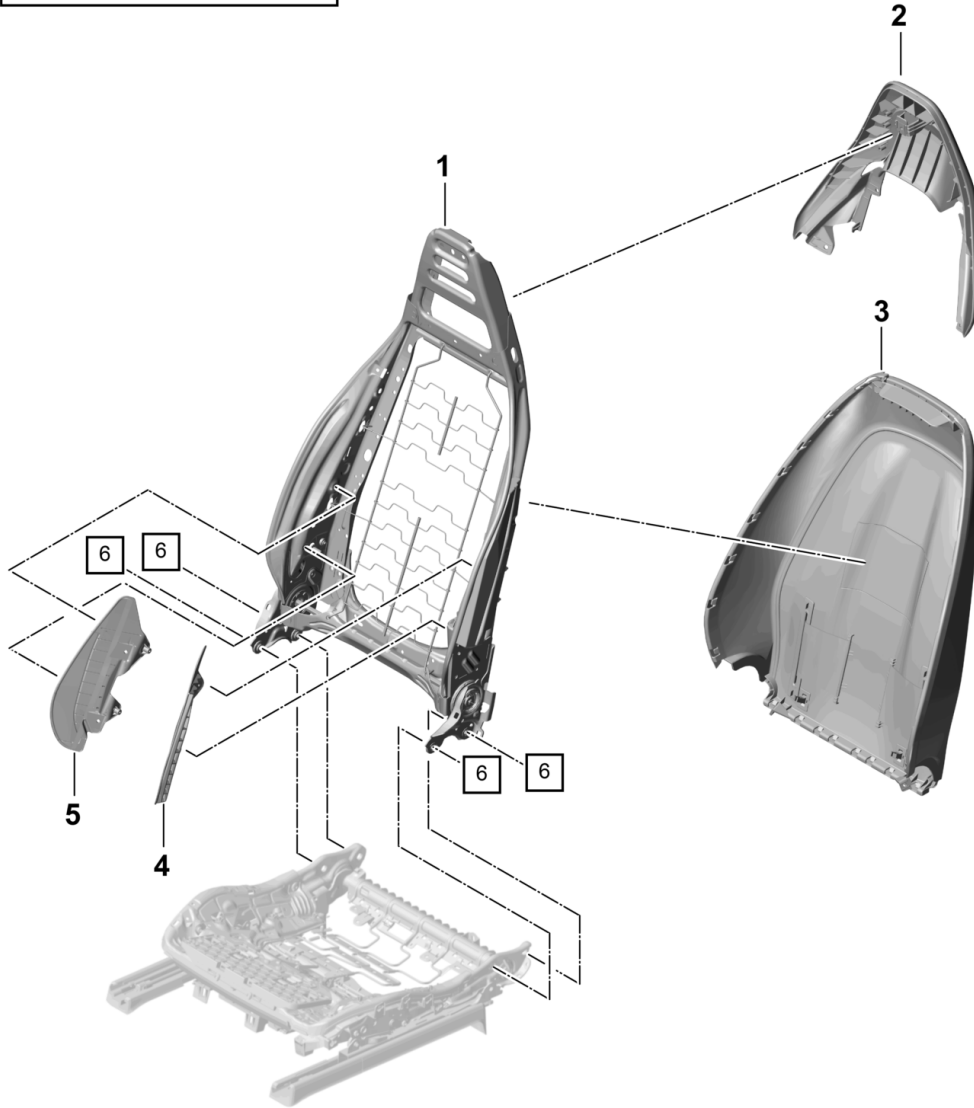
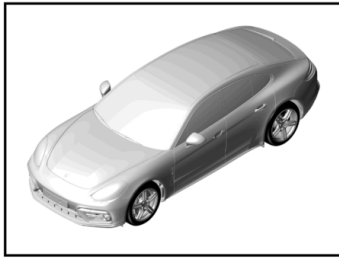
Pos	Part Number	Description	Remark	Qty	Model
	971 881 806 CD GDB	Black	-AB		
	971 881 806 CD GHB	agate grey	-DG		
	971 881 806 CD GFB	Luxor beige	-UB		
	971 881 806 CD DWF	Luxor Beige/Black	-PK		
		D >> - 12.02.2017			
(3)	971 881 805 CF	Backrest cover	left	1	PR:NOQ,5ZF
		with:			
		Porsche crest			
	971 881 805 CF GDC	Black	-AC		
	971 881 805 CF GHC	agate grey	-DL		
	971 881 805 CF DUE	saddle brown	-SB		
	971 881 805 CF GFC	Luxor beige	-UC		
	971 881 805 CF DAK	Marsala Red	-PC		
	971 881 805 CF DWA	Black/Bordeaux Red	-BB		
	971 881 805 CF DWB	Saddle Tan/Black	-BS		
	971 881 805 CF DWC	Black/Chalk	-BK		
	971 881 805 CF DWD	Luxor Beige/Saddle Tan	-BP		
	971 881 805 CF DWE	Marsala Red/Cream	-BE		
		D >> - 12.02.2017			
(3)	971 881 806 CF	Backrest cover	right	1	PR:NOQ,5ZF
		with:			
		Porsche crest			
	971 881 806 CF GDC	Black	-AC		
	971 881 806 CF GHC	agate grey	-DL		
	971 881 806 CF DUE	saddle brown	-SB		
	971 881 806 CF GFC	Luxor beige	-UC		
	971 881 806 CF DAK	Marsala Red	-PC		
	971 881 806 CF DWA	Black/Bordeaux Red	-BB		
	971 881 806 CF DWB	Saddle Tan/Black	-BS		
	971 881 806 CF DWC	Black/Chalk	-BK		
	971 881 806 CF DWD	Luxor Beige/Saddle Tan	-BP		
	971 881 806 CF DWE	Marsala Red/Cream	-BE		
		D >> - 12.02.2017			
(3)	971 881 805 CM	Backrest cover	left	1	PR:NOQ,5ZJ, A8H
		with:			
		Turbo inscription			
	971 881 805 CM GDC	Black	-AC		
	971 881 805 CM GHC	agate grey	-DL		
	971 881 805 CM DUE	saddle brown	-SB		
	971 881 805 CM GFC	Luxor beige	-UC		
	971 881 805 CM DAK	Marsala Red	-PC		
	971 881 805 CM DWA	Black/Bordeaux Red	-BB		
	971 881 805 CM DWB	Saddle Tan/Black	-BS		
	971 881 805 CM DWC	Black/Chalk	-BK		
	971 881 805 CM DWD	Luxor Beige/Saddle Tan	-BP		
	971 881 805 CM DWE	Marsala Red/Cream	-BE		
(3)	971 881 806 CM	Backrest cover	right	1	PR:NOQ,5ZJ, A8H
		with:			
		Turbo inscription			
	971 881 806 CM GDC	Black	-AC		
	971 881 806 CM GHC	agate grey	-DL		
	971 881 806 CM DUE	saddle brown	-SB		
	971 881 806 CM GFC	Luxor beige	-UC		
	971 881 806 CM DAK	Marsala Red	-PC		
	971 881 806 CM DWA	Black/Bordeaux Red	-BB		
	971 881 806 CM DWB	Saddle Tan/Black	-BS		
	971 881 806 CM DWC	Black/Chalk	-BK		
	971 881 806 CM DWD	Luxor Beige/Saddle Tan	-BP		
	971 881 806 CM DWE	Marsala Red/Cream	-BE		
4	971 881 405 BC	Seat cover	left	1	PR:N0K
	971 881 405 BC GDB	Black	-AB		

Model: 971-17 Model life 2017>>

Pos	Part Number	Description	Remark	Qty	Model
	971 881 405 BC GHB	agate grey	-DG		
	971 881 405 BC GFB	Luxor beige	-UB,PK		
(4)	971 881 406 BC	Seat cover	right	1	PR:N0K
	971 881 406 BC GDB	Black	-AB		
	971 881 406 BC GHB	agate grey	-DG		
	971 881 406 BC GFB	Luxor beige	-UB,PK		
(4)	971 881 405 BG	Seat cover	left	1	PR:N0Q
	971 881 405 BG GDC	Black	-AC		
	971 881 405 BG GHC	agate grey	-DL		
	971 881 405 BG DUE	saddle brown	-SB,BS		
	971 881 405 BG GFC	Luxor beige	-UC,BP		
	971 881 405 BG DAK	Marsala Red	-PC		
	971 881 405 BG GUC	Bordeaux red	-BB		
	971 881 405 BG GVC	Chalk	-BK		
	971 881 405 BG DAL	Cream	-BE		
(4)	971 881 406 BG	Seat cover	right	1	PR:N0Q
	971 881 406 BG GDC	Black	-AC		
	971 881 406 BG GHC	agate grey	-DL		
	971 881 406 BG DUE	saddle brown	-SB,BS		
	971 881 406 BG GFC	Luxor beige	-UC,BP		
	971 881 406 BG DAK	Marsala Red	-PC		
	971 881 406 BG GUC	Bordeaux red	-BB		
	971 881 406 BG GVC	Chalk	-BK		
	971 881 406 BG DAL	Cream	-BE		
5	971 881 280	Clip		1	
6	N 015 261 2	Clip		16	
		Mount			
		Seat cover			
7	9A7 963 575 00	Fan		2	
		Ventilation component			
8	971 881 538	Bracket		1	
		Fan			
		Cushion			
9	971 881 537	Bracket		1	
		Fan			
		backrest			
10	PAB 941 117	Securing element		8	
11	971 963 557 C	seat and backrest heater	left a. right	1	PR:4A3,4A4
		element			
12	971 963 555 E	Heater element	left a. right	1	PR:4A3,4A4
		Seat			
		Seat surface			
13	971 898 054	Sundry parts set		1	

Model: 971-17

Model life 2017>>



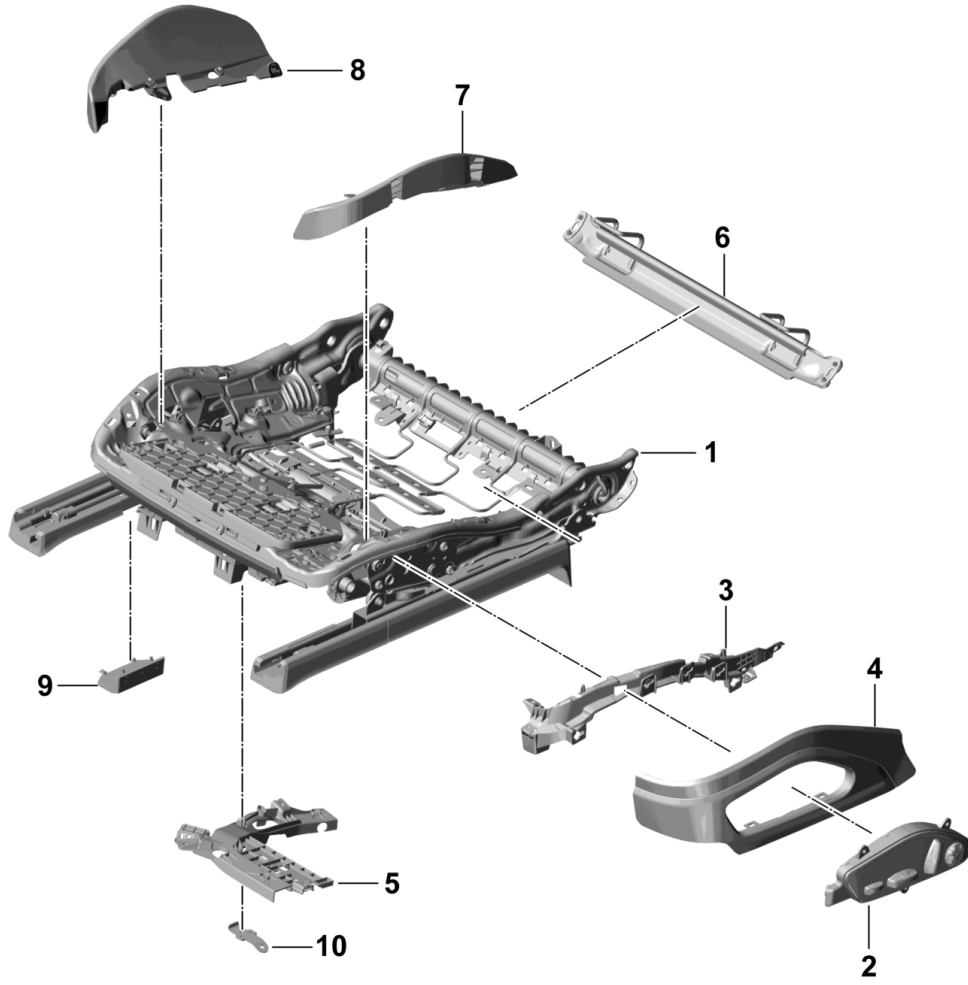
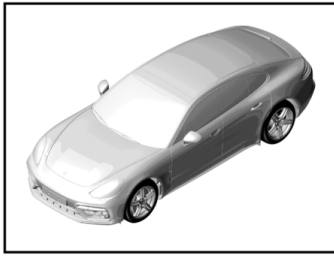
Model: 971-17

Model life 2017>>

Pos	Part Number	Description	Remark	Qty	Model
		backrest Backrest shell sports seat			PR:Q1J
1	971 898 039	backrest frame	left	1	
1	971 898 039 A	backrest frame	right	1	
2	971 882 774 A	Padded surface Upper part	left a. right	1	
3	971 881 971 A	Backrest shell Lower part Leatherette	left a. right	1	PR:N0K,N1X, 9WT
	971 881 971 A 1D0	Black	-AB		
	971 881 971 A OW7	agate grey	-DG		
	971 881 971 A 2E0	Luxor beige	-UB,PK		
(3)	971 881 971	Backrest shell Lower part Leather	left a. right	1	PR:N0Q,N5U, N1A,N1P,9WT
	971 881 971 A80	Black	-AC		
	971 881 971 C85	agate grey	-DL		
	971 881 971 OK6	saddle brown	-SB,BS		
	971 881 971 Q80	Luxor beige	-UC,BP		
	971 881 971 P80	Marsala Red	-PC		
	971 881 971 OG6	Bordeaux red	-BB		
	971 881 971 OL8	Chalk	-BK		
	971 881 971 V80	Cream	-BE		
(3)	971 881 971 C	Backrest shell Lower part Leatherette For vehicles with rear seat entertainment 'RSE'	left a. right	1	PR:N0K,N1X, 9WU,9WY
	971 881 971 C 1D0	Black	-AB		
	971 881 971 C OW7	agate grey	-DG		
	971 881 971 C 2E0	Luxor beige	-UB,PK		
(3)	971 881 971 B	Backrest shell Leather		1	PR-N0Q,N5U, 9WU,9WY
	971 881 971 B A80	Black	-AC		
	971 881 971 B C85	agate grey	-DL		
	971 881 971 B OK6	saddle brown	-SB,BS		
	971 881 971 B Q80	Luxor beige	-UC,BP		
	971 881 971 B P80	Marsala Red	-PC		
	971 881 971 B OG6	Bordeaux red	-BB		
	971 881 971 B OL8	Chalk	-BK		
	971 881 971 B V80	Cream	-BE		
4	971 882 351	Support plate backrest	left	1	
5	971 882 352	Support plate backrest	right	1	
6	9A7 007 867	Hexagon socket head bolt backrest		4	

Model: 971-17

Model life 2017>>

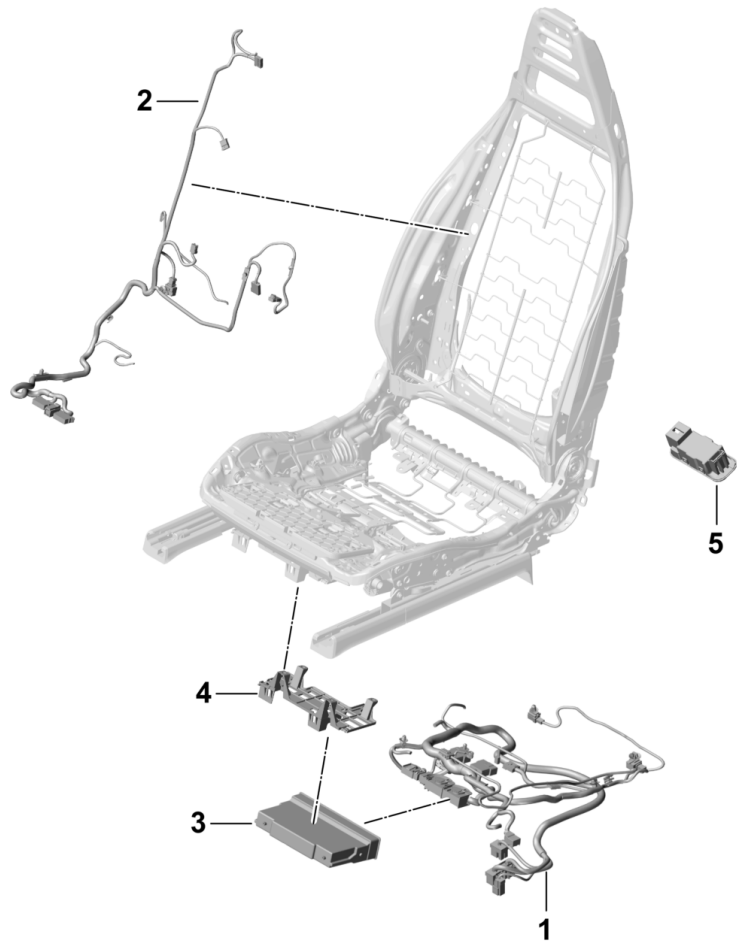
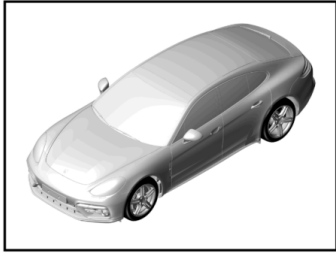


Model: 971-17 Model life 2017>>

Pos	Part Number	Description	Remark	Qty	Model
		Seat frame sports seat			PR:Q1J
1	971 881 105 G	Seat frame	left	1	
		with:			
(1)	971 881 106 G	Height adjustment Seat frame	right	1	
		with:			
2	971 959 747 AA	Height adjustment Switch insert	left	1	
	971 959 747 AA HVO	Black/Galvano Silver			
(2)	971 959 748 AA	Switch insert	right	1	
	971 959 748 AA HVO	Black/Galvano Silver			
3	971 881 507	Bracket	left	1	
		Trim for switch			
(3)	971 881 508	Bracket	right	1	
		Trim for switch			
4	971 881 317	Trim for switch	left	1	
	971 881 317 5Q0	Black	-AB,AC		
	971 881 317 OA6	agate grey	-DG,DL		
	971 881 317 6W0	Luxor beige	-UB,PK,UC,BP		
	971 881 317 OL7	saddle brown	-SB,BS		
	971 881 317 7X0	Marsala Red	-PC		
	971 881 317 OG6	Bordeaux red	-BB		
	971 881 317 OL8	Chalk	-BK		
	971 881 317 5V0	Cream	-BE		
(4)	971 881 318	Trim for switch	right	1	
	971 881 318 5Q0	Black	-AB,AC		
	971 881 318 OA6	agate grey	-DG,DL		
	971 881 318 6W0	Luxor beige	-UB,PK,UC,BP		
	971 881 318 OL7	saddle brown	-SB,BS		
	971 881 318 7X0	Marsala Red	-PC		
	971 881 318 OG6	Bordeaux red	-BB		
	971 881 318 OL8	Chalk	-BK		
	971 881 318 5V0	Cream	-BE		
5	971 881 744	Cable guide		1	
6	971 881 545 B	Retainer plate		1	
		child seat			
7	971 882 349 A	Support plate	left	1	
		Seat cushion			
8	971 882 350 A	Support plate	right	1	
		Seat cushion			
9	9A7 959 994 00	Counterplate		1	
10	971 881 561	Cable guide		1	
11	971 882 645	tensioning strap		2	
		Seat surface			
		Deep			
		with:			
		Spring			

Model: 971-17

Model life 2017>>



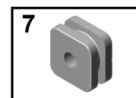
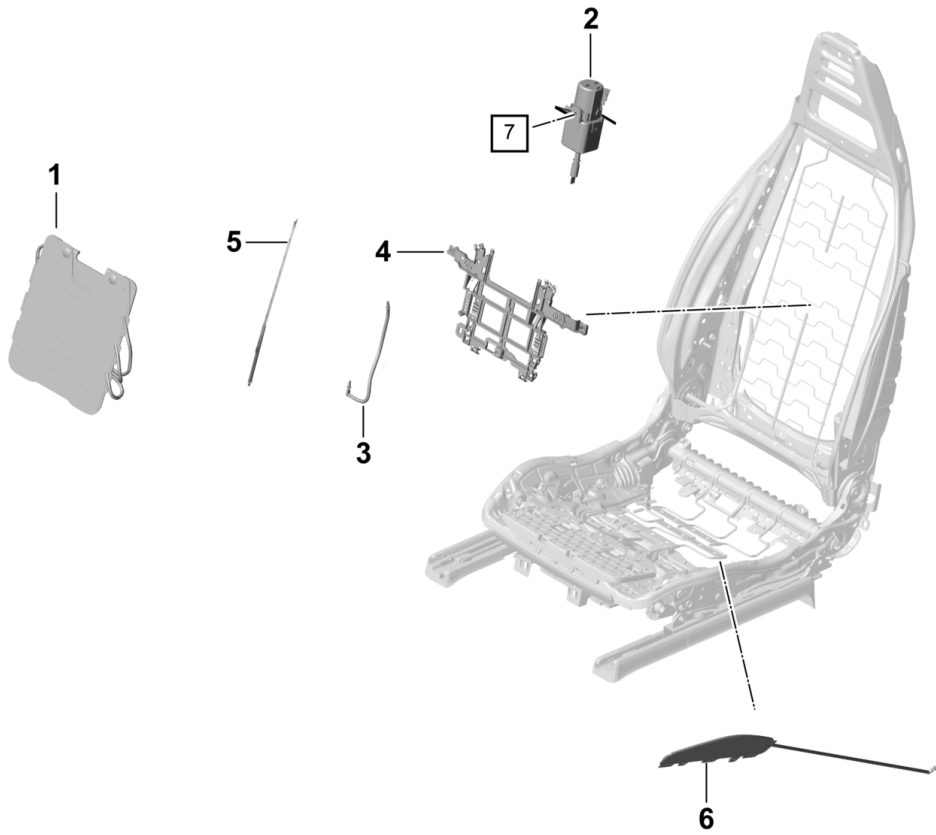
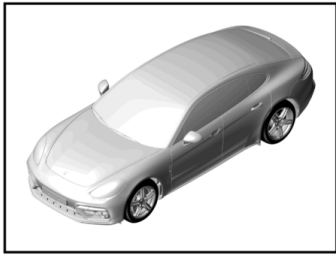
Model: 971-17

Model life 2017>>

Pos	Part Number	Description	Remark	Qty	Model
		Wiring looms			PR:Q1J
		Seat			
		backrest			
		sports seat			
		Airbag			
		Lumbar			
1	971 974 415 CE	Wire set	left	1	PR:-4D1,-4D3
		Seat			
		sports seat			
		modify in workshop			
1	971 974 415 CS	Wire set	left	1	PR:4D1,4D3
		Seat			
		sports seat			
		modify in workshop			
(1)	971 974 416 EH	Wire set	right	1	PR:9P3
		Seat			
		sports seat			
		modify in workshop			
(1)	971 974 416 EL	Wire set	right	1	PR:9P7
		Seat			
		sports seat			
		modify in workshop			
(1)	971 974 416 ES	Wire set	right	1	PR:-9P3,-9P7
		Seat			
		sports seat			
		modify in workshop			
2	971 971 399 EE	Wire set	left	1	PR:4D1,4D3
		backrest			
		sports seat			
		modify in workshop			
2	971 971 399 EF	Wire set	left	1	PR:4D2,4D5, 4D7,4D9
		backrest			
		sports seat			
		modify in workshop			
(2)	971 974 369 CP	Wire set	right	1	PR:4D0,4D1, 4D3
		backrest			
		sports seat			
		modify in workshop			
(2)	971 974 369 CQ	Wire set	right	1	PR:-4D0, -4D1,-4D3
		backrest			
		sports seat			
		modify in workshop			
3	9A7 959 760 00	Control unit	front	1	PR:3PN
		With memory function			
		Seat adjuster			
		sports seat			
4	971 959 729	Retainer for control units		1	PR:3PN
		Front seat			
		sports seat			
5	9A7 947 415 10	Light	left rear	1	PR:QQ2
		Footwell			
(5)	9A7 947 415 20	Light	right rear	1	PR:QQ2
		Footwell			

Model: 971-17

Model life 2017>>



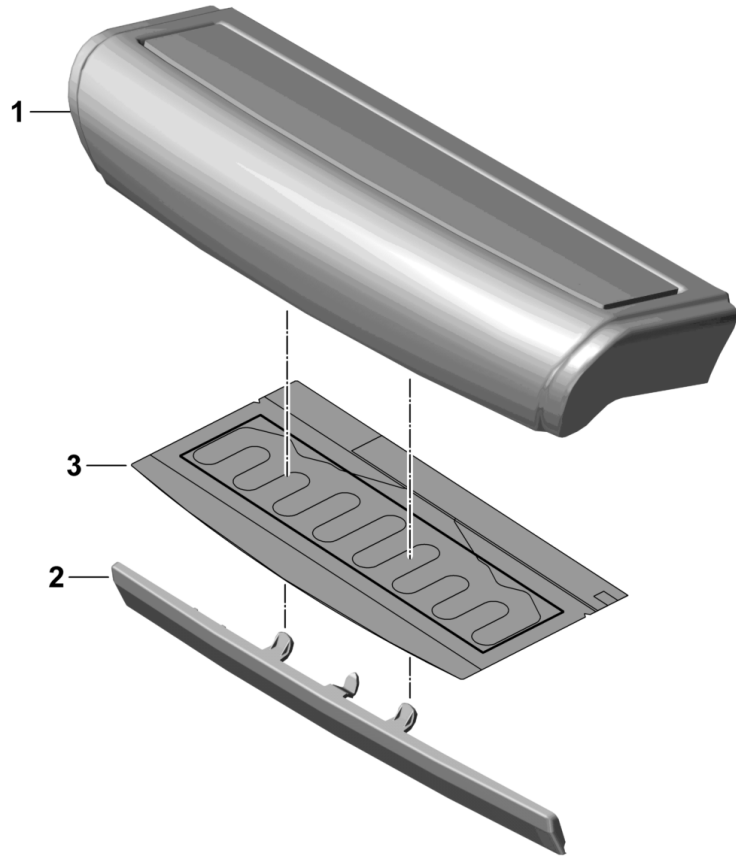
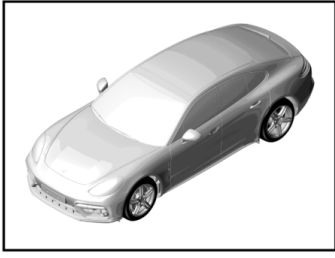
Model: 971-17

Model life 2017>>

Pos	Part Number	Description	Remark	Qty	Model
		Lumbar Front seats sports seat			PR:Q1J
1	971 898 038 B	repair kit for seat		1	
(1)	971 898 038	Massage mat Repair set for massage lumbar support	Control unit	1	
2	971 881 073	Compressor		1	PR-3KK, 3KL, 3KN, 3KR
3	971 881 867	Stop buffer Compressor		1	
4	971 882 607	Bracket		2	
5	971 882 771	Valve block container	left	1	
(5)	971 882 772	Air distributor Backrest side bolster container	right	1	
6	971 882 385	Air distributor Backrest side bolster Insert container	left	1	
(6)	971 882 386	Air distributor Seat side bolster Insert container	right	1	
		Air distributor Seat side bolster			

Model: 971-17

Model life 2017>>



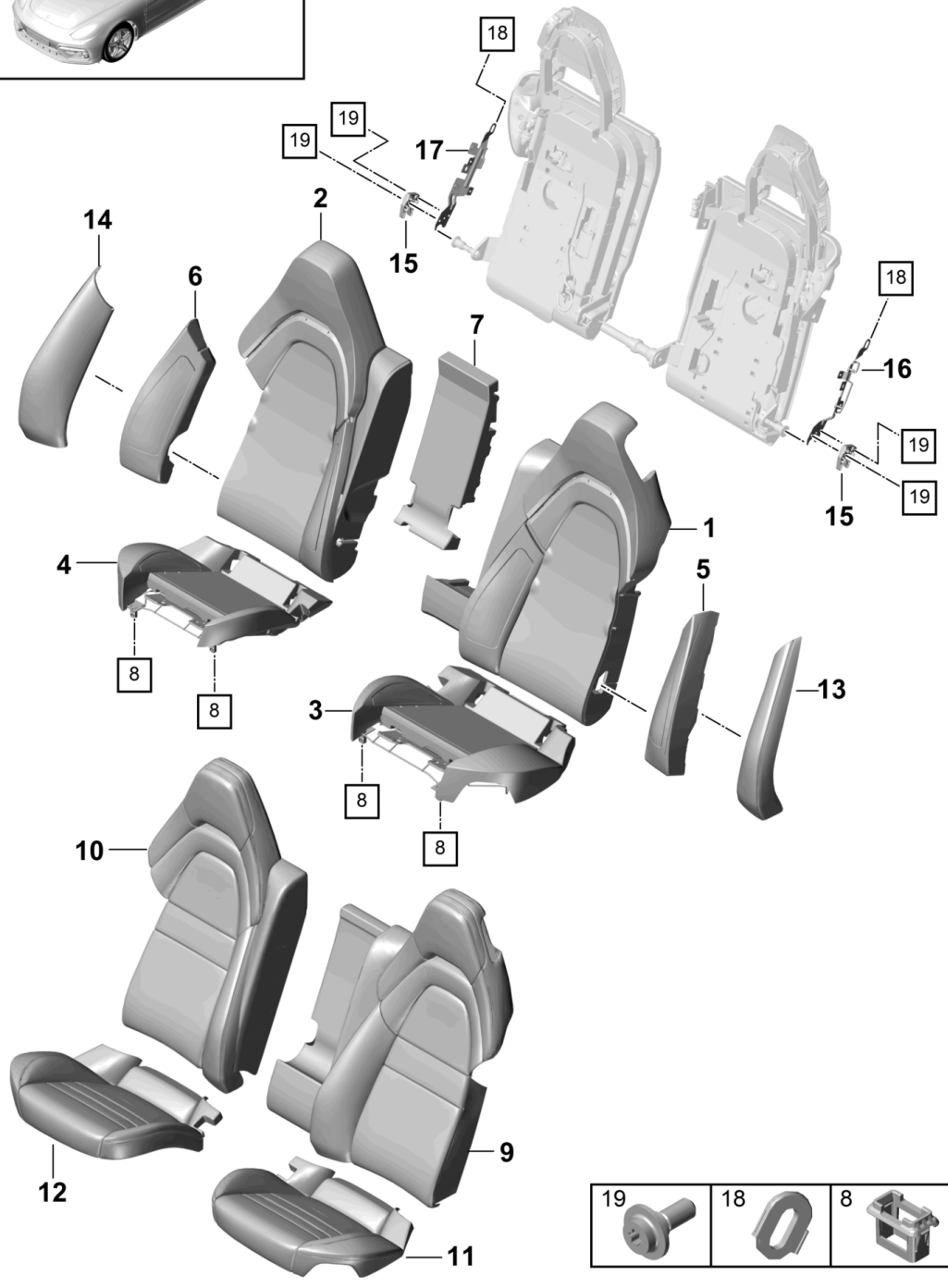
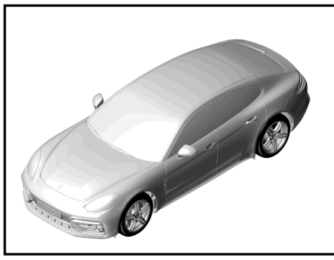
Model: 971-17

Model life 2017>>

Pos	Part Number	Description	Remark	Qty	Model
1	971 881 373	Seat cushion Trim Accessories Foam part Front vertical adjustment Comfort seat Not Vented		1	PR:Q2J,Q1J PR:Q2J,4D0
(1)	971 881 373 A	Foam part Front vertical adjustment Comfort seat sports seat Vented		1	PR:Q2J,Q1J, 4D1,4D2,4D3, 4D5,4D7,4D9
(1)	971 881 373 B	Foam part Front vertical adjustment sports seat Not Vented		1	PR:Q1J,4D0
2	971 881 607	Trim		1	
	971 881 607 1E0	Black			
3	971 963 549	Heater element Front vertical adjustment Comfort seat sports seat	left a. right	1	PR:4A3,4A4, 9P3,9P7

Model: 971-17

Model life 2017>>



Model: 971-17

Model life 2017>>

Pos	Part Number	Description	Remark	Qty	Model
		Seat Basic Comfort version	rear		PR: 3KG
1	971 885 775 BL	Foam part Cover Foam part backrest Comfort version	left	1	PR: 4D0, 4D3, 4D5, 4D7
2	971 885 776 AD	Foam part backrest Comfort version	right	1	PR: 4D0, 4D3, 4D5, 4D7
3	971 885 375 AA	Foam part Seat cushion Comfort version	left	1	PR: 4D0, 4D3, 4D5, 4D7
4	971 885 376 AA	Foam part Seat cushion Comfort version	right	1	PR: 4D0, 4D3, 4D5
5	971 885 891 N	Foam part Side part Seat Comfort version	left	1	PR: 4D0, 4D3, 4D5, 4X3, 4D7
(5)	971 885 891 P	Airbag Foam part Side part Seat Comfort version	left	1	PR: 4D0, 4D3, 4D5, 4X4, 4D7
6	971 885 892 N	Airbag Foam part Side part Seat Comfort version	right	1	PR: 4D0, 4D3, 4D5, 4X3, 4D7
(6)	971 885 892 P	Airbag Foam part Side part Seat Comfort version	right	1	PR: 4D0, 4D3, 4D5, 4X4, 4D7
7	971 885 883 A	Airbag Foam part Centre part Seat		1	
8	971 885 313 A	Clip Seat cushion		4	
9	971 885 805 GE	Backrest cover Comfort version	left	1	PR: N1X, 3J4, 4D0, 4D7
(9)	971 885 805 GE GDB	Porsche crest Black	-AB		
	971 885 805 GE GHB	agate grey	-DG		
	971 885 805 GE GFB	Luxor beige	-UB, PK		
	971 885 805 GF	Backrest cover Comfort version	left	1	PR: N5U, 3J4, 4D0, 4D7
	971 885 805 GF GDC	Porsche crest Black	-AC		
	971 885 805 GF GHC	agate grey	-DL		
	971 885 805 GF DUE	saddle brown	-SB, BS		
	971 885 805 GF GFC	Luxor beige	-UC, BP		

Model: 971-17 Model life 2017>>

Pos	Part Number	Description	Remark	Qty	Model
(9)	971 885 805 GF DAK	Marsala Red	-PC	1	PR:N0K,3J4, 4D1,4D3,4D5, 4D9
	971 885 805 GF GUC	Bordeaux red	-BB		
	971 885 805 GF GVC	Chalk	-BK		
	971 885 805 GF DAL	Cream	-BE		
	971 885 805 GH	Backrest cover	left		
		Comfort version			
		without:			
		Porsche crest			
		Perforated			
(9)	971 885 805 GH GDB	Black	-AB	1	PR:N0Q,3J4, 4D1,4D3,4D5, 4D9
	971 885 805 GH GHB	agate grey	-DG		
	971 885 805 GH GFB	Luxor beige	-UB,PK		
	971 885 805 GJ	Backrest cover	left		
		Comfort version			
		without:			
		Porsche crest			
		Perforated			
(9)	971 885 805 GJ GDC	Black	-AC	1	PR:N1X,4D0, 4D7,5ZF
	971 885 805 GJ GHC	agate grey	-DL		
	971 885 805 GJ DUE	saddle brown	-SB,BS		
	971 885 805 GJ GFC	Luxor beige	-UC,BP		
	971 885 805 GJ DAK	Marsala Red	-PC		
	971 885 805 GJ GUC	Bordeaux red	-BB		
	971 885 805 GJ GVC	Chalk	-BK		
	971 885 805 GJ DAL	Cream	-BE		
	971 885 805 GL	Backrest cover	left		
		Comfort version			
			with:		
		Porsche crest			
(9)	971 885 805 GL GDB	Black	-AB	1	PR:N5U,4D0, 4D7,5ZF
	971 885 805 GL GHB	agate grey	-DG		
	971 885 805 GL GFB	Luxor beige	-UB,PK		
	971 885 805 GM	Backrest cover	left		
		Comfort version			
		with:			
		Porsche crest			
(9)	971 885 805 GM GDC	Black	-AC	1	PR:N0K,4D1, 4D3,4D5,4D9, 5ZF
	971 885 805 GM GHC	agate grey	-DL		
	971 885 805 GM DUE	saddle brown	-SB,BS		
	971 885 805 GM GFC	Luxor beige	-UC,BP		
	971 885 805 GM DAK	Marsala Red	-PC		
	971 885 805 GM GUC	Bordeaux red	-BB		
	971 885 805 GM GVC	Chalk	-BK		
	971 885 805 GM DAL	Cream	-BE		
	971 885 805 GP	Backrest cover	left		
		Comfort version			
			with:		
		Porsche crest			
(9)	971 885 805 GP GDB	Black	-AB	1	PR:N0Q,4D1, 4D3,4D5,4D9, 5ZF
	971 885 805 GP GHB	agate grey	-DG		
	971 885 805 GP GFB	Luxor beige	-UB,PK		
	971 885 805 GQ	Backrest cover	left		
		Comfort version			

Model: 971-17

Model life 2017>>

Pos	Part Number	Description	Remark	Qty	Model
		Comfort version			
		with:			
	971 885 805 GQ GDC	Porsche crest Perforated Black	-AC		
	971 885 805 GQ GHC	agate grey	-DL		
	971 885 805 GQ DUE	saddle brown	-SB,BS		
	971 885 805 GQ GFC	Luxor beige	-UC,BP		
	971 885 805 GQ DAK	Marsala Red	-PC		
	971 885 805 GQ GUC	Bordeaux red	-BB		
	971 885 805 GQ GVC	Chalk	-BK		
	971 885 805 GQ DAL	Cream	-BE		
(9)	971 885 805 KL	Backrest cover	left	1	PR:N5U,4D0, 4D7,5ZJ,A8H
		Comfort version Turbo inscription			
	971 885 805 KL GDC	Black	-AC		
	971 885 805 KL GHC	agate grey	-DL		
	971 885 805 KL DUE	saddle brown	-SB,BS		
	971 885 805 KL GFC	Luxor beige	-UC,BP		
	971 885 805 KL DAK	Marsala Red	-PC		
	971 885 805 KL GUC	Bordeaux red	-BB		
	971 885 805 KL GVC	Chalk	-BK		
	971 885 805 KL DAL	Cream	-BE		
(9)	971 885 805 KM	Backrest cover	left	1	PR:NOQ,4D1, 4D3,4D5,4D9, 5ZJ,A8H
		Comfort version Turbo inscription Perforated			
	971 885 805 KM GDC	Black	-AC		
	971 885 805 KM GHC	agate grey	-DL		
	971 885 805 KM DUE	saddle brown	-SB,BS		
	971 885 805 KM GFC	Luxor beige	-UC,BP		
	971 885 805 KM DAK	Marsala Red	-PC		
	971 885 805 KM GUC	Bordeaux red	-BB		
	971 885 805 KM GVC	Chalk	-BK		
	971 885 805 KM DAL	Cream	-BE		
(9)	971 885 805 AD	Backrest cover Porsche crest		1	PR-N1V,3KG, 4D1,4D3,4D5, 4D9,5ZF
	971 885 805 AD GT0	Truffle Brown	-HD		
	971 885 805 AD GC0	Cohiba Brown	-HC		
10	971 885 806 EA	Backrest cover	right	1	PR:N1X,3J4, 4D0,4D7
		Comfort version			
		without:			
	971 885 806 EA GDB	Porsche crest Black	-AB		
	971 885 806 EA GHB	agate grey	-DG		
	971 885 806 EA GFB	Luxor beige	-UB,PK		
(10)	971 885 806 EB	Backrest cover	right	1	PR:N5U,3J4, 4D0,4D7
		Comfort version			
		without:			
	971 885 806 EB GDC	Porsche crest Black	-AC		
	971 885 806 EB GHC	agate grey	-DL		
	971 885 806 EB DUE	saddle brown	-SB,BS		
	971 885 806 EB GFC	Luxor beige	-UC,BP		
	971 885 806 EB DAK	Marsala Red	-PC		

Model: 971-17 Model life 2017>>

Pos	Part Number	Description	Remark	Qty	Model		
(10)	971 885 806 EB GUC	Bordeaux red	-BB	1	PR:N0K,3J4, 4D1,4D3,4D5		
	971 885 806 EB GVC	Chalk	-BK				
	971 885 806 EB DAL	Cream	-BE				
	971 885 806 ED	Backrest cover	right				
		Comfort version					
		without:					
		Porsche crest					
		Perforated					
	971 885 806 ED GDB	Black	-AB	1	PR:N0Q,3J4, 4D1,4D3,4D5		
	971 885 806 ED GHB	agate grey	-DG				
(10)	971 885 806 ED GFB	Luxor beige	-UB,PK				
	971 885 806 EE	Backrest cover	right				
		Comfort version					
		without:					
		Porsche crest					
		Perforated					
	971 885 806 EE GDC	Black	-AC			1	PR:N1X,5ZF, 4D0,4D7
	971 885 806 EE GHC	agate grey	-DL				
	971 885 806 EE DUE	saddle brown	-SB,BS				
	971 885 806 EE GFC	Luxor beige	-UC,BP				
	971 885 806 EE DAK	Marsala Red	-PC				
	971 885 806 EE GUC	Bordeaux red	-BB				
	971 885 806 EE GVC	Chalk	-BK				
	971 885 806 EE DAL	Cream	-BE				
(10)	971 885 806 EG	Backrest cover	right				
		Comfort version					
		with:					
		Porsche crest					
	971 885 806 EG GDB	Black	-AB	1	PR:N5U,5ZF, 4D0,4D7		
	971 885 806 EG GHB	agate grey	-DG				
(10)	971 885 806 EG GFB	Luxor beige	-UB,PK				
	971 885 806 EH	Backrest cover	right				
		Comfort version					
		with:					
		Porsche crest					
	971 885 806 EH GDC	Black	-AC			1	PR:N0K,5ZF, 4D3,4D5
	971 885 806 EH GHC	agate grey	-DL				
	971 885 806 EH DUE	saddle brown	-SB,BS				
	971 885 806 EH GFC	Luxor beige	-UC,BP				
	971 885 806 EH DAK	Marsala Red	-PC				
	971 885 806 EH GUC	Bordeaux red	-BB				
	971 885 806 EH GVC	Chalk	-BK				
	971 885 806 EH DAL	Cream	-BE				
(10)	971 885 806 EK	Backrest cover	right				
		Comfort version					
		with:					
		Porsche crest					
		Perforated					
	971 885 806 EK GDB	Black	-AB	1	PR:N0Q,5ZF, 4D3,4D5		
	971 885 806 EK GHB	agate grey	-DG				
(10)	971 885 806 EK GFB	Luxor beige	-UB,PK				
	971 885 806 EL	Backrest cover	right				
		Comfort version					
		with:					
		Porsche crest					
		Perforated					
	971 885 806 EL GDC	Black	-AC				

Model: 971-17 Model life 2017>>

Pos	Part Number	Description	Remark	Qty	Model
(10)	971 885 806 EL GHC	agate grey	-DL	1	PR:N5U,4D0, 4D7,5ZJ,A8H
	971 885 806 EL DUE	saddle brown	-SB,BS		
	971 885 806 EL GFC	Luxor beige	-UC,BP		
	971 885 806 EL DAK	Marsala Red	-PC		
	971 885 806 EL GUC	Bordeaux red	-BB		
	971 885 806 EL GVC	Chalk	-BK		
	971 885 806 EL DAL	Cream	-BE		
	971 885 806 GN	Backrest cover	right		
		Comfort version			
		Turbo			
	inscription				
	971 885 806 GN GDC	Black	-AC	1	PR:NOQ,4D3, 4D5,5ZJ,A8H
	971 885 806 GN GHC	agate grey	-DL		
	971 885 806 GN DUE	saddle brown	-SB,BS		
	971 885 806 GN GFC	Luxor beige	-UC,BP		
	971 885 806 GN DAK	Marsala Red	-PC		
	971 885 806 GN GUC	Bordeaux red	-BB		
	971 885 806 GN GVC	Chalk	-BK		
	971 885 806 GN DAL	Cream	-BE		
(10)	971 885 806 GP	Backrest cover	right		
	Comfort version				
	Turbo				
	inscription				
	Perforated				
	971 885 806 GP GDC	Black	-AC	1	PR-N1V,3KG, 4D3,4D5,5ZF
	971 885 806 GP GHC	agate grey	-DL		
	971 885 806 GP DUE	saddle brown	-SB,BS		
	971 885 806 GP GFC	Luxor beige	-UC,BP		
	971 885 806 GP DAK	Marsala Red	-PC		
	971 885 806 GP GUC	Bordeaux red	-BB		
	971 885 806 GP GVC	Chalk	-BK		
	971 885 806 GP DAL	Cream	-BE		
(10)	971 885 806 AD	Backrest cover			
	Porsche crest				
	971 885 806 AD GT0	Truffle Brown	-HD		
	971 885 806 AD GC0	Cohiba Brown	-HC		
11	971 885 405 BB	Cover	left	1	PR:N1X,4D0, 4D7
	Seat cushion				
	Comfort version				
	971 885 405 BB GDB	Black	-AB	1	PR:N5U,4D0, 4D7
	971 885 405 BB GHB	agate grey	-DG		
	971 885 405 BB GFB	Luxor beige	-UB,PK		
(11)	971 885 405 BC	Cover	left		
	Seat cushion				
	Comfort version				
	971 885 405 BC GDC	Black	-AC		
	971 885 405 BC GHC	agate grey	-DL		
	971 885 405 BC DUE	saddle brown	-SB,BS		
	971 885 405 BC GFC	Luxor beige	-UC,BP		
	971 885 405 BC DAK	Marsala Red	-PC		
	971 885 405 BC GUC	Bordeaux red	-BB		
	971 885 405 BC GVC	Chalk	-BK		
	971 885 405 BC DAL	Cream	-BE		
(11)	971 885 405 BL	Cover	left	1	PR:N0K,4D1, 4D3,4D5,4D9
	Seat cushion				
	Comfort version				
	Perforated				
	971 885 405 BL GDB	Black	-AB	1	PR:NOQ,4D1,
	971 885 405 BL GHB	agate grey	-DG		
	971 885 405 BL GFB	Luxor beige	-UB,PK		
(11)	971 885 405 BM	Cover	left		

Model: 971-17 Model life 2017>>

Pos	Part Number	Description	Remark	Qty	Model
		Seat cushion Comfort version Perforated			4D3, 4D5, 4D9
	971 885 405 BM GDC	Black	-AC		
	971 885 405 BM GHC	agate grey	-DL		
	971 885 405 BM DUE	saddle brown	-SB,BS		
	971 885 405 BM GFC	Luxor beige	-UC,BP		
	971 885 405 BM DAK	Marsala Red	-PC		
	971 885 405 BM GUC	Bordeaux red	-BB		
	971 885 405 BM GVC	Chalk	-BK		
	971 885 405 BM DAL	Cream	-BE		
12	971 885 406 BB	Cover Seat cushion Comfort version	right	1	PR:N1X, 4D0, 4D7
	971 885 406 BB GDB	Black	-AB		
	971 885 406 BB GHB	agate grey	-DG		
	971 885 406 BB GFB	Luxor beige	-UB,PK		
(12)	971 885 406 BC	Cover Seat cushion Comfort version	right	1	PR:N5U, 4D0, 4D7
	971 885 406 BC GDC	Black	-AC		
	971 885 406 BC GHC	agate grey	-DL		
	971 885 406 BC DUE	saddle brown	-SB,BS		
	971 885 406 BC GFC	Luxor beige	-UC,BP		
	971 885 406 BC DAK	Marsala Red	-PC		
	971 885 406 BC GUC	Bordeaux red	-BB		
	971 885 406 BC GVC	Chalk	-BK		
	971 885 406 BC DAL	Cream	-BE		
(12)	971 885 406 BL	Cover Seat cushion Comfort version Perforated	right	1	PR:N0K, 4D1, 4D3, 4D5, 4D9
	971 885 406 BL GDB	Black	-AB		
	971 885 406 BL GHB	agate grey	-DG		
	971 885 406 BL GFB	Luxor beige	-UB,PK		
(12)	971 885 406 BM	Cover Seat cushion Comfort version Perforated	right	1	PR:N0Q, 4D1, 4D3, 4D5, 4D9
	971 885 406 BM GDC	Black	-AC		
	971 885 406 BM GHC	agate grey	-DL		
	971 885 406 BM DUE	saddle brown	-SB,BS		
	971 885 406 BM GFC	Luxor beige	-UC,BP		
	971 885 406 BM DAK	Marsala Red	-PC		
	971 885 406 BM GUC	Bordeaux red	-BB		
	971 885 406 BM GVC	Chalk	-BK		
	971 885 406 BM DAL	Cream	-BE		
13	971 885 745 DD	Cover Side part Comfort version	left	1	PR:N1X, 4D0, 4D7, 4X3
		Airbag			
	971 885 745 DD 21U	Black	-AB		
	971 885 745 DD OF6	agate grey	-DG		
	971 885 745 DD 32X	Luxor beige	-UB,PK		
(13)	971 885 745 DE	Cover Side part Comfort version	left	1	PR:N5U, 4D0, 4D7, 4X3
		Airbag			
	971 885 745 DE 8YR	Black	-AC		
	971 885 745 DE PL1	agate grey	-DL		
	971 885 745 DE OK6	saddle brown	-SB,BS		

Model: 971-17 Model life 2017>>

Pos	Part Number	Description	Remark	Qty	Model			
(13)	971 885 745 DE 9H6	Luxor beige	-UC,BP	1	PR:N0K,4D1, 4D2,4D3,4D5, 4D9,4X3			
	971 885 745 DE 8M8	Marsala Red	-PC					
	971 885 745 DE OG6	Bordeaux red	-BB					
	971 885 745 DE OL8	Chalk	-BK					
	971 885 745 DE 6G0	Cream	-BE					
	971 885 745 DQ	Cover Side part Comfort version	left					
			without:					
			Airbag					
			Perforated					
		971 885 745 DQ 21U	Black			-AB		
(13)	971 885 745 DQ OF6	agate grey	-DG	1	PR:N0Q,4D1, 4D2,4D3,4D5, 4D9,4X3			
	971 885 745 DQ 32X	Luxor beige	-UB,PK					
	971 885 745 DR	Cover Side part Comfort version	left					
			without:					
			Airbag					
			Perforated					
		971 885 745 DR 8YR	Black			-AC		
		971 885 745 DR PL1	agate grey			-DL		
		971 885 745 DR OK6	saddle brown			-SB,BS		
		971 885 745 DR 9H6	Luxor beige			-UC,BP		
(13)	971 885 745 DR 8M8	Marsala Red	-PC	1	PR:N1X,4D0, 4D7,4X4			
	971 885 745 DR OG6	Bordeaux red	-BB					
	971 885 745 DR OL8	Chalk	-BK					
	971 885 745 DR 6G0	Cream	-BE					
	971 885 745 DJ	Cover Side part Comfort version	left					
			with:					
			Airbag					
		971 885 745 DJ 21U	Black			-AB		
		971 885 745 DJ OF6	agate grey			-DG		
		971 885 745 DJ 32X	Luxor beige			-UB,PK		
(13)	971 885 745 DK	Cover Side part Comfort version	left	1	PR:N5U,4D0, 4D7,4X4			
			with:					
			Airbag					
		971 885 745 DK 8YR	Black			-AC		
		971 885 745 DK PL1	agate grey			-DL		
		971 885 745 DK OK6	saddle brown			-SB,BS		
		971 885 745 DK 9H6	Luxor beige			-UC,BP		
		971 885 745 DK 8M8	Marsala Red			-PC		
		971 885 745 DK OG6	Bordeaux red			-BB		
		971 885 745 DK OL8	Chalk			-BK		
(13)	971 885 745 DK 6G0	Cream	-BE	1	PR:N0K,4D1, 4D2,4D3,4D5, 4D9,4X4			
	971 885 745 DS	Cover Side part Comfort version	left					
			with:					
			Airbag					
			Perforated					
		971 885 745 DS 21U	Black			-AB		
		971 885 745 DS OF6	agate grey			-DG		
		971 885 745 DS 32X	Luxor beige			-UB,PK		
	(13)	971 885 745 DT	Cover Side part			left	1	PR:N0Q,4D1, 4D2,4D3,4D5,

Model: 971-17

Model life 2017>>

Pos	Part Number	Description	Remark	Qty	Model
		Comfort version			4D9, 4X4
		with:			
		Airbag			
		Perforated			
	971 885 745 DT 8YR	Black	-AC		
	971 885 745 DT PL1	agate grey	-DL		
	971 885 745 DT OK6	saddle brown	-SB,BS		
	971 885 745 DT 9H6	Luxor beige	-UC,BP		
	971 885 745 DT 8M8	Marsala Red	-PC		
	971 885 745 DT OG6	Bordeaux red	-BB		
	971 885 745 DT OL8	Chalk	-BK		
	971 885 745 DT 6G0	Cream	-BE		
14	971 885 746 DD	Cover	right	1	PR:N1X, 4D0, 4D7, 4X3
		Side part			
		Comfort version			
		without:			
		Airbag			
	971 885 746 DD 21U	Black	-AB		
	971 885 746 DD OF6	agate grey	-DG		
	971 885 746 DD 32X	Luxor beige	-UB,PK		
(14)	971 885 746 DE	Cover	right	1	PR:N5U, 4D0, 4D7, 4X3
		Side part			
		Comfort version			
		without:			
		Airbag			
	971 885 746 DE 8YR	Black	-AC		
	971 885 746 DE PL1	agate grey	-DL		
	971 885 746 DE OK6	saddle brown	-SB,BS		
	971 885 746 DE 9H6	Luxor beige	-UC,BP		
	971 885 746 DE 8M8	Marsala Red	-PC		
	971 885 746 DE OG6	Bordeaux red	-BB		
	971 885 746 DE OL8	Chalk	-BK		
	971 885 746 DE 6G0	Cream	-BE		
(14)	971 885 746 DQ	Cover	right	1	PR:N0K, 4D1, 4D2, 4D3, 4D5, 4D9, 4X3
		Side part			
		Comfort version			
		without:			
		Airbag			
		Perforated			
	971 885 746 DQ 21U	Black	-AB		
	971 885 746 DQ OF6	agate grey	-DG		
	971 885 746 DQ 32X	Luxor beige	-UB,PK		
(14)	971 885 746 DR	Cover	right	1	PR:N0Q, 4D1, 4D2, 4D3, 4D5, 4D9, 4X3
		Side part			
		Comfort version			
		without:			
		Airbag			
		Perforated			
	971 885 746 DR 8YR	Black	-AC		
	971 885 746 DR PL1	agate grey	-DL		
	971 885 746 DR OK6	saddle brown	-SB,BS		
	971 885 746 DR 9H6	Luxor beige	-UC,BP		
	971 885 746 DR 8M8	Marsala Red	-PC		
	971 885 746 DR OG6	Bordeaux red	-BB		
	971 885 746 DR OL8	Chalk	-BK		
	971 885 746 DR 6G0	Cream	-BE		
(14)	971 885 746 DJ	Cover	right	1	PR:N1X, 4D0, 4D7, 4X4
		Side part			
		Comfort version			
		with:			

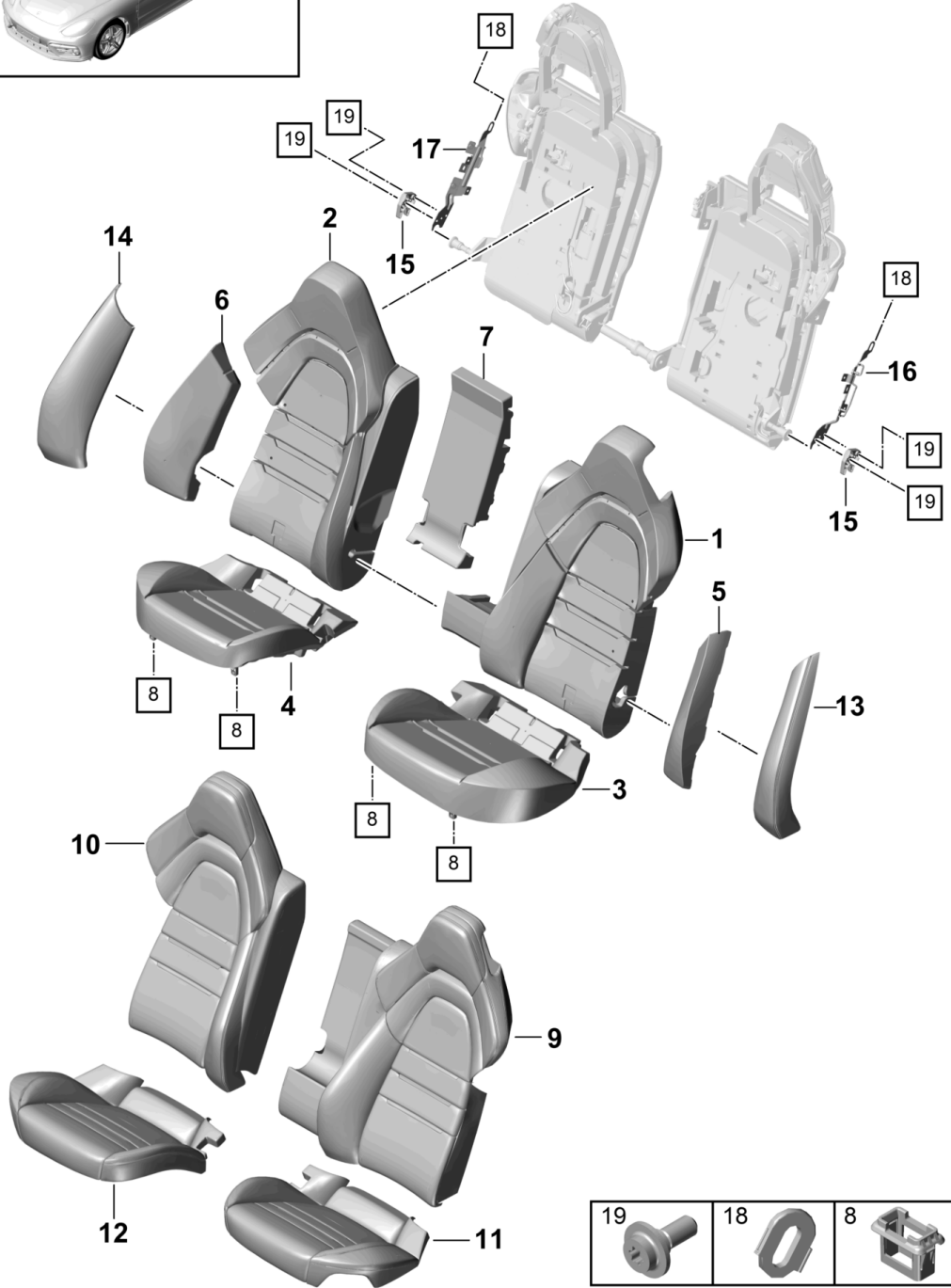
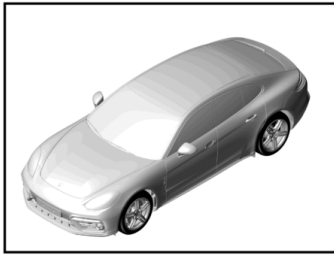
Model: 971-17

Model life 2017>>

Pos	Part Number	Description	Remark	Qty	Model			
(14)	971 885 746 DJ 21U	Airbag Black	-AB	1	PR:N5U,4D0, 4D7,4X4			
	971 885 746 DJ OF6	agate grey	-DG					
	971 885 746 DJ 32X	Luxor beige	-UB,PK					
	971 885 746 DK	Cover Side part Comfort version	right					
			with:					
	971 885 746 DK 8YR	Airbag Black	-AC					
	971 885 746 DK PL1	agate grey	-DL					
	971 885 746 DK OK6	saddle brown	-SB,BS					
	971 885 746 DK 9H6	Luxor beige	-UC,BP					
	971 885 746 DK 8M8	Marsala Red	-PC					
(14)	971 885 746 DK OG6	Bordeaux red	-BB	1	PR:N0K,4D1, 4D2,4D3,4D5, 4D9,4X4			
	971 885 746 DK OL8	Chalk	-BK					
	971 885 746 DK 6G0	Cream	-BE					
	971 885 746 DS	Cover Side part Comfort version	right					
			with:					
	971 885 746 DS 21U	Airbag Perforated Black	-AB					
	971 885 746 DS OF6	agate grey	-DG					
	971 885 746 DS 32X	Luxor beige	-UB,PK					
	971 885 746 DT	Cover Side part Comfort version	right					
			with:					
(14)	971 885 746 DT 8YR	Airbag Perforated Black	-AC	1	PR:N0Q,4D1, 4D2,4D3,4D5, 4D9,4X4			
	971 885 746 DT PL1	agate grey	-DL					
	971 885 746 DT OK6	saddle brown	-SB,BS					
	971 885 746 DT 9H6	Luxor beige	-UC,BP					
	971 885 746 DT 8M8	Marsala Red	-PC					
	971 885 746 DT OG6	Bordeaux red	-BB					
	971 885 746 DT OL8	Chalk	-BK					
	971 885 746 DT 6G0	Cream	-BE					
	15	971 885 585	Bracket Side part				2	
	16	971 885 189 A	Retaining plate Side part			left	1	
17	971 885 190 A	Retaining plate Side part	right	1				
18	971 885 939 A	Guide piece Side part		2				
19	9A7 008 033 00	Hexagon socket head bolt		4	M6x16			

Model: 971-17

Model life 2017>>



Model: 971-17 Model life 2017>>

Pos	Part Number	Description	Remark	Qty	Model
		Seat Basic Sport version	rear		PR: 3KH
1	971 885 775 BM	Foam part Cover Foam part backrest Sport version	left	1	PR: 4D0, 4D3
2	971 885 776 AE	Foam part backrest Sport version	right	1	PR: 4D0, 4D3
3	971 885 375 AC	Foam part Seat cushion Sport version	left	1	PR: 4D0, 4D3
4	971 885 376 AC	Foam part Seat cushion Sport version	right	1	PR: 4D0, 4D3
5	971 885 891 S	Foam part Side part Seat Sport version	left	1	PR: 4D0, 4D1, 4X3
(5)	971 885 891 T	Airbag Foam part Side part Seat Sport version	left	1	PR: 4D0, 4D1, 4D3, 4X4
		without:			
6	971 885 892 S	Airbag Foam part Side part Seat Sport version	right	1	PR: 4D0, 4D1, 4X3
(6)	971 885 892 T	Airbag Foam part Side part Seat Sport version	right	1	PR: 4D0, 4D1, 4D3, 4X4
		without:			
7	971 885 883 A	Airbag Foam part Centre part Seat		1	
8	971 885 313 A	Clip Seat cushion		4	
9	971 885 805 GS	Backrest cover Sport version	left	1	PR: N1X, 3J4, 4D0, 4D7
		without:			
	971 885 805 GS GDB	Porsche crest Black	-AB		
	971 885 805 GS GHB	agate grey	-DG		
	971 885 805 GS GFB	Luxor beige	-UB, PK		
(9)	971 885 805 GT	Backrest cover Sport version	left	1	PR: N5U, 3J4, 4D0, 4D7
		without:			
	971 885 805 GT GDC	Porsche crest Black	-AC		
	971 885 805 GT GHC	agate grey	-DL		
	971 885 805 GT DUE	saddle brown	-SB, BS		
	971 885 805 GT GFC	Luxor beige	-UC, BP		

Model: 971-17 Model life 2017>>

Pos	Part Number	Description	Remark	Qty	Model		
(9)	971 885 805 GT DAK	Marsala Red	-PC	1	PR:N0K,3J4, 4D1,4D3,4D5, 4D9		
	971 885 805 GT GUC	Bordeaux red	-BB				
	971 885 805 GT GVC	Chalk	-BK				
	971 885 805 GT DAL	Cream	-BE				
	971 885 805 HB	Backrest cover	left				
		Sport version					
		without:					
		Porsche crest					
		Perforated					
	971 885 805 HB GDB	Black	-AB	1	PR:N0Q,3J4, 4D1,4D3,4D5, 4D9		
	971 885 805 HB GHB	agate grey	-DG				
	971 885 805 HB GFB	Luxor beige	-UB,PK				
(9)	971 885 805 HC	Backrest cover	left				
		Sport version					
		without:					
		Porsche crest					
		Perforated					
	971 885 805 HC GDC	Black	-AC	1	PR:N1X,4D0, 4D7,5ZF		
	971 885 805 HC GHC	agate grey	-DL				
	971 885 805 HC DUE	saddle brown	-SB,BS				
	971 885 805 HC GFC	Luxor beige	-UC,BP				
	971 885 805 HC DAK	Marsala Red	-PC				
	971 885 805 HC GUC	Bordeaux red	-BB				
	971 885 805 HC GVC	Chalk	-BK				
	971 885 805 HC DAL	Cream	-BE				
(9)	971 885 805 HE	Backrest cover	left				
		Sport version					
		with:					
		Porsche crest					
	971 885 805 HE GDB	Black	-AB			1	PR:N5U,4D0, 4D7,5ZF
	971 885 805 HE GHB	agate grey	-DG				
	971 885 805 HE GFB	Luxor beige	-UB,PK				
(9)	971 885 805 HF	Backrest cover	left				
		Sport version					
		with:					
		Porsche crest					
	971 885 805 HF GDC	Black	-AC	1	PR:N0K,4D1, 4D3,4D5,4D9, 5ZF		
	971 885 805 HF GHC	agate grey	-DL				
	971 885 805 HF DUE	saddle brown	-SB,BS				
	971 885 805 HF GFC	Luxor beige	-UC,BP				
	971 885 805 HF DAK	Marsala Red	-PC				
	971 885 805 HF GUC	Bordeaux red	-BB				
	971 885 805 HF GVC	Chalk	-BK				
	971 885 805 HF DAL	Cream	-BE				
(9)	971 885 805 HH	Backrest cover	left				
		Sport version					
		with:					
		Porsche crest					
		Perforated					
	971 885 805 HH GDB	Black	-AB	1	PR:N0Q,4D1, 4D3,4D5,4D9, 5ZF		
	971 885 805 HH GHB	agate grey	-DG				
	971 885 805 HH GFB	Luxor beige	-UB,PK				
(9)	971 885 805 HJ	Backrest cover	left				
		Sport version					

Model: 971-17

Model life 2017>>

Pos	Part Number	Description	Remark	Qty	Model
		Sport version			
		with:			
		Porsche crest			
		Perforated			
	971 885 805 HJ GDC	Black	-AC		
	971 885 805 HJ GHC	agate grey	-DL		
	971 885 805 HJ DUE	saddle brown	-SB,BS		
	971 885 805 HJ GFC	Luxor beige	-UC,BP		
	971 885 805 HJ DAK	Marsala Red	-PC		
	971 885 805 HJ GUC	Bordeaux red	-BB		
	971 885 805 HJ GVC	Chalk	-BK		
	971 885 805 HJ DAL	Cream	-BE		
(9)	971 885 805 KN	Backrest cover	left	1	PR:N5U, 4D0, 5ZJ, A8H
		Sport version			
		Turbo			
		inscription			
	971 885 805 KN GDC	Black	-AC		
	971 885 805 KN GHC	agate grey	-DL		
	971 885 805 KN DUE	saddle brown	-SB,BS		
	971 885 805 KN GFC	Luxor beige	-UC,BP		
	971 885 805 KN DAK	Marsala Red	-PC		
	971 885 805 KN GUC	Bordeaux red	-BB		
	971 885 805 KN GVC	Chalk	-BK		
	971 885 805 KN DAL	Cream	-BE		
(9)	971 885 805 KP	Backrest cover	left	1	PR:NOQ, 4D1, 4D3, 4D5, 4D9, 5ZJ, A8H
		Sport version			
		Turbo			
		inscription			
		Perforated			
	971 885 805 KP GDC	Black	-AC		
	971 885 805 KP GHC	agate grey	-DL		
	971 885 805 KP DUE	saddle brown	-SB,BS		
	971 885 805 KP GFC	Luxor beige	-UC,BP		
	971 885 805 KP DAK	Marsala Red	-PC		
	971 885 805 KP GUC	Bordeaux red	-BB		
	971 885 805 KP GVC	Chalk	-BK		
	971 885 805 KP DAL	Cream	-BE		
10	971 885 806 GA	Backrest cover	right	1	PR:N1X, 3J4, 4D0, 4D7
		Sport version			
		without:			
		Porsche crest			
	971 885 806 GA GDB	Black	-AB		
	971 885 806 GA GHB	agate grey	-DG		
	971 885 806 GA GFB	Luxor beige	-UB,PK		
(10)	971 885 806 GB	Backrest cover	right	1	PR:N5U, 3J4, 4D0, 4D7
		Sport version			
		without:			
		Porsche crest			
	971 885 806 GB GDC	Black	-AC		
	971 885 806 GB GHC	agate grey	-DL		
	971 885 806 GB DUE	saddle brown	-SB,BS		
	971 885 806 GB GFC	Luxor beige	-UC,BP		
	971 885 806 GB DAK	Marsala Red	-PC		
	971 885 806 GB GUC	Bordeaux red	-BB		
	971 885 806 GB GVC	Chalk	-BK		
	971 885 806 GB DAL	Cream	-BE		
(10)	971 885 806 GD	Backrest cover	right	1	PR:N0K, 3J4, 4D1, 4D3, 4D5,

Model: 971-17

Model life 2017>>

Pos	Part Number	Description	Remark	Qty	Model
		Sport version			4D9
		without:			
	971 885 806 GD GDB	Porsche crest Perforated Black	-AB		
	971 885 806 GD GHB	agate grey	-DG		
(10)	971 885 806 GD GFB	Luxor beige	-UB,PK	1	PR:N0Q,3J4,4D1,4D3,4D5,4D9
	971 885 806 GE	Backrest cover	right		
		Sport version			
		without:			
	971 885 806 GE GDC	Porsche crest Perforated Black	-AC		
	971 885 806 GE GHC	agate grey	-DL		
	971 885 806 GE DUE	saddle brown	-SB,BS		
	971 885 806 GE GFC	Luxor beige	-UC,BP		
	971 885 806 GE DAK	Marsala Red	-PC		
	971 885 806 GE GUC	Bordeaux red	-BB		
	971 885 806 GE GVC	Chalk	-BK		
	971 885 806 GE DAL	Cream	-BE		
(10)	971 885 806 GG	Backrest cover	right	1	PR:N1X,5ZF,4D0,4D7
		Sport version			
		with:			
	971 885 806 GG GDB	Porsche crest Black	-AB		
	971 885 806 GG GHB	agate grey	-DG		
	971 885 806 GG GFB	Luxor beige	-UB,PK		
(10)	971 885 806 GH	Backrest cover	right	1	PR:N5U,5ZF,4D0,4D7
		Sport version			
		with:			
	971 885 806 GH GDC	Porsche crest Black	-AC		
	971 885 806 GH GHC	agate grey	-DL		
	971 885 806 GH DUE	saddle brown	-SB,BS		
	971 885 806 GH GFC	Luxor beige	-UC,BP		
	971 885 806 GH DAK	Marsala Red	-PC		
	971 885 806 GH GUC	Bordeaux red	-BB		
	971 885 806 GH GVC	Chalk	-BK		
	971 885 806 GH DAL	Cream	-BE		
(10)	971 885 806 GK	Backrest cover	right	1	PR:N1X,5ZF,4D1,4D3,4D5,4D9
		Sport version			
		with:			
	971 885 806 GK GDB	Porsche crest Perforated Black	-AB		
	971 885 806 GK GHB	agate grey	-DG		
	971 885 806 GK GFB	Luxor beige	-UB,PK		
(10)	971 885 806 GL	Backrest cover	right	1	PR:N5U,5ZF,4D1,4D3,4D5,4D9
		Sport version			
		with:			
	971 885 806 GL GDC	Porsche crest Perforated Black	-AC		
	971 885 806 GL GHC	agate grey	-DL		

Model: 971-17

Model life 2017>>

Pos	Part Number	Description	Remark	Qty	Model
(10)	971 885 806 GL DUE	saddle brown	-SB,BS	1	PR:N5U,4D0, 5ZJ,A8H
	971 885 806 GL GFC	Luxor beige	-UC,BP		
	971 885 806 GL DAK	Marsala Red	-PC		
	971 885 806 GL GUC	Bordeaux red	-BB		
	971 885 806 GL GVC	Chalk	-BK		
	971 885 806 GL DAL	Cream	-BE		
	971 885 806 GQ	Backrest cover	right		
		Sport version			
		Turbo			
		inscription			
(10)	971 885 806 GQ GDC	Black	-AC	1	PR:NOQ,4D3, 4D5,5ZJ,A8H, 4D9
	971 885 806 GQ GHC	agate grey	-DL		
	971 885 806 GQ DUE	saddle brown	-SB,BS		
	971 885 806 GQ GFC	Luxor beige	-UC,BP		
	971 885 806 GQ DAK	Marsala Red	-PC		
	971 885 806 GQ GUC	Bordeaux red	-BB		
	971 885 806 GQ GVC	Chalk	-BK		
	971 885 806 GQ DAL	Cream	-BE		
	971 885 806 GP	Backrest cover	right		
		Sport version			
11	971 885 806 GP GDC	Black	-AC	1	PR:N1X,4D0, 4D7
	971 885 806 GP GHC	agate grey	-DL		
	971 885 806 GP DUE	saddle brown	-SB,BS		
	971 885 806 GP GFC	Luxor beige	-UC,BP		
	971 885 806 GP DAK	Marsala Red	-PC		
	971 885 806 GP GUC	Bordeaux red	-BB		
	971 885 806 GP GVC	Chalk	-BK		
	971 885 806 GP DAL	Cream	-BE		
	971 885 405 BG	Cover	left		
		Seat cushion			
(11)	971 885 405 BG GDB	Black	-AB	1	PR:N5U,4D0, 4D7
	971 885 405 BG GHB	agate grey	-DG		
	971 885 405 BG GFB	Luxor beige	-UB,PK		
	971 885 405 BH	Cover	left		
		Seat cushion			
		Sport version			
	971 885 405 BH GDC	Black	-AC		
	971 885 405 BH GHC	agate grey	-DL		
	971 885 405 BH DUE	saddle brown	-SB,BS		
	971 885 405 BH GFC	Luxor beige	-UC,BP		
(11)	971 885 405 BH DAK	Marsala Red	-PC	1	PR:NOK,4D1, 4D3,4D5,4D9
	971 885 405 BH GUC	Bordeaux red	-BB		
	971 885 405 BH GVC	Chalk	-BK		
	971 885 405 BH DAL	Cream	-BE		
	971 885 405 BN	Cover	left		
		Seat cushion			
		Sport version			
		Perforated			
	971 885 405 BN GDB	Black	-AB		
	971 885 405 BN GHB	agate grey	-DG		
(11)	971 885 405 BN GFB	Luxor beige	-UB,PK	1	PR:NOQ,4D1, 4D3,4D5,4D9
	971 885 405 BP	Cover	left		
		Seat cushion			
	Sport version				
	Perforated				
	971 885 405 BP GDC	Black	-AC		

Model: 971-17 Model life 2017>>

Pos	Part Number	Description	Remark	Qty	Model
12	971 885 405 BP GHC	agate grey	-DL	1	PR:N1X,4D0,4D7
	971 885 405 BP DUE	saddle brown	-SB,BS		
	971 885 405 BP GFC	Luxor beige	-UC,BP		
	971 885 405 BP DAK	Marsala Red	-PC		
	971 885 405 BP GUC	Bordeaux red	-BB		
	971 885 405 BP GVC	Chalk	-BK		
	971 885 405 BP DAL	Cream	-BE		
	971 885 406 BG	Cover	right		
		Seat cushion			
		Sport version			
(12)	971 885 406 BG GDB	Black	-AB	1	PR:N5U,4D0,4D7
	971 885 406 BG GHB	agate grey	-DG		
	971 885 406 BG GFB	Luxor beige	-UB,PK		
	971 885 406 BH	Cover	right		
		Seat cushion			
		Sport version			
	971 885 406 BH GDC	Black	-AC		
	971 885 406 BH GHC	agate grey	-DL		
	971 885 406 BH DUE	saddle brown	-SB,BS		
	971 885 406 BH GFC	Luxor beige	-UC,BP		
(12)	971 885 406 BH DAK	Marsala Red	-PC	1	PR:N0K,4D1,4D3,4D5,4D9
	971 885 406 BH GUC	Bordeaux red	-BB		
	971 885 406 BH GVC	Chalk	-BK		
	971 885 406 BH DAL	Cream	-BE		
	971 885 406 BN	Cover	right		
		Seat cushion			
		Sport version			
		Perforated			
	971 885 406 BN GDB	Black	-AB		
	971 885 406 BN GHB	agate grey	-DG		
(12)	971 885 406 BN GFB	Luxor beige	-UB,PK	1	PR:N0Q,4D1,4D3,4D5,4D9
	971 885 406 BP	Cover	right		
		Seat cushion			
		Sport version			
		Perforated			
	971 885 406 BP GDC	Black	-AC		
	971 885 406 BP GHC	agate grey	-DL		
	971 885 406 BP DUE	saddle brown	-SB,BS		
	971 885 406 BP GFC	Luxor beige	-UC,BP		
	971 885 406 BP DAK	Marsala Red	-PC		
13	971 885 406 BP GUC	Bordeaux red	-BB	1	PR:N1X,4D0,4X3
	971 885 406 BP GVC	Chalk	-BK		
	971 885 406 BP DAL	Cream	-BE		
	971 885 745 DL	Cover	left		
		Side part			
		Sport version			
		Airbag	without:		
	971 885 745 DL 21U	Black	-AB		
	971 885 745 DL OF6	agate grey	-DG		
	(13)	971 885 745 DL 32X	Luxor beige		
971 885 745 DM		Cover	left		
		Side part			
		Sport version			
		Airbag	without:		
971 885 745 DM 8YR		Black	-AC		
971 885 745 DM PL1		agate grey	-DL		
971 885 745 DM OK6		saddle brown	-SB,BS		
971 885 745 DM 9H6		Luxor beige	-UC,BP		
971 885 745 DM 8M8		Marsala Red	-PC		
971 885 745 DM OG6	Bordeaux red	-BB			
971 885 745 DM OL8	Chalk	-BK			

Model: 971-17 Model life 2017>>

Pos	Part Number	Description	Remark	Qty	Model
(13)	971 885 745 DM 6G0 971 885 745 EA	Cream Cover Side part Sport version without: Airbag Perforated	-BE left	1	PR:N0K,4D1, 4D3,4D5,4D9, 4X3
(13)	971 885 745 EA 21U 971 885 745 EA OF6 971 885 745 EA 32X 971 885 745 DF	Black agate grey Luxor beige Cover Side part Sport version without: Airbag Perforated	-AB -DG -UB,PK left	1	PR:N0Q,4D1, 4D3,4D5,4D9, 4X3
(13)	971 885 745 DF 8YR 971 885 745 DF PL1 971 885 745 DF OK6 971 885 745 DF 9H6 971 885 745 DF 8M8 971 885 745 DF OG6 971 885 745 DF OL8 971 885 745 DF 6G0 971 885 745 DN	Black agate grey saddle brown Luxor beige Marsala Red Bordeaux red Chalk Cream Cover Side part Sport version with: Airbag	-AC -DL -SB,BS -UC,BP -PC -BB -BK -BE left	1	PR:N1X,4D0, 4X4
(13)	971 885 745 DN 21U 971 885 745 DN OF6 971 885 745 DN 32X 971 885 745 DP	Black agate grey Luxor beige Cover Side part Sport version with: Airbag	-AB -DG -UB,PK left	1	PR:N5U,4D0, 4X4
(13)	971 885 745 DP 8YR 971 885 745 DP PL1 971 885 745 DP OK6 971 885 745 DP 9H6 971 885 745 DP 8M8 971 885 745 DP OG6 971 885 745 DP OL8 971 885 745 DP 6G0 971 885 745 DG	Black agate grey saddle brown Luxor beige Marsala Red Bordeaux red Chalk Cream Cover Side part Sport version with: Airbag Perforated	-AC -DL -SB,BS -UC,BP -PC -BB -BK -BE left	1	PR:N0K,4D1, 4D3,4D5,4D9, 4X4
(13)	971 885 745 DG 21U 971 885 745 DG OF6 971 885 745 DG 32X 971 885 745 DH	Black agate grey Luxor beige Cover Side part Sport version with: Airbag	-AB -DG -UB,PK left	1	PR:N0Q,4D1, 4D3,4D5,4D9, 4X4

Model: 971-17

Model life 2017>>

Pos	Part Number	Description	Remark	Qty	Model
14	971 885 745 DH 8YR	Perforated Black	-AC	1	PR:N1X,4D0, 4X3
	971 885 745 DH PL1	agate grey	-DL		
	971 885 745 DH OK6	saddle brown	-SB,BS		
	971 885 745 DH 9H6	Luxor beige	-UC,BP		
	971 885 745 DH 8M8	Marsala Red	-PC		
	971 885 745 DH OG6	Bordeaux red	-BB		
	971 885 745 DH OL8	Chalk	-BK		
	971 885 745 DH 6G0	Cream	-BE		
	971 885 746 DL	Cover Side part Sport version	right		
(14)	971 885 746 DL 21U	Airbag Black	-AB	1	PR:N5U,4D0, 4X3
	971 885 746 DL OF6	agate grey	-DG		
	971 885 746 DL 32X	Luxor beige	-UB,PK		
	971 885 746 DM	Cover Side part Sport version	right		
			without:		
	971 885 746 DM 8YR	Airbag Black	-AC		
	971 885 746 DM PL1	agate grey	-DL		
	971 885 746 DM OK6	saddle brown	-SB,BS		
	971 885 746 DM 9H6	Luxor beige	-UC,BP		
(14)	971 885 746 DM 8M8	Marsala Red	-PC	1	PR:N0K,4D1, 4D3,4D5,4D9, 4X3
	971 885 746 DM OG6	Bordeaux red	-BB		
	971 885 746 DM OL8	Chalk	-BK		
	971 885 746 DM 6G0	Cream	-BE		
	971 885 746 DG	Cover Side part Sport version	right		
			without:		
	971 885 746 DG 21U	Airbag Perforated Black	-AB		
	971 885 746 DG OF6	agate grey	-DG		
	971 885 746 DG 32X	Luxor beige	-UB,PK		
(14)	971 885 746 DF	Cover Side part Sport version	right	1	PR:N0Q,4D1, 4D3,4D5,4D9, 4X3
			without:		
	971 885 746 DF 8YR	Airbag Perforated Black	-AC		
	971 885 746 DF PL1	agate grey	-DL		
	971 885 746 DF OK6	saddle brown	-SB,BS		
	971 885 746 DF 9H6	Luxor beige	-UC,BP		
	971 885 746 DF 8M8	Marsala Red	-PC		
	971 885 746 DF OG6	Bordeaux red	-BB		
	971 885 746 DF OL8	Chalk	-BK		
(14)	971 885 746 DF 6G0	Cream	-BE	1	PR:N1X,4D0, 4X4
	971 885 746 DN	Cover Side part Sport version	right		
			with:		
	971 885 746 DN 21U	Airbag Black	-AB		
	971 885 746 DN OF6	agate grey	-DG		
	971 885 746 DN 32X	Luxor beige	-UB,PK		

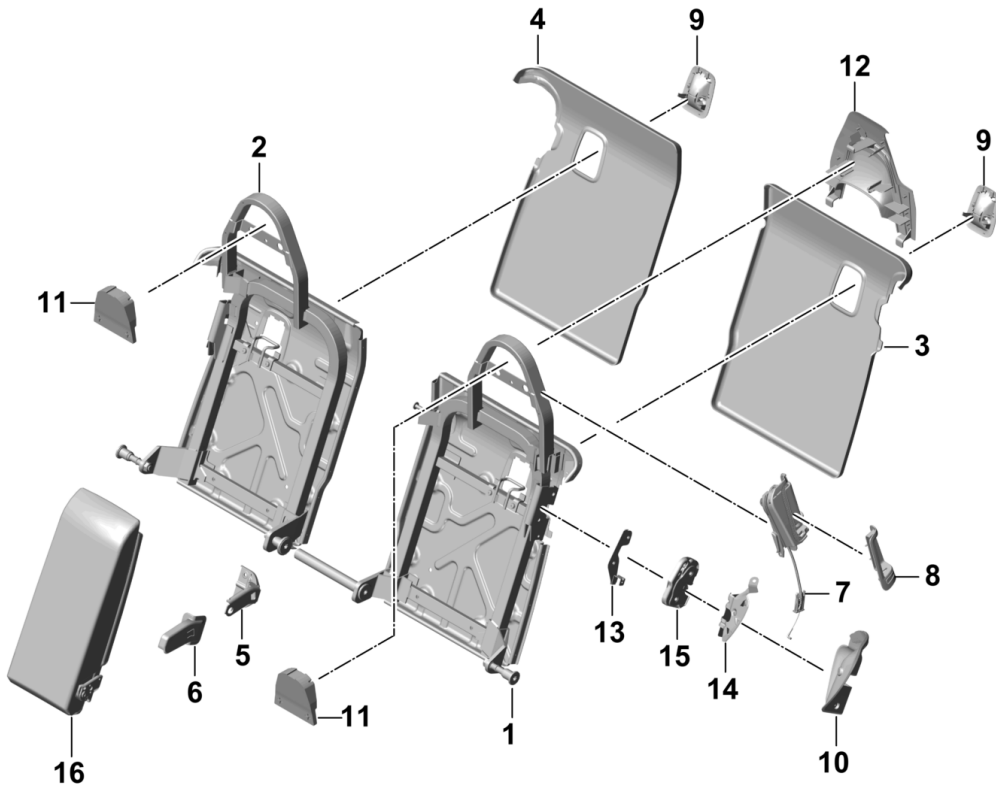
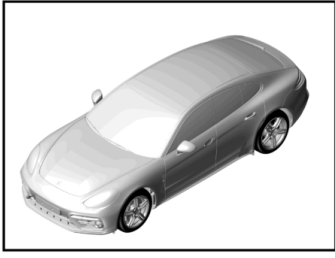
Model: 971-17

Model life 2017>>

Pos	Part Number	Description	Remark	Qty	Model
(14)	971 885 746 DP	Cover Side part Sport version	right	1	PR:N5U,4D0, 4X4
		with:			
	971 885 746 DP 8YR	Airbag Black	-AC		
	971 885 746 DP PL1	agate grey	-DL		
	971 885 746 DP OK6	saddle brown	-SB,BS		
	971 885 746 DP 9H6	Luxor beige	-UC,BP		
	971 885 746 DP 8M8	Marsala Red	-PC		
	971 885 746 DP OG6	Bordeaux red	-BB		
	971 885 746 DP OL8	Chalk	-BK		
	971 885 746 DP 6G0	Cream	-BE		
(14)	971 885 746 DG	Cover Side part Sport version	right	1	PR:N0K,4D1, 4D3,4D5,4D9, 4X4
		with:			
	971 885 746 DG 21U	Airbag Perforated Black	-AB		
	971 885 746 DG OF6	agate grey	-DG		
	971 885 746 DG 32X	Luxor beige	-UB,PK		
(14)	971 885 746 DH	Cover Side part Sport version	right	1	PR:N0Q,4D1, 4D3,4D5,4D9, 4X4
		with:			
	971 885 746 DH 8YR	Airbag Perforated Black	-AC		
	971 885 746 DH PL1	agate grey	-DL		
	971 885 746 DH OK6	saddle brown	-SB,BS		
	971 885 746 DH 9H6	Luxor beige	-UC,BP		
	971 885 746 DH 8M8	Marsala Red	-PC		
	971 885 746 DH OG6	Bordeaux red	-BB		
	971 885 746 DH OL8	Chalk	-BK		
	971 885 746 DH 6G0	Cream	-BE		
15	971 885 585	Bracket Side part		2	
16	971 885 189 A	Retaining plate Side part	left	1	
17	971 885 190 A	Retaining plate Side part	right	1	
18	971 885 939 A	Guide piece Side part		2	
19	9A7 008 033 00	Hexagon socket head bolt		4	M6x16

Model: 971-17

Model life 2017>>



Model: 971-17

Model life 2017>>

Pos	Part Number	Description	Remark	Qty	Model
		Back seat backrest Trim Accessories Basic package Comfort version Sport version			PR: 3KG, 3KH
1	971 885 045 C	backrest frame (complete)	left	1	
2	971 885 046 A	backrest frame (complete)	right	1	
3	971 885 753	covering rear panel backrest	left	1	
	971 885 753 6B0	Black	-AB,PK,AC,BB, BS,BK		
	971 885 753 9C0	agate grey	-DG,DL		
	971 885 753 7K0	Luxor beige	-UB,UC		
	971 885 753 BW3	saddle brown	-SB,BP		
	971 885 753 7G0	Marsala Red	-PC,BE		
4	971 885 754	covering rear panel backrest	right	1	
	971 885 754 6B0	Black	-AB,PK,AC,BB, BS,BK		
	971 885 754 9C0	agate grey	-DG,DL		
	971 885 754 7K0	Luxor beige	-UB,UC		
	971 885 754 BW3	saddle brown	-SB,BP		
	971 885 754 7G0	Marsala Red	-PC,BE		
5	971 885 711	Bracket Medium Armrest	left	1	
(5)	971 885 712	Bracket Medium Armrest	right	1	
6	971 885 739	Trim for armrest Bracket Medium	left	1	
	971 885 739 1E0	Black	-AB,AC		
	971 885 739 OP1	agate grey	-DG,DL		
	971 885 739 4H0	Luxor beige	-UB,PK,UC,BP		
	971 885 739 OM8	saddle brown	-SB,BS		
	971 885 739 3G0	Marsala Red	-PC		
	971 885 739 OG6	Bordeaux red	-BB		
	971 885 739 OL8	Chalk	-BK		
	971 885 739 5J0	Cream	-BE		
(6)	971 885 740	Trim for armrest Bracket Medium	right	1	
	971 885 740 1E0	Black	-AB,AC		
	971 885 740 OP1	agate grey	-DG,DL		
	971 885 740 4H0	Luxor beige	-UB,PK,UC,BP		
	971 885 740 OM8	saddle brown	-SB,BS		
	971 885 740 3G0	Marsala Red	-PC		
	971 885 740 OG6	Bordeaux red	-BB		
	971 885 740 OL8	Chalk	-BK		
	971 885 740 5J0	Cream	-BE		
7	971 885 681 A	Backrest release	left	1	
	971 885 681 A GT8	Galvano silver			
(7)	971 885 682 A	Backrest release	right	1	
	971 885 682 A GT8	Galvano silver			
8	971 885 249 A	Trim for backrest release mechanism	left	1	
	971 885 249 A 5Q0	Black	-AB,AC		

Model: 971-17 Model life 2017>>

Pos	Part Number	Description	Remark	Qty	Model
	971 885 249 A OA6	agate grey	-DG,DL		
	971 885 249 A 6W0	Luxor beige	-UB,PK,UC,BP		
	971 885 249 A OL7	saddle brown	-SB,BS		
	971 885 249 A 7X0	Marsala Red	-PC		
	971 885 249 A OG6	Bordeaux red	-BB		
	971 885 249 A OL8	Chalk	-BK		
	971 885 249 A 5V0	Cream	-BE		
(8)	971 885 250 A	Trim for backrest release mechanism	right	1	
	971 885 250 A 5Q0	Black	-AB,AC		
	971 885 250 A OA6	agate grey	-DG,DL		
	971 885 250 A 6W0	Luxor beige	-UB,PK,UC,BP		
	971 885 250 A OL7	saddle brown	-SB,BS		
	971 885 250 A 7X0	Marsala Red	-PC		
	971 885 250 A OG6	Bordeaux red	-BB		
	971 885 250 A OL8	Chalk	-BK		
	971 885 250 A 5V0	Cream	-BE		
9	971 885 943	Trim Backrest	rear	2	
	971 885 943 1E0	Black	-AB,PK,AC,BB, BS,BK		
	971 885 943 OP1	agate grey	-DG,DL		
	971 885 943 4H0	Luxor beige	-UB,UC		
	971 885 943 OM8	saddle brown	-SB,BP		
	971 885 943 3G0	Marsala Red	-PC		
10	971 885 933 A	cover - lock	left rear	1	
	971 885 933 A 1E0	Black	-AB,PK,AC,BB, BS,BK		
	971 885 933 A OP1	agate grey	-DG,DL		
	971 885 933 A 4H0	Luxor beige	-UB,UC		
	971 885 933 A OM8	saddle brown	-SB,BP		
	971 885 933 A 3G0	Marsala Red	-PC		
(10)	971 885 934 A	cover - lock	right rear	1	
	971 885 934 A 1E0	Black	-AB,PK,AC,BB, BS,BK		
	971 885 934 A OP1	agate grey	-DG,DL		
	971 885 934 A 4H0	Luxor beige	-UB,UC		
	971 885 934 A OM8	saddle brown	-SB,BP		
	971 885 934 A 3G0	Marsala Red	-PC		
11	971 885 913	Foam part Head restraint	rear	2	
12	971 885 727	Headrest frame	left rear	1	
(12)	971 885 728	Headrest frame	right rear	1	
13	971 885 281	Securing plate lock	left rear	1	
(13)	971 885 282	Securing plate lock	right rear	1	
14	971 885 573 A	Reinforcement Seat and backrest surface	left rear	1	
(14)	971 885 574 A	Reinforcement Seat and backrest surface	right rear	1	
15	971 886 481	backrest lock	left rear	1	
(15)	971 886 482	backrest lock	right rear	1	
16	971 885 081	Armrest		1	PR:N0K,N1X, 6E1
		without:			
	971 885 081 GDB	Porsche crest Black	-AB		

Model: 971-17 Model life 2017>>

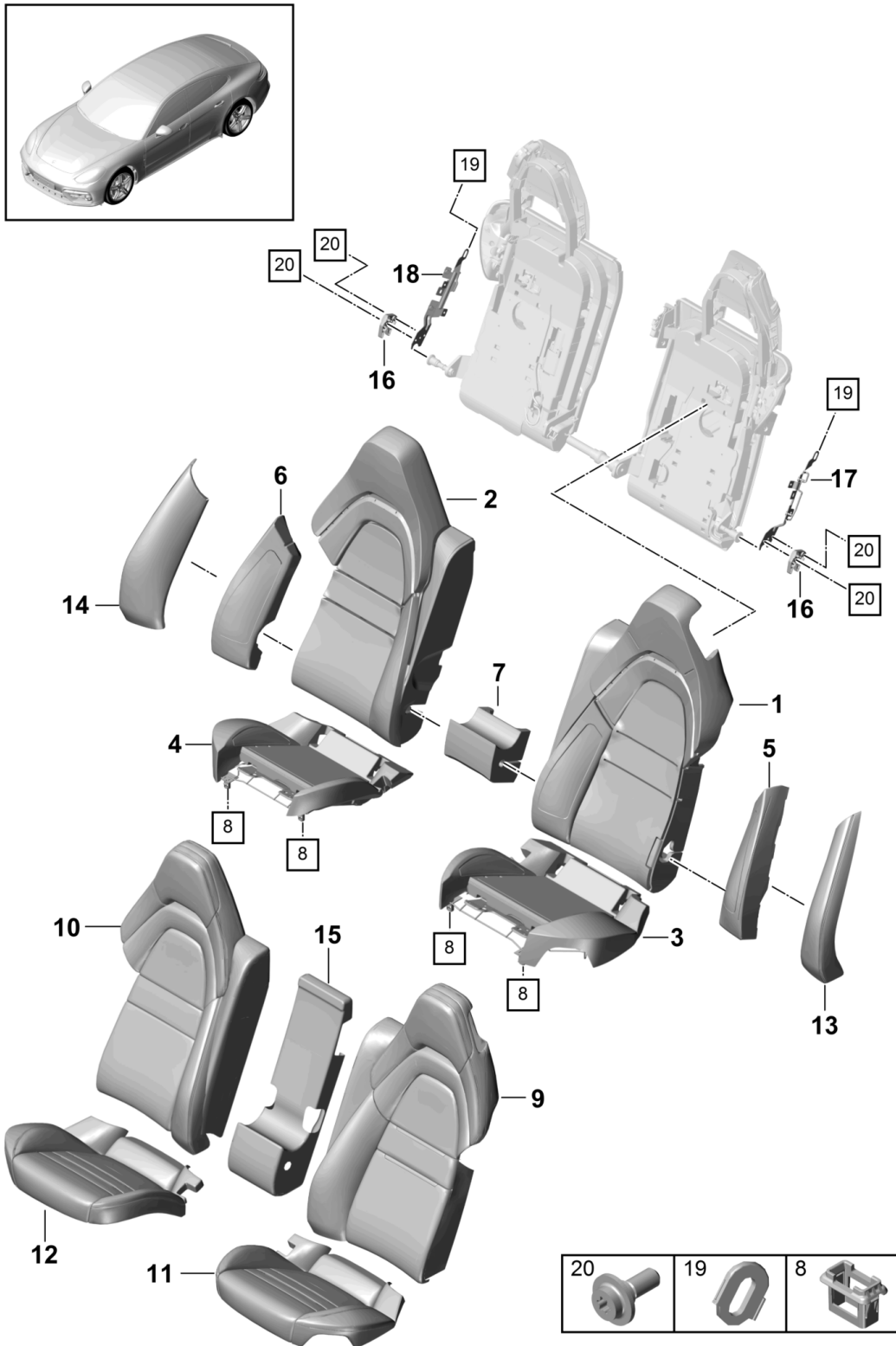
Pos	Part Number	Description	Remark	Qty	Model			
(16)	971 885 081 GHB	agate grey	-DG	1	PR:N0Q,N1P, N5U,6E1			
	971 885 081 GFB	Luxor beige	-UB,PK					
	971 885 081 A	Armrest						
		without:						
		Porsche crest						
	971 885 081 A GDC	Black	-AC					
	971 885 081 A GHC	agate grey	-DL					
	971 885 081 A DUE	saddle brown	-SB,BS					
	971 885 081 A GFC	Luxor beige	-UC,BP					
	971 885 081 A DAK	Marsala Red	-PC					
(16)	971 885 081 A GUC	Bordeaux red	-BB	1	PR:N0K,N1X, 6E2			
	971 885 081 A GVC	Chalk	-BK					
	971 885 081 A DAL	Cream	-BE					
	971 885 081 C	Armrest						
		with:						
		Porsche crest						
	971 885 081 C GDB	Black	-AB					
	971 885 081 C GHB	agate grey	-DG					
	971 885 081 C GFB	Luxor beige	-UB,PK					
	(16)	971 885 081 R	Armrest				1	PR:N0Q,N5U, 6E2
		with:						
		Porsche crest						
971 885 081 R GDC		Black	-AC					
971 885 081 R GHC		agate grey	-DL					
971 885 081 R DUE		saddle brown	-SB,BS					
971 885 081 R GFC		Luxor beige	-UC,BP					
971 885 081 R DAK		Marsala Red	-PC					
971 885 081 R GUC		Bordeaux red	-BB					
971 885 081 R GVC		Chalk	-BK					
(16)	971 885 081 R DAL	Cream	-BE	1	PR:L0L,N0K, N1X,0E1,1X1, 6E3,A8F			
	971 885 081 F	Armrest						
		with:						
		Panamera 4S inscription						
	971 885 081 F GDB	Black	-AB					
	971 885 081 F GHB	agate grey	-DG					
	971 885 081 F GFB	Luxor beige	-UB,PK					
	(16)	971 885 081 AA	Armrest				1	PR:A8F,L0L, N0Q,N5U,0E1, 1X1,6E3
			with:					
			Panamera 4S inscription					
971 885 081 AA GDC		Black	-AC					
971 885 081 AA GHC		agate grey	-DL					
971 885 081 AA DUE		saddle brown	-SB,BS					
971 885 081 AA GFC		Luxor beige	-UC,BP					
971 885 081 AA DAK		Marsala Red	-PC					
971 885 081 AA GUC		Bordeaux red	-BB					
971 885 081 AA GVC		Chalk	-BK					
(16)	971 885 081 AA DAL	Cream	-BE	1	PR:L0L,N0K, N1X,0E1,6E3, A8H,E0A			
	971 885 081 G	Armrest						
		with:						
		Panamera Turbo inscription						
	971 885 081 G GDB	Black	-AB					
	971 885 081 G GHB	agate grey	-DG					
	971 885 081 G GFB	Luxor beige	-UB,PK					
	(16)	971 885 081 AB	Armrest				1	PR:A8H,L0L, N0Q,N5U,0E1, E0A,6E3
			with:					
			Panamera Turbo inscription					
971 885 081 AB GDC		Black	-AC					
971 885 081 AB GHC		agate grey	-DL					
971 885 081 AB DUE		saddle brown	-SB,BS					

Model: 971-17 Model life 2017>>

Pos	Part Number	Description	Remark	Qty	Model
(16)	971 885 081 AB GFC	Luxor beige	-UC,BP	1	PR:LOR,NOK, N1X,0E1,1X1, 6E3,A8F
	971 885 081 AB DAK	Marsala Red	-PC		
	971 885 081 AB GUC	Bordeaux red	-BB		
	971 885 081 AB GVC	Chalk	-BK		
	971 885 081 AB DAL	Cream	-BE		
	971 885 081 M	Armrest			
		with:			
		Panamera 4S inscription			
	971 885 081 M GDB	Black	-AB		
(16)	971 885 081 M GHB	agate grey	-DG	1	PR:LOR,N0Q, N5U,0E1,6E3, 1X1,A8F
	971 885 081 M GFB	Luxor beige	-UB,PK		
	971 885 081 AG	Armrest			
		with:			
		Panamera 4S inscription			
	971 885 081 AG GDC	Black	-AC		
	971 885 081 AG GHC	agate grey	-DL		
	971 885 081 AG DUE	saddle brown	-SB,BS		
	971 885 081 AG GFC	Luxor beige	-UC,BP		
	971 885 081 AG DAK	Marsala Red	-PC		
	971 885 081 AG GUC	Bordeaux red	-BB		
	971 885 081 AG GVC	Chalk	-BK		
	971 885 081 AG DAL	Cream	-BE		
(16)	971 885 081 N	Armrest		1	PR:LOR,NOK, N1X,0E1,6E3, A8H,E0A
		with:			
		Panamera Turbo inscription			
	971 885 081 N GDB	Black	-AB		
	971 885 081 N GHB	agate grey	-DG		
	971 885 081 N GFB	Luxor beige	-UB,PK		
(16)	971 885 081 AH	Armrest		1	PR:LOR,N0Q, N5U,0E1,6E3, E0A,A8H
		with:			
		Panamera Turbo inscription			
	971 885 081 AH GDC	Black	-AC		
	971 885 081 AH GHC	agate grey	-DL		
	971 885 081 AH DUE	saddle brown	-SB,BS		
	971 885 081 AH GFC	Luxor beige	-UC,BP		
	971 885 081 AH DAK	Marsala Red	-PC		
	971 885 081 AH GUC	Bordeaux red	-BB		
	971 885 081 AH GVC	Chalk	-BK		
	971 885 081 AH DAL	Cream	-BE		

Model: 971-17

Model life 2017>>



Model: 971-17

Model life 2017>>

Pos	Part Number	Description	Remark	Qty	Model
		Seat Comfort seat Comfort version Foam part Cover	rear		PR:3KI
1	971 885 775 BN	Foam part backrest Comfort version	left	1	PR:4D0,4D3, 4D5,4D7
2	971 885 776 AF	Foam part backrest Comfort version	right	1	PR:4D0,4D3, 4D5,4D7
3	971 885 375 AB	Foam part Seat cushion Comfort version	left	1	PR:4D0,4D3, 4D5,4D7
4	971 885 376 AB	Foam part Seat cushion Comfort version	right	1	PR:4D0,4D3, 4D5,4D7
5	971 885 891 Q	Foam part Side part Seat Comfort version	left	1	PR:4X3
(5)	971 885 891 R	Airbag Foam part Side part Seat Comfort version	left	1	PR:4X4
		without:			
6	971 885 892 Q	Airbag Foam part Side part Seat Comfort version	right	1	PR:4X3
		without:			
(6)	971 885 892 R	Airbag Foam part Side part Seat Comfort version	right	1	PR:4X4
		with:			
7	971 885 385 B	Airbag Foam part Centre part Seat		1	
8	971 885 313 A	Clip Seat cushion		4	
9	971 885 805 HL	Backrest cover Comfort version	left	1	PR:N1X,3J4, 4D0,4D7
		without:			
	971 885 805 HL GDB	Porsche crest Black	-AB		
	971 885 805 HL GHB	agate grey	-DG		
	971 885 805 HL GFB	Luxor beige	-UB,PK		
(9)	971 885 805 HM	Backrest cover Comfort version	left	1	PR:N5U,3J4, 4D0,4D7
		without:			
	971 885 805 HM GDC	Porsche crest Black	-AC		
	971 885 805 HM GHC	agate grey	-DL		
	971 885 805 HM DUE	saddle brown	-SB,BS		
	971 885 805 HM GFC	Luxor beige	-UC,BP		

Model: 971-17 Model life 2017>>

Pos	Part Number	Description	Remark	Qty	Model	
(9)	971 885 805 HM DAK	Marsala Red	-PC	1	PR:N0K,3J4, 4D1,4D3,4D5	
	971 885 805 HM GUC	Bordeaux red	-BB			
	971 885 805 HM GVC	Chalk	-BK			
	971 885 805 HM DAL	Cream	-BE			
	971 885 805 HP	Backrest cover	left			
		Comfort version				
		without:				
		Porsche crest				
		Perforated				
(9)	971 885 805 HP GDB	Black	-AB	1	PR:N0Q,3J4, 4D1,4D3,4D5, 4D9	
	971 885 805 HP GHB	agate grey	-DG			
	971 885 805 HP GFB	Luxor beige	-UB,PK			
	971 885 805 HQ	Backrest cover	left			
		Comfort version				
		without:				
		Porsche crest				
		Perforated				
(9)	971 885 805 HQ GDC	Black	-AC	1	PR:N1X,4D0, 4D7,5ZF	
	971 885 805 HQ GHC	agate grey	-DL			
	971 885 805 HQ DUE	saddle brown	-SB,BS			
	971 885 805 HQ GFC	Luxor beige	-UC,BP			
	971 885 805 HQ DAK	Marsala Red	-PC			
	971 885 805 HQ GUC	Bordeaux red	-BB			
	971 885 805 HQ GVC	Chalk	-BK			
	971 885 805 HQ DAL	Cream	-BE			
	971 885 805 HS	Backrest cover	left			
		Comfort version				
			with:			
			Porsche crest			
	(9)	971 885 805 HS GDB	Black			-AB
971 885 805 HS GHB		agate grey	-DG			
971 885 805 HS GFB		Luxor beige	-UB,PK			
971 885 805 HT		Backrest cover	left			
		Comfort version				
		with:				
		Porsche crest				
(9)	971 885 805 HT GDC	Black	-AC	1	PR:N0K,4D1, 4D3,4D5,4D9, 5ZF	
	971 885 805 HT GHC	agate grey	-DL			
	971 885 805 HT DUE	saddle brown	-SB,BS			
	971 885 805 HT GFC	Luxor beige	-UC,BP			
	971 885 805 HT DAK	Marsala Red	-PC			
	971 885 805 HT GUC	Bordeaux red	-BB			
	971 885 805 HT GVC	Chalk	-BK			
	971 885 805 HT DAL	Cream	-BE			
	971 885 805 JB	Backrest cover	left			
		Comfort version				
			with:			
			Porsche crest			
	(9)	971 885 805 JB GDB	Black			-AB
971 885 805 JB GHB		agate grey	-DG			
971 885 805 JB GFB		Luxor beige	-UB,PK			
971 885 805 JC		Backrest cover	left			
		Comfort version				

Model: 971-17 Model life 2017>>

Pos	Part Number	Description	Remark	Qty	Model
		with:			
	971 885 805 JC GDC	Porsche crest Perforated Black	-AC		
	971 885 805 JC GHC	agate grey	-DL		
	971 885 805 JC DUE	saddle brown	-SB,BS		
	971 885 805 JC GFC	Luxor beige	-UC,BP		
	971 885 805 JC DAK	Marsala Red	-PC		
	971 885 805 JC GUC	Bordeaux red	-BB		
	971 885 805 JC GVC	Chalk	-BK		
	971 885 805 JC DAL	Cream	-BE		
10	971 885 806 EN	Backrest cover	right	1	PR:N1X,3J4, 4D0,4D7
		Comfort version			
		without:			
	971 885 806 EN GDB	Porsche crest Black	-AB		
	971 885 806 EN GHB	agate grey	-DG		
(10)	971 885 806 EN GFB	Luxor beige	-UB,PK		
	971 885 806 EP	Backrest cover	right	1	PR:N5U,3J4, 4D0,4D7
		Comfort version			
		without:			
	971 885 806 EP GDC	Porsche crest Black	-AC		
	971 885 806 EP GHC	agate grey	-DL		
	971 885 806 EP DUE	saddle brown	-SB,BS		
	971 885 806 EP GFC	Luxor beige	-UC,BP		
	971 885 806 EP DAK	Marsala Red	-PC		
	971 885 806 EP GUC	Bordeaux red	-BB		
	971 885 806 EP GVC	Chalk	-BK		
	971 885 806 EP DAL	Cream	-BE		
(10)	971 885 806 ER	Backrest cover	right	1	PR:N0K,3J4, 4D1,4D3,4D5, 4D9
		Comfort version			
		without:			
	971 885 806 ER GDB	Porsche crest Perforated Black	-AB		
	971 885 806 ER GHB	agate grey	-DG		
	971 885 806 ER GFB	Luxor beige	-UB,PK		
(10)	971 885 806 ES	Backrest cover	right	1	PR:N0Q,3J4, 4D1,4D3,4D5, 4D9
		Comfort version			
		without:			
	971 885 806 ES GDC	Porsche crest Perforated Black	-AC		
	971 885 806 ES GHC	agate grey	-DL		
	971 885 806 ES DUE	saddle brown	-SB,BS		
	971 885 806 ES GFC	Luxor beige	-UC,BP		
	971 885 806 ES DAK	Marsala Red	-PC		
	971 885 806 ES GUC	Bordeaux red	-BB		
	971 885 806 ES GVC	Chalk	-BK		
	971 885 806 ES DAL	Cream	-BE		
(10)	971 885 806 FA	Backrest cover	right	1	PR:N1X,5ZF, 4D0,4D7
		Comfort version			
		with:			
	971 885 806 FA GDB	Porsche crest Black	-AB		

Model: 971-17 Model life 2017>>

Pos	Part Number	Description	Remark	Qty	Model
(10)	971 885 806 FA GHB	agate grey	-DG	1	PR:N5U,5ZF, 4D0,4D7
	971 885 806 FA GFB	Luxor beige	-UB,PK		
	971 885 806 FB	Backrest cover	right		
		Comfort version			
		with:			
		Porsche crest			
	971 885 806 FB GDC	Black	-AC		
	971 885 806 FB GHC	agate grey	-DL		
	971 885 806 FB DUE	saddle brown	-SB,BS		
	971 885 806 FB GFC	Luxor beige	-UC,BP		
(10)	971 885 806 FB DAK	Marsala Red	-PC	1	PR:N0K,5ZF, 4D3,4D5
	971 885 806 FB GUC	Bordeaux red	-BB		
	971 885 806 FB GVC	Chalk	-BK		
	971 885 806 FB DAL	Cream	-BE		
	971 885 806 FD	Backrest cover	right		
		Comfort version			
		with:			
		Porsche crest			
		Perforated			
	971 885 806 FD GDB	Black	-AB		
(10)	971 885 806 FD GHB	agate grey	-DG	1	PR:N0Q,5ZF, 4D3,4D5
	971 885 806 FD GFB	Luxor beige	-UB,PK		
	971 885 806 FE	Backrest cover	right		
		Comfort version			
		with:			
		Porsche crest			
		Perforated			
	971 885 806 FE GDC	Black	-AC		
	971 885 806 FE GHC	agate grey	-DL		
	971 885 806 FE DUE	saddle brown	-SB,BS		
11	971 885 806 FE GFC	Luxor beige	-UC,BP	1	PR:N1X,4D0, 4D7
	971 885 806 FE DAK	Marsala Red	-PC		
	971 885 806 FE GUC	Bordeaux red	-BB		
	971 885 806 FE GVC	Chalk	-BK		
	971 885 806 FE DAL	Cream	-BE		
	971 885 405 CB	Cover	left		
		Seat cushion			
		Comfort version			
	971 885 405 CB GDB	Black	-AB		
	(11)	971 885 405 CB GHB	agate grey		
971 885 405 CB GFB		Luxor beige	-UB,PK		
971 885 405 CC		Cover	left		
		Seat cushion			
		Comfort version			
971 885 405 CC GDC		Black	-AC		
971 885 405 CC GHC		agate grey	-DL		
971 885 405 CC DUE		saddle brown	-SB,BS		
971 885 405 CC GFC		Luxor beige	-UC,BP		
(11)		971 885 405 CC DAK	Marsala Red	-PC	1
	971 885 405 CC GUC	Bordeaux red	-BB		
	971 885 405 CC GVC	Chalk	-BK		
	971 885 405 CC DAL	Cream	-BE		
	971 885 405 CD	Cover	left		
		Seat cushion			
		Comfort version			
		Perforated			
	971 885 405 CD GDB	Black	-AB		
	(11)	971 885 405 CD GHB	agate grey	-DG	
971 885 405 CD GFB		Luxor beige	-UB,PK		
971 885 405 CE		Cover	left		

Model: 971-17 Model life 2017>>

Pos	Part Number	Description	Remark	Qty	Model
		Seat cushion Comfort version Perforated			4D3, 4D5, 4D9
	971 885 405 CE GDC	Black	-AC		
	971 885 405 CE GHC	agate grey	-DL		
	971 885 405 CE DUE	saddle brown	-SB,BS		
	971 885 405 CE GFC	Luxor beige	-UC,BP		
	971 885 405 CE DAK	Marsala Red	-PC		
	971 885 405 CE GUC	Bordeaux red	-BB		
	971 885 405 CE GVC	Chalk	-BK		
	971 885 405 CE DAL	Cream	-BE		
12	971 885 406 CB	Cover Seat cushion Comfort version	right	1	PR:N1X, 4D0, 4D7
	971 885 406 CB GDB	Black	-AB		
	971 885 406 CB GHB	agate grey	-DG		
	971 885 406 CB GFB	Luxor beige	-UB,PK		
(12)	971 885 406 CC	Cover Seat cushion Comfort version	right	1	PR:N5U, 4D0, 4D7
	971 885 406 CC GDC	Black	-AC		
	971 885 406 CC GHC	agate grey	-DL		
	971 885 406 CC DUE	saddle brown	-SB,BS		
	971 885 406 CC GFC	Luxor beige	-UC,BP		
	971 885 406 CC DAK	Marsala Red	-PC		
	971 885 406 CC GUC	Bordeaux red	-BB		
	971 885 406 CC GVC	Chalk	-BK		
	971 885 406 CC DAL	Cream	-BE		
(12)	971 885 406 CD	Cover Seat cushion Comfort version Perforated	right	1	PR:N0K, 4D1, 4D3, 4D5, 4D9
	971 885 406 CD GDB	Black	-AB		
	971 885 406 CD GHB	agate grey	-DG		
	971 885 406 CD GFB	Luxor beige	-UB,PK		
(12)	971 885 406 CE	Cover Seat cushion Comfort version Perforated	right	1	PR:N0Q, 4D1, 4D3, 4D5, 4D9
	971 885 406 CE GDC	Black	-AC		
	971 885 406 CE GHC	agate grey	-DL		
	971 885 406 CE DUE	saddle brown	-SB,BS		
	971 885 406 CE GFC	Luxor beige	-UC,BP		
	971 885 406 CE DAK	Marsala Red	-PC		
	971 885 406 CE GUC	Bordeaux red	-BB		
	971 885 406 CE GVC	Chalk	-BK		
	971 885 406 CE DAL	Cream	-BE		
13	971 885 745 DD	Cover Side part Comfort version	left	1	PR:N1X, 4D0, 4D7, 4X3
		Airbag without:			
	971 885 745 DD 21U	Black	-AB		
	971 885 745 DD OF6	agate grey	-DG		
	971 885 745 DD 32X	Luxor beige	-UB,PK		
(13)	971 885 745 DE	Cover Side part Comfort version	left	1	PR:N5U, 4D0, 4D7, 4X3
		Airbag without:			
	971 885 745 DE 8YR	Black	-AC		
	971 885 745 DE PL1	agate grey	-DL		
	971 885 745 DE OK6	saddle brown	-SB,BS		

Model: 971-17 Model life 2017>>

Pos	Part Number	Description	Remark	Qty	Model			
(13)	971 885 745 DE 9H6	Luxor beige	-UC,BP	1	PR:N0K,4D1, 4D2,4D3,4D5, 4D9,4X3			
	971 885 745 DE 8M8	Marsala Red	-PC					
	971 885 745 DE OG6	Bordeaux red	-BB					
	971 885 745 DE OL8	Chalk	-BK					
	971 885 745 DE 6G0	Cream	-BE					
	971 885 745 DQ	Cover Side part Comfort version	left					
			without:					
			Airbag					
			Perforated					
		971 885 745 DQ 21U	Black			-AB		
(13)	971 885 745 DQ OF6	agate grey	-DG	1	PR:N0Q,4D1, 4D2,4D3,4D5, 4D9,4X3			
	971 885 745 DQ 32X	Luxor beige	-UB,PK					
	971 885 745 DR	Cover Side part Comfort version	left					
			without:					
			Airbag					
			Perforated					
		971 885 745 DR 8YR	Black			-AC		
		971 885 745 DR PL1	agate grey			-DL		
		971 885 745 DR OK6	saddle brown			-SB,BS		
		971 885 745 DR 9H6	Luxor beige			-UC,BP		
(13)	971 885 745 DR 8M8	Marsala Red	-PC	1	PR:N1X,4D0, 4D7,4X4			
	971 885 745 DR OG6	Bordeaux red	-BB					
	971 885 745 DR OL8	Chalk	-BK					
	971 885 745 DR 6G0	Cream	-BE					
	971 885 745 DJ	Cover Side part Comfort version	left					
			with:					
			Airbag					
		971 885 745 DJ 21U	Black			-AB		
		971 885 745 DJ OF6	agate grey			-DG		
		971 885 745 DJ 32X	Luxor beige			-UB,PK		
(13)	971 885 745 DK	Cover Side part Comfort version	left	1	PR:N5U,4D0, 4D7,4X4			
			with:					
			Airbag					
		971 885 745 DK 8YR	Black			-AC		
		971 885 745 DK PL1	agate grey			-DL		
		971 885 745 DK OK6	saddle brown			-SB,BS		
		971 885 745 DK 9H6	Luxor beige			-UC,BP		
		971 885 745 DK 8M8	Marsala Red			-PC		
		971 885 745 DK OG6	Bordeaux red			-BB		
		971 885 745 DK OL8	Chalk			-BK		
(13)	971 885 745 DK 6G0	Cream	-BE	1	PR:N0K,4D1, 4D2,4D3,4D5, 4D9,4X4			
	971 885 745 DS	Cover Side part Comfort version	left					
			with:					
			Airbag					
			Perforated					
		971 885 745 DS 21U	Black			-AB		
		971 885 745 DS OF6	agate grey			-DG		
		971 885 745 DS 32X	Luxor beige			-UB,PK		
	(13)	971 885 745 DT	Cover Side part			left	1	PR:N0Q,4D1, 4D2,4D3,4D5,

Model: 971-17

Model life 2017>>

Pos	Part Number	Description	Remark	Qty	Model
		Comfort version			4D9, 4X4
		with:			
		Airbag			
		Perforated			
	971 885 745 DT 8YR	Black	-AC		
	971 885 745 DT PL1	agate grey	-DL		
	971 885 745 DT OK6	saddle brown	-SB,BS		
	971 885 745 DT 9H6	Luxor beige	-UC,BP		
	971 885 745 DT 8M8	Marsala Red	-PC		
	971 885 745 DT OG6	Bordeaux red	-BB		
	971 885 745 DT OL8	Chalk	-BK		
	971 885 745 DT 6G0	Cream	-BE		
14	971 885 746 DD	Cover	right	1	PR:N1X, 4D0, 4D7, 4X3
		Side part			
		Comfort version			
		without:			
		Airbag			
	971 885 746 DD 21U	Black	-AB		
	971 885 746 DD OF6	agate grey	-DG		
	971 885 746 DD 32X	Luxor beige	-UB,PK		
(14)	971 885 746 DE	Cover	right	1	PR:N5U, 4D0, 4D7, 4X3
		Side part			
		Comfort version			
		without:			
		Airbag			
	971 885 746 DE 8YR	Black	-AC		
	971 885 746 DE PL1	agate grey	-DL		
	971 885 746 DE OK6	saddle brown	-SB,BS		
	971 885 746 DE 9H6	Luxor beige	-UC,BP		
	971 885 746 DE 8M8	Marsala Red	-PC		
	971 885 746 DE OG6	Bordeaux red	-BB		
	971 885 746 DE OL8	Chalk	-BK		
	971 885 746 DE 6G0	Cream	-BE		
(14)	971 885 746 DQ	Cover	right	1	PR:N0K, 4D1, 4D2, 4D3, 4D5, 4D9, 4X3
		Side part			
		Comfort version			
		without:			
		Airbag			
		Perforated			
	971 885 746 DQ 21U	Black	-AB		
	971 885 746 DQ OF6	agate grey	-DG		
	971 885 746 DQ 32X	Luxor beige	-UB,PK		
(14)	971 885 746 DR	Cover	right	1	PR:N0Q, 4D1, 4D2, 4D3, 4D5, 4D9, 4X3
		Side part			
		Comfort version			
		without:			
		Airbag			
		Perforated			
	971 885 746 DR 8YR	Black	-AC		
	971 885 746 DR PL1	agate grey	-DL		
	971 885 746 DR OK6	saddle brown	-SB,BS		
	971 885 746 DR 9H6	Luxor beige	-UC,BP		
	971 885 746 DR 8M8	Marsala Red	-PC		
	971 885 746 DR OG6	Bordeaux red	-BB		
	971 885 746 DR OL8	Chalk	-BK		
	971 885 746 DR 6G0	Cream	-BE		
(14)	971 885 746 DJ	Cover	right	1	PR:N1X, 4D0, 4D7, 4X4
		Side part			
		Comfort version			
		with:			

Model: 971-17

Model life 2017>>

Pos	Part Number	Description	Remark	Qty	Model
(14)	971 885 746 DJ 21U	Airbag Black	-AB	1	PR:N5U,4D0, 4D7,4X4
	971 885 746 DJ OF6	agate grey	-DG		
	971 885 746 DJ 32X	Luxor beige	-UB,PK		
	971 885 746 DK	Cover Side part Comfort version	right		
		with:			
	971 885 746 DK 8YR	Airbag Black	-AC		
	971 885 746 DK PL1	agate grey	-DL		
	971 885 746 DK OK6	saddle brown	-SB,BS		
	971 885 746 DK 9H6	Luxor beige	-UC,BP		
	971 885 746 DK 8M8	Marsala Red	-PC		
(14)	971 885 746 DK OG6	Bordeaux red	-BB	1	PR:N0K,4D1, 4D2,4D3,4D5, 4D9,4X4
	971 885 746 DK OL8	Chalk	-BK		
	971 885 746 DK 6G0	Cream	-BE		
	971 885 746 DS	Cover Side part Comfort version	right		
		with:			
	971 885 746 DS 21U	Airbag Perforated Black	-AB		
	971 885 746 DS OF6	agate grey	-DG		
	971 885 746 DS 32X	Luxor beige	-UB,PK		
	971 885 746 DT	Cover Side part Comfort version	right		
		with:			
15	971 885 746 DT 8YR	Airbag Perforated Black	-AC	1	PR:N1X,N0K
	971 885 746 DT PL1	agate grey	-DL		
	971 885 746 DT OK6	saddle brown	-SB,BS		
	971 885 746 DT 9H6	Luxor beige	-UC,BP		
	971 885 746 DT 8M8	Marsala Red	-PC		
	971 885 746 DT OG6	Bordeaux red	-BB		
	971 885 746 DT OL8	Chalk	-BK		
	971 885 746 DT 6G0	Cream	-BE		
	971 885 723 F	Backrest centre part w. cover Black	-AB		
	971 885 723 F GDB	agate grey	-DG		
(15)	971 885 723 F GFB	Luxor beige	-UB,PK	1	PR:N0Q,N5U
	971 885 723 G	Backrest centre part w. cover Black	-AC		
	971 885 723 G GDC	agate grey	-DL		
	971 885 723 G GHC	saddle brown	-SB,BS		
	971 885 723 G DUE	Luxor beige	-UC,BP		
	971 885 723 G GFC	Marsala Red	-PC		
	971 885 723 G DAK	Bordeaux red	-BB		
	971 885 723 G GUC	Chalk	-BK		
	971 885 723 G GVC	Cream	-BE		
	971 885 723 G DAL				
16	971 885 585	Bracket Side part		2	
17	971 885 189 A	Retaining plate Side part	left	1	
18	971 885 190 A	Retaining plate Side part	right	1	
19	971 885 939 A	Guide piece Side part		2	

Model: 971-17

Model life 2017>>

Pos	Part Number	Description	Remark	Qty	Model
20	9A7 008 033 00	Hexagon socket head bolt		4	M6x16

Model: 971-17

Model life 2017>>



Model: 971-17

Model life 2017>>

Pos	Part Number	Description	Remark	Qty	Model
		Seat Comfort seat Comfort version Foam part Cover	rear		PR:5KA,K8D
1	974 885 775	Foam part backrest Comfort version	left	1	
2	974 885 776	Foam part backrest Comfort version	right	1	
3	974 885 375	Foam part Seat cushion Comfort version		1	
4	971 885 891 N	Foam part Side part Seat Comfort version	left	1	PR:4X3
(4)	971 885 891 P	Airbag Foam part Side part Seat Comfort version	left	1	PR:4X4
5	971 885 892 N	Airbag Foam part Side part Seat Comfort version	right	1	PR:4X3
(5)	971 885 892 P	Airbag Foam part Side part Seat Comfort version	right	1	PR:4X4
6	974 885 385	Airbag Foam part Centre part Seat		1	
7	971 885 313 A	Clip Seat cushion		4	
8	974 885 805	Backrest cover Comfort version	left	1	PR:N1X,3J4, 4D0,4D7
(8)	974 885 805 GDB 974 885 805 GHB 974 885 805 GFB 974 885 805 A	Porsche crest Black agate grey Luxor beige Backrest cover Comfort version	-AB -DG -UB,PK left	1	PR:N5U,3J4, 4D0,4D7
	974 885 805 A GDC 974 885 805 A GHC 974 885 805 A DUE 974 885 805 A GFC 974 885 805 A DAK 974 885 805 A GUC 974 885 805 A GVC	Porsche crest Black agate grey saddle brown Luxor beige Marsala Red Bordeaux red Chalk	-AC -DL -SB,BS -UC,BP -PC -BB -BK		

Model: 971-17

Model life 2017>>

Pos	Part Number	Description	Remark	Qty	Model
(8)	974 885 805 A DAL 974 885 805 C	Cream Backrest cover Comfort version without: Porsche crest Perforated	-BE left	1	PR:N0K,3J4, 4D1,4D3,4D5, 4D2,4D9
(8)	974 885 805 C GDB 974 885 805 C GHB 974 885 805 C GFB 974 885 805 D	Black agate grey Luxor beige Backrest cover Comfort version without: Porsche crest Perforated	-AB -DG -UB,PK left	1	PR:N0Q,3J4, 4D1,4D3,4D5, 4D9,4D2
(8)	974 885 805 D GDC 974 885 805 D GHC 974 885 805 D DUE 974 885 805 D GFC 974 885 805 D DAK 974 885 805 D GUC 974 885 805 D GVC 974 885 805 D DAL 974 885 805 B	Black agate grey saddle brown Luxor beige Marsala Red Bordeaux red Chalk Cream Backrest cover Comfort version without: Porsche crest Truffle Brown	-AC -DL -SB,BS -UC,BP -PC -BB -BK -BE left	1	PR:N1W,3J4, 4D0,4D7
(8)	974 885 805 B GT0 974 885 805 B GC0 974 885 805 E	Cohiba Brown Backrest cover Comfort version without: Porsche crest Truffle Brown	-HD -HC left	1	PR:N1V,3J4, 4D1,4D2,4D3, 4D5,4D9
(8)	974 885 805 E GT0 974 885 805 E GC0 974 885 805 F	Cohiba Brown Backrest cover Comfort version with: Porsche crest	-HD -HC left	1	PR:N1X,4D0, 4D7,5ZF
(8)	974 885 805 F GDB 974 885 805 F GHB 974 885 805 F GFB 974 885 805 G	Black agate grey Luxor beige Backrest cover Comfort version with: Porsche crest	-AB -DG -UB,PK left	1	PR:N5U,4D0, 4D7,5ZF
(8)	974 885 805 G GDC 974 885 805 G GHC 974 885 805 G DUE 974 885 805 G GFC 974 885 805 G DAK 974 885 805 G GUC 974 885 805 G GVC 974 885 805 G DAL 974 885 805 J	Black agate grey saddle brown Luxor beige Marsala Red Bordeaux red Chalk Cream Backrest cover	-AC -DL -SB,BS -UC,BP -PC -BB -BK -BE left	1	PR:N0K,4D1,

Model: 971-17

Model life 2017>>

Pos	Part Number	Description	Remark	Qty	Model
		Comfort version			4D3, 4D5, 4D9, 5ZF, 4D2
		with:			
	974 885 805 J GDB	Porsche crest	-AB		
	974 885 805 J GHB	Perforated	-DG		
	974 885 805 J GFB	Black	-UB,PK		
(8)	974 885 805 K	agate grey	left	1	PR:N0Q, 4D1, 4D3, 4D5, 4D9, 5ZF, 4D2
		Luxor beige			
		Backrest cover			
		Comfort version			
		with:			
	974 885 805 K GDC	Porsche crest	-AC		
	974 885 805 K GHC	Perforated	-DL		
	974 885 805 K DUE	Black	-SB,BS		
	974 885 805 K GFC	agate grey	-UC,BP		
	974 885 805 K DAK	saddle brown	-PC		
	974 885 805 K GUC	Luxor beige	-BB		
	974 885 805 K GVC	Marsala Red	-BK		
	974 885 805 K DAL	Bordeaux red	-BE		
(8)	974 885 805 M	Chalk	left	1	PR:N5U, 4D0, 4D7, 5ZJ, A8H
		Cream			
		Backrest cover			
		Comfort version			
		Turbo			
		inscription			
	974 885 805 M GDC	Black	-AC		
	974 885 805 M GHC	agate grey	-DL		
	974 885 805 M DUE	saddle brown	-SB,BS		
	974 885 805 M GFC	Luxor beige	-UC,BP		
	974 885 805 M DAK	Marsala Red	-PC		
	974 885 805 M GUC	Bordeaux red	-BB		
	974 885 805 M GVC	Chalk	-BK		
	974 885 805 M DAL	Cream	-BE		
(8)	974 885 805 R	Backrest cover	left	1	PR:N5U, 4D0, 4D7, 5ZJ, A8H, E8A
		Comfort version			
		Turbo S			
		inscription			
	974 885 805 R GDC	Black	-AC		
	974 885 805 R GHC	agate grey	-DL		
	974 885 805 R DUE	saddle brown	-SB,BS		
	974 885 805 R GFC	Luxor beige	-UC,BP		
	974 885 805 R DAK	Marsala Red	-PC		
	974 885 805 R GUC	Bordeaux red	-BB		
	974 885 805 R GVC	Chalk	-BK		
	974 885 805 R DAL	Cream	-BE		
(8)	974 885 805 P	Backrest cover	left	1	PR:N0Q, 4D1, 4D3, 4D5, 4D9, 5ZJ, A8H, 4D2
		Comfort version			
		Turbo			
		inscription			
		Perforated			
	974 885 805 P GDC	Black	-AC		
	974 885 805 P GHC	agate grey	-DL		
	974 885 805 P DUE	saddle brown	-SB,BS		
	974 885 805 P GFC	Luxor beige	-UC,BP		
	974 885 805 P DAK	Marsala Red	-PC		

Model: 971-17 Model life 2017>>

Pos	Part Number	Description	Remark	Qty	Model		
(8)	974 885 805 P GUC	Bordeaux red	-BB	1	PR:NOQ,4D1, 4D3,4D5,4D9, 5ZJ,A8H,4D2, E8A		
	974 885 805 P GVC	Chalk	-BK				
	974 885 805 P DAL	Cream	-BE				
	974 885 805 T	Backrest cover	left				
		Comfort version					
		Turbo S					
		inscription					
		Perforated					
	974 885 805 T GDC	Black	-AC				
	974 885 805 T GHC	agate grey	-DL				
974 885 805 T DUE	saddle brown	-SB,BS					
974 885 805 T GFC	Luxor beige	-UC,BP					
974 885 805 T DAK	Marsala Red	-PC					
974 885 805 T GUC	Bordeaux red	-BB					
974 885 805 T GVC	Chalk	-BK					
974 885 805 T DAL	Cream	-BE					
(8)	974 885 805 H	Backrest cover	left	1	PR:N1W,4D0, 4D7,5ZF		
	Comfort version						
		with:					
	974 885 805 H GT0	Porsche crest					
	974 885 805 H GC0	Truffle Brown	-HD				
(8)	974 885 805 S	Cohiba Brown	-HC	1	PR:N1W,4D0, 4D7,5ZF,E8A		
	974 885 805 S	Backrest cover	left				
	Comfort version						
		with:					
	974 885 805 S GT0	Porsche crest					
	974 885 805 S GC0	Truffle Brown	-HD				
(8)	974 885 805 L	Cohiba Brown	-HC			1	PR:N1V,4D1, 4D2,4D3,4D5, 4D9,5ZJ
	974 885 805 L	Backrest cover	left				
	Comfort version						
		with:					
	974 885 805 L GT0	Porsche crest					
	974 885 805 L GC0	Truffle Brown	-HD				
(8)	974 885 805 AA	Cohiba Brown	-HC	1	PR:N1V,4D1, 4D2,4D3,4D5, 4D9,5ZJ,E8A		
	974 885 805 AA	Backrest cover	left				
	Comfort version						
		with:					
	974 885 805 AA GT0	Turbo S					
	974 885 805 AA GC0	inscription					
(8)	974 885 805 Q	Truffle Brown	-HD			1	PR:N1V,4D1, 4D2,4D3,4D5, 4D9,5ZJ,A8H
	974 885 805 Q	Cohiba Brown	-HC				
	974 885 805 Q	Backrest cover	left				
	Comfort version						
		with:					
	974 885 805 Q GT0	Porsche crest					
	974 885 805 Q GC0	Truffle Brown	-HD				
(8)	974 885 805 N	Cohiba Brown	-HC	1	PR:N1V,4D1, 4D2,4D3,4D5, 4D9,5ZJ,A8H		
	974 885 805 N	Backrest cover	left				
	Comfort version						
		with:					
	974 885 805 N GT0	Turbo					

Model: 971-17

Model life 2017>>

Pos	Part Number	Description	Remark	Qty	Model
9	974 885 805 N GT0	inscription Truffle Brown	-HD	1	PR:N1X,3J4, 4D0,4D7
	974 885 805 N GC0	Cohiba Brown	-HC		
	974 885 806	Backrest cover Comfort version	right		
(9)	974 885 806 GDB	Porsche crest Black	-AB	1	PR:N5U,3J4, 4D0,4D7
	974 885 806 GHB	agate grey	-DG		
	974 885 806 GFB	Luxor beige	-UB,PK		
(9)	974 885 806 A	Backrest cover Comfort version	right	1	PR:N0K,3J4, 4D1,4D3,4D5, 4D2,4D9
	974 885 806 A GDC	Porsche crest Black	-AC		
	974 885 806 A GHC	agate grey	-DL		
	974 885 806 A DUE	saddle brown	-SB,BS		
	974 885 806 A GFC	Luxor beige	-UC,BP		
	974 885 806 A DAK	Marsala Red	-PC		
	974 885 806 A GUC	Bordeaux red	-BB		
	974 885 806 A GVC	Chalk	-BK		
	974 885 806 A DAL	Cream	-BE		
	974 885 806 C	Backrest cover Comfort version	right		
(9)	974 885 806 C GDB	Porsche crest Perforated	-AB	1	PR:N0Q,3J4, 4D1,4D3,4D5, 4D9,4D2
	974 885 806 C GHB	Black	-DG		
	974 885 806 C GFB	agate grey	-UB,PK		
	974 885 806 D	Luxor beige	right		
	974 885 806 D GDC	Backrest cover Comfort version	right		
	974 885 806 D GHC	Porsche crest Perforated	-AC		
	974 885 806 D DUE	Black	-DL		
	974 885 806 D GFC	agate grey	-SB,BS		
	974 885 806 D DAK	saddle brown	-UC,BP		
	974 885 806 D GUC	Luxor beige	-PC		
(9)	974 885 806 D GVC	Marsala Red	-BB	1	PR:N1W,3J4, 4D0,4D7
	974 885 806 D DAL	Bordeaux red	-BK		
	974 885 806 B	Chalk	-BE		
	974 885 806 B GT0	Cream	right		
	974 885 806 B GC0	Backrest cover Comfort version	right		
	974 885 806 E	Porsche crest Perforated	-HD		
	974 885 806 E GT0	Truffle Brown	-HC		
	974 885 806 E	Backrest cover	right		
	974 885 806 E GT0	Backrest cover Comfort version	right		
	974 885 806 E GT0	Porsche crest Truffle Brown	-HD		

Model: 971-17

Model life 2017>>

Pos	Part Number	Description	Remark	Qty	Model
(9)	974 885 806 E GC0 974 885 806 F	Cohiba Brown Backrest cover Comfort version Porsche crest with:	-HC right	1	PR:N1X,4D0, 4D7,5ZF
(9)	974 885 806 F GDB 974 885 806 F GHB 974 885 806 F GFB 974 885 806 G	Black agate grey Luxor beige Backrest cover Comfort version Porsche crest with:	-AB -DG -UB,PK right	1	PR:N5U,4D0, 4D7,5ZF
(9)	974 885 806 G GDC 974 885 806 G GHC 974 885 806 G DUE 974 885 806 G GFC 974 885 806 G DAK 974 885 806 G GUC 974 885 806 G GVC 974 885 806 G DAL 974 885 806 J	Black agate grey saddle brown Luxor beige Marsala Red Bordeaux red Chalk Cream Backrest cover Comfort version Porsche crest with:	-AC -DL -SB,BS -UC,BP -PC -BB -BK -BE right	1	PR:N0K,4D1, 4D3,4D5,4D9, 5ZF,4D2
(9)	974 885 806 J GDB 974 885 806 J GHB 974 885 806 J GFB 974 885 806 K	Black agate grey Luxor beige Backrest cover Comfort version Porsche crest Perforated with:	-AB -DG -UB,PK right	1	PR:N0Q,4D1, 4D3,4D5,4D9, 5ZF,4D2
(9)	974 885 806 K GDC 974 885 806 K GHC 974 885 806 K DUE 974 885 806 K GFC 974 885 806 K DAK 974 885 806 K GUC 974 885 806 K GVC 974 885 806 K DAL 974 885 806 M	Black agate grey saddle brown Luxor beige Marsala Red Bordeaux red Chalk Cream Backrest cover Comfort version Turbo inscription with:	-AC -DL -SB,BS -UC,BP -PC -BB -BK -BE right	1	PR:N5U,4D0, 4D7,5ZJ,A8H
(9)	974 885 806 M GDC 974 885 806 M GHC 974 885 806 M DUE 974 885 806 M GFC 974 885 806 M DAK 974 885 806 M GUC 974 885 806 M GVC 974 885 806 M DAL 974 885 806 R	Black agate grey saddle brown Luxor beige Marsala Red Bordeaux red Chalk Cream Backrest cover	-AC -DL -SB,BS -UC,BP -PC -BB -BK -BE right	1	PR:N5U,4D0, 4D7,5ZJ,A8H, E8A

Model: 971-17

Model life 2017>>

Pos	Part Number	Description	Remark	Qty	Model
		Comfort version Turbo S inscription			
	974 885 806 R GDC	Black	-AC		
	974 885 806 R GHC	agate grey	-DL		
	974 885 806 R DUE	saddle brown	-SB,BS		
	974 885 806 R GFC	Luxor beige	-UC,BP		
	974 885 806 R DAK	Marsala Red	-PC		
	974 885 806 R GUC	Bordeaux red	-BB		
	974 885 806 R GVC	Chalk	-BK		
	974 885 806 R DAL	Cream	-BE		
(9)	974 885 806 P	Backrest cover	right	1	PR:N0Q,4D1, 4D3,4D5,4D9, 5ZJ,A8H,4D2
		Comfort version Turbo inscription Perforated			
	974 885 806 P GDC	Black	-AC		
	974 885 806 P GHC	agate grey	-DL		
	974 885 806 P DUE	saddle brown	-SB,BS		
	974 885 806 P GFC	Luxor beige	-UC,BP		
	974 885 806 P DAK	Marsala Red	-PC		
	974 885 806 P GUC	Bordeaux red	-BB		
	974 885 806 P GVC	Chalk	-BK		
	974 885 806 P DAL	Cream	-BE		
(9)	974 885 806 H	Backrest cover	right	1	PR:N1W,4D0, 4D7,5ZF
		Comfort version with: Porsche crest			
	974 885 806 H GT0	Truffle Brown	-HD		
	974 885 806 H GC0	Cohiba Brown	-HC		
(9)	974 885 806 S	Backrest cover	right	1	PR:N1W,4D0, 4D7,5ZF,E8A
		Comfort version with: Porsche crest			
	974 885 806 S GT0	Truffle Brown	-HD		
	974 885 806 S GC0	Cohiba Brown	-HC		
(9)	974 885 806 L	Backrest cover	right	1	PR:N1V,4D1, 4D2,4D3,4D5, 4D9,5ZJ
		Comfort version with: Porsche crest			
	974 885 806 L GT0	Truffle Brown	-HD		
	974 885 806 L GC0	Cohiba Brown	-HC		
(9)	974 885 806 AA	Backrest cover	right	1	PR:N1V,4D1, 4D2,4D3,4D5, 4D9,5ZJ,E8A
		Comfort version with: Turbo S inscription			
	974 885 806 AA GT0	Truffle Brown	-HD		
	974 885 806 AA GC0	Cohiba Brown	-HC		
(9)	974 885 806 Q	Backrest cover	right	1	PR:N1V,4D1, 4D2,4D3,4D5, 4D9,5ZJ,A8H
		Comfort version with: Porsche crest			

Model: 971-17 Model life 2017>>

Pos	Part Number	Description	Remark	Qty	Model
(9)	974 885 806 Q GT0	Truffle Brown	-HD	1	PR:N1V,4D1, 4D2,4D3,4D5, 4D9,5ZJ,A8H
	974 885 806 Q GC0	Cohiba Brown	-HC		
	974 885 806 N	Backrest cover	right		
		Comfort version			
		with:			
		Turbo inscription			
10	974 885 806 N GT0	Truffle Brown	-HD	1	PR:N1X,4D0, 4D7
	974 885 806 N GC0	Cohiba Brown	-HC		
	974 885 405	Cover			
		Seat cushion			
		Comfort version			
(10)	974 885 405 GDB	Black	-AB	1	PR:N5U,4D0, 4D7
	974 885 405 GHB	agate grey	-DG		
	974 885 405 GFB	Luxor beige	-UB,PK		
	974 885 405 A	Cover			
		Seat cushion			
		Comfort version			
(10)	974 885 405 A GDC	Black	-AC	1	PR:N0K,4D1, 4D3,4D5,4D9, 4D2
	974 885 405 A GHC	agate grey	-DL		
	974 885 405 A DUE	saddle brown	-SB,BS		
	974 885 405 A GFC	Luxor beige	-UC,BP		
	974 885 405 A DAK	Marsala Red	-PC		
	974 885 405 A GUC	Bordeaux red	-BB		
	974 885 405 A GVC	Chalk	-BK		
	974 885 405 A DAL	Cream	-BE		
	974 885 405 C	Cover	left		
			Seat cushion		
		Comfort version			
		Perforated			
(10)	974 885 405 C GDB	Black	-AB	1	PR:N0Q,4D1, 4D3,4D5,4D9, 4D2
	974 885 405 C GHB	agate grey	-DG		
	974 885 405 C GFB	Luxor beige	-UB,PK		
	974 885 405 D	Cover			
		Seat cushion			
		Comfort version			
		Perforated			
(10)	974 885 405 D GDC	Black	-AC	1	PR:N1W,4D0, 4D7
	974 885 405 D GHC	agate grey	-DL		
	974 885 405 D DUE	saddle brown	-SB,BS		
	974 885 405 D GFC	Luxor beige	-UC,BP		
	974 885 405 D DAK	Marsala Red	-PC		
	974 885 405 D GUC	Bordeaux red	-BB		
	974 885 405 D GVC	Chalk	-BK		
	974 885 405 D DAL	Cream	-BE		
	974 885 405 B	Cover			
			Seat cushion		
		Comfort version			
(10)	974 885 405 B GT0	Truffle Brown	-HD	1	PR:N1V,4D1, 4D2,4D3,4D5, 4D9
	974 885 405 B GHC	Cohiba Brown	-DL		
	974 885 405 E	Cover			
		Seat cushion			
		Comfort version			
11	974 885 405 E GT0	Truffle Brown	-HD	1	PR:N1X,4D0, 4D7,4X3
	974 885 405 E GHC	Cohiba Brown	-DL		
	971 885 745 DD	Cover	left		
		Side part			
		Comfort version			
		without:			
		Airbag			

Model: 971-17

Model life 2017>>

Pos	Part Number	Description	Remark	Qty	Model
(11)	971 885 745 DD 21U	Black	-AB	1	PR:N5U,4D0, 4D7,4X3
	971 885 745 DD OF6	agate grey	-DG		
	971 885 745 DD 32X	Luxor beige	-UB,PK		
	971 885 745 DE	Cover	left		
		Side part			
		Comfort version			
		without:			
		Airbag			
	971 885 745 DE 8YR	Black	-AC		
	971 885 745 DE PL1	agate grey	-DL		
971 885 745 DE OK6	saddle brown	-SB,BS			
971 885 745 DE 9H6	Luxor beige	-UC,BP			
971 885 745 DE 8M8	Marsala Red	-PC			
971 885 745 DE OG6	Bordeaux red	-BB			
971 885 745 DE OL8	Chalk	-BK			
971 885 745 DE 6G0	Cream	-BE			
(11)	971 885 745 DQ	Cover	left	1	PR:N0K,4D1, 4D2,4D3,4D5, 4D9,4X3
		Side part			
		Comfort version			
		without:			
		Airbag			
		Perforated			
	971 885 745 DQ 21U	Black	-AB		
	971 885 745 DQ OF6	agate grey	-DG		
	971 885 745 DQ 32X	Luxor beige	-UB,PK		
	971 885 745 DR	Cover	left		
	Side part				
	Comfort version				
	without:				
	Airbag				
	Perforated				
971 885 745 DR 8YR	Black	-AC			
971 885 745 DR PL1	agate grey	-DL			
971 885 745 DR OK6	saddle brown	-SB,BS			
971 885 745 DR 9H6	Luxor beige	-UC,BP			
971 885 745 DR 8M8	Marsala Red	-PC			
971 885 745 DR OG6	Bordeaux red	-BB			
971 885 745 DR OL8	Chalk	-BK			
971 885 745 DR 6G0	Cream	-BE			
(11)	971 885 745 B	Cover	left	1	PR:N1W,4D0, 4D7,4X3
		Side part			
		Comfort version			
		without:			
		Airbag			
	971 885 745 B OT2	Truffle Brown	-HD		
	971 885 745 B ON1	Cohiba Brown	-HC		
	971 885 745 P	Cover	left		
		Side part			
		Comfort version			
	without:				
	Airbag				
971 885 745 P OT2	Truffle Brown	-HD			
971 885 745 P ON1	Cohiba Brown	-HC			
(11)	971 885 745 DJ	Cover	left	1	PR:N1X,4D0, 4D7,4X4
		Side part			
		Comfort version			
		with:			
	Airbag				
971 885 745 DJ 21U	Black	-AB			
971 885 745 DJ OF6	agate grey	-DG			

Model: 971-17 Model life 2017>>

Pos	Part Number	Description	Remark	Qty	Model
(11)	971 885 745 DJ 32X 971 885 745 DK	Luxor beige Cover Side part Comfort version	-UB,PK left	1	PR:N5U,4D0, 4D7,4X4
		with:			
	971 885 745 DK 8YR	Airbag Black	-AC		
	971 885 745 DK PL1	agate grey	-DL		
	971 885 745 DK OK6	saddle brown	-SB,BS		
	971 885 745 DK 9H6	Luxor beige	-UC,BP		
	971 885 745 DK 8M8	Marsala Red	-PC		
	971 885 745 DK OG6	Bordeaux red	-BB		
	971 885 745 DK OL8	Chalk	-BK		
	971 885 745 DK 6G0	Cream	-BE		
(11)	971 885 745 DS	Cover Side part Comfort version	left	1	PR:N0K,4D1, 4D2,4D3,4D5, 4D9,4X4
		with:			
	971 885 745 DS 21U	Airbag Perforated Black	-AB		
	971 885 745 DS OF6	agate grey	-DG		
(11)	971 885 745 DS 32X 971 885 745 DT	Luxor beige Cover Side part Comfort version	-UB,PK left	1	PR:N0Q,4D1, 4D2,4D3,4D5, 4D9,4X4
		with:			
	971 885 745 DT 8YR	Airbag Perforated Black	-AC		
	971 885 745 DT PL1	agate grey	-DL		
	971 885 745 DT OK6	saddle brown	-SB,BS		
	971 885 745 DT 9H6	Luxor beige	-UC,BP		
	971 885 745 DT 8M8	Marsala Red	-PC		
	971 885 745 DT OG6	Bordeaux red	-BB		
	971 885 745 DT OL8	Chalk	-BK		
	971 885 745 DT 6G0	Cream	-BE		
(11)	971 885 745 E	Cover Side part Comfort version	left	1	PR:N1V,4D0, 4D7,4X4
		with:			
	971 885 745 E OT2	Airbag Truffle Brown	-HD		
	971 885 745 E ON1	Cohiba Brown	-HC		
(11)	971 885 745 S	Cover Side part Comfort version	left	1	PR:N1V,4D1, 4D2,4D3,4D5, 4D9,4X4
		with:			
	971 885 745 S OT2	Airbag Truffle Brown	-HD		
	971 885 745 S ON1	Cohiba Brown	-HC		
12	971 885 746 DD	Cover Side part Comfort version	right	1	PR:N1X,4D0, 4D7,4X3
		without:			
	971 885 746 DD 21U	Airbag Black	-AB		
	971 885 746 DD OF6	agate grey	-DG		
	971 885 746 DD 32X	Luxor beige	-UB,PK		
12	971 885 746 DE	Cover	right	1	PR:N5U,4D0,

Model: 971-17

Model life 2017>>

Pos	Part Number	Description	Remark	Qty	Model
		Side part Comfort version			4D7, 4X3
		without:			
		Airbag			
	971 885 746 DE 8YR	Black	-AC		
	971 885 746 DE PL1	agate grey	-DL		
	971 885 746 DE OK6	saddle brown	-SB,BS		
	971 885 746 DE 9H6	Luxor beige	-UC,BP		
	971 885 746 DE 8M8	Marsala Red	-PC		
	971 885 746 DE OG6	Bordeaux red	-BB		
	971 885 746 DE OL8	Chalk	-BK		
	971 885 746 DE 6G0	Cream	-BE		
(12)	971 885 746 DQ	Cover Side part	right	1	PR:N0K, 4D1, 4D2, 4D3, 4D5, 4D9, 4X3
		Comfort version			
		without:			
		Airbag			
		Perforated			
	971 885 746 DQ 21U	Black	-AB		
	971 885 746 DQ OF6	agate grey	-DG		
	971 885 746 DQ 32X	Luxor beige	-UB,PK		
(12)	971 885 746 DR	Cover Side part	right	1	PR:N0Q, 4D1, 4D2, 4D3, 4D5, 4D9, 4X3
		Comfort version			
		without:			
		Airbag			
		Perforated			
	971 885 746 DR 8YR	Black	-AC		
	971 885 746 DR PL1	agate grey	-DL		
	971 885 746 DR OK6	saddle brown	-SB,BS		
	971 885 746 DR 9H6	Luxor beige	-UC,BP		
	971 885 746 DR 8M8	Marsala Red	-PC		
	971 885 746 DR OG6	Bordeaux red	-BB		
	971 885 746 DR OL8	Chalk	-BK		
	971 885 746 DR 6G0	Cream	-BE		
(12)	971 885 746 B	Cover Side part	right	1	PR:N1W, 4D0, 4D7, 4X3
		Comfort version			
		without:			
		Airbag			
	971 885 746 B OT2	Truffle Brown	-HD		
	971 885 746 B ON1	Cohiba Brown	-HC		
(12)	971 885 746 P	Cover Side part	right	1	PR:N1V, 4D1, 4D2, 4D3, 4D5, 4D9, 4X3
		Comfort version			
		without:			
		Airbag			
	971 885 746 P OT2	Truffle Brown	-HD		
	971 885 746 P ON1	Cohiba Brown	-HC		
(12)	971 885 746 DJ	Cover Side part	right	1	PR:N1X, 4D0, 4D7, 4X4
		Comfort version			
		with:			
		Airbag			
	971 885 746 DJ 21U	Black	-AB		
	971 885 746 DJ OF6	agate grey	-DG		
	971 885 746 DJ 32X	Luxor beige	-UB,PK		
(12)	971 885 746 DK	Cover Side part	right	1	PR:N5U, 4D0, 4D7, 4X4
		Comfort version			

Model: 971-17 Model life 2017>>

Pos	Part Number	Description	Remark	Qty	Model
		with:			
	971 885 746 DK 8YR	Airbag Black	-AC		
	971 885 746 DK PL1	agate grey	-DL		
	971 885 746 DK OK6	saddle brown	-SB,BS		
	971 885 746 DK 9H6	Luxor beige	-UC,BP		
	971 885 746 DK 8M8	Marsala Red	-PC		
	971 885 746 DK OG6	Bordeaux red	-BB		
	971 885 746 DK OL8	Chalk	-BK		
	971 885 746 DK 6G0	Cream	-BE		
(12)	971 885 746 DS	Cover Side part Comfort version	right	1	PR:N0K,4D1, 4D2,4D3,4D5, 4D9,4X4
		with:			
		Airbag Perforated			
	971 885 746 DS 21U	Black	-AB		
	971 885 746 DS OF6	agate grey	-DG		
	971 885 746 DS 32X	Luxor beige	-UB,PK		
(12)	971 885 746 DT	Cover Side part Comfort version	right	1	PR:N0Q,4D1, 4D2,4D3,4D5, 4D9,4X4
		with:			
		Airbag Perforated			
	971 885 746 DT 8YR	Black	-AC		
	971 885 746 DT PL1	agate grey	-DL		
	971 885 746 DT OK6	saddle brown	-SB,BS		
	971 885 746 DT 9H6	Luxor beige	-UC,BP		
	971 885 746 DT 8M8	Marsala Red	-PC		
	971 885 746 DT OG6	Bordeaux red	-BB		
	971 885 746 DT OL8	Chalk	-BK		
	971 885 746 DT 6G0	Cream	-BE		
(12)	971 885 746 E	Cover Side part Comfort version	right	1	PR:N1V,4D0, 4D7,4X4
		with:			
		Airbag			
	971 885 746 E OT2	Truffle Brown	-HD		
	971 885 746 E ON1	Cohiba Brown	-HC		
(12)	971 885 746 S	Cover Side part Comfort version	right	1	PR:N1V,4D1, 4D2,4D3,4D5, 4D9,4X4
		with:			
		Airbag			
	971 885 746 S OT2	Truffle Brown	-HD		
	971 885 746 S ON1	Cohiba Brown	-HC		
13	974 885 723 C	Backrest centre part w. cover		1	PR:N1X,N0K
	974 885 723 C 21U	Black	-AB		
	974 885 723 C OF6	agate grey	-DG		
	974 885 723 C 32X	Luxor beige	-PK		
(13)	974 885 723 D	Backrest centre part w. cover		1	PR:N0Q,N5U
	974 885 723 D GDC	Black	-AC		
	974 885 723 D GHC	agate grey	-DL		
	974 885 723 D DUE	saddle brown	-SB,BS		
	974 885 723 D GFC	Luxor beige	-UC,BP		
	974 885 723 D DAK	Marsala Red	-PC		
	974 885 723 D GUC	Bordeaux red	-BB		
	974 885 723 D GVC	Chalk	-BK		
	974 885 723 D DAL	Cream	-BE		

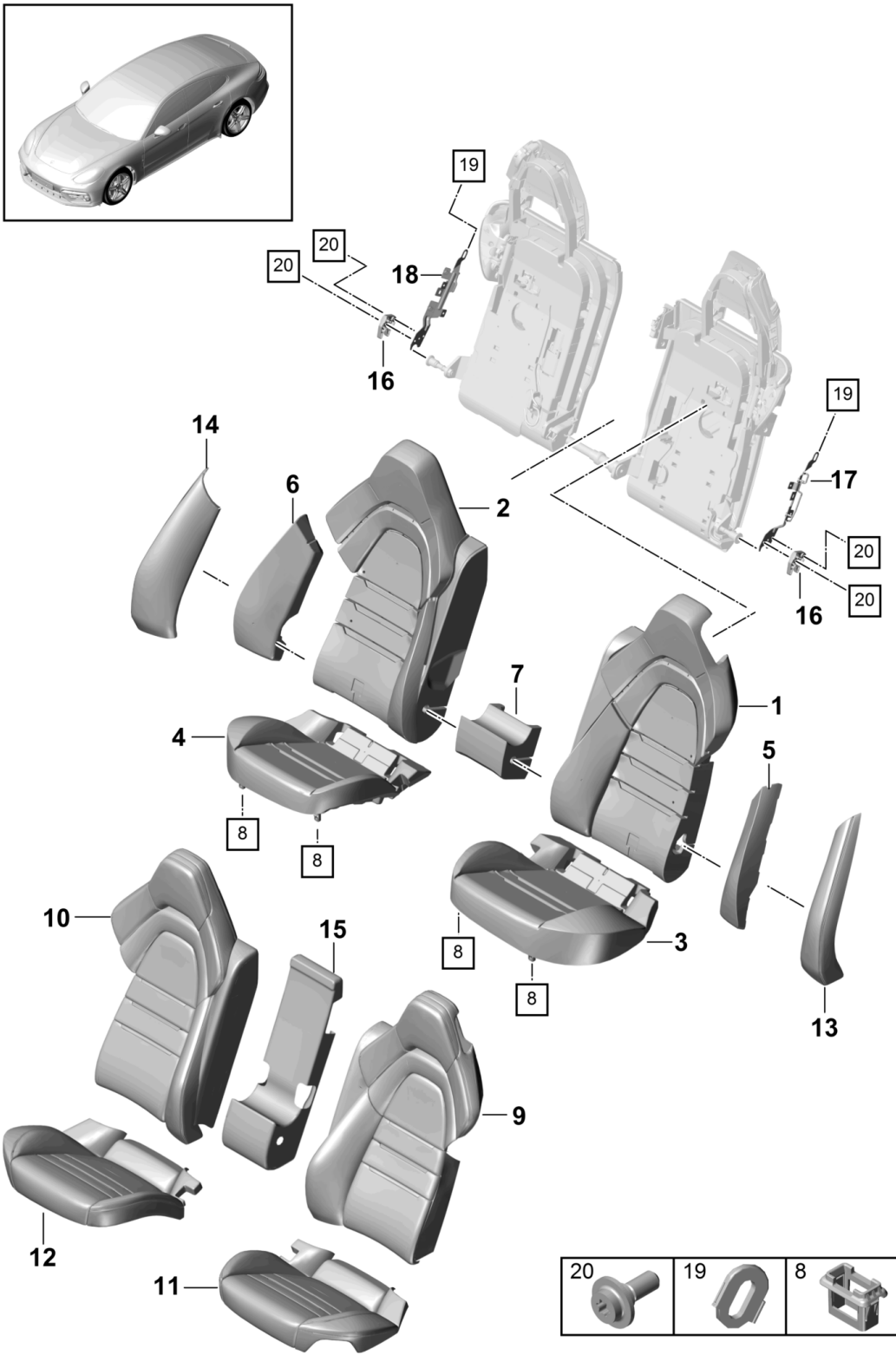
Model: 971-17

Model life 2017>>

Pos	Part Number	Description	Remark	Qty	Model
(13)	974 885 723 E	Backrest centre part w. cover		1	PR:N1V,N1W
	974 885 723 E OT2	Truffle Brown	-HD		
	974 885 723 E ON1	Cohiba Brown	-HC		
14	971 885 585	Bracket		2	
		Side part			
15	971 885 189 A	Retaining plate	left	1	
		Side part			
16	971 885 190 A	Retaining plate	right	1	
		Side part			
17	971 885 939 A	Guide piece		2	
		Side part			
18	9A7 008 033 00	Hexagon socket head bolt		4	M6x16

Model: 971-17

Model life 2017>>



Model: 971-17 Model life 2017>>

Pos	Part Number	Description	Remark	Qty	Model
		Seat Comfort seat Sport version	rear		PR:3KJ
1	971 885 775 BP	Foam part Cover Foam part backrest Sport version	left	1	PR:4D0,4D3
2	971 885 776 AE	Foam part backrest Sport version	right	1	PR:4D0,4D3
3	971 885 375 AC	Foam part Seat cushion Sport version	left	1	PR:4D0,4D3
4	971 885 376 AC	Foam part Seat cushion Sport version	right	1	PR:4D0,4D3
5	971 885 891 S	Foam part Side part Seat Sport version	left	1	PR:4D0,4D1,4X3
(5)	971 885 891 T	Foam part Side part Seat Sport version	left	1	PR:4D0,4D1,4D3,4X4
6	971 885 892 S	Foam part Side part Seat Sport version	right	1	PR:4D0,4D1,4X3
(6)	971 885 892 T	Foam part Side part Seat Sport version	right	1	PR:4D0,4D1,4D3,4X4
7	971 885 385 B	Foam part Centre part Seat		1	
8	971 885 313 A	Clip Seat cushion		4	
9	971 885 805 JS	Backrest cover Sport version	left	1	PR:N1X,3J4,4D0,4D7
		Porsche crest without:			
	971 885 805 JS GDB	Black	-AB		
	971 885 805 JS GHB	agate grey	-DG		
	971 885 805 JS GFB	Luxor beige	-UB,PK		
(9)	971 885 805 JT	Backrest cover Sport version	left	1	PR:N5U,3J4,4D0,4D7
		Porsche crest without:			
	971 885 805 JT GDC	Black	-AC		
	971 885 805 JT GHC	agate grey	-DL		
	971 885 805 JT DUE	saddle brown	-SB,BS		
	971 885 805 JT GFC	Luxor beige	-UC,BP		
	971 885 805 JT DAK	Marsala Red	-PC		
	971 885 805 JT GUC	Bordeaux red	-BB		
	971 885 805 JT GVC	Chalk	-BK		
	971 885 805 JT DAL	Cream	-BE		
(9)	971 885 805 KB	Backrest cover Sport version	left	1	PR:N0K,3J4,4D1,4D3,4D5,4D9

Model: 971-17 Model life 2017>>

Pos	Part Number	Description	Remark	Qty	Model
		without:			
		Porsche crest			
		Perforated			
	971 885 805 KB GDB	Black	-AB		
	971 885 805 KB GHB	agate grey	-DG		
	971 885 805 KB GFB	Luxor beige	-UB,PK		
(9)	971 885 805 KC	Backrest cover	left	1	PR:NOQ,3J4, 4D1,4D3,4D5, 4D9
		Sport version			
		without:			
		Porsche crest			
		Perforated			
	971 885 805 KC GDC	Black	-AC		
	971 885 805 KC GHC	agate grey	-DL		
	971 885 805 KC DUE	saddle brown	-SB,BS		
	971 885 805 KC GFC	Luxor beige	-UC,BP		
	971 885 805 KC DAK	Marsala Red	-PC		
	971 885 805 KC GUC	Bordeaux red	-BB		
	971 885 805 KC GVC	Chalk	-BK		
	971 885 805 KC DAL	Cream	-BE		
(9)	971 885 805 KE	Backrest cover	left	1	PR:N1X,4D0, 4D7,5ZF
		Sport version			
		with:			
		Porsche crest			
	971 885 805 KE GDB	Black	-AB		
	971 885 805 KE GHB	agate grey	-DG		
	971 885 805 KE GFB	Luxor beige	-UB,PK		
(9)	971 885 805 KF	Backrest cover	left	1	PR:N5U,4D0, 4D7,5ZF
		Sport version			
		with:			
		Porsche crest			
	971 885 805 KF GDC	Black	-AC		
	971 885 805 KF GHC	agate grey	-DL		
	971 885 805 KF DUE	saddle brown	-SB,BS		
	971 885 805 KF GFC	Luxor beige	-UC,BP		
	971 885 805 KF DAK	Marsala Red	-PC		
	971 885 805 KF GUC	Bordeaux red	-BB		
	971 885 805 KF GVC	Chalk	-BK		
	971 885 805 KF DAL	Cream	-BE		
(9)	971 885 805 KH	Backrest cover	left	1	PR:N0K,4D1, 4D3,4D5,4D9, 5ZF
		Sport version			
		with:			
		Porsche crest			
		Perforated			
	971 885 805 KH GDB	Black	-AB		
	971 885 805 KH GHB	agate grey	-DG		
	971 885 805 KH GFB	Luxor beige	-UB,PK		
(9)	971 885 805 KJ	Backrest cover	left	1	PR:NOQ,4D1, 4D3,4D5,4D9, 5ZF
		Sport version			
		with:			
		Porsche crest			
		Perforated			
	971 885 805 KJ GDC	Black	-AC		
	971 885 805 KJ GHC	agate grey	-DL		
	971 885 805 KJ DUE	saddle brown	-SB,BS		
	971 885 805 KJ GFC	Luxor beige	-UC,BP		

Model: 971-17 Model life 2017>>

Pos	Part Number	Description	Remark	Qty	Model
10	971 885 805 KJ DAK	Marsala Red	-PC	1	PR:N1X,3J4, 4D0,4D7
	971 885 805 KJ GUC	Bordeaux red	-BB		
	971 885 805 KJ GVC	Chalk	-BK		
	971 885 805 KJ DAL	Cream	-BE		
	971 885 806 GA	Backrest cover	right		
		Sport version			
		Porsche crest	without:		
	971 885 806 GA GDB	Black	-AB		
	971 885 806 GA GHB	agate grey	-DG		
(10)	971 885 806 GA GFB	Luxor beige	-UB,PK	1	PR:N5U,3J4, 4D0,4D7
	971 885 806 GB	Backrest cover	right		
		Sport version			
		Porsche crest	without:		
	971 885 806 GB GDC	Black	-AC		
	971 885 806 GB GHC	agate grey	-DL		
	971 885 806 GB DUE	saddle brown	-SB,BS		
	971 885 806 GB GFC	Luxor beige	-UC,BP		
	971 885 806 GB DAK	Marsala Red	-PC		
	971 885 806 GB GUC	Bordeaux red	-BB		
	971 885 806 GB GVC	Chalk	-BK		
	971 885 806 GB DAL	Cream	-BE		
(10)	971 885 806 GD	Backrest cover	right	1	PR:N0K,3J4, 4D1,4D3,4D5, 4D9
		Sport version			
		Porsche crest	without:		
		Perforated			
	971 885 806 GD GDB	Black	-AB		
	971 885 806 GD GHB	agate grey	-DG		
(10)	971 885 806 GD GFB	Luxor beige	-UB,PK	1	PR:N0Q,3J4, 4D1,4D3,4D5, 4D9
	971 885 806 GE	Backrest cover	right		
		Sport version			
		Porsche crest	without:		
		Perforated			
	971 885 806 GE GDC	Black	-AC		
	971 885 806 GE GHC	agate grey	-DL		
	971 885 806 GE DUE	saddle brown	-SB,BS		
	971 885 806 GE GFC	Luxor beige	-UC,BP		
	971 885 806 GE DAK	Marsala Red	-PC		
	971 885 806 GE GUC	Bordeaux red	-BB		
	971 885 806 GE GVC	Chalk	-BK		
	971 885 806 GE DAL	Cream	-BE		
(10)	971 885 806 GG	Backrest cover	right	1	PR:N1X,5ZF, 4D0,4D7
		Sport version			
		Porsche crest	with:		
		Perforated			
	971 885 806 GG GDB	Black	-AB		
	971 885 806 GG GHB	agate grey	-DG		
	971 885 806 GG GFB	Luxor beige	-UB,PK		
(10)	971 885 806 GH	Backrest cover	right	1	PR:N5U,5ZF, 4D0,4D7
		Sport version			
		Porsche crest	with:		

Model: 971-17 Model life 2017>>

Pos	Part Number	Description	Remark	Qty	Model	
(10)	971 885 806 GH GDC	Black	-AC	1	PR:N1X,5ZF, 4D1,4D3,4D5, 4D9	
	971 885 806 GH GHC	agate grey	-DL			
	971 885 806 GH DUE	saddle brown	-SB,BS			
	971 885 806 GH GFC	Luxor beige	-UC,BP			
	971 885 806 GH DAK	Marsala Red	-PC			
	971 885 806 GH GUC	Bordeaux red	-BB			
	971 885 806 GH GVC	Chalk	-BK			
	971 885 806 GH DAL	Cream	-BE			
	971 885 806 GK	Backrest cover	right			
		Sport version				
	with:					
	Porsche crest					
	Perforated					
(10)	971 885 806 GK GDB	Black	-AB	1	PR:N5U,5ZF, 4D1,4D3,4D5, 4D9	
	971 885 806 GK GHB	agate grey	-DG			
	971 885 806 GK GFB	Luxor beige	-UB,PK			
	971 885 806 GL	Backrest cover	right			
		Sport version				
		with:				
		Porsche crest				
		Perforated				
		971 885 806 GL GDC	Black			-AC
		971 885 806 GL GHC	agate grey			-DL
	971 885 806 GL DUE	saddle brown	-SB,BS			
	971 885 806 GL GFC	Luxor beige	-UC,BP			
	971 885 806 GL DAK	Marsala Red	-PC			
	971 885 806 GL GUC	Bordeaux red	-BB			
	971 885 806 GL GVC	Chalk	-BK			
	971 885 806 GL DAL	Cream	-BE			
11	971 885 405 BG	Cover	left	1	PR:N1X,4D0, 4D7	
		Seat cushion				
		Sport version				
(11)	971 885 405 BG GDB	Black	-AB	1	PR:N5U,4D0, 4D7	
	971 885 405 BG GHB	agate grey	-DG			
	971 885 405 BG GFB	Luxor beige	-UB,PK			
	971 885 405 BH	Cover	left			
		Seat cushion				
		Sport version				
		971 885 405 BH GDC	Black			-AC
		971 885 405 BH GHC	agate grey			-DL
		971 885 405 BH DUE	saddle brown			-SB,BS
		971 885 405 BH GFC	Luxor beige			-UC,BP
	971 885 405 BH DAK	Marsala Red	-PC			
	971 885 405 BH GUC	Bordeaux red	-BB			
	971 885 405 BH GVC	Chalk	-BK			
	971 885 405 BH DAL	Cream	-BE			
(11)	971 885 405 BN	Cover	left	1	PR:N0K,4D1, 4D3,4D5,4D9	
		Seat cushion				
		Sport version				
		Perforated				
(11)	971 885 405 BN GDB	Black	-AB	1	PR:N0Q,4D1, 4D3,4D5,4D9	
	971 885 405 BN GHB	agate grey	-DG			
	971 885 405 BN GFB	Luxor beige	-UB,PK			
	971 885 405 BP	Cover	left			
		Seat cushion				
		Sport version				
		971 885 405 BP GDC	Black			-AC
		971 885 405 BP GHC	agate grey			-DL

Model: 971-17 Model life 2017>>

Pos	Part Number	Description	Remark	Qty	Model
12	971 885 405 BP DUE	saddle brown	-SB,BS	1	PR:N1X,4D0,4D7
	971 885 405 BP GFC	Luxor beige	-UC,BP		
	971 885 405 BP DAK	Marsala Red	-PC		
	971 885 405 BP GUC	Bordeaux red	-BB		
	971 885 405 BP GVC	Chalk	-BK		
	971 885 405 BP DAL	Cream	-BE		
	971 885 406 BG	Cover	right		
		Seat cushion			
		Sport version			
	971 885 406 BG GDB	Black	-AB		
	971 885 406 BG GHB	agate grey	-DG		
	(12)	971 885 406 BG GFB	Luxor beige		
971 885 406 BH		Cover	right		
		Seat cushion			
		Sport version			
971 885 406 BH GDC		Black	-AC		
971 885 406 BH GHC		agate grey	-DL		
971 885 406 BH DUE		saddle brown	-SB,BS		
971 885 406 BH GFC		Luxor beige	-UC,BP		
971 885 406 BH DAK		Marsala Red	-PC		
971 885 406 BH GUC		Bordeaux red	-BB		
971 885 406 BH GVC		Chalk	-BK		
(12)		971 885 406 BH DAL	Cream	-BE	1
	971 885 406 BN	Cover	right		
		Seat cushion			
		Sport version			
		Perforated			
	971 885 406 BN GDB	Black	-AB		
	971 885 406 BN GHB	agate grey	-DG		
	971 885 406 BN GFB	Luxor beige	-UB,PK		
	971 885 406 BP	Cover	right		
		Seat cushion			
		Sport version			
	13	971 885 406 BP GDC	Black	-AC	
971 885 406 BP GHC		agate grey	-DL		
971 885 406 BP DUE		saddle brown	-SB,BS		
971 885 406 BP GFC		Luxor beige	-UC,BP		
971 885 406 BP DAK		Marsala Red	-PC		
971 885 406 BP GUC		Bordeaux red	-BB		
971 885 406 BP GVC		Chalk	-BK		
971 885 406 BP DAL		Cream	-BE		
971 885 745 DL		Cover	left		
		Side part			
		Sport version			
(13)			Airbag	without:	1
	971 885 745 DL 21U	Black	-AB		
	971 885 745 DL OF6	agate grey	-DG		
	971 885 745 DL 32X	Luxor beige	-UB,PK		
	971 885 745 DM	Cover	left		
		Side part			
		Sport version			
		Airbag	without:		
	971 885 745 DM 8YR	Black	-AC		
	971 885 745 DM PL1	agate grey	-DL		
	971 885 745 DM OK6	saddle brown	-SB,BS		
	971 885 745 DM 9H6	Luxor beige	-UC,BP		
971 885 745 DM 8M8	Marsala Red	-PC			
971 885 745 DM OG6	Bordeaux red	-BB			
971 885 745 DM OL8	Chalk	-BK			
971 885 745 DM 6G0	Cream	-BE			

Model: 971-17 Model life 2017>>

Pos	Part Number	Description	Remark	Qty	Model
(13)	971 885 745 DG	Cover Side part Sport version without: Airbag Perforated	left	1	PR:N0K,4D1, 4D3,4D5,4D9, 4X3
	971 885 745 DG 21U	Black	-AB		
	971 885 745 DG OF6	agate grey	-DG		
	971 885 745 DG 32X	Luxor beige	-UB,PK		
(13)	971 885 745 DF	Cover Side part Sport version without: Airbag Perforated	left	1	PR:N0Q,4D1, 4D3,4D5,4D9, 4X3
	971 885 745 DF 8YR	Black	-AC		
	971 885 745 DF PL1	agate grey	-DL		
	971 885 745 DF OK6	saddle brown	-SB,BS		
	971 885 745 DF 9H6	Luxor beige	-UC,BP		
	971 885 745 DF 8M8	Marsala Red	-PC		
	971 885 745 DF OG6	Bordeaux red	-BB		
	971 885 745 DF OL8	Chalk	-BK		
	971 885 745 DF 6G0	Cream	-BE		
(13)	971 885 745 DN	Cover Side part Sport version with: Airbag	left	1	PR:N1X,4D0, 4X4
	971 885 745 DN 21U	Black	-AB		
	971 885 745 DN OF6	agate grey	-DG		
	971 885 745 DN 32X	Luxor beige	-UB,PK		
(13)	971 885 745 DP	Cover Side part Sport version with: Airbag	left	1	PR:N5U,4D0, 4X4
	971 885 745 DP 8YR	Black	-AC		
	971 885 745 DP PL1	agate grey	-DL		
	971 885 745 DP OK6	saddle brown	-SB,BS		
	971 885 745 DP 9H6	Luxor beige	-UC,BP		
	971 885 745 DP 8M8	Marsala Red	-PC		
	971 885 745 DP OG6	Bordeaux red	-BB		
	971 885 745 DP OL8	Chalk	-BK		
	971 885 745 DP 6G0	Cream	-BE		
(13)	971 885 745 EA	Cover Side part Sport version with: Airbag Perforated	left	1	PR:N0K,4D1, 4D3,4D5,4D9, 4X4
	971 885 745 EA 21U	Black	-AB		
	971 885 745 EA OF6	agate grey	-DG		
	971 885 745 EA 32X	Luxor beige	-UB,PK		
(13)	971 885 745 DH	Cover Side part Sport version with: Airbag Perforated	left	1	PR:N0Q,4D1, 4D3,4D5,4D9, 4X4

Model: 971-17 Model life 2017>>

Pos	Part Number	Description	Remark	Qty	Model
14	971 885 745 DH 8YR	Black	-AC	1	PR:N1X,4D0, 4X3
	971 885 745 DH PL1	agate grey	-DL		
	971 885 745 DH OK6	saddle brown	-SB,BS		
	971 885 745 DH 9H6	Luxor beige	-UC,BP		
	971 885 745 DH 8M8	Marsala Red	-PC		
	971 885 745 DH OG6	Bordeaux red	-BB		
	971 885 745 DH OL8	Chalk	-BK		
	971 885 745 DH 6G0	Cream	-BE		
	971 885 746 DL	Cover	right		
(14)		Side part		1	PR:N5U,4D0, 4X3
		Sport version			
		without:			
		Airbag			
	971 885 746 DL 21U	Black	-AB		
	971 885 746 DL OF6	agate grey	-DG		
	971 885 746 DL 32X	Luxor beige	-UB,PK		
	971 885 746 DM	Cover	right		
		Side part			
(14)		Sport version		1	PR:N0K,4D1, 4D3,4D5,4D9, 4X3
		without:			
		Airbag			
	971 885 746 DM 8YR	Black	-AC		
	971 885 746 DM PL1	agate grey	-DL		
	971 885 746 DM OK6	saddle brown	-SB,BS		
	971 885 746 DM 9H6	Luxor beige	-UC,BP		
	971 885 746 DM 8M8	Marsala Red	-PC		
	971 885 746 DM OG6	Bordeaux red	-BB		
(14)	971 885 746 DM OL8	Chalk	-BK	1	PR:N0Q,4D1, 4D3,4D5,4D9, 4X3
	971 885 746 DM 6G0	Cream	-BE		
	971 885 746 EA	Cover	right		
		Side part			
		Sport version			
		without:			
		Airbag			
		Perforated			
	971 885 746 EA 21U	Black	-AB		
(14)	971 885 746 EA OF6	agate grey	-DG	1	PR:N0Q,4D1, 4D3,4D5,4D9, 4X3
	971 885 746 EA 32X	Luxor beige	-UB,PK		
	971 885 746 DF	Cover	right		
		Side part			
		Sport version			
		without:			
		Airbag			
		Perforated			
	971 885 746 DF 8YR	Black	-AC		
(14)	971 885 746 DF PL1	agate grey	-DL	1	PR:N1X,4D0, 4X4
	971 885 746 DF OK6	saddle brown	-SB,BS		
	971 885 746 DF 9H6	Luxor beige	-UC,BP		
	971 885 746 DF 8M8	Marsala Red	-PC		
	971 885 746 DF OG6	Bordeaux red	-BB		
	971 885 746 DF OL8	Chalk	-BK		
	971 885 746 DF 6G0	Cream	-BE		
	971 885 746 DN	Cover	right		
		Side part			
(14)		Sport version		1	PR:N5U,4D0,
		with:			
		Airbag			
	971 885 746 DN 21U	Black	-AB		
	971 885 746 DN OF6	agate grey	-DG		
	971 885 746 DN 32X	Luxor beige	-UB,PK		
	971 885 746 DP	Cover	right		

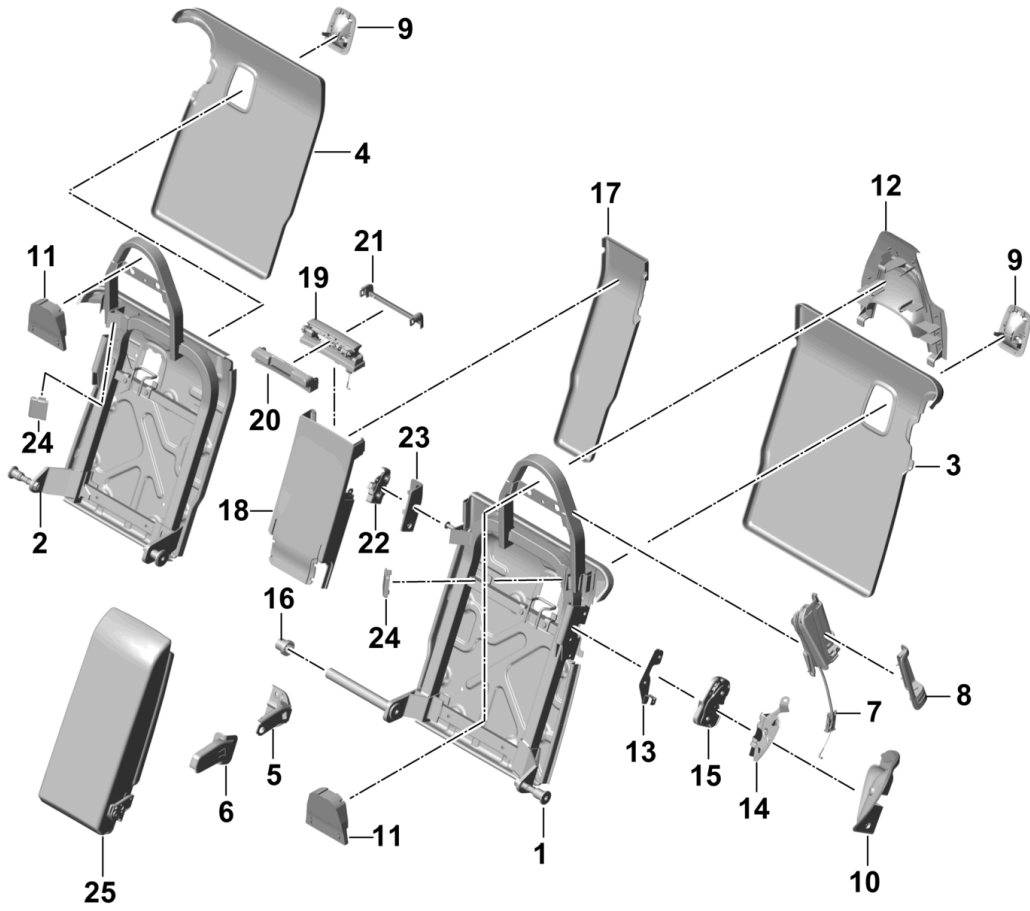
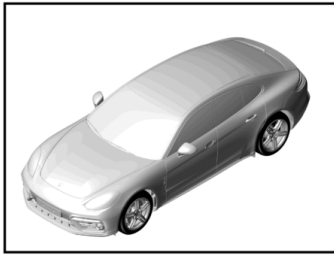
Model: 971-17

Model life 2017>>

Pos	Part Number	Description	Remark	Qty	Model
		Side part Sport version			4X4
		with:			
	971 885 746 DP 8YR	Airbag Black	-AC		
	971 885 746 DP PL1	agate grey	-DL		
	971 885 746 DP OK6	saddle brown	-SB,BS		
	971 885 746 DP 9H6	Luxor beige	-UC,BP		
	971 885 746 DP 8M8	Marsala Red	-PC		
	971 885 746 DP OG6	Bordeaux red	-BB		
	971 885 746 DP OL8	Chalk	-BK		
	971 885 746 DP 6G0	Cream	-BE		
(14)	971 885 746 DG	Cover Side part	right	1	PR:N0K,4D1, 4D3,4D5,4D9, 4X4
		Sport version			
		with:			
		Airbag Perforated			
	971 885 746 DG 21U	Black	-AB		
	971 885 746 DG OF6	agate grey	-DG		
	971 885 746 DG 32X	Luxor beige	-UB,PK		
(14)	971 885 746 DH	Cover Side part	right	1	PR:N0Q,4D1, 4D3,4D5,4D9, 4X4
		Sport version			
		with:			
		Airbag Perforated			
	971 885 746 DH 8YR	Black	-AC		
	971 885 746 DH PL1	agate grey	-DL		
	971 885 746 DH OK6	saddle brown	-SB,BS		
	971 885 746 DH 9H6	Luxor beige	-UC,BP		
	971 885 746 DH 8M8	Marsala Red	-PC		
	971 885 746 DH OG6	Bordeaux red	-BB		
	971 885 746 DH OL8	Chalk	-BK		
	971 885 746 DH 6G0	Cream	-BE		
15	971 885 723 F	Backrest centre part w. cover		1	PR:N1X,N0K
	971 885 723 F GDB	Black	-AB		
	971 885 723 F GHB	agate grey	-DG		
	971 885 723 F GFB	Luxor beige	-UB,PK		
(15)	971 885 723 G	Backrest centre part w. cover		1	PR:N0Q,N5U
	971 885 723 G GDC	Black	-AC		
	971 885 723 G GHC	agate grey	-DL		
	971 885 723 G DUE	saddle brown	-SB,BS		
	971 885 723 G GFC	Luxor beige	-UC,BP		
	971 885 723 G DAK	Marsala Red	-PC		
	971 885 723 G GUC	Bordeaux red	-BB		
	971 885 723 G GVC	Chalk	-BK		
	971 885 723 G DAL	Cream	-BE		
16	971 885 585	Bracket		2	
		Side part			
17	971 885 189 A	Retaining plate	left	1	
		Side part			
18	971 885 190 A	Retaining plate	right	1	
		Side part			
19	971 885 939 A	Guide piece		2	
		Side part			
20	9A7 008 033 00	Hexagon socket head bolt		4	M6x16

Model: 971-17

Model life 2017>>



Model: 971-17 Model life 2017>>

Pos	Part Number	Description	Remark	Qty	Model
		Back seat backrest Trim Accessories Comfort version Sport version			PR: 3KI, 3KJ
1	971 885 045 D	backrest frame (complete)	left	1	
2	971 885 046 A	backrest frame (complete)	right	1	
3	971 885 753 A	covering rear panel backrest	left	1	
	971 885 753 A 6B0	Black	-AB,PK,AC,BB, BS,BK		
	971 885 753 A 9C0	agate grey	-DG,DL		
	971 885 753 A 7K0	Luxor beige	-UB,UC		
	971 885 753 A BW3	saddle brown	-SB,BP		
	971 885 753 A 7G0	Marsala Red	-PC,BE		
4	971 885 754	covering rear panel backrest	right	1	
	971 885 754 6B0	Black	-AB,PK,AC,BB, BS,BK		
	971 885 754 9C0	agate grey	-DG,DL		
	971 885 754 7K0	Luxor beige	-UB,UC		
	971 885 754 BW3	saddle brown	-SB,BP		
	971 885 754 7G0	Marsala Red	-PC,BE		
5	971 885 711	Bracket Medium Armrest	left	1	
(5)	971 885 712	Bracket Medium Armrest	right	1	
6	971 885 739	Trim for armrest Bracket Medium	left	1	
	971 885 739 1E0	Black	-AB,AC		
	971 885 739 OP1	agate grey	-DG,DL		
	971 885 739 4H0	Luxor beige	-UB,PK,UC,BP		
	971 885 739 OM8	saddle brown	-SB,BS		
	971 885 739 3G0	Marsala Red	-PC		
	971 885 739 OG6	Bordeaux red	-BB		
	971 885 739 OL8	Chalk	-BK		
	971 885 739 5J0	Cream	-BE		
(6)	971 885 740	Trim for armrest Bracket Medium	right	1	
	971 885 740 1E0	Black	-AB,AC		
	971 885 740 OP1	agate grey	-DG,DL		
	971 885 740 4H0	Luxor beige	-UB,PK,UC,BP		
	971 885 740 OM8	saddle brown	-SB,BS		
	971 885 740 3G0	Marsala Red	-PC		
	971 885 740 OG6	Bordeaux red	-BB		
	971 885 740 OL8	Chalk	-BK		
	971 885 740 5J0	Cream	-BE		
7	971 885 681 A	Backrest release	left	1	
	971 885 681 A GT8	Galvano silver			
(7)	971 885 682 A	Backrest release	right	1	
	971 885 682 A GT8	Galvano silver			
8	971 885 249 A	Trim for backrest release mechanism	left	1	
	971 885 249 A 5Q0	Black	-AB,AC		
	971 885 249 A OA6	agate grey	-DG,DL		

Model: 971-17 Model life 2017>>

Pos	Part Number	Description	Remark	Qty	Model
(8)	971 885 249 A 6W0	Luxor beige	-UB,PK,UC,BP	1	
	971 885 249 A OL7	saddle brown	-SB,BS		
	971 885 249 A 7X0	Marsala Red	-PC		
	971 885 249 A OG6	Bordeaux red	-BB		
	971 885 249 A OL8	Chalk	-BK		
	971 885 249 A 5V0	Cream	-BE		
	971 885 250 A	Trim for backrest release mechanism	right		
	971 885 250 A 5Q0	Black	-AB,AC		
	971 885 250 A OA6	agate grey	-DG,DL		
	971 885 250 A 6W0	Luxor beige	-UB,PK,UC,BP		
9	971 885 250 A OL7	saddle brown	-SB,BS	2	
	971 885 250 A 7X0	Marsala Red	-PC		
	971 885 250 A OG6	Bordeaux red	-BB		
	971 885 250 A OL8	Chalk	-BK		
	971 885 250 A 5V0	Cream	-BE		
	971 885 943	Trim Backrest	rear		
	971 885 943 1E0	Black	-AB,PK,AC,BB, BS,BK		
	971 885 943 OP1	agate grey	-DG,DL		
	971 885 943 4H0	Luxor beige	-UB,UC		
	971 885 943 OM8	saddle brown	-SB,BP		
10	971 885 943 3G0	Marsala Red	-PC	1	
	971 885 933 A	cover - lock	left rear		
	971 885 933 A 1E0	Black	-AB,PK,AC,BB, BS,BK		
	971 885 933 A OP1	agate grey	-DG,DL		
	971 885 933 A 4H0	Luxor beige	-UB,UC		
	971 885 933 A OM8	saddle brown	-SB,BP		
	971 885 933 A 3G0	Marsala Red	-PC		
	(10) 971 885 934 A	cover - lock	right rear		
	971 885 934 A 1E0	Black	-AB,PK,AC,BB, BS,BK		
	971 885 934 A OP1	agate grey	-DG,DL		
11	971 885 934 A 4H0	Luxor beige	-UB,UC	2	
	971 885 934 A OM8	saddle brown	-SB,BP		
	971 885 934 A 3G0	Marsala Red	-PC		
	971 885 913	Foam part Head restraint	rear		
	12 971 885 727	Headrest frame	left rear		
	(12) 971 885 728	Headrest frame	right rear		
	13 971 885 281	Securing plate lock	left rear		
	(13) 971 885 282	Securing plate lock	right rear		
	14 971 885 573 A	Reinforcement Seat and backrest surface	left rear		
	(14) 971 885 574 A	Reinforcement Seat and backrest surface	right rear		
15 971 886 481	backrest lock	left rear	1		
(15) 971 886 482	backrest lock	right rear	1		
16 971 885 511	backrest frame Centre piece		1		
17 971 885 611	covering rear panel backrest		1		

Model: 971-17 Model life 2017>>

Pos	Part Number	Description	Remark	Qty	Model
	971 885 611 6B0	Centre piece Black	-AB, PK, AC, BB, BS, BK		
	971 885 611 9C0	agate grey	-DG, DL		
	971 885 611 7K0	Luxor beige	-UB, UC		
	971 885 611 BW3	saddle brown	-SB, BP		
	971 885 611 7G0	Marsala Red	-PC, BE		
18	971 885 527	Carrier Centre piece		1	
19	971 886 165 A	Release Centre piece		1	
20	971 886 165 A GT8	Galvano silver			
	971 886 744	Trim Release	front	1	
	971 886 744 5Q0	Black	-AB, AC		
	971 886 744 OA6	agate grey	-DG, DL		
	971 886 744 6W0	Luxor beige	-UB, PK, UC, BP		
	971 886 744 OL7	saddle brown	-SB, BS		
	971 886 744 7X0	Marsala Red	-PC		
	971 886 744 OG6	Bordeaux red	-BB		
	971 886 744 OL8	Chalk	-BK		
	971 886 744 5V0	Cream	-BE		
21	971 886 743	Trim Release	rear	1	
	971 886 743 5Q0	Black	-AB, AC		
	971 886 743 OA6	agate grey	-DG, DL		
	971 886 743 6W0	Luxor beige	-UB, PK, UC, BP		
	971 886 743 OL7	saddle brown	-SB, BS		
	971 886 743 7X0	Marsala Red	-PC		
	971 886 743 OG6	Bordeaux red	-BB		
	971 886 743 OL8	Chalk	-BK		
	971 886 743 5V0	Cream	-BE		
22	971 883 481	lock		1	
23	971 886 748	Centre piece Trim for lock Centre piece		1	
	971 886 748 1E0	Black	-AB, PK, AC, BB, BS, BK		
	971 886 748 OP1	agate grey	-DG, DL		
	971 886 748 4H0	Luxor beige	-UB, UC		
	971 886 748 OM8	saddle brown	-SB		
	971 886 748 3G0	Marsala Red	-PC, BE		
25	971 885 081	Armrest		1	PR:N0K,N1X, 6E1
		without:			
	971 885 081 GDB	Porsche crest Black	-AB		
	971 885 081 GHB	agate grey	-DG		
	971 885 081 GFB	Luxor beige	-UB, PK		
(25)	971 885 081 A	Armrest		1	PR:N0Q,N1P, N5U,6E1
		without:			
	971 885 081 A GDC	Porsche crest Black	-AC		
	971 885 081 A GHC	agate grey	-DL		
	971 885 081 A DUE	saddle brown	-SB, BS		
	971 885 081 A GFC	Luxor beige	-UC, BP		
	971 885 081 A DAK	Marsala Red	-PC		
	971 885 081 A GUC	Bordeaux red	-BB		
	971 885 081 A GVC	Chalk	-BK		
	971 885 081 A DAL	Cream	-BE		
(25)	971 885 081 C	Armrest		1	PR:N0K,N1X, 6E2
		with:			
	971 885 081 C GDB	Porsche crest Black	-AB		

Model: 971-17 Model life 2017>>

Pos	Part Number	Description	Remark	Qty	Model
(25)	971 885 081 C GHB	agate grey	-DG	1	PR:N0Q,N5U, 6E2
	971 885 081 C GFB	Luxor beige	-UB,PK		
	971 885 081 R	Armrest			
		with:			
		Porsche crest			
	971 885 081 R GDC	Black	-AC		
	971 885 081 R GHC	agate grey	-DL		
	971 885 081 R DUE	saddle brown	-SB,BS		
	971 885 081 R GFC	Luxor beige	-UC,BP		
	971 885 081 R DAK	Marsala Red	-PC		
(25)	971 885 081 R GUC	Bordeaux red	-BB	1	PR:L0L,N0K, N1X,0E1,1X1, 6E3,A8F
	971 885 081 R GVC	Chalk	-BK		
	971 885 081 R DAL	Cream	-BE		
	971 885 081 F	Armrest			
		with:			
		Panamera 4S inscription			
	971 885 081 F GDB	Black	-AB		
	971 885 081 F GHB	agate grey	-DG		
	971 885 081 F GFB	Luxor beige	-UB,PK		
	971 885 081 AA	Armrest			
(25)		with:		1	PR:A8F,L0L, N0Q,N5U,0E1, 1X1,6E3
		Panamera 4S inscription			
	971 885 081 AA GDC	Black	-AC		
	971 885 081 AA GHC	agate grey	-DL		
	971 885 081 AA DUE	saddle brown	-SB,BS		
	971 885 081 AA GFC	Luxor beige	-UC,BP		
	971 885 081 AA DAK	Marsala Red	-PC		
	971 885 081 AA GUC	Bordeaux red	-BB		
	971 885 081 AA GVC	Chalk	-BK		
	971 885 081 AA DAL	Cream	-BE		
(25)	971 885 081 G	Armrest		1	PR:L0L,N0K, N1X,0E1,6E3, A8H,E0A
		with:			
		Panamera Turbo inscription			
	971 885 081 G GDB	Black	-AB		
	971 885 081 G GHB	agate grey	-DG		
	971 885 081 G GFB	Luxor beige	-UB,PK		
	971 885 081 AB	Armrest			
		with:			
		Panamera Turbo inscription			
	971 885 081 AB GDC	Black	-AC		
(25)	971 885 081 AB GHC	agate grey	-DL	1	PR:A8H,L0L, N0Q,N5U,0E1, E0A,6E3
	971 885 081 AB DUE	saddle brown	-SB,BS		
	971 885 081 AB GFC	Luxor beige	-UC,BP		
	971 885 081 AB DAK	Marsala Red	-PC		
	971 885 081 AB GUC	Bordeaux red	-BB		
	971 885 081 AB GVC	Chalk	-BK		
	971 885 081 AB DAL	Cream	-BE		
	971 885 081 M	Armrest			
		with:			
		Panamera 4S inscription			
971 885 081 M GDB	Black	-AB			
(25)	971 885 081 M GHB	agate grey	-DG	1	PR:L0R,N0Q, N5U,0E1,6E3, 1X1,A8F
	971 885 081 M GFB	Luxor beige	-UB,PK		
	971 885 081 AG	Armrest			
		with:			
	Panamera 4S inscription				
971 885 081 AG GDC	Black	-AC			

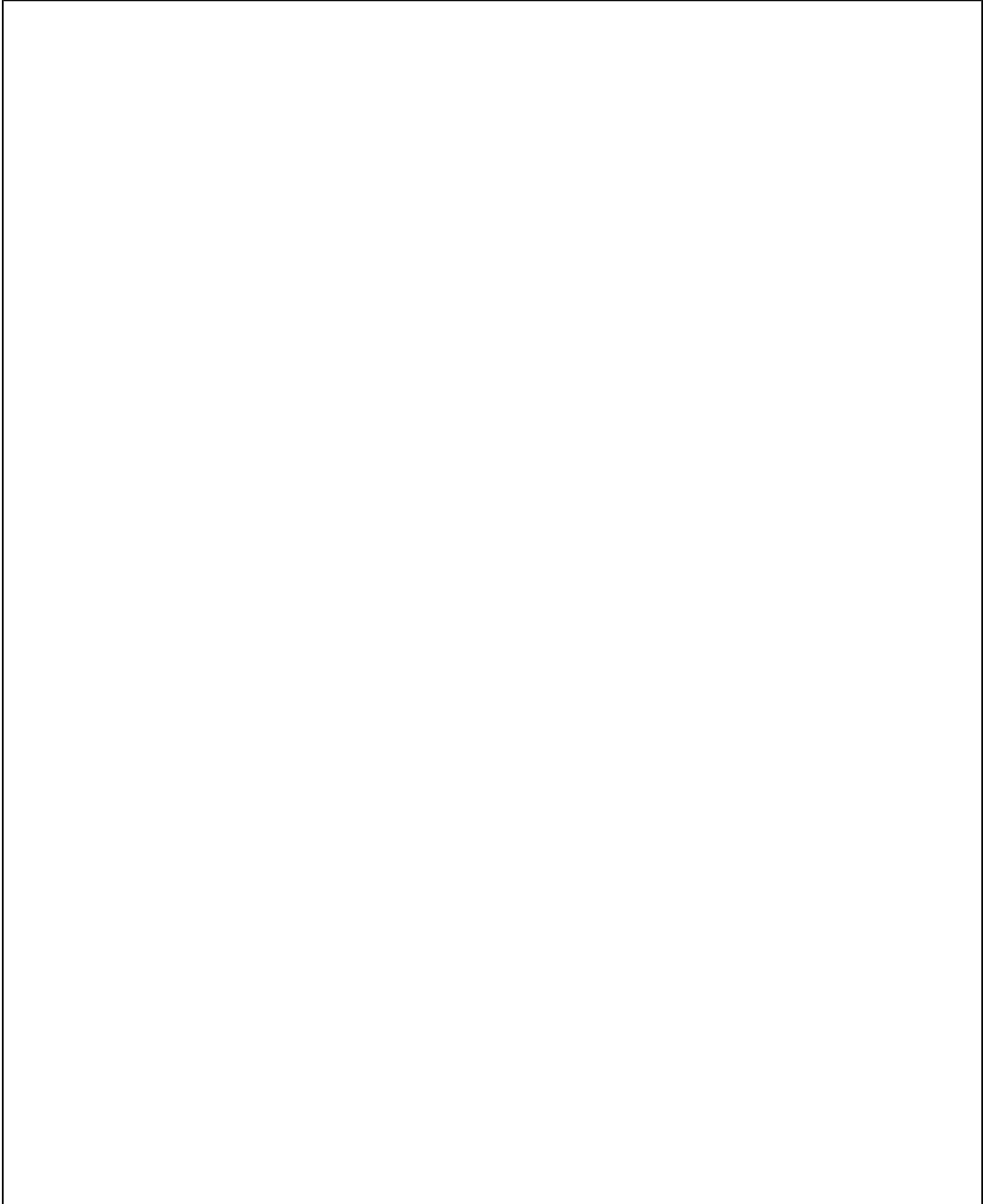
Model: 971-17

Model life 2017>>

Pos	Part Number	Description	Remark	Qty	Model
	971 885 081 AG GHC	agate grey	-DL		
	971 885 081 AG DUE	saddle brown	-SB,BS		
	971 885 081 AG GFC	Luxor beige	-UC,BP		
	971 885 081 AG DAK	Marsala Red	-PC		
	971 885 081 AG GUC	Bordeaux red	-BB		
	971 885 081 AG GVC	Chalk	-BK		
	971 885 081 AG DAL	Cream	-BE		
(25)	971 885 081 N	Armrest		1	PR:LOR,N0K, N1X,0E1,6E3, A8H,E0A
		with:			
		Panamera Turbo inscription			
	971 885 081 N GDB	Black	-AB		
	971 885 081 N GHB	agate grey	-DG		
	971 885 081 N GFB	Luxor beige	-UB,PK		
(25)	971 885 081 AH	Armrest		1	PR:LOR,N0Q, N5U,0E1,6E3, E0A,A8H
		with:			
		Panamera Turbo inscription			
	971 885 081 AH GDC	Black	-AC		
	971 885 081 AH GHC	agate grey	-DL		
	971 885 081 AH DUE	saddle brown	-SB,BS		
	971 885 081 AH GFC	Luxor beige	-UC,BP		
	971 885 081 AH DAK	Marsala Red	-PC		
	971 885 081 AH GUC	Bordeaux red	-BB		
	971 885 081 AH GVC	Chalk	-BK		
	971 885 081 AH DAL	Cream	-BE		

Model: 971-17

Model life 2017>>



Model: 971-17 Model life 2017>>

Pos	Part Number	Description	Remark	Qty	Model
		Back seat backrest Trim Accessories Comfort version Sport version			PR:K8D,5KA
1	974 885 045 A	backrest frame (complete)	left	1	
2	974 885 046 A	backrest frame (complete)	right	1	
3	971 885 753 A	covering rear panel backrest	left	1	
	971 885 753 A 6B0	Black	-AB,PK,AC,BB, BS,BK		
	971 885 753 A 9C0	agate grey	-DG,DL		
	971 885 753 A 7K0	Luxor beige	-UB,UC		
	971 885 753 A BW3	saddle brown	-SB,BP		
	971 885 753 A 7G0	Marsala Red	-PC,BE		
4	971 885 754	covering rear panel backrest	right	1	
	971 885 754 6B0	Black	-AB,PK,AC,BB, BS,BK		
	971 885 754 9C0	agate grey	-DG,DL		
	971 885 754 7K0	Luxor beige	-UB,UC		
	971 885 754 BW3	saddle brown	-SB,BP		
	971 885 754 7G0	Marsala Red	-PC,BE		
5	974 885 711 A	Bracket Medium Armrest	left	1	
(5)	974 885 712	Bracket Medium Armrest	right	1	
6	974 885 739	Trim for armrest Bracket Medium	left	1	
	974 885 739 1E0	Black	-AB,AC		
	974 885 739 OP1	agate grey	-DG,DL		
	974 885 739 4H0	Luxor beige	-UB,PK,UC,BP		
	974 885 739 OM8	saddle brown	-SB,BS		
	974 885 739 3G0	Marsala Red	-PC		
	974 885 739 OG6	Bordeaux red	-BB		
	974 885 739 OL8	Chalk	-BK		
	974 885 739 5J0	Cream	-BE		
(6)	974 885 740	Trim for armrest Bracket Medium	right	1	
	974 885 740 1E0	Black	-AB,AC		
	974 885 740 OP1	agate grey	-DG,DL		
	974 885 740 4H0	Luxor beige	-UB,PK,UC,BP		
	974 885 740 OM8	saddle brown	-SB,BS		
	974 885 740 3G0	Marsala Red	-PC		
	974 885 740 OG6	Bordeaux red	-BB		
	974 885 740 OL8	Chalk	-BK		
	974 885 740 5J0	Cream	-BE		
7	974 885 681	Backrest release	left	1	
	974 885 681 GT8	Galvano silver			
(7)	974 885 682	Backrest release	right	1	
	974 885 682 GT8	Galvano silver			
8	971 885 249 A	Trim for backrest release mechanism	left	1	
	971 885 249 A 5Q0	Black	-AB,AC		
	971 885 249 A OA6	agate grey	-DG,DL		

Model: 971-17 Model life 2017>>

Pos	Part Number	Description	Remark	Qty	Model
(8)	971 885 249 A 6W0	Luxor beige	-UB,PK,UC,BP	1	
	971 885 249 A OL7	saddle brown	-SB,BS		
	971 885 249 A 7X0	Marsala Red	-PC		
	971 885 249 A OG6	Bordeaux red	-BB		
	971 885 249 A OL8	Chalk	-BK		
	971 885 249 A 5V0	Cream	-BE		
	971 885 250 A	Trim for backrest release mechanism	right		
	971 885 250 A 5Q0	Black	-AB,AC		
	971 885 250 A OA6	agate grey	-DG,DL		
	971 885 250 A 6W0	Luxor beige	-UB,PK,UC,BP		
9	971 885 250 A OL7	saddle brown	-SB,BS	2	
	971 885 250 A 7X0	Marsala Red	-PC		
	971 885 250 A OG6	Bordeaux red	-BB		
	971 885 250 A OL8	Chalk	-BK		
	971 885 250 A 5V0	Cream	-BE		
	971 885 943	Trim Backrest	rear		
	971 885 943 1E0	Black	-AB,PK,AC,BB, BS,BK		
	971 885 943 OP1	agate grey	-DG,DL		
	971 885 943 4H0	Luxor beige	-UB,UC		
	971 885 943 OM8	saddle brown	-SB,BP		
10	971 885 943 3G0	Marsala Red	-PC	1	
	971 885 933 A	cover - lock	left rear		
	971 885 933 A 1E0	Black	-AB,PK,AC,BB, BS,BK		
	971 885 933 A OP1	agate grey	-DG,DL		
	971 885 933 A 4H0	Luxor beige	-UB,UC		
	971 885 933 A OM8	saddle brown	-SB,BP		
	971 885 933 A 3G0	Marsala Red	-PC		
	(10) 971 885 934 A	cover - lock	right rear		
	971 885 934 A 1E0	Black	-AB,PK,AC,BB, BS,BK		
	971 885 934 A OP1	agate grey	-DG,DL		
11	971 885 934 A 4H0	Luxor beige	-UB,UC	2	
	971 885 934 A OM8	saddle brown	-SB,BP		
	971 885 934 A 3G0	Marsala Red	-PC		
	971 885 913	Foam part Head restraint	rear		
	12 971 885 727	Headrest frame	left rear		
	(12) 971 885 728	Headrest frame	right rear		
	13 971 885 281	Securing plate lock	left rear		
	(13) 971 885 282	Securing plate lock	right rear		
	14 971 885 573 A	Reinforcement Seat and backrest surface	left rear		
	(14) 971 885 574 A	Reinforcement Seat and backrest surface	right rear		
15	971 886 481	backrest lock	left rear	1	
	(15) 971 886 482	backrest lock	right rear		
16	974 886 127 A	Bearing bush Backrest frame	left	1	
(16)	974 886 128 A	Bearing bush Backrest frame	right	1	
17	974 885 611	covering		1	

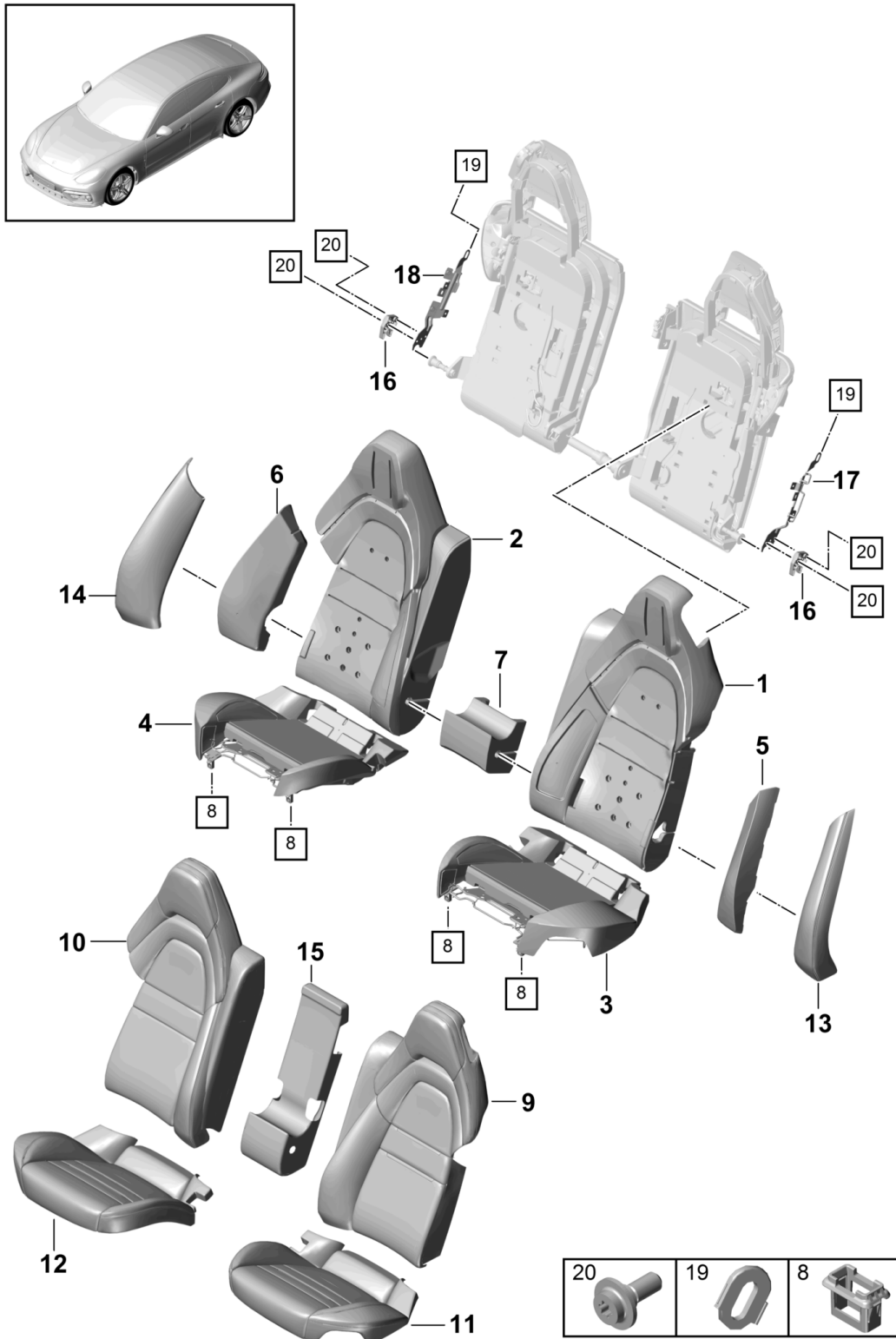
Model: 971-17

Model life 2017>>

Pos	Part Number	Description	Remark	Qty	Model
		rear panel backrest Centre piece			
	974 885 611 6B0	Black	-AB,PK,AC,BB, BS,BK		
	974 885 611 9C0	agate grey	-DG,DL		
	974 885 611 7K0	Luxor beige	-UB,UC		
	974 885 611 BW3	saddle brown	-SB,BP		
	974 885 611 7G0	Marsala Red	-PC,BE		
18	974 885 511 A	Carrier Centre piece		1	
22	971 883 481	lock		1	
23	971 886 748	Centre piece Trim for lock		1	
	971 886 748 1E0	Black	-AB,PK,AC,BB, BS,BK		
	971 886 748 OP1	agate grey	-DG,DL		
	971 886 748 4H0	Luxor beige	-UB,UC		
	971 886 748 OM8	saddle brown	-SB		
	971 886 748 3G0	Marsala Red	-PC,BE		
24	974 885 527 A	Carrier Ski bag		2	
25	974 885 081 C	Armrest		1	PR:N0K,N1X
	974 885 081 C 21U	Black	-AB		
	974 885 081 C OF6	agate grey	-DG		
	974 885 081 C 32X	Luxor beige	-PK		
(25)	974 885 081 D	Armrest		1	PR:N0Q,N5U, 5KA
	974 885 081 D 8YR	Black	-AC		
	974 885 081 D PL1	agate grey	-DL		
	974 885 081 D OK6	saddle brown	-SB,BS		
	974 885 081 D 9H6	Luxor beige	-UC,BP,PL		
	974 885 081 D 8M8	Marsala Red	-PC		
	974 885 081 D OG6	Bordeaux red	-BB		
	974 885 081 D OL8	Chalk	-BK		
	974 885 081 D 6G0	Cream	-BE		
(25)	974 885 081 E	Armrest		1	PR:N1V,N1W
		with:			
	974 885 081 E OT2	Porsche crest Truffle Brown	-HD		
	974 885 081 E ON1	Cohiba Brown	-HC		

Model: 971-17

Model life 2017>>



Model: 971-17

Model life 2017>>

Pos	Part Number	Description	Remark	Qty	Model
		Seat Comfort version	rear		PR: 3KK
1	971 885 775 BR	Foam part Foam part backrest Comfort version	left	1	PR: 4D0, 4D3, 4D5, 4D7
(1)	971 885 775 BQ	Foam part backrest Vented Massage Comfort version	left	1	PR: 4D1, 4D2, 4D9
2	971 885 776 AG	Foam part backrest Comfort version	right	1	PR: 4D0, 4D3, 4D5, 4D7
(2)	971 885 776 AH	Foam part backrest Vented Massage Comfort version	right	1	PR: 4D1, 4D2, 4D9
3	971 885 375 AD	Foam part Seat cushion Comfort version	left	1	PR: 4D0, 4D3, 4D5, 4D7
(3)	971 885 375 AE	Foam part Seat cushion Vented Massage Comfort version	left	1	PR: 4D1, 4D2, 4D9
4	971 885 376 AD	Foam part Seat cushion Comfort version	right	1	PR: 4D0, 4D3, 4D5, 4D7
(4)	971 885 376 AE	Foam part Seat cushion Vented Massage Comfort version	right	1	PR: 4D1, 4D2, 4D9
5	971 885 891 Q	Foam part Side part Seat Comfort version	left	1	PR: 4X3
(5)	971 885 891 R	Airbag Foam part Side part Seat Comfort version	left	1	PR: 4X4
6	971 885 892 Q	Airbag Foam part Side part Seat Comfort version	right	1	PR: 4X3
(6)	971 885 892 R	Airbag Foam part Side part Seat Comfort version	right	1	PR: 4X4
7	971 885 385 B	Airbag Foam part Centre part		1	
8	971 885 313 A	Seat Clip		4	

Model: 971-17

Model life 2017>>

Pos	Part Number	Description	Remark	Qty	Model
9	971 885 805 HL	Seat cushion Backrest cover Comfort version without: Porsche crest	left	1	PR:N1X,3J4, 4D0,4D7
	971 885 805 HL GDB	Black	-AB		
	971 885 805 HL GHB	agate grey	-DG		
	971 885 805 HL GFB	Luxor beige	-UB,PK		
(9)	971 885 805 HM	Backrest cover Comfort version without: Porsche crest	left	1	PR:N5U,3J4, 4D0,4D7
	971 885 805 HM GDC	Black	-AC		
	971 885 805 HM GHC	agate grey	-DL		
	971 885 805 HM DUE	saddle brown	-SB,BS		
	971 885 805 HM GFC	Luxor beige	-UC,BP		
	971 885 805 HM DAK	Marsala Red	-PC		
	971 885 805 HM GUC	Bordeaux red	-BB		
	971 885 805 HM GVC	Chalk	-BK		
	971 885 805 HM DAL	Cream	-BE		
(9)	971 885 805 HP	Backrest cover Comfort version without: Porsche crest	left	1	PR:N0K,3J4, 4D3,4D5
	971 885 805 HP GDB	Black	-AB		
	971 885 805 HP GHB	agate grey	-DG		
	971 885 805 HP GFB	Luxor beige	-UB,PK		
(9)	971 885 805 HQ	Backrest cover Comfort version without: Porsche crest	left	1	PR:N0Q,3J4, 4D3,4D5
	971 885 805 HQ GDC	Black	-AC		
	971 885 805 HQ GHC	agate grey	-DL		
	971 885 805 HQ DUE	saddle brown	-SB,BS		
	971 885 805 HQ GFC	Luxor beige	-UC,BP		
	971 885 805 HQ DAK	Marsala Red	-PC		
	971 885 805 HQ GUC	Bordeaux red	-BB		
	971 885 805 HQ GVC	Chalk	-BK		
	971 885 805 HQ DAL	Cream	-BE		
(9)	971 885 805 JH	Backrest cover Comfort version without: Porsche crest	left	1	PR:N0K,3J4, 4D1,4D2,4D9
	971 885 805 JH GDB	Black	-AB		
	971 885 805 JH GHB	agate grey	-DG		
	971 885 805 JH GFB	Luxor beige	-UB,PK		
(9)	971 885 805 JJ	Backrest cover Comfort version without: Porsche crest	left	1	PR:N0Q,3J4, 4D1,4D2,4D9
	971 885 805 JJ GDC	Black	-AC		
	971 885 805 JJ GHC	agate grey	-DL		
	971 885 805 JJ DUE	saddle brown	-SB,BS		

Model: 971-17 Model life 2017>>

Pos	Part Number	Description	Remark	Qty	Model
(9)	971 885 805 JJ GFC	Luxor beige	-UC,BP	1	PR:N1X,4D0,4D7,5ZF
	971 885 805 JJ DAK	Marsala Red	-PC		
	971 885 805 JJ GUC	Bordeaux red	-BB		
	971 885 805 JJ GVC	Chalk	-BK		
	971 885 805 JJ DAL	Cream	-BE		
	971 885 805 HS	Backrest cover	left		
		Comfort version			
		Porsche crest	with:		
	971 885 805 HS GDB	Black	-AB		
	971 885 805 HS GHB	agate grey	-DG		
(9)	971 885 805 HS GFB	Luxor beige	-UB,PK	1	PR:N5U,4D0,4D7,5ZF
	971 885 805 HT	Backrest cover	left		
		Comfort version			
		Porsche crest	with:		
	971 885 805 HT GDC	Black	-AC		
	971 885 805 HT GHC	agate grey	-DL		
	971 885 805 HT DUE	saddle brown	-SB,BS		
	971 885 805 HT GFC	Luxor beige	-UC,BP		
	971 885 805 HT DAK	Marsala Red	-PC		
	971 885 805 HT GUC	Bordeaux red	-BB		
(9)	971 885 805 HT GVC	Chalk	-BK	1	PR:N0K,4D1,4D3,4D5,5ZF
	971 885 805 HT DAL	Cream	-BE		
	971 885 805 JB	Backrest cover	left		
		Comfort version			
		Porsche crest	with:		
		Perforated			
	971 885 805 JB GDB	Black	-AB		
	971 885 805 JB GHB	agate grey	-DG		
	971 885 805 JB GFB	Luxor beige	-UB,PK		
	971 885 805 JC	Backrest cover	left		
(9)		Comfort version		1	PR:N0Q,4D3,4D5,5ZF
		Porsche crest	with:		
		Perforated			
	971 885 805 JC GDC	Black	-AC		
	971 885 805 JC GHC	agate grey	-DL		
	971 885 805 JC DUE	saddle brown	-SB,BS		
	971 885 805 JC GFC	Luxor beige	-UC,BP		
	971 885 805 JC DAK	Marsala Red	-PC		
	971 885 805 JC GUC	Bordeaux red	-BB		
	971 885 805 JC GVC	Chalk	-BK		
(9)	971 885 805 JC DAL	Cream	-BE	1	PR:N0K,4D1,4D2,4D9,5ZF
	971 885 805 JP	Backrest cover	left		
		Comfort version			
		Porsche crest	with:		
		Perforated			
	971 885 805 JP GDB	Black	-AB		
	971 885 805 JP GHB	agate grey	-DG		
	971 885 805 JP GFB	Luxor beige	-UB,PK		
	971 885 805 JQ	Backrest cover	left		
		Comfort version			
(9)		Porsche crest	with:	1	PR:N0Q,4D1,4D2,4D9,5ZF

Model: 971-17 Model life 2017>>

Pos	Part Number	Description	Remark	Qty	Model
	971 885 805 JQ GDC	Perforated Black	-AC		
	971 885 805 JQ GHC	agate grey	-DL		
	971 885 805 JQ DUE	saddle brown	-SB,BS		
	971 885 805 JQ GFC	Luxor beige	-UC,BP		
	971 885 805 JQ DAK	Marsala Red	-PC		
	971 885 805 JQ GUC	Bordeaux red	-BB		
	971 885 805 JQ GVC	Chalk	-BK		
	971 885 805 JQ DAL	Cream	-BE		
(9)	971 885 805 KQ	Backrest cover	left	1	PR:N5U,4D0, 4D7,5ZJ,A8H
		inscription			
	971 885 805 KQ GDC	Black	-AC		
	971 885 805 KQ GHC	agate grey	-DL		
	971 885 805 KQ DUE	saddle brown	-SB,BS		
	971 885 805 KQ GFC	Luxor beige	-UC,BP		
	971 885 805 KQ DAK	Marsala Red	-PC		
	971 885 805 KQ GUC	Bordeaux red	-BB		
	971 885 805 KQ GVC	Chalk	-BK		
	971 885 805 KQ DAL	Cream	-BE		
(9)	971 885 805 KR	Backrest cover	left	1	PR:NOQ,4D1, 4D3,4D5,4D9, 5ZJ,A8H
		inscription			
	971 885 805 KR GDC	Black	-AC		
	971 885 805 KR GHC	agate grey	-DL		
	971 885 805 KR DUE	saddle brown	-SB,BS		
	971 885 805 KR GFC	Luxor beige	-UC,BP		
	971 885 805 KR DAK	Marsala Red	-PC		
	971 885 805 KR GUC	Bordeaux red	-BB		
	971 885 805 KR GVC	Chalk	-BK		
	971 885 805 KR DAL	Cream	-BE		
10	971 885 806 EN	Backrest cover	right	1	PR:N1X,3J4, 4D0,4D7
		Comfort version			
		without:			
		Porsche crest			
	971 885 806 EN GDB	Black	-AB		
	971 885 806 EN GHB	agate grey	-DG		
	971 885 806 EN GFB	Luxor beige	-UB,PK		
(10)	971 885 806 EP	Backrest cover	right	1	PR:N5U,3J4, 4D0,4D7
		Comfort version			
		without:			
		Porsche crest			
	971 885 806 EP GDC	Black	-AC		
	971 885 806 EP GHC	agate grey	-DL		
	971 885 806 EP DUE	saddle brown	-SB,BS		
	971 885 806 EP GFC	Luxor beige	-UC,BP		
	971 885 806 EP DAK	Marsala Red	-PC		
	971 885 806 EP GUC	Bordeaux red	-BB		
	971 885 806 EP GVC	Chalk	-BK		
	971 885 806 EP DAL	Cream	-BE		
(10)	971 885 806 ER	Backrest cover	right	1	PR:N0K,3J4, 4D3,4D5
		Comfort version			
		without:			
		Porsche crest			
		Perforated			
	971 885 806 ER GDB	Black	-AB		
	971 885 806 ER GHB	agate grey	-DG		
	971 885 806 ER GFB	Luxor beige	-UB,PK		
(10)	971 885 806 ES	Backrest cover	right	1	PR:NOQ,3J4,

Model: 971-17

Model life 2017>>

Pos	Part Number	Description	Remark	Qty	Model
		Comfort version			4D3, 4D5
		without:			
		Porsche crest			
		Perforated			
	971 885 806 ES GDC	Black	-AC		
	971 885 806 ES GHC	agate grey	-DL		
	971 885 806 ES DUE	saddle brown	-SB,BS		
	971 885 806 ES GFC	Luxor beige	-UC,BP		
	971 885 806 ES DAK	Marsala Red	-PC		
	971 885 806 ES GUC	Bordeaux red	-BB		
	971 885 806 ES GVC	Chalk	-BK		
	971 885 806 ES DAL	Cream	-BE		
(10)	971 885 806 FK	Backrest cover	right	1	PR:N0K, 3J4, 4D1, 4D2, 4D9
		Comfort version			
		without:			
		Porsche crest			
		Perforated			
	971 885 806 FK GDB	Black	-AB		
	971 885 806 FK GHB	agate grey	-DG		
	971 885 806 FK GFB	Luxor beige	-UB,PK		
(10)	971 885 806 FL	Backrest cover	right	1	PR:N0Q, 3J4, 4D1, 4D2, 4D9
		Comfort version			
		without:			
		Porsche crest			
		Perforated			
	971 885 806 FL GDC	Black	-AC		
	971 885 806 FL GHC	agate grey	-DL		
	971 885 806 FL DUE	saddle brown	-SB,BS		
	971 885 806 FL GFC	Luxor beige	-UC,BP		
	971 885 806 FL DAK	Marsala Red	-PC		
	971 885 806 FL GUC	Bordeaux red	-BB		
	971 885 806 FL GVC	Chalk	-BK		
	971 885 806 FL DAL	Cream	-BE		
(10)	971 885 806 FA	Backrest cover	right	1	PR:N1X, 5ZF, 4D0, 4D7
		Comfort version			
		with:			
		Porsche crest			
	971 885 806 FA GDB	Black	-AB		
	971 885 806 FA GHB	agate grey	-DG		
	971 885 806 FA GFB	Luxor beige	-UB,PK		
(10)	971 885 806 FB	Backrest cover	right	1	PR:N5U, 5ZF, 4D0, 4D7
		Comfort version			
		with:			
		Porsche crest			
	971 885 806 FB GDC	Black	-AC		
	971 885 806 FB GHC	agate grey	-DL		
	971 885 806 FB DUE	saddle brown	-SB,BS		
	971 885 806 FB GFC	Luxor beige	-UC,BP		
	971 885 806 FB DAK	Marsala Red	-PC		
	971 885 806 FB GUC	Bordeaux red	-BB		
	971 885 806 FB GVC	Chalk	-BK		
	971 885 806 FB DAL	Cream	-BE		
(10)	971 885 806 FD	Backrest cover	right	1	PR:N0K, 5ZF, 4D3, 4D5
		Comfort version			
		with:			
		Porsche crest			
		Perforated			

Model: 971-17

Model life 2017>>

Pos	Part Number	Description	Remark	Qty	Model
(10)	971 885 806 FD GDB	Black	-AB	1	PR:N0Q,5ZF, 4D3,4D5
	971 885 806 FD GHB	agate grey	-DG		
	971 885 806 FD GFB	Luxor beige	-UB,PK		
	971 885 806 FE	Backrest cover	right		
		Comfort version			
		with:			
		Porsche crest			
		Perforated			
	971 885 806 FE GDC	Black	-AC		
	971 885 806 FE GHC	agate grey	-DL		
(10)	971 885 806 FE DUE	saddle brown	-SB,BS	1	PR:N0K,5ZF, 4D1,4D2,4D9
	971 885 806 FE GFC	Luxor beige	-UC,BP		
	971 885 806 FE DAK	Marsala Red	-PC		
	971 885 806 FE GUC	Bordeaux red	-BB		
	971 885 806 FE GVC	Chalk	-BK		
	971 885 806 FE DAL	Cream	-BE		
	971 885 806 FR	Backrest cover	right		
		Comfort version			
		with:			
		Porsche crest			
(10)	971 885 806 FR GDB	Black	-AB	1	PR:N0Q,5ZF, 4D1,4D2,4D9
	971 885 806 FR GHB	agate grey	-DG		
	971 885 806 FR GFB	Luxor beige	-UB,PK		
	971 885 806 FS	Backrest cover	right		
		Comfort version			
		with:			
		Porsche crest			
		Perforated			
	971 885 806 FS GDC	Black	-AC		
	971 885 806 FS GHC	agate grey	-DL		
(10)	971 885 806 FS DUE	saddle brown	-SB,BS	1	PR:N5U,4D0, 4D7,5ZJ,A8H
	971 885 806 FS GFC	Luxor beige	-UC,BP		
	971 885 806 FS DAK	Marsala Red	-PC		
	971 885 806 FS GUC	Bordeaux red	-BB		
	971 885 806 FS GVC	Chalk	-BK		
	971 885 806 FS DAL	Cream	-BE		
	971 885 806 GN	Backrest cover	right		
		inscription			
	971 885 806 GN GDC	Black	-AC		
	971 885 806 GN GHC	agate grey	-DL		
(10)	971 885 806 GN DUE	saddle brown	-SB,BS	1	PR:N0Q,4D3, 4D5,5ZJ,A8H
	971 885 806 GN GFC	Luxor beige	-UC,BP		
	971 885 806 GN DAK	Marsala Red	-PC		
	971 885 806 GN GUC	Bordeaux red	-BB		
	971 885 806 GN GVC	Chalk	-BK		
	971 885 806 GN DAL	Cream	-BE		
	971 885 806 GP	Backrest cover	right		
		inscription			
	971 885 806 GP GDC	Black	-AC		
	971 885 806 GP GHC	agate grey	-DL		
11	971 885 405 BD	Cover	left	1	PR:N1X,4D0,

Model: 971-17 Model life 2017>>

Pos	Part Number	Description	Remark	Qty	Model
		Seat cushion Comfort version			4D7
	971 885 405 BD GDB	Black	-AB		
	971 885 405 BD GHB	agate grey	-DG		
	971 885 405 BD GFB	Luxor beige	-UB,PK		
(11)	971 885 405 BE	Cover	left	1	PR:N5U,4D0, 4D7
		Seat cushion Comfort version			
	971 885 405 BE GDC	Black	-AC		
	971 885 405 BE GHC	agate grey	-DL		
	971 885 405 BE DUE	saddle brown	-SB,BS		
	971 885 405 BE GFC	Luxor beige	-UC,BP		
	971 885 405 BE DAK	Marsala Red	-PC		
	971 885 405 BE GUC	Bordeaux red	-BB		
	971 885 405 BE GVC	Chalk	-BK		
	971 885 405 BE DAL	Cream	-BE		
(11)	971 885 405 BQ	Cover	left	1	PR:N0K,4D1, 4D2,4D3,4D5, 4D9
		Seat cushion Comfort version Perforated			
	971 885 405 BQ GDB	Black	-AB		
	971 885 405 BQ GHB	agate grey	-DG		
	971 885 405 BQ GFB	Luxor beige	-UB,PK		
(11)	971 885 405 BR	Cover	left	1	PR:N0Q,4D1, 4D2,4D3,4D5, 4D9
		Seat cushion Comfort version Perforated			
	971 885 405 BR GDC	Black	-AC		
	971 885 405 BR GHC	agate grey	-DL		
	971 885 405 BR DUE	saddle brown	-SB,BS		
	971 885 405 BR GFC	Luxor beige	-UC,BP		
	971 885 405 BR DAK	Marsala Red	-PC		
	971 885 405 BR GUC	Bordeaux red	-BB		
	971 885 405 BR GVC	Chalk	-BK		
	971 885 405 BR DAL	Cream	-BE		
12	971 885 406 BD	Cover	right	1	PR:N1X,4D0, 4D7
		Seat cushion Comfort version			
	971 885 406 BD GDB	Black	-AB		
	971 885 406 BD GHB	agate grey	-DG		
	971 885 406 BD GFB	Luxor beige	-UB,PK		
(12)	971 885 406 BE	Cover	right	1	PR:N5U,4D0, 4D7
		Seat cushion Comfort version			
	971 885 406 BE GDC	Black	-AC		
	971 885 406 BE GHC	agate grey	-DL		
	971 885 406 BE DUE	saddle brown	-SB,BS		
	971 885 406 BE GFC	Luxor beige	-UC,BP		
	971 885 406 BE DAK	Marsala Red	-PC		
	971 885 406 BE GUC	Bordeaux red	-BB		
	971 885 406 BE GVC	Chalk	-BK		
	971 885 406 BE DAL	Cream	-BE		
(12)	971 885 406 BQ	Cover	right	1	PR:N0K,4D1, 4D2,4D3,4D5, 4D9
		Seat cushion Comfort version Perforated			
	971 885 406 BQ GDB	Black	-AB		
	971 885 406 BQ GHB	agate grey	-DG		
	971 885 406 BQ GFB	Luxor beige	-UB,PK		
(12)	971 885 406 BR	Cover	right	1	PR:N0Q,4D1,

Model: 971-17

Model life 2017>>

Pos	Part Number	Description	Remark	Qty	Model
		Seat cushion			4D2, 4D3, 4D5, 4D9
		Comfort version			
		Perforated			
	971 885 406 BR GDC	Black	-AC		
	971 885 406 BR GHC	agate grey	-DL		
	971 885 406 BR DUE	saddle brown	-SB,BS		
	971 885 406 BR GFC	Luxor beige	-UC,BP		
	971 885 406 BR DAK	Marsala Red	-PC		
	971 885 406 BR GUC	Bordeaux red	-BB		
	971 885 406 BR GVC	Chalk	-BK		
	971 885 406 BR DAL	Cream	-BE		
13	971 885 745 DD	Cover	left	1	PR:N1X, 4D0, 4D7, 4X3
		Side part			
		Comfort version			
		without:			
		Airbag			
	971 885 745 DD 21U	Black	-AB		
	971 885 745 DD OF6	agate grey	-DG		
	971 885 745 DD 32X	Luxor beige	-UB,PK		
(13)	971 885 745 DE	Cover	left	1	PR:N5U, 4D0, 4D7, 4X3
		Side part			
		Comfort version			
		without:			
		Airbag			
	971 885 745 DE 8YR	Black	-AC		
	971 885 745 DE PL1	agate grey	-DL		
	971 885 745 DE OK6	saddle brown	-SB,BS		
	971 885 745 DE 9H6	Luxor beige	-UC,BP		
	971 885 745 DE 8M8	Marsala Red	-PC		
	971 885 745 DE OG6	Bordeaux red	-BB		
	971 885 745 DE OL8	Chalk	-BK		
	971 885 745 DE 6G0	Cream	-BE		
(13)	971 885 745 DQ	Cover	left	1	PR:N0K, 4D1, 4D2, 4D3, 4D5, 4D9, 4X3
		Side part			
		Comfort version			
		without:			
		Airbag			
		Perforated			
	971 885 745 DQ 21U	Black	-AB		
	971 885 745 DQ OF6	agate grey	-DG		
	971 885 745 DQ 32X	Luxor beige	-UB,PK		
(13)	971 885 745 DR	Cover	left	1	PR:N0Q, 4D1, 4D2, 4D3, 4D5, 4D9, 4X3
		Side part			
		Comfort version			
		without:			
		Airbag			
		Perforated			
	971 885 745 DR 8YR	Black	-AC		
	971 885 745 DR PL1	agate grey	-DL		
	971 885 745 DR OK6	saddle brown	-SB,BS		
	971 885 745 DR 9H6	Luxor beige	-UC,BP		
	971 885 745 DR 8M8	Marsala Red	-PC		
	971 885 745 DR OG6	Bordeaux red	-BB		
	971 885 745 DR OL8	Chalk	-BK		
	971 885 745 DR 6G0	Cream	-BE		
(13)	971 885 745 DJ	Cover	left	1	PR:N1X, 4D0, 4D7, 4X4
		Side part			
		Comfort version			
		with:			
		Airbag			

Model: 971-17 Model life 2017>>

Pos	Part Number	Description	Remark	Qty	Model
(13)	971 885 745 DJ 21U	Black	-AB	1	PR:N5U,4D0, 4D7,4X4
	971 885 745 DJ OF6	agate grey	-DG		
	971 885 745 DJ 32X	Luxor beige	-UB,PK		
	971 885 745 DK	Cover	left		
		Side part			
		Comfort version			
		with:			
		Airbag			
	971 885 745 DK 8YR	Black	-AC		
	971 885 745 DK PL1	agate grey	-DL		
971 885 745 DK OK6	saddle brown	-SB,BS			
971 885 745 DK 9H6	Luxor beige	-UC,BP			
971 885 745 DK 8M8	Marsala Red	-PC			
971 885 745 DK OG6	Bordeaux red	-BB			
971 885 745 DK OL8	Chalk	-BK			
971 885 745 DK 6G0	Cream	-BE			
(13)	971 885 745 DS	Cover	left	1	PR:N0K,4D1, 4D2,4D3,4D5, 4D9,4X4
		Side part			
		Comfort version			
		with:			
		Airbag			
		Perforated			
	971 885 745 DS 21U	Black	-AB		
	971 885 745 DS OF6	agate grey	-DG		
	971 885 745 DS 32X	Luxor beige	-UB,PK		
	971 885 745 DT	Cover	left		
	Side part				
	Comfort version				
	with:				
	Airbag				
	Perforated				
971 885 745 DT 8YR	Black	-AC			
971 885 745 DT PL1	agate grey	-DL			
971 885 745 DT OK6	saddle brown	-SB,BS			
971 885 745 DT 9H6	Luxor beige	-UC,BP			
971 885 745 DT 8M8	Marsala Red	-PC			
971 885 745 DT OG6	Bordeaux red	-BB			
971 885 745 DT OL8	Chalk	-BK			
971 885 745 DT 6G0	Cream	-BE			
14	971 885 746 DD	Cover	right	1	PR:N1X,4D0, 4D7,4X3
		Side part			
		Comfort version			
		without:			
		Airbag			
	971 885 746 DD 21U	Black	-AB		
	971 885 746 DD OF6	agate grey	-DG		
	971 885 746 DD 32X	Luxor beige	-UB,PK		
	971 885 746 DE	Cover	right		
		Side part			
	Comfort version				
	Airbag				
	without:				
	Airbag				
971 885 746 DE 8YR	Black	-AC			
971 885 746 DE PL1	agate grey	-DL			
971 885 746 DE OK6	saddle brown	-SB,BS			
971 885 746 DE 9H6	Luxor beige	-UC,BP			
971 885 746 DE 8M8	Marsala Red	-PC			
971 885 746 DE OG6	Bordeaux red	-BB			
971 885 746 DE OL8	Chalk	-BK			
971 885 746 DE 6G0	Cream	-BE			
(14)	971 885 746 DQ	Cover	right	1	PR:N0K,4D1,

Model: 971-17

Model life 2017>>

Pos	Part Number	Description	Remark	Qty	Model
		Side part			4D2, 4D3, 4D5, 4D9, 4X3
		Comfort version			
		without:			
		Airbag			
		Perforated			
	971 885 746 DQ 21U	Black	-AB		
	971 885 746 DQ OF6	agate grey	-DG		
	971 885 746 DQ 32X	Luxor beige	-UB,PK		
(14)	971 885 746 DR	Cover	right	1	PR:NOQ, 4D1, 4D2, 4D3, 4D5, 4D9, 4X3
		Side part			
		Comfort version			
		without:			
		Airbag			
		Perforated			
	971 885 746 DR 8YR	Black	-AC		
	971 885 746 DR PL1	agate grey	-DL		
	971 885 746 DR OK6	saddle brown	-SB,BS		
	971 885 746 DR 9H6	Luxor beige	-UC,BP		
	971 885 746 DR 8M8	Marsala Red	-PC		
	971 885 746 DR OG6	Bordeaux red	-BB		
	971 885 746 DR OL8	Chalk	-BK		
	971 885 746 DR 6G0	Cream	-BE		
(14)	971 885 746 DJ	Cover	right	1	PR:N1X, 4D0, 4D7, 4X4
		Side part			
		Comfort version			
		with:			
		Airbag			
	971 885 746 DJ 21U	Black	-AB		
	971 885 746 DJ OF6	agate grey	-DG		
	971 885 746 DJ 32X	Luxor beige	-UB,PK		
(14)	971 885 746 DK	Cover	right	1	PR:N5U, 4D0, 4D7, 4X4
		Side part			
		Comfort version			
		with:			
		Airbag			
	971 885 746 DK 8YR	Black	-AC		
	971 885 746 DK PL1	agate grey	-DL		
	971 885 746 DK OK6	saddle brown	-SB,BS		
	971 885 746 DK 9H6	Luxor beige	-UC,BP		
	971 885 746 DK 8M8	Marsala Red	-PC		
	971 885 746 DK OG6	Bordeaux red	-BB		
	971 885 746 DK OL8	Chalk	-BK		
	971 885 746 DK 6G0	Cream	-BE		
(14)	971 885 746 DS	Cover	right	1	PR:N0K, 4D1, 4D2, 4D3, 4D5, 4D9, 4X4
		Side part			
		Comfort version			
		with:			
		Airbag			
		Perforated			
	971 885 746 DS 21U	Black	-AB		
	971 885 746 DS OF6	agate grey	-DG		
	971 885 746 DS 32X	Luxor beige	-UB,PK		
(14)	971 885 746 DT	Cover	right	1	PR:NOQ, 4D1, 4D2, 4D3, 4D5, 4D9, 4X4
		Side part			
		Comfort version			
		with:			
		Airbag			
		Perforated			
	971 885 746 DT 8YR	Black	-AC		

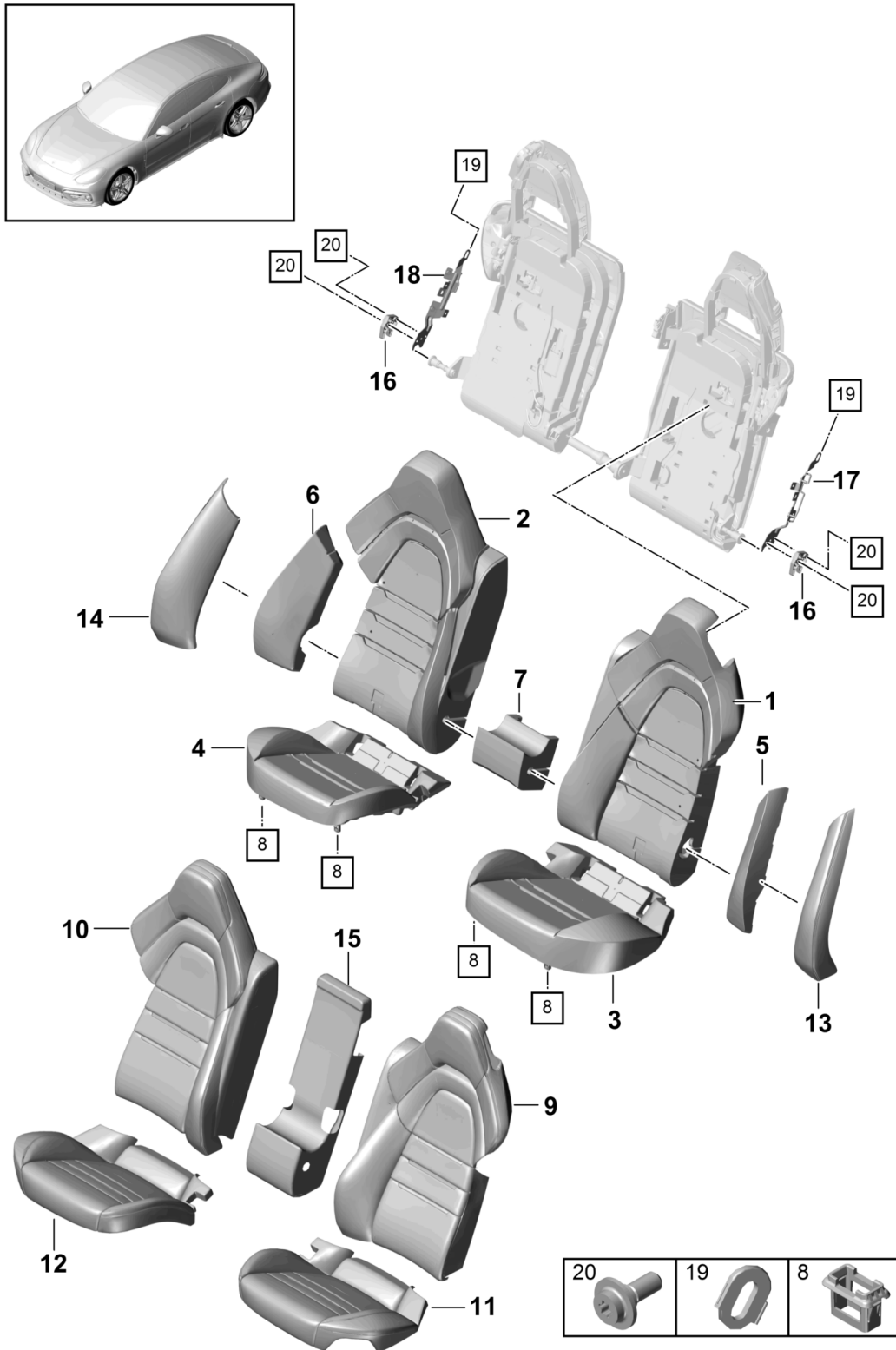
Model: 971-17

Model life 2017>>

Pos	Part Number	Description	Remark	Qty	Model
	971 885 746 DT PL1	agate grey	-DL		
	971 885 746 DT OK6	saddle brown	-SB,BS		
	971 885 746 DT 9H6	Luxor beige	-UC,BP		
	971 885 746 DT 8M8	Marsala Red	-PC		
	971 885 746 DT OG6	Bordeaux red	-BB		
	971 885 746 DT OL8	Chalk	-BK		
	971 885 746 DT 6G0	Cream	-BE		
15	971 885 723 F	Backrest centre part w. cover		1	PR:N1X,N0K
	971 885 723 F GDB	Black	-AB		
	971 885 723 F GHB	agate grey	-DG		
	971 885 723 F GFB	Luxor beige	-UB,PK		
(15)	971 885 723 G	Backrest centre part w. cover		1	PR:N0Q,N5U
	971 885 723 G GDC	Black	-AC		
	971 885 723 G GHC	agate grey	-DL		
	971 885 723 G DUE	saddle brown	-SB,BS		
	971 885 723 G GFC	Luxor beige	-UC,BP		
	971 885 723 G DAK	Marsala Red	-PC		
	971 885 723 G GUC	Bordeaux red	-BB		
	971 885 723 G GVC	Chalk	-BK		
	971 885 723 G DAL	Cream	-BE		
16	971 885 585	Bracket		2	
		Side part			
17	971 885 189 A	Retaining plate	left	1	
		Side part			
18	971 885 190 A	Retaining plate	right	1	
		Side part			
19	971 885 939 A	Guide piece		2	
		Side part			
20	9A7 008 033 00	Hexagon socket head bolt		4	M6x16

Model: 971-17

Model life 2017>>



Model: 971-17 Model life 2017>>

Pos	Part Number	Description	Remark	Qty	Model
		Seat Sport version	rear		PR: 3KL
1	971 885 775 BT	Foam part Foam part backrest Sport version	left	1	PR: 4D0, 4D3
(1)	971 885 775 BS	Foam part backrest Vented Massage Sport version	left	1	PR: 4D1, 4D9
2	971 885 776 AK	Foam part backrest Sport version	right	1	PR: 4D0, 4D3
(2)	971 885 776 AL	Foam part backrest Vented Massage Sport version	right	1	PR: 4D1, 4D9
3	971 885 375 AF	Foam part Seat cushion Sport version	left	1	PR: 4D0, 4D3
(3)	971 885 375 AG	Foam part Seat cushion Vented Massage Sport version	left	1	PR: 4D1, 4D9
4	971 885 376 AF	Foam part Seat cushion Sport version	right	1	PR: 4D0, 4D3
(4)	971 885 376 AG	Foam part Seat cushion Vented Massage Sport version	right	1	PR: 4D1, 4D9
5	971 885 891 S	Foam part Side part Seat Sport version	left	1	PR: 4D0, 4D1, 4D3, 4X3
		without:			
(5)	971 885 891 T	Airbag Foam part Side part Seat Sport version	left	1	PR: 4D0, 4D1, 4D3, 4X4
		with:			
6	971 885 892 S	Airbag Foam part Side part Seat Sport version	right	1	PR: 4D0, 4D1, 4D3, 4X3
		without:			
(6)	971 885 892 T	Airbag Foam part Side part Seat Sport version	right	1	PR: 4D0, 4D1, 4D3, 4X4
		with:			
7	971 885 385 B	Airbag Foam part Centre part		1	
8	971 885 313 A	Seat Clip		4	

Model: 971-17 Model life 2017>>

Pos	Part Number	Description	Remark	Qty	Model
9	971 885 805 JS	Seat cushion Backrest cover	left	1	PR:N1X, 3J4, 4D0, 4D7
		Sport version			
		without:			
		Porsche crest			
	971 885 805 JS GDB	Black	-AB		
	971 885 805 JS GHB	agate grey	-DG		
	971 885 805 JS GFB	Luxor beige	-UB,PK		
(9)	971 885 805 JT	Backrest cover	left	1	PR:N5U, 3J4, 4D0, 4D7
		Sport version			
		without:			
		Porsche crest			
	971 885 805 JT GDC	Black	-AC		
	971 885 805 JT GHC	agate grey	-DL		
	971 885 805 JT DUE	saddle brown	-SB,BS		
	971 885 805 JT GFC	Luxor beige	-UC,BP		
	971 885 805 JT DAK	Marsala Red	-PC		
	971 885 805 JT GUC	Bordeaux red	-BB		
	971 885 805 JT GVC	Chalk	-BK		
	971 885 805 JT DAL	Cream	-BE		
(9)	971 885 805 KB	Backrest cover	left	1	PR:N0K, 3J4, 4D1, 4D3, 4D5, 4D9
		Sport version			
		without:			
		Porsche crest			
		Perforated			
	971 885 805 KB GDB	Black	-AB		
	971 885 805 KB GHB	agate grey	-DG		
	971 885 805 KB GFB	Luxor beige	-UB,PK		
(9)	971 885 805 KC	Backrest cover	left	1	PR:N0Q, 3J4, 4D1, 4D3, 4D5, 4D9
		Sport version			
		without:			
		Porsche crest			
		Perforated			
	971 885 805 KC GDC	Black	-AC		
	971 885 805 KC GHC	agate grey	-DL		
	971 885 805 KC DUE	saddle brown	-SB,BS		
	971 885 805 KC GFC	Luxor beige	-UC,BP		
	971 885 805 KC DAK	Marsala Red	-PC		
	971 885 805 KC GUC	Bordeaux red	-BB		
	971 885 805 KC GVC	Chalk	-BK		
	971 885 805 KC DAL	Cream	-BE		
(9)	971 885 805 KE	Backrest cover	left	1	PR:N1X, 4D0, 4D7, 5ZF
		Sport version			
		with:			
		Porsche crest			
	971 885 805 KE GDB	Black	-AB		
	971 885 805 KE GHB	agate grey	-DG		
	971 885 805 KE GFB	Luxor beige	-UB,PK		
(9)	971 885 805 KF	Backrest cover	left	1	PR:N5U, 4D0, 4D7, 5ZF
		Sport version			
		with:			
		Porsche crest			
	971 885 805 KF GDC	Black	-AC		
	971 885 805 KF GHC	agate grey	-DL		
	971 885 805 KF DUE	saddle brown	-SB,BS		

Model: 971-17 Model life 2017>>

Pos	Part Number	Description	Remark	Qty	Model
(9)	971 885 805 KF GFC	Luxor beige	-UC,BP	1	PR:N0K,4D1,4D3,4D5,4D9,5ZF
	971 885 805 KF DAK	Marsala Red	-PC		
	971 885 805 KF GUC	Bordeaux red	-BB		
	971 885 805 KF GVC	Chalk	-BK		
	971 885 805 KF DAL	Cream	-BE		
	971 885 805 KH	Backrest cover	left		
		Sport version			
		with:			
		Porsche crest Perforated			
(9)	971 885 805 KH GDB	Black	-AB	1	PR:N0Q,4D1,4D3,4D5,4D9,5ZF
	971 885 805 KH GHB	agate grey	-DG		
	971 885 805 KH GFB	Luxor beige	-UB,PK		
	971 885 805 KJ	Backrest cover	left		
		Sport version			
		with:			
		Porsche crest Perforated			
		Black	-AC		
		agate grey	-DL		
10	971 885 805 KJ DUE	saddle brown	-SB,BS	1	PR:N1X,3J4,4D0,4D7
	971 885 805 KJ GFC	Luxor beige	-UC,BP		
	971 885 805 KJ DAK	Marsala Red	-PC		
	971 885 805 KJ GUC	Bordeaux red	-BB		
	971 885 805 KJ GVC	Chalk	-BK		
	971 885 805 KJ DAL	Cream	-BE		
	971 885 806 GA	Backrest cover	right		
		Sport version			
		without:			
		Porsche crest			
(10)	971 885 806 GA GDB	Black	-AB	1	PR:N5U,3J4,4D0,4D7
	971 885 806 GA GHB	agate grey	-DG		
	971 885 806 GA GFB	Luxor beige	-UB,PK		
	971 885 806 GB	Backrest cover	right		
		Sport version			
		without:			
		Porsche crest			
		Black	-AC		
		agate grey	-DL		
(10)	971 885 806 GB DUE	saddle brown	-SB,BS	1	PR:N0K,3J4,4D1,4D3,4D5,4D9
	971 885 806 GB GFC	Luxor beige	-UC,BP		
	971 885 806 GB DAK	Marsala Red	-PC		
	971 885 806 GB GUC	Bordeaux red	-BB		
	971 885 806 GB GVC	Chalk	-BK		
	971 885 806 GB DAL	Cream	-BE		
	971 885 806 GD	Backrest cover	right		
		Sport version			
		without:			
		Porsche crest Perforated			
(10)	971 885 806 GD GDB	Black	-AB	1	PR:N0Q,3J4,4D1,4D3,4D5,
	971 885 806 GD GHB	agate grey	-DG		
	971 885 806 GD GFB	Luxor beige	-UB,PK		
	971 885 806 GE	Backrest cover	right		

Model: 971-17 Model life 2017>>

Pos	Part Number	Description	Remark	Qty	Model
		Sport version			4D9
		without:			
		Porsche crest			
		Perforated			
	971 885 806 GE GDC	Black	-AC		
	971 885 806 GE GHC	agate grey	-DL		
	971 885 806 GE DUE	saddle brown	-SB,BS		
	971 885 806 GE GFC	Luxor beige	-UC,BP		
	971 885 806 GE DAK	Marsala Red	-PC		
	971 885 806 GE GUC	Bordeaux red	-BB		
	971 885 806 GE GVC	Chalk	-BK		
	971 885 806 GE DAL	Cream	-BE		
(10)	971 885 806 GG	Backrest cover	right	1	PR:N1X,5ZF, 4D0,4D7
		Sport version			
		with:			
		Porsche crest			
		Black	-AB		
	971 885 806 GG GDB	agate grey	-DG		
	971 885 806 GG GHB	Luxor beige	-UB,PK		
(10)	971 885 806 GH	Backrest cover	right	1	PR:N5U,5ZF, 4D0,4D7
		Sport version			
		with:			
		Porsche crest			
		Black	-AC		
	971 885 806 GH GHC	agate grey	-DL		
	971 885 806 GH DUE	saddle brown	-SB,BS		
	971 885 806 GH GFC	Luxor beige	-UC,BP		
	971 885 806 GH DAK	Marsala Red	-PC		
	971 885 806 GH GUC	Bordeaux red	-BB		
	971 885 806 GH GVC	Chalk	-BK		
	971 885 806 GH DAL	Cream	-BE		
(10)	971 885 806 GK	Backrest cover	right	1	PR:N1X,5ZF, 4D1,4D3,4D5, 4D9
		Sport version			
		with:			
		Porsche crest			
		Perforated			
		Black	-AB		
	971 885 806 GK GDB	agate grey	-DG		
	971 885 806 GK GHB	Luxor beige	-UB,PK		
(10)	971 885 806 GL	Backrest cover	right	1	PR:N5U,5ZF, 4D1,4D3,4D5, 4D9
		Sport version			
		with:			
		Porsche crest			
		Perforated			
		Black	-AC		
	971 885 806 GL GDC	agate grey	-DL		
	971 885 806 GL GHC	saddle brown	-SB,BS		
	971 885 806 GL DUE	Luxor beige	-UC,BP		
	971 885 806 GL GFC	Marsala Red	-PC		
	971 885 806 GL DAK	Bordeaux red	-BB		
	971 885 806 GL GUC	Chalk	-BK		
	971 885 806 GL GVC	Cream	-BE		
11	971 885 405 BJ	Cover	left	1	PR:N1X,4D0, 4D7
		Seat cushion			
		Sport version			
		with:			
		Porsche crest			
		Perforated			
		Black	-AB		
	971 885 405 BJ GDB				

Model: 971-17 Model life 2017>>

Pos	Part Number	Description	Remark	Qty	Model			
(11)	971 885 405 BJ GHB	agate grey	-DG	1	PR:N5U, 4D0, 4D7			
	971 885 405 BJ GFB	Luxor beige	-UB,PK					
	971 885 405 BK	Cover	left					
		Seat cushion						
		Sport version						
	971 885 405 BK GDC	Black	-AC					
	971 885 405 BK GHC	agate grey	-DL					
	971 885 405 BK DUE	saddle brown	-SB,BS					
	971 885 405 BK GFC	Luxor beige	-UC,BP					
	971 885 405 BK DAK	Marsala Red	-PC					
(11)	971 885 405 BK GUC	Bordeaux red	-BB	1	PR:N0K, 4D1, 4D3, 4D5, 4D9			
	971 885 405 BK GVC	Chalk	-BK					
	971 885 405 BK DAL	Cream	-BE					
	971 885 405 BS	Cover	left					
		Seat cushion						
		Sport version						
		Perforated						
	971 885 405 BS GDB	Black	-AB					
	971 885 405 BS GHB	agate grey	-DG					
	971 885 405 BS GFB	Luxor beige	-UB,PK					
(11)	971 885 405 BT	Cover	left	1	PR:N0Q, 4D1, 4D3, 4D5, 4D9			
		Seat cushion						
		Sport version						
		Perforated						
	971 885 405 BT GDC	Black	-AC					
	971 885 405 BT GHC	agate grey	-DL					
	971 885 405 BT DUE	saddle brown	-SB,BS					
	971 885 405 BT GFC	Luxor beige	-UC,BP					
	971 885 405 BT DAK	Marsala Red	-PC					
	971 885 405 BT GUC	Bordeaux red	-BB					
12	971 885 405 BT GVC	Chalk	-BK	1	PR:N1X, 4D0, 4D7			
	971 885 405 BT DAL	Cream	-BE					
	971 885 406 BJ	Cover	right					
		Seat cushion						
		Sport version						
	971 885 406 BJ GDB	Black	-AB					
	971 885 406 BJ GHB	agate grey	-DG					
	971 885 406 BJ GFB	Luxor beige	-UB,PK					
	(12)	971 885 406 BK	Cover			right	1	PR:N5U, 4D0, 4D7
			Seat cushion					
		Sport version						
		Perforated						
971 885 406 BK GDC		Black	-AC					
971 885 406 BK GHC		agate grey	-DL					
971 885 406 BK DUE		saddle brown	-SB,BS					
971 885 406 BK GFC		Luxor beige	-UC,BP					
971 885 406 BK DAK		Marsala Red	-PC					
971 885 406 BK GUC		Bordeaux red	-BB					
(12)	971 885 406 BK GVC	Chalk	-BK	1	PR:N0K, 4D1, 4D3, 4D5, 4D9			
	971 885 406 BK DAL	Cream	-BE					
	971 885 406 BS	Cover	right					
		Seat cushion						
		Sport version						
		Perforated						
	971 885 406 BS GDB	Black	-AB					
	971 885 406 BS GHB	agate grey	-DG					
	971 885 406 BS GFB	Luxor beige	-UB,PK					
	(12)	971 885 406 BT	Cover			right	1	PR:N0Q, 4D1, 4D3, 4D5, 4D9
		Seat cushion						
		Sport version						
		Perforated						
971 885 406 BT GDC		Black	-AC					
971 885 406 BT GHC		agate grey	-DL					
971 885 406 BT DUE		saddle brown	-SB,BS					

Model: 971-17 Model life 2017>>

Pos	Part Number	Description	Remark	Qty	Model
13	971 885 406 BT GFC	Luxor beige	-UC,BP	1	PR:N1X,4D0,4X3
	971 885 406 BT DAK	Marsala Red	-PC		
	971 885 406 BT GUC	Bordeaux red	-BB		
	971 885 406 BT GVC	Chalk	-BK		
	971 885 406 BT DAL	Cream	-BE		
	971 885 745 DL	Cover	left		
		Side part			
		Sport version			
			without:		
			Airbag		
(13)	971 885 745 DL 21U	Black	-AB	1	PR:N5U,4D0,4X3
	971 885 745 DL OF6	agate grey	-DG		
	971 885 745 DL 32X	Luxor beige	-UB,PK		
	971 885 745 DM	Cover	left		
		Side part			
		Sport version			
			without:		
			Airbag		
			Black		
			agate grey		
(13)	971 885 745 DM 8YR	Black	-AC	1	PR:N0K,4D1,4D3,4D5,4D9,4X3
	971 885 745 DM PL1	agate grey	-DL		
	971 885 745 DM OK6	saddle brown	-SB,BS		
	971 885 745 DM 9H6	Luxor beige	-UC,BP		
	971 885 745 DM 8M8	Marsala Red	-PC		
	971 885 745 DM OG6	Bordeaux red	-BB		
	971 885 745 DM OL8	Chalk	-BK		
	971 885 745 DM 6G0	Cream	-BE		
	971 885 745 EA	Cover	left		
		Side part			
(13)		Sport version		1	PR:N0Q,4D1,4D3,4D5,4D9,4X3
			without:		
			Airbag		
			Perforated		
			Black		
			agate grey		
			Luxor beige		
			Cover		
			Side part		
			Sport version		
(13)	971 885 745 EA 21U	Black	-AB	1	PR:N0Q,4D1,4D3,4D5,4D9,4X3
	971 885 745 EA OF6	agate grey	-DG		
	971 885 745 EA 32X	Luxor beige	-UB,PK		
	971 885 745 DF	Cover	left		
		Side part			
		Sport version			
			without:		
			Airbag		
			Perforated		
			Black		
(13)	971 885 745 DF 8YR	Black	-AC	1	PR:N1X,4D0,4X4
	971 885 745 DF PL1	agate grey	-DL		
	971 885 745 DF OK6	saddle brown	-SB,BS		
	971 885 745 DF 9H6	Luxor beige	-UC,BP		
	971 885 745 DF 8M8	Marsala Red	-PC		
	971 885 745 DF OG6	Bordeaux red	-BB		
	971 885 745 DF OL8	Chalk	-BK		
	971 885 745 DF 6G0	Cream	-BE		
	971 885 745 DN	Cover	left		
		Side part			
(13)		Sport version		1	PR:N5U,4D0,4X4
			with:		
			Airbag		
			Black		
			agate grey		
			Luxor beige		
			Cover		
			Side part		
			Sport version		
			with:		

Model: 971-17 Model life 2017>>

Pos	Part Number	Description	Remark	Qty	Model
(13)	971 885 745 DP 8YR	Airbag Black	-AC	1	PR:N0K,4D1, 4D3,4D5,4D9, 4X4
	971 885 745 DP PL1	agate grey	-DL		
	971 885 745 DP OK6	saddle brown	-SB,BS		
	971 885 745 DP 9H6	Luxor beige	-UC,BP		
	971 885 745 DP 8M8	Marsala Red	-PC		
	971 885 745 DP OG6	Bordeaux red	-BB		
	971 885 745 DP OL8	Chalk	-BK		
	971 885 745 DP 6G0	Cream	-BE		
	971 885 745 DG	Cover Side part	left		
		Sport version			
			with:		
		Airbag Perforated			
	(13)	971 885 745 DG 21U	Black		
971 885 745 DG OF6		agate grey	-DG		
971 885 745 DG 32X		Luxor beige	-UB,PK		
971 885 745 DH		Cover Side part	left		
		Sport version			
			with:		
		Airbag Perforated			
971 885 745 DH 8YR		Black	-AC		
971 885 745 DH PL1		agate grey	-DL		
971 885 745 DH OK6		saddle brown	-SB,BS		
971 885 745 DH 9H6		Luxor beige	-UC,BP		
971 885 745 DH 8M8		Marsala Red	-PC		
971 885 745 DH OG6		Bordeaux red	-BB		
971 885 745 DH OL8	Chalk	-BK			
971 885 745 DH 6G0	Cream	-BE			
14	971 885 746 DL	Cover Side part Sport version	right	1	PR:N1X,4D0, 4X3
			without:		
(14)	971 885 746 DL 21U	Airbag Black	-AB	1	PR:N5U,4D0, 4X3
	971 885 746 DL OF6	agate grey	-DG		
	971 885 746 DL 32X	Luxor beige	-UB,PK		
	971 885 746 DM	Cover Side part Sport version	right		
		Sport version			
			without:		
		Airbag			
	971 885 746 DM 8YR	Black	-AC		
	971 885 746 DM PL1	agate grey	-DL		
	971 885 746 DM OK6	saddle brown	-SB,BS		
	971 885 746 DM 9H6	Luxor beige	-UC,BP		
	971 885 746 DM 8M8	Marsala Red	-PC		
	971 885 746 DM OG6	Bordeaux red	-BB		
971 885 746 DM OL8	Chalk	-BK			
971 885 746 DM 6G0	Cream	-BE			
14	971 885 746 EA	Cover Side part Sport version	right	1	PR:N0K,4D1, 4D3,4D5,4D9, 4X3
			without:		
	Airbag Perforated				
	971 885 746 EA 21U	Black	-AB		

Model: 971-17 Model life 2017>>

Pos	Part Number	Description	Remark	Qty	Model			
(14)	971 885 746 EA OF6	agate grey	-DG	1	PR:N0Q,4D1, 4D3,4D5,4D9, 4X3			
	971 885 746 EA 32X	Luxor beige	-UB,PK					
	971 885 746 DF	Cover	right					
		Side part						
		Sport version						
		Airbag	without:					
		Perforated						
		Black	-AC					
		971 885 746 DF 8YR	agate grey			-DL		
		971 885 746 DF PL1	saddle brown			-SB,BS		
	971 885 746 DF OK6	Luxor beige	-UC,BP					
	971 885 746 DF 9H6	Marsala Red	-PC					
	971 885 746 DF 8M8	Bordeaux red	-BB					
	971 885 746 DF OG6	Chalk	-BK					
	971 885 746 DF OL8	Cream	-BE					
(14)	971 885 746 DN	Cover	right	1	PR:N1X,4D0, 4X4			
		Side part						
		Sport version						
		Airbag	with:					
		Black	-AB					
		971 885 746 DN 21U	agate grey			-DG		
		971 885 746 DN OF6	Luxor beige			-UB,PK		
	(14)	971 885 746 DP	Cover			right	1	PR:N5U,4D0, 4X4
			Side part					
			Sport version					
		Airbag	with:					
		Black	-AC					
		971 885 746 DP 8YR	agate grey	-DL				
		971 885 746 DP PL1	saddle brown	-SB,BS				
		971 885 746 DP OK6	Luxor beige	-UC,BP				
		971 885 746 DP 9H6	Marsala Red	-PC				
		971 885 746 DP 8M8	Bordeaux red	-BB				
	971 885 746 DP OG6	Chalk	-BK					
	971 885 746 DP OL8	Cream	-BE					
(14)	971 885 746 DG	Cover	right	1	PR:N0K,4D1, 4D3,4D5,4D9, 4X4			
		Side part						
		Sport version						
		Airbag	with:					
		Perforated						
		Black	-AB					
		971 885 746 DG 21U	agate grey			-DG		
		971 885 746 DG OF6	Luxor beige			-UB,PK		
	(14)	971 885 746 DH	Cover			right	1	PR:N0Q,4D1, 4D3,4D5,4D9, 4X4
			Side part					
		Sport version						
		Airbag	with:					
		Perforated						
		Black	-AC					
		971 885 746 DH 8YR	agate grey	-DL				
		971 885 746 DH PL1	saddle brown	-SB,BS				
		971 885 746 DH OK6	Luxor beige	-UC,BP				
		971 885 746 DH 9H6	Marsala Red	-PC				
	971 885 746 DH 8M8	Bordeaux red	-BB					
	971 885 746 DH OG6	Chalk	-BK					
	971 885 746 DH OL8	Cream	-BE					
	971 885 746 DH 6G0							

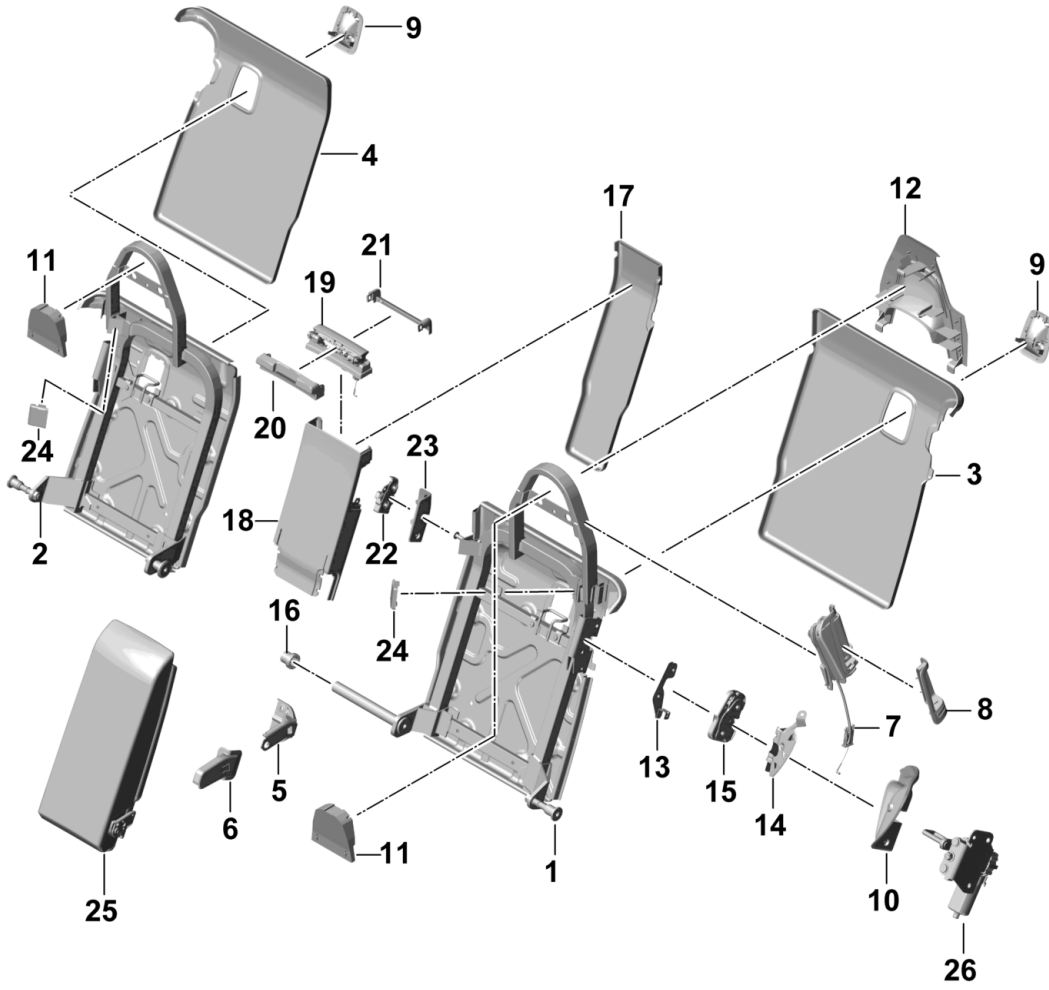
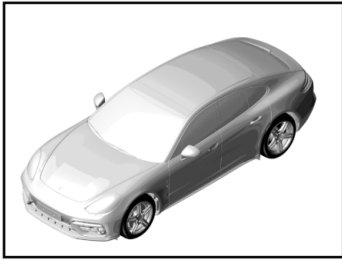
Model: 971-17

Model life 2017>>

Pos	Part Number	Description	Remark	Qty	Model
15	971 885 723 F	Backrest centre part w. cover		1	PR:N1X,N0K
	971 885 723 F GDB	Black	-AB		
	971 885 723 F GHB	agate grey	-DG		
	971 885 723 F GFB	Luxor beige	-UB,PK		
(15)	971 885 723 G	Backrest centre part w. cover		1	PR:NOQ,N5U
	971 885 723 G GDC	Black	-AC		
	971 885 723 G GHC	agate grey	-DL		
	971 885 723 G DUE	saddle brown	-SB,BS		
	971 885 723 G GFC	Luxor beige	-UC,BP		
	971 885 723 G DAK	Marsala Red	-PC		
	971 885 723 G GUC	Bordeaux red	-BB		
	971 885 723 G GVC	Chalk	-BK		
	971 885 723 G DAL	Cream	-BE		
16	971 885 585	Bracket		2	
		Side part			
17	971 885 189 A	Retaining plate	left	1	
		Side part			
18	971 885 190 A	Retaining plate	right	1	
		Side part			
19	971 885 939 A	Guide piece		2	
		Side part			
20	9A7 008 033 00	Hexagon socket head bolt		4	M6x16

Model: 971-17

Model life 2017>>



Model: 971-17

Model life 2017>>

Pos	Part Number	Description	Remark	Qty	Model
		Back seat backrest Trim Accessories Premium Comfort version Sport version			PR: 3KK, 3KL
1	971 885 045 D	backrest frame (complete)	left	1	
2	971 885 046 A	backrest frame (complete)	right	1	
3	971 885 753 A	covering rear panel backrest	left	1	
	971 885 753 A 6B0	Black	-AB,PK,AC,BB, BS,BK		
	971 885 753 A 9C0	agate grey	-DG,DL		
	971 885 753 A 7K0	Luxor beige	-UB,UC		
	971 885 753 A BW3	saddle brown	-SB,BP		
	971 885 753 A 7G0	Marsala Red	-PC,BE		
4	971 885 754	covering rear panel backrest	right	1	
	971 885 754 6B0	Black	-AB,PK,AC,BB, BS,BK		
	971 885 754 9C0	agate grey	-DG,DL		
	971 885 754 7K0	Luxor beige	-UB,UC		
	971 885 754 BW3	saddle brown	-SB,BP		
	971 885 754 7G0	Marsala Red	-PC,BE		
5	971 885 711	Bracket Medium Armrest	left	1	
(5)	971 885 712	Bracket Medium Armrest	right	1	
6	971 885 739	Trim for armrest Bracket Medium	left	1	
	971 885 739 1E0	Black	-AB,AC		
	971 885 739 OP1	agate grey	-DG,DL		
	971 885 739 4H0	Luxor beige	-UB,PK,UC,BP		
	971 885 739 OM8	saddle brown	-SB,BS		
	971 885 739 3G0	Marsala Red	-PC		
	971 885 739 OG6	Bordeaux red	-BB		
	971 885 739 OL8	Chalk	-BK		
	971 885 739 5J0	Cream	-BE		
(6)	971 885 740	Trim for armrest Bracket Medium	right	1	
	971 885 740 1E0	Black	-AB,AC		
	971 885 740 OP1	agate grey	-DG,DL		
	971 885 740 4H0	Luxor beige	-UB,PK,UC,BP		
	971 885 740 OM8	saddle brown	-SB,BS		
	971 885 740 3G0	Marsala Red	-PC		
	971 885 740 OG6	Bordeaux red	-BB		
	971 885 740 OL8	Chalk	-BK		
	971 885 740 5J0	Cream	-BE		
7	971 885 681 A	Backrest release	left	1	
	971 885 681 A GT8	Galvano silver			
(7)	971 885 682 A	Backrest release	right	1	
	971 885 682 A GT8	Galvano silver			
8	971 885 249 A	Trim for backrest release mechanism	left	1	
	971 885 249 A 5Q0	Black	-AB,AC		

Model: 971-17 Model life 2017>>

Pos	Part Number	Description	Remark	Qty	Model
	971 885 249 A OA6	agate grey	-DG,DL		
	971 885 249 A 6W0	Luxor beige	-UB,PK,UC,BP		
	971 885 249 A OL7	saddle brown	-SB,BS		
	971 885 249 A 7X0	Marsala Red	-PC		
	971 885 249 A OG6	Bordeaux red	-BB		
	971 885 249 A OL8	Chalk	-BK		
	971 885 249 A 5V0	Cream	-BE		
(8)	971 885 250 A	Trim for backrest release mechanism	right	1	
	971 885 250 A 5Q0	Black	-AB,AC		
	971 885 250 A OA6	agate grey	-DG,DL		
	971 885 250 A 6W0	Luxor beige	-UB,PK,UC,BP		
	971 885 250 A OL7	saddle brown	-SB,BS		
	971 885 250 A 7X0	Marsala Red	-PC		
	971 885 250 A OG6	Bordeaux red	-BB		
	971 885 250 A OL8	Chalk	-BK		
	971 885 250 A 5V0	Cream	-BE		
9	971 885 943	Trim Backrest	rear	2	
	971 885 943 1E0	Black	-AB,PK,AC,BB, BS,BK		
	971 885 943 OP1	agate grey	-DG,DL		
	971 885 943 4H0	Luxor beige	-UB,UC		
	971 885 943 OM8	saddle brown	-SB,BP		
	971 885 943 3G0	Marsala Red	-PC		
10	971 885 933 A	cover - lock	left rear	1	
	971 885 933 A 1E0	Black	-AB,PK,AC,BB, BS,BK		
	971 885 933 A OP1	agate grey	-DG,DL		
	971 885 933 A 4H0	Luxor beige	-UB,UC		
	971 885 933 A OM8	saddle brown	-SB,BP		
	971 885 933 A 3G0	Marsala Red	-PC		
(10)	971 885 934 A	cover - lock	right rear	1	
	971 885 934 A 1E0	Black	-AB,PK,AC,BB, BS,BK		
	971 885 934 A OP1	agate grey	-DG,DL		
	971 885 934 A 4H0	Luxor beige	-UB,UC		
	971 885 934 A OM8	saddle brown	-SB,BP		
	971 885 934 A 3G0	Marsala Red	-PC		
11	971 885 913	Foam part Head restraint	rear	2	
12	971 885 727	Headrest frame	left rear	1	
(12)	971 885 728	Headrest frame	right rear	1	
13	971 885 281	Securing plate lock	left rear	1	
(13)	971 885 282	Securing plate lock	right rear	1	
14	971 885 573 A	Reinforcement Seat and backrest surface	left rear	1	
(14)	971 885 574 A	Reinforcement Seat and backrest surface	right rear	1	
15	971 886 481	backrest lock	left rear	1	
(15)	971 886 482	backrest lock	right rear	1	
16	971 885 511	backrest frame Centre piece		1	
17	971 885 611	covering rear panel		1	

Model: 971-17 Model life 2017>>

Pos	Part Number	Description	Remark	Qty	Model
	971 885 611 6B0	backrest Centre piece Black	-AB,PK,AC,BB, BS,BK		
	971 885 611 9C0	agate grey	-DG,DL		
	971 885 611 7K0	Luxor beige	-UB,UC		
	971 885 611 BW3	saddle brown	-SB,BP		
	971 885 611 7G0	Marsala Red	-PC,BE		
18	971 885 527	Carrier Centre piece		1	
19	971 886 165 A	Release Centre piece		1	
	971 886 165 A GT8	Galvano silver			
20	971 886 744	Trim Release	front	1	
	971 886 744 5Q0	Black	-AB,AC		
	971 886 744 OA6	agate grey	-DG,DL		
	971 886 744 6W0	Luxor beige	-UB,PK,UC,BP		
	971 886 744 OL7	saddle brown	-SB,BS		
	971 886 744 7X0	Marsala Red	-PC		
	971 886 744 OG6	Bordeaux red	-BB		
	971 886 744 OL8	Chalk	-BK		
	971 886 744 5V0	Cream	-BE		
21	971 886 743	Trim Release	rear	1	
	971 886 743 5Q0	Black	-AB,AC		
	971 886 743 OA6	agate grey	-DG,DL		
	971 886 743 6W0	Luxor beige	-UB,PK,UC,BP		
	971 886 743 OL7	saddle brown	-SB,BS		
	971 886 743 7X0	Marsala Red	-PC		
	971 886 743 OG6	Bordeaux red	-BB		
	971 886 743 OL8	Chalk	-BK		
	971 886 743 5V0	Cream	-BE		
22	971 883 481	lock Centre piece		1	
23	971 886 748	Trim for lock Centre piece		1	
	971 886 748 1E0	Black	-AB,PK,AC,BB, BS,BK		
	971 886 748 OP1	agate grey	-DG,DL		
	971 886 748 4H0	Luxor beige	-UB,UC		
	971 886 748 OM8	saddle brown	-SB		
	971 886 748 3G0	Marsala Red	-PC,BE		
25	971 885 081	Armrest without:		1	PR:N0K,N1X, 6E1
	971 885 081 GDB	Porsche crest Black	-AB		
	971 885 081 GHB	agate grey	-DG		
	971 885 081 GFB	Luxor beige	-UB,PK		
(25)	971 885 081 A	Armrest without:		1	PR:N0Q,N1P, N5U,6E1
	971 885 081 A GDC	Porsche crest Black	-AC		
	971 885 081 A GHC	agate grey	-DL		
	971 885 081 A DUE	saddle brown	-SB,BS		
	971 885 081 A GFC	Luxor beige	-UC,BP		
	971 885 081 A DAK	Marsala Red	-PC		
	971 885 081 A GUC	Bordeaux red	-BB		
	971 885 081 A GVC	Chalk	-BK		
	971 885 081 A DAL	Cream	-BE		
(25)	971 885 081 C	Armrest with:		1	PR:N0K,N1X, 6E2
		Porsche crest			

Model: 971-17 Model life 2017>>

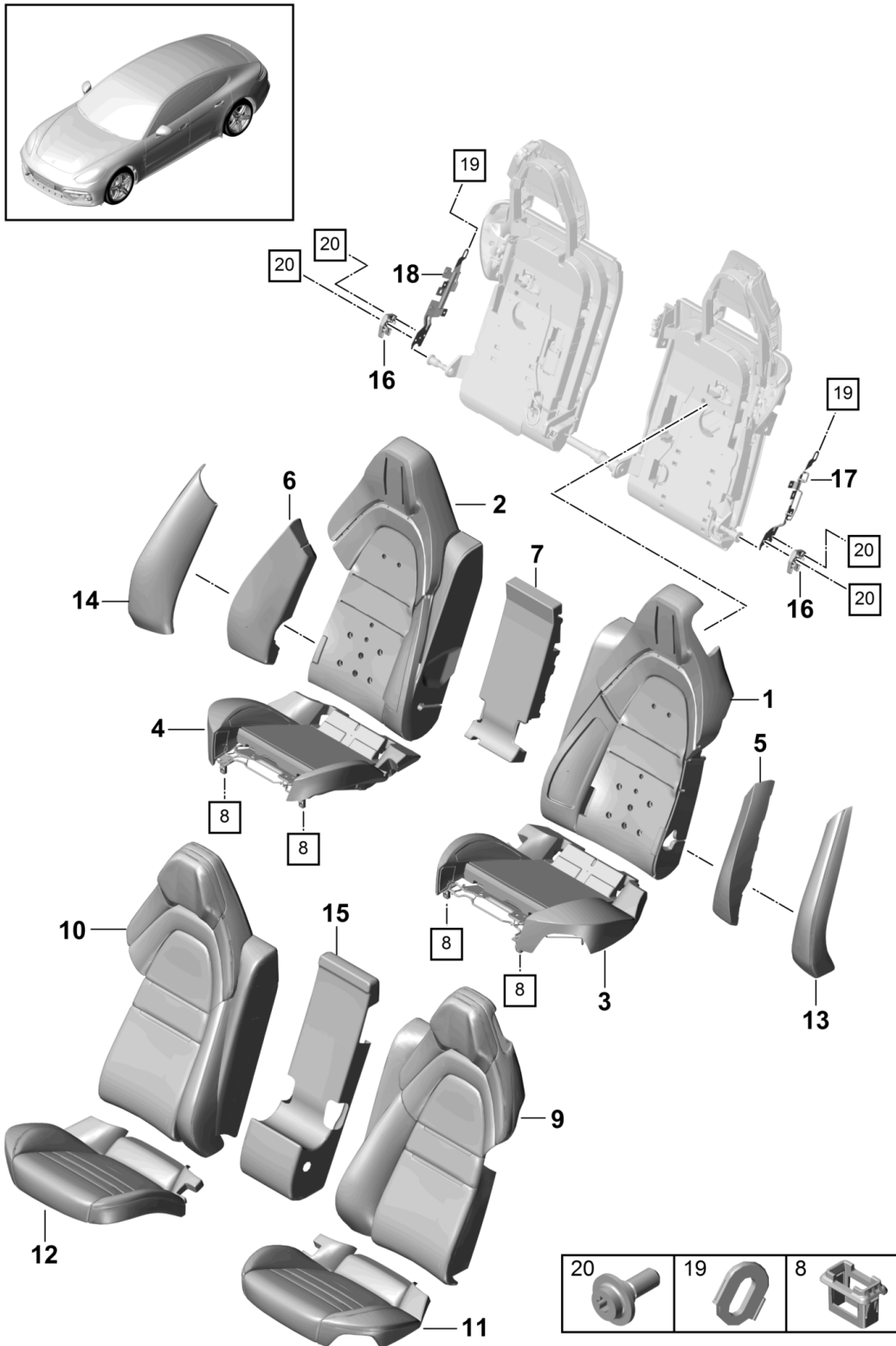
Pos	Part Number	Description	Remark	Qty	Model
(25)	971 885 081 C GDB	Black	-AB	1	PR:NOQ,N5U, 6E2
	971 885 081 C GHB	agate grey	-DG		
	971 885 081 C GFB	Luxor beige	-UB,PK		
	971 885 081 R	Armrest			
		with:			
		Porsche crest			
	971 885 081 R GDC	Black	-AC		
	971 885 081 R GHC	agate grey	-DL		
	971 885 081 R DUE	saddle brown	-SB,BS		
	971 885 081 R GFC	Luxor beige	-UC,BP		
	971 885 081 R DAK	Marsala Red	-PC		
	971 885 081 R GUC	Bordeaux red	-BB		
	971 885 081 R GVC	Chalk	-BK		
	971 885 081 R DAL	Cream	-BE		
(25)	971 885 081 F	Armrest		1	PR:L0L,N0K, N1X,0E1,1X1, 6E3,A8F
		with:			
		Panamera 4S inscription			
	971 885 081 F GDB	Black	-AB		
	971 885 081 F GHB	agate grey	-DG		
	971 885 081 F GFB	Luxor beige	-UB,PK		
(25)	971 885 081 AA	Armrest		1	PR:A8F,L0L, NOQ,N5U,0E1, 1X1,6E3
		with:			
		Panamera 4S inscription			
	971 885 081 AA GDC	Black	-AC		
	971 885 081 AA GHC	agate grey	-DL		
	971 885 081 AA DUE	saddle brown	-SB,BS		
	971 885 081 AA GFC	Luxor beige	-UC,BP		
	971 885 081 AA DAK	Marsala Red	-PC		
	971 885 081 AA GUC	Bordeaux red	-BB		
	971 885 081 AA GVC	Chalk	-BK		
	971 885 081 AA DAL	Cream	-BE		
(25)	971 885 081 G	Armrest		1	PR:L0L,N0K, N1X,0E1,6E3, A8H,E0A
		with:			
		Panamera Turbo inscription			
	971 885 081 G GDB	Black	-AB		
	971 885 081 G GHB	agate grey	-DG		
	971 885 081 G GFB	Luxor beige	-UB,PK		
(25)	971 885 081 AB	Armrest		1	PR:A8H,L0L, NOQ,N5U,0E1, E0A,6E3
		with:			
		Panamera Turbo inscription			
	971 885 081 AB GDC	Black	-AC		
	971 885 081 AB GHC	agate grey	-DL		
	971 885 081 AB DUE	saddle brown	-SB,BS		
	971 885 081 AB GFC	Luxor beige	-UC,BP		
	971 885 081 AB DAK	Marsala Red	-PC		
	971 885 081 AB GUC	Bordeaux red	-BB		
	971 885 081 AB GVC	Chalk	-BK		
	971 885 081 AB DAL	Cream	-BE		
(25)	971 885 081 M	Armrest		1	PR:L0R,N0K, N1X,0E1,1X1, 6E3,A8F
		with:			
		Panamera 4S inscription			
	971 885 081 M GDB	Black	-AB		
	971 885 081 M GHB	agate grey	-DG		
	971 885 081 M GFB	Luxor beige	-UB,PK		
(25)	971 885 081 AG	Armrest		1	PR:L0R,N0Q, N5U,0E1,6E3, 1X1,A8F
		with:			
		Panamera 4S inscription			

Model: 971-17 Model life 2017>>

Pos	Part Number	Description	Remark	Qty	Model
	971 885 081 AG GDC	Black	-AC		
	971 885 081 AG GHC	agate grey	-DL		
	971 885 081 AG DUE	saddle brown	-SB,BS		
	971 885 081 AG GFC	Luxor beige	-UC,BP		
	971 885 081 AG DAK	Marsala Red	-PC		
	971 885 081 AG GUC	Bordeaux red	-BB		
	971 885 081 AG GVC	Chalk	-BK		
	971 885 081 AG DAL	Cream	-BE		
(25)	971 885 081 N	Armrest		1	PR:LOR,NOK, N1X,0E1,6E3, A8H,E0A
		with:			
		Panamera Turbo inscription			
	971 885 081 N GDB	Black	-AB		
	971 885 081 N GHB	agate grey	-DG		
	971 885 081 N GFB	Luxor beige	-UB,PK		
(25)	971 885 081 AH	Armrest		1	PR:LOR,N0Q, N5U,0E1,6E3, E0A,A8H
		with:			
		Panamera Turbo inscription			
	971 885 081 AH GDC	Black	-AC		
	971 885 081 AH GHC	agate grey	-DL		
	971 885 081 AH DUE	saddle brown	-SB,BS		
	971 885 081 AH GFC	Luxor beige	-UC,BP		
	971 885 081 AH DAK	Marsala Red	-PC		
	971 885 081 AH GUC	Bordeaux red	-BB		
	971 885 081 AH GVC	Chalk	-BK		
	971 885 081 AH DAL	Cream	-BE		
26	971 886 315	Adjusting motor	left	1	
(26)	971 886 316	Adjusting motor	right	1	

Model: 971-17

Model life 2017>>



Model: 971-17

Model life 2017>>

Pos	Part Number	Description	Remark	Qty	Model
		Seat for vehicles with extended wheelbase Comfort version	rear		PR: 3KR
1	971 885 775 AA	Foam part seat covers	left	1	PR: 4D0, 4D3, 4D5, 4D7
(1)	971 885 775 R	Foam part backrest Vented Massage Comfort version	left	1	PR: 4D1, 4D2, 4D9
2	971 885 776 M	Foam part backrest Comfort version	right	1	PR: 4D0, 4D3, 4D5, 4D7
(2)	971 885 776 L	Foam part backrest Vented Massage Comfort version	right	1	PR: 4D1, 4D2, 4D9
3	971 885 375 L	Foam part Seat cushion Comfort version	left	1	PR: 4D0, 4D3, 4D5, 4D7
(3)	971 885 375 K	Foam part Seat cushion Vented Massage Comfort version	left	1	PR: 4D1, 4D2, 4D9
4	971 885 376 L	Foam part Seat cushion Comfort version	right	1	PR: 4D0, 4D3, 4D5, 4D7
(4)	971 885 376 K	Foam part Seat cushion Vented Massage Comfort version	right	1	PR: 4D1, 4D2, 4D9
5	971 885 891 H	Foam part Side part Seat Comfort version	left	1	PR: 4X4
		with:			
6	971 885 892 H	Airbag Foam part Side part Seat Comfort version	right	1	PR: 4X4
		with:			
7	971 885 385 A	Airbag Foam part Centre part		1	
8	971 885 313 A	Seat Clip Seat cushion		4	
9	971 885 805 CN	Backrest cover Comfort version	left	1	PR: N1X, 3J4, 4D0, 4D7
		without:			
	971 885 805 CN GDB	Porsche crest Black			-AB
	971 885 805 CN GHB	agate grey			-DG
	971 885 805 CN GFB	Luxor beige			-UB, PK

Model: 971-17 Model life 2017>>

Pos	Part Number	Description	Remark	Qty	Model
(9)	971 885 805 CP	Backrest cover	left	1	PR:N5U,3J4,4D0,4D7
		Comfort version			
		without:			
		Porsche crest			
	971 885 805 CP GDC	Black	-AC		
	971 885 805 CP GHC	agate grey	-DL		
	971 885 805 CP DUE	saddle brown	-SB,BS		
	971 885 805 CP GFC	Luxor beige	-UC,BP		
	971 885 805 CP DAK	Marsala Red	-PC		
	971 885 805 CP GUC	Bordeaux red	-BB		
	971 885 805 CP GVC	Chalk	-BK		
	971 885 805 CP DAL	Cream	-BE		
(9)	971 885 805 CA	Backrest cover	left	1	PR:N0K,3J4,4D1,4D2,4D3,4D5,4D9
		Comfort version			
		without:			
		Porsche crest			
		Perforated			
	971 885 805 CA GDB	Black	-AB		
	971 885 805 CA GHB	agate grey	-DG		
	971 885 805 CA GFB	Luxor beige	-UB,PK		
(9)	971 885 805 CB	Backrest cover	left	1	PR:N0Q,3J4,4D1,4D2,4D3,4D5,4D9
		Comfort version			
		without:			
		Porsche crest			
		Perforated			
	971 885 805 CB GDC	Black	-AC		
	971 885 805 CB GHC	agate grey	-DL		
	971 885 805 CB DUE	saddle brown	-SB,BS		
	971 885 805 CB GFC	Luxor beige	-UC,BP		
	971 885 805 CB DAK	Marsala Red	-PC		
	971 885 805 CB GUC	Bordeaux red	-BB		
	971 885 805 CB GVC	Chalk	-BK		
	971 885 805 CB DAL	Cream	-BE		
(9)	971 885 805 CR	Backrest cover	left	1	PR:N1X,4D0,4D7,5ZF
		Comfort version			
		with:			
		Porsche crest			
	971 885 805 CR GDB	Black	-AB		
	971 885 805 CR GHB	agate grey	-DG		
	971 885 805 CR GFB	Luxor beige	-UB,PK		
(9)	971 885 805 CS	Backrest cover	left	1	PR:N5U,4D0,4D7,5ZF
		Comfort version			
		with:			
		Porsche crest			
	971 885 805 CS GDC	Black	-AC		
	971 885 805 CS GHC	agate grey	-DL		
	971 885 805 CS DUE	saddle brown	-SB,BS		
	971 885 805 CS GFC	Luxor beige	-UC,BP		
	971 885 805 CS DAK	Marsala Red	-PC		
	971 885 805 CS GUC	Bordeaux red	-BB		
	971 885 805 CS GVC	Chalk	-BK		
	971 885 805 CS DAL	Cream	-BE		
(9)	971 885 805 CD	Backrest cover	left	1	PR:N0K,4D1,4D2,4D3,4D5,4D9,5ZF
		Comfort version			
		with:			

Model: 971-17 Model life 2017>>

Pos	Part Number	Description	Remark	Qty	Model
(9)	971 885 805 CD GDB	Porsche crest Perforated Black	-AB	1	PR:N0Q,4D1, 4D2,4D3,4D5, 4D9,5ZF
	971 885 805 CD GHB	agate grey	-DG		
	971 885 805 CD GFB	Luxor beige	-UB,PK		
	971 885 805 CE	Backrest cover	left		
		Comfort version	with:		
		Porsche crest Perforated Black	-AC		
	971 885 805 CE GDC	agate grey	-DL		
	971 885 805 CE GHB	saddle brown	-SB,BS		
	971 885 805 CE GFC	Luxor beige	-UC,BP		
	971 885 805 CE DAK	Marsala Red	-PC		
10	971 885 805 CE GUC	Bordeaux red	-BB	1	PR:N1X,3J4, 4D0,4D7
	971 885 805 CE GVC	Chalk	-BK		
	971 885 805 CE DAL	Cream	-BE		
	971 885 806 C	Backrest cover	right		
		Comfort version	without:		
		Porsche crest Perforated Black	-AB		
	971 885 806 C GDB	agate grey	-DG		
	971 885 806 C GHB	Luxor beige	-UB,PK		
	971 885 806 D	Backrest cover	right		
		Comfort version	without:		
(10)	971 885 806 D GDC	Porsche crest Black	-AC	1	PR:N5U,3J4, 4D0,4D7
	971 885 806 D GHB	agate grey	-DL		
	971 885 806 D DUE	saddle brown	-SB,BS		
	971 885 806 D GFC	Luxor beige	-UC,BP		
	971 885 806 D DAK	Marsala Red	-PC		
	971 885 806 D GUC	Bordeaux red	-BB		
	971 885 806 D GVC	Chalk	-BK		
	971 885 806 D DAL	Cream	-BE		
	971 885 806 F	Backrest cover	right		
		Comfort version	without:		
(10)	971 885 806 F GDB	Porsche crest Perforated Black	-AB	1	PR:N0K,3J4, 4D1,4D2,4D3, 4D5,4D9
	971 885 806 F GHB	agate grey	-DG		
	971 885 806 F GFB	Luxor beige	-UB,PK		
	971 885 806 AP	Backrest cover	right		
		Comfort version	without:		
		Porsche crest Perforated Black	-AC		
	971 885 806 AP GDC	agate grey	-DL		
	971 885 806 AP GHB	saddle brown	-SB,BS		
	971 885 806 AP GFC	Luxor beige	-UC,BP		
	971 885 806 AP DAK	Marsala Red	-PC		

Model: 971-17 Model life 2017>>

Pos	Part Number	Description	Remark	Qty	Model
(10)	971 885 806 AP GUC	Bordeaux red	-BB	1	PR:N1X,5ZF, 4D0,4D7
	971 885 806 AP GVC	Chalk	-BK		
	971 885 806 AP DAL	Cream	-BE		
	971 885 806 L	Backrest cover	right		
		Comfort version			
		with:			
	971 885 806 L GDB	Porsche crest			
		Black	-AB		
	971 885 806 L GHB	agate grey	-DG		
(10)	971 885 806 L GFB	Luxor beige	-UB,PK	1	PR:N5U,5ZF, 4D0,4D7
	971 885 806 M	Backrest cover	right		
		Comfort version			
		with:			
	971 885 806 M GDC	Porsche crest			
		Black	-AC		
	971 885 806 M GHC	agate grey	-DL		
	971 885 806 M DUE	saddle brown	-SB,BS		
	971 885 806 M GFC	Luxor beige	-UC,BP		
	971 885 806 M DAK	Marsala Red	-PC		
	971 885 806 M GUC	Bordeaux red	-BB		
	971 885 806 M GVC	Chalk	-BK		
	971 885 806 M DAL	Cream	-BE		
(10)	971 885 806 AR	Backrest cover	right	1	PR:N0K,5ZF, 4D1,4D2,4D3, 4D5,4D9
		Comfort version			
		with:			
		Porsche crest			
		Perforated			
	971 885 806 AR GDB	Black	-AB		
	971 885 806 AR GHB	agate grey	-DG		
	971 885 806 AR GFB	Luxor beige	-UB,PK		
(10)	971 885 806 AS	Backrest cover	right	1	PR:N0Q,5ZF, 4D1,4D2,4D3, 4D5,4D9
		Comfort version			
		with:			
		Porsche crest			
		Perforated			
	971 885 806 AS GDC	Black	-AC		
	971 885 806 AS GHC	agate grey	-DL		
	971 885 806 AS DUE	saddle brown	-SB,BS		
	971 885 806 AS GFC	Luxor beige	-UC,BP		
	971 885 806 AS DAK	Marsala Red	-PC		
	971 885 806 AS GUC	Bordeaux red	-BB		
	971 885 806 AS GVC	Chalk	-BK		
	971 885 806 AS DAL	Cream	-BE		
11	971 885 405 CF	Cover	left	1	PR:N1X,4D0, 4D7
		Seat cushion			
		Comfort version			
	971 885 405 CF GDB	Black	-AB		
	971 885 405 CF GHB	agate grey	-DG		
	971 885 405 CF GFB	Luxor beige	-UB,PK		
(11)	971 885 405 CG	Cover	left	1	PR:N5U,4D0, 4D7
		Seat cushion			
		Comfort version			
	971 885 405 CG GDC	Black	-AC		
	971 885 405 CG GHC	agate grey	-DL		
	971 885 405 CG DUE	saddle brown	-SB,BS		
	971 885 405 CG GFC	Luxor beige	-UC,BP		
	971 885 405 CG DAK	Marsala Red	-PC		

Model: 971-17 Model life 2017>>

Pos	Part Number	Description	Remark	Qty	Model
(11)	971 885 405 CG GUC	Bordeaux red	-BB	1	PR:N0K,4D1, 4D2,4D3,4D5, 4D9
	971 885 405 CG GVC	Chalk	-BK		
	971 885 405 CG DAL	Cream	-BE		
	971 885 405 BF	Cover Seat cushion	left		
(11)		Comfort version Perforated		1	PR:N0Q,4D1, 4D2,4D3,4D5, 4D9
	971 885 405 BF GDB	Black	-AB		
	971 885 405 BF GHB	agate grey	-DG		
	971 885 405 BF GFB	Luxor beige	-UB,PK		
	971 885 405 CA	Cover Seat cushion	left		
		Comfort version Perforated			
	971 885 405 CA GDC	Black	-AC		
	971 885 405 CA GHC	agate grey	-DL		
	971 885 405 CA DUE	saddle brown	-SB,BS		
	971 885 405 CA GFC	Luxor beige	-UC,BP		
	971 885 405 CA DAK	Marsala Red	-PC		
12	971 885 405 CA GUC	Bordeaux red	-BB	1	PR:N1X,4D0, 4D7
	971 885 405 CA GVC	Chalk	-BK		
	971 885 405 CA DAL	Cream	-BE		
	971 885 406 CF	Cover Seat cushion	right		
		Comfort version			
	971 885 406 CF GDB	Black	-AB		
	971 885 406 CF GHB	agate grey	-DG		
	971 885 406 CF GFB	Luxor beige	-UB,PK		
	971 885 406 CG	Cover Seat cushion	right		
		Comfort version			
	971 885 406 CG GDC	Black	-AC		
971 885 406 CG GHC	agate grey	-DL			
971 885 406 CG DUE	saddle brown	-SB,BS			
971 885 406 CG GFC	Luxor beige	-UC,BP			
971 885 406 CG DAK	Marsala Red	-PC			
971 885 406 CG GUC	Bordeaux red	-BB			
971 885 406 CG GVC	Chalk	-BK			
971 885 406 CG DAL	Cream	-BE			
(12)	971 885 406 BF	Cover Seat cushion	right	1	PR:N0K,4D1, 4D2,4D3,4D5, 4D9
		Comfort version Perforated			
	971 885 406 BF GDB	Black	-AB		
	971 885 406 BF GHB	agate grey	-DG		
	971 885 406 BF GFB	Luxor beige	-UB,PK		
	971 885 406 CA	Cover Seat cushion	right		
		Comfort version Perforated			
	971 885 406 CA GDC	Black	-AC		
	971 885 406 CA GHC	agate grey	-DL		
	971 885 406 CA DUE	saddle brown	-SB,BS		
	971 885 406 CA GFC	Luxor beige	-UC,BP		
971 885 406 CA DAK	Marsala Red	-PC			
971 885 406 CA GUC	Bordeaux red	-BB			
971 885 406 CA GVC	Chalk	-BK			
971 885 406 CA DAL	Cream	-BE			
13	971 885 745 BN	Cover	left	1	PR:N1X,4D0,

Model: 971-17 Model life 2017>>

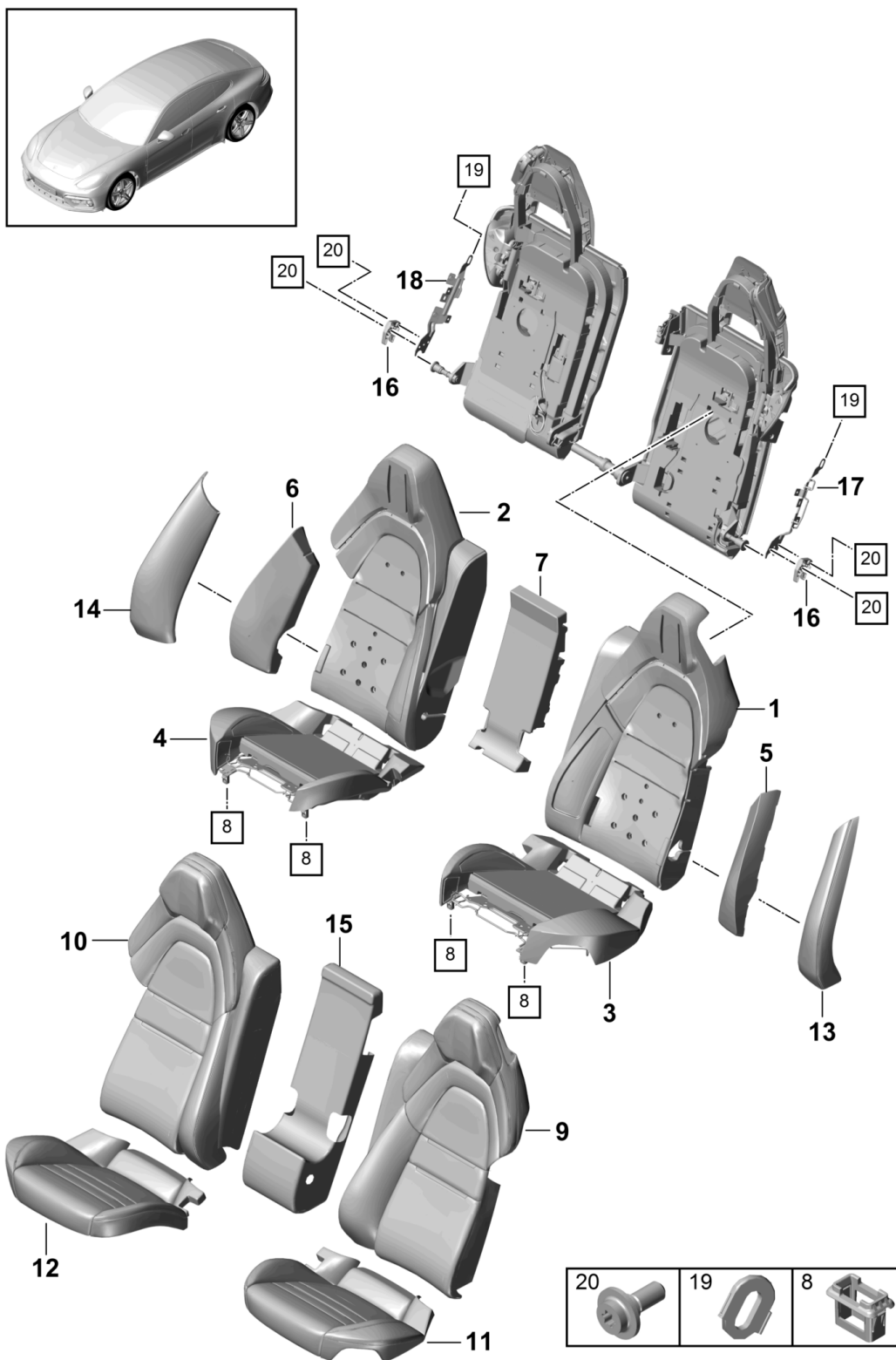
Pos	Part Number	Description	Remark	Qty	Model
		Side part Comfort version			4D7, 4X4
		with:			
	971 885 745 BN 21U	Airbag Black	-AB		
	971 885 745 BN OF6	agate grey	-DG		
	971 885 745 BN 32X	Luxor beige	-UB,PK		
(13)	971 885 745 BP	Cover Side part Comfort version	left	1	PR:N5U, 4D0, 4D7, 4X4
		with:			
	971 885 745 BP 8YR	Airbag Black	-AC		
	971 885 745 BP PL1	agate grey	-DL		
	971 885 745 BP OK6	saddle brown	-SB,BS		
	971 885 745 BP 9H6	Luxor beige	-UC,BP		
	971 885 745 BP 8M8	Marsala Red	-PC		
	971 885 745 BP OG6	Bordeaux red	-BB		
	971 885 745 BP OL8	Chalk	-BK		
	971 885 745 BP 6G0	Cream	-BE		
(13)	971 885 745 AF	Cover Side part Comfort version	left	1	PR:N0K, 4D1, 4D2, 4D3, 4D5, 4D9, 4X4
		with:			
	971 885 745 AF 21U	Airbag Perforated Black	-AB		
	971 885 745 AF OF6	agate grey	-DG		
	971 885 745 AF 32X	Luxor beige	-UB,PK		
(13)	971 885 745 AG	Cover Side part Comfort version	left	1	PR:N0Q, 4D1, 4D2, 4D3, 4D5, 4D9, 4X4
		with:			
	971 885 745 AG 8YR	Airbag Perforated Black	-AC		
	971 885 745 AG PL1	agate grey	-DL		
	971 885 745 AG OK6	saddle brown	-SB,BS		
	971 885 745 AG 9H6	Luxor beige	-UC,BP		
	971 885 745 AG 8M8	Marsala Red	-PC		
	971 885 745 AG OG6	Bordeaux red	-BB		
	971 885 745 AG OL8	Chalk	-BK		
	971 885 745 AG 6G0	Cream	-BE		
14	971 885 746 BN	Cover Side part Comfort version	right	1	PR:N1X, 4D0, 4D7, 4X4
		with:			
	971 885 746 BN 21U	Airbag Black	-AB		
	971 885 746 BN OF6	agate grey	-DG		
	971 885 746 BN 32X	Luxor beige	-UB,PK		
(14)	971 885 746 BP	Cover Side part Comfort version	right	1	PR:N5U, 4D0, 4D7, 4X4
		with:			
	971 885 746 BP 8YR	Airbag Black	-AC		
	971 885 746 BP PL1	agate grey	-DL		
	971 885 746 BP OK6	saddle brown	-SB,BS		
	971 885 746 BP 9H6	Luxor beige	-UC,BP		
	971 885 746 BP 8M8	Marsala Red	-PC		

Model: 971-17 Model life 2017>>

Pos	Part Number	Description	Remark	Qty	Model
(14)	971 885 746 BP OG6	Bordeaux red	-BB	1	PR:N0K,4D1, 4D2,4D3,4D5, 4D9,4X4
	971 885 746 BP OL8	Chalk	-BK		
	971 885 746 BP 6G0	Cream	-BE		
	971 885 746 AF	Cover Side part	right		
		Comfort version			
		with:			
		Airbag			
		Perforated			
(14)	971 885 746 AF 21U	Black	-AB	1	PR:N0Q,4D1, 4D2,4D3,4D5, 4D9,4X4
	971 885 746 AF OF6	agate grey	-DG		
	971 885 746 AF 32X	Luxor beige	-UB,PK		
	971 885 746 AG	Cover Side part	right		
		Comfort version			
		with:			
		Airbag			
		Perforated			
	971 885 746 AG 8YR	Black	-AC		
	971 885 746 AG PL1	agate grey	-DL		
	971 885 746 AG OK6	saddle brown	-SB,BS		
	971 885 746 AG 9H6	Luxor beige	-UC,BP		
	971 885 746 AG 8M8	Marsala Red	-PC		
	971 885 746 AG OG6	Bordeaux red	-BB		
	971 885 746 AG OL8	Chalk	-BK		
	971 885 746 AG 6G0	Cream	-BE		
15	971 885 723 H	Backrest centre part w. cover		1	PR:N1X,N0K
	971 885 723 H GDB	Black	-AB		
	971 885 723 H GHB	agate grey	-DG		
	971 885 723 H GFB	Luxor beige	-UB,PK		
(15)	971 885 723 J	Backrest centre part w. cover		1	PR:N0Q,N5U
	971 885 723 J GDC	Black	-AC		
	971 885 723 J GHC	agate grey	-DL		
	971 885 723 J DUE	saddle brown	-SB,BS		
	971 885 723 J GFC	Luxor beige	-UC,BP		
	971 885 723 J DAK	Marsala Red	-PC		
	971 885 723 J GUC	Bordeaux red	-BB		
	971 885 723 J GVC	Chalk	-BK		
	971 885 723 J DAL	Cream	-BE		
	16	971 885 585	Bracket Side part		2
17	971 885 189 A	Retaining plate Side part	left	1	
18	971 885 190 A	Retaining plate Side part	right	1	
19	971 885 939 A	Guide piece Side part		2	
20	9A7 008 033 00	Hexagon socket head bolt		4	M6x16

Model: 971-17

Model life 2017>>



Model: 971-17

Model life 2017>>

Pos	Part Number	Description	Remark	Qty	Model
		Seat for vehicles with extended wheelbase Comfort version	rear		PR: 3KN
1	971 885 775 S	Foam part seat covers			
		Foam part backrest Comfort version	left	1	PR: 4D0, 4D3, 4D5, 4D7
(1)	971 885 775 Q	Foam part backrest Vented Massage Comfort version	left	1	PR: 4D1, 4D2, 4D9
2	971 885 776 M	Foam part backrest Comfort version	right	1	PR: 4D0, 4D3, 4D5, 4D7
(2)	971 885 776 L	Foam part backrest Vented Massage Comfort version	right	1	PR: 4D1, 4D2, 4D9
3	971 885 375 L	Foam part Seat cushion Comfort version	left	1	PR: 4D0, 4D3, 4D5, 4D7
(3)	971 885 375 K	Foam part Seat cushion Vented Massage Comfort version	left	1	PR: 4D1, 4D2, 4D9
4	971 885 376 L	Foam part Seat cushion Comfort version	right	1	PR: 4D0, 4D3, 4D5, 4D7
(4)	971 885 376 K	Foam part Seat cushion Vented Massage Comfort version	right	1	PR: 4D1, 4D2, 4D9
5	971 885 891 H	Foam part Side part Seat Comfort version	left	1	PR: 4X4
		with:			
6	971 885 892 H	Airbag Foam part Side part Seat Comfort version	right	1	PR: 4X4
		with:			
8	971 885 313 A	Airbag Clip		4	
9	971 885 805 DA	Seat cushion Backrest cover Comfort version	left	1	PR: N1X, 3J4, 4D0, 4D7
		without:			
	971 885 805 DA GDB	Porsche crest Black			
	971 885 805 DA GHB	agate grey	-AB -DG		
	971 885 805 DA GFB	Luxor beige	-UB, PK		
(9)	971 885 805 DB	Backrest cover Comfort version	left	1	PR: N5U, 3J4, 4D0, 4D7

Model: 971-17

Model life 2017>>

Pos	Part Number	Description	Remark	Qty	Model
		without:			
	971 885 805 DB GDC	Porsche crest Black	-AC		
	971 885 805 DB GHC	agate grey	-DL		
	971 885 805 DB DUE	saddle brown	-SB,BS		
	971 885 805 DB GFC	Luxor beige	-UC,BP		
	971 885 805 DB DAK	Marsala Red	-PC		
	971 885 805 DB GUC	Bordeaux red	-BB		
	971 885 805 DB GVC	Chalk	-BK		
	971 885 805 DB DAL	Cream	-BE		
(9)	971 885 805 F	Backrest cover	left	1	PR:N0K,3J4, 4D1,4D2,4D3, 4D5,4D9
		Comfort version			
		without:			
		Porsche crest			
		Perforated			
	971 885 805 F GDB	Black	-AB		
	971 885 805 F GHB	agate grey	-DG		
	971 885 805 F GFB	Luxor beige	-UB,PK		
(9)	971 885 805 BP	Backrest cover	left	1	PR:N0Q,3J4, 4D1,4D2,4D3, 4D5,4D9
		Comfort version			
		without:			
		Porsche crest			
		Perforated			
	971 885 805 BP GDC	Black	-AC		
	971 885 805 BP GHC	agate grey	-DL		
	971 885 805 BP DUE	saddle brown	-SB,BS		
	971 885 805 BP GFC	Luxor beige	-UC,BP		
	971 885 805 BP DAK	Marsala Red	-PC		
	971 885 805 BP GUC	Bordeaux red	-BB		
	971 885 805 BP GVC	Chalk	-BK		
	971 885 805 BP DAL	Cream	-BE		
(9)	971 885 805 DD	Backrest cover	left	1	PR:N1X,4D0, 4D7,5ZF
		Comfort version			
		with:			
		Porsche crest			
	971 885 805 DD GDB	Black	-AB		
	971 885 805 DD GHB	agate grey	-DG		
	971 885 805 DD GFB	Luxor beige	-UB,PK		
(9)	971 885 805 DE	Backrest cover	left	1	PR:N5U,4D0, 4D7,5ZF
		Comfort version			
		with:			
		Porsche crest			
	971 885 805 DE GDC	Black	-AC		
	971 885 805 DE GHC	agate grey	-DL		
	971 885 805 DE DUE	saddle brown	-SB,BS		
	971 885 805 DE GFC	Luxor beige	-UC,BP		
	971 885 805 DE DAK	Marsala Red	-PC		
	971 885 805 DE GUC	Bordeaux red	-BB		
	971 885 805 DE GVC	Chalk	-BK		
	971 885 805 DE DAL	Cream	-BE		
(9)	971 885 805 BR	Backrest cover	left	1	PR:N0K,4D1, 4D2,4D3,4D5, 4D9,5ZF
		Comfort version			
		with:			
		Porsche crest			
		Perforated			

Model: 971-17 Model life 2017>>

Pos	Part Number	Description	Remark	Qty	Model
(9)	971 885 805 BR GDB	Black	-AB	1	PR:NOQ,4D1, 4D2,4D3,4D5, 4D9,5ZF
	971 885 805 BR GHB	agate grey	-DG		
	971 885 805 BR GFB	Luxor beige	-UB,PK		
	971 885 805 BS	Backrest cover	left		
		Comfort version			
		with:			
		Porsche crest			
		Perforated			
	971 885 805 BS GDC	Black	-AC		
	971 885 805 BS GHC	agate grey	-DL		
971 885 805 BS DUE	saddle brown	-SB,BS			
971 885 805 BS GFC	Luxor beige	-UC,BP			
971 885 805 BS DAK	Marsala Red	-PC			
971 885 805 BS GUC	Bordeaux red	-BB			
971 885 805 BS GVC	Chalk	-BK			
971 885 805 BS DAL	Cream	-BE			
10	971 885 806 C	Backrest cover	right	1	PR:N1X,3J4, 4D0,4D7
	Comfort version				
	without:				
	Porsche crest				
971 885 806 C GDB	Black	-AB	1	PR:N5U,3J4, 4D0,4D7	
971 885 806 C GHB	agate grey	-DG			
971 885 806 C GFB	Luxor beige	-UB,PK			
971 885 806 D	Backrest cover	right			
	Comfort version				
	without:				
	Porsche crest				
971 885 806 D GDC	Black	-AC			
971 885 806 D GHC	agate grey	-DL			
971 885 806 D DUE	saddle brown	-SB,BS			
971 885 806 D GFC	Luxor beige	-UC,BP			
971 885 806 D DAK	Marsala Red	-PC			
971 885 806 D GUC	Bordeaux red	-BB			
971 885 806 D GVC	Chalk	-BK			
971 885 806 D DAL	Cream	-BE			
10	971 885 806 F	Backrest cover	right	1	PR:N0K,3J4, 4D1,4D2,4D3, 4D5,4D9
	Comfort version				
	without:				
	Porsche crest				
	Perforated				
971 885 806 F GDB	Black	-AB	1	PR:NOQ,3J4, 4D1,4D2,4D3, 4D5,4D9	
971 885 806 F GHB	agate grey	-DG			
971 885 806 F GFB	Luxor beige	-UB,PK			
971 885 806 AP	Backrest cover	right			
	Comfort version				
	without:				
	Porsche crest				
	Perforated				
971 885 806 AP GDC	Black	-AC			
971 885 806 AP GHC	agate grey	-DL			
971 885 806 AP DUE	saddle brown	-SB,BS			
971 885 806 AP GFC	Luxor beige	-UC,BP			
971 885 806 AP DAK	Marsala Red	-PC			
971 885 806 AP GUC	Bordeaux red	-BB			
971 885 806 AP GVC	Chalk	-BK			

Model: 971-17 Model life 2017>>

Pos	Part Number	Description	Remark	Qty	Model
(10)	971 885 806 AP DAL 971 885 806 L	Cream Backrest cover Comfort version Porsche crest with:	-BE right	1	PR:N1X,5ZF, 4D0,4D7
(10)	971 885 806 L GDB 971 885 806 L GHB 971 885 806 L GFB 971 885 806 M	Black agate grey Luxor beige Backrest cover Comfort version Porsche crest with:	-AB -DG -UB,PK right	1	PR:N5U,5ZF, 4D0,4D7
(10)	971 885 806 M GDC 971 885 806 M GHC 971 885 806 M DUE 971 885 806 M GFC 971 885 806 M DAK 971 885 806 M GUC 971 885 806 M GVC 971 885 806 M DAL 971 885 806 AR	Black agate grey saddle brown Luxor beige Marsala Red Bordeaux red Chalk Cream Backrest cover Comfort version Porsche crest with:	-AC -DL -SB,BS -UC,BP -PC -BB -BK -BE right	1	PR:N0K,5ZF, 4D1,4D2,4D3, 4D5,4D9
(10)	971 885 806 AR GDB 971 885 806 AR GHB 971 885 806 AR GFB 971 885 806 AS	Black agate grey Luxor beige Backrest cover Comfort version Porsche crest with:	-AB -DG -UB,PK right	1	PR:N0Q,5ZF, 4D1,4D2,4D3, 4D5,4D9
(10)	971 885 806 AS GDC 971 885 806 AS GHC 971 885 806 AS DUE 971 885 806 AS GFC 971 885 806 AS DAK 971 885 806 AS GUC 971 885 806 AS GVC 971 885 806 AS DAL	Black agate grey saddle brown Luxor beige Marsala Red Bordeaux red Chalk Cream	-AC -DL -SB,BS -UC,BP -PC -BB -BK -BE		
11	971 885 405 CF	Cover Seat cushion Comfort version	left	1	PR:N1X,4D0, 4D7
(11)	971 885 405 CF GDB 971 885 405 CF GHB 971 885 405 CF GFB 971 885 405 CG	Black agate grey Luxor beige Cover Seat cushion Comfort version	-AB -DG -UB,PK left	1	PR:N5U,4D0, 4D7
(11)	971 885 405 CG GDC 971 885 405 CG GHC 971 885 405 CG DUE 971 885 405 CG GFC 971 885 405 CG DAK 971 885 405 CG GUC 971 885 405 CG GVC	Black agate grey saddle brown Luxor beige Marsala Red Bordeaux red Chalk	-AC -DL -SB,BS -UC,BP -PC -BB -BK		

Model: 971-17 Model life 2017>>

Pos	Part Number	Description	Remark	Qty	Model
(11)	971 885 405 CG DAL 971 885 405 BF	Cream Cover Seat cushion Comfort version Perforated	-BE left	1	PR:N0K,4D1, 4D2,4D3,4D5, 4D9
(11)	971 885 405 BF GDB 971 885 405 BF GHB 971 885 405 BF GFB 971 885 405 CA	Black agate grey Luxor beige Cover Seat cushion Comfort version Perforated	-AB -DG -UB,PK left	1	PR:N0Q,4D1, 4D2,4D3,4D5, 4D9
12	971 885 405 CA GDC 971 885 405 CA GHC 971 885 405 CA DUE 971 885 405 CA GFC 971 885 405 CA DAK 971 885 405 CA GUC 971 885 405 CA GVC 971 885 405 CA DAL 971 885 406 CF	Black agate grey saddle brown Luxor beige Marsala Red Bordeaux red Chalk Cream Cover Seat cushion Comfort version	-AC -DL -SB,BS -UC,BP -PC -BB -BK -BE right	1	PR:N1X,4D0, 4D7
(12)	971 885 406 CF GDB 971 885 406 CF GHB 971 885 406 CF GFB 971 885 406 CG	Black agate grey Luxor beige Cover Seat cushion Comfort version	-AB -DG -UB,PK right	1	PR:N5U,4D0, 4D7
(12)	971 885 406 CG GDC 971 885 406 CG GHC 971 885 406 CG DUE 971 885 406 CG GFC 971 885 406 CG DAK 971 885 406 CG GUC 971 885 406 CG GVC 971 885 406 CG DAL 971 885 406 BF	Black agate grey saddle brown Luxor beige Marsala Red Bordeaux red Chalk Cream Cover Seat cushion Comfort version Perforated	-AC -DL -SB,BS -UC,BP -PC -BB -BK -BE right	1	PR:N0K,4D1, 4D2,4D3,4D5, 4D9
(12)	971 885 406 BF GDB 971 885 406 BF GHB 971 885 406 BF GFB 971 885 406 CA	Black agate grey Luxor beige Cover Seat cushion Comfort version Perforated	-AB -DG -UB,PK right	1	PR:N0Q,4D1, 4D2,4D3,4D5, 4D9
13	971 885 406 CA GDC 971 885 406 CA GHC 971 885 406 CA DUE 971 885 406 CA GFC 971 885 406 CA DAK 971 885 406 CA GUC 971 885 406 CA GVC 971 885 406 CA DAL 971 885 745 BN	Black agate grey saddle brown Luxor beige Marsala Red Bordeaux red Chalk Cream Cover Side part Comfort version	-AC -DL -SB,BS -UC,BP -PC -BB -BK -BE left	1	PR:N1X,4D0, 4D7,4X4

Model: 971-17 Model life 2017>>

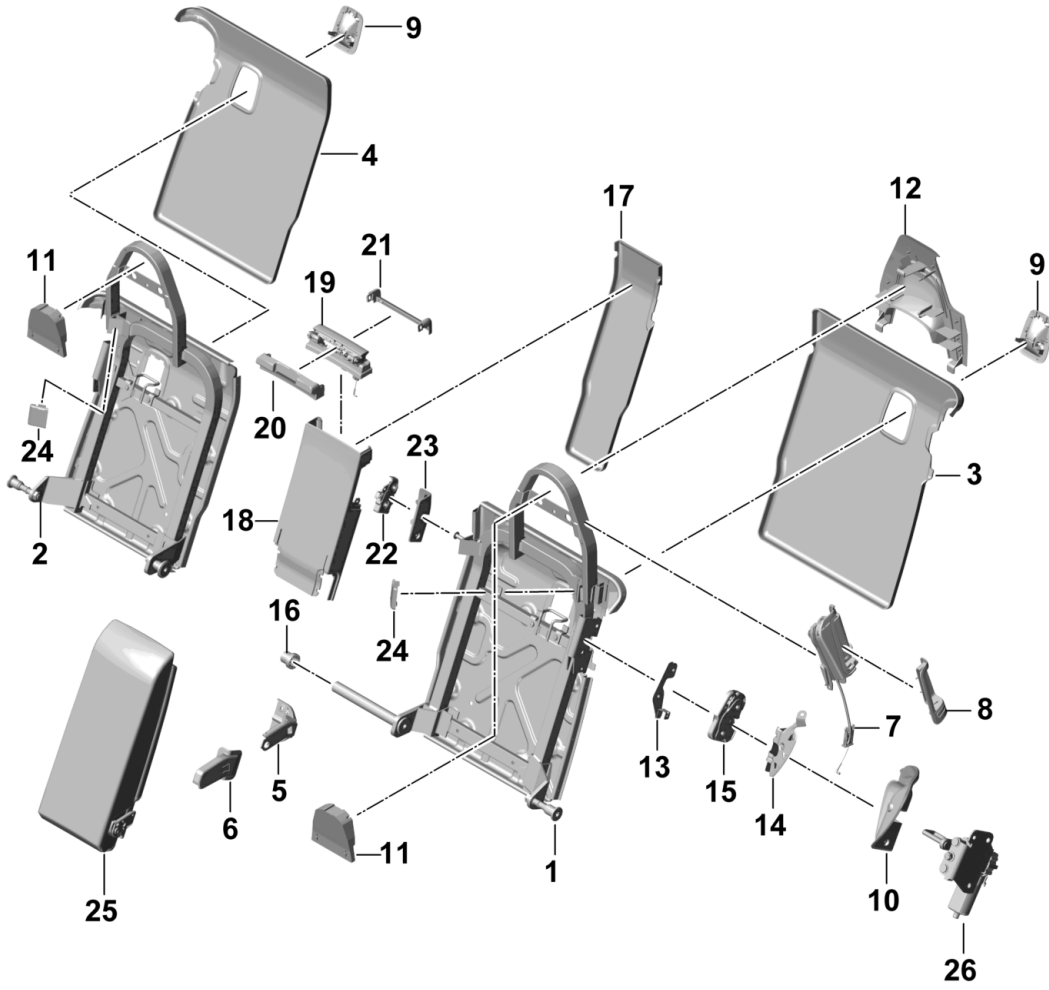
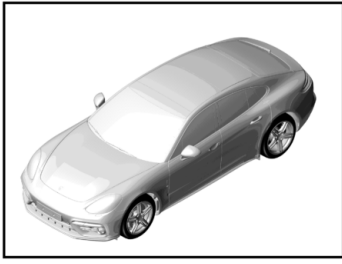
Pos	Part Number	Description	Remark	Qty	Model
(13)		Airbag with:			
	971 885 745 BN 21U	Black	-AB		
	971 885 745 BN OF6	agate grey	-DG		
	971 885 745 BN 32X	Luxor beige	-UB,PK		
	971 885 745 BP	Cover	left	1	PR:N5U,4D0, 4D7,4X4
		Side part			
		Comfort version			
		Airbag with:			
	971 885 745 BP 8YR	Black	-AC		
	971 885 745 BP PL1	agate grey	-DL		
	971 885 745 BP OK6	saddle brown	-SB,BS		
	971 885 745 BP 9H6	Luxor beige	-UC,BP		
	971 885 745 BP 8M8	Marsala Red	-PC		
971 885 745 BP OG6	Bordeaux red	-BB			
971 885 745 BP OL8	Chalk	-BK			
971 885 745 BP 6G0	Cream	-BE			
971 885 745 AF	Cover	left	1	PR:N0K,4D1, 4D2,4D3,4D5, 4D9,4X4	
	Side part				
	Comfort version				
	Airbag with:				
	Perforated				
971 885 745 AF 21U	Black	-AB			
971 885 745 AF OF6	agate grey	-DG			
971 885 745 AF 32X	Luxor beige	-UB,PK			
971 885 745 AG	Cover	left	1	PR:N0Q,4D1, 4D2,4D3,4D5, 4D9,4X4	
	Side part				
	Comfort version				
	Airbag with:				
	Perforated				
971 885 745 AG 8YR	Black	-AC			
971 885 745 AG PL1	agate grey	-DL			
971 885 745 AG OK6	saddle brown	-SB,BS			
971 885 745 AG 9H6	Luxor beige	-UC,BP			
971 885 745 AG 8M8	Marsala Red	-PC			
971 885 745 AG OG6	Bordeaux red	-BB			
971 885 745 AG OL8	Chalk	-BK			
971 885 745 AG 6G0	Cream	-BE			
971 885 746 BN	Cover	right	1	PR:N1X,4D0, 4D7,4X4	
	Side part				
	Comfort version				
	Airbag with:				
971 885 746 BN 21U	Black	-AB			
971 885 746 BN OF6	agate grey	-DG			
971 885 746 BN 32X	Luxor beige	-UB,PK			
971 885 746 BP	Cover	right	1	PR:N5U,4D0, 4D7,4X4	
	Side part				
	Comfort version				
	Airbag with:				
971 885 746 BP 8YR	Black	-AC			
971 885 746 BP PL1	agate grey	-DL			
971 885 746 BP OK6	saddle brown	-SB,BS			
971 885 746 BP 9H6	Luxor beige	-UC,BP			
971 885 746 BP 8M8	Marsala Red	-PC			
971 885 746 BP OG6	Bordeaux red	-BB			
971 885 746 BP OL8	Chalk	-BK			

Model: 971-17 Model life 2017>>

Pos	Part Number	Description	Remark	Qty	Model
(14)	971 885 746 BP 6G0 971 885 746 AF	Cream Cover Side part Comfort version	-BE right	1	PR:N0K,4D1, 4D2,4D3,4D5, 4D9,4X4
		with:			
	971 885 746 AF 21U	Airbag Perforated Black	-AB		
	971 885 746 AF OF6	agate grey	-DG		
	971 885 746 AF 32X	Luxor beige	-UB,PK		
(14)	971 885 746 AG	Cover Side part Comfort version	right	1	PR:N0Q,4D1, 4D2,4D3,4D5, 4D9,4X4
		with:			
	971 885 746 AG 8YR	Airbag Perforated Black	-AC		
	971 885 746 AG PL1	agate grey	-DL		
	971 885 746 AG OK6	saddle brown	-SB,BS		
	971 885 746 AG 9H6	Luxor beige	-UC,BP		
	971 885 746 AG 8M8	Marsala Red	-PC		
	971 885 746 AG OG6	Bordeaux red	-BB		
	971 885 746 AG OL8	Chalk	-BK		
	971 885 746 AG 6G0	Cream	-BE		
15	971 885 723 H	Backrest centre part w. cover		1	PR:N1X,N0K
	971 885 723 H GDB	Black	-AB		
	971 885 723 H GHB	agate grey	-DG		
	971 885 723 H GFB	Luxor beige	-UB,PK		
(15)	971 885 723 J	Backrest centre part w. cover		1	PR:N0Q,N5U
	971 885 723 J GDC	Black	-AC		
	971 885 723 J GHC	agate grey	-DL		
	971 885 723 J DUE	saddle brown	-SB,BS		
	971 885 723 J GFC	Luxor beige	-UC,BP		
	971 885 723 J DAK	Marsala Red	-PC		
	971 885 723 J GUC	Bordeaux red	-BB		
	971 885 723 J GVC	Chalk	-BK		
	971 885 723 J DAL	Cream	-BE		
16	971 885 585	Bracket Side part		2	
17	971 885 189 A	Retaining plate Side part	left	1	
18	971 885 190 A	Retaining plate Side part	right	1	
19	971 885 939 A	Guide piece Side part		2	
20	9A7 008 033 00	Hexagon socket head bolt		4	M6x16

Model: 971-17

Model life 2017>>



Model: 971-17 Model life 2017>>

Pos	Part Number	Description	Remark	Qty	Model
		Back seat backrest Trim Accessories Executive Basic Comfort version			PR: 3KR, 3KN
1	971 885 045 D	backrest frame (complete)	left	1	PR: 3KR
1	971 885 045 E	backrest frame (complete)	left	1	PR: 3KN
2	971 885 046 A	backrest frame (complete)	right	1	
3	971 885 753 A	covering rear panel backrest	left	1	
	971 885 753 A 6B0	Black	-AB, PK, AC, BB, BS, BK		
	971 885 753 A 9C0	agate grey	-DG, DL		
	971 885 753 A 7K0	Luxor beige	-UB, UC		
	971 885 753 A BW3	saddle brown	-SB, BP		
	971 885 753 A 7G0	Marsala Red	-PC, BE		
4	971 885 754	covering rear panel backrest	right	1	
	971 885 754 6B0	Black	-AB, PK, AC, BB, BS, BK		
	971 885 754 9C0	agate grey	-DG, DL		
	971 885 754 7K0	Luxor beige	-UB, UC		
	971 885 754 BW3	saddle brown	-SB, BP		
	971 885 754 7G0	Marsala Red	-PC, BE		
5	971 885 711	Bracket Medium Armrest	left	1	PR: -3KN
(5)	971 885 712	Bracket Medium Armrest	right	1	PR: -3KN
6	971 885 739	Trim for armrest Bracket Medium	left	1	PR: -3KN
	971 885 739 1E0	Black	-AB, AC		
	971 885 739 OP1	agate grey	-DG, DL		
	971 885 739 4H0	Luxor beige	-UB, PK, UC, BP		
	971 885 739 OM8	saddle brown	-SB, BS		
	971 885 739 3G0	Marsala Red	-PC		
	971 885 739 OG6	Bordeaux red	-BB		
	971 885 739 OL8	Chalk	-BK		
	971 885 739 5J0	Cream	-BE		
(6)	971 885 740	Trim for armrest Bracket Medium	right	1	PR: -3KN
	971 885 740 1E0	Black	-AB, AC		
	971 885 740 OP1	agate grey	-DG, DL		
	971 885 740 4H0	Luxor beige	-UB, PK, UC, BP		
	971 885 740 OM8	saddle brown	-SB, BS		
	971 885 740 3G0	Marsala Red	-PC		
	971 885 740 OG6	Bordeaux red	-BB		
	971 885 740 OL8	Chalk	-BK		
	971 885 740 5J0	Cream	-BE		
7	971 885 681 A	Backrest release	left	1	
	971 885 681 A GT8	Galvano silver			
(7)	971 885 682 A	Backrest release	right	1	
	971 885 682 A GT8	Galvano silver			
8	971 885 249 A	Trim for backrest	left	1	

Model: 971-17

Model life 2017>>

Pos	Part Number	Description	Remark	Qty	Model
		release mechanism			
	971 885 249 A 5Q0	Black	-AB,AC		
	971 885 249 A OA6	agate grey	-DG,DL		
	971 885 249 A 6W0	Luxor beige	-UB,PK,UC,BP		
	971 885 249 A OL7	saddle brown	-SB,BS		
	971 885 249 A 7X0	Marsala Red	-PC		
	971 885 249 A OG6	Bordeaux red	-BB		
	971 885 249 A OL8	Chalk	-BK		
	971 885 249 A 5V0	Cream	-BE		
(8)	971 885 250 A	Trim for backrest	right	1	
		release mechanism			
	971 885 250 A 5Q0	Black	-AB,AC		
	971 885 250 A OA6	agate grey	-DG,DL		
	971 885 250 A 6W0	Luxor beige	-UB,PK,UC,BP		
	971 885 250 A OL7	saddle brown	-SB,BS		
	971 885 250 A 7X0	Marsala Red	-PC		
	971 885 250 A OG6	Bordeaux red	-BB		
	971 885 250 A OL8	Chalk	-BK		
	971 885 250 A 5V0	Cream	-BE		
9	971 885 943	Trim	rear	2	
		Backrest			
	971 885 943 1E0	Black	-AB,PK,AC,BB, BS,BK		
	971 885 943 OP1	agate grey	-DG,DL		
	971 885 943 4H0	Luxor beige	-UB,UC		
	971 885 943 OM8	saddle brown	-SB,BP		
	971 885 943 3G0	Marsala Red	-PC		
10	971 885 933 A	cover - lock	left	1	
			rear		
	971 885 933 A 1E0	Black	-AB,PK,AC,BB, BS,BK		
	971 885 933 A OP1	agate grey	-DG,DL		
	971 885 933 A 4H0	Luxor beige	-UB,UC		
	971 885 933 A OM8	saddle brown	-SB,BP		
	971 885 933 A 3G0	Marsala Red	-PC		
(10)	971 885 934 A	cover - lock	right	1	
			rear		
	971 885 934 A 1E0	Black	-AB,PK,AC,BB, BS,BK		
	971 885 934 A OP1	agate grey	-DG,DL		
	971 885 934 A 4H0	Luxor beige	-UB,UC		
	971 885 934 A OM8	saddle brown	-SB,BP		
	971 885 934 A 3G0	Marsala Red	-PC		
11	971 885 913	Foam part	rear	2	
		Head restraint			
12	971 885 727	Headrest frame	left	1	
			rear		
(12)	971 885 728	Headrest frame	right	1	
			rear		
13	971 885 281	Securing plate	left	1	
		lock	rear		
(13)	971 885 282	Securing plate	right	1	
		lock	rear		
14	971 885 573 A	Reinforcement	left	1	
		Seat and backrest surface	rear		
(14)	971 885 574 A	Reinforcement	right	1	
		Seat and backrest surface	rear		
15	971 886 481	backrest lock	left	1	
			rear		
(15)	971 886 482	backrest lock	right	1	
			rear		
16	971 885 511	backrest frame		1	PR:-3KN
		Centre piece			

Model: 971-17 Model life 2017>>

Pos	Part Number	Description	Remark	Qty	Model
17	971 885 611	covering rear panel backrest Centre piece		1	PR:-3KN
	971 885 611 6B0	Black	-AB,PK,AC,BB, BS,BK		
	971 885 611 9C0	agate grey	-DG,DL		
	971 885 611 7K0	Luxor beige	-UB,UC		
	971 885 611 BW3	saddle brown	-SB,BP		
	971 885 611 7G0	Marsala Red	-PC,BE		
18	971 885 527	Carrier Centre piece		1	PR:-3KN
19	971 886 165 A	Release Centre piece		1	PR:-3KN
	971 886 165 A GT8	Galvano silver			
20	971 886 744	Trim Release	front	1	PR:-3KN
	971 886 744 5Q0	Black	-AB,AC		
	971 886 744 OA6	agate grey	-DG,DL		
	971 886 744 6W0	Luxor beige	-UB,PK,UC,BP		
	971 886 744 OL7	saddle brown	-SB,BS		
	971 886 744 7X0	Marsala Red	-PC		
	971 886 744 OG6	Bordeaux red	-BB		
	971 886 744 OL8	Chalk	-BK		
	971 886 744 5V0	Cream	-BE		
21	971 886 743	Trim Release	rear	1	PR:-3KN
	971 886 743 5Q0	Black	-AB,AC		
	971 886 743 OA6	agate grey	-DG,DL		
	971 886 743 6W0	Luxor beige	-UB,PK,UC,BP		
	971 886 743 OL7	saddle brown	-SB,BS		
	971 886 743 7X0	Marsala Red	-PC		
	971 886 743 OG6	Bordeaux red	-BB		
	971 886 743 OL8	Chalk	-BK		
	971 886 743 5V0	Cream	-BE		
22	971 883 481	lock Centre piece		1	PR:-3KN
23	971 886 748	Trim for lock Centre piece		1	PR:-3KN
	971 886 748 1E0	Black	-AB,PK,AC,BB, BS,BK		
	971 886 748 OP1	agate grey	-DG,DL		
	971 886 748 4H0	Luxor beige	-UB,UC		
	971 886 748 OM8	saddle brown	-SB		
	971 886 748 3G0	Marsala Red	-PC,BE		
25	971 885 081	Armrest		1	PR:N0K,N1X, 6E1
		without: Porsche crest			
	971 885 081 GDB	Black	-AB		
	971 885 081 GHB	agate grey	-DG		
	971 885 081 GFB	Luxor beige	-UB,PK		
(25)	971 885 081 A	Armrest		1	PR:N0Q,N1P, N5U,6E1
		without: Porsche crest			
	971 885 081 A GDC	Black	-AC		
	971 885 081 A GHC	agate grey	-DL		
	971 885 081 A DUE	saddle brown	-SB,BS		
	971 885 081 A GFC	Luxor beige	-UC,BP		
	971 885 081 A DAK	Marsala Red	-PC		
	971 885 081 A GUC	Bordeaux red	-BB		
	971 885 081 A GVC	Chalk	-BK		
	971 885 081 A DAL	Cream	-BE		
(25)	971 885 081 C	Armrest		1	PR:N0K,N1X,

Model: 971-17

Model life 2017>>

Pos	Part Number	Description	Remark	Qty	Model
		with:			6E2
	971 885 081 C GDB	Porsche crest Black	-AB		
	971 885 081 C GHB	agate grey	-DG		
	971 885 081 C GFB	Luxor beige	-UB,PK		
(25)	971 885 081 R	Armrest		1	PR:N0Q,N5U, 6E2
		with:			
	971 885 081 R GDC	Porsche crest Black	-AC		
	971 885 081 R GHC	agate grey	-DL		
	971 885 081 R DUE	saddle brown	-SB,BS		
	971 885 081 R GFC	Luxor beige	-UC,BP		
	971 885 081 R DAK	Marsala Red	-PC		
	971 885 081 R GUC	Bordeaux red	-BB		
	971 885 081 R GVC	Chalk	-BK		
	971 885 081 R DAL	Cream	-BE		
(25)	971 885 081 D	Armrest		1	PR:L0L,N0K, N1X,0E1,1X2, 6E3
		with:			
	971 885 081 D GDB	Panamera inscription Black	-AB		
	971 885 081 D GHB	agate grey	-DG		
	971 885 081 D GFB	Luxor beige	-UB,PK		
(25)	971 885 081 S	Armrest		1	PR:L0L,N0Q, N5U,0E1,1X2, 6E3
		with:			
	971 885 081 S GDC	Panamera Black	-AC		
	971 885 081 S GHC	agate grey	-DL		
	971 885 081 S DUE	saddle brown	-SB,BS		
	971 885 081 S GFC	Luxor beige	-UC,BP		
	971 885 081 S DAK	Marsala Red	-PC		
	971 885 081 S GUC	Bordeaux red	-BB		
	971 885 081 S GVC	Chalk	-BK		
	971 885 081 S DAL	Cream	-BE		
(25)	971 885 081 E	Armrest		1	PR:L0L,N0K, N1X,0E1,1X1, 6E3,A8C
		with:			
	971 885 081 E GDB	Panamera 4 inscription Black	-AB		
	971 885 081 E GHB	agate grey	-DG		
	971 885 081 E GFB	Luxor beige	-UB,PK		
(25)	971 885 081 T	Armrest		1	PR:L0L,N0Q, N5U,0E1,1X1, 6E3,A8C
		with:			
	971 885 081 T GDC	Panamera 4 Black	-AC		
	971 885 081 T GHC	agate grey	-DL		
	971 885 081 T DUE	saddle brown	-SB,BS		
	971 885 081 T GFC	Luxor beige	-UC,BP		
	971 885 081 T DAK	Marsala Red	-PC		
	971 885 081 T GUC	Bordeaux red	-BB		
	971 885 081 T GVC	Chalk	-BK		
	971 885 081 T DAL	Cream	-BE		
(25)	971 885 081 F	Armrest		1	PR:L0L,N0K, N1X,0E1,1X1, 6E3,A8F
		with:			
	971 885 081 F GDB	Panamera 4S inscription Black	-AB		
	971 885 081 F GHB	agate grey	-DG		
	971 885 081 F GFB	Luxor beige	-UB,PK		
(25)	971 885 081 AA	Armrest		1	PR:A8F,L0L, N0Q,N5U,0E1, 1X1,6E3
		with:			
		Panamera 4S inscription			

Model: 971-17 Model life 2017>>

Pos	Part Number	Description	Remark	Qty	Model
	971 885 081 AA GDC	Black	-AC		
	971 885 081 AA GHC	agate grey	-DL		
	971 885 081 AA DUE	saddle brown	-SB,BS		
	971 885 081 AA GFC	Luxor beige	-UC,BP		
	971 885 081 AA DAK	Marsala Red	-PC		
	971 885 081 AA GUC	Bordeaux red	-BB		
	971 885 081 AA GVC	Chalk	-BK		
	971 885 081 AA DAL	Cream	-BE		
(25)	971 885 081 G	Armrest		1	PR:L0L,N0K, N1X,0E1,6E3, A8H,E0A
		with:			
		Panamera Turbo inscription			
	971 885 081 G GDB	Black	-AB		
	971 885 081 G GHB	agate grey	-DG		
	971 885 081 G GFB	Luxor beige	-UB,PK		
(25)	971 885 081 AB	Armrest		1	PR:A8H,L0L, N0Q,N5U,0E1, E0A,6E3
		with:			
		Panamera Turbo inscription			
	971 885 081 AB GDC	Black	-AC		
	971 885 081 AB GHC	agate grey	-DL		
	971 885 081 AB DUE	saddle brown	-SB,BS		
	971 885 081 AB GFC	Luxor beige	-UC,BP		
	971 885 081 AB DAK	Marsala Red	-PC		
	971 885 081 AB GUC	Bordeaux red	-BB		
	971 885 081 AB GVC	Chalk	-BK		
	971 885 081 AB DAL	Cream	-BE		
(25)	971 885 081 H	Armrest		1	PR:L0L,N0K, N1X,0E1,6E3, A8H,E8A
		with:			
		Panamera Turbo S inscription			
	971 885 081 H GDB	Black	-AB		
	971 885 081 H GHB	agate grey	-DG		
	971 885 081 H GFB	Luxor beige	-UB,PK		
(25)	971 885 081 AC	Armrest		1	PR:A8H,L0L, N0Q,N5U,0E1, E8A,6E3
		with:			
		Panamera Turbo S inscription			
	971 885 081 AC GDC	Black	-AC		
	971 885 081 AC GHC	agate grey	-DL		
	971 885 081 AC DUE	saddle brown	-SB,BS		
	971 885 081 AC GFC	Luxor beige	-UC,BP		
	971 885 081 AC DAK	Marsala Red	-PC		
	971 885 081 AC GUC	Bordeaux red	-BB		
	971 885 081 AC GVC	Chalk	-BK		
	971 885 081 AC DAL	Cream	-BE		
(25)	971 885 081 K	Armrest		1	PR:L0R,N0K, N1X,0E1,1X2, 6E3
		with:			
		Panamera inscription			
	971 885 081 K GDB	Black	-AB		
	971 885 081 K GHB	agate grey	-DG		
	971 885 081 K GFB	Luxor beige	-UB,PK		
(25)	971 885 081 AE	Armrest		1	PR:L0R,N0Q, N5U,0E1,6E3, 1X2
		with:			
		Panamera inscription			
	971 885 081 AE GDC	Black	-AC		
	971 885 081 AE GHC	agate grey	-DL		
	971 885 081 AE DUE	saddle brown	-SB,BS		
	971 885 081 AE GFC	Luxor beige	-UC,BP		
	971 885 081 AE DAK	Marsala Red	-PC		
	971 885 081 AE GUC	Bordeaux red	-BB		

Model: 971-17 Model life 2017>>

Pos	Part Number	Description	Remark	Qty	Model	
(25)	971 885 081 AE GVC	Chalk	-BK	1	PR:LOR,N0K, N1X,0E1,1X1, 6E3,A8C	
	971 885 081 AE DAL	Cream	-BE			
	971 885 081 L	Armrest				
		with:				
		Panamera 4 inscription				
(25)	971 885 081 L GDB	Black	-AB	1	PR:LOR,N0Q, N5U,0E1,6E3, 1X1,A8C	
	971 885 081 L GHB	agate grey	-DG			
	971 885 081 L GFB	Luxor beige	-UB,PK			
(25)	971 885 081 AF	Armrest				
		with:				
		Panamera 4 inscription				
(25)	971 885 081 AF GDC	Black	-AC	1	PR:LOR,N0K, N1X,0E1,1X1, 6E3,A8F	
	971 885 081 AF GHC	agate grey	-DL			
	971 885 081 AF DUE	saddle brown	-SB,BS			
	971 885 081 AF GFC	Luxor beige	-UC,BP			
	971 885 081 AF DAK	Marsala Red	-PC			
	971 885 081 AF GUC	Bordeaux red	-BB			
	971 885 081 AF GVC	Chalk	-BK			
	971 885 081 AF DAL	Cream	-BE			
	971 885 081 M	Armrest				
			with:			
			Panamera 4S inscription			
(25)	971 885 081 M GDB	Black	-AB	1	PR:LOR,N0Q, N5U,0E1,6E3, 1X1,A8F	
	971 885 081 M GHB	agate grey	-DG			
	971 885 081 M GFB	Luxor beige	-UB,PK			
(25)	971 885 081 AG	Armrest				
		with:				
		Panamera 4S inscription				
(25)	971 885 081 AG GDC	Black	-AC	1	PR:LOR,N0K, N1X,0E1,6E3, A8H,E0A	
	971 885 081 AG GHC	agate grey	-DL			
	971 885 081 AG DUE	saddle brown	-SB,BS			
	971 885 081 AG GFC	Luxor beige	-UC,BP			
	971 885 081 AG DAK	Marsala Red	-PC			
	971 885 081 AG GUC	Bordeaux red	-BB			
	971 885 081 AG GVC	Chalk	-BK			
	971 885 081 AG DAL	Cream	-BE			
	971 885 081 N	Armrest				
			with:			
			Panamera Turbo inscription			
(25)	971 885 081 N GDB	Black	-AB	1	PR:LOR,N0Q, N5U,0E1,6E3, E0A,A8H	
	971 885 081 N GHB	agate grey	-DG			
	971 885 081 N GFB	Luxor beige	-UB,PK			
(25)	971 885 081 AH	Armrest				
		with:				
		Panamera Turbo inscription				
(25)	971 885 081 AH GDC	Black	-AC	1	PR:LOR,N0K, N1X,0E1,6E3, A8H,E8A	
	971 885 081 AH GHC	agate grey	-DL			
	971 885 081 AH DUE	saddle brown	-SB,BS			
	971 885 081 AH GFC	Luxor beige	-UC,BP			
	971 885 081 AH DAK	Marsala Red	-PC			
	971 885 081 AH GUC	Bordeaux red	-BB			
	971 885 081 AH GVC	Chalk	-BK			
	971 885 081 AH DAL	Cream	-BE			
	971 885 081 P	Armrest				
			with:			
			Panamera Turbo S inscription			

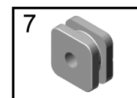
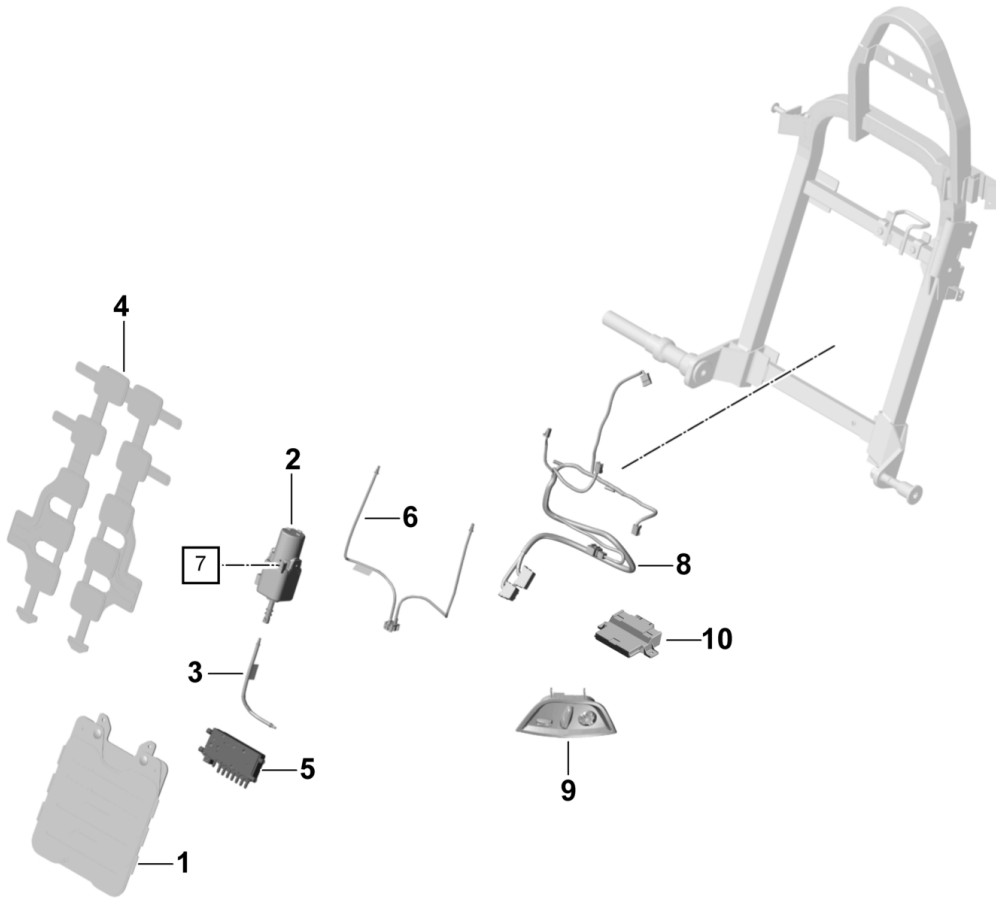
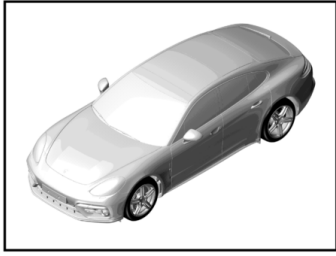
Model: 971-17

Model life 2017>>

Pos	Part Number	Description	Remark	Qty	Model
(25)	971 885 081 P GDB	Black	-AB	1	PR:LOR,N0Q, N5U,0E1,6E3, E8A,A8H
	971 885 081 P GHB	agate grey	-DG		
	971 885 081 P GFB	Luxor beige	-UB,PK		
	971 885 081 AJ	Armrest			
		with:			
		Panamera Turbo S inscription			
	971 885 081 AJ GDC	Black	-AC		
	971 885 081 AJ GHC	agate grey	-DL		
	971 885 081 AJ DUE	saddle brown	-SB,BS		
	971 885 081 AJ GFC	Luxor beige	-UC,BP		
971 885 081 AJ DAK	Marsala Red	-PC			
971 885 081 AJ GUC	Bordeaux red	-BB			
971 885 081 AJ GVC	Chalk	-BK			
971 885 081 AJ DAL	Cream	-BE			
26	971 886 315	Adjusting motor	left	1	
(26)	971 886 316	Adjusting motor	right	1	

Model: 971-17

Model life 2017>>



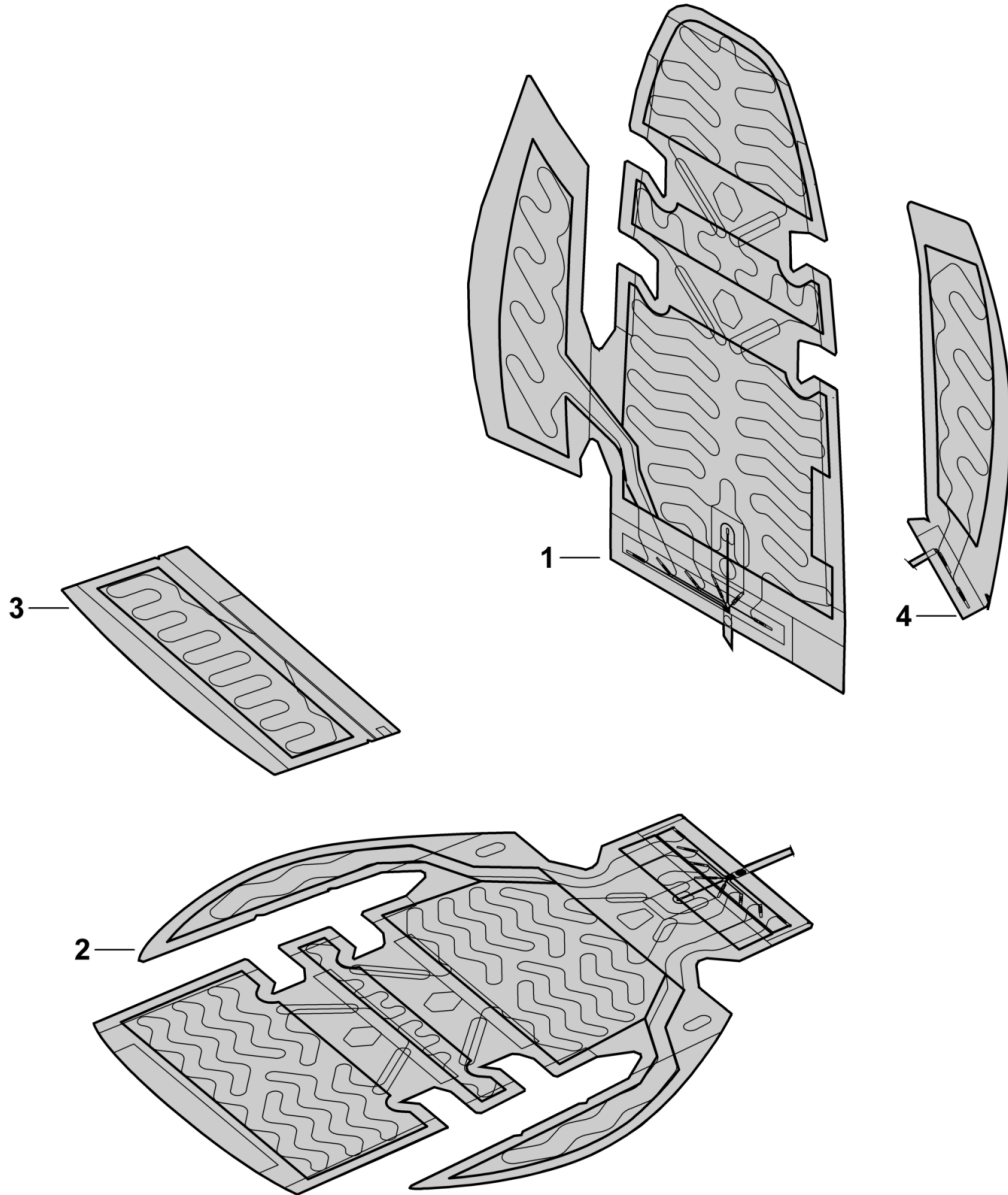
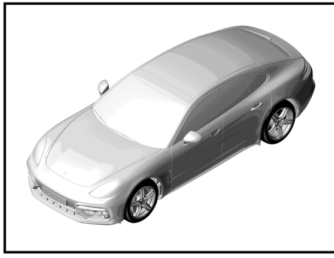
Model: 971-17

Model life 2017>>

Pos	Part Number	Description	Remark	Qty	Model
1	971 898 035	Lumbar Massage mat Wire set Repair set for massage lumbar support	left	1	PR-3KK,3KL, 3KN,3KR
(1)	971 898 035 A	Repair set for massage lumbar support	right	1	PR-3KK,3KL, 3KN,3KR
2	971 898 037	repair kit for seat		2	
7	971 881 867	Massage mat Stop buffer Compressor		1	
8	971 971 389 AF	Wire set Seat	left rear	1	PR:-4D2
(8)	971 971 389 AG	Wire set Seat	left rear	1	PR:4D2
(8)	971 974 389 AF	Wire set Seat	right rear	1	PR:-4D2
(8)	971 974 389 AG	Wire set Seat	right rear	1	PR:4D2
9	971 959 765 B	switch for seat adjustment	left	1	PR:3KK,3KL, 3KN,3KR
(9)	971 959 765 B HVO 971 959 766 B	Black/Galvano Silver switch for seat adjustment	right	1	PR:3KK,3KL, 3KN,3KR
10	971 959 766 B HVO 9A7 959 772 00	Black/Galvano Silver Control unit for seat heating	rear	1	PR:4A4
11	971 886 769	Seat adjustment motor Seat	rear	1	PR:3KK,3KL, 3KN,3KR

Model: 971-17

Model life 2017>>



Model: 971-17 Model life 2017>>

Pos	Part Number	Description	Remark	Qty	Model
1	971 963 567 D	Heater element backrest Seat cushion Side part Heater element Comfort seat Package backrest Standard seat Comfort seat Premium	left	1	PR:4A4 PR:0E1,3KG, 3KI,3KK
(1)	971 963 568 D	Heater element Comfort seat Package backrest Standard seat Comfort seat Premium	right	1	PR:0E1,3KG, 3KI,3KK
(1)	971 963 567 E	Heater element sports seat Package backrest Standard seat Comfort seat Premium	left	1	PR:0E1,3KH, 3KJ,3KL
(1)	971 963 568 E	Heater element sports seat Package backrest Standard seat Comfort seat Premium	right	1	PR:0E1,3KH, 3KJ,3KL
2	971 963 561 F	Heater element Seat cushion Comfort seat sports seat Premium Comfort seat sports seat	basic	1	PR:0E1,3KG, 3KH,3KI,3KJ
(2)	971 963 561 G	Heater element Seat cushion Premium Package		1	PR:0E1,3KK, 3KL
3	971 963 550 A	Heater element Seat cushion Deep Adjustment		1	PR:3KK,3KL, 3KN,3KR
4	971 963 573 G	Heater element Comfort seat Package Side part Standard seat Comfort seat Premium	left	1	PR:0E1,3KG, 3KI,3KK
(4)	971 963 574 G	Heater element Comfort seat Package Side part Standard seat Comfort seat Premium	right	1	PR:0E1,3KG, 3KI,3KK
(4)	971 963 573 F	Heater element	left	1	PR:0E1,3KH,

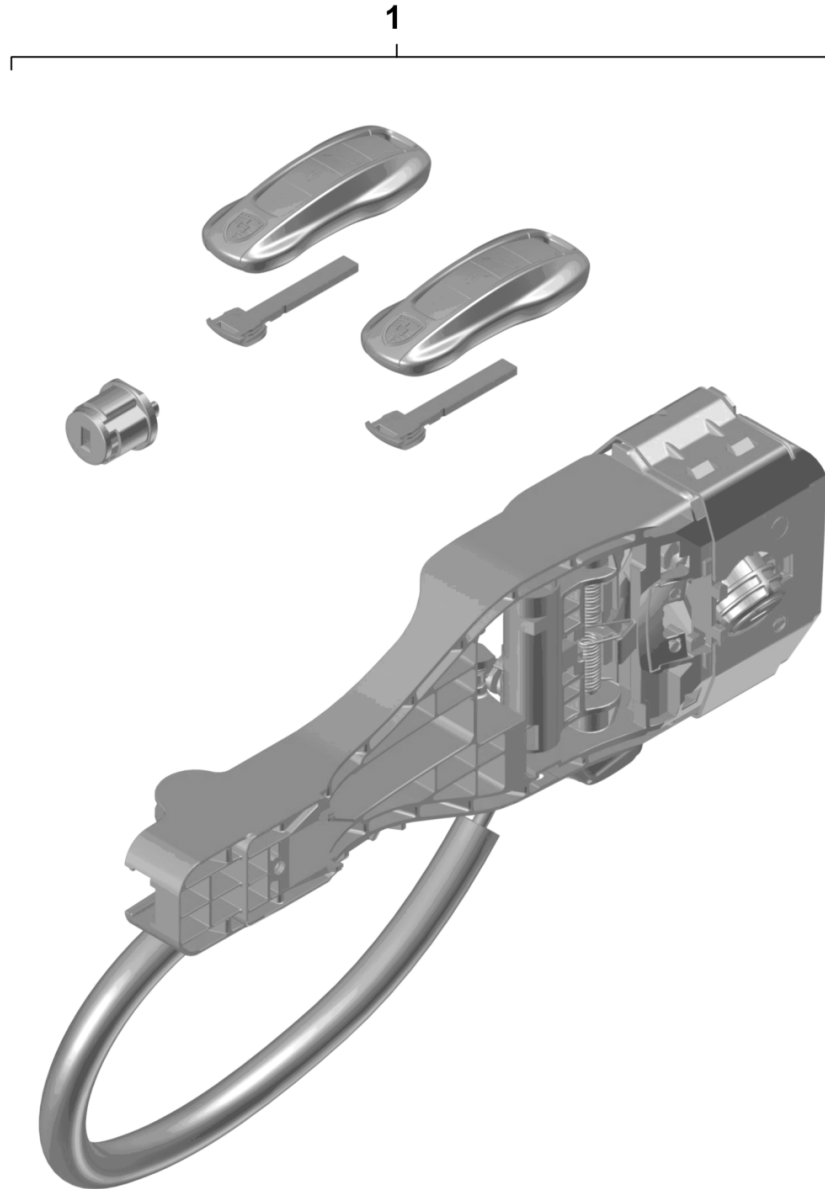
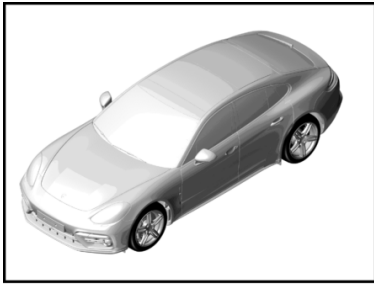
Model: 971-17

Model life 2017>>

Pos	Part Number	Description	Remark	Qty	Model
(4)	971 963 574 F	sports seat Package Side part Standard seat Comfort seat Premium Heater element sports seat Package Side part Standard seat Comfort seat Premium	right	1	3KJ, 3KL PR:0E1, 3KH, 3KJ, 3KL

Model: 971-17

Model life 2017>>



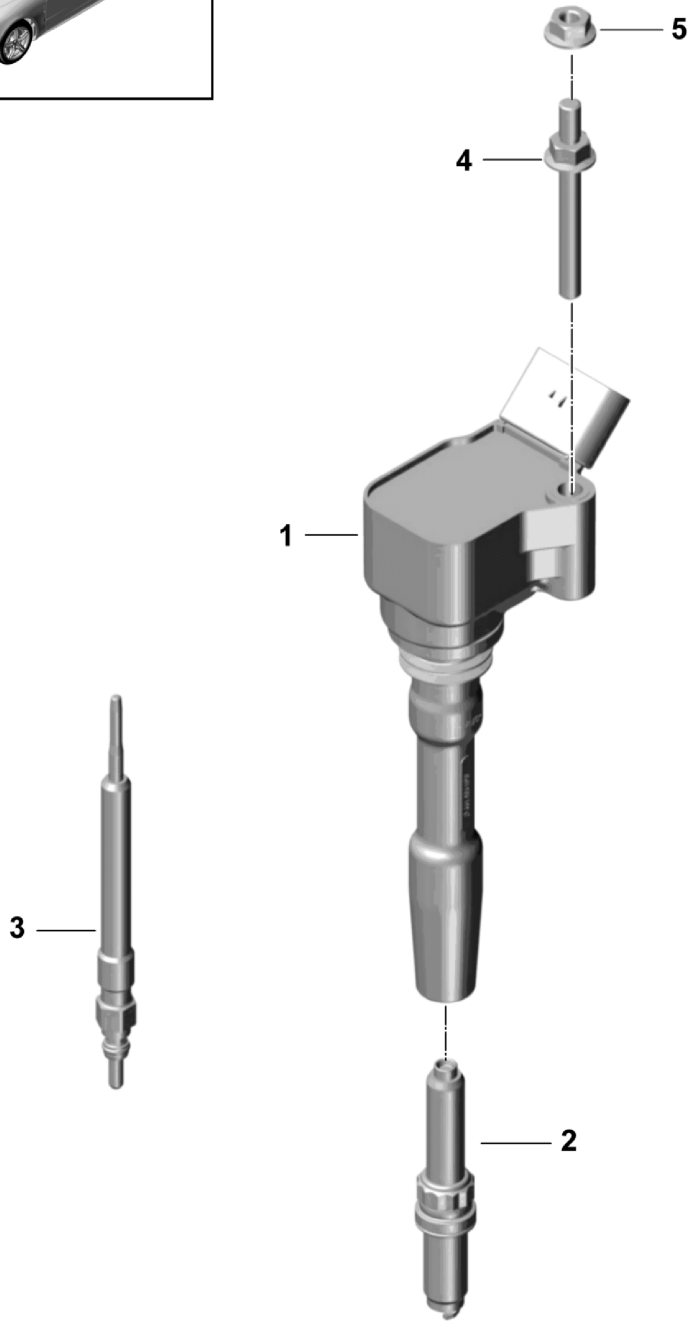
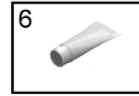
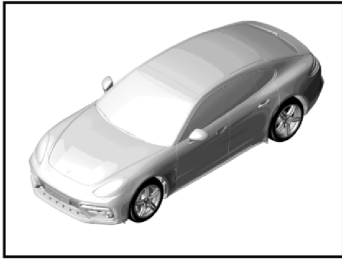
Model: 971-17

Model life 2017>>

Pos	Part Number	Description	Remark	Qty	Model
-		Set of locks Set of locks comprising: Glove compartment lock Bracket Door handle, exterior emergency key Key fob Handheld transmitter			
1	971 898 374	Set of locks		1	PR:L0L,4I6, 4I8,5D1
(1)	971 898 374 A	Set of locks		1	PR:L0L,4F2, 4F6,5D1
(1)	971 898 374 B	Set of locks		1	PR:L0R,4I6, 4I8,5D1
(1)	971 898 374 C	Set of locks		1	PR:L0R,4F2, 4F6,5D1
(1)	971 898 374 F	Set of locks		1	PR:L0R,4I6, 4I8,5D8
(1)	971 898 374 H	Set of locks		1	PR:L0L,4I6, 4I8,5D4
(1)	971 898 374 J	Set of locks		1	PR:L0L,4F2, 4F6,5D4
(1)	971 898 374 K	Set of locks		1	PR:L0R,4I6, 4I8,5D4
(1)	971 898 374 L	Set of locks		1	PR:L0R,4F2, 4F6,5D4
(1)	971 898 374 BD	1 set of lock cylinders with handheld trans. & emerg. key AVON: WP01085		1	PR:L0L,4I6, 4I8,5D9
(1)	971 898 374 BE	1 set of lock cylinders with handheld trans. & emerg. key AVON: WP01085		1	PR:L0L,4F2, 4F5,5D9
(1)	971 898 374 BF	1 set of lock cylinders with handheld trans. & emerg. key AVON: WP01085		1	PR:L0R,4I6, 4I8,5D9
(1)	971 898 374 BG	1 set of lock cylinders with handheld trans. & emerg. key AVON: WP01085		1	PR:L0R,4F2, 4F5,5D9

Model: 971-17

Model life 2017>>



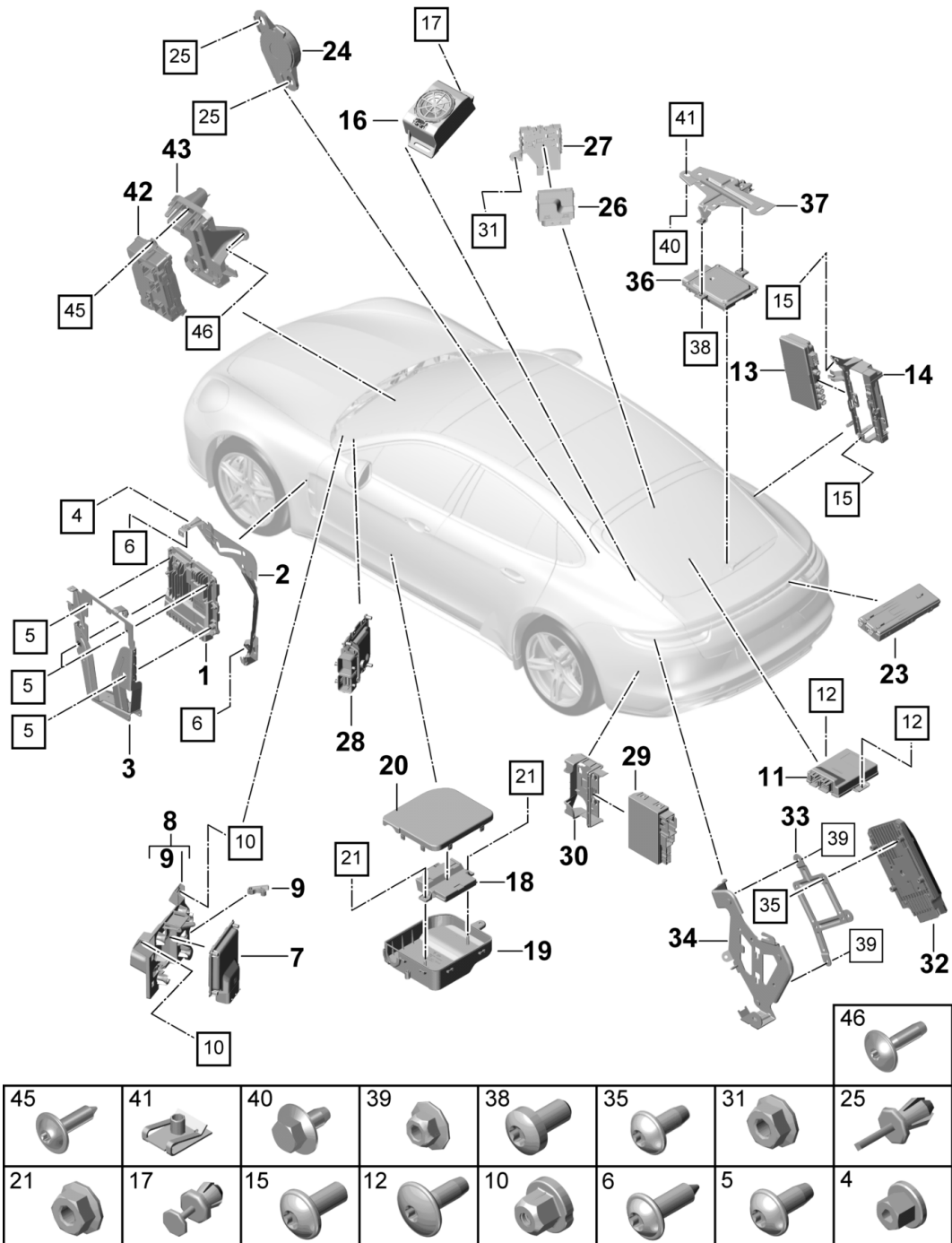
Model: 971-17

Model life 2017>>

Pos	Part Number	Description	Remark	Qty	Model
1	958 905 110 01	Ignition system		8	CVDA, CVD
(1)	958 905 110 01	Ignition coil		6	CSZA, CSZ, CXTA, CXT, DGPA, DGP
2	9A7 905 601 00	Spark plug NGK 8		8	CVDA, CVD
(2)	9A7 905 601 50	Spark plug NGK	also use: 000 043 210 83	X 6	CSZA, CSZ, CXTA, CXT, DGPA, DGP
3	9A7 963 319 00	Glow plug	also use: 000 043 210 83	X	DIESEL
4	N 108 251 01	double stud with hexagon drive M 6 X 45		8	CVDA, CVD
(4)	N 104 057 02	Hexagon socket head bolt M 6 X 45		6	CSZA, CSZ, CXTA, CXT, DGPA, DGP
5	N 015 082 10	Hexagon collar nut M 6		8	CVDA, CVD
6	000 043 210 83	grease for Ignition coil		1	CVDA, CVD, CSZA, CSZ, CXTA, CXT, DGPA, DGP

Model: 971-17

Model life 2017>>



Model: 971-17

Model life 2017>>

Pos	Part Number	Description	Remark	Qty	Model
		Control units Engine and transmission Lock control Tow hitch Parking aid Gateway Rear lid Fuel pump Start/Stop Electric parking brake			
1	9A7 907 309 00	Control unit		1	PR:DW4,DT4, OK0
(1)	9A7 907 309 10	- DME - Control unit		1	PR:DT4,DW4, OK3
(1)	9A7 907 309 20	- DME - Control unit		1	PR:D29,OK0
(1)	9A7 907 309 30	- DME - Control unit		1	PR:D0D,OK3
(1)	9A7 907 309 40	- DME - Control unit		1	PR:D1I
(1)	9A7 907 309 50	- DME - Control unit		1	PR:DJ7
2	971 906 216 A	Retainer for control units		1	PR:DT4,DW4, DJ7
3	971 906 204 A	Retainer for control units		1	PR:DT4,DW4, D29,D0D,D1I
(3)	971 906 214 A	Retainer for control units		1	PR:DJ7
4	N 100 151 01	Hexagon nut T5		1	
5	N 106 695 01	fillister head bolt with multi-point socket head M 5 X 12		4	
6	N 106 795 01	oval head panel screw ST 4,8 X 16		2	
7	9A7 927 156 01	Control unit - PDK -		1	
8	971 927 335 A	Bracket Control unit - PDK -		1	PR:L0L
(8)	971 927 329 A	Bracket Control unit - PDK -		1	PR:L0R
9	971 907 354	Retaining bar Control unit - PDK -		2	
10	999 076 081 40	Hexagon plastic collar nut T5		3	
11	971 927 771 E	Control unit for differential locks		1	PR:GH3
(11)	971 927 771 F	No longer use the part here Control unit for differential locks		1	PR:GH3
12	N 909 747 01	Hexagon socket head panel bolt TP5X16		2	PR:GH3
13	971 907 428 E	Control unit for parking aid Camera system Real Top View		1	PR:8A4
14	971 907 372 A	Retainer for control units Real Top View		1	PR:8A4
(14)	971 907 372 A	Retainer for control units Real Top View		1	PR:3Z7,7X2, 7X8,9ZC
15	N 909 446 04	Oval hexagon socket head bolt		2	PR:3Z7,7X2,

Model: 971-17

Model life 2017>>

Pos	Part Number	Description	Remark	Qty	Model
16	7PP 035 709 A	M5 X 12 Loudspeaker	rear	1	7X8,9ZC
17	N 104 420 03	Parking aid self-tapping screw TP5X16		3	PR:NZ3
(17)	N 907 794 01	Spreader rivet BD 6,2X9,3		1	PR:-NZ3
18	9A7 907 467 00	Control unit for gateway D >> - 04.11.2016		1	
(18)	9A7 907 468 00	Control unit for gateway HR. SCHOLTEN		1	
(18)	9A7 907 468 01	Control unit for gateway D - 29.05.2017>> - 03.11.2017		1	
(18)	9A7 907 468 10	Control unit for gateway D - 06.11.2017>>		1	
19	971 907 583 B	housing lower part Control unit for gateway		1	
20	971 907 613 B	Housing cover Control unit for gateway		1	
21	N 015 082 10	Hexagon collar nut M6		2	
23	9A7 959 107 00	Control unit for tailgate		1	
24	9A7 919 279 00	Loudspeaker		1	
25	N 905 369 01	Spreader rivet		2	
-		Control unit Door			
26	971 906 093	Control unit for fuel pump see illustration:	902-015	1	
27	971 906 129 A	Retainer for control unit Fuel pump		1	
28	971 907 183 D	Control unit for speed control system (GRA)		1	PR:3V1
29	9A7 907 383 00	Control unit Tow hitch		1	PR:1D3
30	971 907 371	Retainer for control units Tow hitch		1	PR:1D3,1D7
31	N 015 082 10	Hexagon collar nut M 6		1	
32	971 907 553 AA	Control unit for electronic regulated damping		1	PR:1BK
(32)	971 907 553 AL	Control unit for chassis		1	PR:1BK,E8A
(32)	971 907 553 AB	Control unit Chassis control		1	PR:1BH
(32)	971 907 553 AM	Control unit for chassis		1	PR:1BH,E8A
33	971 907 114	Retainer for control unit, electronically controlled damping		1	PR:1BK,1BH
34	971 907 515	Retainer for control units Chassis control		1	PR:1BK,1BH
35	N 106 695 01	fillister head bolt with multi-point socket head M5X12		4	PR:1BK,1BH
36	9A7 907 355 10	Control unit Urea solution AdBlue		1	DBUC
37	971 907 331	Retainer for control units Urea solution AdBlue		1	DBUC
38	N 103 352 07	Hexagon socket flat head bolt, self-locking M 6 X 12 -K		2	DBUC
39	N 908 877 03	Hexagon flange nut, self-locking M 6		2	DBUC

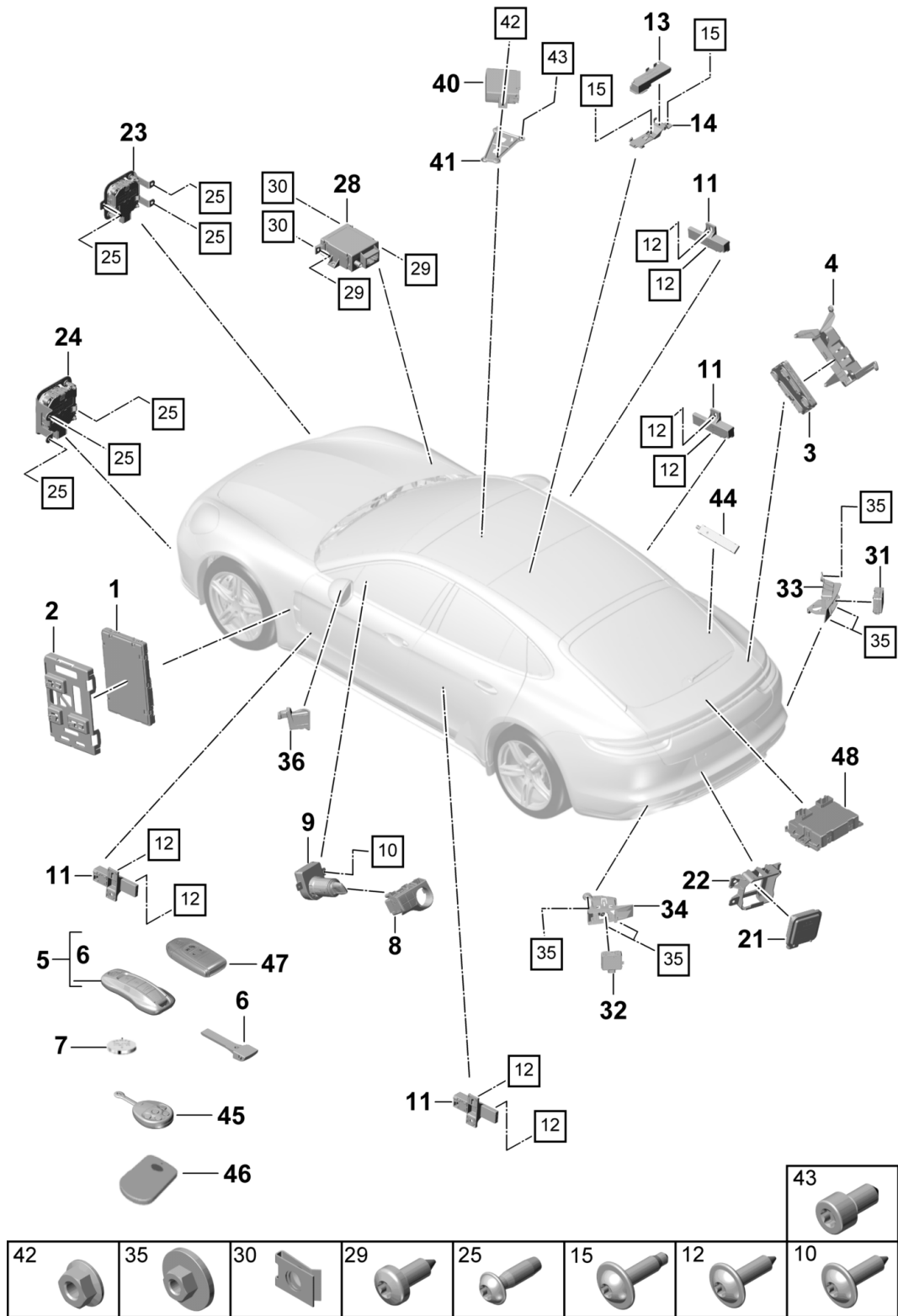
Model: 971-17

Model life 2017>>

Pos	Part Number	Description	Remark	Qty	Model
40	N 108 140 01	Hex collared bolt M 6 X 12		1	DBUC
41	N 906 271 02	speed nut, self-locking M 6		1	DBUC
42	971 907 040 H	Control unit for air-con.		1	PR:A8F,A8H
43	971 907 102	Retainer for control unit Air conditioning		1	PR:L0L
(43)	971 907 647	Retainer for control unit Air conditioning		1	PR:L0R
45	N 906 986 06	Hexagon socket head panel bolt 4,2 X 16		1	
46	N 910 907 01	Oval socket head bolt with hex drive 5,0 X 20		3	
47	PAB 965 429	Control unit for thermomanagement		1	PR-0K3
48	971 965 527	Retaining plate		1	PR-0K3
49	971 965 557	Bracket for thermal management control unit		1	PR-L0L,0K3
(49)	971 965 557 A	Bracket for thermal management control unit		1	PR-L0R,0K3
50	999 049 008 40	Plastic nut	T5/16X10	2	

Model: 971-17

Model life 2017>>



Model: 971-17

Model life 2017>>

Pos	Part Number	Description	Remark	Qty	Model
		Control units Electronics Front end Rear end Ignition/starter switch Handheld transmitter Garage door opener Receiving part Auxiliary heater Aerial Distance sensor Lane Change Assistant Spoiler			
1	971 907 063 B	Control unit (BCM) for conv. system & OB power supply D >> - 03.11.2017		1	
(1)	971 907 063 E	Control unit (BCM) for conv. system & OB power supply D - 06.11.2017>> - 25.05.2018		1	
2	971 907 286	Bracket Control unit		1	
3	971 907 064 CK	Onboard supply control unit BCM2 INKL. FUNKTION EINPARKHILFE		1	PR:5D1,5D8, 5D9
(3)	971 907 064 CT	Onboard supply control unit BCM2 INKL. FUNKTION EINPARKHILFE		1	PR:5D4
4	971 907 461	Retainer for control units BCM2 INKL. FUNKTION EINPARKHILFE		1	
5	9A7 959 953 00	Handheld transmitter When ordering, provide vehicle identification number.		1	PR:5D1
(5)	9A7 959 953 10	Handheld transmitter When ordering, provide vehicle identification number.		1	PR:5D4
(5)	9A7 959 953 20	Handheld transmitter When ordering, provide vehicle identification number.		1	PR:5D8
(5)	9A7 959 953 30	Handheld transmitter When ordering, provide vehicle identification number.		1	PR:5D9
6	9A7 837 216 00	emergency key with stipulated lock number * Part number must be ordered * manually by indicating * vehicle ID number.		1	
7	999 611 108 00	Battery for hand sender		1	
8	972 941 209 B	Strip for switches Light switch		1	PR:L0L
(8)	972 941 209 B HJD	Black/Galvano Silver			
	973 941 209 B	Strip for switches Light switch		1	PR:L0R
	973 941 209 B HJD	Black/Galvano Silver			
9	971 905 865 B	Ignition/starter switch		1	
10	N 906 986 06	Hexagon socket head panel bolt		2	
11	9A7 907 247 00	Aerial for access and start authorisation (KESSY)	inner	3	PR:4F2,4F6
(11)	9A7 907 247 00	Aerial for access and start authorisation (KESSY)	inner	4	PR:4F2,4F6, 0E2
(11)	9A7 907 247 00	Aerial for access and start authorisation (KESSY)	inner	1	PR:4I6,4I8

Model: 971-17 Model life 2017>>

Pos	Part Number	Description	Remark	Qty	Model
12	N 906 986 06	Hexagon socket head panel bolt ST4,2X16		8	
13	9A7 907 247 10	Aerial for access and start authorisation (KESY) Centre console		1	PR:4F2,4F6
(13)	9A7 907 247 10	Aerial for access and start authorisation (KESY) Centre console		1	PR:4I6,4I8
14	971 907 741	Bracket Aerial		1	
15	N 911 809 01	'Keyless Entry (KESY)' Flat head multi-point socket bolt M5X20		4	
21	9A7 907 410 00	Control unit for opening garage door		1	PR:VC1
(21)	9A7 907 410 10	Control unit for opening garage door		1	PR:VC2
22	971 907 681 A	Bracket Control unit		1	PR:VC1,VC2
23	971 907 561 B	Garage door opener Control unit for distance regulation Included Bracket	Master	1	PR:3V1,8T3
24	971 907 541 B	Control unit for distance regulation Included Bracket	Slave	1	PR:3V1,8T3
25	N 104 734 02	round hd. screw TP6 X 20		2	
28	9A7 963 271 00	Control unit for auxiliary heating		1	PR:9M9
29	N 106 562 02	Hexagon socket head bolt 3,5 X 9,5		2	PR:9M9
30	N 911 680 01	Speed nut 3,5		2	PR:9M9
31	9A7 907 566 00	Control unit for lane change assist	Master	1	PR:7Y1
32	9A7 907 590 00	Control unit for lane change assist	Slave	1	PR:7Y1
33	971 907 510 A	Bracket Control unit for lane change assist	Master	1	PR:7Y1
34	971 907 509 A	Bracket Control unit for lane change assist	Slave	1	PR:7Y1
35	N 905 708 03	hex. nut with washer M 6		6	PR:7Y1
36		Warning display for lane change assist Exterior mirror see illustration:	left lhd 809-050	1	PR:L0L,7Y1
40	9A7 035 620 00	Control unit VTS vehicle tracking D >> - 03.11.2017		1	PR:7G9,7I0, 7I2
(40)	958 035 620	Control unit VTS vehicle tracking D - 06.11.2017>>		1	PR:7G9
41	971 035 317	Retainer for control units VTS vehicle tracking		1	PR:7I0,7I2
42	N 015 082 10	Hexagon collar nut		1	PR:7I0,7I2

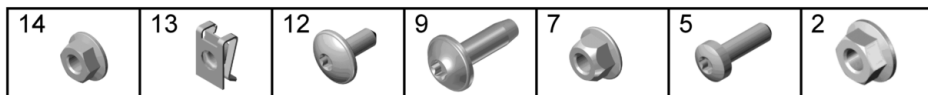
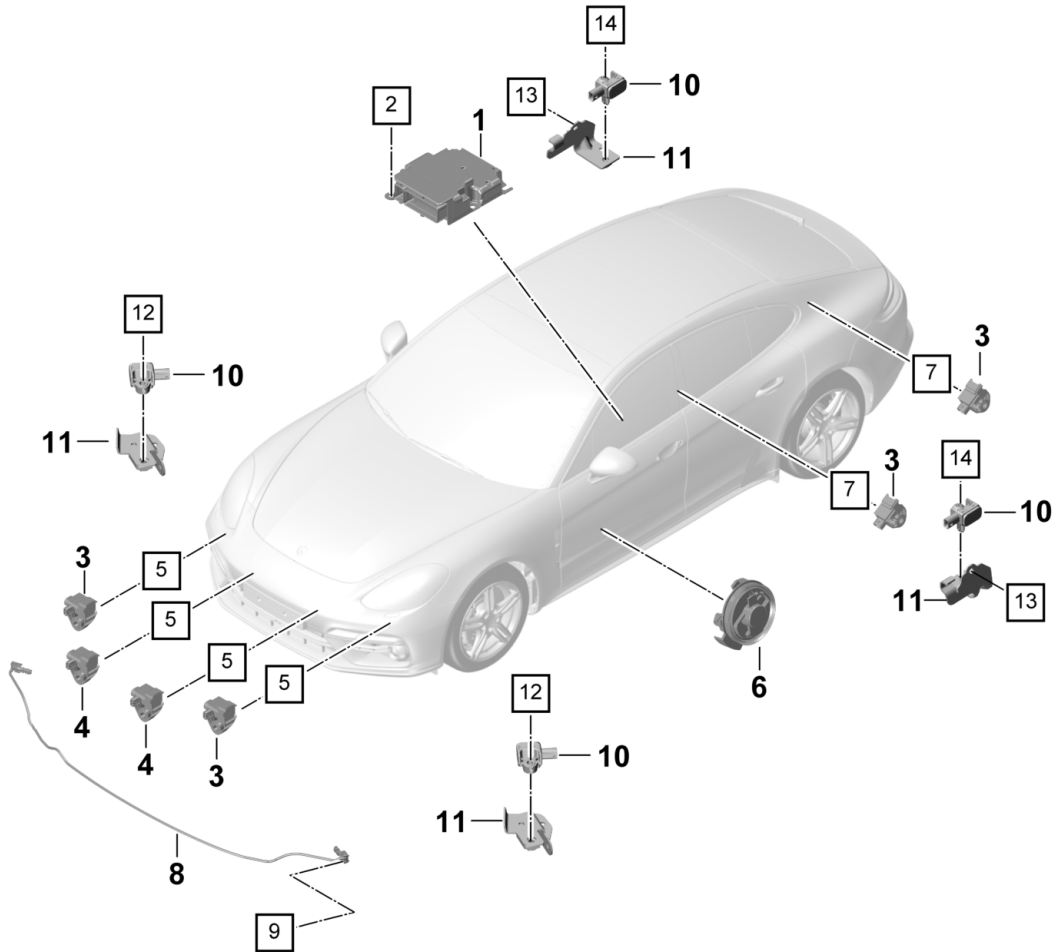
Model: 971-17

Model life 2017>>

Pos	Part Number	Description	Remark	Qty	Model
43	N 106 507 01	M6 Hexagon socket head bolt		1	PR:7I0,7I2
44		M6X12 Aerial VTS vehicle tracking see illustration:	911-015	1	
45	9P1 862 423	Handheld transmitter VTS vehicle tracking		1	PR:7I0,7I2
46	7PP 862 077	Driver Card VTS vehicle tracking		1	PR:7I0,7I2
47	971 963 511	Handheld transmitter		1	PR:9M9
48	971 907 479 F	Auxiliary heater Control unit		1	PR:A8C,A8F, K8S
(48)	971 907 483 F	Rear spoiler Control unit		1	PR:A8H, K8S
(48)	974 907 479 F	Rear spoiler Control unit		1	PR:K8D,5KA, 5KH
(48)	PAB 907 479 10	Rear spoiler Control unit		1	PR:K8D,3KG, 3KH,3KI,3KJ, 3KK,3KL,3KN, 3KR
49	974 907 298	Retainer for control units Rear spoiler		1	PR:K8D
50	N 910 189 01	Hexagon plastic collar nut T6		2	PR:K8D
-		Aerial amplifier Auxiliary heater see illustration:	911-010		
-		Alarm horn Control unit Tilt angle sensor see illustration:	903-000		

Model: 971-17

Model life 2017>>



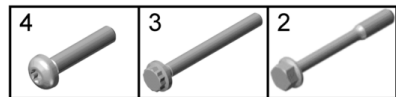
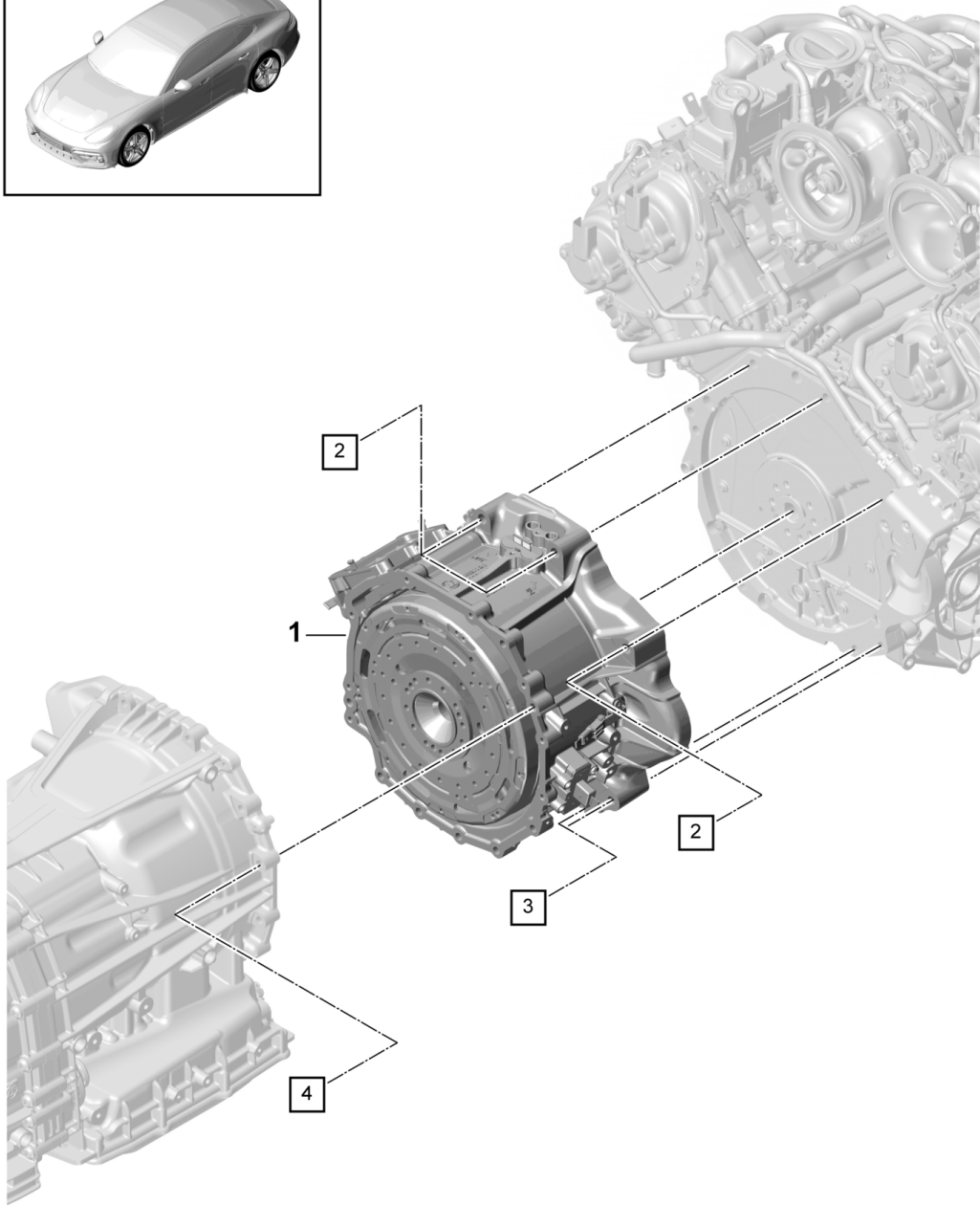
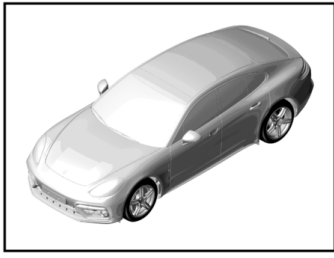
Model: 971-17

Model life 2017>>

Pos	Part Number	Description	Remark	Qty	Model
-		Control unit Sensor Airbag Pressure sensor Pedestrian protection Airbag unit			
-		see illustration: Switch Airbag	812-050		
		see illustration:	903-010		
1	971 959 655 C	Control unit for airbag		1	
2	N 015 082 10	Hexagon collar nut M 6		3	
3	9A7 959 651 00	Front sensor		6	PR:OK0
(3)	9A7 959 651 00	Front sensor		7	PR:OK3
4	9A7 959 651 10	Front sensor	center	2	PR:VL2
5	N 910 717 02	Hexagon socket flat head bolt M6X25		4	
6	9A7 959 354 00	Pressure sensor Side airbag unit doors		2	
7	N 107 370 01	hexagon nut, self-locking M6		4	
8	971 959 109	Pressure sensor Pedestrian protection Included Hose		1	PR:VL2
9	N 107 254 01	Hexagon socket head collared bolt, thread forming M6 X 20		4	PR:VL2
10	971 907 651	Accelerator sensor		4	
11	971 907 175 F	Bracket	front	2	PR:L0L
(11)	971 907 175 D	Accelerator sensor Bracket	front	2	PR:L0R
(11)	971 907 176 C	Accelerator sensor Bracket	rear right	1	
(11)	971 907 176 B	Accelerator sensor Bracket	rear left	1	
12	N 910 423 01	Accelerator sensor Oval hexagon socket head bolt M6 X 16	front	2	
(12)	N 101 243 06	Accelerator sensor Oval hexagon socket head bolt M6 X 20	front	2	
13	9A7 201 441 00	Accelerator sensor panel nut T5	rear	2	
14	N 015 082 10	Accelerator sensor Hexagon collar nut M6 Accelerator sensor	rear	1	

Model: 971-17

Model life 2017>>



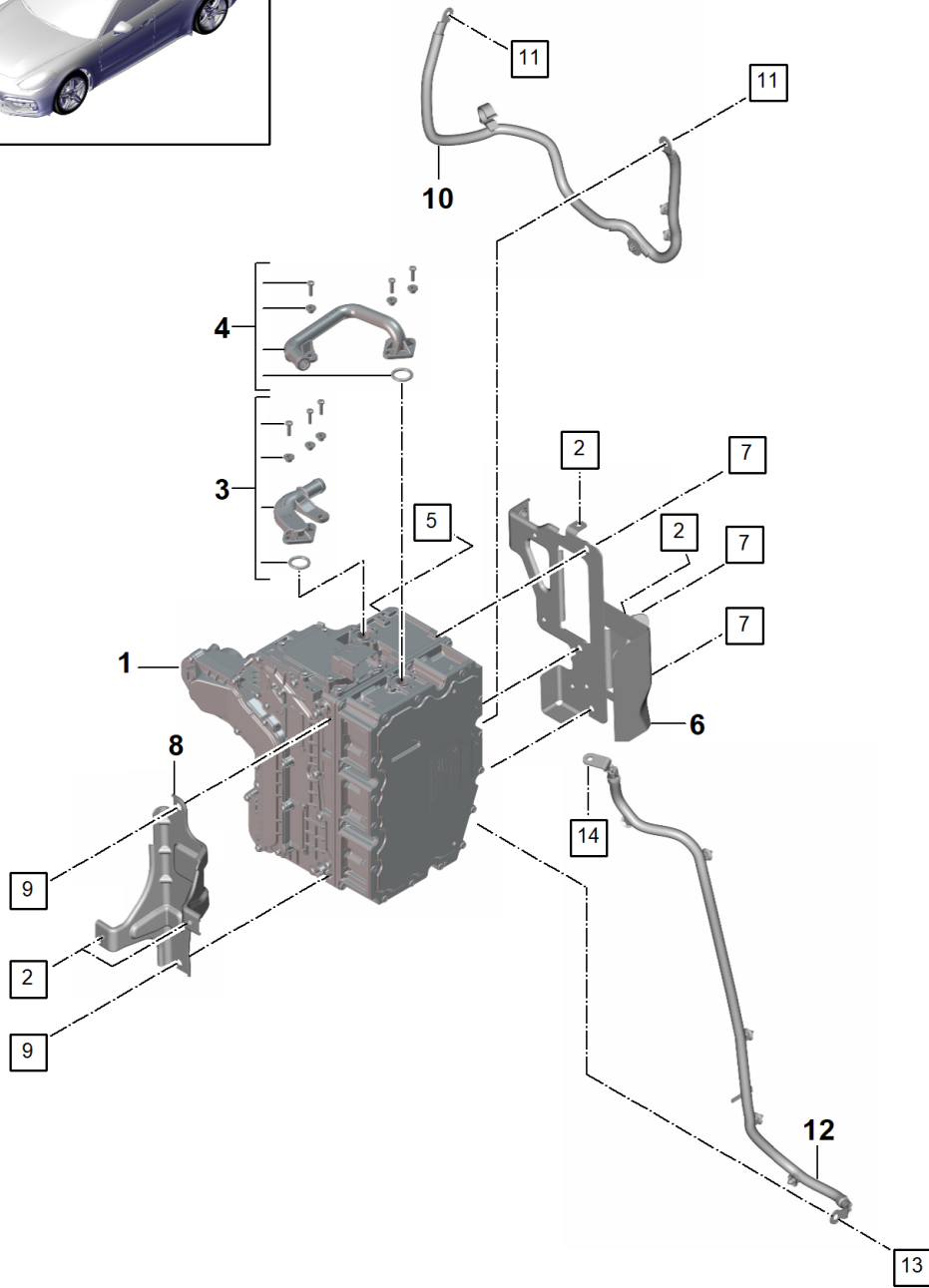
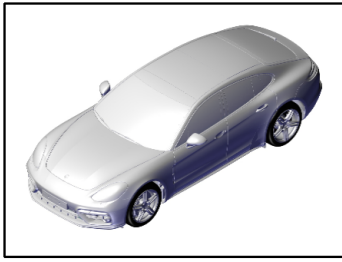
Model: 971-17





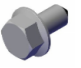


Model life 2017>>

Pos	Part Number	Description	Remark	Qty	Model
1	971 901 152 B	Traction motor for elec. drive Electric motor		1	
(1)	971 901 152 X	Traction motor for elec. drive Electric motor		1	
(1)	971 901 152 C	Traction motor for elec. drive Electric motor		1	
(1)	971 901 152 CX	Traction motor for elec. drive Electric motor		1	
2	9A7 008 396 00	Traction motor for elec. drive		1	
3	N 911 532 02	Hexagon bolt	M12 X 100	5	
4	9A7 008 635 00	12-point head bolt	AM10 X 95	4	
5	9A7 301 131	Outer hexagon round screw	M8X40	14	
6	9A7 325 575	gasket for cover		1	
7	PAF 912 794	equalizing element, hydraulic		1	
8	9A7 142 057 00	Cylinder pin	10M6X16	2	
9	9A7 317 100	Servomotor		1	
		seal ring		1	
		STELLMOTOR			
10	9A7 341 377	Coupling element		1	
		Servomotor			
11	N 104 514 05	Oval hexagon socket head bolt	M6X16	3	
12	9A7 317 073	Temperature sensor		1	
13	9A7 323 145	Holder for temperature sensor		1	
14	PAF 008 892	Torx screw		2	
15	9A7 311 093	Sleeve		3	
16	PAB 971 797	Transmission housing cover	lower	1	
17	N 107 148 01	fillister head bolt with multi-point socket head	M6X18	4	
18	9A7 311 478	Position sensor		1	
19	N 910 696 01	Hexagon socket flat head bolt	M6X22	4	
20	958 701 697 10	Warning sign for hybrid vehicles		1	
-		Electric motor see illustration:	320-000		

Model: 971-17

Model life 2017>>



						
-------------------------------------------------------------------------------------	-------------------------------------------------------------------------------------	-------------------------------------------------------------------------------------	-------------------------------------------------------------------------------------	--------------------------------------------------------------------------------------	---------------------------------------------------------------------------------------	---------------------------------------------------------------------------------------

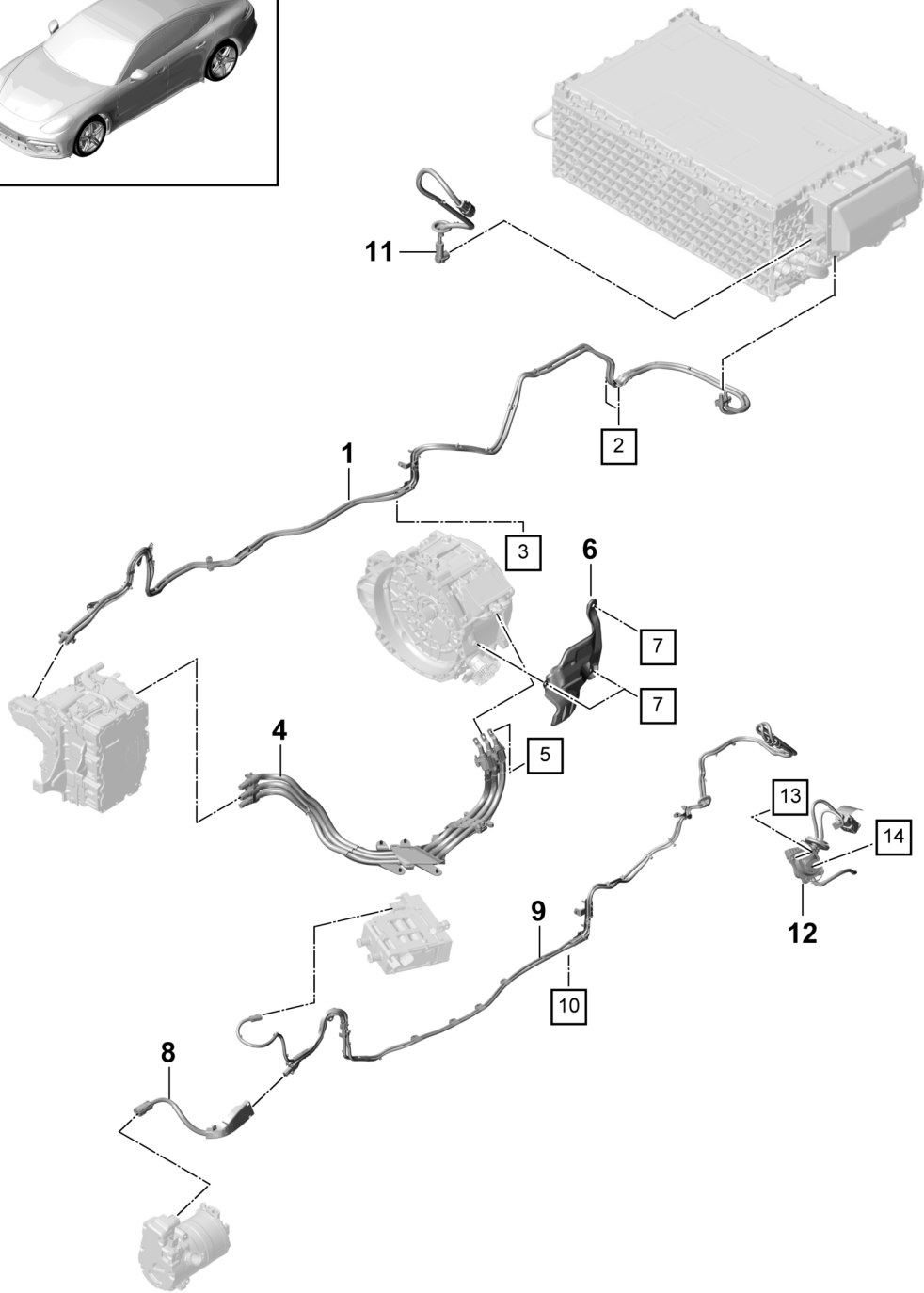
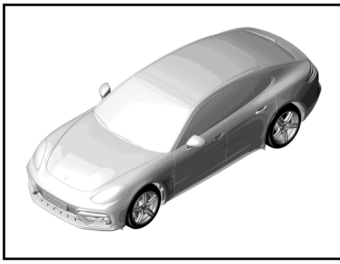
Model: 971-17

Model life 2017>>

Pos	Part Number	Description	Remark	Qty	Model
1	971 907 170 E	Power and control electronics- for electric drive		1	
(1)	971 907 170 X	Power and control electronics- for electric drive		1	
2	N 102 400 03	Hex collared bolt M 8 X 32		4	
3	971 121 647	water connection With seal	return	1	
4	971 121 648	water connection With seal	feed	1	
5	958 701 697 10	Warning sign for hybrid vehicles For high-voltage system		1	
6	971 907 456 B	Bracket Power and control electronics- for electric drive V6	rear	1	PR:D0D
7	N 106 684 01	Hexagon bolt M 8 X 16		3	
8	971 907 455 A	Bracket Power and control electronics- for electric drive	front	1	
9	N 106 684 01	Hexagon bolt M 8 X 16		2	
10	971 971 235	Earth line Power and control electronics- for electric drive		1	
11	N 106 684 01	Body Hexagon bolt M 8 X 16		2	
12	971 971 349	Earth line Power and control electronics- for electric drive		1	
13	N 106 092 01	Slave start socket Hexagon collar nut M 8		1	
14	N 106 649 01	Socket head collared bolt with inner multipoint head M 8 X 16		1	

Model: 971-17

Model life 2017>>



Model: 971-17

Model life 2017>>

Pos	Part Number	Description	Remark	Qty	Model
1	971 971 015 D	Wiring looms Hybrid Wire set Power electronics To Battery High voltage		1	PR:0E1
(1)	971 971 015 E	Wire set Power electronics To Battery High voltage		1	PR:0E2
2	N 910 696 01	Hexagon socket flat head bolt M 6 X 22		2	
3	N 910 189 01	Hexagon plastic collar nut M 6		2	
4	971 971 013 A	Wire set Power electronics To Electric motor		1	PR:ES1,ES3
(4)	971 971 013 B	Wire set Power electronics To Electric motor		1	PR:ES4
5	N 106 650 01	Flat head multi-point socket bolt M 8 X 30		3	
6	971 971 822 A	Cable guide Electric motor		1	
7	N 106 648 01	Socket head collared bolt with inner multipoint head M 8 X 20		3	
8	971 971 012	Cable Compressor Air conditioning		1	PR:A8H
(8)	971 971 012 A	Cable Compressor Air conditioning		1	PR:A8C
9	971 971 008	Wire set Charger To heater High voltage		1	PR:0E1
(9)	971 971 008 A	Wire set Charger To heater High voltage		1	PR:0E2
10	N 910 189 01	Hexagon plastic collar nut M 6		1	
11	971 971 602	Cable Charger To Battery High voltage		1	
12	971 971 676 E	Wire set Charging socket High voltage 7,2 KW		1	PR:ES4,KB2
(12)	971 971 676 F	Wire set Charging socket High voltage		1	PR:ES3,KB1

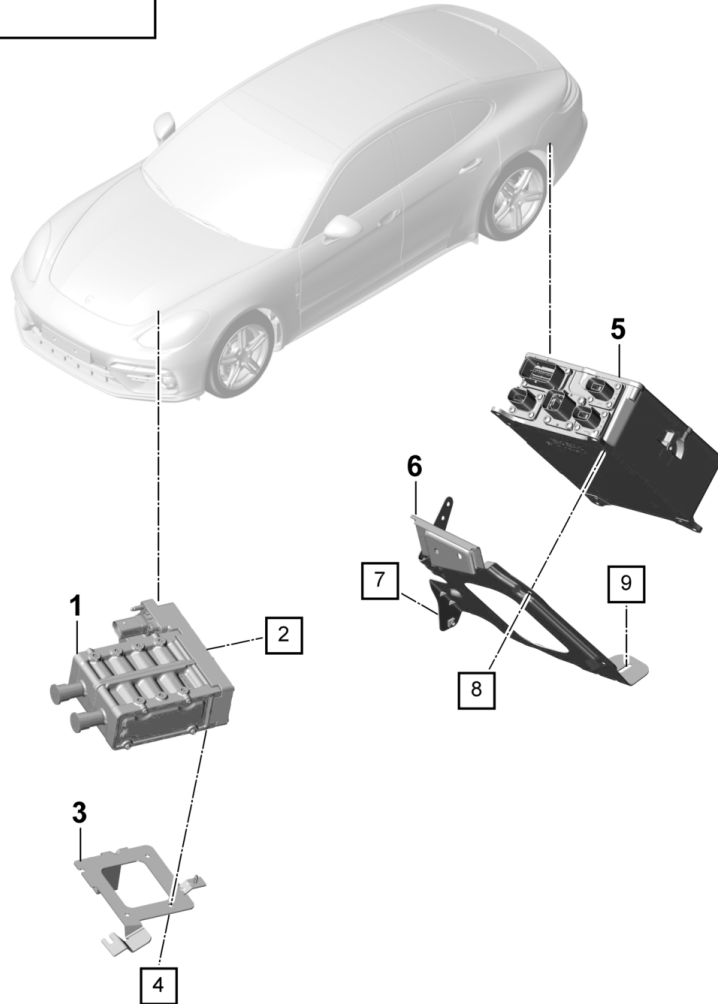
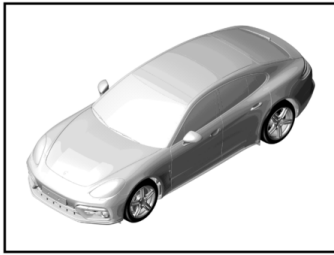
Model: 971-17

Model life 2017>>

Pos	Part Number	Description	Remark	Qty	Model
(12)	971 971 676 H	3,6 KW Wire set Charging socket High voltage		1	PR:ES3,KB2
(13)	N 911 809 01	7,2 KW Flat head multi-point socket bolt M5 X 20		4	
14	9A7 915 211 00	Switch Charging control indicator		1	

Model: 971-17

Model life 2017>>



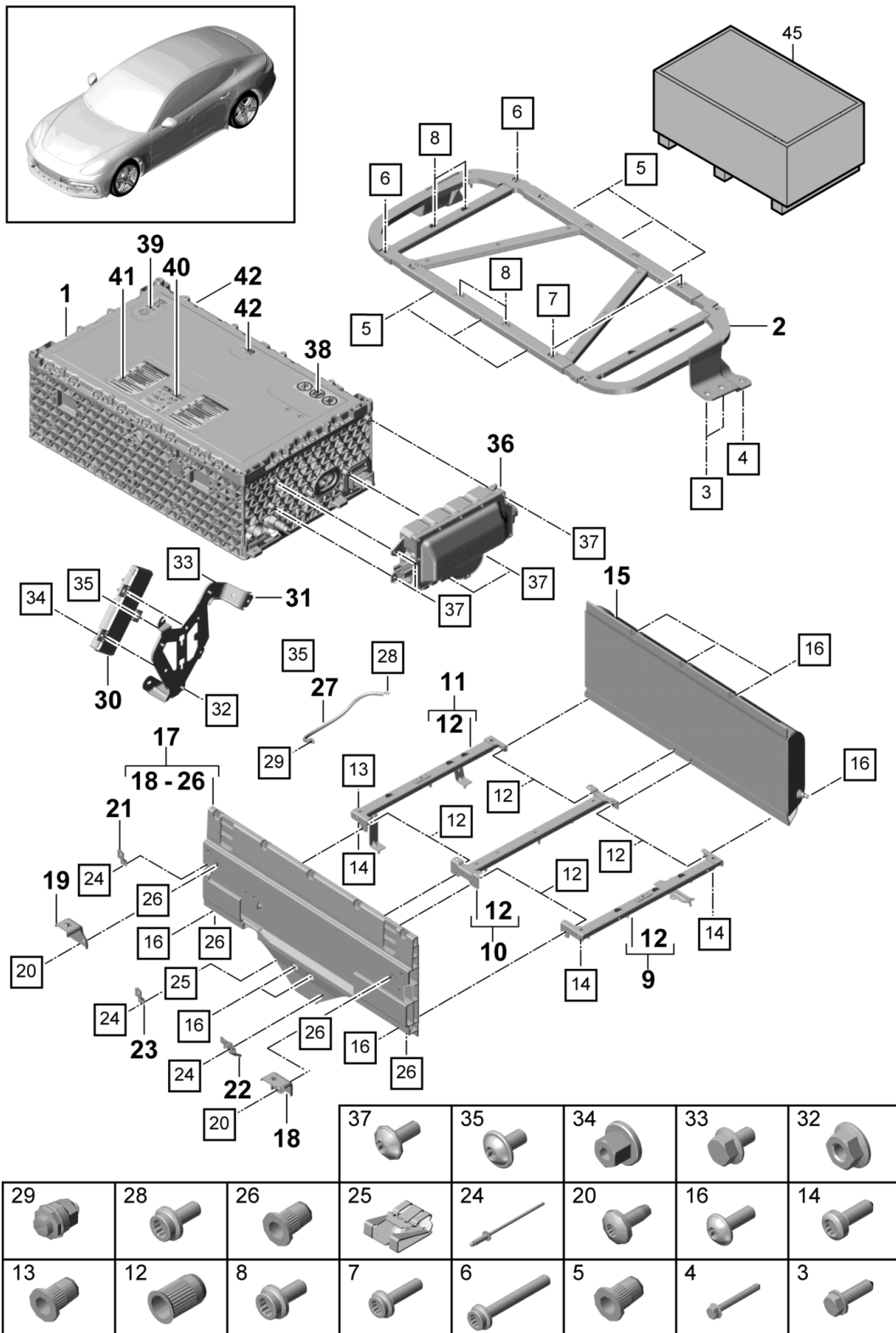
Model: 971-17

Model life 2017>>

Pos	Part Number	Description	Remark	Qty	Model
1	9A7 963 231 00	heater unit Battery Passenger compartment Charger Battery High-voltage heating (PTC) and Battery	inner	1	
2	958 701 697 10	Warning sign for hybrid vehicles		1	
3	971 819 147	High voltage bracket for heat exchanger		1	
4	9A7 007 839 00	fillister hd. bolt M 6 X 12		3	
5	9A7 915 682 10	Battery charger 3,6 KW		1	PR:KB1
(5)	9A7 915 682 30	Battery charger 3,6 KW		1	PR:ES4,KB1, B1P
(5)	9A7 915 681 00	Battery charger 7,2 KW		1	PR:KB2,0GG, 7GH,7MM
6	971 915 345	Bracket		1	PR:K8S
(6)	974 915 345	Bracket		1	PR:K8D
7	N 107 591 01	Hex collared bolt M 6 X 12		3	
8	N 910 733 01	Hexagon socket flat head bolt M 6 X 12		4	
9	N 912 428 01	hex. nut with washer M 6		1	

Model: 971-17

Model life 2017>>



Model: 971-17

Model life 2017>>

Pos	Part Number	Description	Remark	Qty	Model
1	971 915 091	Battery For vehicles with hybrid drive High-voltage battery		1	
(1)	971 915 091 X	For vehicles with hybrid drive High-voltage battery		1	
(1)	971 915 091 DY	Battery For vehicles with hybrid drive		1	PR:B1P
2	971 804 871	Console BATTERIE D >> - 13.04.2018	upper	1	
3	N 911 511 01	hexagon head bolt (combi) M12 X 42		4	
4	N 106 957 01	Hex collared bolt M8 X 65		2	
5	N 909 203 01	rivetted cap nut M6		6	
6	N 108 317 01	Screw with int. serrations M8X60		4	
7	N 911 572 02	Socket head collared bolt with inner multipoint head M8X30		4	
8	N 107 170 01	Socket head bolt with inner multipoint head M8X18		8	
9	971 802 245	Console	lower	1	
10	971 803 454	Battery	left		
11	971 802 246	Console	lower	1	
12	N 911 010 01	Battery	center		
13	N 909 203 01	rivetted cap nut M6 ER	lower	1	
14	N 910 211 02	rivetted cap nut M6 AR	right	8	
15	N 910 211 02	Socket head bolt with inner multipoint head M8X25		4	
16	971 804 835	Pressure accumulator		1	
17	N 107 148 01	Console fillister head bolt with multi-point socket head M6X18		9	
18	971 804 264 A	Reinforcement High voltage Battery		1	
19	971 804 111	Bracket	left	1	
20	971 804 112	Reinforcement	upper		
21	N 912 351 01	Bracket	right	1	
22	N 912 351 01	Reinforcement	upper		
23	N 912 351 01	Oval head locating bolt with multi-point socket head M8X20		4	
24	971 804 315	Bracket	right	1	
25	971 804 315	Reinforcement			
26	971 804 195	Bracket	lower	1	
27	971 804 195	Reinforcement	left		
28	971 804 345	Bracket	lower	1	
29	971 804 345	Reinforcement	right		

Model: 971-17

Model life 2017>>

Pos	Part Number	Description	Remark	Qty	Model
24	N 910 104 01	Pop rivet 4,8X15		6	
25	WHT 007 380	clamping nut 4,8		1	
26	N 909 203 01	rivetted cap nut M6		10	
27	971 971 235 C	Ground cable Battery Body		1	
28	N 107 170 01	Socket head bolt with inner multipoint head M8X18		1	
29	999 516 032 01	Hexagon nut M6		2	
30	9A7 915 233 01	Control unit Battery		1	
31	971 907 515	Retainer for control units Battery		1	
32	N 015 082 10	Hexagon collar nut M 6 for Bracket		4	
33	N 107 030 01	round hd. screw M 6 X 10 for Bracket		2	
34	N 100 151 01	Hexagon nut for Control unit		1	
35	N 907 371 07	fillister head bolt with multi-point socket head M 6 X 12 for Control unit		2	
36	9A7 915 254 00	relay plate High voltage Battery		1	PR:-B1P
(36)	9A7 915 254 10	relay plate High voltage Battery		1	PR:B1P
37	N 907 378 04	Socket head bolt with inner multipoint head M 6 X 14		5	
38	12E 010 849 F	Warning sign Battery		1	
39	12E 010 849 G	Notice Battery		1	
40	12E 010 006 Q	Warning sign Battery		1	
41	8R0 010 539	Warning sign for hybrid vehicles	english	1	
(41)	8R0 010 539 A	Warning sign for hybrid vehicles	german	1	
(41)	8R0 010 539 B	Warning sign for hybrid vehicles	french	1	
(41)	8R0 010 539 C	Warning sign for hybrid vehicles	spanish	1	
(41)	8R0 010 539 D	Warning sign for hybrid vehicles	italian	1	
(41)	8R0 010 539 E	Warning sign for hybrid vehicles	russian	1	
(41)	8R0 010 539 F	Warning sign for hybrid vehicles	chinese	1	

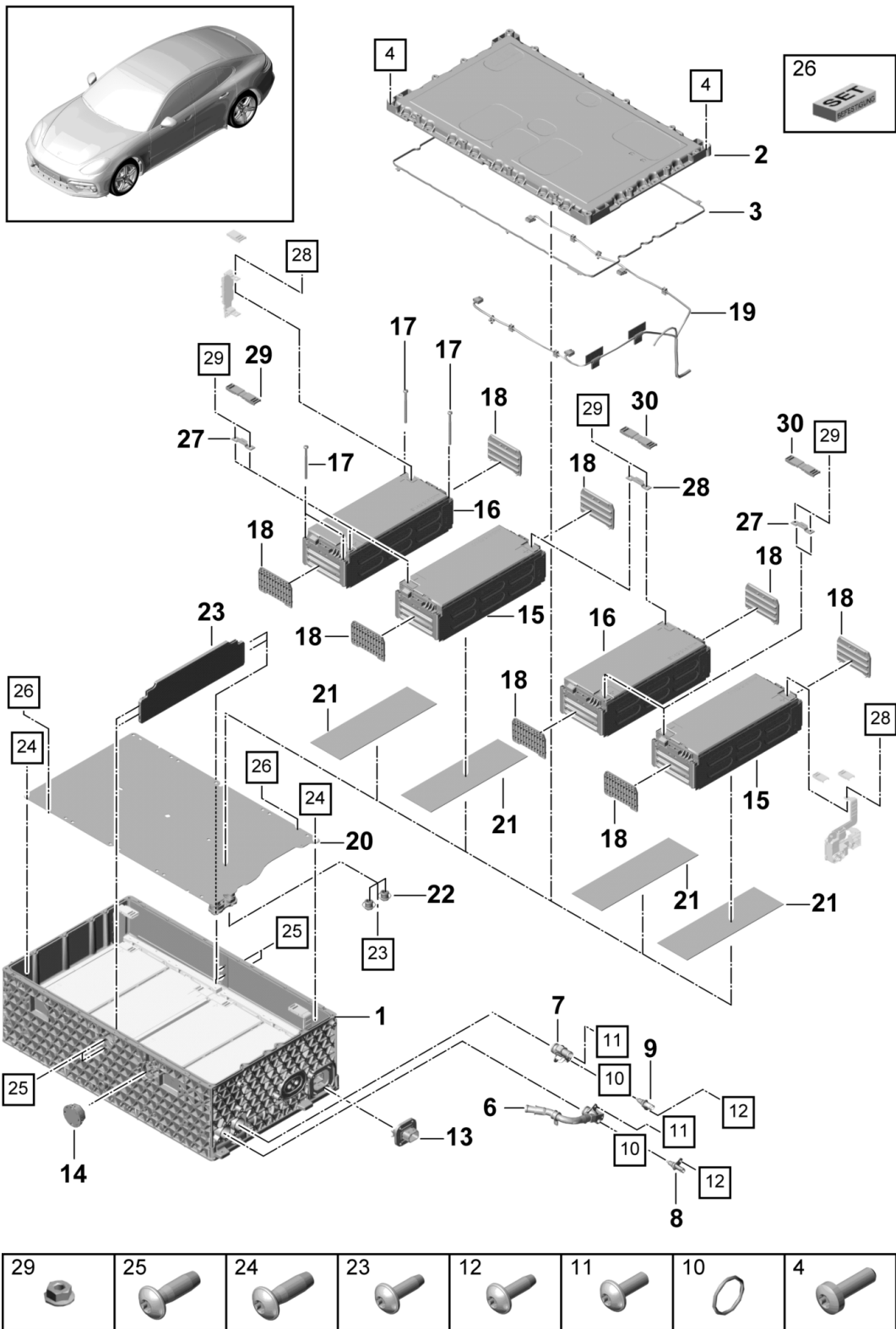
Model: 971-17

Model life 2017>>

Pos	Part Number	Description	Remark	Qty	Model
(41)	8R0 010 539 G	Warning sign for hybrid vehicles	japanese	1	
42	958 701 697 10	Warning sign for hybrid vehicles		4	
45	971 043 000 00	High voltage Transport container High-voltage battery		1	

Model: 971-17

Model life 2017>>



Model: 971-17 Model life 2017>>

Pos	Part Number	Description	Remark	Qty	Model
		Battery High voltage Hybrid Individual parts			PR:OK3
1	971 915 229	housing		1	
2	971 915 411	Battery cover		1	
3	9A7 915 434 00	Seal Battery cover		1	
4	9A7 008 096 00	Flat head bolt with hexagon socket head, thread forming M6 X 20		24	
6	971 915 467 A	Line Cooling	feed	1	
7	9A7 915 481 00	Coolant connection Coolant	return	1	
8	958 606 623 20	Temperature sensor Coolant		1	
9	9A7 606 623 20	Temperature sensor Coolant	also use: WHT 002 287 B	1	
10	WHT 002 287 B	O-ring Temperature sensor Coolant	also use: WHT 002 287 B	2	
11	N 107 148 01	fillister head bolt with multi-point socket head M6X18		2	
12	N 107 214 01	oval hd. self-tapp fitt. screw TP6X16		2	
13	9A7 998 578 00	Sundry parts set Wire set		1	
14	971 915 152 Y	breather assy. Cover cap		1	
15	9A7 915 591 50	Battery module High voltage Battery		2	
16	9A7 915 591 60	Battery module High voltage Battery		2	
17	N 107 481 01	Hexagon socket flat head bolt BM 6 X 95		16	
18	971 915 477 AY	end piece Battery module	upper	8	
19	9A7 915 902 00	Control line	upper	1	
20	9A7 915 471 00	Cooling unit for hybrid battery	upper	1	
21	9A7 915 474 10	Thermal pad for cooling unit	upper	4	
22	9A7 915 641 00	push-on connector Cooling unit		2	
		with:			
23	9A7 915 629 00	seal ring Reinforcement	center upper	1	
24	9A7 008 096 00	Flat head bolt with hexagon socket head, thread forming		10	
25	9A7 008 251 00	flat round head bolt M6 X 20		4	
26	9A7 998 105 00	1 set fixing parts for the cooling unit for the		1	

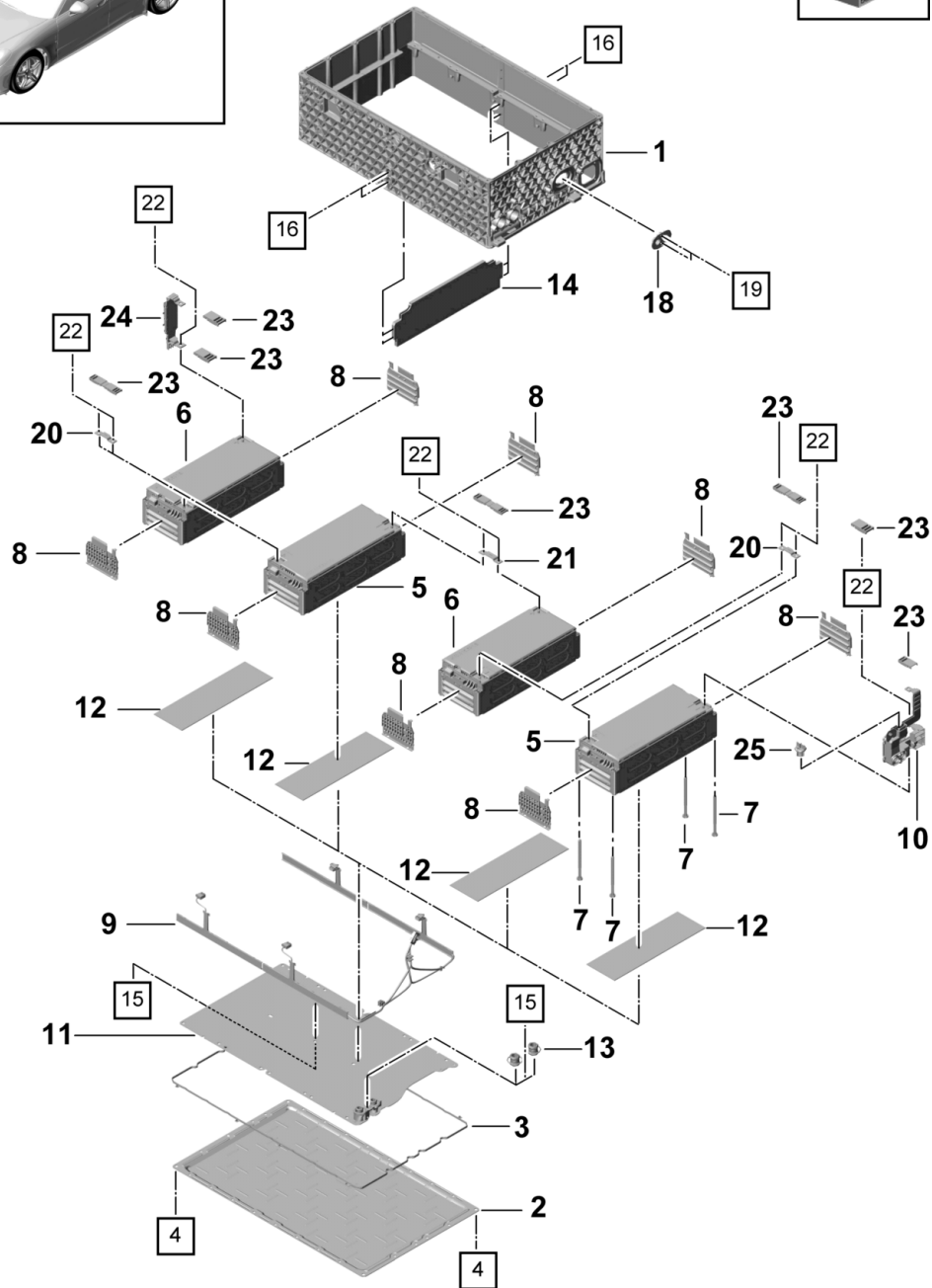
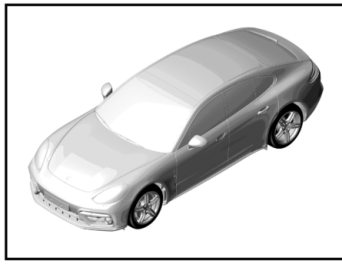
Model: 971-17

Model life 2017>>

Pos	Part Number	Description	Remark	Qty	Model
27	9A7 915 161 00	hybrid battery Spreader rivet Connecting piece	short	2	
28	9A7 915 161 10	Battery module Connecting piece	long	1	
29	N 015 082 16	Battery module Hexagon nut		8	
		flange	with:		
30	9A7 915 151 00	M6 Cover Module connector		8	

Model: 971-17

Model life 2017>>



22	19	16	15	4

Model: 971-17 Model life 2017>>

Pos	Part Number	Description	Remark	Qty	Model
1		Battery High voltage Hybrid Individual parts housing Battery		1	PR:OK3
		see illustration:	901-043		
2	971 915 309 Y	base plate		1	
3	9A7 915 434 10	Seal		1	
4	9A7 008 096 00	base plate Flat head bolt with hexagon socket head, thread forming M6 X 20		24	
5	9A7 915 591 50	Battery module High voltage Battery		2	
6	9A7 915 591 60	Battery module High voltage Battery		2	
7	N 107 481 01	Hexagon socket flat head bolt BM 6 X 95		16	
8	971 915 477 Y	end piece	lower	8	
9	971 915 257 Y	Battery module Control line	lower	1	
10	9A7 915 162 00	Connection point High voltage		1	
11	9A7 915 471 10	Cooling unit for hybrid battery	lower	1	
12	9A7 915 474 10	Thermal pad for cooling unit	upper	4	
13	9A7 915 641 00	push-on connector Cooling unit		2	
		with:			
14	9A7 915 629 10	seal ring Reinforcement	center lower	1	
15	9A7 008 096 00	Flat head bolt with hexagon socket head, thread forming		10	
16	9A7 008 251 00	flat round head bolt M6 X 20		8	
17	9A7 998 105 00	1 set fixing parts for the cooling unit for the hybrid battery Spreader rivet		1	
18	9A7 915 151 10	Cover	outer	1	
19	N 106 021 01	Hexagon socket flat head bolt TP4X10-Q		2	
20	9A7 915 161 00	Connecting piece Battery module Short		4	
21	9A7 915 161 10	Connecting piece Long		2	
22	N 015 082 16	Battery module Hexagon nut		9	
		with:			
23	9A7 915 151 00	flange M6 Cover		8	
24	9A7 998 161 00	Module connector repair set Connecting rail Battery module		1	

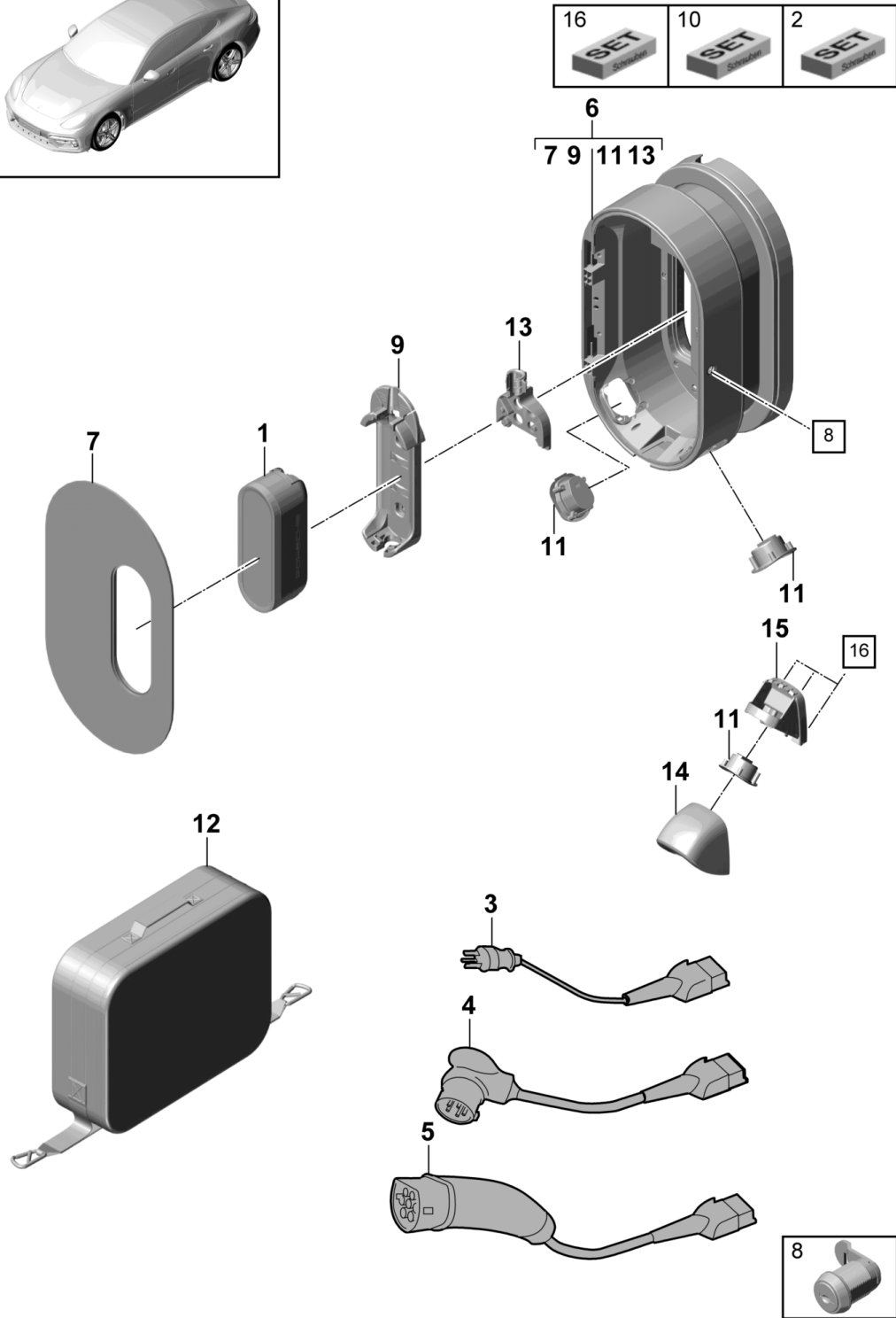
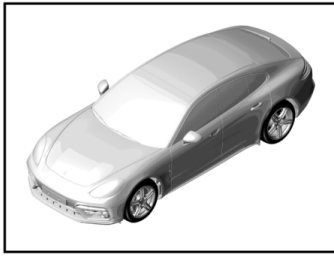
Model: 971-17

Model life 2017>>

Pos	Part Number	Description	Remark	Qty	Model
25	9A7 915 521 00	Protective cap High voltage		1	

Model: 971-17

Model life 2017>>



Model: 971-17

Model life 2017>>

Pos	Part Number	Description	Remark	Qty	Model
1	7PP 971 675 B	Electronic unit Charger Universal Charging Dock		1	PR:KB1
(1)	7PP 971 675 C	Electronic unit Charger Universal 3,6 KW		1	PR:KB2
2	7PP 919 839	7,2 KW Fixing set Set		1	
3	7PP 971 678	Electronic unit Charger		1	PR:70T
(3)	7PP 971 678 A	Charge cable for mains socket Power supply 220 V TYP E/F		1	PR:70U
(3)	7PP 971 678 B	Charge cable for mains socket Power supply 100 V TYP B		1	PR:70V
(3)	7PP 971 678 C	Charge cable for mains socket Power supply Type j		1	PR:70W
(3)	9A7 971 678 30	Connection line Power supply TYP B		1	PR:73U
(3)	7PP 971 678 E	Charge cable for mains socket Power supply TYP H		1	PR:70Z
(3)	7PP 971 678 G	Charge cable for mains socket Power supply Type k		1	PR:70Y
(3)	7PP 971 678 J	Charge cable for mains socket Power supply TYP M		1	PR:71A
(3)	7PP 971 678 L	Charge cable for mains socket Power supply TYP N		1	PR:70R
(3)	7PP 971 678 M	Charge cable for mains socket Power supply Type i		1	PR:71B
(3)	7PP 971 678 N	Charge cable for mains socket Power supply Type l		1	PR:70S
(3)	7PP 971 678 P	Charge cable for mains socket Power supply TYP N		1	PR:70Q
(3)	7PP 971 678 Q	Charge cable for mains socket Power supply CEE 3P 32A		1	PR:73K
(3)	7PP 971 678 R	Charge cable for mains socket Power supply CEE 1P 32A		1	PR:73H
(3)	7PP 971 678 S	Charge cable for mains socket Power supply NEMA 6-20		1	PR:73E

Model: 971-17

Model life 2017>>

Pos	Part Number	Description	Remark	Qty	Model
(3)	7PP 971 678 AD	Charge cable for mains socket Power supply NEMA L14-30		1	PR:73D
4	7PP 971 678 T	Charge cable for mains socket Power supply NEMA 6-30		1	PR:73B
(4)	7PP 971 678 AE	Charge cable for mains socket Power supply CEE 3P 16A		1	PR:73J
(4)	7PP 971 678 AG	Charge cable for mains socket Power supply CEE 1P 16A		1	PR:73G
(4)	7PP 971 678 AJ	Charge cable for mains socket Power supply YP-41 200 V		1	PR:73F
(4)	7PP 971 678 AQ	Charge cable for mains socket Power supply NEMA 6-50		1	PR:73C
(4)	7PP 971 678 AS	Charge cable for mains socket Power supply TYP 1		1	PR:71D
(4)	7PP 971 678 BD	Charge cable for mains socket Power supply YP-43		1	PR:73S
5	7PP 971 676	Charging cable for vehicle Vehicle TYP 2 2,5 M		1	PR:EH1,ES3, KB1
(5)	7PP 971 676 A	Charging cable for vehicle Vehicle TYP 2 7,5 M		1	PR:EH2,ES3, KB1
(5)	7PP 971 676 F	Charging cable for vehicle Vehicle TYP 2 2,5 M		1	PR:EH1,ES3, KB2,73J,73K
(5)	7PP 971 676 G	Charging cable for vehicle Vehicle TYP 2 7,5 M		1	PR:EH2,ES3, KB2,73J,73K
(5)	7PP 971 676 K	Charging cable for vehicle Vehicle TYP 1 7,5 KW 2,5 M		1	PR:B0E,B0N, B0R,B0T,B1C, B2A,B2H,EH1, ES1,KB2
(5)	7PP 971 676 L	Charging cable for vehicle Vehicle TYP 1 7,2 KW 7,5 M		1	PR:B0E,B0N, B0R,B0T,B1C, B2A,B2H,EH2, ES1,KB2 "MEX"
(5)	7PP 971 676 M	Charging cable for vehicle Vehicle TYP 2 2,5 M		1	PR:EH1,ES3, KB2,73H
(5)	7PP 971 676 N	Charging cable for vehicle Vehicle TYP 2 7,5 M		1	PR:EH2,ES3, KB2,73H
(5)	7PP 971 676 R	Charging cable for vehicle Vehicle TYP 1 IEC 7,2 KW 2,5 M		1	PR:B0L,EH1, ES1,KB2
(5)	7PP 971 676 S	Charging cable for vehicle Vehicle		1	PR:B0L,EH2, ES1,KB2

Model: 971-17

Model life 2017>>

Pos	Part Number	Description	Remark	Qty	Model
(5)	7PP 971 676 AG	TYP 1 IEC 7,2 KW 7,5 M Charging cable for vehicle Vehicle		1	PR:B0L,EH1, ES1,KB1
(5)	7PP 971 676 AH	TYP 1 IEC 3,6 KW 2,5 M Charging cable for vehicle Vehicle		1	PR:B0L,EH2, ES1,KB1
(5)	9A7 971 676 00	TYP 1 IEC 3,6 KW 7,5 M Connection line Vehicle		1	PR:B0E,B0N, B0R,B0T,B1C, B2A,B2H,EH1, ES1,KB1
(5)	9A7 971 676 10	TYP 1 UL 3,6 KW 2,5 M Connection line Vehicle		1	PR:B0E,B0N, B0R,B0T,B1C, B2A,B2H,EH2, ES1,KB1
(5)	9A7 971 676 20	TYP 1 UL 3,6 KW 7,5 M Connection line Vehicle		1	PR:EH1,ES4, KB1
(5)	9A7 971 676 30	GB 3,6 KW 2,5 M Connection line Vehicle		1	PR:EH2,ES4, KB1
(5)	9A7 971 676 40	GB 3,6 KW 7,5 M Connection line Vehicle		1	PR:EH1,ES4, KB2
(5)	9A7 971 676 50	GB 7,2 KW 2,5 M Connection line Vehicle		1	PR:EH2,ES4, KB2
6	7PP 915 706	7,2 KW 7,5 M Charging Dock Electronic unit Charger		1	PR:ES1
(6)	7PP 915 706 A	TYP 1 Charging Dock Electronic unit Charger		1	PR:ES3
7	7PP 886 337 A	TYP 2 Operating instructions see Intranet		1	
8	7PP 837 012 A	Door (complete) Door lock Included key		1	
9	7PP 943 109 A	Retainer for charger Small		1	
10	7PP 909 991 A	Assembly kit Bracket		1	
11	9A7 957 547 02	Bracket Connector		1	PR:ES3
(11)	7PP 957 547 D	TYP 2 Bracket Connector		1	PR:ES1
(11)	7PP 957 547 E	TYP 1 Bracket Connector		1	PR:ES4
12	9A7 860 811 00	TYP GB Pocket		1	

Model: 971-17

Model life 2017>>

Pos	Part Number	Description	Remark	Qty	Model
13	7PP 971 605	Connection line Cable guide Bracket Small		1	
14	7PP 915 736	Trim Bracket Connector		1	
15	7PP 937 559	Carrier plate Bracket Connector		1	
16	9A7 971 684 50	Assembly kit Bracket		1	

Model: 971-17

Model life 2017>>

Pos	Part Number	Description	Remark	Qty	Model
-		central electrics			
-		Fuse box			
1	971 937 503	Engine bay relay plate	left left	1	PR:0F5
2	971 907 583 C	Engine bay housing relay plate	left	1	PR:0F5
3	971 907 613 C	Engine bay engine compartment lid housing	left	1	PR:0F5
4	971 937 539 B	relay plate Bracket housing relay plate	left	1	PR:0F5
5	958 618 028 10	Engine bay Control unit for glow plug		2	DBUC+ PR:0F5
-		relay location/code no.:	A / B		
6	971 937 503 A	Engine bay relay plate	right right	1	
7	971 907 583 D	Engine bay housing relay plate	right	1	
8	971 907 613 A	Engine bay engine compartment lid housing	right	1	
9	N 017 131 17	fuse flat fuse 19/2x5 3A		1	
(9)	N 017 131 16	fuse flat fuse 19/2x5 5A		1	
(9)	N 017 131 18	fuse flat fuse 19/2x5 7,5A		1	
(9)	999 607 084 00	fuse 10A		1	
(9)	N 017 131 12	fuse flat fuse 19/2x5 15A		1	
(9)	999 607 086 00	fuse 20A		1	
(9)	N 017 131 14	fuse flat fuse 19/2x5 25A		1	
(9)	999 607 088 00	fuse 30A		1	
(9)	N 017 131 22	fuse flat fuse 19/2x5 35A		1	
(9)	N 017 131 20	fuse flat fuse 19/2x5 40A		1	
10	999 607 073 00	fuse 40A	Maxi	1	
(10)	999 607 077 00	fuse 60A		1	
11	9A7 951 253 00	relay - starter		1	
(11)	958 615 008 01	Relay	C	1	
(11)	9A7 937 529 00	Relay		1	PR:0K3
12	971 937 753	Distributor housing Engine bay	right	1	
-		fuse			
13	N 108 394 01	fuse 40A		1	PR:-DT4
(13)	N 108 394 02	fuse 60A		1	
(13)	N 108 394 03	fuse		1	PR:-DT4

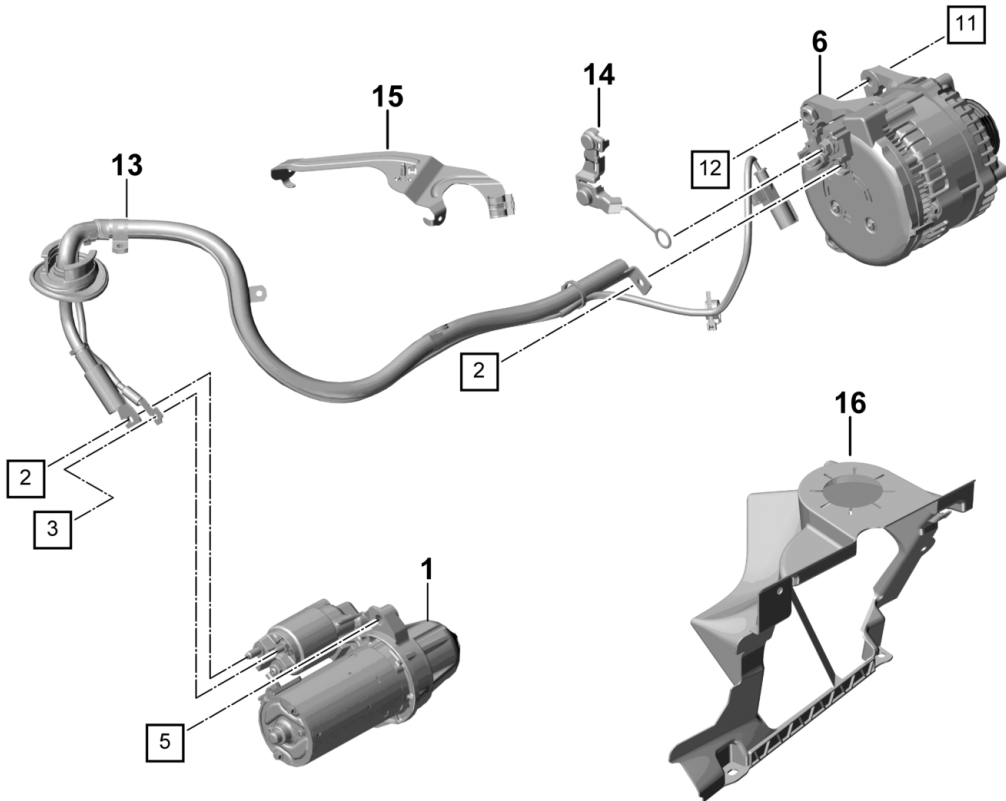
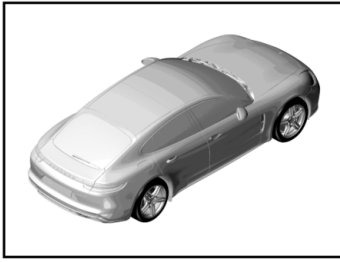
Model: 971-17

Model life 2017>>

Pos	Part Number	Description	Remark	Qty	Model
(13)	N 108 394 04	80A fuse		1	PR:0F5
(13)	N 108 394 05	100A fuse		1	PR:DT4
14	971 937 539 C	150A Bracket housing	right	1	
15	N 108 140 01	Engine bay Hex collared bolt		2	
16	971 937 617 A	M6X12 relay plate	right	1	
17	971 937 574	A-pillar Cover relay plate		1	
18	N 015 082 10	A-pillar Hexagon collar nut		1	
19	971 937 540	M6 Bracket Connection point	left	1	
20	971 937 615	A-pillar fuse holder	left	1	
21	971 937 554	Under Seat Cover fuse holder	left	1	
22	971 937 615 A	Under Seat fuse holder	right	1	
23	971 937 554 A	Under Seat Cover fuse holder	right	1	
24	N 910 189 01	Under Seat Hexagon plastic collar nut		2	
25	971 937 641 A	M6X16 fuse holder		1	
26	955 615 027 00	Luggage compartment Relay		1	
27	958 615 010 00	relay location/code no.:	S20	1	PR:OK3
(27)	958 615 010 00	Relay Coolant pump Relay		1	
28	971 971 839	Rear window heating relay location/code no.:	2/2	1	
29	971 937 549	Cover relay plate Luggage compartment		1	
30	971 937 576	Fuse box Cover	rear rear	1 1	
31	971 915 459 A	Main fuse box Central protection	rear	1	
32	971 937 132	Dividing element, pyrotechnic Battery Cover Dividing element, pyrotechnic Battery	rear	1	

Model: 971-17

Model life 2017>>

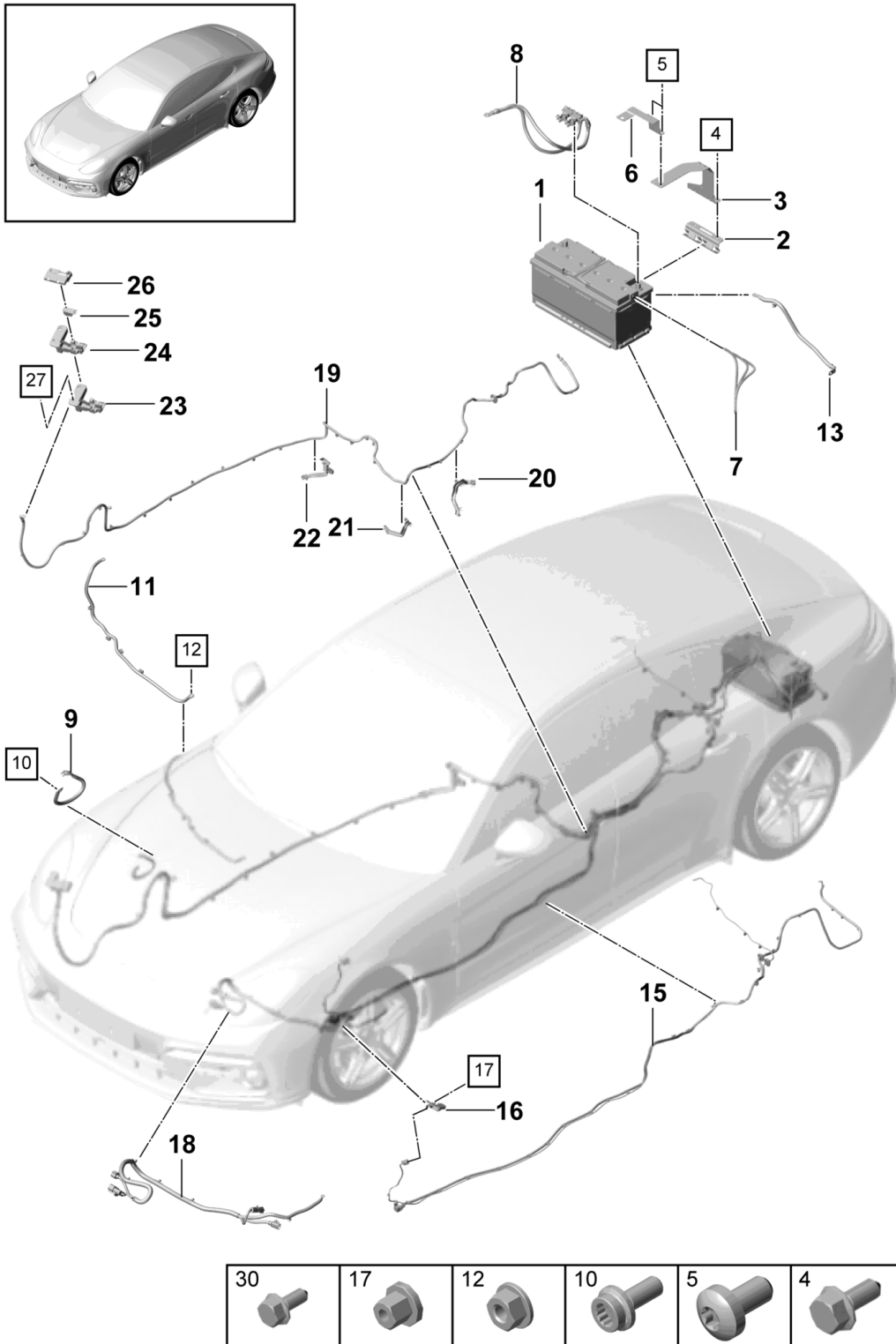


Model: 971-17 Model life 2017>>

Pos	Part Number	Description	Remark	Qty	Model
1	971 911 021	Starter		1	PR:OK0,1A2
(1)	971 911 021 X	Alternator		1	PR:OK0,1A2
(1)	971 911 023	Starter		1	DIESEL
(1)	971 911 023 X	Starter		1	PR:OF5 DIESEL PR:OF5
2	N 023 003 16	Hexagon nut		2	
		M 8			
3	N 015 082 10	Hexagon collar nut		1	
		M 6			
5	N 108 273 01	Flat head multi-point socket bolt		2	
		M 10 X 40			
6	9A7 903 024 00	Alternator		1	PR:9G1
(6)	9A7 903 025 00	Alternator		1	DIESEL
(6)	9A7 903 024 10	Alternator		1	PR:DW4
11	9A7 006 903 00	Outer hexagon round screw		2	
		BM 8 X 100			
12	N 106 092 07	Hexagon collar nut		1	
		M 8			
13	971 971 054 H	Wire set		1	PR:DW4,OK0
(13)	971 971 054 J	Alternator		1	PR:D29,D1I, OK0,D0D
(13)	971 971 054 K	Wire set		1	PR:DJ7
(13)	971 971 061 B	Alternator		1	PR:D0D,OK3
(13)	971 971 793 H	Wire set		1	PR:D0D,OK3
(13)	971 971 793 J	wiring harness for starter and alternator		1	PR-DJ7,9G1
(13)	971 971 793 J	wiring harness for starter and alternator		1	PR-DJ7,9G6
14	971 971 394 B	Cover		1	PR:DJ7
(14)	971 971 394 C	Cover		1	PR:DD7,DJ5, D1V,D51
15	971 971 454	Line holder		1	PR:DW4,DJ7, OK0
(15)	971 971 454 A	Starter Line holder		1	PR:D1I,D29, OK0
(15)	971 971 454 B	Starter Line holder		1	PR:DD7,D1V, D51,DJ5
16	971 804 247 C	Starter Protective cap for 3-phase alternator		1	PR:D1I
(16)	971 804 247 D	Protective cap for 3-phase alternator		1	PR:DW4,DT8
(16)	971 804 247 E	Protective cap for 3-phase alternator		1	PR:D0D,D29

Model: 971-17

Model life 2017>>



Model: 971-17

Model life 2017>>

Pos	Part Number	Description	Remark	Qty	Model
1	958 611 092 21	Battery Power distributor		1	
(1)	958 611 105 21	Battery 92AH		1	
(1)	958 611 075 21	Battery 105AH		1	
(1)	958 611 075 21	Battery 75AH		1	
(1)	5GM 915 105 AC	Battery with country- specific certification 92AH		1	"BR."
(1)	5GM 915 105 AD	Battery 105AH		1	"BR."
(1)	5GM 915 105 AB	Battery with country- specific certification 75AH		1	"BR."
2	9A7 915 345 00	Rail Battery		1	
3	971 915 319	Retainer for battery		1	
4	N 106 531 02	Hexagon bolt M 8 X 20		2	
5	N 103 352 06	Hexagon socket flat head bolt M 6 X 12		2	
6	971 915 313 A	Retainer plate Battery		1	
7	9A7 915 501 00	Vent hose Battery		1	
8	9A7 915 181 00	Earth line Battery Body Included Sensor		1	PR:0K0
(8)	9A7 915 181 10	Earth line Battery Body Included Sensor		1	PR:0K3
9	971 971 537	Ground strap Engine Body		1	PR:D0D,D1I, D29
(9)	971 971 537 A	Ground strap Engine Body		1	PR:DW4
(9)	971 971 537 D	Ground strap Engine Body		1	PR:DJ5
(9)	971 971 537 C	Ground strap Engine Body		1	PR:DJ7
10	N 106 649 01	Socket head collared bolt with inner multipoint head M8X16		1	
11	971 971 225 B	Wire set Battery		1	PR:0K3
12	N 904 880 04	Main fuse box hex. nut with washer M6		1	
13	971 971 225	Wire set Battery		1	PR:0K0
15	972 971 311	Power distributor Wire set Battery		1	PR:0E1,0K0, 1P0

Model: 971-17

Model life 2017>>

Pos	Part Number	Description	Remark	Qty	Model
(15)	972 971 311 A	To Connection point Wire set Battery		1	PR:0E2,0K0, 1P0
(15)	972 971 311 B	To Connection point Wire set Battery		1	PR:0E1,0K3, 1P0
(15)	972 971 311 C	To Connection point Wire set Battery		1	PR:0E2,0K3, 1P0
(15)	972 971 311 H	To Connection point Wire set Battery		1	PR:0E1,0K0, 1P7
(15)	972 971 311 J	To Connection point Wire set Battery		1	PR:0E2,0K0, 1P7
(15)	972 971 311 K	To Connection point Wire set Battery		1	PR:0E1,0K3, 1P7
(15)	972 971 311 L	To Connection point Wire set Battery		1	PR:0E2,0K3, 1P7
16	971 971 593	To Connection point Line holder		1	
17	N 910 189 01	Connection point Steering Hexagon plastic collar nut T6		1	
18	972 971 111	Wire set Steering		1	PR:1N1,1N3, L0L
18	973 971 111	To Connection point Wire set Steering		1	PR:1N1,1N3, L0R
19	971 971 227 F	To Connection point Wire set Battery		1	PR:0E1,0K0, 1A2
(19)	971 971 227 A	for Slave start socket Wire set Battery		1	PR:0E2,0K0, 1A2
(19)	971 971 227 G	for Slave start socket Wire set Battery		1	PR:0E1,0F5
(19)	971 971 227 B	for Slave start socket Wire set Battery		1	PR:0E1,0K3
(19)	971 971 227 C	for Slave start socket Wire set Battery		1	PR:0E2,0K3
		for Slave start socket			

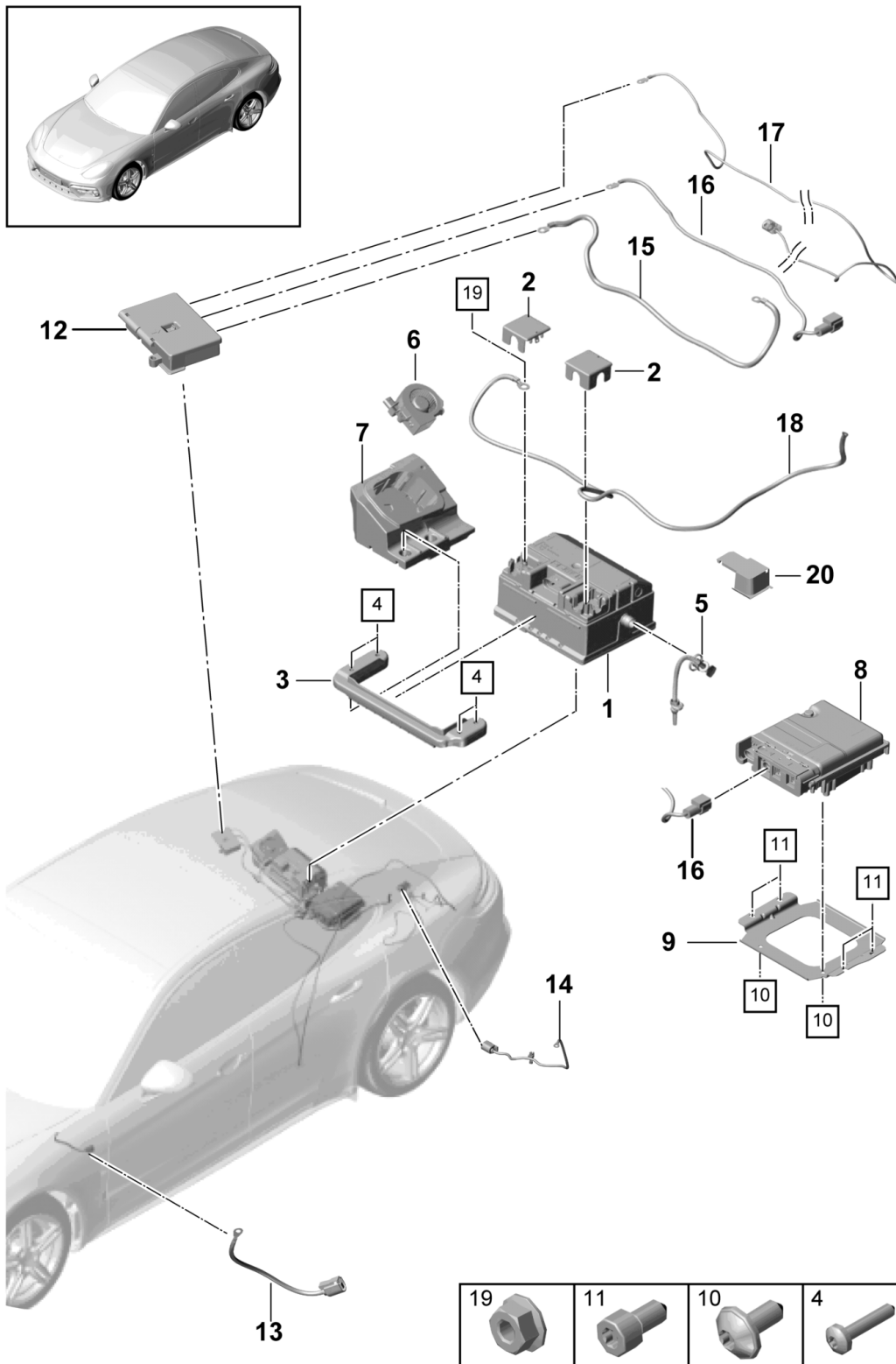
Model: 971-17

Model life 2017>>

Pos	Part Number	Description	Remark	Qty	Model
20	971 971 341 E	Cable guide	rear	1	
21	971 971 341 C	Cable guide	center	1	
22	971 971 341 D	Cable guide	front	1	
23	971 937 550 A	Fuse box	front	1	
24	971 937 771 A	Slave start socket housing		1	
25	971 937 587	Slave start socket Cover		1	
26	971 937 588 A	Slave start socket Cover		1	
27	N 108 140 01	Slave start socket Hex collared bolt M6X12		2	
28	PAF 008 001 00	Pin Slave start socket		1	

Model: 971-17

Model life 2017>>



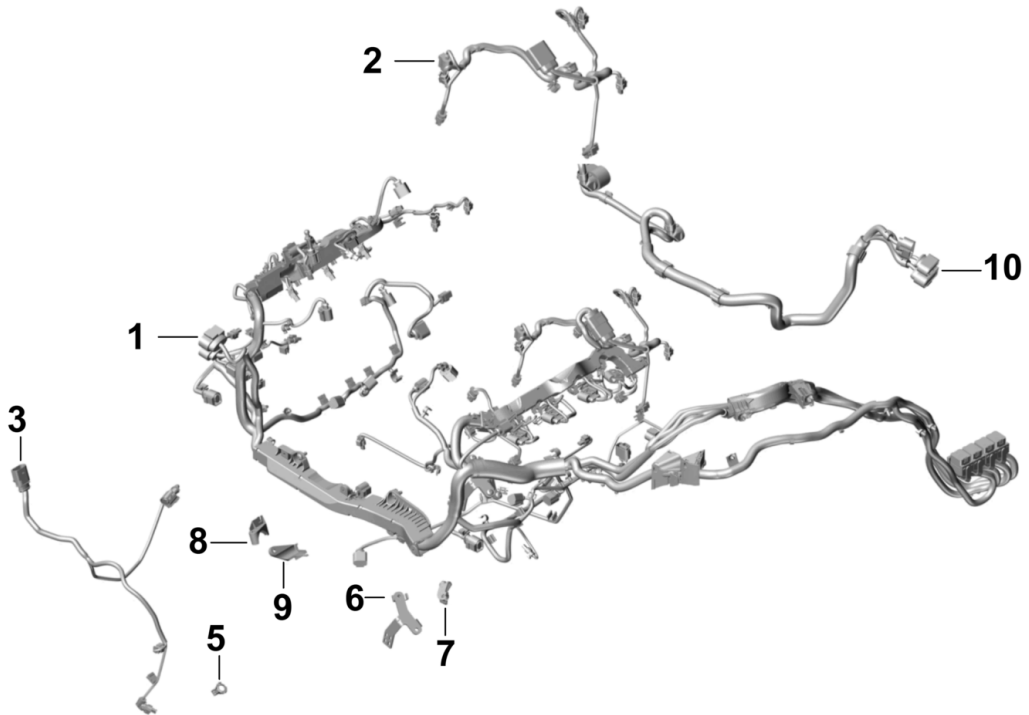
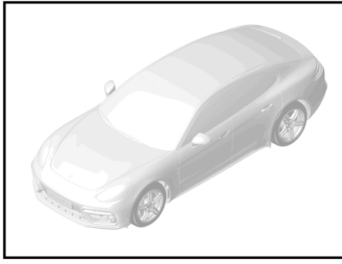
Model: 971-17

Model life 2017>>

Pos	Part Number	Description	Remark	Qty	Model
		Battery 48 VOLT			PR:VH2
1	9A7 915 169 00	Battery		1	
2	9A7 915 426 00	Pole cover cap		2	
3	971 915 359 A	Bracket		1	
4	N 910 971 01	Battery Semi round bolt (combi) with hexagon socket head M6X30		4	
5	971 915 501	Bleeding		1	
6	971 927 541	Battery Fan		1	
7	971 819 265	Voltage converter Air guide Fan		1	
8	971 959 663	Voltage converter Voltage converter 48 VOLT		1	
9	971 959 585	Bracket Voltage converter 48 VOLT		1	
10	N 107 414 02	Hexagon socket flat head bolt M6X14		4	
11	N 106 507 01	Hexagon socket head bolt M6X12		4	
12	9A7 941 828 00	fuse holder		1	
13	971 971 534	Earth line	front	1	PR:1P7
14	971 971 538	Earth line	rear	1	PR:1P7
15	971 971 217	Line	rear	1	
16	971 971 218 A	Line	rear	1	
17	971 971 245 A	Line	rear	1	
18	971 971 261	Line	rear	1	
19	N 106 092 01	Hexagon collar nut M8		1	
20	971 915 430	Battery cover		1	PR:0K0,1A2, 9VK
	971 915 430 1E0	Black			
(20)	971 915 430 A	Battery cover		1	PR:0K0,1A2, 9VJ,9VL
	971 915 430 A 1E0	Black			
(20)	971 915 430 B	Battery cover		1	PR:0F5
	971 915 430 B 1E0	Black			

Model: 971-17

Model life 2017>>



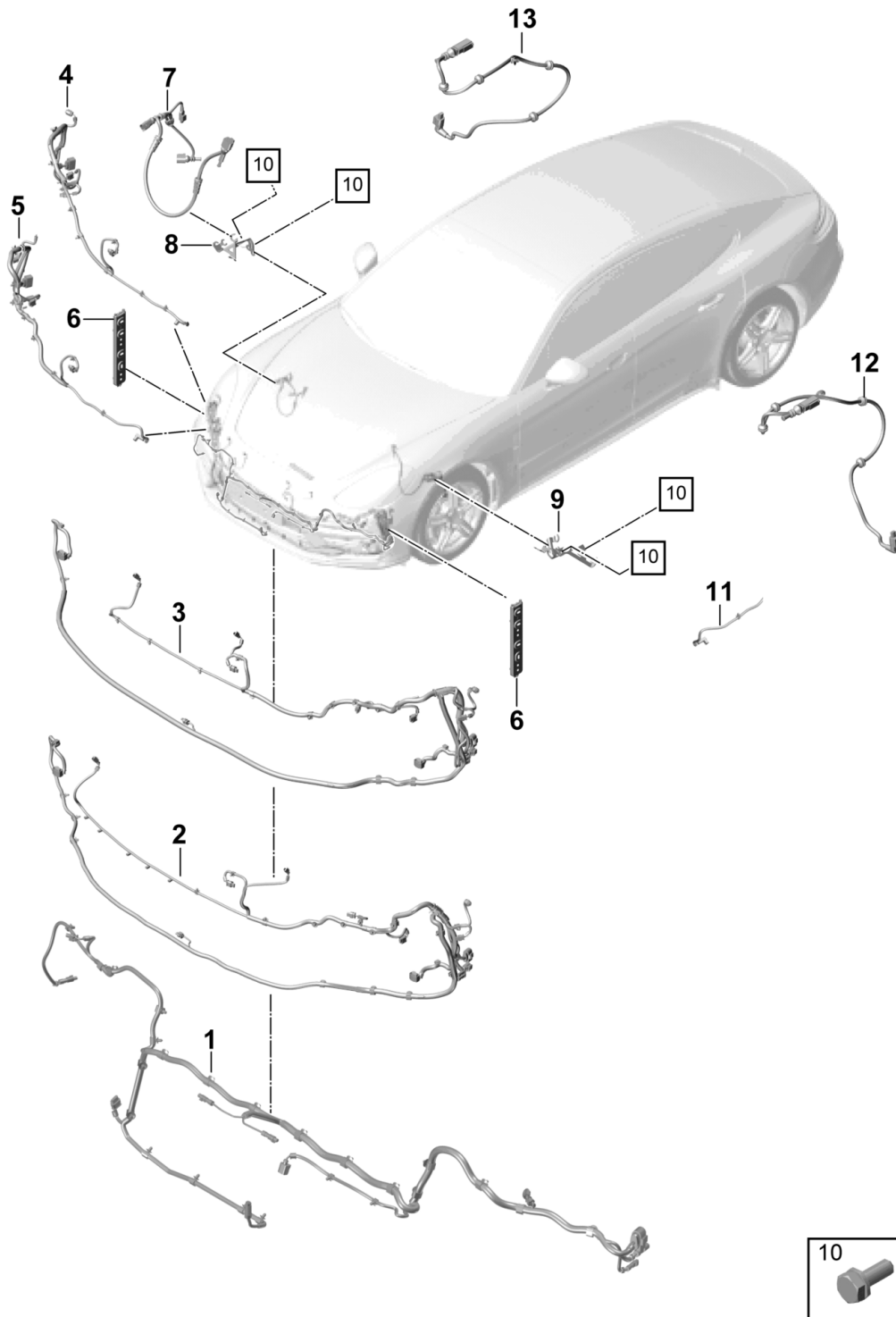
Model: 971-17

Model life 2017>>

Pos	Part Number	Description	Remark	Qty	Model
1	9A7 971 595 00	Wiring looms Engine Wire set		1	CVDA, CVD
(1)	9A7 971 595 10	Engine Wire set 0P2.971.595.BF		1	CVDA, CVD
(1)	9A7 971 595 20	Engine Wire set		1	CSZA, CSZ, DGPA, DGP
(1)	9A7 971 595 30	Engine Wire set		1	CXTA, CXT
(1)	9A7 971 595 40	Engine Wire set		1	DBUC
2	9A7 971 627 00	Engine Wire set		1	CVDA, CVD
(2)	9A7 971 627 20	Pre-wiring Wire set		1	CSZA, CSZ, CXTA, CXT, DBUC
(2)	9A7 971 627 40	Engine Wire set		1	DBUC
3	9A7 971 627 45	Engine Pre-wiring Wire set		1	DBUC
5	9A7 971 684 00	Engine Pre-wiring Exhaust gas recirculation Valve Securing element Cable guide		1	CVDA, CVD
6	9A7 971 856 00	Bracket		1	CVDA, CVD
7	9A7 971 845 00	Bracket		1	DBUC
8	9A7 971 804 00	Bracket		1	DBUC
9	9A7 971 804 10	Bracket		1	DBUC
10	971 971 771	wiring harness for gearbox Gearbox		1	PR:0K0
(10)	971 971 772	Wire set Gearbox	Hybrid	1	PR:0K3
11	9A7 971 461 00	Heat insulation Wire set Engine		1	DBUC
12	971 971 061 B	9A7 971 595 40 Wire set Engine Pre-wiring Electric motor		1	DGPA, DGP

Model: 971-17

Model life 2017>>



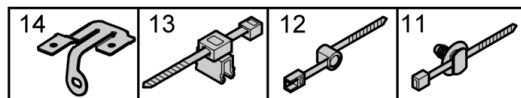
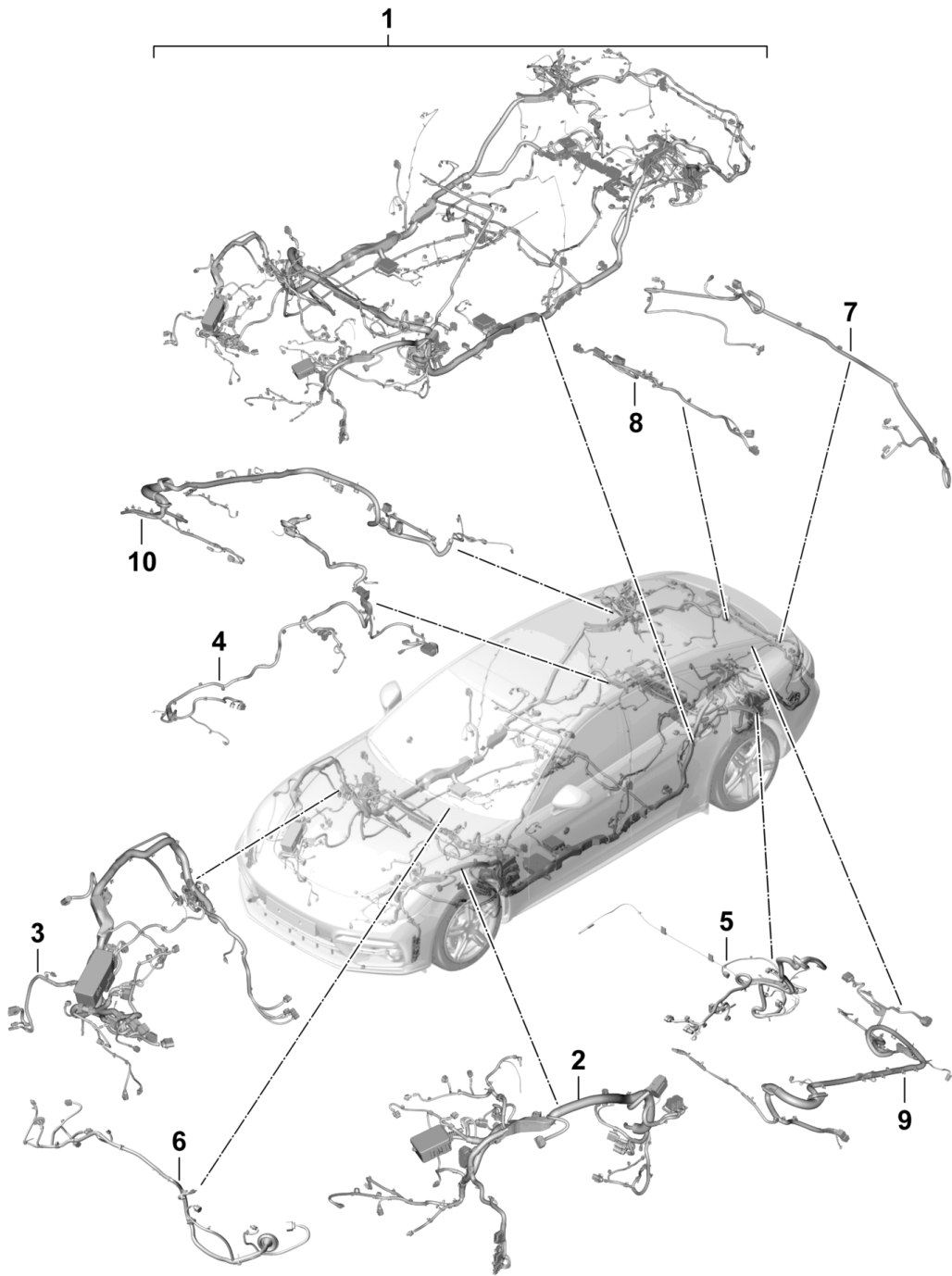
Model: 971-17

Model life 2017>>

Pos	Part Number	Description	Remark	Qty	Model
		Wiring looms bumper FRONT luggage compartment anti-locking brake syst. -abs- brake pad wear display Front axle			
1	971 971 073 CA	Wire set bumper	front	1	PR:L0R,NZ0
1	971 971 073 CN	Wire set bumper	front	1	PR:L0R,NZ3
(1)	971 971 073 CH	Wire set bumper	front	1	PR:-L0R,VL0
(1)	971 971 073 CJ	Wire set bumper	front	1	PR:-L0R,VL2
(2)	971 972 155 BS	Wire set part section wiring harness	left front basic	1	PR:8F2
(3)	971 971 095 BS	Pedestrian protection modify in workshop Wire set part section wiring harness	left front Turbo	1	PR:8F2
4	971 972 156 A	modify in workshop Wire set part section wiring harness modify in workshop	right front	1	
5	971 971 097 A	Wire set part section wiring harness modify in workshop	right front	1	
6	971 907 907 A	Retainer for bumper Connection point	front	2	
7	971 971 279	wiring harness for anti-lock brakesystem -abs- anti-locking brake syst. -abs-	front	2	
8	971 971 004	Cable holder Wire set anti-locking brake syst. -abs-	right front	1	
9	971 971 003	Cable holder Wire set anti-locking brake syst. -abs-	left front	1	
10	N 100 829 13	hexagon head bolt (combi) M6X16		4	
11	971 979 001	Extension cable Control unit tyre pressure control system See technical information GR. 4 88/17		1	
12	971 971 289 A	wiring harness for self-levelling suspension Adaptive suspension		2	PR:1BK
13	971 971 289 B	wiring harness for self-levelling suspension Adaptive suspension		2	PR:1BK
14	971 907 239 A	Cable holder Wire set	front left	1	
15	N 101 586 05	bolt,hex.hd.with shoul.(combi) Hexagon bolt	M6X20	2	

Model: 971-17

Model life 2017>>



Model: 971-17

Model life 2017>>

Pos	Part Number	Description	Remark	Qty	Model
1	971 612 901 00	Wiring looms Passenger compartment and part section wiring harness Wire set		1	
		Passenger compartment * Part number must be ordered * manually by indicating * vehicle ID number. Indicate			
2	971 998 021	Wire set part section wiring harness Engine bay modify in workshop	front left	1	PR:1A2
(2)	971 998 021 A	Wire set part section wiring harness Engine bay modify in workshop	front left	1	PR:A8C,0F5
(2)	971 998 021 B	Wire set part section wiring harness Engine bay modify in workshop	front left	1	PR:0K3,1A2
(2)	971 998 021 C	Wire set part section wiring harness Engine bay modify in workshop	front left	1	PR:A8F,0F5
3	971 998 022	Wire set part section wiring harness modify in workshop	front right	1	PR:0K0,1A2
(3)	971 998 022 A	Wire set part section wiring harness modify in workshop	front right	1	PR:0F5
(3)	971 998 022 B	Wire set part section wiring harness modify in workshop	front right	1	PR:0K3,1A2
4	971 998 028	Wire set part section wiring harness Underbody modify in workshop	right	1	PR:K8S,0K0
(4)	971 998 028 A	Wire set part section wiring harness Underbody modify in workshop	right	1	PR:K8S,0K3
(4)	971 998 028 B	Wire set part section wiring harness Underbody modify in workshop	right	1	PR:K8D,0K0
(4)	971 998 028 C	Wire set part section wiring harness Underbody modify in workshop	right	1	PR:K8D,0K3
5	971 998 029	Wire set part section wiring harness Underbody modify in workshop	left	1	PR:0K0
(5)	971 998 029 A	Wire set part section wiring harness Underbody modify in workshop	left	1	PR:0K3
6	971 998 052	Wire set part section wiring harness Engine bay water box		1	PR:L0L

Model: 971-17

Model life 2017>>

Pos	Part Number	Description	Remark	Qty	Model
(6)	971 998 052 A	modify in workshop Wire set part section wiring harness Engine bay water box		1	PR:L0R
7	971 998 030	modify in workshop Wire set Sectional part cross panel Control unit for lane change assist	rear	1	PR:K8S
(7)	971 998 030 A	modify in workshop Wire set Sectional part cross panel Control unit for lane change assist		1	PR:K8D
8	971 998 053	modify in workshop Wire set part section wiring harness Rear light	left right	1	
9	971 998 023	modify in workshop Wire set part section wiring harness Rear lid	left	1	PR:ER2
(9)	971 998 023 A	modify in workshop Wire set part section wiring harness Rear lid	left	1	PR:ER3
(9)	971 998 023 B	modify in workshop Wire set part section wiring harness Rear lid	left	1	PR:ER5,L0L
(9)	971 998 023 C	modify in workshop Wire set part section wiring harness Rear lid	left	1	PR:ER5,L0R
10	971 998 213	modify in workshop Wire set part section wiring harness Rear lid	right	1	PR:ER2,7X8
(10)	971 998 213 A	modify in workshop Wire set part section wiring harness Rear lid	right	1	PR:ER2,8A4
(10)	971 998 213 B	modify in workshop Wire set part section wiring harness Rear lid	right	1	PR:ER3,7X8
(10)	971 998 213 C	modify in workshop Wire set part section wiring harness Rear lid	right	1	PR:ER3,8A4
(10)	971 998 213 D	modify in workshop Wire set part section wiring harness Rear lid	right	1	PR:ER5,5D4, 7X8
(10)	971 998 213 E	modify in workshop Wire set part section wiring harness Rear lid	right	1	PR:ER5,5D4, 8A4
(10)	971 998 213 F	modify in workshop Wire set part section wiring harness Rear lid	right	1	PR:ER5,5D1, 7X8

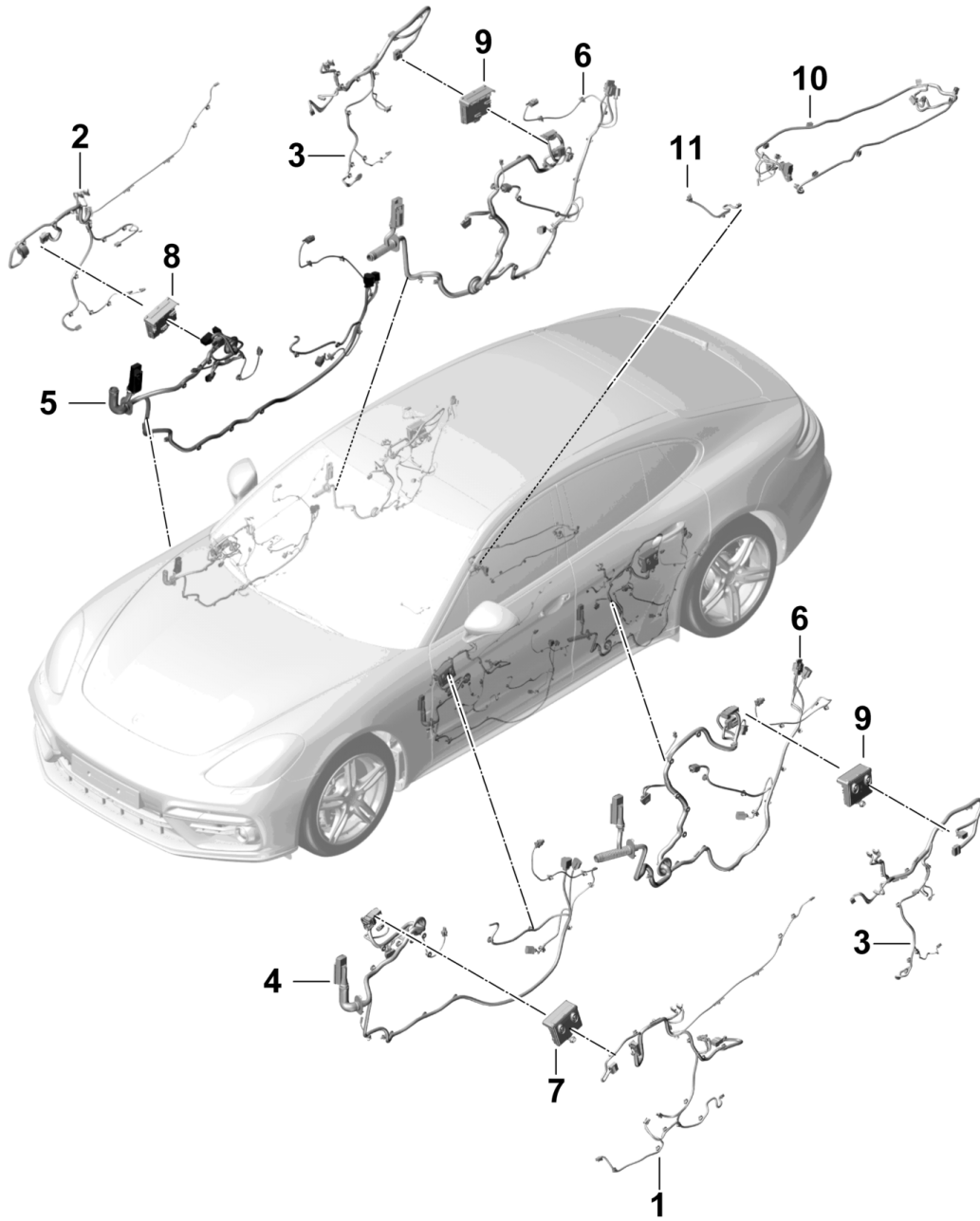
Model: 971-17

Model life 2017>>

Pos	Part Number	Description	Remark	Qty	Model
(10)	971 998 213 G	modify in workshop Wire set part section wiring harness Rear lid modify in workshop	right	1	PR:ER5,5D1, 8A4
-		Cable ties for Repair work			
11	N 906 661 01	Cable ties 4,6 X 200		X	
12	N 904 449 01	Cable ties 5 X 230		X	
13	955 612 931 00	Cable clamp 193 X 4 - 45		X	
14	955 612 932 00	Cable holder	Flat	X	

Model: 971-17

Model life 2017>>



Model: 971-17 Model life 2017>>

Pos	Part Number	Description	Remark	Qty	Model
-		Wiring looms doors Control units doors	front and rear		
-		Wire set door panel (drivers side)	front		
1	971 971 161 CP	Wire set door panel modify in workshop		1	PR:QQ0
(1)	971 971 161 CQ	Wire set door panel modify in workshop		1	PR:QQ1,QQ2
-		Wire set door panel (passenger side)	front		
2	971 971 162 AP	Wire set door panel		1	PR:QQ0
(2)	971 971 162 AQ	Wire set door panel		1	PR:QQ1,QQ2
-		Wire set door panel	rear		
3	971 971 121 AF	Wire set door panel		1	PR:QQ0
(3)	971 971 121 AG	Wire set door panel		1	PR:QQ1,QQ2
-		Wire set Assembly frame			
4	971 971 035 AY	Wire set Assembly frame (drivers side)	front	1	PR:GZ0
(4)	971 971 035 Y	Wire set Assembly frame (drivers side)	front	1	PR:GZ2
5	971 971 036 AY	Wire set Assembly frame (passenger side)	front	1	PR:GZ0
(5)	971 971 036 Y	Wire set Assembly frame (passenger side)	front	1	PR:GZ2
6	971 971 694 AY	Wire set Assembly frame	rear	1	PR:GZ0
(6)	971 971 694 Y	Wire set Assembly frame	rear	1	PR:GZ2
-		Control unit Door			
7	9A7 959 793 00	Door control unit (drivers side) D >> - 25.05.2018	front	1	
(7)	PAB 959 793 10	Door control unit (drivers side) D - 28.05.2018>>	front	1	
8	9A7 959 792 00	Door control unit (passenger side) D >> - 25.05.2018	front	1	
(8)	PAB 959 792 10	Door control unit (passenger side) D - 28.05.2018>>	front	1	
9	9A7 959 795 00	Door control unit D >> - 25.05.2018	rear	2	
(9)	PAB 959 795 10	Door control unit D - 28.05.2018>>	rear	2	
-		Wire set			

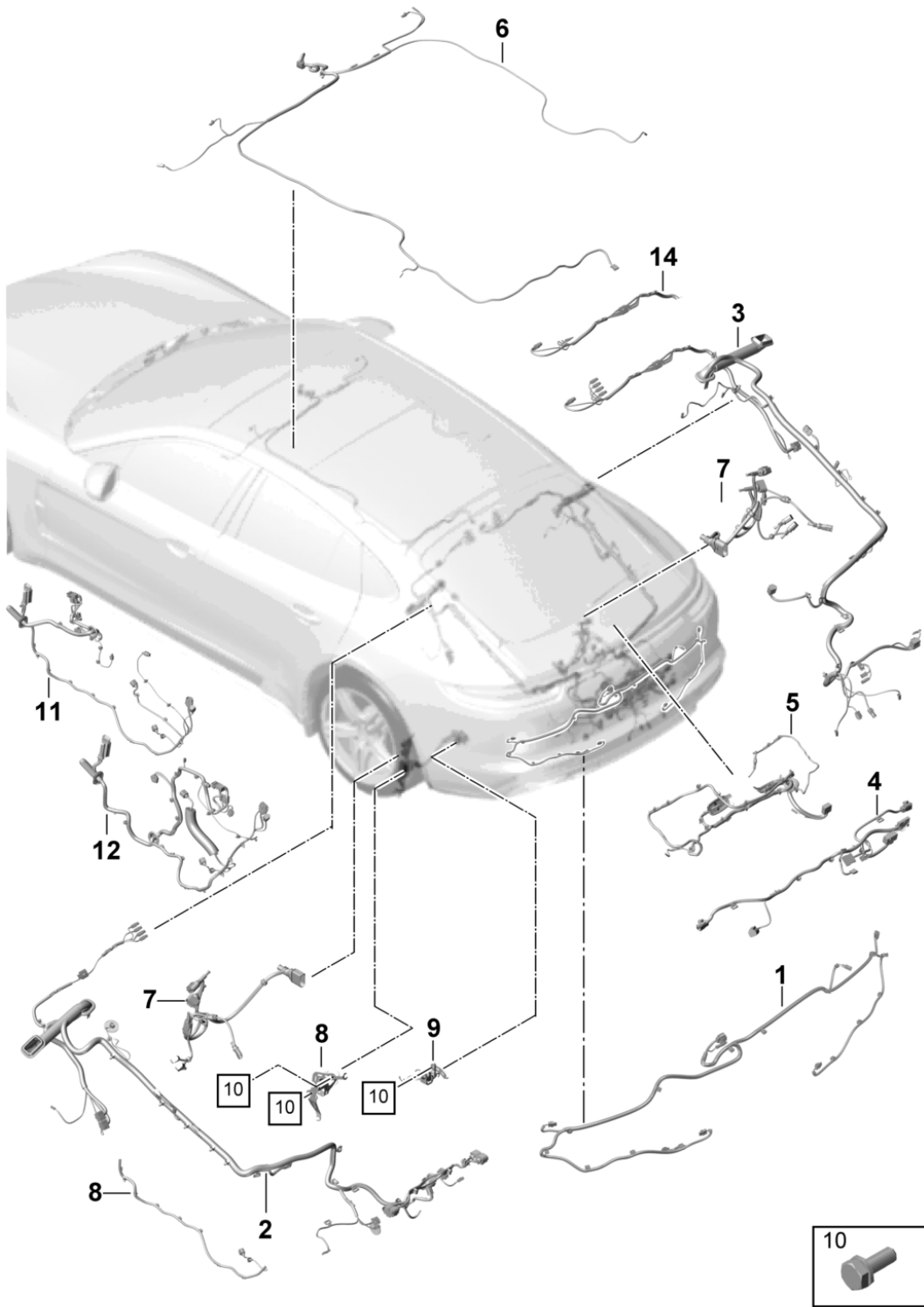
Model: 971-17

Model life 2017>>

Pos	Part Number	Description	Remark	Qty	Model
(10)	971 971 641 P	Centre console Wire set	front	1	PR:9JB,-3Z7
(10)	971 971 641 AM	Centre console Wire set	front	1	PR:9JA,-3Z7
-		Centre console Centre console Business			
(10)	971 971 667 G	Wire set	front	1	PR:3Z7,1U0
-		Centre console Centre console			
11	971 971 300	'Keyless Entry (KESY)' Centre console 'Keyless Entry (KESY)'		1	

Model: 971-17

Model life 2017>>



Model: 971-17 Model life 2017>>

Pos	Part Number	Description	Remark	Qty	Model
1	971 971 104 C	Wiring looms Rear end roof trim Rear lid anti-locking brake syst. -abs- brake pad wear display Rear axle footboard Wire set	rear	1	PR:K8S
(1)	974 971 104 C	bumper Wire set	rear	1	PR:K8D
2	971 971 017 Y	bumper Wire set	left	1	- "USA", - "J.."
(2)	971 971 017 BY	Rear lid Wire set	left	1	PR:L0L "J.."
(2)	971 971 017 CY	Rear lid Wire set	left	1	PR:L0R "J.."
3	971 971 018 Y	Rear lid Wire set	right	1	PR:7X8 - "USA", - "J.."
(3)	971 971 018 AY	with: Reversing camera Wire set Rear lid	right	1	PR:8A4 - "USA", - "J.."
(3)	971 971 018 DY	with: Real Top View Wire set Rear lid	right	1	PR:7X8,5D4 "J.."
(3)	971 971 018 FY	with: Reversing camera Wire set Rear lid	right	1	PR:7X8,5D1 "J.."
(3)	971 971 018 EY	with: Reversing camera Wire set Rear lid	right	1	PR:8A4,5D4 "J.."
(3)	971 971 018 GY	with: Real Top View Wire set Rear lid	right	1	PR:8A4,5D1 "J.."
4	971 971 277	with: Real Top View Wire set		1	PR:4E6,4E7
5	971 974 224 B	Powerlift Wire set		1	PR:A8C,A8F
(5)	971 974 224 D	Rear spoiler Wire set		1	PR:A8H
6	971 971 247	Rear spoiler Wire set		1	
7	971 971 286 A	Roofliner wiring harness for anti-lock brakesystem -abs- anti-locking brake syst. -abs-		2	
8		Cable holder Wire set	left	1	
9		anti-locking brake syst. -abs- see illustration: Cable holder Wire set	501-020 right	1	
		anti-locking brake syst. -abs- see illustration:	501-020		

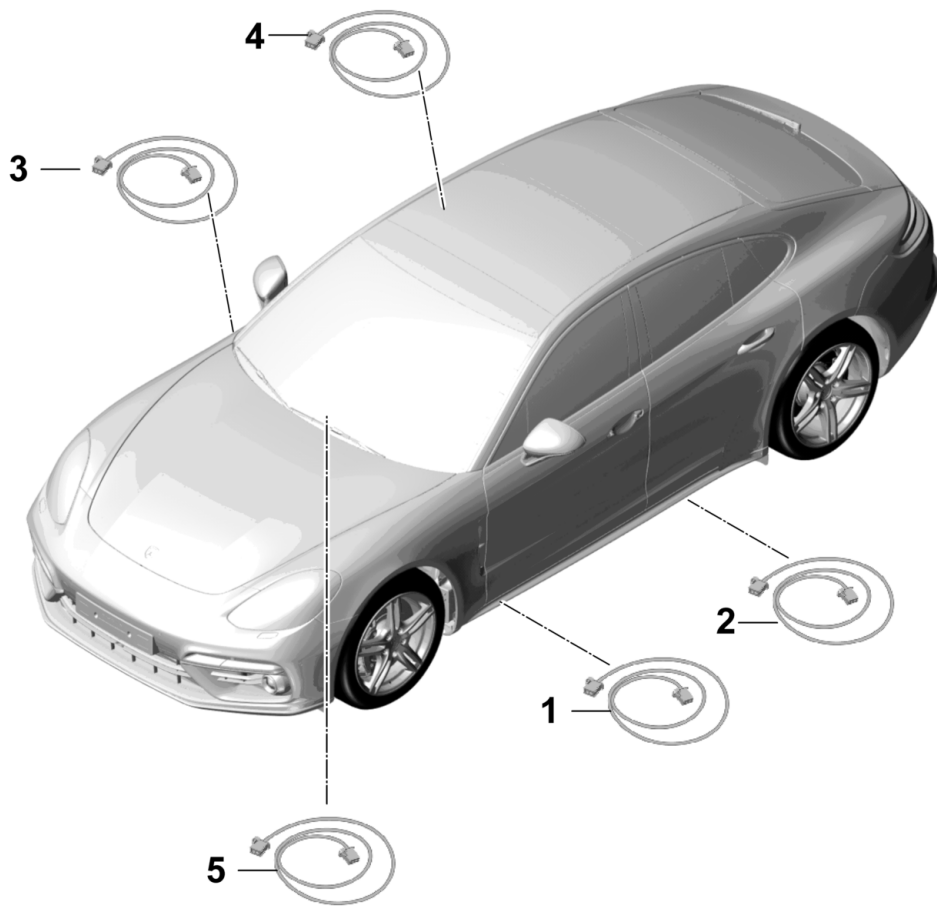
Model: 971-17

Model life 2017>>

Pos	Part Number	Description	Remark	Qty	Model
10	N 100 829 13	hexagon head bolt (combi) M6X16		4	
11	971 972 229	Wire set Sill trim strip (drivers side)	front	1	PR:VT2,7M4
(11)	971 972 229	Wire set Sill trim strip (drivers side)	front	1	PR:VT2,7M8
(11)	971 972 229 A	Wire set Sill trim strip (passenger side)	front	1	PR:VT2,7M4
(11)	971 972 229 A	Wire set Sill trim strip (passenger side)	front	1	PR:VT2,7M8
12	971 972 229 B	Wire set Sill trim strip Short	rear	2	PR:0E1,7M4
14	971 970 052	Wire set roller blind Rear end Cable ties for Repair work See group 9/02/10		1	PR:K8S,3Y2, 3Y8
-					

Model: 971-17

Model life 2017>>



P49902045 08 - 18

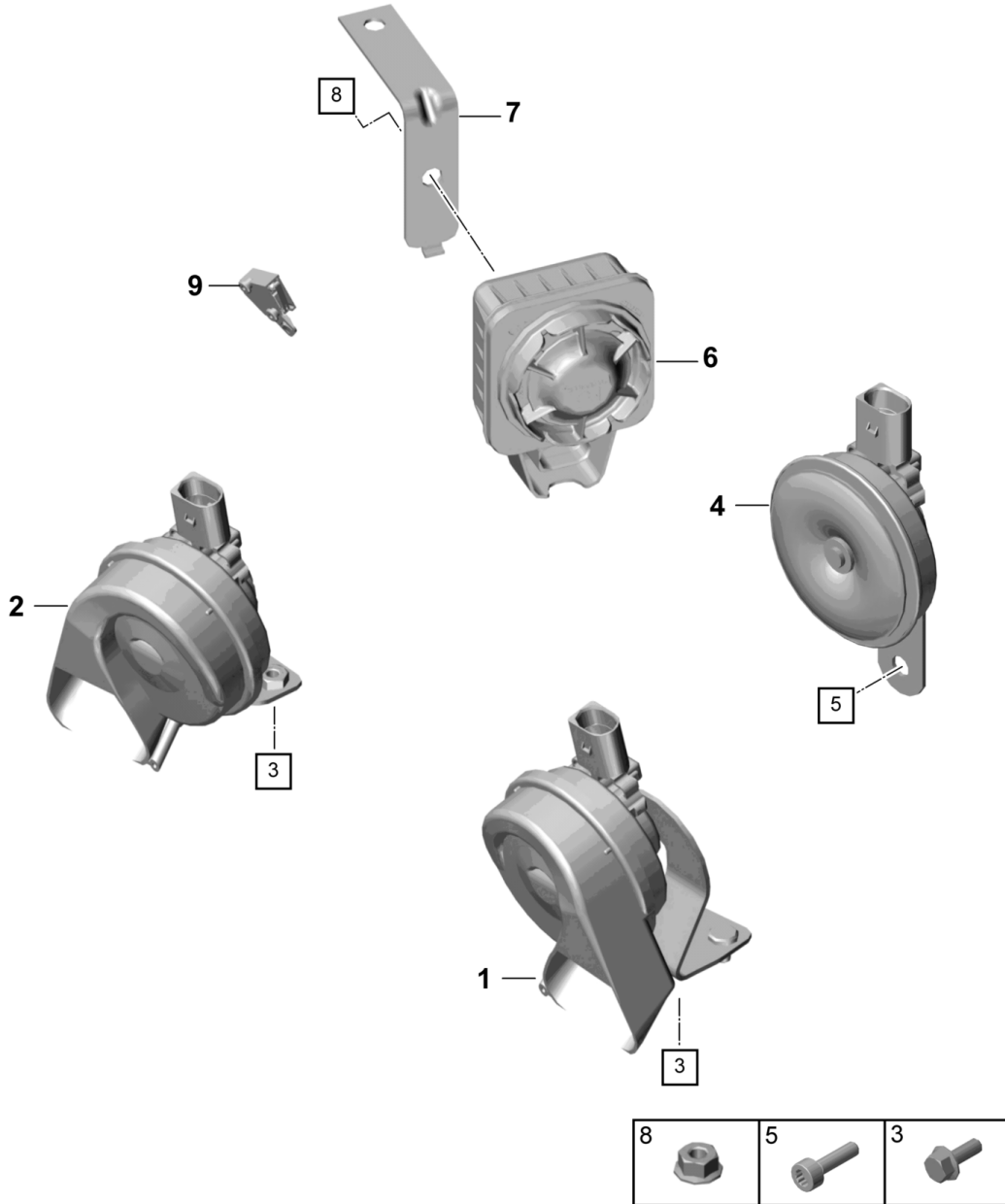
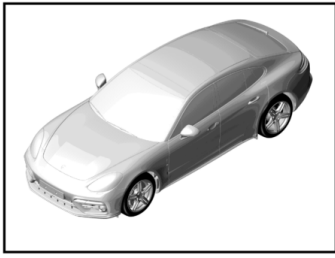
Model: 971-17

Model life 2017>>

Pos	Part Number	Description	Remark	Qty	Model
1	973 970 267 AA	fibre optic wave conductor fibre optic wave conductor without: without: with:	VERSTAERKER DVD TV-TUNER	1	PR:7A0,QU1, QV1,9VK
2	973 970 267 S	fibre optic wave conductor with: without: with:	VERSTAERKER DVD TV-TUNER	1	PR:QU1,QV1, 7A0,9VL,9VJ
(2)	973 970 267 J	fibre optic wave conductor Amplifiers To dashboard without: without:	DVD TV-TUNER	1	PR:7A0,QV0, QV3,QU8,9VL, 9VJ
3	973 970 267 L	fibre optic wave conductor with: with:	VERSTAERKER DVD and TV-TUNER	1	PR:QU1,QV1, 6G2,9VL,9VJ
(3)	973 970 267 N	fibre optic wave conductor with: with: without:	VERSTAERKER DVD TV-TUNER	1	PR:QV0,QV3, QU8,6G2,9VL, 9VJ
4	973 970 267 Q	fibre optic wave conductor without: with: with:	VERSTAERKER DVD TV-TUNER	1	PR:QU1,QV1, 6G2,9VK
(4)	973 970 267 R	fibre optic wave conductor without: with: without:	VERSTAERKER DVD TV-TUNER	1	PR:QV0,QV3, QU8,6G2,9VK
5	972 974 267	fibre optic wave conductor dashboard		1	PR:L0L
(5)	973 974 267	fibre optic wave conductor dashboard		1	PR:L0R

Model: 971-17

Model life 2017>>



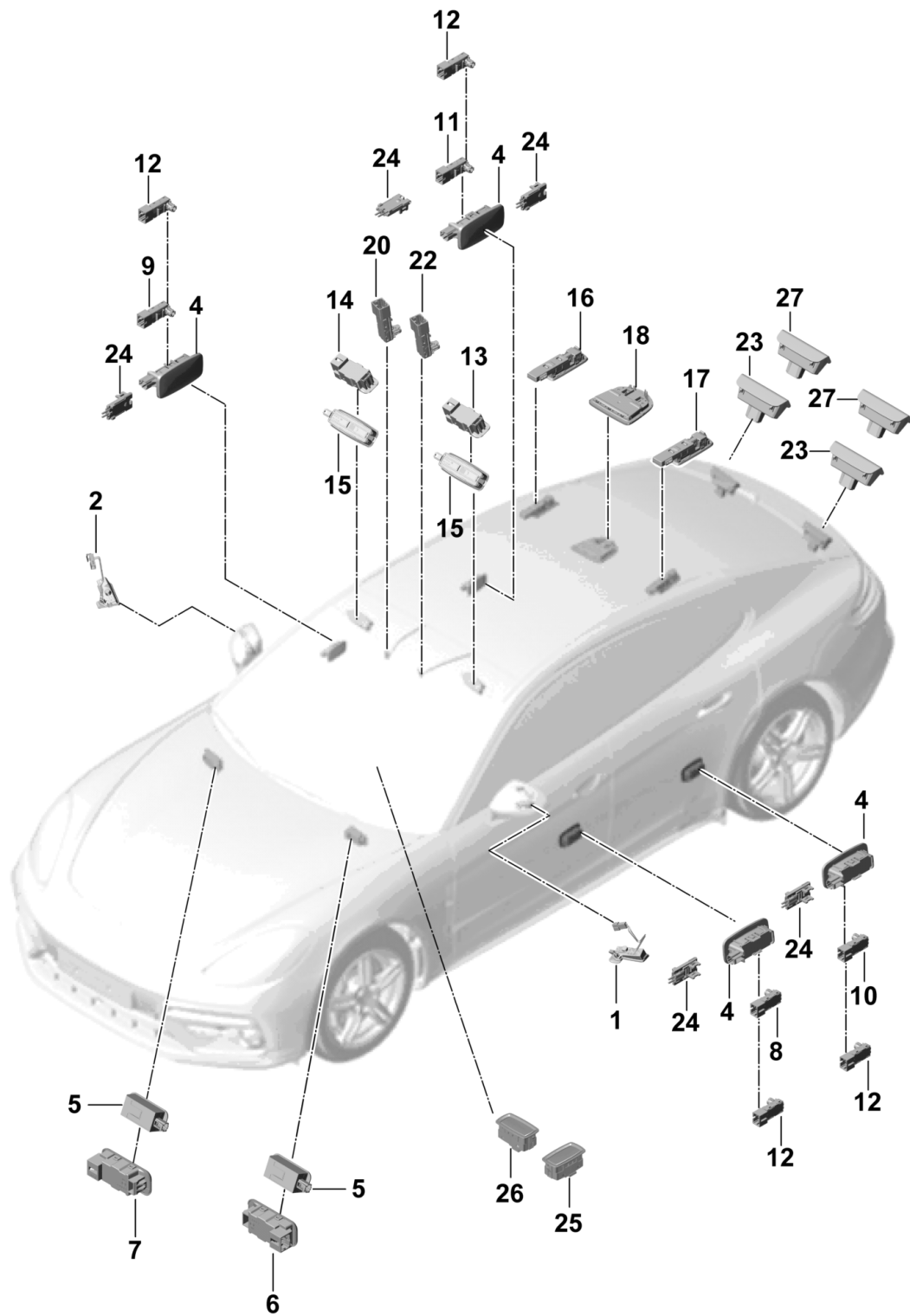
Model: 971-17

Model life 2017>>

Pos	Part Number	Description	Remark	Qty	Model
1	971 951 211 B	Fanfare Signal horn Alarm horn Fanfare Low-pitched	left	1	PR:8Y1
(1)	971 951 211 C	Fanfare Low-pitched	left	1	PR:8Y2
2	971 951 212 B	Fanfare High-pitched	right	1	PR:8Y1
(2)	971 951 212 C	Fanfare High-pitched	right	1	PR:8Y2
3	N 107 188 01	bolt,hex.hd.with shoul.(combi) M 6 X 16		2	
4	971 951 101	Signal horn alarm system		1	PR:7AK
5	999 218 113 01	Socket head bolt M 6 X 23		1	
6	5Q0 951 605 A	Electronic siren		1	PR:7AH,7AL, 7AA
7	971 951 227 A	Bracket for alarm horn Alarm horn		1	PR:7AH,7AL
8	N 106 092 01	Hexagon collar nut M 8		1	
9	1K0 953 236 D	Contact switch Anti-theft protection	front	1	

Model: 971-17

Model life 2017>>



Model: 971-17 Model life 2017>>

Pos	Part Number	Description	Remark	Qty	Model
		Interior lights Luggage compartment lamp Door warning light Footwell light Light Exterior mirror			
1	971 949 133	Light	left	1	
2	971 949 134	Exterior mirror Light	right	1	
4	971 947 101	Exterior mirror Light		4	
5	4E0 947 415	Door Light Footwell	front left right	2	PR:QQ0
		Glove box Luggage compartment Luggage compartment		1 1 2	
6	9A7 947 415 30	Light	left	1	PR:QQ1,QQ2
7	9A7 947 415 40	Footwell Light	front right	1	PR:QQ1,QQ2
8	971 947 355 A	Footwell Lighting	front	1	PR:QQ1,QQ2
9	971 947 355 B	Door Lighting		1	PR:QQ1,QQ2
10	971 947 355 C	Door Lighting		1	PR:QQ1,QQ2
11	971 947 355 D	Door Lighting		1	PR:QQ1,QQ2
12	971 947 356	Door Lighting		4	PR:QQ0,9VJ
13		Light Footwell	rear	1	PR:QQ2
14		see illustration: Light Footwell	817-000 rear	1	PR:QQ2
15	4H0 947 105 B	see illustration: interior light	817-000	2	
16	971 947 353 B	Vanity mirror Reading light	left rear	1	
17	971 947 354 B	Reading light	right rear	1	
18	971 947 304 A	Reading light	rear center	1	PR:QQ2
20	9A7 947 355 00	Lighting for centre console	left	1	PR:QQ1,QQ2
22	9A7 947 355 10	Lighting for centre console	front right front	1	PR:QQ1,QQ2
23	971 947 411	Warning light Rear lid		2	
24	9A7 947 101 00	Light LED		X	
25	971 959 832 B	Centre console door panel Switch for rear lid release		1	PR:4I6,4I8
(25)	971 959 832 B 6N3 971 959 832 C	Matt black Switch for rear lid release		1	PR:4F2,4F6
(25)	971 959 832 C 6N3 971 962 109 A	Matt black Switch		1	PR:7AH

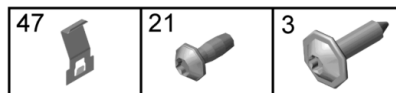
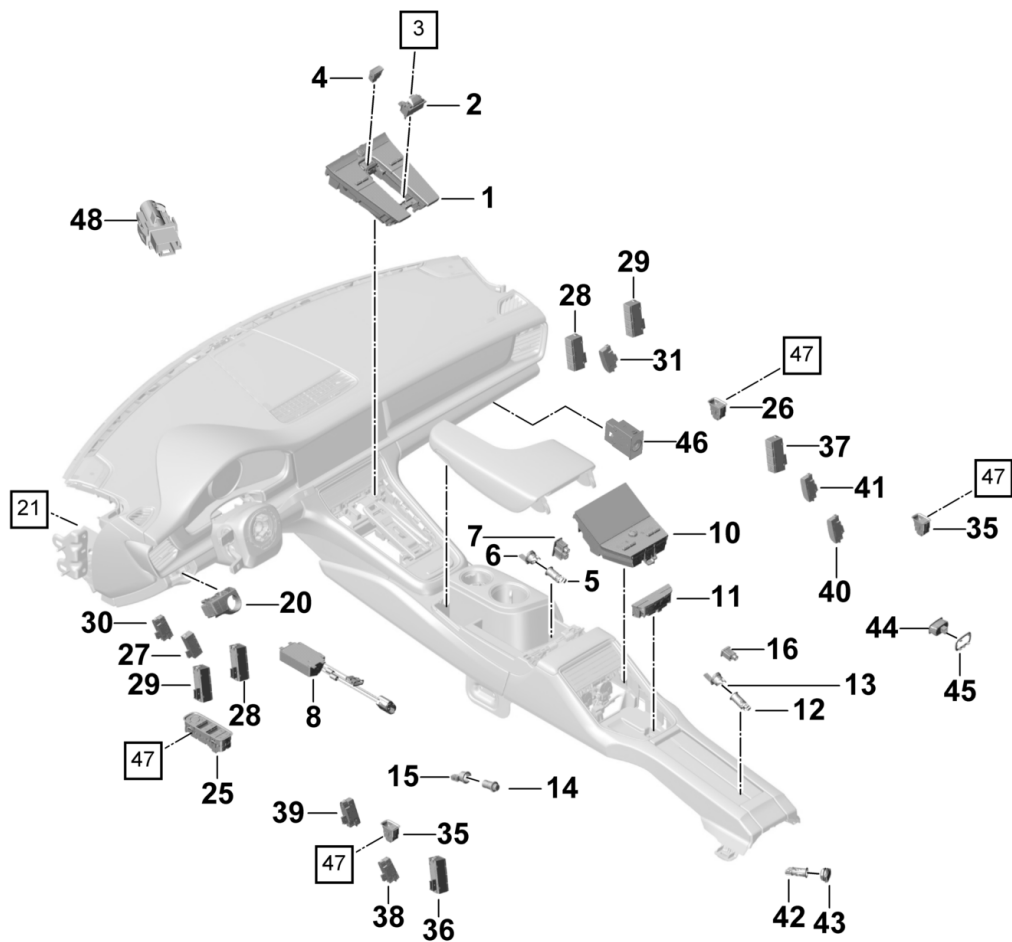
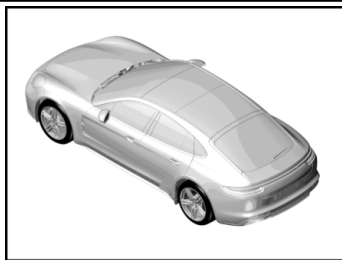
Model: 971-17

Model life 2017>>

Pos	Part Number	Description	Remark	Qty	Model
26	971 962 109 A 6N3 970 632 193 02	Deactivation Interior monitoring Matt black LED module Centre console doors		X 4 8	
27	974 947 411	Light LED Rear lid		2	PR:K8D

Model: 971-17

Model life 2017>>



Model: 971-17 Model life 2017>>

Pos	Part Number	Description	Remark	Qty	Model
-		Combined switch			
		Control panel			
		Air conditioning			
		Control switch			
		Voltage converter			
1	971 919 611	Centre console	front		
		Air conditioning	front	1	
		Control panel			
		D >> - MJ 2017			
	971 919 611 6N3	Matt black			
(1)	971 919 611 G	Air conditioning	front	1	
		D - MJ 2018>>			
	971 919 611 G 6N3	Matt black			
2	971 927 225 B	Switch		1	
		Electric parking brake			
	971 927 225 B 6N3	Matt black			
3	N 906 986 06	Hexagon socket head panel bolt		2	
		ST4,2X16			
4	971 953 509 A	Hazard warning light sw.		1	
	971 953 509 A 6N3	Matt black			
5	971 919 309 A	Socket		1	PR:9JA
(5)	9A7 919 303 00	Cigarette lighter		1	PR:9JB
6	9A7 919 341 00	Spring pin		1	PR:9JA
		with:			
		Cover			
	9A7 919 341 00 9B9	Black			
(6)	9A7 919 341 10	Support		1	PR:9JB
		Cigarette lighter			
7	9A7 642 222 00	Connection for USB and AUX-IN		1	PR:UI2
(7)	9A7 642 222 20	Multimedia interface		1	PR:UI4
8	9A7 907 155 10	Voltage converter		1	PR:9Z3,K8S
(8)	9A7 907 155 12	Voltage converter		1	PR:9Z4,K8S
(8)	9A7 907 155 13	Voltage converter		1	PR:9Z3,K8D
(8)	9A7 907 155 15	Voltage converter		1	PR:9Z4,K8D
-		Centre console	rear		
10	971 919 616	Air conditioning	rear	1	PR:3KG,3KH, 3KI,3KJ,3KK, 3KL,3KN,3KR, 9AH
		Control panel			
	971 919 616 6N3	Matt black			
(10)	974 919 615 H	Air conditioning	rear	1	PR:3FA,4A0, 4A3,5KA,5KH, 9AH
		Control panel			
	974 919 615 H 6N3	4-zone			
		Air conditioning			
(10)	974 919 615 J	Matt black	rear	1	PR:3FA,4A4, 5KA,5KH,9AH
		Air conditioning			
		Control panel			
	974 919 615 J 6N3	4-zone			
		Air conditioning			
(10)	974 919 615 K	Matt black	rear	1	PR:3FU,4A0, 4A3,5KA,5KH, 9AH
		Air conditioning			
		Control panel			
	974 919 615 K 6N3	4-zone			
		Air conditioning			
(10)	974 919 615 L	Matt black	rear	1	PR:3FU,4A4, 5KA,5KH,9AH
		Air conditioning			
		Control panel			
	974 919 615 L 6N3	4-zone			
		Air conditioning			
11	971 919 709 AQ	Matt black	rear	1	PR:3FA,3Y2,
		Control panel			

Model: 971-17

Model life 2017>>

Pos	Part Number	Description	Remark	Qty	Model
		Centre console			3Y7, 3Y8, 4A0, 4A3, 4D0, 4D3, 4D5, 4D7
(11)	971 919 709 AQ OV3 971 919 709 AR	High-Gloss Black Control panel Centre console	rear	1	PR: 3FU, 3Y0, 4A0, 4A3, 4D0, 4D3, 4D5, 4D7
(11)	971 919 709 AR OV3 971 919 709 AS	High-Gloss Black Control panel Centre console	rear	1	PR: 3FU, 3Y2, 3Y7, 3Y8, 4A0, 4A3, 4D0, 4D3, 4D5, 4D7
(11)	971 919 709 AS OV3 971 919 709 AT	High-Gloss Black Control panel Centre console	rear	1	PR: 3FA, 3Y0, 4A4, 4D0, 4D3, 4D5, 4D7
(11)	971 919 709 AT OV3 971 919 709 BA	High-Gloss Black Control panel Centre console	rear	1	PR: 3FA, 3Y2, 3Y7, 3Y8, 4A4, 4D0, 4D3, 4D5, 4D7
(11)	971 919 709 BA OV3 971 919 709 BB	High-Gloss Black Control panel Centre console	rear	1	PR: 3FU, 3Y0, 4A4, 4D0, 4D3, 4D5, 4D7
(11)	971 919 709 BB OV3 971 919 709 BC	High-Gloss Black Control panel Centre console	rear	1	PR: 3FU, 3Y2, 3Y7, 3Y8, 4A4, 4D0, 4D3, 4D5, 4D7
(11)	971 919 709 BC OV3 971 919 709 BD	High-Gloss Black Control panel Centre console	rear	1	PR: 3FA, 3Y0, 4A4, 4D1, 4D2, 4D9
(11)	971 919 709 BD OV3 971 919 709 BE	High-Gloss Black Control panel Centre console	rear	1	PR: 3FA, 3Y2, 3Y7, 3Y8, 4A4, 4D1, 4D2, 4D9
(11)	971 919 709 BE OV3 971 919 709 BF	High-Gloss Black Control panel Centre console	rear	1	PR: 3FU, 3Y0, 4A4, 4D1, 4D2, 4D9
(11)	971 919 709 BF OV3 971 919 709 BG	High-Gloss Black Control panel Centre console	rear	1	PR: 3FU, 3Y2, 3Y7, 3Y8, 4A4, 4D1, 4D2, 4D9
(11)	971 919 709 BG OV3 974 919 709 C	High-Gloss Black Control panel Centre console	rear	1	PR: 3FA, 4A4, 9AD
(11)	974 919 709 C HTO 974 919 709 D	black/black Control panel Centre console	rear	1	PR: 3FU, 4A0, 4A3, 9AD
(11)	974 919 709 D HTO 974 919 709 E	black/black Control panel Centre console	rear	1	PR: 3FU, 4A4, 9AD
12	974 919 709 E HTO 971 919 309 A	black/black Socket		1	PR: 9JB
(12)	971 035 252	Socket 12 V USB connector		1	PR: 3KG, 3KH, 3KI, 3KJ, 3KK, 3KL, 3KN, 3KR, 3Z6, 9JA
(12)	971 035 252 A	Socket		1	PR: 3Z6, 3Z7,

Model: 971-17

Model life 2017>>

Pos	Part Number	Description	Remark	Qty	Model
13	9A7 919 341 00	USB connector Spring pin		1	5KA, 5KH, 9JA PR: 9JA, 3Z6
		with:			
	9A7 919 341 00 9B9	Cover Black			
(13)	9A7 919 341 00	Spring pin		1	PR: 9JA, 3Z7
		with:			
	9A7 919 341 00 9B9	Cover Black			
14	9A7 919 303 00	Cigarette lighter		1	PR: 9JB
15	9A7 919 341 10	Support		1	PR: 9JB
16	971 035 222 A	Cigarette lighter		1	PR: UI2
-		Multimedia interface dashboard		1	PR: L0L
20	971 941 209 B	switch for lighting		1	PR: L0L
	971 941 209 B HJD	Black/Galvano Silver			
(20)	973 941 209 B	Strip for switches		1	PR: L0R
	973 941 209 B HJD	Black/Galvano Silver			
21	N 106 021 01	Hexagon socket flat head bolt TP4X10-Q		2	
-		Switch	front		
25	971 959 858 C	Door Switch for electric window regulator		1	PR: 0K0
		Exterior mirror luggage compartment (drivers side)			
	971 959 858 C HUO	High-Gloss Black/Black D >> - 25.05.2018			
25	971 959 858 E	Switch for electric window regulator		1	PR: 0K0
		Exterior mirror luggage compartment (drivers side)			
	971 959 858 E HUO	High-Gloss Black/Black D - 28.05.2018>>			
(25)	971 959 858 D	Switch for electric window regulator		1	PR: 0K3
		Exterior mirror luggage compartment (drivers side)			
	971 959 858 D HUO	High-Gloss Black/Black D >> - 25.05.2018			
(25)	971 959 858 F	Switch for electric window regulator		1	PR: 0K3
		Exterior mirror luggage compartment (drivers side)			
	971 959 858 F HUO	High-Gloss Black/Black D - 28.05.2018>>			
26	971 959 855 C	Switch for electric window regulator (passenger side)		1	
	971 959 855 C HUO	High-Gloss Black/Black			
27	971 959 769 F	Switch Seat (drivers side)		1	PR: L0L, 3L4, 3PN
		with:	MEMORY		
	971 959 769 F OV3	High-Gloss Black			
28	971 959 769 G	Switch Seat (drivers side)		1	PR: L0R, 3L6, 3PN

Model: 971-17

Model life 2017>>

Pos	Part Number	Description	Remark	Qty	Model
29	971 959 769 G OV3 971 959 770 F	High-Gloss Black Switch Seat (passenger side)	with: MEMORY	1	PR:L0L,3PN
(29)	971 959 770 F OV3 971 959 770 G	High-Gloss Black Switch Seat (passenger side)	with: MEMORY	1	PR:L0R,3PN
30	971 959 770 G OV3 971 962 125 F	High-Gloss Black Switch Central locking system	with: MEMORY left	1	
31	971 962 125 F OV3 971 962 125 G	High-Gloss Black Switch Central locking system	right	1	
-	971 962 125 G OV3	High-Gloss Black Switch Door	rear		
35	971 959 855 C	Switch for electric window regulator		2	
36	971 959 855 C HUO 971 959 770 F	High-Gloss Black/Black Switch Seat With memory function	left	1	PR:3KK,3KL, 3KN,3KR
37	971 959 770 F OV3 971 959 770 G	High-Gloss Black Switch Seat With memory function	right	1	PR:3KK,3KL, 3KN,3KR
38	971 959 770 G OV3 971 962 125 F	High-Gloss Black Switch Central locking system	left	1	PR:9AH
39	971 962 125 F OV3 971 959 214 D	High-Gloss Black Trim Central locking system	left	1	PR:9AD
40	971 959 214 D OV3 971 962 125 G	High-Gloss Black Switch Central locking system	right	1	PR:9AH
41	971 962 125 G OV3 971 959 214 E	High-Gloss Black Trim Central locking system	right	1	PR:9AD
-	971 959 214 E OV3	High-Gloss Black Luggage compartment			
42	971 919 309 A	Socket		1	
43	9A7 919 341 02	Spring pin		1	
44	9A7 919 341 02 9B9 971 959 511 A	Cover Black Switch Tow hitch	with:	1	
45	971 959 511 A 6N3 971 959 528	Matt black Trim Switch Tow hitch		1	PR:1D3
46	971 959 528 1E0 9A7 919 237 00	Black Switch Airbag		1	PR:1D3 PR:4UF
47	9A7 919 237 00 WGI 971 898 185	Satin black/traffic white Clip for Switch Window regulator		4	PR:0K0,0K3

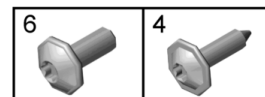
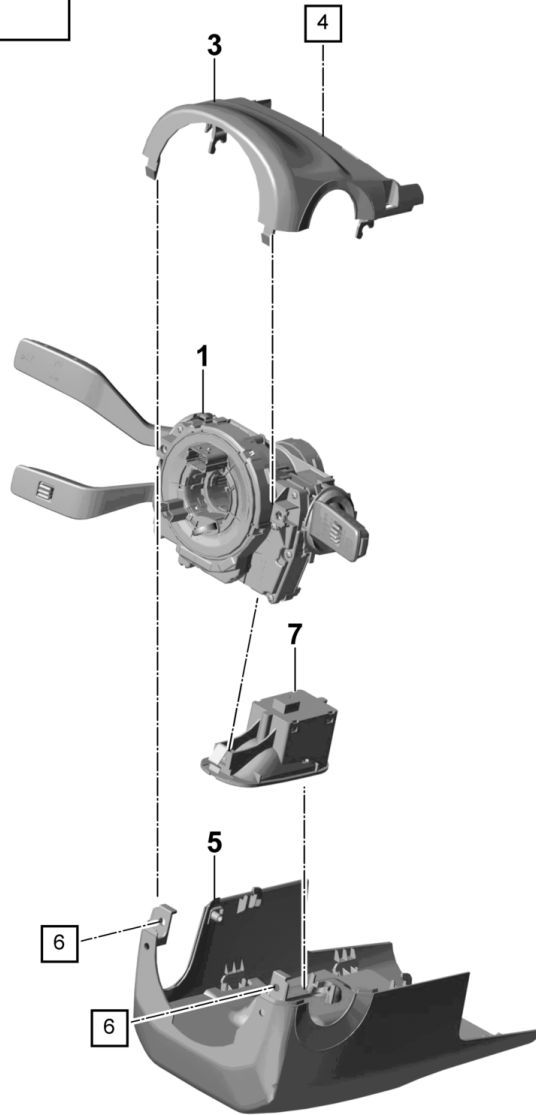
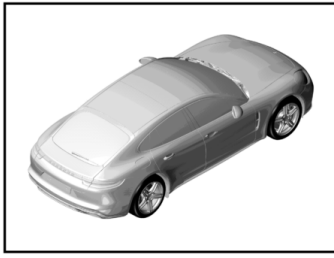
Model: 971-17

Model life 2017>>

Pos	Part Number	Description	Remark	Qty	Model
48	9A7 907 527 00	(drivers side) (passenger side) Temperature sensor bumper	front	1	
(48)	9A7 907 527 00	Temperature sensor Air conditioner		1	
49	974 959 873	Switch Release backrest		1	PR:K8D,5KA
	974 959 873 OV3	High-Gloss Black			

Model: 971-17

Model life 2017>>



Model: 971-17

Model life 2017>>

Pos	Part Number	Description	Remark	Qty	Model
1	971 953 502 CT	Steering column switch Steering column switch Cruise control		1	PR: 2ZM, 8M0, 8T1, 8X0
(1)	971 953 502 CT HUU 971 953 502 DM	High-Gloss Black/Black Steering column switch Cruise control		1	PR: 2ZM, 8M0, 8T1, 8X1
(1)	971 953 502 DM HUU 971 953 502 DA	Headlight washer system High-Gloss Black/Black Steering column switch ACC		1	PR: 2ZM, 8M0, 8T3, 8X0
(1)	971 953 502 DA HUU 971 953 502 DN	High-Gloss Black/Black Steering column switch ACC		1	PR: 2ZM, 8M0, 8T3, 8X1
(1)	971 953 502 DN HUU 971 953 502 DB	Headlight washer system High-Gloss Black/Black Steering column switch Rear window wiper Cruise control		1	PR: 2ZM, 8M1, 8T1, 8X0
(1)	971 953 502 DB HUU 971 953 502 DP	High-Gloss Black/Black Steering column switch Rear window wiper Cruise control		1	PR: 2ZM, 8M1, 8T1, 8X1
(1)	971 953 502 DP HUU 971 953 502 DC	Headlight washer system High-Gloss Black/Black Steering column switch Rear window wiper ACC		1	PR: 2ZM, 8M1, 8T3, 8X0
(1)	971 953 502 DC HUU 971 953 502 DQ	High-Gloss Black/Black Steering column switch Rear window wiper ACC		1	PR: 2ZM, 8M1, 8T3, 8X1
(1)	971 953 502 DQ HUU 971 953 502 DH	Headlight washer system High-Gloss Black/Black Steering column switch ACC		1	PR: 2ZM, 3V1, 8M0, 8X0
(1)	971 953 502 DH HUU 971 953 502 EB	High End High-Gloss Black/Black Steering column switch ACC		1	PR: 2ZM, 3V1, 8M0, 8X1
(1)	971 953 502 EB HUU 971 953 502 DJ	High End Headlight washer system High-Gloss Black/Black Steering column switch ACC		1	PR: 2ZM, 3V1, 8M1, 8X0
(1)	971 953 502 DJ HUU 971 953 502 EC	High End Rear window wiper Headlight washer system High-Gloss Black/Black Steering column switch ACC		1	PR: 2ZM, 3V1, 8M1, 8X1
(1)	971 953 502 EC HUU 971 953 502 DD	High End Rear window wiper Headlight washer system High-Gloss Black/Black Steering column switch Cruise control		1	PR: 1XE, 1XG, 2FF, 2FG, 2FX, 2ZH, 8M0, 8T1, 8X0
(1)	971 953 502 DD HUU 971 953 502 DR	High-Gloss Black/Black Steering column switch Cruise control Headlight washer system		1	PR: 1XE, 1XG, 2FF, 2FG, 2FX, 2ZH, 8M0, 8T1, 8X1
(1)	971 953 502 DR HUU	High-Gloss Black/Black			

Model: 971-17 Model life 2017>>

Pos	Part Number	Description	Remark	Qty	Model
(1)	971 953 502 DE	Steering column switch ACC		1	PR:1XE,1XG, 2FF,2FG,2FX, 2ZH,8M0,8T3, 8X0
(1)	971 953 502 DE HUO 971 953 502 DS	High-Gloss Black/Black Steering column switch ACC Headlight washer system		1	PR:1XE,1XG, 2FF,2FG,2FX, 2ZH,8M0,8T3, 8X1
(1)	971 953 502 DS HUO 971 953 502 DF	High-Gloss Black/Black Steering column switch Rear window wiper Cruise control		1	PR:1XE,1XG, 2FF,2FG,2FX, 2ZH,8M1,8T1, 8X0
(1)	971 953 502 DF HUO 971 953 502 DT	High-Gloss Black/Black Steering column switch Rear window wiper Cruise control Headlight washer system		1	PR:1XE,1XG, 2FF,2FG,2FX, 2ZH,8M1,8T1, 8X1
(1)	971 953 502 DT HUO 971 953 502 DG	High-Gloss Black/Black Steering column switch Rear window wiper ACC		1	PR:1XE,1XG, 2FF,2FG,2FX, 2ZH,8M1,8T3, 8X0
(1)	971 953 502 DG HUO 971 953 502 EA	High-Gloss Black/Black Steering column switch Rear window wiper ACC Headlight washer system		1	PR:1XE,1XG, 2FF,2FG,2FX, 2ZH,8M1,8T3, 8X1
(1)	971 953 502 EA HUO 971 953 502 DK	High-Gloss Black/Black Steering column switch ACC High End		1	PR:1XE,1XG, 2FF,2FG,2FX, 2ZH,3V1,8M0, 8X0
(1)	971 953 502 DK HUO 971 953 502 ED	High-Gloss Black/Black Steering column switch ACC High End Headlight washer system		1	PR:1XE,1XG, 2FF,2FG,2FX, 2ZH,3V1,8M0, 8X1
(1)	971 953 502 ED HUO 971 953 502 DL	High-Gloss Black/Black Steering column switch ACC High End Rear window wiper		1	PR:1XE,1XG, 2FF,2FG,2FX, 2ZH,3V1,8M1, 8X0
(1)	971 953 502 DL HUO 971 953 502 EE	High-Gloss Black/Black Steering column switch ACC High End Rear window wiper Headlight washer system		1	PR:1XE,1XG, 2FF,2FG,2FX, 2ZH,3V1,8M1, 8X1
(1)	971 953 502 EE HUO 9Y0 953 502 F	High-Gloss Black/Black Steering column switch Rear window wiper		1	PR:K8D,2ZM, 3V1,8M1,8X0
(1)	9Y0 953 502 F HUO 9Y0 953 502 G	High-Gloss Black/Black Steering column switch Rear window wiper		1	PR:K8D,1XG, 2FF,2FX,2ZH, 3V1,8M1,8X0
(1)	9Y0 953 502 G HUO 974 953 502 K	High-Gloss Black/Black Steering column switch Rear window wiper		1	PR:K8D,2ZM, 8M1,8T1,8X0
(1)	974 953 502 K HUO 974 953 502 L	High-Gloss Black/Black Steering column switch Rear window wiper		1	PR:K8D,1XE, 1XG,2FF,2FG,

Model: 971-17

Model life 2017>>

Pos	Part Number	Description	Remark	Qty	Model
					2ZH, 8M1, 8X0
(1)	974 953 502 L HUO 974 953 502 M	High-Gloss Black/Black Steering column switch Rear window wiper		1	PR:K8D, 2ZM, 8M1, 8T3, 8X0
(1)	974 953 502 M HUO 974 953 502 N	High-Gloss Black/Black Steering column switch Rear window wiper		1	PR:K8D, 1XE, 1XG, 2FF, 2FG, 2FX, 2ZH, 8M1, 8T3, 8X0
(1)	974 953 502 N HUO 974 953 502 P	High-Gloss Black/Black Steering column switch Rear window wiper Headlight washer system		1	PR:K8D, 2ZM, 8M1, 8T1, 8X1
(1)	974 953 502 P HUO 974 953 502 Q	High-Gloss Black/Black Steering column switch Rear window wiper Headlight washer system		1	PR:K8D, 1XE, 1XG, 2FF, 2FG, 2FX, 2ZH, 8M1, 8T1, 8X1
(1)	974 953 502 Q HUO 974 953 502 R	High-Gloss Black/Black Steering column switch Rear window wiper Headlight washer system		1	PR:K8D, 2ZM, 8M1, 8T3, 8X1
(1)	974 953 502 R HUO 974 953 502 S	High-Gloss Black/Black Steering column switch Rear window wiper Headlight washer system		1	PR:K8D, 1XE, 1XG, 2FF, 2FG, 2FX, 2ZH, 8M1, 8T3, 8X1
(1)	974 953 502 S HUO 974 953 502 T	High-Gloss Black/Black Steering column switch Rear window wiper Headlight washer system		1	PR:K8D, 2ZM, 3V1, 8M1, 8X1
(1)	974 953 502 T HUO 974 953 502 AA	High-Gloss Black/Black Steering column switch Rear window wiper Headlight washer system		1	PR:K8D, 1XE, 1XG, 2FF, 2FG, 2FX, 2ZH, 3V1, 8M1, 8X1
3	974 953 502 AA HUO 971 858 565	High-Gloss Black/Black Top half Steering column switch		1	
	971 858 565 5Q0	Black	-AB, BB		+PK +AC +BS +BK
	971 858 565 OA6	agate grey	-DG		+DL
	971 858 565 6W0	Luxor beige	-UB		+UC
	971 858 565 OL7	saddle brown	-SB		+BP
	971 858 565 7X0	Marsala Red	-PC		+BE
4	N 906 986 06	Hexagon socket head panel bolt ST4, 2X16		1	
5	971 858 566	Bottom half Steering column switch		1	PR:2C5
	971 858 566 5Q0	Black	-AB, BB		+PK +AC +BS +BK
	971 858 566 OA6	agate grey	-DG		+DL
	971 858 566 6W0	Luxor beige	-UB		+UC
	971 858 566 OL7	saddle brown	-SB		+BP
	971 858 566 7X0	Marsala Red	-PC		+BE
(5)	971 858 566 A	Bottom half Steering column switch		1	PR:2C4
	971 858 566 A 5Q0	Black	-AB, BB		+PK +AC +BS +BK
	971 858 566 A OA6	agate grey	-DG		+DL
	971 858 566 A 6W0	Luxor beige	-UB		+UC
	971 858 566 A OL7	saddle brown	-SB		+BP
	971 858 566 A 7X0	Marsala Red	-PC		+BE

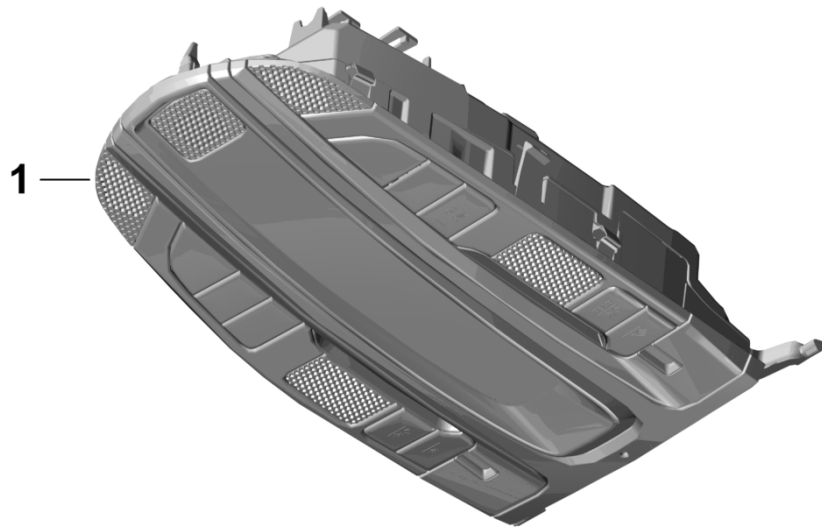
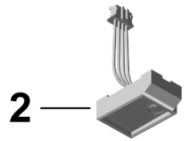
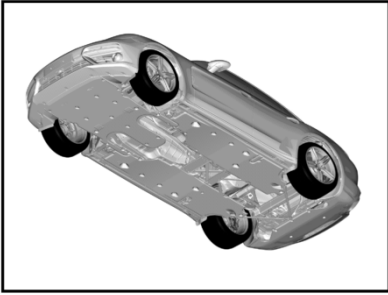
Model: 971-17

Model life 2017>>

Pos	Part Number	Description	Remark	Qty	Model
6	N 909 446 04	Oval hexagon socket head bolt M5X12		2	
7	971 953 519 B	Switch for steering column adjustment Adjustment Steering column		1	PR:2C4
	971 953 519 B 1E0	Black			

Model: 971-17

Model life 2017>>

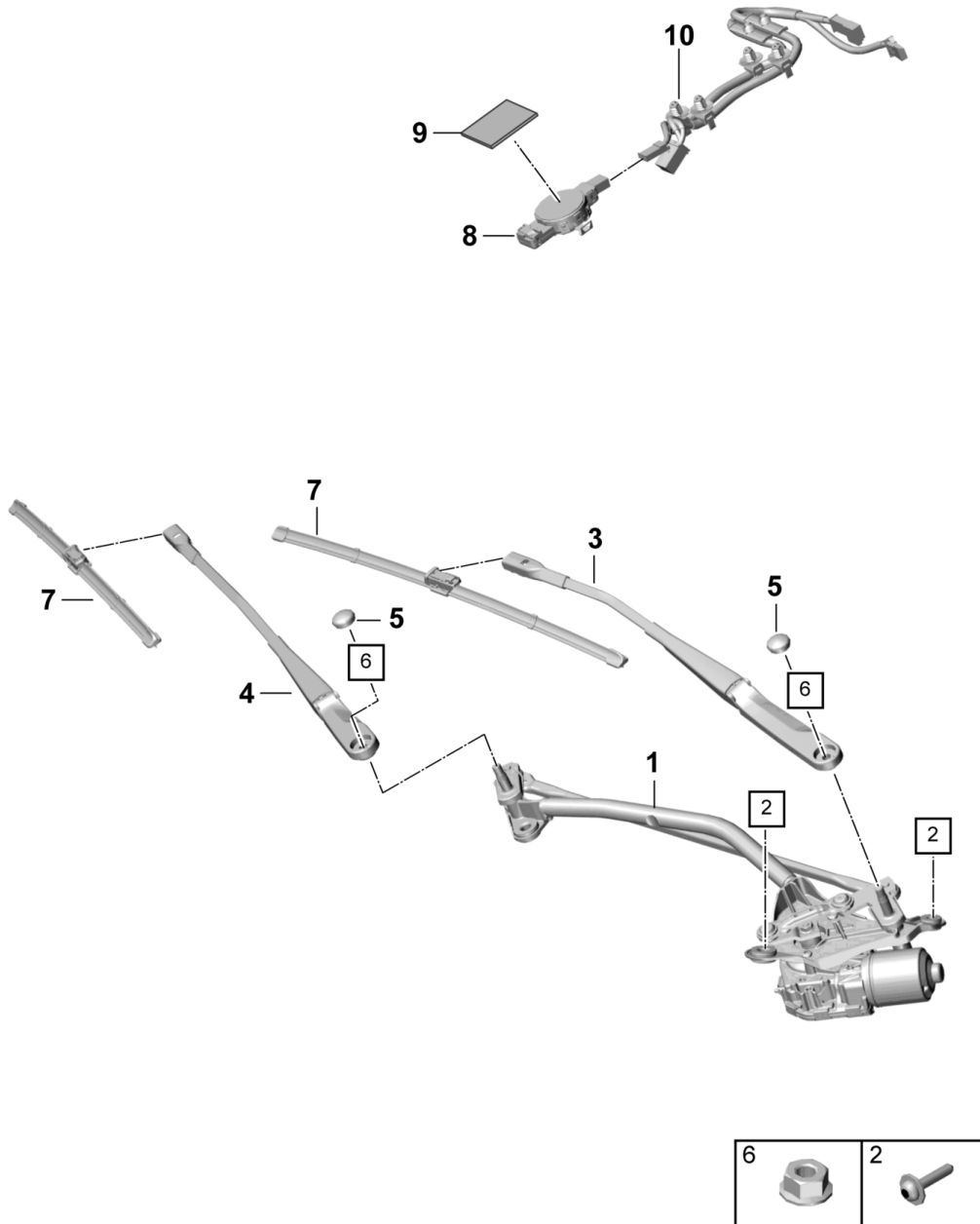
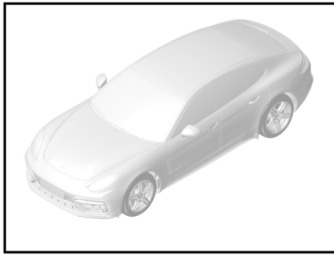


Model: 971-17 Model life 2017>>

Pos	Part Number	Description	Remark	Qty	Model
1	971 959 551 CK	Console Roof Roof console		1	PR:QQ0,VC0, 3FA,7X2,7X8
(1)	971 959 551 CK HTO 971 959 551 CL	black/black Roof console		1	PR:QQ0,VC1, VC2,3FA,7X2, 7X8
(1)	971 959 551 CL HTO 971 959 551 CM	black/black Roof console		1	PR:QQ1,QQ2, VC0,3FA,7X2, 7X8
(1)	971 959 551 CM HTO 971 959 551 CN	black/black Roof console		1	PR:QQ1,QQ2, VC1,VC2,3FA, 7X2,7X8
(1)	971 959 551 CN HTO 971 959 551 CP	black/black Roof console		1	PR:QQ0,VC0, 3FU,7X2,7X8
(1)	971 959 551 CP HTO 971 959 551 CQ	black/black Roof console		1	PR:QQ0,VC1, VC2,3FU,7X2, 7X8
(1)	971 959 551 CQ HTO 971 959 551 CR	black/black Roof console		1	PR:QQ1,QQ2, VC0,3FU,7X2, 7X8
(1)	971 959 551 CR HTO 971 959 551 CS	black/black Roof console		1	PR:QQ1,QQ2, VC1,VC2,3FU, 7X2,7X8
(1)	971 959 551 CS HTO 971 959 551 CT	black/black Roof console		1	PR:QQ0,VC0, 3FA,8A4
(1)	971 959 551 CT HTO 971 959 551 DA	black/black Roof console		1	PR:QQ0,VC1, VC2,3FA,8A4
(1)	971 959 551 DA HTO 971 959 551 DB	black/black Roof console		1	PR:QQ1,QQ2, VC0,3FA,8A4
(1)	971 959 551 DB HTO 971 959 551 DC	black/black Roof console		1	PR:QQ1,QQ2, VC1,VC2,3FA, 8A4
(1)	971 959 551 DC HTO 971 959 551 DD	black/black Roof console		1	PR:QQ0,VC0, 3FU,8A4
(1)	971 959 551 DD HTO 971 959 551 DE	black/black Roof console		1	PR:QQ0,VC1, VC2,3FU,8A4
(1)	971 959 551 DE HTO 971 959 551 DF	black/black Roof console		1	PR:QQ1,QQ2, VC0,3FU,8A4
(1)	971 959 551 DF HTO 971 959 551 EE	black/black Roof console		1	PR:QQ1,QQ2, VC1,VC2,3FU, 8A4
2	971 959 551 EE HTO 971 035 711	black/black microphone Console		1	PR:QQ1,QQ2, VC1,VC2,3FU, 8A4

Model: 971-17

Model life 2017>>



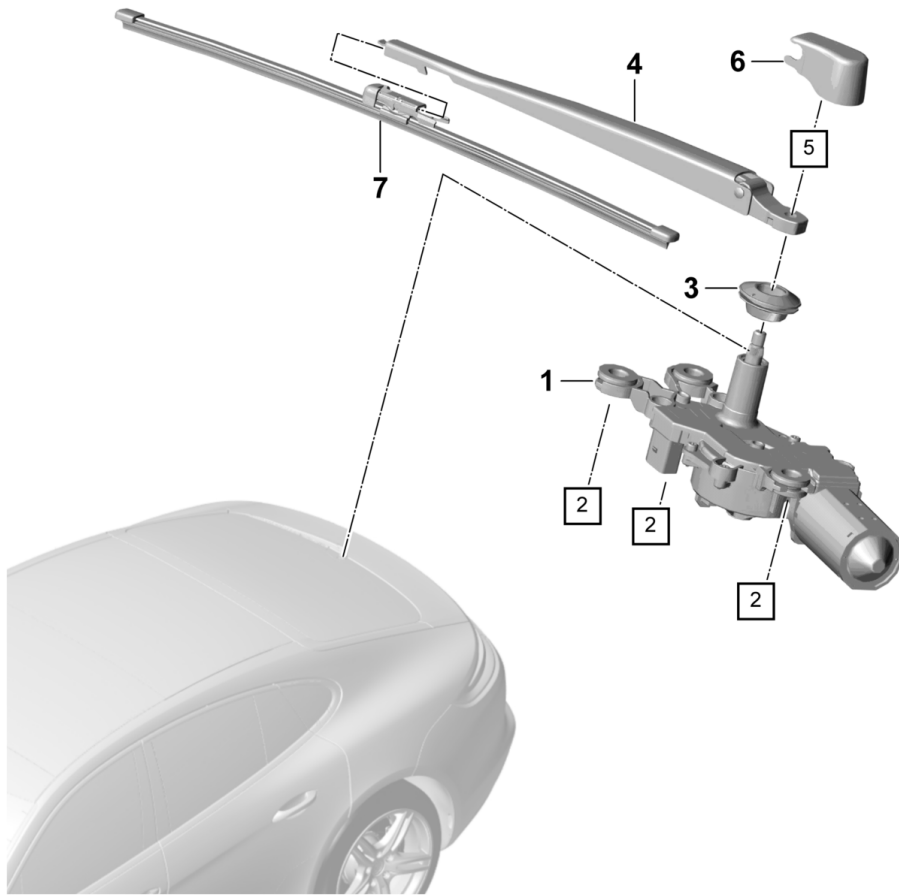
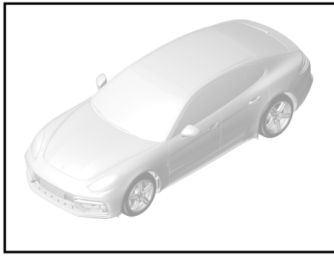
Model: 971-17

Model life 2017>>

Pos	Part Number	Description	Remark	Qty	Model
1	971 955 023 A	Windscreen wiper system, compl Rain sensor Crank drive	lhd	1	PR:L0L
		with:			
(1)	971 955 024 A	Wiper motor Crank drive	rhd	1	PR:L0R
		with:			
2	N 105 355 02	Wiper motor Hexagon socket head bolt (combi) M 6 X 30		4	
3	971 955 409	Wiper arm (drivers side)	lhd	1	PR:L0L
(3)	971 955 410 A	Wiper arm (drivers side)	rhd	1	PR:L0R
4	971 955 410	Wiper arm (passenger side)	lhd	1	PR:L0L
(4)	971 955 409 A	Wiper arm (passenger side)	rhd	1	PR:L0R
5	958 628 305 00	cap for wiper arm		2	
6	N 102 613 11	Hexagon nut M 10		2	
7	971 998 001	1 set: wiper blades (drivers side) (passenger side)	front LHD	1	PR:L0L
(7)	971 998 002	1 set: wiper blades (drivers side) (passenger side)	front RHD	1	PR:L0R
8	9A7 955 559 00	Rain sensor		1	
9	9A7 955 609 20	Adhesive film Rain sensor		1	
10	971 971 103 A	Wire set Rain sensor		1	

Model: 971-17

Model life 2017>>



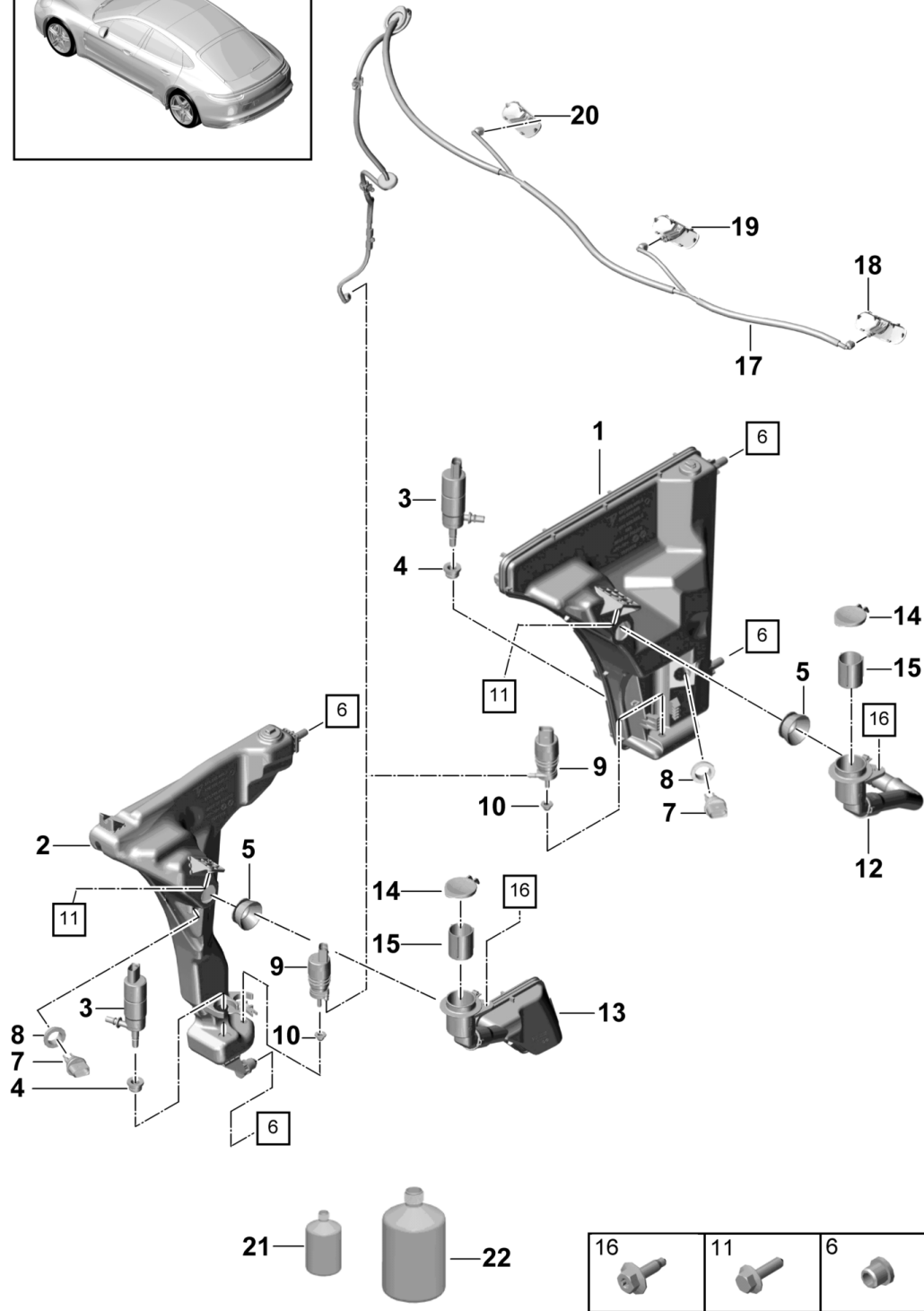
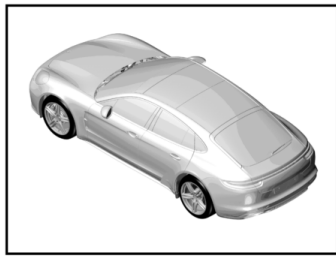
Model: 971-17

Model life 2017>>

Pos	Part Number	Description	Remark	Qty	Model
		Wiper and washer system for rear window			
1	971 955 711	Wiper motor		1	PR:K8S
(1)	9Y0 955 711	Wiper motor		1	PR:K8D
2	N 911 733 01	hex. nut with washer M 6		3	
3	971 955 754	Grommet		1	PR:VW5,VW6
(3)	971 955 754 A	Grommet		1	PR:4KC,4KF
4	971 955 707 A	Wiper arm		1	PR:K8S
			also use: 971 955 435		
(4)	974 955 707 B	Wiper arm		1	PR:K8D
			also use: 974 955 435 A		
5	N 106 092 04	Hexagon collar nut M 6		1	
6	971 955 435	Cover cap		1	PR:K8S
(6)	974 955 435 A	Cover cap		1	PR:K8D
7	971 955 427 A	wiper blade	rear	1	PR:K8S
(7)	974 955 427 A	wiper blade	rear	1	PR:K8D

Model: 971-17

Model life 2017>>



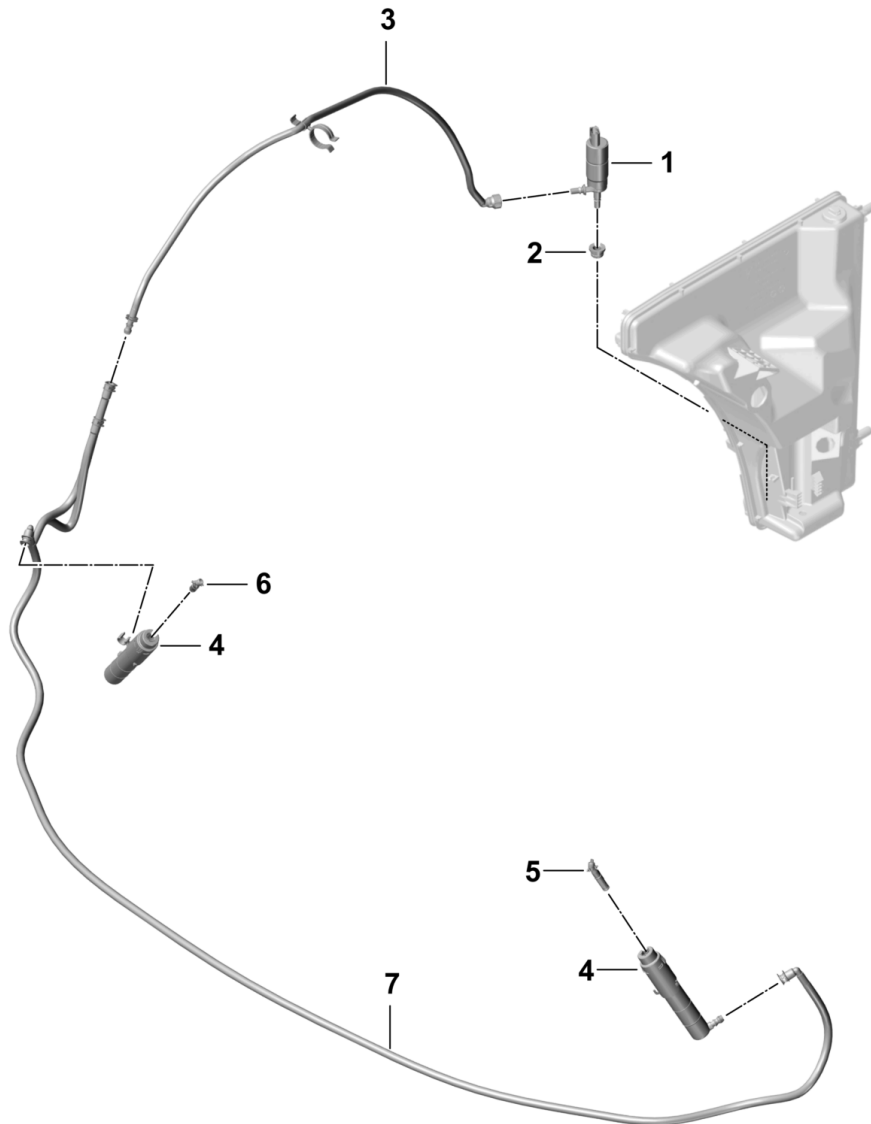
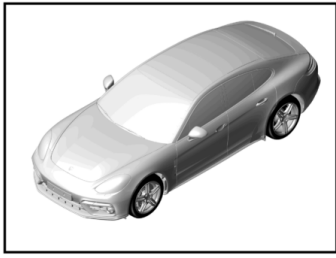
Model: 971-17

Model life 2017>>

Pos	Part Number	Description	Remark	Qty	Model
1	971 955 453 D	Windscreen washer system Water reservoir		1	PR:8X1,9M0
(1)	971 955 453 E	Water reservoir		1	PR:8X0,9M0
2	971 955 453 A	Water reservoir		1	PR:9M1,9M5, 9M9
3	6R0 955 681	Pump for headlight- washer system		1	PR:8X1
		see illustration:	904-020		
4	431 955 465 A	Seal Motor pump Headlight washer system		1	PR:8X1
5	971 955 193	Seal fuel filler neck		1	
6	9A7 007 543	Grommet		2	
7	955 628 105 00	Water reservoir Water level switch		1	
8	955 528 721 00	Seal Water reservoir		1	
9	1K5 955 651	Windscreen washer system pump		1	PR:8M0
(9)	955 628 172 01	Windscreen washer system pump		1	PR:8M1
10	955 628 712 00	Seal Pump		1	PR:8M0
(10)	955 628 712 00	Seal Pump		1	PR:8M1
11	N 106 266 02	Hex collared bolt M 8 X 30		2	
12	971 955 463	fuel filler neck		1	PR:8X0,8X1, 9M0
13	971 955 463 B	fuel filler neck		1	PR:9M1,9M5, 9M9
14	971 955 455	Cover fuel filler neck		1	
15	971 955 485	strainer fuel filler neck		1	
16	N 910 799 01	Hex collared bolt M 6 X 20		1	
17	971 955 663	Water line Water jet		1	PR:9M0
(17)	971 955 663 A	Water line Water jet		1	PR:9M1,9M5, 9M9
18	971 955 985	Water jet	left	1	
19	971 955 987	Water jet	center	1	
20	971 955 988	Water jet	right	1	
21	999 901 017 42	Window cleaning solution 250 ML Summer		X	
22	999 901 033 40	Window cleaning solution 1000 ML Winter		X	

Model: 971-17

Model life 2017>>



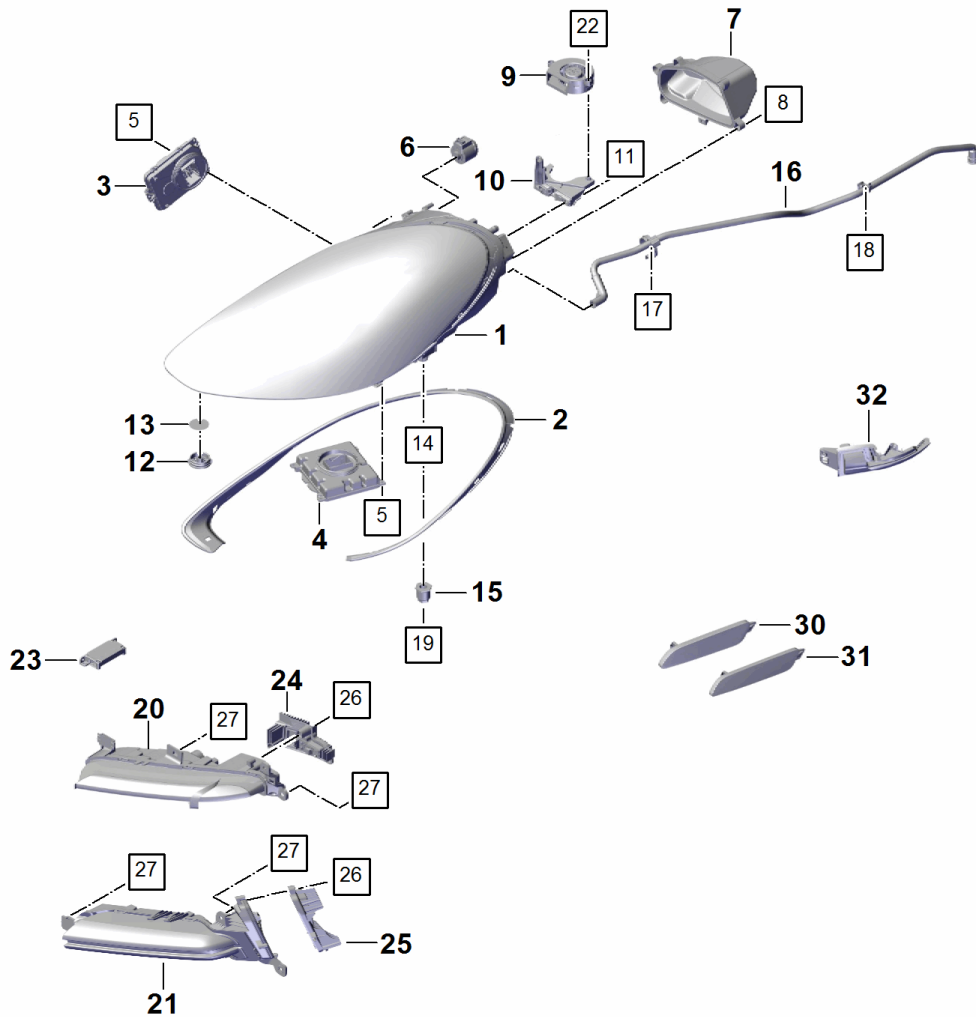
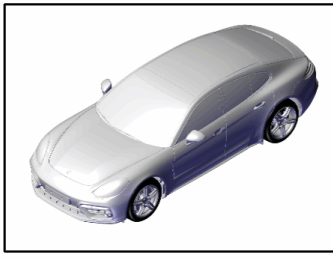
Model: 971-17

Model life 2017>>

Pos	Part Number	Description	Remark	Qty	Model
1	6R0 955 681	Headlight washer system Pump for headlight- washer system	904-020	1	PR:8X1 PR:8X1
		see illustration:			
2	431 955 465 A	Seal Motor pump		1	PR:8X1
3	971 955 964 B	Headlight washer system Hose Headlight washer system container To Connection point bumper		1	PR:9M0
(3)	971 955 964 C	Hose Water reservoir Headlight washer system jet		1	PR:9M1,9M5, 9M9
4	971 955 965	Headlight washer system jet		2	
5	971 955 099	Nozzle holder Headlight washer system	left	1	
6	971 955 100	Nozzle holder Headlight washer system	right	1	
7	971 955 944	Hose Headlight washer system bumper Connection point		1	

Model: 971-17

Model life 2017>>



22	19	18	17	14	11	8	5
						27	26

Model: 971-17 Model life 2017>>

Pos	Part Number	Description	Remark	Qty	Model
-		LED headlight Turn signal repeater Fog lights Headlights			PR:8IT,8IS
		without:			
1	971 941 077 D	Control unit LED headlight	left	1	PR:8IT
(1)	971 941 078 D	LED headlight	basic right	1	PR:8IT
(1)	971 941 043 G	LED headlight PDLs	basic left	1	PR:8IS
(1)	971 941 044 G	LED headlight PDLs	right	1	PR:8IS
2	971 941 119	Seal Headlights	left	1	
(2)	971 941 120	Seal Headlights	right	1	
3	9A7 907 399 00	Control unit Headlights		2	
4	9A7 941 572 50	Light adjustment Control unit Headlights		2	PR:8IS,8IT
5	9A7 008 397 00	LED module Screw TP 4X14		12	
6	9A7 941 293 00	Adjusting motor Headlight range control		2	
7	971 941 607	Protective hood	left	1	
(7)	971 941 608	Protective hood	right	1	
8	9A7 008 397 00	Screw TP 4X14		6	
9	958 631 052 00	Fan		2	
10	971 941 593	Bracket for radiator fan	left	1	
(10)	971 941 594	Bracket for radiator fan	right	1	
11	9A7 008 397 00	Screw TP 4X14		10	
12	958 631 385 00	ventilation union		2	
13	958 631 254 00	filter element		2	
15	971 941 137 B	adjusting screw		4	
16	971 941 559 A	Vent hose	left	1	
(16)	971 941 560 A	Vent hose	right	1	
17	N 106 255 01	Hose bracket		2	
18	N 108 399 01	Combination holder		2	
19	N 911 776 02	Hexagon socket oval head bolt (combi) M6X45		4	
-		Additional headlight			
20	971 953 041 D	Additional headlight	left	1	PR:A8C,A8F, 2D0
(20)	971 953 042 D	Turn signal indicator Additional headlight	right	1	PR:A8C,A8F, 2D0
21	971 953 041 C	Turn signal indicator Additional headlight	left	1	PR:A8H
21	971 953 041 C	Turn signal indicator Additional headlight	left	1	PR:A8C,A8F, 2D1,2D5
(21)	971 953 042 C	Turn signal indicator Additional headlight	right	1	PR:A8H
(21)	971 953 042 C	Turn signal indicator Additional headlight	right	1	PR:A8C,A8F, 2D1,2D5
22	9A7 008 397 00	Screw PT4X14		2	
23	7PP 941 597 B	Control unit		2	

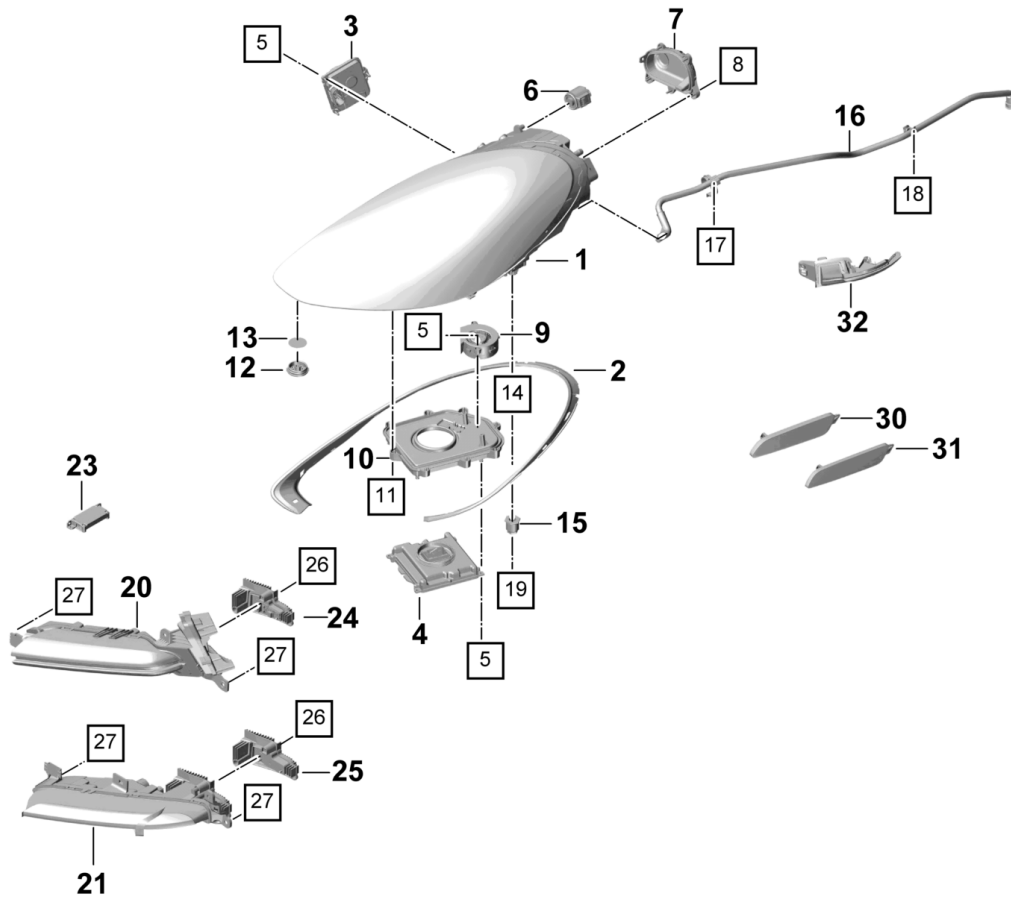
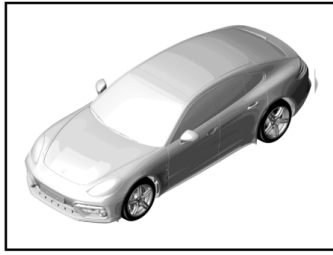
Model: 971-17

Model life 2017>>

Pos	Part Number	Description	Remark	Qty	Model
24	971 953 021	Daytime driving lights LED module	left	1	PR:A8C,A8F, 2D0
(24)	971 953 022	Additional headlight LED module	right	1	PR:A8C,A8F, 2D0
25	971 953 021 A	Additional headlight LED module	left	1	PR:A8H
(25)	971 953 021 A	Additional headlight LED module	left	1	PR:A8C,A8F, 2D1,2D5
(25)	971 953 022 A	Additional headlight LED module	right	1	PR:A8H
(25)	971 953 022 A	Additional headlight LED module	right	1	PR:A8C,A8F, 2D1,2D5
26	N 104 159 02	Oval hexagon socket head bolt TP4X12		6	
27	N 104 734 02	round hd. screw TP6X20		6	
-		Turn signal repeater			
32		Turn signal indicator see illustration:	809-050	1	PR:L0L

Model: 971-17

Model life 2017>>



								27
26	19	18	17	14	11	8	5	

Model: 971-17 Model life 2017>>

Pos	Part Number	Description	Remark	Qty	Model
-		LED headlight Turn signal repeater Fog lights Headlights			PR:8IU,8JU
		without:			
1	971 941 039 G	Control unit LED headlight	left	1	PR:8IU
(1)	971 941 040 G	PDLs+ LED headlight	right	1	PR:8IU
(1)	973 941 039	PDLs+ LED headlight	left	1	PR:8JU
(1)	973 941 040	PDLs+ EXKLUSIVE LED headlight	right	1	PR:8JU
2	971 941 119	PDLs+ EXKLUSIVE Seal	left	1	
(2)	971 941 120	Headlights Seal	right	1	
3	9A7 907 397 00	Headlights Control unit		2	
4	9A7 941 592 50	Headlights Light adjustment LCM MODUL Control unit for LED headlight		2	
5	9A7 008 397 00	Headlights Light bulb LED module		16	
6	9A7 941 293 00	Screw TP 4X14 Adjusting motor		2	
7	971 941 611	Headlight range control Protective hood	left	1	
(7)	971 941 612	Protective hood	right	1	
8	9A7 008 397 00	Screw TP 4X14		6	
9	958 631 052 00	Fan		2	
10	971 941 627	Bracket	left	1	
(10)	971 941 628	Fan Bracket	right	1	
11	9A7 008 397 00	Fan Screw TP 4X14		10	
12	958 631 385 00	ventilation union		2	
13	958 631 254 00	filter element		2	
15	971 941 137 B	adjusting screw		4	
16	971 941 559 A	Vent hose	left	1	
(16)	971 941 560 A	Vent hose	right	1	
17	N 106 255 01	Hose bracket		2	
18	N 108 399 01	Combination holder		2	
19	N 911 776 02	Hexagon socket oval head bolt (combi) M6X45		4	
-		Additional headlight			
20	971 953 041 D	Additional headlight	left	1	PR:A8C,A8F, 2D0
(20)	971 953 042 D	Additional headlight	right	1	PR:A8C,A8F, 2D0
21	971 953 041 C	Additional headlight	left	1	PR:A8H
(21)	971 953 041 C	Additional headlight	left	1	PR:A8C,A8F, 2D1,2D5
(21)	971 953 042 C	Additional headlight	right	1	PR:A8H

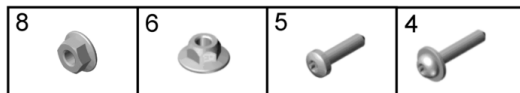
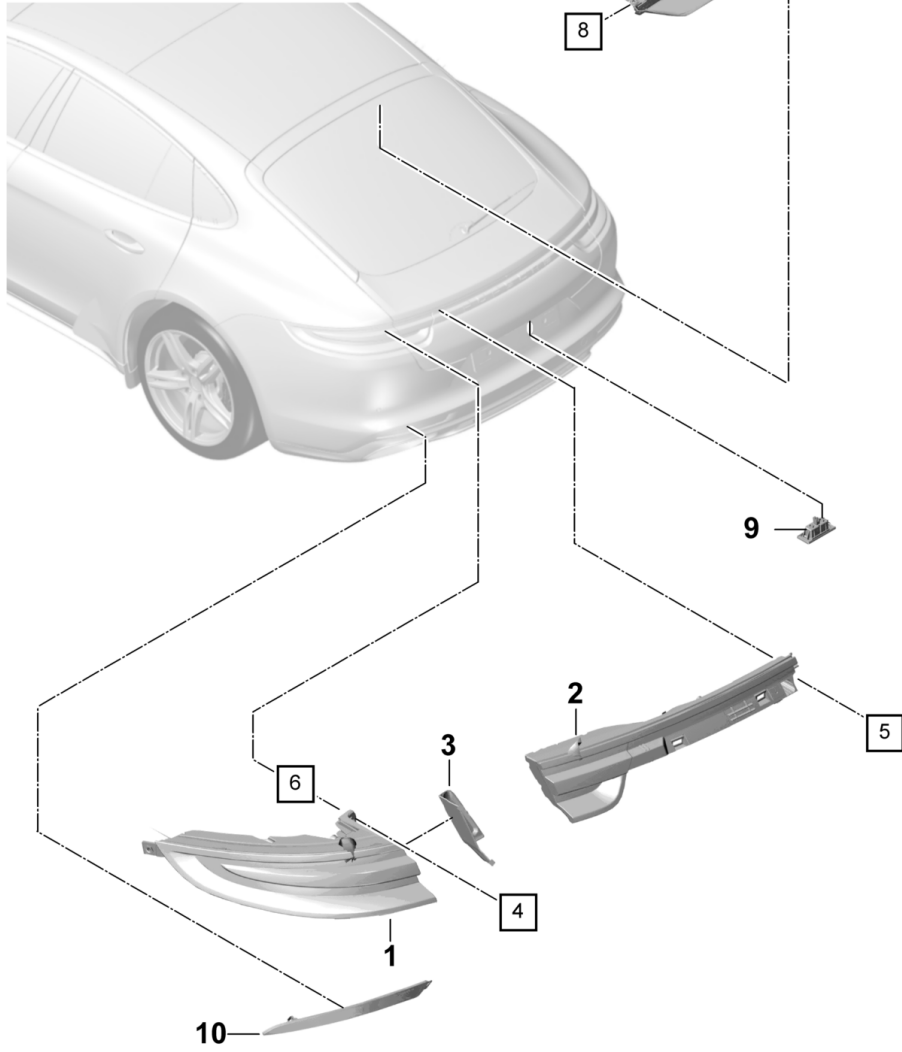
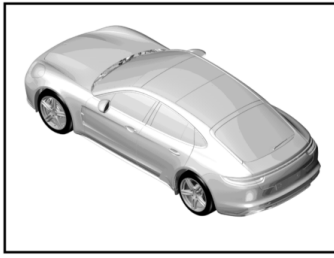
Model: 971-17

Model life 2017>>

Pos	Part Number	Description	Remark	Qty	Model
(21)	971 953 042 C	Additional headlight	right	1	PR:A8C,A8F, 2D1,2D5
23	7PP 941 597 B	Control unit		2	
24	971 953 021	Additional headlight LED module	left	1	PR:A8C,A8F, 2D0
(24)	971 953 022	Additional headlight LED module	right	1	PR:A8C,A8F, 2D0
25	971 953 021 A	Additional headlight LED module	left	1	PR:A8H
(25)	971 953 021 A	Additional headlight LED module	left	1	PR:A8C,A8F, 2D1,2D5
(25)	971 953 022 A	Additional headlight LED module	right	1	PR:A8H
(25)	971 953 022 A	Additional headlight LED module	right	1	PR:A8C,A8F, 2D1,2D5
26	N 104 159 02	Oval hexagon socket head bolt TP4X12		6	
27	N 104 734 02	round hd. screw TP6X20		6	
-		Turn signal repeater			
32		Turn signal indicator see illustration:	809-050	1	PR:L0L

Model: 971-17

Model life 2017>>

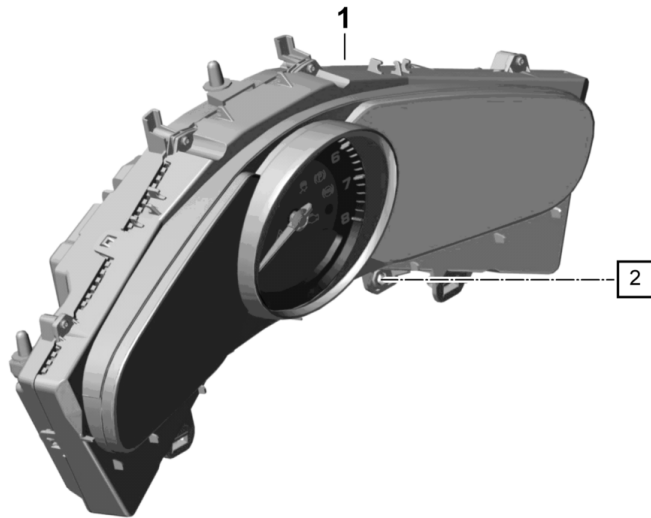
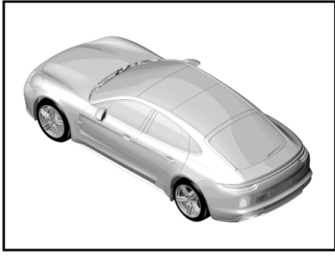


Model: 971-17 Model life 2017>>

Pos	Part Number	Description	Remark	Qty	Model
1	971 945 091 B	Rear light			
(1)	973 945 091	Additional brake light			
		Licence plate light			
		Rear light	left	1	PR:8SA
		Rear light	left	1	PR:8SB
		Dark			
(1)	971 945 092 B	Rear light	right	1	PR:8SA
(1)	973 945 092	Rear light	right	1	PR:8SB
		Dark			
2	971 945 207 D	Rear light	left	1	PR:8SA,8TD
		Rear lid			
(2)	973 945 207 A	Rear light	left	1	PR:8SB,8TD
		Rear lid			
		Dark			
(2)	971 945 207 C	Rear light	left	1	PR:8SA,8TC
		Rear lid			
(2)	973 945 207	Rear light	left	1	PR:8SB,8TC
		Rear lid			
		Dark			
(2)	971 945 208 D	Rear light	right	1	PR:8SA,8TD
		Rear lid			
(2)	973 945 208 A	Rear light	right	1	PR:8SB,8TD
		Rear lid			
		Dark			
(2)	971 945 208 C	Rear light	right	1	PR:8SA,8TC
		Rear lid			
(2)	973 945 208	Rear light	right	1	PR:8SB,8TC
		Rear lid			
		Dark			
3	971 945 255 A	Trim	left	1	PR:K8S
		Rear light			
		Rear lid			
(3)	971 945 256 A	Trim	right	1	PR:K8S
		Rear light			
		Rear lid			
(3)	974 945 255	Trim	left	1	PR:K8D
		Rear light			
(3)	974 945 256	Trim	right	1	PR:K8D
		Rear light			
4	N 911 657 01	Hex socket head bolt (combi)		6	
		M 6 X 35			
5	N 910 717 01	Hexagon socket flat		2	
		head bolt			
		M 6 X 25			
6	N 908 877 03	Hexagon flange nut,		4	
		self-locking			
		M 6			
7	971 945 087 B	Additional brake light		1	PR:K8S,VW5,
		D >> - 22.01.2017			
(7)	971 945 087 F	Additional brake light		1	PR:K8S,VW5,
		D - 23.01.2017>>			
(7)	971 945 087 C	Additional brake light		1	PR:K8S,VW6,
		D >> - 22.01.2017			4KF
(7)	971 945 087 G	Additional brake light		1	PR:K8S,VW6,
		D - 23.01.2017>>			4KF
(7)	9Y0 945 097 B	Additional brake light		1	PR:K8D
8	N 015 082 10	Hexagon collar nut		3	
		M 6			
9	958 631 620 10	Licence plate light		2	
10	971 945 105 A	rear light reflector	left	1	
(10)	971 945 106 A	rear light reflector	right	1	
(10)	971 945 106 A	rear light reflector	right	1	

Model: 971-17

Model life 2017>>



Model: 971-17

Model life 2017>>

Pos	Part Number	Description	Remark	Qty	Model
-		Instruments			
-		Stopwatch			
-		Combi-instrument		1	
-		Combi-instrument		1	PR:A8C
		Equipment			
		Basic			
1	971 920 902 E	Combi-instrument (complete)		1	PR:A8C,0K0, 1A2,9R1,-U5C
		No longer use the part here			
	971 920 902 E 6N3	Matt black			
(1)	971 920 902 F	Combi-instrument (complete)		1	PR:A8C,0K0, 1A2,9R1,-U5C
		No longer use the part here			
	971 920 902 F 6N3	Matt black			
(1)	971 920 902 G	Combi-instrument (complete)		1	PR:A8C,0K0, 1A2,9R1,-U5C
		No longer use the part here			
	971 920 902 G 6N3	Matt black			
(1)	971 920 903 E	Combi-instrument (complete)		1	PR:A8C,0K0, 1A2,9R0,-U5C
		No longer use the part here			
	971 920 903 E 6N3	Matt black			
(1)	971 920 903 F	Combi-instrument (complete)		1	PR:A8C,0K0, 1A2,9R0,-U5C
		No longer use the part here			
	971 920 903 F 6N3	Matt black			
(1)	971 920 903 G	Combi-instrument (complete)		1	PR:A8C,0K0, 1A2,9R0,-U5C
		No longer use the part here			
	971 920 903 G 6N3	Matt black			
-		Combi-instrument		1	PR:A8F
		Equipment			
		S			
(1)	971 920 906 E	Combi-instrument (complete)		1	PR:A8F,0K0, 1A2,9R1,-U5C
		No longer use the part here			
	971 920 906 E 6N3	Matt black			
(1)	971 920 906 F	Combi-instrument (complete)		1	PR:A8F,0K0, 1A2,9R1,-U5C
		No longer use the part here			
	971 920 906 F 6N3	Matt black			
(1)	971 920 906 G	Combi-instrument (complete)		1	PR:A8F,0K0, 1A2,9R1,-U5C
		No longer use the part here			
	971 920 906 G 6N3	Matt black			
(1)	971 920 907 E	Combi-instrument (complete)		1	PR:A8F,0K0, 1A2,9R0,-U5C
		No longer use the part here			
	971 920 907 E 6N3	Matt black			
(1)	971 920 907 F	Combi-instrument (complete)		1	PR:A8F,0K0, 1A2,9R0,-U5C
		No longer use the part here			
	971 920 907 F 6N3	Matt black			
(1)	971 920 907 G	Combi-instrument (complete)		1	PR:A8F,0K0, 1A2,9R0,-U5C
		No longer use the part here			
	971 920 907 G 6N3	Matt black			
-		Combi-instrument		1	PR:A8C,0K3
		Equipment			
		Hybrid			
(1)	971 920 914 F	Combi-instrument (complete)		1	PR:A8C,0K3, 9R1,-U5C
		No longer use the part here			
	971 920 914 F 6N3	Matt black			
(1)	971 920 914 G	Combi-instrument (complete)		1	PR:A8C,0K3, 9R1,-U5C
		No longer use the part here			
	971 920 914 G 6N3	Matt black			

Model: 971-17

Model life 2017>>

Pos	Part Number	Description	Remark	Qty	Model
(1)	971 920 915 F	Combi-instrument (complete) No longer use the part here		1	PR:A8C,0K3, 9R0,-U5C
	971 920 915 F 6N3	Matt black			
(1)	971 920 915 G	Combi-instrument (complete)		1	PR:A8C,0K3, 9R0,-U5C
	971 920 915 G 6N3	Matt black			
-		Combi-instrument Equipment Turbo		1	PR:A8H
(1)	971 920 918 E	Combi-instrument (complete) No longer use the part here		1	PR:A8H,0K0, 1A2,9R1,-U5C
	971 920 918 E 6N3	Matt black			
(1)	971 920 918 F	Combi-instrument (complete) No longer use the part here		1	PR:A8H,0K0, 1A2,9R1,-U5C
	971 920 918 F 6N3	Matt black			
(1)	971 920 918 G	Combi-instrument (complete)		1	PR:A8H,0K0, 1A2,9R1,-U5C
	971 920 918 G 6N3	Matt black			
(1)	971 920 919 E	Combi-instrument (complete) No longer use the part here		1	PR:A8H,0K0, 1A2,9R0,-U5C
	971 920 919 E 6N3	Matt black			
(1)	971 920 919 F	Combi-instrument (complete) No longer use the part here		1	PR:A8H,0K0, 1A2,9R0,-U5C
	971 920 919 F 6N3	Matt black			
(1)	971 920 919 G	Combi-instrument (complete)		1	PR:A8H,0K0, 1A2,9R0,-U5C
	971 920 919 G 6N3	Matt black			
-		Combi-instrument Equipment Turbo S Hybrid		1	
(1)	971 920 924 G	Combi-instrument (complete)		1	PR:A8H,0K3, 9R1,-U5C
	971 920 924 G 6N3	Matt black			
(1)	971 920 925 G	Combi-instrument (complete)		1	PR:A8H,0K3, 9R0,-U5C
	971 920 925 G 6N3	Matt black			
-		Combi-instrument Equipment Diesel		1	
(1)	971 920 928 G	Combi-instrument (complete)		1	PR:A8C,0F5, 9R1,-U5C
	971 920 928 G 6N3	Matt black			
(1)	971 920 929 G	Combi-instrument (complete)		1	PR:A8C,0F5, 9R0,-U5C
	971 920 929 G 6N3	Matt black			
-		Combi-instrument Equipment Diesel S		1	
(1)	971 920 932 E	Combi-instrument (complete) No longer use the part here		1	PR:A8F,0F5, 9R1,-U5C
	971 920 932 E 6N3	Matt black			
(1)	971 920 932 F	Combi-instrument (complete) No longer use the part here		1	PR:A8F,0F5, 9R1,-U5C
	971 920 932 F 6N3	Matt black			

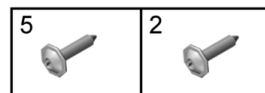
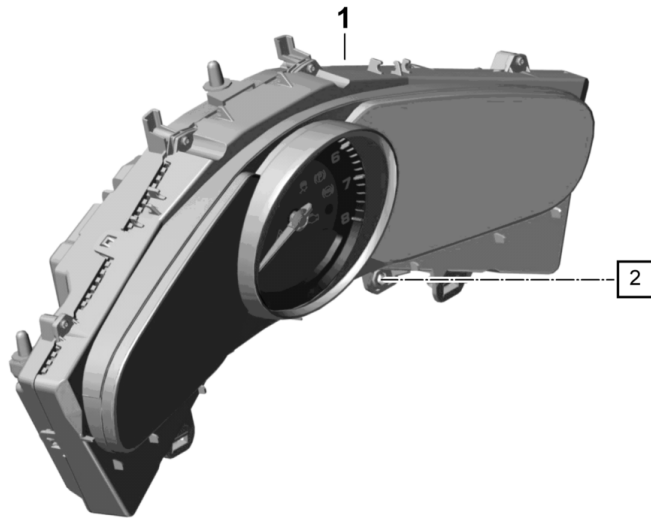
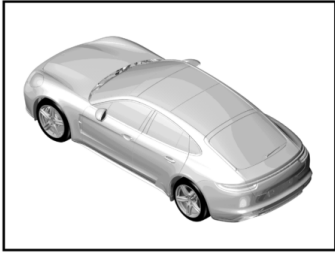
Model: 971-17

Model life 2017>>

Pos	Part Number	Description	Remark	Qty	Model
(1)	971 920 932 G	Combi-instrument (complete)		1	PR:A8F,0F5, 9R1,-U5C
	971 920 932 G 6N3	Matt black			
(1)	971 920 933 E	Combi-instrument (complete)		1	PR:A8F,0F5, 9R0,-U5C
		No longer use the part here			
	971 920 933 E 6N3	Matt black			
(1)	971 920 933 G	Combi-instrument (complete)		1	PR:A8F,0F5, 9R0,-U5C
	971 920 933 G 6N3	Matt black			
2	N 906 986 06	Hexagon socket head panel bolt ST4,2X16		2	
-		Stopwatch			
3	971 919 203 D	Stopwatch Pointer red		1	PR:QR5,0K0
	971 919 203 D 6N3	Red/matt black			
(3)	971 919 203 E	Stopwatch Pointer green		1	PR:QR5,0K3
	971 919 203 E 6N3	Green/matt black			
4	971 919 204 C	Clock Analogue display Pointer red		1	PR:QR3,0K0
	971 919 204 C 6N3	Red/matt black			
5	N 912 519 01	Hexagon socket head panel bolt ST4.2X19		2	

Model: 971-17

Model life 2017>>



Model: 971-17 Model life 2017>>

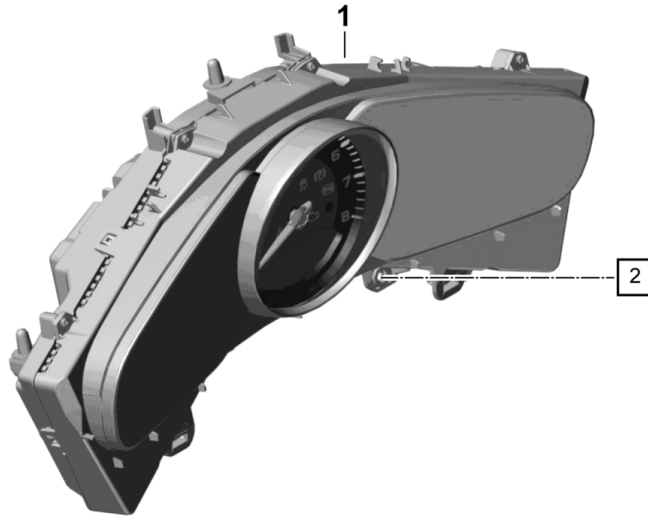
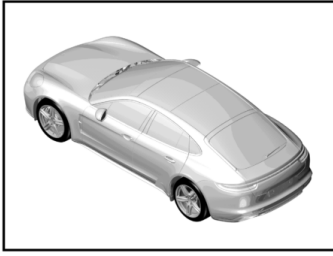
Pos	Part Number	Description	Remark	Qty	Model
-		Combi-instrument Stopwatch		1	PR:A8C
(1)	971 920 902 K	Combi-instrument AUSSTATTUNG BASIS MODELL (complete)		1	PR-A8C,U5A, U5B,U5D,U5E, U5F,U5G,OK0, 1A2,7V0,9R1
(1)	971 920 902 K 6N3	Matt black			
(1)	971 920 903 K	Combi-instrument (complete)		1	PR-A8C,U5A, U5B,U5D,U5E, U5F,U5G,OK0, 1A2,7V0,9R0
	971 920 903 K 6N3	Matt black			
1	971 920 904 K	Combi-instrument (complete)		1	PR-A8C,U5C, OK0,1A2,7V0, 9R1
(1)	971 920 904 K 6N3	Matt black			
(1)	971 920 905 K	Combi-instrument (complete)		1	PR-A8C,U5C, OK0,1A2,7V0, 9R0
	971 920 905 K 6N3	Matt black			
-		Combi-instrument AUSSTATTUNG S MODELL		1	PR:A8F
(1)	971 920 906 K	Combi-instrument (complete)		1	PR-A8F,E0A, U5A,U5B,U5D, U5E,U5F,U5G, OK0,1A2,7V0, 9R1
(1)	971 920 906 K 6N3	Matt black			
(1)	971 920 907 K	Combi-instrument (complete)		1	PR-A8F,E0A, U5A,U5B,U5D, U5E,U5F,U5G, OK0,1A2,7V0, 9R0
(1)	971 920 907 K 6N3	Matt black			
(1)	971 920 908 K	Combi-instrument (complete)		1	PR-A8F,E0A, U5C,OK0,1A2, 7V0,9R1
(1)	971 920 908 K 6N3	Matt black			
(1)	971 920 909 K	Combi-instrument (complete)		1	PR-A8F,E0A, U5C,OK0,1A2, 7V0,9R0
	971 920 909 K 6N3	Matt black			
-		Combi-instrument AUSSTATTUNG HYBRID		1	PR:A8C,OK3
(1)	971 920 914 K	Combi-instrument (complete)		1	PR-A8C,U5A, U5B,U5D,U5E, U5F,U5G,OK3, 7V0,9R1
(1)	971 920 914 K 6N3	Matt black			
(1)	971 920 915 K	Combi-instrument (complete)		1	PR-A8C,U5A, U5B,U5D,U5E, U5F,U5G,OK3, 7V0,9R0
(1)	971 920 915 K 6N3	Matt black			
(1)	971 920 916 K	Combi-instrument (complete)		1	PR-A8C,U5C, OK3,7V0,9R1
(1)	971 920 916 K 6N3	Matt black			
(1)	971 920 917 K	Combi-instrument		1	PR-A8C,U5C,

Model: 971-17 Model life 2017>>

Pos	Part Number	Description	Remark	Qty	Model
-	971 920 917 K 6N3	(complete) Matt black Combi-instrument AUSSTATTUNG Turbo		1	0K3, 7V0, 9R0 PR:A8H
(1)	971 920 918 K	Combi-instrument Turbo (complete)		1	PR-A8H, U5A, U5B, U5D, U5E, U5F, U5G, 0K0, 1A2, 7V0, 9R1
(1)	971 920 918 K 6N3 971 920 919 K	Matt black Combi-instrument Turbo (complete)		1	PR-A8H, U5A, U5B, U5D, U5E, U5F, U5G, 0K0, 1A2, 7V0, 9R0
(1)	971 920 919 K 6N3 971 920 922 K	Matt black Combi-instrument Turbo (complete)		1	PR-A8H, U5C, 0K0, 1A2, 7V0, 9R1
(1)	971 920 922 K 6N3 971 920 923 K	Matt black Combi-instrument Turbo (complete)		1	PR-A8H, U5C, 0K0, 1A2, 7V0, 9R0
-	971 920 923 K 6N3	Matt black Combi-instrument AUSSTATTUNG TURBO S HYBRID		1	
(1)	971 920 924 K	Combi-instrument (complete)		1	PR-A8H, U5A, U5B, U5D, U5E, U5F, U5G, 0K3, 7V0, 9R1
(1)	971 920 924 K 6N3 971 920 925 K	Matt black Combi-instrument (complete)		1	PR-A8H, U5A, U5B, U5D, U5E, U5F, U5G, 0K3, 7V0, 9R0
(1)	971 920 925 K 6N3 971 920 926 K	Matt black Combi-instrument (complete)		1	PR-A8H, U5C, 0K3, 7V0, 9R1
(1)	971 920 926 K 6N3 971 920 927 K	Matt black Combi-instrument (complete)		1	PR-A8H, U5C, 0K3, 7V0, 9R0
2	971 920 927 K 6N3 N 906 986 06	Matt black Hexagon socket head panel bolt ST4, 2X16		2	
-		Stopwatch			
3	971 919 203 H	Stopwatch digital clock		1	PR-QR5, 0K0, 7V0, 7V5, 7V6
(3)	971 919 203 H 6N3 971 919 203 J	Red/matt black Stopwatch digital clock		1	PR-QR5, 0K3, 7V0, 7V5, 7V6
(3)	971 919 203 J 6N3 971 919 203 F	Green/matt black Stopwatch digital clock		1	PR-QR5, UP1, 0K0
(3)	971 919 203 F 6N3 971 919 203 G	Red/matt black Stopwatch digital clock		1	PR-QR5, UP1, 0K3
4	971 919 203 G 6N3 971 919 204 D	Green/matt black Analogue clock		1	PR-QR3, 0K0
5	971 919 204 D 6N3 N 912 519 01	Red/matt black Hexagon socket head panel bolt ST4.2X19		2	

Model: 971-17

Model life 2017>>



Model: 971-17 Model life 2017>>

Pos	Part Number	Description	Remark	Qty	Model
-		Instruments			
-		Stopwatch			
-		Exclusive			
-		Combi-instrument		1	
-		Combi-instrument		1	PR:A8C,0K0, 1A2
		Equipment			
		Basic			
1	973 920 900	Combi-instrument (complete)		1	PR:A8C,0K0, 1A2,7V3,-U5C
	973 920 900 C9A	Dial white			
(1)	973 920 900 J	Combi-instrument (complete)		1	PR:A8C,0K0, 1A2,7V2,-U5C
	973 920 900 J OG6	Dial Bordeaux red			
(1)	973 920 900 R	Combi-instrument (complete)		1	PR:A8C,0K0, 1A2,7V4,-U5C
	973 920 900 R OG6	Dial			
	973 920 900 R 6W0	Luxor beige			
-		Combi-instrument		1	PR:A8F,7V3
		Equipment			
		S			
(1)	973 920 900 A	Combi-instrument (complete)		1	PR:A8F,0K0, 1A2,7V3,-U5C
	973 920 900 A C9A	Dial white			
(1)	973 920 900 K	Combi-instrument (complete)		1	PR:A8F,0K0, 1A2,7V2,-U5C
	973 920 900 K OG6	Dial			
(1)	973 920 900 S	Combi-instrument (complete)		1	PR:A8F,0K0, 1A2,7V4,-U5C
	973 920 900 S OG6	Dial			
	973 920 900 S 6W0	Luxor beige			
-		Combi-instrument		1	PR:A8F,0K3
		Equipment			
		Hybrid			
(1)	973 920 900 B	Combi-instrument (complete)		1	PR:A8F,0K3, 7V3,-U5C
	973 920 900 B C9A	Dial white			
(1)	973 920 900 L	Combi-instrument (complete)		1	PR:A8F,0K3, 7V2,-U5C
	973 920 900 L OG6	Dial			
(1)	973 920 900 T	Combi-instrument (complete)		1	PR:A8F,0K3, 7V4,-U5C
	973 920 900 T OG6	Dial			
	973 920 900 T 6W0	Luxor beige			
-		Combi-instrument		1	PR:A8H
		Equipment			
		Turbo			
(1)	973 920 900 D	Combi-instrument (complete)		1	PR:A8H,0K0, 1A2,7V3,-U5C
	973 920 900 D C9A	Dial white			
(1)	973 920 900 M	Combi-instrument (complete)		1	PR:A8H,0K0, 1A2,7V3,-U5C
	973 920 900 M OG6	Dial			
(1)	973 920 900 AA	Combi-instrument (complete)		1	PR:A8H,0K0, 1A2,7V4,-U5C
	973 920 900 AA OG6	Dial Bordeaux red			

Model: 971-17 Model life 2017>>

Pos	Part Number	Description	Remark	Qty	Model
-	973 920 900 AA 6W0	Bordeaux red Combi-instrument Equipment Turbo S Hybrid		1	
(1)	973 920 924	Combi-instrument (complete) Dial red		1	PR:A8H,0K3, -U5C
	973 920 924 C9A	white			
	973 920 924 OG6	Bordeaux red			
-	973 920 924 6W0	Luxor beige Combi-instrument Equipment Diesel		1	
(1)	973 920 928	Combi-instrument (complete) Dial white		1	PR:A8C,0K0, 0F5,-U5C
	973 920 928 C9A	Bordeaux red			
	973 920 928 OG6	Luxor beige			
-	973 920 928 6W0	Combi-instrument Equipment Diesel S		1	
(1)	973 920 900 H	Combi-instrument (complete) Dial white		1	PR:A8F,0K0, 0F5,7V3,-U5C
(1)	973 920 900 H C9A	white			
(1)	973 920 900 Q	Combi-instrument (complete) Dial		1	PR:A8F,0K0, 0F5,7V2,-U5C
(1)	973 920 900 Q OG6	Bordeaux red			
(1)	973 920 900 AD	Combi-instrument (complete) Dial		1	PR:A8F,0K0, 0F5,7V4,-U5C
2	973 920 900 AD 6W0	Luxor beige			
2	N 906 986 06	Hexagon socket head panel bolt ST4,2X16		2	
-	973 919 203	Stopwatch Stopwatch Pointer red Dial		1	PR:QR5,0K0
(3)	973 919 203 OG6	Bordeaux red			
(3)	973 919 203 A	Stopwatch Pointer red Dial		1	PR:QR5,0K0
(3)	973 919 203 A 6W0	Luxor beige			
(3)	973 919 203 B	Stopwatch Pointer red Dial		1	PR:QR5,0K0
(3)	973 919 203 B C9A	white			
(3)	973 919 203 C	Stopwatch Pointer green Dial		1	PR:QR5,0K0
(3)	973 919 203 C OG6	Bordeaux red			
(3)	973 919 203 D	Stopwatch Pointer green		1	PR:QR5,0K0

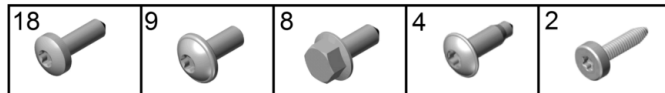
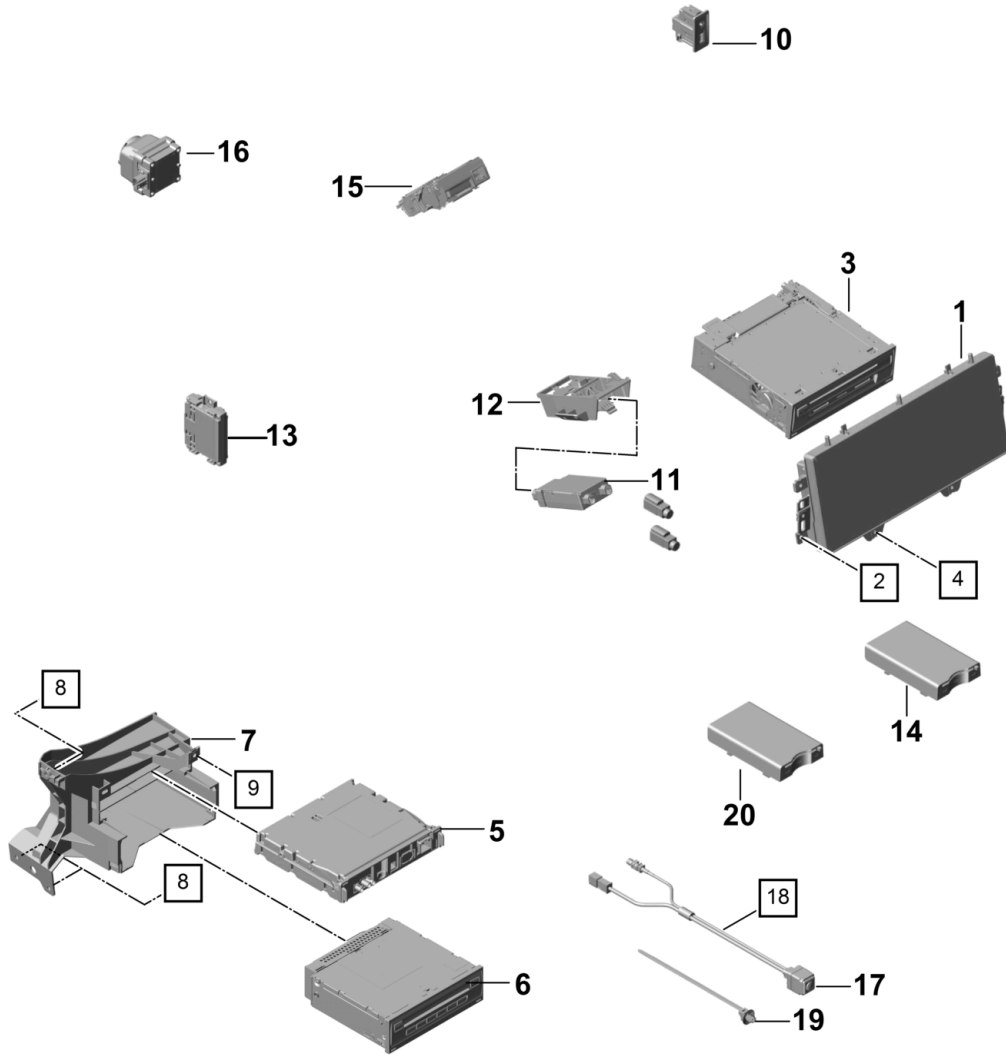
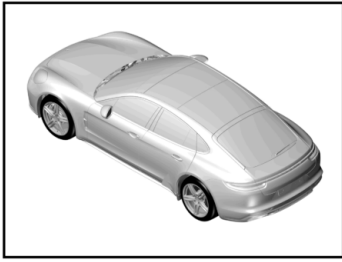
Model: 971-17

Model life 2017>>

Pos	Part Number	Description	Remark	Qty	Model
(3)	973 919 203 D 6W0 973 919 203 E	Dial Luxor beige Stopwatch Pointer green Dial		1	PR:QR5,0K0
4	973 919 203 E C9A N 912 519 01	White/green Hexagon socket head panel bolt ST4.2X19		2	

Model: 971-17

Model life 2017>>



P49911000 04 - 18

Model: 971-17

Model life 2017>>

Pos	Part Number	Description	Remark	Qty	Model
		Screen Central computer Navigation TV microphone Multimedia interface Coupler box Camera Connecting line D >> - 25.05.2018			
1	971 919 597 A	display		1	
2	971 919 597 A OV3 9A7 008 064 00	High-Gloss Black flat round head bolt M 2,5 X 10		4	
3	971 035 035 C	Central computer D >> - 29.05.2017		1	PR:ER1,QU1, QV0 QV3,9ZC,9ZK
(3)	971 035 035 C 6N3 971 035 035 P	Matt black Central computer D - 30.05.2017>>		1	PR:ER1,QU1, QV0 QV3,9ZC,9ZK
(3)	971 035 035 P 6N3 971 035 035 X	Matt black Central computer D >> - 29.05.2017		1	PR:ER1,QU1, QV0 QV3,9ZC,9ZK
(3)	971 035 035 X 6N3 971 035 035 DX	Matt black Central computer D - 30.05.2017>>		1	PR:ER1,QU1, QV0 QV3,9ZC,9ZK
(3)	971 035 035 DX 6N3 971 035 036 C	Matt black Central computer D >> - 29.05.2017		1	PR:ER1,QV0, QV1,9ZC,9ZK
(3)	971 035 036 C 6N3 971 035 036 X	Matt black Central computer		1	PR:ER1,QV0, QV1,9ZC,9ZK
(3)	971 035 036 X 6N3 971 035 037 C	Black Central computer D >> - 29.05.2017		1	PR:ER1,QU1, QV3,9ZX,QV0
(3)	971 035 037 C 6N3 971 035 037 P	Matt black Central computer D - 30.05.2017>>		1	PR:ER1,QU1, QV3,9ZX,QV0
(3)	971 035 037 P 6N3 971 035 037 X	Matt black Central computer D >> - 29.05.2017		1	PR:ER1,QU1, QV3,9ZX,QV0
(3)	971 035 037 X 6N3 971 035 037 DX	Matt black Central computer D - 30.05.2017>>		1	PR:ER1,QU1, QV3,9ZX,QV0
(3)	971 035 037 DX 6N3 971 035 038 C	Matt black Central computer		1	PR:ER1,QV0, QV1,9ZX
(3)	971 035 038 C 6N3 971 035 038 X	Matt black Central computer		1	PR:ER1,QV0, QV1,9ZX
(3)	971 035 038 X 6N3 971 035 039 C	Matt black Central computer		1	PR:ER2,QV0, QV1,9ZC,9ZK
(3)	971 035 039 C 6N3 971 035 039 X	Matt black Central computer		1	PR:ER2,QV0, QV1,9ZC,9ZK
(3)	971 035 039 X 6N3 971 035 040 C	Black Central computer		1	PR:ER2,QV0, QV1,9ZX
	971 035 040 C 6N3	Matt black			

Model: 971-17 Model life 2017>>

Pos	Part Number	Description	Remark	Qty	Model
(3)	971 035 040 X	Central computer		1	PR:ER2,QV0, QV1,9ZX
	971 035 040 X 6N3	Matt black			
(3)	971 035 041 C	Central computer		1	PR:ER2,QU1, QV0 QV3,9ZC,9ZK
		D >> - 29.05.2017			
	971 035 041 C 6N3	Matt black			
(3)	971 035 041 P	Central computer		1	PR:ER2,QU1, QV0 QV3,9ZC,9ZK
		D - 30.05.2017>>			
	971 035 041 P 6N3	Matt black			
(3)	971 035 041 X	Central computer		1	PR:ER2,QU1, QV0 QV3,9ZC,9ZK
		D >> - 29.05.2017			
	971 035 041 X 6N3	Matt black			
(3)	971 035 041 DX	Central computer		1	PR:ER2,QU1, QV0 QV3,9ZC,9ZK
		D - 30.05.2017>>			
	971 035 041 DX 6N3	Matt black			
(3)	971 035 868 C	Central computer		1	PR:ER2,QU1, QV3,9ZX,QV0
		D >> - 29.05.2017			
	971 035 868 C 6N3	Black			
(3)	971 035 868 P	Central computer		1	PR:ER2,QU1, QV3,9ZX,QV0
		D - 30.05.2017>>			
	971 035 868 P 6N3	Black			
(3)	971 035 868 X	Central computer		1	PR:ER2,QU1, QV3,9ZX,QV0
		D >> - 29.05.2017			
	971 035 868 X 6N3	Matt black			
(3)	971 035 868 DX	Central computer		1	PR:ER2,QU1, QV3,9ZX,QV0
		D - 30.05.2017>>			
	971 035 868 DX 6N3	Black			
(3)	971 035 890 H	Central computer		1	
		D >> - 29.05.2017			
	971 035 890 H 6N3	Matt black			
(3)	971 035 890 P	Central computer		1	
		D - 30.05.2017>>			
	971 035 890 P 6N3	Matt black			
(3)	971 035 890 EX	Central computer		1	
		D - 30.05.2017>>			
	971 035 890 EX 6N3	Matt black			
(3)	971 035 892 P	Central computer		1	
		D - 30.05.2017>>			
	971 035 892 P 6N3	Matt black			
(3)	971 035 892 DX	Central computer		1	
		D - 30.05.2017>>			
	971 035 892 DX 6N3	Matt black			
(3)	971 035 893 C	Central computer		1	PR:ER4,QV0, 9ZX
		D >> - 29.05.2017			
	971 035 893 C 6N3	Matt black			
(3)	971 035 893 P	Central computer		1	PR:ER4,QV0, 9ZX
		D - 30.05.2017>>			
	971 035 893 P 6N3	Matt black			
(3)	971 035 893 X	Central computer		1	PR:ER4,QV0, 9ZX
		D >> - 29.05.2017			
	971 035 893 X 6N3	Black			
(3)	971 035 893 DX	Central computer		1	PR:ER4,QV0, 9ZX
		D - 30.05.2017>>			
	971 035 893 DX 6N3	Matt black			
(3)	971 035 894 C	Central computer		1	PR:ER6,QV0, QV1,9ZC,9ZK
	971 035 894 C 6N3	Matt black			
(3)	971 035 894 X	Central computer		1	PR:ER6,QV0, QV1,9ZC,9ZK

Model: 971-17 Model life 2017>>

Pos	Part Number	Description	Remark	Qty	Model
(3)	971 035 894 X 6N3 971 035 895 C	Matt black Central computer		1	PR:ER6,QV0, QV1,9ZX
(3)	971 035 895 C 6N3 971 035 895 X	Matt black Central computer		1	PR:ER6,QV0, QV1,9ZX
(3)	971 035 895 X 6N3 971 035 896 C	Matt black Central computer		1	PR:ER8,QV0, 9ZX
(3)	971 035 896 C 6N3 971 035 896 X	Matt black Central computer		1	PR:ER8,QV0, 9ZX
(3)	971 035 896 X 6N3 971 035 897 C	Matt black Central computer		1	PR:ER5,QV0, QV1,9ZC,9ZK
(3)	971 035 897 C 6N3 971 035 897 X	Matt black Central computer		1	PR:ER5,QV0, QV1,9ZC,9ZK
(3)	971 035 897 X 6N3 971 035 898 C	Matt black Central computer		1	PR:ER5,QV0, QV1,9ZX
(3)	971 035 898 C 6N3 971 035 898 X	Matt black Central computer		1	PR:ER5,QV0, QV1,9ZX
(3)	971 035 898 X 6N3 971 035 899 C	Matt black Central computer		1	PR:ER7,QV0, QV1,9ZX
(3)	971 035 899 C 6N3 971 035 899 X	Matt black Central computer		1	PR:ER7,QV0, QV1,9ZX
4	971 035 899 X 6N3 999 073 498 01	Matt black fillister hd. bolt M5X20		4	
5	9A7 919 191 01	TV tuner TV		1	PR:ER1,ER2, ER8,QU1,QV1
(5)	9A7 919 192 01	TV tuner TV		1	PR:ER6,QV1
(5)	9A7 919 146 01	TV tuner TV		1	PR:ER7,QV1
(5)	9A7 919 129 01	TV tuner TV		1	PR:ER5,QV1
6	PAB 035 108 01	DVD changer		1	PR:6G2
7	971 035 480 A	Bracket DVD changer		1	PR:6G2
8	N 106 532 01	Hex collared bolt M6X16		3	PR:6G2
9	N 909 446 04	Oval hexagon socket head bolt M5X12		1	PR:6G2
10	9A7 642 222 00	Connection for USB and AUX-IN		1	
11	9A7 642 953 01	USB hub		1	
12	971 035 720 B	Bracket for USB hub		1	
13	9A7 646 456 00	Amplifiers Mobile		1	PR:-B0E,9ZC, GB3
13	PAB 035 456 00	Amplifiers Mobile		1	PR:GB1,9ZC
(13)	9A7 035 456 20	Amplifiers Mobile Comfort version		1	PR:3Z7,B0E
14	9A7 919 813 00	chip card reader for road toll system		1	
15	971 907 217 C	Camera Windscreen D		1	

>> - 26.05.2017

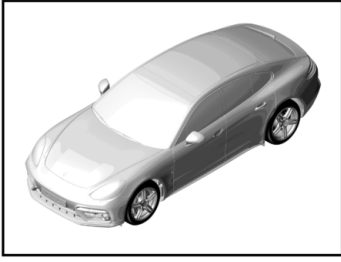
Model: 971-17

Model life 2017>>

Pos	Part Number	Description	Remark	Qty	Model
(15)	971 907 217 D	Camera Windscreen D - 29.05.2017>> - 03.11.2017		1	
(15)	971 907 217 E	Camera Windscreen D - 06.11.2017>>		1	
16		Camera Repair set for night-vision system camera	911-040	1	
		see illustration:			
17	9A7 980 556 00	Reversing camera		1	PR:7X8
(17)	5Q0 980 546 A	Camera Real Top View		1	PR:8A4
18	N 910 968 01	Hexagon socket flat head bolt M6X20		2	
19	9A7 005 317	Cable fastener		1	PR:7X8
20	9A7 919 813 00	chip card reader for road toll system		1	PR:ER5

Model: 971-17

Model life 2017>>



Model: 971-17

Model life 2017>>

Pos	Part Number	Description	Remark	Qty	Model
		Central computer display microphone Multimedia interface chip card reader for road toll system Camera Amplifiers Mobile			
1	971 919 597 D	display		1	
	971 919 597 D OV3	High-Gloss Black			
2	9A7 008 064 00	flat round head bolt M 2,5 X 10		4	
(3)	971 035 035 R	Central computer		1	PR:ER1,QV3,
	971 035 035 R 6N3	Matt black			
(3)	971 035 035 RX	Central computer		1	PR:ER1,QV3,
	971 035 035 RX 6N3	Matt black			
(3)	971 035 037 R	Central computer		1	PR:ER1,QV3,
	971 035 037 R 6N3	Matt black			
(3)	971 035 037 RX	Central computer		1	PR:9ZX,ER1,
	971 035 037 RX 6N3	Matt black			
(3)	971 035 041 R	Central computer		1	PR:ER2,QV3,
	971 035 041 R 6N3	Matt black			
(3)	971 035 041 RX	Central computer		1	PR:ER2,QV0,
	971 035 041 RX 6N3	Matt black			
(3)	971 035 868 R	Central computer		1	PR:ER2,QV3,
	971 035 868 R 6N3	Black			
(3)	971 035 868 RX	Central computer		1	PR:ER2,QV3,
	971 035 868 RX 6N3	Black			
(3)	971 035 890 R	Central computer		1	
	971 035 890 R 6N3	Matt black			
(3)	971 035 890 RX	Central computer		1	
	971 035 890 RX 6N3	Matt black			
(3)	971 035 892 R	Central computer		1	
	971 035 892 R 6N3	Matt black			
(3)	971 035 892 RX	Central computer		1	
	971 035 892 RX 6N3	Matt black			
(3)	971 035 893 R	Central computer		1	
	971 035 893 R 6N3	Matt black			
(3)	971 035 893 RX	Central computer		1	
	971 035 893 RX 6N3	Matt black			
(3)	971 035 894 L	Central computer		1	PR:ER6,QV0,
	971 035 894 L 6N3	Matt black			
(3)	971 035 896 L	Central computer		1	PR:ER8,QV0,
	971 035 896 L 6N3	Matt black			
(3)	971 035 896 LX	Central computer		1	PR:ER8,QV0,
	971 035 896 LX 6N3	Matt black			
(3)	971 035 897 L	Central computer		1	PR:ER5,QV0,
	971 035 897 L 6N3	Matt black			
(3)	971 035 897 LX	Central computer		1	PR:ER5,QV0,
	971 035 897 LX 6N3	Matt black			
(3)	971 035 899 L	Central computer		1	PR:ER7,QV0,
	971 035 899 L 6N3	Matt black			
(3)	971 035 899 LX	Central computer		1	PR:ER7,QV0,
	971 035 899 LX 6N3	Matt black			
4	999 073 498 01	fillister hd. bolt M5X20		4	
6	PAB 035 108 01	DVD changer		1	PR:6G2
7	971 035 480 A	Bracket DVD changer		1	PR:6G2
8	N 106 532 01	Hex collared bolt M6X16		3	PR:6G2
9	N 909 446 04	Oval hexagon socket head bolt		1	PR:6G2

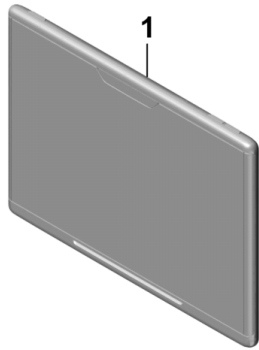
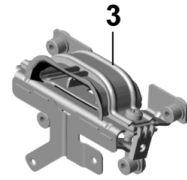
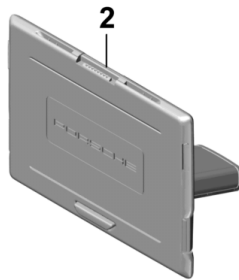
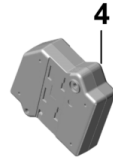
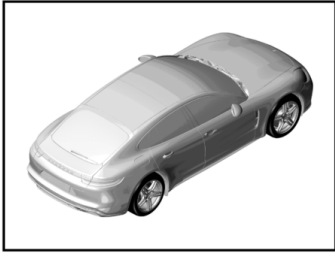
Model: 971-17

Model life 2017>>

Pos	Part Number	Description	Remark	Qty	Model
		M5X12			
10	9A7 642 222 00	Connection for USB and AUX-IN		1	
11	9A7 642 953 01	USB hub		1	
12	971 035 720 B	Bracket for USB hub		1	
13	9A7 646 456 00	Amplifiers Mobile		1	PR:-B0E
13	9A7 646 456 01	Amplifiers Mobile		1	
(13)	9A7 035 456 20	Amplifiers Mobile		1	PR:3Z7,B0E
(13)	9A7 646 456 10	Comfort version Amplifiers Mobile		1	
(13)	9A7 646 456 30	Amplifiers Mobile		1	
14	9A7 919 813 00	chip card reader for road toll system		1	
15	971 907 217 E	Camera Windscreen		1	
16		Camera for vehicles with night vision system	911-040	1	
		see illustration:			
17	9A7 980 556 00	Reversing camera		1	PR:7X8
(17)	5Q0 980 546 A	Camera Real Top View		1	PR:8A4
18	N 910 968 01	Hexagon socket flat head bolt M6X20		2	
19	9A7 005 317	Cable fastener		1	PR:7X8
-		Connecting line			
20	9A7 919 813 00	chip card reader for road toll system		1	PR:ER5
20	9A7 919 813 A	chip card reader for road toll system		1	PR:ER5

Model: 971-17

Model life 2017>>



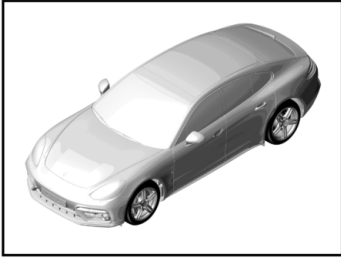
Model: 971-17

Model life 2017>>

Pos	Part Number	Description	Remark	Qty	Model
1	971 919 607 B	Rear seat entertainment system display		2	PR:9WU,9WY PR:-ER6
(1)	971 919 607 C	Rear seat entertainment system D >> - 26.05.2017 display		2	PR:-ER6
(1)	971 919 607 E	Rear seat entertainment system D - 29.05.2017>> - 25.05.2018 display		2	PR:-ER6
(1)	971 919 602 B	Rear seat entertainment system D - 28.05.2018>> display		2	PR:ER6
(1)	971 919 602 C	Rear seat entertainment system D >> - 26.05.2017 display		2	PR:ER6
(1)	971 919 602 E	Rear seat entertainment system D - 29.05.2017>> - 25.05.2018 display		2	PR:ER6
2	971 035 737	Rear seat entertainment system Adapter Screen		2	
3	971 881 998	Rear seat entertainment system Bracket		2	
4	9A7 919 411 00	Head restraint Rear seat entertainment system Can 4M0.919.411.C Junction		2	
5	971 035 631	Rear seat entertainment system Headphones		2	
6	9A7 035 647 00	Rear seat entertainment system Map holder SD card		1	

Model: 971-17

Model life 2017>>



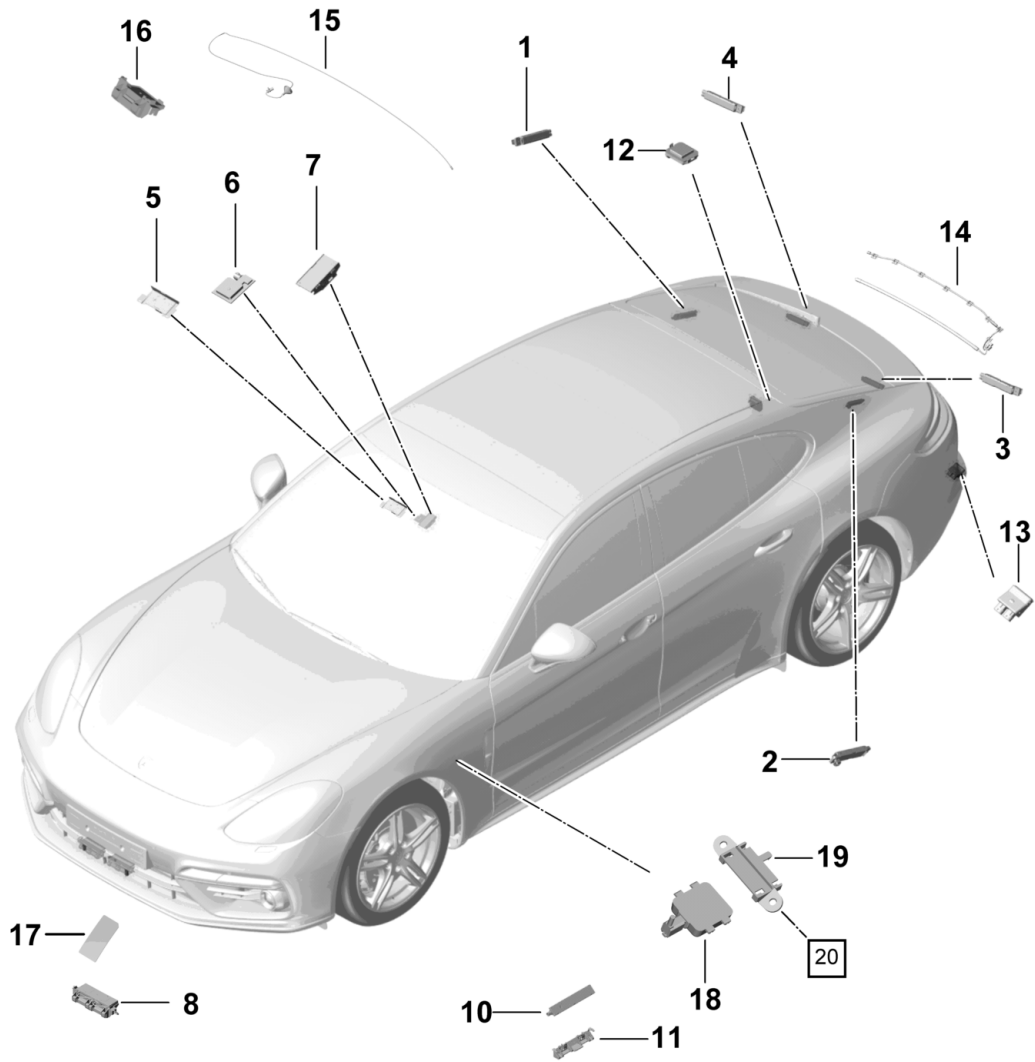
Model: 971-17

Model life 2017>>

Pos	Part Number	Description	Remark	Qty	Model
1	9P1 909 000 T	SD card Software Navigation system		1	PR:ER1
(1)	9P1 909 000 AA	SD memory card for updating the navigation data		1	PR:ER3,ER4
(1)	9P1 909 000 AB	SD memory card for updating the navigation data		1	PR:ER2
(1)	971 919 360 D	SD card Software Central computer D - MJ 2018>>		1	PR:ER1,ER2
(1)	971 919 360 E	SD card Software Central computer D - MJ 2018>>		1	PR:ER3,ER4
(1)	971 919 360 F	SD memory card for software adaptation Central computer		1	PR:ER6
(1)	971 919 360 G	SD card Software Central computer D - MJ 2018>>		1	PR:ER5
(1)	971 919 360 H	SD card Software Central computer D - MJ 2018>>		1	PR:ER8
(1)	971 919 360 J	SD card Software Central computer D - MJ 2018>>		1	PR:ER7

Model: 971-17

Model life 2017>>



P49911015 06 - 18

Model: 971-17 Model life 2017>>

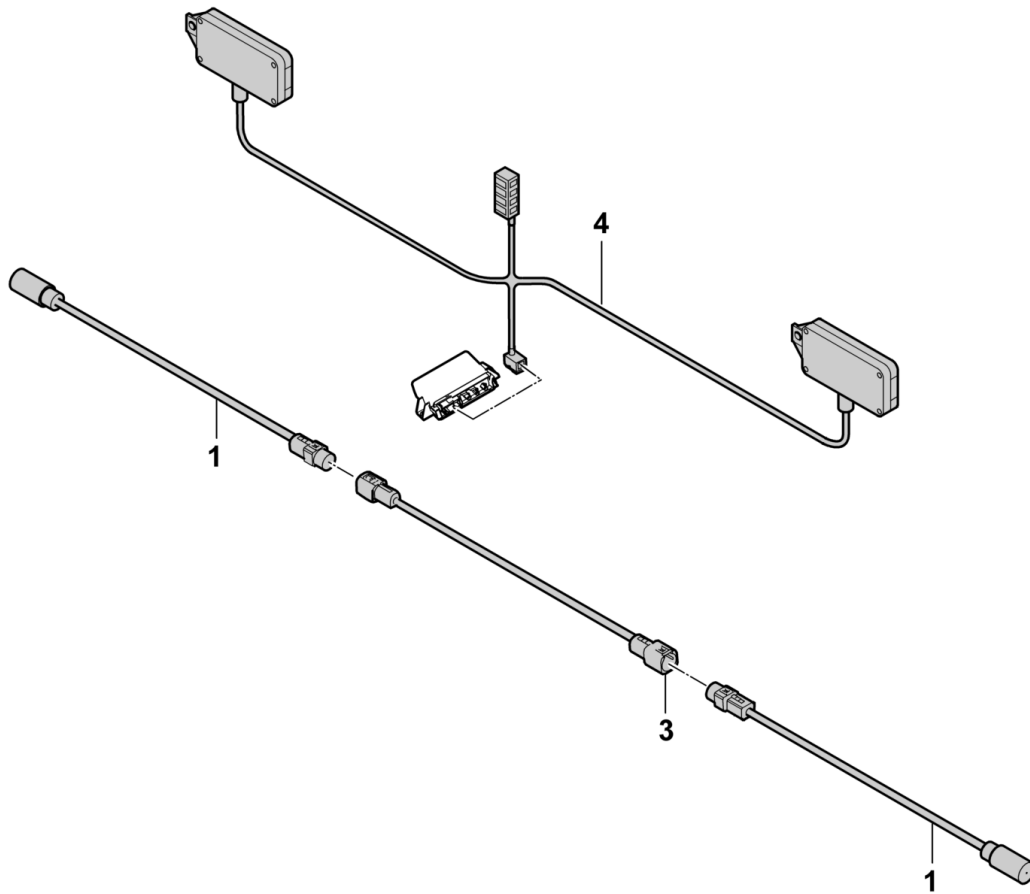
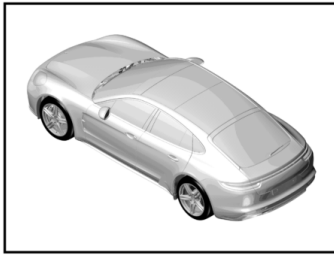
Pos	Part Number	Description	Remark	Qty	Model
-		Aerial amplifier Lines Aerial Video Aerial			
1	971 035 225	Aerial amplifier Rear lid	right upper	1	PR:ER1,ER2, ER3,ER4,ER6, ER7,ER8,ER9 PR:ER5
(1)	971 035 225 A	Aerial amplifier Rear lid	right upper	1	"J.."
2	971 035 225 B	Aerial amplifier Rear lid	left upper	1	PR:ER1,ER2, ER3,ER4,ER6, ER7,ER8,ER9, QU8,QV0,QV1 PR:ER5,QV0, QV1 "J.."
(2)	971 035 225 C	Aerial amplifier Rear lid	left upper	1	PR:ER1,ER2, ER3,ER4,ER6, ER7,ER8,ER9, QU1,QV3 "J.."
(2)	971 035 225 D	Aerial amplifier Rear lid	left upper	1	PR:ER1,ER2, ER3,ER4,ER6, ER7,ER8,ER9, QU1,QV1,9M0, 9M1 "J.."
3	971 035 225 E	Aerial amplifier Rear lid	lower left	1	PR:ER1,ER2, ER3,ER4,ER6, ER7,ER8,ER9, QU1,QV1,9M0, 9M1 "J.."
(3)	971 035 225 F	Aerial amplifier Rear lid	lower left	1	PR:ER1,ER2, ER3,ER4,ER6, ER7,ER8,ER9, QV0,QV3,9M9 PR:ER1,ER2, ER3,ER4,ER6, ER7,ER8,ER9, QU1,QV1,9M9 PR:ER1,ER2, ER3,ER4,ER6, ER8,ER9,QU1, QV1,9M9 "J.."
(3)	971 035 225 G	Aerial amplifier Rear lid	lower left	1	PR:GJ0,6I0, 8G0,8T1,9Q1 PR:7UG
(3)	971 035 225 H	Aerial amplifier Rear lid	lower left	1	PR:GJ0,6I0, 8G0,8T1,9Q6
4	971 035 225 J	Aerial amplifier Rear lid	lower right	1	PR:GJ0,6I1, 8G1,8T1
(4)	971 035 225 K	Aerial amplifier Rear lid	lower right	1	PR:GJ0,6I0, 8G1,8G4,8T1, 9Q1 PR:7Y1,8G0, 8T1
5	971 035 503	Telephone aerial		1	PR:GJ1,8T1
6	9A7 035 504 01	Aerial GPS		1	
7	971 035 503 A	Telephone aerial		1	
(7)	971 035 503 A	Data Telephone aerial		1	
(7)	971 035 503 A	Data Telephone aerial		1	
(7)	971 035 503 A	Data Telephone aerial		1	
(7)	971 035 503 A	Data Telephone aerial Data		1	

Model: 971-17 Model life 2017>>

Pos	Part Number	Description	Remark	Qty	Model
(7)	971 035 503 A	Telephone aerial Data		1	PR:3V1,8T3
8	971 035 500	Aerial VTS vehicle tracking Included Bracket		1	PR:7G9,7I0, 7I2
10	9A7 035 504 00	Aerial VTS vehicle tracking		1	PR:7G9,7I0, 7I2
11	971 035 525	Retainer for aerial		1	PR:7G9,7I0, 7I2
12	971 035 507	VTS vehicle tracking Aerial SDARS		1	PR:7G9,7I0, 7I2
13	9A7 962 243 00	Control unit for opening boot lid		1	PR:4E6
14	971 962 253 B	Sensor Line Control unit Rear lid Open		1	PR:4E6,2D0
(14)	971 962 253 A	Sensor Line Sensor Rear lid Open		1	PR:4E6,2D1, 2D5
15	95B 035 510	Aerial Radio unit Rear spoiler		1	PR:K8D
16	9A7 647 504 10	Aerial		1	PR:ER5
17	971 035 510 C	Telephone aerial UMTS Bumper cover		1	PR:9ZC,9ZK
18	9A7 647 504 00	Aerial ETC		1	PR:ER5
19	971 035 755	Retainer for aerial ETC		1	PR:ER5
20	N 910 742 01	Hexagon socket head bolt	M5X16	1	PR:ER5

Model: 971-17

Model life 2017>>



Model: 971-17 Model life 2017>>

Pos	Part Number	Description	Remark	Qty	Model
-		Aerial connection line Connecting line Aerial			
1	971 998 054	Aerial connection line Connector housing 6Q0.035.576.J		1	
(1)	971 998 057	Aerial connection line Connector housing 6Q0.035.674.F		1	
(1)	971 998 058	Aerial connection line Connector housing 6Q0.035.576.C		1	
(1)	971 998 068	Aerial connection line Connector housing 4L0.035.576.A		1	
(1)	971 998 076	Aerial connection line Connector housing 6Q0.035.575		1	
(1)	971 998 102	Aerial connection line Connector housing 4L0.035.576.B		1	
(1)	971 998 103	Aerial connection line Connector housing 6Q0.035.576		1	
(1)	971 998 109	Aerial connection line Connector housing 6Q0.035.674.C		1	
(1)	971 998 110	Aerial connection line Connector housing 6Q0.035.575.A		1	
(1)	971 998 122	Aerial connection line Connector housing 4L0.035.576.D		1	
(1)	971 998 124	Aerial connection line Connector housing 6Q0.035.674.B		1	
(1)	971 998 133	Aerial connection line Connector housing 6Q0.035.576.E		1	
(1)	971 998 134	Aerial connection line Connector housing 6Q0.035.576.D		1	
(1)	971 998 135	Aerial connection line Connector housing 6Q0.035.608.D		1	
-		Aerial connection line			
3	000 098 650	Aerial connection line 300 MM		1	
(3)	000 098 651	Aerial connection line 500 MM		1	
(3)	000 098 652	Aerial connection line 1000 MM		1	
(3)	000 098 652 A	Aerial connection line 1500 MM		1	
(3)	000 098 653	Aerial connection line 2000 MM		1	
(3)	000 098 653 A	Aerial connection line 2500 MM		1	
(3)	000 098 654	Aerial connection line 3000 MM		1	
(3)	000 098 654 A	Aerial connection line 3500 MM		1	
(3)	000 098 655	Aerial connection line		1	

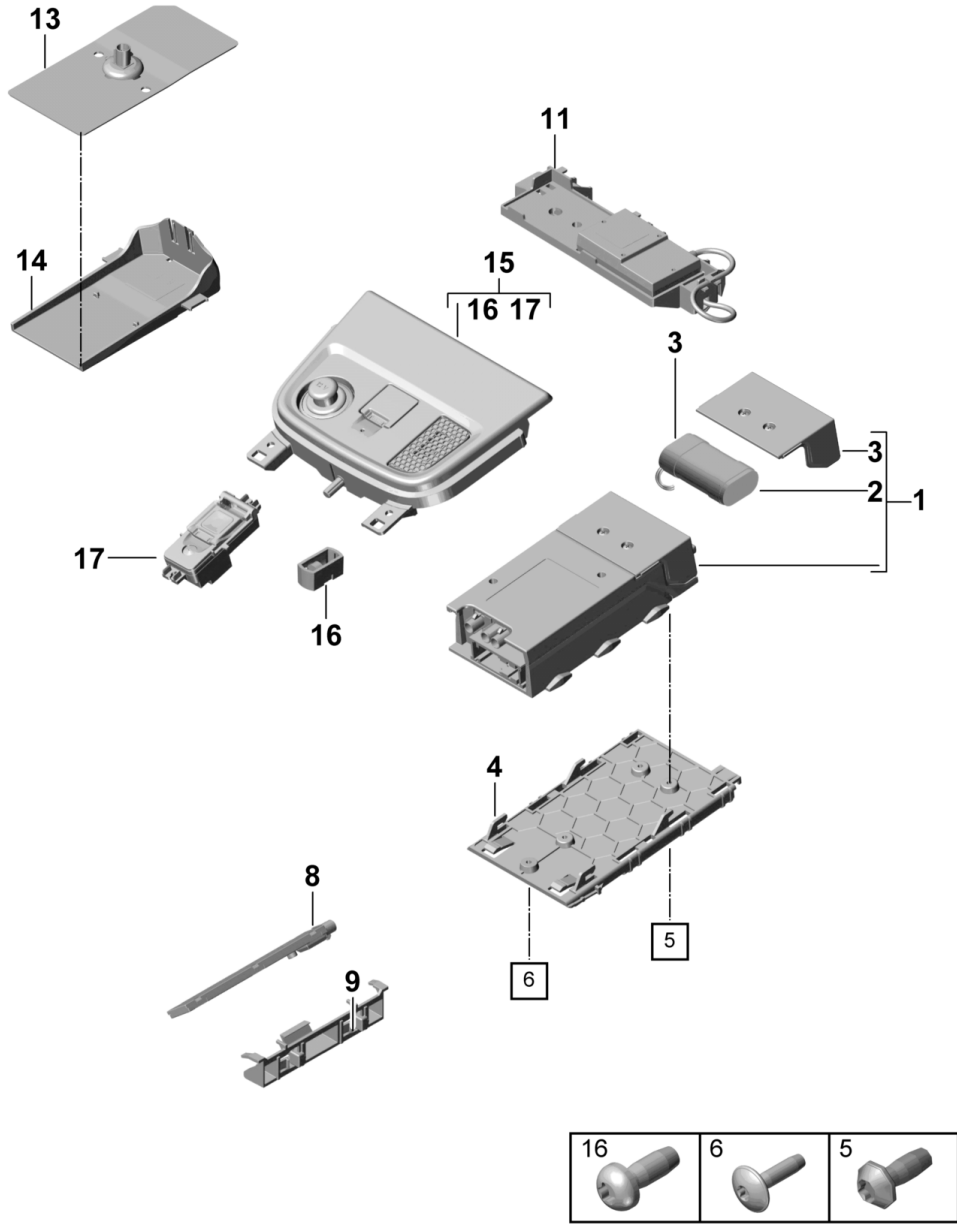
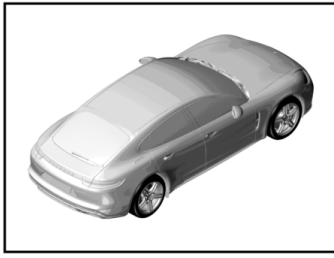
Model: 971-17

Model life 2017>>

Pos	Part Number	Description	Remark	Qty	Model
(3)	000 098 655 A	4000 MM Aerial connection line		1	
(3)	000 098 656	4500 MM Aerial connection line		1	
(3)	000 098 656 A	5000 MM Aerial connection line		1	
(3)	000 098 657	5500 MM Aerial connection line		1	
(3)	000 098 658	6000 MM Aerial connection line		1	
4	971 998 162	7000 MM Aerial connection line Control unit VTS vehicle tracking Included		1	
5	298 937 545	Cable holder Aerial connection line		1	
6	298 937 543	4-FACH HALTER Cable holder Aerial connection line		1	PR-7X8
7	95B 937 545 D	Cable holder Aerial connection line		1	PR-NZ3
8	971 937 543	Cable holder Data connection line		1	PR-9R1, 8A4
8	971 937 543 B	Cable holder Data connection line		1	PR-8A4, NZ3
9	PAB 907 414	Sensor line for garage door opener		1	PR-VC1, VC2

Model: 971-17

Model life 2017>>



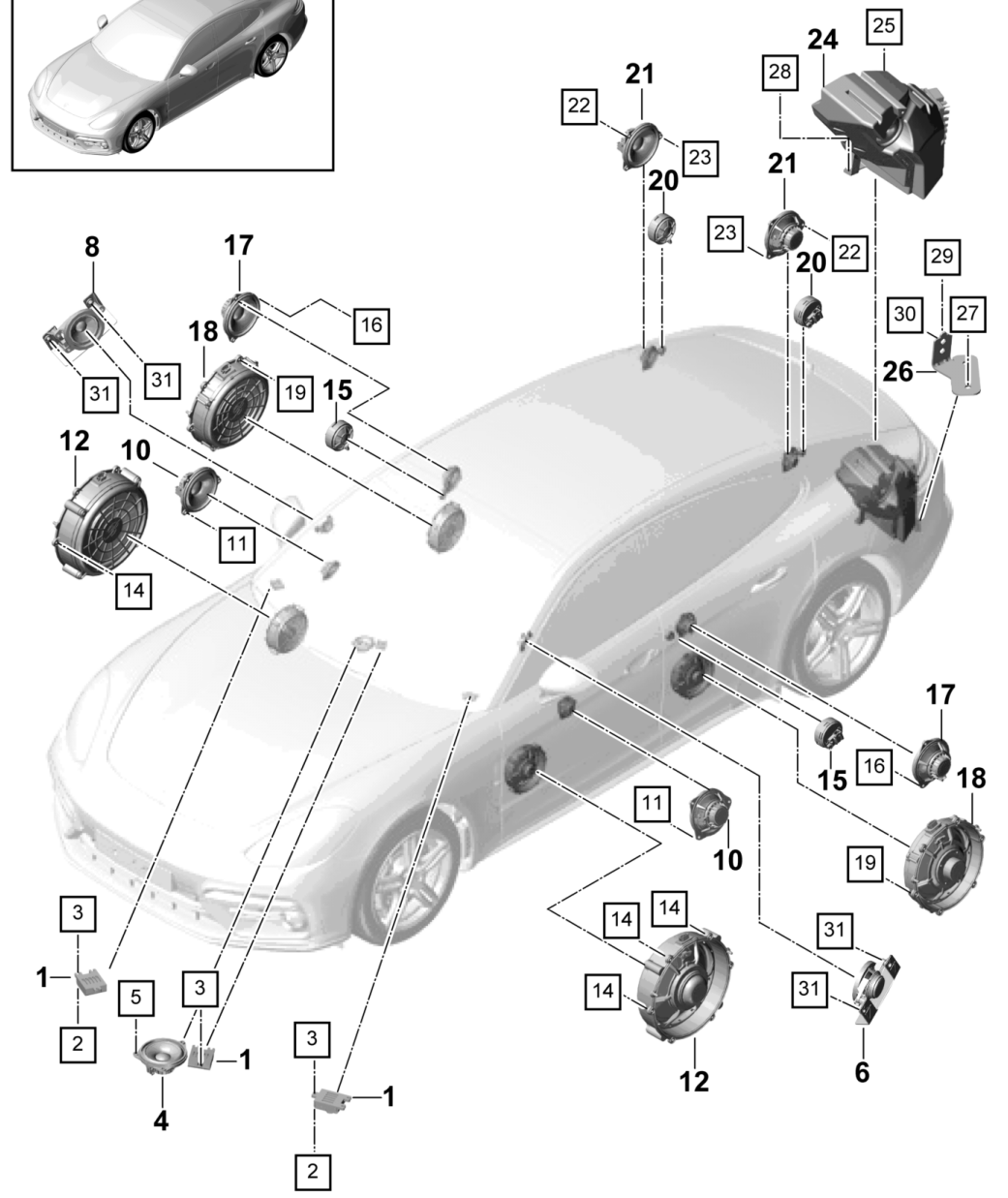
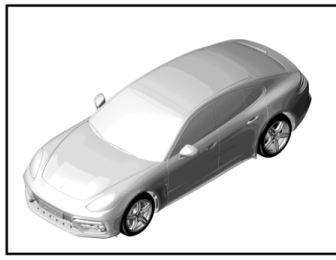
Model: 971-17

Model life 2017>>

Pos	Part Number	Description	Remark	Qty	Model
1	9P1 035 284 C	Emergency call system Control unit for emerg. call module and communications unit Communication Box		1	PR:NZ3
2	9P1 915 611	Battery for Communication Box		1	
3	9P1 035 215	Cover for Communication Box		1	
4	971 035 547	Retainer for control units		1	
5	N 106 021 01	Hexagon socket flat head bolt TP4X16		4	
6	N 907 321 03	Hexagon socket oval head bolt TP4X16		1	
8	9A7 035 504 00	Aerial GSM		1	
9	971 035 525	Retainer for aerial		1	
11	971 035 500 A	Aerial module with bracket GPS		1	
13	971 035 510 C	Telephone aerial UMTS Front apron		1	
14	971 035 525 A	Retainer for aerial UMTS		1	
15	971 858 417 AA	Trim for centre console		1	PR:9JA
	971 858 417 AA 6N3	Black			
(15)	971 858 417 T	Trim for centre console		1	PR:9JB
	971 858 417 T 6N3	Black			
16	9P1 035 712	microphone		1	
17	9P1 959 511	Switch		1	
	9P1 959 511 6N3	Black			
18	N 105 150 03	Hexagon socket flat head bolt TP3X8		2	

Model: 971-17

Model life 2017>>



31	30	29	28	27	25	23
22	19	16	14	11	5	3

Model: 971-17 Model life 2017>>

Pos	Part Number	Description	Remark	Qty	Model
-		Loudspeaker			
(1)	971 035 411 C	Loudspeaker dashboard Loudspeaker	high tone basic	2	PR:9VK
(1)	971 035 411 A	Loudspeaker	high tone	2	PR:9VL
1	971 035 411 B	Bose Loudspeaker	high tone	3	PR:9VJ
2	N 904 559 02	Burmester Speed nut M5		6	
3	N 912 077 01	Torx lens flange screw M5X25		9	
4	971 035 415 G	Loudspeaker MID-RANGE speaker Bose		1	PR:9VL
(4)	971 035 415 C	Loudspeaker MID-RANGE speaker Burmester		1	PR:9VJ
5	N 912 077 01	Torx lens flange screw M5X25		3	
-		Loudspeaker A-pillar			
6	971 035 361 A	Loudspeaker MID-RANGE speaker Burmester	left	1	PR:9VJ
8	971 035 362 A	Loudspeaker MID-RANGE speaker Burmester	right	1	PR:9VJ
-		Loudspeaker doors	front		
10	971 035 415 E	Loudspeaker MID-RANGE speaker	basic	2	PR:9VK
(10)	971 035 415 F	Loudspeaker MID-RANGE speaker Bose		2	PR:9VL
(10)	971 035 415 C	Loudspeaker MID-RANGE speaker Burmester		2	PR:9VJ
11	N 104 420 03	self-tapping screw T05X16		6	
12	971 035 454 D	Loudspeaker	low tone basic	2	PR:9VK
(12)	971 035 454 E	Loudspeaker	low tone	2	PR:9VL
(12)	971 035 454 F	Bose Loudspeaker	low tone	2	PR:9VJ
14	N 106 847 01	Burmester Oval hexagon socket head bolt M5X20		12	
-		Loudspeaker Door	rear		
15	971 035 411 C	Loudspeaker	high tone basic	2	PR:9VK

Model: 971-17

Model life 2017>>

Pos	Part Number	Description	Remark	Qty	Model
(15)	971 035 411 A	Loudspeaker	high tone	2	PR:9VL
(15)	971 035 412	Bose Loudspeaker	high tone	2	PR:9VJ
16	N 104 420 03	Burmester self-tapping screw TP5X16-Q		12	
17	971 035 415 C	Loudspeaker MID-RANGE speaker		2	PR:9VJ
18	971 035 453 C	Burmester Loudspeaker	low tone basic	2	PR:9VK
(18)	971 035 453 D	Loudspeaker	low tone	2	PR:9VL
(18)	971 035 453 E	Bose Loudspeaker	low tone	2	PR:9VJ
19	N 106 847 01	Burmester Oval hexagon socket head bolt M5X20		12	
-		Loudspeaker d-pillar			
20	971 035 412	Loudspeaker	high tone	2	PR:9VJ
21	971 035 415 F	Burmester Loudspeaker MID-RANGE speaker		2	PR:9VJ
(21)	971 035 415 C	Bose Loudspeaker MID-RANGE speaker		2	PR:9VJ
22	9A7 007 650 00	Burmester panel nut ST 4,2		6	
23	N 909 868 02	Hexagon socket head panel bolt ST4,2X13		6	
24	971 035 481 D	Subwoofer Premium		1	PR:0K0,1A2, 9VL
(24)	971 035 481 F	Bose Subwoofer Premium		1	PR:0K0,0F5, 9VL
(24)	971 035 481 E	Bose Subwoofer High End		1	PR:0K0,1A2, 9VJ
(24)	971 035 481 G	Burmester Subwoofer High End		1	PR:0K0,0F5, 9VJ
25	N 910 423 02	Burmester Oval hexagon socket head bolt T6X16,5		2	
26	971 035 627	Bracket for subwoofer		12	PR:0F5,9VL, 9VJ
27	N 910 189 01	Hexagon plastic collar nut M6		2	PR:0F5,9VL, 9VJ
28	N 911 883 01	Hexagon socket head bolt M6X20		4	PR:0F5,9VL, 9VJ
29	N 903 425 04	Speed nut M6X19,5		2	PR:0F5,9VL, 9VJ
30	N 910 220 01	rivetted cap nut M6		1	PR:0F5,9VL, 9VJ
31	N 105 695 01	Round-head screw with inner		4	PR:0F5,9VL,

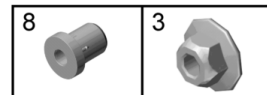
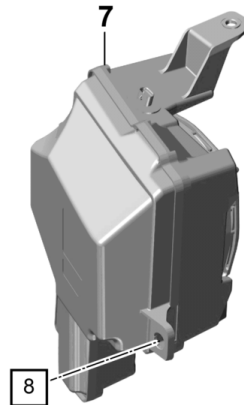
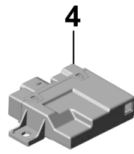
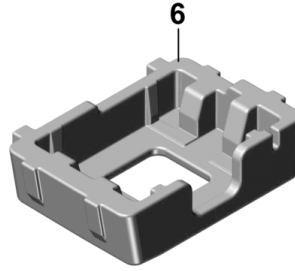
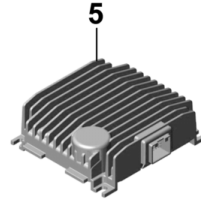
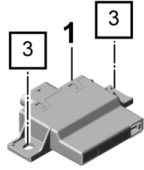
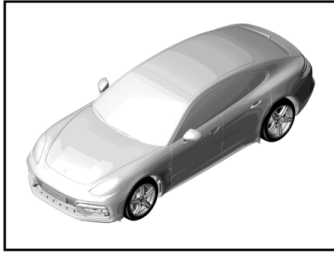
Model: 971-17

Model life 2017>>

Pos	Part Number	Description	Remark	Qty	Model
		hexagon socket head M5X16			9VJ

Model: 971-17

Model life 2017>>



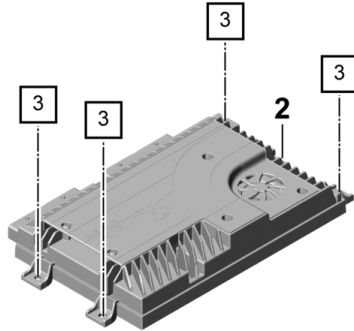
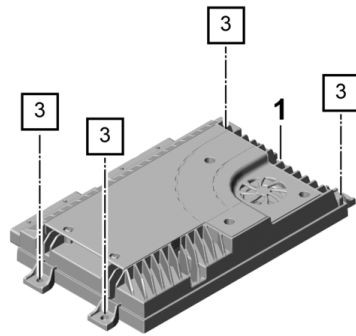
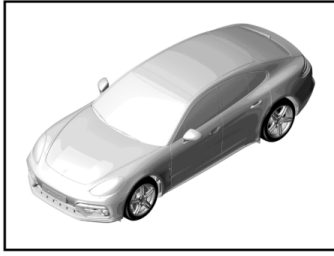
Model: 971-17

Model life 2017>>

Pos	Part Number	Description	Remark	Qty	Model
1	971 907 159 F	Control unit Sound generator Engine noises		1	CVDA, CVD+
(1)	971 907 159 F	Control unit Engine noises		1	PR:0K0, 2HB DBUC+
(1)	971 907 159 H	Control unit Engine noises		1	PR:0P0, 0P3, 0P6, 2HB DBUC+
(1)	971 907 159 G	Control unit Engine noises		1	PR:0P8, 0P9, 2HB CSZA, CSZ+
2	4H0 907 601 D	Actuator for impact sound Engine noises		1	PR:0K0, 2HB
3	N 908 877 03	Hexagon flange nut, self-locking M6		3	
4	971 907 160 A	Control unit exhaust system		1	DBUC+
5	971 035 335 D	Amplifiers Engine noises		1	PR:0P8, 0P9 PR:0K3
6	971 035 210	Holder for amplifier Engine noises		1	PR:0K3
7	971 035 916 B	Loudspeaker Engine noises		1	PR:0K3
8	9A7 007 493 00	riveted cap nut M6		2	PR:0K3

Model: 971-17

Model life 2017>>



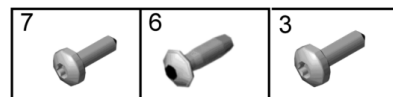
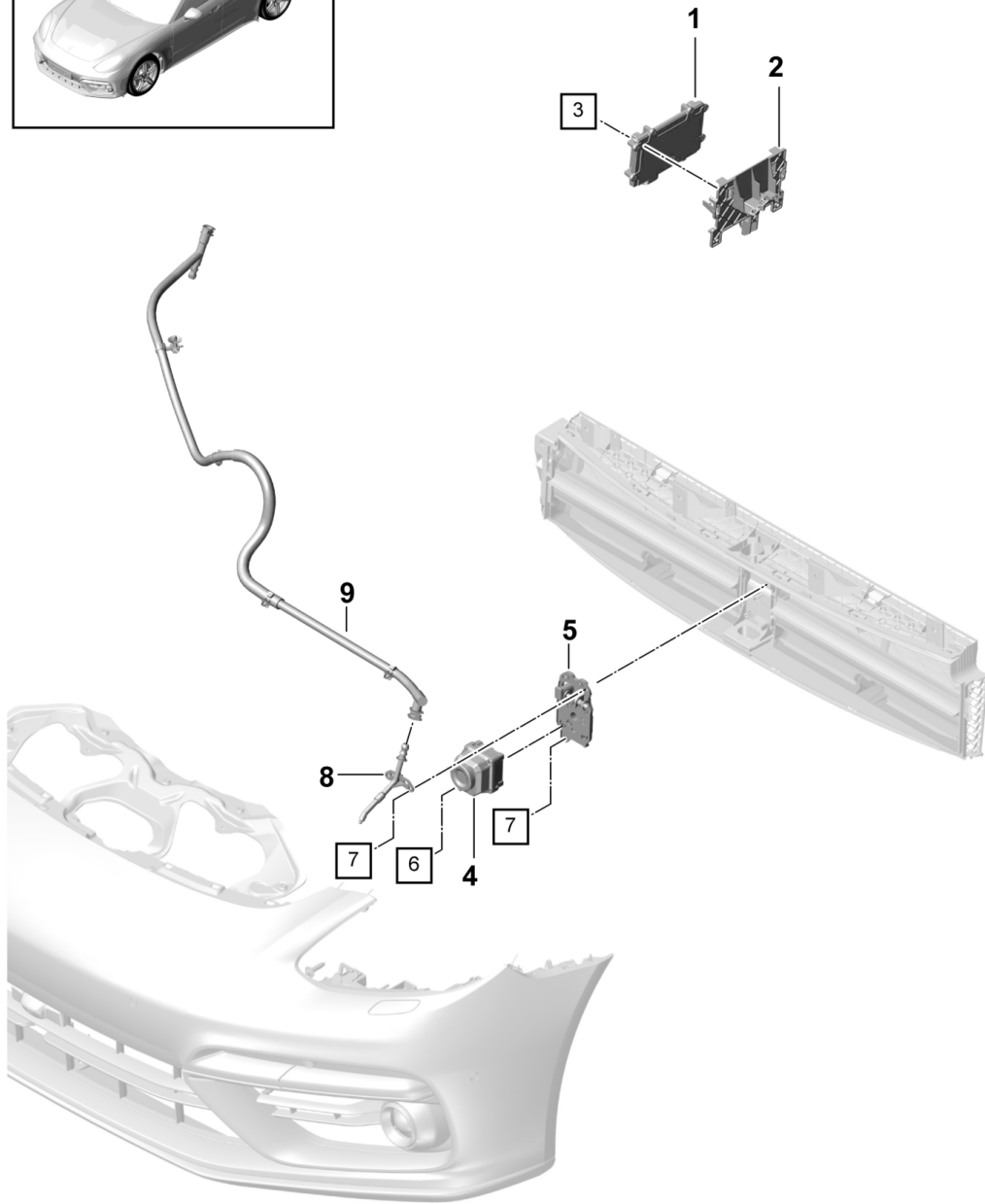
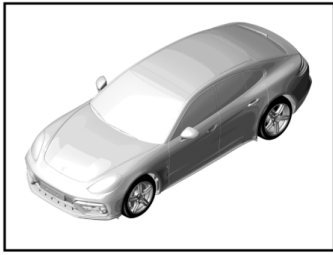
Model: 971-17

Model life 2017>>

Pos	Part Number	Description	Remark	Qty	Model
1	971 035 223 E	Amplifiers Amplifiers Premium Bose		1	PR:9VL
2	971 035 223 G	Amplifiers High End Burmester		1	PR:9VJ
3	N 909 747 01	Hexagon socket head panel bolt TP5C16-Q		4	PR:9VL,9VJ

Model: 971-17

Model life 2017>>



Model: 971-17

Model life 2017>>

Pos	Part Number	Description	Remark	Qty	Model
		Individual parts for vehicles with night vision system			PR:9R1
1	971 907 547 E	Control unit for night-vision system		1	
2	971 907 390	Bracket Control unit for vehicles with night vision system		1	
3	N 104 734 02	round hd. screw TP6X20		2	
4	9A7 980 552 00	Camera for night-vision system		1	
5	971 907 816	Bracket Camera for vehicles with night vision system		1	
6	N 107 626 01	Hex collared bolt M5GFX16		4	
7	N 104 420 03	self-tapping screw TP5X16		3	
8	971 955 187	jet Camera for vehicles with night vision system		1	
9	971 955 970 A	Hose headlight washer system for vehicles with night vision system		1	