

Model: TEQ 2 **Model life 2003>>**

Model Overview EC

EC	Sales term	LTR	KW	Hp	Cyl	Mounting time	Remark
4800		4,50	250	340	8	05/02-05/03	
4850		4,50	331	450	8	05/02-05/03	

Model: TEQ 2**Model life 2003>>**

Engine Numbers

Engine number	Model year	Vehicle type	Engine type
813 00501>60000	2003	CAYENNE S	4800
823 00501>60000	2003	CAYENNE TURBO	4850

Model: TEQ 2

Model life 2003>>

NR	Description
011	Special model GTS (981/991)
092	Turbo S
482	Tire Pressure Monitoring TPM, 433 MHz
483	315-MHz TPM, Tire Pressure Monitoring
490	Sound system "ASK"
672	-2008 PCM 2, 2009- PCM 3 Offroad navigation
680	BOSE sound package
899	Isofix child-seat restraint on front passenger side
CJ1	Cayenne wheel 7.5x17, wheel offset 53
CJ2	Cayenne S wheel 8x18, wheel offset 57
CJ3	19-inch (9 X 19) Cayenne Design wheel
CJ6	18-inch (8 x 18) Cayenne Turbo wheel
CP5	Cayenne Sport Techno wheel 9"/10" x 20" Titanium metallic
CP7	19-inch (9 x 19) Cayenne Design wheel painted in body colour
CS5	20-inch (9X20) Cayenne Sport Design wheel
CS6	Cayenne Sport Techno wheel 9x20, wheel offset 60
CT1	Cayenne Sport Techno wheel 9x20, wheel offset 60, wheel spokes painted in exterior colour
CW3	Cayenne Design wheel 19 " in titanium metallic
CY3	Cayenne Sport Techno wheel 9-inch/10-inch x 20-inch
CY4	Cayenne Sport Techno wheel 9"/10" x 20" in vehicle colour
DD8	8-cylinder diesel engine 4.2 l KW TDI
DT5	4.8 litre turbo engine, 8-cylinder
DU3	3.6 litre turbo engine, 6-cylinder
D1V	6-cylinder diesel engine 3.0/155 kW TDI
D11	6-cylinder petrol engine 3.0/245 kW
D19	6-cyl. spark-ignition engine, 3.0 l/245 kW (HYBRID)
D34	6-cyl. spark-ignition engine, 3.6 l/220 kW (E2)
D43	6-cylinder diesel engine 3.0 l/180 kW TDI
D5V	8-cylinder petrol engine 4.8 l/280 KW V8 FSI
D5X	6-cyl. spark-ignition engine, 3.6 l/206 kW FSI
D5Z	8-cylinder petrol engine 4.8 l/368 KW V8 biturbo
D50	6-cylinder diesel engine, 3.0 l/176 kW TDI
D58	8-cyl. spark-ign. engine, 4.8 l/368 kW biturbo (E2)
D6V	8-cyl. spark-ignition engine, 4.8 l/294 kW DFI (E2)
D9J	6-cylinder petrol engine, 3.2 l/177 kW (24 valves)
D9K	8-cylinder petrol engine, 4.5 l/250 kW (V 8)
D9L	8-cylinder petrol engine, 4.5 l/330 kW (V 8) biturbo
E0W	GTS version
E1T	Sondermodell CAYENNE. Porsche Design Edition 3
E16	Special model 'Cayenne S Titanium'
E2D	Special model Transsyberia

Model: TEQ 2

Model life 2003>>

NR	Description
E8A	Turbo S
E81	Enhanced performance engine
GY1	Power closing mechanism for tailgate
G0L	6-speed manual transmission for all-wheel drive vehicle
G0R	Tiptronic s
G1G	8-speed auto. transmission for all-wheel drive
IV0	Without Connect Plus package
IY2	Model year period from week 45 to week 22
J0L	340 A (70 Ah) battery
J0Z	520 A (110 Ah) battery
J1U	450 A (95 Ah) battery
J2C	480 A (85 Ah) and 520 A (110 Ah) batteries
K4H	Closed body
L0L	Left-hand drive version
L0R	Right-hand drive version
N1X	Part-leather seat covers, grained
N5U	Part-leather seat covers, smooth leather
N7D	Soft ruffled leather seats in smooth leather
N7F	Soft ruffled leather seats in embossed leather
PF1	PCM including navigation
QH0	not with voice control
QH1	Voice control
QL3	Tinted glass, green at rear
QL5	Dark tinted rear privacy glass
QL6	Heat-insulating glass at rear, metallized
QR0	without compass/Sport Chrono/analogue clock
QR3	Analog clock on dashboard
QV1	With TV reception
Q1D	Sports seats with expanded memory function in smooth leather
Q2J	Convenience seat
T31	Components for basic engine, unit M 022Y
T90	Units for engine PR No. D9L
T91	Units for engine PR No. D9K
U5A	Instrument insert, km/h indication, RoW
U5B	Instrument insert, mph indication, GB
U5C	Instrument insert, mph indication, USA
U5D	Instrument insert, km/h indication, Canada
U5E	Instrument insert, km/h indication, Japan
U5F	Instrument insert, display km/h, AGCC
U5G	Instrument insert, km/h indication, Australia
VC1	Garage door opener, 433 MHz
VR0	Without impact protection measures
VR1	Side protection, running board
VR2	Side impact protection measures, off-road
VR3	Front-end and side protection

Model: TEQ 2

Model life 2003>>

NR	Description
VR4	Front impact protection measures
0AB	Anti-roll bar, front and rear
0AG	Anti-roll bar, front, disengageable
0AW	Front and rear anti-roll bars with active Body control -PDCC-
0BB	Rear stabilizer bar
0BJ	Anti-roll bar, rear, disengageable
0GG	Emissions compliance EU 4
0GM	Emissions compliance LEV
0GU	Emissions compliance EU 2
0JA	Weight class 1, front axle - 1170-1210 kg
0JB	Weight class 2, front axle - 1211-1226 kg
0JC	Weight class 3, front axle - 1227-1251 kg
0JD	Weight class 4, front axle - 1252-1276 kg
0JE	Weight class 5, front axle - 1277-1292 kg
0JF	Weight class 6, front axle - 1293-1328 kg
0JG	Weight class 7, front axle - 1329-1428 kg
0K0	Without alternative drive system
0K1	Hybrid propulsion system
0K3	Hybrid propulsion system PHEV
0NA	Deletion of model designation
0NB	Nameplate set in basic version
0P0	Standard tailpipe
0P3	Sports tailpipe in precision-cast aluminium, 4-pipe look
0P8	Sports exhaust system
0P9	Sports exhaust system, Black tailpipe
0YA	Weight class 1, rear axle - 1039-1074 kg
0YB	Weight class 2, rear axle - 1075-1128 kg
0YC	Weight class 3, rear axle - 1129-1159 kg
0YD	Weight class 4, rear axle - 1160-1215 kg
0YE	Weight class 5, rear axle - 1216-1244 kg
0YF	Weight class 6, rear axle - 1245-1299 kg
0YG	Weight class 7, rear axle - 1300-1331 kg
1BA	Suspension/dampers, standard
1BK	Air suspension with levelling system and height adjustment (PASM)
1BS	4-corner air suspension
1D1	Trailer hitch, removable, lockable, ECE R55
1D2	Detachable trailer coupling
1D3	Trailer hitch, electrically retractable, ECE R55
1D6	Trailer coupling without tow ball
1D7	Preparation for detachable trailer coupling
1D8	Preparation for detachable trailer coupling "usa"

Model: TEQ 2

Model life 2003>>

NR	Description
1D9	Electric folding trailer coupling
1G1	18-inch collapsible spare wheel
1G3	High-pressure alloy spare wheel with tyre
1G4	19" collapsible spare wheel
1G6	Spare wheel, space saving - 17-inch, radial tyre, compressor, in vehicle
1G8	Tire Fit, tyre repair set
1KW	Rear disc brakes - disc diameter 17 inches, brake calliper painted black
1KY	Rear disc brakes - disc diameter 17 inches, brake calliper painted silver
1KZ	Rear disc brakes - disc diameter 17 inches, brake calliper painted red
1LK	Front disc brake, disc diameter 19 inches, brake calliper painted Green
1LL	Front disc brake, disc diameter 19 inches, brake calliper painted Green
1LM	Front disc brake, disc diameter 19 inches, brake calliper painted Black
1L0	Standard air cleaner
1ML	Sports steering wheel with paddle
1NE	Wheel centres STANDARD
1NP	Wheel centres with full-colour Porsche Crest (concave)
1N1	Power steering
1N3	Speed-dependent power-assisted steering (servotronic)
1XE	3-spoke multi-function steering wheel, wood, Anthracite Birch with radio controls
1XJ	3-spoke multi-function steering wheel in dark Burr maple wood with radio control element
1XK	3-spoke multi-function steering wheel in Light Olive wood with radio control element
1Y1	Differential lock, rear, centre differential lock
2C4	Steering column, reach + height adjustable with memory
2C5	Steering column, reach + height adjustable, mechanical
2D0	Without Sport Design package
2D1	Aerokit, with sill cover
2D2	Aerokit, without sill cover
2D3	Sill cover
2FV	3-spoke multi-function steering wheel in light Olive wood, matt, with radio control element
2FX	3-spoke multi-function steering wheel, wood, Carbon with radio controls
2G1	Insert for fuelling with unleaded petrol
2G4	Insert for fuelling with unleaded petrol (CARB

Model: TEQ 2

Model life 2003>>

NR	Description
	Diagnosis)
2JB	Bumper, standard
2JC	Comfort bumper, stainless-steel attachment, front apron bottom section
2JX	Comfort bumper (stainless steel trim at front + rear)
2PH	Leather steering wheel for airbag system - 3 spokes, heated
2PM	Leather steering wheel for airbag system - 3-spoke steering wheel
2V5	Fresh air intake with activated charcoal filter
2X2	tiptronic control on steering wheel
2ZH	3-spoke multi-function steering wheel, heated
2ZM	3-spoke multi-function steering wheel
3B1	Child seat anchors, USA/Canada requirement
3B4	Child seat anchors for ISOFIX child seat system, RoW
3CX	net partition
3D1	Centre console STANDARD (PVC)
3D3	Centre console MEDIUM, grained leather
3D8	Centre console Leather, smooth
3FE	Electric glass slide/tilt sunroof
3FU	Porsche large roof system
3F4	Spare wheel with tyre, internal
3GE	Raised loadspace floor
3GN	Variable luggage/load compartment floor
3LD	Door & side trim panel - standard - PAG
3LE	Door & side trim panel - MEDIUM - PAG
3LH	Door trim and side wall - all leather -- pillars/rooflining in Alcantara - PAG
3L3	Manual height adjustment for both 8-way adjustable front seats
3L4	Driver memory package
3L5	Electrical adjustment for both 12-way adjustable front seats
3ME	Tufted velour carpeting with protective pad
3MT	Pearl velour carpeting with protective pad
3PN	12-way electrical adjustment for both front seats + memory
3QT	3-point automatic seat belts at front with seat-belt pre-tensioners + height adjustment
3S1	Bright roof rails
3S2	Black roof rails
3S4	Preparation for roof rack, black
3S5	Black roof rails with drip mouldings
3S7	Roof rails
3S8	Roof Transport System

Model: TEQ 2

Model life 2003>>

NR	Description
3W4	Acoustic package, standard
3W7	Extra audio package
3X1	Load-through hatch with ski bag
3Y3	Manual sun blind, rear side window
4AV	Door trim and side wall - smooth-leather insert
4A3	Heated seats, front
4A4	Heated seats, front/rear
4E2	Interior tailgate release, electrical
4F2	Porsche entry + drive
4F6	Porsche entry + drive (usa/can)
4GF	Windscreen of tinted glass
4GY	Windscreen of heat-insulating glass
4K0	Central-locking system with key remote and interior operation
4K3	Central locking with remote control, inner release and safe lock system
4LB	3-spoke multi-function steering wheel in leather with radio control element
4LC	3-spoke multi-function steering wheel in leather with radio and telephone control element
4L2	Safety interior mirror, manual dimming function
4L6	Safety interior mirror, automatic dimming function
4N1	Padded dashboard
4N8	Dashboard with genuine leather
4QF	3-point automatic belts at front with electrical height adjustment and memory
4UB	Airbag with kneebar
4UE	Airbags for driver and front-seat passenger; front-seat passenger side can be deactivated
5D1	Carrier frequency 433.92 MHz
5D2	Carrier frequency 315 MHz
5D3	Carrier frequency 315 MHz with reduced transmission power for Japan
5MA	Decorative inlays - paint, painted plastic
5MG	Burr maple wood package, dark high gloss
5RK	Door mirror, right, flat
5RP	Right exterior mirror, convex with camera
5RQ	Exterior mirror, right, convex
5RR	Door mirror, right, convex (US)
5RT	Door mirror, right, convex (AGCC)
5RV	Door mirror, right, aspherical
5SG	Door mirror, left, flat
5SJ	Door mirror, left, convex
5SL	Door mirror, left, aspherical
5SU	Left exterior mirror, convex with camera
5TE	Aluminium "sport" package
5TF	"Olive" wood package, light high gloss

Model: TEQ 2

Model life 2003>>

NR	Description
5W1	Silver roof rails plus bars
5W2	Preparation for roof rack, bright, silver
5W3	Roof rack black, guide rails bright
5W4	Black roof rails plus bars
6A5	Fire extinguishers
6EB	Additional body covers, stone guards and partial cover
6EP	Additional body covers, stone guards, type 1
6EQ	Additional body covers, stone guards, type 2
6E3	Centre armrest, front - PVC foam film
6E6	Centre armrest, front - smooth leather
6E7	Centre armrest, front - grained leather
6FB	Door-mirror housing painted in exterior colour
6GB	Component set - wider wheel arch cover, off-road
6GE	Component set - wheel arch extensions, extra wide for Australia
6GF	Component set - wider wheel arch covers
6GH	Component set for wider wheel arch trim in exterior colour (USA) - 2010, 2011 - worldwide
6GJ	Component set for wider wheel arch trim in exterior colour (RoW) - 2010, 2011 - worldwide
6NJ	Standard rooflining, fabric
6NN	Alcantara rooflining
6N1	Mudguards, rear
6P1	Number-plate holder, rear (ECE)
6P2	Number-plate holder, rear (USA)
6Q2	Gear selector knob + grip in leather, gear lever in leather/aluminium
6Q8	Gear lever, wood, dark
6W1	Number-plate holder, front, large (ECE)
6W2	Number-plate holder, front, small (RoW)
6W3	Number-plate holder, front (NAR)
6XP	Door mirrors, electrically retractable, electrically adjustable, separately heated
6XQ	Exterior mirror with memory function, electr. retractable/adjustable, separately heated
6XT	Door mirrors, automatically dimmable, electrically retractable/adjustable, separately heated + memory
6XW	Door mirrors, automatically dimmable, electrically retractable/adjustable, separately heated
7AK	Alarm system, interior surveillance system, anti-towing protection
7AL	Alarm system, interior surveillance system, backup horn, anti-towing protection

Model: TEQ 2 Model life 2003>>

NR	Description
7AT	Alarm system, interior surveillance, with VTS (Vehicle Tracking System)
7AU	Alarm system, backup horn, with VTS (Vehicle Tracking System)
7A1	Preparation for CD autochanger
7A2	CD autochanger (6-disc)
7B6	Six 12-V sockets
7B7	Five 12-V sockets
7B8	Seven 12-V sockets
7F6	Gear lever, wood, light, matt
7F7	Gear lever, wood, light, high gloss
7G0	Without VTS (Vehicle Tracking System) preparation
7G1	VTS (Vehicle Tracking System) preparation, without driver card
7G2	VTS (Vehicle Tracking System) preparation, with driver card
7G5	Preparation, VTS (Vehicle Tracking System), with driver card, connection to alarm system, re-start inhibitor
7K0	Without Tire Pressure Monitoring (TPM)
7K3	Tyre pressure monitoring (TPM) 433 MHz
7K4	Tyre pressure monitoring system 315 MHz
7K5	315-MHz Tire Pressure Monitoring with reduced transmission power
7M0	Door entry guards of plastic from MY 04
7M1	Door entry guards of stainless steel from MY 04
7Q2	PCM navigation module
7Q4	Navigation system preparation, Japan
7Q7	PCM incl. navigation & compass display in instrument cluster
7RV	Navigation Russia
7T0	Compass display in instrument cluster
7T1	Offroad navigation, with course calculator showing latitude and longitude
7T3	Offroad navigation, with course calculator showing latitude and longitude + COMPASS
7VE	Auxiliary heater with integrated timer.
7VL	Auxiliary heater with integrated timer and remote control
7X2	ParkAssist, front/rear
77J	Navigation software Argentina
77K	Navigation software Chile
8AJ	Porsche CDR 31 radio WW
8A4	Ultrasound parking aid with Real Topview
8BB	Halogen main headlights, right-hand traffic

Model: TEQ 2 Model life 2003>>

NR	Description
8BC	Main headlights with gas-discharge lamps + direction indicators, XENON, right-hand traffic
8BE	Main headlight with gas-discharge lamp & direction indicator light, XENON, left-hand traffic
8BF	Halogen main headlight, left-hand traffic
8BR	Halogen main headlights, U.S. version with direction indicator and running lights, right-hand traffic
8BZ	Main headlights with gas-discharge lamps + direction indicators, XENON, left-hand traffic
8DQ	Basic radio/PCM terminal, USA, double-DIN colour display
8DR	Porsche CDR 30 radio WW
8DU	Porsche CDR 23 radio WW
8DV	Basic radio/PCM terminal, RoW, double-DIN colour display
8EA	Xenon USA, right-hand traffic
8EC	Xenon ECE RHD with daytime running lights
8ED	Xenon ECE LHD with daytime running lights
8EE	Xenon, ECE, left-hand traffic (Black)
8EF	Xenon, ECE, right-hand traffic (Black)
8EG	Xenon, USA, right-hand traffic (Black)
8EH	Xenon USA, right-hand traffic with daytime running lights.
8FE	Preparation for second battery
8F2	side-mounted turn signals
8F5	Side-marker lamps and turn signals
8GH	Alternator 190 A
8GR	Alternator 150 A
8JD	Main headlights with gas-discharge lamps U.S. version, XENON RHD
8JE	Main headlight with gas-discharge lamp ECE, XENON, right-hand traffic.
8K1	Daytime driving light setting, Scandinavia
8K3	Daytime driving lights, auxiliary driving lights, RoW, with COMING/LEAVING HOME function
8K4	Daytime driving light setting, Canada
8K5	Auxiliary driving lights, USA (NAR)
8K8	Auxiliary driving lights (RoW)
8K9	Daytime driving lights, auxiliary driving lights, Canada (NAR), with COMING/LEAVING HOME function
8L6	Diversity antenna
8N3	Wipers - variable interval setting with rain sensor
8Q1	Headlight levelling, manual
8Q3	Headlight levelling - dynamic

Model: TEQ 2 Model life 2003>>

NR	Description
8RV	10 loudspeakers, passive
8SB	side tail light standard design, Black
8SI	side tail light (USA, Canada), Black
8TF	Rear left and right fog lights
8T1	Cruise control
8T3	Automatic distance control + cruise control ACC from MY 04
8WB	Front fog lamps
8X0	Without headlamp washer system
8X1	Headlamp washer system
8ZM	Antenna in rear spoiler
9AB	Manually controlled air conditioning system
9AD	Climatronic, free of CFCs
9AH	4-zone air conditioning system
9JA	Non-smoker package
9JB	Smoker version; ashtrays at front and rear
9L1	engine compartment lighting
9MA	Interior lighting in basic equipment
9MB	Comfort interior lighting, dimmable, with light strips on door panels
9Q1	Multi-function display, on-board computer
9TF	Courtesy entry and exit lights
9TH	Safety lights on front and rear doors
9T1	Heated washer nozzles, front
9VJ	Top Premium sound system Top Premium sound system
9VK	Sound package 1/sound package
9VL	Bose Surround Sound System
9WM	Preparation for "Rear Seat Entertainment"
9W1	Telephone module without passive handset
9ZF	Telephone preparation for VDA mobile phone with hands-free facility
9ZH	Installation of car phone with emergency-call system - PCM telematics
9ZP	Telephone module with passive handset
9ZT	Telephone preparation USA, JAPAN
092	Turbo S
450	Ceramic brake (PCCB)
452	Multi-function steering wheel, Sycamore, touch + feel
509	Fire extinguishers
610	DVD navigation, "Europe package"
611	DVD navigation South Africa
612	DVD navigation middle east
613	DVD navigation australia

Model: TEQ 2

Model life 2003>>

NR	Description
614	DVD navigation asia-pacific
615	DVD navigation system, North America
616	DVD, Navigation Russia
656	Steering column with electric reach/ height adjustment and memory
899	Isofix child-seat restraint on front passenger side
B0A	Component set without country assignment
B0D	Component set for USA
B0E	Component set for Canada
B0L	Component set for Japan
B0M	Component set for AGCC countries
B0N	Component set for Great Britain
B0R	Component set for Australia
B0W	Component set for California
B1C	Component set for Mexico
B1D	Component set for Brazil
B1P	Component set for China
B1Q	Component set for Argentina
B2A	Component set PAP LHD
B2G	Component set for Thailand
B2H	Component set for Korea
B3D	Component set for Turkey
CD3	18-inch Turbo wheel-2 (8 X 18 RO 57)
CJ2	Cayenne S wheel 8x18, wheel offset 57
CJ3	19-inch (9 X 19) Cayenne Design wheel
CJ6	18-inch (8 x 18) Cayenne Turbo wheel
CK0	21" Cayenne Sport Edition wheel (10 x 21)
CN5	21" Cayenne Sport Edition wheel (10 x 21) in vehicle colour
CN7	20" Cayenne Sport Design wheel (10 x 20)
CP5	RS Spyder Design wheel, 9" x 20"
CP7	19-inch (9 x 19) Cayenne Design wheel painted in body colour
CQ1	Cayenne Sport Edition 21" (10 x 21) in black
CS5	20-inch (9X20) Cayenne Sport Design wheel
CS6	Cayenne Sport Techno wheel 9x20, wheel offset 60
CT1	Cayenne Sport Techno wheel 9x20, wheel offset 60, wheel spokes painted in exterior colour
CW3	Cayenne Design wheel 19 " in titanium metallic
CY2	21-inch Cayenne Sport wheel (10 x 21 RO 50)
CY3	RS Spyder Design wheel, 20"
CY4	Cayenne Sport Techno wheel 9"/10" x 20" in vehicle colour
CY6	RS SportDesign 20" wheel (GTS), Matt Black
CZ4	21" 911 Turbo Design wheel (10 X 21)

Model: TEQ 2

Model life 2003>>

NR	Description
C1J	Cayenne Rad 18" (8 x 18 ET 53)
C1Q	18" Cayenne S wheel (8 x 18 RO 53)
C2R	18-inch Cayenne S wheel-2 (8 x 18 RO 57)
C2Y	911 Turbo Design wheel, 21", E2 II, Black
C4I	21" Cayenne E2 SportClassic wheel Wheel centre painted in Platinum
C4P	21" Cayenne E2 Sport Classic wheel, Black
C5B	RS Spyder Design wheel, 9.5" x 20"
C5D	20" RS Spyder Design wheel, Platinum
C5E	19" RS Sport Classic Tequipment wheel
C7F	20-inch 911 Turbo Design wheel, Black
C8K	19" Turbo wheel (8.5 x 19 RO 59)
C9N	21" Sport Classic wheel in Black
C9S	21" Sport Classic wheel in exterior colour
DD7	6-cylinder diesel engine 3.0 l/190 kW TDI
DD8	8-cylinder diesel engine 4.2 l KW TDI
DT1	8-cylinder biturbo engine, 4.8 l 382 kW
DT5	4.8 litre turbo engine, 8-cylinder
DU1	6-cylinder turbo engine 3.6 l/294 kW
DU2	6-cylinder turbo engine, 3.6 l 309 kW
DU3	3.6 litre turbo engine, 6-cylinder
DV7	6-cylinder diesel engine 3.0 l/193 kW TDI
D1V	6-cylinder diesel engine 3.0/155 kW TDI
D11	6-cylinder petrol engine 3.0/245 kW
D19	6-cyl. spark-ignition engine, 3.0 l/245 kW (HYBRID)
D34	6-cyl. spark-ignition engine, 3.6 l/220 kW (E2)
D43	6-cylinder diesel engine 3.0 l/180 kW TDI
D5V	8-cylinder petrol engine 4.8 l/280 KW V8 FSI
D5X	6-cyl. spark-ignition engine, 3.6 l/206 kW FSI
D5Z	8-cylinder petrol engine 4.8 l/368 KW V8 biturbo
D50	6-cylinder diesel engine, 3.0 l/176 kW TDI
D51	6-Zylinder-Dieselmotor 3,0 L/184 KW TDI
D58	8-cyl. spark-ign. engine, 4.8 l/368 kW biturbo (E2)
D6V	8-cyl. spark-ignition engine, 4.8 l/294 kW DFI (E2)
D9J	6-cylinder petrol engine, 3.2 l/177 kW (24 valves)
D9K	8-cylinder petrol engine, 4.5 l/250 kW (V 8)
D9L	8-cylinder petrol engine, 4.5 l/330 kW (V 8) biturbo
EH1	Length of charging cable: standard
EH2	Charging cable length: 7.5 metres
ER1	Regional code "ECE" for radio
ER2	Regional code "RdW" for radio
ER3	Region code "USA" for radio
ER4	Region code "Mexico/NAR2" for radio
ER5	Region code Japan for radio
ER6	Regional code "China" for radio
ER7	Regional code "Korea" for radio

Model: TEQ 2

Model life 2003>>

NR	Description
ER8	Regional code "Taiwan" for radio
ES1	Charging socket, AC type 1, mode 2-3 (NAR/Japan)
ES3	Charging socket, AC type 2, mode 2-3 (EU)
ES4	Household charging socket, type L
EV1	Household charging cable, type E/F
EV2	Household charging cable, type Japan 100V
EV3	Household charging cable, type J
EV4	Household charging cable, type G
EV5	Household charging cable, type B
EV6	Household charging cable, type K
EV7	Household charging cable, type I Australia
EV8	Household charging cable, type M
EV9	Household charging cable, type I CN China
E0A	No campaign version, basic equipment
E0L	Cayenne special model Platinum edition
E0W	GTS version
E1T	Sondermodell CAYENNE. Porsche Design Edition 3
E2D	Special model Transsyberia
E8A	Turbo S
E81	Enhanced performance engine
FI0	Seat belts in Agate Grey
FI1	Seat belts in Saddle Tan
FI2	Seat belts in Garnet Red
FI3	Seat belts in Espresso
FI5	Seat belts in Rhodium Silver
FI7	Seat belts in Cohiba Brown
FZ0	Seat belts in Black
FZ1	Seat belts in Guards Red
FZ2	Seat belts in Silver Grey
FZ3	Seat belts in Luxor Beige
FZ4	Seat belts in Orange
FZ5	Seat belts in Cognac
FZ6	Seat belts in Umber
FZ7	Seat belts in Titanium Blue
FZ8	Seat belts in Carmine Red
FZ9	Seat belts in Peridot
F09	19" Cayenne Design wheel (8.5 x 19)
GM4	Sound box without deactivation
GP0	Vehicle without product enhancement
GP1	Product enhancement E2 II
GY0	Without electric closing aid for tailgate
GY1	Power closing mechanism for tailgate
GZ0	Without closing aid for doors
GZ2	Closing aid for doors
G0L	6-speed manual transmission for all-wheel drive

Model: TEQ 2

Model life 2003>>

NR	Description
	vehicle
G0R	Tiptronic s
G1G	8-speed auto. transmission for all-wheel drive
HA8	Tyres 295/35 R21 107 Y
HD9	Tyres 275/40 R20 106 Y
HP2	All-season tyres 275/45 R19 108 V
HQ3	All-season tyres 265/50 R19 110 V
HQ4	All-season tyres 275/45 R20 110 V
HS9	Tyres 265/50 R19 110 Y
HT0	Tyres 275/45 R20 110 Y
HV7	All-season tyres 235/65 R17 108 V
H8Z	Tyres 235/65 R17 108 V
H9K	Tyres 255/55 R18 109 Y
H9L	Tyres 275/45 R19 108 Y
H9M	All-season tyre on 18-inch aluminium wheel
IV0	Without Connect Plus package
IY1	Model year period from week 22 to week 45
IY2	Model year period from week 45 to week 22
I8L	Premium radio (2nd gen.)
J0B	Battery (92 Ah)Battery (92 Ah)
J0L	340 A (70 Ah) battery
J0P	Battery (105 Ah)
J0Z	520 A (110 Ah) battery
J1N	Battery (75 Ah)
J1U	450 A (95 Ah) battery
KB1	Charger, 3.6 kW
KB2	Charger, 7.2 kW
KE0	Without theft protection for engine control unit
KE2	Theft protection for engine control unit
KK1	Refrigerant R134a
KK3	Refrigerant R1234yf
K4H	Closed body
L0L	Left-hand drive version
L0R	Right-hand drive version
NJ1	Charging Dock (wall mount)
NJ2	Charging Dock, flush-mounted (wall mount)
NZ0	without emergency call control unit
N0G	Full-leather seat covers, smooth-finish for A/C seat
N0Q	Seat covers in leather, smooth-finish for A/C seats
N1A	Seat covers in natural leather for A/C seats
N1B	Seat covers in full leather, two-colour with air conditioning
N1D	Seat covers in partial leather (emb.) two-colour
N1M	Two-colour seat covers in partial leather, smooth-finish
N1P	Seat covers in partial leather (natural leather, smooth-finish)

Model: TEQ 2

Model life 2003>>

NR	Description
N1X	Part-leather seat covers, grained
N2S	Seat covers in partial leather ALCANTARA
N2Z	Two-tone seat covers in partial leather, embossed for Cayenne S special model
N5U	Part-leather seat covers, smooth leather
N5Y	Seat covers in partial leather (natural leather, soft ruffled leather)
N7D	Soft ruffled leather seats in smooth leather
N7F	Soft ruffled leather seats in embossed leather
OK3	Hybrid propulsion system PHEV
QA0	without child seat
QG1	LongLife Service Regime
QH0	not with voice control
QH1	Voice control
QJ2	Aluminium package
QJ3	Alum. package, Platinum Silver Metallic
QJ4	Aluminium package, Black
QJ5	Aluminium package, Titanium-Metallic
QL3	Tinted glass, green at rear
QL5	Dark tinted rear privacy glass
QL6	Heat-insulating glass at rear, metallized
QR0	Without compass
QR1	With compass
QR3	Analog clock on dashboard
QR4	Sport Chrono package
QR5	Sport Chrono Package Plus
QU0	Digital radio reception (DAB)
QU1	TV reception + digital radio reception (DAB) MIB
QU8	SAT radio reception, USA
QV0	Without TV and digital radio reception
QV1	With TV reception
QV3	HD radio reception (high-definition)
QV4	XM satellite radio receiver
QV5	TV reception and digital radio reception (DAB)
QV8	HD radio reception and SAT radio XM (SDARS)
Q1D	Sports seats with expanded memory function in smooth leather
Q1G	Standard seats (front), 8-way
Q1J	GTS sports seats front and rear
Q2J	Convenience seat
Q4P	Sports seat GTS 8-way
TF1	V6 TDI (generation 2) basic engine components
TH1	V6 TDI (SCR) basic engine components
UF0	Without electric interface
UF1	Multimedia socket for external source
UI2	2 X USB/IPOD interface

Model: TEQ 2

Model life 2003>>

NR	Description
UI4	AUX-IN and USB/IPOD electric interface
UI6	AUX + USB/IPOD electric interface + 2X charging
UP1	Sport Chrono / compass, Black
UP3	Sport Chrono / compass, White
UP4	Sport Chrono / compass, Luxor Beige
UP5	Sport Chrono / compass, Garnet Red
UX6	TPM valve, Silver
UX7	TPM valve, Black
U00	Cayenne E2 II Turbo wheel, 19" (8.5 x 19, R059)
U01	911 Turbo Design wheel, 21" E2 II (10 x 21)
U02	21" Sport Classic wheel
U5A	Instrument insert, km/h indication, RoW
U5B	Instrument insert, mph indication, GB
U5C	Instrument insert, mph indication, USA
U5D	Instrument insert, km/h indication, Canada
U5E	Instrument insert, km/h indication, Japan
U5F	Instrument insert, display km/h, AGCC
U5G	Instrument insert, km/h indication, Australia
U97	Cayenne E2 Platinum Sport Edition wheel, 21"
VC0	Ohne Garagentoröffner
VC1	Garage door opener, 433 MHz
VC2	Garage door opener, 315 MHz
VR0	Without impact protection measures
VR1	Side protection, running board
VR2	Side impact protection measures, off-road
VR3	Front-end and side protection
VR4	Front impact protection measures
VR5	Sill cover with aluminium trim
VW5	Insulating glass in rear Insulating glass in rear
V98	Cayenne E2 II wheel, 18" (8 x 18, R053)
V99	Cayenne S E2 II wheel, 18" (8 x 18, R053)
0AB	Anti-roll bar, front and rear
0AC	Anti-roll bar, active body control (pdcc)
0AG	Anti-roll bar, front, disengageable
0AW	Front and rear anti-roll bars with active Body control -PDCC-
0BB	Rear stabilizer bar
0BJ	Anti-roll bar, rear, disengageable
0F5	Fuel system for diesel engine
0F9	Cooled fuel system for diesel engine
0GD	Emissions compliance EU 2, (CN)
0GG	Emissions compliance EU 4
0GM	Emissions compliance LEV
0GU	Emissions compliance EU 2
0GZ	EU 3 diesel emissions concept with E-OBD

Model: TEQ 2 Model life 2003>>

NR	Description
0JA	Weight class 1, front axle - 1170-1210 kg
0JB	Weight class 2, front axle - 1211-1226 kg
0JC	Weight class 3, front axle - 1227-1251 kg
0JD	Weight class 4, front axle - 1252-1276 kg
0JE	Weight class 5, front axle - 1277-1292 kg
0JF	Weight class 6, front axle - 1293-1328 kg
0JG	Weight class 7, front axle - 1329-1428 kg
0K0	Without alternative drive system
0K1	Hybrid propulsion system
0K3	Hybrid propulsion system PHEV
0M0	Fuel tank, 85 litre
0M1	Fuel tank, 100 litre
0NA	Deletion of model designation
0NB	Nameplate set in basic version
0P0	Standard tailpipe
0P3	Sports tailpipe of polished stainless steel, 4-pipe look
0P6	Exhaust tailpipe, Black
0P8	Sports exhaust system
0P9	Sports exhaust system, Black tailpipe
0SA	Without special stickers, plates
0SB	Stickers, plates in German
0SC	Stickers, plates in English
0SD	Stickers, plates in Swedish
0SE	Stickers, plates in Dutch
0SF	Stickers, plates in Danish
0SG	Stickers, plates in French
0SH	Stickers, plates in Portuguese
0SJ	Stickers, plates in Spanish
0SK	Stickers, plates in Italian
0SL	Stickers, plates in Japanese
0SM	Stickers, plates in Chinese
0SN	Stickers, plates in Russian
0SP	Stickers, plates in Finnish
0SQ	Stickers, plates in Norwegian
0SS	Stickers, plates in English/French
0SV	Stickers, plates in Greek
0SW	Stickers, plates in Arabic
0YA	Weight class 1, rear axle - 1039-1074 kg
0YB	Weight class 2, rear axle - 1075-1128 kg
0YC	Weight class 3, rear axle - 1129-1159 kg
0YD	Weight class 4, rear axle - 1160-1215 kg
0YE	Weight class 5, rear axle - 1216-1244 kg
0YF	Weight class 6, rear axle - 1245-1299 kg
0YG	Weight class 7, rear axle - 1300-1331 kg
0YH	Weight class 8, rear axle
0Y1	Standard climatic zone

Model: TEQ 2

Model life 2003>>

NR	Description
0Y2	Tropical climatic zone
0Y3	Cold climatic zone
1A2	Engine variant without reduced compression
1A5	Engine variant with reduced compression
1BA	Suspension/dampers, standard
1BH	Suspension/dampers, standard 2 PASM
1BK	Air suspension with levelling system and height adjustment (PASM)
1BS	4-corner air suspension
1BW	Comfort suspension/damping (steel springs)
1BZ	Comfort suspension/damping, PASM
1D0	without tow bar
1D1	Trailer hitch, removable, lockable, ECE R55
1D2	Detachable trailer coupling
1D3	Trailer hitch, electrically retractable, ECE R55
1D6	Trailer coupling without tow ball
1D7	Preparation for detachable trailer coupling
1D8	Preparation for detachable trailer coupling "usa"
1D9	Electric folding trailer coupling
1E0	Without activated charcoal canister
1E1	Active charcoal container
1E9	without activated carbon canister with SCR
1G1	18-inch collapsible spare wheel
1G3	High-pressure alloy spare wheel with tyre
1G4	19" collapsible spare wheel
1G6	Spare wheel, space saving - 17-inch, radial tyre, compressor, in vehicle
1G8	Tire Fit, tyre repair set
1KF	Rear brake discs, disc diameter 18 inches, Black brake callipers, (NAR)
1KP	Rear disc brakes - disc diameter 18"plus Brake calliper painted red
1KS	Rear disc brakes, 18", green
1KT	Rear disc brakes, 18", green (USA)
1KU	Rear disc brakes - disc diameter 18 inches, brake calliper painted red
1KW	Rear disc brakes - disc diameter 17 inches, brake calliper painted black
1KY	Rear brake discs, Disc diameter 18", Silver brake calliper
1KZ	Rear disc brakes, 18-inch disc diameter, brake calliper painted black

Model: TEQ 2

Model life 2003>>

NR	Description
1LD	Front disc brake, 18-inch disc diameter, brake calliper painted silver, North America
1LH	Rear disc brake - disc diameter 19 inches, brake calliper painted red
1LK	Front disc brake, disc diameter 19 inches, brake calliper painted Green
1LL	Front disc brake, disc diameter 19 inches, brake calliper painted Green
1LM	Front disc brake, disc diameter 19 inches, brake calliper painted Black
1LN	Front disc brake - 18-inch disc diameter, brake calliper painted Black
1LP	Front disc brakes, disc diameter 19 inches, brake calliper painted Black
1LT	Front disc brake, 20", yellow/PCCB
1LU	Front disc brake - 18-inch disc diameter, brake calliper in anodised silver
1LV	Front disc brake - 20-inch disc diameter plus brake calliper painted Yellow (PCCB)
1LX	Front disc brake - disc diameter 20 inch, brake calliper painted yellow (PCCB)
1LY	Front disc brake - 19-inch disc diameter, brake calliper painted Yellow (PCCB)
1L0	Standard air cleaner
1L1	Air cleaner for dusty regions
1L2	Equipment for countries with dust-laden air
1MD	Leather steering wheel for airbag system - 3 spokes, heatable, TWO-COLOUR
1ML	Sports steering wheel with paddle
1MV	Lederlenkrad fuer Airbagsystem - 3 Speichen, aufgepolstert
1MW	Leather steering wheel for airbag system - 3 spokes, padded
1NE	Wheel centres STANDARD
1NP	Wheel centres with full-colour Porsche Crest (concave)
1N1	Power steering
1N3	Speed-dependent power-assisted steering (servotronic)
1PC	Wheel bolts with theft protection
1SA	Without protective plate for engine
1SB	Protective plate for engine in steel
1XE	3-spoke multi-function steering wheel, wood, Anthracite Birch with radio controls
1XG	Multi-function steering wheel,

Model: TEQ 2 Model life 2003>>

NR	Description
	American Walnut, Brown, heated
1XJ	3-spoke multi-function steering wheel in dark Burr maple wood with radio control element
1XK	3-spoke multi-function steering wheel in Light Olive wood with radio control element
1Y0	Ohne Vorder- /Hinterachssperre
1Y1	Differential lock, rear, centre differential lock
1ZA	Front disc brake, 18" disc brake, brake calliper painted Green
1ZB	Front disc brake, 18" disc brake, brake calliper painted Green, North America
1ZL	Front disc brake, 19-inch disc diameter, brake calliper painted red, North America
1ZT	Front disc brake, 18-inch disc diameter, brake calliper painted black, North America
2C4	Steering column, reach + height adjustable with memory
2C5	Steering column, reach + height adjustable, mechanical
2D0	Without Aerokit
2D1	Aerokit, with sill cover
2D2	Aerokit, without sill cover
2D3	Sill cover
2D4	Cayenne GTS aerokit standard spoiler
2ED	Rear brake discs, disc diameter 20 inches, brake calliper painted Acid Green
2EE	Rear disc brakes - 18-inch disc diameter, brake calliper in anodised silver
2EH	Rear disc brakes - disc diameter 19 inch Brake calliper painted yellow (PCCB)
2EJ	Rear disc brakes, disc diameter 18 inches, Silver brake callipers (NAR)
2EL	Rear brake discs, disc diameter 18 inches, brake callipers, Red (NAR)
2FV	3-spoke multi-function steering wheel in light Olive wood, matt, with radio control element
2FX	3-spoke multi-function steering wheel, wood, Carbon with radio controls
2G0	Without insert for filling with diesel
2G1	Insert for fuelling with unleaded petrol

Model: TEQ 2

Model life 2003>>

NR	Description
2G3	Without insert for unleaded filling
2G4	Insert for fuelling with unleaded petrol (CARB Diagnosis)
2G6	Without fuel tank adapter; ethanol fuel
2G7	Insert for unleaded fuelling in bad fuel region
2G8	Insert for unleaded fuelling - MAPPS
2HB	Interior sound measures (shaker)
2JB	Bumper, standard
2JC	Comfort bumper, stainless-steel attachment, front apron bottom section
2JL	Comfort bumper (stainless steel trim at rear)
2JX	Comfort bumper (stainless steel trim at front + rear)
2PH	Leather steering wheel for airbag system - 3 spokes, heated
2PM	Leather steering wheel for airbag system - 3-spoke steering wheel
2PR	Alcantara steering wheel, 3-spoke, heated, padded
2PW	Alcantara steering wheel, 3-spoke, padded
2PX	Sports steering wheel, Alcantara with paddles
2V5	Fresh air intake with activated charcoal filter
2W0	Tank cap, standard
2W2	Tank cap in Green (NAR diesel)
2W6	Fuel tank cap in Aluminium Look
2X0	Without Tiptronic operation
2X2	tiptronic control on steering wheel
2ZF	3-sp. multi-funct steering wheel, Alcantara, heated
2ZH	3-spoke multi-function steering wheel, heated
2ZM	3-spoke multi-function steering wheel
2ZU	Multi-function steering wheel, Yachting Mahogany, heated
3B1	Child seat anchors, USA/Canada requirement
3B4	Child seat anchors for ISOFIX child seat system, RoW
3CA	with no partition
3CX	net partition
3D1	Centre console STANDARD (PVC)
3D3	Centre console MEDIUM, grained leather
3D4	Centre console in natural leather
3D5	Centre console Alcantara
3D6	Centre console in two-colour leather
3D7	Centre console in two-colour natural leather
3D8	Centre console Leather, smooth
3D9	Centre console, standard, two-colour
3FA	Without roof insert
3FE	Electric glass slide/tilt sunroof

Model: TEQ 2 Model life 2003>>

NR	Description
3FU	Porsche large roof system
3F4	Spare wheel with tyre, internal
3GA	without cargo management
3GE	Raised loadspace floor
3GN	Variable luggage/load compartment floor
3J4	Headrests for front seats
3J7	Headrests for front seats, with embossed crest
3LD	Door & side trim panel - standard - PAG
3LE	Door & side trim panel - MEDIUM - PAG
3LH	Door trim and side wall - all leather -- pillars/ rooflining in Alcantara - PAG
3LM	Door panel/side trim panel in natural leather
3LS	Door & side trim panel - Alcantara
3LT	Door, side trim panel in two-colour natural leather
3LX	Door/side trim panel in two-colour natural leather
3L3	Manual height adjustment for both 8-way adjustable front seats
3L4	Driver memory package
3L5	Electrical adjustment for both 12-way adjustable front seats
3ME	Tufted velour carpeting with protective pad
3MT	Pearl velour carpeting with protective pad
3NW	Rear seats, split backrest can be folded down
3PN	12-way electrical adjustment for both front seats + memory
3QT	3-point automatic seat belts at front with seat-belt pre-tensioners + height adjustment
3S1	Bright roof rails
3S2	Black roof rails without drip mouldings
3S4	Preparation for roof rack, black
3S5	Black roof rails with drip mouldings
3S7	Roof rails
3S8	Roof Transport System
3W4	Acoustic package, standard
3W7	Extra audio package
3X0	not with through-loading aperture
3X1	Load-through hatch with ski bag
3Y0	without roll-up sun screen
3Y3	Manual sun blind, rear side window
3Y4	Roller blind for rear side windows
3Y7	Roll-up sun blind, side windows, rear, electric
3Y8	Electric roll-up sunblind for rear side window
3ZD	3-point automatic seat belt (rear), "NAR"
3ZU	3-point automatic seat belt (rear), "RoW"
4AP	Door/side trim panel, standard two-colour
4AV	Door trim and side wall - smooth-leather insert

Model: TEQ 2 Model life 2003>>

NR	Description
4A0	without seat heater
4A3	Heated seats, front
4A4	Heated seats, front/rear
4D0	without seat ventilation
4D1	Seat ventilation for A/C seat front and rear
4D3	Seat ventilation (front), a/c seat
4E0	Tailgate release from outside
4E2	Interior tailgate release, electrical
4E7	Trunk lid power closing
4F2	Porsche entry + drive
4F6	Porsche entry + drive (usa/can)
4GC	Windscreen in heat-insulating glass, with top tint
4GF	Windscreen of tinted glass
4GG	Windscreen, insulating glass with top tint, heated
4GH	Windscreen, heat-insulating glass with top tint, heated
4GK	Windscreen, insulating glass with top tint
4GY	Windscreen of heat-insulating glass
4KC	Green heat-insulating glass in rear
4KF	Dark tinted glass in rear
4K0	Central-locking system with key remote and interior operation
4K3	Central locking with remote control, inner release and safe lock system
4LA	no controls on steering wheel
4LB	3-spoke multi-function steering wheel in leather with radio control element
4LC	3-spoke multi-function steering wheel in leather with radio and telephone control element
4L2	Safety interior mirror, manual dimming function
4L6	Safety interior mirror, automatic dimming function
4N1	Padded dashboard
4N3	Switch panel in two-tone leather w. decor. stitching
4N4	Dashboard in two-colour natural leather
4N5	Dashboard in natural leather
4N8	Dashboard with genuine leather
4N9	Upholstered dashboard, two-colour
4QF	3-point automatic belts at front with electrical height adjustment and memory
4QR	3-point automatic seat belt (front), "NAR"
4UB	Airbag with kneebar
4UD	Airbag, can not be deactivated on passenger's side
4UE	Airbags for driver and front-seat passenger; front-seat passenger side can be deactivated
4UP	Airbag for driver, passenger,

Model: TEQ 2

Model life 2003>>

NR	Description
	with knee airbag, passenger's side, deactivatable
4UQ	Advanced airbag
4X3	Front side airbag with head airbag
4X4	Side-airbag, front and rear with curtain airbag
5D1	Carrier frequency 433.92 MHz
5D2	Carrier frequency 315 MHz
5D3	Carrier frequency 315 MHz with reduced transmission power for Japan
5D8	Carrier frequency 434 MHz
5D9	Carrier frequency 433.92 MHz with changed transmission duration
5J1	Rear spoiler, unpainted
5J2	Body-colored rear spoiler
5J8	Rear spoiler in Platinum Silver Metallic
5MA	Decorative inlays - paint, painted plastic
5MB	Decorative inlay in Swedish Birch Anthracite
5MG	Burr maple wood package, dark high gloss
5MH	Carbon decorative inlays
5ML	Decorative inlays in Mahogany Yachting
5MP	Decorative inlays in American Walnut, Brown
5RK	Door mirror, right, flat
5RP	Right exterior mirror, convex with camera
5RQ	Exterior mirror, right, convex
5RR	Door mirror, right, convex (US)
5RT	Door mirror, right, convex (AGCC)
5RV	Door mirror, right, aspherical
5SG	Door mirror, left, flat
5SJ	Door mirror, left, convex
5SL	Door mirror, left, aspherical
5SU	Left exterior mirror, convex with camera
5TE	Aluminium "sport" package
5TF	"Olive" wood package, light high gloss
5TK	Decorative inlays, grained olive wood
5TL	Decorative inlay in Piano Look
5W0	Roof rail, Titanium-Metallic
5W1	Silver roof rails plus bars
5W2	Preparation for roof rack, bright, silver
5W3	Roof rack black, guide rails bright
5W4	Black roof rails plus bars
5XH	Sun visor, illuminated mirror with dual function
5ZD	Headrests, front and rear, with logo
5ZF	Headrests for front seats, with embossed crest
6A0	without fire extinguisher
6A4	Preparation for fire extinguisher
6A5	Fire extinguishers

Model: TEQ 2 Model life 2003>>

NR	Description
6A7	With fire extinguisher
6DL	Sun visors, mirror (Korea)
6DQ	Sun visors, mirror (China)
6EA	Without additional body covers, side stone guards
6EB	Additional body covers, stone guards and partial cover
6EC	Underbody protection, rear axle
6EP	Additional body covers, stone guards, type 1
6EQ	Additional body covers, stone guards, type 2
6ES	Additional body covers, stone guards, type 3
6ET	Additional body covers, stone guards, type 4
6E2	Front centre armrest in natural leather
6E3	Centre armrest, front - PVC foam film
6E4	GTS front centre armrest in natural leather
6E6	Centre armrest, front - smooth leather
6E7	Centre armrest, front - grained leather
6FA	without contrasting colour
6FB	Door-mirror housing painted in exterior colour
6FI	Contrasting colour: Orange
6FJ	Mirror lower shell/base, Black
6FM	Contrasting colour: Crystal Silver Metallic
6FP	Contrasting colour: Meteor Grey Metallic
6FU	Mirror lower shell/base, vehicle colour
6F0	Without imprint on armrest
6F6	Porsche Crest on front armrest
6F8	Model logo on front armrest
6GA	without exterior body styling kit
6GB	Component set - wider wheel arch cover, off-road
6GE	Component set - wheel arch extensions, extra wide for Australia
6GF	Component set - wider wheel arch covers
6GG	Component set for wider wheel arch trim (USA/CAN)
6GH	Component set for wider wheel arch trim in exterior colour (USA) - 2010, 2011 - worldwide
6GJ	Component set for wider wheel arch trim in exterior colour (RoW) - 2010, 2011 - worldwide
6GK	Component set for wider wheel arch trim in exterior colour (AUS)
6NA	One-piece rooflining in Alcantara, USA
6NF	One-piece rooflining in Alcantara, Canada
6NG	Standard roof lining, fabric (Japan)
6NH	Standard roof lining, Alcantara (Japan)
6NJ	Standard rooflining, fabric

Model: TEQ 2

Model life 2003>>

NR	Description
6NL	Standard rooflining in fabric, Canada
6NN	Alcantara rooflining
6NQ	Roof lining, standard, fabric, USA
6N1	Mudguards, rear
6P1	Number-plate holder, rear (ECE)
6P2	Number-plate holder, rear (USA)
6P4	Rear number plate bracket (Japan)
6P5	Rear number plate bracket (China)
6Q2	Gear selector knob + grip in leather, gear lever in leather/aluminium
6Q3	Selector lever in Swedish Birch, Anthracite
6Q4	Selector lever in Carbon
6Q7	EXC selector lever
6Q8	Gear lever, wood, dark
6W1	Number-plate holder, front, large (ECE)
6W2	Number-plate holder, front, small (RoW)
6W3	Number-plate holder, front (NAR)
6W4	Front number plate bracket, Japan
6W7	Number plate bracket, front, China
6XP	Door mirrors, electrically retractable, electrically adjustable, separately heated
6XQ	Exterior mirror with memory function, electr. retractable/adjustable, separately heated
6XT	Door mirrors, automatically dimmable, electrically retractable/adjustable, separately heated + memory
6XW	Door mirrors, automatically dimmable, electrically retractable/adjustable, separately heated
6Y2	Comfort air pressure, 270 km/h
6Y4	Comfort air pressure, 100 mph
6Y7	Comfort air pressure, 100 mph USA
7AC	Alarm system, interior surveillance, alarm horn
7AH	Alarm system, interior surveillance can be deactivated Backup horn
7AK	Alarm system, interior surveillance system, anti-towing protection
7AL	Alarm system, interior surveillance system, backup horn, anti-towing protection
7AT	Alarm system, interior surveillance, with VTS (Vehicle Tracking System)
7AU	Alarm system, backup horn, with VTS (Vehicle Tracking System)
7A0	Without CD autochanger/player
7A1	Preparation for CD autochanger
7A2	CD autochanger (6-disc)
7B2	Five 12-volt plug sockets (USA)
7B3	Four 12-volt plug sockets (ROW)
7B6	Six 12-V sockets

Model: TEQ 2

Model life 2003>>

NR	Description
7B7	Five 12-V sockets
7B8	Seven 12-V sockets
7D7	Integrated CD/DVD autochanger
7E0	Without heat accumulator
7E6	Auxiliary heater
7F2	Selector lever in Mahogany Yachting
7F3	Selector lever, American Walnut, Brown
7F7	Gear lever, wood, light, high gloss
7GA	Emission standard LEV 2
7GB	Emission standard ULEV 2
7GG	EU 4 emissions concept with particle filter
7GH	EU4 emissions concept without EOBD
7G1	VTS (Vehicle Tracking System) preparation, without driver card
7G2	VTS (Vehicle Tracking System) preparation, with driver card
7G5	Preparation, VTS (Vehicle Tracking System), with driver card, connection to alarm system, re-start inhibitor
7G9	VTS preparation and Porsche Car Connect (pcc)
7HI	Emissions concept EU5 Russia
7I0	VTS security package (incl. PCC) and keypad
7I2	VTS security package (with PCC)
7K0	Without Tire Pressure Monitoring (TPM)
7K3	Tyre pressure monitoring (TPM) 433 MHz
7K4	Tyre pressure monitoring system 315 MHz
7K5	315-MHz Tire Pressure Monitoring with reduced transmission power
7L4	Start/Stop "last mode" with recuperation
7L6	Start/Stop "default off" mit Rekuperation
7L7	StopRecuperation without Start/Stop
7L8	Start/Stop "default on" mit Rekuperation
7MG	Emissions concept EU 5
7MJ	Emissions concept EU 5J
7MM	EU6 plus exhaust concept
7MN	EU5 emissions concept for Japan (hybrid)
7MQ	Emissions concept EU5
7M0	Door entry guards of plastic from MY 04
7M1	Door entry guards of stainless steel from MY 04
7M3	Door entry guards in carbon
7M7	Door entry guards, stainless steel, illuminated
7M8	Door entry guards in Carbon, illuminated

Model: TEQ 2

Model life 2003>>

NR	Description
7QT	Navigation "Europe package"
7QV	Navigation south africa
7QX	Navigation North America
7QZ	Navigation middle east
7Q0	not with navigation system
7Q2	PCM navigation module
7Q4	Navigation system preparation, Japan
7Q7	PCM incl. navigation & compass display in instrument cluster
7RA	Navigation, Australia
7RB	Navigation, Hong Kong
7RC	Navigation, Singapore
7RD	Navigation Taiwan
7RG	Navigation China
7RH	Navigation Middle East
7RJ	Navigation Australia
7RM	Navigation Hong Kong
7RN	Navigation Taiwan
7RS	Navigation North America
7RT	Navigation package Europe
7RV	Navigation Russia
7RX	Navigation South Africa
7RY	Navigation Singapore
7T0	Compass display in instrument cluster
7T1	Offroad navigation, with course calculator showing latitude and longitude
7T3	Offroad navigation, with course calculator showing latitude and longitude + COMPASS
7T4	Navigation module China
7T7	Navigation system preparation, China
7UG	Navigation device, High
7VE	Auxiliary heater with integrated timer.
7VL	Auxiliary heater with integrated timer and remote control
7V0	Instrument dials in Black
7V1	Instrument dials in Guards Red
7V3	Instrument dials in White
7V4	Instrument dials in Luxor Beige
7V5	Instrument dials in Silver
7V6	Instrument dials in Black/Silver
7V7	Instrument dials, Garnet Red
7V8	Instrument dials in Carmine Red
7X0	Without park distance control
7X1	Ultrasound ParkAssist and reversing camera
7X2	ParkAssist, front/rear
7X3	Rear view camera system
7X7	Ultrasound parking aid with

Model: TEQ 2

Model life 2003>>

NR	Description
	camera (LOW)
7X8	Ultrasound parking aid and reversing camera
7X9	Rear view camera system
7Y0	No lane change assistant
7Y1	Lane change assist
7Y2	Lane keeping system
7Y3	Lane Change Assist and Lane Keep Assist
7Y6	Lane departure warning (LDW)
7Y7	Lane Change Assist and Lane departure warning
70H	Household charging cable, type N Brazil
70L	Household charging cable, type N ZA South Africa
70S	Household charging cable, type L, Italy
71X	Household charging cable, type B, Mexico
71Y	Household charging cable, type I, China
73B	Industrial charging cable, NEMA 6-30
73C	Industrial charging cable, NEMA 6-50
73D	Industrial charging cable, type NEMA 14-30
73E	Industrial charging cable, NEMA 14-50
73F	Industrial charging cable, Japan 200V
73G	Industrial charging cable, CEE 16A/230V/6H
73H	Industrial charging cable, CEE 32A/230V/6H
73J	Industrial charging cable, CEE 16A/400V/6H
73K	Industrial charging cable, CEE 32A/400V/6H
73L	Infrastructure charging cable, fixed (USA)
73S	Industrial charging cable Japan YP-43
77J	Navigation software Argentina
77K	Navigation software Chile
8AJ	Porsche CDR 31 radio WW
8A4	Ultrasound parking aid with Real Topview
8BB	Halogen main headlights, right-hand traffic
8BC	Main headlights with gas-discharge lamps + direction indicators, XENON, right-hand traffic
8BE	Main headlight with gas-discharge lamp & direction indicator light, XENON, left-hand traffic
8BF	Halogen main headlight, left-hand traffic
8BR	Halogen main headlights, U.S. version with direction indicator and running lights, right-hand traffic
8BT	Main headlight with gas discharge lamp USA, XENON right-hand traffic, with black interior lining
8BZ	Main headlights with gas-discharge lamps + direction indicators, XENON, left-hand traffic

Model: TEQ 2 Model life 2003>>

NR	Description
8DQ	Basic radio/PCM terminal, USA, double-DIN colour display
8DR	Porsche CDR 30 radio WW
8DU	Porsche CDR 23 radio WW
8DV	Basic radio/PCM terminal, RoW, double-DIN colour display
8EA	Xenon USA, right-hand traffic
8EC	Xenon ECE RHD with daytime running lights
8ED	Xenon ECE LHD with daytime running lights
8EE	Xenon, ECE, left-hand traffic (Black)
8EF	Xenon, ECE, right-hand traffic (Black)
8EG	Xenon, USA, right-hand traffic (Black)
8EH	Xenon USA, right-hand traffic with daytime running lights.
8EX	LED headlights, r-h traffic + dyn. cornering light
8EY	LED headlights, USA with dynamic cornering light
8FE	Preparation for second battery
8F2	side-mounted turn signals
8F5	Side-marker lamps and turn signals
8GH	Alternator 190 A
8GR	Alternator 150 A
8GV	Alternator 180 A
8G0	Without high-beam assistant
8G1	PDLs+ High beam assist
8G2	Dynamic high beam PDLs+
8IS	LED headlights, l-h traffic + dyn. cornering light
8JD	Main headlights with gas-discharge lamps U.S. version, XENON RHD
8JE	Main headlight with gas-discharge lamp ECE, XENON, right-hand traffic.
8JG	Main headlight with gas discharge lamp ECE, XENON, right-hand traffic with black interior lining
8JJ	Main headlight with gas-discharge lamp ECE, XENON, left-hand traffic, with black interior lining
8K0	No special driving light activation
8K1	Daytime driving light setting, Scandinavia
8K3	Daytime driving lights, auxiliary driving lights, RoW, with COMING/LEAVING HOME function
8K4	Daytime driving light setting, Canada
8K5	Auxiliary driving lights, USA (NAR)
8K8	Auxiliary driving lights (RoW)
8K9	Daytime driving lights, auxiliary driving lights, Canada (NAR), with COMING/LEAVING HOME function
8L6	Diversity antenna

Model: TEQ 2 Model life 2003>>

NR	Description
8N3	Wipers - variable interval setting with rain sensor
8Q1	Headlight levelling, manual
8Q2	Static headlight beam adjustment
8Q3	Headlight levelling - dynamic
8RV	10 loudspeakers, passive
8SA	side tail light standard design
8SB	side tail light standard design, Black
8SI	side tail light (USA, Canada), Black
8SJ	side tail light (USA, Canada)
8TF	Rear left and right fog lights
8T1	Cruise control
8T3	Automatic distance control + cruise control ACC from MY 04
8WB	Front fog lamps
8WH	Street junction light and fog lights
8WU	Roof-mounted lights
8X0	Without headlamp washer system
8X1	Headlamp washer system
8YZ	Without radio but with preparation for 10 loudspeakers
8Y1	Standard horns
8Y2	Horns for extreme driving situations
8ZM	Antenna in rear spoiler
9AB	Manually controlled air conditioning system
9AD	Climatronic, free of CFCs
9AH	4-zone air conditioning system
9G1	220 A generator
9JA	Non-smoker package
9JB	Smoker version; ashtrays at front and rear engine compartment lighting
9L1	Interior lighting in basic equipment
9MA	Comfort interior lighting, dimmable, with light strips on door panels
9M0	Without auxiliary heater/parking heater
9M1	Water heater with timer
9M5	Preheater for diesel
9M9	Auxiliary water heater with timer and remote control
9NY	electronic log book
9P3	Belt control, visual and acoustic for driver and passenger

Model: TEQ 2

Model life 2003>>

NR	Description
9P7	Belt control, visual and acoustic only for driver
9Q1	Multi-function display, on-board computer
9Q6	Traffic sign recognition
9TF	Courtesy entry and exit lights
9TH	Safety lights on front and rear doors
9T1	Heated washer nozzles, front
9VJ	Top Premium sound systemTop Premium sound system
9VK	Sound package 1/sound package
9VL	Sound package 2/High-end sound system
9WC	Without multimedia in the vehicle rear
9WM	Preparation for "Rear Seat Entertainment"
9WU	MIRRORLINK + RSE PREPARATION
9W0	Without preparation for installation of car phone
9W1	Telephone module without passive handset
9W5	BLUETOOTH mobile phone preparation
9ZC	Telephone module with connection box
9ZF	Telephone preparation for VDA mobile phone with hands-free facility
9ZH	Installation of car phone with emergency-call system - PCM telematics
9ZK	Telephone module
9ZP	Telephone module with passive handset
9ZT	Telephone preparation USA, JAPAN
9ZX	Mobile phone preparation

Model: TEQ 2

Model life 2003>>



Model: TEQ 2 Model life 2003>>

Pos	Part Number	Description	Remark	Qty	Model
1	000 044 001 13	Hi-visibility vest Bodywarmer Hi-visibility vest set		1	Cayenne (9PA) Cayenne (92A) - "USA", - "CDN"

Model: TEQ 2

Model life 2003>>



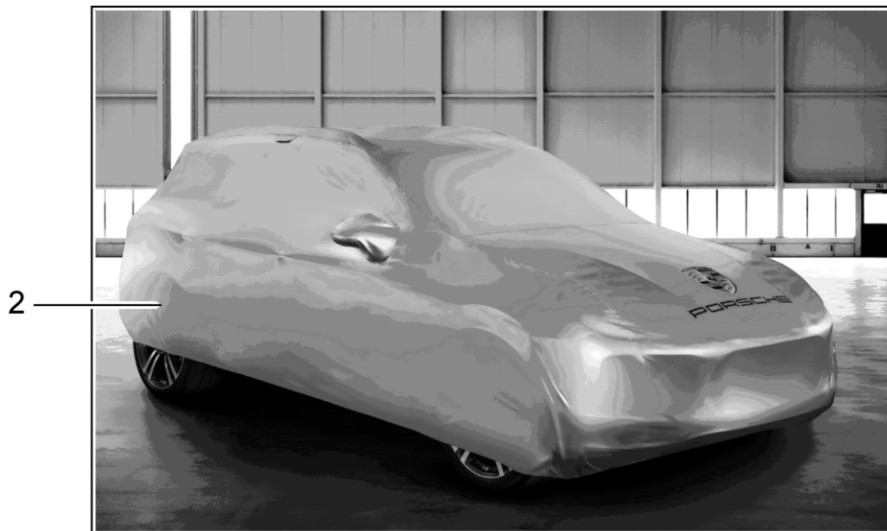
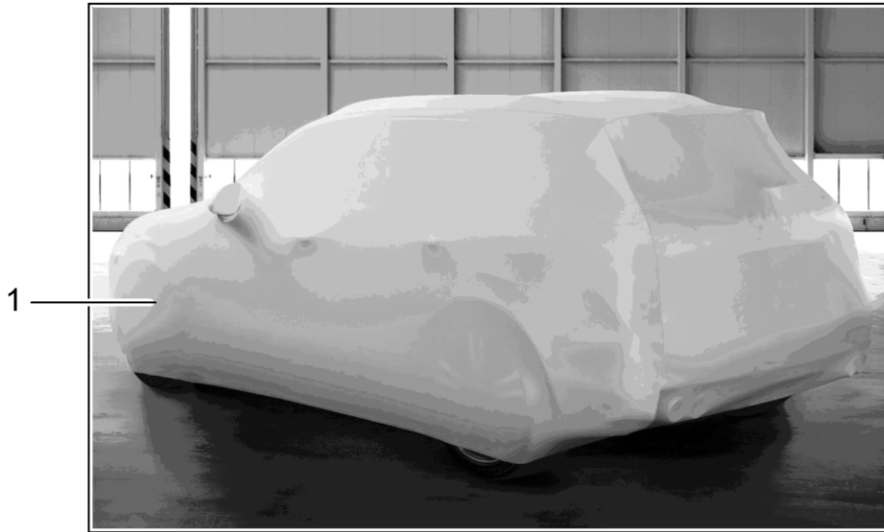
Model: TEQ 2

Model life 2003>>

Pos	Part Number	Description	Remark	Qty	Model
1	955 044 001 00	tool kit bag tool bag with tools Leather		1	

Model: TEQ 2

Model life 2003>>



Model: TEQ 2

Model life 2003>>

Pos	Part Number	Description	Remark	Qty	Model
		Cover	03-10 11-17		Cayenne (9PA) Cayenne (92A)
(1)	955 044 000 00	Cover INDOOR	03-10	1	
(2)	955 044 000 70	Cover Outdoor	03-10	1	
1	958 044 000 08	Cover INDOOR	11-	1	
(1)	9Y0 044 003	Cover INDOOR	18-	1	
2	958 044 000 09	Cover Outdoor	11-	1	
(2)	9Y0 044 004	Cover Outdoor	18-	1	

Model: TEQ 2

Model life 2003>>

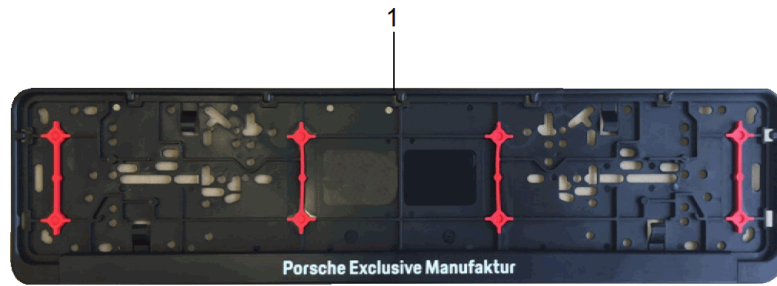


Model: TEQ 2 Model life 2003>>

Pos	Part Number	Description	Remark	Qty	Model
1	991 044 000 50	Luggage set Exclusive programme Luggage set (complete) Exclusive programme Leather Black With coloured stitching gold 4-part		1	
(1)	991 044 000 60	Luggage set (complete) Exclusive programme Leather Black With coloured stitching silver 4-part		1	
-	991 044 000 61	Pocket Size xl Exclusive programme Leather Black With coloured stitching silver		1	
-	991 044 000 62	Pocket Size l Exclusive programme Leather Black With coloured stitching silver		1	
-	991 044 000 63	Pocket Size S Exclusive programme Leather Black With coloured stitching silver		1	
-	991 044 000 64	Clothes bag Exclusive programme Leather Black With coloured stitching silver		1	

Model: TEQ 2

Model life 2003>>



P96006000 05 - 18

Model: TEQ 2 Model life 2003>>

Pos	Part Number	Description	Remark	Qty	Model
1	991 044 804 00	Licence plate holder EXCLUSIVE MANUFAKTUR Carrier Licence plate holder EXCLUSIVE MANUFAKTUR	1-part EU-28 520MM X 110MM	1	

Model: TEQ 2

Model life 2003>>

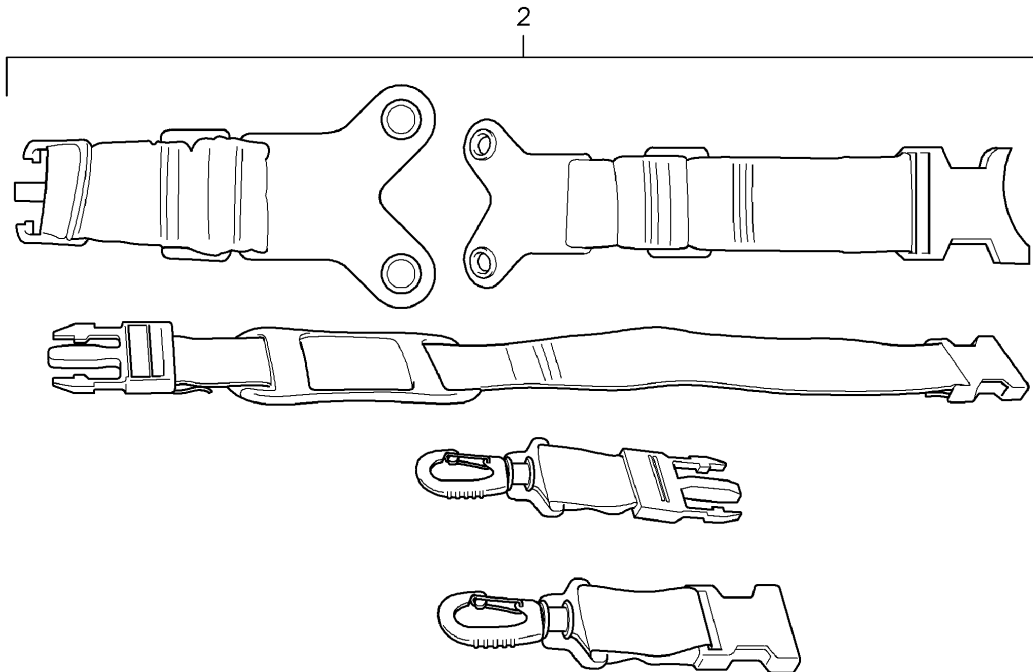
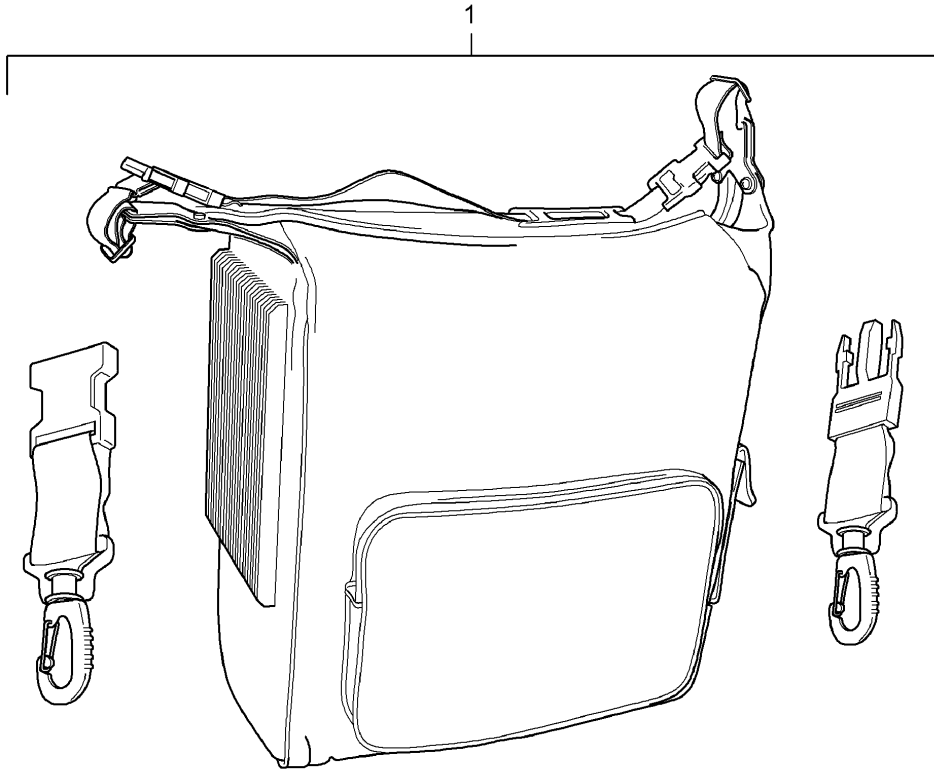


Model: TEQ 2 Model life 2003>>

Pos	Part Number	Description	Remark	Qty	Model
1	958 553 981 01	Beverages Bracket D >> - MJ 2017 Insert for cupholder Centre console		1	

Model: TEQ 2

Model life 2003>>

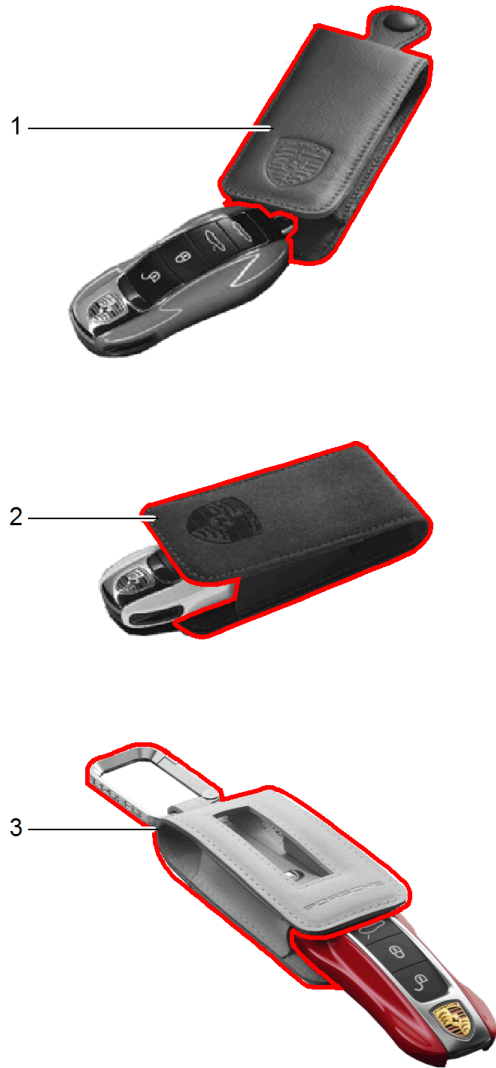


Model: TEQ 2 Model life 2003>>

Pos	Part Number	Description	Remark	Qty	Model
-		Cooling bag Technical information CAYENNE, ALLE Group 6 6832 (12/07) 6832 (12/12) Attention	03- 03-10 11-17		Cayenne (9PA) Cayenne (92A)
1	955 044 902 30	Cooling bag Electric		1	PR:D9J,D9K, D9L
2	955 044 900 23	repair set Fastening clip Belt for Cooling bag 955.044.902.30		1	

Model: TEQ 2

Model life 2003>>



Model: TEQ 2 Model life 2003>>

Pos	Part Number	Description	Remark	Qty	Model
		Key case Leather and Alcantara D - MJ 2011>>			Cayenne (92A)
1	970 044 001 00	Key case Leather Platinum Grey		1	
(1)	970 044 001 01	Key case Leather Black		1	
(1)	970 044 001 02	Key case Leather Luxor beige		1	
(1)	970 044 001 03	Key case Leather Espresso		1	
(1)	970 044 001 04	Key case Leather yachting blue		1	
(1)	970 044 001 05	Key case Leather Cognac		1	
(1)	970 044 001 06	Key case Leather Umber		1	
(1)	970 044 001 07	Key case Leather Marsala Red		1	
(1)	970 044 001 08	Key case Leather agate grey		1	
(1)	970 044 001 09	Key case Leather Leather colour/garnet red/ Carrera red		1	
(1)	970 044 001 10	Key case Leather saddle brown		1	
(1)	970 044 001 11	Key case Leather Bordeaux red		1	
(1)	970 044 001 12	Key case Leather Graphite Blue		1	
(1)	970 044 001 13	Key case Leather mojave beige		1	
2	000 044 001 10	Key case Alcantara Black With coloured stitching D - MJ 2011>>		1	
	000 044 001 10 7T2	Black			
	000 044 001 10 8E9	Platinum Grey			
	000 044 001 10 M2A	Lava Orange			
	000 044 001 10 N13	guards red (Porsche)			
3	971 044 003	Key case Leather paint D - MJ 2017>>		1	
	971 044 003 6G0	Cream			
	971 044 003 8M8	Marsala Red			
	971 044 003 8YR	Black			

Model: TEQ 2

Model life 2003>>

Pos	Part Number	Description	Remark	Qty	Model
	971 044 003 9H6	Luxor beige			
	971 044 003 OG6	Bordeaux red			
	971 044 003 OH7	Graphite Blue			
	971 044 003 OK6	saddle brown			
	971 044 003 OL8	Chalk			
	971 044 003 ON1	Cohiba Brown			
	971 044 003 OT2	Truffle Brown			
	971 044 003 OT5	beige			
		Mojave			
	971 044 003 OU6	Slate grey			
	971 044 003 PL1	agate grey			

Model: TEQ 2

Model life 2003>>



Model: TEQ 2 Model life 2003>>

Pos	Part Number	Description	Remark	Qty	Model
		Polish			Cayenne
1	999 901 065 40	Insect remover	500 ml	1	
2	000 044 000 87	Window cleaning solution	250 ml	1	
-	000 044 002 07	Windscreen washer system Winter window cleaner	1000 ml	1	
-	000 044 002 27	Windscreen washer system Winter window cleaner	1000 ML	1	
3	999 901 016 41	Windscreen washer system Window cleaning solution	100 ml	1	
(3)	000 044 000 74	Window cleaning solution	inner 100 ml inner	1	
4	000 044 000 92	Paint polish		1	
5	000 044 000 90	Polish	250 ml	1	
		Paint Wax Discontinued part			
(5)	999 901 069 40	Polish	250 ml	1	
		Paint Wax			
6	999 901 062 40	Car shampoo	250 ml	1	
7	000 044 000 03	Leather care product	100 ml	1	
8	999 901 068 40	Leather care product	100 ml	1	
		Cleaning solution			
9	999 901 066 41	Rim cleaner	500 ml	1	
		Spray bottle Discontinued part			
10	999 901 066 40	Rim cleaner	1000 ml	1	
		Refilling bottle Discontinued part			
11	000 044 001 89	Care kit		1	
		Pocket			
12	000 044 001 87	Care kit		1	
		Rim cleaner Pocket			
13	000 044 000 95	Cleaning solution		1	
		Cloth Set			
14	955 044 000 02	ice scraper		1	
-	999 901 021 40	Polishing wadding		1	
-	999 901 022 40	Polishing cloth		1	
15	000 044 001 00	Care kit		1	
		Leather care product			
16	000 044 000 96	Sponge		1	
		inscription Porsche			
17	000 044 001 03	Care kit		1	
		Winter			

Model: TEQ 2

Model life 2003>>



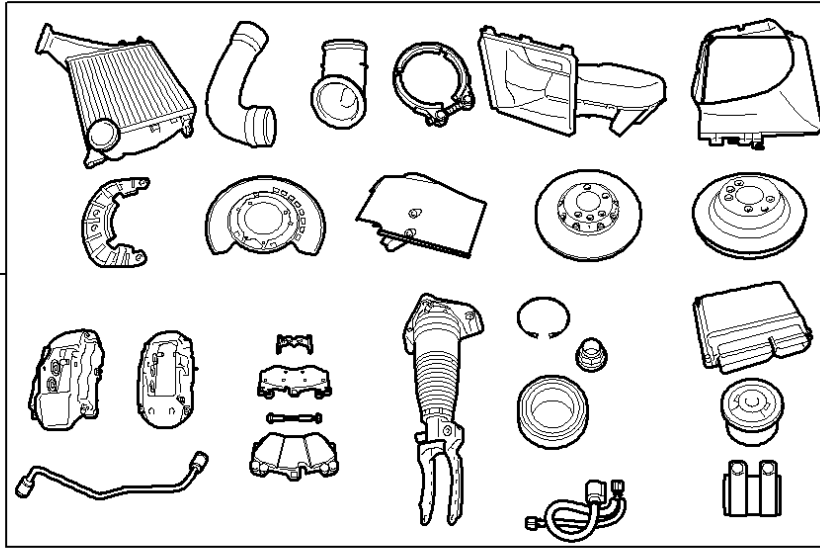
Model: TEQ 2 Model life 2003>>

Pos	Part Number	Description	Remark	Qty	Model
1	000 044 001 02	Polish White Care kit		1	
2	000 044 002 20	Polish White Car polish		1	
3	000 044 002 18	Paint Polish White		1	
4	000 044 002 13	'Hard wax' car polish Leather care product White		1	
5	000 044 002 10	Leather care product Leather care product White		1	
6	000 044 002 23	Leather cleaner Insect remover White		1	
7	000 044 002 24	Insect remover Window cleaning solution White	inner	1	
8	000 044 002 11	Car shampoo White Paint and		1	
9	000 044 002 15	Cabrio roof Rim cleaner White		1	
10	000 044 000 96	Aerosol can Sponge With lettering:	PORSCHE	1	

Model: TEQ 2

Model life 2003>>

1

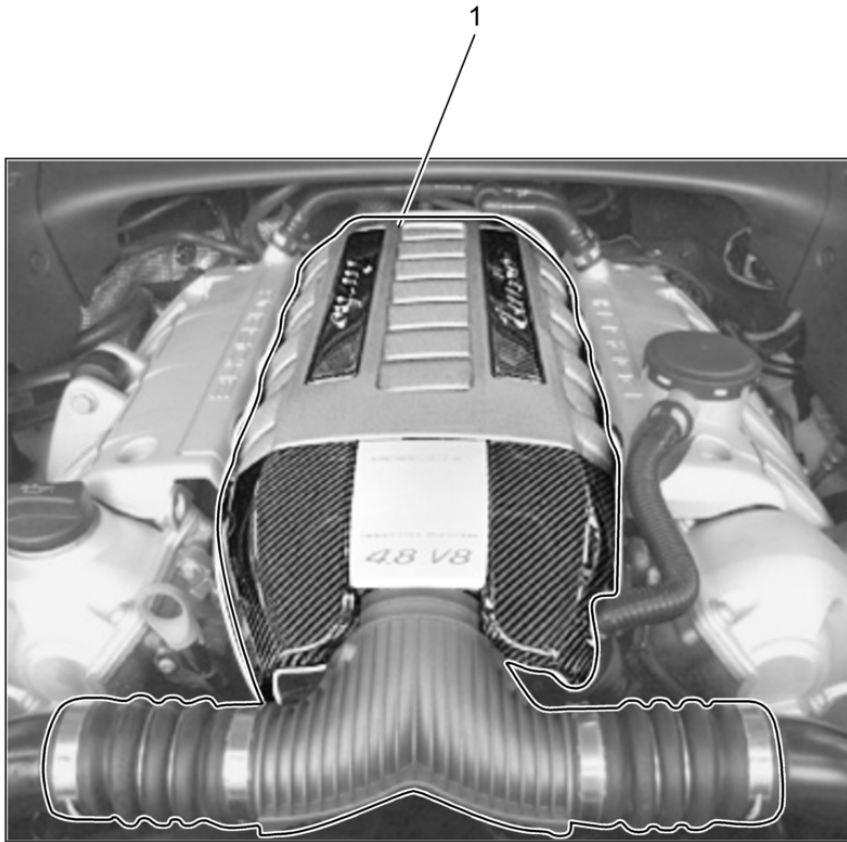


Model: TEQ 2 Model life 2003>>

Pos	Part Number	Description	Remark	Qty	Model
-		Engine Drive power 368 kW (500 PS) D - MJ 2003>> - MJ 2006 Inst. & Conv. Instructions Cayenne turbo Group 1 1001 (4/05)			Cayenne (9PA) Turbo
1	955 044 100 00	Retrofit kit Engine Drive power 368 KW (500 PS) Coding VIA PRMS	331 kW	1	4850

Model: TEQ 2

Model life 2003>>

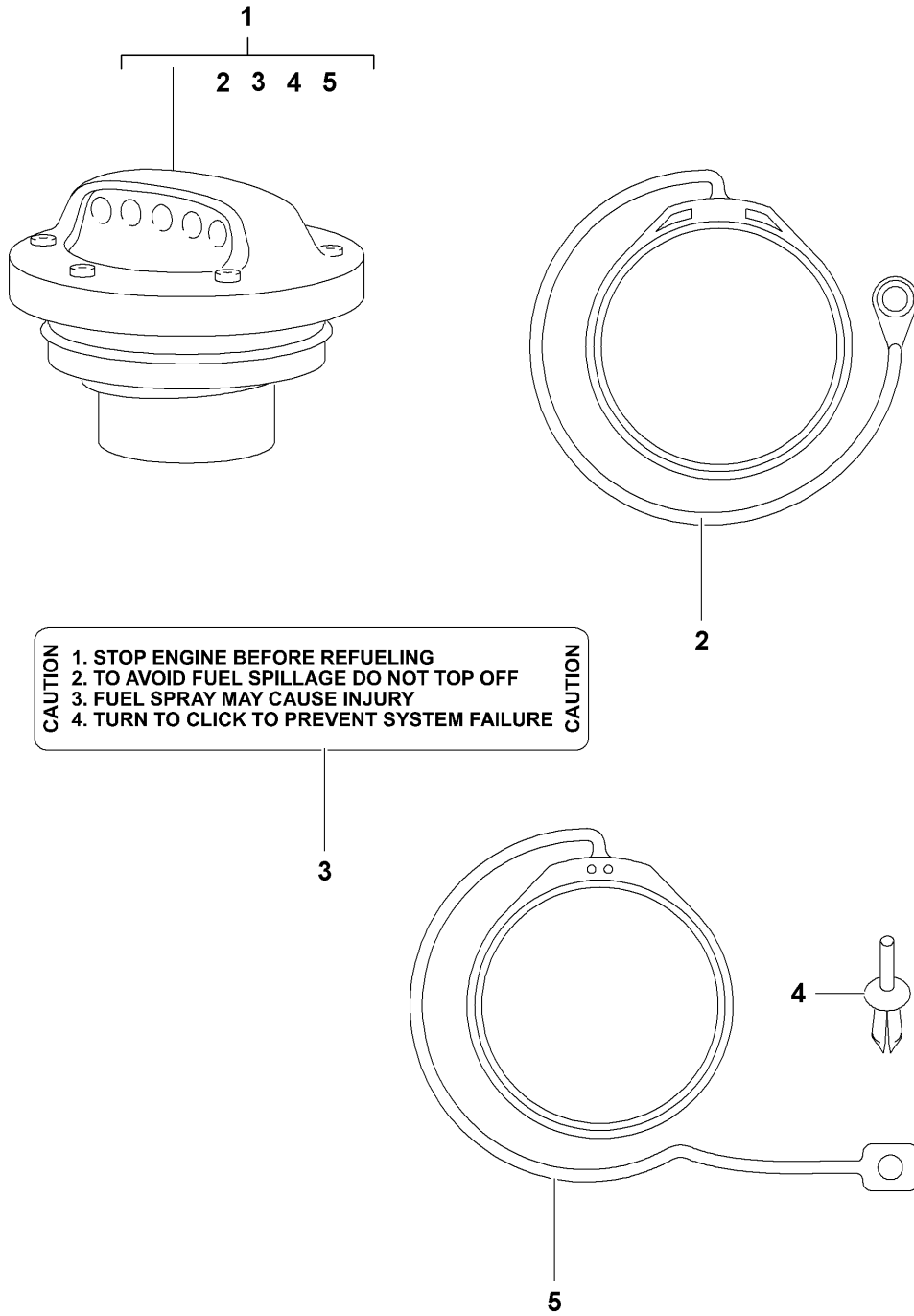


Model: TEQ 2 Model life 2003>>

Pos	Part Number	Description	Remark	Qty	Model
-		Engine Drive power 397 kW (540 PS) D - MJ 2008>> - MJ 2010 Inst. & Conv. Instructions Cayenne turbo Group 1 1001 (34/07)			Cayenne (9PA) Turbo
1	955 044 100 01	Retrofit kit Engine Drive power 397 KW (540 PS) INKL. BREMSANLAGE Coding VIA PRMS	368 kW	1	FZG. BIS 4851
(1)	955 044 100 02	Retrofit kit Engine Drive power 397 KW (540 PS) OHNE BREMSANLAGE Coding VIA PRMS	368 kW	1	FZG. AB 4851

Model: TEQ 2

Model life 2003>>

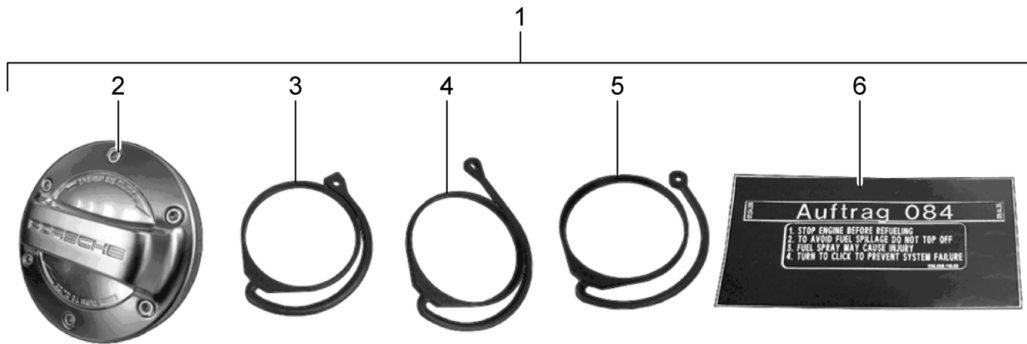
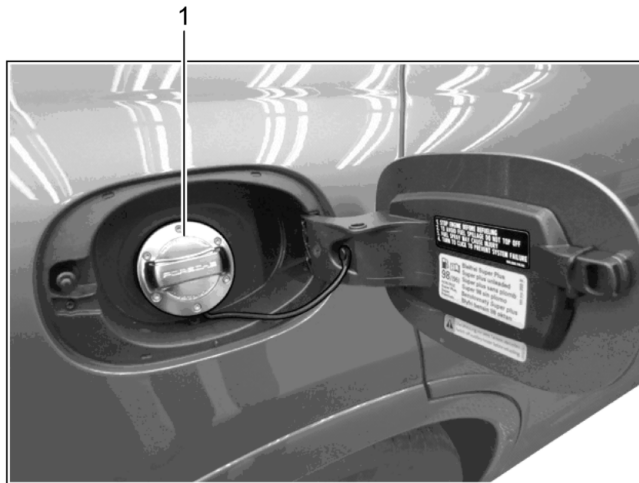


Model: TEQ 2 Model life 2003>>

Pos	Part Number	Description	Remark	Qty	Model
-		Fuel tank cap Aluminium look D - MJ 2003>> - MJ 2010 Inst. & Conv. Instructions Porsche Cayenne Group 2 2005 (12/04) Attention			Cayenne (9PA)
1	997 201 980 00	Fuel tank cap Aluminium look		1	/ID9 PR:D9J,D9L
2	955 044 200 05	fuse		1	
		with:			
3	996 006 118 01	Spreader rivet		1	
4	999 507 499 40	Sticker		1	Sportwagen
5	997 044 200 05	Spreader rivet fuse		1	Sportwagen

Model: TEQ 2

Model life 2003>>

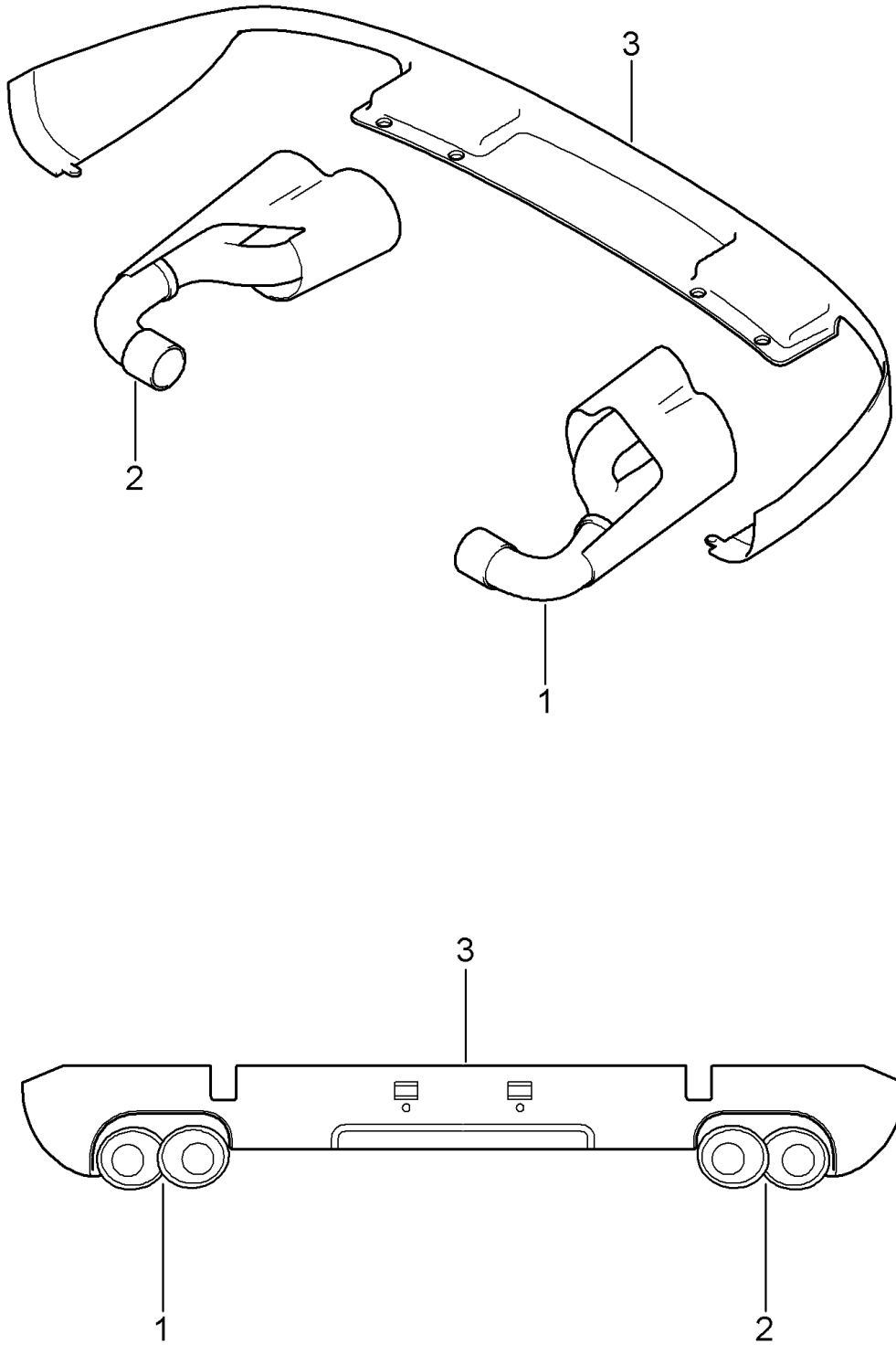


Model: TEQ 2 Model life 2003>>

Pos	Part Number	Description	Remark	Qty	Model
-		Fuel tank cap Aluminium look D - MJ 2011>> Inst. & Conv. Instructions Porsche Cayenne Group 2 2005 (52/12) Attention			CAYENNE (92A) CAYENNE (9YA) alle
1	000 044 001 91	cap with retaining strap for fuel tank Aluminium look Set		1	PR:-D50
1	000 044 001 92	Fuel tank cap Aluminium look Set		1	NUR/ONLY E2 II PHEV
2		Fuel tank cap Aluminium look		1	
3		Holding strap		1	Panamera
4		Holding strap		1	Cayenne
5		Holding strap		1	Sportwagen
(6)	996 006 118 01	Sticker Warning note		1	00004400190
6	7P5 010 869 D	Sticker Warning note		1	00004400191 00004400192

Model: TEQ 2

Model life 2003>>

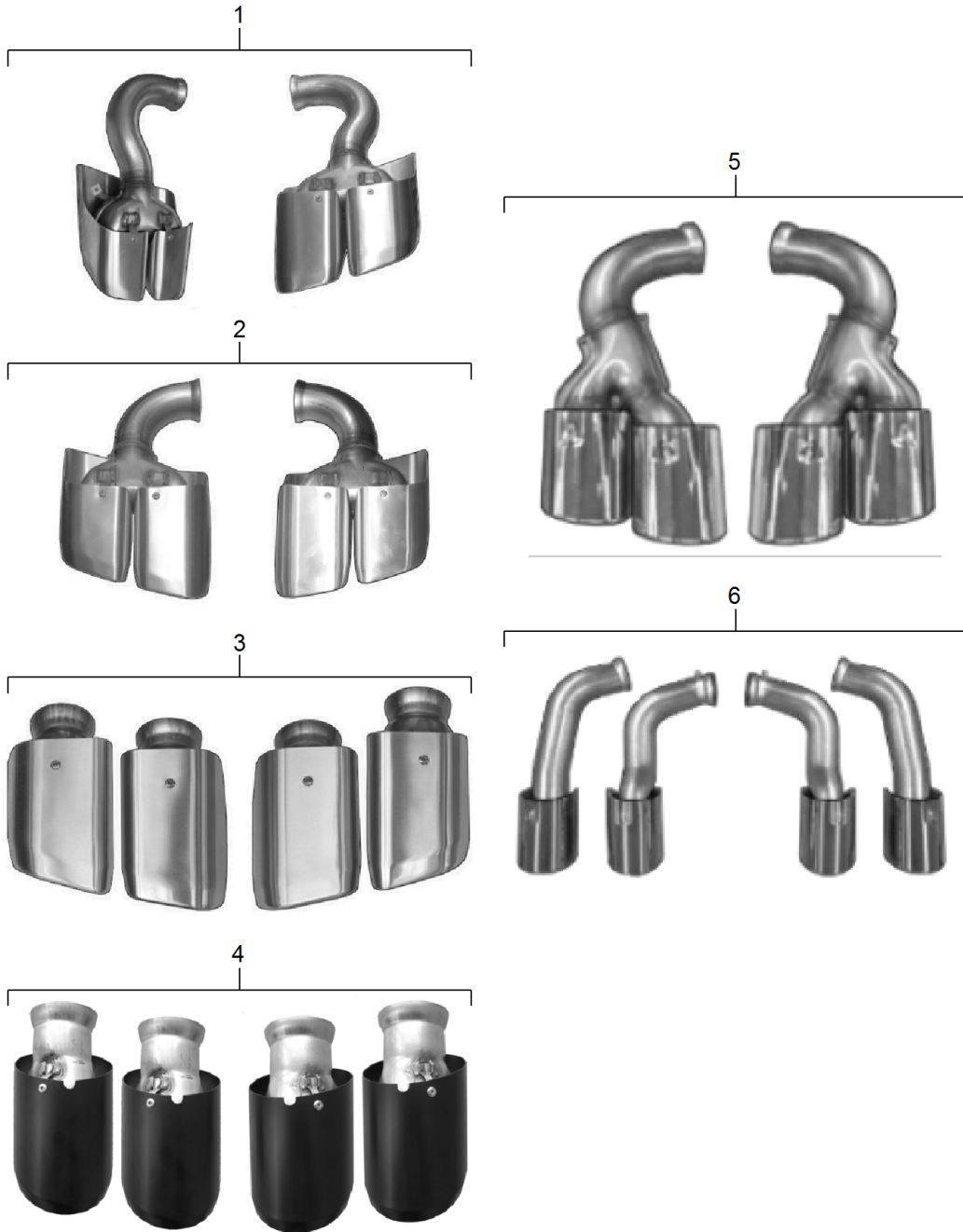


Model: TEQ 2 Model life 2003>>

Pos	Part Number	Description	Remark	Qty	Model
1	955 111 981 00	Sports tailpipe Tailpipe	03-10 03-06 left	1	Cayenne (9PA) PR:D9K,D9L, G0R
2	955 111 982 00	Tailpipe	03-06 right	1	PR:D9K,D9L, G0R
(1)	955 044 981 01	Tailpipe	03-06 left	1	/+G0L PR:D9J,D9K
(2)	955 044 982 01	Tailpipe	03-06 right	1	/+G0L PR:D9J,D9K
-		for Cayenne / Cayenne S			
3	955 505 521 04	Spoiler	also use: 03-06 without:	1	PR:D9L,0P3
(3)	955 505 521 05	Cover cap Spoiler	without: 03-06	1	PR:D9L,0P3, 1G3
-	955 505 449 02	Cover cap	03-06	1	/L PR:0P3,1G3
-	955 505 450 02	Cover cap	03-06	1	/R PR:0P3,1G3
-		Inst. & Conv. Instructions Porsche Cayenne Group 2 2634 (17/07) Attention			alle
(1)	955 044 981 02	Tailpipe	08-10 left	1	
(2)	955 044 982 02	Set Tailpipe	08-10 right	1	
-		Set for Cayenne / Cayenne S			
(3)	955 044 200 08	rear spoiler Set	also use: 08-10	1	PR:D5Z

Model: TEQ 2

Model life 2003>>

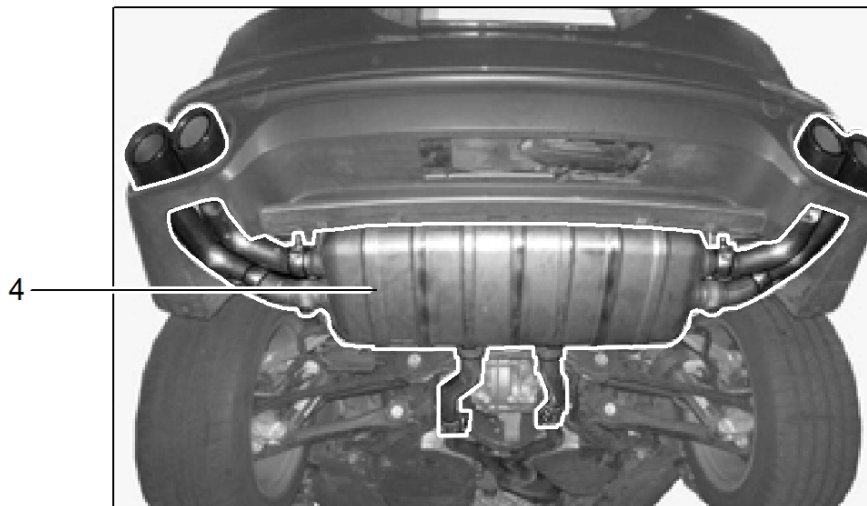
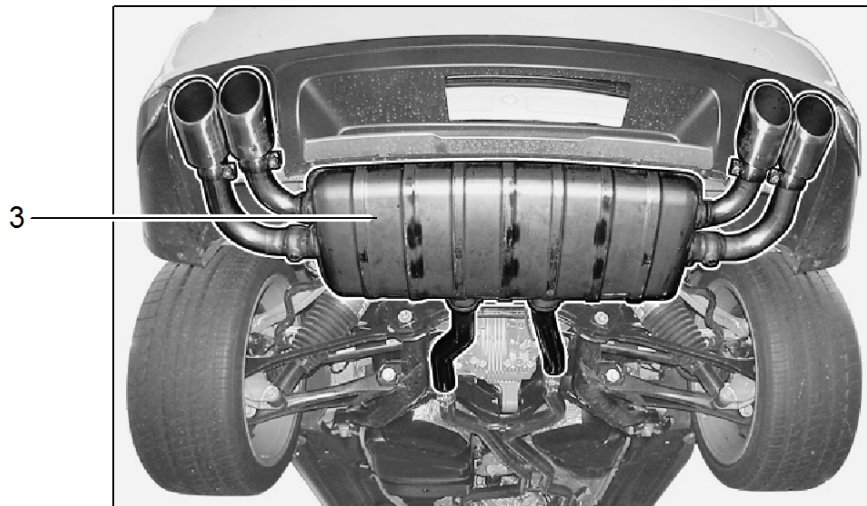
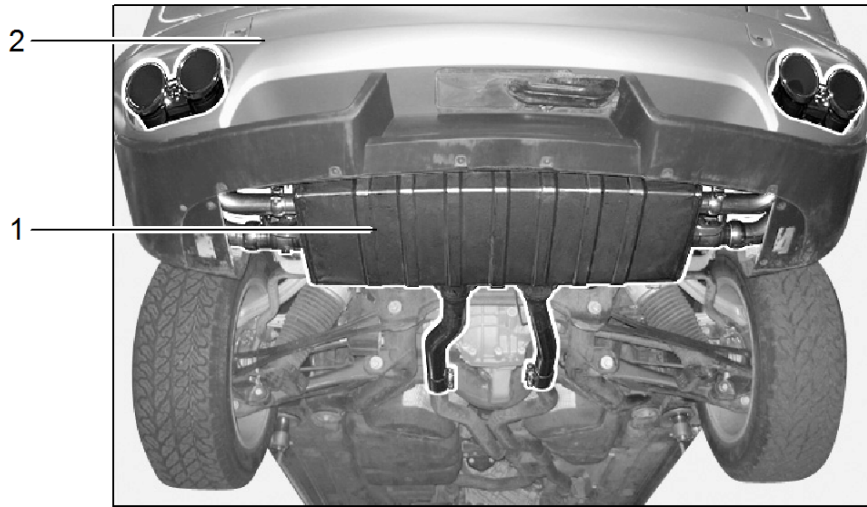


Model: TEQ 2 Model life 2003>>

Pos	Part Number	Description	Remark	Qty	Model
-		Sports tailpipe D - MJ 2011>> Inst. & Conv. Instructions Porsche Cayenne Group 2 2634 (4/11) Attention			Cayenne(92A) alle
1	958 044 200 07	D - MJ 2011>> - MJ 2014 Tailpipe Sport version silver Set	TDI V6 TDI V8 Hybrid V6	1	PR:D1V,D43, D50,DD8,D19 -"PAP", -"ROK","CN."
2	958 044 200 08	D - MJ 2011>> - MJ 2014 Tailpipe Sport version silver Set	V6 V8	1	PR:D11,D34, D6V
3	958 044 200 09	D - MJ 2011>> - MJ 2014 Tailpipe Sport version silver Set	Turbo	1	PR:D58
4	958 044 200 10	D - MJ 2011>> - MJ 2014 Exhaust tail pipe GTS Black Set	GTS / Turbo V6 / V8	1	PR:0P8
5	958 044 200 17	D - MJ 2011>> - MJ 2014 Tailpipe Simple silver Set		1	Cayenne Cay. Diesel PR:-0P8,-0P9
(5)	958 044 200 18	D - MJ 2015>> Tailpipe Simple Black Set		1	Cayenne Cay. Diesel PR:-0P8,-0P9
6	958 044 200 19	D - MJ 2015>> Tailpipe Double silver Set		1	Cayenne S Cay S Diesel Turbo / S S e-hybrid Cayenne GTS
(6)	958 044 200 20	D - MJ 2015>> Tailpipe Double Black Set D - MJ 2015>>		1	Cayenne S Cay S Diesel Turbo / S S e-hybrid Cayenne GTS

Model: TEQ 2

Model life 2003>>

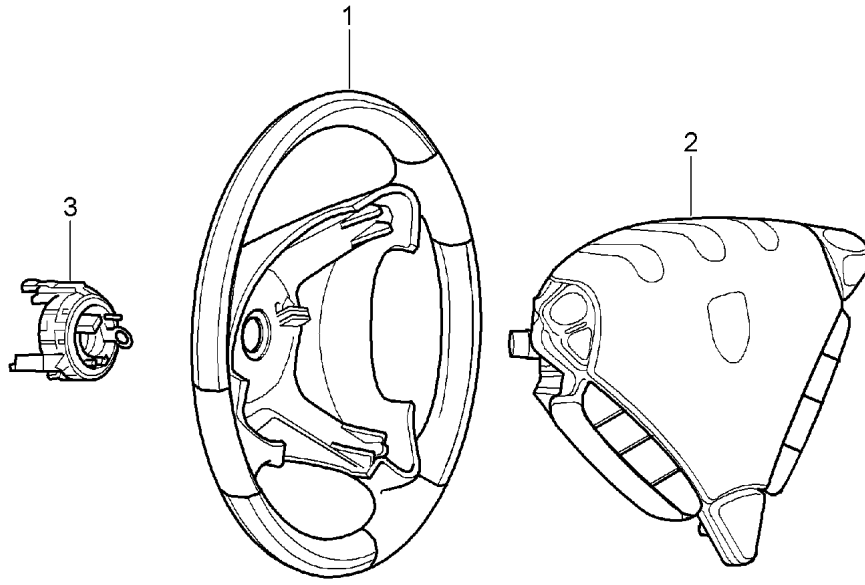


Model: TEQ 2 Model life 2003>>

Pos	Part Number	Description	Remark	Qty	Model
-		exhaust system Sport version Inst. & Conv. Instructions Porsche Cayenne Group 2 2601 (5/06)	08-10 11-		Cayenne (9PA) Cayenne (92A) S
1	955 044 200 02	exhaust system Sport version Set	08-10	1	Cayenne (9PA) 4801+ PR:D5V,G0R
-		also use:			
2	955 044 200 08	rear spoiler Set	08-10	1	Cayenne (9PA) PR:-0P3
-		Inst. & Conv. Instructions Porsche Cayenne Group 2 2601 (41/10)			Cayenne/S
3	958 044 200 00	exhaust system Sport version	11-14	1	Cayenne (92A) Cayenne 5502
(3)	958 044 200 01	exhaust system Sport version	11-14	1	Cayenne (92A) S 4802
4	958 044 200 30	exhaust system Sport version Tailpipe silver	15-	1	Cayenne (92A) VR6 -"HK.", -"CN."
(4)	958 044 200 31	exhaust system Sport version Tailpipe Black	15-	1	Cayenne (92A) VR6 -"HK.", -"CN."
(4)	958 044 200 32	exhaust system Sport version Tailpipe silver	15-	1	Cayenne (92A) Cayenne S V6BT
(4)	958 044 200 33	exhaust system Sport version Tailpipe Black	15-	1	Cayenne (92A) Cayenne S V6BT
(4)	958 044 200 34	exhaust system Sport version Tailpipe silver	15-	1	Cayenne (92A) Turbo V8T
(4)	958 044 200 35	exhaust system Sport version Tailpipe Black	15-	1	Cayenne (92A) Turbo V8T
-		also use:			
-		Control panel with pushbuttons Subsequent installation Centre console see Spare parts catalogue			

Model: TEQ 2

Model life 2003>>

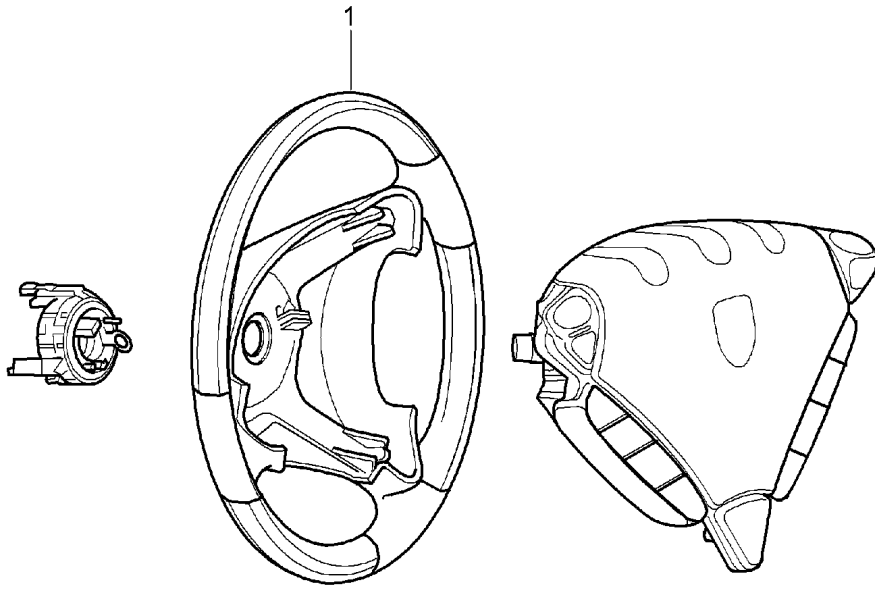


Model: TEQ 2 Model life 2003>>

Pos	Part Number	Description	Remark	Qty	Model
1	955 347 804 50	Steering wheels Wood Airbag unit D - MJ 2003>> - MJ 2010 steering wheel (leather) Wooden ring Light for vehicles with Multi-function D - MJ 2003>>		1	PR:1XK,4LB, 4LC
-	955 347 804 50 PBE	Olive wood/black			
-	955 347 804 50 PBF	Olive wood/stone grey			
-	955 347 804 50 PBG	Olive wood/palm green			
-	955 347 804 50 PBH	Olive wood/havanna			
-	955 347 804 50 TXA	Olive wood/sand beige (heated) Not available			
(1)	955 347 804 60	steering wheel (leather) Wooden ring Light Matte for vehicles with Multi-function D - MJ 2003>> - MJ 2006		1	PR:2FV,4LB, 4LC
-	955 347 804 60 RRY	Olive wood/black			
-	955 347 804 60 RRZ	Olive wood/stone grey			
-	955 347 804 60 RSZ	Olive wood/palm green			
-	955 347 804 60 RTZ	Olive wood/havanna for cars without Multi-function			
(1)	955 347 804 40	Airbag unit and Spring steering wheel Wooden ring Dark for vehicles with Multi-function D - MJ 2003>>	also use:	1	PR:1XJ,4LB, 4LC
-	955 347 804 40 PBA	Black			
-	955 347 804 40 PBB	Stone grey			
-	955 347 804 40 PBC	Palm green			
-	955 347 804 40 PBD	Havanna			
-	955 347 804 40 TXB	Sand beige (heated) Not available for cars without Multi-function	also use:		
-		Airbag unit and Spring		1	
-		Airbag unit See catalogue 24 see illustration:			
3	955 652 211 10	403-06 D - MJ 2003>> Spring D - MJ 2003>>		1	PR:1XJ,1XK, 2FV,2PM,4LB, 4LC

Model: TEQ 2

Model life 2003>>



Model: TEQ 2 Model life 2003>>

Pos	Part Number	Description	Remark	Qty	Model
1	955 347 980 00	Steering wheels Carbon D - MJ 2003>> - MJ 2010 multifunction steering wheel Carbon for vehicles with D - MJ 2003>>		1	
	955 347 980 00 5Z3	Black			
	955 347 980 00 6P1	Stone grey			
	955 347 980 00 6Q2	Havanna			
	955 347 980 00 6R3	Palm green			
	955 347 980 00 4P8	Sand beige (heated)			
-		Not available			
-		for cars without Multi-function			
		also use:			
		Airbag unit and Spring See catalogue 24			
		see illustration:	403-006		

Model: TEQ 2

Model life 2003>>

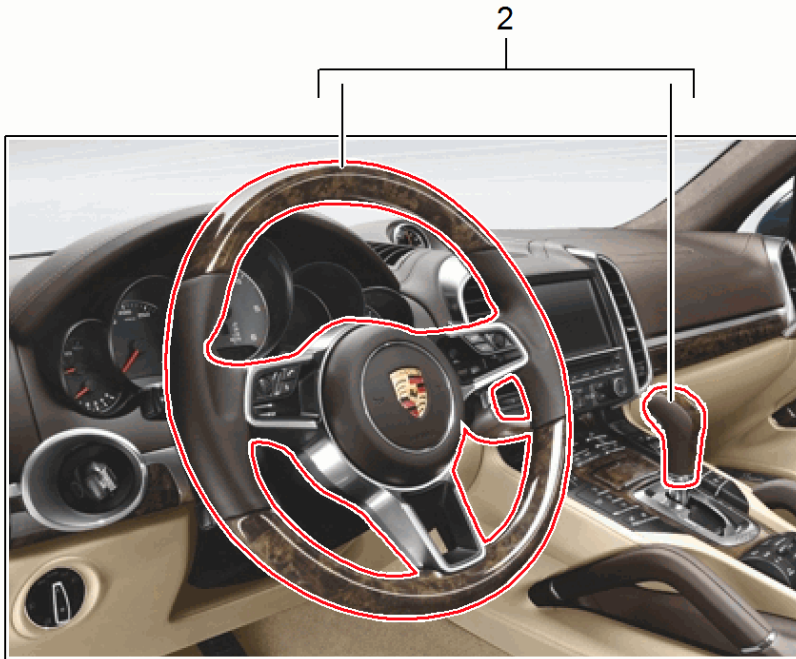
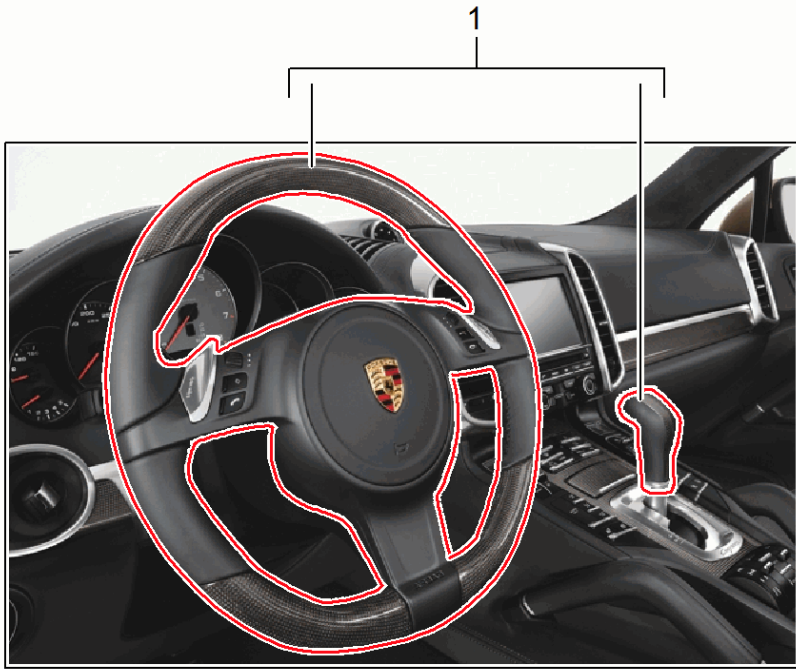


Model: TEQ 2 Model life 2003>>

Pos	Part Number	Description	Remark	Qty	Model
1	955 044 400 00	steering wheel with: Padding D - MJ 2003>> - MJ 2010 steering wheel Leather for vehicles with Multi-function Not (heated) 955 044 400 00 5Z3 Black 955 044 400 00 6P1 Stone grey 955 044 400 00 6Q2 Havanna 955 044 400 00 6R3 Palm green 955 044 400 00 4P8 Sand beige		1	Cayenne (9PA) S / Turbo PR: 4LB, 4LC
(1)	955 044 400 01	steering wheel Leather for vehicles with Multi-function (heated) 955 044 400 01 5Z3 Black 955 044 400 01 6P1 Stone grey 955 044 400 01 6Q2 Havanna 955 044 400 01 6R3 Palm green 955 044 400 01 4P8 Sand beige		1	PR: 4LB, 4LC, 2PH

Model: TEQ 2

Model life 2003>>



Model: TEQ 2 Model life 2003>>

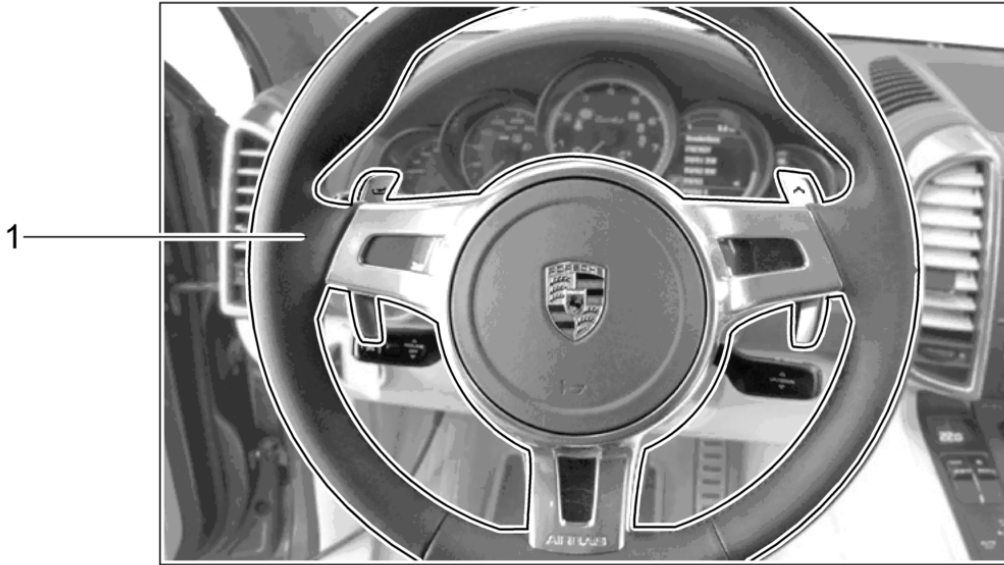
Pos	Part Number	Description	Remark	Qty	Model
-		steering wheel Multi-function selector lever D - MJ 2011>> only in conj. with:			Cayenne (92A)
(1)	958 044 400 00	Multi-function steering wheel Multi-function Included heater and selector lever Walnut, high-gloss D >> - MJ 2014		1	
	958 044 400 00 A34	Highly polished walnut root/ black			
	958 044 400 00 9J9	Highly polished walnut root/ luxor beige			
	958 044 400 00 8T3	Highly polished walnut root/ platinum grey			
	958 044 400 00 6H6	Highly polished walnut root/ espresso			
	958 044 400 00 DE1	Highly polished walnut root/ umbra			
1	958 044 400 01	steering wheel Multi-function Included heater and selector lever Carbon D >> - MJ 2014		1	
	958 044 400 01 A34	Black			
	958 044 400 01 9J9	Luxor beige			
	958 044 400 01 8T3	Platinum Grey			
	958 044 400 01 6H6	Espresso			
	958 044 400 01 DE1	Umber			
(1)	958 044 400 02	steering wheel Multi-function Included heater and selector lever Anthracite Birch D >> - MJ 2014		1	
	958 044 400 02 A34	Birch anthracite/black			
	958 044 400 02 9J9	Birch anthracite/luxor beige Discontinued part			
	958 044 400 02 8T3	Birch anthracite/platinum grey			
	958 044 400 02 6H6	Birch anthracite/espresso			
	958 044 400 02 DE1	Birch anthracite/umbra			
(1)	958 044 400 03	steering wheel Multi-function Included heater and selector lever Mahogany Yachting D >> - MJ 2014		1	
	958 044 400 03 A34	Yachting mahogany/black			
	958 044 400 03 9J9	Yachting mahogany/luxor beige			
	958 044 400 03 8T3	Yachting mahogany/plat. grey			
	958 044 400 03 6H6	Yachting mahogany/espresso			

Model: TEQ 2 Model life 2003>>

Pos	Part Number	Description	Remark	Qty	Model
2	958 044 400 03 DE1 958 044 400 10	Yachting mahogany/umbra steering wheel Multi-function Included heater and selector lever American Walnut D - MJ 2015>>		1	
	958 044 400 10 6H6	American walnut root/ espresso			
	958 044 400 10 9J9	American walnut root/ luxor beige			
	958 044 400 10 A34	American walnut root/ black			
	958 044 400 10 OE5	American walnut root/ agate grey			
	958 044 400 10 OK6	American walnut root/ saddle brown			
(2)	958 044 400 11	steering wheel Multi-function Included heater and selector lever Carbon D - MJ 2015>>		1	
	958 044 400 11 6H6	Espresso			
	958 044 400 11 9J9	Luxor beige			
	958 044 400 11 A34	Black			
	958 044 400 11 OE5	agate grey			
	958 044 400 11 OK6	saddle brown			
(2)	958 044 400 12	steering wheel Multi-function Included heater and selector lever Anthracite Birch D - MJ 2015>>		1	
	958 044 400 12 6H6	Birch anthracite/espresso			
	958 044 400 12 9J9	Birch anthracite/luxor beige			
	958 044 400 12 A34	Birch anthracite/black			
	958 044 400 12 OE5	Birch anthracite/agate grey			
	958 044 400 12 OK6	Birch anthracite/saddle brown			
(2)	958 044 400 13	steering wheel Multi-function Included heater and selector lever Mahogany Yachting D - MJ 2015>>		1	
	958 044 400 13 6H6	Yachting mahogany/espresso			
	958 044 400 13 9J9	Yachting mahogany/luxor beige			
	958 044 400 13 A34	Yachting mahogany/black			
	958 044 400 13 OE5	Yachting mahogany/agate grey			
	958 044 400 13 OK6	Yachting mahogany/saddle brown			

Model: TEQ 2

Model life 2003>>

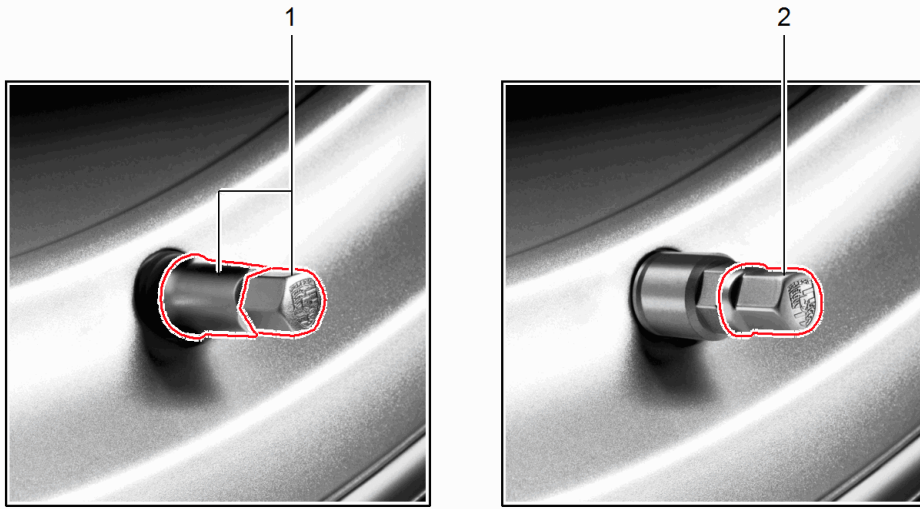


Model: TEQ 2 Model life 2003>>

Pos	Part Number	Description	Remark	Qty	Model
-		sports steering wheel Shifting paddle D - MJ 2011>> - MJ 2014 Inst. & Conv. Instructions Cayenne, alle Group 4 4810 (40/10) Attention			Cayenne (92A)
1	970 044 400 00	sports steering wheel Shifting paddle only in conj. with: TIPTRONIC S		1	PR: 2ZM, 2ZH, 2FX, 2FV, 1XE, 1XJ, 1XK, G1G
	970 044 400 00 A34	Black			
	970 044 400 00 DE1	Umber			
	970 044 400 00 6H6	Espresso			
	970 044 400 00 8T3	Platinum Grey			
	970 044 400 00 9J9	Luxor beige			
-		also use: Steering column switch see illustration: Porsche Cayenne	903-010	1	(92A)

Model: TEQ 2

Model life 2003>>



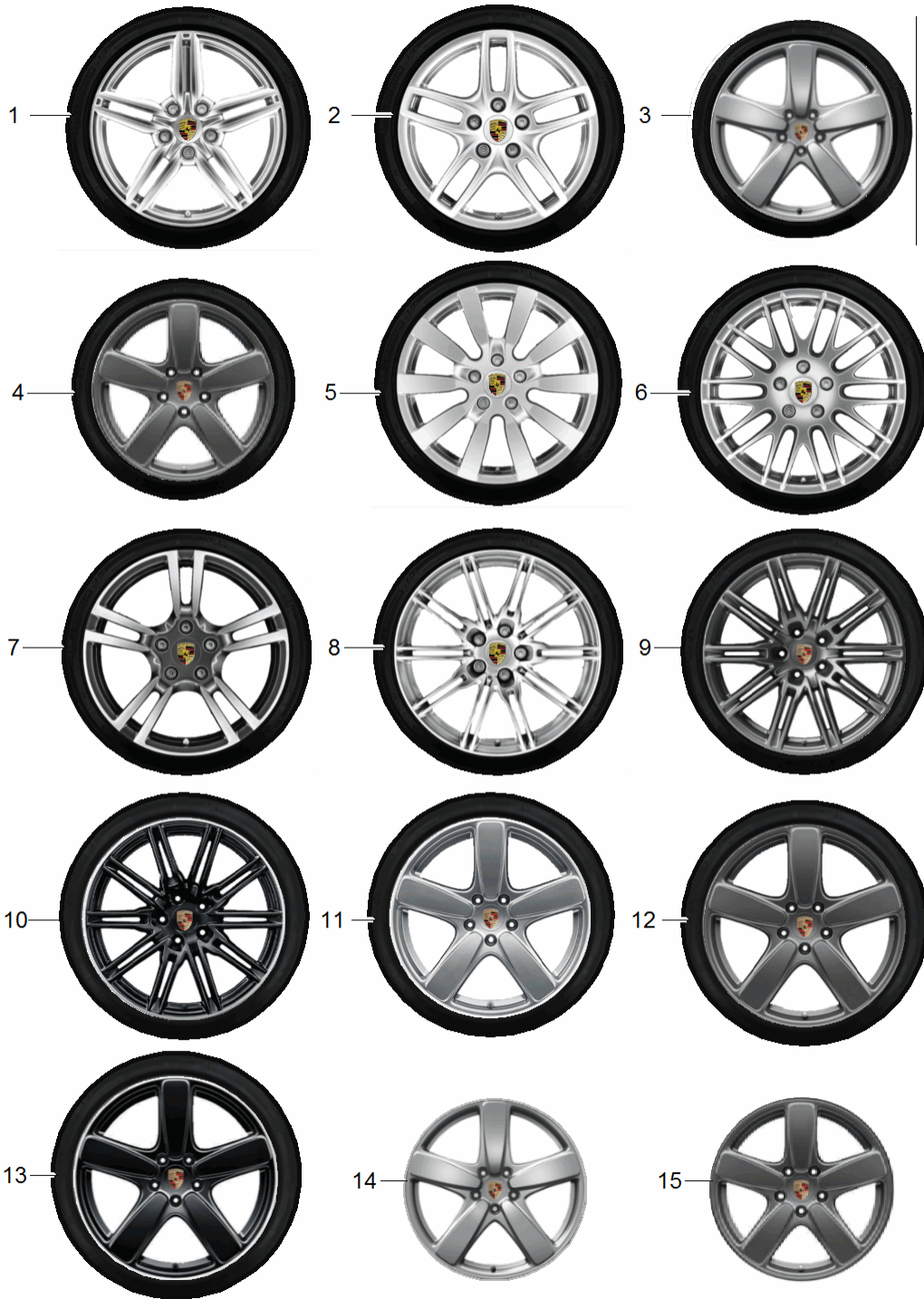
Model: TEQ 2

Model life 2003>>

Pos	Part Number	Description	Remark	Qty	Model
1	000 044 601 00	Valve cap Porsche crest silver Black Cap Valve cap	03-10 11-17 18-	1	Cayenne (9PA) Cayenne (92A) Cayenne (9YA) PR:7K0
		with:			
2	000 044 602 15	Porsche crest Set Included Rubber valve Cap Valve cap		1	PR:7K3,7K4
		with:			
3	991 044 602 66	Porsche crest Set Discontinued part Cap Valve cap Black		1	PR:7K0
(3)	991 044 602 67	Porsche crest Coloured Set Cap Valve cap Black		1	PR:7K3,7K4
4	991 044 602 69	Porsche crest Coloured Set Cap Valve cap silver		1	PR:7K3,7K4
5	991 044 602 65	Porsche crest Coloured Set Cap Valve cap Black		1	PR:7K0
6	991 044 602 68	Porsche crest Black-white Set Cap Valve cap silver		1	PR:7K3,7K4
		Porsche crest Black-white Set			

Model: TEQ 2

Model life 2003>>



Model: TEQ 2 Model life 2003>>

Pos	Part Number	Description	Remark	Qty	Model
-		Gear wheel sets Wheels Summer D - MJ 2011>> - MJ 2014 Information Manufacturer Approval Wheels and tyres in Piwis Group 4 suspension Attention Attention PCCB only in conj. with: 20/21-ZOLL for PCCB Together with 19-ZOLL Technical information Attention Attention 21-ZOLL only in conj. with: Wheel housing liner Wide			Cayenne (92A)
1	958 044 602 43	Set of wheels, compl. 19-ZOLL CAYENNE DESIGN II 8,5J X 19'' ET59 265/50 R19 110Y XL silver PIRELLI also use: use if required:	970 044 600 14 955 044 600 23 958 044 500 00	1	PR:-482 17 mm 5 mm
(1)	958 044 600 55	D - MJ 2011>> - MJ 2014 Set of wheels, compl. 19-ZOLL CAYENNE DESIGN II 8,5J X 19'' ET59 265/50 R19 110V XL M+S silver MICHELIN ALL SEASON also use: use if required:	970 044 600 14 958 044 600 14	1	PR:-482
(1)	958 044 602 44	Not Together with Shim D - MJ 2011>> - MJ 2014 Set of wheels, compl. 19-ZOLL CAYENNE DESIGN II 8,5J X 19'' ET59 265/50 R19 110Y XL silver PIRELLI also use: use if required:	970 044 600 14 955 044 600 23 958 044 500 00	1	PR:482 17 mm 5 mm
(1)	958 044 600 56	D - MJ 2011>> - MJ 2014 Set of wheels, compl. 19-ZOLL CAYENNE DESIGN II 8,5J X 19'' ET59 265/50 R19 110V XL M+S		1	PR:482

Model: TEQ 2 Model life 2003>>

Pos	Part Number	Description	Remark	Qty	Model
2	958 044 602 41	silver MICHELIN ALL SEASON also use: 970 044 600 14 use if required: 958 044 600 14 Not Together with Shim D - MJ 2011>> - MJ 2014 Set of wheels, compl. 19-ZOLL CAYENNE TURBO III 8,5J X 19'' ET59 265/50 R19 110Y XL silver PIRELLI		1	PR:-482
(2)	958 044 602 42	also use: 970 044 600 14 use if required: 955 044 600 23 958 044 500 00 D - MJ 2011>> - MJ 2014 Set of wheels, compl. 19-ZOLL CAYENNE TURBO III 8,5J X 19'' ET59 265/50 R19 110Y XL silver PIRELLI		1	17 mm 5 mm PR:482
3	958 044 602 27	also use: 970 044 600 14 use if required: 955 044 600 23 958 044 500 00 D - MJ 2011>> - MJ 2014 Set of wheels, compl. 19-ZOLL CAYENNE SPORT CLASSIC 8,5J X 19'' ET59 265/50 R19 110Y XL GT Silver Metallic PIRELLI		1	17 mm 5 mm PR:-482
(3)	958 044 602 28	also use: 991 044 600 20 use if required: 955 044 600 23 958 044 500 00 D - MJ 2011>> - MJ 2014 Set of wheels, compl. 19-ZOLL CAYENNE SPORT CLASSIC 8,5J X 19'' ET59 265/50 R19 110Y XL GT Silver Metallic PIRELLI		1	17 mm 5 mm PR:482
4	958 044 602 29	also use: 991 044 600 20 use if required: 955 044 600 23 958 044 500 00 D - MJ 2011>> - MJ 2014 Set of wheels, compl. 19-ZOLL CAYENNE SPORT CLASSIC 8,5J X 19'' ET59 265/50 R19 110Y XL Silk-Gloss Platinum PIRELLI Included Hub cap use if required: 955 044 600 23 958 044 500 00		1	17 mm 5 mm PR:-482
(4)	958 044 602 30	D - MJ 2011>> - MJ 2014 Set of wheels, compl.		1	PR:482

Model: TEQ 2 Model life 2003>>

Pos	Part Number	Description	Remark	Qty	Model
5	958 044 602 45	19-ZOLL CAYENNE SPORT CLASSIC 8,5J X 19'' ET59 265/50 R19 110Y XL Silk-Gloss Platinum PIRELLI Included Hub cap use if required:	955 044 600 23 958 044 500 00	1	17 mm 5 mm PR:-482
(5)	958 044 602 46	D - MJ 2011>> - MJ 2014 Set of wheels, compl. 20-ZOLL CAYENNE SPORT DESIGN II 9J X 20'' ET57 275/45 R20 110Y XL silver MICHELIN also use: use if required:	970 044 600 14 955 044 600 23 958 044 500 00	1	17 mm 5 mm PR:482
6	958 044 602 47	D - MJ 2011>> - MJ 2014 Set of wheels, compl. 20-ZOLL RS SPYDER 9J X 20'' ET57 275/45 R20 110Y XL silver MICHELIN also use: use if required:	970 044 600 14 955 044 600 23 958 044 500 00	1	17 mm 5 mm PR:-482
(6)	958 044 602 48	D - MJ 2011>> - MJ 2014 Set of wheels, compl. 20-ZOLL RS SPYDER 9J X 20'' ET57 275/45 R20 110Y XL silver MICHELIN also use: use if required:	958 044 600 11 955 044 600 23 958 044 500 00	1	17 mm 5 mm PR:482
-		D - MJ 2011>> - MJ 2014 Attention 21-ZOLL only in conj. with:			
7	958 044 602 49	Wheel housing liner Wide Set of wheels, compl. 21-ZOLL 911 TURBO II 10J X 21'' ET50 295/35 R21 107Y XL two-colour		1	PR:-482

Model: TEQ 2 Model life 2003>>

Pos	Part Number	Description	Remark	Qty	Model
(7)	958 044 602 50	MICHELIN also use: use if required: D - MJ 2011>> - MJ 2014 Set of wheels, compl. 21-ZOLL 911 TURBO II 10J X 21'' ET50 295/35 R21 107Y XL two-colour MICHELIN	970 044 600 12 958 044 500 00	1	5 mm PR:482
8	958 044 602 51	MICHELIN also use: use if required: D - MJ 2011>> - MJ 2014 Set of wheels, compl. 21-ZOLL SPORT EDITION 10J X 21'' ET50 295/35 R21 107Y XL GT Silver Metallic MICHELIN	970 044 600 12 958 044 500 00	1	5 mm PR:-482
(8)	958 044 602 52	MICHELIN also use: use if required: D - MJ 2011>> - MJ 2014 Set of wheels, compl. 21-ZOLL SPORT EDITION 10J X 21'' ET50 295/35 R21 107Y XL GT Silver Metallic MICHELIN	970 044 600 10 958 044 500 00	1	5 mm PR:482
9	958 044 602 55	MICHELIN also use: use if required: D - MJ 2011>> - MJ 2014 Set of wheels, compl. 21-ZOLL SPORT EDITION 10J X 21'' ET50 295/35 R21 107Y XL Silk-Gloss Platinum MICHELIN Included Hub cap	970 044 600 10 958 044 500 00	1	5 mm PR:-482
(9)	958 044 602 56	MICHELIN use if required: D - MJ 2011>> - MJ 2014 Set of wheels, compl. 21-ZOLL SPORT EDITION 10J X 21'' ET50 295/35 R21 107Y XL Silk-Gloss Platinum MICHELIN Included Hub cap	958 044 500 00	1	5 mm PR:482
10	958 044 602 53	MICHELIN use if required: D - MJ 2011>> - MJ 2014 Set of wheels, compl. 21-ZOLL SPORT EDITION 10J X 21'' ET50 295/35 R21 107Y XL High-Gloss Black MICHELIN Included Hub cap	958 044 500 00	1	5 mm PR:-482
(10)	958 044 602 54	MICHELIN use if required: D - MJ 2011>> - MJ 2014 Set of wheels, compl. 21-ZOLL SPORT EDITION	958 044 500 00	1	5 mm PR:482

Model: TEQ 2 Model life 2003>>

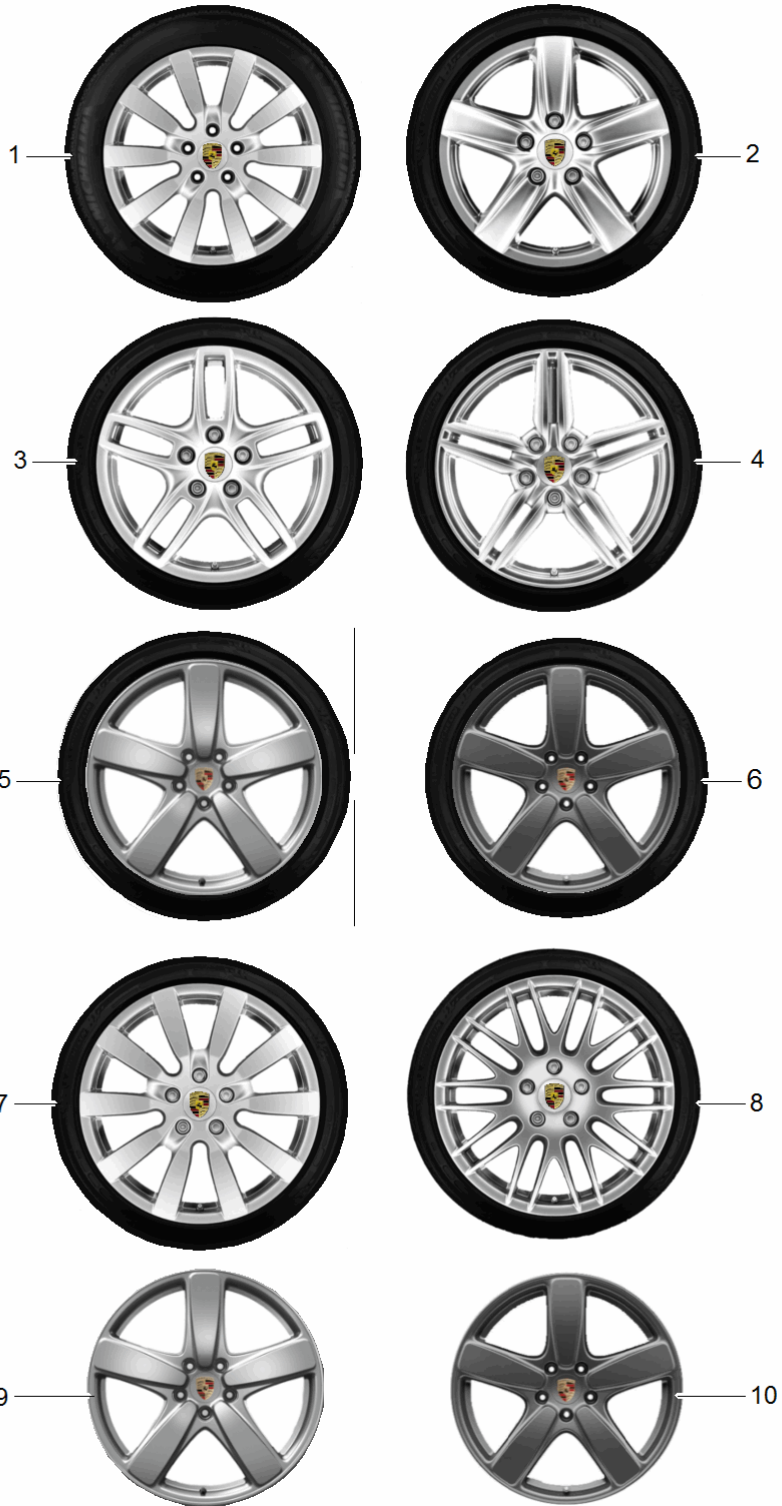
Pos	Part Number	Description	Remark	Qty	Model
11	958 044 602 21	10J X 21'' ET50 295/35 R21 107Y XL High-Gloss Black MICHELIN Included Hub cap use if required: D - MJ 2011>> - MJ 2014	958 044 500 00	1	5 mm PR:-482
(11)	958 044 602 22	Set of wheels, compl. 21-ZOLL CAYENNE SPORT CLASSIC 10J X 21'' ET50 295/35 R21 107Y XL GT Silver Metallic MICHELIN also use: use if required: D - MJ 2011>> - MJ 2014	991 044 600 20 958 044 500 00	1	5 mm PR:482
12	958 044 602 25	Set of wheels, compl. 21-ZOLL CAYENNE SPORT CLASSIC 10J X 21'' ET50 295/35 R21 107Y XL GT Silver Metallic MICHELIN also use: use if required: D - MJ 2011>> - MJ 2014	991 044 600 20 958 044 500 00	1	5 mm PR:-482
(12)	958 044 602 26	Set of wheels, compl. 21-ZOLL CAYENNE SPORT CLASSIC 10J X 21'' ET50 295/35 R21 107Y XL Silk-Gloss Platinum MICHELIN Included Hub cap use if required: D - MJ 2011>> - MJ 2014	958 044 500 00	1	5 mm PR:482
13	958 044 602 23	Set of wheels, compl. 21-ZOLL CAYENNE SPORT CLASSIC 10J X 21'' ET50 295/35 R21 107Y XL High-Gloss Black MICHELIN Included Hub cap use if required: D - MJ 2011>> - MJ 2014	958 044 500 00	1	5 mm PR:-482
(13)	958 044 602 24	Set of wheels, compl. 21-ZOLL CAYENNE	958 044 500 00	1	5 mm PR:482

Model: TEQ 2 Model life 2003>>

Pos	Part Number	Description	Remark	Qty	Model
-		SPORT CLASSIC 10J X 21'' ET50 295/35 R21 107Y XL High-Gloss Black MICHELIN Included Hub cap			
		use if required: D - MJ 2011>> - MJ 2014	958 044 500 00		5 mm
14	7P5 601 025 BE	Wheels Only for replacement Alloy wheel 19-ZOLL CAYENNE SPORT CLASSIC II 8,5 X 19'' ET59		1	
15	7P5 601 025 BE M7Z 7P5 601 025 BE	GT Silver Metallic Alloy wheel 19-ZOLL CAYENNE SPORT CLASSIC II 8,5 X 19'' ET59		1	
	7P5 601 025 BE OB5	Platinum satin-matt			

Model: TEQ 2

Model life 2003>>



Model: TEQ 2 Model life 2003>>

Pos	Part Number	Description	Remark	Qty	Model
-		Gear wheel sets Wheels Winter D - MJ 2011>> - MJ 2014 Information Manufacturer Approval Wheels and tyres in Piwis Group 4 suspension Attention Attention PCCB only in conj. with: 20-ZOLL for PCCB Together with 19-ZOLL Technical information Attention Attention Snow chains Not Together with Shim			Cayenne (92A)
1	958 044 600 65	Set of wheels, compl. 18-ZOLL CAYENNE II 8J X 18'' ET53 255/55 R18 109V XL M+S silver DUNLOP Not for: PCCB		1	PR:7K0 OHNE/NOT FOR TURBO TURBO S
(1)	958 044 600 75	Set of wheels, compl. 18-ZOLL CAYENNE II 8J X 18'' ET53 255/55 R18 109V XL M+S silver PIRELLI Not for: PCCB also use: use if required:	970 044 600 11 958 044 600 13	1	PR:7K0 OHNE/NOT FOR TURBO TURBO S
(1)	958 044 600 85	Set of wheels, compl. 18-ZOLL CAYENNE II 8J X 18'' ET53 255/55 R18 109V XL M+S silver MICHELIN Not for: PCCB also use: use if required:	970 044 600 11 958 044 600 13	1	PR:7K0 OHNE/NOT FOR TURBO TURBO S
(1)	958 044 600 66	Set of wheels, compl. 18-ZOLL CAYENNE II 8J X 18'' ET53 255/55 R18 109V XL M+S silver DUNLOP		1	PR:7K3 OHNE/NOT FOR TURBO TURBO S

Model: TEQ 2 Model life 2003>>

Pos	Part Number	Description	Remark	Qty	Model
(1)	958 044 600 76	Not for: PCCB also use: use if required: Set of wheels, compl. 18-ZOLL CAYENNE II 8J X 18'' ET53 255/55 R18 109V XL M+S silver PIRELLI Not for: PCCB	970 044 600 11 958 044 600 13	1	PR:7K3 OHNE/NOT FOR TURBO TURBO S
(1)	958 044 600 86	Not for: PCCB also use: use if required: Set of wheels, compl. 18-ZOLL CAYENNE II 8J X 18'' ET53 255/55 R18 109V XL M+S silver MICHELIN Not for: PCCB	970 044 600 11 958 044 600 13	1	PR:7K3 OHNE/NOT FOR TURBO TURBO S
2	958 044 600 61	Not for: PCCB also use: use if required: Set of wheels, compl. 18-ZOLL CAYENNE S III 8J X 18'' ET53 255/55 R18 109V XL M+S silver DUNLOP Not for: PCCB	970 044 600 11 958 044 600 13	1	PR:7K0 OHNE/NOT FOR TURBO TURBO S
(2)	958 044 600 71	Not for: PCCB also use: use if required: Set of wheels, compl. 18-ZOLL CAYENNE S III 8J X 18'' ET53 255/55 R18 109V XL M+S silver PIRELLI Not for: PCCB	970 044 600 11 958 044 600 13	1	PR:7K0 OHNE/NOT FOR TURBO TURBO S
(2)	958 044 600 81	Not for: PCCB also use: use if required: Set of wheels, compl. 18-ZOLL CAYENNE S III 8J X 18'' ET53 255/55 R18 109V XL M+S silver MICHELIN Not for: PCCB	970 044 600 11 958 044 600 13	1	PR:7K0 OHNE/NOT FOR TURBO TURBO S
(2)	958 044 600 62	Not for: PCCB also use: use if required: Set of wheels, compl. 18-ZOLL CAYENNE S III 8J X 18'' ET53 255/55 R18 109V XL M+S silver DUNLOP Not for: PCCB	970 044 600 11 958 044 600 13	1	PR:7K3 OHNE/NOT FOR TURBO TURBO S
		also use:	970 044 600 11		

Model: TEQ 2 Model life 2003>>

Pos	Part Number	Description	Remark	Qty	Model
(2)	958 044 600 72	use if required: Set of wheels, compl. 18-ZOLL CAYENNE S III 8J X 18'' ET53 255/55 R18 109V XL M+S silver PIRELLI Not for: PCCB	958 044 600 13	1	PR:7K3 OHNE/NOT FOR TURBO TURBO S
(2)	958 044 600 82	also use: use if required: Set of wheels, compl. 18-ZOLL CAYENNE S III 8J X 18'' ET53 255/55 R18 109V XL M+S silver MICHELIN Not for: PCCB	970 044 600 11 958 044 600 13	1	PR:7K3 OHNE/NOT FOR TURBO TURBO S
3	958 044 600 63	also use: use if required: Set of wheels, compl. 19-ZOLL CAYENNE TURBO III 8,5J X 19'' ET59 265/50 R19 110V XL M+S silver DUNLOP	970 044 600 11 958 044 600 13	1	PR:7K0
(3)	958 044 600 73	also use: use if required: Set of wheels, compl. 19-ZOLL CAYENNE TURBO III 8,5J X 19'' ET59 265/50 R19 110V XL M+S silver PIRELLI	970 044 600 14 958 044 600 14	1	PR:7K0
(3)	958 044 600 64	also use: use if required: Set of wheels, compl. 19-ZOLL CAYENNE TURBO III 8,5J X 19'' ET59 265/50 R19 110V XL M+S silver DUNLOP	970 044 600 14 958 044 600 14	1	PR:7K3
(3)	958 044 600 74	also use: use if required: Set of wheels, compl. 19-ZOLL CAYENNE TURBO III 8,5J X 19'' ET59 265/50 R19 110V XL M+S silver PIRELLI	970 044 600 14 958 044 600 14	1	PR:7K3
4	958 044 600 83	also use: use if required: Set of wheels, compl. 19-ZOLL CAYENNE DESIGN II 8,5J X 19'' ET59 265/50 R19 110V XL M+S silver DUNLOP	970 044 600 14 958 044 600 14	1	PR:7K0
(4)	958 044 600 93	also use: use if required: Set of wheels, compl. 19-ZOLL CAYENNE DESIGN II	970 044 600 14 958 044 600 14	1	PR:7K0

Model: TEQ 2 Model life 2003>>

Pos	Part Number	Description	Remark	Qty	Model
(4)	958 044 600 84	8,5J X 19'' ET59 265/50 R19 110V XL M+S silver PIRELLI also use: use if required:	970 044 600 14 958 044 600 14	1	PR:7K3
(4)	958 044 600 94	Set of wheels, compl. 19-ZOLL CAYENNE DESIGN II 8,5J X 19'' ET59 265/50 R19 110V XL M+S silver DUNLOP also use: use if required:	970 044 600 14 958 044 600 14	1	PR:7K3
5	958 044 600 95	Set of wheels, compl. 19-ZOLL CAYENNE SPORT CLASSIC 8,5J X 19'' ET59 265/50 R19 110V XL M+S GT Silver Metallic DUNLOP also use: use if required:	970 044 600 14 958 044 600 14	1	PR:7K0
(5)	958 044 600 96	Set of wheels, compl. 19-ZOLL CAYENNE SPORT CLASSIC 8,5J X 19'' ET59 265/50 R19 110V XL M+S GT Silver Metallic DUNLOP also use: use if required:	991 044 600 20 958 044 600 14	1	PR:7K3
6	958 044 600 97	Set of wheels, compl. 19-ZOLL CAYENNE SPORT CLASSIC 8,5J X 19'' ET59 265/50 R19 110V XL M+S Silk-Gloss Platinum DUNLOP Included Hub cap also use: use if required:	991 044 600 20 958 044 600 14	1	PR:7K0
(6)	958 044 600 98	Set of wheels, compl. 19-ZOLL CAYENNE SPORT CLASSIC 8,5J X 19'' ET59 265/50 R19 110V XL M+S Silk-Gloss Platinum DUNLOP Included Hub cap use if required:	958 044 600 14	1	PR:7K3
7	958 044 600 67	Set of wheels, compl. 20-ZOLL CAYENNE SPORT DESIGN II use if required:	958 044 600 14	1	PR:7K0

Model: TEQ 2 Model life 2003>>

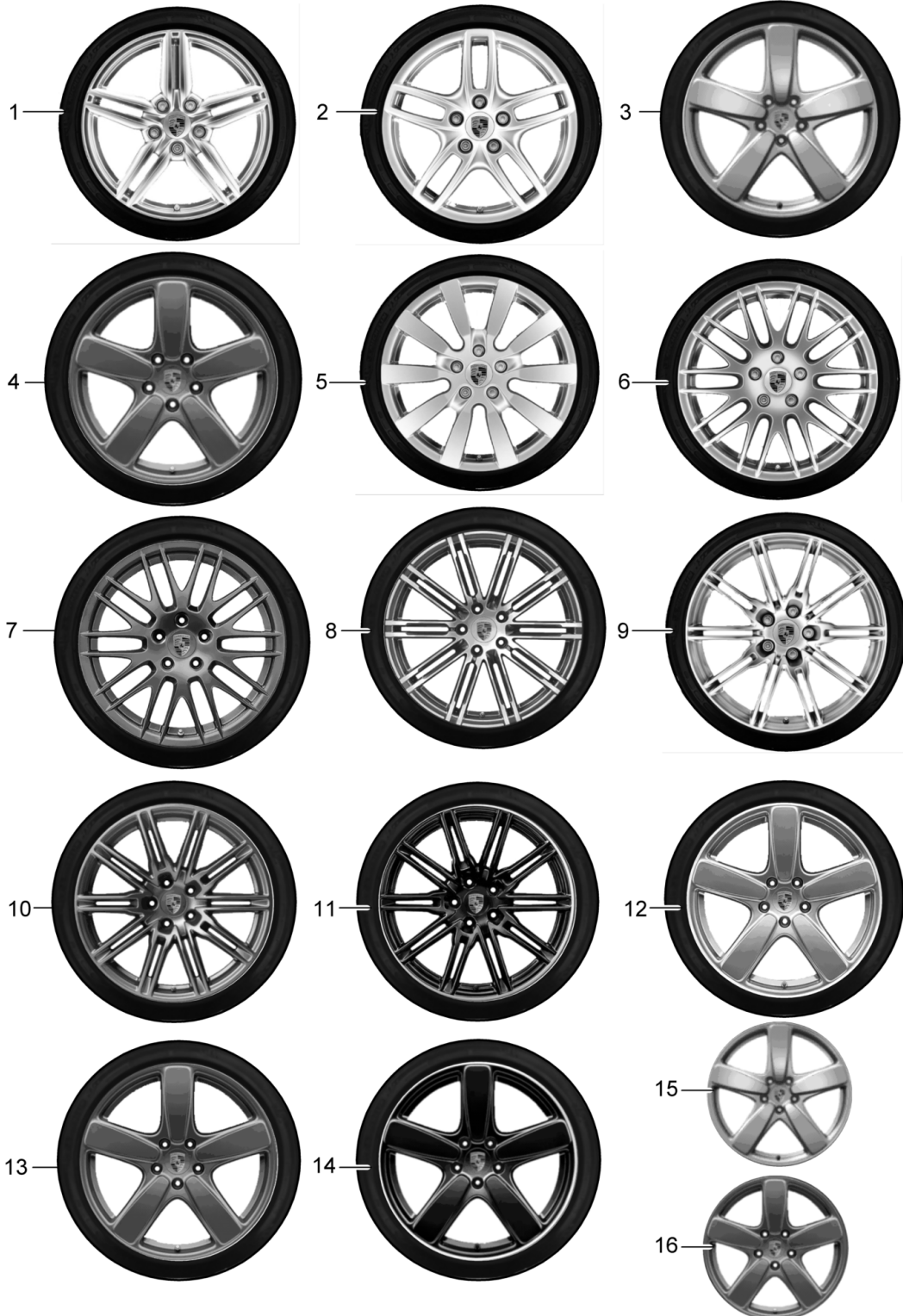
Pos	Part Number	Description	Remark	Qty	Model
(7)	958 044 600 77	9J X 20'' ET57 275/45 R20 110V XL M+S silver DUNLOP also use: use if required:	970 044 600 14 958 044 600 14	1	PR:7K0
(7)	958 044 600 68	Set of wheels, compl. 20-ZOLL CAYENNE SPORT DESIGN II 9J X 20'' ET57 275/45 R20 110V XL M+S silver PIRELLI also use: use if required:	970 044 600 14 958 044 600 14	1	PR:7K3
(7)	958 044 600 78	Set of wheels, compl. 20-ZOLL CAYENNE SPORT DESIGN II 9J X 20'' ET57 275/45 R20 110V XL M+S silver PIRELLI also use: use if required:	970 044 600 14 958 044 600 14	1	PR:7K3
8	958 044 600 69	Set of wheels, compl. 20-ZOLL RS SPYDER DESIGN 9J X 20'' ET57 275/45 R20 110V XL M+S silver DUNLOP also use: use if required:	970 044 600 14 958 044 600 14	1	PR:7K0
(8)	958 044 600 79	Set of wheels, compl. 20-ZOLL RS SPYDER DESIGN 9J X 20'' ET57 275/45 R20 110V XL M+S silver PIRELLI also use: use if required:	958 044 600 11 958 044 600 14	1	PR:7K0
(8)	958 044 600 70	Set of wheels, compl. 20-ZOLL RS SPYDER DESIGN 9J X 20'' ET57 275/45 R20 110V XL M+S silver DUNLOP also use: use if required:	958 044 600 11 958 044 600 14	1	PR:7K3
(8)	958 044 600 80	Set of wheels, compl. 20-ZOLL RS SPYDER DESIGN 9J X 20'' ET57 275/45 R20 110V XL M+S silver PIRELLI	958 044 600 11 958 044 600 14	1	PR:7K3

Model: TEQ 2 Model life 2003>>

Pos	Part Number	Description	Remark	Qty	Model
-		Wheels Only for replacement	also use: 958 044 600 11 use if required: 958 044 600 14		
9	7P5 601 025 BE	Alloy wheel 19-ZOLL CAYENNE SPORT CLASSIC II 8,5 X 19'' ET59		1	
10	7P5 601 025 BE M7Z	GT Silver Metallic			
	7P5 601 025 BE	Alloy wheel 19-ZOLL CAYENNE SPORT CLASSIC II 8,5 X 19'' ET59		1	
	7P5 601 025 BE OB5	Platinum satin-matt			

Model: TEQ 2

Model life 2003>>



Model: TEQ 2 Model life 2003>>

Pos	Part Number	Description	Remark	Qty	Model
-		Gear wheel sets Wheels Summer Information Manufacturer Approval Wheels and tyres in Piwis Group 4 suspension Attention Attention PCCB only in conj. with: 20/21-ZOLL for PCCB Together with 19-ZOLL Technical information Attention Attention 20'' RS SPYDER DESIGN Silk-Gloss Platinum and 21-ZOLL only in conj. with: wheel cover Wide	15-17		Cayenne (92A)
1	958 044 602 62	Set of wheels, compl. 19-ZOLL CAYENNE DESIGN II 8,5J X 19'' ET59 265/50 R19 110Y XL silver PIRELLI also use: use if required:	970 044 600 14 955 044 600 23 958 044 500 00	1	PR:7K3 OHNE/NOT FOR TURBO S
(1)	958 044 601 10	Set of wheels, compl. 19-ZOLL CAYENNE DESIGN II 8,5J X 19'' ET59 265/50 R19 110V XL M+S silver MICHELIN ALL SEASON also use: use if required:	970 044 600 14 958 044 600 14	1	17 mm 5 mm PR:7K3 OHNE/NOT FOR TURBO S
2	958 044 602 64	Not Together with Shim Set of wheels, compl. 19-ZOLL CAYENNE TURBO III 8,5J X 19'' ET59 265/50 R19 110Y XL silver PIRELLI also use: use if required:	970 044 600 14 955 044 600 23 958 044 500 00	1	PR:7K3 OHNE/NOT FOR TURBO S
3	958 044 602 66	Set of wheels, compl. 19-ZOLL CAYENNE SPORT CLASSIC 8,5J X 19'' ET59 265/50 R19 110Y XL		1	17 mm 5 mm OHNE/NOT FOR TURBO S

Model: TEQ 2 Model life 2003>>

Pos	Part Number	Description	Remark	Qty	Model
4	958 044 602 68	GT Silver Metallic PIRELLI also use: use if required:	991 044 600 20 955 044 600 23 958 044 500 00	1	17 mm 5 mm PR:7K3
5	958 044 602 70	Set of wheels, compl. 19-ZOLL CAYENNE SPORT CLASSIC 8,5J X 19'' ET59 265/50 R19 110Y XL Silk-Gloss Platinum PIRELLI Included Hub cap use if required:	955 044 600 23 958 044 500 00	1	17 mm 5 mm PR:7K3 OHNE/NOT FOR TURBO S
6	958 044 602 72	Set of wheels, compl. 20-ZOLL CAYENNE SPORT DESIGN II 9J X 20'' ET57 275/45 R20 110Y XL silver MICHELIN Together with PCCB Not for: Cayenne GTS Cayenne turbo also use: use if required:	970 044 600 14 955 044 600 23 958 044 500 00	1	17 mm 5 mm PR:7K3
-		Set of wheels, compl. 20-ZOLL RS SPYDER 9J X 20'' ET57 275/45 R20 110Y XL silver MICHELIN also use: use if required:	958 044 600 11 955 044 600 23 958 044 500 00	1	17 mm 5 mm
7	958 044 602 86	Attention 20'' RS SPYDER DESIGN Silk-Gloss Platinum and 21-ZOLL only in conj. with: wheel cover Wide		1	PR:7K3
8	958 044 602 74	Set of wheels, compl. 20-ZOLL RS SPYDER 9,5J X 20'' ET47 275/45 R20 110Y XL Silk-Gloss Platinum MICHELIN Not Together with Shim Included Hub cap		1	PR:7K3
		Set of wheels, compl. 21-ZOLL 911 TURBO DESIGN 10J X 21'' ET50 295/35 R21 107Y XL		1	PR:7K3

Model: TEQ 2 Model life 2003>>

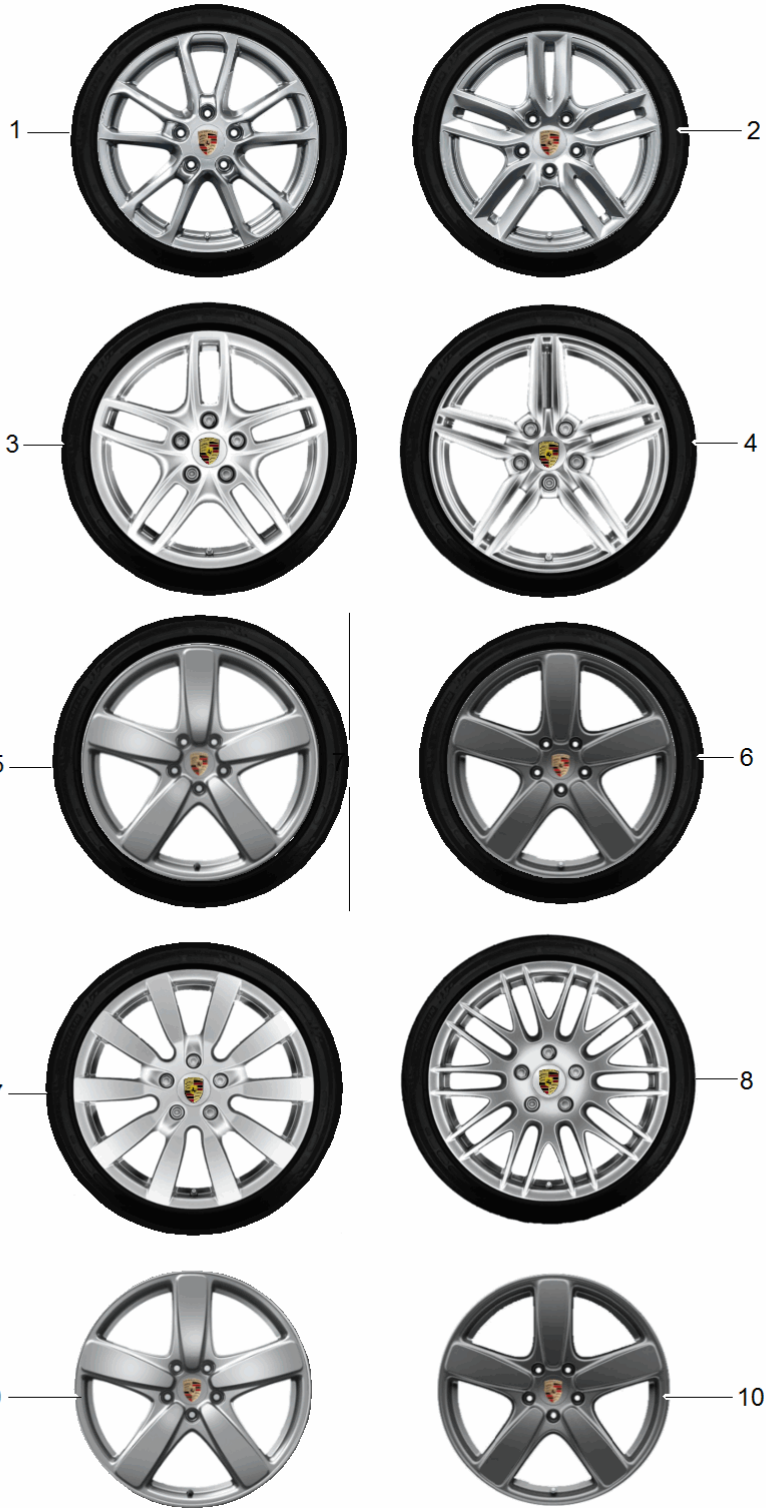
Pos	Part Number	Description	Remark	Qty	Model
9	958 044 602 82	two-colour MICHELIN also use: use if required: Set of wheels, compl. 21-ZOLL SPORT EDITION 10J X 21'' ET50 295/35 R21 107Y XL GT Silver Metallic MICHELIN	970 044 600 12 958 044 500 00	1	5 mm PR:7K3
10	958 044 602 58	also use: use if required: Set of wheels, compl. 21-ZOLL SPORT EDITION 10J X 21'' ET50 295/35 R21 107Y XL Silk-Gloss Platinum MICHELIN Included Hub cap	997 044 600 10 958 044 500 00	1	5 mm
11	958 044 602 84	use if required: Set of wheels, compl. 21-ZOLL SPORT EDITION 10J X 21'' ET50 295/35 R21 107Y XL High-Gloss Black MICHELIN Included Hub cap	958 044 500 00	1	5 mm PR:7K3
12	958 044 602 76	use if required: Set of wheels, compl. 21-ZOLL CAYENNE SPORT CLASSIC 10J X 21'' ET50 295/35 R21 107Y XL GT Silver Metallic MICHELIN	958 044 500 00	1	5 mm PR:7K3
13	958 044 602 80	also use: use if required: Set of wheels, compl. 21-ZOLL CAYENNE SPORT CLASSIC 10J X 21'' ET50 295/35 R21 107Y XL Silk-Gloss Platinum MICHELIN Included Hub cap	991 044 600 20 958 044 500 00	1	5 mm PR:7K3
14	958 044 602 78	use if required: Set of wheels, compl. 21-ZOLL CAYENNE SPORT CLASSIC 10J X 21'' ET50 295/35 R21 107Y XL High-Gloss Black MICHELIN Included Hub cap	958 044 500 00	1	5 mm PR:7K3
-		use if required: Wheels Only for replacement	958 044 500 00		5 mm
15	7P5 601 025 BE	Alloy wheel 19-ZOLL CAYENNE		1	

Model: TEQ 2 Model life 2003>>

Pos	Part Number	Description	Remark	Qty	Model
16	7P5 601 025 BE M7Z 7P5 601 025 BE 7P5 601 025 BE OB5	SPORT CLASSIC II 8,5 X 19'' ET 59 GT Silver Metallic Alloy wheel 19-ZOLL CAYENNE SPORT CLASSIC II 8,5 X 19'' ET 59 Platinum satin-matt		1	

Model: TEQ 2

Model life 2003>>



Model: TEQ 2

Model life 2003>>

Pos	Part Number	Description	Remark	Qty	Model
-		Gear wheel sets Wheels Winter D - MJ 2015>> - MJ 2017 Information Manufacturer Approval Wheels and tyres in Piwis Group 4 suspension Attention Attention PCCB only in conj. with: 20-ZOLL for PCCB Together with 19-ZOLL Technical information Attention Attention Snow chains Not Together with Shim			Cayenne (92A)
1	958 044 601 02	Set of wheels, compl. 18-ZOLL CAYENNE 8J X 18'' ET53 255/55 R18 109V XL M+S silver DUNLOP Not for: PCCB		1	PR:7K3 OHNE/NOT FOR GTS, TURBO TURBO S
(1)	958 044 601 22	Set of wheels, compl. 18-ZOLL CAYENNE 8J X 18'' ET53 255/55 R18 109V XL M+S silver PIRELLI Not for: PCCB	also use: 970 044 600 11 use if required: 958 044 600 13	1	PR:7K3 OHNE/NOT FOR GTS, TURBO TURBO S
(1)	958 044 601 12	Set of wheels, compl. 18-ZOLL CAYENNE 8J X 18'' ET53 255/55 R18 109V XL M+S silver MICHELIN Not for: PCCB	also use: 970 044 600 11 use if required: 958 044 600 13	1	PR:7K3 OHNE/NOT FOR GTS, TURBO TURBO S
2	958 044 601 04	Set of wheels, compl. 18-ZOLL CAYENNE S 8J X 18'' ET53 255/55 R18 109V XL M+S silver DUNLOP	also use: 970 044 600 11 use if required: 958 044 600 13	1	PR:7K3 OHNE/NOT FOR GTS, TURBO TURBO S

Model: TEQ 2 Model life 2003>>

Pos	Part Number	Description	Remark	Qty	Model
(2)	958 044 601 24	Not for: PCCB also use: use if required: Set of wheels, compl. 18-ZOLL CAYENNE S 8J X 18'' ET53 255/55 R18 109V XL M+S silver PIRELLI Not for: PCCB also use: use if required:	970 044 600 11 958 044 600 13	1	PR:7K3 OHNE/NOT FOR GTS, TURBO TURBO S
(2)	958 044 601 14	Not for: PCCB also use: use if required: Set of wheels, compl. 18-ZOLL CAYENNE S 8J X 18'' ET53 255/55 R18 109V XL M+S silver MICHELIN Not for: PCCB also use: use if required:	970 044 600 11 958 044 600 13	1	PR:7K3 OHNE/NOT FOR GTS, TURBO TURBO S
3	958 044 601 06	Not for: PCCB also use: use if required: Set of wheels, compl. 19-ZOLL CAYENNE TURBO for vehicles with air spring 8,5J X 19'' ET59 265/50 R19 110V XL M+S silver DUNLOP also use: use if required:	970 044 600 11 958 044 600 13	1	PR:7K3 OHNE/NOT FOR TURBO S
(3)	958 044 601 26	Not for: PCCB also use: use if required: Set of wheels, compl. 19-ZOLL CAYENNE TURBO for cars without air spring 8,5J X 19'' ET59 265/50 R19 110V XL M+S silver PIRELLI also use: use if required:	970 044 600 14 958 044 600 14	1	PR:7K3 OHNE/NOT FOR TURBO S
4	958 044 601 08	Not for: PCCB also use: use if required: Set of wheels, compl. 19-ZOLL CAYENNE DESIGN II for vehicles with air spring 8,5J X 19'' ET59 265/50 R19 110V XL M+S silver DUNLOP also use: use if required:	970 044 600 14 958 044 600 14	1	PR:7K3 OHNE/NOT FOR TURBO S
(4)	958 044 601 28	Not for: PCCB also use: use if required: Set of wheels, compl. 19-ZOLL CAYENNE DESIGN II for cars without air spring 8,5J X 19'' ET59 265/50 R19 110V XL M+S silver PIRELLI also use:	970 044 600 14 958 044 600 14 970 044 600 14	1	PR:7K3 OHNE/NOT FOR TURBO S

Model: TEQ 2 Model life 2003>>

Pos	Part Number	Description	Remark	Qty	Model
5	958 044 601 34	use if required: Set of wheels, compl. 19-ZOLL CAYENNE SPORT CLASSIC for vehicles with air spring 8,5J X 19'' ET59 265/50 R19 110V XL M+S GT Silver Metallic DUNLOP	958 044 600 14	1	PR:7K3 OHNE/NOT FOR TURBO S
(5)	958 044 601 54	also use: use if required: Set of wheels, compl. 19-ZOLL CAYENNE SPORT CLASSIC for cars without air spring 8,5J X 19'' ET59 265/50 R19 110V XL M+S GT Silver Metallic PIRELLI	991 044 600 20 958 044 600 14	1	PR:7K3 OHNE/NOT FOR TURBO S
6	958 044 601 36	also use: use if required: Set of wheels, compl. 19-ZOLL CAYENNE SPORT CLASSIC for vehicles with air spring 8,5J X 19'' ET59 265/50 R19 110V XL M+S Silk-Gloss Platinum DUNLOP Included Hub cap	991 044 600 20 958 044 600 14	1	PR:7K3 OHNE/NOT FOR TURBO S
(6)	958 044 601 56	use if required: Set of wheels, compl. 19-ZOLL CAYENNE SPORT CLASSIC for cars without air spring 8,5J X 19'' ET59 265/50 R19 110V XL M+S Silk-Gloss Platinum PIRELLI Included Hub cap	958 044 600 14	1	PR:7K3 OHNE/NOT FOR TURBO S
7	958 044 601 30	use if required: Set of wheels, compl. 20-ZOLL CAYENNE SPORT DESIGN II for vehicles with air spring 9J X 20'' ET57 275/45 R20 110V XL M+S silver DUNLOP Together with PCCB Not for: Cayenne GTS Cayenne turbo	958 044 600 14 also use: use if required:	1	PR:7K3 OHNE/NOT FOR TURBO S
			970 044 600 14 958 044 600 14		

Model: TEQ 2 Model life 2003>>

Pos	Part Number	Description	Remark	Qty	Model
(7)	958 044 601 40	Set of wheels, compl. 20-ZOLL CAYENNE SPORT DESIGN II for cars without air spring 9J X 20'' ET57 275/45 R20 110V XL M+S silver MICHELIN Together with PCCB Not for: Cayenne GTS Cayenne turbo		1	PR:7K3 OHNE/NOT FOR TURBO S
			also use: 970 044 600 14 use if required: 958 044 600 14		
8	958 044 601 32	Set of wheels, compl. 20-ZOLL RS SPYDER for vehicles with air spring 9J X 20'' ET57 275/45 R20 110V XL M+S silver DUNLOP		1	PR:7K3
			also use: 958 044 600 11 use if required: 958 044 600 14		
(8)	958 044 601 42	Set of wheels, compl. 20-ZOLL RS SPYDER for cars without air spring 9J X 20'' ET57 275/45 R20 110V XL M+S silver MICHELIN		1	PR:7K3
			also use: 958 044 600 11 use if required: 958 044 600 14		
-		Wheels Only for replacement			
9	7P5 601 025 BE	Alloy wheel 19-ZOLL CAYENNE SPORT CLASSIC II 8,5 X 19'' ET 59		1	
	7P5 601 025 BE M7Z	GT Silver Metallic			
10	7P5 601 025 BE	Alloy wheel 19-ZOLL CAYENNE SPORT CLASSIC II 8,5 X 19'' ET 59		1	
	7P5 601 025 BE OB5	Platinum satin-matt			

Model: TEQ 2

Model life 2003>>



Model: TEQ 2

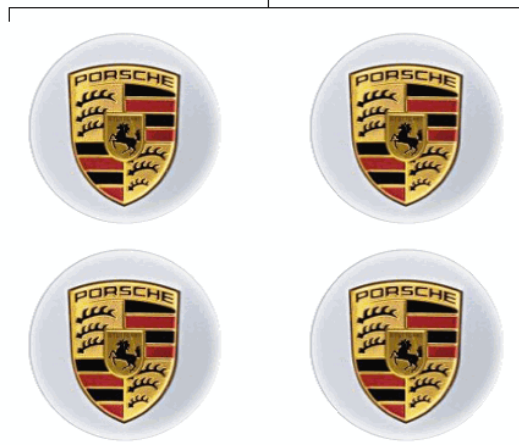
Model life 2003>>

Pos	Part Number	Description	Remark	Qty	Model
1	958 044 600 13	Snow chains D - MJ 2011>> - MJ 2017 Snow chains 18-ZOLL fuer 255/55 R18 M+S nicht i. V. m. Distanzsch.		1	Cayenne(92A) Cayenne/S Diesel S Hybrid
(1)	958 044 600 14	Snow chains 19-ZOLL 20-ZOLL fuer 265/50 R19 M+S fuer 275/45 R20 M+S nur an Hinterachse nicht i. V. m. Distanzsch.		1	Cayenne/S Diesel S Hybrid Turbo

Model: TEQ 2

Model life 2003>>

1



2



3



Model: TEQ 2 Model life 2003>>

Pos	Part Number	Description	Remark	Qty	Model
1	991 044 600 09	Hub cap D - MJ 2003>> 1 set wheel trim caps silver Porsche crest Coloured for Set of wheels, compl. 18-ZOLL CAYENNE S		1	Cayenne alle 9PA 9YA
(1)	970 044 600 11	1 set wheel trim caps Brilliant Silver Porsche crest Coloured for Set of wheels, compl. 17-ZOLL CAYENNE 18-ZOLL CAYENNE 18-ZOLL CAYENNE S II 18-ZOLL CAYENNE S III 18-ZOLL CAYENNE TURBO II 19-ZOLL CAYENNE 20-ZOLL SPORT TECHNO 21-ZOLL CAYENNE SPORT 21-ZOLL CAYENNE SPORT PLUS		1	9PA 9YA 9PA 92A 9PA 92A 9PA 9YA 9PA 9PA 9PA
(1)	970 044 600 14	1 set wheel trim caps Brilliant chrome finish Porsche crest Coloured for Set of wheels, compl. 19-ZOLL CAYENNE TURBO III 19-ZOLL CAYENNE DESIGN II 20-ZOLL SPORT DESIGN II 20-ZOLL CAYENNE DESIGN 20-ZOLL CAYENNE SPORT		1	92A 92A 92A 9YA 9YA
(1)	955 044 600 11	Hub cap Star shaped Set silver Porsche crest Coloured for Set of wheels, compl. 19-ZOLL CAYENNE DESIGN 20-ZOLL SPORT DESIGN		1	9PA 9PA
(1)	955 044 600 12	Hub cap Set silver Porsche crest Coloured for Set of wheels, compl. 18-ZOLL CAYENNE TURBO		1	9PA
(1)	997 044 600 10	1 set wheel trim caps GT Silver Metallic Porsche crest Coloured for Set of wheels, compl. 21-ZOLL SPORT EDITION		1	92A
(1)	991 044 600 20	1 set wheel trim caps GT Silver Metallic		1	

Model: TEQ 2 Model life 2003>>

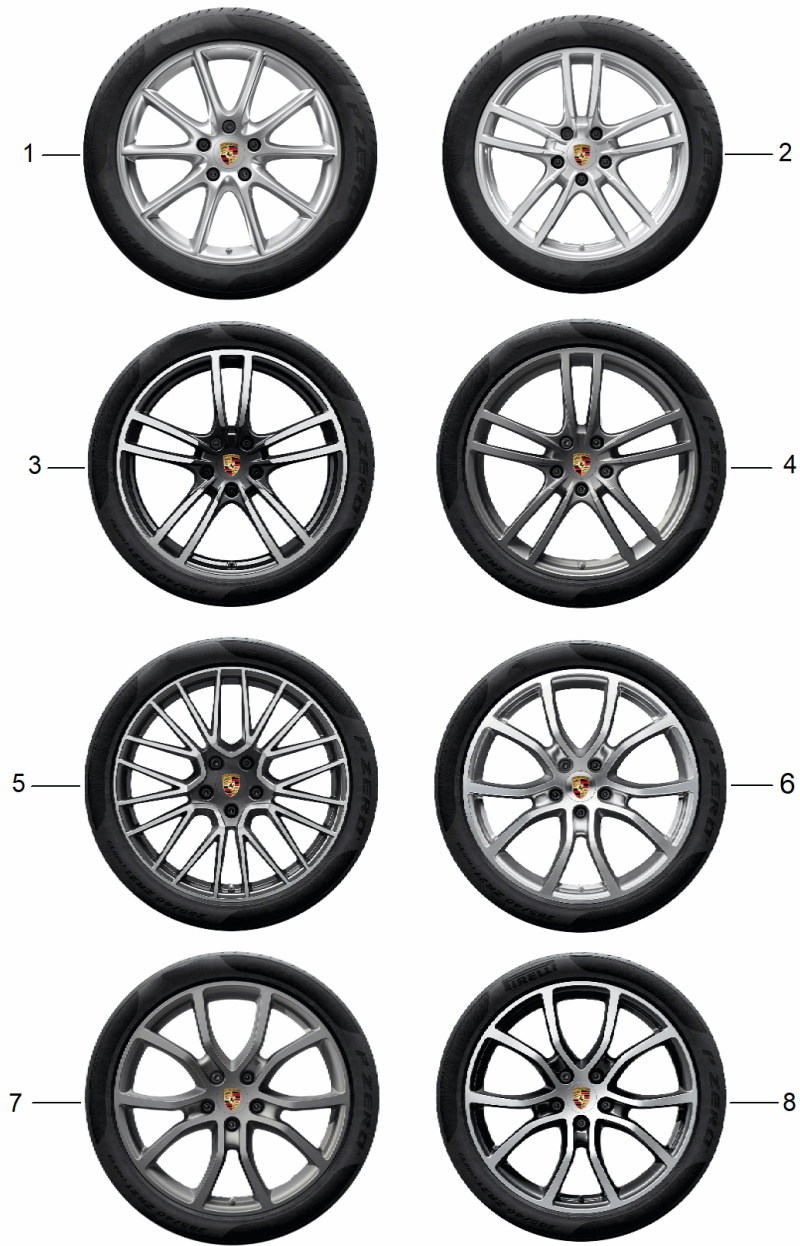
Pos	Part Number	Description	Remark	Qty	Model
(1)	970 044 600 12	Porsche crest Coloured for Set of wheels, compl. 19-ZOLL SPORT CLASSIC 21-ZOLL SPORT CLASSIC II 1 set wheel trim caps Titanium grey Porsche crest Coloured for Set of wheels, compl. 21-ZOLL 911 TURBO II 21-ZOLL CAYENNE TURBO 21-ZOLL CAYENNE RS SPYDER		1	92A 92A
(1)	958 044 600 11	1 set wheel trim caps Titanium grey Porsche crest Coloured for Set of wheels, compl. 20-ZOLL RS SPYDER		1	92A 9YA 9YA
(1)	991 044 600 23	1 set wheel trim caps Titanium Dark Porsche crest Coloured for Set of wheels, compl. 21-ZOLL 911 TURBO III		1	92A
2	000 044 607 23	1 set wheel trim caps Silk-Gloss Platinum Porsche crest Coloured for Set of wheels, compl. 20-ZOLL RS SPYDER 21-ZOLL CAYENNE TURBO DESI		1	92A 9YA
(2)	000 044 605 34	Platinum satin-matt 1 set wheel trim caps Silk-Gloss Platinum Porsche crest Coloured for Set of wheels, compl. 19-ZOLL SPORT CLASSIC 21-ZOLL SPORT CLASSIC II 21-ZOLL SPORT EDITION		1	92A 92A 92A
3	997 044 600 47	Platinum satin-matt 1 set wheel trim caps Black Porsche crest Coloured for Set of wheels, compl. 21-ZOLL SPORT PLUS		1	9PA
(3)	997 044 602 97	Black 1 set wheel trim caps Black Porsche crest Coloured for Set of wheels, compl.		1	

Model: TEQ 2 Model life 2003>>

Pos	Part Number	Description	Remark	Qty	Model
		21-ZOLL SPORT CLASSIC II 21-ZOLL SPORT EDITION Black			92A 92A

Model: TEQ 2

Model life 2003>>



P94602006 04 - 18

Model: TEQ 2 Model life 2003>>

Pos	Part Number	Description	Remark	Qty	Model
-		gear set RAEDER SOMMER D - MJ 2018>> note: HERSTELLERFREIGABE RAEDER UND REIFEN IN PIWIS GRUPPE 4 FAHRWERK BEACHTEN			Cayenne (9YA)
-		note: PCCB only in conj. with: 21-ZOLL			
-		note: 21-ZOLL KOMPLETTTRAEDER only in conj. with: RADHAUSVERBREITERUNGEN			
1	9Y0 044 660 B	Set of wheels, compl. 20-ZOLL CAYENNE DESIGN 9J X 20 ET50 275/45 ZR20 (110Y) XL 10,5J X 20 ET64 305/40 ZR20 (112Y) XL silver PIRELLI	Painted	1	PR:7K3
2	9Y0 044 660 C	also use: Set of wheels, compl. 20-ZOLL CAYENNE SPORT 9J X 20 ET50 275/45 ZR20 (110Y) XL 10,5J X 20 ET64 305/40 ZR20 (112Y) XL silver PIRELLI	970 044 600 14	1	PR:7K3
5	9Y0 044 660 F	also use: Set of wheels, compl. 21-ZOLL CAYENNE TURBO 9,5J X 21 ET46 285/40 ZR21 (109Y) XL 11J X 21 ET58 315/35 ZR21 (111Y) XL silver PIRELLI	970 044 600 14	1	PR:7K3
6	9Y0 044 660 G	also use: Set of wheels, compl. 21-ZOLL CAYENNE TURBO DESI 9,5J X 21 ET46 285/40 ZR21 (109Y) XL 11J X 21 ET58 315/35 ZR21 (111Y) XL Silk-Gloss Platinum PIRELLI Included	970 044 600 12	1	PR:7K3
7	9Y0 044 660 H	1 set wheel trim caps Set of wheels, compl. 21-ZOLL CAYENNE RS SPYDER 9,5J X 21 ET46 285/40 ZR21 (109Y) XL 11J X 21 ET58 315/35 ZR21 (111Y) XL		1	PR:7K3

Model: TEQ 2 Model life 2003>>

Pos	Part Number	Description	Remark	Qty	Model
8	9Y0 044 660 J	silver PIRELLI also use: Set of wheels, compl. 21-ZOLL CAYENNE EXC DESIGN 9,5J X 21 ET46 285/40 ZR21 (109Y) XL 11J X 21 ET58 315/35 ZR21 (111Y) XL silver PIRELLI	000 044 607 36	1	PR:7K3
9	9Y0 044 660 K	also use: Set of wheels, compl. 21-ZOLL CAYENNE EXC DESIGN 9,5J X 21 ET46 285/40 ZR21 (109Y) XL 11J X 21 ET58 315/35 ZR21 (111Y) XL Silk-Gloss Platinum PIRELLI Included 1 set wheel trim caps	000 044 607 37	1	PR:7K3
10	9Y0 044 660 L	Set of wheels, compl. 21-ZOLL CAYENNE EXC DESIGN 9,5J X 21 ET46 285/40 ZR21 (109Y) XL 11J X 21 ET58 315/35 ZR21 (111Y) XL High-Gloss Black PIRELLI Included 1 set wheel trim caps		1	PR:7K3

Model: TEQ 2

Model life 2003>>



Model: TEQ 2 Model life 2003>>

Pos	Part Number	Description	Remark	Qty	Model
-		Gear wheel sets Wheels Winter D - MJ 2018>> Information Manufacturer Approval Wheels and tyres in Piwis Group 4 suspension Attention note: PSCB only in conj. with: 20-ZOLL ODER 21-ZOLL note: PCCB only in conj. with: 21-ZOLL Attention 21-ZOLL KOMPLETTTRAEDER only in conj. with: RADHAUSVERBREITERUNGEN Lacquered			Cayenne (9YA)
1	9Y0 044 600 A	Set of wheels, compl. 19-ZOLL CAYENNE S 8,5J X 19 ET47 255/55 R19 111V XL M+S 9,5J X 19 ET54 275/50 R19 112V XL M+S silver MICHELIN Not for: PCCB & PSCB		1	PR:7K3 OHNE/NOT FOR TURBO
(1)	9Y0 044 601 A	Set of wheels, compl. 19-ZOLL CAYENNE S 8,5J X 19 ET47 255/55 R19 111V XL M+S 9,5J X 19 ET54 275/50 R19 112V XL M+S silver PIRELLI Not for: PCCB & PSCB	also use: 955 044 600 09 use if required: 9Y0 044 690 A	1	PR:7K3 OHNE/NOT FOR TURBO
2	9Y0 044 600 B	Set of wheels, compl. 20-ZOLL CAYENNE DESIGN 9J X 20 ET50 275/45 R20 110V XL M+S 10,5J X 20 ET64 305/40 R20 112V XL M+S silver MICHELIN Not for: PCCB	also use: 955 044 600 09 use if required: 9Y0 044 690 A	1	PR:7K3
(2)	9Y0 044 601 B	Set of wheels, compl. 20-ZOLL CAYENNE DESIGN	also use: 970 044 600 14 use if required: 9Y0 044 690 A	1	PR:7K3

Model: TEQ 2 Model life 2003>>

Pos	Part Number	Description	Remark	Qty	Model
(2)	9Y0 044 602 B	9J X 20 ET50 275/45 R20 110V XL M+S 10,5J X 20 ET64 305/40 R20 112V XL M+S silver Continental Not for: PCCB also use: use if required:	970 044 600 14 9Y0 044 690 A	1	PR:7K3
3	9Y0 044 600 C	Set of wheels, compl. 20-ZOLL CAYENNE DESIGN 9J X 20 ET50 275/45 R20 110V XL M+S 10,5J X 20 ET64 305/40 R20 112V XL M+S silver PIRELLI Not for: PCCB also use: use if required:	970 044 600 14 9Y0 044 690 A	1	PR:7K3
(3)	9Y0 044 601 C	Set of wheels, compl. 20-ZOLL CAYENNE SPORT 9J X 20 ET50 275/45 R20 110V XL M+S 10,5J X 20 ET64 305/40 R20 112V XL M+S silver MICHELIN Not for: PCCB also use: use if required:	970 044 600 14 9Y0 044 690 A	1	PR:7K3
(3)	9Y0 044 602 C	Set of wheels, compl. 20-ZOLL CAYENNE SPORT 9J X 20 ET50 275/45 R20 110V XL M+S 10,5J X 20 ET64 305/40 R20 112V XL M+S silver Continental Not for: PCCB also use: use if required:	970 044 600 14 9Y0 044 690 A	1	PR:7K3
4	9Y0 044 610 D	Set of wheels, compl. 20-ZOLL CAYENNE SPORTCLASSIC 9J X 20 ET50 275/45 R20 110V XL M+S 10,5J X 20 ET64	970 044 600 14 9Y0 044 690 A	1	PR:7K3

Model: TEQ 2

Model life 2003>>

Pos	Part Number	Description	Remark	Qty	Model
6	9Y0 044 600 H	305/40 R20 112V XL M+S silver MICHELIN Not for: PCCB also use: 000 044 605 22 use if required: 9Y0 044 690 A Set of wheels, compl. 21-ZOLL CAYENNE RS SPYDER 9,5J X 21 ET46 275/40 R21 107V XL M+S 11J X 21 ET58 305/35 R21 109V XL M+S silver Pirelli		1	PR:7K3
7	9Y0 044 600 J	also use: 000 044 607 36 use if required: 9Y0 044 690 A Set of wheels, compl. 21-ZOLL CAYENNE EXC DESIGN 9,5J X 21 ET46 275/40 R21 107V XL M+S 11J X 21 ET58 305/35 R21 109V XL M+S silver Pirelli also use: 000 044 607 37 use if required: 9Y0 044 690 A		1	PR:7K3

Model: TEQ 2

Model life 2003>>



Model: TEQ 2 Model life 2003>>

Pos	Part Number	Description	Remark	Qty	Model
1	9Y0 044 690 A	Snow chains D - MJ 2018>> Snow chains 19-ZOLL 20-ZOLL 21-ZOLL FUER 275/50 R19 M+S FUER 305/40 R20 M+S FUER 305/35 R21 M+S NUR AN HINTERACHSE NICHT FUER 21-ZOLL AS		1	Cayenne (9YA)

Model: TEQ 2

Model life 2003>>



Model: TEQ 2 Model life 2003>>

Pos	Part Number	Description	Remark	Qty	Model
-		Wheel-arch widening note: Inst. & Conv. Instructions 6699 (03/18)			Cayenne (9YA)
1	9Y0 044 820	Wheel housing liner Wheel-arch widening for Wheels/tyres 21-ZOLL	PR:2D0	1	

Model: TEQ 2

Model life 2003>>



Model: TEQ 2 Model life 2003>>

Pos	Part Number	Description	Remark	Qty	Model
		Snow chains			Cayenne (9PA)
		D - MJ 2003>> - MJ 2010			
1	955 044 600 07	Snow chains		1	235/65 R17
		Double			
(1)	955 044 600 08	Snow chains		1	255/55 R18
		Double			255/50 R19
(1)	955 044 600 13	Snow chains		1	275/40 R20
		Double			

Model: TEQ 2

Model life 2003>>

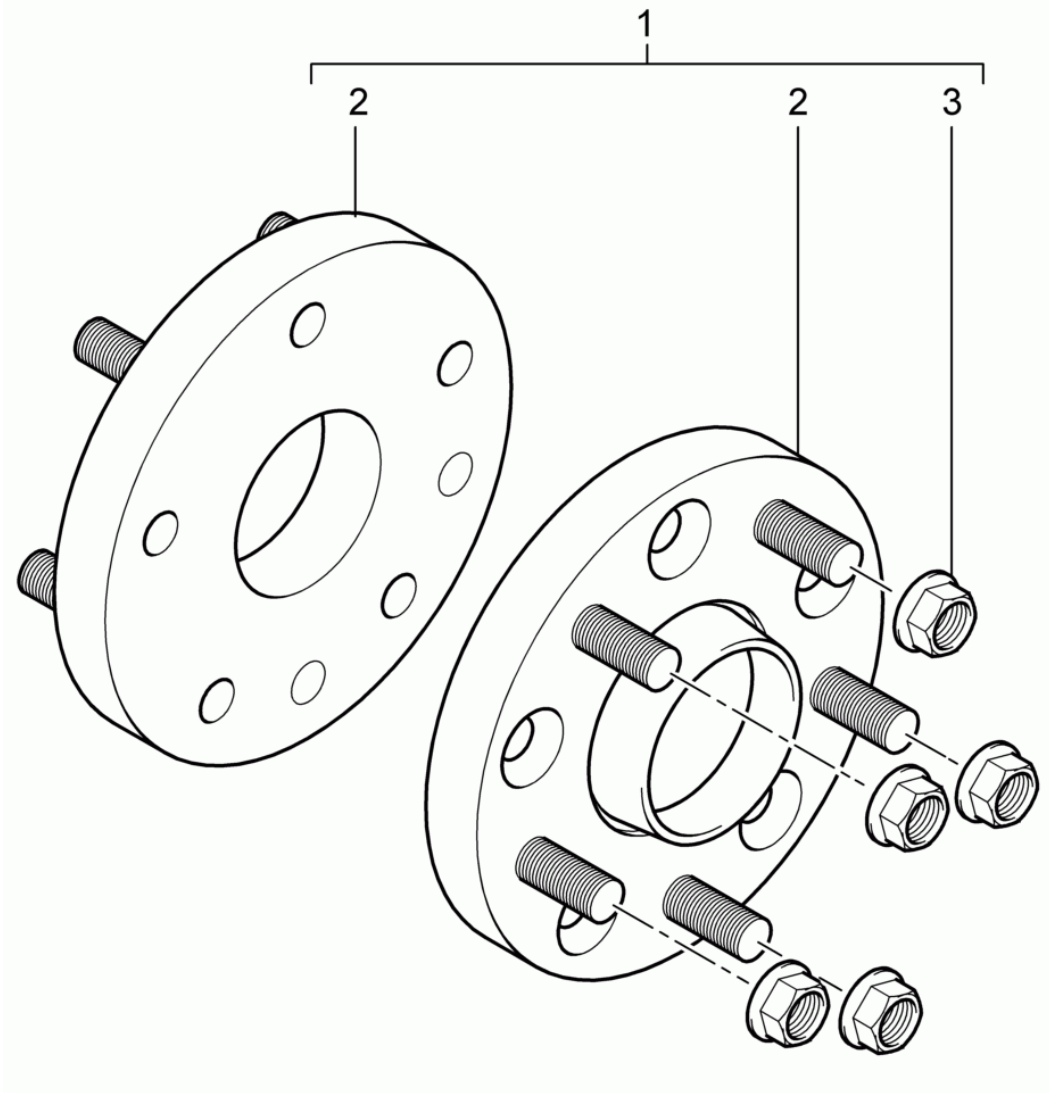


Model: TEQ 2 Model life 2003>>

Pos	Part Number	Description	Remark	Qty	Model
-		Brake PCCB D - MJ 2011>> - MJ 2014 Inst. & Conv. Instructions Cayenne turbo Group 4 4701 (48/10) Attention			Cayenne (92A) Turbo / GTS Turbo S
1	958 044 605 00	PCCB Set Only Vehicle Ident. No. F >> 92-CLA81 212		1	Turbo
(1)	958 044 605 01	D - MJ 2011>> - MJ 2012 Inst. & Conv. Instructions Cayenne turbo Group 4 4701 (8/12) Attention PCCB Set AB Vehicle Ident. No. F 92-CLA81 212>> D - MJ 2012>> - MJ 2014		1	Turbo / GTS Turbo S

Model: TEQ 2

Model life 2003>>

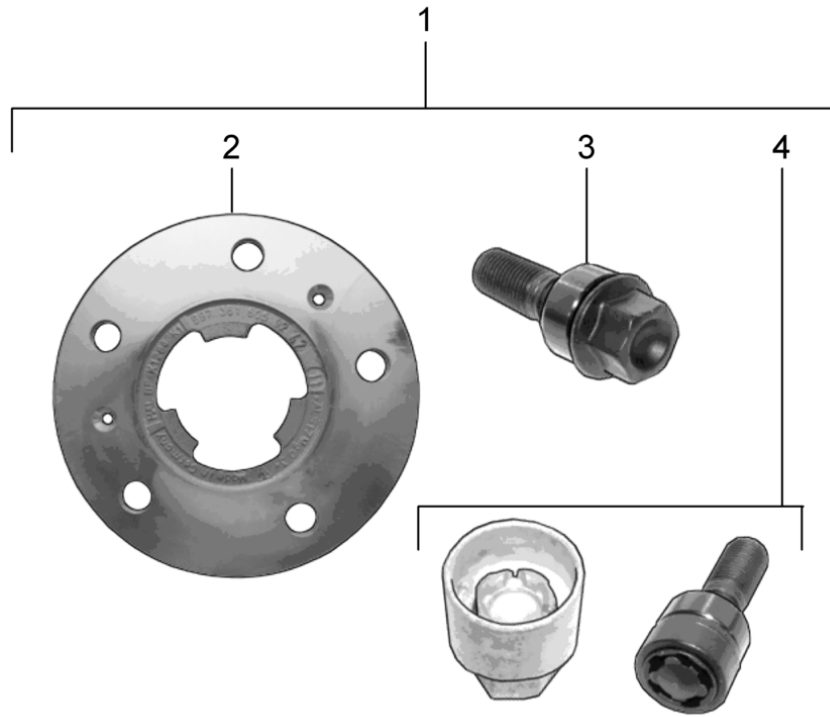


Model: TEQ 2 Model life 2003>>

Pos	Part Number	Description	Remark	Qty	Model
-		Shim 17 MM Inst. & Conv. Instructions Porsche Cayenne 4413 (10/07) 4413 (43/07) 4413 (23/11) 4413 (21/15) Attention	03-10 11-17		Cayenne (9PA) Cayenne (92A) alle Cayenne (9PA) Cayenne (9PA) Cayenne (92A) Cayenne (92A)
1	955 044 600 23	Shim for Widening of track Rear axle Set		1	17 mm PR: -011, -092 - "J..", - "S..", - "DK..", - "SF..", - "GB..", - "N..", - "RUS" PR: 2D1, 2D2, 6GB, 6GF, 6GH, 6GJ
-		only in conj. with: Sport Design package or wheel cover			
-		Not Together with Snow chains			
-		Not Together with 20-ZOLL RS SPYDER DESIGN			
-		Not Together with 21-ZOLL Not for: Wheels 955.362.136.30 955.362.142.00 955.362.156.00 955.362.162.00 Use			Cayenne (9PA)
-		Not for: Wheels 958.362.142.01.9A1 958.362.150.01.M7Z Use			Cayenne (92A)
-		Set comprising: Spacer ring		2	17 mm
2	996 361 617 00				
3	N 020 112 1	Spherical collar nut		10	M14 x 1,5

Model: TEQ 2

Model life 2003>>

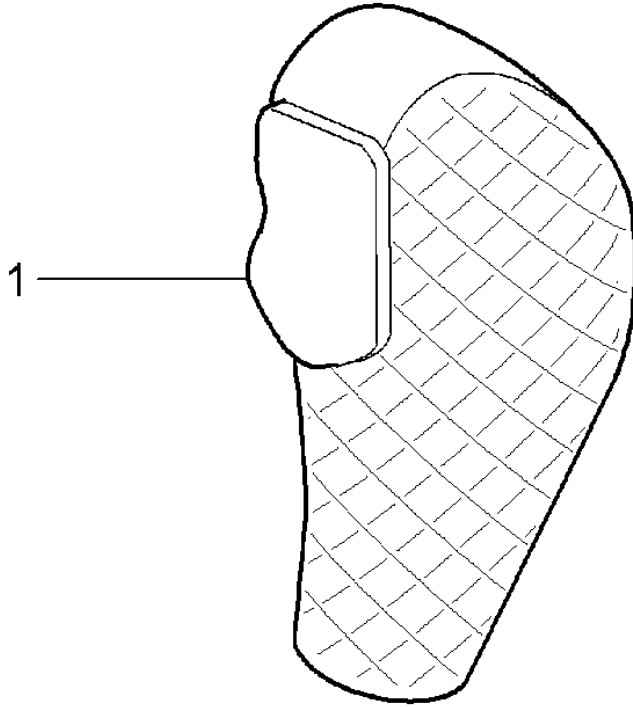


Model: TEQ 2 Model life 2003>>

Pos	Part Number	Description	Remark	Qty	Model
-		Shim 5 MM Inst. & Conv. Instructions Porsche Cayenne All Main group 4 4413 (32/12) 4413 (16/15) Attention	11-		Cayenne (92A)
1	958 044 500 00	Shim Set 2-part		1	5 mm
-		Not Together with Snow chains			
-		for Widening of track Front axle or Rear axle			
-		Attention in Japan only in conj. with: Sport Design package or wheel cover and Not Together with 21-ZOLL			PR: 2D1, 2D2, 6GB, 6GF, 6GH, 6GJ "J.."
-		Set comprising:			
2	997 361 605 92	Spacer ring		4	5 mm
3	958 361 980 00	Wheel bolt Black		16	M14x1, 5x54
4	000 044 602 42	Anti-theft protection Wheel bolt Black Set		1	M14x1, 5x54

Model: TEQ 2

Model life 2003>>

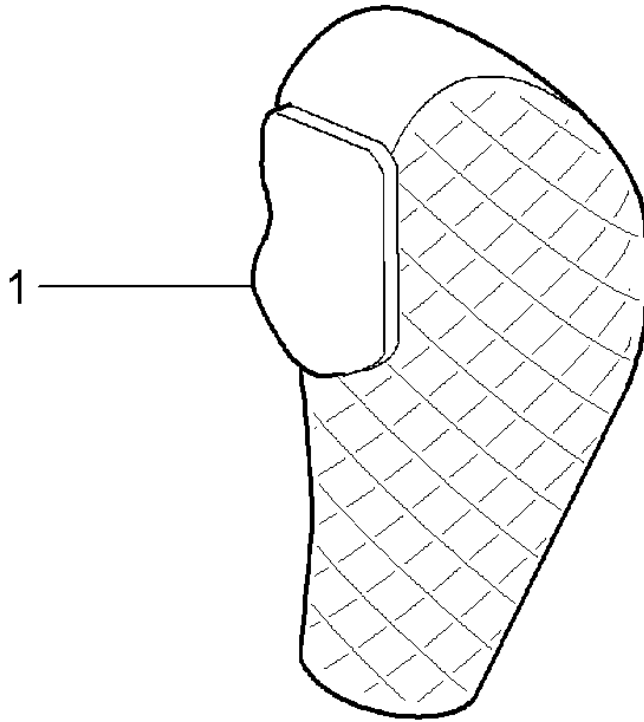


Model: TEQ 2 Model life 2003>>

Pos	Part Number	Description	Remark	Qty	Model
-	955 424 982 00	selector lever Tiptronic Wood D - MJ 2003>> - MJ 2010		1	Cayenne (9PA) PR:GOR
1	955 426 069 30 955 426 069 30 4V8	selector lever Olive grain Light High gloss D - MJ 2003>> - MJ 2004 Discontinued part Selector knob D - MJ 2005>> - MJ 2010		1	PR:GOR
-	955 424 983 00	selector lever Olive grain Light Matte D - MJ 2003>> - MJ 2006 Discontinued part		1	PR:GOR
1	955 426 069 20 955 426 069 20 9Z4	Selector knob D - MJ 2005>> - MJ 2010 Olive grain Light Matte		1	PR:GOR
-	955 424 981 00	selector lever Rootwood Dark High gloss D - MJ 2003>> - MJ 2004 Discontinued part		1	PR:GOR
1	955 426 069 10 955 426 069 10 4X2	Selector knob D - MJ 2005>> - MJ 2010 Rootwood Dark High gloss		1	PR:GOR

Model: TEQ 2

Model life 2003>>



Model: TEQ 2 Model life 2003>>

Pos	Part Number	Description	Remark	Qty	Model
1	955 424 980 00	selector lever Tiptronic Carbon D - MJ 2003>> - MJ 2010 selector lever Tiptronic Carbon		1	Cayenne (9PA) PR:D9J,D9K, D9L

Model: TEQ 2

Model life 2003>>

1



2

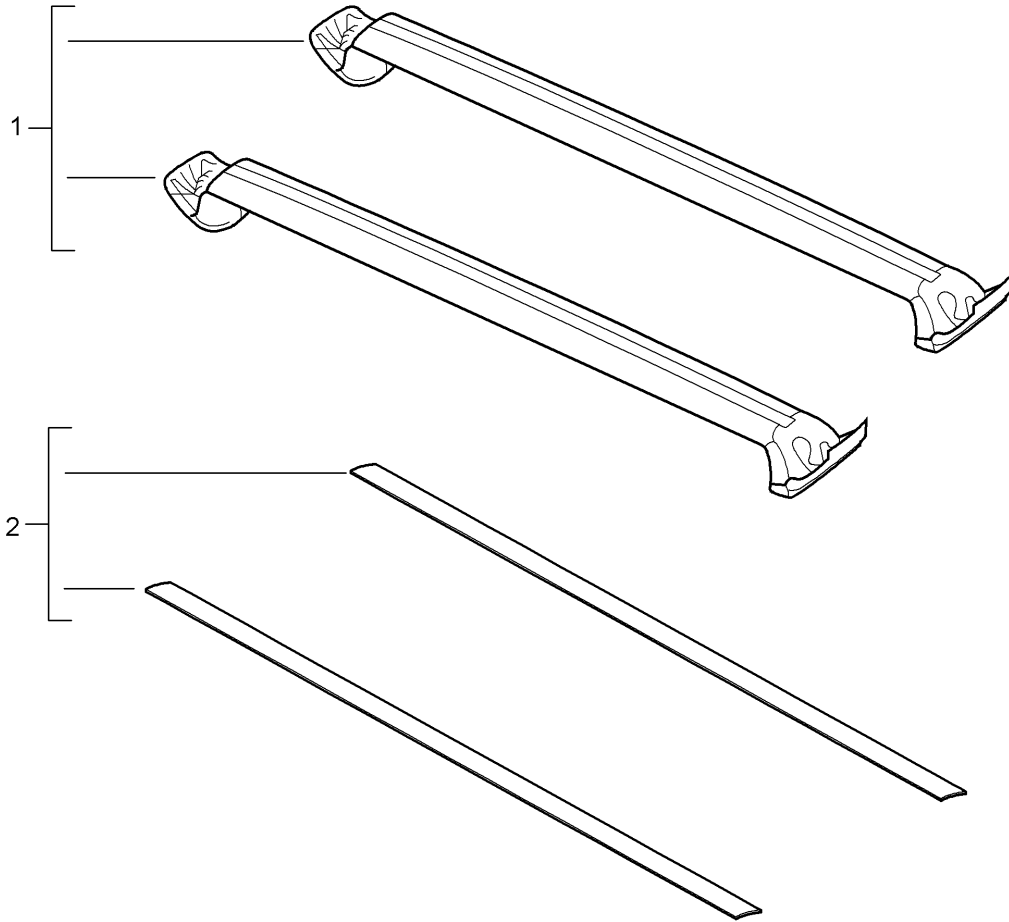


Model: TEQ 2 Model life 2003>>

Pos	Part Number	Description	Remark	Qty	Model	
1	955 044 700 00	selector lever	03-10	1	Cayenne (9PA) Cayenne (92A) Cayenne (9PA) PR:G0R	
		Tiptronic	11-			
		selector lever	03-10			
		Magnesium				
		955 044 700 00 L63	chestnut brown			
		955 044 700 00 5X6	Stone grey			
		955 044 700 00 7A3	Havanna			
2	958 044 700 00	selector lever	11-	1	Cayenne (92A) PR:G1G	
		aluminium				
		958 044 700 00 DE1	Umber			
		958 044 700 00 7A0	Platinum Grey			
		958 044 700 00 8C0	Espresso			
		958 044 700 00 8YR	Black			
		958 044 700 00 9H6	Luxor beige			
		958 044 700 00 OK6	saddle brown			
		958 044 700 00 PL1	agate grey			

Model: TEQ 2

Model life 2003>>

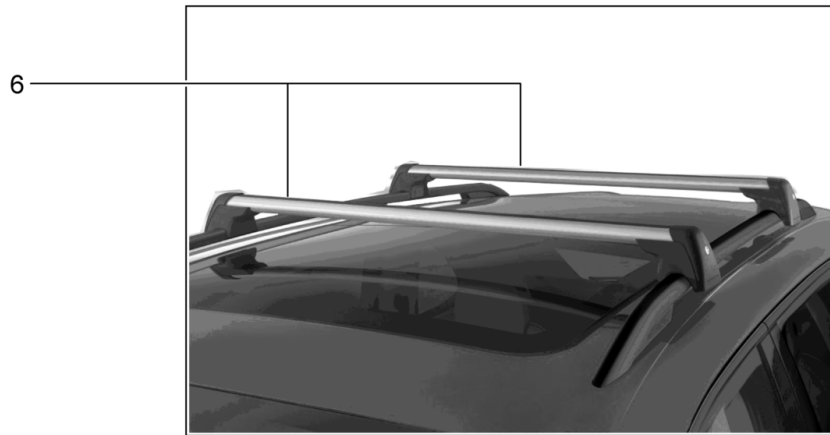
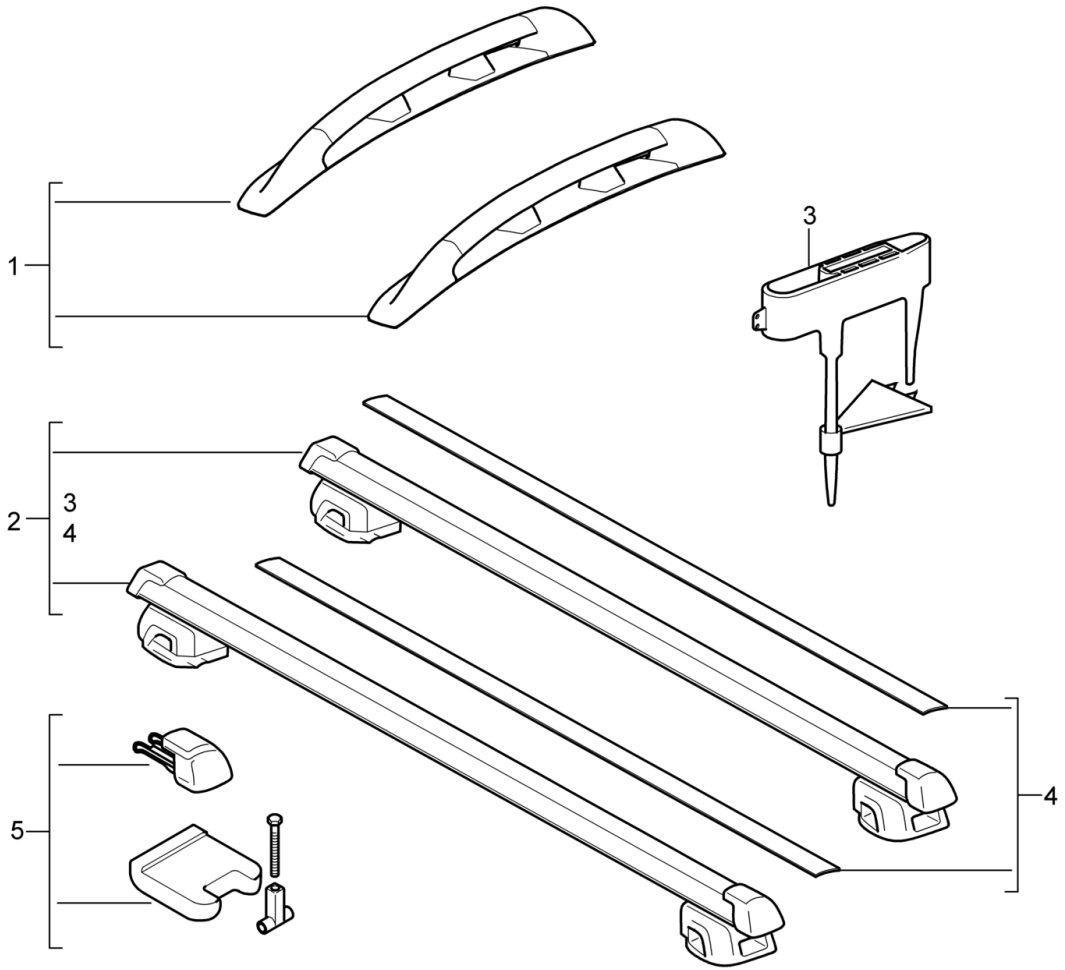


Model: TEQ 2 Model life 2003>>

Pos	Part Number	Description	Remark	Qty	Model
-		Roof carrier D - MJ 2003>> - MJ 2010 Technical information Porsche Cayenne Group 6 6692 (1/02) Attention			Cayenne (9PA)
1	955 044 000 22	Roof carrier Main support Double		1	alle
(1)	955 044 000 72	Discontinued part Roof carrier Main support Double		1	
-		Individual parts see Catalogue 9PA-8/10/00			
2	955 801 385 00	Protective rubber		1	
-	955 044 000 59	key Set State lock number		1	

Model: TEQ 2

Model life 2003>>

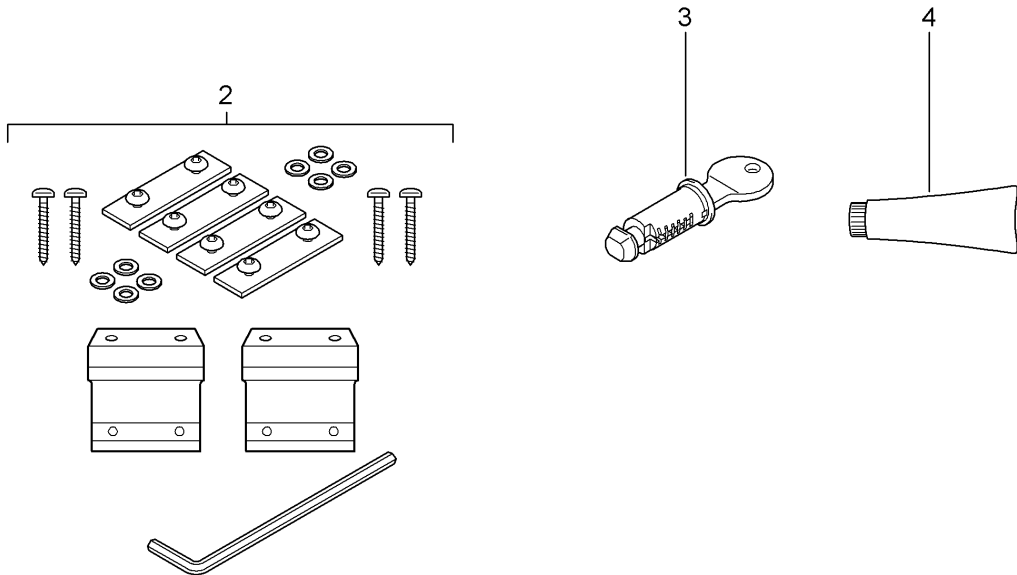
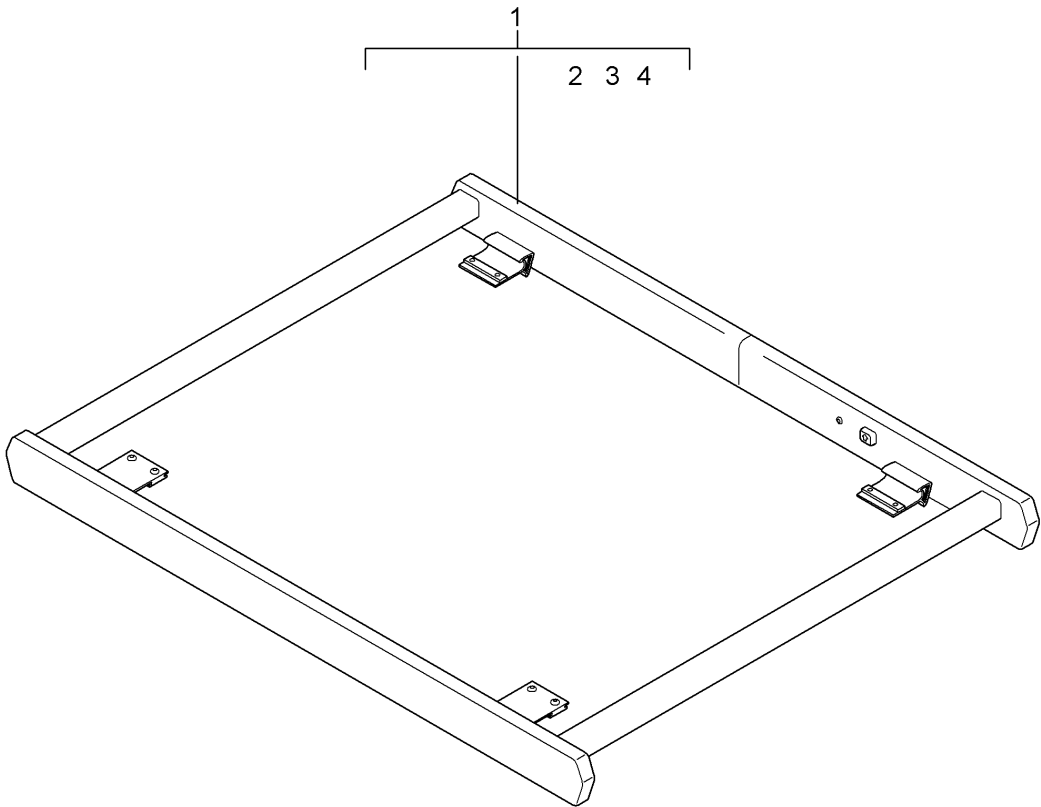


Model: TEQ 2 Model life 2003>>

Pos	Part Number	Description	Remark	Qty	Model
-		roof rail Cross member	03-10 11- 18-		Cayenne (9PA) Cayenne (92A) Cayenne (9YA)
-		Technical information Porsche Cayenne Group 6 6687 (2/04) Attention			alle
1	955 044 000 30	roof rail silver	03-10	1	Cayenne (9PA)
(1)	955 044 000 62	roof rail Black	03-10	1	Cayenne (9PA)
-		Individual parts see illustration: 9PA 8/10/00			
-		Technical information Porsche Cayenne Group 6 6692 (18/03) Attention			alle
2	955 044 000 35	Cross member Set for roof rail 955.044.000.30/62	03-10	1	Cayenne (9PA)
3	955 044 000 46	Torque wrench	03-10	1	Cayenne (9PA)
4	955 801 385 00	Protective rubber		1	
5	955 044 000 44	Assembly kit Cross member 955.044.000.35 comprising: Cover cap t-piece Screw Protective rubber Installation instructions		1 1 1 1 1 1	M6 x 50
6	958 044 000 10	Roof rack Set	11-17	1	Cayenne (92A) PR:3S1, 3S5
(6)	9Y0 860 019	Roof carrier Set	18-	1	PR:K4H, 3S1, 3S2
-	955 044 000 59	key Set State lock number		1	

Model: TEQ 2

Model life 2003>>

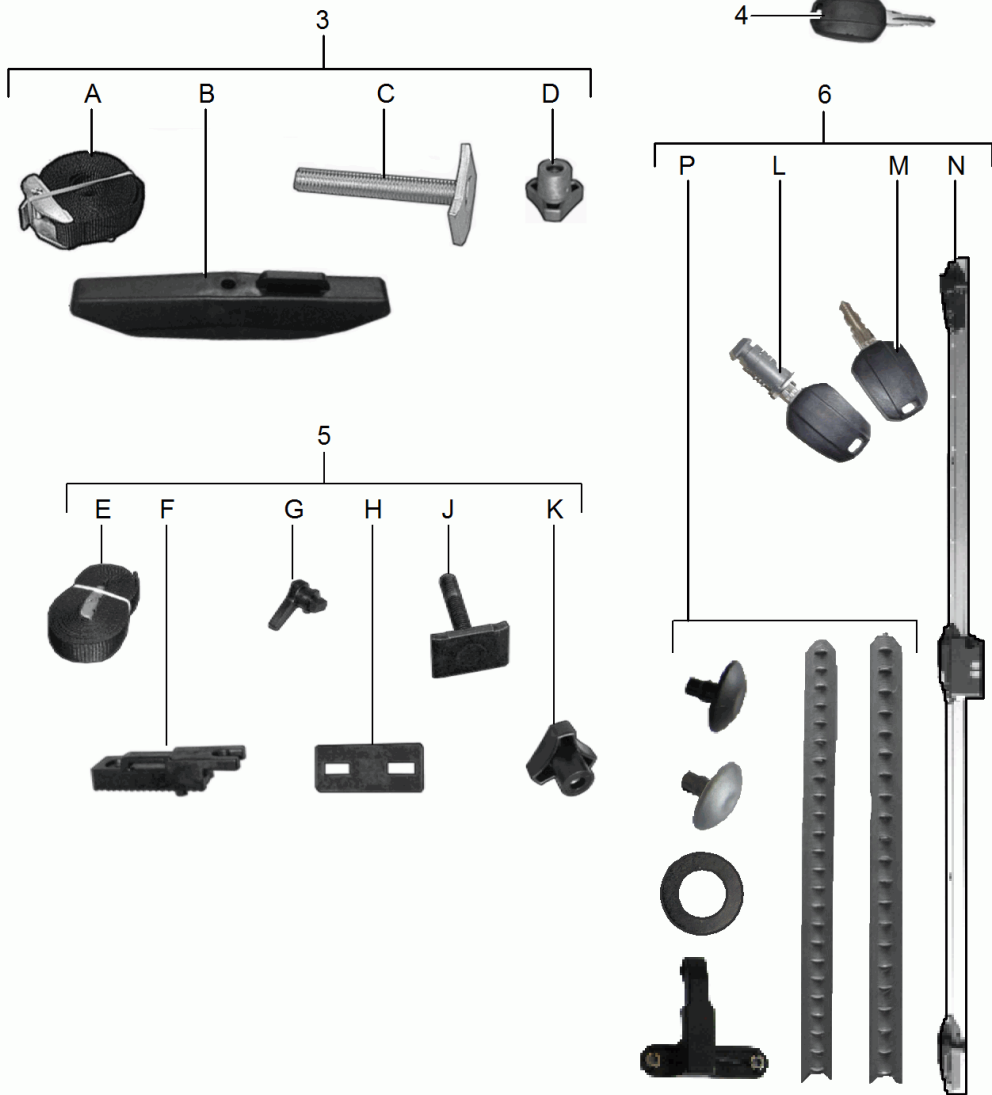


Model: TEQ 2 Model life 2003>>

Pos	Part Number	Description	Remark	Qty	Model
-		Loading aid D - MJ 2003>> - MJ 2010 Technical information Porsche Cayenne Group 6 6692 (3/04) Attention			Cayenne (9PA)
1	955 044 000 04	Loading aid		1	
2	955 044 000 43	repair set	front and rear	2	PR:3S8
		with:			
3	955 044 000 50	Fasteners Set of locks for Loading aid comprising: Lock cylinders and key Simple		4	
4	955 044 000 37	Lubricants for Loading aid 955.044.000.43		1	
-	955 044 000 36	Adapter Set for vehicles with roof rail 955.044.000.30/62 and Cross member 955.044.000.35		1	PR:3S7

Model: TEQ 2

Model life 2003>>



Model: TEQ 2 Model life 2003>>

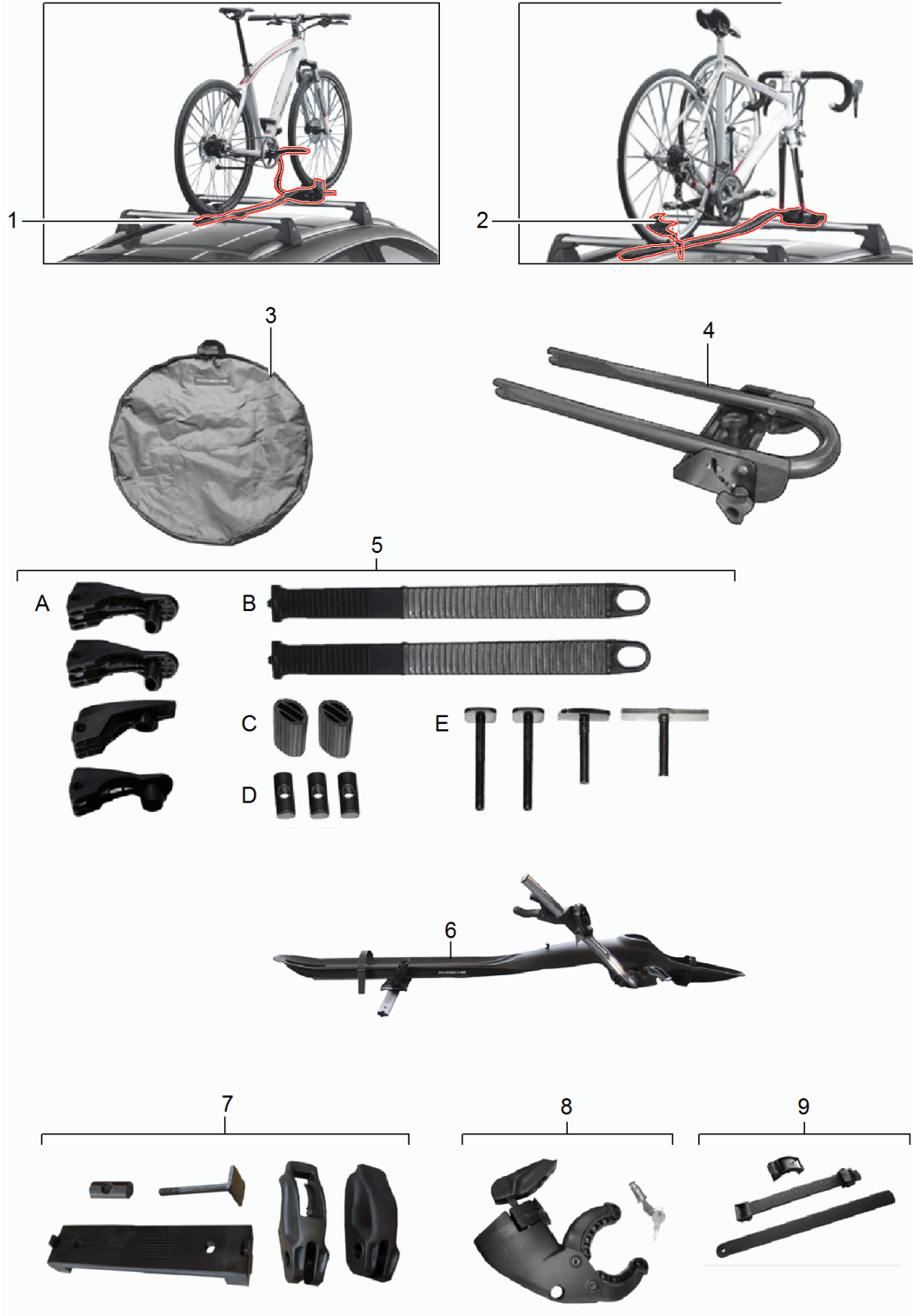
Pos	Part Number	Description	Remark	Qty	Model
-		roof box	03-10 11-17		Cayenne (9PA) Cayenne (92A)
-		Not for: Loading aid 955.044.000.04			
-		Inst. & Conv. Instructions Porsche Cayenne Group 6 6692 (33/08) 6692 (25/10)	03-10 11-17		alle Cayenne (9PA) Cayenne (92A)
1	958 044 000 12	BEACHTEN roof box 520 Black		1	PR: 3S7, 3S8, 5W1, 5W4
(1)	958 044 000 13	roof box 520 Platinum satin-matt		1	PR: 3S7, 3S8, 5W1, 5W4
2	958 044 000 26	roof box 320 Platinum satin-matt		1	PR: 3S7, 3S8, 5W1, 5W4
(2)	958 044 000 25	roof box 320 Black		1	PR: 3S7, 3S8, 5W1, 5W4
(2)	955 044 002 15	roof box Narrow silver		1	PR: 3S7, 3S8, 5W1, 5W4
(2)	955 044 000 47	roof box Narrow Discontinued part		1	PR: 3S7, 3S8, 5W1, 5W4
3	955 044 002 13	Assembly kit for roof box 955.044.002.12 comprising: tensioning strap clamping piece Screw bolt Nut Inst. & Conv. Instructions Attention	(Pos. A) (Pos. B) (Pos. C) (Pos. D)	3 4 4 4	M8x55 M8
(3)	958 044 000 21	Assembly kit for roof box 958.044.000.12 958.044.000.13 958.044.000.25 958.044.000.26 comprising: tensioning strap clamping piece Screw bolt Nut Inst. & Conv. Instructions Attention	(Pos. A) (Pos. B) (Pos. C) (Pos. D)	3 4 4 4	M8x55 M8
4	955 044 000 59	key for roof box State lock number		1	alle
5	955 044 000 48	Assembly kit for roof box 955.044.000.12 955.044.000.47		1	

Model: TEQ 2 Model life 2003>>

Pos	Part Number	Description	Remark	Qty	Model
6	955 044 000 49	955.044.002.15 comprising: Belt Adapter Screw bolt Nut Seal clamping piece Technical information Attention Discontinued part repair set lock for roof box	(Pos. E) (Pos. F) (Pos. G) (Pos. H) (Pos. J) (Pos. K)	2 4 4 4 4 4	M6x37 M6
(6)	958 044 000 20	955.044.000.12 955.044.002.15 comprising: lock key strip Fasteners repair set lock for roof box	(Pos. L) (Pos. M) (Pos. N) (Pos. P)	1 2 1 1	
-	955 044 000 63	955.044.002.12 958.044.000.12 958.044.000.13 958.044.000.25 958.044.000.26 comprising: lock key strip Fasteners Support Cover roof box	(Pos. L) (Pos. M) (Pos. N) (Pos. P)	1 2 1 1	
		955.044.000.12 955.044.002.12 958.044.000.12 958.044.000.13		1	

Model: TEQ 2

Model life 2003>>



Model: TEQ 2 Model life 2003>>

Pos	Part Number	Description	Remark	Qty	Model
1	95B 044 800 06	Bike stand Roof rack Bike stand	03-	1	PR:5W1,5W4
2	95B 044 800 08	Set - bike carrier Bike stand Racing bike		1	PR:5W1,5W4
(2)	95B 044 800 09	Pocket 95B 044 800 34 Bike stand Racing bike	with:	1	PR:5W1,5W4
-	95B 044 800 34	Bracket 95B 044 800 35 Only for replacement Pocket for Bike stand Racing bike		1	
3	95B 044 800 34	Bracket for Bike stand Racing bike		1	
4	95B 044 800 35	Bracket for Bike stand Racing bike		1	
5	95B 044 800 36	1 set attachment parts for Bike stand Set - bike carrier and Racing bike		1	
(5)		comprising: angled bracket tensioning strap Protective rubber Threaded pin Pin Pin Pin	(Pos. A) (Pos. B) (Pos. C) (Pos. D) (Pos. E) (Pos. E) (Pos. E)	4 2 2 3 2 1 1	M6 M6x60 M6x40 M6x35
-		Technical information Porsche Cayenne Group 6 6692 (6/03) beachten			alle
6	955 044 002 66	Carrier Bike		1	
7	955 044 000 51	repair set for Carrier 955.044.002.66		1	
(7)		Set comprising: Adapter Threaded pin Pin Pin Pin	front rear	1 3 2 1 1	M6 M6 x 55 M6 x 40 M6 x 25
8	955 044 000 56	angled bracket angled bracket Clutch		2 1 1	
		with: Lock cylinders and Frame connection for			

Model: TEQ 2 Model life 2003>>

Pos	Part Number	Description	Remark	Qty	Model
9	955 044 000 80	Carrier 955.044.002.66 Holding strap Set for Racing bike		1	

Model: TEQ 2

Model life 2003>>



Model: TEQ 2 Model life 2003>>

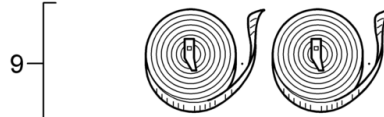
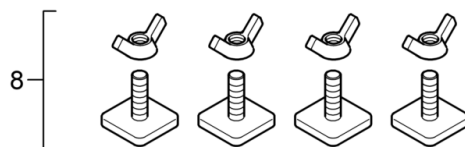
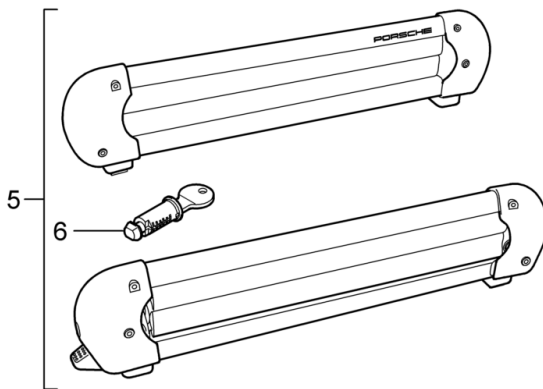
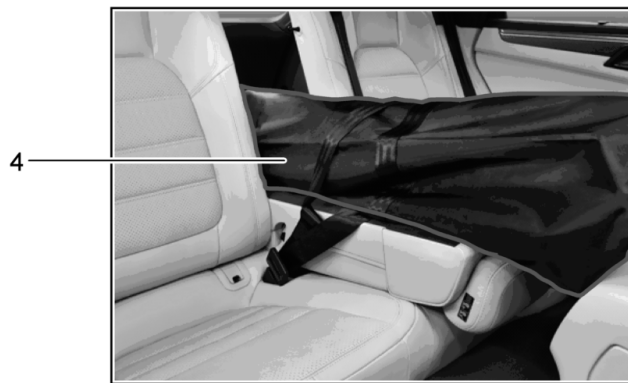
Pos	Part Number	Description	Remark	Qty	Model
-		Bike stand for Tow hitch Operating instructions	03-		
-		Bike stand Attention Only for vehicles with Tow hitch Connector 13-pin			
1	95B 044 800 07	Carrier Bike stand Tow hitch without:	lhd	1	PR:L0L -"USA", -"J..", -"CDN"
(1)	95B 044 800 11	Heat protection Not Together with Supplement set also use:	955 044 000 86 rhd	1	PR:L0R -"USA", -"J..", -"CDN"
7	955 044 000 86	Carrier Bike stand Tow hitch without: Heat protection Not Together with Supplement set also use:	955 044 000 86	1	-"USA", -"J..", -"CDN"
		Heat insulation Set comprising: 2 X 955.044.000.85 for 955.044.000.60 95B.044.800.07 95B.044.800.11		1	-"USA", -"J..", -"CDN"
2	955 044 000 59	key for 95B.044.800.07 95B.044.800.11		1	-"USA", -"J..", -"CDN"
3	95B 044 800 50	State lock number tensioning strap for Bike stand Tow hitch 95B.044.800.07 95B.044.800.11		1	-"USA", -"J..", -"CDN"
4	95B 044 800 51	Closing element tensioning strap for Bike stand Tow hitch 95B.044.800.07 95B.044.800.11		1	-"USA", -"J..", -"CDN"
5	95B 044 800 52	Licence plate holder		1	-"USA", -"J..", -"CDN"
6	95B 044 800 53	Bike stand Tow hitch 95B.044.800.07 95B.044.800.11 Lamp	lhd	1	PR:L0L

Model: TEQ 2 Model life 2003>>

Pos	Part Number	Description	Remark	Qty	Model
(6)	95B 044 800 57	Set Included Wire set for Bike stand Tow hitch 95B.044.800.07 Lamp	rhd	1	- "USA", - "J..", - "CDN" PR:L0R - "USA", - "J..", - "CDN"
8	955 044 000 60	Set Included Wire set for Bike stand Tow hitch 95B.044.800.11 Carrier	lhd	1	PR:L0L - "USA", - "J..", - "CDN"
-		Heat protection		2	- "CDN"
(7)	955 044 000 85	Only for replacement Heat insulation for 955.044.000.60 Individual parts	lhd	1	PR:L0L - "USA", - "J..", - "CDN"
-		use if required:			
9	955 044 000 61	Supplement set 3. BIKE for 955.044.000.60	lhd	1	PR:L0L - "USA", - "J..", - "CDN"
10	955 044 000 82	Replacement key for 955.044.000.60	lhd	1	PR:L0L - "USA", - "J..", - "CDN"
11	955 044 000 83	Set of fastening parts Only for replacement	lhd	1	PR:L0L - "USA", - "J..", - "CDN"
12	955 044 000 84	Diffusor lens Back-up light Only for replacement	lhd	1	PR:L0L - "USA", - "J..", - "CDN"

Model: TEQ 2

Model life 2003>>



Model: TEQ 2 Model life 2003>>

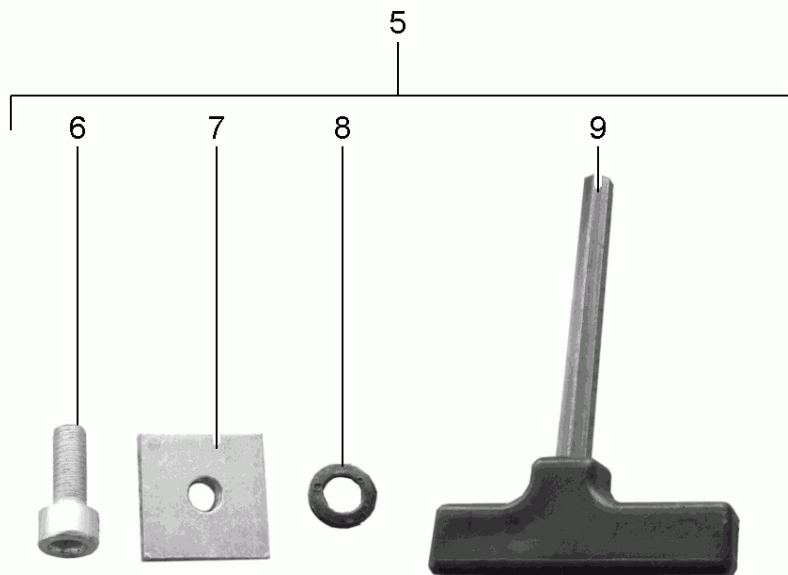
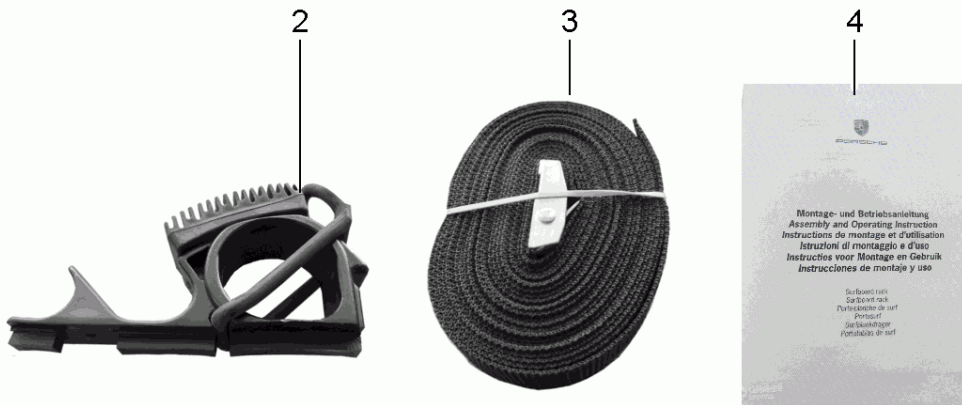
Pos	Part Number	Description	Remark	Qty	Model
1	95B 044 800 10	Ski holder Snowboard holder BOOTSTRAEGER ski and snowboard holder		1	PR:3S7,3S8, 5W1,5W4
2	95B 044 800 37	Loading aid Integrated 1 set attachment parts for Ski holder Snowboard holder comprising: Pin Hexagon nut Spring washer Plastic washer		1	
3	955 044 000 59	key State lock number		1	
4	95B 860 811	Ski bag	with:	1	
5	955 044 000 23	Carrier bag Ski holder Snowboard holder Small Not for: BELADEHILFE 955.044.000.04		1	PR:3S7,3S8, 5W1,5W4
(5)	955 044 000 24	Discontinued part Ski holder Snowboard holder Large Not for: BELADEHILFE 955.044.000.04		1	PR:3S7,3S8, 5W1,5W4
6	955 044 000 50	Discontinued part Set of locks Simple for 955.044.000.23 955.044.000.24 Lock cylinders key	with:	2	
	955 044 000 50 021	Coding Set of locks			
	955 044 000 50 023	Set of locks			
	955 044 000 50 025	Set of locks			
	955 044 000 50 027	Set of locks			
	955 044 000 50 029	Set of locks			
-		Technical information Porsche Cayenne Group 6 6692 (17/03) Attention			alle
-		Individual parts BOOTSTRAEGER Only for replacement			PR:3S7,3S8
7	955 044 000 39	Bracket	with:	4	
8	955 044 000 40	Rubber pad repair set comprising: FLÜGELMUTTER M6 BOLZEN M6 X 27		1	
9	955 044 000 32	tensioning strap		4	
				1	

Model: TEQ 2 Model life 2003>>

Pos	Part Number	Description	Remark	Qty	Model
		Set comprising: tensioning strap		2	

Model: TEQ 2

Model life 2003>>

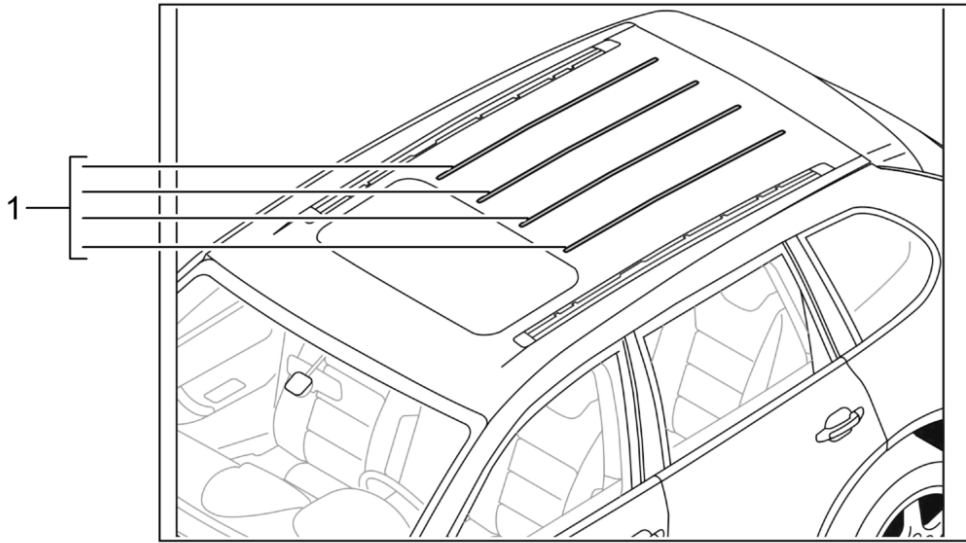


Model: TEQ 2 Model life 2003>>

Pos	Part Number	Description	Remark	Qty	Model
-		Surfboard support Not for: Loading aid 955.044.000.04			
-		Technical information Porsche Cayenne Group 6 6692 (5/03) Attention			alle
1	955 044 000 07	Surfboard support Set		1	PR:3S7,3S8
-		Discontinued part Repair material for Surfboard support 955.044.000.07			PR:3S7,3S8
2	955 044 000 31	Support Set		1	
3	955 044 000 32	tensioning strap SATZ	2-part	1	
4		Operating instructions		1	
5	955 044 000 52	repair set		1	
-		comprising:			
6		Hexagon socket head bolt		4	M6 x 16
7		castellated nut		4	M6 x 20 x 4
8		Washer		4	4 x 12 x 1
9		Socket wrench		1	

Model: TEQ 2

Model life 2003>>



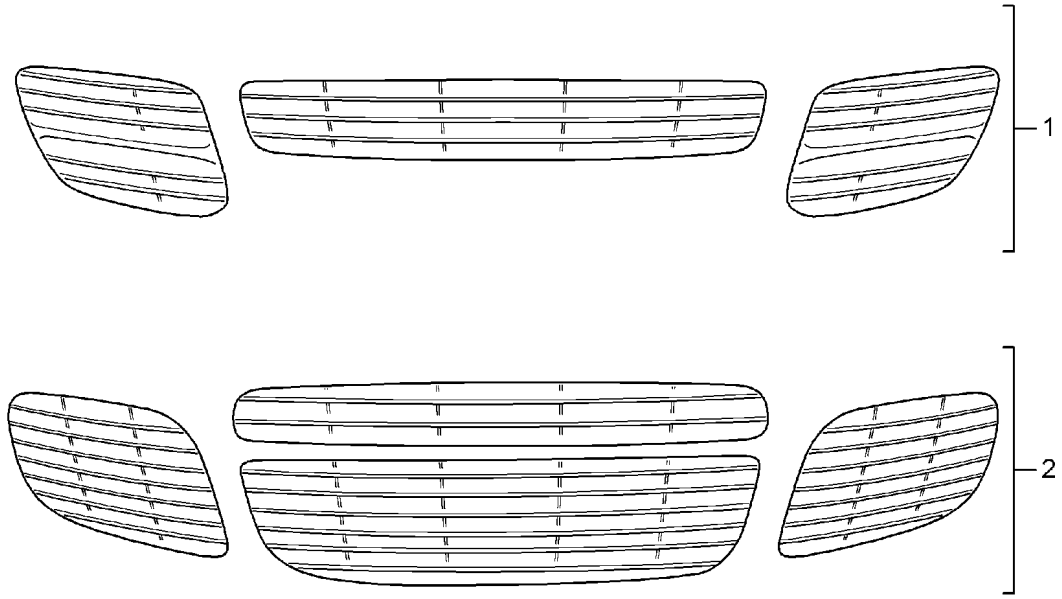
Model: TEQ 2

Model life 2003>>

Pos	Part Number	Description	Remark	Qty	Model
-		roof channel Roof cover moulding Inst. & Conv. Instructions Porsche Cayenne Group 6 6633 (16/03) Attention	03-10 11-		Cayenne (9PA) Cayenne (92A) alle
1	955 044 000 29	roof channel silver Fourfold		1	
(1)	955 044 000 65	roof channel Black Fourfold		1	
2	955 044 801 19	Roof cover moulding Spoiler Aluminium coloured	08-10	1	Cayenne (9PA)
(2)	955 559 980 02	Roof cover moulding Spoiler orange	08-10	1	Cayenne (9PA)
3	958 044 800 00	Roof cover moulding Spoiler Black	11-11	1	Cayenne (92A)
(3)	958 044 800 01	Roof cover moulding Spoiler Black	12-	1	Cayenne (92A)

Model: TEQ 2

Model life 2003>>

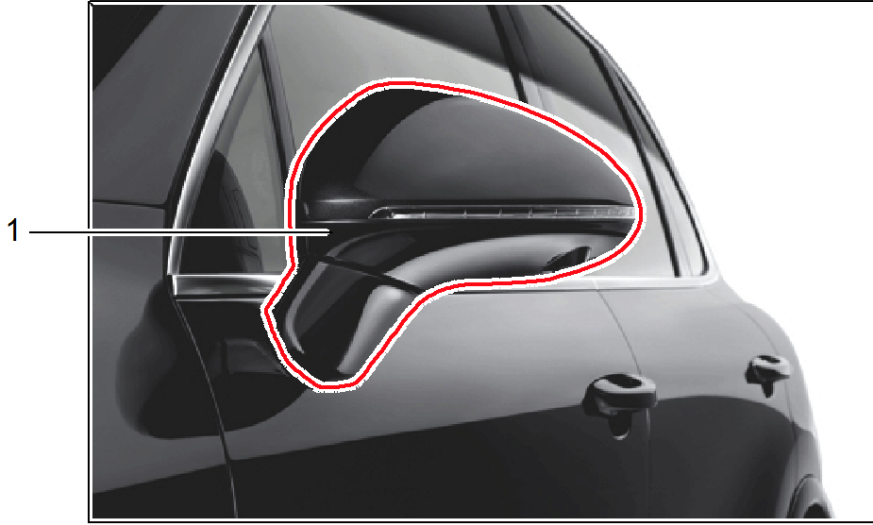


Model: TEQ 2 Model life 2003>>

Pos	Part Number	Description	Remark	Qty	Model
1	955 044 801 00	Ventilation grille Coloured D - MJ 2003>> Ventilation grille Aluminium coloured		1	PR:D9J,D9K
(1)	955 044 801 17	D - MJ 2003>> - MJ 2006 Ventilation grille Aluminium coloured		1	PR:D5V,D5X
(1)	955 044 801 27	D - MJ 2008>> - MJ 2010 Ventilation grille orange		1	PR:D5V,D5X
(1)	958 044 800 03	D - MJ 2008>> - MJ 2010 Ventilation grille Black High gloss	without:	1	PR:D1V,D11, D19,D34,D50, D6V
(1)	958 044 800 04	Distance sensor Not for: Turbo D - MJ 2011>> - MJ 2014 Ventilation grille Black High gloss	with:	1	PR:D1V,D11, D19,D34,D50, D6V,8T3
(1)	958 044 800 05	Distance sensor Not for: Turbo D - MJ 2011>> - MJ 2014 Ventilation grille Black High gloss	without:	1	PR:D58
(1)	958 044 800 06	Distance sensor for Turbo D - MJ 2011>> - MJ 2014 Ventilation grille Black High gloss	with:	1	PR:D58,8T3
2	955 044 801 01	Distance sensor for Turbo D - MJ 2011>> - MJ 2014 Ventilation grille Aluminium coloured		1	PR:D9L
(2)	955 044 801 11	D - MJ 2003>> - MJ 2006 Discontinued part Ventilation grille Aluminium coloured		1	PR:D9L
(2)	955 044 801 18	D - MJ 2003>> - MJ 2006 Ventilation grille Aluminium coloured		1	PR:D5Z
(2)	955 044 801 28	D - MJ 2008>> - MJ 2010 Ventilation grille orange D - MJ 2008>> - MJ 2010		1	PR:D5Z

Model: TEQ 2

Model life 2003>>



Model: TEQ 2 Model life 2003>>

Pos	Part Number	Description	Remark	Qty	Model
(1)	955 044 801 20	Exterior mirror housing Aluminium coloured Black For painting in ext. colour 1 set of exterior mirrors housing Aluminium coloured	08-10 11-14 15-17 18- 08-10	1	CAYENNE (9PA) CAYENNE (92A) CAYENNE (92A) CAYENNE (9YA) PR:9TF
(1)	958 044 800 08	Lighting 1 set of exterior mirrors housing Black High gloss	11-14	1	PR:L0L,9TF
(1)	958 044 800 10	Lighting 1 set of exterior mirrors housing Black High gloss	11-14	1	PR:L0R,9TF
1	958 044 802 06	Lighting Exterior mirror Bottom half Mirror base Exterior colour	15-17	1	PR:L0L,9TF -"J.."
(1)	958 044 802 07	Headlight unit Set Exterior mirror Bottom half Mirror base Exterior colour	15-17	1	PR:L0R,9TF -"J.."
(1)	958 044 802 08	Headlight unit Set Exterior mirror Bottom half Mirror base Exterior colour	15-17	1	PR:8A4,L0L,9TF -"J.."
(1)	958 044 802 09	Headlight unit Set Exterior mirror Bottom half Mirror base Exterior colour	15-17	1	PR:8A4,L0R,9TF -"J.."
(1)	958 044 802 10	Headlight unit Set Exterior mirror Bottom half Mirror base Exterior colour	15-17	1	PR:L0L,9TF "J.."
(1)	958 044 802 11	Headlight unit Set Exterior mirror Bottom half Mirror base Exterior colour	15-17	1	PR:L0R,9TF "J.."

Model: TEQ 2

Model life 2003>>

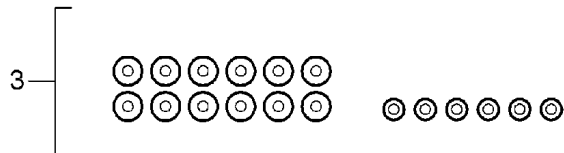
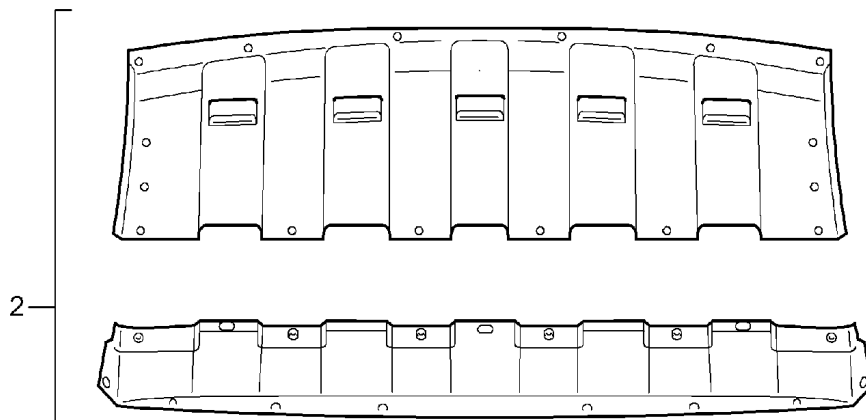
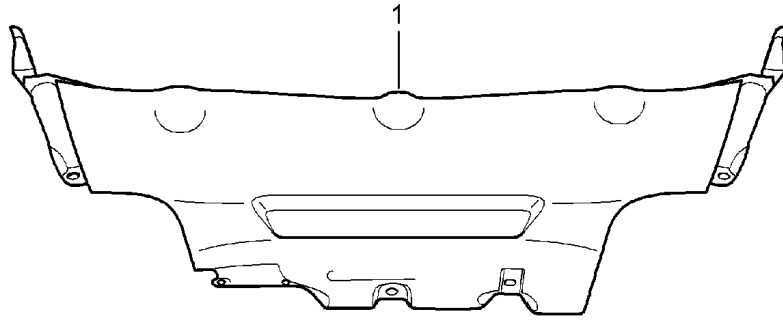
Pos	Part Number	Description	Remark	Qty	Model
(1)	955 044 801 21	Headlight unit Set 1 set of exterior mirrors housing Aluminium coloured without:	08-10	1	PR:-9TF
(1)	958 044 800 07	Lighting 1 set of exterior mirrors housing Black High gloss without:	11-14 lhd	1	PR:L0L,-9TF
(1)	958 044 800 09	Lighting 1 set of exterior mirrors housing Black High gloss without:	11-14 rhd	1	PR:L0R,-9TF
(1)	958 044 802 00	Lighting Exterior mirror Bottom half Mirror base Exterior colour without:	15-17 lhd	1	PR:L0L,9TH -"J.."
(1)	958 044 802 01	Headlight unit Set Exterior mirror Bottom half Mirror base Exterior colour without:	15-17 rhd	1	PR:L0R,9TH -"J.."
(1)	958 044 802 02	Headlight unit Set Exterior mirror Bottom half Mirror base Exterior colour without:	15-17 lhd	1	PR:8A4,L0L, 9TH -"J.."
(1)	958 044 802 03	Headlight unit Set Exterior mirror Bottom half Mirror base Exterior colour without:	15-17 rhd	1	PR:8A4,L0R, 9TH -"J.."
(1)	958 044 802 04	Headlight unit Set Exterior mirror Bottom half Mirror base Exterior colour without:	15-17 lhd	1	PR:L0L,9TH "J.."
(1)	958 044 802 05	Headlight unit Set Exterior mirror Bottom half Mirror base Exterior colour without:	15-17 rhd	1	PR:L0R,9TH "J.."
(1)	955 044 801 22	Headlight unit Set 1 set of exterior mirrors housing		1	Cayenne S Transsyberia

Model: TEQ 2 Model life 2003>>

Pos	Part Number	Description	Remark	Qty	Model
(1)	955 044 801 23	orange with: Headlight unit 1 set of exterior mirrors housing orange without: Headlight unit		1	PR:9TF Cayenne S Transsyberia PR:9TH

Model: TEQ 2

Model life 2003>>



Model: TEQ 2 Model life 2003>>

Pos	Part Number	Description	Remark	Qty	Model
1	955 107 981 00	Underbody protection Front end cover rear spoiler D - MJ 2003>> - MJ 2010 Cover	front	1	Cayenne (9PA) PR:D9J,D9K, D9L
-		Underbody protection Steel Black D - MJ 2003>> - MJ 2006 Inst. & Conv. Instructions Cayenne,alle Group 6 6316 Attention			
(2)	955 044 800 15	Front end cover stainless steel D - MJ 2003>> - MJ 2006		1	PR:D9J,D9K
2	955 044 800 16	Front end cover stainless steel D - MJ 2003>> - MJ 2006		1	PR:D9L
(2)	955 044 802 80	Front end cover stainless steel D - MJ 2008>> - MJ 2010		1	
3	955 044 800 59	Assembly kit Front end cover stainless steel D - MJ 2003>> - MJ 2006		1	PR:D9J,D9K, D9L
-		Inst. & Conv. Instructions Cayenne,alle Group 6 6356 Attention			
-	955 044 802 85	rear spoiler stainless steel D - MJ 2008>> - MJ 2010		1	

Model: TEQ 2

Model life 2003>>

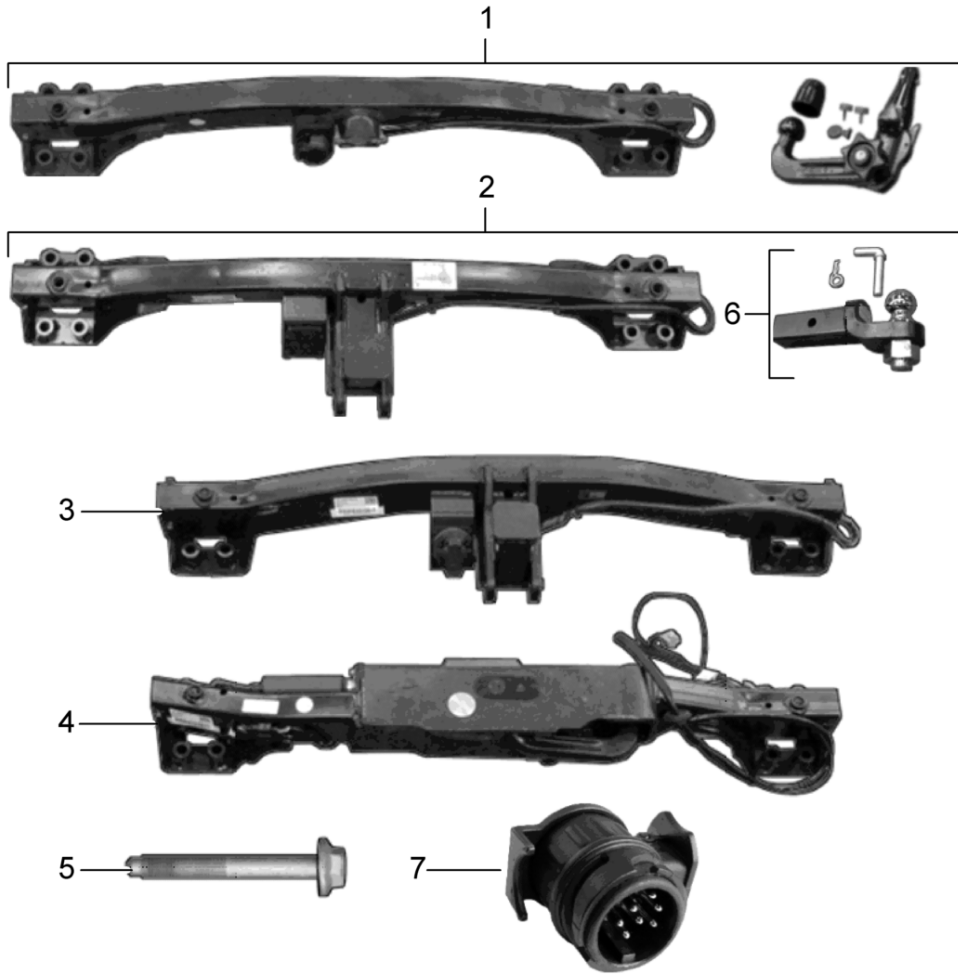


Model: TEQ 2 Model life 2003>>

Pos	Part Number	Description	Remark	Qty	Model
-		Front end cover rear spoiler Inst. & Conv. Instructions Cayenne, alle Group 6 6316 (39/10) Attention	11-17 18-		CAYENNE (92A) CAYENNE (9YA)
1	958 505 833 00	Trim Front spoiler stainless steel	11-14	1	PR: -2JC, -2JX, -2D1, -2D2, -E0W
(1)	958 505 833 01	Trim Front spoiler stainless steel	15-17	1	PR: -2JC, -2JX
	958 505 833 01 6M7				PR: -2D1, -2D2, -E0W
(1)	9Y0 807 833 9Y0 807 833 6M7	Trim Brushed stainless steel	18-	1	PR: 2D0
-		Inst. & Conv. Instructions Cayenne, alle Group 6 6356 (47/10) Attention			
2	958 505 834 60	Trim Rear end	lower	1	PR: -2JX, -2D1, -2D2, -E0W
	958 505 834 60 6M7	D >> - MJ 2014 stainless steel			
(2)	958 505 834 80	Trim Rear end	lower 15-17	1	PR: -2JX, -2D1, -2D2, -E0W
	958 505 834 80 6M7	Brushed stainless steel			
(2)	9Y0 807 649 A	Cover	rear lower	1	PR: 2D0
	9Y0 807 649 A OK1	Matt black	18-		

Model: TEQ 2

Model life 2003>>

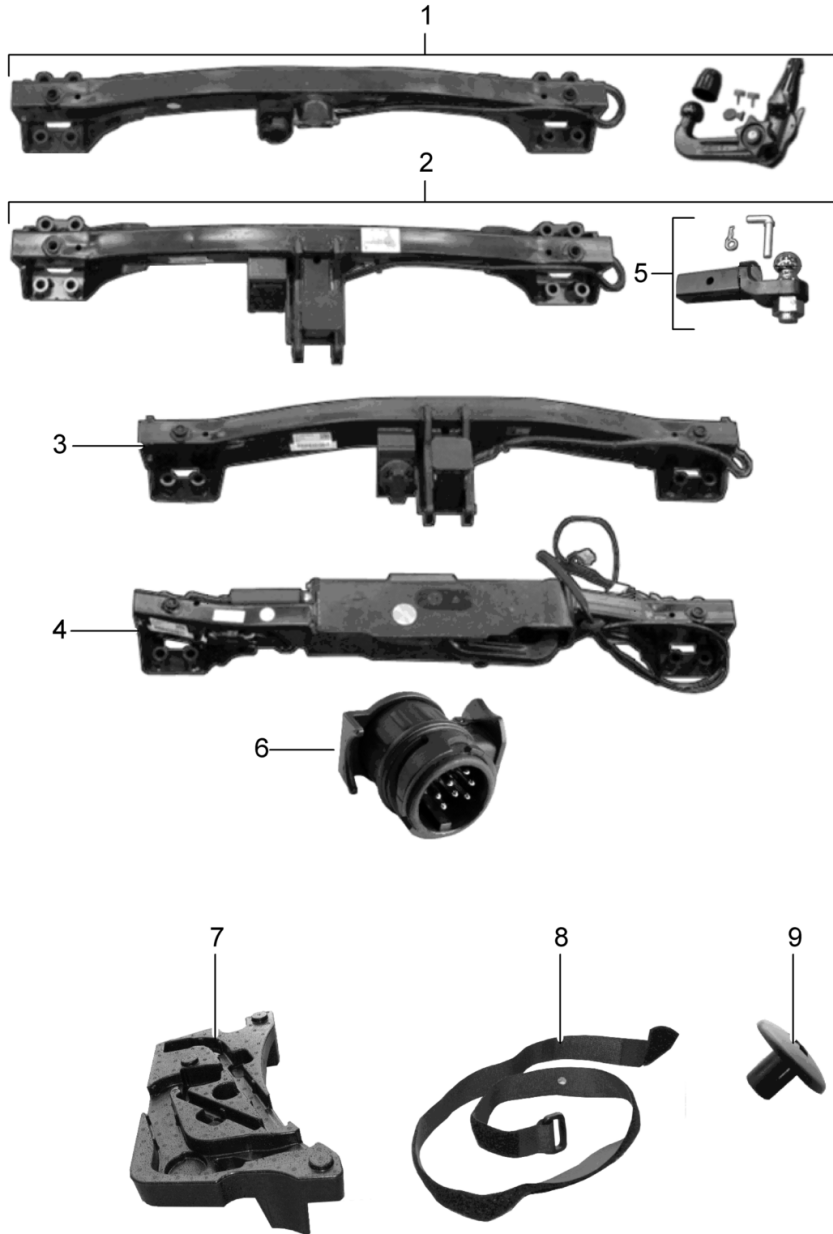


Model: TEQ 2 Model life 2003>>

Pos	Part Number	Description	Remark	Qty	Model
-		Tow hitch D - MJ 2003>> - MJ 2010 Inst. & Conv. Instructions Porsche Cayenne Group 6 6690 (6/04) Attention			Cayenne (9PA)
-					alle
-			also use:		
5	N 909 892 01	Hexagon bolt	03-05	8	PR:1D7
-	955 505 087 00	End cap	03-04	1	Cayenne Cayenne S
-		rear spoiler Inst. & Conv. Instructions Porsche Cayenne Group 6 6690 (27/07) 6690 (1/06) Attention	03-06 08-10		alle
(1)	955 044 002 73	Tow hitch Mechanical		1	PR:1D7
(3)	955 044 002 75	Tow hitch Mechanical		1	"AUS"
(4)	955 044 002 76	Tow hitch Electric		1	PR:1D9
-			also use:		
-	955 505 087 01	End cap	04-10	1	PR:D9L
-	955 505 087 01 G2X	primed			
-			use if required:		
6	955 044 000 27	ball head		1	"USA", "AUS", "CDN"
7	955 044 000 64	Adapter plug 7-pole		1	- "AUS"
-		Only for replacement			
-	955 044 900 45	Wiring		1	PR:1D9

Model: TEQ 2

Model life 2003>>

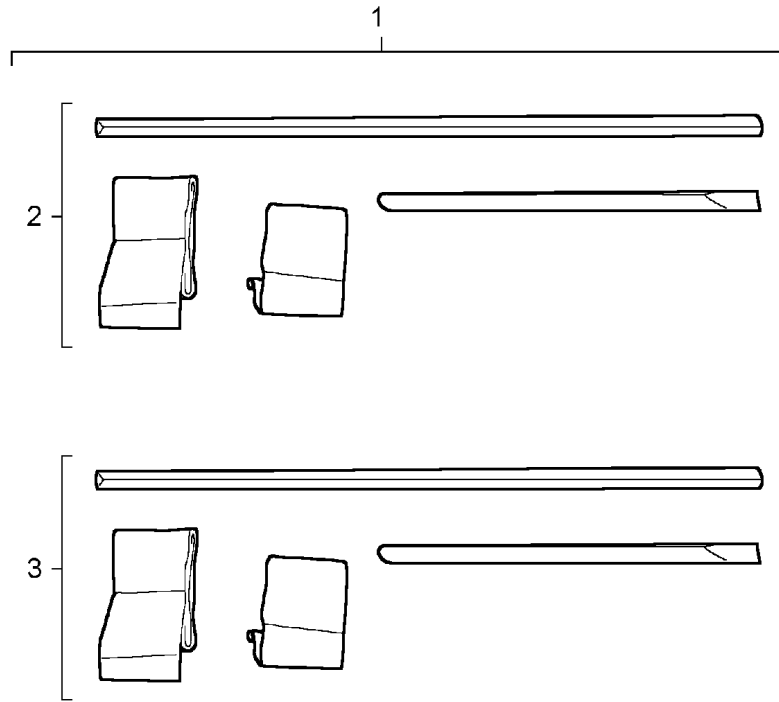


Model: TEQ 2 Model life 2003>>

Pos	Part Number	Description	Remark	Qty	Model
-		Tow hitch	11-14 15-		
-		Inst. & Conv. Instructions Porsche Cayenne Group 6 6690 (32/10) 6690 (24/16)	11-14 15-17		alle
1	958 044 801 30	Tow hitch Mechanical	11-14	1	PR:1D2 -"CN."
(1)	958 044 801 34	Tow hitch Mechanical	15-17	1	PR:1D1 -"CN."
3	958 044 801 32	Tow hitch Mechanical	11-17	1	PR:1D6 "AUS",-"CN."
4	958 044 801 33	Tow hitch Electric	11-14	1	PR:1D9 -"CN."
(4)	958 044 801 35	Tow hitch Electric	15-17	1	PR:1D9 -"CN."
(4)	958 044 801 36	Tow hitch Electric	15-17	1	PHEV PR:D19 -"CN."
-		use if required:			
5	955 044 000 27	ball head	11-	1	"AUS"
6	955 044 000 64	Adapter plug 7-pole	11-	1	-"AUS"
7	958 721 102 00	Mounting for vehicle tools ball head		1	PR:1D2 -"CN."
8	958 721 111 00	Holding strap Support		1	PR:1D2 -"CN."
9	N 908 713 01	press stud Support		1	PR:1D2 -"CN."

Model: TEQ 2

Model life 2003>>



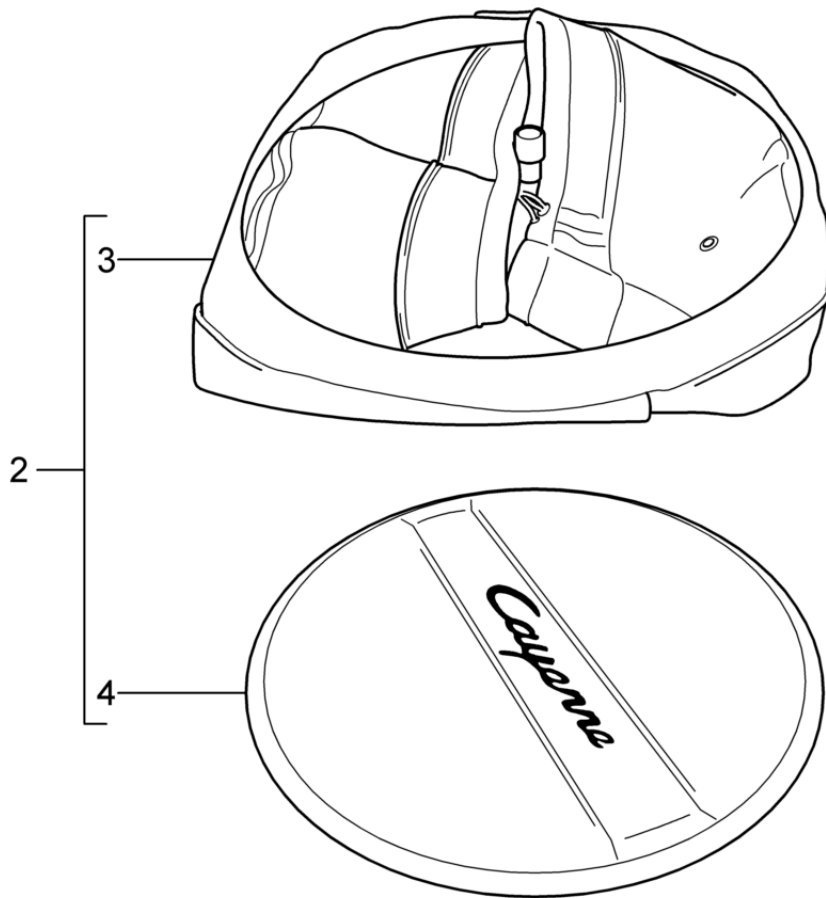
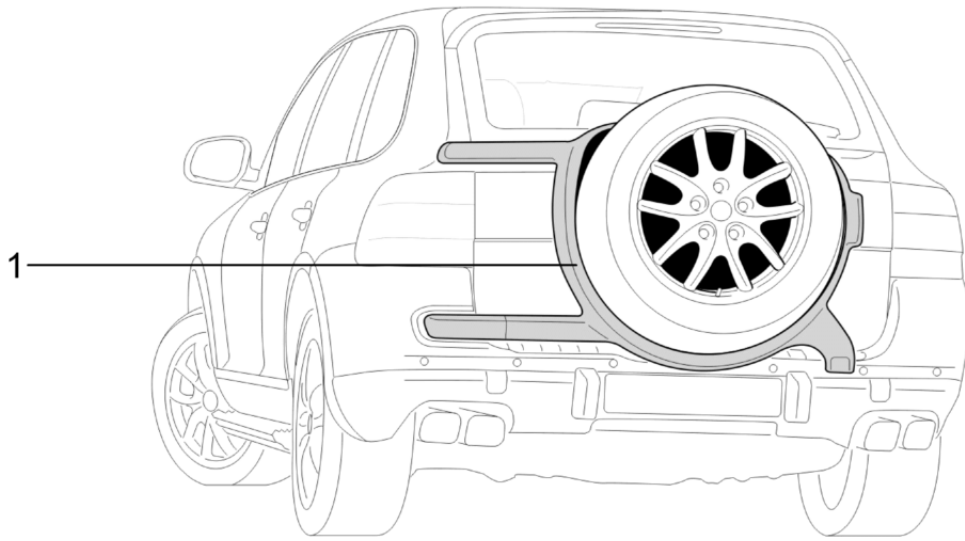
Model: TEQ 2

Model life 2003>>

Pos	Part Number	Description	Remark	Qty	Model
-		Protective strip D - MJ 2003>> - MJ 2010 Inst. & Conv. Instructions Porsche Cayenne Group 6 6625 (26/07) Attention	side		Cayenne (9PA)
1	955 044 800 06	strip doors	side	1	alle
-		Set comprising:			
2	955 044 800 65	strip repair set	left	1	
3	955 044 800 66	strip repair set	right	1	

Model: TEQ 2

Model life 2003>>



Model: TEQ 2 Model life 2003>>

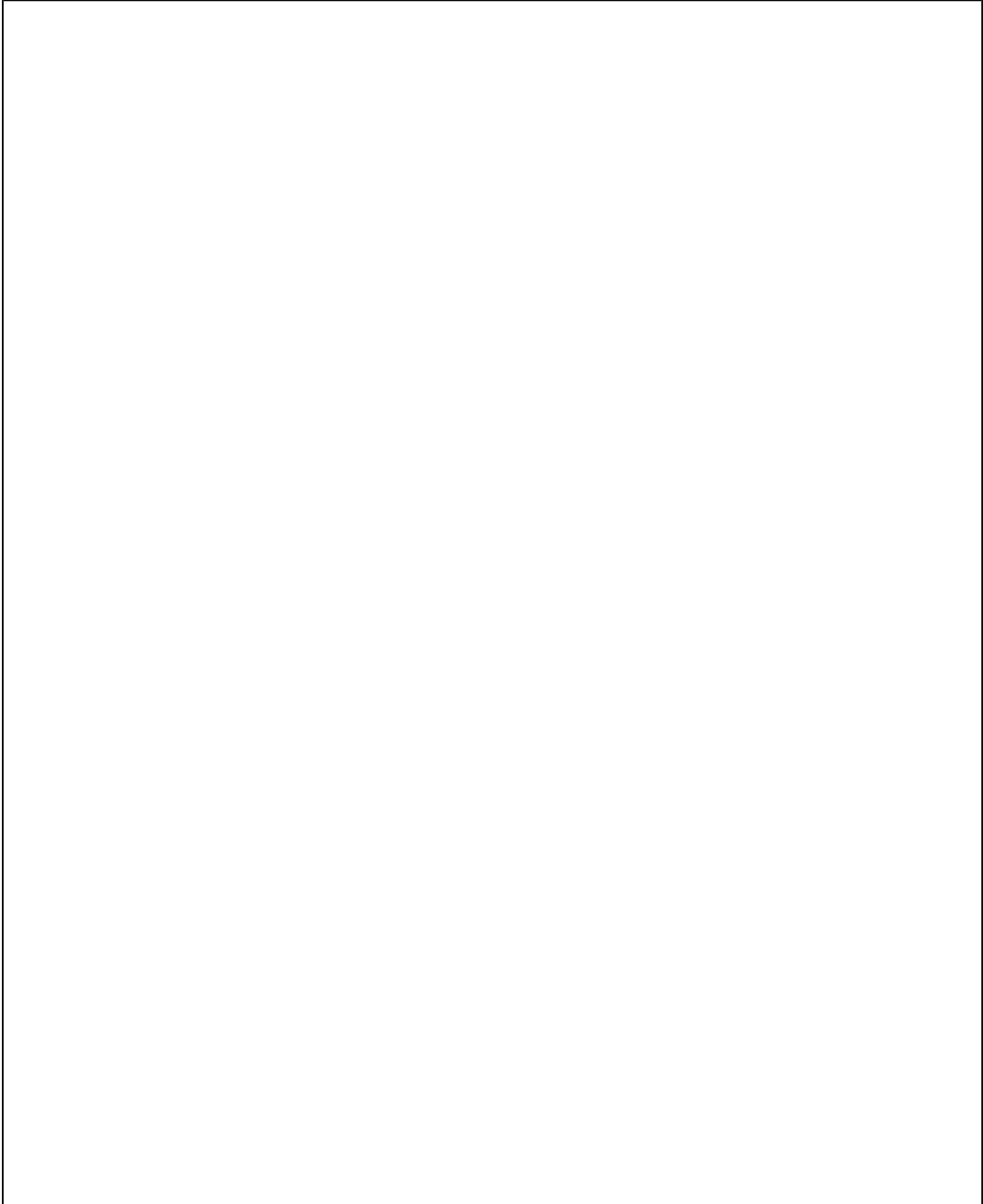
Pos	Part Number	Description	Remark	Qty	Model
-		Support for spare wheel Spare wheel covering Technical information Porsche Cayenne Group 4 4456 (4/04) Attention	03-10		Cayenne (9PA)
1	955 044 000 21	Support for spare wheel Set Discontinued part Not for: Gear wheel sets 95504460213 95504460214	outer	1	PR:D9J,D9K
-		with: 10JX20 ET 55 comprising: Carrier Spare wheel Individual parts see illustration: 9PA 0/02/05			
-	N 910 460 01	fillister hd. bolt		3	
-	955 722 020 01	Support	upper inner	1	
-	N 105 361 01	Hex collared bolt M8 x 16		4	
-	955 722 256 00	Cap	upper	1	
-		with: Cable ties Mounting			
-	955 722 201 01	Mounting	lower	1	
-	N 019 530 3	Hex collared bolt		4	
-	955 722 255 00	Cap	lower	1	
-	955 722 203 00	Trim		1	
-	955 722 203 00 4W9	Satin aluminium countersunk bolt M5 x 12		1	
-	N 104 272 01	countersunk bolt M5 x 12		1	
-	955 722 204 00	Frame		1	
-		Cover		1	
-	955 722 031 00	955 722 205 00 Locking mechanism		1	
-		with: Bowden cable Distance piece			
-	955 722 075 00	Distance piece		1	
-	N 908 179 01	riveted cap nut MG 3,5-6 for aluminium Cross member or Tow hitch		4	
-		riveted cap nut M6 2,4-4,5 Only for Tow hitch		4	
-	N 909 975 01	Hose bracket Bowden cable Emergency operation Release		2	
-	N 102 856 01	hexagon head bolt (combi)		4	
-	955 505 897 00	U-clip		14	
-	955 044 900 05	Wire set	inner	1	

Model: TEQ 2 Model life 2003>>

Pos	Part Number	Description	Remark	Qty	Model
-	955 612 812 00	Wire set lock	outer	1	
-	955 044 900 09	Wire set Licence plate light	outer	1	
-		Bolt with washer M5 x 9		4	
-	N 902 184 01	Number plate Bracket rivetted cap nut M6 0,5-4		2	
-		Screw M6 x 20		2	
-	N 906 851 01	Number plate Bracket bracket for connector housing Connection point Rear end Trim		1	
-	N 103 358 01	flat contact 0,5-1,0 QMM		2	
-	N 903 352 04	flat contact bush 0,5-1,0QMM		2	
-	999 652 475 22	flat connector KONTAKT 2,5-6,3 QMM Individual parts Support for spare wheel Retrofit kit		2	
-		see illustration: 9PA 0/02/05 Inst. & Conv. Instructions Porsche Cayenne 4464 (15/07) Attention			alle
2	955 044 000 14	Spare wheel covering Discontinued part Not for: Gear wheel sets 95504460213 95504460214		1	PR:1G3
		with: 10JX20 ET 55			
3	955 044 000 54	Protective sleeve Discontinued part		1	PR:1G3
4	955 044 000 55	Protective cap Discontinued part		1	PR:1G3

Model: TEQ 2

Model life 2003>>



Model: TEQ 2

Model life 2003>>

Pos	Part Number	Description	Remark	Qty	Model
		protective grille Sun visor			Cayenne (9PA)
-	955 044 000 67	D - MJ 2003>> - MJ 2010 protective grille Side window Set		1	
-		comprising: sun vizors		4	
-	955 044 000 68	protective grille Rear window Set		1	
-		comprising: Sun visor		1	
-	955 044 000 69	Assembly kit protective grille Side window Rear window		1 4 1	

Model: TEQ 2

Model life 2003>>



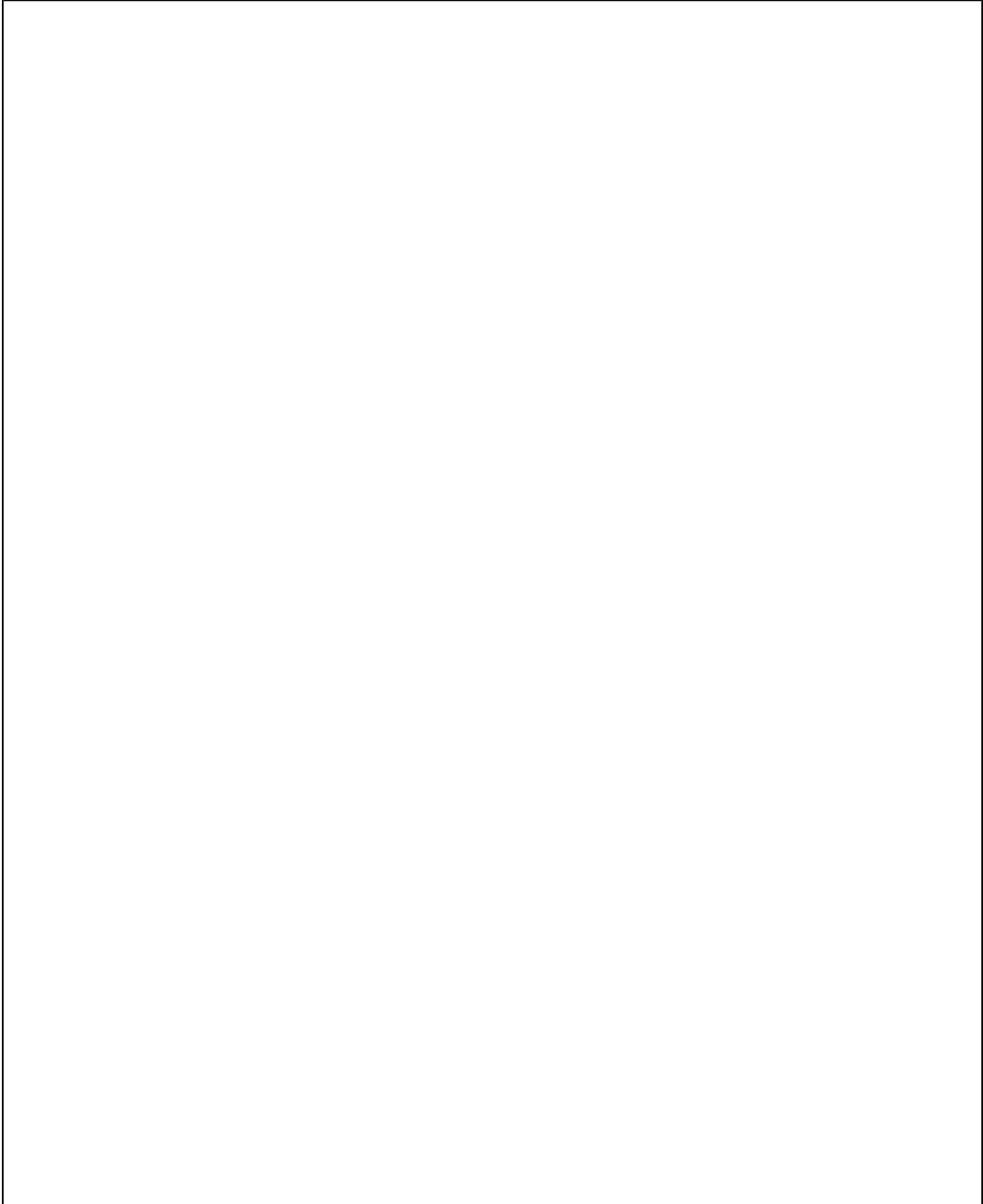
Model: TEQ 2

Model life 2003>>

Pos	Part Number	Description	Remark	Qty	Model
1	958 044 000 05	protective grille Sun visor D - MJ 2011>> protective grille Rear window Set		1	Cayenne (92A)
-		comprising:		1	
-		Sun visor		1	
2	958 044 000 06	protective grille Side window Set		1	
-		comprising:		4	
-		sun vizors			

Model: TEQ 2

Model life 2003>>

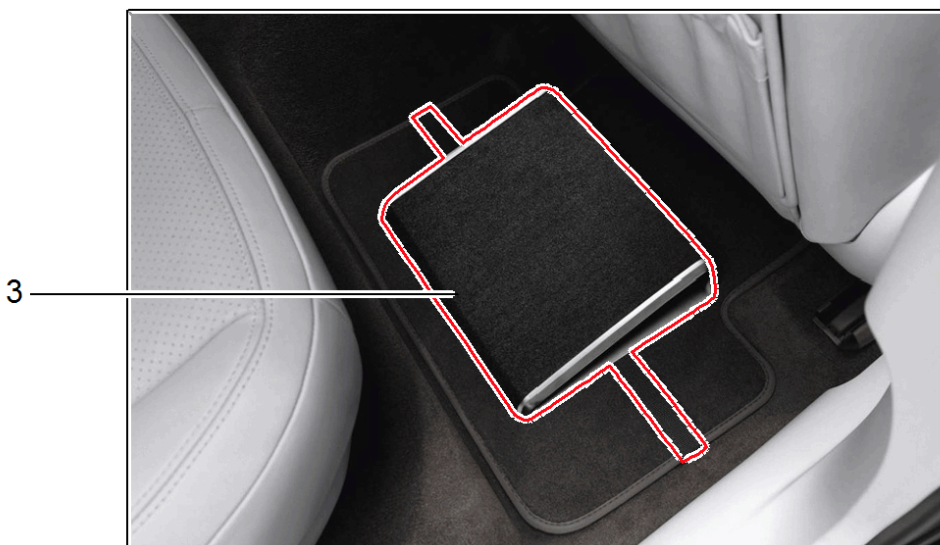


Model: TEQ 2 Model life 2003>>

Pos	Part Number	Description	Remark	Qty	Model
-		Loadspace system D - MJ 2003>> - MJ 2010 Inst. & Conv. Instructions Porsche Cayenne Group 6 6870 (7/07) Attention			Cayenne (9PA) alle
-	955 044 802 19	Loadspace system Tufting velour Set		1	PR:-9AH
	955 044 802 19 7H1	Black			
	955 044 802 19 7J2	steel grey			
	955 044 802 19 7K3	Sand beige			
-	955 044 802 20	Loadspace system Pearl velour Set		1	PR:-9AH
	955 044 802 20 8B2	Black			
	955 044 802 20 8C3	steel grey			
	955 044 802 20 8D4	Sand beige			
	955 044 802 20 L63	chestnut brown			
-	955 044 802 21	Loadspace system Tufting velour Set		1	PR:9AH
	955 044 802 21 7H1	Black			
	955 044 802 21 7J2	steel grey			
	955 044 802 21 7K3	Sand beige			
-	955 044 802 22	Loadspace system Pearl velour Set		1	PR:9AH
	955 044 802 22 8B2	Black			
	955 044 802 22 8C3	steel grey			
	955 044 802 22 8D4	Sand beige			
	955 044 802 22 L63	chestnut brown			

Model: TEQ 2

Model life 2003>>



Model: TEQ 2 Model life 2003>>

Pos	Part Number	Description	Remark	Qty	Model
(1)	955 044 800 02	Floor mats Velour Rubber Floor mat Velour Set	2003-10 2011-17 2018- 03-03	1	Cayenne (9PA) Cayenne (92A) Cayenne (9YA) Cayenne (9PA)
	955 044 800 02 8B2	Black			/LL
	955 044 800 02 8C3	steel grey			
	955 044 800 02 8D4	Sand beige			
	955 044 800 02 8E5	Palm green			
(1)	955 044 800 03	Floor mat Velour Set	03-03	1	Cayenne (9PA)
	955 044 800 03 8B2	Black			/RL
	955 044 800 03 8C3	steel grey			
	955 044 800 03 8D4	Sand beige			
	955 044 800 03 8E5	Palm green			
-		use if required:			
-	955 044 800 64	Securing element Set	03-03	1	
	955 044 800 64 8B2	Black			
	955 044 800 64 8C3	steel grey			
	955 044 800 64 8D4	Sand beige			
	955 044 800 64 8E5	Palm green			
(1)	955 044 800 62	Floor mat Velour Set Discontinued part	04-06	1	Cayenne (9PA)
	955 044 800 62 8B2	Black			/LL
	955 044 800 62 8C3	steel grey			
	955 044 800 62 8D4	Sand beige			
	955 044 800 62 8E5	Palm green			
(1)	955 044 801 62	Floor mat Velour Set	04-06	1	Cayenne (9PA)
	955 044 801 62 8B2	Black			/LL
	955 044 801 62 8C3	steel grey			
	955 044 801 62 8D4	Sand beige			
	955 044 801 62 8E5	Palm green			
(1)	955 044 800 63	Floor mat Velour Set Discontinued part	04-06	1	Cayenne (9PA)
	955 044 800 63 8B2	Black			/RL
	955 044 800 63 8C3	steel grey			
	955 044 800 63 8D4	Sand beige			
	955 044 800 63 8E5	Palm green			
(1)	955 044 801 63	Floor mat Velour Set	04-06	1	Cayenne (9PA)
	955 044 801 63 8B2	Black			/RL
	955 044 801 63 8C3	steel grey			
	955 044 801 63 8D4	Sand beige			
	955 044 801 63 8E5	Palm green			
-		use if required:			
-	955 044 802 64	Securing element Set	03-06	1	Cayenne (9PA)
	955 044 802 64 8B2	Black			
	955 044 802 64 8C3	steel grey			
	955 044 802 64 8D4	Sand beige			
(1)	955 044 802 62	Floor mat Velour Set	08-10	1	Cayenne (9PA)
					/RL

Model: TEQ 2 Model life 2003>>

Pos	Part Number	Description	Remark	Qty	Model	
(1)	955 044 802 62 8B2	Black	08-10	1	Cayenne (9PA)	
	955 044 802 62 8C3	steel grey				
	955 044 802 62 8D4	Sand beige				
	955 044 802 62 L63	chestnut brown				
	955 044 802 63	Floor mat Velour Set				
(1)	955 044 802 63 8B2	Black	10-10	1	Cayenne (9PA)	
	955 044 802 63 8C3	steel grey				
	955 044 802 63 8D4	Sand beige				
	955 044 802 63 L63	chestnut brown				
	955 044 804 65	Floor mat Velour Set				
(1)	955 044 804 66	Black	10-10	1	Cayenne (9PA)	
		Indian red				
		Floor mat Velour Set				
(1)	958 044 800 61	Black	11-14	1	CAYENNE (92A)	
		Indian red				
		1 set foot mats				
		Floor mat (textile) for vehicles with no air conditioning system				
		rear				
		958 044 800 61 DE1				Umber
		958 044 800 61 DJ6				Platinum Grey
		958 044 800 61 DK4				Black
		958 044 800 61 DM5				Luxor beige
		958 044 800 61 DP8				Espresso
(1)	958 044 800 62	Black	11-14	1	CAYENNE (92A)	
		Indian red				
		1 set foot mats				
		Floor mat (textile) for vehicles with no air conditioning system				
		rear				
		958 044 800 62 DE1				Umber
		958 044 800 62 DJ6				Platinum Grey
		958 044 800 62 DK4				Black
		958 044 800 62 DM5				Luxor beige
		958 044 800 62 DP8				Espresso
(1)	958 044 800 63	Black	11-14	1	CAYENNE (92A)	
		Indian red				
		1 set foot mats				
		Floor mat (textile) for vehicles with air conditioner for rear				
		rear				
		958 044 800 63 DE1				Umber
		958 044 800 63 DJ6				Platinum Grey
		958 044 800 63 DK4				Black
		958 044 800 63 DM5				Luxor beige
		958 044 800 63 DP8				Espresso
(1)	958 044 800 64	Black	11-14	1	CAYENNE (92A)	
		Indian red				
		1 set foot mats				
		Floor mat (textile) for vehicles with air conditioner for rear				
		rear				
		958 044 800 64 DE1				Umber
		958 044 800 64 DJ6				Platinum Grey
		958 044 800 64 DK4				Black
		958 044 800 64 DM5				Luxor beige
		958 044 800 64 DP8				Espresso
1	7P5 863 011 D	Black	15-	1	CAYENNE (92A)	
		Indian red				
		1 set foot mats				
		Floor mat (textile) for vehicles with no air conditioning system				
		rear				
7P5 863 011 D DE1	Umber					
7P5 863 011 D DJ6	Platinum Grey					

Model: TEQ 2

Model life 2003>>

Pos	Part Number	Description	Remark	Qty	Model
	7P5 863 011 D DK4	Black			
	7P5 863 011 D DM5	Luxor beige			
	7P5 863 011 D DP8	Espresso			
	7P5 863 011 D OJ1	agate grey			
	7P5 863 011 D OP2	saddle brown			
(1)	7P5 863 011 E	1 set foot mats Floor mat (textile) for vehicles with no air conditioning system	15- rear	1	CAYENNE (92A) rhd PR:9AD
	7P5 863 011 E DE1	Umber			
	7P5 863 011 E DJ6	Platinum Grey			
	7P5 863 011 E DK4	Black			
	7P5 863 011 E DM5	Luxor beige			
	7P5 863 011 E DP8	Espresso			
	7P5 863 011 E OJ1	agate grey			
	7P5 863 011 E OP2	saddle brown			
(1)	7P5 863 011 F	1 set foot mats Floor mat (textile) for vehicles with air conditioner for rear	15- rear	1	CAYENNE (92A) lhd PR:9AH
	7P5 863 011 F DE1	Umber			
	7P5 863 011 F DJ6	Platinum Grey			
	7P5 863 011 F DK4	Black			
	7P5 863 011 F DM5	Luxor beige			
	7P5 863 011 F DP8	Espresso			
	7P5 863 011 F OJ1	agate grey			
	7P5 863 011 F OP2	saddle brown			
(1)	7P5 863 011 G	1 set foot mats Floor mat (textile) for vehicles with air conditioner for rear	15- rear	1	CAYENNE (92A) rhd PR:9AH
	7P5 863 011 G DE1	Umber			
	7P5 863 011 G DJ6	Platinum Grey			
	7P5 863 011 G DK4	Black			
	7P5 863 011 G DM5	Luxor beige			
	7P5 863 011 G DP8	Espresso			
	7P5 863 011 G OJ1	agate grey			
	7P5 863 011 G OP2	saddle brown			
(1)	958 551 800 68	1 set foot mats Floor mat (textile) for vehicles with no air conditioning system	15- rear	1	CAYENNE (92A) lhd PR:9AD
	958 551 800 68 YRI	Black/Carrera Red			
	958 551 800 68 YPO	Black/Cream			
(1)	958 551 800 69	1 set foot mats Floor mat (textile) for vehicles with no air conditioning system	15- rear	1	CAYENNE (92A) rhd PR:9AD
	958 551 800 69 YRI	Black/Carrera Red			
	958 551 800 69 YPO	Black/Cream			
(1)	958 551 800 86	1 set foot mats Floor mat (textile) for vehicles with air conditioner for rear	15- rear	1	CAYENNE (92A) lhd PR:9AH
	958 551 800 86 YRI	Black/Carrera Red			
	958 551 800 86 YPO	Black/Cream			
(1)	958 551 800 87	1 set foot mats Floor mat (textile) for vehicles with air conditioner for rear	15- rear	1	CAYENNE (92A) rhd PR:9AH
	958 551 800 87 YRI	Black/Carrera Red			
	958 551 800 87 YPO	Black/Cream			
(1)	9Y1 863 011	1 set foot mats	18-	1	CAYENNE (9YA)

Model: TEQ 2 Model life 2003>>

Pos	Part Number	Description	Remark	Qty	Model
		Floor mat (textile)	4-part		lhd
	9Y1 863 011 OS5	Black			
	9Y1 863 011 OH7	Graphite Blue			
	9Y1 863 011 OS1	Truffle Brown			
	9Y1 863 011 OU6	Slate grey			
(1)	9Y2 863 011	1 set foot mats	18-	1	CAYENNE (9YA)
		Floor mat (textile)	4-part		rhd
	9Y2 863 011 OS5	Black			
	9Y2 863 011 OH7	Graphite Blue			
	9Y2 863 011 OS1	Truffle Brown			
	9Y2 863 011 OU6	Slate grey			
(2)	955 044 802 60	1 set foot mats (rubber)	03-10	1	Cayenne (9PA) /RL - "CN. "
(2)	955 044 802 61	1 set foot mats (rubber)	03-10	1	Cayenne (9PA) /LL - "CN. "
2	958 044 801 51	1 set foot mats (rubber)	11-	1	Cayenne (92A) /LL PR:9AD - "CN. "
		Air conditioning			
	958 044 801 51 1E0	Black			
	958 044 801 51 4H0	Luxor beige			
	958 044 801 51 OP1	agate grey			
(2)	958 044 801 55	1 set foot mats (rubber)	11-	1	Cayenne (92A) /LL PR:9AD "CN. "
		Air conditioning			
	958 044 801 55 1E0	Black			
	958 044 801 55 4H0	Luxor beige			
	958 044 801 55 OP1	agate grey			
(2)	958 044 801 52	1 set foot mats (rubber)	11-	1	Cayenne (92A) /RL PR:9AD - "CN. "
		Air conditioning			
	958 044 801 52 1E0	Black			
	958 044 801 52 4H0	Luxor beige			
	958 044 801 52 OP1	agate grey			
(2)	958 044 801 53	1 set foot mats (rubber)	11-	1	Cayenne (92A) /LL PR:9AH - "CN. "
		Auxiliary air conditioner			
	958 044 801 53 1E0	Black			
	958 044 801 53 4H0	Luxor beige			
	958 044 801 53 OP1	agate grey			
(2)	958 044 801 57	1 set foot mats (rubber)	11-	1	Cayenne (92A) /LL PR:9AH "CN. "
		Auxiliary air conditioner			
	958 044 801 57 1E0	Black			
	958 044 801 57 4H0	Luxor beige			
	958 044 801 57 OP1	agate grey			
(2)	958 044 801 54	1 set foot mats (rubber)	11-	1	Cayenne (92A) /RL PR:9AH - "CN. "
		Auxiliary air conditioner			
	958 044 801 54 1E0	Black			
	958 044 801 54 4H0	Luxor beige			
	958 044 801 54 OP1	agate grey			
2	9Y0 044 801	1 set foot mats (rubber)		1	Cayenne (9YA) /LL
		D - MJ 2018>>			
	9Y0 044 801 1E0	Black			

Model: TEQ 2 Model life 2003>>

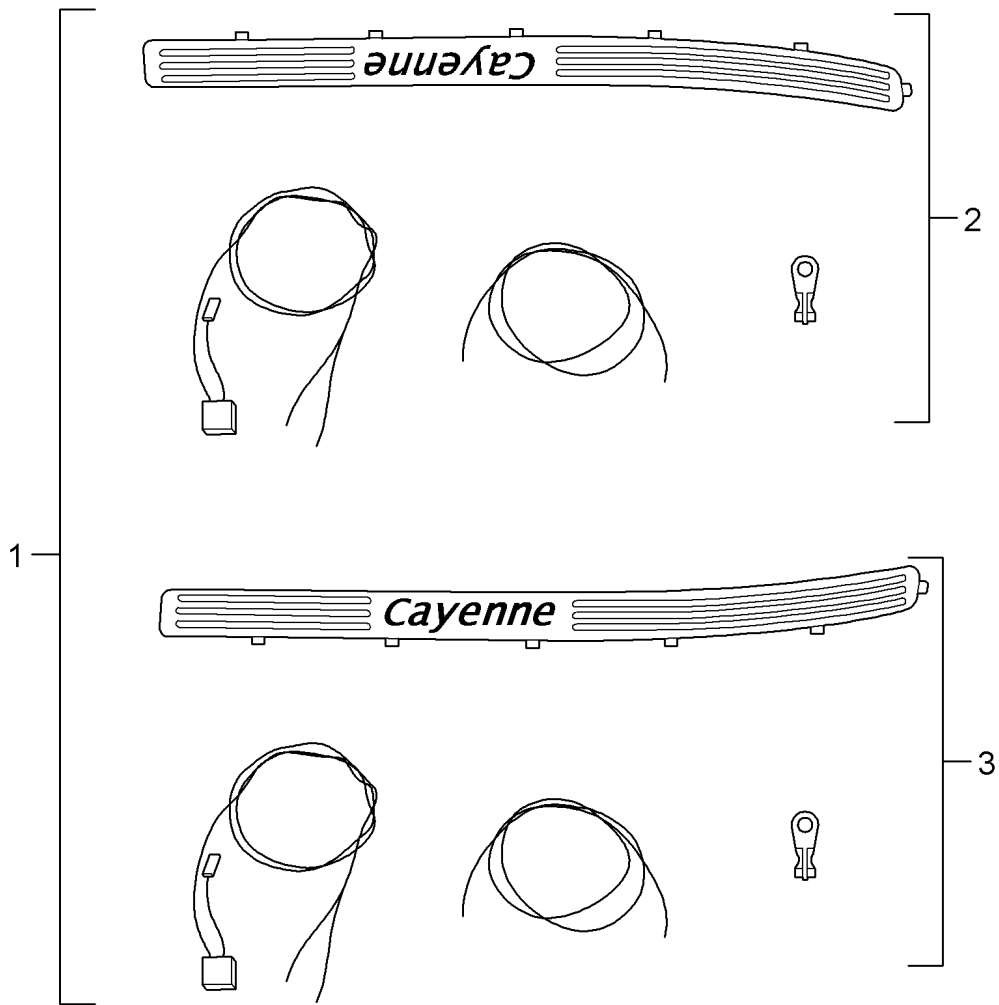
Pos	Part Number	Description	Remark	Qty	Model
(2)	9Y0 044 801 OS1 9Y0 044 801 OH7 9Y0 044 801 A	Truffle Brown Graphite Blue 1 set foot mats (rubber)		1	Cayenne (9YA) /RL
-	9Y0 044 801 A 1E0 9Y0 044 801 A OS1 9Y0 044 801 A OH7	D - MJ 2018>> Black Truffle Brown Graphite Blue Floor mats two-colour	11-		Cayenne (92A)
(1)	958 551 800 68 958 551 800 68 HAH 958 551 800 68 HGZ 958 551 800 68 IVG 958 551 800 68 IVH 958 551 800 68 YRI 958 551 800 68 YSI	1 set foot mats Velour two-colour Set 4-part Black/Rhodium Silver Black/Luxor Beige SCHWARZ/SCHWARZ/LUXORBEIGE Black/Carmine Red Black/Peridot Black/Carrera Red Black/Luxor Beige	11-	1	Cayenne (92A) /LL Cayenne GTS PR:DU3 Platinum Ed. PR:D11,D1V, D34,D43,D50 Cayenne GTS PR:DU3 Cayenne GTS PR:DU3 Turbo S PR:DT5 Turbo S PR:DT5
(1)	958 551 800 69 958 551 800 69 HAH 958 551 800 69 HGZ 958 551 800 69 IVG 958 551 800 69 IVH 958 551 800 69 YRI 958 551 800 69 YSI	1 set foot mats Velour two-colour Set 4-part Black/Rhodium Silver Black/Luxor Beige SCHWARZ/SCHWARZ/LUXORBEIGE Black/Carmine Red Black/Peridot Black/Carrera Red Black/Luxor Beige	11-	1	Cayenne (92A) /RL Cayenne GTS PR:DU3 Platinum Ed. PR:D11,D1V, D34,D43,D50 Cayenne GTS PR:DU3 Cayenne GTS PR:DU3 Turbo S PR:DT5 Turbo S PR:DT5
(1)	958 551 800 86 958 551 800 86 HAH 958 551 800 86 HGZ 958 551 800 86 IVG 958 551 800 86 IVH	1 set foot mats Velour two-colour Set 4-part Auxiliary air conditioner Black/Rhodium Silver Black/Luxor Beige SCHWARZ/SCHWARZ/LUXORBEIGE Black/Carmine Red Black/Peridot	11-	1	Cayenne (92A) /LL PR:9AH Cayenne GTS PR:DU3 Platinum Ed. PR:D11,D1V, D34,D43,D50 Cayenne GTS PR:DU3 Cayenne GTS

Model: TEQ 2 Model life 2003>>

Pos	Part Number	Description	Remark	Qty	Model
	958 551 800 86 YRI	Black/Carrera Red			PR:DU3 Turbo S
	958 551 800 86 YSI	Black/Luxor Beige			PR:DT5 Turbo S
(1)	958 551 800 87	1 set foot mats Velour two-colour Set 4-part Auxiliary air conditioner	11-	1	PR:DT5 Cayenne(92A)
	958 551 800 87 HAH	Black/Rhodium Silver			/RL PR:9AH
	958 551 800 87 HGZ	Black/Luxor Beige SCHWARZ/SCHWARZ/LUXORBEIGE			Cayenne GTS PR:DU3 Platinum Ed.
	958 551 800 87 IVG	Black/Carmin Red			PR:D11,D1V, D34,D43,D50 Cayenne GTS
	958 551 800 87 IVH	Black/Peridot			PR:DU3 Cayenne GTS
	958 551 800 87 YRI	Black/Carrera Red			PR:DU3
	958 551 800 87 YSI	Black/Luxor Beige			Turbo S PR:DT5
3	970 044 802 80	Foot rest	rear	1	Turbo S PR:DT5
	970 044 802 80 DK4	Black			

Model: TEQ 2

Model life 2003>>

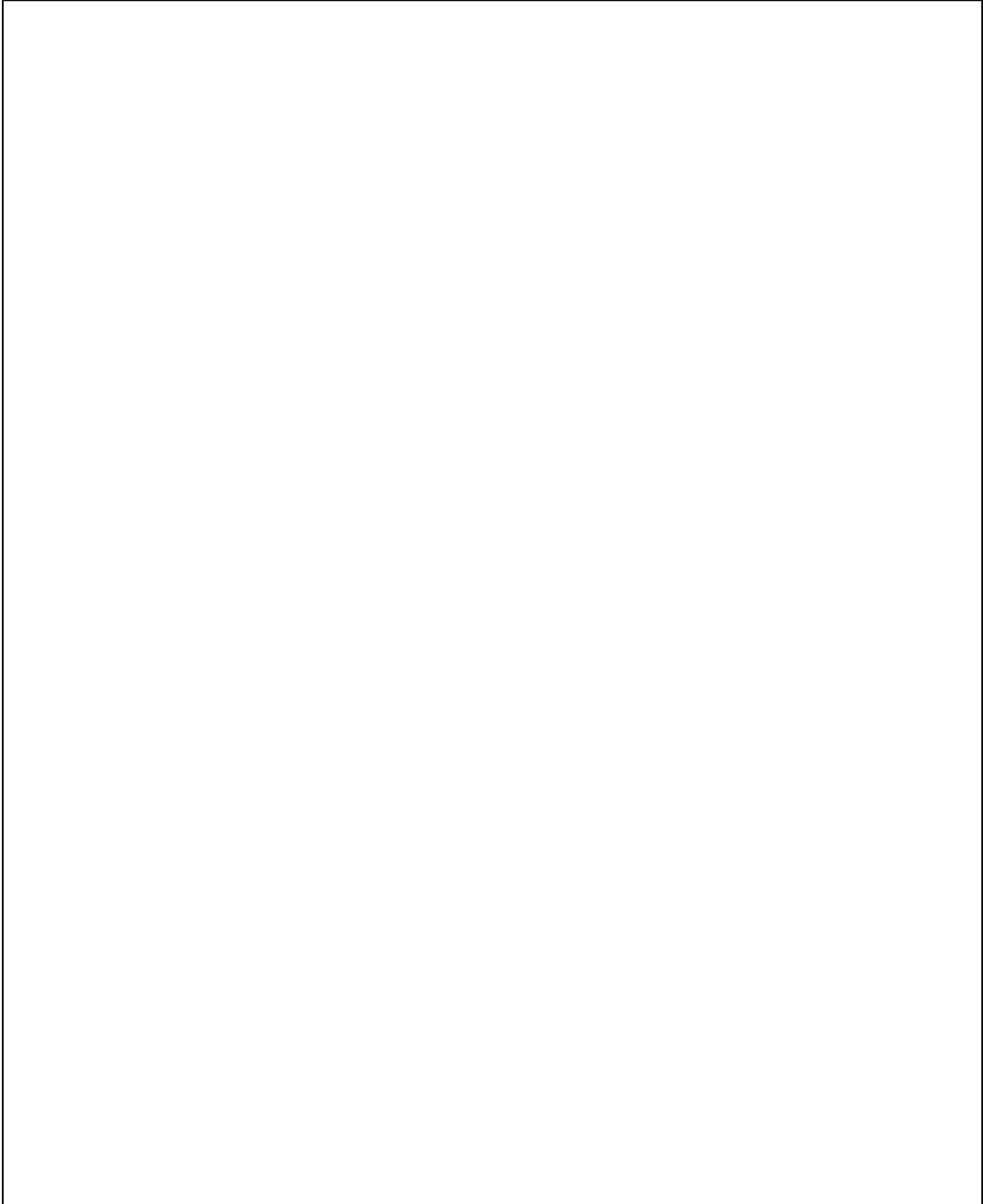


Model: TEQ 2 Model life 2003>>

Pos	Part Number	Description	Remark	Qty	Model
		Sill trim strip	03-10		Cayenne (9PA)
		without:	11-		Cayenne (92A)
-	955 044 800 49	Lighting Sill trim strip stainless steel Set	04-10	1	PR:D9J
-	958 044 800 14	1 set of sill strips stainless steel	11-	1	
		without:			
-	958 044 800 13	inscription 1 set of sill strips Carbon	11-14	1	Cayenne
-	958 044 800 17	1 set of sill strips Carbon	11-14	1	Cayenne S
-	958 044 800 40	1 set of sill strips Carbon	11-14	1	Cayenne GTS
-	958 044 800 37	1 set of sill strips Carbon	11-14	1	Cayenne turbo
-	958 044 800 43	1 set of sill strips Carbon	14-14	1	Cayenne turbo S

Model: TEQ 2

Model life 2003>>

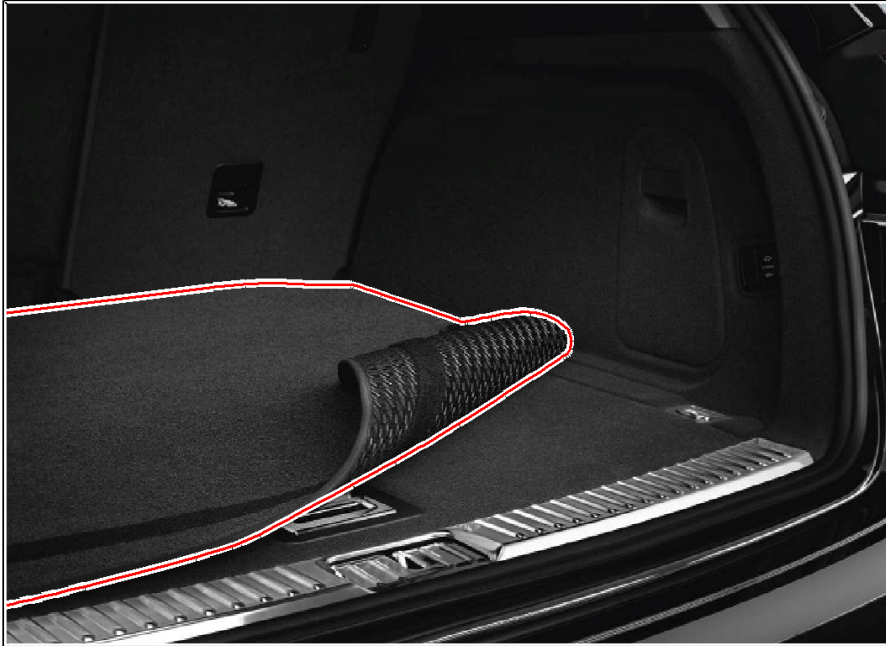


Model: TEQ 2 Model life 2003>>

Pos	Part Number	Description	Remark	Qty	Model
-		Sill trim strip with: Lighting Inst. & Conv. Instructions Porsche Cayenne Group 6 6807 (7/05) Attention			Cayenne (9PA) Cayenne (92A) Cayenne/S Turbo
-	955 044 800 00	1 set of sill strips stainless steel	03-10	1	PR:D9J,D9K, D9L
-	955 044 800 67	Sill trim strip stainless steel repair set	left 03-10	1	PR:D9J,D9K, D9L
-	955 044 800 68	Sill trim strip stainless steel repair set	right 03-10	1	PR:D9J,D9K, D9L
-	955 551 983 00	1 set of sill strips Transsyberia Only for replacement Order	03-10	1	PR:E2D
-	955 551 992 00	Wire set Sill trim strip Inst. & Conv. Instructions Porsche Cayenne Group 6 6807 (8/11) Attention	03-10	1	alle
-	958 044 800 11	1 set of sill strips stainless steel	11-	1	Cayenne
-	958 044 800 15	1 set of sill strips stainless steel	11-	1	Cayenne S
-	958 044 800 38	1 set of sill strips stainless steel	11-	1	Cayenne GTS
-	958 044 800 35	1 set of sill strips stainless steel	11-	1	Cayenne turbo
-	958 044 800 41	1 set of sill strips stainless steel	14-	1	Cayenne turbo S
-	958 044 802 19	1 set of sill strips stainless steel	14-	1	Cayenne S e-hybrid
-	958 044 800 12	1 set of sill strips Carbon	11-	1	Cayenne
-	958 044 800 16	1 set of sill strips Carbon	11-	1	Cayenne S
-	958 044 800 39	1 set of sill strips Carbon	11-	1	Cayenne GTS
-	958 044 800 36	1 set of sill strips Carbon	11-	1	Cayenne turbo
-	958 044 800 42	1 set of sill strips Carbon	14-	1	Cayenne turbo S
-	958 044 802 18	1 set of sill strips Carbon	14-	1	Cayenne S e-hybrid

Model: TEQ 2

Model life 2003>>

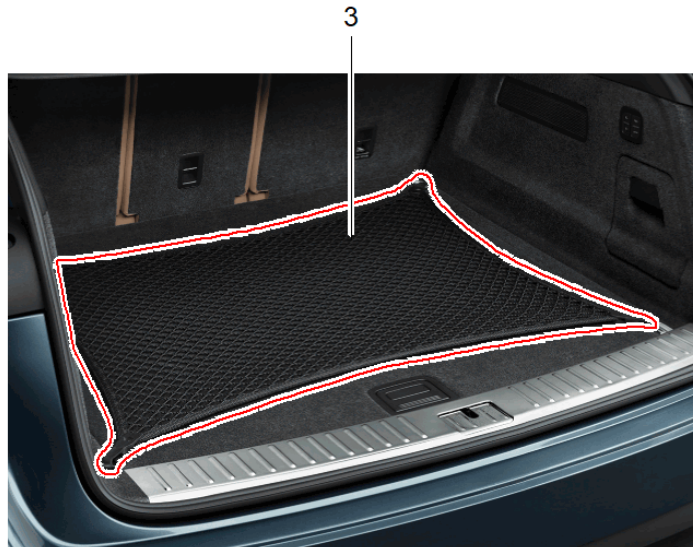
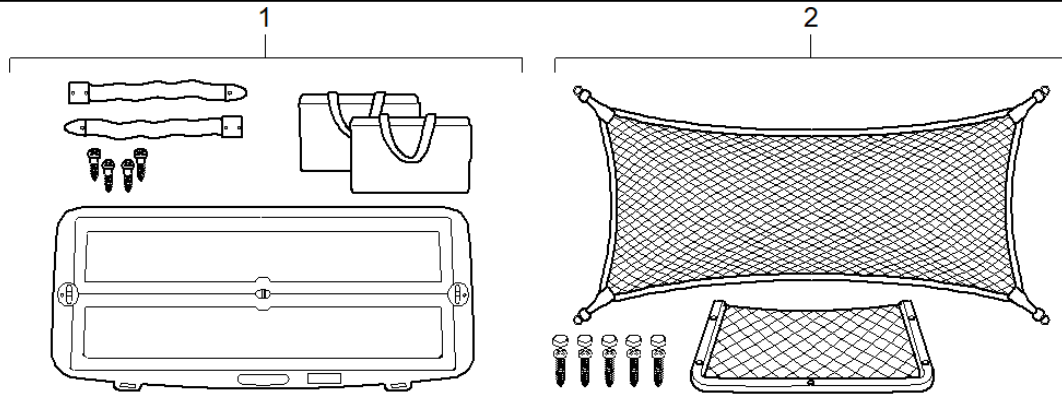


Model: TEQ 2 Model life 2003>>

Pos	Part Number	Description	Remark	Qty	Model
1	955 044 800 04	Luggage compartment mat Luggage compartment mat for D - MJ 2003>> - MJ 2010	velours	1	PR:9AD
	955 044 800 04 8B2	Black			
	955 044 800 04 8C3	steel grey			
	955 044 800 04 8D4	Sand beige			
	955 044 800 04 8E5	Palm green			
	955 044 800 04 L63	chestnut brown			
2	955 044 800 40	Luggage compartment mat for vehicles with Air conditioning D - MJ 2003>> - MJ 2010	velours 4 point	1	PR:9AH
	955 044 800 40 8B2	Black			
	955 044 800 40 8C3	steel grey			
	955 044 800 40 8D4	Sand beige			
	955 044 800 40 8E5	Palm green			
	955 044 800 40 L63	chestnut brown			
2	958 044 800 65	Luggage compartment mat for D - MJ 2011>>	velours	1	
	958 044 800 65 DK4	Black			
	958 044 800 65 DE1	Umber			
	958 044 800 65 DJ6	Platinum Grey			
	958 044 800 65 DM5	Luxor beige			
	958 044 800 65 DP8	Espresso			
	958 044 800 65 OP2	saddle brown			
	958 044 800 65 OJ1	agate grey			
3	9Y0 044 810	Carpet For luggage compartment D - MJ 2018>>	velours	1	
	9Y0 044 810 DK4	Black			
	9Y0 044 810 OH7	Graphite Blue			
	9Y0 044 810 OS1	Truffle Brown			
	9Y0 044 810 OU6	Slate grey			

Model: TEQ 2

Model life 2003>>

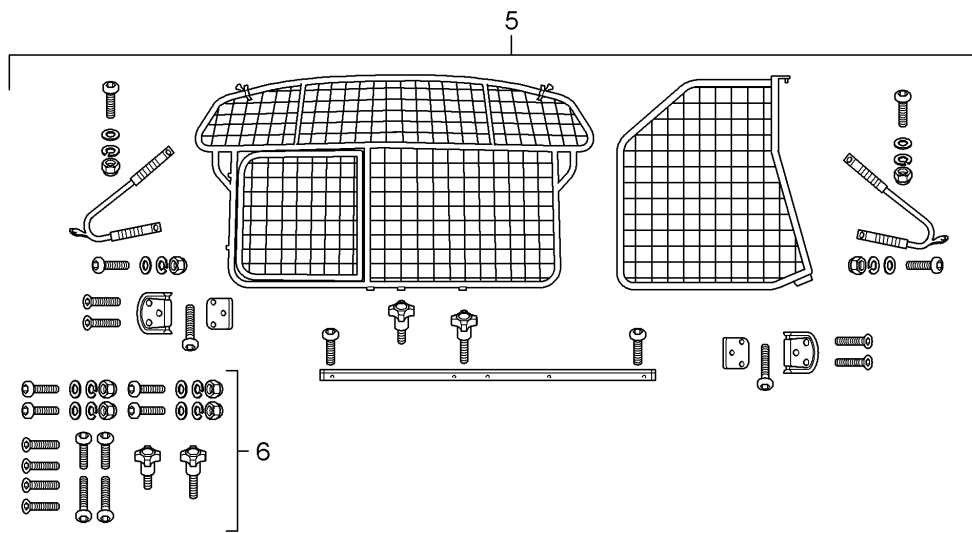
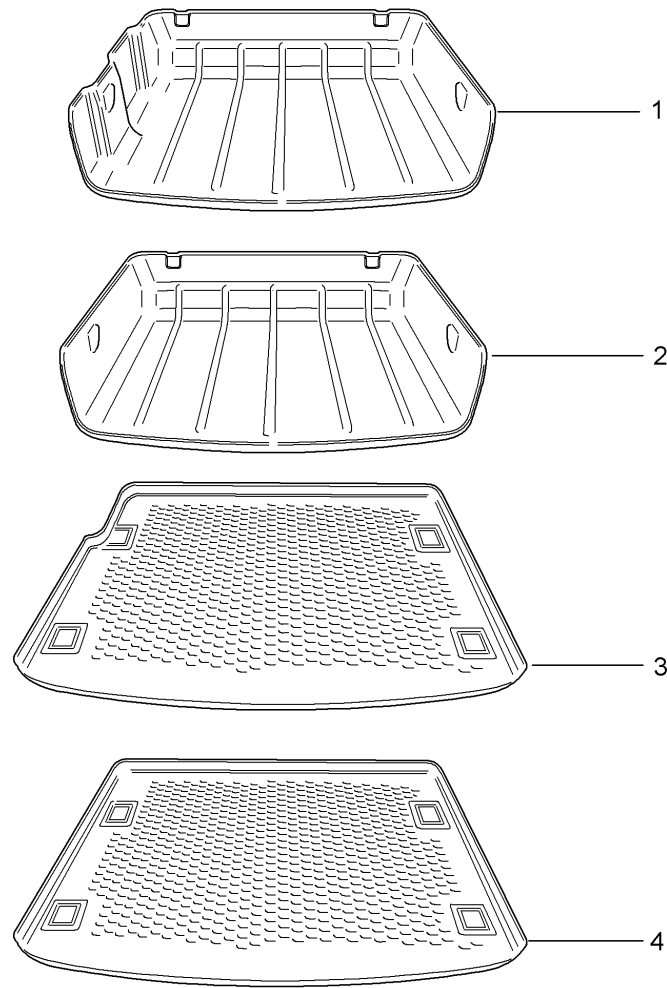


Model: TEQ 2 Model life 2003>>

Pos	Part Number	Description	Remark	Qty	Model
1	955 044 000 19	Luggage net Loadspace system Loadspace system Not for: Luggage compartment liner Deep	03-10 11- 18- 03-	1	CAYENNE (9PA) CAYENNE (92A) CAYENNE (9YA)
2	955 044 000 03	Luggage net Not for: Luggage compartment liner Deep	03-10	1	Cayenne (9PA)
(2)	958 044 000 03	Luggage net Not for: Luggage compartment liner Deep	11-17	1	Cayenne (92A)
3	9Y0 044 010	Luggage net Luggage net Not for: Luggage compartment liner without:	18-	1	Cayenne (9YA)
-	PAB 861 691 00 PAB 861 691 00 AY1	Side part Net partition Black	18-	1	

Model: TEQ 2

Model life 2003>>



Model: TEQ 2 Model life 2003>>

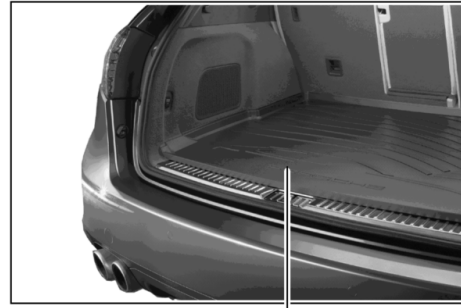
Pos	Part Number	Description	Remark	Qty	Model
		Luggage compartment liner Grille D - MJ 2003>> - MJ 2010			Cayenne (9PA)
1	955 044 000 16	Luggage compartment liner High Not for: Grille 955.044.000.13		1	PR:9AH -"CN."
2	955 044 000 15	Luggage compartment liner High Not for: Grille 955.044.000.13		1	PR:9AD,9AB -"CN."
3	955 044 000 18	Luggage compartment liner Flat		1	PR:9AH -"CN."
4	955 044 000 17	Luggage compartment liner Flat		1	PR:9AB,9AD -"CN."
-		Technical information Porsche Cayenne Group 6 6845 (3/03) Attention			alle
5	955 044 000 13	Grille Retrofit kit (complete) Not for: Luggage compartment liner High		1	PR:9AB
6	955 044 000 42	Assembly kit Grille		1	

Model: TEQ 2

Model life 2003>>



1

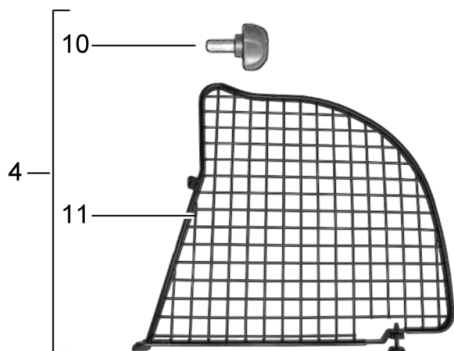
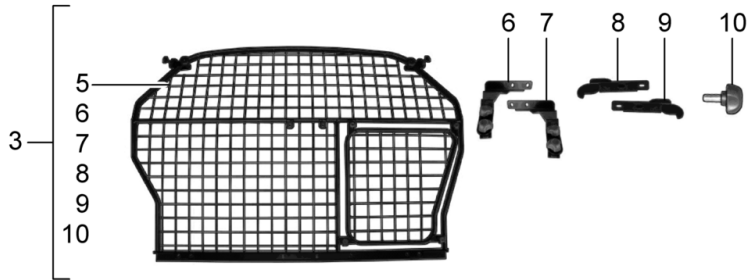


2



3

4

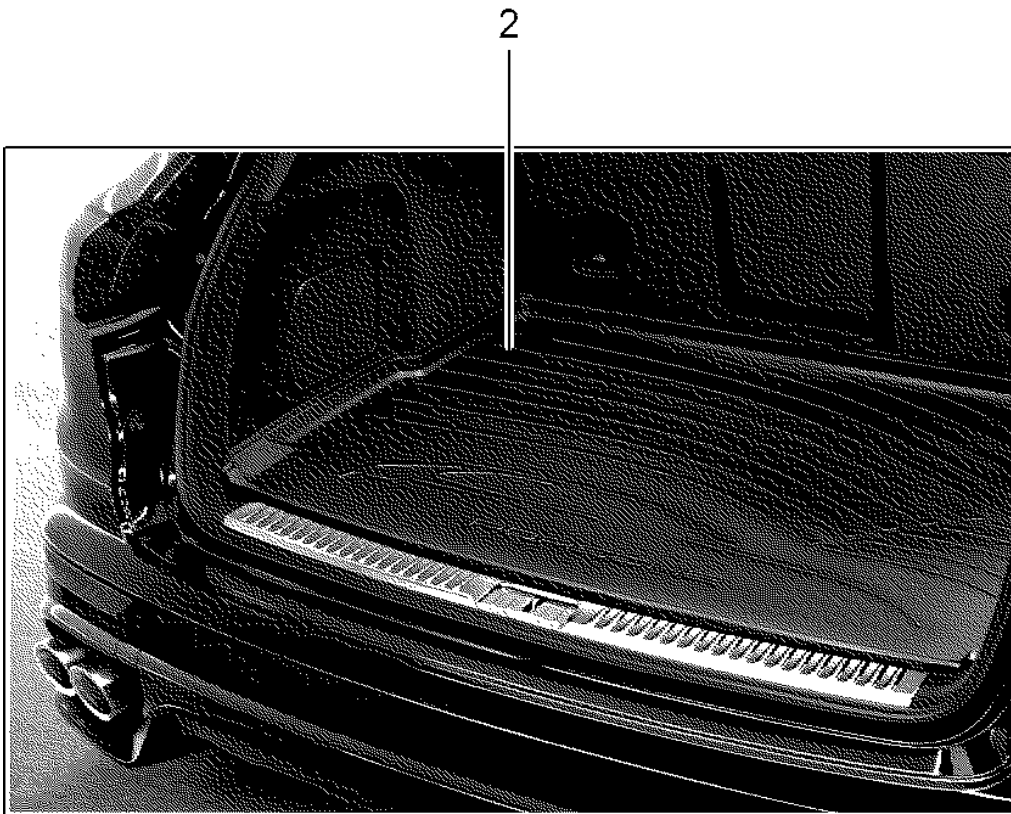
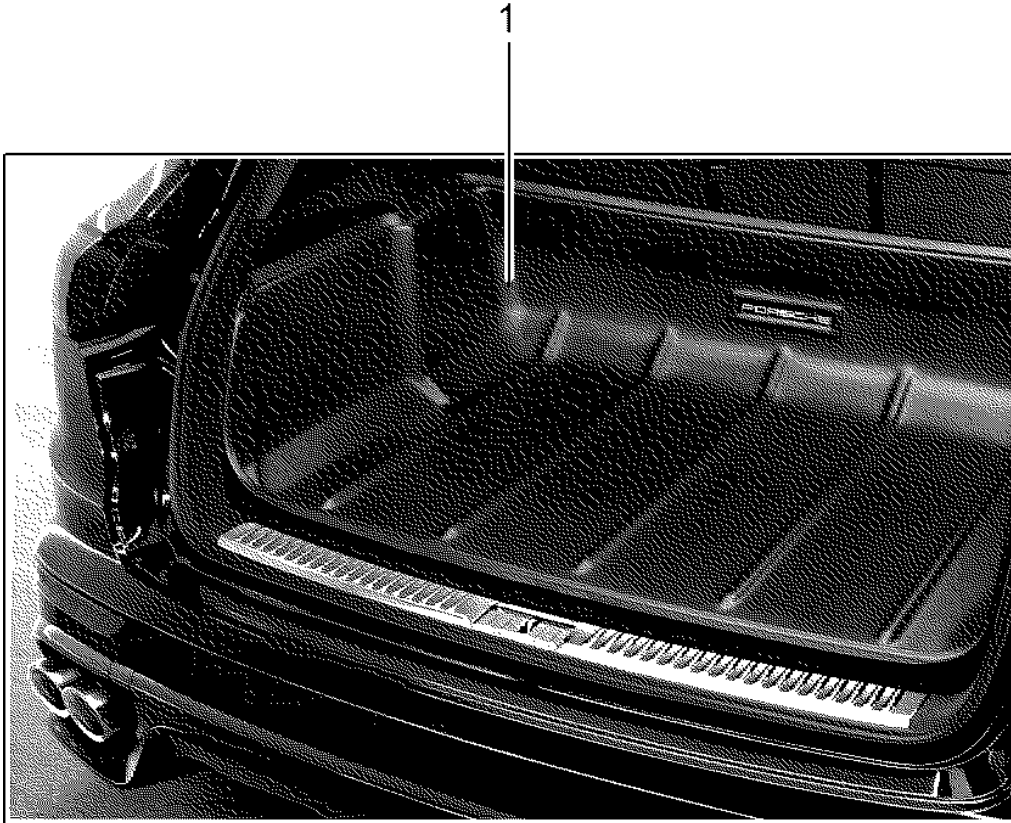


Model: TEQ 2 Model life 2003>>

Pos	Part Number	Description	Remark	Qty	Model
		Luggage compartment liner Grille			Cayenne (92A)
(1)	958 044 000 15	D - MJ 2011>> Luggage compartment liner High		1	PR:-9AH, -0K1,-1G1, -1G4,-1G6 -"CN."
1	958 044 000 16	Luggage compartment liner High		1	PR:9AH,-1G1, -1G4,-1G6 -"CN."
1	958 044 000 16	Luggage compartment liner High	Hybrid	1	PR:0K1,-1G1, -1G4,-1G6 -"CN."
(2)	958 044 000 17	Luggage compartment liner Flat		1	PR:-9AH, -0K1,-1G1, -1G4,-1G6 -"CN."
2	958 044 000 27	Luggage compartment liner Flat		1	PR:-9AH, -0K1,-1G1, -1G4,-1G6 "CN."
2	958 044 000 18	Luggage compartment liner Flat		1	PR:9AH,-1G1, -1G4,-1G6 -"CN."
(2)	958 044 000 28	Luggage compartment liner Flat		1	PR:9AH,-1G1, -1G4,-1G6 "CN."
2	958 044 000 18	Luggage compartment liner Flat	Hybrid	1	PR:0K1,-1G1, -1G4,-1G6 -"CN."
-		Inst. & Conv. Instructions Porsche Cayenne Group 6 6845 (24/11) Attention			alle
3	958 044 800 33	Grille Luggage compartment Transverse Set		1	PR:-3FU,-3F4
-		comprising:			
(5)		Grille		1	
(6)		Console	left	1	PR:3GN
(7)		Console	right	1	PR:3GN
(8)		Console	left	1	
(9)		Console	right	1	
(10)		Screw	M8 x 20	12	
-		Operating instructions		1	
4	958 044 800 34	Grille Luggage compartment Lengthways Set		1	PR:-3FU,-3F4
-		comprising:			
(10)		Screw	M8 x 20	3	
(11)		Grille		1	

Model: TEQ 2

Model life 2003>>

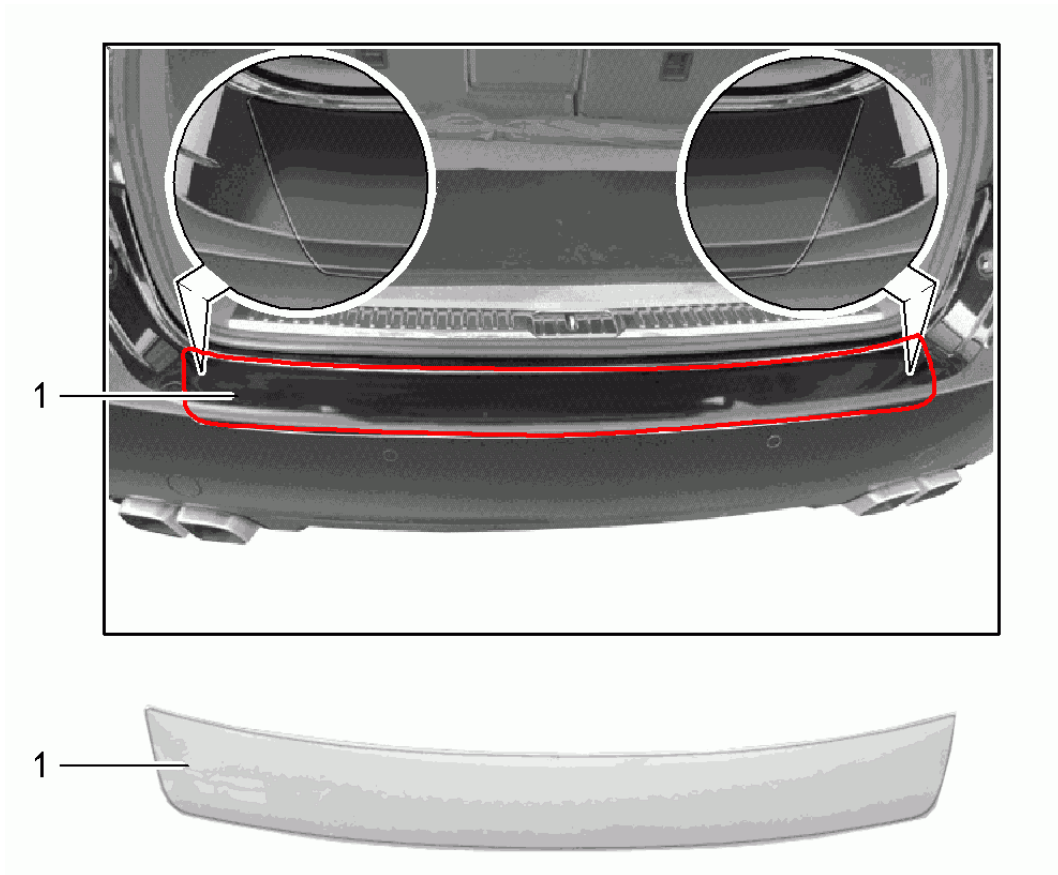


Model: TEQ 2 Model life 2003>>

Pos	Part Number	Description	Remark	Qty	Model
		Luggage compartment tray D - MJ 2018>>			Cayenne (9YA)
1	9Y0 044 000	Luggage compartment tray	High	1	Cayenne
(1)	9Y0 044 000 A	Luggage compartment tray	High	1	Cayenne PHEV
2	9Y0 044 001	Luggage compartment tray	Flat	1	Cayenne Cayenne PHEV

Model: TEQ 2

Model life 2003>>



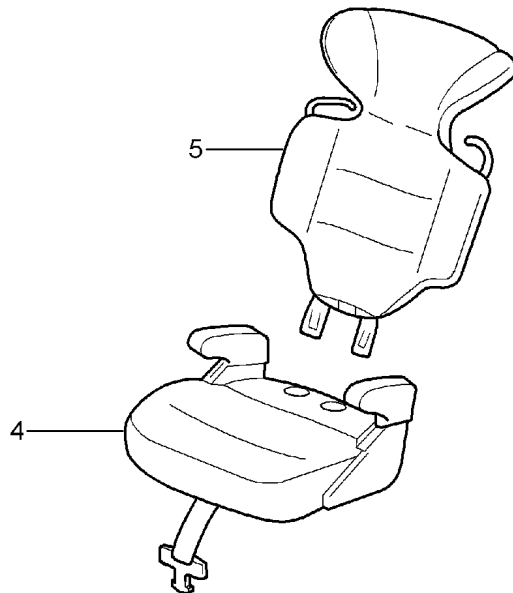
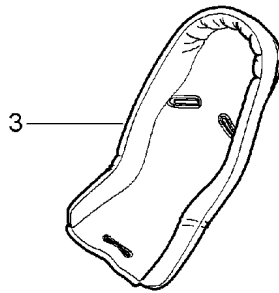
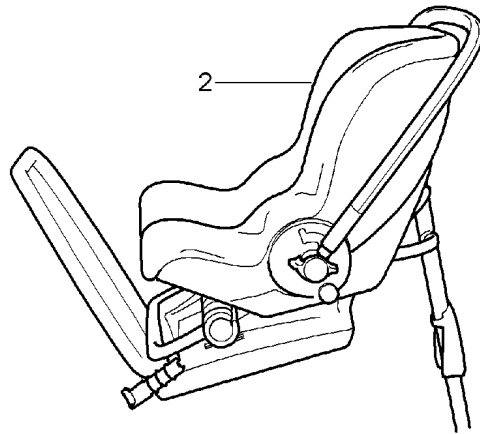
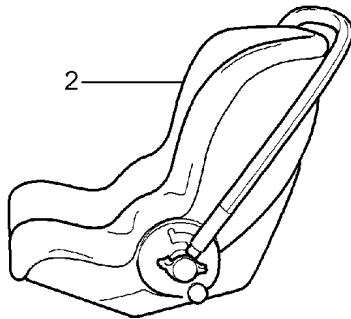
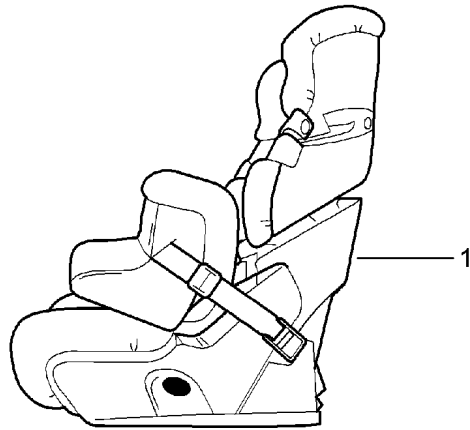
Model: TEQ 2

Model life 2003>>

Pos	Part Number	Description	Remark	Qty	Model
-		Load edge protection Protective film note: Inst. & Conv. Instructions 6369 (47/13)	11-17 18-		CAYENNE (92A) CAYENNE (9YA)
1	958 044 800 45	Protective film for bumper	11-14	1	
(1)	958 044 800 46	Protective film for bumper note: Inst. & Conv. Instructions 6369 (09/18)	15-17	1	
(1)	9Y0 044 822	Protective film for bumper	18- 18-	1	

Model: TEQ 2

Model life 2003>>



Model: TEQ 2 Model life 2003>>

Pos	Part Number	Description	Remark	Qty	Model
-		child seat D - MJ 2003>> - MJ 2010 Operating instructions Attention /F = Front = Vorn /R = Rear = Hinten Use			Cayenne (9PA)
1	955 044 800 44	child seat Junior Seat ISOFIX G1+G2 with:	/F /R	1	- "AUS"
-	955 044 800 30	Push-on connector Discontinued part Cover Backrest JUNIOR SEAT ISOFIX G1+G2 No longer use the part here		1	
-	955 044 800 31	Cover Seat cushion JUNIOR SEAT ISOFIX G1+G2 No longer use the part here		1	
-	955 044 800 32	Shelf table JUNIOR SEAT ISOFIX G1+G2 No longer use the part here		1	
-	955 044 800 33	Twist lock JUNIOR SEAT ISOFIX G1+G2 No longer use the part here		1	
-	955 044 800 34	Seat belt guide JUNIOR SEAT ISOFIX G1+G2 No longer use the part here	right	1	
-	955 044 800 35	Seat belt guide JUNIOR SEAT ISOFIX G1+G2 No longer use the part here	left	1	
-	955 044 800 36	Belt System Junior Seat ISOFIX G1+G2		1	
-	955 044 800 37	Introduction guide funnel JUNIOR SEAT ISOFIX G1+G2 No longer use the part here		1	
2	955 044 800 42	child seat Baby Seat ISOFIX G0 with:		1	- "AUS"
-	955 044 800 57	Push-on connector 0-13 KG / 0-9 MONATE Discontinued part Seat cover Baby Seat ISOFIX G0 for 95504480042/.43/.82 Discontinued part		1	
3	955 044 800 58	Seat well for child seat Baby Seat ISOFIX G0		1	- "AUS"
4	000 802 017 02	child seat Zoom with:		1	- "AUS"
(4)	955 044 801 02	Push-on connector 17-36 KG / 4-12 JAHRE child seat Kid Plus G2+G3 with: Push-on connector		1	- "AUS"

Model: TEQ 2 Model life 2003>>

Pos	Part Number	Description	Remark	Qty	Model
5	000 802 019 02	Discontinued part Backrest cover for Zoom with: Push-on connector 17-36 KG / 4-12 JAHRE		1	-"AUS"

Model: TEQ 2

Model life 2003>>

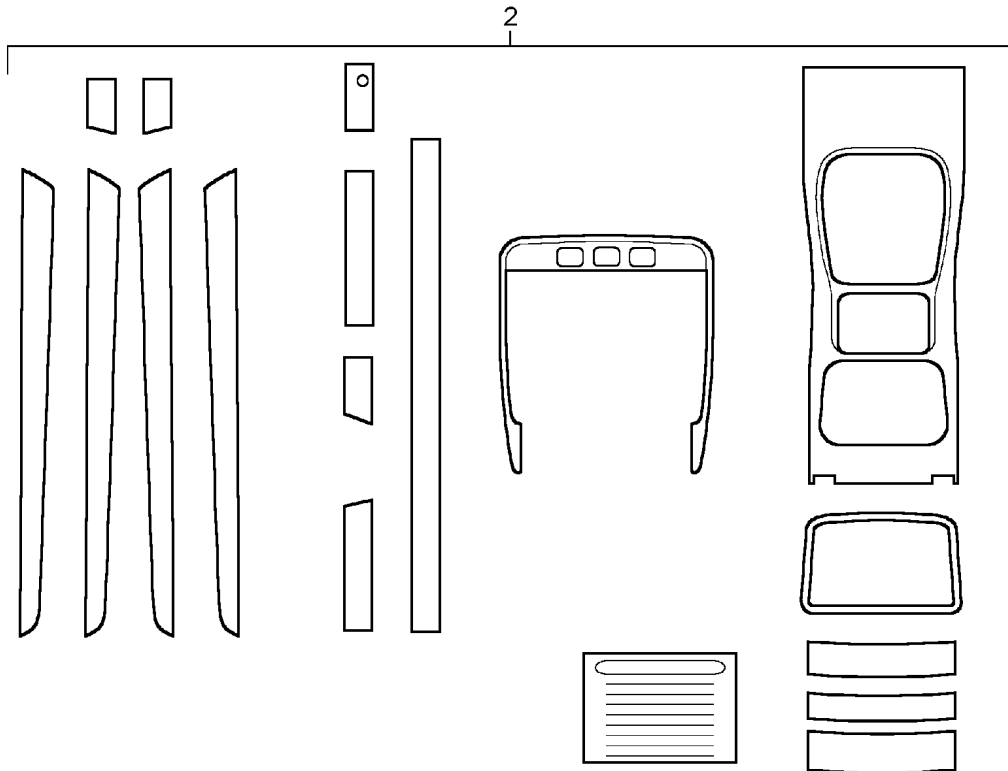
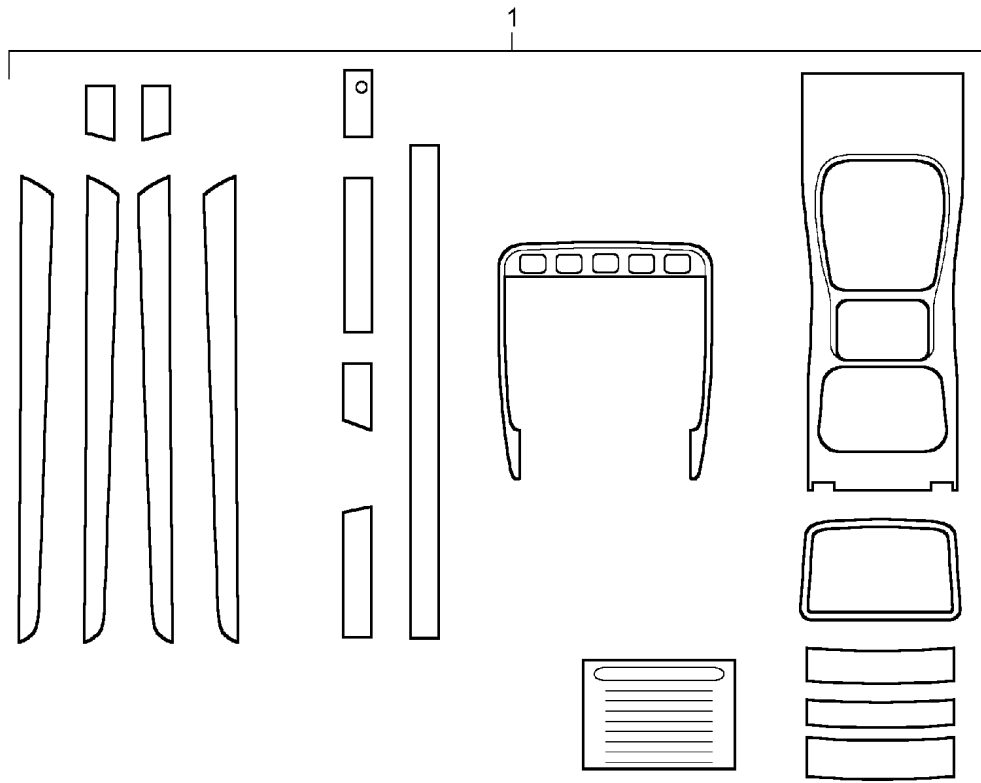


Model: TEQ 2 Model life 2003>>

Pos	Part Number	Description	Remark	Qty	Model
-		child seat D - MJ 2011>> Operating instructions note: /F = FRONT = VORN only in conj. with: /R = OUTER REAR SEATS HINTEN AUSSEN GEBRAUCHEN			Cayenne (92A) PR:899
1	955 044 802 94	child seat BABY SEAT G0+ 0-13 KG	/F /R	1	- "AUS" Cayenne alle
-		use if required:			
2	955 044 802 95	Main support for child seat		1	Isofix 95504480294
3	955 044 802 92	child seat JUNIOR SEAT ISOFIX G1	/F /R	1	- "AUS" Cayenne alle
-		Support 9-18 KG			
5	955 044 802 90	child seat JUNIOR PLUS SEAT G2+G3 15-36 KG	/F /R	1	- "AUS" Cayenne alle
6	955 044 802 96	child seat JUNIOR PLUS SEAT G2+G3 ISOFIT 15-36 KG	/F /R	1	- "AUS" Cayenne alle
-		parts which are only insatlled as a substitute part.			
7	955 044 802 93	Guide child seat Sliding rail SATZ		1	
8	958 044 801 80	Child seat underlay TASCHE	front	1	
-		with:			

Model: TEQ 2

Model life 2003>>



Model: TEQ 2

Model life 2003>>

Pos	Part Number	Description	Remark	Qty	Model
-		Passenger compartment Wood	03-10		Cayenne (9PA)
1	955 044 800 22	High-gloss olive ash burl Light Interior equipment High-gloss olive ash burl Set	03-06	lhd 1	PR:G0R,L0L, 4A3,4A4
1	955 044 800 92	Discontinued part Interior equipment High-gloss olive ash burl Set	03-06	lhd 1	PR:L0L,4A3, 4A4
1	955 044 801 92	Discontinued part Interior equipment High-gloss olive ash burl Set	03-10	lhd 1	PR:L0L,4A3, 4A4
2	955 044 800 23	Interior equipment High-gloss olive ash burl Set	03-06	lhd 1	PR:G0R,L0L
2	955 044 800 93	Discontinued part Interior equipment High-gloss olive ash burl Set	03-06	lhd 1	PR:L0L
2	955 044 801 93	Interior equipment High-gloss olive ash burl Set	08-10	lhd 1	PR:L0L
(1)	955 044 800 24	Interior equipment High-gloss olive ash burl Set	03-06	rhd 1	PR:G0R,L0R, 4A3,4A4
(1)	955 044 800 94	Discontinued part Interior equipment High-gloss olive ash burl Set	03-06	rhd 1	PR:L0R,4A3, 4A4
(1)	955 044 801 94	Interior equipment High-gloss olive ash burl Set	08-10	rhd 1	
(2)	955 044 800 25	Interior equipment High-gloss olive ash burl Set	03-06	rhd 1	PR:L0R,4A3, 4A4 PR:G0R,L0R
(2)	955 044 800 95	Discontinued part Interior equipment High-gloss olive ash burl Set	03-06	rhd 1	PR:L0R
(2)	955 044 801 95	Interior equipment High-gloss olive ash burl Set	08-10	rhd 1	PR:L0R
-		Rootwood Dark			
(1)	955 044 800 18	Interior equipment Rootwood Set	03-06	lhd 1	PR:G0R,L0L, 4A3,4A4
(1)	955 044 800 88	Discontinued part Interior equipment Rootwood Set	03-06	lhd 1	PR:L0L,4A3, 4A4
(1)	955 044 801 88	Discontinued part Interior equipment Rootwood Set	03-10	lhd 1	PR:L0L,4A3, 4A4
(2)	955 044 800 19	Interior equipment Rootwood Set	03-06	lhd 1	PR:G0R,L0L

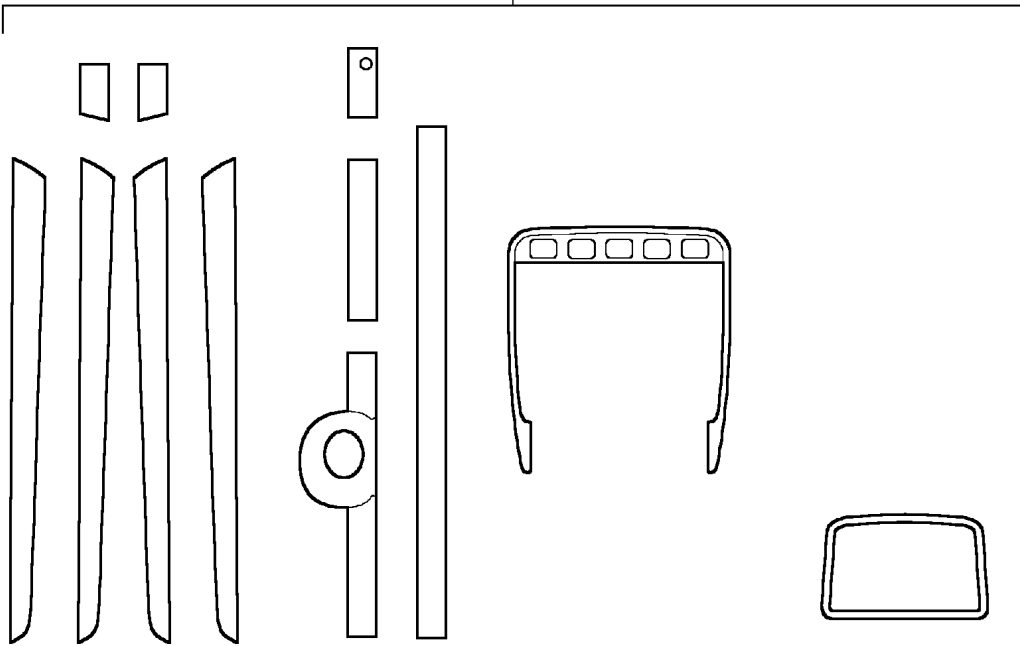
Model: TEQ 2 Model life 2003>>

Pos	Part Number	Description	Remark	Qty	Model
(2)	955 044 800 89	Discontinued part Interior equipment Rootwood Set	03-06 lhd	1	PR:L0L
(2)	955 044 801 89	Discontinued part Interior equipment Rootwood Set	03-10 lhd	1	PR:L0L
(1)	955 044 800 20	Discontinued part Interior equipment Rootwood Set	03-06 rhd	1	PR:G0R,L0R, 4A3,4A4
(1)	955 044 800 90	Discontinued part Interior equipment Rootwood Set	03-06 rhd	1	PR:L0R,4A3, 4A4
(1)	955 044 801 90	Discontinued part Interior equipment Rootwood Set	03-10 rhd	1	PR:L0R,4A3, 4A4
(2)	955 044 800 21	Discontinued part Interior equipment Rootwood Set	03-06 rhd	1	PR:G0R,L0R
(2)	955 044 800 91	Discontinued part Interior equipment Rootwood Set	03-06 rhd	1	PR:L0R
(2)	955 044 801 91	Discontinued part Interior equipment Rootwood Set	03-10 rhd	1	PR:L0R

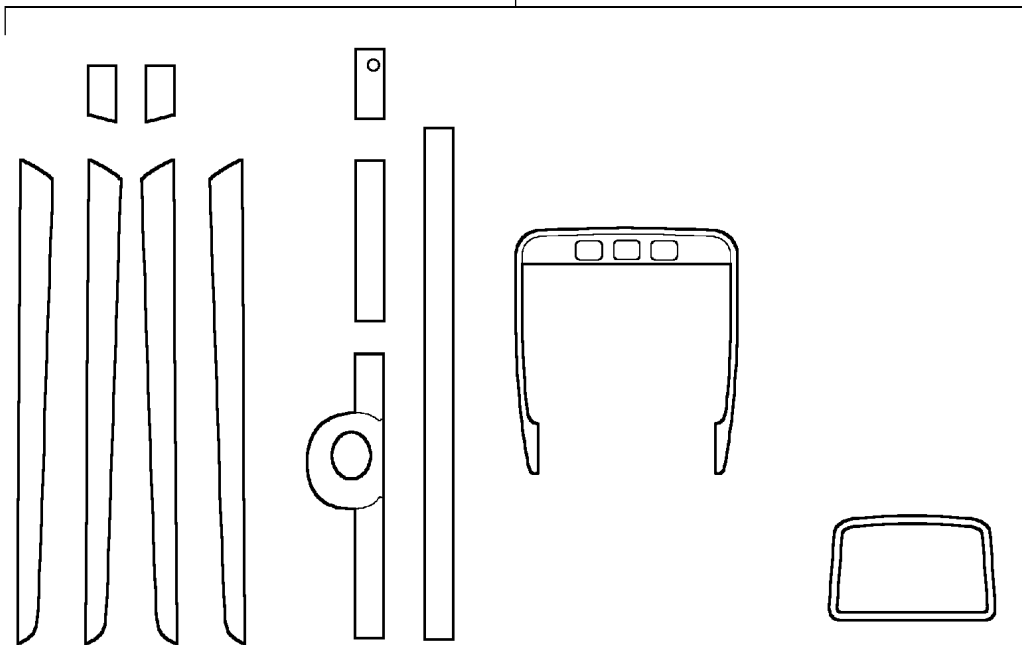
Model: TEQ 2

Model life 2003>>

1



2

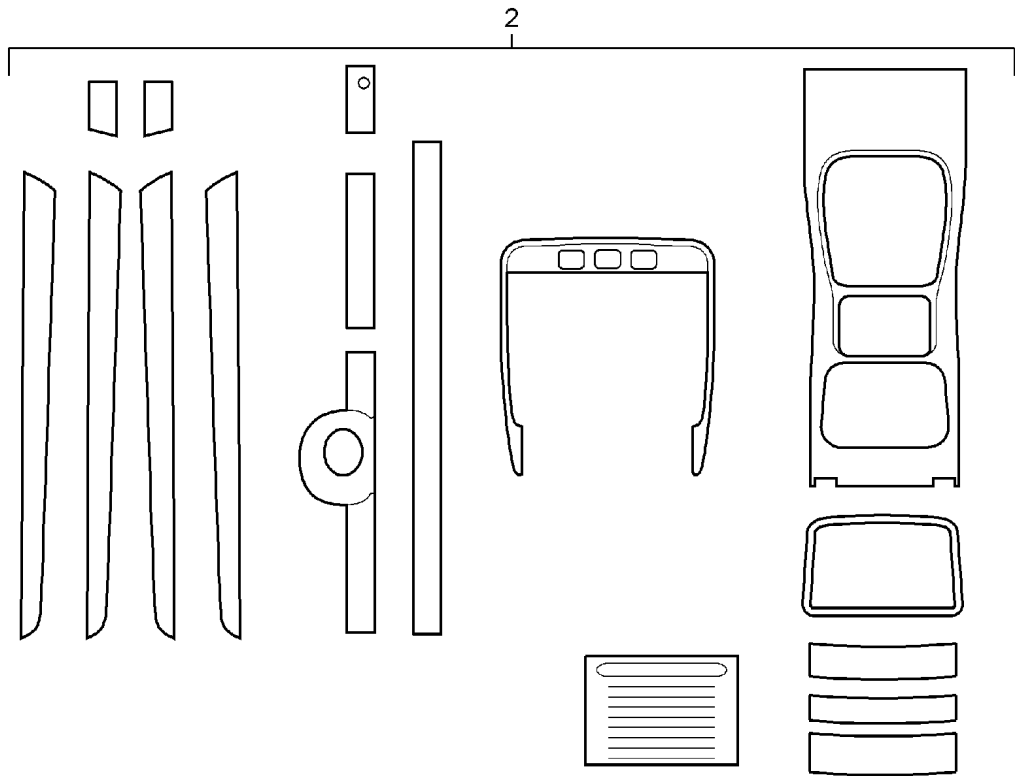
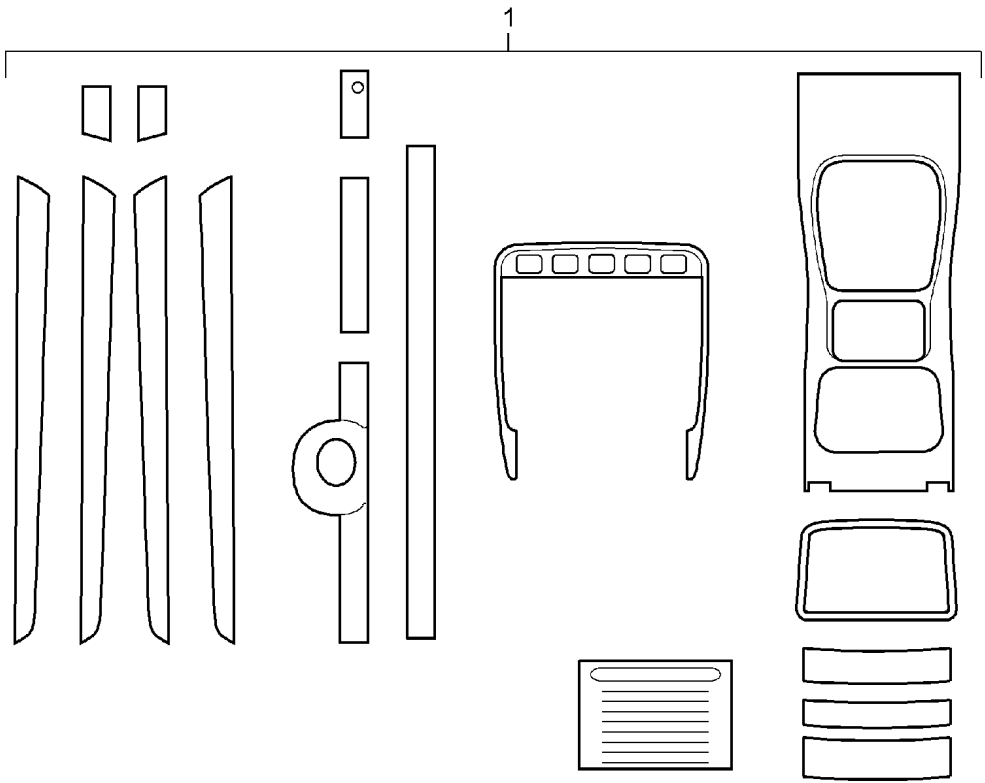


Model: TEQ 2 Model life 2003>>

Pos	Part Number	Description	Remark	Qty	Model
1	955 044 800 26	Passenger compartment aluminium D - MJ 2003>> - MJ 2010 Interior equipment Set aluminium	lhd	1	Cayenne (9PA) PR: 4A3, L0L, 4A4
	955 044 800 26 QHA	Black			
	955 044 800 26 QHD	Stone grey			
	955 044 800 26 QHC	Havanna			
	955 044 800 26 QHP	Palm green			
	955 044 800 26 RKT	Sand beige			
2	955 044 800 27	Interior equipment aluminium Set	lhd	1	PR: L0L
	955 044 800 27 QHA	Black			
	955 044 800 27 QHD	Stone grey			
	955 044 800 27 QHC	Havanna			
	955 044 800 27 QHP	Palm green			
	955 044 800 27 RKT	Sand beige			
(1)	955 044 800 28	Interior equipment aluminium Set	rhd	1	PR: 4A3, L0R, 4A4
	955 044 800 28 QHA	Black			
	955 044 800 28 QHD	Stone grey			
	955 044 800 28 QHC	Havanna			
	955 044 800 28 QHP	Palm green			
	955 044 800 28 RKT	Sand beige			
(2)	955 044 800 29	Interior equipment aluminium Set	rhd	1	PR: L0R
	955 044 800 29 QHA	Black			
	955 044 800 29 QHD	Stone grey			
	955 044 800 29 QHC	Havanna			
	955 044 800 29 QHP	Palm green			
	955 044 800 29 RKT	Sand beige			
(1)	955 044 802 66	Interior equipment orange Set	lhd	1	Cayenne S Transsyberia PR: 4A3, L0L, 4A4
(2)	955 044 802 67	Interior equipment orange Set	lhd	1	Cayenne S Transsyberia PR: L0L
(1)	955 044 802 68	Interior equipment orange Set	rhd	1	Cayenne S Transsyberia PR: 4A3, L0R, 4A4
(2)	955 044 802 69	Interior equipment orange Set	rhd	1	Cayenne S Transsyberia PR: L0R

Model: TEQ 2

Model life 2003>>

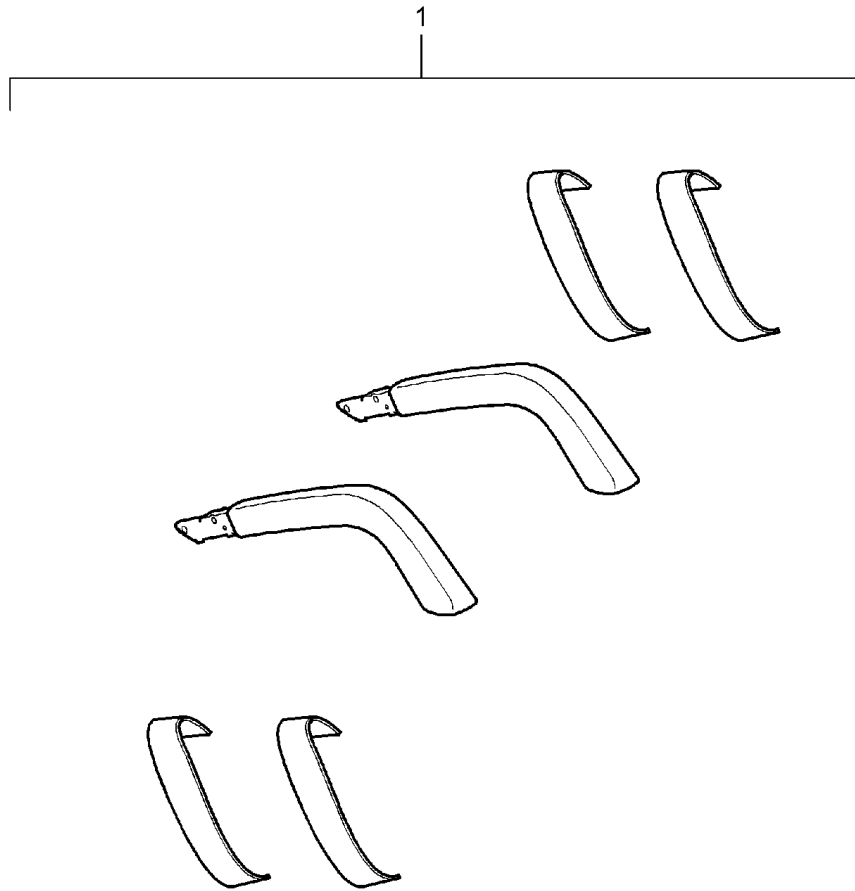


Model: TEQ 2 Model life 2003>>

Pos	Part Number	Description	Remark	Qty	Model
		Passenger compartment Carbon			Cayenne (9PA)
1	955 044 800 53	D - MJ 2003>> - MJ 2010 Interior equipment Carbon Set	lhd	1	PR: 4A3, 4A4, L0L
1	955 044 801 53	D - MJ 2003>> - MJ 2006 Interior equipment Carbon Set	lhd	1	PR: 4A3, 4A4, L0L
2	955 044 800 54	D - MJ 2008>> - MJ 2010 Interior equipment Carbon Set	lhd	1	PR: L0L
2	955 044 801 54	D - MJ 2003>> - MJ 2006 Interior equipment Carbon Set	lhd	1	PR: L0L
(1)	955 044 800 55	D - MJ 2008>> - MJ 2010 Interior equipment Carbon Set	rhd	1	PR: 4A3, 4A4, L0R
(1)	955 044 801 55	D - MJ 2003>> - MJ 2006 Interior equipment Carbon Set	rhd	1	PR: 4A3, 4A4, L0R
(2)	955 044 800 56	D - MJ 2008>> - MJ 2010 Interior equipment Carbon Set	rhd	1	PR: L0R
-	955 553 980 08	D - MJ 2003>> - MJ 2006 Trim for centre console Connector housing 1-LOCH Replacement see illustration: Porsche Cayenne 809-15		1	
-	955 553 980 09	D - MJ 2003>> - MJ 2010 Trim for centre console Connector housing 2-LOCH Replacement see illustration: Porsche Cayenne 809-15 D - MJ 2003>> - MJ 2010		1	

Model: TEQ 2

Model life 2003>>

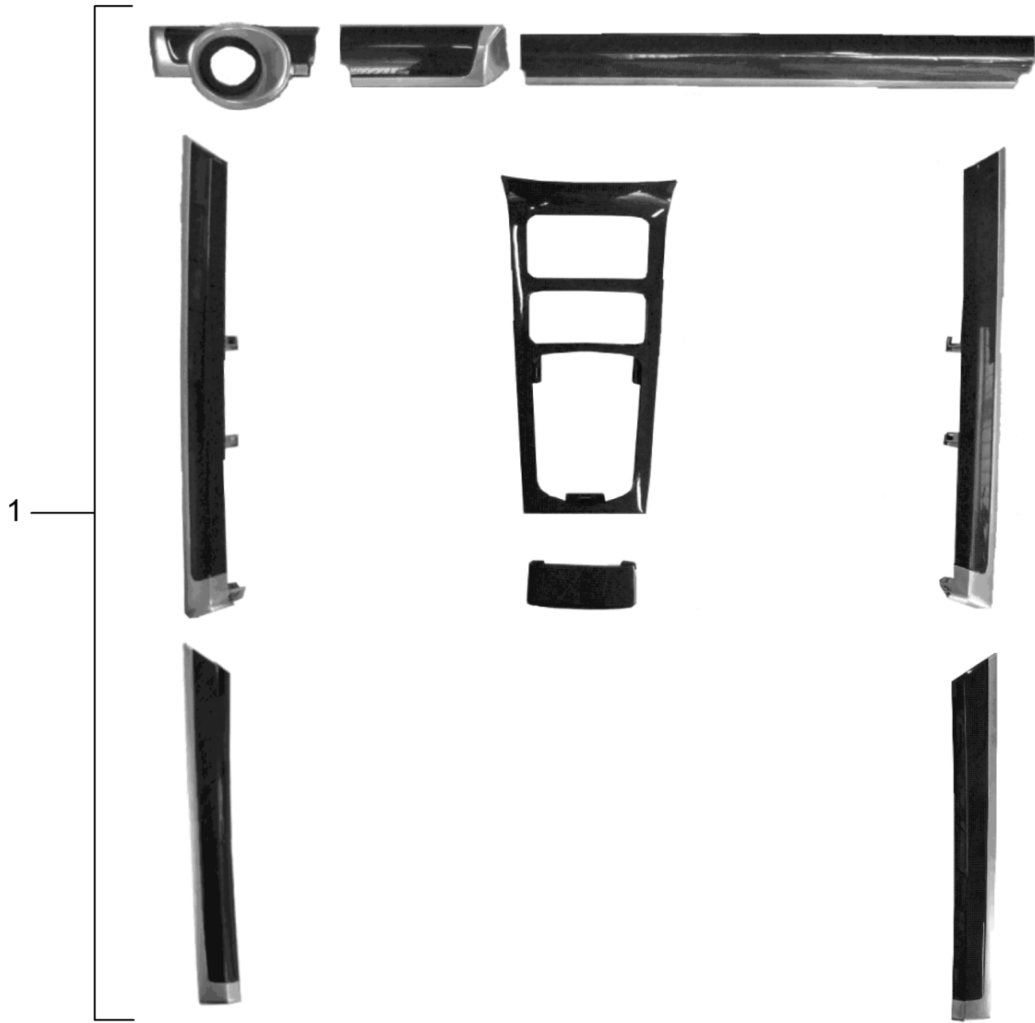


Model: TEQ 2 Model life 2003>>

Pos	Part Number	Description	Remark	Qty	Model
		handle Package			Cayenne (9PA)
1	955 044 800 85	D - MJ 2003>> - MJ 2010 handle Package		1	
(1)	955 044 801 15	Wood Light D - MJ 2003>> - MJ 2005 Discontinued part handle Package		1	
(1)	955 044 800 86	Wood Light D - MJ 2006>> - MJ 2010 Discontinued part handle Package		1	
(1)	955 044 801 16	Wood Light Matte D - MJ 2003>> - MJ 2005 handle Package		1	
(1)	955 044 800 84	Wood Light Matte Olive grain D - MJ 2006>> - MJ 2006 handle Package		1	
(1)	955 044 801 14	Wood Dark D - MJ 2003>> - MJ 2005 handle Package		1	
(1)	955 044 800 83	Wood Dark Polished Rootwood D - MJ 2006>> - MJ 2010 handle Package		1	
(1)	955 044 801 13	Carbon D - MJ 2003>> - MJ 2005 handle Package		1	
		Carbon D - MJ 2006>> - MJ 2010			

Model: TEQ 2

Model life 2003>>

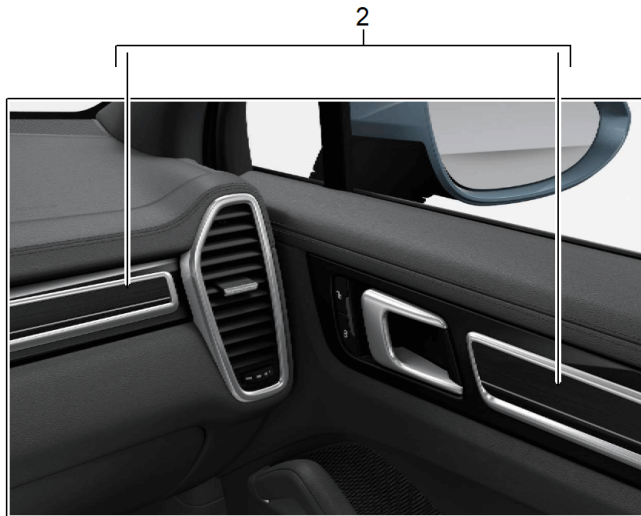
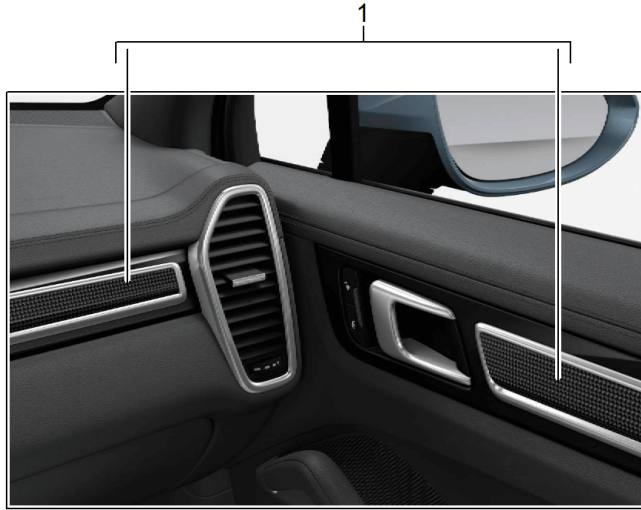


Model: TEQ 2 Model life 2003>>

Pos	Part Number	Description	Remark	Qty	Model
		Passenger compartment aluminium Carbon Wood	11-17		Cayenne (92A)
(1)	958 044 800 20	Interior equipment aluminium Set	lhd	1	PR:L0L "Sport"
(1)	958 044 800 21	Interior equipment aluminium Set	rhd	1	PR:L0R "Sport"
1	958 044 800 22	Interior equipment Carbon Set	lhd	1	PR:L0L
(1)	958 044 800 23	Interior equipment Carbon Set	rhd	1	PR:L0R
-		Interior equipment Wood			
(1)	958 044 800 24	Interior equipment Walnut, high-gloss Set	lhd	1	PR:L0L
(1)	958 044 800 25	D - MJ 2011>> - MJ 2014 Interior equipment Walnut, high-gloss Set	rhd	1	PR:L0R
(1)	958 044 800 26	D - MJ 2011>> - MJ 2014 Interior equipment Olive Ash matt open-pored Set	lhd	1	PR:L0L
(1)	958 044 800 27	Interior equipment Olive Ash matt open-pored Set	rhd	1	PR:L0R
(1)	958 044 800 28	Interior equipment Anthracite Birch Set	lhd	1	PR:L0L
(1)	958 044 800 29	Interior equipment Anthracite Birch Set	rhd	1	PR:L0R
(1)	958 044 800 30	Interior equipment mahagoni Set	lhd	1	PR:L0L
(1)	958 044 800 31	Interior equipment mahagoni Set	rhd	1	PR:L0R
(1)	958 044 802 50	Interior equipment American Walnut Dark Set	lhd	1	PR:L0L
(1)	958 044 802 51	D - MJ 2015>> Interior equipment American Walnut Dark Set D - MJ 2015>>	rhd	1	PR:L0R

Model: TEQ 2

Model life 2003>>



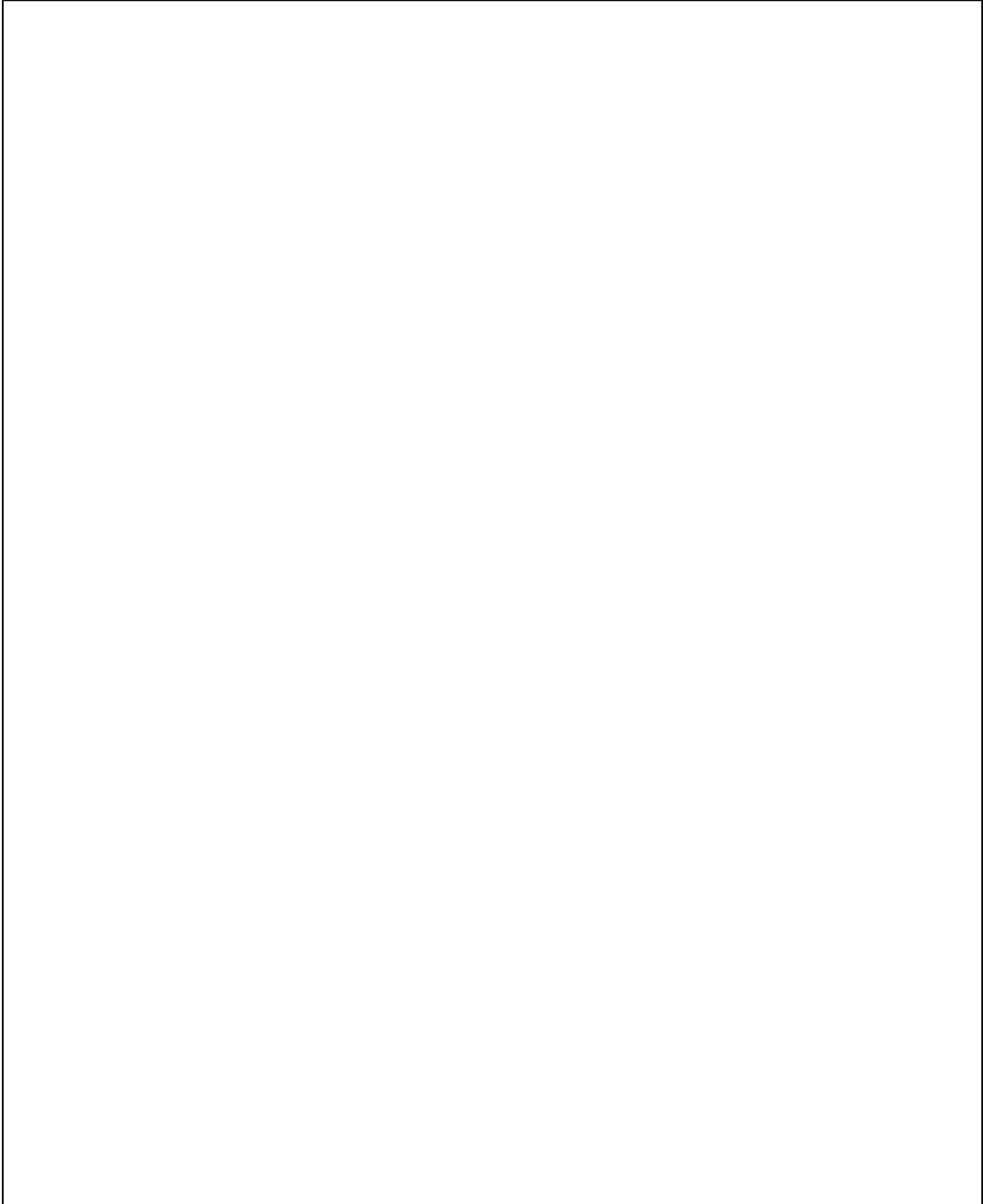
P94809006 05 - 18

Model: TEQ 2 Model life 2003>>

Pos	Part Number	Description	Remark	Qty	Model
1	9Y0 044 815	Trim for dash panel and door trims Carbon chestnut 1 set trim strips for vehicle interior	18- lhd	1	CAYENNE (9YA)
(1)	9Y0 044 816	Carbon door panel Instrument panel trim 1 set trim strips for vehicle interior	4-part 3-part rhd	1	
2	9Y0 044 815 A	Carbon door panel Instrument panel trim 1 set trim strips for vehicle interior	4-part 3-part lhd	1	
(2)	9Y0 044 816 A	chestnut anthracite door panel Instrument panel trim 1 set trim strips for vehicle interior	4-part 3-part rhd	1	
		chestnut anthracite door panel Instrument panel trim	4-part 3-part		

Model: TEQ 2

Model life 2003>>

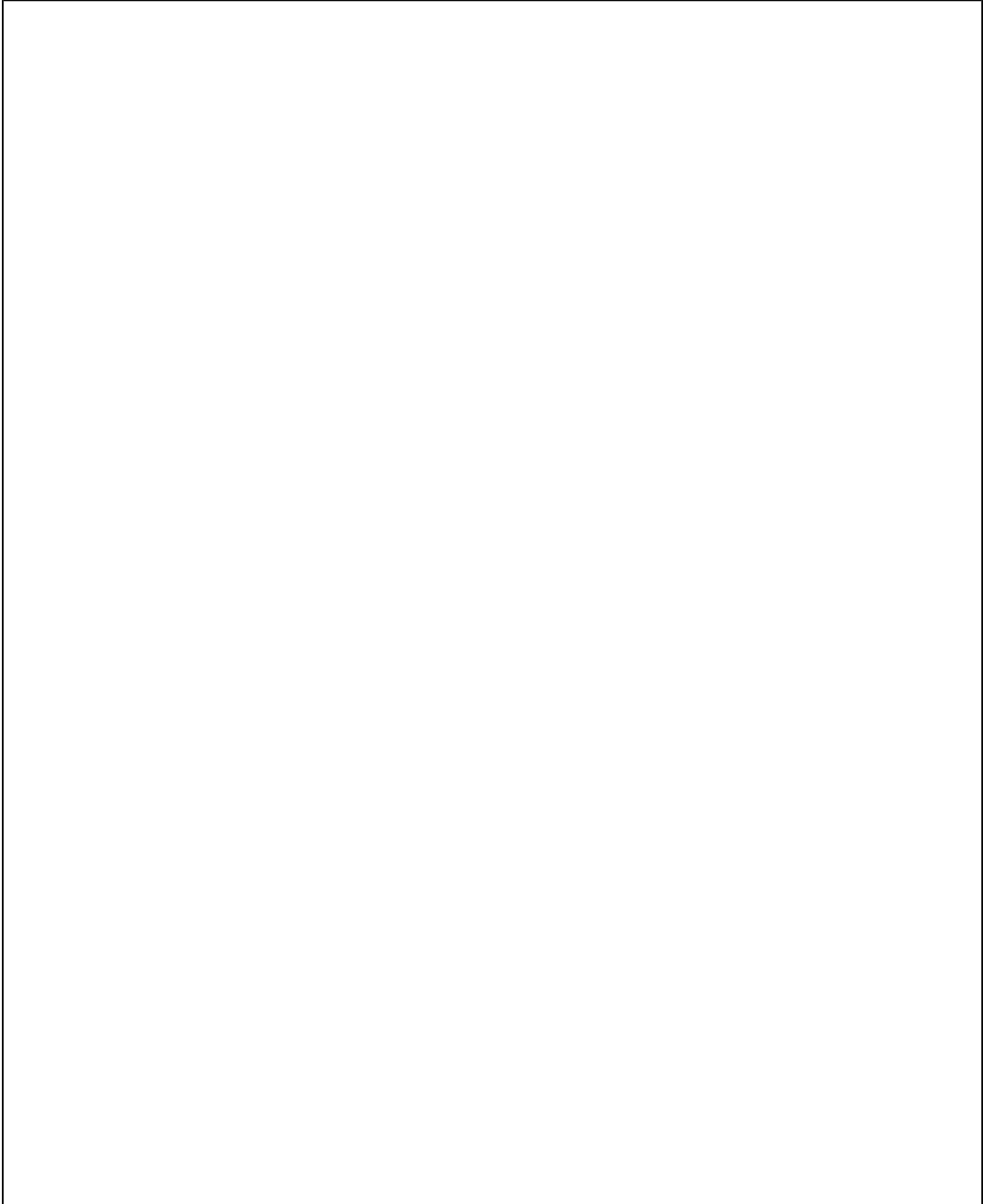


Model: TEQ 2 Model life 2003>>

Pos	Part Number	Description	Remark	Qty	Model
(1)	958 044 800 70	handle Package D - MJ 2011>> Grab handle doors Centre console Package		1	Cayenne (92A)
(1)	958 044 800 71	Anthracite Birch Grab handle doors Centre console Package		1	
(1)	958 044 800 75	Walnut, high-gloss D >> - MJ 2014 Grab handle doors Centre console Package mahagoni		1	
(1)	958 044 800 73	D - MJ 2013>> Grab handle doors Centre console Package		1	
(1)	958 044 800 72	Natural Olive Grab handle doors Centre console Package Carbon		1	

Model: TEQ 2

Model life 2003>>



Model: TEQ 2

Model life 2003>>

Pos	Part Number	Description	Remark	Qty	Model
1	9Y0 044 813	Cover Centre console Leather cover for center console Black, embossed Porsche crest	2018-	1	CAYENNE (9YA)

Model: TEQ 2

Model life 2003>>

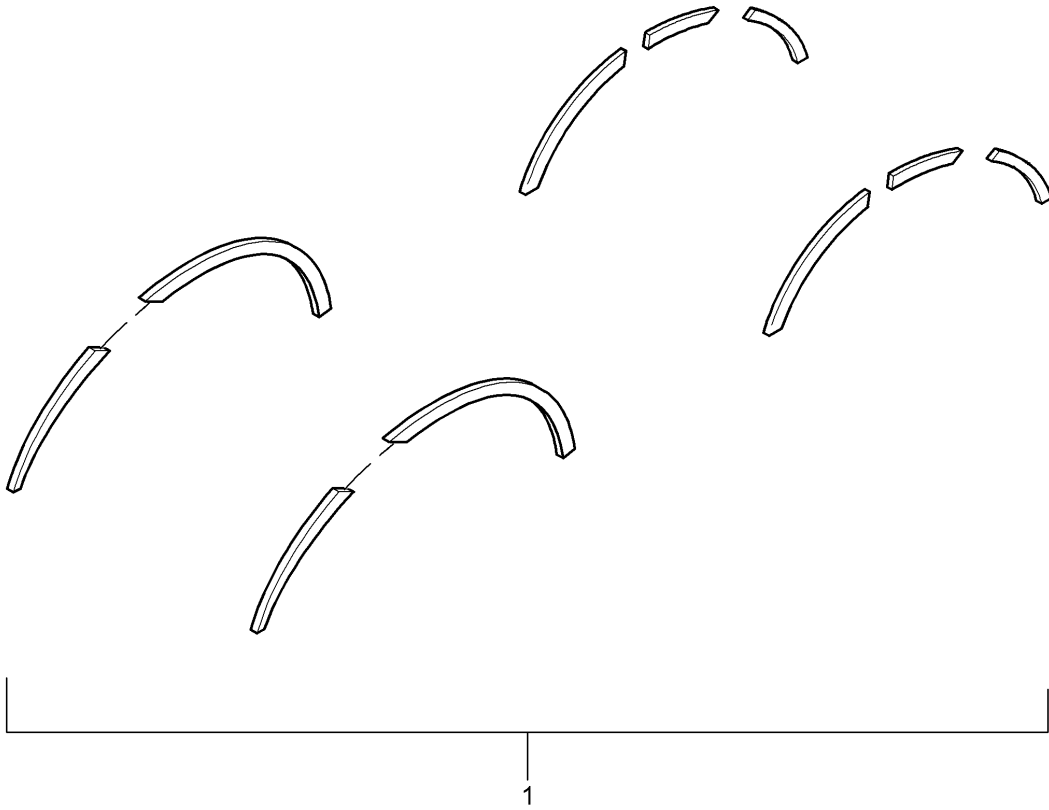


Model: TEQ 2 Model life 2003>>

Pos	Part Number	Description	Remark	Qty	Model
-		Decorative film inscription	03-10 11-		Cayenne (9PA) Cayenne (92A)
-		Inst. & Conv. Instructions Porsche Cayenne Group 6 6646 (33/07)			
-		Inst. & Conv. Instructions Group 6 6646 (45/10)	CAYENNE		
(2)	958 044 801 10	1 set of trim foil inscription	11-	1	Cayenne
	958 044 801 10 12H	Speed yellow			
2	958 044 801 11	1 set of trim foil inscription	11-	1	Cayenne S
	958 044 801 11 041	Black			
	958 044 801 11 X7W	Classic Silver Metallic			
	958 044 801 11 12H	Speed yellow			
(2)	958 044 801 12	1 set of trim foil inscription	11-	1	Turbo
	958 044 801 12 041	Black			
	958 044 801 12 84A	guards red (Porsche)			
	958 044 801 12 X7W	Classic Silver Metallic			
	958 044 801 12 12H	Speed yellow			
(2)	958 044 801 13	1 set of trim foil inscription	13-	1	GTS
	958 044 801 13 X7W	Classic Silver Metallic			
	958 044 801 13 12H	Speed yellow			
(2)	958 044 801 15	Decorative film inscription	11-	1	Hybrid
	958 044 801 15 041	Black			
	958 044 801 15 84A	guards red (Porsche)			
	958 044 801 15 12H	Speed yellow			
(2)	958 044 801 16	1 set of trim foil inscription	11-	1	Diesel
	958 044 801 16 041	Black			
	958 044 801 16 84A	guards red (Porsche)			
	958 044 801 16 12H	Speed yellow			

Model: TEQ 2

Model life 2003>>



Model: TEQ 2 Model life 2003>>

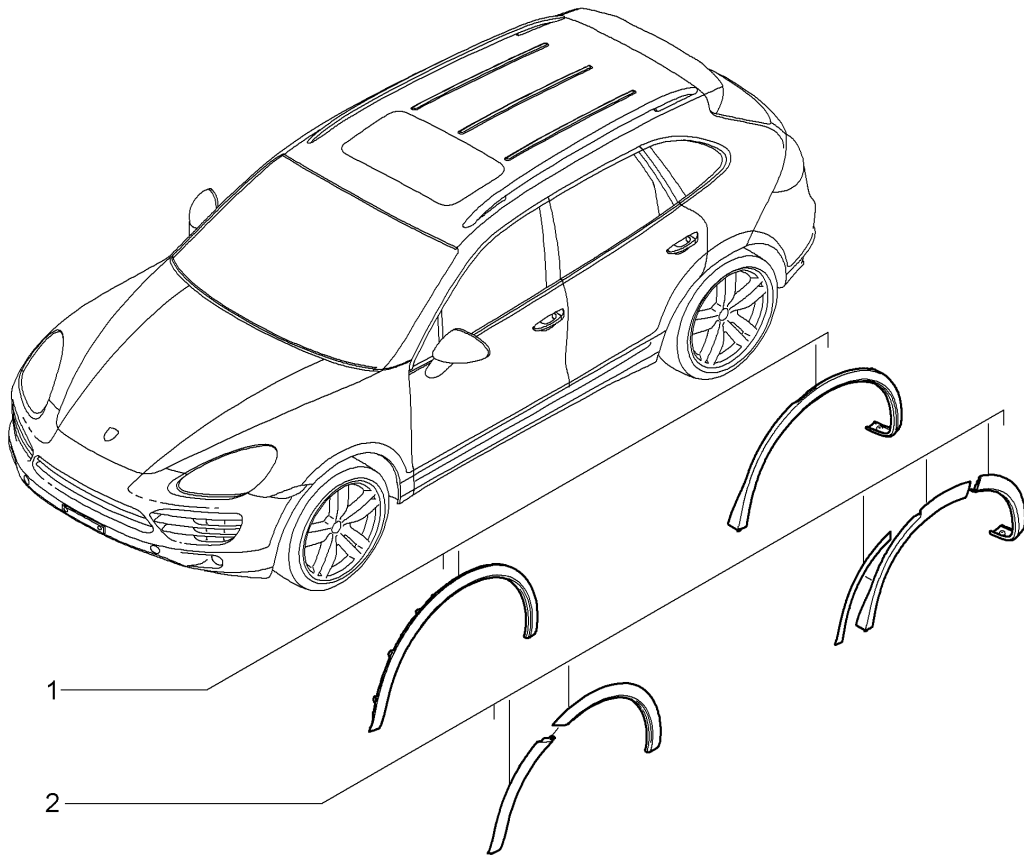
Pos	Part Number	Description	Remark	Qty	Model
1	955 044 800 10	Wide wings mud flap D - MJ 2003>> - MJ 2010 Wide wings Set for vehicles with mud flap Individual parts see illustration: 9PA 8/10/05		1	Cayenne (9PA) PR:D9J,D9K, D9L
1	955 044 800 11	D - MJ 2003>> - MJ 2006 Wide wings Set for cars without mud flap Individual parts see illustration: 9PA 8/10/05		1	PR:D9J,D9K, D9L
(1)	955 044 802 30	D - MJ 2003>> - MJ 2006 Wide wings Set for cars without mud flap and without:		1	
(1)	955 044 802 32	Side member trim D - MJ 2008>> - MJ 2010 Wide wings Set for vehicles with mud flap and without:		1	
(1)	955 044 802 34	Side member trim D - MJ 2008>> - MJ 2010 Wide wings Set for vehicles with mud flap and		1	
(1)	955 044 802 36	Side member trim D - MJ 2008>> - MJ 2010 Wide wings Set for vehicles with Side member trim and without:		1	
-	955 044 800 09	mud flap D - MJ 2008>> - MJ 2010 mud flap Set Not Together with footboard or Rockrails		1	PR:D9J,D9K, D9L
-	955 044 800 13	D - MJ 2003>> - MJ 2006 mud flap Set	rear	1	PR:6EP,VR1
-	955 044 802 10	D - MJ 2003>> - MJ 2006 mud flap Set	rear	1	

Model: TEQ 2 Model life 2003>>

Pos	Part Number	Description	Remark	Qty	Model
-	955 044 802 11	for cars without Wide wings D - MJ 2008>> - MJ 2010 mud flap Set for vehicles with Wide wings D - MJ 2008>> - MJ 2010	rear	1	

Model: TEQ 2

Model life 2003>>

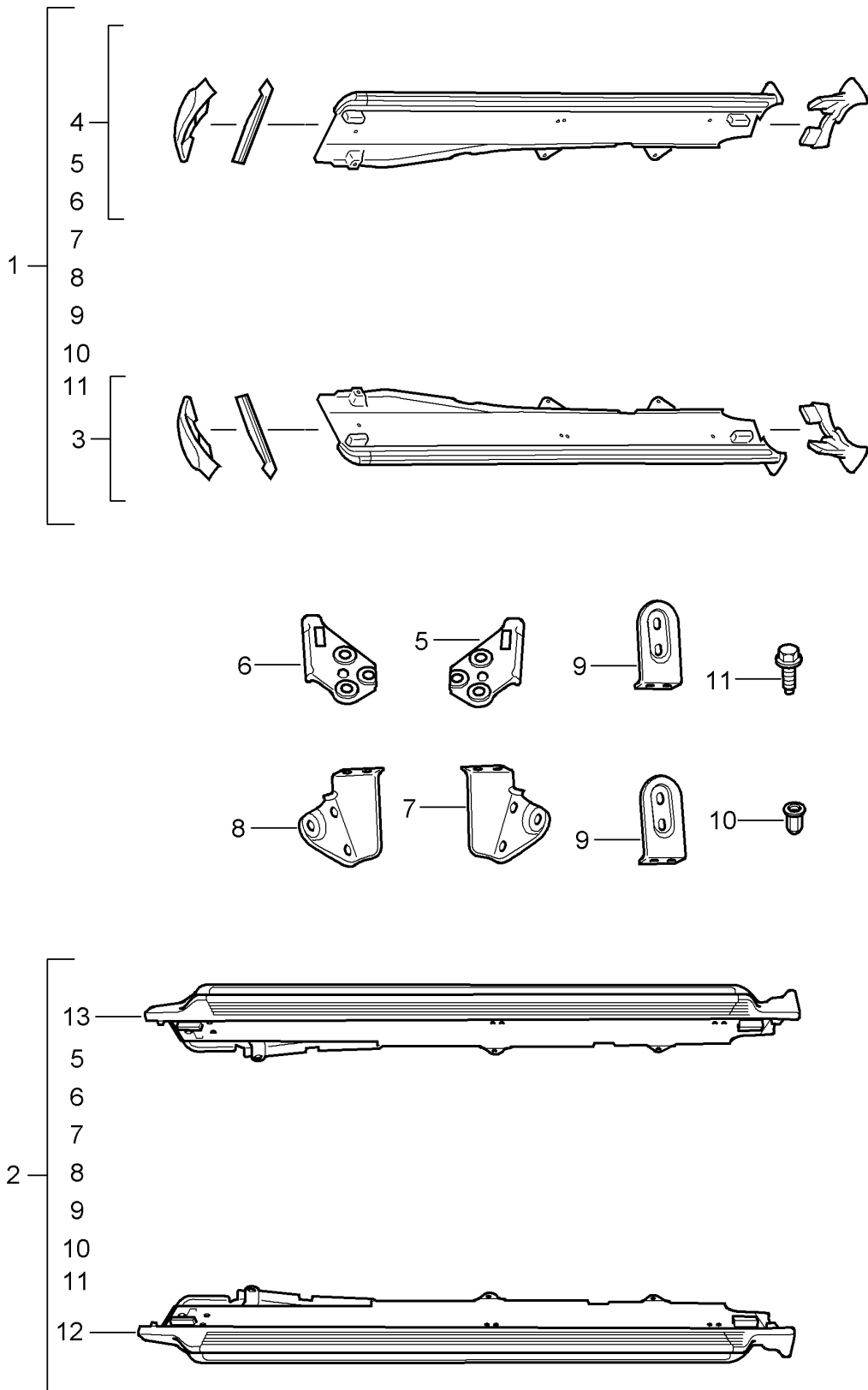


Model: TEQ 2 Model life 2003>>

Pos	Part Number	Description	Remark	Qty	Model
1	958 044 800 95	Wide wings Wide wings Wide Set	11-	1	Cayenne (92A) PR: -2D1, -2D2
(1)	958 044 800 97	Wide wings Wide primed Set	11-14	1	PR: -2D1, -2D2
-		Inst. & Conv. Instructions Porsche Cayenne Group 6 6619 (2/11) Attention			alle
2	958 044 800 96	Wide wings Wide Set	11-14 Offroad	1	PR: -2D1, -2D2
(1)	958 044 801 40	Wide wings Wide Set	15-17	1	PR: -2D1, -2D2
(2)	958 044 801 41	Wide wings Wide Set	also use: N 908 401 03 15-17 Offroad also use: N 908 401 03	10 1 2	PR: -2D1, -2D2

Model: TEQ 2

Model life 2003>>



Model: TEQ 2 Model life 2003>>

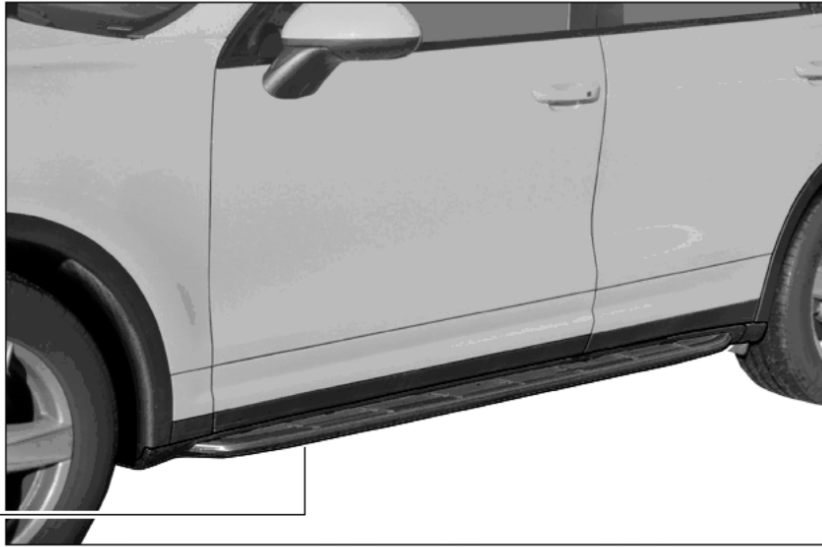
Pos	Part Number	Description	Remark	Qty	Model
-		Rockrails footboard D - MJ 2003>> - MJ 2010 Technical information Cayenne,alle 6631 (8/03) Attention			Cayenne (9PA)
1	955 044 801 07	Rockrails Set D - MJ 2003>> - MJ 2006		1	
-		comprising:			
3	955 559 553 00	Door sill rail	left	1	
	955 559 553 00 4W9	Satin aluminium			
4	955 559 554 00	Rockrails	right	1	
	955 559 554 00 4W9	Satin aluminium			
5	955 559 487 00	Bracket	left	1	VORN
		D - MJ 2003>> - MJ 2010			
6	955 559 488 00	Bracket	right	1	VORN
		D - MJ 2003>> - MJ 2010			
7	955 559 489 00	Bracket	left	1	HINTEN
		D - MJ 2003>> - MJ 2010			
8	955 559 490 00	Bracket	right	1	HINTEN
		D - MJ 2003>> - MJ 2010			
9	955 559 467 00	Bracket		2	MITTE
		D - MJ 2003>> - MJ 2010			
10	N 904 085 02	rivetted cap nut		18	
		D - MJ 2003>> - MJ 2010			
11	N 909 210 01	Hexagon bolt		34	
		D - MJ 2003>> - MJ 2010			
-		Inst. & Conv. Instructions Cayenne,alle 6631 (2/07) Attention			
(1)	955 044 802 00	Rockrails Set D - MJ 2008>> - MJ 2010		1	
-		comprising:			
(3)	955 559 553 04	Door sill rail	left	1	
	955 559 553 04 4W9	Satin aluminium			
(4)	955 559 554 00	Rockrails	right	1	
	955 559 554 00 4W9	Satin aluminium			
-		Technical information Cayenne,alle 6626 (9/03) Attention			
2	955 044 801 08	footboard Set D - MJ 2003>> - MJ 2006		1	
-		comprising:			
12	955 559 847 01	footboard	left	1	
	955 559 847 01 4W9	Satin aluminium			
13	955 559 848 01	footboard	right	1	
	955 559 848 01 4W9	Satin aluminium			
-		Inst. & Conv. Instructions Cayenne,alle 6626 (1/07) Attention			

Model: TEQ 2 Model life 2003>>

Pos	Part Number	Description	Remark	Qty	Model
(2)	955 044 802 05	footboard Set D - MJ 2008>> - MJ 2010		1	
-		comprising:			
(12)	955 559 847 03	footboard D - MJ 2008>> - MJ 2010	left	1	
	955 559 847 03 4W9	Satin aluminium			
(13)	955 559 848 03	footboard D - MJ 2008>> - MJ 2010	right	1	
	955 559 848 03 4W9	Satin aluminium			

Model: TEQ 2

Model life 2003>>



1

Model: TEQ 2

Model life 2003>>

Pos	Part Number	Description	Remark	Qty	Model
-		footboard Side member trim D - MJ 2011>> Inst. & Conv. Instructions Cayenne, alle 6626 (46/10) Attention			Cayenne (92A)
1	958 044 801 05	Set		1	PR: -VR2, -2D1
2	958 044 801 90	Side member trim Trim aluminium		1	

Model: TEQ 2

Model life 2003>>



Model: TEQ 2

Model life 2003>>

Pos	Part Number	Description	Remark	Qty	Model
1	958 044 802 80	inscription Lacquered inscription Porsche Lacquered		1	
	958 044 802 80 041	High-Gloss Black			
	958 044 802 80 G2X	primed			
(1)	958 044 802 81	inscription Porsche Cayenne S Lacquered		1	
	958 044 802 81 041	High-Gloss Black			
	958 044 802 81 G2X	primed			
(1)	958 044 802 82	inscription Porsche Cayenne Turbo S Lacquered		1	
	958 044 802 82 041	High-Gloss Black			
	958 044 802 82 G2X	primed			

Model: TEQ 2

Model life 2003>>



Model: TEQ 2 Model life 2003>>

Pos	Part Number	Description	Remark	Qty	Model
-		Seat cover Leather Inst. & Conv. Instructions Cayenne,alle Group 7 7411 Attention	03-06		Cayenne (9PA)
-		also use:			
-	N 909 650 01	Socket head bolt with multi-point inner drive, self-lock.		8	
-	000 043 207 18	Clip		4	
-	000 043 207 17	Clip		2	
-	N 910 260 02	Socket head bolt with inner multipoint head		8	
-	000 043 071 00	1 set of retaining clips 50 Stk.		1	
-	999 513 076 40	Cable ties		10	
-		Colour Black chestnut brown			
1	955 044 803 30	Seat cover sports seat	03-04	1	PR:9AD
(1)	955 044 803 31	Seat cover sports seat	03-04	1	PR:9AH
(1)	955 044 803 32	Seat cover Comfort seat	03-04	1	PR:9AD
(1)	955 044 803 33	Seat cover Comfort seat	03-04	1	PR:9AH
(1)	955 044 803 60	Seat cover sports seat	05-05	1	PR:9AD
(1)	955 044 803 61	Seat cover sports seat	05-05	1	PR:9AH
(1)	955 044 803 62	Seat cover Comfort seat	05-05	1	PR:9AD
(1)	955 044 803 63	Seat cover Comfort seat	05-05	1	PR:9AH
(1)	955 044 803 90	Seat cover sports seat	06-06	1	PR:9AD
(1)	955 044 803 91	Seat cover sports seat	06-06	1	PR:9AH
(1)	955 044 803 92	Seat cover Comfort seat	06-06	1	PR:9AD
(1)	955 044 803 93	Seat cover Comfort seat	06-06	1	PR:9AH
-		Colour Havanna/sand beige			
(1)	955 044 803 40	Seat cover sports seat	03-04	1	PR:9AD
(1)	955 044 803 41	Seat cover sports seat	03-04	1	PR:9AH
(1)	955 044 803 42	Seat cover Comfort seat	03-04	1	PR:9AD
(1)	955 044 803 43	Seat cover Comfort seat	03-04	1	PR:9AH
(1)	955 044 803 70	Seat cover sports seat	05-05	1	PR:9AD
(1)	955 044 803 71	Seat cover sports seat	05-05	1	PR:9AH
(1)	955 044 803 72	Seat cover Comfort seat	05-05	1	PR:9AD
(1)	955 044 803 73	Seat cover Comfort seat	05-05	1	PR:9AH
(1)	955 044 804 00	Seat cover	06-06	1	PR:9AD

Model: TEQ 2 Model life 2003>>

Pos	Part Number	Description	Remark	Qty	Model
(1)	955 044 804 01	sports seat Seat cover	06-06	1	PR:9AH
(1)	955 044 804 02	sports seat Seat cover	06-06	1	PR:9AD
(1)	955 044 804 03	Comfort seat Seat cover	06-06	1	PR:9AH
-		Comfort seat Colour			
(1)	955 044 803 50	Stone grey/steel grey Seat cover	03-04	1	PR:9AD
(1)	955 044 803 51	sports seat Seat cover	03-04	1	PR:9AH
(1)	955 044 803 52	sports seat Seat cover	03-04	1	PR:9AD
(1)	955 044 803 53	Comfort seat Seat cover	03-04	1	PR:9AH
(1)	955 044 803 80	Comfort seat Seat cover	05-05	1	PR:9AD
(1)	955 044 803 81	sports seat Seat cover	05-05	1	PR:9AH
(1)	955 044 803 82	sports seat Seat cover	05-05	1	PR:9AD
(1)	955 044 803 83	Comfort seat Seat cover	05-05	1	PR:9AH
(1)	955 044 804 10	Comfort seat Seat cover		1	PR:9AD
(1)	955 044 804 11	sports seat Seat cover	06-06	1	PR:9AH
(1)	955 044 804 12	sports seat Seat cover	06-06	1	PR:9AD
(1)	955 044 804 13	Comfort seat Seat cover	06-06	1	PR:9AH
		Comfort seat			

Model: TEQ 2

Model life 2003>>



Model: TEQ 2 Model life 2003>>

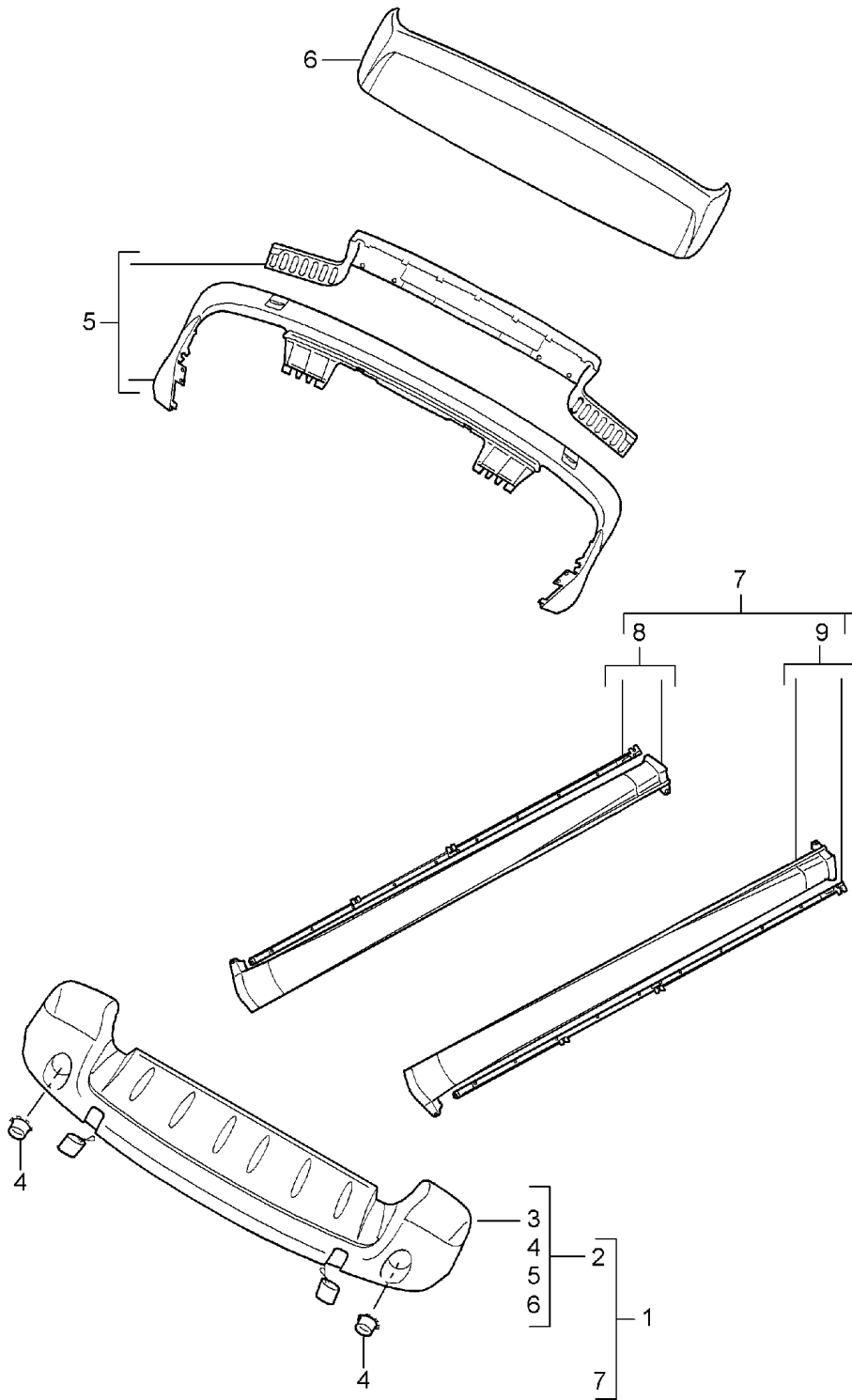
Pos	Part Number	Description	Remark	Qty	Model
-		Seat cover Leather D - MJ 2008>> - MJ 2009 Inst. & Conv. Instructions Cayenne,alle Group 7 7411 Attention			Cayenne (9PA)
-		also use:			
-	N 909 650 01	Socket head bolt with multi-point inner drive, self-lock.		8	
-	000 043 207 18	Clip		4	
-	000 043 207 17	Clip		2	
-	N 910 260 02	Socket head bolt with inner multipoint head		8	
-	000 043 071 00	1 set of retaining clips 50 Stk.		1	
-	999 513 076 40	Cable ties Colour Black chestnut brown		10	
1	955 044 804 20	Seat cover sports seat D - MJ 2008>> - MJ 2008		1	PR:9AD
(1)	955 044 804 21	Seat cover sports seat D - MJ 2008>> - MJ 2008		1	PR:9AH
(1)	955 044 804 22	Seat cover Comfort seat D - MJ 2008>> - MJ 2008		1	PR:9AD
(1)	955 044 804 23	Seat cover Comfort seat D - MJ 2008>> - MJ 2008		1	PR:9AH
(1)	955 044 803 00	Seat cover sports seat D - MJ 2008>> - MJ 2008		1	PR:9AD
(1)	955 044 803 01	Seat cover sports seat D - MJ 2008>> - MJ 2008		1	PR:9AH
(1)	955 044 803 02	Seat cover Comfort seat D - MJ 2008>> - MJ 2009		1	PR:9AD
(1)	955 044 803 03	Seat cover Comfort seat D - MJ 2008>> - MJ 2009		1	PR:9AH
-		Colour Havanna/sand beige			
(1)	955 044 804 30	Seat cover sports seat D - MJ 2008>> - MJ 2008		1	PR:9AD
(1)	955 044 804 31	Seat cover sports seat D - MJ 2008>> - MJ 2008		1	PR:9AH
(1)	955 044 804 32	Seat cover Comfort seat D - MJ 2008>> - MJ 2008		1	PR:9AD
(1)	955 044 804 33	Seat cover Comfort seat D - MJ 2008>> - MJ 2008		1	PR:9AH
(1)	955 044 803 10	Seat cover sports seat D - MJ 2008>> - MJ 2008		1	PR:9AD
(1)	955 044 803 11	Seat cover		1	PR:9AH

Model: TEQ 2 Model life 2003>>

Pos	Part Number	Description	Remark	Qty	Model
(1)	955 044 803 12	sports seat D - MJ 2008>> - MJ 2008 Seat cover Comfort seat		1	PR:9AD
(1)	955 044 803 13	D - MJ 2008>> - MJ 2009 Seat cover Comfort seat		1	PR:9AH
-		D - MJ 2008>> - MJ 2009 Colour Stone grey/steel grey			
(1)	955 044 804 40	Seat cover sports seat		1	PR:9AD
(1)	955 044 804 41	D - MJ 2008>> - MJ 2008 Seat cover sports seat		1	PR:9AH
(1)	955 044 804 42	D - MJ 2008>> - MJ 2008 Seat cover Comfort seat		1	PR:9AD
(1)	955 044 804 43	D - MJ 2008>> - MJ 2008 Seat cover Comfort seat		1	PR:9AH
(1)	955 044 803 20	D - MJ 2008>> - MJ 2008 Seat cover sports seat		1	PR:9AD
(1)	955 044 803 21	D - MJ 2008>> - MJ 2008 Seat cover sports seat		1	PR:9AH
(1)	955 044 803 22	D - MJ 2008>> - MJ 2008 Seat cover Comfort seat		1	PR:9AD
(1)	955 044 803 23	D - MJ 2008>> - MJ 2009 Seat cover Comfort seat D - MJ 2008>> - MJ 2009		1	PR:9AH

Model: TEQ 2

Model life 2003>>



Model: TEQ 2 Model life 2003>>

Pos	Part Number	Description	Remark	Qty	Model
-		Sport Design package D - MJ 2003>> - MJ 2010 Inst. & Conv. Instructions Porsche Cayenne Group 6 6658 (7/04) Attention			Cayenne (9PA) alle
1	955 044 800 69	Aerokit Sport Design package (complete)		1	Cayenne Cayenne S PR:D9J,D9K
(1)	955 044 800 70	D - MJ 2003>> - MJ 2006 Aerokit Sport Design package (complete)		1	Turbo PR:D9L
2	955 044 800 71	D - MJ 2003>> - MJ 2006 Aerokit Sport Design package without:		1	Cayenne Cayenne S PR:D9J,D9K
(2)	955 044 800 72	Side member trim D - MJ 2003>> - MJ 2006 Aerokit Sport Design package without:		1	Turbo PR:D9L,-1G3
-		Side member trim D - MJ 2003>> - MJ 2006 comprising:			
3	955 044 800 73	Front spoiler Set		1	PR:D9J,D9K, 2D1,2D2
(3)	955 044 800 74	D - MJ 2003>> - MJ 2006 Front spoiler Set		1	PR:D9L,2D1, 2D2
4	955 631 163 00	D - MJ 2003>> - MJ 2006 Fog lights		2	PR:2D1,2D2
5	955 044 800 78	rear spoiler Set		1	PR:D9J,D9K, D9L,2D1,2D2
6	955 044 800 80	D - MJ 2003>> - MJ 2006 Roof cover moulding Spoiler Set		1	PR:D9J,D9K, D9L,2D1,2D2
(6)	955 044 802 73	D - MJ 2003>> - MJ 2006 Roof cover moulding Spoiler Set		1	
-		D - MJ 2008>> - MJ 2010 Inst. & Conv. Instructions Porsche Cayenne Group 6 6658 (7/04) Attention			alle
7	955 044 800 75	Side member trim Set comprising: 955.044.802.76 / .77		1	Pos. 8 / 9
(7)	955 044 802 72	D - MJ 2003>> - MJ 2006 Side member trim Set		1	PR:2D1
8	955 044 800 76	D - MJ 2008>> - MJ 2010 Side member trim Set	right	1	PR:2D1
9	955 044 800 77	D - MJ 2003>> - MJ 2006 Side member trim Set	left	1	PR:2D1
		D - MJ 2003>> - MJ 2006			

Model: TEQ 2

Model life 2003>>

Pos	Part Number	Description	Remark	Qty	Model
-		Inst. & Conv. Instructions Porsche Cayenne Group 6 6658 (16/07) Attention			alle
(1)	955 044 802 70	Aerokit Sport Design package (complete) D - MJ 2008>> - MJ 2010		1	PR:-2D1, -2D2,-2D3
(1)	955 044 802 71	Aerokit Sport Design package without: Side member trim D - MJ 2008>> - MJ 2010		1	PR:-2D1,-2D2

Model: TEQ 2

Model life 2003>>



Model: TEQ 2 Model life 2003>>

Pos	Part Number	Description	Remark	Qty	Model
-		Sport Design package Inst. & Conv. Instructions Porsche Cayenne Group 6 6699 (44/10) Attention	11-14 15-		Cayenne (92A) alle
1	958 044 801 00	Aerokit Sport Design package (complete) Set	11-14	1	
2	958 044 801 01	Aerokit Sport Design package without:	11-14	1	
(2)	958 044 801 60	Side member trim for vehicles with bumper guards Set Sport Design package without:	15-	1	Cayenne / S Turbo
(1)	958 044 801 70	Side member trim Set Sport Design package with:	15-	1	Cayenne / S Turbo
(2)	958 044 801 62	Side member trim for vehicles with bumper guards Set Sport Design package without:	15-	1	Turbo S
(1)	958 044 801 72	Side member trim Set Sport Design package with:	15-	1	Turbo S

Model: TEQ 2

Model life 2003>>

1

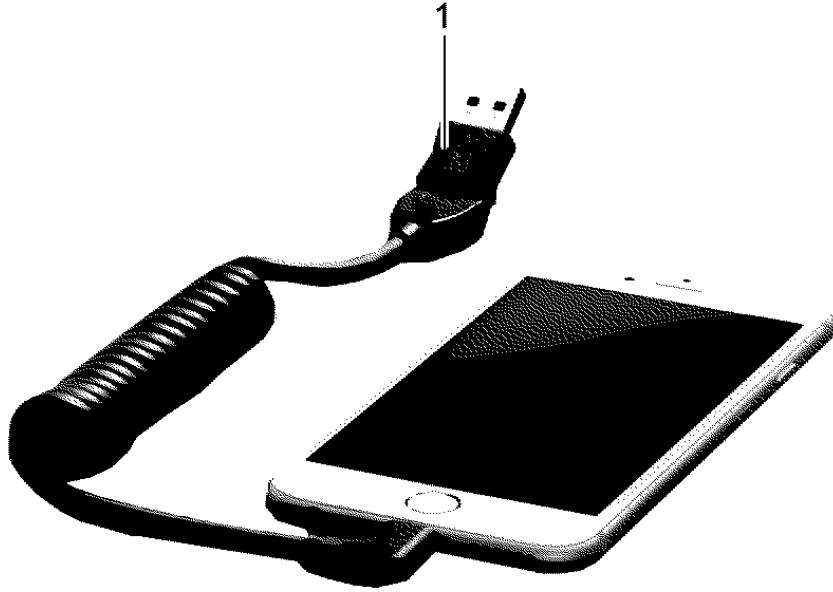


Model: TEQ 2 Model life 2003>>

Pos	Part Number	Description	Remark	Qty	Model
-		Porsche VEHICLE TRACKING SYSTEME Inst. & Conv. Instructions CAYENNE,ALLE Group 9 9063 Attention	06-10 11-		Cayenne (9PA) Cayenne (92A)
-	955 044 900 35	Retrofit kit Porsche VEHICLE TRACKING SYSTEM	06-10	1	PR:7AT,7G1
-	955 044 902 10	Retrofit kit Porsche VEHICLE TRACKING SYSTEM AUTONOME / INTEGRATED	06-10	1	PR:7G5,7AL
-	955 044 900 33	Retrofit kit Porsche VEHICLE TRACKING SYSTEM STANDARD / ADVANCED	06-10	1	PR:7AU,7G5
-	955 044 905 10	order at the same time Accessories Box for 955.044.905.00/.01/.02	11-14	1	
-	955 044 905 00	Immobiliser Porsche VEHICLE TRACKING SYSTEM CONTINENTAL / COMFORT	11-14	1	PR:7G5 -"L..", -"B.."
-	955 044 905 01	Immobiliser Porsche VEHICLE TRACKING SYSTEM ADVANCED	11-14	1	PR:7G5 -"L..", -"B.."
-	955 044 905 02	Immobiliser Porsche VEHICLE TRACKING SYSTEM AUTONOME / INTEGRATED	11-14	1	PR:7G5 "L..", "B.."
-		Only for replacement Order			
-	955 044 905 11	repair set for Porsche VEHICLE TRACKING SYSTEM	11-14	1	

Model: TEQ 2

Model life 2003>>

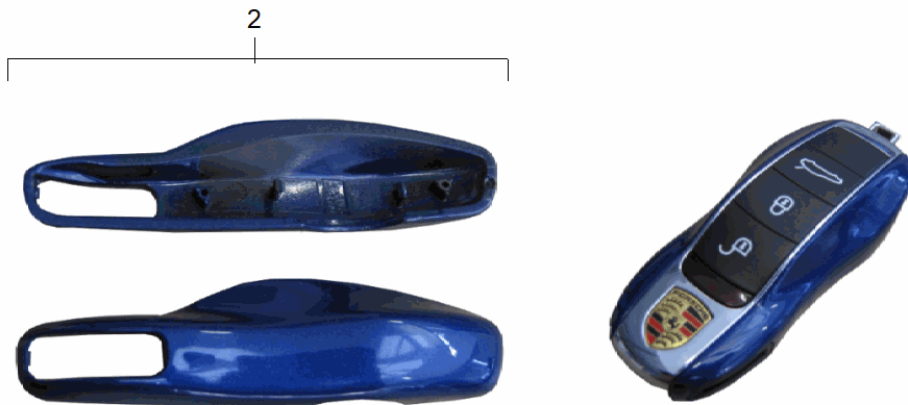
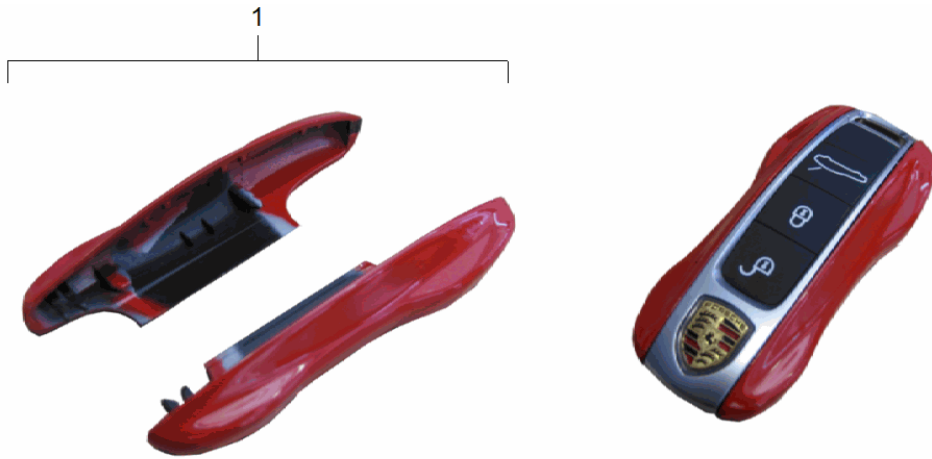


Model: TEQ 2 Model life 2003>>

Pos	Part Number	Description	Remark	Qty	Model
1	970 044 901 50	Charging cable USB connection cable		1	
(1)	970 044 901 51	USB connection cable APPLE		1	
(1)	970 044 901 52	USB connection cable MICRO USB	Type: USB-C	1	

Model: TEQ 2

Model life 2003>>



Model: TEQ 2 Model life 2003>>

Pos	Part Number	Description	Remark	Qty	Model
-		Key cover Ignition/starter switch Exterior body colour Inst. & Conv. Instructions Porsche Cayenne 9662 (63/12) Attention	11- 18-		CAYENNE (92A) CAYENNE (9YA) alle
1	971 044 801	Key cover	18- painted	1	
		Set			
	971 044 801 C1Y	Palladium Metallic			
	971 044 801 C5M	Moonlight Blue Metallic			
	971 044 801 C9A	white			
	971 044 801 C9X	Jet Black Metallic			
	971 044 801 M2A	Lava Orange			
	971 044 801 M3C	Carmine red			
	971 044 801 M3S	Burgundy Red Metallic			
	971 044 801 M4W	Purpurite Metallic			
	971 044 801 M4Z	Amethyst metallic			
	971 044 801 M5C	miami blue			
	971 044 801 M5E	Biscay Blue Metallic			
	971 044 801 M5F	Midnight Blue Metallic			
	971 044 801 M5J	Sapphire Blue Metallic			
	971 044 801 M6B	Lizard green			
	971 044 801 M6S	Mamba green metallic			
	971 044 801 M6T	Aventurine green metallic			
	971 044 801 M7P	Dolomite silver metallic			
	971 044 801 M7Q	Quartzite Grey Metallic			
	971 044 801 M7R	Volcano Grey Metallic			
	971 044 801 M7S	Achat Grey Metallic			
	971 044 801 M7U	Rhodium Silver Metallic			
	971 044 801 M7Z	GT Silver Metallic			
	971 044 801 M8R	Ristretto Brown Metallic			
	971 044 801 M8Y	Mahogany Metallic			
	971 044 801 M9A	Chalk			
	971 044 801 S9R	Carrara White metallic			
	971 044 801 041	Black			
	971 044 801 1S1	Racing Yellow			
	971 044 801 84A	guards red (Porsche)			
2	991 044 801 20	Key cover	-18 painted	1	
		Set			
	991 044 801 20 A6W	Crystal green metallic Discontinued part			
	991 044 801 20 C1Y	Palladium Metallic			
	991 044 801 20 C5M	Moonlight Blue Metallic			
	991 044 801 20 C9A	white			
	991 044 801 20 C9X	Jet Black Metallic			
	991 044 801 20 C9Z	Basalt black metallic			
	991 044 801 20 H8Z	Chestnut Brown Metallic			
	991 044 801 20 M1R	Aurum Metallic			
	991 044 801 20 M1S	Luxor Beige Metallic Discontinued part			
	991 044 801 20 M2A	Lava Orange			
	991 044 801 20 M3C	Carmine red			
	991 044 801 20 M3T	Auburn Metallic Discontinued part			
	991 044 801 20 M3X	Ruby red metallic			
	991 044 801 20 M4A	Ultraviolet			
	991 044 801 20 M4W	Purpurite Metallic			
	991 044 801 20 M4Z	Amethyst metallic			
	991 044 801 20 M5C	miami blue			
	991 044 801 20 M5F	Midnight Blue Metallic			

Model: TEQ 2 Model life 2003>>

Pos	Part Number	Description	Remark	Qty	Model
	991 044 801 20 M5G	Graphite Blue Metallic			
	991 044 801 20 M5J	Sapphire Blue Metallic			
	991 044 801 20 M5R	Aqua blue metallic Discontinued part			
	991 044 801 20 M5S	Yachting Blue Metallic			
	991 044 801 20 M5X	Dark blue metallic			
	991 044 801 20 M7R	Volcano Grey Metallic			
	991 044 801 20 M7S	Achat Grey Metallic			
	991 044 801 20 M7T	Platinum Silver Metallic Discontinued part			
	991 044 801 20 M7U	Rhodium Silver Metallic			
	991 044 801 20 M7W	Meteor Grey Metallic			
	991 044 801 20 M7Z	GT Silver Metallic			
	991 044 801 20 M8S	Anthracite Brown Metallic			
	991 044 801 20 M8U	Umbra Metallic Discontinued part			
	991 044 801 20 M8X	Topaz Brown Metallic Discontinued part			
	991 044 801 20 M8Y	Mahogany Metallic			
	991 044 801 20 M8Z	Cognac Metallic			
	991 044 801 20 M9Z	Carbon Grey Metallic			
	991 044 801 20 S9R	Carrara White metallic			
	991 044 801 20 X7W	Classic Silver Metallic			
	991 044 801 20 Z6H	Jet Green Metallic			
	991 044 801 20 041	Black			
	991 044 801 20 1S1	Racing Yellow			
	991 044 801 20 2G6	emerald green metallic Discontinued part			
	991 044 801 20 2S1	Peridot Metallic Discontinued part			
	991 044 801 20 5P1	Lime Gold Metallic			
	991 044 801 20 7B2	agate grey			
	991 044 801 20 8L1	Amaranth Red Metallic			
	991 044 801 20 8M5	Impulse Red Metallic			
	991 044 801 20 84A	guards red (Porsche)			
	991 044 801 20 9G5	Geyser Grey Metallic			
(2)	991 044 801 22	Key cover Set	Painted	1	
	991 044 801 22 M6B	Lizard green			
	991 044 801 22 M6S	Mamba green metallic			
	991 044 801 22 M7P	Dolomite silver metallic			
3	991 044 801 21	Ignition/starter switch	-18 Painted	1	PR: 4F2, 4F6
	991 044 801 21 041	Black			
	991 044 801 21 1S1	Racing Yellow			
	991 044 801 21 2S1	Peridot Metallic Discontinued part			
	991 044 801 21 5P1	Lime Gold Metallic			
	991 044 801 21 84A	guards red (Porsche)			
	991 044 801 21 8M5	Impulse Red Metallic			
	991 044 801 21 C1Y	Palladium Metallic			
	991 044 801 21 C5M	Moonlight Blue Metallic			
	991 044 801 21 C9A	white			
	991 044 801 21 C9X	Jet Black Metallic			
	991 044 801 21 H8Z	Chestnut Brown Metallic			
	991 044 801 21 M1R	Aurum Metallic			
	991 044 801 21 M2A	Lava Orange			
	991 044 801 21 M3C	Carmin red			
	991 044 801 21 M3X	Ruby red metallic			
	991 044 801 21 M4A	Ultraviolet			
	991 044 801 21 M4W	Purpurite Metallic			
	991 044 801 21 M4Z	Amethyst metallic			

Model: TEQ 2 Model life 2003>>

Pos	Part Number	Description	Remark	Qty	Model
	991 044 801 21 M5C	miami blue			
	991 044 801 21 M5F	Midnight Blue Metallic			
	991 044 801 21 M5G	Graphite Blue Metallic			
	991 044 801 21 M5J	Sapphire Blue Metallic			
	991 044 801 21 M5S	Yachting Blue Metallic			
	991 044 801 21 M5X	Dark blue metallic			
	991 044 801 21 M6B	Lizard green			
	991 044 801 21 M6S	Mamba green metallic			
	991 044 801 21 M6T	Aventurine green metallic			
	991 044 801 21 M7P	Dolomite silver metallic			
	991 044 801 21 M7R	Volcano Grey Metallic			
	991 044 801 21 M7S	Achat Grey Metallic			
	991 044 801 21 M7U	Rhodium Silver Metallic			
	991 044 801 21 M7W	Meteor Grey Metallic			
	991 044 801 21 M7Z	GT Silver Metallic			
	991 044 801 21 M8S	Anthracite Brown Metallic			
	991 044 801 21 M8U	Umbra Metallic Discontinued part			
	991 044 801 21 M8Y	Mahogany Metallic			
	991 044 801 21 M8Z	Cognac Metallic			
	991 044 801 21 M9A	Chalk			
	991 044 801 21 M9Z	Carbon Grey Metallic			
	991 044 801 21 S9R	Carrara White metallic			

Model: TEQ 2

Model life 2003>>

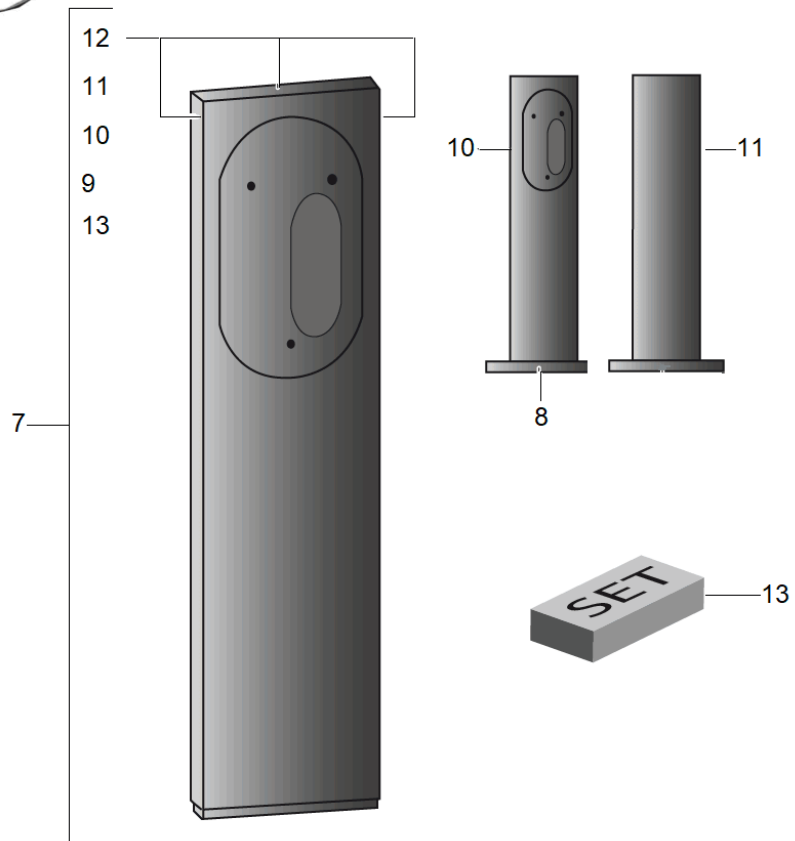
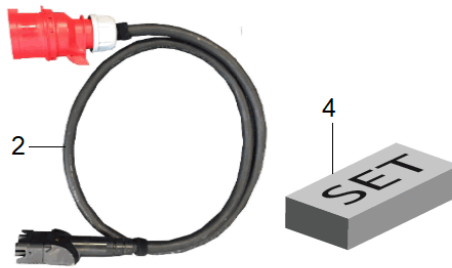


Model: TEQ 2 Model life 2003>>

Pos	Part Number	Description	Remark	Qty	Model
1	970 044 000 14	Connection line Power supply Hybrid Connection line Power supply Black MODE 3 / TYP 2 7,5 M Set with: Pocket	13- 15-	1	PHEV Umfang G1 PHEV E2 PHEV -"USA", -"J..", -"AUS", -"CN.", -"PLA", -"CDN", -"BR."

Model: TEQ 2

Model life 2003>>



Model: TEQ 2 Model life 2003>>

Pos	Part Number	Description	Remark	Qty	Model
1	971 044 030	Stand Power supply Hybrid Stand 167X19X15 CM Charging socket Hybrid with: PORSCHE logo without: Charger without: Connection line also use:	971 044 035 971 044 035 A 7PP 971 678 BA	1	PHEV -"I..","J.."
2	971 044 035	Connection line Power supply CEE 3P 32A	1650mm	1	-"USA", -"J.."
(2)	971 044 035 A	Connection line Power supply CEE 1P 32A	1650mm	1	-"USA", -"J.."
-		Only for replacement			
3	971 044 031	Bracket Connector Included Set		1	
4	971 044 032	Adapter plug Set of fastening parts base plate Stand		1	
5	971 044 033	Operating instructions Stand		1	
6	971 044 034	key Stand		1	
7	970 044 000 70	State lock number Stand 167X42X10 CM Charging socket Hybrid Glasses box with: PORSCHE logo without: Charging Dock without: Connection line use if required:		1	
-		Post bracket for			
8	970 044 000 76	Trade equipment Lower part 88X84X8 CM Movable Stand Charging socket Hybrid		1	
(8)	970 044 000 77	Lower part 75X75X3 CM Fixed Stand Charging socket Hybrid		1	

Model: TEQ 2 Model life 2003>>

Pos	Part Number	Description	Remark	Qty	Model
-		Only for replacement			
-		note:			
		Inst. & Conv. Instructions			
		0941 (02/18)			
-	970 044 000 78	Modification kit		1	
		Charging station			
		Black, glass optical			
		for			
		Charger			
		additionally to be used items:	970 044 000 72	1	
			970 044 000 73	1	
-	970 044 000 79	Modification kit		1	
		Charging station			
		Black, glass optical			
		for			
		Charger	2 parts		
		additionally to be used items:	970 044 000 72	2	
(9)	970 044 000 71	Stand		1	
		Charging socket			
		Hybrid			
		Frame			
		Interior frame			
10	970 044 000 72	Stand	front	1	
		Charging socket			
		Hybrid			
		Washer			
		without:			
		Charging Dock			
		without:			
		Connection line			
11	970 044 000 73	Stand	rear	1	
		Charging socket			
		Hybrid			
		Washer			
12	970 044 000 74	Side panel trim		1	
		Stand			
		Charging socket			
		Hybrid			
		Set			
		3-part			
13	970 044 000 75	Set of fastening parts		1	
		Stand			
		Charging socket			
		Hybrid			

Model: TEQ 2

Model life 2003>>



Model: TEQ 2

Model life 2003>>

Pos	Part Number	Description	Remark	Qty	Model
1	958 044 901 38	Supplement Air conditioning Module heater Hybrid Supplement Air conditioning heater Coding VIA PRMS D - MJ 2015>>		1	PHEV Umfang E2 PHEV

Model: TEQ 2

Model life 2003>>

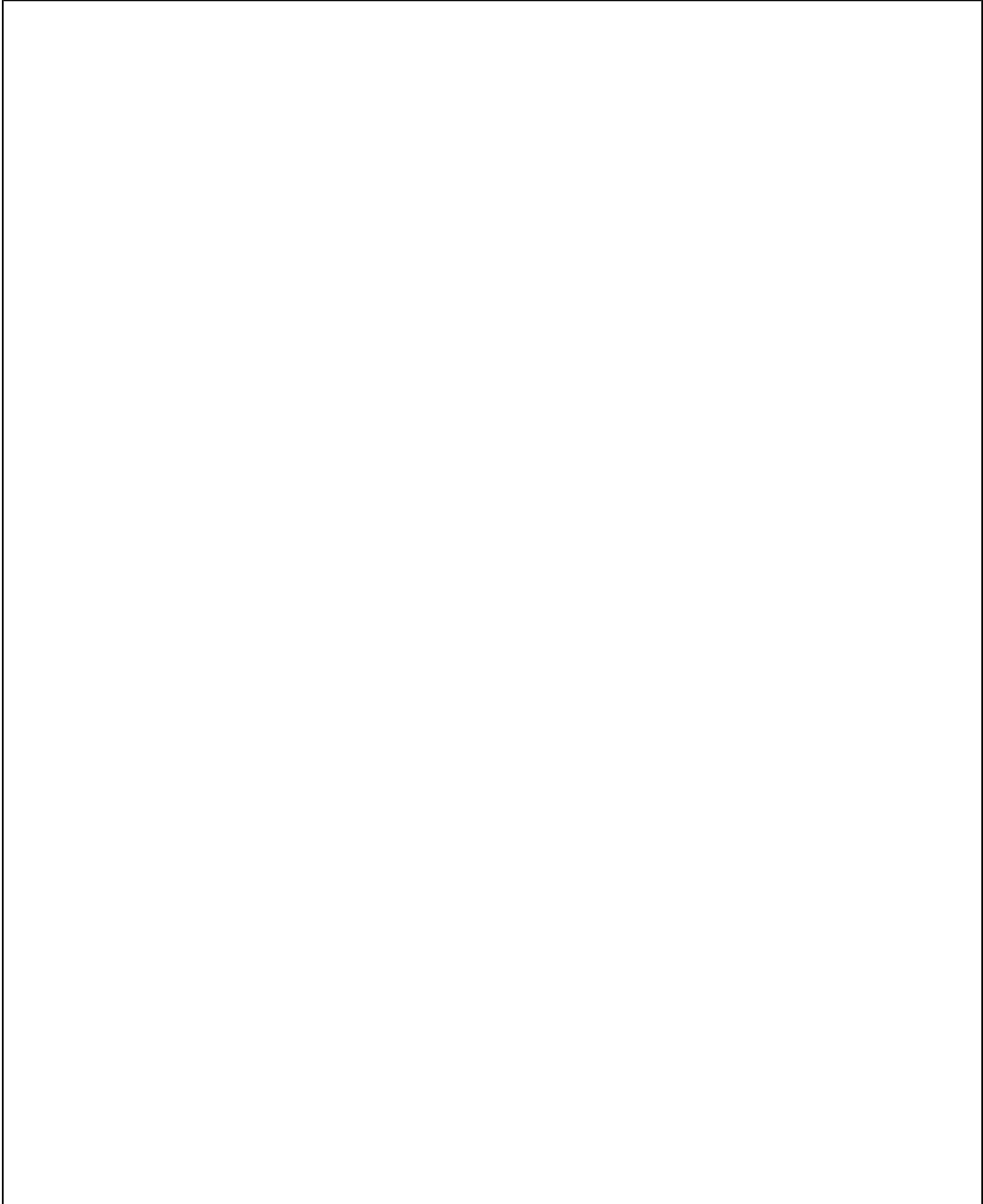


Model: TEQ 2 Model life 2003>>

Pos	Part Number	Description	Remark	Qty	Model
1	955 044 900 55	Charger Cigarette lighter	03-	1	
(1)	955 044 900 56	Charger 12 V/3,6 A	03-17	1	/230 V "GB."
2	958 044 900 70	Charger EUROPA/RUSSLAND 220-240 V / 5,0 A	03-	1	Charge-o-mat Pro
(2)	958 044 900 72	Charger "GB." Great Britain 220-240 V / 5,0 A	03-	1	Charge-o-mat Pro "GB."
(2)	958 044 900 73	Charger CHINA 220-240 V / 5,0 A	03-	1	Charge-o-mat Pro "CN."
(2)	958 044 900 74	Charger "J.." Japan 110-120 V / 4,3 A	03-	1	Charge-o-mat Pro "J.."
3	958 044 900 75	Adapter for Charger		1	
-		Only for replacement			
4	958 044 900 76	Connector Cigarette lighter		1	

Model: TEQ 2

Model life 2003>>

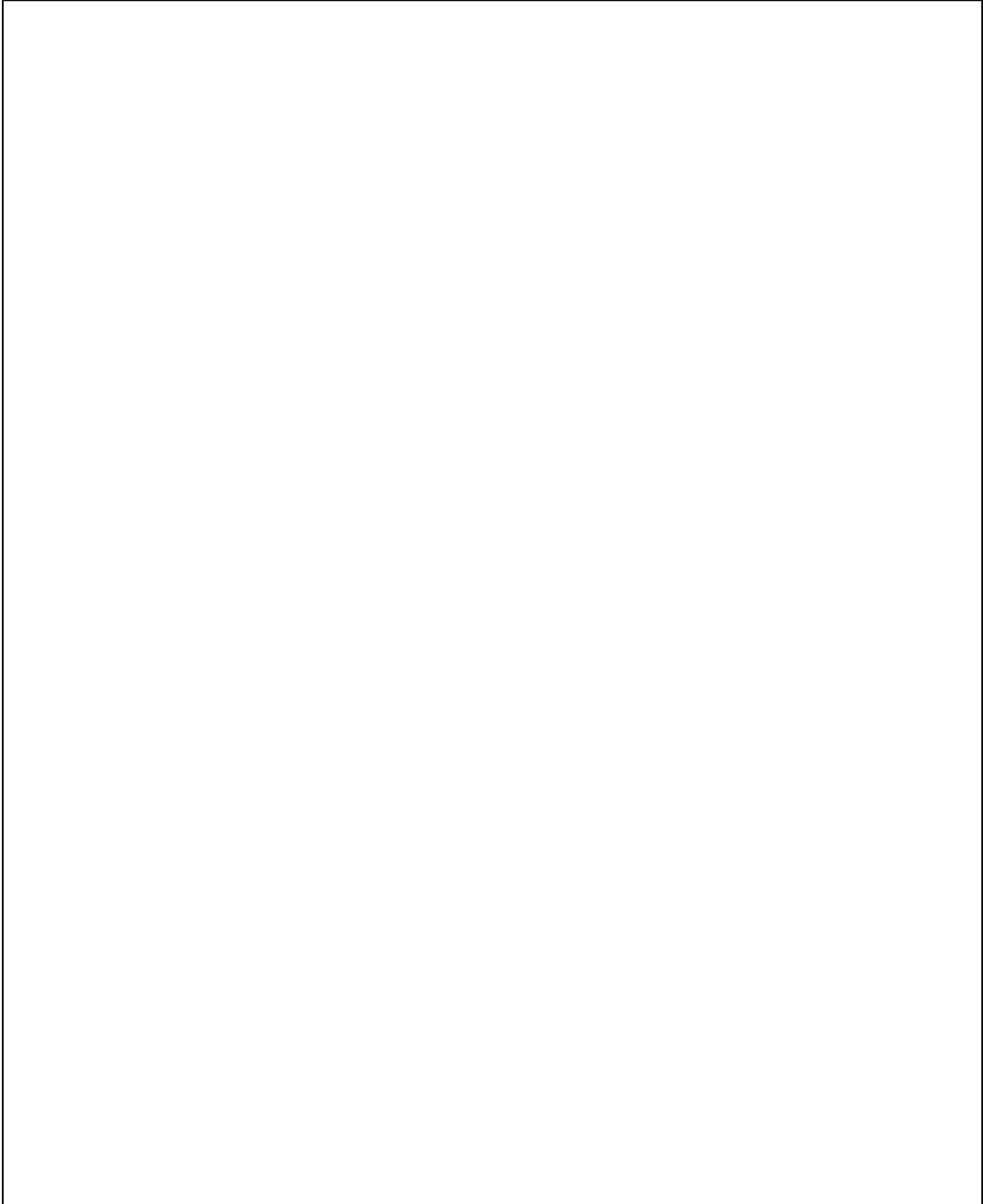


Model: TEQ 2 Model life 2003>>

Pos	Part Number	Description	Remark	Qty	Model
-		Garage door opener D - MJ 2003>> - MJ 2010 Inst. & Conv. Instructions Cayenne, alle Group 9 9679 Attention			Cayenne (9PA)
-	955 044 900 26	Garage door opener Retrofit kit Set		1	
-		comprising:			
-	955 612 502 00	Wire set		1	
-	955 613 312 01	Cap with symbol		1	
-	955 613 312 01 A03	Black			
-	955 613 334 00	Trim for switch		1	
-	955 613 334 00 A03	Black			
-	955 613 254 00	Hazard warning light sw.		1	
-	N 909 151 01	Oval-head screw		6	
-	955 618 039 00	Control unit		1	
-	999 652 901 22	Connector		1	
-	999 650 136 22	Pin		1	

Model: TEQ 2

Model life 2003>>

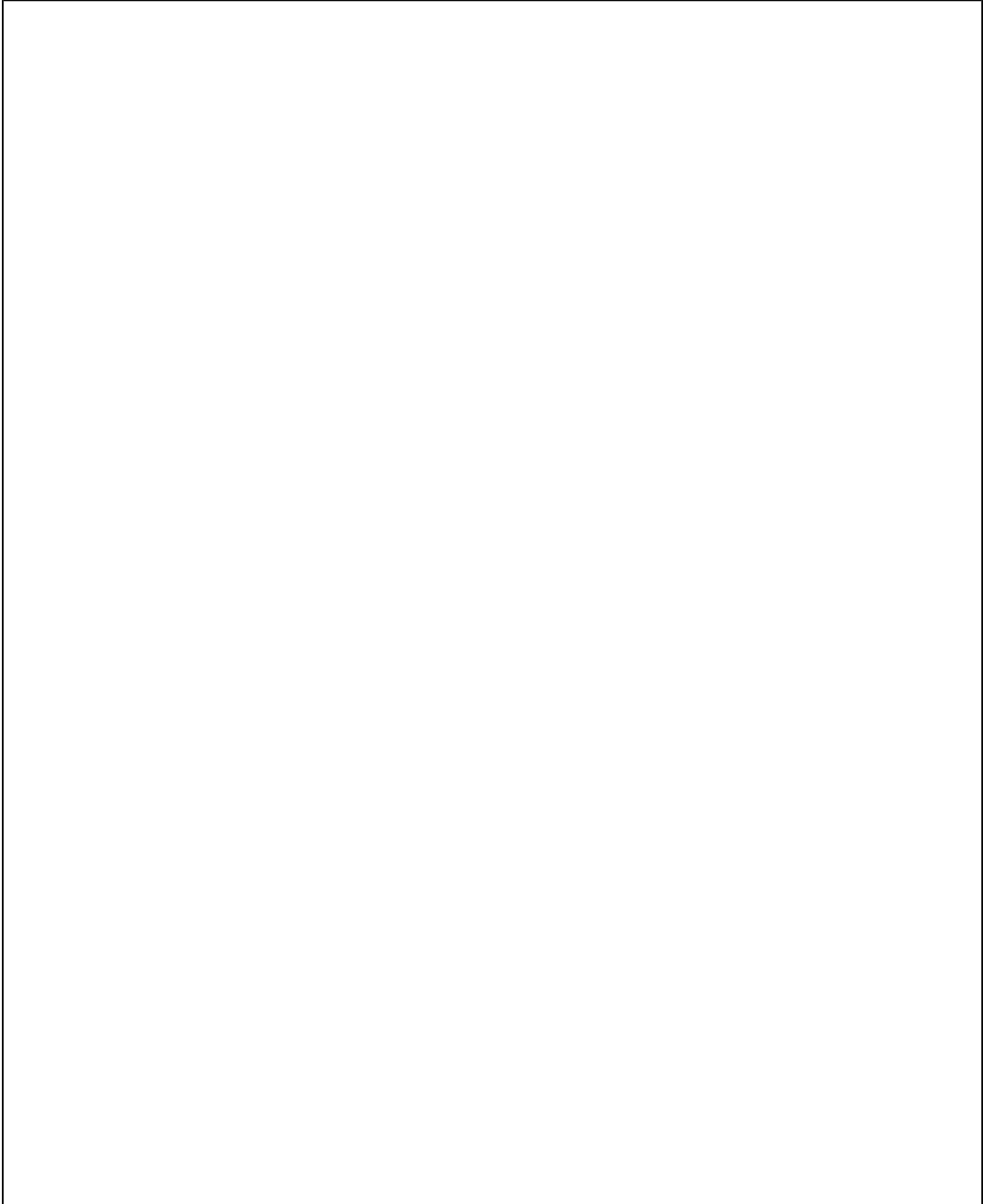


Model: TEQ 2 Model life 2003>>

Pos	Part Number	Description	Remark	Qty	Model
-		Cruise control Inst. & Conv. Instructions Porsche Cayenne 2778 (20/07) Attention	03-10		Cayenne (9PA) alle
-	955 044 903 00	Cruise control Set	03-06 08-10	1	PR:D9J,D9K, D5V,D5X

Model: TEQ 2

Model life 2003>>

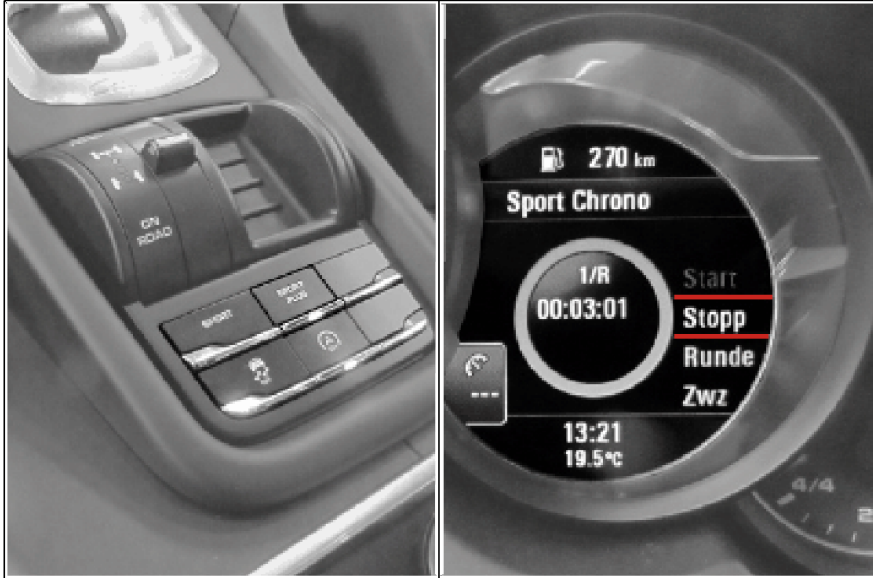


Model: TEQ 2 Model life 2003>>

Pos	Part Number	Description	Remark	Qty	Model
-		LED module Passenger compartment D - MJ 2011>> - MJ 2014 Inst. & Conv. Instructions Porsche Cayenne Group 9 9110 (11/12) Attention			Cayenne (92A)
1	958 044 901 20	LED module Passenger compartment Set D - MJ 2011>> - MJ 2014		1	alle

Model: TEQ 2

Model life 2003>>

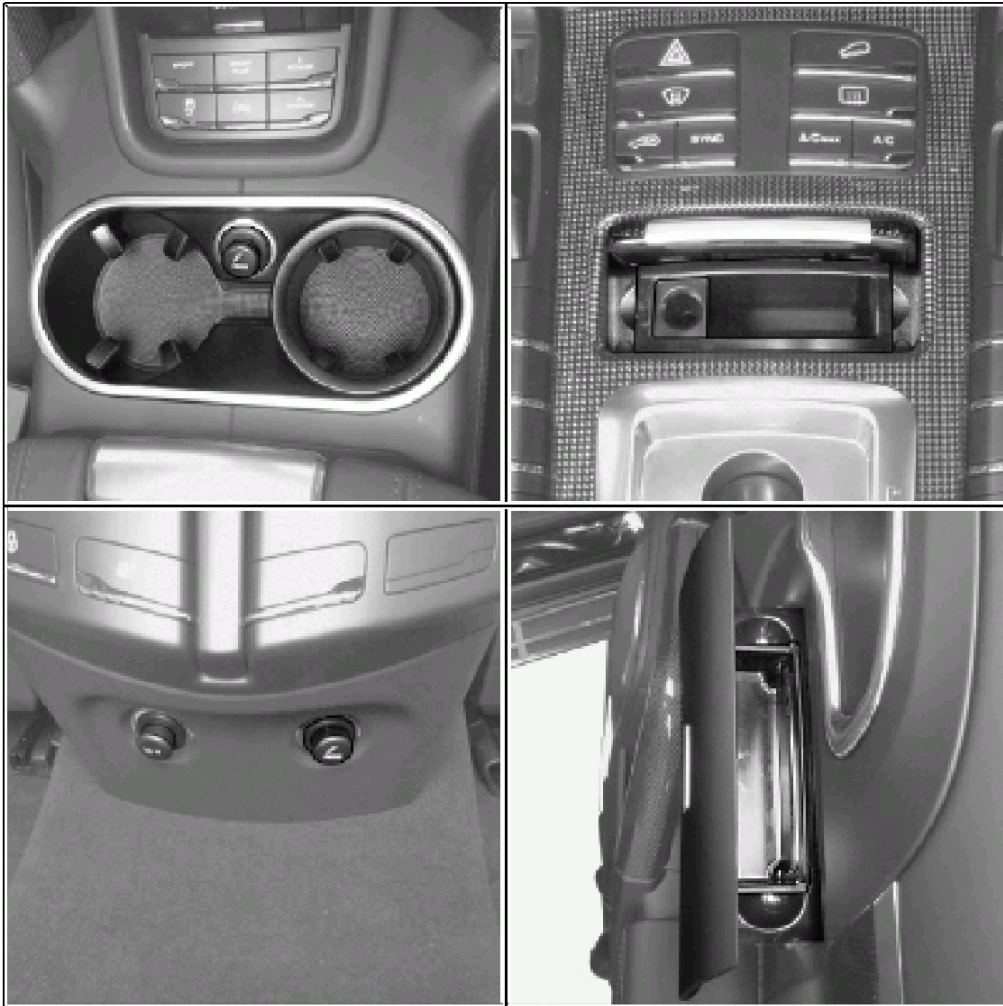


Model: TEQ 2 Model life 2003>>

Pos	Part Number	Description	Remark	Qty	Model
-		Supplement SPORT PLUS Inst. & Conv. Instructions Porsche Cayenne Group 9 9627 (35/14) 9627 (39/16) Attention	2015-16 2017-		alle
1	958 044 900 35	Supplement SPORT PLUS for cars without Compass Coding VIA PRMS		1	PR:QR0,QR3
(1)	95B 044 900 73	D - MJ 2015>> - MJ 2016 Supplement SPORT PLUS for cars without Compass D - MJ 2017>>		1	PR:QR0,QR3
-		also use: Control panel with pushbuttons for Subsequent installation see Spare parts catalogue			

Model: TEQ 2

Model life 2003>>

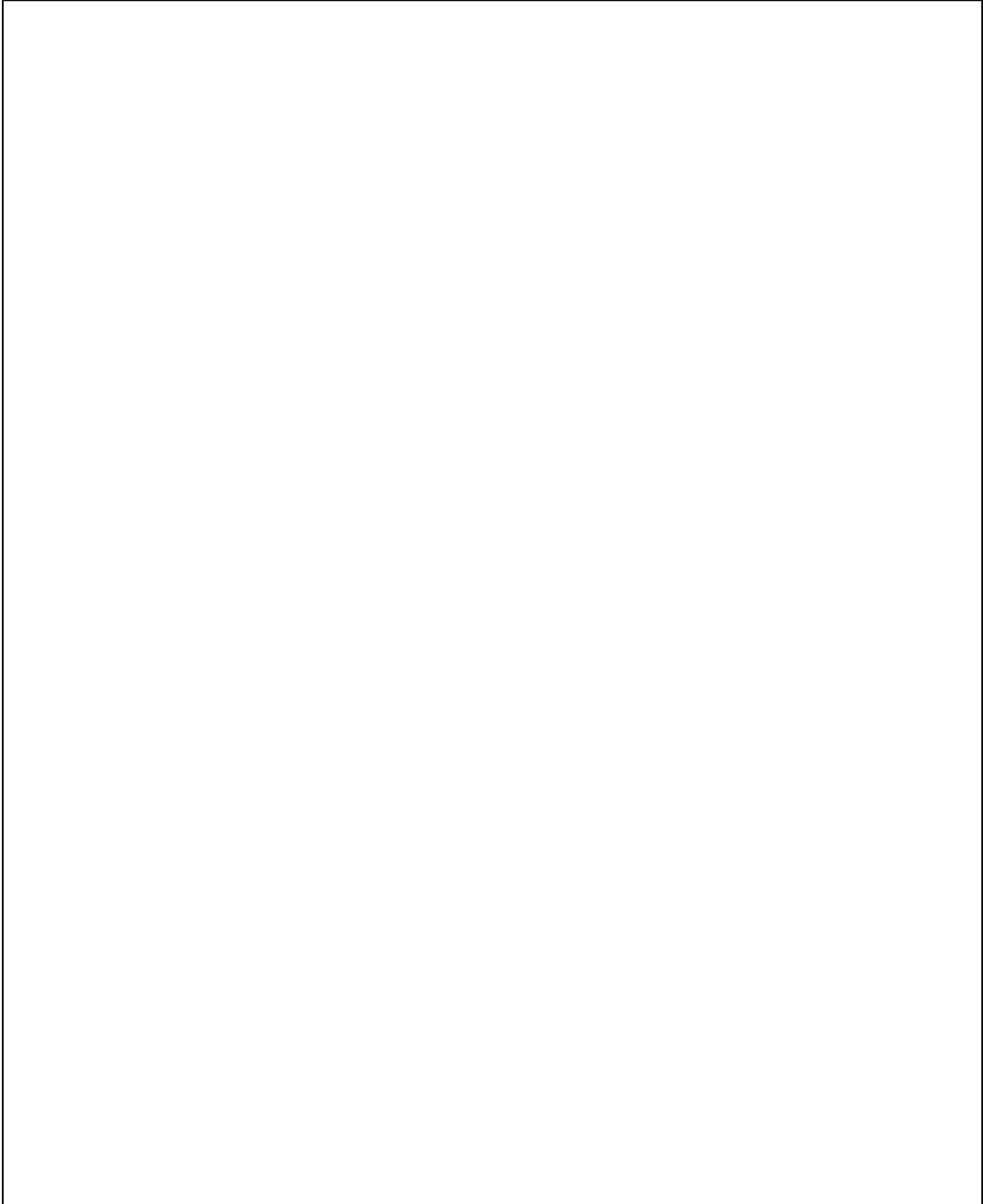


Model: TEQ 2 Model life 2003>>

Pos	Part Number	Description	Remark	Qty	Model
-		Smoker package Inst. & Conv. Instructions Group 6 6820 (04/15) Attention			
1	958 044 900 80	Retrofit kit Smoker package D - MJ 2015>>		1	E2 II

Model: TEQ 2

Model life 2003>>



Model: TEQ 2 Model life 2003>>

Pos	Part Number	Description	Remark	Qty	Model
-		Digital TV D - MJ 2005>> - MJ 2008 Inst. & Conv. Instructions Porsche Cayenne All Main group 9 9164 Attention			Cayenne (9PA)
-	955 044 901 09	Retrofit kit Digital TV Not for: USA CANADA Japan ASIA PACIFIC Discontinued part comprising:		1	PR:QV1
-	955 044 901 10	Receiving part		1	
-	955 645 285 00	Bracket		1	
-	955 044 901 11	Control panel		1	
-	N 911 010 01	riveted cap nut		2	
-	N 907 371 01	Oval hexagon socket head bolt		2	
-	955 044 901 12	Wire set		1	
-	955 044 901 13	Wire set		1	
-	999 513 054 40	Cable ties		15	
-	N 904 411 02	Socket head bolt with inner multipoint head		1	
-	N 910 260 01	Socket head bolt with inner multipoint head		1	
-	955 522 782 00	Bearing bush		1	
-	955 522 781 00	Bearing bush		1	

Model: TEQ 2

Model life 2003>>

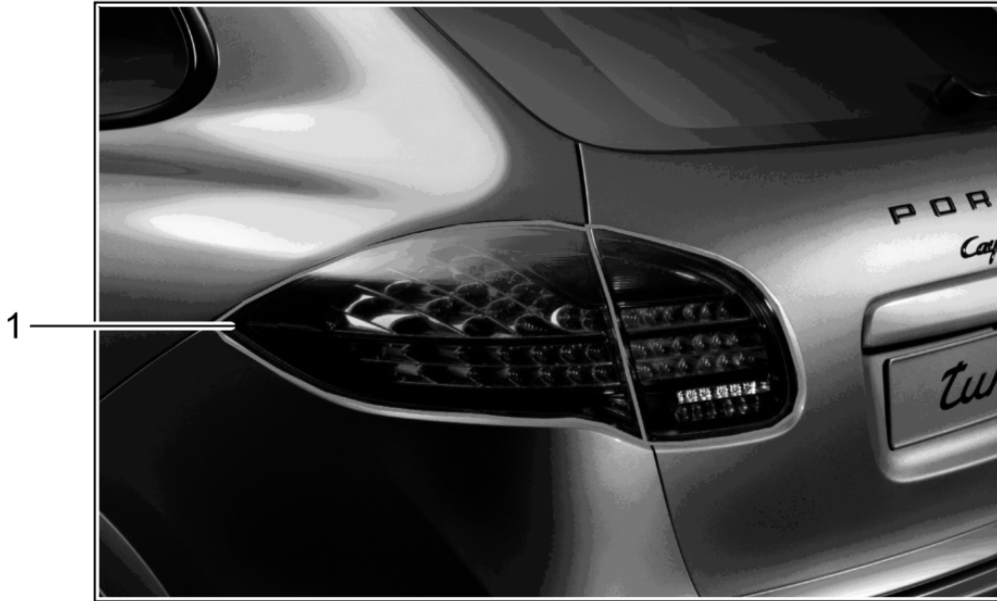


Model: TEQ 2 Model life 2003>>

Pos	Part Number	Description	Remark	Qty	Model
1	955 044 903 10	Headlights Interior lining Black Headlights	08-10 11- 18- 08-10 drive on right	1	CAYENNE (9PA) CAYENNE (92A) CAYENNE (9YA) PR:8BC
(1)	955 044 903 11	Set Headlights	08-10 drive on left	1	PR:8BZ
		Set	with:		
2	958 044 900 20	Japan Headlights Set	11-	1	PR:8Q3,8JE, 8BE - "IND"
(2)	958 044 900 22	Headlights Set	11-	1	Turbo PR:8Q3,8EC, 8ED - "IND"
(2)	958 044 900 60	Headlights Set Black	15-	1	PR:8Q3,8EE, 8EF
3	958 044 900 90	LED headlight Set Black	15-	1	PR:8BE,8EA, 8EE,8EF,8EG, 8JE

Model: TEQ 2

Model life 2003>>



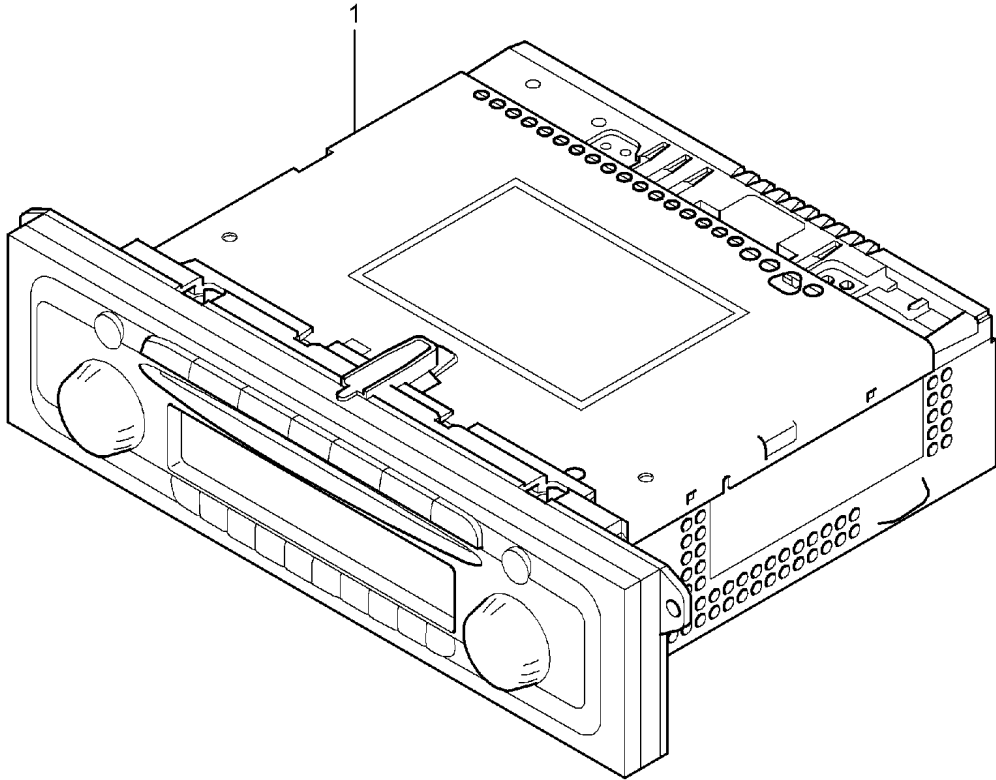
Model: TEQ 2

Model life 2003>>

Pos	Part Number	Description	Remark	Qty	Model
1	958 044 900 26	Rear light Black D - MJ 2011>> Rear light Black Set D - MJ 2011>>		1	CAYENNE (92A) CAYENNE (9YA) PR:8SB
2	958 044 900 66	Rear light Black Set D - MJ 2014>>		1	E2 II PR:8SB

Model: TEQ 2

Model life 2003>>

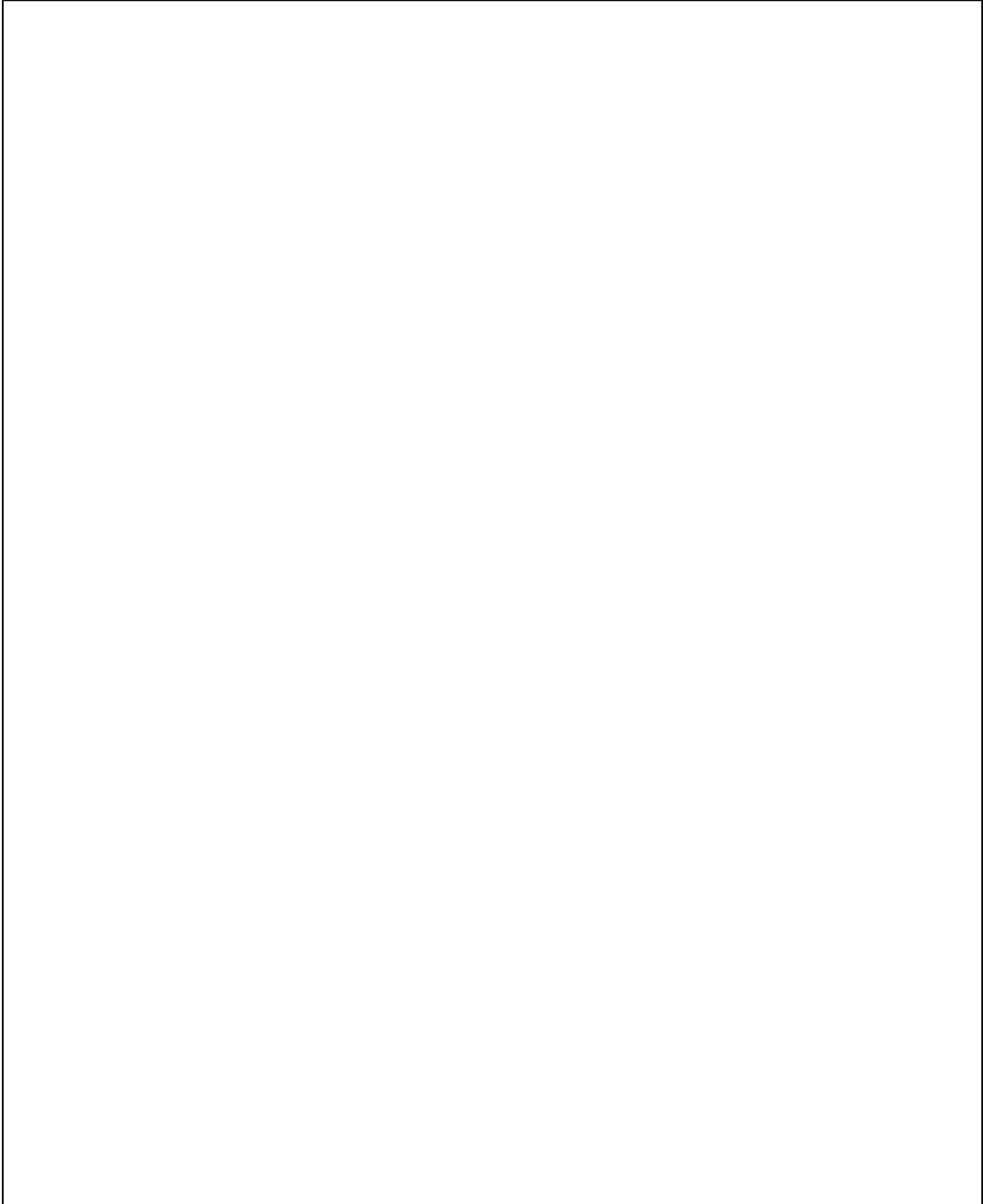


Model: TEQ 2 Model life 2003>>

Pos	Part Number	Description	Remark	Qty	Model
1	955 645 128 03	Radio unit CDR23 D - MJ 2003>> - MJ 2006 CDR		1	Cayenne (9PA) Cayenne S
1	955 645 128 04	Discontinued part CDR		1	
1	955 645 128 05	Discontinued part CDR		1	

Model: TEQ 2

Model life 2003>>



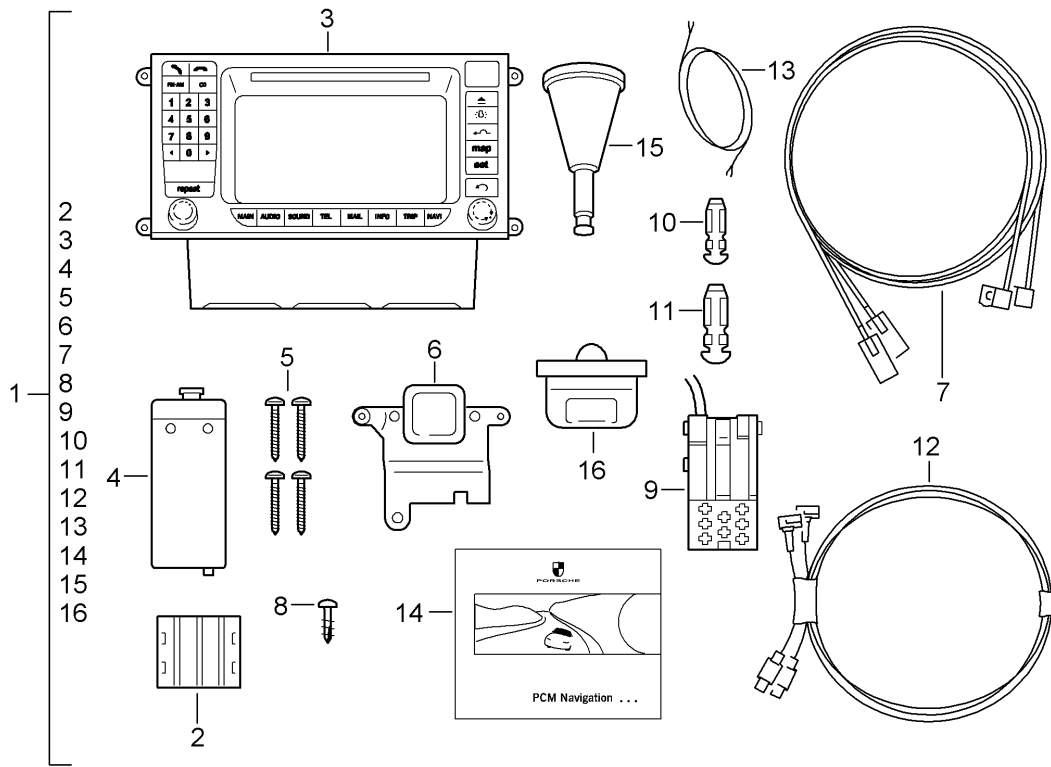
Model: TEQ 2

Model life 2003>>

Pos	Part Number	Description	Remark	Qty	Model
-		Compass PCM2.1 PCM3.0 note: Inst. & Conv. Instructions 9110 (07/05)	05-10		Cayenne (9PA)
-	955 044 900 28	Compass in Combi-instrument PCM2.1 PCM3.0		1	

Model: TEQ 2

Model life 2003>>



Model: TEQ 2 Model life 2003>>

Pos	Part Number	Description	Remark	Qty	Model
-		Navigation system PCM2.0 D - MJ 2003>> - MJ 2004 Technical information Cayenne, alle Group 9 9110 Attention			Cayenne (9PA)
(1)	955 044 900 01	Pcm2 Navigation system		1	- "J.."
(1)	955 044 900 20	Pcm2 Navigation system Australia		1	"AUS"
(1)	955 044 900 21	Pcm2 Navigation system Middle East		1	
(1)	955 044 900 22	Pcm2 Navigation system South Africa Set comprising:		1	"ZA."
2	955 647 432 00	Bracket		1	
3	955 642 203 01	Control panel		1	
4	996 642 205 01	Module		1	
5	N 105 842 01	Hexagon socket oval head bolt		4	
6	955 647 107 00	Aerial		1	
7	955 647 208 00	Connecting line		1	
8	N 908 401 02	oval head panel screw (combi)		1	
9	999 650 062 40	Connector		1	
10	N 103 357 01	flat contact		1	
11	N 903 352 04	flat contact		1	
12	955 647 207 00	Aerial connection line		1	
13	999 630 003 40	Earth line		*	
14	996 642 030 01	CD-ROM for navigation system Europe		1	
(14)	996 642 036 01	CD-ROM for navigation system Australia		1	
(14)	996 642 035 01	CD-ROM for navigation system Middle east		1	
(14)	996 642 034 01	CD-ROM for navigation system South africa		1	
15	955 612 952 00	Cable support sleeve		1	
16	955 612 951 00	Grommet		1	
-		Technical information Cayenne, alle Group 9 9110 Attention			
-	955 044 900 18	Software OffRoad D - MJ 2003>> - MJ 2004		1	PR:PF1

Model: TEQ 2

Model life 2003>>

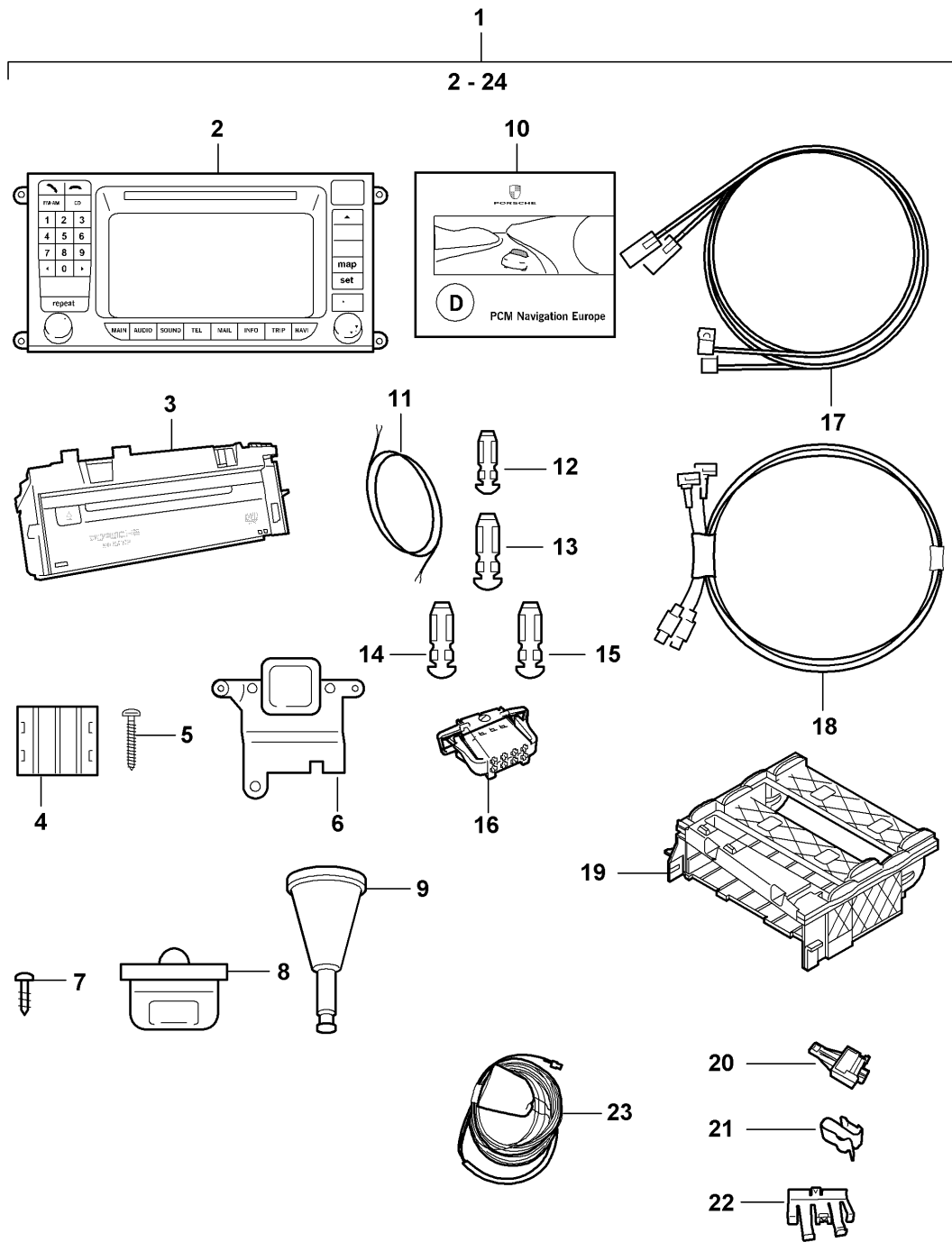


Model: TEQ 2 Model life 2003>>

Pos	Part Number	Description	Remark	Qty	Model
-		Navigation PCM2.0-UPDATE D - MJ 2003>> - MJ 2004 Inst. & Conv. Instructions Porsche Cayenne 9110 (8/08 & 24/10) BEACHTEN			Cayenne (9PA)
(1)	000 044 901 25	Software PCM2.0-UPDATE Europe XX.2010		1	alle
1	000 044 901 30	Discontinued part Software PCM2.0-UPDATE Europe 08.2012		1	
(1)	000 044 901 22	Software PCM2.0-UPDATE AUSTRALIA / NEW ZEALAND XX.2008		1	"AUS"
(1)	000 044 901 33	Discontinued part Software PCM2.0-UPDATE SOUTH AFRICA 05.2013		1	"ZA."
(1)	000 044 901 34	Software PCM2.0-UPDATE MIDDLE EAST 05.2013		1	"PME"
(1)	000 044 901 35	Software PCM2.0-UPDATE ASIA / PAZIFIC 05.2013		1	"HK."

Model: TEQ 2

Model life 2003>>



Model: TEQ 2 Model life 2003>>

Pos	Part Number	Description	Remark	Qty	Model
-		Navigation system PCM2.1 D - MJ 2005>> - MJ 2008 Inst. & Conv. Instructions Cayenne, alle Group 9 9110 Attention			Cayenne (9PA)
(1)	955 044 900 31	Retrofit kit PCM2.1 EUROPA D - MJ 2005>> - MJ 2005		1	
(1)	955 044 900 48	Discontinued part Retrofit kit PCM2.1 EUROPA D - MJ 2005>> - MJ 2006		1	BIS KW 21/06 MOPF A/B
(1)	955 044 902 48	Retrofit kit PCM2.1 EUROPA D - MJ 2006>> - MJ 2008		1	AB KW 22/06 MOPF C/C1
(1)	955 044 900 40	Retrofit kit PCM2.1 AUSTRALIA D - MJ 2005>> - MJ 2005		1	
(1)	955 044 900 50	Discontinued part Retrofit kit PCM2.1 AUSTRALIA D - MJ 2005>> - MJ 2006		1	BIS KW 21/06 MOPF A/B
(1)	955 044 902 50	Retrofit kit PCM2.1 AUSTRALIA D - MJ 2006>> - MJ 2008		1	AB KW 21/06 MOPF C/C1
(1)	955 044 900 41	Retrofit kit PCM2.1 MIDDLE EAST D - MJ 2005>> - MJ 2005		1	
(1)	955 044 900 51	Discontinued part Retrofit kit PCM2.1 MIDDLE EAST D - MJ 2005>> - MJ 2006		1	BIS KW 21/06 MOPF A/B
(1)	955 044 902 51	Retrofit kit PCM2.1 MIDDLE EAST D - MJ 2006>> - MJ 2008		1	AB KW 22/06 MOPF C/C1
(1)	955 044 900 42	Retrofit kit PCM2.1 SOUTH AFRICA D - MJ 2005>> - MJ 2005		1	
(1)	955 044 900 52	Discontinued part Retrofit kit PCM2.1 SOUTH AFRICA D - MJ 2005>> - MJ 2006		1	BIS KW 21/06 MOPF A/B
(1)	955 044 902 52	Retrofit kit PCM2.1 SOUTH AFRICA D - MJ 2006>> - MJ 2008		1	AB KW 22/06 MOPF C/C1
(1)	955 044 900 43	Retrofit kit PCM2.1 ASIA/PACIFIC		1	

Model: TEQ 2

Model life 2003>>

Pos	Part Number	Description	Remark	Qty	Model
(1)	955 044 900 53	D - MJ 2005>> - MJ 2005 Discontinued part Retrofit kit PCM2.1 ASIA/PACIFIC		1	BIS KW 21/06 MOPF A/B
(1)	955 044 902 53	D - MJ 2005>> - MJ 2006 Retrofit kit PCM2.1 ASIA/PACIFIC		1	AB KW 22/06 MOPF C/C1
-		D - MJ 2006>> - MJ 2008 also use:			
-	955 521 550 00	Trim		1	
	955 521 550 00 01C	DVD device Satin black			
	955 521 550 00 6C6	Sand beige			
	955 521 550 00 6H8	Palm green			
	955 521 550 00 7A8	steel grey			
	955 521 550 00 K40	chestnut brown			
-		Set PCM2.1 comprising:			
2	955 642 203 10	Control panel		1	
3	997 642 135 03	DVD-player		1	
		D - MJ 2005>> - MJ 2006			
3	997 642 137 02	DVD-player		1	
		D - MJ 2006>> - MJ 2007			
4	955 647 432 00	Bracket		1	
5	N 105 842 01	Hexagon socket oval head bolt		4	
6	955 647 107 00	Aerial		1	
7	N 908 401 02	oval head panel screw (combi)		1	
8	955 612 951 00	Grommet		1	
9	955 612 952 00	Cable support sleeve		1	
10	997 642 235 02	DVD-ROM for navigation system Europe		1	
(10)	997 642 255 03	DVD-ROM for navigation system Europe		1	
(10)	997 642 243 02	DVD-ROM for navigation system Australien		1	
		D - MJ 2005>> - MJ 2006			
(10)	997 642 263 02	DVD-ROM for navigation system Australien		1	
		D - MJ 2006>>			
(10)	997 642 241 02	DVD-ROM for navigation system Middle East		1	
		D - MJ 2005>> - MJ 2006			
(10)	997 642 261 02	DVD-ROM for navigation system Middle East		1	
		D - MJ 2006>>			
(10)	997 642 239 02	DVD-ROM for navigation system South Africa		1	
		D - MJ 2005>> - MJ 2006			
(10)	997 642 259 02	DVD-ROM for navigation system South Africa		1	
		D - MJ 2006>>			

Model: TEQ 2 Model life 2003>>

Pos	Part Number	Description	Remark	Qty	Model
(10)	997 642 245 02	DVD-ROM for navigation system Asia Pacific D - MJ 2005>> - MJ 2006		1	
(10)	997 642 265 02	DVD-ROM for navigation system Asia Pacific D - MJ 2006>>		1	
11	999 630 003 40	Earth line		*	
12	N 103 358 01	flat contact		2	
13	N 903 353 04	flat contact		1	
14	N 103 357 01	flat contact		3	
15	999 650 356 12	Pin		1	
16	955 044 900 44	Plug socket		1	
17	955 647 208 00	Connecting line		1	
18	955 647 207 00	Aerial connection line		1	
-	N 910 192 01	Socket head collared bolt with inner multipoint head M10 x 25		4	
-	N 909 650 01	Socket head bolt with multipoint inner drive, self-lock. M10 x 30		4	
-	N 910 260 01	Socket head bolt with inner multipoint head 10 x 20		3	
-	N 904 411 02	Socket head bolt with inner multipoint head M10 x 20		1	
-	999 513 051 40	hose clip		30	
19	955 642 226 00	Bracket		1	
20	999 650 091 40	Plug inserts		1	
21	N 907 468 01	Clip		2	
22	955 642 228 00	Retaining plate		1	
23	955 044 900 10	Cable		1	
-	999 650 529 00	cable shoe		1	
-		Technical information Cayenne, alle Group 9 9110 Attention Software OffRoad D - MJ 2005>> - MJ 2008		1	PR:PF1

Model: TEQ 2

Model life 2003>>



Model: TEQ 2 Model life 2003>>

Pos	Part Number	Description	Remark	Qty	Model
-		Navigation PCM2.1-UPDATE Inst. & Conv. Instructions CAYENNE,ALLE 9110 (27/09) 9110 (51/12) BEACHTEN	05-08		Cayenne (9PA)
(1)	955 044 903 60	Software PCM2.1-UPDATE Europe 08.2009		1	
1	997 044 903 50	Discontinued part Software PCM2.1-UPDATE Europe 08.2012		1	
(1)	997 044 902 52	Software PCM2.1-UPDATE AUSTRALIA / NEW ZEALAND XY.2010		1	"AUS"
(1)	997 044 903 53	Software PCM2.1-UPDATE SOUTH AFRICA 05.2013		1	"ZA."
(1)	997 044 903 54	Software PCM2.1-UPDATE MIDDLE EAST 05.2013		1	"PME"
(1)	997 044 902 55	Software PCM2.1-UPDATE ASIA / PACIFIC XY.2010		1	"HK."
(1)	997 044 903 55	Discontinued part Software PCM2.1-UPDATE ASIA / PACIFIC 05.2013		1	"HK."

Model: TEQ 2

Model life 2003>>



Model: TEQ 2 Model life 2003>>

Pos	Part Number	Description	Remark	Qty	Model
-		Navigation system PCM3.0 Included DVD device D - MJ 2009>> - MJ 2010 Inst. & Conv. Instructions Porsche Cayenne Group 9 9110 (7/09) Attention			Cayenne (9PA)
1	955 044 903 20	PCM 3 with:		1	PR:9VL alle
(1)	955 044 903 22	Navigation Set Europe Coding VIA PRMS PCM 3 with:		1	PR:9VL "AUS"
(1)	955 044 903 23	Navigation Set AUSTRALIA Coding VIA PRMS PCM 3 with:		1	PR:9VL "ZA."
(1)	955 044 903 24	Navigation Set SOUTH AFRICA Coding VIA PRMS PCM 3 with:		1	PR:9VL "PME"
(1)	955 044 903 25	Navigation Set MIDDLE EAST Coding VIA PRMS PCM 3 with:		1	PR:9VL "HK."
(1)	955 044 903 26	Navigation Set ASIA/PAZIFIC Coding VIA PRMS PCM 3 with:		1	PR:9VL "RUS"
-		Navigation Set RUSSIA Coding VIA PRMS for cars without Bose also use:			PR:-9VL
-	955 645 312 00	Amplifiers		1	
-	955 645 225 00	Holder for amplifier		1	
-	N 101 563 07	Hex collared bolt M6 x 12		6	
-	N 910 234 01	Speed nut M6 x 24,4		1	
-	N 909 278 01	rivetted cap nut M6		2	

Model: TEQ 2

Model life 2003>>

Pos	Part Number	Description	Remark	Qty	Model
-	955 044 902 44	Connector housing blue		1	
-	999 607 088 00	fuse 30 A		1	
-	999 513 076 40	Cable ties 1,5 - 85		20	
-	999 652 570 22	Connector 2,5 - 1		8	
-	955 044 902 23	Wire set PCM / Verstaerker		1	
-	955 044 902 24	Wire set Verstaerker / TS Lautsprecher		1	
-	N 909 650 01	Socket head bolt with multi- point inner drive, self-lock. M10 x 30		4	
-	N 910 192 02	Socket head collared bolt with inner multipoint head M10 x 25		4	

Model: TEQ 2

Model life 2003>>

1



Model: TEQ 2 Model life 2003>>

Pos	Part Number	Description	Remark	Qty	Model
-		Navigation PCM3.0-UPDATE D - MJ 2009>> - MJ 2010 Inst. & Conv. Instructions Porsche Cayenne Group 9 9110 (50/15) Attention			Cayenne (9PA)
1	955 044 911 40	Software PCM3.0-UPDATE Europe 04/2015 Together with Country equipment Note coding		1	
(1)	955 044 911 42	Software PCM3.0-UPDATE AUSTRALIA / NEW ZEALAND 04/2015 Together with Country equipment Note coding		1	"AUS"
(1)	955 044 911 43	Software PCM3.0-UPDATE SOUTH AFRICA 04/2015 Together with Country equipment Note coding		1	"ZA."
(1)	955 044 911 44	Software PCM3.0-UPDATE MIDDLE EAST 04/2015 Together with Country equipment Note coding		1	"PME"
(1)	955 044 911 45	Software PCM3.0-UPDATE ASIA/PAZIFIC 04/2015 Together with Country equipment Note coding		1	"HK."
(1)	955 044 911 46	Software PCM3.0-UPDATE RUSSIA 04/2015 Together with Country equipment Note coding		1	"RUS"

Model: TEQ 2

Model life 2003>>

1



Model: TEQ 2 Model life 2003>>

Pos	Part Number	Description	Remark	Qty	Model
-		Voice control system PCM3.0 PCM3.1 PCM4.0 Inst. & Conv. Instructions Porsche Cayenne Group 9 9110 (14/08) Attention			Cayenne (9PA)
1	955 044 902 27	Module Voice control system PCM3.0 Set Coding VIA PRMS	09-10	1	
(1)	95B 044 900 52	Module Voice control system PCM3.1 Retrofit kit Coding VIA PRMS	15-16	1	PR:8T3,QH1
(1)	95B 044 900 53	Module Voice control system PCM3.1 Retrofit kit Coding VIA PRMS	15-16	1	PR:8T3,8X1, QH1
(1)	95B 044 900 54	Module Voice control system PCM3.1 Retrofit kit Coding VIA PRMS	15-16	1	PR:8T1,QH1
(1)	95B 044 900 55	Module Voice control system PCM3.1 Retrofit kit Coding VIA PRMS	15-16	1	PR:8T1,8X1, QH1
-		Inst. & Conv. Instructions Porsche Cayenne Group 9 9152 (14/08) Attention	17-		
(1)	982 044 900 04	Module Voice control system for vehicles with PCM4.0 Included Navigation	17-	1	"USA", "CN."
-		also use:			
-		Steering column switch see Spare parts catalogue	17-		PR:IV0
		also use:	N 910 207 01	1	

Model: TEQ 2

Model life 2003>>



1

Model: TEQ 2 Model life 2003>>

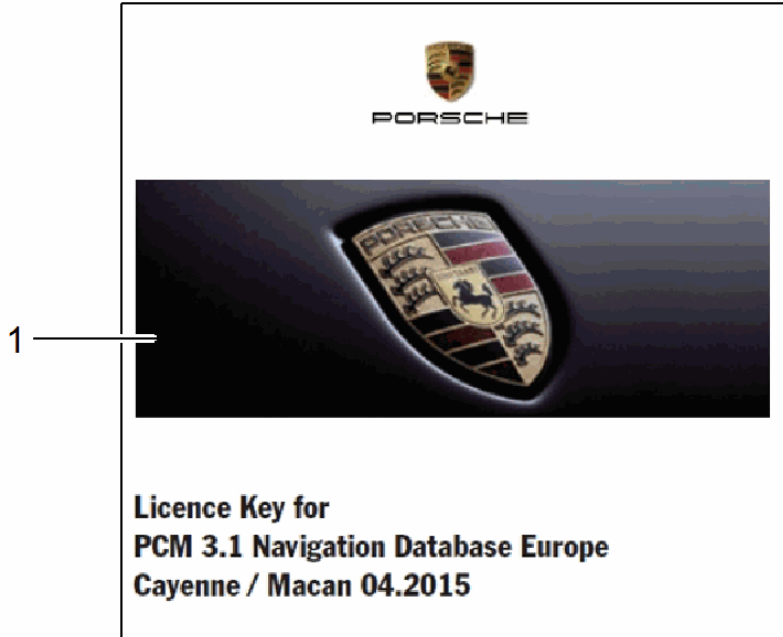
Pos	Part Number	Description	Remark	Qty	Model
-		Navigation system PCM3.1 Included DVD device D - MJ 2011>> - MJ 2016 Inst. & Conv. Instructions Porsche Cayenne Group 9 9110 (26/10) Attention			Cayenne (92A)
1	958 044 901 40	PCM 3 with: Navigation Set Europe Coding VIA PRMS		1	PR:9VL,9VJ, 9VK alle
(1)	958 044 901 42	D - MJ 2011>> - MJ 2016 PCM 3 with: Navigation Set AUSTRALIA Coding VIA PRMS		1	PR:9VL,9VJ, 9VK "AUS"
(1)	958 044 901 43	D - MJ 2011>> - MJ 2016 PCM 3 with: Navigation Set SOUTH AFRICA Coding VIA PRMS		1	PR:9VL,9VJ, 9VK "ZA."
(1)	958 044 901 44	D - MJ 2011>> - MJ 2016 PCM 3 with: Navigation Set MIDDLE EAST Coding VIA PRMS		1	PR:9VL,9VJ, 9VK "PME"
(1)	958 044 901 45	D - MJ 2011>> - MJ 2016 PCM 3 with: Navigation Set ASIA/PAZIFIC Coding VIA PRMS		1	PR:9VL,9VJ, 9VK "HK."
(1)	958 044 901 46	D - MJ 2011>> - MJ 2016 PCM 3 with: Navigation Set RUSSIA Coding VIA PRMS		1	PR:9VL,9VJ, 9VK "RUS"
(1)	958 044 901 47	D - MJ 2011>> - MJ 2016 PCM 3 with: Navigation Set ARGENTINIEN		1	PR:9VL,9VJ, 9VK,77J "PLA"

Model: TEQ 2 Model life 2003>>

Pos	Part Number	Description	Remark	Qty	Model
(1)	958 044 901 48	Coding VIA PRMS D - MJ 2011>> - MJ 2016 PCM 3 with: Navigation Set CHILE Coding VIA PRMS D - MJ 2011>> - MJ 2016		1	PR: 9VL, 9VJ, 9VK, 77K "PLA"
-		for cars without Bose Burmester Amplifiers also use: D - MJ 2011>> - MJ 2014	ASK		PR: -9VL, -9VJ, -9VK
-	958 645 302 00	Amplifiers		1	
-	958 645 225 00	Holder for amplifier		1	
-	N 910 967 01	Oval hexagon socket head bolt M6 x 16		5	
-	955 044 902 44	Connector housing blue		1	
-	999 607 073 00	fuse 40 A		1	
-	999 513 076 40	Cable ties 1,5 - 85		20	
-	999 652 570 22	Connector contact pin 2,5 - 1		8	
-	955 044 902 23	Wire set		1	
-	958 044 900 17	PCM / Verstaerker Wire set Verstaerker / TS Lautsprecher		1	
-	958 612 090 20	Battery cable Batterie / Stromverteiler		1	
-	958 612 530 00	fuse holder		1	
-	958 612 838 00	Cable ties with bracket		1	
-	N 911 475 02	Socket head bolt with inner multipoint head (Kombi) M10 x 35		8	
-	N 989 520 01	Socket head bolt with inner multipoint head M11.113 x 1.27 x 18		1	

Model: TEQ 2

Model life 2003>>



Model: TEQ 2 Model life 2003>>

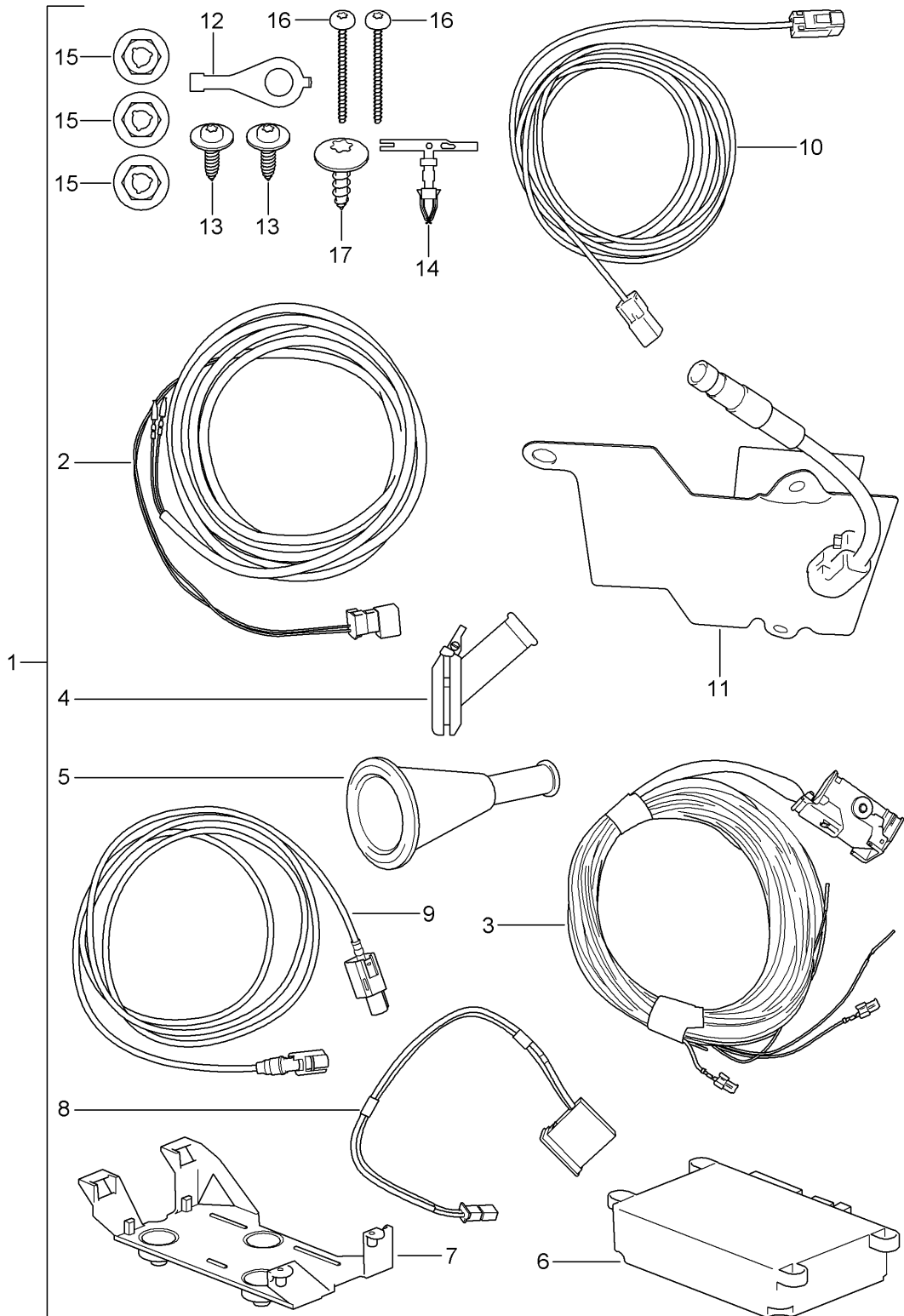
Pos	Part Number	Description	Remark	Qty	Model
-		Navigation PCM3.1-UPDATE D - MJ 2011>> - MJ 2016 Inst. & Conv. Instructions Porsche Cayenne Group 9 9110 (48/15) Attention			Cayenne (92A)
1	958 044 904 50	Software PCM3.1-UPDATE Europe 04/2015 Together with Country equipment Note coding		1	92A
(1)	958 044 904 52	Software PCM3.1-UPDATE AUSTRALIA / NEW ZEALAND 04/2015 Together with Country equipment Note coding		1	"AUS"
(1)	958 044 904 53	Software PCM3.1-UPDATE SOUTH AFRICA 04/2015 Together with Country equipment Note coding		1	"ZA."
(1)	958 044 904 54	Software PCM3.1-UPDATE MIDDLE EAST 04/2015 Together with Country equipment Note coding		1	"PME"
(1)	958 044 904 55	Software PCM3.1-UPDATE ASIA / PAZIFIC 04/2015 Together with Country equipment Note coding		1	"HK."
(1)	958 044 904 56	Software PCM3.1-UPDATE RUSSIA 04/2015 Together with Country equipment Note coding		1	"RUS"
(1)	958 044 904 57	Software PCM3.1-UPDATE CHINA 04/2015		1	"CN."
(1)	997 044 908 68	Software PCM3.1-UPDATE ARGENTINIEN 04/2015 Together with Country equipment Note coding		1	"PLA"
(1)	997 044 908 69	Software PCM3.1-UPDATE		1	"PLA"

Model: TEQ 2 Model life 2003>>

Pos	Part Number	Description	Remark	Qty	Model
-		CHILE 04/2015 Together with Country equipment Note coding Inst. & Conv. Instructions Group 9 REAL TIME TRAFFIC 9110 (09/16) Internet 9940 (38/13) Attention			
2	958 044 904 58	Software PCM3.1-UPDATE REAL TIME TRAFFIC Information Europe 04/2015 Together with Country equipment Note coding		1	
(2)	958 044 904 59	D - MJ 2013>> - MJ 2016 Software PCM3.1-UPDATE REAL TIME TRAFFIC Information with: Internet Europe 04/2015 Coding VIA PRMS D - MJ 2013>> - MJ 2016		1	

Model: TEQ 2

Model life 2003>>



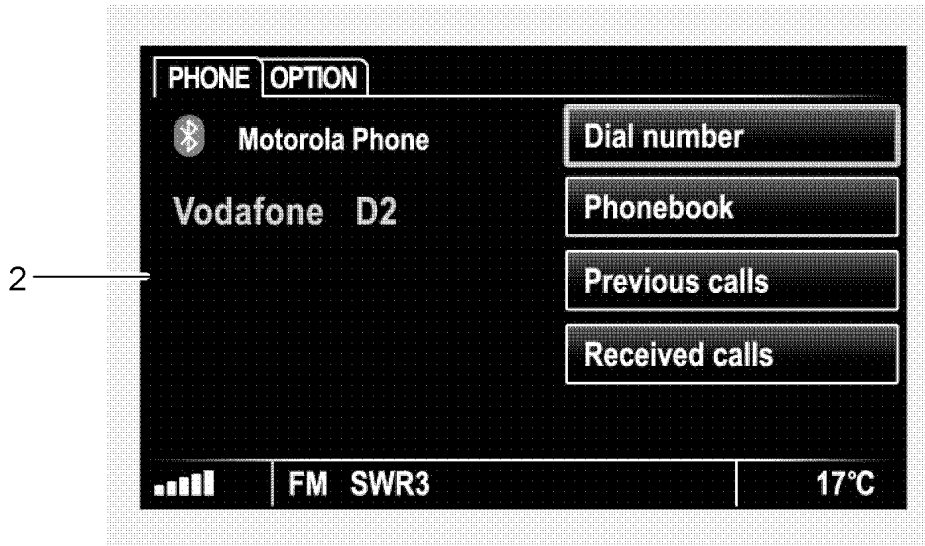
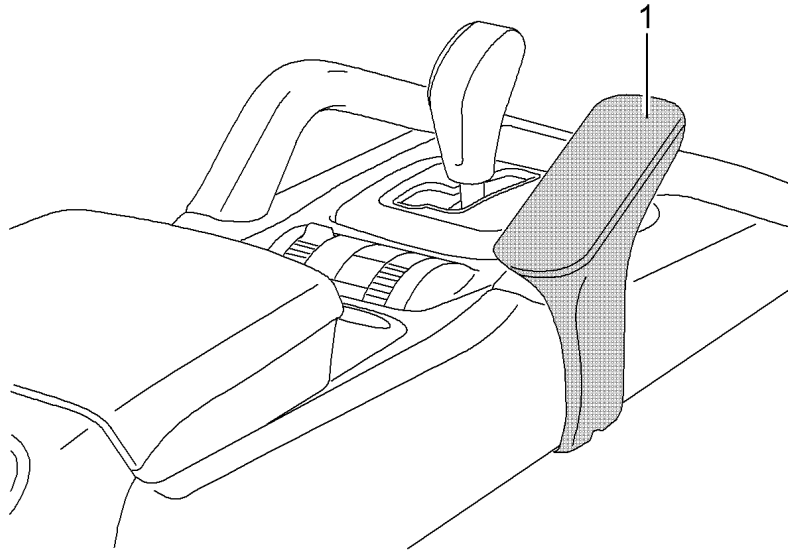
Model: TEQ 2

Model life 2003>>

Pos	Part Number	Description	Remark	Qty	Model
1	955 044 900 03	Module Telephone PCM2.0 PCM2.1 D - MJ 2003>> - MJ 2008		1	Cayenne (9PA)
(1)	955 044 901 43	Module Telephone Subsequent installation for PCM2.0 D - MJ 2003>> - MJ 2004		1	BIS KW 21/06 MOPF A/B
(1)	955 044 902 13	Module Telephone Subsequent installation for PCM 2.1 D - MJ 2005>> - MJ 2006		1	AB KW 22/06 MOPF C/C1
-		D - MJ 2006>> - MJ 2008 Attention Technical information CAYENNE 23/04 CAYENNE 08/06 comprising:			
2	955 044 900 14	Wiring microphone		1	
3	955 044 900 11	D - MJ 2003>> Wiring		1	
4	955 612 951 00	Positive cable Grommet Rear end		1	
5	955 612 952 00	D - MJ 2003>> Cable support sleeve Roof		1	
6	996 642 207 02	D - MJ 2003>> Control unit for telephone		1	BIS KW 21/06
(6)	997 646 209 01	D >> - MJ 2006 Control unit for telephone D - MJ 2006>>		1	AB KW 21/06
7	955 642 208 00	Bracket		1	
8	955 642 310 00	microphone		1	
9	955 647 206 00	Connecting line		1	
10	955 647 209 00	Connecting line		1	
11	955 647 106 00	Telephone aerial		1	
12	999 650 398 12	cable shoe		1	
13	N 104 648 02	Oval hexagon socket head bolt		2	
14	999 650 356 12	Pin		3	0,5-1 QMM
15	N 100 151 01	Hexagon nut		3	
(14)	N 903 352 04	flat contact		1	1-3,5 QMM
(14)	N 103 357 01	flat contact		1	0,35 QMM
16	N 105 357 02	fillister hd. bolt		2	
17	N 908 401 02	oval head panel screw (combi)		1	

Model: TEQ 2

Model life 2003>>

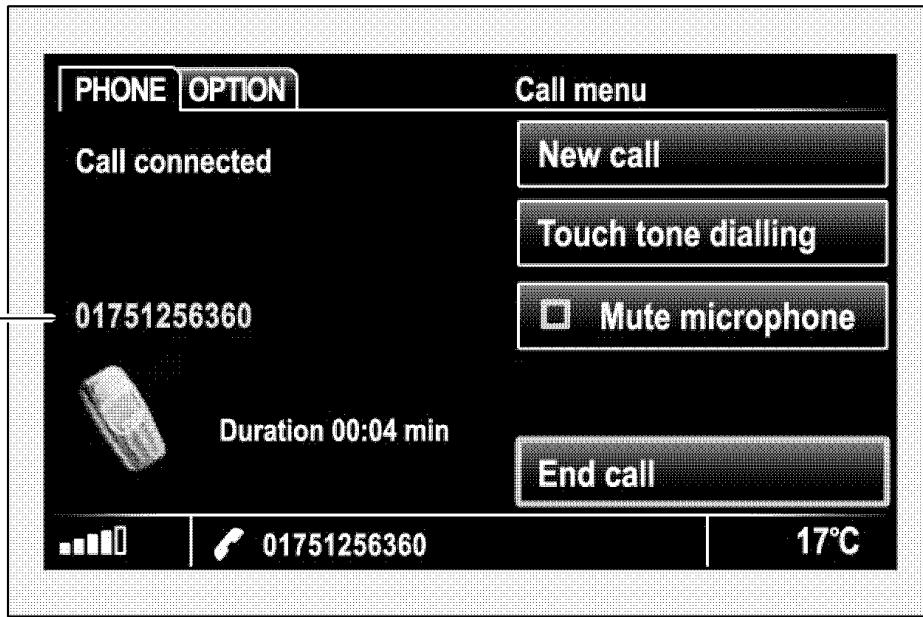


Model: TEQ 2 Model life 2003>>

Pos	Part Number	Description	Remark	Qty	Model
2	955 044 902 25	Mobile preparation for telephone Wire set Mobile preparation for telephone only in conj. with: PCM3.0 Coding VIA PRMS	04-10 11-16 09-10	1	Cayenne (9PA) Cayenne (92A) PR:7T1
-		Inst. & Conv. Instructions Porsche Cayenne Group 9 9187 (35/10) Attention	11-16		alle
(2)	958 044 900 12	Wire set Mobile preparation for telephone only in conj. with: PCM3.1 or CDR PLUS Coding VIA PRMS	11-16	1	PR:7T1
-		use if required: Console Roof see illustration: Porsche Cayenne 903-06			PR:-7Q4

Model: TEQ 2

Model life 2003>>



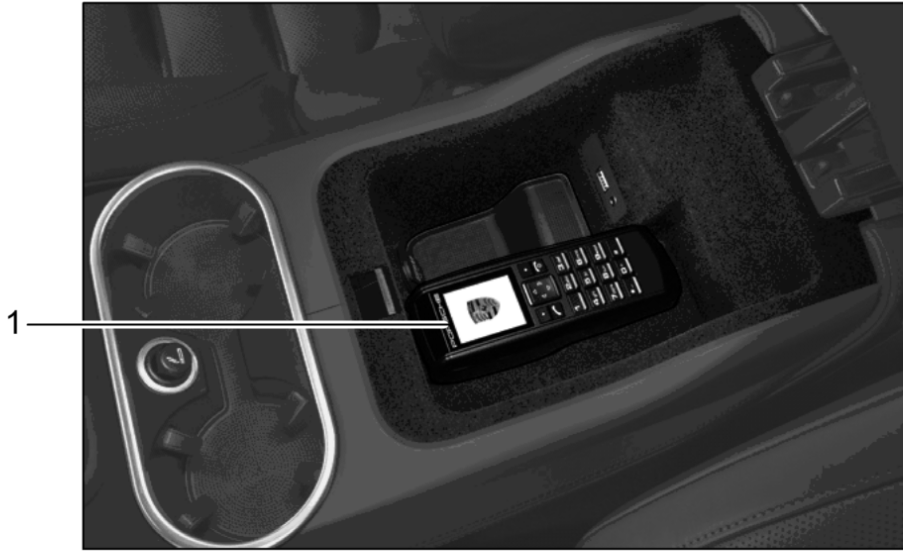
1

Model: TEQ 2 Model life 2003>>

Pos	Part Number	Description	Remark	Qty	Model
-		Module Telephone PCM3.0 PCM3.1 / CDR PLUS Inst. & Conv. Instructions Porsche Cayenne Group 9 9155 (15/08) Attention	09-10 11-16		Cayenne (9PA) Cayenne (92A)
1	955 044 902 43	Module Telephone only in conj. with: PCM3.0 Coding VIA PRMS Inst. & Conv. Instructions Porsche Cayenne Group 9 9155 (34/10) Attention	09-10	1	PR:7T1
-		 use if required: Console Roof see Catalogue 92A-9/03/06			alle
(1)	958 044 900 10	Module Telephone only in conj. with: PCM3.1 Until 45/2012 Coding VIA PRMS	11-12	1	PR:7T1
(1)	958 044 901 10	Module Telephone only in conj. with: PCM3.1 or CDR PLUS Coding VIA PRMS	11-16	1	PR:7T1

Model: TEQ 2

Model life 2003>>



Model: TEQ 2 Model life 2003>>

Pos	Part Number	Description	Remark	Qty	Model
-		Receiver Telephone BLUETOOTH D - MJ 2011>> - MJ 2016 Inst. & Conv. Instructions Cayenne, alle Group 9 9191			Cayenne (92A)
1	958 044 900 11	Attention Receiver Telephone BLUETOOTH only in conj. with: TELEFONMODUL D - MJ 2011>> - MJ 2016		1	PR:9W1

Model: TEQ 2

Model life 2003>>

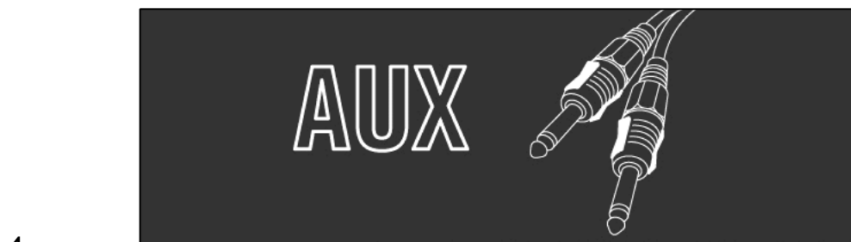
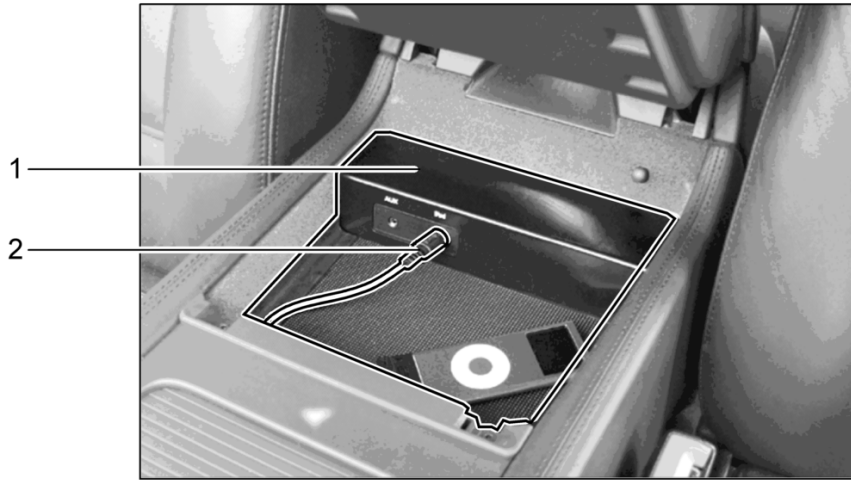


Model: TEQ 2 Model life 2003>>

Pos	Part Number	Description	Remark	Qty	Model
-		Internet access D - MJ 2011>> Inst. & Conv. Instructions Porsche Cayenne Group 9 9121 (9/11) 9121 (45/14) Attention			Cayenne (92A) alle Pos. 1 Pos. 2
1	970 044 900 47	Parts kit Internet access		1	"J..", "AUS", "ZA.", "PME", "MEX", "ROK", "SGP"
1	970 044 900 48	Parts kit Internet access		1	-"J..", -"AUS", -"ZA.", -"PME", -"MEX", -"ROK", -"SGP"
-	970 044 900 45	repair set for Internet access 970 044 900 47 970 044 900 48		1	
-		Set comprising: Wire set Assembly kit Aerial Operating instructions		1 1 1 1	
-		Only for replacement			
2	95B 044 900 20	Parts kit Internet access Discontinued part		1	LTE -"USA", -"CN."
-	95B 044 900 25	repair set for Internet access 95B 044 900 20		1	LTE -"USA", -"CN."

Model: TEQ 2

Model life 2003>>

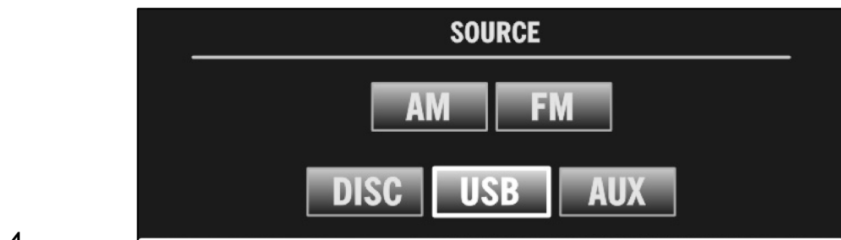
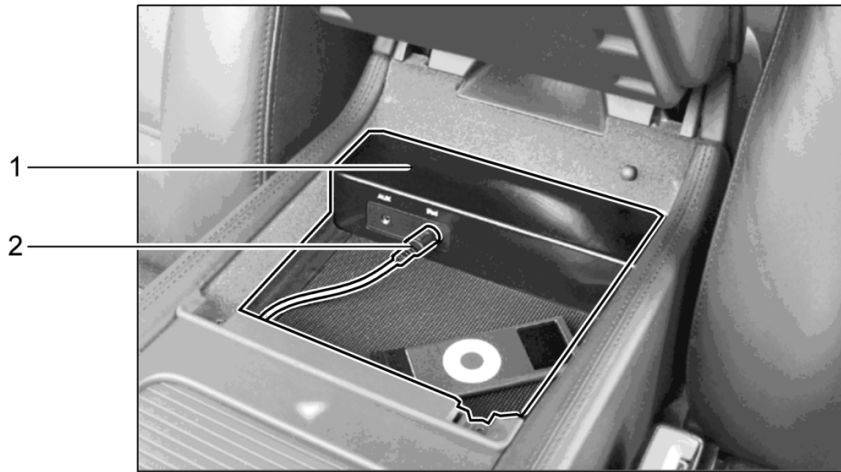


Model: TEQ 2 Model life 2003>>

Pos	Part Number	Description	Remark	Qty	Model
-		Multimedia interface for Radio unit Inst. & Conv. Instructions Porsche Cayenne Group 9 9122 (25/07) Attention	03-10 11- 03-08		Cayenne (9PA) Cayenne (92A) alle
1	955 044 902 90	Multimedia interface Universal Set only in conj. with: CDR23	03-08	1	Cayenne (9PA)
-	997 044 901 74	Operating instructions for Multimedia interface 955.044.902.90 / 902.97		1	Cayenne (9PA)
2	997 612 471 00	Connection cable Multimedia interface	03-10	1	Cayenne (9PA)
-		Inst. & Conv. Instructions Porsche Cayenne Group 9 9122 (3/09) Attention	09-10		alle
3	955 044 902 92	Multimedia interface Universal Set only in conj. with: CDR30	09-10	1	Cayenne (9PA) PR:8DR
-		Inst. & Conv. Instructions Porsche Cayenne Group 9 9122 (33/10) Attention	11-12		alle
4	958 044 900 16	Multimedia interface Universal Set only in conj. with: CDR31 F >> 92-CLA05 335 F >> 92-CLA92 110 F >> 92-CLA64 565 F >> 92-CLA28 101 F >> 92-CLA45 215 Discontinued part	11-12	1	Cayenne (92A) PR:8AJ
-		Inst. & Conv. Instructions Porsche Cayenne Group 9 9122 (44/12) Attention	11-14		alle
(4)	958 044 901 16	Multimedia interface Universal Set only in conj. with: CDR31	11-14	1	Cayenne (92A) PR:8AJ

Model: TEQ 2

Model life 2003>>

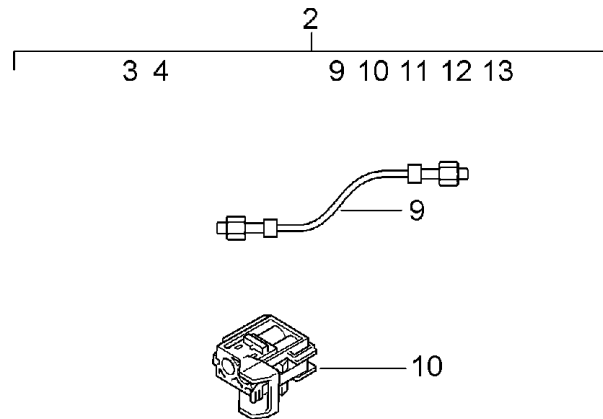
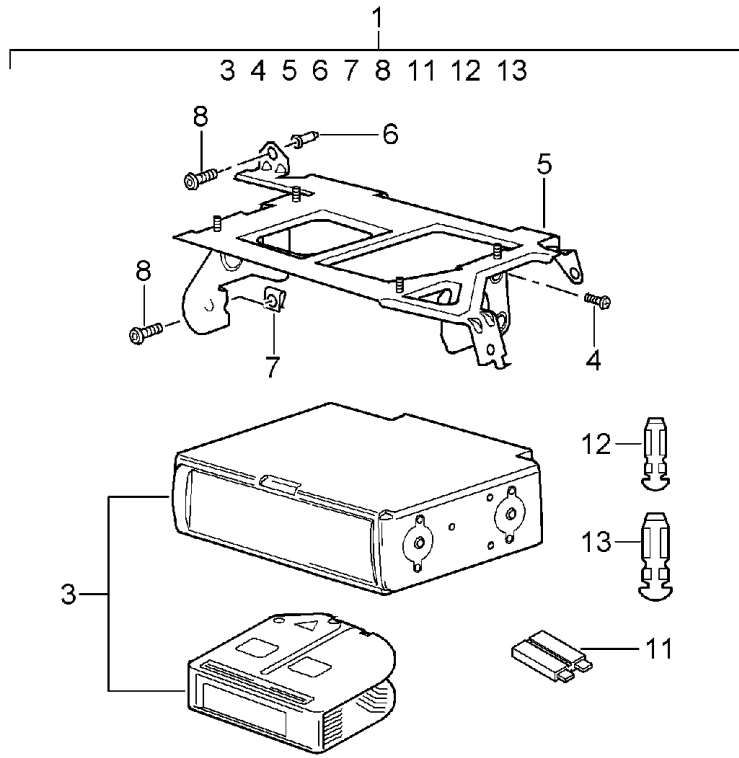


Model: TEQ 2 Model life 2003>>

Pos	Part Number	Description	Remark	Qty	Model
-		Multimedia interface for PCM Inst. & Conv. Instructions CAYENNE,ALLE Group 9 9122 Attention	03-10 11-16 03-08		Cayenne (9PA) Cayenne (92A)
1	955 044 902 90	Multimedia interface Universal Set only in conj. with: PCM2.0 / PCM2.1	03-08	1	Cayenne (9PA) -"J.."
-	997 044 901 74	Operating instructions for Multimedia interface 955.044.902.90 / 902.97		1	Cayenne (9PA)
2	997 612 471 00	Connection cable Multimedia interface	03-10	1	Cayenne (9PA)
3	955 044 902 26	Multimedia interface Universal Set only in conj. with: PCM3.0 Coding VIA PRMS	09-10	1	Cayenne (9PA) PR:7T1
4	958 044 900 13	Multimedia interface Universal Set only in conj. with: PCM3.1 Coding VIA PRMS F >> 92-CLA05 335 F >> 92-CLA92 110 F >> 92-CLA64 565 F >> 92-CLA28 101 F >> 92-CLA45 215 F >> 92-CLA82 187 Discontinued part	11-12	1	Cayenne (92A)
(4)	958 044 901 13	Multimedia interface Universal Set only in conj. with: PCM3.1 Coding VIA PRMS	11-16	1	PR:7T1 Cayenne (92A) PR:7T1

Model: TEQ 2

Model life 2003>>



Model: TEQ 2

Model life 2003>>

Pos	Part Number	Description	Remark	Qty	Model
-		CD changers CDC4 D - MJ 2003>> - MJ 2008 Inst. & Conv. Instructions Cayenne,alle 9160 Attention			Cayenne (9PA)
1	955 044 900 04	CD changer pack.,retrofit set CDC4		1	PR:7A1
2	955 044 900 12	CD changer pack.,retrofit set CDC4		1	PR:7A1,9VL
-		for cars without CD changers Preparation			
-	955 044 900 10	also use: Cable D - MJ 2003>> - MJ 2003		1	
-		Set comprising:			
3	996 645 140 02	CD changers		1	
4	N 906 448 01	Oval hexagon socket head bolt		6	M5 X 9
5	955 645 220 00	bracket for cd changer and/or amplifier		1	
6	N 909 278 01	rivitted cap nut		2	M6
7	N 910 234 01	Speed nut		1	M6 X 24,4
8	N 100 292 01	fillister head bolt with allen key head		4	M6 X 15
9	955 642 304 00	fibre optic wave conductor		1	
10	955 642 321 00	D - MJ 2003>> - MJ 2003 Connector		1	
11	999 607 004 00	D - MJ 2003>> - MJ 2003 fuse		1	5A
12	N 103 357 01	flat contact		1	0,35 QMM
13	999 650 356 12	Pin		1	0,5Q MM

Model: TEQ 2

Model life 2003>>



Model: TEQ 2 Model life 2003>>

Pos	Part Number	Description	Remark	Qty	Model
-		Rear seat entertainment system	04-06		Cayenne (9PA)
-		Rear seat entertainment system	04-10		
-		2nd GENERATION			
-		Rear seat entertainment system	04-06		
-		Technical information			
-		CAYENNE,ALLE			
-		Group 9			
-		9194			
-		Attention			
-		Basic package	04-06		PR:1D7,1D8
-		DVD device			
-		with:			
-		Screen			
-		for vehicles with			
-		or			
-		From			
-		F >>WP1ZZZ9PZ3LA 40381			
1	955 044 901 02	DVD-player	04-06	1	PR:1D7
-		Screen			
-		Basic package			
-		Discontinued part			
-	955 044 901 02 SXL	Leather colour/black			
-	955 044 901 02 SXM	steel grey			
-	955 044 901 02 SXN	Sand beige			
-	955 044 901 02 SXP	Palm green			
-		for			
-		DVD			
-		Coding			
-		Europe			
-		Japan			
-		MIDDLE EAST			
-		EGYPT			
-		SOUTH AFRICA			
-		GREENLAND			
(1)	955 044 901 03	DVD-player	04-06	1	PR:1D7
-		Screen			
-		Basic package			
-		Discontinued part			
-	955 044 901 03 SXL	Leather colour/black			
-	955 044 901 03 SXM	steel grey			
-	955 044 901 03 SXN	Sand beige			
-	955 044 901 03 SXP	Palm green			
-		for			
-		DVD			
-		Coding			
-		SOUTH EAST ASIA			
-		EAST ASIA			
-		TAIWAN			
-		HONGKONG			
-		MALAYSIA			
-		THAILAND			
(1)	955 044 901 04	DVD-player	04-06	1	PR:1D7,1D8
-		Screen			
-		Basic package			
-		Discontinued part			
-	955 044 901 04 SXL	Leather colour/black			
-	955 044 901 04 SXM	steel grey			
-	955 044 901 04 SXN	Sand beige			
-	955 044 901 04 SXP	Palm green			
-		for			
-		DVD			
-		Coding			
-		AUSTRALIA			

Model: TEQ 2 Model life 2003>>

Pos	Part Number	Description	Remark	Qty	Model
(1)	955 044 901 05	NEW ZEELAND SOUTH AMERICA MIDDLE AMERICA MEXICO CARIBIC PACIFIC ISLANDS BRAZIL DVD-player Screen Basic package Discontinued part	04-06	1	PR:1D7
	955 044 901 05 SXL	Leather colour/black			
	955 044 901 05 SXM	steel grey			
	955 044 901 05 SXN	Sand beige			
	955 044 901 05 SXP	Palm green			
-		for DVD Coding RUSSIA EASTERN EUROPE AFRICA INDIA NORTH KOREA MONGOLIA			
(1)	955 044 901 06	DVD-player Screen Basic package Discontinued part	04-06	1	PR:1D7
	955 044 901 06 SXL	Leather colour/black			
	955 044 901 06 SXM	steel grey			
	955 044 901 06 SXN	Sand beige			
	955 044 901 06 SXP	Palm green			
-		for DVD Coding CHINA			
2	955 044 900 25	Appendix Screen for Basic package All Country equipment Discontinued part	04-06	1	PR:1D7,1D8
	955 044 900 25 SXL	Leather colour/black			
	955 044 900 25 SXM	steel grey			
	955 044 900 25 SXN	Sand beige			
	955 044 900 25 SXP	Palm green			
-		Basic package comprising:			
-	955 645 980 00	DVD-player	04-06	1	
	955 645 980 00 SXL	Black			
	955 645 980 00 SXM	steel grey			
	955 645 980 00 SXN	Sand beige			
	955 645 980 00 SXP	Palm green			
-		Coding DVD Indicate			
-	955 645 982 01	Video Cable Screen	04-06	1	
-	955 645 982 02	Video Cable DVD device	04-06	1	

Model: TEQ 2 Model life 2003>>

Pos	Part Number	Description	Remark	Qty	Model
-	955 645 982 03	Cable Wiring	04-06	1	
-	955 645 982 04	Control panel DVD device		1	
-	955 645 982 05	Receiver		1	
-	955 645 982 06	Hooks for Receiver		1	
-	955 645 981 03	display without:	04-06	1	
-		Trim Rear seat entertainment system 2nd GENERATION Inst. & Conv. Instructions CAYENNE,ALLE Group 9 9194 Attention Only for vehicles with or Vehicle Ident. No. From F 9P-3LA40 381>>	04-10		
-		(passenger side) order at the same time DVD Note coding			PR:1D2,1D6, 1D9
3	955 044 902 02	DVD-player Screen Basic package	04-10	1	PR:1D2,1D6, 1D9
	955 044 902 02 SXL	Leather colour/black			
	955 044 902 02 SXM	steel grey			
	955 044 902 02 SXN	Sand beige			
	955 044 902 02 WAG	Leather colour/maroon brown			
	955 044 902 02 SXP	Palm green for DVD Coding Europe Japan Middle East Egypt South Africa Greenland			
(3)	955 044 902 03	DVD-player Screen Basic package	04-10	1	PR:1D2,1D6, 1D9
	955 044 902 03 SXL	Leather colour/black			
	955 044 902 03 SXM	steel grey			
	955 044 902 03 SXN	Sand beige			
	955 044 902 03 WAG	Leather colour/maroon brown			
	955 044 902 03 SXP	Palm green for DVD Coding South East Asia East Asia Taiwan Hongkong Malaysia			

Model: TEQ 2 Model life 2003>>

Pos	Part Number	Description	Remark	Qty	Model
(3)	955 044 902 04	Thailand DVD-player Screen Basic package	04-10	1	PR:1D2,1D6, 1D9
	955 044 902 04 SXL	Leather colour/black			
	955 044 902 04 SXM	steel grey			
	955 044 902 04 SXN	Sand beige			
	955 044 902 04 WAG	Leather colour/maroon brown			
	955 044 902 04 SXP	Palm green			
-		for DVD Coding Australia New Zeeland South America Middle America Mexico Caribic Pacific Islands Brazil			
(3)	955 044 902 05	DVD-player Screen Basic package	04-10	1	PR:1D2,1D6, 1D9
	955 044 902 05 SXL	Leather colour/black			
	955 044 902 05 SXM	steel grey			
	955 044 902 05 SXN	Sand beige			
	955 044 902 05 WAG	Leather colour/maroon brown			
	955 044 902 05 SXP	Palm green			
-		for DVD Coding Russia Eastern Europe Africa India North Korea Mongolia			
(3)	955 044 902 06	DVD-player Screen Basic package	04-10	1	PR:1D2,1D6, 1D9
	955 044 902 06 SXL	Leather colour/black			
	955 044 902 06 SXM	steel grey			
	955 044 902 06 SXN	Sand beige			
	955 044 902 06 WAG	Leather colour/maroon brown			
	955 044 902 06 SXP	Palm green			
-		for DVD Coding China			
4	955 044 902 07	display	04-10	1	PR:L0L
		with: Accessories		lhd	
	955 044 902 07 SXL	Black			
	955 044 902 07 SXM	steel grey			
	955 044 902 07 SXN	Sand beige			
	955 044 902 07 WAG	chestnut brown			
(4)	955 044 902 08	display	04-10	1	PR:L0R
		with: Accessories		rhd	
	955 044 902 08 SXL	Black			
	955 044 902 08 SXM	steel grey			
	955 044 902 08 SXN	Sand beige			
	955 044 902 08 WAG	chestnut brown			

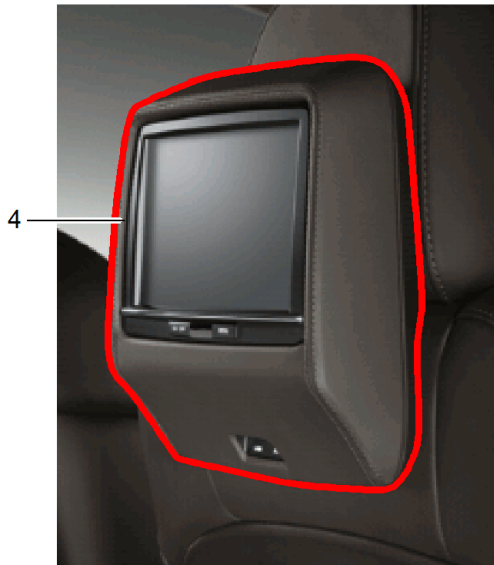
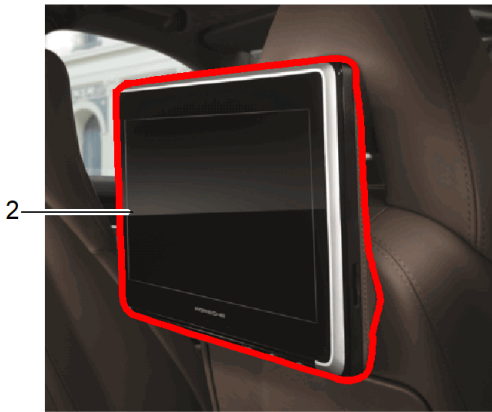
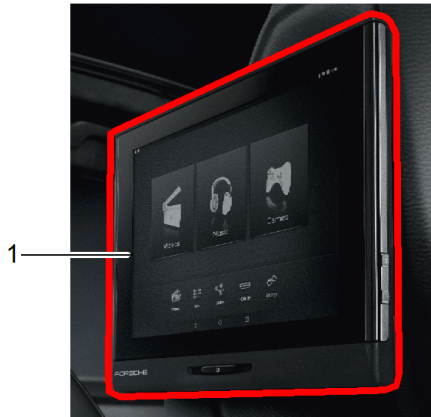
Model: TEQ 2

Model life 2003>>

Pos	Part Number	Description	Remark	Qty	Model
-	955 044 902 08 SXP 955 044 902 09	Palm green display without: Accessories (drivers side)	04-10	1	
	955 044 902 09 SXL	Leather colour/black			
	955 044 902 09 SXM	steel grey			
	955 044 902 09 SXN	Sand beige			
	955 044 902 09 WAG	Leather colour/maroon brown			
	955 044 902 09 SXP	Palm green			

Model: TEQ 2

Model life 2003>>



P94950022 05-18

Model: TEQ 2 Model life 2003>>

Pos	Part Number	Description	Remark	Qty	Model
-		Rear seat entertainment system Exclusive programme Spare parts catalogue D - MJ 2011>> Only for replacement Exclusive programme Order			CAYENNE (92A) CAYENNE (9YA)
1	9Y0 088 008	Retrofit kit Rear seat entertainment system Porsche Cayenne Black		1	- "CN. " E3
-		use if required: 970.558.316.00 note: Inst. & Conv. Instructions Group 9 9194 (27/15) 9194 (28/15)			ab E2 II
2	970 558 320 00	DVD-player Rear seat entertainment system Black	Painted	1	E2 II
(2)	970 558 321 00	DVD-player Rear seat entertainment system Leather paint		1	E2 II
	970 558 321 00 6G0	Leather colour/crema			
	970 558 321 00 8C0	Leather colour/espresso			
	970 558 321 00 8YR	Leather colour/black			
	970 558 321 00 9EF	Leather colour/cognac			
	970 558 321 00 9H6	Leather colour/luxor beige			
	970 558 321 00 N11	Leather colour/garnet red/ Carrera red			
	970 558 321 00 OB8	Leather colour/cohiba brown			
	970 558 321 00 OK6	Leather colour/saddle brown			
	970 558 321 00 PL1	Leather colour/agate grey			
	970 558 321 00 HAT	Leather colour/black/ Carrera red			
(2)	970 558 322 00	DVD-player Rear Seat Entertainm. Plus Black	Painted	1	E2 II
(2)	970 558 323 00	DVD-player Rear Seat Entertainm. Plus Leather paint		1	E2 II
	970 558 323 00 6G0	Leather colour/crema			
	970 558 323 00 8C0	Leather colour/espresso			
	970 558 323 00 8YR	Leather colour/black			
	970 558 323 00 9EF	Leather colour/cognac			
	970 558 323 00 9H6	Leather colour/luxor beige			
	970 558 323 00 N11	Leather colour/garnet red/ Carrera red			
	970 558 323 00 OB8	Leather colour/cohiba brown			
	970 558 323 00 OK6	Leather colour/saddle brown			
	970 558 323 00 PL1	Leather colour/agate grey			
	970 558 323 00 HAT	Leather colour/black/ Carrera red			
-	970 044 901 00	Retrofit kit For vehicles with rear seat entertainment 'RSE' New design comprising: DVD-player Operating instructions		1 2 1	E2 I / E2 II PR:9WM
-		only in conj. with: Headphones			

Model: TEQ 2

Model life 2003>>

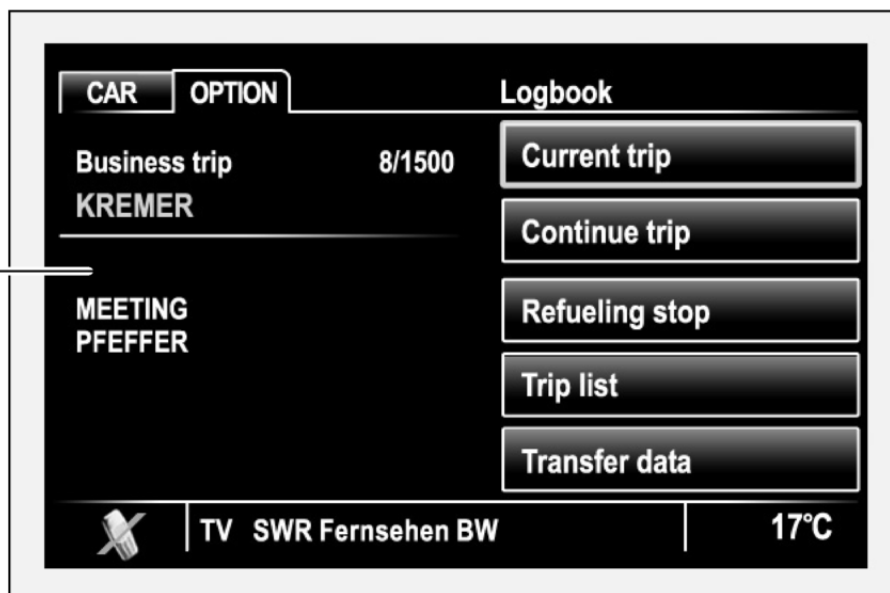
Pos	Part Number	Description	Remark	Qty	Model
3	970 558 316 00	Bluetooth Headphones		1	E2 I / E2 II
-	970 558 314 00	Bluetooth Operating instructions Rear seat entertainment system Valid for 970 558 320 00 970 558 321 00 970 558 322 00 970 558 323 00		1	
-		Inst. & Conv. Instructions Porsche Cayenne Group 9 9194 (43/10) Attention			alle
4	958 645 991 00	DVD-player Leather paint		1	
	958 645 991 00 DE1	Leather colour/umbra			
	958 645 991 00 DF2	Light Tartufo			
	958 645 991 00 DJ3	Leather colour/titanium blue			
	958 645 991 00 HAT	Leather colour/black/ Carrera red			
	958 645 991 00 6G0	Leather colour/crema			
	958 645 991 00 7A0	Leather colour/platinum grey			
	958 645 991 00 8C0	Leather colour/espresso			
	958 645 991 00 8YR	Leather colour/black			
	958 645 991 00 9EF	Leather colour/cognac			
	958 645 991 00 9H6	Leather colour/luxor beige			
5	970 645 993 00	Receiver (complete)		1	
-	970 645 996 00	Rear seat entertainment system Cable AUX Valid for 958 645 991 00		1	
-	958 645 992 00	Operating instructions Rear seat entertainment system Valid for 958 645 991 00		1	

Model: TEQ 2

Model life 2003>>



1



2

Model: TEQ 2 Model life 2003>>

Pos	Part Number	Description	Remark	Qty	Model
-		Logbook PCM2.1 / PCM3.0 PCM3.1 Inst. & Conv. Instructions Group 9 9110 (14/05) 9110 (16/08) 9110 (3/10) Attention	05-10 11-16		Cayenne (9PA) Cayenne (92A) Cayenne (9PA) Cayenne (9PA) Cayenne (92A)
2	958 044 900 29	Logbook Coding VIA PRMS	05-16	1	PR: 7Q2, 7T1 Cayenne (9PA) Cayenne (9PA) Cayenne (92A)
-		Discontinued part also use:	955 044 900 07	1	Europa

Model: TEQ 2

Model life 2003>>



Model: TEQ 2 Model life 2003>>

Pos	Part Number	Description	Remark	Qty	Model
-		Subsequent installation ONLINE SERVICES PCM3.1 D - MJ 2012>> - MJ 2016 Inst. & Conv. Instructions Porsche Cayenne Group 9 9110 (38/13) Attention			Cayenne (92A)
1	958 044 900 28	Software ONLINE SERVICES only in conj. with: PCM3.1 Coding VIA PRMS D >> - MJ 2016		1	45/2012 >>